

1132 Printer

IBM Parts Catalog

1132 Printer

IBM® **Parts Catalog**

PREFACE

This Illustrated Parts Catalog (IPC) contains listings and illustrations of all replaceable assemblies, subassemblies and detail parts released to Production Control on or before 30 December 1966 for the 1132 Printer.

Requests for copies of IBM publications should be made to your IBM representative or to the IBM branch office serving your locality.

This manual has been prepared by the IBM Systems Development Division, Product Publications, Dept. B97 - Parts Catalog Center, P.O. Box 390, Poughkeepsie, New York 12602

A form is provided at the back of this publication for reader's comments. If the form has been removed, comments may be sent to the above address.

GLOSSARY I
 HOW TO USE II - III
 VISUAL INDEX IV through XII
 GROUP ASSEMBLY PARTS LIST 1 through 87
 NUMERICAL INDEX 1 through 9

GLOSSARY

AR

As Required (AR) in the units per assembly column denotes that the quantity is used as required.

*ASTERISK

An asterisk in the left margin of the list indicates a part changed in the latest revision of the catalog.

INDENTURE

The relationship of a part to its next higher assembly is indicated by indenture. For example:

- | | | | |
|------|--------------------------------------|---|---|
| 1 | 2 | 3 | 4 |
| Unit | | | |
| . | Assemblies and Detail Parts of Unit | | |
| . | Subassemblies | | |
| . | Detail Parts for Subassemblies, etc. | | |

▣ LOZENGE

The lozenge in the description column indicates parts not recommended for field replacement.

NP

The entry NP in the Units Per Asm column denotes the part is non-procurable and that the next higher assembly should be ordered.

NO NO.

When this indication appears in the part number column, it denotes a group of parts for which no part number has been assigned.

REF

This entry in the units per assembly column denotes an assembly which is completely assembled on a preceding illustration. Quantities for such items are found in its next higher assembly.

SIMILAR ASSEMBLIES

If two assemblies contain a majority of identical parts, they are broken down on the same list. Common parts are shown by one index number. Parts peculiar to one or the other of the assemblies are listed separately and identified by Usable On Code.

USABLE ON CODE

Part application and interchangeability is indicated by the usable on code. If this column is blank, the parts pertain to all equipment(s) covered. Two types of codes are used. The alphabetic code denotes similar assemblies and/or features; the numeric code denotes level. Refer to the beginning of each list for the explanation of the code(s).

VISUAL INDEX

This index is a pictorial index to catalog figures. The visual index directs the user to the proper figure, assisting him in locating the part number.

IPC CONTENTS

HOW TO USE AN IPC

IPC ORGANIZATION

To find parts quickly, you should understand the structure of a parts catalog. First, the complete machine is drawn with major assemblies and sub-assemblies in place (Visual Index Section). Then the machine is "disassembled" into drawings of assemblies and subassemblies (Group Assembly Parts List "GAPL" Section). Thus, the sequence of figures in the catalog is the reverse of the manufacturing assembly sequence. This means that parts are not grouped according to machine functions.

One result of structuring a catalog in this manner is that some parts -- filters, brackets, belts, spring clips -- may not be where you would "logically" expect to find them in a catalog. Because of the assembly sequence, you may find these kinds of parts on a higher-level assembly. This is an important point and is why every GAPL List is cross-referenced to any higher-level or lower-level figures.

Some detailed parts are unavailable, either because they are part of an inseparable assembly (two parts welded together), or because they are part of an assembly purchased as a unit. In either case, you will need to obtain the assembly rather than the detailed part. Here again, you need to locate the part number of the next higher assembly.

Catalog Sections

A parts catalog has three sections:

1. Visual Index -- At front of catalog; shows major assemblies
2. GAPL -- A pictorial breakdown of assemblies and subassemblies
3. Numerical Index -- At back of catalog; lists all part numbers numerically

Visual Index

The Visual Index is the starting point for locating a part. Illustrations in the visual index show overall views of the machine and its major assemblies. Index numbers on the illustrations lead you to detailed figures in the GAPL Section.

Group Assembly Parts List (GAPL)

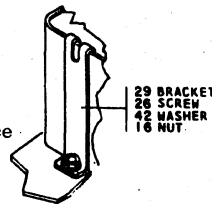
The GAPL Section consists of related Figures and Lists. The GAPL Figures break down the assemblies and subassemblies into detailed parts. The GAPL Lists describe the parts and give part numbers. Each Figure in the GAPL Section is referenced from the Visual Index Section. The relation of assemblies to subassemblies is indicated by indentation.

Numerical Index

The Numerical Index at the back of the catalog lists all parts in numeric order. Each part number is cross-referenced to related Lists and Figures in the GAPL Section. The Numerical Index permits you to locate and identify a part when only the part number is known.

Stacked Index Numbers

Index numbers are stacked only to indicate a part and its attaching hardware. The sequence of a typical stack is shown at right.



HOW TO FIND A PART

Steps 1 through 8 in the flow chart take you through the route for finding most parts. Because some parts may not be on the first GAPL Figure, you may be required to go to a lower-level or higher-level GAPL Figure to find a part.

Lower-Level Assembly

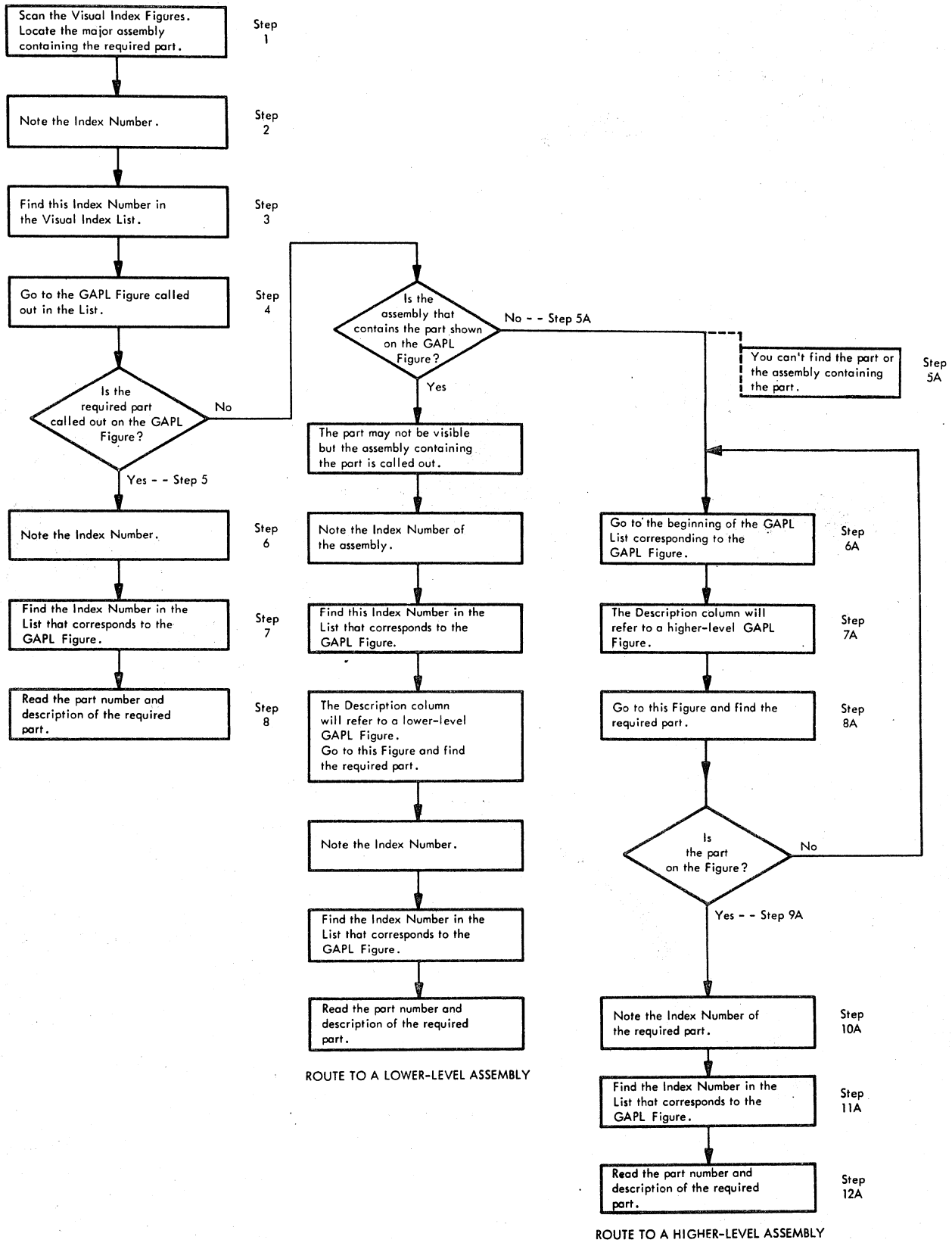
If the first GAPL Figure shows an assembly containing the required part, a figure reference in the GAPL List will indicate the proper, lower-level GAPL Figure. You should find your part in the breakdown of the assembly.

Higher-Level Assembly

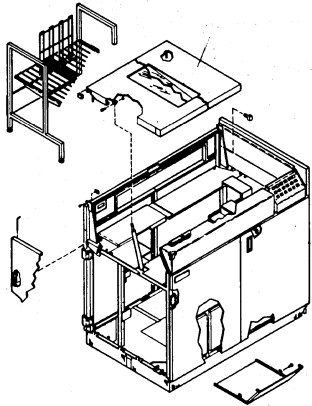
The most puzzling instance is when neither the part you are looking for, nor its assembly, is found on the first GAPL Figure. Steps 5A through 12A in the flow chart show the method. Note the loop after Step 8A of the flow chart provides for more than one level of "backing up" to find a part. If you do not find your part, go to the next higher-level, as indicated in Step 7A.

Illustration Notes

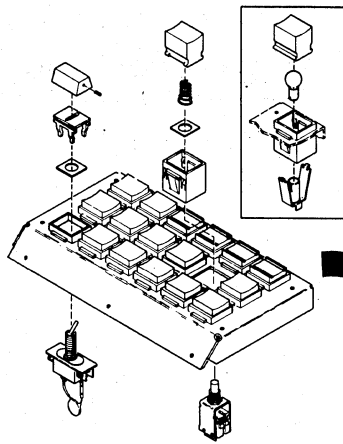
Future catalogs will attempt to relieve the cross-referencing problem by placing the cross-referencing notes directly on the illustration. This will eliminate the need to go to the list for higher or lower level cross references.



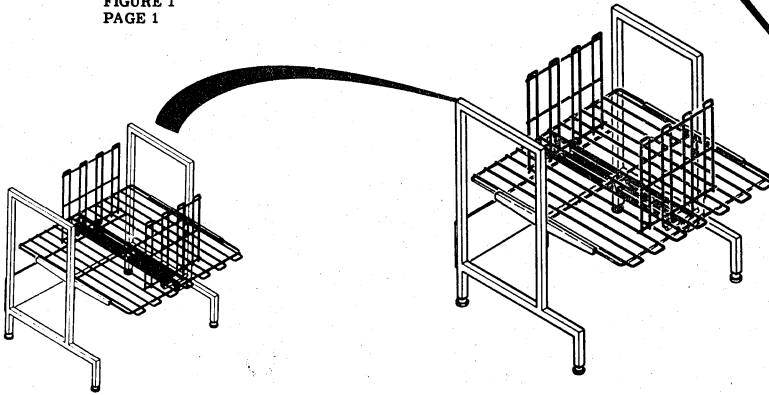
HOW TO FIND A PART



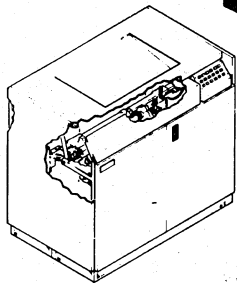
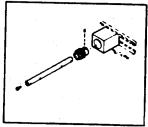
SHIPPING GROUP AND COVER GROUPS
FIGURE 1
PAGE 1



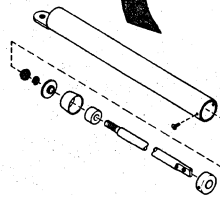
SWITCH AND LIGHT ASSEMBLY
FIGURE 8
PAGE 16



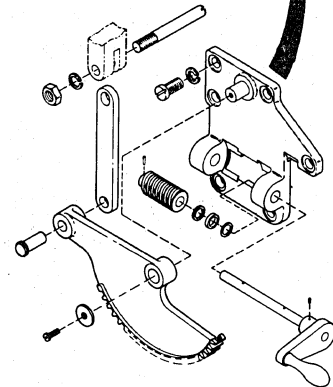
PAPER STACKER ASSEMBLY
FIGURE 11
PAGE 18



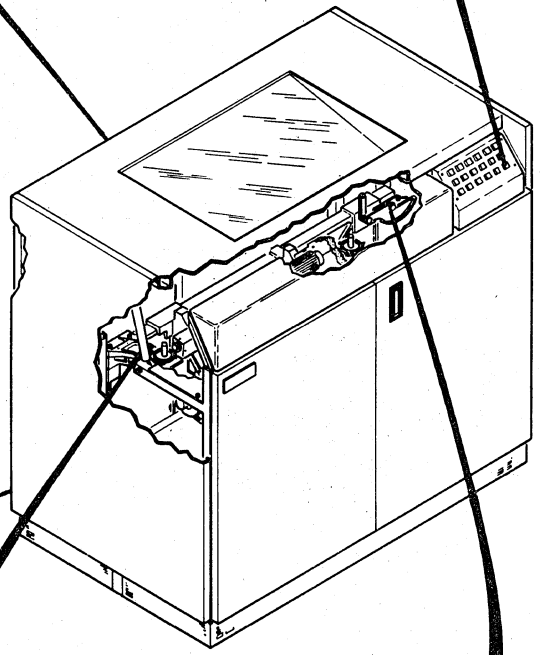
SHIPPING GROUP AND COVER GROUP PARTS
SEE VISUAL II



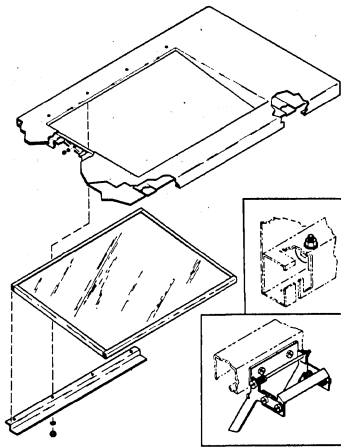
DASHPOT ASSEMBLY
FIGURE 7
PAGE 14



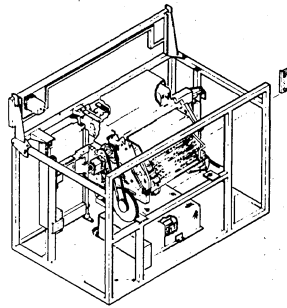
CARRIAGE LIFT ASSEMBLY
FIGURE 37
PAGE 83



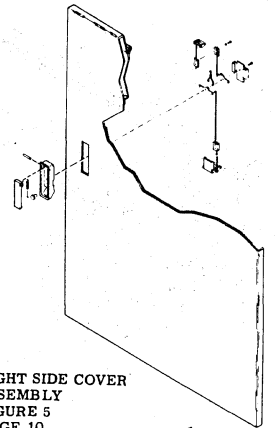
VISUAL I



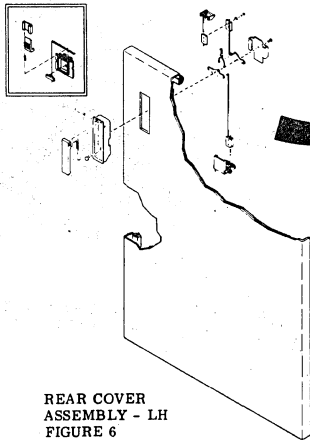
TOP COVER ASSEMBLY
FIGURE 2
PAGE 4



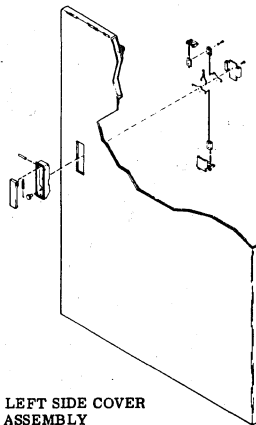
MECHANICAL ASSEMBLY PARTS
SEE VISUALS III, IV, V, AND
VI



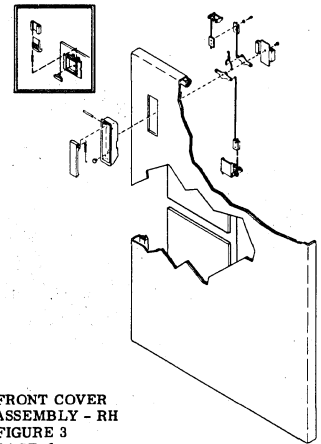
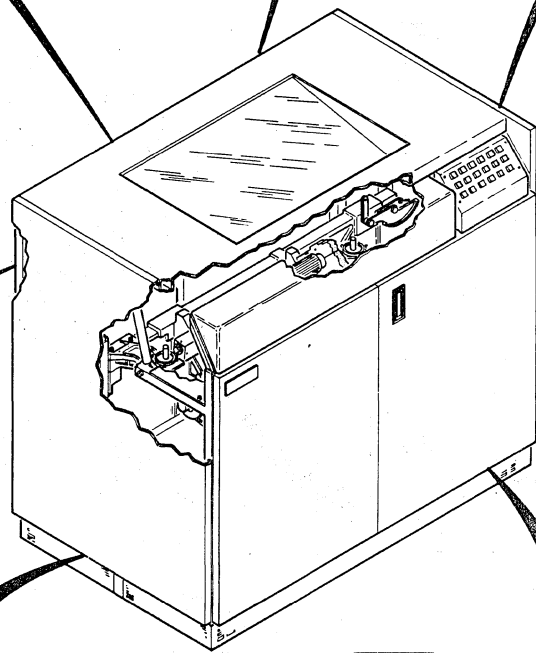
RIGHT SIDE COVER
ASSEMBLY
FIGURE 5
PAGE 10



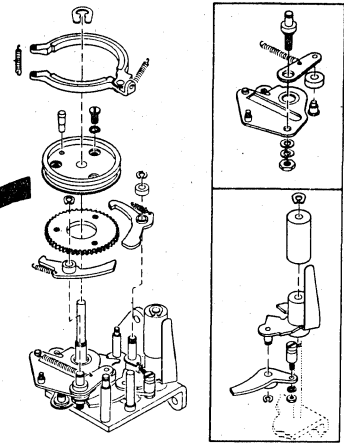
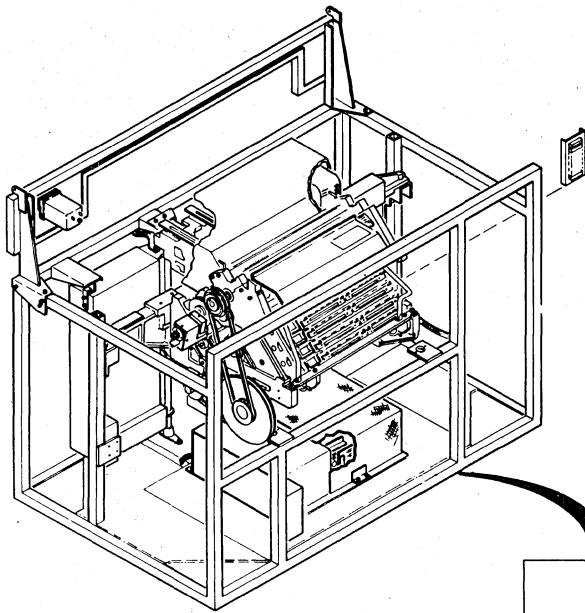
REAR COVER
ASSEMBLY - LH
FIGURE 6
PAGE 12



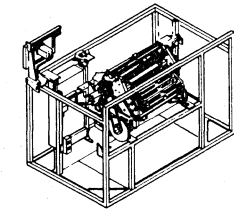
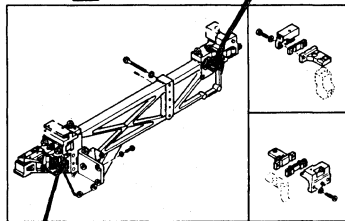
LEFT SIDE COVER
ASSEMBLY
FIGURE 4
PAGE 8



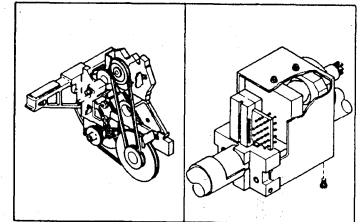
FRONT COVER
ASSEMBLY - RH
FIGURE 3
PAGE 6



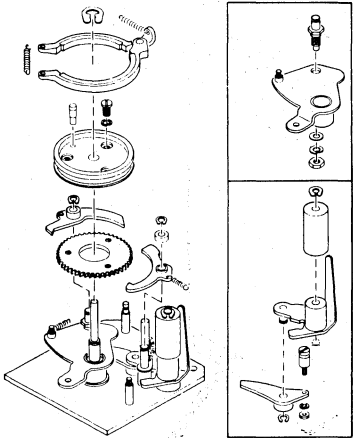
RIGHT HAND RIBBON
FEED ASSEMBLY
FIGURE 13
PAGE 28



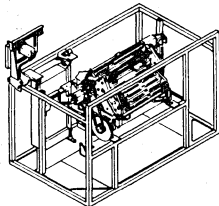
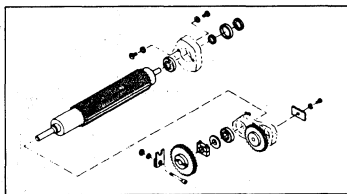
PRINTER FINAL ASSEMBLY
FIGURE 12, SHEET 1 OF 4
PAGE 20



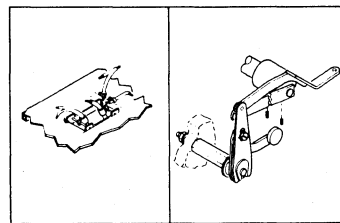
PRINTER FINAL ASSEMBLY
FIGURE 12, SHEET 2 OF 4
PAGE 21



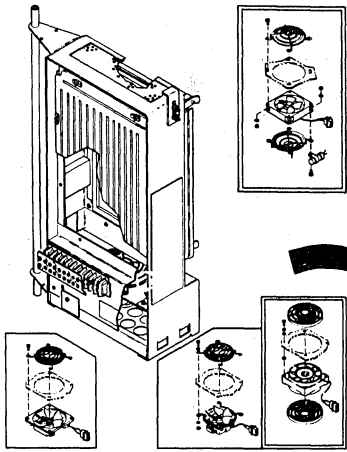
LEFT HAND RIBBON
FEED ASSEMBLY
FIGURE 14
PAGE 30



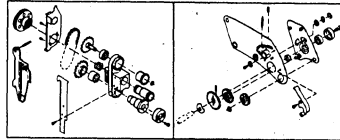
PRINTER FINAL ASSEMBLY
FIGURE 12, SHEET 4 OF 4
PAGE 23



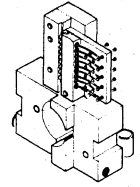
PRINTER FINAL ASSEMBLY
FIGURE 12, SHEET 3 OF 4
PAGE 22



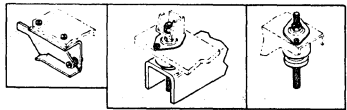
GATE ASSEMBLY
FIGURE 17
PAGE 37



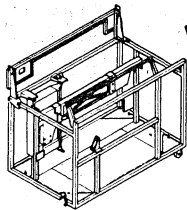
FORMS TRACTOR ASSEMBLY
FIGURE 25
PAGE 63



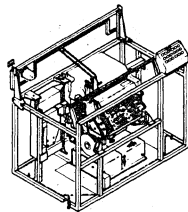
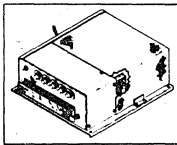
SOLAR CELL UNIT
ASSEMBLY
FIGURE 27
PAGE 68



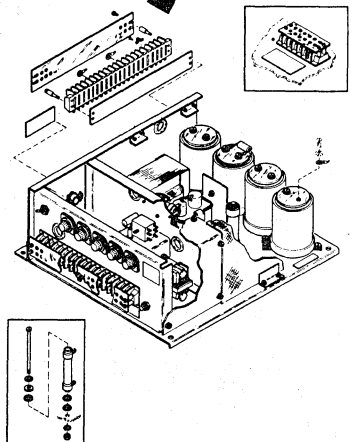
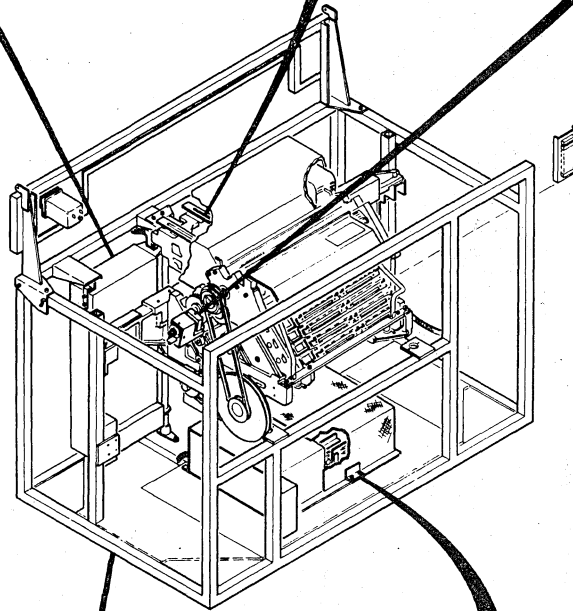
MECHANICAL ASSEMBLY
FIGURE 16, SHEET 2 OF 2
PAGE 34



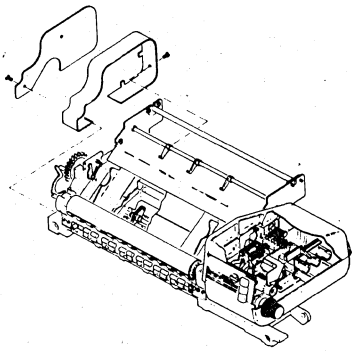
MECHANICAL ASSEMBLY
FIGURE 16, SHEET 1 OF 2
PAGE 33



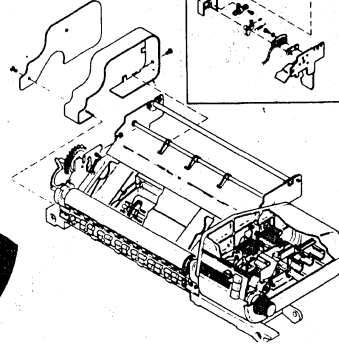
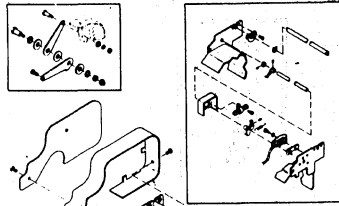
MECHANICAL ASSEMBLY
FIGURE 16, SHEET 1 OF 2
PAGE 33



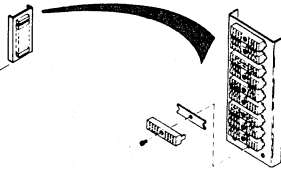
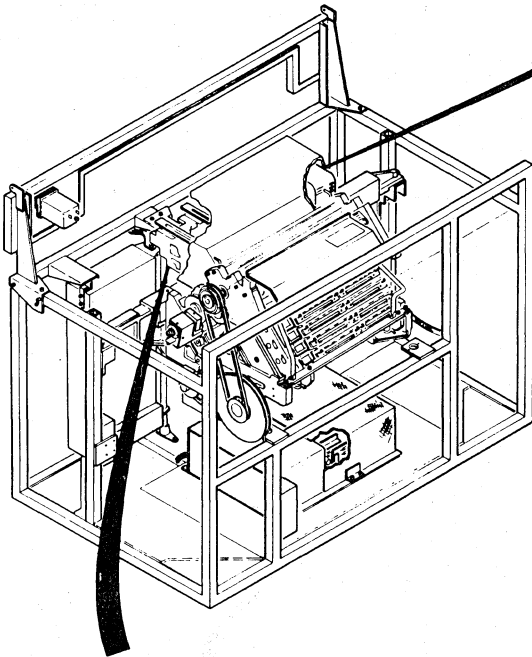
POWER SUPPLY ASSEMBLY
FIGURE 24
PAGE 60



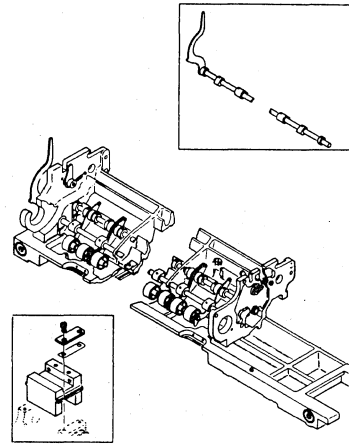
TAPE CONTROL CARRIAGE
ASSEMBLY PARTS
SEE VISUAL VII



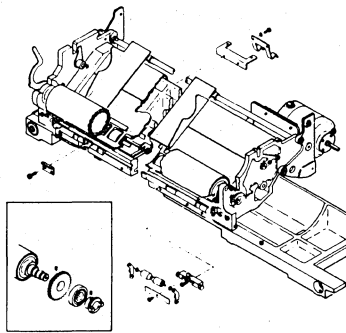
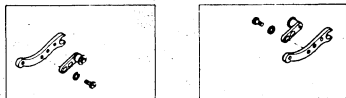
TAPE CONTROL
CARRIAGE ASSEMBLY
FIGURE 18
PAGE 39



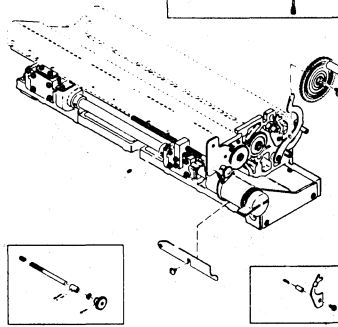
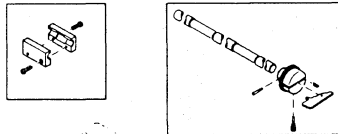
COMPONENT PANEL
ASSEMBLY
FIGURE 21
PAGE 57



CARRIAGE FRAME
ASSEMBLY
FIGURE 19, SHEET 3 OF 3
PAGE 44

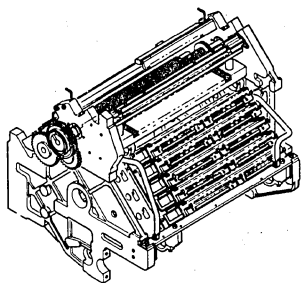


CARRIAGE FRAME
ASSEMBLY
FIGURE 19, SHEET 1 OF 3
PAGE 42

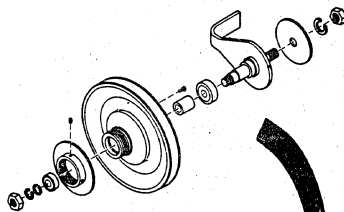


CARRIAGE FRAME
ASSEMBLY
FIGURE 19, SHEET 2 OF 3
PAGE 43

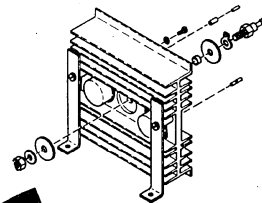
VISUAL V



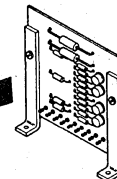
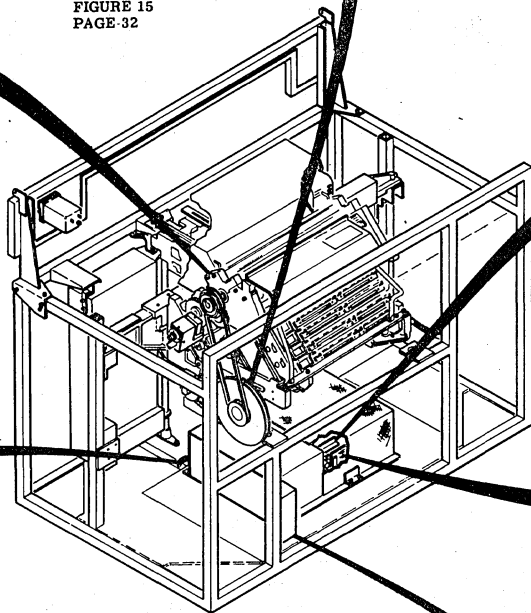
PRINT MECHANISM ASSEMBLY PARTS
SEE VISUALS VIII AND IX



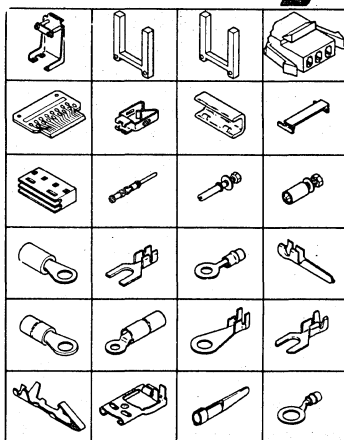
ADJUSTABLE SPEED
PULLEY ASSEMBLY
FIGURE 15
PAGE 32



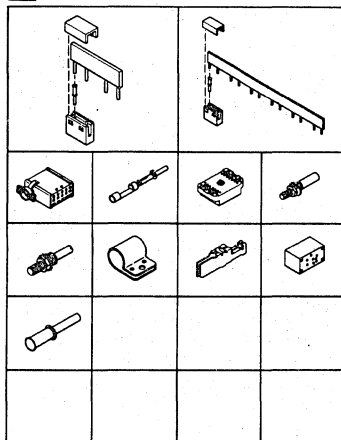
HEAT SINK ASSEMBLY
FIGURE 22
PAGE 58



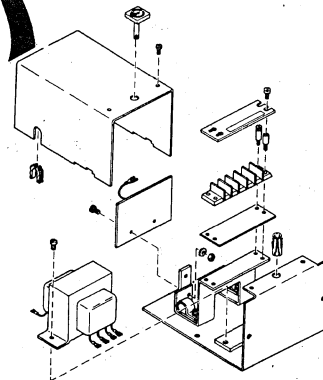
CARD ASSEMBLY
FIGURE 23
PAGE 59



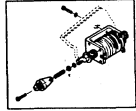
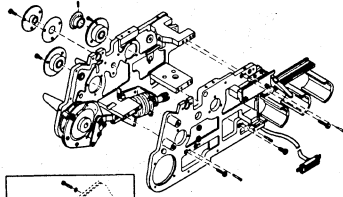
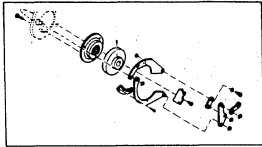
CABLE AND JUMPER
ASSEMBLY COMPONENT PARTS
FIGURE 38, SHEET 1 OF 2
PAGE 85



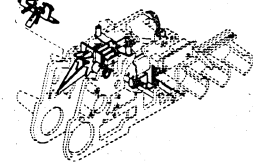
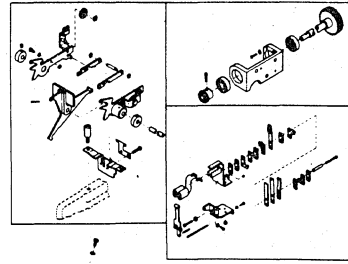
CABLE AND JUMPER
ASSEMBLY COMPONENT PARTS
FIGURE 38, SHEET 2 OF 2
PAGE 86



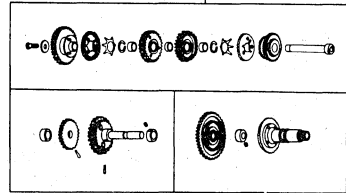
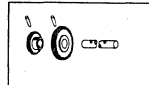
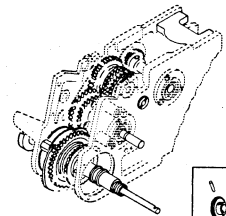
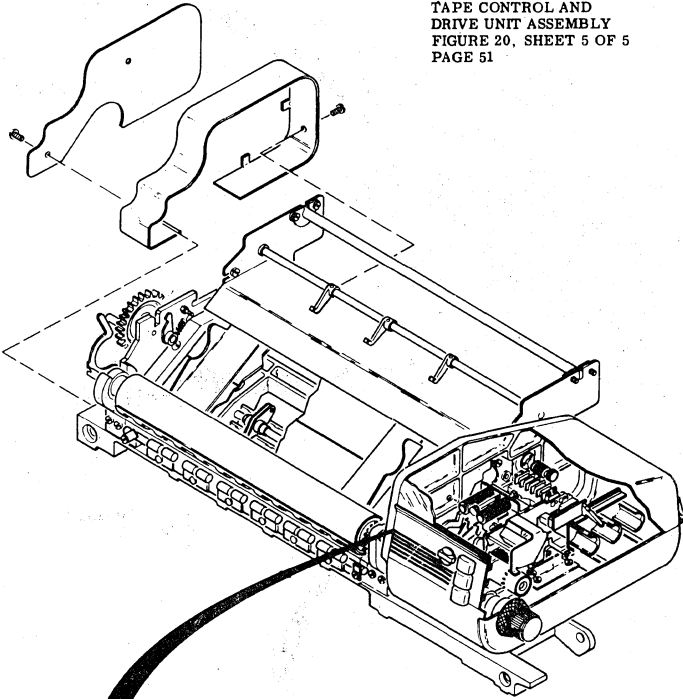
METER POWER
PAC ASSEMBLY
FIGURE 26
PAGE 66



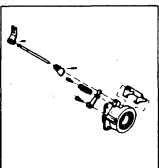
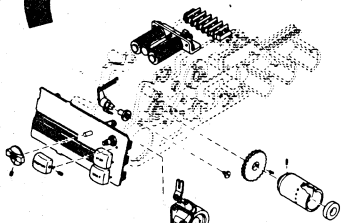
TAPE CONTROL AND DRIVE UNIT ASSEMBLY
FIGURE 20, SHEET 5 OF 5
PAGE 51



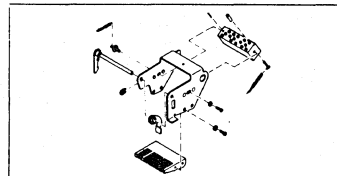
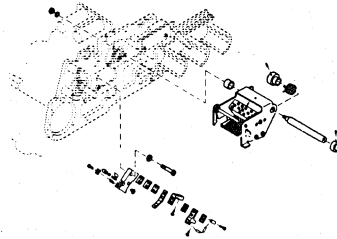
TAPE CONTROL AND DRIVE UNIT ASSEMBLY
FIGURE 20, SHEET 4 OF 5
PAGE 50



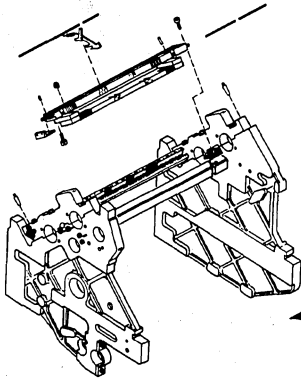
TAPE CONTROL AND DRIVE UNIT ASSEMBLY
FIGURE 20, SHEET 3 OF 5
PAGE 49



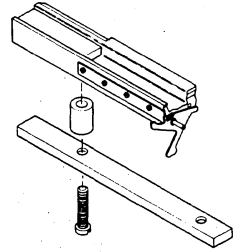
TAPE CONTROL AND DRIVE UNIT ASSEMBLY
FIGURE 20, SHEET 1 OF 5
PAGE 47



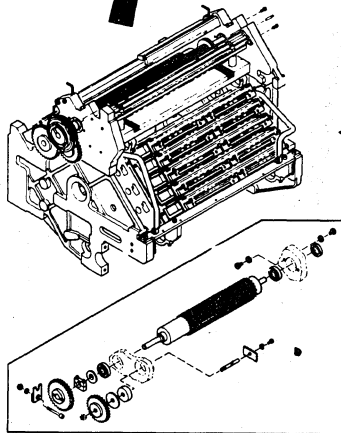
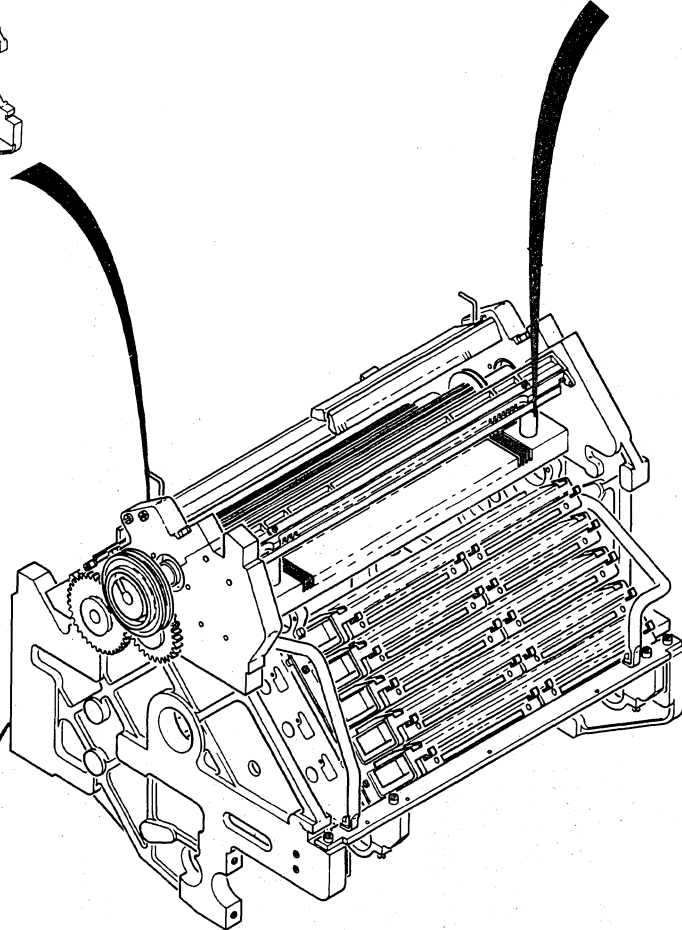
TAPE CONTROL AND DRIVE UNIT ASSEMBLY
FIGURE 20, SHEET 2 OF 5
PAGE 48



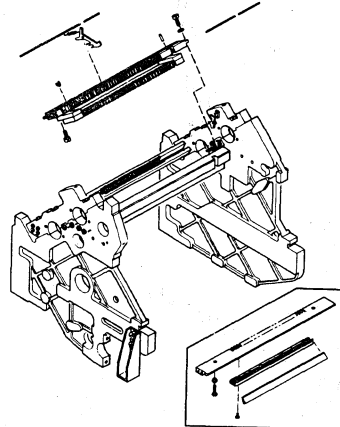
SIDE FRAME ASSEMBLY
FIGURE 29
PAGE 72



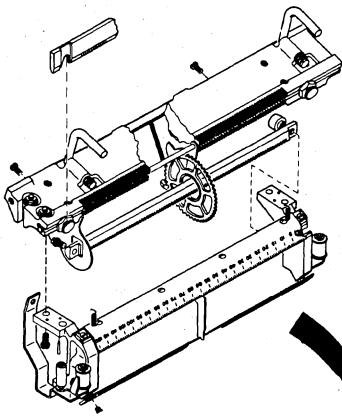
RESTORE LEVER
BAR ASSEMBLY
FIGURE 35
PAGE 81



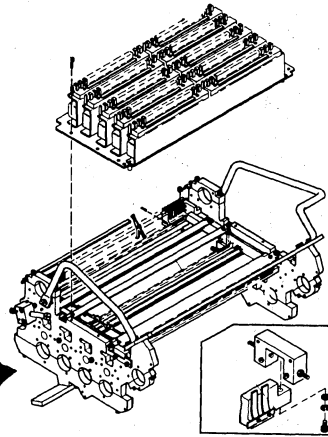
PRINT MECHANISM ASSEMBLY
FIGURE 28, SHEET 1 OF 2
PAGE 69



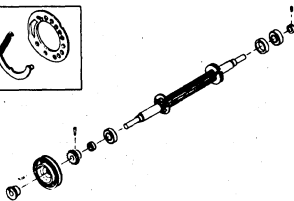
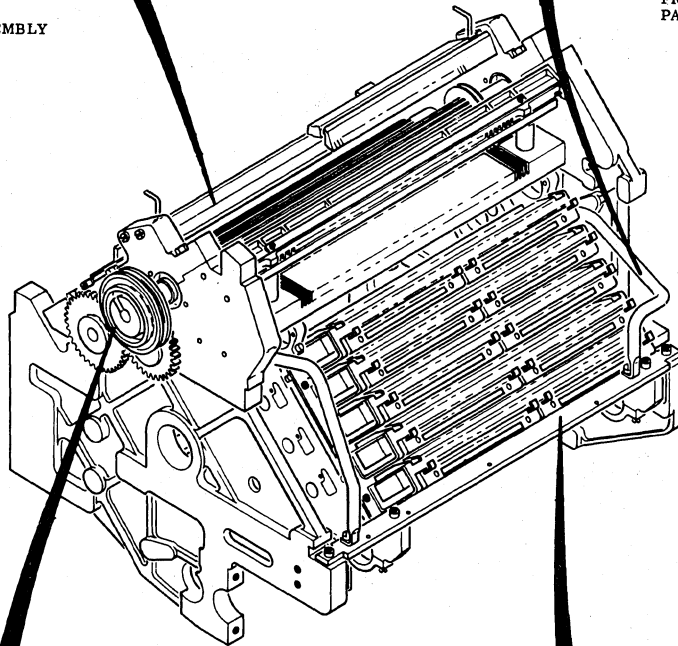
PRINT MECHANISM ASSEMBLY
FIGURE 28, SHEET 2 OF 2
PAGE 70



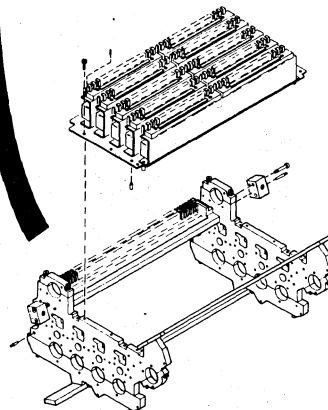
PRINT WHEEL ASSEMBLY
FIGURE 33
PAGE 78



MAGNET UNIT ASSEMBLY
FIGURE 30
PAGE 74



SHAFT ASSEMBLY
PRINT CLUTCH
FIGURE 36
PAGE 82



BASIC MAGNET
UNIT ASSEMBLY
FIGURE 31
PAGE 76

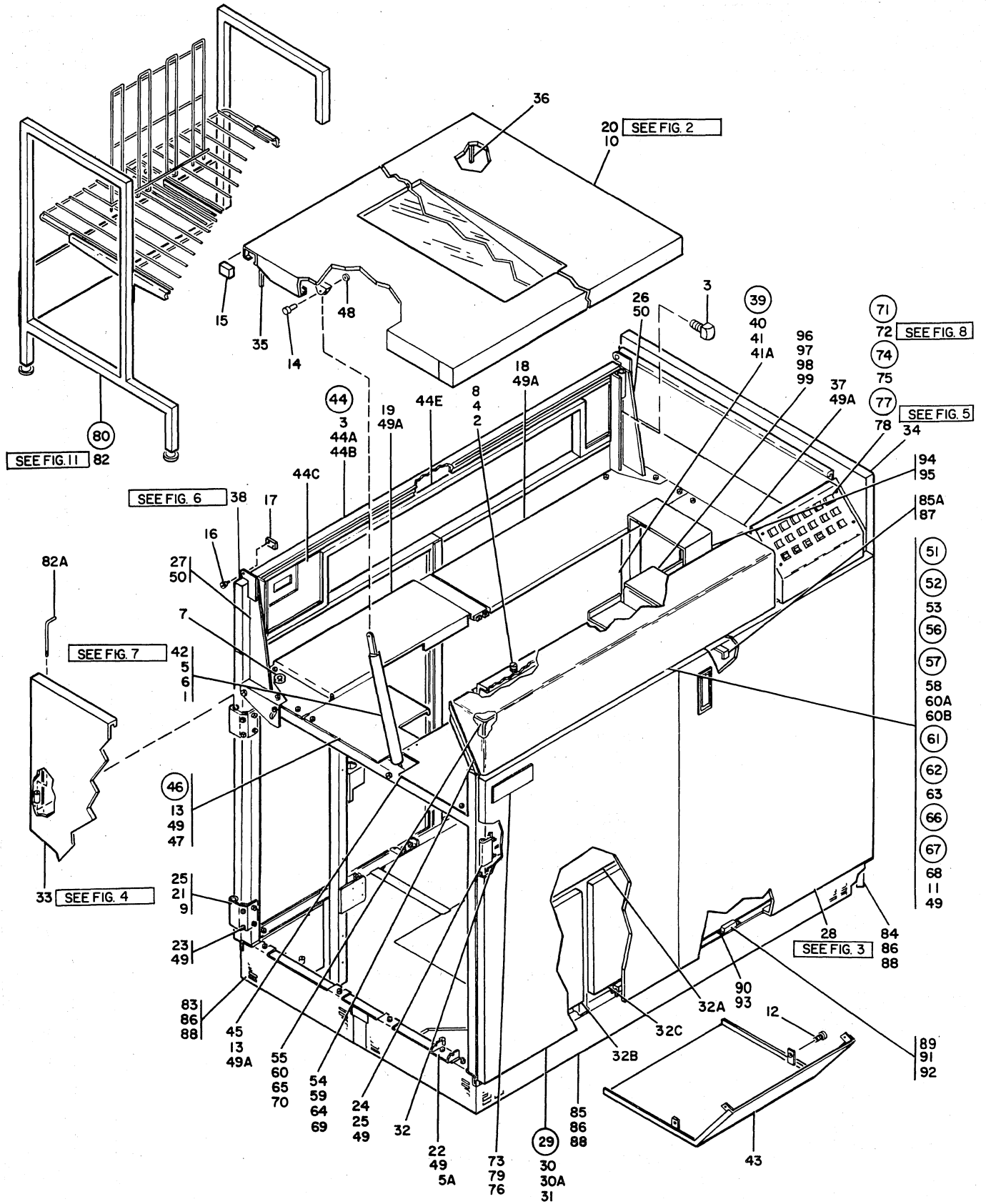


FIGURE 1. SHIPPING GROUP AND COVER GROUPS. SEE LIST 1.

LIST AND INDEX NO.	PART NO.	DESCRIPTION	UNITS PER ASM.	USABLE ON CODE
		1 2 3 4		
		1132 PRINTER MACHINE FEATURE INDEX		
		CODE 1 USED ON ASM PRIOR TO L5 SUFFIX CODE 2 USED ON ASM L5 TO CURRENT CODE 3 USED ON ASM PRIOR TO S5 SUFFIX CODE 4 USED ON ASM S5 TO CURRENT CODE 5 USED ON ASM PRIOR TO C6 SUFFIX CODE 6 USED ON ASM C6 TO CURRENT		
1 -	738205	COVER GROUP-DOMESTIC SEE FIG. 1 FOR ILLUSTRATION	REF	
- 1	3960	. NUT,PLAIN,HEX- 1/4-20 X 7/16 FL W	1	
- 2	6935	. WASHER,LOCK-SPLIT 1/4 X 0.493 OD	2	
- 3	32042	. SCREW,MACH-BIND HD 10-32 X 3/8 LG	4	
- 4	36109	. NUT,PLAIN,HEX- 1/4-20 X 7/16 FL W	2	
- 5	36112	. SCREW,MACH-HEX HD 1/4-20 X 1-1/2 LG	1	
- 5A	45690	. WASHER, FL - NO.10 X 7/16 OD X 1/32 THK	6	2
- 6	205142	. ROLLER-LIFTING LEVER	1	
- 7	220690	. GROMMET,RUB-FOR 3/8 HOLE X 1/16 PNL	1	1
- 8	223781	. SCREW-ADJUSTING 1/4-20 X 1 IN. LG	2	
- 9	234329	. SCREW,ASMD WASHER-FIL H 10-32 X 3/8 LG	16	
- 10	234341	. SCREW,ASMD WASHER-FIL HD 1/4-20 X 5/8 LG	4	
- 11	236849	. SCREW,MACH-BIND HD 10-32 X 1/4 LG	2	
- 12	322029	. SCREW,MACH-BIND HD 1/4-20 X 1/2 LG	4	
- 13	332620	. SCREW,MACH-BIND HD 10-32 X 1/2 LG	2	
- 14	595665	. PIN	1	
- 15	738127	. PLUG-RUBBER	2	
- 16	738128	. SCREW,SHOULDER,.312-18 X .52	2	
- 17	738129	. BLOCK-HINGE	2	
- 18	738239	. SHIELD-SAFETY	1	
- 19	738309	. SHIELD SAFETY	1	
- 20	738400	. COVER ASM-TOP SEE LIST 2 FOR DETAIL BREAKDOWN	1	
- 21	738413	. PIN-.250 OD	10	
- 22	738415	. STRIKER-LATCH	8	
- 23	738416	. BRACKET-MTG	4	2
- 24	738417	. BRACKET-SUPPORT	8	
- 25	738418	. BRACKET-MTG	12	
- 26	738435	. SUPPORT	1	
- 27	738436	. SUPPORT	1	
- 28	738440	. COVER ASM-RH FRONT SEE LIST 3 FOR DETAIL BREAKDOWN	1	1
- 28	738543	. COVER ASM-RH FRONT SEE LIST 3 FOR DETAIL BREAKDOWN	1	2
- 29	738445	. COVER ASM-LH FRONT	1	1
- 29	738564	. COVER ASM-LH FRONT	1	2
- 30	607905	. . GASKET	AR	
- 30A	609669	. . GASKET	AR	
- 31	738446	. . COVER-LH FRONT	1	
- 32	738447	. . LINER-COVER	1	1
- 32A	738565	. . LINER-FRONT COVER	1	2
- 32B	738566	. . LINER-FRONT COVER	1	2
- 32C	738567	. . LINER-FRONT COVER	1	2
- 33	738448	. COVER ASM-LEFT SIDE SEE LIST 4 FOR DETAIL BREAKDOWN	1	1
- 33	738528	. COVER ASM-LEFT SIDE SEE LIST 4 FOR DETAIL BREAKDOWN	1	2
- 34	738451	. COVER ASM-RIGHT SIDE SEE LIST 5 FOR DETAIL BREAKDOWN	1	1
- 34	738526	. COVER ASM-RIGHT SIDE SEE LIST 5 FOR DETAIL BREAKDOWN	1	2
- 35	738456	. ROD-TORSION	1	
- 36	738457	. ROD-TORSION	1	
- 37	738463	. SHIELD-SAFETY	1	
- 38	738484	. COVER ASM-LH REAR SEE LIST 6 FOR DETAIL BREAKDOWN	1	1
- 38	738545	. COVER ASM-LH REAR SEE LIST 6 FOR DETAIL BREAKDOWN	1	2
- 39	738485	. COVER ASM-RH REAR	1	
- 40	738480	. . LINER-COVER	1	
- 41	738483	. . COVER-RH REAR	1	
- 41A	609669	. . GASKET	AR	2
- 42	738491	. DASHPOT ASM SEE LIST 7 FOR DETAIL BREAKDOWN	1	

LIST AND INDEX NO.	PART NO.	DESCRIPTION	UNITS PER ASM.	USABLE ON CODE
1 - 43	738492	• PAN-DRIP	1	
- 44	738498	• COVER ASM-TOP REAR	1	
- 44A	124822	• • CHANNEL	1	
- 44B	738126	• • COVER-REAR	1	
* - 44C	738495	• • LINER-COVER	1	
* - 44D	738496	• • LINER-COVER	1	
* - 44E	738497	• • LINER-COVER	1	
- 45	738535	• SHIELD-SAFETY	1	
- 46	738536	• SHIELD-SAFETY	1	
- 47	326219	• • NUT-10-32	2	
* - 48	1073418	• RING-RETAINING	1	5
* - 48	257982	• CLIP,RETAINING-E TYPE 0.188 DIA GROOVE	1	6
* - 49	5319888	• SCREW, SELF TAPPING, 10-32 X .625 LONG	24	4
* - 49A	2181004	• SCREW,THREAD FORMING-HEX WASHER HD	17	4
- 50	5353301	• SCREW-THREAD FORMING, HEX. WASHER HEAD	8	
- 51	738134	COVER ASM-TOP FRONT,RED	REF	
- 52	738410	• COVER ASM-TOP,RED	1	
- 53	738444	• • COVER-UPPER FRONT	1	
* - 54	738454	• • LINER-COVER	1	
* - 55	738455	• • LINER	1	
- 56	738135	COVER ASM-TOP FRONT,GRAY	REF	
- 57	738472	• COVER ASM-TOP FRONT	1	
- 58	738444	• • COVER-UPPER FRONT	1	
* - 59	738454	• • LINER-COVER	1	
* - 60	738455	• • LINER	1	
* - 60A	607905	• • GASKET	1	AR
* - 60B	609669	• • GASKET	1	AR
- 61	738136	COVER ASM-TOP FRONT,BLUE	REF	
- 62	738411	• COVER ASM-TOP,BLUE	1	
- 63	738444	• • COVER-UPPER FRONT	1	
* - 64	738454	• • LINER-COVER	1	
* - 65	738455	• • LINER	1	
- 66	738137	COVER ASM-TOP FRONT,YELLOW	REF	
- 67	738419	• COVER ASM-TOP,YELLOW	1	
- 68	738444	• • COVER-UPPER FRONT	1	
* - 69	738454	• • LINER-COVER	1	
* - 70	738455	• • LINER	1	
* - 71	738430	LANGUAGE GROUP-ENGLISH	REF	
* - 72	738271	• SWITCH AND LIGHT ASM-ENGLISH SEE LIST 8 FOR DETAIL BREAKDOWN	1	
* - 72A	738569	• CARRIAGE ASM-ENGLISH SEE LIST 18 FOR DETAIL BREAKDOWN	1	
- 73	738383	• NAMEPLATE	1	
* - 74	738466	LANGUAGE GROUP-GERMAN	REF	
- 75	738453	• NAMEPLATE	1	
* - 76	738461	• SWITCH AND LIGHT ASM-GERMAN SEE LIST 9 FOR DETAIL BREAKDOWN	1	
* - 76A	738571	• CARRIAGE ASM-GERMAN SEE LIST 18 FOR DETAIL BREAKDOWN	1	
* - 77	738475	LANGUAGE GROUP-FRENCH	REF	
* - 78	738389	• SWITCH AND LIGHT ASM-FRENCH SEE LIST 10 FOR DETAIL BREAKDOWN	1	
* - 78A	738570	• CARRIAGE ASM-FRENCH SEE LIST 18 FOR DETAIL BREAKDOWN	1	
- 79	738433	• NAMEPLATE	1	
- 80	738125	SHIPPING GROUP	REF	
- 81	216513	• TAPE-PROGRAM NOT ILLUSTRATED	1	
- 82	738372	• STACKER ASM-PAPER SEE LIST 11 FOR DETAIL BREAKDOWN	1	
* - 82A	738586	• PIN	2	4
- 83	738426	• STRIP-KICK,HALF END	2	
- 84	738427	• STRIP-KICK,FULL END	1	
- 85	738428	• STRIP-KICK	2	
* - 85A	738547	• STRIKER-COVER LATCH	2	2
* - 86	5319888	• SCREW, SELF TAPPING, 10-32 X .625 LONG	16	3
* - 87	5319888	• SCREW, SELF TAPPING, 10-32 X .625 LONG	4	2
* - 88	32042	• SCREW, MACH BIND. HD 10-32 X 3/8 LG.	18	4
* - 89	2132050	• LATCH-MAGNETIC	2	2
* - 90	2181007	• SCREW, SELF TAPPING, 6-32 X .625 LG.	4	2
* - 91	257187	• NUT-HEX NO. 6-32 NC	2	2
* - 92	512508	• SCREW,MACH-FH 6-32 X 0.417 LG	2	2
* - 93	257986	• WASHER,FLAT NO. 6	4	2
* - 94	738590	• SHIELD-GAP COVER	1	6
* - 95	183900	• SCREW,THD CTG-BIND HD 8-32 X 1/4 LG	2	6
* - 96	738591	• EXTENSION-SAFETY SHIELD	1	6
* - 97	32042	• SCREW, MACH BIND. HD 10-32 X 3/8 LG.	2	6
* - 98	56079	• WASHER-LOCK,EXT T .204 ID .410 OD	2	6
* - 99	11598	• NUT PLAIN HEX 10/32	2	6

FOR PARTS
NOT SHOWN
SEE FIG. 1

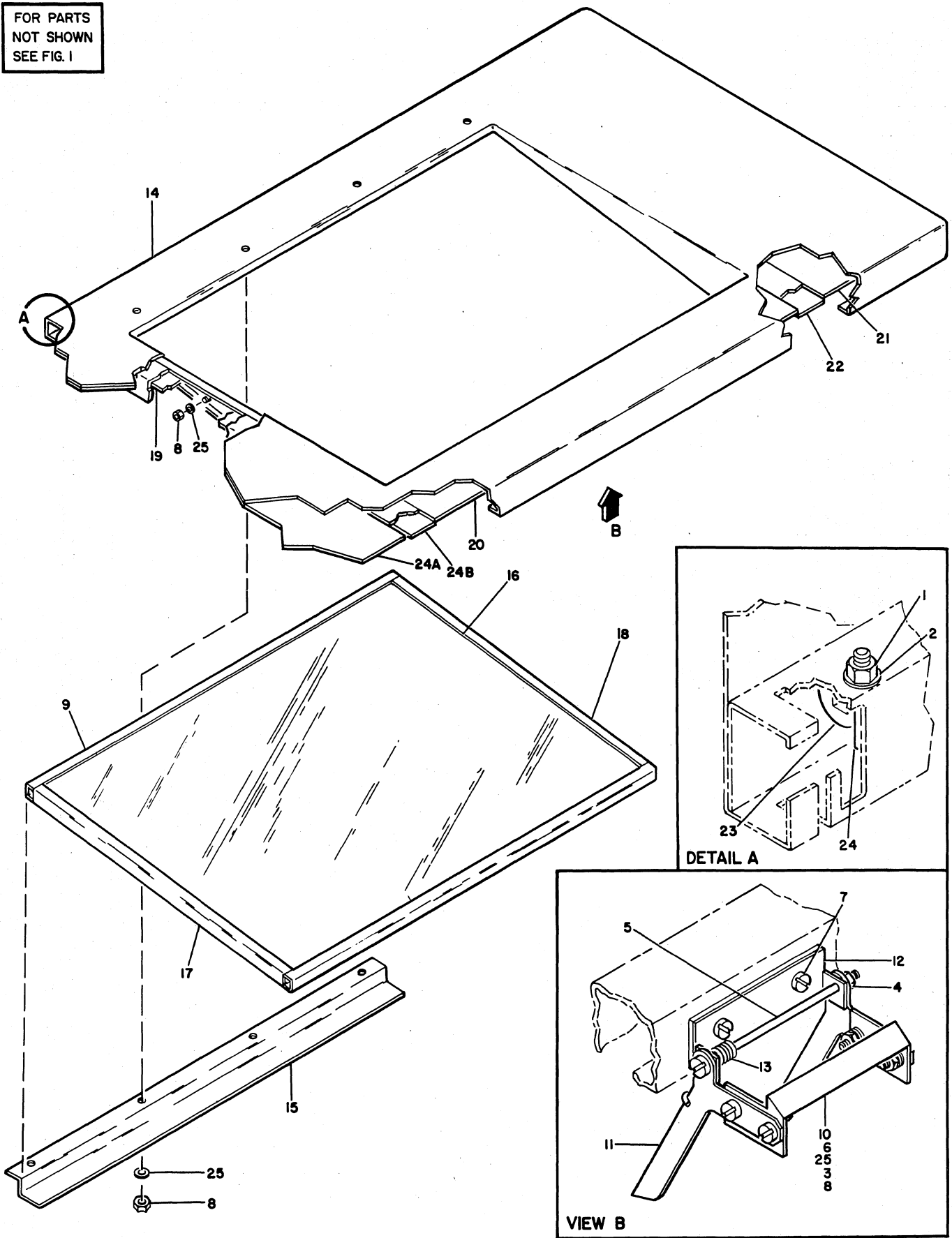
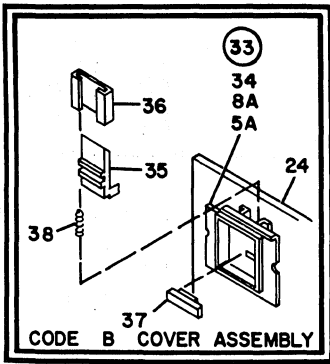


FIGURE 2. TOP COVER ASSEMBLY. SEE LIST 2.

LIST AND INDEX NO.	PART NO.	DESCRIPTION 1 2 3 4	UNITS PER ASM.	USABLE ON CODE
TOP COVER ASSEMBLY				
* 2 -		CODE 1 USED ON ASM PRIOR TO P5 SUFFIX CODE 2 USED ON ASM FROM P5 TO CURRENT CODE 3 USED ON ASM PRIOR TO C6 SUFFIX CODE 4 USED ON ASM FROM C6 TO CURRENT		
* - 1	3960	• NUT,PLAIN,HEX- 1/4-20 X 7/16 FL W	4	
* - 2	6935	• WASHER,LOCK-SPLIT 1/4 X 0.493 OD	4	
* - 3	22478	• WASHER,FL- 0.170 ID 0.375 OD 0.032 THK	4	
* - 4	125930	• NUT,ELASTIC,STOP- 10-32 X 3/8 DIA	1	
* - 5	180929	• PIVOT, MOTOR PLATE	1	
* - 6	186758	• SCREW,MACH-BIND HD 8-32 X 7/16 LG	4	
* - 7	186759	• SCREW,MACH-BIND HD 8-32 X 5/16 LG	2	
* - 8	257189	• NUT,PLAIN-HEX 8-32 X 0.343 W	12	
* - 9	596706	• CHANNEL-RUBBER	2	
* - 10	738179	• LATCH	1	
* - 11	738180	• HANDLE-LATCH	1	
* - 12	738181	• BRACKET-HINGE	1	
* - 13	738182	• SPRING-TORSION	1	
* - 14	738401	• COVER ASM	1	
* - 15	738402	• RETAINER-GLASS	1	
* - 16	738403	• GLASS-TOP COVER	1	
* - 17	738405	• RETAINER-GLASS	2	
* - 18	738407	• RETAINER-GLASS	1	
* - 19	738412	• LINER-COVER	1	1
* - 19	738580	• LINER-TOP COVER	1	2
* - 20	738414	• LINER-COVER	1	
* - 21	738431	• LINER-COVER	2	1
* - 21	738431	• LINER-COVER	1	2
* - 22	738432	• LINER-COVER	2	3
* - 22	738432	• LINER-COVER	1	4
* - 23	738458	• RETAINER	2	
* - 24	738460	• CLAMP	2	
* - 24A	738579	• LINER-TOP COVER	1	2
* - 24B	738598	• LINER-TOP COVER	1	4
* - 25	1090873	• WASHER,LOCK-SPLIT NO. 8 X 0.296 OD	12	



FOR PARTS
 NOT SHOWN
 SEE FIG. 1

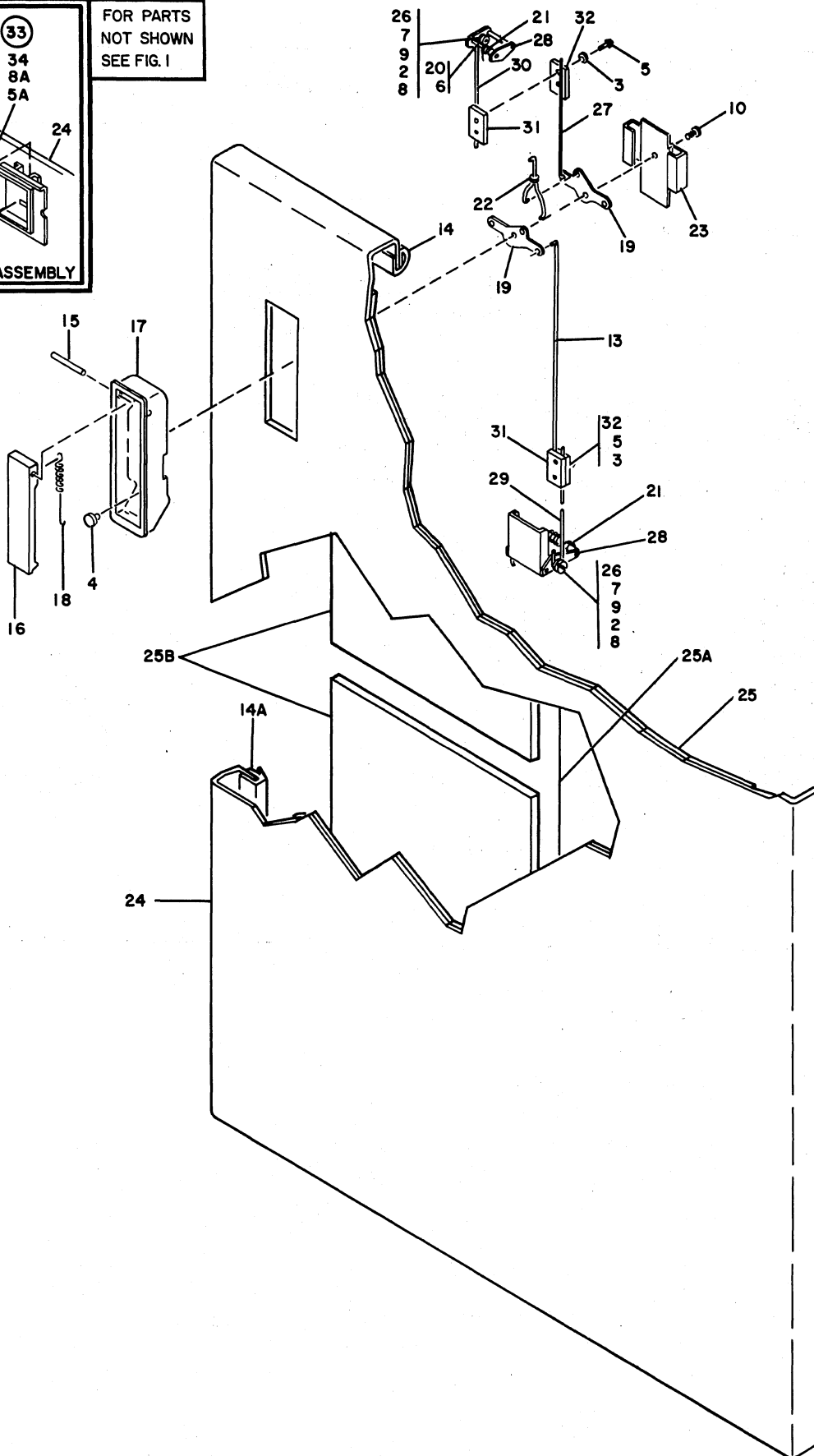


FIGURE 3. FRONT COVER ASSEMBLY-RH. SEE LIST 3.

LIST AND INDEX NO.	PART NO.	DESCRIPTION				UNITS PER ASM.	USABLE ON CODE
		1	2	3	4		
		FRONT COVER ASSEMBLY-RH					
* 3 -		CODE A USED ON COVER ASSEMBLY PART NO. 738440 ONLY					
* *		CODE B USED ON COVER ASSEMBLY PART NO. 738543 ONLY					
* *		CODE 1 USED ON ASM PRIOR TO L5 SUFFIX					
* *		CODE 2 USED ON ASM L5 TO CURRENT					
* *	738440	COVER ASM-RH FRONT				REF	1A
* *		SEE LIST 1- 28 FOR NEXT HIGHER ASM.					
* *		AND FIG. 3 FOR ILLUSTRATION					
* *	738543	COVER ASM-RH FRONT				REF	2B
* *		SEE LIST 1- 28 FOR NEXT HIGHER ASM.					
* *		AND FIG. 3 FOR ILLUSTRATION					
* - 1	10170	• SCREW-MACH,BIND HD NO. 6-32 X .250 LG				4	1A
* - 2	10610	• WASHER				2	1A
* - 3	56722	• WASHER-LOCK,EXT T, .150 ID				4	1A
* - 4	79204	• BUMPER,RUBBER-HAMMER LATCH ARM				1	1A
* - 5	81693	• SCREW,MACH-BIND HD 6-32 X 3/8 LG				4	1A
* - 5A	183841	• WASHER-SPRING				2	2B
* - 6	219633	• RING,RETAINING-EXT 0.073 ID X 0.015 THK				4	1A
* - 7	236550	• SCREW,MACH-BIND HD 4-40 X 0.375 LG				2	1A
* - 8	257187	• NUT-HEX NO. 6-32 NC				2	1A
* - 8A	257189	• NUT,PLAIN-HEX 8-32 X 0.343 W				2	2B
* - 9	257984	• WASHER,LOCK-SPRING MEDIUM				2	1A
* - 10	338238	• SCREW, MACH-BD HD 4-40 NC X .3125 LG				1	1A
* - 11	535801	• CLAMP				2	1A
* *		NOT ILLUSTRATED					
* - 12	535802	• CLAMP				2	1A
* *		NOT ILLUSTRATED					
* - 13	535813	• PULL ROD-LIFT LATCH 0.059 DIA X 18 LG				1	1A
* - 14	607905	• GASKET				AR	
* - 14A	609669	• GASKET				AR	
* - 15	721928	• PIN,DOWEL				1	1A
* - 16	721933	• HANDLE-LIFT LATCH				1	1A
* - 17	721934	• HOUSING				1	1A
* - 18	721935	• SPRING,HELICAL,TORSION-LATCH 28 TURNS				1	1A
* - 19	721936	• LEVER-LIFT LATCH				2	1A
* - 20	721939	• PIN,LATCH				2	1A
* - 21	721940	• SPRING-BAIL LIFT LATCH				2	1A
* - 22	721941	• SPRING-LIFT LATCH LEVERS				1	1A
* - 23	721942	• BACKPLATE				1	1A
* - 24	738441	• COVER-RH FRONT				1	
* - 25	738442	• LINER-COVER				1	1A
* - 25A	738559	• LINER-FRONT COVER				1	2B
* - 25B	738560	• LINER-FRONT COVER				2	2B
* - 26	1105922	• BUSHING,.126 I.D.,.188 O.D.X.069 THICK				2	1A
* - 27	2152889	• WIRE,BAIL LIFT LATCH				1	1A
* - 28	2152896	• BAIL,LATCH				2	1A
* - 29	2152906	• WIRE,BAIL LIFT LATCH				1	1A
* - 30	2152907	• WIRE, LIFT LATCH, LOWER				1	1A
* - 31	2161741	• CLAMP, ROD BASE				2	1A
* - 32	2161742	• CLAMP, ROD BASE				2	1A
* - 33	2191006	• LATCH ASSEMBLY				1	2B
* - 34	2190971	• HOUSING,LATCH				1	2B
* - 35	2190972	• BOLT,LATCH				1	2B
* - 36	2190973	• RETAINER,LATCH				1	2B
* - 37	2190974	• HANDLE,LATCH				1	2B
* - 38	2191007	• SPRING-COMPRESSION				1	2B

FOR PARTS
NOT SHOWN
SEE FIG. 1

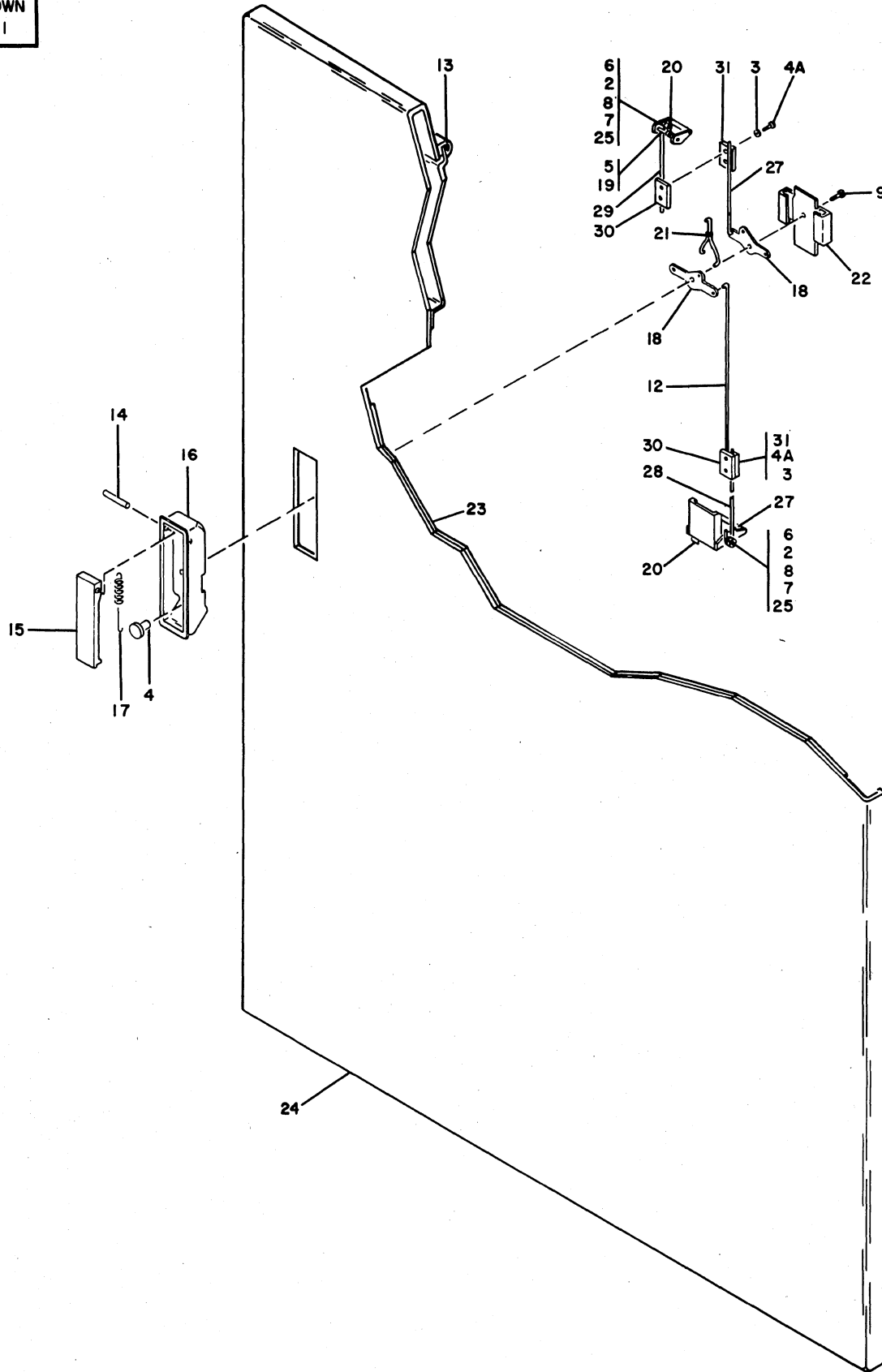


FIGURE 4. LEFT SIDE COVER ASSEMBLY. SEE LIST 4.

LIST AND INDEX NO.	PART NO.	DESCRIPTION	UNITS PER ASM.	USABLE ON CODE
		1 2 3 4		
		LEFT SIDE COVER ASSEMBLY		
* 4 -		CODE A USED ON COVER ASSEMBLY PART NO. 738448 ONLY CODE B USED ON COVER ASSEMBLY PART NUMBER 738528 ONLY CODE 1 USED ON ASM PRIOR TO L5 SUFFIX CODE 2 USED ON ASM L5 TO CURRENT		
* 738448		COVER ASM-LEFT SIDE SEE LIST 1- 33 FOR NEXT HIGHER ASM. AND FIG. 4 FOR ILLUSTRATION	REF	1A
* 738528		COVER ASM-LEFT SIDE SEE LIST 1- 33 FOR NEXT HIGHER ASM. AND FIG. 4 FOR ILLUSTRATION	REF	2B
* - 1	10170	. SCREW-MACH,BIND HD NO. 6-32 X .250 LG	4	1A
* - 2	10610	. WASHER	2	1A
* - 3	56722	. WASHER-LOCK,EXT T, .150 ID	4	1A
* - 4	79204	. BUMPER,RUBBER-HAMMER LATCH ARM	1	1A
* - 5	219633	. RING,RETAINING-EXT 0.073 ID X 0.015 THK	4	2B
* - 6	236550	. SCREW,MACH-BIND HD 4-40 X 0.375 LG	2	1A
* - 7	257187	. NUT-HEX NO. 6-32 NC	2	1A
* - 8	257984	. WASHER,LOCK-SPRING MEDIUM	2	1A
* - 9	338238	. SCREW, MACH-BD HD 4-40 NC X .3125 LG	1	1A
* - 10	535801	. CLAMP	2	1A
* - 11	535802	. CLAMP	2	1A
* - 12	535813	. PULL ROD-LIFT LATCH 0.059 DIA X 18 LG	1	1A
* - 13	607905	. GASKET	AR	2B
* - 14	721928	. PIN,DOWEL	1	1A
* - 15	721933	. HANDLE-LIFT LATCH	1	1A
* - 16	721934	. HOUSING	1	1A
* - 17	721935	. SPRING,HELICAL,TORSION-LATCH 28 TURNS	1	1A
* - 18	721936	. LEVER-LIFT LATCH	2	1A
* - 19	721939	. PIN,LATCH	2	2B
* - 20	721940	. SPRING-BAIL LIFT LATCH	2	2B
* - 21	721941	. SPRING-LIFT LATCH LEVERS	1	1A
* - 22	721942	. BACKPLATE	1	1A
* - 23	738449	. COVER-LEFT SIDE	1	2B
* - 24	738450	. LINER-COVER	1	2B
* - 25	1105922	. BUSHING,.126 I.D.,.188 O.D.X.069 THICK	2	1A
* - 26	2152889	. WIRE,BAIL LIFT LATCH	1	1A
* - 27	2152896	. BAIL,LATCH	2	2B
* - 28	2152906	. WIRE,BAIL LIFT LATCH	1	1A
* - 29	2152907	. WIRE, LIFT LATCH, LOWER	1	1A
* - 30	2161741	. CLAMP, ROD BASE	2	
* - 31	2161742	. CLAMP, ROD BASE	2	

FOR PARTS
NOT SHOWN
SEE FIG. 1

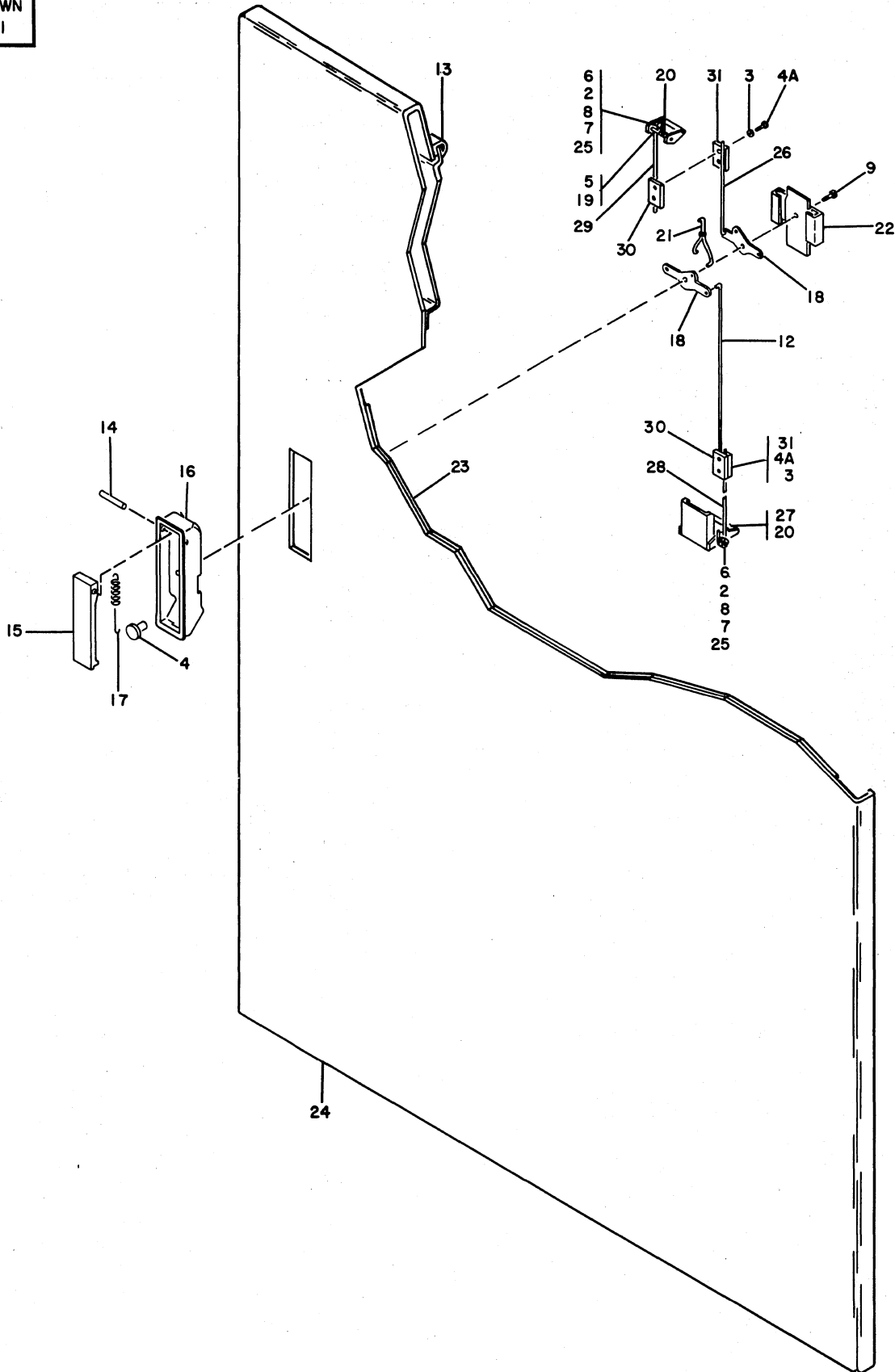
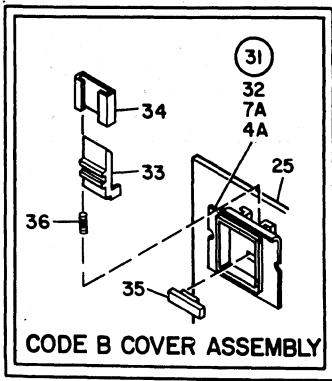


FIGURE 5. RIGHT SIDE COVER ASSEMBLY. SEE LIST 5.

LIST AND INDEX NO.	PART NO.	1 2 3 4	DESCRIPTION	UNITS PER ASM.	USABLE ON CODE
			RIGHT SIDE COVER ASSEMBLY		
* 5 -			CODE A USED ON COVER ASSEMBLY PART NO. 738451 ONLY CODE B USED ON COVER ASSEMBLY PART NO. 738526 ONLY CODE 1 USED ON ASM PRIOR TO L5 SUFFIX CODE 2 USED ON ASM L5 TO CURRENT		
* -	738451		COVER ASM-RIGHT SIDE SEE LIST 1- 34 FOR NEXT HIGHER ASM. AND FIG. 5 FOR ILLUSTRATION	REF	1A
* -	738526		COVER ASM-RIGHT SIDE SEE LIST 1- 34 FOR NEXT HIGHER ASM. AND FIG. 5 FOR ILLUSTRATION	REF	2B
* - 1	10170		. SCREW-MACH,BIND HD NO. 6-32 X .250 LG	4	1A
* - 2	10610		. WASHER	2	1A
* - 3	56722		. WASHER-LOCK,EXT T, .150 ID	4	1A
* - 4	79204		. BUMPER,RUBBER-HAMMER LATCH ARM	1	1A
* - 5	219633		. RING,RETAINING-EXT 0.073 ID X 0.015 THK	4	
* - 6	236550		. SCREW,MACH-BIND HD 4-40 X 0.375 LG	2	1A
* - 7	257187		. NUT-HEX NO. 6-32 NC	2	1A
* - 8	257984		. WASHER,LOCK-SPRING MEDIUM	2	1A
* - 9	338238		. SCREW, MACH-BD HD 4-40 NC X .3125 LG	1	1A
* - 10	535801		. CLAMP	2	1A
* - 11	535802		. CLAMP	2	1A
* - 12	535813		. PULL ROD-LIFT LATCH 0.059 DIA X 18 LG	1	1A
* - 13	607905		. GASKET	AR	
* - 14	721928		. PIN,DOWEL	1	1A
* - 15	721933		. HANDLE-LIFT LATCH	1	1A
* - 16	721934		. HOUSING	1	1A
* - 17	721935		. SPRING,HELICAL,TORSION-LATCH 28 TURNS	1	1A
* - 18	721936		. LEVER-LIFT LATCH	2	1A
* - 19	721939		. PIN,LATCH	2	
* - 20	721940		. SPRING-BAIL LIFT LATCH	2	
* - 21	721941		. SPRING-LIFT LATCH LEVERS	1	1A
* - 22	721942		. BACKPLATE	1	1A
* - 23	738450		. LINER-COVER	1	
* - 24	738452		. COVER-RIGHT SIDE	1	
* - 25	1105922		. BUSHING,.126 I.D.,.188 O.D.X.069 THICK	2	1A
* - 26	2152889		. WIRE,BAIL LIFT LATCH	1	1A
* - 27	2152896		. BAIL,LATCH	2	
* - 28	2152906		. WIRE,BAIL LIFT LATCH	1	1A
* - 29	2152907		. WIRE, LIFT LATCH, LOWER	1	1A
* - 30	2161741		. CLAMP, ROD BASE	2	
* - 31	2161742		. CLAMP, ROD BASE	2	



FOR PARTS
NOT SHOWN
SEE FIG. 1

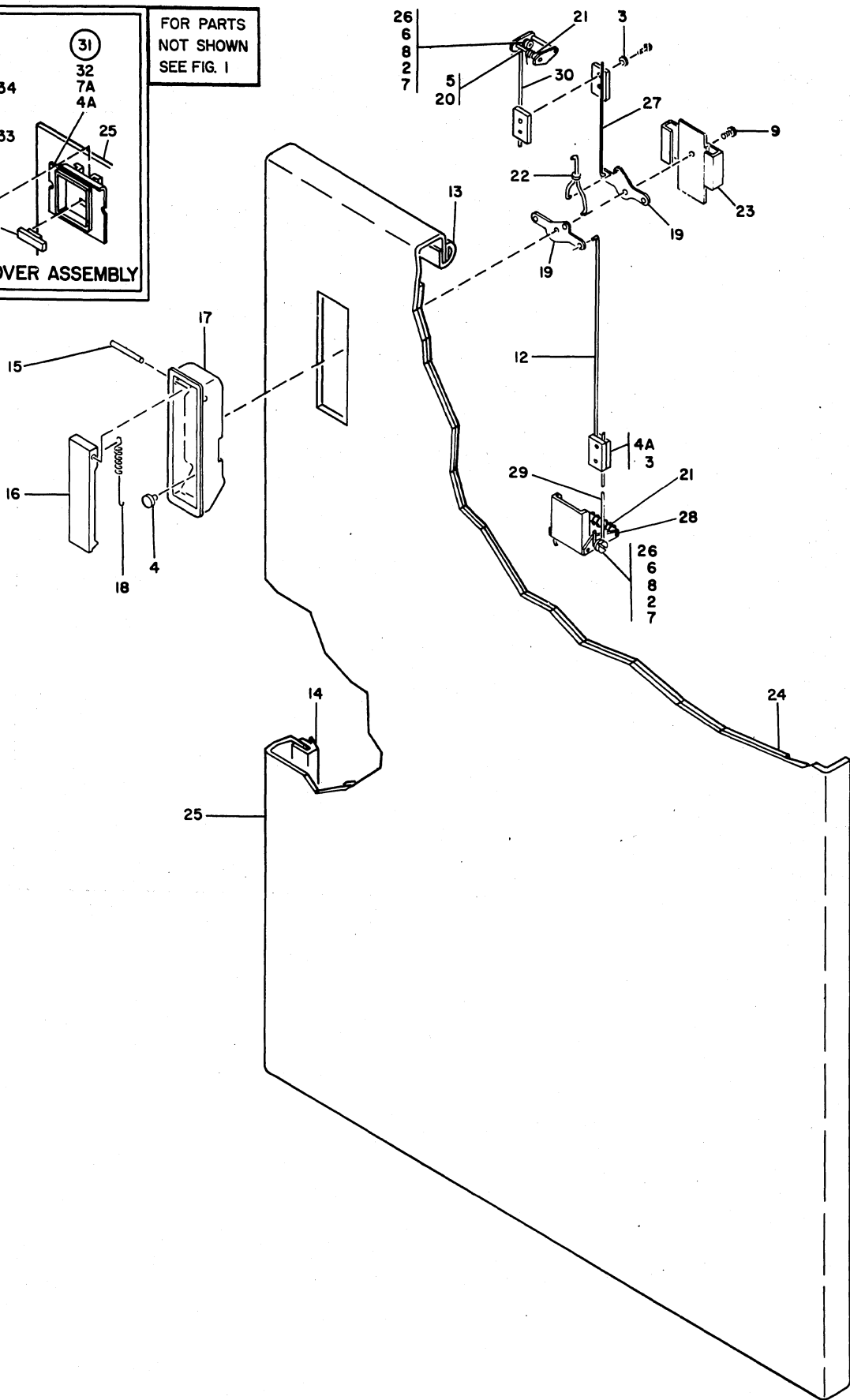


FIGURE 6. REAR COVER ASSEMBLY-LH. SEE LIST 6.

LIST AND INDEX NO.	PART NO.	DESCRIPTION				UNITS PER ASM.	USABLE ON CODE
		1	2	3	4		
		REAR COVER ASSEMBLY-LH					
* 6 -		CODE A USED ON COVER ASSEMBLY PART NO. 738484 ONLY					
* *		CODE B USED ON COVER ASSEMBLY PART NO. 738545 ONLY					
* *		CODE 1 USED ON ASM PRIOR TO L5 SUFFIX					
* *		CODE 1 USED ON ASM L5 TO CURRENT					
* *	738484	COVER ASM-LH REAR				REF	1 A
* *		SEE LIST AND FIG. 1- 38 FOR NEXT HIGHER ASM. 6 FOR ILLUSTRATION					
* *	738545	COVER ASM-LH REAR				REF	2 B
* *		SEE LIST AND FIG. 1- 38 FOR NEXT HIGHER ASM. 6 FOR ILLUSTRATION					
* - 1	10170	• SCREW-MACH,BIND HD NO. 6-32 X .250 LG				4	1 A
* *		NOT ILLUSTRATED					
* - 2	10610	• WASHER				2	1 A
* - 3	56722	• WASHER-LOCK,EXT T, .150 ID				4	1 A
* - 4	79204	• BUMPER,RUBBER-HAMMER LATCH ARM				1	1 A
* - 4A	183841	• WASHER-SPRING				2	2 B
* - 5	219633	• RING,RETAINING-EXT 0.073 ID X 0.015 THK				4	1 A
* - 6	236550	• SCREW,MACH-BIND HD 4-40 X 0.375 LG				2	1 A
* - 7	257187	• NUT-HEX NO. 6-32 NC				2	1 A
* - 7A	257189	• NUT,PLAIN-HEX 8-32 X 0.343 W				2	2 B
* - 8	257984	• WASHER,LOCK-SPRING MEDIUM				2	1 A
* - 9	338238	• SCREW, MACH-BD HD 4-40 NC X .3125 LG				1	1 A
* - 10	535801	• CLAMP				2	1 A
* *		NOT ILLUSTRATED					
* - 11	535802	• CLAMP				2	1 A
* *		NOT ILLUSTRATED					
* - 12	535813	• PULL ROD-LIFT LATCH 0.059 DIA X 18 LG				1	1 A
* - 13	607905	• GASKET				AR	1 A
* - 14	609669	• GASKET				AR	
* - 15	721928	• PIN,DOWEL				1	1 A
* - 16	721933	• HANDLE-LIFT LATCH				1	1 A
* - 17	721934	• HOUSING				1	1 A
* - 18	721935	• SPRING,HELICAL,TORSION-LATCH 28 TURNS				1	1 A
* - 19	721936	• LEVER-LIFT LATCH				2	1 A
* - 20	721939	• PIN,LATCH				2	1 A
* - 21	721940	• SPRING-BAIL LIFT LATCH				2	1 A
* - 22	721941	• SPRING-LIFT LATCH LEVERS				1	1 A
* - 23	721942	• BACKPLATE				1	1 A
* - 24	738568	• LINER-REAR COVER				1	2 B
* - 25	738482	• COVER-LH REAR				1	
* - 26	1105922	• BUSHING,.126 I.D.,.188 O.D.X.069 THICK				2	1 A
* - 27	2152889	• WIRE,BAIL LIFT LATCH				1	1 A
* - 28	2152896	• BAIL,LATCH				2	1 A
* - 29	2152906	• WIRE,BAIL LIFT LATCH				1	1 A
* - 30	2152907	• WIRE, LIFT LATCH, LOWER				1	1 A
* - 31	2191006	• LATCH ASSEMBLY				1	2 B
* - 32	2190971	• HOUSING,LATCH				1	2 B
* - 33	2190972	• BOLT,LATCH				1	2 B
* - 34	2190973	• RETAINER,LATCH				1	2 B
* - 35	2190974	• HANDLE,LATCH				1	2 B
* - 36	2191007	• SPRING-COMPRESSION				1	2 B

FOR PARTS
NOT SHOWN
SEE FIG. 1.

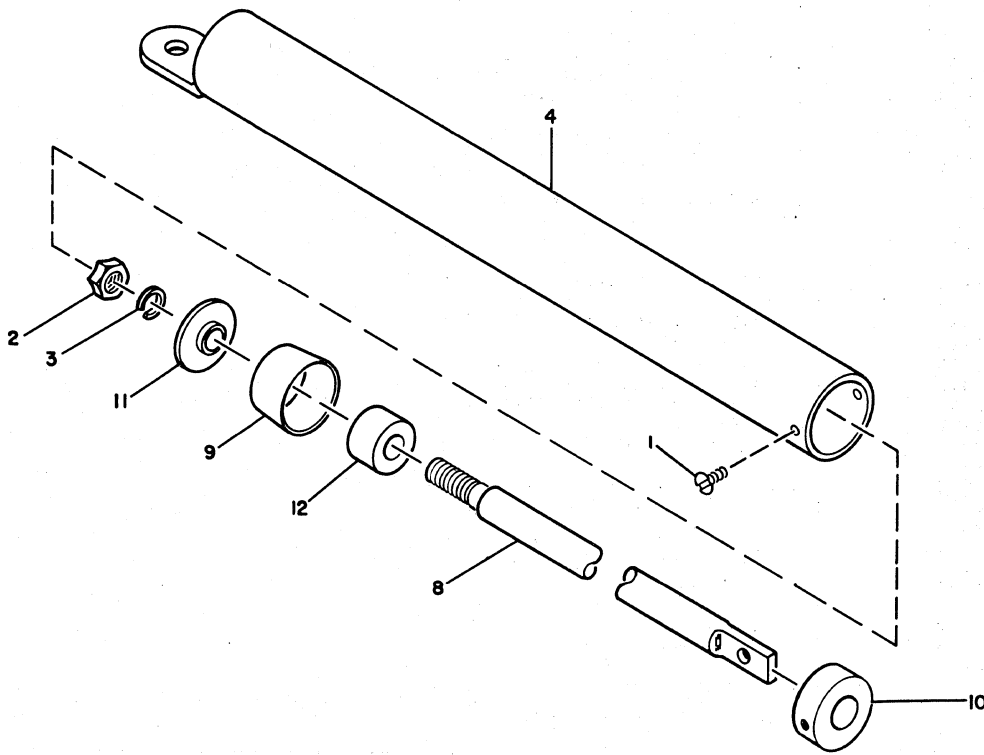


FIGURE 7. DASHPOT ASSEMBLY. SEE LIST 7.

LIST AND INDEX NO.	PART NO.	DESCRIPTION 1 2 3 4	UNITS PER ASM.	USABLE ON CODE
		DASHPOT ASSEMBLY		
7 -	738491	DASHPOT ASM SEE LIST 1-42 FOR NEXT HIGHER ASSEMBLY AND FIG. 7 FOR ILLUSTRATION	REF	
- 1	424	• SCREW, MACH-RH 8-32 X 5/16 LG	2	
- 2	3960	• NUT, PLAIN, HEX- 1/4-20 X 7/16 FL W	1	
- 3	37073	• WASHER, LOCK-SPLIT 1/4 ID X 0.489 OD	1	
- 4	218979	• TUBE ASSEMBLY-DASHPOT INDEX NO. 5 THRU 7 DELETED	1	
- 8	219045	• ROD-DASHPOT	1	
- 9	219046	• CUP-CONTROL	1	
- 10	219075	• PLUG-DASHPOT LOWER	1	
- 11	219076	• SUPPQRT-CUP	1	
- 12	470259	• SPACER	1	

FOR PARTS
NOT SHOWN
SEE FIG. 1

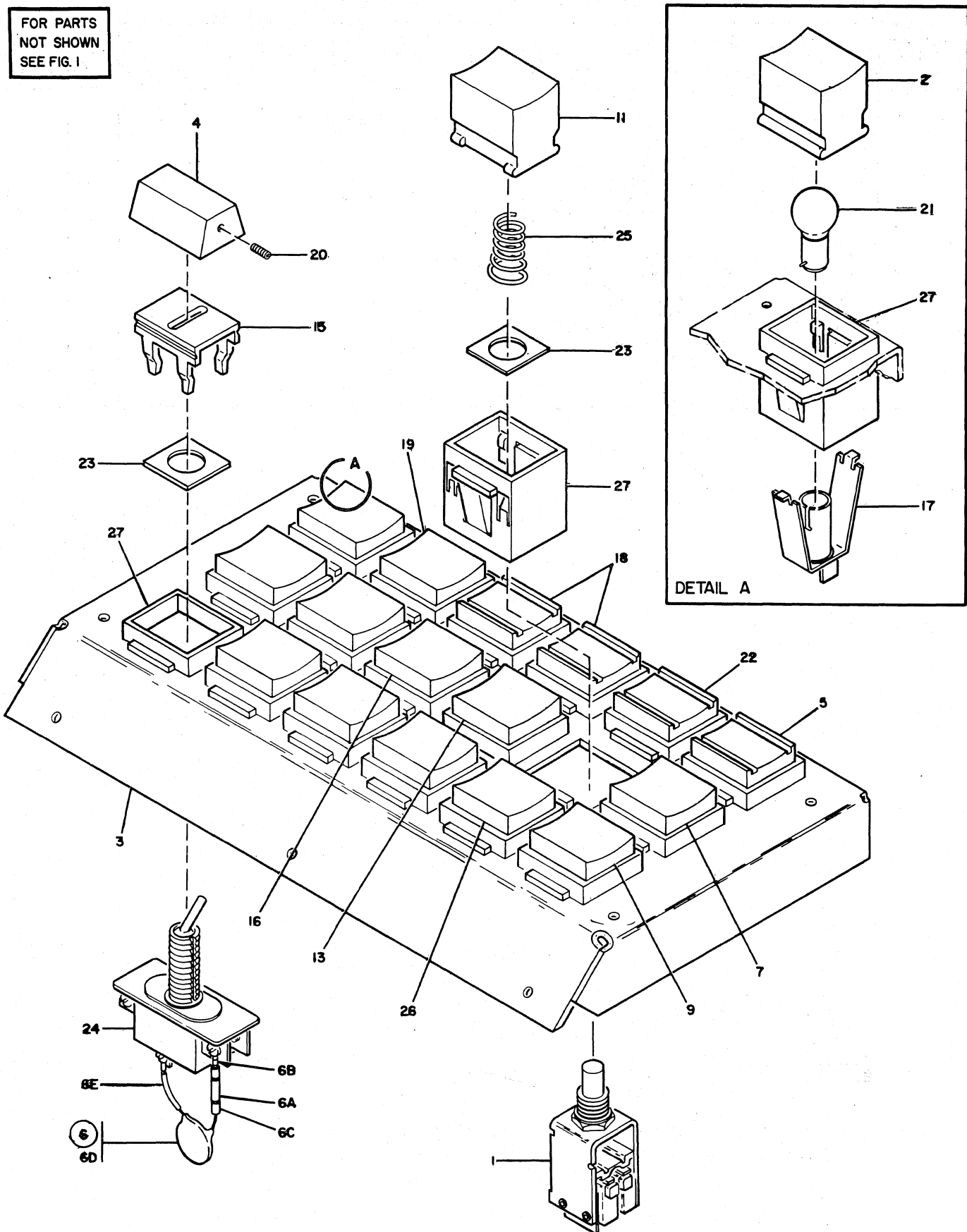


FIGURE 8. SWITCH AND LIGHT ASSEMBLY. SEE LIST 8.

LIST AND INDEX NO.	PART NO.	DESCRIPTION				UNITS PER ASM.	USABLE ON CODE
		1	2	3	4		
		SWITCH AND LIGHT ASSEMBLY					
* 8 -		CODE A USED ON ENGLISH MODEL CODE B USED ON FRENCH MODEL CODE C USED ON GERMAN MODEL CODE 1 USED ON ASM PRIOR TO S5 SUFFIX CODE 2 USED ON ASM S5 TO CURRENT CODE 3 USED ON ASM D6 TO CURRENT					
* *	738271	SWITCH AND LIGHT ASM-ENGLISH				REF	A
* *		SEE LIST 1- 72 FOR NEXT HIGHER ASM					
* *		AND FIGURE 8 FOR ILLUSTRATION					
* *	738389	SWITCH AND LIGHT ASM-FRENCH				REF	B
* *		SEE LIST 1- 78 FOR NEXT HIGHER ASM					
* *		AND FIGURE 8 FOR ILLUSTRATION					
* *	738461	SWITCH AND LIGHT ASM-GERMAN				REF	C
* *		SEE LIST 1- 76 FOR NEXT HIGHER ASM					
* *		AND FIGURE 8 FOR ILLUSTRATION					
* - 1	367182	. SWITCH,PUSH- 2 SPDT 125/250V AC 5 AMP				5	
* - 2	639178	. LENS-POWER ON				1	A
* - 2	738518	. LENS-POWER ON,WHITE				1	B
* - 2	738510	. LENS-POWER ON,WHITE				1	C
* - 3	738272	. PANEL-SWITCH SUPPORT				1	
* - 4	738281	. KEY-MOTOR				1	A
* - 4	738519	. KEY-MOTOR				1	B
* - 4	738508	. KEY-MOTOR				1	C
* - 5	738298	. LENS				1	A
* - 5	738520	. LENS-PRINT SCAN CHECK,YELLOW				1	B
* - 5	738507	. LENS-PRINT SCAN CHECK,YELLOW				1	C
* - 6	738599	. RC NETWORK ASM				1	3
* - 6A	317428	. . RESISTOR,FXD,COMP- 330 OHMS P/M 5% 1/2W				1	
* - 6B	334921	. . TERMINAL-LUG NO.22 THRU NO.18 WIRE INSUL				2	
* - 6C	340166	. . TUBING				1	
* - 6D	492447	. . CAPACITOR,DISC 0.1 MED P 70 M30 PCT				1	
* - 6E	512848	. . CAPACITOR				3	
* - 7	741149	. BUTTON-CARRIAGE STOP,RED				1	A
* - 7	738514	. BUTTON-CARRIAGE STOP,RED				1	B
* - 7	738505	. BUTTON-STOP,RED				1	C
* - 9	749033	. BUTTON-STOP				1	
* - 11	749035	. BUTTON-CARRIAGE RESTORE,BLUE				1	A
* - 11	738515	. BUTTON-CARRIAGE RESTORE,BLUE				1	B
* - 11	738506	. BUTTON-CARRIAGE RESTORE,BLUE				1	C
* - 13	749036	. BUTTON-CARRIAGE SPACE,BLUE				1	A
* - 13	738537	. BUTTON-CARRIAGE SPACE				1	B
* - 13	738512	. BUTTON-CARRIAGE SPACE,BLUE				1	C
* - 15	749046	. COVER,TOGGLE SWITCH				1	
* - 16	749095	. BUTTON-BLANK,BLUE				6	
* - 17	827840	. SOCKET, SINGLE CONTACT, BAYONET BASE				4	
* - 18	827850	. LENS,WHITE-BLANK				2	
* - 19	827865	. LENS-READY GREEN				1	A
* - 19	738516	. LENS-READY,GREEN				1	B
* - 19	738509	. LENS-READY,GREEN				1	C
* - 20	1092177	. SCREW,MACH-SET 4-40 X 3/16 LG				2	
* - 21	2129665	. LAMP,INCANDESCENT- 14V 0.2 AMP				4	
* - 22	2190676	. LENS,CBM-FORMS CHECK,YELLOW				1	A
* - 22	738517	. LENS,CBM FORM CHECK-YELLOW,FRENCH				1	B
* - 22	738511	. LENS,CBM FORM CHECK-YELLOW,GERMAN				1	C
* - 23	5311437	. NUT,SWITCH 0.469-32				6	
* - 24	5311439	. SWITCH,TOGGLE DPDT				1	
* - 25	5311440	. SPRING,BUTTON				5	1
* - 25	5311440	. SPRING,BUTTON				11	2
* - 26	5350020	. BUTTON-ENGLISH				1	A
* - 26	738513	. BUTTON-START,GREEN				1	B
* - 26	5350020	. BUTTON-ENGLISH				1	C
* - 27	5373660	. HOUSING-SWITCH AND LIGHT				18	
		LIST 9 AND 10 DELETED					

FOR PARTS
NOT SHOWN
SEE FIG. 1

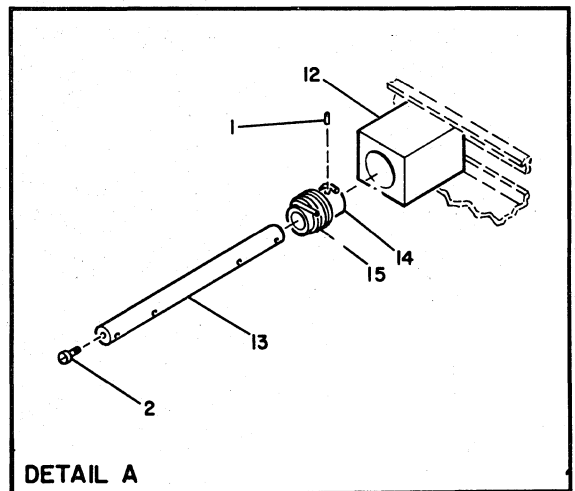
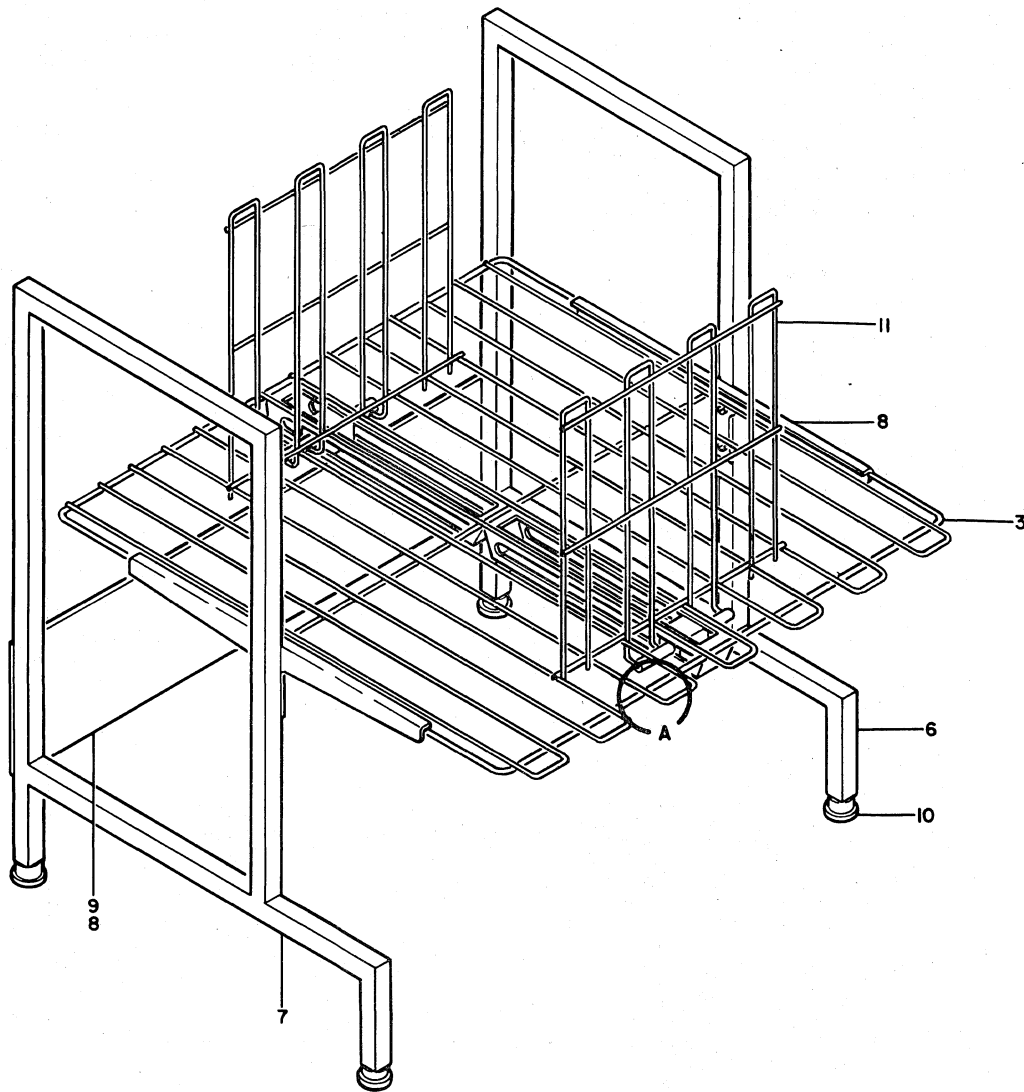


FIGURE 11. PAPER STACKER ASSEMBLY. SEE LIST 11.

LIST AND INDEX NO.	PART NO.	DESCRIPTION	UNITS PER ASM.	USABLE ON CODE
		1 2 3 4		
		PAPER STACKER ASSEMBLY		
* 11 -		CODE 1 USED ON ASM PRIOR TO P5 SUFFIX CODE 2 USED ON ASM P5 TO CURRENT		
* -	738372	STACKER ASM-PAPER SEE LIST 1- 82 FOR NEXT HIGHER ASM. AND FIG. 11 FOR ILLUSTRATION	REF	
* - 1	219679	• PIN,SPRING- 1/8 X 9/16 LG	1	
* - 2	328816	• SETSCREW- 6-32 X 3/16 LG	4	
* - 3	738373	• TRAY ASM	1	
* -		INDEX NO. 4 AND 5 DELETED		
* - 6	738375	• FRAME-RH	1	
* - 7	738376	• FRAME-LH	1	
* - 8	738378	• SCREW,THD FORMING,PAN HD,8-32 X .250	8	
* - 9	738538	• PLATE	1	
* - 10	749077	• GLIDE	4	1
* - 10	737967	• GLIDE,FRAME	4	2
* - 11	749879	• GUIDE-FOLD DOWN	2	
* - 12	749919	• SLIDE-FOLD DOWN GLIDE	2	
* - 13	749950	• SHAFT	2	
* - 14	749979	• COLLAR-SPRING	1	
* - 15	749986	• SPRING	1	

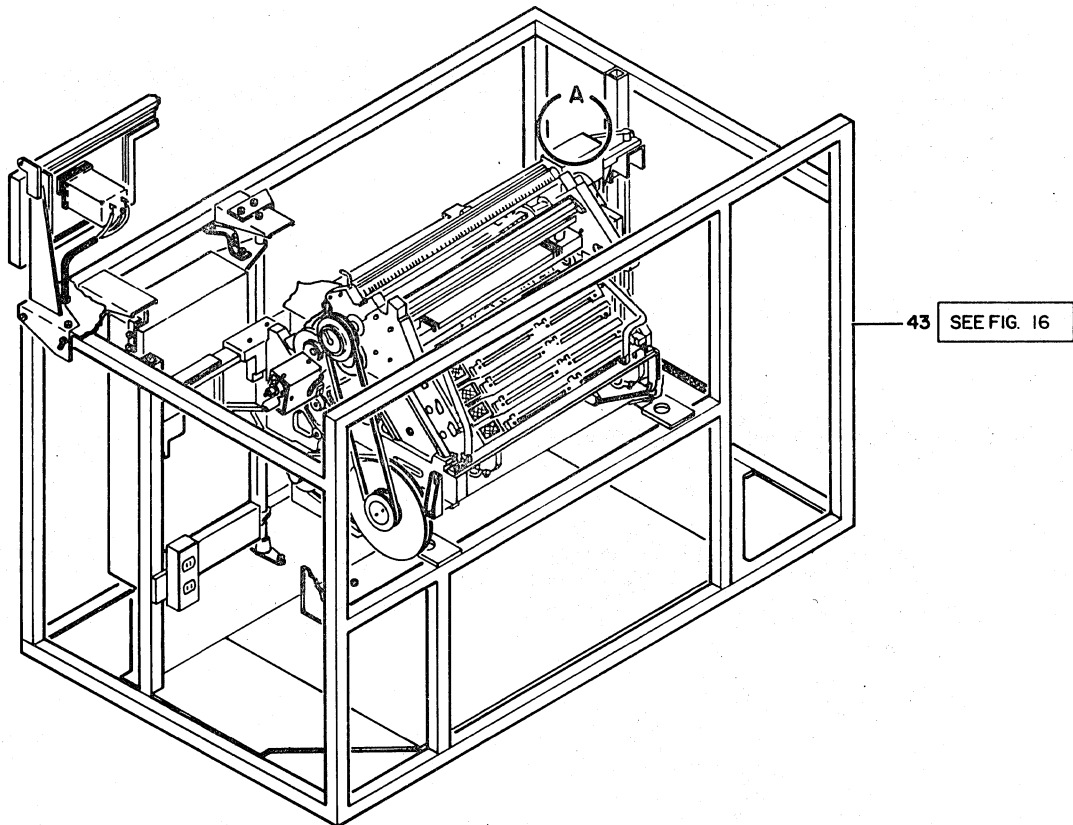
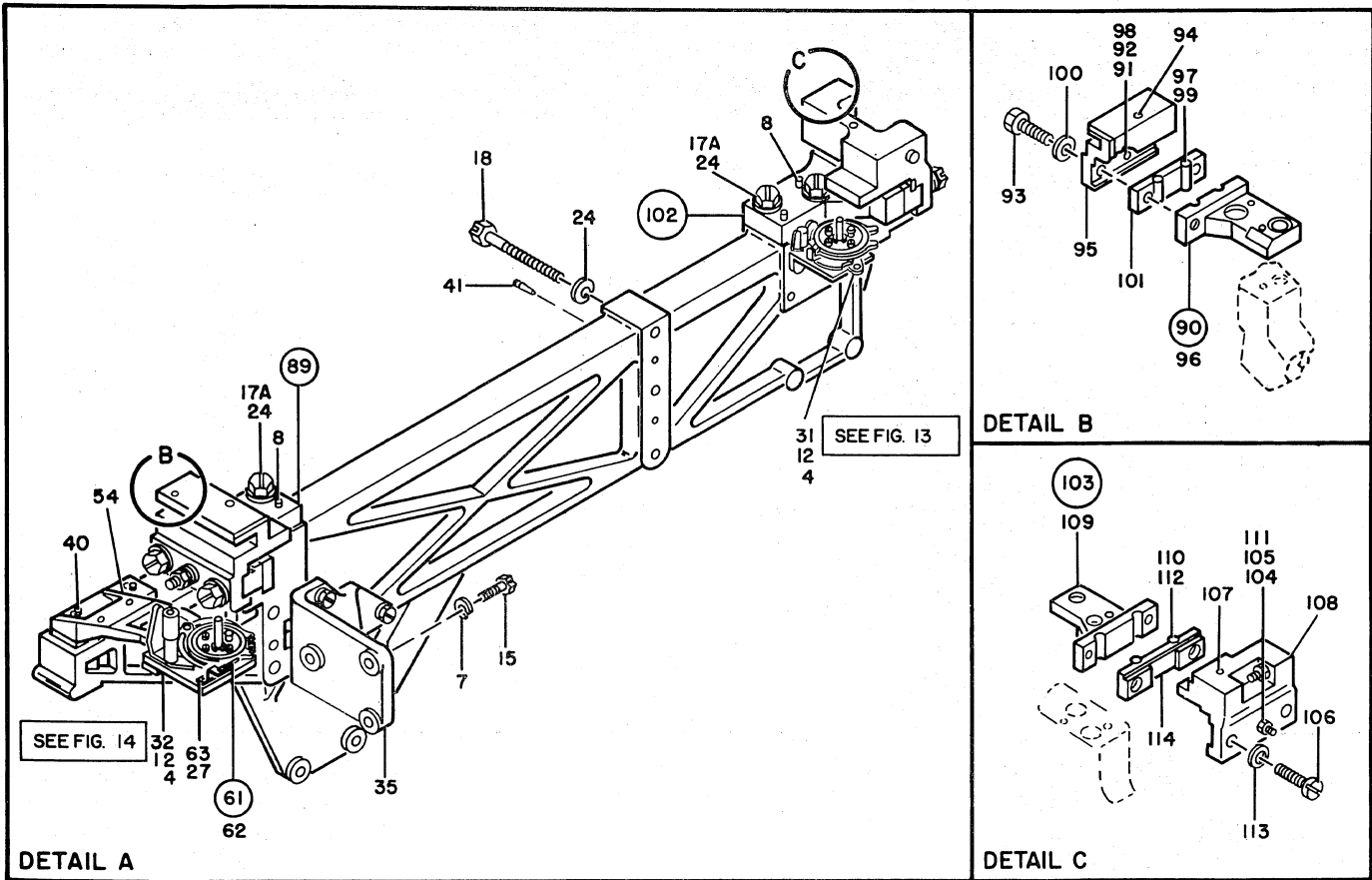


FIGURE 12. PRINTER FINAL ASSEMBLY. SHEET 1 OF 4. SEE LIST 12.

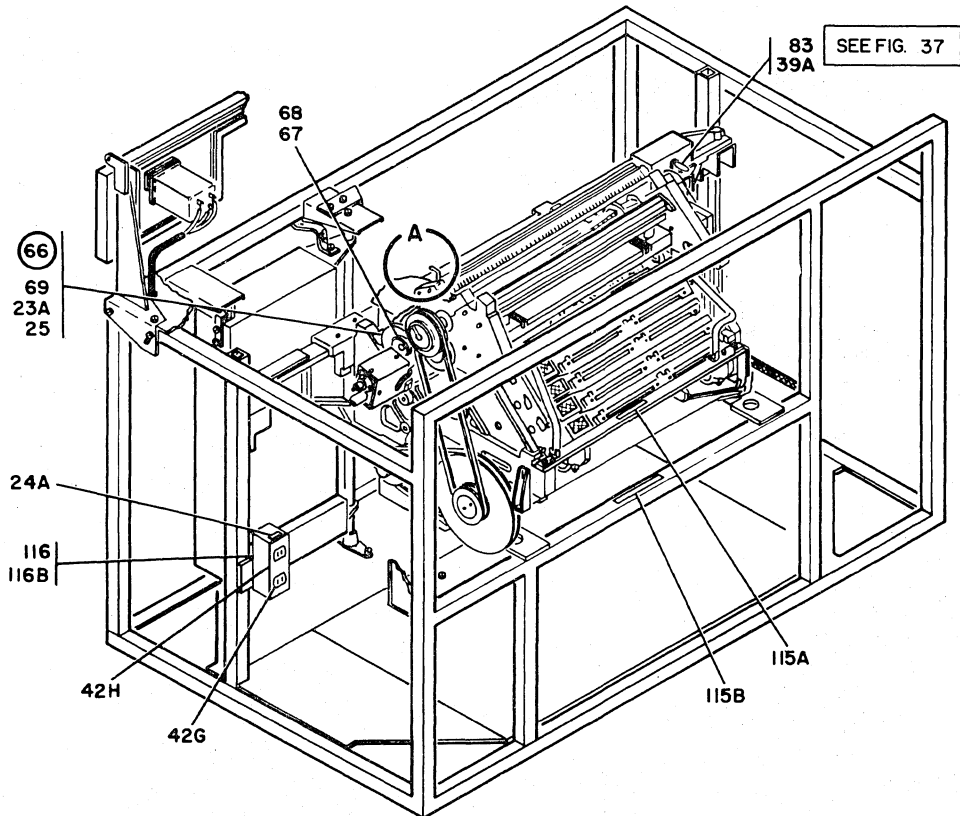
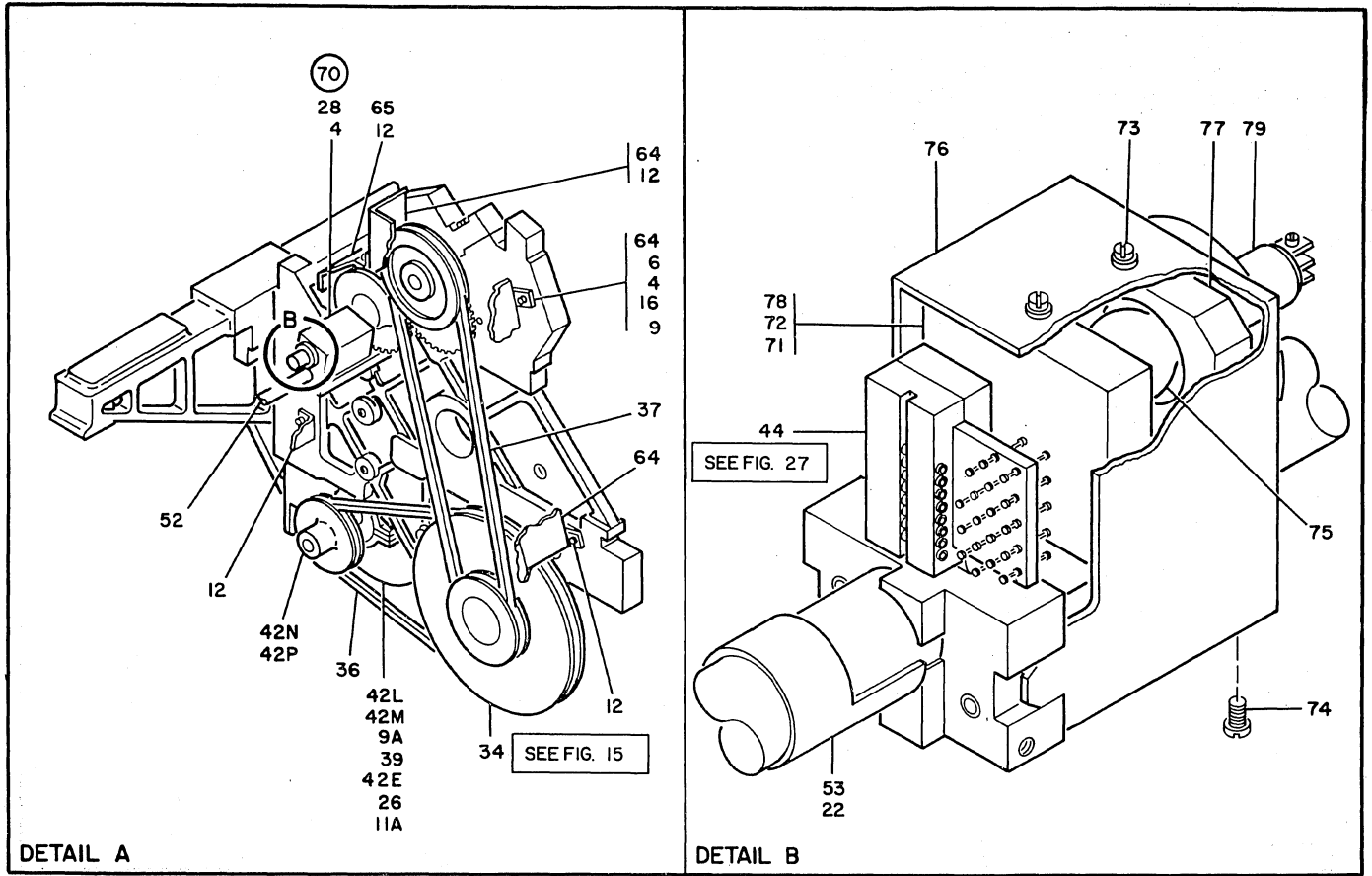


FIGURE 12. PRINTER FINAL ASSEMBLY. SHEET 2 OF 4. SEE LIST 12.

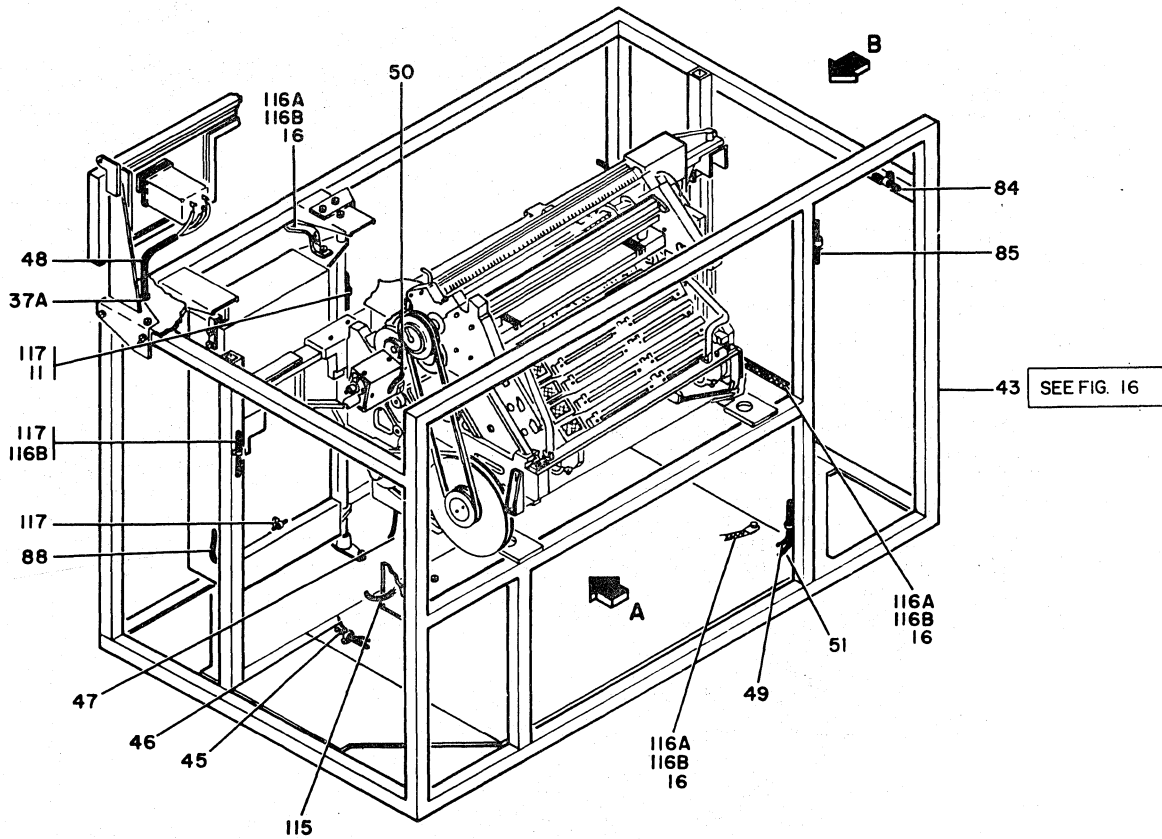
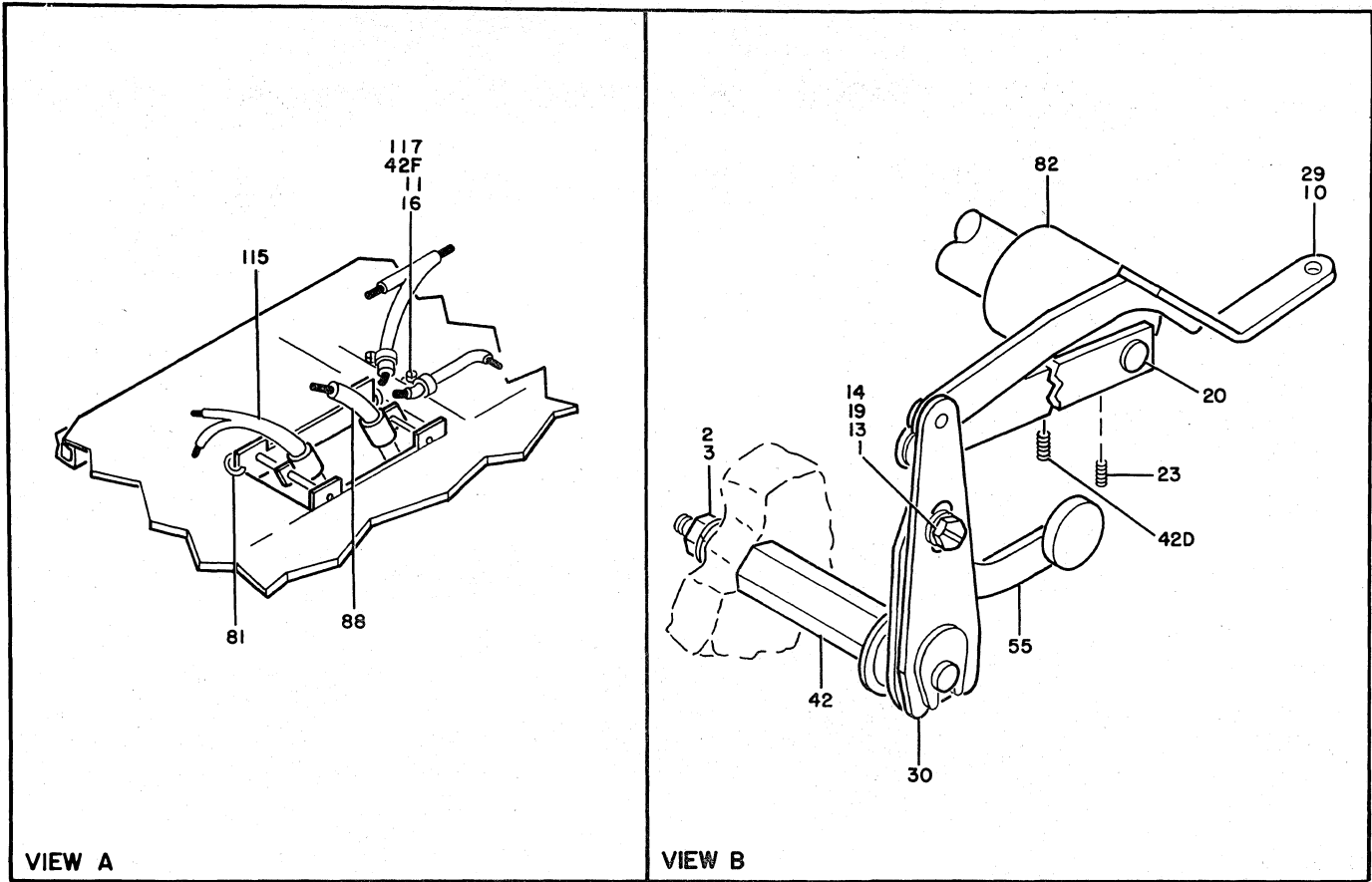


FIGURE 12. PRINTER FINAL ASSEMBLY. SHEET 3 OF 4. SEE LIST 12.

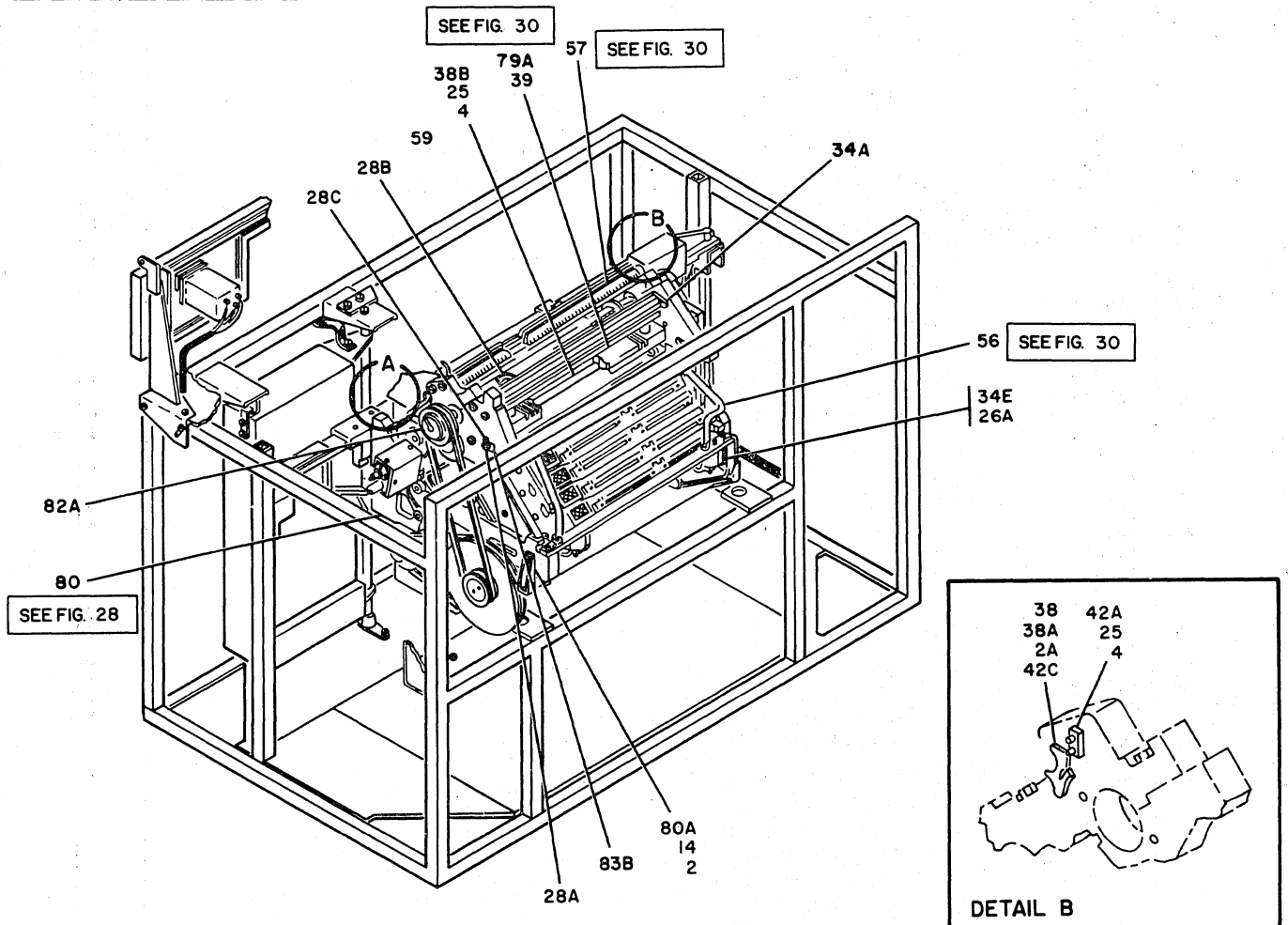
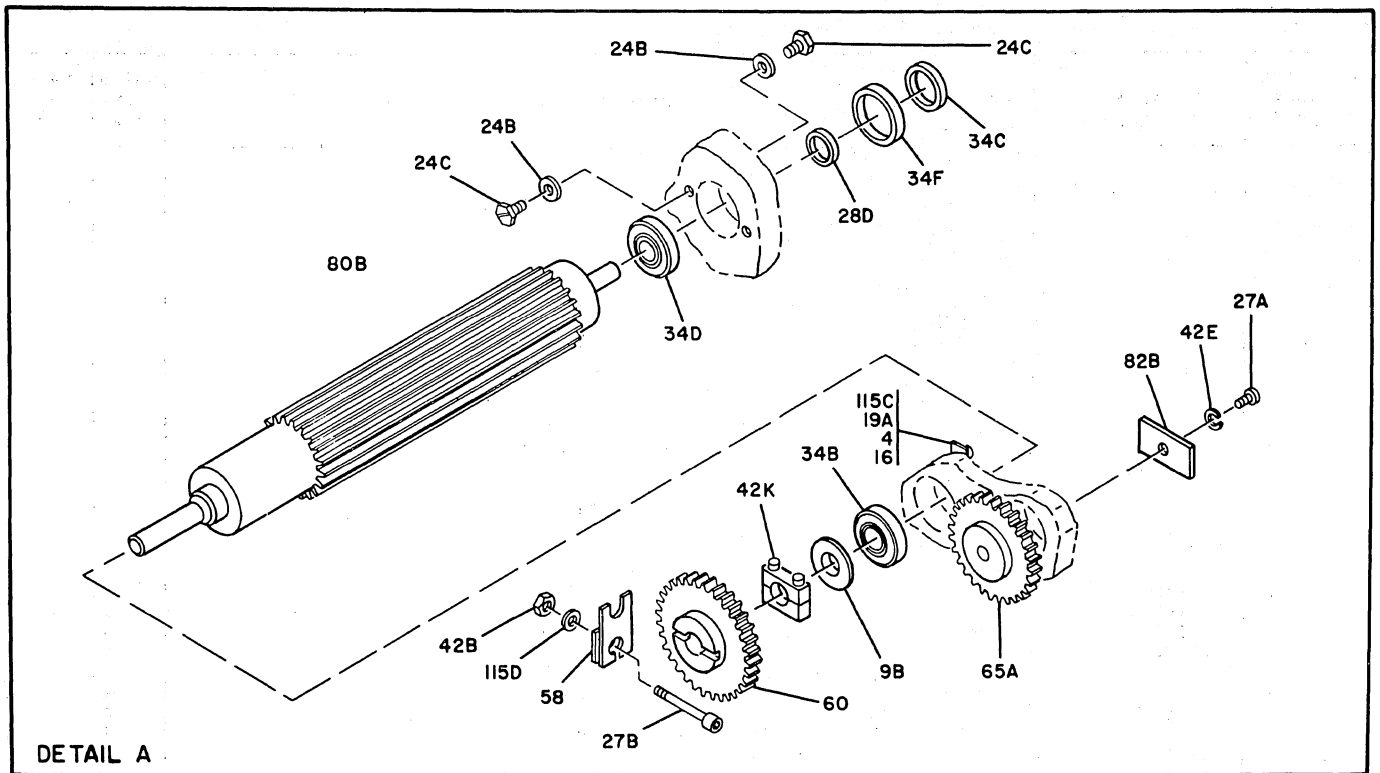


FIGURE 12. PRINTER FINAL ASSEMBLY. SHEET 4 OF 4. SEE LIST 12.

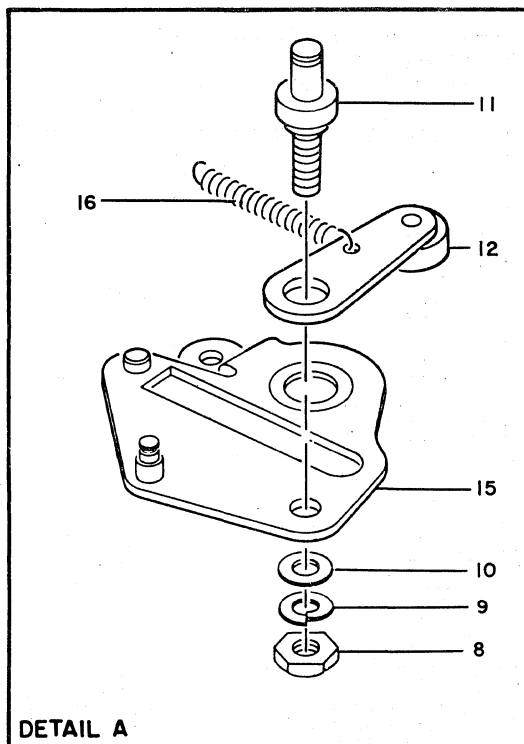
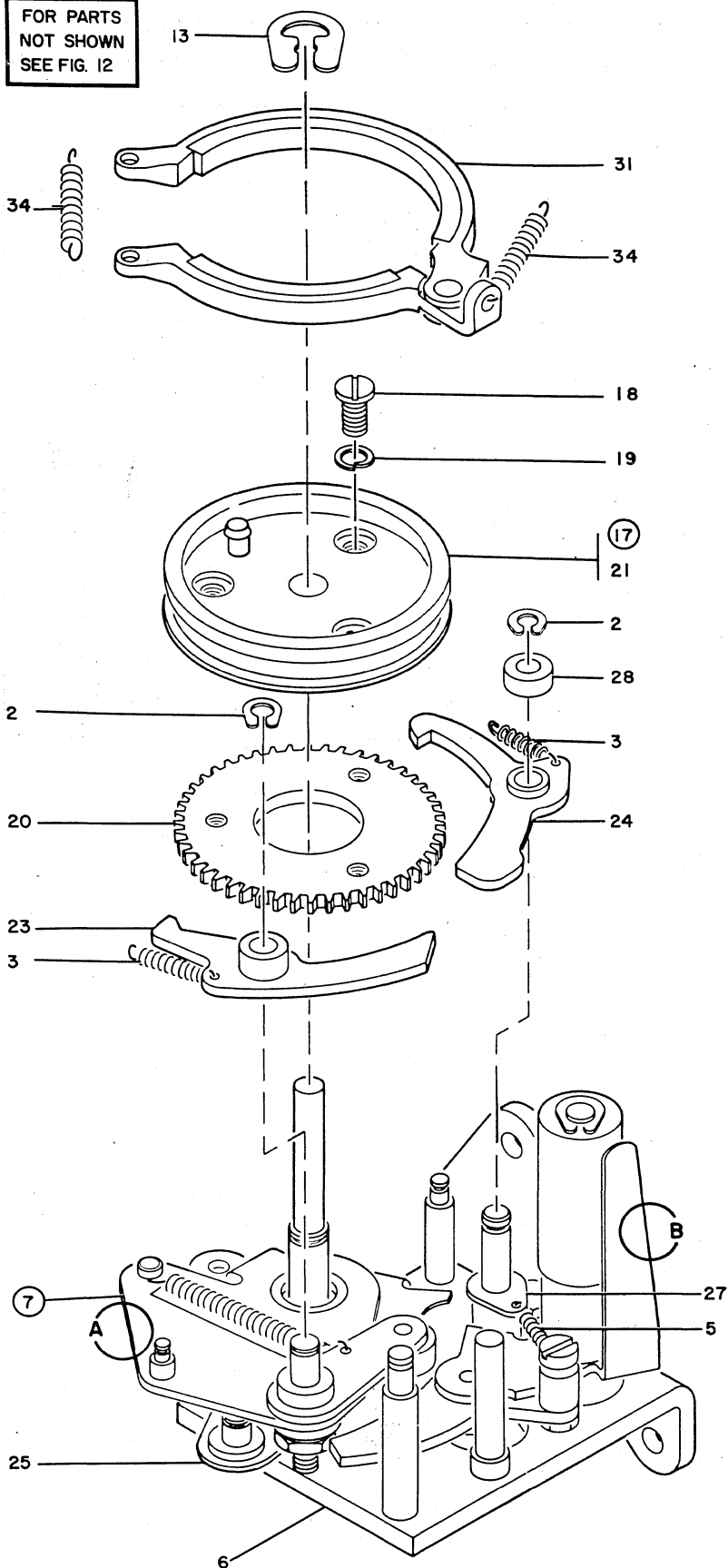
LIST AND INDEX NO.	PART NO.	DESCRIPTION	UNITS PER ASM.	USABLE ON CODE
		1 2 3 4		
		PRINTER FINAL ASSEMBLY		
12 -		<p>CODE A USED ON 60 CYCLE PRINTER ASSEMBLY CODE B USED ON 50 CYCLE PRINTER ASSEMBLY CODE 1 USED ON ASM PRIOR TO P5 SUFFIX CODE 2 USED ON ASM FROM P5 TO CURRENT CODE 3 USED ON ASM PRIOR TO S5 SUFFIX CODE 4 USED ON ASM FROM S5 TO CURRENT CODE 5 USED ON ASM FROM A6 TO CURRENT CODE 6 USED ON ASM FROM D6 TO CURRENT</p>		
	738200	FINAL ASM-PRINTER		
		SEE FIG. 12 FOR ILLUSTRATION		
- 1	3960	• NUT,PLAIN,HEX- 1/4-20 X 7/16 FL W NOT ILLUSTRATED	3	
- 2	4564	• NUT,PLAIN,HEX- 5/16-18 X 1/2 FL W	1	
- 2A	6935	• WASHER,LOCK-SPLIT 1/4 X 0.493 OD	8	
- 3	7192	• WASHER,LOCK-SPLIT 5/16 ID X 0.575 OD	1	
- 4	9092	• WASHER-LOCK,SPLIT RING, .194 ID .337OD	14	
- 5	10170	• SCREW-MACH,BIND HD NO. 6-32 X .250 LG NOT ILLUSTRATED	5	
- 6	10295	• SCREW,MACH-BIND HD 10-32 X 1-1/8 LG	1	
- 7	10309	• LOCKWASHER	6	
- 8	25393	• PIN,TAPERED,THREADED- 1-1/4 LG X NO. 3	4	
- 9	11598	• NUT PLAIN HEX 10/32	3	
- 9A	13482	• SCREW,MACH-HEX HD 5/16-18 X 1-1/4 LG	4	
- 9B	23056	• SPACER	1	
- 10	25282	• RING,RETAINING-EXT 0.125 ID X 0.015 THK	2	
- 11	25627	• SCREW,MACH-BIND HD 8-32 X 1/2 LG	2	
- 11A	25793	• NUT,PLAIN,HEX- 5/16-18 X 1/2 FL W	4	
- 12	32042	• SCREW, MACH BIND. HD 10-32 X 3/8 LG.	5	
- 13	37073	• WASHER,LOCK-SPLIT 1/4 ID X 0.489 OD	1	
- 14	38686	• SCREW,MACH-HEX HD 1/4-20 X 1/2 LG	5	
- 15	38693	• SCREW,MACH-HEX HD 3/8-16 X 1-1/4 LG	6	
- 16	45690	• WASHER, FL - NO.10 X 7/16 OD X 1/32 THK	8	
- 17	58207	• SCREW,MACH-UNDRCT BIND HD 8-32 X 1/4 LG NOT ILLUSTRATED	1	
- 17A	59682	• SCREW,MACH-HEX HD 1/2-13 X 1-3/4 LG	8	
- 18	59685	• SCREW,MACH-HEX HD 1/2-13 X 1-1/4 LG	6	
- 19	68387	• SPACER- 1/4 ID X 7/16 OD X 0.040 THK	1	
- 19A	104763	• SCREW,CAP,SOC HD- 10-32 X 1/2 LG	1	
- 20	115111	• PIN	1	
- 21	122856	• PIN,TAPERED,THREADED- 1 LG X NO. 2 NOT ILLUSTRATED	2	
- 22	123639	• SETSCREW-SPLINE DR FP 8-32 X 1/8 LG	1	
- 23	123780	• SETSCREW-SPLINE DR CUP PT 10-32 X 3/16LG	1	
- 23A	129645	• SCREW	2	
- 24	130987	• WASHER,LOCK-SPLIT 0.509 ID X 0.879 OD	10	
- 24A	138754	• DECAL,INST-LINE V PRESENT W/MACH PWR OFF	1	5
- 24B	139450	• WASHER,FL-NO. 10 X 7/16 OD X 3/64 THK	8	
- 24C	140425	• SCREW,MACH-HEX HD 10-32 X 5/16 LG	8	
- 25	149695	• SCREW,CAP,SOC HD- 10-32 X 1 LG	12	
- 26	161351	• WASHER,PLAIN FLAT	8	
- 26A	169733	• SCREW	4	
- 27	186759	• SCREW,MACH-BIND HD 8-32 X 5/16 LG	4	
- 27A	186915	• SCREW,MACH-HEX HD 5/16-18 X 5/8 LG	1	
- 27B	186931	• SCREW	1	
- 28	186934	• SCREW	1	
- 28A	202718	• SCREW,MACH-HEX HD 1/4-20 X 1-1/4 LG	6	
- 28B	202719	• DETENT-PRINT CAM	1	
- 28C	202727	• PIN,STR,HEADED- 0.156 DIA X 1-1/4 LG	6	
- 28D	202942	• SPACER- 0.626 ID X 7/8 OD X 1/4 THK	1	
- 29	203034	• LINK-RIBBON FEED	1	
- 30	203044	• ARM ASSEMBLY-RIBBON FEED CAM RKR ADJ	1	
- 31	203071	• FEED ASSEMBLY-RIBBON RIGHT HAND SEE LIST 13 FOR DETAIL BREAKDOWN	1	
- 32	203072	• FEED ASSEMBLY-RIBBON LEFT HAND SEE LIST 14 FOR DETAIL BREAKDOWN	2	4

LIST AND INDEX NO.	PART NO.	DESCRIPTION	UNITS PER ASM.	USABLE ON CODE
		1 2 3 4		
		PRINTER FINAL ASSEMBLY -CONT		
12 - 33	203351	• SPACER NOT ILLUSTRATED	1	
* - 34	203760	• PULLEY ASSEMBLY-ADJUSTABLE SPEED SEE LIST 15 FOR DETAIL BREAKDOWN	1	
* - 34A	203785	• BAR ASSEMBLY-PRINT CAM DETENT SUPPORT	1	4
* - 34B	203788	• BEARING,BALL,ANNULAR- 0.750 ID 1.625 OD	1	4
* - 34C	203826	• SPACER-SEL SHAFT	1	4
* - 34D	203827	• BEARING,BALL,ANNULAR- 0.669 ID 1.575 OD	1	4
* - 34E	204240	• GUIDE-ANALYZER UNIT	2	4
* - 34F	204474	• SPACER- 1-3/8 ID X 1.574 OD X 0.290 THK	1	4
- 35	204489	• BRACKET,ANGLE-INTERMEDIATE SIDE FRAME	1	
- 36	206569	• BELT	1	
- 37	206571	• BELT-V	1	A
* - 37	167950	• BELT-V	1	B
- 37A	220690	• GROMMET,RUB-FOR 3/8 HOLE X 1/16 PNL	AR	
- 38	220942	• ARM ASM-TYPE WHEEL ALIGNER DISENGAGING	2	4
- 38A	220957	• STUD-ALIGNER DISENGAGING ARM PIVOT	4	4
- 38B	223810	• PRINT GUIDE BAR AND BRUSH ASSEMBLY	1	4
* - 39	234345	• SCREW,ASMD WASHER-FIL HD 1/4-20 X 1-1/4	6	
* - 39A	234348	• SCREW,ASMD WASHER-FIL HD 5/16-18 X 3/4 NOT ILLUSTRATED	5	
- 40	234349	• SCREW,ASMD WASHER-FIL HD 5/16-18 X 1 LG	2	
- 41	236919	• DOWEL,SPECIAL CHAR SHAFT PULL	4	
- 42	237391	• STUD-PIVOT	1	
* - 42A	237431	• BAR-GUIDE	2	
* - 42B	257189	• NUT,PLAIN-HEX 8-32 X 0.343 W	1	
* - 42C	257700	• RING,RETAINING-EXT 0.187 ID X 0.020 THK	2	4
* - 42D	257959	• SETSCREW-SPLINE DR CUP PT 4-40 X 3/16 LG	1	A
* - 42E	257983	• WASHER,LOCK-SPLIT 0.319 ID X 0.591 OD	4	B
* - 42F	332620	• SCREW,MACH-BIND HD 10-32 X 1/2 LG	6	A
* - 42G	357995	• OUTLET-CONVENIENCE,125V-60 CY	12	B
* - 42H	359018	• COVER-UTILITY BOX	1	2
* - 42K	437763	• SCREW,CAP,SOC HD	2	
* - 42L	602346	• MOTOR	1	1A
* - 42L	738549	• MOTOR- 115/208/230 VOLT- 1/4 HP- 60 CY	1	2A
* - 42M	602697	• MOTOR	1	1B
* - 42M	738577	• MOTOR-115/208/230 VOLT- 1/4 HP- 50 CY	1	2B
* - 42N	7022679	• PULLEY	1	A
* - 42P	738144	• PULLEY	1	B
* - 43	738162	• MECHANICAL ASSEMBLY SEE LIST 16 FOR DETAIL BREAKDOWN	NP	1
- 44	738178	• SOLAR CELL UNIT ASM SEE LIST 27 FOR DETAIL BREAKDOWN	1	
- 45	738184	• CABLE ASM-PS TO EMITTER DISC LIGHT SEE LIST 38-15B AND -15C FOR COMPONENT PARTS	1	
- 46	738185	• CABLE ASM-PS TO BLOWER SEE LIST 38-4,-15B AND 21 FOR COMPONENT PARTS	1	
- 47	738186	• CABLE ASM-PS TO DRIVE MOTOR SEE LIST 38-15B AND -15C FOR COMPONENT PARTS	2	
- 48	738187	• CABLE ASM-INTERNAL AC SEE LIST 38-13,-15B AND -20 FOR COMPONENT PARTS	1	
- 49	738189	• CABLE ASM-PRINT MAGNET COMMONS SEE LIST 38-15B,-16B AND 22A FOR COMPONENT PARTS	1	
- 50	738190	• CABLE ASM-SOLAR CELL SEE LIST 38-3,-5 AND -8 FOR COMPONENT PARTS	1	
- 51	738191	• CABLE ASM-GATE TO PRINT MAGNET SEE LIST 38-2,-5,-8 AND -16B FOR COMPONENT PARTS	1	
* - 52	738201	• SHAFT	1	
* - 53	738202	• COLLAR-STOP	1	
* - 54	738223	• SUPPORT-RIBBON FEED	1	
* - 55	738226	• ROCKER AND LINK ASM-RIBBON FEED	1	
* - 56	738213	• MAGNET UNIT ASM	1	4
* - 57	738594	• WHEEL ASM- PRINT, DOMESTIC STANDARD SEE LIST 30 FOR DETAIL BREAKDOWN	1	
* - 57	738595	• WHEEL ASM- PRINT, WTC SPECIAL SEE LIST 33 FOR DETAILED SEE LIST 33 FOR DETAIL BREAKDOWN		

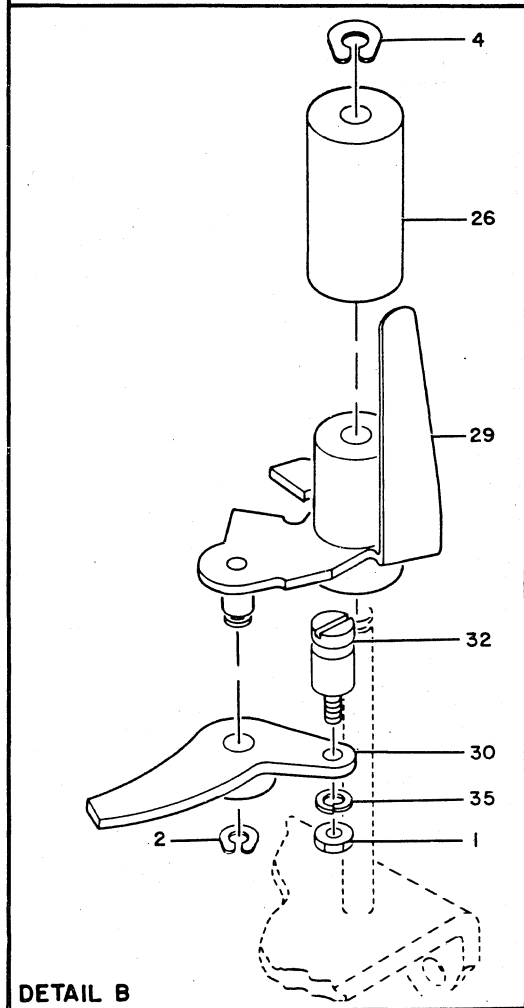
LIST AND INDEX NO.	PART NO.	DESCRIPTION	UNITS PER ASM.	USABLE ON CODE
		1 2 3 4		
		PRINTER FINAL ASSEMBLY -CONT		
* 12 - 58	738224	• ARM-ADJUSTMENT	1	4
* - 59	738225	• BAR ASM-GUIDE	1	4
* - 60	738231	• GEAR ASM	1	4
- 61	738227	• ROD-RIBBON FEED	1	
- 62	233247	• • ROD ASM-RIBBON FEED	1	
- 63	738228	• BRACKET-EXTENSION	1	
- 64	738237	• COVER-SAFETY BELT	1	
- 65	738242	• COVER-SAFETY	1	
* - 65A	738245	• GEAR ASM	1	4
- 66	738248	• DISC ARM-TIMING	1	
- 67	438548	• • SCREW,MACH-BIND HD 4-40 X 3/16 LG	4	
- 68	738249	• • CLAMP	1	
- 69	738253	• • DISC-TIMING	1	
- 70	738250	• HOUSING ASM-LAMP	1	
- 71	6364	• • WASHER,LOCK-SPLIT NO. 6 X 1/4 OD	1	
- 72	38350	• • SCREW,MACH-FIL H 6-32 X 1/4 LG	1	
- 73	251970	• • SCREW	6	
- 74	438601	• • SCREW,MACH-UNDRCT BIND HD 10-32 X 7/8 LG	1	
- 75	557718	• • LAMP-INCANDESCENT	1	
- 76	738251	• • COVER	1	
- 77	738252	• • HOLDER	1	
- 78	738258	• • LENS	1	
- 79	738481	• • SOCKET-LIGHT	1	
* - 79A	738260	• BAR ASM-RESTORE LEVER SEE LIST 35 FOR DETAIL BREAKDOWN	1	4
* - 80	738266	• MECHANICAL ASM-PRINT SEE LIST 28 FOR DETAIL BREAKDOWN	1	3
* - 80	738150	• FRAME ASM-SIDE	1	4
* - 80A	738268	• BRACKET-MTG	2	4
* - 80B	738269	• GEAR-PRINT WHEEL	1	4
* - 81	738270	• PIN	1	
- 82	738279	• SLEEVE-RIBBON DRIVE	1	
* - 82A	738280	• SHAFT ASM-PRINT CLUTCH	1	4
* - 82B	738289	• LENS ASM	1	4
* - 83	738290	• LIFT ASM-CARRIAGE SEE LIST 37 FOR DETAIL BREAKDOWN	NP	1
* - 83A	738291	• BRACKET ASM-CARRIAGE LIFT NOT ILLUSTRATED	1	3
* - 83B	738294	• SPACER-RESTORE LEVER BAR	2	4
* - 84	738379	• CABLE ASM-INTERNAL SEE LIST 38- 3,-5,-8,-14,-15A,-16, -20,-22,-22B AND 33 FOR COMPONENT PARTS	1	
* - 85	738380	• CABLE ASM-PS TO MOTOR SWITCH SEE LIST 38-15B FOR COMPONENT PARTS	1	
* - 86	738381	• SHIELD-SAFETY NOT ILLUSTRATED	1	1
* - 87	738385	• CABLE ASM-AC-DC,CPU TO 1132 NOT ILLUSTRATED SEE LIST 38-10,-10A,-15B AND 18 FOR COMPONENT PARTS	1	1
* - 88	738408	• CABLE ASM-SIGNAL CPU TO 1132 SEE LIST 38- 2,-2B,-5,-8 AND 34 THRU 38 FOR COMPONENT PARTS	1	1
* - 88	738558	• CABLE ASM-SIGNAL CPU TO 1132 SEE LIST 38- 2,-2B,-5,-8, AND 34 THR 38 FOR COMPONENT PARTS	1	2
- 89	738476	• BLOCK ASM-LEFT	1	
- 90	233162	• • BRACKET ASSEMBLY-TIP UPPER LEFT	1	
- 91	22349	• • • NUT,PLAIN,HEX- 3/8-16 X 9/16 FL W	1	
- 92	55520	• • • WASHER,LOCK-SPLIT 0.382 ID X 0.678 OD	1	
- 93	56982	• • • SCREW	2	
- 94	161417	• • • SETSCREW-HDLS 5/16 X 3/4 LG	1	
- 95	233156	• • • BRACKET-TIP UP LEFT	1	
- 96	233158	• • • SUPPORT-TIP UP BRKT LEFT	1	
- 97	233164	• • • RAIL-CARRIAGE MOUNT GUIDE	2	
- 98	233165	• • • SCREW-TIP UP BRKT ADJ 3/8-16 X 1 LG	1	

LIST AND INDEX NO.	PART NO.	DESCRIPTION				UNITS PER ASM.	USABLE ON CODE
		1	2	3	4		
		PRINTER FINAL ASSEMBLY -CONT					
12 - 99	234307	. . . SCREW				2	
-100	257324	. . . COLLAR- 0.502 ID X 1.000 OD X 0.140 THK				2	
-101	257582	. . . BLOCK-CARRIAGE MOUNT INTERMEDIATE				1	
-102	738499	. BLOCK ASM-RIGHT				1	
-103	233161	. BRACKET ASSEMBLY-RIGHT				1	
-104	22349	. . . NUT,PLAIN,HEX- 3/8-16 X 9/16 FL W				1	
-105	55520	. . . WASHER,LOCK-SPLIT 0.382 ID X 0.678 OD				1	
-106	56982	. . . SCREW				2	
-107	161417	. . . SETSCREW-HDLS 5/16 X 3/4 LG				1	
-108	233155	. . . BRACKET-TIP UP RIGHT				1	
-109	233157	. . . SUPPURT-TIP UP BRKT RIGHT				1	
-110	233164	. . . RAIL-CARRIAGE MOUNT GUIDE				2	
-111	233165	. . . SCREW-TIP UP BRKT ADJ 3/8-16 X 1 LG				1	
-112	234307	. . . SCREW				2	
-113	257324	. . . COLLAR- 0.502 ID X 1.000 OD X 0.140 THK				2	
-114	257582	. . . BLOCK-CARRIAGE MOUNT INTERMEDIATE				1	
* -115	738504	. CABLE ASM-AC-DC CPU TO 1132				1	1
* *		SEE LIST 38- 2B,-10,-10A,-15A,-18 AND					
* *		34 THRU 37 FOR COMPONENT PARTS					
* -115A	738541	. LABEL				1	
* -115B	738578	. PLATE-POWER				1	4
* -115C	738600	. BRACKET-PRINT WHEEL				1	6
* -115D	1090873	. WASHER-SPLIT LOCK-NO.8				1	
* -116	2102151	. BOX-UTILITY				1	2
* -116A	2101376	. STRAP-GROUND				3	2
* -116B	5319888	. SCREW, SELF TAPPING, 10-32 X .625 LONG				23	
* -117	NO NO.	. CLAMP,CABLE-O				AR	

FOR PARTS
NOT SHOWN
SEE FIG. 12



DETAIL A

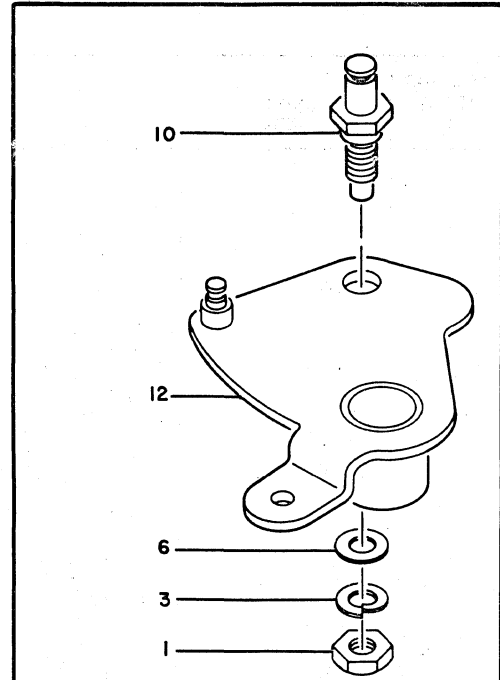
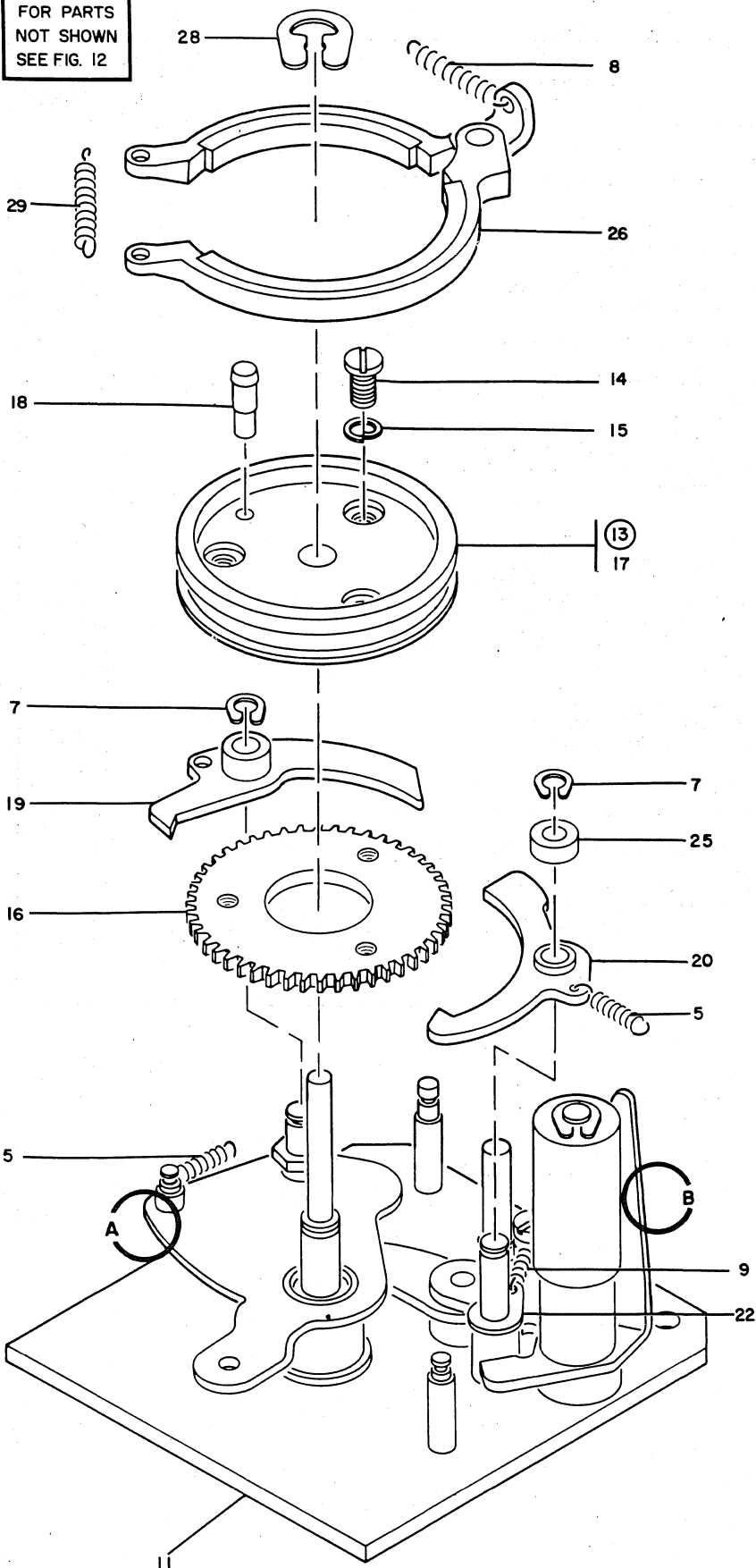


DETAIL B

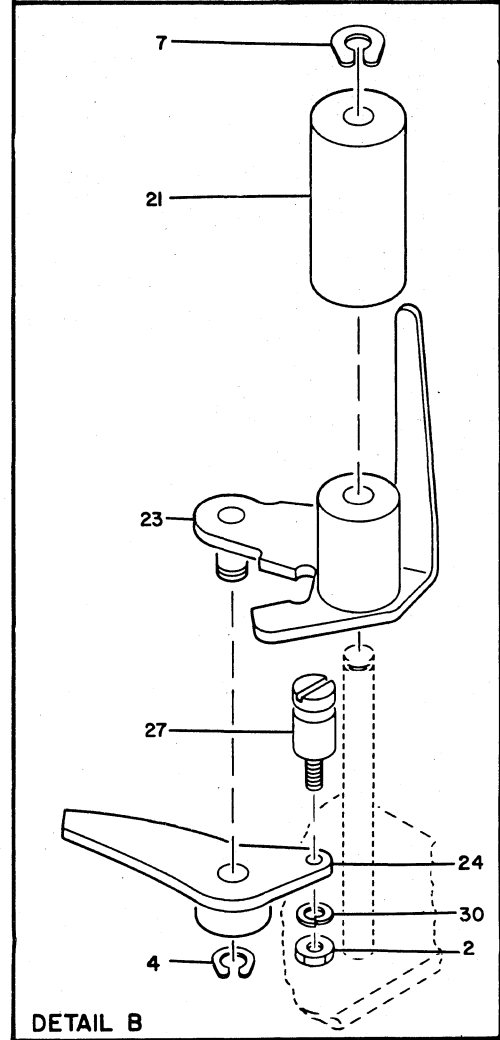
FIGURE 13. RIGHT HAND RIBBON FEED ASSEMBLY. SEE LIST 13.

LIST AND INDEX NO.	PART NO.	1 2 3 4	DESCRIPTION	UNITS PER ASM.	USABLE ON CODE
			RIGHT HAND RIBBON FEED ASSEMBLY		
13 -	203071		FEED ASSEMBLY-RIBBON RIGHT HAND SEE LIST 12-31 FOR NEXT HIGHER ASSEMBLY AND FIG. 13 FOR DETAIL BREAKDOWN	REF	
- 1	8506		• NUT,PLAIN,HEX- 3-48 X 3/16 FL W	1	
- 2	25282		• RING,RETAINING-EXT 0.125 ID X 0.015 THK	3	
- 3	30371		• SPRING,HELICAL,EXTENSION- 30 TURNS LH	2	
- 4	123206		• CLIP-RET	1	
- 5	183602		• SPRING,HELICAL,EXTENSION- 16 TURNS	1	
- 6	203022		• BRACKET ASSEMBLY-RIBBON FEED RIGHT HAND	1	
- 7	203024		• ARM ASSEMBLY-RIBBON FEED OPER RH	1	
- 8	221		• • NUT,PLAIN,HEX- 10-32 X 5/16 FL W	1	
- 9	9092		• • WASHER,LOCK-SPLIT 0.194 X 0.377 OD	1	
- 10	45690		• • WASHER,FL-NO. 10 X 7/16 OD X 1/32 THK	1	
- 11	203007		• • STUD-RIBBON FEED PAWL	1	
- 12	203016		• • ARM-DETENT	1	
* - 13			DELETED		
* - 14			DELETED		
- 15	220722		• • ARM SUBASSEMBLY-RIBBON FEED OPR RH	1	
- 16	223829		• • SPRING,HELICAL,EXTENSION- 31-1/2 TURNS	1	
- 17	203026		• WHEEL ASSEMBLY-RIBBON FEED RATCHET RH	1	
- 18	7040		• • SCREW,MACH-BIND HD 5-40 X 9/32 LG	3	
- 19	163899		• • WASHER,LOCK-SPLIT NO. 6 X 0.255 OD	3	
- 20	203004		• • WHEEL-RATCHET	1	
- 21	203005		• • HUB-RATCHET WHEEL RIGHT HAND	1	
* - 22			DELETED		
- 23	203028		• PAWL ASSEMBLY-RIBBON FEED RH	1	
- 24	203030		• PAWL ASSEMBLY-RIBBON FEED CHECK RH	1	
- 25	203032		• DETENT ASSEMBLY-RIBBON REVERSE	1	
- 26	220987		• ROLLER-RIBBON FEED	1	
- 27	220994		• RETAINER-SPRING	1	
- 28	223873		• BUSHING	1	
- 29	223876		• ARM ASSEMBLY-RIBBON FEED REVERSING RH	1	
- 30	223877		• PAWL ASSEMBLY-RIBBON FEED REVERSE RH	1	
- 31	223878		• BRAKE ASSEMBLY-RIBBON FEED RIGHT HAND	1	
- 32	237454		• STUD-ECCENTRIC	1	
- 33	257700		• RING,RETAINING-EXT 0.187 ID X 0.020 THK	1	
- 34	1091074		• SPRING,HELICAL,EXTENSION- 40 TURNS	2	
- 35	1091111		• WASHER,LOCK-INT TEETH NO. 3 X 0.225 OD	1	

FOR PARTS
NOT SHOWN
SEE FIG. 12



DETAIL A



DETAIL B

FIGURE 14. LEFT HAND RIBBON FEED ASSEMBLY. SEE LIST 14

LIST AND INDEX NO.	PART NO.	DESCRIPTION				UNITS PER ASM.	USABLE ON CODE
		1	2	3	4		
		LEFT HAND RIBBON FEED ASSEMBLY					
14 -	203072	FEED ASSEMBLY-RIBBON LEFT HAND SEE LIST 12-32 FOR NEXT HIGHER ASSEMBLY AND FIG. 14 FOR ILLUSTRATION				REF	
- 1	221	• NUT,PLAIN,HEX- 10-32 X 5/16 FL W				1	
- 2	8506	• NUT,PLAIN,HEX- 3-48 X 3/16 FL W				1	
- 3	9092	• WASHER,LOCK-SPLIT 0.194 X 0.377 OD				1	
- 4	25282	• RING,RETAINING-EXT 0.125 ID X 0.015 THK				3	
- 5	30371	• SPRING,HELICAL,EXTENSION- 30 TURNS LH				2	
- 6	45690	• WASHER,FL-NO. 10 X 7/16 OD X 1/32 THK				1	
- 7	123206	• CLIP-RET				1	
- 8	150072	• SPRING,HELICAL,EXTENSION- 57.5 TURNS				1	
- 9	183602	• SPRING,HELICAL,EXTENSION- 16 TURNS				1	
- 10	203007	• STUD-RIBBON FEED PAWL				1	
- 11	203023	• BRACKET ASSEMBLY-RIBBON FEED LEFT HAND				1	
- 12	203025	• ARM ASSEMBLY-RIBBON FEED OPER LH				1	
- 13	203027	• WHEEL ASSEMBLY-RIBBON FEED RATCHET LH				1	
- 14	7040	• • SCREW,MACH-BIND HD 5-40 X 9/32 LG				3	
- 15	163899	• • WASHER,LOCK-SPLIT NO. 6 X 0.255 OD				3	
- 16	203004	• • WHEEL-RATCHET				1	
- 17	220988	• • HUB-RIBBON FEED RATCHET WHEEL LEFT HAND				1	
- 18	228935	• • PIN-RIBBON FEED RTC LH				1	
- 19	203029	• PAWL ASSEMBLY-RIBBON FEED LH				1	
- 20	203031	• PAWL ASSEMBLY-RIBBON FEED CHECK LH				1	
- 21	220987	• ROLLER-RIBBON FEED				1	
- 22	220994	• RETAINER-SPRING				1	
- 23	223870	• ARM ASSEMBLY-RIBBON FEED REVERSING LH				1	
- 24	223871	• PAWL ASSEMBLY-RIBBON FEED REVERSE LH				1	
- 25	223873	• BUSHING				1	
- 26	223874	• BRAKE ASSEMBLY-RIBBON FEED LEFT HAND				1	
- 27	237454	• STUD-ECCENTRIC				1	
- 28	257700	• RING,RETAINING-EXT 0.187 ID X 0.020 THK				1	
- 29	1091074	• SPRING,HELICAL,EXTENSION- 40 TURNS				1	
- 30	1091111	• WASHER,LOCK-INT TEETH NO. 3 X 0.225 OD				1	

FOR PARTS
NOT SHOWN
SEE FIG. 12

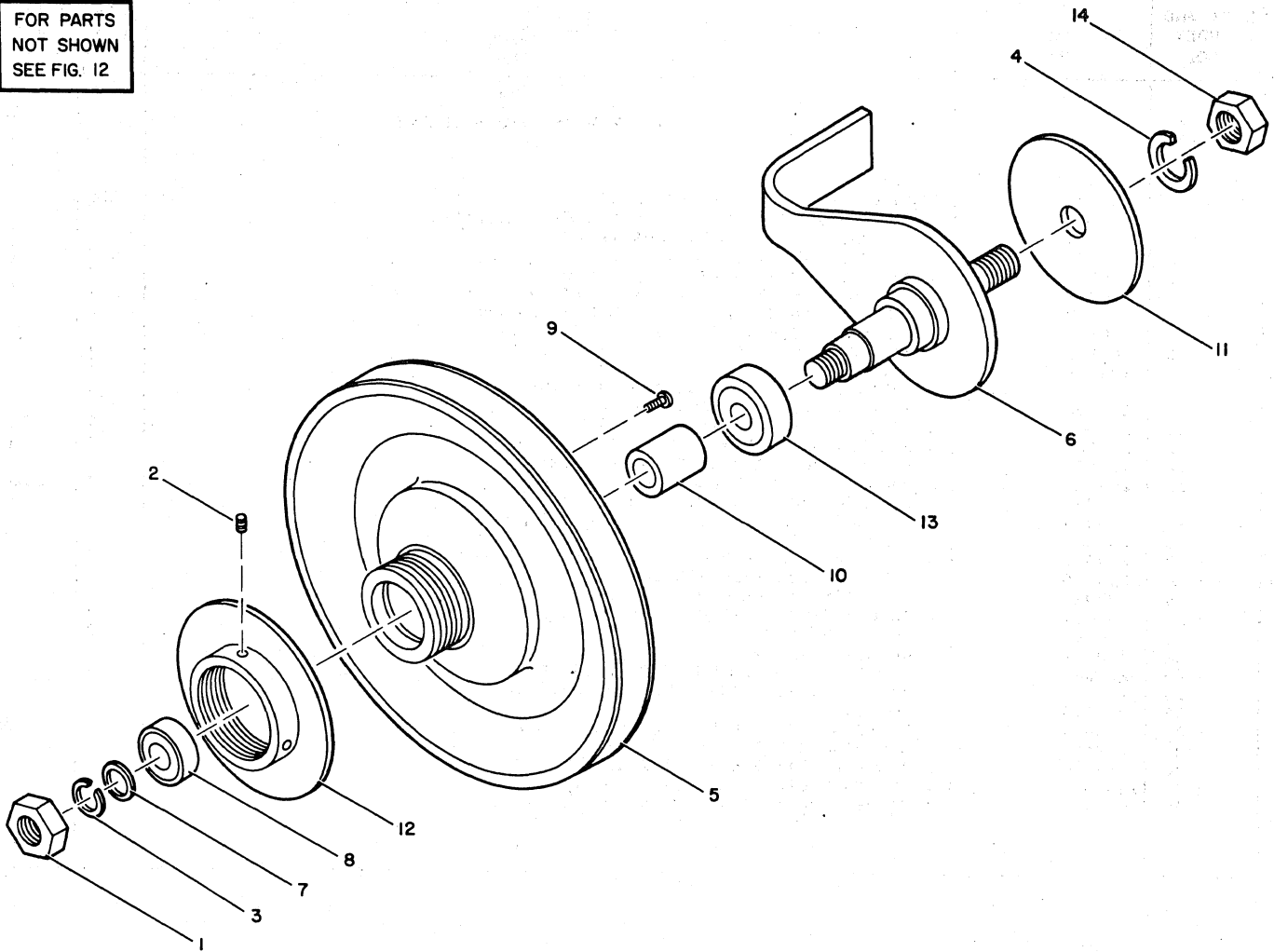


FIGURE 15. ADJUSTABLE SPEED PULLEY ASSEMBLY. SEE LIST 15.

LIST AND INDEX NO.	PART NO.	DESCRIPTION				UNITS PER ASM.	USABLE ON CODE
		1	2	3	4		
		ADJUSTABLE SPEED PULLEY ASSEMBLY					
15 -	203760	PULLEY ASSEMBLY-ADJUSTABLE SPEED SEE LIST 12-34 FOR NEXT HIGHER ASSEMBLY AND FIG. 15 FOR ILLUSTRATION				REF	
- 1	24107	• NUT,PLAIN,HEX- 3/8 X 9/16 FL W				1	
- 2	26380	• SETSCREW-HEX DR FP 1/4-20 X 5/16 LG				2	
- 3	55520	• WASHER,LOCK-SPLIT 0.382 ID X 0.678 OD				1	
- 4	90287	• WASHER,LOCK-SPLIT 0.680 ID X 1.082 OD				1	
- 5	121914	• IDLER PULLEY ASSEMBLY-FIXED HALF				1	
- 6	122966	• STUD ASSEMBLY-INTERMEDIATE PULLEY				1	
- 7	154548	• SPACER- 0.385 ID X 5/8 OD X 0.0625 THK				1	
- 8	156231	• BEARING,BALL,ANNULAR- 0.500 ID 1.125 OD				1	
- 9	186759	• SCREW,MACH-BIND HD 8-32 X 5/16 LG				3	
- 10	203713	• SPACER- 0.517 ID X 7/8 OD X 0.948 THK				1	
- 11	203732	• PLATE-INTMED PUL ADJ				1	
- 12	203759	• PULLEY-ADJUSTABLE HALF IDLER				1	
- 13	203788	• BEARING,BALL,ANNULAR- 0.750 ID 1.625 OD				1	
- 14	223473	• NUT,PLAIN,HEX- 5/8-11 X 15/16 FL W				1	

FOR PARTS
NOT SHOWN
SEE FIG. 12

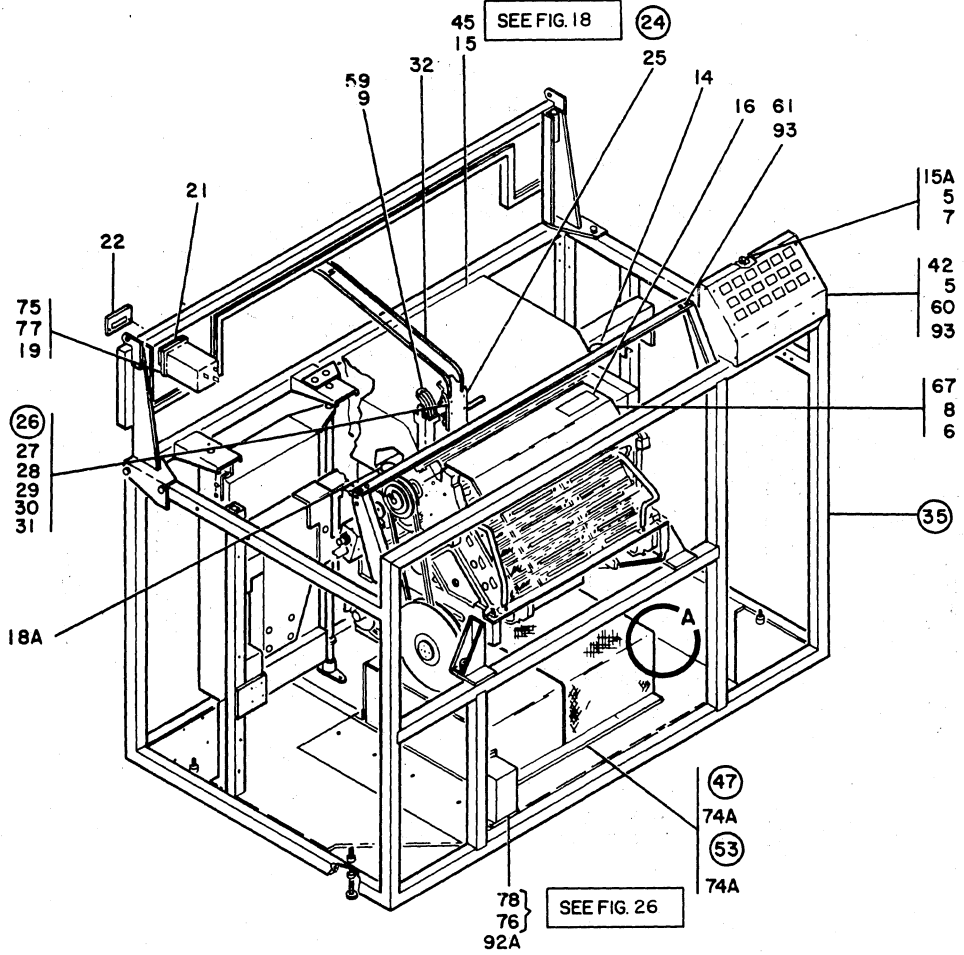
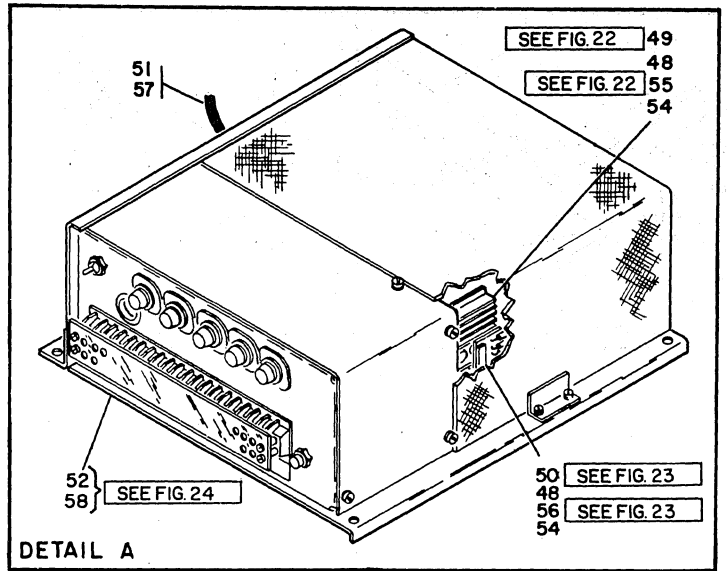


FIGURE 16. MECHANICAL ASSEMBLY. SHEET 1 OF 2. SEE LIST16.

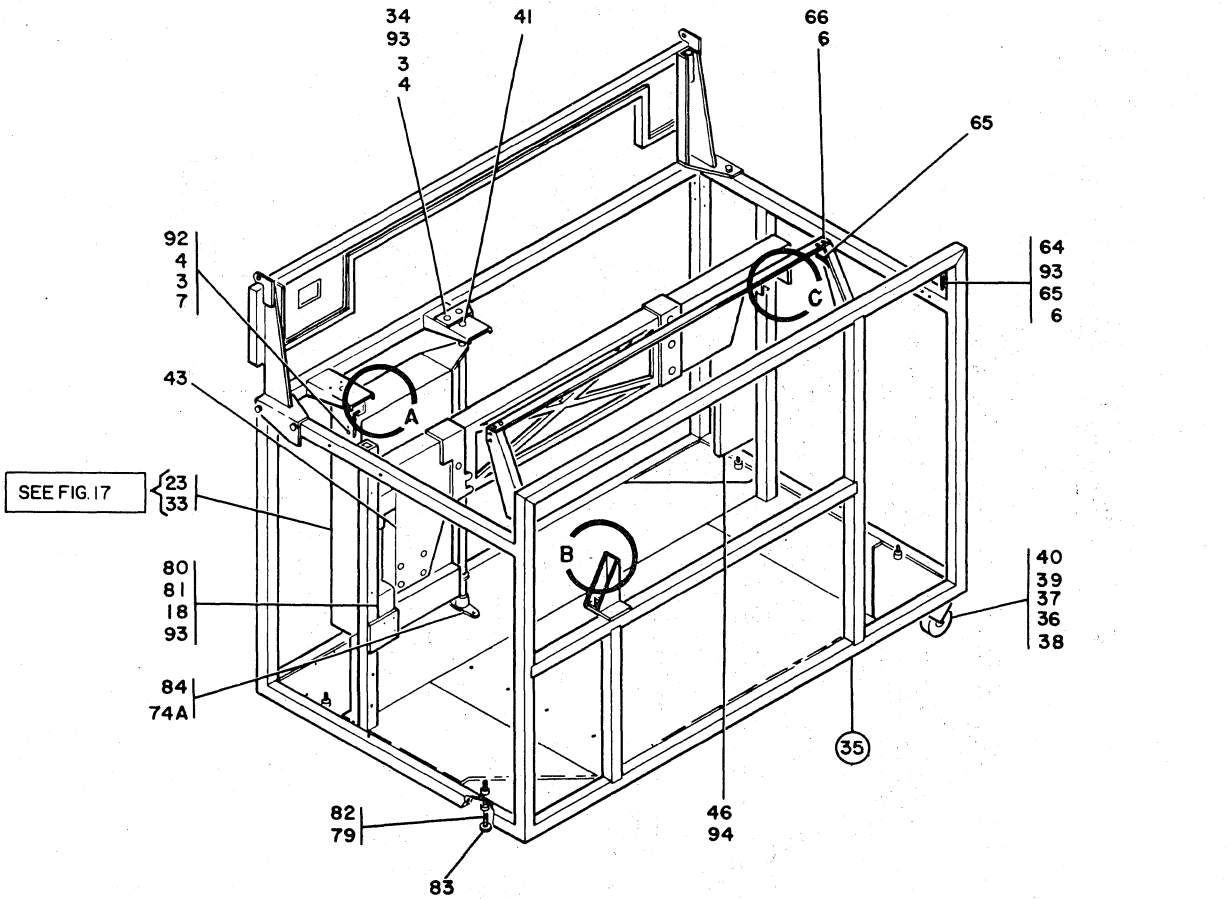
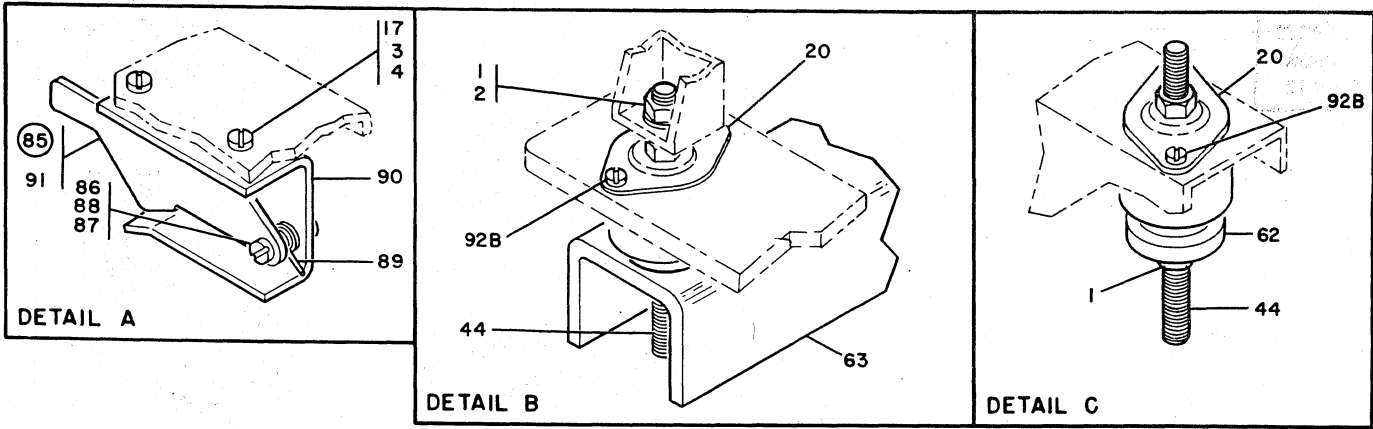


FIGURE 16. MECHANICAL ASSEMBLY. SHEET 2 OF 2. SEE LIST16.

LIST AND INDEX NO.	PART NO.	DESCRIPTION	UNITS PER ASM.	USABLE ON CODE
		1 2 3 4		
		MECHANICAL ASSEMBLY		
16 -		CODE A USED ON 60 CYCLE MECHANICAL ASM. CODE B USED ON 50 CYCLE MECHANICAL ASM. CODE C USED ON SHIPPING GROUP 738125		
	738162	MECHANICAL ASSEMBLY SEE LIST 12- 43 FOR NEXT HIGHER ASM. AND FIG. 16 FOR ILLUSTRATION	REF	
* - 1	3960	. NUT,PLAIN,HEX- 1/4-20 X 7/16 FL W	6	
* - 2	6935	. WASHER,LOCK-SPLIT 1/4 X 0.493 OD	2	
* - 3	9092	. WASHER,LOCK-SPLIT 0.194 X 0.377 OD	6	
* - 4	11598	. NUT,PLAIN-HEX 10-32 X 3/8 FL W	6	
* - 5	32042	. SCREW,MACH-BIND HD 10-32 X 3/8 LG	8	
* - 6	34512	. SCREW,MACH-BIND HD 8-32 X 3/8 LG	14	
* - 7	45690	. WASHER,FL-NO. 10 X 7/16 OD X 1/32 THK	3	
* - 8	157370	. STUD-MULTIPLYING CONTACT RELAY	2	
* - 9	186636	. SCREW,MACH-BIND HD 5-40 X 1/8 LG INDEX NO. 10 THRU 13 DELETED	2	
* - 14	223947	. SPOOL-RIBBON	1	C
* - 15	228768	. SCREW,SHLD- 3/8-16 X 5-1/8 LG	2	
* - 15A	236849	. SCREW,MACH-BIND HD 10-32 X 1/4 LG	1	
* - 16	257604	. PLATE,INSTRUCTION-RIBBON INSTALLATION	1	
* - 17	332620	. SCREW,MACH-BIND HD 10-32 X 1/2 LG	2	
* - 18	359018	. COVER-UTILITY BOX	1	
* - 18A	425115	. RIBBON	1	C
* - 19	438586	. SCREW,MACH-UNDRCT BIND HD 8-32 X 7/8 LG	2	
* - 20	471918	. MOUNT-SHOCK	4	
* - 21	615473	. SPACER-METER	1	
* - 22	615474	. BEZEL-METER	1	
* - 23	738130	. GATE ASM-50 CY SEE LIST 17 FOR DETAIL BREAKDOWN	1	B
* - 24	738139	. GUIDE ASM-PAPER	2	
* - 25	308203	. . RIVET,SOLID-RH 1/16 DIA X 0.174 LG	4	
* - 26	738132	. . SUPPORT ASM	1	
* - 27	236466	. . . GUIDE ASSEMBLY-PAPER	1	
* - 28	236435	. . . CLAMP	1	
* - 29	236437	. . . WASHER,SPRING TENS- 1/4 X 11/16 OD	1	
* - 30	236483	. . . RIVET,TUBULAR-TRUSS HD 0.089 DIA X 3/32	4	
* - 31	236491	. . . SPRING ASSEMBLY-REFOLD	1	
* - 32	738133	. . GUIDE-PAPER	1	
* - 33	738160	. GATE ASM-60 CY SEE LIST 17 FOR DETAIL BREAKDOWN	1	A
* - 34	738163	. STOP	1	
* - 35	738203	. FRAME ASM-MAIN	1	
* - 36	3550	. . WASHER,FL- 1/4 X 9/16 OD X 0.050 THK	16	
* - 37	6935	. . WASHER,LOCK-SPLIT 1/4 X 0.493 OD	16	
* - 38	36109	. . NUT,PLAIN,HEX- 1/4-20 X 7/16 FL W	16	
* - 39	129147	. . SCREW,MACH-HEX HD 1/4-20 X 7/8 LG	16	
* - 40	204125	. . CASTER,SWV	4	
* - 41	738406	. . PIN-WELD	1	
* - 42	738204	. PANEL ASM-SWITCH	1	
* - 43	738222	. CASTING-VASE	1	
* - 44	738278	. STUD	4	
* - 45	738300	. CARRIAGE ASM	1	
* - 46	738384 SEE LIST 18 FOR DETAIL BREAKDOWN PANEL ASM-COMPONENT SEE LIST 21 FOR DETAIL BREAKDOWN	1	

LIST AND INDEX NO.	PART NO.	1 2 3 4	DESCRIPTION	UNITS PER ASM.	USABLE ON CODE
MECHANICAL ASSEMBLY -CONT					
16 - 47	738386		• POWER SUPPLY ASM-50CY	1	B
- 48	81693		• • SCREW,MACH-BIND HD 6-32 X 3/8 LG	4	
- 49	738156		• • HEAT SINK ASSEMBLY	1	
- 50	738371		SEE LIST 22 FOR DETAIL BREAKDOWN		
			• • BOARD ASM-COMPONENT	1	
- 51	738462		SEE LIST 23 FOR DETAIL BREAKDOWN		
			• • CABLE ASM-ELECTRONIC CB	1	
			SEE LIST 38-15,-15A,-15D,-17 AND		
- 52	5709460		-18 FOR COMPONENT PARTS		
			• • POWER SUPPLY ASM-50CY	1	
			SEE LIST 24 FOR DETAIL BREAKDOWN		
- 53	738387		• POWER SUPPLY ASM-60CY	1	A
- 54	81693		• • SCREW,MACH-BIND HD 6-32 X 3/8 LG		
- 55	738156		• • HEAT SINK ASSEMBLY		
- 56	738371		SEE LIST 22 FOR DETAIL BREAKDOWN		
			• • BOARD ASM-COMPONENT		
- 57	738462		SEE LIST 23 FOR DETAIL BREAKDOWN		
			• • CABLE ASM-ELECTRONIC CB		
			SEE LIST 38-15,-15A,-15D,-17 AND		
- 58	5709410		-18 FOR COMPONENT PARTS		
			• • POWER SUPPLY ASM-60CY	1	
			SEE LIST 24 FOR DETAIL BREAKDOWN		
- 59	738404		• GUIDE-PAPER,UPPER	2	
- 60	738420		• HINGE-SWITCH PLATE	1	
- 61	738421		• BRACKET-SUPPORT	2	
- 62	738422		• PLATE-SHOCK TIE-DOWN	2	
- 63	738423		• PLATE,TIE-DOWN	2	
- 64	738429		• BRACKET-SUPPORT	1	
- 65	738434		• CLIP	3	
- 66	738438		• RAIL	1	
- 67	738464		• COVER-PRINT WHEEL UNIT	1	
- 68	738471		• CARRIAGE ASM-FORM TRACTOR	1	
			NOT ILLUSTRATED		
- 69	236466		• • GUIDE ASSEMBLY-PAPER	2	
- 70	236435		• • • CLAMP	1	
- 71	236471		• • • PLATE	1	
- 72	236483		• • • RIVET,TUBULAR-TRUSS HD 0.089 DIA X 3/32	4	
- 73	236491		• • • SPRING ASSEMBLY-REFOLD	1	
- 74	256800		• • TRACTOR ASSEMBLY-FORMS	1	
			SEE LIST 25 FOR DETAIL BREAKDOWN		
- 74A	738585		• SCREW,HEX WSHR HD,THD FORM- 1/4-20 X 3/4	6	
- 75	740503		• CLOCK-60 CYCLE	1	A
- 76	740540		• POWER PAC ASM-METER	1	A
			SEE LIST 26 FOR DETAIL BREAKDOWN		
- 77	740608		• CLOCK-50 CYCLE	1	B
- 78	740609		• POWER ASSEMBLY	1	B
			SEE LIST 26 FOR DETAIL BREAKDOWN		
- 79	740707		• NUT JAM	2	
- 80	2102151		• BOX-UTILITY	1	
- 81	2132436		• OUTLET-CONVENIENCE-50 CYCLE	1	
- 82	2162665		• BOLT, LEVELER	2	
- 83	2162666		• PAD	2	
- 84	2178593		• PIVOT, GATE	1	
- 85	2178626		• LATCH ASM, GATE	1	
- 86	5677		• • SCREW,MACH-BIND HD 10-32 X 3/4 LG	1	
- 87	11598		• • NUT,PLAIN-HEX 10-32 X 3/8 FL W	1	
- 88	2125974		• • WASHER, INT TOOTH, .200 ID X .562 OD	1	
- 89	2157668		• • SPRING, DETENT LEVER	1	
- 90	2178624		• • STRIKER-LATCH	1	
- 91	2178625		• • HOOK-LATCH	1	
- 92	2178627		• BRACKET-LATCH	1	
- 92A	2181002		• SCREW,THREAD FORMING-8-32 X 3/4 LG	4	
- 92B	2181012		• SCREW, SELF TAPPING, 8-32 X .437 LG.	8	
- 93	5319888		• SCREW, SELF TAPPING, 10-32 X .625 LONG	11	
- 94	5349929		• SCREW,THD FORMING HEX- 8-32 X 1/2 LG	4	

FOR PARTS
NOT SHOWN
SEE FIG. 16

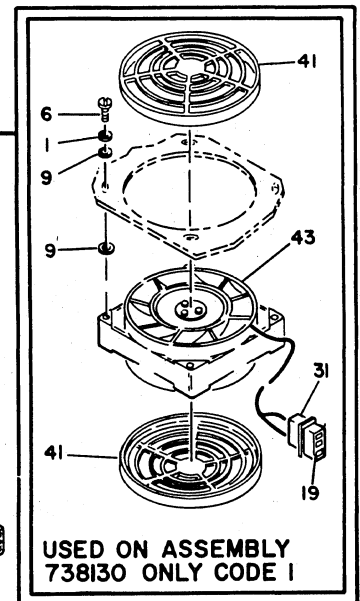
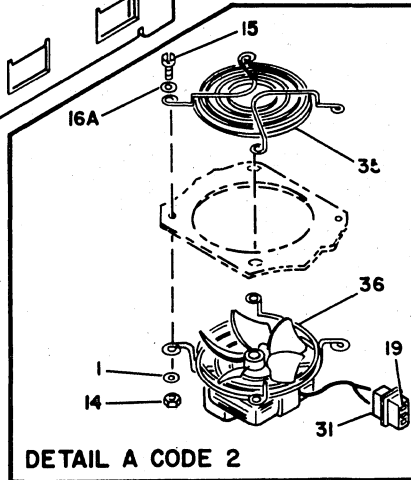
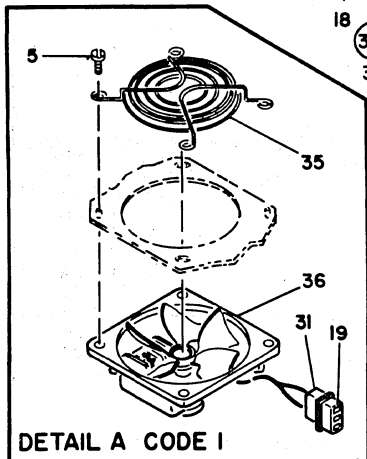
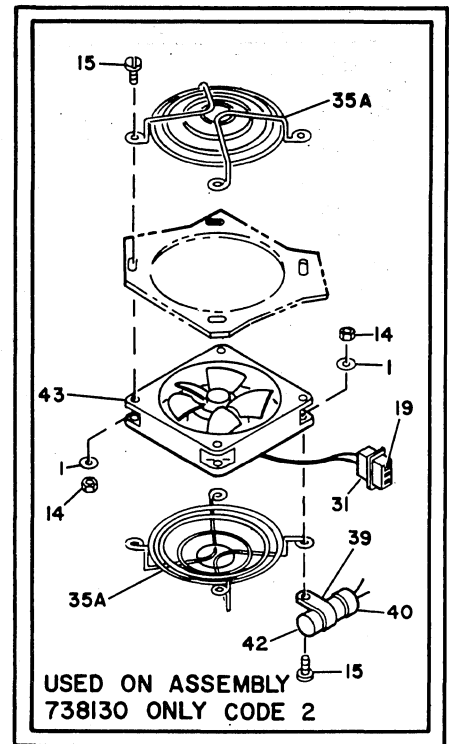
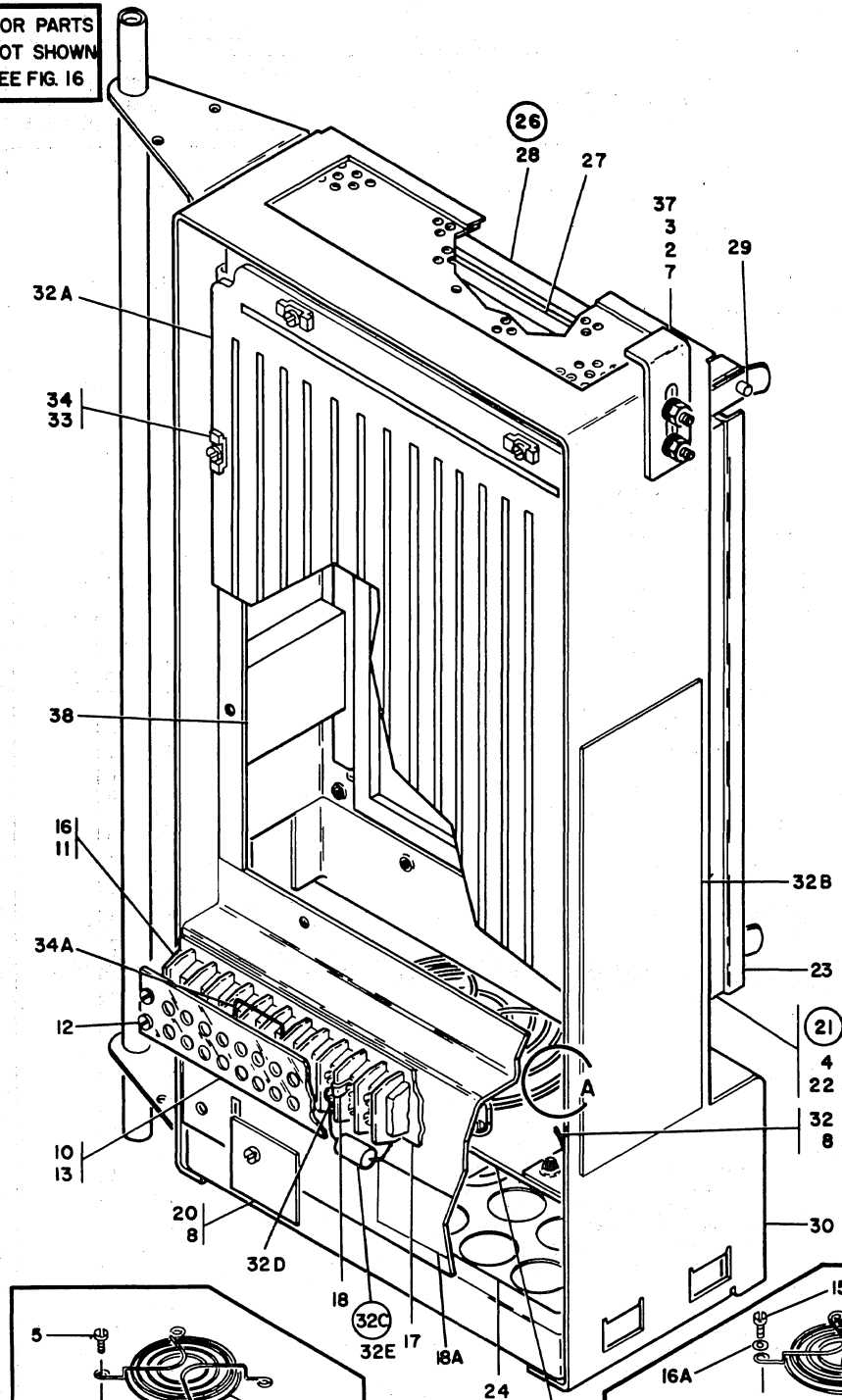


FIGURE 17. GATE ASSEMBLY. SEE LIST 17.

LIST AND INDEX NO.	PART NO.	DESCRIPTION	UNITS PER ASM.	USABLE ON CODE
		1 2 3 4		
		GATE ASSEMBLY		
17 -		CODE A USED ON 50 CYCLE GATE ASM 738130 CODE B USED ON 60 CYCLE GATE ASM 738160 CODE 1 USED ON ASM PRIOR TO M5 SUFFIX CODE 2 USED ON ASM FROM M5 TO CURRENT		
	738130	GATE ASM-50 CY SEE LIST 16- 23 FOR NEXT HIGHER ASM. AND FIG. 17 FOR ILLUSTRATION	REF	A
	738160	GATE ASM-60 CY SEE LIST 16- 33 FOR NEXT HIGHER ASM. AND FIG. 17 FOR ILLUSTRATION	REF	B
- 1	6364	• WASHER, LOCK-SPLIT NO. 6 X 1/4 OD	4	
- 2	9092	• WASHER, LOCK-SPLIT 0.194 X 0.377 OD	2	
- 3	11598	• NUT, PLAIN-HEX 10-32 X 3/8 FL W	2	
- 4	25627	• SCREW, MACH-BIND HD 8-32 X 1/2 LG	4	
- 5	32042	• SCREW, MACH BIND. HD 10-32 X 3/8 LG.	4	1
- 6	35739	• SCREW, MACH-BIND HD 6-32 X 15/16 LG	4	1
- 7	45690	• WASHER, FL-NO. 10 X 7/16 OD X 1/32 THK	2	
- 8	81693	• SCREW, MACH-BIND HD 6-32 X 3/8 LG	5	
- 9	125145	• WASHER, FL-NO. 6 X 1/2 OD X 0.031 THK	8	1
- 10	187475	• SHIELD-TERMINAL BLOCK 20 PDS	1	
- 11	210883	• STUD, EXT- 6-32 INT EXT THD X 0.900 LG DA	1	
- 12	210884	• STUD-SHIELD	3	
- 13	210984	• SCREW, MACH-RH 6-32 X 1/4 LG	1	
- 14	257187	• NUT-HEX NO. 6-32 NC	8	
- 15	322065	• SCREW, MACH-BIND HD 6-32 X 5/8 LG	8	
- 16	253220	• TERMINAL BOARD- 20 DBL SCREW TERMINALS	1	
- 16A	257986	• WASHER, FLAT NO. 6	8	
- 17	365323	• MARKER STRIP	1	
- 18	367115	• JUMPER-TERMINAL STRIP VDC DISTR BRS	9	
- 18A	369207	• LABEL-VOLTAGE	1	
- 19	609687	• TERMINAL, QUICK DISCONNECT	2	
- 20	638085	• BRACKET, MTG	1	
- 21	642129	• RETAINER ASM	2	
- 22	642128	• . RETAINER-CABLE	1	
- 23	596757	• . SEAL-HEAT EXCHANGER	AR	
- 24	642130	• FILTER-DUST	1	
- 25	642131	• PLATE	1	
- 26	642133	• COVER ASM	1	
- 27	642127	• . BACKING-FOAM	1	
- 28	642132	• . COVER-CARD	1	
- 29	760303	• . CATCH-PULL	1	
- 30	642159	• GATE-SINGLE CARD, RIGHT HAND	1	
- 31	725558	• COVER-CONNECTOR	1	A
- 32	738219	• CABLE ASM-LOG VOLT B-B SEE LIST 38- 7A,-9A,-15B,-23 THRU 28 SEE LIST 38-6,-7,-9,-23 THRU-27 AND -32 AND -41 FOR COMPONENT PARTS -28 THRU -32 FOR COMPONENT PARTS	1	
- 32A	738391	• CUSTOMIZED BOARD ASM 03A-A1	1	
- 32B	738573	• DECAL-TEST POINT	1	
- 32C	738629	• CAPACITOR ASSEMBLY	1	
- 32D	334921	• . TERMINAL	2	
- 32E	491319	• . CAPACITOR - 0.47UF 100VDC	1	
- 33	811417	• SCREW, HEX SOCKET H- 6-32 X 1/2 LG	8	
- 34	813179	• CLAMP-BOARD	8	
- 34A	2125631	• JUMPER ASM - 10 IN. LG	1	
- 35	2172166	• GUARD	1	B
- 35A	2172166	• GUARD	2	2A
- 36	2172165	• FAN- 115 VOLT	1	1B
- 36	2191103	• FAN ASSEMBLY	1	2B
- 37	2178627	• BRACKET-LATCH	1	
- 38	2191132	• PAD	2	2
- 39	4062615	• CLAMP-CAPACITOR	1	2A
- 40	4062616	• CAP	1	2A
- 41	4065157	• GUARD-FAN	1	1A
- 42	4116231	• CAPACITOR, FXD, PAPER- 2MFD P/M 10% 200VAC	1	2A
- 43	4120173	• FAN	1	2A

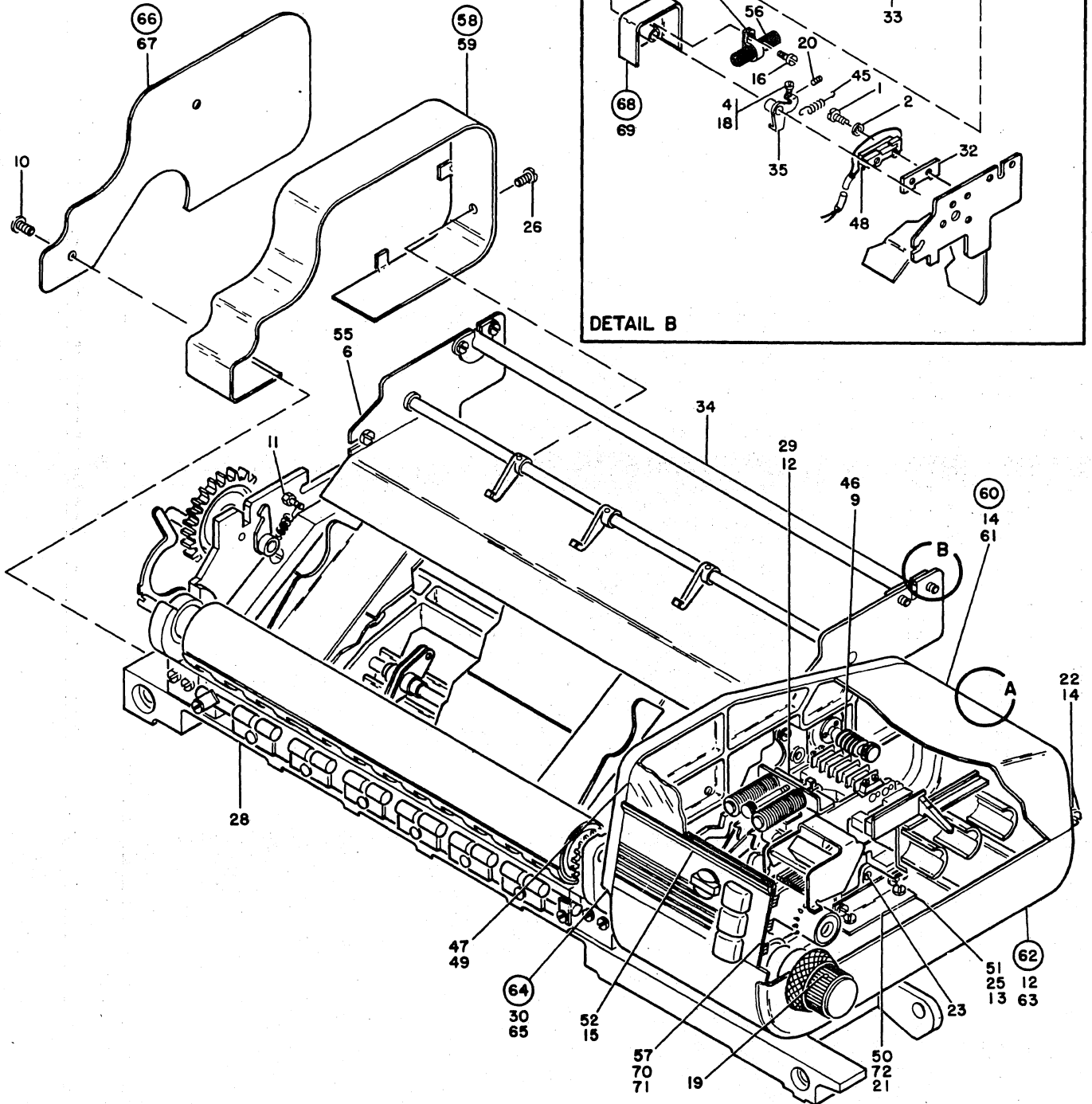
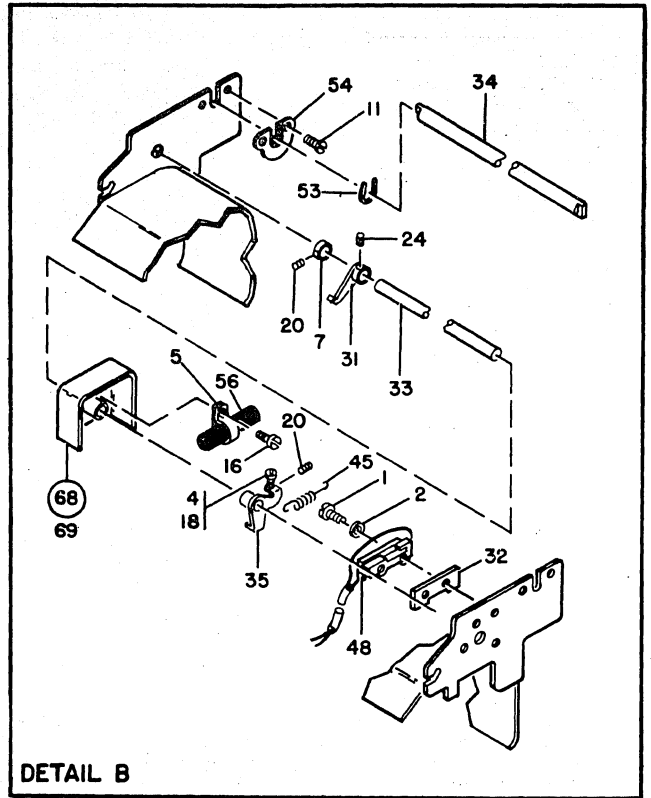
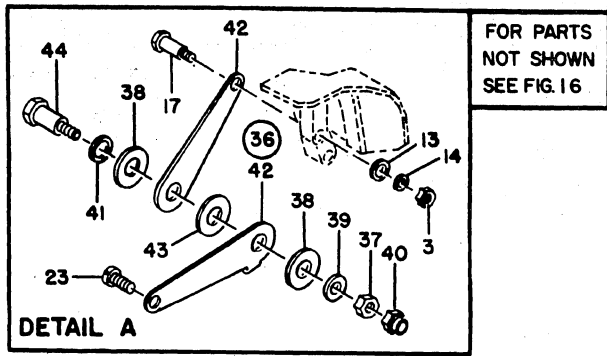


FIGURE 18. TAPE CONTROL CARRIAGE ASSEMBLY. SEE LIST 18.

LIST AND INDEX NO.	PART NO.	DESCRIPTION	UNITS PER ASM.	USABLE ON CODE
		1 2 3 4		
		TAPE CONTROL CARRIAGE ASSEMBLY		
* 18 -		CODE A USED ON ENGLISH CARRIAGE FEATURE 738569 CODE B USED ON FRENCH CARRIAGE FEATURE 738570 CODE C USED ON GERMAN CARRIAGE FEATURE 738571		
	738300	CARRIAGE ASM SEE LIST 16- 45 FOR NEXT HIGHER ASM. AND FIG. 18 FOR ILLUSTRATION	REF	
- 1	577	• SCREW,MACH-RH 3-48 X 5/8 LG	2	
- 2	1866	• WASHER,FL-NO. 4 X 1/4 OD X 0.025 THK	4	
- 3	2899	• NUT,PLAIN,HEX- 8-32 X 3/8 FL W	1	
- 4	3828	• STUD-ARMATURE SWV	1	
- 5	9755	• SUPPORT-WIRE	1	
- 6	10598	• SCREW,MACH-HEX HD 10-32 X 1/4 LG	2	
- 7	15677	• SPACER- 1/4 ID X 7/16 OD X 1/4 THK	1	
- 8	22478	• WASHER,FL- 0.170 ID 0.375 OD 0.032 THK NOT ILLUSTRATED	1	
- 9	22797	• SETSCREW-SPLINE DR FP 5-40 X 3/16 LG	3	
- 10	28413	• SCREW,MACH-BIND HD 10-32 X 5/16 LG	2	
- 11	28607	• SCREW,MACH-RH 5-40 X 9/32 LG	6	
- 12	38688	• SCREW,MACH-HEX HD 1/4-20 X 3/4 LG	1	
- 13	55901	• WASHER,LOCK-EXT TEETH NO. 8 X 0.381 OD	4	
- 14	60646	• WASHER,LOCK-INT TEETH NO. 8 X 0.340 OD	2	
- 15	75533	• SETSCREW-SPLINE DR CUP PT 5-40 X 3/16 LG	2	
- 16	103895	• SCREW,MACH-RH 5-40 X 1/8 LG	1	
- 17	113298	• STUD,SHLD-FH 8-32 X 0.410 LG	1	
- 18	113380	• NUT,SELF LKG,HEX- 2-56 X 3/16 FL W	1	
- 19	123639	• SETSCREW-SPLINE DR FP 8-32 X 1/8 LG	1	
- 20	133798	• SCREW	1	
- 21	140425	• SCREW,MACH-HEX HD 10-32 X 5/16 LG	5	
- 22	160044	• SCREW,MACH-FH SPL 8-32 X 6/32 LG	2	
- 23	160409	• SCREW,SHLD- 8-32 X 5/32 LG	1	
- 24	165556	• SETSCREW-HEX DR CUP PT 5-40 X 1/8 LG	3	
- 25	186759	• SCREW,MACH-BIND HD 8-32 X 5/16 LG	3	
- 26	196298	• SCREW,MACH-BIND HD 5-40 X 3/16 LG	3	
- 28	197501	• FRAME ASSEMBLY-CARRIAGE SEE LIST 19 FOR DETAIL BREAKDOWN	1	
- 29	197502	• DRIVE UNIT ASSEMBLY-TAPE CONTROL SEE LIST 20 FOR DETAIL BREAKDOWN	1	
- 30	197661	• SCREW,MACH-BIND HD 1/4-20 X 1-1/16 LG	3	
- 31	212345	• LEVER ASSEMBLY-PAPER	3	
- 32	212350	• STRIP-INSULATING PAPER CONTROL SWITCH	1	
- 33	216565	• SHAFT,STR	1	
- 34	216567	• ROD-PAPER ROLL	1	
- 35	216570	• ARM ASSEMBLY-PAPER LEV SW ACTG	1	
- 36	218810	• ARM ASSEMBLY-COVER STAY	1	
- 37	11598	• NUT,PLAIN-HEX 10-32 X 3/8 FL W	1	
- 38	24091	• WASHER,FL- 5/16 X 3/4 OD X 1/16 THK	2	
- 39	23141	• WASHER,FL-NO. 10 X 9/16 OD X 1/16 THK	1	
- 40	125930	• NUT,ELASTIC,STOP- 10-32 X 3/8 DIA	1	

LIST AND INDEX NO.	PART NO.	DESCRIPTION				UNITS PER ASM.	USABLE ON CODE
		1	2	3	4		
TAPE CONTROL CARRIAGE ASSEMBLY -CONT							
18 - 41	151200	•	•	SPACER- 0.315 ID X 9/16 OD X 0.003 THK	1		
- 42	218811	•	•	ARM-COVER STAY	2		
- 43	218812	•	•	WASHER,FL- 5/16 X 1 OD X 3/32 THK	1		
- 44	218813	•	•	STUD	1		
- 45	219765	•	•	SPRING,HELICAL,EXTENSION- 19 TURNS	1		
- 46	220504	•	•	GEAR,WORM- 2 LH THD 0.1972 LEAD 0.681 PD	1		
- 47	220553	•	•	COVER-DR AUX	0		
- 48	220554	•	•	SWITCH ASSEMBLY-FORM CONTROL STOP	1		
- 49	220567	•	•	FELT-PANEL DAMPER	1		
- 50	221018	•	•	BRACKET	1		
- 51	221019	•	•	BRACKET-COVER	1		
- 52	221020	•	•	LIFT-DR COV	1		
- 53	255585	•	•	SPRING-RET PAPER ROLL ROD	2		
- 54	255586	•	•	HOLDER-SPRING PAPER ROLL ROD	2		
- 55	257092	•	•	PLATE ASSEMBLY-PAPER GUIDE	1		
- 56	738188	•	•	CABLE ASM-CARRIAGE SEE LIST 38-14,-16 AND -19 FOR COMPONENT PARTS	1		
* - 57	738230	•	•	PLATE	1	A	
- 58	738311	•	•	COVER ASM	1		
- 59	122534	•	•	COVER	1		
- 60	738312	•	•	COVER ASM	1		
- 61	122524	•	•	COVER	1		
- 62	738313	•	•	COVER ASM	1		
- 63	122517	•	•	COVER	1		
- 64	738315	•	•	COVER ASM	1		
- 65	122513	•	•	COVER	1		
- 66	738316	•	•	COVER ASM	1		
- 67	122539	•	•	COVER	1		
- 68	738317	•	•	COVER ASM	1		
- 69	122565	•	•	COVER	1		
* - 70	738552	•	•	PLATE-CARRIAGE CONTROL-FRENCH	1	B	
* - 71	738553	•	•	PLATE-CARRIAGE CONTROL-GERMAN	1	C	
* - 72	1074048	•	•	SCREW,MACH-HEX HD 8-32 X 5/16 LG	4		

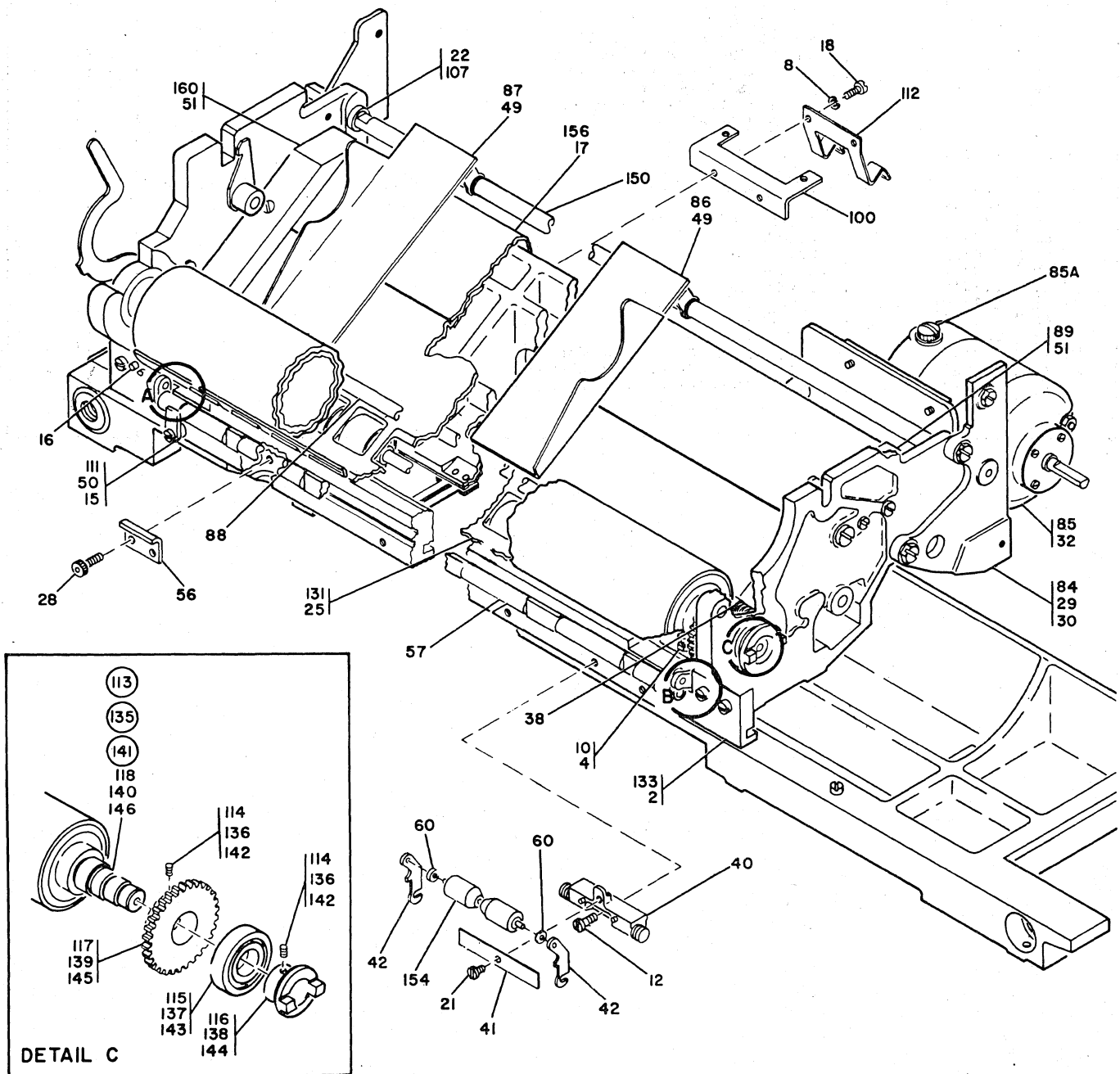
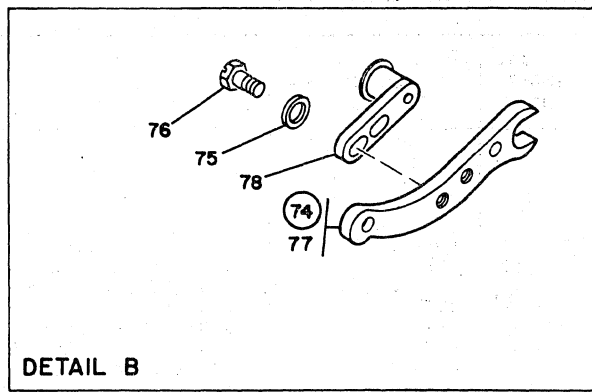
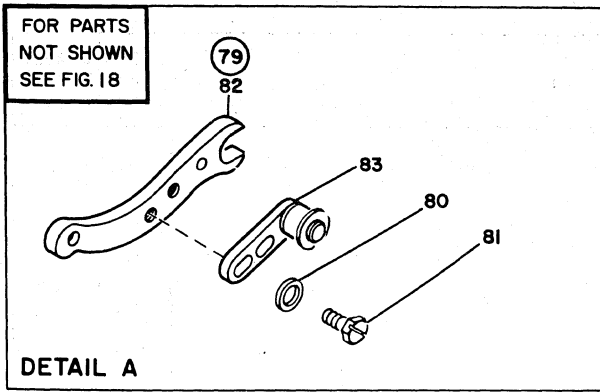


FIGURE 19. CARRIAGE FRAME ASSEMBLY. SHEET 1 OF 3. SEE LIST 19.

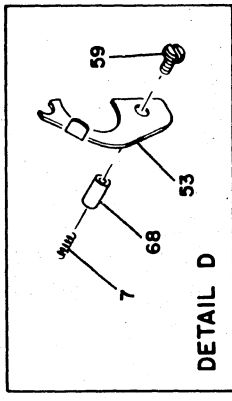
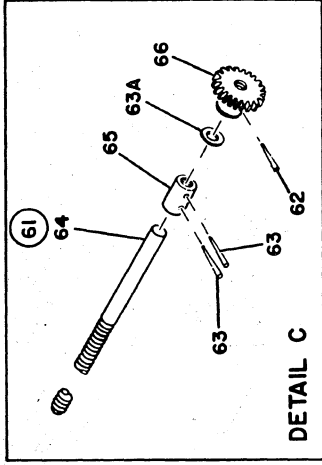
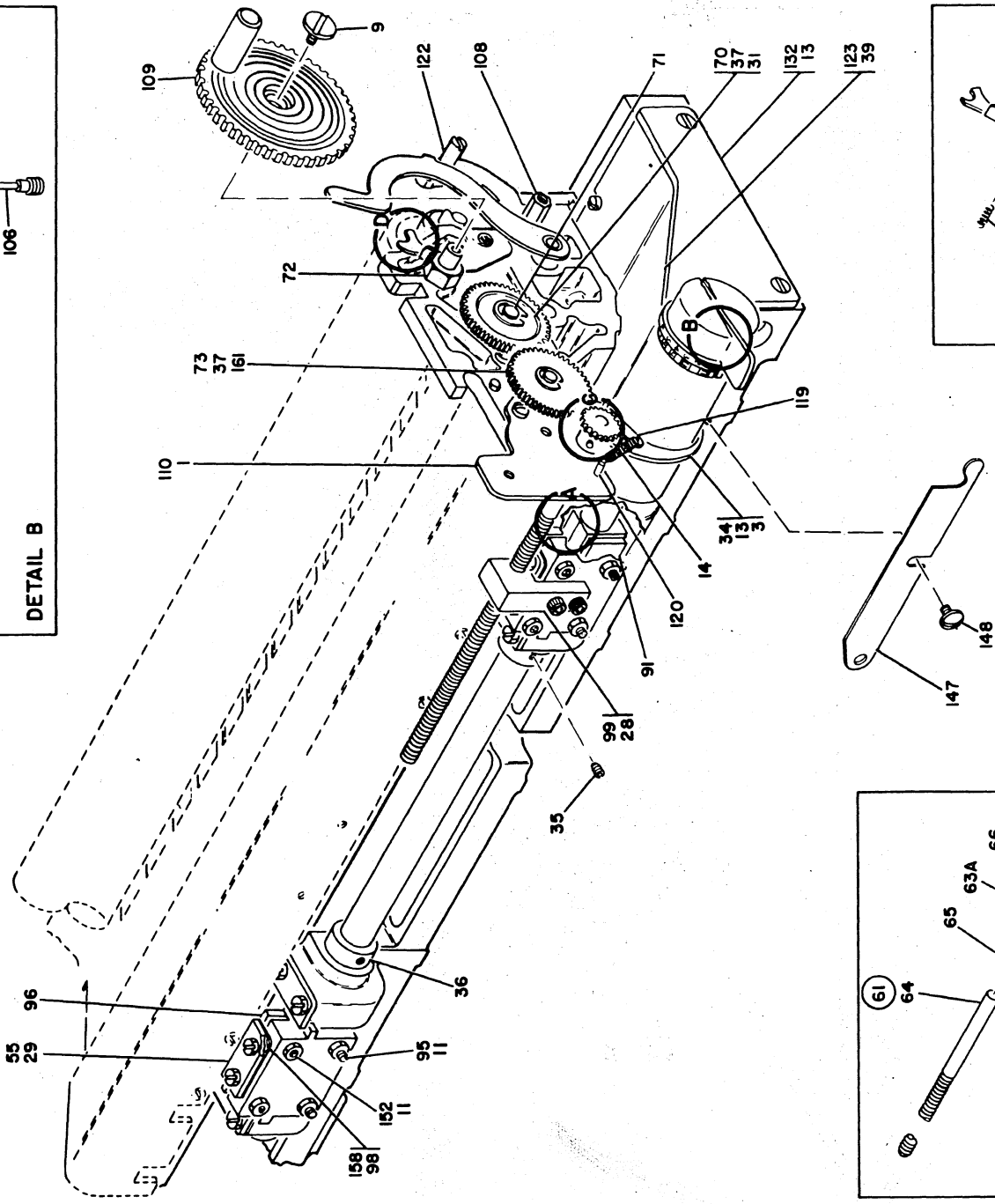
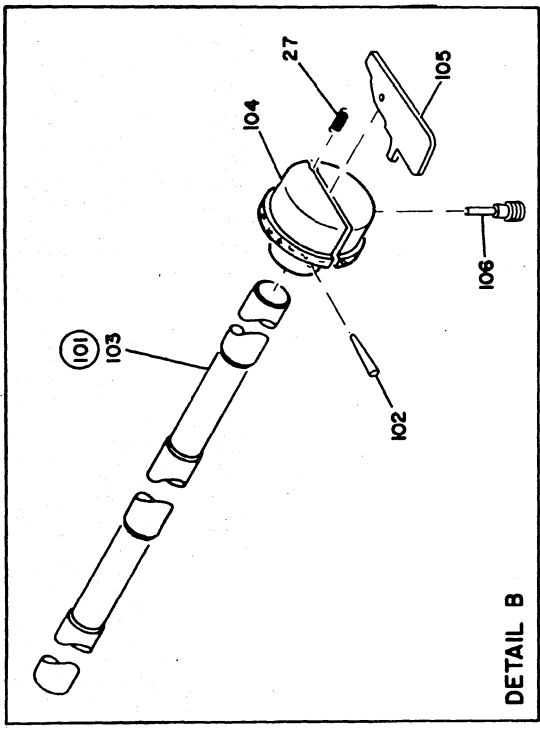
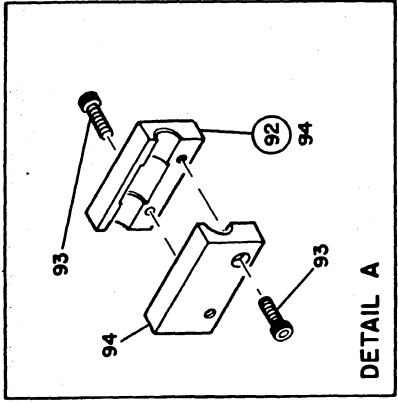


FIGURE 19. CARRIAGE FRAME ASSEMBLY. SHEET 2 OF 3. SEE LIST 19.

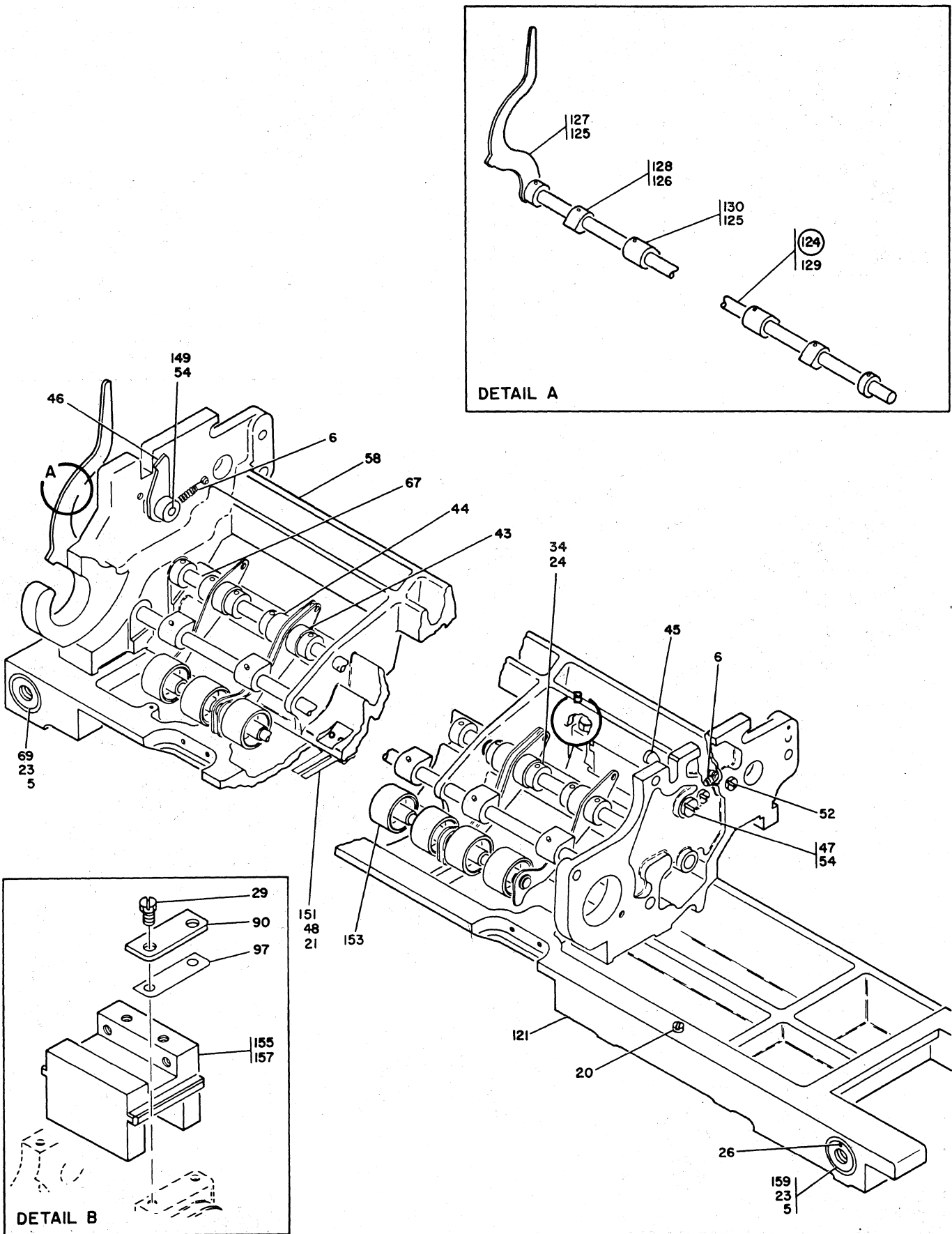


FIGURE 19. CARRIAGE FRAME ASSEMBLY. SHEET 3 OF 3. SEE LIST 19.

LIST AND INDEX NO.	PART NO.	DESCRIPTION	UNITS	USABLE
			PER ASM.	ON CODE
19 -	197501	FRAME ASSEMBLY-CARRIAGE SEE LIST 18-28 FOR NEXT HIGHER ASSEMBLY AND FIG. 19 FOR ILLUSTRATION	REF	
- 1	443	• SCREW,MACH-FIL H 10-32 X 3/8 LG	2	
- 2	2994	• SCREW,MACH-FIL H 10-32 X 5/8 LG	4	
- 3	6318	• WASHER,LOCK-SPLIT NO. 8 X 0.280 OD	2	
- 4	6503	• NUT,PLAIN,HEX- 8-32 X 1/4 FL W	3	
- 5	6935	• WASHER,LOCK-SPLIT 1/4 X 0.493 OD	2	
- 6	6936	• SPRING,HELICAL,EXTENSION- 20.5 TURNS	2	
- 7	8499	• SPRING,HELICAL,COMPR- 14.6 TURNS	1	
- 8	9092	• WASHER,LOCK-SPLIT 0.194 X 0.377 OD	2	
- 9	9458	• SCREW,MACH-FH 10-32 X 3/8 LG	1	
- 10	10993	• SCREW,MACH-HEX HD 8-32 X 3/8 LG	3	
- 11	11598	• NUT,PLAIN-HEX 10-32 X 3/8 FL W	8	
- 12	24020	• SCREW,MACH-BIND HD 8-32 X 0.406 LG	6	
- 13	24752	• SCREW,MACH-FIL H 8-32 X 5/16 LG	2	
- 14	24923	• SPRING,HELICAL,EXTENSION- 55.5 TURNS	1	
- 15	25627	• SCREW,MACH-BIND HD 8-32 X 1/2 LG	2	
- 16	25643	• PIN,STR,HOLS- 1/8 DIA X 1/2 LG	2	
- 17	25747	• SCREW,MACH-FH 8-32 X 15/32 LG	4	
- 18	31381	• SCREW	2	
- 19	35124	• SCREW,MACH-FH 10-32 X 13/32 LG	2	
- 20	38362	• SCREW,MACH-FIL H 8-32 X 1/8 LG	2	
- 21	42026	• SCREW,MACH-FH SPL 8-32 X 9/64 LG	20	
- 22	45709	• SPACER-TIE ROD	1	
- 23	55162	• SCREW,EXT RELIEVED BODY- 1/4-20 X 9/16LG	2	
- 24	75533	• SETSCREW-SPLINE DR CUP PT 5-40 X 3/16 LG	16	
- 25	75792	• SCREW,MACH-BIND HD 8-32 X 0.275 LG	2	
- 26	81200	• SETSCREW-SPLINE DR FP 6-40 X 1/4 LG	1	
- 27	100027	• SPRING,HELICAL,COMPR- 11 TURNS	1	
- 28	104763	• SCREW,CAP,SOC HD- 10-32 X 1/2 LG	6	
- 29	120211	• SCREW,MACH-HEX HD 10-32 X 1/2 LG	14	
- 30	120357	• SCREW,HEX SH 1/4-20 X 1-1/2 IN.LG	2	
- 31	139766	• RING,RETAINING-EXT 0.281 ID X 0.020 THK	1	
- 32	140425	• SCREW,MACH-HEX HD 10-32 X 5/16 LG	4	
- 33	141828	• WASHER,SPRING TENS- 5/16 X 1/2 OD NOT ILLUSTRATED	1	
- 34	143009	• COLLAR,SHAFT- 3/8 ID X 11/16 OD	16	
- 35	151720	• SETSCREW-SPLINE DR CUP PT 8-32 X 3/16 LG	2	
- 36	160732	• COLLAR,SHAFT- 9/16 ID X 15/16 OD	2	
- 37	160960	• WASHER,SPRING TENS- 3/8 X 3/4 OD	2	
- 38B	183628	• SPRING,HELICAL,COMPR- 6.7 TURNS	1	
- 39	186759	• SCREW,MACH-BIND HD 8-32 X 5/16 LG	2	
- 40	197518	• SUPPORT-FRONT PRESS ROLL	6	
- 41	197519	• SPRING-FRONT PRESSURE ROLL	6	
- 42	197520	• ARM-FRONT PRESSURE ROLL	12	
- 43	197523	• ARM ASSEMBLY-PRESS ROLL RIGHT	6	
- 44	197524	• ARM ASSEMBLY-PRESS ROLL LEFT	6	
- 45	197527	• LATCH ASSEMBLY-PIN FEED	1	
- 46	197530	• LATCH ASSEMBLY-PIN FEED LEFT	1	
- 47	197532	• STUD-PIN FEED LATCH	1	
- 48	197539	• PLATE-SPRING STIFF	7	
- 49	197547	• SPRING-PAPER SIDE GUIDE	2	
- 50	197548	• SPACER- 0.173 ID X 3/8 OD X 0.206 THK	2	
- 51	197553	• STUD-COV MTG 5-40 ONE END	2	
- 52	197555	• STUD-PIN FEED LATCH SPRING	4	
- 53	197561	• COVER-PLATEN BALL BEARING	1	
- 54	197562	• NUT,PLAIN,HEX- 5/16-32 X 1/2 FL W	2	
- 55	197573	• BLOCK-CARRIAGE SLIDE	2	
- 56	197594	• CLAMP-CRG BAR	2	
- 57	197599	• BAR ASSEMBLY-PRESS ROLL RELEASE	1	
- 58	197600	• FRAME-CARRIAGE	1	
- 59	197604	• SCREW,SHLD- 8-32 X 0.339 LG	1	
- 60	197611	• LUBRICATOR-PIVOT	12	
- 61	197615	• SCREW ASSEMBLY-CRG SHIFT	NP	
- 62	4327	• PIN,TAPERED,PLAIN- 9/16 LG X NO. 5	1	
- 63	30146	• PIN	2	
- 63A	141828	• WASHER,SPRING TENS- 5/16 X 1/2 OD	1	
- 64	197603	• SCREW-CRG SHIFT 5/16-18 X 6-15/16 LG	1	
- 65	197621	• COLLAR-SCR	1	
- 66	212145	• GEAR,SPUR- 24 TEETH 28 DP 0.926 OD	1	
- 67	197652	• ROD-FORM FEED REAR	1	
- 68	197677	• DETENT-PLATEN BALL BEARING COVER	1	
- 69	207762	• NUT,PLAIN,RD- 3/8-16 X 7/8 OD	1	
- 70	212144	• GEAR,SPUR- 52 TEETH 28 DP 1.926 OD	1	
- 71	212146	• STUD-HD WHL IDLER GR	1	
- 72	212151	• STUD	1	
- 73	212152	• GEAR,SPUR- 46 TEETH 28 DP 1.711 OD	1	
- 74	216547	• ARM ASM-FRONT PRESSURE ROLL RELEASE RH	NP	

LIST AND INDEX NO.	PART NO.	DESCRIPTION	UNITS	USABLE
			PER ASM.	ON CODE
		CARRIAGE FRAME ASSEMBLY -CONT		
19 - 75	1866	. . WASHER,FL-NO. 4 X 1/4 OD X 0.025 THK	2	
- 76	105334	. . SCREW,MACH-HEX HD 5-40 X 3/16 LG	2	
- 77	212253	. . ARM-FRONT PRESSURE ROLL RELEASE	1	
- 78	212476	. . ADJUSTER ASSEMBLY-FRONT PRESS ROLL	1	
- 79	216548	. . ARM ASM-FRONT PRESSURE ROLL RELEASE LEFT	NP	
- 80	1866	. . WASHER,FL-NO. 4 X 1/4 OD X 0.025 THK	2	
- 81	105334	. . SCREW,MACH-HEX HD 5-40 X 3/16 LG	2	
- 82	212253	. . ARM-FRONT PRESSURE ROLL RELEASE	1	
- 83	212476	. . ADJUSTER ASSEMBLY-FRONT PRESS ROLL	1	
- 84	216558	. . FRAME-MOTOR MOUNTING	1	
- 85	216563	. . MOTOR ASM-DC W/TERM 1/50 HP 45V 3600RPM	1	
- 85A	228613	. . BRUSH	2	
- 86	216574	. . GUIDE ASSEMBLY-PAPER RIGHT	1	
- 87	216575	. . GUIDE ASSEMBLY-PAPER LEFT	1	
- 88	219914	. . BAR-PAPER ENTRANCE	1	
- 89	219918	. . COVER-RIGHT	1	
- 90	220507	. . STRIP-BLOCK RETAINING LOWER	4	
- 91	220508	. . BLOCK-LOWER ADJUSTING	2	
- 92	220511	. . BLOCK-BEARING ASSEMBLY	2	
- 93	104763	. . SCREW,CAP,SOC HD- 10-32 X 1/2 LG	2	
- 94	237220	. . BEARING-SPLIT	2	
- 95	220512	. . SETSCREW-SPLINE DR FULL DOG 10-32X3/4 LG	4	
- 96	220513	. . BLOCK-UPPER ADJUSTING	2	
- 97	220514	. . SHIM-ADJ BLOCK RET STRIP	AR	
- 98	220515	. . SHIM-SPL 0.002 THK	AR	
- 99	220517	. . LUG-SHIFT SCR	1	
-100	220518	. . BRACKET-RECEPTACLE MOUNTING	1	
-101	220547	. . SHAFT ASSEMBLY-KNOB AND ECC	NP	
-102	101181	. . PIN,TAPERED,PLAIN- 13/16 LG X NO. 1-0	1	
-103	220543	. . SHAFT-ADJ BLK ECC	1	
-104	220548	. . KNOB	1	
-105	220549	. . LEVER-FORE AND AFT ADJ KNOB	1	
-106	220550	. . SCREW	1	
-107	220561	. . STUD	1	
-108	220562	. . STUD	1	
-109	220566	. . HANDWHEEL	1	
-110	220583	. . BRACKET ASSEMBLY-FORM CONTROL	1	
-111	221031	. . HOLDER-PRESS ROLL RELEASE BAR	2	
-112	221189	. . RETAINER- 30 CONTACT PLUG	1	
		INDEX NO. 113 THRU 118 DELETED		
-119	221261	. . ARM ASSEMBLY-SHIFT DRIVE GEAR DETENT	1	
-120	221265	. . STUD-DETENT ARM SPRING MTG	1	
-121	221269	. . SUPPOT-CARRIAGE FRAME	1	
-122	221279	. . WHEEL-DETENT	1	
-123	221292	. . COVER-LEFT HAND	1	
-124	221296	. . SHAFT ASSEMBLY-PRESS ROLL CAM	NP	
-125	19167	. . PIN,TAPERED,PLAIN- 5/8 LG X NO. 3	8	
-126	30145	. . PIN,TAPERED,PLAIN- 1/2 LG X NO. 3	2	
-127	218830	. . ARM ASSEMBLY-PRESS RELEASE	1	
-128	221267	. . CAM-PRESS ROLL RELEASE	2	
-129	221295	. . SHAFT-PRESS ROLL CAM	1	
-130	249085	. . CAM-PRESS ROLL RELEASE	7	
-131	221303	. . GUIDE-PAPER FRONT	1	
-132	221304	. . ADJUSTER-F AND A SEG	1	
-133	221306	. . TIE BAR-CRG	1	
-134	221545	. . ARM-TIP UP SHOULDER SCREW SHIELD	1	
		INDEX NO. 135 THRU 140 DELETED		
-141	221552	. . PLATEN AND BEARING ASSEMBLY-HARD	AR	
-142	4159	. . PIN,TAPERED,PLAIN- 1 LG X NO. 1-0	3	
-143	191148	. . BEARING,BALL,ANNULAR- 0.625 ID 1.375 OD	2	
-144	221193	. . COUPLING-PLATEN DR	1	
-145	221550	. . GEAR,SPUR- 39 TEETH 20 DP 2.050 OD	1	
-146	NO NO	. . PLATEN ASM-HARD	NP	
-147	221556	. . SHIELD-TIP UP SHLD SCR	1	
-148	221557	. . SCREW,SHLD- 5-40 X 17/64 LG	2	
-149	221603	. . STUD-PIN FEED LATCH LH	1	
-150	221621	. . BRACKET-TIE ROD	1	
-151	221626	. . SPRING-REAR PRESSURE ROLL	14	
-152	221724	. . SETSCREW-MULT SPLINE DR FP 10-32 X 7/8LG	4	
-153	237439	. . ROLL ASSEMBLY-PRESSURE	6	
-154	237442	. . ROLL ASSEMBLY-PRESSURE FRONT	6	
-155	249440	. . BLOCK-ADJUSTMENT	2	
-156	256718	. . TABLE ASSEMBLY-PAPER REAR	1	
-157	257139	. . SHIM- 1-17/32 X 27/64 X 0.001 THK BRS	AR	
-158	257140	. . SHIM- 1-3/8 X 13/32 X 0.001 THK BRS	AR	
-159	257487	. . NUT,SELF LKG,RD- 3/8-16 X 7/8 OD	1	
-160	257526	. . COVER-LEFT HAND	1	
-161	257700	. . RING,RETAINING-EXT 0.187 ID X 0.020 THK	1	

FOR PARTS
NOT SHOWN
SEE FIG. 18

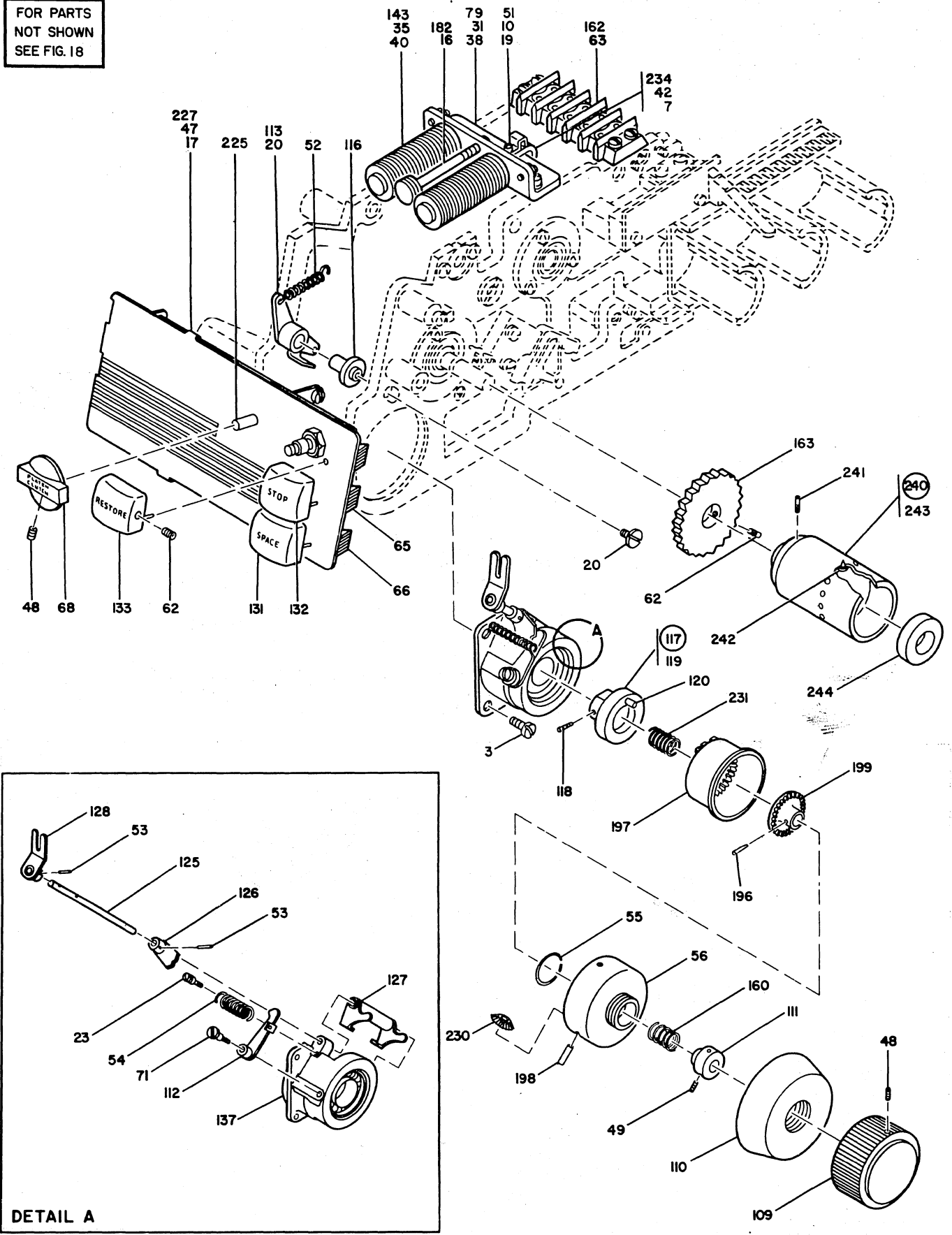


FIGURE 20. TAPE CONTROL AND DRIVE UNIT ASSEMBLY. SHEET 1 OF 5. SEE LIST 20.

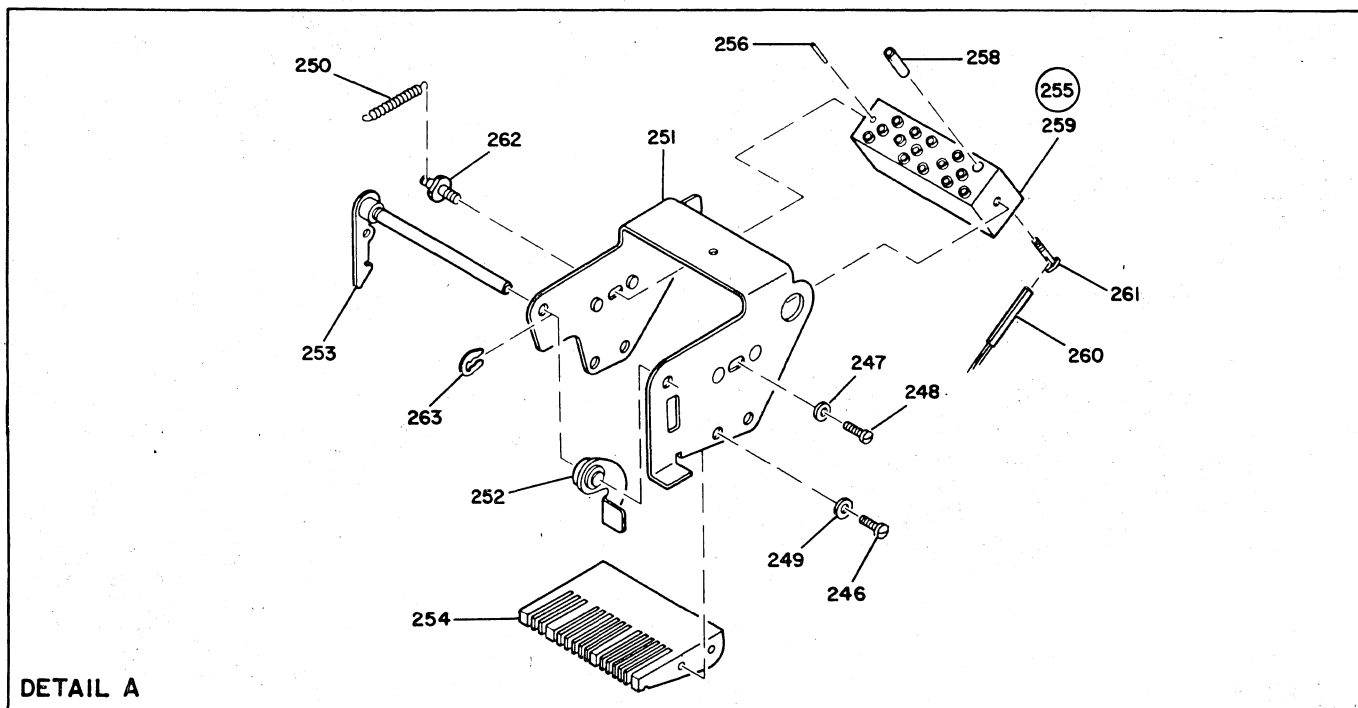
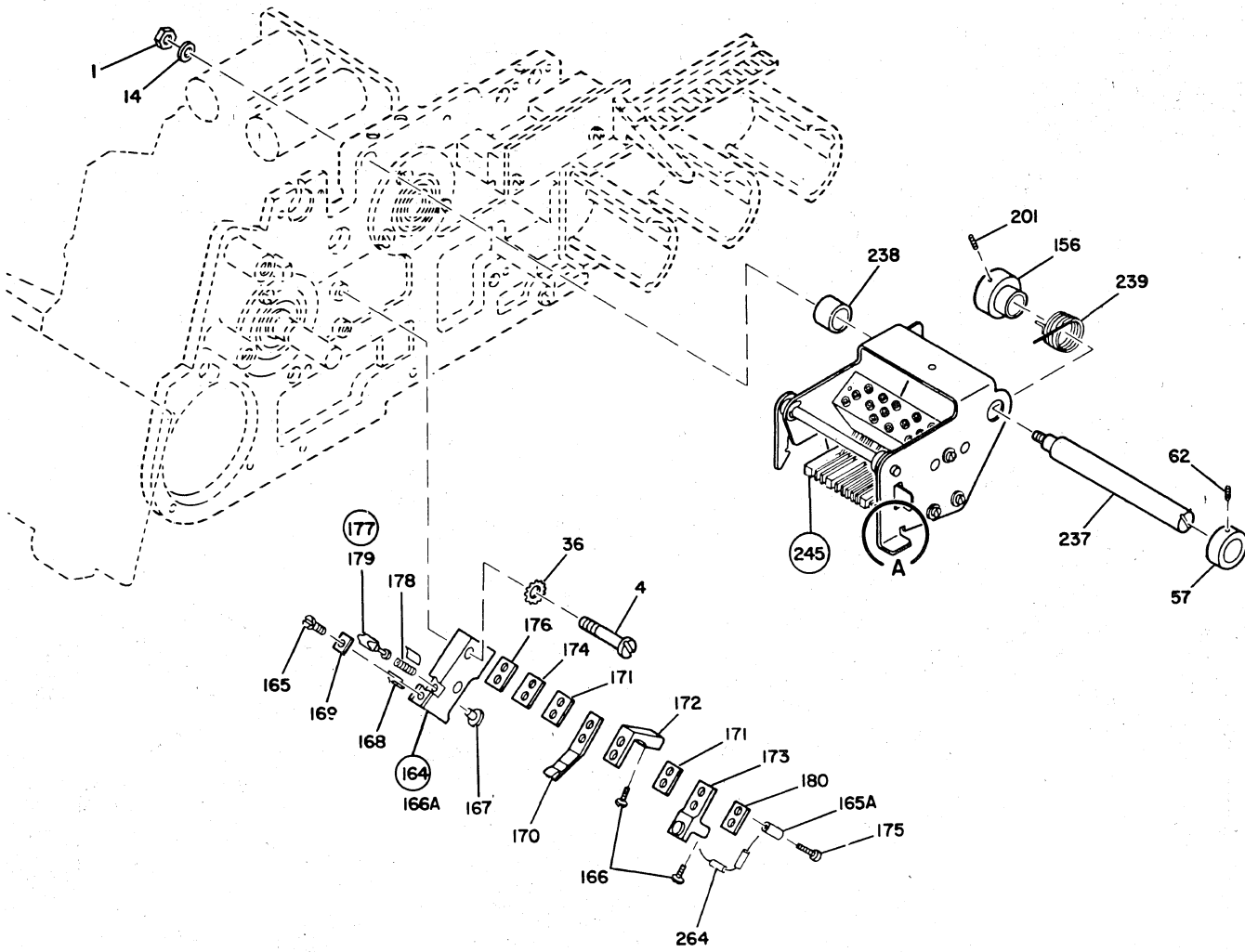


FIGURE 20. TAPE CONTROL AND DRIVE UNIT ASSEMBLY. SHEET 2 OF 5. SEE LIST 20.

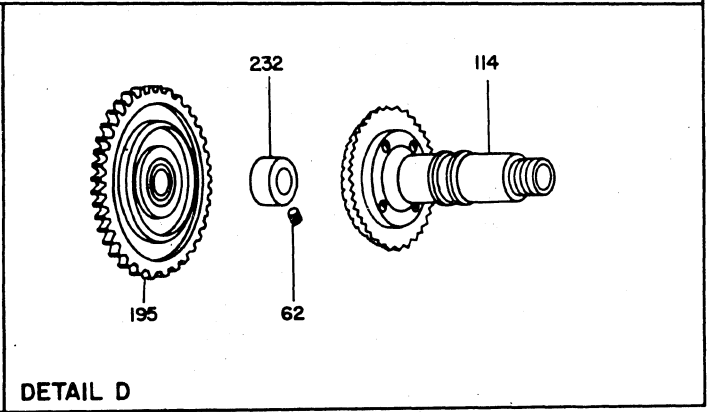
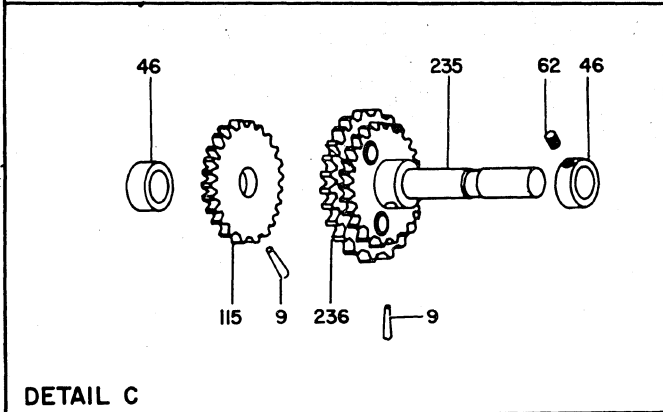
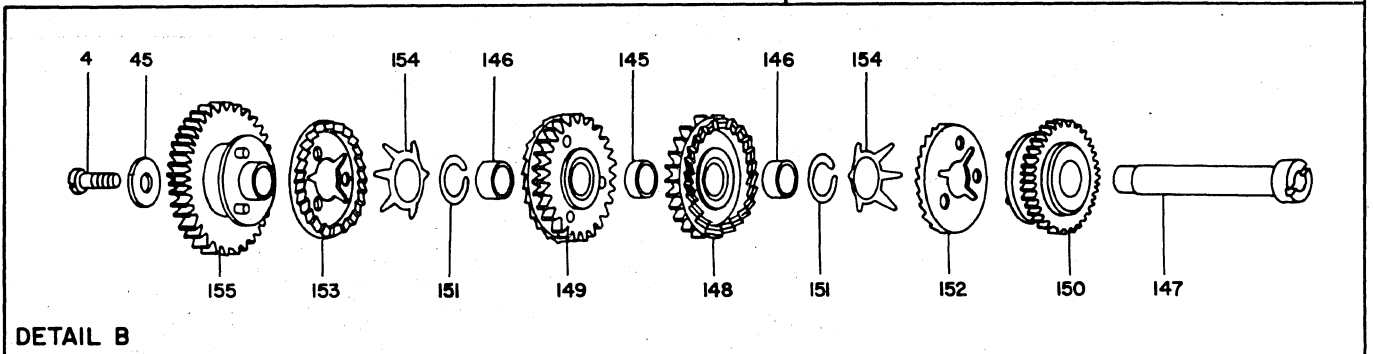
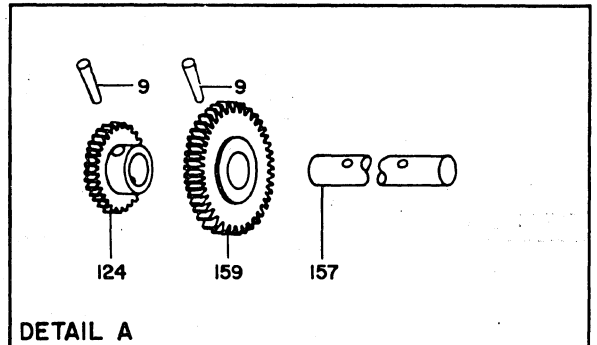
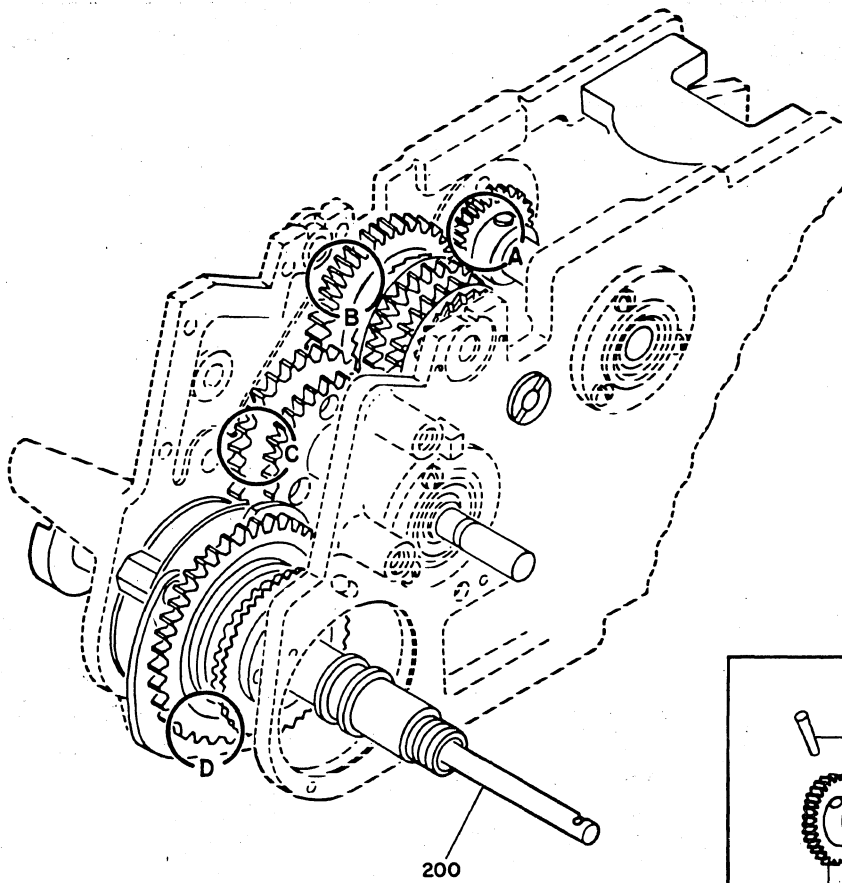


FIGURE 20. TAPE CONTROL AND DRIVE UNIT ASSEMBLY. SHEET 3 OF 5. SEE LIST 20.

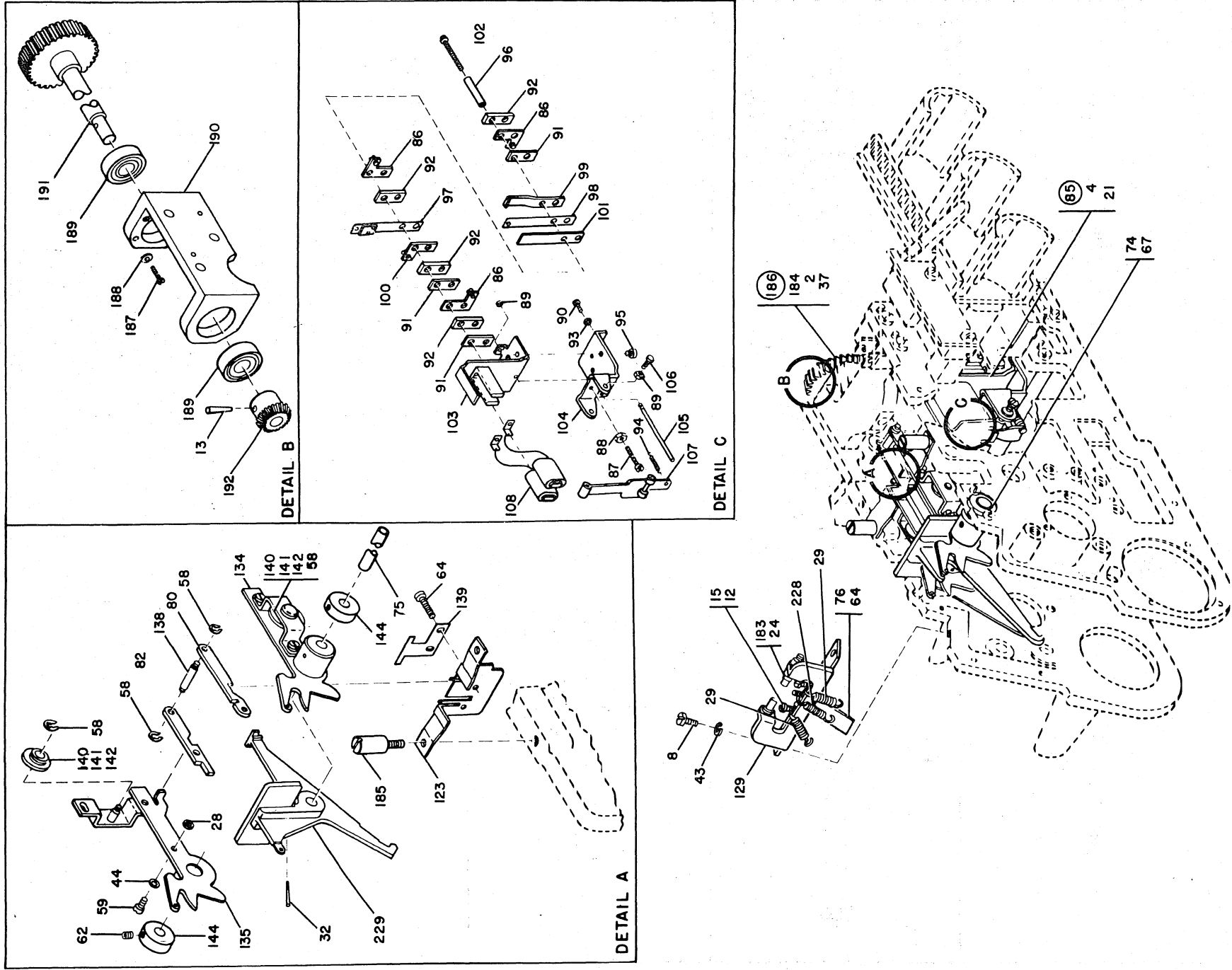


FIGURE 20. TAPE CONTROL AND DRIVE UNIT ASSEMBLY. SHEET 4 OF 5. SEE LIST 20.

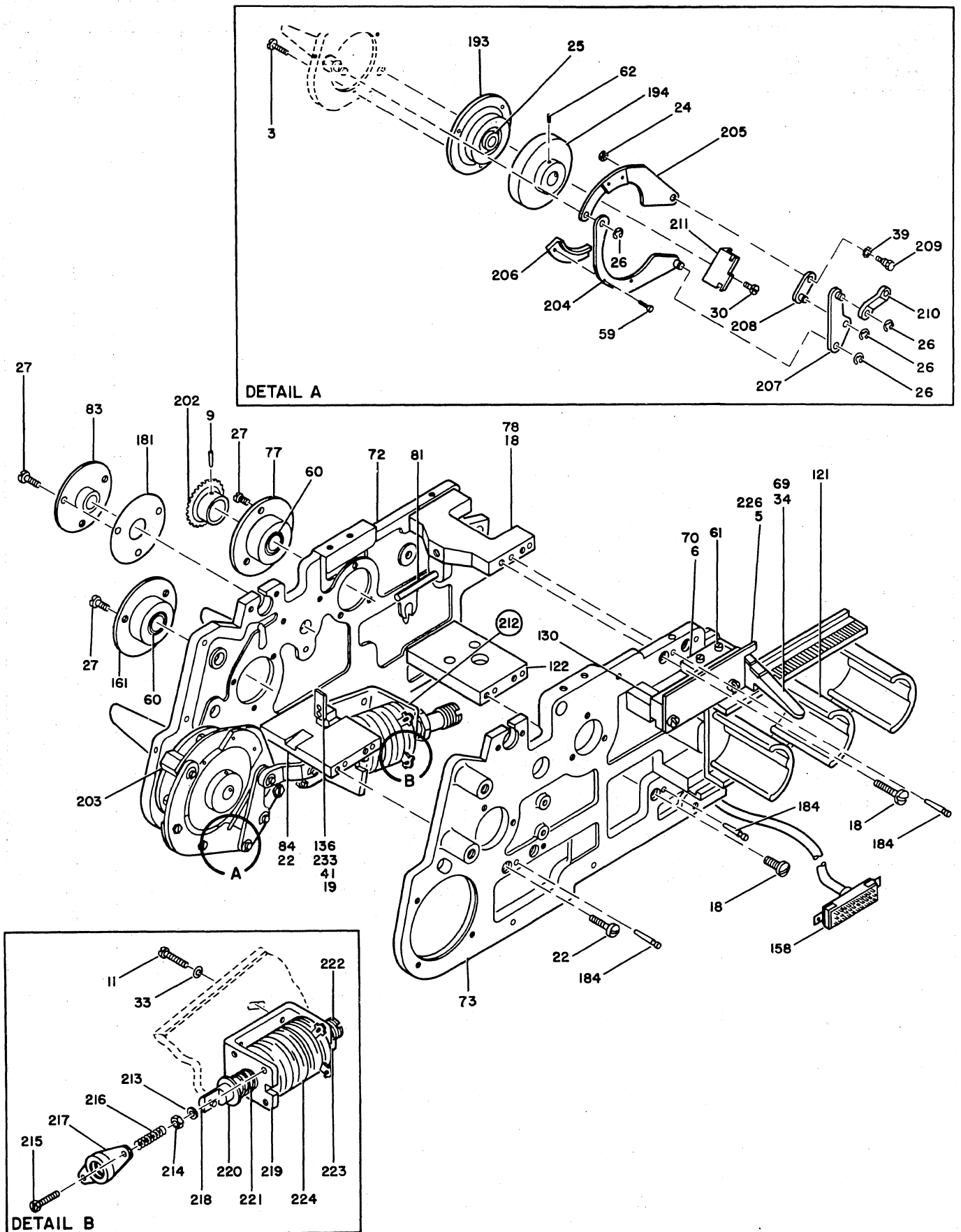


FIGURE 20. TAPE CONTROL AND DRIVE UNIT ASSEMBLY. SHEET 5 OF 5. SEE LIST 20.

LIST AND INDEX NO.	PART NO.	DESCRIPTION				UNITS PER ASM.	USABLE ON CODE
		1	2	3	4		
		TAPE CONTROL AND DRIVE UNIT ASSEMBLY					
20 -	197502	DRIVE UNIT ASSEMBLY-TAPE CONTROL SEE LIST 18-29 FOR NEXT HIGHER ASSEMBLY AND FIG. 20 FOR ILLUSTRATION				REF	
- 1	221	• NUT,PLAIN,HEX- 10-32 X 5/16 FL W				1	
- 2	232	• SCREW,MACH-FIL H 10-32 X 1/2 LG				3	
- 3	337	• SCREW,MACH-FIL H 8-32 X 3/8 LG				6	
- 4	845	• SCREW,MACH-FIL H 8-32 X 1/2 LG				5	
- 5	2031	• SCREW,MACH-FIL H 8-32 X 5/8 LG				2	
- 6	2300	• SCREW,MACH-FIL H 8-32 X 1/4 LG				2	
- 7	2899	• NUT,PLAIN,HEX- 8-32 X 3/8 FL W				2	
- 8	3500	• SCREW,MACH-FIL H 5-40 X 5/16 LG				2	
- 9	3904	• PIN,TAPERED,PLAIN- 11/16 LG X NO. 2				5	
- 10	4236	• SCREW,MACH-FIL H 5-40 X 1/4 LG				1	
- 11	7327	• SCREW,MACH-HEX HD 10-32 X 0.437 LG				2	
- 12	7341	• NUT,PLAIN,HEX- 5-40 X 1/4 FL W				2	
- 13	8427	• PIN,TAPERED,PLAIN- 5/8 LG X NO. 4-0				1	
- 14	9092	• WASHER,LOCK-SPLIT 0.194 X 0.377 OD				1	
- 15	11166	• SCREW,MACH-HEX HD 5-40 X 5/8 LG				2	
- 16	11598	• NUT,PLAIN-HEX 10-32 X 3/8 FL W				1	
- 17	15211	• PIN-LOCATING				1	
- 18	15965	• SCREW,MACH-BIND HD 10-32 X 7/16 LG				12	
- 19	22066	• WASHER,FL- 0.140 ID 0.281 OD 0.025 THK				2	
- 20	22074	• SCREW,MACH-FH 5-40 X 9/32 LG				2	
- 21	22478	• WASHER,FL- 0.170 ID 0.375 OD 0.032 THK				2	
- 22	22568	• SCREW,MACH-BIND HD 8-32 X 5/16 LG				4	
- 23	22587	• STUB-CONTACT OPERATING ARM RET SPRING				1	
- 24	23815	• NUT,PLAIN,HEX- 5-40 X 5/16 FL W				3	
- 25	25242	• BEARING,BALL,ANNULAR- 0.373 ID 0.875 OD				1	
- 26	25282	• RING,RETAINING-EXT 0.125 ID X 0.015 THK				5	
- 27	25625	• SCREW,MACH-BIND HD 8-32 X 1/4 LG				15	
- 28	27073	• NUT,PLAIN,HEX- 5-40 X 3/16 FL W				2	
- 29	27895	• SPRING,HELICAL,EXTENSION- 31-1/2 TURNS				2	
- 30	38271	• SCREW,MACH-FIL H 5-40 X 3/16 LG				1	
- 31	38383	• SCREW,MACH-FIL H 10-32 X 7/16 LG				2	
- 32	44507	• PIN,TAPERED,PLAIN- 11/16 LG X NO. 4-0				1	
- 33	45690	• WASHER,FL-NO. 10 X 7/16 OD X 1/32 THK				2	
- 34	49095	• SCREW,SHOULDER- 8-32 X 17/32 LG				1	
- 35	52607	• SCREW,MACH-FIL H 5-40 X 7/16 LG				2	
- 36	55901	• WASHER,LOCK-EXT TEETH NO. 8 X 0.381 OD				2	
- 37	56079	• WASHER,LOCK-EXT TEETH NO. 10 X 0.410 OD				3	
- 38	56121	• WASHER,LOCK-INT TEETH NO. 10 X 0.381 OD				2	
- 39	56313	• WASHER,LOCK-EXT TEETH NO. 5 X 0.280 OD				1	
- 40	56722	• WASHER,LOCK-EXT TEETH NO. 6 X 5/16 OD				2	
- 41	62031	• WASHER,LOCK-INT TEETH NO. 6 X 0.295 OD				1	
- 42	83417	• SETSCREW-SPLINE DR FP 8-32 X 3/8 LG				2	
- 43	94378	• WASHER,LOCK-SPLIT NO. 5 X 0.239 OD				2	
- 44	105047	• WASHER,LOCK-INT TEETH NO. 5 X 1/4 OD				2	
- 45	110029	• WASHER,FL-NO 8 X 5/8 OD X 1/16 THK				1	
- 46	110156	• COLLAR- 0.375 ID X 0.625 OD X 0.307 THK				2	
- 47	110775	• SCREW,MACH-HEX HD 8-32 X 5/16 LG				3	
- 48	112055	• SETSCREW-SPLINE DR CUP PT 8-32 X 1/4 LG				2	
- 49	121521	• SETSCREW-SPLINE DR FP 8-32 X 3/16 LG				1	
- 50	121935	• INSULATOR,PLATE-TERMINAL BOARD NOT ILLUSTRATED				1	

LIST AND INDEX NO.	PART NO.	DESCRIPTION	UNITS PER ASM.	USABLE ON CODE
TAPE CONTROL AND DRIVE UNIT ASSEMBLY -CONT				
20 - 51	122714	• CLAMP-OIL TUBE UPPER	1	
- 52	130534	• SPRING,HELICAL,EXTENSION- 35 TURNS	1	
- 53	139686	• PIN,TAPERED,PLAIN- 7/16 LG X NO. 6-0	2	
- 54	141071	• SPRING,HELICAL,EXTENSION- 15.5 RNS	1	
- 55	141812	• RING,RETAINING- 45/64 ID	1	
- 56	141815	• HOUSING-VERTICAL PINION	1	
- 57	143009	• COLLAR,SHAFT- 3/8 ID X 11/16 OD	1	
- 58	147297	• RING,RETAINING-EXT 0.094 ID X 0.020 THK	4	
- 59	151633	• SCREW,MACH-HEX HD 5-40 X 1/4 LG	6	
- 60	156364	• BEARING,BALL,ANNULAR- 0.375 ID 0.875 OD	4	
- 61	160409	• SCREW,SHLD- 8-32 X 5/32 LG	1	
- 62	165556	• SETSCREW-HEX DR CUP PT 5-40 X 1/8 LG	13	
- 63	173202	• SCREW,ASMD WASHER-RH 5-40 X 0.469 LG	2	
- 64	186636	• SCREW,MACH-BIND HD 5-40 X 1/8 LG	3	
- 65	189136	• SWITCH,PUSH-NO 125V AC 1 AMP	2	
- 66	189137	• SWITCH,PUSH-NC 125V AC 1 AMP	1	
- 67	196299	• SCREW,MACH-BIND HD 5-40 X 1/2 LG	4	
- 68	197351	• KNOB ASSEMBLY-CLUTCH SWITCH	2	
- 69	197651	• LEVER-TAPE GUIDE	1	
- 70	197657	• SPRING-TAPE GUIDE	1	
- 71	197678	• STUD-FORK DETENT LEV 5-40 X 7/32 LG	1	
- 72	197679	• FRAME-DRIVE HOUSING LEFT SIDE	1	
- 73	197680	• FRAME-DRIVE HOUSING RIGHT SIDE	1	
- 74	197681	• BUSHING-SHAFT	2	
- 75	197682	• SHAFT- 1/4 OD X 2-29/32 LG	1	
- 76	197686	• SPRING-DRIVE DETENT	1	
- 77	197688	• HOUSING-BEARING	3	
- 78	197703	• SUPPDRT-INTERPOSER CONTACT PUSH ROD	1	
- 79	197704	• BRACKET-MAGNET	1	
- 80	197705	• INTERPOSER-H SPEED	1	
- 81	197707	• ROD-CONTACT PUSH	1	
- 82	197708	• INTERPOSER-L SPEED	1	
- 83	197710	• BUSHING-CLUTCH SHAFT	1	
- 84	197712	• BAR-SIDE PLATE TIE	1	
- 85	197713	• MAGNET AND BLOCK ASSEMBLY	1	
- 86	1882	• . . TERMINAL ASSEMBLY-CONTACT	2	
- 87	2032	• . . SCREW,MACH-FIL H 8-32 X 7/8 LG	1	
- 88	6503	• . . NUT,PLAIN,HEX- 8-32 X 1/4 FL W	1	
- 89	7341	• . . NUT,PLAIN,HEX- 5-40 X 1/4 FL W	3	
- 90	9865	• . . TYPEHEAD-NO. 33	2	
- 91	11899	• . . INSULATION-CONTACT SPRING 1/16 THK	3	
- 92	11900	• . . INSULATOR-CONTACT SPRING	4	
- 93	23815	• . . NUT,PLAIN,HEX- 5-40 X 5/16 FL W	2	
- 94	27895	• . . SPRING,HELICAL,EXTENSION- 31-1/2 TURNS	1	
- 95	38364	• . . SCREW,MACH-FIL H 8-32 X 3/16 LG	2	
- 96	100397	• . . INSULATOR-SCR 0.128 ID 0.186 OD 1-1/32LG	2	
- 97	116547	• . . SPRING ASSEMBLY-CONTACT	1	
- 98	116550	• . . SPRING ASSEMBLY-LOWER CONTACT	1	
- 99	117650	• . . STOP-CONTACT SPRING	1	
-100	138709	• . . CONTACT ASSEMBLY-TERMINAL	2	
-101	166735	• . . SUPPORT-CONTACT SPRING	1	
-102	173213	• . . SCREW,MACH-RD WASHER HD 5-40 X 1-7/32 LG	2	
-103	197700	• . . CORE ASSEMBLY-INTERPOSER MAGNET	1	
-104	197706	• . . SUPPORT-ARMATURE PIVOT	1	
-105	197808	• . . STOP-INTERPOSER ARMATURE	1	
-106	197838	• . . PIVOT-INTERPOSER SHAFT	2	
-107	197841	• . . ARMATURE ASSEMBLY-INTERPOSER	1	
-108	197851	• . . COIL ASSEMBLY-INTERPOSER MAGNET	1	
-109	197745	• KNOB ASSEMBLY-PLATEN	1	
-110	197747	• KNOB-VER PINION HSG	1	

LIST AND INDEX NO.	PART NO.	DESCRIPTION	UNITS PER ASM.	USABLE ON CODE
		1 2 3 4		
		TAPE CONTROL AND DRIVE UNIT ASSEMBLY -CONT		
20-111	197749	• COLLAR-VER PINION HSG SPG RET	1	
-112	197750	• LEVER ASSEMBLY-FORK DETENT	1	
-113	197753	• LEVER ASSEMBLY-PLATEN DETENT	1	
-114	197757	• DETENT ASSEMBLY-PLATEN	1	
-115	197759	• GEAR,SPUR- 24 TEETH 14.8 DP 1.760 OD	1	
-116	197760	• STUD-PIVOT 5-40 INT THD	1	
-117	197762	• NUT ASSEMBLY-PLATEN	1	
-118	72670	• . SETSCREW-SPLINE DR CONE PT 5-40 X 1/8 LG	1	
-119	197763	• . NUT-PLATEN	1	
-120	216543	• . PIN-PLATEN OPER	1	
-121	197765	• GUIDE-TAPE	1	
-122	197771	• PLATE-INTERPOSER MTG	1	
-123	197773	• GUIDE-CLUTCH DISK ARM	1	
-124	197779	• GEAR,SPUR- 28 TEETH 24 DP 1.249 OD	1	
-125	197786	• SHAFT ASSEMBLY-CLUTCH	1	
-126	197787	• FORK ASSEMBLY-DETENT	1	
-127	197790	• ARM ASSEMBLY-SHIFT	1	
-128	197794	• FORK ASSEMBLY-PLATEN CLUTCH SHIFT	1	
-129	197802	• TERMINAL-ARMATURE SPRING	1	
-130	197803	• KEEPER-TAPE GUIDE	1	
-131	197811	• KNOB ASSEMBLY-SPACE CONTROL SWITCH	1	
-132	197814	• KNOB ASSEMBLY-STOP CONTROL SWITCH	1	
-133	197816	• KNOB ASSEMBLY-RESTORING CONTROL SWITCH	1	
-134	197817	• ARM ASSEMBLY-CLUTCH ENGAGING RIGHT	1	
-135	197823	• ARM ASSEMBLY-CLUTCH ENGAGING LEFT	1	
-136	197827	• SPRING ASSEMBLY-DETENT WHEEL STOP	1	
-137	197832	• HOUSING ASSEMBLY-CLUTCH SHAFT BEARING	1	
-138	197842	• PIVOT-ARMATURE UPPER	1	
-139	197846	• PLATE-INTERLOCK	1	
-140	197847	• CAM-CLUTCH ENGAGING	AR	
-141	197848	• CAM-CLUTCH ENGAGING	AR	
-142	197849	• CAM-CLUTCH ENGAGING	AR	
-143	197850	• COIL ASSEMBLY-W/TERM	1	
-144	197853	• COLLAR,SHAFT-ARMATURE	2	
-145	197858	• SPACER,SLV- 0.381 ID X7/16 ODX 0.254 LG	1	
-146	197859	• SPACER,SLV- 0.381 ID X7/16 ODX 0.314 LG	2	
-147	197860	• SHAFT-CLUTCH	1	
-148	197861	• GEAR ASSEMBLY-DRIVE CLUTCH RIGHT	1	
-149	197870	• GEAR ASSEMBLY-DRIVE CLUTCH LEFT	1	
-150	197874	• GEAR ASSEMBLY-DRIVE CLUTCH	1	
-151	197875	• RING,RETAINING- 0.525 ID X 0.556 OD	2	
-152	197876	• CLUTCH-DRIVE RIGHT HAND	1	
-153	197877	• CLUTCH-DRIVE LEFT HAND	1	
-154	197878	• SPRING-CLUTCH	2	
-155	197879	• GEAR ASSEMBLY-DRIVE CLUTCH	1	
-156	197888	• HUB-BRUSH HOLDER OPERATING SPRING	1	
-157	197897	• SHAFT- 3/8 OD X 3-7/16 LG	1	
-158	197903	• CABLE ASSEMBLY,SPL PURPOSE,ELEC,BRANCHED NO BREAKDOWN AVAILABLE	1	
-159	197974	• GEAR,SPUR- 43 TEETH 24 DP 1.874 OD	1	
-160	212158	• SPRING,HELICAL,COMPR- 3.9 TURNS LH	1	
-161	212167	• HOUSING-COMM BRG LEFT	1	
-162	212482	• TERMINAL BOARD- 5 DBL SCREW TERMINALS	1	
-163	212491	• CAM- 15 DEG 23 POS CIRCUIT BREAKER ASM	1	
-164	212492	• CONTACT ASSEMBLY-CIRCUIT BREAKER	1	
-165	23854	• . SCREW,MACH-BIND HD 5-40 X 5/16 LG	1	
-165A	100229	• . INSULATOR-SCREW NO. 5 X 1/2 LG	2	

LIST AND INDEX NO.	PART NO.	DESCRIPTION	UNITS	USABLE
			PER ASM.	ON CODE
		1 2 3 4		
		TAPE CONTROL AND DRIVE UNIT ASSEMBLY -CONT		
20-166	118418	• • SCREW,MACH-RH 5-40 X 5/32 LG	2	
-166A	212490	• • BLOCK-CONTACT MOUNTING	1	
-167	186882	• • BUTTON-CONTACT	1	
-168	204835	• • PLUNGER-SPLIT BUSH CAM CONTACT UNIT	2	
-169	205737	• • PLATE-PLUNGER STOP	1	
-170	205742	• • TERMINAL ASSEMBLY-CONTACT	1	
-171	205743	• • INSULATOR,PLATE-CAM CONTACT UNIT	2	
-172	205744	• • TERMINAL BLOCK-CONTACT CAM UNIT LOWER	1	
-173	205746	• • TERMINAL BLOCK ASSEMBLY-CONTACT CAM UNIT	1	
-174	205747	• • SHIM-CONTACT	AR	
-175	205748	• • SCREW,ASMD WASHER-RH 5-40 X 23/32 LG	2	
-176	205783	• • SHIM-CONTACT	AR	
-177	207766	• • PLUNGER ASSEMBLY-CONTACT	1	
-178	204836	• • • SPRING	1	
-179	207759	• • • PLUNGER-CONTACT	1	
-180	230736	• • INSULATOR-CONTACT BLOCK	1	
-181	216506	• SHIM- 1-1/2 OD X 0.003 THK	1	
-182	216512	• STUD	1	
-183	216533	• STUD	2	
-184	216537	• PIN,TAPERED,THREADED- 7/16 LG X NO. 3-0	10	
-185	216540	• STUD	2	
-186	216596	• BRACKET ASM-WORM WHEEL SHAFT BEARING	1	
-187	3500	• • SCREW,MACH-FIL H 5-40 X 5/16 LG	4	
-188	79233	• • WASHER,FL-NO. 5 X 3/8 OD X 0.050 THK	4	
-189	156364	• • BEARING,BALL,ANNULAR- 0.375 ID 0.875 OD	2	
-190	216597	• • BRACKET-WORM WHEEL SHAFT BEARING	1	
-191	288282	• • WORM WHEEL AND SHAFT ASSEMBLY	1	
-192	216599	• GEAR,BEVEL- 24 TEETH 32 DP 0.8155 OD	1	
-193	219909	• HOUSING-DRIVE SHAFT BEARING	1	
-194	219911	• DRUM-PLATEN LOCK BRAKE	1	
-195	219913	• GEAR,SPUR- 39 TEETH 14.769 DP 2.776 OD	1	
-196	219941	• PIN,TAPERED,PLAIN- 1/2 LG X NO. 3-0	1	
-197	219981	• GEAR ASSEMBLY-PLATEN KNOB BEVEL	1	
-198	219986	• PIN-VER PINION	1	
-199	219987	• GEAR,BEVEL- 42 TEETH 38 DP 1.131 OD	1	
-200	219990	• SHAFT-PLATEN DRIVE	1	
-201	219991	• SCREW,MACH-FIL H 5-40 X 3/8 LG	1	
-202	220505	• GEAR,BEVEL- 36 TEETH 32 DP 1.1506 OD	1	
-203	220527	• STUD	1	
-204	220528	• BAND ASSEMBLY-PLATEN LOCK BRAKE LEFT	1	
-205	220530	• BAND-PLATEN LOCK RIGHT	1	
-206	220531	• SHOE-PLATEN LOCK BRAKE	2	
-207	220534	• LEVER ASSEMBLY-PLATEN LOCK TOGGLE	1	
-208	220537	• LINK ASSEMBLY-PLATEN LOCK LEVER	1	
-209	220539	• ECCENTRIC-PLATEN LOCK	1	
-210	220540	• LINK-PLATEN LOCK SOLENOID	1	
-211	220541	• SPACER-PLATEN LOCK LINKAGE	1	
-212	220544	• SOLENOID ASSEMBLY-PLATEN LOCK	1	
-213	6318	• • WASHER,LOCK-SPLIT NO. 8 X 0.280 OD	2	
-214	6503	• • NUT,PLAIN,HEX- 8-32 X 1/4 FL W	2	
-215	40084	• • SCREW,MACH-HEX HD 8-32 X 11/16 LG	2	
-216	91034	• • SPRING,HELICAL,COMPR- 8.1 TURNS	2	
-217	149627	• • STOP ASSEMBLY-SOLENOID	1	
-218	212482	• • TERMINAL BOARD- 5 DBL SCREW TERMINALS	1	
-219	212632	• • YOKE-SOL	1	
-220	212637	• • SLEEVE-STG SOL	1	

LIST AND INDEX NO.	PART NO.	DESCRIPTION				UNITS PER ASM.	USABLE ON CODE
		1	2	3	4		
		TAPE CONTROL AND DRIVE UNIT ASSEMBLY -CONT					
20-221	220542	. . . SPRING,HELICAL,COMPR- 3 TURNS				1	
-222	220545	. . . CORE-SOL				1	
-223	220546	. . . NUT,PLAIN,HEX- 15/32-32 X 5/8 FL W				1	
-224	220557	. . . COIL ASSEMBLY-PLATEN LOCK SOL				1	
-225	220555	. . . ARM ASSEMBLY-PLATEN CLUTCH SHIFT RIGHT				1	
-226	220569	. . . STOP-TAPE GUIDE LEV				1	
-227	221026	. . . PLATE ASSEMBLY-SWITCH MOUNTING				1	
-228	221113	. . . SPRING,HELICAL,EXTENSION				1	
-229	221170	. . . ARMATURE ASSEMBLY-DRIVE				1	
-230	221175	. . . GEAR,BEVEL- 32 TEETH 32 DP 0.558 OD				1	
-231	221179	. . . SPRING,HELICAL,COMPR				1	
-232	221181	. . . COLLAR,SHAFT-PLATEN DRIVE				1	
-233	221183	. . . SCREW,MACH-SPL HD				1	
-234	221228	. . . STOP-ADJUSTING				1	
-235	221256	. . . SHAFT-COMM				1	
-236	228734	. . . GEAR AND LATCH WHEEL ASSEMBLY				1	
-237	249412	. . . STUD-BRUSH HOLDER PIVOT				1	
-238	249413	. . . SPACER				1	
-239	249414	. . . SPRING,HELICAL COMPR- 4-3/4 TURNS				1	
-240	255587	. . . COMMUTATOR ASSEMBLY				1	
-241	75533	. . . SETSCREW-SPLINE DR CUP PT 5-40 X 3/16 LG				2	
-242	197893	. . . PIN,STR,HEADED- 3.156 DIA OD X 0.254 LG				12	
-243	255588	. . . MOLDING ASSEMBLY-COMM				1	
-244	255589	. . . WASHER-RET 1/2 ID X 1 OD X 1/4 THK RUB				1	
-245	255595	. . . BRUSH HOLDER AND FRAME ASSEMBLY				1	
-246	3500	. . . SCREW,MACH-FIL H 5-40 X 5/16 LG				3	
-247	20038	. . . WASHER,FL-NO. 4 X 5/16 OD X 1/32 THK				1	
-248	38271	. . . SCREW,MACH-FIL H 5-40 X 3/16 LG				1	
-249	94378	. . . WASHER,LOCK-SPLIT NO. 5 X 0.239 OD				3	
-250	183520	. . . SPRING,HELICAL,EXTENSION- 43 TURNS				1	
-251	197690	. . . PLATE-BRUSH HOLDER MTG				1	
-252	197693	. . . ARM ASSEMBLY-LATCH RELEASE				1	
-253	197695	. . . LATCH ASSEMBLY-BRUSH HOLDER				1	
-254	197698	. . . BLOCK-BRUSH GUIDE				1	
-255	221182	. . . HOLDER ASSEMBLY-BRUSH				1	
-256	344	. . . DOWEL,STR,HDL- 1/16 DIA X 5/16 LG				2	
-257	28767	. . . BUSHING				2	
-258	154404	. . . NUT-CLAMPING				13	
-259	197692	. . . BLOCK-BRUSH HOLDER				1	
-260	197894	. . . BRUSH ASSEMBLY				13	
-261	257261	. . . BOLT-SPECIAL HD 3-48 X 13/32 LG				13	
-262	221186	. . . STUD-SPRING				1	
-263	257701	. . . RING,RETAINING-EXT 0.125 ID X 0.020 THK				1	
* -264	265103	. . . RC NETWORK ASSEMBLY				1	

FOR PARTS
NOT SHOWN
SEE FIG. 16

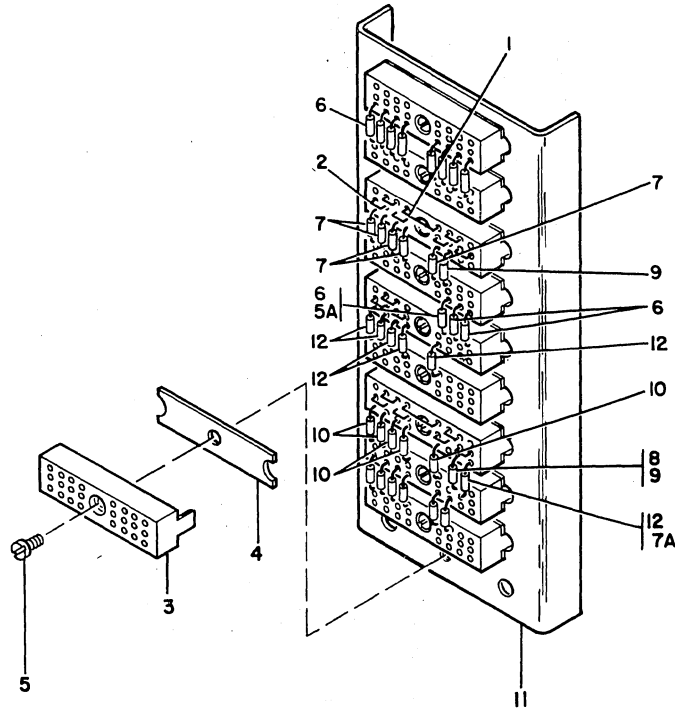


FIGURE 21. COMPONENT PANEL ASSEMBLY. SEE LIST 21.

LIST AND INDEX NO.	PART NO.	DESCRIPTION				UNITS PER ASM.	USABLE ON CODE
		1	2	3	4		
		COMPONENT PANEL ASSEMBLY					
* 21 -		CODE 1 USED ON ASM PRIOR TO B6 SUFFIX CODE 2 USED ON ASM FROM B6 TO CURRENT					
* -	738384	PANEL ASM-COMPONENT SEE LIST 16- 46 FOR NEXT HIGHER ASM. AND FIG. 21 FOR ILLUSTRATION				REF	
* - 1	129242	• JUMPER ASM-BLU 2-1/2 20AWG 1 LUG EA END				3	1
* - 1	129242	• JUMPER ASM-BLU 2-1/2 20AWG 1 LUG EA END NO BREAKDOWN AVAILABLE				4	2
* - 2	205331	• JUMPER-RELAY GATES UNIT 1/8 BRASS				15	1
* - 2	205331	• JUMPER-RELAY GATES UNIT 1/8 BRASS NO BREAKDOWN AVAILABLE				13	2
* - 3	302090	• CONNECTOR, RECP, ELEC- 24 FEMALE CONTACTS				10	
* - 4	302131	• STRIP-TERMINAL BLOCK INSULATOR				10	
* - 5	438550	• SCREW, MACH-BIND HD 4-40 X 1/2 LG				10	
* - 5A	518163	• RESISTOR ASSEMBLY, 1K 1/2W				1	2
* - 6	520404	• RESISTOR ASSEMBLY- 180 OHMS 1/2W				17	1
* - 6	520404	• RESISTOR ASSEMBLY- 180 OHMS 1/2W				16	2
* - 7	620107	• RESISTOR, 1.6K OHMS, 1/2 WATT				5	
* - 7A	763409	• CAPACITOR ASSEMBLY, 0.1 MFD 100VDC				1	2
* - 8	2103092	• RESISTOR ASSEMBLY- 10K 1/2W				1	1
* - 9	2123791	• RESISTOR, FIXED 470 OHMS 1/2W				1	1
* - 9	2123791	• RESISTOR, FIXED 470 OHMS 1/2W				2	2
* - 10	2127637	• RESISTOR ASSY-270 OHMS 1/2W				5	
* - 11	2128685	• PANEL				1	
* - 12	2155056	• CAPACITOR ASM, AXIAL, 0.047 MMD 100 V				6	1
* - 12	2155056	• CAPACITOR ASM, AXIAL, 0.047 MMD 100 V				5	2

FOR PARTS
NOT SHOWN
SEE FIG. 16

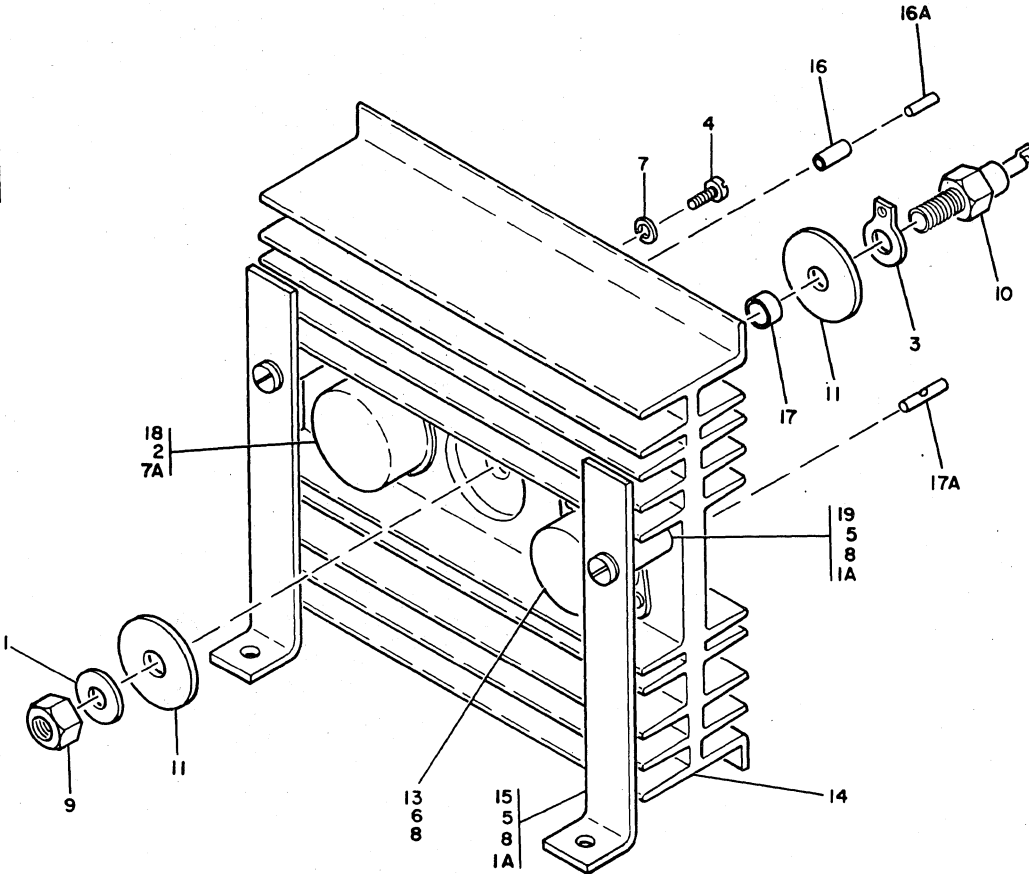


FIGURE 22. HEATSINK ASSEMBLY. SEE LIST 22.

LIST AND INDEX NO.	PART NO.	DESCRIPTION				UNITS PER ASM.	USABLE ON CODE
		1	2	3	4		
22 -		HEAT SINK ASSEMBLY					
		CODE 1 USED ON ASM PRIOR TO L5 SUFFIX CODE 2 USED ON ASM FROM L5 TO CURRENT CODE 3 USED ON ASM FROM P5 TO CURRENT					
	738156	HEAT SINK ASSEMBLY SEE LIST 16- 49 AND 16- 55 FOR NEXT HIGHER ASSEMBLY. AND FIG. 22 FOR ILLUSTRATION				REF	
- 1	3550	• WASHER,FL- 1/4 X 9/16 OD X 0.050 THK				1	1
- 1A	6364	• WASHER,LOCK-SPLIT NO. 6 X 1/4 OD				4	2
- 2	11598	• NUT,PLAIN-HEX 10-32 X 3/8 FL W				1	
- 3	15484	• CLIP,WIRE 9/32 MOUNTING HOLE				1	1
- 4	25627	• SCREW,MACH-BIND HD 8-32 X 1/2 LG				1	
- 5	35739	• SCREW,MACH-BIND HD 6-32 X 15/16 LG				4	
- 6	38235	• SCREW,MACH-FIL H 6-32 X 5/16 LG				2	
- 7	55901	• WASHER,LOCK-EXT TEETH NO. 8 X 0.381 OD				2	
- 7A	56079	• WASHER-LOCK,EXT T .204 ID .410 OD				1	2
- 8	56722	• WASHER-LOCK,EXT T, .150 ID				6	1
- 8	56722	• WASHER-LOCK,EXT T, .150 ID				2	2
- 9	160017	• NUT,PLAIN,HEX- 1/4-28 X 7/16 FL W				1	1
- 10	216198	• RECTIFIER				1	
- 11	217017	• WASHER-INSULATING				2	1
- 12	316996	• TERMINAL,LUG-NONINS 9AWG NO. 8 MTG HOLE NOT ILLUSTRATED				1	1
- 13	369108	• TRANSISTOR				1	
- 14	738154	• HEAT SINK ASM				1	
- 15	738159	• BRACKET-MTG				2	
- 16	738557	• BUSHING-TERMINAL				2	2
- 16A	738574	• CONNECTOR-BUTT				1	3
- 17	749467	• INSULATOR				1	1
- 17A	2119604	• CONNECTOR,.079 I.D.,.135 O.D.X.578 LONG				2	2
- 18	2414801	• TRANSISTOR-PNP,TYPE 132				1	
- 19	5247148	• SPACER				2	

FOR PARTS
NOT SHOWN
SEE FIG. 16

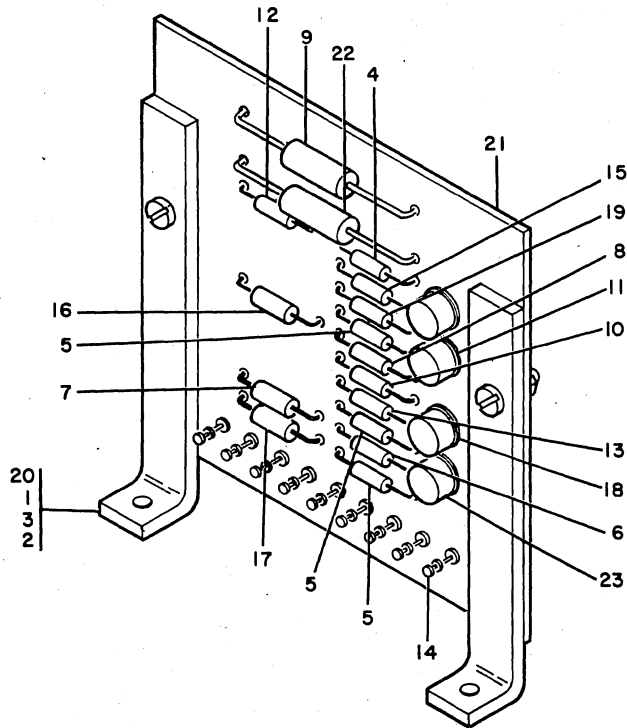


FIGURE 23. CARD ASSEMBLY. SEE LIST 23.

LIST AND INDEX NO.	PART NO.	DESCRIPTION	UNITS PER ASM.				USABLE ON CODE
			1	2	3	4	
		CARD ASSEMBLY					
* 23 -	738371	BOARD ASM-COMPONENT SEE LIST 16-50 AND 16-56 FOR NEXT HIGHER ASSEMBLY AND FIG. 23 FOR ILLUSTRATION					REF
* - 1	38235	• SCREW MACH 6/32 X .310 LG					2
* - 2	257187	• NUT-HEX NO. 6-32 NC					2
- 3	56722	• WASHER, LOCK-EXT TEETH NO. 6 X 5/16 OD					2
- 4	213536	• RESISTOR, FIXED COMP, 100 OHM 5% 1/2 WATT					1
- 5	213693	• RESISTOR, FXD, COMP- 1K P/M 5% 1/2W					3
- 6	213760	• RESISTOR, FXD-COMP- 36K OHMS P/M 5% 1/2W					1
- 7	300721	• RESISTOR, FXD, COMP- 10K P/M 5% 1/2W					1
- 8	317027	• RESISTOR, FXD, COMP- 11K P/M 5% 1/2W					1
- 9	317190	• RESISTOR, FIXED, 200 OHMS PM 5%, 10W					1
- 10	317350	• RESISTOR, FXD COMP-CARBON 2K					1
- 11	318324	• TRANSISTOR, TYPE 033					1
- 12	334902	• RESISTOR, FXD, COMP- 91 OHMS P/M 5% 1/2W					1
- 13	334949	• RESISTOR, FXD, COMP- 20 OHMS P/M 5% 1/2W					1
- 14	337545	• LUG					9
- 15	491221	• RESISTOR-FIXED-COMP 39 OHM P/M 5PCT 1/2W					1
- 16	491272	• CAPACITOR, FILM, .020 MFD 5% 100 VOLTS					1
- 17	492349	• RESISTOR					1
- 18	492450	• TRANSISTOR, NPN-TYPE 071					1
- 19	502483	• RESISTOR, FXD, COMP- 51 OHMS P/M 5% 1/2W					1
- 20	738159	• BRACKET-MTG					2
- 21	738501	• CARD					1
- 22	2102625	• RESISTOR, FXD, WW- 150 OHMS P/M 5% 10W					1
- 23	2391117	• TRANSISTOR					2

FOR PARTS
NOT SHOWN
SEE FIG. 16

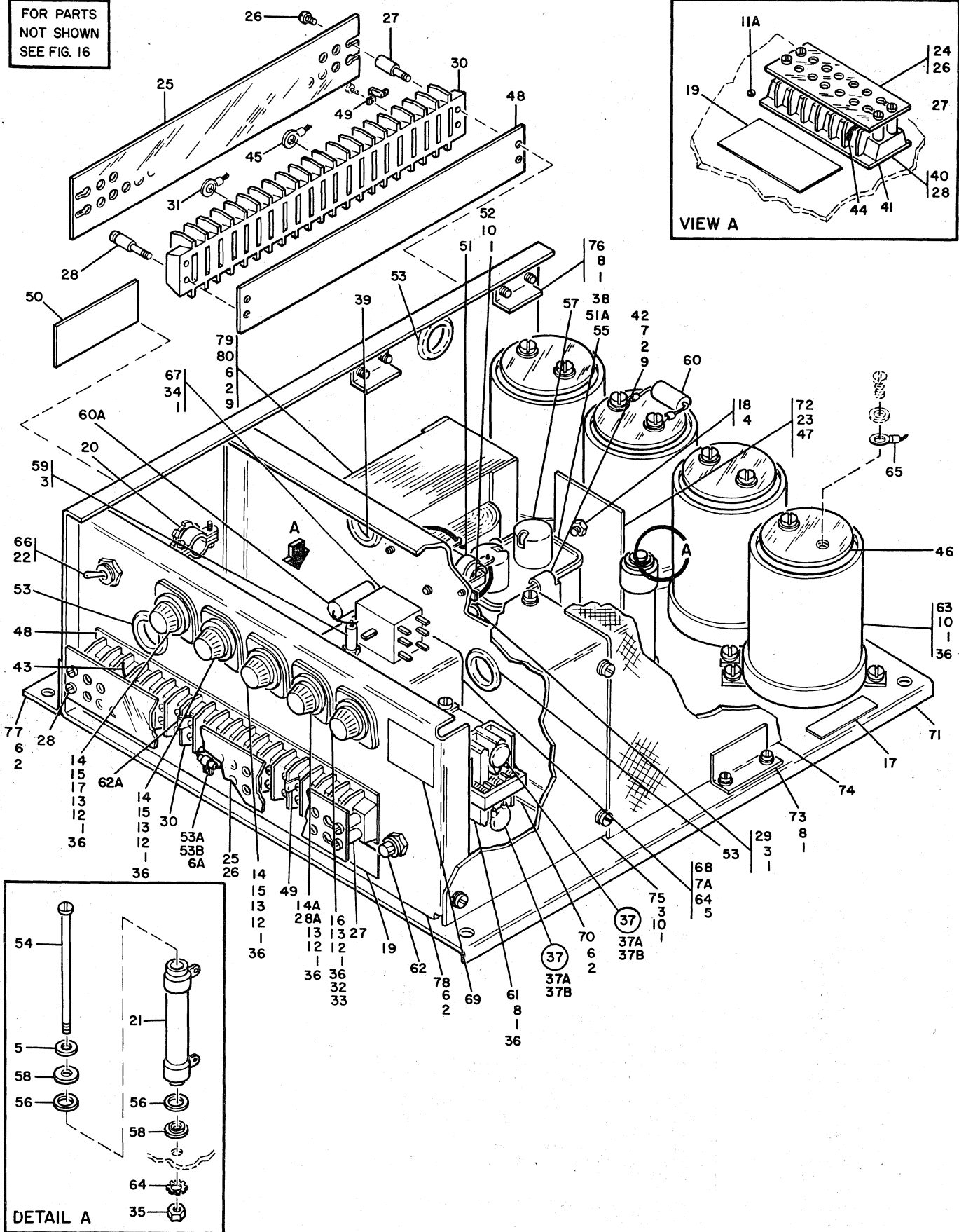


FIGURE 24. POWER SUPPLY ASSEMBLY. SEE LIST 24.

LIST AND INDEX NO.	PART NO.	DESCRIPTION 1 2 3 4	UNITS PER ASM.	USABLE ON CODE
		POWER SUPPLY ASSEMBLY		
24 -		CODE A USED ON 60 CYCLE POWER SUPPLY CODE B USED ON 50 CYCLE POWER SUPPLY CODE 1 USED ON ASM PRIOR TO M5 SUFFIX CODE 2 USED ON ASM FROM M5 TO CURRENT CODE 3 USED ON ASM PRIOR TO D6 SUFFIX CODE 4 USED ON ASM FROM D6 TO CURRENT		
	5709410	POWER SUPPLY ASM-60CY SEE LIST 16- 58 FOR NEXT HIGHER ASM. AND FIG. 24 FOR ILLUSTRATION	REF	A
	5709460	POWER SUPPLY ASM-50CY SEE LIST 16- 52 FOR NEXT HIGHER ASM. AND FIG. 24 FOR ILLUSTRATION	REF	B
- 1	6364	• WASHER, LOCK-SPLIT NO. 6 X 1/4 OD	38	
- 2	9092	• WASHER, LOCK-SPLIT 0.194 X 0.377 OD	14	
- 3	10170	• SCREW, MACH-BIND HD 6-32 X 1/4 LG	11	
- 4	15484	• CLIP, WIRE 9/32 MOUNTING HOLE	1	
- 5	22478	• WASHER, FL- 0.170 ID 0.375 OD 0.032 THK	3	
- 6	28413	• SCREW, MACH-BIND HD 10-32 X 5/16 LG	12	
- 6A	32042	• SCREW, MACH BIND. HD 10-32 X 3/8 LG.	1	4
- 7	32617	• SCREW	2	
- 7A	34512	• SCREW, MACH-BIND HD 8-32 X 3/8 LG	2	
- 8	38235	• SCREW, MACH-FIL H 6-32 X 5/16 LG	8	
- 9	45690	• WASHER, FL - NO.10 X 7/16 OD X 1/32 THK	6	
- 10	55726	• SCREW, MACH-BIND HD 6-32 X 3/16 LG	10	
- 11	56722	• WASHER, LOCK-EXT TEETH NO. 6 X 5/16 OD NOT ILLUSTRATED	1	
- 11A	58207	• SCREW, MACH-UNDRCT BIND HD 8-32 X 1/4 LG	1	
- 12	81693	• SCREW, MACH-BIND HD 6-32 X 3/8 LG	11	
- 13	104615	• FUSEHOLDER	5	
- 14	107664	• FUSE-LONG LAG, 3.2A USED ON 230V MACHINE	3	4B
- 14A	107664	• FUSE-LONG LAG, 3.2A USED ON 230V MACHINE	1	4A
- 14B	107664	• FUSE-LONG LAG, 3.2A USED ON 230V MACHINE	1	4
- 15	107667	• FUSE-LONG LAG 6.25A USED ON 115V MACHINE	3	4A
- 16	117401	• FUSE USED ON 115V MACHINE	1	A
- 16	117403	• FUSE, CARTRIDGE-SLOW BLOW 0.4 AMP 250 V USED ON 230V MACHINE	1	4
- 17	124943	• LABEL, SAFETY	1	
- 18	127324	• SEMICONDUCTOR DEVICE, D10- 150V 30 AMP	2	
- 19	138755	• PLATE, INST-LINE V PRESENT W/MACH PWR OFF	2	
- 20	151598	• ADAPTER, CABLE TO CONNECTOR	1	
- 21	159317	• RESISTOR, ADJ- 200 OHMS 50 W	1	
- 22	159373	• WASHER, LOCK-EXT TEETH 15/32 ID X 3/4 OD	1	
- 23	186758	• SCREW, MACH-BIND HD 8-32 X 7/16 LG	2	
- 24	186944	• SHIELD, TERMINAL BOARD- 6 POSITION	1	A
- 25	187475	• SHIELD-TERMINAL BLOCK 20 POS	2	
- 26	210984	• SCREW, MACH-RH 6-32 X 1/4 LG	3	
- 27	210985	• STUD, EXT-INT 6-32 EXT 8-32 X 0.900 LG OA	3	
- 28	210986	• STUD-SHIELD MOUNTING	9	
- 28A	228391	• FUSE USED ON 230V MACHINE	1	4
- 29	245570	• CAPACITOR, FXD 500UF 50V	1	
- 30	253220	• TERMINAL BOARD- 20 DBL SCREW TERMINALS	2	
- 31	253740	• TERMINAL, LUG-INS 10-12AWG NO.6 MTG HOLE	8	
- 32	257079	• INSULATION	3	

LIST AND INDEX NO.	PART NO.	DESCRIPTION	UNITS PER ASM.	USABLE ON CODE
		1 2 3 4		
		POWER SUPPLY ASSEMBLY -CONT		
24 - 33	257080	• INSULATOR	6	
- 34	257187	• NUT,PLAIN,HEX- 6-32 X 5/16 FL W	1	
- 35	257189	• NUT,PLAIN-HEX 8-32 X 0.343 W	1	
- 36	257986	• WASHER,FL-NO. 6 X 5/8 OD X 0.035 THK	21	
* - 37	265976	• CAPACITOR RESISTOR- 0.1 UF 100 OHMS	2	1
* - 37	5239143	• RC NETWORK ASM	2	2
* - 37A	334921	• • TERMINAL-LUG NO.22 THRU NO.18 WIRE INSUL	2	
* - 37B	472639	• • CAPACITOR,FXD,CERAMIC- 0.01 MFD P/M 20%	1	
- 38	268715	• CAPACITOR,12MF 330VAC	1	A
- 39	317129	• GROMMET,RUB-FOR 1-1/16 HOLE X 1/8 PNL	1	
- 40	317131	• TERMINAL BOARD- 6 DBL SCREW TERMINALS	1	A
- 41	322266	• MARKER STRIP- 6 POS NOS. 1 THRU 6	1	A
- 42	331191	• BRACKET, CAPACITOR MOUNTING	2	
- 43	334910	• TERMINAL,LUG-INS 14/16AWG NO. 6 MTG HOLE	23	
- 44	334921	• TERMINAL,LUG-INS 16/22AWG NO. 6 MTG HOLE	18	
- 45	334932	• TERMINAL,LUG-INS 16/22AWG NO.10 MTG HOLE	3	
- 46	337334	• COVER	4	
- 47	337549	• INSULATOR - HEAT SINK MOUNTING	2	
- 48	365323	• MARKER STRIP	2	
* - 49	367115	• JUMPER-TERMINAL STRIP VDC DISTR BRS	7	2
- 50	369207	• PLATE,INST-HAZARDOUS AREA	1	
- 51	472611	• RESISTOR,FXD,WW- 50 OHMS P/M 5% 25W	1	
- 51A	477202	• CAPACITOR,15 MFD P/M 6 PCT 330V AC	1	B
- 52	510316	• BRACKET-MOUNTING	2	
- 53	511553	• GROMMET,RUB-FOR 1 HOLE X 1/8 PNL	3	
* - 53A	512406	• SUPPRESSION ASSEMBLY-ARC	1	4
* - 53B	515661	• CLAMP,LOOP- 3/8 ID 0.204 DIA MTG HOLE	1	4
- 54	515718	• SCREW,MACH-FIL H 8-32 X 1/2 LG	1	
- 55	517913	• TERMINAL,QUICK DISCONNECT- 12/18AWG	2	
* - 56	521695	• INSULATOR,WASH- 1/2 ID 1 OD 1/32 THK	2	1
* - 56	508224	• WASHER-INSULATOR	2	2
* - 57	526378	• INSULATOR,CAP-CAPACITOR	2	
* - 58	528007	• WASHER,CENTERING	2	1
* - 58	510468	• CUP WASHER	2	2
- 59	533534	• TERMINAL	2	
- 60	538824	• RESISTOR ASSEMBLY	1	
- 60A	317357	• RESISTOR	1	
- 61	588396	• CONTACTOR,MAGNETIC 3 POLES 15 AMP	1	
* - 62	589805	• POTENTIOMETER,WW- 25 OHM P/M 10% 25 W	1	3
* - 62	595268	• RESISTOR,VARIABLE- 25 OHMS P/M 10% 25W	1	4
- 62A	597984	• JUMPER ASSEMBLY,3 INCH	1	B
- 63	602746	• CAPACITOR,FXD,ELECTROLYTIC-11000H 55VDC	4	
- 64	1090873	• WASHER,LOCK-SPLIT NO. 8 X 0.296 OD	1	
- 65	2101326	• TERMINAL,LUG-INS 10/12AWG NO.10 MTG HOLE	17	
* - 66	2114052	• SWITCH	1	1
* - 66	342131	• SWITCH,TOGGLE,DPDT	1	2
- 67	2158694	• RELAY, 3PDT 24 VOLT	1	A
- 68	5703268	• BRACKET	1	
- 69	5709002	• DECAL	1	1
* - 69	5239277	• DECAL	1	3A
* - 69	5239278	• DECAL	1	3B
- 70	5709402	• PLATE-SIDE	1	
- 71	5709406	• PLATE-BASE	1	
- 72	5709407	• BRACKET-HEAT SINK	1	
- 73	5709412	• CLIP-ANGLE	1	
- 74	5709413	• COVER	1	
- 75	5709414	• COVER-AC	1	
- 76	5709415	• CLIP	2	
- 77	5709416	• BRACKET-MTG	1	
- 78	5709417	• PLATE-SIDE,RH	1	
- 79	5709418	• REGULATOR-FERO	1	A
- 80	5709419	• TRANSFORMER-CONSTANT VOLTAGE,50CPS	1	B

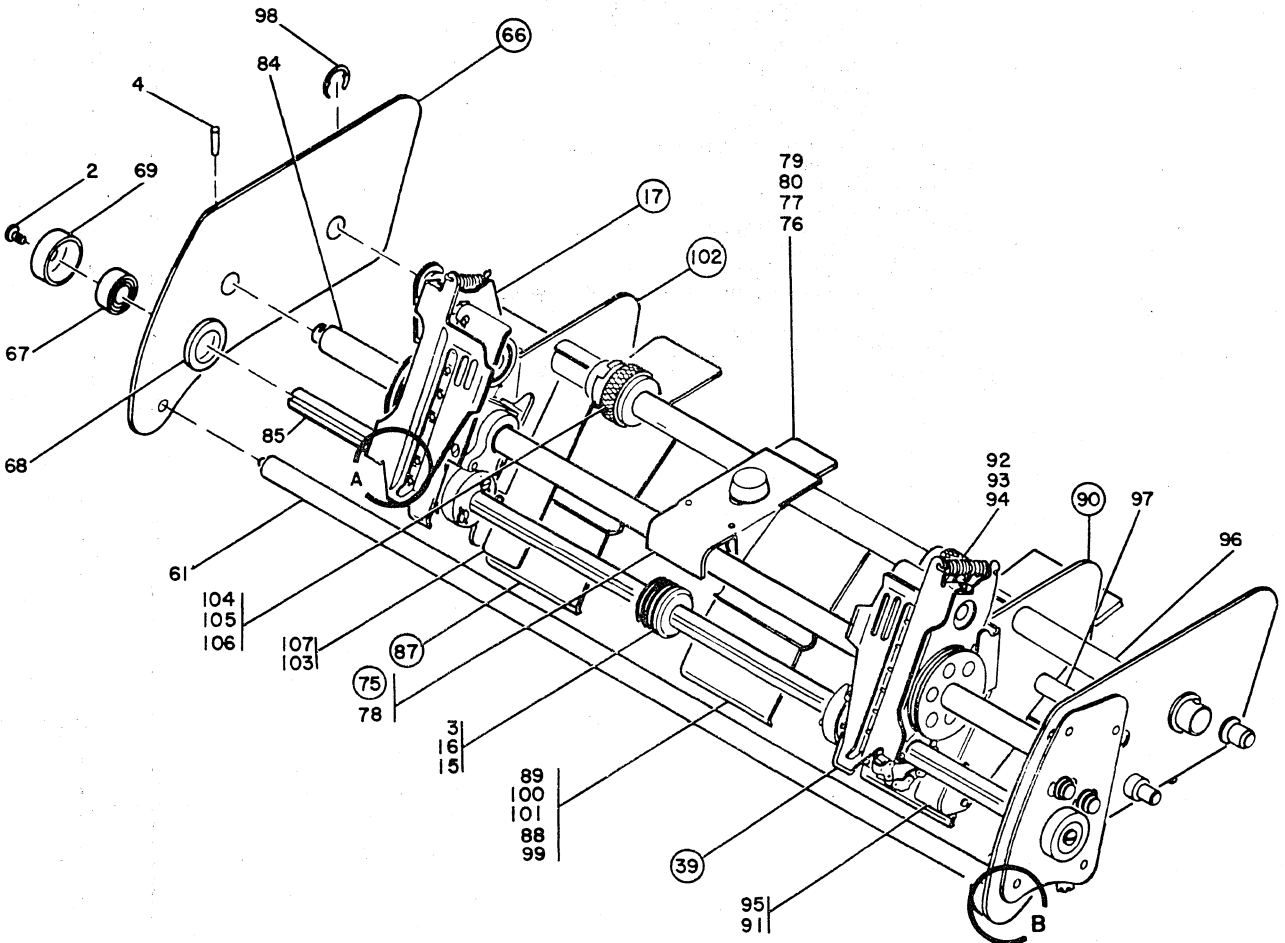
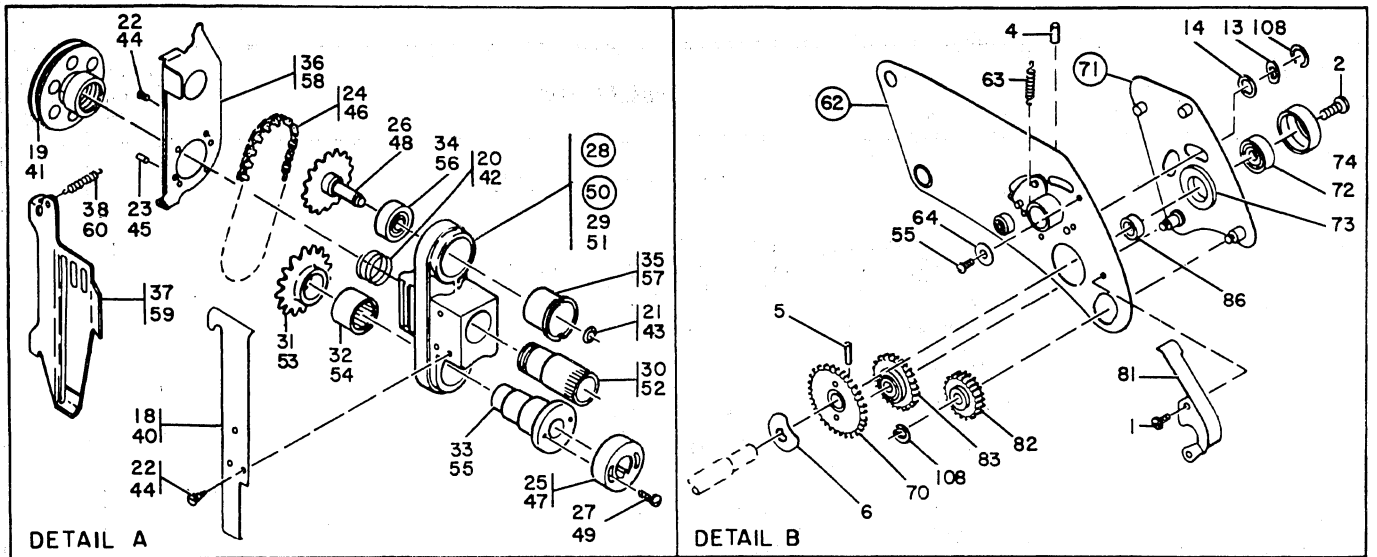


FIGURE 25. FORMS TRACTOR ASSEMBLY. SEE LIST 25.

LIST AND INDEX NO.	PART NO.	DESCRIPTION	UNITS PER ASM.	USABLE ON CODE
		1 2 3 4		
		FORMS TRACTOR ASSEMBLY		
25 -	256800	TRACTOR ASSEMBLY-FORMS SEE LIST 16-74 FOR NEXT HIGHER ASSEMBLY AND FIG. 25 FOR ILLUSTRATION	REF	
- 1	186	• SCREW,MACH-RH 5-40 X 1/2 LG	1	
- 2	55726	• SCREW,MACH-BIND HD 6-32 X 3/16 LG	2	
- 3	82125	• BALL,BEARING- 1/64 DIA	1	
- 4	197656	• PIN,TAPERED,PLAIN- 21/32 LG	4	
- 5	236265	• PIN	1	
- 6	236437	• WASHER,SPRING TENS- 1/4 X 11/16 OD INDEX NOS. 7 THRU 12 DELETED.	1	
- 13	236469	• WASHER,SPRING TENS-NO. 10 X 9/16 OD	2	
- 14	236480	• WASHER,FL- 3/16 X 5/8 OD X 1/32 THK	2	
- 15	236481	• COLLAR-PAPER SPT	1	
- 16	236485	• SPRING,HELICAL,COMPR- 3 TURNS	1	
- 17	250501	• TRACTOR ASSEMBLY-LH	1	
- 18	236505	• • PLATE-LEFT SLIDE	1	
- 19	236511	• • WHEEL-TR ADJ	1	
- 20	236514	• • SPRING,HELICAL,COMPR- 3.5 TURNS	1	
- 21	236524	• • RING,RETAINING	1	
- 22	236529	• • SCREW,THD CTG-FL CSK HD 3/8 LG	7	
- 23	236531	• • PIN,STR,HDLS- 0.0905 DIA X 0.298 LG	2	
- 24	236538	• • CHAIN,ROLLER	1	
- 25	236544	• • PLATE ASSEMBLY-DRIVE	1	
- 26	236545	• • SPROCKET ASSEMBLY-DRIVEN	1	
- 27	236550	• • SCREW,MACH-BIND HD 4-40 X 0.375 LG	2	
- 28	236786	• • WEB ASSEMBLY-TRACTOR LEFT HAND	1	
- 29	236512	• • • WEB-TR LH	1	
- 30	236513	• • • SLEEVE-CTR	1	
- 31	236526	• • • SPROCKET WHEEL- 16 TEETH 1.400 OD	1	
- 32	236533	• • • BEARING,ROLLER,NEEDLE- 0.562 ID 0.750 OD	1	
- 33	236543	• • • SLEEVE ASSEMBLY-UPPER	1	
- 34	236546	• • • BEARING,BALL,ANNULAR- 0.250 ID 0.687 OD	2	
- 35	236552	• • • BUSHING-ECC	1	
- 36	250511	• • PLATE-HINGE BRKT LH	1	
- 37	250575	• • PLATE ASSEMBLY-PRESS LH	1	
- 38	250580	• • SPRING,HELICAL,EXTENSION- 12 TURNS	1	
- 39	250502	• TRACTOR ASSEMBLY-RH	1	
- 40	236506	• • PLATE-RIGHT SLIDE	1	
- 41	236511	• • WHEEL-TR ADJ	1	
- 42	236514	• • SPRING,HELICAL,COMPR- 3.5 TURNS	1	
- 43	236524	• • RING,RETAINING	1	
- 44	236529	• • SCREW,THD CTG-FL CSK HD 3/8 LG	7	
- 45	236531	• • PIN,STR,HDLS- 0.0905 DIA X 0.298 LG	2	
- 46	236538	• • CHAIN,ROLLER	1	
- 47	236544	• • PLATE ASSEMBLY-DRIVE	1	
- 48	236545	• • SPROCKET ASSEMBLY-DRIVEN	1	
- 49	236550	• • SCREW,MACH-BIND HD 4-40 X 0.375 LG	2	

LIST AND INDEX NO.	PART NO.	DESCRIPTION				UNITS PER ASM.	USABLE ON CODE
		1	2	3	4		
		FORMS TRACTOR ASSEMBLY -CONT					
25 - 50	236684	• •	•	•	•	1	
- 51	236525	• • •	•	•	•	1	
- 52	236513	• • •	•	•	•	1	
- 53	236526	• • •	•	•	•	1	
- 54	236533	• • •	•	•	•	1	
- 55	236543	• • •	•	•	•	1	
- 56	236546	• • •	•	•	•	2	
- 57	236552	• • •	•	•	•	1	
- 58	250514	• •	•	•	•	1	
- 59	250576	• •	•	•	•	1	
- 60	250580	• •	•	•	•	1	
- 61	256725	•	•	•	•	1	
- 62	256726	•	•	•	•	1	
- 63	250518	• •	•	•	•	1	
- 64	250524	• •	•	•	•	1	
- 65	250525	• •	•	•	•	1	
- 66	256731	•	•	•	•	1	
- 67	236429	• •	•	•	•	1	
- 68	110129	• •	•	•	•	1	
- 69	236428	• •	•	•	•	1	
- 70	256735	•	•	•	•	1	
- 71	256737	•	•	•	•	1	
- 72	110129	• •	•	•	•	1	
- 73	236428	• •	•	•	•	1	
- 74	236429	• •	•	•	•	1	
- 75	256740	•	•	•	•	1	
- 76	117281	• •	•	•	•	1	
- 77	236585	• •	•	•	•	1	
- 78	256741	• •	•	•	•	1	
- 79	256744	• •	•	•	•	1	
- 80	256745	• •	•	•	•	1	
- 81	256746	•	•	•	•	1	
- 82	256749	•	•	•	•	1	
- 83	256751	•	•	•	•	1	
- 84	256753	•	•	•	•	1	
- 85	256755	•	•	•	•	1	
- 86	256757	•	•	•	•	1	
- 87	256801	•	•	•	•	1	
- 88	236469	• •	•	•	•	1	
- 89	256702	• •	•	•	•	1	
- 90	256704	• •	•	•	•	1	
- 91	38259	• • •	•	•	•	2	
- 92	236473	• •	•	•	•	1	
- 93	236474	• •	•	•	•	1	
- 94	236477	• •	•	•	•	1	
- 95	256712	• • •	•	•	•	1	
- 96	256715	• •	•	•	•	1	
- 97	256717	• •	•	•	•	1	
- 98	256759	• •	•	•	•	1	
- 99	256760	• •	•	•	•	1	
-100	256761	• •	•	•	•	1	
-101	257701	• •	•	•	•	1	
-102	256708	• •	•	•	•	1	
-103	38259	• • •	•	•	•	2	
-104	236473	• •	•	•	•	1	
-105	236474	• •	•	•	•	1	
-106	236478	• •	•	•	•	1	
-107	256713	• •	•	•	•	1	
-108	257701	•	•	•	•	4	

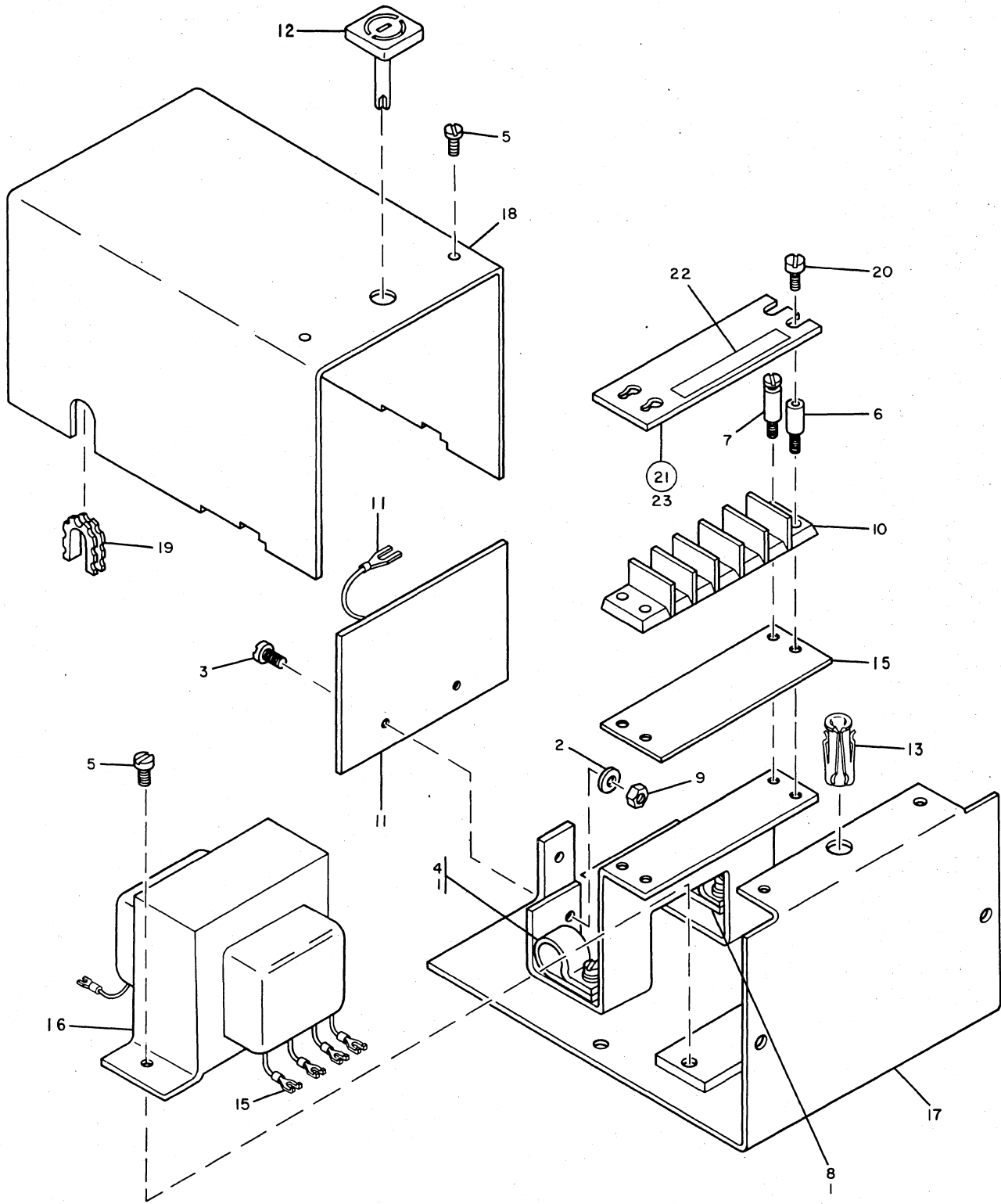


FIGURE 26. METER POWER PAC ASSEMBLY. SEE LIST 26.

LIST AND INDEX NO.	PART NO.	DESCRIPTION	UNITS	USABLE	
			PER ASM.	ON CODE	
		METER POWER PAC ASSEMBLY			
26 -		CODE A USED ON 60 CYCLE MACHINES CODE B USED ON 50 CYCLE MACHINES			
* *	740540	POWER PAC ASM-METER SEE LIST 16-76 FOR NEXT HIGHER ASSEMBLY AND FIGURE 26 FOR ILLUSTRATION	REF	A	
	740609	POWER ASSEMBLY SEE LIST 16-78 FOR NEXT HIGHER ASSEMBLY AND FIGURE 26 FOR ILLUSTRATION	REF	B	
- 1	10170	• SCREW, MACH-BIND HD 6-32 X 1/4 LG	2		
- 2	56722	• WASHER, LOCK-EXT TEETH NO. 6 X 5/16 OD	1		
- 3	81693	• SCREW, MACH-BIND HD 6-32 X 3/8 LG	2		
- 4	104294	• CLAMP	1		
- 5	170202	• SCREW	5		
- 6	210883	• STUD, EXT- 6-32 INT EXT THD X 0.900 LG OA	1		
- 7	210884	• STUD-SHIELD	3		
- 8	216362	• CLAMP-CABLE	1		
- 9	257187	• NUT, PLAIN, HEX- 6-32 X 5/16 FL W	1		
- 10	317310	• TERMINAL BOARD- 5 DBL SCREW TERMINALS	1		
- 11	372688	• CARD ASSEMBLY	1		
* *	- 12	740491	• CLIP-LOCK	1	
* *	- 13	740554	• STRIP-MARKER	1	
* *	- 14	740560	• TRANSFORMER ASSEMBLY	1	A
* *	- 14	740562	• TRANSFORMER	1	B
* *	- 15	92786	• . TERMINAL, LUG-INS 18-20AWG NO.4 MTG SLOT	5	
* *	- 16	313361	• . TERMINAL-BARE WIRE CRIMP	2	A
* *	- 17	740563	• BASE	1	
* *	- 18	740564	• COVER-POWER PAC	1	
* *	- 19	740571	• GROMMET	2	
* *	- 20	740606	• SCREW	1	
* *	- 21	741129	• SHIELD ASSEMBLY	1	
* *	- 22	124943	• . LABEL	1	
* *	- 23	474644	• . SHIELD	1	
* *	- 24	741139	• METER GROUP	1	
* *	- 25	740489	• . RETAINER	1	
* *	- 26	740490	• . NAMEPLATE	3	
* *	- 27	740550	• . JUMPER ASSEMBLY-2.50 IN.	2	
* *	- 28	313361	• . . TERMINAL-BARE WIRE CRIMP	2	
* *	- 29	740607	• . ENVELOPE	1	

FOR PARTS
NOT SHOWN
SEE FIG. 12

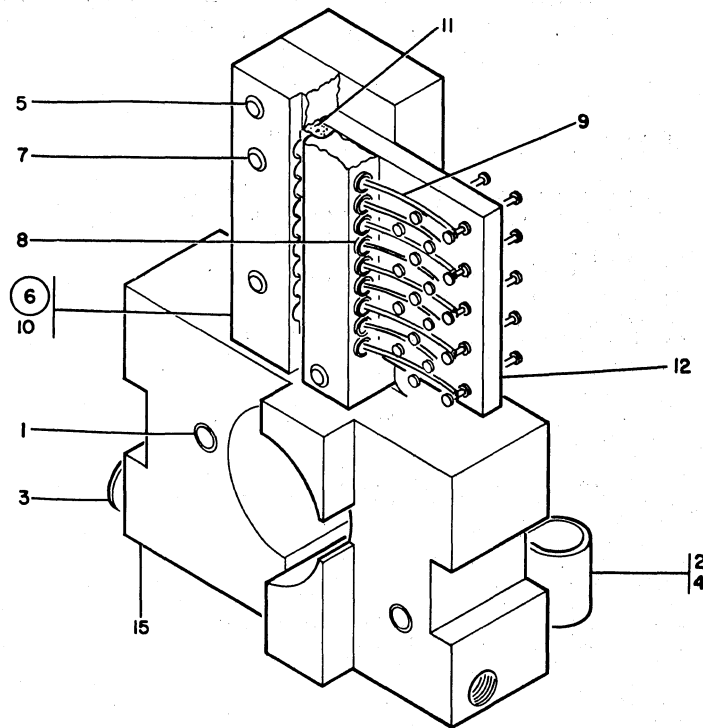


FIGURE 27. SOLAR CELL UNIT ASSEMBLY. SEE LIST 27.

LIST AND INDEX NO.	PART NO.	DESCRIPTION				UNITS PER ASM.	USABLE ON CODE
		1	2	3	4		
		SOLAR CELL UNIT ASSEMBLY					
27 -	738178	SOLAR CELL UNIT ASM SEE LIST 12-44 FOR NEXT HIGHER ASSEMBLY AND FIG. 27 FOR ILLUSTRATION				REF	
- 1	104697	• PIN,STR,HDLS- 1/8 DIA X 3/4 LG				1	
- 2	167338	• CLIP-CABLE 3/8 DIA LOOP 9/32 MTG HOLE				1	
- 3	186952	• SCREW				1	
- 4	322550	• SCREW,MACH-BIND HD 6-32 X 1/2 LG				1	
- 5	438550	• SCREW,MACH-BIND HD 4-40 X 1/2 LG				2	
- 6	738176	• BLOCK ASM-SOLAR CELL				1	
- 7	38433	• SCREW,MACH-FH 4-40 X 1/4 LG				2	
- 8	363188	• SEMICONDUCTOR PHOTO DEVICE,TYPE MI				9	
- 9	437455	• SLEEVE				AR	
- 10	738175	• BLOCK-SOLAR CELL				1	
- 11	738236	• STRIP				1	
- 12	738318	• BOARD ASM-TERMINAL INDEX NO. 13 AND 14 DELETED				1	
- 15	738177	• BRACKET-MTG				1	

FOR PARTS
NOT SHOWN
SEE FIG. 12

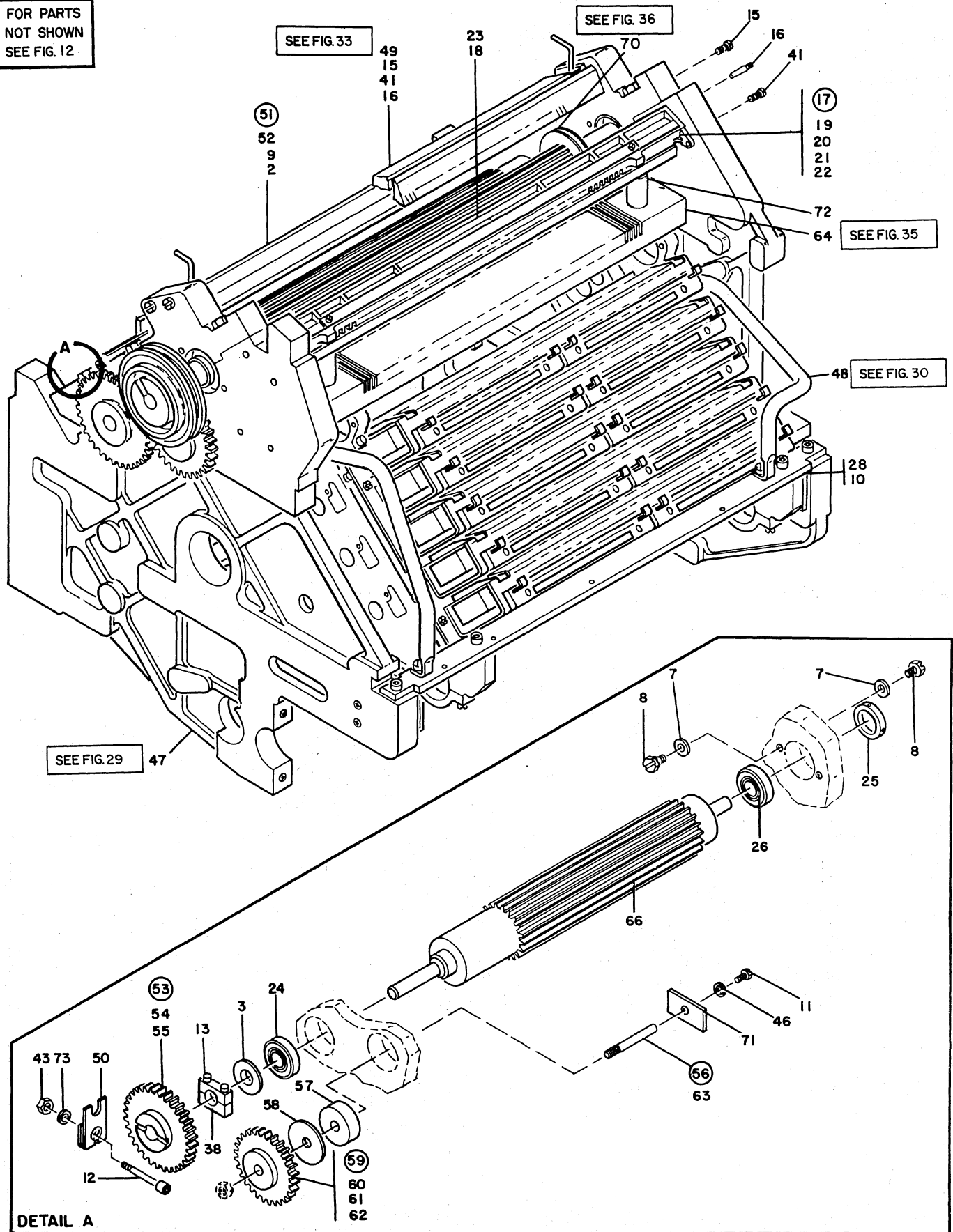


FIGURE 28. PRINT MECHANISM ASSEMBLY. SHEET 1 OF 2. SEE LIST 28.

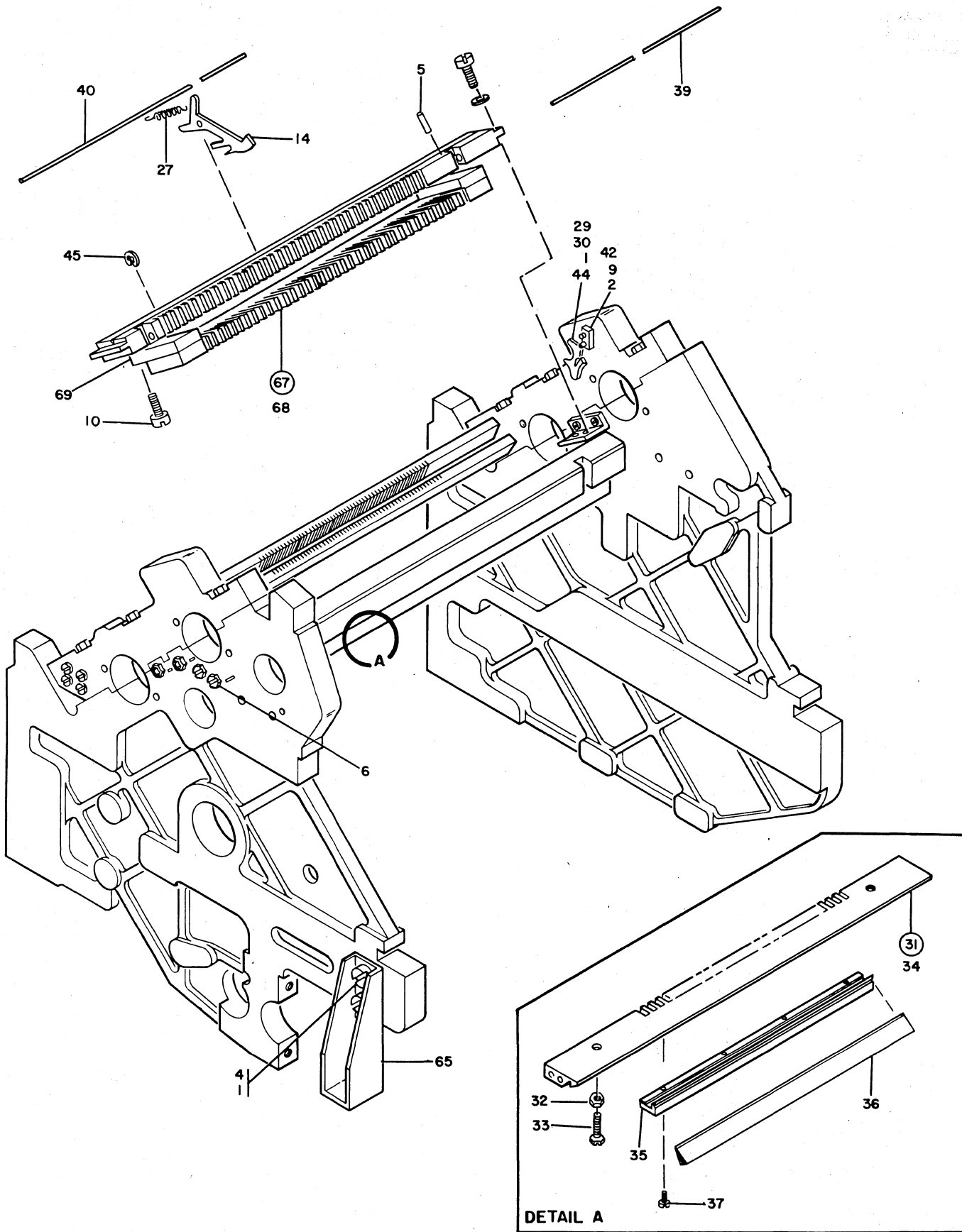


FIGURE 28. PRINT MECHANISM ASSEMBLY. SHEET 2 OF 2. SEE LIST 28.

LIST AND INDEX NO.	PART NO.	DESCRIPTION	UNITS PER ASM.	USABLE ON CODE
28 -	738266	MECHANICAL ASM-PRINT SEE LIST 12-80 FOR NEXT HIGHER ASSEMBLY AND FIG. 28 FOR ILLUSTRATION	REF	
- 1	6935	• WASHER, LOCK-SPLIT 1/4 X 0.493 OD	8	
- 2	9092	• WASHER, LOCK-SPLIT 0.194 X 0.377 OD	12	
- 3	23056	• SPACER	1	
- 4	38686	• SCREW, MACH-HEX HD 1/4-20 X 1/2 LG	4	
- 5	104697	• PIN, STR, HDLS- 1/8 DIA X 3/4 LG	4	
- 6	124987	• SCREW, MACH-HEX SOC HD 1/4-20 X 1-1/4 LG	4	
- 7	139450	• WASHER, FL-NO. 10 X 7/16 OD X 3/64 THK	8	
- 8	140425	• SCREW, MACH-HEX HD 10-32 X 5/16 LG	8	
- 9	149695	• SCREW, CAP, SOC HD- 10-32 X 1 LG	12	
- 10	169733	• SCREW, CAP, SOC HD- 1/4-20 X 0.650 LG	12	
- 11	186915	• SCREW, MACH-HEX HD 5/16-18 X 5/8 LG	1	
- 12	186931	• SCREW	1	
- 13	186935	• SCREW, CAP, SOC HD- 1/4-20 X 7/8 LG	2	
- 14	202710	• LATCH-PRINT CLUTCH	120	
- 15	202718	• SCREW, MACH-HEX HD 1/4-20 X 1-1/4 LG	6	
- 16	202727	• PIN, STR, HEADED- 0.156 DIA X 1-1/4 LG	6	
- 17	203785	• BAR ASSEMBLY-PRINT CAM DETENT SUPPORT		
- 18	455	• SCREW, MACH-RH 8-32 X 3/8 LG	1	
- 19	202719	• DETENT-PRINT CAM	4	
- 20	202911	• SHAFT-PIVOT	120	
- 21	203783	• BAR-PRINT CAM DETENT SUPPORT	1	
- 22	203879	• SPRING, HELICAL, COMPR- 33.8 TURNS	1	
- 23	228891	• RETAINER-SPRING	120	
- 24	203788	• BEARING, BALL, ANNULAR- 0.750 ID 1.625 OD	1	
- 25	203826	• SPACER-SEL SHAFT	1	
- 26	203827	• BEARING, BALL, ANNULAR- 0.669 ID 1.575 OD	1	
- 27	203870	• SPRING, HELICAL, COMPR- 32 TURNS	1	
- 28	204240	• GUIDE-ANALYZER UNIT	120	
- 29	220942	• ARM ASM-TYPE WHEEL ALIGNER DISENGAGING	2	
- 30	220957	• STUD-ALIGNER DISENGAGING ARM PIVOT	2	
- 31	223810	• PRINT GUIDE BAR AND BRUSH ASSEMBLY	4	
- 32	11598	• NUT, PLAIN-HEX 10-32 X 3/8 FL W	1	
- 33	101706	• SCREW, MACH-HEX HD 10-32 X 3/4 LG	2	
- 34	220948	• BAR-PRINT CAM GUIDE	2	
- 35	220949	• CLAMP-BRUSH	1	
- 36	220950	• BRUSH-PRINT WHEEL	1	
- 37	234319	• SCREW, ASMD WASHER-FIL H 8-32 X 7/16 LG	1	
- 38	223863	• CLAMP-PRINT SHAFT GR HUB	4	
- 39	223945	• SHAFT-PRINT CLUTCH LATCH PIVOT	1	
- 40	228890	• STRIP-SPRING RETAINING	1	
- 41	234345	• SCREW, ASMD WASHER-FIL HD 1/4-20 X 1-1/4	1	
- 42	237431	• BAR-GUIDE	6	
- 43	257189	• NUT, PLAIN-HEX 8-32 X 0.343 W	2	
- 44	257700	• RING, RETAINING-EXT 0.187 ID X 0.020 THK	1	
- 45	257701	• RING, RETAINING-EXT 0.125 ID X 0.020 THK	2	
- 46	257983	• WASHER, LOCK-SPLIT 0.319 ID X 0.591 OD	1	
- 47	738150	• FRAME ASM-SIDE	1	
		SEE LIST 29 FOR DETAIL BREAKDOWN	1	
- 48	738213	• MAGNET UNIT ASM		
		SEE LIST 30 FOR DETAIL BREAKDOWN	1	
- 49	738594	• WHEEL ASM-PRINT, DOMESTIC STANDARD		
		SEE LIST 33 FOR DETAIL BREAKDOWN	1	
- 49	738595	• WHEEL ASM-PRINT, WTC SPECIAL		
		SEE LIST 33 FOR DETAIL BREAKDOWN	1	
- 50	738224	• ARM-ADJUSTMENT	1	
- 51	738225	• BAR ASM-GUIDE	1	
- 52	228984	• BAR ASM-SELECTOR CLUTCH GEAR GUIDE	1	
- 53	738231	• GEAR ASM	1	
- 54	257313	• PIN, SPRING- 0.199 X 0.687 LG	1	
- 55	738221	• GEAR	1	
- 56	738245	• GEAR ASM	1	
- 57	156231	• BEARING, BALL, ANNULAR- 0.500 ID 1.125 OD	2	
- 58	219743	• RING, RETAINING-EXT 0.392 ID X 0.042 THK	1	
- 59	738244	• GEAR ASM-HUB	1	
- 60	204411	• GEAR, SPUR-PHEN 72 TEETH 20 DP 3.698 OD	1	
- 61	223956	• RIVET-DR GR	3	
- 62	738247	• HUB-IDLER	1	
- 63	738246	• SHAFT-IDLER	1	
- 64	738260	• BAR ASM-RESTORE LEVER	1	
		SEE LIST 35 FOR DETAIL BREAKDOWN		
- 65	738268	• BRACKET-MTG	2	
- 66	738269	• GEAR-PRINT WHEEL	1	
- 67	738275	• BAR-GUIDE	1	
- 68	202715	• BAR-PRINT CAM GUIDE	1	
- 69	738276	• BLOCK	2	
- 70	738280	• SHAFT ASM-PRINT CLUTCH	1	
		SEE LIST 36 FOR DETAIL BREAKDOWN		
- 71	738289	• SPACER	1	
- 72	738294	• SPACER-RESTORE LEVER BAR	2	
- 73	1090873	• WASHER, LOCK-SPLIT NO. 8 X 0.296 OD	1	

FOR PARTS
NOT SHOWN
SEE FIG. 28

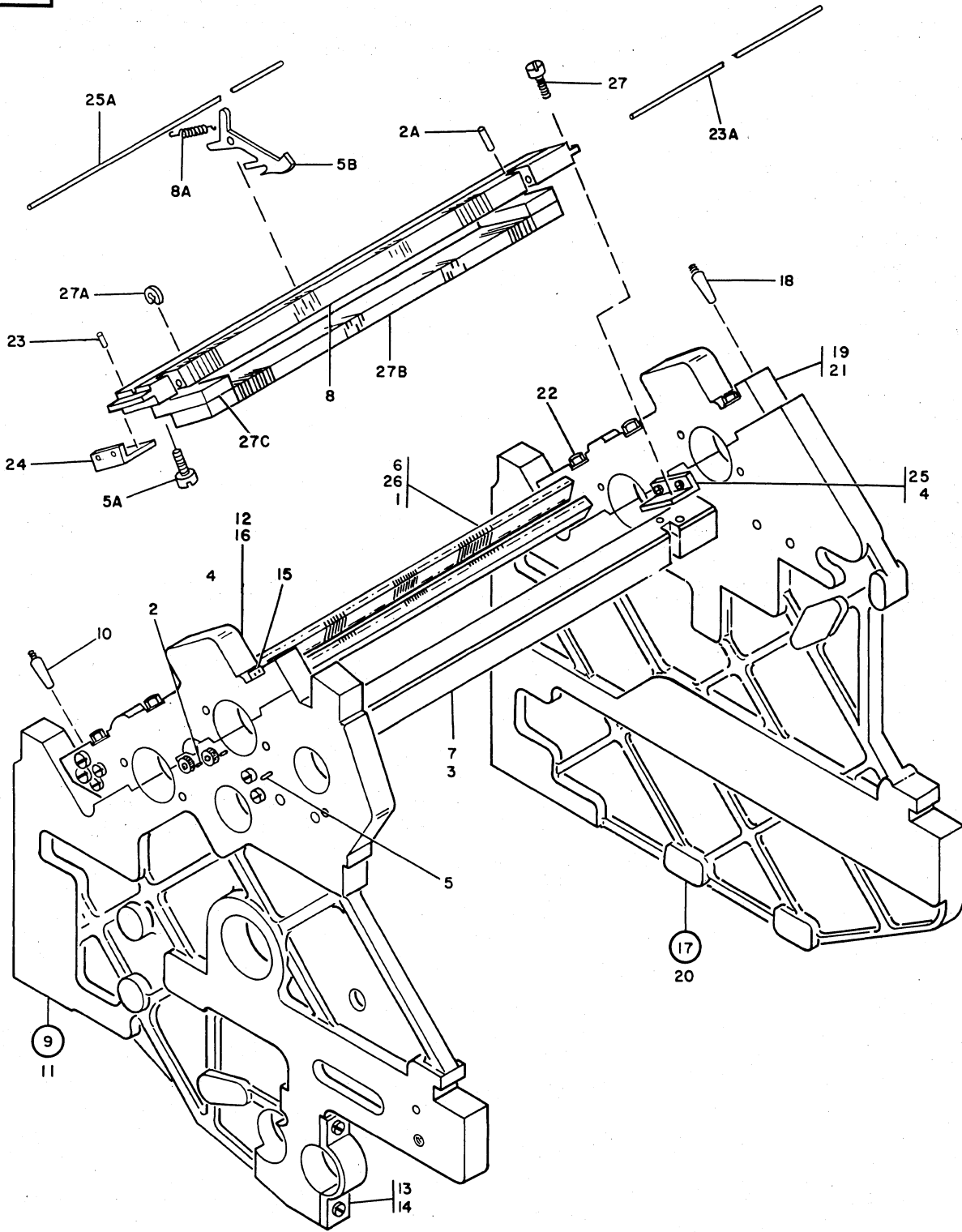


FIGURE 29. SIDE FRAME ASSEMBLY. SEE LIST 29.

LIST AND INDEX NO.	PART NO.	DESCRIPTION	UNITS PER ASM.	USABLE ON CODE
		1 2 3 4		
		SIDE FRAME ASSEMBLY		
* 29 -		CODE 1 USED ON ASM S5 TO CURRENT		
* * * * *	738150	FRAME ASM-SIDE SEE LIST 28-47 AND 12-80 FOR NEXT HIGHER ASSEMBLY AND FIG. 29 FOR ILLUSTRATION	REF	
- 1	9092	• WASHER, LOCK-SPLIT 0.194 X 0.377 OD	8	
- 2	10481	• PIN, TAPERED, THREADED- 7/8 LG X NO. 2	4	
* - 2A	104697	• PIN	4	1
- 3	124987	• SCREW, MACH-HEX SOC HD 1/4-20 X 1-1/4 LG	4	
- 4	149908	• SCREW, CAP, SOC HD- 1/4-20 X 1 LG	4	
- 5	161370	• PIN, TAPERED, THREADED- 1-1/2 LG X NO. 2	4	
* - 5A	169733	• SCREW	4	1
* - 5B	202710	• LATCH	120	1
- 6	202715	• BAR-PRINT CAM GUIDE	2	
- 7	202972	• BAR-LOCATING	1	
- 8	203837	• SUPPORT-BAR PRINT CLUTCH LATCH	1	
* - 8A	203870	• SPRING	120	1
- 9	204162	• FRAME ASSEMBLY-INTERMEDIATE SIDE	1	
- 10	104699	• • PIN, STR, HDLS- 3/16 DIA X 1/2 LG	2	
- 11	204164	• • FRAME-RIGHT SIDE	1	
- 12	204165	• • CAP-INTMED AND RH SIDE FRAME BRG	1	
- 13	204320	• • CAP-LEFT AND INTMED SIDE FRAME BRG	1	
- 14	234349	• • SCREW, ASMD WASHER-FIL HD 5/16-18 X 1 LG	2	
- 15	234350	• • SCREW, ASMD WASHER-FIL HD 5/16-18 X 1-1/4	1	
- 16	234353	• • SCREW, ASMD WASHER-FIL HD 5/16-18 X 2 LG	2	
- 17	204163	• FRAME ASSEMBLY-RIGHT SIDE	1	
- 18	104699	• • PIN, STR, HDLS- 3/16 DIA X 1/2 LG	2	
- 19	204165	• • CAP-INTMED AND RH SIDE FRAME BRG	1	
- 20	204228	• • FRAME-RIGHT SIDE	1	
- 21	234350	• • SCREW, ASMD WASHER-FIL HD 5/16-18 X 1-1/4	1	
- 22	234353	• • SCREW, ASMD WASHER-FIL HD 5/16-18 X 2 LG	2	
- 23	216537	• PIN, TAPERED, THREADED- 7/16 LG X NO. 3-0	2	
* - 23A	223945	• SHAFT-CLUTCH	1	1
- 24	223963	• BRACKET-PRINT CLUTCH LATCH SUPPORT RH	1	
- 25	223964	• BRACKET-PRINT CLUTCH LATCH SUPPORT LH	1	
* - 25A	228890	• STRIP-SPRING RETAIN	1	1
- 26	233166	• SCREW, MACH-HEX HD 10-32 X 1-1/8 LG	8	
- 27	234341	• SCREW, ASMD WASHER-FIL HD 1/4-20 X 5/8 LG	4	
* - 27A	257701	• CLIP-FRAME	1	1
* - 27B	738275	• BAR-LATCH	1	1
* - 27C	738276	• BLOCK-LATCH	2	1

FOR PARTS
NOT SHOWN
SEE FIG. 28

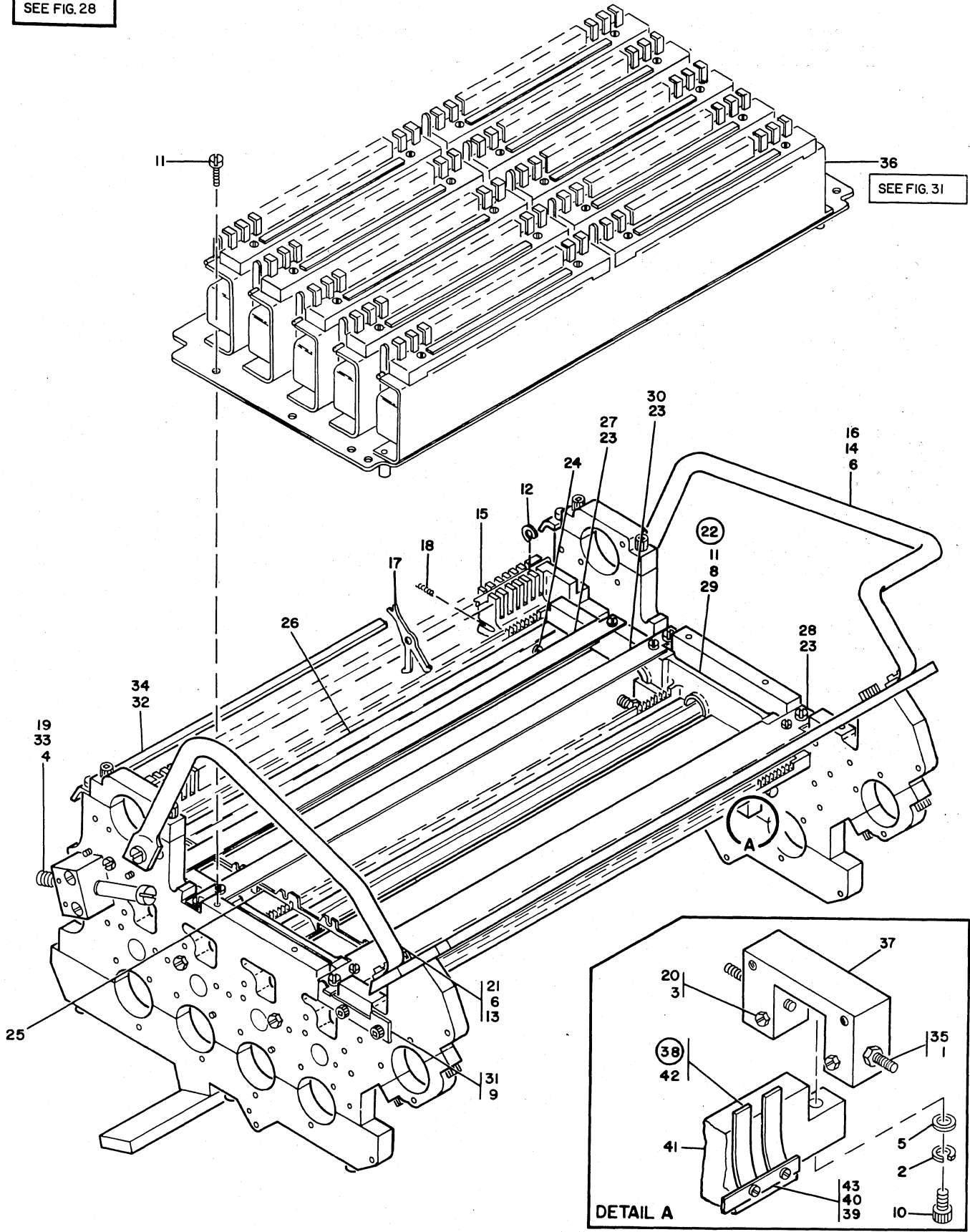


FIGURE 30. MAGNET UNIT ASSEMBLY. SEE LIST 30.

LIST AND INDEX NO.	PART NO.	DESCRIPTION 1 2 3 4	UNITS PER ASM.	USABLE ON CODE
		MAGNET UNIT ASSEMBLY		
		CODE A PART OF 738213 PRIOR TO P5 PART OF 738172 FROM P5 TO CURRENT		
* 30 -	738213	MAGNET UNIT ASM SEE LIST 28-48 FOR NEXT HIGHER ASSEMBLY AND FIG. 30 FOR ILLUSTRATION	REF	
* - 1	221	• NUT,PLAIN,HEX- 10-32 X 5/16 FL W	4	
* - 2	6935	• WASHER,LOCK-SPLIT 1/4 X 0.493 OD	2	
* - 3	9092	• WASHER,LOCK-SPLIT 0.194 X 0.377 OD	8	
* - 4	15654	• WASHER,FL- 3/8 X 5/8 OD X 1/32 THK	2	A
* - 5	24090	• WASHER,FL- 1/4 X 1/2 OD X 1/32 THK	2	
* - 6	38686	• SCREW,MACH-HEX HD 1/4-20 X 1/2 LG	2	A
* - 8	55901	• WASHER,LOCK-EXT TEETH,NO. 8	4	A
* - 9	75449	• SCREW,CAP,SOC HD- 10-32 X 3/8 LG	4	A
* - 10	124987	• SCREW,MACH-HEX SOC HD 1/4-20 X 1-1/4 LG	2	
* - 11	126800	• SCREW,MACH-PAN HD 8-32 X 3/8 LG	4	A
* - 12	147297	• RING,RETAINING-EXT 0.094 ID X 0.020 THK	1	A
* - 13	161014	• SPACER- 0.251 ID X 3/4 OD X 0.218 THK	2	A
* - 14	169733	• SCREW	2	A
* - 15	202923	• SHAFT-ANALYZER PAWL	1	A
* - 16	202993	• HANDLE-LEFT	1	A
* - 17	203780	• KNOCKOFF-ANALYZER MAGNET	120	A
* - 18	203871	• SPRING,HELICAL,COMPR- 23.4 TURNS	120	A
* - 19	204238	• SCREW,EXT RELIEVED BODY- 2-3/32 LG	2	A
* - 20	204616	• SCREW,MACH-HEX HD 10-32 X 1 LG	8	
* - 21	228786	• HANDLE-ANALYZER UNIT RIGHT	1	A
* - 22	228953	• FRAME ASSEMBLY-PAWL LINK	1	A
- 23	23956	• SCREW,MACH-BIND HD 10-32 X 1/2 LG	6	
- 24	196698	• SCREW,MACH-BIND HD 5-40 X 5/16 LG	12	
- 25	202928	• LINK-ANALYZER PAWL	120	
- 26	228955	• SUPPOT-ANALYZER PAWL LK	3	
- 27	228956	• GUIDE-REAR ANALYZER PAWL LINK	1	
- 28	228957	• GUIDE-FRONT ANALYZER PAWL LINK	1	
- 29	228958	• FRAME-ANALYZER PAWL LINK	1	
- 30	237343	• BAR-SPT ANALYZER PAWL LK FRAME	1	
* - 31	228976	• PLATE-ANALYZER PAWL LK FRAME ADJ	2	A
* - 32	234318	• SCREW,ASMD WASHER-FIL H 8-32 X 3/8 LG	2	A
* - 33	237245	• RING,RETAINING-EXT 0.300 ID X 0.035 THK	2	A
* - 34	257607	• BAR-COMBINATION	1	A
- 35	470880	• SCREW	4	
- 36	738172	• MAGNET ASM-BASIC UNIT SEE LIST 31 FOR DETAIL BREAKDOWN	1	
- 37	738214	• BLOCK	2	
- 38	738264	• SPRING ASM-KNOCK OFF	1	
- 39	9092	• WASHER,LOCK-SPLIT 0.194 X 0.377 OD	10	
- 40	332620	• SCREW,MACH-BIND HD 10-32 X 1/2 LG	10	
- 41	738265	• BAR-MOUNTING	1	
- 42	749104	• SPRING	10	
- 43	749108	• CLAMP	5	

FOR PARTS
NOT SHOWN
SEE FIG. 30

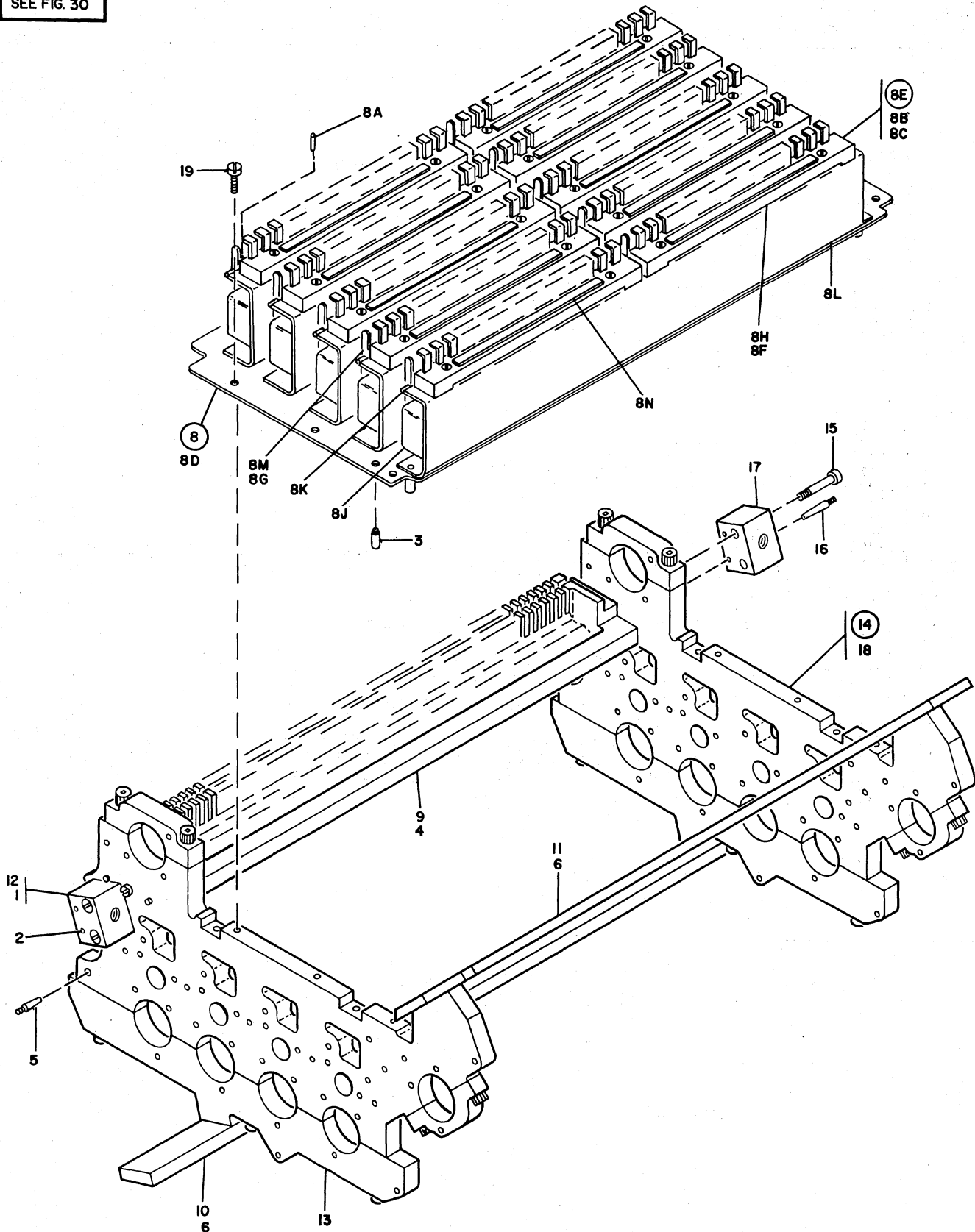


FIGURE 31. BASIC MAGNET UNIT ASSEMBLY. SEE LIST 31.

LIST AND INDEX NO.	PART NO.	DESCRIPTION 1 2 3 4	UNITS PER ASM.	USABLE ON CODE
BASIC MAGNET UNIT ASSEMBLY				
* 31 -		CODE 1 USED ON ASM PRIOR TO P5 SUFFIX CODE 2 USED ON ASM P5 TO CURRENT		
* 738172		MAGNET ASM-BASIC UNIT SEE LIST 30-36 FOR NEXT HIGHER ASSEMBLY AND FIG. 31 FOR ILLUSTRATION CODE A OF LIST 30 PART OF 738172 FROM P5 TO CURRENT	REF	
- 1	266	• SCREW,MACH-FIL H 10-32 X 1 LG	4	
- 2	19616	• PIN,TAPERED,PLAIN- 1-1/8 LG X NO. 2	4	
- 3	22388	• PIN,STR,HDL- 5/32 DIA X 5/16 LG	2	
- 4	101706	• SCREW,MACH-HEX HD 10-32 X 3/4 LG	2	
- 5	129275	• PIN,TAPERED,THREADED- 7/8 LG X NO. 2	4	
- 6	169733	• SCREW,CAP,SOC HD- 1/4-20 X 0.650 LG	4	
- 8	202929	• MAGNET UNIT ASSEMBLY-ANALYZER	1	
* - 8A	7371	• • PIN,STR,HDL- 3/32 DIA X 3/16 LG	10	
* - 8B	38271	• • SCREW,MACH-FIL H 5-40 X 3/16 LG	25	
* - 8C	163899	• • WASHER,LOCK-SPLIT NO. 6 X 0.255 OD	25	
* - 8D	202963	• • PLATE ASSEMBLY-MAGNET UNIT MTG	1	
* - 8E	237299	• • ARMATURE ASSEMBLY-MAGNET YOKE CORE	5	
* - 8F	337	• • • SCREW,MACH-FIL H 8-32 X 3/8 LG	4	
* - 8G	75983	• • • SCREW,ASMD WASHER-RH 5-40 X 3/16 LG	12	
* - 8H	202959	• • • TERMINAL BLOCK ASSEMBLY-MAGNET	2	
* - 8J	203097	• • • COIL- 37AWG 1900 TURNS 142 OHMS	24	
* - 8K	228926	• • • PIVOT-PRINT MAGNET ARMATURE	12	
* - 8L	237298	• • • YOKE AND CORE ASSEMBLY-MAGNET	1	
* - 8M	237300	• • • ARMATURE-PRINT MAGNET	24	
* - 8N	237456	• • STRIP-NUMBERING	1	
- 9	202931	• BLOCK-MAGNET KNOCKOFF ARM	1	
- 10	202983	• BAR-REAR SUPPORT	1	
- 11	204239	• SUPPORT-ANALYZER FRONT BAR	1	
- 12	204490	• BLOCK-ANALYZER LOCATING SCREW	2	
* - 13	233115	• FRAME ASM-LEFT SIDE	1	1
* - 13	233185	• FRAME ASSEMBLY-ANALYZER LEFT HAND SIDE	1	2
- 14	233184	• FRAME ASM,ANALYZER-SIDE	1	
- 15	266	• • SCREW,MACH-FIL H 10-32 X 1 LG	2	
- 16	19616	• • PIN,TAPERED,PLAIN- 1-1/8 LG X NO. 2	2	
- 17	204490	• • BLOCK-ANALYZER LOCATING SCREW	2	
- 18	233186	• • FRAME ASSEMBLY-ANALYZER RIGHT HAND SIDE	1	
- 19	234328	• SCREW,ASMD WASHER-FIL H 10-32 X 5/16 LG	6	
LIST 32 DELETED				

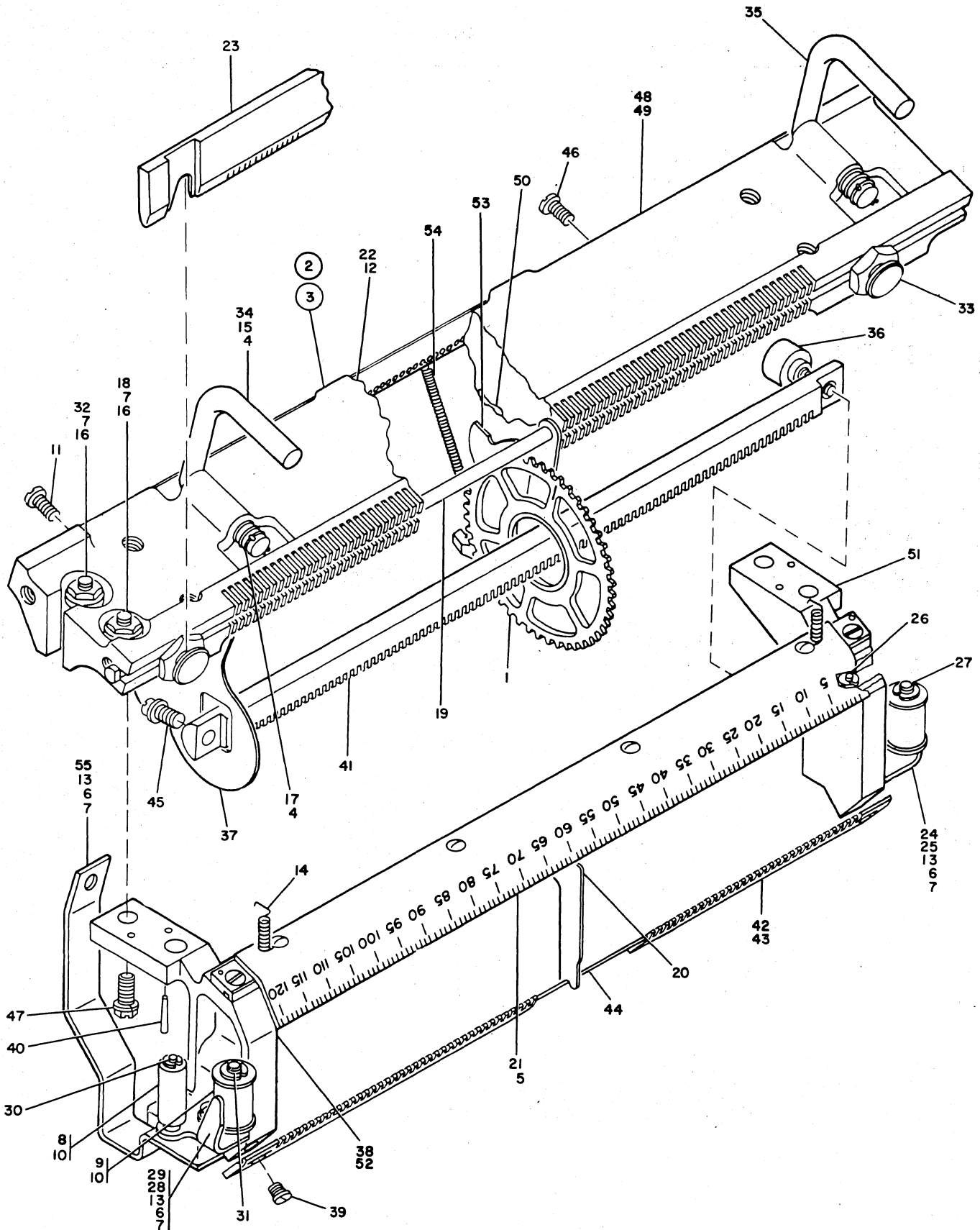


FIGURE 33. PRINT WHEEL ASSEMBLY. SEE LIST 33

LIST AND INDEX NO.	PART NO.	DESCRIPTION	UNITS	USABLE
			PER ASM.	ON CODE
		1 2 3 4		
		PRINT WHEEL ASSEMBLY		
* 33 -		CODE A USED ON STANDARD DOMESTIC PRINT WHEEL 738594		
* *		CODE B USED ON SPECIAL WTC PRINT WHEEL 738595		
* *	738594	PRINT WHEEL ASSEMBLY-DOMESTIC STANDARD	REF	A
* *		SEE FIG. 33 FOR ILLUSTRATION		
* *	738595	PRINT WHEEL ASSEMBLY-WTC SPECIAL	REF	B
* *		SEE FIG. 33 FOR ILLUSTRATION		
* - 1	738286	. WHEEL-PRINT DOMESTIC	120	A
* - 1	738583	. WHEEL-PRINT WTC	120	B
* - 2	738572	. PRINT WHEEL ASSEMBLY	1	
* - 3	203709	. . TYPEWHEEL ASSEMBLY	1	
* - 4	71	. . . PIN,COTTER- 0.060 DIA X 1/2 LG	2	
* - 5	1413	. . . SCREW,MACH-RH 8-32 X 1/4 LG	4	
* - 6	9092	. . . WASHER-LOCK,SPLIT RING, .194 ID .3370D	4	
* - 7	11598	. . . NUT PLAIN HEX 10/32	8	
* - 8	23068	. . . ROLL-RIBBON GUIDING	2	
* - 9	23127	. . . PULLEY-RIBBON GUIDING	2	
* - 10	25282	. . . RING-RETAINING,EXT 0.125 ID X 0.015 THK	4	
* - 11	28413	. . . SCREW,MACH-BIND HD 10-32 X 5/16 LG	2	
* - 12	34512	. . . SCREW,MACH-BIND HD 8-32 X 3/8 LG	4	
* - 13	38389	. . . SCREW,MACH-FIL H 10-32 X 7/8 LG	4	
* - 14	128971	. . . SPRING,HELICAL,EXTENSION- 16 TURNS	2	
* - 15	131306	. . . SPACER- 0.255 ID X 13/32 OD X 0.031 THK	2	
* - 16	160060	. . . WASHER,FL- 0.191 ID X 1/2 OD X 0.156 THK	4	
* - 17	170993	. . . SPRING,HELICAL,COMPR- 61 TURNS	2	
* - 18	184187	. . . SETSCREW-SPLINE DR OVAL PT 10-32 X 1 LG	2	
* - 19	202911	. . . SHAFT-PIVOT	1	
* - 20	203049	. . . GUIDE-TYPE WHEEL RIBBON	121	
* - 21	203057	. . . BAR-RIBBON GUIDE RETAINING	1	
* - 21A	220714	. . . BRACKET-RIBBON GUIDE LEFT HAND NOT ILLUSTRATED	1	
* - 21B	220718	. . . STUD-RIBBON ROLLER NOT ILLUSTRATED	1	
* - 21C	220719	. . . STUD-RIBBON SPOOL NOT ILLUSTRATED	1	
* - 22	203702	. . . PLATE-PRINT ARM SPRING	1	
* - 22A	220715	. . . BRACKET-RIBBON GUIDE RIGHT HAND NOT ILLUSTRATED	1	
* - 22B	220718	. . . STUD-RIBBON ROLLER NOT ILLUSTRATED	1	
* - 23	220710	. . . ALIGNER-TYPE WHEEL	1	
* - 24	220716	. . . BRACKET ASSEMBLY-RIBBON GUIDE LEFT HAND	1	
* - 25	220714	. . . BRACKET-RIBBON GUIDE LEFT HAND PART OF 220716	1	
* - 26	220718	. . . STUD-RIBBON ROLLER PART OF 220716	1	
* - 27	220719	. . . STUD-RIBBON SPOOL PART OF 220716	1	
* - 28	220717	. . . BRACKET ASSEMBLY-RIBBON GUIDE RIGHT HAND	1	
* - 29	220715	. . . BRACKET-RIBBON GUIDE RIGHT HAND PART OF 220717	1	
* - 30	220718	. . . STUD-RIBBON ROLLER PART OF 220717	1	
* - 31	220719	. . . STUD-RIBBON SPOOL PART OF 220717	1	

FOR PARTS
NOT SHOWN
SEE FIG. 28

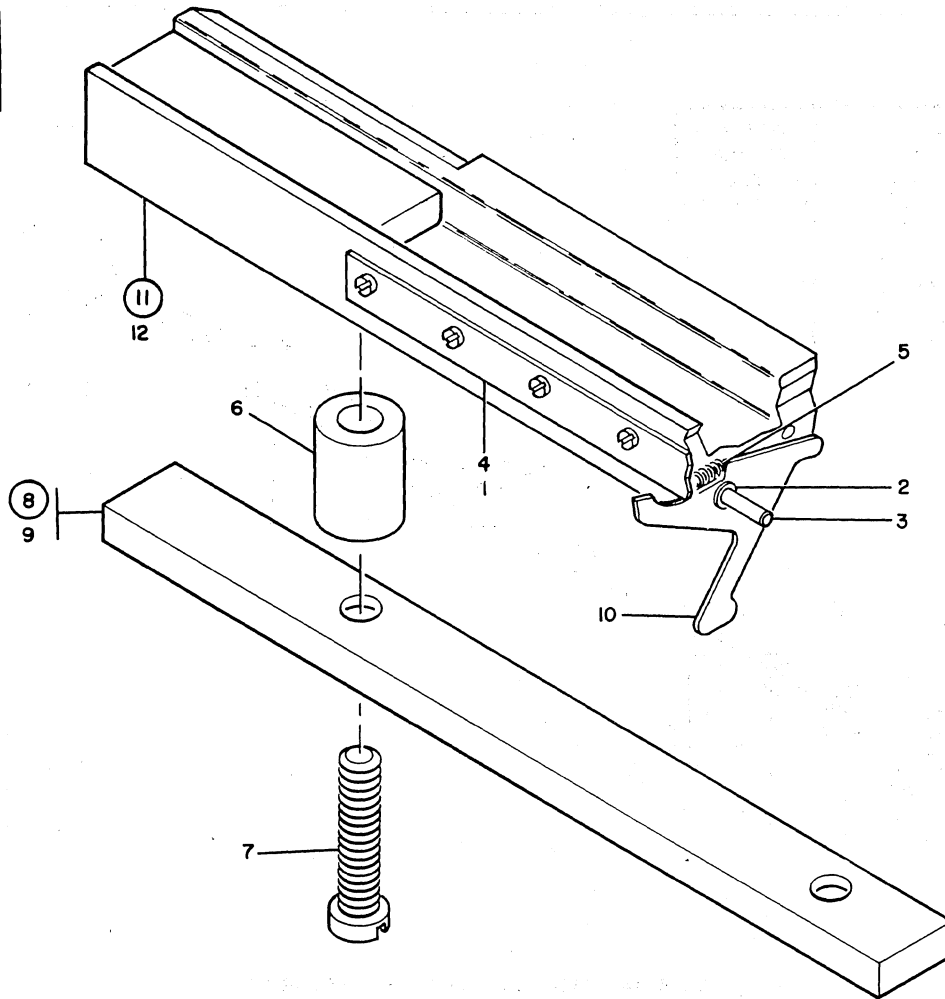


FIGURE 35. RESTORE LEVER BAR ASSEMBLY. SEE LIST 35.

LIST AND INDEX NO.	PART NO.	DESCRIPTION				UNITS PER ASM.	USABLE ON CODE
		1	2	3	4		
		RESTORE LEVER BAR ASSEMBLY					
35 -	738260	BAR ASM-RESTORE LEVER SEE LIST 28-64 FOR NEXT HIGHER ASSEMBLY AND FIG. 35 FOR ILLUSTRATION				REF	
- 1	108301	• SCREW, MACH-BIND HD 8-32 X 3/8 LG				5	
- 2	147297	• RING, RETAINING-EXT 0.094 ID X 0.020 THK				1	
- 3	202923	• SHAFT-ANALYZER PAWL				1	
- 4	203707	• HOLDER-PRINT CONT CONTACT ARM SPRING				1	
- 5	203750	• SPRING, HELICAL, COMPR- 26 TURNS				120	
- 6	312768	• SPACER				2	
- 7	459303	• SCREW				2	
- 8	738261	• BAR				1	
- 9	202715	• • BAR-PRINT CAM GUIDE				1	
- 10	738262	• LEVER				120	
- 11	738263	• BAR				1	
- 12	203708	• • BAR-PRINT CONT CONTACT ARM SP				1	

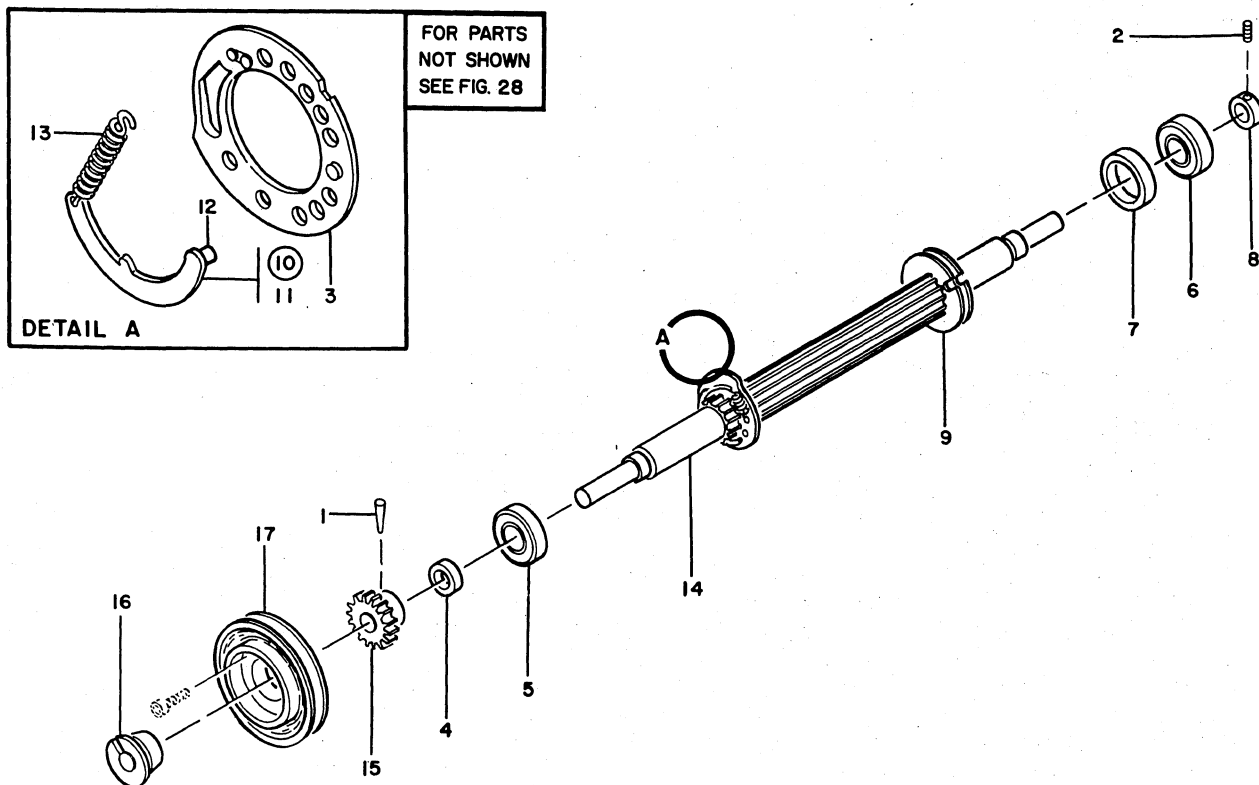


FIGURE 36. PRINT CLUTCH SHAFT ASSEMBLY

LIST AND INDEX NO.	PART NO.	DESCRIPTION				UNITS PER ASM.	USABLE ON CODE
		1	2	3	4		
PRINT CLUTCH SHAFT ASSEMBLY							
36 -	738280	SHAFT ASM-PRINT CLUTCH SEE LIST 28-70 FOR NEXT HIGHER ASSEMBLY AND FIG. 36 FOR ILLUSTRATION				415752A	REF
- 1	315	• PIN,TAPERED,PLAIN- 1-1/4 LG X NO. 1					1
- 2	112055	• SETSCREW-SPLINE DR CUP PT 8-32 X 1/4 LG					1
- 3	202711	• CAM ASSEMBLY-PRINT					120
- 4	202942	• SPACER- 0.626 ID X 7/8 OD X 1/4 THK					1
- 5	203788	• BEARING,BALL,ANNULAR- 0.750 ID 1.625 OD					1
- 6	203827	• BEARING,BALL,ANNULAR- 0.669 ID 1.575 OD					1
- 7	204474	• SPACER- 1-3/8 ID X 1.574 OD X 0.290 THK					1
- 8	210482	• COLLAR				*	1
- 9	237351	• GUIDE-DOG					1
- 10	257203	• DOG ASSEMBLY-PRINT CLUTCH					120
- 11	202714	• • DOG-PRINT CLUTCH				□	1
- 12	257200	• • STUD-SPRING				□	1
- 13	257206	• • SPRING,HELICAL,EXTENSION- 63 TURNS					1
- 14	738241	• SHAFT-PRINT CLUTCH					1
- 15	738282	• GEAR				*	1
- 16	738473	• BUSHING-PULLEY					1

FOR PARTS
NOT SHOWN
SEE FIG. 12

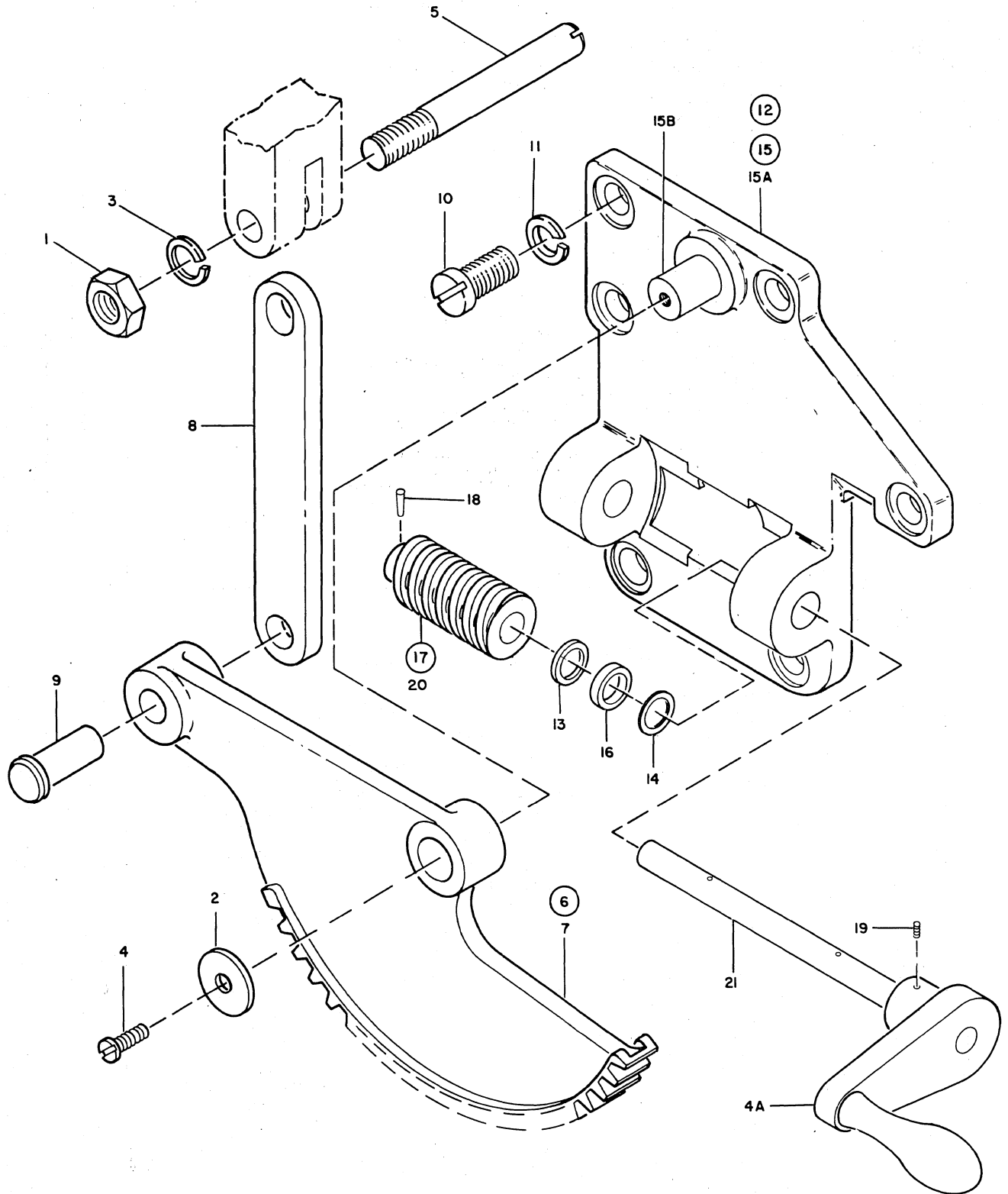


FIGURE 37. CARRIAGE LIFT ASSEMBLY. SEE LIST 37.

LIST AND INDEX NO.	PART NO.	DESCRIPTION	UNITS PER ASM.	USABLE ON CODE
		1 2 3 4		
		CARRIAGE LIFT ASSEMBLY		
37 -	738290	CODE 1 USED ON ASM PRIOR TO S5 SUFFIX LIFT ASM-CARRIAGE SEE LIST 12- 83 FOR NEXT HIGHER ASM AND FIG. 37 FOR ILLUSTRATION		
- 1	24107	. NUT,PLAIN,HEX- 3/8 X 9/16 FL W	1	
- 2	28692	. WASHER,FL-NO. 10 X 1 OD X 1/16 THK	1	
- 3	55520	. WASHER,LOCK-SPLIT 0.382 ID X 0.678 OD	1	
- 4	186605	. SCREW,MACH-TRUSS HD 10-32 X 3/8 LG	1	
- 4A	203742	. CRANK ASSEMBLY-HAND	1	
- 5	228854	. STUD-CARRIAGE LIFT	1	
- 6	228860	. SECTOR ASSEMBLY-CARRIAGE LIFT	1	
- 6A	228849	. . GEAR-HELICAL SECTOR	1	
- 6B	228852	. . LINK-CARRIAGE LIFT	1	
- 6C	228853	. . STUD-CARRIAGE LIFT LINK	1	
- 7	228849	. . GEAR-HELICAL SECTOR	1	
- 8	228852	. . LINK-CARRIAGE LIFT	1	
- 9	228853	. . STUD-CARRIAGE LIFT LINK	1	
- 10	234348	. SCREW,ASMD WASHER-FIL HD 5/16-18 X 3/4	5	
- 11	257983	. WASHER,LOCK-SPLIT 0.319 ID X 0.591 OD	5	
- 12	738291	. BRACKET ASM-CARRIAGE LIFT	1	1
- 13	106355	. . SPACER- 33/64 ID X 7/8 OD X 0.031 THK	2	1
- 14	123384	. . BEARING,BALL,THRUST- 0.506 ID X 1.000 OD	1	1
- 15	233170	. . BRACKET ASSEMBLY-CARRIAGE LIFT	1	1
- 15A	233171	. . . BRACKET-CARRIAGE LIFT	1	1
- 15B	228851	. . . STUD-CARRIAGE LIFT WORM SECTOR	1	1
- 16	237100	. . SPACER- 33/64 ID X 7/8 OD X 0.010 THK	2	1
- 17	738292	. . WORM ASM	1	1
- 18	3916	. . . PIN,TAPERED,PLAIN- 3/4 LG X NO. 1-0	1	1
- 19	22867	. . . PIN,TAPERED,PLAIN- 7/8 LG X NO. 3	1	1
- 20	207751	. . . GEAR,WORM- 1 THD 0.2618 AXIAL P 1-1/8 OD	1	1
- 21	228847	. . . SHAFT-CRG LIFT WORM	1	1

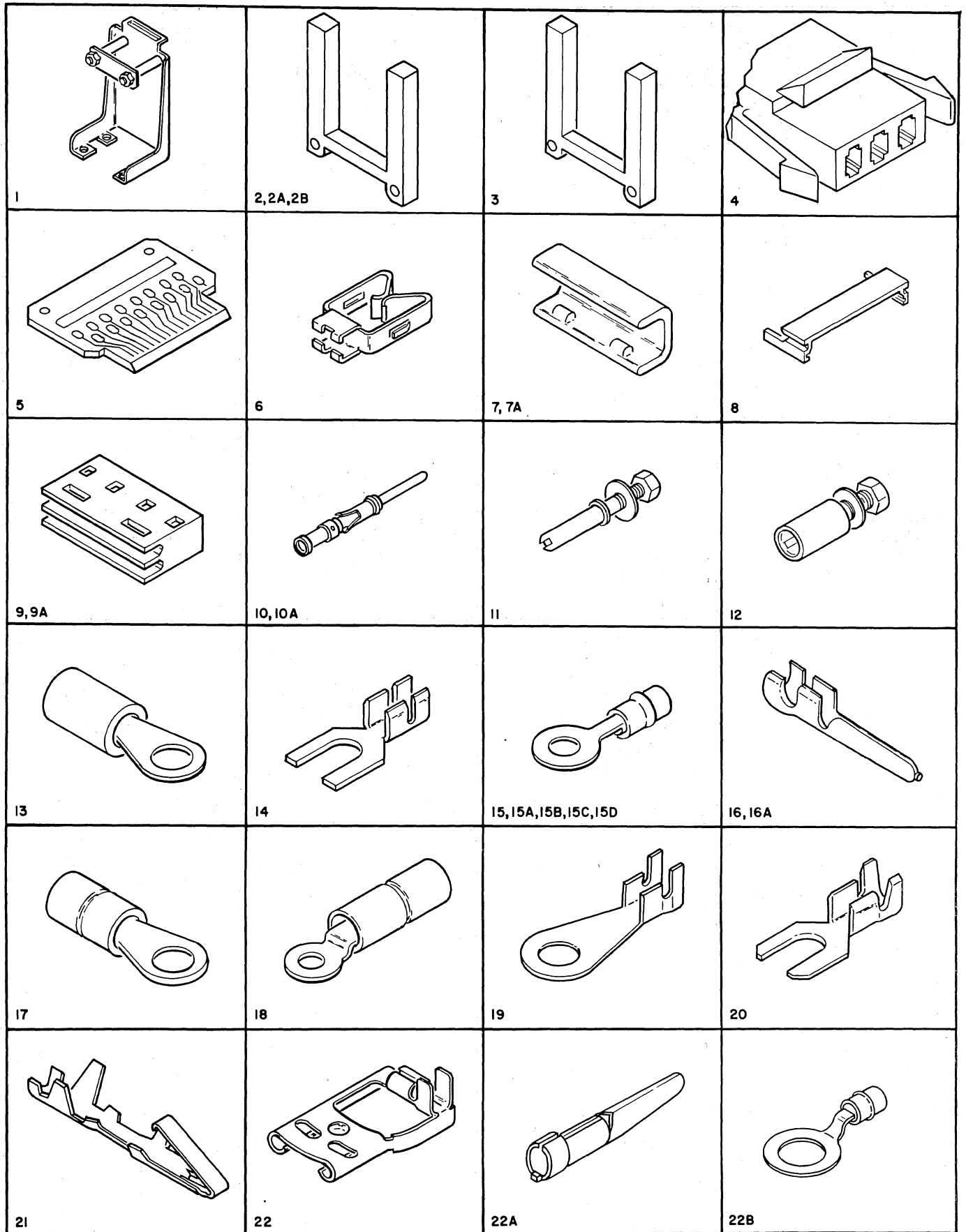


FIGURE 38. CABLE AND JUMPER ASSEMBLY COMPONENT PARTS. SHEET 1 OF 2. SEE LIST 38.

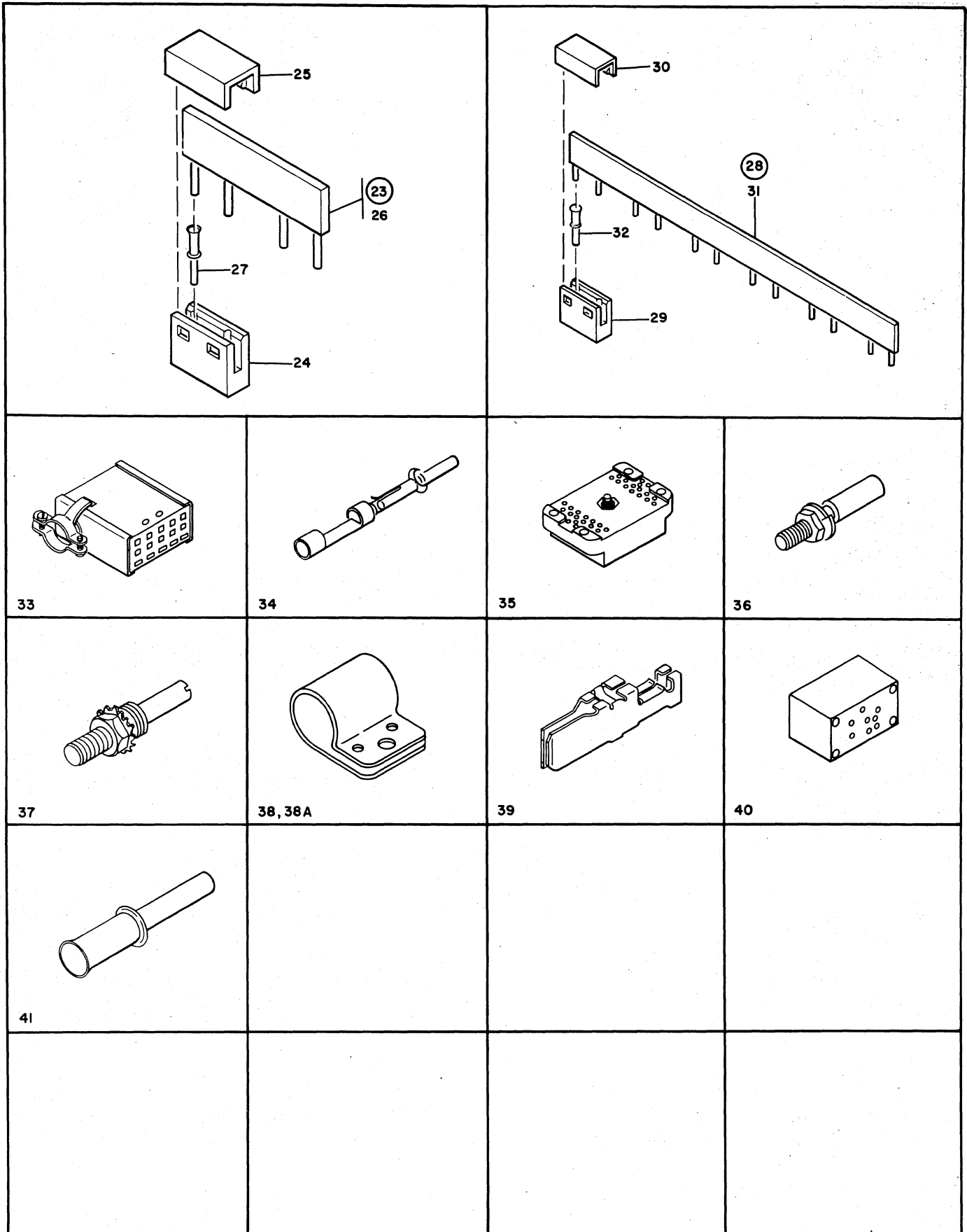


FIGURE 38. CABLE AND JUMPER ASSEMBLY COMPONENT PARTS. SHEET 2 OF 2. SEE LIST 38.

LIST AND INDEX NO.	PART NO.	DESCRIPTION				UNITS PER ASM.	USABLE ON CODE
		1	2	3	4		
		CABLE AND JUMPER ASSEMBLY COMPONENT PARTS					
38 -	NO NO.	COMPONENT PARTS-CABLE AND JUMPER ASM SEE FIG. 38 FOR ILLUSTRATION				REF	
- 1	2190785	• BRACKET-STRAIN RELIEF				AR	
- 2	5352960	• BLOCK-STRAIN RELIEF				AR	
* - 2A	2180669	• CONNECTOR, 30 POSITION, POWER				AR	
* - 2B	2191079	• SHIELD ASSEMBLY				AR	
- 3	5352967	• RELIEF-STRAIN				AR	
- 4	725557	• PLUG, CONNECTOR, 3 CIRCUIT				AR	
- 5	5800610	• CARD ASM				AR	
- 6	811487	• CONTACT-VOLTAGE CROSSOVER				AR	
- 7	811494	• COVER, CROSS OVER HOUSING				AR	
* - 7A	813802	• COVER				AR	
- 8	811802	• GUIDE				AR	
- 9	811486	• HOUSING				AR	
* - 9A	813801	• HOUSING				AR	
- 10	2122260	• PIN-CONTACT MALE 16/18AWG				AR	
- 10A	2190742	• CONTACT-PIN				AR	
* - 10B	2192502	• TERMINAL				AR	
- 11	2122734	• PIN-GUIDE 34 AND 50 POSITION				AR	
- 12	2122735	• SOCKET-GUIDE				AR	
- 13	92784	• TERMINAL,LUG-INS 18-20AWG NO.8 MTG HOLE				AR	
- 14	186967	• TERMINAL,LUG-NONINS 20AWG NO.6 MTG SLOT				AR	
- 15	186968	• TERMINAL,LUG-INS 10-12AWG NO. 8 MTG HOLE				AR	
- 15A	334910	• TERMINAL,LUG-INS 14/16AWG NO. 6 MTG HOLE				AR	
- 15B	334921	• TERMINAL,LUG-INS 16/22AWG NO. 6 MTG HOLE				AR	
- 15C	334932	• TERMINAL,LUG-INS 16/22AWG NO.10 MTG HOLE				AR	
- 15D	360370	• TERMINAL,LUG-INS 14/16AWG NO. 8 MTG HOLE				AR	
- 16	187243	• TERMINAL,LUG-TAPER 20/24AWG 9/16 LG OA				AR	
* - 16A	179007	• TERMINAL,QUICK DISCONNECT-NONINS 20AWG				AR	
- 17	253453	• TERMINAL,LUG-INS 22/26AWG NO. 6 MTG HOLE				AR	
- 18	253740	• TERMINAL,LUG-INS 10-12AWG NO.6 MTG HOLE				AR	
- 19	313289	• TERMINAL,LUG-NONINS 20AWG NO.10 MTG HOLE				AR	
- 20	313361	• TERMINAL,LUG-NONINS 20AWG NO.4 MTG SLOT				AR	
- 21	2145170	• TERMINAL,QUICK DISCONNECT- 16/18AWG				AR	
- 22	2162590	• TERMINAL-FLAG FAST				AR	
* - 22A	257159	• TERMINAL,LUG-TAPER 2 20AWG 3/4 LG OA				AR	
* - 22B	334921	• TERMINAL-LUG NO.22 THRU NO.18 WIRE INSUL				AR	
* - 23	813263	• BUS ASM,MINIATURE- 2 POS				AR	
- 24	811491	• • HOUSING-BUS				2	
- 25	811493	• • COVER-BUS HOUSING				2	
- 26	813253	• • BUS-2 POS				1	
- 27	813681	• • CONTACT, MINIATURE BUS				4	
* - 28	813267	• BUS ASM-MINATURE,6 POS				AR	
- 29	811491	• • HOUSING-BUS				6	
- 30	811493	• • COVER-BUS HOUSING				6	
- 31	813257	• • BUS-6 POS				1	
- 32	813681	• • CONTACT, MINIATURE BUS				12	
* - 33	206369	• CONNECTOR,PLUG,ELEC- 30 FEMALE CONTACTS				AR	
* - 34	2122258	• PIN-CONTACT MALE 20/22AWG				AR	
* - 35	2191077	• CONNECTOR- 160 PIN				AR	
* - 36	2122636	• SOCKET,GUIDE CORNER				AR	
* - 37	2122637	• PIN,GUIDE CORNER				AR	
* - 38	2154940	• CLAMP, CABLE, 48 TW PR I/O				AR	
* - 38A	2154997	• CLAMP,CABLE,.900 ID,1.500 LONG				AR	
* - 39	738254	• TERMINAL ASM-MALE 12/14 AWG				AR	
* - 40	2180673	• BLOCK, PLUG, 29 POSITIONS				AR	
* - 41	813681	• CONTACT				AR	

NUMERICAL INDEX

PART NO.	LIST AND INDEX NO.
71	1- 33 - 4
186	1- 25 - 1
221	1- 13 - 8
	1- 14 - 1
	1- 20 - 1
	1- 30 - 1
232	1- 20 - 2
266	1- 31 - 1
	1- 31 - 15
315	1- 36 - 1
337	1- 20 - 3
	1- 31 - 8F
344	1- 20 -256
424	1- 7 - 1
443	1- 19 - 1
455	1- 28 - 18
577	1- 18 - 1
845	1- 20 - 4
1413	1- 33 - 5
1866	1- 18 - 2
	1- 19 - 75
	1- 19 - 80
1882	1- 20 - 86
2031	1- 20 - 5
2032	1- 20 - 87
2300	1- 20 - 6
2899	1- 18 - 3
	1- 20 - 7
2994	1- 19 - 2
3500	1- 20 - 8
	1- 20 -187
	1- 20 -246
3550	1- 16 - 36
	1- 22 - 1
3828	1- 18 - 4
3904	1- 20 - 9
3916	1- 37 - 18
3960	1- 1 - 1
	1- 2 - 1
	1- 7 - 2
	1- 12 - 1
	1- 16 - 1
4159	1- 19 -142
4236	1- 20 - 10
4327	1- 19 - 62
4564	1- 12 - 2
5677	1- 16 - 86
6318	1- 19 - 3
	1- 20 -213
6364	1- 12 - 71
	1- 17 - 1
	1- 22 - 1A
	1- 24 - 1
6503	1- 19 - 4
	1- 20 - 88
	1- 20 -214
6935	1- 1 - 2
	1- 2 - 2
	1- 12 - 2A
	1- 16 - 2

PART NO.	LIST AND INDEX NO.
6935-CONT	1- 16 - 37
	1- 19 - 5
	1- 28 - 1
	1- 30 - 2
6936	1- 19 - 6
7040	1- 13 - 18
	1- 14 - 14
7192	1- 12 - 3
7327	1- 20 - 11
7341	1- 20 - 12
	1- 20 - 89
7371	1- 31 - 8A
8427	1- 20 - 13
8499	1- 19 - 7
8506	1- 13 - 1
	1- 14 - 2
9092	1- 12 - 4
	1- 13 - 9
	1- 14 - 3
	1- 16 - 3
	1- 17 - 2
	1- 19 - 8
	1- 20 - 14
	1- 24 - 2
	1- 28 - 2
	1- 29 - 1
	1- 30 - 3
	1- 30 - 39
	1- 33 - 6
	1- 19 - 9
9458	1- 18 - 5
9755	1- 20 - 90
9865	1- 3 - 1
10170	1- 4 - 1
	1- 5 - 1
	1- 6 - 1
	1- 12 - 5
	1- 24 - 3
	1- 26 - 1
10295	1- 12 - 6
10309	1- 12 - 7
10481	1- 29 - 2
10598	1- 18 - 6
10610	1- 3 - 2
	1- 4 - 2
	1- 5 - 2
	1- 6 - 2
10993	1- 19 - 10
11166	1- 20 - 15
11598	1- 1 - 99
	1- 12 - 9
	1- 16 - 4
	1- 16 - 87
	1- 17 - 3
	1- 18 - 37
	1- 19 - 11
	1- 20 - 16
	1- 22 - 2
	1- 28 - 32
	1- 33 - 7

PART NO.	LIST AND INDEX NO.
11899	1- 20 - 91
11900	1- 20 - 92
13482	1- 12 - 9A
15211	1- 20 - 17
15484	1- 22 - 3
	1- 24 - 4
15654	1- 30 - 4
15677	1- 18 - 7
15965	1- 20 - 18
19167	1- 19 -125
19616	1- 31 - 2
	1- 31 - 16
20038	1- 20 -247
22066	1- 20 - 19
22074	1- 20 - 20
22349	1- 12 - 91
	1- 12 -104
22388	1- 31 - 3
22478	1- 2 - 3
	1- 18 - 8
	1- 20 - 21
	1- 24 - 5
22568	1- 20 - 22
22587	1- 20 - 23
22797	1- 18 - 9
22867	1- 37 - 19
23056	1- 12 - 98
	1- 28 - 3
23068	1- 33 - 8
23127	1- 33 - 9
23141	1- 18 - 39
23815	1- 20 - 24
	1- 20 - 93
23854	1- 20 -165
23956	1- 30 - 23
24020	1- 19 - 12
24090	1- 30 - 5
24091	1- 18 - 38
24107	1- 15 - 1
	1- 37 - 1
24752	1- 19 - 13
24923	1- 19 - 14
25242	1- 20 - 25
25282	1- 12 - 10
	1- 13 - 2
	1- 14 - 4
	1- 20 - 26
	1- 33 - 10
25393	1- 12 - 8
25625	1- 20 - 27
25627	1- 12 - 11
	1- 17 - 4
	1- 19 - 15
	1- 22 - 4
25643	1- 19 - 16
25747	1- 19 - 17
25793	1- 12 - 11A
26380	1- 15 - 2
27073	1- 20 - 28
27895	1- 20 - 29

PART NO.	LIST AND INDEX NO.
27895-CONT	1- 20 - 94
28413	1- 18 - 10
	1- 24 - 6
	1- 33 - 11
28607	1- 18 - 11
28692	1- 37 - 2
28767	1- 20 -257
30145	1- 19 -126
30146	1- 19 - 63
30371	1- 13 - 3
	1- 14 - 5
31381	1- 19 - 18
32042	1- 1 - 3
	1- 1 - 88
	1- 1 - 97
	1- 12 - 12
	1- 16 - 5
	1- 17 - 5
	1- 24 - 6A
32617	1- 24 - 7
34512	1- 16 - 6
	1- 24 - 7A
	1- 33 - 12
	1- 33 - 39
35124	1- 19 - 19
35739	1- 17 - 6
	1- 22 - 5
36109	1- 1 - 4
	1- 16 - 38
36112	1- 1 - 5
37073	1- 7 - 3
	1- 12 - 13
38235	1- 22 - 6
	1- 23 - 1
	1- 24 - 8
38259	1- 25 - 91
	1- 25 -103
38271	1- 20 - 30
	1- 20 -248
	1- 31 - 8B
38350	1- 12 - 72
38362	1- 19 - 20
38364	1- 20 - 95
38383	1- 20 - 31
38389	1- 33 - 13
38433	1- 27 - 7
38686	1- 12 - 14
	1- 28 - 4
	1- 30 - 6
38688	1- 18 - 12
38693	1- 12 - 15
40084	1- 20 -215
42026	1- 19 - 21
44507	1- 20 - 32
45690	1- 1 - 5A
	1- 12 - 16
	1- 13 - 10
	1- 14 - 6
	1- 16 - 7
	1- 17 - 7
	1- 20 - 33
	1- 24 - 9
45709	1- 19 - 22
49095	1- 20 - 34
52607	1- 20 - 35
55162	1- 19 - 23
55520	1- 12 - 92
	1- 12 -105
	1- 15 - 3
	1- 37 - 3
55726	1- 24 - 10
	1- 25 - 2
55901	1- 18 - 13
	1- 20 - 36
	1- 22 - 7
	1- 30 - 8
56079	1- 1 - 98
	1- 20 - 37
	1- 22 - 7A
56121	1- 20 - 38

PART NO.	LIST AND INDEX NO.
56313	1- 20 - 39
56722	1- 3 - 3
	1- 4 - 3
	1- 5 - 3
	1- 6 - 3
	1- 20 - 40
	1- 22 - 8
	1- 22 - 8
	1- 23 - 3
	1- 24 - 11
	1- 26 - 2
56982	1- 12 - 93
	1- 12 -106
58207	1- 12 - 17
	1- 24 - 11A
59682	1- 12 - 17A
59685	1- 12 - 18
60646	1- 18 - 14
62031	1- 20 - 41
68387	1- 12 - 19
72670	1- 20 -118
75449	1- 30 - 9
75533	1- 18 - 15
	1- 19 - 24
	1- 20 -241
75792	1- 19 - 25
75983	1- 31 - 8G
79204	1- 3 - 4
	1- 4 - 4
	1- 5 - 4
	1- 6 - 4
79233	1- 20 -188
81200	1- 19 - 26
81693	1- 3 - 5
	1- 16 - 48
	1- 16 - 54
	1- 17 - 8
	1- 24 - 12
	1- 26 - 3
82125	1- 25 - 3
83417	1- 20 - 42
90287	1- 15 - 4
91034	1- 20 -216
92784	1- 38 - 13
92786	1- 26 - 15
94378	1- 20 - 43
	1- 20 -249
100027	1- 19 - 27
100229	1- 20 -165A
100397	1- 20 - 96
101181	1- 19 -102
101706	1- 28 - 33
	1- 31 - 4
103895	1- 18 - 16
104294	1- 26 - 4
104615	1- 24 - 13
104696	1- 33 - 40
104697	1- 27 - 1
	1- 28 - 5
	1- 29 - 2A
104699	1- 29 - 10
	1- 29 - 18
104763	1- 12 - 19A
	1- 19 - 28
	1- 19 - 93
105047	1- 20 - 44
105334	1- 19 - 76
	1- 19 - 81
106355	1- 37 - 13
107664	1- 24 - 14
	1- 24 - 14A
	1- 24 - 14B
107667	1- 24 - 15
108301	1- 35 - 1
110029	1- 20 - 45
110129	1- 25 - 68
	1- 25 - 72
110156	1- 20 - 46
110775	1- 20 - 47
112055	1- 20 - 48

PART NO.	LIST AND INDEX NO.
112055-CONT	1- 36 - 2
113298	1- 18 - 17
113380	1- 18 - 18
115111	1- 12 - 20
116547	1- 20 - 97
116550	1- 20 - 98
117281	1- 25 - 76
117401	1- 24 - 16
117403	1- 24 - 16
117650	1- 20 - 99
118418	1- 20 -166
120211	1- 19 - 29
120357	1- 19 - 30
121521	1- 20 - 49
121914	1- 15 - 5
121935	1- 20 - 50
122513	1- 18 - 65
122517	1- 18 - 63
122524	1- 18 - 61
122534	1- 18 - 59
122539	1- 18 - 67
122565	1- 18 - 69
122714	1- 20 - 51
122856	1- 12 - 21
122966	1- 15 - 6
123206	1- 13 - 4
	1- 14 - 7
123384	1- 37 - 14
123639	1- 12 - 22
	1- 18 - 19
123780	1- 12 - 23
124822	1- 1 - 44A
124943	1- 24 - 17
	1- 26 - 22
124987	1- 28 - 6
	1- 29 - 3
	1- 30 - 10
125145	1- 17 - 9
125930	1- 2 - 4
	1- 18 - 40
126800	1- 30 - 11
127324	1- 24 - 18
128971	1- 33 - 14
129147	1- 16 - 39
129242	1- 21 - 1
	1- 21 - 1
129275	1- 31 - 5
129645	1- 12 - 23A
130534	1- 20 - 52
130987	1- 12 - 24
131306	1- 33 - 15
133798	1- 18 - 20
138709	1- 20 -100
138754	1- 12 - 24A
138755	1- 24 - 19
139450	1- 12 - 24B
	1- 28 - 7
139686	1- 20 - 53
139766	1- 19 - 31
140425	1- 12 - 24C
	1- 18 - 21
	1- 19 - 32
	1- 28 - 8
141071	1- 20 - 54
141812	1- 20 - 55
141815	1- 20 - 56
141828	1- 19 - 33
	1- 19 - 63A
143009	1- 19 - 34
	1- 20 - 57
147297	1- 20 - 58
	1- 30 - 12
	1- 35 - 2
149627	1- 20 -217
149695	1- 12 - 25
	1- 28 - 9
149908	1- 29 - 4
150072	1- 14 - 8
151200	1- 18 - 41
151598	1- 24 - 20

PART NO.	LIST AND INDEX NO.
151633	1- 20 - 59
151720	1- 19 - 35
154404	1- 20 -258
154548	1- 15 - 7
156231	1- 15 - 8
	1- 28 - 57
156364	1- 20 - 60
	1- 20 -189
157370	1- 16 - 8
159317	1- 24 - 21
159373	1- 24 - 22
160017	1- 22 - 9
160044	1- 18 - 22
160060	1- 33 - 16
160409	1- 18 - 23
	1- 20 - 61
160732	1- 19 - 36
160960	1- 19 - 37
161014	1- 30 - 13
161351	1- 12 - 26
161370	1- 29 - 5
161417	1- 12 - 94
	1- 12 -107
163899	1- 13 - 19
	1- 14 - 15
	1- 31 - 8C
165556	1- 18 - 24
	1- 20 - 62
166735	1- 20 -101
167338	1- 27 - 2
167950	1- 12 - 37
	33- 0 - 3
169733	1- 12 - 26A
	1- 28 - 10
	1- 29 - 5A
	1- 30 - 14
	1- 31 - 6
170202	1- 26 - 5
170993	1- 33 - 17
173202	1- 20 - 63
173213	1- 20 -102
179007	1- 38 - 16A
180929	1- 2 - 5
183520	1- 20 -250
183602	1- 13 - 5
	1- 14 - 9
183628	1- 19 - 38B
183841	1- 3 - 5A
	1- 6 - 4A
183900	1- 1 - 95
184187	1- 33 - 18
186605	1- 37 - 4
186636	1- 16 - 9
	1- 20 - 64
186758	1- 2 - 6
	1- 24 - 23
186759	1- 2 - 7
	1- 12 - 27
	1- 15 - 9
	1- 18 - 25
	1- 19 - 39
186882	1- 20 -167
186915	1- 12 - 27A
	1- 28 - 11
186931	1- 12 - 27B
	1- 28 - 12
186934	1- 12 - 28
186935	1- 28 - 13
186944	1- 24 - 24
186952	1- 27 - 3
186967	1- 38 - 14
186968	1- 38 - 15
187243	1- 38 - 16
187475	1- 17 - 10
	1- 24 - 25
189136	1- 20 - 65
189137	1- 20 - 66
191148	1- 19 -143
196298	1- 18 - 26
196299	1- 20 - 67

PART NO.	LIST AND INDEX NO.
196698	1- 30 - 24
197351	1- 20 - 68
197501	1- 18 - 28
	1- 19 -REF
197502	1- 18 - 29
	1- 20 -REF
197518	1- 19 - 40
197519	1- 19 - 41
197520	1- 19 - 42
197523	1- 19 - 43
197524	1- 19 - 44
197527	1- 19 - 45
197530	1- 19 - 46
197532	1- 19 - 47
197539	1- 19 - 48
197547	1- 19 - 49
197548	1- 19 - 50
197553	1- 19 - 51
197555	1- 19 - 52
197561	1- 19 - 53
197562	1- 19 - 54
197573	1- 19 - 55
197594	1- 19 - 56
197599	1- 19 - 57
197600	1- 19 - 58
197603	1- 19 - 64
197604	1- 19 - 59
197611	1- 19 - 60
197615	1- 19 - 61
197621	1- 19 - 65
197651	1- 20 - 69
197652	1- 19 - 67
197656	1- 25 - 4
197657	1- 20 - 70
197661	1- 18 - 30
197677	1- 19 - 68
197678	1- 20 - 71
197679	1- 20 - 72
197680	1- 20 - 73
197681	1- 20 - 74
197682	1- 20 - 75
197686	1- 20 - 76
197688	1- 20 - 77
197690	1- 20 -251
197692	1- 20 -259
197693	1- 20 -252
197695	1- 20 -253
197698	1- 20 -254
197700	1- 20 -103
197703	1- 20 - 78
197704	1- 20 - 79
197705	1- 20 - 80
197706	1- 20 -104
197707	1- 20 - 81
197708	1- 20 - 82
197710	1- 20 - 83
197712	1- 20 - 84
197713	1- 20 - 85
197745	1- 20 -109
197747	1- 20 -110
197749	1- 20 -111
197750	1- 20 -112
197753	1- 20 -113
197757	1- 20 -114
197759	1- 20 -115
197760	1- 20 -116
197762	1- 20 -117
197763	1- 20 -119
197765	1- 20 -121
197771	1- 20 -122
197773	1- 20 -123
197779	1- 20 -124
197786	1- 20 -125
197787	1- 20 -126
197790	1- 20 -127
197794	1- 20 -128
197802	1- 20 -129
197803	1- 20 -130
197808	1- 20 -105
197811	1- 20 -131

PART NO.	LIST AND INDEX NO.
197814	1- 20 -132
197816	1- 20 -133
197817	1- 20 -134
197823	1- 20 -135
197827	1- 20 -136
197832	1- 20 -137
197838	1- 20 -106
197841	1- 20 -107
197842	1- 20 -138
197846	1- 20 -139
197847	1- 20 -140
197848	1- 20 -141
197849	1- 20 -142
197850	1- 20 -143
197851	1- 20 -108
197853	1- 20 -144
197858	1- 20 -145
197859	1- 20 -146
197860	1- 20 -147
197861	1- 20 -148
197870	1- 20 -149
197874	1- 20 -150
197875	1- 20 -151
197876	1- 20 -152
197877	1- 20 -153
197878	1- 20 -154
197879	1- 20 -155
197888	1- 20 -156
197893	1- 20 -242
197894	1- 20 -260
197897	1- 20 -157
197903	1- 20 -158
197974	1- 20 -159
202710	1- 28 - 14
	1- 29 - 5B
202711	1- 36 - 3
202714	1- 36 - 11
202715	1- 28 - 68
	1- 29 - 6
	1- 35 - 9
202718	1- 12 - 28A
	1- 28 - 15
202719	1- 12 - 28B
	1- 28 - 19
202720	1- 33 - 41
202727	1- 12 - 28C
	1- 28 - 16
202911	1- 28 - 20
	1- 33 - 19
202923	1- 30 - 15
	1- 35 - 3
202928	1- 30 - 25
202929	1- 31 - 8
202931	1- 31 - 9
202942	1- 12 - 28D
	1- 36 - 4
202959	1- 31 - 8H
202963	1- 31 - 8D
202972	1- 29 - 7
202983	1- 31 - 10
202993	1- 30 - 16
203004	1- 13 - 20
	1- 14 - 16
203005	1- 13 - 21
203007	1- 13 - 11
	1- 14 - 10
203016	1- 13 - 12
203022	1- 13 - 6
203023	1- 14 - 11
203024	1- 13 - 7
203025	1- 14 - 12
203026	1- 13 - 17
203027	1- 14 - 13
203028	1- 13 - 23
203029	1- 14 - 19
203030	1- 13 - 24
203031	1- 14 - 20
203032	1- 13 - 25

PART NO.	LIST AND INDEX NO.	PART NO.	LIST AND INDEX NO.	PART NO.	LIST AND INDEX NO.
203034	1- 12 - 29	207766	1- 20 -177	219986	1- 20 -198
203044	1- 12 - 30	210482	1- 36 - 8	219987	1- 20 -199
203049	1- 33 - 20	210883	1- 17 - 11	219990	1- 20 -200
203057	1- 33 - 21		1- 26 - 6	219991	1- 20 -201
203071	1- 12 - 31	210884	1- 17 - 12	220504	1- 18 - 46
	1- 13 -REF		1- 26 - 7	220505	1- 20 -202
203072	1- 12 - 32	210984	1- 17 - 13	220507	1- 19 - 90
	1- 14 -REF		1- 24 - 26	220508	1- 19 - 91
203097	1- 31 - 8J	210985	1- 24 - 27	220511	1- 19 - 92
203351	1- 12 - 33	210986	1- 24 - 28	220512	1- 19 - 95
203702	1- 33 - 22	212144	1- 19 - 70	220513	1- 19 - 96
203705	1- 33 - 49	212145	1- 19 - 66	220514	1- 19 - 97
203707	1- 35 - 4	212146	1- 19 - 71	220515	1- 19 - 98
203708	1- 35 - 12	212151	1- 19 - 72	220517	1- 19 - 99
203709	1- 33 - 3	212152	1- 19 - 73	220518	1- 19 -100
203713	1- 15 - 10	212158	1- 20 -160	220527	1- 20 -203
203732	1- 15 - 11	212167	1- 20 -161	220528	1- 20 -204
203742	1- 37 - 4A	212253	1- 19 - 77	220530	1- 20 -205
203750	1- 35 - 5		1- 19 - 82	220531	1- 20 -206
203759	1- 15 - 12	212345	1- 18 - 31	220534	1- 20 -207
203760	1- 12 - 34	212350	1- 18 - 32	220537	1- 20 -208
	1- 15 -REF	212476	1- 19 - 78	220539	1- 20 -209
203780	1- 30 - 17		1- 19 - 83	220540	1- 20 -210
203783	1- 28 - 21	212482	1- 20 -162	220541	1- 20 -211
203785	1- 12 - 34A		1- 20 -218	220542	1- 20 -221
	1- 28 - 17	212490	1- 20 -166A	220543	1- 19 -103
203788	1- 12 - 34B	212491	1- 20 -163	220544	1- 20 -212
	1- 15 - 13	212492	1- 20 -164	220545	1- 20 -222
	1- 28 - 24	212632	1- 20 -219	220546	1- 20 -223
	1- 36 - 5	212637	1- 20 -220	220547	1- 19 -101
203826	1- 12 - 34C	213536	1- 23 - 4	220548	1- 19 -104
	1- 28 - 25	213693	1- 23 - 5	220549	1- 19 -105
203827	1- 12 - 34D	213760	1- 23 - 6	220550	1- 19 -106
	1- 28 - 26	216198	1- 22 - 10	220553	1- 18 - 47
	1- 36 - 6	216362	1- 26 - 8	220554	1- 18 - 48
203837	1- 29 - 8	216506	1- 20 -181	220555	1- 20 -225
203870	1- 28 - 27	216512	1- 20 -182	220557	1- 20 -224
	1- 29 - 8A	216513	1- 1 - 81	220561	1- 19 -107
203871	1- 30 - 18	216533	1- 20 -183	220562	1- 19 -108
203879	1- 28 - 22	216537	1- 20 -184	220566	1- 19 -109
203922	1- 33 - 43		1- 29 - 23	220567	1- 18 - 49
204125	1- 16 - 40	216540	1- 20 -185	220569	1- 20 -226
204162	1- 29 - 9	216543	1- 20 -120	220583	1- 19 -110
204163	1- 29 - 17	216547	1- 19 - 74	220690	1- 1 - 7
204164	1- 29 - 11	216548	1- 19 - 79		1- 12 - 37A
204165	1- 29 - 12	216558	1- 19 - 84	220710	1- 33 - 23
	1- 29 - 19	216563	1- 19 - 85	220714	1- 33 - 21A
204228	1- 29 - 20	216565	1- 18 - 33		1- 33 - 25
204238	1- 30 - 19	216567	1- 18 - 34	220715	1- 33 - 22A
204239	1- 31 - 11	216570	1- 18 - 35		1- 33 - 29
204240	1- 12 - 34E	216574	1- 19 - 86	220716	1- 33 - 24
	1- 28 - 28	216575	1- 19 - 87	220717	1- 33 - 28
204320	1- 29 - 13	216596	1- 20 -186	220718	1- 33 - 21B
204411	1- 28 - 60	216597	1- 20 -190		1- 33 - 22B
204474	1- 12 - 34F	216599	1- 20 -192		1- 33 - 26
	1- 36 - 7	217017	1- 22 - 11		1- 33 - 30
204489	1- 12 - 35	218810	1- 18 - 36	220719	1- 33 - 21C
204490	1- 31 - 12	218811	1- 18 - 42		1- 33 - 27
	1- 31 - 17	218812	1- 18 - 43		1- 33 - 31
204616	1- 30 - 20	218813	1- 18 - 44	220722	1- 13 - 15
204835	1- 20 -168	218830	1- 19 -127	220942	1- 12 - 38
204836	1- 20 -178	218979	1- 7 - 4		1- 28 - 29
205142	1- 1 - 6	219045	1- 7 - 8	220948	1- 28 - 34
205331	1- 21 - 2	219046	1- 7 - 9	220949	1- 28 - 35
	1- 21 - 2	219075	1- 7 - 10	220950	1- 28 - 36
205737	1- 20 -169	219076	1- 7 - 11	220953	1- 33 - 32
205742	1- 20 -170	219633	1- 3 - 6	220957	1- 12 - 38A
205743	1- 20 -171		1- 4 - 5		1- 28 - 30
205744	1- 20 -172		1- 5 - 5	220967	1- 33 - 42
205746	1- 20 -173		1- 6 - 5	220968	1- 33 - 44
205747	1- 20 -174	219679	1- 11 - 1	220984	1- 33 - 33
205748	1- 20 -175	219743	1- 28 - 58	220987	1- 13 - 26
205783	1- 20 -176	219765	1- 18 - 45		1- 14 - 21
206369	1- 38 - 33	219909	1- 20 -193	220988	1- 14 - 17
206569	1- 12 - 36	219911	1- 20 -194	220994	1- 13 - 27
206571	1- 12 - 37	219913	1- 20 -195		1- 14 - 22
	33- 0 - 4	219914	1- 19 - 88	221018	1- 18 - 50
207751	1- 37 - 20	219918	1- 19 - 89	221019	1- 18 - 51
207759	1- 20 -179	219941	1- 20 -196	221020	1- 18 - 52
207762	1- 19 - 69	219981	1- 20 -197	221026	1- 20 -227

PART NO.	LIST AND INDEX NO.
221031	1- 19 -111
221113	1- 20 -228
221170	1- 20 -229
221175	1- 20 -230
221179	1- 20 -231
221181	1- 20 -232
221182	1- 20 -255
221183	1- 20 -233
221186	1- 20 -262
221189	1- 19 -112
221193	1- 19 -144
221228	1- 20 -234
221256	1- 20 -235
221261	1- 19 -119
221265	1- 19 -120
221267	1- 19 -128
221269	1- 19 -121
221279	1- 19 -122
221292	1- 19 -123
221295	1- 19 -129
221296	1- 19 -124
221303	1- 19 -131
221304	1- 19 -132
221306	1- 19 -133
221545	1- 19 -134
221550	1- 19 -145
221552	1- 19 -141
221556	1- 19 -147
221557	1- 19 -148
221603	1- 19 -149
221621	1- 19 -150
221626	1- 19 -151
221724	1- 19 -152
223473	1- 15 - 14
223781	1- 1 - 8
223810	1- 12 - 38B
	1- 28 - 31
223829	1- 13 - 16
223863	1- 28 - 38
223870	1- 14 - 23
223871	1- 14 - 24
223873	1- 13 - 28
	1- 14 - 25
223874	1- 14 - 26
223876	1- 13 - 29
223877	1- 13 - 30
223878	1- 13 - 31
223945	1- 28 - 39
	1- 29 - 23A
223947	1- 16 - 14
223956	1- 28 - 61
223963	1- 29 - 24
223964	1- 29 - 25
223968	1- 33 - 34
223969	1- 33 - 35
228391	1- 24 - 28A
228613	1- 19 - 85A
228734	1- 20 - 236
228768	1- 16 - 16
228786	1- 30 - 21
228847	1- 37 - 21
228849	1- 37 - 6A
	1- 37 - 7
228851	1- 37 - 15B
228852	1- 37 - 6B
	1- 37 - 8
228853	1- 37 - 6C
	1- 37 - 9
228854	1- 37 - 5
228860	1- 37 - 6
228890	1- 28 - 40
	1- 29 - 25A
228891	1- 28 - 23
228926	1- 31 - 8K
228935	1- 14 - 18
228953	1- 30 - 22
228955	1- 30 - 26
228956	1- 30 - 27
228957	1- 30 - 28
228958	1- 30 - 29

PART NO.	LIST AND INDEX NO.
228976	1- 30 - 31
228984	1- 28 - 52
230736	1- 20 -180
233115	1- 31 - 13
233155	1- 12 -108
233156	1- 12 - 95
233157	1- 12 -109
233158	1- 12 - 96
233161	1- 12 -103
233162	1- 12 - 90
233164	1- 12 - 97
	1- 12 -110
233165	1- 12 - 98
	1- 12 -111
233166	1- 29 - 26
233170	1- 37 - 15
233171	1- 37 - 15A
233184	1- 31 - 14
233185	1- 31 - 13
233186	1- 31 - 18
233247	1- 12 - 62
233286	1- 33 - 50
234307	1- 12 - 99
	1- 12 -112
234318	1- 30 - 32
234319	1- 28 - 37
234328	1- 31 - 19
234329	1- 1 - 9
234334	1- 33 - 45
234335	1- 33 - 46
234341	1- 1 - 10
	1- 29 - 27
234342	1- 33 - 47
234345	1- 12 - 39
	1- 28 - 41
234348	1- 12 - 39A
	1- 37 - 10
234349	1- 12 - 40
	1- 29 - 14
234350	1- 29 - 15
	1- 29 - 21
234353	1- 29 - 16
	1- 29 - 22
236265	1- 25 - 5
236428	1- 25 - 69
	1- 25 - 73
236429	1- 25 - 67
	1- 25 - 74
236435	1- 16 - 28
	1- 16 - 70
	1- 25 - 11
236437	1- 16 - 29
	1- 25 - 11A
236466	1- 16 - 27
	1- 16 - 69
	1- 25 - 10
236469	1- 25 - 13
	1- 25 - 88
236471	1- 16 - 71
236473	1- 25 - 92
	1- 25 -104
236474	1- 25 - 93
	1- 25 -105
236477	1- 25 - 94
236478	1- 25 -106
236480	1- 25 - 14
236481	1- 25 - 15
236483	1- 16 - 30
	1- 16 - 72
	1- 25 - 11B
236485	1- 25 - 16
236491	1- 16 - 31
	1- 16 - 73
	1- 25 - 11C
236505	1- 25 - 18
236506	1- 25 - 40
236511	1- 25 - 19
	1- 25 - 41
236512	1- 25 - 29

PART NO.	LIST AND INDEX NO.
236513	1- 25 - 30
	1- 25 - 52
236514	1- 25 - 20
	1- 25 - 42
236524	1- 25 - 21
	1- 25 - 43
236525	1- 25 - 51
236526	1- 25 - 31
	1- 25 - 53
236529	1- 25 - 22
	1- 25 - 44
236531	1- 25 - 23
	1- 25 - 45
236533	1- 25 - 32
	1- 25 - 54
236538	1- 25 - 24
	1- 25 - 46
236543	1- 25 - 33
	1- 25 - 55
236544	1- 25 - 25
	1- 25 - 47
236545	1- 25 - 26
	1- 25 - 48
236546	1- 25 - 34
	1- 25 - 56
236550	1- 3 - 7
	1- 4 - 6
	1- 5 - 6
	1- 6 - 6
	1- 25 - 27
	1- 25 - 49
236552	1- 25 - 35
	1- 25 - 57
236585	1- 25 - 77
236684	1- 25 - 50
236786	1- 25 - 28
236849	1- 1 - 11
	1- 16 - 15A
236919	1- 12 - 41
237023	1- 33 - 48
237100	1- 37 - 16
237220	1- 19 - 94
237245	1- 30 - 33
237298	1- 31 - 8L
237299	1- 31 - 8E
237300	1- 31 - 8M
237315	1- 33 - 36
237343	1- 30 - 30
237351	1- 36 - 9
237352	1- 33 - 37
237391	1- 12 - 42
237431	1- 12 - 42A
	1- 28 - 42
237439	1- 19 -153
237442	1- 19 -154
237454	1- 13 - 32
	1- 14 - 27
237456	1- 31 - 8N
245570	1- 24 - 29
249085	1- 19 -130
249412	1- 20 -237
249413	1- 20 -238
249414	1- 20 -239
249440	1- 19 -155
250501	1- 25 - 17
250502	1- 25 - 39
250511	1- 25 - 36
250514	1- 25 - 58
250518	1- 25 - 63
250524	1- 25 - 64
250525	1- 25 - 65
250575	1- 25 - 37
250576	1- 25 - 59
250580	1- 25 - 38
	1- 25 - 60
251970	1- 12 - 73
253220	1- 17 - 16
	1- 24 - 30
253453	1- 38 - 17
253740	1- 24 - 31

PART NO.	LIST AND INDEX NO.	PART NO.	LIST AND INDEX NO.	PART NO.	LIST AND INDEX NO.
253740-CONT	1- 38 - 18	257701	1- 20 -263	369108	1- 22 - 13
255585	1- 18 - 53		1- 25 -101	369207	1- 17 - 18A
255586	1- 18 - 54		1- 25 -108		1- 24 - 50
255587	1- 20 -240		1- 28 - 45	369221	1- 24 - 50A
255588	1- 20 -243		1- 29 - 27A	372688	1- 26 - 11
255589	1- 20 -244	257959	1- 12 - 42D	425115	1- 16 - 18A
255595	1- 20 -245	257982	1- 1 - 48	437455	1- 27 - 9
256702	1- 25 - 89	257983	1- 12 - 42E	437763	1- 12 - 42K
256704	1- 25 - 90		1- 28 - 46	438548	1- 12 - 67
256708	1- 25 -102		1- 37 - 11	438550	1- 21 - 5
256712	1- 25 - 95	257984	1- 3 - 9		1- 27 - 5
256713	1- 25 -107		1- 4 - 8	438586	1- 16 - 19
256715	1- 25 - 96		1- 5 - 8	438601	1- 12 - 74
256717	1- 25 - 97		1- 6 - 8	459303	1- 35 - 7
256718	1- 19 -156	257986	1- 1 - 93	470259	1- 7 - 12
256725	1- 25 - 61		1- 17 - 16A	470880	1- 30 - 35
256726	1- 25 - 62		1- 24 - 36	471918	1- 16 - 20
256731	1- 25 - 66	265103	1- 20 -264	472611	1- 24 - 51
256735	1- 25 - 70	265976	1- 24 - 37	472639	1- 24 - 37B
256737	1- 25 - 71	268715	1- 24 - 38	474644	1- 26 - 23
256740	1- 25 - 75	288282	1- 20 -191	477202	1- 24 - 51A
256741	1- 25 - 78	300721	1- 23 - 7	491221	1- 23 - 15
256744	1- 25 - 79	302090	1- 21 - 3	491272	1- 23 - 16
256745	1- 25 - 80	302131	1- 21 - 4	491319	1- 17 - 18B
256746	1- 25 - 81	308203	1- 16 - 25	492349	1- 23 - 17
256749	1- 25 - 82	312768	1- 35 - 6	492447	1- 8 - 6D
256751	1- 25 - 83	313289	1- 38 - 19	492450	1- 23 - 18
256753	1- 25 - 84	313361	1- 26 - 16	502483	1- 23 - 19
256755	1- 25 - 85		1- 26 - 28	508224	1- 24 - 56
256757	1- 25 - 86		1- 38 - 20	510316	1- 24 - 52
256759	1- 25 - 98	316996	1- 22 - 12	510468	1- 24 - 58
256760	1- 25 - 99	317027	1- 23 - 8	511553	1- 24 - 53
256761	1- 25 -100	317129	1- 24 - 39	512406	1- 24 - 53A
256800	1- 16 - 74	317131	1- 24 - 40	512508	1- 1 - 92
	1- 25 -REF	317190	1- 23 - 9	512848	1- 8 - 6E
256801	1- 25 - 87	317310	1- 26 - 10	515661	1- 24 - 53B
257079	1- 24 - 32	317350	1- 23 - 10	515718	1- 24 - 54
257080	1- 24 - 33	317428	1- 8 - 6A	517913	1- 24 - 55
257092	1- 18 - 55	318324	1- 23 - 11	518163	1- 21 - 5A
257111	1- 33 - 38	322029	1- 1 - 12	520404	1- 21 - 6
257139	1- 19 -157	322065	1- 17 - 15		1- 21 - 6
257140	1- 19 -158	322266	1- 24 - 41	521695	1- 24 - 56
257159	1- 38 - 22A	322550	1- 27 - 4	526378	1- 24 - 57
257187	1- 1 - 91	326219	1- 1 - 47	528007	1- 24 - 58
	1- 3 - 8	328816	1- 11 - 2	533534	1- 24 - 59
	1- 4 - 7	331191	1- 24 - 42	535801	1- 3 - 11
	1- 5 - 7	332620	1- 1 - 13		1- 4 - 10
	1- 6 - 7		1- 12 - 42F		1- 5 - 10
	1- 17 - 14		1- 16 - 17		1- 6 - 10
	1- 23 - 2		1- 30 - 40	535802	1- 3 - 12
	1- 24 - 34	334902	1- 23 - 12		1- 4 - 11
	1- 26 - 9	334910	1- 24 - 43		1- 5 - 11
257189	1- 2 - 8		1- 38 - 15A		1- 6 - 11
	1- 3 - 8A	334921	1- 8 - 6B	535813	1- 3 - 13
	1- 6 - 7A		1- 24 - 37A		1- 4 - 12
	1- 12 - 42B		1- 24 - 44		1- 5 - 12
	1- 24 - 35		1- 38 - 15B		1- 6 - 12
	1- 28 - 43		1- 38 - 22B	538824	1- 24 - 60
257200	1- 36 - 12	334932	1- 24 - 45	556485	1- 24 - 60A
257203	1- 36 - 10		1- 38 - 15C	557718	1- 12 - 75
257204	1- 33 - 54	334949	1- 23 - 13	587254	1- 24 - 60B
257205	1- 33 - 53	337334	1- 24 - 46	588396	1- 24 - 61
257206	1- 36 - 13	337545	1- 23 - 14	589805	1- 24 - 62
257261	1- 20 -261	337549	1- 24 - 47	595268	1- 24 - 62
257313	1- 28 - 54	338238	1- 3 - 10	595665	1- 1 - 14
257324	1- 12 -100		1- 4 - 9	596706	1- 2 - 9
	1- 12 -113		1- 5 - 9	596757	1- 17 - 23
257325	1- 33 - 51		1- 6 - 9	597984	1- 24 - 62A
257326	1- 33 - 52	340166	1- 8 - 6C	602346	1- 12 - 42L
257487	1- 19 -159	342131	1- 24 - 66		33- - 4
257526	1- 19 -160	357995	1- 12 - 42G	602697	1- 12 - 42M
257582	1- 12 -101	359018	1- 12 - 42H		33- - 3
	1- 12 -114		1- 16 - 18	602746	1- 24 - 63
257604	1- 16 - 16	360370	1- 38 - 15D	607905	1- 1 - 30
257607	1- 30 - 34	363188	1- 27 - 8		1- 1 - 60A
257700	1- 12 - 42C	365323	1- 17 - 17		1- 3 - 14
	1- 13 - 33		1- 24 - 48		1- 4 - 13
	1- 14 - 28	367115	1- 17 - 18		1- 5 - 13
	1- 19 -161		1- 24 - 49	609669	1- 6 - 13
	1- 28 - 44	367182	1- 8 - 1		1- 1 - 30A
					1- 1 - 41A

PART NO.	LIST AND INDEX NO.
609669-CONT	1- 1 - 60B 1- 3 - 14A 1- 6 - 14
609687	1- 17 - 19
615473	1- 16 - 21
615474	1- 16 - 22
620107	1- 21 - 7
638085	1- 17 - 20
639178	1- 8 - 2
642127	1- 17 - 27
642128	1- 17 - 22
642129	1- 17 - 21
642130	1- 17 - 24
642131	1- 17 - 25
642132	1- 17 - 28
642133	1- 17 - 26
642159	1- 17 - 30
721928	1- 3 - 15 1- 4 - 14 1- 5 - 14 1- 6 - 15
721933	1- 3 - 16 1- 4 - 15 1- 5 - 15 1- 6 - 16
721934	1- 3 - 17 1- 4 - 16 1- 5 - 16 1- 6 - 17
721935	1- 3 - 18 1- 4 - 17 1- 5 - 17 1- 6 - 18
721936	1- 3 - 19 1- 4 - 18 1- 5 - 18 1- 6 - 19
721939	1- 3 - 20 1- 4 - 19 1- 5 - 19 1- 6 - 20
721940	1- 3 - 21 1- 4 - 20 1- 5 - 20 1- 6 - 21
721941	1- 3 - 22 1- 4 - 21 1- 5 - 21 1- 6 - 22
721942	1- 3 - 23 1- 4 - 22 1- 5 - 22 1- 6 - 23
725557	1- 38 - 4
725558	1- 17 - 31
737967	1- 11 - 10
738125	1- 1 - 80
738126	1- 1 - 44B
738127	1- 1 - 15
738128	1- 1 - 16
738129	1- 1 - 17
738130	1- 16 - 23 1- 17 - REF 33- 0 - 3
738132	1- 16 - 26
738133	1- 16 - 32
738134	1- 1 - 51 33- 0 - 1
738135	1- 1 - 56 33- 0 - 1
738136	1- 1 - 61 33- 0 - 1
738137	1- 1 - 66 33- 0 - 1
738139	1- 16 - 24
738144	1- 12 - 42P 33- 0 - 3
738150	1- 12 - 80 1- 28 - 47 1- 29 - REF

PART NO.	LIST AND INDEX NO.
738154	1- 22 - 14
738156	1- 16 - 49 1- 16 - 55 1- 22 - REF
738159	1- 22 - 15 1- 23 - 20
738160	1- 16 - 33 1- 17 - REF 33- 0 - 4
738162	1- 12 - 43 1- 16 - REF 1- 16 - 34
738163	1- 16 - 34
738172	1- 30 - 36 1- 31 - REF 1- 27 - 10
738175	1- 27 - 10
738176	1- 27 - 6
738177	1- 27 - 15
738178	1- 12 - 44 1- 27 - REF 1- 2 - 10
738179	1- 2 - 10
738180	1- 2 - 11
738181	1- 2 - 12
738182	1- 2 - 13
738184	1- 12 - 45
738185	1- 12 - 46
738186	1- 12 - 47
738187	1- 12 - 48
738188	1- 18 - 56
738189	1- 12 - 49
738190	1- 12 - 50
738191	1- 12 - 51
738200	1- 12 - REF 33- 0 - 2
738201	1- 12 - 52
738202	1- 12 - 53
738203	1- 16 - 35
738204	1- 16 - 42
738205	1- 1 - REF 33- 0 - 1
738213	1- 12 - 56 1- 28 - 48 1- 30 - REF
738214	1- 30 - 37
738219	1- 17 - 32
738221	1- 28 - 55
738222	1- 16 - 43
738223	1- 12 - 54
738224	1- 12 - 58 1- 28 - 50 1- 12 - 59
738225	1- 12 - 59 1- 28 - 51 1- 12 - 55
738226	1- 12 - 61
738227	1- 12 - 63
738228	1- 18 - 57
738230	1- 12 - 60
738231	1- 28 - 53 1- 27 - 11 1- 12 - 64
738236	1- 1 - 18
738237	1- 36 - 14
738239	1- 12 - 65
738241	1- 28 - 59
738242	1- 12 - 65A
738244	1- 28 - 56
738245	1- 28 - 63 1- 28 - 62 1- 12 - 66
738246	1- 12 - 68
738247	1- 12 - 70
738248	1- 12 - 76
738249	1- 12 - 77
738250	1- 12 - 69
738251	1- 38 - 39
738252	1- 12 - 78
738253	1- 12 - 79A
738254	1- 28 - 64
738258	1- 28 - 64
738260	1- 35 - REF

PART NO.	LIST AND INDEX NO.
738261	1- 35 - 8
738262	1- 35 - 10
738263	1- 35 - 11
738264	1- 30 - 38
738265	1- 30 - 41
738266	1- 12 - 80 1- 28 - REF 1- 12 - 80A
738268	1- 28 - 65
738269	1- 12 - 80B 1- 28 - 66 1- 12 - 81
738270	1- 1 - 72
738271	1- 8 - REF 1- 8 - 3
738272	1- 28 - 67
738275	1- 29 - 27B
738276	1- 28 - 69 1- 29 - 27C 1- 16 - 44
738278	1- 12 - 82
738279	1- 12 - 82A
738280	1- 28 - 70 1- 36 - REF 1- 8 - 4
738281	1- 36 - 15
738282	1- 33 - 1
738286	1- 12 - 82B
738289	1- 28 - 71 1- 12 - 83
738290	1- 12 - 83A
738291	1- 37 - 12 1- 37 - 17
738292	1- 12 - 83B
738294	1- 28 - 72
738298	1- 8 - 5
738300	1- 16 - 45 1- 18 - REF 1- 1 - 19
738309	1- 18 - 58
738311	1- 18 - 60
738312	1- 18 - 62
738313	1- 18 - 64
738315	1- 18 - 66
738316	1- 18 - 68
738317	1- 27 - 12
738318	1- 16 - 50
738371	1- 16 - 56 1- 23 - REF 1- 1 - 82 1- 11 - REF
738372	1- 11 - 3
738373	1- 11 - 6
738375	1- 11 - 7
738376	1- 11 - 8
738378	1- 12 - 84
738379	1- 12 - 85
738380	1- 12 - 86
738381	1- 1 - 73
738383	1- 16 - 46
738384	1- 21 - REF 1- 12 - 87 1- 16 - 47
738385	33- - 3
738386	1- 16 - 53 33- - 4
738387	1- 1 - 78 1- 8 - REF
738389	1- 17 - 32A
738391	1- 1 - 20
738400	1- 2 - 14
738401	1- 2 - 15
738402	1- 2 - 16
738403	1- 16 - 59
738404	1- 2 - 17
738405	1- 16 - 41
738406	1- 2 - 18
738407	1- 12 - 88
738408	1- 1 - 52
738410	

PART NO.	LIST AND INDEX NO.	PART NO.	LIST AND INDEX NO.	PART NO.	LIST AND INDEX NO.
738411	1- 1 - 62	738484-CONT	1- 6 -REF	740489	1- 26 - 25
738412	1- 2 - 19	738485	1- 1 - 39	740490	1- 26 - 26
738413	1- 1 - 21	738491	1- 1 - 42	740491	1- 26 - 12
738414	1- 2 - 20		1- 7 -REF	740503	1- 16 - 75
738415	1- 1 - 22	738492	1- 1 - 43		33- - 4
738416	1- 1 - 23	738495	1- 1 - 44C	740540	1- 16 - 76
738417	1- 1 - 24	738496	1- 1 - 44D		1- 26 -REF
738418	1- 1 - 25	738497	1- 1 - 44E		33- - 4
738419	1- 1 - 67	738498	1- 1 - 44	740550	1- 26 - 27
738420	1- 16 - 60	738499	1- 12 -102	740554	1- 26 - 13
738421	1- 16 - 61	738500	33- 0 - 4	740560	1- 26 - 14
738422	1- 16 - 62	738501	1- 23 - 21	740562	1- 26 - 14
738423	1- 16 - 63	738504	1- 12 -115	740563	1- 26 - 17
738426	1- 1 - 83	738505	1- 8 - 7	740564	1- 26 - 18
738427	1- 1 - 84	738506	1- 8 - 11	740571	1- 26 - 19
738428	1- 1 - 85	738507	1- 8 - 5	740606	1- 26 - 20
738429	1- 16 - 64	738508	1- 8 - 4	740607	1- 26 - 29
738430	1- 1 - 71	738509	1- 8 - 19	740608	1- 16 - 77
	33- 0 - 1	738510	1- 8 - 2		33- - 3
738431	1- 2 - 21	738511	1- 8 - 22	740609	1- 16 - 78
	1- 2 - 21	738512	1- 8 - 13		1- 26 -REF
738432	1- 2 - 22	738513	1- 8 - 26		33- - 3
	1- 2 - 22	738514	1- 8 - 7	740707	1- 16 - 79
738433	1- 1 - 79	738515	1- 8 - 11	741129	1- 26 - 21
738434	1- 16 - 65	738516	1- 8 - 19	741139	1- 26 - 24
738435	1- 1 - 26	738517	1- 8 - 22	741149	1- 8 - 7
738436	1- 1 - 27	738518	1- 8 - 2	749033	1- 8 - 9
738438	1- 16 - 66	738519	1- 8 - 4	749035	1- 8 - 11
738440	1- 1 - 28	738520	1- 8 - 5	749036	1- 8 - 13
	1- 3 -REF	738526	1- 1 - 34	749046	1- 8 - 15
738441	1- 3 - 24		1- 5 -REF	749077	1- 11 - 10
738442	1- 3 - 25	738528	1- 1 - 33	749095	1- 8 - 16
738444	1- 1 - 53		1- 4 -REF	749104	1- 30 - 42
	1- 1 - 58	738535	1- 1 - 45	749108	1- 30 - 43
	1- 1 - 63	738536	1- 1 - 46	749467	1- 22 - 17
	1- 1 - 68	738537	1- 8 - 13	749879	1- 11 - 11
738445	1- 1 - 29	738538	1- 11 - 9	749919	1- 11 - 12
738446	1- 1 - 31	738541	1- 12 -115A	749950	1- 11 - 13
738447	1- 1 - 32	738543	1- 1 - 28	749979	1- 11 - 14
738448	1- 1 - 33		1- 3 -REF	749986	1- 11 - 15
	1- 4 -REF	738545	1- 1 - 38	760303	1- 17 - 29
738449	1- 4 - 23		1- 6 -REF	763409	1- 21 - 7A
738450	1- 4 - 24	738547	1- 1 - 85A	811417	1- 17 - 33
	1- 5 - 23	738549	1- 12 - 42L	811486	1- 38 - 9
738451	1- 1 - 34		33- 0 - 4	811487	1- 38 - 6
	1- 5 -REF	738552	1- 18 - 70	811491	1- 38 - 24
738452	1- 5 - 24	738553	1- 18 - 71		1- 38 - 29
738453	1- 1 - 75	738557	1- 22 - 16	811493	1- 38 - 25
738454	1- 1 - 54	738558	1- 12 - 88		1- 38 - 30
	1- 1 - 59	738559	1- 3 - 25A	811494	1- 38 - 7
	1- 1 - 64	738560	1- 3 - 25B	811802	1- 38 - 8
	1- 1 - 69	738564	1- 1 - 29	813179	1- 17 - 34
738455	1- 1 - 55	738565	1- 1 - 32A	813253	1- 38 - 26
	1- 1 - 60	738566	1- 1 - 32B	813257	1- 38 - 31
	1- 1 - 65	738567	1- 1 - 32C	813263	1- 38 - 23
	1- 1 - 70	738568	1- 6 - 24	813267	1- 38 - 28
738456	1- 1 - 35	738569	1- 1 - 72A	813681	1- 38 - 27
738457	1- 1 - 36	738570	1- 1 - 78A		1- 38 - 32
738458	1- 2 - 23	738571	1- 1 - 76A		1- 38 - 41
738460	1- 2 - 24	738572	1- 33 - 2	813801	1- 38 - 9A
738461	1- 1 - 76	738573	1- 17 - 32B	813802	1- 38 - 7A
	1- 8 -REF	738574	1- 22 - 16A	827840	1- 8 - 17
738462	1- 16 - 51	738577	1- 12 - 42M	827850	1- 8 - 18
	1- 16 - 57		33- 0 - 3	827865	1- 8 - 19
738463	1- 1 - 37	738578	1- 12 -115B	1073418	1- 1 - 48
738464	1- 16 - 67	738579	1- 2 - 24A	1074048	1- 18 - 72
738466	1- 1 - 74	738580	1- 2 - 19	1090873	1- 2 - 25
	33- 0 - 1	738583	1- 33 - 1		1- 12 -115D
738470	33- 0 - 3	738585	1- 16 - 74A		1- 24 - 64
738471	1- 16 - 68	738586	1- 1 - 82A		1- 28 - 73
738472	1- 1 - 57	738590	1- 1 - 94	1091074	1- 13 - 34
738473	1- 36 - 16	738591	1- 1 - 96		1- 14 - 29
738475	1- 1 - 77	738594	1- 33 -REF	1091111	1- 13 - 35
	33- 0 - 1		33- 0 - 4A		1- 14 - 30
738476	1- 12 - 89	738595	1- 33 -REF	1092177	1- 8 - 20
738480	1- 1 - 40		33- 0 - 4A	1105922	1- 3 - 26
738481	1- 12 - 79	738596	1- 33 - 55		1- 4 - 25
738482	1- 6 - 25	738598	1- 2 - 24B		1- 5 - 25
738483	1- 1 - 41	738599	1- 8 - 6		1- 6 - 26
738484	1- 1 - 38	738600	1- 12 -115C	2101326	1- 24 - 65

PART NO.	LIST AND INDEX NO.
2101376	1- 12 -116A
2102151	1- 12 -116
	1- 16 - 80
2102625	1- 23 - 22
2103092	1- 21 - 8
2114052	1- 24 - 66
2119604	1- 22 - 17A
2122258	1- 38 - 34
2122260	1- 38 - 10
2122636	1- 38 - 36
2122637	1- 38 - 37
2122734	1- 38 - 11
2122735	1- 38 - 12
2123791	1- 21 - 9
	1- 21 - 9
2125974	1- 16 - 88
2127637	1- 21 - 10
2128685	1- 21 - 11
2129665	1- 8 - 21
2132050	1- 1 - 89
2132436	1- 16 - 81
2145170	1- 38 - 21
2152882	1- 3 - 27
	1- 4 - 26
	1- 5 - 26
	1- 6 - 27
2152896	1- 3 - 28
	1- 4 - 27
	1- 5 - 27
	1- 6 - 28
2152906	1- 3 - 29
	1- 4 - 28
	1- 5 - 28
	1- 6 - 29
2152907	1- 3 - 30
	1- 4 - 29
	1- 5 - 29
	1- 6 - 30
2154940	1- 38 - 38
2154997	1- 38 - 38A
2155056	1- 21 - 12
	1- 21 - 12
2157668	1- 16 - 89
2158694	1- 24 - 67

PART NO.	LIST AND INDEX NO.
2161741	1- 3 - 31
2161742	1- 3 - 32
2162590	1- 38 - 22
2162665	1- 16 - 82
2162666	1- 16 - 83
2172165	1- 17 - 36
2172166	1- 17 - 35
	1- 17 - 35A
2178593	1- 16 - 84
2178624	1- 16 - 90
2178625	1- 16 - 91
2178626	1- 16 - 85
2178627	1- 16 - 92
	1- 17 - 37
2180669	1- 38 - 2A
2180673	1- 38 - 40
2181002	1- 16 - 92A
2181004	1- 1 - 49A
2181007	1- 1 - 90
2181012	1- 16 - 92B
2190676	1- 8 - 22
2190742	1- 38 - 10A
2190785	1- 38 - 1
2190971	1- 3 - 34
	1- 6 - 32
2190972	1- 3 - 35
	1- 6 - 33
2190973	1- 3 - 36
	1- 6 - 34
2190974	1- 3 - 37
	1- 6 - 35
2191006	1- 3 - 33
	1- 6 - 31
2191007	1- 3 - 38
	1- 6 - 36
2191077	1- 38 - 35
2191079	1- 38 - 2B
2191103	1- 17 - 36
2191132	1- 17 - 38
2192502	1- 38 - 10B
2391117	1- 23 - 23
2414801	1- 22 - 18
4062615	1- 17 - 39
4062616	1- 17 - 40

PART NO.	LIST AND INDEX NO.
4065157	1- 17 - 41
4116231	1- 17 - 42
4120173	1- 17 - 43
5239143	1- 24 - 37
5239277	1- 24 - 69
5239278	1- 24 - 69
5247148	1- 22 - 19
5311437	1- 8 - 23
5311439	1- 8 - 24
5311440	1- 8 - 25
	1- 8 - 25
5319888	1- 1 - 49
	1- 1 - 86
	1- 1 - 87
	1- 12 -116B
	1- 16 - 93
5349929	1- 16 - 94
5350020	1- 8 - 26
	1- 8 - 26
5352960	1- 38 - 2
5352967	1- 38 - 3
5353301	1- 1 - 50
5373660	1- 8 - 27
5703268	1- 24 - 68
5709002	1- 24 - 69
5709402	1- 24 - 70
5709406	1- 24 - 71
5709407	1- 24 - 72
5709410	1- 16 - 58
	1- 24 -REF
5709412	1- 24 - 73
5709413	1- 24 - 74
5709414	1- 24 - 75
5709415	1- 24 - 76
5709416	1- 24 - 77
5709417	1- 24 - 78
5709418	1- 24 - 79
5709419	1- 24 - 80
5709460	1- 16 - 52
	1- 24 -REF
5800610	1- 38 - 5
7022679	1- 12 - 42N
	33- - 4

COMMENT SHEET

1132 Printer

Illustrated Parts Catalog , FORM NO. 127-0806-2

FROM

NAME _____ OFFICE/DEPT NO. _____

CITY/STATE _____ DATE _____

To make this manual more useful to you, we want your comments: what additional information should be included in the manual; what description or figure could be clarified; what subject requires more explanation; what presentation is particularly helpful to you; and so forth.

CUT ALONG LINE

How do you rate this manual: Excellent _____ Good _____ Fair _____ Poor _____

Suggestions from IBM Employees giving specific solutions intended for award considerations should be submitted through the IBM Suggestion Plan.

NO POSTAGE NECESSARY IF MAILED IN U.S.A.

FOLD ON TWO LINES (LOCATED ON REVERSE SIDE), STAPLE AND MAIL

fold

fold

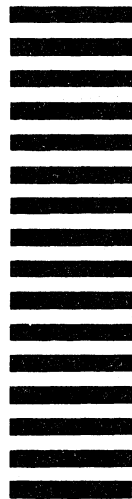
FIRST CLASS
PERMIT NO. 419
POUGHKEEPSIE, N.Y.

BUSINESS REPLY MAIL
NO POSTAGE NECESSARY IF MAILED IN THE UNITED STATES

POSTAGE WILL BE PAID BY . . .

IBM CORPORATION
P.O. BOX 390
POUGHKEEPSIE, N.Y. 12602

ATTENTION: Dept. B97 - Parts Catalog Center



fold

fold

1132

1132

TAB INSERT FOR FRONT COVER

127-0806-2

IBM 1132 PRINTED IN U.S.A. 127-0806-2

IBM

International Business Machines Corporation
Field Engineering Division
112 East Post Road, White Plains, N.Y. 10601