

CTRY- CUST-2159023-CONTRA COS SER BR-288 SYS#-1111-613-20381 TYP-1130

SHIPPED-19NOV66 SHP SEQ-A0029 FCT SEQ-B0014 W/D SUF- P4 MACH STA-NORMAL

SEQ#	EC#	STATUS	FLD B/M	FCSI #	TIME	ECA#	DATE
A0038	415719C	PRES LVL					
A0039	419623	INQUIRY*					
A0040	415744	INQUIRY*					
A0041	490740C	INQUIRY*					
A0042	UNUSED	INSTALLD					
A0043	419624	INSTALLD					
A0044	419610B	INSTALLD					
A0045	419643	INQUIRY*					
A0046	415792	INSTALLD					
A0047	419633	INSTALLD					
A0048	420317	INSTALLD					
A0049	571019	INSTALLD					
	421063	00					12/11/9
	571086	"					10/19/70

B0014	FCT	415726A	FACT LVL
B0016	FCT	419610	INSTALLD
B0017	FCT	419611	INSTALLD
B0018	FCT	419612	INSTALLD
B0019	FCT	419614	INSTALLD
B0022	FCT	419631	INSTALLD

Y0004	OPT	415777C	INSTALLD
Y0005	OPT	415456	INQUIRY*
Y0006	OPT	415734	INQUIRY*
Y0007	OPT	490819A	INQUIRY*
Y0008	OPT	420375	INQUIRY*
Y0009	OPT	419680	INQUIRY*
Y0010	OPT	420436	INSTALLD

FEAT BM	QTY	FEATURE NAME	STATUS	DATE	ACC	SHP-LVL-FCT
SEQ#	EC#	STATUS FLD B/M	FCSI #	TIME	ECA#	DATE
0180528	001	SER PLT BLACK%LEASE<	INT	19FEB69		D0001 E0000
D0001	124532	PRES LVL				
0734904	001	TAB SET AND CLR L DOM	INT	19FEB69		D0001 E0000
D0001	505458	PRES LVL				
0734943	001	SHIPPING GRP	INT	19FEB69		D0001 E0000
D0001	306857	PRES LVL				
0743989	001	PLATEN ASSEMBLY	INT	19FEB69		D0001 E0000
D0001	305414	PRES LVL				
1138122	001	INDX DTNT 3-61N PLATN	INT	19FEB69		D0001 E0000
D0001	505202	PRES LVL				
1159217	001	MOTOR VOLTAGE	INT	19FEB69		D0001 E0000
D0001	505338	PRES LVL				
1166640	001	PRNTR ASSEM	INT	19FEB69		D0001 E0000
D0001	508528	PRES LVL				
1166641	001	FINAL ASSEM	INT	19FEB69		D0001 E0000
D0001	306029	PRES LVL				
1167969	001	TYP HD ASSEM AM/ENG	INT	19FEB69		D0001 E0000
D0001	507802	PRES LVL				
2190500	001	FINAL ASSEMBLY	INT	19OCT66		D0001 E0004
D0001	415711A	PRES LVL				
D0002	571036C	INQUIRY*				
D0003	571036B	INQUIRY*				
E0004	FCT	415714D	FACT LVL			
2190542	001	BASIC SHIP GROUP	INT	19FEB69		D0001 E0000
D0001	420394	PRES LVL				

FEAT BM SEQ# D0002	QTY EC# 420439	FEATURE NAME STATUS INQUIRY*	FLD B/M	STATUS FCSI #	DATE TIME	ACC ECA#	SHP-LVL-FCT DATE
2190550 D0001	001 419630	A LEVEL SYS LOGIC DIA PRES LVL		INT	19FEB69		D0001 E0000
2190555 D0001	001 419683	DISPLAY PANEL PRES LVL		INT	19JUL69		D0001 E0000
2190560 D0002	001 571003	115 VAC 60 CYCLE ATT PRES LVL		INT	19OCT66		D0001 E0005
E0005 FCT	415499	FACT LVL					
2190902 D0001	001 415724B	IDIOMATICS BASIC ENGLISH PRES LVL		INT	19OCT66		D0001 E0000
2190910 D0001	001 415709A	NO 1627 PLOTTER ATTACH PRES LVL		INT	19OCT66		D0001 E0000
2190911 D0009	001 419659	1132 PRINTER 60 CY LEV A PRES LVL		INT	19FEB69		D0009 E0006
E0006 FCT	415777R	FACT LVL					
2190919 D0001	001 415776	ENGLISH COMP WITH DISK PRES LVL		INT	19OCT66		D0001 E0000
2190930 D0001 D0002 D0003	001 415718 571036 571036C	DSC STRG SHIP GROUP PRES LVL SHIPPED INQUIRY*	0843071	INT	19FEB69 052379	1.2 141	D0001 E0000 29AUG69
2190931 D0004 D0005 D0006	001 419653 419665 419691	8K CORE STORAGE PRES LVL INQUIRY* INQUIRY*		INT	19OCT66		D0003 E0002
E0002 FCT	414308	FACT LVL					
2191082 D0001	001 415716	CVR CLR SECT BLUE PRES LVL		INT	19FEB69		D0001 E0000
2191084 D0001	001 415704M	60HZ DOM PRES LVL		INT	19FEB69		D0001 E0000
2191317 D0002 D0003	001 415494A 419695	1134 PAPER TAPE READER PRES LVL INQUIRY		INT	19OCT66		D0002 E0001
E0001 FCT	415484	FACT LVL					
2191321 D0003	001 420403	1442 MOD 6/7 READ PUNCH PRES LVL		INT	19AUG68		D0002 E0001
E0001 FCT	415704P	FACT LVL					
2191327 D0003	001 415714E	1055 PAPER TAPE PUNCH PRES LVL		INT	19OCT66		D0003 E0000
2191329 D0003 D0004	001 571005 571021	1134 PROG LOAD/NO 1442 PRES LVL SHIPPED	0843087	INT	19FEB69 044950	1.0 138	D0001 E0000 17JUL69

FEAT BM SEQ#	QTY EC#	FEATURE NAME STATUS	FLD B/M	STATUS FCSI #	DATE TIME	ACC ECA#	SHP-LVL-FCT DATE
2191331 D0002	001 415494A	1134 DR 1055 ATTACH COMP PRES LVL		INT	19OCT66		D0002 E0000
2191337 D0001	001 415480D	CYCLE STEAL ATTACH PRES LVL		INT	19OCT66		D0001 E0000
E0002	FCT 419630	INSTALLD					
2191439 D0001	001 415709G	ENGLISH KEYBOARD PRES LVL		INT	19OCT66		D0001 E0001
E0001	FCT 415777R	FACT LVL					
2197158 D0020	001 421016	A LEVEL DISK STOR 60 CY PRES LVL		INT	19OCT66		D0013 E0016
D0021	421019	INQUIRY*					
D0022	421011A	INSTALLD					
D0023	421029	INSTALLD					
D0024	421032	INSTALLD					
D0025	421036	INQUIRY*					
D0026	421043	INSTALLD					
D0027	421047	INSTALLD					
D0028	420403	INSTALLD					
D0029	571005	INSTALLD					
D0030	421057	INSTALLD					
D0031	421063	SHIPPED	0843084	052379	.5	140	29AUG69
D0032	571036	SHIPPED	0843071	052379	1.2	141	29AUG69
E0016	FCT 415433	FACT LVL					
E0018	FCT 415717J	INSTALLD					
E0019	FCT 415717M	INSTALLD					
E0020	FCT 415717P	INSTALLD					
E0021	FCT 415717Q	INSTALLD					
E0022	FCT 415717L	INSTALLD					
E0023	FCT 415717K	INSTALLD					
E0025	FCT 419630	INSTALLD					
E0030	FCT 415717N	INSTALLD					
	<i>415743</i>	<i>00</i>					<i>5/20/68</i>
2197251 D0001	001 415776	MPS SUPPLIES 60 CYCLE PRES LVL		INT	19JUL69		D0001 E0000
2197252 D0001	001 415776	6V 60CY NO SCA NO 2501 PRES LVL		INT	19JUL69		D0001 E0000
2197254 D0001	001 415776	12V PWR GRP 60CY W/D SCA PRES LVL		INT	19JUL69		D0001 E0000
2197286 D0008	001 571005	A LEVEL SLT GROUP 60 CY PRES LVL		INT	19JAN67		D0001 E0000
D0009	571021	SHIPPED	0843087	044950	1.0	138	17JUL69
D0010	571036	SHIPPED	0843071	052379	1.2	141	29AUG69
D0011	571046	WRITTEN	0843043	117593	2.0	145	03DEC69
D0012	571053	WRITTEN	0843044	095453	1.0	146	19NOV69
E0002	FCT 419630	INSTALLD					
8155574 D0001	001 073227	C IDIO GP ENGLISH PRES LVL		INT	19SEP69		D0001 E0000

BASIC CUSTOMER FEATURES INSTALLED OR ORDERED

SHP-LVL-FCT	FEAT	BM	QTY	FEATURE NAME	STATUS
D0001	E0000	0180528	001	SER PLT BLACK%LEASE<	INSTALLED
D0001	E0000	0734904	001	TAB SET AND CLR L DOM	INSTALLED
D0001	E0000	0734943	001	SHIPPING GRP	INSTALLED
D0001	E0000	0743989	001	PLATEN ASSEMBLY	INSTALLED
D0001	E0000	1138122	001	INDX DTNT 3-6IN PLATN	INSTALLED
D0001	E0000	1159217	001	MOTOR VOLTAGE	INSTALLED
D0001	E0000	1166640	001	PRNTR ASSEM	INSTALLED
D0001	E0000	1166641	001	FINAL ASSEM	INSTALLED
D0001	E0000	1167969	001	TYP HD ASSEM AM/ENG	INSTALLED
D0001	E0004	2190500	001	FINAL ASSEMBLY	INSTALLED
D0001	E0000	2190542	001	BASIC SHIP GROUP	INSTALLED
D0001	E0000	2190550	001	A LEVEL SYS LOGIC DIA	INSTALLED
D0001	E0000	2190555	001	DISPLAY PANEL	INSTALLED
D0001	E0005	2190560	001	115 VAC 60 CYCLE ATT	INSTALLED
D0001	E0000	2190902	001	IDIOMATICS BASIC ENGLISH	INSTALLED
D0001	E0000	2190910	001	NO 1627 PLOTTER ATTACH	INSTALLED
D0009	E0006	2190911	001	1132 PRINTER 60 CY LEV A	INSTALLED
D0001	E0000	2190919	001	ENGLISH COMP WITH DISK	INSTALLED
D0001	E0000	2190930	001	DSC STRG SHIP GROUP	INSTALLED
D0003	E0002	2190931	001	8K CORE STORAGE	INSTALLED
D0001	E0000	2191082	001	CVR CLR SECT BLUE	INSTALLED
D0001	E0000	2191084	001	60HZ DOM	INSTALLED
D0002	E0001	2191317	001	1134 PAPER TAPE READER	INSTALLED
D0002	E0001	2191321	001	1442 MOD 6/7 READ PUNCH	INSTALLED
D0003	E0000	2191327	001	1055 PAPER TAPE PUNCH	INSTALLED
D0001	E0000	2191329	001	1134 PROG LOAD/NO 1442	INSTALLED
D0002	E0000	2191331	001	1134 OR 1055 ATTACH COMP	INSTALLED
D0001	E0000	2191337	001	CYCLE STEAL ATTACH	INSTALLED
D0001	E0001	2191439	001	ENGLISH KEYBOARD	INSTALLED
D0013	E0016	2197158	001	A LEVEL DISK STOR 60 CY	INSTALLED
D0001	E0000	2197251	001	MPS SUPPLIES 60 CYCLE	INSTALLED
D0001	E0000	2197252	001	6V 60CY NO SCA NO 2501	INSTALLED
D0001	E0000	2197254	001	12V PWR GRP 60CY W/O SCA	INSTALLED
D0001	E0000	2197286	001	A LEVEL SLT GROUP 60 CY	INSTALLED
D0001	E0000	8155574	001	C IDIO GP ENGLISH	INSTALLED

PAGE NO.	SH	TITLE	PART NO	EC NO.	FEATURE B/M OR B/MS
**		LOGIC TYPE DIAGNOSTIC MANUAL		7	
	03A1#	9 TABLE OF CONTENTS	2191292	571005	
	*03A00	9 CPU TEST INDEX	2191290	571005	
	**03A1*	9 CPU FUNCTION DESCRIPTION	2191206	420317	
	**03A1-	9 CPU FUNCTION TEST LISTING	2191204	420403	
	**03A3*	9 BASIC DT LOADER DESCRIPTION	2191254	415490C	
	**03A3-	9 BASIC DT LOADER LISTING	2191252	415490C	
	**03A5*	9 ONE CARD DT PROGRAM DESCRIPTION	2191262	415490B	
	**03A5-	9 ONE CARD DT PROGRAM	2191260	415490B	
	***03AD-	9 BASIC DIAG LOADER-2501 DESCRIPT	2243559	420317	
	***03AD#	9 BASIC DIAG LOADER-2501 PROGRAM	2243561	420317	

PAGE NO. SH	TITLE	PART NO	EC NO.	FEATURE B/M OR B/MS
**	LOGIC TYPE DIAGNOSTIC MANUAL	7		
03B0- 9	HIGH CORE FUNCTION TEST LISTING	2243964	420403	
03B0	9 CORE FUNCT TEST PIDS 03B10B1 DE	2243966	420403	
**03B1-	9 LOW CORE FUNCTION TEST LISTING	2243967	420403	
***03A4*	9 METER TEST	2191250	571005	
***03A4-	9 METER TEST LISTING	2191248	571005	
***03A6*	9 CORE STORAGE ADJUSTMENT DISCRIPT	2191246	420403	
***03A6-	9 CORE STORAGE ADJUSTMENT LISTING	2191244	420403	
***03A8*	9 INTERRUPT TEST DESCRIPTION	2191270	420317	
***03A8-	9 INTERRUPT TEST LISTING	2191268	420403	
***030A*	9 DISK ADJUSTMENT DESCRIPT.& LIST	2243957	571005	
***03A0-	9 1130 SCOPE LOOP LISTING	2243962	420403	
***0302*	9 1130 DIMAL DESCRIPTION	2243961	420403	

PAGE NO.	SH	TITLE	PART NO	EC NO.	FEATURE B/M OR B/MS
** LCGIC TYPE DIAGNOSTIC MANUAL 7					
0A 9		I/O TEST INDEX	2191291	420317	
0300*	9	DIAGNOSTIC MONITOR DESCRIPTION	2191202	420317	
0300-	9	DIAGNOSTIC MONITOR LISTING	2191200	571005	
0308*	9	2315 DISK INITIALIZATION DESCRIPT	2191218	420403	
0308-	9	2315 DISK INITIALIZATION LISTING	2191216	420403	
0309*	9	DISK STORAGE FUNCTION DESCRIPTION	2191214	420403	
0309-	9	DISK STORAGE FUNCTION LISTING	2191212	571005	
*03AB-	9	RELOCATING RELOADER 2501 LISTING	2191284	420317	
**0314*	9	1231 FUNCTION TEST DESCRIPTION	2243555	420403	
**0314-	9	1231 FUNCTION TEST LISTING	2243553	420317	
***030D*	9	1403 PRINTER FUNCTION DESCRIPTION	2243558	420403	
***030D-	9	1403 PRINTER FUNCTION LISTING	2243556	420317	

PAGE NO.	SH	TITLE	PART NO	EC NO.	FEATURE B/M OR B/MS
**		LGGIC TYPE DIAGNOSTIC MANUAL		7	
0304*	9	KEYBOARD/CONSOLE DESCRIPTION	2191242	420317	
0304-	9	KEYBOARD/CONSOLE LISTING	2191240	420317	
0305*	9	1627 PLOTTER FUNCTION DESCRIPTION	2191238	415490	
0305-	9	1627 PLOTTER FUNCTION LISTING	2191236	415490	
030B	9	1134/1055 FUNCTION DESCRIPTION	2191234	420317	
*030B-	9	1134/1055 FUNCTION LISTING	2191232	415490B	
030C	9	1132 PRINTER FUNCTION DESCRIPTION	2191222	420403	
*030C-	9	1132 PRINTER FUNCTION LISTING	2191220	415490	
030F	9	1442 FUNCTION DESCRIPTION	2191226	415490B	
*030F-	9	1442 FUNCTION LISTING	2191224	415490	
032F	9	1442 TIMING TEST DESCRIPTION	2191230	571005	
*032F-	9	1442 TIMING TEST LISTING	2191228	415490	
**030E*	9	2501/1442 5 F.T. TEST DESCRIPTION	2243552	420403	
**030E-	9	2501/1442 5 F.T. TEST LISTING	2243550	420403	

PAGE NO.	SH	TITLE	PART NO	EC NO.	FEATURE B/M OR B/MS
** LOGIC TYPE DIAGNOSTIC PROGRAMS 8					
03B0#	9	HIGH CORE FUNCTION TEST PROGRAM	2243965	420403	
0300#	9	DIAGNOSTIC MONITOR PROGRAM	2191201	571005	
0304#	9	KEYBOARD/CONSOLE PRINTER PROGRAM	2191241	420317	
0308#	1	2315 DISK INITIALIZATION PROGRAM	2191217	420403	.W. 2190930
0309#	1	DISK STORAGE FUNCTION PROGRAM	2191213	571005	.W. 2190930
**03A1	9	CPU FUNCTION PROGRAM	2191205	420403	
*030B#		FUNCTION TEST PROGRAM	2191233	415490B	.W. 2191331
*030F#	1	FUNCTION TEST DECK	2191225	415490B	.W. 2191321
*032F#	1	TIMING TEST DECK	2191229	415490B	.W. 2191321
**03A3#	9	BASIC DIAGNOSTIC LOADER DECK	2191253	415490	
**03A5#	9	ONE CARD DT PROGRAM	2191261	415490	
**03B1#	9	LOW CORE FUNCTION TEST PROGRAM	2243968	420403	
***03A4#	9	METER TEST PROGRAM	2191249	571005	
***03A6#	9	CORE STORAGE ADJUSTMENT PROGRAM	2191245	420403	
***03A8#	9	INTERRUPT PROGRAM	2191269	420403	
***030A#	9	DISK ADJUSTMENT PROGRAM	2243958	571005	
****03A0#	9	1130 SCOPE LOOP PROGRAM	2243963	420400	
****0302#	9	1130 DIMAL PROGRAM	2243960	420403	

PAGE NO.	SH	TITLE	PART NO	EC NO.	FEATURE B/M OR B/MS
** LOGIC TYPE SYSTEM DIAGRAMS 0					
AC001	1	SOCKET LISTING	2201217	419659	.W. 2190911
AC002	9	SOCKET LISTING 2 PAGES	2201218	419659	.W. 2190550
AC003	9	SOCKET LISTING 2 PAGES	2201219	415491	.W. 2190550
AC004	9	SOCKET LISTING 2 PAGES	2201220	419633	.W. 2190550
AC005	9	SOCKET LISTING 2 PAGES	2201221	419633	.W. 2190550
AD000	9	JUMPERS-TIE DOWNS	2201285	419613	.W. 2190550
AE000	9	TERMINATORS	2201298	415483A	.W. 2190550
BA000	9	SOCKET RESERVATIONS	2201284	419633	.W. 2190550
BA001	9	SOCKET RESERVATIONS	2201342	419633	.W. 2190550
BA101	9	INPUT OUTPUT BUS BITS 0-1-2	2201286	415483	.W. 2190550
BB101	9	INPUT OUTPUT BUS BITS 0-1-2	2201001	419633	.W. 2190550
BB111	9	INPUT OUTPUT BUS BITS 3-4-5	2201002	415483	.W. 2190550
BB121	9	INPUT OUTPUT BUS BITS 6-7-8	2201003	415487	.W. 2190550
BB131	9	INPUT OUTPUT BUS BITS 9-10-11-12	2201004	415480A	.W. 2190550
BB141	9	INPUT OUTPUT BUS BITS 13-14-15	2201005	419633	.W. 2190550
DN101	9	OP DECODE NO. 1	2201006	419633	.W. 2190550
DN111	9	OP DECODE NO. 2	2201007	419633	.W. 2190550
DN201	9	XID GATES X CLOCK ADVANCE	2201008	419659	.W. 2190550
DU101	9	FUNCTION DECODE AND ENTRY GT	2201009	419609	.W. 2190550
DU111	9	AREA DECODE AND SENSE RESET	2201010	419609	.W. 2190550
DU121	9	U REGISTER POWERING	2231030	419631	
FA101	9	CHANNEL CLOCK POWERING	2231031	419631	
FA111	9	CHANNEL DATA POWERING BITS 0-7	2231032	419631	
FA121	9	CHANNEL DATA POWERING BITS 8-15	2231033	419631	
FA131	9	CHANNEL ADDRESS ENTRY BITS 0-7	2231034	419631	
FA141	9	CHANNEL ADDRESS ENTRY BITS 8-15	2231035	419631	
FA151	9	CHANNEL DATA ENTRY BITS 0-7	2231036	419631	
FA161	9	CHANNEL DATA ENTRY BITS 8-15	2231037	419631	
FA171	9	CHANNEL INTERRUPT ENTRY	2231038	419631	
FA181	9	CHANNEL CONTROLS	2231039	419631	
FA191	9	CHANNEL ILSW ENTRY	2231040	419631	
FA201	9	CYCLE STEAL DATA ENTRY	2231041	419631	
KA101	9	OSCILLATOR PHASE	2201011	415481	.W. 2190550
KA111	9	PHASE A&B RESET DELAY START ADVNC	2201012	419633	.W. 2190550
KB101	9	BR-1 BR-2 A TO M SAMPLE	2201013	419633	.W. 2190550
KB111	9	SKIP SAMPLE BRANCH OUT ADD TO INT	2201014	415480A	.W. 2190550
KC101	9	T CLOCK	2201015	415480D	.W. 2190550
KC111	9	T CLOCK	2201016	419613	.W. 2190550
KD101	9	CYCLE TIMER	2201017	419633	.W. 2190550
KD111	9	CYCLE TIMER	2201018	419633	.W. 2190550
KG101	9	A TO M&I TO M SAMPLE PULSE DRIVE	2201019	419633	.W. 2190550
KG111	9	CLK ADVANCE MTOI I B TO I PHASE A	2201020	419633	.W. 2190550
KG121	9	SAMPLE PULSE DRIVERS	2201021	419633	.W. 2190550
KG131	9	SAMPLE PULSE DRIVERS	2201022	419633	.W. 2190550
KG141	9	SAMPLE PULSE DRIVERS	2201023	419633	.W. 2190550
KG151	9	SAMPLE PULSE DRIVERS	2201024	419633	.W. 2190550
KG201	9	I INCREMENTOR	2201025	415480A	.W. 2190550
KG211	9	I INC GATE	2201026	419633	.W. 2190550
KG221	9	T7 END OP T7 COUNT 0	2201027	419633	.W. 2190550
KG231	9	I TO A AND B TO D GATE	2201028	419633	.W. 2190550
KG241	9	I TO B AND A TO B GATE	2201029	419633	.W. 2190550
KG251	9	WRITE GATE PHASE A AND B	2201030	419633	.W. 2190550
KM101	9	X CLOCK	2201031	419633	.W. 2190550
KM111	9	X CLOCK	2201032	419633	.W. 2190550
KM201	9	INTERRUPT ENTRY	2201033	419613	.W. 2190550
KM211	9	CYCLE STEAL LEVELS 0 AND 1	2201037	419633	.W. 2190550
KM301	9	INTERRUPT LEVELS C AND 1	2201034	419633	.W. 2190550
KM311	9	INTERRUPT LEVELS 2 AND 3	2201035	419633	.W. 2190550
KM321	9	INTERRUPT LEVELS 4 AND 5	2201036	419609	.W. 2190550
KR101	9	PARITY CHECK	2201039	415483	.W. 2190550
KR111	9	PARITY BIT TRIGGERS	2201040	415709G	.W. 2190550
KS101	9	CARRY TEMP CARRY DBL PR CARRY	2201041	419613	.W. 2190550
KS111	9	OVERFLOW SKIP CONDITION	2201042	419633	.W. 2190550
KT101	9	MPY ARITH ACTION E NOT MPY	2201043	419633	.W. 2190550
KT111	9	ARITH SIGN AND ADD	2201044	419633	.W. 2190550
KT121	9	MPY E SHIFT CONTROL	2201045	415481	.W. 2190550
KT131	9	ZERO REMAINDER	2201046	419633	.W. 2190550
KT201	9	ADD SUB GT	2201047	419613	.W. 2190550
KT301	9	A BIT 0 SHIFT RT ENTR	2201048	419633	.W. 2190550
KT311	9	SHIFT RIGHT LEFT SAMPLE	2201049	415481	.W. 2190550
KT321	9	CONSOLE SIGNAL INTEGRATORS	2201295	415725	.W. 2190550
KT331	9	INT LEVEL SET RESET	2201052	419659	.W. 2190550
KU101	9	ACCUMULATOR-A REG EQUAL ZERO	2201053	419633	.W. 2190550
KU111	9	ACC INPUT BUSS	2201054	419633	.W. 2190550
KU201	9	INDEX ADDR 1-2-3 STOP LATCH	2201055	415483	.W. 2190550
KU211	9	T & X CLOCK	2201056	415481	.W. 2190550
KU301	9	IX ADDRESS INHIBIT SAR	2201057	419633	.W. 2190550
KU311	9	REGISTER RESET	2201058	419609	.W. 2190550
KW101	9	PROCESSOR USAGE METER CONTROL	2201215	419633	.W. 2190550
00000	9	TABLE OF CONTENTS	2231981	419659	.W. 2190550

PAGE NO.	SH	TITLE	PART NO	EC NO.	FEATURE B/M DR B/MS
** LOGIC TYPE SYSTEM DIAGRAMS			0		
KA101	9	OSCILLATOR PHASE A SPD RUN T CLK	2231092	419631	
KA111	9	PHASE A&B RESET DELAY START ADVNC	2231093	419631	
KB101	9	BR-1 BR-2 A TO M SAMPLE M TO I SM	2231094	419631	
KB111	9	SKIP SAMPLE BRANCH OUT ADD TO STR	2231359	419631	
KC101	1	T CLOCK TO T1 T2 T3 T0123	2231096	419631	
KC101	9	T CLOCK TO T1 T2 T3 T0123	2231096	419631	
KC111	9	T CLOCK T4 T5 T6 T7	2231097	419631	
KD101	1	CYCLE TIMER I1 I2 IX	2231098	419631	
KD101	9	CYCLE TIMER I1 I2 IX	2231098	419631	
KD111	9	CYCLE TIME IA E E1 E3	2231360	419631	
KG101	9	A TO M & I TO M SMP PULSE DRIVERS	2231361	419631	
KG111	9	CLK ADV M TO I B TO I PH A S P D	2231362	419631	
KG121	9	I O TO B A TO B I TO B SMP PLS DR	2231363	419631	
KG131	9	A TO U U TO A XCHE A&Q SMP PLS DR	2231364	419631	
KG141	9	SHIFT LEFT A Q SAMPLE PLSE DRVRS	2231365	419631	
KG151	9	SHIFT RT A Q RESET D & SMP PLS DR	2231366	419631	
KG201	9	I INCREMENTOR	2231367	419631	
KG211	9	B TO I M TO I &I INC GTE I TO M	2231368	419631	
KG221	9	T7 END OP T7 COUNT 0 CCC CONTROLS	2231369	419631	
KG231	9	I TO A&B TO D GATE A TO U&U TO A	2231109	419631	
KG241	9	I TO B&A TO B GATE STX T 00 MDX	2231370	419631	
KG251	9	WRITE GATE PHASE A&B BIT 0 LATCH	2231371	419631	
KM101	9	X CLOCK X0 X1 X2 X3 X0123	2231112	419631	
KM111	9	X CLOCK X4 X5 X6 X7	2231113	419631	
KM201	9	INTERRUPT ENTRY	2231114	419631	
KM211	9	CYCLE STEAL LEVELS 0 AND 1	2231115	419631	
KM212	9	CYCLE STEAL LEVELS 2 AND 3	2231116	419631	
KM301	9	INTERRUPT LEVELS C AND 1	2231117	419631	
KM311	9	INTERRUPT LEVELS 2 AND 3	2231118	419631	
KM321	9	INTERRUPT LEVELS 4 AND 5	2231119	419631	
KR101	9	PARITY CHECK	2231372	419631	
KR111	9	PARITY BIT TRIGGERS PARITY STOP	2231121	419631	
KS101	9	CARRY TEMP CARRY DBL PR CARRY	2231373	419631	
KS111	9	OVERFLOW SKIP CONDITION	2231374	419631	
KT101	9	MPY ARITH ACTION E NOT MPY E1 DIV	2231375	419631	
KT111	9	ARITHMETIC SIGN AND ADD	2231376	419631	
KT121	9	MPY E SHIFT CTRL ARITH CONTROL	2231377	419631	
KT131	9	ZERO REMAINDER SET DIV OFLO E1 E2	2231378	419631	
KT201	9	ADD SUB GT A 15 SHFT LT EN SET AR	2231379	419631	
KT301	9	A BIT 0 SHIFT RT ENTR SLC SHFT OP	2231380	419631	
KT311	9	SFT RT LT SAMPLE SLC E RESET ACC	2231381	419631	
KT321	9	CONSOLE SIGNAL INTEGRATORS	2231131	419631	
KT331	9	INT LVL SET RESET SPD T7 SP CLK A	2231132	419631	
KU101	9	ACC A REG EQLS 0 ARITH FCT D REG	2231382	419631	
KU111	9	ACC INPUT BUSS I BITS 10-15 CCC	2231383	419631	
KU201	9	INDEX ADDR 1 2 3 STP LTCH D CT 16	2231135	419631	
KU211	9	T&X CLK OSC A PROG LD PWR WAIT NT	2231136	419631	
KU301	9	IX ADD INHBT SAR STX E1 SLC RE CR	2231137	419631	
KU311	9	REGISTER RESET PARITY CK CTRL GTE	2231138	419631	
KW101	9	PROCESSOR USAGE METERS CONTROL	2231139	419631	
MB101	9	STORAGE ADDRESS BUSS	2201059	419633	.W. 2190550
MB111	9	STORAGE ADDRESS ASSEMBLY	2231141	419631	
MB201	9	FILE PRINTER ADDRESS BUSS	2201060	419633	.W. 2190550
MC101	9	STORAGE READ WRITE CYCLES	2201061	419608	.W. 2190550
RA101	9	A AND U REGISTER BIT 0	2201062	419633	.W. 2190550
RA111	9	A AND U REGISTER BIT 1	2201063	419633	.W. 2190550
RA121	9	A AND U REGISTER BIT 2	2201064	419633	.W. 2190550
RA131	9	A AND U REGISTER BIT 3	2201065	419633	.W. 2190550
RA141	9	A AND U REGISTER BIT 4	2201066	419633	.W. 2190550
RA151	9	A AND U REGISTER BIT 5	2201067	419633	.W. 2190550
RA161	9	A AND U REGISTER BIT 6	2201068	419633	.W. 2190550
RA171	9	A AND U REGISTER BIT 7	2201069	419633	.W. 2190550
RA201	9	A AND U REGISTER BIT 8	2201070	419633	.W. 2190550
RA211	9	A AND U REGISTER BIT 9	2201071	419633	.W. 2190550
RA221	9	A AND U REGISTER BIT 10	2201072	419633	.W. 2190550
RA231	9	A AND U REGISTER BIT 11	2201073	419633	.W. 2190550
RA241	9	A AND U REGISTER BIT 12	2201074	419633	.W. 2190550
RA251	9	A AND U REGISTER BIT 13	2201075	419633	.W. 2190550
RA261	9	A AND U REGISTER BIT 14	2201076	419633	.W. 2190550
RA271	9	A AND U REGISTER BIT 15	2201077	419633	.W. 2190550
RB101	9	I B AND M REGISTER BIT 0	2201078	419633	.W. 2190550
RB111	9	I B AND M REGISTER BIT 1	2201079	419633	.W. 2190550
RB121	9	I B AND M REGISTER BIT 2	2201080	419633	.W. 2190550
RB131	9	I B AND M REGISTER BIT 3	2201081	419633	.W. 2190550
RB141	9	I B AND M REGISTER BIT 4	2201082	419633	.W. 2190550
RB151	9	I B AND M REGISTER BIT 5	2201083	419633	.W. 2190550
RB161	9	I B AND M REGISTER BIT 6	2201084	419633	.W. 2190550
RB171	9	I B AND M REGISTER BIT 7	2201085	419633	.W. 2190550
RB201	9	I B AND M REGISTER BIT 8	2201086	419633	.W. 2190550
RB211	9	I B AND M REGISTER BIT 9	2201087	419633	.W. 2190550
RB221	9	I B AND M REGISTER BIT 10	2201088	415483	.W. 2190550
RB231	9	I B AND M REGISTER BIT 11	2201089	415483	.W. 2190550

PAGE NO.	SH	TITLE	PART NO	EC NO.	FEATURE B/M OR B/MS
** LOGIC TYPE		SYSTEM DIAGRAMS		0	
RB241	9	I B AND M REGISTER BIT 12	2201090	419633	.W. 2190550
RB251	9	I B AND M REGISTER BIT 13	2201091	419633	.W. 2190550
RB261	9	I B AND M REGISTER BIT 14	2201092	419633	.W. 2190550
RB271	9	I B AND M REGISTER BIT 15	2201093	419633	.W. 2190550
RB301	9	B REGISTER POWERING BITS 0-7	2201094	415483	.W. 2190550
RB311	9	B REGISTER POWERING BITS 8-15	2201050	419633	.W. 2190550
RB321	9	-B POWER TERMINATORS	2201216	419633	.W. 2190550
RD101	9	B REGISTER BIT 0-1	2201095	419633	.W. 2190550
RD111	9	B REGISTER BIT 2-3	2201096	419633	.W. 2190550
RD121	9	B REGISTER BIT 4-5	2201097	419633	.W. 2190550
RD131	9	B REGISTER BIT 6-7	2201098	419633	.W. 2190550
RD141	9	B REGISTER BITS 8-9	2201099	419633	.W. 2190550
RD151	9	B REGISTER BITS 10-11	2201100	419633	.W. 2190550
RD161	9	B REGISTER BITS 12-13	2201101	419633	.W. 2190550
RD171	9	B REGISTER BITS 14-15	2201102	419633	.W. 2190550
RN101	9	OP-FORMAT-TAG REGISTER	2201103	419633	.W. 2190550
RN111	9	MOD 8 MOD 9 WAIT OP	2201104	415483	.W. 2190550
RQ101	9	Q REGISTER BITS C-1	2201105	419633	.W. 2190550
RQ111	9	Q REGISTER BITS 2-3	2201106	419633	.W. 2190550
RQ121	9	Q REGISTER BITS 4-5	2201107	419633	.W. 2190550
RQ131	9	Q REGISTER BITS 6-7	2201108	419633	.W. 2190550
RQ141	9	Q REGISTER BITS 8-9	2201109	419633	.W. 2190550
RQ151	9	Q REGISTER BITS 10-11	2201110	419633	.W. 2190550
RQ161	9	Q REGISTER BITS 12-13	2201111	419633	.W. 2190550
RQ171	9	Q REGISTER BITS 14-15	2201112	419633	.W. 2190550
RS101	9	CYCLE CONTROL COUNTER 1-2	2201113	419633	.W. 2190550
RS111	9	CYCLE CONTROL COUNTER 4-8	2201114	419633	.W. 2190550
RS121	9	CYCLE CONTROL COUNTER 16-32	2201115	415483	.W. 2190550
WF391	9	FIE PROCESSOR INTERFACE	2201144	415491	.W. 2190550
WZ011	9	SJ-2 & SJ-4 STORAGE INTERFACE	2201278	415495	.W. 2190550
WZ021	9	SJ-2 & SJ-4 STORAGE INTERFACE	2201279	415495	.W. 2190550
WZ031	9	SJ-2 & SJ-4 STORAGE INTERFACE	2201280	415495	.W. 2190550
WZ041	9	SJ-2 & SJ-4 STORAGE INTERFACE	2201281	415495	.W. 2190550
WZ051	9	SJ-2 & SJ-4 STORAGE INTERFACE	2201282	415495	.W. 2190550
WZ061	9	SJ-2 & SJ-4 STORAGE INTERFACE	2201283	415495	.W. 2190550

PAGE NO.	SH	TITLE	PART NO	EC NO.	FEATURE B/M OR B/MS
**		LOGIC TYPE SYSTEM DIAGRAMS		0	
RB101	9	I B AND M REGISTER BIT 0	2231160	419631	
RB111	9	I B AND M REGISTER BIT 1	2231161	419631	
RB121	9	I B AND M REGISTER BIT 2	2231162	419631	
RB131	9	I B AND M REGISTER BIT 3	2231163	419631	
RB141	9	I B AND M REGISTER BIT 4	2231164	419631	
RB151	9	I B AND M REGISTER BIT 5	2231165	419631	
RB161	9	I B AND M REGISTER BIT 6	2231166	419631	
RB171	9	I B AND M REGISTER BIT 7	2231167	419631	
RB201	9	I B AND M REGISTER BIT 8	2231168	419631	
RB211	9	I B AND M REGISTER BIT 9	2231169	419631	
RB221	9	I B AND M REGISTER BIT 10	2231170	419631	
RB231	9	I B AND M REGISTER BIT 11	2231171	419631	
RB241	9	I B AND M REGISTER BIT 12	2231172	419631	
RB251	9	I B AND M REGISTER BIT 13	2231173	419631	
RB261	9	I B AND M REGISTER BIT 14	2231174	419631	
RB271	9	I B AND M REGISTER BIT 15	2231175	419631	
RB301	9	B REGISTER POWERING BITS 0-7	2231176	419631	
RB311	9	B REGISTER POWERING BITS 8-15	2231177	419631	
RB321	9	-B POWERING TERMINATORS	2231178	419631	
RD101	9	D REGISTER BITS 0 AND 1	2231384	419631	
RD111	9	D REGISTER BITS 2 AND 3	2231385	419631	
RD121	9	D REGISTER BITS 4 AND 5	2231386	419631	
RD131	9	D REGISTER BITS 6 AND 7	2231387	419631	
RD141	9	D REGISTER BITS 8 AND 9	2231388	419631	
RD151	9	D REGISTER BITS 10 AND 11	2231389	419631	
RD161	9	D REGISTER BITS 12 AND 13	2231390	419631	
RD171	9	D REGISTER BITS 14 AND 15	2231391	419631	
RN101	9	OP-FORMAT-TAG REGISTER	2231392	419631	
RN111	9	MOD 8 MOD 9 WAIT OP DEL WD OD ADD	2231188	419631	
RQ101	9	Q REGISTER BITS 0 AND 1	2231393	419631	
RQ111	9	Q REGISTER BITS 2 AND 3	2231394	419631	
RQ121	9	Q REGISTER BITS 4 AND 5	2231395	419631	
RQ131	9	Q REGISTER BITS 6 AND 7	2231396	419631	
RQ141	9	Q REGISTER BITS 8 AND 9	2231397	419631	
RQ151	9	Q REGISTER BITS 10 AND 11	2231398	419631	
RQ161	9	Q REGISTER BITS 12 AND 13	2231399	419631	
RQ171	9	Q REGISTER BITS 14 AND 15	2231400	419631	
RS101	9	CYCLE CONTROL COUNTER 1-2	2231401	419631	
RS111	9	CYCLE CONTROL COUNTER 4-8	2231402	419631	
RS121	9	CYCLE CONTROL COUNTER 16-32	2231403	419631	
WF391	9	FILE PROCESSOR INTERFACE	2231404	419631	
WZ011	9	SJ-2 OR SJ-4 STORAGE INTERFACE	2231405	419631	
WZ021	9	SJ-2 OR SJ-4 STORAGE INTERFACE	2231202	419631	
WZ031	9	SJ-2 OR SJ-4 STORAGE INTERFACE	2231406	419631	
WZ041	9	SJ-2 OR SJ-4 STORAGE INTERFACE	2231407	419631	
WZ051	9	SJ-2 OR SJ-4 STORAGE INTERFACE	2231408	419631	
WZ061	9	SJ-2 OR SJ-4 STORAGE INTERFACE	2231206	419631	
XC101	9	CONSOLE DSW DATA BITS 0-2-4-6	2201117	419633	.W. 2190550
XC111	9	CONSOLE DSW DATA BITS 8-10-12-14	2201118	419633	.W. 2190550
XC121	9	CONSOLE DSW DATA BITS 1-3-5-7	2201119	419633	.W. 2190550
XC131	9	CONSOLE DSW DATA BITS 9-11-13-15	2201120	419633	.W. 2190550
XC141	9	PROG LOAD RESET CONDITION	2201121	419633	.W. 2190550
XF101	9	FILE SHIFT SP	2201130	419633	.W. 2190550
XF111	9	B REGISTER INVERTER SECTOR FILTER	2201131	415480A	.W. 2190550
XF121	9	FILE RW SEL RW REQ READ CHECK OP	2201122	419613	.W. 2190550
XF131	9	FILE READ WRITE CONDITION	2201123	419659	.W. 2190550
XF141	9	FILE SHIFT GATE	2201124	419633	.W. 2190550
XF151	9	INCR WORD COUNT	2201125	415491	.W. 2190550
XF161	9	FILE WRITE DATA GATE	2201126	419613	.W. 2190550
XF171	9	FILE ACCESS BUSY	2201127	419633	.W. 2190550
XF181	9	FILE SECTOR COUNTER	2201128	415491	.W. 2190550
XF191	9	FILE HEAD SELECT	2201129	415491	.W. 2190550
XF201	9	FILE WORD COUNTER REGISTER	2201132	419613	.W. 2190550
XF211	9	FILE WORD COUNTER REGISTER	2201133	419613	.W. 2190550
XF221	9	FILE CORE ADDRESS REGISTER	2201138	419633	.W. 2190550
XF231	9	FILE CORE ADDRESS REGISTER	2201139	419633	.W. 2190550
XF241	9	FILE BIT COUNTER	2201140	419633	.W. 2190550
XF251	9	FILE CHECK COUNTER	2201141	419633	.W. 2190550
XF261	9	FILE INPUT BUSS ASSEMBLY	2201142	419633	.W. 2190550
XF271	9	FILE INPUT BUSS ASS BITS 8-15	2201143	419633	.W. 2190550
XF301	9	FILE DATA REGISTER BITS 0-3	2201134	419633	.W. 2190550
XF311	9	FILE DATA REGISTER BITS 4-7	2201135	419633	.W. 2190550
XF321	9	FILE DATA REGISTER BITS 8-11	2201136	419633	.W. 2190550
XF331	9	FILE DATA REGISTER BITS 12-15	2201137	419633	.W. 2190550
XG101	9	PLOTTER DRUM & CARRIAGE DRIVE	2201145	415483	.W. 2190550
XG111	9	PLOTTER PEN DRIVE	2201146	415485	.W. 2190550
XK101	9	KBD SELECT RESPONSE GATE	2201147	415483	.W. 2190550
XK111	9	KBD RESTORE RESPONSE TGR	2201148	419633	.W. 2190550
XP101	1	PRINTER CARRIAGE CONTROLS	2201152	419659	.W. 2190911
XP111	1	CARRIAGE CHANNEL LATCH	2201153	419622	.W. 2190911
XP121	1	PRINTER RUN AND READY CONTROLS	2201149	415489	.W. 2190911
XP131	1	PRINTER DISC CLOCK	2201150	415496	.W. 2190911

PAGE NO.	SH	TITLE	PART NO	EC NO.	FEATURE B/M OR B/MS
** LOGIC TYPE SYSTEM DIAGRAMS			0		
XP141	1	PRINTER ADDRESS REGISTER	2201151	419633	.W. 2190911
XP201	1	PRINTER INTERRUPT AND ERROR	2201154	419659	.W. 2190911
XP211	1	PRINTER BUFFER REGISTER	2201155	419633	.W. 2190911
XP221	1	PRINTER BUFFER REGISTER	2201156	419633	.W. 2190911
XP301	1	PRINTER INPUT BUS BITS 0-3	2201157	419633	.W. 2190911
XP311	1	PRINTER INPUT BUS BITS 4-7	2201158	419633	.W. 2190911
XP321	1	PRINTER INPUT BUS BITS 8-15	2201159	419633	.W. 2190911
XP331	1	PRINTER ENTRY	2201225	419633	.W. 2190911
XP341	1	PRINTER EXIT	2201226	415491	.W. 2190911
XR111	9	SRP ENTRY EXIT	2201181	419604	.W. 2190550
XR121	9	SRP ENTRY	2201182	419604	.W. 2190550
XR201	9	SRP START-READY-NPRO LATCHES	2201183	419659	.W. 2190550
XR211	9	SRP MOTOR-FEED CLUTCH LATCHES	2201184	419613	.W. 2190550
XR221	9	SRP FEED INTERLOCK	2201185	419659	.W. 2190550
XR231	9	SRP ERROR CHECK	2201186	419613	.W. 2190550
XR241	9	SRP AREA 2 CONTROL	2201187	419613	.W. 2190550
XR251	9	SRP INCR DRIVE A AND B	2201188	419613	.W. 2190550
XR261	9	SRP PUNCH	2201189	419659	.W. 2190550
XR271	9	SRP PUNCH MAGNET GATES	2201190	419613	.W. 2190550
XR281	9	SRP FEED CB 1-2	2201198	419659	.W. 2190550
XR291	9	SRP READ PUNCH LEVEL 0 RESPONSE	2201199	419613	.W. 2190550
XR301	9	SRP SS 1-SS 2TGR 1-TGR	2201191	419613	.W. 2190550
XR311	9	SRP REGISTER RESET	2201192	419613	.W. 2190550
XR321	9	SRP REGISTER COMPLEMENT BITS	2201193	419613	.W. 2190550
XR331	9	SRP REGISTER COMPLEMENT BITS	2201194	419613	.W. 2190550
XR341	9	SRP BUFFER REGISTER BITS 12-11-10	2201195	419613	.W. 2190550
XR351	9	SRP BUFFER REGISTER BITS 2-3-4-5	2201196	419659	.W. 2190550
XR361	9	SRP BUFFER REGISTER BITS 6-7-8-9	2201197	419659	.W. 2190550
XR371	9	SRP DSW BITS AND DATA BITS	2201200	419613	.W. 2190550
XR381	9	SRP DSW BITS AND DATA BITS	2201201	419613	.W. 2190550
XT101	9	PAPER TAPE PROGRAM LOAD	2201288	419633	.W. 2190550
XT111	9	PAPER TAPE PUNCH BUFFERS 1AB 8TH	2201203	419633	.W. 2190550
XT121	9	PAPER TAPE PUNCH BUFFERS 248 C	2201204	419633	.W. 2190550
XT201	9	PAPER TAPE PUNCH	2201289	415725	.W. 2190550
XT211	9	PAPER TAPE PUNCH BUFFERS DRIVE	2201206	415725	.W. 2190550
XT221	9	PAPER TAPE PUNCH BUFFERS	2201291	419608	.W. 2190550
XT231	9	PAPER TAPE PUNCH CONTROL	2201346	415726	.W. 2190550
XT301	9	PAPER TAPE READ CLUTCH DRIVE	2201292	419608	.W. 2190550
XT311	9	PAPER TAPE READ CONTACTS 1248	2201293	415725	.W. 2190550
XT321	9	PAPER TAPE READ CONTACTS ABC	2201210	419603	.W. 2190550
XT331	9	PAPER TAPE READER OSC & CONTROL	2201287	419609	.W. 2190550
XW101	9	TWR BUSY BUFFER LOAD SP	2201211	415483	.W. 2190550
XW111	9	TWR EOL CR-LF RESET SP	2201212	419607	.W. 2190550
XW121	9	TWR SHIFT UP/DOWN	2201227	415483	.W. 2190550
XW211	9	TWR DRIVE SELECT	2201213	419633	.W. 2190550
XW221	9	TWR DRIVE SELECT	2201214	415499	.W. 2190550

PAGE NO.	SH	TITLE	PART NO	EC NO.	FEATURE B/M OR B/MS
** LCGIC TYPE		SYSTEM DIAGRAMS	0		
XP341	9	PRINTER EXIT	2231435	419631	
XR111	9	SRP ENTRY EXIT	2231251	419631	
XR121	9	SRP ENTRY	2231436	419631	
XR201	9	SRP START-READY NPRO LATCHES	2231253	419631	
XR211	9	SRP MOTOR FEED CLUTCH LATCHES	2231437	419631	
XR221	9	SRP FEED INTLK-CARD PCH STA CD	2231255	419631	
XR231	9	SRP ERROR CHK MISFD STKR JAM-FD	2231256	419631	
XR241	9	SRP AREA 2 CTRL XIO RD XIO FD-PCH	2231257	419631	
XR251	9	SRP INCR DRV A&B STKER SEL-LST PN	2231438	419631	
XR261	9	SRP PUNCH-PCH DATA PROC METER-LST	2231439	419631	
XR271	9	SRP PUNCH MAGNET GATE.	2231440	419631	
XR281	9	SRP FD CB 1-2-LVL 4 RESP PCH CB12	2231261	419631	
XR291	9	SRP RD PCH LVL 0 RESP PCH CB12	2231262	419631	
XR301	9	SRP SS 1-SS 2TGR 1-TGR 2	2231441	419631	
XR311	9	SRP REG RESET COMP SPD RD PCH INT	2231442	419631	
XR321	9	SRP REG COMP BTS 12 11 0 1 2 3	2231443	419631	
XR331	9	SRP REGISTER COMPLEMENT BITS	2231444	419631	
XR341	9	PRINTER EXIT	2231445	419631	
XR351	9	SRP BUFFER REG BITS 2 3 4 5	2231446	419631	
XR361	9	SRP BUFFER REG BITS 6 7 8 9	2231447	419631	
XR371	9	SRP DSW BTS & DATA BITS 01234567	2231270	419631	
XR381	9	SRP DSW BITS & DATA BITS 8-15	2231271	419631	
XT101	9	PAPER TAPE PROGRAM LOAD	2231448	419631	
XT111	9	PAPER TAPE PROG LOAD BUFFERS 0-3	2231449	419631	
XT121	9	PAPER TAPE PROG LOAD BUFFERS 8-11	2231450	419631	
XT201	9	PAPER TAPE PUNCH	2231451	419631	
XT211	9	PT PUNCH BUFFERS DRIVE 1 A B 8TH	2231452	419631	
XT221	9	PAPER TAPE PUNCH EUFFERS DRIVE	2231277	419631	
XT231	9	PAPER TAPE PUNCH CONTROL	2231453	419631	
XT301	9	PT READ CLUTCH DR RDY-BUSY-RESPNE	2231279	419631	
XT311	9	PT READ CONTACTS 1 2 4 8 SOB4567	2231454	419631	
XT321	9	PT READ CNTS ABC 8TH DBTS 0 1 2 3	2231455	419631	
XT331	9	PT READER OSC AND CONTROL	2231282	419631	
XW111	9	TWR SHIFT	2231284	419631	
XW121	9	TWR SHIFT UP-DWN SHIFT CYCLE LTCH	2231285	419631	
XW211	9	TWR DRIVE SEL T1 T2 R1 R2A CR-LF	2231286	419631	
XW221	9	TWR DRIVE SEL R2 R5 AUX RIBBON SF	2231457	419631	
YP001	1	POWER SUPPLY LAYOUT 50 & 60 HZ	2201315	419610B	.W. 2190560
YP002	1	PHYSICAL LAYOUT SEQ BX 50&60 HZ	2201316	419610B	.W. 2190560
YP003	1	3V 8A & 3V 16A PWR SUP 50&60 HZ	2201328	419610B	.W. 2190560
YP004	1	6V 12A POWER SUPPLY 50 & 60 CYCLE	2201317	415480E	.W. 2190560
YP005	1	3V & 6 AMPLIFIER CARDS 50&60 CYLE	2201318	415480E	.W. 2190560
YP006		12V POWER SUPPLY 50&60 CYCLE	2201319	415480E	.W. 2197254
YP006	1	12V POWER SUPPLY 50 & 60 CYCLE	2201319	415480E	.W. 2190560
YP007	1	48V POWER SUPPLY 50 & 60 HERTZ	2201320	419610B	.W. 2190560
YP008	1	LOGIC VOLTAGE SENSE 50/60 CYCLE	2201000	415497A	.W. 2190560
YP101	1	AC VOLT DISTR 115V SEQ BOX 60 HZ	2201321	420364	.W. 2190560
YP111	1	AC VOLT DISTR 115V SEQ BX&BW 60HZ	2201322	419610B	.W. 2190560
YP121	1	PWR SUP 6 3 & -3V DC 50/60 HZ	2201323	419610B	.W. 2190560
YP131	1	PWR SUP 48V & 12V 50 AND 60 HZ	2201324	420364	.W. 2190560
YP141	1	DC VOLTAGE DISTRIBUTION 50&60 HZ	2201325	415497	.W. 2190560
YP151	1	B GATE DC VOLT DISTR MPS	2201326	415497	.W. 2190560
YP161	1	A GATE DC VOLTAGE DISTRIBUTION	2201327	415480D	.W. 2190560
YP161	9	A GATE DC VOLTAGE DISTRIBUTION	2201327	415480D	.W. 2190550
ZA101	9	I/O SIGNAL FEED THROUGH	2201309	419610B	.W. 2190550
ZB101	1	I/O POWER DISTRIBUTION	2201312	420364	.W. 2190560
ZK101	9	LOGIC PAGE	2201300	420364	.W. 2190550
ZK111	1	KEYBOARD SW & LIGHT PANEL	2201301	420364	.W. 2190560
ZK121		KEYBOARD CONT DECODE DOMESTIC KBD	2201302	415709G	.W. 2191439
ZL101	9	LIGHT PANEL CONNECTOR LISTING	2201303	419610B	.W. 2190550
ZL111	1	LIGHT PANEL	2201304	571003	.W. 2190560
ZL111	9	LIGHT PANEL	2201304	571003	.W. 2190550
ZS101	1	BIT SWITCH AND LIGHT LOGIC	2201305	420364	.W. 2190560
ZT101	9	1134 PAPER TAPE READER LOGIC	2201306	419610B	.W. 2190550
ZT111	1	1055 PAPER TAPE PUNCH LOGIC	2201307	419610B	.W. 2190560
ZT111	9	1134 PAPER TAPE PUNCH LOGIC	2201307	419610B	.W. 2190550
ZW101	9	CONSOLE PRINTER	2201308	571003	.W. 2190550

PAGE NO.	SH	TITLE	PART NO	EC NO.	FEATURE B/M OR B/MS
** LOGIC TYPE SYSTEM DIAGRAMS 0					
AA011	9	1130 SYSTEM CONFIGURATION	2201354	415483A	.W. 2190550
AA101	9	1130 SYSTEM DATA FLOW	2201356	415483A	.W. 2190550
AA201	9	1131 DATA FLOW SWITCH LOGIC	2201360	415480D	.W. 2190550
AA211	9	1131 DATA FLOW ADDR & STOR CTRL	2201361	415480D	.W. 2190550
AA221	9	1131 DATA FLOW ARITH & BR CONTROL	2201362	415480D	.W. 2190550
AA231	9	1131 DATA FLOW I/O INT CS	2201363	415480D	.W. 2190550
AA601	9	EFFECTIVE ADDRESS CYCLE SEQ 8 PGS	2201425	419633	.W. 2190550
AA611	9	INTERRUPT FORCED BRANCH 2 PAGES	2201432	415483A	.W. 2190550
AA621	9	OP CODE 0001 EXECUTE I/O	2201435	415483A	.W. 2190550
AA631	9	OP CODE 0010 SHIFT LEFT 2 PAGES	2201437	415483A	.W. 2190550
AA632	9	OP CODE 0011 SHIFT RIGHT	2201438	415480D	.W. 2190550
AA641	9	OP CODE 00100 LOAD STATUS	2201440	415480D	.W. 2190550
AA642	9	OP CODE 00101 STORE STATUS	2201441	415480D	.W. 2190550
AA651	9	BRANCH & STORE INSTRUCTION CTRL	2201443	415480D	.W. 2190550
AA652	9	BR OR SKIP ON CONDITION	2201444	415480D	.W. 2190550
AA661	9	LOAD INDEX	2201446	415480D	.W. 2190550
AA662	9	STORE INDEX	2201447	415480D	.W. 2190550
AA663	9	OP CODE 01110 MODIFY INDEX 4 PGS	2201448	415726	.W. 2190550
AA671	9	ADD OR SUBTRACT	2201450	415480D	.W. 2190550
AA672	9	OP CODE 10001 DBL PRECISION ADD	2201451	415726	.W. 2190550
AA673	9	OP CODE 10100 MULTIPLY 2 PAGES	2201452	415483A	.W. 2190550
AA674	9	OP CODE 10101 DIVIDE 3 PAGES	2201453	415483A	.W. 2190550
AA681	9	LOAD ACCUMULATOR	2201455	415480D	.W. 2190550
AA682	9	DOUBLE LOAD	2201456	415483A	.W. 2190550
AA683	9	STORE ACCUMULATOR	2201457	415480D	.W. 2190550
AA684	9	DOUBLE STORE	2201458	415483A	.W. 2190550
AA691	9	LOGICAL AND OR EXCLUSIVE	2201460	415483A	.W. 2190550
AA701	9	TIMING CHART 11 CYCLE	2201299	415483A	.W. 2190550
AA711	9	TIMING CHART MDX	2201338	415483A	.W. 2190550
AA721	9	TIMING CHART XIO	2201297	415483A	.W. 2190550
AA731	9	TIMING CHART BSC	2201340	415483A	.W. 2190550
AA741	9	TIMING CHART SLA	2201341	415483A	.W. 2190550
AA751	9	TIMING CHART SLCA	2201339	415483A	.W. 2190550
FC702	9	SAC START WRT TIM BSC STR 2-4 WIR	2231301	419632	
FC703	9	CAT TRANS TIM STR BSC END TRANS	2231302	419632	
FC704	9	SCA XIO STR RD TIM STR 2-4 WIRE	2231303	419632	
FC705	9	CAT PHASE CNTR STR ADV RET REV CL	2231304	419632	
FC707	9	SAC DIAGNOSTIC MODE STR TIMING	2231353	419632	
FR701	9	2501 CARD READER RUN IN	2231337	419632	
FR711	9	2501 CARD READER READ CARD	2231338	419632	
FR721	9	2501 CARD READER READ TIMING	2231339	419632	
FR731	9	2501 CARD READER LAST CARD	2231340	419632	
FR741	9	2501 CARD READER PROGRAM LOAD	2231341	419632	
FR751	9	2501 CARD READER NPRO	2231342	419632	
XF401	9	DISK FILE/UNIT DATA CONTROL	2201241	415480E	.W. 2190550
XF501	9	DISK FILE/UNIT OPERATION	2201242	415480E	.W. 2190550
XF511	9	DISK FILE/READ OPERATION	2201243	415480E	.W. 2190550
XF521	9	DISK FILE/CONTROL OP ACCESS	2201244	415483A	.W. 2190550
XF701	9	MODIFY INDEX & SKIP FORMAT-0	2201245	415480E	.W. 2190550
XF711	9	DISK FILE READ TIMING	2201246	415480E	.W. 2190550
XF721	9	DISK FILE ACCESS TIMING	2201247	415480E	.W. 2190550
XG501	9	PLOTTER WRITE OP	2201248	415480E	.W. 2190550
XG701	9	TIMING CHART 11 CYCLE	2201249	415480E	.W. 2190550
XK501	9	KEYBOARD READ PLUS CONTROL OPS	2201250	415480E	.W. 2190550
XK701	9	KEYBOARD READ AND CONTROL TIMING	2201251	415483A	.W. 2190550
XP401	9	PRT UNIT DATA & CONTROL DIAGR	2201253	415483A	.W. 2190550
XP501	9	PRINTER WRITE OP	2201254	415480E	.W. 2190550
XP511	9	PRINTER CONTROL OP	2201255	419622	.W. 2190550
XP701	9	PRINTER WRITE TIMING	2201256	415480E	.W. 2190550
XP711	9	PRINTER CONTROL TIMING	2201257	419622	.W. 2190550
XR401	9	CARD READ/PUNCH UNIT DATA CONTROL	2201258	415480E	.W. 2190550
XR501	9	CARD READ/PUNCH WRITE OP	2201259	415483A	.W. 2190550
XR511	9	CARD READ/PUNCH READ OP	2201260	415483A	.W. 2190550
XR521	9	CARD READ/PUNCH PROGRAM LOAD OP	2201261	415480E	.W. 2190550
XR531	9	CARD READ/PUNCH CONTROL OP	2201262	419613	.W. 2190550
XR541	9	CARD READ/PUNCH CONTROL OP	2201263	415480E	.W. 2190550
XR701	9	CARD READ/PUNCH WRITE TIMING	2201264	415480E	.W. 2190550
XR711	9	CARD READ/PUNCH READ&PROGRAM LOAD	2201265	415480E	.W. 2190550
XR721	9	CARD READ/PUNCH CONTROL TIMING	2201266	415480E	.W. 2190550
XT401	9	PT UNIT AND CONTROL DIAGRAM	2201267	415726	.W. 2190550
XT501	9	PAPER TAPE READ&PROGRAM LOAD OP	2201268	419603	.W. 2190550
XT511	9	PAPER TAPE WRITE OP	2201269	415726	.W. 2190550
XT701	9	PAPER TAPE READ TIMING	2201270	415726	.W. 2190550
XT711	9	PAPER TAPE WRITE TIMING	2201271	415726	.W. 2190550
XT721	9	PAPER TAPE PROGRAM LOAD TIMING	2201272	415726	.W. 2190550
XW401	9	CONSOLE PRINTER UNIT DATA	2201273	415480E	.W. 2190550
XW501	9	CONSOLE PRINTER WRITE AND CONTROL	2201274	415483A	.W. 2190550
XW701	9	CONSOLE PRINTER WRITE AND CONTROL	2201275	415480E	.W. 2190550

PAGE NO	SH	TITLE	PART NO	EC NO	SEQ=	ECR1	ECR2	SF B/M
** LOGIC TYPE	SLT	BOARDS						
								6
01B-B1		BOARD ASM DISK STORAGE	2191315	419611	0089			2191337
01B-C1		BOARD ASSY-MEMORY	2192750	414308	0035			2190931
01X-A1		BOARD ASSY-DISK FILE	2199440	415374A	0064			2197158

PAGE NO SH TITLE PART NO EC NO SEQ= ECR1 ECR2 SF B/M

** LOGIC TYPE DIAGNOSTIC MANUALS 7

03A1	TABLE OF CONTENTS	2191292	415490B	0082			
03A00	CPU TEST INDEX	2191290	415490B	0082			
03A1*	CPU FUNCTION TEST DESCRIPTION	2191206	415490	0032			
03A1-	CPU FUNCTION TEST LISTING	2191204	415490	0032			
03A1,	CPU FUNCTION TEST FLOW CHARTS	2191207	415490	0032			
03A3*	BASIC DT LOADER DESCRIPTION	2191254	415490	0032			
03A3-	BASIC DT LOADER LISTING	2191252	415490	0032			
03A3,	BASIC DT LOADER FLOW CHARTS	2191255	415490	0032			
03A5*	ONE-CARD DT PROG DESCRIPTION	2191262	415490B	0082			
03A5-	ONE-CARD DT PROG LISTING	2191260	415490B	0082			
03A5,	ONE-CARD DT PROG FLOW CHARTS	2191263	415490	0032			
03A7*	PROGRAM LOAD TEST DESCRIPTION	2191266	415490	0032			

PAGE NO	SH	TITLE	PART NO	EC NO	SEQ=	ECR1	ECR2	SF B/M
** LOGIC TYPE DIAGNOSTIC MANUALS 7								
0300		I/O TEST INDEX	2191291	415490B	0082			
03A2*		CORE STORAGE FUNCTION DESCRIPTION	2191210	415490	0032			
03A2-		CORE STORAGE FUNCTION LISTING	2191208	415490B	0082			
03A2,		CORE STORAGE FUNCTION FLOW CHARTS	2191211	415490	0032			
03A4*		METER TEST DESCRIPTION	2191250	415490	0032			
03A4-		METER TEST LISTING	2191248	415490	0032			
03A4,		METER TEST FLOW CHARTS	2191251	415490	0032			
03A6*		CORE STORAGE ADJUSTMENT DESC	2191246	415490	0032			
03A6-		CORE STORAGE ADJUSTMENT LISTING	2191244	415490	0032			
03A6,		CORE STORAGE ADJUSTMENT FLOW CHAR	2191247	415490	0032			
03A8*		INTERRUPT TEST DESCRIPTION	2191270	415490B	0082			
03A8-		INTERRUPT TEST LISTING	2191268	415490B	0082			
03A8,		INTERRUPT TEST FLOW CHART	2191271	415490B	0082			
0300*		DIAGNOSTIC MONITOR DESCRIPTION	2191202	415490	0032			
0300-		DIAGNOSTIC MONITOR LISTING	2191200	415490	0032			
0300,		DIAGNOSTIC MONITOR FLOW CHARTS	2191203	415490B	0082			

PAGE NO	SH	TITLE	PART NO	EC NO	SEQ=	ECR1	ECR2	SF B/M
** LOGIC TYPE		DIAGNOSTIC MANUALS			7			
0304*		KEYBOARD/CONSOLE DESCRIPTION	2191242	415490B	0082			
0304-		KEYBOARD/CONSOLE LISTING	2191240	415490	0032			
0304,		KEYBOARD/CONSOLE FLOW CHARTS	2191243	415490	0032			
0308*		2315 DISK INITIALIZATION DESCRIPT	2191218	415490	0032			
0308-		2315 DISK INITIALIZATION LISTING	2191216	415490	0032			
0308,		2315 DISK INITIALIZATION FLOW	2191219	415490	0032			
0309*		DISK STORAGE FUNCTION DESCRIPTION	2191214	415490	0032			
0309-		DISK STORAGE FUNCTION LISTING	2191212	415490	0032			
0309,		DISK STORAGE FUNCTION FLOW CHARTS	2191215	415490	0032			

PAGE NO	SH	TITLE	PART NO	EC NO	SEQ=	ECR1	ECR2	SF B/M
** LOGIC TYPE DIAGNOSTIC MANUALS 7								
030B*		1134/1055 FUNCTION DESCRIPTION	2191234	415490B	0082			2191331
030B-		1134/1055 FUNCTION LISTING	2191232	415490B	0082			2191331
030B,		1134/1055 FUNCTION FLOW CHARTS	2191235	415490	0032			2191331

PAGE NO	SH	TITLE	PART NO	EC NO	SEQ=	ECR1	ECR2	SF B/M
** LOGIC TYPE DIAGNOSTIC PROGRAMS 8								
03A1		CPUFUNCTION TEST DECK	2191205	415490	0032			
03A2		CORE STORAGE FUNCTION TEST DECK	2191209	415490	0032			
03A3		BASIC DIAGNOSTIC LOADER DECK	2191253	415490	0032			
03A4		METER TEST DECK	2191249	415490	0032			
03A5		ONE CARD DIAGNOSTIC PROGRAM DECK	2191261	415490	0032			
03A6		CORE STORAGE ADJUSTMENT TEST DECK	2191245	415490	0032			
03A8		INTERRUPT TEST DECK	2191269	415490B	0082			
030B		1134/1055 FUNCTION TEST DECK	2191233	415490B	0082			2191331
0300		DIAGONSTIC MONITOR DECK	2191201	415490B	0082			
0304		KEYBOARD/CONSOLE PRINTER DECK	2191241	415490	0032			
0308		2315 DISK INTIALIZATION DECK	2191217	415490	0032			
0309		DISK STORAGE FUNCTION TEST DESK	2191213	415490	0032			

NEW 1-14-8. (to be put in front of Volume J)

EC 419659

*	CARD LOCATIONS AND SPECIAL INSTRUCTIONS		*
*	AC SOCKET LISTINGS AND PLUG CHARTS	VOLUME 1	*
*	AD ADDITIVE CARD CODES	VOLUME 1	*
*	JUMPERS AND TIE-DOWNS		*
*	ADJUSTABLE SINGLE-SHOT TIMING		*
*	AE SIGNAL CABLE TERMINATIONS	VOLUME 1	*
*	BA SOCKET RESERVATIONS - CE CARD	VOLUME 1	*
*	B REGISTER BUS		*
*	BB INPUT-OUTPUT BUS	VOLUME 1	*
*	DECODERS		*
*	DN OP DECODE	VOLUME 1	*
*	DU XIO FUNCTIONS AND AREA DECODE	VOLUME 1	*
*	CONTROLS		*
*	KA RUN CONTROLS	VOLUME 1	*
*	KB BRANCH AND SKIP CONTROLS	VOLUME 1	*
*	KC T CLOCK	VOLUME 1	*
*	KD CYCLE TIMER	VOLUME 1	*
*	KG SPD REGISTER GATES, CCC CONTROLS	VOLUME 1	*
*	KM X CLOCK, INTERRUPT, CYCLE STEAL	VOLUME 1	*
*	KR PARITY CONTROLS	VOLUME 1	*
*	KS CARRY, OVERFLOW	VOLUME 1	*
*	KT ARITH CNTLS, CONSOLE INTEGRATORS	VOLUME 1	*
*	KU MISCELLANEOUS ITEMS	VOLUME 1	*
*	KW USE METERS	VOLUME 1	*
*	STORAGE CONTROLS		*
*	MB STORAGE ADDRESS BUS	VOLUME 2	*
*	MC STORAGE CONTROLS	VOLUME 2	*
*	REGISTERS		*
*	RA A AND U REGISTERS	VOLUME 2	*
*	RB I, B, AND M REGISTERS	VOLUME 2	*
*	RD D REGISTER	VOLUME 2	*
*	RN OP REGISTER	VOLUME 2	*
*	RQ Q REGISTER	VOLUME 2	*
*	RS CYCLE CONTROL COUNTER	VOLUME 2	*
*	STORAGE		*
*	SD STORAGE LOGICS AND INSTRUCTIONAL DIAGRAMS	VOLUME 2	*
*	INTERFACE PAGES - DISK FILE AND STORAGE		*
*	WF FILE-PROCESSOR INTERFACE	VOLUME 2	*
*	WZ STORAGE INTERFACE PAGES	VOLUME 2	*
*	I/O ATTACHMENTS		*
*	XC CONSOLE BITS AND PROGRAM LOAD	VOLUME 3	*
*	XF DISK FILE ATTACHMENT	VOLUME 3	*
*	XG PLOTTER ATTACHMENT	VOLUME 3	*
*	XK KEYBOARD LOGIC	VOLUME 3	*
*	XP PRINTER ATTACHMENT	VOLUME 3	*
*	XR SERIAL READER PUNCH ATTACHMENT	VOLUME 3	*
*	XT PAPER TAPE ATTACHMENT	VOLUME 3	*
*	XW TYPEWRITER LOGIC	VOLUME 3	*
*	POWER SUPPLIES		*
*	YP POWER SUPPLY AND LAYOUTS	VOLUME 4	*
*	MISCELLANEOUS HARDWARE ORIENTED PAGES		*
*	ZA I/O FEED THROUGH	VOLUME 4	*
*	ZK KBD-CONTACT-SWITCHES AND LIGHTS	VOLUME 4	*
*	ZL LIGHT PANEL	VOLUME 4	*
*	ZS BIT SWITCH AND LIGHT LOGIC	VOLUME 4	*
*	ZT PAPER TAPE READER AND PUNCH LOGIC	VOLUME 4	*
*	ZW CONSOLE PRINTER	VOLUME 4	*
*	MAINTENANCE DIAGRAM MANUAL		*
*	AA CONFIGURATOR-DATA FLOW-OPERATION FLOW AND TIMING CHARTS	VOLUME 5	*
*	XF-XW INSTRUCTIONAL LOGIC DIAGRAMS	VOLUME 5	*
*	RPQ'S	VOLUME 6	*

ORIGINAL

PAGE P/N 2201229
EC 415709G

TABLE OF CONTENTS

0000A

*	CARD LOCATIONS AND SPECIAL INSTRUCTIONS		*
*	AC	SOCKET LISTINGS AND PLUG CHARTS	VOLUME 1
*	AD	ADDITIVE CARD CODES	VOLUME 1
*		JUMPERS AND TIE-DOWNS	
*		ADJUSTABLE SINGLE-SHOT TIMING	
*	AE	SIGNAL CABLE TERMINATIONS	VOLUME 1
*	BA	SOCKET RESERVATIONS - CE CARD	VOLUME 1
*	B REGISTER BUS		*
*	BB	INPUT-OUTPUT BUS	VOLUME 1
*	DECODERS		*
*	DN	OP DECODE	VOLUME 1
*	DU	XIO FUNCTION AND AREA DECODE	VOLUME 1
*	CONTROLS		*
*	KA	RUN CONTROLS	VOLUME 1
*	KB	BRANCH AND SKIP CONTROLS	VOLUME 1
*	KC	T CLOCK	VOLUME 1
*	KD	CYCLE TIMER	VOLUME 1
*	KG	SPD REGISTER GATES, CCC CONTROLS	VOLUME 1
*	KM	X CLOCK, INTERRUPT, CYCLE STEAL	VOLUME 1
*	KR	PARITY CONTROLS	VOLUME 1
*	KS	CARRY, OVERFLOW	VOLUME 1
*	KT	ARITH CNTLS, CONSOLE INTEGRATORS	VOLUME 1
*	KU	MISCELLANEOUS ITEMS	VOLUME 1
*	KW	USE METERS	VOLUME 1
*	STORAGE CONTROLS		*
*	MB	STORAGE ADDRESS BUS	VOLUME 2
*	MC	STORAGE CONTROLS	VOLUME 2
*	REGISTERS		*
*	RA	A AND U REGISTERS	VOLUME 2
*	RB	I, B, AND M REGISTERS	VOLUME 2
*	RD	D REGISTER	VOLUME 2
*	RN	OP REGISTER	VOLUME 2
*	RO	Q REGISTER	VOLUME 2
*	RS	CYCLE CONTROL COUNTER	VOLUME 2
*	STORAGE		*
*	SD	STORAGE LOGICS AND INSTRUCTIONAL DIAGRAMS	VOLUME 2
*	INTERFACE PAGES - DISK FILE AND STORAGE		*
*	WF	FILE-PROCESSOR INTERFACE	VOLUME 2
*	WZ	STORAGE INTERFACE PAGES	VOLUME 2
*	I/O ATTACHMENTS		*
*	XC	CONSOLE BITS AND PROGRAM LOAD	VOLUME 3
*	XF	DISK FILE ATTACHMENT	VOLUME 3
*	XG	PLOTTER ATTACHMENT	VOLUME 3
*	XK	KEYBOARD LOGIC	VOLUME 3
*	XP	PRINTER ATTACHMENT	VOLUME 3
*	XR	SERIAL READER PUNCH ATTACHMENT	VOLUME 3
*	XT	PAPER TAPE ATTACHMENT	VOLUME 3
*	XW	TYPEWRITER LOGIC	VOLUME 3
*	POWER SUPPLIES		*
*	YP	POWER SUPPLY AND LAYOUTS	VOLUME 4
*	MISCELLANEOUS HARDWARE ORIENTED PAGES		*
*	ZA	I/O FEED THROUGH	VOLUME 4
*	ZK	KBD-CONTACT-SWITCHES AND LIGHTS	VOLUME 4
*	ZL	LIGHT PANEL	VOLUME 4
*	ZS	BIT SWITCH AND LIGHT LOGIC	VOLUME 4
*	ZT	PAPER TAPE READER AND PUNCH LOGIC	VOLUME 4
*	ZW	CONSOLE PRINTER	VOLUME 4
*	MAINTENANCE DIAGRAM MANUAL		*
*	AA	CONFIGURATOR-DATA FLOW-OPERATION FLOW AND TIMING CHARTS	VOLUME 5
*	XF-XW	INSTRUCTIONAL LOGIC DIAGRAMS	VOLUME 5

PAGE P/N 2201229
EC 415709G

SYSTEM LOGIC INDEX

0000B

PAGE NAME	PAGE NO.	P/N
TABLE OF CONTENTS	0000A	2201229
SYSTEM LOGIC INDEX	0000B	2201229
SYSTEM LOGIC INDEX	0000C	2201229
SYSTEM LOGIC INDEX	0000D	2201229
SYSTEM LOGIC INDEX	0000E	2201229
SYSTEM LOGIC INDEX	0000F	2201229
SYSTEM LOGIC INDEX	0000G	2201229
SYSTEM LOGIC INDEX	0000H	2201229
SYSTEM LOGIC INDEX	0000J	2201229
CONTENTS-VOLUME 1	0010A	2201230
CONTENTS-VOLUME 1	0010B	2201230
CONTENTS-VOLUME 2	0020A	2201231
CONTENTS-VOLUME 2	0020B	2201231
CONTENTS-VOLUME 3	0030A	2201232
CONTENTS-VOLUME 3	0030B	2201232
CONTENTS-VOLUME 4	0040	2201233
CONTENTS-VOLUME 5	0050A	2201240
CONTENTS-VOLUME 5	0050B	2201240
1130 SYSTEM CONFIGURATOR	AA011	2201354
1130 SYSTEM DATA FLOW	AA101	2201356
1131 DATA FLOW SWITCH LOGIC	AA201	2201360
1131 DATA FLOW RUN, ADDRESS AND STORAGE CONTROL	AA211	2201361
1131 DATA FLOW-ARITHMETIC, SHIFT, AND BR CTRLS	AA221	2201362
1131 DATA FLOW-I/O, INT, CS, AND PROG LOAD	AA231	2201363
1131 INSTRUCTION CYCLE PATTERNS	SHEET 1 AA601	2201425
I-1 CYCLE	SHEET 2 AA601	2201425
I-1 CYCLE	SHEET 3 AA601	2201425
EFFECTIVE ADDRESS CYCLE SEQUENCE	SHEET 4 AA601	2201425
I-2 CYCLE	SHEET 5 AA601	2201425
IX CYCLE	SHEET 6 AA601	2201425
IA CYCLE	SHEET 7 AA601	2201425
INTERRUPT FORCED BRANCH AND STORE IAR	SHEET 1 AA611	2201432
CYCLE STEAL	SHEET 2 AA611	2201432
EXECUTE I/O	AA621	2201435
SHIFT LEFT	SHEET 1 AA631	2201437
SHIFT LEFT	SHEET 2 AA631	2201437
SHIFT RIGHT	AA632	2201438
LOAD STATUS-WAIT	AA641	2201440
STORE STATUS	AA642	2201441
BRANCH AND STORE INSTRUCTION COUNTER	AA651	2201443
BRANCH OR SKIP ON CONDITION	AA652	2201444
LOAD INDEX	AA661	2201446
STORE INDEX	AA662	2201447
MODIFY INDEX AND SKIP FORMAT ^{L0} TAG ^{L00}	SHEET 1 AA663	2201448
MODIFY INDEX AND SKIP TAG NOT ^{L00}	SHEET 2 AA663	2201448
MODIFY INDEX AND SKIP FORMAT ^{L1} TAG ^{L00}	SHEET 3 AA663	2201448
MODIFY INDEX AND SKIP FORMAT ^{L1} TAG ^{L00}	SHEET 4 AA663	2201448
ADD OR SUBTRACT	AA671	2201450
DBL PRECISION ADD OR DBL PRECISION SUBTRACT	AA672	2201451
MULTIPLY	SHEET 1 AA673	2201452
MULTIPLY	SHEET 2 AA673	2201452
DIVIDE	SHEET 1 AA674	2201453
DIVIDE	SHEET 2 AA674	2201453
DIVIDE	SHEET 3 AA674	2201453
LOAD ACCUMULATOR	AA681	2201455
DOUBLE LOAD	AA682	2201456
STORE ACCUMULATOR	AA683	2201457

PAGE P/N 2201229
EC 415709G

SYSTEM LOGIC INDEX

00000

PAGE NAME	PAGE NO.	P/N
DOUBLE STORE	AA684	2201458
LOGICAL AND/OR EXCLUSIVE OR	AA691	2201460
TIMING CHART - I1 CYCLE	AA701	2201299
TIMING CHART - MDX	AA711	2201338
TIMING CHART - X10	AA721	2201297
TIMING CHART - BSC	AA731	2201340
TIMING CHART - SLA	AA741	2201341
TIMING CHART - SLCA	AA751	2201339
SLDA CHART 01A-A1	PAGE 0 AC001	2201217
SOCKET LISTING 01A-A1	PAGE 1 AC001	2201217
SLDA CHART 01A-B1	PAGE 0 AC002	2201218
SOCKET LISTING 01A-B1	PAGE 1 AC002	2201218
SOCKET LISTING 01A-B1	PAGE 2 AC002	2201218
SLDA CHART 01A-C1	PAGE 0 AC003	2201219
SOCKET LISTING 01A-C1	PAGE 1 AC003	2201219
SOCKET LISTING 01A-C1	PAGE 2 AC003	2201219
SLDA CHART 01B-A1	PAGE 0 AC004	2201220
SOCKET LISTING 01B-A1	PAGE 1 AC004	2201220
SOCKET LISTING 01B-A1	PAGE 2 AC004	2201220
SLDA CHART 01B-B1	PAGE 0 AC005	2201221
SOCKET LISTING 01B-B1	PAGE 1 AC005	2201221
SOCKET LISTING 01B-B1	PAGE 2 AC005	2201221
ADDITIVE CARD CODES-JUMPERS-TIE DOWNS-SS TIMING	AD000	2201285
SIGNAL CABLE TERMINATIONS	AE000	2201298
SOCKET RESERVATIONS	BA000	2201284
SOCKET RESERVATIONS	BA001	2201342
CE CARD	BA101	2201286
INPUT-OUTPUT BUS BITS 0 1 2	BB101	2201001
INPUT-OUTPUT BUS BITS 3 4 5	BB111	2201002
INPUT-OUTPUT BUS BITS 6 7 8	BB121	2201003
INPUT-OUTPUT BUS BITS 9 10 11 12	BB131	2201004
INPUT-OUTPUT BUS BITS 13 14 15	BB141	2201005
OP DECODE NO. 1	DN101	2201006
OP DECODE NO. 2	DN111	2201007
X10 GATES X CLOCK ADV PROGRAM TRACE	DN201	2201008
FUNCTION DECODE AND ENTRY GT	DU101	2201009
AREA DECODE AND SENSE RESET	DU111	2201010
OSCILLATOR PHASE A SPD RUN T CLOCK ADVANCE	KA101	2201011
PHASE A AND B RESET DELAY START ADVANCE	KA111	2201012
BR-1 BR-2 A TO M SAMPLE M TO I SAMPLE	KB101	2201013
SKIP SAMPLE BRANCH OUT ADD TO STOR INTLK	KB111	2201014
T CLOCK T 0 T 1 T 2 T 3 T 0123	KC101	2201015
T CLOCK T 4 T 5 T 6 T 7	KC111	2201016
CYCLE TIMER I1 I2 IX	KD101	2201017
CYCLE TIMER IA E E1 E3	KD111	2201018
A TO M AND I TO M SAMPLE PULSE DRIVERS	KG101	2201019
CLK ADV M TO I B TO I PH A SAMPLE PULSE DRIVERS	KG111	2201020
I/O TO B A TO B I TO B SAMPLE PULSE DRIVERS	KG121	2201021
A TO U U TO A XCHG A AND Q SAMPLE PULSE DRIVERS	KG131	2201022
SHIFT LEFT A/Q SAMPLE PULSE DRIVERS	KG141	2201023
SHIFT RIGHT A/Q RESET D AND SAMPLE PULSE DRIVERS	KG151	2201024
I INCREMENTER	KG201	2201025
B TO I I M TO I AND I INC GATE I TO M AND A TO M GATE	KG211	2201026
T7 END OP T7 COUNT 0 CCC CONTROLS	KG221	2201027
I TO A AND B TO D GATE A TO U AND U TO A SAMPLE	KG231	2201028
I TO B AND A TO B GATE STX T 00 MDX DBL PREC E2	KG241	2201029
WRITE GATE PHASE A AND B B BIT 0 LATCHED	KG251	2201030

PAGE P'N 2201229
EC 415709G

SYSTEM LOGIC INDEX

00000

PAGE NAME	PAGE NO.	P'N
X CLOCK X 0 X 1 X 2 X X 0123	KM101	2201031
X CLOCK X 4 X 5 X 6 X 7	KM111	2201032
INTERRUPT ENTRY	KM201	2201033
CYCLE STEAL LEVELS 0 AND 1	KM211	2201037
INTERRUPT LEVELS 0 AND 1	KM301	2201034
INTERRUPT LEVELS 2 AND 3	KM311	2201035
INTERRUPT LEVELS 4 AND 5	KM321	2201036
PARITY CHECK	KR101	2201039
PARITY BIT TRIGGERS PARITY STOP	KR111	2201040
CARRY TEMP CARRY DBL PR CARRY	KS101	2201041
OVERFLOW SKIP COND	KS111	2201042
MPY ARITH ACTION E NOT MPY E1 DIV E E1 LIKE SIGNS REM OK	KT101	2201043
ARITHMETIC SIGN AND ADD	KT111	2201044
MPY E SHIFT CTRL ARITH CTRL	KT121	2201045
ZERO REMAINDER SET DIV OFLO E1 E2	KT131	2201046
ADD SUB GT A 15 SHIFT LT ENT SET ARITH CTRL T3 PHASE B	KT201	2201047
A BIT 0 SHIFT RT ENTR SLC SHIFT OP GATE SET DIV OFL	KT301	2201048
SHIFT RT LT SAMPLE SLC E RESET ACC I CYCLE IAR INC	KT311	2201049
CONSOLE SIGNAL INTEGRATORS	KT321	2201295
INT LVL SET RESET SPD T7 SPD CLOCK ADV SPD END OP TO SPD	KT331	2201052
ACCUMULATOR-A REG EQUAL ZERO ARITH FACTOR-D REG EQUAL ZERO	KU101	2201053
ACC INPUT BUSS - I BITS 10-15 CCC 32-1 CARRY OVERFLOW	KU111	2201054
INDEX ADDR 1 2 3 STOP LATCH DIV COUNT 16	KU201	2201055
T AND X CLK OSC A PROG LD PWR WAIT NOT STOR LOAD DISP	KU211	2201056
IX ADDR INHIBIT SAR STX E1 NOT TAG 00 SLC RESET CARRY	KU301	2201057
REGISTER RESET PARITY CHECK CONTROL GATE	KU311	2201058
PROCESSOR USAGE METERS	KW101	2201215
STORAGE ADDR BUS	MB101	2201059
FILE PRINTER ADDR BUS	MB201	2201060
STORAGE READ WRITE CYCLES STORAGE SELECT AND USE	MC101	2201061
A AND U REGISTERS BIT 0	RA101	2201062
A AND U REGISTER BIT 1	RA111	2201063
A AND U REGISTERS BIT 2	RA121	2201064
A AND U REGISTER BIT 3	RA131	2201065
A AND U REGISTERS BIT 4	RA141	2201066
A AND U REGISTER BIT 5	RA151	2201067
A AND U REGISTERS BIT 6	RA161	2201068
A AND U REGISTER BIT 7	RA171	2201069
A AND U REGISTERS BIT 8	RA201	2201070
A AND U REGISTER BIT 9	RA211	2201071
A AND U REGISTERS BIT 10	RA221	2201072
A AND U REGISTER BIT 11	RA231	2201073
A AND U REGISTERS BIT 12	RA241	2201074
A AND U REGISTER BIT 13	RA251	2201075
A AND U REGISTERS BIT 14	RA261	2201076
A AND U REGISTER BIT 15	RA271	2201077
I B AND M REGISTERS BIT 0	RB101	2201078
I B AND M REGISTERS BIT 1	RB111	2201079
I B AND M REGISTERS BIT 2	RB121	2201080
I B AND M REGISTERS BIT 3	RB131	2201081
I B AND M REGISTERS BIT 4	RB141	2201082
I B AND M REGISTERS BIT 5	RB151	2201083
I B AND M REGISTERS BIT 6	RB161	2201084
I B AND M REGISTERS BIT 7	RB171	2201085

PAGE P/N 2201229
EC 415709G

SYSTEM LOGIC INDEX

0000E

PAGE NAME	PAGE NO.	P/N
I B AND M REGISTERS BIT 8	RB201	2201086
I B AND M REGISTERS BIT 9	RB211	2201087
I B AND M REGISTERS BIT 10	RB221	2201088
I B AND M REGISTERS BIT 11	RB231	2201089
I B AND M REGISTERS BIT 12	RB241	2201090
I B AND M REGISTERS BIT 13	RB251	2201091
I B AND M REGISTERS BIT 14	RB261	2201092
I B AND M REGISTERS BIT 15	RB271	2201093
B REGISTER POWERING BITS 0-7	RB301	2201094
B REGISTER POWERING BITS 8-15	RB311	2201050
B REGISTER TERMINATORS	RB321	2201216
D REGISTER BITS 0 AND 1	RD101	2201095
D REGISTER BITS 2 AND 3	RD111	2201096
D REGISTER BITS 4 AND 5	RD121	2201097
D REGISTER BITS 6 AND 7	RD131	2201098
D REGISTER BITS 8 AND 9	RD141	2201099
D REGISTER BITS 10 AND 11	RD151	2201100
D REGISTER BITS 12 AND 13	RD161	2201101
D REGISTER BITS 14 AND 15	RD171	2201102
OP-FORMAT-TAG REGISTER	RN101	2201103
MOD 8 MOD 9 WAIT OP DBL WORD ODD ADDR	RN111	2201104
Q REGISTER BITS 0 AND 1	RQ101	2201105
Q REGISTER BITS 2 AND 3	RQ111	2201106
Q REGISTER BITS 4 AND 5	RQ121	2201107
Q REGISTER BITS 6 AND 7	RQ131	2201108
Q REGISTER BITS 8 AND 9	RQ141	2201109
Q REGISTER BITS 10 AND 11	RQ151	2201110
Q REGISTER BITS 12 AND 13	RQ161	2201111
Q REGISTER BITS 14 AND 15	RQ171	2201112
CYCLE CONTROL COUNTER 1 - 2	RS101	2201113
CYCLE CONTROL COUNTER 4 - 8	RS111	2201114
CYCLE CONTROL COUNTER 16 - 32	RS121	2201115
SJ-4 BLOCK DIAGRAM + STORAGE ADJUSTMENT	SD011	2196980
SJ-4 PERSPECTIVE DIAGRAM	SD012	2196981
SJ-4 REFERENCE PLUGGING CHART	SD021	2196982
SJ-4 TIMING AND WAVEFORMS	SD031	2196983
SJ-4 8K ARRAY ADDRESSING	SD041	2196984
SJ-4 4K ARRAY ADDRESSING	SD042	2196985
SJ-4 X-Y DRIVE READ CURRENT FLOW	SD043	2196986
SJ-4 X-Y DRIVE WRITE CURRENT FLOW	SD044	2196987
SJ-4 INHIBIT SENSE BIT 6 LESS THAN 4K	SD051	2196988
SJ-4 8K SENSE CONNECTIONS	SD061	2196989
SJ-4 4K SENSE CONNECTIONS	SD062	2196990
SJ-4 8K BOTTOM BOARD SCHEMATIC	SD071	2196991
SJ-4 4K BOTTOM BOARD SCHEMATIC	SD072	2196992
SJ-4 8K DIODE BOARD SCHEMATIC	SD081	2196993
SJ-4 4K DIODE BOARD SCHEMATIC	SD082	2196994
SLDA CHART	SD101	2196995
MEMORY CONTROL CLOCK	SD111	2196650
X Y CURRENT CONTROL	SD121	2196651
VOLTAGE REFERENCE	SD211	2196652
LOGIC VOLTAGE DISTRIBUTION	SD221	2196653
MAR INVERTERS 1 OF 3	SD311	2196654
MAR INVERTERS 2 OF 3	SD321	2196655

PAGE P/N 2201229
EC 415709G

SYSTEM LOGIC INDEX

0000F

PAGE NAME	PAGE NO.	P/N
MAR INVERTERS 3 OF 3	SD331	2196656
Y READ GATE WRITE DRIVER 1 OF 4	SD411	2196657
Y READ GATE WRITE DRIVER 2 OF 4	SD421	2196658
Y READ GATE WRITE DRIVER 3 OF 4	SD431	2196659
Y READ GATE WRITE DRIVER 4 OF 4	SD441	2196660
Y WRITE GATE READ DRIVER 1 OF 2	SD451	2196661
Y WRITE GATE READ DRIVER 2 OF 2	SD461	2196662
X Y DRIVE ARRAY CONNECTOR Y DIMENSION	SD471	2196668
X READ GATE WRITE DRIVER 1 OF 2	SD511	2196663
X READ GATE WRITE DRIVER 2 OF 2	SD521	2196664
X WRITE GATE READ DRIVER 1 OF 2	SD531	2196665
X WRITE GATE READ DRIVER 2 OF 2	SD541	2196666
X AUX WRITE GATE READ DRIVER	SD551	2196667
X Y DRIVE ARRAY CONNECTOR X DIMENSION	SD561	2196669
DATA INPUT 1 OF 2	SD611	2196670
DATA INPUT 2 OF 2	SD621	2196671
INHIBIT INPUT BIT 0-8 LESS THAN 4K	SD631	2196672
INHIBIT INPUT BIT 0-8 MORE THAN 4K	SD641	2196673
INHIBIT INPUT BIT 9-17 LESS THAN 4K	SD651	2196674
INHIBIT INPUT BIT 9-17 MORE THAN 4K	SD661	2196675
INHIBIT SENSE BIT 0 AND 1	SD711	2196676
INHIBIT SENSE BIT 2 AND 3	SD721	2196677
INHIBIT SENSE BIT 4 AND 5	SD731	2196678
INHIBIT SENSE BIT 6 AND 7	SD741	2196679
INHIBIT SENSE BIT 8 AND 9	SD751	2196680
INHIBIT SENSE BIT 10 AND 11	SD761	2196681
INHIBIT SENSE BIT 12 AND 13	SD771	2196682
INHIBIT SENSE BIT 14 AND 15	SD781	2196683
INHIBIT SENSE BIT 16 AND 17	SD791	2196684
FILE - PROCESSOR INTERFACE	WF391	2201144
SJ-4 STORAGE INTERFACE	WZ011	2201278
SJ-4 STORAGE INTERFACE	WZ021	2201279
SJ-4 STORAGE INTERFACE	WZ031	2201280
SJ-4 STORAGE INTERFACE	WZ041	2201281
SJ-4 STORAGE INTERFACE	WZ051	2201282
SJ-4 STORAGE INTERFACE	WZ061	2201283
CONSOLE DSW DATA BITS 0 2 4 6	XC101	2201117
CONSOLE DATA BITS 8 10 12 14 KBD DATA A	XC111	2201118
CONSOLE DSW DATA BITS 1 3 5 7	XC121	2201119
CONSOLE DATA BITS 9 11 13 15 KBD DATA B	XC131	2201120
PROG LOAD RESET COND T6 X6 PWR PROG STOP LATCH	XC141	2201121
FILE SHIFT SP COUNTER SP LOAD WORD CTR SP FILE LOAD SP	XF101	2201130
B REGISTER INVERTERS SECTOR PULSE FILTER	XF111	2201131
FILE R/W SEL R/W REQ READ CHK OP LOAD SYNC WORD	XF121	2201122
FILE R/W COND WRITE SYNC BIT CTR GATE BUSY NOT RDY	XF131	2201123
FILE SHIFT GATE COUNTER SPL RESET SHIFT REG INPUT TGR	XF141	2201124
FILE ERROR INT REQ LVL 2 FILE RESET INCR WORD COUNT	XF151	2201125
FILE WRITE DATA GATE CHK COUNTER GATE REQ CS LVL 0	XF161	2201126
FILE ACCESS BUSY HOME RDY ACCESS GO SETTLE S S	XF171	2201127
FILE SECTOR COUNTER R/W S S SECTOR EQUAL	XF181	2201128
FILE HEAD SELECT ACCESS DIRECTION	XF191	2201129
FILE WORD COUNT REGISTER STEP MODE	XF201	2201132
FILE WORD COUNT REGISTER	XF211	2201133
FILE CORE ADDRESS REGISTER BITS 9-15	XF221	2201138

PAGE P/N 2201229
EC 415709G

SYSTEM LOGIC INDEX

0000G

PAGE NAME	PAGE NO.	P/N
FILE CORE ADDRESS REGISTER BITS 2-8	XF231	2201139
FILE BIT COUNTER	XF241	2201140
FILE CHECK COUNTER XIO INVERTERS	XF251	2201141
FILE INPUT BUSS ASSEMBLY BITS 0-7	XF261	2201142
FILE INPUT BUSS ASSEMBLY BITS 8-15	XF271	2201143
FILE DATA REGISTER BITS 0-3	XF301	2201134
FILE DATA REGISTER BITS 4-7	XF311	2201135
FILE DATA REGISTER BITS 8-11	XF321	2201136
FILE DATA REGISTER BITS 12-15	XF331	2201137
DISK FILE-UNIT DATA AND CONTROL DIAGRAM	XF401	2201241
DISK FILE-WRITE OPERATION	XF501	2201242
DISK FILE-READ OPERATION	XF511	2201243
DISK FILE-CONTROL OP 1 ACCESS	XF521	2201244
DISK FILE-WRITE TIMING	XF701	2201245
DISK FILE-READ TIMING	XF711	2201246
DISK FILE-ACCESS TIMING	XF721	2201247
PLOTTER DRUM AND CARR DRIVE-BUSY SS 1 AND 2	XG101	2201145
PLOTTER PEN DRIVE-RESPONSE BUSY SS 3 AND 4-READY	XG111	2201146
PLOTTER-WRITE OP	XG501	2201248
PLOTTER-WRITE TIMING	XG701	2201249
KBD SELECT RESPONSE GATE SS 1 SS 2 INT LVL 4	XK101	2201147
KBD RESTORE RESPONSE TGR MANUAL INTERRUPT	XK111	2201148
KEYBOARD-READ AND CONTROL OPS	XK501	2201250
KEYBOARD-READ AND CONTROL TIMING	XK701	2201251
PRINTER CARRIAGE CONTROLS AND USE METER SELECT	XP101	2201152
CARRIAGE CHANNEL LATCH	XP111	2201153
PRINTER RUN AND READY CONTROL	XP121	2201149
PRINTER DISC CLOCK SS AND C S CONTROLS	XP131	2201150
PRINTER ADDR REG AND GROUP DECODE	XP141	2201151
PRINTER INTERRUPT AND ERROR	XP201	2201154
PRINT BUFFER REGISTER BITS 0-7	XP211	2201155
PRINT BUFFER REGISTER BITS 8-15	XP221	2201156
PRINTER INPUT BUS BITS 0-3	XP301	2201157
PRINTER INPUT BUS BITS 4-7	XP311	2201158
PRINTER INPUT BUS BITS 8-15	XP321	2201159
PRINTER ENTRY	XP331	2201225
PRINTER EXIT	XP341	2201226
PRINTER UNIT DATA AND CONTROL DIAGRAM	XP401	2201253
PRINTER WRITE OP 1 READ EMITTER, PRINT	XP501	2201254
PRINTER CONTROL OP 1 START, STOP, SPACE	XP511	2201255
PRINTER WRITE TIMING 1 READ EMITTER, PRINT	XP701	2201256
PRINTER CONTROL TIMING 1 START, STOP, SPACE	XP711	2201257
SRP ENTRY EXIT	XR111	2201181
SRP ENTRY	XR121	2201182
SRP START-READY-NPRO LATCHES	XR201	2201183
SRP MOTOR FEED CLUTCH LATCHES	XR211	2201184
SRP FEED INTLK-CARD IN PCH STA-CARD IN RD STA-ANY LAMP DARK	XR221	2201185
SRP ERROR CHK-MISFEED-STACKER JAM-FEED CHK READ AND PCH	XR231	2201186
SRP AREA 2 CTRL-XIO READ XIO FEED-XIO PUNCH	XR241	2201187
SRP INCR DRIVE A AND B-STACKER SEL-LAST PUNCH	XR251	2201188
SRP PUNCH-PCH DATA-BUSY-PROC METER-LAST CARD-BLOCK INT	XR261	2201189
SRP PUNCH MAGNET GATES	XR271	2201190

PAGE P'N 2201229

SYSTEM LOGIC INDEX

0000H

EC 415709G

PAGE NAME	PAGE NO.	P'N
SRP FEED CB 1-2 - LVL 4 RESP PUNCH CB 1-2	XR281	2201198
SRP READ PUNCH LVL 0 RESP READ PUNCH DATA ERROR	XR291	2201199
SRP SS 1-SS 2-TGR 1-TGR 2 CLOCK A	XR301	2201191
SRP REG RESET COMP SPD-RD PCH INT ERR SPD-LOAD PCH DATA	XR311	2201192
SRP REGISTER COMPLEMENT BITS 12 11 0 1 2 3	XR321	2201193
SRP REGISTER COMPLEMENT BITS 4 5 6 7 8 9	XR331	2201194
SRP BUFFER REGISTER BITS 12 11 0 1	XR341	2201195
SRP BUFFER REGISTER BITS 2 3 4 5	XR351	2201196
SRP BUFFER REGISTER BITS 6 7 8 9	XR361	2201197
SRP DSW BITS AND DATA BITS 0 1 2 3 4 5 6 7	XR371	2201200
SRP DSW BITS AND DATA BITS 8 9 10 11 12 13 14 15	XR381	2201201
CARD READ PUNCH UNIT DATA AND CONTROL DIAGRAM	XR401	2201258
CARD READ PUNCH WRITE OPERATION	XR501	2201259
CARD READ PUNCH READ OPERATION	XR511	2201260
CARD READ PUNCH PROGRAM LOAD OPERATION	XR521	2201261
CARD READ PUNCH CONTROL OP 1ST CARD CYCLE	XR531	2201262
CARD READ PUNCH CONTROL OP NPRO, LAST CARD, FEED CK	XR541	2201263
CARD READ PUNCH WRITE TIMING	XR701	2201264
CARD READ PUNCH READ AND PROGRAM LOAD TIMING	XR711	2201265
CARD READ PUNCH CONTROL TIMING	XR721	2201266
PAPER TAPE PROGRAM LOAD	XT101	2201288
PAPER TAPE PROG LOAD BUFFERS BITS 0-3	XT111	2201203
PAPER TAPE PROG LOAD BUFFERS BITS 8-11	XT121	2201204
PAPER TAPE PUNCH	XT201	2201289
PAPER TAPE PUNCH BUFFERS DRIVE 1 A B 8TH	XT211	2201206
PAPER TAPE PUNCH BUFFERS DRIVE 2 4 8 C	XT221	2201291
PAPER TAPE PUNCH CONTROL	XT231	2201346
PAPER TAPE READ CLUTCH DRIVE READY-BUSY-RESPONSE	XT301	2201292
PT READ CONTACTS 1 2 4 8 STROBE DATA BITS 4 5 6 7	XT311	2201293
PT READ CONTACTS A B C 8TH DATA BITS 0 1 2 3	XT321	2201210
PAPER TAPE READER OSC AND CONTROL	XT331	2201287
PAPER TAPE UNIT DATA AND CONTROL DIAGRAM	XT401	2201267
PAPER TAPE READ AND PROGRAM LOAD OPS	XT501	2201268
PAPER TAPE WRITE OP	XT511	2201269
PAPER TAPE READ TIMING	XT701	2201270
PAPER TAPE WRITE TIMING	XT711	2201271
PAPER TAPE PROGRAM LOAD TIMING	XT721	2201272
TWR BUSY BUFFER LOAD SP SS 1 TWR INTLK	XW101	2201211
TWR EOL CR-LF RESET SP RESPONSE UPPER LOWER CASE	XW111	2201212
TWR SHIFT UP DOWN SHIFT CYCL CRLFT INTLK INTERLOCK LATCH	XW121	2201227
TWR DRIVE SEL T1 T2 R1 R2A CR-LF AND EOL TAB SPACE	XW211	2201213
TWR DRIVE SEL R2 R5 AUX RIBBON SHIFT PRINT INTLK	XW221	2201214
CONSOLE PRINTER UNIT DATA AND CONTROL DIAGRAM	XW401	2201273
CONSOLE PRINTER WRITE AND CONTROL OPS	XW501	2201274
CONSOLE PRINTER WRITE AND CONTROL TIMING	XW701	2201275
POWER SUPPLY LAYOUT	YP001	2201315
PHYSICAL LAYOUT SEQUENCE BOX	YP002	2201316
-3V 8A AND +3V 16A PWR SUPPLY SCHEMATICS	YP003	2201328
+6V 12A PWR SUPPLY SCHEMATIC	YP004	2201317
-3V, +3V AND +6V AMPLIFIER CARDS	YP005	2201318
+12V POWER SUPPLY	YP006	2201319
+48V POWER SUPPLY	YP007	2201320
LOGIC VOLTAGE SENSE	YP008	2201000
AC VOLTAGE DISTRIBUTION-SEQUENCE BOX-60 CPS	YP101	2201321
AC VOLTAGE DISTRIBUTION-SEQUENCE BOX-50 CPS	YP101	2201313
AC VOLT DISTR-SEQ BOX, BLOWERS AND USE METER-60 CPS	YP111	2201322

PAGE P-N 2201229

SYSTEM LOGIC INDEX

0000J

EC 415709G

PAGE NAME	PAGE NO.	P-N
AC VOLT DISTR-SEQ BOX, BLOWERS AND USE METER-50 CPS	YP111	2201314
POWER SUPPLY CONNECTIONS -3V, +3V AND +6V	YP121	2201323
POWER SUPPLY CONNECTIONS +12V AND +48V	YP131	2201324
DC VOLTAGE DISTRIBUTION	YP141	2201325
B GATE DC VOLTAGE DISTRIBUTION	YP151	2201326
A GATE DC VOLTAGE DISTRIBUTION	YP161	2201327
I/O SIGNAL FEED THROUGH	ZA101	2201309
I/O POWER DISTRIBUTION AC/DC 50/60 CYCLE	ZB101	2201312
KEYBOARD LOGIC	ZK101	2201300
KEYBOARD SWITCH AND LIGHT PANEL	ZK111	2201301
KEYBOARD CONTACT DECODE DOMESTIC KBD	ZK121	2201302
KEYBOARD CONTACT DECODE UK KBD	ZK121	2229500
KEYBOARD CONTACT DECODE FR-BEL KBD	ZK121	2229502
KEYBOARD CONTACT DECODE GERMAN KBD	ZK121	2229503
KEYBOARD CONTACT DECODE NOR-DAN KBD	ZK121	2229504
KEYBOARD CONTACT DECODE SPANISH KBD	ZK121	2229505
KEYBOARD CONTACT DECODE SW-FIN KBD	ZK121	2229506
KEYBOARD CONTACT DECODE ITALIAN KBD	ZK121	2229507
LIGHT PANEL CONNECTOR LISTING	ZL101	2201303
LIGHT PANEL	ZL111	2201304
BIT SWITCH AND LIGHT LOGIC	ZS101	2201305
1134 PAPER TAPE READER LOGIC	ZT101	2201306
1055 PAPER TAPE PUNCH LOGIC	ZT111	2201307
CONSOLE PRINTER	ZW101	2201308

PAGE P/N 2201230
EC 415725

CONTENTS-VOLUME 1

0010A

PAGE NAME	PAGE NO.	P/N
SLDA CHART 01A-A1	PAGE 0 AC001	2201217
SOCKET LISTING 01A-A1	PAGE 1 AC001	2201217
SLDA CHART 01A-B1	PAGE 0 AC002	2201218
SOCKET LISTING 01A-B1	PAGE 1 AC002	2201218
SOCKET LISTING 01A-B1	PAGE 2 AC002	2201218
SLDA CHART 01A-C1	PAGE 0 AC003	2201219
SOCKET LISTING 01A-C1	PAGE 1 AC003	2201219
SOCKET LISTING 01A-C1	PAGE 2 AC003	2201219
SLDA CHART 01B-A1	PAGE 0 AC004	2201220
SOCKET LISTING 01B-A1	PAGE 1 AC004	2201220
SOCKET LISTING 01B-A1	PAGE 2 AC004	2201220
SLDA CHART 01B-B1	PAGE 0 AC005	2201221
SOCKET LISTING 01B-B1	PAGE 1 AC005	2201221
SOCKET LISTING 01B-B1	PAGE 2 AC005	2201221
ADDITIVE CARD CODES-JUMPERS-TIE DOWNS-SS TIMING	AD000	2201285
SIGNAL CABLE TERMINATIONS	AE000	2201298
SOCKET RESERVATIONS	BA000	2201284
SOCKET RESERVATIONS	BA001	2201342
CE CARD	BA101	2201286
INPUT-OUTPUT BUS BITS 0 1 2	BB101	2201001
INPUT-OUTPUT BUS BITS 3 4 5	BB111	2201002
INPUT-OUTPUT BUS BITS 6 7 8	BB121	2201003
INPUT-OUTPUT BUS BITS 9 10 11 12	BB131	2201004
INPUT-OUTPUT BUS BITS 13 14 15	BB141	2201005
OP DECODE NO. 1	DN101	2201006
OP DECODE NO. 2	DN111	2201007
XIO GATES X CLOCK ADV PROGRAM TRACE	DN201	2201008
FUNCTION DECODE AND ENTRY GT	DU101	2201009
AREA DECODE AND SENSE RESET	DU111	2201010
OSCILLATOR PHASE A SPD RUN T CLOCK ADVANCE	KA101	2201011
PHASE A AND B RESET DELAY START ADVANCE	KA111	2201012
BR-1 BR-2 A TO M SAMPLE M TO I SAMPLE	KB101	2201013
SKIP SAMPLE BRANCH OUT ADD TO STOR INTLK	KB111	2201014
T CLOCK T 0 T 1 T 2 T 3 T 0123	KC101	2201015
T CLOCK T 4 T 5 T 6 T 7	KC111	2201016
CYCLE TIMER I1 I2 IX	KD101	2201017
CYCLE TIMER IA E E1 E3	KD111	2201018
A TO M AND I TO M SAMPLE PULSE DRIVERS	KG101	2201019
CLK ADV M TO I B TO I PH A SAMPLE PULSE DRIVERS	KG111	2201020
I/O TO B A TO B I TO B SAMPLE PULSE DRIVERS	KG121	2201021
A TO U U TO A XCHG A AND Q SAMPLE PULSE DRIVERS	KG131	2201022
SHIFT LEFT A/Q SAMPLE PULSE DRIVERS	KG141	2201023
SHIFT RIGHT A/Q RESET D AND SAMPLE PULSE DRIVERS	KG151	2201024
I INCREMENTER	KG201	2201025
B TO I M TO I AND I INC GATE I TO M AND A TO M GATE	KG211	2201026
T7 END OP T7 COUNT 0 CCC CONTROLS	KG221	2201027
I TO A AND B TO D GATE A TO U AND U TO A SAMPLE	KG231	2201028
I TO B AND A TO B GATE STX T 00 MDX DBL PREC E2	KG241	2201029
WRITE GATE PHASE A AND B B BIT 0 LATCHED	KG251	2201030
X CLOCK X 0 X 1 X 2 X 3 X 0123	KM101	2201031
X CLOCK X 4 X 5 X 6 X 7	KM111	2201032
INTERRUPT ENTRY	KM201	2201033
CYCLE STEAL LEVELS 0 AND 1	KM211	2201037
INTERRUPT LEVELS 0 AND 1	KM301	2201034
INTERRUPT LEVELS 2 AND 3	KM311	2201035
INTERRUPT LEVELS 4 AND 5	KM321	2201036
PARITY CHECK	KR101	2201039

PAGE P/N 2201230
EC 415725

CONTENTS-VOLUME 1

00108

PAGE NAME	PAGE NO.	P/N
PARITY BIT TRIGGERS PARITY STOP	KR111	2201040
CARRY TEMP CARRY DBL PR CARRY	KS101	2201041
OVERFLOW SKIP COND	KS111	2201042
MPY ARITH ACTION E NOT MPY E1 DIV E'E1 LIKE SIGNS REM OK	KT101	2201043
ARITHMETIC SIGN AND ADD	KT111	2201044
MPY E SHIFT CTRL ARITH CTRL	KT121	2201045
ZERO REMAINDER SET DIV OFLO E1 E2	KT131	2201046
ADD SUB GT A 15 SHIFT LT ENT SET ARITH CTRL T3 PHASE B	KT201	2201047
A BIT 0 SHIFT RT ENTR SLC SHIFT OP GATE SET DIV OFL	KT301	2201048
SHIFT RT LT SAMPLE SLC E RESET ACC I CYCLE IAR INC	KT311	2201049
CONSOLE SIGNAL INTEGRATORS	KT321	2201295
INT LVL SET RESET SPD T7 SPD CLOCK ADV SPD END OP TO SPD	KT331	2201052
ACCUMULATOR-A REG EQUAL ZERO ARITH FACTOR-D REG EQUAL ZERO	KU101	2201053
ACC INPUT BUSS - I BITS 10-15 CCC 32-1 CARRY OVERFLOW	KU111	2201054
INDEX ADDR 1 2 3 STOP LATCH DIV COUNT 16	KU201	2201055
T AND X CLK OSC A PROG LD PWR WAIT NOT STOR LOAD DISP	KU211	2201056
IX ADDR INHIBIT SAR STX E1 NOT TAG 00 SLC RESET CARRY	KU301	2201057
REGISTER RESET PARITY CHECK CONTROL GATE	KU311	2201058
PROCESSOR USAGE METERS	KW101	2201215

	A	B	C	D	E	F	G	H	J	K	L	M	N	P	Q	R	S	T	U	V	W	X	Y	Z		
1										X QTR			X QTR													
2	Z200 X	000000S 0000 X																								
3	Z200 X	000000S 0000 X																								
4	Z200 X	000000S 0000 X																								
5	UR X	000000S 0000 X																								
6	UR X	000000S 0000 X																								
7	QTR X	000000S 0000 X																								
8					Z200 X																					

SYMBOLS
 X NO. RULE SOCKET
 U CONFLICT
 S PORTIONS LEFT

SLDA CHART
 DATE 03-13-67 MACH. 1131
 LOG 072U BOARD 01A-A1
 PREV. ENGR. 08-23-66 419625
 PRES. ENGR. 02-24-67 419633
 P.No. 2201217
 IBM CORP. SDD PLK.

ACCO
 1
 000
 1

40000

A2	CONNECTOR
B03	XP331AK4
B04	XP331AF2
B05	XP331AF4
B07	XP331AF6
B08	XP331AH1
B09	XP331AH3
B10	XP331AH5
B12	XP331AH7
B13	XP331AH9
D02	XP331AK2
D04	XP101CP4
D05	XP331AP4
D06	XP331AM9
D07	XP331AM7
D09	XP331AM5
D10	XP331AP2
D11	XP331AM1
D12	XP331AK6
D13	XP331AP6
A3	CONNECTOR
B02	XP211AN2
B03	XP211AQ2
B04	XP211BE2
B05	XP211BG2
B07	XP221AN2
B08	XP221AQ2
B09	XP221BE2
B10	XP221BG2
B12	XP141BH4
B13	XP141BJ4
D02	XP211AP2
D04	XP211AR2
D05	XP211BF2
D06	XP211BH2
D07	XP221AP2
D09	XP221AR2
D10	XP221BF2
D11	XP221BH2
D12	XP141BK4
D13	XP141BL4
A4	CONNECTOR
B02	XP331AM3
B03	XP331AB2
B04	XP331AB4
B05	XP331AB6
B07	XP331AD1
B08	XP331AD3
B09	XP331AD5
B10	XP331AD7
B12	XP331AD9
B13	XP121BQ4
D02	XP121AU4
D04	XP201BJ4
D05	XP121AV4
D06	XP121AV4
D07	XP101BD4
D09	XP101AZ4
D10	XP141BD4
D11	XP141BE4
D12	XP141BF4
D13	XP141BG4
A5	SINGLE CARD CR
BA001	
A6	SINGLE CARD CR
BA001	
A7	SINGLE CARD RPQ
BA000	
B2	SINGLE CARD PR 5800000 0000
XP301 A1 XP201 B1 C1 D1 XP301 E1 XP201 F1	
B3	SINGLE CARD PR 5800000 0000
XP201 A1 B1 E1 F1	
C D	UNUSED PORTIONS
C D	
B4	SINGLE CARD CR
XP141 A1 XP121 B1 XP101 C1 D1 E1 F1	

B4	BA001
B5	SINGLE CARD CR 5400
BA001	
B6	SINGLE CARD CR 5400
BA001	
B7	SINGLE CARD CR 5400
BA001	
C2	DOUBLE CARD PR 5804628 4628
C3	XP211 01 04 07 08 09 10 11 12 13 16 19 20 21 22 23 24 25 28 31 32 33 34 35 36 37 40 43 44 45 46 47 48 XP221 49 52 55 56 57 58 59 60 61 64 67 68 69 70 71 72 73 76 79 80 81 82 83 84 85 88 91 92 93 94 95 96
C4	SINGLE CARD CR
BA001	
C5	SINGLE CARD CR
BA001	
C6	SINGLE CARD CR
BA001	
C7	SINGLE CARD CR
BA001	
D2	SINGLE CARD PR 5804008 4008
XP141 A1 A2 A3 A4 A5 A6 A7 A8 A9 AA AB AC AD B1 C1 D1	
D3	SINGLE CARD PR 5803130 3130
XP101 A1 A2 A3 A4 B1 B2 B3 B4 C1 C2 C3 C4 D1 D2 D3 D4	
D4	SINGLE CARD CR
BA001	
D5	SINGLE CARD CR
BA001	
D6	SINGLE CARD CR
BA001	
D7	SINGLE CARD CR
BA001	
E2	SINGLE CARD PR 5803794 3794
XP141 A1 A2 A3 A4 A5 B1 E2 B3 B4 B5 B6 B7 E8 B9 BA	
E3	SINGLE CARD PR 5800000 0000

E4	SINGLE CARD CR
BA001	
E5	SINGLE CARD CR
BA001	
E6	SINGLE CARD CR
BA001	
E7	SINGLE CARD CR
BA001	
E8	CONNECTOR B04 DU11BE4 B06 DU101BA4 E04 KM321BD4
F2	SINGLE CARD PR 5800236 0236
XP101 A1 B1 C1 D1 XP121 E1 F1	
F3	SINGLE CARD PR 5800509 0509
XP121 A1 B1 XP111 C1 XP121 D1 E1 F1 G1 H1 J1 XP101 K1	
F4	SINGLE CARD CR
BA001	
F5	SINGLE CARD CR
BA001	
F6	SINGLE CARD CR
BA001	
F7	SINGLE CARD RPQ
BA000	
G2	SINGLE CARD PR 5800002 0002
XP121 A1 XP101 B1 XP121 C1 XP131 D1 XP121 E1	
G3	SINGLE CARD PR 5800509 0509
XP101 A1 B1 XP201 C1 XP101 D1 E1 XP131 F1 XP101 G1 H1 J1 K1	
G4	SINGLE CARD CR
BA001	
G5	SINGLE CARD CR
BA001	
G6	SINGLE CARD CR
BA001	
G7	SINGLE CARD RPQ
BA000	
H2	SINGLE CARD PR 5803794 3794

H2	XP201 A1 A2 A3 A4 A5 XP131 B1 B2 B3 B4 B5 B6 B7 B8 B9 BA
H3	SINGLE CARD PR 5800000 0000
XP101 A1 XP201 B1 C1 XP131 D1 E1 F1	
H4	SINGLE CARD CR
BA001	
H5	SINGLE CARD CR
BA001	
H6	SINGLE CARD CR
BA001	
H7	SINGLE CARD RPQ
BA000	
J1	SINGLE CARD RPQ
BA000	
J2	SINGLE CARD PR 5803794 3794
XP201 A1 A2 A3 A4 A5 B1 B2 B3 B4 B5 B6 B7 B8 B9 BA	
J3	SINGLE CARD PR 5806250 6250
XP321 A1 XP111 A2 XP321 A3 XP111 A4 XP321 A5 XP111 A6 XP321 A7 XP111 A8 A9 XP321 AA XP111 AB XP321 AC XP111 AD XP321 AE XP111 AF XP321 AG XP111 AH AJ AK AL XP131 B1 B2 B3 XP121 C1 D1 XP101 E1 XP121 F1 XP101 G1 XP131 H1	
J4	SINGLE CARD CR
BA001	
J5	SINGLE CARD CR
BA001	
J6	SINGLE CARD CR
BA001	
J7	SINGLE CARD RPQ
BA000	
K2	SINGLE CARD PR 5803028 3028
XP301 A1 A2 A3 A4 XP311 A5 A6 A7 A8	
K4	SINGLE CARD CR
BA001	
K5	SINGLE CARD CR
BA001	
K6	SINGLE CARD CR
BA001	
K7	SINGLE CARD RPQ
BA000	
L2	SINGLE CARD PR 5803028 3028
XP321 A1 A2 A3 A4 A5 A6 A7 A8	
L3	SINGLE CARD PR 5803028 3028
XP301 A1 A2 A3 A4 XP311 A5 A6 A7 XP301 A8	
L4	SINGLE CARD CR
BA001	
L5	SINGLE CARD CR
BA001	
L6	SINGLE CARD CR
BA001	
L7	SINGLE CARD RPQ
BA000	
M1	SINGLE CARD RPQ
BA000	
M2	SINGLE CARD PR 5800000 0000
XP121 A1 B1 C1 D1 E1 XP201 F1	
M3	CONNECTOR E02 RB301AA4 B03 RB301AC4 B04 RB301AE4 B05 RB301AG4 B07 RB311AA4 B08 RB311AC4 B09 RB311AE4 B10 RB311AG4 B12 KU211AD4 B13 KU211AC4 D02 RB301AB4 D04 RB301AD4 D05 RB301AF4 D06 RB301AH4 D07 RB311AB4 D09 RB311AD4 D10 RB311AH4 D11 KU211AA4 D13 KU211AB4
M4	SINGLE CARD PR 5800346 0346
XP131 A1 B1 XP121 C1 D1 E1 ER XP301 F1 FR	
M5	SINGLE CARD

K2	XP121 G1 H1
K3	SINGLE CARD PR 5803028 3028
XP301 A1 A2 A3 A4 XP311 A5 A6 A7 A8	
K4	SINGLE CARD CR
BA001	
K5	SINGLE CARD CR
BA001	
K6	SINGLE CARD CR
BA001	
K7	SINGLE CARD RPQ
BA000	
L2	SINGLE CARD PR 5803028 3028
XP321 A1 A2 A3 A4 A5 A6 A7 A8	
L3	SINGLE CARD PR 5803028 3028
XP301 A1 A2 A3 A4 XP311 A5 A6 A7 XP301 A8	
L4	SINGLE CARD CR
BA001	
L5	SINGLE CARD CR
BA001	
L6	SINGLE CARD CR
BA001	
L7	SINGLE CARD RPQ
BA000	
M1	SINGLE CARD RPQ
BA000	
M2	SINGLE CARD PR 5800000 0000
XP121 A1 B1 C1 D1 E1 XP201 F1	
M3	CONNECTOR E02 RB301AA4 B03 RB301AC4 B04 RB301AE4 B05 RB301AG4 B07 RB311AA4 B08 RB311AC4 B09 RB311AE4 B10 RB311AG4 B12 KU211AD4 B13 KU211AC4 D02 RB301AB4 D04 RB301AD4 D05 RB301AF4 D06 RB301AH4 D07 RB311AB4 D09 RB311AD4 D10 RB311AH4 D11 KU211AA4 D13 KU211AB4
M4	SINGLE CARD PR 5400 CAT
BA001	
M5	SINGLE CARD

M5	5400 CR
M6	SINGLE CARD PE 5400
BA000	
M7	SINGLE CARD RPQ 5400
BA000	
N2	CONNECTOR B03 BB101AA4 B04 BB101AC4 B05 BB111AB4 B06 BB121AA4 B07 BB121AC4 B08 BB131AB4 B09 BB131AD4 B10 BB141AB4 B11 XP201BE4 B12 DU101AA4 B13 DU101AB4 D02 BB101AB4 D03 BB111AA4 D04 BB111AC4 D05 BB121AB4 D06 BB131AA4 D07 BB131AC4 D09 BB141AA4 D10 BB141AC4 D11 DU111AC4 D12 DU111AB4 D13 DU111AA4
N3	CONNECTOR B02 RB301AA4 B03 RB301AC4 B04 RB301AE4 B05 RB301AG4 B07 RB311AA4 B08 RB311AC4 B09 RB311AE4 B10 RB311AG4 B12 KU211AD4 B13 KU211AC4 D02 RB301AB4 D04 RB301AD4 D05 RB301AF4 D06 RB301AH4 D07 RB311AB4 D09 RB311AD4 D10 RB311AF4 D11 RB311AH4 D12 KU211AA4 D13 KU211AB4
N4	CONNECTOR B02 XP141AQ2 B03 XP141AR2 B04 XP141AS2 B05 KM211AE4 B07 XP131AV6 B08 KM211AV4
N5	CONNECTOR B03 DU111BC4 B08 DU101BE4 B09 DU101ED4 B10 KA111AN6 D07 KU101AG4 D09 KU201AP4 D10 DU101AV4 D11 DU111AM4 D12 XP201BM4
N6	SINGLE CARD CAT
BA001	
N7	SINGLE CARD RPQ
BA000	

PLUG LIST	PART NO	ACC	TYPE	SOCKETS	TOTAL
5800000	PR	0000	B2 B3 E3 H3	M2	05
5800002	PR	0002	G2	M2	01
5800236	PR	0236	F2	M2	01
5800346	PR	0346	K2	M2	01
5800509	PR	0509	F3 G3	M2	02
5803028	PR	3028	K3 L2 L3	M2	03
5803130	PR	3130	D3	M2	01
5803794	PR	3794	E2 H2 J2	M2	03
5804008	PR	4008	D2	M2	01
5804628	PR	4628	C2	M2	01
5806250	PR	6250	J3	M2	01
CONN	A2 A3 A4 E8	M3 N2 N3 N4			09
CAT	5400	M4			01
CAT	5400	N6			01
CR	5400	B4 B5 B6 B7			05
CR		A5 A6 C4 C5			32
PE	5400	M6			01
RPQ	5400	M7			10
RPQ		A7 F7 G7 H7			
		J1 J7 K7 L7			

SOCKET LISTING
 DATE 03-13-67 MACH. 1131
 LOG 072L BOARD 010-A1
 PREV. ENGR. 08-23-66 419625
 PRES. ENGR. 02-24-67 419633
 P. No. 2201217 SDD
 IBM CORP. SDD PLK.

A
C
0
0
1
000

	A	B	C	D	E	F	G	H	J	K	L	M	N	P	Q	R	S	T	U	V	W	X	Y	Z	
1	2200 X	2200 X	2200 X	2200 X	2200 X	2200 X	2200 X																		
2	2200 X	2200 X	2200 X	2200 X	2200 X	2200 X	2200 X	2200 X	2200 X	2200 X	2200 X	2200 X	2200 X	2200 X	2200 X	2200 X	2200 X	2200 X	2200 X	2200 X	2200 X	2200 X	2200 X	2200 X	2200 X
3	2200 X	2200 X	2200 X	2200 X	2200 X	2200 X	2200 X	2200 X	2200 X	2200 X	2200 X	2200 X	2200 X	2200 X	2200 X	2200 X	2200 X	2200 X	2200 X	2200 X	2200 X	2200 X	2200 X	2200 X	2200 X
4	2200 X	2200 X	2200 X	2200 X	2200 X	2200 X	2200 X	2200 X	2200 X	2200 X	2200 X	2200 X	2200 X	2200 X	2200 X	2200 X	2200 X	2200 X	2200 X	2200 X	2200 X	2200 X	2200 X	2200 X	2200 X
5	2200 X	2200 X	2200 X	2200 X	2200 X	2200 X	2200 X	2200 X	2200 X	2200 X	2200 X	2200 X	2200 X	2200 X	2200 X	2200 X	2200 X	2200 X	2200 X	2200 X	2200 X	2200 X	2200 X	2200 X	2200 X
6	2200 X	2200 X	2200 X	2200 X	2200 X	2200 X	2200 X	2200 X	2200 X	2200 X	2200 X	2200 X	2200 X	2200 X	2200 X	2200 X	2200 X	2200 X	2200 X	2200 X	2200 X	2200 X	2200 X	2200 X	2200 X
7	2200 X	2200 X	2200 X	2200 X	2200 X	2200 X	2200 X	2200 X	2200 X	2200 X	2200 X	2200 X	2200 X	2200 X	2200 X	2200 X	2200 X	2200 X	2200 X	2200 X	2200 X	2200 X	2200 X	2200 X	2200 X
8																									

SYMBOLS
 X- NO RULE SOCKET
 E- CONFLICT
 S- PORTIONS LEFT

SLDA CHART
 DATE 03-13-67 MACH. 1131
 LOG 072U BOARD 01A-B1
 PREV. ENGR. 10-14-66 419623
 PRES. ENGR. 02-24-67 419633
 P.No. 2201218
 IBM CORP. SDD BLK.

NOO00

000

SOLID LOGIC DESIGN AUTOMATION - SOCKET LISTING

A1 CONNECTOR E09 BB101AB4 E11 BB111AA4	B1 B09 BB111AC4 B11 BB101AC4 C09 BB121AB4 C11 BB111AB4 D09 BB131AA4 D11 BB121AA4 E09 BB131AC4 E11 BB121AC4	C6 27 28 29 30 31 32 33 34 35 36 37 38	E6 SINGLE CARD PTP 5800000 0000	G4 XR221 F1 XR371 G1 XR261 J1 XR381 K1	J4 5800000 0000	L5 XT221 G1 XT211 H1 J1 K1
A2 CONNECTOR B03 BB101AA4 B04 BB101AC4 B05 BB111AB4 B06 BB121AA4 B07 BB121AC4 B08 BB131AB4 B09 BB131AD4 B10 BB141AB4 B11 KM301BM4 B12 DU101AA4 B13 DU101AB4 D02 BB101AB4 D03 BB111AA4 D04 BB111AC4 D05 BB121AB4 D06 BB131AA4 D07 BB131AC4 D09 BB141AA4 D10 BB141AC4 D11 DU111AC4 D12 DU111AB4 D13 DU111AA4	B2 SINGLE CARD C567 5803028 3028 XR371 A1 A2 A3 XR381 A4 A5 XR371 A6 XR291 A7 XR371 A8 A9	C7 SINGLE CARD RPQ BA000 UNUSED PORTIONS B	E7 SINGLE CARD PTP 5800000 0000 XT221 A1 B1 C1 D1 XT101 E1	G5 SINGLE CARD PTRP 5803028 3028 XT301 A1 XT201 A2 A3 A4 XT301 A5 XT201 A6 XT301 A7 A8 A9	J5 SINGLE CARD PTRP 5803794 3794 XT331 A1 A2 A3 A4 A5 XT231 B1 B2 B3 B4 B5 B6 B7 B8 B9 BA	L6 SINGLE CARD PE BA000
A3 CONNECTOR B02 XR261BG4 B03 XR271AG4 B04 XR271AB4 B05 XR271AC4 B07 XR271AK4 B08 XR271AL4 B09 XR271AF4 B10 XR211AW4 B12 XR111AT4 B13 XR111AR4 D02 XR271AA4 D04 XR271AH4 D05 XR271AJ4 D06 XR271AD4 D07 XR271AE4 D09 XR271AM4 D10 XR111AT6 D11 XR211AV4 D12 XR111AT2 D13 XR201BE4	B3 DOUBLE CARD C567 5807310 7310 XR201 01 02 03 04 05 06 07 08 09 10 13 14 15 16 17 18 19 20 21 22 23 24 25 26 XR211 27 30 31 32 33 34 35 36 37 38 39 40 41 42 43 44 45 46 47 48 49 51 B2 XR201 C1	D1 CONNECTOR A09 XR291BB4 E09 XC141AX6 E11 DU101BD4	E7 SINGLE CARD PTP 5800000 0000 UNUSED PORTIONS F	G6 SINGLE CARD PTR 5803816 3816 XT301 B1 B2	J6 SINGLE CARD PTP 5800000 0000 XT231 A1 XT201 B1 C1 XT231 D1 XT201 E1 F1	L7 SINGLE CARD PE BA000
A4 CONNECTOR B02 XR251BK2 B03 XR231AX4 B04 XR231AT4 B05 XR231BF2 B07 XR231AU4 B08 XR261AK4 B09 XR291BA2 B12 XR111AR6 B13 XR121AD5 D02 XR251BJ2 D04 XR291AZ2 D06 XR231AV4 D07 XR251BQ4 D09 XR231AW4 D12 XR111AR2	B4 SINGLE CARD C567 5803129 3129 XT321 A1 A2 A3 A4 A5 A6 A7 A8 A9 AA AB AC XT311 B1 B2 B3 B4 B5 B6 B7 B8 B9 BA BB BC BD BE BF	D2 SINGLE CARD C67 5803028 3028 XR371 A1 A2 A3 A6 A9	F1 CONNECTOR A11 DU111A24 B09 DU101AA4 B11 DU111AM4 C09 DU101AB4 C11 XR281AT6 D09 DU111AC4 D11 XR281AT6 E09 DU111AB4 E11 DU111BC4	G7 SINGLE CARD PTR 5800000 0000 XT331 A1 B1 C1 D1 E1 F1	J7 SINGLE CARD PTRP 5803819 3819 XT331 A1 XT201 A2 XT331 A3 A4	M1 SINGLE CARD RPQ BA000
A5 CONNECTOR B03 DU111BC4 B08 DU101BB4 B09 DU1C1BD4 B10 KA111AN6 D07 KU101AQ4 D09 KU201AP4 D10 DU101AY4 D11 DU111AM4 D12 KA111BF2	B5 SINGLE CARD PTR 5803028 3028 XT321 A1 A2 A3 A4 XT311 A5 A6 A7 A8	D3 SINGLE CARD C567 5804025 4025 XR271 A1 A2 A3 A4 B1 B2 B3 B4 B5	F2 SINGLE CARD 5800000 0000 BA101 A1 B1 C1 D1 E1 F1	H2 SINGLE CARD C567 5806221 6221 XR351 A1 A2 A3 A4 A5 A6 A7 A8 A9 AA AB AC AD AE AF AG AH AJ AK AL AM AN AP AQ AS AT AU AV AW	K2 SINGLE CARD C567 5804005 4005 XR321 A1 A2 A3 A4 A5 A6 A7 A8 A9 AA AB AC AD AE AF AG AH AJ	M2 SINGLE CARD C567 5803404 3404 XR221 A1 A2 XR241 B1 B2 XR221 C1 C2 D1 D2 E1 E2
A6 CONNECTOR B02 XT331AT4 B03 XT311BS4 B04 XT311BW4 B05 XT311BV4 B10 XT321BR4 B12 XT321BN4 D02 XT331AR4 D06 XT331AP4 D07 XT311BU4 D09 XT311BT4 D12 XT321BP4 D13 XT321BQ4	B6 SINGLE CARD PTR 5803129 3129 XT321 A1 A2 A3 A4 A5 A6 A7 A8 A9 AA AB AC XT311 B1 B2 B3 B4 B5 B6 B7 B8 B9 BA BB BC BD BE BF	D4 SINGLE CARD C567 5803130 3130 XR231 A1 A2 A3 A4 B1 B2 B3 B4 C1 C2 C3 C4 D1 D2 D3 D4	F3 SINGLE CARD C567 5803794 3794 XR241 A1 A2 A3 A4 A5 B1 B2 B3 B4 B5 B6 B7 B8 B9 BA	H3 SINGLE CARD C567 5803794 3794 XR251 A1 A2 A3 A4 A5 B1 B2 B3 B4 B5 B6 B7 B8 B9 BA	K3 SINGLE CARD C567 5803816 3816 XR301 A1 A2 B1 B2	M3 DOUBLE CARD C567 5806225 6225 XR301 01 02 03 04 05 06 07 XR261 08 09 10 11 XR301 12 13 14 15 XR261 16 17 18 19 XR301 20 21 XR261 22 23 XR311 24 25 26 XR301 27 28 29 XR281 30 XR281 31 XR371 32 XR281 33 XR221 34 XR281 35 XR251 36 XR281 37 38 XR221 39 40 XR281 41 42 XR251 43 44 XR281 45 XR221 46 XR281 47 XR251 48 XR281 49 XR221 50 XR281 51 XR251 52 XR281 53 XR231 54
A7 SINGLE CARD RPQ BA000	B7 SINGLE CARD RPQ BA000	D5 SINGLE CARD PTP 5800236 0236 XT101 A1 XT111 B1 C1 D1 XT101 E1 XT111 F1	F4 SINGLE CARD C567 5803794 3794 XR251 A1 A2 A3 A4 A5 B1 B2 B3 B4 B5 XR261 B6 B7 B8 B9 BA	H4 SINGLE CARD C567 5803794 3794 XR231 A1 A2 A3 A4 A5 XR291 B1 B2 B3 B4 B5 B6 B7 B8 B9 BA	K4 SINGLE CARD C567 5803794 3794 XR281 A1 A2 A3 A4 A5 XR291 B1 B2 B3 B4 B5 B6 B7 B8 B9 BA	M4 SINGLE CARD PTP 5800000 0000 XT211 01 02 03 04 05 06 07 08 09 10 11 12 13 14 15 16 17 18 19 20 XT221 21 22 23 24 25 26 27 28 29 30 31 32 33 34 35 36 37 38 39 40
B1 CONNECTOR A09 BB111AA4 A11 BB101AA4	C1 CONNECTOR A11 BB131AB4 B09 BB141AA4 B11 BB131AD4 C09 BB141AC4 C11 BB141AB4 D09 XC141BL4 E09 XC141BM4 E11 BB121AA4	E1 CONNECTOR A11 DU111AJ4 B09 DU101BE4 B11 DU101BB4 C09 DU101BC4 C11 DU101AZ4 D09 DU101AY4 D11 DU101BD4 E09 DU101BA4 E11 DU111AY4	F5 SINGLE CARD PTP 5806221 6221 XT111 A2 A3 A4 A5 A6 A8 A9 AA AB AC AE AF AG AH AJ AL AM AN AP AQ	H5 SINGLE CARD PTP 5803794 3794 XT101 A1 A2 A3 A4 A5 B1 B2 B3 B4 B5 B6 B7 B8 B9 BA	K5 SINGLE CARD PTP 5803763 3763 XT211 01 02 03 04 05 06 07 08 09 10 11 12 13 14 15 16 17 18 19 20 XT221 21 22 23 24 25 26 27 28 29 30 31 32 33 34 35 36 37 38 39 40	M5 SINGLE CARD PTP 5803819 3819 XT221 A1 A2 A3 XT211 A4 XT221 A5 XT211 A6 A7 A8
B2 SINGLE CARD C567 5803656 3656 XR221 A1 XR261 B1 XR221 C1 C2 D1 D2	C2 SINGLE CARD C67 5803028 3028 XR371 A1 A2 A3 A6 A9	E2 SINGLE CARD C67 5803028 3028 XR381 A1 A2 A3 A4 A5 A6 XR241 A7 XR381 A8 A9	F6 SINGLE CARD PTRP 5803794 3794 XT301 A1 A2 A3 A4 A5 B1 B2 B3 B4 B5 XT201 B6 B7 B8 B9 BA	H6 SINGLE CARD PTR 5803757 3757 XT101 A1 A3 A8 A9 AC AD XT301 B1 B2 C1 C2	K6 DOUBLE CARD PTRP 5803734 3734 XT331 A1 B1	M6 SINGLE CARD 5800410 0410 RB321 A1 B1 C1 D1 E1 F1 C1 H1 J1 K1 L1 M1 N1 P1 Q1 R1 S1 T1 U1 V1
B3 SINGLE CARD C567 5803130 3130 XR221 B1 B2 B3 B4 XR261 C1 C2 C3 C4 XR221 D1 D2 D3 D4	C3 SINGLE CARD C567 5803656 3656 XR221 A1 XR261 B1 XR221 C1 C2 D1 D2	E3 SINGLE CARD C567 5804025 4025 XR271 A2 A3 A4 XR251 B1 XR241 B2 B3 B4 B5	F7 SINGLE CARD PTP 5803794 3794 XT231 A1 A2 A3 A4 A5 B1 B2 B3 B4 B5 B6 B7 B8 B9 BA	H7 SINGLE CARD PTRP 5803794 3794 XT331 A1 A2 A3 A4 A5 B1 B2 B3 B4 B5 B6 B7 B8 B9 BA	K7 SINGLE CARD C567 5804005 4005 XR331 A1 A2 A3 A4 A5 A6 A7 A8 A9 AA AB AC AD AE AF AG AH AJ	M7 SINGLE CARD PTP 5800000 0000 XT301 A1 B1 XT101 C1 XT211 D1 XT101 E1 XT211 F1
B4 SINGLE CARD PTP 5800236 0236 XT101 A1 XT121 B1 C1 D1 XT101 E1 XT121 F1	C4 SINGLE CARD C567 5803130 3130 UNUSED PORTIONS A	E4 SINGLE CARD C567 5803421 3421 XR231 A1 B1 XR201 C1 XR221 D1 XR201 E1 XR261 F1 XR221 G1 XR241 H1 XR261 J1 XR241 K1	G1 CONNECTOR A09 DU111AA4 A11 KM301BM4	J1 SINGLE CARD RPQ BA000	L2 SINGLE CARD C567 5804005 4005 XR331 A1 A2 A3 A4 A5 A6 A7 A8 A9 AA AB AC AD AE AF AG AH AJ	M8 CONNECTOR B02 XR111AV2 B03 XR111AV6
B5 SINGLE CARD PTP 5800236 0236 XT101 A1 XT121 B1 C1 D1 XT101 E1 XT121 F1	C5 SINGLE CARD PTP 5800236 0236 XT101 A1 XT121 B1 C1 D1 XT101 E1 XT121 F1	E5 SINGLE CARD PTP 5806221 6221 XT121 A2 A3 A4 A5 A6 AB A9 AA AB AC AE AF AG AH AJ AL AM AN AP AQ	G2 SINGLE CARD C567 5806221 6221 XR341 A1 A2 A3 A4 A5 A6 A7 A8 A9 AA AB AC AD AE AF AG AH AJ AK AL AM AN AP AQ AS AT AU AV AW	J2 SINGLE CARD C567 5806221 6221 XR361 A1 A2 A3 A4 A5 A6 A7 A8 A9 AA AB AC AD AE AF AG AH AJ AK AL AM AN AP AQ AS AT AU AV AW	L3 SINGLE CARD C567 5803757 3757 XR311 A1 A2 A3 A4 A5 A6 A7 A8 A9 AA AC AD AE AF B1 B2 C1 C2	N2 CONNECTOR B02 XR111AV2 B03 XR111AV6
B6 SINGLE CARD PTR 5803763 3763 XT311 01 02 03 04 05 06 07 08 09 10 11 12 13 14 15 16 17 18 19 20 XT321 21 22 23 24 25 26	C6 SINGLE CARD PTR 5803763 3763 XT311 01 02 03 04 05 06 07 08 09 10 11 12 13 14 15 16 17 18 19 20 XT321 21 22 23 24 25 26	E6 SINGLE CARD PTP 5806221 6221 XR231 A1 XR261 B1 XR241 C1	G3 SINGLE CARD C567 5800247 0247 XR231 A1 XR261 B1 XR241 C1	J3 SINGLE CARD C567 5800000 0000 XR201 A1 XR371 B1 XR381 C1 XR301 D1 XR201 E1 F1	L4 SINGLE CARD C567 5803421 3421 XR211 A1 XR251 B1 C1 XR281 D1 E1 XR301 F1 G1 XR281 H1 XR301 J1 K1	N3 CONNECTOR B02 XR111AV2 B03 XR111AV6
B7 SINGLE CARD RPQ BA000	C7 SINGLE CARD C567 5803028 3028 XR221 A1 XR261 B1 XR221 C1 C2 D1 D2	E7 SINGLE CARD PTP 5806221 6221 XR341 A1 A2 A3 A4 A5 A6 A7 A8 A9 AA AB AC AD AE AF AG AH AJ AK AL AM AN AP AQ AS AT AU AV AW	G4 SINGLE CARD C567 5803686 3686 XR241 A1 B1 XR261 C1 D1 E1	J4 SINGLE CARD C567 5803794 3794 XR231 A1 XR291 B1 B7 B8 B9 BA	L5 SINGLE CARD PTP 5803421 3421 XT201 A1 XT231 B1 XT221 C1 D1 E1 XT211 F1	N4 CONNECTOR B02 XR111AV2 B03 XR111AV6

SOCKET LISTING
DATE 05-25-68 MACH. 1131
LOG 150J BOARD 01A-B1
PREV. ENGR. 02-24-67 419633
PRES. ENGR. 07-21-68 419659
P.N. 2201218
IBM CORP. SDD BLK.

A
C
O
Z
000

N2	B04	XR111AX2
	B05	XR111AX6
	B07	XR121AB4
	B08	XR121AD1
	B09	XR121AD3
	B10	XR121AK4
	B12	XR121AM2
	B13	XR121AM6
	D02	XR111AV4
	D04	XR111AX4
	D05	XR111AX8
	D06	XR121AB2
	D07	XR121AB6
	D09	XR121AK2
	D10	XR121AK6
	D11	XR121AK8
	D12	XR121AM4
	D13	XR121AM8
N3	CONNECTOR	
	B02	XR121AP2
	B03	XR121AP6
	B04	XR121AP8
	B08	XR121AD7
	B09	XR121AF2
	B10	XR121AF4
	B12	XR121AH3
	B13	XR121AH7
	D02	XR121AP4
	D09	XR121AH5
	D10	XR121AH1
	D12	XR121AF6
	D13	XR121AH9
N4	SINGLE CARD PE	
	BA000	
N5	CONNECTOR	
	B03	XT201BE4
	B07	XT211AX4
	B08	XT211AZ4
	B09	XT221AU4
	B10	XT221AZ4
	B13	XT221AU4
	D04	XT201AU4
	D06	XT211AU4
	D07	XT211AU4
	D10	XT221AX4
N6	CONNECTOR	
	B03	RB301AA4
	B04	RB301AC4
	B05	RB301AE4
	B06	RB301AG4
	B07	RB311AA4
	B08	RB311AC4
	B09	RB311AE4
	B10	RB311AG4
	B11	KU211AE4
	B12	KU211AD4
	B13	KU211AC4
	D02	RB301AB4
	D03	RB301AD4
	D04	RB301AF4
	D05	RB301AH4
	D06	RB311AB4
	D07	RB311AD4
	D09	RB311AF4
	D10	RB311AH4
	D12	KU211AA4
	D13	KU211AB4
N7	CONNECTOR	
	B03	XK101AV4
	B04	KT321BC2
	B05	DN201BF4
	B09	KT321BA4
	B10	KA111AN6
	D02	XC141AA4
	D03	KU311AU4
	D04	XT301AL4
	D05	XT301BH4
	D06	XC141AF4
	D07	KW101AQ4
	D09	KU201AP4
	D11	KR111BD4
	D12	KA111BF2

NOOCD

PLUG LIST				
PART NO	ACC	TYPE	SOCKETS	TOTAL
5800000		0000	F2	01
5800000	C567	0000	J3 J4	02
5800000	PTPL	0000	E6 E7	02
5800000	PTP	0000	J6	01
5800000	PTRP	0000	M7	01
5800000	PTR	0000	D6 G7	02
5800236	PTPL	0236	C5 D5	02
5800247	C567	0247	G3	01
5800410		0410	M6	01
5803028	C567	3028	B2	01
5803028	C67	3028	C2 D2 E2	03
5803028	PTRP	3028	G5	01
5803028	PTR	3028	B5	01
5803129	PTR	3129	B6	01
5803130	C567	3130	C4 D4	02
5803404	C567	3404	M2	01
5803421	C567	3421	E4 L4	02
5803421	PTP	3421	L5	01
5803656	C567	3656	C3	01
5803686	C567	3686	G4	01
5803734	PTRP	3734	K6	01
5803757	C567	3757	L3	01
5803757	PTR	3757	H6	01
5803763	PTP	3763	K5	01
5803763	PTR	3763	C6	01
5803794	C567	3794	F3 F4 H3 H4	05
5803794	PTPL	3794	K4	01
5803794	PTP	3794	F7	01
5803794	PTRP	3794	F6 H7 J5	03
5803816	C567	3816	K3	01
5803816	PTR	3816	G6	01
5803819	PTP	3819	M5	01
5803819	PTRP	3819	J7	01
5804005	C567	4005	K2 L2	02
5804025	C567	4025	D3 E3	02
5806221	C567	6221	G2 H2 J2	03
5806221	PTPL	6221	E5 F5	02
5806225	C567	6225	M3	01
5807310	C567	7310	B3	01
		CONN	A1 A2 A3 A4	17
			A5 A6 B1 C1	
			D1 E1 F1 G1	
			H2 H3 H5 H6	
			N7	
	PE		L6 L7 M4	03
	RPQ		A7 B7 C7 D7	06
			J1 M1	

SOCKET LISTING
 DATE 05-25-68 PACH. 1131
 LDC 150J BOARD 01A-B1
 PREV. ENGR. 02-24-67 419633
 PRES. ENGR. 07-21-68 419659
 P.No. 2201218
 IBM CORP. SDD BLK.

A
C
0
0
2
000

	A	B	C	D	E	F	G	H	J	K	L	M	N	P	Q	R	S	T	U	V	W	X	Y	Z			
1	2200 X	2200 X	2200 X	2200 X	2200 X	2200 X	2200 X																				
2	2200 X	2200 X U-1640BS U-164 X	2200 X U-1640BS U-164 X	2200 X 000000 0000 X	2200 X 2200 2200 X	2200 X 2200 2200 X	2200 X 2200 2200 X	2200 X 2200 2200 X	2200 X 2200 2200 X	2200 X 2200 2200 X	2200 X 2200 2200 X	2200 X 2200 2200 X	2200 X 2200 2200 X	2200 X 2200 2200 X	2200 X 2200 2200 X	2200 X 2200 2200 X	2200 X 2200 2200 X	2200 X 2200 2200 X	2200 X 2200 2200 X	2200 X 2200 2200 X	2200 X 2200 2200 X	2200 X 2200 2200 X	2200 X 2200 2200 X	2200 X 2200 2200 X	2200 X 2200 2200 X	2200 X 2200 2200 X	
3	2200 X			2200 X 000000 0000 X	2200 X 2200 2200 X	2200 X 2200 2200 X	2200 X 2200 2200 X	2200 X 2200 2200 X	2200 X 2200 2200 X	2200 X 2200 2200 X	2200 X 2200 2200 X	2200 X 2200 2200 X	2200 X 2200 2200 X	2200 X 2200 2200 X	2200 X 2200 2200 X	2200 X 2200 2200 X	2200 X 2200 2200 X	2200 X 2200 2200 X	2200 X 2200 2200 X	2200 X 2200 2200 X	2200 X 2200 2200 X	2200 X 2200 2200 X	2200 X 2200 2200 X	2200 X 2200 2200 X	2200 X 2200 2200 X	2200 X 2200 2200 X	
4	2200 X	2200 X 2200 2200 X	2200 X 2200 2200 X	2200 X 2200 2200 X	2200 X 2200 2200 X	2200 X 2200 2200 X	2200 X 2200 2200 X	2200 X 2200 2200 X	2200 X 2200 2200 X	2200 X 2200 2200 X	2200 X 2200 2200 X	2200 X 2200 2200 X	2200 X 2200 2200 X	2200 X 2200 2200 X	2200 X 2200 2200 X	2200 X 2200 2200 X	2200 X 2200 2200 X	2200 X 2200 2200 X	2200 X 2200 2200 X	2200 X 2200 2200 X	2200 X 2200 2200 X	2200 X 2200 2200 X	2200 X 2200 2200 X	2200 X 2200 2200 X	2200 X 2200 2200 X	2200 X 2200 2200 X	
5	2200 X	2200 X 2200 2200 X	2200 X 2200 2200 X	2200 X 2200 2200 X	2200 X 2200 2200 X	2200 X 2200 2200 X	2200 X 2200 2200 X	2200 X 2200 2200 X	2200 X 2200 2200 X	2200 X 2200 2200 X	2200 X 2200 2200 X	2200 X 2200 2200 X	2200 X 2200 2200 X	2200 X 2200 2200 X	2200 X 2200 2200 X	2200 X 2200 2200 X	2200 X 2200 2200 X	2200 X 2200 2200 X	2200 X 2200 2200 X	2200 X 2200 2200 X	2200 X 2200 2200 X	2200 X 2200 2200 X	2200 X 2200 2200 X	2200 X 2200 2200 X	2200 X 2200 2200 X	2200 X 2200 2200 X	
6	2200 X	2200 X	2200 X 2200 2200 X	2200 X 2200 2200 X	2200 X 2200 2200 X	2200 X 2200 2200 X	2200 X 2200 2200 X	2200 X 2200 2200 X	2200 X 2200 2200 X	2200 X 2200 2200 X	2200 X 2200 2200 X	2200 X 2200 2200 X	2200 X 2200 2200 X	2200 X 2200 2200 X	2200 X 2200 2200 X	2200 X 2200 2200 X	2200 X 2200 2200 X	2200 X 2200 2200 X	2200 X 2200 2200 X	2200 X 2200 2200 X	2200 X 2200 2200 X	2200 X 2200 2200 X	2200 X 2200 2200 X	2200 X 2200 2200 X	2200 X 2200 2200 X	2200 X 2200 2200 X	
7	2200 X	2200 X 2200 2200 X	2200 X 2200 2200 X	2200 X 2200 2200 X	2200 X 2200 2200 X	2200 X 2200 2200 X	2200 X 2200 2200 X	2200 X 2200 2200 X	2200 X 2200 2200 X	2200 X 2200 2200 X	2200 X 2200 2200 X	2200 X 2200 2200 X	2200 X 2200 2200 X	2200 X 2200 2200 X	2200 X 2200 2200 X	2200 X 2200 2200 X	2200 X 2200 2200 X	2200 X 2200 2200 X	2200 X 2200 2200 X	2200 X 2200 2200 X	2200 X 2200 2200 X	2200 X 2200 2200 X	2200 X 2200 2200 X	2200 X 2200 2200 X	2200 X 2200 2200 X	2200 X 2200 2200 X	2200 X 2200 2200 X
8					2200 X																						

SYMBOLS
 X - NO RULE SOCKET
 E - CONFLICT
 S - PORTIONS LEFT

SLDA CHART
 DATE 03-13-67 MACH. 1131
 LOG 072U BOARD 01A-C1
 PREV. ENGR. 05-30-66 419613
 PRES. ENGR. 02-24-67 419633
 Pch. 2201219
 IBM CORP. SDD BLK.

WOOD

WOOD

000

SOLID LOGIC DESIGN AUTOMATION—(SOCKET LISTING)

A1	CONNECTOR E09 BE101AB4 E11 BB111AA4	A7	CONNECTOR E03 XK101AV4 E04 KT321BC2 E05 DN201BF4 E09 KT321BA4 E10 KA111AV6 E11 KU311AL4 E12 XT301AL4 E13 XT301BH4 E14 XC141AF4 E15 KW101AQ4 E16 KU201AP4 E17 KR111BD4 E18 KA111BF2	13 14 15 16 17 18 19 20 22 23 24 25 26 27 28 29 30 31 32 XC131 33 34 35 36 37 38 39 40 41 42 43 44 45 46 47 48 49 50 51 53 54 XW121 B1 XC121 C1 XK111 D1 XC141 E1	E1	D11 DU101BD4 E09 DU101BA4 E11 DU111AY4	F6	B C D	H6	B1 B2 C1 C2	36 37 38 39 40 41 42 43 44 45 XF151 46 47 48 49 50		
A2	CONNECTOR B02 XC101BN4 B03 XC101BP4 B04 XC101BQ4 B05 XC101BR4 B07 XC111BF4 B08 XC111BG4 B09 XC111BH4 B10 XC111BJ4 D02 XC121BS4 D04 XC121BT4 D05 XC121BU4 D06 XC121BV4 D07 XC131BE4 D09 XC131BF4 D10 XC131BG4 D11 XC131BH4	B1	CONNECTOR A09 BE111AA4 A11 BB101AA4 E09 BB111AC4 B11 BB101AC4 C09 BB121AB4 C11 BB111AB4 D09 BB131AA4 D11 BB121AA4 E09 BB131AC4 E11 BB121AC4	XW211 01 02 03 04 05 06 07 08 09 10 11 12 13 14 15 16 17 18 19 20 XW221 21 22 23 24 25 26 27 28 29 30 31 32 33 34 35 XW101 36 37 38 39 40 XW221 41 42 43 44 XW211 45 46 47 48 49 50 51 52 XW221 53 54 55 56 57 58 59 XW101 B1 XW111 C1	E2	SINGLE CARD 5803794 3794 XK101 A1 A2 A3 A4 A5 XK111 B1 B2 B3 B4 B5 B6	F7	SINGLE CARD 5800000 0000 XW121 A1 XW101 B1 KW101 C1 XK101 D1 XW121 E1 XW101 F1	H7	SINGLE CARD 5800000 0000 XF251 A1 B1 XF171 C1 XF251 D1 XC141 E1 XW101 F1	L2	SINGLE CARD PE BA000	
A3	CONNECTOR B02 XC111BB7 B03 XC111BB5 B04 XC111BB3 B05 XC111BB1 B07 XC111AY4 B08 XC111BD4 B09 XC111AE4 B10 XC111AF4 B12 XK111AV4 D02 XC131EB7 D04 XC131EB5 D05 XC131EB3 D06 XC131EB1 D07 XC131AY4 D09 XC131BD4 D10 XC131AE4 D11 XC131AF4 D12 XK111AV4 D13 XK111AT4	B2	DOUBLE CARD 5804615 4615 XC101 01 02 03 04 05 06 07 08 09 10 11 12 13 14 15 16 17 18 19 20 21 22 23 24 25 26 27 28 29 30 31 32 XC111 33 34 35 36 37 38 39 40 41 42 43 44 45 46 47 48 49 50 51 52 53 54	C4	DOUBLE CARD 5806208 6208	E3	SINGLE CARD 5803816 3816 XK101 A1 A2 B1 B2	G1	CONNECTOR A09 DU111AA4 A11 KM301BA4	J1	SINGLE CARD RPQ BA000	L3	SINGLE CARD SAC BA001
A4	CONNECTOR B02 XW211BF4 B03 XW211BM4 B04 XW221BH4 B05 XW221BL4 B07 XW211BJ4 B08 XW121AP4 B09 XW111AH4 B10 XW211BL4 B12 XW221BJ4 B13 XW121AX4 D02 XW211BH4 D04 XW211BK4 D05 XW221BF4 D06 XW221BK4 D07 XW211BG4 D09 XW121AU4 D10 XW101AD4 D11 XW211BN4 D12 XW121AA4 D13 XW221BG4	B3	DOUBLE CARD 5806219 6219 XC101 01 02 03 04 05 06 07 08 09 10 11 12 13 14 15 16 17 18 19 20 21 22 23 24 25 26 27 28 29 30 31 32 XC111 33 34 35 36 37 38 39 40 41 42 43 44 45 46 47 48 49 50 51 52 53 54 XW121 B1 XC121 C1 XK111 D1 XC141 E1	C6	SINGLE CARD RPQ BA000	E4	SINGLE CARD 5800000 0000 XW101 A1 B1 XW111 C1 XK111 D1 XW121 E1 F1	G2	SINGLE CARD 5800716 0716 DU111 A1 A2 UNUSED PORTIONS B C	J2	SINGLE CARD EXP BA001	L4	SINGLE CARD DISK 5800000 0000 XF111 A1 B1 XF171 C1 XF131 D1 XF251 E1 XF101 F1
A5	CONNECTOR B13 KW101AF2 D02 XC121BR4 D05 XC141BN6 D06 XC141BN2 D07 DN201BF4 D09 KW101AP4 D10 XK101AS4 D11 XF131BF4 D12 KR111BG4 D13 XW121AB4	B4	SINGLE CARD 5803819 3819 XW121 A1 XW211 A2 A3 XW221 A4 A5 A6 XW211 A7 A8	C7	SINGLE CARD RPQ BA000	E5	SINGLE CARD 5800000 0000 XC141 A1 XW101 B1 XW121 C1 D1 E1 F1	G3	SINGLE CARD 5804008 4008 DU101 A1 A2 A3 A4 A5 A6 A7 A9 AA AB AC AD B1 C1 D1	J3	SINGLE CARD 5803421 3421 EXP DU111 A1 XC141 G1 UNUSED PORTIONS B C D E F H J K	L5	SINGLE CARD DISK 5803028 3028 XF261 A1 A2 A3 A4 A5 A6 A7 A8
A6	CONNECTOR B03 RB301AA4 B04 RB301AC4 B05 RB301AE4 B06 RB301AG4 B07 RB311AA4 B08 RB311AC4 B09 RB311AE4 B10 RB311AG4 B11 KU211AE4 B12 KU211AD4 B13 KU211AC4 D02 RB301AB4 D03 RB301AD4 D04 RB301AF4 D05 RB301AH4 D06 RB311AB4 D07 RB311AD4 D09 RB311AF4 D10 RB311AH4 D12 KU211AA4 D13 KU211AB4	B5	SINGLE CARD 5803819 3819 XW121 A1 XW211 A2 A3 XW221 A4 A5 A6 XW211 A7 A8	D1	CONNECTOR A09 XR291BB4 E09 XC141AX6 E11 DU101BD4	E6	SINGLE CARD DISK 5800000 0000 XF141 A1 XF171 B1 C1 XF151 D1 XF121 E1 XF161 F1	G4	SINGLE CARD 5800236 0236 DU101 A1 B1 C1 XW111 D1 XK101 E1 XT201 F1	J4	DOUBLE CARD DISK 5804628 4628 XF301 01 02 03 04 05 06 07 08 09 10 11 12 13 14 15 16 17 18 19 20 21 22 23 24 25 26 27 28 29 30 31 32 33 34 35 36 37 38 39 40 41 42 43 44 45 46 47 48 49 50 51 52 53 54 55 56 57 58 59 60 61 62 63 64 65 66 67 68 69 70 71 72 73 74 75 76 77 78 79 80 81 82 83 84 85 86 87 88 89 90 91 92 93 94 95 96	L6	DOUBLE CARD DISK 5806219 6219 XF161 01 02 03 04 05 06 07 08 09 10 11 12 13 14 15 16 XF241 17 18 19 20 21 22 23 24 25 26 27 28 29 30 31 32 33 34 35 36 37 38 39 40 41 XF191 42 43 XF251 44 45 XF191 46 47 XF251 48 49 XF191 50 XF251 51 XF191 52 53 XF251 54 55 56 XF191 57 58 XF251 59 60 XF191 61 XF251 62
		B6	CONNECTOR B02 RB301AA4 B03 RB301AC4 B04 RB301AE4 B05 RB301AG4 B07 RB311AA4 B08 RB311AC4 E09 RB311AE4 B10 RB311AG4 D02 RB301AB4 D04 RB301AD4 D05 RB301AF4 D06 RB301AH4 D07 RB311AB4 D09 RB311AD4 D10 RB311AF4 D11 RB311AH4	D2	SINGLE CARD 5800000 0000 XF191 A1 XK101 B1 XK111 C1 XK101 D1 E1 F1	E7	SINGLE CARD DISK 5800000 0000 XF171 A1 XF141 B1 C1 D1 XF171 E1 XF121 F1	G5	SINGLE CARD 5803421 3421 DU101 A1 B1 XW121 C1 XW101 D1 XW121 E1 XW101 F1 XW121 G1 H1 J1 XW101 K1	J5	DOUBLE CARD DISK 5806217 6217 XF121 01 02 03 04 05 06 07 08 09 10 11 XF131 12 XF121 13 14 15 16 17 19 20 21 22 23 24 25 26 27 28 29 30 31 32 33 XF131 34 35 36 37 38 39 40 41 42 43 44 45 XF121 51 XF131 53 54 55 56	M1	SINGLE CARD RPQ BA000
		B7	SINGLE CARD RPQ BA000	D3	SINGLE CARD 5800509 0509 XK101 A1 XK111 B1 C1 XK101 D1 E1 XK111 F1 G1 DU111 H1 J1 XW111 K1	E8	CONNECTOR A06 XC141BR4 B04 DU111BE4 B06 DU101BA4 E04 KM321BD4	H2	SINGLE CARD DISK 5803793 3793 XF211 01 02 03 04 05 06 07 08 09 10 11 12 13 14 15 16 17 18 19 20 21 22 23 24 25 26 27 28 29 30 31 32 33 34 35 36 37 38 39 40 41 42 43	K2	SINGLE CARD RPQ BA000	M2	SINGLE CARD RPQ BA000
		C1	CONNECTOR A11 PB131AB4 B09 BB141AA4 B11 BB131AD4 C09 BB141AC4 C11 BB141AB4 D09 XC141BL4 E09 XC141BM4 E11 BB121AA4	D4	SINGLE CARD 5803404 3404 XW101 A1 A2 B1 B2 XW111 C1 C2 D1 D2 XW101 E1 E2	F1	CONNECTOR A11 DU111AZ4 B09 DU101AA4 B11 DU111AH4 C09 DU101AB4 C11 XR281AT6 D09 DU111AC4 D11 XR281AT6 E09 DU111AB4 E11 DU111BC4	H3	SINGLE CARD 5803016 3016 DU111 A1 A2 A3 A4 A5 DU101 A6 A7 A8 A9 DU111 D1	K3	SINGLE CARD SAC BA001	M3	SINGLE CARD CAT BA001
		C2	DOUBLE CARD 5804615 4615 XC121 01 02 03 04 05 06 07 08 09 10 11 12	D5	SINGLE CARD 5803819 3819 KR111 A3 KW101 A4 XF131 A5 XW121 A6 XK101 A7 XK111 A8	F2	SINGLE CARD 5800533 0533 DU111 A1 A2 B1 B2 DU101 C1 DU111 D1	H4	SINGLE CARD 5800000 0000 BA001	K4	SINGLE CARD DISK 5803028 3028 XF271 A1 A2 A3 A4 A5 A6 A7 A9	M4	DOUBLE CARD PL 5806223 6223 XG101 01 02 03 04 05 06 07 08 09 10 11 12 13 14 15 16 17 18 19 20 21 22 23 24 25 26 27 28 XG111 29 30 31 32 33 34 35 36 37 38 39 40 41 42 43 44 45 46 47 48 49 50 51 52 53 54 55 56
		C3	DOUBLE CARD 5806218 6218 XF151 01 02 03 04 07 08 09 10 11 12 13 14 15 16 17 18 19 20 21 XF141 24 25 26 27 28 29 30 31 32 33 34 35	D6	SINGLE CARD DISK 5803016 3016 XF111 A1 A2 A3 A4 A5 A6 A7 A8 A9	F3	SINGLE CARD 5804008 4008 DU111 A2 A3 A4 A5 A6 A7 A8 AA AB AC AD B1 C1 D1	H5	SINGLE CARD 5803794 3794 XW101 A1 XC141 B1 C1 XW211 D1 XC141 E1 F1	K5	SINGLE CARD DISK 5803028 3028 XF261 A1 A2 A3 A4 A5 XF271 A6 A7 XF261 A8	M5	DOUBLE CARD DISK 5806220 6220 XF171 01 02 03 04 05 06 07 08 09 10 11 XF201 13 14 15 16 17 18
				D7	SINGLE CARD RPQ BA000	F4	SINGLE CARD 5803794 3794 XW111 A1 A2 A3 A4 A5 B1 B2 B3 B4 B5 B6 B7 B8 B9 BA	H6	SINGLE CARD DISK 5803757 3757 XF101 A1 A3 A5 A6 A7 A8 A9 AA AC AD AE AF	K6	DOUBLE CARD DISK 5806218 6218 XF151 01 02 03 04 07 08 09 10 11 12 13 14 15 16 17 18 19 20 21 XF141 24 25 26 27 28 29 30 31 32 33 34 35	M6	DOUBLE CARD DISK 5806220 6220 XF171 01 02 03 04 05 06 07 08 09 10 11 XF201 13 14 15 16 17 18
				E1	CONNECTOR A11 DU111AJ4 B09 DU101BE4 B11 DU101BB4 C09 DU101BC4 C11 DU101AZ4 D09 DU101AY4	F5	SINGLE CARD 5803816 3816 XW101 A1 A2 B1 B2	H7	SINGLE CARD DISK 5803794 3794 XF111 A1 A2 A3 A4 A5 XC141 B1 B2 B3 B4 B5 B6 B8 B9 BA	K7	DOUBLE CARD DISK 5806218 6218 XF151 01 02 03 04 07 08 09 10 11 12 13 14 15 16 17 18 19 20 21 XF141 24 25 26 27 28 29 30 31 32 33 34 35	M7	DOUBLE CARD DISK 5806220 6220 XF171 01 02 03 04 05 06 07 08 09 10 11 XF201 13 14 15 16 17 18

SOCKET LISTING
DATE 05-25-68 MACH. 1131
LOG 150J BOARD 01A-C1
PREV. ENGR. 02-24-67 419633
PRES. ENGR. 07-21-68 419659
P.N. 2201219
IBM CORP. SDD BLK.

	19	20	21	22	23	24	N7
	25	26	27	28	29		
XF171	30	31	32	33	60	61	
XF181	B1	B2	B3	B4	B5	B6	
	B7	B8	B9	BA	BB	BC	
	BD	BE	BF	BG	BH	BJ	
	BK	BL	BM	BN	BP	BQ	
	BR	BS	BT				

N2	CONNECTOR						
	B02	BB101AA4					
	B03	BB101AC4					
	B04	BB111AB4					
	B05	BB121AA4					
	B07	BB121AC4					
	B08	BB131AB4					
	B09	BB131AD4					
	B10	BB141AB4					
	B13	XC141AA4					
	D02	BB101AB4					
	D04	BB111AA4					
	D05	BB111AC4					
	D06	BB121AB4					
	D07	BB131AA4					
	D09	BB131AC4					
	D10	BB141AA4					
	D11	BB141AC4					
	D12	XF141AA4					
	D13	XF141BC4					

N3	CONNECTOR						
	B02	RA101AX6					
	B03	RA121AX6					
	B04	RA141AX6					
	B05	RA161AX6					
	B07	RA201AX6					
	B08	RA221AX6					
	B09	RA241AX6					
	B10	RA261AX6					
	B12	XF161AS4					
	B13	XF141AZ4					
	D02	RA111AX6					
	D04	RA131AX6					
	D05	RA151AX6					
	D06	RA171AX6					
	D07	RA211AX6					
	D09	RA231AX6					
	D10	RA251AX6					
	D11	RA271AX6					
	D13	KM211AT4					

N4	CONNECTOR						
	B02	XF151AR2					
	B03	XC141AH4					
	B04	DN201BE4					
	B05	DU101BF4					
	B07	XF161AQ6					
	B08	XC141AF4					
	B09	XC141BH4					
	B10	KA111AN6					
	B12	KU211AD4					
	B13	KU211AC4					
	D02	XC141BE4					
	D04	XC141AG4					
	D05	KT321BA4					
	D06	XC141AX2					
	D07	KA101BJ4					
	D09	XR291BB4					
	D10	KU211AE4					
	D11	KM301BM4					
	D12	KU211AA4					
	D13	KU211AB4					

N5	CONNECTOR						
	B02	XG101AW4					
	B03	XG101BA4					
	B04	XG111AT4					
	B00	XG111BD4					
	D02	XG101AX4					
	D04	XG101BB4					
	D05	XG111AW4					

N6	CONNECTOR						
	B02	KM211AN4					
	B03	XC141AX6					
	B04	KT321BC2					
	B05	DN201BF4					
	B07	KM101AQ2					
	B09	KM321BD4					
	D02	KR111AY6					
	D04	KU311AU4					
	D05	XT301BH4					
	D06	KA111BF2					
	D09	KU201AP4					
	D10	KT321AT4					
	D11	KR111BD4					

3N7	CONNECTOR						
	B02	WF391AE2					
	B03	WF391AB2					

B04	XF191AS4
B05	WF391AR6
B07	WF391AC2
B08	WF391AE6
B09	XF141BF4
B10	XF201AG2
B12	WF391AD2
B13	XF161AR9
D02	WF391AB6
D04	XF171BB4
D05	WF391AR2
D06	WF391AC6
D07	XF191AQ4
D09	XF191AL2
D10	XF121BP4
D11	XF121BP4
D13	WF391AD6

PLUG LIST					
PART NO	ACC	TYPE	SOCKETS	TOTAL	
5800000		0000	D2 E4 E5 F7		06
			H4 H7		
5800000	DISK	0000	E6 E7 L4		03
5800236		0236	G4		01
5800453		0453	F6		01
5800509		0509	D3		01
5800533		0533	F2		01
5800716	EXP	0716	G2		01
5803016		3016	H3		01
5803016	DISK	3016	D6		01
5803028	DISK	3028	K4 K5 L5		03
5803356		3356	G7		01
5803404		3404	D4		01
5803421		3421	G5		01
5803421	EXP	3421	J3		01
5803757	DISK	3757	H6		01
5803793	DISK	3793	G6		01
5803794		3794	E2 F4 H5		03
5803816		3816	E1 F5		02
5803819		3819	B4 B5 D5		03
5804008		4008	F3 G3		02
5804615		4615	B2 C2		02
5804628	DISK	4628	J4		01
5806208		6208	C4		01
5806217	DISK	6217	J6		01
5806218	DISK	6218	K6		01
5806219	DISK	6219	L6		01
5806220	DISK	6220	M6		01
5806223	PL	6223	M4		01
			CONN	A1 A2 A3 A4	21
				A5 A6 A7 B1	
				B6 C1 D1 E1	
				E8 F1 G1 N2	
				N3 N4 N5 N6	
				N7	
				N3	01
CAT					01
EXP					02
PE					01
RPQ					08
					01
SAC					02

SOCKET LISTING	
DATE 05-25-68	PAGE 1131
LOG 150J	BOARD 01A-C1
PREV. ENGR. 02-24-67	419633
PRES. ENGR. 07-21-68	419659
No. 2201219	
IBM CORP. SDD	BLK.

ACC
000

ACC
000

A2	CONNECTOR	B02 RN101BH2 B03 RN101BY2 B04 RN101BL2 B05 RN101BJ2 B07 RN101BA2 B08 RS101AL2 B09 RS101AM2 B10 RS111AQ2 B12 KU201AL4 B13 KU201AM4 D02 RN101AN2 D04 RN101BB2 D05 RN101AQ2 D06 RN111AR2 D07 RN111AS2 D09 RS111AR2 D10 RS121AN2 D11 RS121AP2 D12 KU211AJ4 D13 KU201AN4
A3	CONNECTOR	B02 KD101AS2 B03 KD101AT2 B04 KD111AY2 B05 KD101AU2 B07 KR111AU2 B08 KC101PE2 B09 KC101AG2 B10 KC111AE2 B12 KC111AQ2 D02 KD111BA2 D04 KD111BG4 D05 KD111BB2 D07 KR111AX2 D09 KC101AK2 D10 KC101AV2 D11 KC111AK2 D12 KC111AV2
A4	CONNECTOR	B02 KT111AJ2 B03 KT121AZ2 E04 KT121AY2 B05 KS101BD2 E08 KM301AX2 B09 KM311AX2 B10 KM321AX2 D02 KT111AX2 D04 KS101BB2 D05 KT131AR2 D06 KS111AY2 D07 KM111AV2 D09 KM301AZ2 D10 KM311AZ2 D11 KM321AZ2
A5	CONNECTOR	B02 KT321BD6 B03 KT321BD2 B04 KT321BE2 B05 KT321BE6 B12 KT321BE4 E13 KT331AA6 D02 KG211BL4 D04 KR111BH4 D05 KT331AQ2 D06 KT321BC2 D07 KT321BC6 D09 KU201AV4 D10 KA111BK4 D11 KT321BF6 D12 KT321BF2 D13 KA111BJ4
A6	CONNECTOR	B02 XF151AR2 B03 XC141AH4 B04 DN201BF4 B05 DU401BF4 B07 XF161AQ6 B08 XC141AF4 B09 XC141BH4 B10 KA111AM6 B12 KU211AD4 B13 KU211AC4 D02 XC141BE4 D04 XC141AG4 D05 KT321BA4 D06 XC141AX2 D07 KA101BJ4 D09 XR291BB4 D10 KU211AE4 D11 KM301BM4 D12 KU211AA4 D13 KU211AB4
A7	CONNECTOR	B02 KM211AN4

A7	B03 XC141AX6 B04 KT321BC2 B05 DN201BF4 B07 KM101AQ2 B09 KM321BD4 D02 KR111AY6 D04 KU311AJ4 D05 XT301BH4 D06 KA111BF2 D09 KU201AP4 D10 KT321AT4 D11 KR111BD4	
B2	DOUBLE CARD	5804664 4664
B3	RN101	01 02 03 04 05 06 07 08 09 10 11 12 13 14 15 16 17 18 19 20 21 22 23
B4	DOUBLE CARD	5806212 6212
B5	KT321	A1 A2 B1 B2 D1 D2 E1 E2 F1 F2 G1 G2 H1 J1 J2 K1 K2 L1 L2
B6	KT331	M1 N1
B7	KT331	P1 Q1 Q2 Q3 Q4 Q5 Q6 Q7 Q8 S1 S2 T1 T2 T3 T4
B8	UNUSED PORTIONS	C
B9	SINGLE CARD	5803024 3024
B10	KU211	A1 A2 A3 A4 B1 B2
B11	SINGLE CARD	RPQ
B12	BA000	
C2	DOUBLE CARD	5804676 4676
C3	DN101	A1 A3 A4 A5 A6 A7 A8 A9 AC AD AE AF AG AH AJ AK AM AN AP AQ AS AT AV AW AX
C4	DOUBLE CARD	5806213 6213
C5	KA111	01 03 04 05 08 09 10 11 12 13 14 15 16 17 18 19 20 21 22 23 24 25 26 27 28 29 30
C6	KA101	35 36 37 38 39 40 41 43 44 45 47 49 50 51 52 53 54 55 56 58 59 60 61
C7	SINGLE CARD	SAC
D1	CONNECTOR	E09 RE221BF4 E11 MC101AY4
D2	DOUBLE CARD	5804675 4675

DN111	A1 A2 A3 A4 A5 A6 A7 A8 A9 AA AB AC AD AE AF AG AH AJ AK AL AM AN AP AQ AS AT AU AV AW AX AY AZ	
D4	SINGLE CARD	5803481 3481
KC101	01 02 03 04 05 06 07 08 09 10 11 12 13 14 15 16 17 18 19 20 21 22 23 24 25 26 27 28 29 30 31 32 33 34 35 36 37 38 39 40 41 42 43 44 45	
D5	SINGLE CARD	5803481 3481
CS	KM101	01 02 03 04 05 06 07 08 09 10 11 12 13 14 15 16 17 18 19 20 21 22 23 24 25 26 27 28 29 30 31 32 33 34 35 36 37 38 39 40 41 42 43 44 45
D6	SINGLE CARD	5800000 0000
KU201	A1 KA111 B1 KU201 C1 KU211 D1 KU201 E1 F1	
D7	SINGLE CARD	RPQ
E1	CONNECTOR	A11 RB201BF4 B09 RB241BF4 B11 RB211BF4 C09 RB251BF4 C11 RD171AS4 D09 RB261BF4 D11 MC101AY4 E09 RB271BF4 E11 MC101AQ4
E2	DOUBLE CARD	5804625 4625
E3	KG221	A1 A2 A3 A4 A5 A6 A7 B2 B3 B4 B5 B6 B7 B8 B9 BA BB BC BD BE
E4	SINGLE CARD	5800002 0002
KU201	A1 B1 C1 D1 E1	
E5	SINGLE CARD	5803765 3765
KA101	A1	
E6	SINGLE CARD	5803421 3421
KU201	A1 B1 C1 D1 E1 KU211 F1 G1 H1 J1 DN201 K1	
E7	SINGLE CARD	EXP
F1	CONNECTOR	A17 KU101AF4 B09 MC101AZ4

F1	B11 MC101AW4 C09 KR111BE4 C11 W2061AH4 D05 KR111BF4 E09 KU301AT2 E11 KU301AY6	
F2	DOUBLE CARD	5804608 4608
F3	RS121 01 02 RS111 04 05 RS121 06 07 08 09 10 11 RS111 12 13 RS121 14 15 16 17 RS111 18 RS121 19 20 RS111 21 RS121 22 23 24 25 RS111 26 27 RS101 28 29 30 31 32 33 RS111 34 35 36 RS101 37 38 39 40 RS111 41 42 RS101 43 44 RS111 45 RS101 46 47 48 49 RS111 50 RS101 51 52 RS111 53 54 55 RS121 56 57 58 59	
F4	DOUBLE CARD	5804620 4620
F5	KT201	01 02 03 05 06 07 09 10 11 12 13 14 15 16 17 18 19 20 21 22 23 24 25 26 27
F6	SINGLE CARD	5803761 3761
KM321	01 02 03 04 05 06 07 08 09 10 11 12 13 14 15 16 17 18 19 20 21 22 23 24 25 26 27 28 29 30 32 B1	
F7	SINGLE CARD	5803815 3815
CS	KM211	AA AB AC AD AE AF AG AH AJ AK AL AM AN AP AQ AS AT AU AV AW B1
G1	CONNECTOR	A09 MB101AP4 A11 MB1C1AN4
G2	DOUBLE CARD	5804672 4672
G3	KD101 01 02 KD111 03 04 KD101 05 06 07 08 09 10 11 12 13 14 15 16 17 18 19 20 21 22 23 24 25 26 27 28 29 30 31 32 33 34 35 36 37 38 39 40 41 42 43 44 45 46 47 48 49 50 52 54 55 56	
G4	DOUBLE CARD	5804616 4616
G5	KT101 02 03 04 05 06 KT111 07 08 09 10 KT101 11 12 KT111 13 14 15 16 17 18 19 20 21 22 23 24 KT101 25 26 27 28 KT111 29 KT101 30 31 32 KT111 33 34 35 36 KT101 37 38 39 40 KT111 41 KT101 42 43 44 KT111 45 46 47 48 49 50 51	
G6	SINGLE CARD	5803761 3761
KM311	01 02 03 04 05 06	

G6	07 08 09 10 11 12 13 14 15 16 17 18 19 20 21 22 23 24 25 26 27 28 29 30 32	
G7	SINGLE CARD	5803761 3761
KM301	01 02 03 04 05 06 07 08 09 10 11 12 13 14 15 16 17 18 19 20 21 22 23 24 25 26 27 28 29 30 32	
H2	DOUBLE CARD	5806207 6207
H3	KU301	01 02 03 04 05 06 07 08 09 10 11 12 13 15 16 17 18 19 20 21 22 23 24 25 26 28 29 30 31 32 33 35 36 37 38 39 40 42 43 A1 A2
H4	DOUBLE CARD	5804607 4607
H5	KT121	01 02 03 04 05 06 07 08 09 10 11 12 13 14 15 16 17 18 19 20 21 22 23 24 25 26 27 28 29 30 31 32 33 34 35 36 37 39 40
H6	SINGLE CARD	5800000 0000
KM201	A1 B1 DN201 C1 D1 KM201 E1 F1	
H7	SINGLE CARD	5800000 0000
KM201	A1 DN201 B1 C1 D1 E1 F1	
J1	SINGLE CARD	RPQ
J2	SINGLE CARD	5806259 6259
MC101	A1 A2 A3 A4 KU311 A5 A7 A8 MC101 A9 AA MC101 AB AC B1 B2 B3 B4 B5 B6 B8 B9 EA BB C1	
J3	SINGLE CARD	5803817 3817
KR111	A1 A2 A3 A4 A5 A6 A7 A8 A9 AA AB AC AD AE AF AG AH AJ AK AL AM AN AP AQ AS AT AU AV AW AX	
J4	DOUBLE CARD	5804680 4680
J5	KS101 01 02 03 04 05 06 07 KS111 08 09 10 11 12 RS101 13 14 KS111 15 16 KS111 17 KS101 18 19 20 21 22 23 24 25 26 27 28 29 30 31 32 33 34 35 36 37 38 39 40 41 42 43 44 45 46 47 48 49 50 51 52	

J6	SINGLE CARD	5800002 0002
DN201	A1 B1 C1 KM201 D1 E1	
J7	SINGLE CARD	5800509 0509
DN201	A1 B1 C1 KM201 D1 E1 F1 G1 H1 J1 KT201 K1	
K2	DOUBLE CARD	5804623 4623
K3	KB101	01 02 03 04 05 09 10 11 13 15 17 18 19 20 21 22 23 24 25 26 27 28 29 30 31 32 33 34 35 36 37 38 39 40 41 42 43 44 45 46 47 48 49
K4	DOUBLE CARD	5804685 4685
K5	KT301	A1 B1 B2 B3 B4 B5 B6 B7 B8 B9 BA BB BC BD BE BF BG BH BJ BK BL BM BN BP BQ BS BT
K6	SINGLE CARD	5800238 0238
DN201	A1 B1 KM201 C1 D1 E1	
K7	SINGLE CARD	5803794 3794
DN201	A1 A2 A3 A4 A5 B1 B2 B3 B4 B5 KT311 B6 B7 B8 B9 BA	
L2	DOUBLE CARD	5804624 4624
L3	KG251	01 02 03 04 05 06 07 08 09 10 11 12 13 14 15 16 17 18 19 20 21 22 23 24 25 26 27 28 29 30 31 32 33 34 35 36 37 38 39 40 41
L4	DOUBLE CARD	5804614 4614
L5	KT311	01 02 03 04 05 06 07 08 09 10 11 12 13 14 15 16 17 18 19 20 24 25 26 27
L6	SINGLE CARD	SAC
BA001		
L7	SINGLE CARD	RPQ
BA000		
M1	SINGLE CARD	RPQ
BA000		
M2	DOUBLE CARD	5804610 4610
M3	KG211	A1 A2 A3 A4 A5 A6 A7 A8 A9 AA AB AC AD AE AF AG AH AJ AK AL AM AN AP AQ AS AT AU AV AW AX AY AZ
M4	DOUBLE CARD	5804621 4621
M5	KG231	A1 A2 A3 A4 A5 A6 A7 A9 AA AB AD AE

AF	AG	AH	AJ	AK	AL
AM	AN	AP	AQ	AS	AT
M6	SINGLE CARD			SAC	
BA001					
M7	SINGLE CARD			SAC	
BA001					
N2	CONNECTOR	E03 KG211AX4 E04 KG231BA4 E05 KG241AM4 E06 KG241AL4 E07 KB101EB4 E08 KB101EA4 E09 RB101BF4 E10 RA111BF4 E11 RB121BF4 E12 RB131BF4 E13 RB141BF4 D02 KG211AK4 D03 KG211AY4 D04 KG231BA6 D05 KG241AQ4 D06 KG211AT4 D07 KG211BD4 D09 RB151BF4 D10 RB161BF4 D11 RB171BF4 D12 KU311AQ4 D13 KU311AJ4			
N3	CONNECTOR	E03 KT331AD2 E04 DN111AJ4 E05 KG231AK4 E26 KT311AF4 E07 KT311AE4 E08 KT311AP4 E09 RN111AR6 E10 KD101AZ4 E11 KU111AA4 E12 KU111AC4 E13 KU111AE4 D02 KG211BF4 D03 KA101BG2 D04 KG151AS2 D05 KG231AL4 D06 KT301AC4 D07 KT311AD4 D09 KG211AS4 D10 KT301BE4 D11 KU111AB4 D12 KU111AD4 D13 KU111AF4			
N4	CONNECTOR	E03 RA101BG4 E04 KU101AE4 E05 KA101AQ4 E06 KA101AR4 E07 KA111AN2 E08 KU311AT4 E09 KG121AL2 E10 DN111AY4 E11 KT201AX4 E12 KT301AR4 E13 KT201AZ4 D02 KU311AR4 D03 RB201BG4 D04 KU101AB4 D05 KA101AS4 D06 KA101AT4 D07 KG231AM4 D09 KT101AT4 D10 DN111AZ4 D11 KT201AY4 D12 KT301AN4 D13 KT201AS4			
N5	CONNECTOR	E03 RD151AP2			

SOCKET LISTING
DATE 03-13-67 MACHINE 1131
LOG 072U BOARD 01B-A1
PREV. ENGR. 10-14-66 419623
PRES. ENGR. 02-24-67 419633
P.N. 2201220 SDD
IBM CORP. SDD BLK.

AC004

N5	B04	RD161AQ2
	B05	RD171AP2
	B06	RA101AU2
	B07	KG231AZ4
	B08	RQ101AY2
	B09	RQ171AY2
	B10	RA101AX6
	B11	RB161BH2
	B12	KR111AU2
	B13	RA151AX6
	D02	KG231AY4
	D03	RD151AQ2
	D04	RD161AQ2
	D05	RD171AQ2
	D06	KT201BF4
	D07	RA111AU6
	D09	RQ171AX2
	D10	RA271AX6
	D11	RB171BH2
	D12	KR111AX2
	D13	RA171AX6
<hr/>		
N6	SINGLE CARD	
		SAC
	BA001	
<hr/>		
N7	CONNECTOR	
	B03	KD101AU4
	B04	KD101AT2
	B05	KM211AS4
	B06	KM211AZ4
	B07	KM211AV4
	B08	XF141AU4
	B09	RB231BF4
	B10	KU211AF4
	B11	KM211AT4
	B12	KM101AV2
	B13	WZ061AJ4
	D02	KM211AU4
	D03	XC141BJ4
	D04	DN201AL4
	D05	DN201AZ4
	D06	KT201AN4
	D07	RM111AT6
	D09	KM201AL4
	D10	KM201AS4
	D11	KM201AC4
	D12	KM201AD4

PLUG LIST						
PART NO	ACC	TYPE	SOCKETS	TOTAL		
5800000	0000	C6	D6 H6 H7	04		
5800002	0002	E4	J6	01		
5800238	0238	K6		01		
5800509	0509	J7		01		
5803024	3024	B6		01		
5803421	3421	E6		01		
5803481	3481	D4		01		
5803481	CS	D5		01		
5803761	3761	E6	G6 G7	03		
5803765	3765	E5		01		
5803794	3794	K7		01		
5803815	CS	F7		01		
5803817	3817	J3		01		
5804607	4607	H4		01		
5804608	4608	F2		01		
5804610	4610	M2		01		
5804614	4614	L4		01		
5804616	4616	G4		01		
5804620	4620	F4		01		
5804621	4621	H4		01		
5804623	4623	K2		01		
5804624	4624	L2		01		
5804625	4625	E2		01		
5804664	4664	B2		01		
5804672	4672	G2		01		
5804675	4675	D2		01		
5804676	4676	C2		01		
5804680	4680	J4		01		
5804685	4685	K4		01		
5806207	6207	H2		01		
5806212	6212	B4		01		
5806213	6213	C4		01		
5806259	6259	J2		01		
	CONN	A2	A3 A4 A5	15		
		A6	A7 D1 E1			
		F1	G1 N2 N3			
		M4	N5 N7			
EXP		E7		01		
RPQ		E7	D7 J1 L7	05		
		M1				
SAC		C7	L6 M6 M7	05		
		N6				

SOCKET LISTING
 DATE 03-13-67 MACH. 1131
 LOG 072U BOARD 018-A1
 PREV. ENGR. 10-14-66 419623
 PRES. ENGR. 02-24-67 419633
 P.N. 2201220 SDD
 IET CORP. SDD PLK.

4000 D

4000 D

	A	B	C	D	E	F	G	H	J	K	L	M	N	P	Q	R	S	T	U	V	W	X	Y	Z	
1	2200 X	2200 X	2200 X	2200 X	2200 X	2200 X	2200 X	2200 X	2200 X	2200 X	2200 X	2200 X	2200 X	2200 X	2200 X	2200 X	2200 X	2200 X	2200 X	2200 X	2200 X	2200 X	2200 X	2200 X	
2	2200 X	2200 X 0-1640BS 0-164	2200 X 0-1640BS 0-164	2200 X 0-1640BS 0-164	2200 X 0-1640BS 0-164	2200 X 0-1640BS 0-164	2200 X 0-1640BS 0-164	2200 X 0-1640BS 0-164	2200 X 0-1640BS 0-164	2200 X 0-1640BS 0-164	2200 X 0-1640BS 0-164	2200 X 0-1640BS 0-164	2200 X 0-1640BS 0-164	2200 X 0-1640BS 0-164	2200 X 0-1640BS 0-164	2200 X 0-1640BS 0-164	2200 X 0-1640BS 0-164	2200 X 0-1640BS 0-164	2200 X 0-1640BS 0-164	2200 X 0-1640BS 0-164	2200 X 0-1640BS 0-164	2200 X 0-1640BS 0-164	2200 X 0-1640BS 0-164	2200 X 0-1640BS 0-164	2200 X 0-1640BS 0-164
3	2200 X	2200 X	2200 X	2200 X	2200 X	2200 X	2200 X	2200 X	2200 X	2200 X	2200 X	2200 X	2200 X	2200 X	2200 X	2200 X	2200 X	2200 X	2200 X	2200 X	2200 X	2200 X	2200 X	2200 X	
4	2200 X	2200 X 0-1640BS 0-164	2200 X 0-1640BS 0-164	2200 X 0-1640BS 0-164	2200 X 0-1640BS 0-164	2200 X 0-1640BS 0-164	2200 X 0-1640BS 0-164	2200 X 0-1640BS 0-164	2200 X 0-1640BS 0-164	2200 X 0-1640BS 0-164	2200 X 0-1640BS 0-164	2200 X 0-1640BS 0-164	2200 X 0-1640BS 0-164	2200 X 0-1640BS 0-164	2200 X 0-1640BS 0-164	2200 X 0-1640BS 0-164	2200 X 0-1640BS 0-164	2200 X 0-1640BS 0-164	2200 X 0-1640BS 0-164	2200 X 0-1640BS 0-164	2200 X 0-1640BS 0-164	2200 X 0-1640BS 0-164	2200 X 0-1640BS 0-164	2200 X 0-1640BS 0-164	2200 X 0-1640BS 0-164
5	2200 X	2200 X	2200 X	2200 X	2200 X	2200 X	2200 X	2200 X	2200 X	2200 X	2200 X	2200 X	2200 X	2200 X	2200 X	2200 X	2200 X	2200 X	2200 X	2200 X	2200 X	2200 X	2200 X	2200 X	
6	2200 X 0-1640BS 0-164	2200 X 0-1640BS 0-164	2200 X 0-1640BS 0-164	2200 X 0-1640BS 0-164	2200 X 0-1640BS 0-164	2200 X 0-1640BS 0-164	2200 X 0-1640BS 0-164	2200 X 0-1640BS 0-164	2200 X 0-1640BS 0-164	2200 X 0-1640BS 0-164	2200 X 0-1640BS 0-164	2200 X 0-1640BS 0-164	2200 X 0-1640BS 0-164	2200 X 0-1640BS 0-164	2200 X 0-1640BS 0-164	2200 X 0-1640BS 0-164	2200 X 0-1640BS 0-164	2200 X 0-1640BS 0-164	2200 X 0-1640BS 0-164	2200 X 0-1640BS 0-164	2200 X 0-1640BS 0-164	2200 X 0-1640BS 0-164	2200 X 0-1640BS 0-164	2200 X 0-1640BS 0-164	2200 X 0-1640BS 0-164
7	2200 X	2200 X	2200 X	2200 X	2200 X	2200 X	2200 X	2200 X	2200 X	2200 X	2200 X	2200 X	2200 X	2200 X	2200 X	2200 X	2200 X	2200 X	2200 X	2200 X	2200 X	2200 X	2200 X	2200 X	
8	2200 X	2200 X	2200 X	2200 X	2200 X	2200 X	2200 X	2200 X	2200 X	2200 X	2200 X	2200 X	2200 X	2200 X	2200 X	2200 X	2200 X	2200 X	2200 X	2200 X	2200 X	2200 X	2200 X	2200 X	

00000

SYMBOLS
 X - NO RULE SOCKET
 E - CONFLICT
 S - PORTIONS LEFT

SLDA CHART
 DATE 03-13-67 MACH. 1131
 LDC 072U BOARD 01B-81
 PREV. ENGR. 05-30-66 419613
 PRES. ENGR. 02-24-67 419633
 Part. 2201221
 IBS CORP. SDD BLK.

00000

000

A1	CONNECTOR E09 RB101BH6 E11 WZ051AD4
A2	CONNECTOR B03 KG211AX4 B04 KG231BA4 B05 KG241AM4 B06 KG241AL4 B07 KB101BB4 B08 KB101BA4 B09 RB101BF4 B10 RB111BF4 B11 RB121BF4 B12 RB131BF4 B13 RB141BF4 D02 KG211AK4 D03 KG211AY4 D04 KG231BA6 D05 KG241AQ4 D06 KG211AT4 D07 KG211BD4 D09 RB151BF4 D10 RB161BF4 D11 RB171BF4 D12 KU311AQ4 D13 KU311AU4
A3	CONNECTOR B03 KT331AD2 B04 DN111AW4 B05 KG231AK4 B06 KT311AF4 B07 KT311AE4 B09 KT311AP4 B09 RN111AR6 B10 KD101AZ4 B11 KU111AA4 B12 KU111AC4 B13 KU111AE4 D02 KG211BF4 D03 KA101BC2 D04 KG151AS2 D05 KG231AL4 D06 KT301AC4 D07 KT311AD4 D09 KG211AS4 D10 KT301BE4 D11 KU111AB4 D12 KU111AD4 D13 KU111AF4
A4	CONNECTOR B03 RB101BG4 B04 KU101AE4 B05 KR101A24 B06 KR101AR4 B07 KA111AN2 B08 KU311AT4 B09 KG121AL2 B10 DN111AY4 B11 KT201AR4 B12 KT301AR4 B13 KT201AZ4 D02 KU311AR4 D03 RB201BG4 D04 KU101AB4 D05 KR101AS4 D06 KR101AT4 D07 KG231AM4 D09 KT101AT4 D10 DN111AZ4 D11 KT201AY4 D12 KT301AN4 D13 KT201AS4
A5	CONNECTOR B03 RD151AP2 B04 RD161AP2 B05 RD171AP2 B06 RA101AU2 B07 KG231AZ4 B08 RQ101AY2 B09 RQ171AY2 B10 RA101AX6 B11 RB161BH2 B12 KR111AW2 B13 RA151AX6 D02 KG231AY4 D03 RD151AQ2 D04 RD161AQ2 D05 RD171AQ2 D06 KT201BF4 D07 RA111AU6 D09 RQ171AX2 D10 RA271AX6 D11 RB171BH2 D12 KR111AX2 D13 RA171AX6

A6	SINGLE CARD BA001
A7	CONNECTOR B03 KD101AW4 B04 KD101AT2 B05 KM211AS4 B06 KM211AZ4 B07 KM211AV4 B08 XF141AW4 B09 RB231BF4 B10 KU211AF4 B11 KM211AT4 B12 KM101AV2 B13 WZ061AJ4 D02 KM211AU4 D03 XC141BJ4 D04 DN201AL4 D05 DN201AZ4 D06 KM201AN4 D07 RN111AT6 D09 KM201AL4 D10 KM201AS4 D11 KM201AC4 D12 KM201AD4
B1	CONNECTOR A09 RB101BH6 A11 WZ051AA4 B09 RB111BH6 B11 WZ051AB4 C09 RB121BH6 C11 WZ051AC4 D09 RB131BH6 D11 WZ051AD4 E09 RB141BH6 E11 WZ051AE4
B2	DOUBLE CARD 5804619 4619
B3	RB101 01 02 03 04 05 06 07 08 09 10 12 13 14 RB111 15 RB101 16 RB111 17 18 19 20 21 22 23 24 25 27 28 29 RB101 30 RB111 31 32 33 RB101 34 35 36 37 38 39 RB111 40 41 42 43 48 49 50 51 RB101 52 RB111 53 54 RB101 55 56 57 58 RB111 59 60 61 62 RB101 63 64 RB111 65 66 RB101 67 RB111 68 RB101 69 RB111 70
B4	DOUBLE CARD 5804617 4617
B5	RD101 01 02 03 04 05 06 07 08 09 10 11 12 13 14 RA101 15 16 17 18 19 20 21 22 23 24 25 26 27 28 29 30 31 32 33 34 35 36 RA111 37 38 39 40 41 42 43 44 45 46 47 48 49 50 51 52 53 54 55 56 57 58 RQ101 59 60 61 62 64 65 66 67 68 69 70 71 72 73 74 75 80 81 82 83 84 85 RD101 86 RA111 87 RA101 88 R3111 89
B6	CONNECTOR B02 RA101AX6 B03 RA121AX6 B04 RA141AX6 B05 RA161AX6 B07 RA181AX6 B08 RA201AX6 B09 RA221AX6 B10 RA241AX6 B11 RA261AX6 B12 RA281AX6 B13 RA301AX6

B6	B13 XF141AZ4 D02 RA111AX6 D04 RA131AX6 D05 RA151AX6 D06 RA171AX6 D07 RA211AX6 D09 RA231AX6 D10 RA251AX6 D11 RA271AX6 D13 KM211AT4
B7	CONNECTOR B02 MB201AT2 B03 MB201AT4 B04 MB201AT6 B05 KM211AS4 B07 KM211AZ4 B08 KM211AV4
C1	CONNECTOR A11 WZ051AH4 B09 RB151BH6 B11 WZ051AF4 C09 RB161BH6 C11 WZ051AG4 D09 RB171BH6 D11 WZ051AH4 E09 RB201BH6 E11 WZ051AJ4
C2	DOUBLE CARD 5804619 4619
C3	RB121 01 02 03 04 05 06 07 08 09 10 12 13 14 RB131 15 RB121 16 RB131 17 18 19 20 21 22 23 24 25 27 28 29 RB121 30 RB131 31 32 33 RB121 34 35 36 37 38 39 RB131 40 41 42 43 48 49 50 51 RB121 52 RB131 53 54 RB121 55 56 57 58 RB131 59 60 61 62 RB121 63 64 RB131 65 66 RB121 67 RB131 68 RB121 69 RB131 70
C4	DOUBLE CARD 5804617 4617
C5	RD111 01 02 03 04 05 06 07 08 09 10 11 12 13 14 RA121 15 16 17 18 19 20 21 22 23 24 25 26 27 28 29 30 31 32 33 34 35 36 RA131 37 38 39 40 41 42 43 44 45 46 47 48 49 50 51 52 53 54 55 56 57 58 RQ111 59 60 61 62 64 65 66 67 68 69 70 71 72 73 74 75 80 81 82 83 84 85 RD111 86 RA131 87 RA121 88 RA131 89
C6	SINGLE CARD DISK 5803686 3686 XF171 A1 B1 C1 D1 XF161 G1 XF141 K1 UNUSED PORTIONS E F H J
C7	SINGLE CARD 5800236 0236 KM201 A1 B1 C1 MB201 E1 DN201 F1
D1	CONNECTOR A09 RE211BH6 A11 WZ061AA4 E09 RB221BF4 E11 MC101AY4

D1	DOUBLE CARD 5804619 4619 RB141 01 02 03 04 05 06 07 08 09 10 12 13 14 RB151 15 RB141 16 RB151 17 18 19 20 21 22 23 24 25 27 28 29 RB141 30 RB151 31 32 33 RB141 34 35 36 37 38 39 40 41 42 43 RB151 44 45 46 47 48 49 50 51 RB141 52 RB151 53 54 RB141 55 56 57 58 RB151 59 60 61 62 RB141 63 64 RB151 65 66 RB141 67 RB151 68 RB141 69 RB151 70
D2	DOUBLE CARD 5804617 4617
D3	RD121 01 02 03 04 05 06 07 08 09 10 11 12 13 14 RA141 15 16 17 18 19 20 21 22 23 24 25 26 27 28 29 30 31 32 33 34 35 36 RA151 37 38 39 40 41 42 43 44 45 46 47 48 49 50 51 52 53 54 55 56 57 58 RQ121 59 60 61 62 64 65 66 67 68 69 70 71 72 73 74 75 80 81 82 83 84 85 RD121 86 RA151 87 RA141 88 RA151 89
D4	DOUBLE CARD 5804617 4617
D5	RD121 01 02 03 04 05 06 07 08 09 10 11 12 13 14 RA141 15 16 17 18 19 20 21 22 23 24 25 26 27 28 29 30 31 32 33 34 35 36 RA151 37 38 39 40 41 42 43 44 45 46 47 48 49 50 51 52 53 54 55 56 57 58 RQ121 59 60 61 62 64 65 66 67 68 69 70 71 72 73 74 75 80 81 82 83 84 85 RD121 86 RA151 87 RA141 88 RA151 89
D6	SINGLE CARD RPQ BA000
D7	SINGLE CARD 5800238 0238 KM201 A1 B1 C1 D1 MB201 E1
E1	CONNECTOR A11 RB201BF4 B09 RB241BF4 B11 RB211BF4 C09 RB251BF4 C11 RD171AS4 D09 RB261BF4 D11 MC101AY4 E09 RB271BF4 E11 MC101AQ4
E2	DOUBLE CARD 5804619 4619
E3	RB161 01 02 03 04 05 06 07 08 09 10 12 13 14 RB171 15 RB161 16 RB171 17 18 19 20 21 22 23 24 25 27 28 29 RB161 30 RB171 31 32 33 RB161 34 35 36 37 38 39 40 41 42 43 RE171 44 45 46 47 48 49 50 51 RB161 52 RB171 53 54 RB161 55 56 57 58 RB171 59 60 61 62 RB161 63 64 RB171 65 66 RB161 67
E4	DOUBLE CARD 5804617 4617
E5	RD131 01 02 03 04 05 06 07 08 09 10 11 12 13 14 RA161 15 16 17 18 19 20 21 22 23 24 25 26 27 28 29 30 31 32 33 34 35 36 RA171 37 38 39 40 41 42 43 44 45 46 47 48 49 50 51 52 53 54 55 56 57 58 RQ131 59 60 61 62 64 65 66 67 68 69 70 71 72 73 74 75 80 81 82 83 84 85 RD131 86 RA171 87 RA161 88 RA171 89
E6	SINGLE CARD SAC BA001
E7	SINGLE CARD SAC BA001
F1	CONNECTOR A11 KU101AF4 B09 MC101AZ4 B11 MC101AW4 C09 KR111BE4 C11 WZ061AH4 D09 KR111BF4 E09 KU301AT2 E11 KU301AT6
F2	SINGLE CARD 5803016 3016 MB101 A1 A2 A3 A4 A5 A6 A7 A8 A9
F3	SINGLE CARD 5803757 3757 KG101 A1 KG111 A3 A4 KG101 A5 A6 KG111 A7 KG101 A8 KG111 A9 KG101 AA AC KG111 AD KG101 AE KG111 AF KG121 B1 B2 C1 C2
F4	SINGLE CARD 5803757 3757 KG121 A1 A2 KG111 A3 A4 KG141 A5 A6 KG131 A7 KG101 A8 KG111 A9 KG101 AA AC KG111 AD KG101 AE KG111 AF KG121 B1 B2 C1 C2
F5	SINGLE CARD 5803757 3757 KG151 A1 A4 KG141 A5 A6 KG131 A7 KG151 A8 A9 KG141 AA KG111 AB KG121 AC KG141 AD KG111 AE KG141 AF KG131 B1 B2 C1 C2
F6	SINGLE CARD DISK 5803028 3028 MB201 A1 A2 A3 A4 A5 A6

F6	A7 A8 A9
F7	SINGLE CARD PE BA000 G1 CONNECTOR A09 MB101AP4 A11 MB101AN4 E09 MB101AG4 E11 MC101AY4 G2 SINGLE CARD 5800533 0533 MB101 A1 A2 B1 B2 C1 D1 G3 SINGLE CARD 5803757 3757 KG101 A1 KG111 A3 A4 KG101 A5 A6 KG111 A7 KG101 A8 KG111 A9 KG101 AA AC KG111 AD KG101 AE KG111 AF KG121 B1 B2 C1 C2
F4	SINGLE CARD 5803757 3757 KG121 A1 A2 KG111 A3 A4 KG141 A5 A6 KG131 A7 KG121 A8 KG141 A9 KG121 AC KG111 AD KG141 AE KG131 AF KG151 B1 B2 C1 C2
F5	SINGLE CARD 5803757 3757 KG151 A1 A4 KG141 A5 A6 KG131 A7 KG151 A8 A9 KG141 AA KG111 AB KG121 AC KG141 AD KG111 AE KG141 AF KG131 B1 B2 C1 C2
F6	SINGLE CARD DISK 5803028 3028 MB201 A1 A2 A3 A4 A5 A6

F6	DOUBLE CARD 5804617 4617 RD141 01 02 03 04 05 06 07 08 09 10 11 12 13 14 RA201 15 16 17 18 19 20 21 22 23 24 25 26 27 28 29 30 31 32 33 34 35 36 RA211 37 38 39 40 41 42 43 44 45 46 47 48 49 50 51 52 53 54 55 56 57 58 RQ141 59 60 61 62 64 65 66 67 68 69 70 71 72 73 74 75 80 81 82 83 84 85 RD141 86 RA211 87 RA201 88 RA211 89
H4	DOUBLE CARD 5804617 4617
H5	SINGLE CARD 5800533 0533 MB101 A1 A2 B1 B2 C1 D1
H6	SINGLE CARD DISK 5803793 3793 XF231 01 02 03 04 05 06 07 08 09 10 11 12 13 14 15 16 17 18 19 20 21 22 23 24 25 26 27 28 29 30 31 32 33 34 35 36 37 38 39 40 41 42
H7	SINGLE CARD SAC BA001
J1	CONNECTOR A11 MB101AY4 B09 MC101AZ4 B11 MC101AW4 C09 MB101AX4 C11 MB101AU4 D09 MB101AZ4 D11 MB101AY4 E09 MB101BD4 E11 MB101BC4
J2	DOUBLE CARD 5804619 4619 RB221 01 02 03 04 05 06 07 08 09 10 12 13 14 RB231 15 RB221 16 RB231 17 18 19 20 21 22 23 24 25 27 28 29 RB221 30 RB231 31 32 33 RB221 34 35 36 37 38 39 40 41 42 43 RB231 44 45 46 47 48 49 50 51 RB221 52 RB231 53 54 RB221 55 56 57 58 RB231 59 60 61 62 RB221 63 64 RB231 65 66 RB221 67 RB231 68 RB221 69 RB231 70
J3	SINGLE CARD CS 5800236 0236 MB201 A1 B1 C1 D1 E1 F1
G6	SINGLE CARD CS 5800236 0236 MB201 A1 B1 C1 D1 E1 F1
G7	SINGLE CARD RPQ BA000 H1 CONNECTOR A09 MB101AG4 B09 MB101AJ4 B11 MB101AH4 C09 MB101AV4 C11 MB101AK4 D11 MC101AY4 E11 MC101AQ4
H2	DOUBLE CARD 5804619 4619 RB201 01 02 03 04 05 06 07 08 09 10 12 13 14 RB211 15 RB201 16 RB211 17 18 19 20 21 22 23 24 25 27 28 29 RB201 30 RB211 31 32 33 RB201 34 35 36 37 38 39 40 41 42 43 RB211 44 45 46 47 48 49 50 51 RB201 52

SOCKET LISTING
DATE 03-13-67 MACH. 1131
LOG 072U BOARD 01B-1
PREV. ENGR. 05-30-66 419613
PRES. ENGR. 02-24-67 419633
P.N. 2201221 SDD
IBM CORP. SDD BLK.

USOC D

000

K4 K5	DOUBLE CARD		5804617 4617	
	RD151	01 02 03 04 05 06	07 08 09 10 11 12	
	RA221	13 14	15 16 17 18 19 20	
		21 22 23 24 25 26	27 28 29 30 31 32	
	RA231	33 34 35 36	37 38 39 40 41 42	
		43 44 45 46 47 48	49 50 51 52 53 54	
		55 56 57 58	59 60 61 62 64 65	
		66 67 68 69 70 71	72 73 74 75 80 81	
		82 83 84 85		
	RD151	86		
	RA231	87		
	RA221	88		
RA231	89			
J6	SINGLE CARD		DISK	
	5803793 3793			
	XF221	01 02 03 04 05 06	07 08 09 10 11 12	
		13 14 15 16 17 18	19 20 21 22 23 24	
		25 26 27 28 29 30	31 32 33 34 35 36	
		37 38 39 40 41 42		
	J7	SINGLE CARD		SAC
		BA001		
		K1	CONNECTOR	
			A09 MB101A24	
			A11 MB101A24	
			E09 RB221BH6	
		E11 WZ061AE4		
K2		DOUBLE CARD		
K3		5804619 4619		
		RB241	01 02 03 04 05 06	
			07 08 09 10 11 12	
			13 14	
	RB251	15		
	RB241	16		
	RB251	17 18 19 20 21 22		
		23 24 25 27 28 29		
	RB241	30		
	RB251	31 32 33		
	RB241	34 35 36 37 38 39		
		40 41 42 43		
	RB251	44 45 46 47 48 49		
		50 51		
	RB241	52		
	RB251	53 54		
	RB241	55 56 57 58		
	RB251	59 60 61 62		
	RB241	63 64		
	RB251	65 66		
	RB241	67		
	RB251	68		
	RB241	69		
	RB251	70		
K4	DOUBLE CARD			
K5	5804617 4617			
	RD161	01 02 03 04 05 06		
		07 08 09 10 11 12		
		13 14		
	RA241	15 16 17 18 19 20		
		21 22 23 24 25 26		
		27 28 29 30 31 32		
	RA251	33 34 35 36		
		37 38 39 40 41 42		
		43 44 45 46 47 48		
		49 50 51 52 53 54		
		55 56 57 58		
	RA161	59 60 61 62 64 65		
		66 67 68 69 70 71		
		72 73 74 75 80 81		
		82 83 84 85		
	RD161	86		
	RA251	87		
	RA241	88		
	RA251	89		
OK6	SINGLE CARD			
5	5803024 3024			
	RB301	A1 A2 A3 A4 B1 B2		

K6	B3 B4		
	SINGLE CARD		
	5803022 3022		
	KR101	A1 A2 A3 A4 A5 A6	
		A7 A8 A9	
	CONNECTOR		
	A09	RB221BH6	
	A11	WZ061AB4	
	B09	RB231BH6	
	B11	WZ061AC4	
	C09	RB241BH6	
	C11	WZ061AD4	
D09	RB251BH6		
D11	WZ061AE4		
E09	RB261BH6		
E11	WZ061AF4		
L2	DOUBLE CARD		
L3	5804619 4619		
	RB261	01 02 03 04 05 06	
		07 08 09 10 12 13	
		14	
	RB271	15	
	RB261	16	
	RB271	17 18 19 20 21 22	
		23 24 25 27 28 29	
	RB261	30	
	RB271	31 32 33	
	RB261	34 35 36 37 38 39	
		40 41 42 43	
	RB271	44 45 46 47 48 49	
		50 51	
	RB261	52	
	RB271	53 54	
	RB261	55 56 57 58	
	RB271	59 60 61 62	
	RB261	63 64	
	RB271	65 66	
	RB261	67	
	RB271	68	
	RB261	69	
	RB271	70	
L4	DOUBLE CARD		
L5	5804617 4617		
	RD171	01 02 03 04 05 06	
		07 08 09 10 11 12	
		13 14	
	RA261	15 16 17 18 19 20	
		21 22 23 24 25 26	
		27 28 29 30 31 32	
		33 34 35 36	
	RA271	37 38 39 40 41 42	
		43 44 45 46 47 48	
		49 50 51 52 53 54	
		55 56 57 58	
	RQ171	59 60 61 62 63 64	
		65 66 67 68 69 70	
		71 72 73 74 75 80	
		81 82 83 84 85	
	RD171	86	
	RA271	87	
	RA261	88	
	RA271	89	
L6	SINGLE CARD		
	5803024 3024		
	RB311	A1 A2 A3 A4 B1 B2	
		B3 B4	
L7	SINGLE CARD		
	5803022 3022		
	KR101	A1 A2 A3 A4 A5 A6	
		A7 A8 A9	
M1	CONNECTOR		
	A11	WZ061AJ4	
	B09	RB271BH6	
	B11	WZ061AG4	
	C09	KR111RE4	
	C11	WZ061AH4	
	D09	KR111RF4	
	D11	WZ061AJ4	
M2	CONNECTOR		
	B02	RB121BJ2	
	B03	RB141BJ2	
	B04	RB161BJ2	
	B05	RE201BJ2	
	B07	RE221BJ2	
	B08	RE241BJ2	
	B09	RE261BJ2	
	B10	RA101AJ2	

M2	B12	RA121AJ2	
	D02	RB131BJ2	
	D04	RB151BJ2	
	D05	RB171BJ2	
	D06	RB211BJ2	
	D07	RB231BJ2	
	D09	RB251BJ2	
	D10	MB101AA4	
	D11	RA111AJ2	
	D12	RA131AJ2	
	M3	CONNECTOR	
		B02	RB101BH2
B03		RB121BH2	
E04		RB141BH2	
B05		RB161BH2	
B07		RB201BH2	
B08		RB221BH2	
B09		RB241BH2	
B10		RB261BH2	
B12		RA201AJ2	
B13		RA221AJ2	
D02		RB111BH2	
D04	RB131BH2		
D05	RB151BH2		
D06	RB171BH2		
D07	RB211BH2		
D09	RB231BH2		
D10	RB251BH2		
D11	RB271BH2		
D12	RA211AJ2		
D13	RA231AJ2		
M4	SINGLE CARD		
	5803807 3807		
	KG201	A1 A2 A3 A4 A5 A6	
	KU101	B1 C1 C2 C3	
M5	SINGLE CARD		
	5803291 3291		
	BB101	A1	
	BB111	B1 C1	
	BB121	D1 E1	
	BB131	F1 G1	
	BB141	H1	
	BB101	K1 L1	
	BB111	M1	
	BB121	N1	
	BB131	P1 Q1	
	BB141	R1 U1	
UNUSED PORTIONS			
J S T V			
M6	SINGLE CARD		
	RPQ		
	BA000		
M7	SINGLE CARD		
	SAC		
	BA001		
N2	CONNECTOR		
	B02	RB121AQ2	
	B03	RB141AQ2	
	B04	RE161AQ2	
	B05	RB201AQ2	
	B07	RE221AQ2	
	B08	RE241AQ2	
	B09	RE261AQ2	
	B10	RA141AJ2	
	B12	RA161AJ2	
	D02	RB131AQ2	
	D04	RB151AQ2	
	D05	RB171AQ2	
	D06	RE211AQ2	
	D07	RE231AQ2	
	D09	RE251AQ2	
	D10	RB231AQ2	
	D11	RA151AJ2	
	D12	RA171AJ2	
N3	CONNECTOR		
	B02	RQ101AY2	
	B03	RQ111AY2	
	B04	RQ121AY2	
	B05	RQ131AY2	
	B07	RQ141AY2	
	B08	RQ151AY2	
	B09	RQ161AY2	
	B10	RQ171AY2	
	B12	RA241AJ2	
	B13	RA261AJ2	
	D02	RQ101AX2	
	D04	RQ111AX2	

N3	D05	RQ121AX2	
	D06	RQ131AX2	
	D07	RQ141AX2	
	D09	RQ151AX2	
	D10	RQ161AX2	
	D11	RQ171AX2	
	D12	RA251AJ2	
	D13	RA271AJ2	
	N4	CONNECTOR	
		B02	RD101AP2
		B03	RD111AP2
		B04	RD121AP2
B05		RD131AP2	
B07		RD141AP2	
B08		RD151AP2	
B09		RD161AP2	
B10		RD171AP2	
D02		FD101AQ2	
D04		RD111AQ2	
D05		RD121AQ2	
D06	RD131AQ2		
D07	RD141AQ2		
D09	RD151AQ2		
D10	RD161AQ2		
D11	RD171AQ2		
N5	CONNECTOR		
	B02	BB101AA4	
	B03	BB101AC4	
	B04	BB111BA4	
	B05	BB121AA4	
	B07	BB121AC4	
	B08	BB131BA4	
	B09	BB131AD4	
	B10	BB141BA4	
	B13	XC141AA4	
	D02	BB101BA4	
	D04	BB111AA4	
D05	BB111AC4		
D06	BB121BA4		
D07	BB131AA4		
D09	BB131AC4		
D10	BB141AA4		
D11	BB141AC4		
D12	XF141AJ4		
D13	XF141BC4		
N6	CONNECTOR		
	B02	RB301AA4	
	B03	RB301AC4	
	B04	RB301AE4	
	B05	RB301AG4	
	B07	RE311AA4	
	B08	RB311AC4	
	B09	RB311AE4	
	B10	RB311AG4	
	D02	RB301BA4	
	D04	RB301AD4	
	D05	RB301AF4	
D06	RB301AH4		
D07	RB311BA4		
D09	RB311AD4		
D10	RB311AF4		
D11	RB311AH4		
N7	SINGLE CARD		
	CR		
	BA001		

PLUG LIST					
PART NO	ACC	TYPE	SOCKETS	TOTAL	
5800236		0236	C7		01
5800236	CS	0236	G6		01
5800238		0238	D7		01
5800533		0533	G2		01
5803016		3016	F2		01
5803022		3022	K7 L7		02
5803024		3024	K6 L6		02
5803028	DISK	3028	F6		01
5803291		3291	F5		01
5803686	DISK	3686	C6		01
5803757		3757	F3 F4 F5 G3		06
5803793	DISK	3793	G4 G5		02
5803807		3807	H6 J6		01
5804617		4617	B4 C4 D4 E4		08
			H4 J4 K4 L4		
5804619		4619	B2 C2 D2 E2		08
			H2 J2 K2 L2		
			A1 A2 A3 A4		
			A5 A7 B1 B6		
			B7 C1 D1 E1		
			F1 G1 H1 J1		
			K1 L1 M1 N2		
			M3 N2 N3 N4		
			N5 N6		
			N7		01
			F7		01
			D5 G7 H6		03
			A6 E6 E7 H7		06
			J7		
	CR				
	PE				
	RPQ				
	SAC				

SOCKET LISTING
 DATE 03-13-67 MACH. 1131
 LOG 072U BOARD 01B-81
 PREV. ENGR. 05-30-66 419613
 PRES. ENGR. 02-24-67 419633
 P.N. 2201221 SDD
 IEM CORP. SDD BLK.

A
C
0
0
5
000

JUMPERS AND TIE-DOWNS

CONFIGURATION	FUNCTION	NET NO.	FROM-TO
1442 PROGRAM LOAD	+ SRP READY	XR201BA4	A-B1B3D13 - C1D09
1442 PROGRAM LOAD	+ FEED CB-2	XR281AZ4	A-B1D4D12 - C1E09
1442 PROGRAM LOAD	- PROG LOAD	XR281BB5	A-B1D1E09 - J4D12
PAPER TAPE PROG LD	+ PT RDR RDY	XT311BQ4	A-B1D6D02 - C1D09
PAPER TAPE PROG LD	+ PT CHAN 5	XT221BM4	A-B1E7B07 - C1E09
PAPER TAPE PROG LD	- PROG LOAD	XT221BF5	A-B1D1E09 - D6B08
NO CARD READ/PUNCH	+ REQ INT LVL 0	KM201AY4	B-A1J7B13 - J7D08
NO 1132	+ REQ INT LVL 1	DUI12BB4	A-C1K3B13 - K3D08
NO 1132	+ CS LVL 2	KM212AT4	B-A1E7D10 - E7D08
NO PAPER TAPE	+ PT RESPONSE	XT301AL4	A-C1G4D02 - G4D08
1055 AND NO 1134	+ PT STATUS BUSY	XT101BP4	A-B1K7B10 - H7D08
NO DISK STORAGE	+ REQ INT LVL 2	XF151AR2	A-C1H4D11 - H4D08
NO DISK STORAGE	+ CS LVL 0	KM211AT4	A-C1L4B04 - L4D08
CSB WITHOUT CSA	- CS TR 2 OR 3	KM212AU4	B-A1E7D04 - E7D02
1627 MOD 1	BUSY SS-1	XG101AY4	A-C1M4G07 - M4J11
1627 MOD 1	BUSY SS-2	XG101AZ4	A-C1M4G09 - M4B13
1627 MOD 11	BUSY SS-1	XG101AY4	A-C1M4G07 - M4G13
1627 MOD 11	BUSY SS-2	XG101AZ4	A-C1M4G09 - M4B12
NO SAC	+ CHAN WR GT	FA181BH4	B-B1B6D12 - B6D08
NO SAC	+ REQ CS LVL 1	FA181BJ4	B-B1B7D12 - B7D08
2501	- X6	KU211AB4	A-C1F6B13 - H5D05
NO 2501	- T6	XC141AA4	A-C1F6D07 - H5D05
NO 2501	+ CR RD GT	FA191AN4	A-C1J3D09 - J3D08
NO 2501 AND NO 1231	+ EOP RESP	FA171AK4	A-C1J3B09 - J3D08
2501 PROGRAM LOAD	+ 2501 READY	FA171SY4	A-A1C4G08 - F8C04
2501 PROGRAM LOAD	+ FEED CB-2	FR121SZ4	A-A1B3B13 - F8B04
2501 PROGRAM LOAD	- PROG LOAD	FR121SW3	A-A1F8D04 - F5D05
2501 OR 1231 AND NO SCA	- B BIT 0	RB301AA4	A-A1M3B02 - N3B02
2501 OR 1231 AND NO SCA	- B BIT 1	RB301AB4	A-A1M3D02 - N3D02
2501 OR 1231 AND NO SCA	- B BIT 2	RB301AC4	A-A1M3B03 - N3B03
2501 OR 1231 AND NO SCA	- B BIT 3	RB301AD4	A-A1M3D04 - N3D04
2501 OR 1231 AND NO SCA	- B BIT 4	RB301AE4	A-A1M3B04 - N3B04
2501 OR 1231 AND NO SCA	- B BIT 5	RB301AF4	A-A1M3D05 - N3D05
2501 OR 1231 AND NO SCA	- B BIT 6	RB301AG4	A-A1M3B05 - N3B05
2501 OR 1231 AND NO SCA	- B BIT 7	RB301AH4	A-A1M3D06 - N3D06
2501 OR 1231 AND NO SCA	+ T6	KU211AD4	A-A1M3B12 - N3B12
2501 OR 1231 AND NO SCA	+ T4	KU211AC4	A-A1M3B13 - N3B13
2-US MACH (SJ-2)	+GT B TO CCC	KT301BE4	B-A1K1E09 - N3D10
2-US MACH	+WR GT PH B	KG251BJ4	B-A1L1B09 - H5D09
4-US MACH (SJ-4)	+GT B TO CCC	KT301BE4	B-A1K4D06 - N3D10
4-US MACH	+WR GT PH B	KG251BJ4	B-A1N1A11 - H5D09
EXPANDED STORAGE	+ FILE ADDR BIT 2	XF231BV2	B-B1H6D09 - H1D09
1442 MOD 5	DELETED FUNCTION	XR221AU4	A-B1C3B12 - PIN SIDE
1442 MOD 5	DELETED FUNCTION	XR221AT4	A-B1C3B10 - PIN SIDE
1442 MOD 5	DELETED FUNCTION	XR241-AB	A-B1E3D02 - PIN SIDE
1442 MOD 5	DELETED FUNCTION	XR241-AD	A-B1E3D06 - CARD SIDE
1442 MOD 5	+ READ SCA 11	XR221BM4	A-B1C3B13 - K2B03
1442 MOD 5	GROUNDING INPUT	XR241-AB	A-B1E3D02 - E3D08
1442 MOD 5	GROUNDING INPUT	XR241-AD	A-B1E3D06 - E3D08
1442 MOD 5	+U BIT 13	DUI11AC4	A-B1F1D09 - A2D11

REFER TO PAGE AD003 FOR SCA JUMPERS

SINGLE-SHOT TIMING

ADJUSTABLE						FIXED					
NAME	PAGE	LOCATION	TIME	TOL		NAME	PAGE	LOCATION	TIME	TOL	
TWR SS-1	XW101	A-C1F5B03	-TOP	25 MS ± 3 MS		CB SS	XPI31	A-A1J3D11	4 MS ± .5 MS		
TWR SS-2	XW101	A-C1F5B07	-BOT	25 MS ± 3 MS		USE METER SS	KW101	A-C1G7B02	400 MS ± 100 MS		
KBD SS-1	XK101	A-C1E3B03	-TOP	25 MS ± 3 MS		SS-1 (1627 1)	XG101	A-C1M4J07	1.9 MS ± .3 MS		
KBD SS-2	XK101	A-C1E3B07	-BOT	25 MS ± 3 MS		SS-1 (1627 11)	XG101	A-C1M4J07	2.9 MS ± .4 MS		
READ CHK SS	XR301	A-B1K3B03	-TOP	100 US ± 12 US		SS-2 (1627 1)	XG101	A-C1M4G04	1.9 MS ± .3 MS		
PUNCH GT SS	XR301	A-B1K3B07	-BOT	350 US ± 42 US		SS-2 (1627 11)	XG101	A-C1M4G04	2.9 MS ± .4 MS		
PT RDR SS	XT301	A-B1G6B07	-BOT	500 US ± 60 US		1627 SS-3	XG111	A-C1M4J09	50 MS ± 8 MS		
DISK R/W SS	XF181	A-C1M6J13		250 US ± 28 US		1627 SS-4	XG111	A-C1M4G10	50 MS ± 8 MS		
SETTLE SS	XF171	A-C1L2D13		22.5 MS ± 2.0 MS		ERASE CK SS	FR161	A-A1F4B03	5 MS ± 1.6 MS		
TIME OUT SS	FC341	C-A1A6D06	-TOP	80 MS ± 20 MS		RECORD EMIT SS	FR161	A-A1F4B04	500 US ± 165 US		
XMT TIMER DLY	FC341	C-A1F1D13		1.25 SEC ± .4 SEC		DISK SS	XF171	A-C1M6J06	28 MS ± 5 MS		
RCV TIMER DLY	FC341	C-A1J1D13		3.0 SEC ± 1.0 SEC		NOISE MASK SS1	FD211	A-A1G6B02	-TOP 4 US ± .5 US		
DELAY SS	FC741	C-A1K1B10		1.0 MS ± 0.3 MS		NOISE MASK SS2	FD211	A-A1G6D02	-BOT 300 NS ± 50 NS		
PROG TIMER DLY	FC341	C-A1M1D13		350 MS ± 100 MS		REFER TO A/D PAGES FOR SS TIMINGS ON SYSTEMS WITH R/PQ PAPER TAPE EQUIPMENT					
RCV SHIFT SS	FC361	C-A1A5B03	-TOP	2.0 US ± 0.4 US							
CE SS	FC331	C-A1A5B07	-BOT	100 MS ± 30MS							
SELECT SS	FD321	A-A1C7D12	-BOT	40 MS ± 10 MS							
TMG MK SS	FD321	A-A1C7D11	-TOP	90 MS ± 20 MS							

MACHINES WITH 4K CORE STORAGE WILL HAVE THE FOLLOWING DELETIONS TO DISABLE UPPER 4K:
 DELETE B-B1F2D02 - PIN SIDE AND B-B1F6D02 - PIN SIDE
 MACHINES BEING CONVERTED FROM 4K TO 8K STORAGE WILL REQUIRE THE FOLLOWING WIRE ADDITIONS:
 ADD B-B1F2D02 TO F6D02 AND B-B1F2D02 TO H1A09.

BACK-PANEL CAPACITOR:
 .22 UFD P/N 842607
 A-C1N6D02 - L6DC8
 SEE KR111 AND YP161

ADDITIVE CARD CODES

BLANK	BASIC
C	1500 SYSTEM
CR	2501
CS	CYCLE STEAL
CSA	DISK OR SAC
CSB	1132 OR 2501
C67	1442-6 OR 7
C567	1442-5,6 OR 7
DISK	DISK STOR
EXP	2501 OR SCA OR 1231
PL	1627
PR	1132
PTP	PT PUNCH
PTPL	PT PROG LD
PTR	PT READER
PTRP	PT RD/PCN
SAC	STOR ACC CHAN
SCA	COMMUN ADAPT
SCCR	SAC OR 2501
MR	1231
ES	EXPANDED STOR
ES2M	2 US EXPANDED STOR
DE2M	2 US OR R/PQ OEM CHAN

OSCILLATOR ADJUSTMENTS

CPU OSCILLATOR - LOCATION: B-A1E5 FIXED FREQUENCY
 SJ-4 (2.25 MC): + PH A (KA111, B-A1C4J05) AND + PH B (KA111, B-A1C4J10) ARE TO BE EQUAL WIDTH WITHIN ± 10% WHEN MEASURED AT THE 1 VOLT LEVEL.
 SJ-2 (3.64 MC): + PH A (KA111, B-A1C4J05) AND + PH B (KA111, B-A1C4J10) ARE TO BE EQUAL WITHIN ± 5 NS, WHEN MEASURED AT THE 1-VOLT LEVEL

PAPER TAPE OSCILLATOR - LOCATION: A-B1K6
 FREQUENCY: THE PERIOD OF THE WAVEFORM (XT331, A-B1H7B09) MUST BE 8.95 MS ± .25 MS (TOP POT)

SYMMETRY: + OSCILLATOR TRIGGER (XT331, A-B1H7B09) MUST BE 4.5 MS ± .5 MS IN DURATION. (BOTTOM POT)

DATE	EC NUMBER	DATE	EC NUMBER	ACC CODES-SS TIMING			
15 OCT 68	419694			JUMPERS-OSCILLATORS			
10 APR 69	419695			DATE	MAY 67	P/N	2231011
14 AUG 69	571053					TYPE	1131B
				IBM		AD000	

RED

ADDITIVE CARD CODES		ADJUSTABLE				SINGLE SHOT TIMING				FIXED			
ACC	DESCRIPTION	NAME	PAGE	LOCATION	TIME	TOL.	NAME	PAGE	LOCATION	TIME	TOL.		
BLANK	BASIC	TWR SS-1	XW101	A-C1F5 - TOP	25 MS	± 3 MS	CB SS	XP131	A-A1J3	4 MS	± 0.5 MS		
CS	CYCLE STEAL	TWR SS-2	XW101	A-C1F5 - BOT	25 MS	± 3 MS	SETTLE SS	XF171	A-C1M6	28 MS	± 5 MS		
DISK	DISK STORAGE	KBD SS-1	XK101	A-C1E3 - TOP	25 MS	± 3 MS	BUSY SS-1	(MOD I 1627)	XG101	A-C1H4	1.9 MS	± 0.3 MS	
PL	PLOTTER	KBD SS-2	XK101	A-C1E3 - BOT	25 MS	± 3 MS	BUSY SS-1	(MOD II 1627)	XG101	A-C1M4	2.9 MS	± 0.4 MS	
PR	PRINTER	READ CHK SS	XR301	A-B1K3 - TOP	100 US	± 12 US	BUSY SS-2	(MOD I 1627)	XG101	A-C1M4	1.9 MS	± 0.3 MS	
PTP	PAPER TAPE PUNCH	PUNCH GATE SS	XR301	A-B1K3 - BOT	350 US	± 42 US	BUSY SS-2	(MOD II 1627)	XG101	A-C1M4	2.9 MS	± 0.4 MS	
PTR	PAPER TAPE READER						BUSY SS-3		XG111	A-C1M4	50 MS	± 8 MS	
PTRP	PAPER TAPE READER OR PUNCH						BUSY SS-4		XG111	A-C1M4	50 MS	± 8 MS	
PTPL	PAPER TAPE PROGRAM LOAD						USE METER SS		KW101	A-C1G7	400 MS	± 100 MS	
C567	CARD READER PUNCH	PT READER SS	XT301	A-B1G6 - BOT	500 US	± 60 US							
RPQ	SPECIAL SYSTEMS	R/W SS	XF181	A-C1M6	250 US	± 28 US							

JUMPERS AND TIE-DOWNS				JUMPERS AND TIE-DOWNS			
CONFIGURATION	FUNCTION	NET NO.	FROM - TO	CONFIGURATION	FUNCTION	NET NO.	FROM - TO
NO PAPER TAPE PROGRAM LOAD	+ SRP READY POWERED	XR201BA4	A-B1B3D13 - C1D09	NO PAPER TAPE READ OR PUNCH	+ PT RESPONSE	XT301AL4	A-C1G4D02 - G4D08
NO PAPER TAPE PROGRAM LOAD	+ FEED CB-2 POWERED	XR281AZ4	A-B1D4D12 - C1E08	1627 MOD I PLOTTER	BUSY SS-1	XG101AY4	A-C1M4G07 - M4J11
NO PAPER TAPE PROGRAM LOAD	- PROGRAM LOAD	XR281B05	A-B1D1E09 - J4D12	1627 MOD I PLOTTER	BUSY SS-2	XG101AZ4	A-C1M4G09 - M4G13
NO CARD READER PUNCH	+ PT READER READY	XT301AA4	A-B1D5D02 - C1D09	1627 MOD II PLOTTER	BUSY SS-1	XG101AY4	A-C1M4G07 - M4G13
NO CARD READER PUNCH	+ PT CHANNEL 5	XT321BJ4	A-B1E7B07 - C1E09	1627 MOD II PLOTTER	BUSY SS-2	XG101AZ4	A-C1M4G09 - M4B12
NO CARD READER PUNCH	- PROGRAM LOAD	XT221BF5	A-B1D1E09 - D6808				
NO CARD READER PUNCH	+ REQ INTERRUPT LVL 0	KM201AY4	B-A1J7B13 - J7DC8	MACHINES WITH 4K CORE STORAGE WILL HAVE THE FOLLOWING DELETIONS TO DISABLE UPPER 4K ADDRESSING:	DELETE B-B1F2D02 - PIN SIDE		
NO PRINTER	+ REQ INTERRUPT LVL 1	KM301BM4	B-A1G7D11 - G7D08		DELETE B-B1F6D02 - PIN SIDE		
NO DISK STORAGE	+ REQ INTERRUPT LVL 2	XF151AR2	B-A1G6D12 - G6D08				
NO CYCLE STEAL	+ CS LVL 0	KM211AT4	B-A1F7D10 - F7D08	MACHINES BEING CONVERTED FROM 4K STORAGE TO 8K STORAGE WILL REQUIRE THE FOLLOWING WIRE ADDITIONS TO ALLOW UPPER 4K ADDRESSING:	ADD B-B1F2D02 - F6D02		
NO CYCLE STEAL	+ CS LVL 1	KM211AV4	B-A1F7D11 - F7D08		ADD B-B1F2D02 - H1A09		
" " "	+X6	KM111AQ2	B-A1D5B08 - D5008				

OSCILLATOR ADJUSTMENTS

CPU CLOCK OSCILLATOR LOCATION: B-A1E5, FIXED FREQUENCY, ADJUSTABLE SYMMETRY.
 SYMMETRY ADJUSTMENT: + PHASE A (KA111, B-A1C4J05) AND + PHASE B (KA111, B-A1C4J10) ARE TO BE EQUAL WIDTH WITHIN ± 10% WHEN MEASURED AT THE 50% POINT ON THE WAVEFORMS.

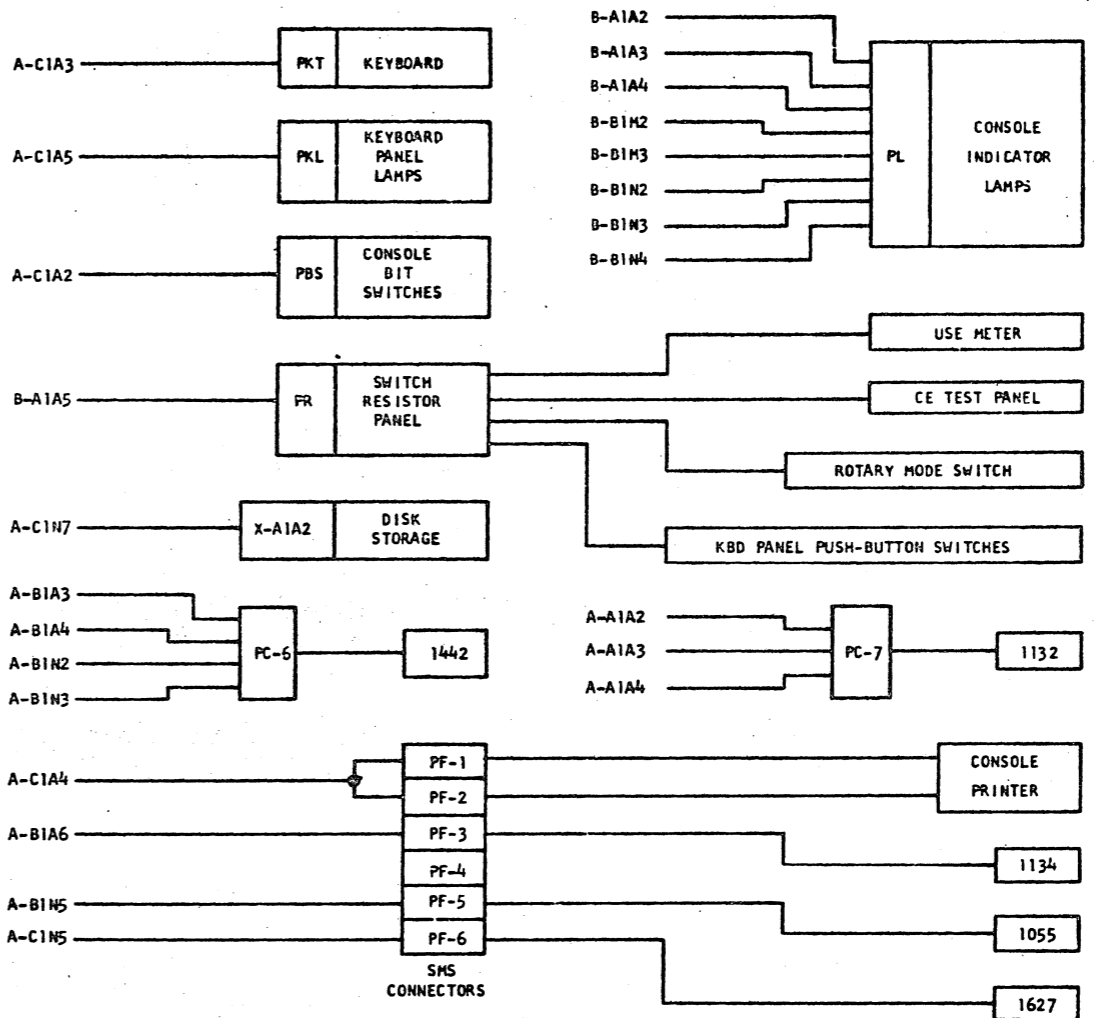
PAPER TAPE READER OSCILLATOR LOCATION: A-B1K6, ADJUSTABLE IN FREQUENCY AND IN SYMMETRY.
 SYMMETRY ADJUSTMENT: + OSCILLATOR TRIGGER (XT331, A-B1H7809) MUST BE 4.5 MS ± 0.5 MS IN DURATION.
 FREQUENCY ADJUSTMENT: THE PERIOD OF THE OSCILLATOR TRIGGER WAVEFORM (XT331, A-B1H7809) MUST BE 8.6 MS ± 0.25 MS.

DATE	EC NUMBER	DATE	EC NUMBER	ACC CORES - SS TIMING		
AUG 65	415431A			JUMPERS - TIE DOWNS		
OCT 65	415483A			DATE	P/N	2201235
FEB 66	419603				TYPE	1131
JUN 66	419613					
OCT 66	419623			1131		AD000

A-A1		A-B1		A-C1		B-A1		B-B1	
FROM	TO	FROM	TO	FROM	TO	FROM	TO	FROM	TO
A2	PC-7	A2	A-A1N2	A2	P85	A2	PL	A2	B-A1N2
A3	PC-7	A3	PC-6	A3	PKT	A3	PL	A3	B-A1N3
A4	PC-7	A4	PC-6	A4	PF-1,2	A4	PL	A4	B-A1N4
A5	---	A5	A-A1N5	A5	PKL	A5	PR-2,4,6	A5	B-A1N5
A6	---	A6	PF-3	A6	A-B1N6	A6	A-C1N4	A6	---
A7	---			A7	A-B1N7	A7	A-C1N6	A7	B-A1N7
				B6	B-B1N6			B6	A-C1N3
				B7	---			B7	A-A1N4
				H2	---			H2	PL
				H3	---			H3	PL
N2	A-B1A2	N2	PC-6	N2	B-B1N5	N2	B-B1A2	N2	PL
N3	**	N3	PC-6	N3	B-B1B6	N3	B-B1A3	N3	PL
N4	B-B1B7			N4	B-A1A6	N4	B-B1A4	N4	PL
N5	A-B1A5	N5	PF-5	N5	PF-6	N5	B-B1A5	N5	A-C1N2
N6	---	N6	A-C1A6	N6	B-A1A7	N6	---	N6	A-C1B6
		N7	A-C1A7	N7	X-A1A2	N7	B-B1A7	N7	---
		* T1	A-C1T1	* T1	A-B1T1	* T1	B-C1T1	* T1	B-C1T1
		* T2	A-C1T2	* T2	A-B1T2	* T2	B-B1T2	* T2	B-A1T2
								* T3	B-C1T3
								* T4	B-C1T4

* T1, T2, T3 AND T4 ARE THE HORIZONTAL SOCKETS AT THE TOP OF EACH SLT BOARD. NUMBERING IS FROM LEFT TO RIGHT ON THE CARD SIDE.

** CABLE A-A1N3 TO A-B1N6 IS INSTALLED ONLY ON MACHINES WITH AN 1132.



DATE	EC NUMBER	DATE	EC NUMBER	SIGNAL CABLE	
OCT 65	415483A			TERMINATIONS	
				DATE	P/N 2201298
					TYPE 1131
				ELCI	AE000

SPARE
RPQ
A-A1A7
1B-AH

SPARE
RPQ
A-A1F7
2B-AA

SPARE
RPQ
A-A1G7
3B-AB

SPARE
RPQ
A-A1H7
4B-AC

SPARE
RPQ
A-A1J7
5B-AD

SPARE
RPQ
A-A1K7
6B-AE

SPARE
RPQ
A-A1L7
7B-AF

SPARE
RPQ
5400
A-A1M7
1D-AG

SPARE
RPQ
A-A1N7
2D-AJ

SPARE
RPQ
A-B1A7
3D-AK

SPARE
RPQ
A-B1B7
4D-AL

SPARE
RPQ
A-B1C7
5D-AM

SPARE
RPQ
A-B1D7
6D-AN

SPARE
RPQ
A-C1B7
7D-AT

SPARE
RPQ
A-C1C6
1F-AU

SPARE
RPQ
A-C1C7
2F-AV

SPARE
RPQ
A-C1D7
3F-AW

SPARE
RPQ
A-C1K2
4F-BU

SPARE
RPQ
A-C1M2
5F-BA

SPARE
RPQ
B-A1B7
6F-BB

SPARE
RPQ
B-A1L7
7F-BC

SPARE
RPQ
B-A1D7
1H-BD

SPARE
RPQ
B-B1D6
2H-BV

SPARE
RPQ
B-B1G7
3H-BE

SPARE
RPQ
B-B1M6
4H-BF

SPARE
PE
A-B1N4
5H-CC

SPARE
PE
5400
A-A1M6
1K-CE

SPARE
PE
A-B1L6
2K-CB

SPARE
PE
A-C1L2
3K-CA

SPARE
PE
B-B1F7
5K-BX

SPARE
PE
A-B1L7
6K-CD

NOTE 1
SPARE
RPQ
A-A1J1
7K-BK

NOTE 2
SPARE
RPQ
A-A1M1
1M-BL

NOTE 3
SPARE
RPQ
A-B1J1
2M-BM

NOTE 4
SPARE
RPQ
A-B1M1
3M-BN

NOTE 5
SPARE
RPQ
A-C1J1
4M-BP

NOTE 6
SPARE
RPQ
A-C1M1
5M-BQ

NOTE 7
SPARE
RPQ
B-A1J1
6M-BR

NOTE 8
SPARE
RPQ
B-A1M1
7M-BS

NOTE 1 TOP COMN A-A1T3
NOTE 2 TOP COMN A-A1T4
NOTE 3 TOP COMN A-B1T3
NOTE 4 TOP COMN A-B1T4
NOTE 5 TOP COMN A-C1T3
NOTE 6 TOP COMN A-C1T4
NOTE 7 TOP COMN B-A1T3
NOTE 8 TOP COMN B-A1T4

07-20-65 415481
08-26-65 415483
11-24-65 415496
12-07-65 415725
03-10-66 4157096
05-16-66 419609
08-23-66 419625
02-24-67 419633

SOCKET RESERVATIONS
DATE 03-13-67 MACH. 1131
LOG 072N FRAME 01
P.N. 2201284
IBM CORP. GPD BLK. CF

BA000

SPARE
CR
A-A1A5
1A-AA

SPARE
CR
A-A1A6
1B-AB

SPARE
CR
5400
A-A1B4
1C-AC

SPARE
CR
5400
A-A1B5
1D-AD

SPARE
CR
5400
A-A1B6
1E-AE

SPARE
CR
5400
A-A1B7
1F-AF

SPARE
CR
A-A1C4
1G-AG

SPARE
CR
A-A1C5
1H-AH

SPARE
CR
A-A1C6
1J-AJ

SPARE
CR
A-A1C7
1K-AK

SPARE
CR
A-A1D4
1L-AL

SPARE
CR
A-A1D5
1M-AM

SPARE
CR
A-A1D6
1N-AN

SPARE
CR
A-A1D7
2A-AP

SPARE
CR
A-A1E4
2B-AQ

SPARE
CR
A-A1E5
2C-AR

SPARE
CR
A-A1E6
2D-AS

SPARE
CR
A-A1E7
2E-AT

SPARE
CR
A-A1F4
2F-AU

SPARE
CR
A-A1F5
2G-AV

SPARE
CR
A-A1F6
2H-AW

SPARE
CR
A-A1G4
2J-AX

SPARE
CR
A-A1G5
2K-AY

SPARE
CR
A-A1G6
2L-AZ

SPARE
CR
A-A1H4
2M-BA

SPARE
CR
A-A1H5
2N-BB

SPARE
CR
A-A1H6
3A-BC

SPARE
CR
A-A1J4
3B-BD

SPARE
CR
A-A1J5
3C-BE

SPARE
CR
A-A1J6
3D-BF

SPARE
CR
A-A1K4
3E-BG

SPARE
CR
A-A1K5
3F-BH

SPARE
CR
A-A1K6
3G-BJ

SPARE
CR
A-A1L4
3H-BK

SPARE
CR
A-A1L5
3J-BL

SPARE
CR
A-A1L6
3K-BM

SPARE
CR
5400
A-A1M5
3L-BN

SPARE
CR
B-B1N7
3M-BP

SPARE
CAT
5400
A-A1M4
6A-CL

SPARE
CAT
A-A1N6
6B-CD

SPARE
CAT
A-C1M3
6C-CE

SPARE
SAC
A-C1K3
5D-BT

SPARE
SAC
B-A1C7
5E-BU

SPARE
SAC
B-A1L6
5F-BV

SPARE
SAC
B-A1M6
5G-BW

SPARE
SAC
B-A1N6
5H-BX

SPARE
SAC
B-B1A6
5J-BY

SPARE
SAC
B-B1E6
5K-BZ

SPARE
SAC
B-B1E7
5L-CA

SPARE
SAC
B-B1H7
5M-CB

SPARE
SAC
A-E1J7
5N-CC

SPARE
EXP
A-C1H2
7E-CG

SPARE
EXP
A-C1J2
7C-CH

SPARE
EXP
B-A1E7
7E-CK

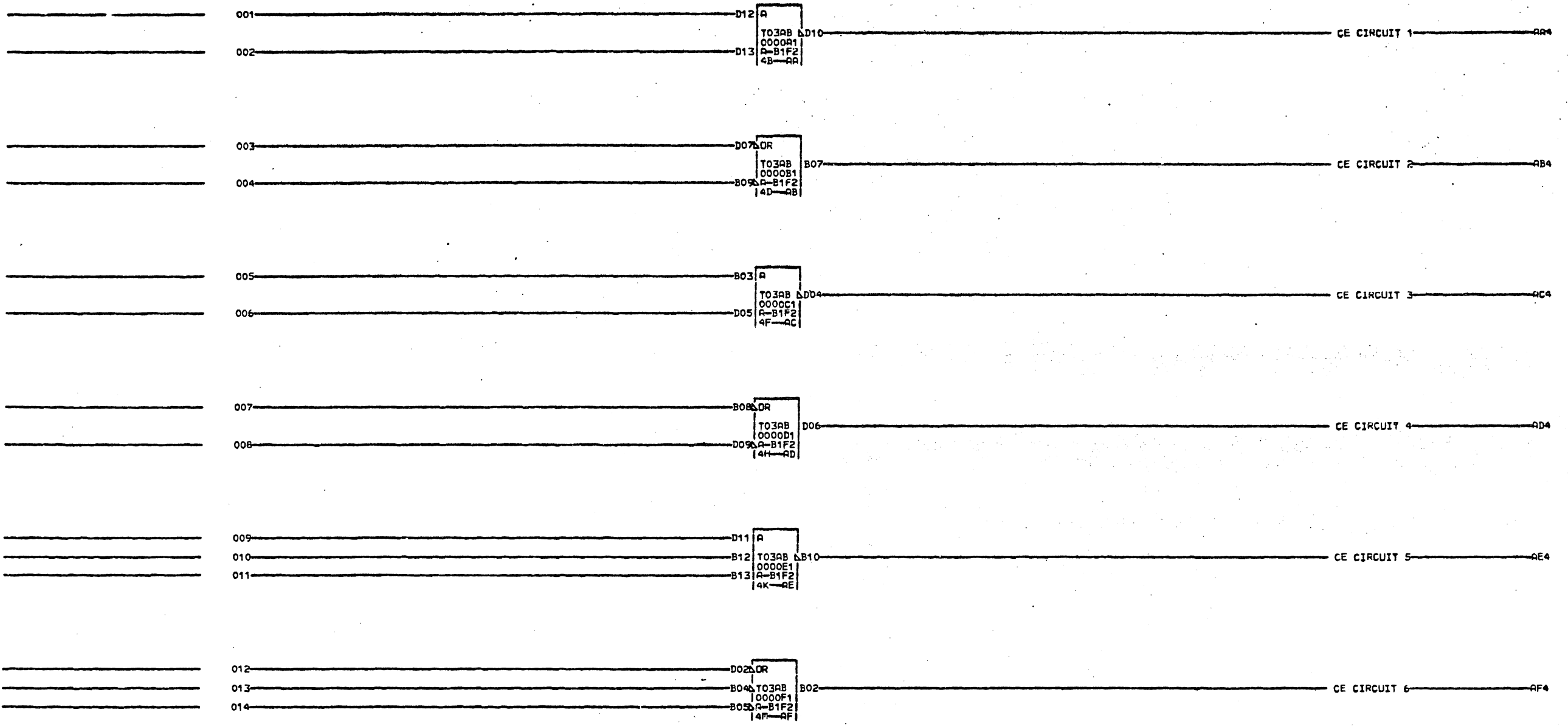
SPARE
SAC
B-A1M7
6L-CQ

SPARE
SAC
A-C1L3
6M-CN

SPARE
SAC
B-A1M7
6N-CM

11-24-65 415496
12-07-65 415725
05-16-66 419609
02-24-67 419633

SOCKET RESERVATIONS
DATE 03-13-67 MACH# 1131
LDG 072N FRAME 01
P# 2201342
IBM CORP. GPD BLK# CR

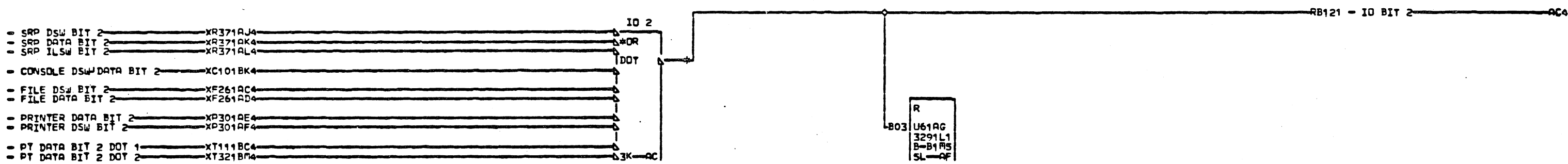
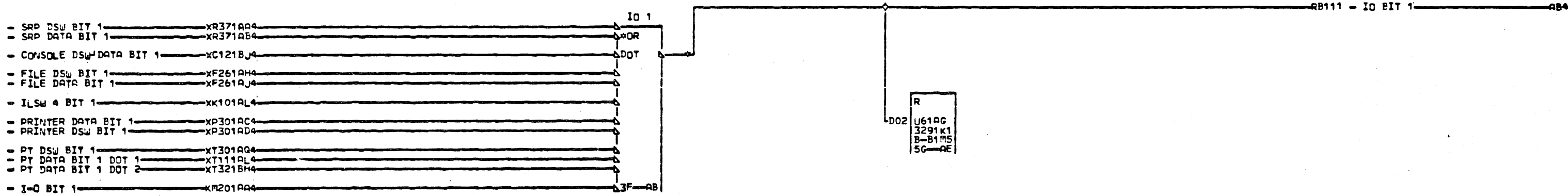
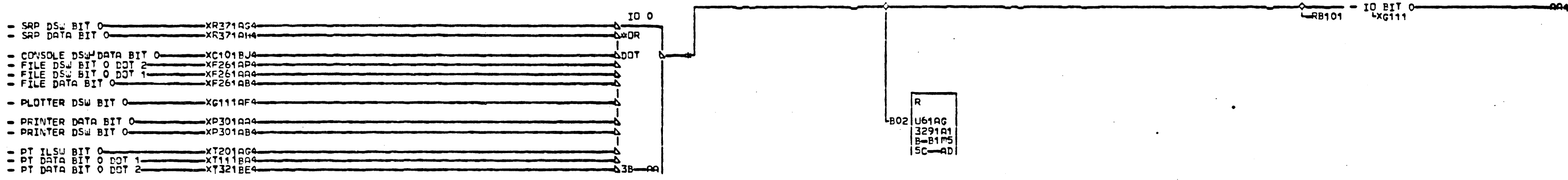


08-26-65 415483

BA101
000

CE CARD			
DATE	09-01-65	MACH.	1131
LDG	244N	FRAME	01
		P.No.	2201286
IBM CORP.	GPD	BLK.	AG

BA101
000



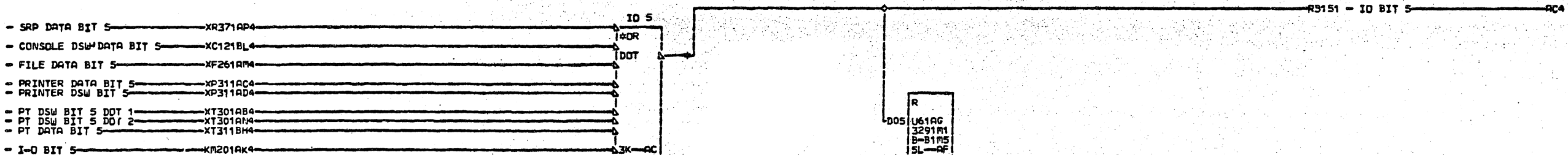
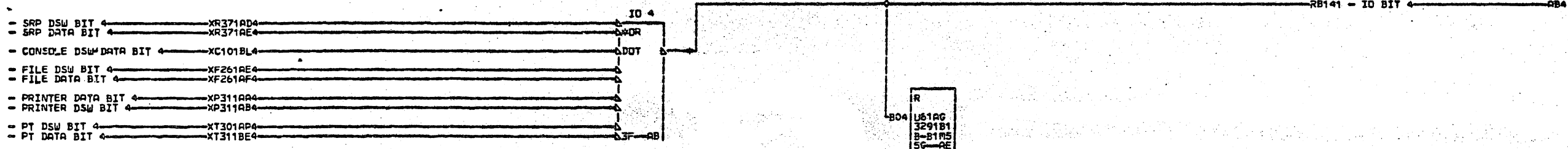
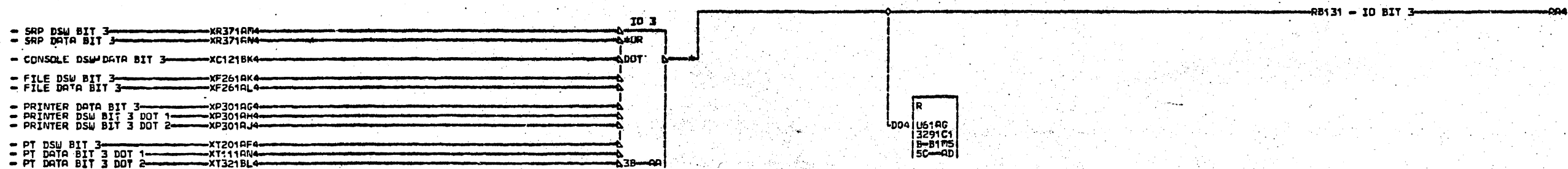
BB101

AA4 B-B1N5B02 01A-B1A1E09
 01A-C1N2B02 01A-B1A2D02
 01A-C1B1A11 01A-A1N2D02
 01A-B1B1A11 AC4 B-B1N5B03
 01A-B1A2B03 01A-C1N2B03
 01A-A1N2B03 01A-C1B1B11
 AB4 B-B1N5D02 01A-B1B1B11
 01A-C1N2D02 01A-B1A2B04
 01A-C1A1E09 01A-A1N2B04

02-17-65 415480
 03-04-65 415480A
 04-28-65 415480D
 08-26-65 415483
 02-24-67 419633

INPUT-OUTPUT BUS
 BITS 0 1 2
 DATE 03-09-67 RACH# 1131
 LOG 047F FRAME 01
 Pch# 2201001
 IBM CORP. GPD BLK# 86

BB101



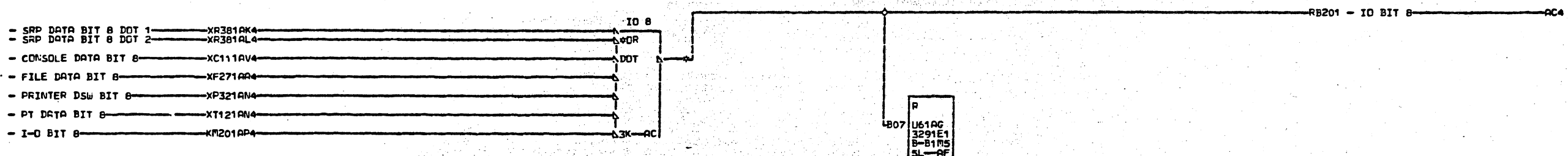
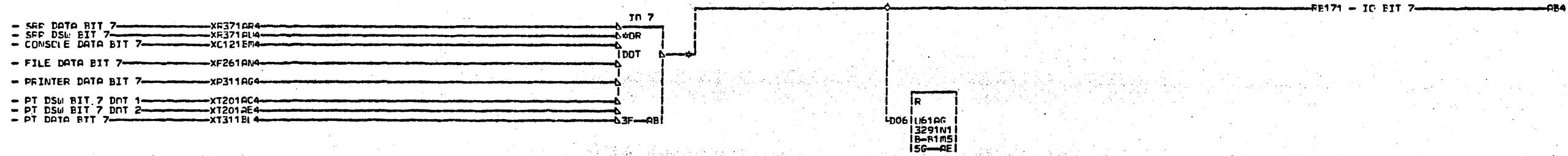
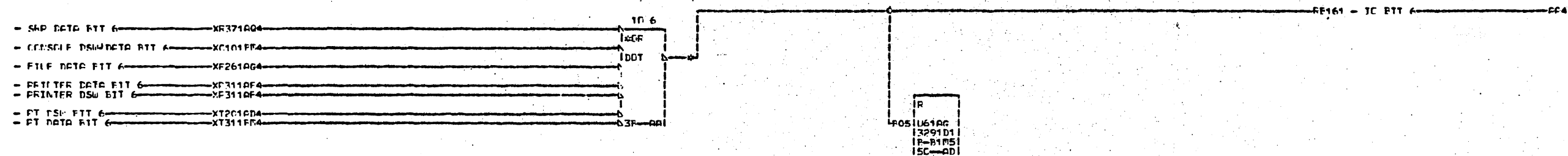
B
B
1
1
1
000

AA4 B-B1N5D04	01A-C1N2B04	01A-B1A2D04
01A-C1N2D04	01A-C1B1C11	01A-A1N2D04
01A-C1B1A09	01A-B1B1C11	
01A-C1A1E11	01A-B1A2B05	
01A-B1A1E11	01A-A1N2B05	
01A-B1B1A09	AC4 B-B1N5D05	
01A-B1A2D03	01A-C1N2D05	
01A-A1N2D03	01A-C1B1B09	
AB4 B-B1N5B04	01A-B1B1B09	

02-17-65 415480
03-04-65 415480A
04-28-65 415480D
08-26-65 415483

INPUT-OUTPUT BUS		
BITS 3 4 5		
DATE	09-01-65	FRAC# 1131
LOG	244N FRARE	01
	PoN#	2201002
IBM CORP.	GPD BLK#	AC

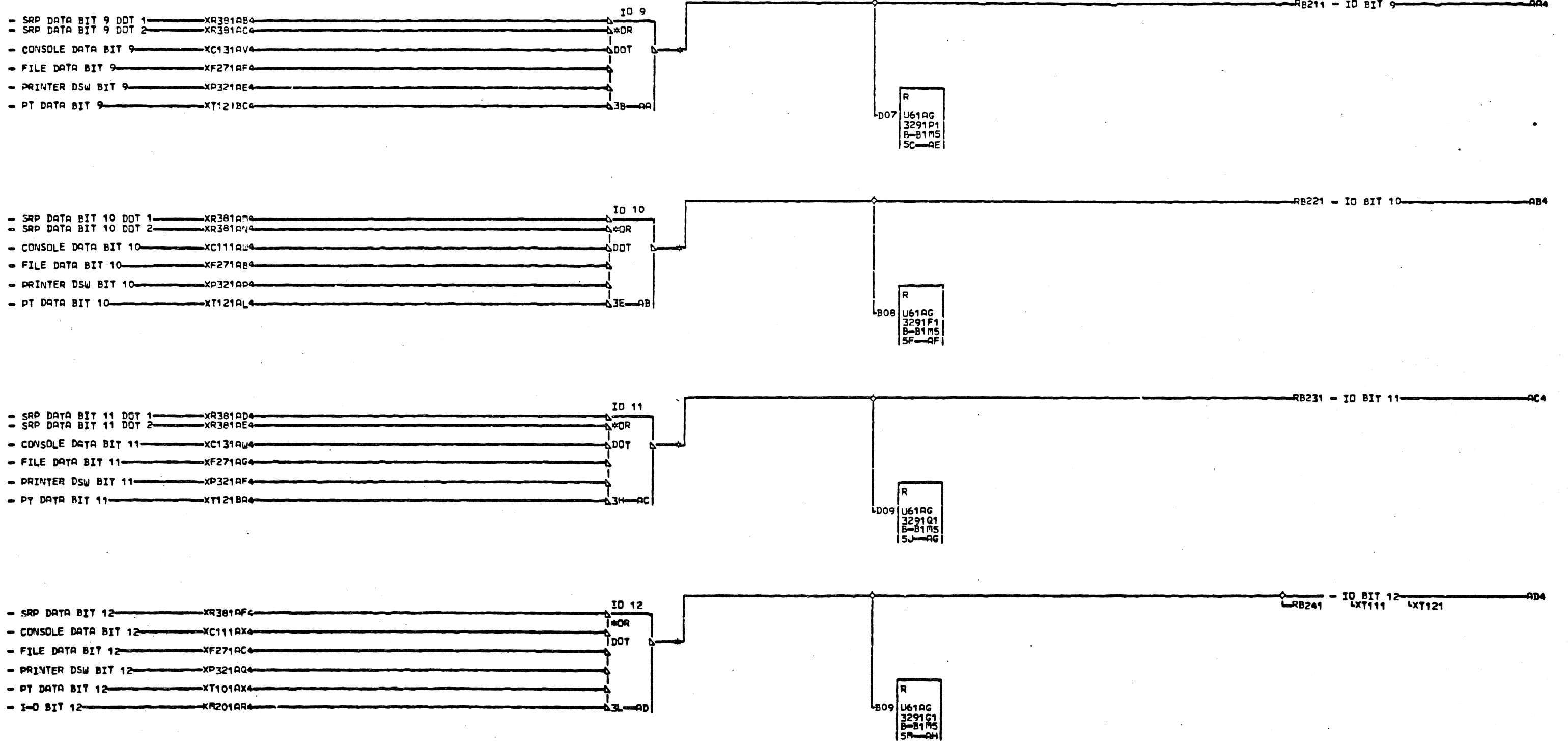
B
1
1
1
000



B	AA4 B-B1N5B05	01A-C1N2D06	01A-B1A2B07
1	01A-C1N2B05	01A-C1B1C09	01A-A1N2B07
2	01A-C1B1D11	01A-B1B1C09	
1	01A-C1C1E11	01A-B1A2D05	
	01A-B1C1E11	01A-A1N2D05	
	01A-B1B1D11	AC4 B-B1N5B07	
	01A-B1A2B06	01A-C1N2B07	
	01A-A1N2B06	01A-C1B1E11	
000	AB4 B-B1N5D06	01A-B1B1E11	

02-17-65 415480
03-04-65 415480A
04-28-65 415480D
08-26-65 415483
09-24-65 415487

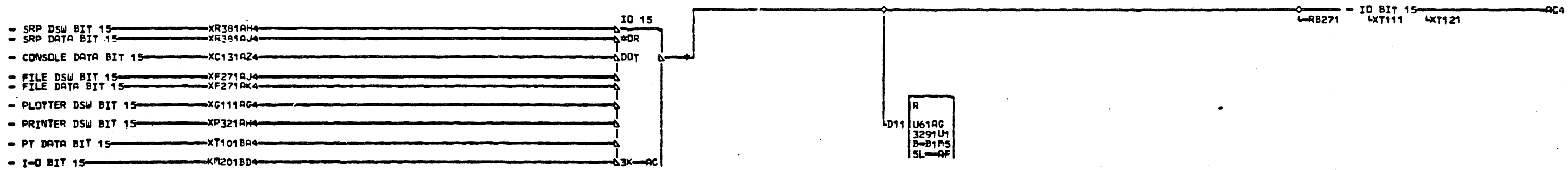
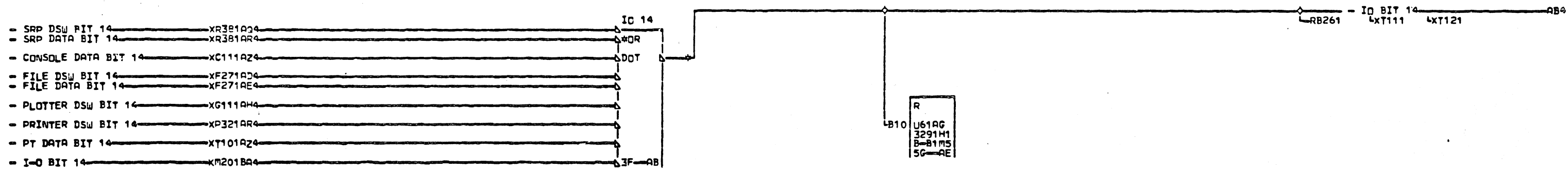
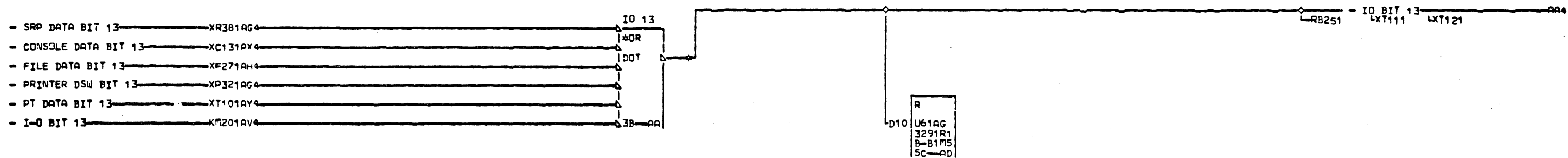
INPUT-OUTPUT BUS		
DATE	09-27-65	MACH. 1131
LOG	267H FRAME	01
		2
		1
		000
IBM CORP.	GPD BLK.	AC



AA4 B-B1N5D07	J1A-B1C1A11	AD4 B-B1N5B09
01A-C1N2D07	01A-B1A2B08	01A-C1N2B09
01A-C1B1D09	01A-B1N2B08	01A-C1C1B11
01A-B1B1D09	AC4 B-B1N5D09	01A-B1C1B11
01A-B1A2D06	01A-C1N2D09	01A-B1A2B09
01A-A1N2D06	01A-C1B1E09	01A-A1N2B09
AB4 B-B1N5B08	01A-B1B1E09	
01A-C1N2B08	01A-B1A2D07	
01A-C1C1A11	01A-A1N2D07	

02-17-65 415480
 03-04-65 415480A
 04-28-65 415480D
 08-26-65 415483
 02-24-67 419633

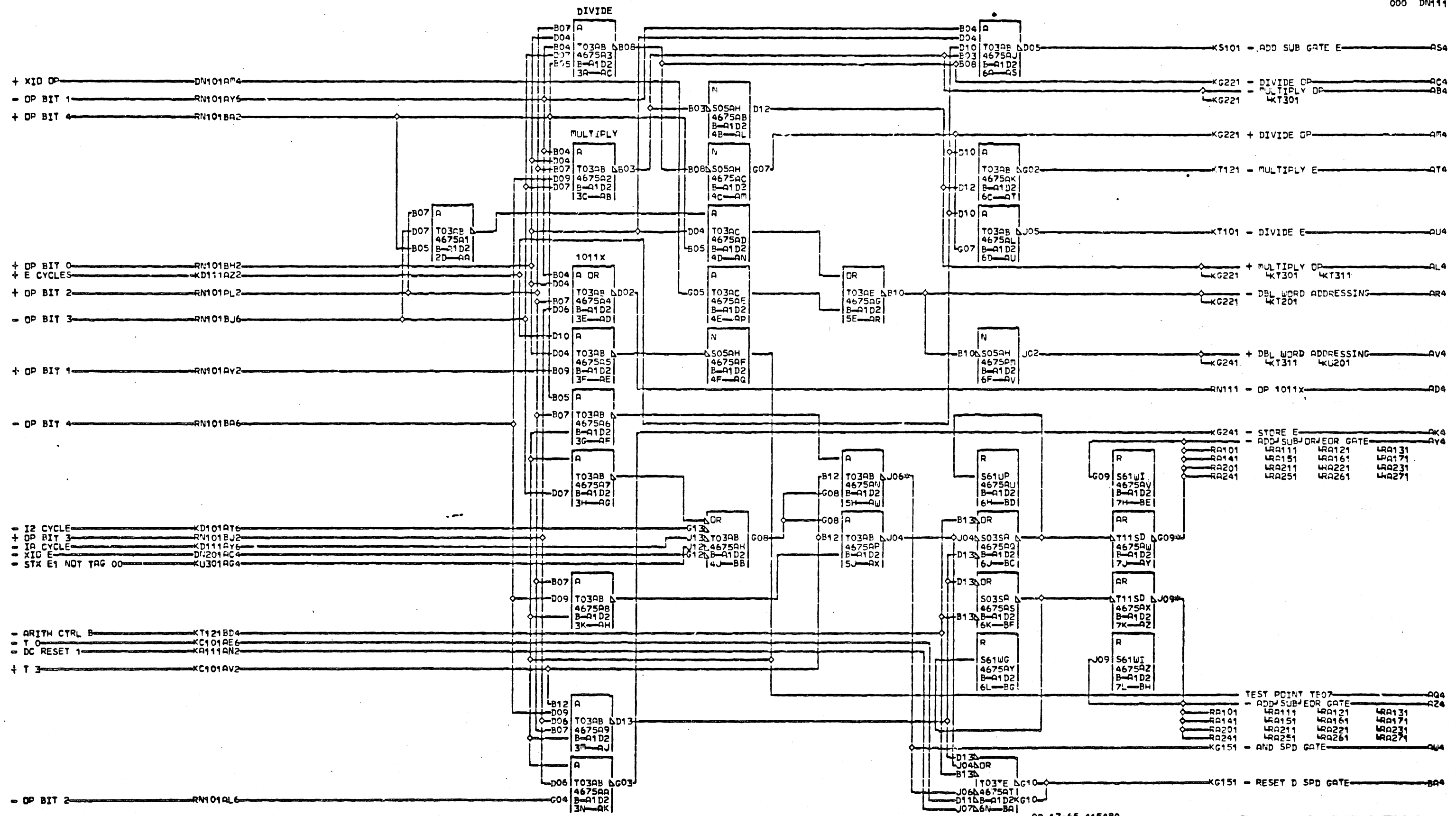
INPUT-OUTPUT BUS		
BITS 9 10 11 12		
DATE	03-09-67	FRAC# 1131
LOG	047F FRAME	01
	P#No	2201004
IBM CORP.	6PD BLK.	AJ



AA4 B-B1N5D10 01A-B1C1C11
 01A-C1N2D10 01A-B1A2B10
 01A-C1C1B09 01A-B1N2B10
 01A-B1C1B09 AC4 B-B1N5D11
 01A-B1A2D09 01A-C1N2D11
 01A-B1N2D09 01A-C1C1C09
 AA4 B-B1N5B10 01A-B1C1C09
 01A-C1N2B10 01A-B1A2D10
 01A-C1C1C11 01A-B1N2D10

02-17-65 415480
 03-04-65 415480A
 04-28-65 415480D
 08-26-65 415483
 02-24-67 415633

INPUT-OUTPUT BUS
 BITS 13 14 15
 DATE 03-09-67 RACH. 1131
 LDC 047# FRANE 01
 P. No. 2201005
 IBR CORP. GPD BLK. 86



+ XID OP DN101A⁴
 - OP BIT 1 RN101AY⁶
 + OP BIT 4 RN101BA²

 + OP BIT 0 RN101BH²
 + E CYCLES KD111AZ²
 + OP BIT 2 RN101PL²
 - OP BIT 3 RN101BJ⁶

 + OP BIT 1 RN101AY²
 - OP BIT 4 RN101BA⁶

 - I2 CYCLE KD101AT⁶
 + OP BIT 3 RN101BJ²
 - IA CYCLE KD111AY⁶
 - XID E DN201AC⁴
 - STX E1 NOT TAG 00 KU301AG⁴

 - ARITH CTRL B KT121BD⁴
 - T 0 KC101AE⁶
 - DC RESET 1 KA111AN²
 + T 3 KC101AV²

 - OP BIT 2 RN101AL⁶

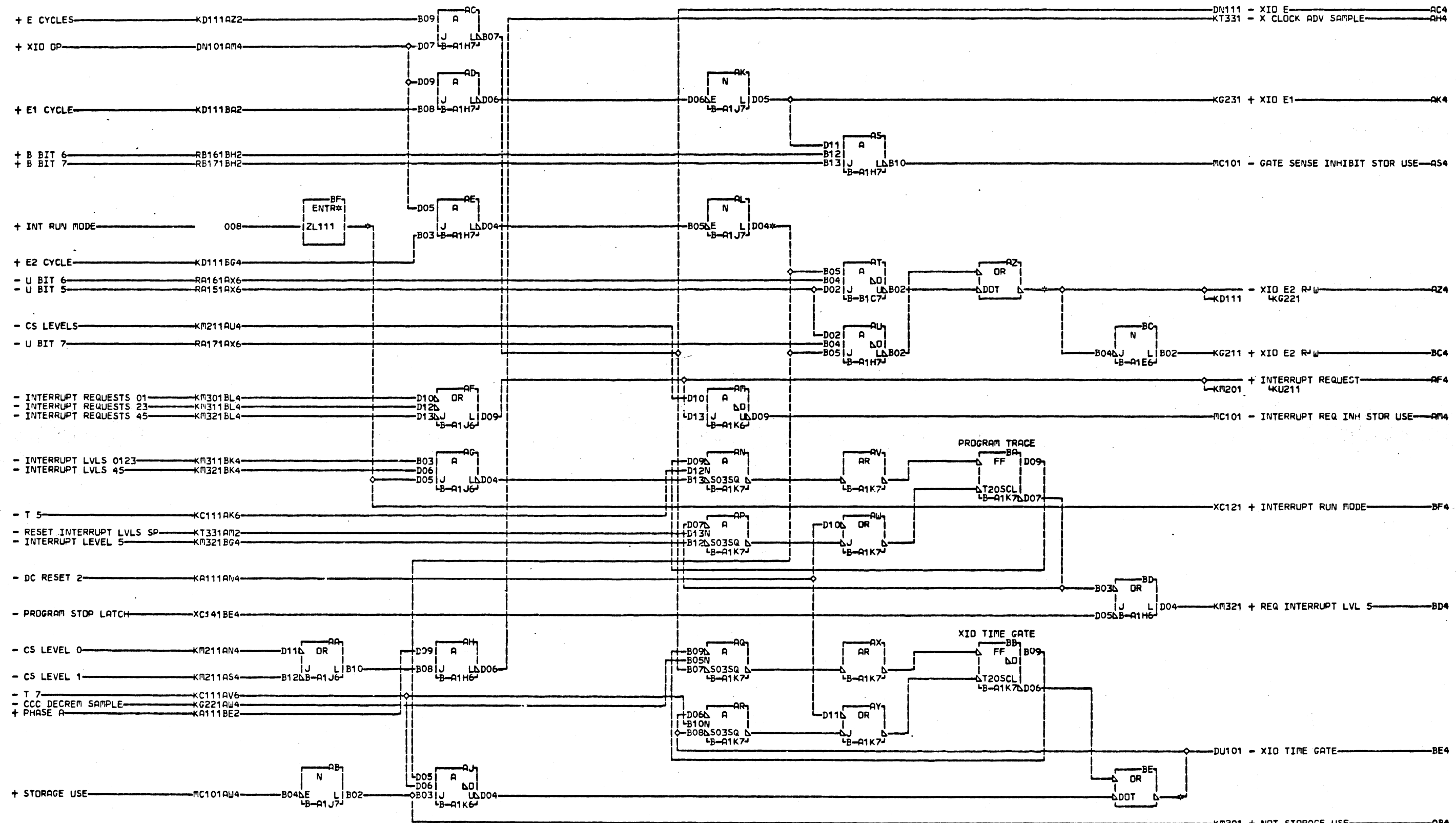
KS101 - ADD SUB GATE E AS⁴
 KG221 - DIVIDE OP AC⁴
 KG221 - MULTIPLY OP AB⁴
 KG221 - MULTIPLY OP KT301
 KG221 + DIVIDE OP AM⁴
 T121 - MULTIPLY E AT⁴
 KT101 - DIVIDE E AU⁴
 KG221 + MULTIPLY OP AL⁴
 KG221 - DBL WORD ADDRESSING AR⁴
 KG221 - DBL WORD ADDRESSING AV⁴
 RN111 - OP 1011X AD⁴
 KG241 - STORE E AK⁴
 - ADD SUB OR GATE AY⁴
 RA101 LRA111 LRA121 LRA131
 RA141 LRA151 LRA161 LRA171
 RA201 LRA211 LRA221 LRA231
 RA241 LRA251 LRA261 LRA271

 TEST POINT TE07 AQ⁴
 - ADD SUB OR GATE AZ⁴
 RA101 LRA111 LRA121 LRA131
 RA141 LRA151 LRA161 LRA171
 RA201 LRA211 LRA221 LRA231
 RA241 LRA251 LRA261 LRA271
 KG151 - AND SPD GATE QW⁴
 KG151 - RESET D SPD GATE BA⁴

AW4 B-B1N3B04
 01B-B1A3B04
 AY4 B-B1N4B10
 01B-B1A4B10
 AZ4 B-B1N4D10
 01B-B1A4D10

02-17-65 415480
 03-04-65 415480A
 04-28-65 415480D
 07-20-65 415481
 08-26-65 415483
 02-24-67 419633

OP DECODE NO. 2
 DATE 03-09-67 PACH. 1131
 LDC 047F FRAME 01
 P.No. 2201007
 IBM CORP. CPD BLK. BJ



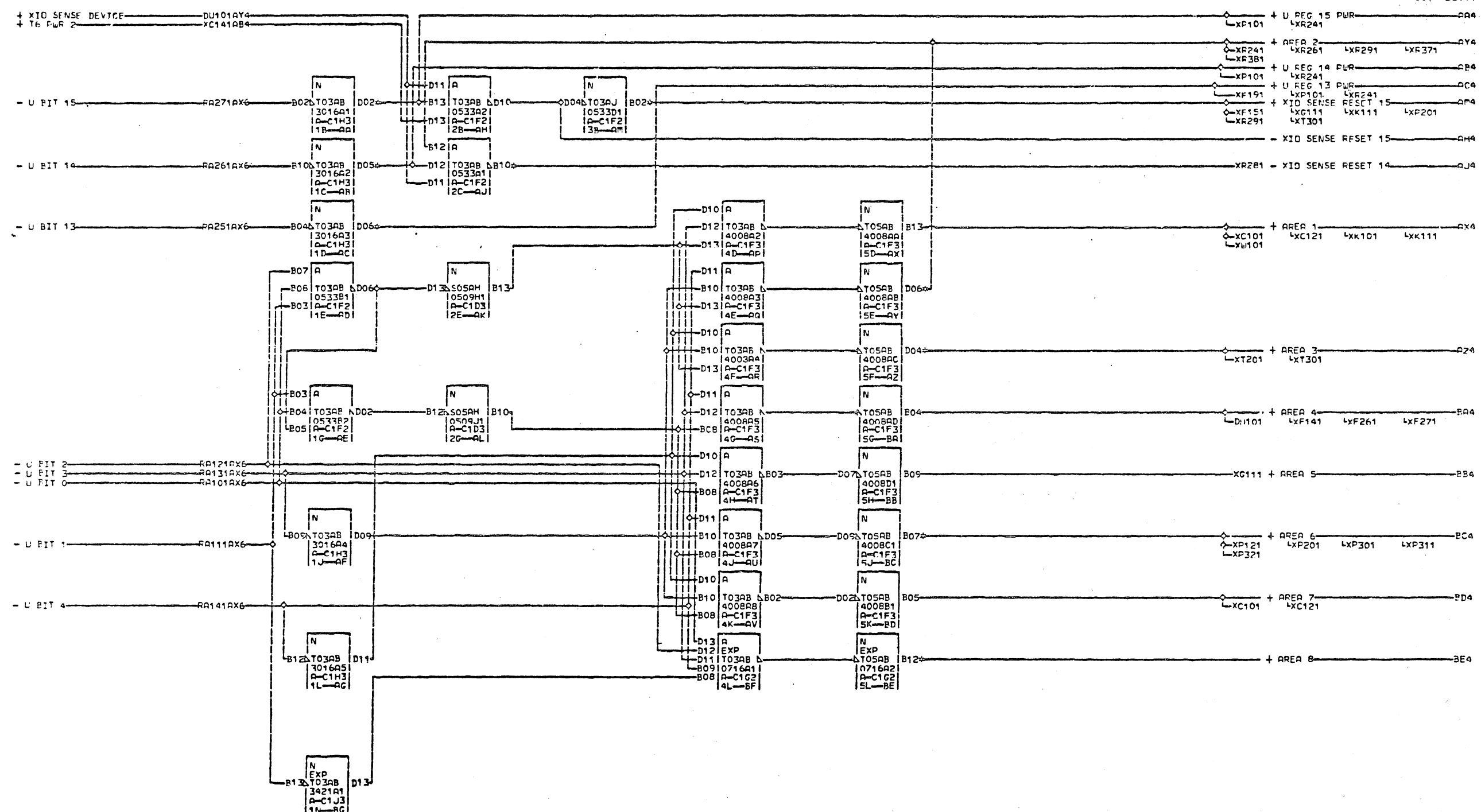
D
N
2
0
1
000

AL4 B-A1N7D04
01B-B1A7D04
A24 B-A1N7D05
01B-B1A7D05
BE4 B-A1A6B04
01A-C1N4B04
BF4 B-A1A7B05
01A-C1N6B05
01A-C1A5D07

O1A-C1A7B05
O1A-B1N7B05

LOC. TYPE
B-A1E6 3421
B-A1H6 0000
B-A1H7 0000
B-A1J6 0002
B-A1J7 0509
B-A1K6 0238
B-A1K7 3794
B-B1C7 0236

XID GATES		X CLOCK ADV		D N 2 0 1 000
PROGRAM TRACE		MACH#1131		
-E.C.-HISTORY				
415480	415483			
415480A	419633	FRAME	01	
415480D				
415481		IBM CORP.	GPD	
DATE	LAST EC			
07-12-68	419659			
		PoN#	2201008	

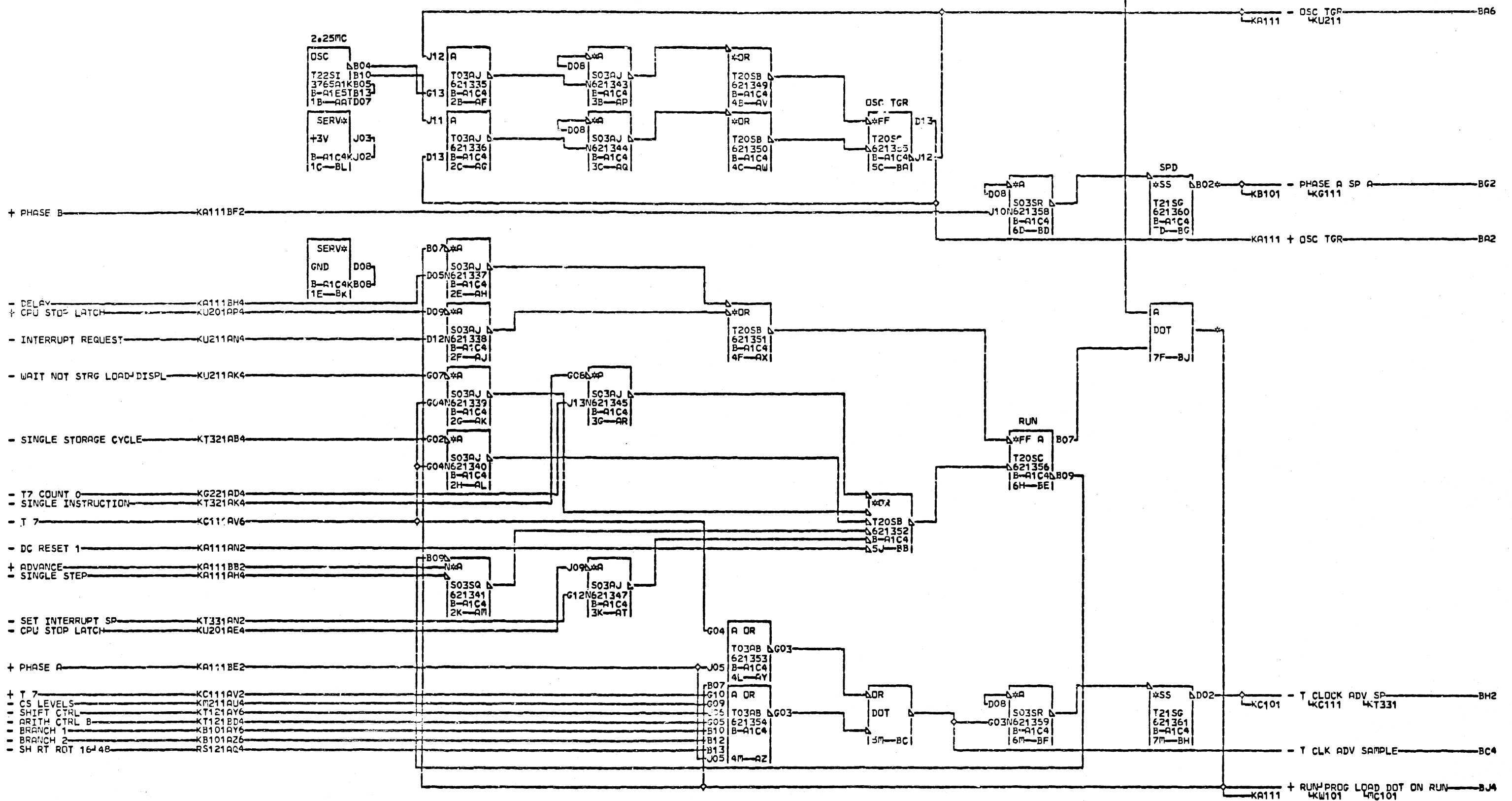


AA4 A-C1G1A09 01A-B1F1D09 AY4 A-C1E1E11 01A-A1E8B04
 01A-B1G1A09 01A-B1A2D11 01A-B1E1E11
 01A-B1A2D13 01A-A1N2D11 AZ4 A-C1F1A11
 01A-A1N2D13 AJ4 A-C1E1A11 01A-B1F1A11
 AB4 A-C1F1E09 01A-B1E1A11 BC4 A-C1F1E11
 01A-B1E1E09 AM4 A-C1F1B11 01A-B1F1E11
 01A-B1A2D12 01A-B1F1B11 01A-B1A5B03
 01A-A1N2D12 01A-B1A5D11 01A-A1N5B03
 AC4 A-C1F1D09 01A-A1N5D11 BE4 A-C1E8B04

02-17-65 415480
 03-04-65 415480A
 04-28-65 415480D
 07-20-65 415481
 08-26-65 415483
 10-27-65 415491
 05-16-66 419609

AREA DECODE AND SENSE RESET			
DATE	05-09-66	MACH#	1131
LDG	126C	FRAME	01
		P#N#	2201010
IBM CORP.	GPD	BLK#	BH

PROG LD NOT SRP OR PT RESP KM201A24

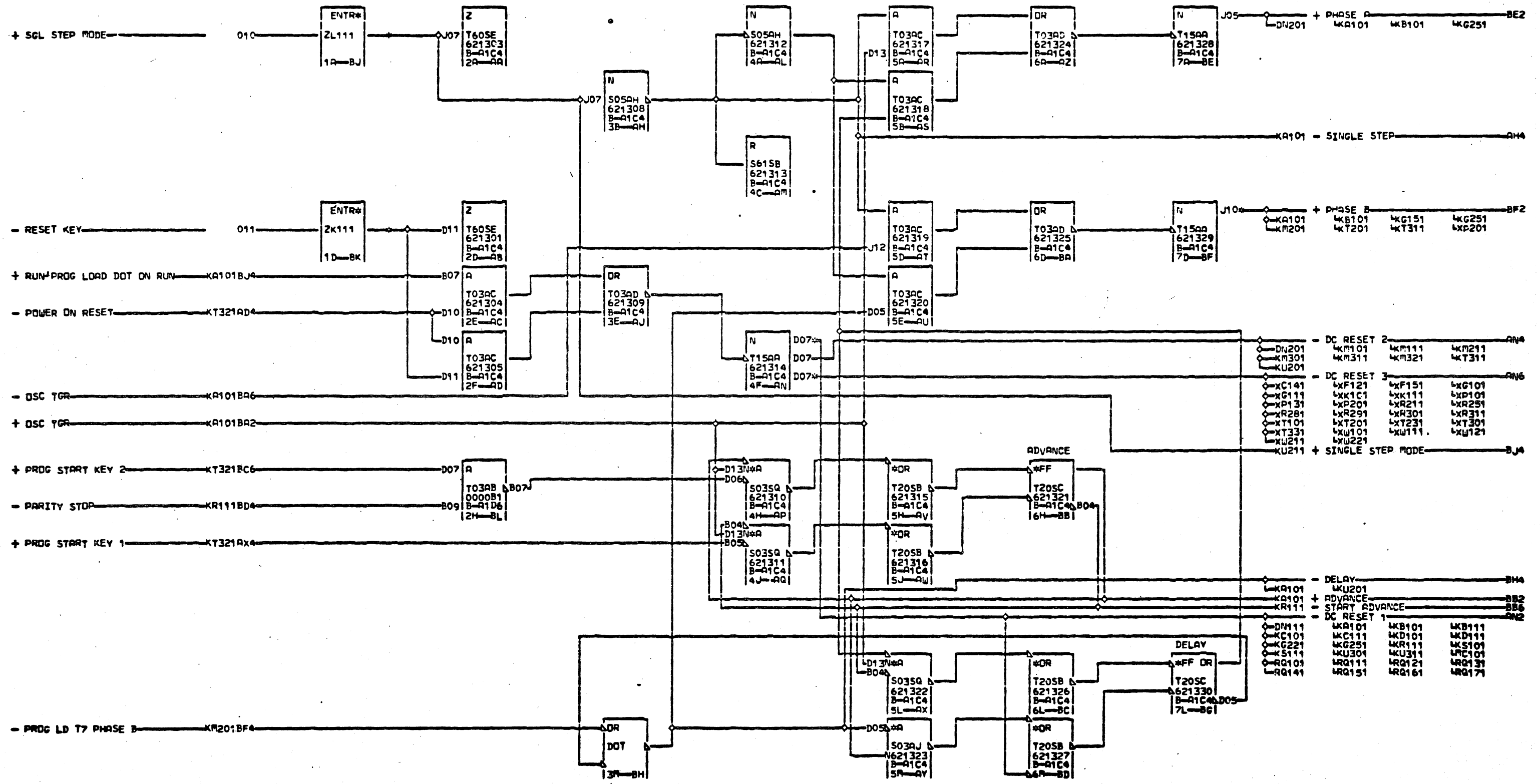


KA101
000

BG2 B-A1N3D03
 O1B-B1A3D03
 BJ4 B-A1A6D07
 O1N-C1N4D07

02-17-65 415480
 03-04-65 415480A
 04-28-65 415480D
 07-20-65 415481
 08-26-65 415483
 08-05-66 419616
 10-14-66 419623

OSCILLATOR	PHASE A	SPD	RUN	
	T	CLOCK ADV	SP	
DATE	09-27-66	MACH	1131	
LOG	266K	FRAME	01	
IBM CORP.	GPD	BLK		

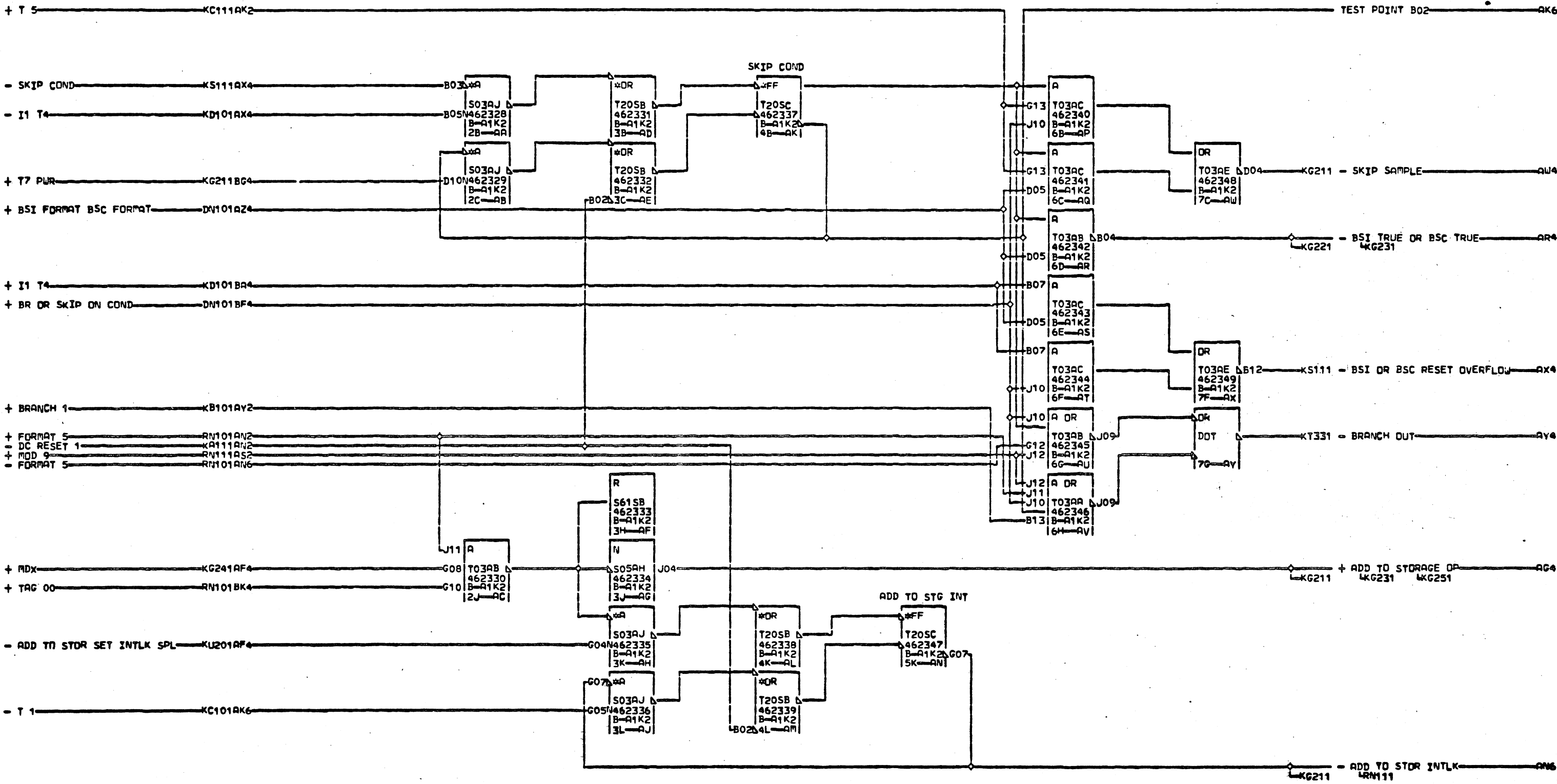


AN2 B-D1N4B07 01A-C1N6D06
 01B-B1A4B07 01A-C1A7D12
 AN6 B-D1A6B10 01A-B1N7D12
 01A-C1N4B10 01A-B1A5D12
 01A-C1A7B10 BJ4 B-A1A5D13
 01A-B1N7B10 BK4 B-A1A5D10
 01A-B1A5B10
 01A-B1A5B10
 01A-B1A5B10
 BF2 B-A1A7D06

02-17-65 415480
 03-04-65 415480A
 04-28-65 415480D
 07-20-65 415481
 08-26-65 415483
 12-07-65 415725
 08-03-66 415616
 02-24-67 419633

PHASE A AND B RESET
 DELAY START ADVANCE
 DATE 03-09-67 RACH. 1131
 LDC 047F FRAME 01
 PoNo 2201012
 IBM CORP. 6PB BLK. BR

4-2-67

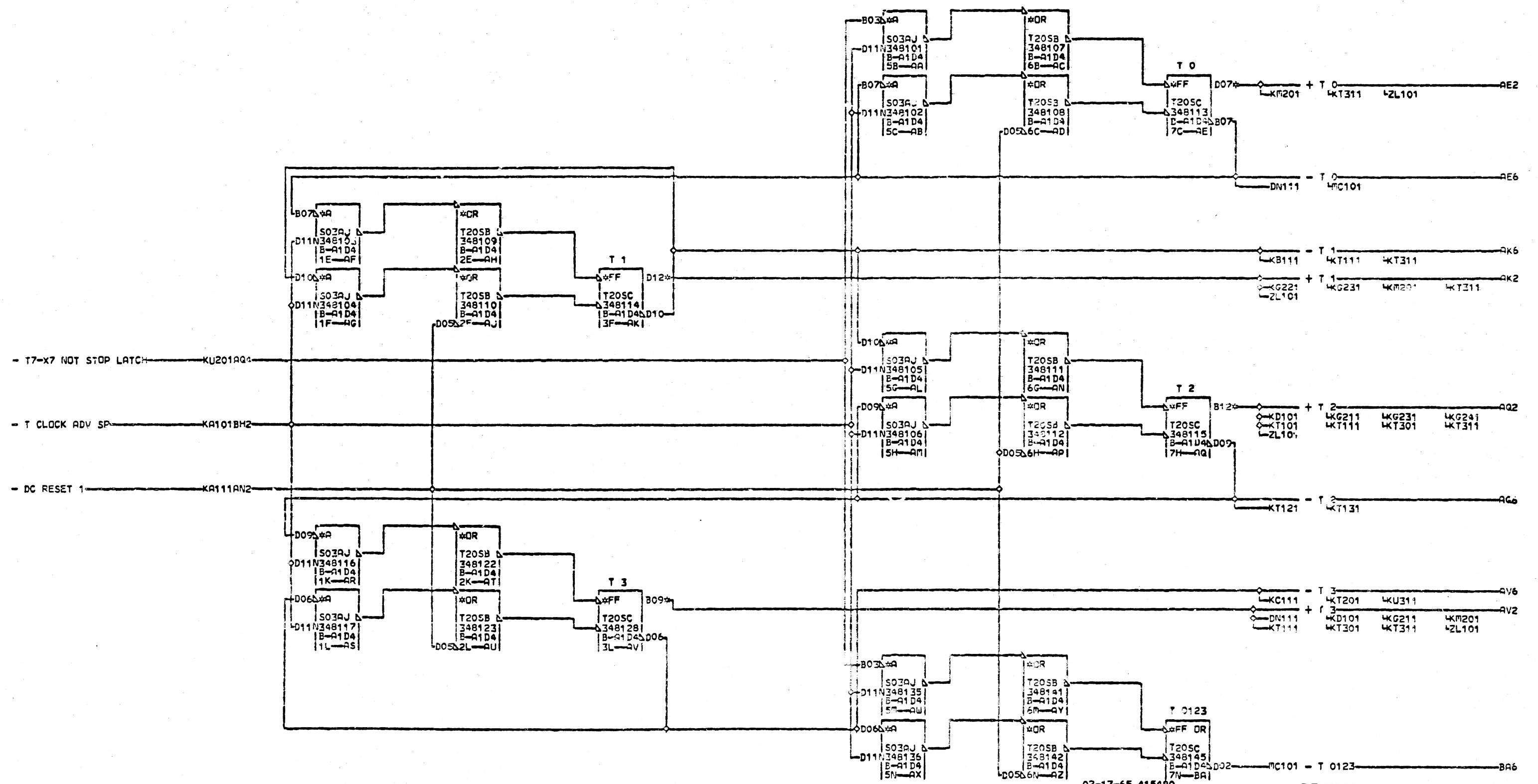


02-17-65 415480
 03-04-65 415480A
 04-28-65 415480D
 08-28-65 415483
 02-24-67 419633

SKIP SAMPLE BRANCH OUT		
ADD TO STOR INTLK		
DATE	03-09-67	RACH. 1131
LDC	047F	PROBE 01
PcNo 2201014		
JBR CORP.	GPD BLK.	AZ

K
B
1
1
1
000

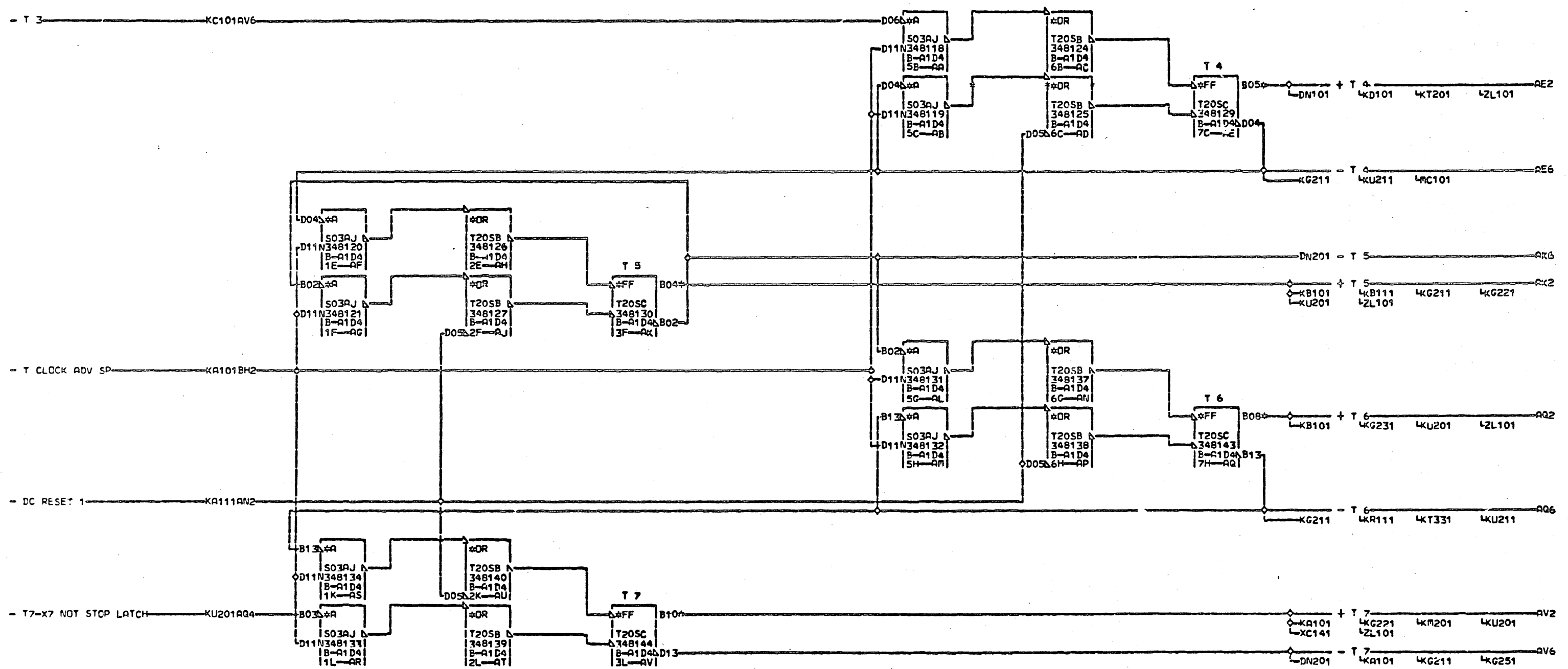
K
B
1
1
1
000



RE2 B-01A3B08
 AK2 B-01A3D09
 AQ2 B-01A3B09
 AV2 B-01A3D10

02-17-65 415480
 03-04-65 415480A
 04-28-65 415480D
 08-26-65 415483
 08-05-65 41961b
 10-14-66 419623

T CLOCK		K
T 0	T 1 T 2 T 3 T 0123	
DATE	09-27-66 MACH: 1131	1
LDC	266K FRAME	01
	PoNo 2201015	1
IBM CORP.	GPD BLKc	000

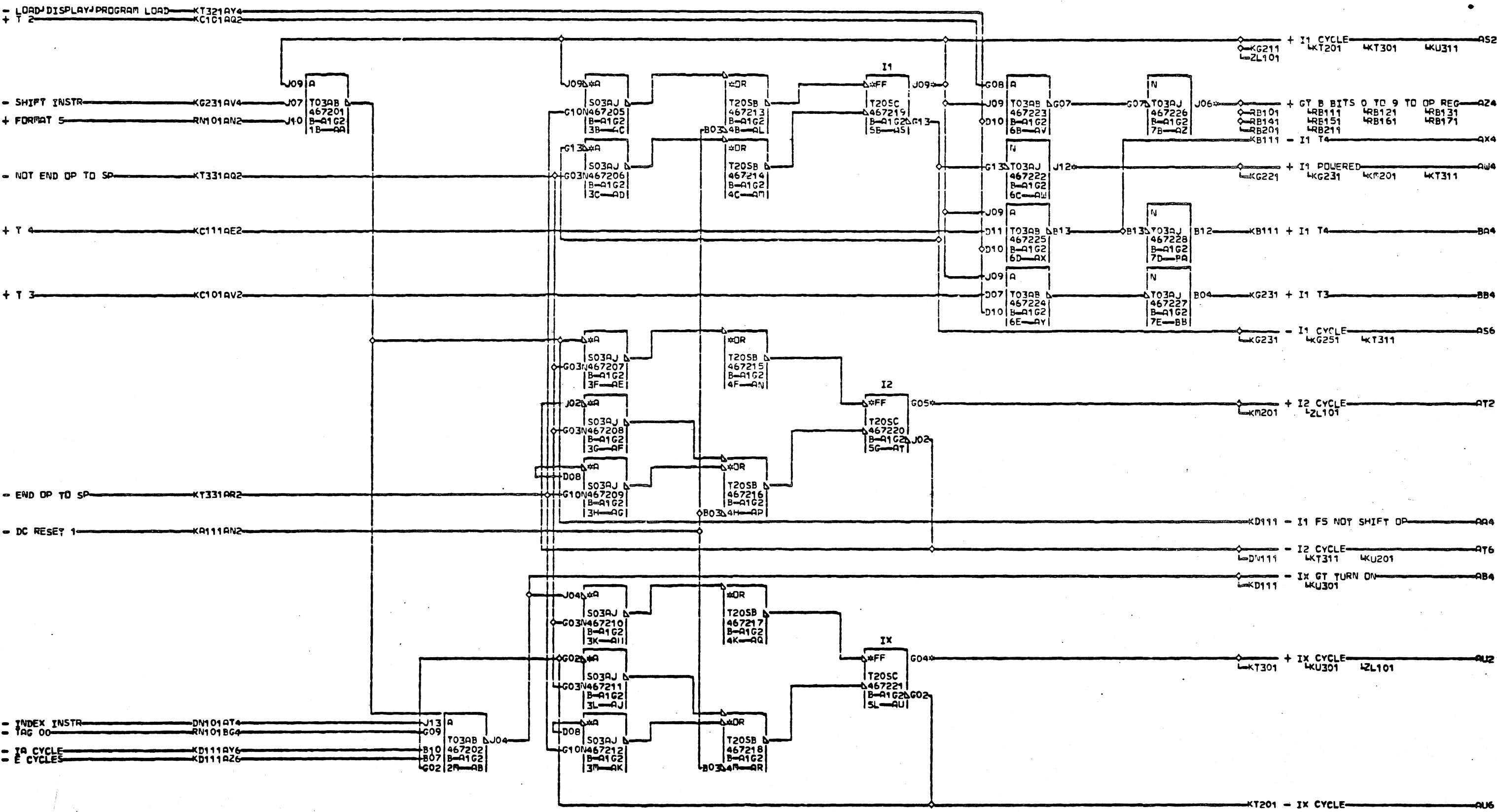


RE2 B-A1A3B10
 AK2 B-A1A3D11
 AQ2 B-A1A3B12
 AV2 B-A1A3D12

02-17-65 415480
 03-04-65 415480A
 04-28-65 415480D
 08-26-65 415483
 05-09-66 419608
 05-30-66 419613

DATE	T 4	T 5	T 6	T 7	K
LOG	05-31-66	MACH	1131		1
	144L	FRAME		01	1
		PoNo	2201016		000
IBM CORP.	GPD	BLK			

K
1
1
1
000



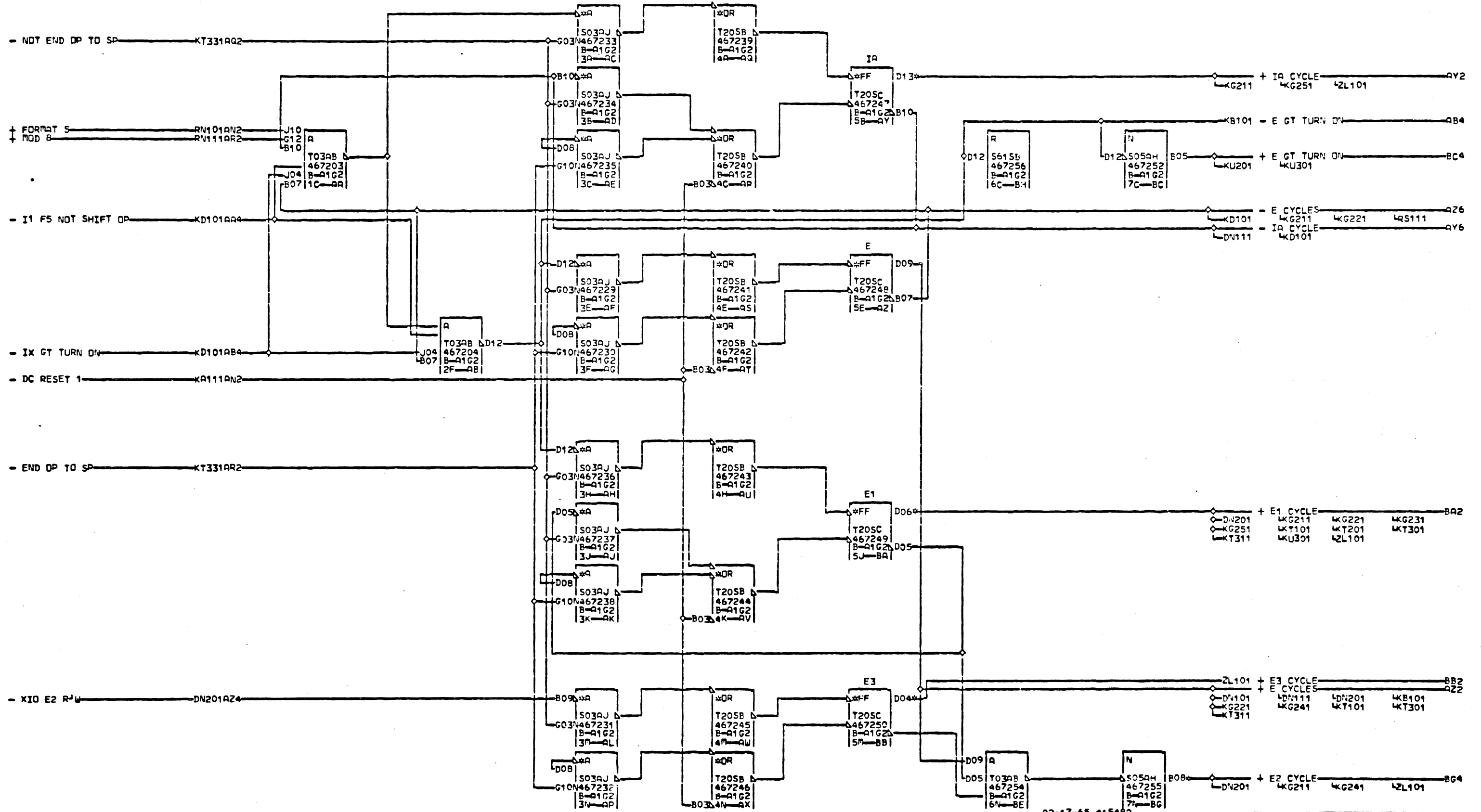
K
D
1
0
1

- AS2 B-A1A3B02
- AT2 B-A1A3B03
- 01B-A1N7B04
- 01B-A1A7B04
- AU2 B-A1A3B05
- AU4 B-A1N7B03
- 01B-A1A7B03
- AZ4 B-A1N3B10
- 01B-A1A3B10

02-17-65 415480
 03-04-65 415480A
 04-28-65 415480D
 07-20-65 415481
 08-26-65 415483
 02-24-67 419633

CYCLE TIMER		
	I1	I2
DATE	03-09-67	RACH. 1131
LOG	047F	FRAME 01
		P.No. 2201017
IJM CORP.	CPD BLK.	BC

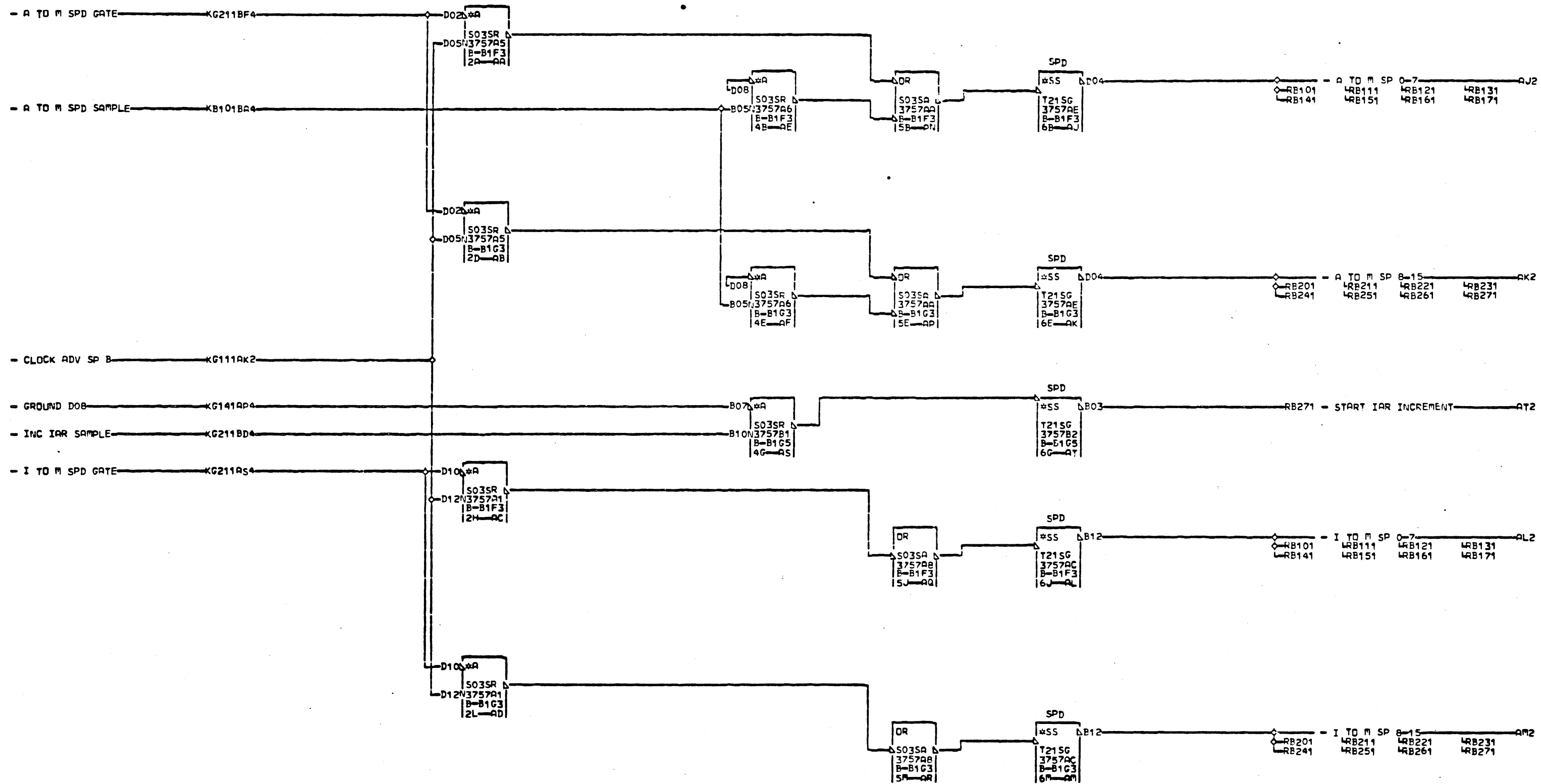
K
D
1
0
1



AY2 B-01A3R04
 BA2 B-01A3D02
 BB2 B-01A3D05
 BC4 B-01A3D04

02-17-65 415480
 03-04-65 415480A
 04-28-65 415480D
 07-20-65 415481
 08-26-65 415483
 02-24-67 419633

CYCLE TIMER			
DATE	03-09-67	MACH.	1131
LOG	047F	FRAME	01
PaNo		2201018	
IBM CORP.	GPD	BLK.	BJ

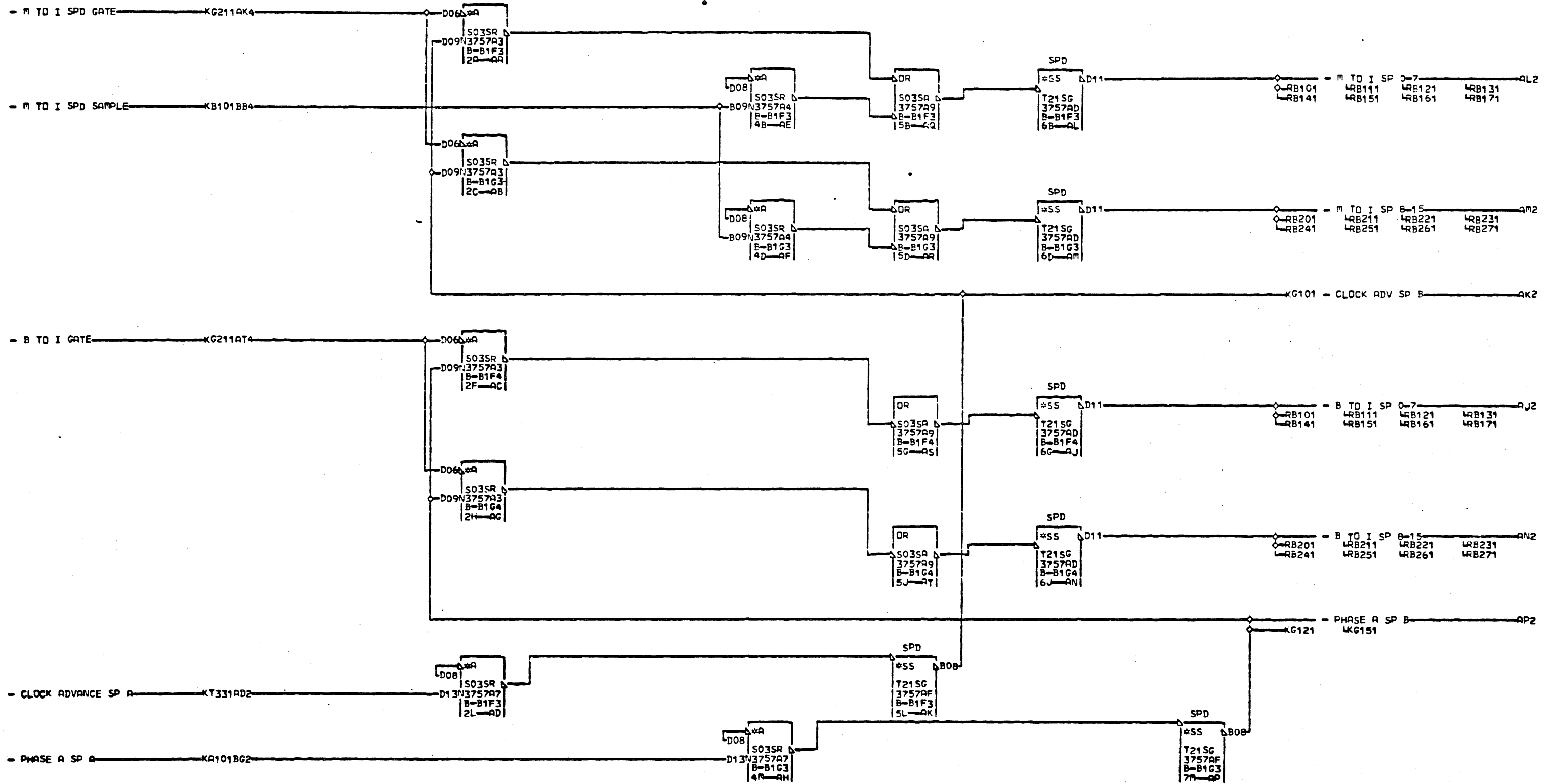


KG101
000

02-17-65 415480
03-04-65 415480A
04-28-65 415480D
07-20-65 415481
08-26-65 415483
02-24-67 419633

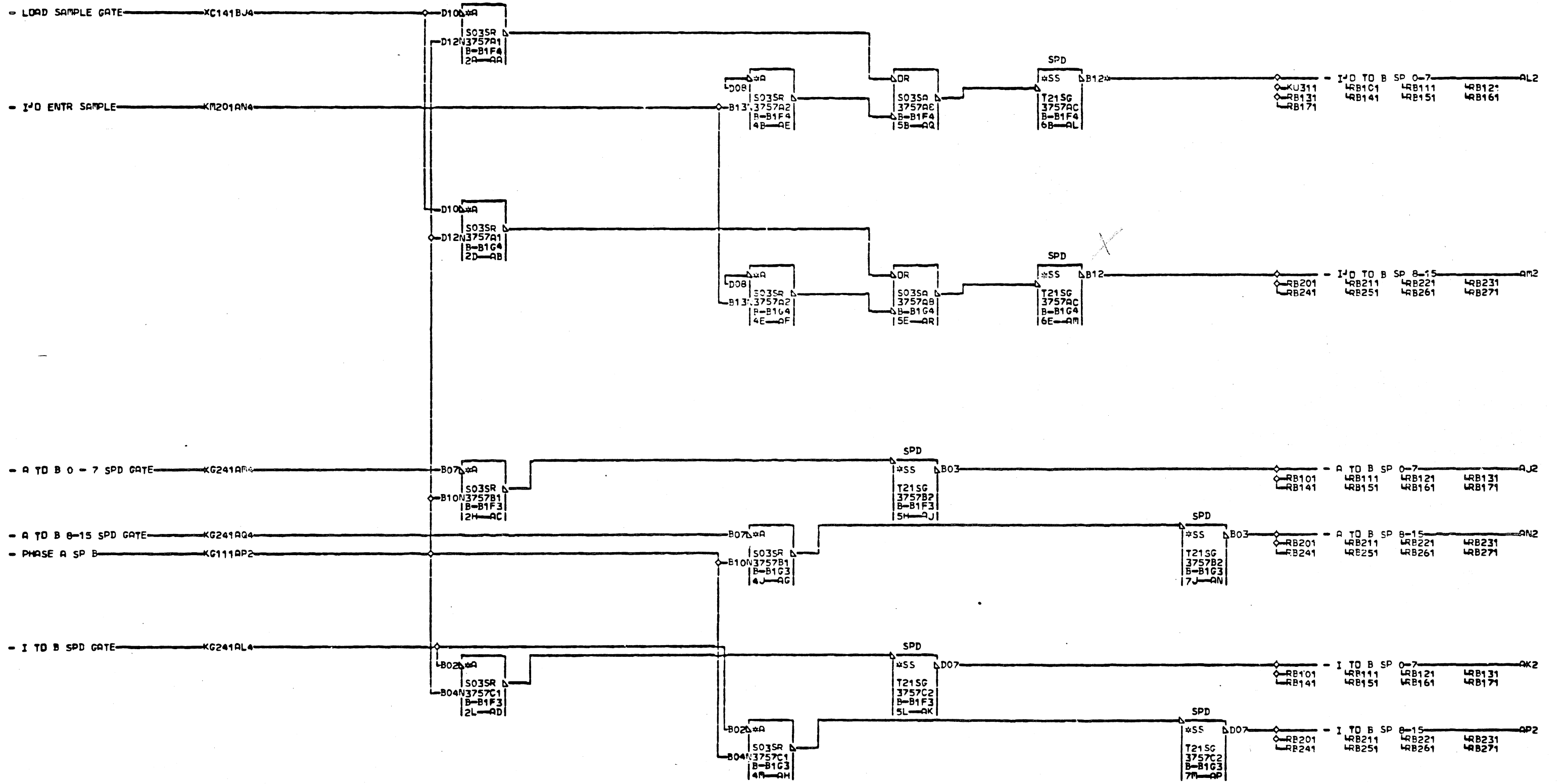
A TO M AND I TO M SAMPLE PULSE DRIVERS		
DATE	03-09-67 MACH. 1131	
LOG	047F FRAME	01
	P.No. 2201019	
IPM CORP.	GPD BLK.	AJ

KG101
000



02-17-65 415480
 03-04-65 415480A
 04-28-65 415480D
 07-20-65 415481
 08-26-65 415483
 02-24-67 419633

CLK ADV	M TO I	B TO I	PH A
SAMPLE PULSE DRIVERS			
DATE	03-09-67 MACH. 1131		
LOG	047F	FRAME	01
P.No.		2201020	
IPIA CORP.	GPD	BLK.	AM



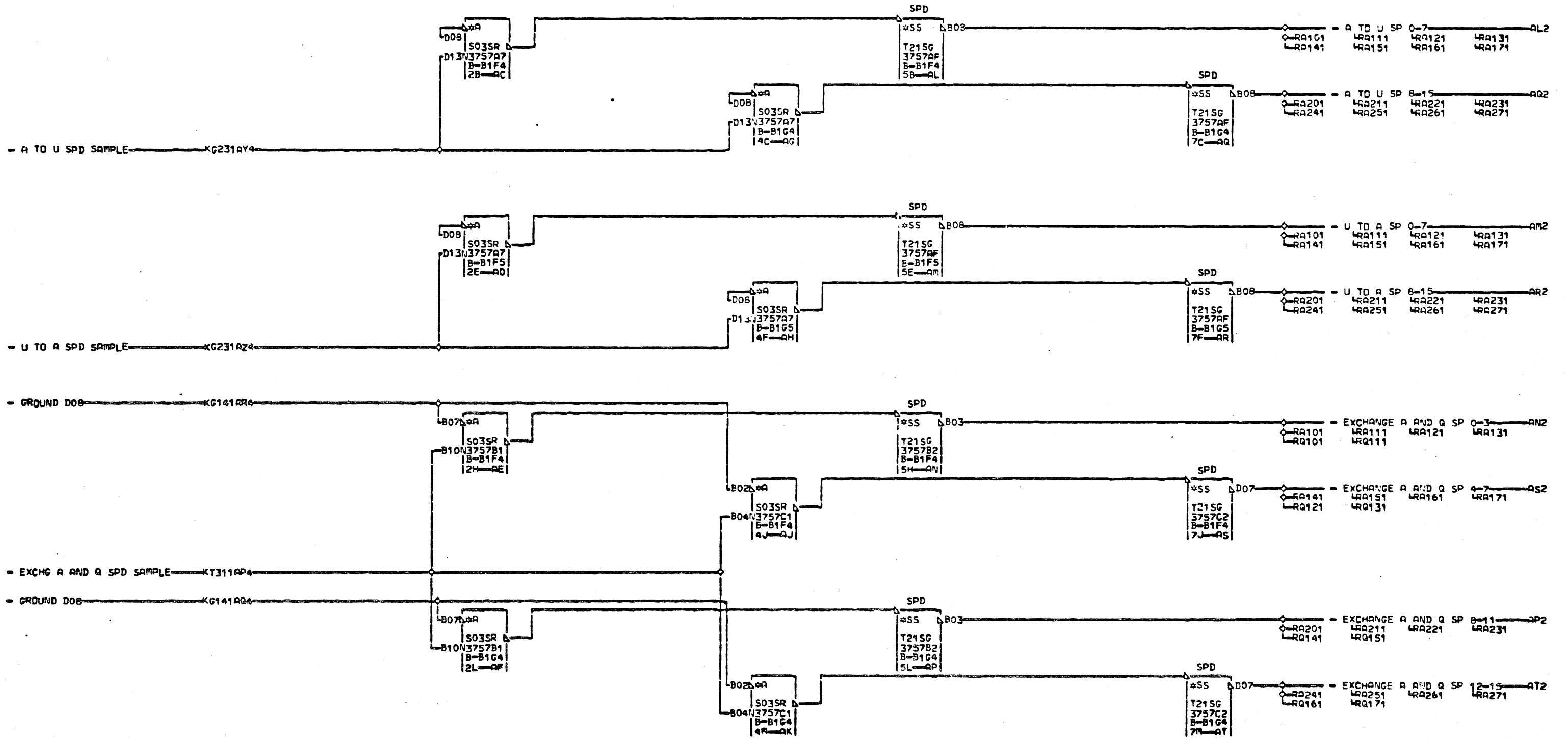
AL2 B-B1A4B09
 01B-A1N4B09

02-17-65 415480
 03-04-65 415480A
 04-28-65 415480D
 07-20-65 415481
 08-26-65 415483
 02-24-67 419633

I/O TO B	A TO B	I TO B
SAMPLE PULSE DRIVERS		
DATE	03-09-67	MACH# 1131
LOG	047F FRAME	01
	P#No	2201021
IBM CORP.	GPD BLK.	AS

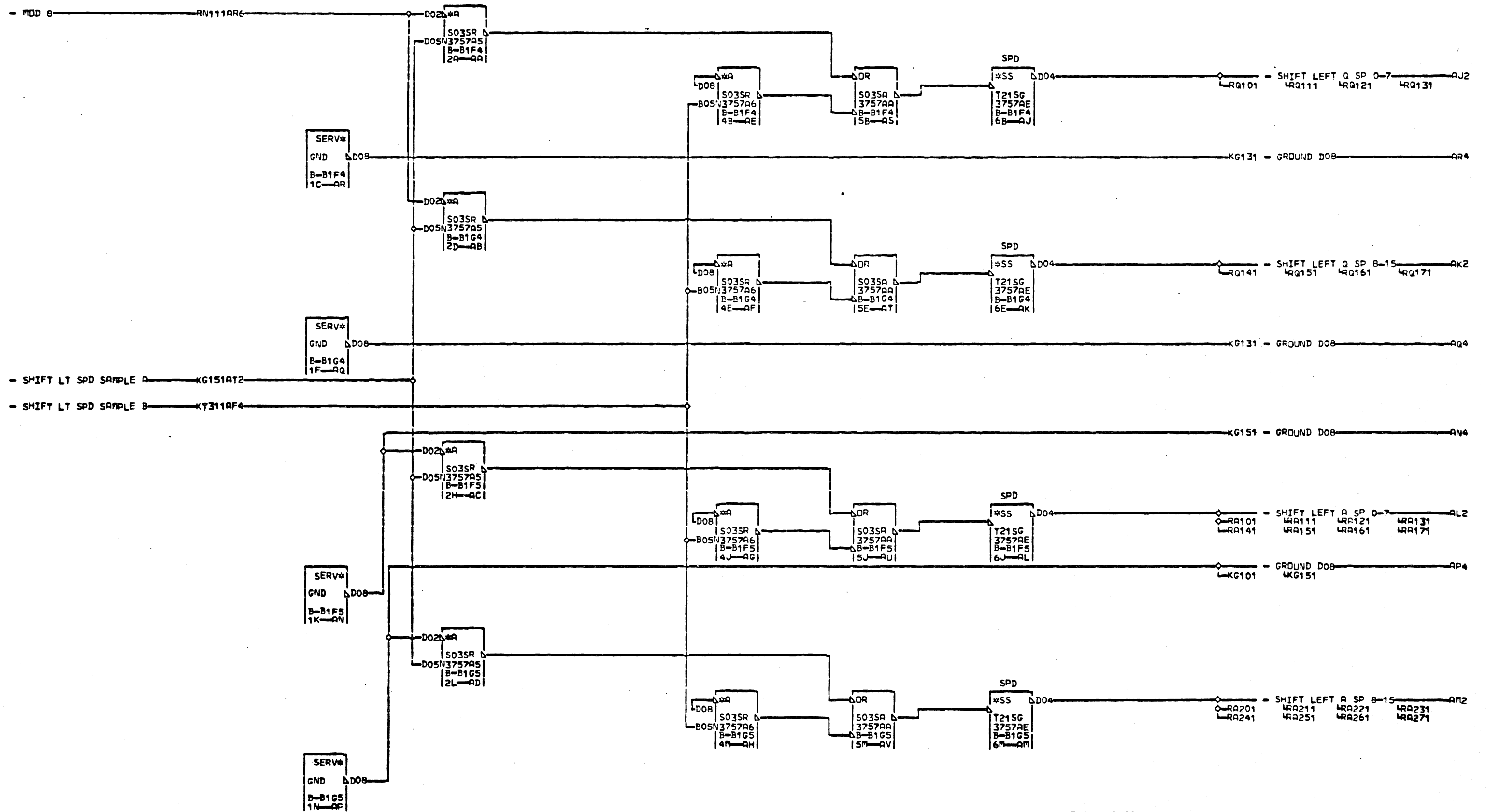
4-N-67
 000

K
 1
 2
 1
 000



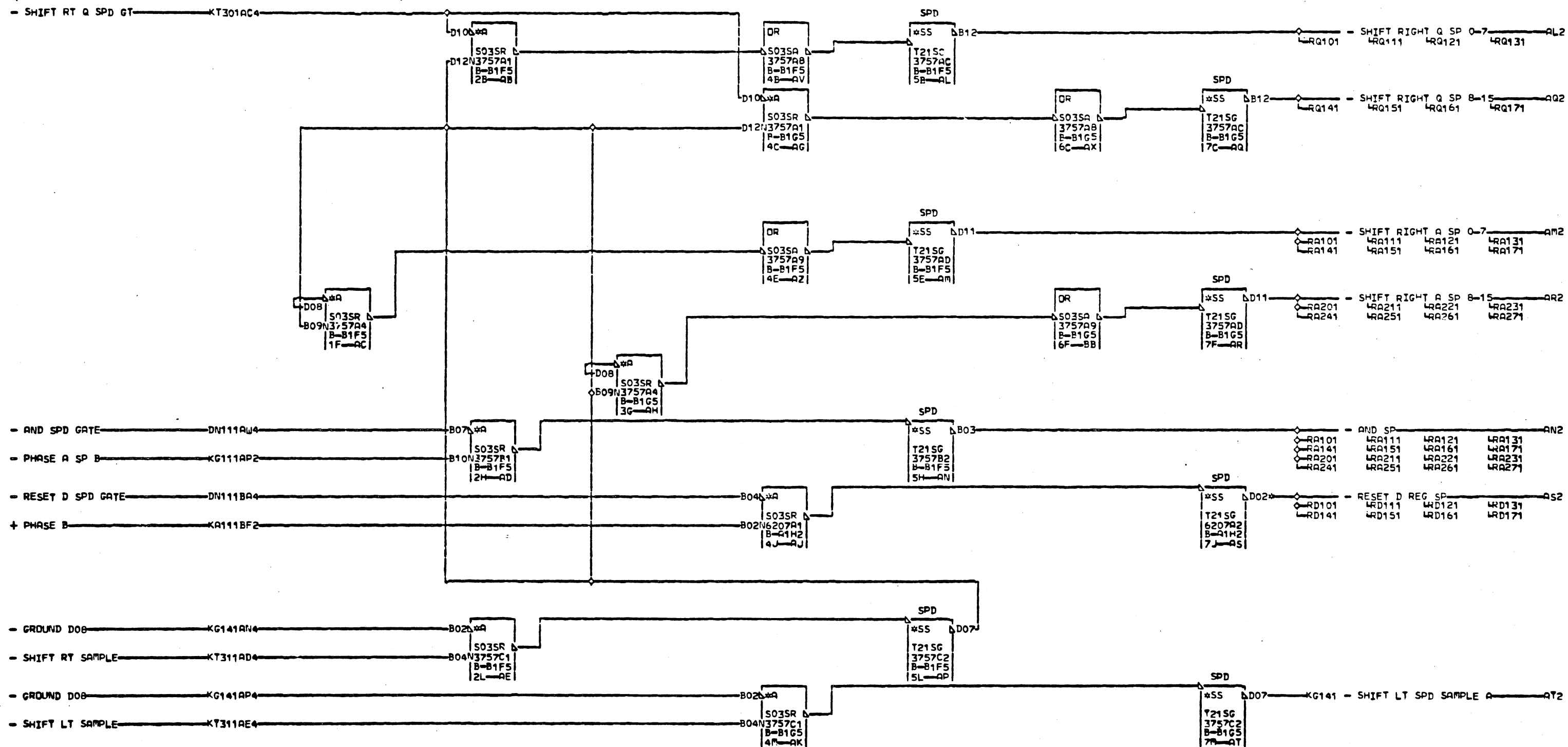
02-17-65 415480
 07-04-65 415480A
 04-28-65 415480D
 07-20-65 415481
 08-26-65 415483
 02-24-67 419633

A TO U U TO A XCHG A AND Q		
SAMPLE PULSE DRIVERS		
DATE	03-09-67	MACH. 1131
LOG	047F FRAME	01
P.No. 2201022		
IBR CORP.	GPD BLK.	AU



02-17-65 415480
 03-04-65 415480A
 04-28-65 415480D
 07-20-65 415481
 08-26-65 415483
 02-24-67 419633

SHIFT LEFT Q Q		
SAMPLE PULSE DRIVERS		
DATE	03-09-67	MACH. 1131
LOG	047F FRAME	01
P.o.N. 2201023		
IBM CORP.	GPD BLK.	AW



AS2 B-81A3D04
01B-A1N3D04

02-17-65 415480
 03-04-65 415480A
 04-28-65 415480D
 07-20-65 415481
 08-26-65 415483
 02-24-67 419633

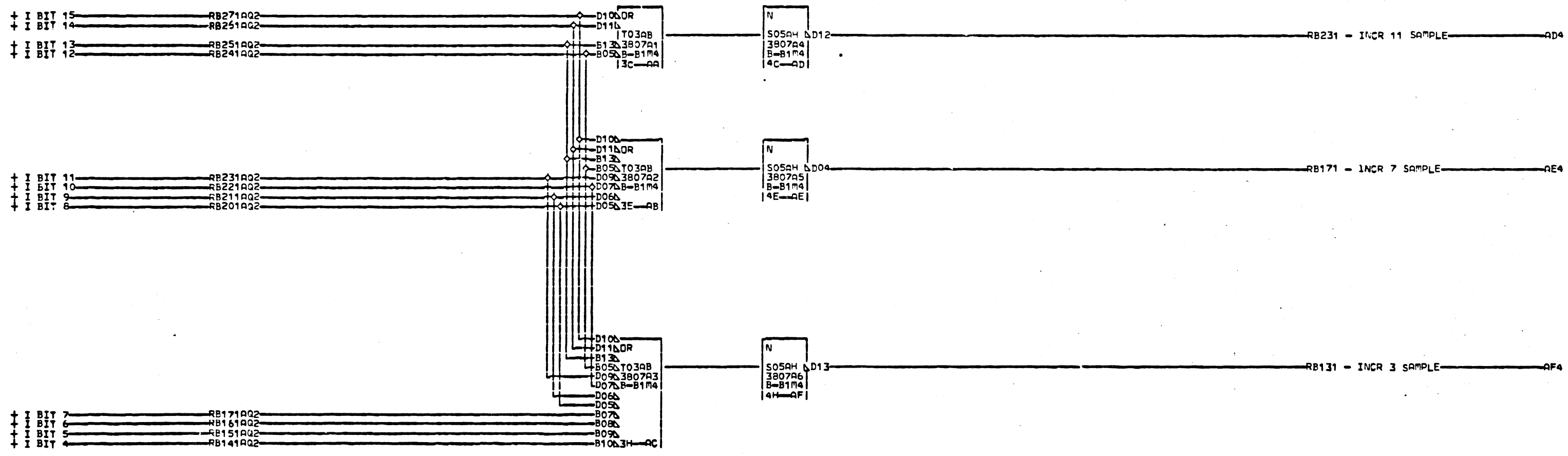
SHIFT RIGHT Q & Q RESET D AND
 SAMPLE PULSE DRIVERS
 DATE 03-09-67 PACH# 1131
 LOG 047F FRAME 01
 P.No. 2201024
 IBM CORP. GPD BLK. BC

K
G
1
5
1

000

K
G
1
5
1

000

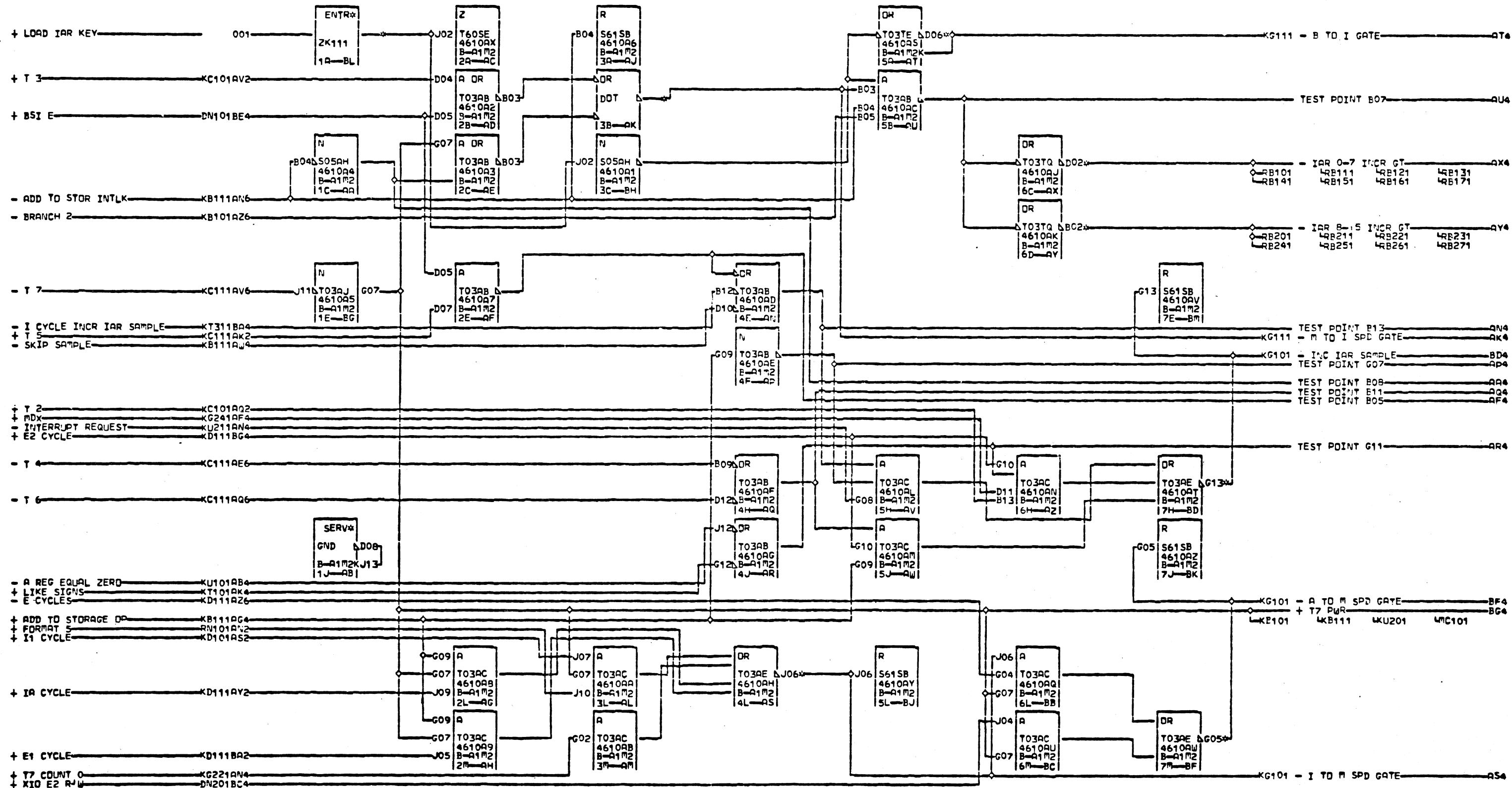


1-000000
000

02-17-65 415480
 03-04-65 415480A
 04-28-65 415480D
 07-20-65 415481
 08-26-65 415483
 02-24-67 419633

I INCREMENTER		
DATE	03-09-67	RACH. 1131
LOG	047F FRAME	01
	PN. 2201025	
IBM CORP.	GPD BLK.	AK

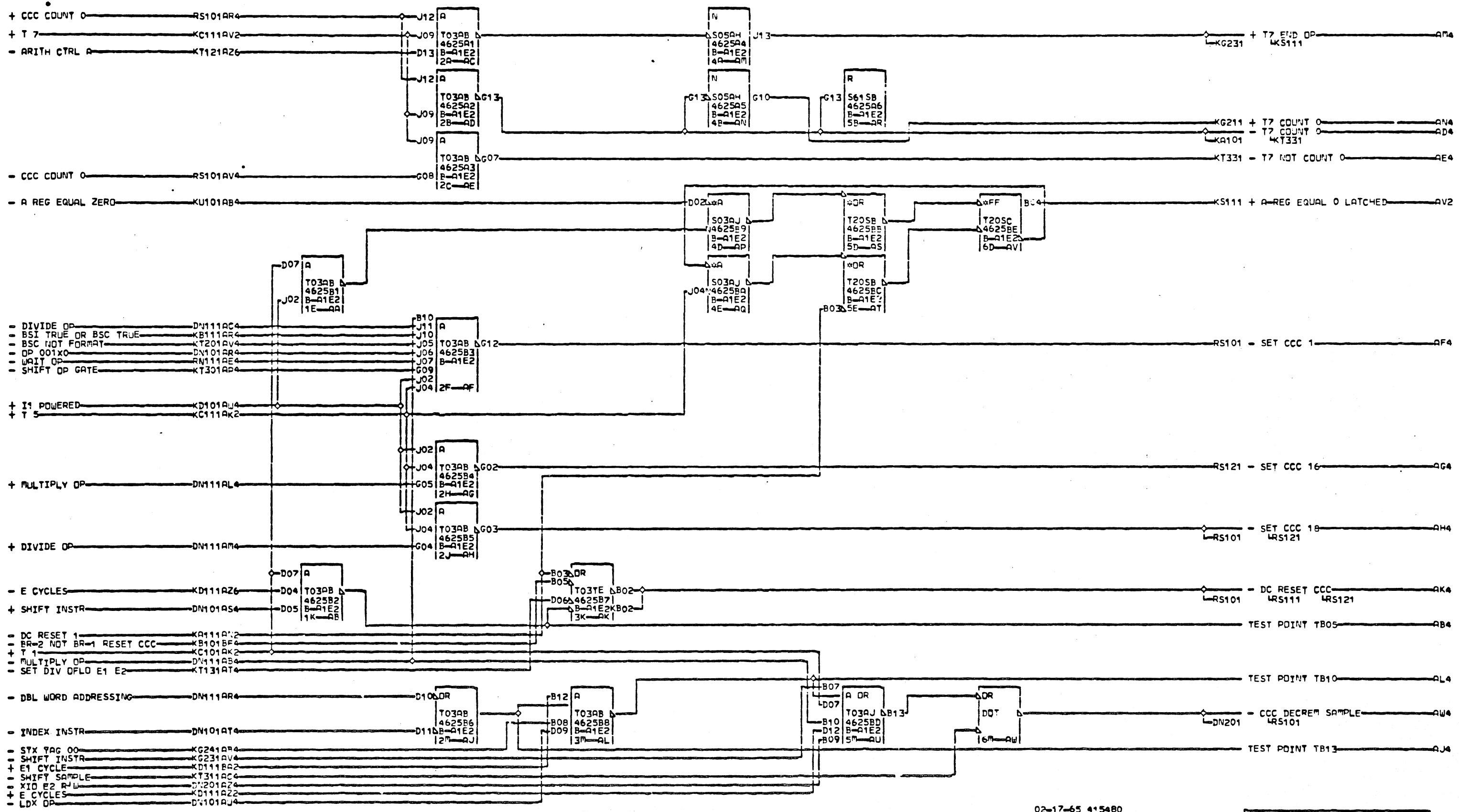
K
G
2
0
1
000



AK4 B-A1N2D02 01B-B1A2D03
 01B-B1A2D02 BD4 B-A1N2D07
 AS4 B-A1N3D09 01B-B1A2D07
 01B-B1A3D09 BF4 B-A1N3D02
 AY4 B-A1N2D06 01B-B1A3D02
 01B-B1A2D06 BL4 B-A1A5D02
 AX4 B-A1N2B03
 01B-B1A2B03
 AY4 B-A1N2D03

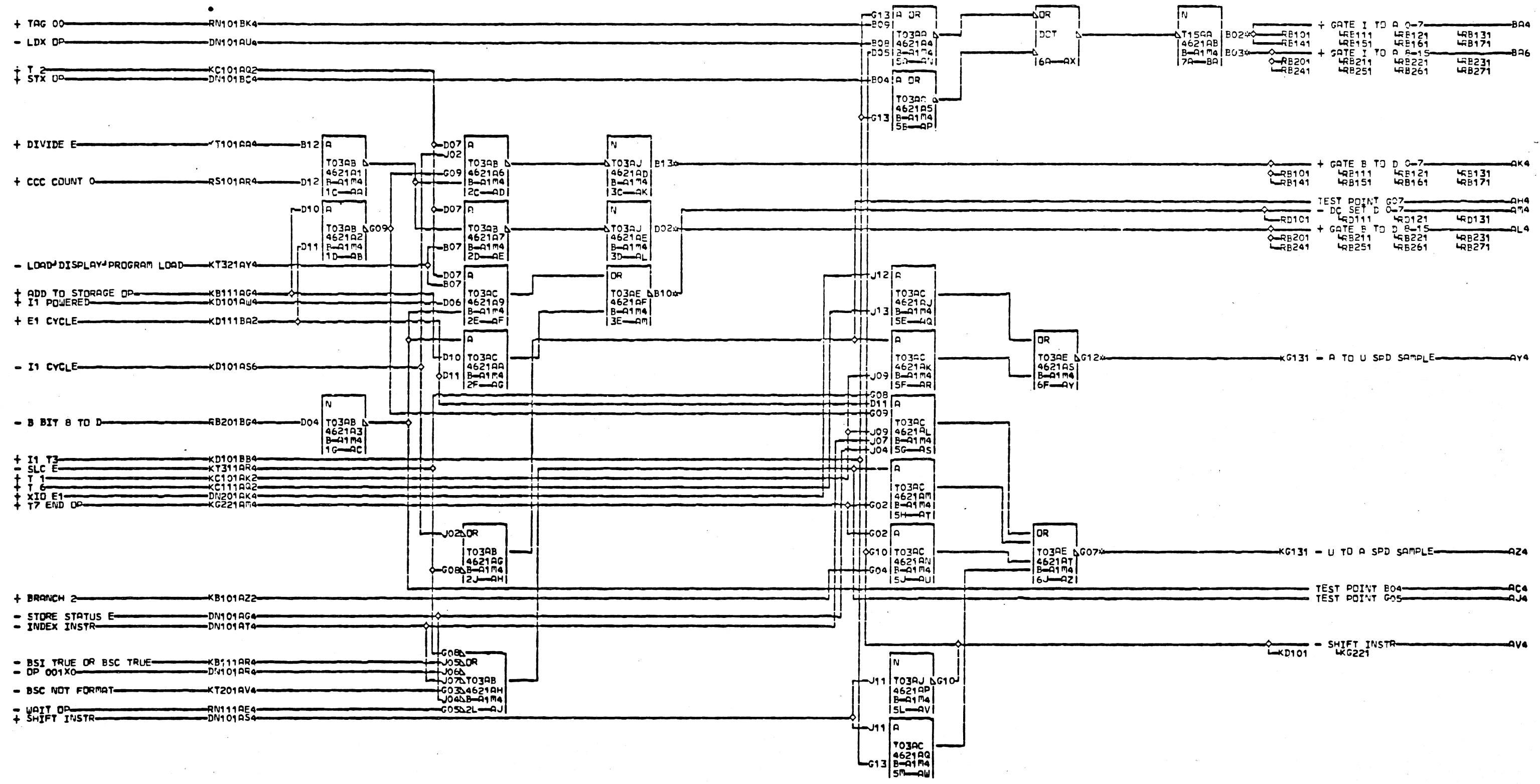
02-17-65 415480
 03-04-65 415480A
 04-28-65 415480B
 07-20-65 415481
 08-26-65 415483
 02-24-67 419633

B TO I	M TO I AND I INC GATE	K G 2 1 1
I TO M AND A TO M GATE		
DATE	03-09-67	MACH. 1131
LOG	047F	FRAME 01
		P.N. 2201026
IAR CORP.	GPD BLK.	BN



02-17-65 415480
 03-04-65 415480A
 04-28-65 415480D
 07-20-65 415481
 09-26-65 415483
 02-24-67 419633

T7 END OP T7 COUNT 0		CCC CONTRLS	
DATE	03-09-67	FRAC#	1131
LOG	047F	FRAME	01
P#N#		2201027	
IBM CORP.		GPD BLK#	



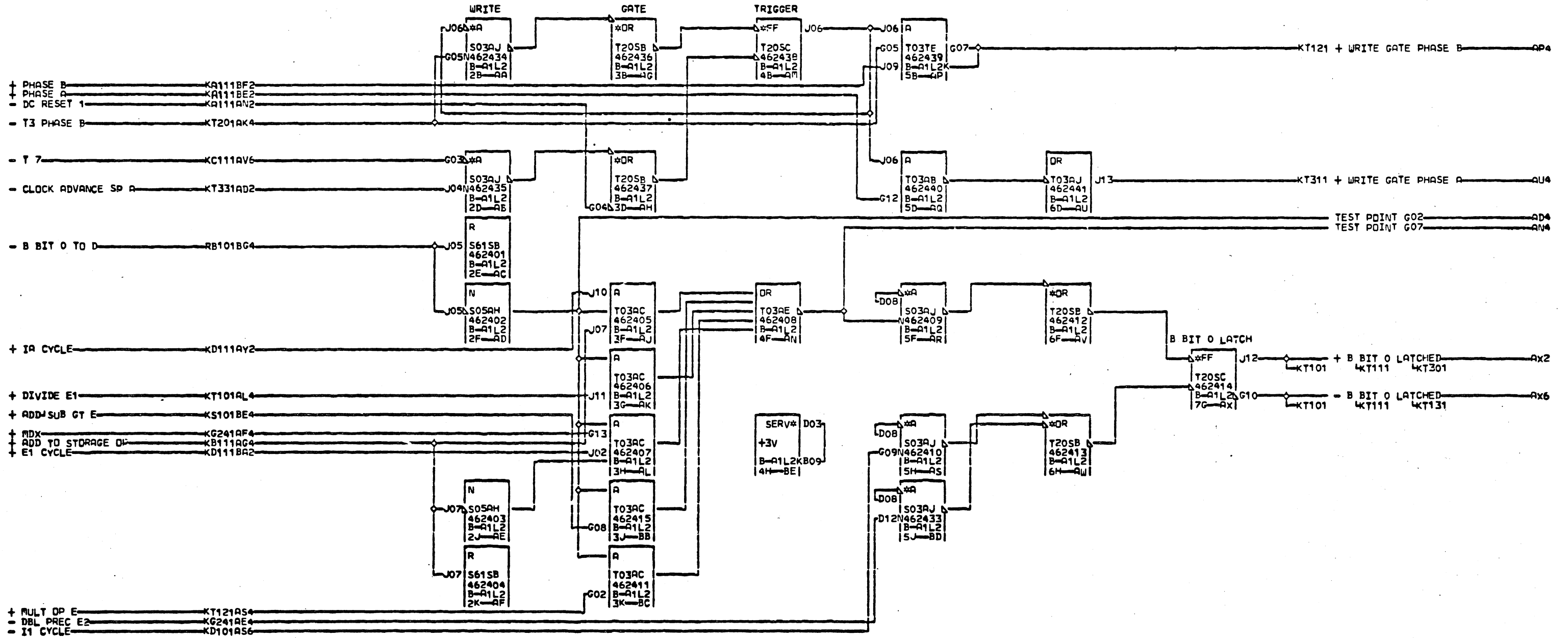
AK4 B-A1N3B05 01B-B1A5B07
 01B-B1A3B05 BA4 B-A1N2B04
 AL4 B-A1N3D05 01B-B1A2B04
 01B-B1A3D05 BA6 B-A1N2D04
 AM4 B-A1N4D07 01B-B1A2D04
 01B-B1A4D07
 AY4 B-A1N5D02
 01B-B1A5D02
 AZ4 B-A1N5B07

02-17-65 415480
 03-04-65 415480A
 04-28-65 415480D
 07-20-65 415481
 08-26-65 415483
 02-24-67 419633

I TO A AND B TO D GATE
 A TO U AND U TO A SAMPLE
 DATE: 03-09-67 PACH. 1131
 LOC 047F FRAME 01
 P.No. 2201028
 IBA CORP. GPD BLK. BD

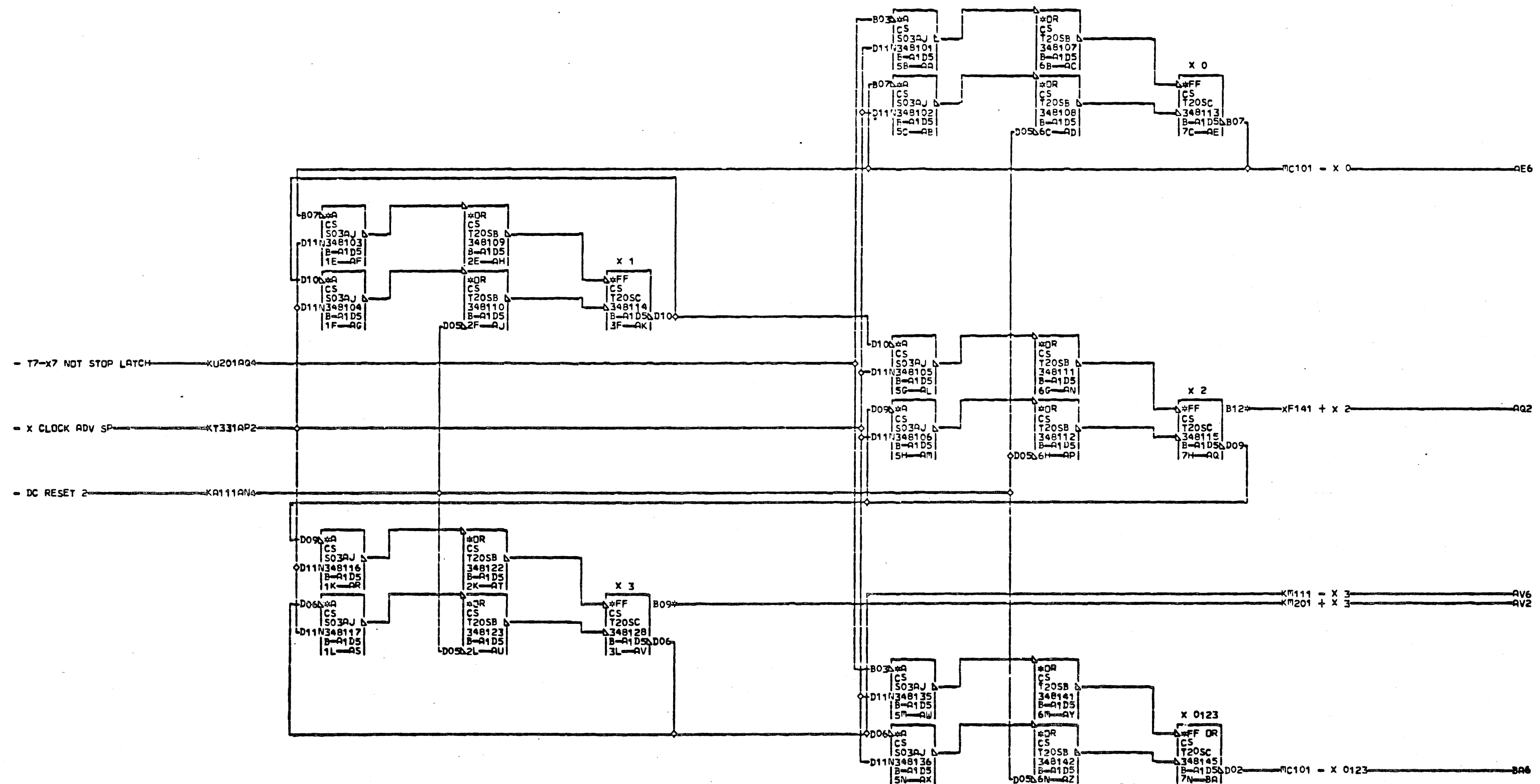
K
G
2
3
1

K
G
2
3
1



02-17-65 415480
 03-04-65 415480A
 04-28-65 415480D
 07-20-65 415481
 08-26-65 415483
 02-24-67 419633

WRITE GATE PHASE A AND B B BIT 0 LATCHED		
DATE	03-09-67	MACH. 1131
LOG	047F FRAME	01
	P#N:	2201030
I.L.M. CORP.	GPD BLK.	BF

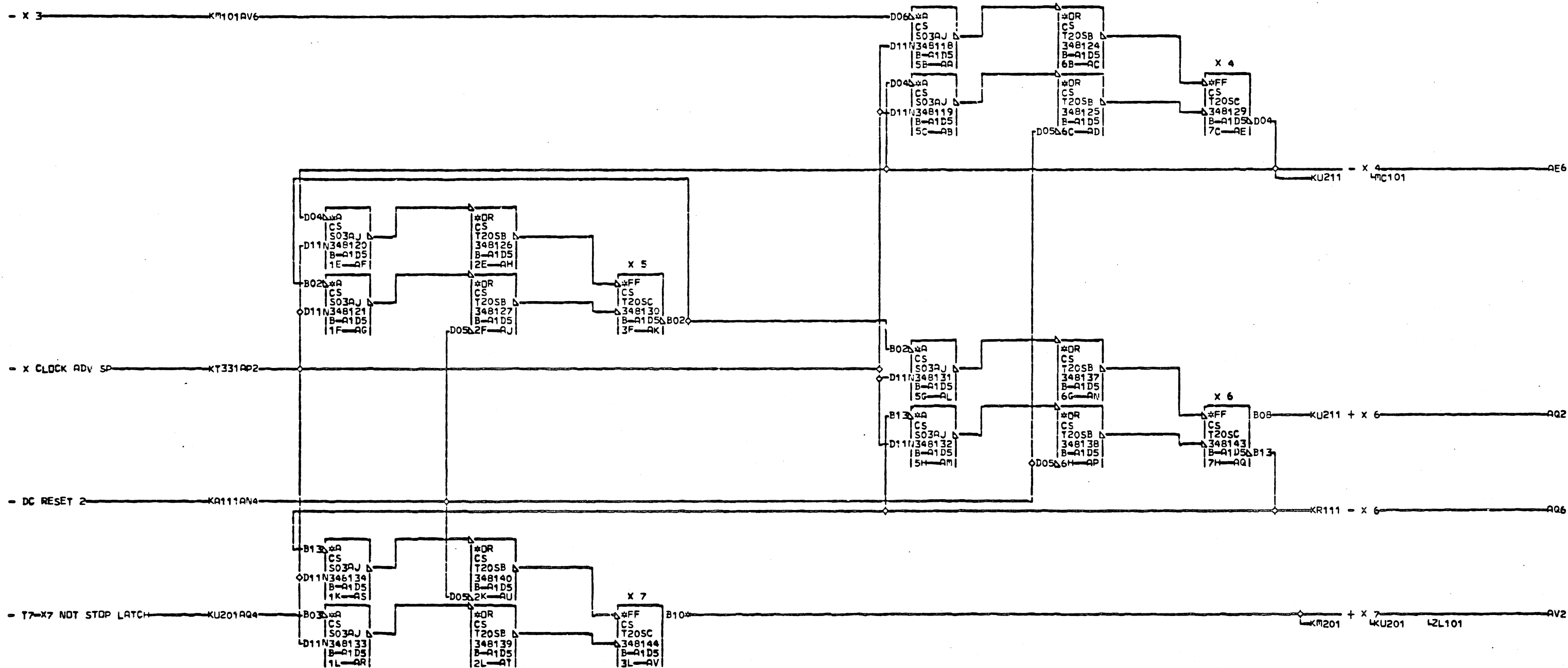


- T7-x7 NDT STOP LATCH — KU201A04
 - X CLOCK ADV SP — KY331AP2
 - DC RESET 2 — KA111A04

AQ2 B-A1A7B07
 01A-C1N5B07
 AV2 B-A1N7B12
 01B-B1A7B12

02-17-65 415480
 03-04-65 415480A
 04-28-65 415480D
 07-20-65 415481
 08-26-65 415483
 02-24-67 419633

	X 0	X 1	X 2	X 3	X 0123	K
DATE	03-09-67	PACH.	1131			1
LOG	047F	FRAME	01			0
		P.No	2201031			1
IBM CORP.	GPD	BLK.	88			000

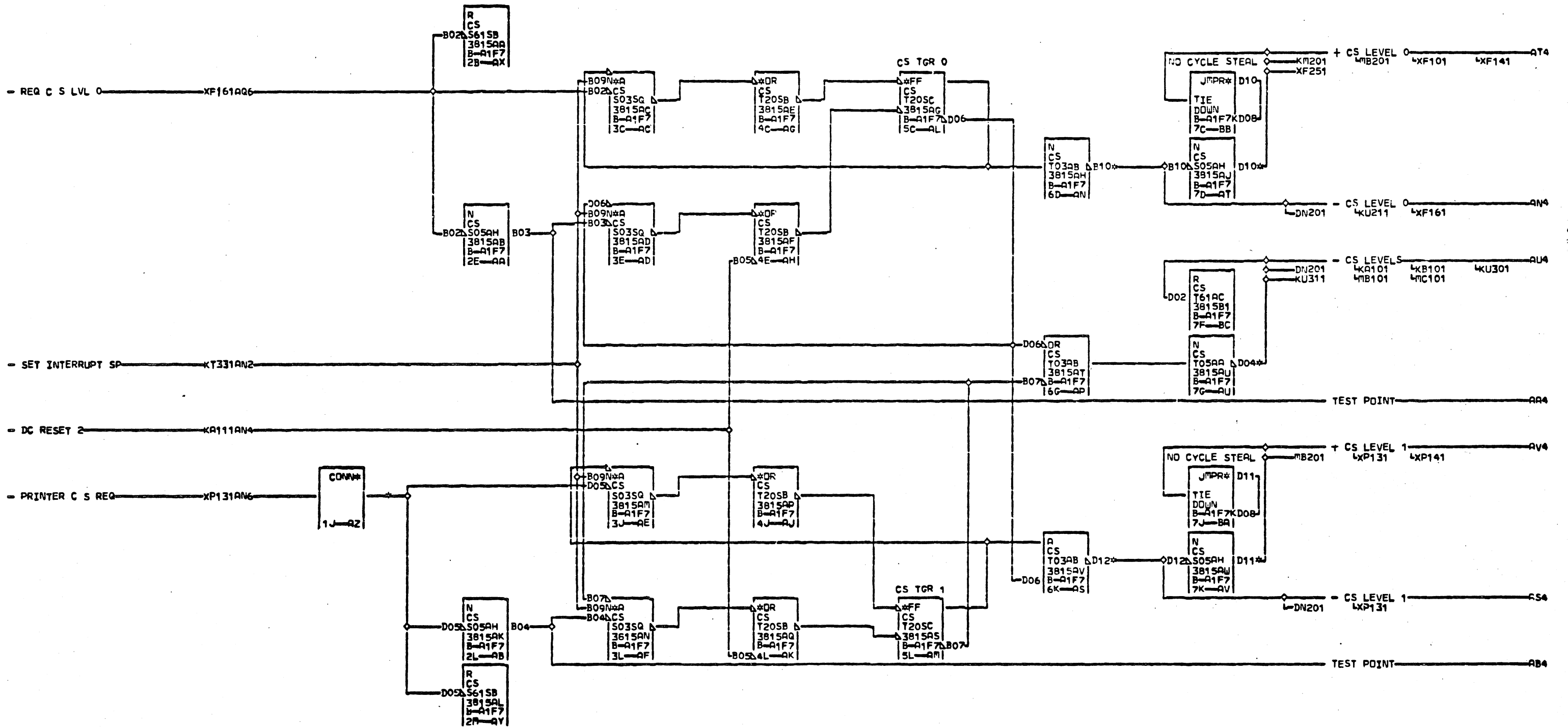


AV2 B-A1A4D07

02-17-65 415480
 04-28-65 415480D
 07-20-65 415481
 08-26-65 415483
 02-24-67 419633

	X 4	X 5	X 6	X 7	
DATE	03-09-67	RACH	1131		K
LOG	047F	FRAME	01		1
		PcNo	2201032		1
IBM CORP.	GPD	BLK			000

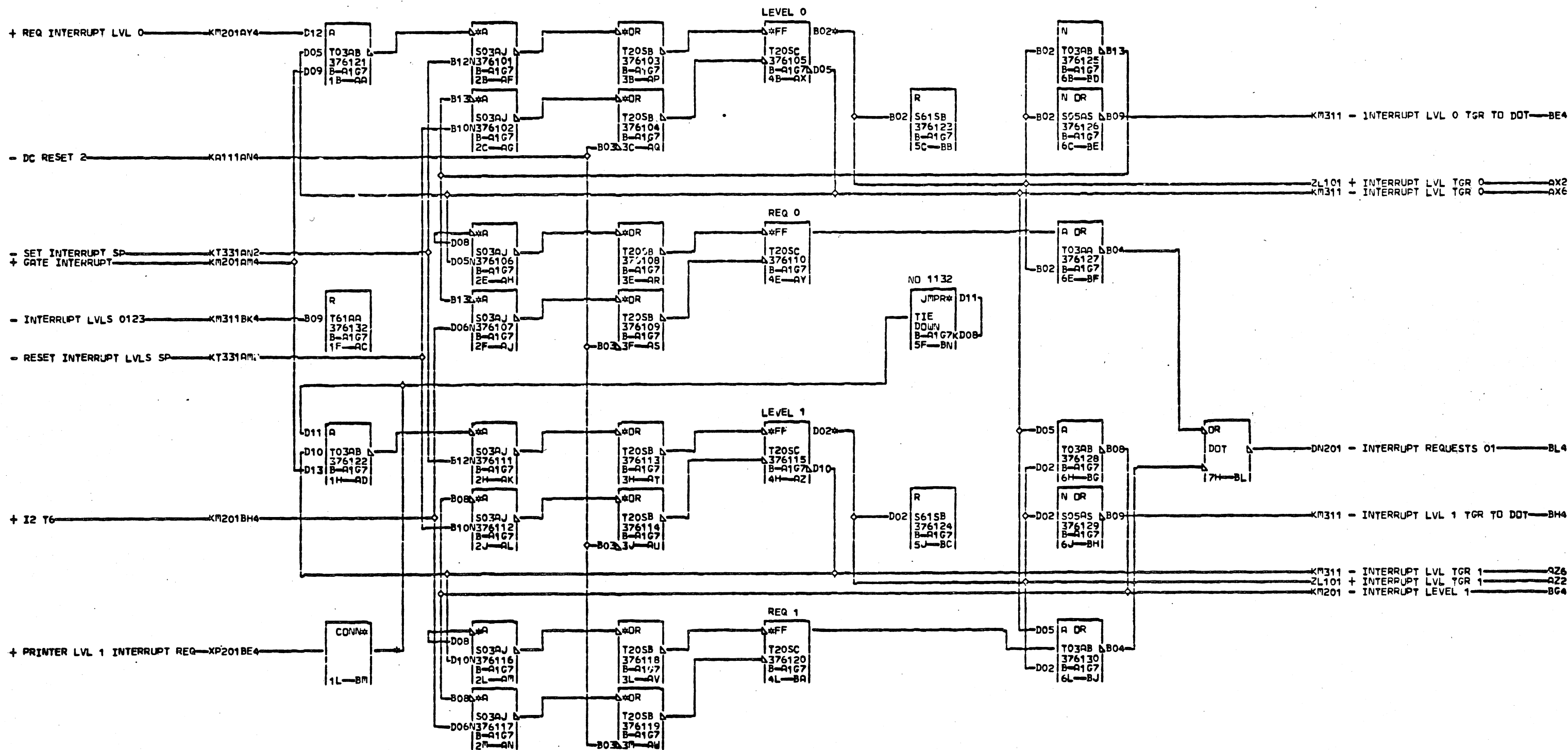
K
1-1-1
000



AV4 B-A1A7B02 01A-C1N3D13 01B-B1B7B07
 01A-C1N6B02 AU4 B-A1N7D02
 AS4 B-A1N7B05 01B-B1A7D02
 01B-B1A7B05 AV4 B-A1N7B07
 01B-B1B7B05 01B-B1A7B07
 01A-A1N4B05 01B-B1B7B08
 AT4 B-A1N7B11 01A-A1N4B08
 01B-B1A7B11 AZ4 B-A1N7B06
 01B-B1B6D13 01B-B1A7I06

02-17-65 415480
 03-04-65 415480A
 04-28-65 415480D
 07-20-65 415481
 08-26-65 415483
 02-24-67 419633

CYCLE STEAL		
LEVELS 0 AND 1		
DATE	03-09-67 MACH. 1131	
LOG	047F FRAME	01
	P.No	2201037
IBM CORP.	GPD BLK.	BD

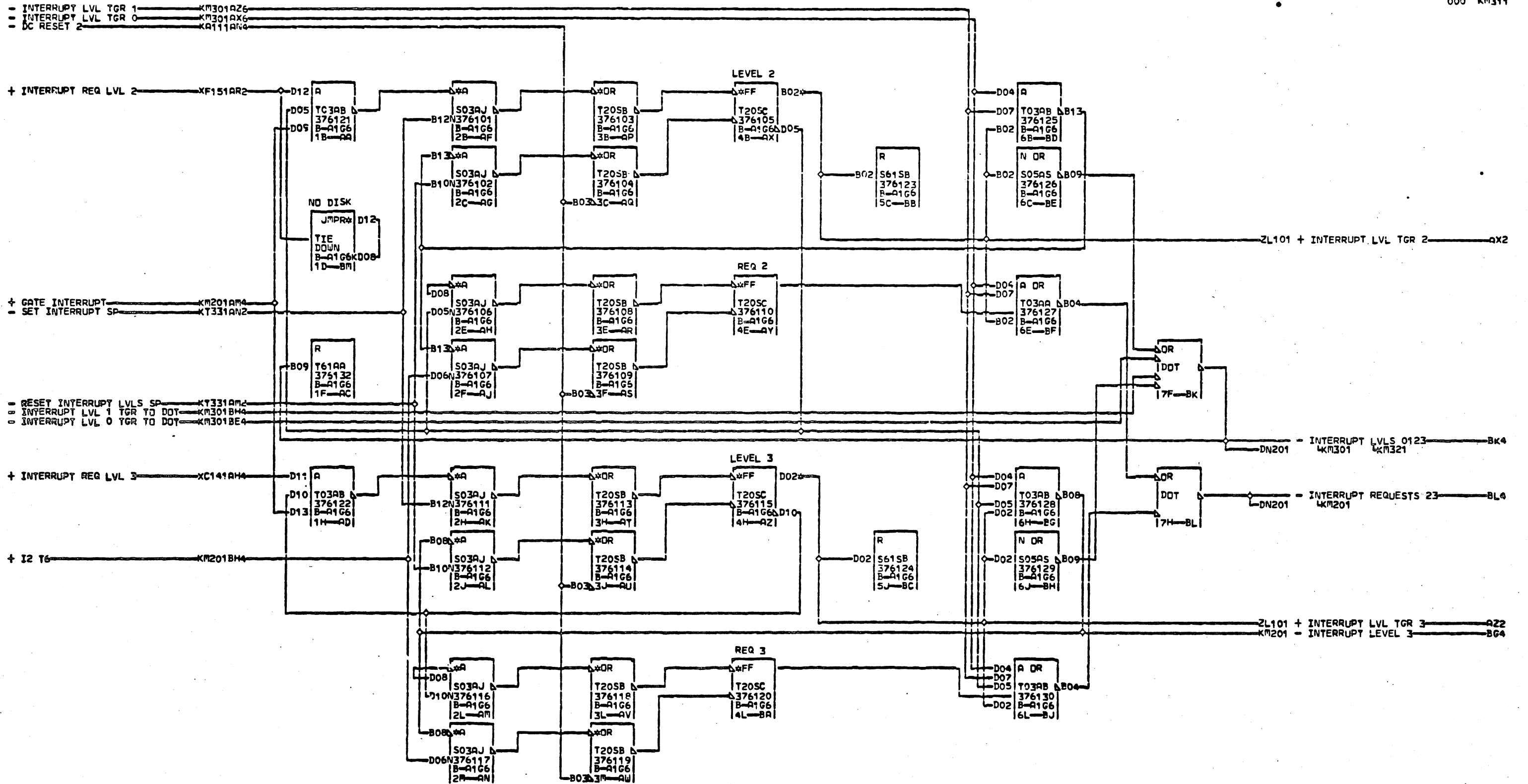


AX2 B-A1A4B08
 AZ2 B-A1A4D09
 BM4 B-A1A4D11
 01A-C1A4D11
 01A-C1A1A11
 01A-B1A1A11
 01A-B1A2B11

02-17-65 415480
 03-04-65 415480A
 04-13-65 415480C
 04-28-65 415480D
 07-20-65 415481
 08-26-65 415483
 02-24-67 419633

INTERRUPT LEVELS 0 AND 1		
DATE	03-09-67	PAGE 1131
LOG	047F FRAME	01
	P.No	2201034
IBM CORP.	GPD BLK.	BP

K
M
3
0
1
000



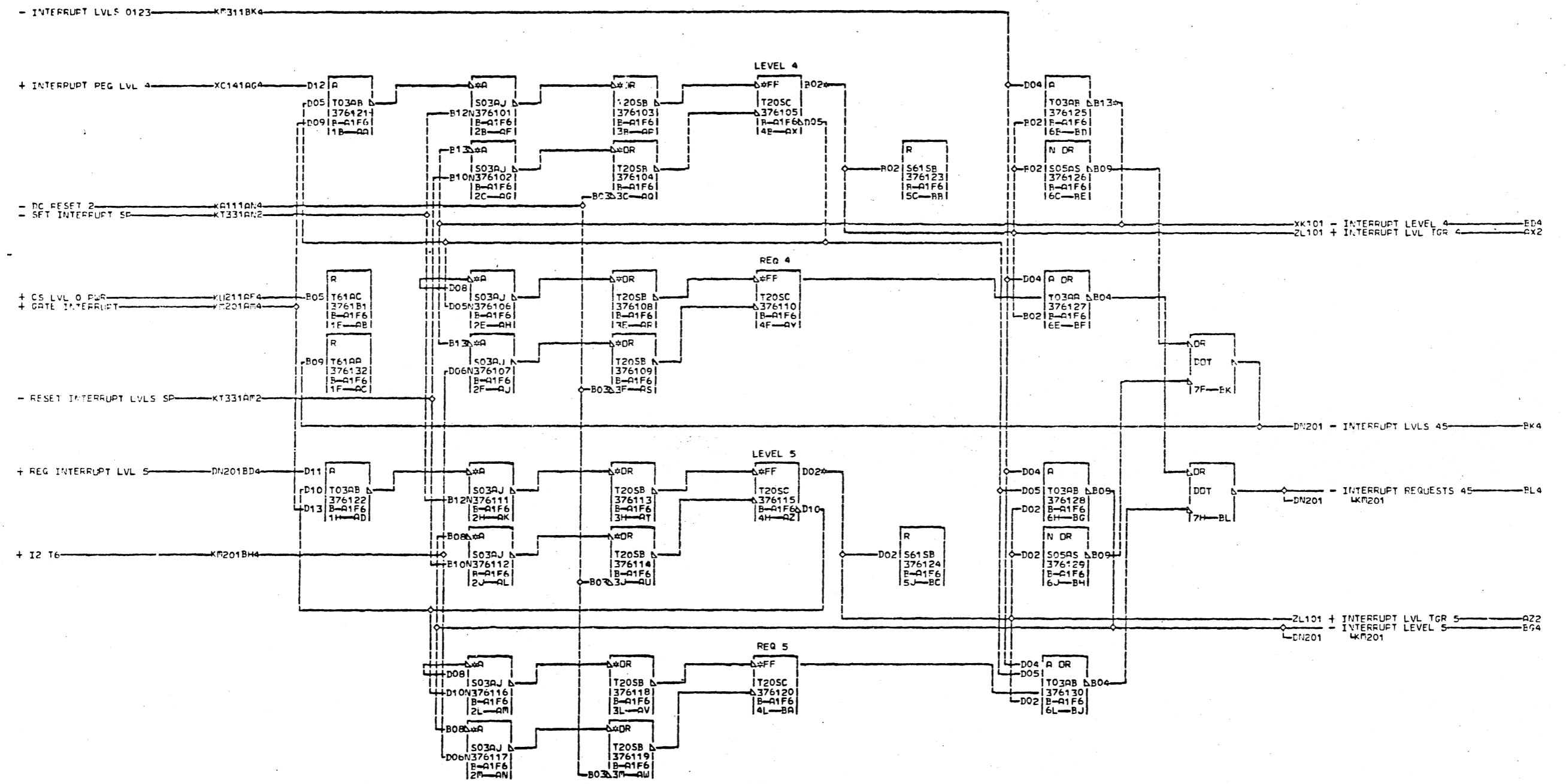
AX2 B-A1A4B09
 AZ2 B-A1A4D10

000

02-17-65 415480
 03-04-65 415480A
 04-28-65 415480D
 07-20-65 415481
 08-26-65 415483
 02-24-67 419633

INTERRUPT LEVELS 2 AND 3			
DATE	03-09-67	PACH#	1131
LOG	047F	FRAME	01
		P#	2201035
IBM CORP.	GPD	BLK.	BN

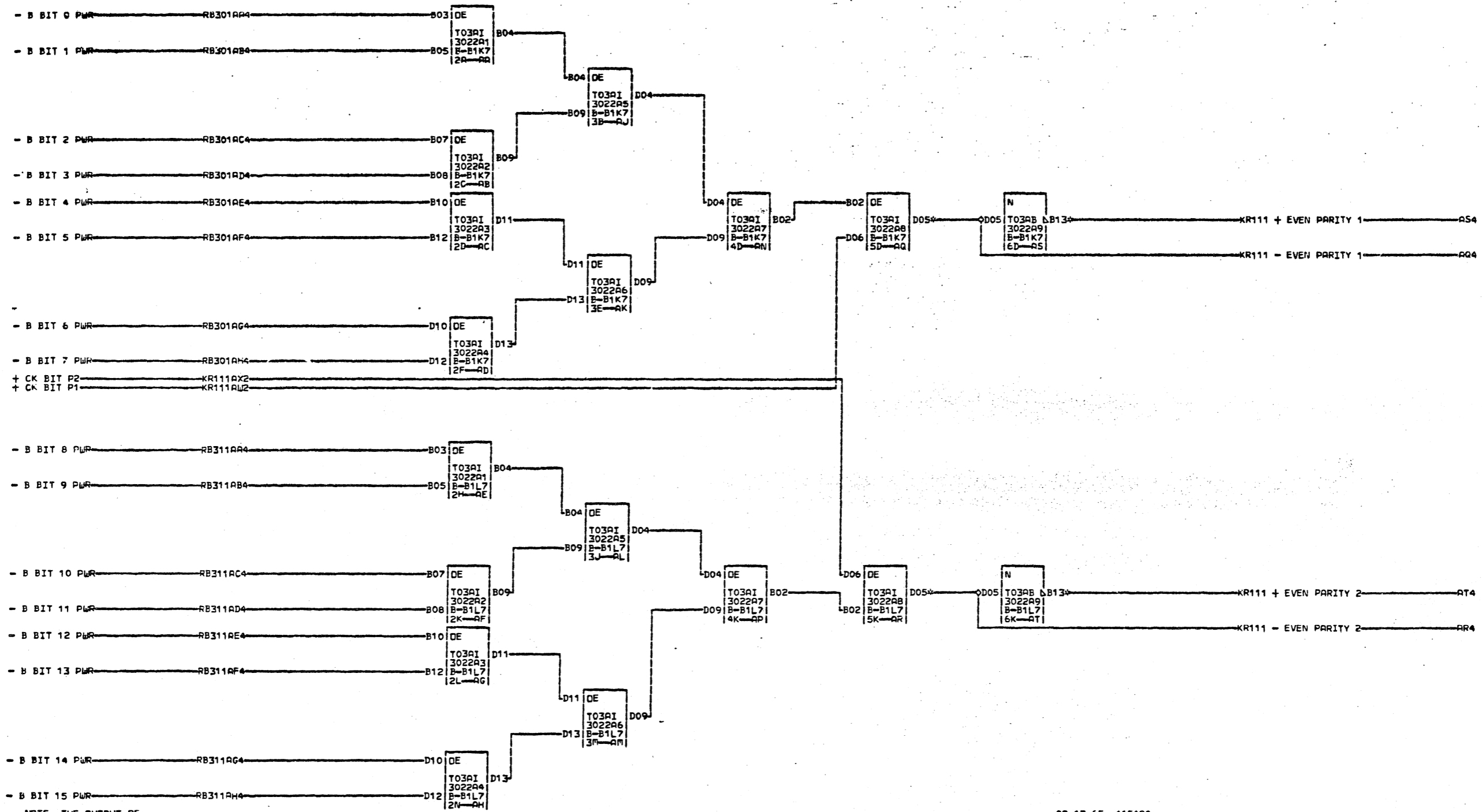
K
M
3
1
1
000



AX2 B-A1A4B10
 AZ2 B-A1A4D11
 BD4 B-A1A7B09
 O1A C-1N6B09
 O1A C-1F8E04
 O1A A-1E8E04

02-17-65 415480
 03-04-65 415480A
 04-28-65 415480B
 07-20-65 415481
 08-26-65 415483
 05-16-66 419609

INTERRUPT LEVELS 4 AND 5
 DATE 05-09-66 MACH. 1131
 LOG 126C FRAME 01
 P.No 2201036
 IBM CORP. GPD BLK. BR



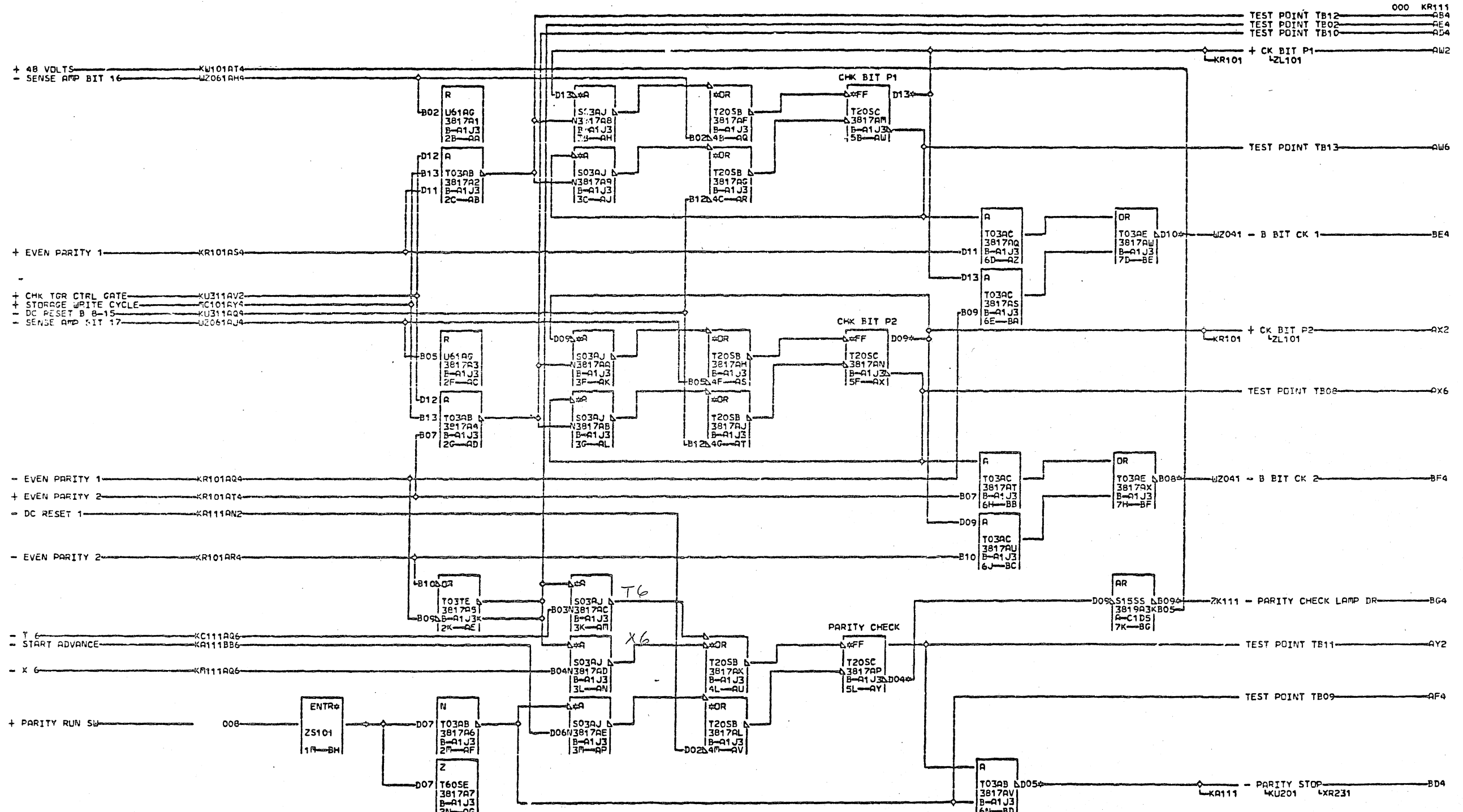
NOTE: THE OUTPUT OF EACH DE BLOCK WILL BE MINUS WHENEVER THE INPUTS HAVE THE SAME POLARITY

0
1
000

AG4 B-B1A4B05
D1B-A1N4B05
AR4 B-B1A4B06
O1B-A1N4D06
AS4 B-B1A4D05
O1E-A1N4D05
AT4 B-B1A4D06
O1B-A1N4D06

02-17-65 415480
03-04-65 415480A
04-28-65 415480D
07-20-65 415481
08-26-65 415483

PARITY CHECK			
DATE	09-01-65	PACH# 1131	K
LDG	244N FRAME	01	R
		P#N# 2201039	1
IBM CORP.	GPD BLK.		AU

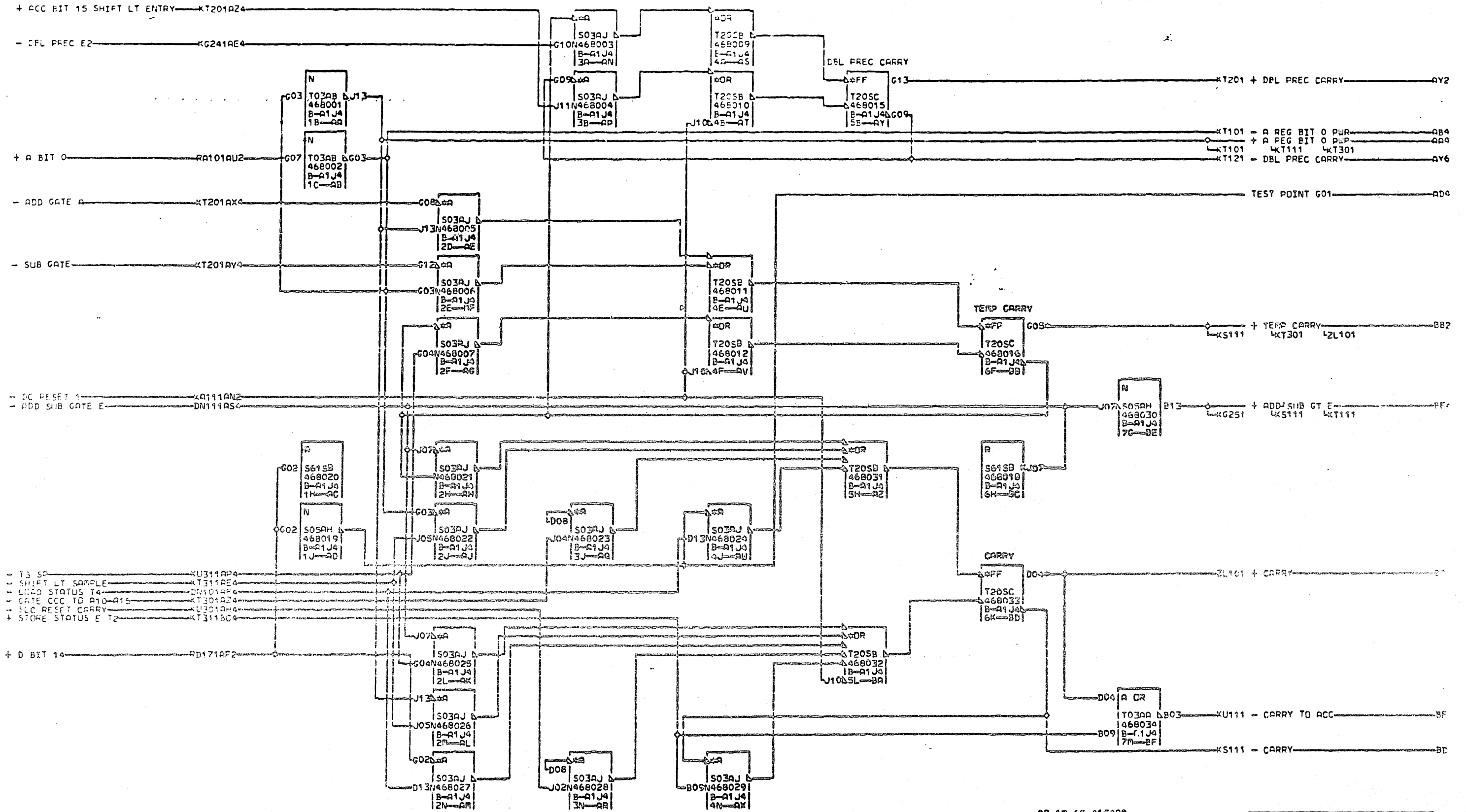


K
R
1
1
1
000

AW2 B-A1A3B07 01A-C1N6D11 01B-B1M1D09
 01B-C1N5B12 01A-C1A7D11 01B-C1M1D09
 01B-B1A5B12 01A-B1N7D11 BC4 A-C1A5D12
 AX2 B-A1A3D07 BE4 B-A1F1C09 BH4 B-A1A5D04
 01B-A1N5D12 01B-B1F1C09
 01B-B1A5D12 01B-B1M1C09
 AY6 B-A1A7D02 01B-C1M1C09
 01A-C1N6D02 BF4 B-A1F1D09
 BC4 B-A1A7D11 01B-B1F1D09

02-17-65 415480
 03-04-65 415480A
 04-28-65 415480D
 07-20-65 415481
 08-26-65 415483
 03-10-66 415709C

PARITY BIT TRIGGERS		
PARITY STOP		
DATE	03-10-66	MACH# 1131
LDC	070D	FRAME 01
P#No 2201040		
IBM CORP.	GPD BLK.	BU



K
S
1
0
1

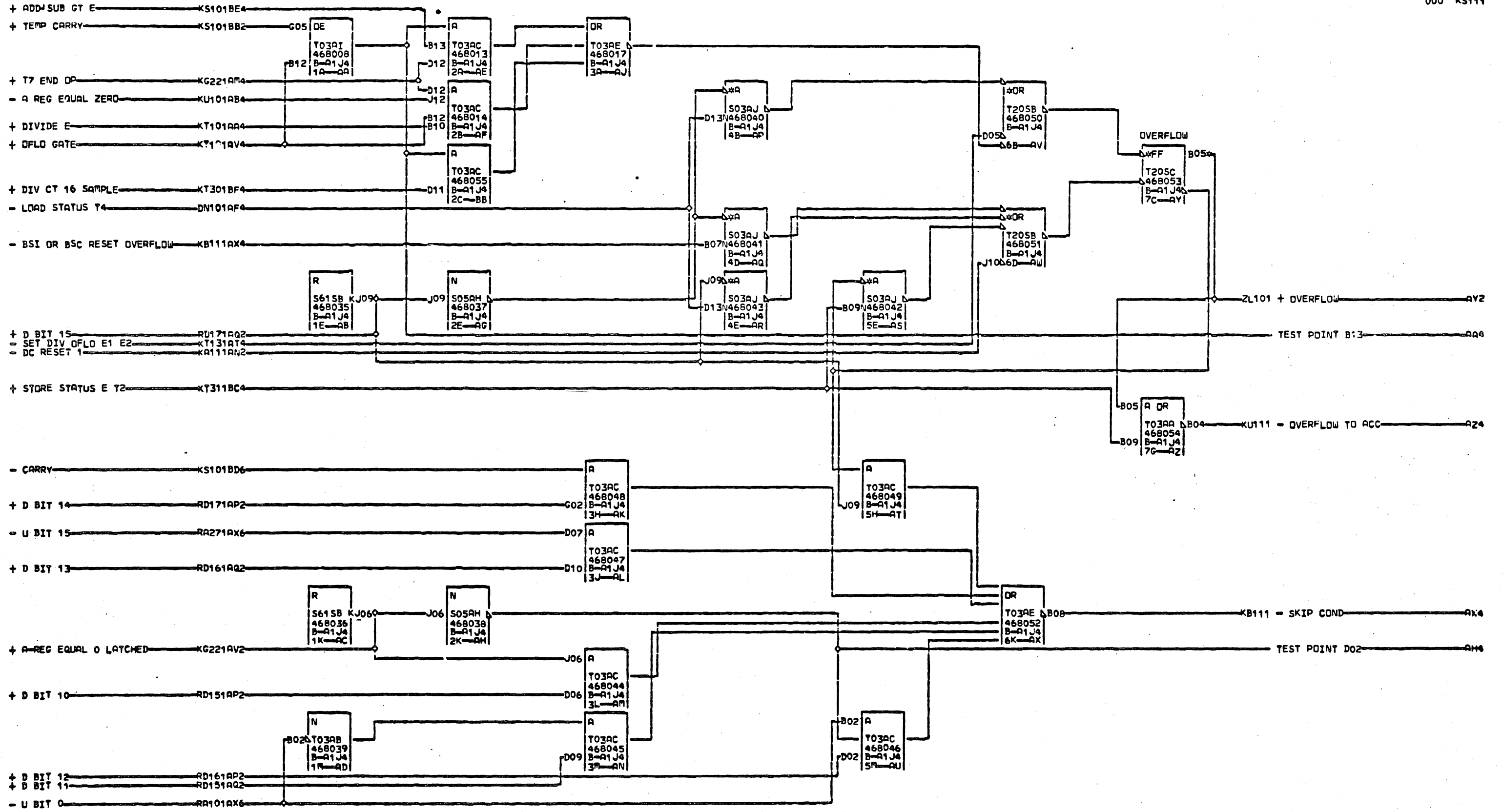
000

BB2 B-A1A4D04
BD2 B-A1A4B05

02-17-65 415480
 03-04-65 415480A
 04-28-65 415480D
 07-20-65 415481
 08-26-65 415483
 05-09-66 419608
 05-30-66 419613

CARRY	TEMP CARRY	DBL PR CARRY
DATE	05-31-66	MACH# 1131
LOG	144L FRAME	01
	P#N#	2201041
IBM CORP. GPD BLK#		BG

K
S
1
C
01



AY2 B-A1A4D06

02-17-65 415480
 03-04-65 415480A
 04-28-65 415480D
 07-20-65 415481
 08-26-65 415483
 02-24-67 419633

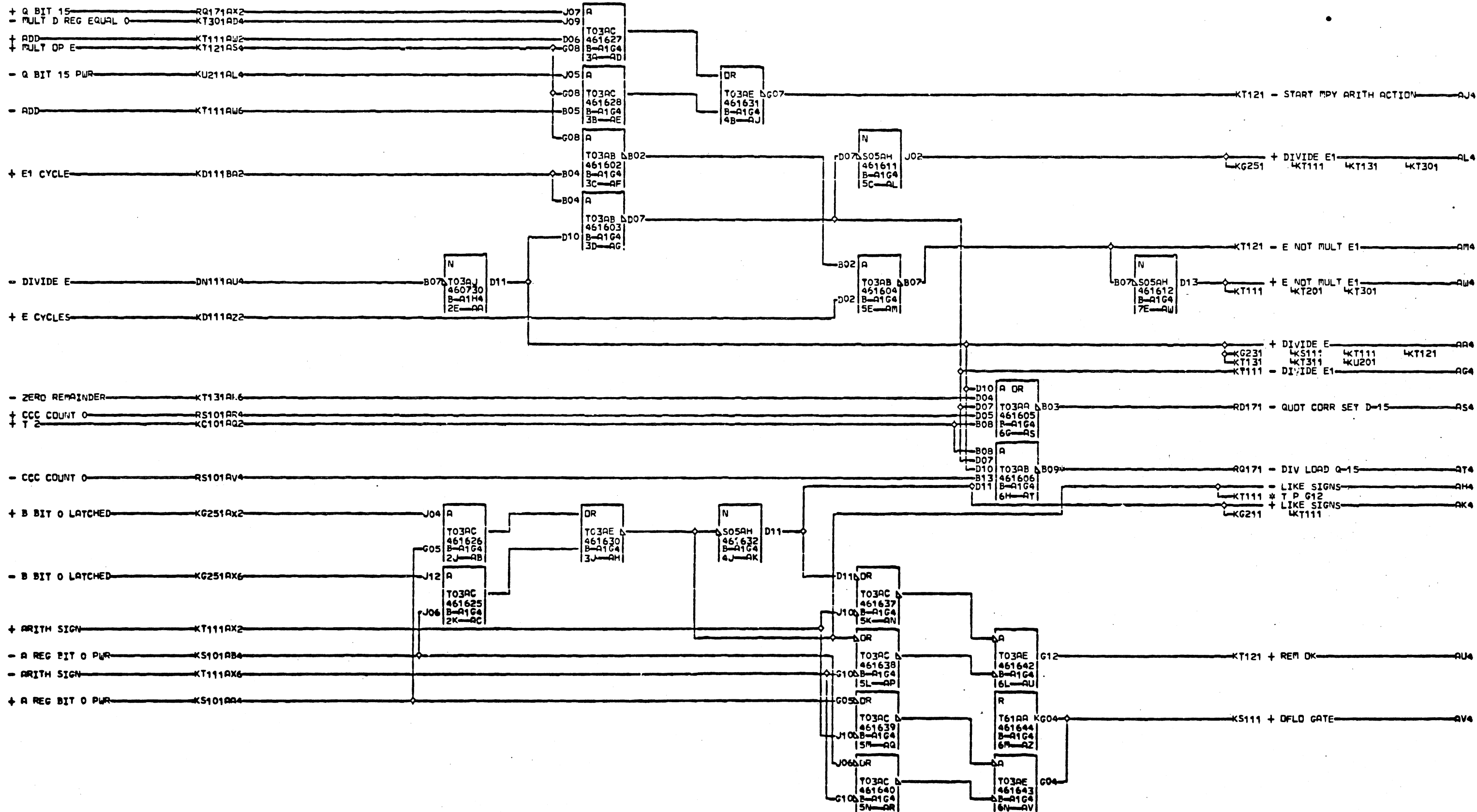
OVERFLOW / SKIP COND		
DATE	03-09-67	RACH# 1131
LOG	047F	FRAME 01
P#No		2201042
IBH CORP.	GPD	BLK#

KS111

000

KS111

000

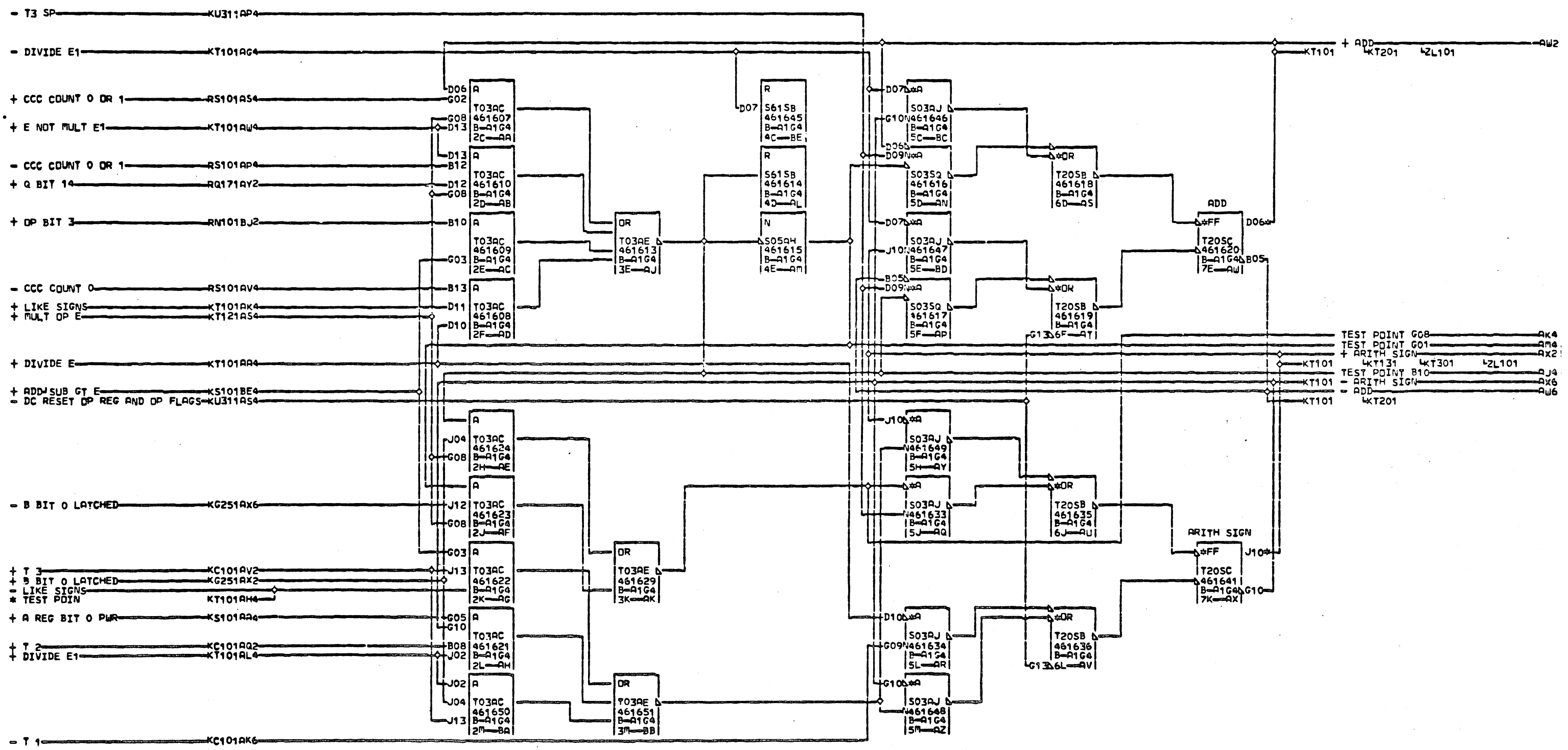


AT4 B-A1N4D09
 01B-B1A4D09

02-17-65 415480
 03-04-65 415480A
 04-28-65 415480D
 07-20-65 415481
 05-26-65 415483
 02-24-67 419633

MPY ARITH ACTION	E NOT MPY E1	K
DIV E1	LIKE SIGNS	T
DATE 03-09-67	REM OK	1
LDC	047F FRAME	01
	PoNo 2201043	000
IBM CORP.	OPD BLK.	BA

000



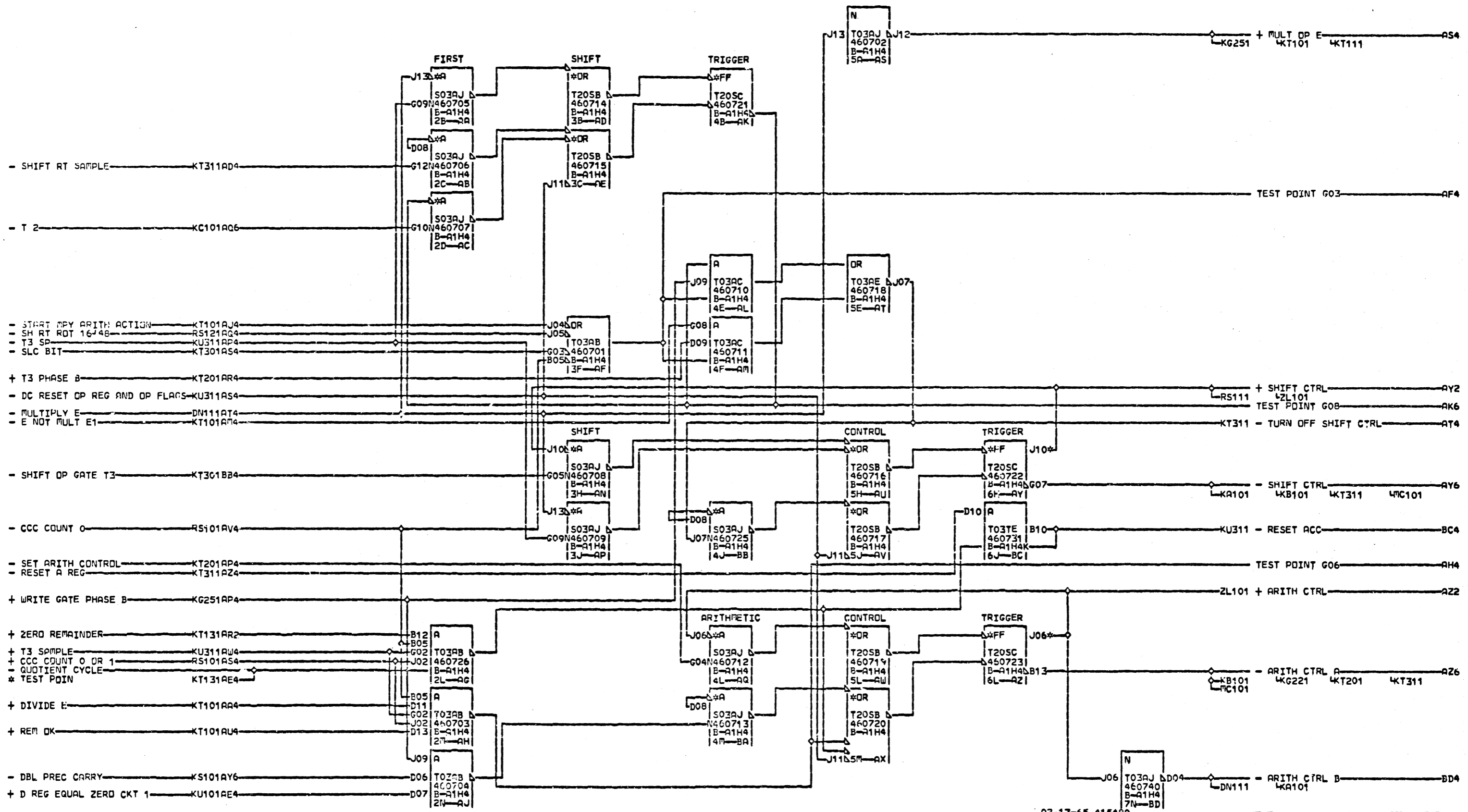
AW2 B-A1A4B02
 AX2 B-A1A4D02

02-17-65 415480
 03-04-65 415480A
 04-28-65 415480D
 07-20-65 415481
 08-26-65 415483
 02-24-67 419633

ARITHMETIC SIGN AND ADD			
DATE	03-09-67	PACH.	1131
LOG	047F	FRAME	01
P.No.		2201044	
IBM CORP.	GPD	BLK.	BF

KT111
 000

KT111
 000

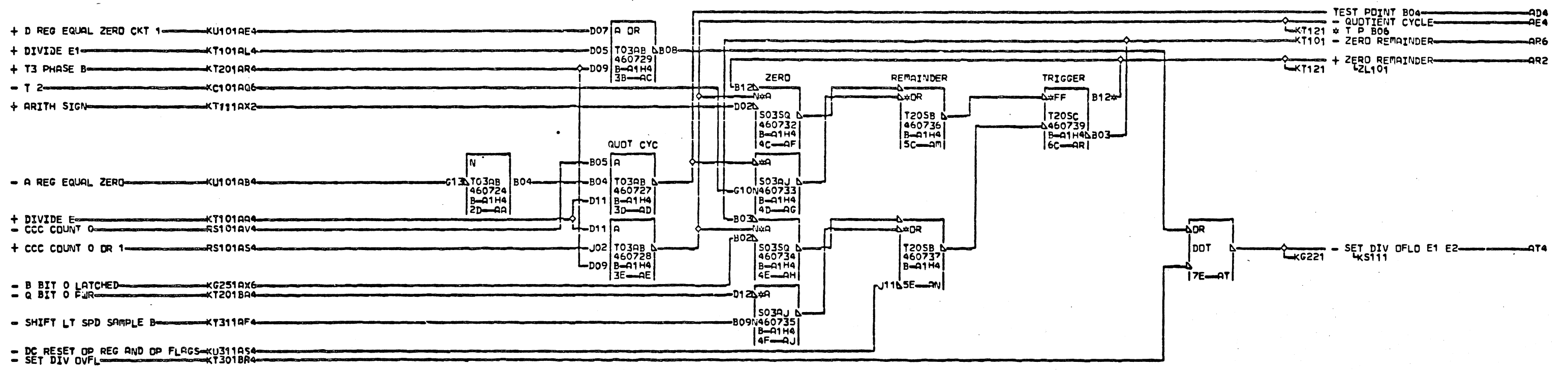


AY2 B-A1A4B04
 AZZ B-A1A4R03

02-17-65 415480
 03-04-65 415480A
 04-28-65 415480D
 07-20-65 415481
 08-26-65 415483
 10-14-66 419623

MPY E SHIFT CTRL		KT 1 2 1
ARITH CTRL		
DATE	09-27-66 MACH. 1131	000
LOG	266K FRAME 01	
P.N. 2201045		000
IBM CORP. GPD BLK. BE		

K
1
2
1
000

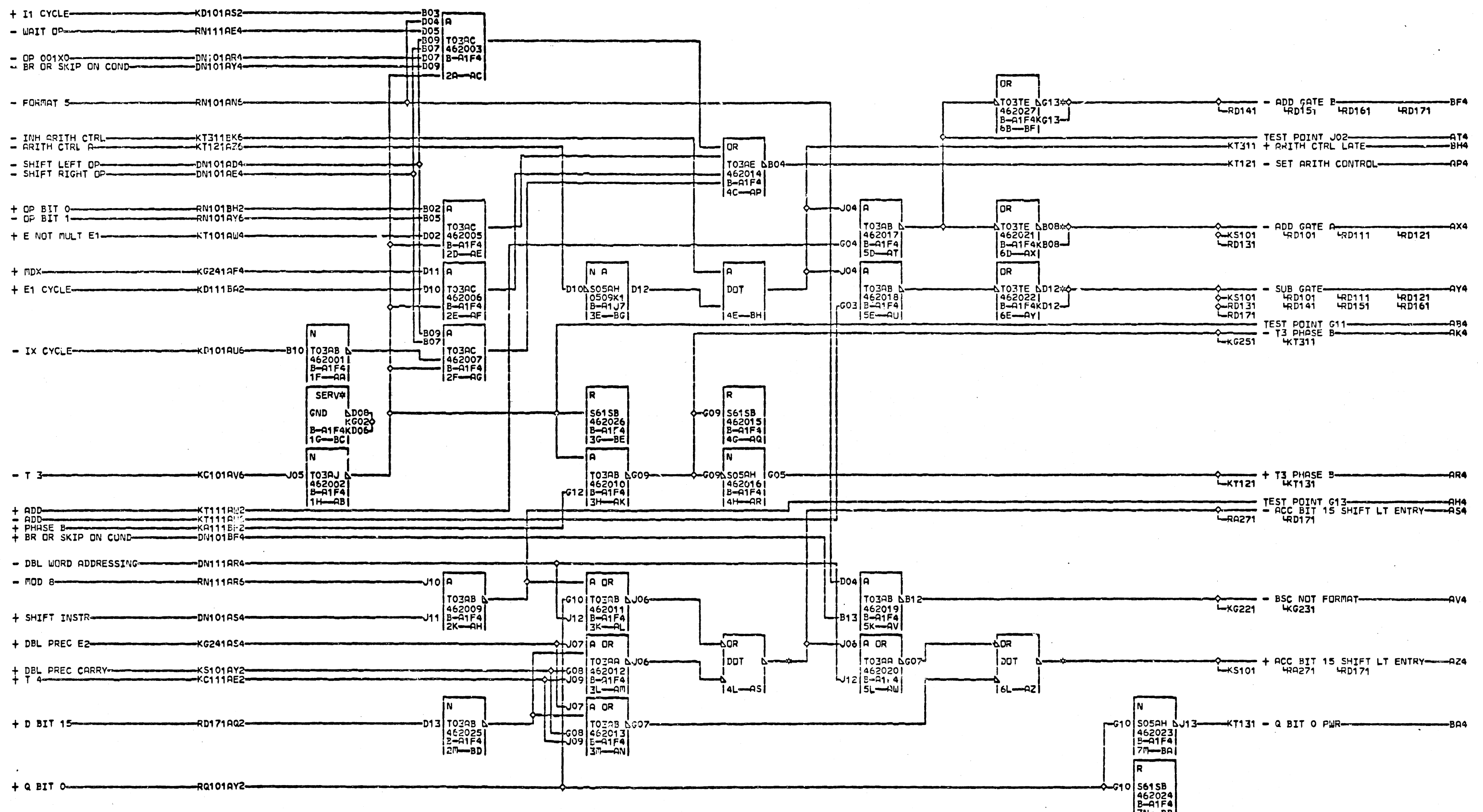


AR2 B-A1A4D05

02-17-65 415480
 03-04-65 415480A
 04-28-65 415480D
 07-20-65 415481
 08-26-65 415483
 02-24-67 419633

ZERO REMAINDER		
SET DIV OFLO E1 E2		
DATE	03-09-67	FRAC# 1131
LOG	047F FRAME	01
PaNo 2201046		000
IBM CORP.	GPD BLK#	AU

KT131

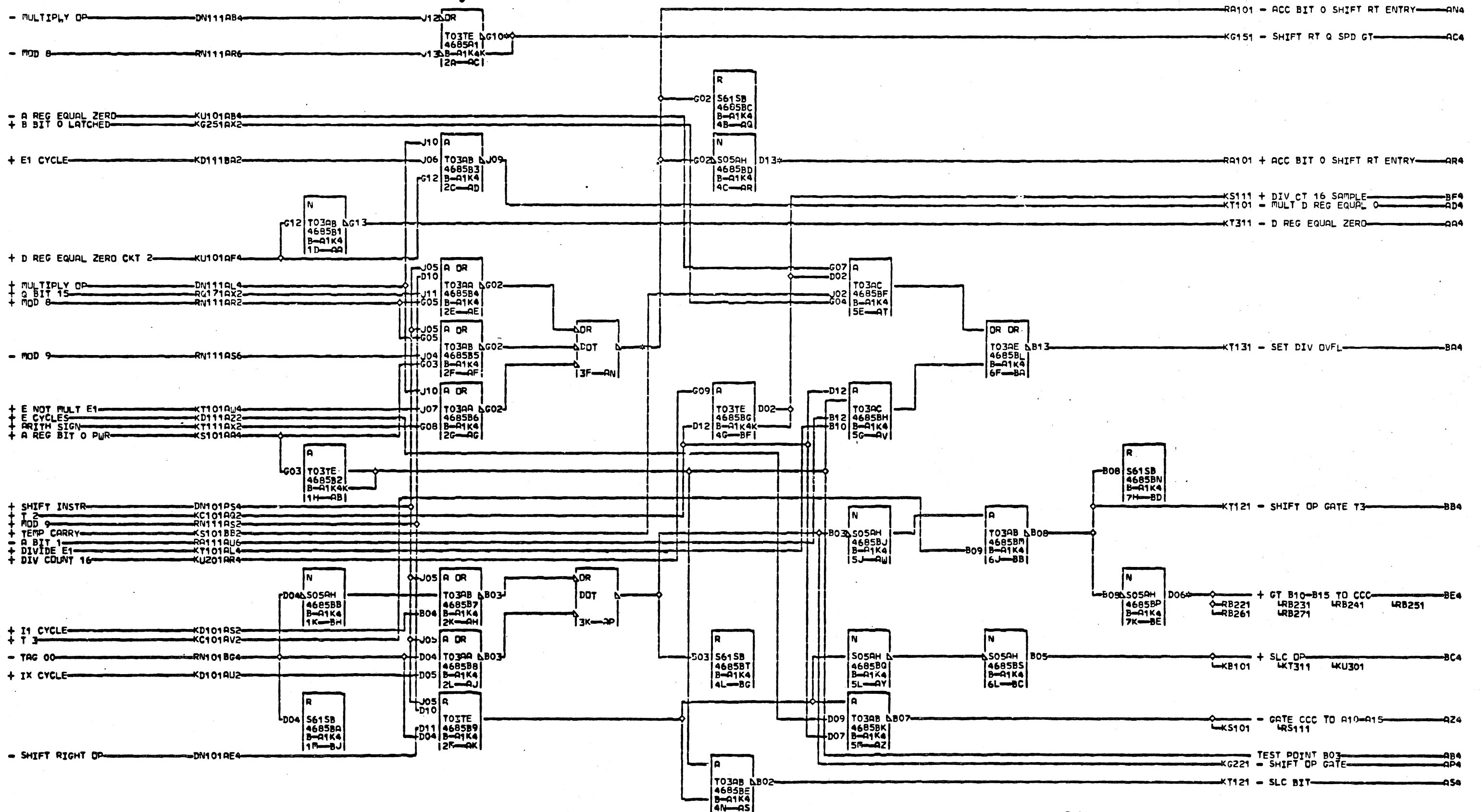


KT201
000

AS4 B-A1N4D13
 01B-B1A4D13
 AX4 B-A1N4B11
 01B-B1A4B11
 AY4 B-A1N4D11
 J1B-B1A4D11
 AZ4 B-A1N4B13
 01B-B1A4B13
 BF4 B-A1N5D06

02-17-65 415480
 03-04-65 415480A
 04-28-65 415480D
 07-20-65 415481
 08-26-65 415483
 05-30-66 419613
 10-14-66 419623

ADD SUB GT A 15 SHIFT LT ENTR	K
SET ARITH CTRL T3 PHASE B	T
DATE 09-27-66 MACH. 1131	2
LOG 271M FRAME 01	0
	1
PoNo 2201047	000
IBM CORP. GPD BLK. BU	



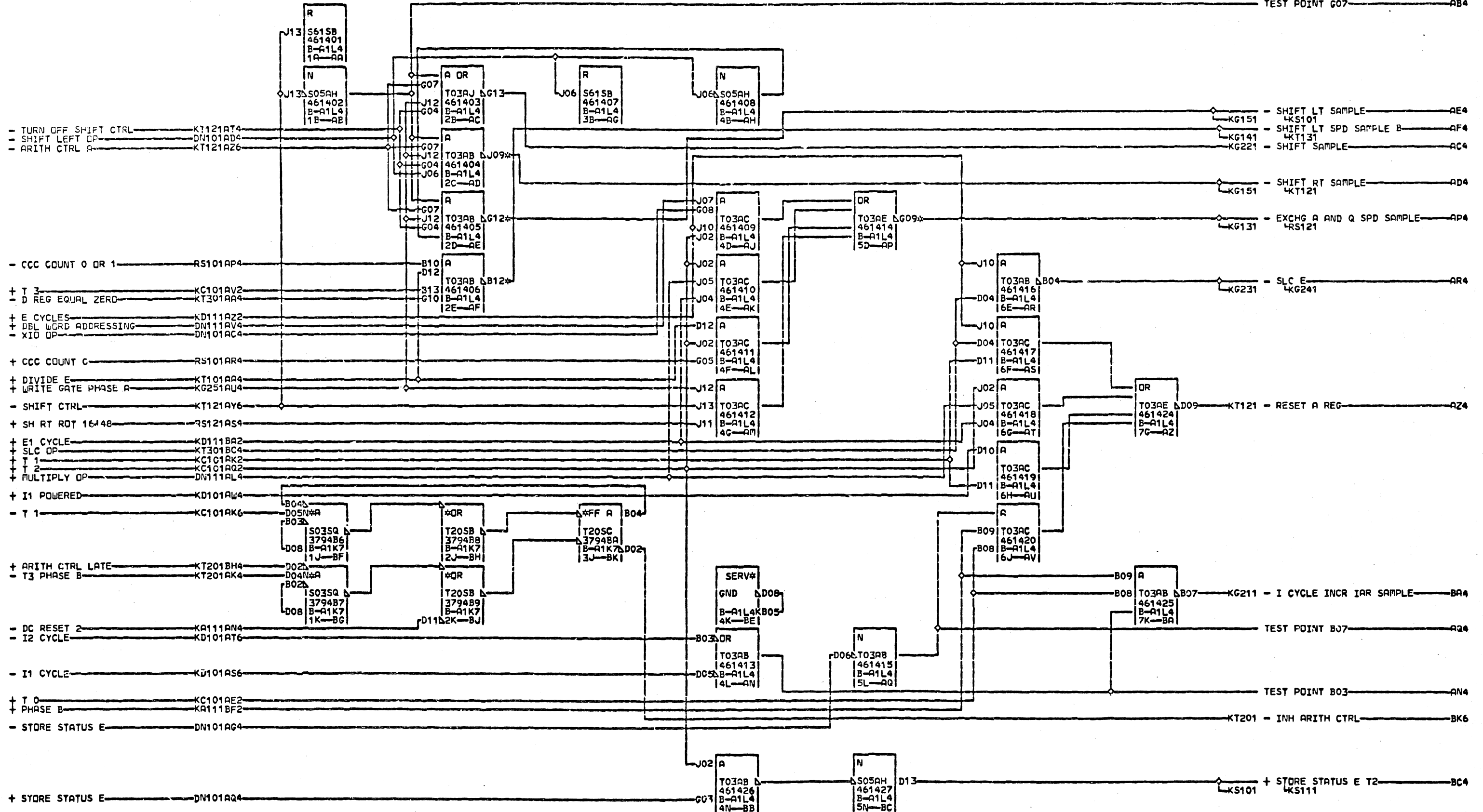
K
T
3
0
1

AC4 B-A1N3D06
 01B-B1A3D06
 AN4 B-A1N4D12
 01B-B1A4D12
 AR3 B-A1N4B12
 01B-B1A4B12
 BE4 B-A1N3D10
 01B-B1A3D10

02-17-65 415480
 03-04-65 415480A
 04-28-65 415480D
 07-20-65 415481
 08-26-65 415483
 02-24-67 419633

A BIT 0 SHIFT RT ENTR	SLC	K
SHIFT OP GATE SET DIV OPLD		T
DATE 03-09-67 MACH. 1131		3
LDG 047F FRAME 01		0
		1
	P.N. 2201048	000
IBM CORP. GPD BLK.		BK

TEST POINT G07 AB4



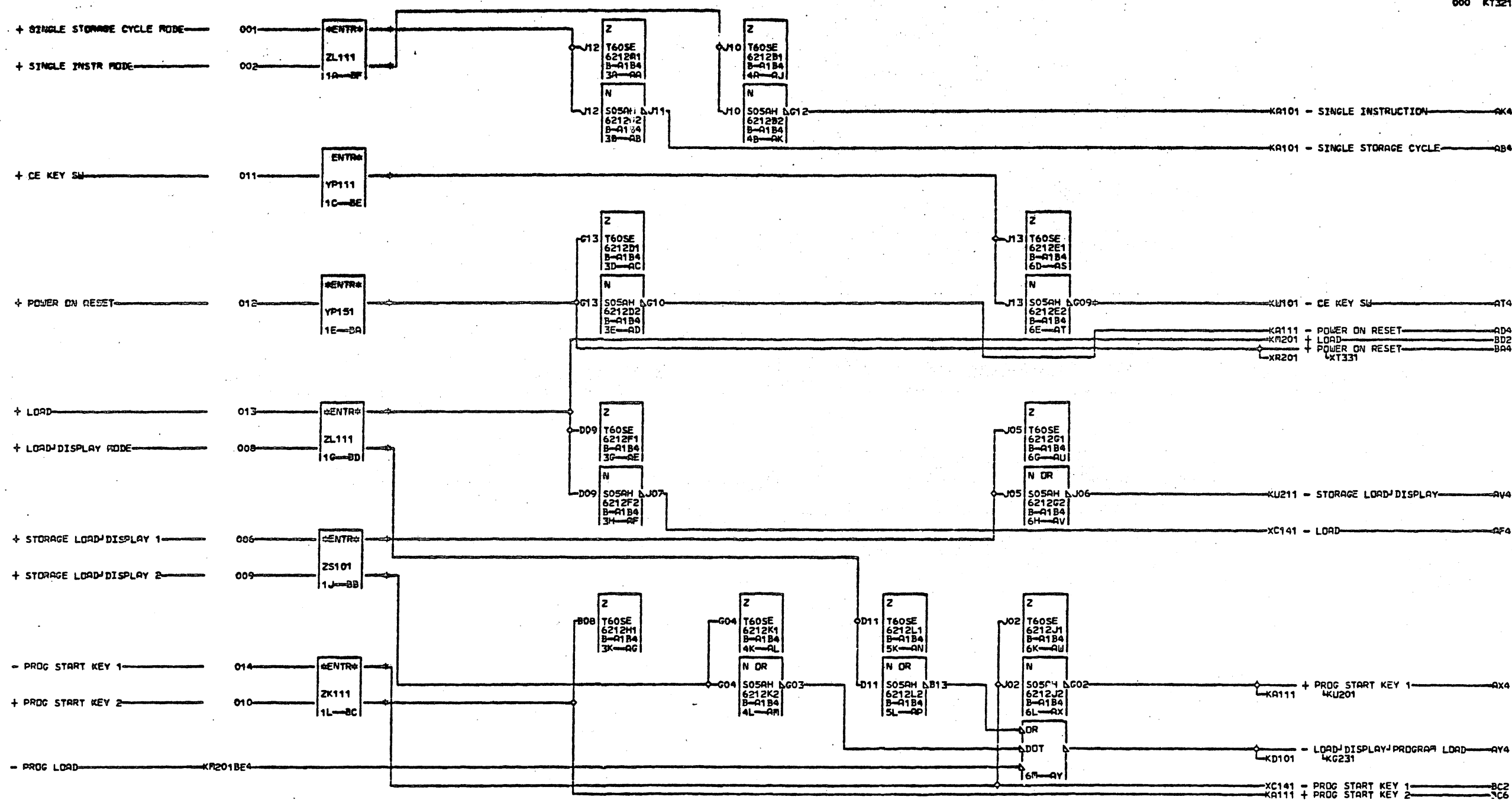
- TURN OFF SHIFT CTRL KT121A74
- SHIFT LEFT OP DN101AD4
- ARITH CTRL A KT121A26
- CCC COUNT 0 OR 1 RS101AP4
- + T 3 KC101AV2
- + D REG EQUAL ZERO KT301AA4
- + E CYCLES KD111A22
- + DBL WORD ADDRESSING DN111AV4
- XID OP DN101AC4
- + CCC COUNT C RS101AR4
- + DIVIDE E KT101AA4
- + WRITE GATE PHASE A KG251AU4
- SHIFT CTRL KT121AY6
- + SH RT ROT 16/48 RS121AS4
- + E1 CYCLE KD111BA2
- + SLC OP KT301BC4
- + T 1 KC101AK2
- + T 2 KC101AQ2
- + MULTIPLY OP DN111AL4
- + I1 POWERED KD101AW4
- T 1 KC101AK6
- + ARITH CTRL LATE KT201BH4
- T3 PHASE B KT201AK4
- DC RESET 2 KA111AN4
- I2 CYCLE KD101AT6
- I1 CYCLE KD101AS6
- + T 0 KC101AE2
- + PHASE B KA111BF2
- STORE STATUS E DN101AG4
- + STORE STATUS E DN101AQ4

- KG151 - SHIFT LT SAMPLE AE4
- KG141 - SHIFT LT SPD SAMPLE B AF4
- KG221 - SHIFT SAMPLE AC4
- KG151 - SHIFT RT SAMPLE AD4
- KT121
- KG131 - EXCHG A AND Q SPD SAMPLE AP4
- RS121
- KG231 - SLC E AR4
- KG241
- KT121 - RESET A REG A24
- KG211 - I CYCLE INCR IAR SAMPLE BA4
- TEST POINT B07 A24
- TEST POINT B03 AN4
- KT201 - INH ARITH CTRL BK6
- KS101 + STORE STATUS E T2 BC4
- KS111

K	AD4 B-A1N3D07
T	01B-B1A3D07
3	AE4 B-A1N3B07
1	01B-B1A3B07
1	AF4 B-A1N3B06
	01B-B1A3B06
	AP4 B-A1N3B08
	01B-B1A3B08

02-17-65 415480
 03-04-65 415480A
 04-28-65 415480D
 07-20-65 415481
 08-26-65 415483
 08-05-66 419616
 10-14-66 419623

SHIFT RT/LT SAMPLE	SLC E	K
RESET ACC I CYCLE INCR	IAR INCR	T
DATE 09-27-66	MACH# 1131	3
LOG	271M FRAME	01
		1
	Pa# 2201049	000
IBM CORP.	GPD BLK.	BL



AT4 B-A1A7D10 01B-A1A7B04 BF6 B-A1A5D11
 01A-C1N6D10 01A-C1N6B04
 BA4 B-A1A6D05 01A-C1A7B04
 01A-C1N4D05 01A-B1N7B04
 01A-C1A7B09 BC6 B-A1A5D07
 01A-B1N7B09 BD2 B-A1A5B03
 BB2 B-A1A5B04 BD6 B-A1A5B02
 BB6 B-A1A5D05 BE4 B-A1A5B12
 BC2 B-A1A5D06 BF2 B-A1A5D12

02-17-65 415480
 03-04-65 415480A
 04-28-65 415480D
 07-20-65 415481
 08-26-65 415483
 12-28-65 415725

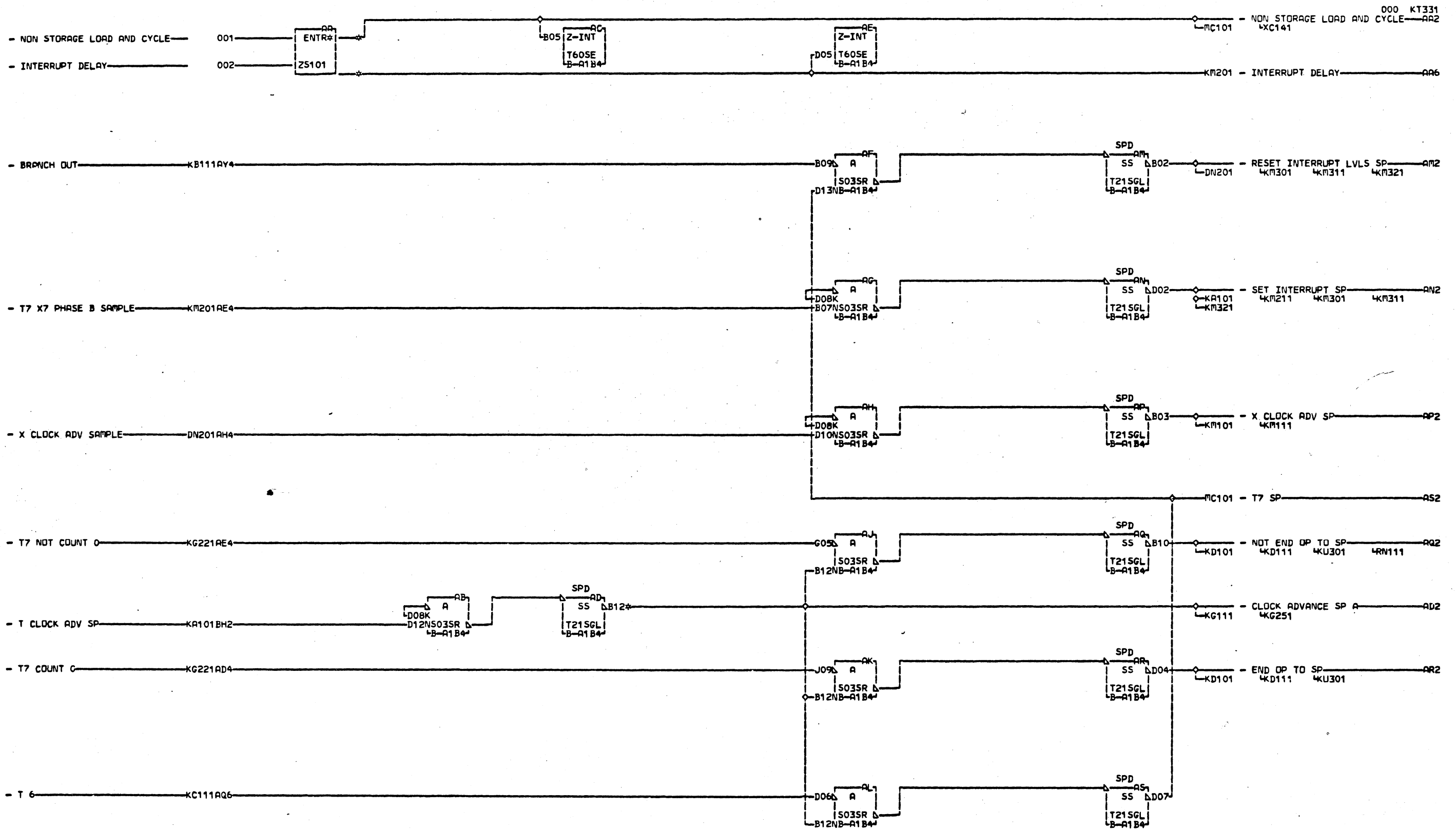
CONSOLE SIGNAL INTEGRATORS			
DATE	01-10-66	MACH	1131
LDG	004B	FRAME	01
		PeNo	2201295
IBM CORP.	GPD	BLK	8C

K
T
3
2
1

000

K
T
3
2
1

000



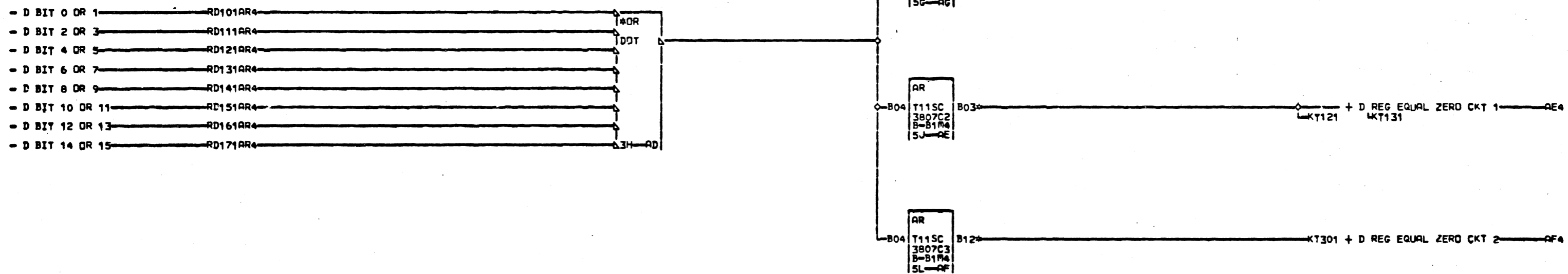
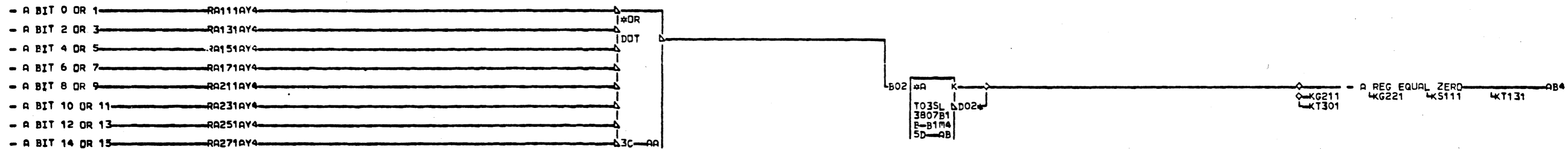
000 KT331
NON STORAGE LOAD AND CYCLE AA2
XC141

AA2 B-A1A5D05
AA6 B-A1A5B13
AD2 E-A1N3B03
O1B-B1A3B03

LOC. TYPE
B-A1B4 6212

INT LVL SET/RESET SPD T7 SPD	K
CLOCK ADV SPD END OP TO SPD	T
E.C. HISTORY MACH#1131	3
41548C 41548J	3
415480A 419616	01
415480D 419623	1
415481	IBM CORP. GPD
DATE LAST EC	000
07-12-68 419659	Pa# 2201052

K
T
3
3
1
000



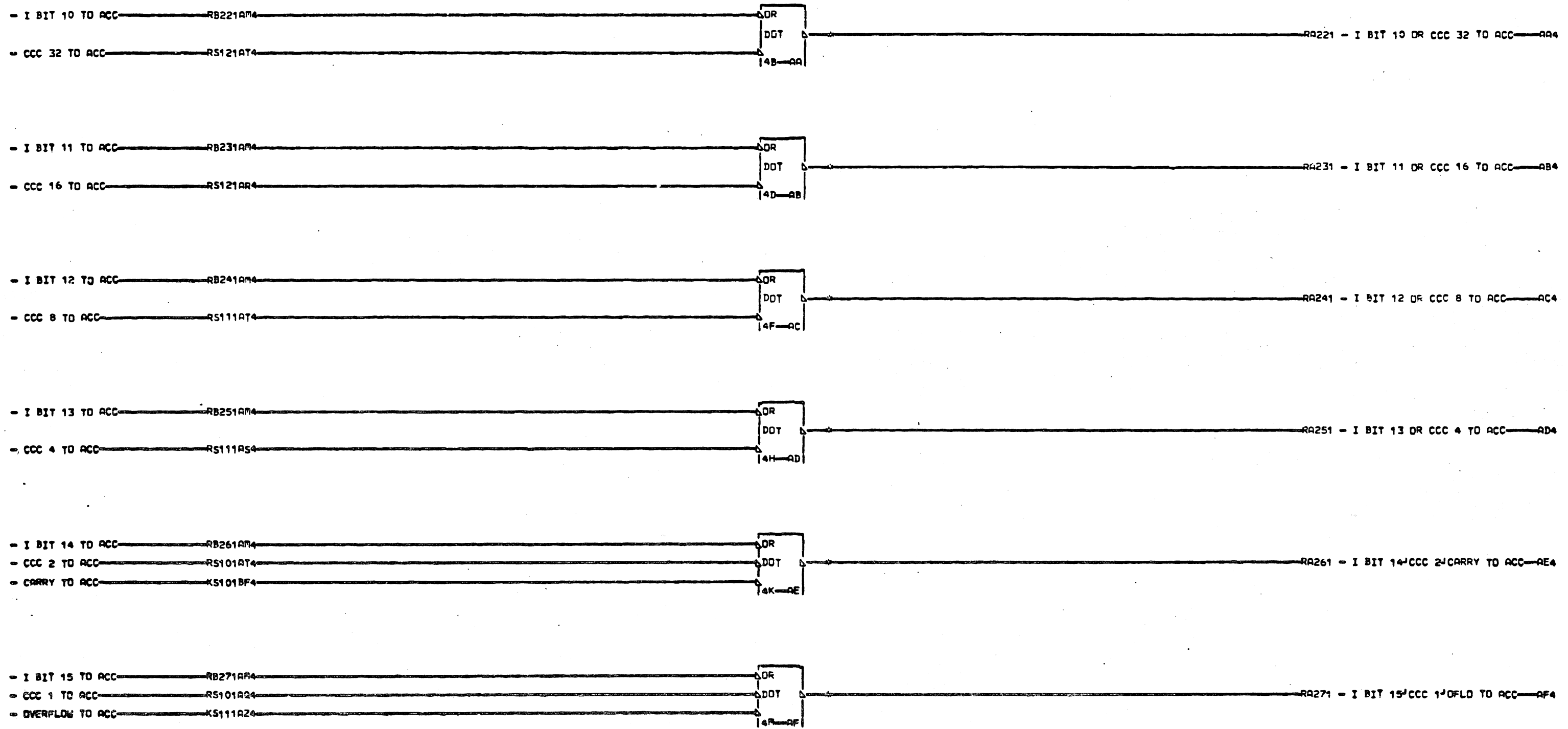
000
K
U
1
0
1

AB4 E-B1A4D04
 01B-A1N4D04
 AE4 B-B1A4B04
 01B-A1N4B04
 AF4 B-B1F1A11
 01B-A1F1A11

02-17-65 415480
 03-04-65 415480A
 04-28-65 415480D
 07-20-65 415481
 08-26-65 415483
 02-24-67 419633

ACCUMULATOR-A REG EQUAL ZERO
 ARITH FACTOR-D REG EQUAL ZERO
 DATE 03-09-67 PACH# 1131
 LOG 047F FRAME C1
 P# 2201053
 IBM CORP. GPD BLK# AM

K
U
1
0
1
000

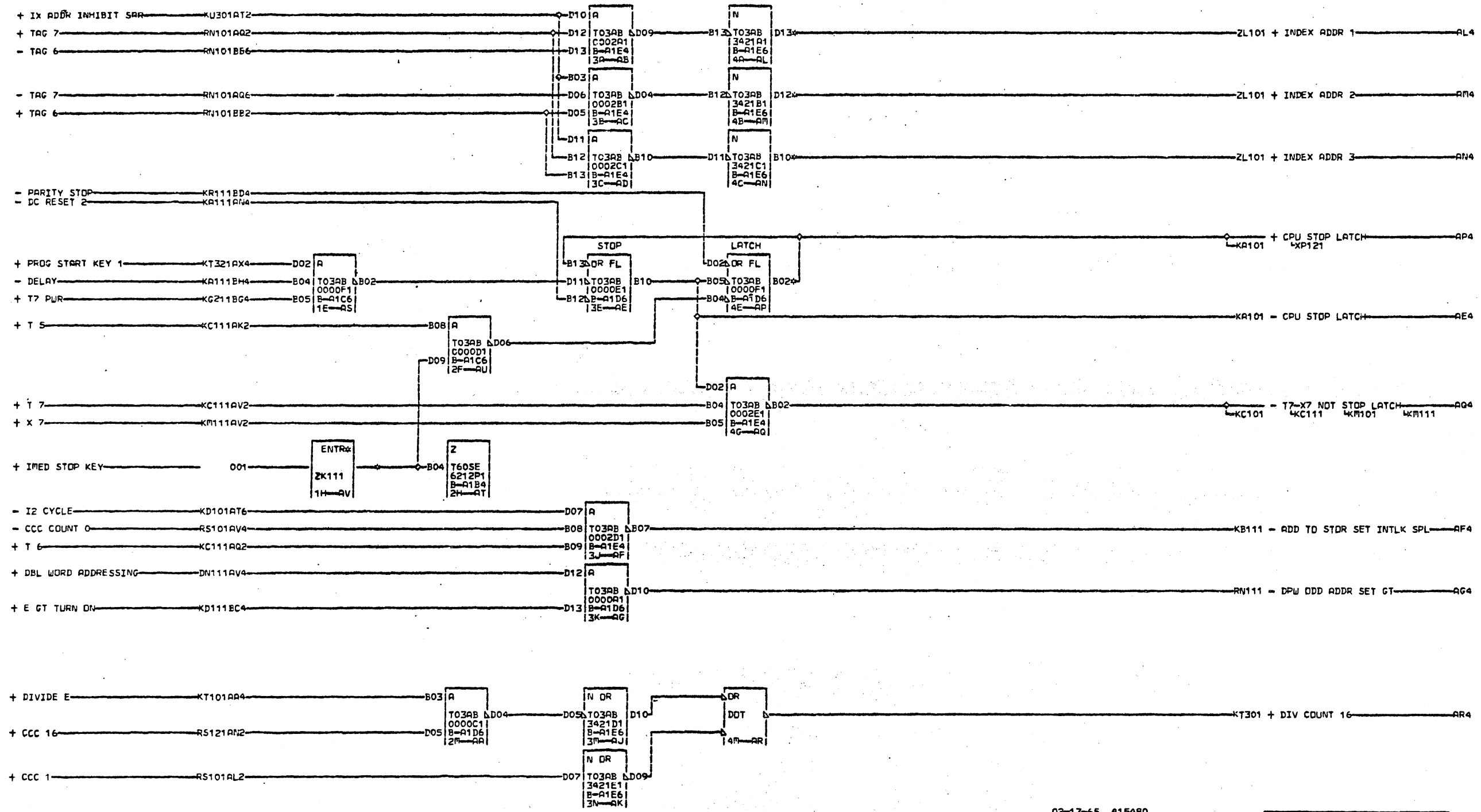


K
U
1
1
000

AA4 B-A1N3B11 01B-B1A3B13
 01B-B1A3B11 AF4 B-A1N3D13
 AB4 B-A1N3D11 01B-B1A3D13
 01B-B1A3D11
 AC4 B-A1N3B12
 01B-B1A3B12
 AD4 B-A1N3D12
 01B-B1A3D12
 AE4 B-A1N3B13

02-17-65 415480
 04-28-65 415480D
 08-26-65 415483
 02-24-67 419633

ACC INPUT BUSS - I BITS 10-15			K
CCC 32-1 CARRY OVERFLOW			U
DATE 03-09-67 RACH. 1131			1
LOG	047F FRAME	01	1
P.No 2201054			1
IBR CORP. GPD BLK.			000
			AC



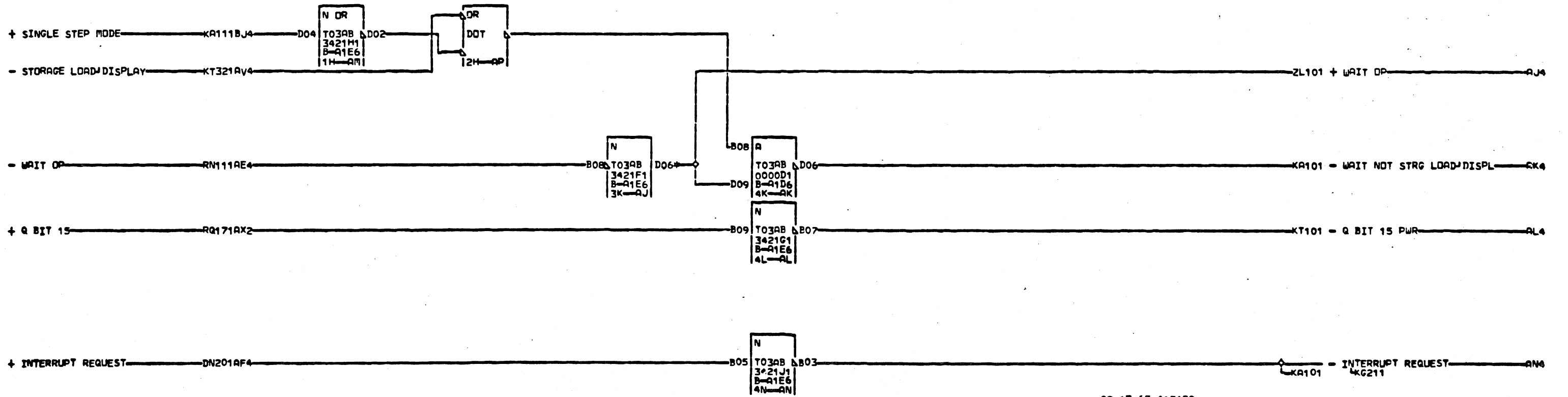
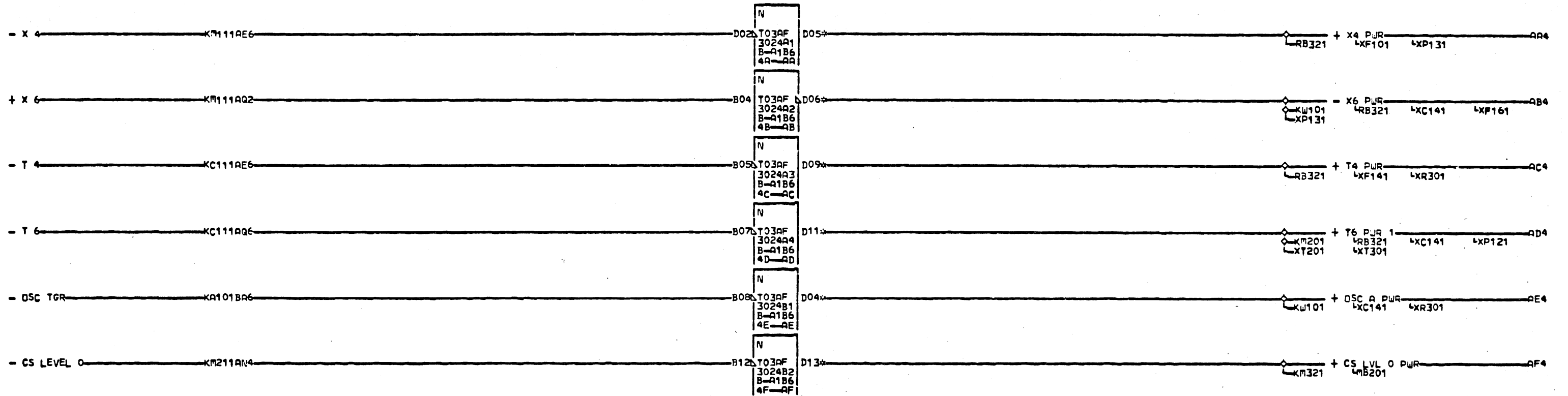
K
U
2
0
1
000

AL4 B-A1A2B12 AV4 B-A1A5D09
 AP4 B-A1A2E13
 AN4 B-A1A2D13
 AP8 B-A1A7D09
 O1A-C1A6D09
 O1A-C1A7D09
 O1A-B1A7D09
 O1A-B1A5D09
 O1A-A1A5D09

02-17-65 415480
 03-04-65 415480A
 04-28-65 415480D
 07-20-65 415481
 08-26-65 415483

INDEX ADDR 1+2+3	STOP LATCH	
DIV COUNT 16		
DATE	09-01-65	MACH. 1131
LOG	244N FRAME	01
	P.No.	2201055
IBM CORP.	GPD BLK.	AW

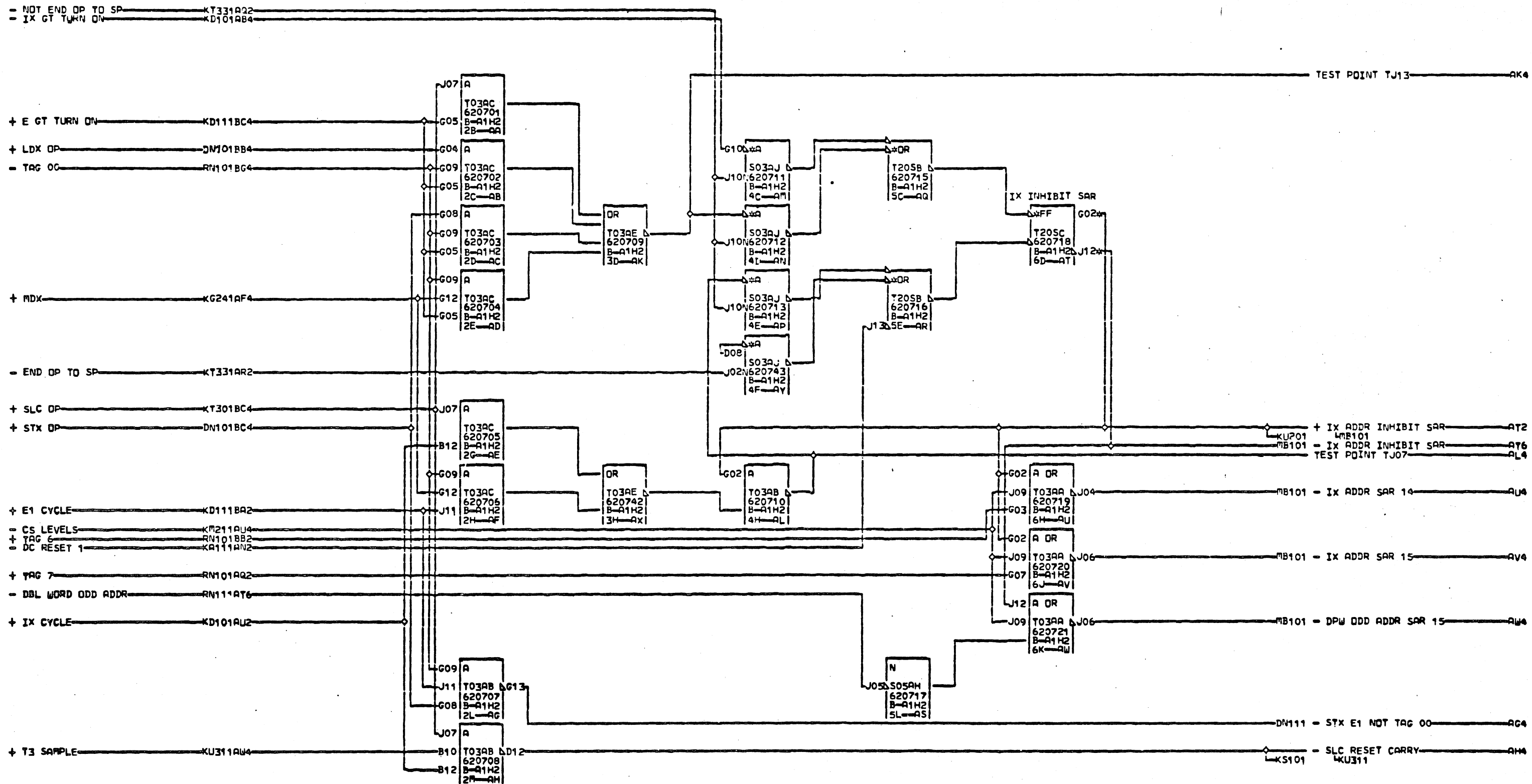
K
U
2
0
1
000



AA4 B-A1A6D12	01A-B1N6D13	AD4 B-A1A6B12	01A-B1N6B11
01A-C1N4D12	01A-A1N3D13	01A-C1N4B12	AF4 B-A1N7B10
01A-C1A6D12	01A-A1M3D13	01A-C1A6B12	01B-B1A7B10
01A-B1N6D12	AC4 B-A1A6B13	01A-B1N6B12	AJ4 B-A1A2D12
01A-A1N3D12	01A-C1N4B13	01A-A1N3B12	
01A-A1M3D12	01A-C1A6B13	01A-A1M3B12	
AB4 B-A1A6D13	01A-B1N6B13	AE4 B-A1A6D10	
01A-C1N4D13	01A-A1N3B13	01A-C1N4D10	
01A-C1A6D13	01A-A1M3B13	01A-C1A6B11	

02-17-65 415480
 03-04-65 415480A
 04-28-65 415480D
 07-20-65 415481
 08-26-65 415483
 02-24-67 419633

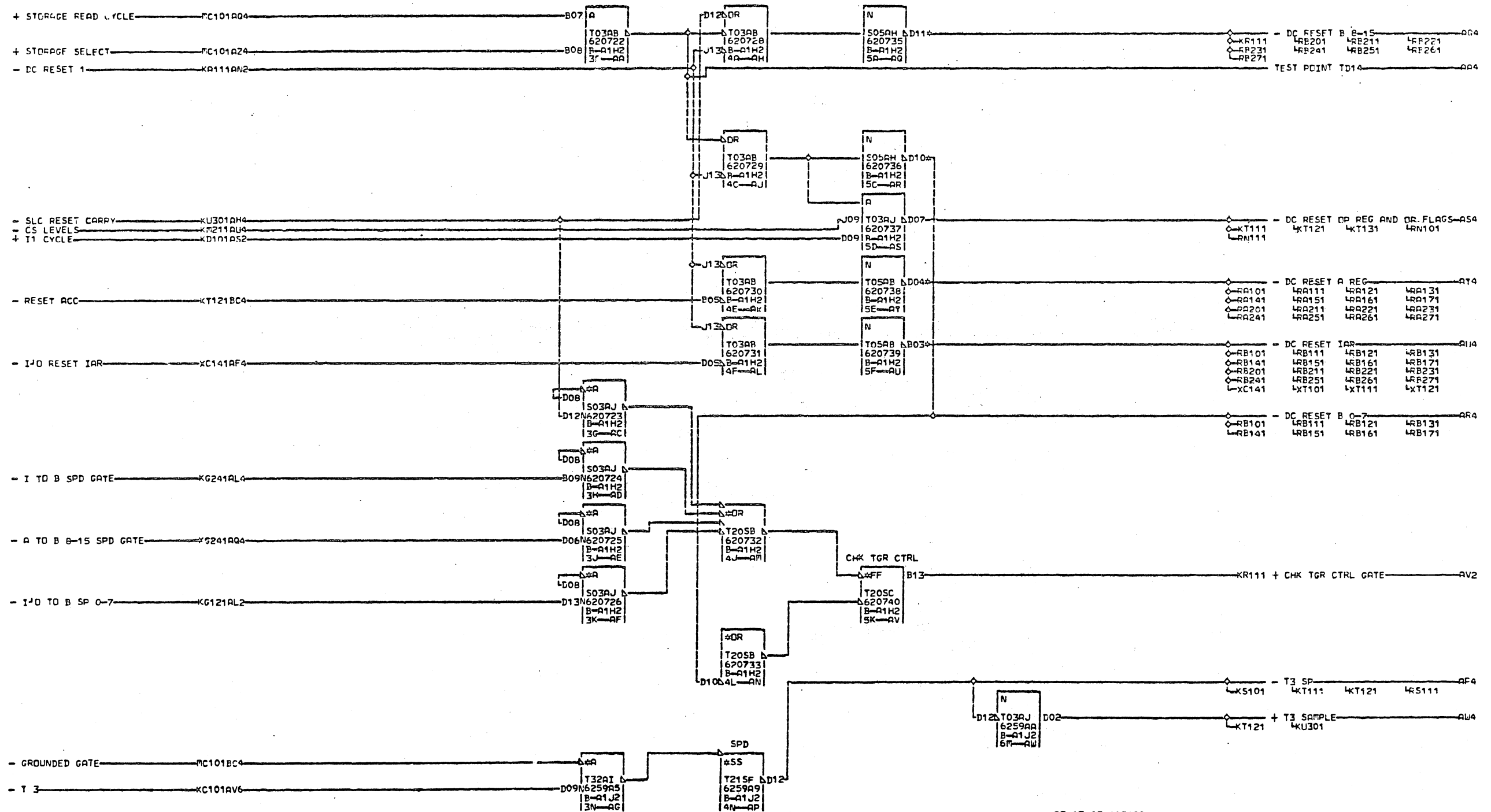
T AND X CLK OSC A/PRG LD PWR
 WAIT NOT STOR LOAD DISP
 DATE 03-09-67 PACH. 1131
 LOG 047F FRAME 01
 P.No. 2201056
 IBA CORP. CPD BLK. AQ



AT2 B-A1F1E09
 01B-B1F1E09
 AT6 B-A1F1E11
 01B-B1F1E11

02-17-65 415480
 03-04-65 415480A
 04-28-65 415480D
 07-20-65 415481
 08-26-65 415483
 02-24-67 419633

IX ADDR INHIBIT SAR	STX E1
NOT TAG 00	SLC RESET CARRY
DATE 03-09-67 MACH# 1131	
LOG	047F FRAME 01
P#No 2201057	
IBM CORP.	GPD BLK# AZ

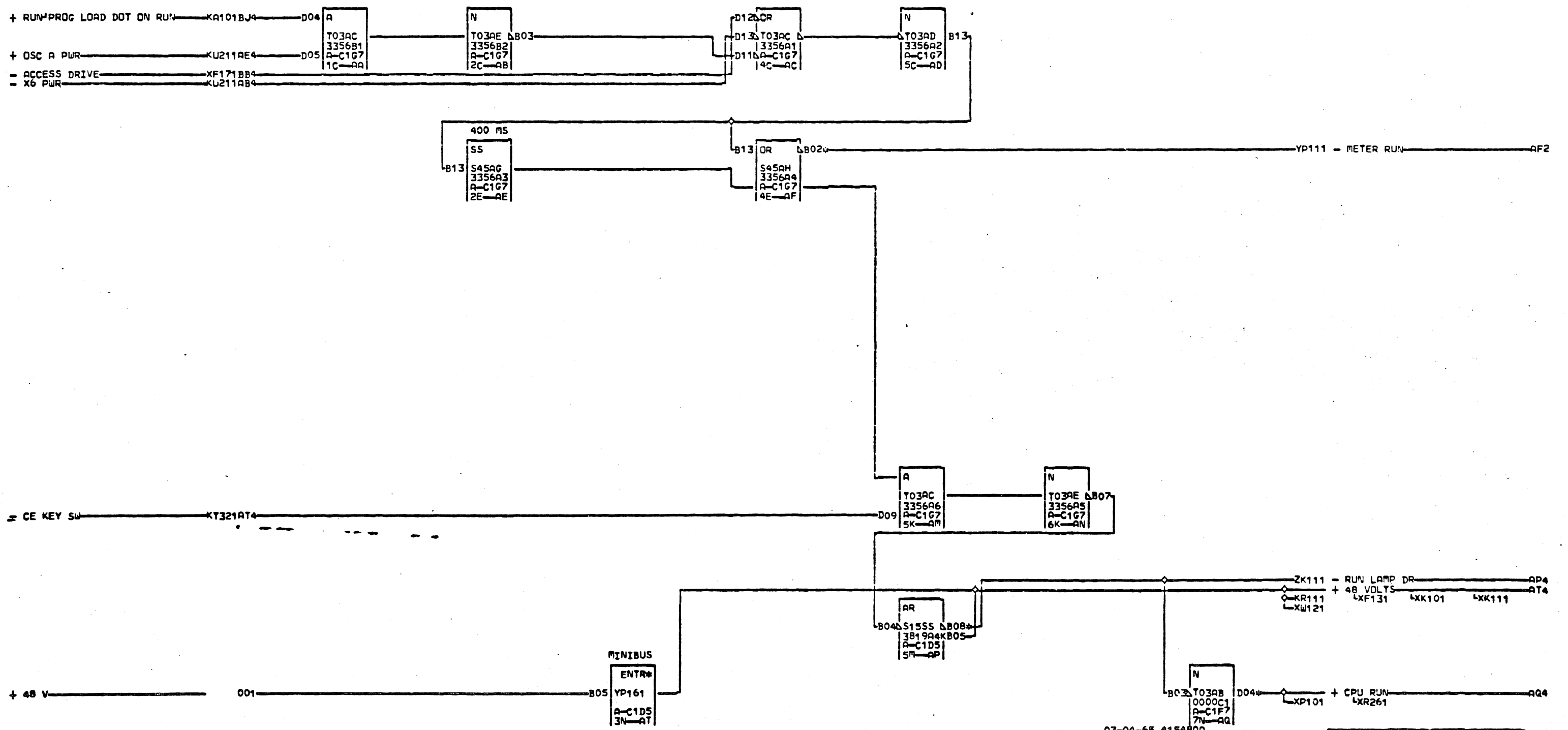


K
U
3
1
1
000

A04 B-A1N2D12 01A-C1N6D04
 01B-B1A2D12 01A-C1A7D03
 AR4 B-A1N4D02 01A-B1N7D03
 01B-B1A4D02
 AT4 B-A1N4B08
 01B-B1A4F08
 AU4 B-B1A2D13
 01B-A1N2D13
 01B-A1A7D04

02-17-65 415480
 03-04-65 415480A
 04-28-65 415480D
 07-20-65 415481
 08-26-65 415483
 05-09-66 419608
 05-16-66 419609

REGISTER RESET		
PARITY CHECK CONTROL GATE		
DATE	05-09-66	MACH# 1131
LOG	126C FRAME	01
PcNo 2201058		000
IBM CORP.	GPD BLK.	AK



AF2 A-C1A5B13
 AP4 A-C1A5D09
 AQ4 A-C1A7D07
 01A-B1N7D07
 01A-B1A5D07
 01A-A1N5D07

03-04-63 415480A
 04-28-65 415480D
 07-20-65 415481
 08-26-65 415483
 03-10-66 415709G
 02-24-67 419633

PROCESSOR USAGE METERS			
CONTRCL			
DATE	03-09-67	MACH#	1131
LOG	047F	FRAME	01
P#No		2201215	
IBM CORP. GPD BLK#			AU

K
 M
 0
 1
 000