

SERVICE MANUAL CHANGES

MANUAL IDENTIFICATION

Model Number: Model 64155A
 Date Printed: June 1981
 Part Number: 64155-90901

This supplement contains important information for correcting manual errors and for adapting the manual to instruments containing improvements made after the printing of the manual.

To use this supplement:

Make all ERRATA corrections.

Make all appropriate serial number related changes indicated in the tables below.

Serial Prefix or Number	Make Manual Changes	Serial Prefix or Number	Make Manual Changes
2227A	1		
2350A	2		

▲ NEW ITEM

ERRATA

Section VIII,

Page 8-15, Table 8-1, Logic Symbols,

Delete: (NPN) and (PNP) in the definition for open circuit outputs listed under the heading "Other Symbols".

Page 8-19, Figure 8-4, CPU Access Timing (Sheet 2),

Add: Off-page references for LEBUP, LEBYT, and LBWRT as shown in Figure 1.

Page 8-21, Figure 8-5, Emulation Access Timing (Sheet 2),

Change: Off-page references for LEBUP and LEBYT to those shown in Figure 2.

Page 8-29, Figure 8-9, Address Mapper (Sheet 2),

Delete: LEBUP and LEBYT lines from schematic as shown in Figure 3.

NOTE

Manual change supplements are revised as often as necessary to keep manuals as current and accurate as possible. Hewlett-Packard recommends that you periodically request the latest edition of this supplement. When requesting copies quote the manual identification information from your supplement, or the model number and print date from the title page of the manual.

CHANGE 1

Section IV,

Page 4-15, Paragraph 4-29,

Change: "6147 RAMs" to "Mapper RAMs".

Section VI,

Page 6-1, Paragraphs 6-3 and 6-4, Exchange Assemblies,

Change: Rebuilt Part Number to 64155-69502.

Page 6-4, Table 6-2, Replaceable Parts,

Change: Wide Address Memory Controller to HP Part No. 64155-66502,

CD 1, Qty 1, Wide Address Memory Controller, Mfr Code 28480,

Mfr Part No. 64155-66502.

Page 6-6, Table 6-2, Replaceable Parts,

Change: the following parts to the types listed.

Reference Designation	HP Part Number	C D	Qty	Description	Mfr Code	Mfr Part Number
U23	1810-0273	9	2	NETWORK-RES 10-SIP 470 OHM X 9	28480	1810-0273
U24	1810-0273	9		NETWORK-RES 10-SIP 470 OHM X 9	28480	1810-0273
U45	1818-3013	7	16	IC CMOS 4096 (4K) RAM STAT 35-NS 3-S	28480	1818-3013
U46	1818-3013	7		IC CMOS 4096 (4K) RAM STAT 35-NS 3-S	28480	1818-3013
U47	1818-3013	7		IC CMOS 4096 (4K) RAM STAT 35-NS 3-S	28480	1818-3013
U48	1818-3013	7		IC CMOS 4096 (4K) RAM STAT 35-NS 3-S	28480	1818-3013
U57	1818-3013	7		IC CMOS 4096 (4K) RAM STAT 35-NS 3-S	28480	1818-3013
U58	1818-3013	7		IC CMOS 4096 (4K) RAM STAT 35-NS 3-S	28480	1818-3013
U59	1818-3013	7		IC CMOS 4096 (4K) RAM STAT 35-NS 3-S	28480	1818-3013
U60	1818-3013	7		IC CMOS 4096 (4K) RAM STAT 35-NS 3-S	28480	1818-3013
U69	1818-3013	7		IC CMOS 4096 (4K) RAM STAT 35-NS 3-S	28480	1818-3013
U70	1818-3013	7		IC CMOS 4096 (4K) RAM STAT 35-NS 3-S	28480	1818-3013
U71	1818-3013	7		IC CMOS 4096 (4K) RAM STAT 35-NS 3-S	28480	1818-3013
U72	1818-3013	7		IC CMOS 4096 (4K) RAM STAT 35-NS 3-S	28480	1818-3013
U81	1818-3013	7		IC CMOS 4096 (4K) RAM STAT 35-NS 3-S	28480	1818-3013
U82	1818-3013	7		IC CMOS 4096 (4K) RAM STAT 35-NS 3-S	28480	1818-3013
U83	1818-3013	7		IC CMOS 4096 (4K) RAM STAT 35-NS 3-S	28480	1818-3013
U84	1818-3013	7		IC CMOS 4096 (4K) RAM STAT 35-NS 3-S	28480	1818-3013

Page 6-7, Table 6-2, Replaceable Parts,

Add: the following parts.

Reference Designation	HP Part Number	C D	Qty	Description	Mfr Code	Mfr Part Number
XU45	1200-0539	7	16	SOCKET-IC 18-CONT DIP DIP-SLDR	28480	1200-0539
XU58	1200-0539	7		SOCKET-IC 18-CONT DIP DIP-SLDR	28480	1200-0539
XU59	1200-0539	7		SOCKET-IC 18-CONT DIP DIP-SLDR	28480	1200-0539
XU60	1200-0539	7		SOCKET-IC 18-CONT DIP DIP-SLDR	28480	1200-0539

Section VIII,

Page 8-27, Figure 8-8, Mapper RAMs (Sheet 2),

Delete: Dashed line surrounding U45,U58,U59,U60.

Delete: Reference "SEE NOTE A".

Delete: "NOTE A" and the associated text.

▲CHANGE 2

Section VI,

Page 6-1, Paragraphs 6-3 and 6-4, Exchange Assemblies,

Change: Rebuilt Part Number to 64155-69503

Page 6-4, Table 6-2, Replaceable Parts,

Change: Wide Address Memory Controller to HP Part No. 64155-66503,
CD 2, Qty 1, Wide Address Memory, Controller, Mfr Code 28480,
Mfr Part No. 64155-66503.

Change: C1-29, C32-45, C47-49, C51, C53, C55-69, to
HP Part No. 0160-5246, CD 6, Qty 73 (for C1 only),
CAPACITOR-FXD .1UF +80-20% 50VDC CER, Mfr Code 28480,
Mfr Part No. 0160-5246.

Page 6-5, Table 6-2, Replaceable Parts,

Change: C70-80, 82 to HP Part No. 0160-5246, CD 6,
CAPACITOR-FXD .1UF +80-20% 50VDC CER, Mfr Code 28480,
Mfr Part No. 0160-5246.

Delete: C81, 83

Page 6-7, Table 6-2, Replaceable Parts,

Delete: XU45-48, XU57-60, XU69-72, XU81-84

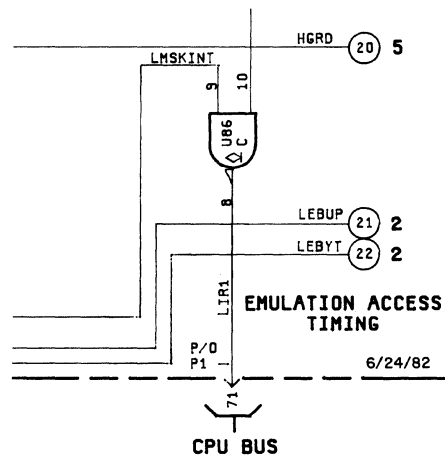


Figure 2. Modification to Figure 8-5, Emulation Access Timing (Sheet 2)

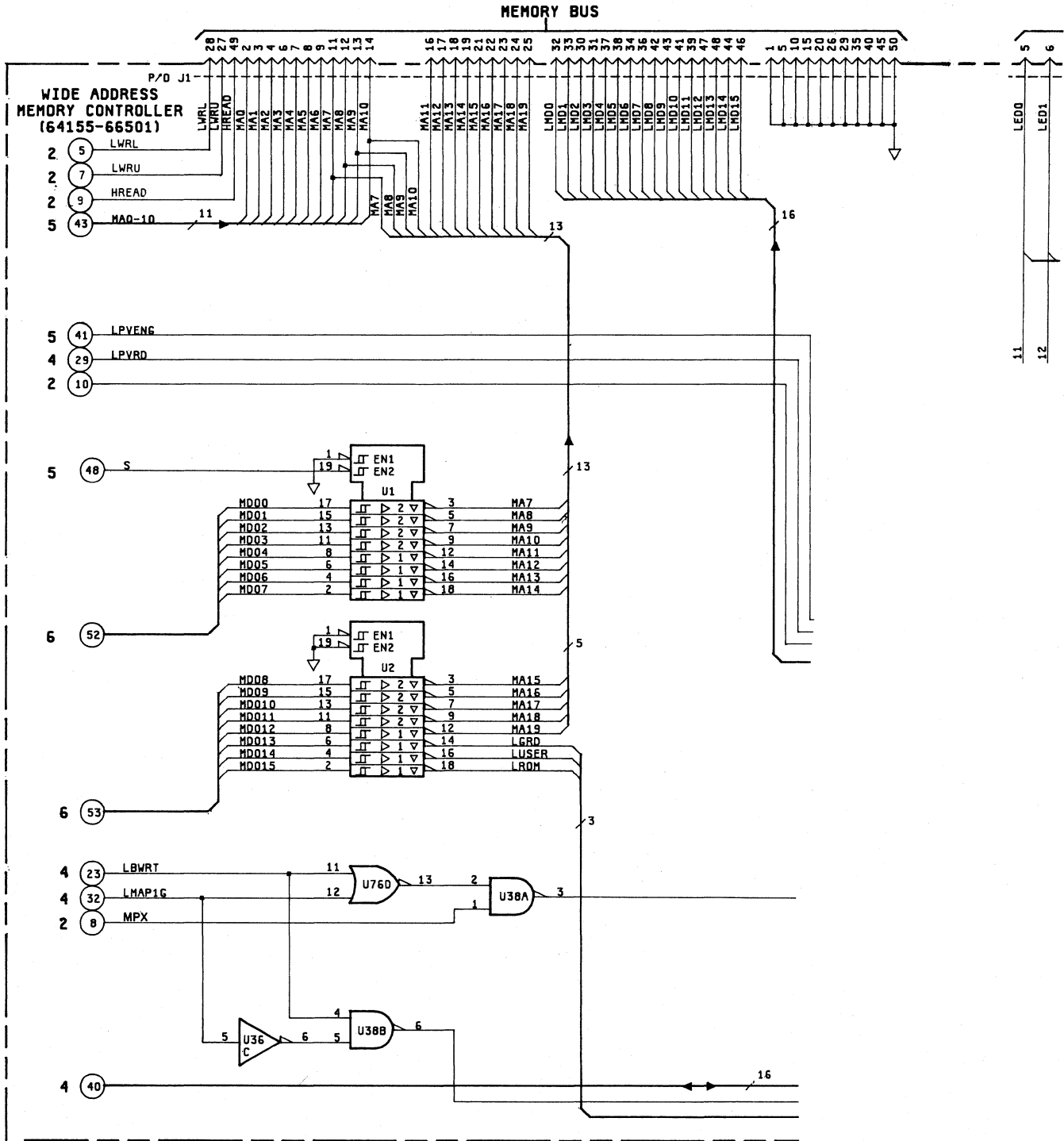


Figure 3. Modification to Figure 8-9, Address Mapper (Sheet 2)