

OPERATING AND SERVICE MANUAL

13210A

**DISC DRIVE INTERFACE KIT
(FOR THE 2100 SERIES COMPUTERS)**

Printed-Circuit Assemblies

13210-60000, Series 1211, 1249, 1438
13210-60004, Series 1211, 1232

Note

This manual is directly applicable to interface kits with serial prefixes shown above and can also be made applicable to interface kits with serial prefixes 1135 and 1138 by incorporating the appropriate changes listed in the appendix at the back of this manual.

CONTENTS

Section	Page	Section	Page
I GENERAL INFORMATION			
1-1. Introduction	1-1	3-56. Data Protect	3-5
1-3. General Description	1-1	3-58. Drive Unsafe	3-5
1-5. Interface Kit Contents	1-1	3-60. Overrun	3-5
1-7. Identification	1-1	3-62. First Status	3-5
1-12. Specifications	1-1	3-64. Programming Considerations	3-6
		3-65. Write Checking	3-6
II INSTALLATION		3-67. Disc Initialization	3-6
2-1. Introduction	2-1	3-70. Error Recovery Procedures	3-6
2-3. Unpacking and Initial Inspection	2-1	3-77. Typical Program	3-6
2-6. Installation	2-1		
		IV THEORY OF OPERATION	
III PROGRAMMING		4-1. Introduction	4-1
3-1. Introduction	3-1	4-3. Functional Description	4-1
3-3. Disc Drive Characteristics	3-1	4-4. Power On	4-1
3-6. Command Descriptions	3-1	4-7. Command Execution	4-1
3-11. Status Check	3-2	4-11. Data Transfer Execution	4-1
3-13. Write Data	3-2	4-17. Detailed Circuit Description	4-2
3-17. Read Data	3-2	4-18. Command Execution	4-2
3-20. Seek Record	3-2	4-21. Data Transfer Operations	4-2
3-24. Refine Sector	3-3	4-25. Write Operations	4-3
3-27. Check Data	3-3	4-29. Read Operations	4-3
3-31. Initialize Data	3-4		
3-35. Address Record	3-4	V MAINTENANCE	
3-36. Status Descriptions	3-4	5-1. Introduction	5-1
3-40. Any Error	3-4	5-3. Preventive Maintenance	5-1
3-42. Data Error	3-4	5-5. Calibration	5-1
3-44. Drive Busy	3-5	5-8. Troubleshooting	5-1
3-46. Flagged Cylinder	3-5		
3-48. Address Error	3-5	VI REPLACEABLE PARTS	
3-50. End of Cylinder	3-5	6-1. Introduction	6-1
3-52. Not Ready	3-5	6-4. Ordering Information	6-1
3-54. Seek Check	3-5		
		APPENDIX A — BACKDATING INFORMATION	

ILLUSTRATIONS

Figure	Title	Page	Figure	Title	Page
1-1.	HP 13210A Disc Drive Interface Kit	1-0	4-5.	Seek Record and Address Record Operations Flow Diagram	4-9
3-1.	Command Word Format	3-1	4-6.	Write, Read, Check Data, and Initialize Data Operations Flow Diagram	4-11
3-2.	Address Word Formats for Seek Record Command	3-3	4-7.	Status Operation Flow Diagram	4-13
3-3.	Sector Count Word Format for Check Data Command	3-3	4-8.	Read Data Separation Timing Diagram	4-15
4-1.	Sector Write Format	4-2	5-1.	Disc Interface 1 PCA Parts Location Diagram	5-3
4-2.	Data Bit Cell	4-3	5-2.	Disc Interface 1 PCA Schematic Diagram	5-5
4-3.	Disc Interface 1 PCA Block Diagram	4-5	5-3.	Disc Interface 2 PCA Location Diagram	5-8
4-4.	Disc Interface 2 PCA Block Diagram	4-7	5-4.	Disc Interface 2 PCA Schematic Diagram	5-9

TABLES

Table	Title	Page	Table	Title	Page
1-1.	HP 13210A Disc Drive Interface Kit Specifications	1-1	5-3.	Disc Interface 2 PCA (13210-60000) Replaceable Parts	5-7
3-1.	Computer to Interface Commands	3-1	5-4.	Interconnecting Cable Plug-to-Plug Connections	5-11
3-2.	Status Word Bits	3-4	6-1.	HP 13210A Disc Drive Interface Kit Replaceable Parts	6-1
3-3.	Typical Assembly Language Program	3-7	6-2.	Reference Designations and Abbreviations	6-2
5-1.	Mnemonic Definitions	5-1	6-3.	Code List of Manufacturers	6-3
5-2.	Disc Interface 1 PCA (13210-60004) Replaceable Parts	5-2			



13210-1

Figure 1-1. HP 13210A Disc Drive Interface Kit

SECTION I

GENERAL INFORMATION

1-1. INTRODUCTION.

1-2. This manual provides general information, installation, programming, theory of operation, maintenance, and replaceable parts information for the HP 13210A Disc Drive Interface Kit. (See figure 1-1.)

1-3. GENERAL DESCRIPTION.

1-4. The kit includes the control circuits and cable for connecting the HP 7900 Series Disc Drives to the HP 2100 Series Computers with direct memory access (DMA) capability. The control circuits are on two plug-in printed-circuit assemblies (PCA's) which install in the I/O portion of the computer card cage. The cable connects the PCA's to the disc drive.

Note

The plug-in PCA's should only be installed in HP computers with DMA capability. The PCA's should not be installed in the HP 2150A or 2150B Input/Output and Memory Extender, or in the HP 2151A Input/Output Extender. The extenders do not have the DMA capability necessary to operate the disc drive.

1-5. INTERFACE KIT CONTENTS.

1-6. The interface kit contains the following:

a. Disc Interface 1 printed-circuit assembly (part no. 13210-60004).

b. Disc Interface 2 printed-circuit assembly (part no. 13210-60000).

c. Interconnecting Cable, 20 feet long (part no. 13210-60003).

d. Operating and Service Manual (part no. 13210-90003).

1-7. IDENTIFICATION.

1-8. Hewlett-Packard uses five digits and a letter (00000A) to identify standard interface kits. If the designation of the kit received does not agree with the designation

on the title page of this manual, there are differences between the kit received and the kit described in this manual. These differences are explained in manual supplements available at HP Sales and Service Offices. (Addresses of these offices are listed at the back of this manual.)

1-9. Printed-circuit assembly revisions are identified by a letter, a series code, and a division code marked beneath the part number on the PCA. The letter identifies the revision of the etched trace pattern on the unloaded PCA. The four-digit series code pertains to the electrical characteristics of the loaded PCA and the positions of the components. The two-digit division code identifies the division of Hewlett-Packard that manufactured the PCA. If the series code numbers do not correspond exactly with the code numbers on the title page of this manual, the PCA's differ from those described in this manual. These differences are covered in manual supplements available at the nearest HP Sales and Service Office.

1-10. The interface cable is identified by a part number, marked on one of the plugs attached to the cable.

1-11. The manual and manual supplements are identified by title, part number, and publication date, marked on the title page of the document.

1-12. SPECIFICATIONS.

1-13. Specifications for the interface kit components are listed in table 1-1.

Table 1-1. HP 13210A Disc Drive Interface Kit Specifications

Data Rate to/from HP 7900 Series Disc Drive:	2,500,000 bits/second*
Data Rate to/from HP Computers:	156,250 words/second*
Computer Power Supply Requirements:	+5V: 4A -2V: 140 mA +12V: 60 mA -12V: 100 mA
*The high data rate requires that the computer have at least one DMA channel.	

SECTION II

INSTALLATION

2-1. INTRODUCTION.

2-2. This section provides information for unpacking, initial inspection, and installation for the HP 13210A Disc Drive Interface Kit. The computer, disc drive, and disc drive power supply should be installed and prepared for operation before installing the interface kit.

2-3. UNPACKING AND INITIAL INSPECTION.

2-4. If the disc drive interface kit is received separately from the computer, inspect the carton containing the kit before opening. If there is external evidence of damage, or if the box rattles, request that the carrier's agent be present when the carton is opened.

2-5. Inspect each component of the kit as the parts are unpacked. If the kit is damaged and fails to meet specifications, notify the carrier and the nearest HP Sales and Service Office immediately. Retain the shipping container and packing material for the carrier's inspection. The HP Sales and Service Office will arrange for repair or replacement of the damaged part without waiting for any claims against the carrier to be settled.

2-6. INSTALLATION.

2-7. Install the disc drive interface kit as follows:

- a. Set POWER switch on disc drive power supply to OFF.
- b. Set computer POWER switch to OFF.
- c. Open the computer for access to I/O card slots and install the 13210-60004 Disc Interface 1 PCA into the card slot corresponding to the desired I/O select code.
- d. Install the 13210-60000 Disc Interface 2 PCA into the next lower priority slot.
- e. Connect the double-connector end of the interface cable to the PCA's so that the DISC INTERFACE 1 portion of the connector fits onto the disc interface 1 PCA and the DISC INTERFACE 2 portion fits onto the disc interface 2 PCA.
- f. Connect the single-connector end of the interface cable to the I/O connector at the back of the disc drive with the "cable-end" of the connector routed across the back of the disc drive.

SECTION III PROGRAMMING

3-1. INTRODUCTION.

3-2. This section contains programming considerations for systems employing the HP 13210A Disc Drive Interface Kit. Included are disc drive characteristics, command and status descriptions, programming recommendations, and a typical assembly language program.

3-3. DISC DRIVE CHARACTERISTICS.

3-4. The interface kit will interface an HP 2100 Series Computer to as many as four HP 7900 Series Disc Drives using discs with the following characteristics.

- a. Each disc stores 203 cylinders of information.
- b. Each cylinder contains 96 addressable sectors, 24 on the top surface of each disc and 24 on the bottom surface of each disc.
- c. Each sector contains a sector address field and a data field. The address field contains cylinder, head, and sector numbers of the sector, and indicators for defective and protected cylinder; the data field contains as many as 128 sixteen-bit data words.

3-5. The interface kit requires two adjacent computer I/O addresses: a data channel and a command channel address. The data channel is assigned the higher priority (lower number) I/O address.

3-6. COMMAND DESCRIPTIONS.

3-7. All commands are transferred through the computer A- or B-register by an OTA/B instruction addressed to the command channel. Commands are then stored by the interface. An STC,C instruction will set the command channel Control FF and the Encode FF which will cause the interface to execute the command. When multiple OTA/B instructions are received before the STC,C instruction, the interface will execute the last OTA/B instruction issued. When the command issued is Status Check, Seek Record, or Address Record, the interface will accept another command

as soon as the required data transfer through the data channel has been completed. For all other commands, new commands must not be issued until the command channel Flag FF is set to indicate completion of the current operation.

Note

Because the interface will only respond to a positive-going Encode signal, during multiple Seek Record operations the command channel Control FF must be cleared (CLC) before a subsequent STC,C instruction will be recognized.

3-8. The command word consists of a four-bit command code and a two-bit drive select. (An additional two bits are used with the Initialize Data command.) The command word format is shown in figure 3-1. The four-bit command code contains the binary code of the command to be executed. Table 3-1 lists the commands to which the interface will respond. Commands other than those listed will cause improper operation. The two-bit drive select contains the binary code of the disc drive that is to execute the command.

Table 3-1. Computer to Interface Commands

COMMAND	BITS			
	15	14	13	12
Status Check	0	0	0	0
Write Data	0	0	0	1
Read Data	0	0	1	0
Seek Record	0	0	1	1
Refine Sector	0	1	0	1
Check Data	0	1	1	0
Initialize Data	1	0	0	1
Address Record	1	0	1	1

15	12	11	10	9	8	7	2	1	0
COMMAND CODE		NOT USED	USED WITH INITIALIZE DATA COMMAND ONLY		NOT USED			DRIVE SELECT	

Figure 3-1. Command Word Format

3-9. Commands, addresses, and status are transferred to and from the interface by an OTA/B or LIA/B instruction addressed to the data channel. Data records are transferred to and from the interface under DMA control. The data channel Encode FF must be set for data transfer to take place between the interface and disc drive. The data channel Flag FF will be set by the interface to indicate that data transfer may take place.

3-10. Drive attention status bits are transferred to the computer by an LIA/B or MIA/B instruction addressed to the command channel. Only the four lowest order bits of the data word are used. Each bit position represents a disc drive address; bit position 0 corresponds to disc drive 0, etc. Valid attention status bits are set between the setting of the command channel Flag FF and the next STC instruction to indicate that the disc drive has become ready or is completing a Seek operation.

3-11. STATUS CHECK.

3-12. The Status Check command causes the interface to assemble the status word of the desired disc drive and transfer the word to the computer through the data channel. Command execution is completed when the computer accepts the status word from the data channel; the command channel Flag FF is not set for this operation. A Status Check operation should be performed to verify proper execution of preceding operations. Status word bit definitions are given in paragraph 3-38. Status is changed only with a non-status operation.

3-13. WRITE DATA.

3-14. The Write Data command causes the interface to write data on a disc. The desired head and sector addresses must be present in the interface record address register (RAR) and the heads must be positioned over the correct cylinder before the Write Data command is issued. When the addressed sector comes into position under the head, the interface will examine the cylinder condition indicators and address information in the address field and cyclic check the entire sector. If the cylinder is not protected or defective and the address compares with the address in the RAR, the interface will increment the sector address in the RAR and initiate writing in the next sector.

3-15. The interface will write the address field and then write the data from the data channel. If the computer sends less than 128 data words, the interface will write zeros in the remainder of the sector before setting the command channel Flag FF. If the computer sends more than 128 data words, the interface will increment the sector address in the RAR and continue to write in the next sector. (Data transfer will be suspended while the interface writes the address field.) Writing will continue in this manner until the computer ends data transfer or until the interface detects an end-of-cylinder (EOC) signal or error condition, at which time the command channel Flag FF will be set. (When writing begins on the upper disc surface writing will continue in all sectors of the addressed cylinder on the bottom surface before EOC will be detected.)

3-16. If, during the examination of the address field, the defective cylinder indicator (DCI) is set, if the protected cylinder indicator (PCI) is set and the disc drive OVERRIDE switch is set to PROTECT, or if the disc drive DATA PROTECT switch for the addressed head is on, the command channel Flag FF will be set and no writing or data transfer will take place. A Status Check command should be issued to determine the cause of the termination.

3-17. READ DATA.

3-18. The Read Data command causes the interface to read the addressed record and transfer the data field to the computer. The record address must be present in the interface record address register (RAR) and the heads must be positioned over the correct cylinder before the Read Data command is issued. When the command is issued, the interface will increment the sector address in the RAR and, when the addressed sector comes into position, examine the address field for the defective cylinder indicator. The interface then compares the sector address to the address in the RAR before initiating data transfer to the computer. If the computer accepts less than 128 data words, the interface will cyclic check the remainder of the data field before setting the command channel Flag FF. If the computer will accept more than 128 data words, the interface will increment the sector address in the RAR and continue to read the next sector. (Data transfer will be suspended while the interface examines the address field.) Reading will continue until the computer stops accepting data or until the interface detects an end-of-cylinder (EOC) signal or error condition, at which time the command channel Flag FF will be set.

3-19. If, during the examination of the address field, the defective cylinder indicator (DCI) is set or the sector address does not compare with the address in the RAR, reading will continue to the end of the current sector before data transfer is halted and the command channel Flag FF is set. A Status Check operation should be performed to determine the exact cause for termination. A Status Check operation after normal termination will determine if the protected cylinder indicator was set or if the disc drive DATA PROTECT switch for the addressed head was on.

3-20. SEEK RECORD.

3-21. The Seek Record command causes the interface to execute a head-positioning operation in the addressed disc drive. When the command is issued, the interface will select the addressed disc drive and accept two 16-bit words of address information (addressed to the data channel) that are required for the head-positioning operation. When a cylinder address word has been transferred to the interface, the interface will set the data channel Flag FF to indicate acceptance of the address. The first word should contain the cylinder to which the heads should move. The second word should contain the head and sector addresses. Address word formats are shown in figure 3-2.

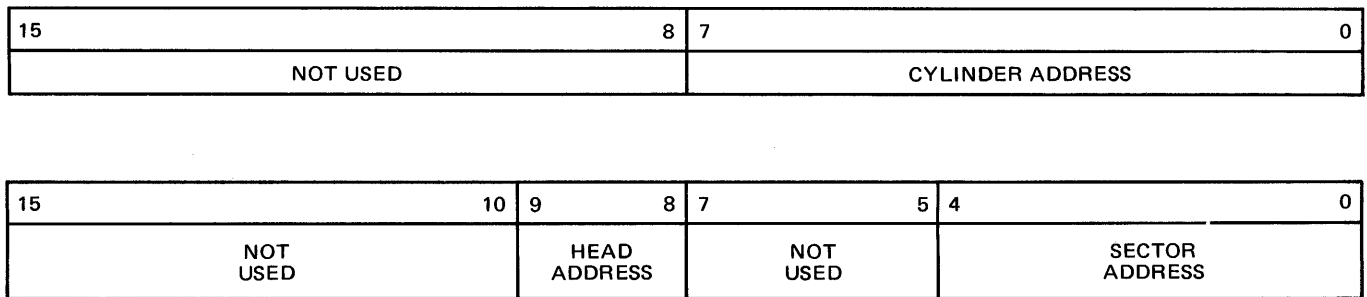


Figure 3-2. Address Word Formats for Seek Record Command

3-22. The two address words will be stored as a new record address in the interface RAR. The interface will then transfer the record address to the disc drive and initiate the head-positioning operation. Although the command channel Flag FF is not set until head positioning is complete, the interface will be free to perform other operations as soon as the second word of address information is accepted. As a result, simultaneous operations with parallel-connected disc drives are possible.

3-23. If the addressed disc drive has a head-positioning operation in progress when a new Seek Record command is issued, the heads will be positioned over the former addressed cylinder, but the latter addressed head and sector will be selected. Seek check status will be set. Seek check status will also be set if the cylinder address is greater than 202, or if the sector address is greater than 23.

3-24. REFINE SECTOR.

3-25. The Refine Sector command causes the interface to straddle-erase the addressed record as an attempt to improve the magnetic characteristics of the record. The command should only be used after retry procedures fail to recover the data. The record address must be present in the interface record address register (RAR) before the Refine Sector command is issued.

3-26. When the command is issued, the interface will increment the sector address in the RAR and straddle-erase the addressed sector; no writing or reading will take place. No examination of the address field for defective or protected cylinders or address comparison will take place. The command channel Flag FF will be set when the end of the addressed sector is reached.

3-27. CHECK DATA.

3-28. The Check Data command causes the interface to cyclic check data records of a specific number of sectors to verify recoverability of the data. The Check Data operation is similar to a Read Data operation except that no data transfer takes place. The beginning address of the cyclic check must be in the interface record address register (RAR), and the heads must be positioned over the correct cylinder before the Check Data command is issued.

3-29. When the command is issued, the interface will select the addressed disc drive and accept one 16-bit word of sector count information addressed to the data channel. The word format is shown in figure 3-3. The interface will increment the RAR and, when the addressed sector comes into position, examine the address field for the defective cylinder indicator, compare the sector address to the address in the RAR, and cyclic check the entire sector. The interface will then subtract one from the sector count and repeat the operation in the next sector until the sector count reaches zero or until the interface detects an end-of-cylinder signal or error condition, at which time the command channel Flag FF will be set.

3-30. If, during the examination of the address field, the defective cylinder indicator (DCI) is set or the sector address does not compare with the address in the RAR, the interface will halt the operation at the end of the current sector and set the command channel Flag FF. A Status Check operation should be performed to determine the exact cause for early termination. A Status Check operation after normal termination will determine if the protected cylinder indicator was set or if the disc drive DATA PROTECT switch for the addressed head was on.

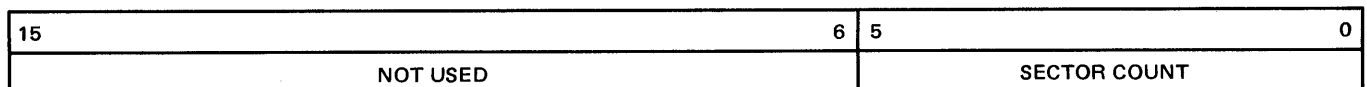


Figure 3-3. Sector Count Word Format for Check Data Command

3-31. INITIALIZE DATA.

3-32. The Initialize Data command causes the interface to initialize unwritten cylinders and to generate the defective and protected-cylinder indicators. The command will be accepted only when the disc drive OVERRIDE switch is set to ACCESS and the DATA PROTECT switch for the selected head is off. If the OVERRIDE switch is set to PROTECT or the DATA PROTECT switch is on, the command channel Flag FF will be set and no attempt will be made to execute the command. The Initialize Data operation is similar to a Write Data operation except that the interface does not examine the first sector address field for cylinder condition indicators or address information. The desired head and sector addresses must be present in the RAR and the heads must be positioned over the correct cylinder before the Initialize Data command is issued.

3-33. When the command is issued the interface will select the addressed disc drive and increment the RAR. When the addressed sector comes into position, the interface will assemble and write the address field. The address information is that in the RAR; the cylinder condition indicator information is contained in bits 8 and 9 of the command word. If bit 8 is set, the defective cylinder indicator will be set and an incorrect address will be written in the address field; if bit 9 is set, the protected cylinder indicator will be set; if both bits 8 and 9 are set, only the defective cylinder indicator is set.

3-34. Data transfer from the computer will begin with the first data word. If the computer sends less than 128 sixteen-bit words, the interface will write zeros in the remainder of the data field. If the computer sends more than 128 data words, the interface will increment the sector address in the RAR and continue to write in the next sector. (Data transfer will be suspended while the interface writes the address field.) Writing will continue in this manner until the computer ends data transfer or until the interface detects an end-of-cylinder signal or error condition, at which time the command channel Flag FF will be set.

3-35. ADDRESS RECORD.

3-36. The Address Record command causes the interface to alter the contents of the record address register. The Address Record operation is similar to a Seek Record operation except that no operation is performed by the disc drive.

3-37. When the command is issued, the interface accepts two words of address information addressed to the data channel. The first word should contain the cylinder number to which the heads should move; the second word should contain the head and sector addresses. Address word formats are shown in figure 3-2. When the second address word has been accepted, the command channel Flag FF will be set.

3-38. STATUS DESCRIPTIONS.

3-39. Status information is transferred to the computer A- or B-register by either an LIA/B or MIA/B instruction addressed to the data channel. The status word may be

transferred any time the disc drive is selected. Individual status bits are listed in table 3-2.

3-40. ANY ERROR.

3-41. Any-error status (bit 0) is set when any of the other status bits are set, except flagged cylinder status (bit 3) or data protect status (bit 10). Any-error status is set when flagged cylinder status is set as a result of an attempt to write on a protected cylinder or initialize a cylinder with the disc drive OVERRIDE switch set to PROTECT. Any-error status is also set with flagged cylinder status when attempting to write, read, or check data on a defective cylinder (because the defective cylinder will set address error status). However, any-error status will not be set with flagged cylinder status when attempting to read or check data on a protected cylinder or attempting to write on a protected cylinder with the OVERRIDE switch set to ACCESS.

3-42. DATA ERROR.

3-43. Data error status (bit 1) is set if any of the following conditions exist:

a. During Read Data, Check Data, or Write Data if the interface fails to synchronize the data clock with the serial datum bits or if the interface detects an error when cyclic checking.

b. During Write Data, Read Data, Refine Sector, Check Data or Initialize Data if the disc drive becomes not-ready during data handling.

Data error status is cleared with execution of the Status Check command.

Table 3-2. Status Word Bits

BIT	STATUS
0	Any Error
1	Data Error
2	Drive Busy
3	Flagged Cylinder
4	Address Error
5	End of Cylinder
6	Not Ready
7	Not Used
8	Seek Check
9	Not Used
10	Data Protect
11	Drive Unsafe
12	Not Used
13	Overrun
14	First Status
15	Not Used

3-44. DRIVE BUSY.

3-45. Drive busy status (bit 2) is set when the disc drive is executing a Seek Record command (from the time the last address word is accepted until head-positioning is complete).

3-46. FLAGGED CYLINDER.

3-47. Flagged cylinder status (bit 3) is set if any of the following conditions exist:

a. During Initialize Data if the OVERRIDE switch on the disc drive is set to PROTECT.

b. During Initialize Data or Write Data if the disc drive DATA PROTECT switch for the addressed head is on.

c. During Read Data, Check Data, or Write Data if the interface detects a protected or defective cylinder indicator. If a defective cylinder is detected, address error status is also set. (Flagged cylinder status will not be set if an actual address error is detected in the same sector.)

Flagged cylinder status is cleared with the execution of the Status Check command.

3-48. ADDRESS ERROR.

3-49. Address error status (bit 4) is set during Read Data, Check Data, or the first-sector checking phase of Write Data if the sector address read does not compare with the address in the RAR or if the defective cylinder indicator is set (set with flagged cylinder status bit). Address error status is cleared with the execution of the Status Check command.

3-50. END OF CYLINDER.

3-51. End-of-cylinder status (bit 5) is set if any of the following conditions exist:

a. During the data transfer portion of Write Data, Read Data, or Initialize Data if the interface has reached the end of the data field for sector 23, head 1 or 3, and the computer signals for continuation of data transfer into the next sector.

b. During the cyclic check portion of Check Data if the interface has reached the end of the data field for sector 23, head address 1 or 3, anytime the cyclic check sector count is not zero.

End-of-cylinder status is cleared with execution of the Status Check command.

3-52. NOT READY.

3-53. Not ready status (bit 6) is set if the selected disc drive is not attached to the interface, if the disc is not up to

speed or the heads are not loaded, or if the disc drive is in an unsafe condition, in which case drive unsafe status (bit 11) will also be set. Operator intervention may be required to bring the disc drive to the ready state.

3-54. SEEK CHECK.

3-55. Seek check status (bit 8) is set if a Seek Record command has been issued and one of the following conditions exist:

a. The cylinder addressed is greater than 202.

b. The sector addressed is greater than 23.

c. A head-positioning operation is still in progress.

Seek check status is cleared by the next proper Seek Record command issued to the selected disc drive.

3-56. DATA PROTECT.

3-57. Data protect status (bit 10) is set if the disc drive DATA PROTECT switch for the addressed head is on. Write Data and Initialize Data commands will not be accepted. (Any-error and flagged cylinder status will also be set if either of these commands is issued.)

3-58. DRIVE UNSAFE.

3-59. Drive unsafe status (bit 11) is set if the disc drive checking circuits detect an unsafe condition in the disc drive access system or read/write electronics. Not ready status will also be set.

3-60. OVERRUN.

3-61. Overrun status (bit 13) is set if either of the following conditions exist:

a. During the data transfer portion of Write Data, Read Data, or Initialize Data if the computer attempts to transfer data after the maximum response time but before the interface sets the command channel Flag FF to signal operation completion. The computer DMA must respond to a data channel Flag FF signal within 5.9 microseconds.

b. During Write Data, Read Data, Check Data, or Initialize Data if a sector pulse is detected before the end of the data field of the current sector is detected.

Overrun status is cleared with the execution of a Status Check command.

3-62. FIRST STATUS.

3-63. First status (bit 14) is set when the selected disc drive goes from not-ready to ready status. First status is cleared with the execution of a Status Check command.

3-64. PROGRAMMING CONSIDERATIONS.

3-65. WRITE CHECKING.

3-66. When records are written, a program check should be performed to ensure that the record in memory was written on the disc without error and that the data can be recovered from the disc without error. When data integrity is crucial, each record should be read after being written and compared, a word at a time, with the original record in memory. This technique provides a check of both the parallel transfer between computer and interface, and serial data transfer between interface and disc drive. When data integrity is less crucial, issuance of a Check Data command will check just the serial data transfer between interface and disc drive.

3-67. DISC INITIALIZATION.

3-68. Prior to use in system, new, unwritten discs should be processed with a disc initialization program. The program should write the address field for all sectors, and should execute additional data testing to help isolate defects that may have developed after manufacture.

3-69. The additional data testing should include the following routine executed six times on each cylinder:

a. Write a fixed data pattern in all data fields of the cylinder. On each of the six passes a different data pattern should be used. The six recommended patterns are listed below in octal notation:

- (1) 0 0 0 0 0 0
- (2) 1 7 7 7 7 7
- (3) 1 2 5 2 5 2
- (4) 0 5 2 5 2 5
- (5) 1 6 2 7 4 5
- (6) 1 7 0 3 6 0

b. Execute a Check Data command 10 times on all data fields of the cylinder. If a data error occurs more than once in executing the routine on a cylinder, the cylinder should be flagged defective.

3-70. ERROR RECOVERY PROCEDURES.

3-71. Errors which occur in the storage system are often correctable by using retry procedures. Programs should include retry procedures to reduce the number of errors that will affect system operation. Paragraphs 3-72 through 3-76 list specific correctable error conditions and recommended retry procedures.

3-72. DATA ERROR DURING READ DATA. When a data error occurs during a Read Data operation, issue the following retry procedure.

- a. Read the record 16 times.
- b. If the error persists, issue a Seek Record command to cylinder zero, then to cylinder 202, and return to the failing cylinder.
- c. Read the record 16 times.
- d. If the error persists, issue a Refine Data command and read the record 16 times.
- e. If the error persists, terminate the retry procedure.

3-73. DATA ERROR DURING WRITE DATA OR INITIALIZE DATA. When a data error occurs during a Write Data or Initialize Data operation, re-issue the command once and if the error persists, terminate the retry procedure.

3-74. ERRORS DURING WRITE CHECKING ROUTINES. When a data error occurs during the Read Data or Check Data portion of a write-checking routine (refer to paragraph 3-65), the complete write and write-checking routine should be tried 16 times. If the error persists, terminate the retry procedure. If an error is detected during the memory/record comparison, the write and write-checking routine should be retried once.

3-75. ADDRESS ERRORS. When an address error occurs, the interface will automatically return the heads to cylinder zero. Re-issue the Seek Record command to the failing cylinder and if the error persists, terminate the retry procedure.

3-76. OVERRUNS. If an overrun occurs, retry the operation once and if the error persists, terminate the retry procedure.

3-77. TYPICAL PROGRAM.

3-78. Table 3-3 is a typical assembly language program that will transfer data to and from the disc drive under DMA control and check status.

Table 3-3. Typical Assembly Language Program

READ PROGRAM (NON INTERRUPT)			
CW1A	OCT	1 2 0 0 U U	DMA PROGRAM CONTROL WORD, UU IS DATA CHANNEL SELECT CODE
CW2B	OCT	1 A A A A A	DMA STARTING ADDRESS; DATA INTO MEMORY (MAX. ADDR. = 77777B)
CW3A	OCT	0 B B B B B	DMA WORD COUNT (MAX. COUNT = 06144B)
RDCMD	OCT	0 2 0 0 0 0	READ COMMAND WORD
DN	NOP		DRIVE NUMBER (0 THROUGH 3)
	JSB	SEEK	MOVE HEAD TO DESIRED CYLINDER
	CLC	DC	INSURE CONTROL SIGNALS ARE RESET ON
	CLC	CC	DATA AND COMMAND CHANNELS
	LDA	CW1A	GET FIRST DMA CONTROL WORD
	OTA	6	OUTPUT TO DMA CHANNEL
	CLC	2	PREPARE DMA FOR DMA CONTROL WORD 2
	LDA	CW2B	GET DMA CONTROL WORD 2
	OTA	2	OUTPUT TO DMA CHANNEL
	STC	2	PREPARE DMA FOR DMA CONTROL WORD 3
	LDA	CW3A	GET DMA CONTROL WORD 3
	OTA	2	OUTPUT TO DMA CHANNEL
	LDA	RDCMD	GET INTERFACE READ COMMAND WORD
	IOR	DN	
	OTA	CC	OUTPUT TO COMMAND CHANNEL
	STC	DC,C	PREPARE DATA CHANNEL FOR READ OPERATION
	STC	6,C	ACTIVATE DMA
	STC	CC,C	INITIATE READ OPERATION
	SFS	CC	IS READ OPERATION COMPLETE
	JMP	*-1	NO. WAIT.
	JSB	STATS	YES. GO CHECK STATUS
WRITE PROGRAM (NON INTERRUPT)			
CW1A	OCT	1 2 0 0 U U	DMA PROGRAM CONTROL WORD, UU IS DATA CHANNEL SELECT CODE
CW2A	OCT	0 A A A A A	DMA STARTING ADDRESS; DATA OUT OF MEMORY (MAX. ADDR. = 77777B)
CW3A	OCT	0 B B B B B	DMA WORD COUNT (MAX. COUNT = 06144B)
WRCMD	OCT	0 1 0 0 0 0	WRITE COMMAND WORD
DC	EQU	UU	UU IS DATA CHANNEL SELECT CODE
CC	EQU	VV	VV IS COMMAND CHANNEL SELECT CODE
DN	NOP		DRIVE NUMBER (0 THROUGH 3)
	JSB	SEEK	MOVE HEAD TO DESIRED CYLINDER
	CLC	DC	INSURE CONTROL SIGNALS ARE RESET
	CLC	CC	ON DATA AND COMMAND CHANNELS.
	LDA	CW1A	GET FIRST DMA CONTROL WORD
	OTA	6	OUTPUT TO DMA CHANNEL
	CLC	2	PREPARE DMA FOR DMA CONTROL WORD 2
	LDA	CW2A	GET SECOND DMA CONTROL WORD
	OTA	2	OUTPUT TO DMA CHANNEL
	STC	2	PREPARE DMA FOR DMA CONTROL WORD 3
	LDA	CW3A	GET THIRD DMA CONTROL WORD
	OTA	2	OUTPUT TO DMA CHANNEL
	STC	DC	
	STF	DC	ENABLE DMA TO DATA CHANNEL DATA TRANSFER
	STC	6,C	ACTIVATE DMA
	LDA	WRCMD	GET INTERFACE WRITE COMMAND WORD
	IOR	DN	

Table 3-3. Typical Assembly Language Program (Continued)

WRITE PROGRAM (NON INTERRUPT) (Continued)			
	OTA	CC	OUTPUT COMMAND WORD TO COMMAND CHANNEL
	STC	CC,C	INITIATE WRITE COMMAND
	SFS	CC	IS WRITE OPERATION COMPLETE?
	JMP	*-1	NO. WAIT
	JSB	STATS	YES. GO CHECK STATUS.
SEEK SUBROUTINE (NON INTERRUPT)			
DC	EQU	UU	UU IS DATA CHANNEL SELECT CODE
CC	EQU	VV	VV IS COMMAND CHANNEL SELECT CODE
CYLNO	OCT	0 0 W W W	WWW IS CYLINDER NUMBER
HDSEC	OCT	0 0 X X X X	XXXX IS FORMATTED HEAD AND SECTOR NUMBER
SKCMD	OCT	0 3 0 0 0 0	SEEK COMMAND WORD
DN	NOF		DRIVE NUMBER (0 - 3)
SEEK	NOP		SUBROUTINE ENTRY POINT
	CLC	DC	INSURE CONTROL SIGNALS ARE RESET
	CLC	CC	ON DATA AND COMMAND CHANNELS
	LDA	CYLNO	GET DESIRED CYLINDER ADDRESS
	OTA	DC	
	STC	DC,C	OUTPUT CYLINDER ADDRESS TO DATA CHANNEL
	LDA	SKCMD	GET SEEK COMMAND WORD
	IOR	DN	
	OTA	CC	OUTPUT SEEK COMMAND TO COMMAND CHANNEL
	STC	CC,C	INITIATE SEEK COMMAND
	SFS	DC	FIRST ADDRESS WORD ACCEPTED?
	JMP	*-1	NO. WAIT.
	LDA	HDSEC	YES. GET HEAD/SECTOR ADDRESS WORD.
	OTA	DC	
	STC	DC,C	OUTPUT HEAD/SECTOR ADDRESS TO DATA CHANNEL
	SFS	CC	SEEK OPERATION COMPLETE?
	JMP	*-1	NO. WAIT
	JSB	STATS	YES. GO CHECK STATUS
	JMP	SEEK, I	RETURN TO CALLING PROGRAM
STATUS CHECK SUBROUTINE			
DC	EQU	UU	UU IS DATA CHANNEL SELECT CODE
CC	EQU	VV	VV IS COMMAND CHANNEL SELECT CODE
STCMD	OCT	0 0 0 0 0 0	STATUS CHECK COMMAND WORD
DN	NOF		DRIVE NUMBER (0 THROUGH 3)
STATS	NOP		ENTRY POINT
	CLC	DC	INSURE CONTROL SIGNALS ARE
	CLC	CC	RESET ON COMMAND AND DATA CHANNELS
	LDA	STCMD	GET STATUS CHECK COMMAND WORD
	IOR	DN	
	OTA	CC	OUTPUT TO COMMAND CHANNEL
	STC	CC,C	INITIATE STATUS CHECK COMMAND
	SFS	DC	IS STATUS WORD READY?
	JMP	*-1	NO. WAIT
	LIA	DC	LOAD STATUS WORD
	SLA		IS ANY ERROR BIT SET?
	JMP	ERROR	YES. GO TO ERROR ROUTINE.
	JMP	STATS, I	NO. RETURN TO CALLING PROGRAM

SECTION IV

THEORY OF OPERATION

4-1. INTRODUCTION.

4-2. This section contains theory of operation and operational flow diagrams for the 13210A Disc Drive Interface Kit. Block diagrams for the two interface PCA's are shown in figures 4-3 and 4-4. Operation is shown in figures 4-5 through 4-7.

4-3. FUNCTIONAL DESCRIPTION.

4-4. POWER ON.

4-5. When power is initially applied to the computer, the POPIO and CRS signals are received simultaneously from the computer's I/O control PCA. The signals establish initial operating conditions for the interface PCA's. The POPIO signal sets both the command channel and data channel Flag FF's. The CRS signal clears the command channel Control FF and the data channel Encode FF, clears the Attention register, and transfers cylinder address 000 to the disc drive.

4-6. Once the computer sends the PON signal to the disc interface 1 PCA, the disc interface 1 PCA issues a Control signal to the disc drive. The Control signal indicates to the disc drive that the computer dc power supplies have stabilized.

4-7. COMMAND EXECUTION.

4-8. For the disc drive(s) to perform any operation commanded by the computer the interface must execute numerous internal operations. These internal operations, and the associated decision-making, are synchronously performed by a state decoder that is activated by a read-only memory (ROM) and a state register. Synchronous operation is provided by a 2.5-MHz Control Clock signal that is generated by a 10-MHz crystal oscillator and divider. See figure 4-3.

4-9. Each four-bit command word is applied to the ROM as part of an eight-bit address. Each addressed ROM memory location contains a unique four-bit word that is synchronously loaded into the state register. The state register output is decoded by the state decoder, whose outputs serve as internal "instructions" for the interface. By monitoring the ROM output, disc drive status, and other interface signals, a qualifier encoder alters the ROM address, and the state decoder issues sequential instructions for the interface at the appropriate times.

4-10. In this manner, the interface controls the execution of computer commands that require multiple steps.

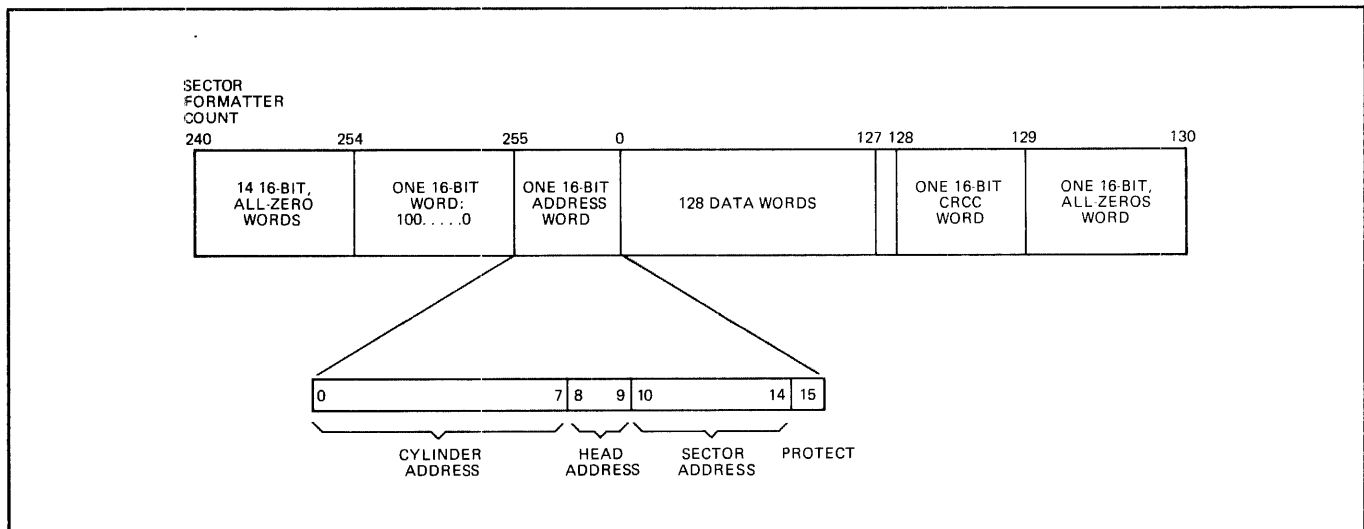
For example, when a Seek Record command is received, the interface will control the transfer timing of the two-word record address between the computer and disc drive. The interface will then wait, if necessary, for the disc drive to move the heads over the addressed record, and will only signal the computer for additional commands when the disc drive has completed execution of the command. Commands requiring less complex internal operations (e.g. Read) are decoded directly by a command decoder and re-issued as a single-line command to the disc drive at the appropriate time. Although re-issuance of such a command is more direct, the ROM-state decoder circuitry described above is still required for the execution of these commands. When a Read command is received, for example, the ROM-state decoder circuits will control the actual reading of data from the disc drive and execute the transfer of read data to the computer.

4-11. DATA TRANSFER EXECUTION.

4-12. The execution of commands requiring data transfer also requires the interface to perform numerous internal operations. When data supplied by the computer is to be written by the disc drive, the interface control of the write operation includes: transferring record addresses, drive addresses, etc.; checking for correct address response by the disc drive; ensuring proper sector format (which includes an address field and a data field); adding clock information to the data being written; performing parallel-to-serial conversion of data words; generating check characters; and continuously monitoring the write operation until completed. When data is to be transferred to the computer, the interface control of the read operation includes: transferring record addresses, drive addresses, etc.; checking for correct address response by the disc drive; separating clock information from the data; performing serial-to-parallel conversion of data words; checking for data errors; and continuously monitoring the read operation until completed. See figure 4-4.

4-13. WRITE OPERATIONS. The format in which address fields and data fields are written on the disc is controlled by a sector formatter; clock information is added to the data by a write formatter. A detected sector pulse activates the formatter. By counting bits and 16-bit words and enabling data to be written at prescribed times, each sector is written in the format shown in figure 4-1. (The 2.5-MHz clock signal is generated by the 10-MHz crystal oscillator and divider mentioned above.)

4-14. Data words and address words are transferred from the computer through an output buffer register. Bits of the buffer register output that contain the address information



7012-8

Figure 4-1. Sector Write Format

in an address word (all 16 bits are not used) are parallel-connected to a record address register (RAR). The outputs of both the buffer register and the RAR are applied to a multiplexer that transfers only one of the outputs at a time to a parallel-to-serial/serial-to-parallel converter. The sector formatter, described above, determines when the address field is to be written and strobcs the RAR contents to the converter. When the sector formatter determines that the data field is to be written, the contents of the output buffer register are strobed to the converter. The serial output of the converter is routed through the sector formatter and write formatter described above.

4-15. Serial data from the output of the sector formatter is parallel-fed to a cyclic redundancy check character (CRCC) generator. The bit pattern of the 16-bit CRCC word is a function of the data field bit pattern and the Boolean equation of the CRCC generator. The CRCC word, when read at the end of a subsequent read operation, aids in determining if any read data errors occurred.

4-16. READ OPERATIONS. Serial data read from the disc drive is applied to a phase-lock loop in the read data decoder. Because variations in the rotational speed of disc drives causes the frequency of the clock information contained in the read data to vary, the phase-lock loop includes a voltage-controlled oscillator that provides the frequency flexibility required to compensate for these variations. The phase-lock loop produces a nominal output of 2.5 MHz, the precise frequency of the data when written. The combination of the phase-lock loop output and the read data input is used to separate the data from the clock information. Separated data is routed to the serial-to-parallel converter and to the CRCC generator. At the appropriate time (every 16th bit), the sector formatter loads the contents of the converter into the read buffer register. The read buffer register contents are strobed into the input buffer register for subsequent transfer to the computer. The CRCC generator monitors the read data, compares it with

the CRCC word that is read at the end of each data field and sets the appropriate bit in the interface status register when a data error is detected.

4-17. DETAILED CIRCUIT DESCRIPTION.

4-18. COMMAND EXECUTION.

4-19. The four most significant bits of the words are loaded into the command output register U77 by an OTA/B instruction addressed to the command channel. The register contents are decoded by command decoder U83 and are routed to the read-only memory (ROM) U93 as part of an eight-bit address. The command decoder converts the four bits of command from the computer to single-line commands for transfer to the disc drive. The four-bit ROM outputs are translated by the state decoder U21, which issues additional "internal" instructions that are required to execute the computer command.

4-20. The qualifier encoder U103 provides one bit of the eight-bit ROM address. The level of the qualifier bit is determined by comparison of the current ROM state (in the state register) with various status signals from other interface circuits and the disc drive. As a result, the sequence of state decoder outputs is determined by the command issued and the current status of the interface and disc drive.

4-21. DATA TRANSFER OPERATIONS.

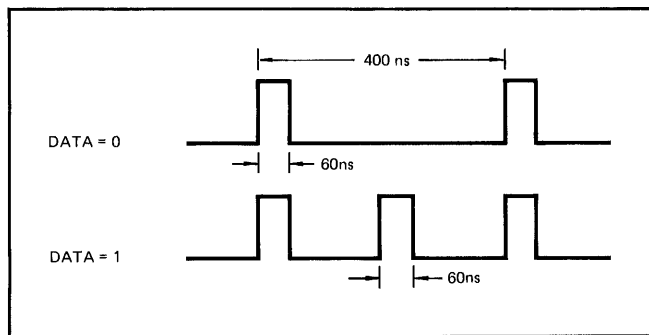
4-22. Record addresses and data from the computer are transferred through the output buffer register (U57 and U87). The register contents are parallel-connected to the record address register (RAR) (U56, U66, and U67) and the multiplexer (U47, U46, U97, and U96). The multiplexer strobes the contents of the RAR or the output buffer register into the parallel-to-serial/serial-to-parallel converter (U25 and U105) at the appropriate time.

4-23. During write operations, the contents of the RAR are loaded when the address field of the sector is being written; the contents of the output buffer register are loaded when the data field is being written. Control of the format in which the sectors are written is maintained by the sector formatter described in paragraphs 4-26 through 4-28.

4-24. During read operations, serial data is stacked by the converter and, at the appropriate time, 16-bit words are loaded into the read buffer register (U26 and U106). The contents of the read buffer register are also present in the input buffer register (U27, U28, U107, and U108). Data is transferred from the input buffer register to the computer by an LIA/B or MIA/B instruction addressed to the data channel.

4-25. WRITE OPERATIONS.

4-26. Write data is presented serially to the disc drive by the write formatter (U41A and U41B). The write formatter combines the 2.5-MHz clock signal and the data to be written in the format shown in figure 4-2. (During refine sector operations, line driver U81 is inhibited so that no data is actually written; in all other respects the operation is identical to writing.) The format in which sector address fields and data fields are written is controlled by the sector formatter which controls the application of data to the write formatter. The sector formatter establishes the format by passing data to the write formatter only at precise points in bit- and word-count that is initiated at the beginning of each sector.



7012-12

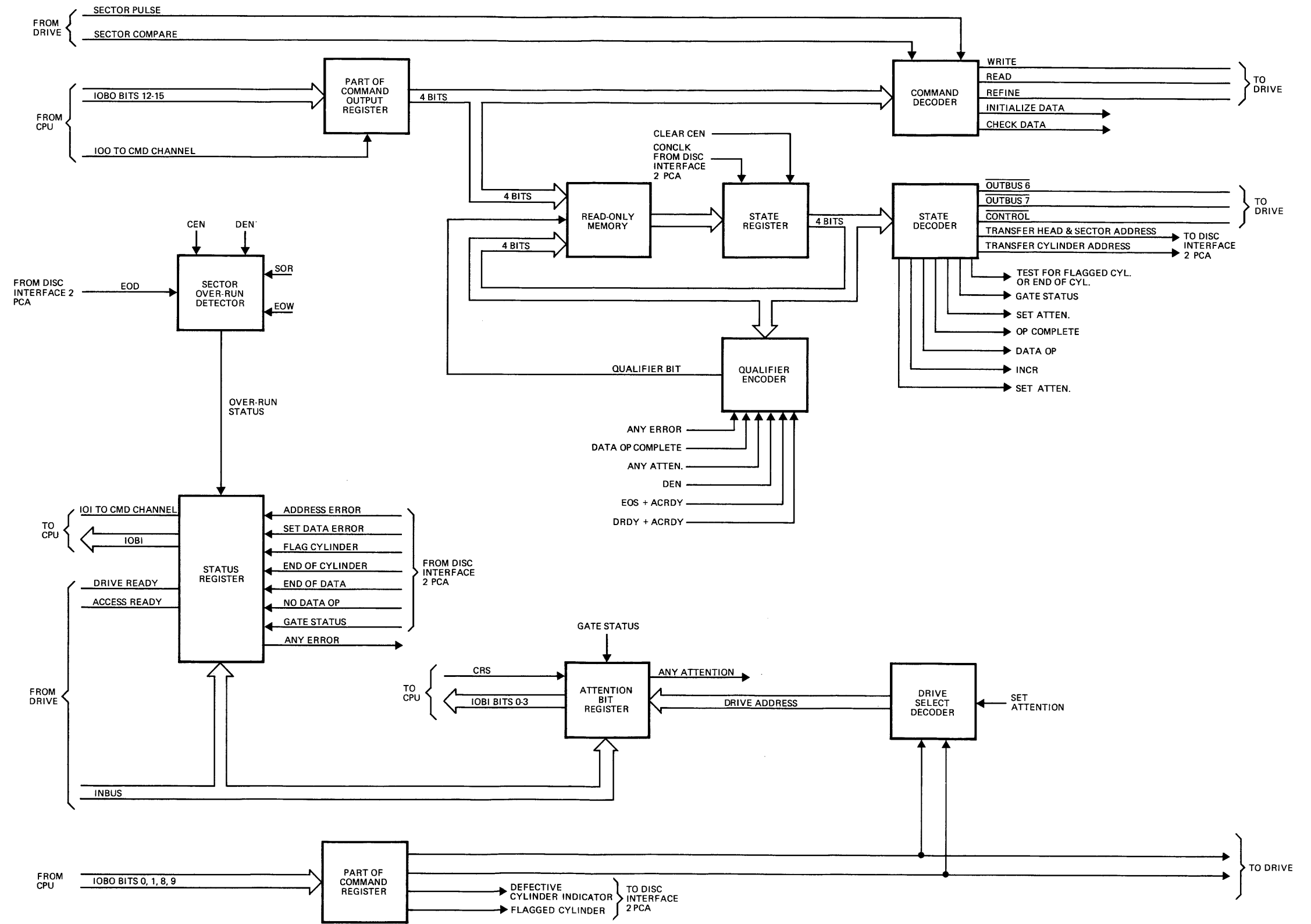
Figure 4-2. Data Bit Cell

4-27. When the addressed sector comes into position under the disc drive heads, the bit and word counter in the sector formatter is enabled by “and” gate U33D(C6). Subsequent Data Clock pulses from “and” gate U82B(B4) clock the bit counter (U43). Every 16 bits the bit counter clocks the word counter (U63 and U113). At appropriate word counts, the sector formatter enables “and” gate U52B which passes data to the write formatter.

4-28. READ OPERATIONS.

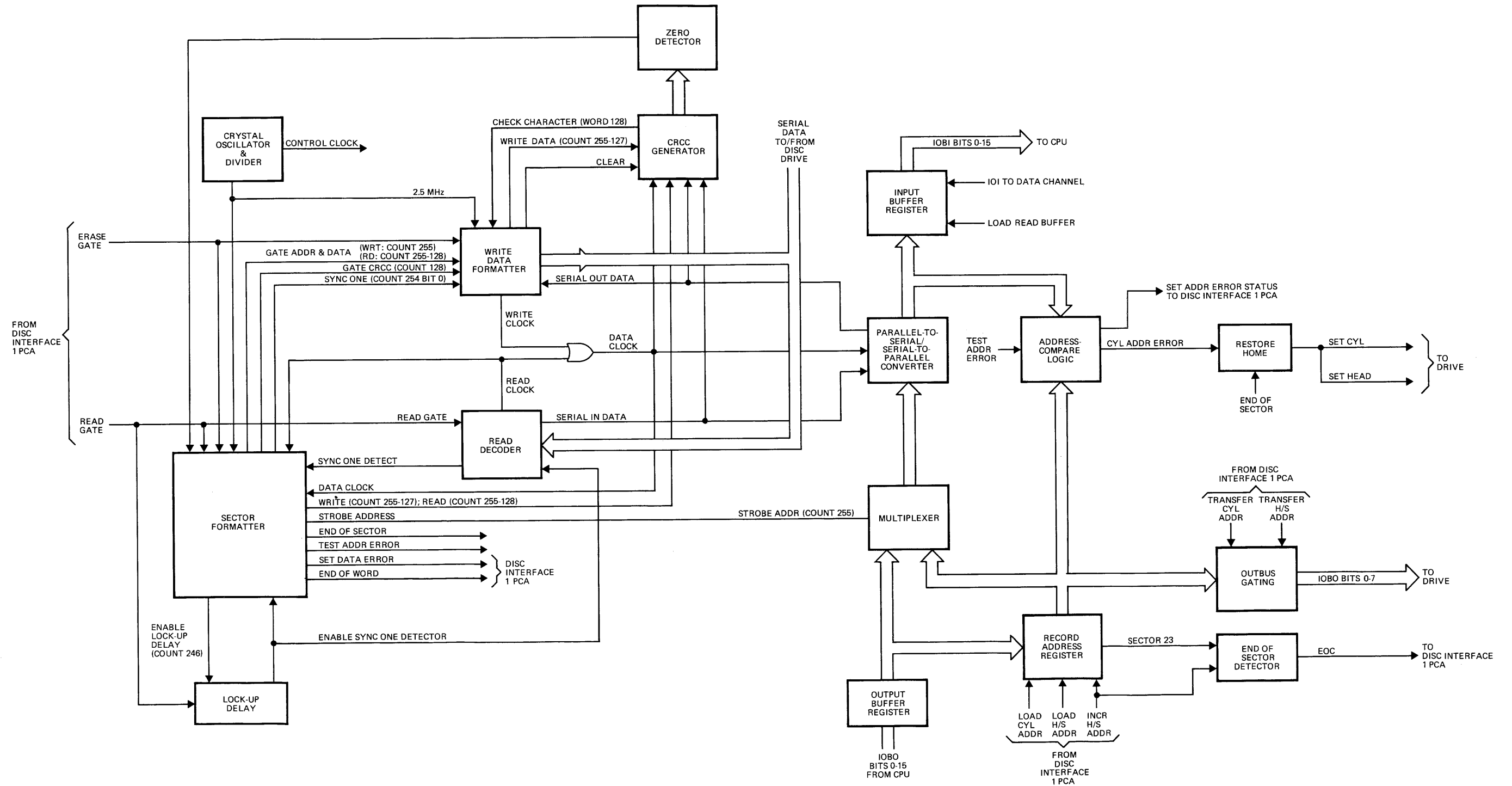
4-29. Serial data from the disc drive is routed to the Sync Phase FF U11A in the phase-lock loop and to the One’s Catcher FF U112B. The serial data toggles the Sync Phase FF to provide one input to the voltage-controlled oscillator (VCO)(U101). The VCO output signal toggles the VCO Phase FF (U111B) to provide a second input to the VCO. The VCO phase-compare the two inputs and adjusts its output frequency until synchronized with the read data frequency. The synchronized output is routed through “exclusive-or” gate U23C to clock the Sync One Detector FF (U102B) and Data Buffer FF (U112A), which, along with the Ones Catcher FF, separate the data from the clock information. The serial output of the Data Buffer FF is routed to the serial-to-parallel converter for stacking into 16-bit words.

4-30. The word counter in the sector formatter is preset to count 240 when the data transfer operation commences (i.e. Control goes low). Once the read gate (U71D) is enabled, Data Clock pulses clock the bit counter in the sector formatter, which, in turn, clocks the word counter. When the word counter reaches count 246, the Lock-up Delay FF (U102A) is set. The Lock-up Delay FF enables the Sync One Detector FF and also presets the bit counter to count 15 and the word counter to count 253. As a result, the very next data pulse, which will be the “1” bit in the sector sync word, sets the Sync One Detector FF and thus enables the Data Buffer FF. (The word counter is clocked to count 254 so that address and data words can be counted precisely.) Subsequent data pulses toggle the Data Buffer FF which provides a serial data output in the conventional non-return-to-zero (NRZ) format as shown in figure 4-8.



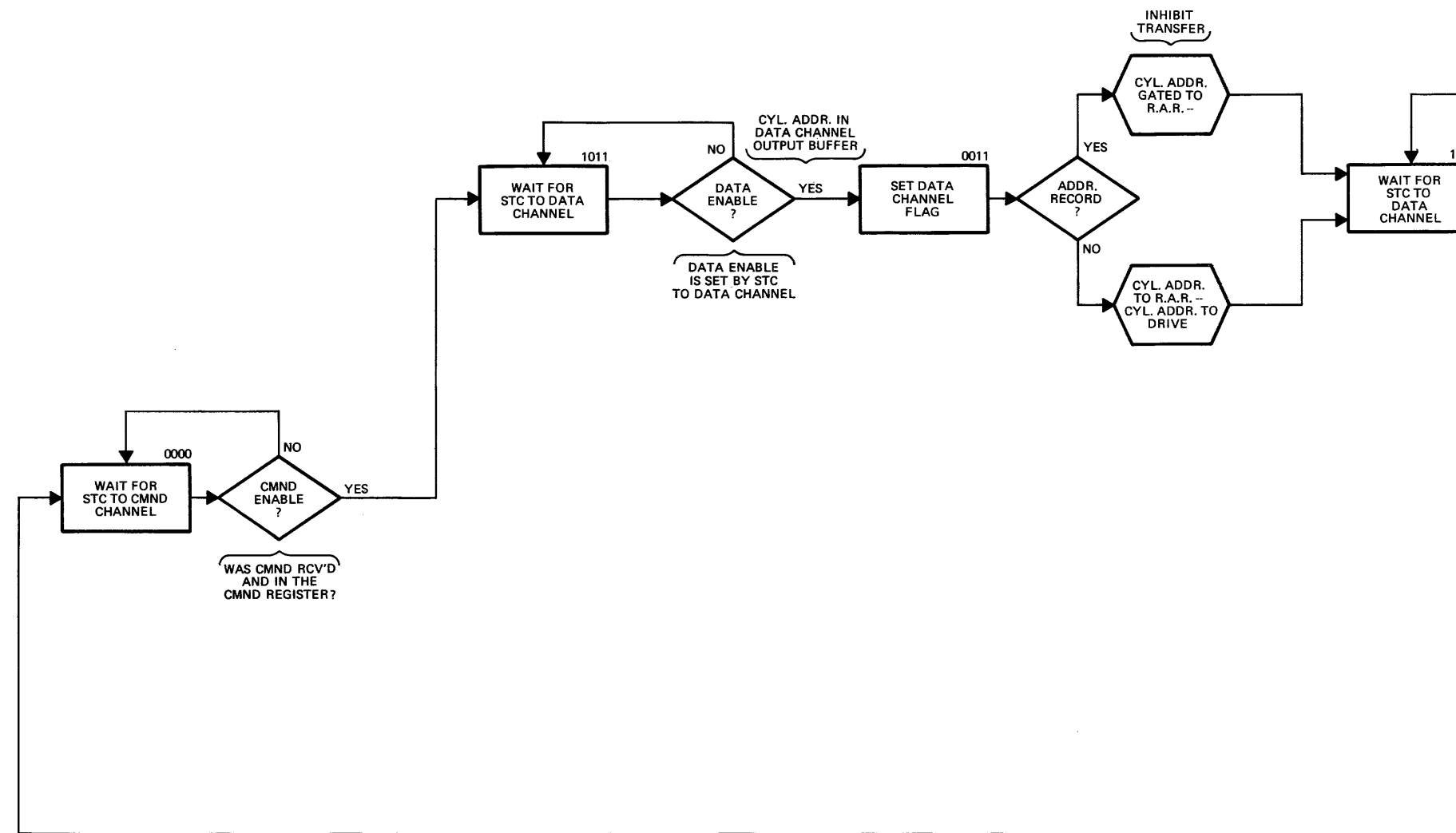
70126

Figure 4-3. Disc Interface 1 PCA Block Diagram



7012-7

Figure 4-4. Disc Interface 2 PCA Block Diagram



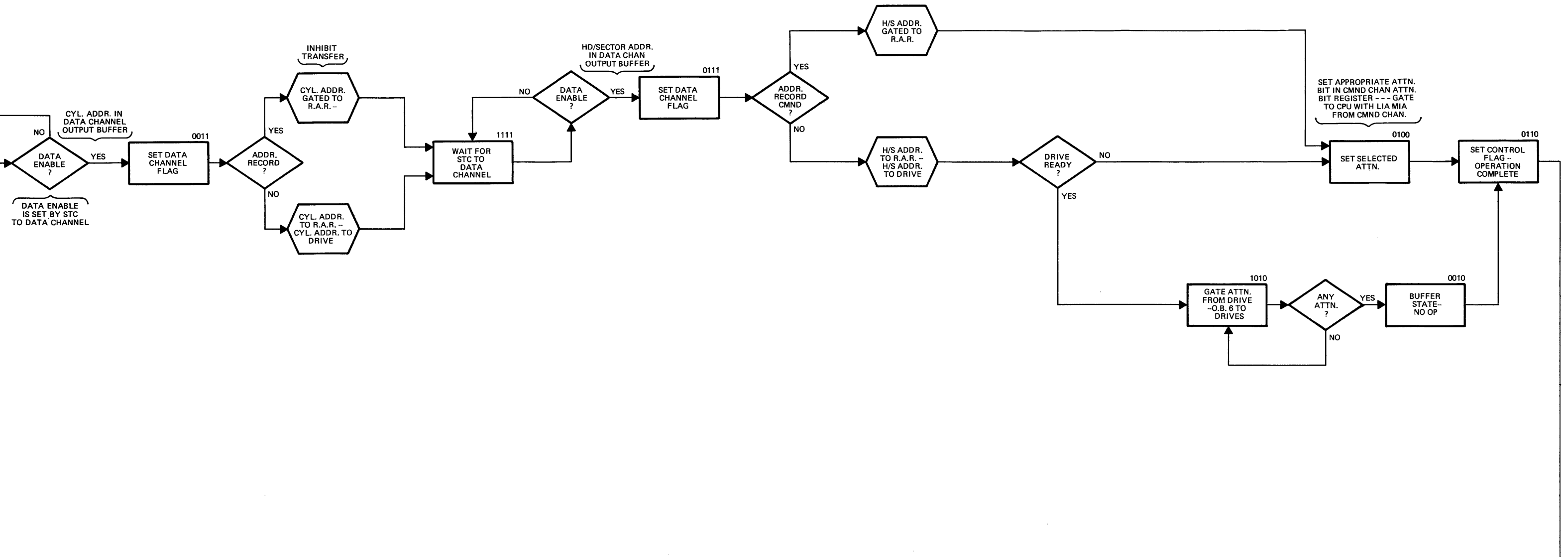


Figure 4-5. Seek Record and Address Record Operations Flow Diagram

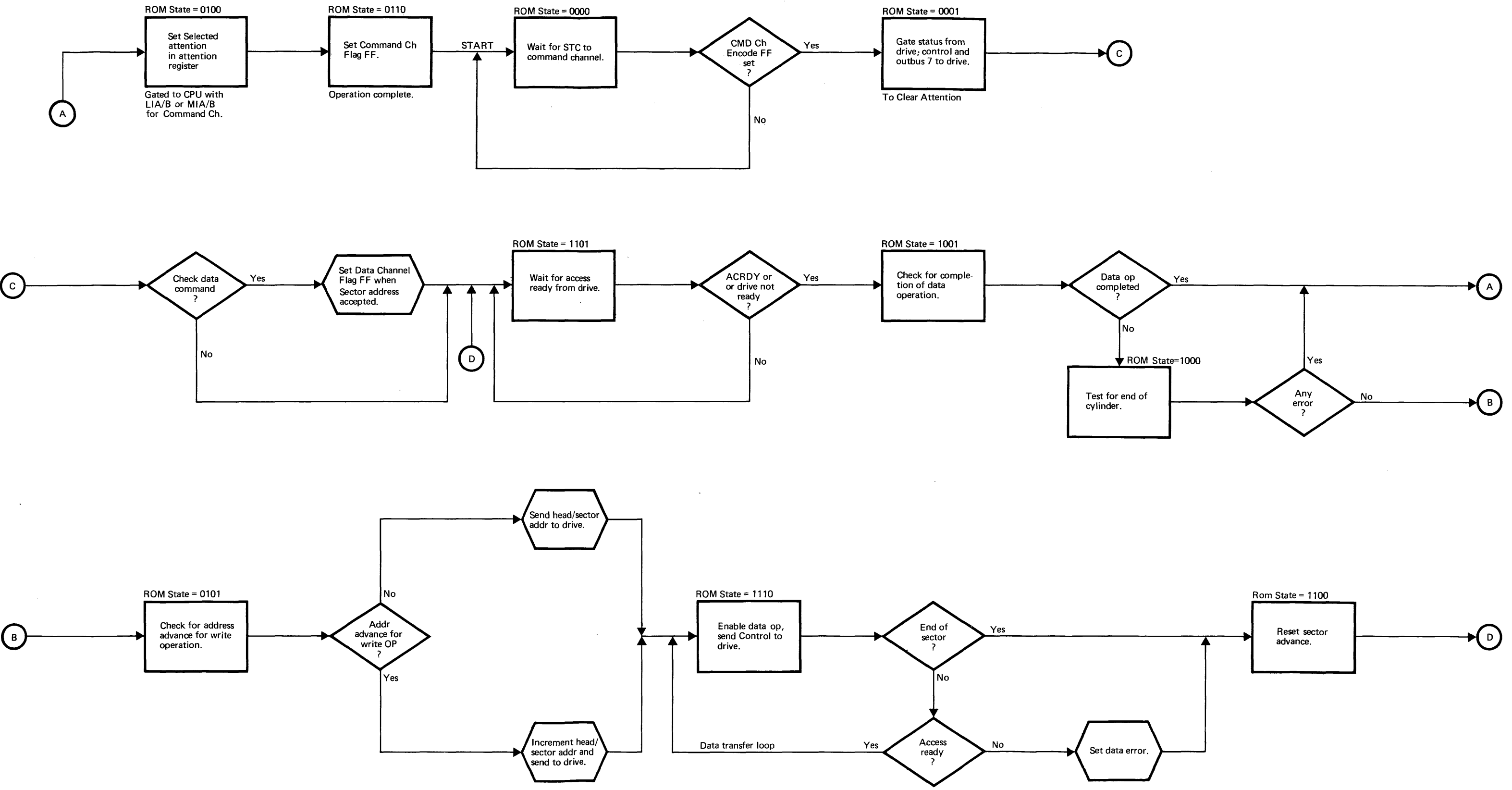
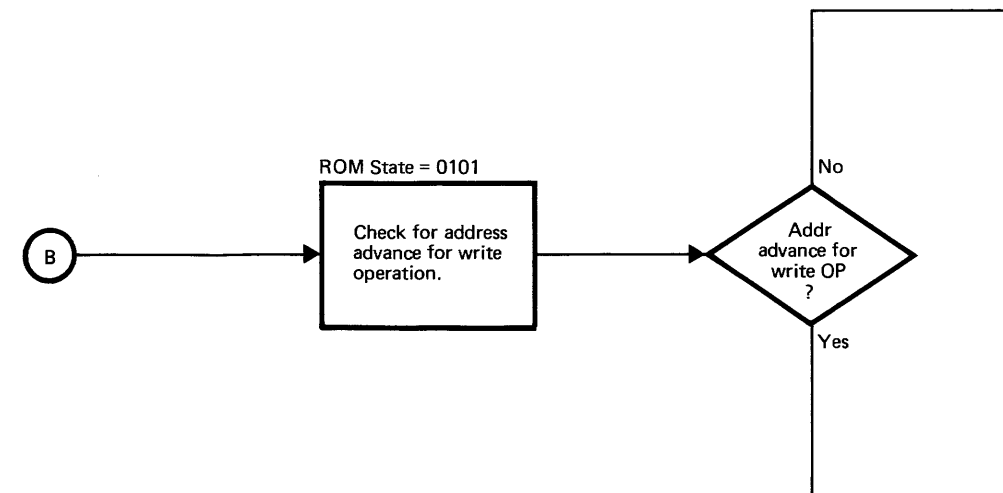
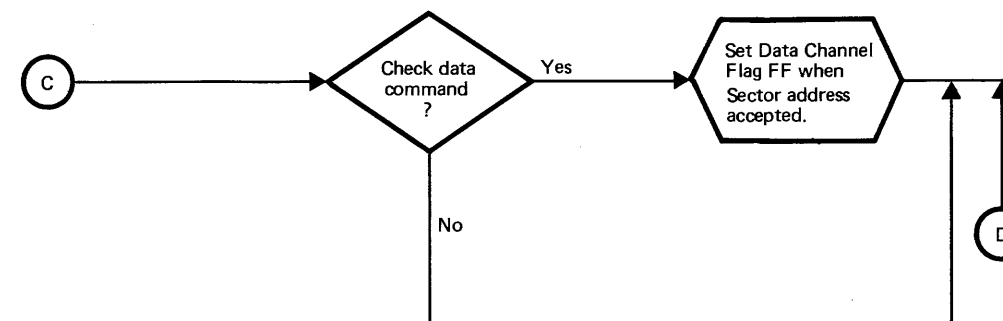
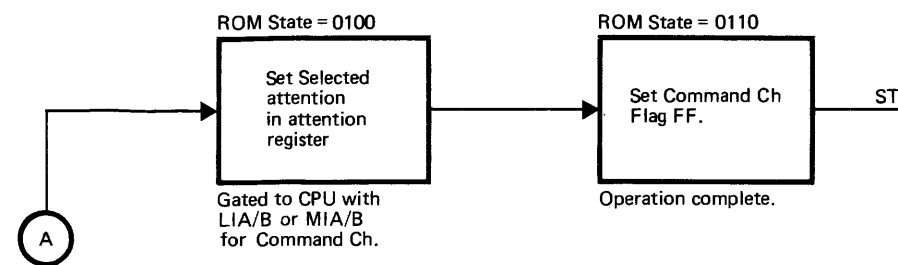


Figure 4-6. Write, Read, Check Data, and Initialize Data Operations Flow Diagram



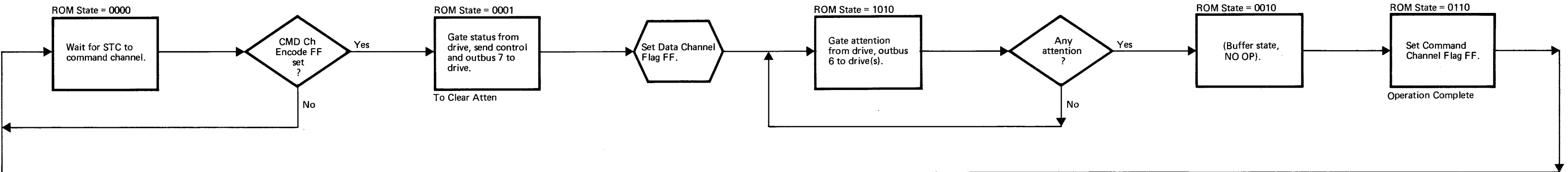
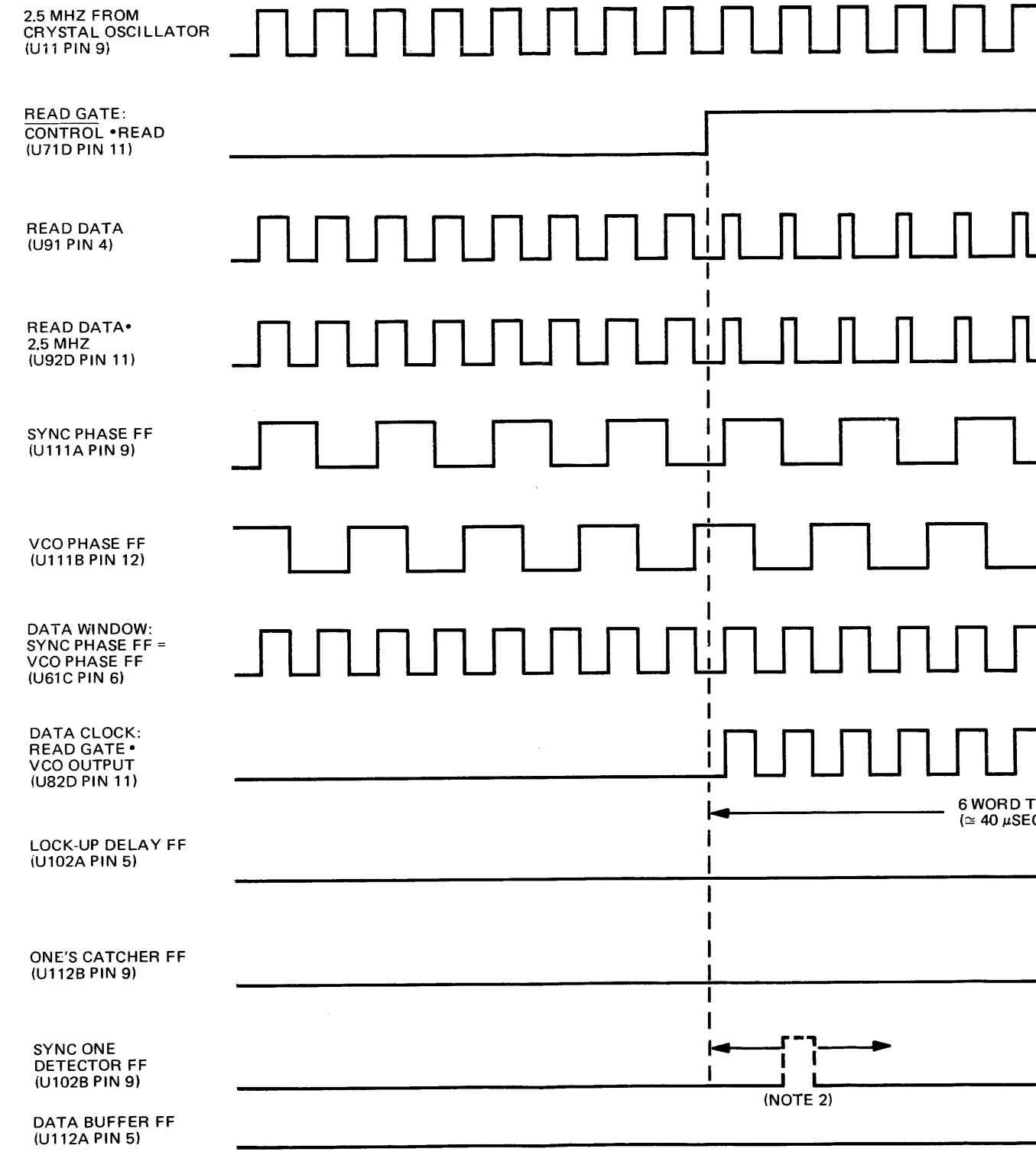
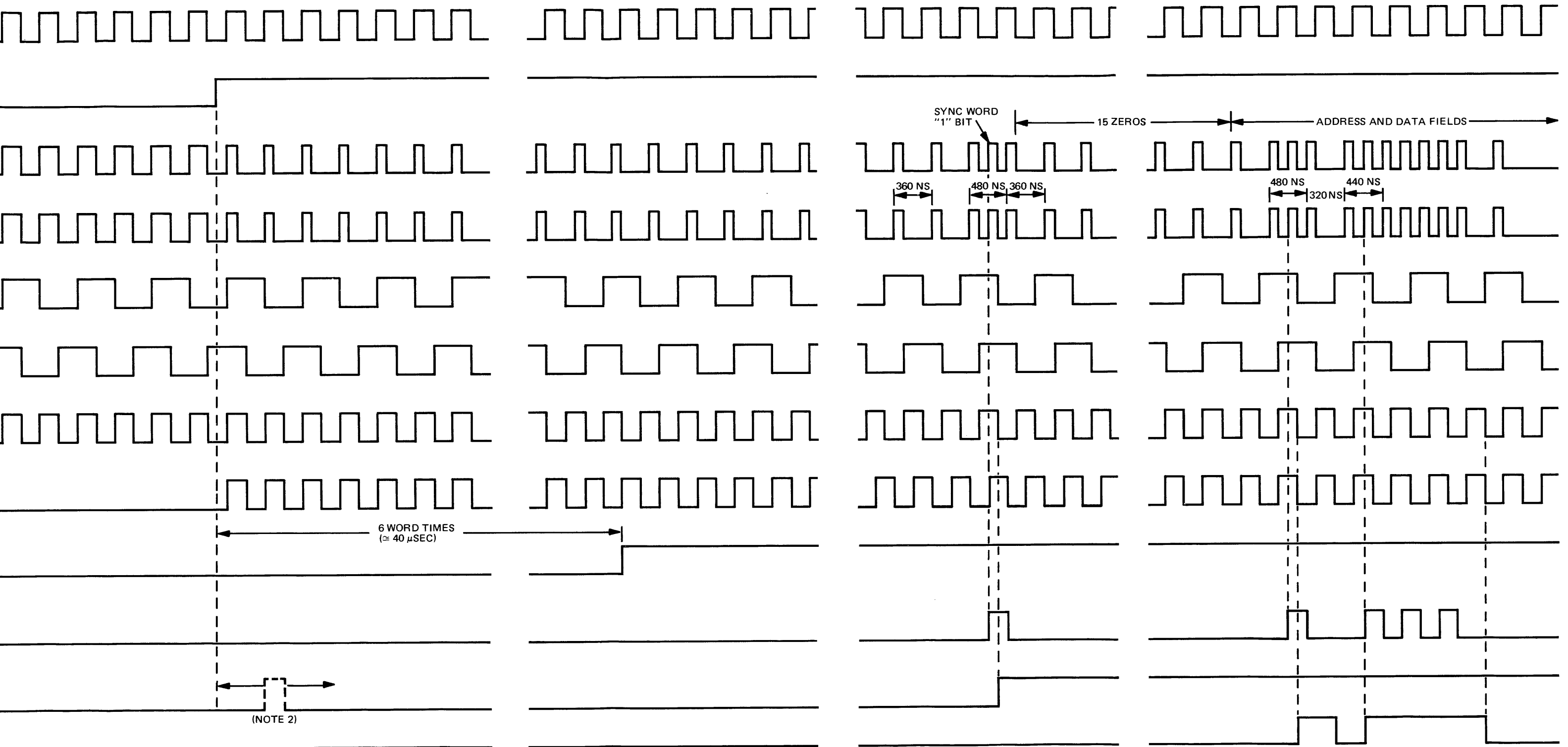


Figure 4-7. Status Operation Flow Diagram





NOTES:

1. ALL SIGNAL LOCATIONS ON DISC INTERFACE 2 PCA (13210-60000).
2. ONE'S CATCHER FF MAY BE SET ANYTIME AFTER READ GATE ENABLED BUT NO "1" BITS ARE PASSED UNTIL AFTER LOCK-UP DELAY FF IS SET.

Figure 4-8. Read Data Separation Timing Diagram

SECTION V MAINTENANCE

5-1. INTRODUCTION.

5-2. This section provides maintenance information for the HP 13210A Disc Drive Interface Kit. Included are preventive maintenance and corrective maintenance instructions, mnemonic definitions, parts location views, and schematic diagrams.

5-3. PREVENTIVE MAINTENANCE.

5-4. Detailed preventive maintenance procedures and schedules are provided in the computer documentation. There are no separate preventive maintenance procedures to be performed on the interface kit.

5-5. CALIBRATION.

5-6. The disc interface 2 PCA (13210-60000) contains a voltage-controlled oscillator (VCO) within the phase-lock loop integrated circuit U101 that may require adjustment following replacement of U101, C17, or C18. Adjustment may also be required periodically if data errors occur.

5-7. The VCO can be checked and adjusted, if necessary, as follows:

a. After at least 5 minutes warm-up time, connect TP2 (U111A, pin 2) to ground and connect digital frequency counter to TP1 (U61B, pin 4).

b. Frequency counter should read between 2.495 and 2.505 MHz.

c. If required, adjust C18 to obtain a counter reading between 2.495 and 2.505 MHz.

5-8. TROUBLESHOOTING.

5-9. Troubleshooting the interface kit is accomplished by performing the appropriate diagnostic program procedures in the *Manual of Diagnostics* and analyzing the error halts that occur as the test is being run. Figures 5-1 through 5-4 contain the schematic and parts location diagrams for the kit. Tables 5-1 and 5-2 list the replaceable parts for the disc interface 1 and disc interface 2 PCA's. Table 5-3 lists the interconnecting cable plug-to-plug connections.

Table 5-1. Mnemonic Definitions

MNEMONIC	DEFINITION	MNEMONIC	DEFINITION
ACRDY	Access Ready	HAD	Head Address
ADDR ERR; AE	Address Error	ID	Initialize Data
CD	Check Data	IINCR	Inhibit Increment
CDC 0	Check Data Character 0	INCR	Increment
CEN	Command (Channel) Enabled	IOO COM REG	IOO (to Command Register)
CMCH CON FF	Command Channel Control FF	IXSFER	Inhibit Transfer
CMCH FLG FF	Command Channel Flag FF	LRB	Load Read Buffer
CONCLK	Control Clock	PM	Parallel Mode
CSEL	Command Channel Selected	RDGT(B)	Read Gate (Buffered)
CYLAD	Cylinder Address	SAD	Sector Address
DATA OP	Data Operation	SADDR	Strobe Address
DCH FLG FF	Data Channel Flag FF	SEC ADV FF	Sector Advance FF
DCLK	Data Clock	SID	Serial-in Data
DEN	Data (Channel) Enabled	SK SET D FLAG	Seek Set Data Flag FF
DR; DRDY	Drive Ready	SOD	Serial-out Data
DSEL	Data Channel Selected	SOR	Sector Overrun
EOC	End of Cylinder	S6 (etc)	State Register, State 6 (etc)
EOD	End of Data	TAE	Test Address Error
EOS	End of Sector	WC	Write Clock
EOW	End of Word	WRT	Write
ERSGT	Erase Gate	XADDR	Transfer Address
FBS	Flagged Bit Status	XCYL; XFER CYL	Transfer Cylinder
FC; FLG CYL	Flagged Cylinder	XFER H/S(B)	Transfer Head/Sector (Buffered)
FLG BFR RST	Flag Buffer FF Reset		

Table 5-2. Disc Interface 1 PCA (13210-60004) Replaceable Parts

REFERENCE DESIGNATION	HP PART NO.	DESCRIPTION	MFR CODE	MFR PART NO.
	13210-60004	DISC INTERFACE 1 PCA	28480	13210-60004
C1 thru 12, 15 thru 18	0150-0093	CAPACITOR, fxd, cer, 0.01 μ F, +80-20%, 100 VDCW	72982	801-K800011
C13	0160-3455	CAPACITOR, fxd, cer, 470 pF, 10%, 1000 VDCW	56289	C067F102F471KS22
C14*	0160-2145	CAPACITOR, fxd, cer disc, 0.005 μ F, 10%, 500 VDCW	91418	TA
Q1, 2, 3	1854-0477	TRANSISTOR	80131	2N2222A
R1, 2, 3, 5, 6, 8, 13	1810-0075	RESISTOR ARRAY, 750 ohms, 5%, 0.15W each	28480	1810-0075
R4, 7	1810-0127	RESISTOR ARRAY, 240/560 ohms, 5%, 0.15W each	28480	1810-0127
R9 thru 12, 19, 20 21, 23	0683-1025	RESISTOR, fxd, comp, 1000 ohms, 5%, 1/4W	01121	CB 1025
R14	1810-0030	RESISTOR ARRAY, 1k, 5%, 0.15W each	28480	1810-0030
R15, 16	0683-7515	RESISTOR, fxd, comp, 750 ohms, 5%, 1/4W	01121	CB 7515
R17, 18, 22	0683-1015	RESISTOR, fxd, comp, 100 ohms, 5%, 1/4W	01121	CB 1015
U11	1820-0626	INTEGRATED CIRCUIT, TTL	07263	U7B931459X
U12, 15, 24, 26, 34, 36, 42, 51, 92, 94, 95, 96	1820-0054	INTEGRATED CIRCUIT, TTL	01295	SN7400N
U13, 33	1820-0069	INTEGRATED CIRCUIT, TTL	01295	SN7420N
U16, 22	1820-0372	INTEGRATED CIRCUIT, TTL	28480	1820-0372
U17	1820-0758	INTEGRATED CIRCUIT	28480	1820-0758
U21	1820-0495	INTEGRATED CIRCUIT, TTL	01295	SN74154N
U23, 32, 52, 84	1820-0068	INTEGRATED CIRCUIT, TTL	12040	SN7410N
U25, 43, 72, 74, 76, 86	1820-0174	INTEGRATED CIRCUIT, TTL	01295	SN7404N
U27, 28, 57, 97, 98	1820-0758	INTEGRATED CIRCUIT	28480	1820-0758
U35, 63, 75, 104	1820-0141	INTEGRATED CIRCUIT, TTL	04713	MC3001P
U44, 62, 85	1820-0239	INTEGRATED CIRCUIT, TTL	28480	1820-0239
U45	1820-0250	INTEGRATED CIRCUIT, TTL	28480	1820-0250
U46, 56, 102, 105, 106	1820-0437	INTEGRATED CIRCUIT, TTL	04713	MC4015P
U53	1820-0075	INTEGRATED CIRCUIT, TTL	01295	SN7473N
U54	1820-0727	INTEGRATED CIRCUIT, TTL	07263	U7B932159X
U55, 65	1820-0233	INTEGRATED CIRCUIT, TTL	01295	SN74193N
U61, 64	1820-0077	INTEGRATED CIRCUIT, TTL	01295	SN7474N
U66, 101	1820-0577	INTEGRATED CIRCUIT, TTL	01295	SN7416N
U71	1820-0537	INTEGRATED CIRCUIT, TTL	28480	1820-0537
U73, 82	1820-0205	INTEGRATED CIRCUIT, TTL	28480	1820-0205
U77	1820-0726	INTEGRATED CIRCUIT, TTL	01295	SN74199
U81	1820-0621	INTEGRATED CIRCUIT, TTL	01295	SN7438N
U83	1820-0111	INTEGRATED CIRCUIT, TTL	07263	U6B930159X
U93	1816-0005	INTEGRATED CIRCUIT	28480	1816-0005
U103	1820-0615	INTEGRATED CIRCUIT, TTL	04713	FAIR 9312
U107	1820-0238	INTEGRATED CIRCUIT, DTL	04713	MC 1810P
*C14 (below series 1232)	0160-3457	CAPACITOR, fxd, cer disc, 0.002 μ F, 10%, 500 VDCW	56289	C067F501F681KS22-CDH

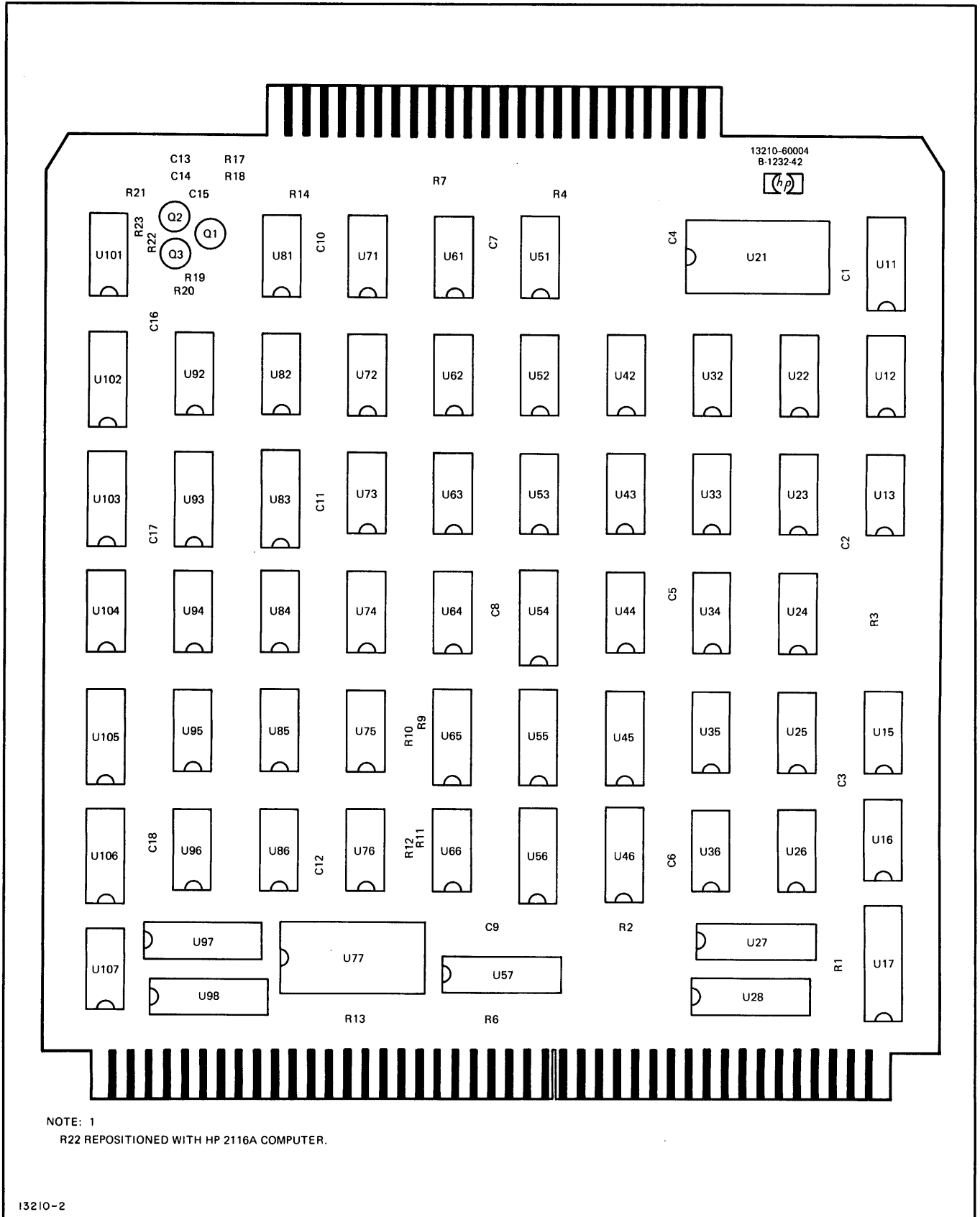
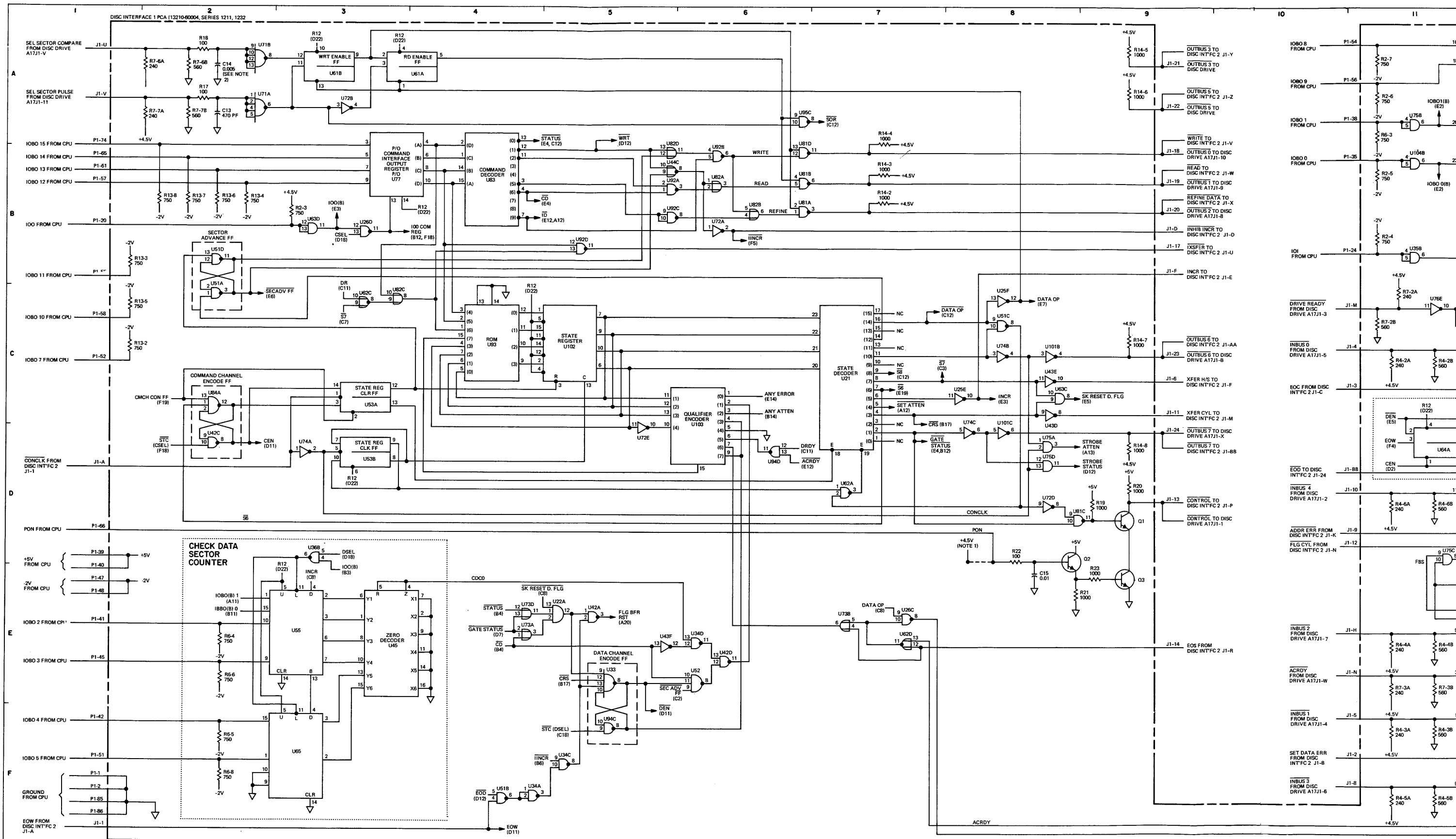


Figure 5-1. Disc Interface 1 PCA Parts Location Diagram



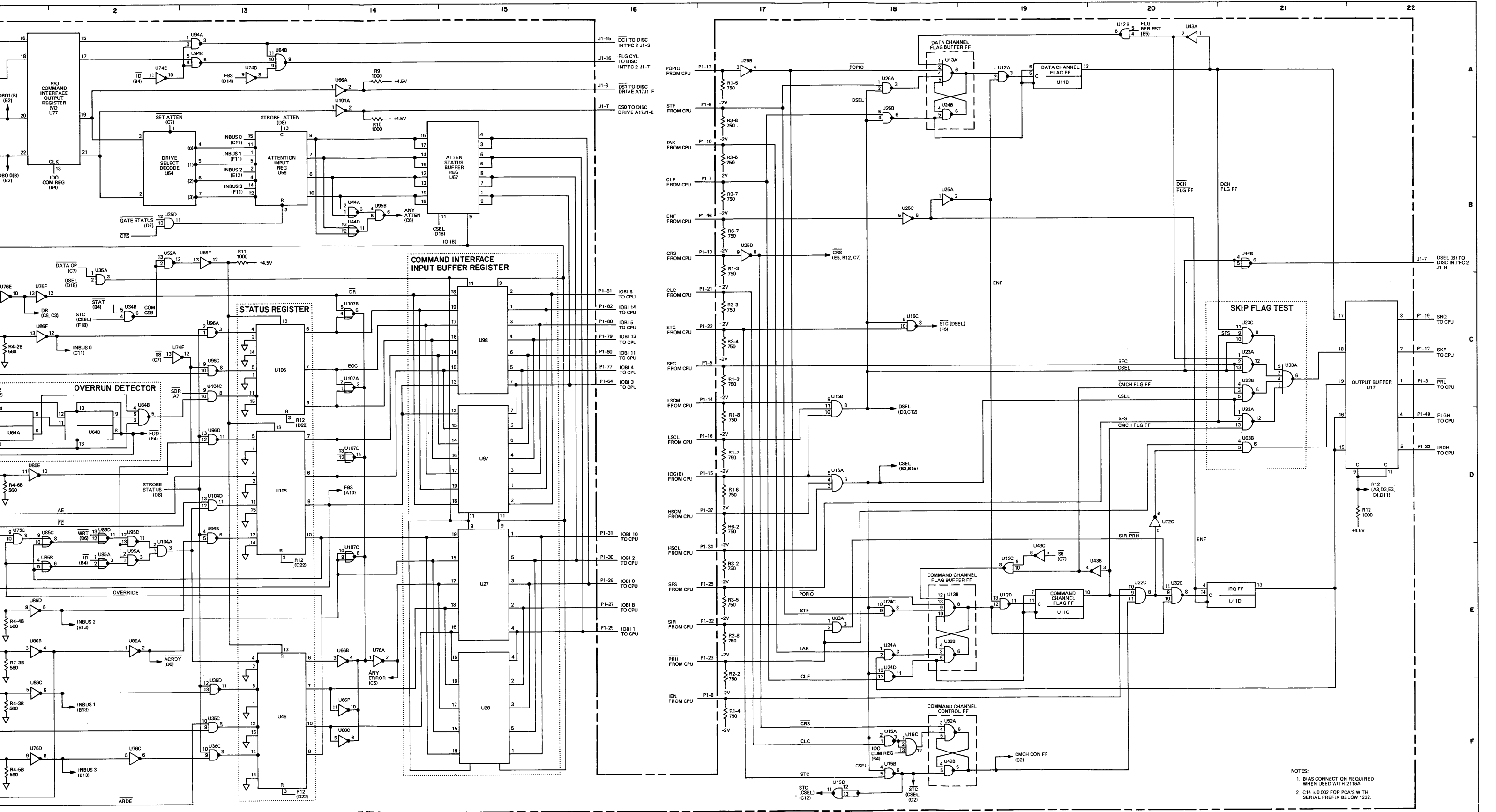


Table 5-3. Disc Interface 2 PCA (13210-60000) Replaceable Parts

REFERENCE DESIGNATION	HP PART NO.	DESCRIPTION	MFR CODE	MFR PART NO.
C1	13210-60000	DISC INTERFACE 2 PCA	28480	13210-60000
C2 thru C14, 16, 20, 24, 25, 32 thru 34	0140-0198	CAPACITOR, fxd, mica, 200 pF, 5%	72136	RDM15F201J3C
C15, 19, 21, 22	0160-2055	CAPACITOR, fxd, cer, 0.01 μ F, +80 -20%, 100 VDCW	56289	C023F101F103 ZS22-CDH
C26 thru C29*	0150-0121	CAPACITOR, fxd, cer, 0.1 μ F, +80 -20%, 50 VDCW	56289	5C50BIS-CML
C17 (below series 1438)	0160-3277	CAPACITOR, fxd, cer, 0.01 μ F, 20%, 50 VDCW	96733	G504BX103M
C17 (series 1438 & above)	0160-2204	CAPACITOR, fxd, mica, 100 pF, 5%	72136	RDM15F111J3C
C18	0160-2202	CAPACITOR, fxd, mica, 75 pF, 5%, 300 VDCW	28480	0160-2202
C23	0121-0046	CAPACITOR, vari, cer, 9-35 pF	28480	0121-0046
C30, 31	0160-3456	CAPACITOR, fxd, cer, 0.001 μ F, 10%, 250 VDCW	56289	C067F251F102 KE12-CDH
CR1	0160-0161	CAPACITOR, fxd, My, 0.01 μ F, 10%, 200 VDCW	56289	192P10392-PTS
CR2	1902-0041	DIODE, breakdown, 5.11V, 5%	04713	SZ10939-98
Q1	1902-0049	DIODE, breakdown, 6.19V	04713	SZ10939-122
R1, 3, 5, 6, 14 thru 18, 20, 23	1854-0045	TRANSISTOR	04713	2N956
R2, 4	0683-1025	RESISTOR, fxd, comp, 1000 ohms, 5%, 1/4W	01121	CB 1025
R7, 8	0683-1825	RESISTOR, fxd, comp, 1800 ohms, 5%, 1/4W	01121	CB 1825
R9, 10	0757-0417	RESISTOR fxd, met flm, 562 ohms, 1%, 1/8W	28480	0757-0417
R11, 13	0757-0398	RESISTOR, fxd, met flm, 75 ohms, 1%, 1/8W	28480	0757-0398
R12	0683-5625	RESISTOR, fxd, comp, 5.6k, 5%, 1/4W	01121	CB 5625
R19	0757-0279	RESISTOR, fxd, met flm, 3.16k, 1%, 1/8W	28480	0757-0279
R21, 22	0683-3915	RESISTOR, fxd, comp, 390 ohms, 5%, 1/4W	01121	CB 3915
R24	0698-3446	RESISTOR, fxd, met flm, 383 ohms, 1%, 1/8W	28480	0698-3446
R25	0811-0988	RESISTOR, fxd, ww, 82 ohms, 3%, 3W	28480	0811-0988
R26 thru R29**	0686-1215	RESISTOR, fxd, comp, 120 ohms, 1/2W	19701	MF7C, T-O
U11	0698-7236	RESISTOR, fxd, flm, 1k, 2%, 1/8W	28480	0698-7236
U12	1820-0099	INTEGRATED CIRCUIT, TTL	01295	SN7493N
U13, 14, 32, 53	1820-0070	INTEGRATED CIRCUIT, TTL	01295	SN7430N
U15, 16, 25, 26, 57 67, 87, 105, 106	1820-0239	INTEGRATED CIRCUIT, TTL	28480	1820-0239
U21, 61	1820-0174	INTEGRATED CIRCUIT, TTL	01295	SN7404N
U22, 33, 51, 64, 72, 82, 85, 86, 92	1820-0054	INTEGRATED CIRCUIT, TTL	01295	SN7400N
U23	1820-0282	INTEGRATED CIRCUIT, TTL	01295	SN7486N
U24, 34, 42, 62, 71	1820-0141	INTEGRATED CIRCUIT, TTL	04713	MC3001P
U27, 28, 107, 108	1820-0758	INTEGRATED CIRCUIT	28480	1820-0758
U31, 52	1820-0068	INTEGRATED CIRCUIT, TTL	12040	SN7410N
U41, 55	1820-0544	INTEGRATED CIRCUIT, TTL	01295	SN74H103N
U43, 63, 113	1820-0233	INTEGRATED CIRCUIT, TTL	01295	SN74193N
U44	1820-0374	INTEGRATED CIRCUIT, TTL	01295	SN74H21N
U45, 95	1820-0250	INTEGRATED CIRCUIT, TTL	28480	1820-0250
U46, 47, 96, 97	1820-0616	INTEGRATED CIRCUIT, TTL	07263	U78932259X
U54, 75	1820-0128	INTEGRATED CIRCUIT, DTL	04713	MC837P
U56, 66	1820-0455	INTEGRATED CIRCUIT, TTL	18324	N8288A
U65	1820-0418	INTEGRATED CIRCUIT, DTL	28480	1820-0418
U73, 103	1820-0727	INTEGRATED CIRCUIT, TTL	07263	U7B932159X
U74, 84, 94, 104, 114	1820-0621	INTEGRATED CIRCUIT, TTL	01295	SN7438N
U81	1820-0722	INTEGRATED CIRCUIT, TTL	01295	SN75109N
U83, 93	1820-0637	INTEGRATED CIRCUIT, TTL	18324	N8875A
U91	1820-0723	INTEGRATED CIRCUIT, TTL	01295	SN75107N
U101	1826-0047	INTEGRATED CIRCUIT	18324	NE562B
U102, 112	1820-0077	INTEGRATED CIRCUIT, TTL	01295	SN7474N
U111	1820-0075	INTEGRATED CIRCUIT, TTL	01295	SN7473N
Y1	0410-0436	CRYSTAL, quartz, 10 MHz	28480	0410-0436
*C26 thru C29 (below series 1249)	0150-0121	CAPACITOR, fxd, cer, 0.1 μ F, +80 -20%, 50 VDCW	56289	5C50BIS-CML
**R26 thru R29 (below series 1249)	-	Not Used		

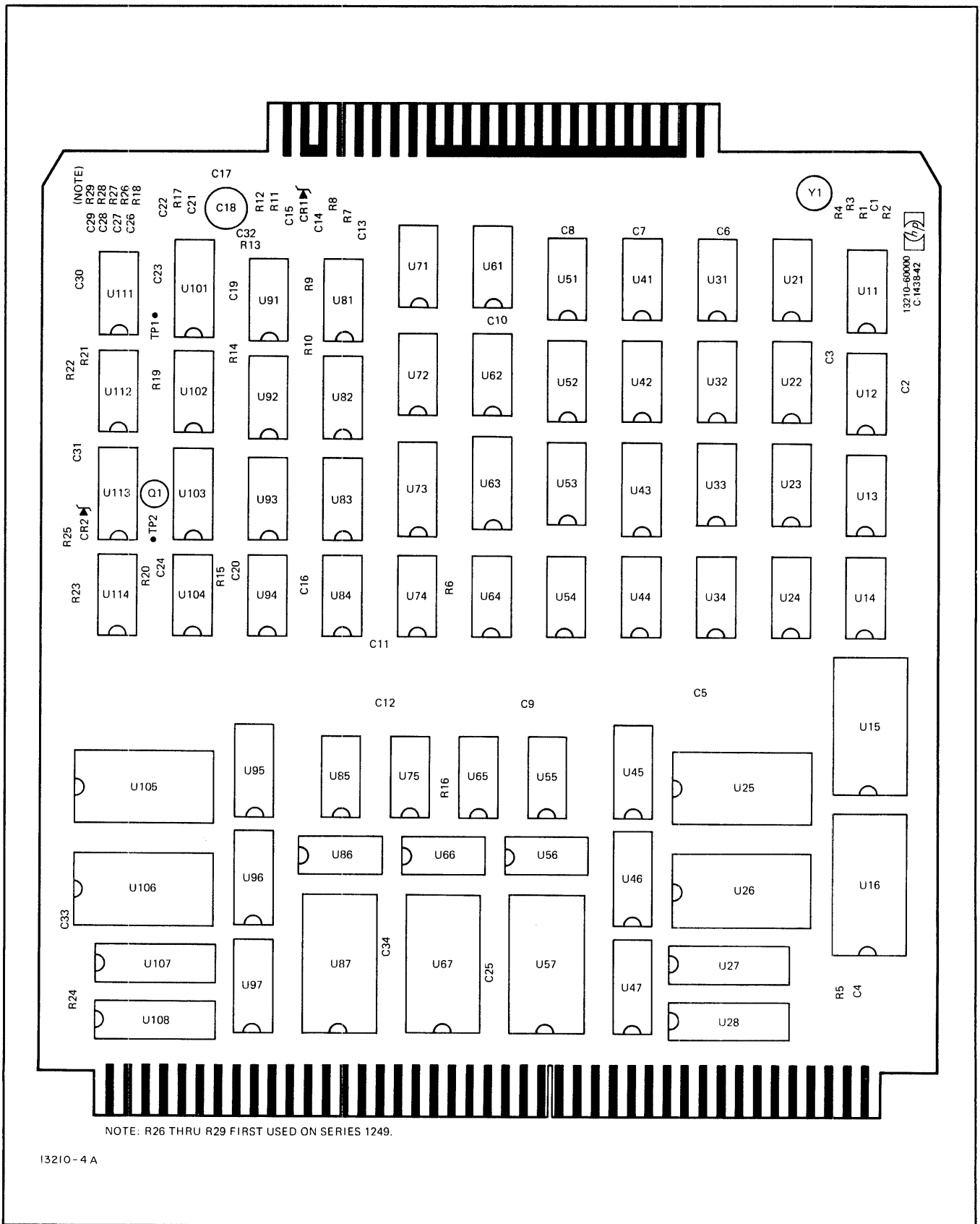
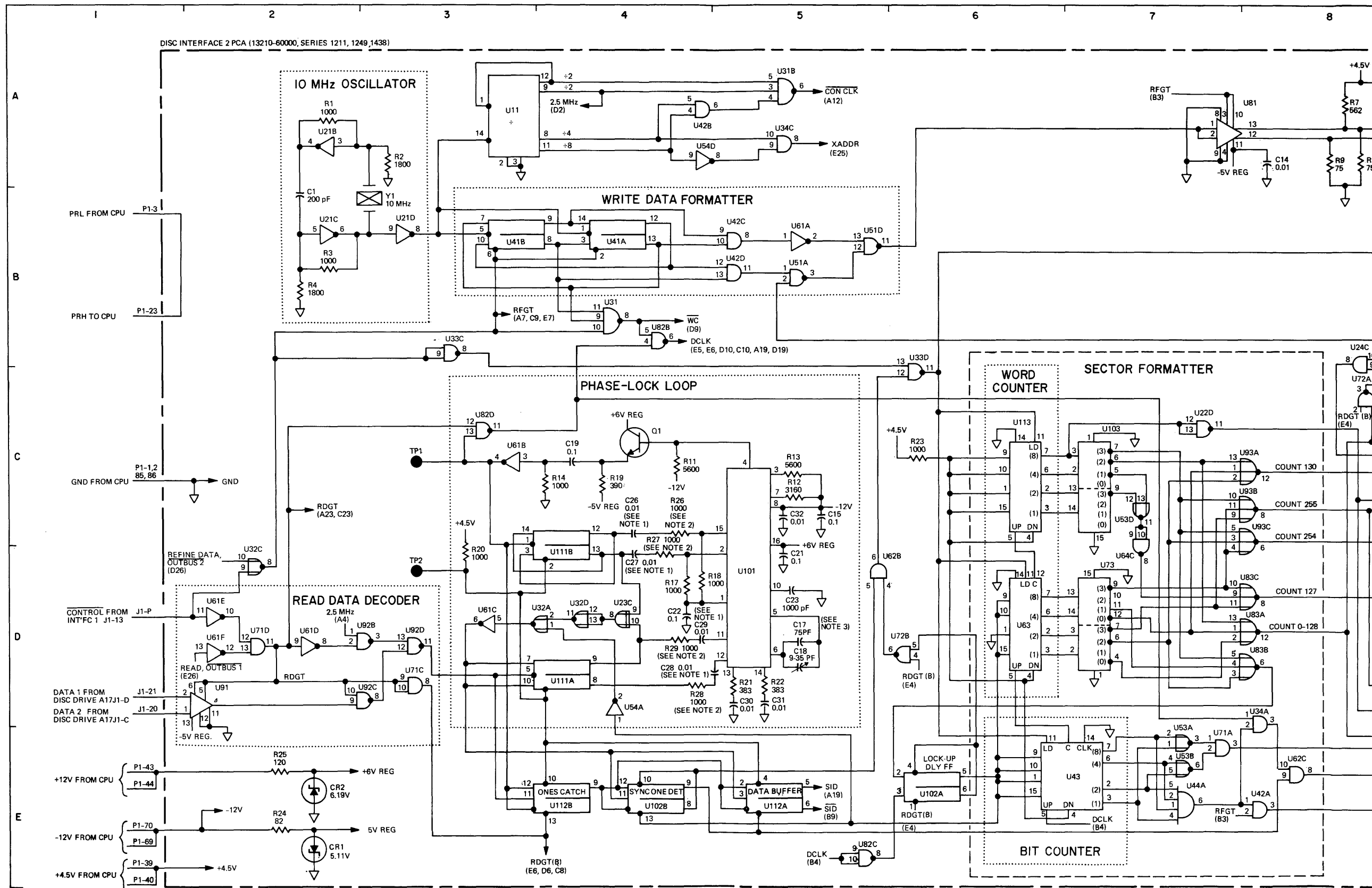
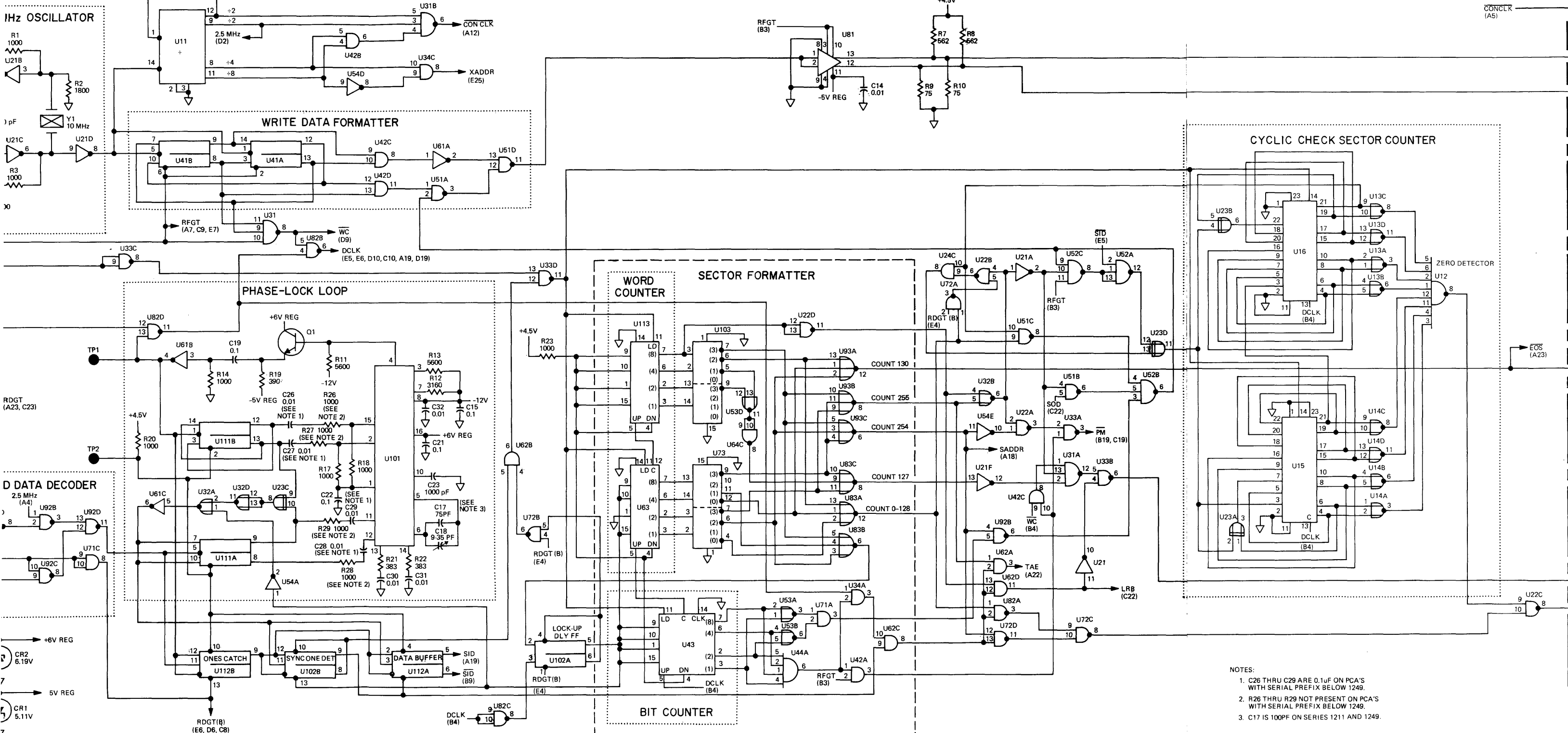
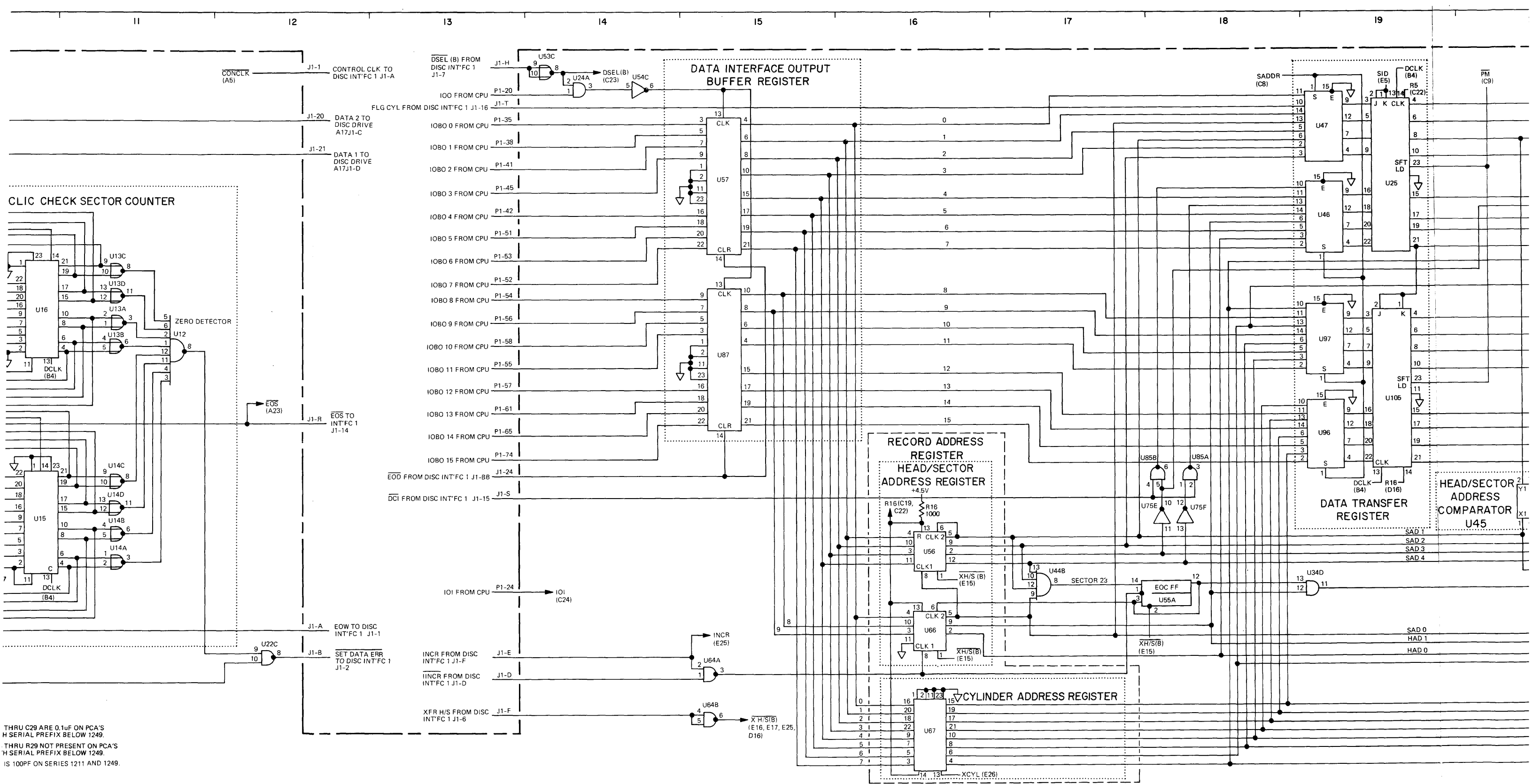


Figure 5-3. Disc Interface 2 PCA Parts Location Diagram





- NOTES:
1. C26 THRU C29 ARE 0.1uF ON PCA'S WITH SERIAL PREFIX BELOW 1249.
 2. R26 THRU R29 NOT PRESENT ON PCA'S WITH SERIAL PREFIX BELOW 1249.
 3. C17 IS 100PF ON SERIES 1211 AND 1249.



THRU C29 ARE 0.1uF ON PCA'S H SERIAL PREFIX BELOW 1249.
 THRU R29 NOT PRESENT ON PCA'S H SERIAL PREFIX BELOW 1249.
 IS 100PF ON SERIES 1211 AND 1249.

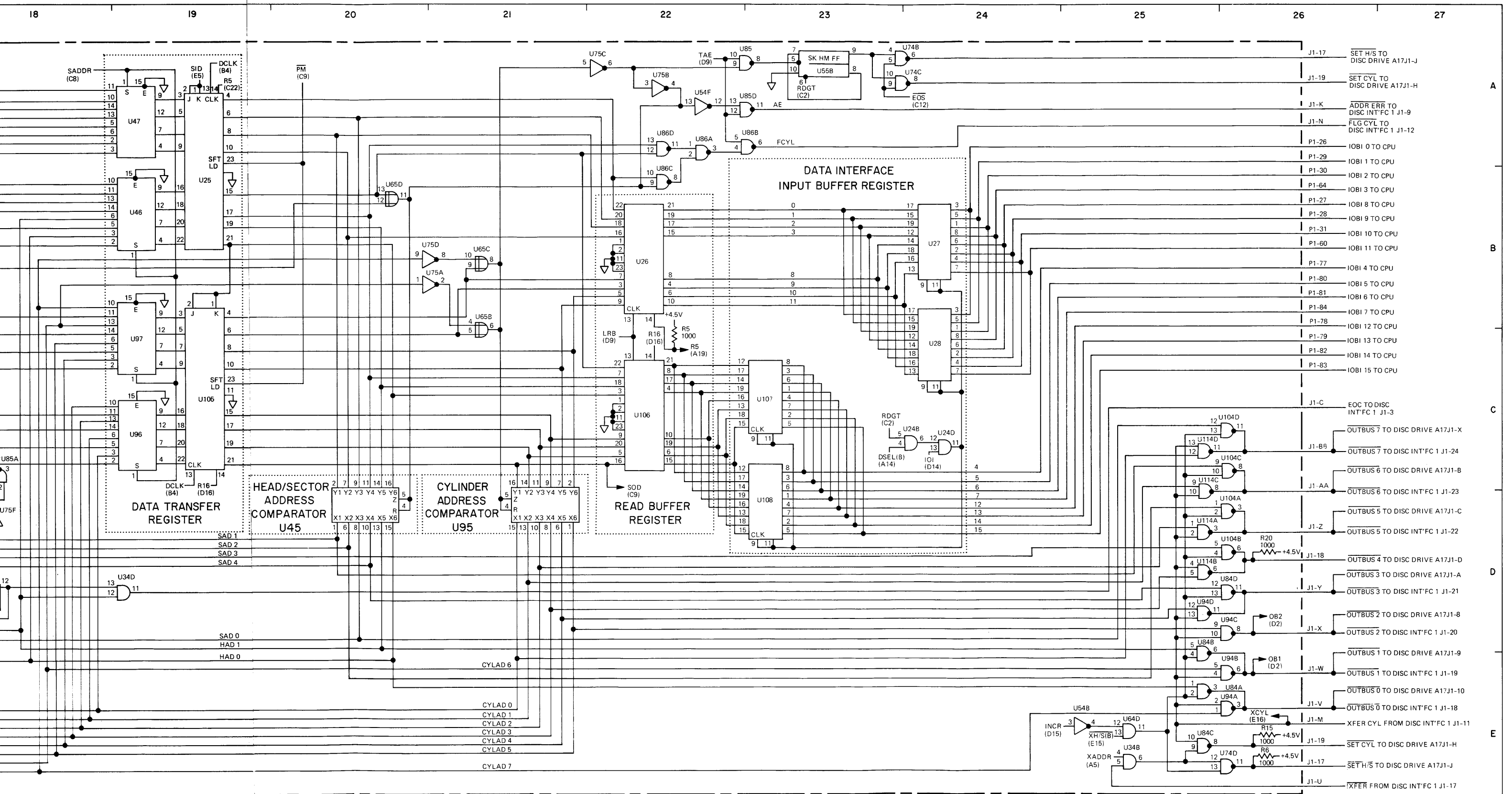


Figure 5-4. Disc Interface 2 PCA Schematic Diagram

Table 5-4. Interconnecting Cable Plug-to-Plug Connections

DISC INTERFACE 1 (P1) PIN	CONNECTS TO	DISC INTERFACE 2 (P2) PIN	CONNECTS TO	DISC DRIVE (P3) PIN	CONNECTS TO
1	P2-A	1	P1-A	1	P1-13, P2-P
2	P2-B	2	Common	2	P1-18, P2-V
3	P2-C	3	Common	3	P1-21, P2-Y
4	P3-V	4	Common	4	Common
5	P3-W	5	Common	5	Common
6	P2-F	6	Common	6	Common
7	P2-H	7	Common	7	Common
8	P3-U	8	Common	8	Common
9	P2-K	9	Common	9	Common
10	P3-R	10	Common	10	Common
11	P2-M	11	Common	11	Common
12	P2-N	12	Common	12	Common
13	P2-P, P3-1	13	Common	13	Common
14	P2-R	14	Common	14	Common
15	P2-S	15	Common	15	Common
16	P2-T	16	Common	16	Common
17	P2-U	17	P3-B	17	Common
18	P2-V, P3-2	18	P3-H	18	Common
19	P2-W, P3-A	19	P3-C	19	Common
20	P2-X, P3-S	20	P3-Z, P3-22	20	Common
21	P2-Y, P3-3	21	P3-Y	21	Common
22	P2-Z, P3-J	22	NC	22	P3-Z
23	P2-AA, P3-K	23	NC	23	NC
24	P2-BB, P3-D	24	P1-BB	24	Shield
A	P2-1	A	P1-1	A	P1-19, P2-W
B	NC	B	P1-2	B	P2-17
C	NC	C	P1-3	C	P2-19
D	P2-D	D	P1-D	D	P1-BB, P2-24
E	NC	E	P1-F	E	P1-S
F	P2-E	F	P1-6	F	P1-T
H	P3-T	H	P1-7	H	P2-18
J	P3-U	J	NC	J	P1-22, P2-Z
K	NC	K	P1-9	K	P1-23, P2-AA
L	NC	L	NC	L	NC
M	P3-X	M	P1-11	M	P1-V
N	P3-P	N	P1-12	N	P1-U
P	NC	P	P1-13	P	P1-N
R	NC	R	P1-14	R	P1-10
S	P3-E	S	P1-15	S	P1-20, P2-X
T	P3-F	T	P1-16	T	P1-H
U	P3-N	U	P1-17	U	P1-8
V	P3-M	V	P1-18, P3-2	V	P1-4
W	NC	W	P1-19, P3-A	W	P1-5
X	NC	X	P1-20, P3-S	X	P1-M
Y	NC	Y	P1-21, P3-3	Y	P2-21
Z	NC	Z	P1-22, P3-J	Z	P2-20, P3-22
AA	NC	AA	P1-23, P3-K	AA	NC
BB	P2-24	BB	P1-24, P3-D	BB	Shield

SECTION VI REPLACEABLE PARTS

6-1. INTRODUCTION.

6-2. This section provides information for ordering replacement parts for the disc drive interface kit. Separate parts lists and parts location diagrams are provided for each printed-circuit assembly in section V of this manual. Parts are listed in these tables in alphanumeric order by reference designation. Table 6-1 is a complete parts list for the disc drive interface kit.

6-3. Table 6-1 lists the following information for each part:

a. Hewlett-Packard part number.

b. Description of the part. (Refer to table 6-2 for an explanation of abbreviations used in the DESCRIPTIONS column.)

c. Typical manufacturer of the part as a five-digit code. (Refer to table 6-3 for a listing of the manufacturers that correspond to the codes.)

d. Manufacturer's part number.

6-4. ORDERING INFORMATION.

6-5. To order replacement parts, address the order or inquiry to the local HP Sales and Service Office. (Refer to the list at the back of this manual.) Specify the following information for each part ordered.

a. Kit model number.

b. HP stock number for each part.

c. Description of each part.

Table 6-1. HP 13210A Disc Drive Interface Kit Replaceable Parts

HP PART NO.	DESCRIPTION	MFR CODE	MFR PART NO.	TQ
13210-60000	DISC INTERFACE 2 PCA (Refer to table 5-3.)	28480	13210-60000	1
13210-60003	INTERFACE CABLE	28480	13210-60003	1
13210-60004	DISC INTERFACE 1 PCA (Refer to table 5-2.)	28480	13210-60004	1
13210-90003	OPERATING AND SERVICE MANUAL	28480	13210-90003	1

Table 6-2. Reference Designations and Abbreviations

REFERENCE DESIGNATIONS		
A = assembly	K = relay	TB = terminal board
B = motor, synchro	L = inductor	TP = test point
BT = battery	M = meter	U = integrated circuit, non-repairable assembly
C = capacitor	P = plug connector	V = vacuum tube, photocell, etc.
CB = circuit breaker	Q = semiconductor device other than diode or microcircuit	VR = voltage regulator
CR = diode	R = resistor	W = cable, jumper
DL = delay line	RT = thermistor	X = socket
DS = indicator	S = switch	Y = crystal
E = Misc electrical parts	T = transformer	Z = tuned cavity, network
F = fuse		
FL = filter		
J = receptacle connector		
ABBREVIATIONS		
A = amperes	gra = gray	PCA = printed-circuit assembly
ac = alternating current	grn = green	PWB = printed-wiring board
ad = anode	H = henries	ph = Phillips head
Al = aluminum	Hg = mercury	pk = peak
AR = as required	hr = hour(s)	p-p = peak-to-peak
adj = adjust	Hz = hertz	pt = point
assy = assembly	hdw = hardware	PIV = peak inverse voltage
B = base	hex = hexagon, hexagonal	PNP = positive-negative-positive
bp = bandpass	ID = inside diameter	PWV = peak working voltage
bpi = bits per inch	IF = intermediate frequency	porc = porcelain
blk = black	in. = inch, inches	posn = position(s)
blu = blue	I/O = input/output	pozi = pozidrive
brn = brown	int = internal	rf = radio frequency
brs = brass	incl = include(s)	rdh = round head
Btu = British thermal unit	insul = insulation, insulated	rmo = rack mount only
Be Cu = beryllium copper	impgrg = impregnated	rms = root-mean-square
C = collector	incand = incandescent	RWV = reverse working voltage
cw = clockwise	ips = inches per second	rect = rectifier
ccw = counterclockwise	k = kilo (10 ³), kilohm	r/min = revolutions per minute
cer = ceramic	lp = low pass	RTL = resistor-transistor logic
cmo = cabinet mount only	m = milli (10 ⁻³)	s = second
com = common	M = mega (10 ⁶), megohm	SB, TT = slow blow
crt = cathode-ray tube	My = Mylar	Se = selenium
CTL = complementary-transistor logic	mfr = manufacturer	Si = silicon
cath = cathode	mom = momentary	scr = silicon controlled rectifier
cd pl = cadmium plate	mtg = mounting	sil = silver
comp = composition	misc = miscellaneous	sst = stainless steel
conn = connector	Met Ox = metal oxide	stl = steel
compl = complete	mintr = miniature	spcl = special
dc = direct current	n = nano (10 ⁻⁹)	spdt = single-pole, double-throw
dr = drive	n.c. = normally closed or no connection	spst = single-pole, single-throw
DTL = diode-transistor logic	Ne = neon	semicond = semiconductor
depc = deposited carbon	no. = number	Ta = tantalum
dpdt = double-pole, double-throw	n.o. = normally open	td = time delay
dpst = double-pole, single-throw	np. = nickel plated	Ti = titanium
E = emitter	NPN = negative-positive-negative	tgl = toggle
ECL = emitter-coupled logic	NPO = negative-positive zero (zero temperature coefficient)	thd = thread
ext = external	NSR = not separately replaceable	tol = tolerance
encap = encapsulated	NRFR = not recommended for field replacement	TTL = transistor transistor logic
elctlt = electrolytic	OD = outside diameter	U(μ) = micro (10 ⁻⁶)
F = farads	OBD = order by description	V = volt(s)
FF = flip-flop	orn = orange	var = variable
flh = flat head	ovh = oval head	vio = violet
FIm = film	oxd = oxide	VDCW = direct current working volts
Fxd = fixed	p = pico (10 ⁻¹²)	W = watts
filh = fillister head	PC = printed circuit	ww = wirewound
G = giga (10 ⁹)		wht = white
Ge = germanium		WIV = working inverse voltage
gl = glass		yel = yellow
gnd = ground(ed)		

Table 6-3. Code List of Manufacturers

CODE NO.	MANUFACTURER	ADDRESS
01121	Allen Bradley Co.	Milwaukee, Wis.
01295	Texas Instruments Inc. Semiconductor Components Div.	Dallas, Texas
04713	Motorola Semiconductor Prod. Inc.	Phoenix, Arizona
07263	Fairchild Camera & Inst. Corp. Semiconductor Div.	Mountain View, Calif.
12040	National Semiconductor Corp.	Danbury, Conn.
18324	Signetics Corp.	Sunnyvale, California
28480	Hewlett-Packard Company	Palo Alto, California
56289	Sprague Electric Co.	N. Adams, Mass.
72136	Electro Motive Mfg. Co. Inc.	Willimantic, Conn.
72982	Erie Technological Prod. Inc.	Erie, Pennsylvania
80131	Electronic Industries Association	Washington D.C.

APPENDIX A

BACKDATING INFORMATION

This backdating appendix provides information for making this manual applicable to earlier versions of HP 13210A Disc Drive Interface Kits. Changes are identified numerically

in this appendix. Refer to the following table to determine which changes should be made to achieve a particular kit version.

Description	Part Number	Series	Changes
Disc Interface 2 PCA	13210-60000	1135	1, 2, 3
Disc Interface 2 PCA	13210-60000	1138	3
Disc Interface 1 PCA	13210-60004	1135	4, 5

<u>CHANGE</u>	<u>DESCRIPTION</u>
1	Pages 5-4 and 5-7; table 5-2 and figure 5-4. Change C17 from 100 pF, part no. 0160-2204 to 110 pF, part no. 0140-0194.
2	Page 5-7, figure 5-4. a. Add connection between U112B pin 12 and U61C pin 5; delete the connection between U112B pin 12 and U61B pin 4. b. Delete U54A from the circuit and connect U32A pin 1 to U32A pin 2.
3	Page 5-4, table 5-2; page 5-7, figure 5-4. Change R11 and R13 from 5.6k, part no. 0683-5625 to 12k, part no. 0683-1235.
4	Page 5-3, figure 5-2. Add connection between U35D pin 13 and U52A pin 1. Delete $\overline{\text{CRS}}$ signal connection from State Decoder, U21 pin 4.
5	Page 5-3, figure 5-2. Delete connection between U52A pin 13 and pin 2. Add connection between U36A pin 3 (near IOI input) and U52A pin 13.

**ELECTRONIC
SALES & SERVICE OFFICES**

UNITED STATES

ALABAMA
8290 Whitestone Dr., S.E.
P.O. Box 4207
Huntsville 35802
Tel: (205) 881-4591
TWX: 810-726-2204

ARIZONA
2336 E. Magnolia St.
Phoenix 85034
Tel: (602) 244-1361
TWX: 910-951-1330

2424 East Aragon Rd.
Tucson 85706
Tel: (602) 889-4661

CALIFORNIA
1430 East Orangethorpe Ave.
Fullerton 92631
Tel: (714) 870-1000
TWX: 910-592-1288

3939 Lankershim Boulevard
North Hollywood 91604
Tel: (213) 877-1282
TWX: 910-499-2170

6515 Arizona Place
Los Angeles 90045
Tel: (213) 776-7500
TWX: 910-328-6148

1101 Embarcadero Road
Palo Alto 94303
Tel: (415) 327-6500
TWX: 910-373-1280

2220 Watt Ave.
Sacramento 95825
Tel: (916) 482-1463
TWX: 910-367-2092

9606 Aero Drive
P.O. Box 23333
San Diego 92123
Tel: (714) 279-3200
TWX: 910-335-2000

COLORADO
5600 South Ulster Parkway
Englewood 80110
Tel: (303) 771-3455
TWX: 910-935-0705

CONNECTICUT
12 Lunar Drive
New Haven 06525
Tel: (301) 389-6551
TWX: 710-465-2029

FLORIDA
P.O. Box 24210
2806 W. Oakland Park Blvd.
Ft. Lauderdale 33307
Tel: (305) 731-2020
TWX: 510-955-4099

P.O. Box 13910
6177 Lake Ellenor Dr.
Orlando, 32809
Tel: (305) 859-2900
TWX: 810-850-0113

GEORGIA
P.O. Box 28234
450 Interstate North
Atlanta 30328
Tel: (404) 436-6181
TWX: 810-766-4890

HAWAII
2875 So. King Street
Honolulu 96814
Tel: (808) 955-4455

ILLINOIS
5500 Howard Street
Skokie 60076
Tel: (312) 677-0400
TWX: 910-223-3613

INDIANA
3839 Meadows Drive
Indianapolis 46205
Tel: (317) 546-4891
TWX: 810-341-3263

IOWA
1902 Broadway
Iowa City 52240
Tel: (319) 338-9466
Night: (319) 338-9467

LOUISIANA
P.O. Box 840
3239 Williams Boulevard
Kenner 70062
Tel: (504) 721-6201
TWX: 810-955-5524

MARYLAND
6707 Whitestone Road
Baltimore 21207
Tel: (301) 944-5400
TWX: 710-862-9157

20010 Century Blvd.
Germantown 20767
Tel: (31) 428-0700
P.O. Box 1648
2 Choke Cherry Road
Rockville 20850
Tel: (301) 948-8370
TWX: 710-828-9684

MASSACHUSETTS
32 Hartwell Ave.
Lexington 02173
Tel: (617) 861-6960
TWX: 710-326-6904

MICHIGAN
23855 Research Drive
Farmington 48024
Tel: (313) 476-6400
TWX: 810-242-2900

MINNESOTA
2459 University Avenue
St. Paul 55114
Tel: (612) 645-9461
TWX: 910-563-3734

MISSOURI
11131 Colorado Ave.
Kansas City 64137
Tel: (816) 783-8000
TWX: 910-771-2087

148 Weidman Parkway
Maryland Heights 63043
Tel: (314) 567-1455
TWX: 910-764-0830

***NEVADA**
Las Vegas
Tel: (702) 382-5777

NEW JERSEY
W. 120 Century Rd.
Paramus 07652
Tel: (201) 265-5000
TWX: 710-990-4951

NEW MEXICO
P.O. Box 8366
Station C
6501 Lomas Boulevard N.E.
Albuquerque 87108
Tel: (505) 265-3713
TWX: 910-989-1665

156 Wyatt Drive
Las Cruces 88001
Tel: (505) 526-2485
TWX: 910-983-0550

NEW YORK
6 Automation Lane
Computer Park
Albany 12205
Tel: (518) 458-1550
TWX: 710-441-8270

1219 Campville Road
Endicott 13760
Tel: (607) 754-0050
TWX: 510-252-0890

New York City
Manhattan, Bronx
Contact Paramus, NJ Office
Tel: (201) 265-5000
Brooklyn, Queens, Richmond
Contact Woodbury, NY Office
Tel: (516) 921-0300

82 Washington Street
Peapackpaola 12601
Tel: (914) 454-7330
TWX: 510-248-0012

39 Saginaw Drive
Rochester 14623
Tel: (716) 473-9500
TWX: 510-253-5981

5858 East Molloy Road
Syracuse 13211
Tel: (315) 454-2486
TWX: 710-541-0482

1 Crossways Park West
Woodbury 11797
Tel: (516) 921-0300
TWX: 510-221-2168

NORTH CAROLINA
P.O. Box 5188
1923 North Main Street
High Point 27282
Tel: (919) 885-8101
TWX: 510-926-1516

SOUTH CAROLINA
6941-O N. Trenholm Road
Columbia 29260
Tel: (803) 782-6493

OHIO
16500 Sprague Road
Cleveland 44130
Tel: (216) 243-7300
Night: 243-7305
TWX: 810-423-9431

330 Progress Rd.
Dayton 45449
Tel: (513) 859-8202
TWX: 810-459-1925

6665 Busch Blvd.
Columbus 43229
Tel: (614) 846-1300

OKLAHOMA
P.O. Box 32008
Oklahoma City 73132
Tel: (405) 721-0200
TWX: 910-830-6862

OREGON
17890 SW Boones Ferry Road
Tualatin 97062
Tel: (503) 620-3350
TWX: 910-467-8714

PENNSYLVANIA
111 Zeta Drive
Pittsburgh 15238
Tel: (412) 782-0400
Night: 782-0401
TWX: 710-795-3124

1021 8th Avenue
King of Prussia Industrial Park
King of Prussia 19406
Tel: (215) 265-7000
TWX: 510-660-2670

RHODE ISLAND
873 Waterman Ave.
East Providence 02914
Tel: (401) 434-5535
TWX: 710-381-7573

***TENNESSEE**
Memphis
Tel: (901) 274-7472

TEXAS
P.O. Box 1270
201 E. Arapaho Rd.
Richardson 75080
Tel: (214) 231-6101
TWX: 910-867-4723

P.O. Box 27409
6300 Westpark Drive
Suite 100
Houston 77027
Tel: (713) 781-6000
TWX: 910-881-2645

231 Billy Mitchell Road
San Antonio 78226
Tel: (512) 434-4171
TWX: 910-871-1170

UTAH
2890 South Main Street
Salt Lake City 84115
Tel: (801) 487-0715
TWX: 910-925-5681

VIRGINIA
P.O. Box 9854
2914 Hungary Springs Road
Richmond 23228
Tel: (804) 285-3431
TWX: 910-956-0157

WASHINGTON
Bellevue Office Pk.
1203 - 114th SE
Bellevue 98004
Tel: (206) 454-3971
TWX: 910-443-2446

***WEST VIRGINIA**
Charleston
Tel: (304) 345-1640

WISCONSIN
9431 W. Beloit Road
Suite 117
Milwaukee 53227
Tel: (414) 541-0550

FOR U.S. AREAS NOT LISTED:
Contact the regional office nearest you: Atlanta, Georgia . . . North Hollywood, California . . . Paramus, New Jersey . . . Skokie, Illinois. Their complete addresses are listed above.

***Service Only**

CANADA

ALBERTA
Hewlett-Packard (Canada) Ltd.
11748 Kingsway Ave.
Edmonton T5G 0X5
Tel: (403) 452-3670
TWX: 610-831-2431

Hewlett-Packard (Canada) Ltd.
915-42 Avenue S.E.
Calgary T2G 1Z1
Tel: (403) 262-4279

BRITISH COLUMBIA
Hewlett-Packard (Canada) Ltd.
837 E. Cordova Street
Vancouver V6A 3R2
Tel: (604) 254-0531
TWX: 610-922-5059

MANITOBA
Hewlett-Packard (Canada) Ltd.
513 Century St.
St. James
Winnipeg R3M 0L8
Tel: (204) 786-7581
TWX: 610-671-3531

NOVA SCOTIA
Hewlett-Packard (Canada) Ltd.
2745 Dutch Village Rd.
Halifax B3L 6G7
Tel: (902) 455-0511
TWX: 610-271-4482

ONTARIO
Hewlett-Packard (Canada) Ltd.
1785 Woodward Dr.
Ottawa K2C 0P9
Tel: (613) 225-6530
TWX: 610-562-8968

Hewlett-Packard (Canada) Ltd.
6877 Goreway Drive
Mississauga L4V 1L9
Tel: (416) 678-9430
TWX: 610-492-4246

QUEBEC
Hewlett-Packard (Canada) Ltd.
275 Hymus Boulevard
Pointe Claire H9R 1G7
Tel: (514) 561-6530
TWX: 610-422-3022
Telex: 05-821521 HPCL

Hewlett-Packard (Canada) Ltd.
2376 Galvani Street
Ste-Foy G1N 4G4
Tel: (418) 688-8710

FOR CANADIAN AREAS NOT LISTED:
Contact Hewlett-Packard (Canada) Ltd. in Mississauga

CENTRAL AND SOUTH AMERICA

ARGENTINA
Hewlett-Packard Argentina
S.A.C.e.I.
Lavalle 1171 - 3°
Buenos Aires
Tel: 35-0436, 35-0627, 35-0341
Telex: 012-1009
Cable: HEWPACK ARG

BOLIVIA
Stambuk & Mark (Bolivia) LTDA.
Av. Mariscal, Santa Cruz 1342
La Paz
Tel: 40626, 53163, 52421
Telex: 3560014
Cable: BUKMAR

BRAZIL
Hewlett-Packard Do Brasil
I.E.C. Ltda.
Rua Frei Ganeza 1119
01307-Sao Paulo-SP
Tel: 288-7111, 287-5858
Telex: 309151/2/3
Cable: HEWPACK Sao Paulo

Hewlett-Packard Do Brasil
I.E.C. Ltda.
Praça Dom Feliciano, 78
90000-Porto Alegre-RS
Rio Grande do Sul (RS) Brasil
Tel: 25-8470
Cable: HEWPACK Porto Alegre

Hewlett-Packard Do Brasil
I.E.C. Ltda.
Rua da Matriz, 29
20000-Rio de Janeiro-GB
Tel: 266-2643
Telex: 210079 HEWPACK
Cable: HEWPACK Rio de Janeiro

CHILE
Héctor Calcagni y Cia, Ltda.
Casilla 16.475
Santiago
Tel: 423 96
Cable: CALCAGNI Santiago

COLOMBIA
Instrumentación
Henrik A. Langebaek & Kier S.A.
Carrera 7 No. 48-59
Apartado Aéreo 6287
Bogotá, 1 D.E.
Tel: 45-78-06, 45-55-46
Cable: ARIS Bogotá
Telex: 44400INSTCO

COSTA RICA
Lic. Alfredo Gallegos Gurdían
Apartado 10159
San José
Tel: 21-86-13
Cable: GALGUR San José

ECUADOR
Laboratorios de Radio-Ingeniería
Calle Guayaquil 1246
Post Office Box 3199
Quito
Tel: 212-496; 219-185
Cable: HORVATH Quito

EL SALVADOR
Electronic Associates
Apartado Postal 1682
Centro Comercial Gigante
San Salvador, El Salvador C.A.
Paseo Escalon 4649-4° Piso
Tel: 23-44-60, 23-32-37
Cable: ELECAS

GUATEMALA
IPESA
Avenida La Reforma 3-48,
Zona 9
Guatemala
Tel: 63627, 64736
Telex: 4192 TELTRU GU

MEXICO
Hewlett-Packard Mexicana,
S.A. de C.V.
Torres Adalid No. 21, 11° Piso
Col. del Valle
Mexico 12, D.F.
Tel: 543-42-32
Telex: 017-74-507

NICARAGUA
Roberto Terán G.
Apartado Postal 689
Edificio Terán
Managua
Tel: 3451, 3452
Cable: ROTERAN Managua

PANAMA
Electrónico Balboa, S.A.
P.O. Box 4929
Ave. Manuel Espinosa No. 13-50
Bldg. Allna
Panama City
Tel: 230633
Telex: 3481103, Curunda,
Canal Zone
Cable: ELECTRON Panama City

PARAGUAY
J. Melamed S.R.L.
Division: Aparatos y Equipos
Medicos
Division: Aparatos y Equipos
Scientificos y de
Investigacion
P.O. Box 576
Chile, 482, Edificio Victoria
Asuncion
Tel: 4-5069, 4-6272
Cable: RAMEL

PERU
Compañía Electro Médica S.A.
Ave. Enrique Canaval 312
San Isidro
Casilla 1030
Lima
Tel: 22-3900
Cable: ELMED Lima

PUERTO RICO
San Juan Electronics, Inc.
P.O. Box 5167
Ponce de Leon 154
Pda. 3-PTA de Tierra
San Juan 00906
Tel: (809) 725-3342, 722-3342
Cable: SATRONICS San Juan
Telex: SATRON 3450 332

URUGUAY
Pablo Ferrando S.A.
Comercial e Industrial
Avenida Italia 2877
Casilla de Correo 370
Montevideo
Tel: 40-3102
Cable: RADIUM Montevideo

VENEZUELA
Hewlett-Packard de Venezuela
C.A.
Apartado 50933
Edificio Segre
Tercera Transversal
Los Ruices Norte
Caracas 107
Tel: 35-00-11
Telex: 21146 HEWPACK
Cable: HEWPACK Caracas

FOR AREAS NOT LISTED,
CONTACT:
Hewlett-Packard
Inter-Americas
3200 Hillview Ave.
Palo Alto, California 94304
Tel: (415) 493-1501
TWX: 910-373-1267
Cable: HEWPACK Palo Alto
Telex: 034-8300, 034-8493

EUROPE

AUSTRIA
Hewlett-Packard Ges.m.b.H
Handelska 52/3
P.O. Box 7
A-1205 Vienna
Tel: (0222) 33 66 06 to 09
Cable: HEWPAK Vienna
Telex: 75923 hewpak a

BELGIUM
Hewlett-Packard Benelux
S.A./N.V.
Avenue de Col-Vert, 1,
(Groenkraaglaan)
B-1170 Brussels
Tel: (02) 72 22 40
Cable: PAIOBEN Brussels
Telex: 23 494 paloben bru

DENMARK
Hewlett-Packard A/S
Datevej 36
DK-3460 Birkerød
Tel: (01) 81 66 40
Cable: HEWPAK AS
Telex: 166 40 hp as

Hewlett-Packard A/S
Torvet 9
DK-8600 Silkeborg
Tel: (06) 62-71-66
Telex: 166 40 hp as
Cable: HEWPAK AS

FINLAND
Hewlett-Packard Oy
Bulevardi 26
P.O. Box 12185
SF-00120 Helsinki 12
Tel: (09) 13730
Cable: HEWPAKCOY Helsinki
Telex: 12-15363 hel

FRANCE
Hewlett-Packard France
Quartier de Courtabouef
Boite Postale No. 6
F-91401 Orsay
Tel: (1) 907 78 25
Cable: HEWPAK Orsay
Telex: 60048

Hewlett-Packard France
Agence Regionale
4 Quai des Etoiles
F-69321 Lyon Cedex 1
Tel: (78) 42 63 45
Cable: HEWPAK Lyon
Telex: 31617

Hewlett-Packard France
Zone Aéronautique
Avenue Clément Ader
F-31770 Colomiers
Tel: (61) 86 81 55
Telex: 51957

Hewlett-Packard France
Agence Régionale
Boulevard Ferat-Gamarra
Boite Postale No. 11
F-13100 Luynes
Tel: (47) 24 00 66
Telex: 41770

Hewlett-Packard France
Agence Régionale
63, Avenue de Rochester
F-35000 Rennes
Tel: (99) 36 33 21
Telex: 74912 F

Hewlett-Packard France
Agence Régionale
74, Allée de la Robertsau
F-67000 Strasbourg
Tel: (89) 35 23 20/21
Telex: 89141
Cable: HEWPAK STRBG

**GERMAN FEDERAL
REPUBLIC**
Hewlett-Packard GmbH
Vertriebsbüro Berlin
Wilmsdorfer Strasse 113/114
D-1000 Berlin W. 12
Tel: (030) 3137406
Telex: 18 34 05 hpbln d

Hewlett-Packard GmbH
Vertriebszentrale Frankfurt
Bernerstrasse 117
Postfach 560 140
D-6000 Frankfurt 56
Tel: (0611) 50 04-1
Cable: HEWPAKSA Frankfurt
Telex: 41 32 49 fra

Hewlett-Packard GmbH
Vertriebsbüro Böblingen
Herrenbergerstrasse 110
D-7030 Böblingen
Tel: (07031) 66 72 87
Cable: HEPAK Böblingen
Telex: 72 65 739 bbn

Hewlett-Packard GmbH
Vertriebsbüro Düsseldorf
Vogelsanger Weg 38
D-4000 Düsseldorf
Tel: (0211) 63 80 31/38
Telex: 85/86 533 hpdd c

IRELAND
Hewlett-Packard Ltd.
224 Bath Road
GB-Slough, SL1 4 DS, Bucks
Tel: Slough (0753) 33341
Cable: HEWPIE Slough
Telex: 848413

Hewlett-Packard GmbH
Vertriebsbüro Hamburg
Wendenstr. 23
D-2000 Hamburg 1
Tel: (040) 24 13 93
Cable: HEWPAKSA Hamburg
Telex: 21 63 032 hpdd d

Hewlett-Packard GmbH
Vertriebsbüro Hannover
Mellendorfer Strasse 3
D-3000 Hannover-Kleefeld
Tel: (0511) 55 06 26
Telex: 41770

Hewlett-Packard GmbH
Vertriebsbüro Nuremberg
Herschbruckerstrasse 42
D-9100 Nuremberg
Tel: (0911) 57 10 66
Telex: 623 860

Hewlett-Packard GmbH
Vertriebsbüro München
Unterhachinger Strasse 28
ISAR Center
D-8012 Ottobrunn
Tel: (089) 601 30 61/7
Telex: 52 49 85
Cable: HEWPAKSA München

(West Berlin)
Hewlett-Packard GmbH
Vertriebsbüro Berlin
Wilmsdorfer Strasse 113/114
D-1000 Berlin W. 12
Tel: (030) 3137406
Telex: 18 34 05 hpbln d

GREECE
Kostas Karayannis
18, Ermou Street
GR-Athens 126
Tel: 8080337, 8080359,
8080429, 8018993
Cable: RAKAR Athens
Telex: 21 59 62 rkar g

Hewlett-Packard S.A.
Mediterranean & Middle East
Operations
35 Kolokotroni Street
Platia Kefallariou
GR-Kifissia-Athens
Tel: 8080337, 8080358,
8080429, 8018993

NETHERLANDS
Hewlett-Packard Benelux/N.V.
Weerdestein 117
P.O. Box 7825
NL-Amsterdam, 1011
Tel: (03/02) 72 22 40
Cable: PALOBEN Brussels
Telex: 23 494

NETHERLANDS
Hewlett-Packard Benelux/N.V.
Weerdestein 117
P.O. Box 7825
NL-Amsterdam, 1011
Tel: (03/02) 72 22 40
Cable: PALOBEN Amsterdam
Telex: 13 216 hapa nl

NORWAY
Hewlett-Packard Norge A/S
Nesveien 13
Box 149
N-1344 Haslum
Tel: (02) 53 83 60
Telex: 16621 hpnas n

Hewlett-Packard Ltd.
The Graffons
Stamford New Road
Aitricham, Cheshire
Tel: (061) 928-9021
Telex: 668068

ITALY
Hewlett-Packard Italiana S.p.A.
Via Amerigo Vesputici 2
I-20124 Milan
Tel: (2) 6251 (10 lines)
Cable: HEWPAKIT Milan
Telex: 32046

Hewlett-Packard Italiana S.p.A.
Vicolo Pastori, 3
I-35100 Padova
Tel: (49) 66 40 62
Telex: 32046 via Milan

Hewlett-Packard Italiana SPA
Via Medaglia d'Oro, 2
I-56100 Pisa
Tel: (050) 500022

Hewlett-Packard Italiana S.p.A.
Via Colli, 24
I-10129 Turin
Tel: (11) 53 82 64
Telex: 32046 via Milan

LUXEMBURG
Hewlett-Packard Benelux
S.A./N.V.
Avenue de Col-Vert, 1,
(Groenkraaglaan)
B-1170 Brussels
Tel: (03/02) 72 22 40
Cable: PALOBEN Brussels
Telex: 23 494

NETHERLANDS
Hewlett-Packard Benelux/N.V.
Weerdestein 117
P.O. Box 7825
NL-Amsterdam, 1011
Tel: (03/02) 72 22 40
Cable: PALOBEN Amsterdam
Telex: 13 216 hapa nl

NORWAY
Hewlett-Packard Norge A/S
Nesveien 13
Box 149
N-1344 Haslum
Tel: (02) 53 83 60
Telex: 16621 hpnas n

PORTUGAL
Teletra-Empresa Técnica de
Equipamentos Eléctricos S.a.r.l.
Rua Rodrigo da Fonseca 103
P.O. Box 2531
P-Lisbon 1
Tel: (19) 68 60 72
Cable: TELETRA Lisbon
Telex: 1598

SPAIN
Hewlett-Packard Española, S.A.
Jerez No 6
E-Madrid 16
Tel: 458 26 00
Telex: 23515 hpe

Hewlett-Packard Española, S.A.
Milanadaso 21-23
E-Barcelona 17
Tel: (3) 203 62 00
Telex: 52603 hpbe e

Hewlett-Packard Espanola S.A.
Av Ramon y Cajal, 1
Edificio Sevilla I, planta 9
E-Seville
Tel: (050) 500022

SWEDEN
Hewlett-Packard Sverige AB
Enlghetsvägen 1-3
Fack
S-161 20 Bromma 20
Tel: (08) 730 0550
Cable: MEASUREMENTS
Stockholm
Telex: 10721

Hewlett-Packard Sverige AB
Hagekersgatan 9C
S-431 41 Mölndal
Tel: (031) 27 68 00/01
Telex: Via Bromma

SWITZERLAND
Hewlett-Packard (Schweiz) AG
Zürcherstrasse 20
P.O. Box 64
CH-8952 Schlieren Zurich
Tel: (01) 98 18 21/24
Cable: HPAG CH
Telex: 53933 hpag ch

Hewlett-Packard (Schweiz) AG
9, Chemin Louis-Pictet
CH-1214 Vernier—Geneva
Tel: (022) 41 4950
Cable: HEWPAKSA Geneva
Telex: 27 333 hpas ch

TURKEY
Telekom Engineering Bureau
Saglik Sok No. 15/1
Ayaspaşa-Beyoğlu
P.O. Box 2531
TR-Istanbul
Tel: (19) 40 40 40
Cable: TELECOM Istanbul
Telex: 1598

UNITED KINGDOM
Hewlett-Packard Ltd.
224 Bath Road
GB-Slough, SL1 4 DS, Bucks
Tel: Slough (0753) 33341
Cable: HEWPIE Slough
Telex: 848413

Hewlett-Packard Ltd.
"The Graffons"
Stamford New Road
GB-Aitricham, Cheshire
Tel: (061) 928-9021
Telex: 668068

Hewlett-Packard, Ltd.
c/o Makro
South Service Wholesale Centre
Amber Way
Hatesown Industrial Estate
GB-Worcs.
Tel: Birmingham 7860

Hewlett-Packard Ltd's registered
address for V.A.T. purposes
only:
70, Finsbury Pavement
London, EC2A1SX
Registered No: 690597

**SOCIALIST COUNTRIES
PLEASE CONTACT:**
Hewlett-Packard Ges.m.b.H.
Handelskai 52/3
P.O. Box 7
A-1205 Vienna
Ph: (0222) 33 66 06 to 09
Cable: HEWPAK Vienna
Telex: 75923 hewpak a

**ALL OTHER EUROPEAN
COUNTRIES CONTACT:**
Hewlett-Packard S.A.
Rue du Bois-du-Lan 7
P.O. Box 85
CH-1217 Meyrin 2 Geneva
Switzerland
Tel: (022) 41 54 00
Cable: HEWPAKSA Geneva
Telex: 2 24 86

AFRICA, ASIA, AUSTRALIA

ANGOLA
Teletra-Empresa Tecnica
de Equipamentos Eléctricos
SARL
Rua de Barbosa, Rodrigues,
42-1°, D1°
P.O. Box 6487
Luanda
Cable: TELETRA Luanda

AUSTRALIA
Hewlett-Packard Australia
Pty. Ltd.
31-51 Joseph Street
Victoria, 3130
Tel: 89 6351
Cable: HEWPAK Melbourne
Telex: 31 024

Hewlett-Packard Australia
Pty. Ltd.
31 Bridge Street
Pymble,
New South Wales, 2073
Tel: 449 6566
Telex: 21561
Cable: HEWPAK Sydney

Hewlett-Packard Australia
Pty. Ltd.
97 Churchill Road
Prospect 5082
South Australia
Tel: 44 8151
Cable: HEWPAK Adelaide

Hewlett-Packard Australia
Pty. Ltd.
Casablanca Buildings
196 Adelaide Terrace
Perth, W.A. 6000
Tel: 25-6800
Cable: HEWPAK Perth

Hewlett-Packard Australia
Pty. Ltd.
10 Woolley Street
P.O. Box 191
Dickson A.C.T. 2602
Tel: 49-8194
Cable: HEWPAK Canberra ACT

Hewlett-Packard Australia
Pty. Ltd.
2nd Floor, 49 Gregory Terrace
Brisbane, Queensland, 4000
Tel: 29 1544

CEYLON
United Electricals Ltd.
P.O. Box 631
60, Park St.
Colombo 2
Tel: 26696
Cable: HOTPOINT Colombo

CYPRUS
Kypronics
19 Gregorios & Xenopoulos Road
P.O. Box 1152
CY-Nicosia
Tel: 45628/29
Cable: KYPRONICS PANDEHIS

ETHIOPIA
African Salespower & Agency
Private Ltd., Co.
P.O. Box 718
58/59 Cunningham St.
Addis Ababa
Tel: 12285
Cable: ASACO Addisababa

HONG KONG
Schmidt & Co. (Hong Kong) Ltd.
P.O. Box 297
Connalight Centre
39th Floor
Connaught Road, Central
Hong Kong
Tel: 240186, 232735
Telex: HK4766
Cable: SCHMIDTCC Hong Kong

INDIA
Blue Star Ltd.
Kasturi Buildings
Janshedji Tata Rd.
Bombay 400 020
Tel: 29 50 21
Cable: 3751
Cable: BLUEFROST

Blue Star Ltd.
Sahas
414/2 Vir Savarkar Marg
Prabhadevi
Bombay 400 025
Tel: 45 78 87
Telex: 4093
Cable: FROSTBLUE

Blue Star Ltd.
Band Box House
Prabhadevi
Bombay 400 025
Tel: 45 73 01
Telex: 3751
Cable: BLUESTAR

Blue Star Ltd.
14/40 Civil Lines
Kampur 208 001
Tel: 6 8 82
Cable: BLUESTAR
Blue Star Ltd.
7 Hare Street
P.O. Box 506
Calcutta 700 001
Tel: 23-0131
Telex: 655
Cable: BLUESTAR

Blue Star Ltd.
Blue Star House,
34 Ring Road
Lajpat Nagar
New Delhi 110 024
Tel: 62 32 76
Telex: 2463
Cable: BLUESTAR

Blue Star, Ltd.
Blue Star House
11/11A, Magarath Road
Bangalore 560 025
Tel: 55668
Telex: 430
Cable: BLUESTAR

Blue Star, Ltd.
1-1-117/1
Sarojini Devi Road
Secunderabad 500 003
Tel: 7 63 91, 7 73 93
Cable: BLUEFROST
Telex: 459

Blue Star, Ltd.
23/24 Sacred Line Beach
Madras 600 001
Tel: 23954
Telex: 379
Cable: BLUESTAR

Blue Star, Ltd.
Nathraj Mansions
2nd Floor Bistapur
Jambhadpur 831 001
Tel: 38 04
Cable: BLUESTAR
Telex: 240

INDONESIA
Bah Bolton Trading Co. N.V.
Djaloh Merdeka 29
Bandung
Tel: 4915; 51560
Cable: ILMU
Telex: 08-809

IRAN
Multi Corp International Ltd.
Muller Cora 130
P.O. Box 1212
IR-Teheran
Tel: 83 10 35-39
Cable: MULTICORP Tehran
Telex: 2893 MCI TN

ISRAEL
Electronics & Engineering
Div. of Motorola Israel Ltd.
17 Amnadvav Street
Tel-Aviv
Tel: 36941 (3 lines)
Cable: BASTEL Tel-Aviv
Telex: 33569

JAPAN
Yokogawa-Hewlett-Packard Ltd.
Ohashi Building
1-59-1 Yoyogi
Shibuya-ku, Tokyo
Tel: 03-370-2281/82
Telex: 232-2024YHP
Cable: YHPMARKET TOK 23-724

Yokogawa-Hewlett-Packard Ltd.
Nisel Ibaragi Bldg.
2-2-8 Kasuga
Ibaragi-Shi
Osaka
Tel: (0726) 23-1641
Telex: 5332-385 YHP OSAKA

Yokogawa-Hewlett-Packard Ltd.
Nakamo Building
No. 24 Kamisazajima-cho
Nakamura-ku, Nagoya City
Tel: (052) 571-5171

Yokogawa-Hewlett-Packard Ltd.
Nitto Bldg.
2-4-2 Shinohara-Kita
Kohoku-ku
Yokohama 222
Tel: 045-432-1504
Telex: 382-3204 YHP YOK

Yokogawa-Hewlett-Packard Ltd.
Chuo Bldg.
Rm. 603 3,
2-Chome
IZUMI-CHO,
Mito, 310
Tel: 0292-25-7470

KENYA
Kenya Kinatics
P.O. Box 18311
Nairobi, Kenya
Tel: 57726
Cable: PROTON

KOREA
American Trading Company
Korea,
I.P.O. Box 1103
Dae Kyung Bldg., 8th Floor
107 Sejong-Ro,
Chongro-Ku, Seoul
Tel: (4 lines) 73-8924-7
Cable: AMTRACO Seoul

LEBANON
Constantin E. Macridis
P.O. Box 7213
RI-Beirut
Tel: 220846
Cable: ELECTRONUCLEAR Beirut

MALAYSIA
MECOMB Malaysia Ltd.
2 Lorong 13/6A
Section 13
Petaling Jaya, Selangor
Cable: MECOMB Kuala Lumpur

MOZAMBIQUE
A.N. Goncalves, Lta.
162, Av. D. Luis
P.O. Box 107
Lourenco Marques
Tel: 27091, 27114
Telex: 6-203 Negon Mo
Cable: NEGON

NEW ZEALAND
Hewlett-Packard (N.Z.) Ltd.
94-96 Dixon Street
P.O. Box 9443
Courtenay Place,
Wellington
Tel: 59-559
Telex: 3898
Cable: HEWPAK Wellington

Hewlett-Packard (N.Z.) Ltd.
Parkura Professional Centre
267 Parkura Highway
Box 51092
Pakuranga
Tel: 569-651
Cable: HEWPAK, Auckland

NIGERIA
The Electronics Instrumenta-
tions Ltd. (TEIL)
144 Agege Motor Rd., Mushin
P.O. Box 6645
Lagos
Cable: THETEIL Lagos

The Electronics Instrumenta-
tions Ltd. (TEIL)
16th Floor Cocoa House
P.M.B. 5402
Ibadan
Tel: 22325
Cable: THETEIL Ibadan

PAKISTAN
Mushko & Company, Ltd.
Osman Chambers
Abdullah Haroon Road
Karachi 3
Tel: 511027, 512927
Cable: COOPERATOR Karachi

Mushko & Company, Ltd.
38B, Satellite Town
Rawalpindi
Tel: 41924
Cable: FEMUS Rawalpindi

PHILIPPINES
Electromex, Inc.
6th Floor, Amalgamated
Development Corp. Bldg.
Ayala Avenue, Makati, Rizal
C.P.O. Box 1028
Makati, Rizal
Tel: 86-18-87, 87-76-77,
87-86-88, 87-18-45, 88-91-71,
83-81-12, 83-82-12
Cable: ELEMEX Manila

SINGAPORE
Mechanical & Combustion
Engineering Company Pte.,
Ltd.
10/12, Jalan Kilang
Red Hill Industrial Estate
Singapore, 3
Tel: 647151 (7 lines)
Cable: MECOMB Singapore

Hewlett-Packard Far East
Area Office
P.O. Box 87
Alexandra Post Office
Singapore 3
Tel: 633022
Cable: HEWPAK SINGAPORE

SOUTH AFRICA
Hewlett-Packard South Africa
(Pty.) Ltd.
Hewlett-Packard House
Daphne Street, Wendywood,
Sandton, Transvaal 2001
Tel: 407641 (five lines)

Hewlett-Packard South Africa
(Pty.) Ltd.
Breechastle House
Bree Street
Cape Town
Tel: 2-6941/2/3
Cable: HEWPAK Cape Town
Telex: 0006 CT

Hewlett-Packard South Africa
(Pty.) Ltd.
641 Ridge Road, Durban
P.O. Box 99
Overport, Natal
Tel: 86-5102
Telex: 567954
Cable: HEWPAK

TAIWAN
Hewlett-Packard Taiwan
39 Chung Shiao West Road
Sec. 1
Overseas Insurance
Corp. Bldg. 7th Floor
Taipei
Tel: 389160, 1, 2, 375121,
Ext. 240-249
Telex: TP824 HEWPAK
Cable: HEWPAK Taipei

THAILAND
UNIMESA Co., Ltd.
Chongkoinsee Building
56 Suriwongsee Road
Bangkok
Tel: 37956, 31300, 31307,
37540
Cable: UNIMESA Bangkok

UGANDA
Uganda Tele-Electric Co., Ltd.
P.O. Box 4449
Kampala
Tel: 57279
Cable: COMOCO Kampala

Vietnam
Peninsular Trading Inc.
P.O. Box H-3
216 Hien-Vuong
Saigon
Tel: 20-905, 93938
Cable: PENTRA, SAIGON 242

ZAMBIA
R. J. Tilbury (Zambia) Ltd.
P.O. Box 2792
Lusaka
Zambia, Central Africa
Tel: 73793
Cable: ARIAYTEE, Lusaka

**MEDITERRANEAN AND
MIDDLE EAST COUNTRIES
NOT SHOWN PLEASE
CONTACT:**
Hewlett-Packard S.A.
Mediterranean and Middle
East Operations
35, Kolokotroni Street—
Platia Kefallariou
GR-Kifissia—Athens
Cable: HEWPAKSA Athens
Telex: 21-6588

**OTHER AREAS NOT
LISTED, CONTACT:**
Hewlett-Packard
Export Trade Company
3200 Hillview Ave.
Palo Alto, California 94304
Tel: (415) 493-1501
TWX: 910-373-1267
Cable: HEWPAK Palo Alto
Telex: 034-8300, 034-8493

CERTIFICATION

The Hewlett-Packard Company certifies that this instrument was thoroughly tested and inspected and found to meet its published specifications when it was shipped from the factory. The Hewlett-Packard Company further certifies that its calibration measurements are traceable to the U.S. National Bureau of Standards to the extent allowed by the Bureau's calibration facility.



MANUAL PART NO. 13210-90003
MICROFICHE PART NO. 13210-90008

PRINTED IN U.S.A.