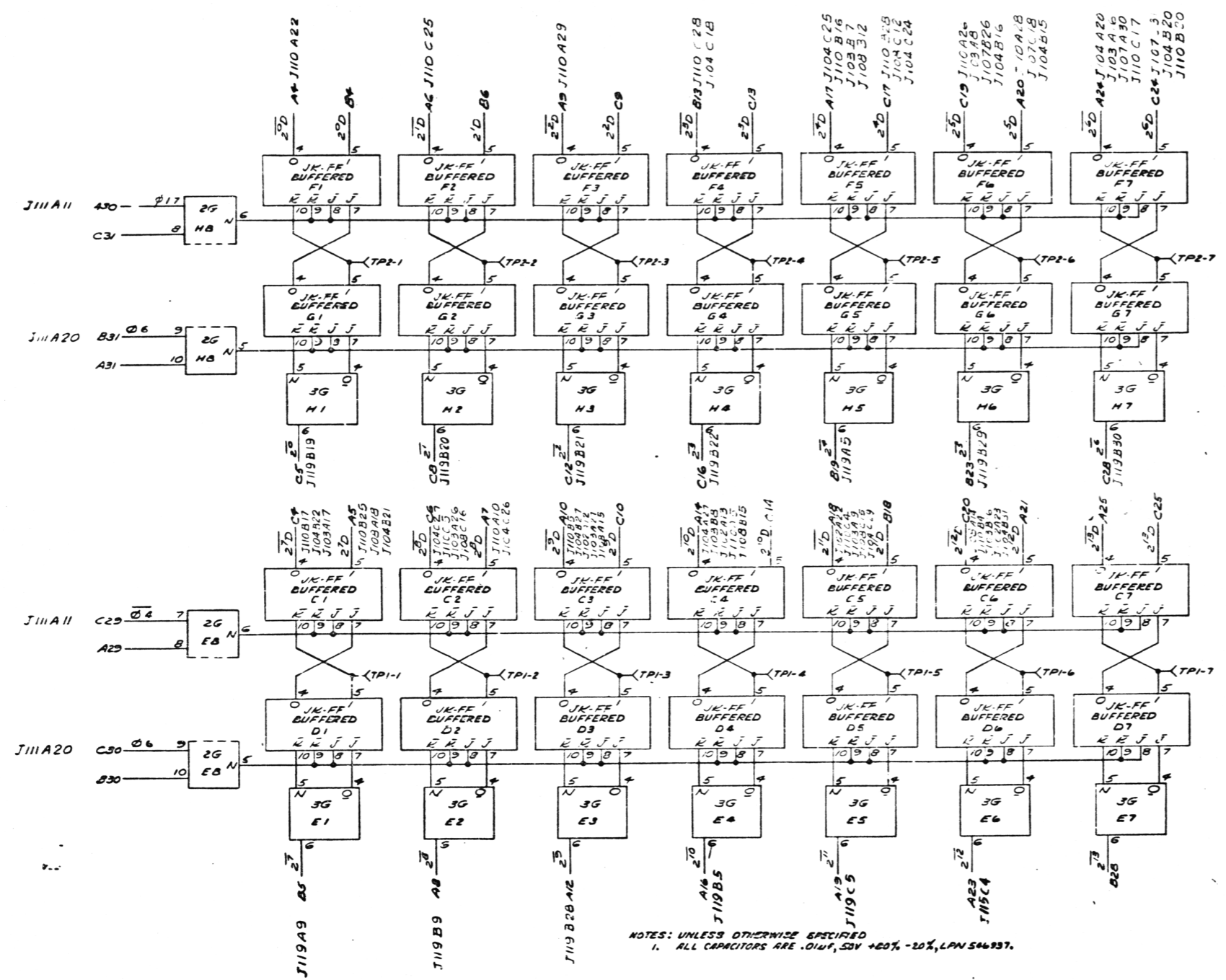


REVISIONS				
ECN#	LTR	DESCRIPTION	DATE	APPROVED
	T	REVISED PER ECN 05131-146 WJF	2/20/71	RC



NOTES: UNLESS OTHERWISE SPECIFIED
 1. ALL CAPACITORS ARE .01uF, 50V +20%, -20%, LPM 546937.

THIS DATA GENERATED AT COMPANY EXPENSE
 UNDER APPROPRIATION/CONTRACT REFERENCE
 NUMBER 99-351 NOT TO BE RELEASED OUT-
 SIDE OF THE COMPANY WITHOUT CLEARANCE
 BY SINGER-LINK DIVISION PATENT DEPARTMENT.

B688031 E
 T

B688031 E

14 BIT SYNCHRONIZER

UNLESS OTHERWISE SPECIFIED
 DIMENSIONS ARE IN INCHES
 TOLERANCES ON DIMENSIONS
 DECIMAL
 2 PLACE ± .03 - ANGULAR ±
 3 PLACE ± .010 - FRACTIONAL ±
 HOLE DIA. TOL. PER SHOP STDS.
 (REF. TO LINKS)
 MATL.
 FINISH

DATE: 02-2-67
 DR. CLK: J. J. J. 10-2-67
 DESIGN CLK: J. J. J. 11-2-67
 MFG. CLK:
 PROJ. APPD: J. J. J. 11-2-67

DATE: 02-2-67
 DR. CLK: J. J. J. 10-2-67
 DESIGN CLK: J. J. J. 11-2-67
 MFG. CLK:
 PROJ. APPD: J. J. J. 11-2-67

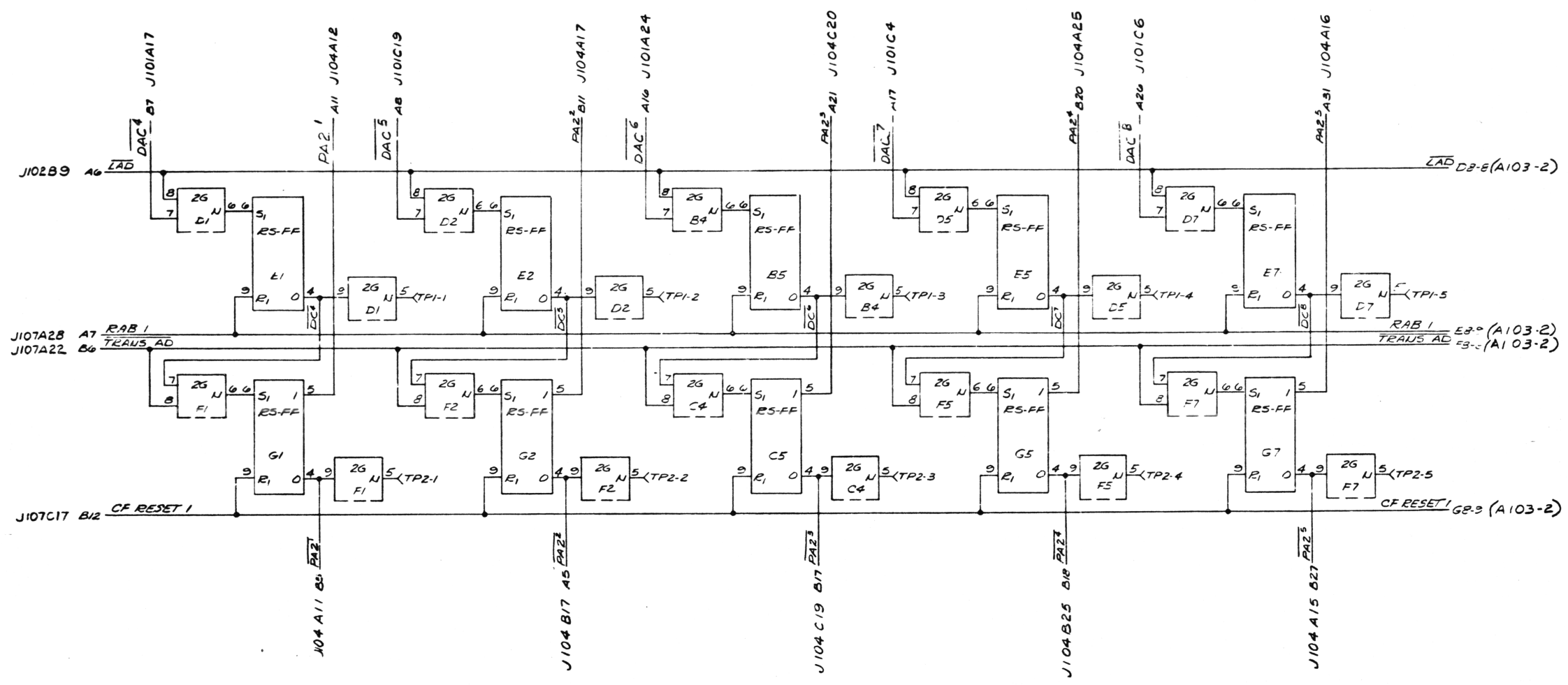
A101
 LINK GROUP SYSTEMS DIVISION
GENERAL ELECTRIC, INC.
 ENGLEWOOD, NEW YORK

**LOGIC FLOW DIAGRAM-
 DATA PRESELECTOR**

FILE CODE IDENT. NO. (LINK NO.)
D 36373 B688031 E

DATE: 02-2-67
 DR. CLK: J. J. J. 10-2-67
 DESIGN CLK: J. J. J. 11-2-67
 MFG. CLK:
 PROJ. APPD: J. J. J. 11-2-67

REV	DATE	BY	DESCRIPTION
A			RELEASE NO
T	5/20/71	WJT	REVISED PER ECN 05131-146

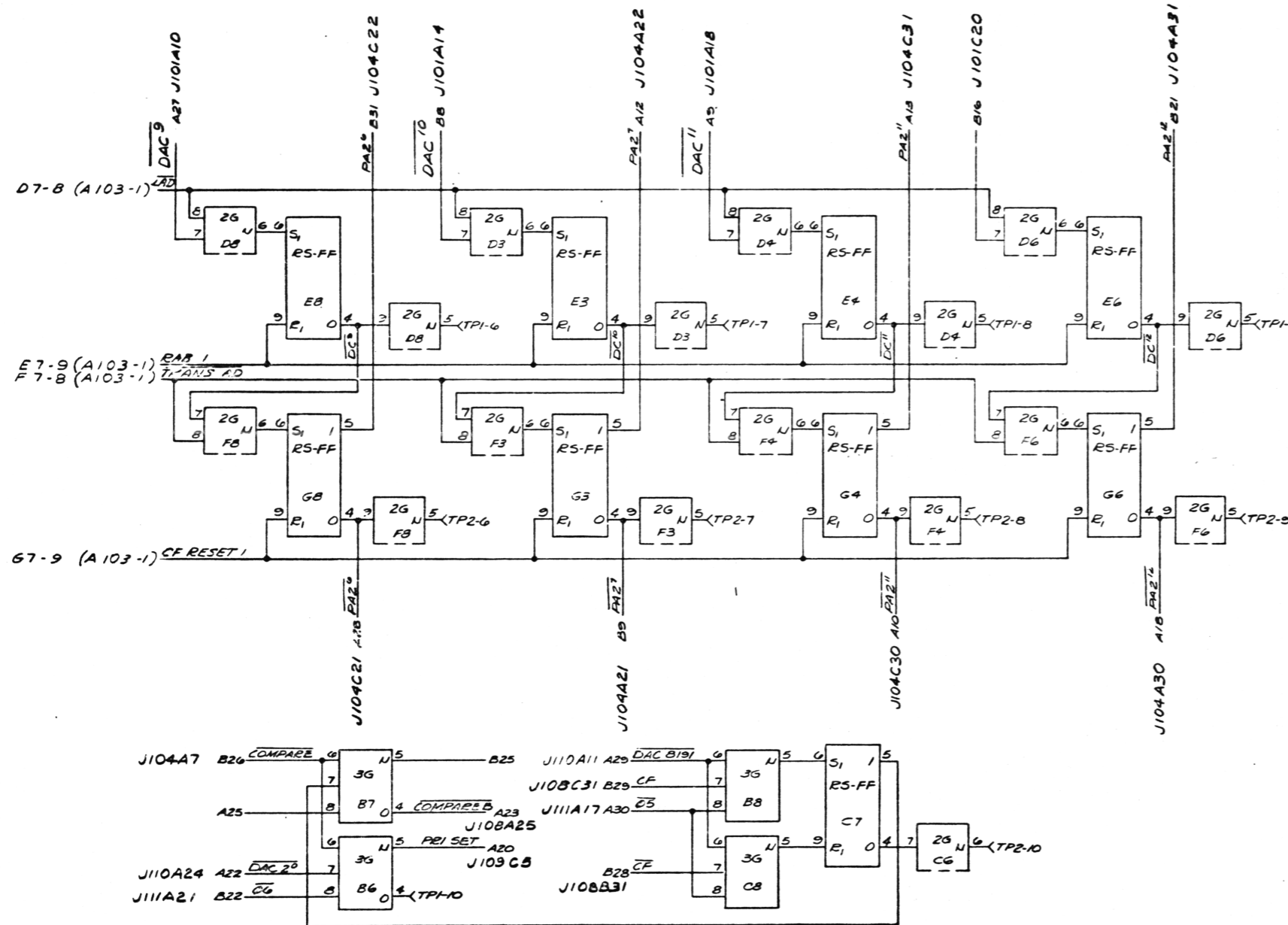


DC00001E
7

THIS DATA GENERATED AT COMPANY EXPENSE UNDER APPROPRIATION/CONTRACT REFERENCE NUMBER 99-351 NOT TO BE RELEASED OUTSIDE OF THE COMPANY WITHOUT CLEARANCE BY SINGER-LINK DIVISION PATENT DEPARTMENT.

9 BIT BUFFER		A103-1	
DESIGNED BY: R. TAYLOR 12/1/67 CHECKED BY: J. H. HARRIS 2/1/68 DRAWN BY: J. H. HARRIS 2/1/68 PROJECT: 12/1/67	GENERAL PAPERWORK, INC. LOGIC FLOW DIAGRAM - DATA PRESELECTOR	D 35378 DC00001E	

ZONE	LTR	DESCRIPTION	DATE	APPROVED
A		RELEASE NO		
T		REVISED PER ECN 05131-146 WTP	5/20/71	RP

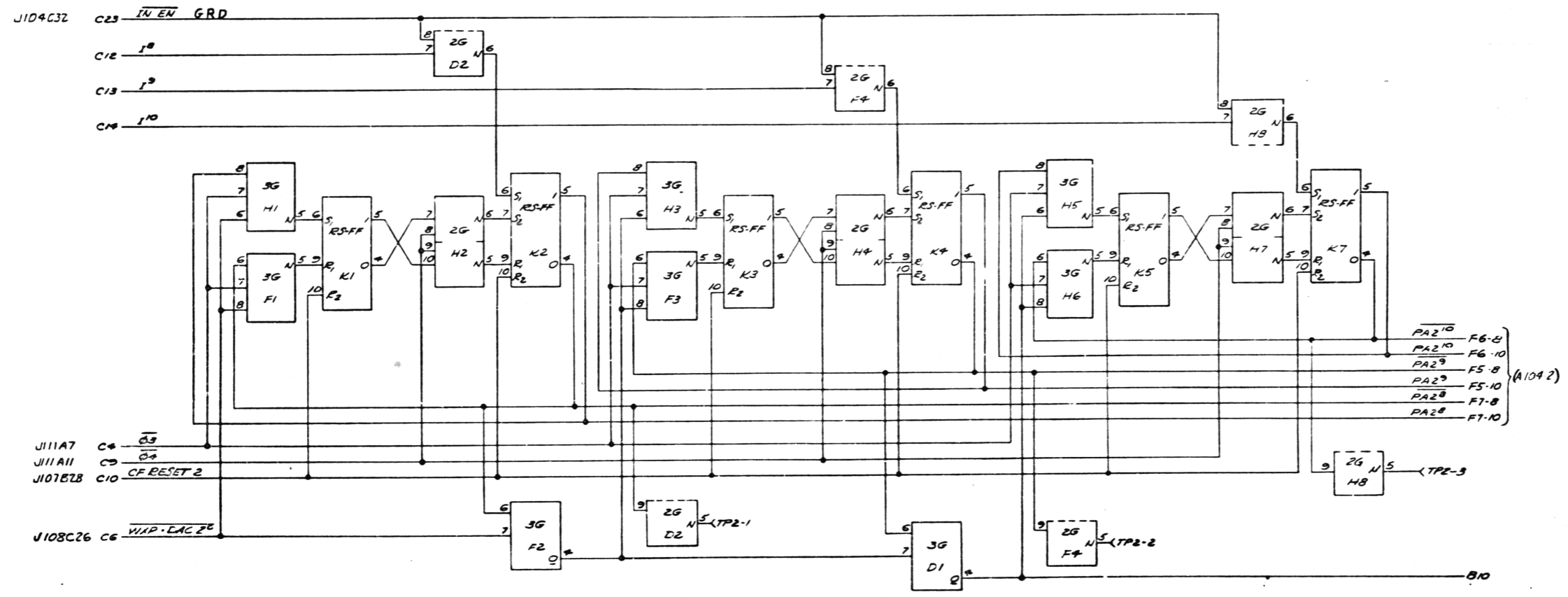


B60001E
7

THIS DATA GENERATED AT COMPANY EXPENSE UNDER APPROPRIATION/CONTRACT REFERENCE NUMBER 99-351 NOT TO BE RELEASED OUTSIDE OF THE COMPANY WITHOUT CLEARANCE BY SINGER-LINK DIVISION PATENT DEPARTMENT.

9 BIT BUFFER		A103-2	
USED OTHERWISE SPECIFIED DIMENSIONS ARE IN INCHES TELEPHONES OR DIMENSIONS DECIMAL SPACES AS APPROVED OR PLACE FRACTIONAL DIMENSIONS TO FOLLOW UNLESS OTHERWISE SPECIFIED REF. TO LINK STDS.	DESIGNED BY: R. TAYLOR 12/67 CHECKED BY: [Signature] 12/67 DRAWN BY: [Signature] 12/67 ENG. CHK: [Signature] 12/67 PROJ. APPR: [Signature] 12/67	LOGIC FLOW DIAGRAM - DATA PRESELECTOR LITTON GENERAL PROVISIONS, INC. 10000 W. 10th Ave., Denver, CO 80202	
MATL	FINISH	SIZE	DATE
		D 36373	B60001E
		CONVENTION	1 SET 5

ZONE	LTR	DESCRIPTION	DATE	APPROVED
T		REVISED PER ECN 05131-146	5/2/71	WJ

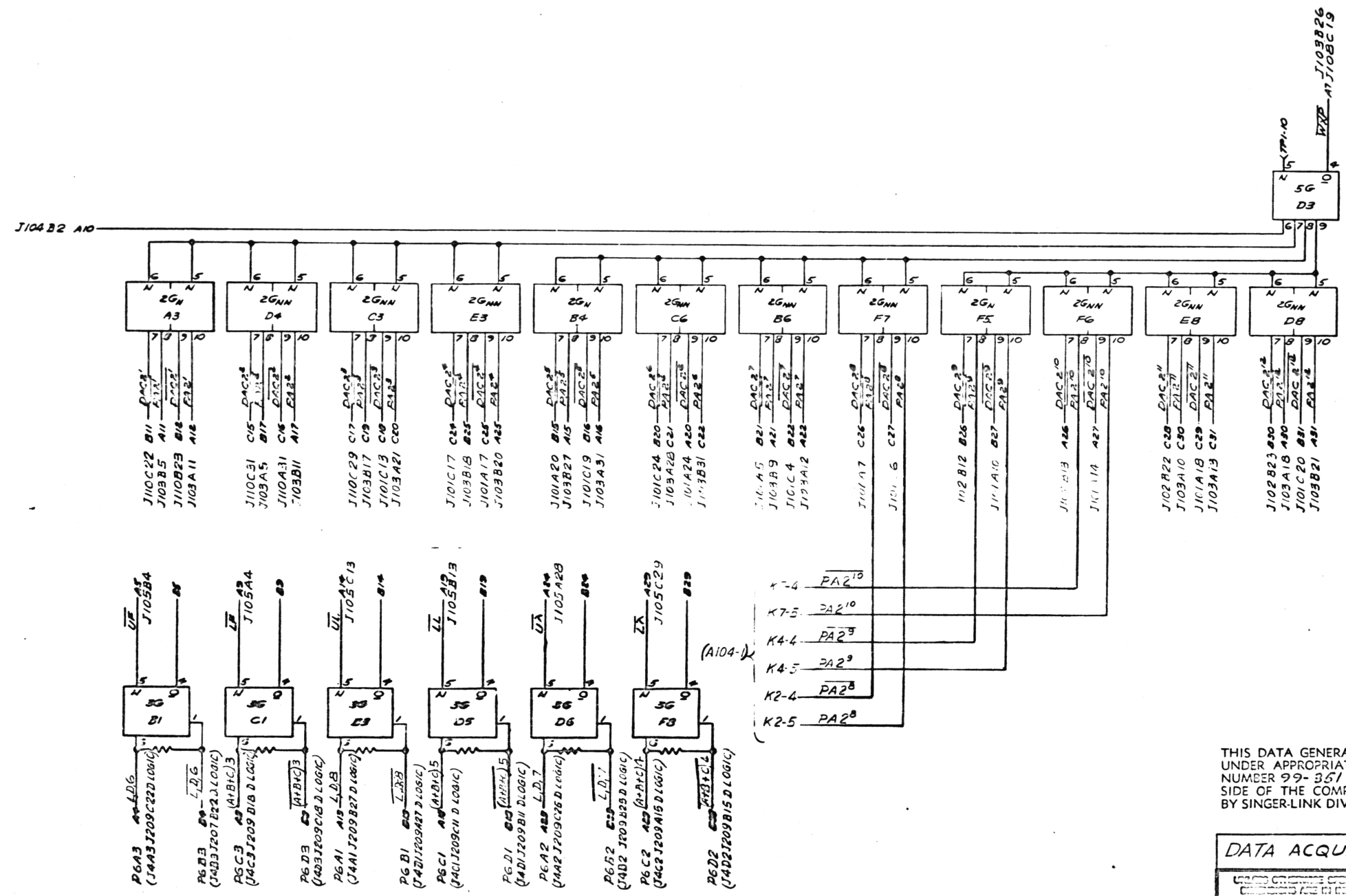


B688031E
T
[B688031E]

THIS DATA GENERATED AT COMPANY EXPENSE UNDER APPROPRIATION/CONTRACT REFERENCE NUMBER 99-351 NOT TO BE RELEASED OUTSIDE OF THE COMPANY WITHOUT CLEARANCE BY SINGER-LINK DIVISION PATENT DEPARTMENT.

DATA ACQUISITION CIRCUIT		A104-1	
<small>UNLESS OTHERWISE SPECIFIED DIMENSIONS ARE IN INCHES TOLERANCES ON DIMENSIONS</small> DECIMAL 2 PLACE ± .03 ANGULAR ± 3 PLACE ± .010 FRACTIONAL ± HOLE DIA. TOL. FOR SHOP STES. REF. TO LINK STES.		CR <i>Silly</i> 10-18-67 CR CRK <i>J. G. ...</i> 10-31-67 DESIGN CRK <i>...</i> 11-2-67 MFG CRK PROJ. MGR <i>...</i> 11-15-67	
MATL. FINISH		LINK GROUP, SYSTEMS DIVISION GENERAL PRECISION, INC. BOSTON, MASS. 02118 LOGIC FLOW DIAGRAM- DATA PRESELECTOR	
DATE: _____ DRAWN: _____ CHECKED: _____ APPROVED: _____		SIZE: D CODE: 36373 LINK NO.: B688031E SHEET: 6	

REV	DATE	BY	DESCRIPTION
T	5/20/71	WTF	REVISED PER ECN 05131-146



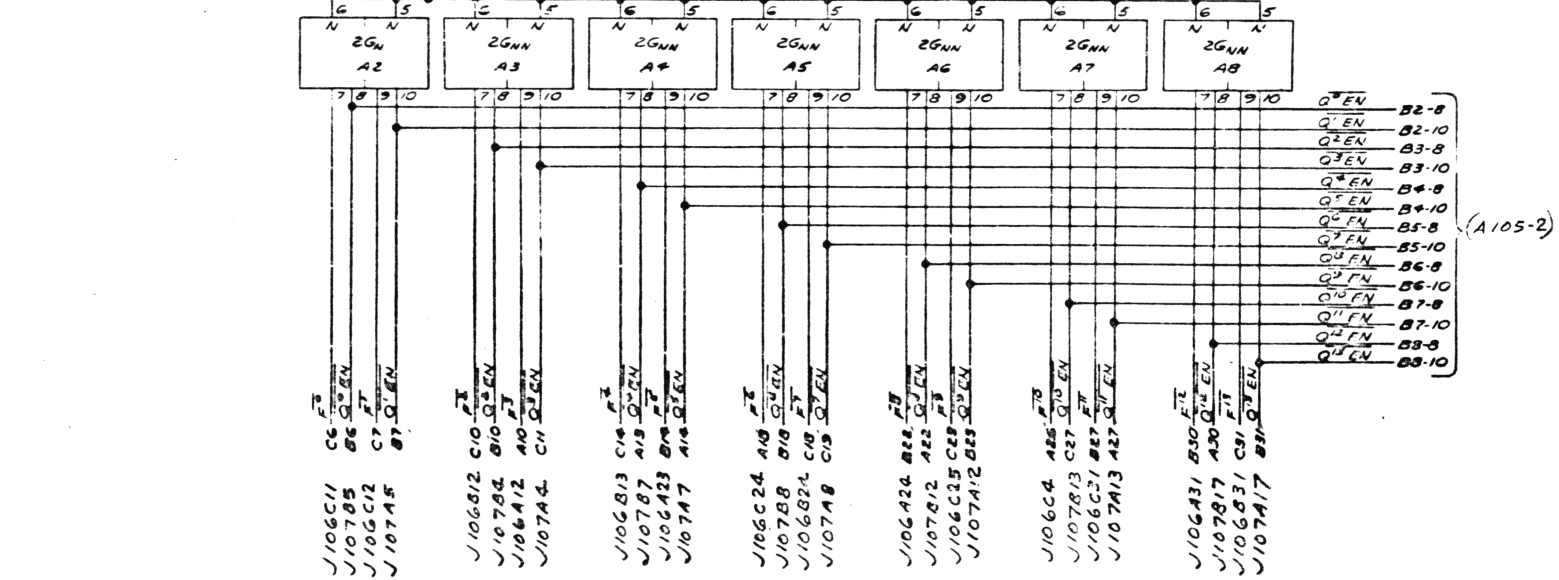
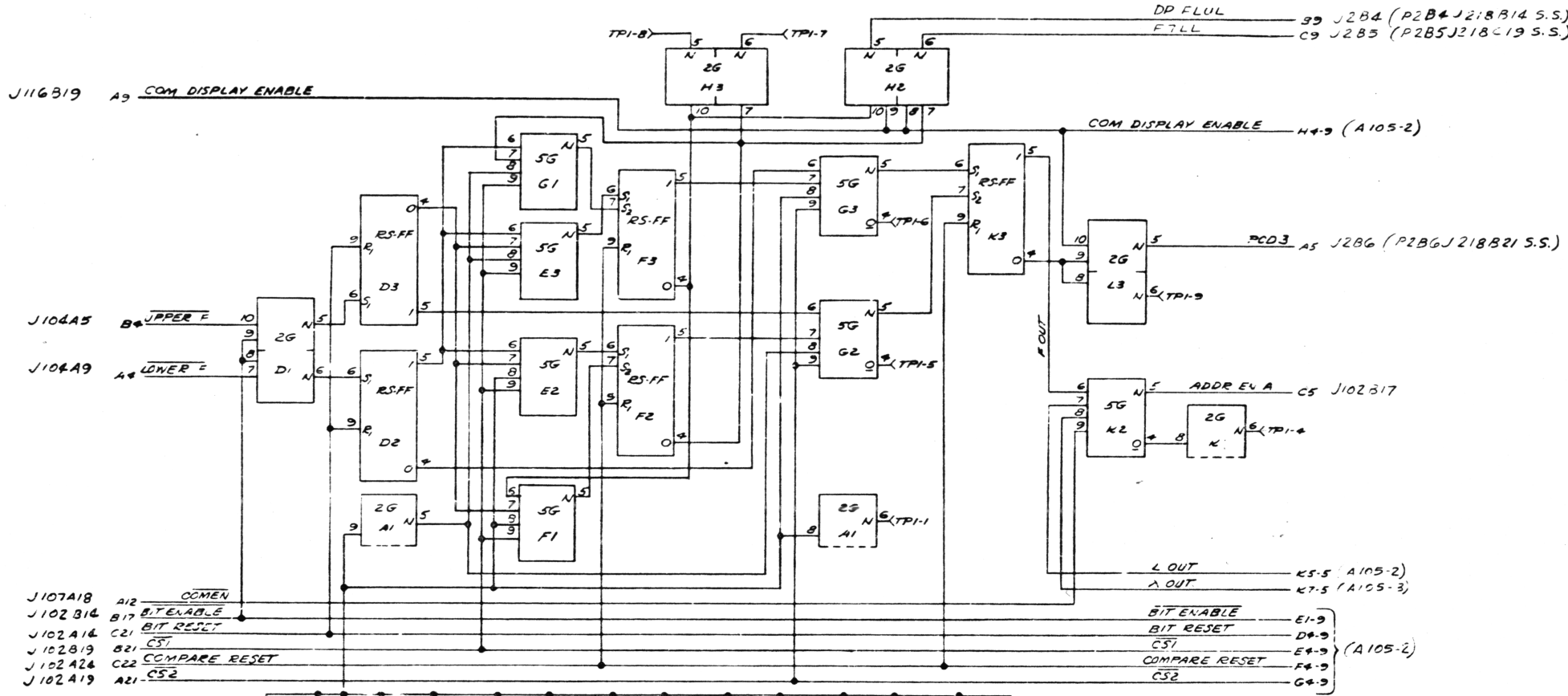
B688031E

B688031E

THIS DATA GENERATED AT COMPANY EXPENSE UNDER APPROPRIATION/CONTRACT REFERENCE NUMBER 99-351 NOT TO BE RELEASED OUTSIDE OF THE COMPANY WITHOUT CLEARANCE BY SINGER-LINK DIVISION PATENT DEPARTMENT.

DATA ACQUISITION CIRCUIT		A104-2	
LOGIC FLOW DIAGRAM DATA PRESELECTOR DATE: 5/20/71 BY: WTF	LOGIC FLOW DIAGRAM DATA PRESELECTOR DATE: 5/20/71 BY: WTF	LOGIC FLOW DIAGRAM DATA PRESELECTOR DATE: 5/20/71 BY: WTF	
D 33370		B688031E	

REVISIONS				
ZONE	LTR	DESCRIPTION	DATE	APPROVED
	T	REVISED PER ECN 05131-146 W.T.F.	5/20/71	RC



B688021E

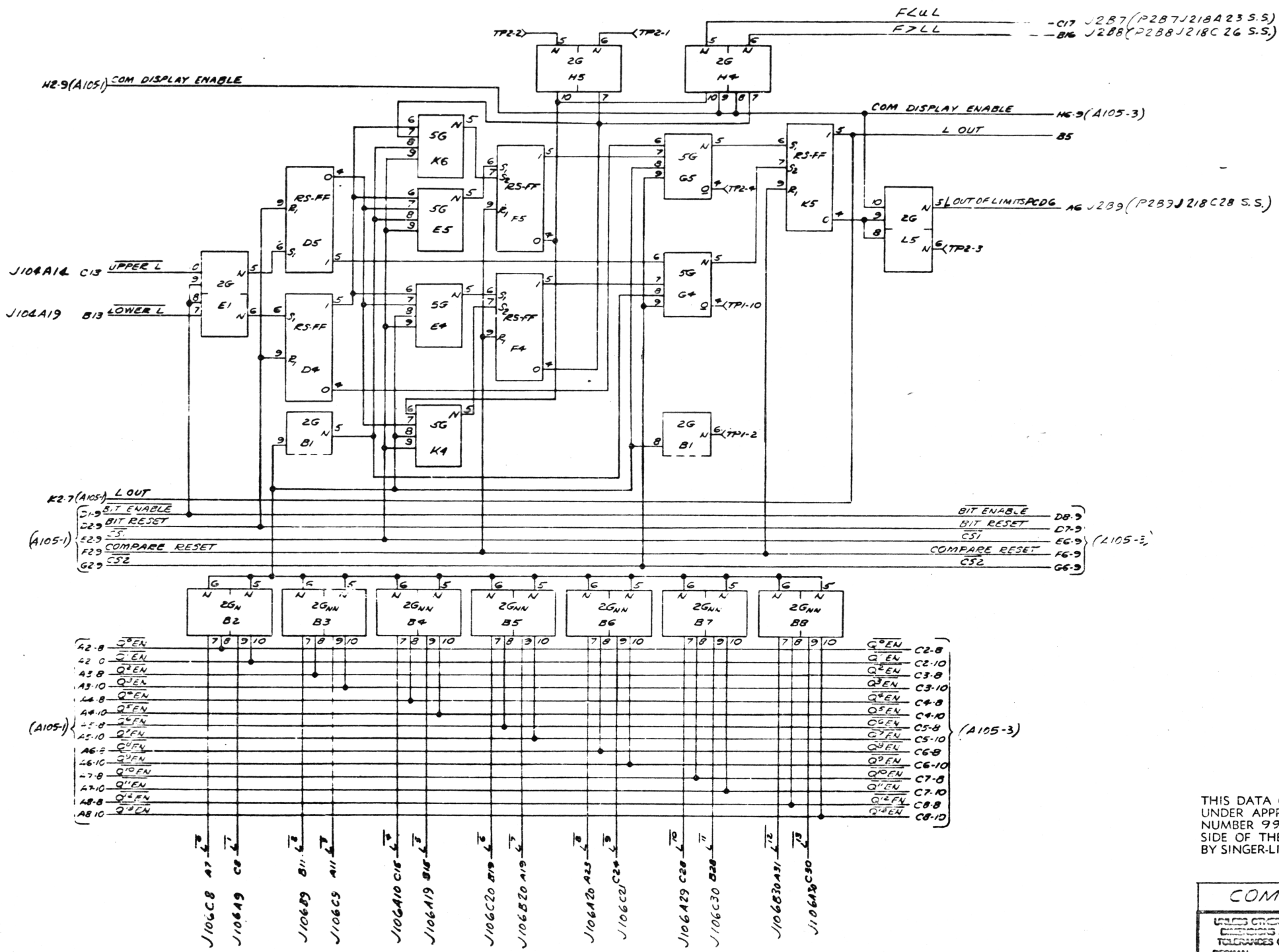
7

B688021E

THIS DATA GENERATED AT COMPANY EXPENSE UNDER APPROPRIATION/CONTRACT REFERENCE NUMBER 99-351. NOT TO BE RELEASED OUTSIDE OF THE COMPANY WITHOUT CLEARANCE BY SINGER-LINK DIVISION PATENT DEPARTMENT.

COMPARATOR		A105-1	
UNLESS OTHERWISE SPECIFIED DIMENSIONS ARE IN INCHES TOLERANCES ON DIMENSIONS		LINK GROUP, SYSTEMS DIVISION	
DECIMAL		GENERAL PRECISION, INC.	
2 PLACE ± 0.03 ANGULAR ±		BENICHAUTON, NEW YORK	
3 PLACE ± 0.10 FRACTIONAL ±		LOGIC FLOW DIAGRAM- DATA PRESELECTOR	
HOLE DIA. TOL. PER SHOP STDS.			
MFR. TO LINK STDS.		SIZE CODE IDENT NO. DWG. NO. D 36378	
MATERIAL		SCALE 1/16" = 1"	
FINISH		SHEET 1/1	

REVISIONS				
ZONE	LTR	DESCRIPTION	DATE	APPROVED
	7	REVISED PER ECN 05131-146	5/12/71	WTF



THIS DATA GENERATED AT COMPANY EXPENSE UNDER APPROPRIATION/CONTRACT REFERENCE NUMBER 99-351 NOT TO BE RELEASED OUTSIDE OF THE COMPANY WITHOUT CLEARANCE BY SINGER-LINK DIVISION PATENT DEPARTMENT.

COMPARATOR

UNLESS OTHERWISE SPECIFIED DIMENSIONS ARE IN INCHES TOLERANCES ON DIMENSIONS: 2 PLACE ± .03 ANGULAR = 3 PLACE ± .010 FRACTIONAL = HOLE DIA. TOL. FOR SHOP STDS.

DATE: 10/2/67
 DR. CHK: J. Hanney 10-2-67
 DESIGN CHK: [Signature] 11-2-67
 MFG. CHK: [Signature]
 PROJ. APPD: [Signature] 11/2/67

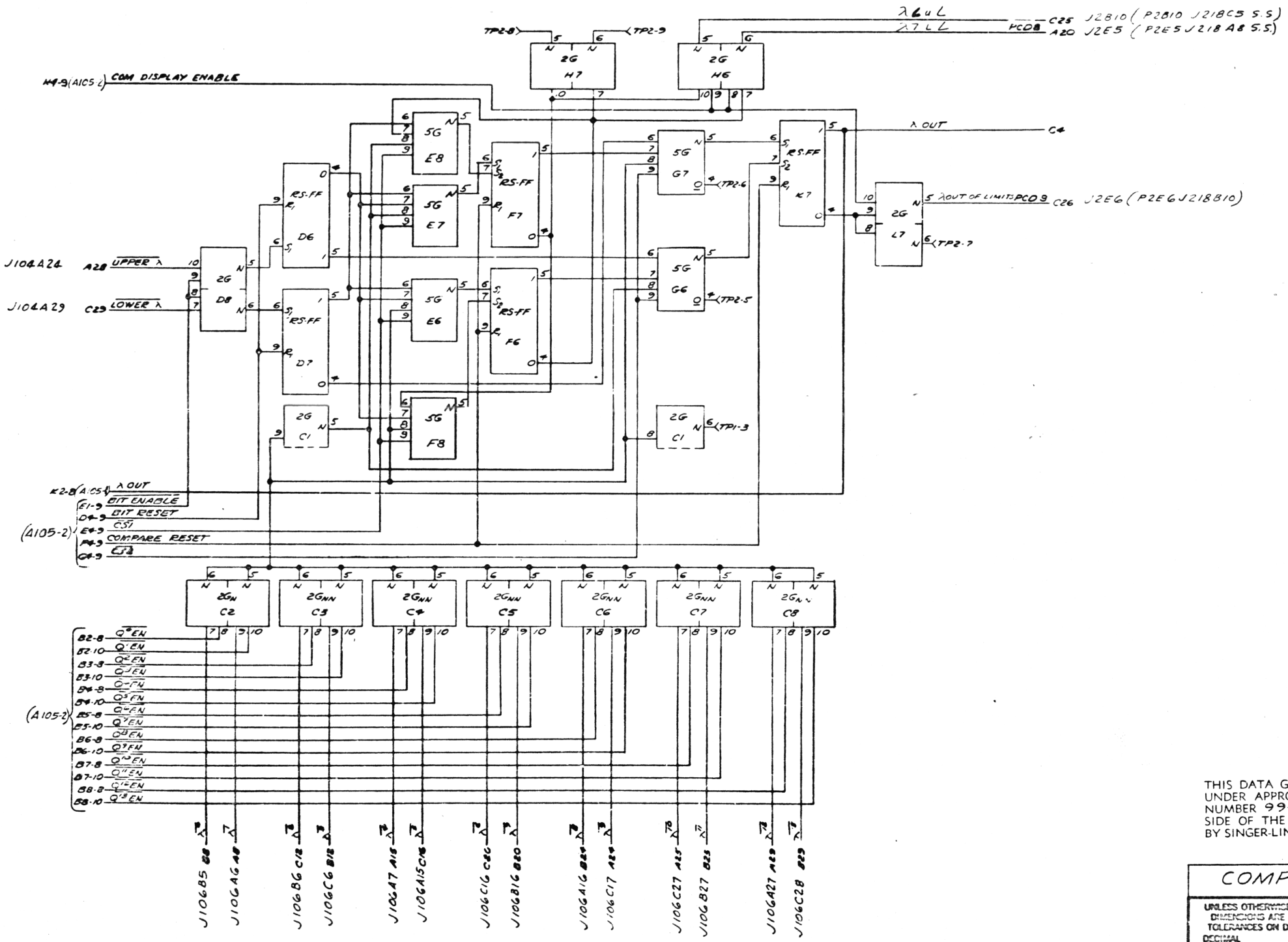
A105-2

LOGIC FLOW DIAGRAM - DATA PRESELECTOR

SIZE: D 36378
 CODE IDENT NO: [Blank]
 SCALE: [Blank]

Q588031E
 7
 [C000031E]

REVISIONS				
ZONE	LTR	DESCRIPTION	DATE	APPROVED
	T	REVISED PER ECN 05131-146 WJF	5/20/77	RC



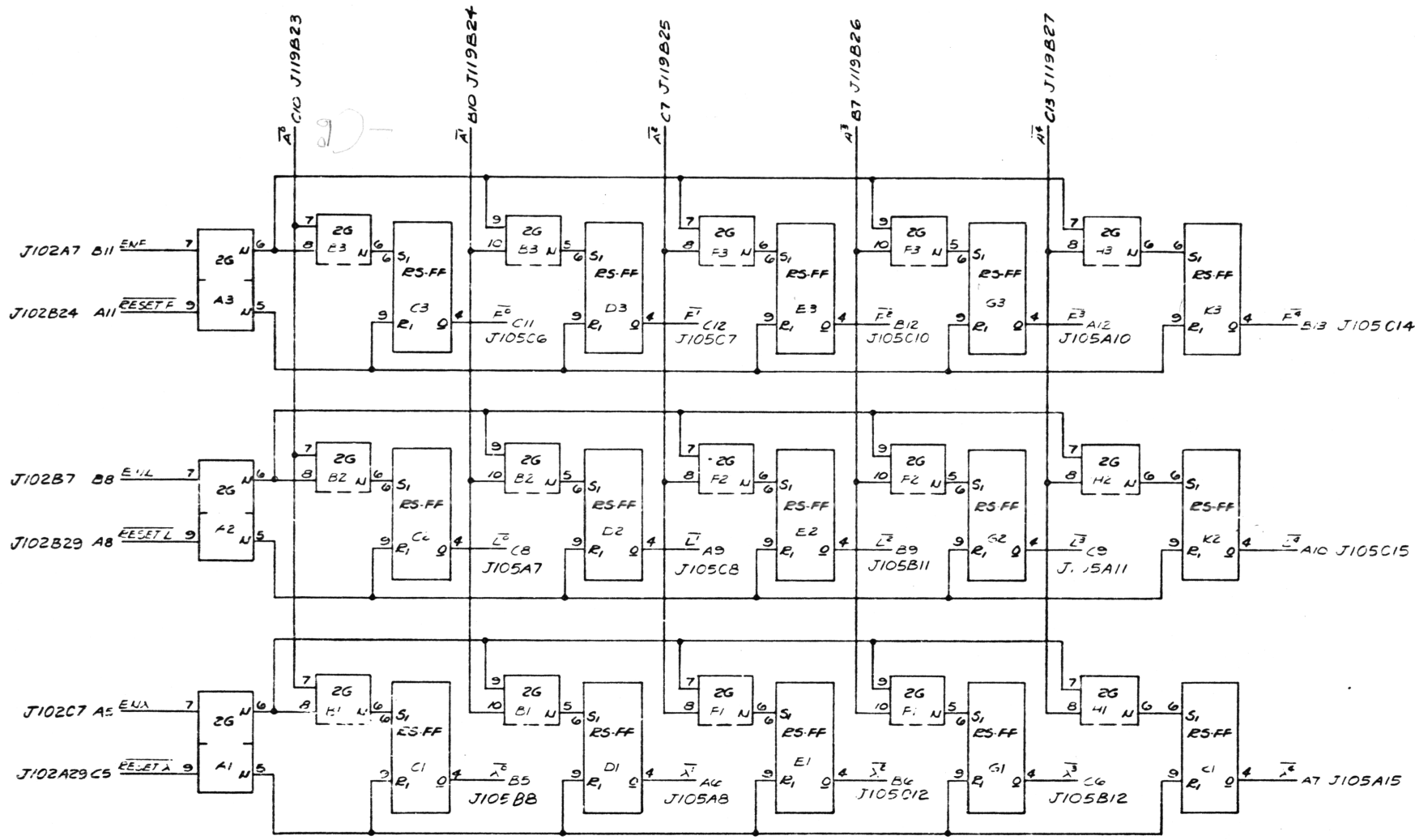
B688031E
T

[B688031E]

THIS DATA GENERATED AT COMPANY EXPENSE UNDER APPROPRIATION/CONTRACT REFERENCE NUMBER 99-351 NOT TO BE RELEASED OUTSIDE OF THE COMPANY WITHOUT CLEARANCE BY SINGER-LINK DIVISION PATENT DEPARTMENT.

COMPARATOR		A105-3	
UNLESS OTHERWISE SPECIFIED DIMENSIONS ARE IN INCHES TOLERANCES ON DIMENSIONS DECIMAL 2 PLACE = .03 ANGULAR = 3 PLACE = .010 FRACTIONAL = HOLE DIA. TOL. PER SHOP STDS. REF. TO LINK STDS.	DR. <i>W. J. ...</i> 11/26/67 DR. <i>...</i> 10/31/67 DESIGN CHK. <i>...</i> 11/26/67 MFG. CHK. PROJ. APPD. <i>...</i> 11/26/67	GENERAL POSITIONING, INC. LOGIC FLOW DIAGRAM- DATA PRESELECTOR	
	MATL. FINISH	SIZE CODE IDENT NO. (LINK S.D.) D 36373 [D500031E]	

REVISIONS				
ZONE	LTR	DESCRIPTION	DATE	APPROVED
	T	REVISED PER ECN 05191-146 W/F	5/29/71	DP



B688031E
7

THIS DATA GENERATED AT COMPANY EXPENSE UNDER APPROPRIATION/CONTRACT REFERENCE NUMBER 99-351 NOT TO BE RELEASED OUTSIDE OF THE COMPANY WITHOUT CLEARANCE BY SINGER-LINK DIVISION PATENT DEPARTMENT.

14 BIT HOLDING REG

UNLESS OTHERWISE SPECIFIED DIMENSIONS ARE IN INCHES TOLERANCES ON DIMENSIONS DECIMAL

2-PLACE - 03 - ANGULAR

3-PLACE - 010 - FRACTIONAL

HOLE DIA. TOL. PER CHOC. Q103

MFR. TO LINK Q103

MATL _____

FINISH _____

TEST Assy _____ USED ON _____

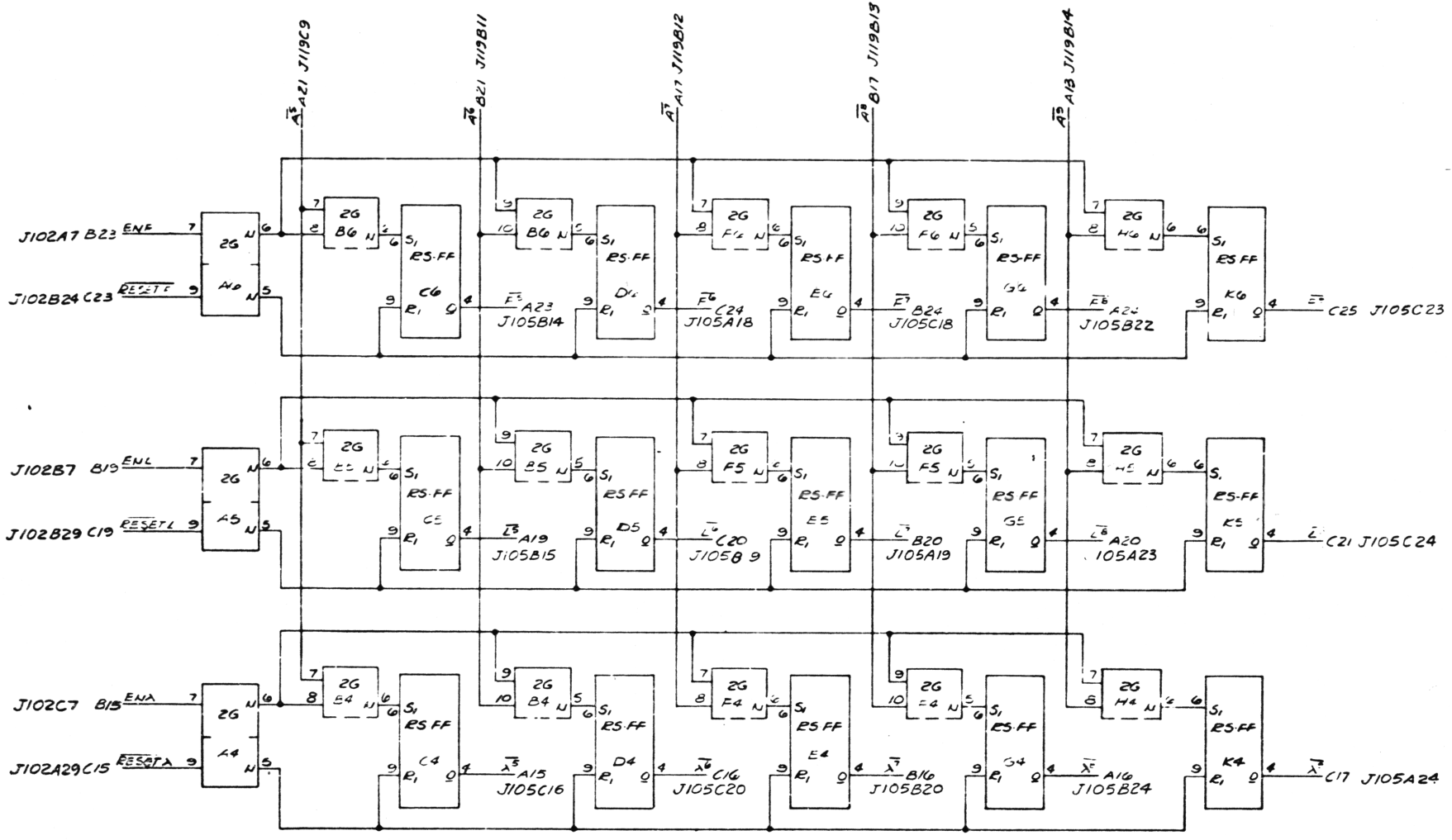
A106-1

LOGIC FLOW DIAGRAM - DATA PRESELECTOR

DATE _____ WORK NO. _____ DWG. NO. **D 36373 B688031E**

SCALE *NONE* SHEET *11*

REVISIONS				
ZONE	LTR	DESCRIPTION	DATE	APPROVED
	T	REVISED PER ECN 05131-146	wjr 5/20/67	20



B688031E
7

THIS DATA GENERATED AT COMPANY EXPENSE UNDER APPROPRIATION/CONTRACT REFERENCE NUMBER 99-351 NOT TO BE RELEASED OUTSIDE OF THE COMPANY WITHOUT CLEARANCE BY SINGER-LINK DIVISION PATENT DEPARTMENT.

14 BIT HOLDING REG

UNLESS OTHERWISE SPECIFIED DIMENSIONS ARE IN INCHES TOLERANCES ON DIMENSIONS DECIMAL 2-PLACES-23-ANGULAR 3-PLACES-0.10-FRACTIONAL 4-PLACES-0.01-PERPENDICULARS

DATE _____

FRSH _____

NEXT ASSY _____ USED ON _____

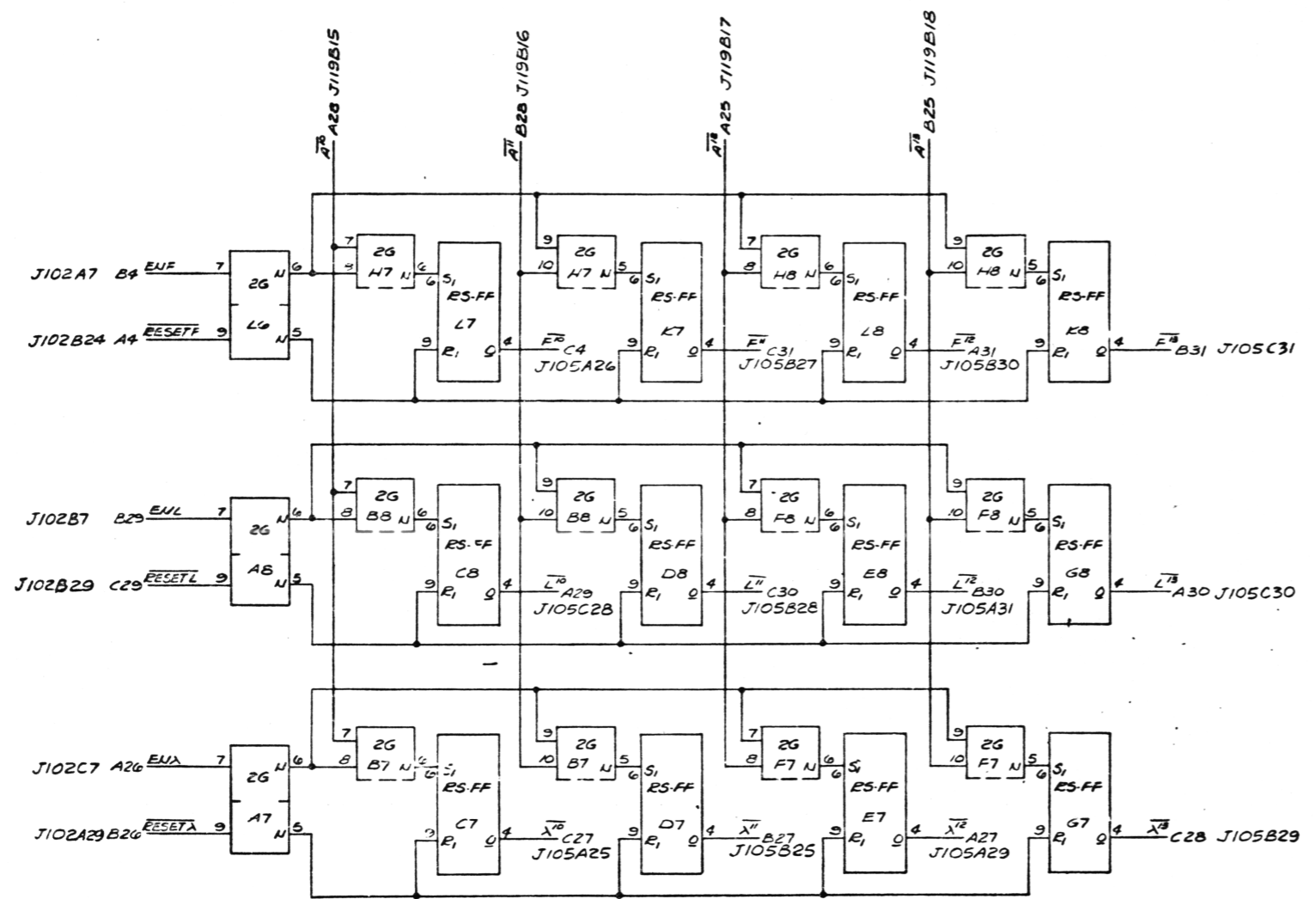
A106-2

LOGIC FLOW DIAGRAM-DATA PRESELECTOR

DATE 11-2-67

36873 B600031E

REVISIONS				
ZONE	LTR	DESCRIPTION	DATE	APPROVED
	T	REVISED PER ECN 05131-146 WJF	5/20/71	DD



B680031E

7

[B680031E]

THIS DATA GENERATED AT COMPANY EXPENSE UNDER APPROPRIATION/CONTRACT REFERENCE NUMBER 99-351 NOT TO BE RELEASED OUTSIDE OF THE COMPANY WITHOUT CLEARANCE BY SINGER-LINK DIVISION PATENT DEPARTMENT.

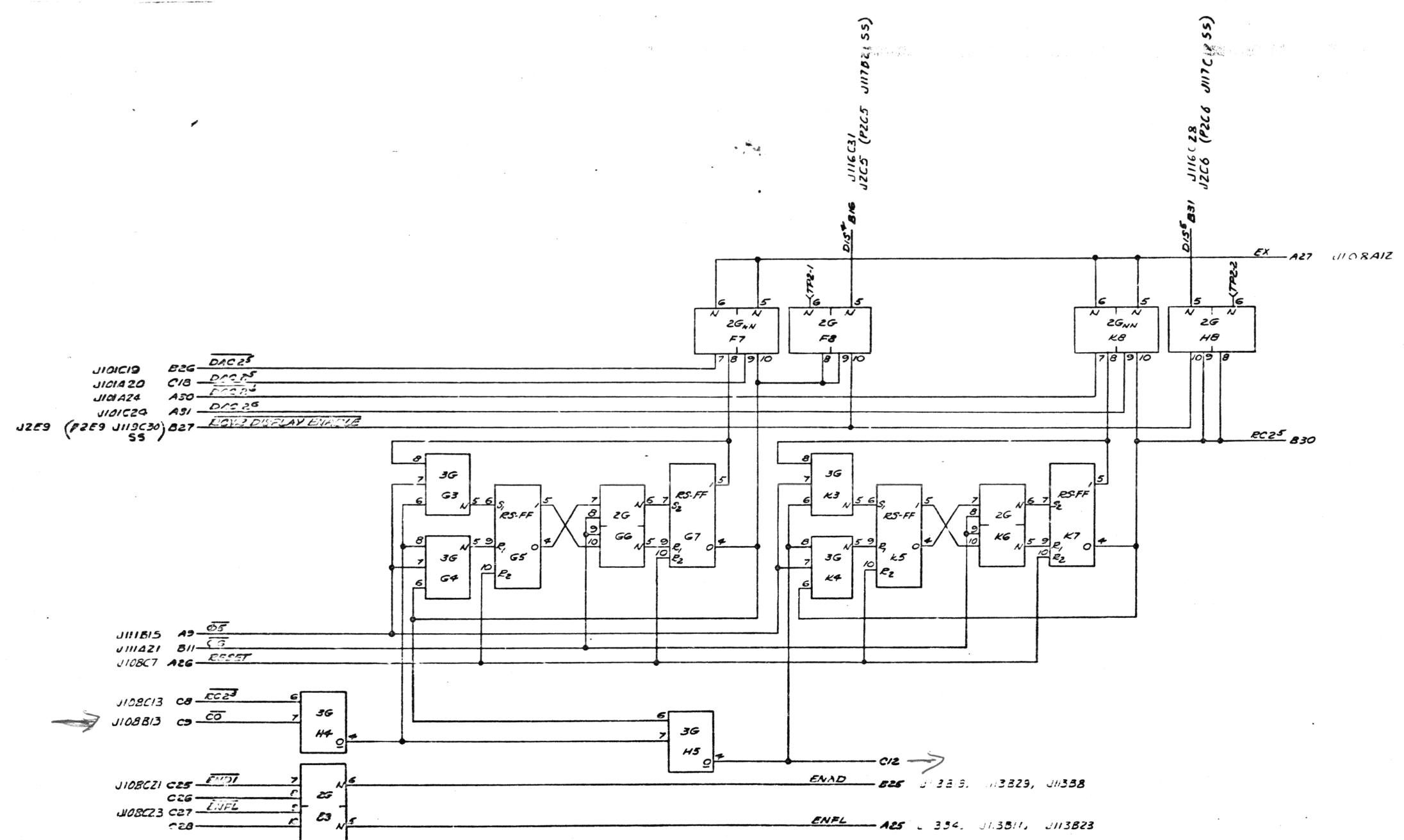
14 BIT HOLDING REG	
UNLESS OTHERWISE SPECIFIED DIMENSIONS ARE IN INCHES TOLERANCES ON DIMENSIONS	DATE: 10/21/67
DESIGN	DR: C.K. [Signature]
2-PLACES-23-1000000 =	DECON: C.K. [Signature]
3-PLACES-2-010-FUNCTIONAL =	MRG: C.K. [Signature]
4-PLACES-100-000-000 =	PROJ. APPD: [Signature]
5-PLACES-1000-000-000 =	
6-PLACES-10000-000-000 =	
7-PLACES-100000-000-000 =	
8-PLACES-1000000-000-000 =	
9-PLACES-10000000-000-000 =	
10-PLACES-100000000-000-000 =	
11-PLACES-1000000000-000-000 =	
12-PLACES-10000000000-000-000 =	
13-PLACES-100000000000-000-000 =	
14-PLACES-1000000000000-000-000 =	
15-PLACES-10000000000000-000-000 =	
16-PLACES-100000000000000-000-000 =	
17-PLACES-1000000000000000-000-000 =	
18-PLACES-10000000000000000-000-000 =	
19-PLACES-100000000000000000-000-000 =	
20-PLACES-1000000000000000000-000-000 =	

A106-3

LOGIC FLOW DIAGRAM-
DATA PRESELECTOR

DATE	CODE IDENTIFICATION	REV. NO.
	D 35373	B680031E
SCALE	SHEET 7/5	

REV	DATE	BY
7	REVISED PER ECN 05131-146	WTF

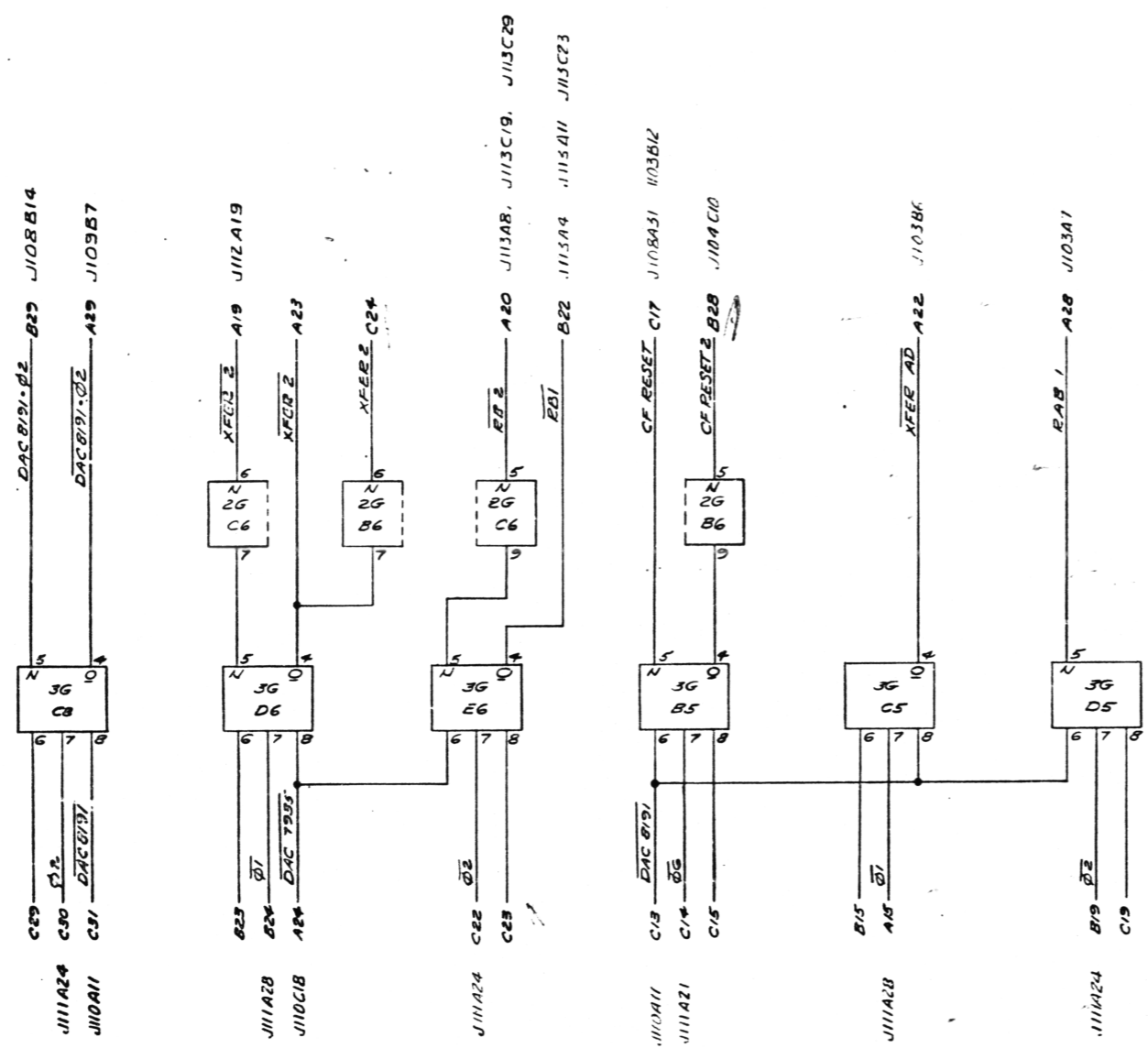


THIS DATA GENERATED AT COMPANY EXPENSE UNDER APPROPRIATION/CONTRACT REFERENCE NUMBER 99-351. NOT TO BE RELEASED OUTSIDE OF THE COMPANY WITHOUT CLEARANCE BY SINGER-LINK DIVISION PATENT DEPARTMENT.

EXPANDER & DECODER		AI07-1	
UNIT ORIGINATING ORGANIZATION DRAWING NO. AND DATE TITLE 2 PLACE = 03 ANNUAL 3 PLACE = 010 FUNCTIONAL UNIT ORIGINATING ORGANIZATION UNIT ORIGINATING ORGANIZATION	UNIT ORIGINATING ORGANIZATION DRAWING NO. AND DATE TITLE UNIT ORIGINATING ORGANIZATION UNIT ORIGINATING ORGANIZATION	LOGIC FLOW DIAGRAM - DATA PRESELECTOR	
UNIT ORIGINATING ORGANIZATION DRAWING NO. AND DATE TITLE UNIT ORIGINATING ORGANIZATION UNIT ORIGINATING ORGANIZATION		UNIT ORIGINATING ORGANIZATION DRAWING NO. AND DATE TITLE UNIT ORIGINATING ORGANIZATION UNIT ORIGINATING ORGANIZATION	

DC000031
7
DC000031

ZONE	LTR	REVISION	DATE	BY
		REVISED PER ECN 05131-146	WTF	5/20/67



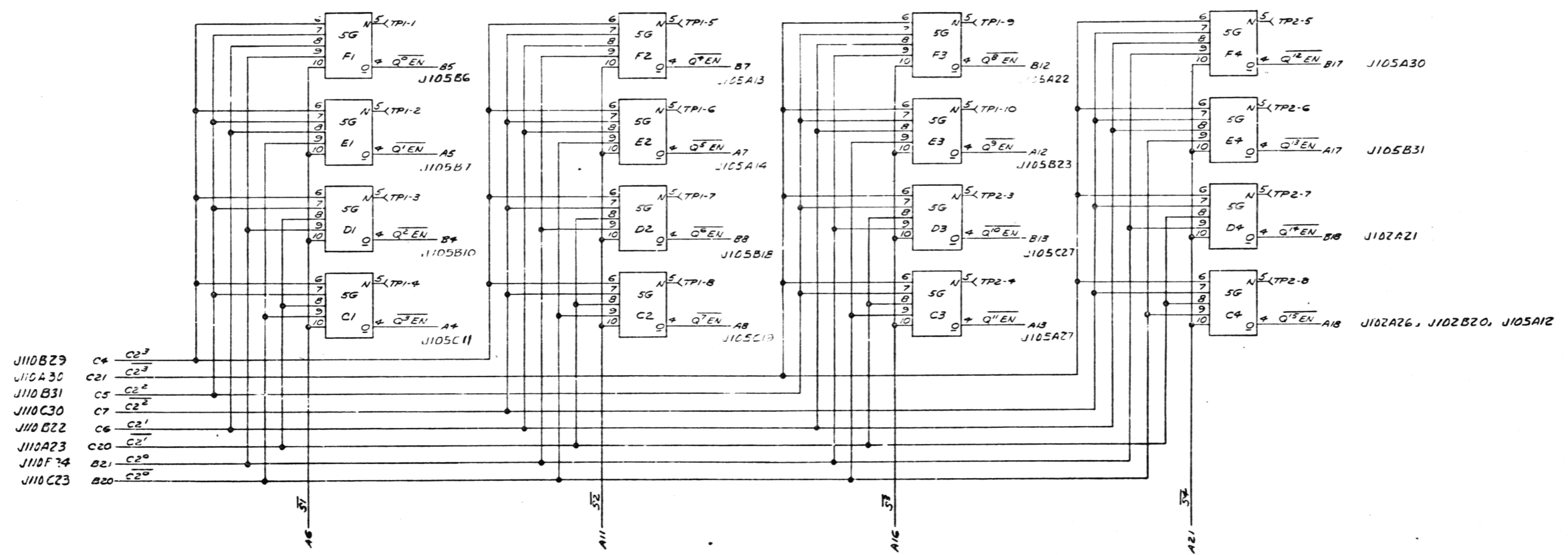
THIS DATA GENERATED AT COMPANY EXPENSE UNDER APPROPRIATION/CONTRACT REFERENCE NUMBER 99-351 NOT TO BE RELEASED OUTSIDE OF THE COMPANY WITHOUT CLEARANCE BY SINGER-LINK DIVISION PATENT DEPARTMENT.

EXPANDER & DECODER	
DESIGNED BY	DATE
CHECKED BY	DATE
APPROVED BY	DATE
2 PLACE ± 0.3	RESISTOR ±
3 PLACE ± 0.10	FRACTIONAL ±
THIS DATA FOR GROUP 0000	

A107-2	
LOGIC FLOW DIAGRAM - DATA PRESELECTOR	
D	36973

B6600313
7
B6600313

REV	DESCRIPTION	DATE	BY
7	REV PER ECN 05131-146	7/20/11	SP



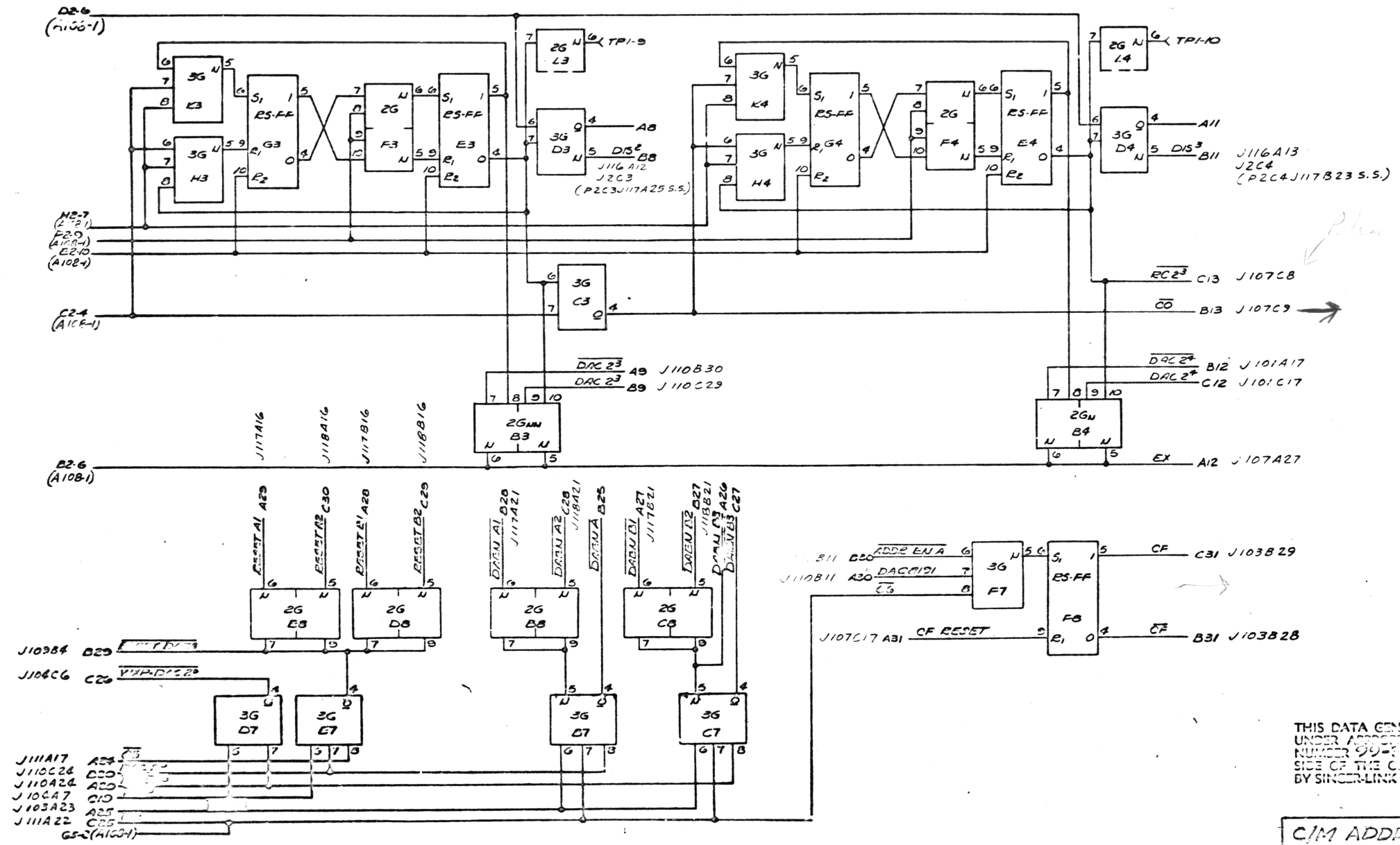
ECN 05131-146
7

THIS DATA GENERATED AT COMPANY EXPENSE UNDER APPROPRIATION/CONTRACT REFERENCE NUMBER 99-051 NOT TO BE RELEASED OUTSIDE OF THE COMPANY WITHOUT CLEARANCE BY SINGER-LINK DIVISION PATENT DEPARTMENT.

EXPANDER & DECODER		A107-3
UNIT ORIGINATOR CONTRACT NUMBER TITLE OF DRAWING DATE DRAWN BY CHECKED BY APPROVED BY	CR 100 CR 100 CR 100 CR 100 CR 100 CR 100	LOGIC FLOW DIAGRAM - DATA PRESELECTION D 30070

REV	PER	ECN	05131-146	DATE	7/2/77
7					2

2 3



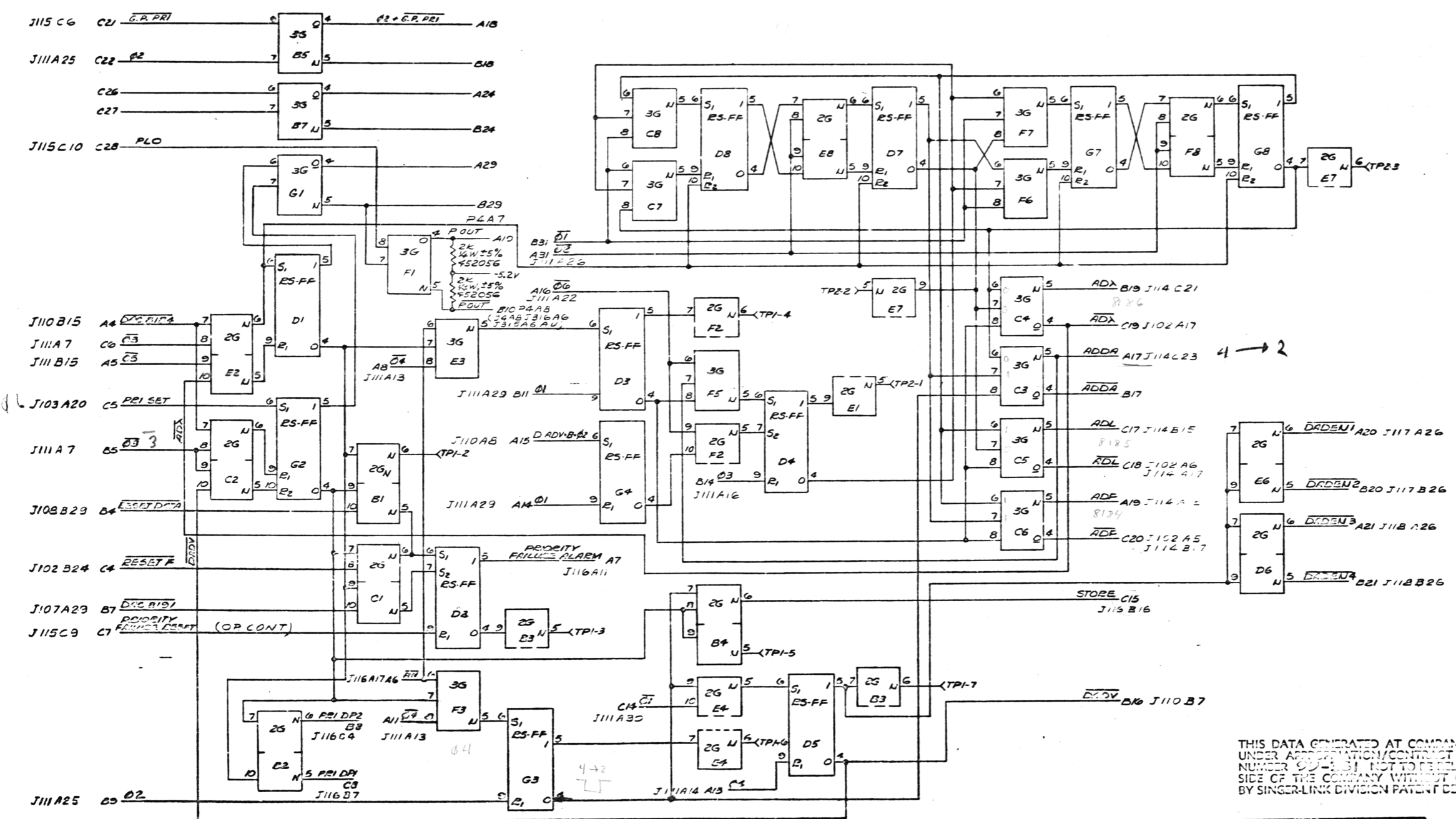
THIS DATA GENERATED AT COMPANY EXPENSE UNDER ASSOCIATION/CONTRACT REFERENCE NUMBER 99-331. NOT TO BE RELEASED OUTSIDE OF THE COMPANY WITHOUT CLEARANCE BY SINCER-LINK DIVISION PATENT DEPARTMENT.

CIM ADDRESS ACQ CIRCUIT BOARD A103-2

DATE	BY	REV	7
DESCRIPTION	LOGIC FLOW DIAGRAM	DATA PRESELECTED	
DESIGNED BY			
CHECKED BY			
APPROVED BY			

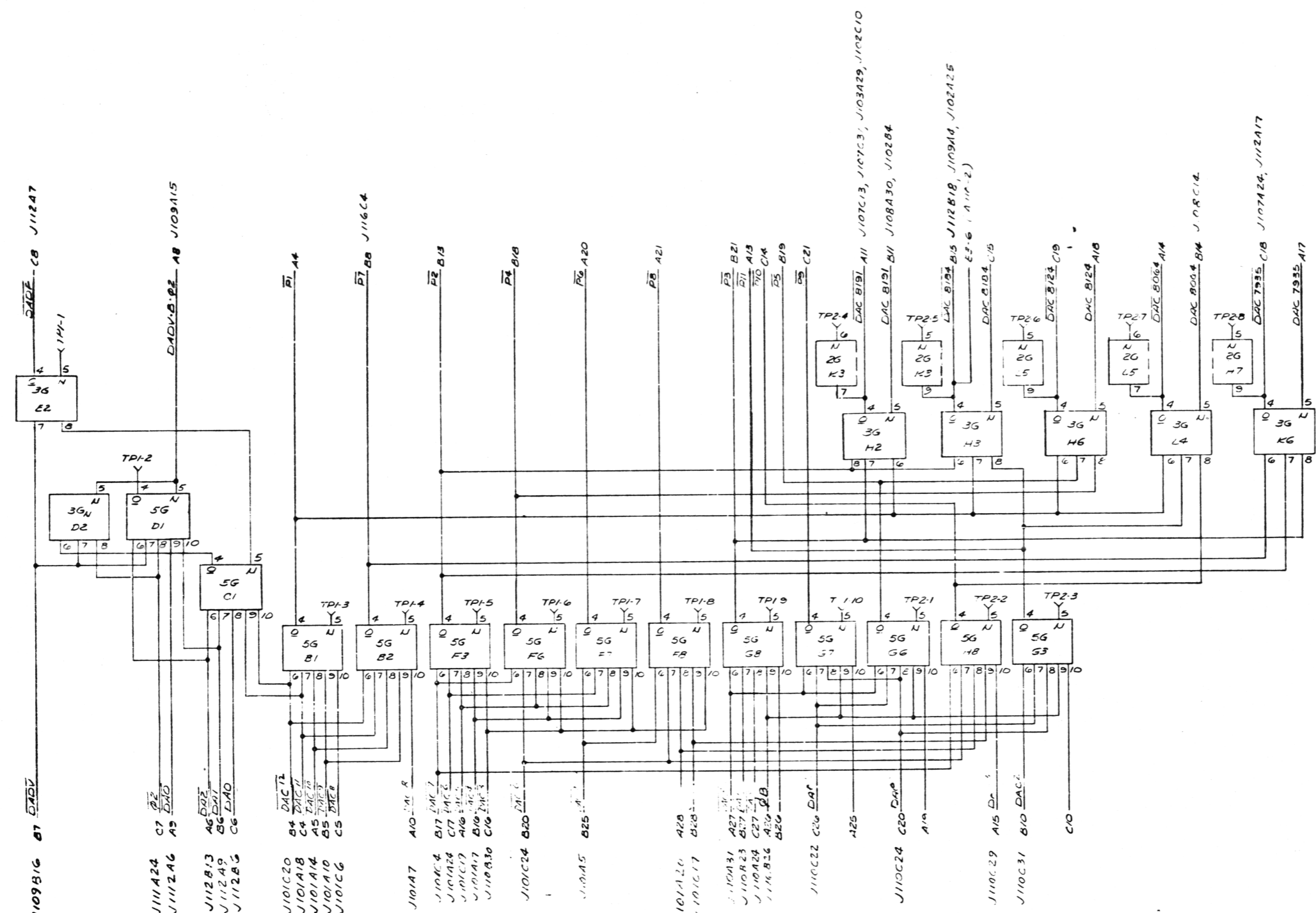
DS020017 7

REV	DATE	BY	APP'D
T	REV PER ECN 05131-146	1/20/71	23



PRIORITY CONTROL		A109
UNITED STATES GOVERNMENT	ON THE BASIS OF CONTRACT NUMBER 99-231	LOGIC FLOW DIAGRAM
FOR OFFICIAL USE ONLY	UNLESS INDICATED OTHERWISE	DATA PRESELECTION
FORM NO. 10-66	USE PREVIOUS EDITIONS	
STANDARD FORM NO. 64	REPLACES FORM NO. 64	
PREVIOUS EDITIONS OBSOLETE		

REVISIONS				
ZONE	LTR	DESCRIPTION	DATE	AUTHOR
	T	REV PER ECN 05131-146	5/20/71	RQ



THIS DATA GENERATED AT COMPANY EXPENSE UNDER APPROPRIATION/CONTRACT REFERENCE NUMBER 99-351 NOT TO BE RELEASED OUTSIDE OF THE COMPANY WITHOUT CLEARANCE BY SINGER-LINK DIVISION PATENT DEPARTMENT.

DISC ADDRESS DECODER

UNLESS OTHERWISE SPECIFIED
DIMENSIONS ARE IN INCHES
TOLERANCES ON DIMENSIONS
DECIMAL
2 PLACE ± .03 ANGULAR ±
3 PLACE ± .010 FRACTIONAL ±
HOLE DIA. TOL. FOR CHIP STOPS

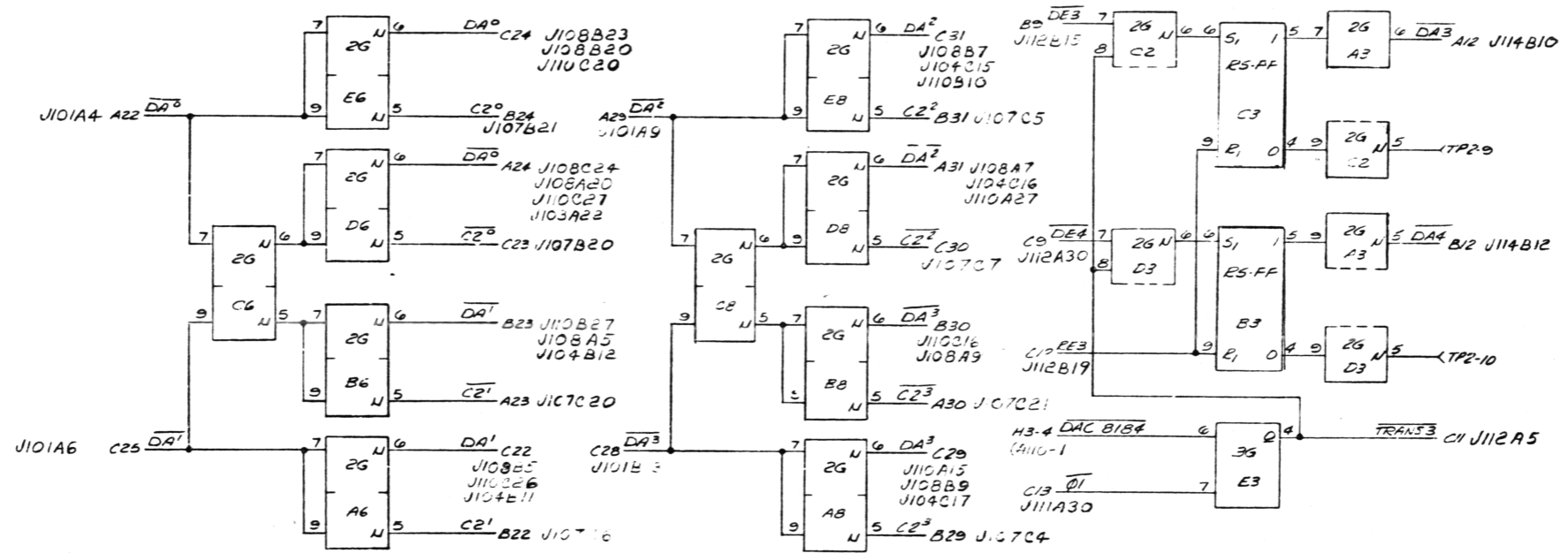
DATE: _____
DRAWN: _____
CHECKED: _____
APPROVED: _____

A110-1

**LOGIC FLOW DIAGRAM-
DATA PRESELECTOR**

DATE: 5/20/71
D 36373 C3000017

ZONE		LTR		DESCRIPTION	DATE	APPROVED
	T			REV PER ECN 05131-146	5/20/71	R0



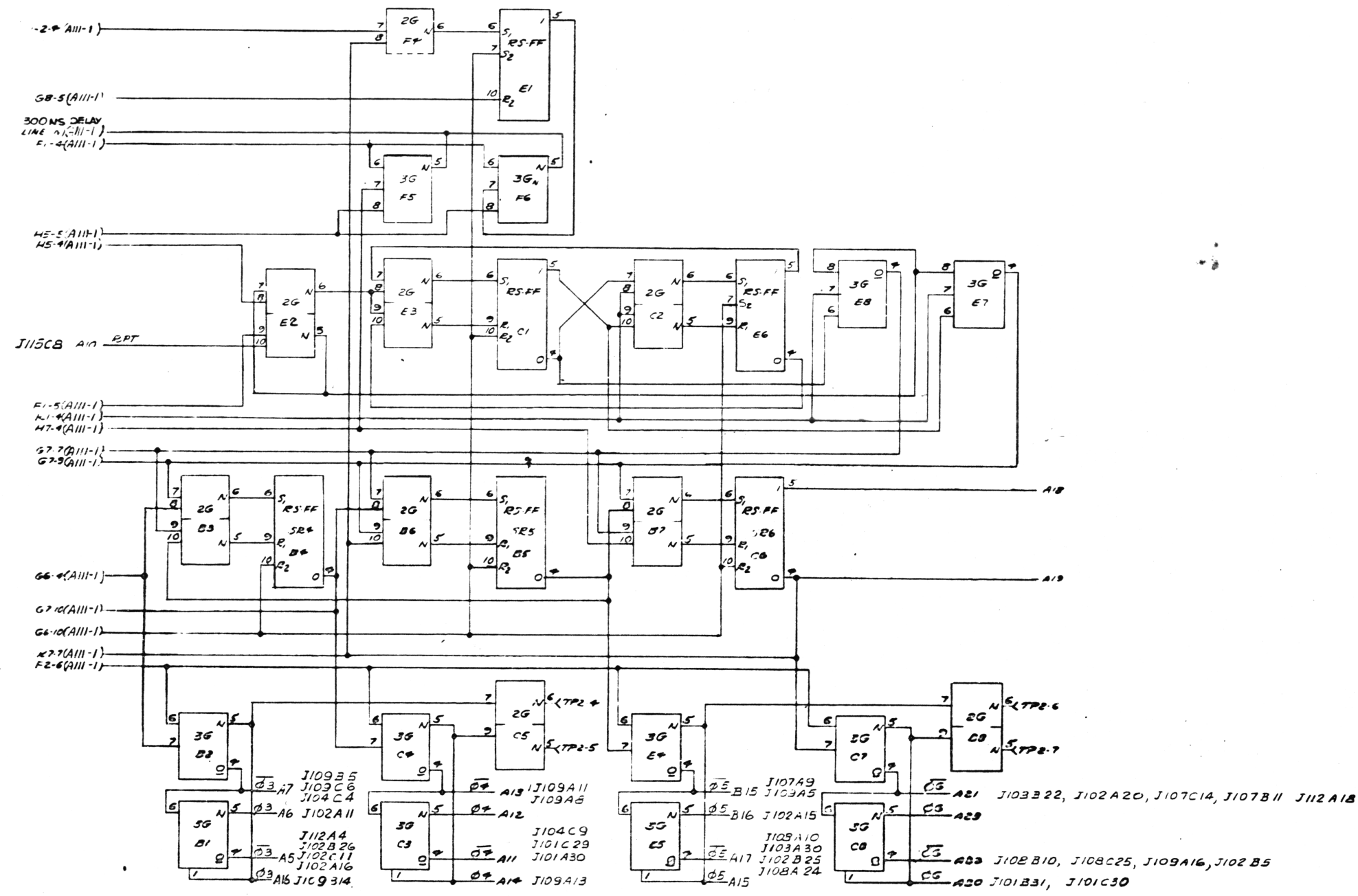
B688031E

[D600031E]

THIS DATA GENERATED AT COMPANY EXPENSE UNDER APPROPRIATION/CONTRACT REFERENCE NUMBER 99-351. NOT TO BE RELEASED OUTSIDE OF THE COMPANY WITHOUT CLEARANCE BY SINGER-LINK DIVISION PATENT DEPARTMENT.

DISC ADDRESS DECODER		A110-2	
UNLESS OTHERWISE SPECIFIED DIMENSIONS ARE IN INCHES TOLERANCES ON DIMENSIONS DECIMAL 2 PLACE = .03 ANGULAR ± 3 PLACE = .010 FUNCTIONAL ± HOLE DIA TOL FOR SHOP CUTS	CR 27/7/71 CR 28/8/71 CR 29/9/71 CR 30/10/71 CR 31/11/71 CR 32/12/71 CR 33/1/72 CR 34/2/72 CR 35/3/72 CR 36/4/72 CR 37/5/72 CR 38/6/72 CR 39/7/72 CR 40/8/72 CR 41/9/72 CR 42/10/72 CR 43/11/72 CR 44/12/72 CR 45/1/73 CR 46/2/73 CR 47/3/73 CR 48/4/73 CR 49/5/73 CR 50/6/73 CR 51/7/73 CR 52/8/73 CR 53/9/73 CR 54/10/73 CR 55/11/73 CR 56/12/73 CR 57/1/74 CR 58/2/74 CR 59/3/74 CR 60/4/74 CR 61/5/74 CR 62/6/74 CR 63/7/74 CR 64/8/74 CR 65/9/74 CR 66/10/74 CR 67/11/74 CR 68/12/74 CR 69/1/75 CR 70/2/75 CR 71/3/75 CR 72/4/75 CR 73/5/75 CR 74/6/75 CR 75/7/75 CR 76/8/75 CR 77/9/75 CR 78/10/75 CR 79/11/75 CR 80/12/75 CR 81/1/76 CR 82/2/76 CR 83/3/76 CR 84/4/76 CR 85/5/76 CR 86/6/76 CR 87/7/76 CR 88/8/76 CR 89/9/76 CR 90/10/76 CR 91/11/76 CR 92/12/76 CR 93/1/77 CR 94/2/77 CR 95/3/77 CR 96/4/77 CR 97/5/77 CR 98/6/77 CR 99/7/77 CR 100/8/77 CR 101/9/77 CR 102/10/77 CR 103/11/77 CR 104/12/77 CR 105/1/78 CR 106/2/78 CR 107/3/78 CR 108/4/78 CR 109/5/78 CR 110/6/78 CR 111/7/78 CR 112/8/78 CR 113/9/78 CR 114/10/78 CR 115/11/78 CR 116/12/78 CR 117/1/79 CR 118/2/79 CR 119/3/79 CR 120/4/79 CR 121/5/79 CR 122/6/79 CR 123/7/79 CR 124/8/79 CR 125/9/79 CR 126/10/79 CR 127/11/79 CR 128/12/79 CR 129/1/80 CR 130/2/80 CR 131/3/80 CR 132/4/80 CR 133/5/80 CR 134/6/80 CR 135/7/80 CR 136/8/80 CR 137/9/80 CR 138/10/80 CR 139/11/80 CR 140/12/80 CR 141/1/81 CR 142/2/81 CR 143/3/81 CR 144/4/81 CR 145/5/81 CR 146/6/81 CR 147/7/81 CR 148/8/81 CR 149/9/81 CR 150/10/81 CR 151/11/81 CR 152/12/81 CR 153/1/82 CR 154/2/82 CR 155/3/82 CR 156/4/82 CR 157/5/82 CR 158/6/82 CR 159/7/82 CR 160/8/82 CR 161/9/82 CR 162/10/82 CR 163/11/82 CR 164/12/82 CR 165/1/83 CR 166/2/83 CR 167/3/83 CR 168/4/83 CR 169/5/83 CR 170/6/83 CR 171/7/83 CR 172/8/83 CR 173/9/83 CR 174/10/83 CR 175/11/83 CR 176/12/83 CR 177/1/84 CR 178/2/84 CR 179/3/84 CR 180/4/84 CR 181/5/84 CR 182/6/84 CR 183/7/84 CR 184/8/84 CR 185/9/84 CR 186/10/84 CR 187/11/84 CR 188/12/84 CR 189/1/85 CR 190/2/85 CR 191/3/85 CR 192/4/85 CR 193/5/85 CR 194/6/85 CR 195/7/85 CR 196/8/85 CR 197/9/85 CR 198/10/85 CR 199/11/85 CR 200/12/85 CR 201/1/86 CR 202/2/86 CR 203/3/86 CR 204/4/86 CR 205/5/86 CR 206/6/86 CR 207/7/86 CR 208/8/86 CR 209/9/86 CR 210/10/86 CR 211/11/86 CR 212/12/86 CR 213/1/87 CR 214/2/87 CR 215/3/87 CR 216/4/87 CR 217/5/87 CR 218/6/87 CR 219/7/87 CR 220/8/87 CR 221/9/87 CR 222/10/87 CR 223/11/87 CR 224/12/87 CR 225/1/88 CR 226/2/88 CR 227/3/88 CR 228/4/88 CR 229/5/88 CR 230/6/88 CR 231/7/88 CR 232/8/88 CR 233/9/88 CR 234/10/88 CR 235/11/88 CR 236/12/88 CR 237/1/89 CR 238/2/89 CR 239/3/89 CR 240/4/89 CR 241/5/89 CR 242/6/89 CR 243/7/89 CR 244/8/89 CR 245/9/89 CR 246/10/89 CR 247/11/89 CR 248/12/89 CR 249/1/90 CR 250/2/90 CR 251/3/90 CR 252/4/90 CR 253/5/90 CR 254/6/90 CR 255/7/90 CR 256/8/90 CR 257/9/90 CR 258/10/90 CR 259/11/90 CR 260/12/90 CR 261/1/91 CR 262/2/91 CR 263/3/91 CR 264/4/91 CR 265/5/91 CR 266/6/91 CR 267/7/91 CR 268/8/91 CR 269/9/91 CR 270/10/91 CR 271/11/91 CR 272/12/91 CR 273/1/92 CR 274/2/92 CR 275/3/92 CR 276/4/92 CR 277/5/92 CR 278/6/92 CR 279/7/92 CR 280/8/92 CR 281/9/92 CR 282/10/92 CR 283/11/92 CR 284/12/92 CR 285/1/93 CR 286/2/93 CR 287/3/93 CR 288/4/93 CR 289/5/93 CR 290/6/93 CR 291/7/93 CR 292/8/93 CR 293/9/93 CR 294/10/93 CR 295/11/93 CR 296/12/93 CR 297/1/94 CR 298/2/94 CR 299/3/94 CR 300/4/94 CR 301/5/94 CR 302/6/94 CR 303/7/94 CR 304/8/94 CR 305/9/94 CR 306/10/94 CR 307/11/94 CR 308/12/94 CR 309/1/95 CR 310/2/95 CR 311/3/95 CR 312/4/95 CR 313/5/95 CR 314/6/95 CR 315/7/95 CR 316/8/95 CR 317/9/95 CR 318/10/95 CR 319/11/95 CR 320/12/95 CR 321/1/96 CR 322/2/96 CR 323/3/96 CR 324/4/96 CR 325/5/96 CR 326/6/96 CR 327/7/96 CR 328/8/96 CR 329/9/96 CR 330/10/96 CR 331/11/96 CR 332/12/96 CR 333/1/97 CR 334/2/97 CR 335/3/97 CR 336/4/97 CR 337/5/97 CR 338/6/97 CR 339/7/97 CR 340/8/97 CR 341/9/97 CR 342/10/97 CR 343/11/97 CR 344/12/97 CR 345/1/98 CR 346/2/98 CR 347/3/98 CR 348/4/98 CR 349/5/98 CR 350/6/98 CR 351/7/98 CR 352/8/98 CR 353/9/98 CR 354/10/98 CR 355/11/98 CR 356/12/98 CR 357/1/99 CR 358/2/99 CR 359/3/99 CR 360/4/99 CR 361/5/99 CR 362/6/99 CR 363/7/99 CR 364/8/99 CR 365/9/99 CR 366/10/99 CR 367/11/99 CR 368/12/99 CR 369/1/00 CR 370/2/00 CR 371/3/00 CR 372/4/00 CR 373/5/00 CR 374/6/00 CR 375/7/00 CR 376/8/00 CR 377/9/00 CR 378/10/00 CR 379/11/00 CR 380/12/00 CR 381/1/01 CR 382/2/01 CR 383/3/01 CR 384/4/01 CR 385/5/01 CR 386/6/01 CR 387/7/01 CR 388/8/01 CR 389/9/01 CR 390/10/01 CR 391/11/01 CR 392/12/01 CR 393/1/02 CR 394/2/02 CR 395/3/02 CR 396/4/02 CR 397/5/02 CR 398/6/02 CR 399/7/02 CR 400/8/02 CR 401/9/02 CR 402/10/02 CR 403/11/02 CR 404/12/02 CR 405/1/03 CR 406/2/03 CR 407/3/03 CR 408/4/03 CR 409/5/03 CR 410/6/03 CR 411/7/03 CR 412/8/03 CR 413/9/03 CR 414/10/03 CR 415/11/03 CR 416/12/03 CR 417/1/04 CR 418/2/04 CR 419/3/04 CR 420/4/04 CR 421/5/04 CR 422/6/04 CR 423/7/04 CR 424/8/04 CR 425/9/04 CR 426/10/04 CR 427/11/04 CR 428/12/04 CR 429/1/05 CR 430/2/05 CR 431/3/05 CR 432/4/05 CR 433/5/05 CR 434/6/05 CR 435/7/05 CR 436/8/05 CR 437/9/05 CR 438/10/05 CR 439/11/05 CR 440/12/05 CR 441/1/06 CR 442/2/06 CR 443/3/06 CR 444/4/06 CR 445/5/06 CR 446/6/06 CR 447/7/06 CR 448/8/06 CR 449/9/06 CR 450/10/06 CR 451/11/06 CR 452/12/06 CR 453/1/07 CR 454/2/07 CR 455/3/07 CR 456/4/07 CR 457/5/07 CR 458/6/07 CR 459/7/07 CR 460/8/07 CR 461/9/07 CR 462/10/07 CR 463/11/07 CR 464/12/07 CR 465/1/08 CR 466/2/08 CR 467/3/08 CR 468/4/08 CR 469/5/08 CR 470/6/08 CR 471/7/08 CR 472/8/08 CR 473/9/08 CR 474/10/08 CR 475/11/08 CR 476/12/08 CR 477/1/09 CR 478/2/09 CR 479/3/09 CR 480/4/09 CR 481/5/09 CR 482/6/09 CR 483/7/09 CR 484/8/09 CR 485/9/09 CR 486/10/09 CR 487/11/09 CR 488/12/09 CR 489/1/10 CR 490/2/10 CR 491/3/10 CR 492/4/10 CR 493/5/10 CR 494/6/10 CR 495/7/10 CR 496/8/10 CR 497/9/10 CR 498/10/10 CR 499/11/10 CR 500/12/10 CR 501/1/11 CR 502/2/11 CR 503/3/11 CR 504/4/11 CR 505/5/11 CR 506/6/11 CR 507/7/11 CR 508/8/11 CR 509/9/11 CR 510/10/11 CR 511/11/11 CR 512/12/11 CR 513/1/12 CR 514/2/12 CR 515/3/12 CR 516/4/12 CR 517/5/12 CR 518/6/12 CR 519/7/12 CR 520/8/12 CR 521/9/12 CR 522/10/12 CR 523/11/12 CR 524/12/12 CR 525/1/13 CR 526/2/13 CR 527/3/13 CR 528/4/13 CR 529/5/13 CR 530/6/13 CR 531/7/13 CR 532/8/13 CR 533/9/13 CR 534/10/13 CR 535/11/13 CR 536/12/13 CR 537/1/14 CR 538/2/14 CR 539/3/14 CR 540/4/14 CR 541/5/14 CR 542/6/14 CR 543/7/14 CR 544/8/14 CR 545/9/14 CR 546/10/14 CR 547/11/14 CR 548/12/14 CR 549/1/15 CR 550/2/15 CR 551/3/15 CR 552/4/15 CR 553/5/15 CR 554/6/15 CR 555/7/15 CR 556/8/15 CR 557/9/15 CR 558/10/15 CR 559/11/15 CR 560/12/15 CR 561/1/16 CR 562/2/16 CR 563/3/16 CR 564/4/16 CR 565/5/16 CR 566/6/16 CR 567/7/16 CR 568/8/16 CR 569/9/16 CR 570/10/16 CR 571/11/16 CR 572/12/16 CR 573/1/17 CR 574/2/17 CR 575/3/17 CR 576/4/17 CR 577/5/17 CR 578/6/17 CR 579/7/17 CR 580/8/17 CR 581/9/17 CR 582/10/17 CR 583/11/17 CR 584/12/17 CR 585/1/18 CR 586/2/18 CR 587/3/18 CR 588/4/18 CR 589/5/18 CR 590/6/18 CR 591/7/18 CR 592/8/18 CR 593/9/18 CR 594/10/18 CR 595/11/18 CR 596/12/18 CR 597/1/19 CR 598/2/19 CR 599/3/19 CR 600/4/19 CR 601/5/19 CR 602/6/19 CR 603/7/19 CR 604/8/19 CR 605/9/19 CR 606/10/19 CR 607/11/19 CR 608/12/19 CR 609/1/20 CR 610/2/20 CR 611/3/20 CR 612/4/20 CR 613/5/20 CR 614/6/20 CR 615/7/20 CR 616/8/20 CR 617/9/20 CR 618/10/20 CR 619/11/20 CR 620/12/20 CR 621/1/21 CR 622/2/21 CR 623/3/21 CR 624/4/21 CR 625/5/21 CR 626/6/21 CR 627/7/21 CR 628/8/21 CR 629/9/21 CR 630/10/21 CR 631/11/21 CR 632/12/21 CR 633/1/22 CR 634/2/22 CR 635/3/22 CR 636/4/22 CR 637/5/22 CR 638/6/22 CR 639/7/22 CR 640/8/22 CR 641/9/22 CR 642/10/22 CR 643/11/22 CR 644/12/22 CR 645/1/23 CR 646/2/23 CR 647/3/23 CR 648/4/23 CR 649/5/23 CR 650/6/23 CR 651/7/23 CR 652/8/23 CR 653/9/23 CR 654/10/23 CR 655/11/23 CR 656/12/23 CR 657/1/24 CR 658/2/24 CR 659/3/24 CR 660/4/24 CR 661/5/24 CR 662/6/24 CR 663/7/24 CR 664/8/24 CR 665/9/24 CR 666/10/24 CR 667/11/24 CR 668/12/24 CR 669/1/25 CR 670/2/25 CR 671/3/25 CR 672/4/25 CR 673/5/25 CR 674/6/25 CR 675/7/25 CR 676/8/25 CR 677/9/25 CR 678/10/25 CR 679/11/25 CR 680/12/25 CR 681/1/26 CR 682/2/26 CR 683/3/26 CR 684/4/26 CR 685/5/26 CR 686/6/26 CR 687/7/26 CR 688/8/26 CR 689/9/26 CR 690/10/26 CR 691/11/26 CR 692/12/26 CR 693/1/27 CR 694/2/27 CR 695/3/27 CR 696/4/27 CR 697/5/27 CR 698/6/27 CR 699/7/27 CR 700/8/27 CR 701/9/27 CR 702/10/27 CR 703/11/27 CR 704/12/27 CR 705/1/28 CR 706/2/28 CR 707/3/28 CR 708/4/28 CR 709/5/28 CR 710/6/28 CR 711/7/28 CR 712/8/28 CR 713/9/28 CR 714/10/28 CR 715/11/28 CR 716/12/28 CR 717/1/29 CR 718/2/29 CR 719/3/29 CR 720/4/29 CR 721/5/29 CR 722/6/29 CR 723/7/29 CR 724/8/29 CR 725/9/29 CR 726/10/29 CR 727/11/29 CR 728/12/29 CR 729/1/30 CR 730/2/30 CR 731/3/30 CR 732/4/30 CR 733/5/30 CR 734/6/30 CR 735/7/30 CR 736/8/30 CR 737/9/30 CR 738/10/30 CR 739/11/30 CR 740/12/30 CR 741/1/31 CR 742/2/31 CR 743/3/31 CR 744/4/31 CR 745/5/31 CR 746/6/31 CR 747/7/31 CR 748/8/31 CR 749/9/31 CR 750/10/31 CR 751/11/31 CR 752/12/31 CR 753/1/32 CR 754/2/32 CR 755/3/32 CR 756/4/32 CR 757/5/32 CR 758/6/32 CR 759/7/32 CR 760/8/32 CR 761/9/32 CR 762/10/32 CR 763/11/32 CR 764/12/32 CR 765/1/33 CR 766/2/33 CR 767/3/33 CR 768/4/33 CR 769/5/33 CR 770/6/33 CR 771/7/33 CR 772/8/33 CR 773/9/33 CR 774/10/33 CR 775/11/33 CR 776/12/33 CR 777/1/34 CR 778/2/34 CR 779/3/34 CR 780/4/34 CR 781/5/34 CR 782/6/34 CR 783/7/34 CR 784/8/34 CR 785/9/34 CR 786/10/34 CR 787/11/34 CR 788/12/34 CR 789/1/35 CR 790/2/35 CR 791/3/35 CR 792/4/35 CR 793/5/35 CR 794/6/35 CR 795/7/35 CR 796/8/35 CR 797/9/35 CR 798/10/35 CR 799/11/35 CR 800/12/35 CR 801/1/36 CR 802/2/36 CR 803/3/36 CR 804/4/36 CR 805/5/36 CR 806/6/36 CR 807/7/36 CR 808/8/36 CR 809/9/36 CR 810/10/36 CR 811/11/36 CR 812/12/36 CR 813/1/37 CR 814/2/37 CR 815/3/37 CR 816/4/37 CR 817/5/37 CR 818/6/37 CR 819/7/37 CR 820/8/37 CR 821/9/37 CR 822/10/37 CR 823/11/37 CR 824/12/37 CR 825/1/38 CR 826/2/38 CR 827/3/38 CR 828/4/38 CR 829/5/38 CR 830		

REVISIONS				
ZONE	LTR	DESCRIPTION	DATE	INITIALS
	T	REV PER ECN 05131-146	2/20/71	RP



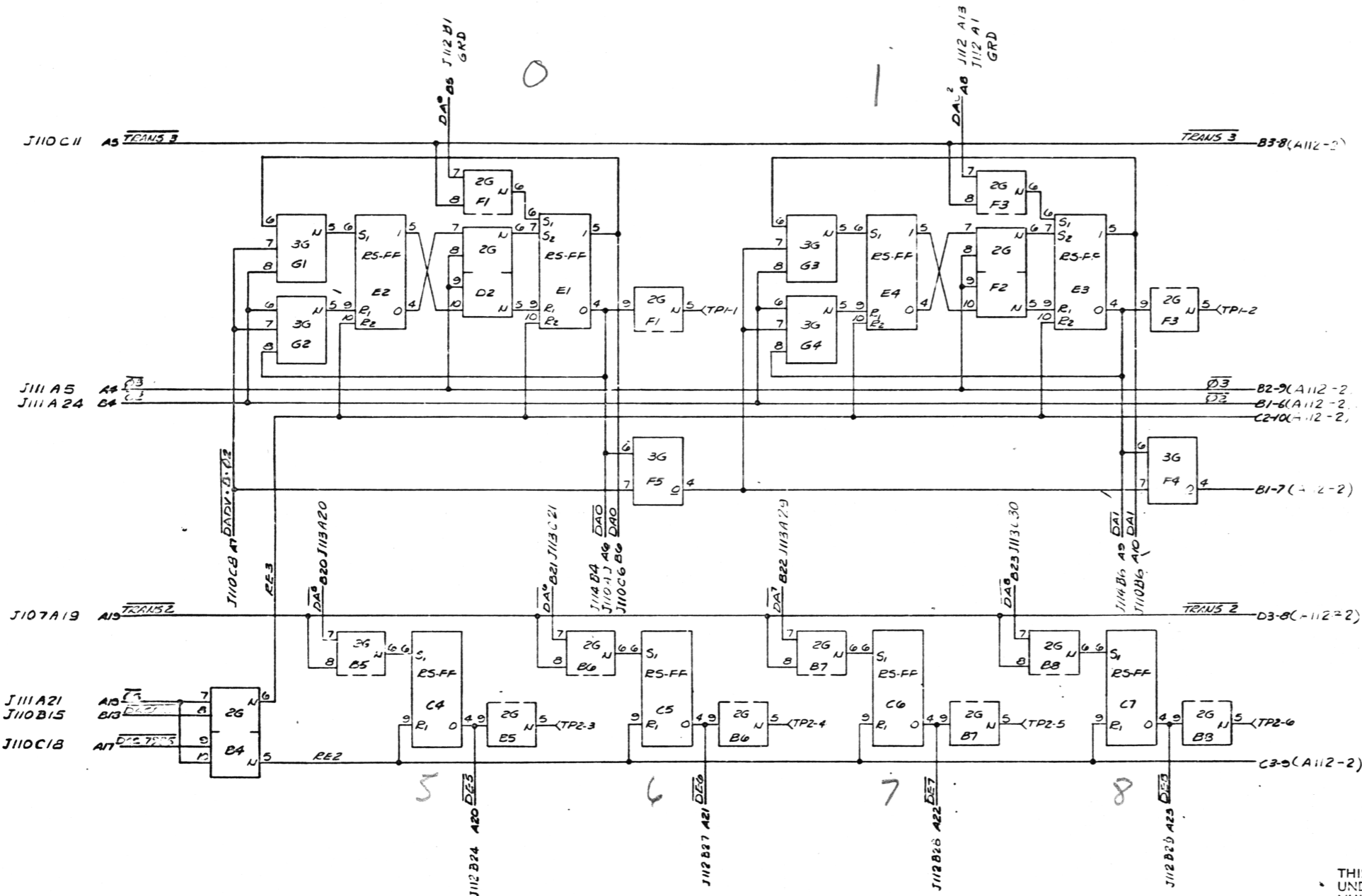
860001E
7

THIS DATA GENERATED AT COMPANY EXPENSE UNDER APPROPRIATION/CONTRACT REFERENCE NUMBER 99-301 NOT TO BE RELEASED OUTSIDE OF THE COMPANY WITHOUT CLEARANCE BY SINGER-LINK DIVISION PATENT DEPARTMENT.

SINGLE STEP PHASE GENERATOR - A111-2

LOGIC CHECKED COMPONENTS ARE IN STOCK TELEPHONES ON ORDER FEDERAL QUANTITIES - APPROX QUANTITIES - APPROX QUANTITIES - APPROX	CR <i>[Signature]</i> CR CRK <i>[Signature]</i> CRK CRK <i>[Signature]</i> MFG CRK PROJ. MFG <i>[Signature]</i>	LOGIC FILED DATA PREPARED DI 30070 2 56
---	---	---

DATE	BY	REVISION	DATE	BY
	T	REV PER ECN 05131-146	5/20/71	RD



5662091E

7

07160007

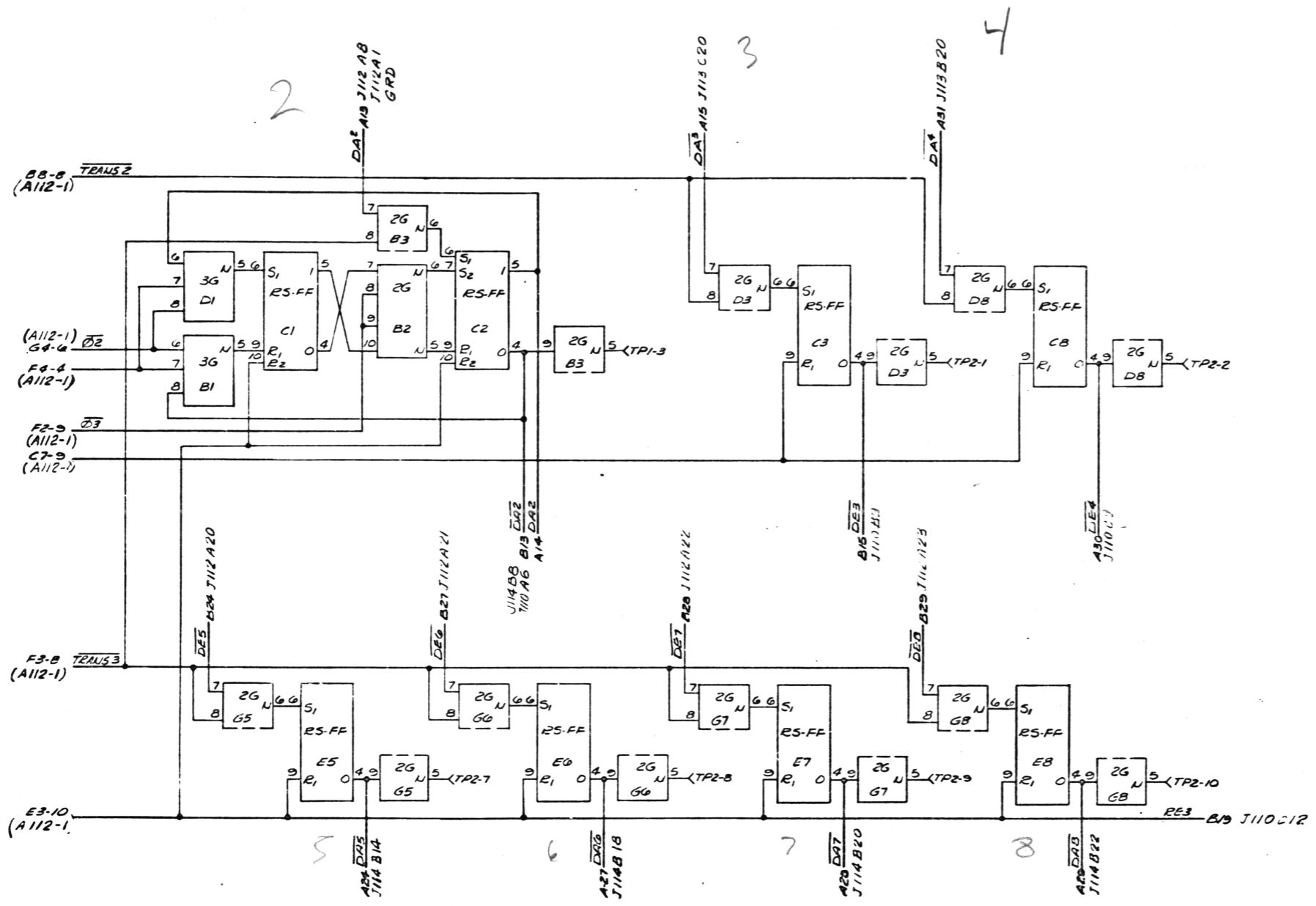
THIS DATA GENERATED AT COMPANY EXPENSE
 UNDER APPROPRIATION/CONTRACT REFERENCE
 NUMBER 99-881. NOT TO BE RELEASED OUT-
 SIDE OF THE COMPANY WITHOUT CLEARANCE
 BY SINGER-LINK DIVISION PATENT DEPARTMENT.

C/M ADDRESS INCREMENTABLE BSTR AN12-1

<input type="checkbox"/> LOGIC FLOW DIAGRAM <input type="checkbox"/> DATA PRESELECTOR <input type="checkbox"/> ADDRESS INCREMENTABLE BSTR <input type="checkbox"/> AN12-1	<input type="checkbox"/> LOGIC FLOW DIAGRAM <input type="checkbox"/> DATA PRESELECTOR <input type="checkbox"/> ADDRESS INCREMENTABLE BSTR <input type="checkbox"/> AN12-1
--	--

0 3000 2000000

ZONE	LTR	REV PER ECN	DATE	BY
	T	REV PER ECN 05131-146	5/20/71	BP



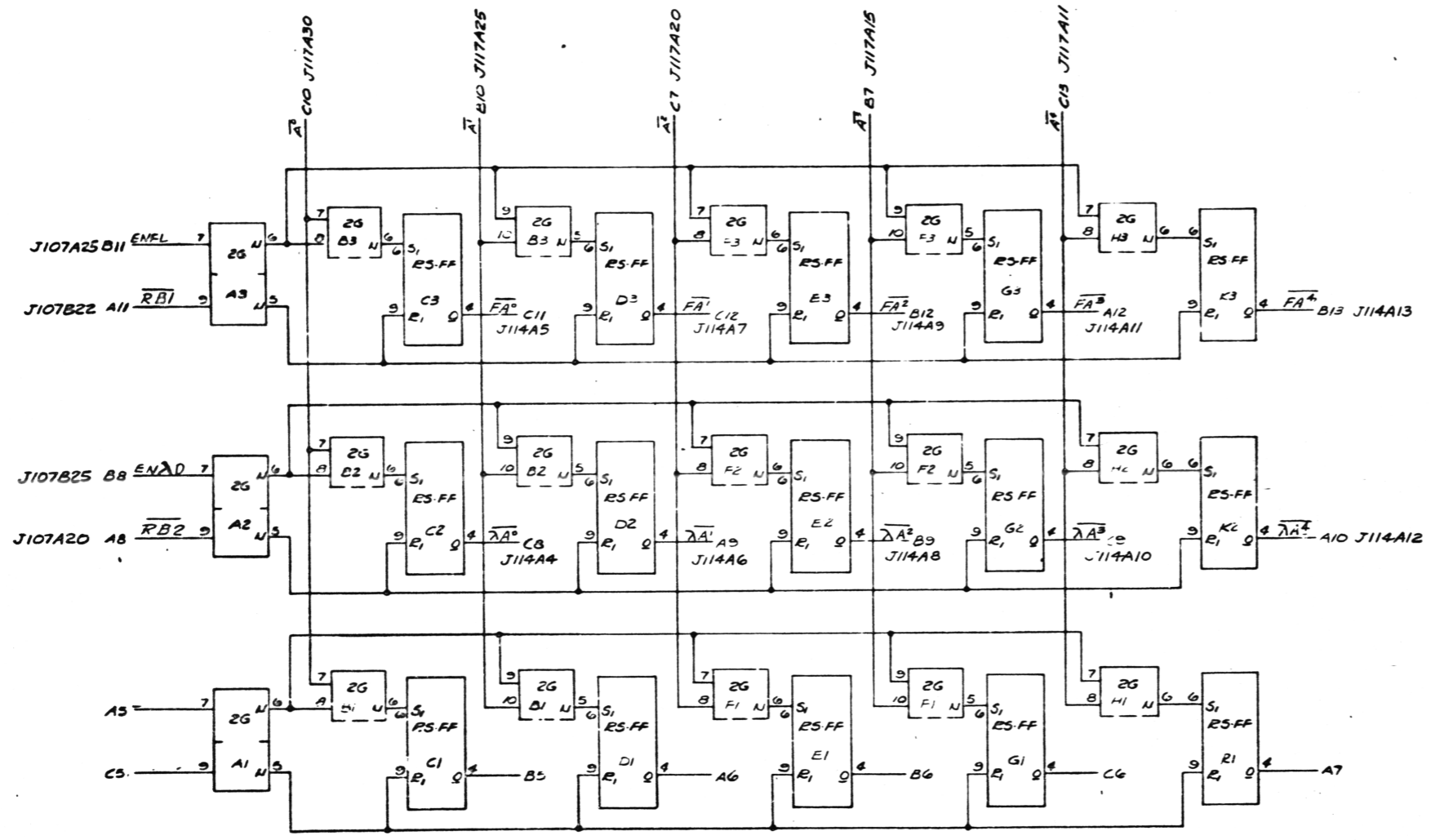
B68001E [7]

THIS DATA GENERATED AT COMPANY EXPENSE UNDER APPROPRIATION/CONTRACT REFERENCE NUMBER 99-301 NOT TO BE RELEASED OUTSIDE OF THE COMPANY WITHOUT CLEARANCE BY SINGER-LINK DIVISION PATENT DEPARTMENT.

C/M ADDRESS INCREMENTABLE REGISTER A112-2

LOGIC DESIGNER CHECKED BY DATE	LOGIC CHECKER CHECKED BY DATE	LOGIC COLLECTOR CHECKED BY DATE
LOGIC FLOW DIAGRAM - DATA RECOLLECTOR		

REVISIONS		DATE	APPROVED
7	REVISED PER ECN 05131-146	WST	GO



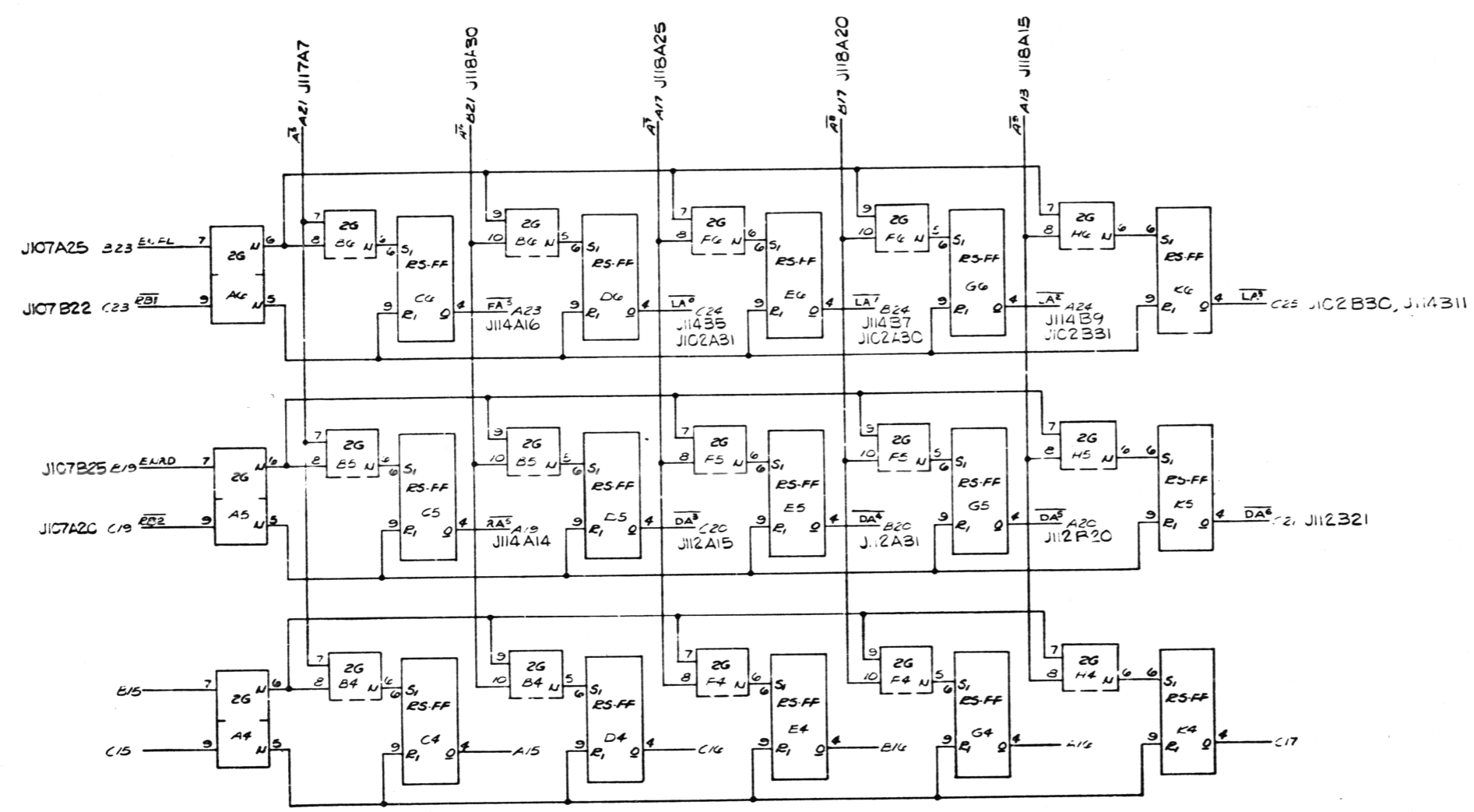
D600031E
7

THIS DATA GENERATED AT COMPANY EXPENSE UNDER APPROPRIATION/CONTRACT REFERENCE NUMBER 99-931 NOT TO BE RELEASED OUTSIDE OF THE COMPANY WITHOUT CLEARANCE BY SINGER-LINK DIVISION PATENT DEPARTMENT.

14 BIT HOLDING REG

DESIGNED BY	DATE
CHECKED BY	DATE
APPROVED BY	DATE
TESTED BY	DATE
ASSEMBLED BY	DATE
WARRANTY	DATE

REVISED		DATE	APPROVED
ZONE	LTR		
T	REVISED PER ECN 05131-146 WJF	5/20/71	GP

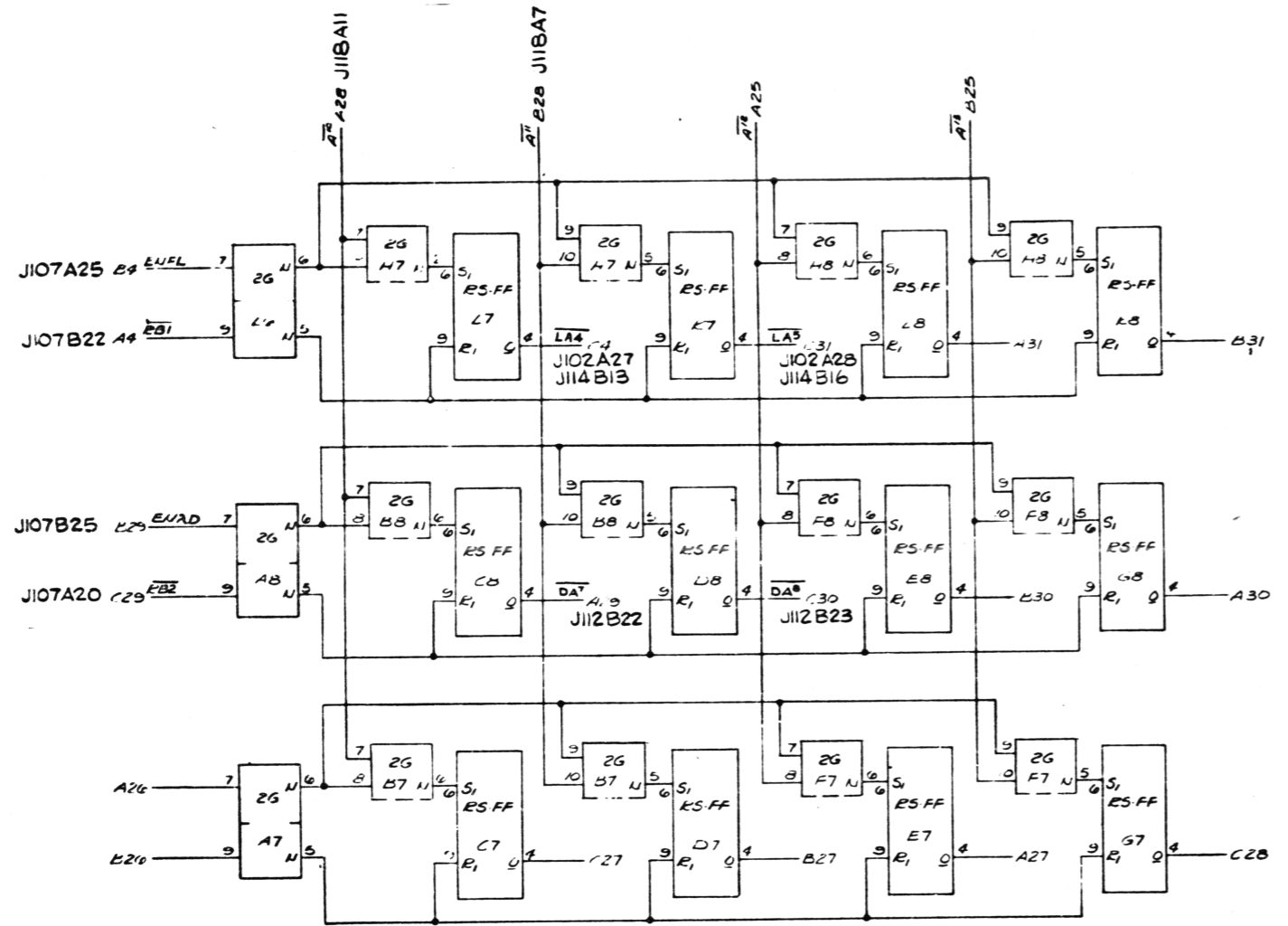


B66601E 7

THIS DATA GENERATED AT COMPANY EXPENSE UNDER APPROPRIATION/CONTRACT REFERENCE NUMBER 99-351 NOT TO BE RELEASED OUTSIDE OF THE COMPANY WITHOUT CLEARANCE BY SINGER-LINK DIVISION PATENT DEPARTMENT.

14 BIT HOLDING REG		A113-2	
<small>UNLESS OTHERWISE SPECIFIED DIMENSIONS ARE IN INCHES TOLERANCES ON DIMENSIONS</small> COMM. 2 PLACE = .03 ANGULAR = 3 PLACE = .010 FRACTIONAL = HOLE DIA. TOL. PER SHOP PRACTICE. FOR TOLERANCES:		D 33973 B66601E	
DATE: _____ DRAWN: _____		LOGIC FLOW DIAGRAM DATA PRESELECTION	

REVISIONS				DATE	APPROVED
ZONE	LTR	DESCRIPTION			
T		REVISED PER ECN 05131-146 WSP	7/20/71		BP



06000016
7
06000016

THIS DATA GENERATED AT COMPANY EXPENSE UNDER APPROPRIATION/CONTRACT REFERENCE NUMBER 99-351 NOT TO BE RELEASED OUTSIDE OF THE COMPANY WITHOUT CLEARANCE BY SINGER-LINK DIVISION PATENT DEPARTMENT.

14 BIT HOLDING REG

UNLESS OTHERWISE SPECIFIED DIMENSIONS ARE IN INCHES TOLERANCES ON DIMENSIONS DECIMAL
 2-PLACES - 0.01 - ANGULAR ±
 3-PLACES - 0.010 - FRACTIONAL ±
 HOLE DIA - TOL. FOR SHIP STDS.
 REF. TO DIM. STDS.

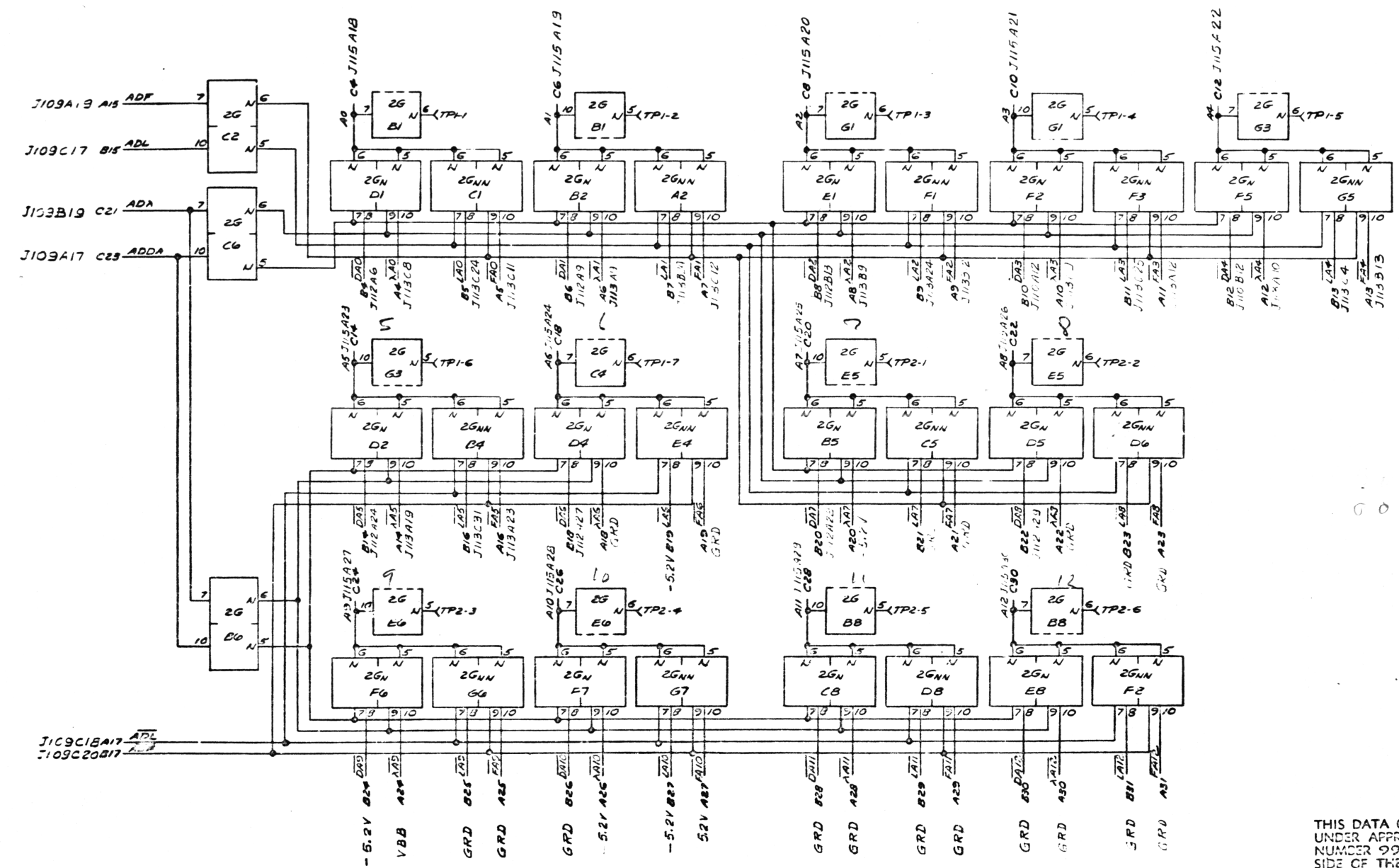
DATE _____
 DRAWN _____
 CHECKED _____
 PROJ. APPR. _____

1113-3

LOGIC FLOW DIAGRAM
 DATA PRESELECTOR

33870

ZONE	LTR	DESCRIPTION	DATE	APPROVED
T		REVISED PER ECN 05131-146 WJF	5/12/77	QS



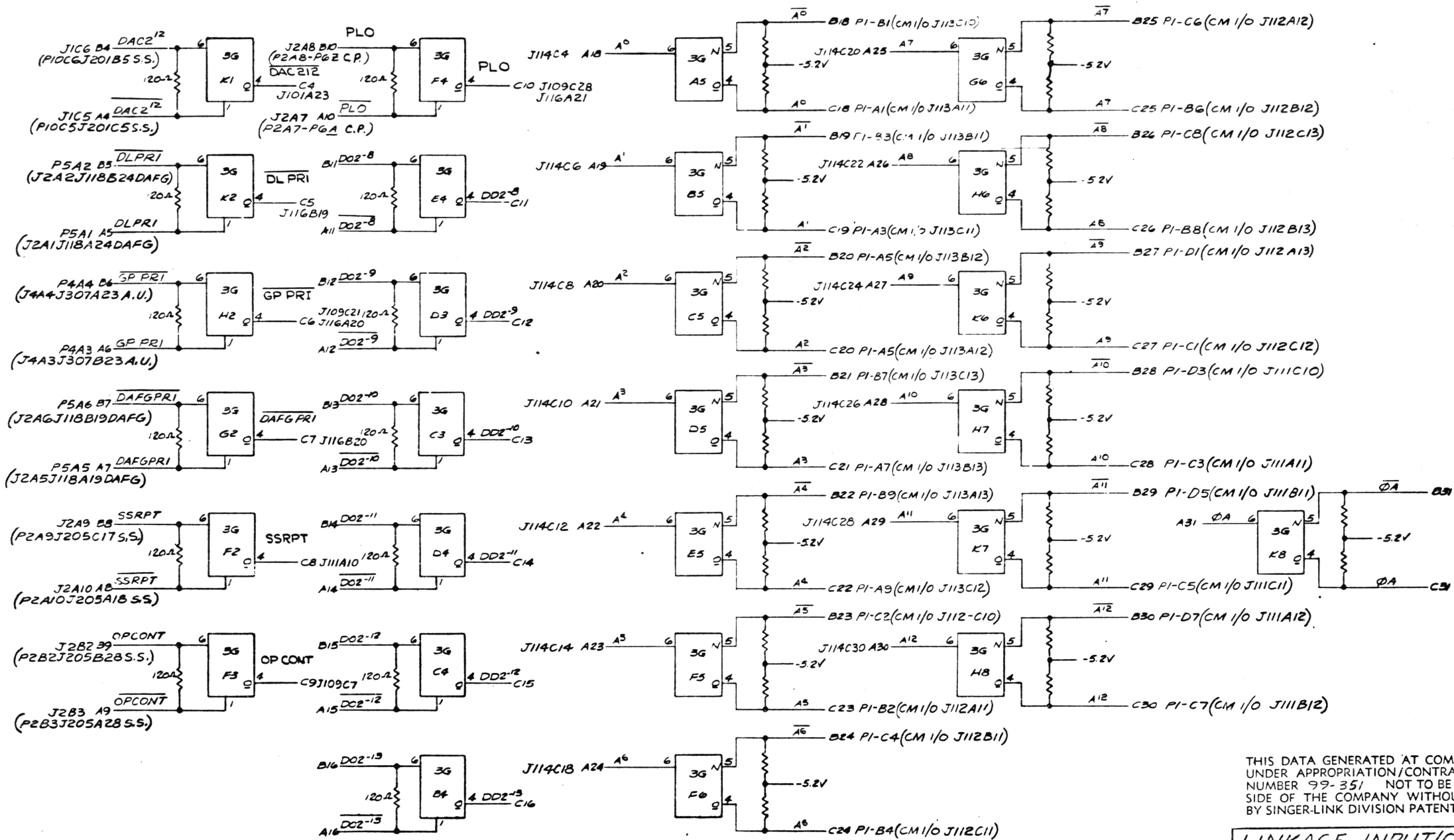
3000
 000100011000
 1000000001
 B 0 6 0

BC88031 E
 T

THIS DATA GENERATED AT COMPANY EXPENSE UNDER APPROPRIATION/CONTRACT REFERENCE NUMBER 99-961 NOT TO BE RELEASED OUTSIDE OF THE COMPANY WITHOUT CLEARANCE BY SINGER-LINK DIVISION PATENT DEPARTMENT.

ADDRESS GATE		A114	
LOGIC FLOW DIAGRAM DATA PRESELECTOR	LOGIC FLOW DIAGRAM DATA PRESELECTOR	LOGIC FLOW DIAGRAM DATA PRESELECTOR	
D 30070 BC88031 E		D 30070 BC88031 E	

REVISIONS				
ZONE	LTR	DESCRIPTION	DATE	APPROVED
	T	REVISED PER ECN 05131/46 W/F	5/20/71	RD



8	100	000
1	001	
2	010	
3	011	
4	100	
5	101	
6	110	

B682031E

T B688031E

THIS DATA GENERATED AT COMPANY EXPENSE UNDER APPROPRIATION/CONTRACT REFERENCE NUMBER 99-351 NOT TO BE RELEASED OUTSIDE OF THE COMPANY WITHOUT CLEARANCE BY SINGER-LINK DIVISION PATENT DEPARTMENT.

LINKAGE INPUT/OUTPUT RECEIVER & TRANSMITTERS

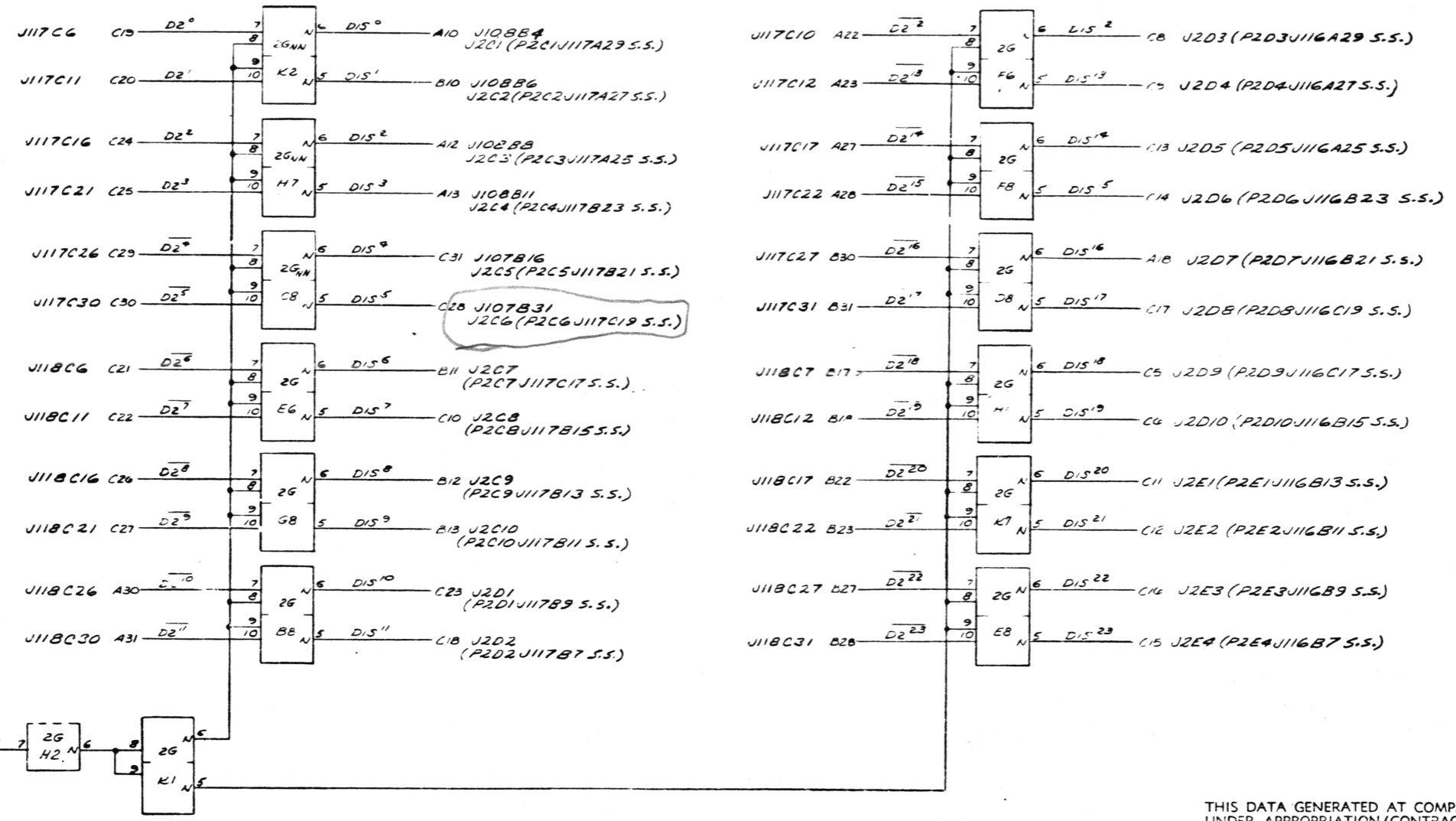
UNLESS OTHERWISE SPECIFIED DIMENSIONS ARE IN INCHES TOLERANCES ON DIMENSIONS (UNLESS OTHERWISE SPECIFIED) ARE:	CR <i>[Signature]</i> 11-21-67
FRAMES AND PANELS: ±0.005	DR <i>[Signature]</i> 11-21-67
SPACERS AND STAND-OFFS: ±0.005	MT <i>[Signature]</i> 11-21-67
LOCATIONS OF HOLES: ±0.005	REL <i>[Signature]</i> 11-21-67
LOCATIONS OF DIMENSIONED HOLES: ±0.005	
LOCATIONS OF UNDIMENSIONED HOLES: ±0.005	
LOCATIONS OF DIMENSIONED HOLES: ±0.005	
LOCATIONS OF UNDIMENSIONED HOLES: ±0.005	

A115

LOGIC FLOW DIAGRAM - DATA PRESELECTOR

D 30070 B680031E

REVISIONS				
ZONE	LTR	DESCRIPTION	DATE	APPROVED
	7	REVISED PER ECN 05/31/146 W.T.F.	5/20/71	[Signature]



J2E10 (J119C27 S.S.)
 R6-C2 DATA DISPLAY ENABLE
 C7

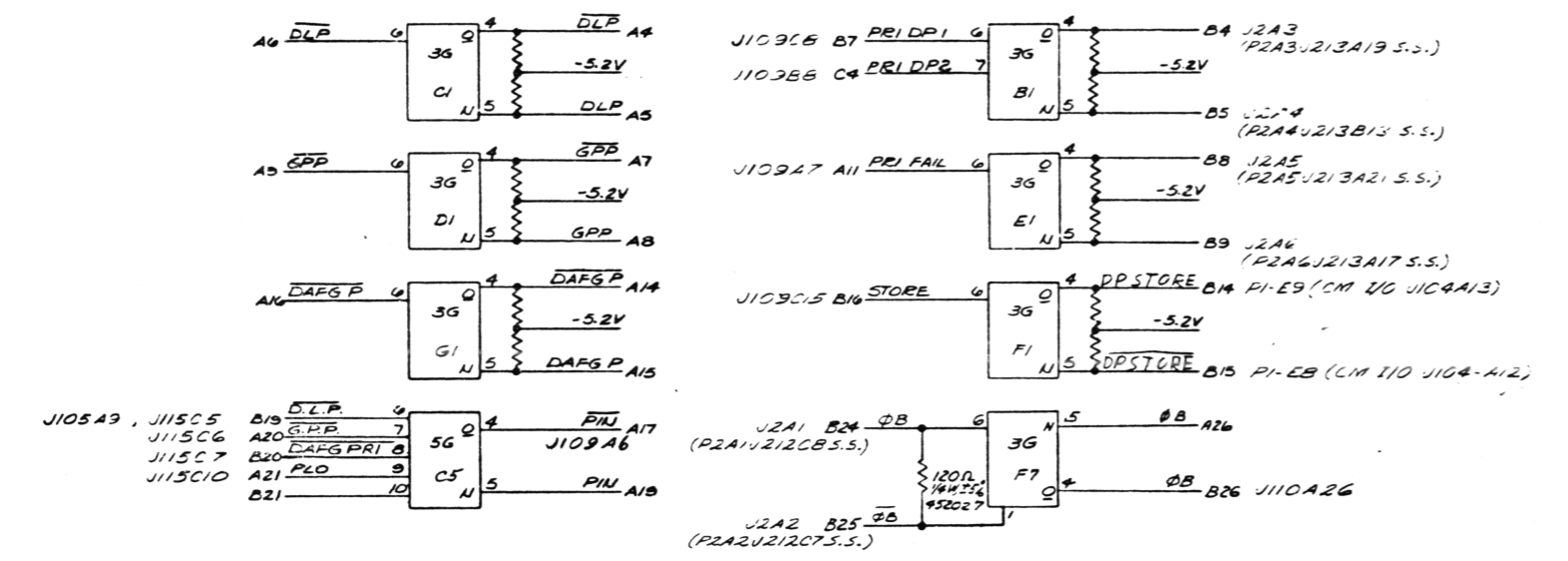
THIS DATA GENERATED AT COMPANY EXPENSE UNDER APPROPRIATION/CONTRACT REFERENCE NUMBER 99-351 NOT TO BE RELEASED OUTSIDE OF THE COMPANY WITHOUT CLEARANCE BY SINGER-LINK DIVISION PATENT DEPARTMENT.

DISPLAY DRUM	
UNLESS OTHERWISE SPECIFIED DIMENSIONS ARE IN INCHES TOLERANCES ON DIMENSIONS DECIMAL	DR. CHK. [Signature] 10-21-67
2 PLACE ± .03 ANGULAR =	DESIGN CHK. [Signature] 11-2-67
3 PLACE ± .010 FRACTIONAL =	MFG. CHK. [Signature] 11/1/67
HOLE DIA. TOL. PER SHOP STDS.	PROJ. APPD. [Signature] 11/1/67
MFR. TO LINK STDS.	
MATL.	
FINISH	
FOR ASSY	USED ON

A116-1	
LINK GROUP SYSTEMS DIVISION GENERAL PRECISION, INC. BINGHAMTON, NEW YORK	
LOGIC FLOW DIAGRAM - DATA PRESELECTOR	
SIZE	CODE IDENT NO. DWG. NO.
D	36378 B660015
SCALE	1:1

B660015
 7
 10000016

REVISIONS				
ZONE	LTR	DESCRIPTION	DATE	APPROVED
	T	REV PER ECN 05131-146	3/20/67	RP



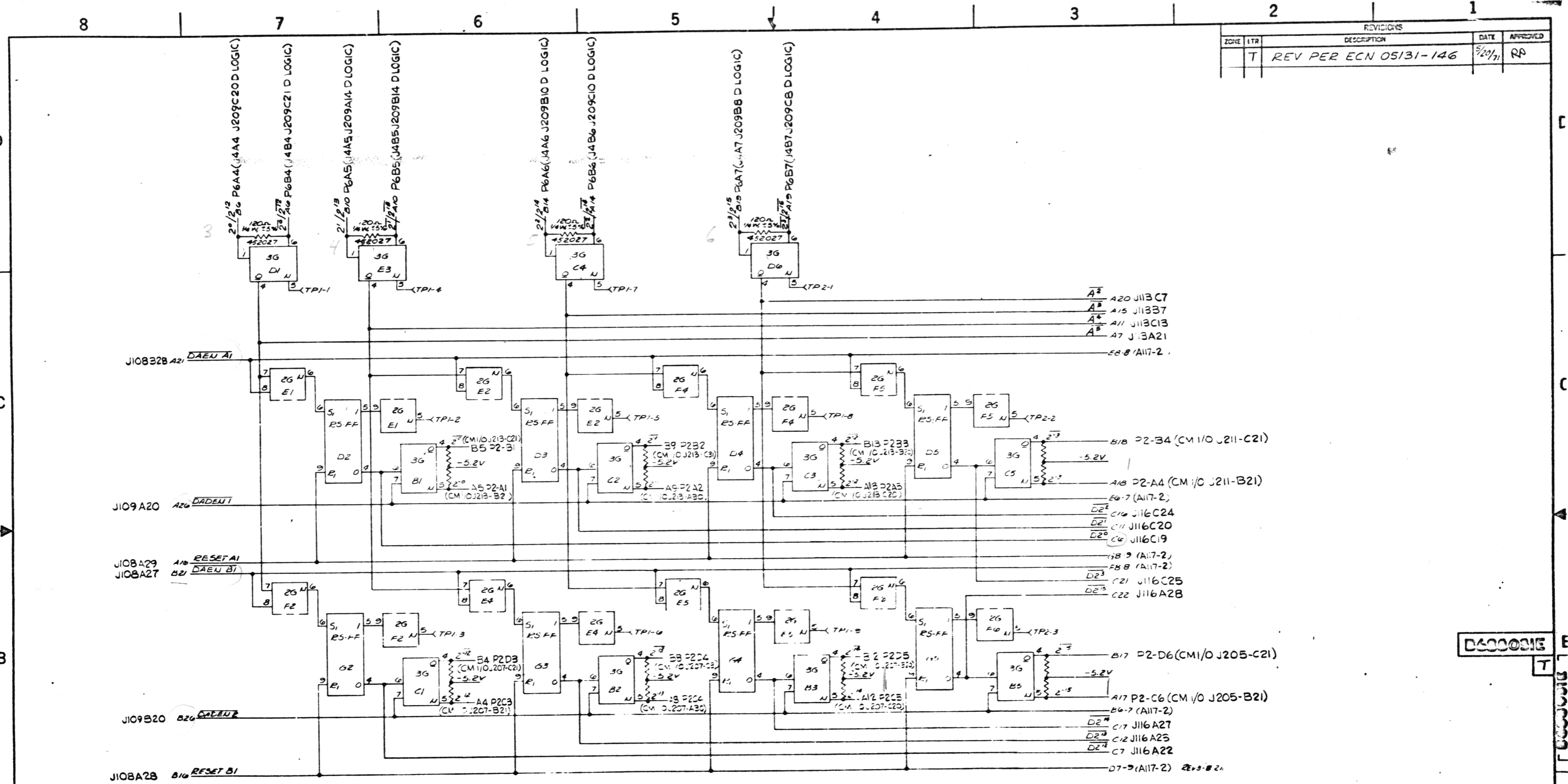
B688031E
T
B688031E

THIS DATA GENERATED AT COMPANY EXPENSE UNDER APPROPRIATION/CONTRACT REFERENCE NUMBER 99-351 NOT TO BE RELEASED OUTSIDE OF THE COMPANY WITHOUT CLEARANCE BY SINGER-LINK DIVISION PATENT DEPARTMENT.

A116-2

DISPLAY DRIVER		LOGIC GROUP, SYSTEMS DIVISION	
UNLESS OTHERWISE SPECIFIED DIMENSIONS ARE IN INCHES TOLERANCES ON DIMENSIONS		GENERAL PRECISION, INC. BIRMINGHAM, NEW YORK	
DECIMAL	DR <i>F. Dunham</i> 10-12-67	LOGIC FLOW DIAGRAM- DATA PRESELECTOR	
2 PLACE ± .03 ANGULAR ±	DR CHK <i>J. Harvey</i> 10-31-67		
3 PLACE ± .010 FRACTIONAL ±	DESIGN CHK <i>[Signature]</i> 11-2-67	SCALE CODE IDENT NO. DWG. NO.	
HOLE DIA. TOL. FOR DRIP STDS.	MFG. CHK	D 35378 B688031E	
REF. TO LINK STDS.	PROJ. APPD <i>[Signature]</i> 11/2/67	SHEET 32	
MATL.			
FRESH			
POST ACCY	USED ON		

REVISIONS				
ZONE	LTR	DESCRIPTION	DATE	APPROVED
	T	REV PER ECN 05131-146	5/20/71	RP



- A³ A20 J113C7
- A⁴ A15 J113B7
- A⁵ A11 J113C13
- A⁶ A7 J113A21
- E8-B A117-2

- B18 P2-B4 (CM 1/0 J211-C21)
- A18 P2-A4 (CM 1/0 J211-B21)
- E6-7 A117-2
- D2¹ C16 J116C24
- D2² C11 J116C20
- D2³ C6 J116C19
- B8-9 A117-2
- F8-B A117-2
- D2³ C21 J116C25
- D2⁵ C22 J116A2B

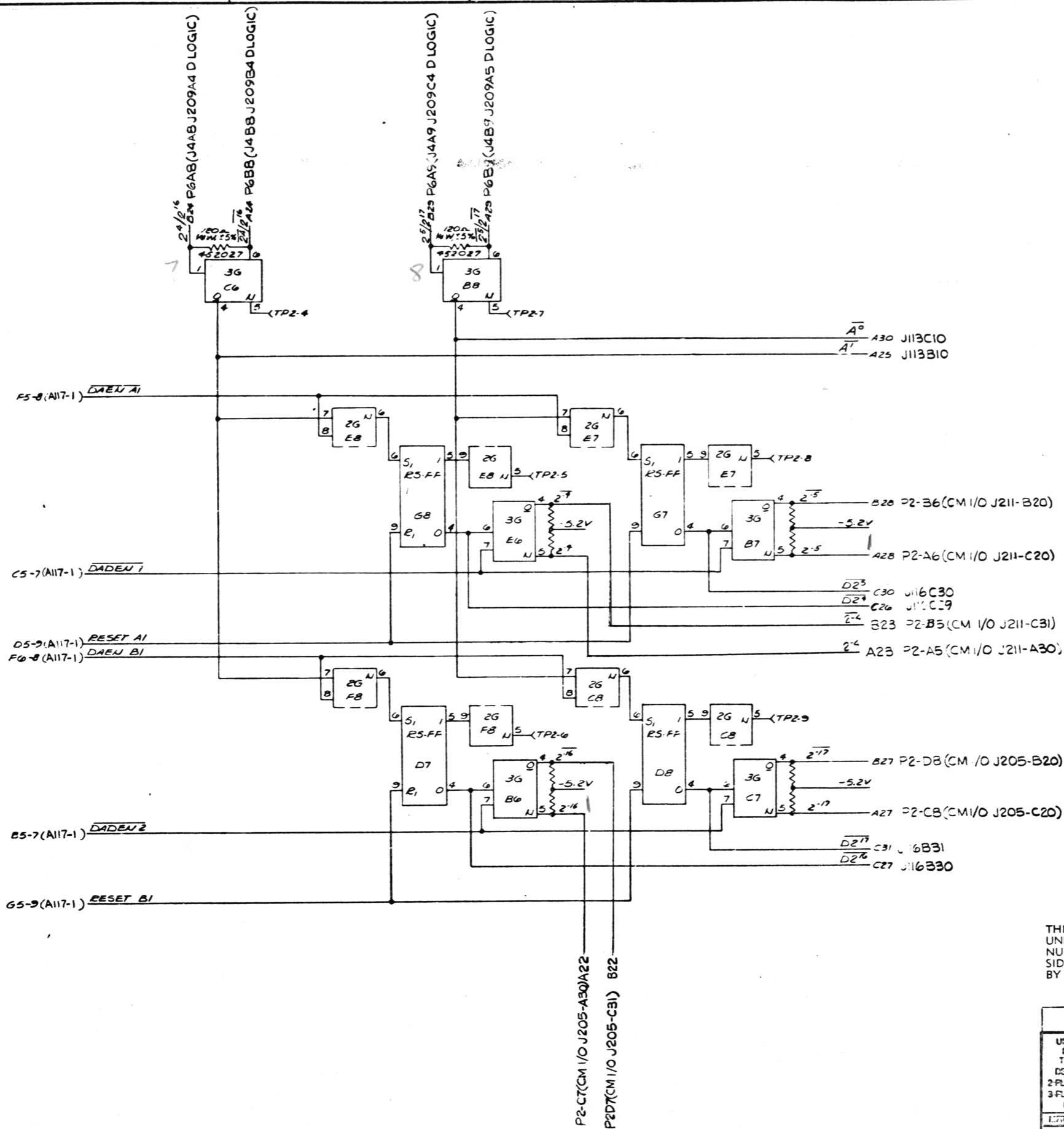
- B17 P2-D6 (CM 1/0 J205-C21)
- A17 P2-C6 (CM 1/0 J205-B21)
- E6-7 A117-2
- D2⁶ C17 J116A27
- D2⁷ C12 J116A25
- D2⁸ C7 J116A22
- D7-9 A117-2

D30001E
T

THIS DATA GENERATED AT COMPANY EXPENSE UNDER APPROPRIATION/CONTRACT REFERENCE NUMBER 99-351 NOT TO BE RELEASED OUTSIDE OF THE COMPANY WITHOUT CLEARANCE BY SINGER-LINK DIVISION PATENT DEPARTMENT.

DATA REGISTER		A117-1	
USED DIMENSIONS SPECIFIED DIMENSIONS ARE IN INCHES TOLERANCES ON DIMENSIONS DECIMAL 2 PLACE ± .03 ANGULAR ± 3 PLACE ± .010 FRACTIONAL ± HOLE DIA. TOL. FOR DRILL STEEL	DR. <i>James C. Brown</i> 10-20-67 CR. CHK. <i>John A. Brown</i> 11-2-67 DESIGN CHK. <i>John A. Brown</i> 11-2-67 MFR. CHK. _____ PROJ. APPT. <i>John A. Brown</i> 11/1/67	LINK GROUP, SYSTEMS DIVISION GENERAL PRESELECTOR, etc. LOGIC FLOW DIAGRAM - DATA PRESELECTOR	DATE _____ D 36973 D30001E
MAIL _____ FINISH _____	NEXT ASSY _____ USED ON _____		

REVISIONS				
ZONE	LTR	DESCRIPTION	DATE	APPROVED
	T	REV PER ECN 05/31-146	5/20/71	R0

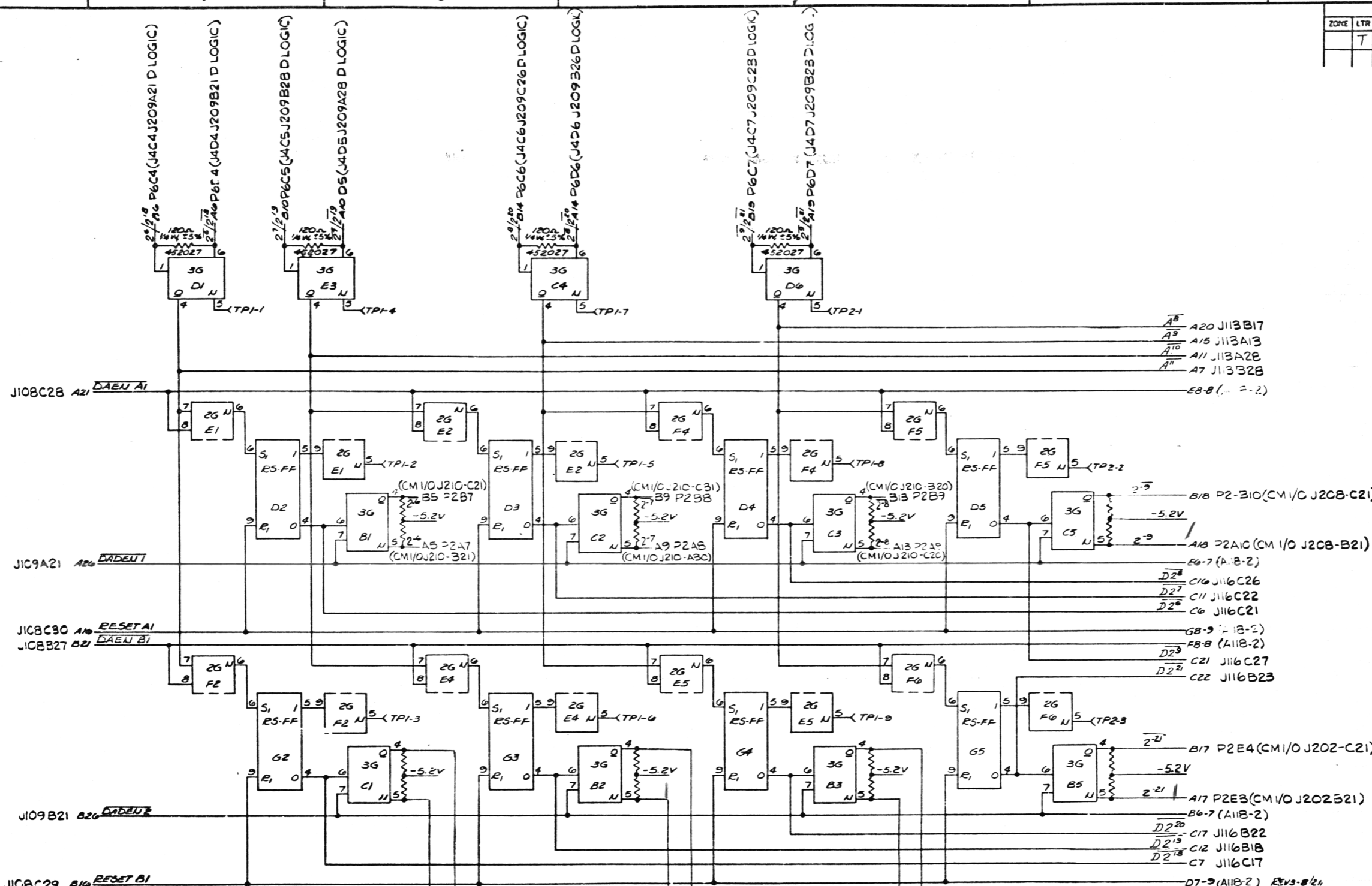


THIS DATA GENERATED AT COMPANY EXPENSE UNDER APPROPRIATION/CONTRACT REFERENCE NUMBER 99-531 NOT TO BE RELEASED OUTSIDE OF THE COMPANY WITHOUT CLEARANCE BY SINGER-LINK DIVISION PATENT DEPARTMENT.

D60001E
7

DATA REGISTER		A117-2	
UNLESS OTHERWISE SPECIFIED DIMENSIONS ARE IN INCHES TOLERANCES ON DIMENSIONS DECIMAL	DR <i>[Signature]</i> 10-20-67	LINK GROUP, STANLEY DESIGN	
2-PLACE = .05 - ANGULAR =	DR CHK <i>[Signature]</i> 10-21-67	GENERAL PRODUCTS, INC.	
3-PLACE = .010 - FRACTIONAL =	DESIGN CHK <i>[Signature]</i> 11-2-67	LOGIC FLOW DIAGRAM	
HOLE DIA. TOL. FOR DRIP STDS.	WQA CHK	DATA PRESECTOR	
REF. TO LINK STDS.	PROJ. APPR <i>[Signature]</i> 11/1/67		
MATL			
FRSH			
		D 35373	D60001E

REVISIONS				
ZONE	LTR	DESCRIPTION	DATE	APPROVED
T		REV PER ECN 05131-146	5/23/71	70



- A⁸ A20 J113B17
- A⁹ A15 J113A13
- A¹⁰ A11 J113A2E
- A¹¹ A7 J113B2B
- E8-B (A11-2)
- B/B P2-B10 (CM1/O J208-C21)
- A/B P2A10 (CM1/O J208-B21)
- E6-7 (A11B-2)
- D2⁸ C16 J116C26
- D2⁷ C11 J116C22
- D2⁶ C6 J116C21
- G8-9 (A11B-2)
- F8-B (A11B-2)
- D2⁹ C21 J116C27
- D2²¹ C22 J116B23
- B17 P2E4 (CM1/O J202-C21)
- A17 P2E3 (CM1/O J202B21)
- B6-7 (A11B-2)
- D2²⁰ C17 J116B22
- D2¹⁹ C12 J116B1B
- D2¹⁸ C7 J116C17
- D7-9 (A11B-2) REVS-8/24

P2C9 (CM1/O J204-B2) A4 2-18
P2D9 (CM1/O J204-C2) B4 2-18

P2C10 (CM1/O J204-A30) A8 2-19
P2D10 (CM1/O J204-C3) B8 2-19

P2E1 (CM1/O J204-C20) A12 2-20
P2E2 (CM1/O J204-B20) B12 2-20

B603031E

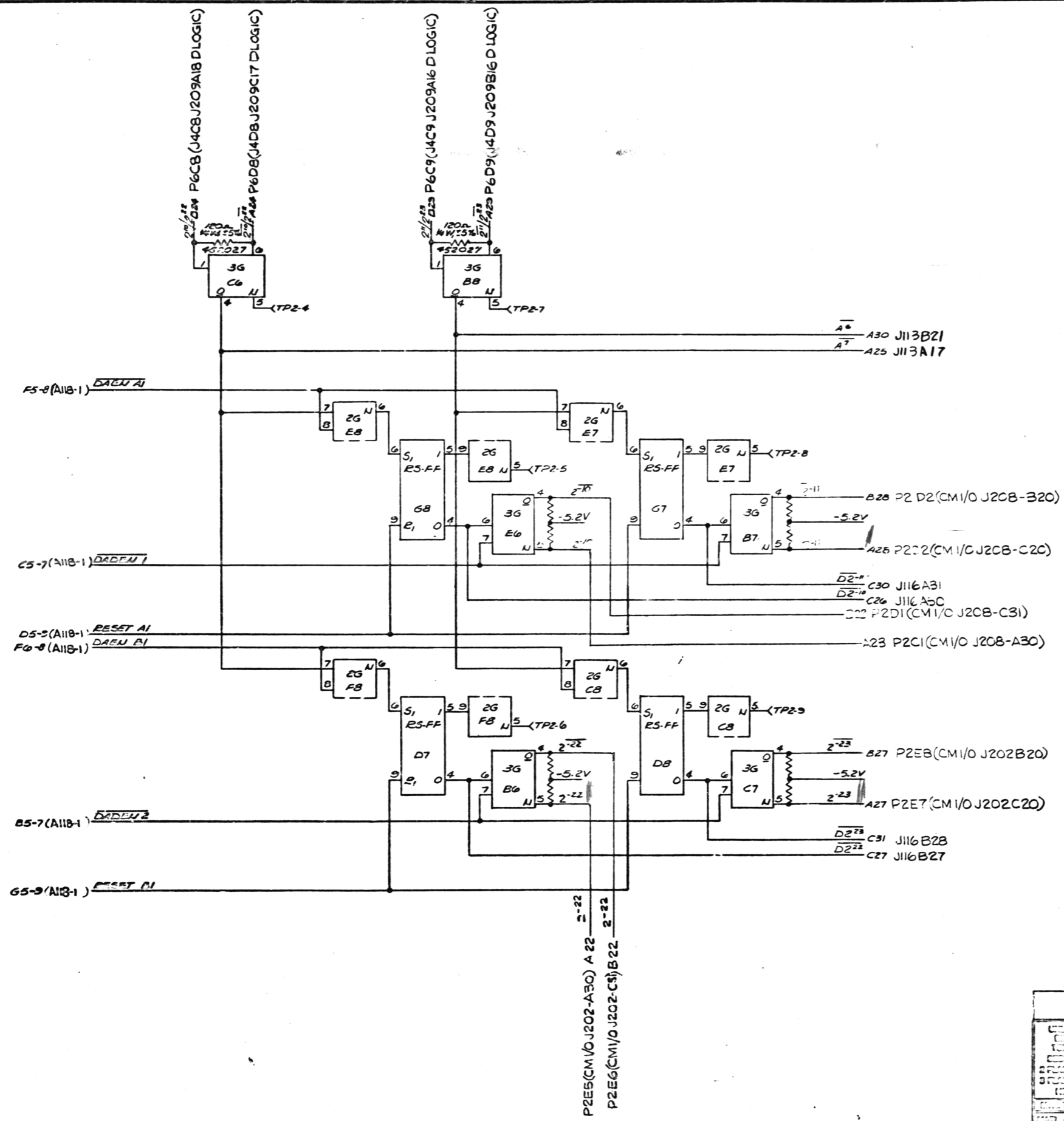
7

B603031E

THIS DATA GENERATED AT COMPANY EXPENSE UNDER APPROPRIATION/CONTRACT REFERENCE NUMBER 92-351 NOT TO BE RELEASED OUTSIDE OF THE COMPANY WITHOUT CLEARANCE BY SINGER-LINK DIVISION PATENT DEPARTMENT.

DATA REGISTER		A118-1	
UNLESS OTHERWISE SPECIFIED DIMENSIONS ARE IN INCHES TOLERANCES ON DIMENSIONS DECIMAL		LINK GROUP, GENERAL DESIGN	
2 PLACE ± .03 ANGULAR ±		LINK GROUP, GENERAL DESIGN	
3 PLACE ± .010 FRACTIONAL ±		GENERAL PRODUCTION, INC.	
HOLE DIA. TOL. PER SHOP STDS.		LOGIC FLOW DIAGRAM - DATA PRESECTOR	
FINISH		SCALE NONE	
MATERIAL		D 35973	
FINISH		B603031E	
NEXT ASSY		SHEET 35	
USED ON			

REV	TR	DATE	APPROV
T		REV PER FCN 05131-146	1/22/11 RP



THIS DATA GENERATED AT COMPANY EXPENSE UNDER APPROPRIATION/CONTRACT REFERENCE NUMBER 99-331 NOT TO BE RELEASED OUTSIDE OF THE COMPANY WITHOUT CLEARANCE BY SINGER-LINK DIVISION PATENT DEPARTMENT.

DATA REGISTER		A118-2	
UNIT NO. _____ DATE _____ BY _____ CHECKED BY _____ APPROVED BY _____ TITLE _____	UNIT NO. _____ DATE _____ BY _____ CHECKED BY _____ APPROVED BY _____ TITLE _____	LOGIC FLOW DIAGRAM - DATA PRESELECTOR	
CASE NO. D 36973		DRAWING NO. D6000013	

B6000013

T

