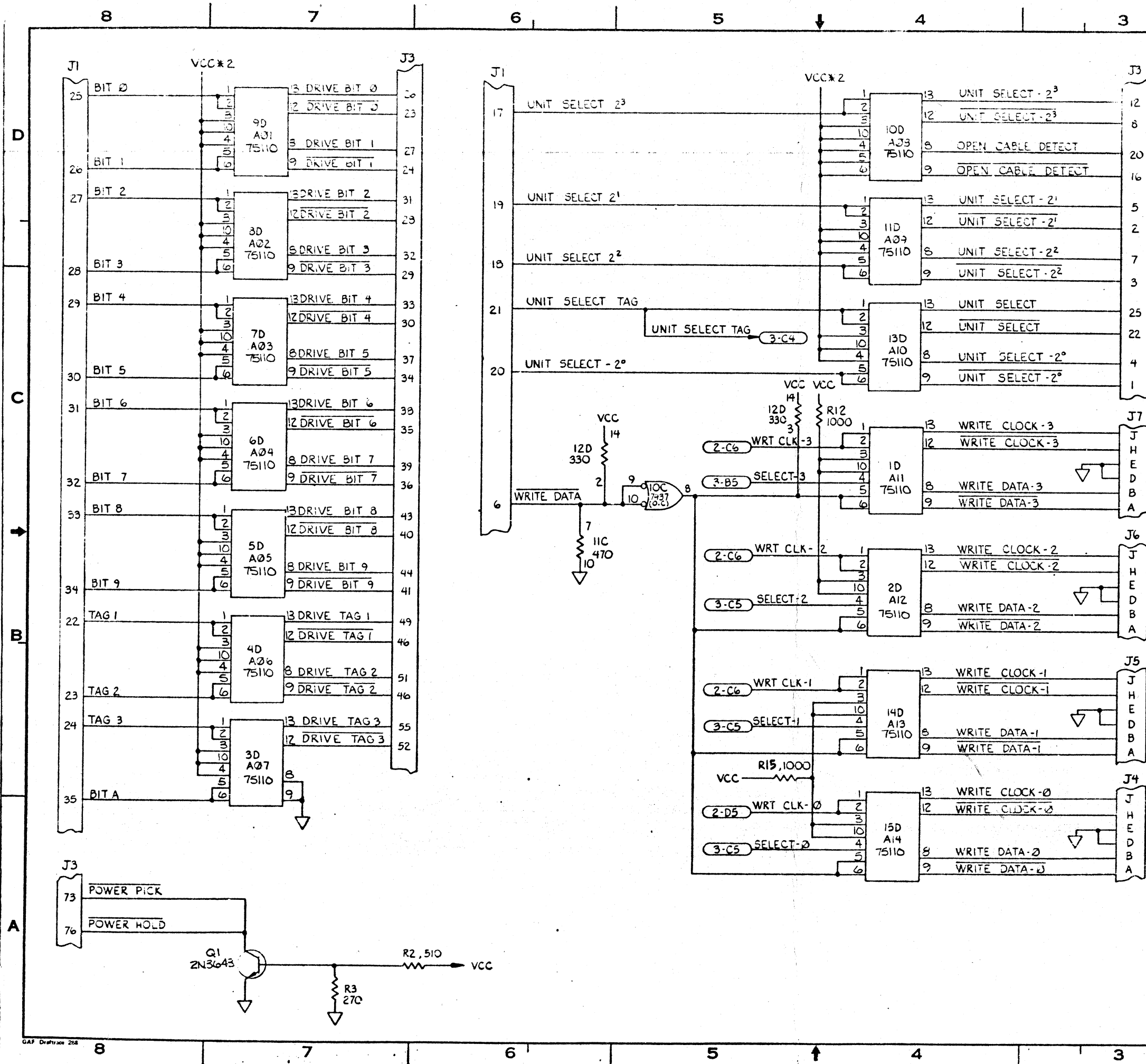


NP 80 DRIVER RECEIVER
 90100701-50

EM

DRAWN R. LEONG	DATE 7-21-80	 FOUR-PHASE SYSTEMS, INC. CUPERTINO, CALIFORNIA
CHECKED M. J. MURRAY	7-28-80	
ENGINEER <i>Kerfoot</i>	9-17-80	NP 80 DRIVER RECEIVER
MFG		90100701-07
RELEASED		50
SHEET 10 OF 10		REV

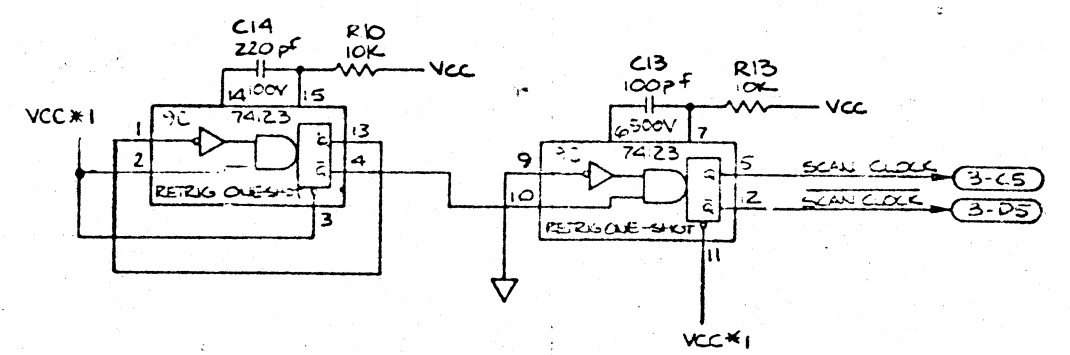
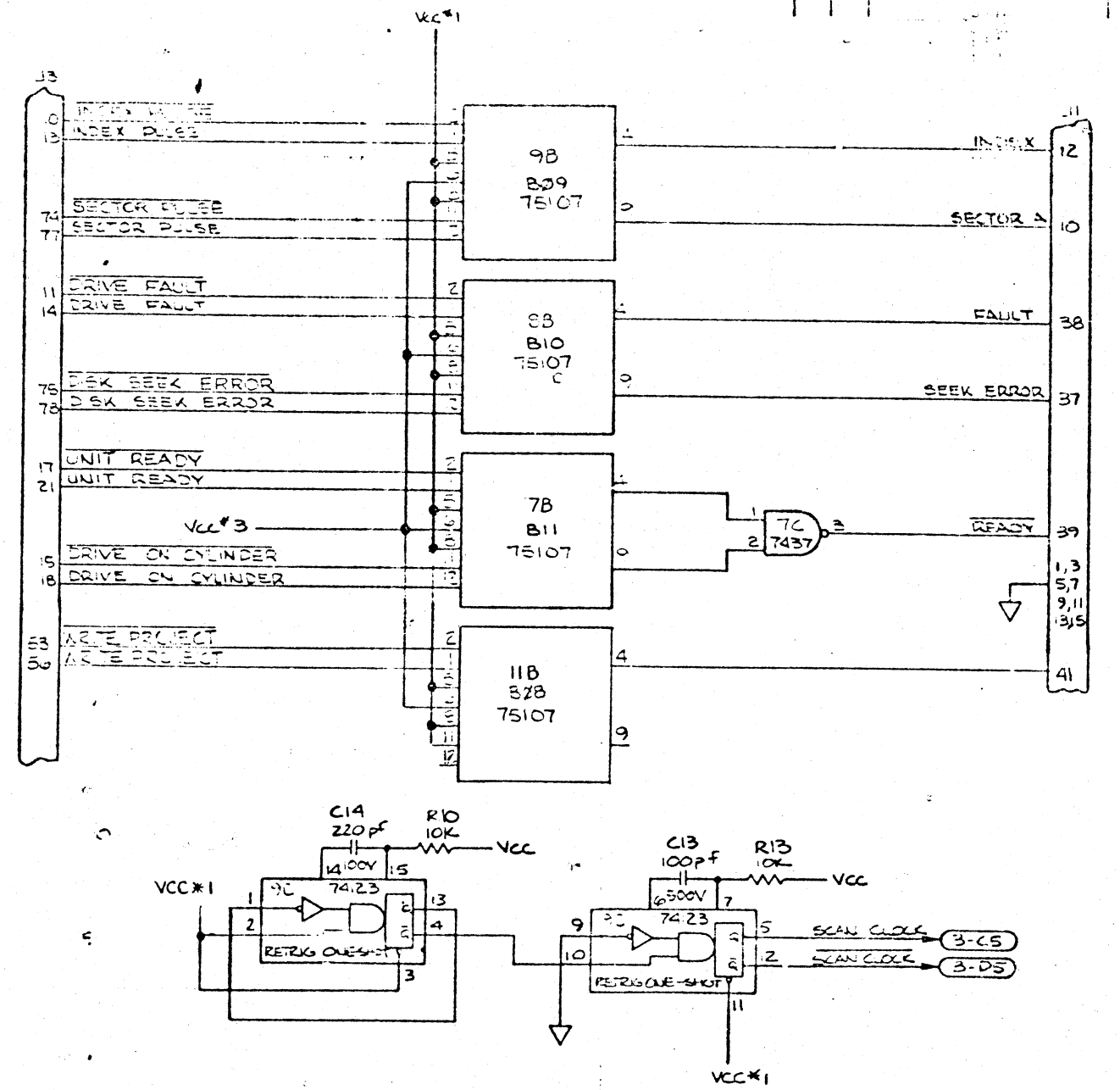
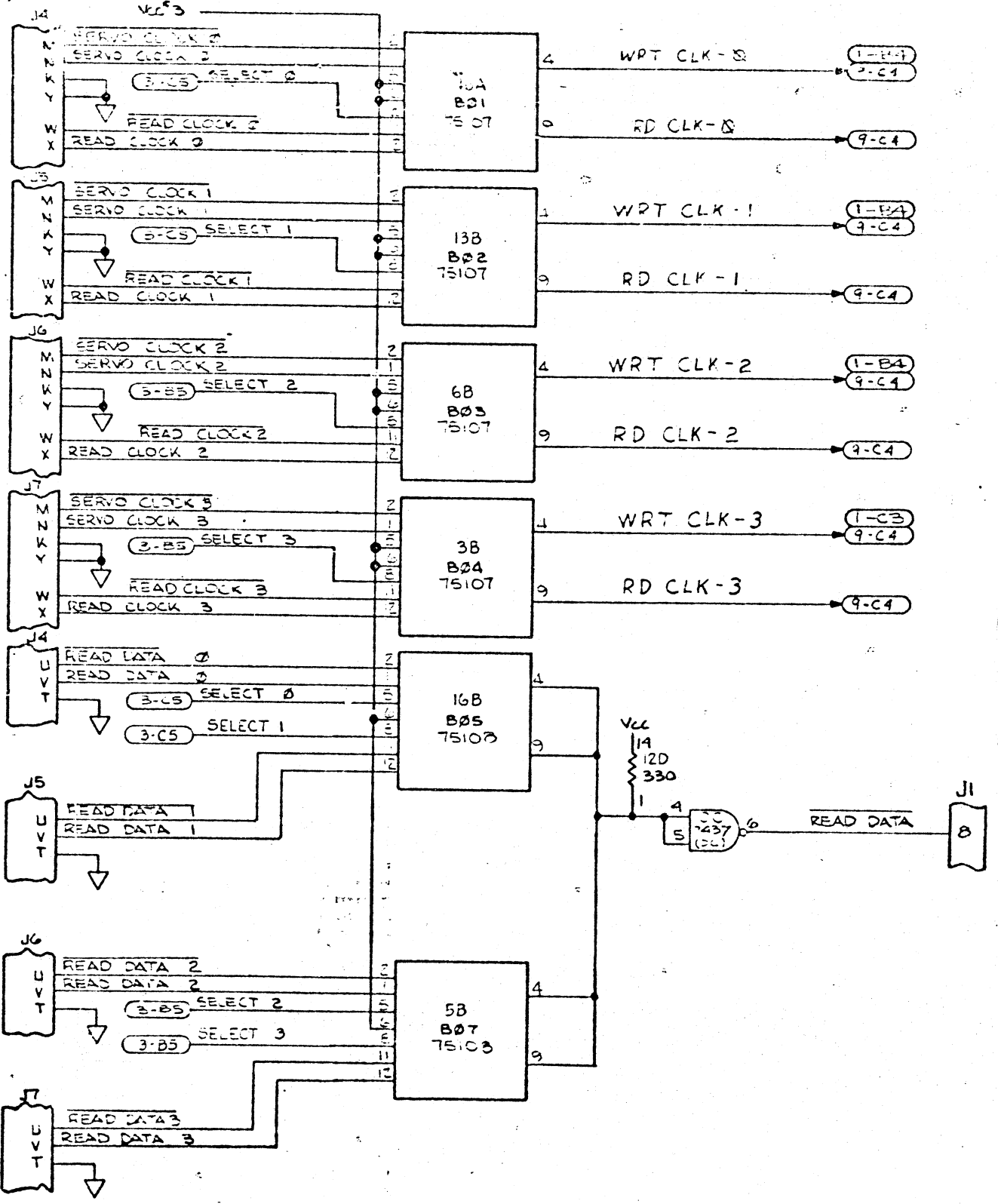
REVISIONS				
EDUC	SYM	DESCRIPTION	BY	DATE
50		REL TO PILOT PER PLO#515	J.G.	7/2/62



DEVICE	GND	VCC
7404		
7410	7	14
7425		
7437		
7438		
74123	8	16
74175		

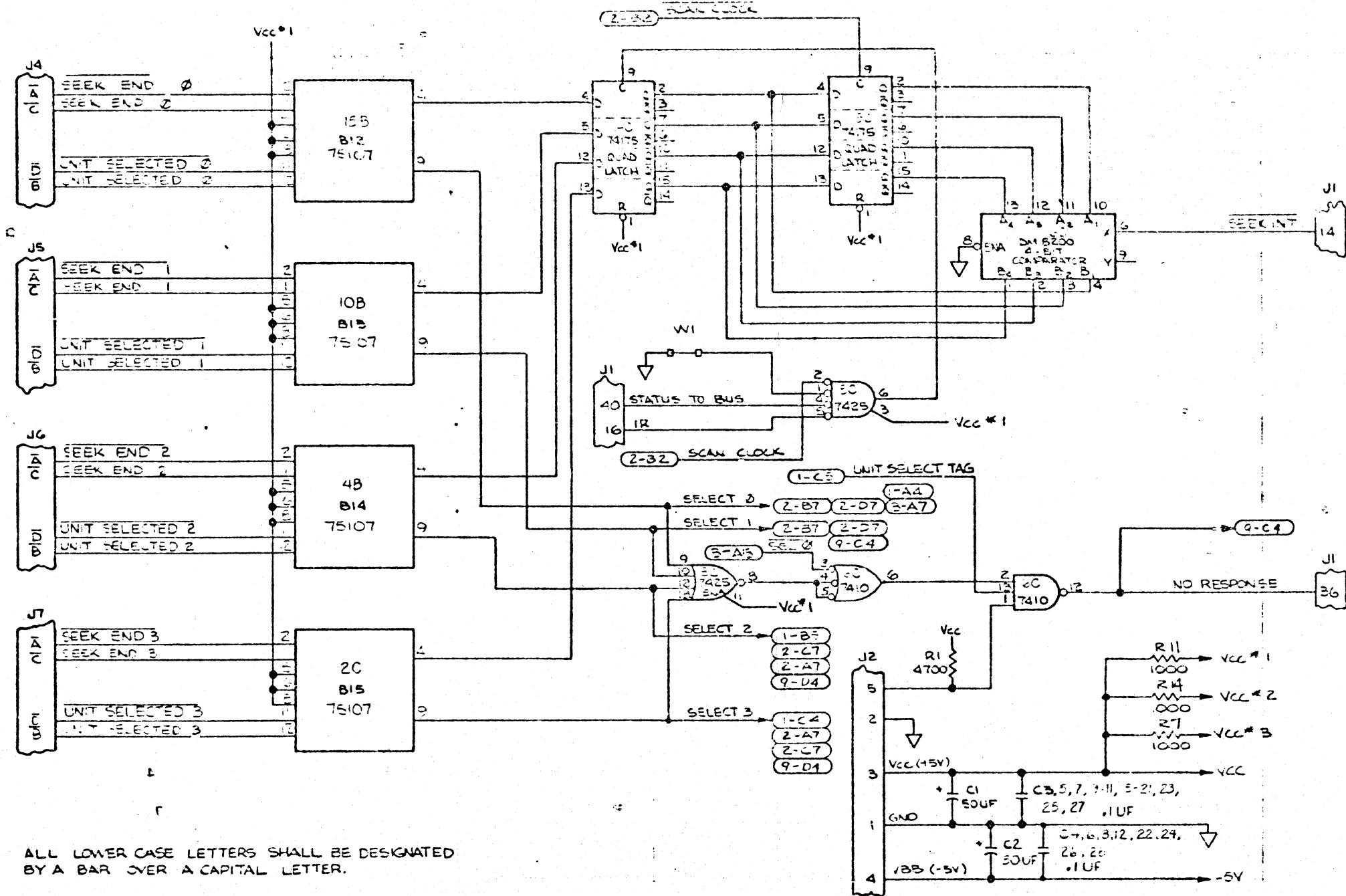
- NOTES: UNLESS OTHERWISE SPECIFIED
1. ALL RESISTOR VALUES ARE IN OHMS. ALL DISCRETE RESISTORS ARE 1/4W, 5%.
 2. (X-YZ) SYMBOL INDICATES A CONNECTION ON SHEET (X), ZONE (YZ).
 3. ALL CAPACITORS ARE MICROFARADS (UF), 50V.

ITEM NO	QTY	PART NUMBER	REF DES	DESCRIPTION
				FOUR-PHASE SYSTEMS, INC. ©
				NP 50
				DRIVER/RECEIVER CARD
				D 90100701-07
				50
				SHEET 1 OF 10
				REV.

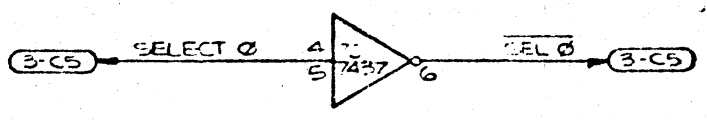


REV	QTY	PART NUMBER	REF DES	DESCRIPTION
				FOUR HEAD SYSTEMS INC. 8
				17 80
				DRIVER-RECEIVER CARD
				D 90100701-07 50
				2 OF 10

REV	DATE	BY	APPROVAL



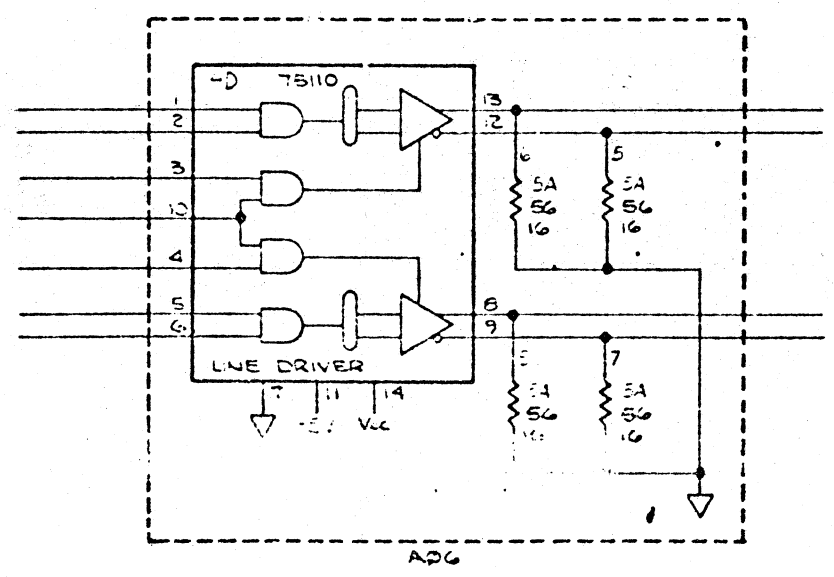
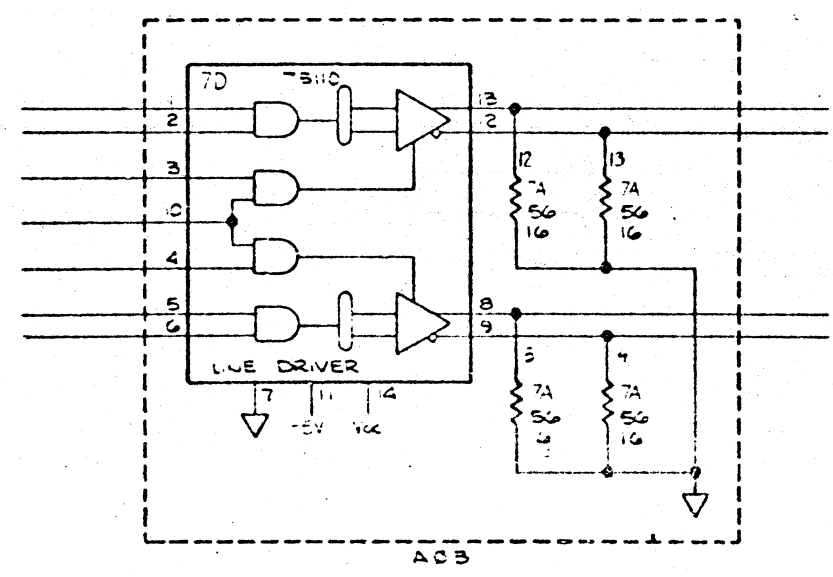
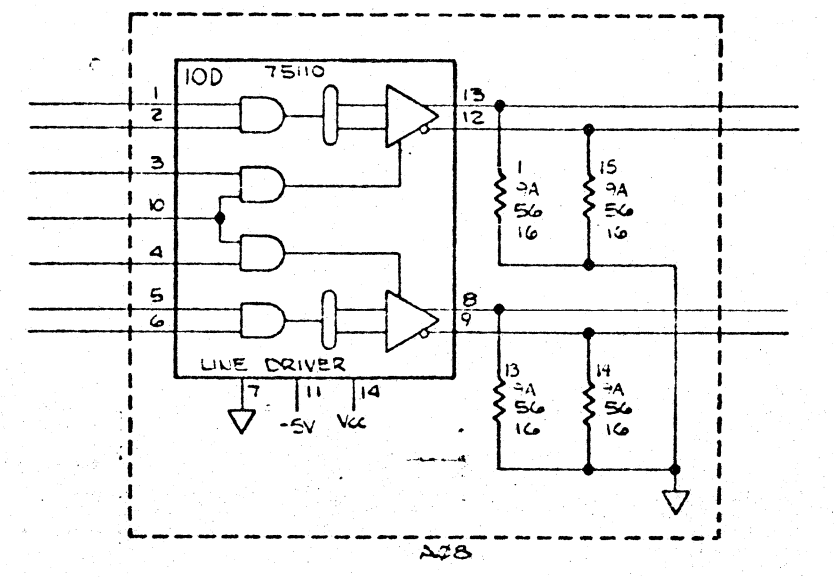
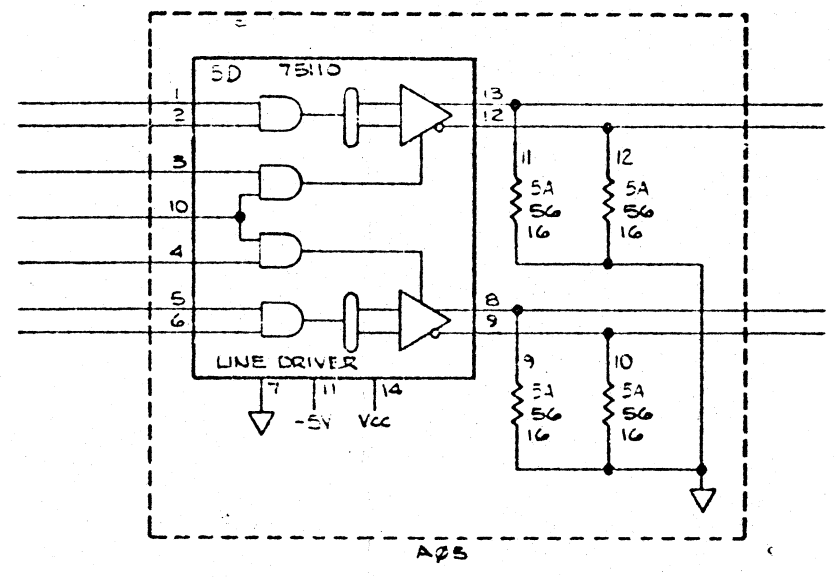
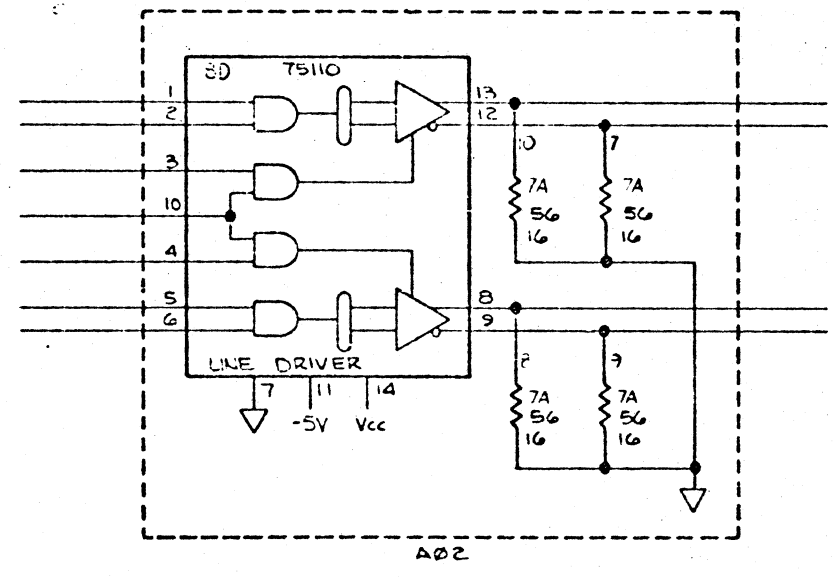
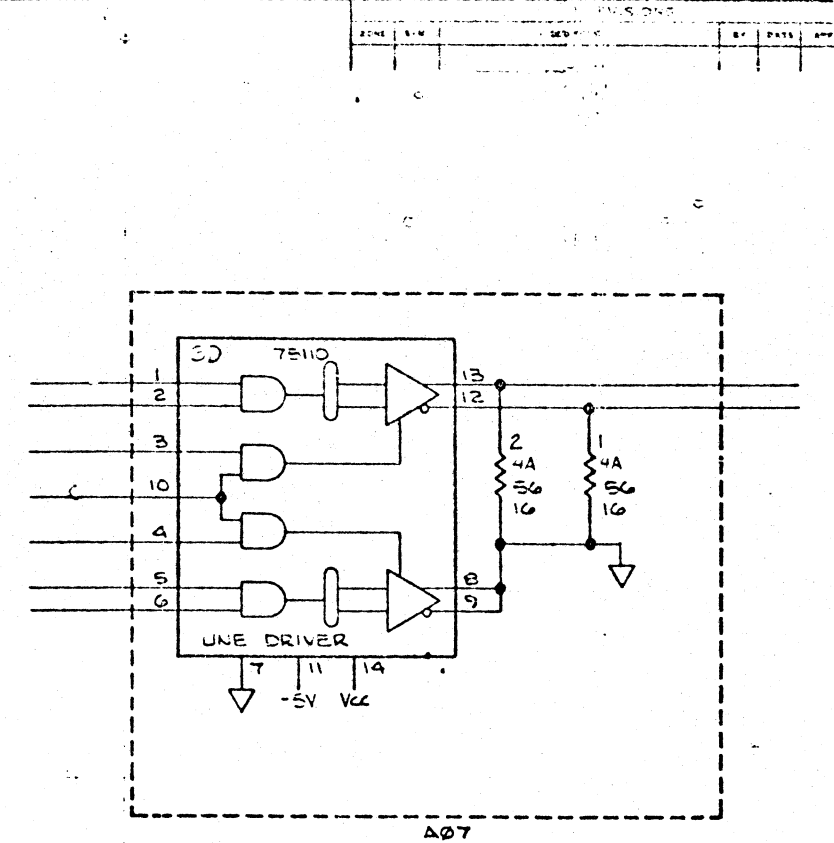
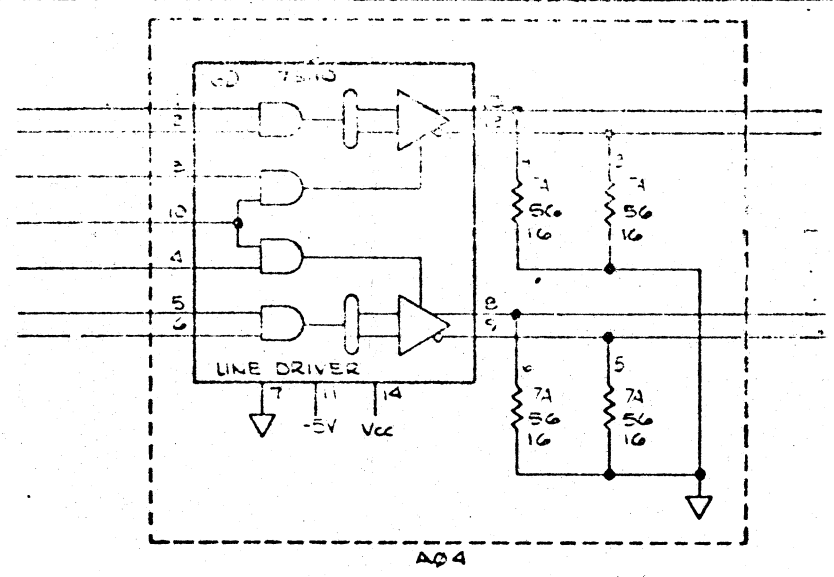
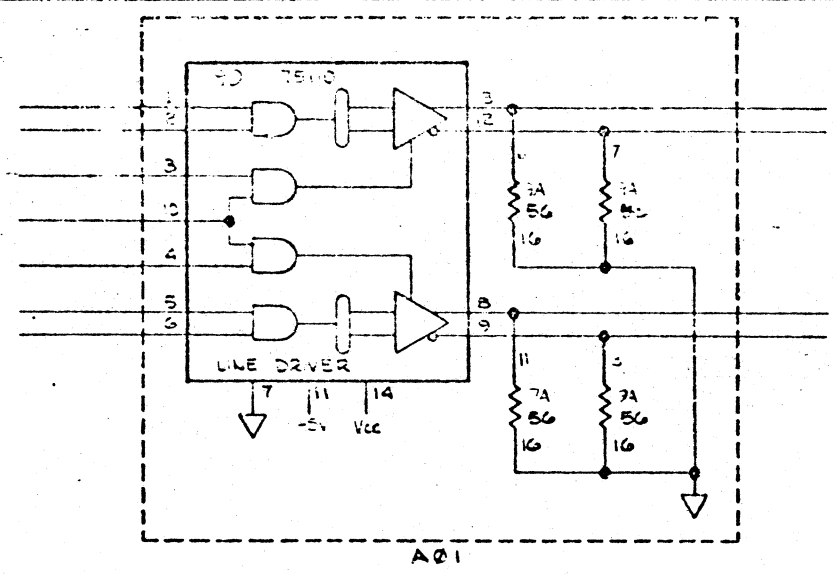
ALL LOWER CASE LETTERS SHALL BE DESIGNATED BY A BAR OVER A CAPITAL LETTER.



1	GND	14	SECRET
2	CDB 23	15	NO RESPONSE
3	CDB 23	16	NO RESPONSE
4	CDB 23	17	NO RESPONSE
5	CDB 23	18	NO RESPONSE
6	CDB 23	19	NO RESPONSE
7	CDB 23	20	NO RESPONSE
8	CDB 23	21	NO RESPONSE
9	CDB 23	22	NO RESPONSE
10	CDB 23	23	NO RESPONSE
11	CDB 23	24	NO RESPONSE
12	CDB 23	25	NO RESPONSE
13	CDB 23	26	NO RESPONSE
14	CDB 23	27	NO RESPONSE
15	CDB 23	28	NO RESPONSE
16	CDB 23	29	NO RESPONSE
17	CDB 23	30	NO RESPONSE
18	CDB 23	31	NO RESPONSE
19	CDB 23	32	NO RESPONSE
20	CDB 23	33	NO RESPONSE
21	CDB 23	34	NO RESPONSE
22	CDB 23	35	NO RESPONSE
23	CDB 23	36	NO RESPONSE
24	CDB 23	37	NO RESPONSE
25	CDB 23	38	NO RESPONSE
26	CDB 23	39	NO RESPONSE
27	CDB 23	40	NO RESPONSE
28	CDB 23	41	NO RESPONSE
29	CDB 23	42	NO RESPONSE
30	CDB 23	43	NO RESPONSE
31	CDB 23	44	NO RESPONSE
32	CDB 23	45	NO RESPONSE
33	CDB 23	46	NO RESPONSE
34	CDB 23	47	NO RESPONSE
35	CDB 23	48	NO RESPONSE
36	CDB 23	49	NO RESPONSE
37	CDB 23	50	NO RESPONSE
38	CDB 23		
39	CDB 23		
40	CDB 23		
41	CDB 23		
42	CDB 23		
43	CDB 23		
44	CDB 23		
45	CDB 23		
46	CDB 23		
47	CDB 23		
48	CDB 23		
49	CDB 23		
50	CDB 23		

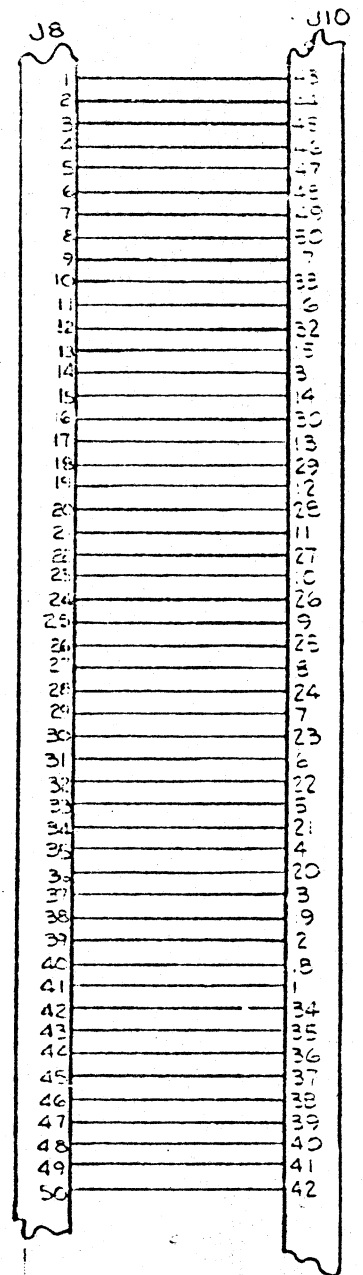
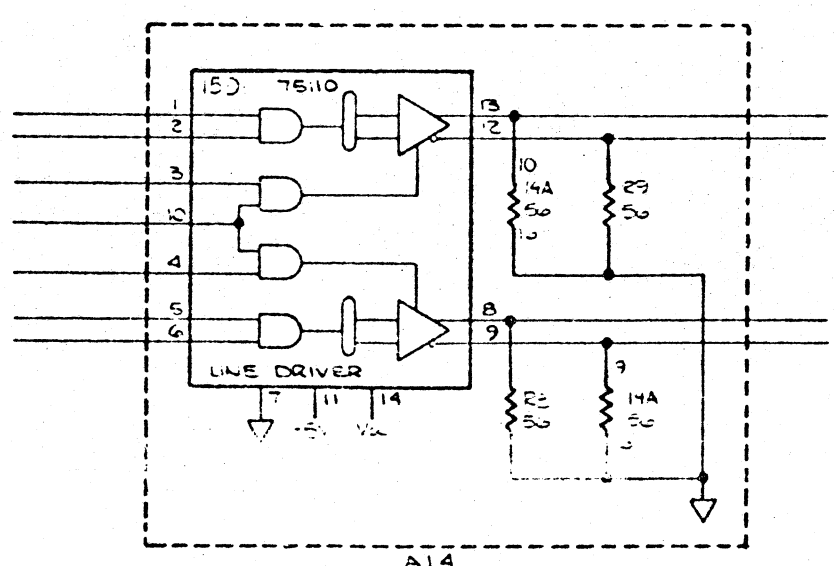
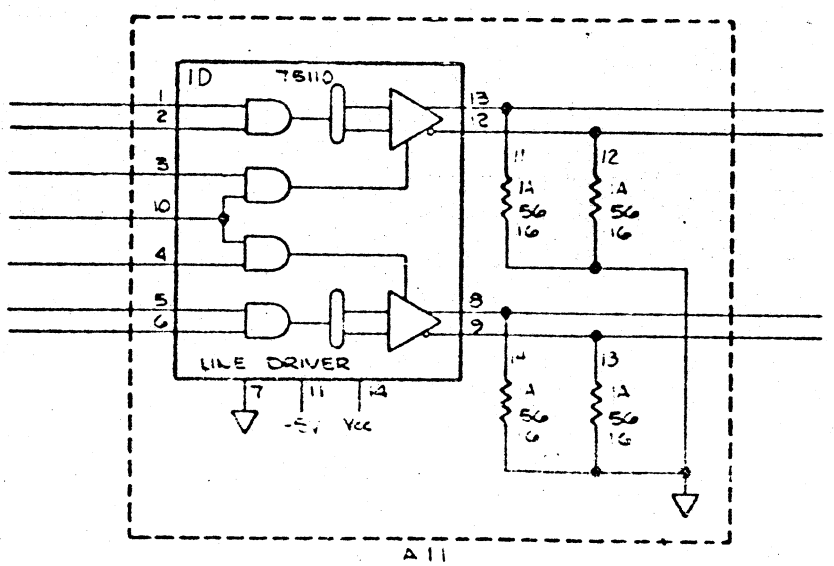
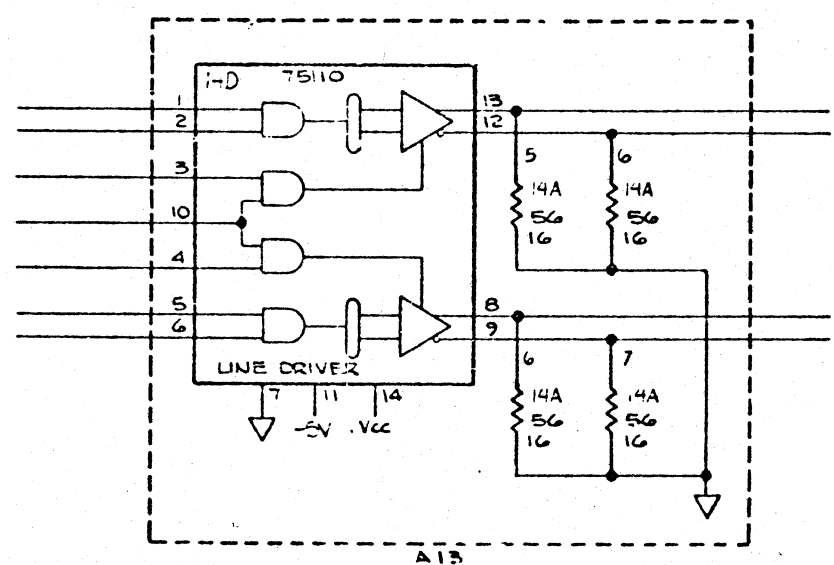
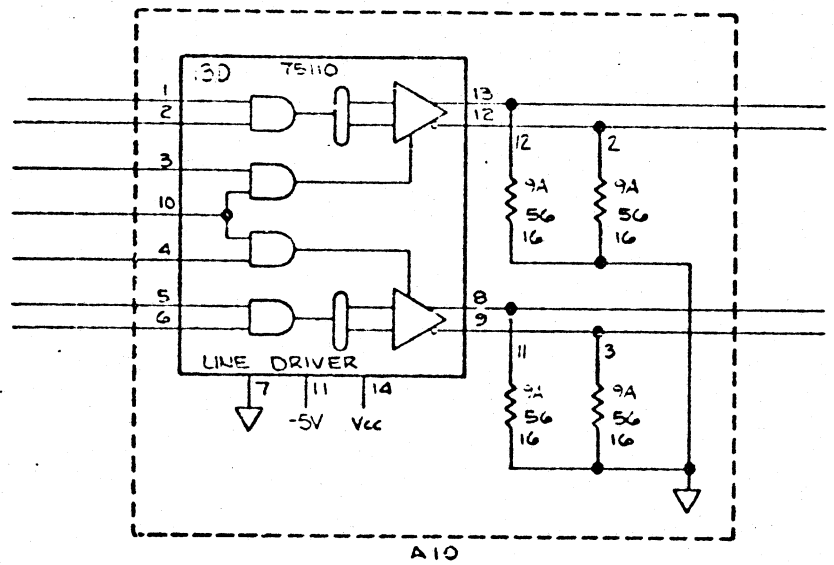
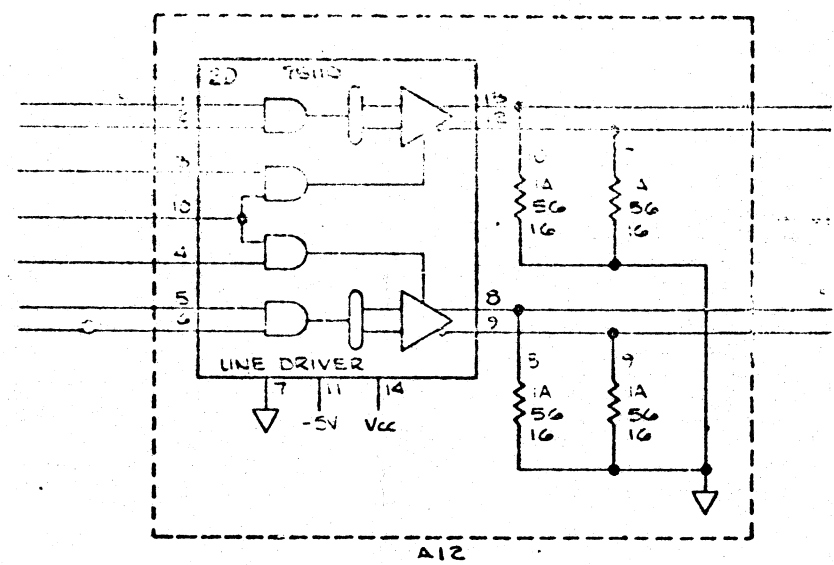
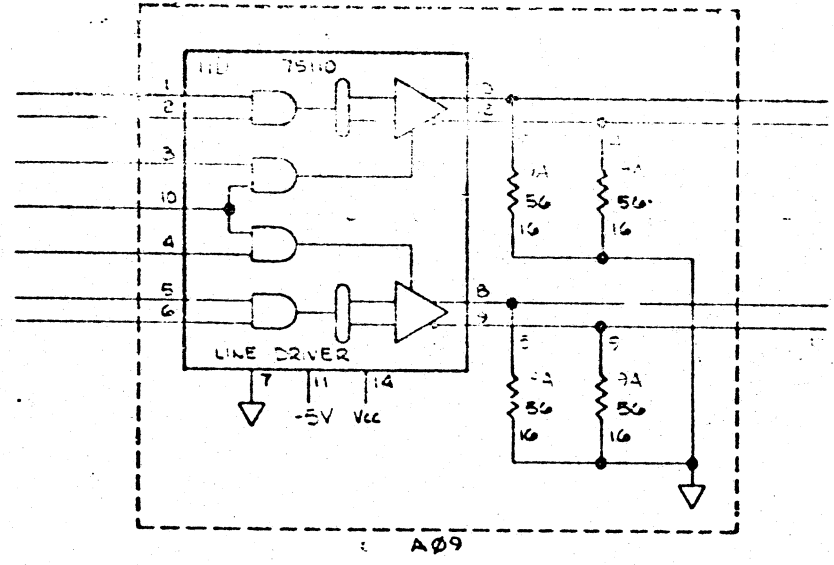
QTY	PART NUMBER	REF	DESCRIPTION

FOUR-PAGE SYSTEMS, INC. 50
 N.P.S.
 TRIVER/RECEIVED CARD
 D 90100701-07 50
 3 10



QUANTITY	PART NUMBER	OFFICES	DESCRIPTION

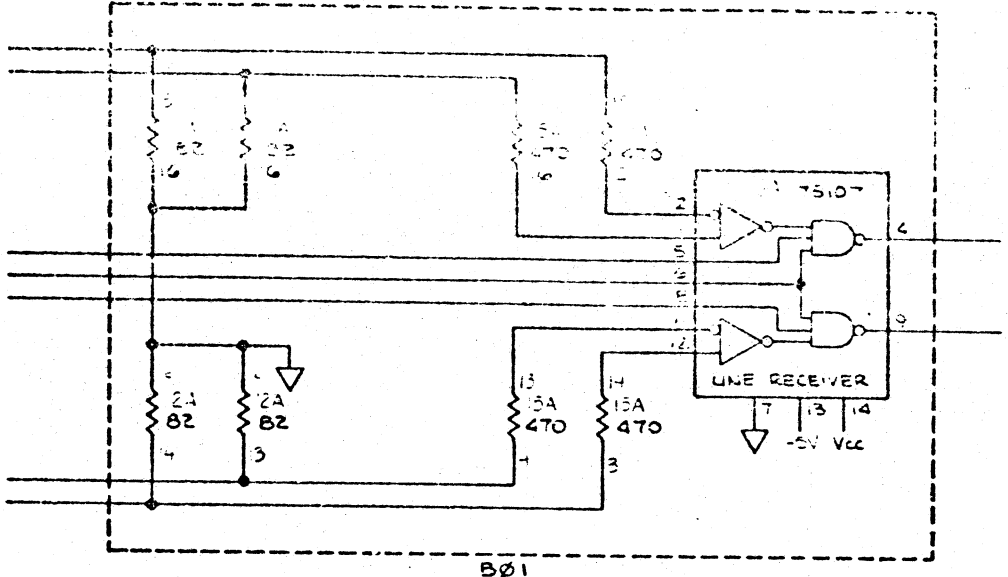
FOUR-PHASE SYSTEMS, INC.®
4P40
DRIVER/RECEIVER CARD
D 90100701-07 50
4 OF 10



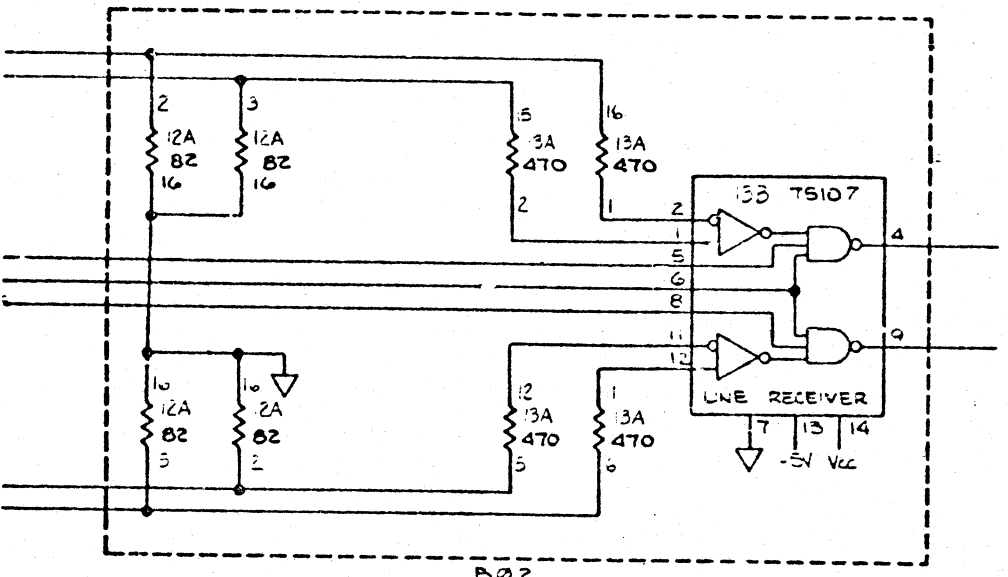
REV.	QTY	PART NUMBER	REF DES	DESCRIPTION
				FOUR-PHASE SYSTEMS INC. ®
				NSPC
				DRIVER/RECEIVER CARD
				D 90100701-07 50
				SHEET 5 OF 10

Rm

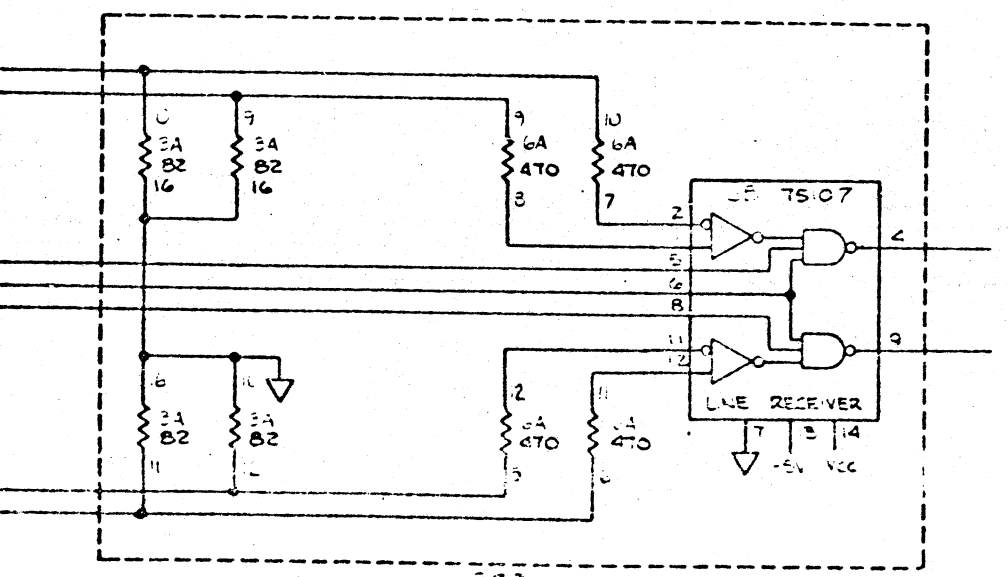
REVISIONS			
NO.	DATE	BY	APPROV.



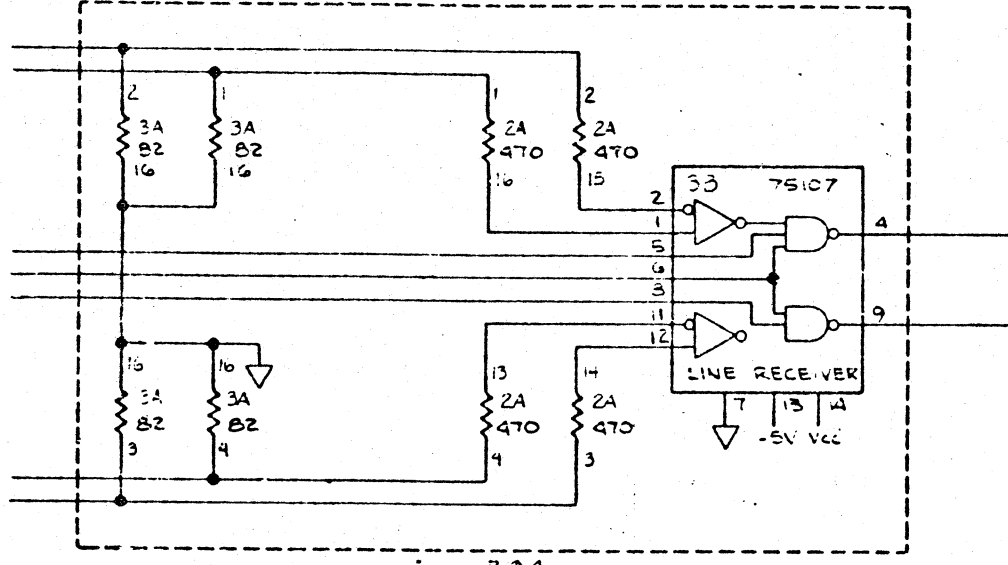
B01



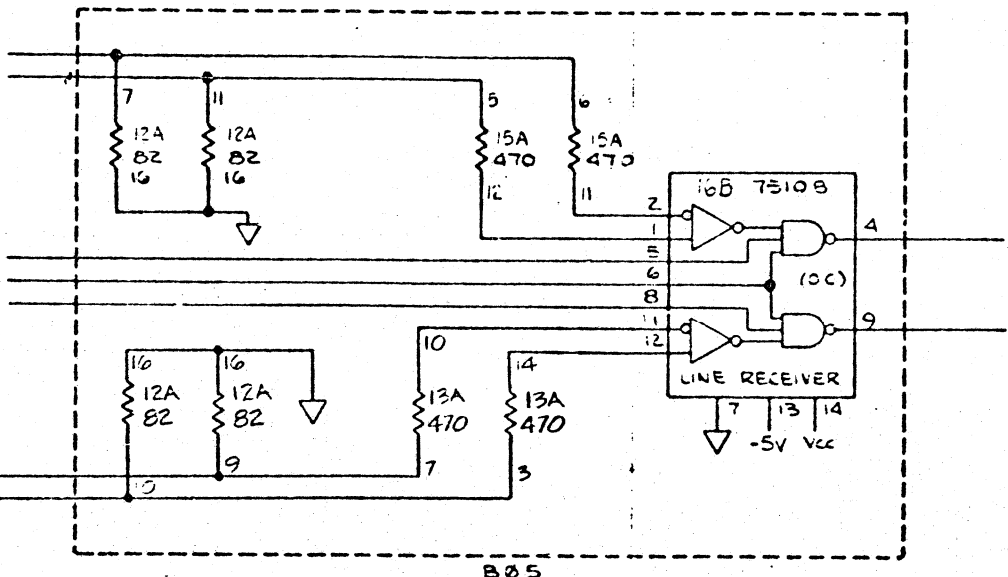
B02



B03



B04

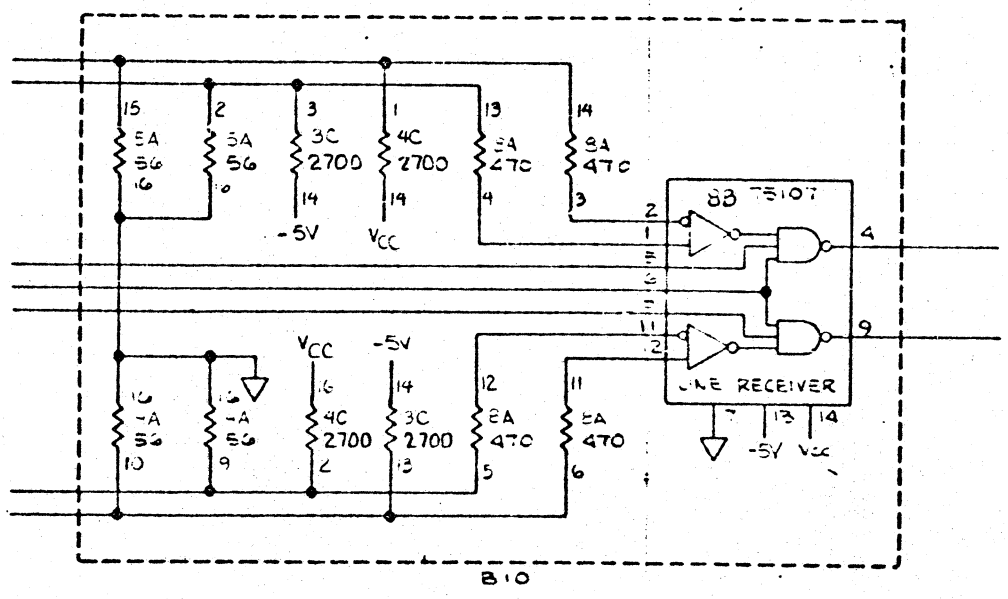
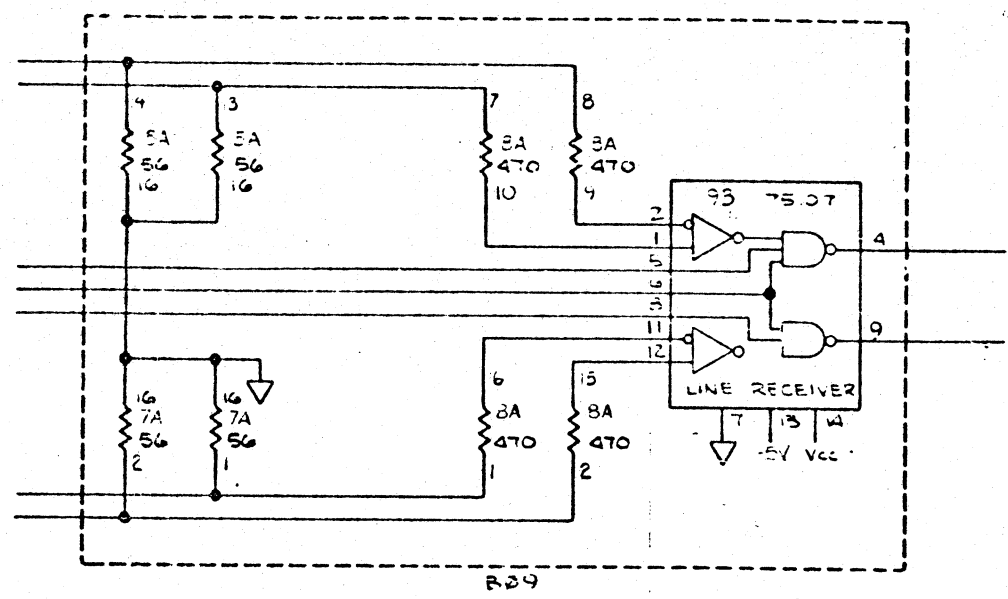
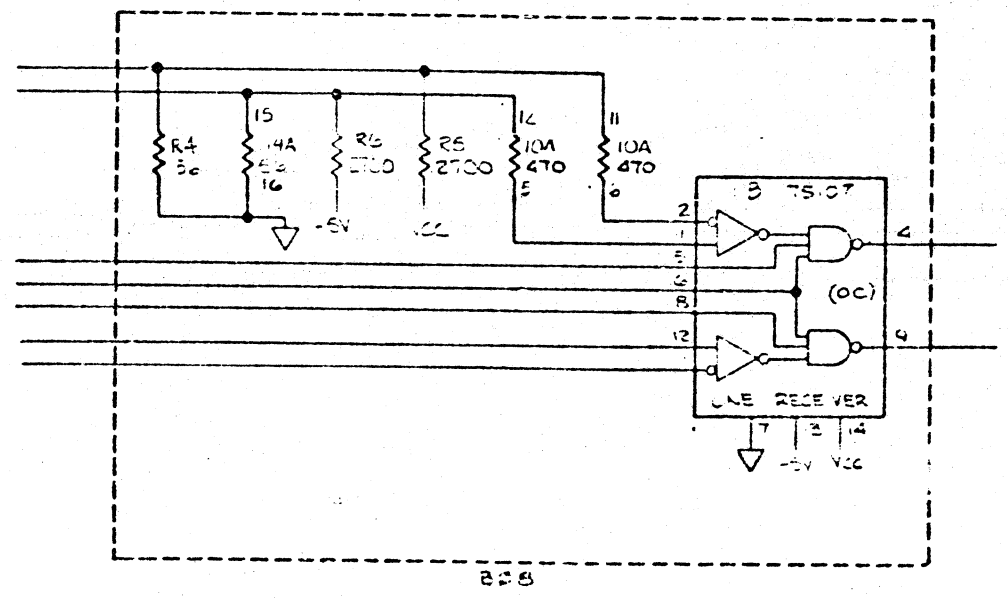
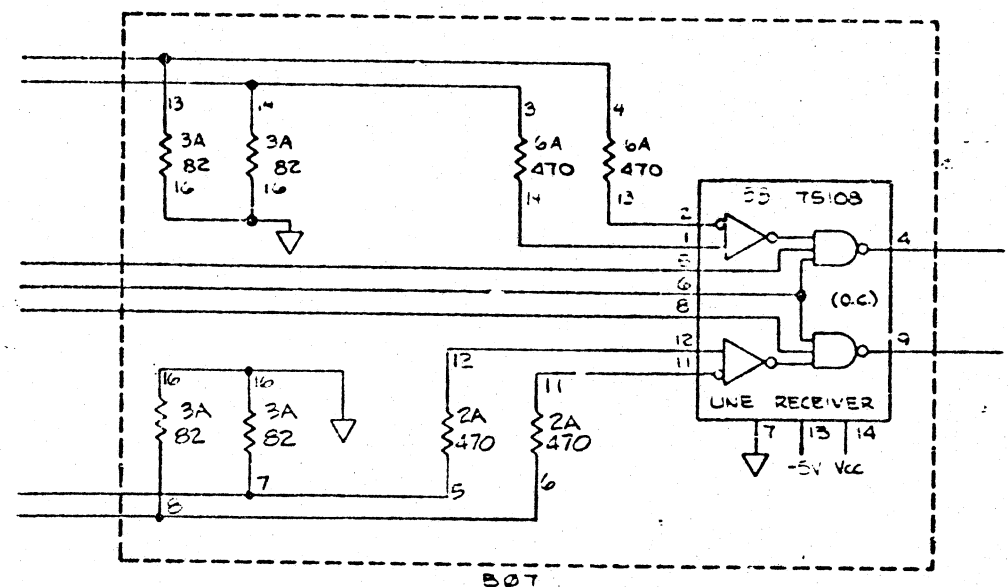


B05

QTY	PART NUMBER	REF DES	DESCRIPTION

FOUR-PHASE SYSTEMS INC.
DRIVER/RECEIVER CARD
D 90100701-07 150
6 OF 10

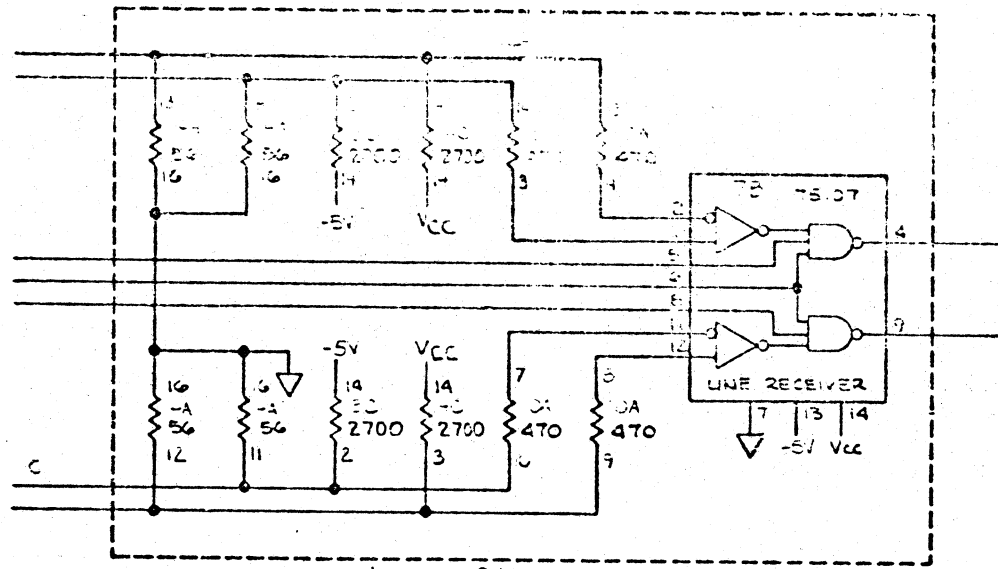
REVISIONS				
NO.	DATE	DESCRIPTION	BY	APPROVAL



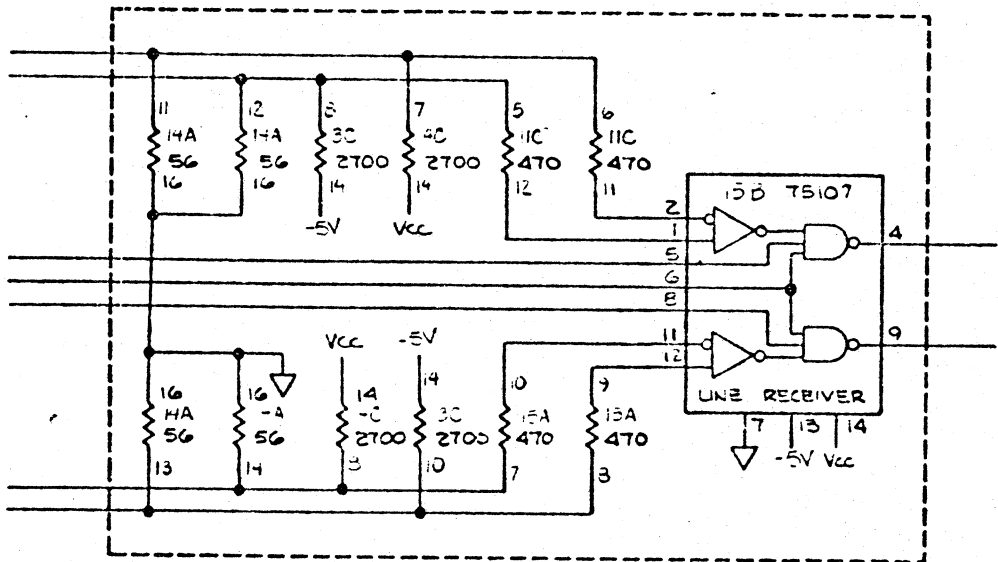
QTY	PART NUMBER	REF DES	DESCRIPTION

FOUR-PHASE SYSTEMS INC
 DRIVER/RECEIVER CARD
 D 90100701-07 50
 SHEET 7 OF 10

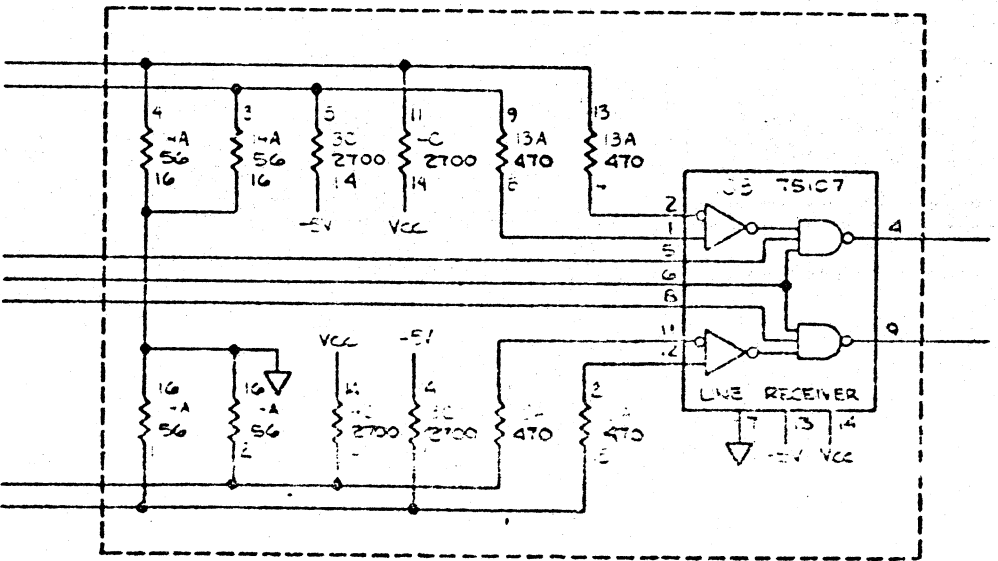
Rm



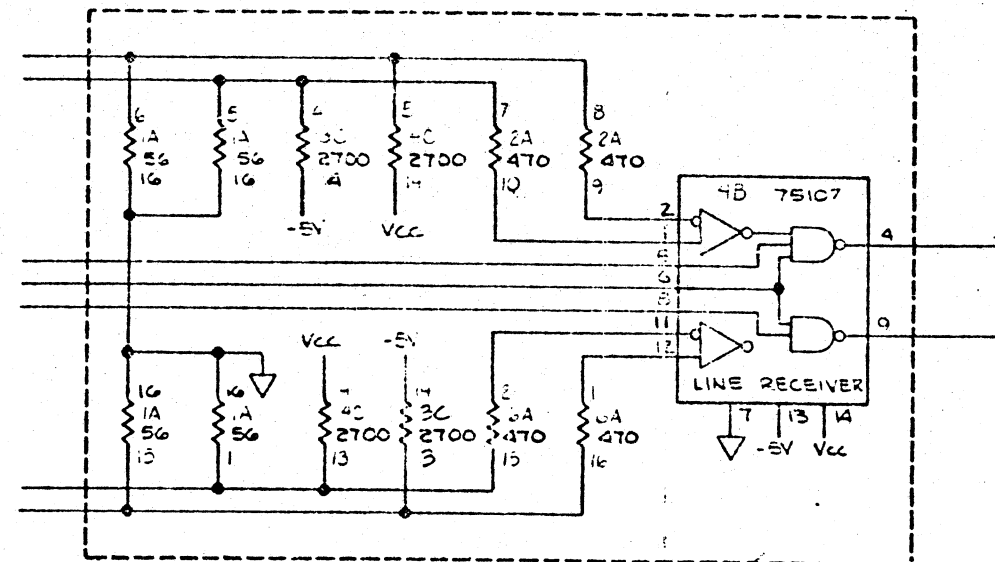
B11



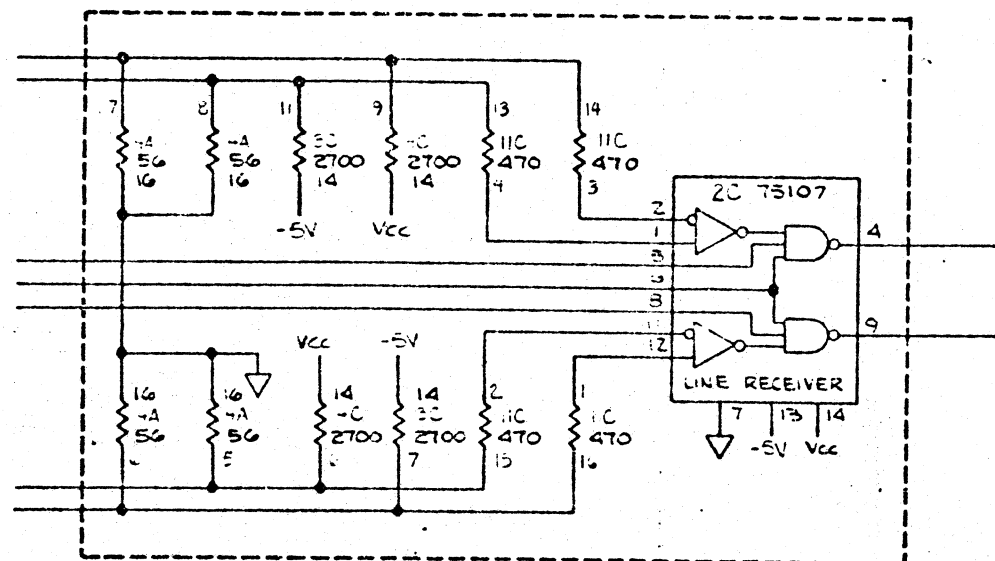
B12



B13



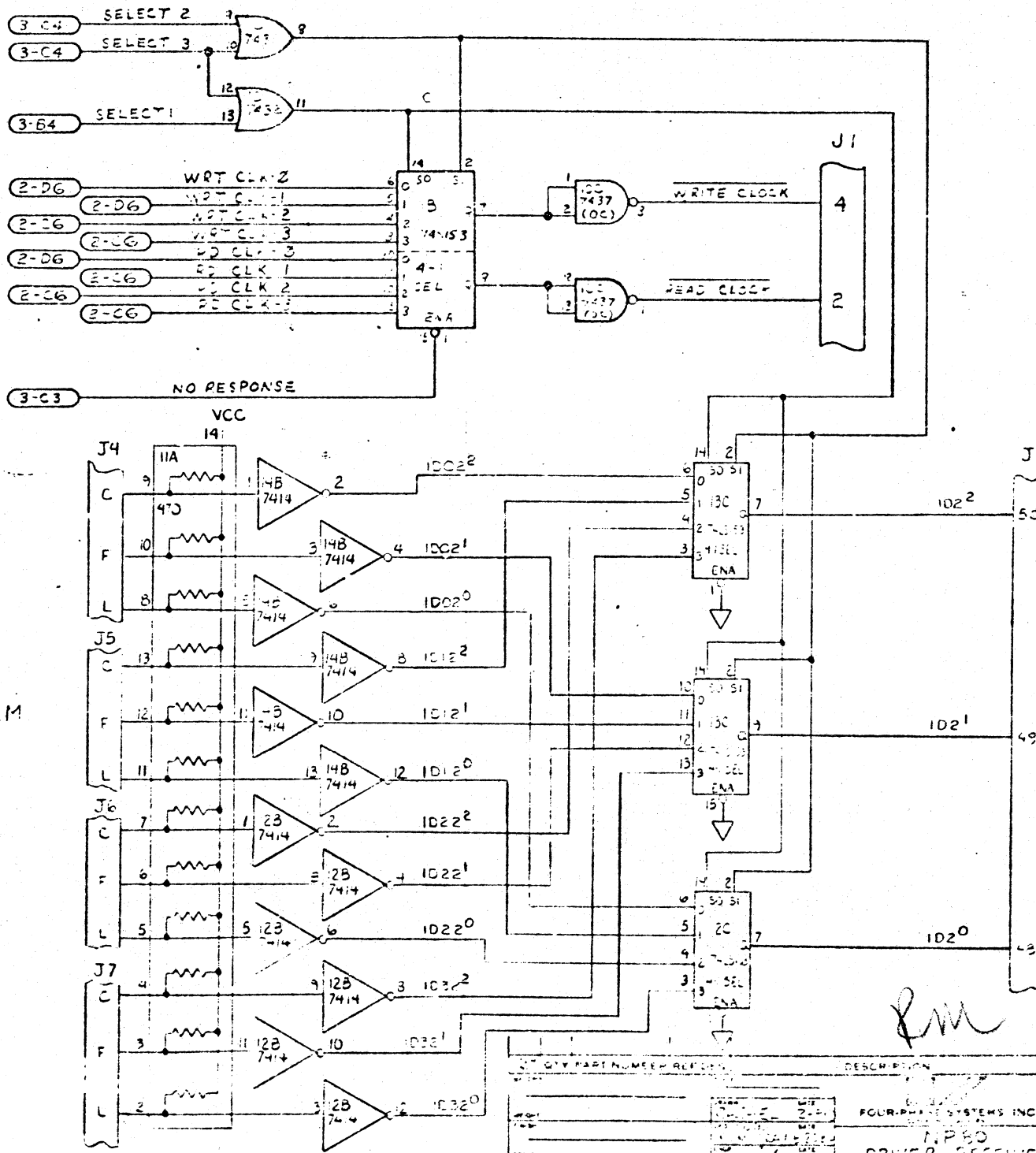
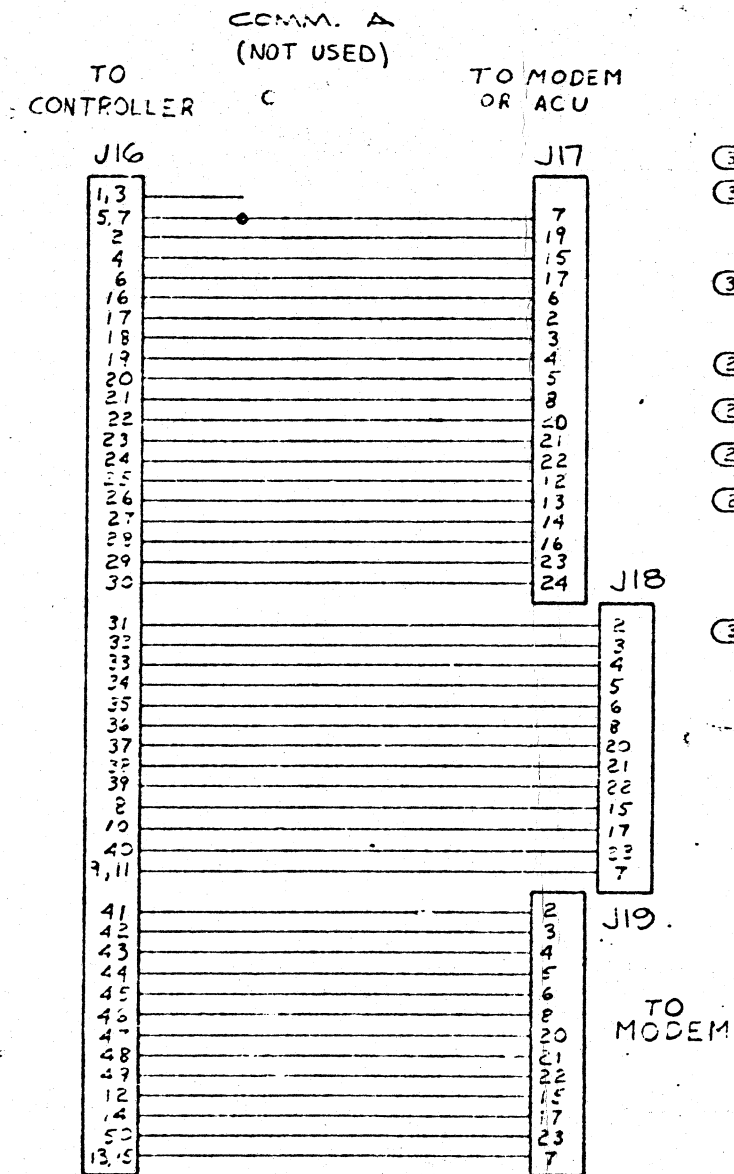
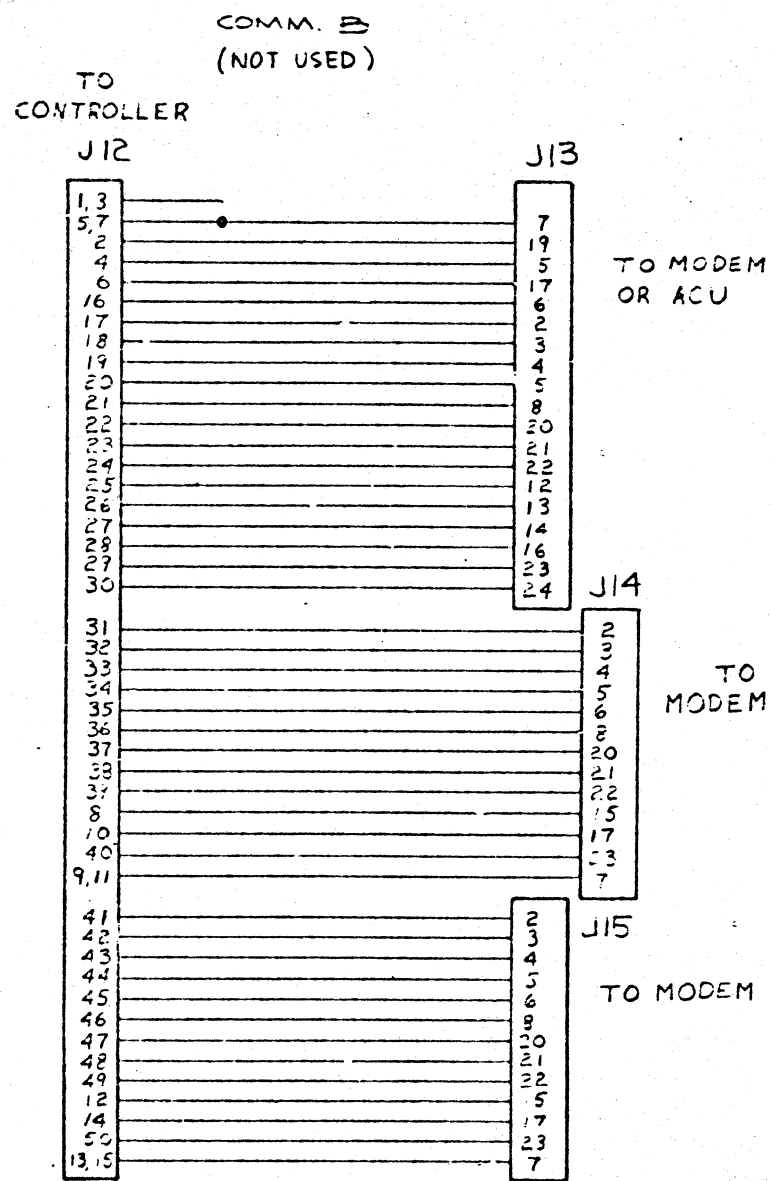
B14



B15

QTY	PART NUMBER	REF DES	DESCRIPTION
			FOUR-STATE SYSTEMS, INC. ©
			NP30
			DRIVER/RECEIVER CARD
			D 90100701-07 50
			SHEET 8 OF 10 REV

Rm



QTY	PART NUMBER	REF. DES.	DESCRIPTION
			FOUR-PHASE SYSTEMS INC. ®
			NP50
			DRIVER-RECEIVER
			D 90100701-07 50
			9 10

RM