

REVISIONS					
ZONE	SYM.	DESCRIPTION	BY	DATE	APPROVAL
50		REL TO PILOT. PLO# 3692	RP	5-178	SS
51		REV PER PLO# 3697	RP	4-178	SS
52		ADD C22, 23, ALSO R9, 10. CHG VALUE OF C1, 2, CUT 4. ADD 2 TRCS. PLO# 4455	AW	10-79	SS
53		C22, 23 WERE 0.005 UF. ADD C24. TITLE WAS CHGD. PLO# 4455	AW	6-79	SS

SEE PAGE 2

NOTES:

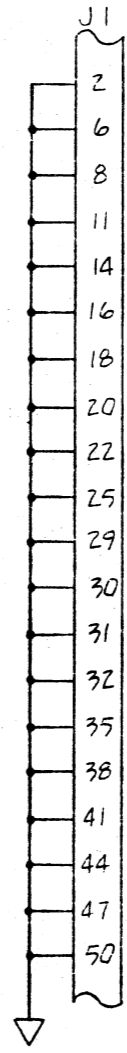
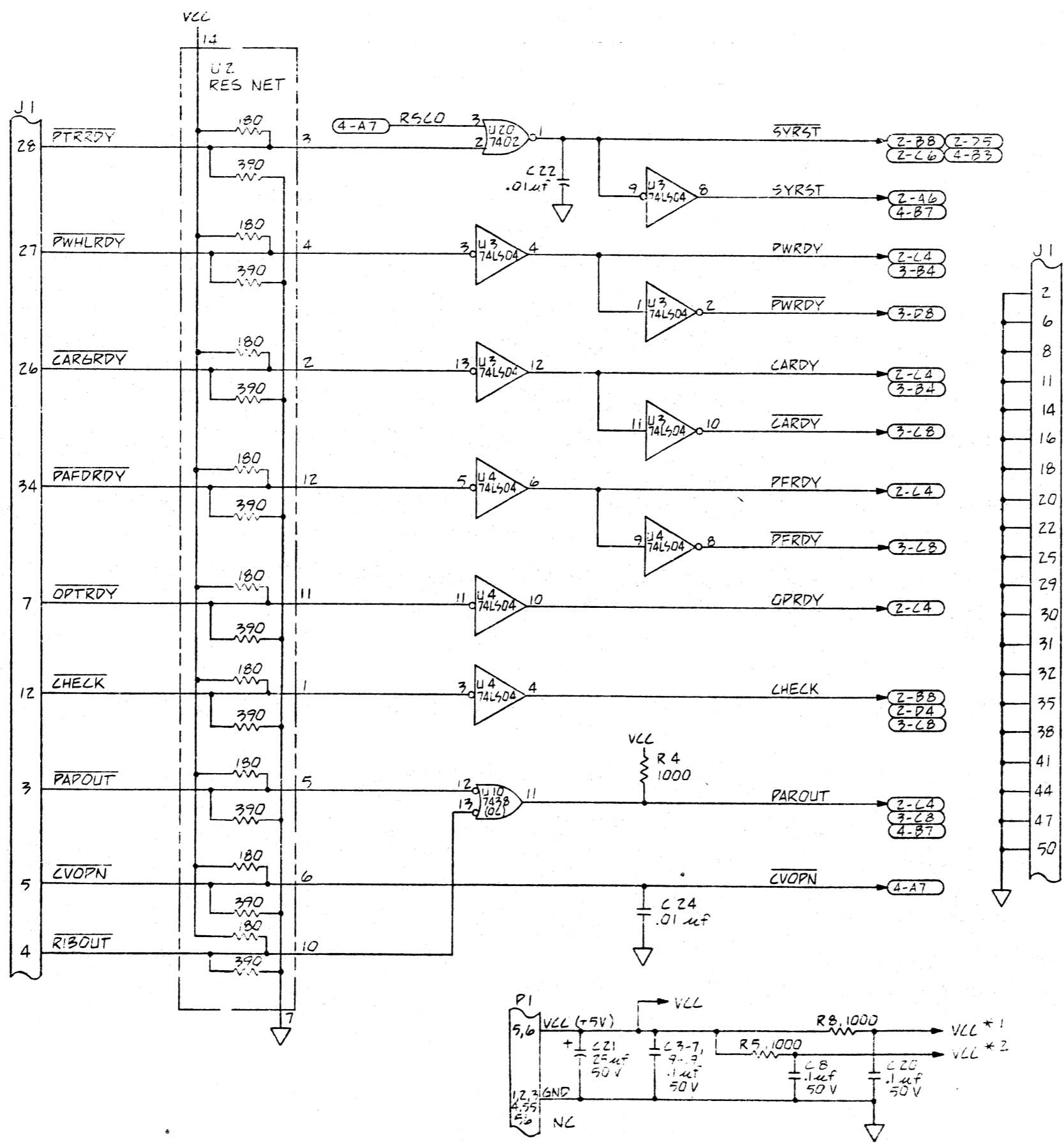
- ALL RESISTOR VALUES ARE IN OHMS, 1/4 WATT, 5%, UNLESS OTHERWISE NOTED.
- (X-YZ) SYMBOL INDICATES (X) SHEET NUMBER AND (YZ) LOCATION ON THAT SHEET.
- THIS SIGNAL INHIBITS CHARACTER STROBE PULSE TO PRINTER WHEN TWO MOST SIGNIFICANT BITS OF DATA WORD ARE BOTH ZERO.
- THE COMMAND DECODER DECODES BITS 0 AND 12 OF THE DATA WORD, AND GENERATES A SEQUENCE OF SIGNALS TO PERFORM THE FOLLOWING FUNCTIONS:

BIT 0	BIT 12	FUNCTION PERFORMED
0	0	PRINT THE ASCII CHARACTER AND ADVANCE THE CARRIAGE HORIZONTALLY 0.1 INCHES.
0	1	MOVE THE CARRIAGE HORIZONTALLY 1/60 INCHES, THEN PRINT THE ASCII CHARACTER.
1	0	MOVE THE CARRIAGE HORIZONTALLY 1/60 INCHES, THEN MOVE THE PAPER VERTICALLY 1/48 INCHES.
1	1	CONTROL MODE - GENERATES SIGNALS FOR FRONT PANEL LIGHTS, ALARM, PRINTER RIBBON LIFT, SPLIT PLATEN AND LOGIC RESTORE.

- THIS SIGNAL IS USED TO RESET THE FIRST ZERO BIT FLIP-FLOP WHEN A LOW GOING GLITCH OCCURS ON THE DATA-IN LINE.
- IF THE PREAMBLE IS 00, THE STATUS FLIP-FLOP IS SET. IF THE PREAMBLE IS 01, THE DATA FLIP-FLOP IS SET.
- THE SEND STATUS FLIP-FLOP IS SET IN EITHER OF TWO WAYS:
  - WHEN THE PRINTER "CHECK" STATUS COMES TRUE TO INDICATE A MECHANICAL MALFUNCTION WITHIN THE PRINTER.
  - WHEN THE SYSTEM READY FLIP-FLOP IS SET BY DEPRESSING THE SYSTEM READY BUTTON ON THE PRINTER FRONT PANEL.
 THE OUTPUT OF THIS FLIP-FLOP IS USED TO GENERATE STATUS BIT 15 (PRINTER START UP) WHEN POWER HAS JUST BEEN TURNED ON, WHEN A PRINTER CHECK HAS OCCURRED, OR WHEN A MANUAL OPERATOR INTERVENTION WAS REQUIRED AFTER A PRINTER MALFUNCTION. THE SEND STATUS FLIP-FLOP IS RESET AFTER COMPLETION OF THE NEXT STATUS OPERATION.
- THE IGNORE STATUS FLIP-FLOP IS SET BY THE TRAILING EDGE OF  $\overline{STATEN}$  AT THE COMPLETION OF A STATUS OPERATION. THIS FLIP-FLOP PREVENTS ANY MORE STATUS WORDS FROM BEING SENT TO THE COMPUTER UNTIL THE DATA FLIP-FLOP IS SET. PC50 FURTHER PREVENTS SENDING STATUS WORDS UNTIL THE CURRENT DATA OPERATION IS FINISHED.
- THIS SIGNAL IS USED TO RESET THE FIRST ZERO BIT FLIP-FLOP WHEN THE STATUS FLIP-FLOP GETS SET BY 00 PREAMBLE (POLLING) AND CONDITIONS ARE SUCH THAT THE STATUS WORD CANNOT BE SENT TO THE COMPUTER.
- THE PRINTER IS STRAPPED FOR SINGLE PLATEN BY CLAMPING THE LEFT PLATEN FLIP-FLOP TO ALLOW RIGHT MOTOR CONTROL. IF A SPLIT PLATEN PRINTER IS USED, CUT THE TRACE BETWEEN E1 AND E2. THIS WILL ALLOW CONTROL OF THE LEFT PLATEN MOTOR USING NORMAL SOFTWARE.

I.C. BIASING TABLE

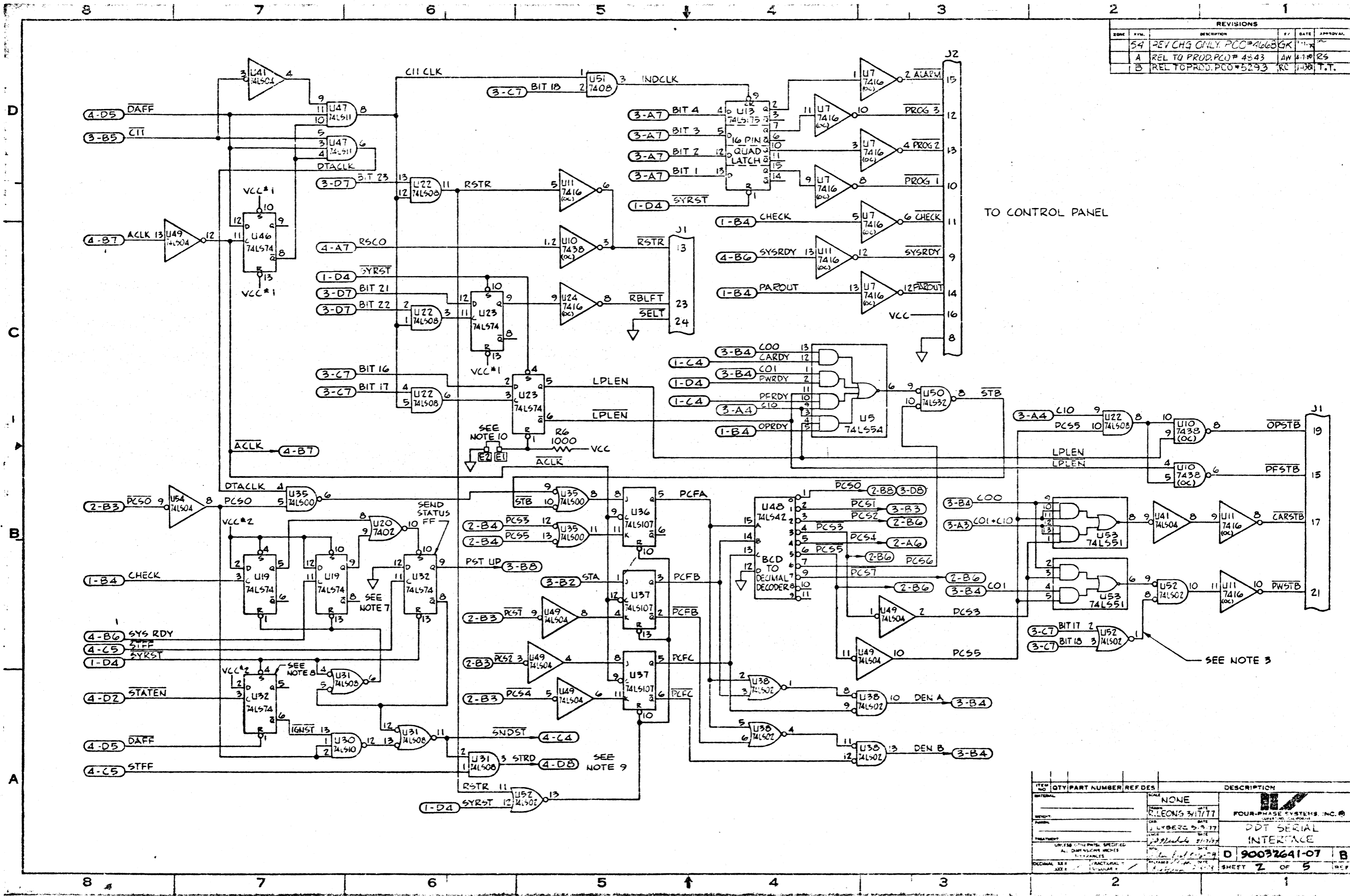
I.C. DEVICE	PIN	
	GND	VCC
74LS00		
7402		
74LS02		
74LS04		
7408		
74LS10		
74LS11		
7416		
74LS08		
74LS20	7	14
74LS32		
7438		
74LS51		
74LS74		
74LS293		
74LS54		
74LS164		
74LS107		
8820		
74LS42		
74LS155		
74LS157	8	16
74LS175		
8831		
74LS96	12	5
OSC	7	14



REDRAWN			
ITEM NO.	QTY	PART NUMBER	REF DES
MATERIAL			
SCALE NONE			
DRAWN DATE			
CHECKED DATE			
APPROVED DATE			
UNLESS OTHERWISE SPECIFIED ALL DIMENSIONS IN INCHES TOLERANCES			
DECIMAL XX ± .005			
FRACTIONAL XX ± .005			
RELEASED DATE			
SHEET 1 OF 5			

FOUR-PHASE SYSTEMS INC. ©  
DDT SERIAL INTERFACE  
D 9003261-07 B

REVISIONS					
REV.	SYM.	DESCRIPTION	DATE	APPROVAL	
54		REV CHG ONLY. PCO#4668 GK	11-17-77		
A		REL TO PROD. PCO#4843 AW	4-1-78		RS
B		REL TO PROD. PCO#5293 RC	1-1-78		T.T.



TO CONTROL PANEL

SEE NOTE 3

ITEM NO.	QTY	PART NUMBER	REF DES	DESCRIPTION
		NONE		
		R. LEONG 3/11/77		FOUR-PHASE SYSTEMS, INC.
		J. LYBERG 5.9.77		DDT SERIAL INTERFACE
				D 90032641-07 B
				SHEET 2 OF 5





