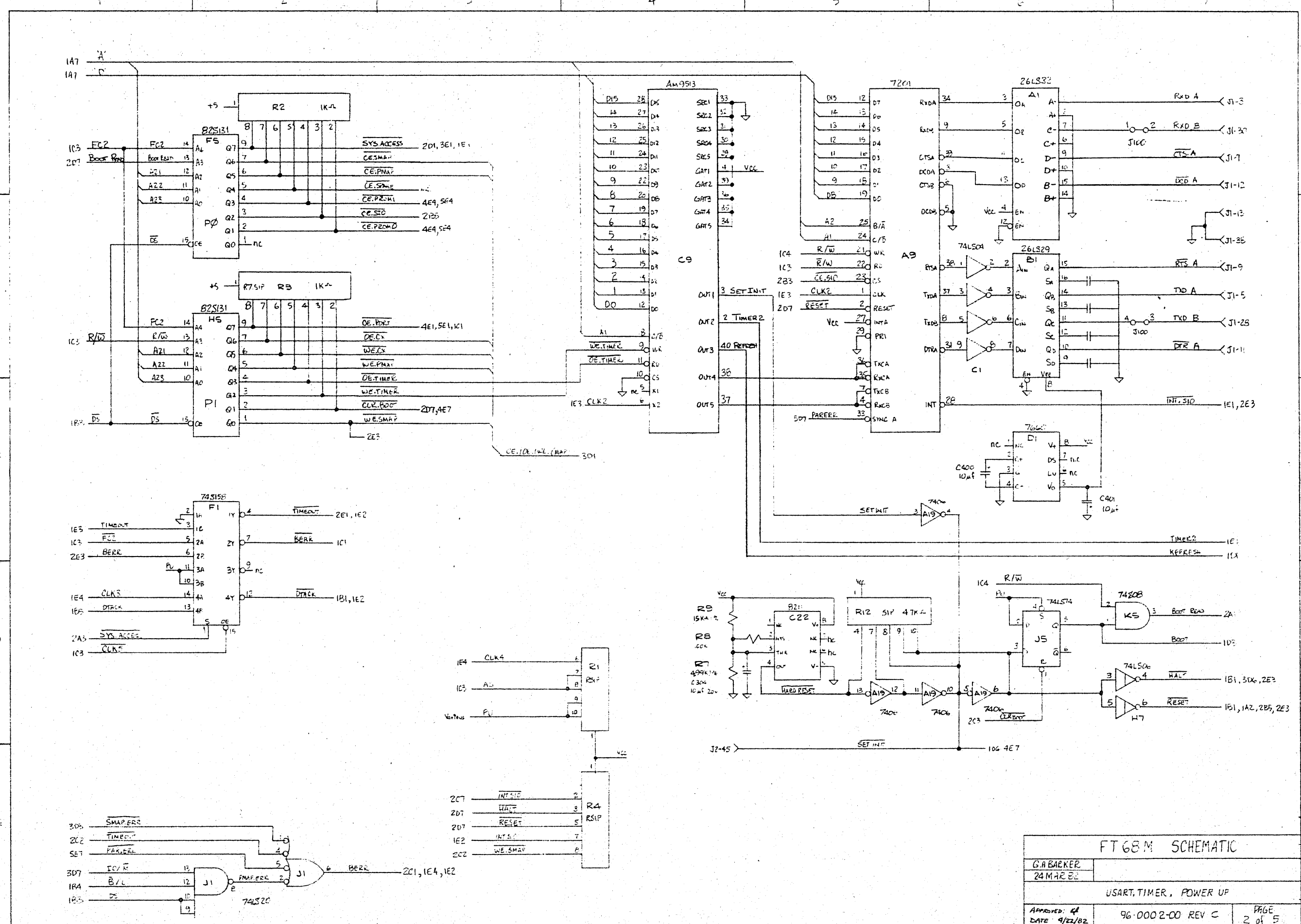


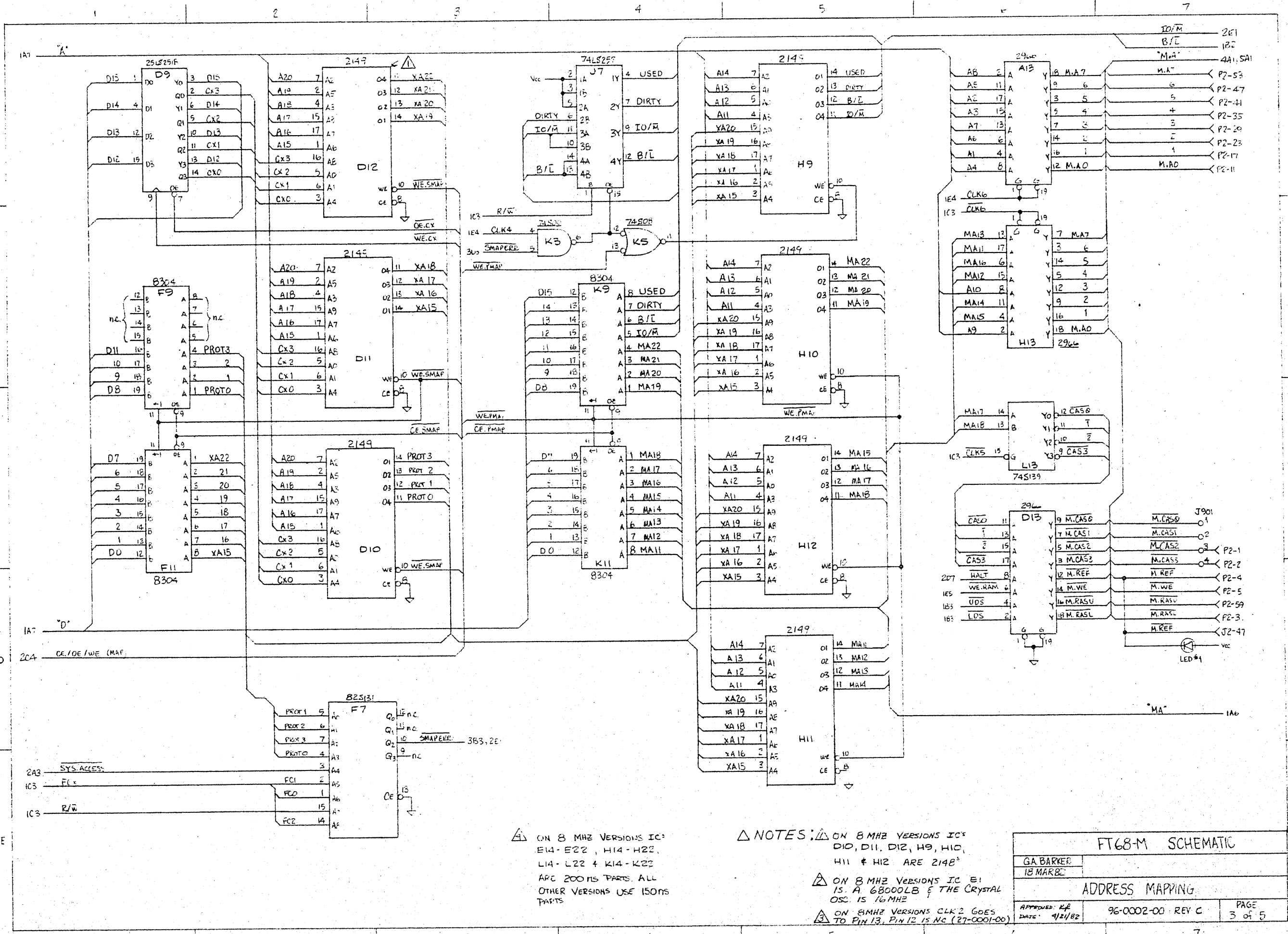
FTGBM SCHEMATIC

G.A.BARKER	
18MARBZ	
PROCESSOR/BUS INTERFACE	
APPROVED: [signature]	96-0002-00 REV C
DATE: 1/21/82	PAGE 1 of 5



FT68M SCHEMATIC

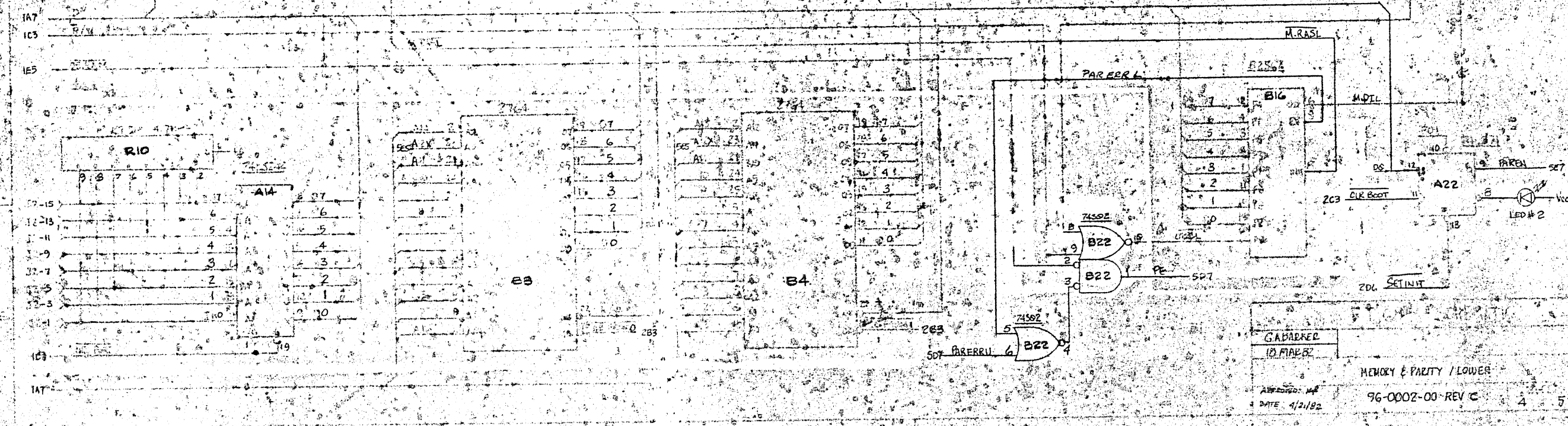
G. BAERKER	
24 MAR 82	
USART, TIMER, POWER UP	
APPROVED: <i>[Signature]</i>	DATE: 9/22/82
96-0002-00 REV C	
PAGE 2 of 5	



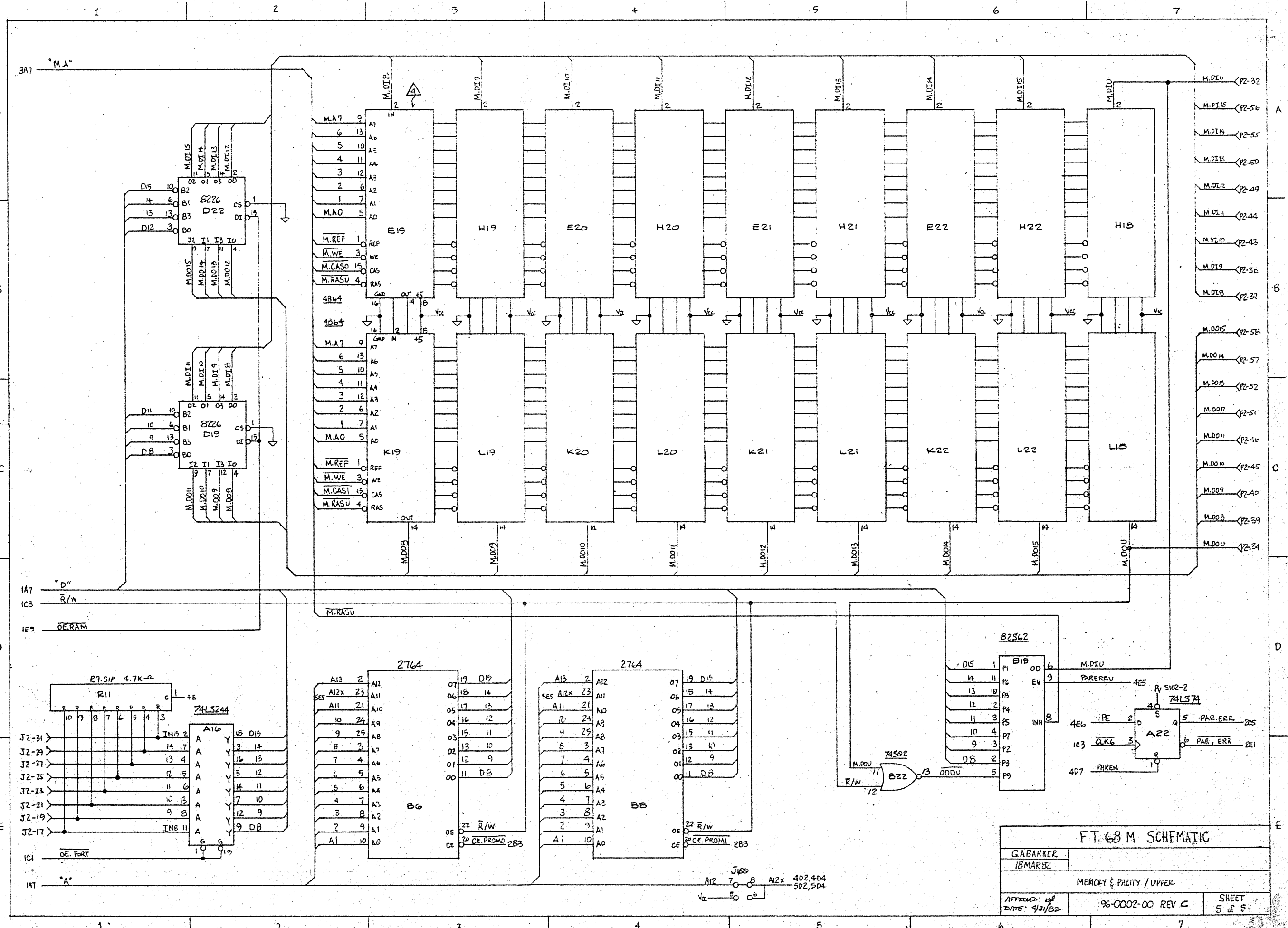
ON 8 MHz VERSIONS IC'S E14-E22, H14-H22, L14-L22 & K14-K22 ARE 200NS PARTS. ALL OTHER VERSIONS USE 150NS PARTS

NOTES: ON 8 MHz VERSIONS IC'S D10, D11, D12, H9, H10, H11 & H12 ARE 2148'S
 ON 8 MHz VERSIONS IC E1 IS A 68000LB & THE CRYSTAL OSC IS 16MHz
 ON 8MHz VERSIONS CLK2 GOES TO PIN 13, PIN 12 IS NC (27-0001-00)

FT68-M SCHEMATIC		
GA BARKER		
18 MAR 82		
ADDRESS MAPPING		
APPROVED: KP	96-0002-00 REV C	PAGE 3 of 5
DATE: 4/21/82		

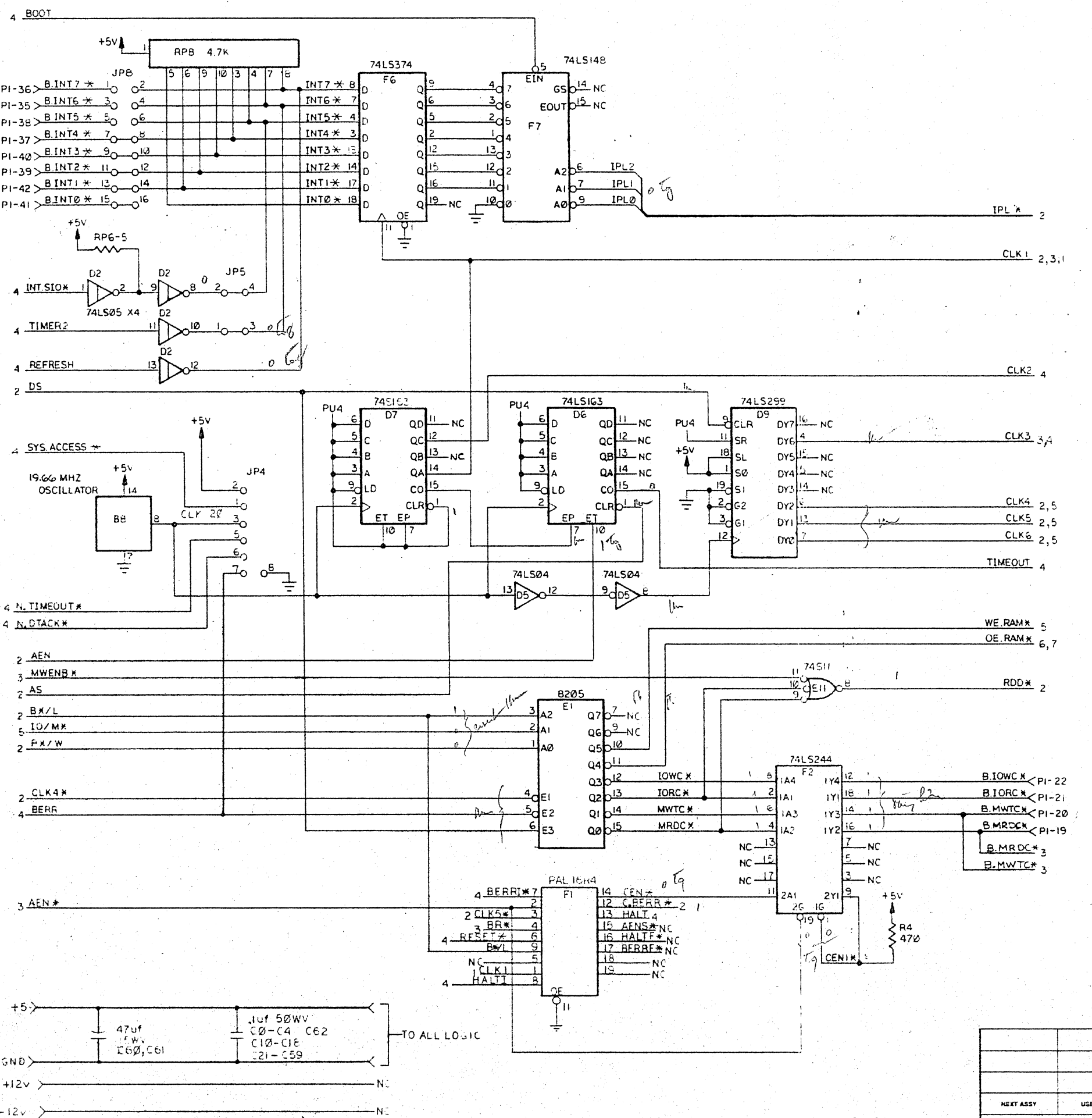


MEMORY & PARITY / LOWER
 96-0002-00 REV C
 DATE: 4/2/82
 4 5



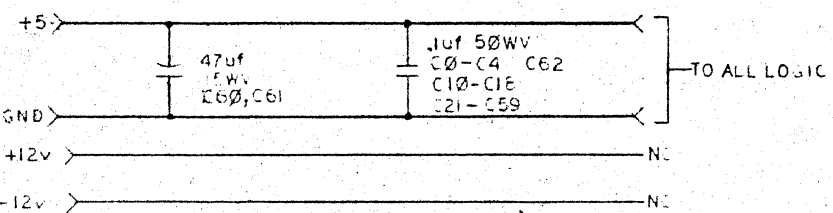
FT-68 M SCHEMATIC

GABARKER	
ISMAR82	
MEMORY & PARITY / UPPER	
APPROVED: [Signature]	96-0002-00 REV C
DATE: 4/21/82	SHEET 5 of 5



NUMBER	PAGE
JP1	4
JP2	4
JP3	7
JP4	1
JP5	1
JP6	2
JP7	3
JP8	1
JP9	5
JP10	3
JP11	4
JP12	4

CLOCK GENERATION, INTERRUPT & BUS COMMAND LOGIC



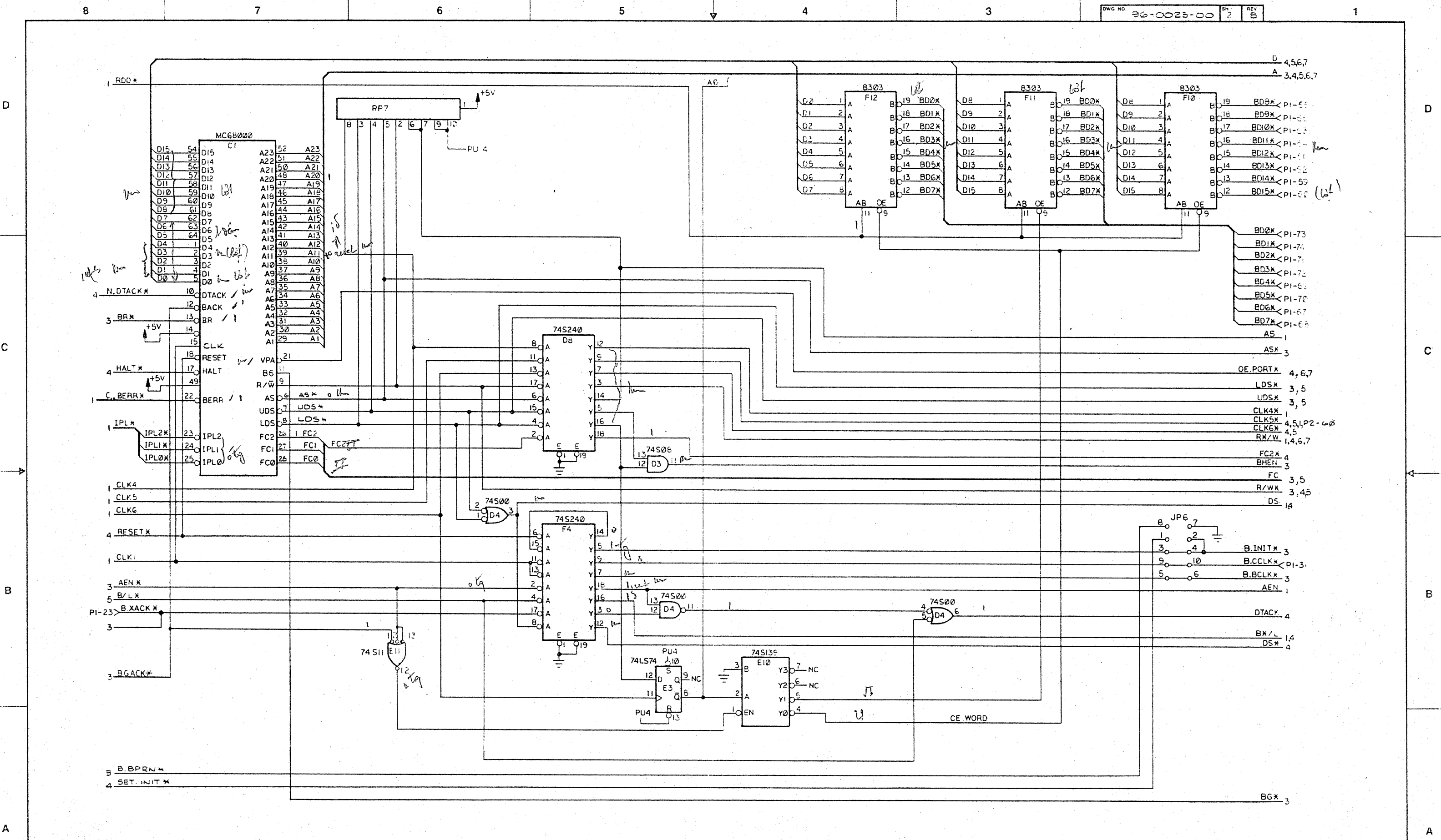
QTY	FSCM	PART OR IDENTIFYING NO.	NOMENCLATURE OR DESCRIPTION	MATERIAL SPECIFICATION
PARTS LIST				
UNLESS OTHERWISE SPECIFIED DIMENSIONS ARE IN INCHES. TOLERANCES ARE: FRACTIONS DECIMALS ANGLES .XX .XXX				
APPROVALS		DATE		
DRAWN		9-13-82		
CHECKED		9/14/83		
ISSUED		9/19/83		
NEXT ASSY		USED ON		SCALE
APPLICATION		DO NOT SCALE DRAWING		SCALE
DATE		REL		DIST
DATE		REL		DIST

FORWARD TECHNOLOGY

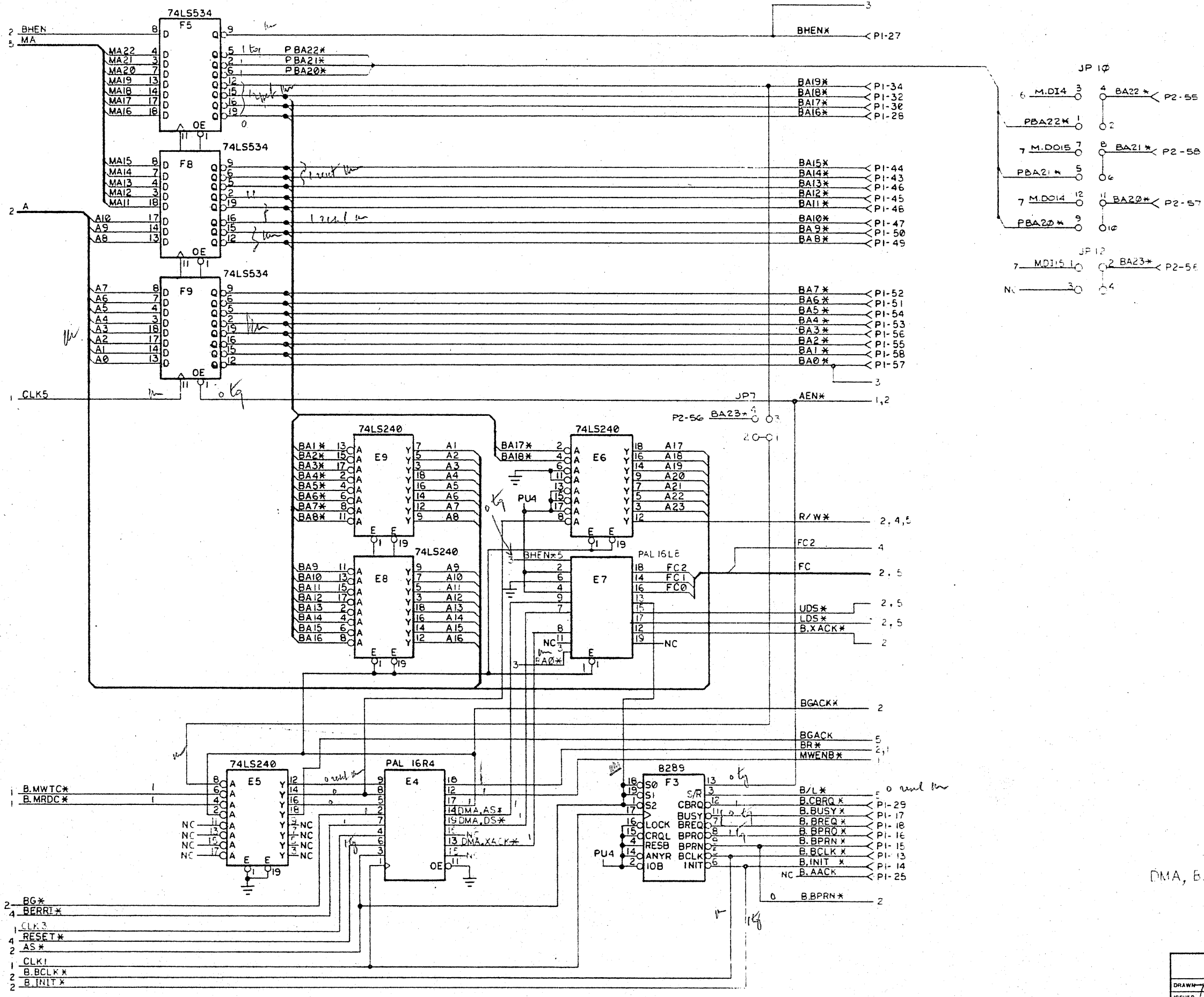
SCHMATIC, FT-68XI

SIZE FSCM NO. DWG. NO. 96-0023-00 REV. B

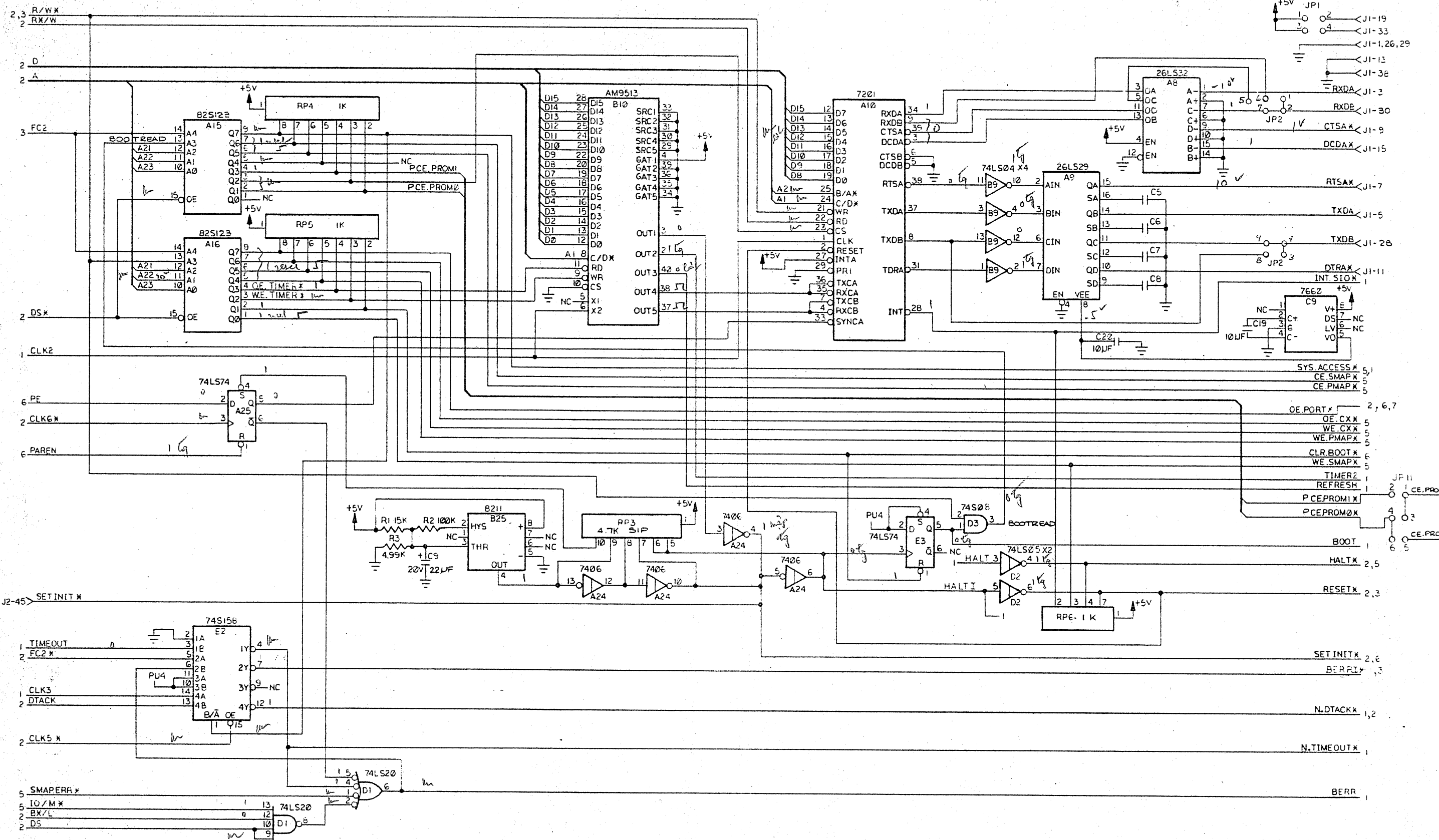
SHEET 1 OF 7



CPU & BUS BUFFERS

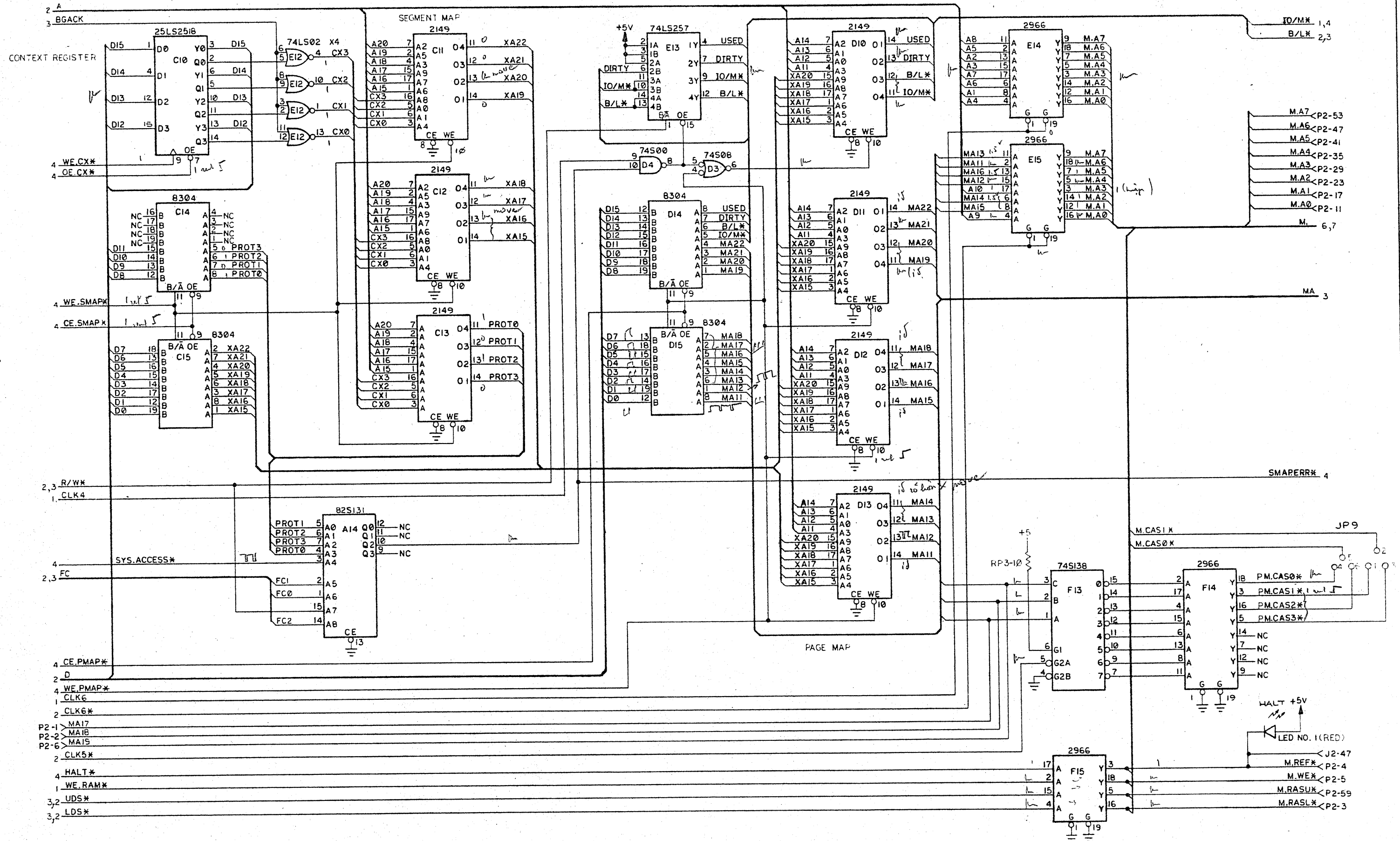


DMA, B.A. ADDRESS BUFFERS, & CONTROL LOGIC



POWER FAIL, COMMUNICATIONS,
& LOCAL PERIPHERAL SELECT
LOGIC

DRAWN <i>[Signature]</i>	SIZE	FSCM NO	DWG NO	REV
	D		96-0023-00	B
ISSUED	SCALE	SHEET 4 OF 7		



SEGMENT & PAGE MAPS

D

D

C

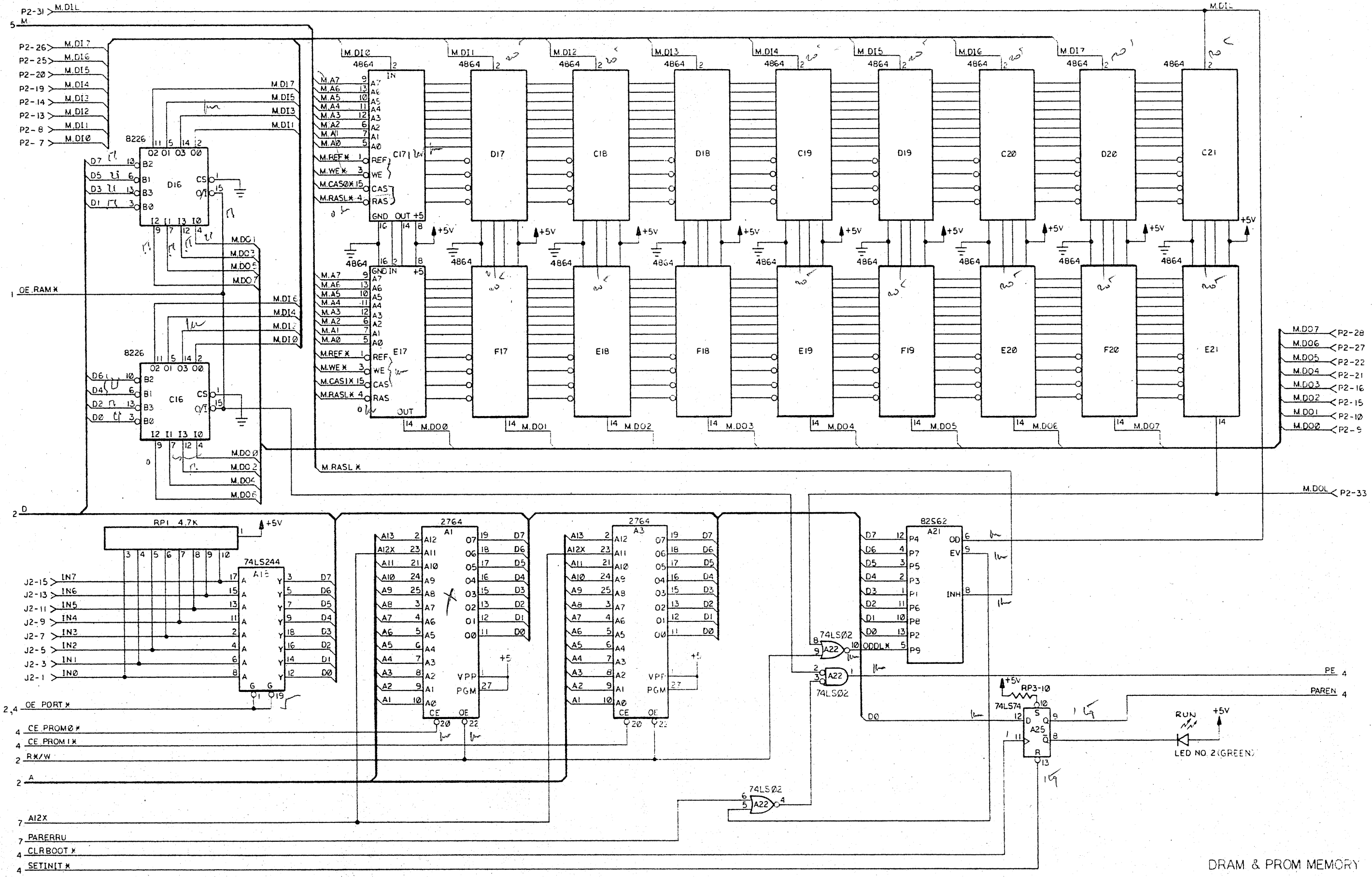
C

B

B

A

A



DRAM & PROM MEMORY

D

C

B

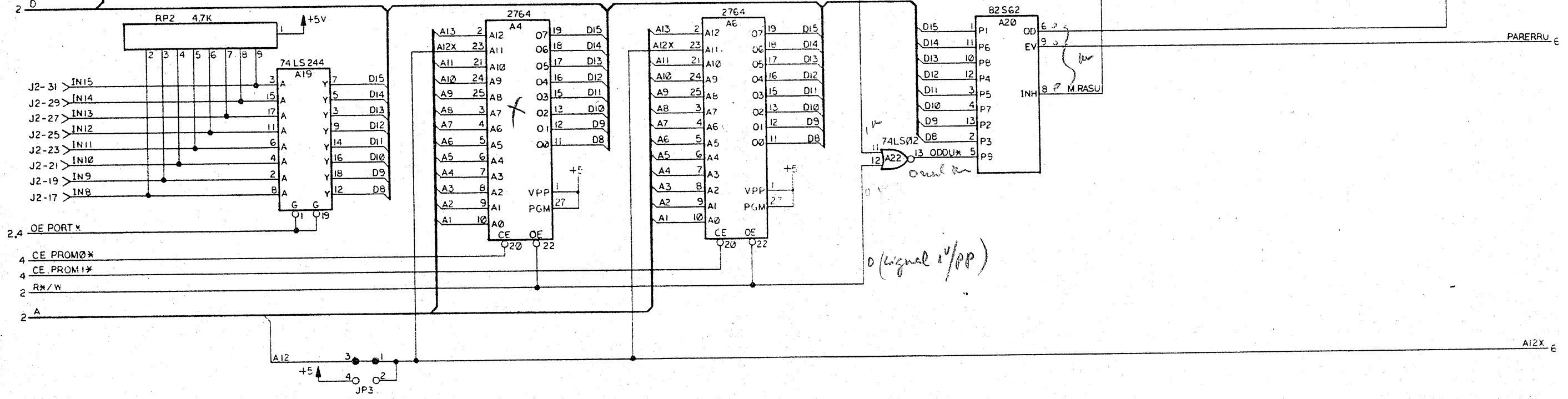
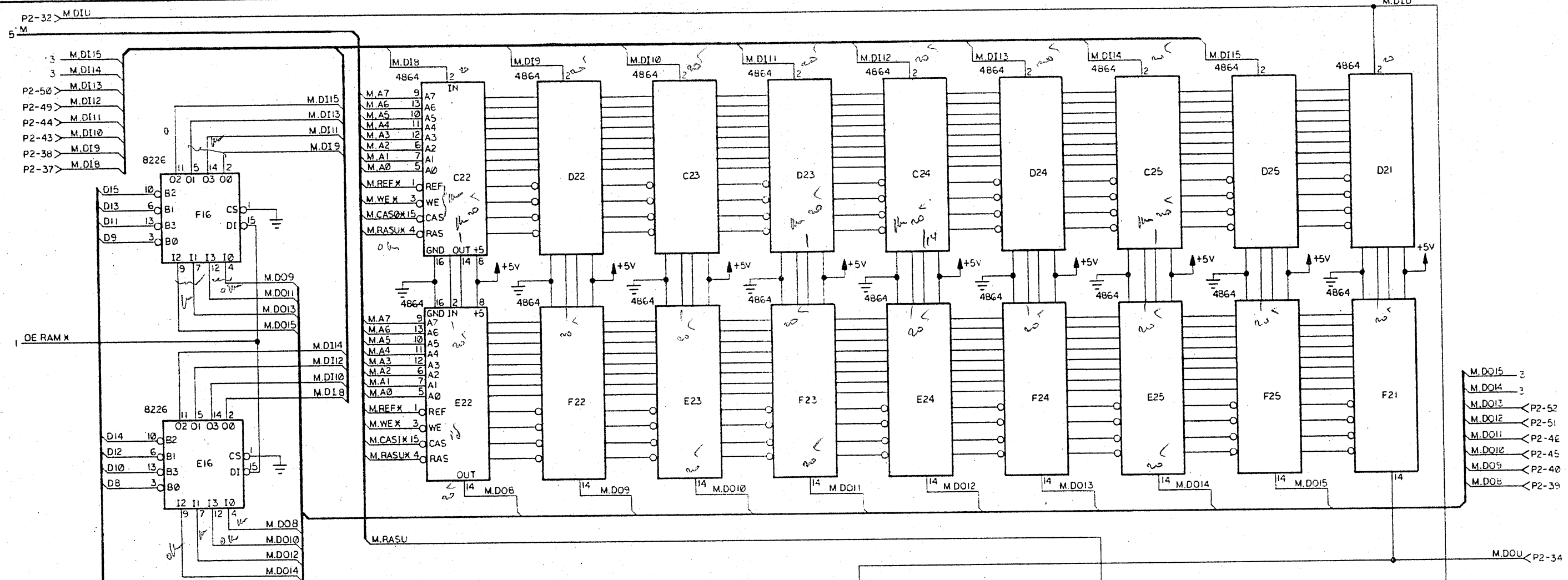
A

D

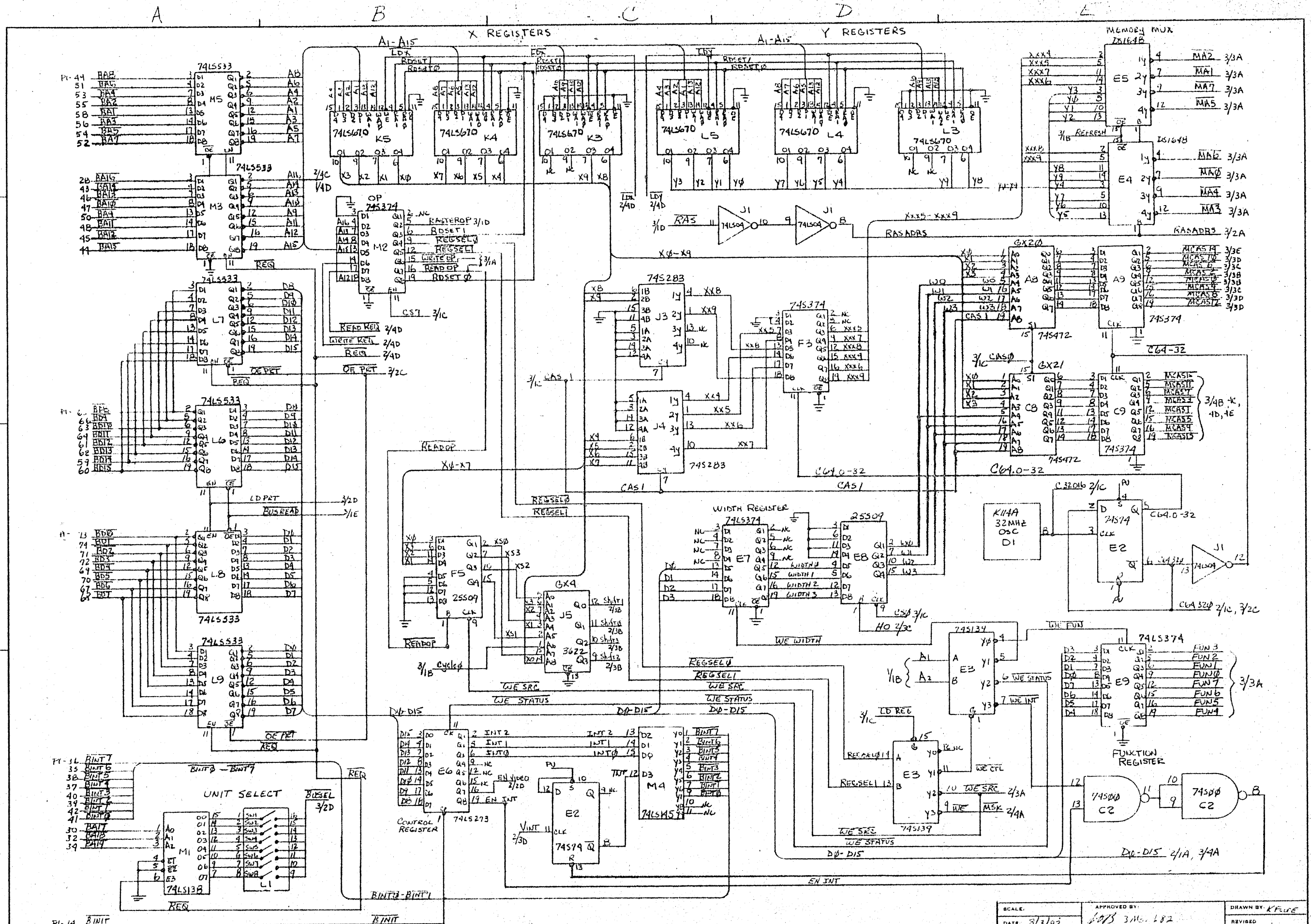
C

B

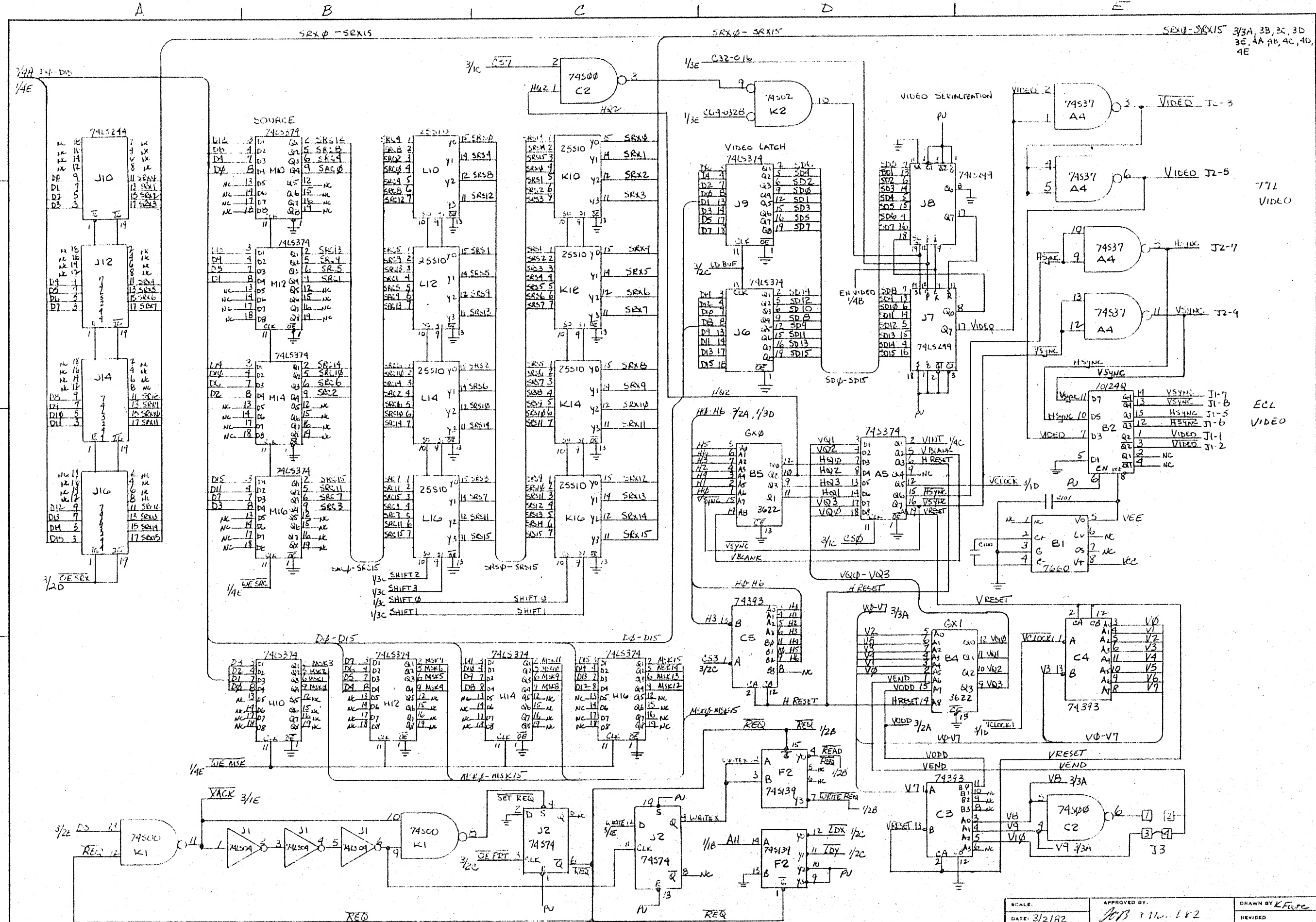
A



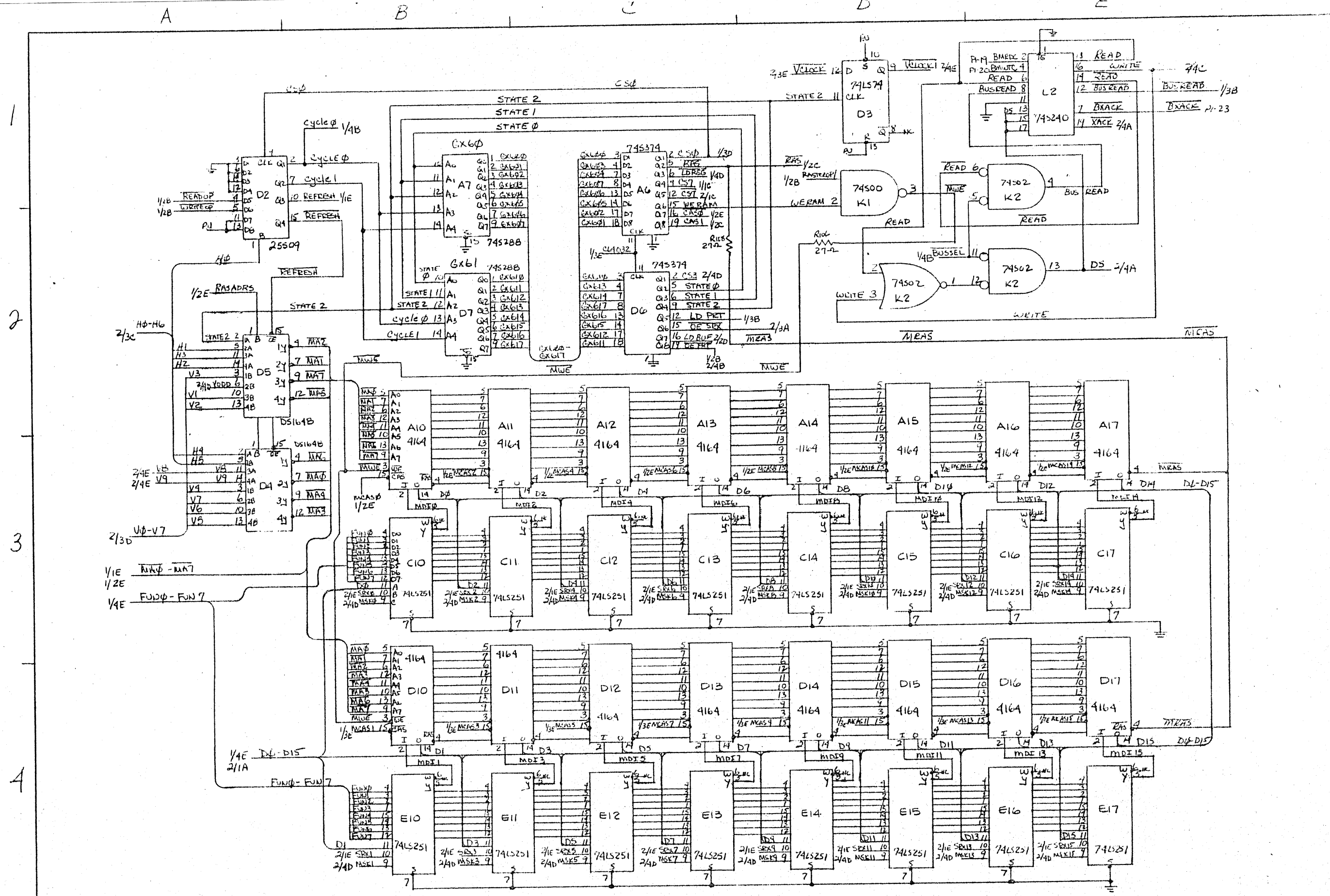
DRAWN <i>[Signature]</i>		DRAM & PROM MEMORY	
CHECKED	SIZE FSCM NO	DWG NO 96-0023-00	REV B
ISSUED	D	SCALE	SHEET 7 OF 7



SCALE:	APPROVED BY:	DRAWN BY: K.F.UE
DATE: 3/3/82	J.P.S. 3/10/82	REVISED:
FT-1024 Graphics Controller		
96-0001-00 REV C		DRAWING NUMBER: Sheet 1 of 3

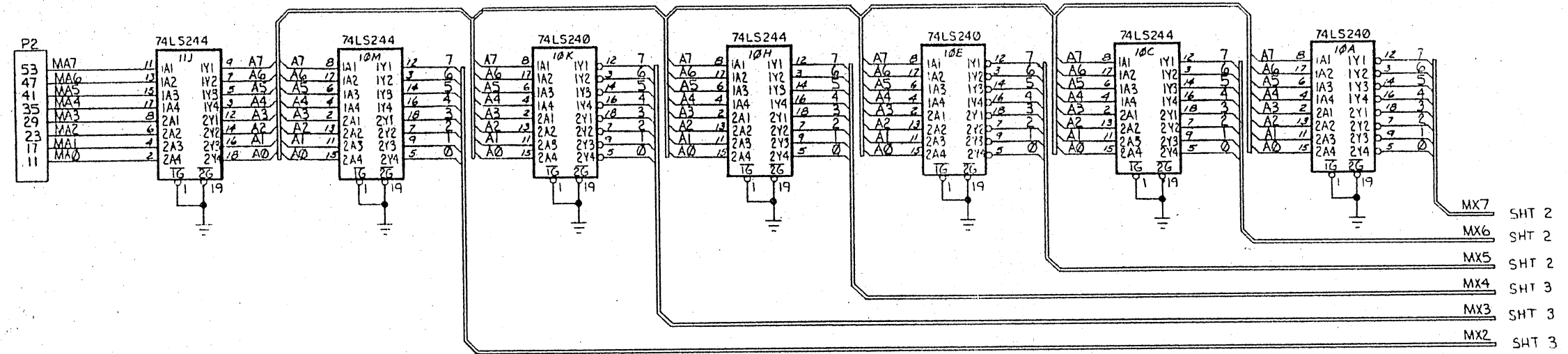


SCALE:	APPROVED BY:	DRAWN BY:
DATE: 3/2/82	<i>[Signature]</i>	K. F. [Signature]
FT 1024 GRAPHICS CONTROLLER		DRAWING NUMBER
96-0001-00 REV C		SHEET 2 OF 3

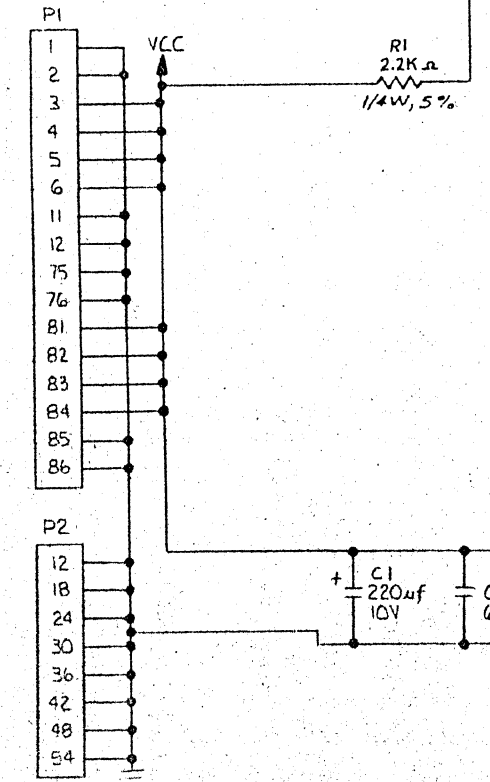
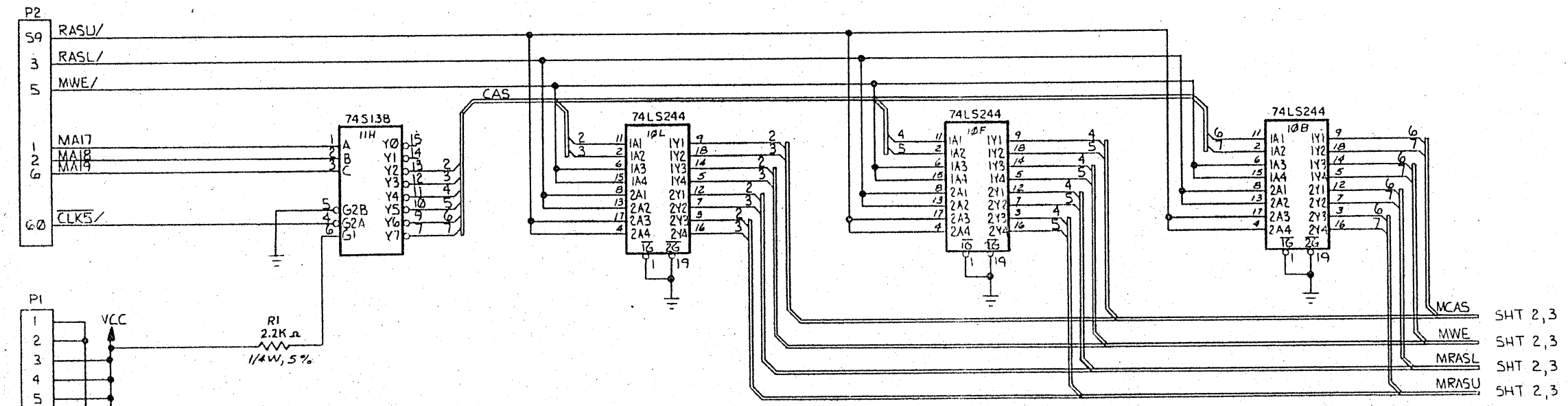


SCALE:	APPROVED BY:	DRAWN BY K. FORT
DATE: 3/3/82	3 March 82	REVISED
FT-1024 GRAPHICS CONTROLLER		
96-0001-00 REV C		DRAWING NUMBER Sheet 3 of 3

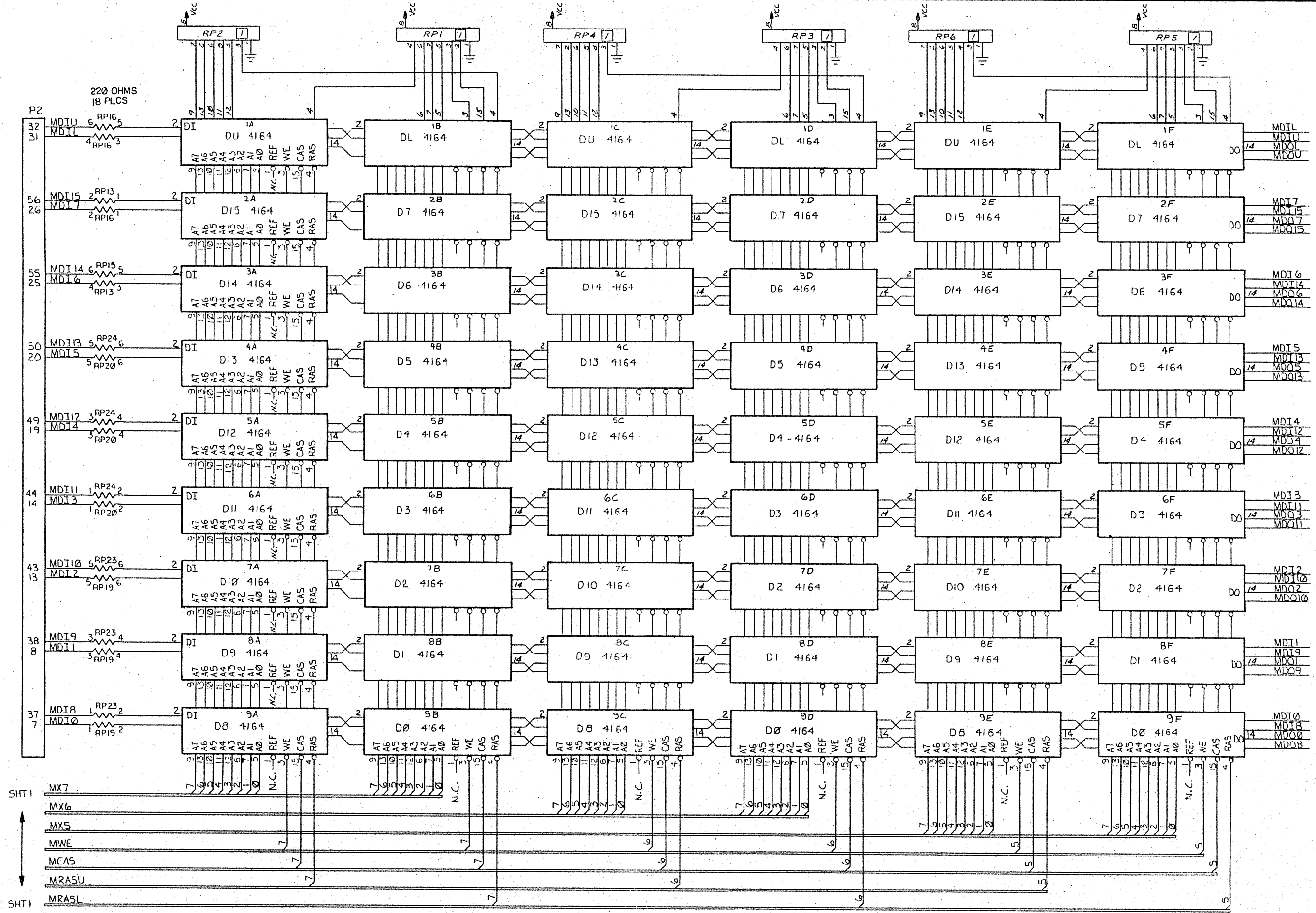
REVISIONS			
ZONE	REV	DESCRIPTION	DATE
A		PRODUCTION RELEASE	12/20/82



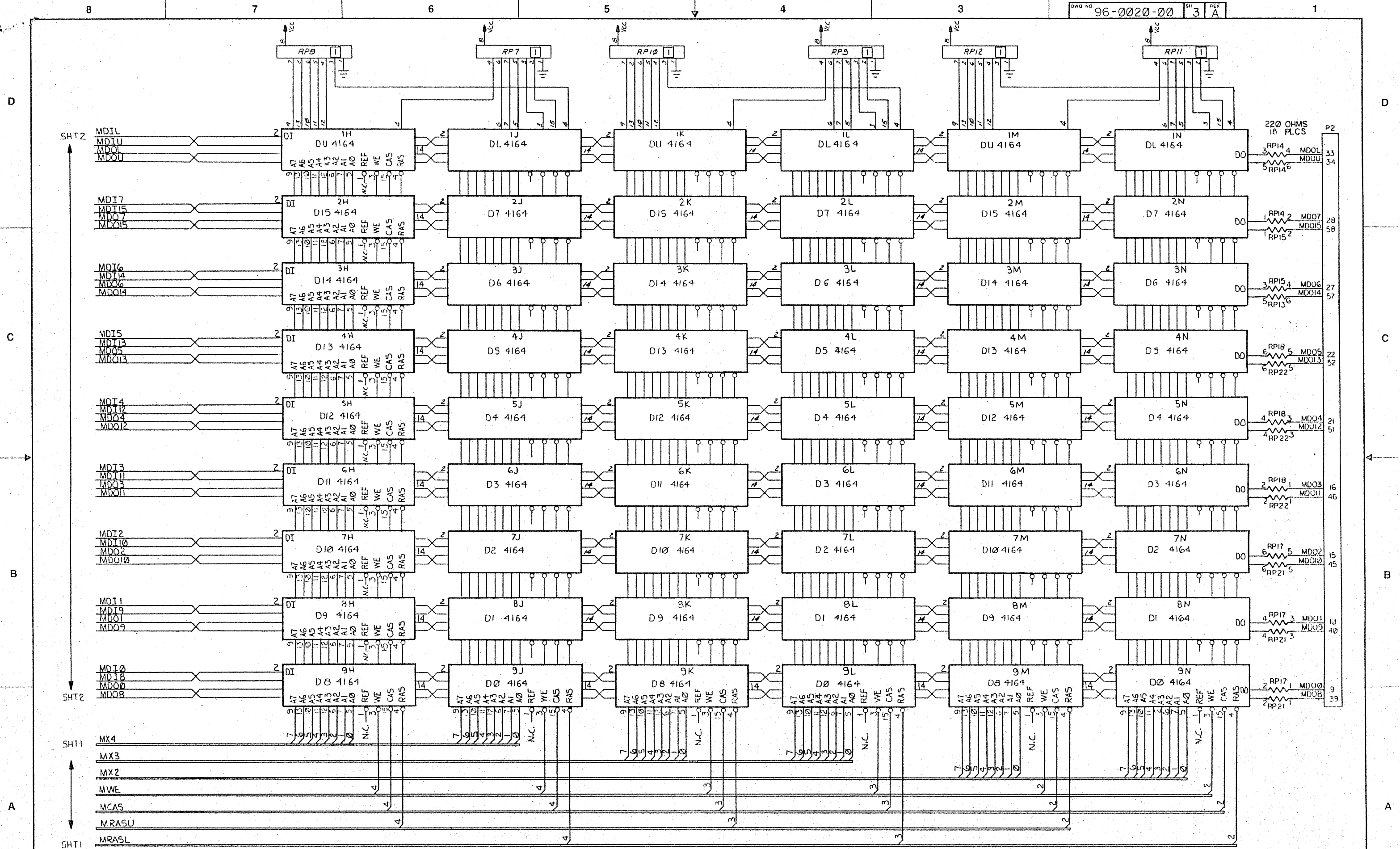
NOTES, UNLESS OTHERWISE SPECIFIED:
 1 TERMINATORS RPI-RP12: VALUES ARE 330 OHMS TO +5V, 220 OHMS TO GROUND.



QTY REQD	FSCM NO.	PART OR IDENTIFYING NO.	HOMENCLATURE OR DESCRIPTION	MATERIAL SPECIFICATION
PARTS LIST				
FORWARD TECHNOLOGY				
UNLESS OTHERWISE SPECIFIED DIMENSIONS ARE IN INCHES TOLERANCES ARE: FRACTIONS DECIMALS ANGLES .XXX ±		CONTRACT NO.		
MATERIAL		APPROVALS	DATE	SCHEMATIC DIAGRAM 768K MEMORY EXPANSION
FINISH		DRAWN RICHMAR	10/82	
NEXT ASSY		CHECKED	12/20/82	SIZE FSCM NO. DWG NO. 96-0020-00 REV A
USED ON		ISSUED		SCALE NONE SHEET 1 OF 3
APPLICATION		DO NOT SCALE DRAWING		



DRAWN	RICHMAR	SIZE	FRM NO	DWG NO	REV
ISSUED		D		96-0020-00	A
SCALE NONE			SHEET 2 OF 3		



DRAWN RICHMAR		SIZE D	FRGM NO.	DWG NO 96-0020-00	REV A
ISSUED	SCALE NONE	SHEET 3 OF 3			