

## CHAPTER 7 Q100F - OPTICAL FIBER INTERFACE -

### 7.1. General

### 7.2. Hardware

#### 7.2.1. General

#### 7.2.2. Block diagram

#### 7.2.3. I/O map

#### 7.2.4. Interface with QX-10

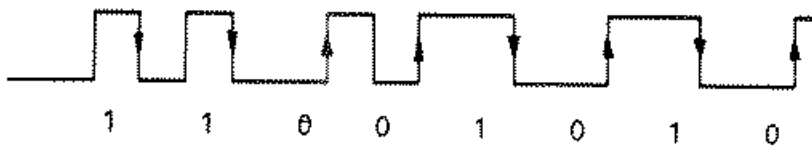
#### 7.2.5. Optical fiber transmitter/receiver and cable

## 7.1. General

The Q100F is the interface card which is to be mounted on the option slot of QX-10 and used for connection with external devices via the optical fiber cable.

As a communication system, BYSYNC and SDLC are selectable. The transmission speed is 500 kbps (fixed). The coding system employs Manchester coding.

Manchester coding system



DMA is used for data transfer between  $\mu$ PD7201 and QX-10 main unit.

## 7.2. Hardware

### 7.2.1 General

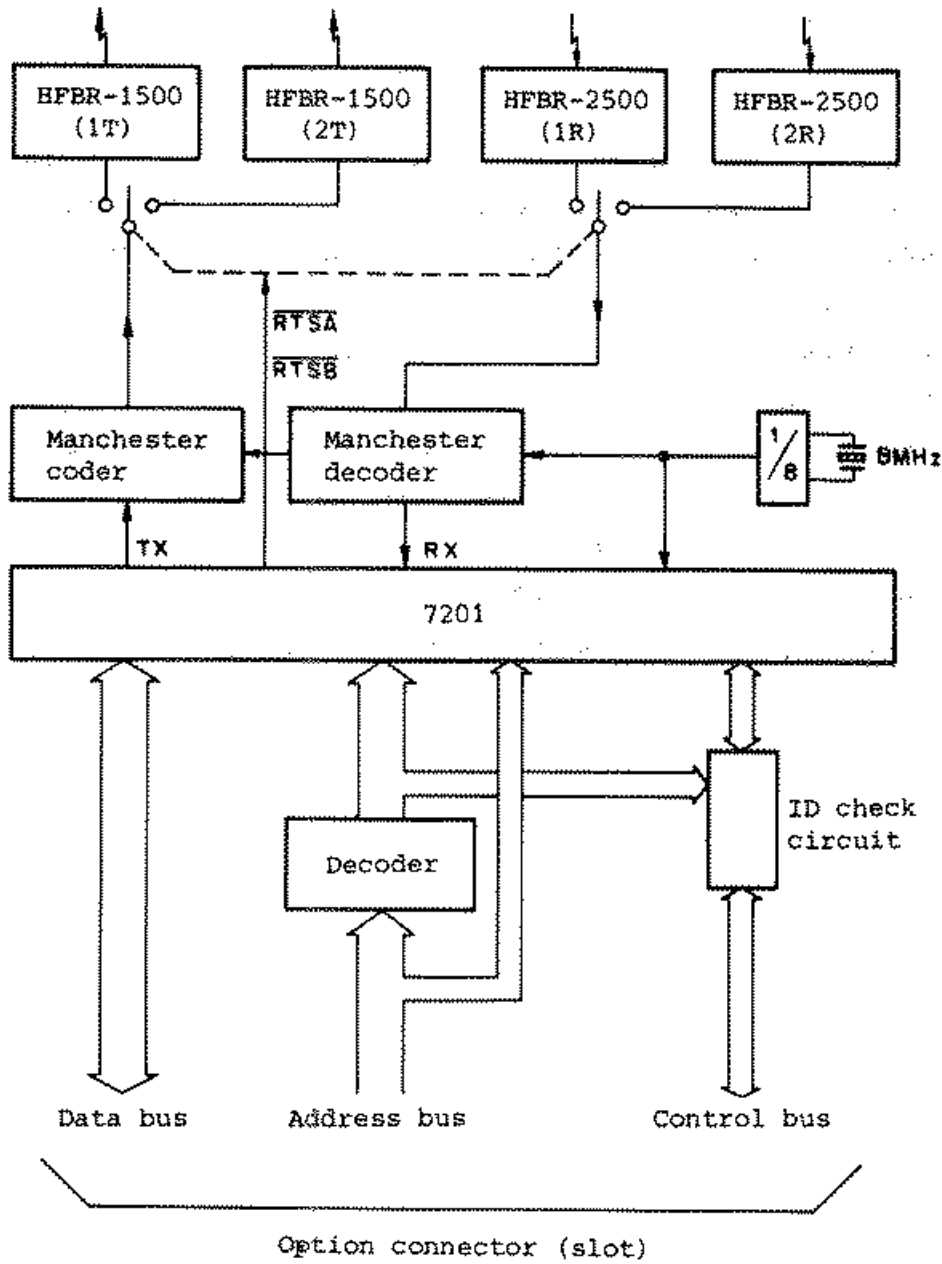
The Q100F is the interface circuit which uses  $\mu$ PD7201 as a serial controller and optical fiber as a transmission media.

$\mu$ PD7201 has two serial channels (A and B). From these two channels, only the A-channel is used. Two fiber channels are connected for the A-channel, which are selected by the software.

The transfer rate is fixed to 500 kbps. Manchester coding system is used for signal coding.

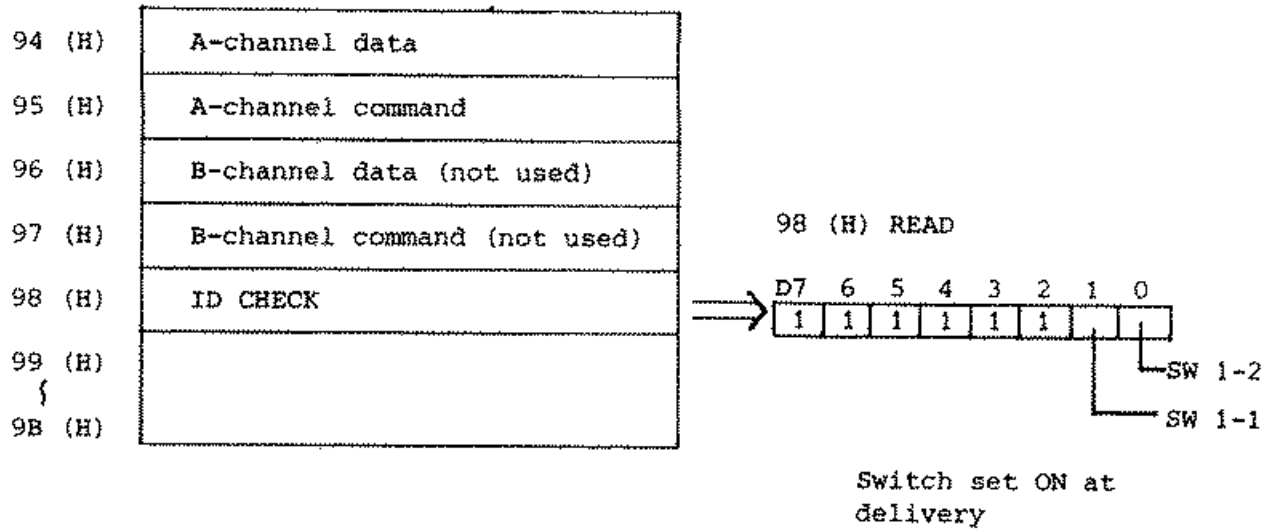
DMA is used for data transfer between  $\mu$ PD7201 and QX-10. So, the Q100F option card cannot be inserted into the option slot #5. The circuit (ID CHECK circuit) is also provided to inform the CPU whether or not the Q100F option card is mounted on the option slot.

7.2.2 Block diagram



Note #1 - 4

### 7.2.3 I/O map



### 7.2.4 Interface with QX-10

Interrupt for ID CHECK: INT (L)  
 Interrupt for 7201 : INT (H) 1  
 RX: DRQ (F) ↔ DMA: DACK (F)  
 TX: DRQ (S) ↔ DMA: DACK (S)

### 7.2.5 Optical fiber transmitter/receiver and cable

Transmitter	: HP HFBR-1500 (x 2)	
Receiver	: HP HFBR-2500 (x 2)	
Optical fiber cable set:	HP HFBR-3504 (x 2:	Standard accessory)