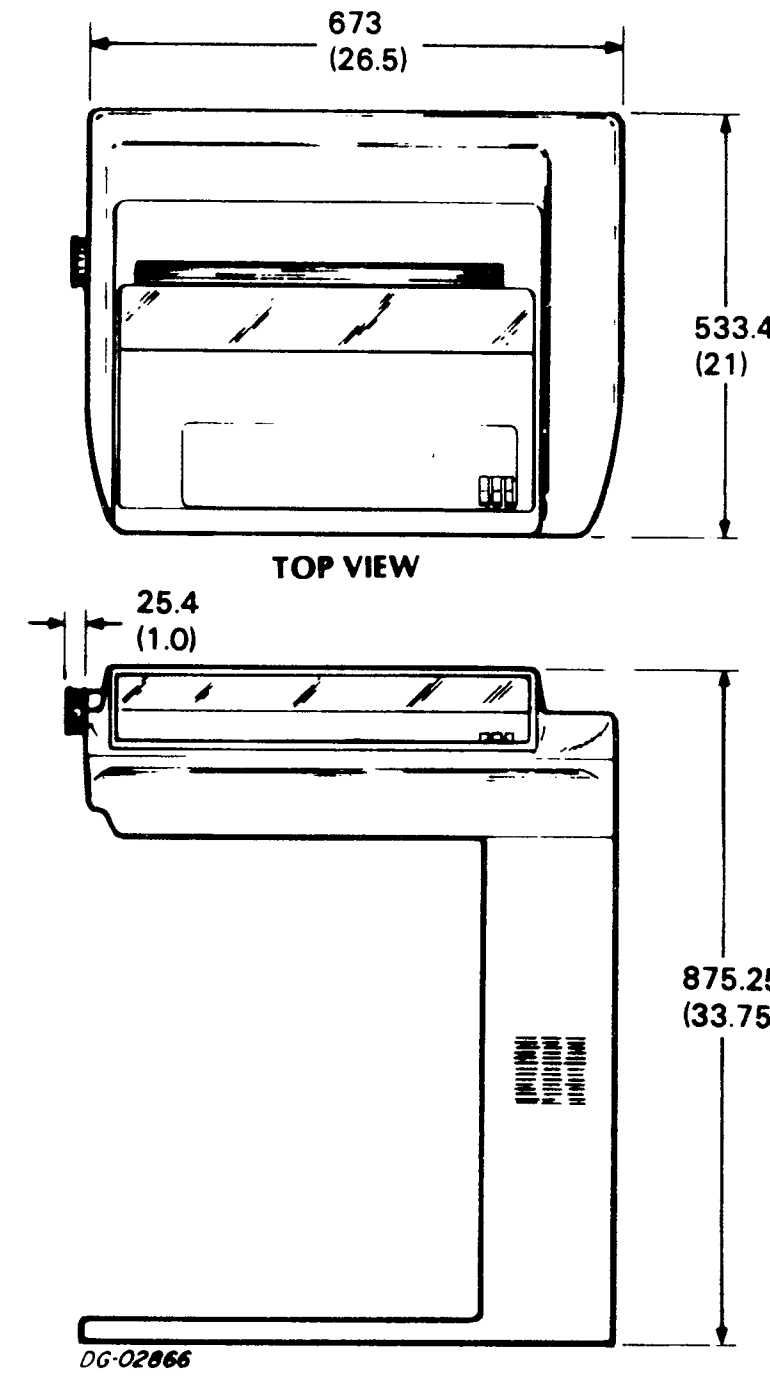
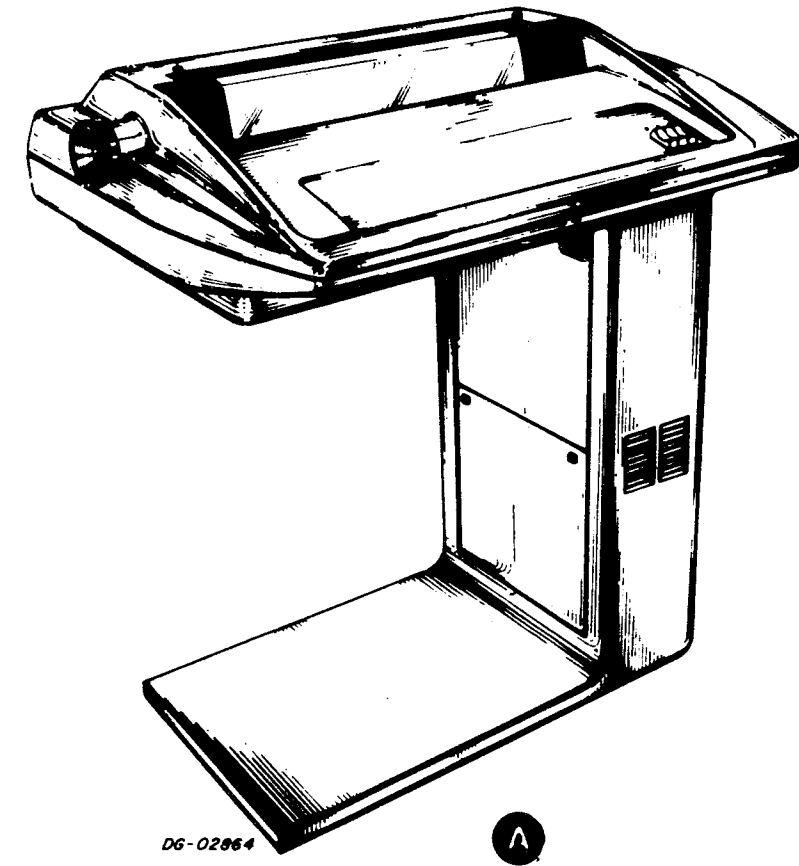
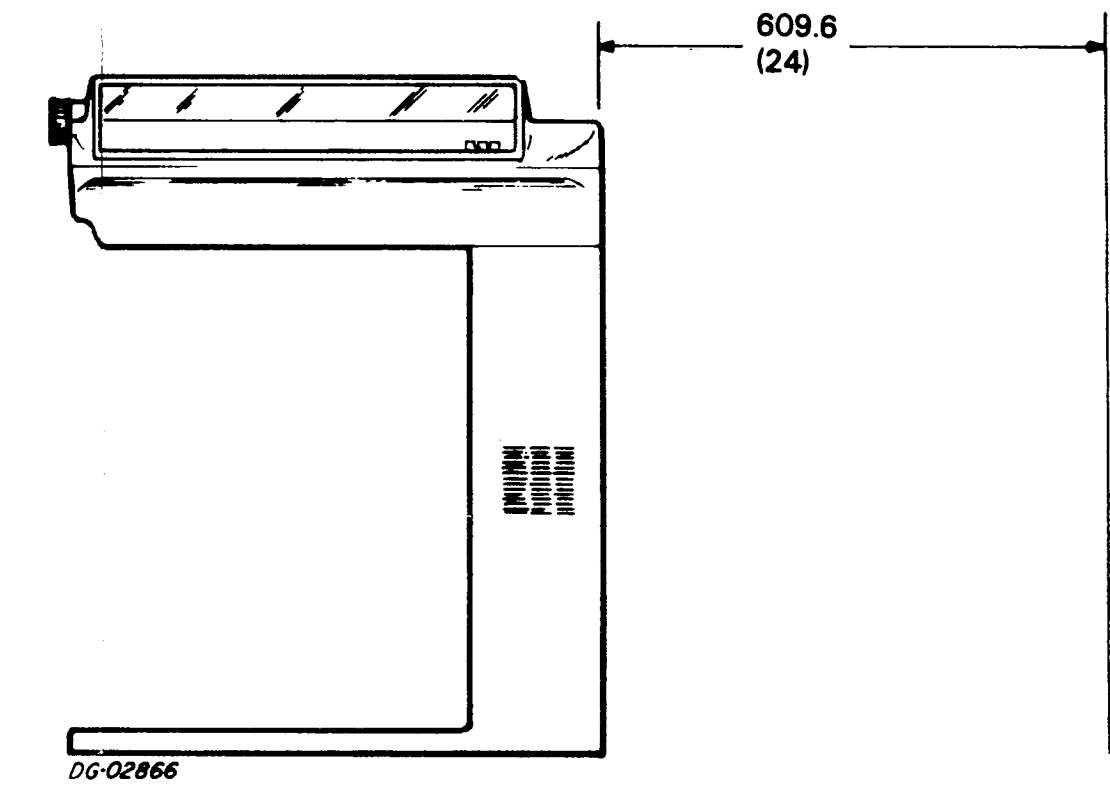


INSTALLATION SPECIFICATIONS



NOTE: REAR OF UNIT MUST BE AT LEAST 12" FROM WALL OR OTHER OBSTRUCTION TO PROVIDE COOLING AIR FLOW.



MAJOR COMPONENT

ITEM	COMPONENT	MOUNTING LOCATION	NOTES
A	DATA PRINTER	FREE-STANDING	PLUG-COMPATIBLE WITH PARALLEL INTERFACE CONTROLLERS

CABLE

ITEM	CABLE	CONNECTING	AND	MATRIX PRINTER	MAX LENGTH		NOTES
					FT	M	
B	DEVICE CABLE	PARALLEL INTERFACE			25	7.4	DEVICE CABLE VARIES WITH INTERFACE

DIMENSIONS IN MILLIMETERS
INCHES IN PARENTHESES FOR REFERENCE

DIMENSIONS:	Width	Depth	Height
Millimeters	698.5	533.4	857.25
Inches	27.5	21	33.75

SERVICE CLEARANCES:	Right
Millimeters	609.6
Inches	24

WEIGHT:	kilograms/pounds
	27
	60

HEAT OUTPUT:	Watts	BTU/hr
	300	1023

OPERATING ENVIRONMENT:	Temperature (max)	Temperature (min)	Relative Humidity (max)	Altitude
	40 C (104 F)	10 C (50 F)	90%	

POWER REQUIREMENTS:	(Domestic)	
Voltage	120	
Hz	47-63	
Max Amp per Phase	2.5	
Phase	1	
Startup Surge per Phase (Export)		
Voltage	220	240
Hz	47-63	47-63
Max Amp per Phase	1.4	1.3
Phase	1	1
Startup Surge per Phase		

CABLES:	Primary Power	Length	Conn	Mating Conn
Domestic 60Hz	6ft(1.8m)	5-15P	5-15R	
Export 50Hz	6ft(1.8m)	5-15P	5-15R	

013-00840
BRUNING 40-526 27928

THIS DRAWING AND SPECIFICATIONS, HEREIN, ARE THE PROPERTY OF DATA GENERAL CORPORATION AND SHALL NOT BE REPRODUCED OR COPIED OR USED IN WHOLE OR IN PART AS THE BASIS FOR MANUFACTURE OR SALE OF ITEMS WITHOUT WRITTEN PERMISSION

REV	00	01	02	03
ECO	D362	8599	8786	9445
APP		MAV	9/8/78	COK
DATE	4/2/78	12/10/78	4/1/79	9/20/79

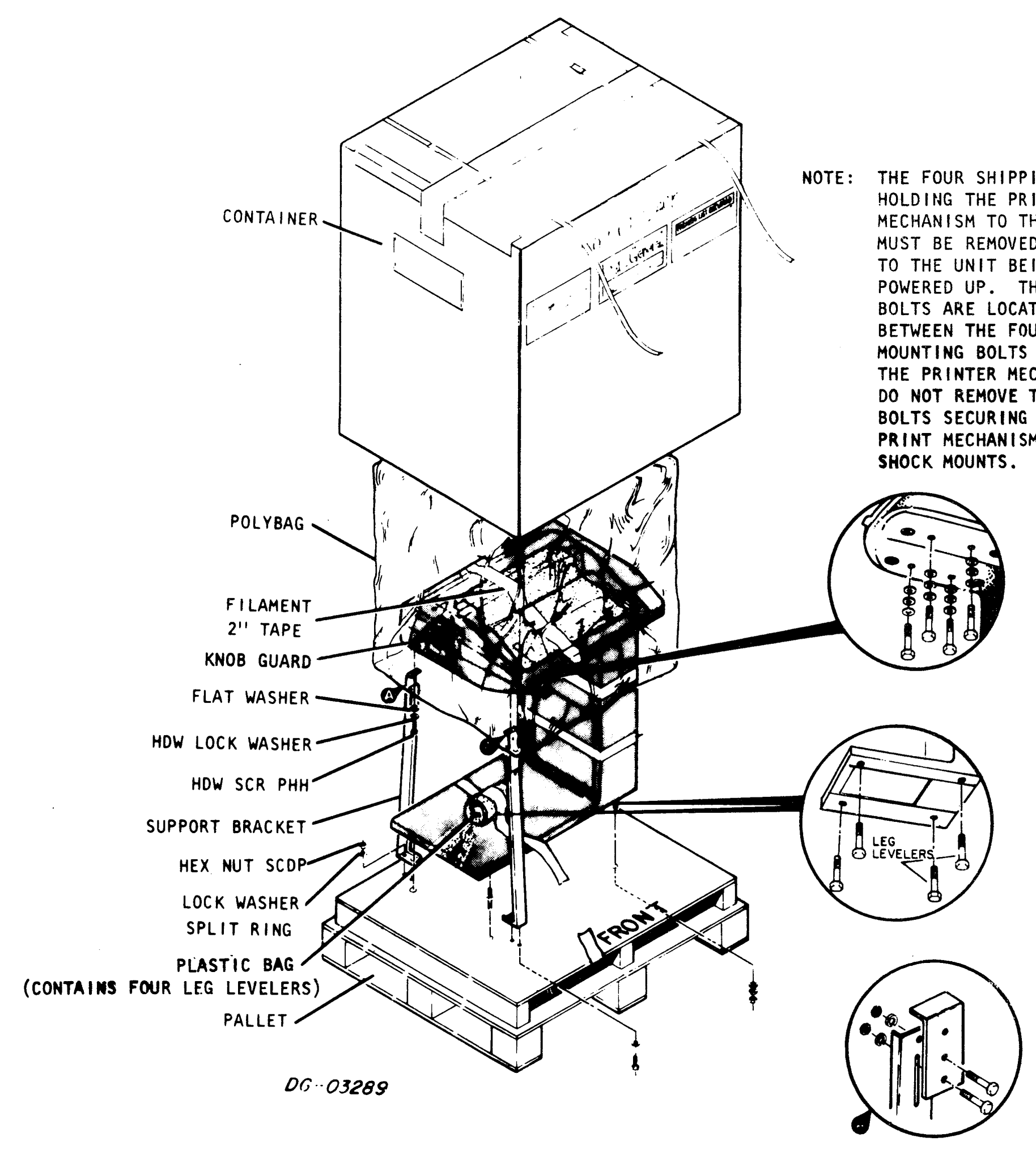
DRAWN	C.C. L.S.	3/1/78	APPROVED	Holt 4/78
CHECKED	M. W.ella	4/1/78	FIRST USED ON	
ENGINEER			CODE IDENT	34984

TITLE
DASHER P2 PRINTER
MODELS 6073, 6074,
S6073 & S6074

DATA GENERAL CORPORATION			
SOUTHBORO, MASSACHUSETTS 01772			
SIZE	CODE	DRAWING NUMBER	REV.
C	010	000195	03

4 3 2 1

SHIPPING



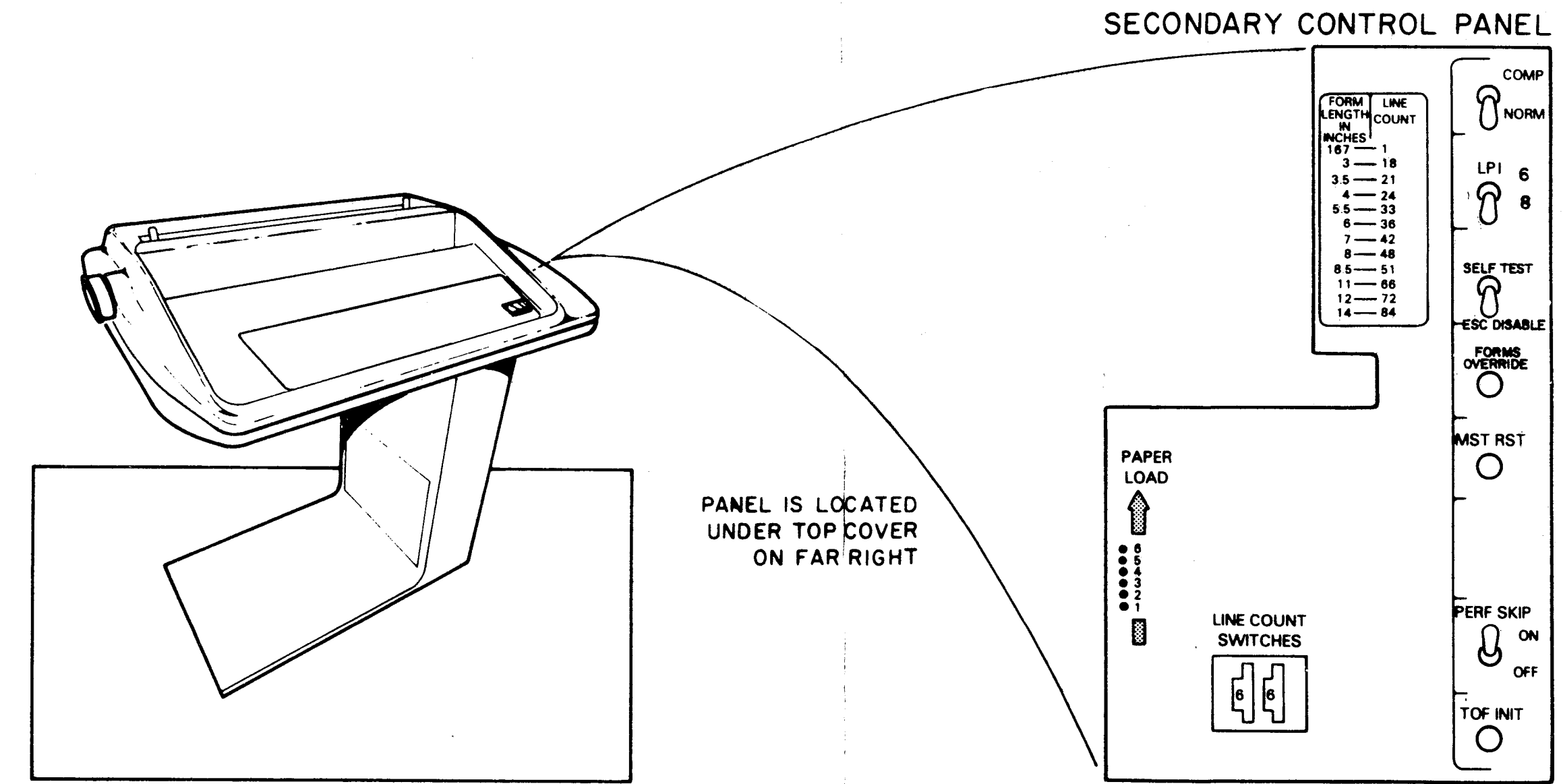
NOTE: THE FOUR SHIPPING BOLTS HOLDING THE PRINT MECHANISM TO THE CASING MUST BE REMOVED PRIOR TO THE UNIT BEING POWERED UP. THESE FOUR BOLTS ARE LOCATED BETWEEN THE FOUR SHOCK MOUNTING BOLTS UNDER THE PRINTER MECHANISM. DO NOT REMOVE THE FOUR BOLTS SECURING THE PRINT MECHANISM TO THE SHOCK MOUNTS.

DG-03289

SHIPPING AND PACKAGE DATA					
Outside Dimensions			Weight (Gross)	Volume	Density
Length	Width	Depth			
in.	in.	in.	lbs.	cu ft.	lbs/cu ft.
cm	cm	cm	kg	cu m	kg/cu m
37	32.5	50	165	34.8	3.7
94	82.6	127	74	.98	60.2
SHIPPING SPECIFICATIONS			STORAGE SPECIFICATIONS		
Temperature Range	Relative Humidity	Maximum Altitude	Temperature Range	Relative Humidity	Maximum Period
°F / °C	(Non-condensing)		°F / °C	(Non-condensing)	
-40 to +160 -40 to +71	0%/80%	50,000ft. 15,200m	-40 to +160 -40 to +71	0%/80%	90 days

DG-03224

TAILORING SWITCHES



DG-04678

- *COMP/NORMAL - SET TO NORMAL OR COMPRESSED WIDTH CHARACTERS.
 - LPI - SET TO 6 OR 8 LINES/INCH.
 - SELF TEST/ESC DISABLE - SET IN MIDDLE POSITION IF THE PRINTER SHOULD RESPOND TO ESCAPE SEQUENCES. SET IN THE ESC DISABLE POSITION IF THE PRINTER SHOULD IGNORE ESCAPE SEQUENCES.
 - *PERF SKIP - SET ON OR OFF FOR PERFORATION SKIPOVER.
 - *LINE COUNT - SET LINE COUNT CORRESPONDING TO THE FORM LENGTH. LINE COUNT = FORM LENGTH (IN INCHES) X (6 OR 8) LINES PER INCH.
 - *TOF - MOVE PAPER TO THE TOP OF THE FORM AND PRESS TOF TO INITIATE THE LINE COUNTERS.
- *IF INSTALLED.

013 000840 BRUNING 40-526 27928

THIS DRAWING AND SPECIFICATIONS, HEREIN, ARE THE PROPERTY OF DATA GENERAL CORPORATION AND SHALL NOT BE REPRODUCED OR COPIED OR USED IN WHOLE OR IN PART AS THE BASIS FOR MANUFACTURE OR SALE OF ITEMS WITHOUT WRITTEN PERMISSION.

REV																				
ECO																				
APP																				
DATE																				

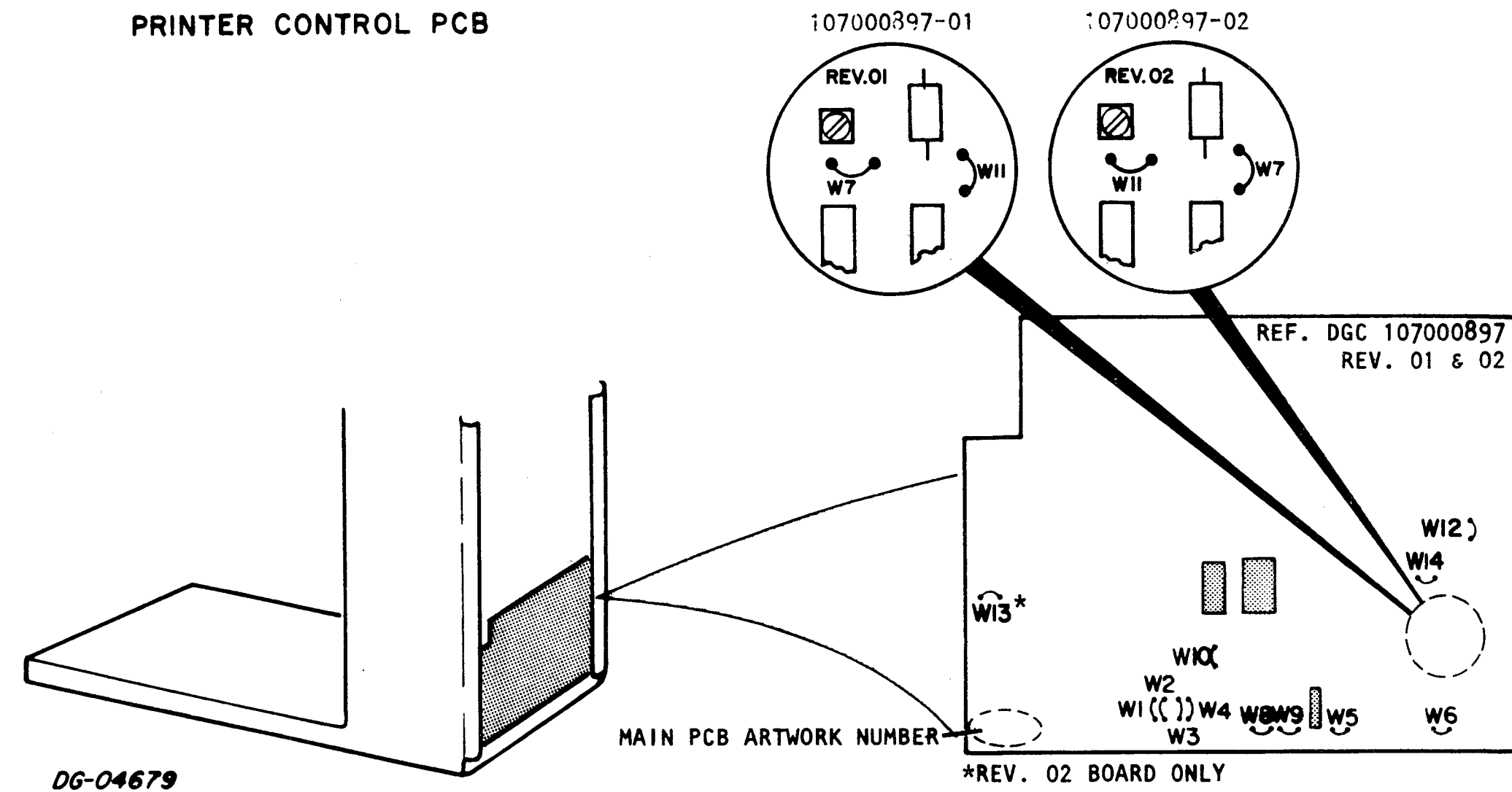
DRAWN		APPROVED	
CHECKED		FIRST USED ON	
ENGINEER		CODE IDENT	34984

TITLE
DASHER LP2 PRINTER
MODELS 6073, 6074,
S6073

DATA GENERAL CORPORATION WESTBORO, MASSACHUSETTS 01581			
SIZE	CODE	DRAWING NUMBER	REV
C	010	000195	03

TAILORING (Cont) JUMPERING

PRINTER CONTROL PCB

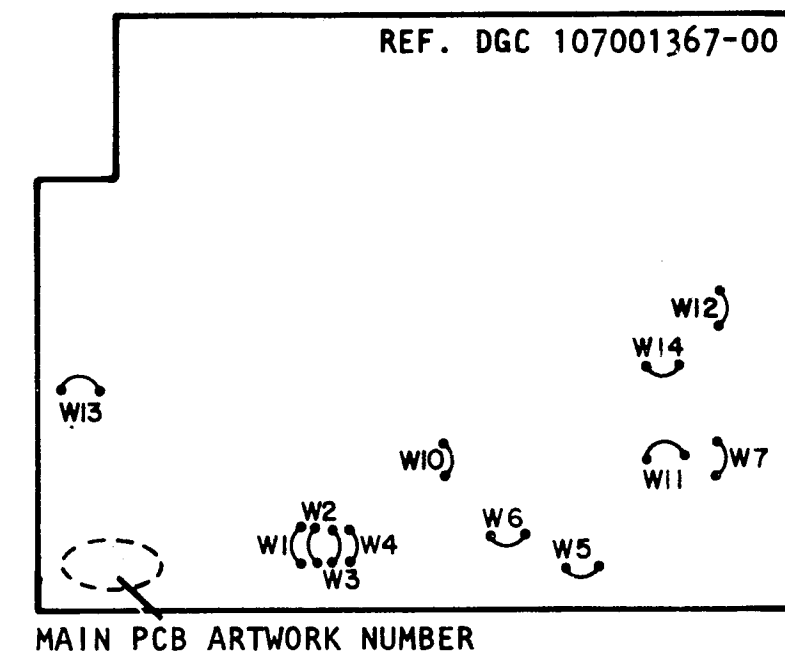


DG-04679

MAIN PCB ARTWORK NUMBER

*REV. 02 BOARD ONLY

JUMPERS	MAIN PCB ARTWORK NUMBER		
	107000897-01	107000897-02	107001367-00
W1	IN	IN	IN
W3	IN	IN	IN
W4	OUT	OUT	OUT
W5	IN	IN	IN
W6	IN	IN	IN
W7	IN	IN	IN
W8	OUT	OUT	—
W9	IN	IN	—
W10	IN	IN	IN
W11	OUT	OUT	OUT
W12	—	IN	IN
W13	—	IN	IN
W14	—	IN	IN

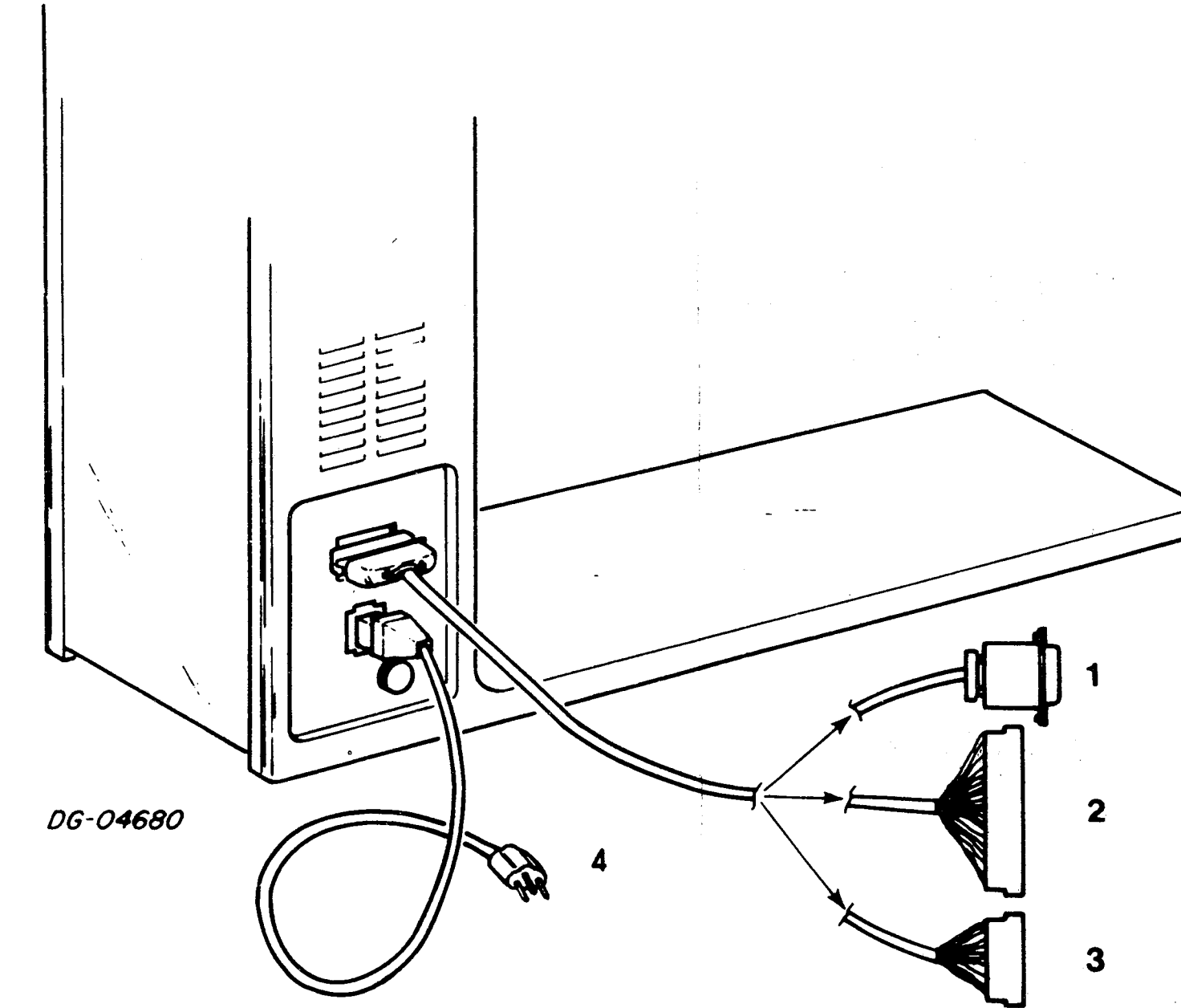


MAIN PCB ARTWORK NUMBER

COMPRESSED PRINT

JUMPER	POSITION	COMMENT
W2	IN	Printers equipped with Compressed Print Option (standard on 6074)
	OUT	Printers <u>not</u> equipped with Compressed Print Option

EXTERNAL CABLING



DG-04680

	COMPUTER	CABLE NUMBER	WIRE LIST NO.	CONTROLLER
1	NOVA 800, 830	005-001246	*008-000310	005-003564
	840, 1200	005-012100	008-003203	005-008096
2	NOVA 2, 3, 820	005-001356	*008-000304	005-003564
	1210, 1220	005-012099	008-003202	005-008096
3	MicroNOVA	005-008452	*008-000995	005-008448
	120V 13A	109-000238	*THESE WIRE LISTS APPEARS IN THE DASHER LP2 USER'S MANUAL, 014-000094.	
240V 15A	109-000240			

INTERFACE REQUIREMENTS

SIGNAL	*CHARACTERISTIC
Data Lines	High = a logic 1. Low = a logic 0.
STROBE	Duration = 0.5 - 10.0μs Data lines sampled on falling edge of STROBE.
DEMAND	High = Requesting Data Low = Busy
READY	High = ON LINE, no fault conditions. Low = OFF LINE and/or fault conditions.

*High = 2.4 - 5.0 Volts
Low = 0.0 - 0.4 Volts

013-000840
BRUNING 40-526 27928

THIS DRAWING AND SPECIFICATIONS, HEREIN, ARE THE PROPERTY OF DATA GENERAL CORPORATION AND SHALL NOT BE REPRODUCED OR COPIED OR USED IN WHOLE OR IN PART AS THE BASIS FOR MANUFACTURE OR SALE OF ITEMS WITHOUT WRITTEN PERMISSION

REV	DATE	APP	ENGINEER
ECO			
APP			
DATE			

DRAWN	APPROVED
CHECKED	FIRST USED ON
ENGINEER	CODE IDENT 34984

TITLE
DASHER LP2 PRINTER
MODELS 6073, 6074,
S6073

DATA GENERAL CORPORATION WESTBORO, MASSACHUSETTS 01581			
SIZE	CODE	DRAWING NUMBER	REV
C	010	000195	03