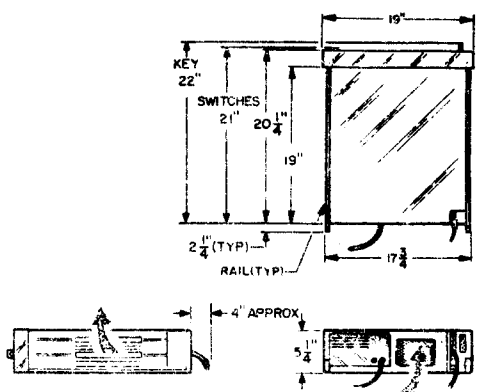
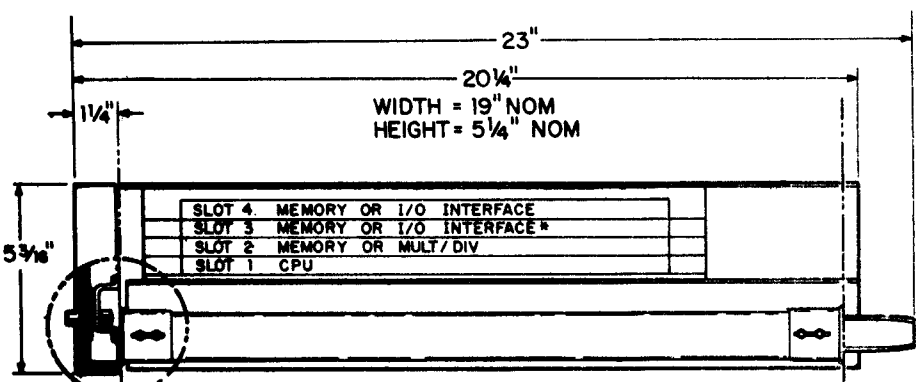


THIS DRAWING AND SPECIFICATIONS HEREIN, ARE THE PROPERTY OF DATA GENERAL CORPORATION AND SHALL NOT BE REPRODUCED OR COPIED OR USED IN WHOLE OR IN PART AS THE BASIS FOR MANUFACTURE OR SALE OF ITEMS WITHOUT WRITTEN PERMISSION.

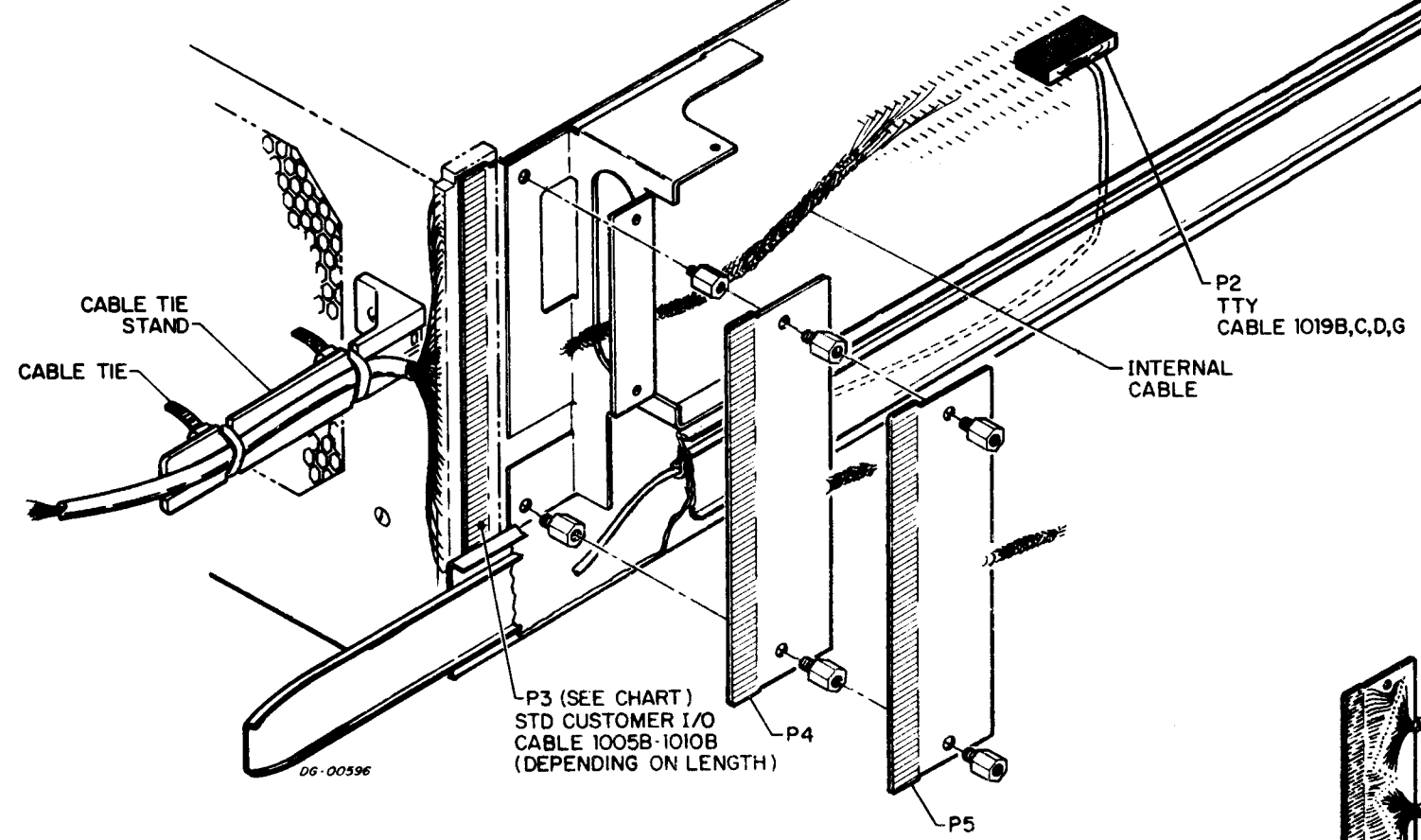
REVISIONS				
REV.	DESCRIPTION	DRFTG	APP BY	DATE



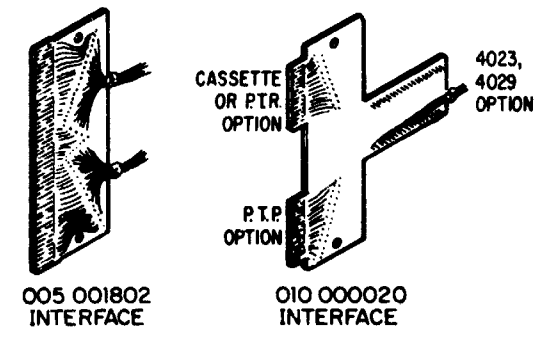
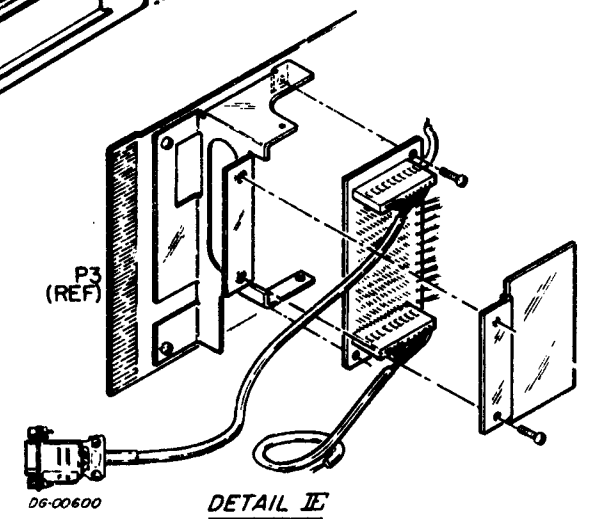
DC-00572
CAUTION—DO NOT OBSTRUCT POWER SUPPLY COOLING OPENING
DETAIL F
DIMENSIONS AND CLEARANCES

NOTE 3 (SHT 1) * IF TTY, PTR, RTP OPTIONS ARE ORDERED, THEY MUST BE CONFIGURED IN THIS SLOT.

DETAIL B



DETAIL C
P4 AND P5 OPTIONS CAN BE EITHER DGC 005-001802 OR 010-000020 INTERFACES (SEE DETAIL D). FOR 4083 OPTION, SEE DETAIL E.



DC-00597 **DETAIL D**

P3		
LETTER SIDE	NUMBER SIDE	SIGNAL NAME
~	1-THRU-50 = GND	~
A	~	GND
B	~	PWR ON (+5V)
C	~	MEMO
D	~	INTA
E	~	DATIB
F	~	DATIA
H	~	DS3
J	~	DATOC
K	~	CLR
L	~	STRT
M	~	DATIC
N	~	DATOB
P	~	DATOA
R	~	DCHA
S	~	DS4
T	~	DS5
U	~	DS2
V	~	DS1
W	~	IORST
X	~	DS0
Y	~	IOPLS
Z	~	SEL0
a	~	SEL1
b	~	DEP OUT
c	~	INTP OUT
d	~	DCHO
e	~	DCHI
f	~	INTR
h	~	DCHO
j	~	DCHR
k	~	DCHI
l	~	OVFLO
m	~	ROENS
n	~	DATA7
p	~	DATA4
r	~	DATA5
s	~	DATA11
t	~	DATA12
u	~	DATA8
v	~	DATA4
w	~	DATAO
x	~	DATAS
y	~	DATAS
z	~	DATAS
AA	~	DATAS
AB	~	DATAS
AC	~	DATAS
AD	~	DATAS
AE	~	DATAS
AF	~	GND

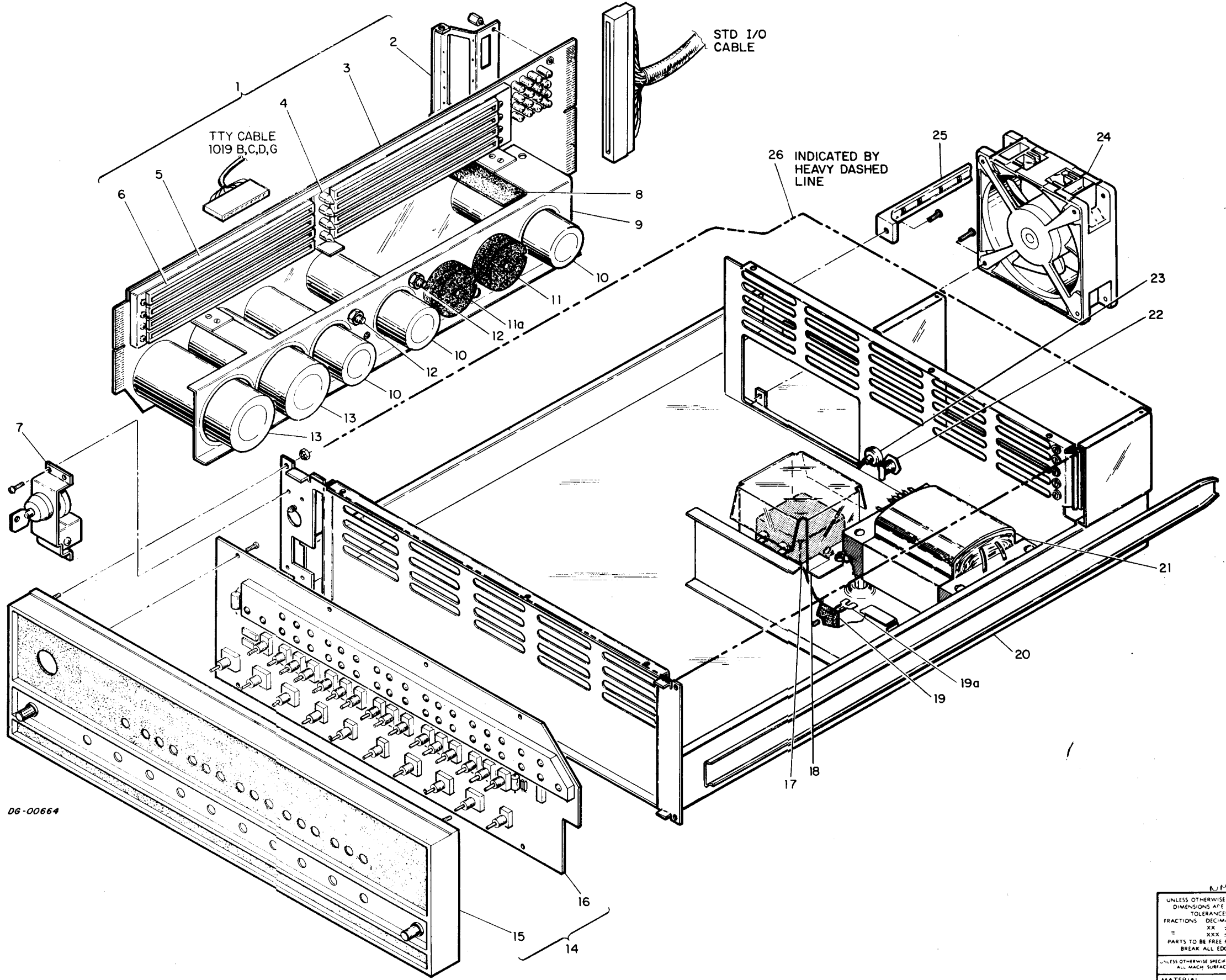
QTY	DESCRIPTION	PART NO

DRAWN <i>L. H. G. 12-14-70</i>		DATA GENERAL CORPORATION	
CHECKED <i>L. H. G. 12-14-70</i>		SOUTH BORO, MASSACHUSETTS 01772	
ENGINEER <i>L. H. G.</i>		TITLE	
APPROVED <i>L. H. G.</i>		NOVA 2/4	
FIRST USED ON <i>12-8-70</i>		RACK	
MATERIAL		INSTALLATION	
FINISH		SIZE	DRAWING NUMBER
		D 010	000044
		SCALE	REV
			01

THIS DRAWING AND SPECIFICATIONS HEREIN ARE THE PROPERTY OF DATA GENERAL CORPORATION AND SHALL NOT BE REPRODUCED OR COPIED OR USED IN WHOLE OR IN PART AS THE BASIS FOR MANUFACTURE OR SALE OF ITEMS WITHOUT WRITTEN PERMISSION

REVISIONS				
REV	DESCRIPTION	DRFTG	APP BY	DATE
01	ECO 2498 Rev 01	RAS		11/17/73
02	PER ECO 2498	RAS		6-4-74

D
C
B
A



ITEM	QTY	DESCRIPTION	PART NO
26	1	TOP COVER	002 000445
	8	SCREW, FH, 4-40 x 1/4	106 000128
25	1	STRAIN RELIEF SUPPORT	123 000053
	1	SEMS SCREW, 10-32 x 1/2	106 000108
24	1	FAN	115 000002
	2	SCREW, 6-32 x 1/2	106 000345
23	1	GROMMET	123 000015
	1	6 FT POWER CABLE	109 000149
22	1	FUSE HOLDER	113 000018
	1	FUSE, 5 AMP	113 000033
21	1	TRANSFORMER	104 000041
20	1	MAIN FRAME ASSY	005 001804
19	1	DIODE BRIDGE	101 000090
	1	SEMS SCREW, 6-32 x 5/8	106 000346
19a	1	DUAL TERMINAL ADAPTER	111 000273
18	1	PROTECTIVE COVER	002 002122
	2	KEPS NUT, 6-32	106 000256
17	1	RF LINE FILTER	168 000240
	2	KEPS NUT, 6-32	106 000256
16	1	CONSOLE, PCB, ASSY	005 001774
	1	IPL CONSOLE PCB	016 000097
	8	SEMS SCREW, 2-56 x 3/16	106 000051
15	1	CONSOLE, MECH. ASSY	005 001802
	4	KEPS NUT, 6-32	106 000256
14	1	MAIN CONSOLE ASSY	005 001801
13	2	CAPACITOR, 31,000µF, 40Vdc	103 000060
12	2	DIODE, 1N3899R, 20AMP	101 000065
11	1	CHOKE ASSY	005 001880
11a	1	CHOKE ASSY	005 001531
10	3	CAPACITOR, 20,000µF, 20Vdc	103 000061
9	1	POWER SUPPLY ASSY	005 001894
8	1	POWER FAIL MODULE	005 001895
7	1	LOCKSWITCH ASSY	005 000293
	4	SEMS SCREW, 4-40 x 1/4	106 000060
6	8	CONNECTOR	111 000073
	16	SCREW, BDGH, 4-40 x 3/8	106 000280
5	1	CONNECTOR FRAME	002 000383
4	4	CENTER GUIDE	002 000035
3	1	BACK PANEL/PWR SUP PCB ASSY	005 001893
	1	IPL BACK PANEL/PWR SUP PCB	016 000099
2	1	4-SLOT I/O BRACKET	002 000482
	2	HEX SPACER	002 000538
1	1	MAIN BACK PANEL/POWER SUPPLY ASSY	005 001892

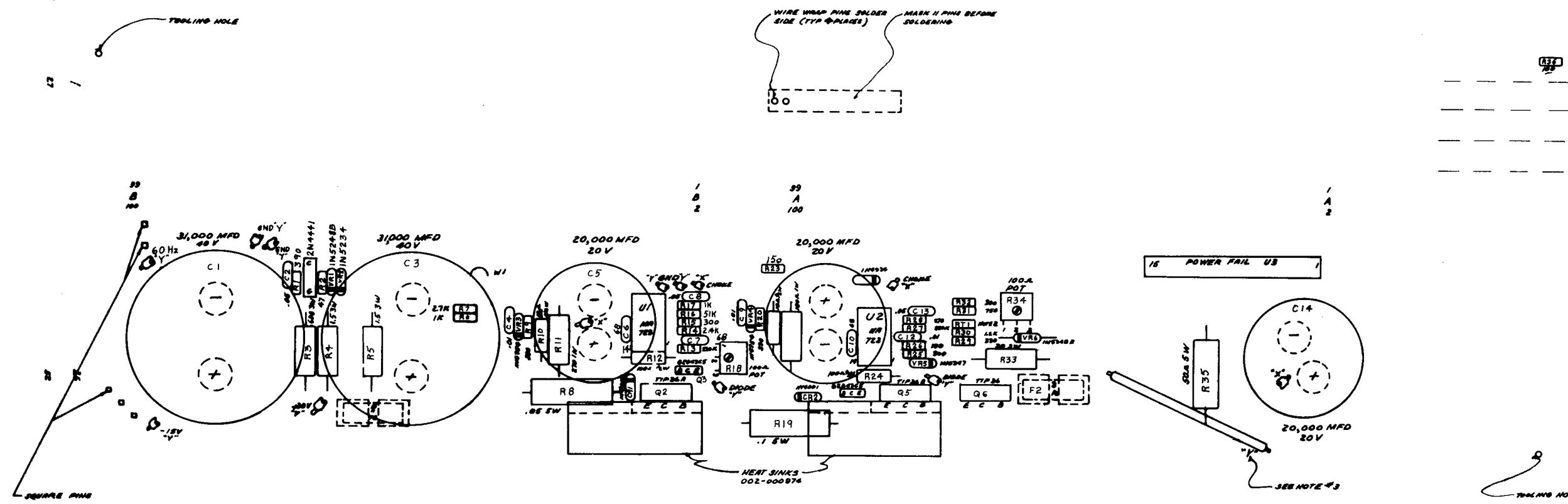
DG-00664

UNLESS OTHERWISE SPECIFIED— DIMENSIONS ARE IN INCHES TOLERANCES ON FRACTIONS DECIMALS ANGLES XXX = ± = PARTS TO BE FREE FROM BURRS BREAK ALL EDGES 010 UNLESS OTHERWISE SPECIFIED ALL MACH SURFACES	DRAWN <i>RAS</i>	7/11/73	DATA GENERAL CORPORATION SOUTHBORO MASSACHUSETTS 01772 TITLE MECH IPL NOVA 2/4
	CHECKED		
	ENGINEER		
	APPROVED		
MATERIAL	~		SIZE CODE D 016
FINISH	~		DRAWING NUMBER 000091
	SCALE	~	REV 02

THIS DRAWING AND SPECIFICATIONS, HEREIN, ARE THE PROPERTY OF DATA GENERAL CORPORATION AND SHALL NOT BE REPRODUCED OR COPIED OR USED IN WHOLE OR IN PART AS THE BASIS FOR MANUFACTURE OR SALE OF ITEMS WITHOUT WRITTEN PERMISSION.

003-000329-04
107-000329-01

REVISIONS			
REV	DESCRIPTION	DEFTG	APP BY DATE
01	ECO 2-2-78	WJH	4/2/78



- UNLESS OTHERWISE SPECIFIED
1. ALL RESISTORS ARE 1/4 W
 2. THERMISTOR SX @ 25°C
 3. * INDICATES #18 AWG (GULID) AND * INDICATES #18 AWG STRANDED

NOVA 2/4 BACK PANEL
003-000329-01

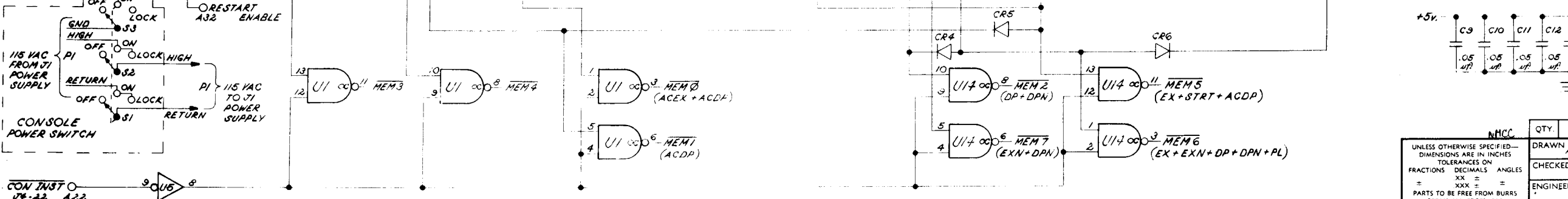
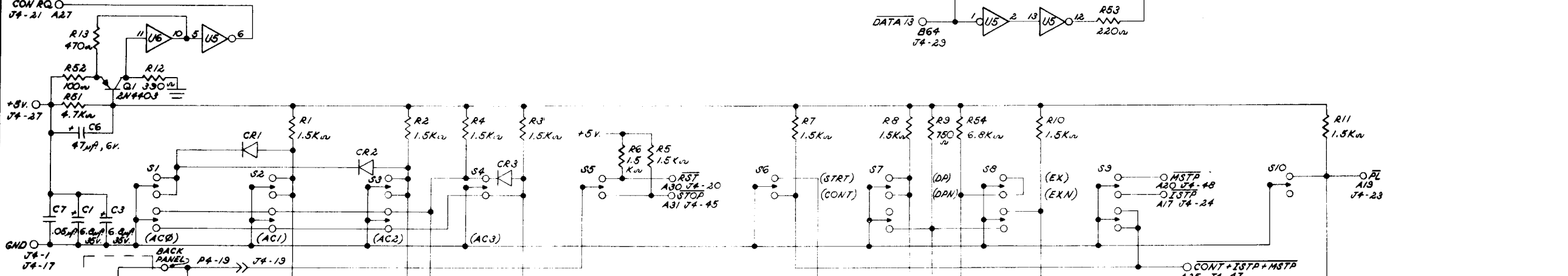
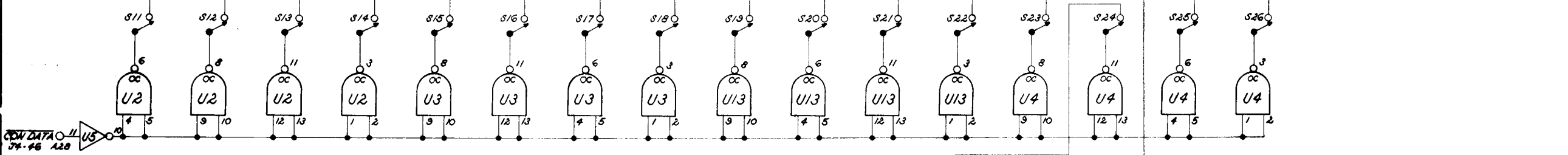
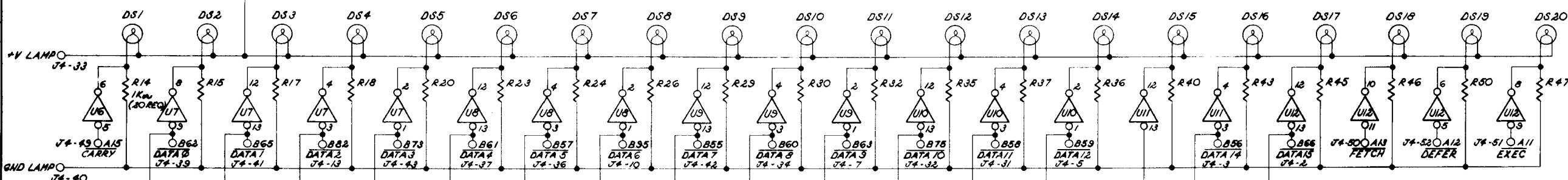
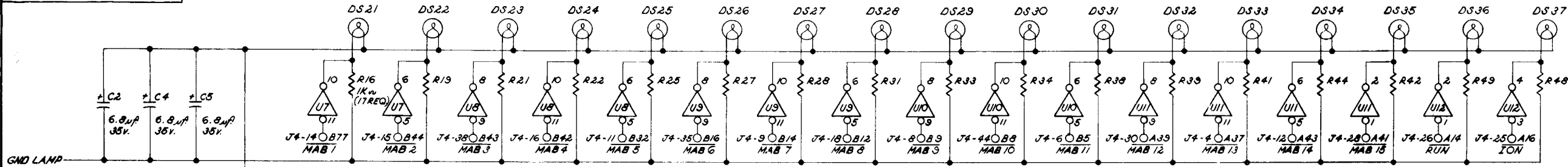
UNLESS OTHERWISE SPECIFIED—		QTY	DESCRIPTION	PART NO
DIMENSIONS ARE IN INCHES				
TOLERANCES ON				
FRACTIONS	DECIMALS			
XX	=			
XXX	=			
PARTS TO BE FREE FROM BURRS				
BREAK ALL EDGES D10				
UNLESS OTHERWISE SPECIFIED				
ALL MACH SURFACES				
MATERIAL				
FINISH				
DRAWN				
CHECKED				
ENGINEER				
APPROVED				
FIRST USED ON				
SCALE				
SIZE	CODE	DRAWING NUMBER	REV	
D	016	000099	01	

DATA GENERAL CORPORATION
SOUTHBORO, MASSACHUSETTS 01772

TITLE
**NOVA 2/4 BACK PANEL
&
POWER SUPPLY**

THIS DRAWING AND SPECIFICATIONS HEREIN ARE THE PROPERTY OF DATA GENERAL CORPORATION AND SHALL NOT BE REPRODUCED OR COPIED OR USED IN WHOLE OR IN PART AS THE BASIS FOR MANUFACTURE OR SALE OF ITEMS WITHOUT WRITTEN PERMISSION.

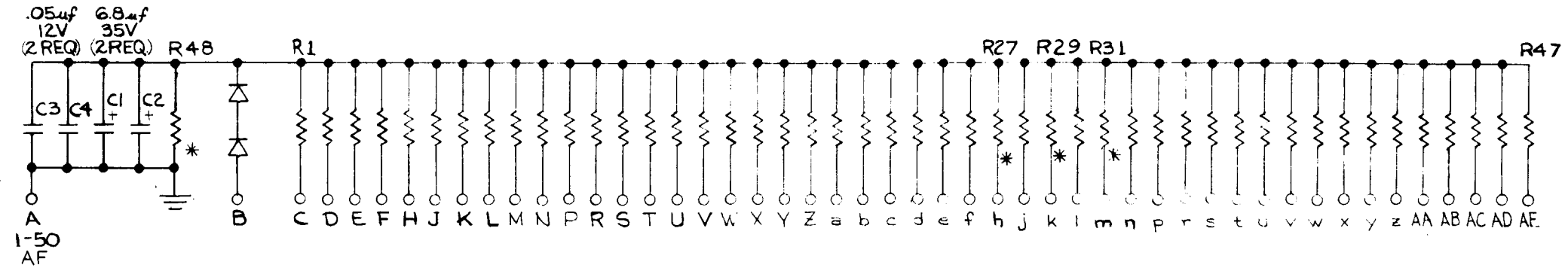
REVISIONS				
REV.	DESCRIPTION	DRFTG.	APP. BY	DATE
01	ECO # 1949	R.M.C.		
02	ECO # 2303	R.M.C.		



MCC		QTY.	DESCRIPTION	PART NO.
UNLESS OTHERWISE SPECIFIED— DIMENSIONS ARE IN INCHES TOLERANCES ON FRACTIONS DECIMALS ANGLES XX = XXX = PARTS TO BE FREE FROM BURRS BREAK ALL EDGES .010	DRAWN R.M.C., J.R.	4-13 73	DATA GENERAL CORPORATION SOUTHBORO, MASSACHUSETTS 01772	
UNLESS OTHERWISE SPECIFIED— ALL MACH. SURFACES	CHECKED	ENGINEER	TITLE UNIVERSAL CONSOLE	
	APPROVED	FIRST USED ON	SIZE CODE	DRAWING NUMBER
		107-000311	D	000448
		SCALE		REV. 02

THIS DRAWING AND SPECIFICATIONS, HEREIN, ARE THE PROPERTY OF DATA GENERAL CORPORATION AND SHALL NOT BE REPRODUCED OR COPIED OR USED IN WHOLE OR IN PART AS THE BASIS FOR MANUFACTURE OR SALE OF ITEMS WITHOUT WRITTEN PERMISSION

REVISIONS				
REV	DESCRIPTION	DRFTG	APP BY	DATE
01	ECO # 1949	R.W.C.		8-27-73
02	ECO # 2751	D.L.F.	D.L.F.	8-1-74



ALL DIODES IN4001
 ALL RESISTORS 180Ω ¼W. 5% UNLESS OTHERWISE NOTED
 * 100Ω ¼W. 5% (R27,R29,R31,R48)

BRUNING 40-526 20411

QTY	DESCRIPTION	PART NO
UNLESS OTHERWISE SPECIFIED USE D.G.C SPECIFICATION 108-000028 FOR TOLERANCES AND WORKMANSHIP REQUIREMENTS		
DRAWN Dennis F	8-1-74	DATA GENERAL CORPORATION SOUTHBORO, MASSACHUSETTS 01772 TITLE NOVA 2 CABLE TERMINATOR
CHECKED R.F.J.	74	
ENGINEER D.L.F.	5-27-73	
APPROVED		
MATERIAL	FIRST USED ON 003000306 207000214	
FINISH	SCALE	SIZE CODE C 001
		DRAWING NUMBER 000452
		REV 02

THIS DRAWING AND SPECIFICATIONS HEREIN ARE THE PROPERTY OF DATA GENERAL CORPORATION AND SHALL NOT BE REPRODUCED OR COPIED OR USED IN WHOLE OR IN PART AS THE BASIS FOR MANUFACTURE OR SALE OF ITEMS WITHOUT WRITTEN PERMISSION.

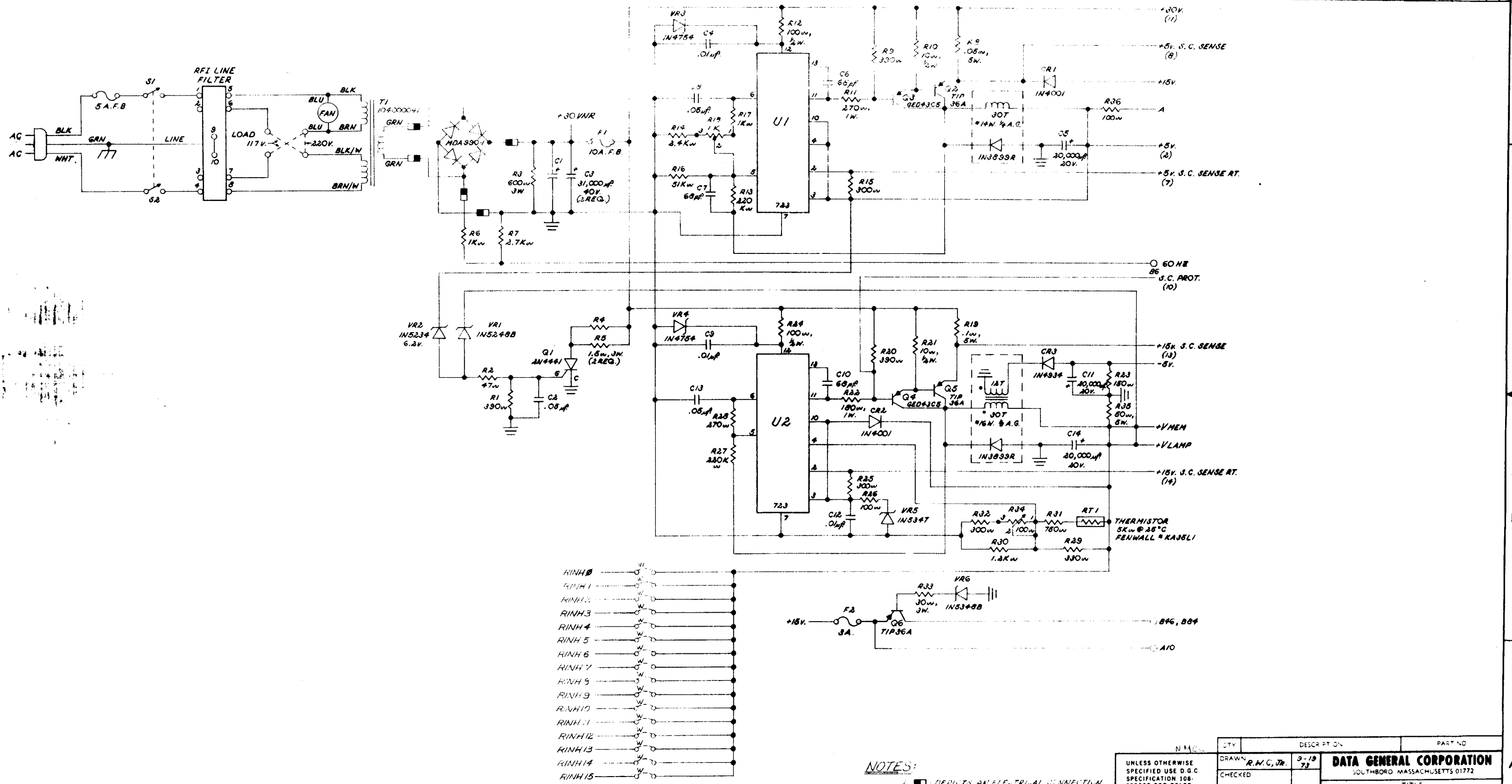
REVISIONS				
REV	DESCRIPTION	DRFTG.	APP. BY	DATE

11. TERMINATE ONE END OF 109000074 WITH 111000188 AND 111000059
4 PLACES. CUT CABLE TO 24 1/2 INCHES.
12. CUT INSIDE WHITE AND INSIDE RED TO 21 INCHES.
13. SPLICE OUTSIDE WHITE USING 111000056 TO WHITE LEG OF LINE
CORD (LC-1).
14. SOLDER OUTSIDE RED WIRE TO SIDE TERMINAL OF FUSEHOLDER (F1-2).
15. TERMINATE INSIDE WHITE WIRE WITH 111000034 TERMINAL - & SHRINK TUBING
AND CONNECT TO LFC1-2.
16. TERMINATE INSIDE RED WIRE WITH 111000034 TERMINAL - & SHRINK TUBING AND
CONNECT TO LFC2-2.
17. CONNECT OUTSIDE WHITE TO S1-1.
18. CONNECT INSIDE WHITE TO S1-2.
19. CONNECT OUTSIDE RED TO S2-1.
20. CONNECT INSIDE RED TO S2-2.

QTY.	DESCRIPTION	PART NO.
UNLESS OTHERWISE SPECIFIED— DIMENSIONS ARE IN INCHES TOLERANCES ON		DATA GENERAL CORPORATION SOUTH BORD, MASSACHUSETTS 01772 TITLE PC CHASSIS WIRING
FRACTIONS	DECIMALS	
ANGLES		
PARTS TO BE FREE FROM BURRS BREAK ALL EDGES 010		
UNLESS OTHERWISE SPECIFIED ALL MACH SURFACES		DRAWING NUMBER
MATERIAL	FIRST USED ON	
FINISH	SCALE	REV.
		SIZE CODE
		008 002 491
		01

THIS DRAWING AND SPECIFICATIONS HEREIN ARE THE PROPERTY OF DATA GENERAL CORPORATION AND SHALL NOT BE REPRODUCED OR COPIED OR USED IN WHOLE OR IN PART AS THE BASIS FOR MANUFACTURE OR SALE OF ITEMS WITHOUT WRITTEN PERMISSION.

REVISIONS				
REV	DESCRIPTION	DRFTG	APP BY	DATE
01	ECO # 2278	R.W.C.		12-78
02	ECO # 2451	R.W.C.		1-79
03	ECO # 2438	R.W.C.		1-79
04	ECO # 2724	D.L.F.		1-79
05	ECO # 2851	R.A.S.H.		1-79



NOTES:
 1. ■ DEPICTS AN ELECTRICAL CONNECTION BLACK END (MALE CONTACT) OTHER END (FEMALE CONTACT)
 2. FOR 220V RMS OPERATION USE 3 AMP LINE FUSE

MATERIAL		DESCR PT ON		PART NO	
FINISH		DRAWN	R.W.C., JR.	3-19	78
		CHECKED			
		ENGINEER			
		APPROVED			
		FIRST USED ON			
		SCALE			

UNLESS OTHERWISE SPECIFIED USE D.G.C. SPECIFICATION 108-000028 FOR TOLERANCES AND WORKMANSHIP REQUIREMENTS			DATA GENERAL CORPORATION SOUTHBORO, MASSACHUSETTS 01772		
TITLE			PART NO		
NOVA 2/4 BACK PANEL POWER SUPPLY					
SIZE	CODE	DRAWING NUMBER	REV		
D	001	000560	05		

DRAWING 40-538 20411

A

A

D

D

C

C

B

B

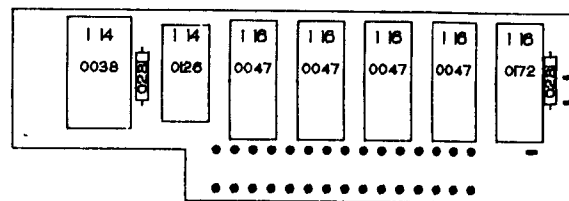
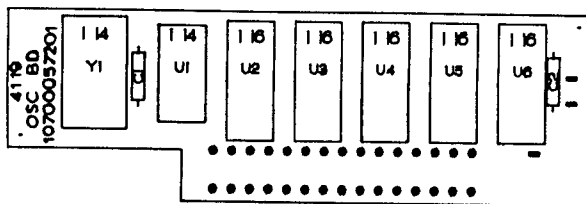
A

A

ALL DRAWINGS AND SPECIFICATIONS ARE THE PROPERTY OF DATA GENERAL CORPORATION. NO REPRODUCTION OR COPIES OF THIS DRAWING OR SPECIFICATION ARE TO BE MADE WITHOUT THE WRITTEN PERMISSION OF DATA GENERAL CORPORATION.

003000572-01
107000572-01

REVISIONS				
REV.	DESCRIPTION	DRFTG	APP BY	DATE
00	RLSD PER ECO-3852	—	—	11/17/75



	QTY	DESCRIPTION	PART NO
UNLESS OTHERWISE SPECIFIED USE D.G.C. SPECIFICATION 108-000028 FOR TOLERANCES AND WORKMANSHIP REQUIREMENTS	DRAWN	ADS	
	CHECKED	R. Johnson	11-6-75
	ENGINEER		
	APPROVED	[Signature]	11/6
MATERIAL			
FINISH			
		FIRST USED ON	4/19
		005006462	
		SCALE	
DATA GENERAL CORPORATION SOUTHBORO, MASSACHUSETTS 01772			
TITLE IPL OSCILLATOR BOARD			
SIZE	CODE	DRAWING NUMBER	REV
B		016000252	00

Charrette:

A

B

PIN #	IR1	PL	IR7	IR5	IR0	CONDATA	2REN	2WRADR	IWEN	IWARL	2WEN	F34	OCTAL CONTENTS	
	14	13	12	11	10	1	2	3	4	5	6	7		9
OCTAL ADDRESS	A ₄	A ₃	A ₂	A ₁	A ₀	Y ₀	Y ₁	Y ₂	Y ₃	Y ₄	Y ₅	Y ₆	Y ₇	
00	0	0	0	0	0	0	0	0	0	1	0	1	0	12
01	0	0	0	0	1	0	0	0	0	1	0	1	0	12
02	0	0	0	1	0	0	0	0	0	1	0	1	0	12
03	0	0	0	1	1	0	0	0	0	1	0	1	0	12
04	0	0	1	0	0	0	1	1	0	0	1	1	0	146
05	0	0	1	0	1	0	0	0	0	1	0	1	0	12
06	0	0	1	1	0	0	0	0	0	1	0	1	0	12
07	0	0	1	1	1	0	0	0	0	1	0	1	0	12
10	0	1	0	0	0	0	0	0	0	1	0	1	0	12
11	0	1	0	0	1	0	0	0	0	1	0	1	0	12
12	0	1	0	1	0	0	0	0	0	1	0	1	0	12
13	0	1	0	1	1	0	0	0	0	1	0	1	0	12
14	0	1	1	0	0	0	0	0	0	1	0	1	0	12
15	0	1	1	0	1	0	0	0	0	1	0	1	0	12
16	0	1	1	1	0	0	0	0	0	1	0	1	0	12
17	0	1	1	1	1	0	0	0	0	1	0	1	0	12
20	1	0	0	0	0	0	0	0	0	1	0	1	0	12
21	1	0	0	0	1	0	0	0	0	1	0	1	0	12
22	1	0	0	1	0	0	0	0	0	1	0	1	0	12
23	1	0	0	1	1	1	0	0	0	1	1	0	1	215
24	1	0	1	0	0	0	0	0	0	1	0	1	0	12
25	1	0	1	0	1	0	1	1	0	0	0	1	1	143
26	1	0	1	1	0	0	0	0	0	1	0	1	0	12
27	1	0	1	1	1	0	0	0	0	1	0	1	0	12
30	1	1	0	0	0	0	0	0	0	1	0	1	0	12
31	1	1	0	0	1	0	0	0	0	1	0	1	0	12
32	1	1	0	1	0	0	0	0	0	1	0	1	0	12
33	1	1	0	1	1	0	0	0	0	1	0	1	0	12
34	1	1	1	0	0	0	0	0	0	1	0	1	0	12
35	1	1	1	0	1	0	0	0	0	1	0	1	0	12
36	1	1	1	1	0	0	0	0	0	1	0	1	0	12
37	1	1	1	1	1	1	0	0	0	1	1	0	1	215

AC DEP.

EXN + DPN

EX + START

PL

- NOTES:
- 1) With chip disabled ($C_s=1$), outputs are high level.
 - 2) The map is specified with pos. logic output (i.e. 1=High)
 - 3) Least significant bit of contents is Y₇.
 - 4) Stamp DGC part no. or color code per EIA standard color
 - 5) This part is made from 100000140

DRAWN		DATA GENERAL CORPORATION		
CHECKED		TITLE		
ENGINEER	<i>R.S. [Signature]</i>	CONSOLE ROM Ø		
APPROVED		32 X 8 READ ONLY		
FIRST USED ON		MEMORY MAP		
N2		SIZE	CODE	DRAWING NUMBER
SHEET 1 OF 1		A		100000269
				REV 00

REVISIONS			
REV	DESCRIPTION	DRAFTG	APP BY DATE

D

C

B

A

4

3

2

1

PIN #	IRG	(C+I+M)	RESTART	PL	IRG+INIT	CONDATY	ZREN	INIT	SEIFEN	PL ROM	WRITE	XMBLD	F34	OCTAL CONTENTS
	14	13	12	11	10	1	2	3	4	5	6	7	9	
OCTAL ADDRESS	A ₄	A ₃	A ₂	A ₁	A ₀	Y ₀	Y ₁	Y ₂	Y ₃	Y ₄	Y ₅	Y ₆	Y ₇	
00	0	0	0	0	0	1	1	0	1	1	1	1	1	337
01	0	0	0	0	1	1	1	0	1	1	1	1	1	337
02	0	0	0	1	0	1	1	0	1	1	1	1	1	337
03	0	0	0	1	1	1	1	0	1	1	1	1	1	337
04	0	0	1	0	0	1	1	0	0	1	1	1	1	317
05	0	0	1	0	1	1	1	0	0	1	1	1	1	317
06	0	0	1	1	0	1	1	0	0	1	1	1	1	317
07	0	0	1	1	1	1	1	0	0	1	1	1	1	317
10	0	1	0	0	0	1	1	1	1	1	1	1	1	317
11	0	1	0	0	1	0	1	1	1	1	1	1	1	377
12	0	1	0	1	0	1	1	0	0	0	0	1	1	173
13	0	1	0	1	1	1	1	0	0	0	0	1	1	303
14	0	1	1	0	0	1	1	0	0	1	1	1	1	313
15	0	1	1	0	1	1	1	0	0	1	1	1	1	317
16	0	1	1	1	0	1	1	0	0	1	1	1	1	317
17	0	1	1	1	1	1	1	0	0	1	1	1	1	317
20	1	0	0	0	0	1	1	0	0	1	1	1	1	317
21	1	0	0	0	1	1	1	0	1	1	1	1	1	337
22	1	0	0	1	0	1	1	0	1	1	1	1	1	337
23	1	0	0	1	1	1	1	0	1	1	1	1	1	337
24	1	0	1	0	0	1	1	0	0	1	1	1	1	337
25	1	0	1	0	1	1	1	0	0	1	1	1	1	317
26	1	0	1	1	0	1	1	0	0	1	1	1	1	317
27	1	0	1	1	1	1	1	0	0	1	1	1	1	317
30	1	1	0	0	0	1	1	0	0	1	1	1	1	317
31	1	1	0	0	1	1	0	1	1	1	1	0	0	274
32	1	1	0	1	0									
33	1	1	0	1	1									
34	1	1	1	0	0	1	1	0	0	1	1	1	1	317
35	1	1	1	0	1	1	1	0	0	1	1	1	1	317
36	1	1	1	1	0	1	1	0	0	1	1	1	1	317
37	1	1	1	1	1	1	1	0	0	1	1	1	1	317

C+1+M
C+1+M
C+1+M
C+1+M
C+1+M
RESTART
RESTART
RESTART
RESTART
EX, EXN
BP, DPN
PL
Null
RESTART
RESTART
RESTART
RESTART
RESTART
C+1+M
C+1+M
C+1+M
C+1+M
RESTART
RESTART
RESTART
RESTART
RESTART
START
ACEX,ACDP
Null
Null
RESTART
RESTART
RESTART
RESTART
CONSOLE ROM 1

- NOTES: 1) With chip disabled (C_s=1), outputs are high level.
2) The map is specified with pos. logic output (i.e. 1=High)
3) Least significant bit of contents is Y₇.
4) Stamp DGC part no. or color code per EIA standard color.
5) This part is made from 100000140.

DRAWN		DATA GENERAL CORPORATION	
CHECKED		TITLE	
APPROVED		CONSOLE ROM 1	
FIRST USED ON		32 X 8 READ ONLY	
N2		MEMORY MAP	
SHEET 1	1	REV A	DRAWING NUMBER 100000270
			REV 00

PIN #	IR1	IR2	IR3	IR4	PTSØ	JSR	2REN	2WRAD	2WRAD	IWEN	2WEN	SET F	PTR H	OCTAL ADDRESS	OCTAL CONTENTS													
	14	13	12	11	10	1	2	3	4	5	6	7	9	A ₄	A ₃	A ₂	A ₁	A ₀	Y ₀	Y ₁	Y ₂	Y ₃	Y ₄	Y ₅	Y ₆	Y ₇		
00	0	0	0	0	0																							
01	0	0	0	0	1																							
02	0	0	0	1	0																							
03	0	0	0	1	1																							
04	0	0	1	0	0																							
05	0	0	1	0	1																							
06	0	0	1	1	0																							
07	0	0	1	1	1																							
10	0	1	0	0	0																							
11	0	1	0	0	1	1	0	1	1	1	1	0	0															274
12	0	1	0	1	0																							
13	0	1	0	1	1	1	0	1	1	1	1	0	0															274
14	0	1	1	0	0																							
15	0	1	1	0	1	1	0	1	1	1	1	0	0															274
16	0	1	1	1	0																							
17	0	1	1	1	1	1	0	1	1	1	1	0	0															274
20	1	0	0	0	0																							
21	1	0	0	0	1	1	1	1	1	0	1	0	0															364
22	1	0	0	1	0																							
23	1	0	0	1	1	1	1	1	1	0	1	0	0															364
24	1	0	1	0	0																							
25	1	0	1	0	1	1	1	1	1	0	1	0	0															364
26	1	0	1	1	0																							
27	1	0	1	1	1	1	1	1	1	0	1	0	0															364
30	1	1	0	0	0	1	0	1	0	1	1	0	1															255
31	1	1	0	0	1	1	1	1	0	1	0	1	1															353
32	1	1	0	1	0	1	0	1	0	1	1	0	1															255
33	1	1	0	1	1	1	1	1	0	1	0	1	1															353
34	1	1	1	0	0																							0
35	1	1	1	0	1	0	0	0	1	0	0	0	0															20
36	1	1	1	1	0																							0
37	1	1	1	1	1	1	1	0	1	1	0	0	0															330

STA

LDA

DSZ.TS1
DSZ.TSØ
ISZ.TS1
ISZ.TSØ

JSR

JMP

- NOTES:
- 1) With chip disabled (C_s=1), outputs are high level.
 - 2) The map is specified with pos. logic output (i.e. 1=High)
 - 3) Least significant bit of contents is Y₇.
 - 4) Stamp DGC part no. or color code per EIA standard color.
 - 5) This part is made from 100000140.

MRI ROM Ø

DRAWN		DATA GENERAL CORPORATION	
CHECKED		TITLE	
APPROVED	<i>W. Sorenson</i>	MRI ROM Ø	
FIRST USED ON	N2	32 X 8 READ ONLY	
SHEET	1 OF 1	DRAWING NUMBER	100000271
		REV	00

M
D
C
A
B

PIN #	IR1	IR2	IR3	IR4	PTS \emptyset	RW	ALUCAPRY	SET SKIP	WRITE	INCA	F34	DECA	OCTAL CONTENTS	
	14	13	12	11	10	1	2	3	4	5	6	7		9
OCTAL ADDRESS	A ₄	A ₃	A ₂	A ₁	A ₀	Y ₀	Y ₁	Y ₂	Y ₃	Y ₄	Y ₅	Y ₆	Y ₇	
00	0	0	0	0	0									
01	0	0	0	0	1									
02	0	0	0	1	0									
03	0	0	0	1	1									
04	0	0	1	0	0									
05	0	0	1	0	1									
06	0	0	1	1	0									
07	0	0	1	1	1									
10	0	1	0	0	0									
11	0	1	0	0	1	1	1		1	0	1	0	1	325
12	0	1	0	1	0									
13	0	1	0	1	1	1	1		1	0	1	0	1	325
14	0	1	1	0	0									
15	0	1	1	0	1	1	1		1	0	1	0	1	325
16	0	1	1	1	0									
17	0	1	1	1	1	1	1		1	0	1	0	1	325
20	1	0	0	0	0									
21	1	0	0	0	1	1	1		1	1	1	0	1	335
22	1	0	0	1	0									
23	1	0	0	1	1	1	1		1	1	1	0	1	335
24	1	0	1	0	0									
25	1	0	1	0	1	1	1		1	1	1	0	1	335
26	1	0	1	1	0									
27	1	0	1	1	1	1	1		1	1	1	0	1	335
30	1	1	0	0	0	1	0		1	0	1	1	1	227
31	1	1	0	0	1	0	1		0	1	1	1	0	116
32	1	1	0	1	0	1	0		1	0	1	1	1	227
33	1	1	0	1	1	0	1		0	1	0	1	1	113
34	1	1	1	0	0									
35	1	1	1	0	1	1	1		1	1	1	1	1	337
36	1	1	1	1	0									
37	1	1	1	1	1	1	1		1	1	1	1	1	337

STA
LDA
DSZ. TS1
DSZ. TS \emptyset
LSZ. TS1
LSZ. TS \emptyset
JSR
JMP

- NOTES: 1) With chip disabled (C_s=1), outputs are high level.
 2) The map is specified with pos. logic output (i.e. 1=High)
 3) Least significant bit of contents is Y₇.
 4) Stamp DGC part no. or color code per EIA standard color.
 5) This part is made from 100000140.

MRI ROM 1

DRAWN		DATA GENERAL CORPORATION	
CHECKED		TITLE	
ENGINEER	<i>[Signature]</i>	MRI ROM 1	
APPROVED		32 X 8 READ ONLY	
FIRST USED ON	N2	MEMORY MAP	
SHEET 1	1	SIZE A	CODE
		DRAWING NUMBER 100000272	
		REV	00

REVISIONS			
REV	DESCRIPTION	DFTG	APP BY DATE

PIN #	PI	FEICH	AUTO	SKIP	PTS \emptyset	CLEAR	LOAD	IWEN	ZWEN	ZWRAD	ZWRAD	ZREN	PTG	
OCTAL ADDRESS	A ₄	A ₃	A ₂	A ₁	A ₀	Y ₀	Y ₁	Y ₂	Y ₃	Y ₄	Y ₅	Y ₆	Y ₇	OCTAL CONTENTS
00	0	0	0	0	0									
01	0	0	0	0	1									
02	0	0	0	1	0									
03	0	0	0	1	1									
04	0	0	1	0	0	1	0	1	0	1	1	1	1	257
05	0	0	1	0	1	1	1	1	1	1	0	0	1	371
06	0	0	1	1	0									
07	0	0	1	1	1	0	1	1	0	1	0	0	0	150
10	0	1	0	0	0									
11	0	1	0	0	1									
12	0	1	0	1	0									
13	0	1	0	1	1									
14	0	1	1	0	0									
15	0	1	1	0	1									
16	0	1	1	1	0									
17	0	1	1	1	1									
20	1	0	0	0	0									
21	1	0	0	0	1									
22	1	0	0	1	0									
23	1	0	0	1	1									
24	1	0	1	0	0									
25	1	0	1	0	1	1	0	0	0	1	0	0	1	211
26	1	0	1	1	0									
27	1	0	1	1	1	0	1	1	0	1	0	0	0	150
30	1	1	0	0	0	1	1	1	1	1	1	0	1	375
31	1	1	0	0	1	1	1	1	0	1	1	0	1	355
32	1	1	0	1	0	1	1	1	1	1	1	0	1	375
33	1	1	0	1	1	1	1	1	0	1	1	0	1	355
34	1	1	1	0	0	1	1	1	0	1	1	1	1	357
35	1	1	1	0	1	1	1	0	0	0	1	1	0	306
36	1	1	1	1	0									
37	1	1	1	1	1	1	1	1	1	1	1	1	1	377

PI PTS1
 PI PTS \emptyset
 SKIP. PI. PTS \emptyset
 (Do skip first)

FEICH
 FEICH.SKIP
 AUTO INC PTS 1
 AUTO INC PTS \emptyset
 AUTO DEC PTS 1
 AUTO DEC PTS \emptyset
 EFA
 DEFER

Null
 SPEC ROM \emptyset

- NOTES: 1) With chip disabled (C_S=1), outputs are high level.
 2) The map is specified with pos. logic output (i.e. 1=High)
 3) Least significant bit of contents is Y₇.
 4) Stamp DGC part no. or color code per EIA standard color.
 5) This part is made from 10000140.

DRAWN		DATA GENERAL CORPORATION	
CHECKED		TITLE	
ENGINEER		SPEC ROM \emptyset	
APPROVED		32 X 8 READ ONLY	
FIRST USED ON		MEMORY MAP	
N2		SIZE	CODE
SHEET 1 OF 1		DRAWING NUMBER	
		A	100000273
			REV
			00

PIN #	PI	FEI	AUTO	SKIP & AUTO	PTS	AUTO	WRITE	INCA	CLEAR	ZERC	DCHIN	DECA	OCTAL CONTENTS	
	14	13	12	11	10	1	2	3	4	5	6	7		9
OCTAL ADDRESS	A ₄	A ₃	A ₂	A ₁	A ₀	Y ₀	Y ₁	Y ₂	Y ₃	Y ₄	Y ₅	Y ₆	Y ₇	
00	0	0	0	0	0									
01	0	0	0	0	1									
02	0	0	0	1	0									
03	0	0	0	1	1									
04	0	0	1	0	0	1	1	0		1	1	1	1	317
05	0	0	1	0	1	1	0	1		1	0	1	1	253
06	0	0	1	1	0									
07	0	0	1	1	1	1	1	0		1	1	1	1	317
10	0	1	0	0	0									
11	0	1	0	0	1									
12	0	1	0	1	0									
13	0	1	0	1	1									
14	0	1	1	0	0									
15	0	1	1	0	1									
16	0	1	1	1	0									
17	0	1	1	1	1									
20	1	0	0	0	0									
21	1	0	0	0	1									
22	1	0	0	1	0									
23	1	0	0	1	1									
24	1	0	1	0	0									
25	1	0	1	0	1	1	1	0		1	1	1	1	317
26	1	0	1	1	0									
27	1	0	1	1	1	1	1	0		1	1	1	1	317
30	1	1	0	0	0	1	0	1		0	1	1	1	247
31	1	1	0	0	1	1	1	0		1	1	0	1	315
32	1	1	0	1	0	1	0	1		0	1	1	1	247
33	1	1	0	1	1	1	1	1		1	1	0	0	354
34	1	1	1	0	0	1	1	1		1	1	1	1	357
35	1	1	1	0	1	0	1	1		0	1	1	1	147
36	1	1	1	1	0									
37	1	1	1	1	1	1	1	1	1	1	1	1	1	377

PI PTS 1
 PI PTS 0
 PI.SKIP.F.PTS 0
 F.PTS 0
 F.SKIP. PTS 0
 AUTO-PTS 1
 AUTO INC PTS 0
 AUTO DEC PTS 1
 AUTO DEC PTG 0
 EFA
 DEFER. AUTO
 Null

- NOTES: 1) With chip disabled (C_S=1), outputs are high level.
 2) The map is specified with pos. logic output (i.e. 1=High)
 3) Least significant bit of contents is Y₇.
 4) Stamp DGC part no. or color code per EIA standard color.
 5) This part is made from 100000140.

SPEC ROM 1

DRAWN		DATA GENERAL CORPORATION	
CHECKED		TITLE	
APPROVED	<i>R. Johnson</i>	SPEC ROM 1	
FIRST USED ON	N2	32 X 8 READ ONLY	
SHEET 1 OF 1	A	DRAWING NUMBER	REV
		100000274	00

PIN #	14	13	12	11	10	1	2	3	4	5	6	7	9	OCTAL CONTENTS
OCTAL ADDRESS	A ₄	A ₃	A ₂	A ₁	A ₀	Y ₀	Y ₁	Y ₂	Y ₃	Y ₄	Y ₅	Y ₆	Y ₇	
00	0	0	0	0	0	1	1	1	1	1	1	1	1	377
01	0	0	0	0	1	0	0	1	1	1	1	1	1	077
02	0	0	0	1	0	1	0	1	0	1	0	1	0	252
03	0	0	0	1	1	1	1	1	1	1	1	1	1	377
04	0	0	1	0	0	1	0	0	0	1	1	1	0	216
05	0	0	1	0	1	0	1	1	1	1	0	0	1	171
06	0	0	1	1	0	1	1	1	1	1	1	1	1	377
07	0	0	1	1	1	0	0	0	1	1	0	0	1	031
10	0	1	0	0	0	0	1	0	0	1	0	1	0	112
11	0	1	0	0	1	1	1	1	1	1	1	1	1	377
12	0	1	0	1	0	1	1	1	1	1	1	1	1	377
13	0	1	0	1	1	1	1	1	1	0	1	1	1	367
14	0	1	1	0	0	1	1	0	0	1	1	0	1	315
15	0	1	1	0	1	1	1	1	0	1	1	1	1	357
16	0	1	1	1	0	1	1	1	1	1	1	1	1	377
17	0	1	1	1	1	1	0	1	1	1	1	1	0	276
20	1	0	0	0	0	1	1	1	0	1	1	1	1	357
21	1	0	0	0	1	1	1	1	1	1	1	1	1	377
22	1	0	0	1	0	1	0	1	1	1	1	1	0	276
23	1	0	0	1	1	1	1	1	1	0	0	0	1	371
24	1	0	1	0	0	1	1	1	1	0	1	0	1	365
25	1	0	1	0	1	1	1	1	1	0	0	1	1	363
26	1	0	1	1	0	1	1	1	1	1	1	1	1	377
27	1	0	1	1	1	0	0	1	0	1	0	1	0	052
30	1	1	0	0	0	1	1	1	1	0	1	1	1	367
31	1	1	0	0	1	1	1	1	1	0	1	1	1	367
32	1	1	0	1	0	1	1	1	1	0	1	1	1	367
33	1	1	0	1	1	1	1	1	0	1	0	1	0	352
34	1	1	1	0	0	0	0	0	0	1	1	1	0	016
35	1	1	1	0	1	1	1	1	0	1	0	1	1	353
36	1	1	1	1	0	0	1	1	1	1	0	0	1	171
37	1	1	1	1	1	0	1	0	1	1	0	0	1	131

- NOTES:
- 1) With chip disabled ($C_S=1$), outputs are high level.
 - 2) The map is specified with pos. logic output (i.e. 1=High)
 - 3) Least significant bit of contents is Y_7 .
 - 4) Stamp DGC part no. or color code per EIA standard color.
 - 5) This part is made from 100000140.

DRAWN		DATA GENERAL CORPORATION	
CHECKED		TITLE	
APPROVED	<i>A. Jensen</i>	PL ROM Ø 32 X 8 READ ONLY MEMORY MAP	
FIRST USED ON	N2	SIZE	CODE
SHEET 1 of 1		A	DRAWING NUMBER 100000275
			REV 00

PIN #	14	13	12	11	10	1	2	3	4	5	6	7	9	OCTAL CONTENTS
OCTAL ADDRESS	A ₄	A ₃	A ₂	A ₁	A ₀	Y ₀	Y ₁	Y ₂	Y ₃	Y ₄	Y ₅	Y ₆	Y ₇	
00	0	0	0	0	0	1	1	1	1	1	1	1	1	377
01	0	0	0	0	1	1	1	1	1	1	1	1	1	377
02	0	0	0	1	0	1	1	1	1	1	1	0	0	374
03	0	0	0	1	1	1	1	1	0	0	1	1	1	347
04	0	0	1	0	0	0	0	1	1	0	0	0	0	060
05	0	0	1	0	1	0	0	0	0	0	0	1	1	003
06	0	0	1	1	0	1	1	1	0	0	1	1	1	347
07	0	0	1	1	1	0	0	0	0	0	0	0	1	001
10	0	1	0	0	0	1	1	1	1	0	1	1	1	367
11	0	1	0	0	1	0	0	0	0	0	0	1	1	003
12	0	1	0	1	0	1	0	1	1	0	1	1	1	267
13	0	1	0	1	1	1	1	1	1	1	1	0	1	375
14	0	1	1	0	0	1	0	0	1	0	1	1	1	227
15	0	1	1	0	1	0	0	0	1	0	1	1	1	027
16	0	1	1	1	0	0	0	0	0	1	1	1	1	017
17	0	1	1	1	1	0	1	0	1	0	0	1	1	123
20	1	0	0	0	0	1	1	1	0	0	1	1	1	347
21	1	0	0	0	1	0	0	0	0	0	0	0	0	0
22	1	0	0	1	0	1	0	1	1	1	1	0	1	275
23	1	0	0	1	1	0	0	0	0	0	0	1	1	003
24	1	0	1	0	0	0	0	0	0	0	0	0	0	0
25	1	0	1	0	1	1	0	0	0	1	1	1	1	217
26	1	0	1	1	0	0	1	0	1	1	1	1	1	137
27	1	0	1	1	1	1	1	0	1	1	1	1	1	337
30	1	1	0	0	0	1	0	1	0	0	1	1	1	247
31	1	1	0	0	1	1	1	1	0	0	1	1	1	347
32	1	1	0	1	0	1	1	0	0	1	1	1	1	317
33	1	1	0	1	1	1	1	1	1	1	1	1	1	377
34	1	1	1	0	0	1	1	1	1	1	1	1	1	377
35	1	1	1	0	1	1	0	0	1	0	1	1	1	227
36	1	1	1	1	0	0	0	0	0	0	0	1	1	003
37	1	1	1	1	1	0	0	0	0	0	0	1	0	002

- NOTES: 1) With chip disabled (C_S=1), outputs are high level.
 2) The map is specified with pos. logic output (i.e. 1=High)
 3) Least significant bit of contents is Y₇.
 4) Stamp DGC part no. or color code per EIA standard color.
 5) This part is made from 100000140.

DRAWN		DATA GENERAL CORPORATION	
CHECKED		TITLE	
APPROVED		PL ROM 1	
FIRST USED ON		32 X 8 READ ONLY	
N2		MEMORY MAP	
SIZE	CODE	DRAWING NUMBER	REV
SHEET 1 OF 1	A	100000276	

L RESS	CAL	EFA	IR6	IR7	DECA	ALU MD	ALUS0	ALUS1	ALUS2	ALUS3	ALU	DISPXT	OCTAL CONTENTS	
	14 A4	13 A3	12 A2	11 A1	10 A0	1 Y0	2 Y1	3 Y2	4 Y3	5 Y4	6 Y5	7 Y6	9 Y7	
00	0	0	0	0	0									
01	0	0	0	0	1									
02	0	0	0	1	0									
03	0	0	0	1	1									
04	0	0	1	0	0									
05	0	0	1	0	1									
06	0	0	1	1	0									
07	0	0	1	1	1									
10	0	1	0	0	0									
11	0	1	0	0	1	0	1	0	0	1	1	0	1	115
12	0	1	0	1	0									
13	0	1	0	1	1	0	1	0	0	1	0	0	1	111
14	0	1	1	0	0									
15	0	1	1	0	1	0	0	1	1	0	1	0	1	65
16	0	1	1	1	0									
17	0	1	1	1	1	0	0	1	1	0	0	0	1	61
20	1	0	0	0	0									
21	1	0	0	0	1	0	1	0	0	1	0	0	1	111
22	1	0	0	1	0									
23	1	0	0	1	1	0	1	0	0	1	0	0	1	111
24	1	0	1	0	0									
25	1	0	1	0	1	0	1	0	0	1	0	0	1	111
26	1	0	1	1	0									
27	1	0	1	1	1	0	1	1	1	1	0	0	0	170
30	1	1	0	0	0	0	0	0	0	0	0	0	1	1
31	1	1	0	0	1	1	0	1	0	1	0	0	1	251
32	1	1	0	1	0	0	0	0	0	0	0	0	1	1
33	1	1	0	1	1	1	0	1	0	1	0	0	1	251
34	1	1	1	0	0	0	0	0	0	0	0	0	1	1
35	1	1	1	0	1	1	0	1	0	1	0	0	1	251
36	1	1	1	1	0	0	0	0	0	0	0	0	1	1
37	1	1	1	1	1	1	0	1	0	1	0	0	1	251

INC OR AND
 ADD OR MOV
 SUB OR NEG
 ADC OR COM
 EFA . AC3
 EFA . AC2
 EFA . PC
 EFA . BASE
 DECA
 PASS B
 DECA
 PASS B
 DECA
 PASS B
 DECA
 PASS B
 ALU ROM

ALC
EXEC

- NOTES: 1) With chip disabled ($C_s=1$), outputs are high level.
 2) The map is specified with pos. logic output (i.e. 1=High)
 3) Least significant bit of contents is Y7.
 4) Stamp DGC part no. or color code per EIA standard color.
 5) This part is made from 100000140.

DRAWN		DATA GENERAL CORPORATION	
CHECKED		TITLE	
DESIGNED		ALU ROM	
APPROVED		32 X 8 READ ONLY	
FIRST USED ON		MEMORY MAP	
N2		SIZE	CODE
SHEET 1 OF 1		A	DRAWING NUMBER
			10000279
			REV

4

3

2

1

11

D

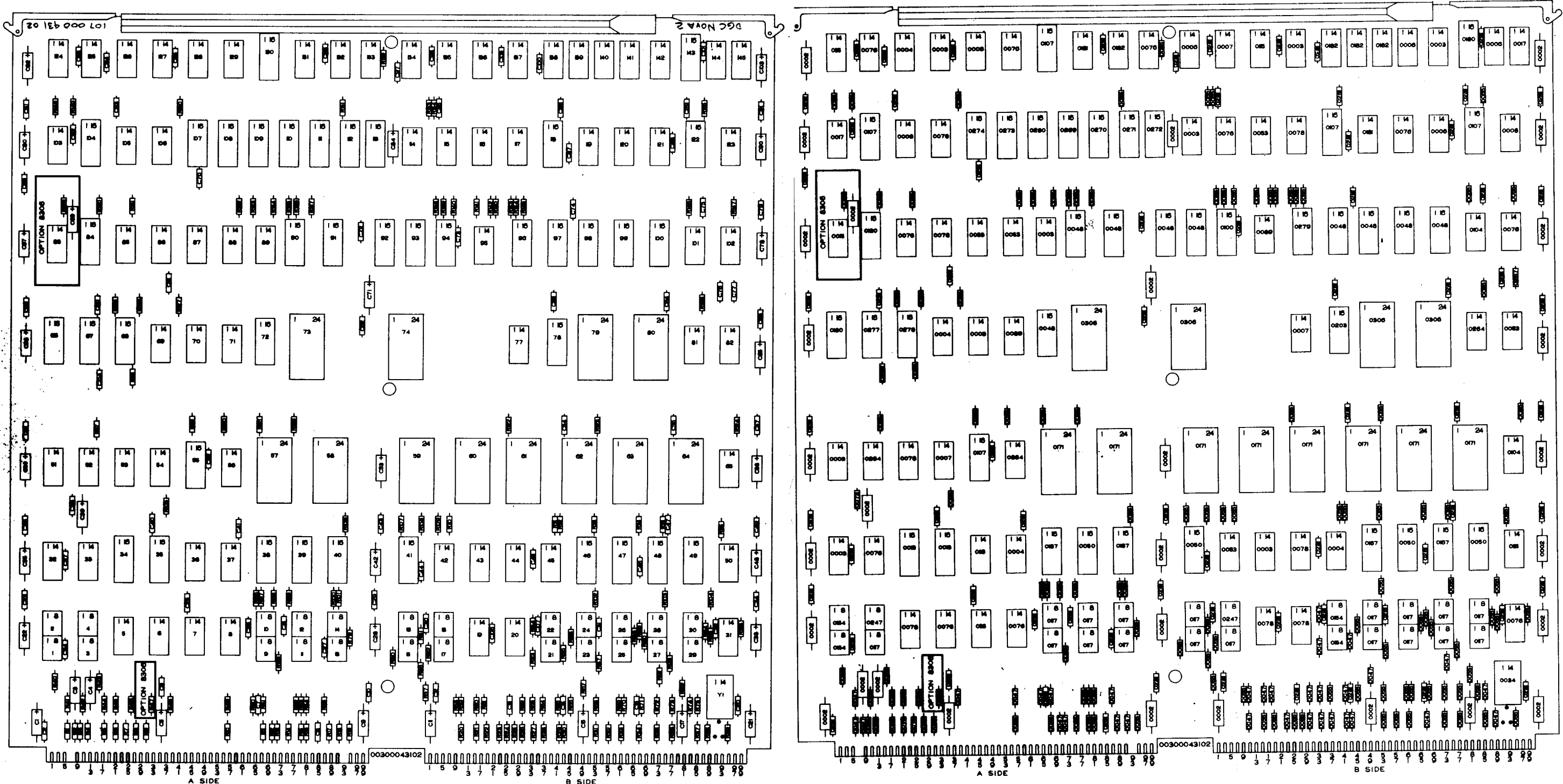
C

B

A

THIS DRAWING AND SPECIFICATIONS HEREIN ARE THE PROPERTY OF DATA GENERAL CORPORATION AND SHALL NOT BE REPRODUCED OR COPIED OR USED IN WHOLE OR IN PART AS THE BASIS FOR MANUFACTURE OR SALE OF ITEMS WITHOUT WRITTEN PERMISSION.

REVISIONS				
REV	DESCRIPTION	DRFTG	APP BY	DATE
00	FIRST RELEASE - ECO 4480	WFB	D.L.W.	3/1/76

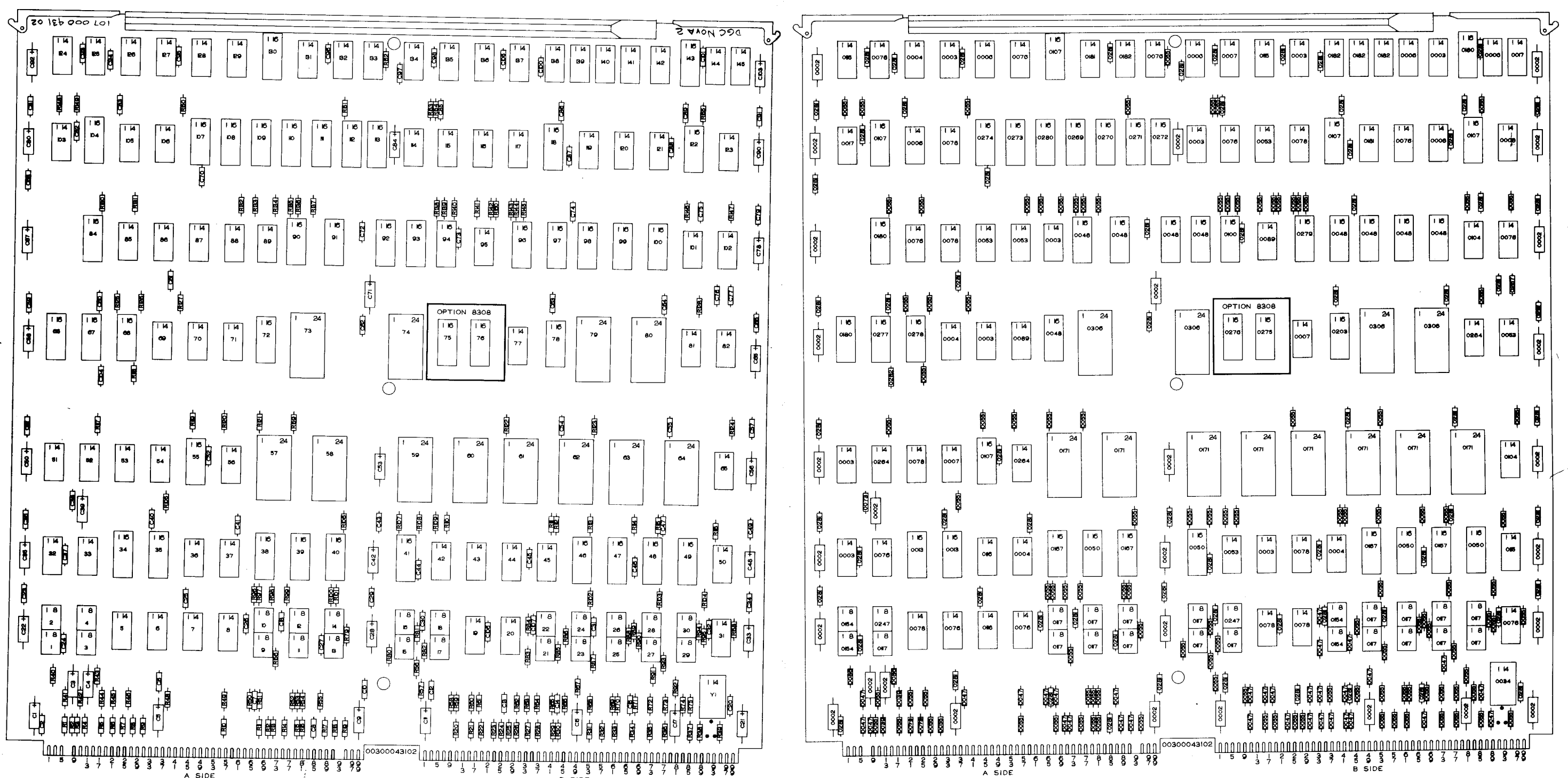


UNLESS OTHERWISE SPECIFIED USE D G C SPECIFICATION 108-000028 FOR TOLERANCES AND WORKMANSHIP REQUIREMENTS	DRAWN	WFB	DATA GENERAL CORPORATION 111 THORNDYKE MASSACHUSETTS 01772
	CHECKED	<i>[Signature]</i>	
	APPROVED	<i>[Signature]</i>	
	FIRST USED ON	NZ CPU	
MATERIAL			TITLE
FINISH			NOVA 2 CPU W/ POWER MONITOR
SCALE			DWG NUMBER
			016000307
			REV
			00

DRAWING 40-528 2041

THIS DRAWING AND SPECIFICATIONS HEREIN ARE THE PROPERTY OF DATA GENERAL CORPORATION AND SHALL NOT BE REPRODUCED OR COPIED OR USED IN WHOLE OR IN PART AS THE BASIS FOR MANUFACTURE OR SALE OF ITEMS WITHOUT WRITTEN PERMISSION.

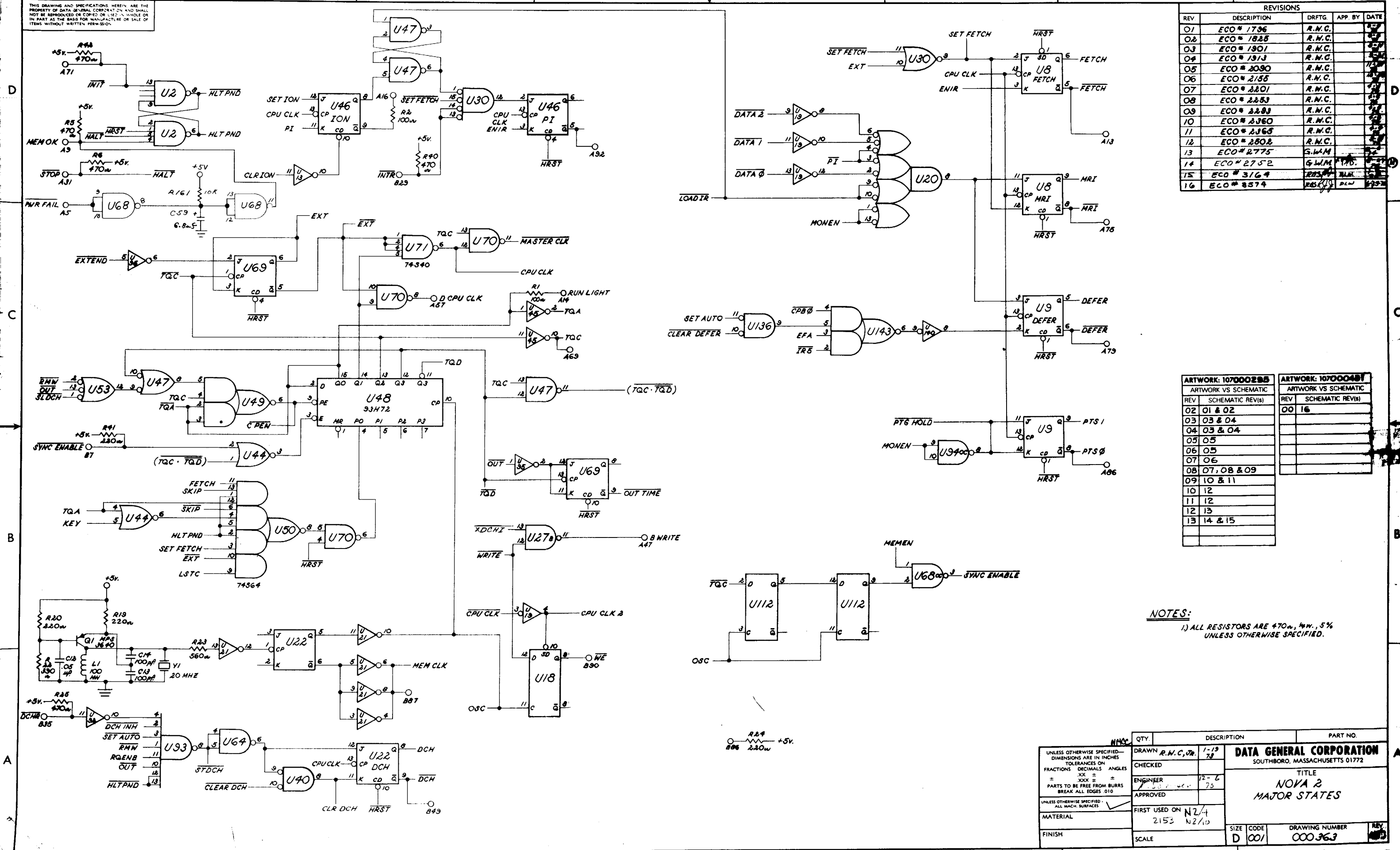
REVISIONS				
REV	DESCRIPTION	DATE	APP BY	DATE
00	FIRST RELEASE - ECO 4430	WFB	D.L.W.	2/1/76



UNLESS OTHERWISE SPECIFIED USE D.G.C. SPECIFICATION 108-000028 FOR TOLERANCES AND WORKMANSHIP REQUIREMENTS. MATERIAL FINISH	DRAWN: WFB CHECKED: gms ENGINEER: D.L.W. APPROVED:	DATA GENERAL CORPORATION SOUTHBORO MASSACHUSETTS 01772 TITLE NOVA 2 CPU W/ PROGRAM LOAD	PART NO. DRAWING NUMBER 016000308	
	FIRST USED ON: N2 CPU			REV 00
	SCALE: 253, 8308			CODE D
	SHEET 1			OF 1

DRAWING 40528 20111

THIS DRAWING AND SPECIFICATIONS HEREIN ARE THE PROPERTY OF DATA GENERAL CORPORATION AND SHALL NOT BE REPRODUCED OR COPIED OR USED IN WHOLE OR IN PART AS THE BASIS FOR MANUFACTURE OR SALE OF ITEMS WITHOUT WRITTEN PERMISSION.



REVISIONS				
REV	DESCRIPTION	DRFTG	APP. BY	DATE
01	ECO # 1796	R.N.C.		
02	ECO # 1828	R.N.C.		
03	ECO # 1901	R.N.C.		
04	ECO # 1913	R.N.C.		
05	ECO # 2090	R.N.C.		
06	ECO # 2158	R.N.C.		
07	ECO # 2201	R.N.C.		
08	ECO # 2253	R.N.C.		
09	ECO # 2293	R.N.C.		
10	ECO # 2360	R.N.C.		
11	ECO # 2365	R.N.C.		
12	ECO # 2802	R.N.C.		
13	ECO # 2775	G.W.M.		
14	ECO # 2752	G.W.M.		
15	ECO # 3164	R.N.C.		
16	ECO # 3574	R.N.C.		

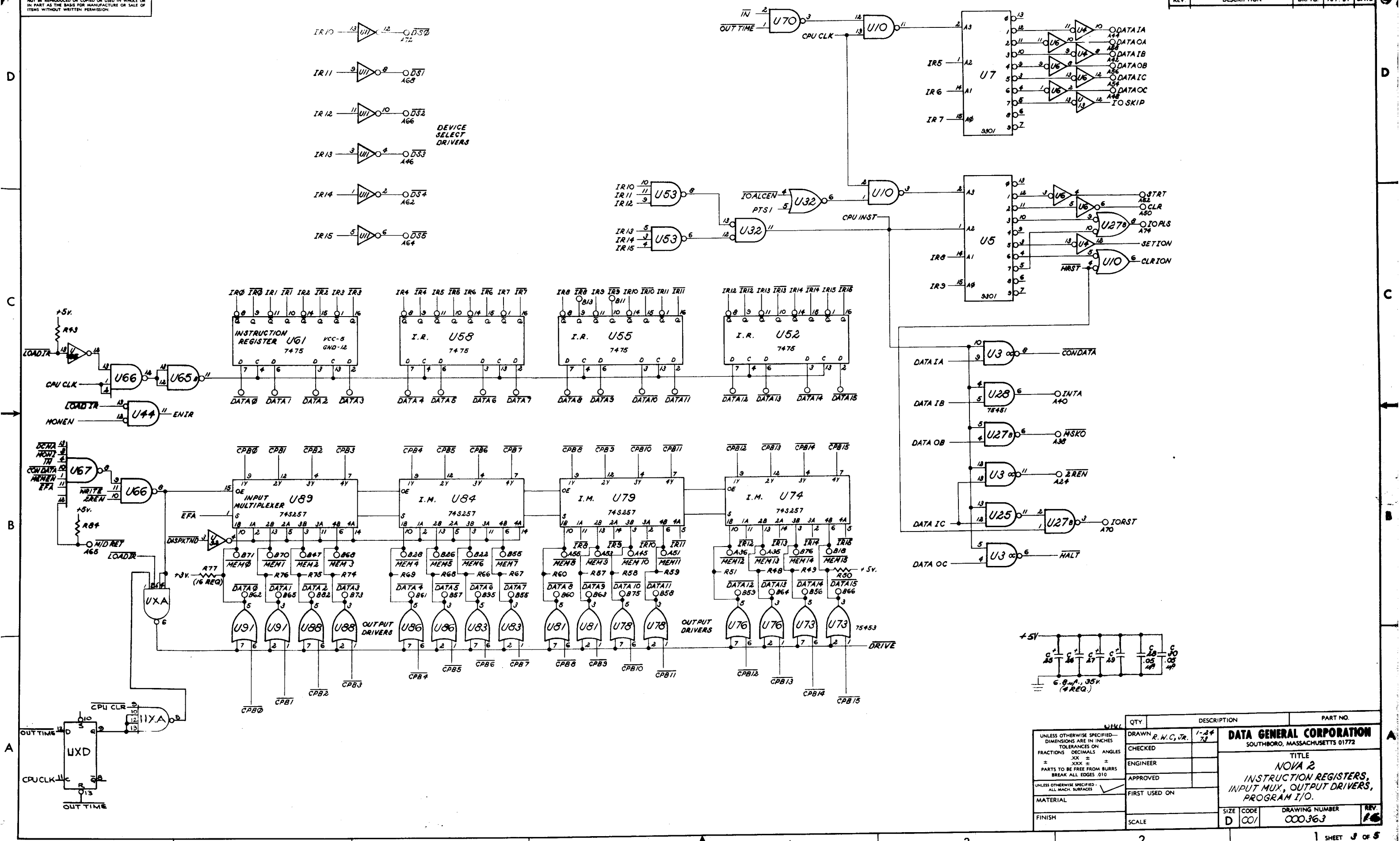
ARTWORK: 107000285		ARTWORK: 107000481	
REV	SCHEMATIC REV(S)	REV	SCHEMATIC REV(S)
02	01 & 02	00	16
03	03 & 04		
04	03 & 04		
05	05		
06	05		
07	06		
08	07, 08 & 09		
09	10 & 11		
10	12		
11	12		
12	13		
13	14 & 15		

NOTES:
1) ALL RESISTORS ARE 470Ω, 1/4W, 5% UNLESS OTHERWISE SPECIFIED.

UNLESS OTHERWISE SPECIFIED— DIMENSIONS ARE IN INCHES TOLERANCES ON FRACTIONS DECIMALS ANGLES XX ± .XX ± .XX PARTS TO BE FREE FROM BURRS BREAK ALL EDGES .010 UNLESS OTHERWISE SPECIFIED— ALL MACH. SURFACES		QTY.	DESCRIPTION	PART NO.
DRAWN	R.N.C.	1-19	73	DATA GENERAL CORPORATION SOUTHBORO, MASSACHUSETTS 01772
CHECKED				
ENGINEER		12-6	73	TITLE NOVA 2 MAJOR STATES
APPROVED				SIZE CODE D 001
FIRST USED ON	N2/4			DRAWING NUMBER 000363
MATERIAL	2153	N2/10		REV.
FINISH				
SCALE				

THIS DRAWING AND SPECIFICATIONS, HEREIN, ARE THE PROPERTY OF DATA GENERAL CORPORATION AND SHALL NOT BE REPRODUCED OR COPIED OR USED IN WHOLE OR IN PART AS THE BASIS FOR MANUFACTURE OR SALE OF ITEMS WITHOUT WRITTEN PERMISSION.

REVISIONS			
REV	DESCRIPTION	DRFTG	APP. BY DATE

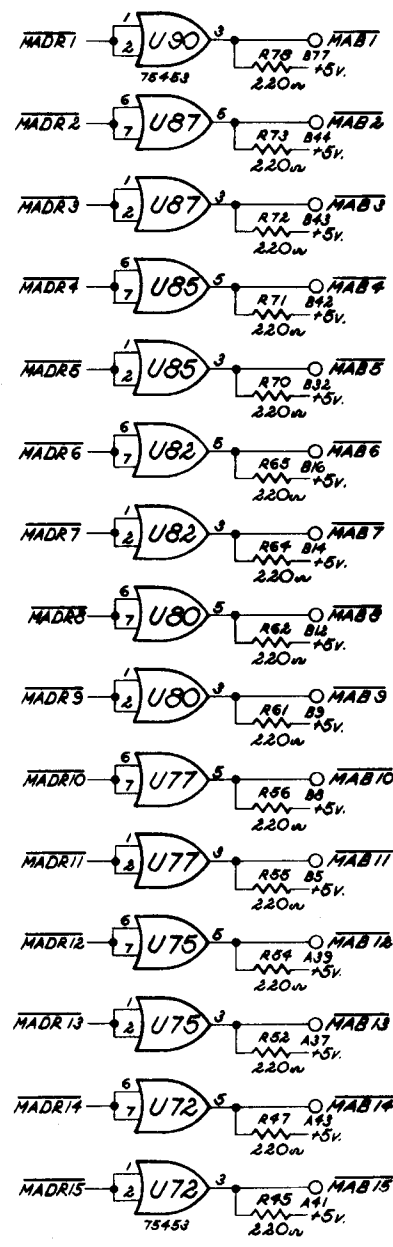
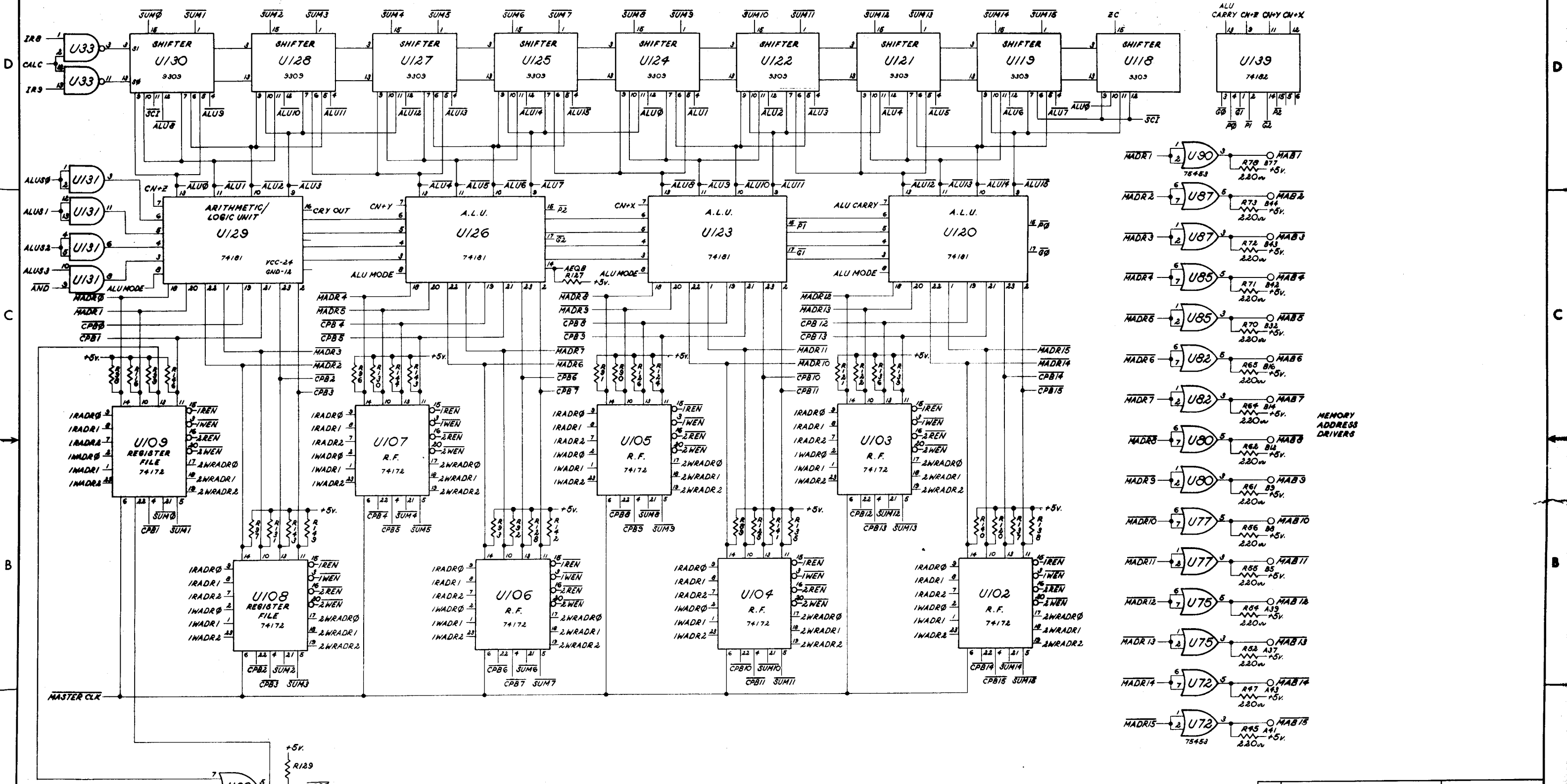


QTY	DESCRIPTION	PART NO.

UNLESS OTHERWISE SPECIFIED - DIMENSIONS ARE IN INCHES		DRAWN R. W. C. JR. 1-24-73	DATA GENERAL CORPORATION SOUTHBORO, MASSACHUSETTS 01772
FRACTIONS	DECIMALS		
ANGLES		CHECKED	TITLE NOVA 2 INSTRUCTION REGISTERS, INPUT MUX, OUTPUT DRIVERS, PROGRAM I/O.
±	±	ENGINEER	
±	±	APPROVED	
PARTS TO BE FREE FROM BURRS BREAK ALL EDGES .010		FIRST USED ON	SIZE CODE
UNLESS OTHERWISE SPECIFIED - ALL MACH. SURFACES			DRAWING NUMBER
MATERIAL			000363
FINISH		SCALE	REV
			16

THIS DRAWING AND SPECIFICATIONS, HEREIN, ARE THE PROPERTY OF DATA GENERAL CORPORATION AND SHALL NOT BE REPRODUCED OR COPIED OR USED IN WHOLE OR IN PART AS THE BASIS FOR MANUFACTURE OR SALE OF ITEMS WITHOUT WRITTEN PERMISSION.

REVISIONS				
REV.	DESCRIPTION	DRFTG.	APP. BY	DATE



MEMORY ADDRESS DRIVERS

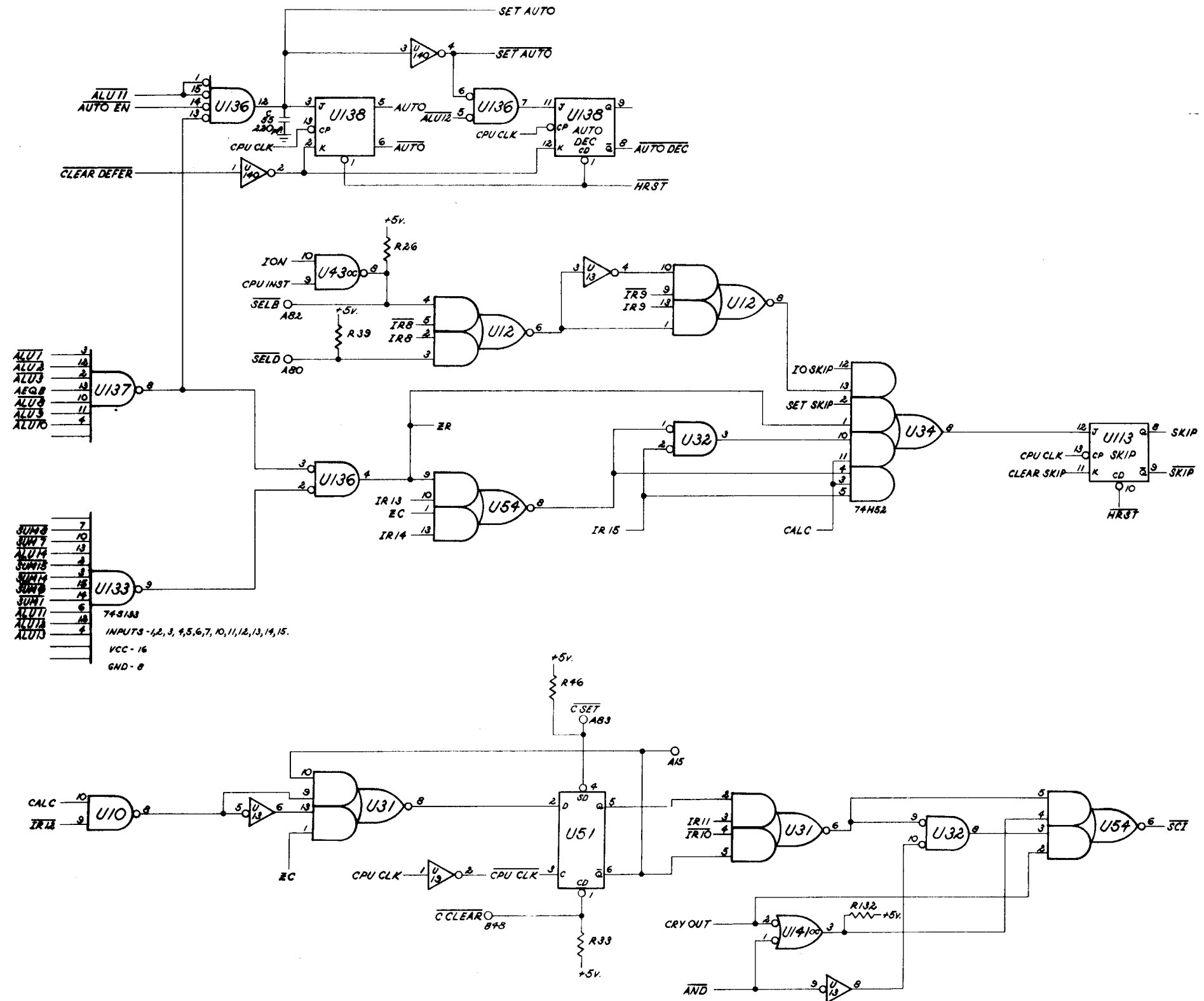
UNLESS OTHERWISE SPECIFIED—		QTY.	DESCRIPTION	PART NO.
DIMENSIONS ARE IN INCHES				
TOLERANCES ON				
FRACTIONS DECIMALS ANGLES				
XXX ±				
PARTS TO BE FREE FROM BURRS				
BREAK ALL EDGES .010				
UNLESS OTHERWISE SPECIFIED—				
ALL MACH. SURFACES				
MATERIAL				
FINISH				
DRAWN R. M. C. JR.		1-25		
CHECKED				
ENGINEER				
APPROVED				
FIRST USED ON				
SCALE				
SIZE	CODE	DRAWING NUMBER		REV.
D	001	000363		1

DATA GENERAL CORPORATION
SOUTHBORO, MASSACHUSETTS 01772

TITLE
NOVA 2
ALU SHIFTER &
ADDRESS BUFFERS

THIS DRAWING AND SPECIFICATIONS, HEREIN, ARE THE PROPERTY OF DATA GENERAL CORPORATION AND SHALL NOT BE REPRODUCED OR COPIED OR USED IN WHOLE OR IN PART AS THE BASIS FOR MANUFACTURE OR SALE OF ITEMS WITHOUT WRITTEN PERMISSION.

REVISIONS			
REV.	DESCRIPTION	DRFTG.	APP. BY DATE



ALU1
ALU2
ALU3
ALU4
ALU5
ALU6
ALU7

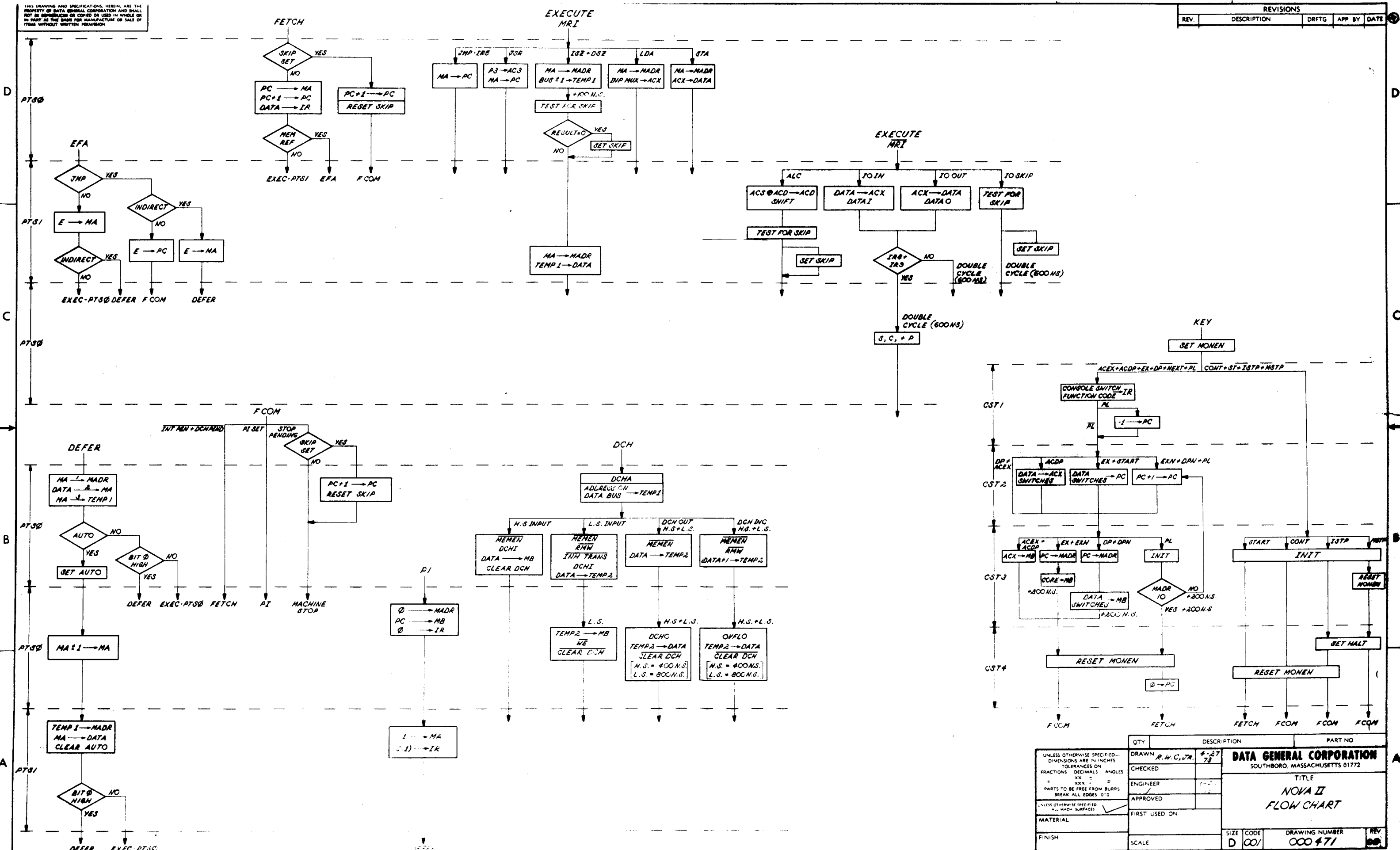
U133
74S133
INPUTS - 1, 2, 3, 4, 5, 6, 7, 10, 11, 12, 13, 14, 15.
VCC - 16
GND - 8

QTY.	DESCRIPTION	PART NO.

DRAWN R. A. C. JR. 1-25 78		DATA GENERAL CORPORATION SOUTHBORO, MASSACHUSETTS 01772	
CHECKED		TITLE NOVA 2 SKIP AUTO CARRY LOGIC	
ENGINEER		SIZE	CODE
APPROVED		D	001
FIRST USED ON		DRAWING NUMBER	REV
		000363	15
MATERIAL		SCALE	
FINISH			

THIS DRAWING AND SPECIFICATIONS, HEREIN, ARE THE PROPERTY OF DATA GENERAL CORPORATION AND SHALL NOT BE REPRODUCED OR COPIED OR USED IN WHOLE OR IN PART AS THE BASIS FOR MANUFACTURE OR SALE OF ITEMS WITHOUT WRITTEN PERMISSION.

REVISIONS			
REV.	DESCRIPTION	DRFTG	APP BY DATE



QTY	DESCRIPTION	PART NO

UNLESS OTHERWISE SPECIFIED— DIMENSIONS ARE IN INCHES FRACTIONS DECIMALS ANGLES XX = PARTS TO BE FREE FROM BURRS BREAK ALL EDGES 0° UNLESS OTHERWISE SPECIFIED ALL MACH SURFACES	DRAWN R.W.C./J.R. 4-27-78 CHECKED ENGINEER APPROVED FIRST USED ON MATERIAL FINISH	DATA GENERAL CORPORATION SOUTHBORO, MASSACHUSETTS 01772 TITLE NOVA II FLOW CHART SIZE CODE D CO/ DRAWING NUMBER 000 471 REV.
--	---	---

THIS DRAWING AND SPECIFICATIONS, HEREIN, ARE THE PROPERTY OF DATA GENERAL CORPORATION AND SHALL NOT BE REPRODUCED OR COPIED OR USED IN WHOLE OR IN PART AS THE BASIS FOR MANUFACTURE OR SALE OF ITEMS WITHOUT WRITTEN PERMISSION

REVISIONS				
REV	DESCRIPTION	DRFTG	APP BY	DATE

	FETCH-SKIP	FETCH-SKIP	DEFER-AUTO (MRI)	AUTO INC (DEFER, MRI)	AUTO DEC (DEFER, MRI)	PI (FETCH)
PTS 0	PC+1 → PC ZREN, ZWEN ZWRADR1, PTG HOLD CLEAR SKIP, INCA NOTE: SKIP FORCE MACHINE TO CONTINUE RUNNING.	PC → MA PC+1 → PC DATA → IR ZREN, ZWEN, IWEN ZWRADD1, INCA, MEMEN LOAD IR, CLEAR FETCH (SET DEFER)	MA → MACR MA → TEHFI DATA → MA ZREN, ZWRADP2, IWEN PTG HOLD, MEMEN CLEAR DEFER, AUTO EN (SET AUTO → RHW)	MA+1 → MA INCA, ZREN, ZWEN	MA-1 → MA DECA, ZREN, ZWEN	0 → MADR PC → MB 0 → IR MEMEN, WRITE, ZREN ZEROBIT, ZWRADR1 CLEAR ION (NO IREN)
PTS 1	ADDRESS: PC DATA: [] STATE: F	ADDRESS: PC DATA: [] STATE: F	ADDRESS: MA DATA: [] STATE: D	ADDRESS: MA DATA: [] STATE: D	ADDRESS: MA DATA: [] STATE: D	ADDRESS: 0 DATA: [] STATE: F

	JMP	JSR	ISZ	DSZ	LDA	STA
PTS 0	MA → PC PTG HOLD, ZWRADR1 ZREN, SET FETCH ALU: PASS B	PC → AC3 MA → PC JSR, ZREN, ZWRADR1 IWEN, ZWEN, SET FETCH PTG HOLD, ALU: PASS B	MA → MADR DATA+1 → TEMP1 ZWRADR2, ZWEN, MEMEN RHW, INCA	MA → MADR DATA-1 → TEMP1 ZWRADR2, ZWEN, MEMEN RHW, DECA	MA → MADR DATA → ACX MEMEN, F34, IWEN SET FETCH, PTG HOLD	MA → MADR ACX → DATA ZREN, SET FETCH PTG HOLD, MEMEN, WRITE F34
PTS 1	ADDRESS: MA DATA: [] STATE: E	ADDRESS: MA DATA: [] STATE: E	ADDRESS: MA DATA: [] STATE: E	ADDRESS: MA DATA: [] STATE: E	ADDRESS: MA DATA: [] STATE: E	ADDRESS: MA DATA: [] STATE: E

	ALC	I/O IN-MNM	I/O IN-MNM	I/O OUT-MNM	I/O OUT-MNM	I/O SKIP
PTS 0	NULL	MNM (S.C+P) SET FETCH PTG HOLD EXTEND TO 600 N.S.	PTG HOLD SET FETCH 300 N.S.	MNM SET FETCH PTG HOLD EXTEND TO 300 N.S.	PTG HOLD SET FETCH 300 N.S.	NULL
PTS 1	ADDRESS: AC(12) DATA: AC(3,4) STATE: E	ADDRESS: MA DATA: [] STATE: E	ADDRESS: MA DATA: [] STATE: E	ADDRESS: MA DATA: [] STATE: E	ADDRESS: MA DATA: [] STATE: E	ADDRESS: MA DATA: [] STATE: E

CONSOLE STATES

CTS 1	CTS 2	CTS 3	CTS 4
PTG HOLD, RESET SET KEY SET M/MEM CON: INIT, LOAD IR CONSOLE UNIT → IR FUNCTION → DE → IR	ACDP DATA SWITCHES → ACX CON DATA, IWEN, F34	ACEX + ACDP ACX → MB MBLOAD, ZREN F34	PL + RESTART 0 → PC IWEN, IWADR1
PL	EX + START DATA SW: F34S → PC CON DATA, IWEN IWADR1	EX + EX11 PC → MADR MEMEN, IREN CORE → MB + 200 N.S.	HSTP RESET MOMEN
ZREN, ZWRADR1 ALU CARRY = LOW ALUS3 = LOW ALUS2 = LOW -1 → PC	EX + DPH + PL PC+1 → PC ZREN, INCA ZWRADR1, ZWEN	PC → MADR MEMEN, CON DATA, WRITE IREN, DATA SW → MB + 200 N.S. PL MEMEN, INIT, WRITE ALU MOMEN, SET FETCH TEST FOR MADR = 10 + 200 N.S.	START + CONT + 100 N.S. INIT, SET FETCH

DATA CHANNEL

DCH INIT	DCH IN	DCH IN	DCH OUT	DCH INC
00XX0 (HIGH SPEED) DCHA, MONA, DPE IWEN, IWADR2 ADDRESS ON → TEMP1 DATA BUS 00XX1 (LOW SPEED) SAME PLUS SLDCH, EXTEND	10010 (HIGH SPEED) MEMEN, DPE WRITE, CLR DCH MONI, DCH1 DATA → MB	10011 (LOW SPEED) MEMEN, IWEN RHW, IWADR1 IWADR2, SL DCH INIT TRANS, DCH1 MONI, EXTEND FRQ DATA → TEMP2	1011X MEMEN, IWEN IWADR2 FRQ DATA → TEMP2	1010X MEMEN, RHW ZREN, FRQ DATA+1 → TEMP2
H.S. = 300 N.S. L.S. = 300 N.S.	H.S. = 300 N.S.	L.S. = 300 N.S.	H.S. = 300 N.S. L.S. = 300 N.S.	H.S. = 300 N.S. L.S. = 300 N.S.
		11001 (LOW SPEED) WE, WRITE, DPE CLEAR DCH, ZREN TEMP2 → MB	1110X MONO, CLEAR DCH SL DCH, ZREN DPE, DCHO TEMP2 → DATA	0101X SL DCH, ZREN WE, DPE MONO, MONO WRITE, OV FLO DCHO, CLEAR DCH TEMP2 → DATA
		L.S. = 300 N.S.	H.S. = 300 N.S. L.S. = 300 N.S. EXTEND	H.S. = 300 N.S. L.S. = 300 N.S. EXTEND

QTY	DESCRIPTION	PART NO

UNLESS OTHERWISE SPECIFIED— DIMENSIONS ARE IN INCHES TOLERANCES ON FRACTIONS DECIMALS ANGLES XX ± XXX ± PARTS TO BE FREE FROM BURRS BREAK ALL EDGES 010	DRAWN R. W. C. 5-3-72	CHECKED	ENGINEER	APPROVED	FIRST USED ON
UNLESS OTHERWISE SPECIFIED ALL MACH SURFACES	DATA GENERAL CORPORATION SOUTHBORO, MASSACHUSETTS 01772				
MATERIAL	TITLE NOVA II STATE CHART				
FINISH	SCALE	SIZE	CODE	DRAWING NUMBER	REV
		D	CC1	000471	00

PIN #	DQ0	DQ1	DQ2	DQ3	FST	MONCZR	MONI	MONO	CLRDCH	FRQ	WRITE	EXTEND	DIE	OCTAL CONTENTS
	14	13	12	11	10	1	2	3	4	5	6	7	9	
OCTAL ADDRESS	A ₄	A ₃	A ₂	A ₁	A ₀	Y ₀	Y ₁	Y ₂	Y ₃	Y ₄	Y ₅	Y ₆	Y ₇	
00	0	0	0	0	0	1	1	1	1	1	1	1	0	376
01	0	0	0	0	1	1	1	1	1	1	1	0	0	374
02	0	0	0	1	0	1	1	1	1	1	1	1	0	376
03	0	0	0	1	1	1	1	1	1	1	1	0	0	374
04	0	0	1	0	0	1	1	1	1	1	1	1	0	376
05	0	0	1	0	1	1	1	1	1	1	1	0	0	374
06	0	0	1	1	0	1	1	1	1	1	1	1	0	376
07	0	0	1	1	1	1	1	1	1	1	1	0	0	374
10	0	1	0	0	0									
11	0	1	0	0	1									
12	0	1	0	1	0	0	1	0	0	1	0	1	0	112
13	0	1	0	1	1	0	1	0	0	1	0	0	0	110
14	0	1	1	0	0									
15	0	1	1	0	1	1	1	1	0	1	1	1	0	356
16	0	1	1	1	0									
17	0	1	1	1	1									
20	1	0	0	0	0	1	1	1	0	1	1	1	0	356
21	1	0	0	0	1	1	1	1	0	1	1	1	0	356
22	1	0	0	1	0	1	0	1	0	1	0	1	0	252
23	1	0	0	1	1	1	0	1	1	1	1	1	1	277
24	1	0	1	0	0	1	1	1	1	0	1	1	1	367
25	1	0	1	0	1	1	1	1	1	0	1	1	1	367
26	1	0	1	1	0	1	1	1	1	0	1	1	1	367
27	1	0	1	1	1	1	1	1	1	0	1	1	1	367
30	1	1	0	0	0									
31	1	1	0	0	1	1	0	1	1	1	0	1	1	273
32	1	1	0	1	0	1	1	0	0	1	1	1	0	316
33	1	1	0	1	1	1	1	0	0	1	1	0	0	314
34	1	1	1	0	0									
35	1	1	1	0	1									
36	1	1	1	1	0									
37	1	1	1	1	1									

INIT HS
INIT LS
INIT HS
INIT LS
INIT HS
INIT LS
INIT HS
INIT LS

INC HS (2)
INC LS (2)

IN LS (3)

OTHER
OTHER
IN HS (1)
IN LS (1)
INC HS (1)
INC LS (1)
OUT HS (1)
OUT LS (1)

IN LS (2)
OUT HS (2)
OUT LS (2)

- NOTES: 1) With chip disabled (C_S=1), outputs are high level.
2) The map is specified with pos. logic output (i.e. 1=High)
3) Least significant bit of contents is Y₇.

DRAWN		DATA GENERAL CORPORATION	
CHECKED		NAME	
APPROVED	<i>[Signature]</i>	TITLE	
FIRST USED ON	U ₂	32 X 8 READ ONLY MEMORY MAP	
DATE / X /		SIZE	REV
		A 100	000499

PIN #	DQ0	DQ1	DQ2	DQ3	FST	LWADR1	LWADR2	LWEN	COMMENT	ZWEN	SLDCH	RHW	ZREN	OCTAL CONTENTS
	14	13	12	11	10	1	2	3	4	5	6	7	9	
OCTAL ADDRESS	A4	A3	A2	A1	A0	Y0	Y1	Y2	Y3	Y4	Y5	Y6	Y7	
00	0	0	0	0	0	1	0	0	1	1	1	1	1	237
01	0	0	0	0	1	1	0	0	1	1	0	1	1	233
02	0	0	0	1	0	1	0	0	1	1	1	1	1	237
03	0	0	0	1	1	1	0	0	1	1	0	1	1	233
04	0	0	1	0	0	1	0	0	1	1	1	1	1	237
05	0	0	1	0	1	1	0	0	1	1	0	1	1	233
06	0	0	1	1	0	1	0	0	1	1	1	1	1	237
07	0	0	1	1	1	1	0	0	1	1	0	1	1	233
10	0	1	0	0	0									
11	0	1	0	0	1									
12	0	1	0	1	0	1	1	1	1	1	0	1	0	372
13	0	1	0	1	1	1	1	1	1	1	0	1	0	372
14	0	1	1	0	0									
15	0	1	1	0	1	1	1	1	1	1	1	1	1	377
16	0	1	1	1	0									
17	0	1	1	1	1									
20	1	0	0	0	0	1	1	1	1	1	1	1	1	377
21	1	0	0	0	1	1	1	1	1	1	1	1	1	377
22	1	0	0	1	0	1	1	1	1	1	1	1	1	377
23	1	0	0	1	1	0	0	0	1	1	0	0	1	031
24	1	0	1	0	0	1	1	1	1	0	1	0	1	365
25	1	0	1	0	1	1	1	1	1	0	1	0	1	365
26	1	0	1	1	0	0	0	0	0	1	1	1	1	017
27	1	0	1	1	1	0	0	0	0	1	1	1	1	017
30	1	1	0	0	0									
31	1	1	0	0	1	1	1	1	1	1	1	1	1	377
32	1	1	0	1	0	1	1	1	0	1	0	1	1	353
33	1	1	0	1	1	1	1	1	0	1	0	1	1	353
34	1	1	1	0	0									
35	1	1	1	0	1									
36	1	1	1	1	0									
37	1	1	1	1	1									

INIT HS
INIT LS
INIT HS
INIT LS
INIT HS
INIT LS
INIT HS
INIT LS
INIT HS
INIT LS

INC HS (2)
INC LS (2)

IN LS (3)

OTHER
OTHER
IN HS (1)
IN LS (1)
INC HS (1)
INC LS (1)
OUT HS (1)
OUT LS (1)

IN LS (2)
OUT HS (2)
OUT LS (2)

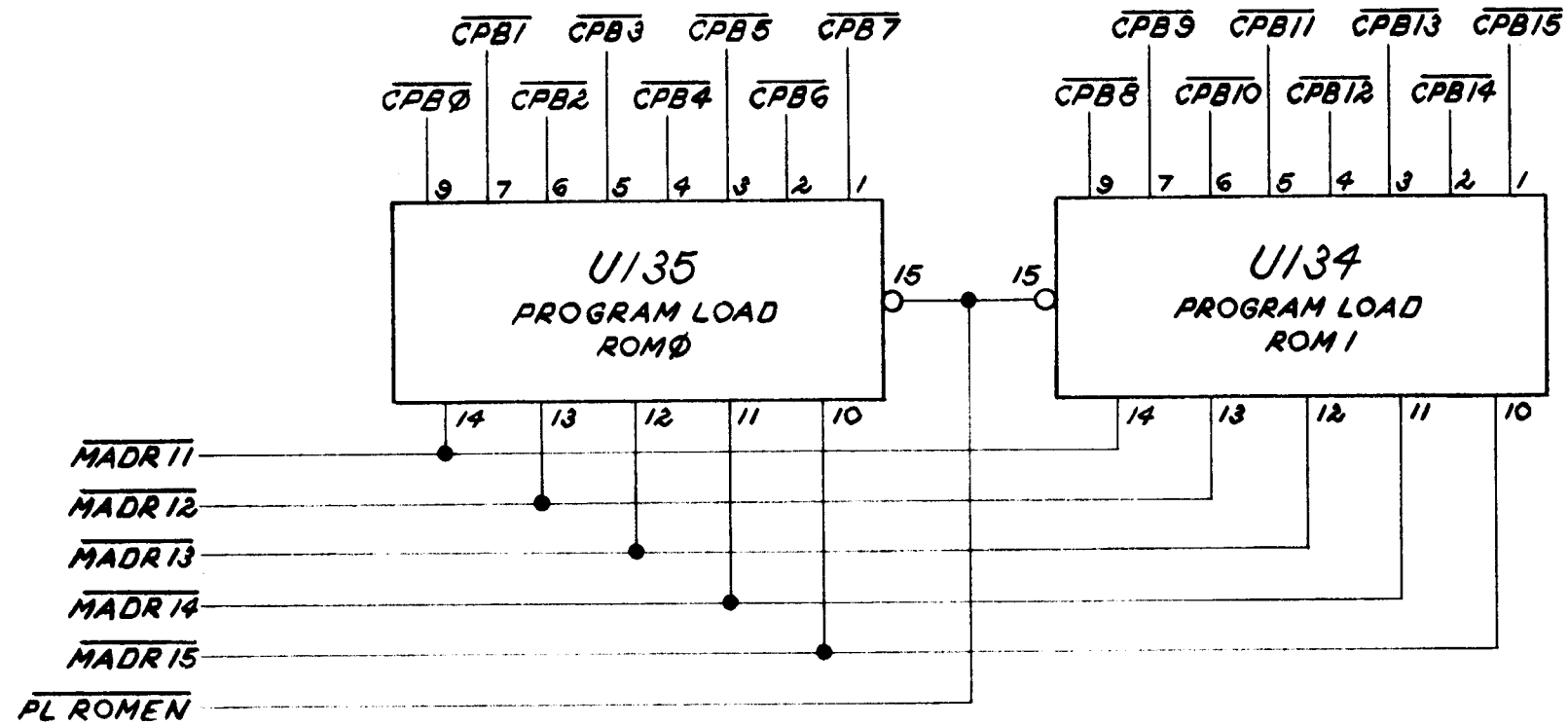
- NOTE: 1) With chip disabled ($C_s=1$), outputs are high level.
2) The map is specified with pos. logic output (i.e. 1=High)
3) Least significant bit of contents is Y7.

DRAWN		DATA GENERAL CORPORATION	
CHECKED		UNCC	
APPROVED	<i>[Signature]</i>	DCHI	
FIRST USED ON	N/2	32 X 8 READ ONLY MEMORY MAP	
SHEET / # /	A100	DRAWING NUMBER	00
		C00500	

REVISIONS			
REV	DESCRIPTION	DATE	APP BY

THIS DRAWING AND SPECIFICATIONS, HEREIN, ARE THE PROPERTY OF DATA GENERAL CORPORATION AND SHALL NOT BE REPRODUCED OR COPIED OR USED IN WHOLE OR IN PART AS THE BASIS FOR MANUFACTURE OR SALE OF ITEMS WITHOUT WRITTEN PERMISSION.

REVISIONS				
REV.	DESCRIPTION	DRFTG.	APP. BY	DATE
01	ECO # 1949	R.W.C.		9-27 73



UNLESS OTHERWISE SPECIFIED— DIMENSIONS ARE IN INCHES TOLERANCES ON FRACTIONS DECIMALS ANGLES ± .XX ± ± ± .XXX ± ± PARTS TO BE FREE FROM BURRS BREAK ALL EDGES .010		QTY.	DESCRIPTION	PART NO.
UNLESS OTHERWISE SPECIFIED— ALL MACH. SURFACES ✓		DRAWN R.W.C., Jr.	9-10 73	DATA GENERAL CORPORATION SOUTHBORO, MASSACHUSETTS 01772
MATERIAL		CHECKED		
FINISH		ENGINEER	9-10 73	TITLE NOVA 2 PROGRAM LOAD
		APPROVED		SIZE CODE DRAWING NUMBER REV. B 001 000 512 01
		FIRST USED ON	8308	
		SCALE		

4

3

2

1

4

3

2

1

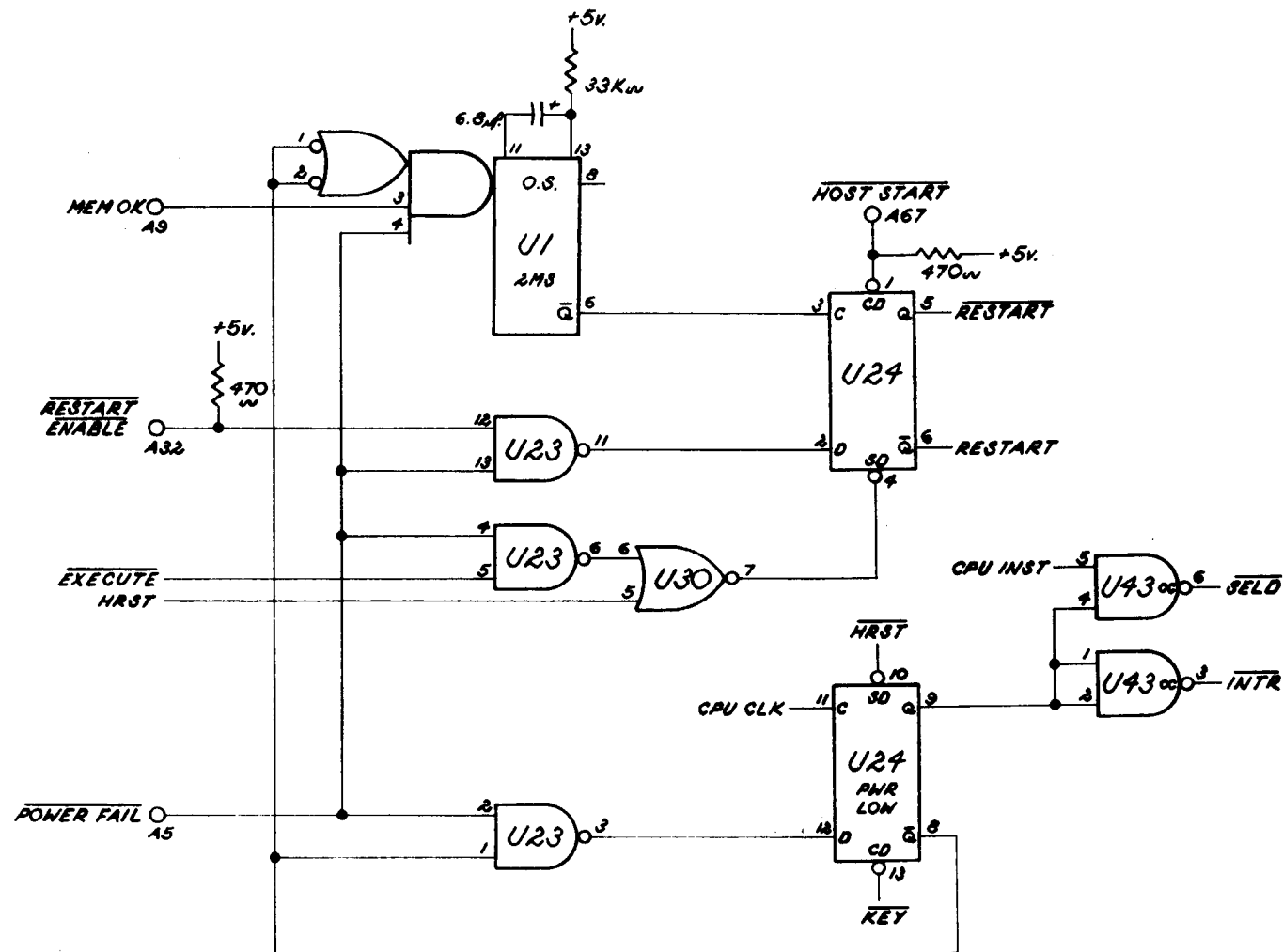
SHEET 1 OF 1

B

A

THIS DRAWING AND SPECIFICATIONS, HEREIN, ARE THE PROPERTY OF DATA GENERAL CORPORATION AND SHALL NOT BE REPRODUCED OR COPIED OR USED IN WHOLE OR IN PART AS THE BASIS FOR MANUFACTURE OR SALE OF ITEMS WITHOUT WRITTEN PERMISSION.

REVISIONS				
REV	DESCRIPTION	DRFTG	APP BY	DATE
01	ECO # 1949	R.W.C.		9-27-79

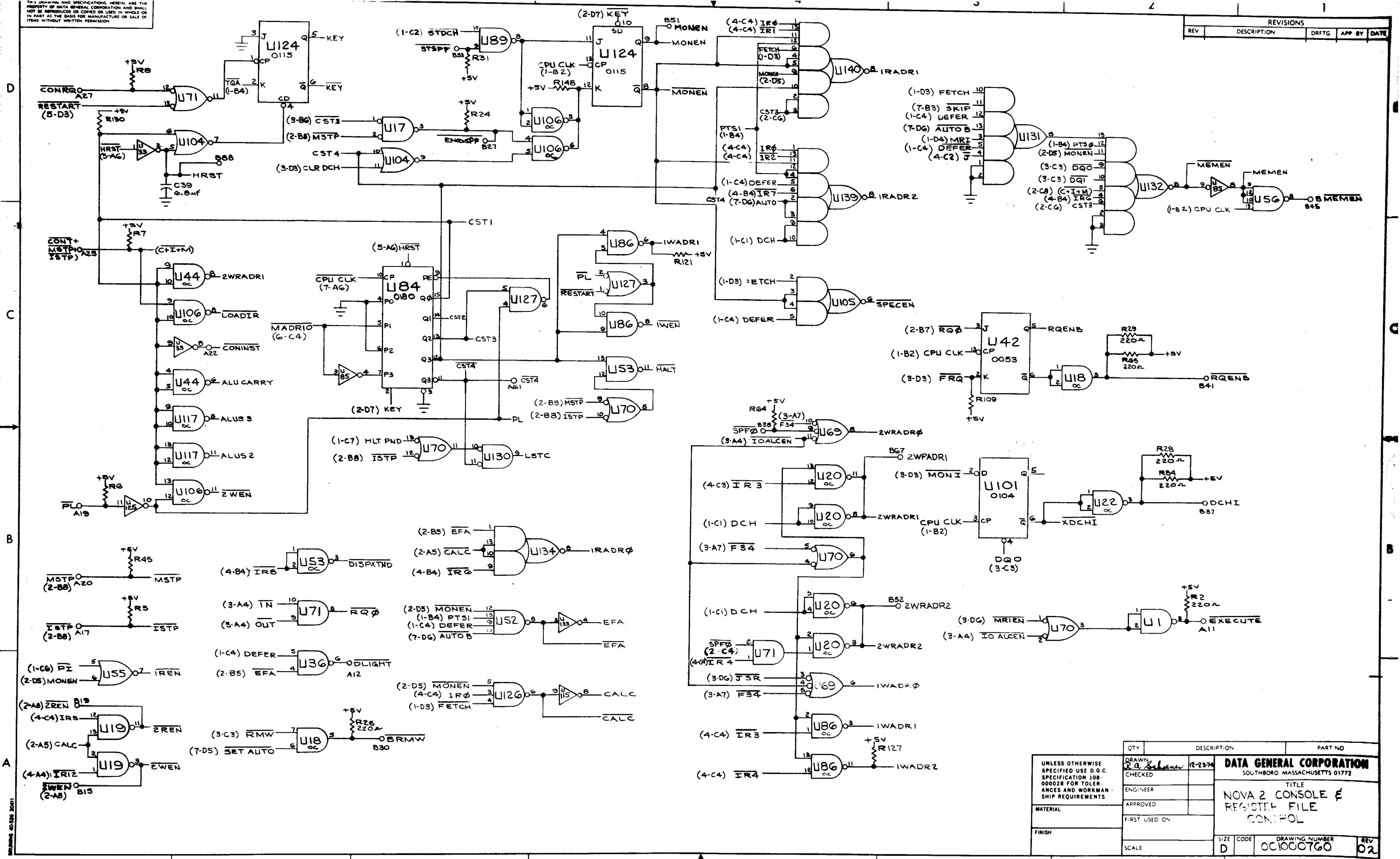


QTY	DESCRIPTION	PART NO
	UNLESS OTHERWISE SPECIFIED USE D.G.C. SPECIFICATION 108-000028 FOR TOLERANCES AND WORKMANSHIP REQUIREMENTS	
DRAWN	R.W.C., JR.	9-10 79
CHECKED		
ENGINEER		1-13 79
APPROVED		
FIRST USED ON	8306	
MATERIAL		
FINISH		
SCALE		
DATA GENERAL CORPORATION SOUTHBORO, MASSACHUSETTS 01772		
TITLE NOVA 2 PWR FAIL / AUTO RESTART		
SIZE	CODE	DRAWING NUMBER
C	001	000-513
		REV
		01

BRUNING 40 526 20411

THIS DRAWING AND SPECIFICATIONS HEREIN, ARE THE PROPERTY OF DATA GENERAL CORPORATION AND SHALL NOT BE REPRODUCED OR COPIED OR USED IN WHOLE OR IN PART AS THE BASIS FOR MANUFACTURE OR SALE OF ITEMS WITHOUT WRITTEN PERMISSION

REVISIONS				
REV	DESCRIPTION	DRFTG	APP BY	DATE



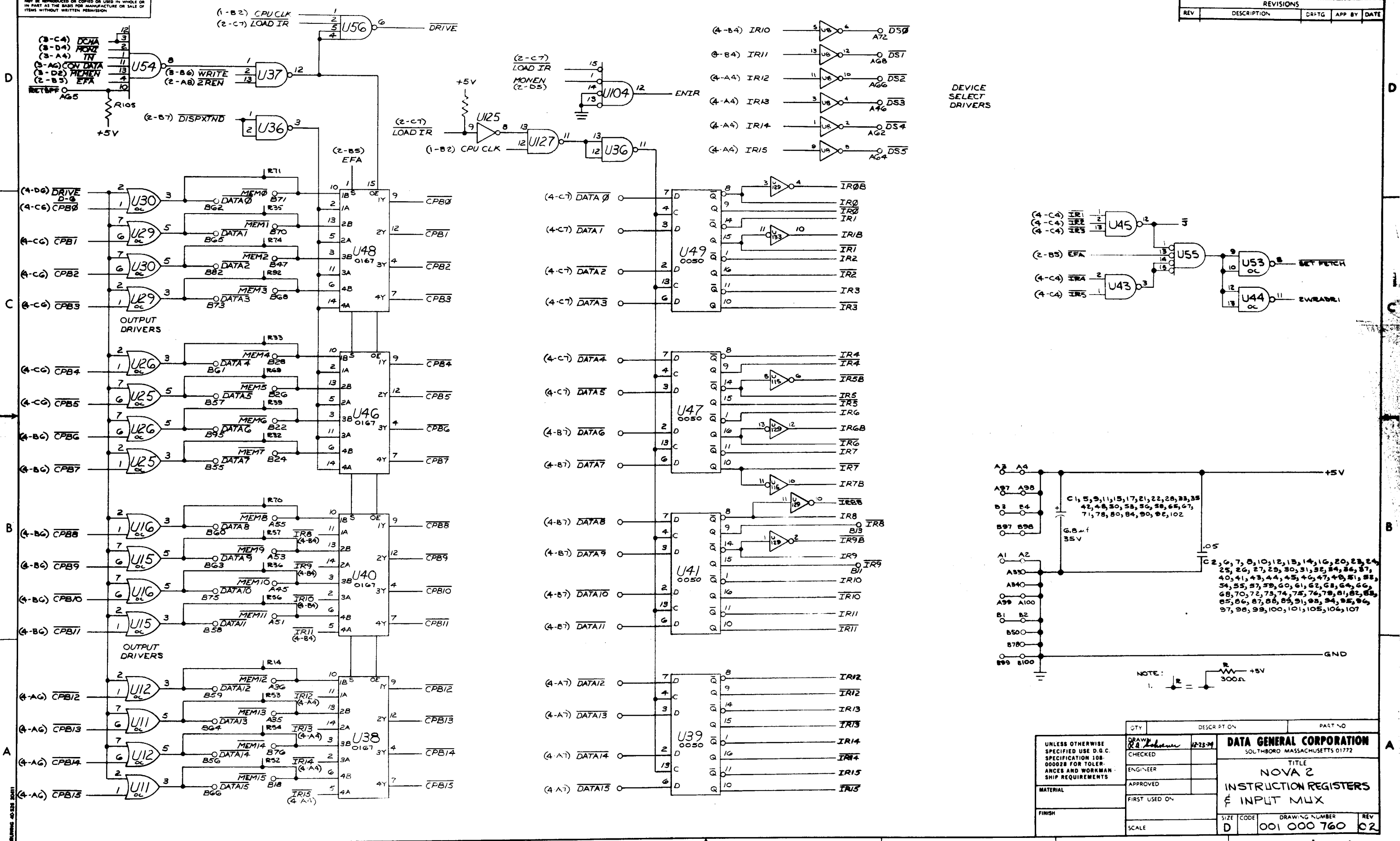
QTY	DESCRIPTION	PART NO

UNLESS OTHERWISE SPECIFIED USE D.G.C. SPECIFICATION 108-000028 FOR TOLERANCES AND WORKMANSHIP REQUIREMENTS	DRAWN	12-23-74	DATA GENERAL CORPORATION SOUTH BORO, MASSACHUSETTS 01772 TITLE NOVA 2 CONSOLE & REGISTER FILE CONTROL SIZE CODE D
	CHECKED		
	ENGINEER		
	APPROVED		
MATERIAL	FIRST USED ON		DRAWING NUMBER
FINISH	SCALE		0C1000760
			REV
			02

DRAWING 40558 20111

THIS DRAWING AND SPECIFICATIONS, HEREIN, ARE THE PROPERTY OF DATA GENERAL CORPORATION AND SHALL NOT BE REPRODUCED OR COPIED OR USED IN WHOLE OR IN PART AS THE BASIS FOR MANUFACTURE OR SALE OF ITEMS WITHOUT WRITTEN PERMISSION.

REVISIONS			
REV	DESCRIPTION	DFTG	APP BY DATE



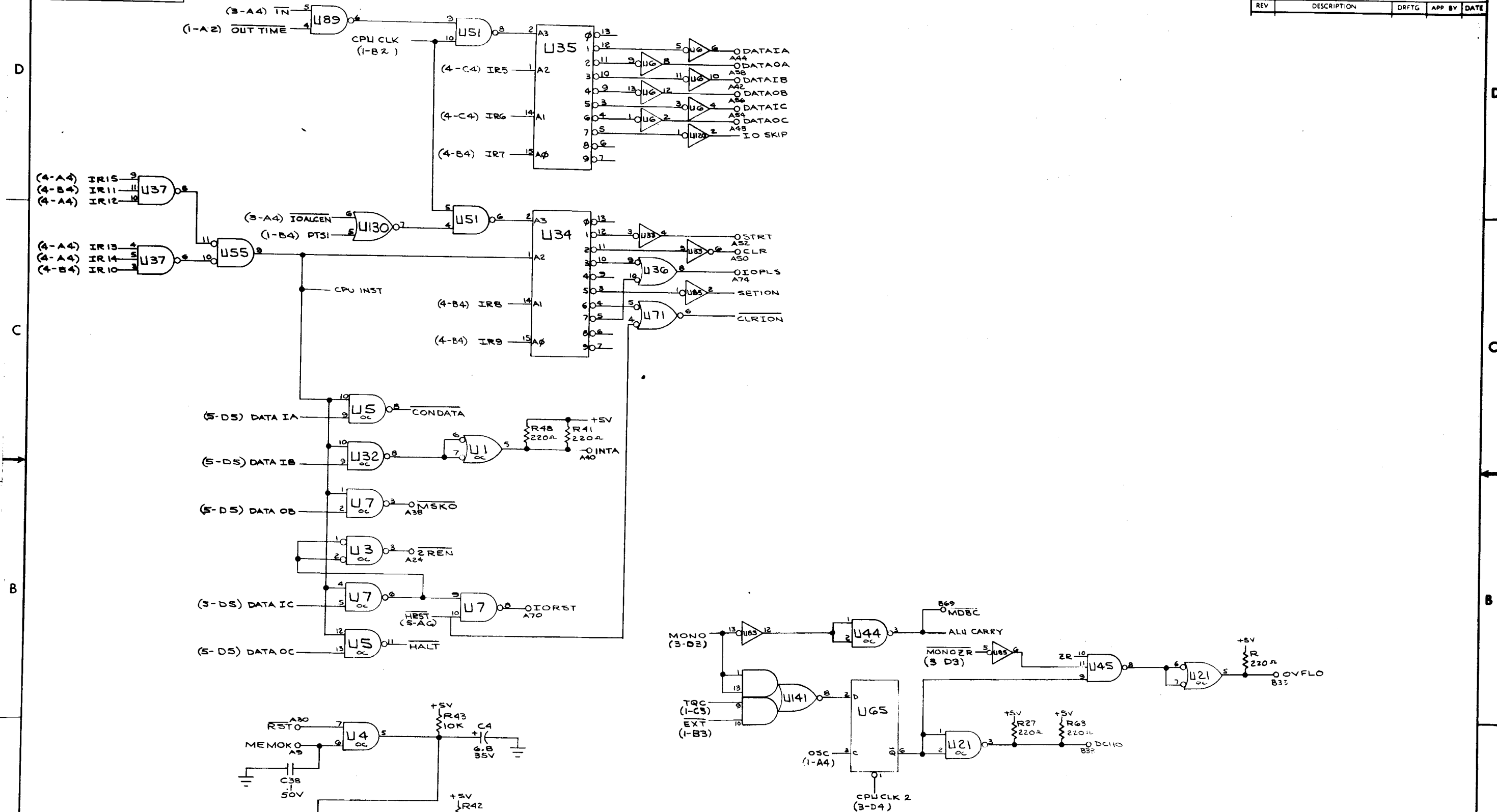
QTY	DESCRIPTION	PART NO

UNLESS OTHERWISE SPECIFIED USE D.G.C. SPECIFICATION 108-00028 FOR TOLERANCES AND WORKMANSHIP REQUIREMENTS	DRAWN <i>R.A. Johnson</i>	10-23-74
	CHECKED	
	ENGINEER	
	APPROVED	
MATERIAL	FIRST USED ON	
FINISH	SCALE	

DATA GENERAL CORPORATION SOUTH BORO MASSACHUSETTS 01772		
TITLE NOVA 2		
INSTRUCTION REGISTERS & INPUT MUX		
SIZE D	CODE 001 000 760	REV 02

THIS DRAWING AND SPECIFICATIONS HEREIN ARE THE PROPERTY OF DATA GENERAL CORPORATION AND SHALL NOT BE REPRODUCED OR COPIED OR USED IN WHOLE OR IN PART AS THE BASIS FOR MANUFACTURE OR SALE OF ITEMS WITHOUT WRITTEN PERMISSION.

REVISIONS				
REV	DESCRIPTION	DRFTG	APP BY	DATE



QTY	DESCR PT ON	PART NO

UNLESS OTHERWISE SPECIFIED USE D.G.C. SPECIFICATION 108-000028 FOR TOLERANCES AND WORKMANSHIP REQUIREMENTS		DATA GENERAL CORPORATION 101 THORNBORO MASSACHUSETTS 01772	
MATERIAL		TITLE NOVA 2 PROGRAM I/O & OUTPUT DRIVERS	
FINISH		SCALE D 001 000 760 02	

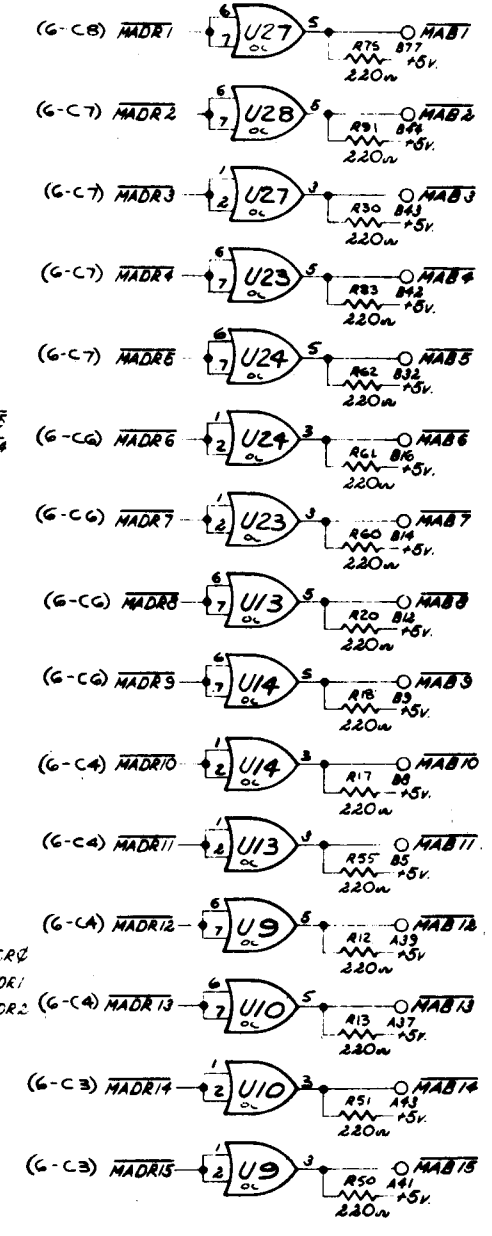
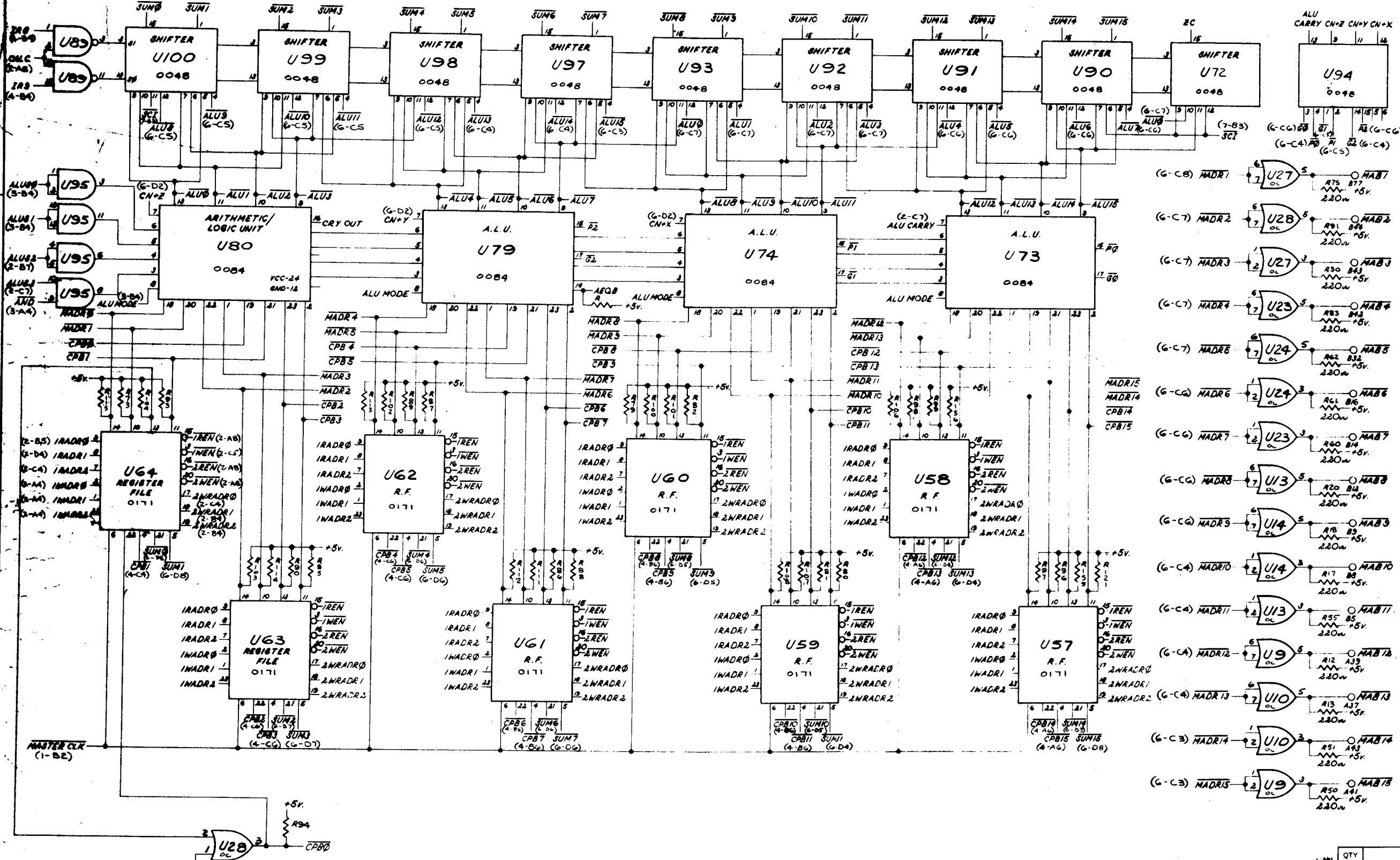
DRAWING 40528 2011

A

1 SHEET 5 OF 7

UNLESS OTHERWISE SPECIFIED, DIMENSIONS ARE IN INCHES. TOLERANCES ON FRACTIONS: DECIMALS: ANGLES: .XX = .0050" .XXX = .0005" PARTS TO BE FREE FROM BURRS. BREAK ALL EDGES .010 UNLESS OTHERWISE SPECIFIED. ALL MACH SURFACES.

REVISIONS			
REV	DESCRIPTION	DRFTG	APP BY



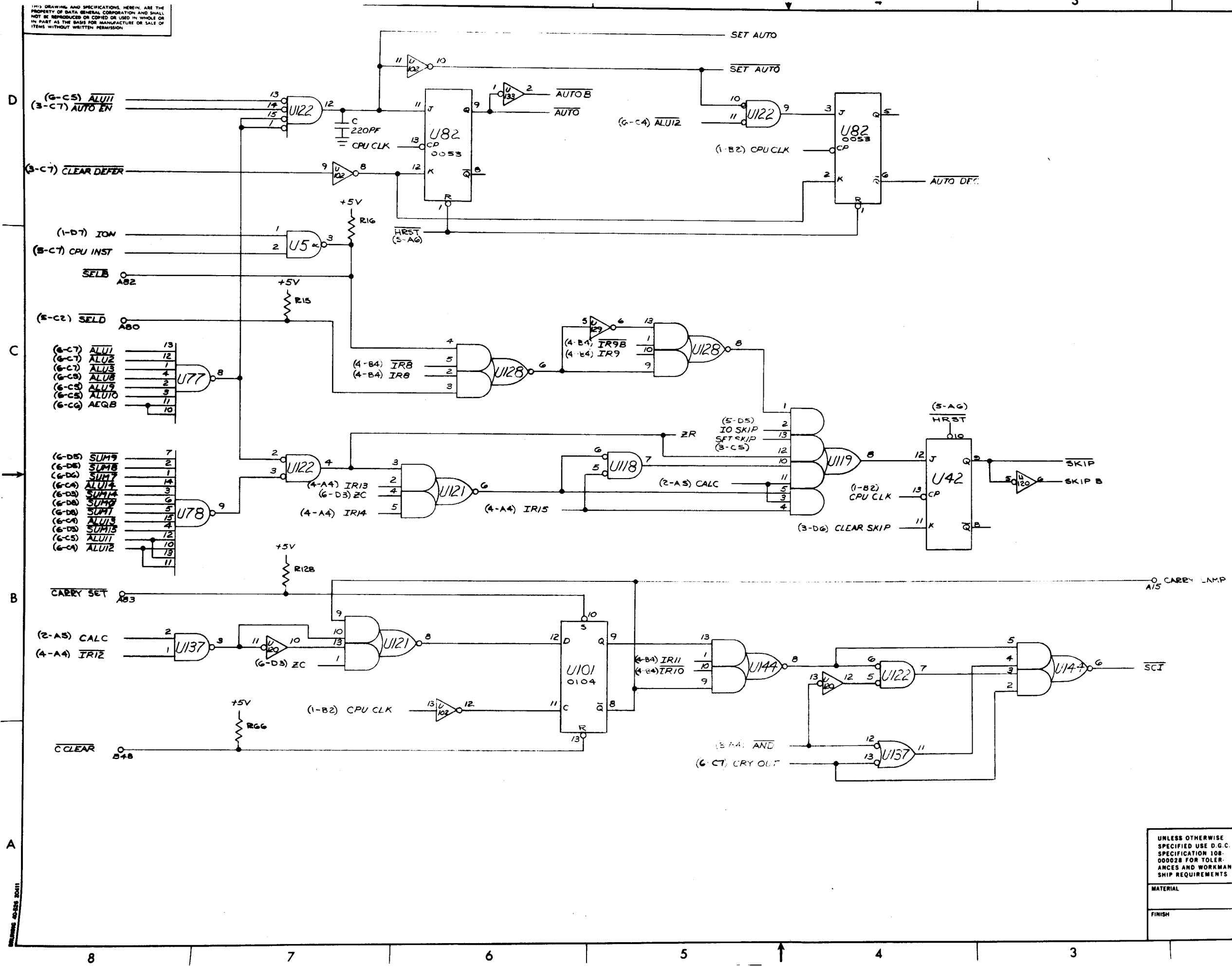
MEMORY ADDRESS DRIVERS

QTY	DESCRIPTION	PART NO.
1	U27	
1	U28	
1	U23	
1	U24	
1	U23	
1	U13	
1	U14	
1	U13	
1	U9	
1	U10	
1	U10	
1	U9	

UNLESS OTHERWISE SPECIFIED— DIMENSIONS ARE IN INCHES TOLERANCES ON: FRACTIONS DECIMALS ANGLES XX = .0050" XXX = .0005" PARTS TO BE FREE FROM BURRS BREAK ALL EDGES .010 UNLESS OTHERWISE SPECIFIED ALL MACH SURFACES	DRAWN CHECKED ENGINEER APPROVED FIRST USED ON MATERIAL FINISH	DESCRIPTION DATA GENERAL CORPORATION SOUTH BORO, MASSACHUSETTS 01772 TITLE NOVA 2 ALU SHIFTER & ADDRESS BUFFERS SIZE CODE D 00/ DRAWING NUMBER 000 760
---	---	--

THIS DRAWING AND SPECIFICATIONS HEREIN ARE THE PROPERTY OF DATA GENERAL CORPORATION AND SHALL NOT BE REPRODUCED OR COPIED OR USED IN WHOLE OR IN PART AS THE BASIS FOR MANUFACTURE OR SALE OF ITEMS WITHOUT WRITTEN PERMISSION.

REVISIONS				
REV	DESCRIPTION	DRFTG	APP BY	DATE



QTY	DESCRIPTION	PART NO

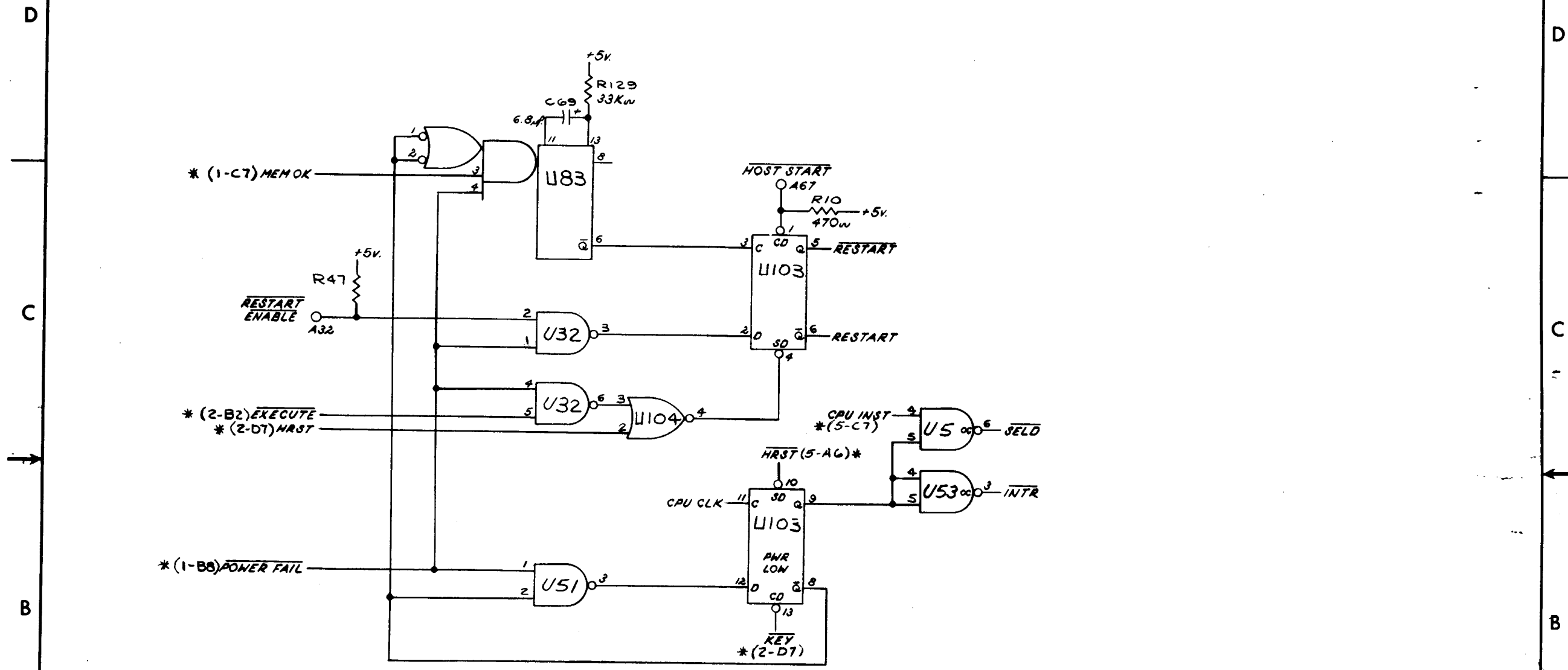
UNLESS OTHERWISE SPECIFIED USE D.G.C. SPECIFICATION 108-000028 FOR TOLERANCES AND WORKMANSHIP REQUIREMENTS	DRAWN	
	CHECKED	
	ENGINEER	
	APPROVED	
MATERIAL	FIRST USED ON	
FINISH	SCALE	

DATA GENERAL CORPORATION		
SOL TH-BORO MASSACHUSETTS 01772		
TITLE		
NOVA 2		
SKIP ALIC CARRY LOGIC		
SIZE	CODE	DRAWING NUMBER
D		GG1 000 760 02
REV		

REVISED 10-28-80

THIS DRAWING AND SPECIFICATIONS, HEREIN, ARE THE PROPERTY OF DATA GENERAL CORPORATION AND SHALL NOT BE REPRODUCED OR COPIED OR USED IN WHOLE OR IN PART AS THE BASIS FOR MANUFACTURE OR SALE OF ITEMS WITHOUT WRITTEN PERMISSION

REVISIONS				
REV	DESCRIPTION	DRFTG	APP BY	DATE



NOTES:
 1. "*" DESIGNATES SOURCE FROM DWG NO. 001000760

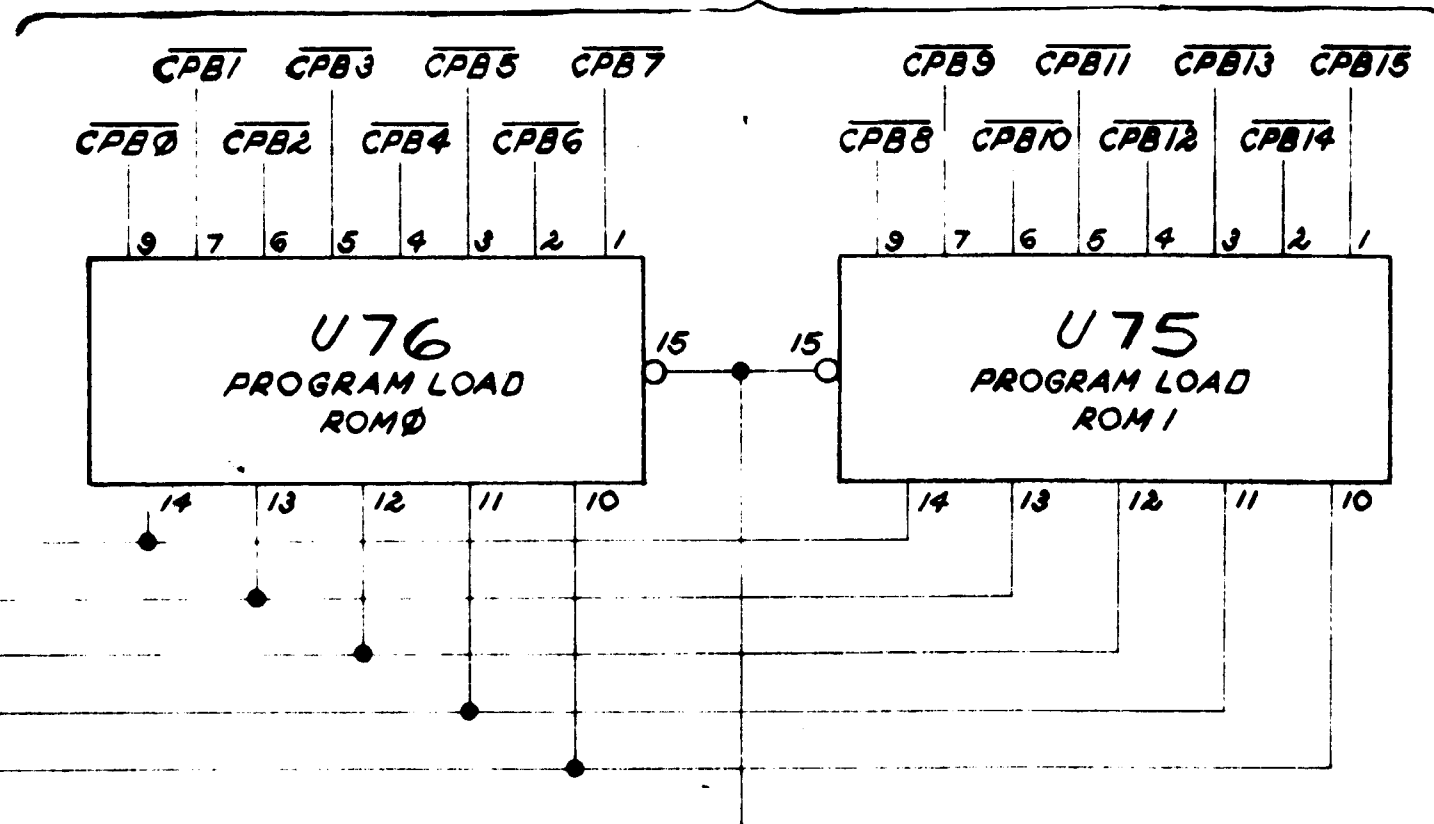
DRAWING 40-526 20411

UNLESS OTHERWISE SPECIFIED USE D G C SPECIFICATION 108 000028 FOR TOLERANCES AND WORKMANSHIP REQUIREMENTS	QTY	DESCRIPTION	PART NO				
	DRAWN G.A. Schorner	3-20-75	DATA GENERAL CORPORATION SOUTHBORO MASSACHUSETTS 01772				
	CHECKED R. J. [unclear]	3-20-75	TITLE NOVA 2 FWR MONITOR				
	ENGINEER D.E. [unclear]	3-20-75	SIZE	CODE	DRAWING NUMBER	REV	
MATERIAL	APPROVED			C	00/	000 761	00
FINISH	FIRST USED ON	SCALE					

THIS DRAWING AND SPECIFICATIONS, HEREIN, ARE THE PROPERTY OF DATA GENERAL CORPORATION AND SHALL NOT BE REPRODUCED OR COPIED OR USED IN WHOLE OR IN PART AS THE BASIS FOR MANUFACTURE OR SALE OF ITEMS WITHOUT WRITTEN PERMISSION

REVISIONS				
REV.	DESCRIPTION	DRFTG.	APP. BY	DATE
01	ECO # 4027	RHS	DLW	11/17/75

*(6-C3 THRU C7)



*(6-C4)

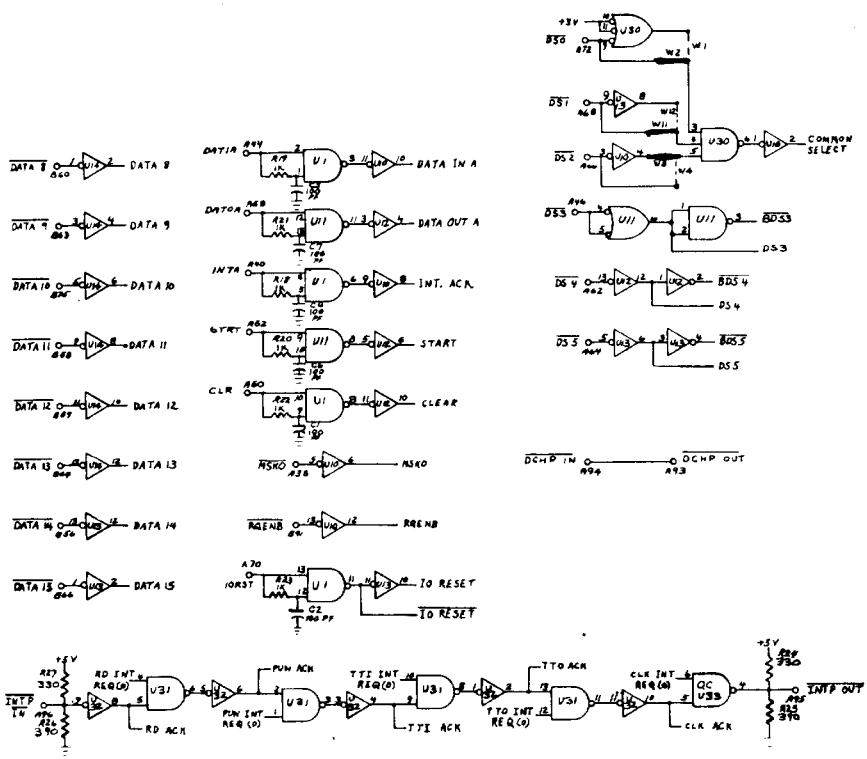
*(3-A6) PL ROMEN

NOTES:

1. * DESIGNATES SOURCE FROM
DWG NO. 001000760

QTY	DESCRIPTION	PART NO.
	DRAWN <i>[Signature]</i>	3-27-75
	CHECKED <i>[Signature]</i>	3-27-75
	ENGINEER <i>D.L. Whipple</i>	3-27-75
	APPROVED	
	FIRST USED ON	
	SCALE	
DATA GENERAL CORPORATION SOUTHBORO, MASSACHUSETTS 01772		
TITLE NOVA 2 PROGRAM LOAD		
SIZE B	CODE 001	DRAWING NUMBER 000 762
		REV. 01

REVISIONS			
NO.	DESCRIPTION	DATE	BY
1			
2			
3			
4			

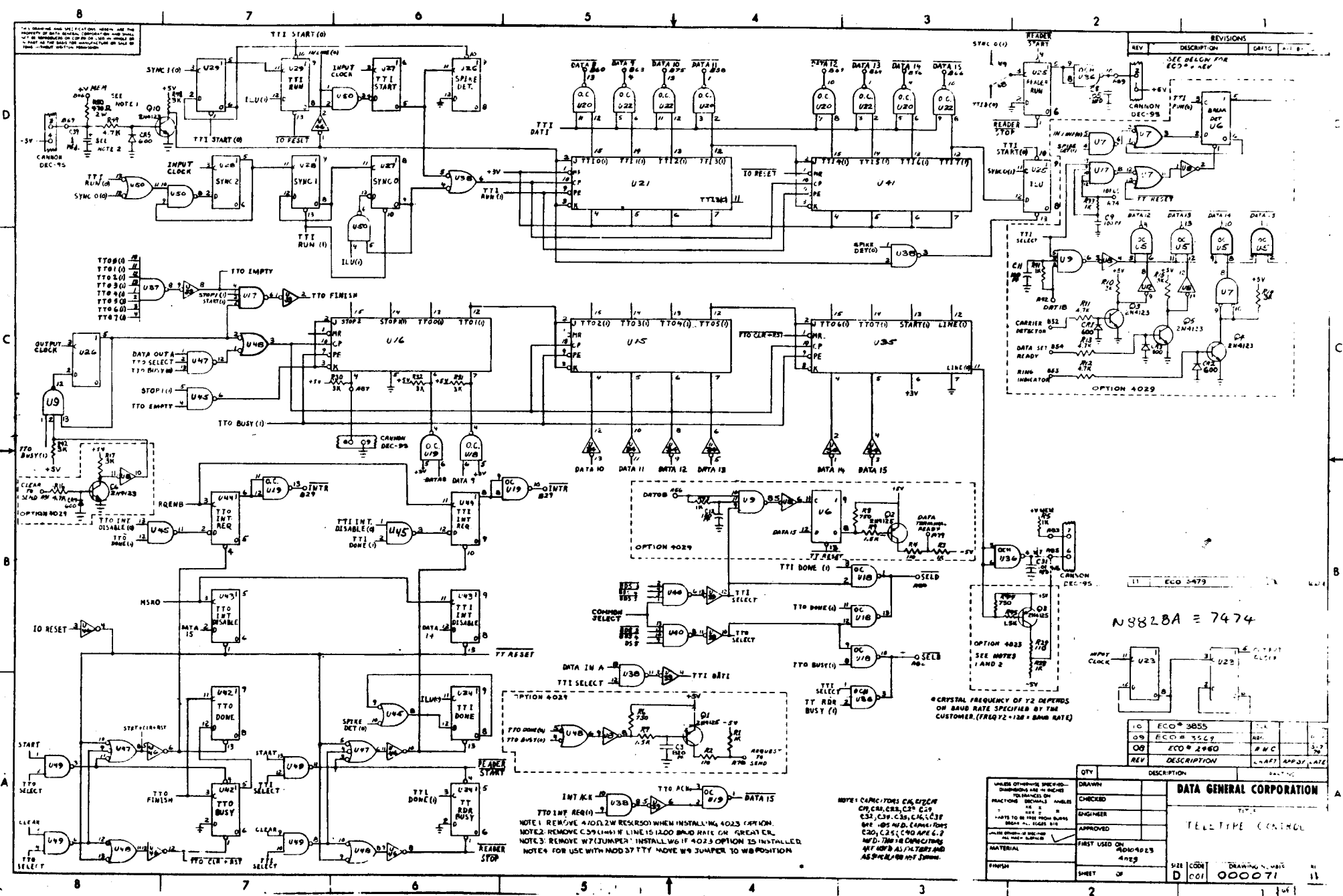


jumped
 W2
 W11
 W3

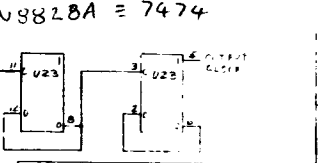
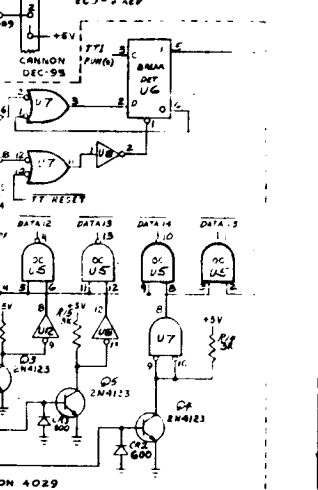
NOTE: CAPS: TYP. C1, C5, C7, C13, C16, C19, C20, C26, C27, C28, C29, C30, C31, C32, C33, C34, C35, C36, C37, C38, C39, C40, C41, C42, C43, C44, C45, C46, C47, C48, C49, C50, C51, C52, C53, C54, C55, C56, C57, C58, C59, C60, C61, C62, C63, C64, C65, C66, C67, C68, C69, C70, C71, C72, C73, C74, C75, C76, C77, C78, C79, C80, C81, C82, C83, C84, C85, C86, C87, C88, C89, C90, C91, C92, C93, C94, C95, C96, C97, C98, C99, C100. RESISTORS: C13, C16, C19, C20, C26, C27, C28, C29, C30, C31, C32, C33, C34, C35, C36, C37, C38, C39, C40, C41, C42, C43, C44, C45, C46, C47, C48, C49, C50, C51, C52, C53, C54, C55, C56, C57, C58, C59, C60, C61, C62, C63, C64, C65, C66, C67, C68, C69, C70, C71, C72, C73, C74, C75, C76, C77, C78, C79, C80, C81, C82, C83, C84, C85, C86, C87, C88, C89, C90, C91, C92, C93, C94, C95, C96, C97, C98, C99, C100.

NO.	DESCRIPTION	DATE
1		
2		
3		
4		

DESIGNED		DATE	
DRAWN		DATE	
CHECKED		DATE	
ENGINEER		DATE	
APPROVED		DATE	
PREPARED BY		DATE	
DATA GENERAL CORPORATION			
IO BUS RECEIVERS & COMMON SELECT			
REV. 1	D 001	000070	09



REV	DESCRIPTION	DATE	BY
1	SEC DESIGN FOR ECO # 3855		
2	ECO # 3855		
3	ECO # 2980		
4	ECO # 3529		



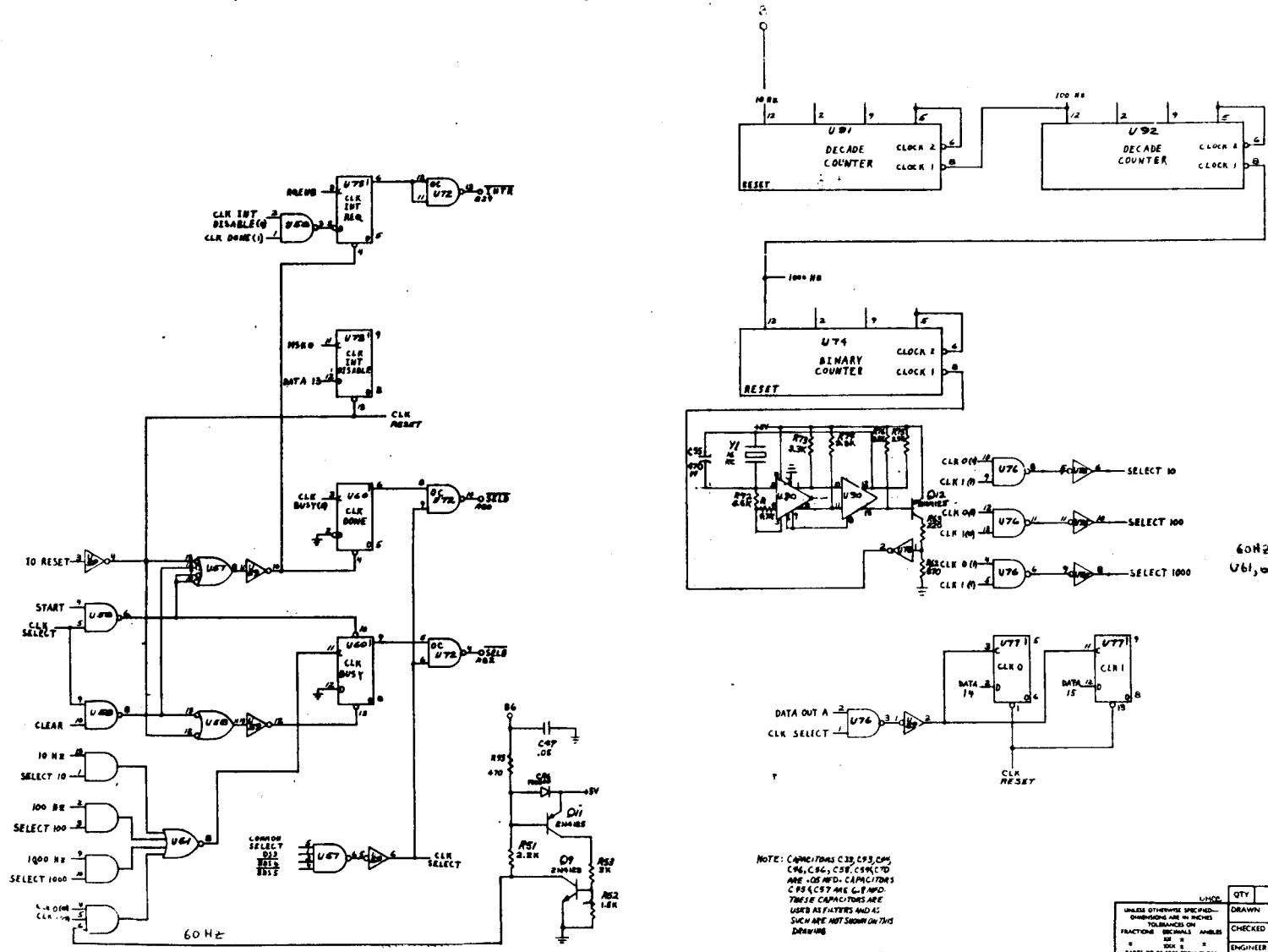
NOTE 1: REMOVE A 0.012W RES (R50) WHEN INSTALLING 4023 OPTION.
NOTE 2: REMOVE C39 (1M) IF LINE IS 1500 BAUD RATE OR GREATER.
NOTE 3: REMOVE W7 (JUMPER) INSTALL W6 IF 4023 OPTION IS INSTALLED.
NOTE 4: FOR USE WITH MOD 37 TTY MOVE W9 JUMPER TO W8 POSITION.

QTY	DESCRIPTION
10	ECO # 3855
09	ECO # 3529
09	ECO # 2980
REV	DESCRIPTION

DATA GENERAL CORPORATION	
TELETYPE CONTROL	
SHEET	OF
D 001	000071

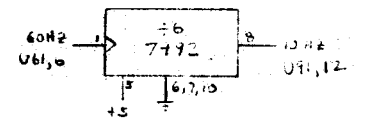
This drawing and specifications, when used in conjunction with the drawings of other electrical components, shall be construed as being in full compliance with the requirements of the contract, and shall be the property of the manufacturer of the material shown hereon.

REVISIONS				
REV	DESCRIPTION	DRFTG	APP BY	DATE
02	ECO 028	RNC	RNC	1/12
03	ECO 033	RNC	RNC	1/12
04				
05	ECO # 1535	RNC	RNC	1/12
06	ECO # 2460	RNC	RNC	1/12



MODIFICATIONS
29 JAN 80. K CHIN

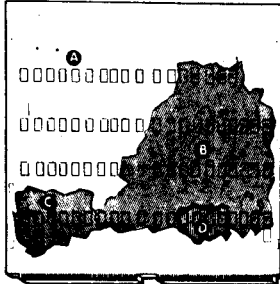
REMOVED U71



NOTE: CAPACITORS C33, C35, C36, C37, C38, C39, C40, C41, C42, C43, C44, C45, C46, C47, C48, C49, C50, C51, C52, C53, C54, C55, C56, C57, C58, C59, C60, C61, C62, C63, C64, C65, C66, C67, C68, C69, C70, C71, C72, C73, C74, C75, C76, C77, C78, C79, C80, C81, C82, C83, C84, C85, C86, C87, C88, C89, C90, C91, C92, C93, C94, C95, C96, C97, C98, C99, C100, C101, C102, C103, C104, C105, C106, C107, C108, C109, C110, C111, C112, C113, C114, C115, C116, C117, C118, C119, C120, C121, C122, C123, C124, C125, C126, C127, C128, C129, C130, C131, C132, C133, C134, C135, C136, C137, C138, C139, C140, C141, C142, C143, C144, C145, C146, C147, C148, C149, C150, C151, C152, C153, C154, C155, C156, C157, C158, C159, C160, C161, C162, C163, C164, C165, C166, C167, C168, C169, C170, C171, C172, C173, C174, C175, C176, C177, C178, C179, C180, C181, C182, C183, C184, C185, C186, C187, C188, C189, C190, C191, C192, C193, C194, C195, C196, C197, C198, C199, C200, C201, C202, C203, C204, C205, C206, C207, C208, C209, C210, C211, C212, C213, C214, C215, C216, C217, C218, C219, C220, C221, C222, C223, C224, C225, C226, C227, C228, C229, C230, C231, C232, C233, C234, C235, C236, C237, C238, C239, C240, C241, C242, C243, C244, C245, C246, C247, C248, C249, C250, C251, C252, C253, C254, C255, C256, C257, C258, C259, C260, C261, C262, C263, C264, C265, C266, C267, C268, C269, C270, C271, C272, C273, C274, C275, C276, C277, C278, C279, C280, C281, C282, C283, C284, C285, C286, C287, C288, C289, C290, C291, C292, C293, C294, C295, C296, C297, C298, C299, C300, C301, C302, C303, C304, C305, C306, C307, C308, C309, C310, C311, C312, C313, C314, C315, C316, C317, C318, C319, C320, C321, C322, C323, C324, C325, C326, C327, C328, C329, C330, C331, C332, C333, C334, C335, C336, C337, C338, C339, C340, C341, C342, C343, C344, C345, C346, C347, C348, C349, C350, C351, C352, C353, C354, C355, C356, C357, C358, C359, C360, C361, C362, C363, C364, C365, C366, C367, C368, C369, C370, C371, C372, C373, C374, C375, C376, C377, C378, C379, C380, C381, C382, C383, C384, C385, C386, C387, C388, C389, C390, C391, C392, C393, C394, C395, C396, C397, C398, C399, C400, C401, C402, C403, C404, C405, C406, C407, C408, C409, C410, C411, C412, C413, C414, C415, C416, C417, C418, C419, C420, C421, C422, C423, C424, C425, C426, C427, C428, C429, C430, C431, C432, C433, C434, C435, C436, C437, C438, C439, C440, C441, C442, C443, C444, C445, C446, C447, C448, C449, C450, C451, C452, C453, C454, C455, C456, C457, C458, C459, C460, C461, C462, C463, C464, C465, C466, C467, C468, C469, C470, C471, C472, C473, C474, C475, C476, C477, C478, C479, C480, C481, C482, C483, C484, C485, C486, C487, C488, C489, C490, C491, C492, C493, C494, C495, C496, C497, C498, C499, C500, C501, C502, C503, C504, C505, C506, C507, C508, C509, C510, C511, C512, C513, C514, C515, C516, C517, C518, C519, C520, C521, C522, C523, C524, C525, C526, C527, C528, C529, C530, C531, C532, C533, C534, C535, C536, C537, C538, C539, C540, C541, C542, C543, C544, C545, C546, C547, C548, C549, C550, C551, C552, C553, C554, C555, C556, C557, C558, C559, C560, C561, C562, C563, C564, C565, C566, C567, C568, C569, C570, C571, C572, C573, C574, C575, C576, C577, C578, C579, C580, C581, C582, C583, C584, C585, C586, C587, C588, C589, C590, C591, C592, C593, C594, C595, C596, C597, C598, C599, C600, C601, C602, C603, C604, C605, C606, C607, C608, C609, C610, C611, C612, C613, C614, C615, C616, C617, C618, C619, C620, C621, C622, C623, C624, C625, C626, C627, C628, C629, C630, C631, C632, C633, C634, C635, C636, C637, C638, C639, C640, C641, C642, C643, C644, C645, C646, C647, C648, C649, C650, C651, C652, C653, C654, C655, C656, C657, C658, C659, C660, C661, C662, C663, C664, C665, C666, C667, C668, C669, C670, C671, C672, C673, C674, C675, C676, C677, C678, C679, C680, C681, C682, C683, C684, C685, C686, C687, C688, C689, C690, C691, C692, C693, C694, C695, C696, C697, C698, C699, C700, C701, C702, C703, C704, C705, C706, C707, C708, C709, C710, C711, C712, C713, C714, C715, C716, C717, C718, C719, C720, C721, C722, C723, C724, C725, C726, C727, C728, C729, C730, C731, C732, C733, C734, C735, C736, C737, C738, C739, C740, C741, C742, C743, C744, C745, C746, C747, C748, C749, C750, C751, C752, C753, C754, C755, C756, C757, C758, C759, C760, C761, C762, C763, C764, C765, C766, C767, C768, C769, C770, C771, C772, C773, C774, C775, C776, C777, C778, C779, C780, C781, C782, C783, C784, C785, C786, C787, C788, C789, C790, C791, C792, C793, C794, C795, C796, C797, C798, C799, C800, C801, C802, C803, C804, C805, C806, C807, C808, C809, C810, C811, C812, C813, C814, C815, C816, C817, C818, C819, C820, C821, C822, C823, C824, C825, C826, C827, C828, C829, C830, C831, C832, C833, C834, C835, C836, C837, C838, C839, C840, C841, C842, C843, C844, C845, C846, C847, C848, C849, C850, C851, C852, C853, C854, C855, C856, C857, C858, C859, C860, C861, C862, C863, C864, C865, C866, C867, C868, C869, C870, C871, C872, C873, C874, C875, C876, C877, C878, C879, C880, C881, C882, C883, C884, C885, C886, C887, C888, C889, C890, C891, C892, C893, C894, C895, C896, C897, C898, C899, C900, C901, C902, C903, C904, C905, C906, C907, C908, C909, C910, C911, C912, C913, C914, C915, C916, C917, C918, C919, C920, C921, C922, C923, C924, C925, C926, C927, C928, C929, C930, C931, C932, C933, C934, C935, C936, C937, C938, C939, C940, C941, C942, C943, C944, C945, C946, C947, C948, C949, C950, C951, C952, C953, C954, C955, C956, C957, C958, C959, C960, C961, C962, C963, C964, C965, C966, C967, C968, C969, C970, C971, C972, C973, C974, C975, C976, C977, C978, C979, C980, C981, C982, C983, C984, C985, C986, C987, C988, C989, C990, C991, C992, C993, C994, C995, C996, C997, C998, C999, C1000.

UNCD	QTY	DESCRIPTION	PART NO
		DATA GENERAL CORPORATION	
TITLE			
REAL TIME CLOCK			
FIRST USED ON			
DATE			
FINISH			
SHEET		OF	
SIZE	USER	DRAWING NUMBER	REV
D	001	000074	06

SUBSYSTEM COMPONENT BREAKDOWN



06-03094



MAJOR COMPONENT

Item	Component	Mounting Location	Notes
A	BASIC I/O INTERFACE	COMPUTER CHASSIS	
B	ASYNC LINE CONTROLLER	BASIC I/O INTERFACE	FOR 20MA CURRENT LOOP APPLICATIONS AT 110 BAUD
C	EIA INTERFACE	ASYNC LINE CONTROLLER	FOR EIA APPLICATION AT 110 BAUD OR HIGHER
D	PRECISION CRYSTAL OSCILLATOR	ASYNC LINE CONTROLLER	FOR 75-9600 BAUD

CABLE

Item	Cable	Connecting	Max Allowable Length	Notes
			ft	m
E	INTERNAL	ASYNC LINE CONTROLLER and DEVICE CABLE	N/A	NEEDED FOR SECOND CONTROLLER OR WHEN PREFERRED SLOT IS NOT USED. PADDLEBOARD STYLE SAME AS ABOVE SOCKET STYLE)
F	INTERNAL	ASYNC LINE CONTROLLER -- DEVICE CABLE	N/A	

SPECIFICATIONS OF CHASSIS MOUNTED COMPONENTS

Item	Component	Chassis	Slots Required	Max Allowable Data Channel Latency (µsec)	Type of Data Channel Service Desired	Max Allowable Programmed I/O Latency *	Controller's +5 Volt Current Draw (Amps)
					High Speed, Standard		
A	BASIC I/O INTERFACE AND ASYNC LINE CONTROLLER	COMPUTER	1	N/A	N/A	21.5ms @ 110 BAUD TO 0.25 FOR INTERFACE PLUS 0.24ms @ 9600 BAUD 0.7 FOR ASYNC LINE CONT	

*DATA WILL BE LOST IN INPUT IF THESE LATENCIES ARE EXCEEDED

CONFIGURATION RULES

1. If a system has one or more TTYs, one (device code 10) must be assigned the primary slot (3, 4, or 5, depending on computer type).
2. If a system has one or more 6012s, Infotons, or other CRT displays, and no TTY, one (device code 10) must be assigned the primary slot.
3. If a system has one or more Low Cost Displays and none of the above, then one (device code 10) must be assigned the primary slot.
4. If a system has one or more Sprints (with keyboard) and none of the above, then one (device code 10) must be assigned the primary slot.
5. If a system has none of the above, then it is assumed to have no console device, and any other constraints and rules can be followed without diagnostic impact.

The above assumes that the Interface boards required are standard DG types (ALM and Data Channel Line Printer Interfaces excluded). In these cases, No. 5 applies.

013 000000
DRAWING NUMBER 06-03094 27918

THIS DRAWING AND SPECIFICATIONS HEREIN ARE THE PROPERTY OF DATA GENERAL CORPORATION AND SHALL NOT BE REPRODUCED OR COPIED OR USED IN WHOLE OR IN PART AS THE BASIS FOR MANUFACTURE OR SALE OF ITEMS WITHOUT WRITTEN PERMISSION.

REV	00	01
ECO	5372	6054
APP	-	3824
DATE	11/6/82	2-13

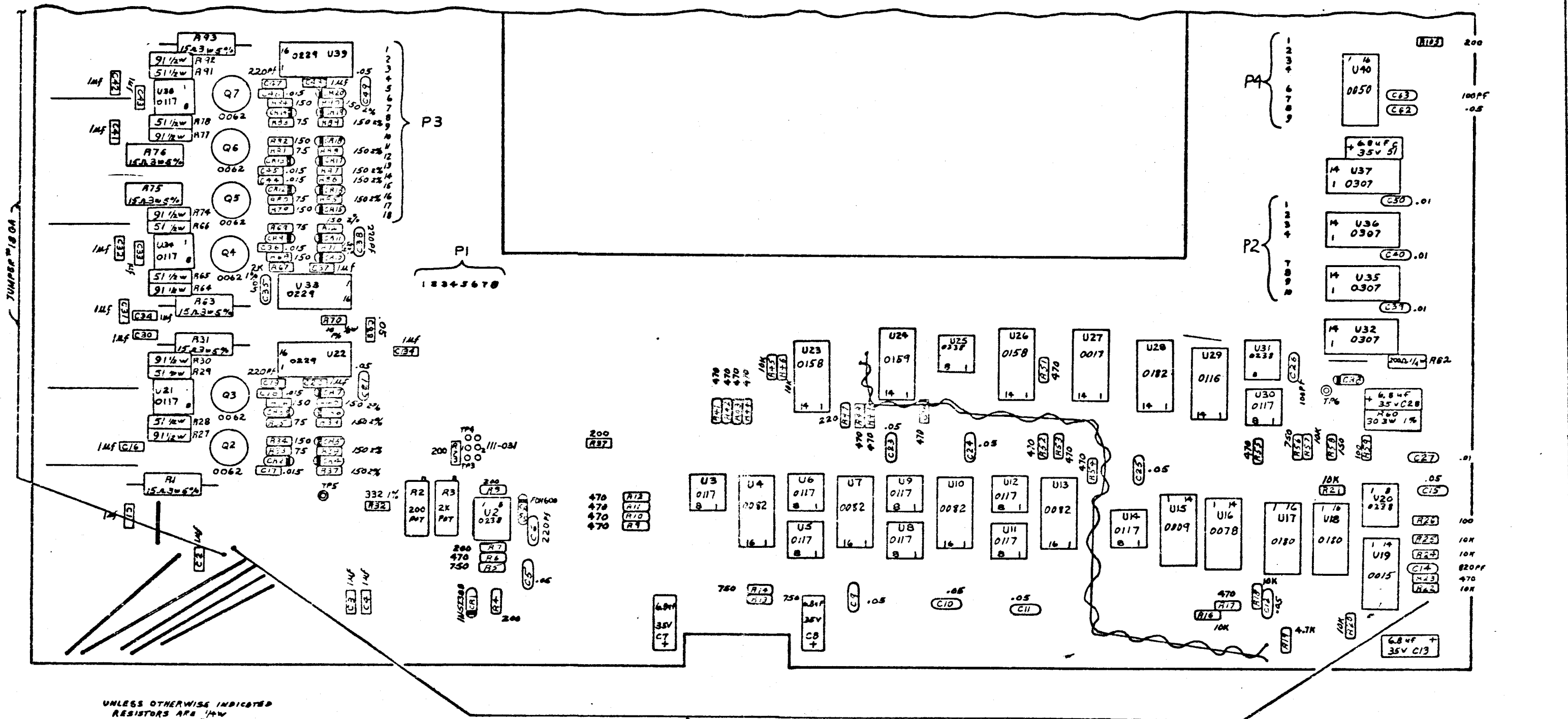
DRAWN	APPROVED
CHECKED	FIRST USED ON
ENGINEER	CODE IDENT 34984

TITLE
ASYNCHRONOUS CONTROLLER

DATA GENERAL CORPORATION		
SOUTH-BORO MASSACHUSETTS 01772		
SIZE	CODE	DRAWING NUMBER
C	000	000115
		REV 01

003-000282-13
107-000282-06

REV	DESCRIPTION	DATE	APP BY	DATE
01	PLN ECO 2102	11/17/57	J. KLIM	11/17/57
02	PLN ECO 3875	11/17/57	J. KLIM	11/17/57
03	PLN ECO 4437	11/17/57	J. KLIM	11/17/57

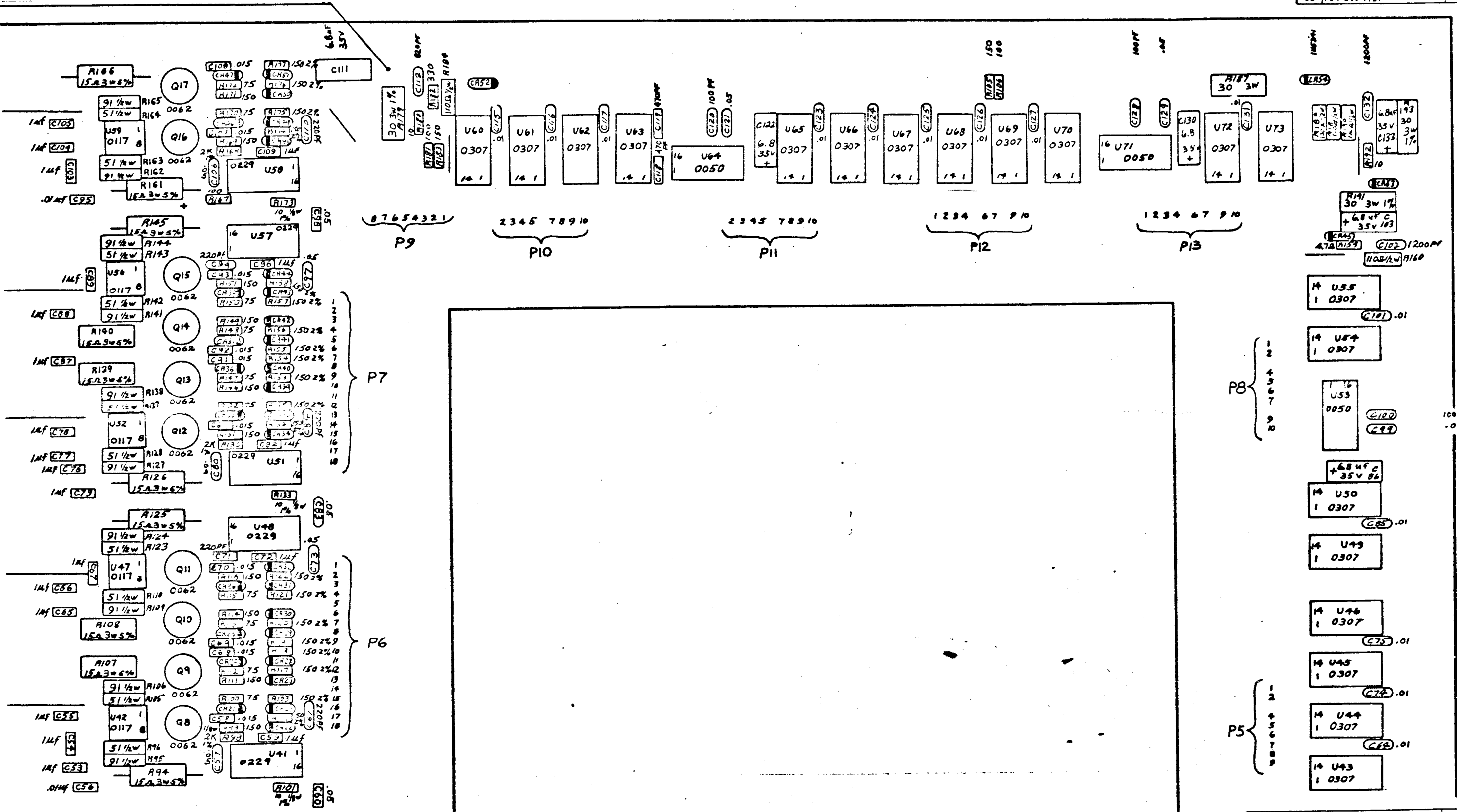


UNLESS OTHERWISE INDICATED
RESISTORS ARE 1/4W
DIODES ARE CD81198

QTY	DESCRIPTION	PART NO						
<table border="1"> <tr> <td>UNLESS OTHERWISE SPECIFIED— DIMENSIONS ARE IN INCHES TOLERANCES ON FRACTIONS DECIMALS ANGLES XX ± .XX PARTS TO BE FREE FROM BURRS BREAK ALL EDGES 0.10</td> <td> DRAWN: [Signature] CHECKED: [Signature] ENGINEER: [Signature] APPROVED: [Signature] FIRST USED ON: </td> </tr> <tr> <td>MATERIAL</td> <td></td> </tr> <tr> <td>FINISH</td> <td></td> </tr> </table>			UNLESS OTHERWISE SPECIFIED— DIMENSIONS ARE IN INCHES TOLERANCES ON FRACTIONS DECIMALS ANGLES XX ± .XX PARTS TO BE FREE FROM BURRS BREAK ALL EDGES 0.10	DRAWN: [Signature] CHECKED: [Signature] ENGINEER: [Signature] APPROVED: [Signature] FIRST USED ON:	MATERIAL		FINISH	
UNLESS OTHERWISE SPECIFIED— DIMENSIONS ARE IN INCHES TOLERANCES ON FRACTIONS DECIMALS ANGLES XX ± .XX PARTS TO BE FREE FROM BURRS BREAK ALL EDGES 0.10	DRAWN: [Signature] CHECKED: [Signature] ENGINEER: [Signature] APPROVED: [Signature] FIRST USED ON:							
MATERIAL								
FINISH								
DATA GENERAL CORPORATION SOLTHORBO, MASSACHUSETTS 01772								
TITLE NOVA 2 16K MEMORY MODEL 8302								
SCALE	SIZE CODE D 015	DRAWING NUMBER 000096						
		REV 03						

003-000282-13
107-000282-06

REVISIONS				
REV	DESCRIPTION	DRAWN	APP BY	DATE
01	PER ECO 2892	M VOIL		
02	PER ECO 3873	D KLIM		
03	PER ECO 4437	D KLIM		

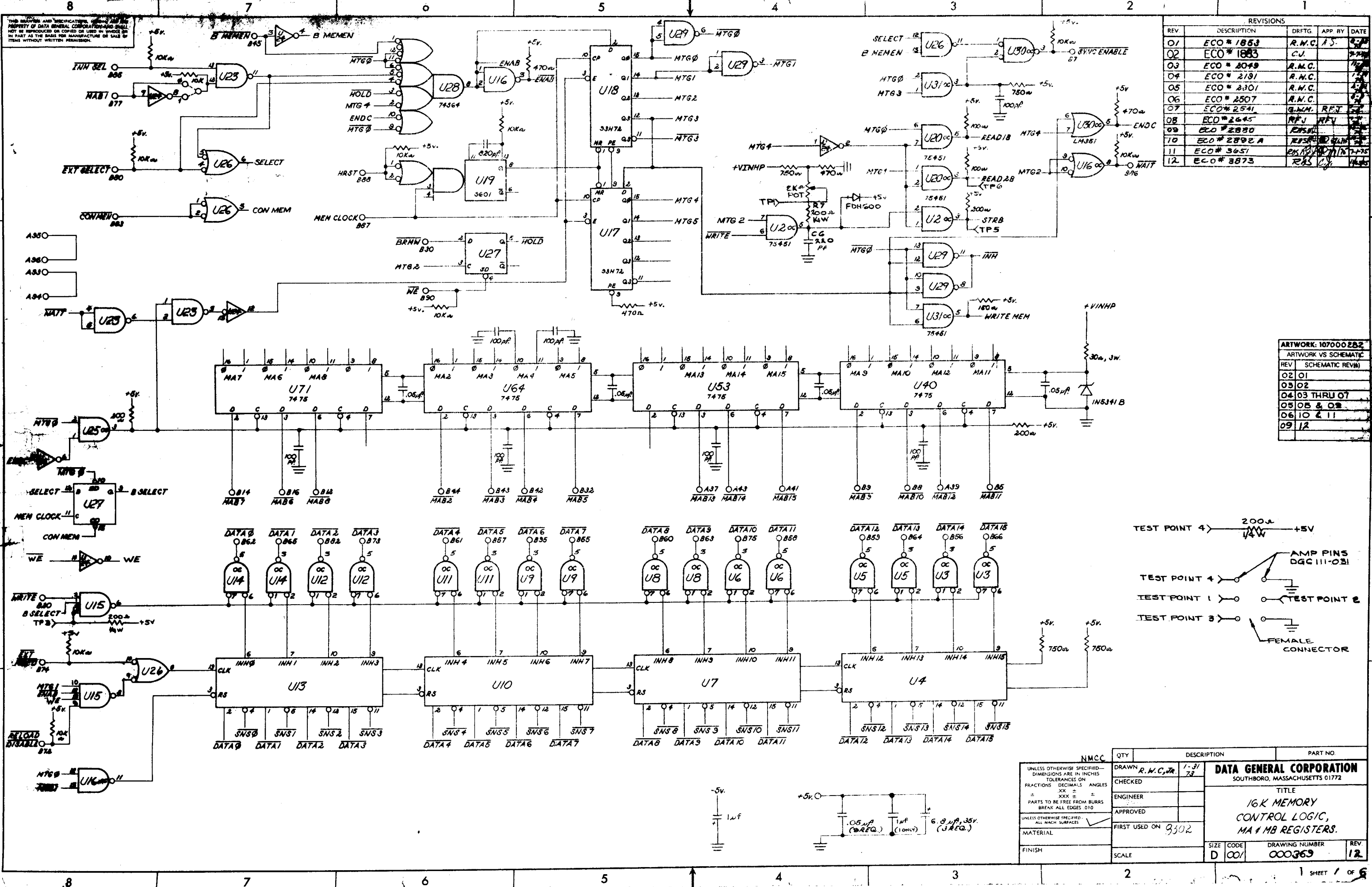


UNIFORM WIDTH

QTY	DESCRIPTION	PART NO
14	U55	0307
14	U54	0307
14	U53	0050
14	U50	0307
14	U49	0307
14	U46	0307
14	U45	0307
14	U44	0307
14	U43	0307

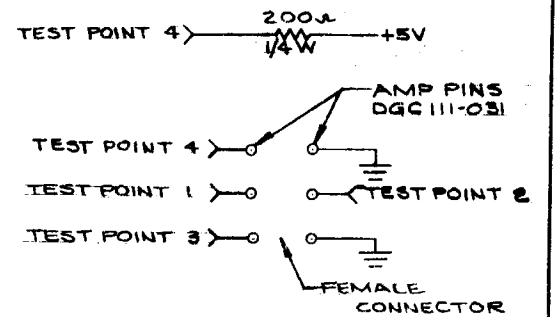
UNLESS OTHERWISE SPECIFIED - DIMENSIONS ARE IN INCHES TOLERANCES ON FRACTIONS DECIMALS ANGLES .XX = .XX .XXX = .XXX PARTS TO BE FREE FROM BURRS BREAK ALL EDGES 90°	DRAWN	CHECKED	ENGINEER	12-73
UNLESS OTHERWISE SPECIFIED - ALL HOLES SURFACES	APPROVED	FIRST USED ON		
MATERIAL				
FINISH	SCALE	SIZE	CODE	D 016

DATA GENERAL CORPORATION SOUTHBORO MASSACHUSETTS 01772			
TITLE NOVA 2 16 K MEMORY MODEL 8302			
SIZE	CODE	DRAWING NUMBER	REV
D	016	000096	03



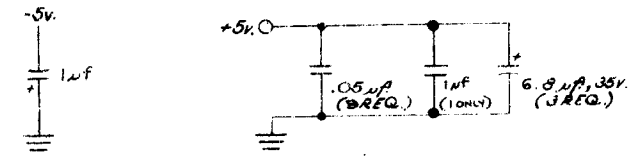
REVISIONS				
REV	DESCRIPTION	DRFTG	APP BY	DATE
01	ECO # 1853	R.M.C.	A.S.	7-7-72
02	ECO # 1863	C.J.		7-27-72
03	ECO # 2049	R.M.C.		7-27-72
04	ECO # 2181	R.M.C.		7-27-72
05	ECO # 2301	R.M.C.		7-27-72
06	ECO # 2507	R.M.C.		7-27-72
07	ECO # 2541	G.M.H.	R.F.J.	7-27-72
08	ECO # 2645	R.F.J.	R.F.V.	7-27-72
09	ECO # 2880	R.F.S.H.		7-27-72
10	ECO # 2892 A	R.F.S.H.	R.F.V.	7-27-72
11	ECO # 3651	R.S.	C.J.	7-27-72
12	ECO # 3873	R.S.	C.J.	7-27-72

ARTWORK: 107000252	
ARTWORK VS SCHEMATIC	
REV	SCHEMATIC REV#
02	01
03	02
04 03 THRU 07	
05 05 & 08	
06 10 & 11	
09 12	



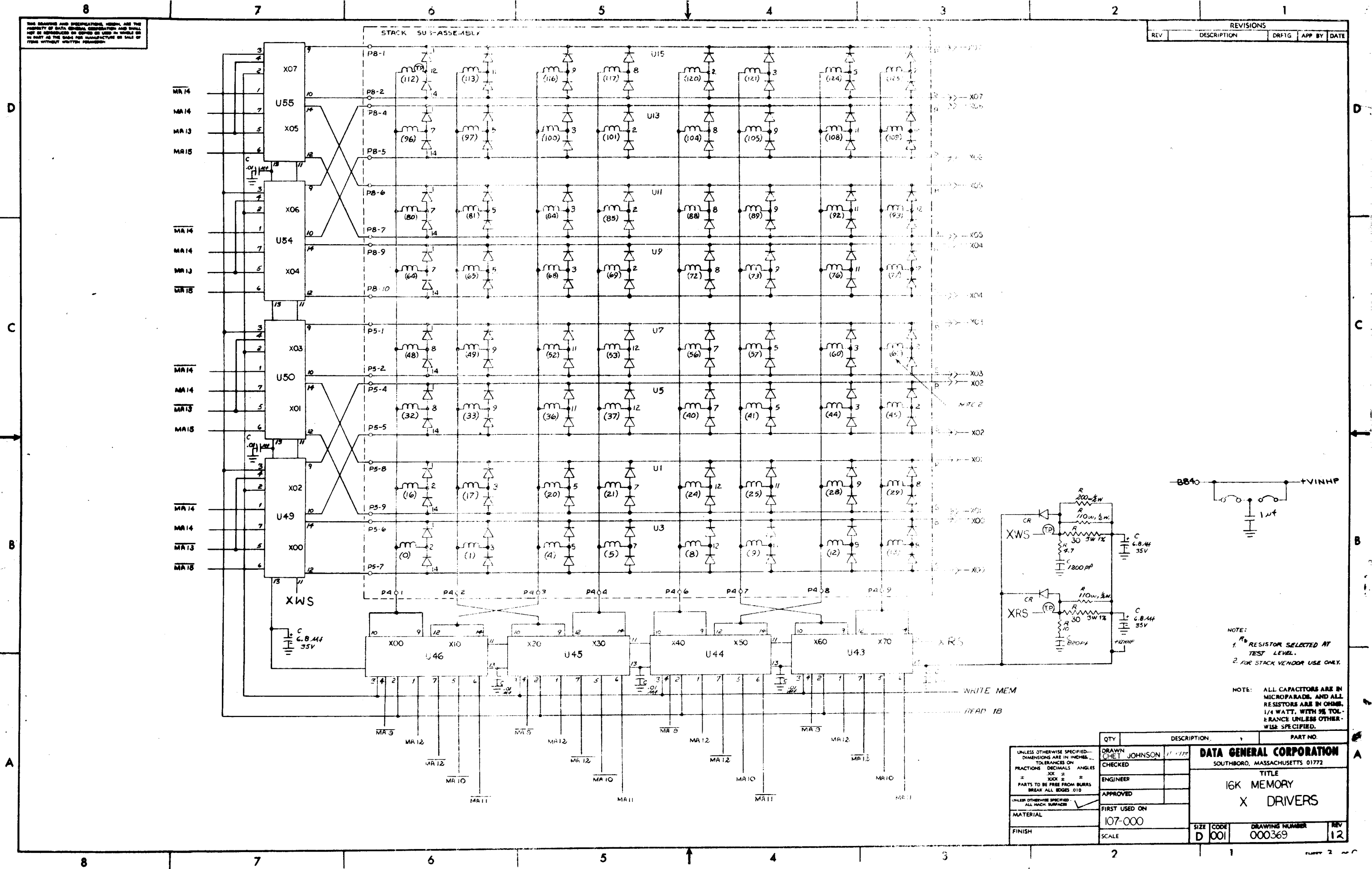
NMCC		QTY	DESCRIPTION	PART NO.
UNLESS OTHERWISE SPECIFIED— DIMENSIONS ARE IN INCHES TOLERANCES ON FRACTIONS DECIMALS ANGLES XXX ± PARTS TO BE FREE FROM BURRS BREAK ALL EDGES .010	DRAWN R.M.C./R	1-31		
UNLESS OTHERWISE SPECIFIED— ALL MACH SURFACES	CHECKED	72		
	ENGINEER			
	APPROVED			
	FIRST USED ON	9302		
FINISH	SCALE			

DATA GENERAL CORPORATION			
SOUTHBORO, MASSACHUSETTS 01772			
TITLE			
16K MEMORY CONTROL LOGIC, MA1 MB REGISTERS.			
SIZE	CODE	DRAWING NUMBER	REV
D	001	000369	12



THIS DRAWING AND SPECIFICATIONS HERIN, ARE THE PROPERTY OF DATA GENERAL CORPORATION AND SHALL NOT BE REPRODUCED OR COPIED OR USED IN WHOLE OR IN PART AS THE BASIS FOR MANUFACTURE OR SALE OF ITEMS WITHOUT WRITTEN PERMISSION.

REVISIONS			
REV	DESCRIPTION	DRF'G	APP BY DATE



QTY	DESCRIPTION	PART NO.

UNLESS OTHERWISE SPECIFIED— DIMENSIONS ARE IN INCHES— FRACTIONS DECIMALS ANGLES X.X ± X.XX ± X.XXX ± PARTS TO BE FREE FROM BURRS BREAK ALL EDGES 0.10	DRAWN CHET JOHNSON 11-1172	DATA GENERAL CORPORATION SOUTHBORO, MASSACHUSETTS 01772 TITLE 16K MEMORY X DRIVERS
UNLESS OTHERWISE SPECIFIED— ALL MACH SURFACES	CHECKED	
	ENGINEER	
	APPROVED	
	FIRST USED ON	
	107-000	
MATERIAL		
FINISH		
	SCALE	

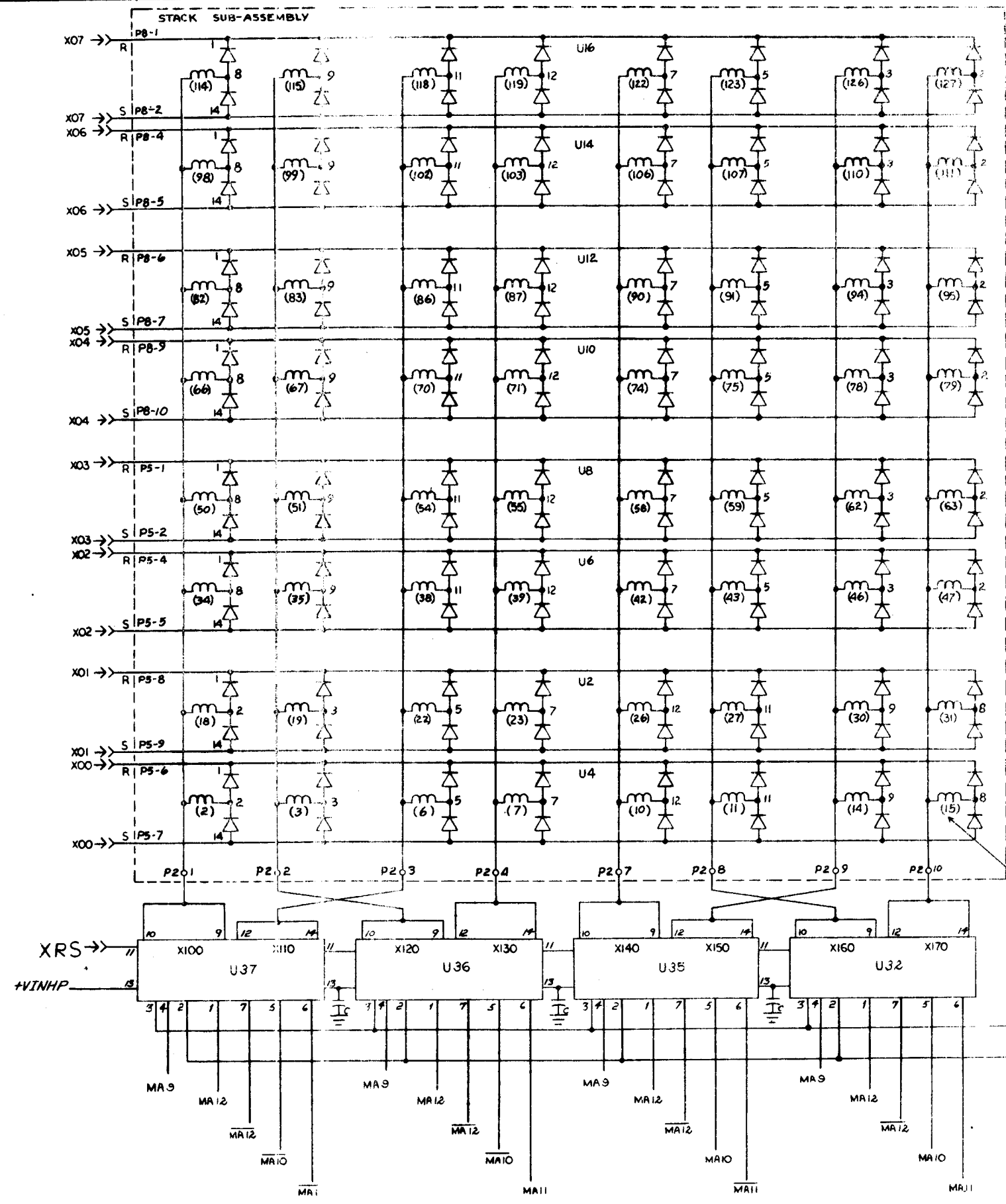
NOTE:
 1. R₁ RESISTOR SELECTED AT TEST LEVEL.
 2. FOR STACK VENDOR USE ONLY.

NOTE: ALL CAPACITORS ARE IN MICROFARADS, AND ALL RESISTORS ARE IN OHMS, 1/4 WATT, WITH 5% TOLERANCE UNLESS OTHERWISE SPECIFIED.

SIZE	CODE	DRAWING NUMBER	REV
D	001	000369	12

THIS DRAWING AND SPECIFICATIONS, LOGS, AND THE PROPERTY OF DATA GENERAL CORPORATION AND SHALL NOT BE REPRODUCED OR COPIED OR USED IN WHOLE OR IN PART AS THE BASIS FOR MANUFACTURE OR SALE OF THIS WITHOUT WRITTEN PERMISSION.

REVISIONS			
REV	DESCRIPTION	APP BY	DATE



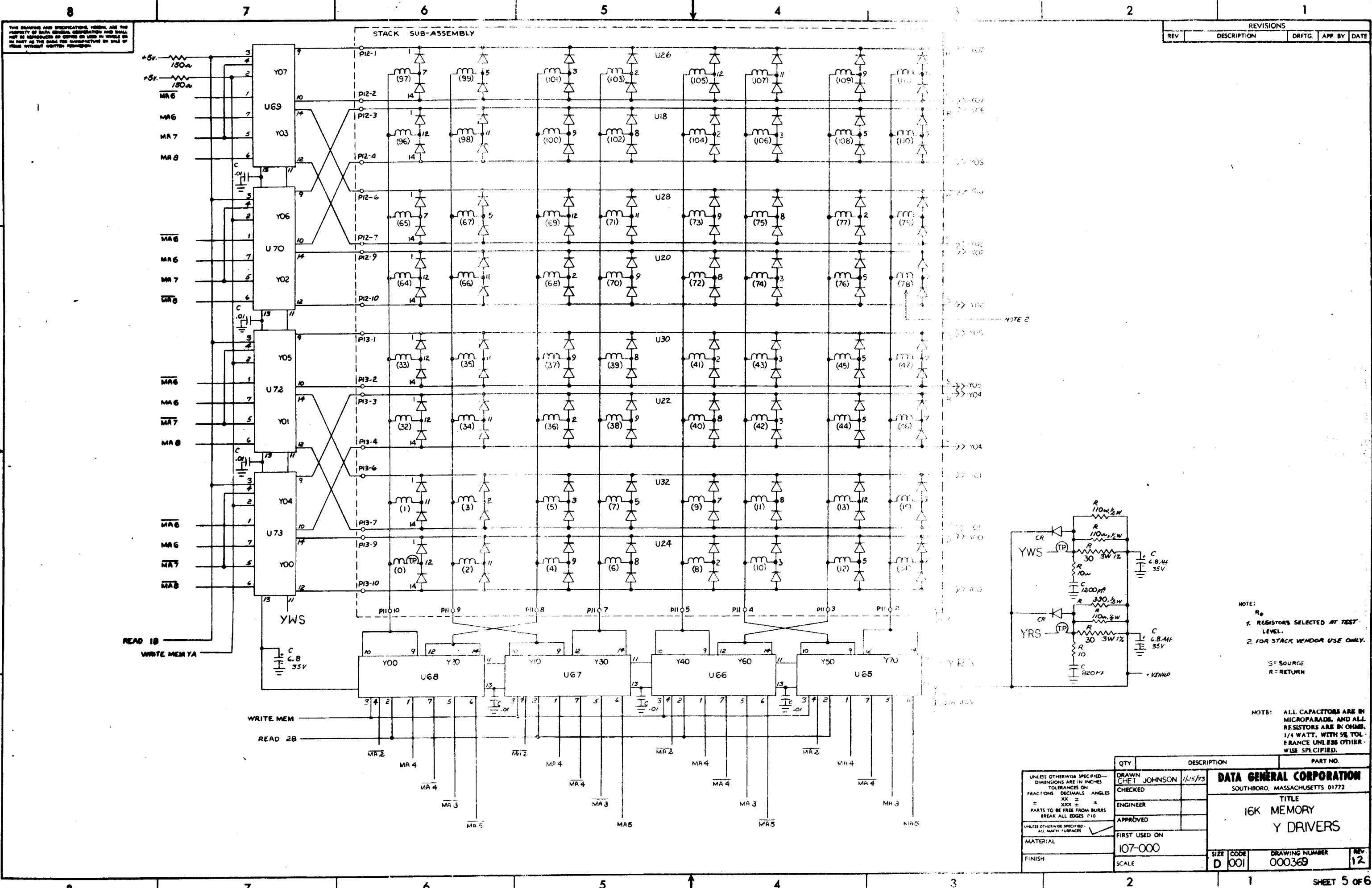
NOTE 1

NOTE 2
FOR SINK WINDOW USE ONLY

NOTE: ALL CAPACITORS ARE IN MICROFARADS AND ALL RESISTORS ARE IN OHMS. 1/4 WATT. WITH 5% TOLERANCE UNLESS OTHERWISE SPECIFIED.

QTY	DESCRIPTION	PART NO.

UNLESS OTHERWISE SPECIFIED—DIMENSIONS ARE IN INCHES TOLERANCES ON FRACTIONS DECIMALS ANGLES XXX ± .XXX ± . PARTS TO BE FREE FROM BURRS BREAK ALL EDGES 010	DRAWN CHET JOHNSON 11/5/72	DATA GENERAL CORPORATION SOUTHBORO, MASSACHUSETTS 01772
UNLESS OTHERWISE SPECIFIED—ALL MACH SURFACES	CHECKED ENGINEER APPROVED	TITLE 16K MEMORY X DRIVERS
MATERIAL	FIRST USED ON 107-000	SIZE CODE D 001
FINISH	SCALE	DRAWING NUMBER 000369
		REV 12



REVISIONS				
REV	DESCRIPTION	DRFTG	APP BY	DATE

NOTE 2

NOTE:
 R*
 1. RESISTORS SELECTED AT TEST LEVEL.
 2. FOR STACK VENDOR USE ONLY.
 S= SOURCE
 R= RETURN

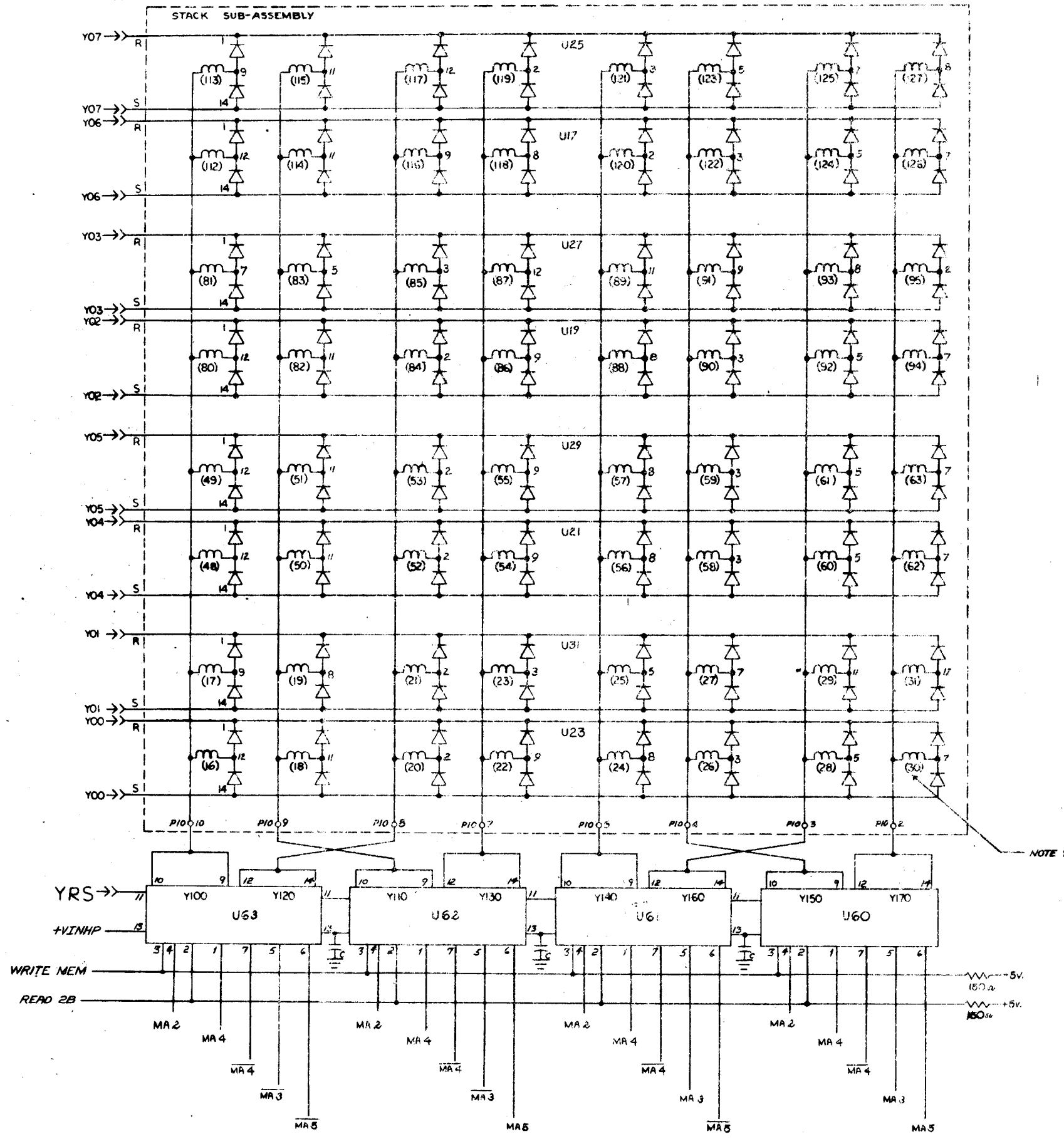
NOTE: ALL CAPACITORS ARE IN MICROFARADS, AND ALL RESISTORS ARE IN OHMS, 1/4 WATT, WITH 5% TOLERANCE UNLESS OTHERWISE SPECIFIED.

QTY	DESCRIPTION	PART NO.

UNLESS OTHERWISE SPECIFIED— DIMENSIONS ARE IN INCHES TOLERANCES ON FRACTIONS DECIMALS ANGLES ± .005 ± .01 ± .02 PARTS TO BE FREE FROM BURRS BREAK ALL EDGES .010	DRAWN CHET JOHNSON 1/25/73 CHECKED ENGINEER APPROVED FIRST USED ON 107-000 MATERIAL FINISH SCALE	DATA GENERAL CORPORATION SOUTHBORO, MASSACHUSETTS 01772 TITLE 16K MEMORY Y DRIVERS SIZE CODE D 001 DRAWING NUMBER 000369 REV. 12
--	--	--

ALL DIMENSIONS AND SPECIFICATIONS, HEREIN, ARE THE PROPERTY OF THE GENERAL CORPORATION AND SHALL BE KEPT IN CONFIDENCE OR USED IN WHOLE OR IN PART FOR MANUFACTURE OR SALE OF THIS OR ANY OTHER PRODUCT WITHOUT WRITTEN PERMISSION.

REV.	DESCRIPTION

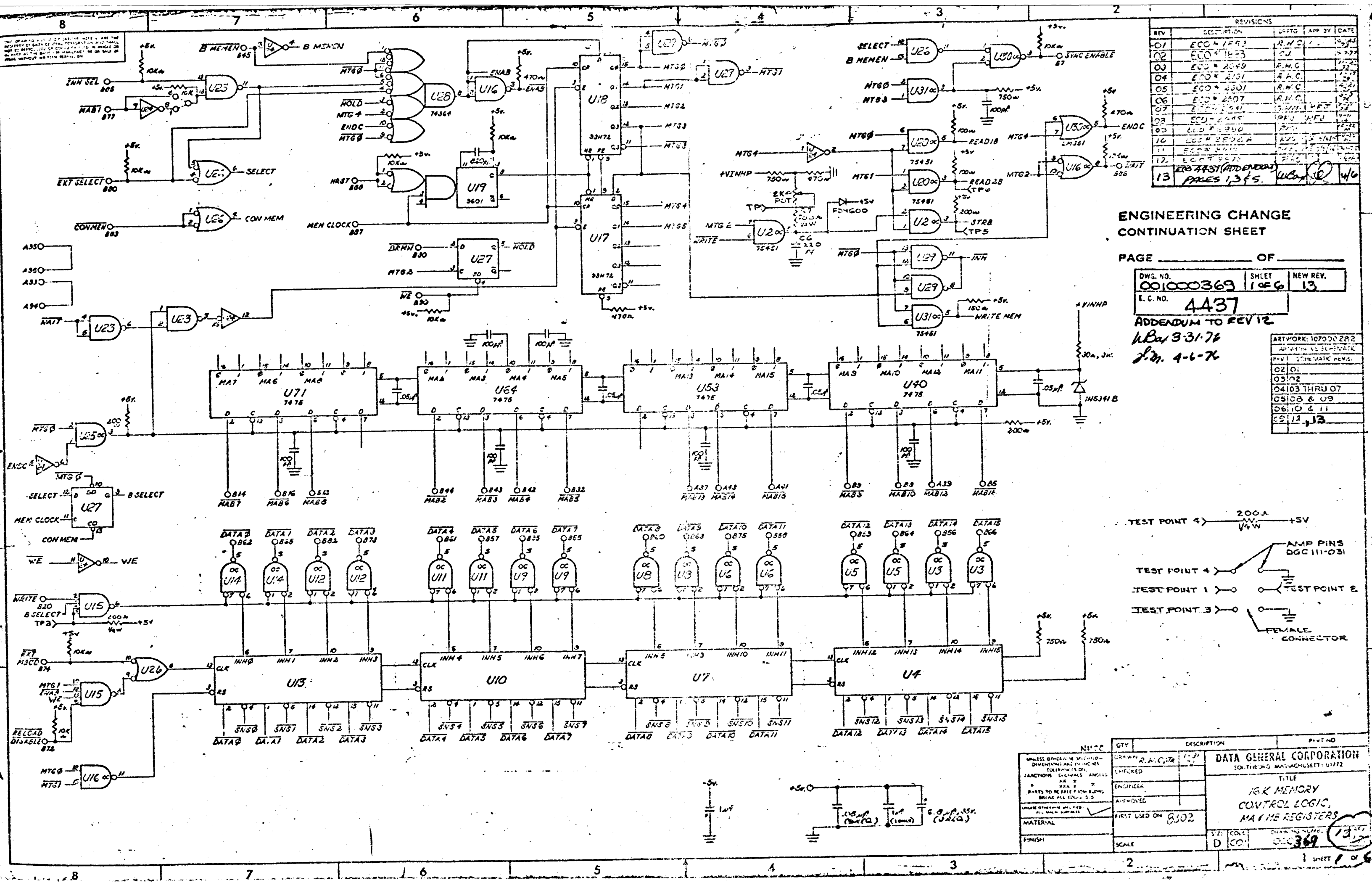


NOTE 1

APPROVED
FOR ENGINEERING

NOTES: ALL DIMENSIONS ARE IN INCHES UNLESS OTHERWISE SPECIFIED.

QTY.		DESCRIPTION	
		DRAWN CHET JOHNSON 1/28/73	DATA CENTER
		CHECKED	SOUTHERN
		ENGINEER	
		APPROVED	
		FIRST USED ON	
		107-000	
		SCALE	



REVISIONS				
REV	DESCRIPTION	DATE	APP BY	DATE
01	ECO # 1753		R.H.C.	
02	ECO # 1833		CU	
03	ECO # 2049		R.H.C.	
04	ECO # 2191		R.H.C.	
05	ECO # 2301		R.H.C.	
06	ECO # 2507		R.H.C.	
07	ECO # 2541		W.M.	
08	ECO # 2645		W.M.	
09	ECO # 2840		W.M.	
10	ECO # 2800A		W.M.	
11	ECO # 2811		W.M.	
12	ECO # 2822		W.M.	
13	ECO # 4437 (ADDENDUM)		W.M.	

ENGINEERING CHANGE CONTINUATION SHEET

PAGE _____ OF _____

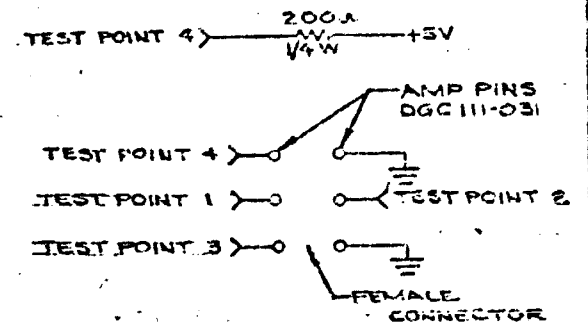
DWG. NO.	SHEET	NEW REV.
001000369	1 OF 6	13

E. C. NO. **4437**

ADDENDUM TO REV 12

W.M. 3-31-76
S.M. 4-6-76

ARTWORK: 107000282
APPROVALS
DESIGNER
CHECKED
ENGINEER
APPROVED
FIRST USED ON 8502
MATERIAL
FINISH



MATERIAL		DESCRIPTION		PART NO.	
QTY	DESCRIPTION	QTY	DESCRIPTION	QTY	DESCRIPTION

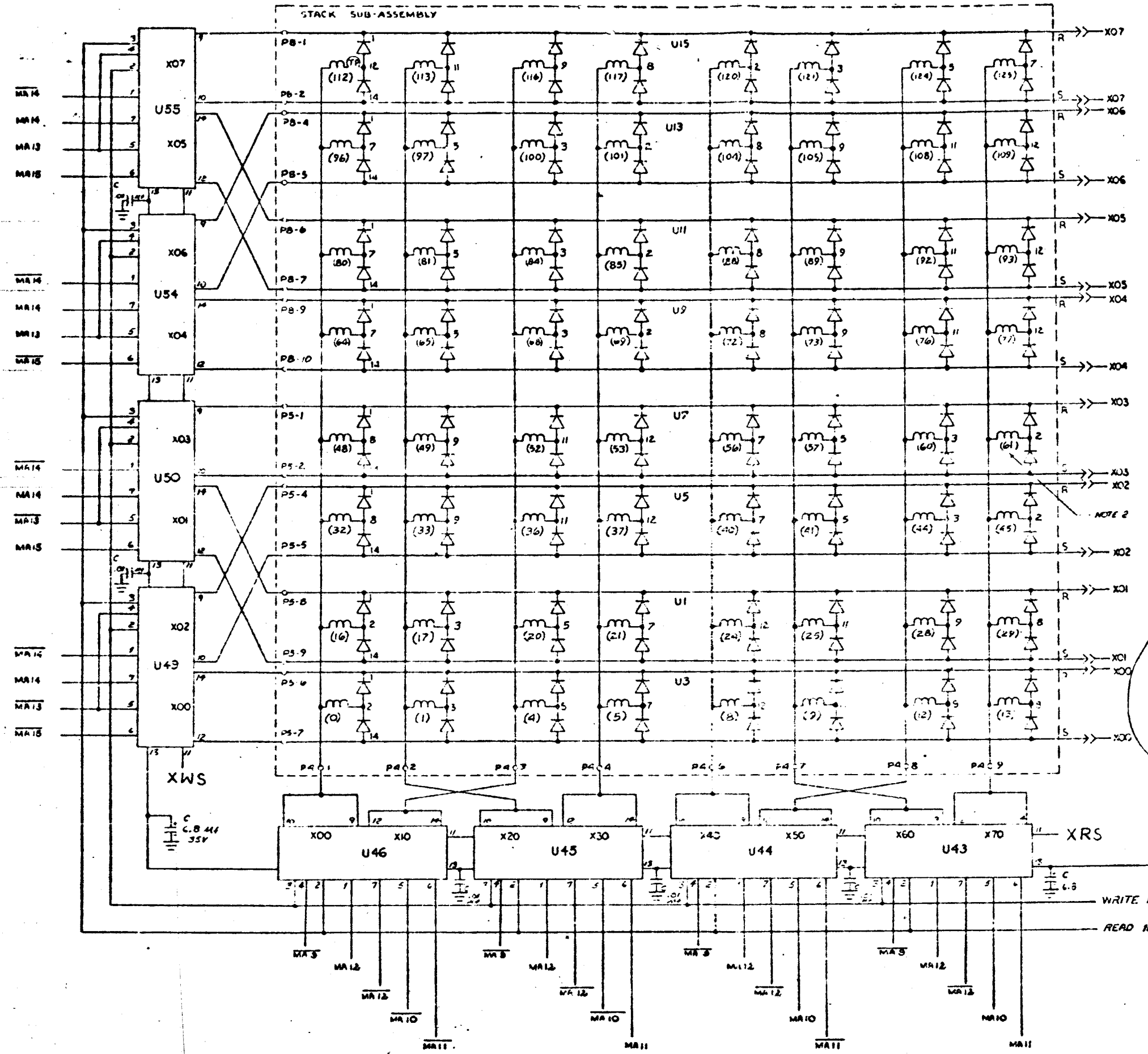
UNLESS OTHERWISE SPECIFIED, DIMENSIONS ARE IN INCHES. TOLERANCES ARE: FRACTIONS: DECIMALS: ANGLES: HOLE DIA: HOLE DIA: PARTS TO BE KEPT FROM BLOWN: BREAK ALL ENDS 5:5	
MATERIAL	
FINISH	

DRAWN: R.A.C. 1/76		CHECKED:		ENGINEER:		APPROVED:		FIRST USED ON: 8502	
SCALE:		SIZ:		COLE:		DRAWING NO.:		000369	

DATA GENERAL CORPORATION
 16K MEMORY CONTROL LOGIC, MAIN MEMORY REGISTERS

THIS DRAWING AND THE RELATED DRAWINGS ARE THE PROPERTY OF SOUTHWEST MATACHINERY CO. AND SHALL BE RETURNED TO THE COMPANY ON REQUEST. NO PART OF THIS DRAWING IS TO BE REPRODUCED OR TRANSMITTED IN ANY FORM OR BY ANY MEANS, ELECTRONIC OR MECHANICAL, INCLUDING PHOTOCOPYING, RECORDING, OR BY ANY INFORMATION STORAGE AND RETRIEVAL SYSTEM.

REVISIONS			
REV.	DESCRIPTION	DATE	BY

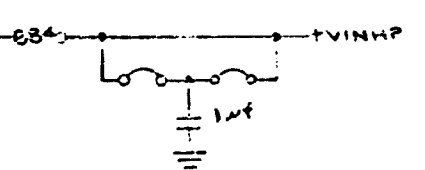
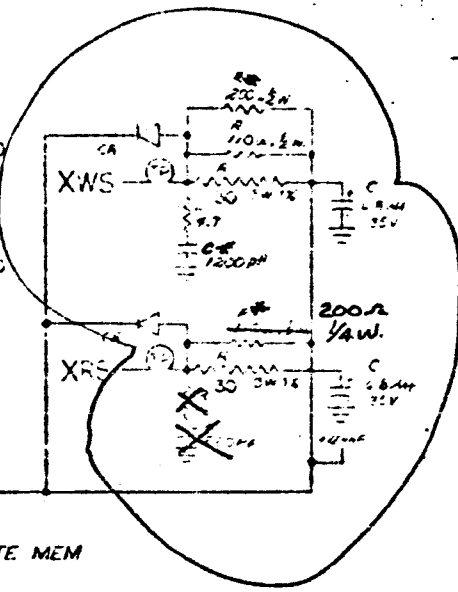


**ENGINEERING CHANGE
CONTINUATION SHEET**

PAGE _____ OF _____

DWG. NO. 001000369	SHEET 3 of 6	NEW REV. 13
E. C. NO. 4437		

ADDENDUM TO REV 12
WRB at 3/31/76
J.M. 4-6-76

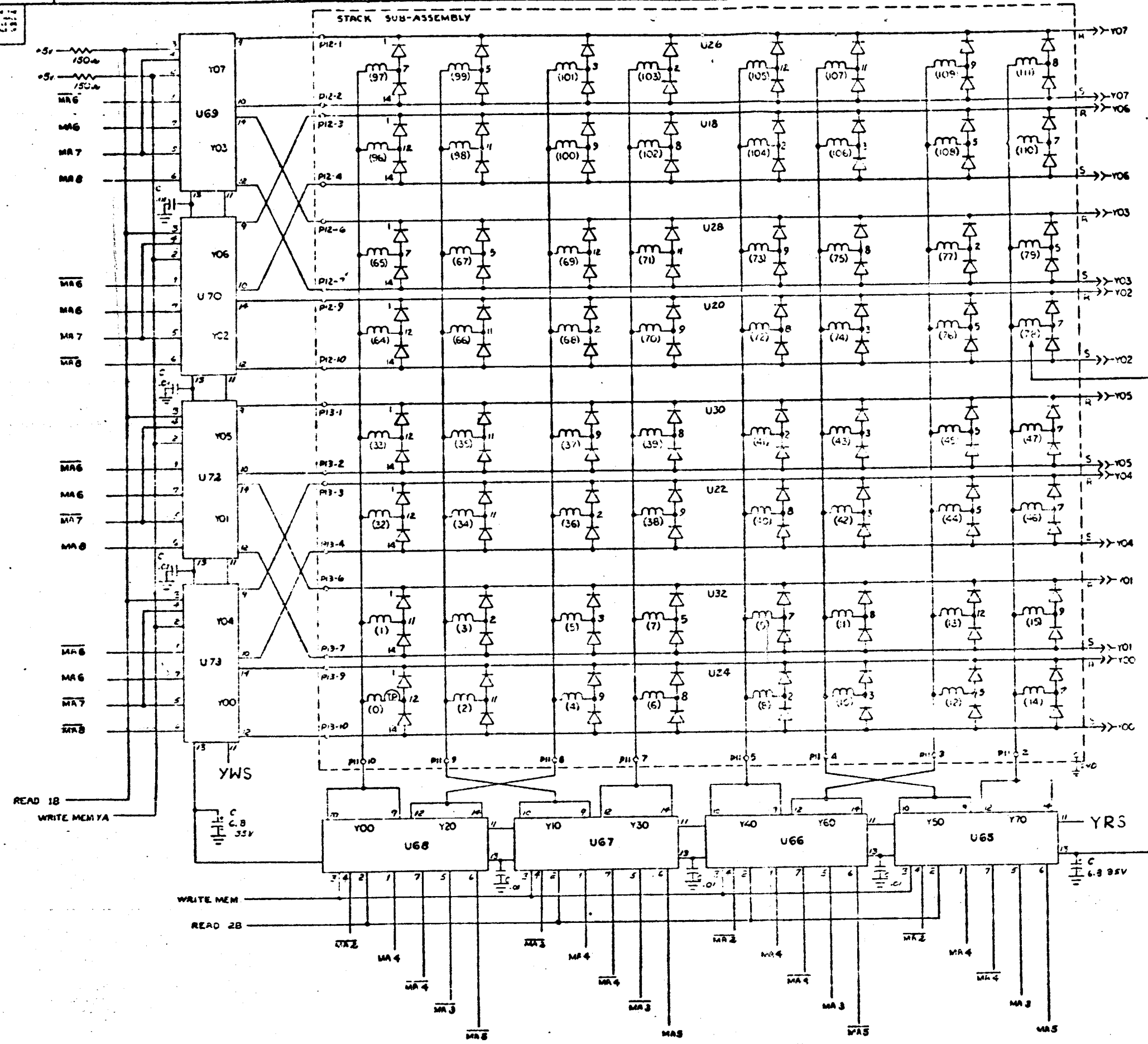


NOTE: ALL CAPACITORS AND RESISTORS ARE TO BE CHANGED AT TEST LEVEL.
2 FOR STACK VERSION USE CARE.

NOTE: ALL CAPACITORS AND RESISTORS ARE TO BE CHANGED AT TEST LEVEL.
2 FOR STACK VERSION USE CARE.

UNLESS OTHERWISE SPECIFIED, DIMENSIONS ARE IN INCHES. FRACTIONS ARE 1/32 INCHES UNLESS OTHERWISE SPECIFIED. HOLE TO BE DRILLED SHALL BE DRILLED TO THE FULL DEPTH OF THE HOLE.	DATE: 107-000	SCALE: D 100	REV: 13
SOUTHWEST MATACHINERY CO.		16K MEMORY X DRIVERS	

THIS DRAWING AND ANY REVISIONS HEREON ARE THE PROPERTY OF DATA GENERAL CORPORATION. IT IS TO BE USED ONLY FOR THE PURPOSES AND IN THE MANNER SPECIFIED BY THE DATA GENERAL CORPORATION. IT IS TO BE KEPT IN CONFIDENTIALITY AND NOT TO BE REPRODUCED OR TRANSMITTED IN ANY FORM OR BY ANY MEANS, ELECTRONIC OR MECHANICAL, INCLUDING PHOTOCOPYING, RECORDING, OR BY ANY INFORMATION STORAGE AND RETRIEVAL SYSTEM.

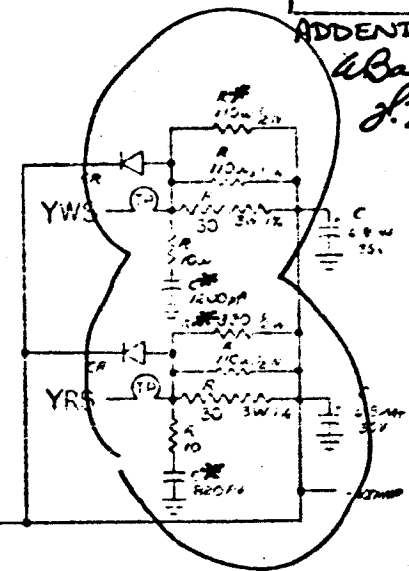


ENGINEERING CHANGE CONTINUATION SHEET

PAGE _____ OF _____

DWG. NO.	SHEET	NEW REV.
001000369	5 of 6	13
E.C. NO.	4437	

ADDENDUM TO REV 12
 4 Bay 3/31/76
 J.M. 4-6-76



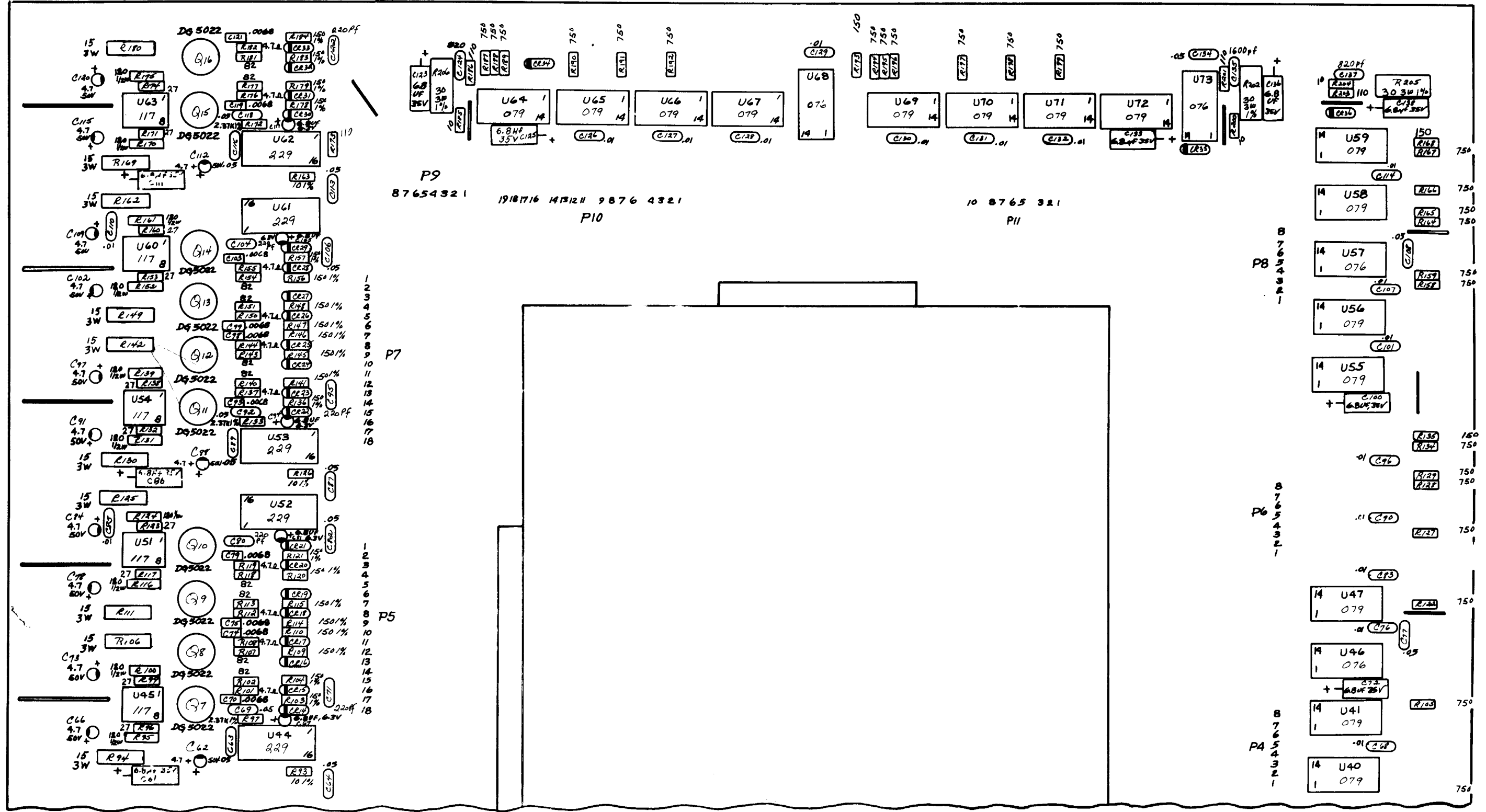
NOTE: ALL CAPACITORS ARE IN MICRO-FARADS, AND ALL RESISTORS ARE IN OHMS, UNLESS OTHERWISE SPECIFIED.
 1. ALL PARTS TO BE FULLY COMPLIANT WITH MIL-STD-883C LEVEL A.
 2. FOR STACK WINDOW USE ONLY.
 S - SOURCE
 R - RETURN

UNLESS OTHERWISE SPECIFIED - DIMENSIONS ARE IN INCHES TO NEAREST 0.005 INCHES. FRACTIONS DECIMALS ANGLES ARE IN DEGREES. PARTS TO BE FULLY COMPLIANT WITH MIL-STD-883C LEVEL A. MATERIAL: _____ FINISH: _____	DRAWN BY: JOHNSON CHECKED: _____ ENGINEER: _____ APPROVED: _____	DATA GENERAL CORPORATION 50 THURLOW MATTHEWS DRIVE TITLE: 16K MEMORY Y DRIVERS PART NO: 001000369 SHEET: 5 of 6
	FIRST USED ON: 107-000 SCALE: _____	
	SEE FIGURE D 1001	
	13	

THIS DRAWING AND SPECIFICATIONS HEREIN ARE THE PROPERTY OF DATA GENERAL CORPORATION AND SHALL NOT BE REPRODUCED OR COPIED OR USED IN WHOLE OR IN PART AS THE BASIS FOR MANUFACTURE OR SALE OF ITEMS WITHOUT WRITTEN PERMISSION.

002-00013-14
101-00013-08

REVISIONS				
REV	DESCRIPTION	DRFTG	APP BY	DATE
01	REVISED			10/1/72
02	REVISED			10/1/72
03	REVISED			10/1/72



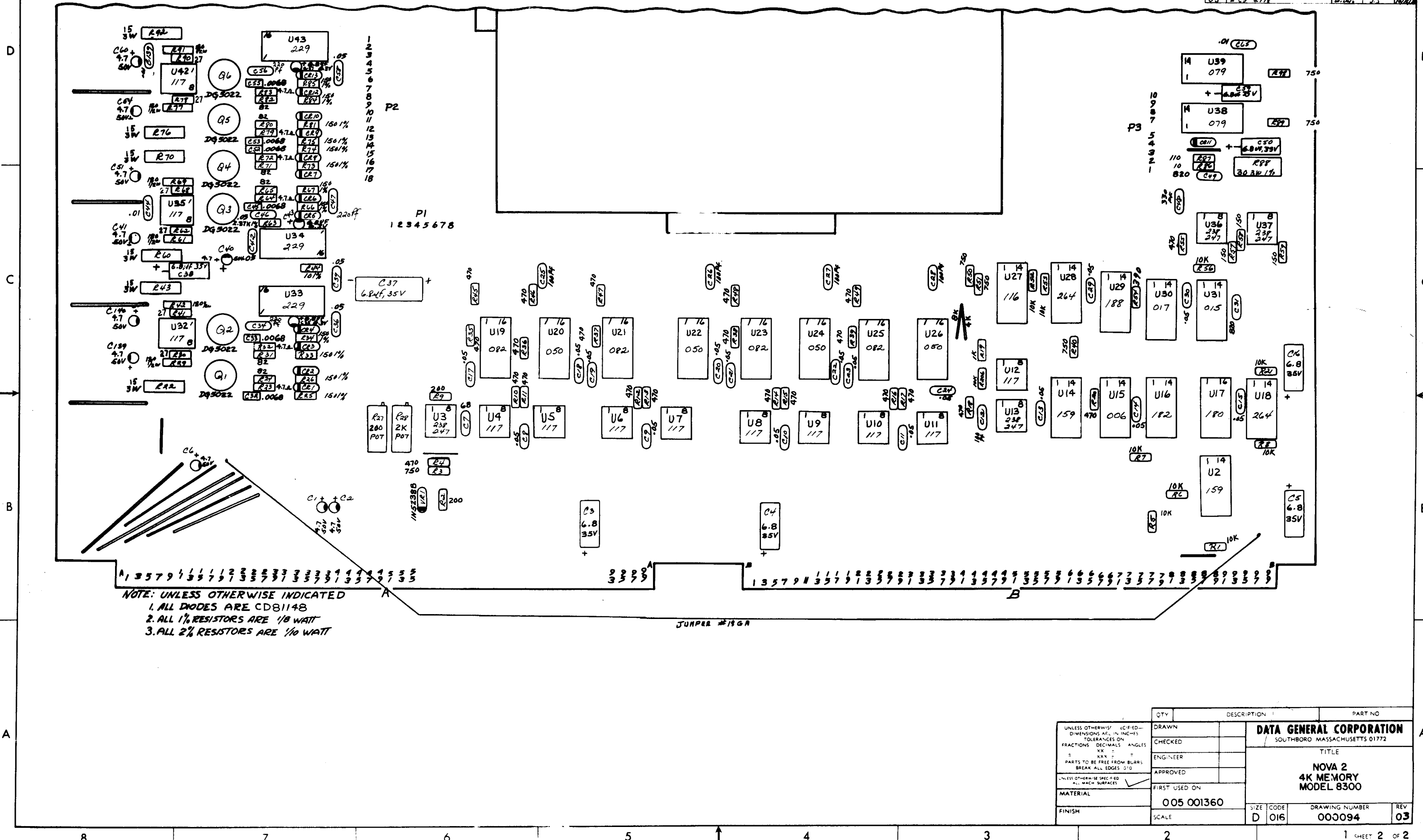
QTY	DESCRIPTION	PART NO
	DRAWN	
	CHECKED	
	ENGINEER	
	APPROVED	
	FIRST USED ON	
	SCALE	

DATA GENERAL CORPORATION			
SOUTHBORO, MASSACHUSETTS 01772			
TITLE			
NOVA 2 4K MEMORY MODEL 8300			
SIZE	CODE	DRAWING NUMBER	REV
D	016	00J094	03

PROPERTY OF DATA GENERAL CORPORATION AND SHALL NOT BE REPRODUCED OR COPIED OR USED IN WHOLE OR IN PART AS THE BASIS FOR MANUFACTURE OR SALE OF ITEMS WITHOUT WRITTEN PERMISSION.

003-000223-14
107-000223-08

REVISIONS				
REV	DESCRIPTION	DRFTG	APP BY	DATE
02	ECO 2377			
03	ECO 2387			
03	ECO 2378			

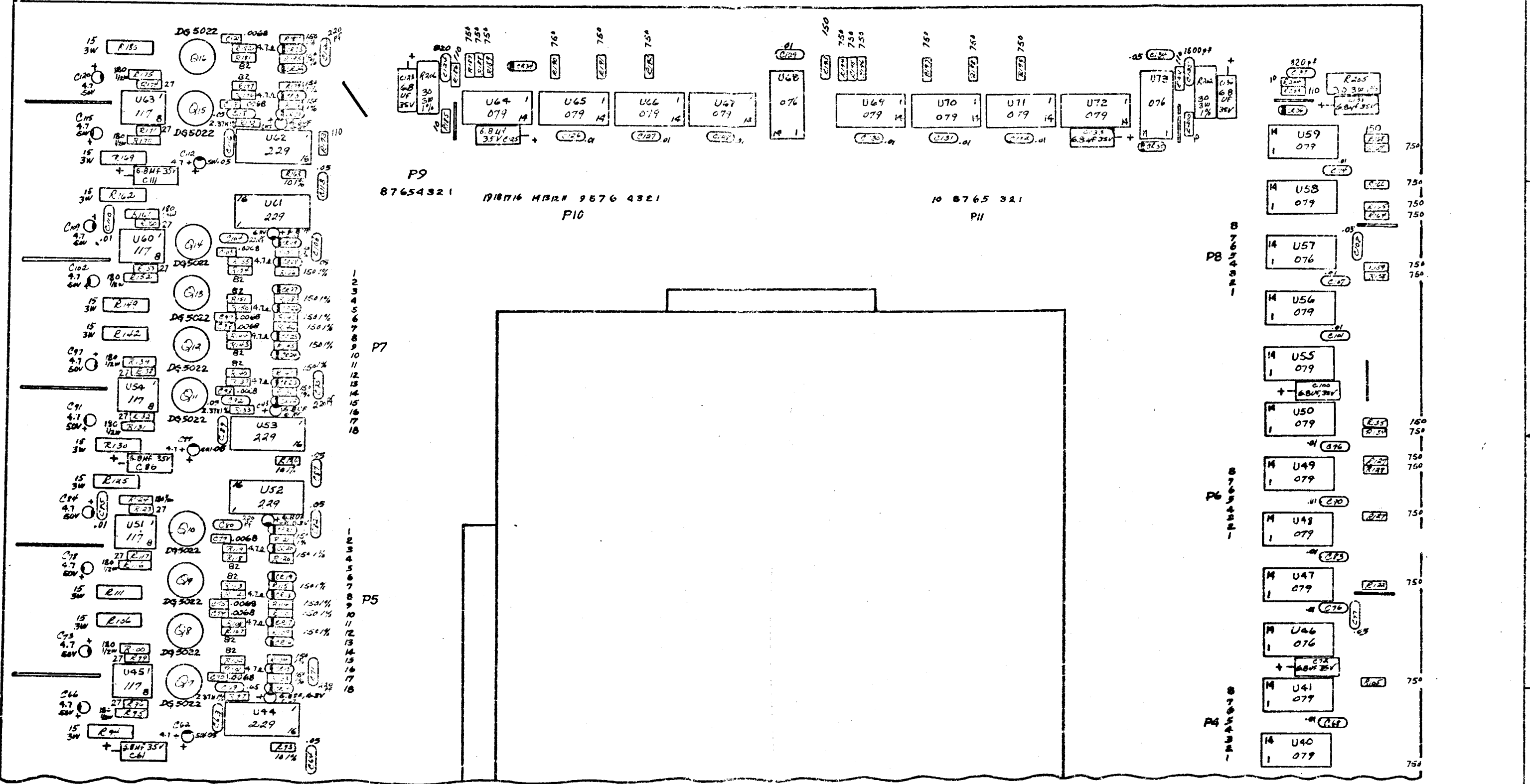


UNLESS OTHERWISE SPECIFIED— DIMENSIONS ARE IN INCHES TOLERANCES ON FRACTIONS DECIMALS ANGLES ± .010 ± .005 ± .002 PARTS TO BE FREE FROM BURRS BREAK ALL EDGES 0.010 UNLESS OTHERWISE SPECIFIED ALL MACH SURFACES	QTY	DESCRIPTION	PART NO
	DRAWN		
	CHECKED		
	ENGINEER		
	APPROVED		
MATERIAL	005 001360	SCALE	D 016
FINISH		DRAWING NUMBER	000094
		REV	03

DATA GENERAL CORPORATION
SOUTHBORO, MASSACHUSETTS 01772

TITLE
**NOVA 2
4K MEMORY
MODEL 8300**

REVISIONS				
REV	DESCRIPTION	DATE	APP BY	CHECK
01	ECO 2371			
02	ECO 2182			
03	ECO 2178			



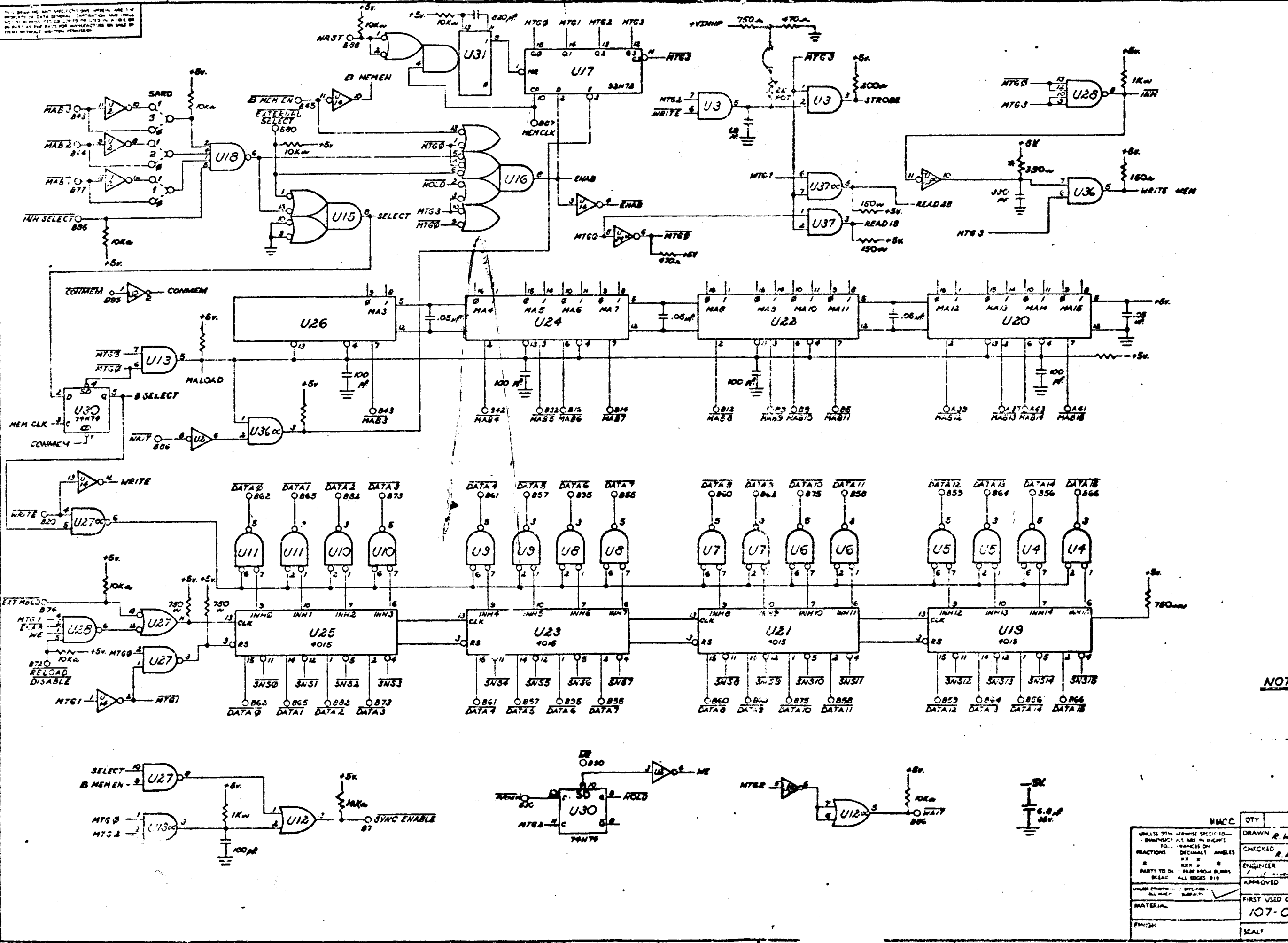
UNLESS OTHERWISE SPECIFIED - DIMENSIONS ARE IN INCHES - TOLERANCES ON FRACTIONS: DECIMALS: ANGLES: .XX = .00XX .XXX = .000XXX PARTS TO BE FREE FROM BURRS - BREAK ALL EDGES .315		QTY	DESCRIPTION	PART NO
DRAWN				
CHECKED				
ENGINEER				
APPROVED				
FIRST USED ON				
005 001360				
SCALE				
D 06				
DRAWING NUMBER				
000095				
REV				
03				

DATA GENERAL CORPORATION
SOUTH BURG, MASSACHUSETTS 01772

TITLE
**NOVA 2
8K MEMORY
MODEL 8301**

THIS DRAWING AND SPECIFICATIONS ARE THE PROPERTY OF DATA GENERAL CORPORATION AND SHALL BE KEPT IN CONFIDENCE TO THE EXTENT PERMITTED BY THE PATENT OFFICE. NO PART OF THIS DRAWING OR SPECIFICATIONS IS TO BE REPRODUCED OR TRANSMITTED IN ANY FORM OR BY ANY MEANS WITHOUT WRITTEN PERMISSION.

REVISIONS				
REV	DESCRIPTION	DATE	APP BY	DATE
01	ECO # 1563		C.J.	
02	ECO # 2207		R.W.C.	
03	ECO # 2237		R.W.C.	
04	ECO # 2259		R.W.C.	
05	ECO # 2420		R.W.C.	
06	ECO # 2507		R.W.C.	
07	ECO # 2541		R.W.C.	
08	ECO # 2569		R.W.C.	
09	ECO # 2787A		PAS	

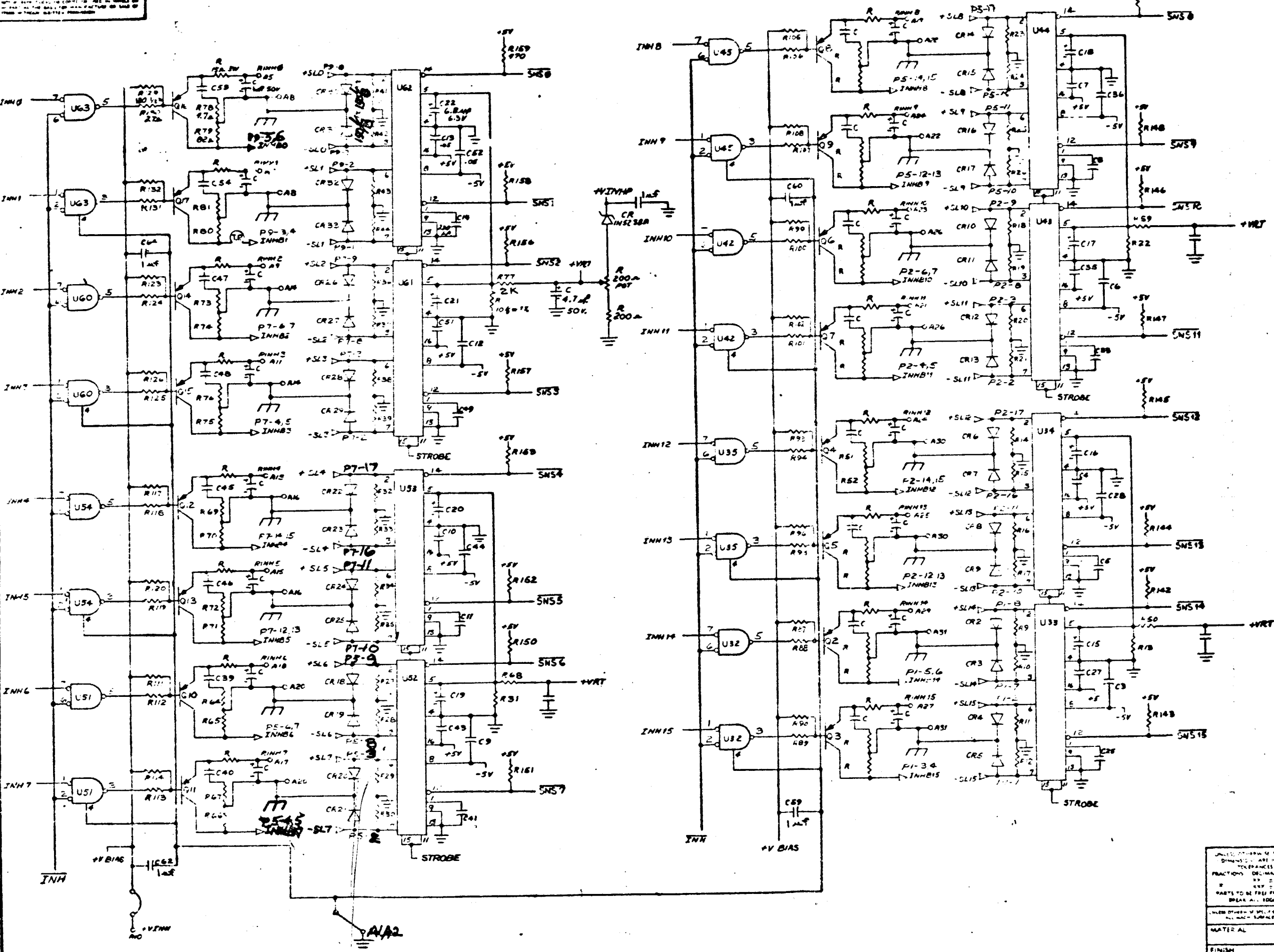


- NOTES:**
1. ALL RESISTORS ARE 1/4W, 5% UNLESS OTHERWISE SPECIFIED.
 2. B : MAY BE CHANGE AT TEST LEVEL.

COPY

QTY	DESCRIPTION	PART NO
	DATA GENERAL CORPORATION	
	SOUTHBORO MASSACHUSETTS 01772	
	TITLE	
	8K MEMORY	
	MA # MB REGISTER CONTROL	
	FIRST USED ON	5-31
	107-000223	
	SIZE	D 304
	DRAWING NUMBER	000342
	REV	09

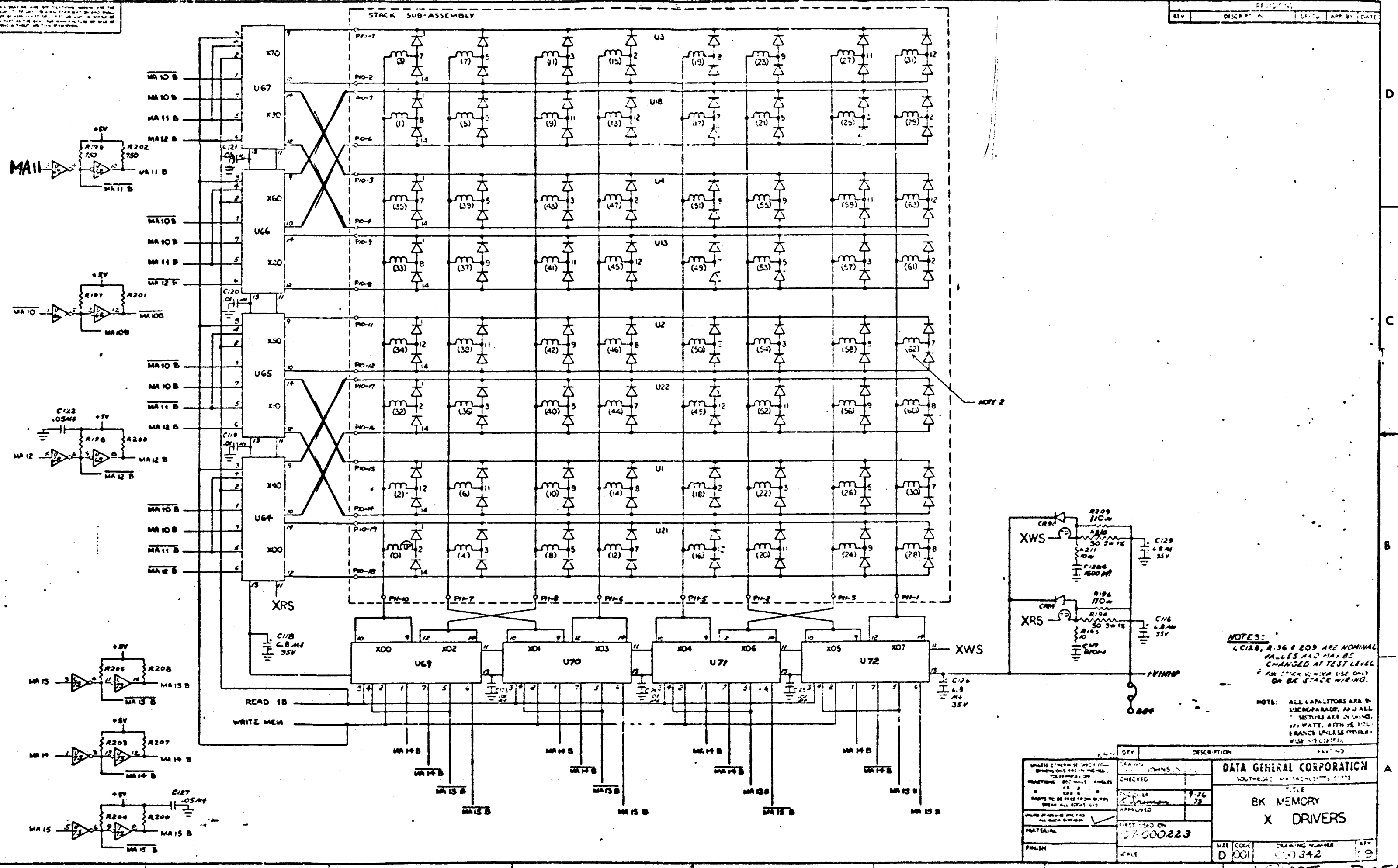
ALL DIMENSIONS ARE IN INCHES UNLESS OTHERWISE SPECIFIED. DIMENSIONS ON FRACTIONS DECIMALS ANGLES SHALL BE TO NEAREST TENTH HUNDRED THOUSANDS OF AN INCH UNLESS OTHERWISE SPECIFIED.



NOTE: 1. ALL CAPACITORS ARE IN MICROFARADS, AND ALL RESISTORS ARE IN OHMS UNLESS OTHERWISE SPECIFIED.
 2. TRANSISTORS ARE 2N5022 WITH HEAT SINKS.

QTY	DESCRIPTION	PART NO
1	DATA GENERAL CORPORATION	
1	571-BURD MANUFACTURING DIST	
1	TITLE	
1	8K MEMORY SENSE & INHIBIT	
1	DATE SPEC. D 1001	DRAWING NUMBER 000 342
1	FIRST USED ON 107-000223	REV 09
1	DESIGNED BY JOHNSON 7/16/77	
1	CHECKED BY	
1	ENGINEER	9-26-77
1	APPROVED BY	
1	MATERIAL	
1	FINISH	

DO NOT SCALE THIS DRAWING UNLESS THE DIMENSIONS ARE SPECIFICALLY NOTED OTHERWISE THE DIMENSIONS SHALL BE AS SHOWN ON THE DRAWING. DIMENSIONS ARE IN INCHES UNLESS OTHERWISE SPECIFIED.



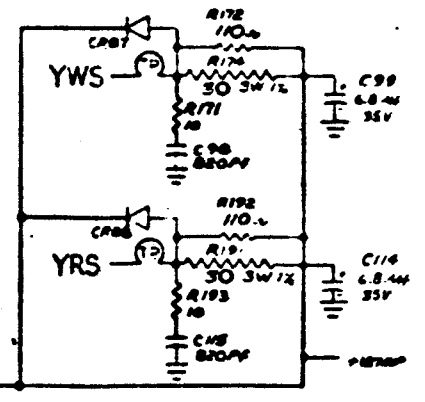
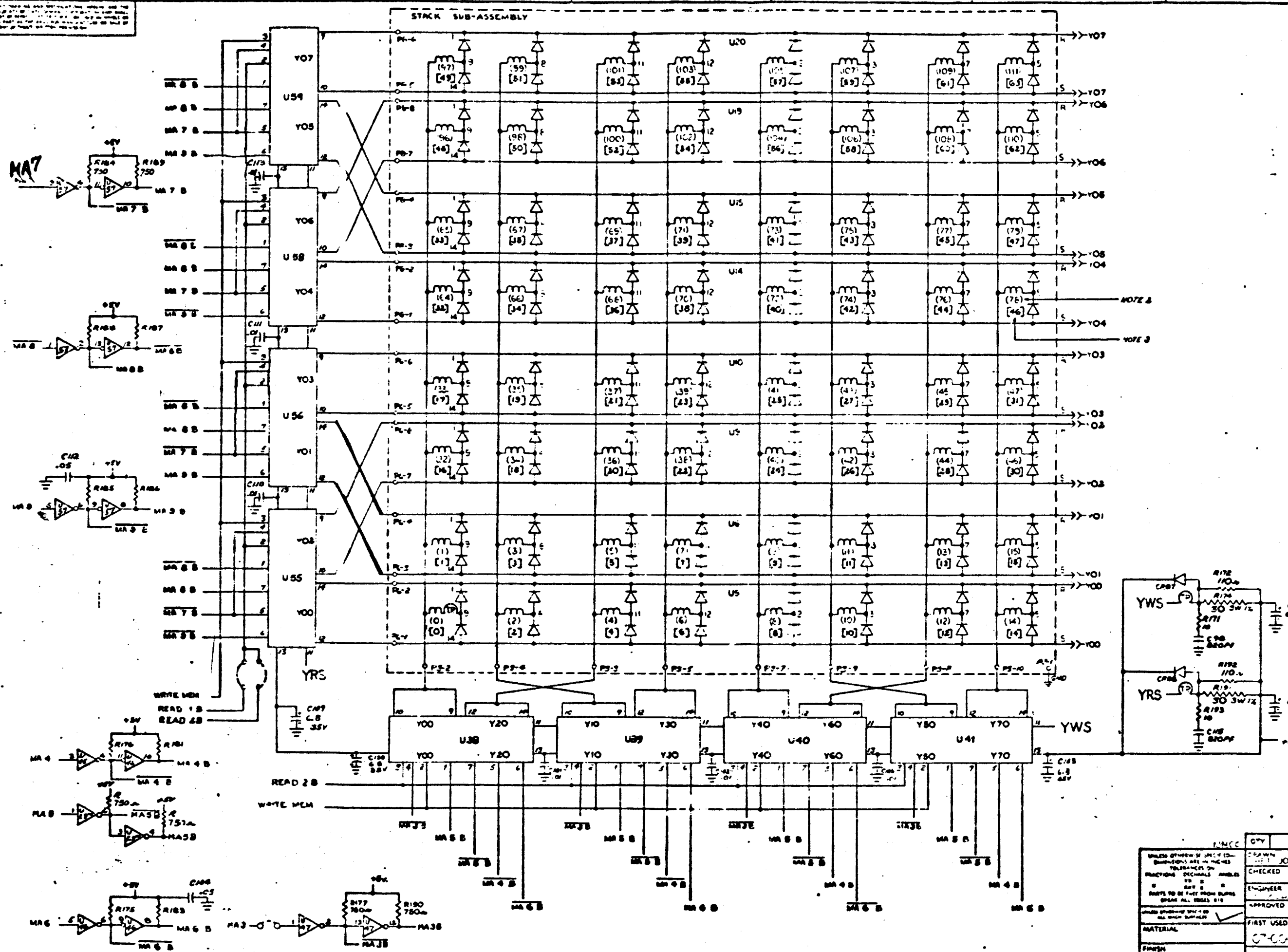
NOTE 2

NOTES:
 1. C128, R196 & R209 ARE NOMINAL VALUES AND MAY BE CHANGED AT TEST LEVEL IF FOR OTHER VENDOR USE ONLY ON BK STACK WIRING.

NOTE: ALL CAPACITORS ARE IN MICROFARADS, AND ALL RESISTORS ARE IN OHMS UNLESS OTHERWISE SPECIFIED.

QTY	DESCRIPTION	PART NO.
	DATA GENERAL CORPORATION	
	SOUTHWEST MICROSYSTEMS 0172	
	TITLE	
	BK MEMORY	
	X DRIVERS	
	DATE	
	9-76	
	79	
	APPROVED	
	FIRST USED ON	
	107-000223	
	MATERIAL	
	SCALE	
	SIZE CODE	
	D 001	
	DRAWING NUMBER	
	000342	
	DATE	
	11-10-66	

REVISIONS			
REV	DESCRIPTION	DATE	APP BY

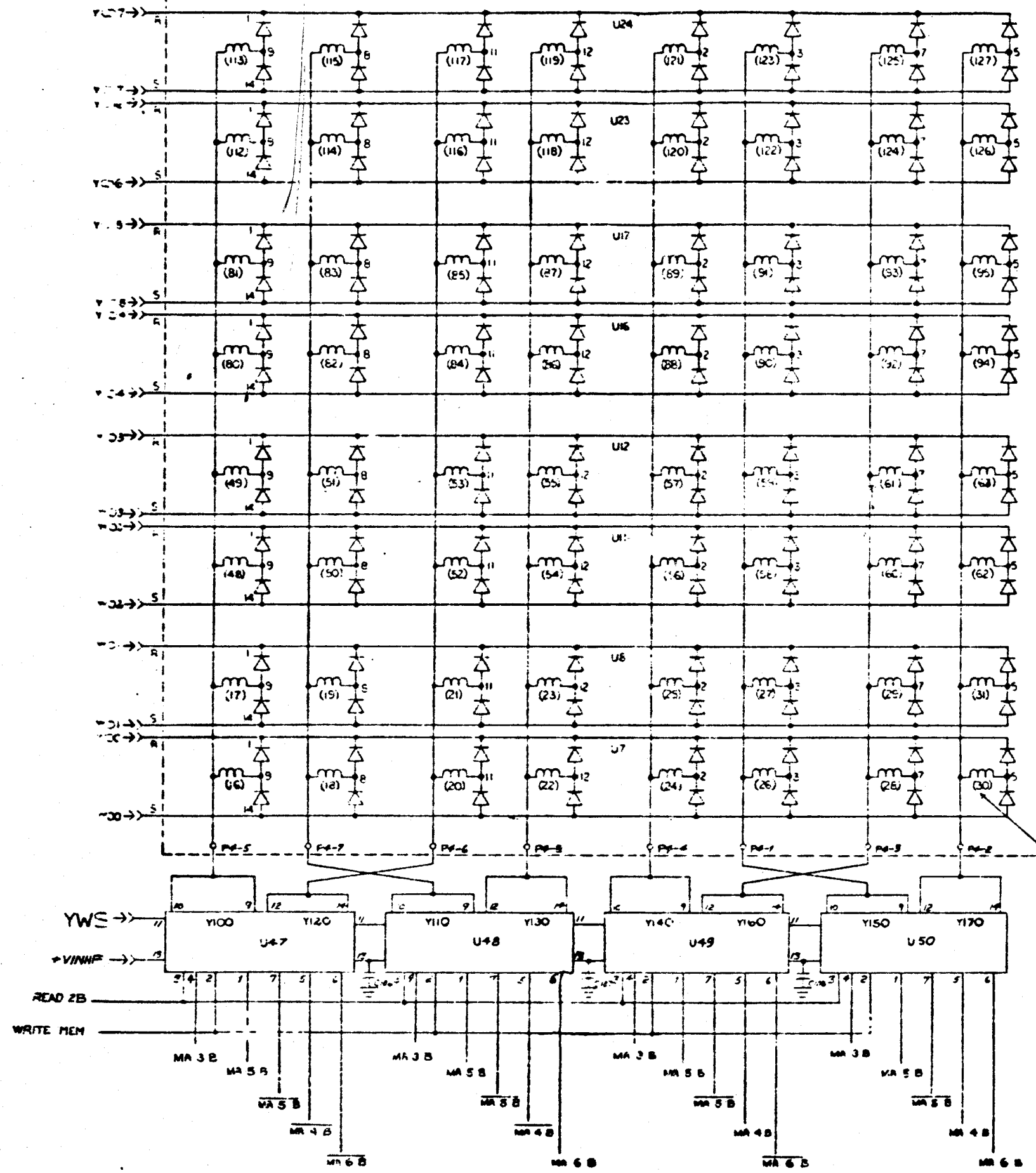


NOTE: 1. R172 & 173 ARE NOMINAL VALUES AND MAY BE CHANGED AT TEST LEVEL.
 2. (N) FOR STACK VENDOR USE ONLY, ON BK STACK WIRING.
 3. (N) FOR STACK VENDOR USE ONLY, ON BK STACK WIRING.
 R = SOURCE
 R = RETURN

NOTE: ALL CAPACITORS ARE IN MICROFARADS, AND ALL RESISTORS ARE IN OHMS, UNLESS OTHERWISE SPECIFIED.

UNLESS OTHERWISE SPECIFIED, DIMENSIONS ARE IN INCHES, DECIMALS AND FRACTIONS DECIMALS ANGLES		DESCRIPTION		PART NO	
DESIGNED BY	JOHNSON	DATE	71	DATA GENERAL CORPORATION	
CHECKED BY		ENGINEER		SOUTH BEND, MASSACHUSETTS 04852	
APPROVED BY		APPROVED		TITLE	
				5K MEMORY	
				Y DRIVERS	
MATERIAL		FIRST USED ON		SIZE	CODE
				D	001
DRAWING NUMBER	DRAWING NUMBER		REV		
07-007-223	000342		09		
SCALE					

STACK SUB-ASSEMBLY



NOTE 1

NOTE:
1. FOR STACK VENDOR USE ONLY
ON BR STACK WIRING.

NOTE: ALL CAPACITORS ARE IN MICROFARADS, AND ALL RESISTORS ARE IN OHMS, UNLESS OTHERWISE SPECIFIED.

DATE	QTY	DESCRIPTION	PART NO.
DESIGNED BY: JOHNSON			
CHECKED:			
ENGINEER:			
APPROVED:			
MATERIAL:			
FINISH:			
		FIRST USED ON: 107-000223	
	SCALE:	DWG. NO.: D 100	REV: 09

DATA GENERAL CORPORATION
TITLE
8K MEMORY
Y DRIVERS