

"THE MATERIAL HEREIN IS FOR INFORMATION PURPOSES ONLY AND IS SUBJECT TO CHANGE WITHOUT NOTICE. DIGITAL EQUIPMENT CORPORATION ASSUMES NO RESPONSIBILITY FOR ANY ERRORS WHICH MAY APPEAR HEREIN."

FIELD MAINTENANCE PRINT SET

"THIS DRAWING AND SPECIFICATIONS, HEREIN, ARE THE PROPERTY OF DIGITAL EQUIPMENT CORPORATION AND SHALL NOT BE REPRODUCED OR COPIED OR USED IN WHOLE OR IN PART AS THE BASIS FOR THE MANUFACTURE OR SALE OF ITEMS WITHOUT WRITTEN PERMISSION. COPYRIGHT © 1982 DIGITAL EQUIPMENT CORPORATION."

TABLE OF CONTENTS

B-DD-L0016-0	DRAWING DIRECTORY 11/750-751 MEMORY CONTROLLER - C
E-UA-L0016-0-0	UNIT ASSEMBLY 11/750-751 MEMORY CONTROLLER - B
D-CS-L0016-0-MU01	CIRCUIT SCHEMATIC 11/750-751 MEMORY CONTROLLER - A
D-CS-L0016-0-MU02	CIRCUIT SCHEMATIC 11/750-751 MEMORY CONTROLLER - A
D-CS-L0016-0-MU03	CIRCUIT SCHEMATIC 11/750-751 MEMORY CONTROLLER - A
D-CS-L0016-0-MU04	CIRCUIT SCHEMATIC 11/750-751 MEMORY CONTROLLER - A
D-CS-L0016-0-MU05	CIRCUIT SCHEMATIC 11/750-751 MEMORY CONTROLLER - A
D-CS-L0016-0-MU06	CIRCUIT SCHEMATIC 11/750-751 MEMORY CONTROLLER - A
D-CS-L0016-0-MU07	CIRCUIT SCHEMATIC 11/750-751 MEMORY CONTROLLER - A
D-CS-L0016-0-MU08	CIRCUIT SCHEMATIC 11/750-751 MEMORY CONTROLLER - A
D-CS-L0016-0-MU09	CIRCUIT SCHEMATIC 11/750-751 MEMORY CONTROLLER - A
D-CS-L0016-0-MU10	CIRCUIT SCHEMATIC 11/750-751 MEMORY CONTROLLER - A
D-CS-L0016-0-MU11	CIRCUIT SCHEMATIC 11/750-751 MEMORY CONTROLLER - B
D-CS-L0016-0-MU12	CIRCUIT SCHEMATIC 11/750-751 MEMORY CONTROLLER - A
D-CS-L0016-0-MU13	CIRCUIT SCHEMATIC 11/750-751 MEMORY CONTROLLER - A
D-CS-L0016-0-MU14	CIRCUIT SCHEMATIC 11/750-751 MEMORY CONTROLLER - A
D-CS-L0016-0-MU15	CIRCUIT SCHEMATIC 11/750-751 MEMORY CONTROLLER - A
K-PL-L0016-0-DBP	PARTS LIST 11/750-751 MEMORY CONTROLLER - A
D-BD-L0016-0-4	BLOCK DIAGRAM 11/750 MEMORY CONTROLLER - A
D-EC-5014676-0-0	ETCH CUT 11/750-751 MEMORY CONTROLLER - B
D-FD-L0016-0-2	FLOW DIAGRAMS 11/750-751 MEMORY CONTROLLER - A
D-MD-5014676-0-0	CIRCUIT DRILL & ETCH 11/750-751 MEMORY CONTROLLER - A
D-TD-L0016-0-3	TIMING CHARTS 11/750-751 MEMORY CONTROLLER - A
D-CS-L0016-0-MU16	CIRCUIT SCHEMATIC 11/750-751 MEMORY CONTROLLER - A
D-CS-L0016-0-MU17	CIRCUIT SCHEMATIC 11/750-751 MEMORY CONTROLLER - A
D-CS-L0016-0-MU18	CIRCUIT SCHEMATIC 11/750-751 MEMORY CONTROLLER - A
D-CS-L0016-0-MU19	CIRCUIT SCHEMATIC 11/750-751 MEMORY CONTROLLER - A

NOTE: ELECTRO STATIC SENSITIVE ITEM:
 MAINTAIN ANTI_STATIC PROTECTION PROCEDURES

UNIT VARIATIONS COVERED BY THIS PRINT SET
L0016

L0016

Field Maintenance Print Set

Digital Equipment Corporation

MP01404

REV. B
 NUMBER L0016-0-1
 SIZE CODE B TC

REVISIONS	REV. B			USED ON OPTION/MODEL	DRN. J. Meloski <i>J. Meloski</i>	DATE 10/20/82	digital TITLE: COMET MEMORY UNIT							
	CHG. NO. SH002										CHK'D J. Meloski <i>J. Meloski</i>	DATE 10/20/82		
	DATE 4/83												PROJ. ENG. B. Natusch <i>B. Natusch</i>	DATE 9/20/82
			FIELD SERV. <i>J. Fairchild</i>											
				SIZE B	CODE TC	NUMBER L0016-0-1	REV. B							
				DIST.										

DRB 124

SH0

C REV.	0-9100 NUMBER	DD CODE	B SIZE
-----------	------------------	------------	-----------

DRAWING NO.	NO. OF SHTS.	PART NO.	DESCRIPTION	REVISIONS																								
				A	A	A																						
D-TD-L0016-0-3	20		L0016 TIMING CHARTS	A	A	A																						
D-BD-L0016-0-4	2		COMET MEMORY UNIT	A	A	A																						
D-FD-L0016-0-2	1		COMET MEMORY UNIT	A	A	A																						
K-MC-L0016-0-0	-		L0016 MICROCODE DATABASE	A	A	A																						
A-SP-L0016-0-5	33		COMET MEMORY SPECIFICATION	A	A	A																						
K-CS-L0016-0-DB	-		SUDS DATA BASE	A	A	B																						

NOTES:

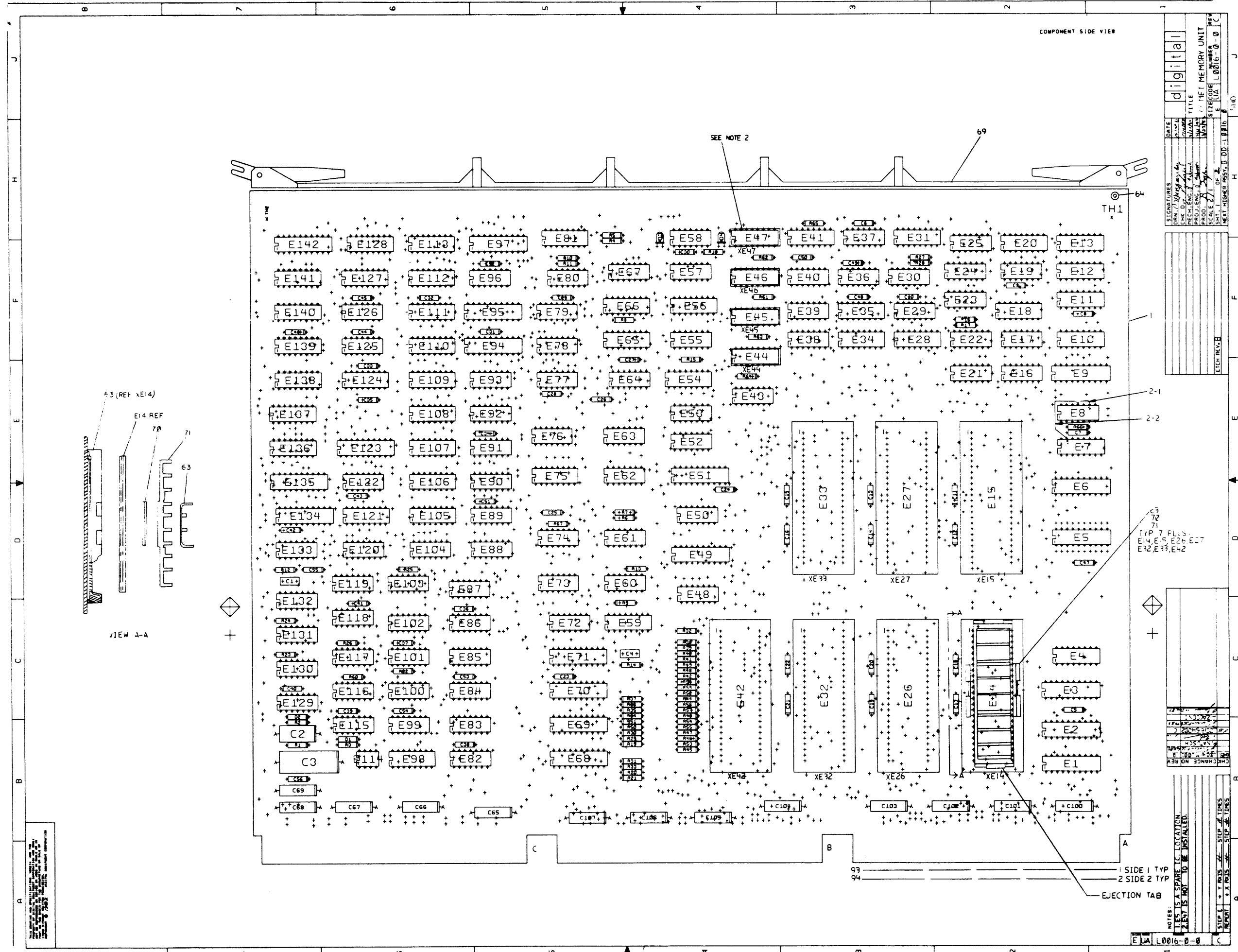
REVISIONS	DATE	CHG NO.	REV.	A	B	C																									
	25 FEB 82			ORIG																											
	8/82			ML001																											
	8/83			SH002																											

THIS DRAWING AND SPECIFICATIONS, HEREIN, ARE THE PROPERTY OF DIGITAL EQUIPMENT CORPORATION AND SHALL NOT BE REPRODUCED OR COPIED OR USED IN WHOLE OR IN PART AS THE BASIS FOR THE MANUFACTURE OR SALE OF ITEMS WITHOUT WRITTEN PERMISSION.
 COPYRIGHT © 1982 DIGITAL EQUIPMENT CORPORATION



USED ON OPTION/MODEL		DRN.	TITLE COMET MEMORY UNIT		
		CHK'D	SIZE	CODE	NUMBER
		ENG.	B	DD	L0016-0
		PROD.	SHEET 2 OF 2		REV. c

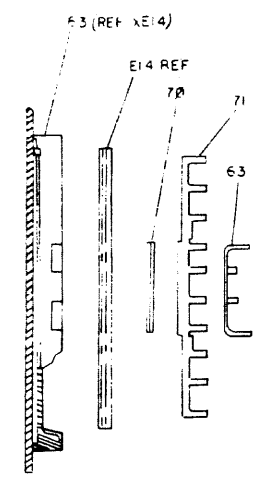
COMPONENT SIDE VIEW



SEE NOTE 2

69

TH1



VIEW A-A

DATE	2/27/71
DRW. BY	W. J. ...
CHK. BY	...
PROJ. ENG.	...
PROD. DATE	...
SCALE	...
SHT. 1 OF 2	...
NEXT HIGHER ASSY. B. DD-10016	...
ETCH REV. B	...
TITLE	Digital
NET MEMORY UNIT	...
SIZE CODE	...
NUMBER	...
UNIT	...

2-1
2-2

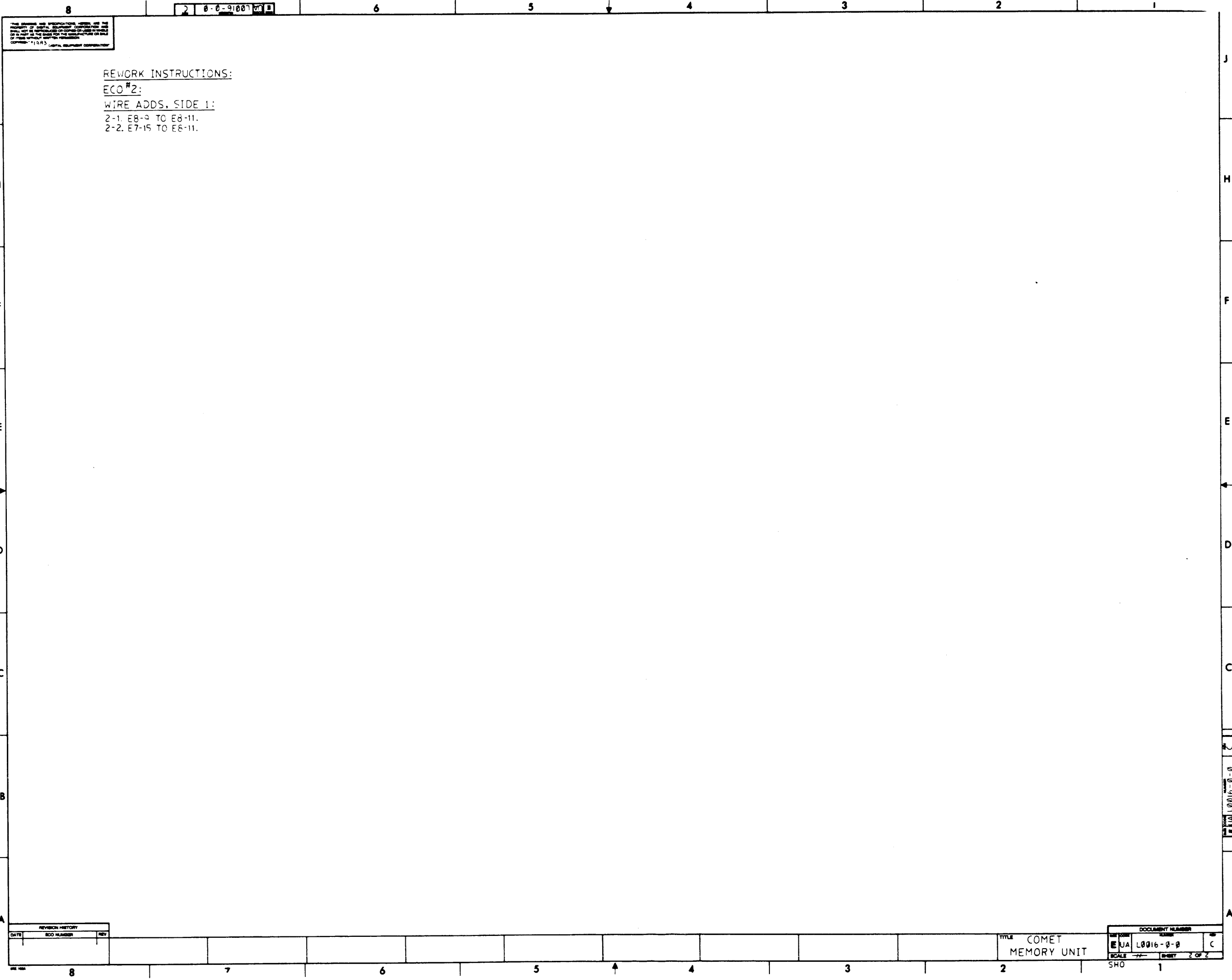
E3
71
TYP 7 PLCS
E14, E5, E26, E27
E32, E33, E42

DATE	...
DRW. BY	...
CHK. BY	...
PROJ. ENG.	...
PROD. DATE	...
SCALE	...
SHT. 1 OF 2	...
NEXT HIGHER ASSY. B. DD-10016	...
ETCH REV. B	...
TITLE	Digital
NET MEMORY UNIT	...
SIZE CODE	...
NUMBER	...
UNIT	...

NOTES:
1. E5 IS A SPARE IC. LOCATION
2. E57 IS NOT TO BE INSTALLED.

STEP 6
REPORT
Y REVIS
X REVIS
STEP 1
STEP 2
STEP 3
STEP 4
STEP 5
STEP 6

93
94
SIDE 1 TYP
SIDE 2 TYP
EJECTION TAB



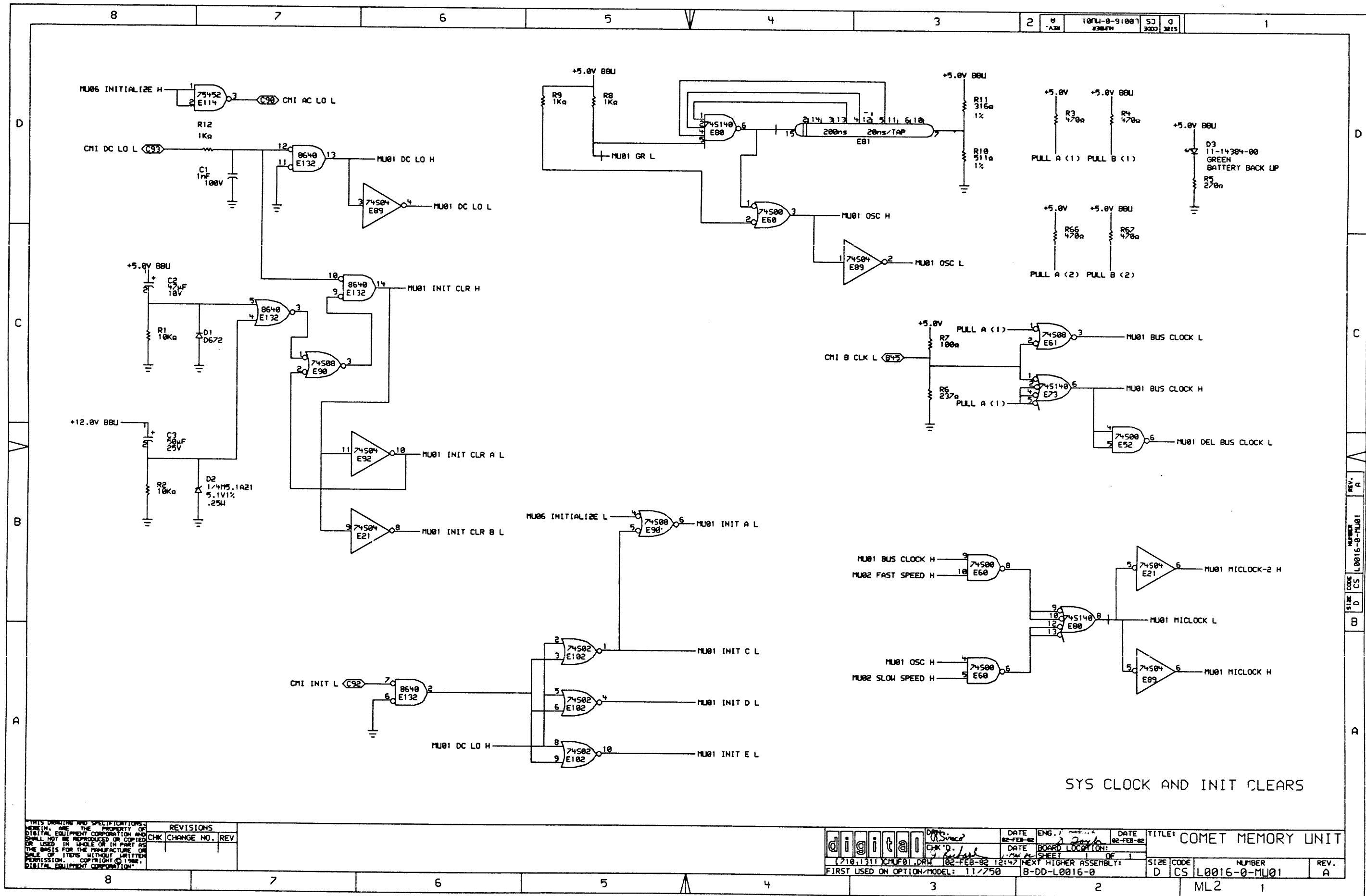
THIS DRAWING AND SPECIFICATIONS SHALL BE THE PROPERTY OF THE U.S. GOVERNMENT. IT IS TO BE USED ONLY FOR THE MANUFACTURE OR SALE OF THIS AIRCRAFT OR FOR REPAIRS THEREON.
COPYRIGHT © 1943

REWORK INSTRUCTIONS:
 ECO #2:
 WIRE ADDS, SIDE 1:
 2-1. E8-9 TO E8-11.
 2-2. E7-15 TO E8-11.

REVISION HISTORY		
DATE	ECO NUMBER	REV

TITLE COMET
MEMORY UNIT

DOCUMENT NUMBER		
REV	FORM	ISS
EUA	L8016-0-0	C
SCALE	1:1	SHEET 2 OF 2



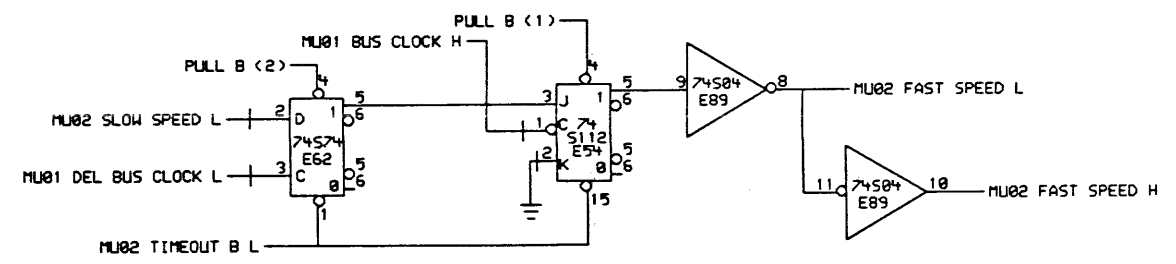
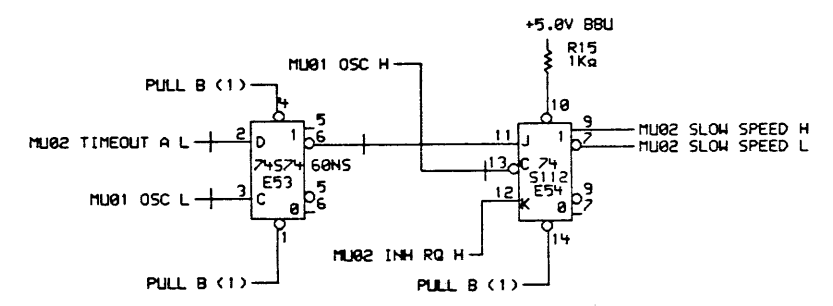
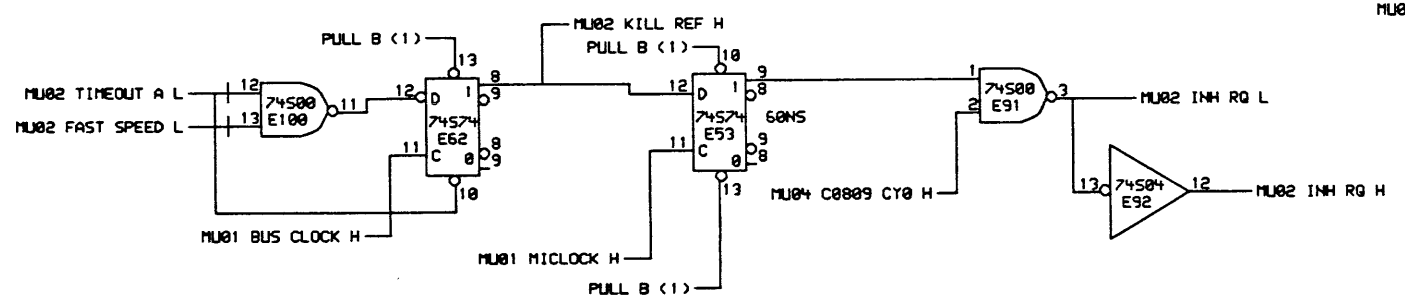
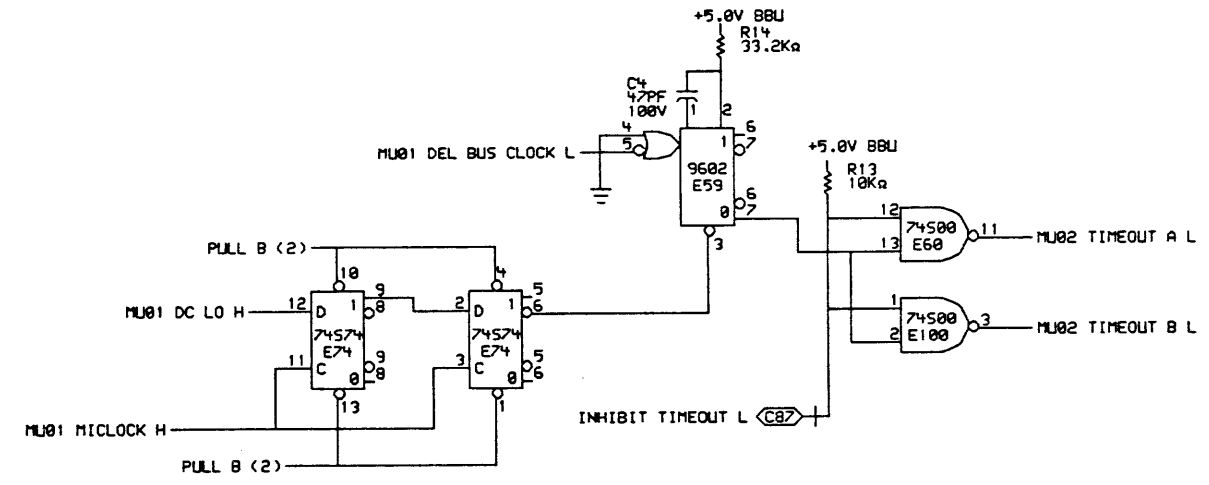
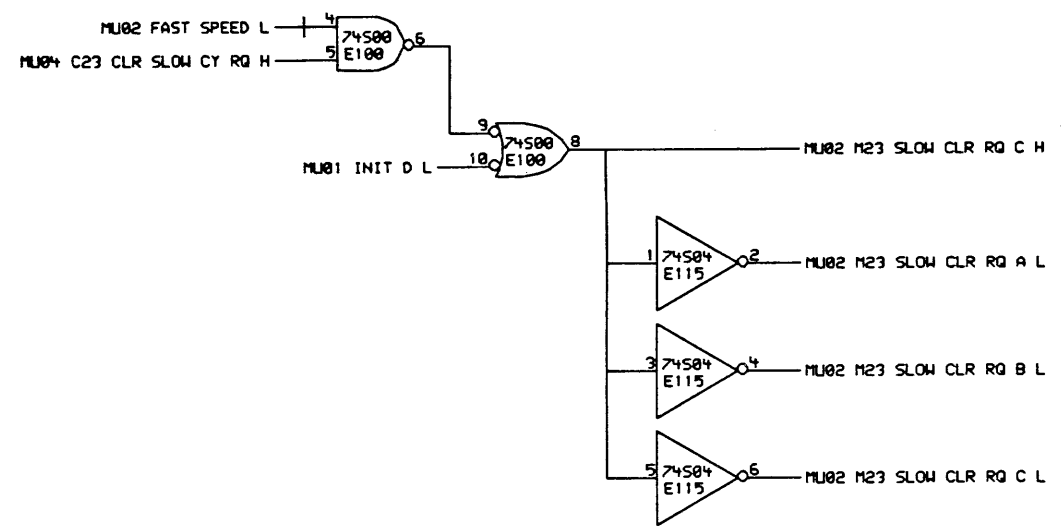
SYS CLOCK AND INIT CLEARS

THIS DRAWING AND SPECIFICATIONS HEREIN ARE THE PROPERTY OF DIGITAL EQUIPMENT CORPORATION AND SHALL NOT BE REPRODUCED OR COPIED OR USED IN WHOLE OR IN PART AS THE BASIS FOR THE MANUFACTURE OR SALE OF ITEMS WITHOUT WRITTEN PERMISSION. COPYRIGHT © 1982 DIGITAL EQUIPMENT CORPORATION.

REVISIONS	
CHK	CHANGE NO. REV

	DATE: 02-FEB-82	ENG.:	DATE: 02-FEB-82	TITLE: COMET MEMORY UNIT
	CHK'D:	DATE: 02-FEB-82	BOARD LOCATION:	
(710,1311) XCHUB1.DRW	02-FEB-82 12:47	NEXT HIGHER ASSEMBLY:	SHEET: 1 OF 1	
FIRST USED ON OPTION/MODEL: 11/750	B-DD-L0016-0	SIZE CODE: D CS	NUMBER: L0016-0-MU01	REV. A

REV. A
NUMBER L0016-0-MU01
SIZE CODE CS
D



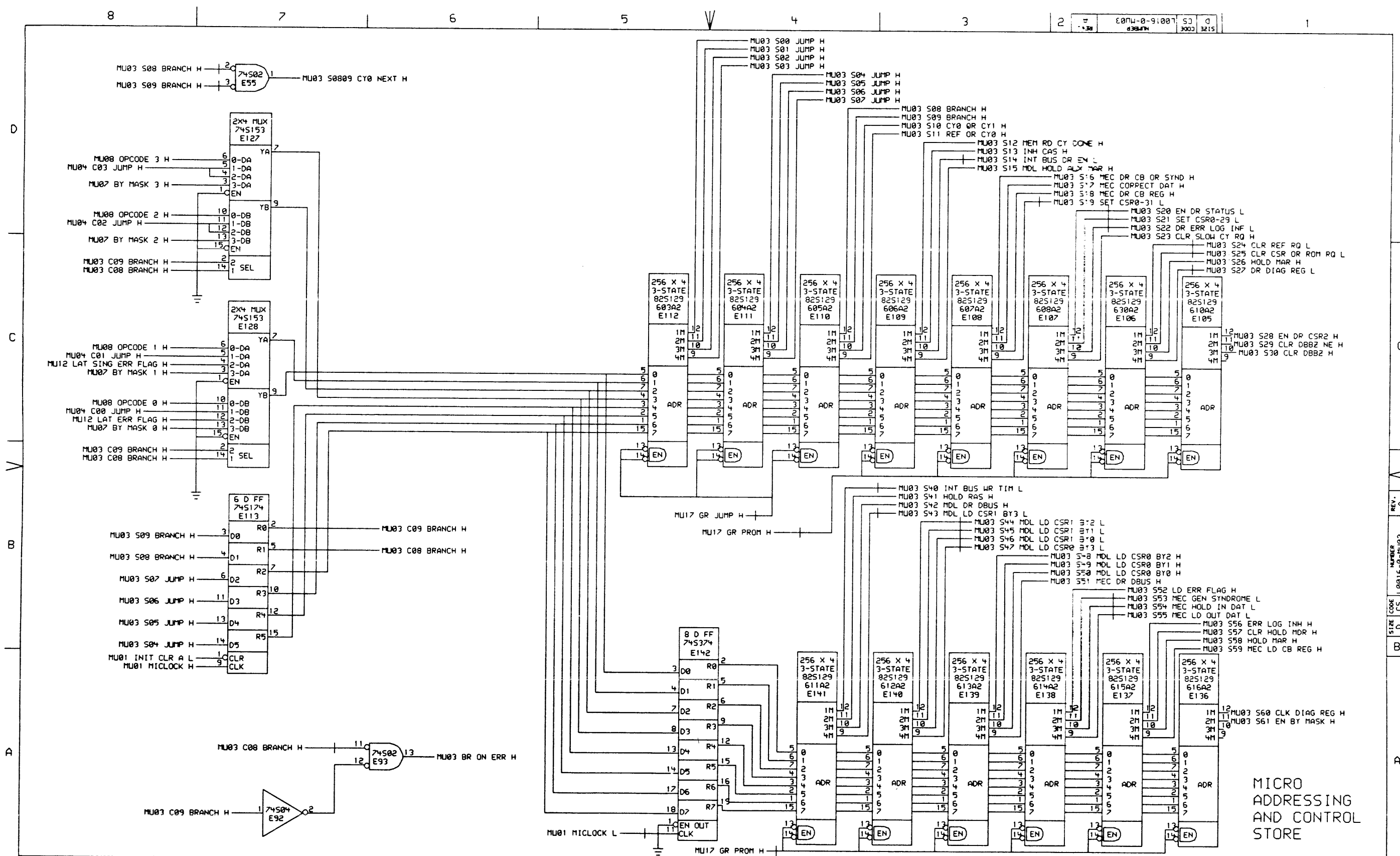
CLOCK SPEED DETECTION AND REQUEST CLEARS

THIS DRAWING AND SPECIFICATIONS ARE THE PROPERTY OF DIGITAL EQUIPMENT CORPORATION AND SHALL NOT BE REPRODUCED OR COPIED OR USED IN WHOLE OR IN PART AS THE BASIS FOR THE MANUFACTURE OR SALE OF ITEMS WITHOUT WRITTEN PERMISSION. COPYRIGHT © 1982, DIGITAL EQUIPMENT CORPORATION.

REVISIONS	
CHK	CHANGE NO. REV.

DATE: 02-FEB-82	ENG. I	DATE: 02-FEB-82	TITLE: COMET MEMORY UNIT
DATE: 02-FEB-82	DATE: 02-FEB-82	DATE: 02-FEB-82	DATE: 02-FEB-82
DATE: 02-FEB-82	DATE: 02-FEB-82	DATE: 02-FEB-82	DATE: 02-FEB-82
DATE: 02-FEB-82	DATE: 02-FEB-82	DATE: 02-FEB-82	DATE: 02-FEB-82

SIZE CODE: D CS	NUMBER: L0016-0-MU02	REV. A
FIRST USED ON OPTION/MODEL: 11/750	ML2	1



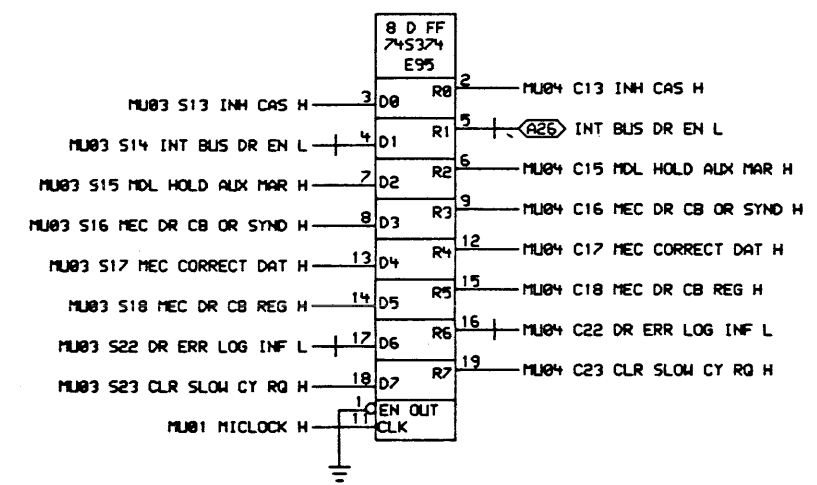
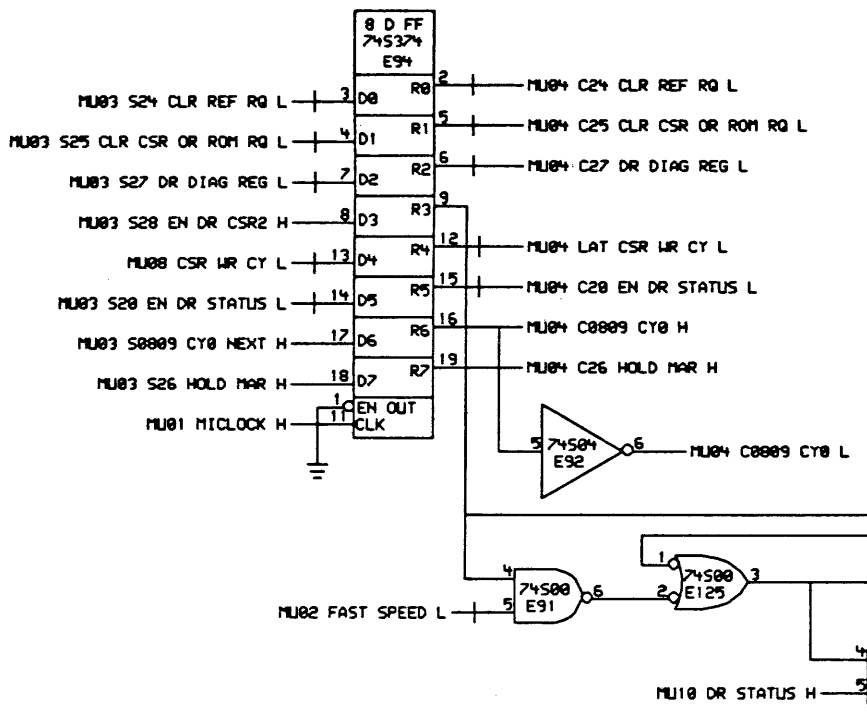
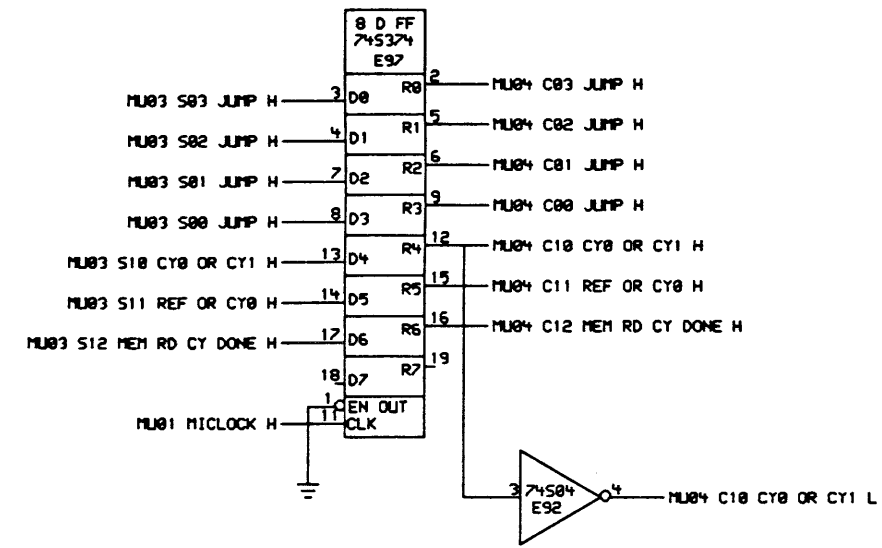
THIS DRAWING AND SPECIFICATIONS ARE THE PROPERTY OF DIGITAL EQUIPMENT CORPORATION AND SHALL NOT BE REPRODUCED OR COPIED OR USED IN WHOLE OR IN PART AS THE BASIS FOR THE MANUFACTURE OR SALE OF ITEMS WITHOUT WRITTEN PERMISSION. COPYRIGHT © 1982, DIGITAL EQUIPMENT CORPORATION.

REVISIONS	
CHK	CHANGE NO. REV

	DATE: 26-FEB-82	ENG: [Signature]	DATE: 26-FEB-82	TITLE: COMET MEMORY UNIT
	DATE: 26-FEB-82	BY: [Signature]	LOC: [Signature]	
	SIZE CODE NUMBER REV. D CS L0016-0-MU03 A			

(210,1311)CMUF03.DRW 126-FEB-82 10:42 NEXT - 13MER ASSEMBLY: B-DD-L0016-0
 FIRST USED ON OPTION MODEL: 11/750

REV. A
 NUMBER L0016-0-MU03
 CODE CS
 SIZE D
 ML2 1



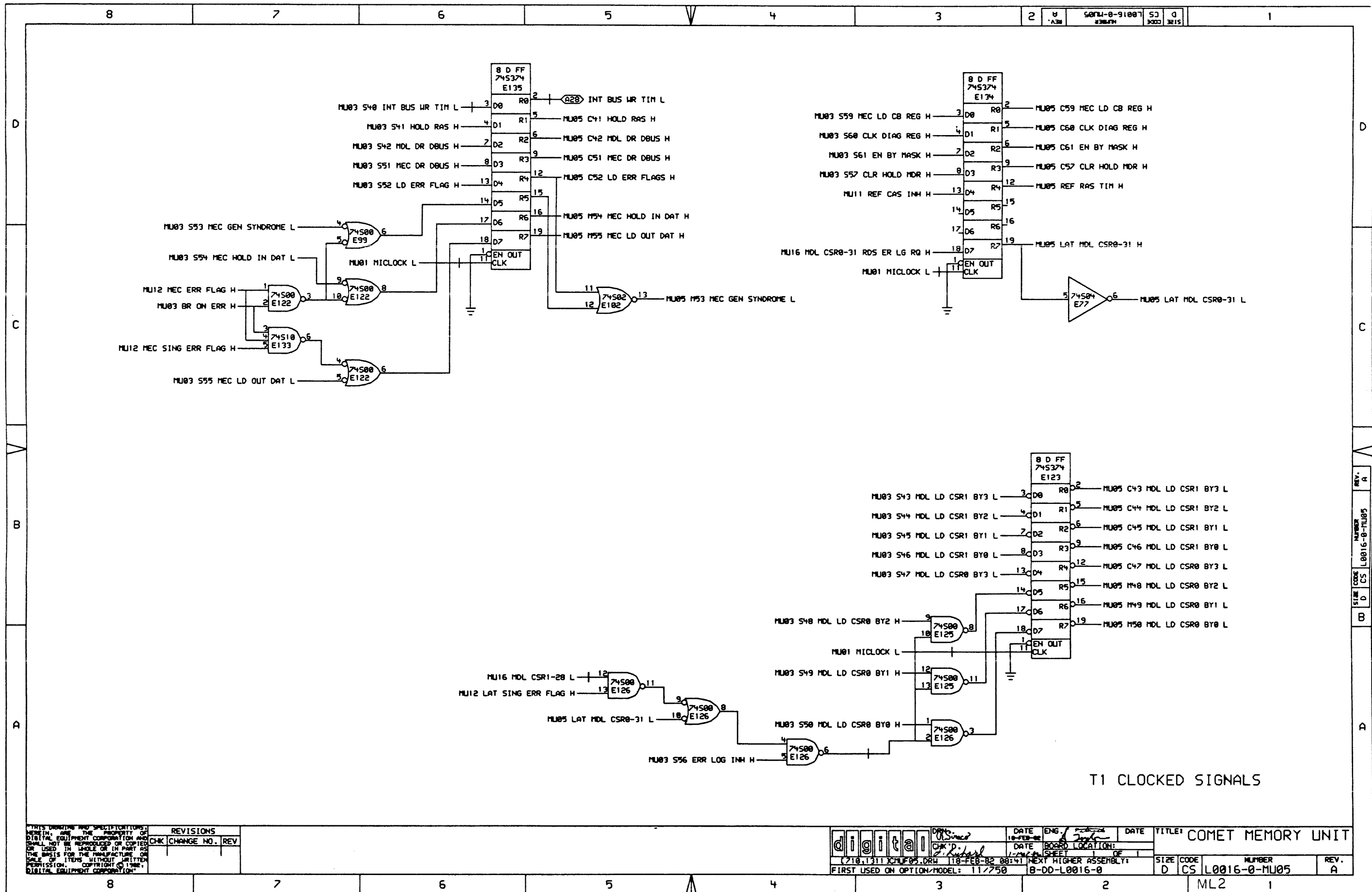
T0 CLOCKED SIGNALS

THIS DRAWING AND SPECIFICATIONS ARE THE PROPERTY OF DIGITAL EQUIPMENT CORPORATION AND SHALL NOT BE REPRODUCED OR COPIED OR USED IN WHOLE OR IN PART AS THE BASIS FOR THE MANUFACTURE OR SALE OF ITEMS WITHOUT WRITTEN PERMISSION. COPYRIGHT © 1982, DIGITAL EQUIPMENT CORPORATION

REVISIONS		
CHK	CHANGE NO.	REV

digital	DATE 02-FEB-82	ENG. 2	DATE 02-FEB-82	TITLE: COMET MEMORY UNIT
	DATE 02-FEB-82	BOARD LOCATION: 1	DATE 02-FEB-82	SIZE CODE D CS
FIRST USED ON OPTION/MODEL: 117750		NEXT HIGHER ASSEMBLY: B-DD-L0016-0		NUMBER L0016-0-MU04

REV. A	NUMBER L0016-0-MU04	SIZE CODE D CS	NUMBER L0016-0-MU04	REV. A
--------	---------------------	----------------	---------------------	--------

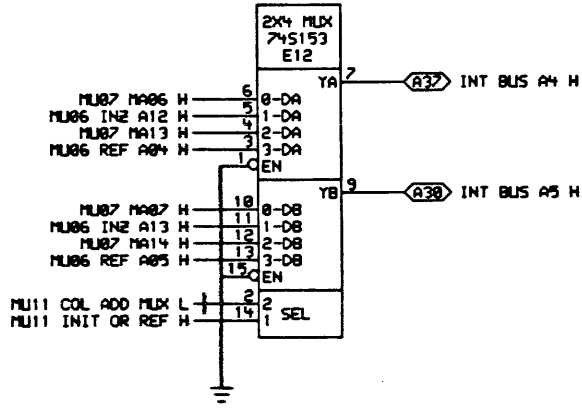
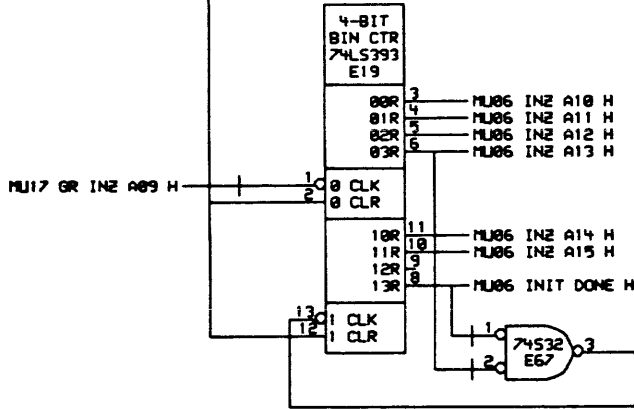
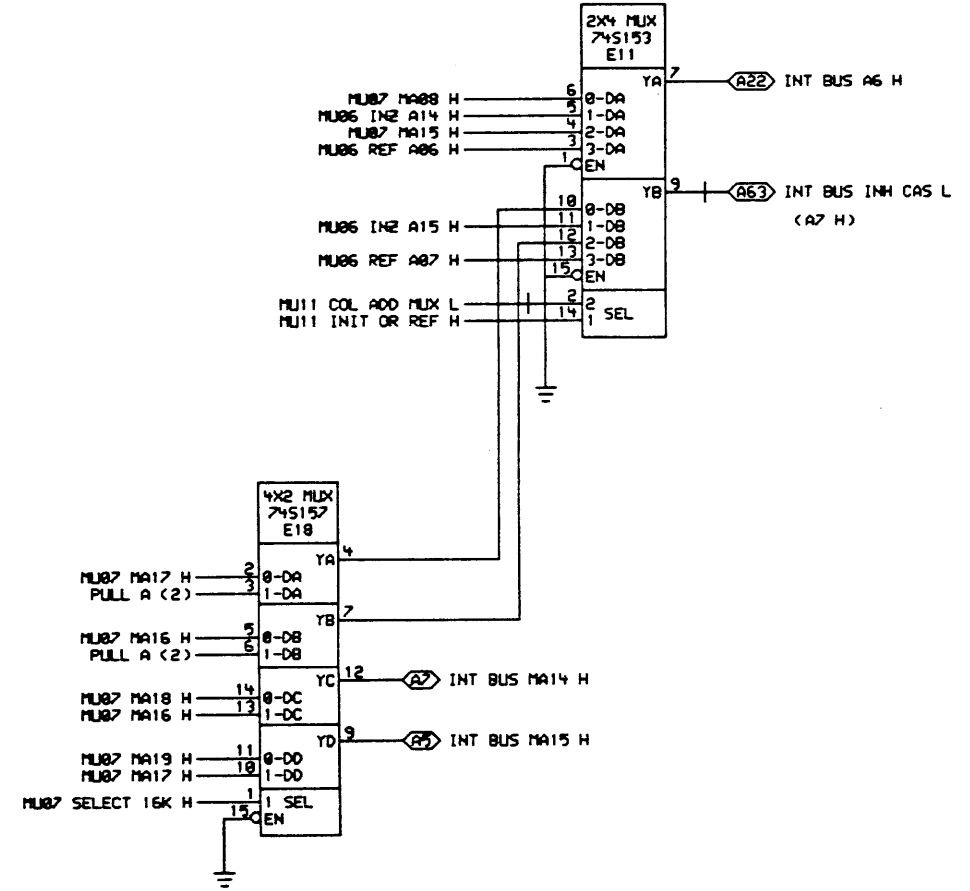
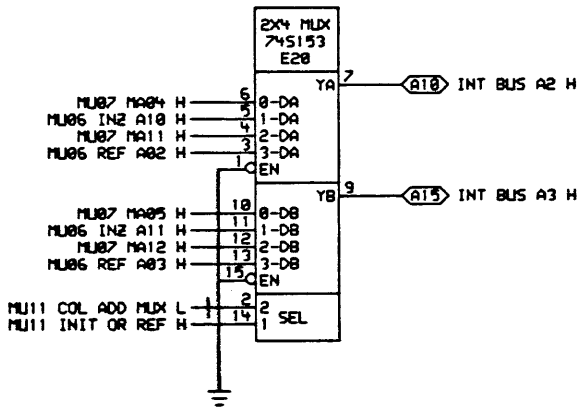
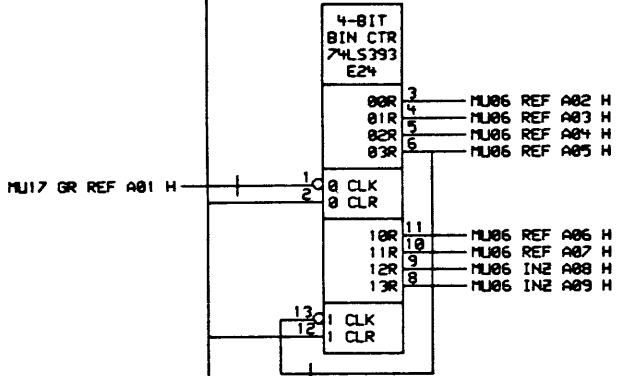
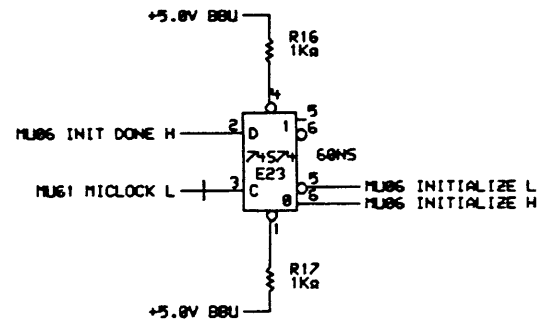
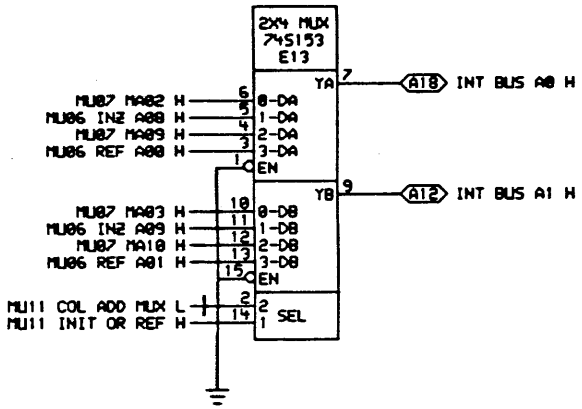
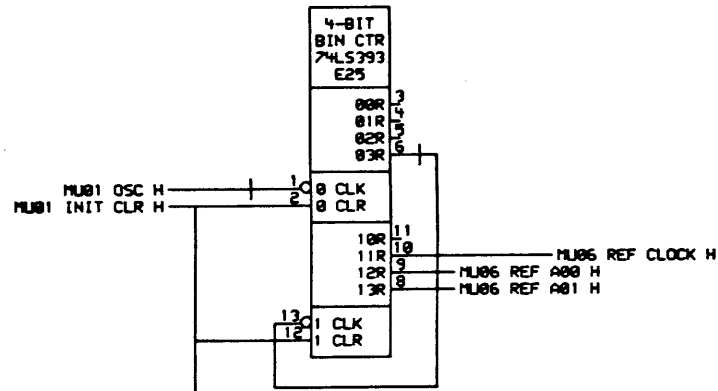


T1 Clocked Signals

REVISIONS	
CHK	CHANGE NO. REV

	DATE: 18-FEB-82	ENG: [Signature]	DATE: [Blank]	TITLE: COMET MEMORY UNIT
	DATE: [Blank]	BOARD LOCATION: [Blank]	SHEET: 1 OF 1	
(710,1311)CMUF05.DRW FIRST USED ON OPTION/MODEL: 117750	18-FEB-82 08:41	NEXT HIGHER ASSEMBLY: [Blank]	SIZE CODE: D CS	NUMBER: L0016-0-MU05
				REV. A

REV. A
NUMBER L0016-0-MU05
CODE CS
SIZE D
B

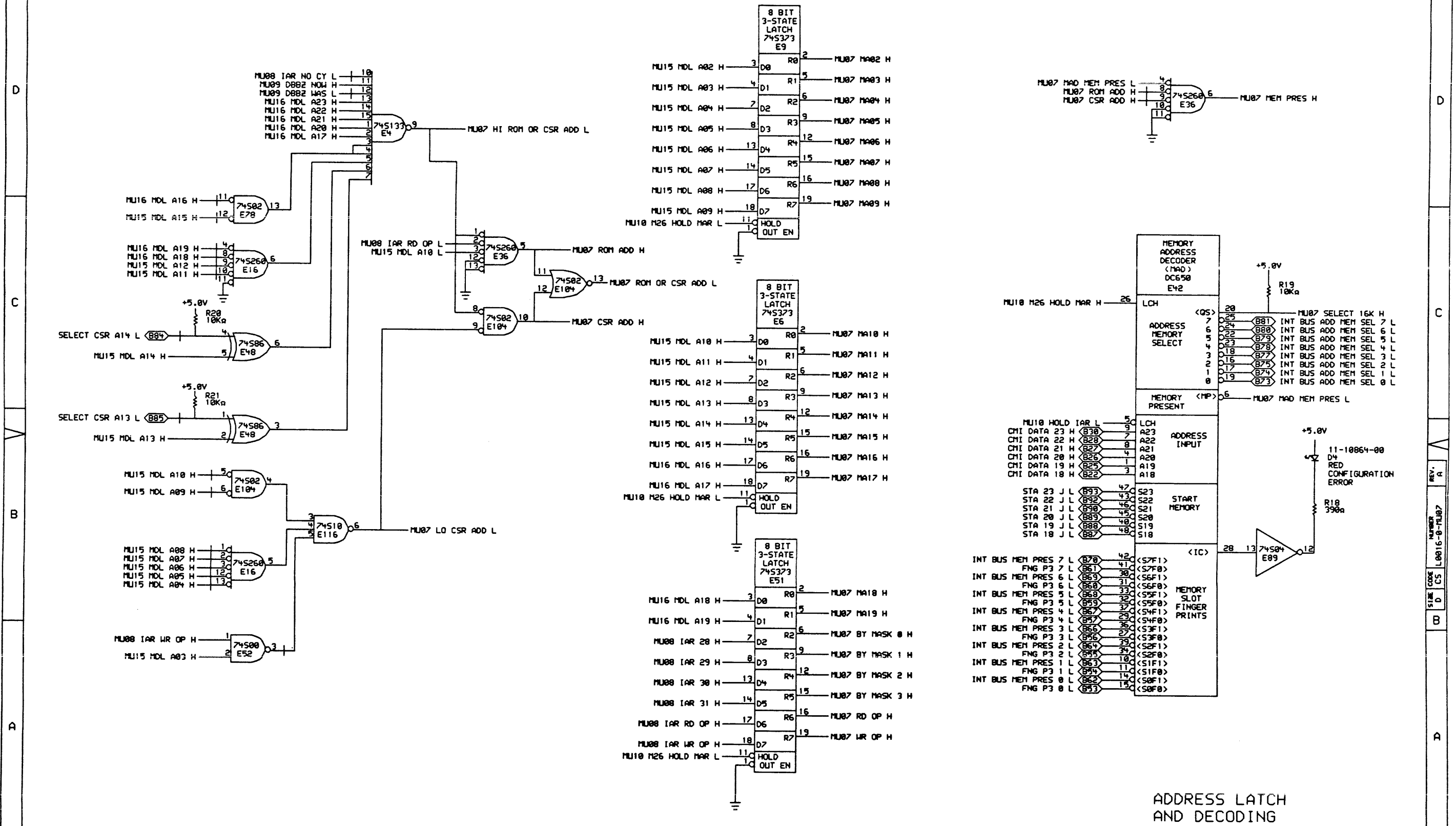


REFRESH COUNTER AND ADDRESS MUXING

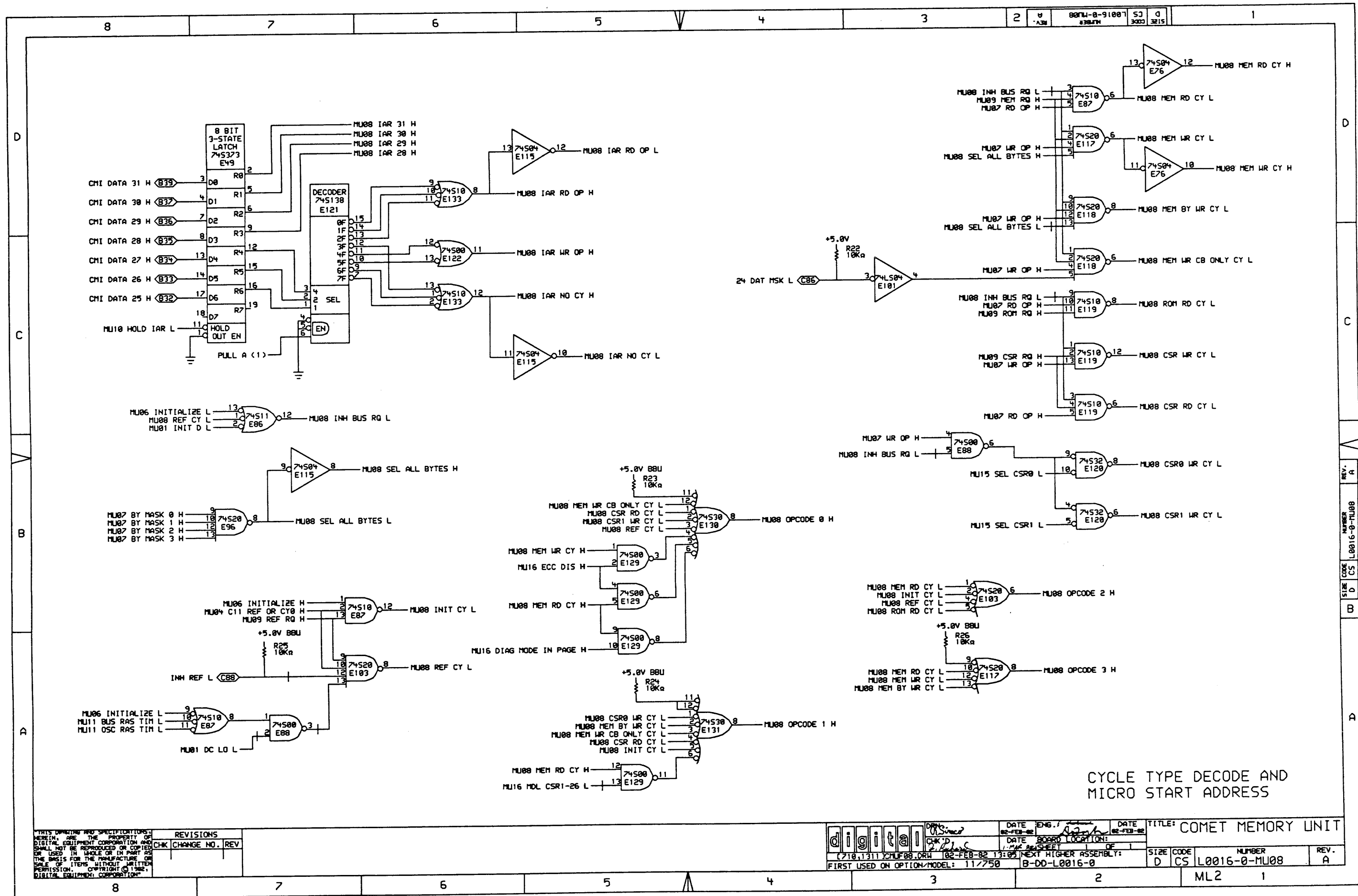
THIS DRAWING AND SPECIFICATIONS HEREIN ARE THE PROPERTY OF DIGITAL EQUIPMENT CORPORATION AND SHALL NOT BE REPRODUCED OR COPIED OR USED IN WHOLE OR IN PART AS THE BASIS FOR THE MANUFACTURE OR SALE OF ITEMS WITHOUT WRITTEN PERMISSION. COPYRIGHT © 1984 DIGITAL EQUIPMENT CORPORATION.

REVISIONS	
CHK	CHANGE NO. REV

digital	DATE: 02-FEB-82	ENG: [Signature]	DATE: 02-FEB-82	TITLE: COMET MEMORY UNIT
	DATE: 10-MAR-82	DESIGNER: [Signature]	DATE: 10-MAR-82	DESIGNER: [Signature]
NEXT HIGHER ASSEMBLY: B-DD-L0016-0				SIZE CODE: D
FIRST USED ON OPTION/MODEL: 11750				NUMBER: CS L0016-0-MU06
				REV: A



ADDRESS LATCH AND DECODING

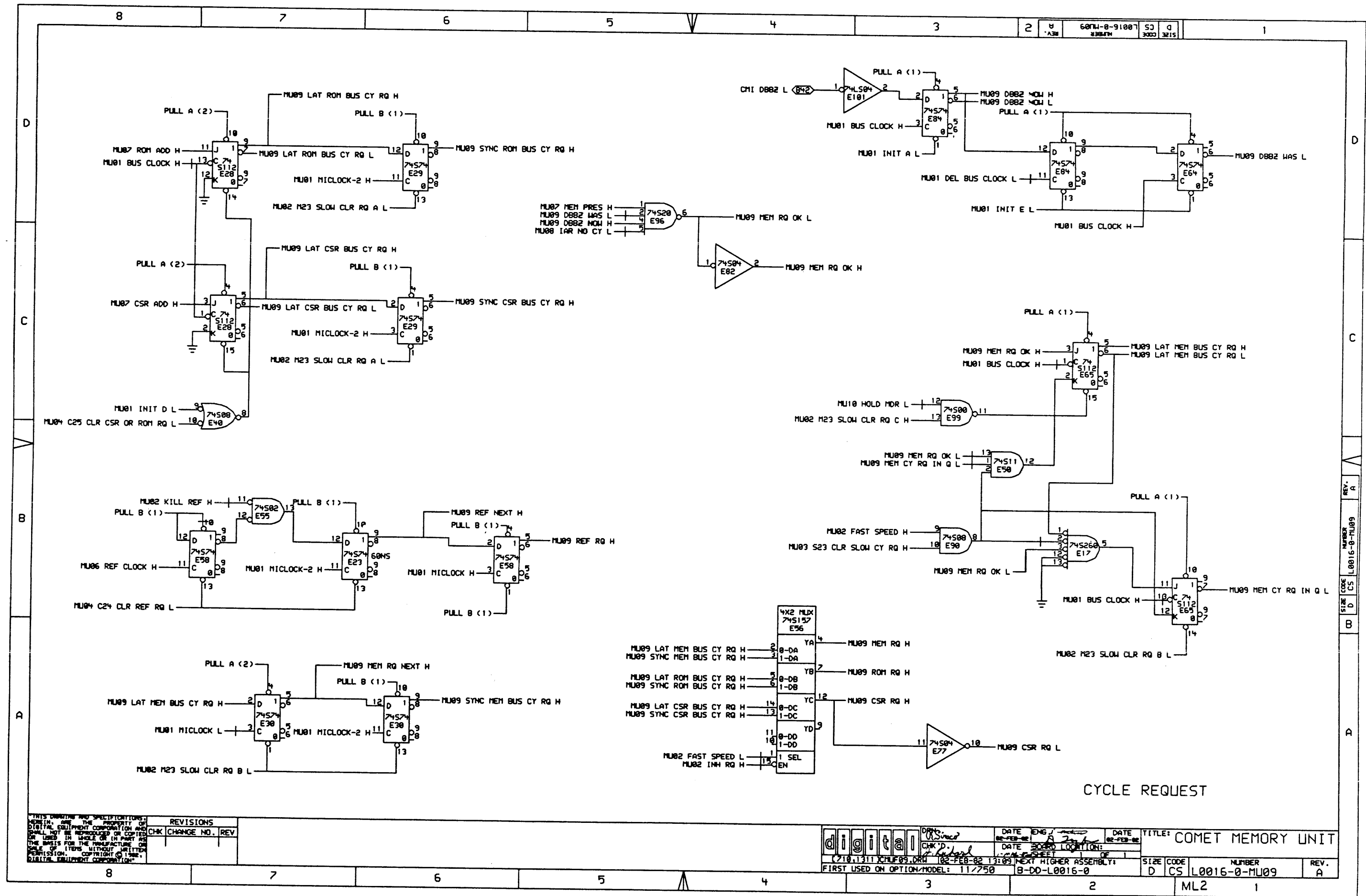


THIS DRAWING AND SPECIFICATIONS HEREIN ARE THE PROPERTY OF DIGITAL EQUIPMENT CORPORATION AND SHALL NOT BE REPRODUCED OR COPIED OR USED IN WHOLE OR IN PART AS THE BASIS FOR THE MANUFACTURE OR SALE OF ITEMS WITHOUT WRITTEN PERMISSION. COPYRIGHT © 1982, DIGITAL EQUIPMENT CORPORATION.

REVISIONS	
CHK	CHANGE NO. REV

	DATE ENG. 02-FEB-82	DATE 02-FEB-82	TITLE: COMET MEMORY UNIT
	DATE BOARD LOC. 11/75	DATE 11/75	SIZE CODE NUMBER REV. D CS L0016-0-MU08 A
FIRST USED ON OPTION/MODEL: 11/750		NEXT HIGHER ASSEMBLY: B-DD-L0016-0	

REV. A
NUMBER L0016-0-MU08
SIZE CS
D



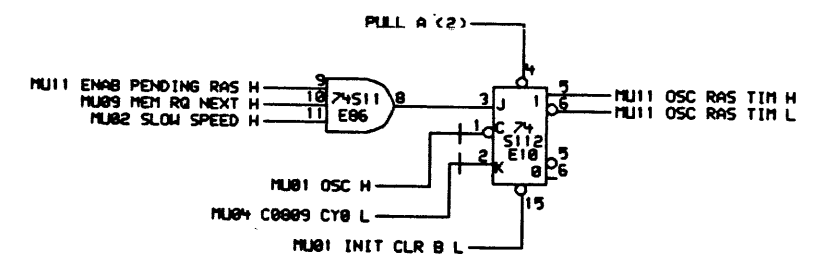
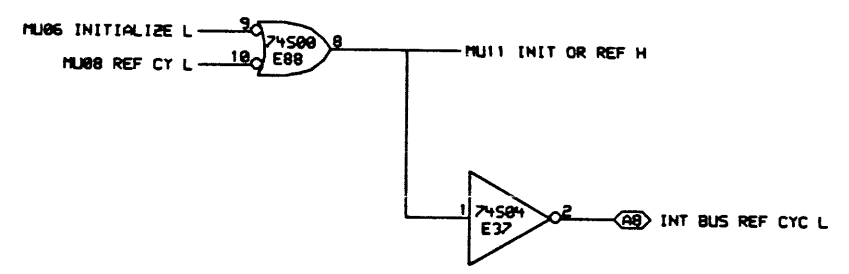
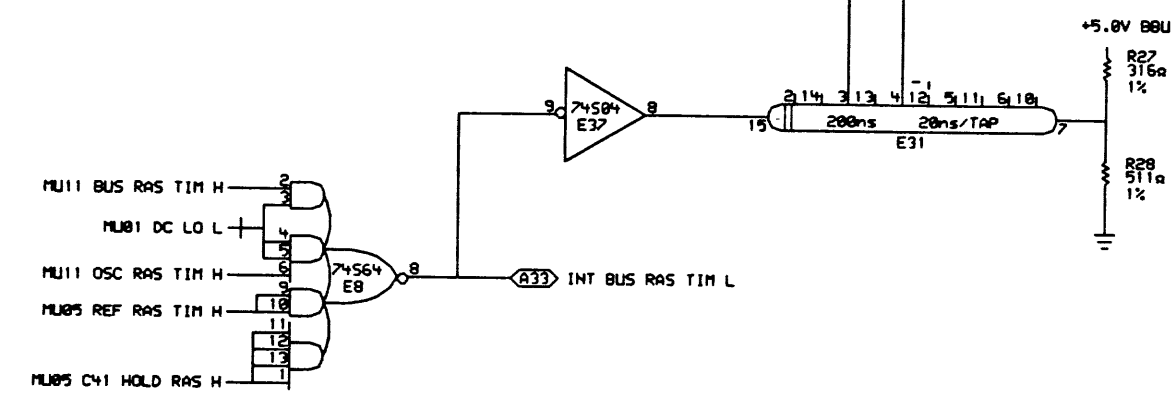
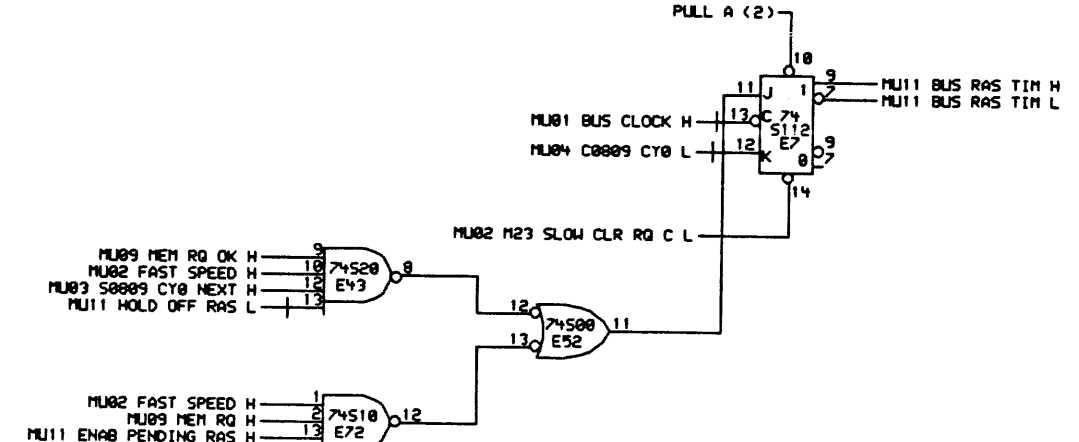
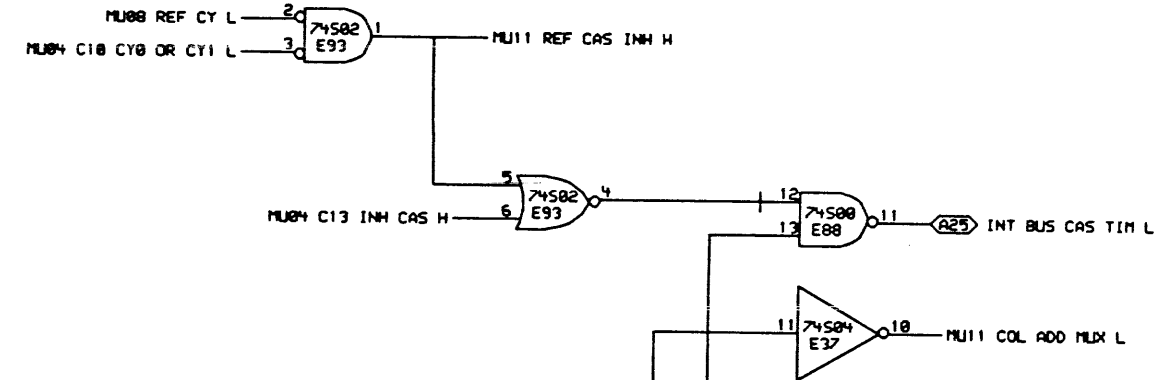
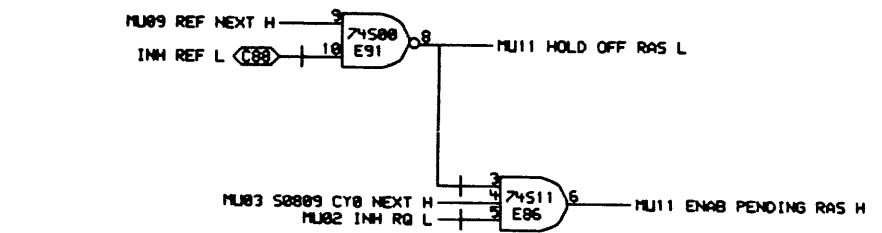
- 4x2 MUX 745157 E56
- MU09 LAT MEM BUS CY RQ H — 2 — 0-DA
- MU09 SYNC MEM BUS CY RQ H — 3 — 1-DA
- MU09 LAT ROM BUS CY RQ H — 5 — 0-DB
- MU09 SYNC ROM BUS CY RQ H — 6 — 1-DB
- MU09 LAT CSR BUS CY RQ H — 14 — 0-DC
- MU09 SYNC CSR BUS CY RQ H — 13 — 1-DC
- MU09 MEM RQ OK L — 13 — 0-DD
- MU09 MEM CY RQ IN Q L — 2 — 1-DD
- MU02 FAST SPEED L — 1 — 1 SEL
- MU02 INH RQ H — 15 — C EN

CYCLE REQUEST

REVISIONS	
CHK	CHANGE NO. REV

	DATE ENG: 02-FEB-82	DATE: 02-FEB-82	TITLE: COMET MEMORY UNIT
	DATE: 02-FEB-82	DATE: 02-FEB-82	DATE: 02-FEB-82
(710,1311)XU09.DRW 102-FEB-82 13:09 FIRST USED ON OPTION/MODEL: 11/750	DATE: 02-FEB-82 DATE: 02-FEB-82 DATE: 02-FEB-82	DATE: 02-FEB-82 DATE: 02-FEB-82 DATE: 02-FEB-82	NEXT HIGHER ASSEMBLY: B-DD-L0016-0 SIZE CODE: D CS NUMBER: L0016-0-MU09 REV.: A

REV. A
 NUMBER L0016-0-MU09
 CODE CS
 SIZE D



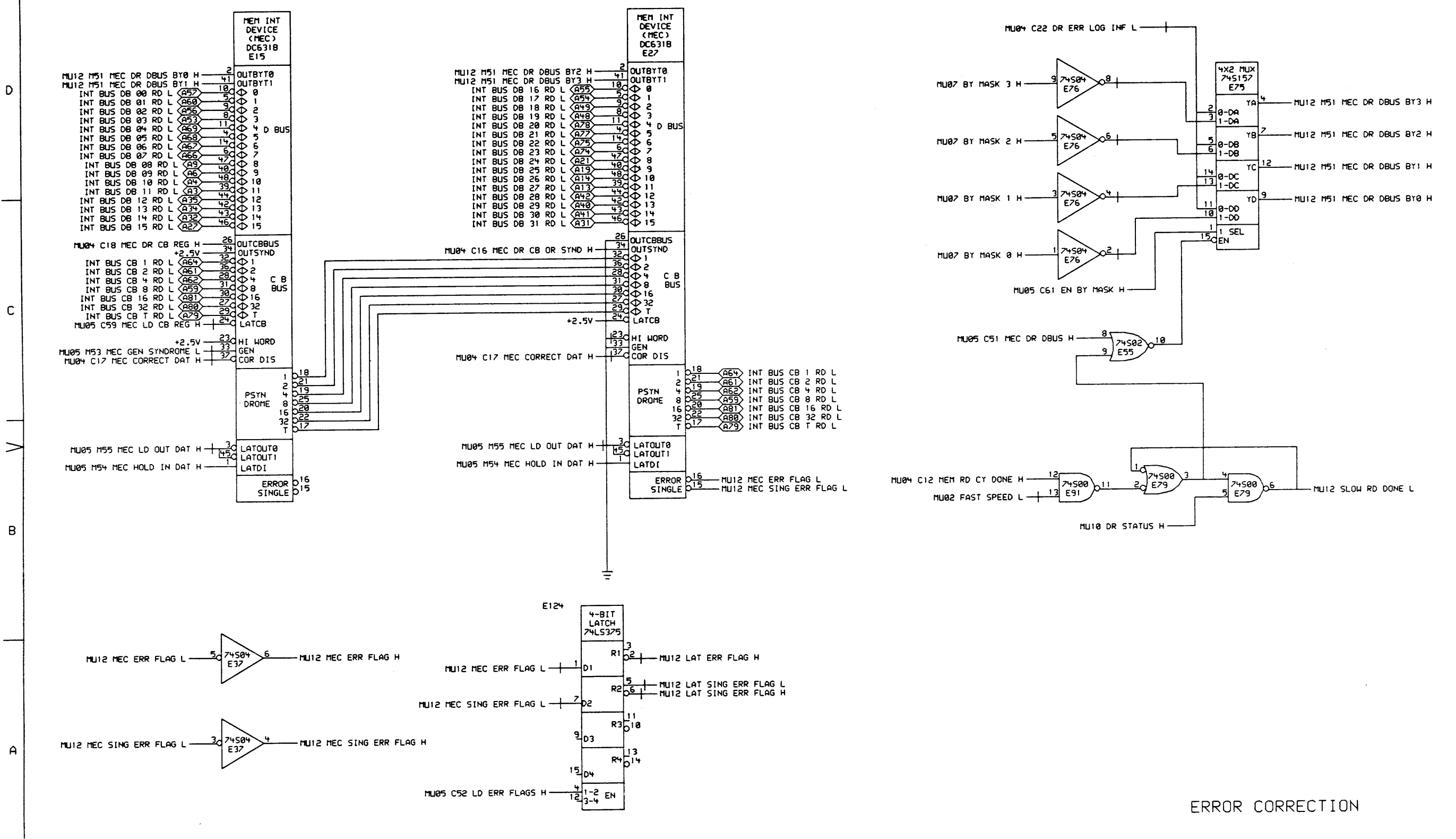
MOS ARRAY TIMING

THIS DRAWING AND SPECIFICATIONS ARE THE PROPERTY OF DIGITAL EQUIPMENT CORPORATION AND SHALL NOT BE REPRODUCED OR COPIED OR USED IN WHOLE OR IN PART AS THE BASIS FOR THE MANUFACTURE OR SALE OF ITEMS WITHOUT WRITTEN PERMISSION. COPYRIGHT © 1984, DIGITAL EQUIPMENT CORPORATION.

REVISIONS	
CHK	CHANGE NO. REV

digital	DATE: 02-FEB-82	ENG: J. J. ...	DATE: 02-FEB-82	TITLE: COMET MEMORY UNIT
	DATE: 02-FEB-82	BOARD LOCATION: 13113	SHEET: 1	OF: 1
FIRST USED ON OPTION/MODEL: 11/750		B-DD-L0016-0		SIZE CODE: D CS
NUMBER: L0016-0-MU11			REV.:	A

REV. A
 NUMBER L0016-0-MU11
 CODE CS
 SIZE D
 B

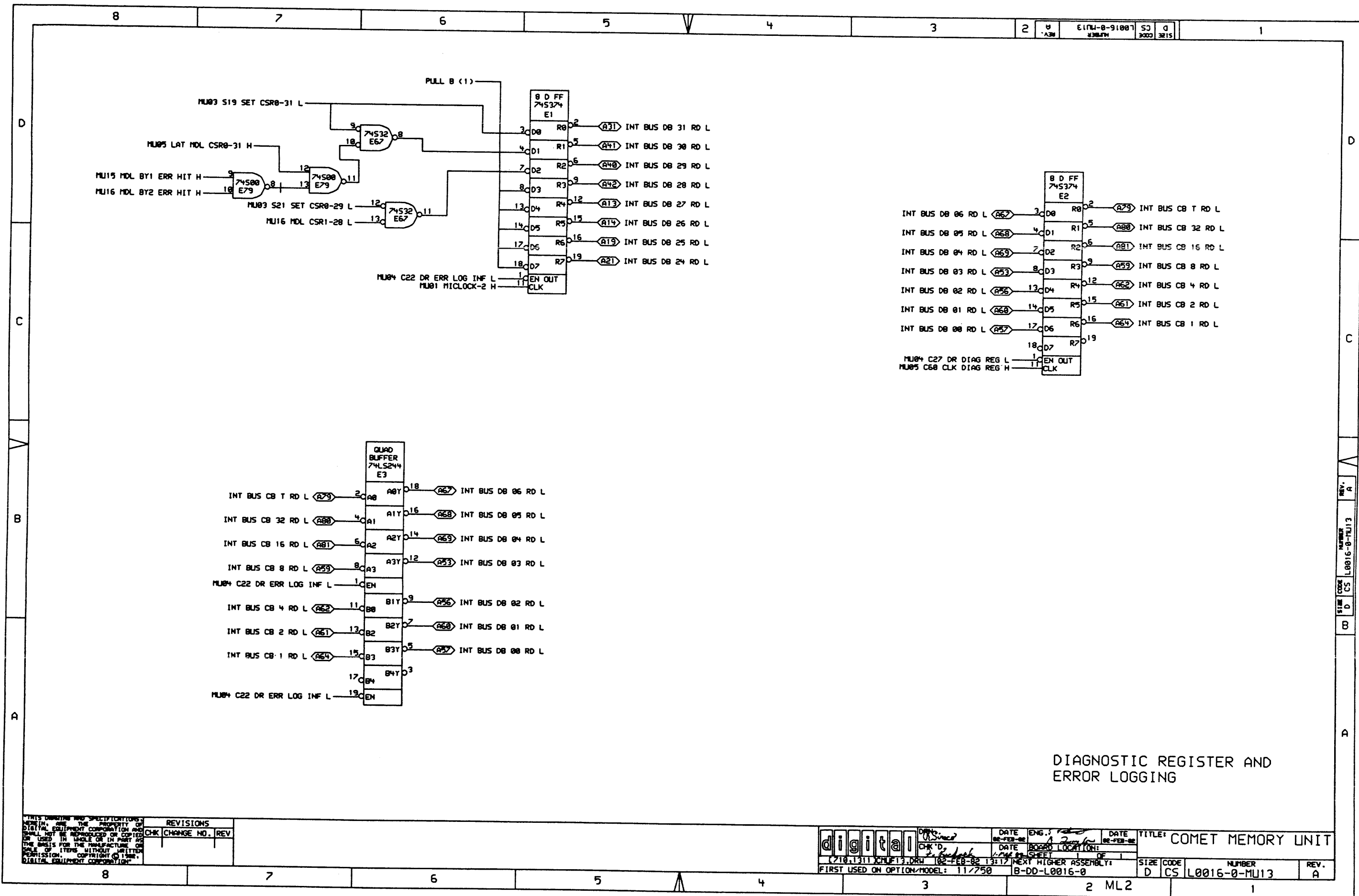


ERROR CORRECTION

THIS DRAWING AND SPECIFICATIONS ARE THE PROPERTY OF DIGITAL EQUIPMENT CORPORATION AND SHALL NOT BE REPRODUCED OR COPIED OR USED IN WHOLE OR IN PART AS THE BASIS FOR THE MANUFACTURE OR SALE OF ITEMS WITHOUT WRITTEN PERMISSION. COPYRIGHT © 1982, DIGITAL EQUIPMENT CORPORATION.

REVISIONS	
CHK	CHANGE NO. REV

digital	DATE: 25-FEB-82	ENG: [Signature]	DATE: 25-FEB-82	TITLE: COMET MEMORY UNIT
	CHK: [Signature]	DATE: [Signature]	BOARD LOCATION: [Signature]	
FIRST USED ON OPTION/MODEL: 11/750				
SIZE CODE: D CS	NUMBER: L0016-0-MU12	REV: A		

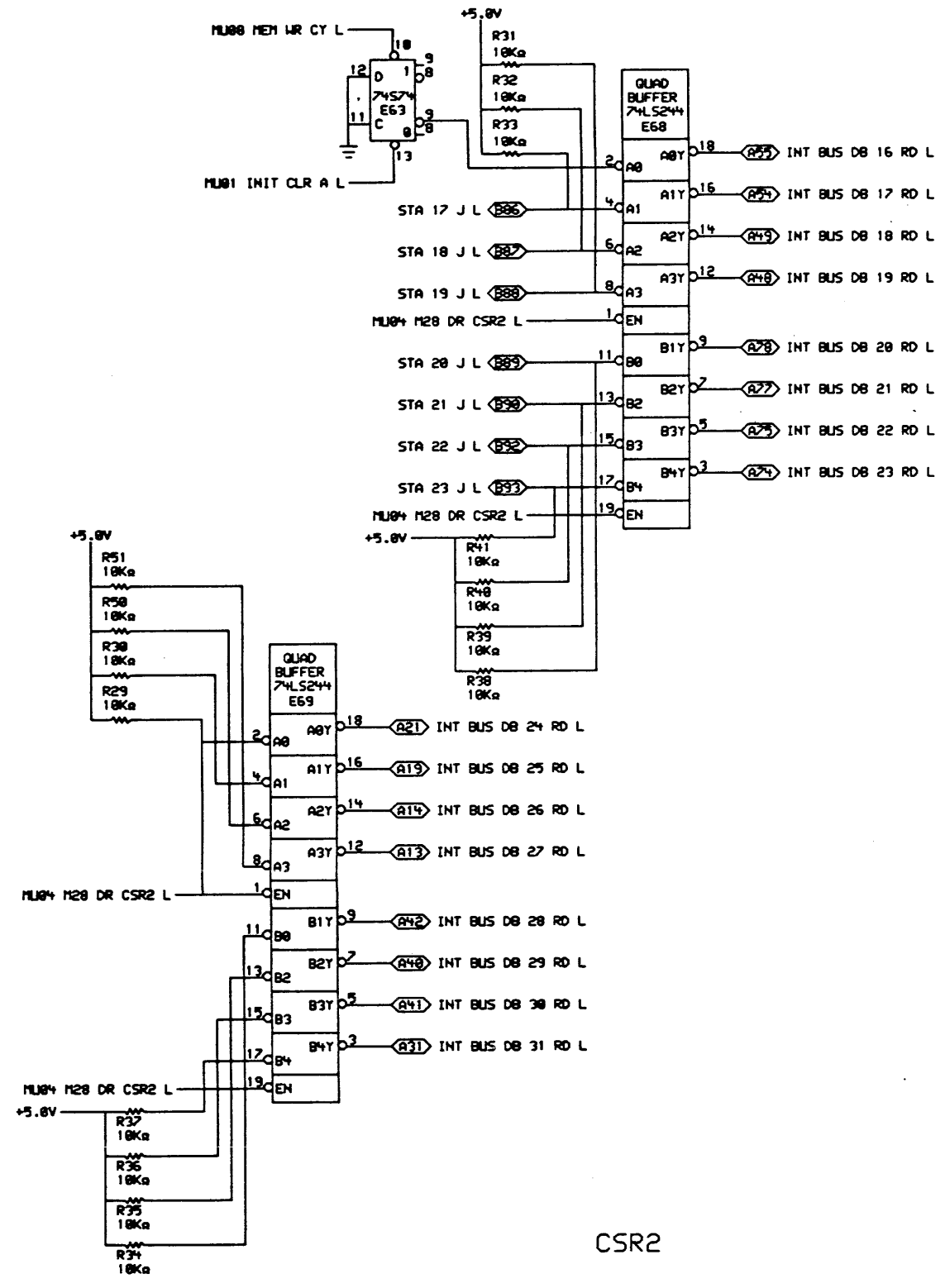
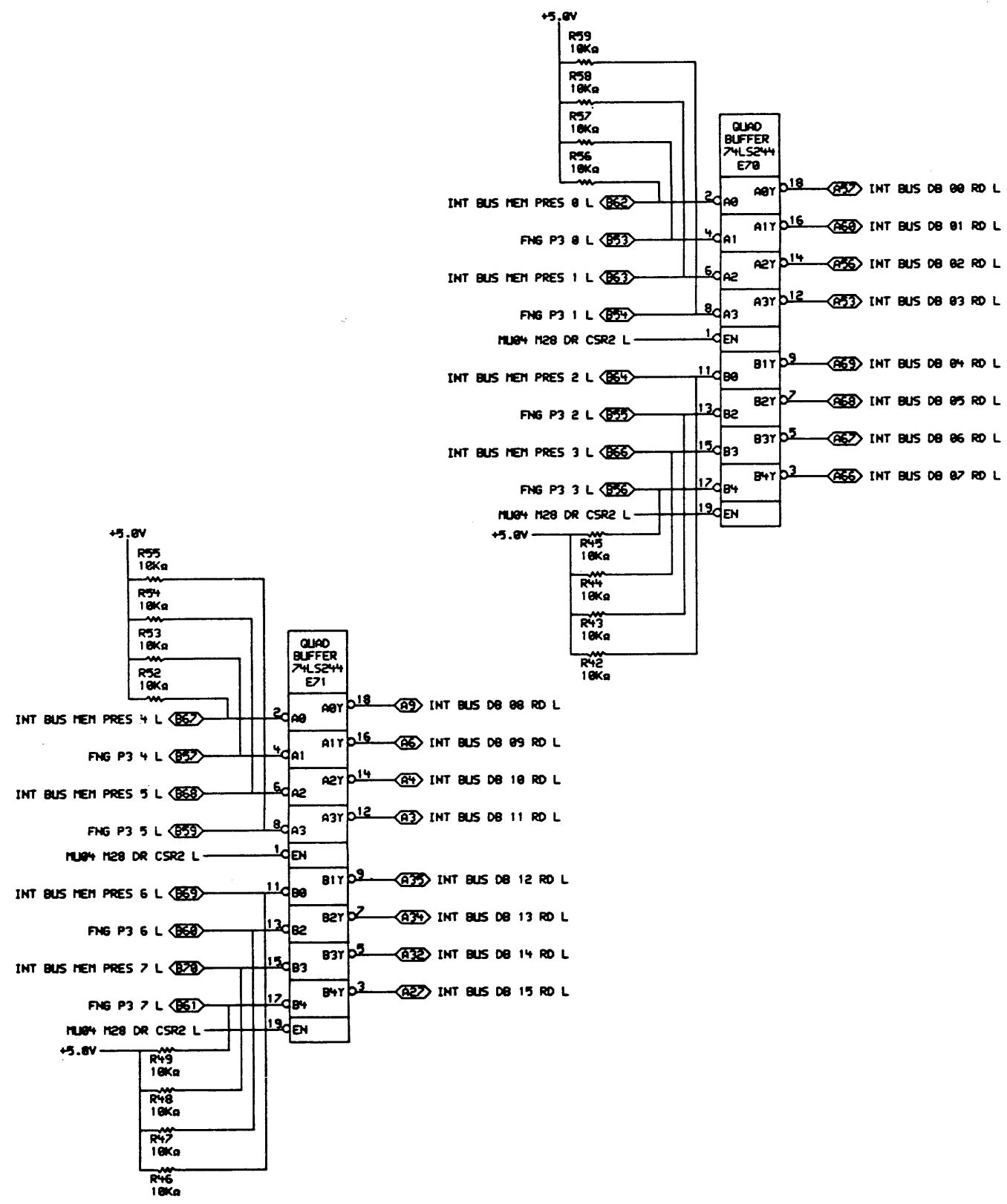


DIAGNOSTIC REGISTER AND
ERROR LOGGING

<small>THIS DRAWING AND SPECIFICATIONS HEREIN ARE THE PROPERTY OF DIGITAL EQUIPMENT CORPORATION AND SHALL NOT BE REPRODUCED OR COPIED OR USED IN WHOLE OR IN PART AS THE BASIS FOR THE MANUFACTURE OR SALE OF ITEMS WITHOUT WRITTEN PERMISSION. COPYRIGHT © 1982, DIGITAL EQUIPMENT CORPORATION.</small>	REVISIONS CHK CHANGE NO. REV			DATE: 02-FEB-82 ENG.: [Signature] DATE: 02-FEB-82	DATE: 02-FEB-82 DESIGNED BY: [Signature] DATE: 02-FEB-82	TITLE: COMET MEMORY UNIT	
	(710.1311 XPL13.DRW) 102-FEB-82 13:17 NEXT HIGHER ASSEMBLY:			FIRST USED ON OPTION/MODEL: 11/750	SIZE CODE: D CS	NUMBER: L0016-0-MU13	REV.: A
				2 ML2			
				1			

D
C
V
B
A

D
C
V
B
A

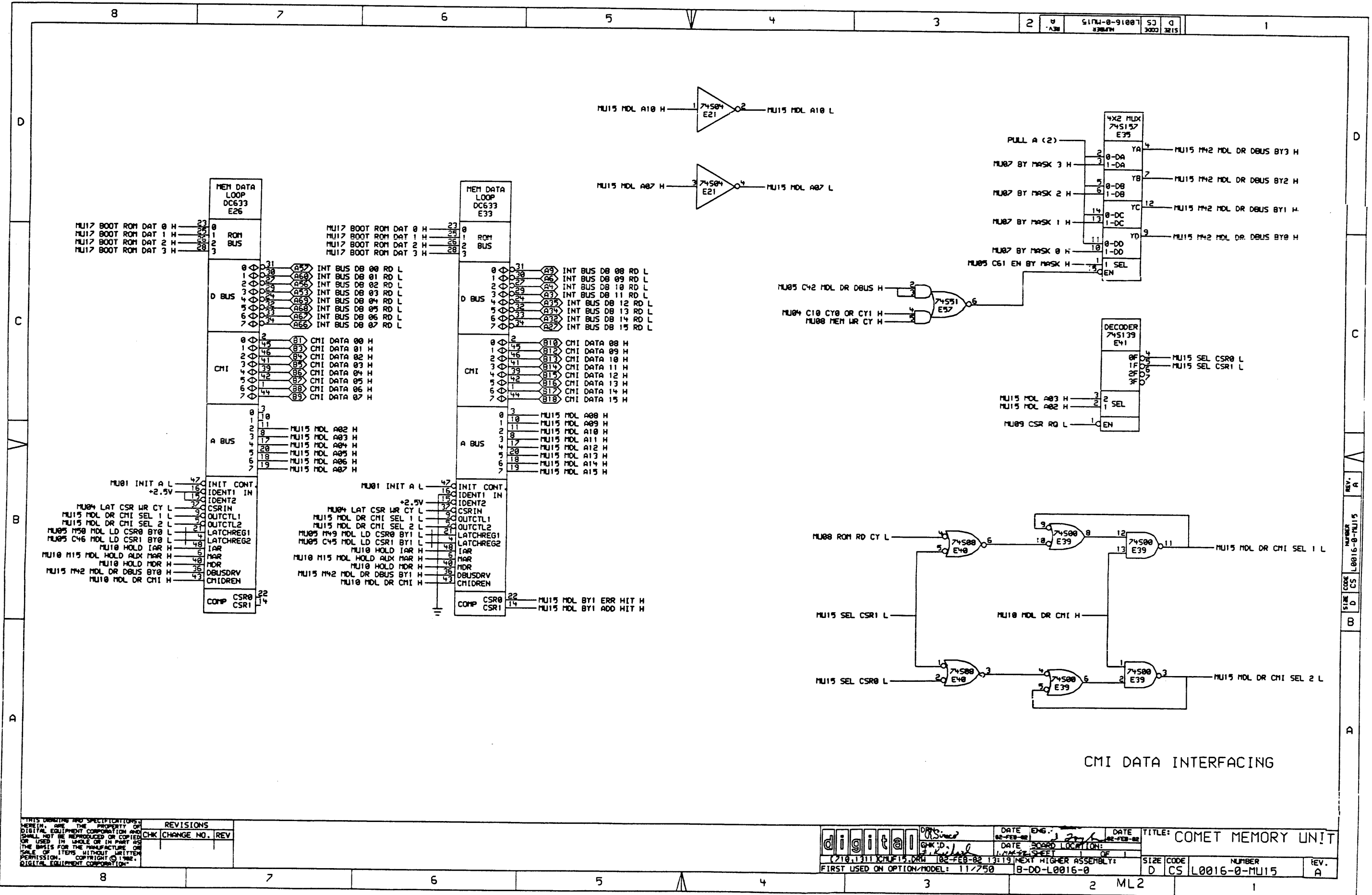


CSR2

THIS DRAWING AND SPECIFICATIONS HEREIN ARE THE PROPERTY OF DIGITAL EQUIPMENT CORPORATION AND SHALL NOT BE REPRODUCED OR COPIED OR USED IN WHOLE OR IN PART AS THE BASIS FOR THE MANUFACTURE OR SALE OF ITEMS WITHOUT WRITTEN PERMISSION. COPYRIGHT © 1982, DIGITAL EQUIPMENT CORPORATION.

REVISIONS	
CHK	CHANGE NO. REV

	DATE: 02-FEB-82	ENG: [Signature]	DATE: 02-FEB-82	TITLE: COMET MEMORY UNIT
	DATE: 02-FEB-82	BOARD LOCATION: 1/14	SHEET: 1	OF: 1
FIRST USED ON OPTION/MODEL: 11/750				SIZE CODE: D CS NUMBER: L0016-0-MU14 REV: A



THIS DRAWING AND SPECIFICATIONS ARE THE PROPERTY OF DIGITAL EQUIPMENT CORPORATION AND SHALL NOT BE REPRODUCED OR COPIED OR USED IN WHOLE OR IN PART AS THE BASIS FOR THE MANUFACTURE OR SALE OF ITEMS WITHOUT WRITTEN PERMISSION. COPYRIGHT © 1982. DIGITAL EQUIPMENT CORPORATION.

REV.	NO.	DATE	BY	CHK	CHANGE NO.	REV

digital (710,1311) XAUPT5.DWG FIRST USED ON OPTION/MODEL: 11/750	DATE ENG.: 02-FEB-82 DATE BOARD LOCATION: 02-FEB-82 DATE LAM-22 SHEET: 1 OF 1	TITLE: COMET MEMORY UNIT SIZE CODE: D CS NUMBER: L0016-0-MU15 REV.: A
	NEXT HIGHER ASSEMBLY: B-DD-L0016-0	

REV. A
NUMBER L0016-0-MU15
SIZE CODE D CS

LINE ITEM	DOCUMENT NUMBER	PART NUMBER	DESCRIPTION	QTY PER VARIATION 00	REFERENCE DESIGNATOR
1	1	5014676-00	DRILL AND ETCH BD.	1	
2	2	1000011-00	47.0 MMF 100V 5%200PPM MICA	1	C4
3	3	1000042-00	1000.0 MMF 100V 5%200PPM MICA	1	C1
4	4	1105275-00	D 672 TR= 15NS FIV= 60V SI	1	D1
5	5	1105871-00	1/4MS.1AZ1 = 5.1 1% .25W N	1	D2
6	6	1300229-00	100.0 .25 W 5.0 % CF	1	R65
7	7	1300309-00	390.0 .25 W 5.0 % CF	1	R18
8	8	1300316-00	470.0 .25 W 5.0 % CF	4	R3,R4,R66,R67
9	9	1300365-00	1.0 K .25 W 5.0 % CF	10	R8,R9,R12,R15-R17,R61-R64
10	10	1300479-00	10.0 K .25 W 5.0 % CF	43	R1,R2,R13,R19-R26,R29-R60
11	11	1301972-00	270.0 .25 W 5.0 % CF	1	R5
12	12	1302411-00	511.0 .25 W 1.0 % RN55D-F10	2	R10,R28
13	13	1302858-00	100.0 .25 W 1.0 % RN55D-F10	1	R7
14	14	1305420-00	33.20 K .25 W 1.0 % RN55D-F10	1	R14
15	15	1613120-00	DELAY= 200NS,10TAPS	2	E81,E31
16	16	1910532-00	74S00 NAND GATE-QUAD 2IN	12	E99,E39,E79,E52,E60,E100,E91, E129,E88,E125,E126,E122
					CONT
17	17	1910533-00	74S03 NAND GATE-QUAD 2IN,0	1	E85
18	18	1910534-00	74S04 INVERTER GATE-HEX 1I	8	E37,E115,E82,E76,E92,E89,E77,E21
19	19	1910536-00	74S10 NAND GATE-TRIPLE 3IN	5	E116,E133,E72,E87,E119
20	20	1910537-00	74S11 AND GATE-TRIPLE 3INF	2	E50,E86
21	21	1910539-00	74S20 NAND GATE-DUAL 4INPU	6	E103,E117,E118,E96,E83,E43
22	22	1910542-00	74S64 A-O-I GATE 4-2-3-2	3	E22,E38,E8
23	23	1910544-00	74S74 FF-D DUAL,EDGE TRIGG	8	E64,E63,E29,E30,E58,E84,E62,E74
24	24	1910544-01	74S74-60GG-D DUAL,EDGE TRIG	2	E53,E23
25	25	1910545-00	74S112 FF-JK DUAL,EDGE TRIG	7	E10,E34,E98,E7,E28,E65,E54
26	26	1910546-00	74S140 NAND GATE-DUAL 4INPU	2	E80,E73
27	27	1910547-00	74S153 MUX 1 OF 4 (DUAL)	6	E20,E13,E12,E11,E127,E128
28	28	1910548-00	74S157 MUX 1 OF 2 (QUAD)	4	E18,E56,E75,E35
29	29	1910550-00	74S174 FF-D HEX	1	E113

REVISION HISTORY		BASIC PART NO: L0016		DRN:	U.MANGAUDIS	DATE:	25-FEB-82	D I G I T A L			
ENG	ECO NUMBER	REV	SECTION A OF A	CHK'D:	J.RICHARD	DATE:	25-FEB-82	TITLE PARTS LIST			
---	INITIAL	A	SECTION VARIATION INDEX	DES.ENG:	P.NATUSCH	DATE:	16-FEB-81	COMET MEMORY UNIT			
P.N	L0016-ML001	B	[A] 00	RESP.ENG.:	P.NATUSCH	DATE:	18-FEB-81	DOCUMENT NUMBER			
			[B]	MFG.ENG.:	D.TAYLOR	DATE:	18-FEB-81	SIZE	CODE	NUMBER	REV
			[C]	ASSEMBLY NUMBER:		TOP DOCUMENT NUMBER:		K	PL	L0016-0-DBP	B
			[D]	E-UA-L0016-0-0		#B-DD-L0016-0				Z1683B.PLS	15
			[E]								
			[F]								
			[G]								
			[H]								
			[I]								
			[J]								
			[K]								
			[L]								
			[M]								
			[N]								

*THIS DRAWING AND SPECIFICATIONS HEREIN, ARE THE PROPERTY OF DIGITAL EQUIPMENT CORPORATION AND SHALL NOT BE REPRODUCED OR COPIED OR USED IN WHOLE OR IN PART AS THE BASIS FOR THE MANUFACTURE OR SALE OF ITEMS WITHOUT WRITTEN PERMISSION. COPYRIGHT (C) 1982. DIGITAL EQUIPMENT CORPORATION *

PARTS LIST

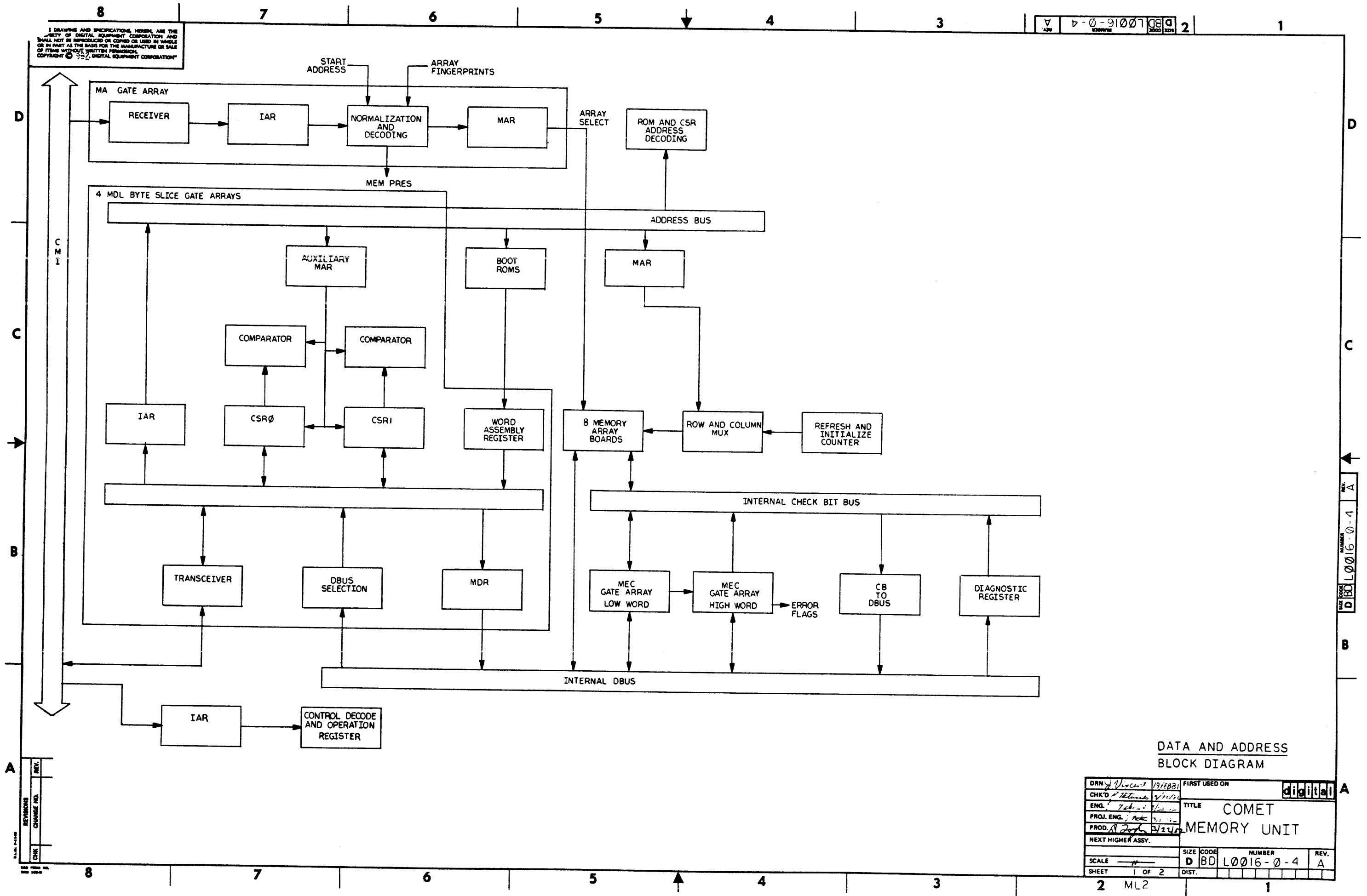
LINE	ITEM	DOCUMENT NUMBER	PART NUMBER	DESCRIPTION	QTY	PER VARIATION	REFERENCE DESIGNATOR
					00		
30	30		1910645-00	75452 DRIVER,FERIPH,DUAL,	1		E114
31	31		1910951-00	9602 ONE SHOT-DUAL	1		E59
32	32		1911469-00	DEC 8640 RECEIVER,BUS,QUAD,U	1		E132
33	33		1911675-00	74S138 DECODER/DEMUX 3-8 LIN	1		E121
34	34		1911676-00	74S139 DECODER-DUAL TWO-INP	1		E41
35	35		1911712-00	74S51 AND-OR GATE-INVERT D	1		E57
36	36		1911983-00	74S133 NAND GATE-POSITIVE 1	1		E4
37	37		1912096-00	DEC 74S86 XOR GATE,QUAD 2IN	1		E48
38	38		1912388-00	74S02 NOR GATE-QUAD 2IN,PO	5		E102,E104,E78,E55,E93
39	39		1912389-00	74S08 AND GATE-QUAD 2IN,PO	3		E61,E40,E90
40	40		1912803-00	LS04 INVERTER GATE,HEX	1		E101
41	41		1912847-00	LS157 MUX 1 OF 2(QUAD)	1		E66
42	42		1912871-00	LS375 LATCH	1		E124
43	43		1913340-00	74S32 OR GATE-QUAD 2IN	2		E67,E120
44	44		1913670-00	74S373 LATCH 8BIT TRASP TR	4		E6,E9,E49,E51
45	45		1913671-00	74S374 FF-D OCTAL TRISTATE	9		E1,E2,E142,E97,E95,E94,E123,
						CONT	E134,E135
46	46		1914085-00	74S260 NOR GATE-DUAL,POS	3		E16,E17,E36
47	47		1914086-00	74S30 NAND GATE-POS 8IN	2		E130,E131
48	48		1914451-00	74LS393 COUNTER,BINARY,4BIT	3		E19,E24,E25
49	49		1914705-00	DC 631B BIPOLAR,LS,400-GATE	2		E15,E27
50	50		1914707-00	DC 633C BIPOLAR,LS,400-GATE	4		E14,E26,E32,E33
51	51		1914724-00	DC 650 BIPOLAR,LS,400-GATE	1		E42
52	52		1915193-00	LS244 DRIVER,LINE,OCTAL,T	5		E3,E68,E69,E70,E71
53	53		23000A2-05	*** THIS ITEM IS NOT USED ***	-		
54	54		1110864-00	LED 2MCD@10MA	1		D4
55	55		1114384-00	LED 105MW 35MA GREEN	1		D3
56	56		1016549-00	47 MFD 10V +50-10% AL EL	1		C2
57	57		1001796-00	50 MFD 25V +75-10% AL EL	1		C3
58	58		1304857-00	237.0 .25 W 1.0 % RN55D-F10	1		R6
59	59		1304863-00	316.0 .25 W 1.0 % RN55D-F10	2		R11,R27
60	60		1012784-00	.047 MFD 50V +80-20% CER	52		C5-C56
61	61		1012084-01	8 MFD 25V +75-10% AL EL	13		C65-C69,C100-C107
62	62		1215006-02	SKT,IC 16PIN DIP TIN	4		XE44-XE47
63	63		1215924-00	SKT,IC 48PIN DIP GOLD	7		XE14,XE15,XE26,XE27,XE32,XE33,
						CONT	XE42
64	64		9000024-01	EYELET,ROLLED 0.1210DX0.192	12		
65	65	E-UA-L0016-0-0		UNIT ASSEMBLY	REF		
66	66	E-MD-5014676-0-0		DRILL & ETCH DRAWING	REF		
67	67	D-CS-L0016-0-1		CIRCUIT SCHEMATIC	REF		
68	68	E-EC-5014676-0-0		ETCH CUT DRAWING	REF		
69	69		1216988-02	HANDLE,MODULE,HEX TWO EJECTORS	1		
70	70		1215935-00	GASKET,THERMAL SILICONE	7		
71	71		1215936-00	HEAT SINK, 2.200X.585	7		
72	72	B-DD-L0016-0		DRAWING DIRECTORY	REF		
73	73	D-TD-L0016-0-3		L0016 TIMING CHARTS	REF		
74	74		23603A2-00	A2-05	1		E112
75	75		23604A2-00	A2-05	1		E111

D	I	G	I	T	A	L	TITLE	SECTION A OF A	SIZE	CODE	DOCUMENT NUMBER	REV
							COMET MEMORY UNIT		K	PL	L0016-0-DBP	B

LINE ITEM	DOCUMENT NUMBER	PART NUMBER	DESCRIPTION	QTY PER VARIATION 00	REFERENCE DESIGNATOR
76	76	23605A2-00	A2-05	1	E110
77	77	23606A2-00	A2-05	1	E109
78	78	23607A2-00	A2-05	1	E108
79	79	23608A2-00	A2-05	1	E107
80	80	23630A2-00	A2-05	1	E106
81	81	23610A2-00	A2-05	1	E105
82	82	23611A2-00	A2-05	1	E141
83	83	23612A2-00	A2-05	1	E140
84	84	23613A2-00	A2-05	1	E139
85	85	23614A2-00	A2-05	1	E138
86	86	23615A2-00	A2-05	1	E137
87	87	23616A2-00	A2-05	1	E136
88	88	23905A9-00	A9-01	1	E44
89	89	23906A9-00	A9-01	1	E45
90	90	23948A9-00	A9-01	1	E46
91	91	D-BD-L0016-0-4	L0016 BLOCK DIAGRAM	REF	
92	92	D-FD-L0016-0-2	FLOW DIAGRAM	REF	

D	I	G	I	T	A	L	TITLE	SECTION A OF A	SIZE	CODE	DOCUMENT NUMBER	REV
							COMET MEMORY UNIT		K	FL	L0016-0-DBP	B

ALL DRAWINGS AND SPECIFICATIONS HEREIN ARE THE PROPERTY OF DIGITAL EQUIPMENT CORPORATION AND SHALL NOT BE REPRODUCED OR COPIED OR USED IN WHOLE OR IN PART AS THE BASIS FOR THE MANUFACTURE OR SALE OF ITEMS WITHOUT WRITTEN PERMISSION. COPYRIGHT © 1972, DIGITAL EQUIPMENT CORPORATION

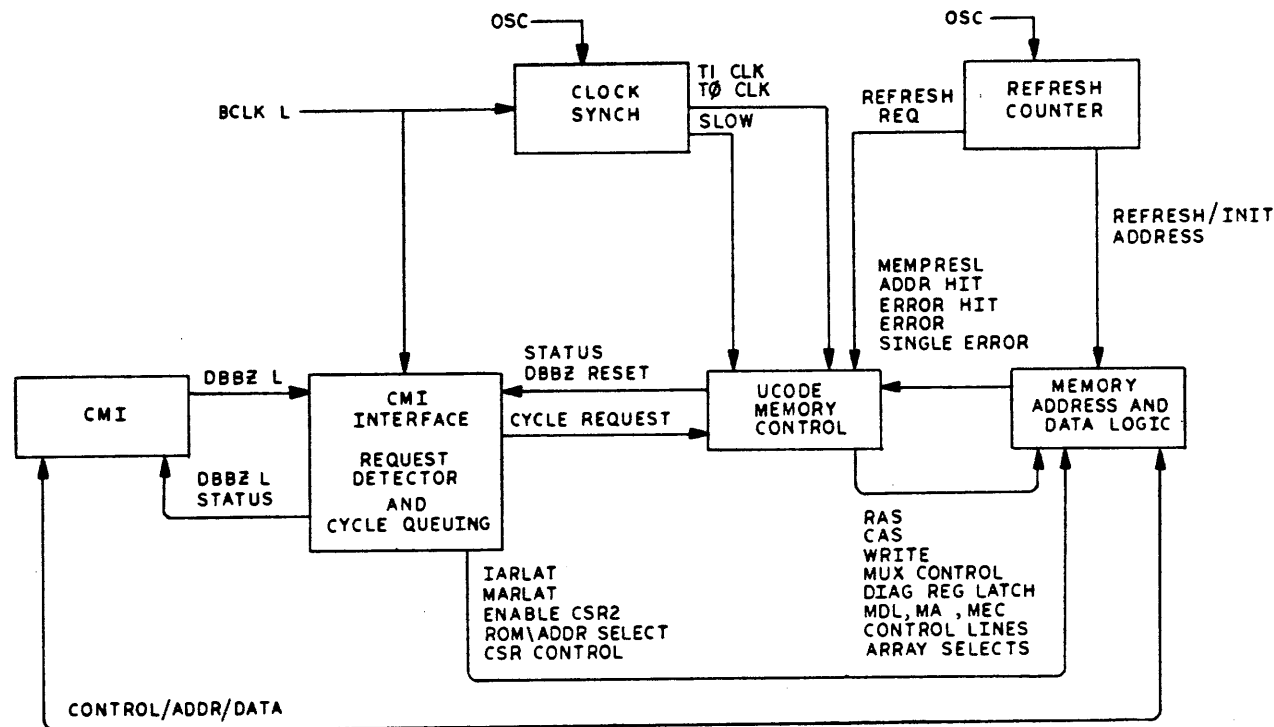


DATA AND ADDRESS BLOCK DIAGRAM

DRN: <i>Vincent</i>	197208	FIRST USED ON	digital
CHK'D: <i>John</i>	197208	TITLE	COMET
ENG: <i>John</i>	197208	TITLE	MEMORY UNIT
PROJ. ENG: <i>John</i>	197208	NEXT HIGHER ASSY.	
SCALE	1 OF 2	SIZE CODE	D BDL0016-0-4
SHEET	2 ML2	DIST.	1

REV.	
CHANGE NO.	
REV.	
CHANGE NO.	
REV.	
CHANGE NO.	

THE DRAWING AND SPECIFICATIONS HEREIN ARE THE PROPERTY OF DIGITAL EQUIPMENT CORPORATION AND SHALL NOT BE REPRODUCED OR COPIED IN WHOLE OR IN PART AS THE BASIS FOR THE MANUFACTURE OR SALE OF ITEMS WITHOUT WRITTEN PERMISSION. COPYRIGHT © 1982 DIGITAL EQUIPMENT CORPORATION



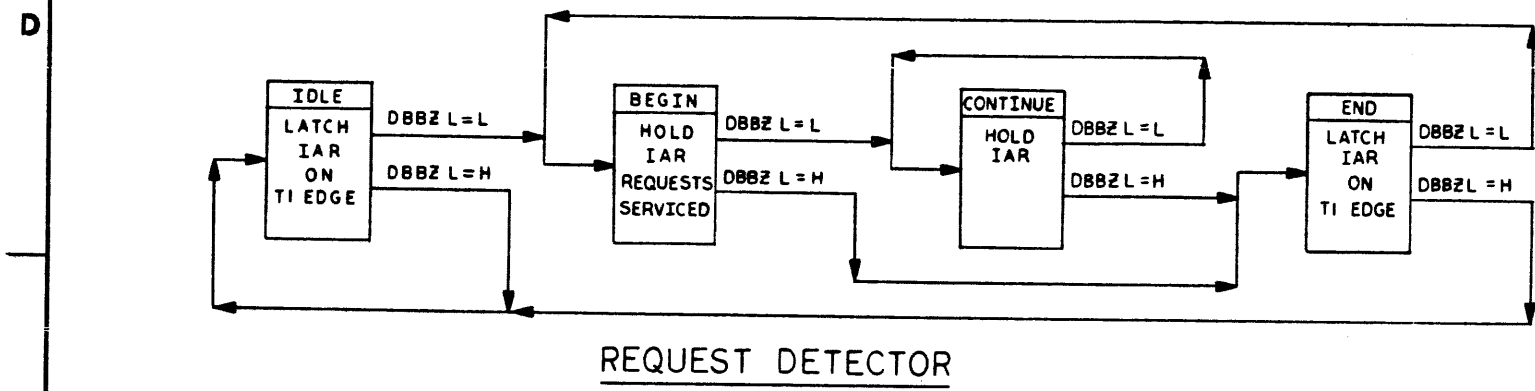
CONTROL LOGIC
BLOCK DIAGRAM

REVISIONS		
CHK	CHANGE NO.	REV.

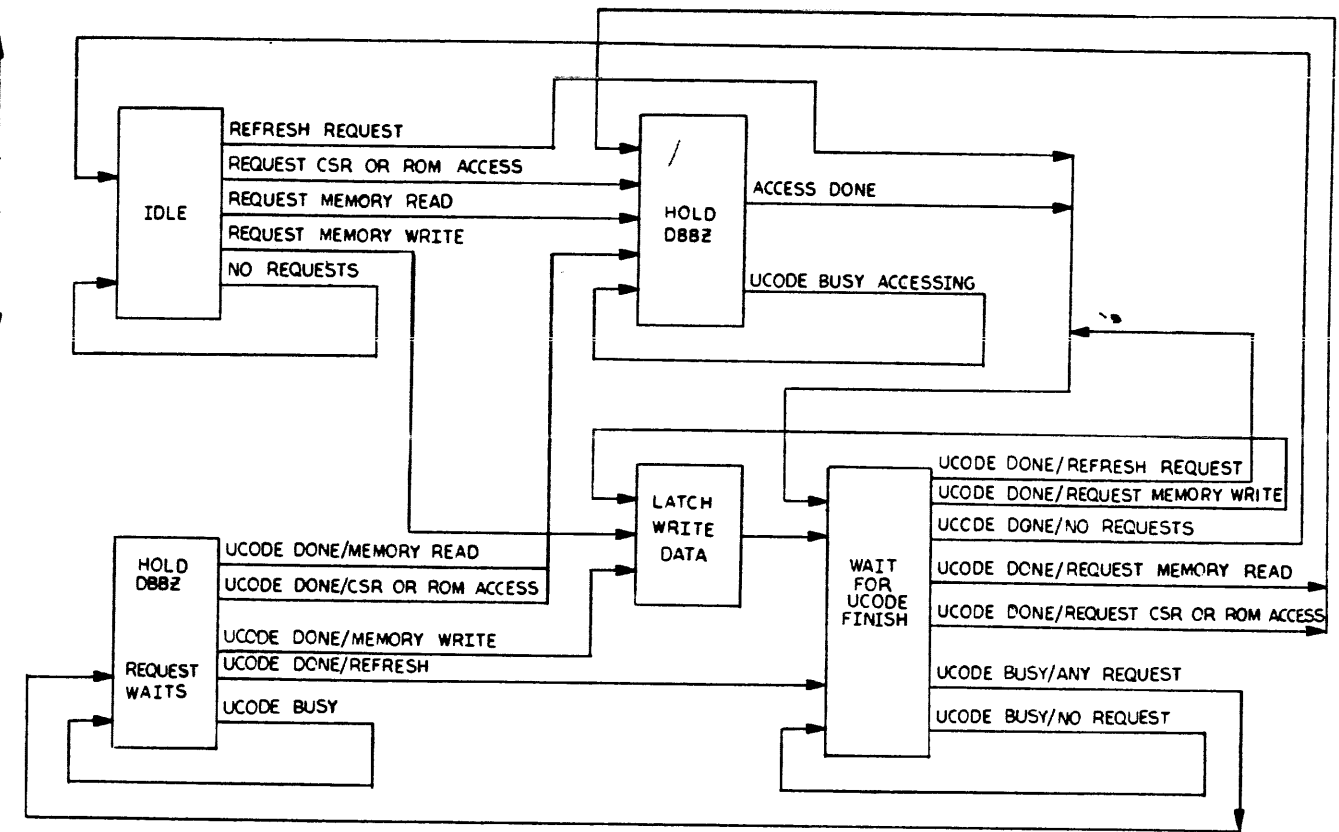
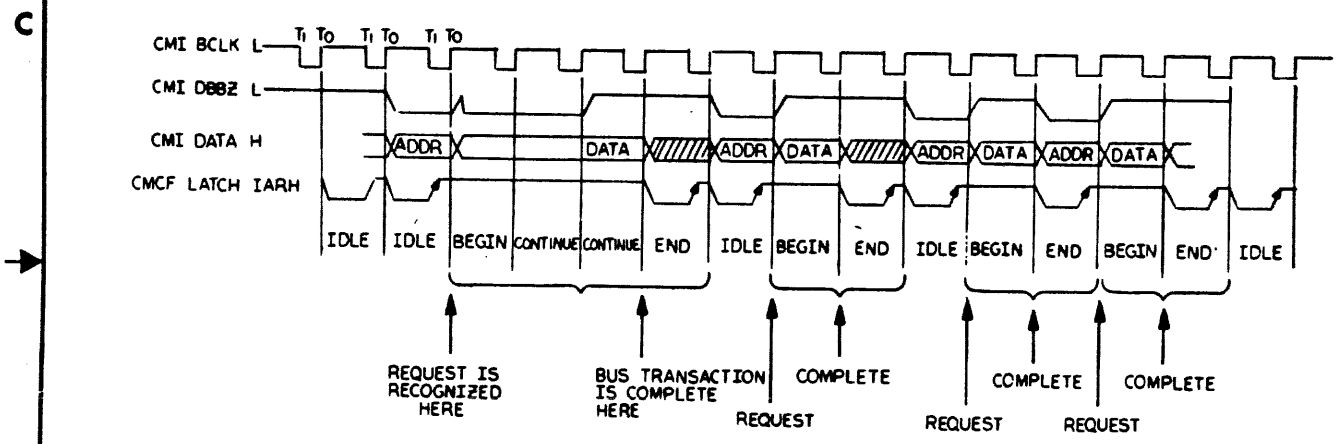
TITLE	COMET MEMORY	SIZE CODE	DBD	NUMBER	L0016-0-4	REV.	A
SCALE	---	SHEET	2 OF 2	DIST.			

"THE DRAWING AND SPECIFICATIONS HEREIN ARE THE PROPERTY OF DIGITAL EQUIPMENT CORPORATION AND SHALL NOT BE REPRODUCED OR COPIED OR USED IN WHOLE OR IN PART AS THE BASIS FOR THE MANUFACTURE OR SALE OF ITEMS WITHOUT WRITTEN PERMISSION. COPYRIGHT © 1972 DIGITAL EQUIPMENT CORPORATION"

2-0-910070-2



REQUEST DETECTOR



CYCLE QUEUING

NOTE: AS THE REQUEST DETECTOR ENTERS THE BEGIN STATE, THIS MACHINE ENTERS THE STATE TO WHICH THE REQUEST POINTS. SIMULTANEOUSLY, THE UCODE MEMORY CONTROL WILL BEGIN AT THE STARTING ADDRESS STATE OF THE REQUESTED CYCLE IF IT IS NOT BUSY.

CMI INTERFACE FLOW

DRN. J. Vincent 1/9 FEB 81	FIRST USED ON	digital
CHK'D. J. Vincent 3/22/81	TITLE	COMET
ENG. J. Vincent 3/22/81	NUMBER	MEMORY UNIT
PROJ. ENG. J. Vincent 3/22/81	SIZE	D FD L0016-0-2
PROD. J. Vincent 3/22/81	REV.	A
NEXT HIGHER ASSY.	SCALE	ML2
SHEET 1 OF 1	DIST.	

REV.	
CHG.	
REVISED	
CHANGE NO.	

8

7

6

5

4

3

2

1

REV.	NO.	DATE	BY

D

C

V

B

A

D

C

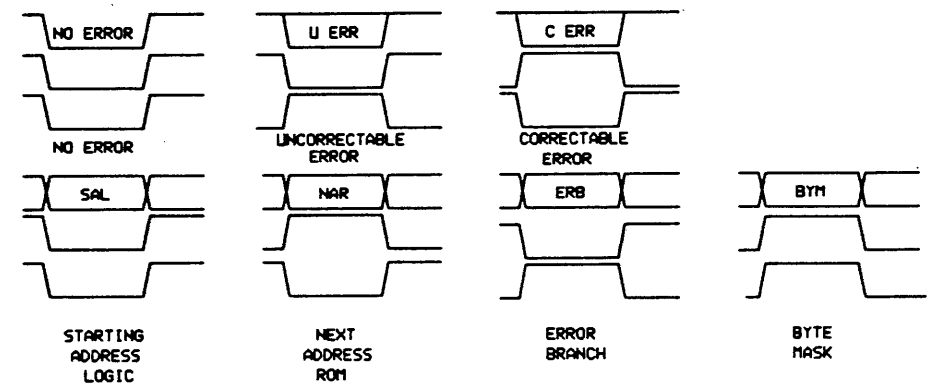
A

B

A

CHI STATUS <01:00> L (PG MJ10)
 CHI STATUS 00 L (PG MJ10)
 CHI STATUS 01 L (PG MJ10)

MJ03 C0<9:8> BRANCH H
 MJ03 C08 BRANCH H
 MJ03 C09 BRANCH H



STATUS CODES AND MICRCODE
 ADDRESS SELECTION CODES

THIS DRAWING AND SPECIFICATIONS
 HEREIN ARE THE PROPERTY OF
 DIGITAL EQUIPMENT CORPORATION AND
 SHALL NOT BE REPRODUCED OR COPIED
 OR USED IN WHOLE OR IN PART AS
 THE BASIS FOR THE MANUFACTURE OR
 SALE OF ITEMS WITHOUT WRITTEN
 PERMISSION. COPYRIGHT © 1982
 DIGITAL EQUIPMENT CORPORATION

REVISIONS	
CHK	CHANGE NO. REV

digital
 (710,1311) TIME 01.DRW 129-JAN-82 09:21
 FIRST USED ON OPTION/MODEL: 11/750

DATE	ENG	DATE	DATE
01-FEB-82	1/29/82	01-FEB-82	01-FEB-82
DATE	BOARD LOCATION	DATE	BOARD LOCATION
1/29/82	1/29/82	1/29/82	1/29/82
NEXT HIGHER ASSEMBLY:		SHEET 1 OF 20	
B-DD-L0016-0			

TITLE: L0016 TIMING CHARTS			
SIZE	CODE	NUMBER	REV.
D	TD	L0016-0-3	A

8

7

6

5

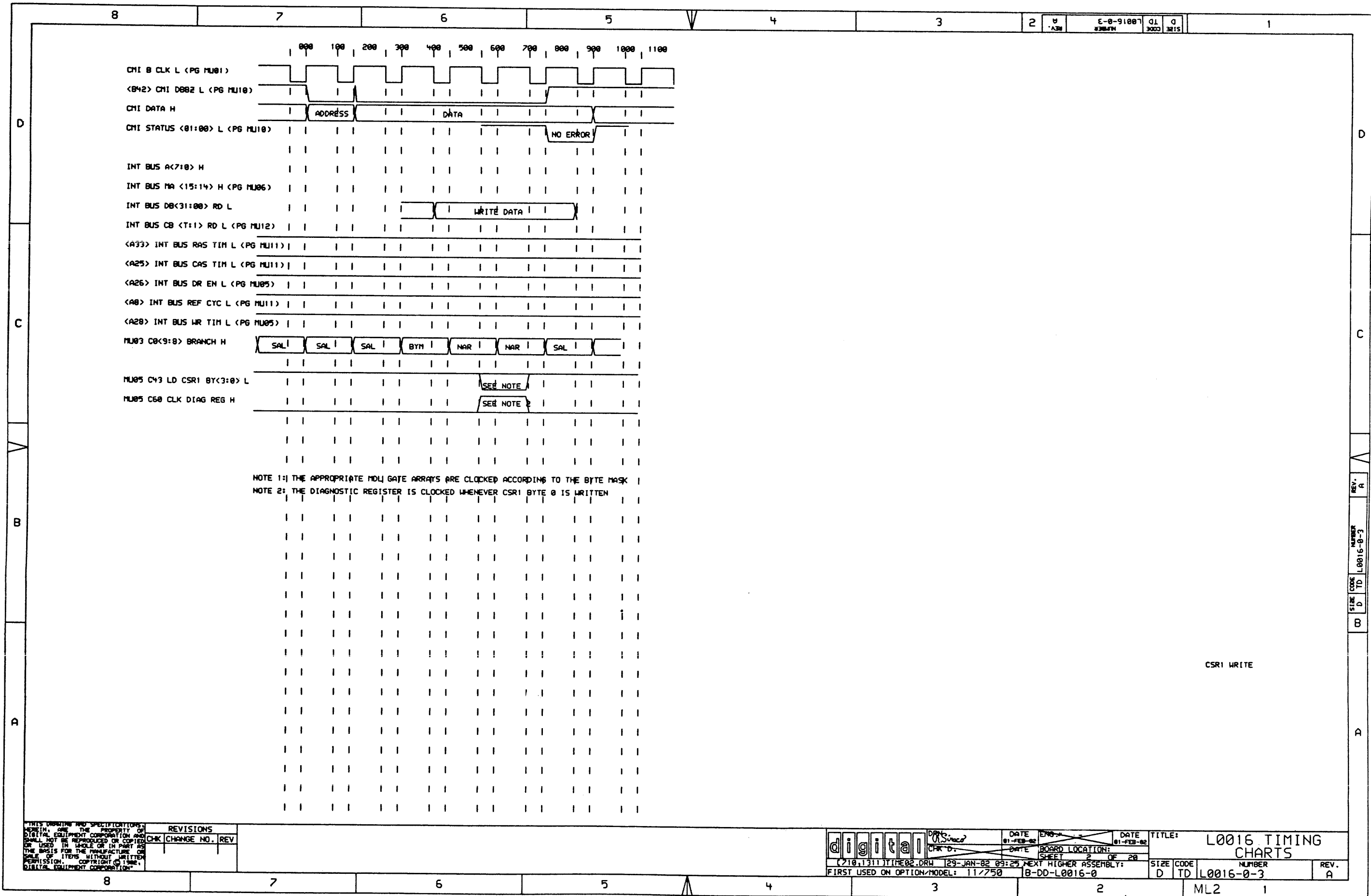
4

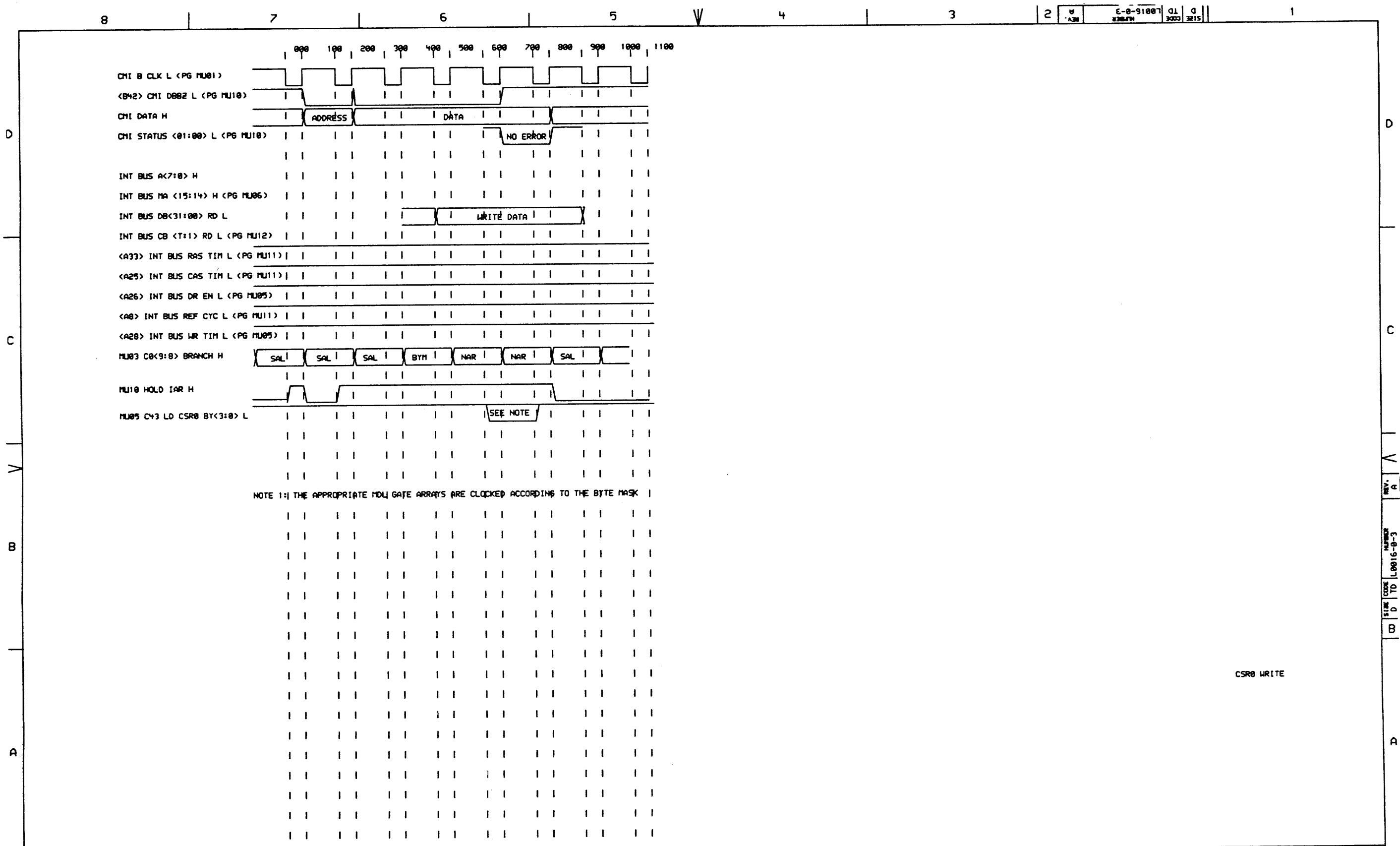
3

2

ML2

1





NOTE 1: THE APPROPRIATE MDU GATE ARRAYS ARE CLOCKED ACCORDING TO THE BYTE MASK

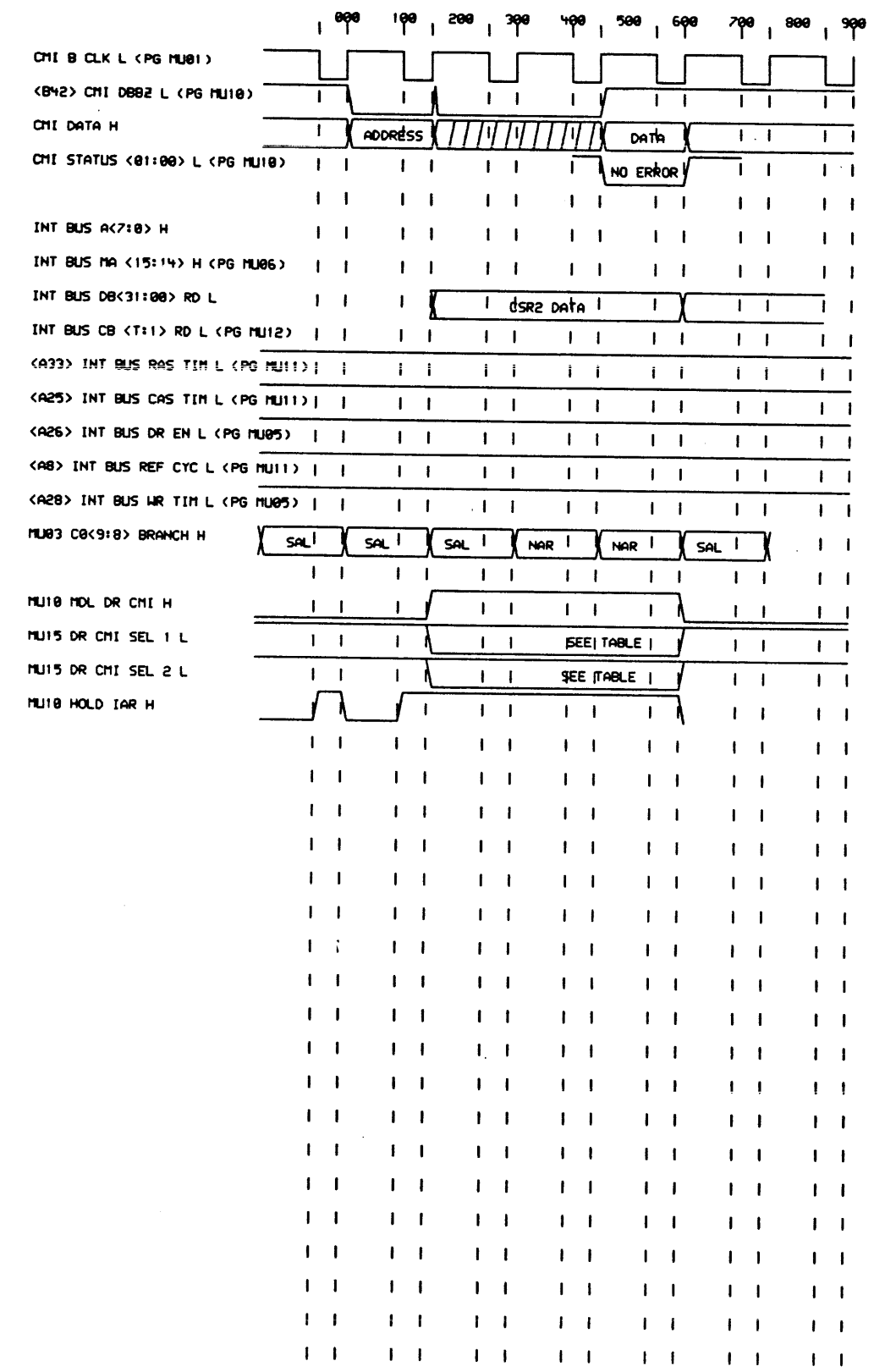
THIS DRAWING AND SPECIFICATIONS ARE THE PROPERTY OF DIGITAL EQUIPMENT CORPORATION AND SHALL NOT BE REPRODUCED OR COPIED OR USED IN WHOLE OR IN PART AS THE BASIS FOR THE MANUFACTURE OR SALE OF ITEMS WITHOUT WRITTEN PERMISSION. COPYRIGHT © 1982, DIGITAL EQUIPMENT CORPORATION.

REVISIONS		
CHK	CHANGE NO.	REV

	DATE: 01-FEB-82	DATE: 01-FEB-82	TITLE: L0016 TIMING CHARTS
	DATE: 29-JAN-82 09:36	DATE: 01-FEB-82	BOARD LOCATION: 3 OF 20
FIRST USED ON OPTION/MODEL: 11/750	NEXT HIGHER ASSEMBLY: B-DO-L0016-0	SIZE CODE: D TD	NUMBER: L0016-0-3
			REV. A

REV. A
NUMBER L0016-0-3
CODE TD

ML2 1



MDL DR CHI SEL X L	READ	CHI ADDRESS
X=1	X=2	
H	H	CSR2 F20000
H	L	CSR0 F20000
L	H	NOT USED
L	L	CSR1 F20004

CSR READ

THIS DRAWING AND SPECIFICATIONS HEREIN ARE THE PROPERTY OF DIGITAL EQUIPMENT CORPORATION AND SHALL NOT BE REPRODUCED OR COPIED OR USED IN WHOLE OR IN PART AS THE BASIS FOR THE MANUFACTURE OR SALE OF ITEMS WITHOUT WRITTEN PERMISSION. COPYRIGHT © 1982 DIGITAL EQUIPMENT CORPORATION.

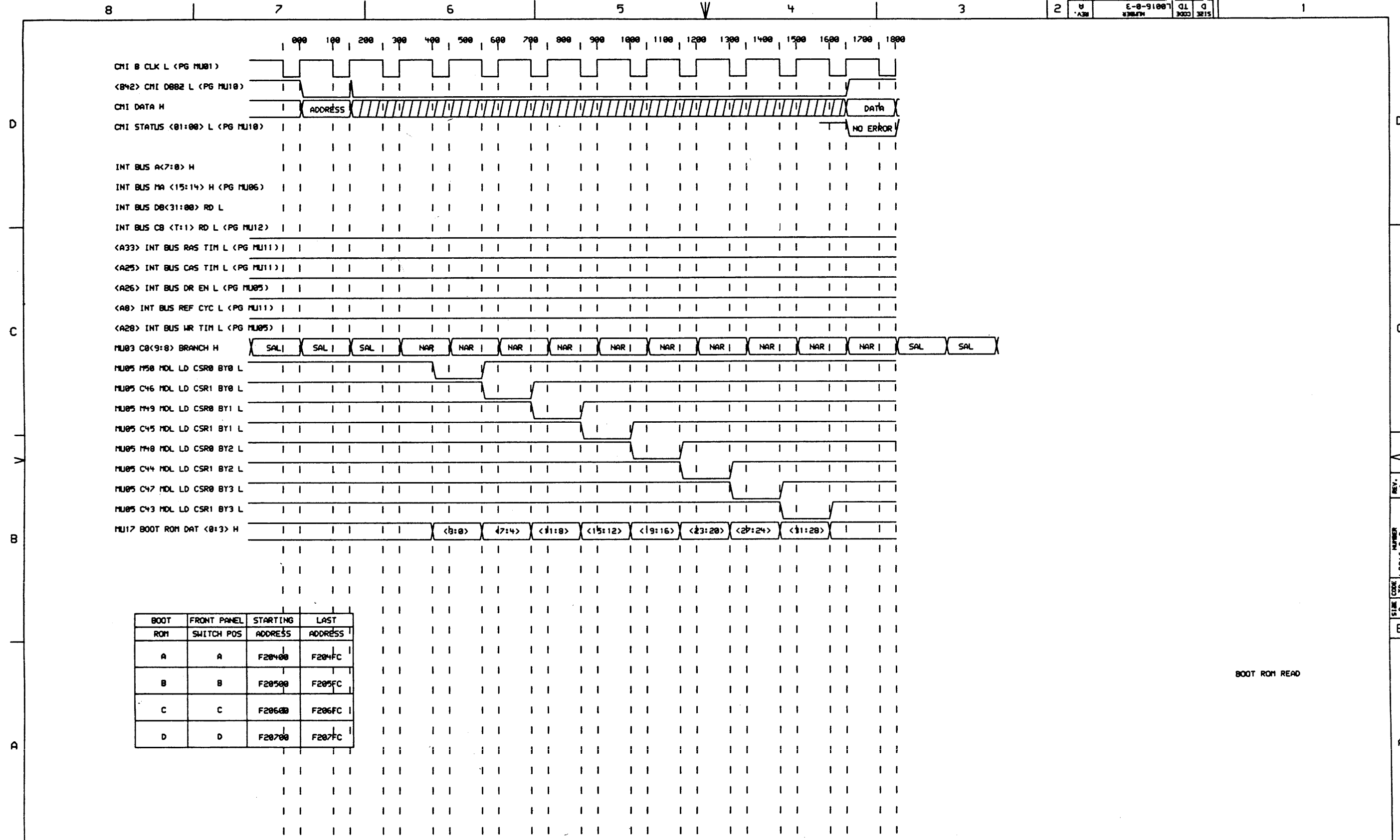
CHK	CHANGE NO.	REV

digital
710.1311111111.DRW 29 JAN 82 09:35
FIRST USED ON OPTION MODEL: 11/750

DATE 01-FEB-82
DATE 01-FEB-82
BOARD LOCATION: SHEET 4 OF 20
NEXT HIGHER ASSEMBLY: B-DD-L0016-0

TITLE: L0016 TIMING CHARTS
SIZE CODE NUMBER REV. A
D TD L0016-0-3

REV. A
NUMBER
L0016-0-3



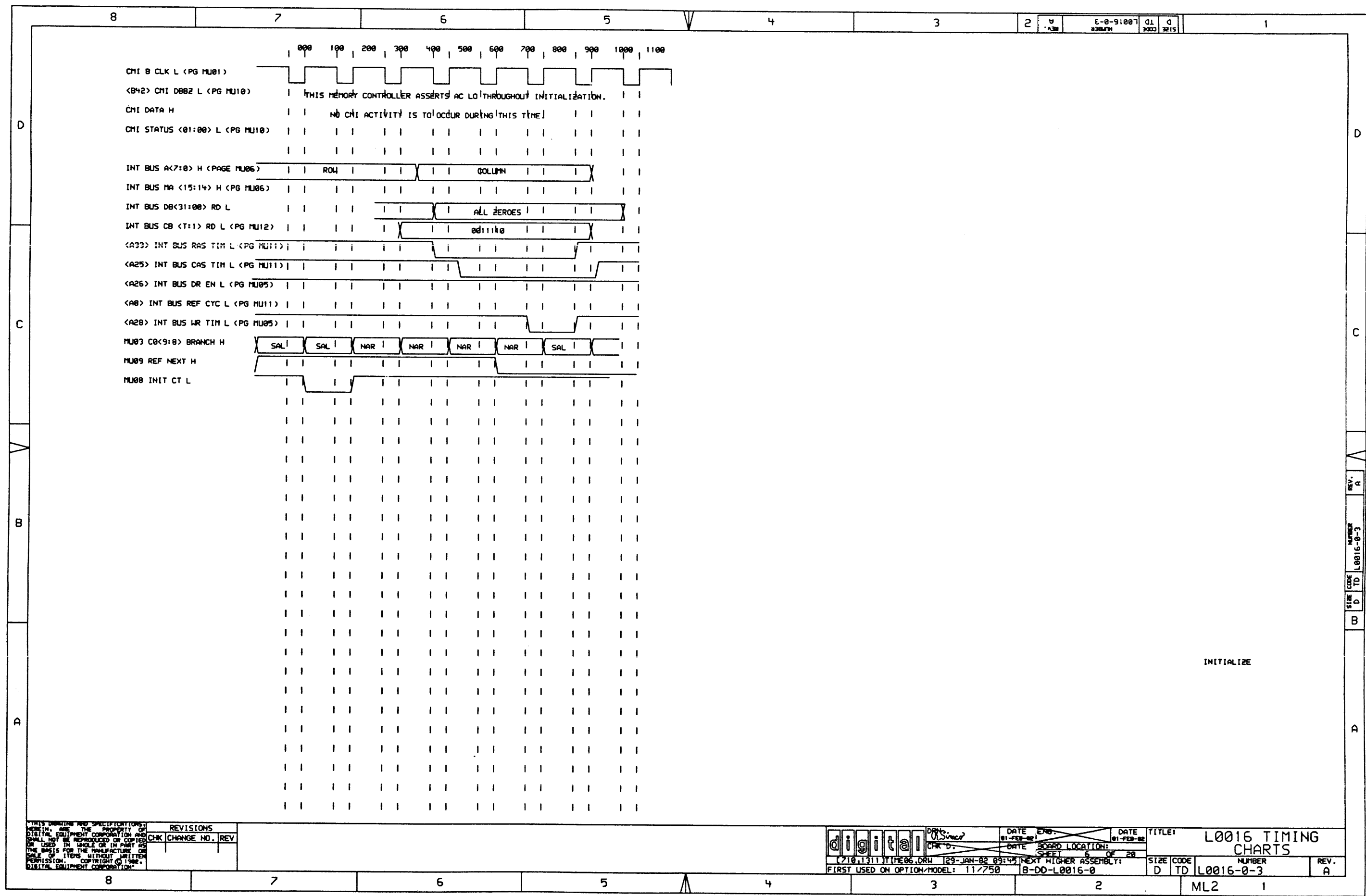
BOOT ROM	FRONT PANEL SWITCH POS	STARTING ADDRESS	LAST ADDRESS
A	A	F20400	F204FC
B	B	F20500	F205FC
C	C	F20600	F206FC
D	D	F20700	F207FC

BOOT ROM READ

THIS DRAWING AND SPECIFICATIONS HEREIN, ARE THE PROPERTY OF DIGITAL EQUIPMENT CORPORATION AND SHALL NOT BE REPRODUCED OR COPIED OR USED IN WHOLE OR IN PART AS THE BASIS FOR THE MANUFACTURE OR SALE OF ITEMS WITHOUT WRITTEN PERMISSION. COPYRIGHT © 1988, DIGITAL EQUIPMENT CORPORATION.

REVISIONS		
CHK	CHANGE NO.	REV

	DATE: 01-FEB-82	DATE: 01-FEB-82	TITLE: L0016 TIMING CHARTS
	DATE: 29-JAN-82 09:41	BOARD LOCATION: SHEET 5 OF 20	SIZE CODE: D TD
FIRST USED ON OPTION/MODEL: 11/750	B-DD-L0016-0	NUMBER: L0016-0-3	REV. A



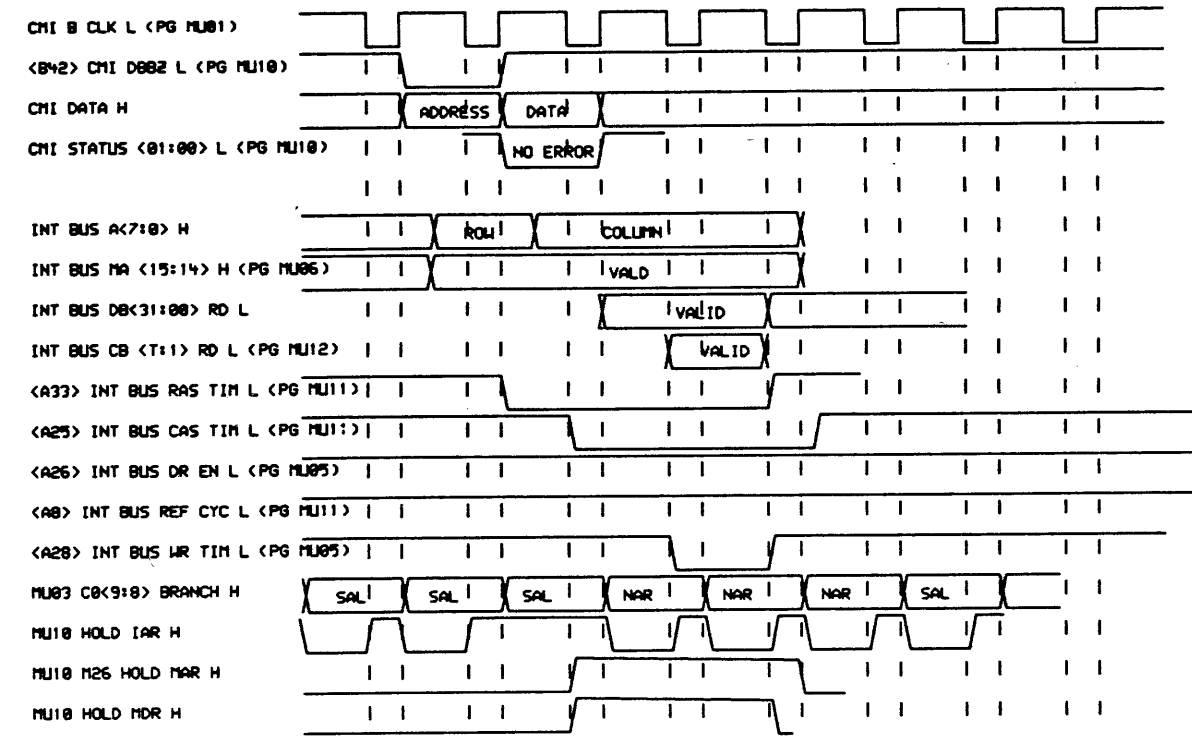
REVISIONS		
CHK	CHANGE NO.	REV

DATE	ENG	DATE	TITLE
01-FEB-82		01-FEB-82	L0016 TIMING CHARTS
DATE CHECKED		DATE	

210.1311 TT 06.DRW	29-JAN-82 09:45						
FIRST USED ON OPTION/MODEL:	11/750	B-DD-L0016-0					

SIZE CODE TD L0016-0-3
 REV. A
 NUMBER L0016-0-3

000 100 200 300 400 500 600 700 800 900 1000 1100



MEMORY FOUR BYTE WRITE

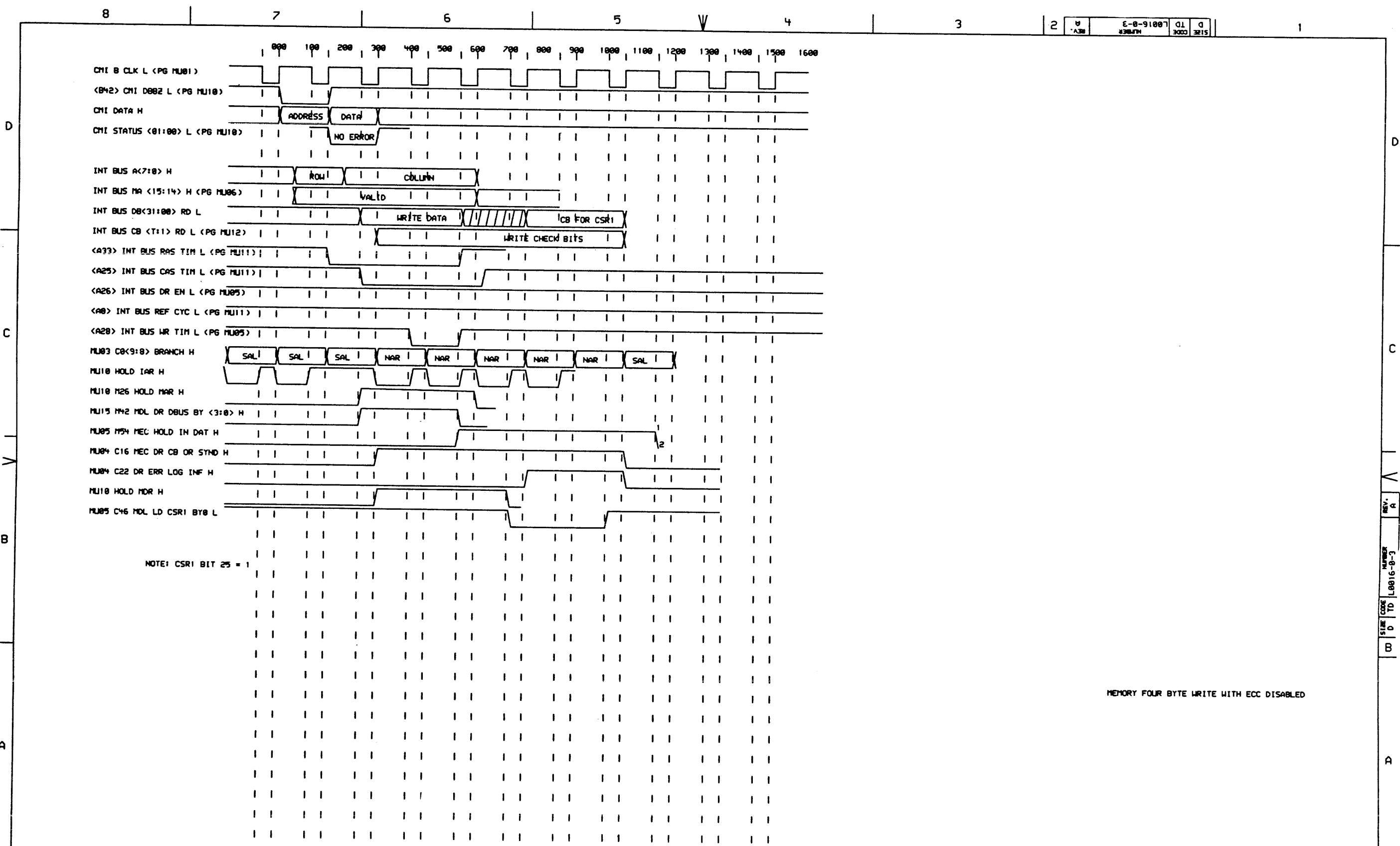
THIS DRAWING AND SPECIFICATIONS HEREIN ARE THE PROPERTY OF DIGITAL EQUIPMENT CORPORATION AND SHALL NOT BE REPRODUCED OR COPIED OR USED IN WHOLE OR IN PART AS THE BASIS FOR THE MANUFACTURE OR SALE OF ITEMS WITHOUT WRITTEN PERMISSION. COPYRIGHT © 1982 DIGITAL EQUIPMENT CORPORATION.

REVISIONS		
CHK	CHANGE NO.	REV

digital *Dr. S. S. S. S. S.* DATE ENG. 01-FEB-82 DATE 01-FEB-82
 DATE BOARD LOCATION: DATE SHEET 7 OF 20
 (210.1311)TIMING.DRW 129 JAN 82 09:48 NEXT HIGHER ASSEMBLY: B-00-L0016-0
 FIRST USED ON OPTION/MODEL: 11/750

TITLE: L0016 TIMING CHARTS
 SIZE CODE NUMBER REV. D TD L0016-0-3 A
 ML2 1

REV. A
 NUMBER L0016-0-3
 SIZE CODE TD D

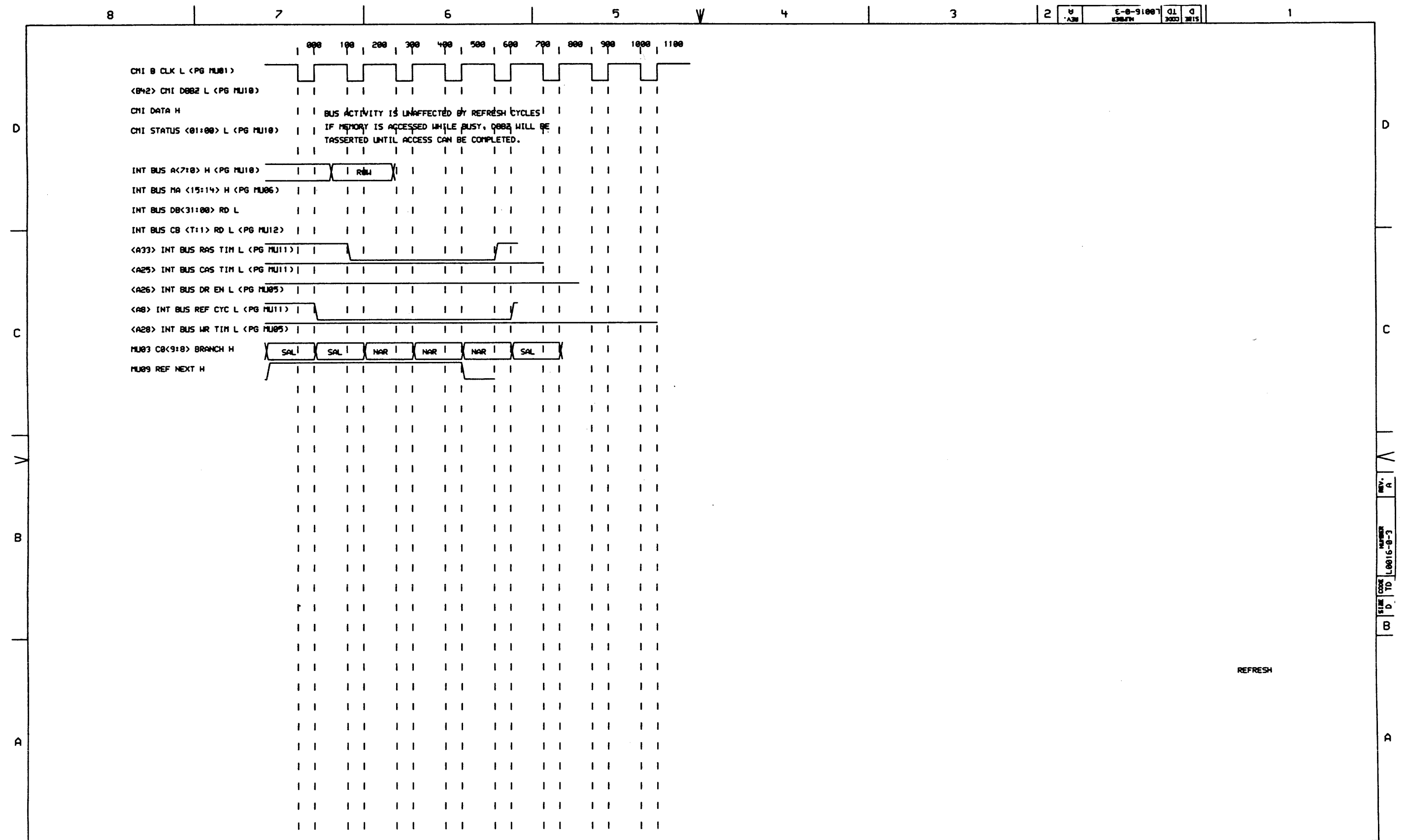


MEMORY FOUR BYTE WRITE WITH ECC DISABLED

CHK	CHANGE NO.	REV

DATE	ENG.	DATE	REV.
01-FEB-82		01-FEB-82	

	DATE	01-FEB-82	DATE	01-FEB-82	TITLE:	L0016 TIMING CHARTS
	DATE	29-JAN-82 09:53	DATE		BOARD LOCATION:	
					SHEET	8 OF 28
					SIZE	D
					CODE	TD
					NUMBER	L0016-0-3
					REV.	A

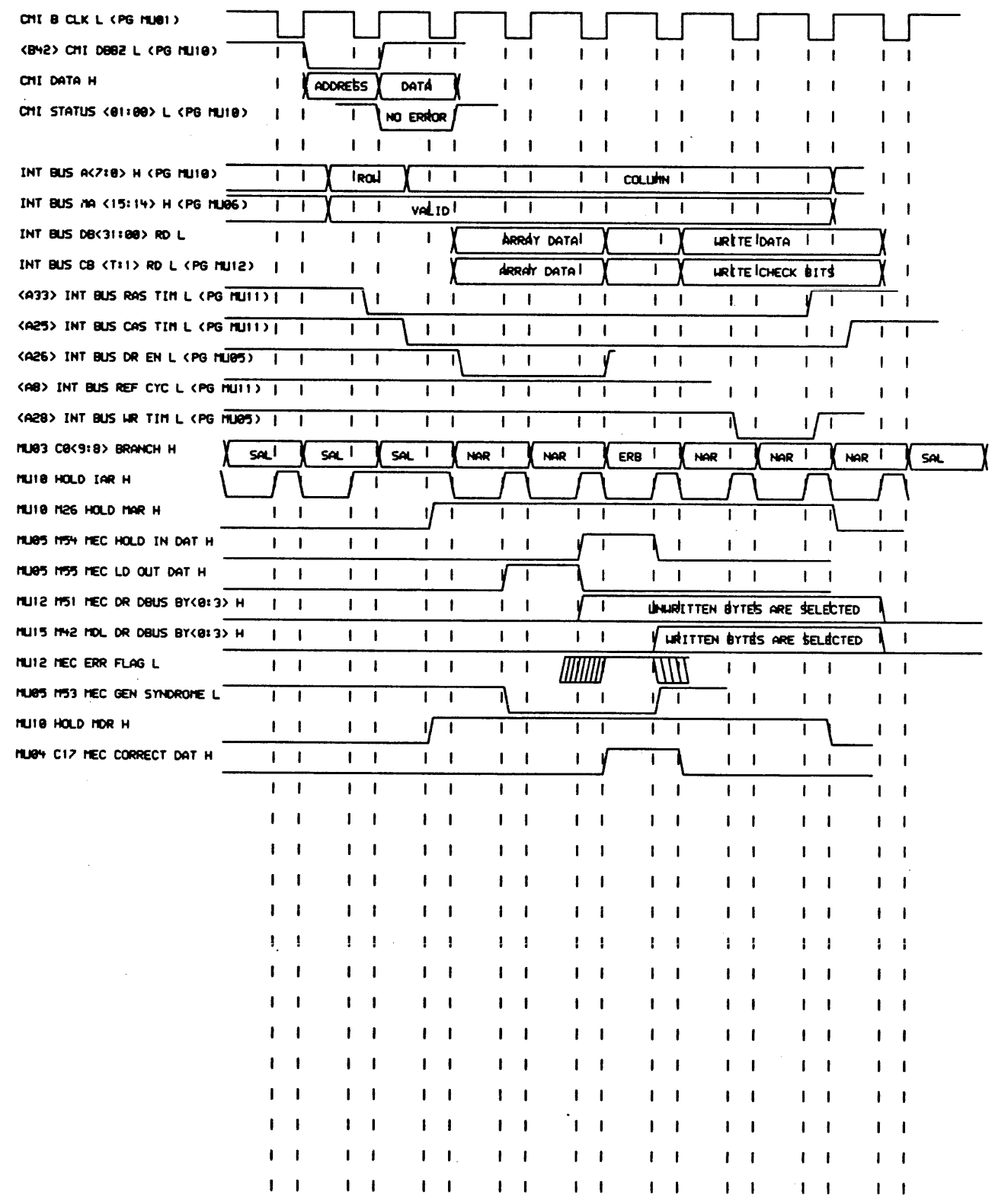


REVISIONS	
CHK	CHANGE NO. REV

digital CORP. 230 BAY ST. ANDOVER, MA 01915	DATE: 01-FEB-82	ENG.:	DATE: 01-FEB-82	TITLE: L0016 TIMING CHARTS
	DATE:	BOARD LOCATION:	DATE:	SHEET 9 OF 20
	FIRST USED ON OPTION/MODEL: 11/750 NEXT HIGHER ASSEMBLY: B-DD-L0016-0	SIZE CODE: D TD	NUMBER: L0016-0-3	REV.: A

1
 D
 C
 B
 A
 REV. A
 NUMBER L0016-0-3
 D TD
 REV. A

000 100 200 300 400 500 600 700 800 900 1000 1100 1200 1300 1400 1500 1600 1700 1800 1900 2000 2100 2200



MEMORY BYTE WRITE WITH
NO ERROR ON INTERNAL READ

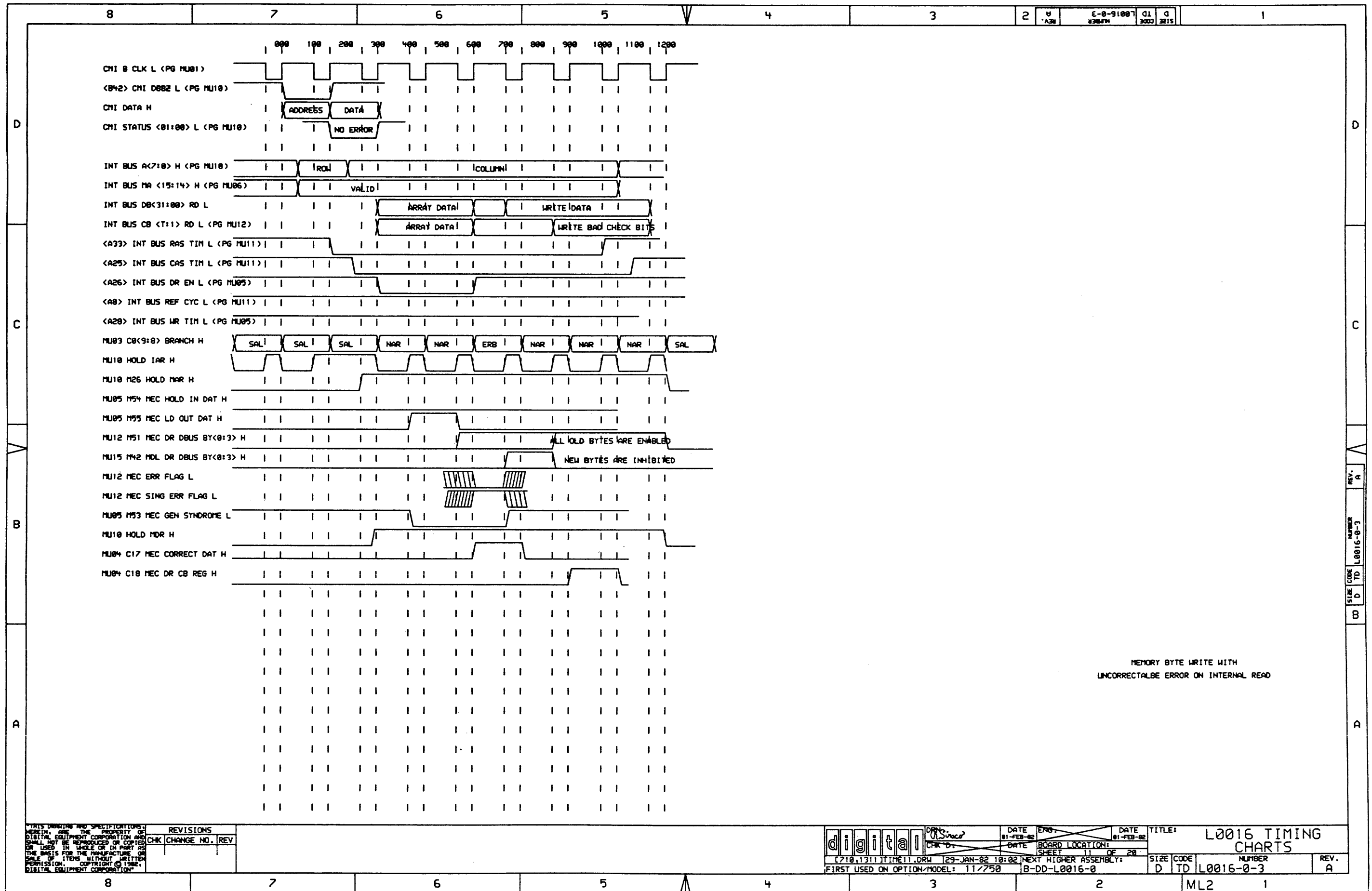
THIS DRAWING AND SPECIFICATIONS ARE THE PROPERTY OF DIGITAL EQUIPMENT CORPORATION AND SHALL NOT BE REPRODUCED OR COPIED OR USED IN WHOLE OR IN PART AS THE BASIS FOR THE MANUFACTURE OR SALE OF ITEMS WITHOUT WRITTEN PERMISSION. COPYRIGHT © 1982, DIGITAL EQUIPMENT CORPORATION.

REVISIONS	
CHK	CHANGE NO. REV

digital
710.1311 TIME10.DRW 129-JAN-82 09:59
FIRST USED ON OPTION/MODEL: 11/750

DATE 01-FEB-82
DATE 01-FEB-82
BOARD LOCATION: SHEET 18 OF 28
NEXT HIGHER ASSEMBLY: B-DD-L0016-0

TITLE: L0016 TIMING CHARTS
SIZE CODE D TD
NUMBER L0016-0-3
REV. A



MEMORY BYTE WRITE WITH
UNCORRECTABLE ERROR ON INTERNAL READ

THIS DRAWING AND SPECIFICATIONS ARE THE PROPERTY OF DIGITAL EQUIPMENT CORPORATION AND SHALL NOT BE REPRODUCED OR COPIED OR USED IN WHOLE OR IN PART AS THE BASIS FOR THE MANUFACTURE OR SALE OF ITEMS WITHOUT WRITTEN PERMISSION. COPYRIGHT © 1982, DIGITAL EQUIPMENT CORPORATION.

REVISIONS	
CHK	CHANGE NO. REV

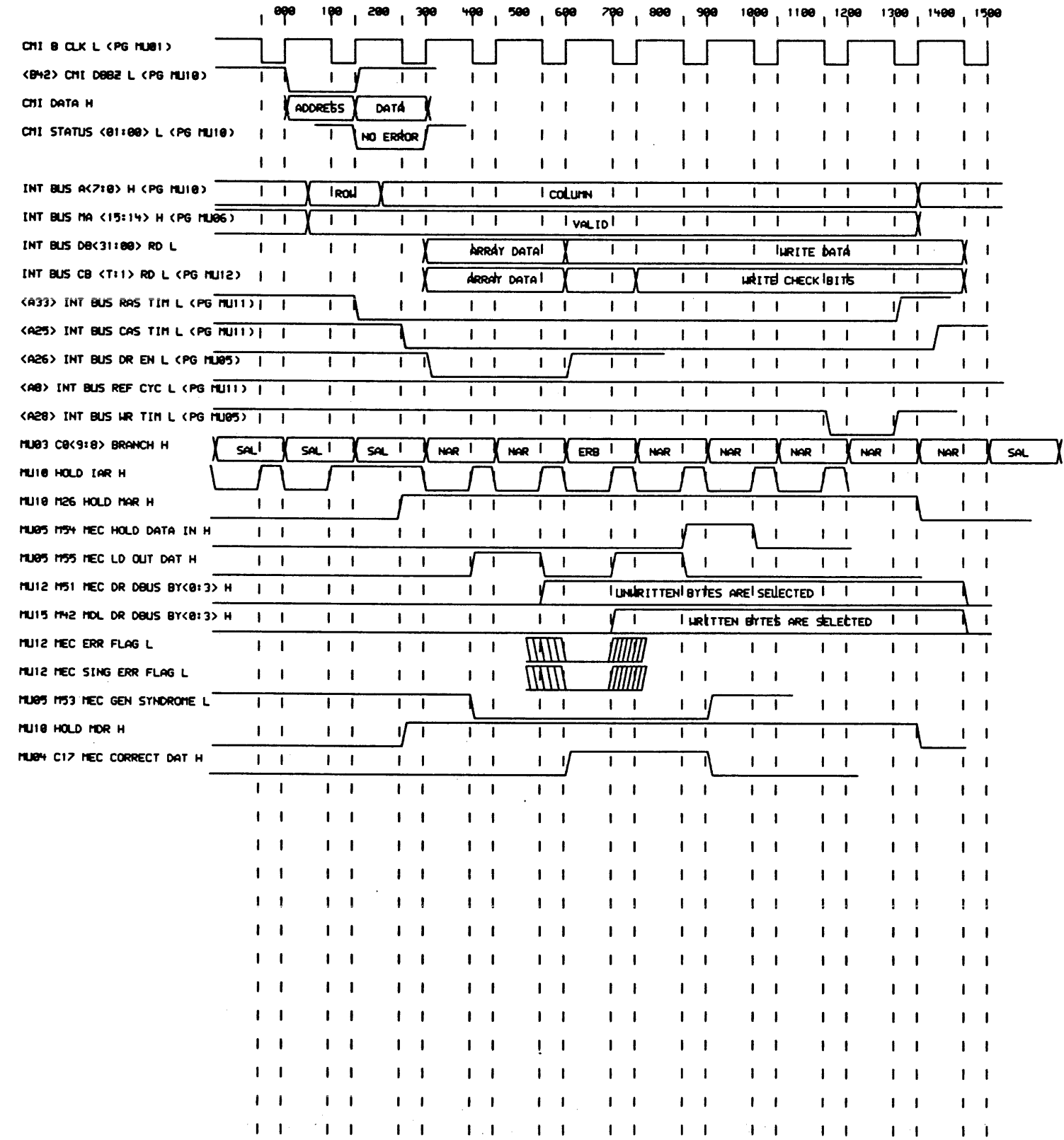
	DATE: 01-FEB-82	ENG: <i>[Signature]</i>	DATE: 01-FEB-82	TITLE: L0016 TIMING CHARTS
	DATE: 29-JAN-82 10:02	BOARD LOCATION: SHEET 11 OF 20	NEXT HIGHER ASSEMBLY: B-DD-L0016-0	SIZE CODE: D TD
FIRST USED ON OPTION/MODEL: 11/750			NUMBER: L0016-0-3	REV: A

REV. A
NUMBER L0016-0-3
SIZE CODE D TD

ML2 1

D
C
V
B
D

D
C
A
D



MEMORY BYTE WRITE WITH
CORRECTABLE ERROR ON INTERNAL READ

THIS DRAWING AND SPECIFICATIONS ARE THE PROPERTY OF DIGITAL EQUIPMENT CORPORATION AND SHALL NOT BE REPRODUCED OR COPIED OR USED IN WHOLE OR IN PART AS THE BASIS FOR THE MANUFACTURE OF ANY ITEM WITHOUT WRITTEN PERMISSION. COPYRIGHT © 1982, DIGITAL EQUIPMENT CORPORATION.

REVISIONS	
CHK	CHANGE NO. REV

digital	DATE 01-FEB-82	DATE 01-FEB-82	TITLE: L0016 TIMING CHARTS
	DATE 01-FEB-82	DATE 01-FEB-82	BOARD LOCATION: SHEET 12 OF 20
(210,1311) TIME12.DRW	29-JAN-82 10:10	NEXT HIGHER ASSEMBLY: B-DD-L0016-0	SIZE CODE NUMBER REV. D TD L0016-0-3 A
FIRST USED ON OPTION/MODEL: 11/750			

8

7

6

5

4

3

2

1

SIZE	D	TD	L0016-0-3
CODE	D	TD	L0016-0-3
NUMBER			
REV.	A		

D

C

B

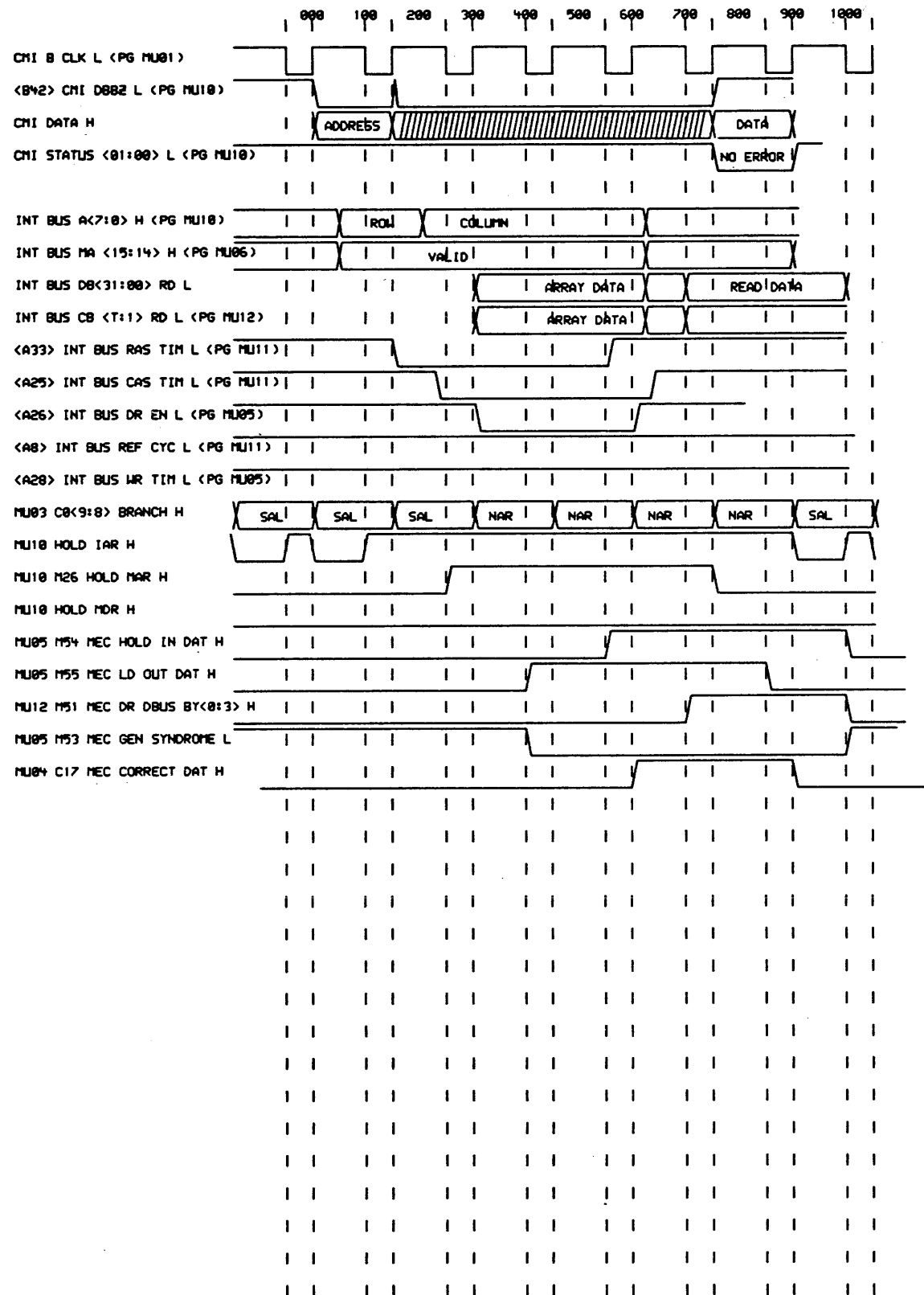
A

D

C

B

A



MEMORY REQD IN DIAGNOSTIC
MODE OUT OF PAGE

THIS DRAWING AND SPECIFICATIONS
HEREIN ARE THE PROPERTY OF
DIGITAL EQUIPMENT CORPORATION AND
SHALL NOT BE REPRODUCED OR COPIED
OR USED IN WHOLE OR IN PART AS
THE BASIS FOR THE MANUFACTURE OF
ANY OTHER ITEMS WITHOUT WRITTEN
PERMISSION. COPYRIGHT © 1984
DIGITAL EQUIPMENT CORPORATION

REVISIONS	
CHK	CHANGE NO. REV

digital

DATE ENG. 01-FEB-82	DATE 01-FEB-82
DATE BOARD LOCATION: SHEET 13 OF 28	
DATE NEXT HIGHER ASSEMBLY: B-00-L0016-0	

FIRST USED ON OPTION/MODEL: 11/750

TITLE: L0016 TIMING CHARTS		REV. A
SIZE CODE D TD	NUMBER L0016-0-3	

8

7

6

5

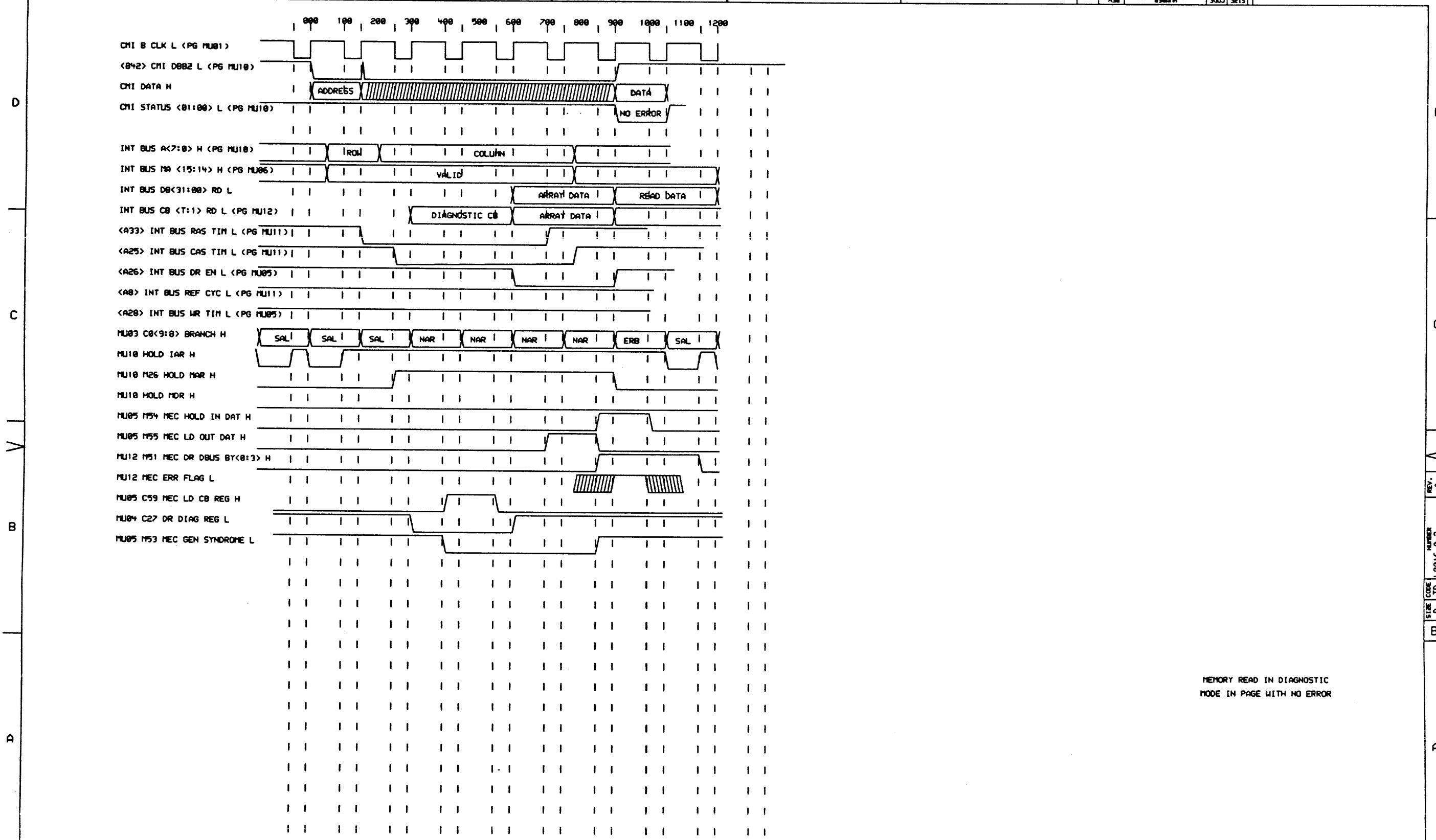
4

3

2

ML2

1



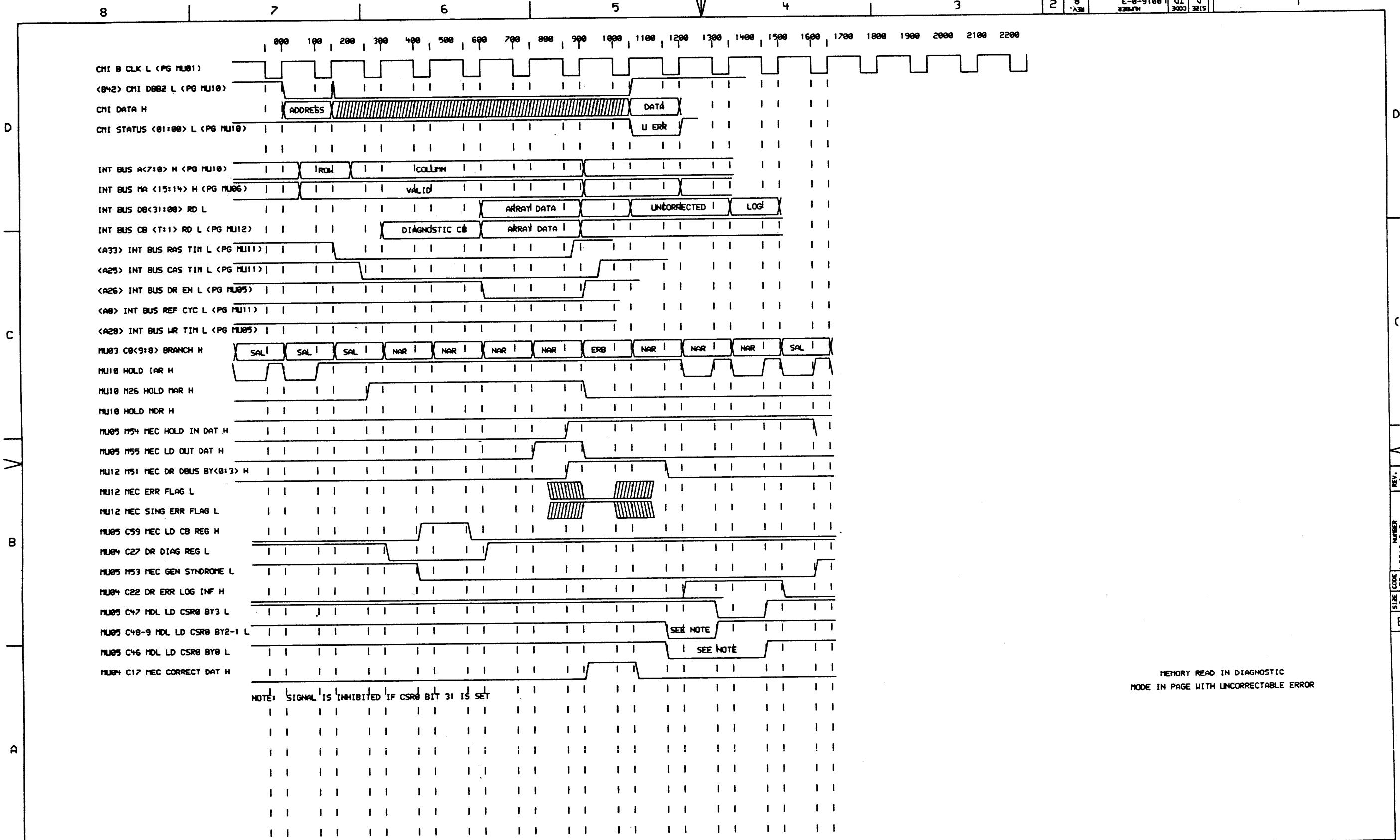
MEMORY READ IN DIAGNOSTIC
MODE IN PAGE WITH NO ERROR

THIS DRAWING AND SPECIFICATIONS
HEREIN ARE THE PROPERTY OF
DIGITAL EQUIPMENT CORPORATION AND
SHALL NOT BE REPRODUCED OR COPIED
OR USED IN WHOLE OR IN PART AS
THE BASIS FOR THE MANUFACTURE
OR SALE OF ITEMS WITHOUT WRITTEN
PERMISSION. COPYRIGHT © 1982
DIGITAL EQUIPMENT CORPORATION

REVISIONS		
CHK	CHANGE NO.	REV

digital	DATE	ENG.	DATE	TITLE:
	01-FEB-82		01-FEB-82	L0016 TIMING CHARTS
	DATE	BOARD LOCATION:	SHEET	OF
	29-JAN-82 10:16		14	20
FIRST USED ON OPTION/MODEL: 11/750		NEXT HIGHER ASSEMBLY:		
		B-00-L0016-0		

SIZE CODE NUMBER
D TD L0016-0-3
REV. A



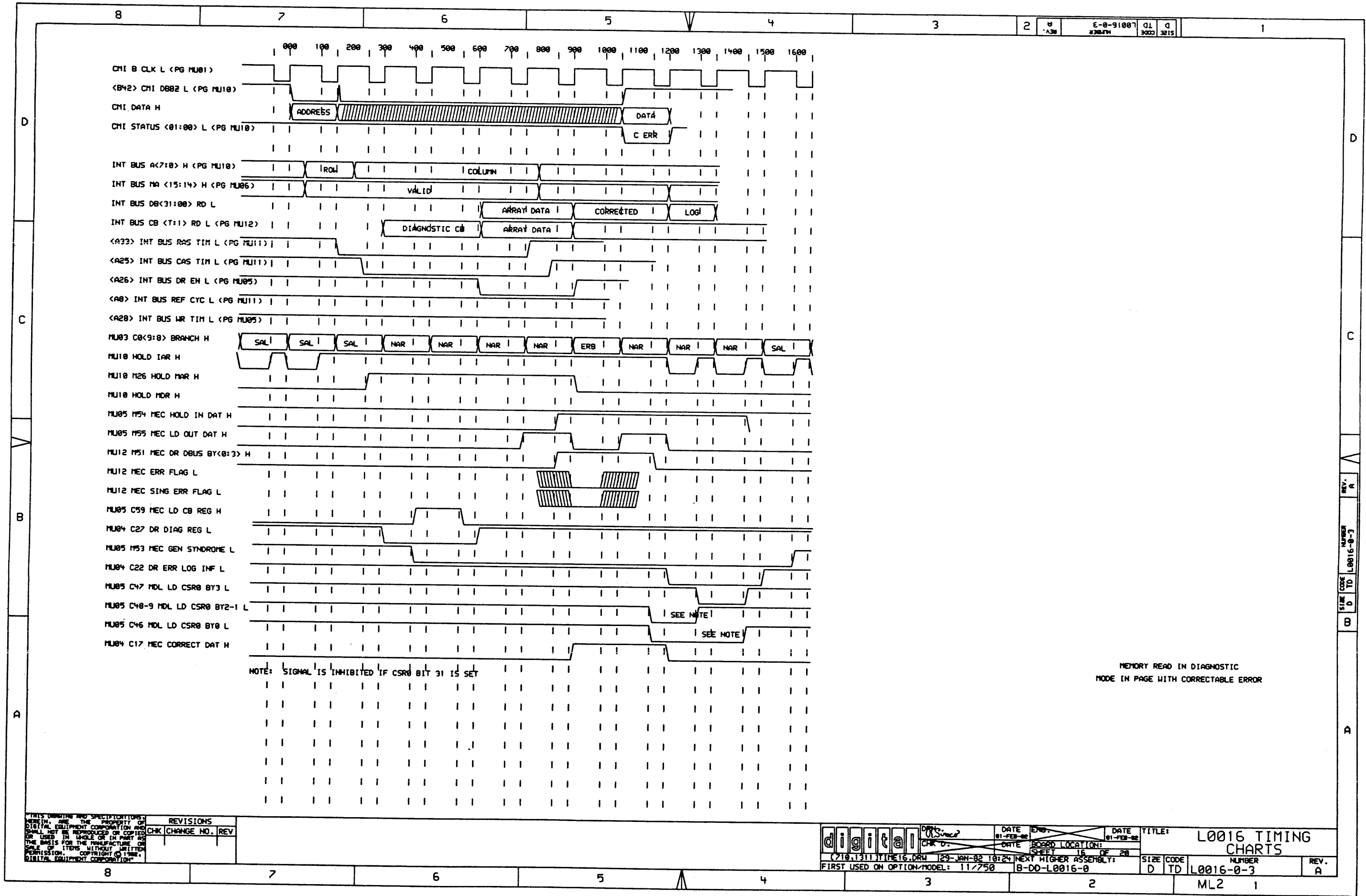
MEMORY READ IN DIAGNOSTIC
MODE IN PAGE WITH UNCORRECTABLE ERROR

THIS DRAWING AND SPECIFICATIONS ARE THE PROPERTY OF DIGITAL EQUIPMENT CORPORATION AND SHALL NOT BE REPRODUCED OR COPIED OR USED IN WHOLE OR IN PART AS THE BASIS FOR THE MANUFACTURE OR SALE OF ITEMS WITHOUT WRITTEN PERMISSION. COPYRIGHT © 1986, DIGITAL EQUIPMENT CORPORATION.

CHK	CHANGE NO.	REV

REV.	DATE	BY	DESCRIPTION

digital	DATE 01-FEB-82	DATE 01-FEB-82	TITLE: L0016 TIMING CHARTS
	BOARD LOCATION:	SHEET 19 OF 28	SIZE CODE D TD
DATE 129-JAN-82 10:20	NEXT HIGHER ASSEMBLY:	NUMBER L0016-0-3	REV. A
FIRST USED ON OPTION/MODEL: 11/250	B-DD-L0016-0	ML2	1



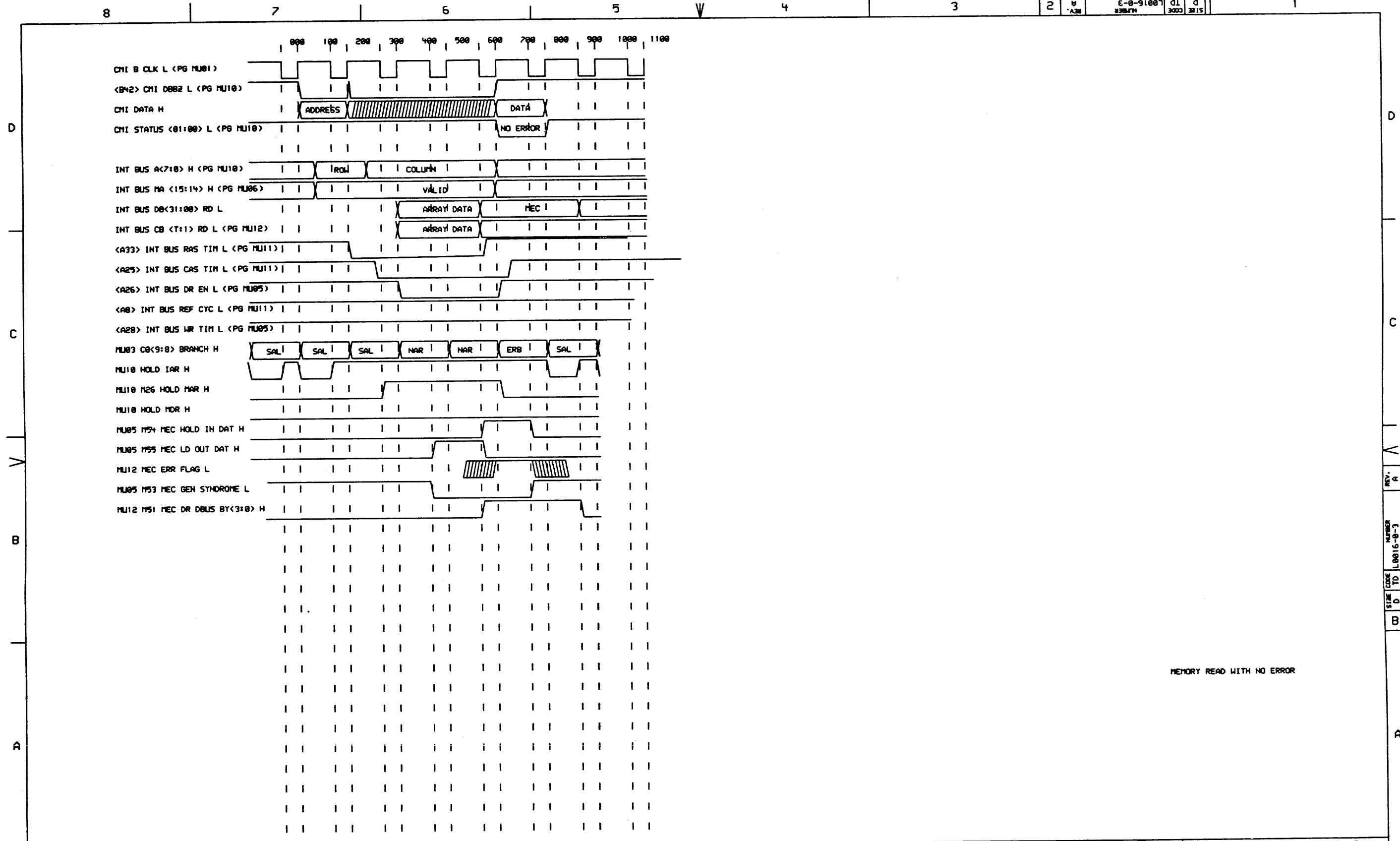
THIS DRAWING AND SPECIFICATIONS ARE THE PROPERTY OF DIGITAL EQUIPMENT CORPORATION AND SHALL NOT BE REPRODUCED OR COPIED OR USED IN WHOLE OR IN PART AS THE BASIS FOR THE MANUFACTURE OR SALE OF ITEMS WITHOUT WRITTEN PERMISSION. COPYRIGHT © 1988, DIGITAL EQUIPMENT CORPORATION.

REVISIONS	
CHK	CHANGE NO. REV

digital	DATE	ENG.	DATE	TITLE:
	01-FEB-82		01-FEB-82	L0016 TIMING CHARTS
	DATE	BOARD LOCATION:	SHEET	OF
	29-JAN-82 10:24	B-DD-L0016-0	16	20
FIRST USED ON OPTION/MODEL:	11/750			
SIZE CODE	NUMBER	REV.		
D TD	L0016-0-3	A		

REV. A
NUMBER L0016-0-3
D TD

ML2 1

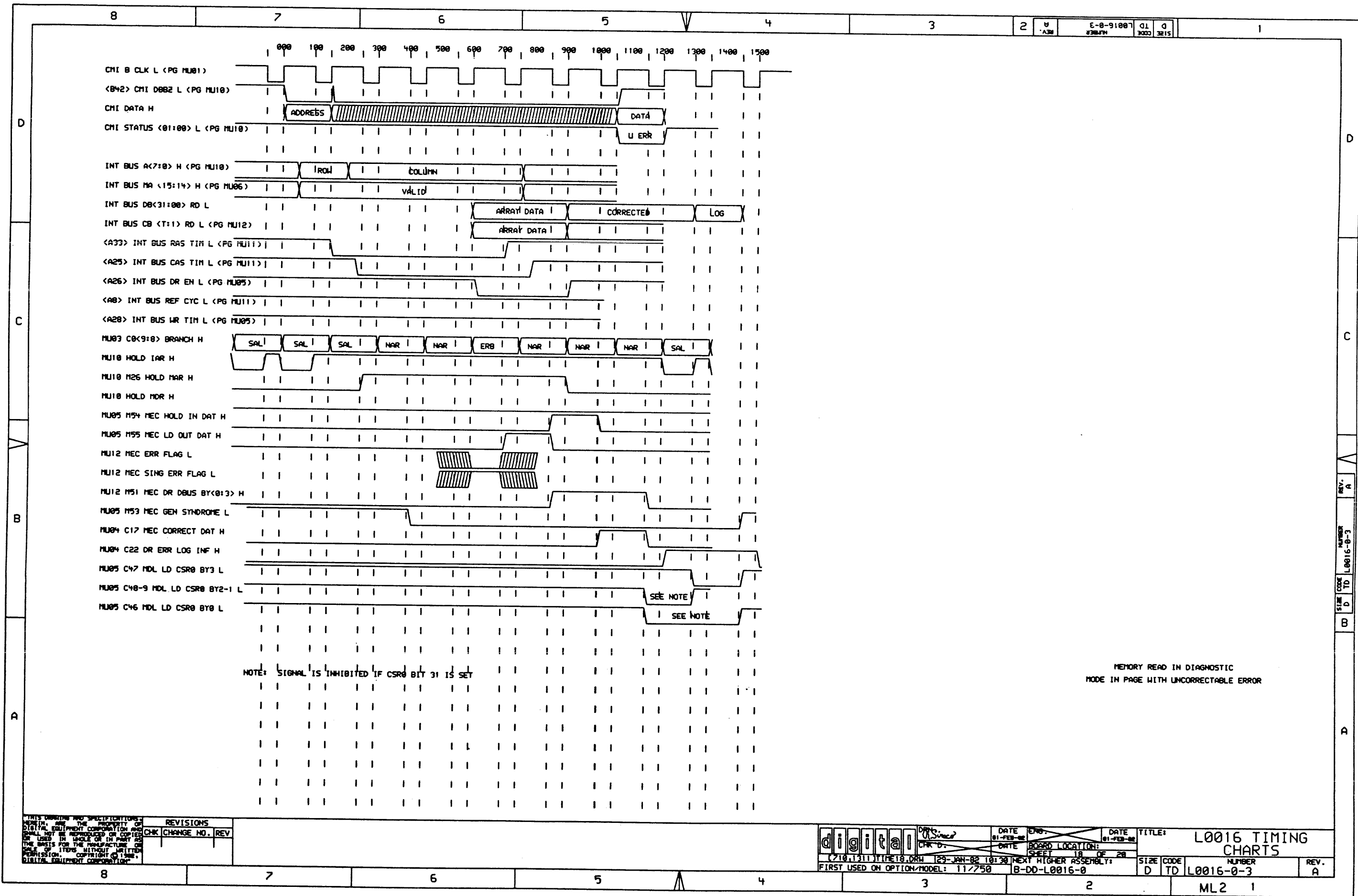


MEMORY READ WITH NO ERROR

REVISIONS	
CHK	CHANGE NO. REV

--	--	--	--	--	--	--	--	--	--

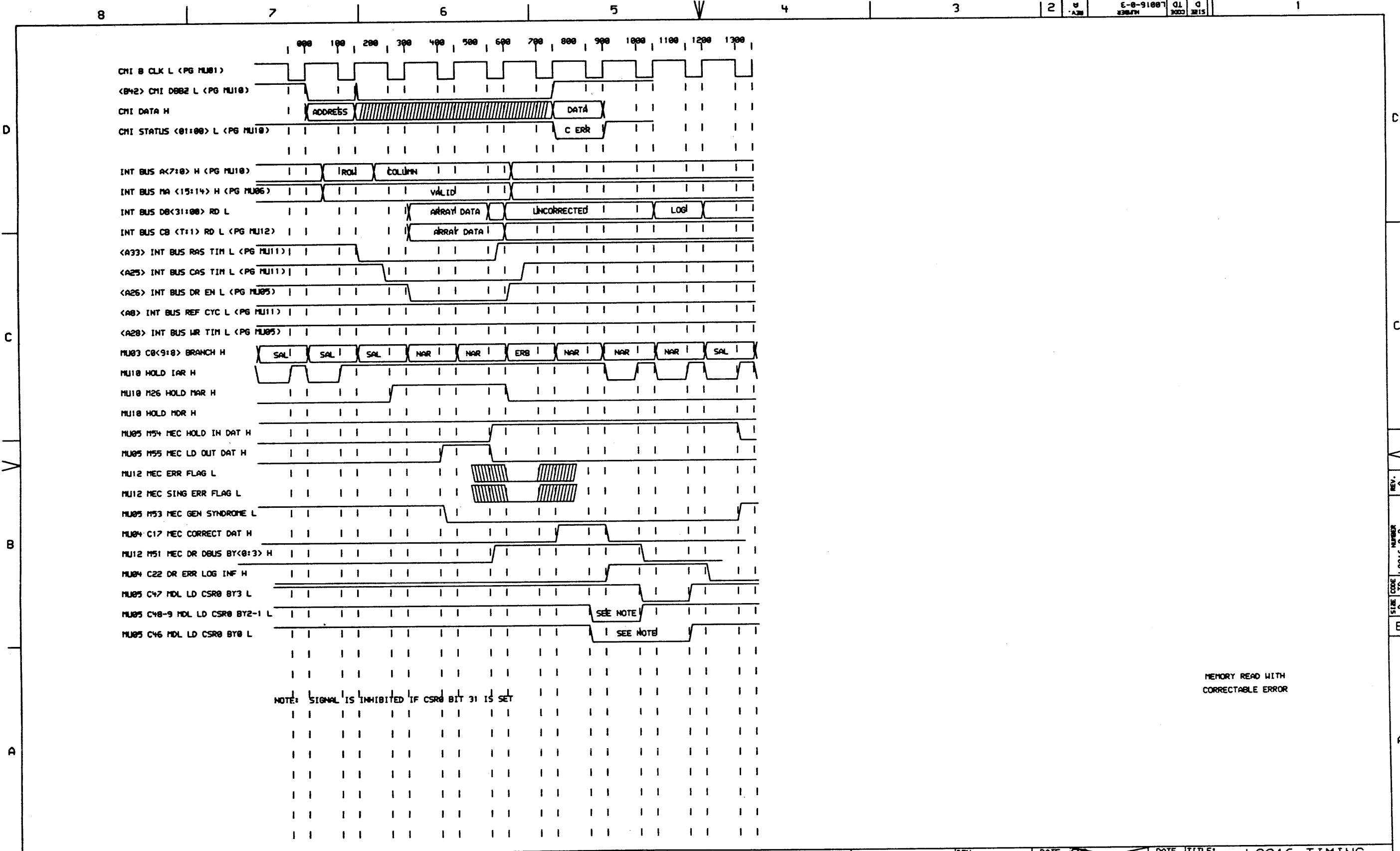
	DATE	01-FEB-82	DATE	01-FEB-82	TITLE:	L0016 TIMING CHARTS
	DATE	01-FEB-82	DATE	01-FEB-82	BOARD LOCATION:	
					SHEET	17 OF 20
					SIZE	D
					CODE	TD
					NUMBER	L0016-0-3
					REV.	A



REVISIONS	
CHK	CHANGE NO. REV

digital	DATE	ENG.	DATE	TITLE:
	01-FEB-82		01-FEB-82	L0016 TIMING CHARTS
	DATE	BOARD LOCATION:		
		SHEET 18 OF 28		
	FIRST USED ON OPTION/MODEL:	NEXT HIGHER ASSEMBLY:	SIZE CODE	NUMBER
	117750	B-DD-L0016-0	D TD	L0016-0-3

ML2 1



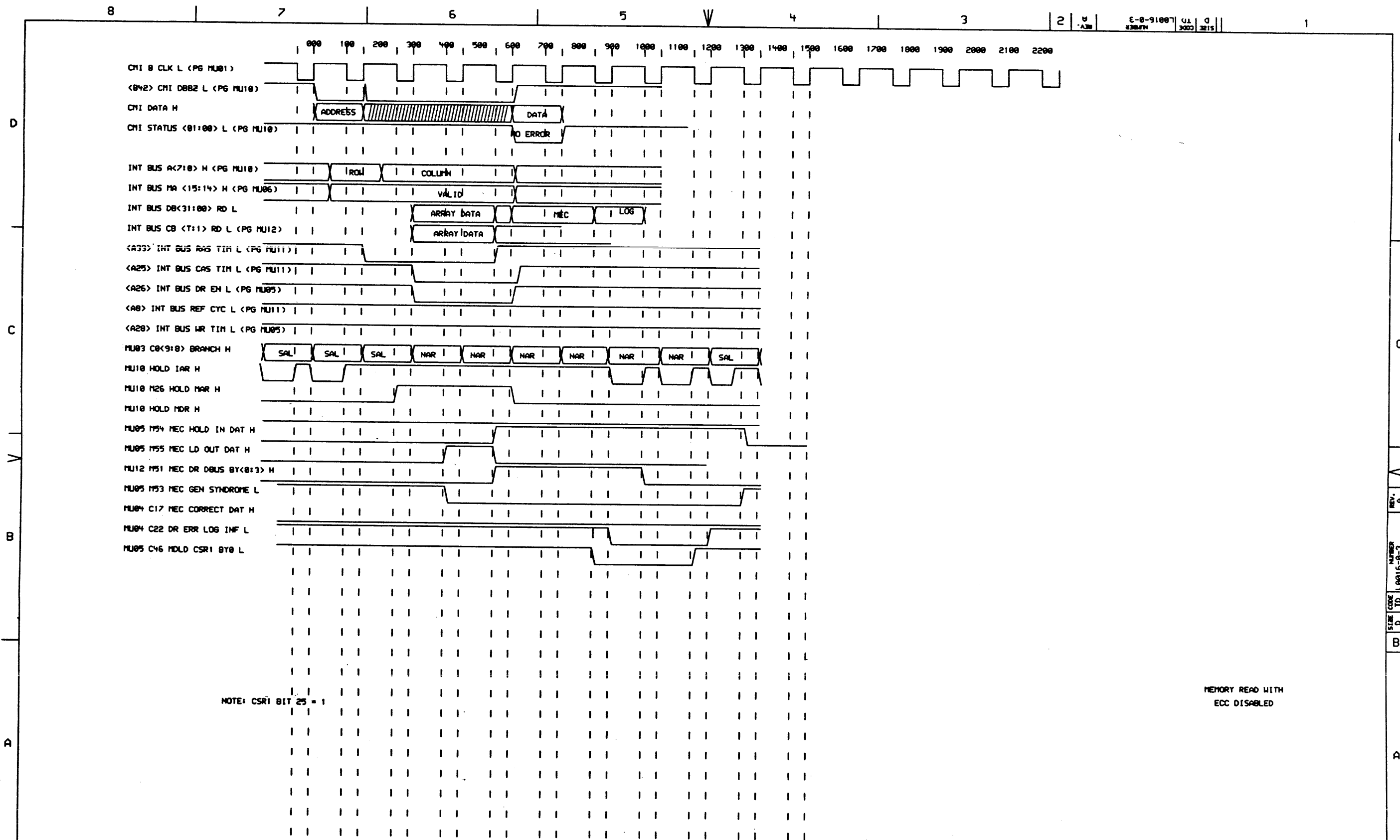
MEMORY READ WITH CORRECTABLE ERROR

NOTE: SIGNAL IS INHIBITED IF CSR0 BIT 31 IS SET

CHK	CHANGE NO.	REV.

--	--	--	--	--	--	--	--	--	--	--

digital DATE: 01-FEB-82 DATE: 01-FEB-82 TITLE: L0016 TIMING CHARTS
 DATE: 01-FEB-82 DATE: 01-FEB-82 BOARD LOCATION: ML2
 SHEET 19 OF 20 SIZE CODE D TD NUMBER L0016-0-3 REV. A
 (710,1311)TIMING.DRW 29-JAN-82 10:26 NEXT HIGHER ASSEMBLY: B-DD-L0016-0
 FIRST USED ON OPTION/MODEL: 11/750



NOTE: CSR1 BIT 25 = 1

MEMORY READ WITH
 ECC DISABLED

THIS DRAWING AND SPECIFICATIONS ARE THE PROPERTY OF DIGITAL EQUIPMENT CORPORATION AND SHALL NOT BE REPRODUCED OR COPIED OR USED IN WHOLE OR IN PART AS THE BASIS FOR THE MANUFACTURE OF ANY ITEM WITHOUT WRITTEN PERMISSION. COPYRIGHT © 1982, DIGITAL EQUIPMENT CORPORATION.

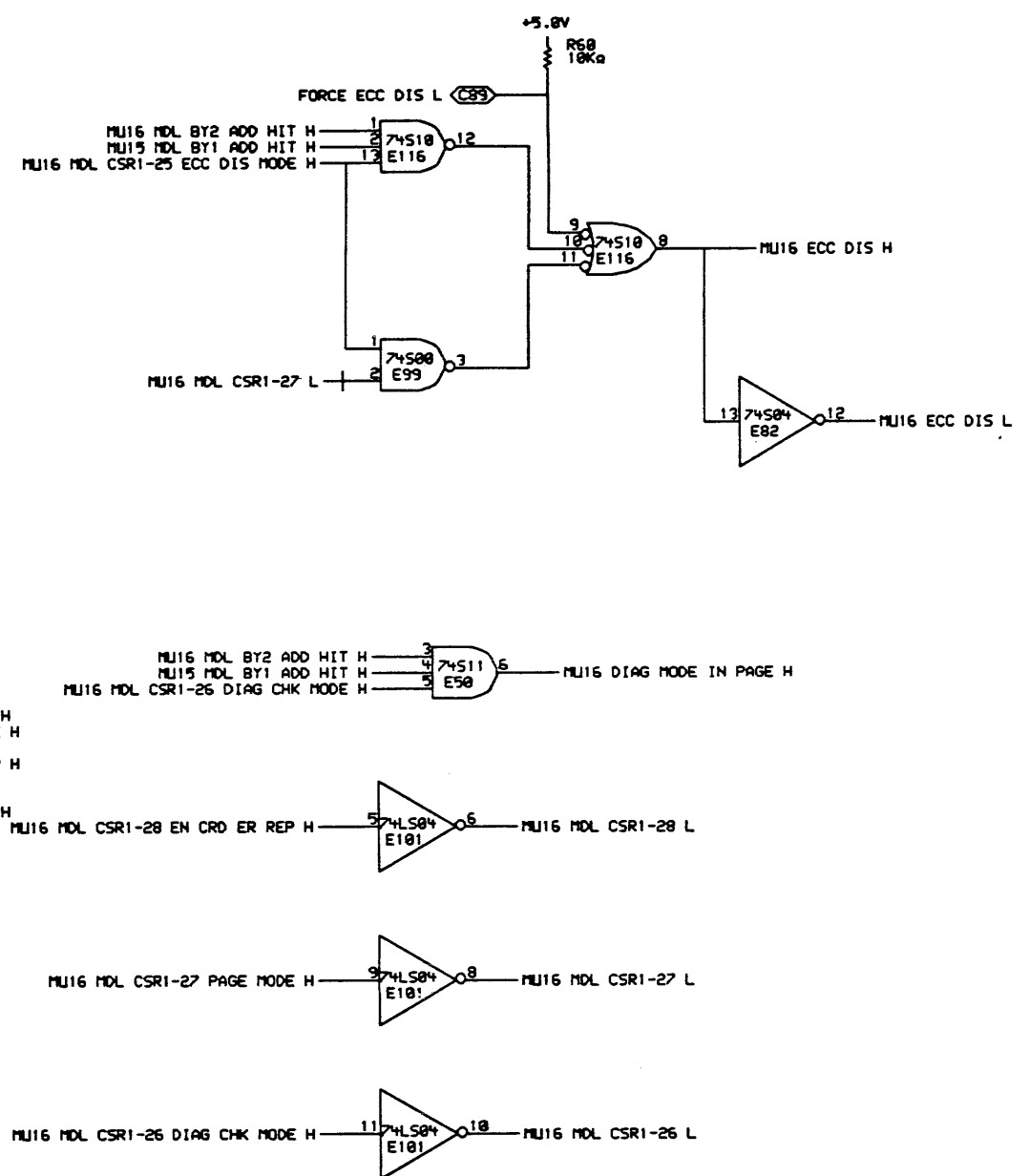
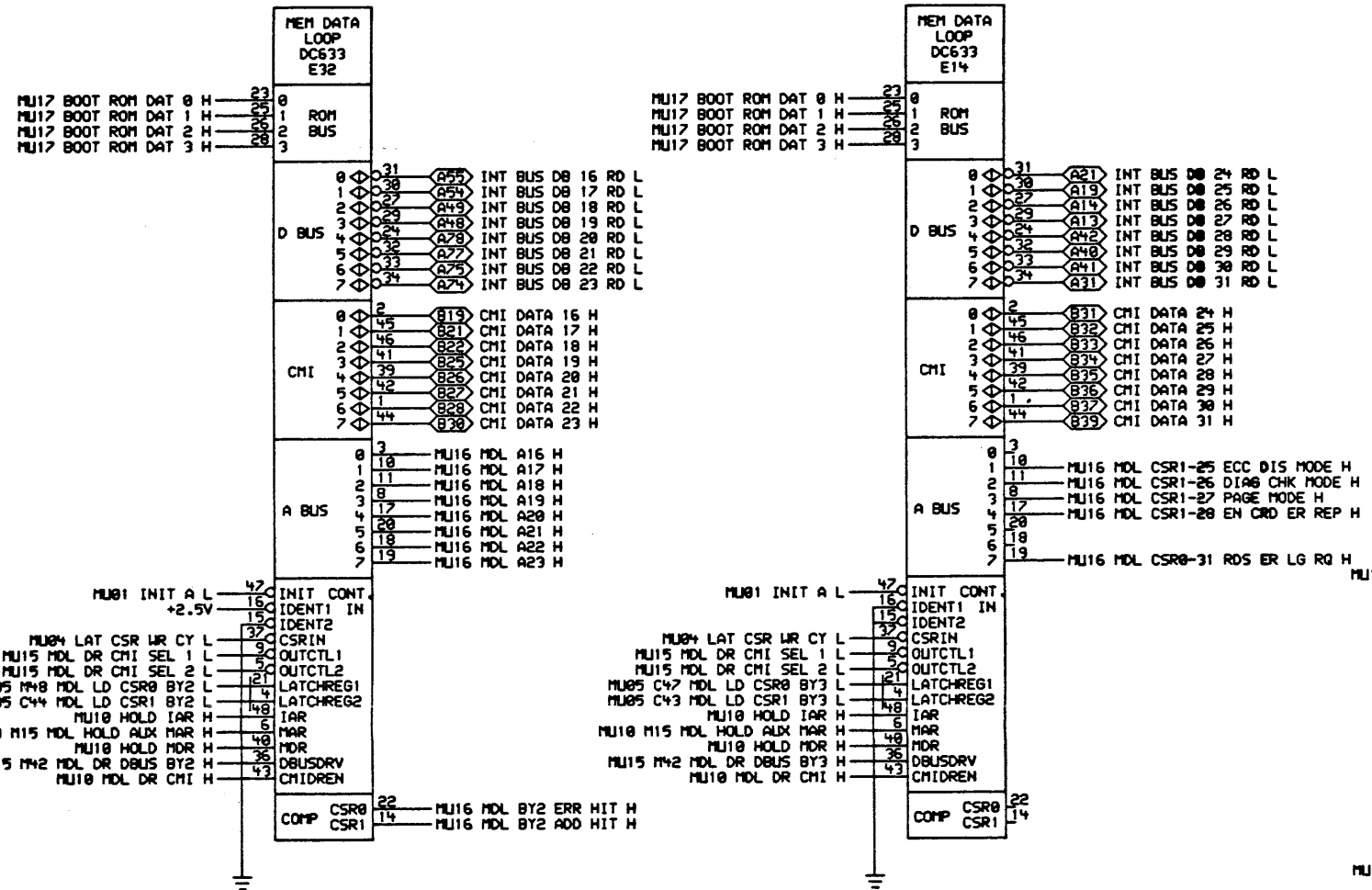
REVISIONS	
CHK	CHANGE NO. REV

digital
 (710,1311) TIME20.DRW 129-JAN-82 10:49
 FIRST USED ON OPTION MODEL: 11/750

DATE: 01-FEB-82
 DATE: 01-FEB-82
 BOARD LOCATION:
 SHEET 20 OF 28
 NEXT HIGHER ASSEMBLY:
 B-DD-L0016-0

TITLE: L0016 TIMING CHARTS
 SIZE CODE: D TD
 NUMBER: L0016-0-3
 REV: A

REV. A
 NUMBER L0016-0-3
 SIZE CODE D TD



CMI DATA INTERFACING

THIS DRAWING AND SPECIFICATIONS ARE THE PROPERTY OF DIGITAL EQUIPMENT CORPORATION AND SHALL NOT BE REPRODUCED OR COPIED OR USED IN WHOLE OR IN PART AS THE BASIS FOR THE MANUFACTURE OR SALE OF ITEMS WITHOUT WRITTEN PERMISSION. COPYRIGHT © 1982, DIGITAL EQUIPMENT CORPORATION.

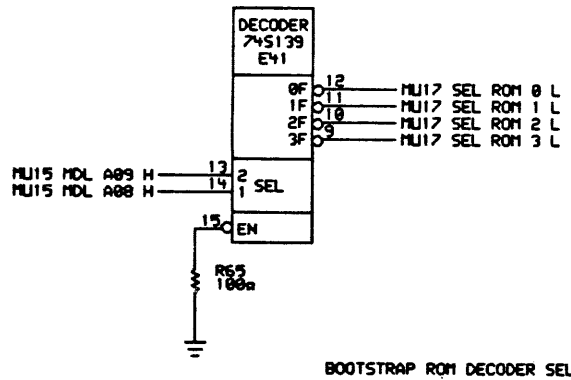
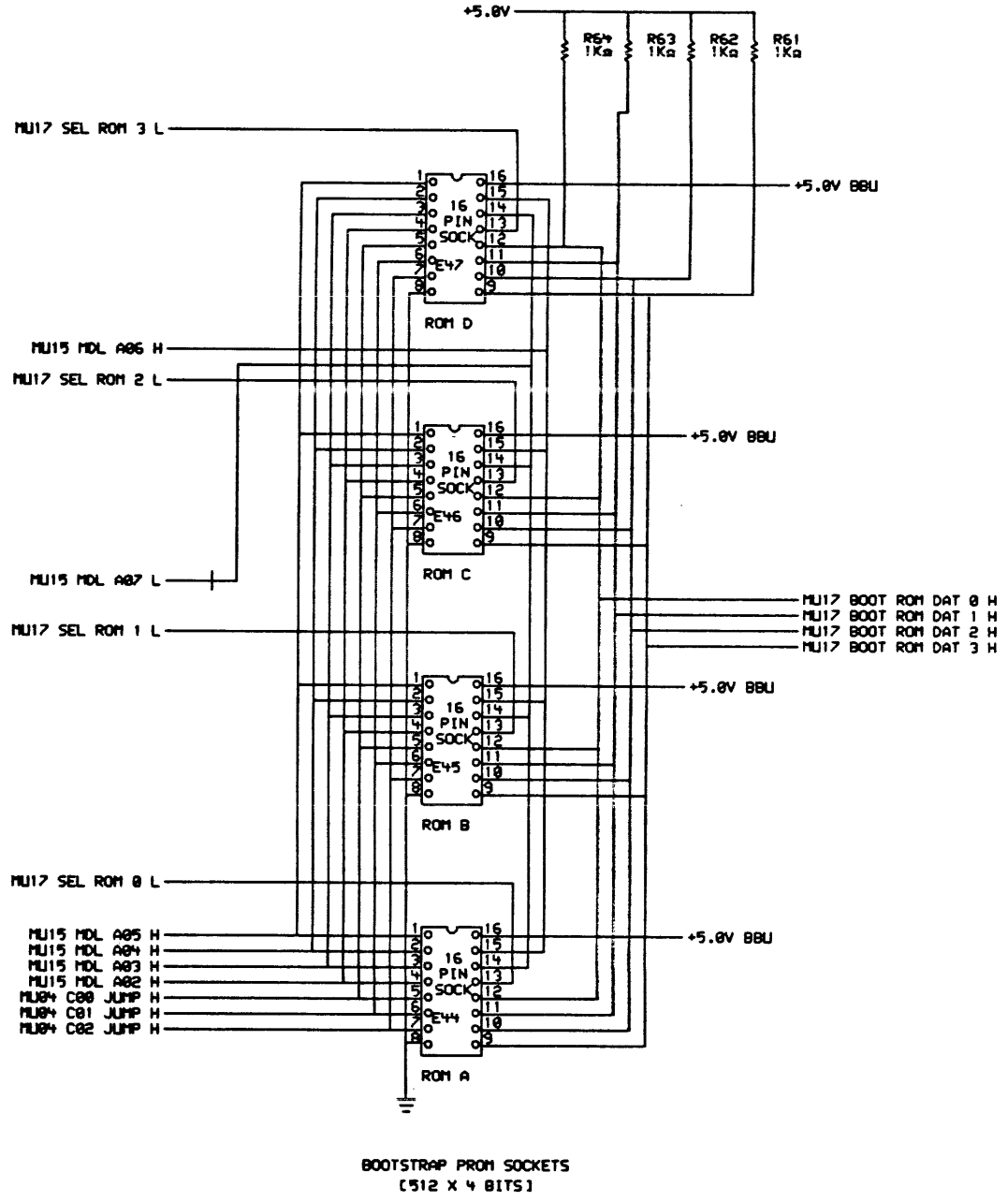
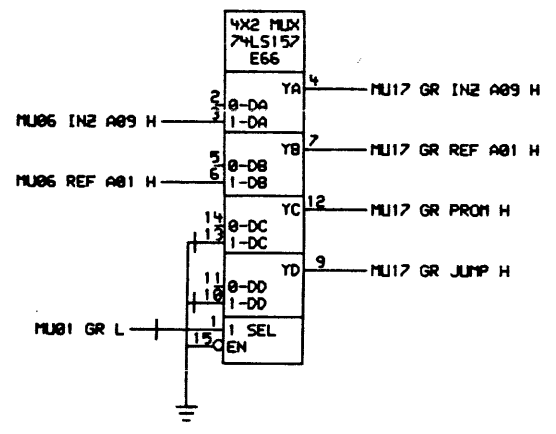
CHK	CHANGE NO.	REV.

DATE	ENG.	DATE	TITLE:
82-FEB-82	A. S. S. S.	82-FEB-82	COMET MEMORY UNIT

digital
 (710,1311) XCMU16.DRW 82-FEB-82 13:21 NEXT HIGHER ASSEMBLY:
 FIRST USED ON OPTION MODEL: 11/750 B-DD-L0016-0

SIZE	CODE	NUMBER	REV.
D	CS	L0016-0-MU16	A

REV. A
 NUMBER L0016-0-MU16
 CODE CS
 SIZE D
 B
 A



BOOTSTRAP ROM DECODER SELECT

BOOTSTRAP PROM SOCKETS
(512 X 4 BITS)

BOOT ROMS AND
GR TEST POINTS

THIS DRAWING AND SPECIFICATIONS ARE THE PROPERTY OF DIGITAL EQUIPMENT CORPORATION AND SHALL NOT BE REPRODUCED OR COPIED OR USED IN WHOLE OR IN PART AS THE BASIS FOR THE MANUFACTURE OR SALE OF ITEMS WITHOUT WRITTEN PERMISSION. COPYRIGHT © 1982, DIGITAL EQUIPMENT CORPORATION.

CHK	CHANGE NO.	REV

digital	DATE: 02-FEB-82	DATE: 02-FEB-82	TITLE: COMET MEMORY UNIT
	DATE: 02-FEB-82	DATE: 02-FEB-82	DATE: 02-FEB-82
FIRST USED ON OPTION/MODEL: 11/750			SIZE CODE: D CS
NEXT HIGHER ASSEMBLY: 18-00-L0016-0			NUMBER: L0016-0-MU17
			REV: A

745374	E1	20	+5.0V	BBU
74564	E8	14	+5.0V	BBU
745112	E10	16	+5.0V	BBU
745153	E11	16	+5.0V	BBU
745153	E12	16	+5.0V	BBU
745153	E13	16	+5.0V	BBU
745393	E19	14	+5.0V	BBU
745153	E20	16	+5.0V	BBU
74504	E21	14	+5.0V	BBU
74574	E23	14	+5.0V	BBU
745393	E24	14	+5.0V	BBU
745393	E25	14	+5.0V	BBU
74574	E29	14	+5.0V	BBU
74574	E30	14	+5.0V	BBU
74504	E37	14	+5.0V	BBU
74564	E38	14	+5.0V	BBU
74508	E40	14	+5.0V	BBU
74520	E43	14	+5.0V	BBU
74574	E53	14	+5.0V	BBU
745112	E54	16	+5.0V	BBU
74502	E55	14	+5.0V	BBU
745157	E56	16	+5.0V	BBU
74551	E57	14	+5.0V	BBU
74574	E58	14	+5.0V	BBU
74500	E60	14	+5.0V	BBU
74574	E62	14	+5.0V	BBU
74574	E63	14	+5.0V	BBU
745157	E66	16	+5.0V	BBU
74510	E72	14	+5.0V	BBU
74574	E74	14	+5.0V	BBU
745140	E80	14	+5.0V	BBU
74511	E86	14	+5.0V	BBU
74510	E87	14	+5.0V	BBU
74500	E88	14	+5.0V	BBU
74504	E89	14	+5.0V	BBU
74500	E90	14	+5.0V	BBU
74500	E91	14	+5.0V	BBU
74504	E92	14	+5.0V	BBU
74502	E93	14	+5.0V	BBU
745374	E94	20	+5.0V	BBU
745374	E95	20	+5.0V	BBU
74520	E96	14	+5.0V	BBU
745374	E97	20	+5.0V	BBU
74500	E100	14	+5.0V	BBU
74502	E102	14	+5.0V	BBU
74520	E103	14	+5.0V	BBU

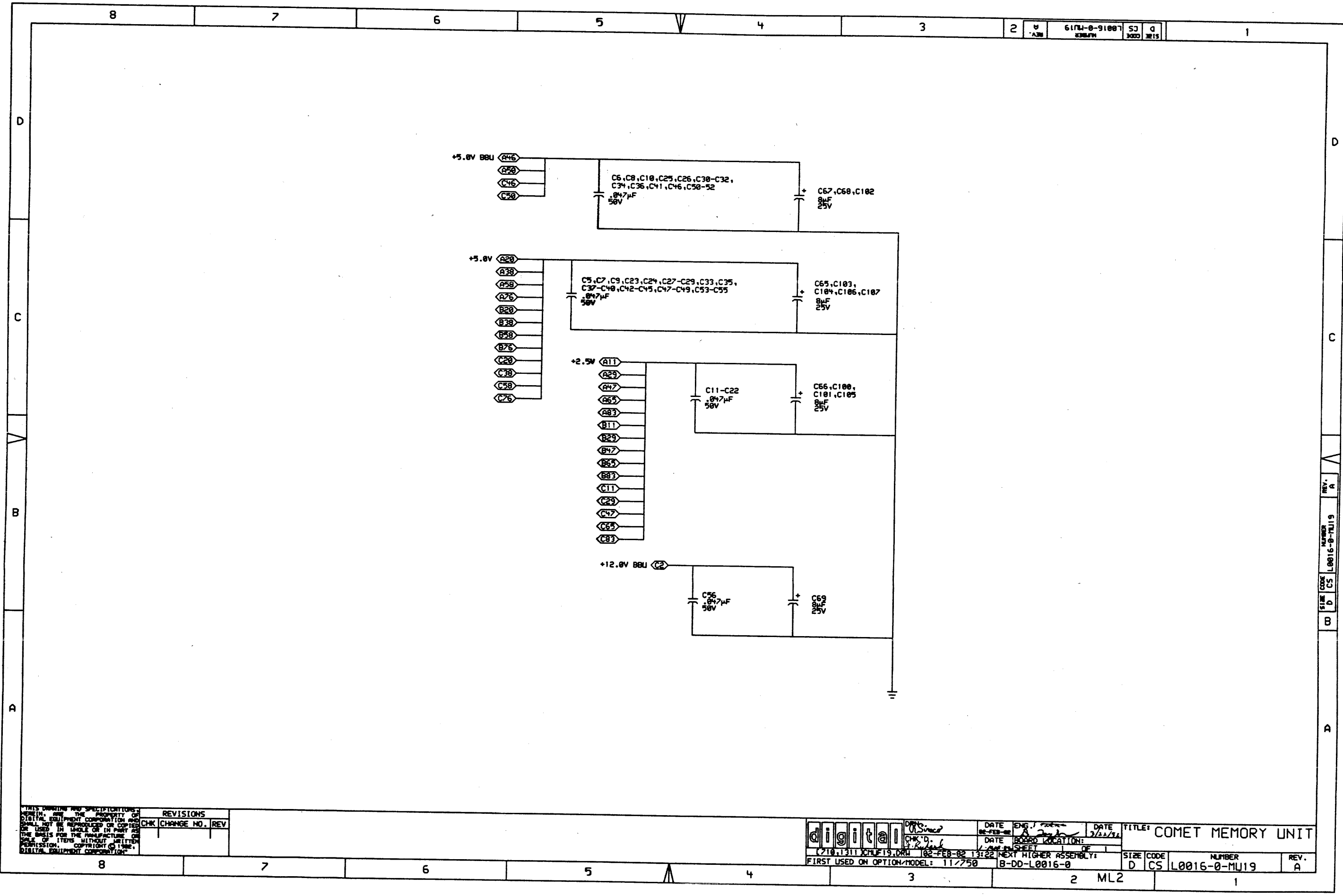
825129	E105	16	+5.0V	BBU
825129	E106	16	+5.0V	BBU
825129	E107	16	+5.0V	BBU
825129	E108	16	+5.0V	BBU
825129	E109	16	+5.0V	BBU
825129	E110	16	+5.0V	BBU
825129	E111	16	+5.0V	BBU
825129	E112	16	+5.0V	BBU
745174	E113	16	+5.0V	BBU
75452	E114	8	+5.0V	BBU
74520	E117	14	+5.0V	BBU
74520	E118	14	+5.0V	BBU
74510	E119	14	+5.0V	BBU
74532	E120	14	+5.0V	BBU
745374	E123	20	+5.0V	BBU
745153	E127	16	+5.0V	BBU
745153	E128	16	+5.0V	BBU
74500	E129	14	+5.0V	BBU
74530	E130	14	+5.0V	BBU
74530	E131	14	+5.0V	BBU
8640	E132	8	+5.0V	BBU
745374	E134	20	+5.0V	BBU
745374	E135	20	+5.0V	BBU
825129	E136	16	+5.0V	BBU
825129	E137	16	+5.0V	BBU
825129	E138	16	+5.0V	BBU
825129	E139	16	+5.0V	BBU
825129	E140	16	+5.0V	BBU
825129	E141	16	+5.0V	BBU
745374	E142	20	+5.0V	BBU

* NOTE: E44, E45, E46, E47,
ALL ON "BBU"--SEE PAGE 17 OF 19.

THIS DRAWING AND SPECIFICATIONS
HEREIN ARE THE PROPERTY OF
DIGITAL EQUIPMENT CORPORATION AND
SHALL NOT BE REPRODUCED OR COPIED
OR USED IN WHOLE OR IN PART AS
THE BASIS FOR THE MANUFACTURE OF
ANY OF ITS ITEMS WITHOUT WRITTEN
PERMISSION. COPYRIGHT © 1974,
DIGITAL EQUIPMENT CORPORATION.

REVISIONS	
CHK	CHANGE NO. REV

digital	DATE 02-FEB-82	ENG 1	DATE 2/21/74	TITLE: COMET MEMORY UNIT
	DATE 1/11/74	DATE 1/11/74	DATE 1/11/74	
FIRST USED ON OPTION/MODEL: 11750				SIZE CODE D CS
NEXT HIGHER ASSEMBLY: B-00-L0016-0				NUMBER L0016-0-MU18
				REV. A



THIS DRAWING AND SPECIFICATIONS ARE THE PROPERTY OF DIGITAL EQUIPMENT CORPORATION AND SHALL NOT BE REPRODUCED OR COPIED IN WHOLE OR IN PART AS THE BASIS FOR THE MANUFACTURE OR SALE OF ITEMS WITHOUT WRITTEN PERMISSION. COPYRIGHT © 1982, DIGITAL EQUIPMENT CORPORATION.

REVISIONS	
CHK	CHANGE NO. REV.

digital

DATE ENG: 1/25/82
 DATE BOARD LOCATION: 1/25/82
 DATE BOARD LOCATION: 1/25/82
 DATE BOARD LOCATION: 1/25/82

TITLE: COMET MEMORY UNIT

FIRST USED ON OPTION/MODEL: 11/750 B-DD-L0016-0

SIZE CODE	NUMBER	REV.
D CS	L0016-0-MU19	A

8 7 6 5 4 3 2 1
 D C B A
 REV. A
 NUMBER L0016-0-MU19
 SIZE CODE D CS
 B