

"THE MATERIAL HEREIN IS FOR INFORMATION PURPOSES ONLY AND IS SUBJECT TO CHANGE WITHOUT NOTICE. DIGITAL EQUIPMENT CORPORATION ASSUMES NO RESPONSIBILITY FOR ANY ERRORS WHICH MAY APPEAR HEREIN."

***** FIELD MAINTENANCE PRINT SET *****

TABLE OF CONTENTS

B-DD-7017647-0	HARDWARE CONF. PKG #76 DRAWING DIRECTORY
K-PL-7017547-0-DBP	HARDWARE CONF. PKG #76 PARTS LIST
D-AD-7017547-0-0	HARDWARE CONF. PKG #76 ASSY DRAWING
D-IA-7015783-0-0	R80 I/O CABLE ASSY - INSEPARABLE ASSEMBLY
K-PL-7018783-0-DBP	R80 I/O CABLE ASSY - PARTS LIST
E-UA-BC21Z-0-0	I/O CABLE ASSEMBLY - UNIT ASSEMBLY
K-PL-BC21Z-0-DBP	I/O CABLE ASSEMBLY - PARTS LIST
D-UA-BC22D-0-0	NULL MODEM CABLE - UNIT ASSEMBLY
K-PL-BC22D-0-DBP	NULL MODEM CABLE - PARTS LIST
D-UA-BC06R-0-0	I/O CABLE - UNIT ASSEMBLY
D-IA-7012293-0-0	TERMINATOR ASSEMBLY - INSEPARABLE ASSEMBLY
D-UA-H026-0-0	RL CABLE RETRACTOR ASSY - UNIT ASSY
K-PL-H026-0-DBP	RL CABLE RETRACTOR ASSY - PARTS LIST
C-IA-7006288-0-0	CABLE ASSEMBLY - INSEPARABLE ASSEMBLY
D-IA-7014303-0-0	POWER CORD ASSY 230V - INSEPARABLE ASSY
B-DD-H9544-H	CABINET ACCESSORY KIT - DRAWING DIRECTORY
E-UA-H9544-H-0	CABINET ACCESSORY KIT - UNIT ASSEMBLY
K-PL-H9544-H-DBP	CABINET ACCESSORY KIT - PARTS LIST

UNIT VARIATIONS

7017647-00

7017647-01

FIELD MAINTENANCE
PRINT SET
CONFIGURATION PKG #76
DIGITAL EQUIPMENT
CORPORATION
MP01365

NK		USED OR OPTION/MODEL	DRN.	DATE
			R. J. RILEY	4-13-82
		SVCXWMA	CHK'D	DATE
			S. DUNCANSON	4-13-82
			PROJ. ENG.	DATE
			D. CARLSON	4-13-82
			FIELD SERV.	DATE
			H. HUNTER	4-13-82
		SHEET 1 OF 1		

digital

"THIS DRAWING AND SPECIFICATIONS, HEREIN, ARE THE PROPERTY OF DIGITAL EQUIPMENT CORPORATION AND SHALL NOT BE REPRODUCED OR COPIED OR USED IN WHOLE OR IN PART AS THE BASIS FOR THE MANUFACTURE OR SALE OF ITEMS WITHOUT WRITTEN PERMISSION. COPYRIGHT © 1982 DIGITAL EQUIPMENT CORPORATION."

TITLE:
FIELD MAINT. PRINT SET
(CONFIGURATION PKG #76)

SIZE	CODE	NUMBER	REV
B	TC	7017647-0-1	A
DIST.			

"THE MATERIAL HEREIN IS FOR INFORMATION PURPOSES ONLY AND IS SUBJECT TO CHANGE WITHOUT NOTICE. DIGITAL EQUIPMENT CORPORATION ASSUMES NO RESPONSIBILITY FOR ANY ERRORS WHICH MAY APPEAR HEREIN."

*** DRAWING DIRECTORY ***

UNIT VARIATIONS	
VAR	TITLE
-00	HARDWARE CONFIGURATION
	PKG NO. 76, 120V
-01	HARDWARE CONFIGURATION
	PKG NO. 76, 240V

		USED ON OPTION/MODEL
		SV-CXWMA
		SHEET 1 OF 3

DRN.	DATE
P. TOUSIGNANT	11 MARCH 82
CHK'D	DATE
R. RILEY	11 MARCH 82
PROJ. ENG.	DATE
D. CARLSON	11 MARCH 82
PROD.	DATE
S. CASTIGLIONE	11 MARCH 82
d i g i t a l	

"THIS DRAWING AND SPECIFICATIONS, HEREIN, ARE THE PROPERTY OF DIGITAL EQUIPMENT CORPORATION AND SHALL NOT BE REPRODUCED OR COPIED OR USED IN WHOLE OR IN PART AS THE BASIS FOR THE MANUFACTURE OR SALE OF ITEMS WITHOUT WRITTEN PERMISSION. COPYRIGHT © 1982 DIGITAL EQUIPMENT CORPORATION.

TITLE: HARDWARE CONFIGURATION PKG NO. 76			
SIZE	CODE	NUMBER	REV
B	DD	7017647-0	A
DIST.			

TW

DRAWING NUMBER			DESCRIPTION			DRAWING NUMBER			DESCRIPTION		
1	D-AD-7017646-0-0	HARDWARE CONFIGURATION PKG. NO.76	E/M	5	B-DD-RL02-F	RL02 DISK DRIVE	E/M				
	K-PL-7017646-0-DBP	HARDWARE CONFIG. PKG NO. 76 P/L	E/M								
	A-PS-3700436-0-0	PKG CAB H9642/H9645/H9646	E/M	6	B-DD-R80-0	DISK DRIVE ASSY	E/M				
	C-MD-7419856-0-0	BRACKET, RL01 SHIPPING BLACK	M								
	A-PS-3618384-0-0	LABEL, CAUTION STABILIZER FOOT	M	7	B-DD-H9542-F	H9542-F 40 INCH FRAME ASSY	M				
	A-PS-3617830-0-0	LABEL, FCC CLASS A PROCESSOR	M								
	A-PS-3617674-0-0	LABEL SERIAL & POWER W/UL & CSA	M	8	B-DD-H9544-A	END PANEL ASSY	M				
	D-PS-1213686-0-0	CHASSIS SLIDE SET	M								
	D-MD-7419261-0-0	BRACKET, CHASSIS SLIDE	M	9	B-DD-H9544-B	H9544-B REAR DOOR	M				
	B-MD-7425167-0-0	SPACER, SLIDE MOUNT	M								
	B-MD-7425168-0-0	BAR, NUT	M	10	B-DD-H9544-C	H9544-C TRIM KIT	M				
	A-PS-1213756-0-0	GROUND STRAP	E								
	B-MD-7426823-0-0	CLAMP CABLE	M	11	B-DD-H9544-D	H9544-D BEZEL ASSY	M				
	C-MD-7426824-0-0	BAR, CABLE SUPPORT	M								
	D-MD-7426825-0-0	BRACKET, CABLE SUPPORT	M	12	B-DD-H9544-H	CABINET ACCESSORY KIT	M				
	A-PS-3618058-0-0	LABEL, CAUTION STABILITY 11V23-WA	M								
	A-PS-3618057-0-0	LABEL, CAUT. SERV. INTERLOCK 11V	M	13	B-DD-H026-0	RL RETRACTOR ASSY	M				
2	E-UA-11730-Z-0	11730-Z UNIT ASSY	E/M	14	B-DD-DMF32-A	DMF32 OPTION	E/M				
3	B-DD-874-0	874 POWER CONTROL	E/M	15	D-IA-7012293-0-0	TERMINATOR ASSY	E/M				
					A-DC-7416678-0-0	TERMINATOR LOGO	E/M				
4	B-DD-M8388-0	IDC	E/M								

TYPE: E = ELECTRICAL
M = MECHANICAL
E/M = ELECTRO/MECHANICAL

[[diigitliall]]

TITLE:
HARDWARE CONFIGURATION
PACKAGE NO. 76

SHEET 2 OF 3 SIZE B CODE DD NUMBER 7017647-0

REV A

TW

LINE ITEM	DOCUMENT NUMBER	PART NUMBER	DESCRIPTION	QUANTITY PER VARIATION	
				00	01
1	E-UA-11730-Z-0	11730-ZA	KA730-A,BA11-ZA,2 TU58,MS730-CA,	1	1
2	A-PS-3700436-0-0	3700436-08	CAB H9642 REPLACES VAR. 00, 01,	1	1
3	E-UA-874-0-0	00874-D	120V 24A FILTERED POWER CONT,6 S	1	0
4	E-UA-874-0-0	00874-B	220-240V 12A FILTERED PWR CONT,6	0	1
5	D-UA-M8388-0-0	M8388-00	RB730 IDC (INTEGRATED DISK CENTR	1	1
6	E-UA-RL02-0-0	ORL02-FK	RL02-F + RL02K-DC,120V/240V	1	1
7	E-UA-R80-0-0	00R80-AE	124MB 4-PLATTER FIXED DISK DRIVE	1	0
8	E-UA-H9542-0-0	H9542-FB	40" 10.5" TOP LOADING CAB FRAME	1	1
9	D-UA-H9544-A-0	H9544-AA	40"END PANEL,GREY FRAME,DARK BRO	2	2
10	D-UA-H9544-B-0	H9544-BK	EXTENDED DEPTH REAR DOOR FOR H96	1	1
11	D-UA-H9544-C-0	H9544-CA	RL01/RL02 TRIM FILLER STRIP KIT	1	1
12	D-UA-H9544-D-0	H9544-DA	1.75" BEZEL ASSY FOR H9642	1	1
13	D-UA-H9544-D-0	H9544-DB	6"X19" FRONT COVER FOR BOTTOM OF	1	1
14	E-UA-H9544-H-0	H9544-HA	KIT OF 4 LEVELERS,1 PULL-OUT STA	1	1
15	D-UA-H026-0-0	OH026-00	CABLE RETRACTOR FOR RL01,RL02	1	1
16	C-MD-7419856-0-0	7419856-01	BRKT,RL01 SHIPPING BLACK	1	1
17	D-UA-DMF32-A-0	DMF32-AA	8 EIA ASYNC SLU,SYNC SLU,PARALLE	1	1
18		9009700-00	SCREW,TRUS,PHIL,SEMS10-32X .500L	18	18
19		9007032-00	TIE,CABLE BUNDL.DIA 0-1-3/4"=101	10	10
20		9009636-00	CLAMP, CABLE, FOR FLAT CABLE	1	1
21		9007867-00	MOUNT, PUSH,CABLE TIE	10	10
22	A-PS-1218912-0-0	1218912-01	CLIP,CABLE 3/4	2	2
23		9007786-00	RETAINER, U-NUT, 10-32	5	5
24	A-PS-3618384-0-0	3618384-01	LABEL,CAUTION STABILIZER FOOT	1	1
25	D-IA-7012293-0-0	7012293-00	TERMINATOR ASSEMBLY	1	1
26	A-PS-3617880-0-0	3617880-02	LABEL,FCC CLASS A PROCESSOR	1	1
27	C-MD-7425757-0-0	7425757-01	BRACKET, (R80)	1	1
28	A-PS-3617674-0-0	3617674-01	LABEL,SERIAL & POWER W/UL & CSA	1	1
29	D-UA-BC06R-0-0	BC06R-8F	I/O CABLE	1	1
30	D-PS-1213686-0-0	1213686-00	CHASSIS SLIDE SET INCLUDED 1 L.H	1	1

REVISION HISTORY		BASIC PART NO: 7017647	
ENG	ECD NUMBER	REV	SECTION A OF A
	INITIAL	X00	SECTION. VARIATION INDEX
			[A] 00,01
			[B]
			[C]
			[D]
			[E]
			[F]
			DRN: P. TOUSIGNANT DATE: 24-FEB-82
			CHK'D: S. DUNCANSON DATE: 24-FEB-82
			TITLE PARTS LIST
			HARDWARE CONFIG. PKG. NO. 76
			DES.ENG.: D. CARLSON DATE: 24-FEB-82
			RESP.ENG.: D. CARLSON DATE: 24-FEB-82
			DOCUMENT NUMBER
			SIZE CODE NUMBER REV
			MFG.ENG.: S. CASTIGLIONE DATE: 24-FEB-82 K PL 7017647-0-DBP X00
			ASSEMBLY NUMBER: TCP DOCUMENT NUMBER: FILE NAME: EDIT #
			D-AD-7017647-0-0 B-DD-7017647-0-0 Z3336A.PLS 17
<p>THIS DRAWING AND SPECIFICATIONS HEREIN, ARE THE PROPERTY OF DIGITAL EQUIPMENT CORPORATION AND SHALL NOT BE REPRODUCED OR COPIED OR USED IN WHOLE OR IN PART AS THE BASIS FOR THE MANUFACTURE OR SALE OF ITEMS WITHOUT WRITTEN PERMISSION. COPYRIGHT (C) 1982. DIGITAL EQUIPMENT CORPORATION</p>			

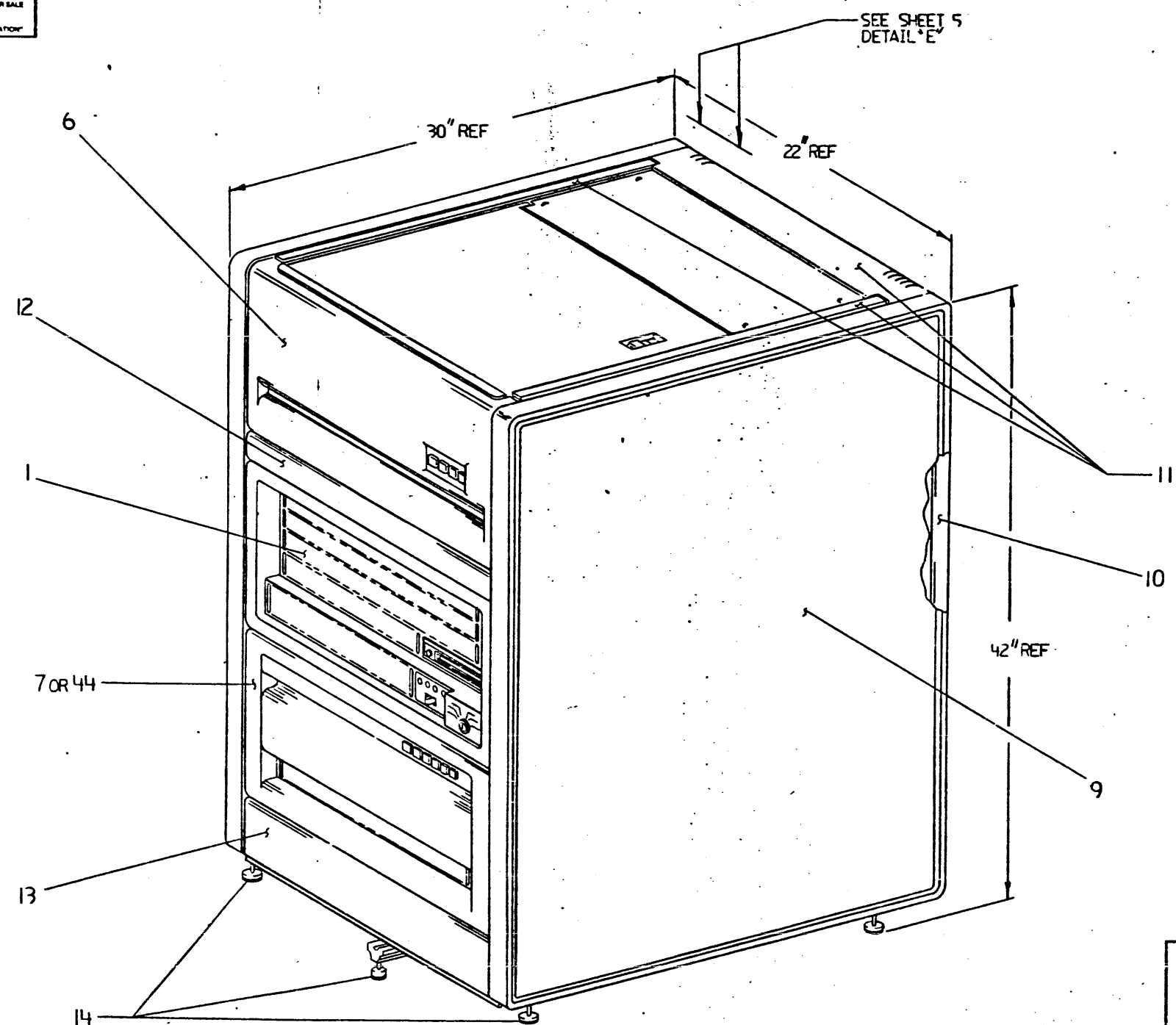
LINE	ITEM	DOCUMENT NUMBER	PART NUMBER	DESCRIPTION	QUANTITY PER VARIATION	
					00	01
31	31	D-MD-7419261-0-0	7419261-00	BRACKET CHASSIS SLIDE	4	4
32	32	D-IA-7018783-0-0	7018783-00	I/O CABLE ASSY (R80)	1	1
33	33		9007083-00	CLAMP,CABLE,SCREW MTD. 3/8 "	1	2
34	34	B-MD-7425167-0-0	7425167-01	SPACER, SLIDE MOUNT	2	2
35	35	D-PS-1213686-0-0	1213686-01	MOUNTING RAIL FOR 12-13686-00	1	1
36	36	A-PS-1218912-0-0	1218912-00	CLIP,CABLE 1/2	1	1
37	37		9006039-04	SCREW,BIND,SLOT 8-32X 1/2 SS	12	12
38	39	A-PL-7012938-0-0	7012938-00	70-12938 UNIT SELECT PLUG KIT	1	1
39	39		9006565-00	NUT,KEP 10-32X 3/8 AF	2	2
40	40		9006563-00	NUT,KEP 8-32X 11/13AF	10	10
41	42	B-MD-7425168-0-0	7425168-01	BAR, NUT	4	4
42	43	C-IA-7008288-0-0	7008288-06	CABLE ASSY	1	1
43	44	E-UA-R80-0-0	00R80-AJ	124MB 4-PLATTER FIXED DISK DRIVE	0	1
44	45	E-UA-BC21Z-0-0	BC21Z-06	SHIELDED I/O CABLE,RL01/RL02,PAS	1	1
45	46		BC22D-25	25FT CABLE,ASYNC,NULL MODEM,6 WI	1	1
46	47	B-UA-BC22D-0-0	9007087-00	CLAMP,CABLE,SCREW MTD. 5/8 "	1	0
47	48	A-PS-1213756-0-0	1213756-12	GROUND STRAP	1	1
48	49		9107673-03	PWR CORD,TERM. 3FT,14-3,115V 15	1	0
49	50		9009545-01	SCREW,PAN,PHIL,SEMS 8-32X .50 L	1	1
50	51	B-MD-7426823-0-0	7426823-01	CLAMP,CABLE	1	1
51	52	C-MD-7426824-0-0	7426824-01	BAR,CABLE SUPPORT	1	1
52	53	D-MD-7426825-0-0	7426825-01	BRACKET,CABLE SUPPORT,R.H.	1	1
53	54	D-MD-7426825-0-0	7426825-02	BRACKET,CABLE SUPPORT,L.H.	1	1
54	55	D-IA-7014308-0-0	7014308-03	POWER CORD ASSY 230V	0	1
55	56	A-PS-3618058-0-0	3618058-01	LABEL,CAUTION STABILITY 11V23-WA	1	1
56	57	A-PS-3618057-0-0	3618057-01	LABEL,CAUTION SERV.INTERLOCK 11V	4	4

***** RELEASABLE *****

D	I	G	I	T	A	L	TITLE	HARDWARE CONFIG. PKG NO. 76	SECTION A OF A	SIZE	CODE	DOCUMENT NUMBER	REV
										K	PL	7017647-0-DBP	X00

THIS DRAWING AND SPECIFICATIONS HEREIN ARE THE PROPERTY OF DIGITAL EQUIPMENT CORPORATION AND SHALL NOT BE REPRODUCED OR COPIED OR USED IN WHOLE OR IN PART AS THE BASIS FOR THE MANUFACTURE OR SALE OF ITEMS WITHOUT WRITTEN PERMISSION. COPYRIGHT © 1981 DIGITAL EQUIPMENT CORPORATION

NOTE:
1. FOR PROPER INSTALLATION OF ITEMS 5, 17, 29, 32 WITHIN THE CPU BOX REFERENCE E-UA-11730-Z-0.



CAUTION: SEE OFF SHEETS PARTS LIST K-PL-7017647-0-DBP. (Z3336A)

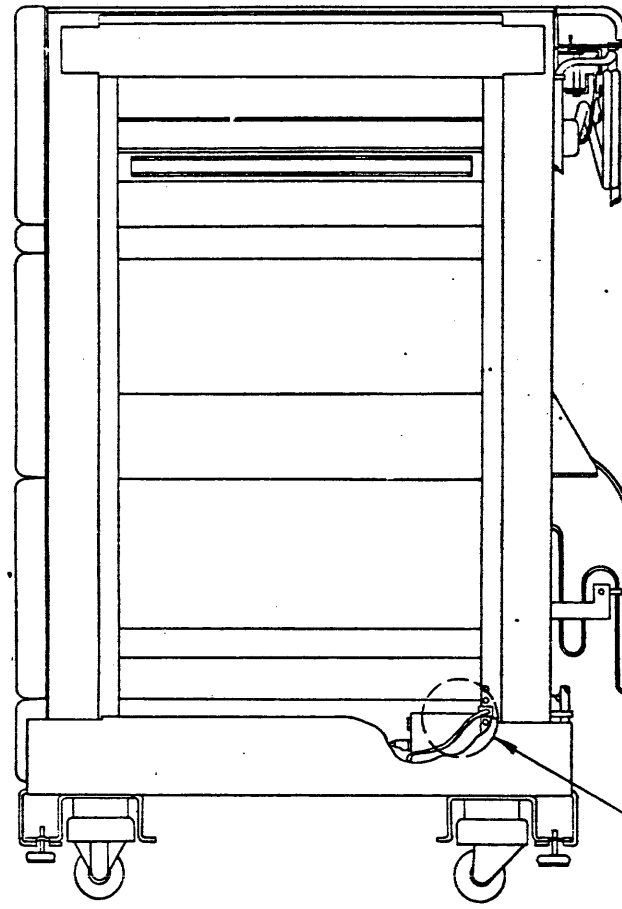
REVISION HISTORY	REV.
ECO NUMBER	
DATE	

DESCRIPTION	DRAWING NO.	PART NO.	ITEM NO.					
UNLESS OTHERWISE SPECIFIED DIMENSIONS ARE IN INCHES AND THE FOLLOWING TOLERANCES APPLY (PER DEC STD 114)								
INCHES TOLERANCES	ANGLES ± 30°	APPLICABLE DIMENSION RANGE	OVER 0 TO 0.2	OVER 0.2 TO 1.2	OVER 1.2 TO 4.0	OVER 4.0 TO 12.0	OVER 12.0 TO 40.0	OVER 40.0 TO 60.0
			± .004	± .008	± .012	± .016	± .024	
QUANTITY & VARIATION	SURFACE QUALITY	APPLICABLE DIMENSION RANGE						
X = ± .1	✓	± .004						
XII = ± .02		± .008						
XIII = ± .008		± .012						
		± .016						
		± .024						
THIRD ANGLE PROJECTION	DATE 4 Nov 81	TITLE		digital				
DO NOT SCALE DRAWING	DATE 27 Feb 82	HARDWARE CONFIG. PACKAGE NO. 76						
REMOVE BURRS AND BREAK SHARP CORNERS	DATE 29 Feb 82	DOCUMENT NUMBER		D AD 7017647-0-0 A				
MATERIAL SEE PARTS LIST	DATE 25 Feb 82	SCALE		TW 1				
FINISH 11	DATE 25 Feb 82	SHEET		1 OF 5				

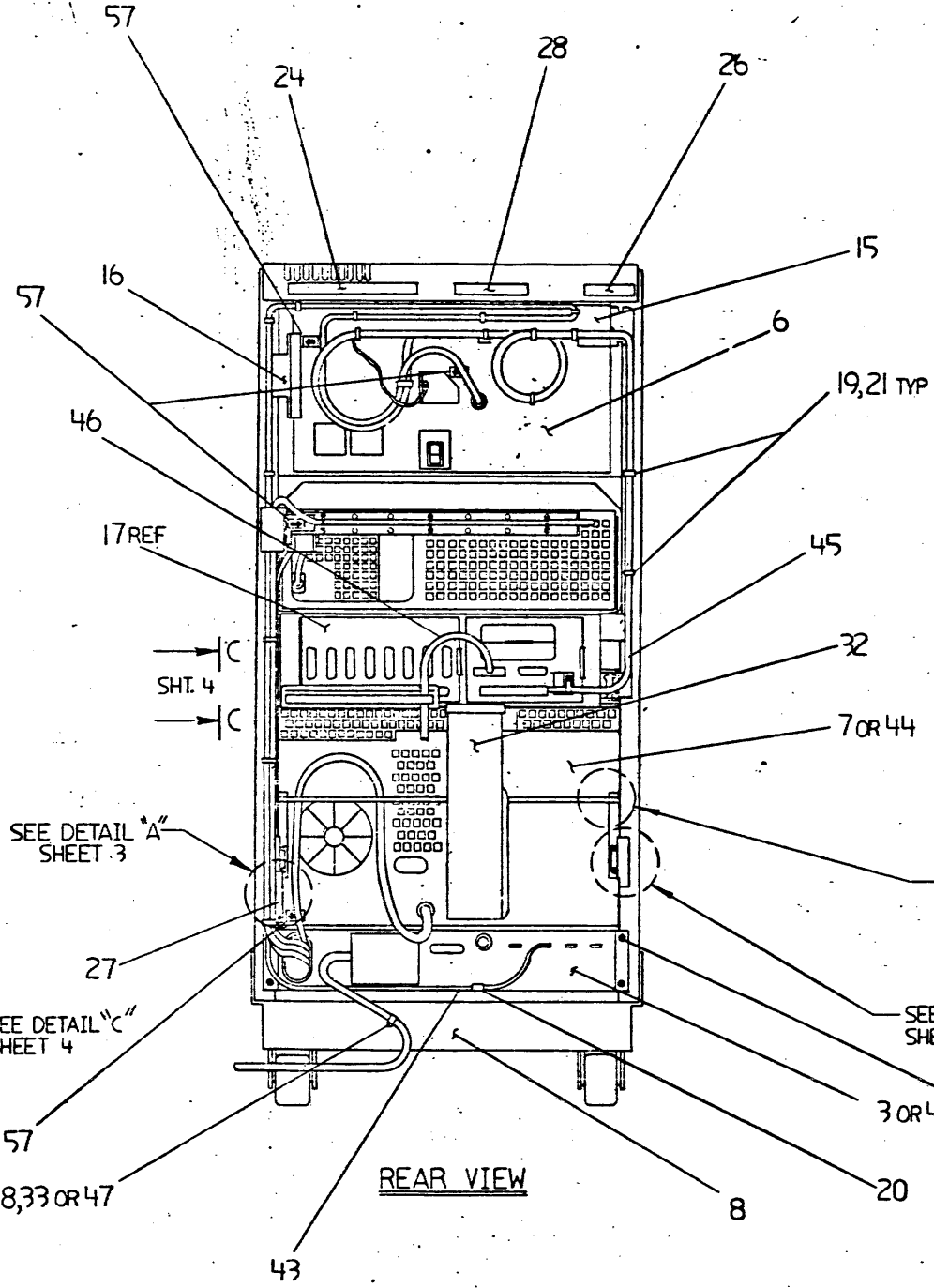
DRAWING NO. D AD 7017647-0-0

THIS DRAWING AND SPECIFICATIONS HEREIN ARE THE PROPERTY OF DIGITAL EQUIPMENT CORPORATION AND SHALL NOT BE REPRODUCED OR COPIED OR USED IN WHOLE OR IN PART AS THE BASIS FOR THE MANUFACTURE OR SALE OF ITEMS WITHOUT WRITTEN PERMISSION.
 COPYRIGHT © 1981 DIGITAL EQUIPMENT CORPORATION

REV. 0-0-0 DAD 7017647-0-0



RIGHT SIDE VIEW



REAR VIEW

DESCRIPTION	PL ITEM NO'S	LOCATION				MOUNTING HARDWARE		REMARKS	
		HOLE NO'S	RAIL		PL ITEM NO'S	QTY			
			1	2	3	4			
11730 (FRONT) (REAR)	1,2	26,27 26,27	E	E	E		SWI	NA	SEE E-UA-11730-Z-0 SEE E-UA-BALL-0-0
RL02 (DRIVE 1)	6	48,52	E	E	E		SWI	NA	SEE D-UA-RL02-FK-0
R80-AA DRIVE 0	7,44	9,13	E	E	E		SWI	NA	
POWER CONTROL, 874, MOUNTING GND STRAP	3,4	2,5, 6	E	S	E		23,18 23,18	4 1	
RESTRAIN BRKT. (DRIVE 1)	16	53,55	E				SWI	NA	SEE D-UA-RL02-FK-0
RETRACTOR ASSY (DRIVE 1)	15	57,59			E		SWI	NA	SEE D-UA-H026-0-0
R80 ESD BRACKET	27	10,12	E				SWI		SEE D-UA-74257-0-0
BEZEL, 6.00"	13		E	E			SWI	NA	SEE D-UA-H9544-D-0
BEZEL, 1.75"	12	44	E	E			SWI	NA	SEE D-UA-H9544-D-0
END PANEL, LEFT GND STRAP RIGHT GND STRAP	9	44 44			S	S	SWI	NA	SEE D-UA-H9544-A-0
RL02 TRIM/FILLER	11	62	E	E			SWI	NA	SEE D-UA-H9544-C-0
REAR DOOR, DOOR STOPS GND STRAP	10 48	7,54 15			S	E	SWI	NA	SEE D-UA-H9544-B-0

*ALL LOCATIONS ARE REFERENCED FROM DIAGRAMS 1 & 2;
 NA=NOT APPLICABLE; SWI= SUPPLIED WITH ITEM.

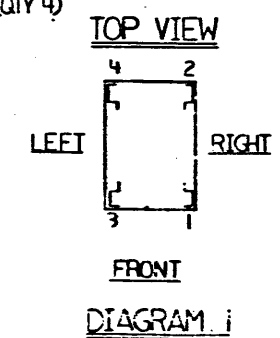


DIAGRAM 1

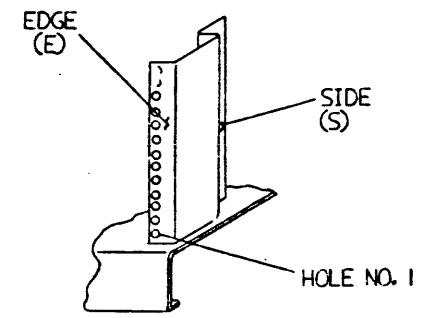


DIAGRAM 2

REVISION HISTORY		
DATE	ECO NUMBER	REV.

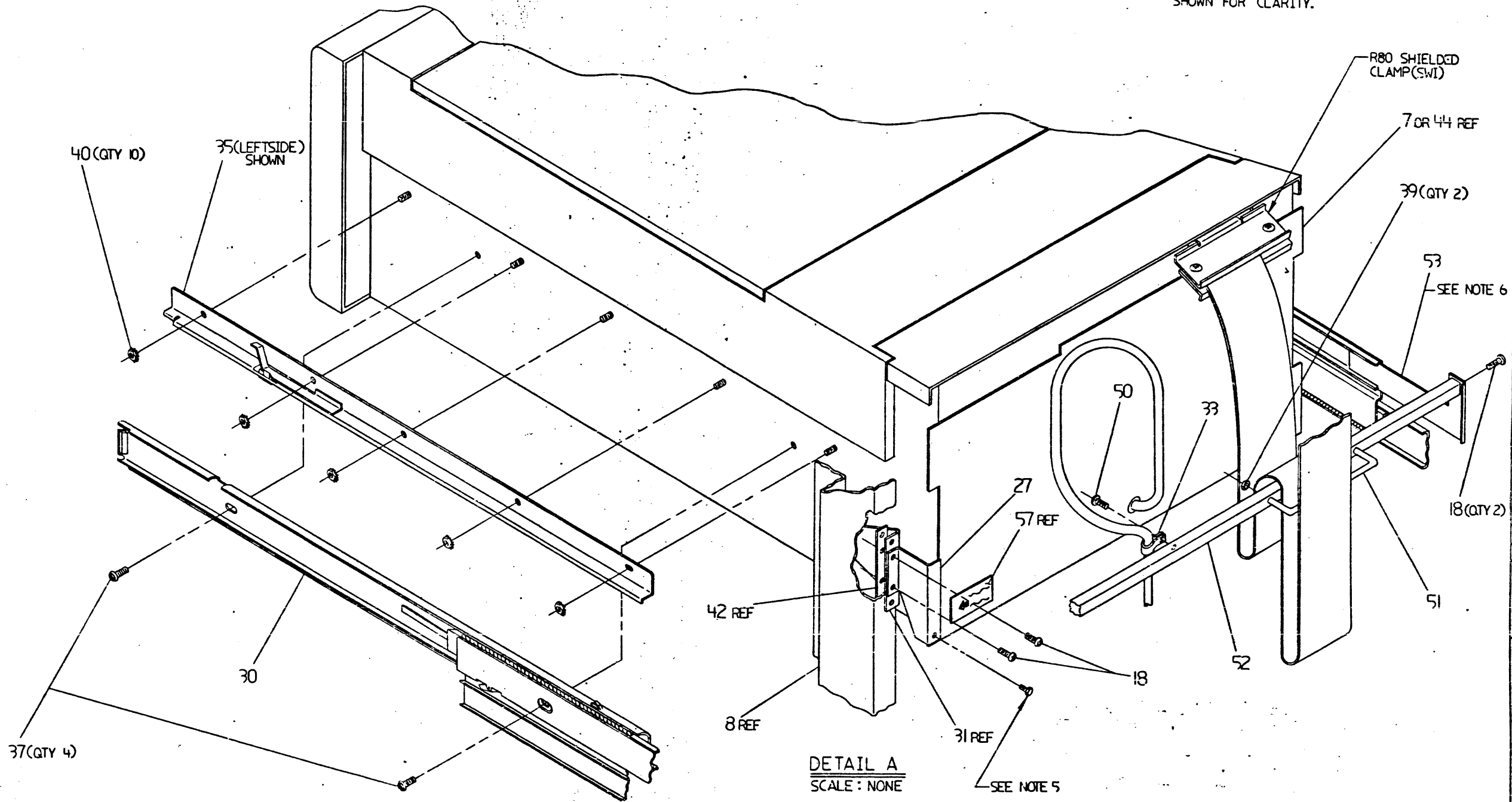
TITLE HARDWARE CONFIG.
 PACKAGE NO. 76

DOCUMENT NUMBER		
SIZE	CODE	NUMBER
D	AD	7017647-0-0
SCALE		SHEET 2 OF 5

THIS DRAWING AND SPECIFICATIONS HEREBY ARE THE PROPERTY OF DIGITAL EQUIPMENT CORPORATION AND SHALL NOT BE REPRODUCED OR COPIED OR USED IN WHOLE OR IN PART AS THE BASIS FOR THE MANUFACTURE OR SALE OF ITEMS WITHOUT WRITTEN PERMISSION.
 DIGITAL EQUIPMENT CORPORATION
 COPYRIGHT © 1971

NOTES:

1. MOUNT ITEM #35 TO R80 FIRST.
2. MOUNT ITEM #30 TO CAB.(SEE DETAIL B, SHT 4)
3. MOUNT R80 TO ITEM #30.
4. INSTALL SCREWS (ITEM #37) IN ITEM #30 TO THE R80.
5. REMOVE LOWER SCREW FROM R80 AND INSTALL THRU ITEM #27.
6. ITEM #54 (LEFTHAND SIDE OF ITEM #53) NOT SHOWN FOR CLARITY.



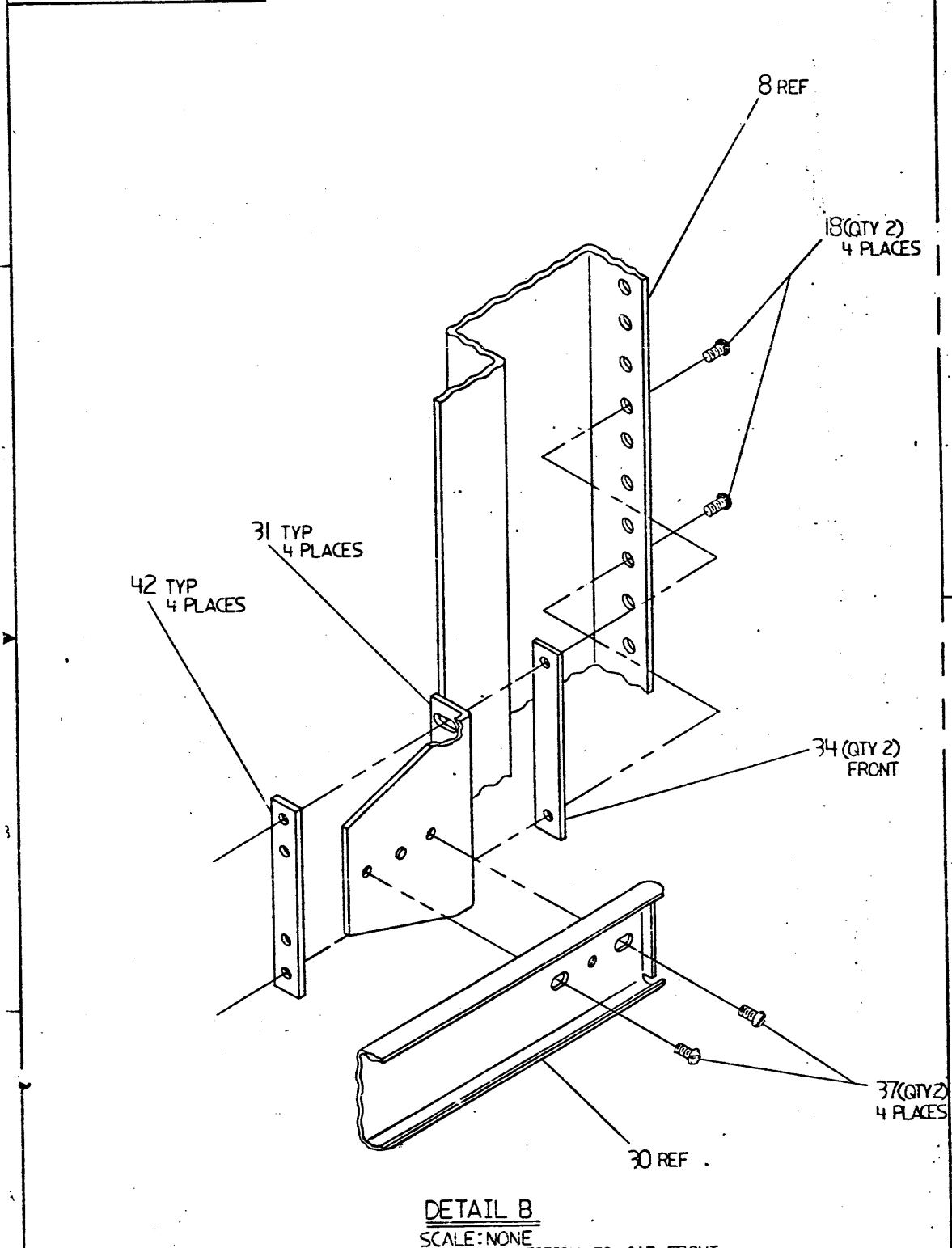
DETAIL A
SCALE: NONE

REVISION HISTORY		
DATE	ECO NUMBER	REV

TITLE HARDWARE CONFIG.
 PKG NO. 76

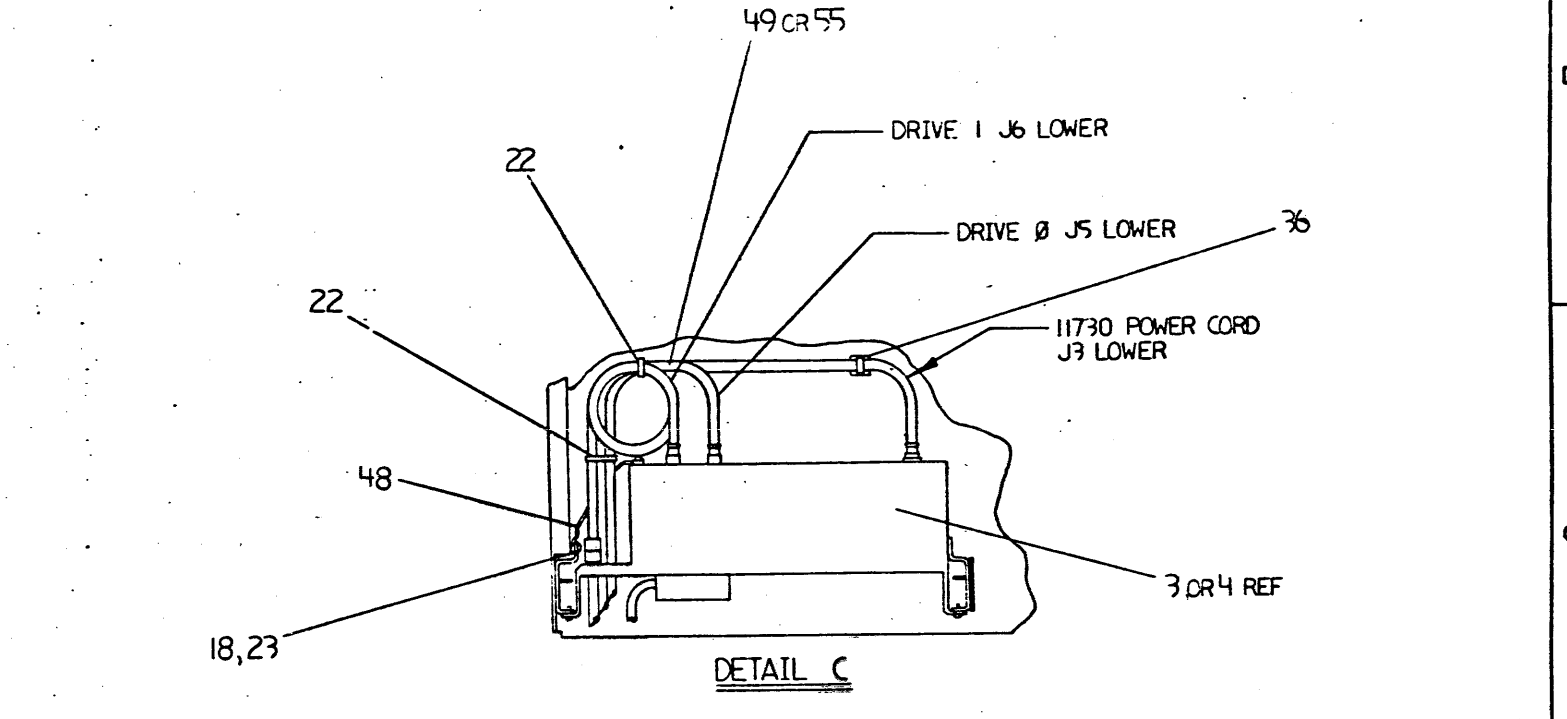
DOCUMENT NUMBER		
SIZE CODE	NUMBER	REV
DJA	7017647-0-0	A
SCALE	SHEET 3 OF 5	

THIS DRAWING AND SPECIFICATIONS HEREIN ARE THE PROPERTY OF DIGITAL EQUIPMENT CORPORATION AND SHALL NOT BE REPRODUCED OR COPIED OR USED IN WHOLE OR IN PART AS THE BASIS FOR THE MANUFACTURE OR SALE OF ITEMS WITHOUT WRITTEN PERMISSION. COPYRIGHT © 1971 DIGITAL EQUIPMENT CORPORATION.

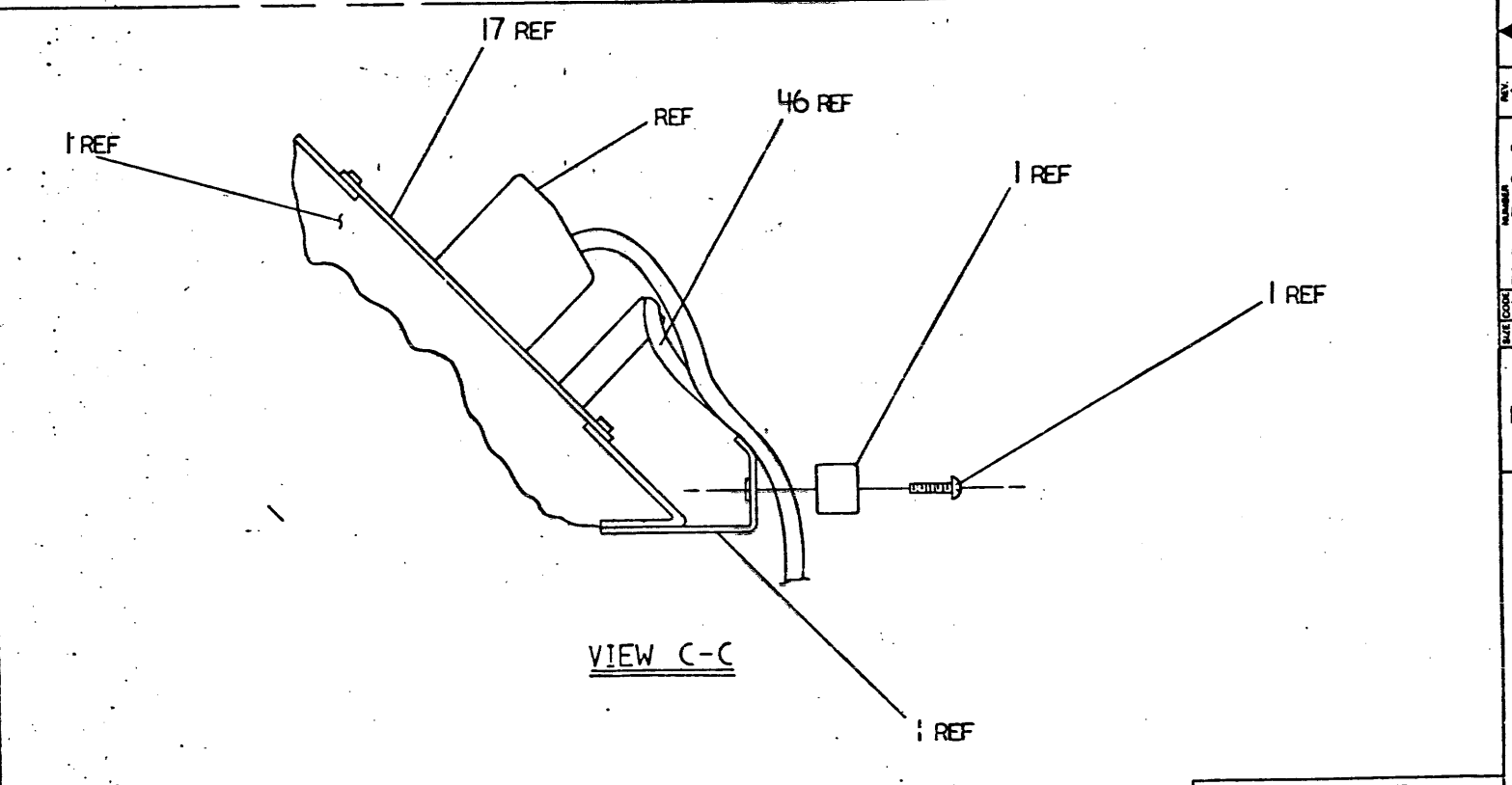


DETAIL B

SCALE: NONE
R80 SLIDES MOUNTING POSITION TO CAB FRONT
TYP BUT REAR WITHOUT ITEM 37



DETAIL C



VIEW C-C

REVISION HISTORY		
DATE	ECO NUMBER	REV.

TITLE
HARDWARE CONFIG.
PACKAGE NO. 76

DOCUMENT NUMBER		
SIZE CODE	NUMBER	REV.
DAD	7017647-0-0	A
SCALE	SHEET 4	OF 5

8

AD 7017647-0-0

6

5

4

3

2

1

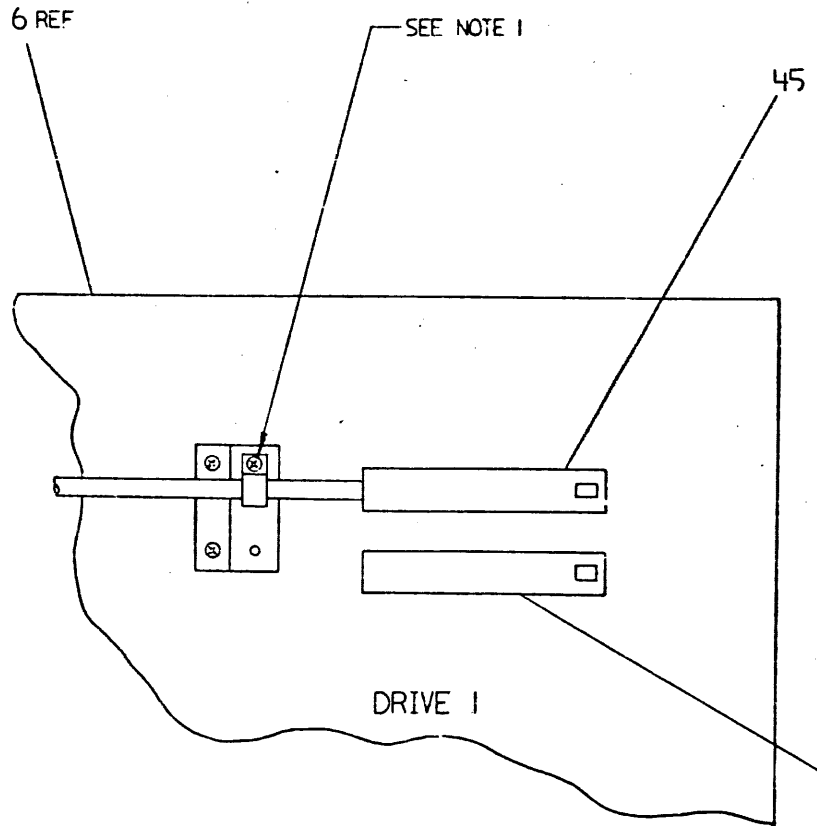
THIS DRAWING AND SPECIFICATIONS HEREIN ARE THE PROPERTY OF DIGITAL EQUIPMENT CORPORATION AND SHALL NOT BE REPRODUCED OR COPIED IN WHOLE OR IN PART AS THE BASIS FOR THE MANUFACTURE OR SALE OF THIS OR ANY OTHER EQUIPMENT WITHOUT WRITTEN PERMISSION. COPYRIGHT © 1981 DIGITAL EQUIPMENT CORPORATION

D

C

B

A

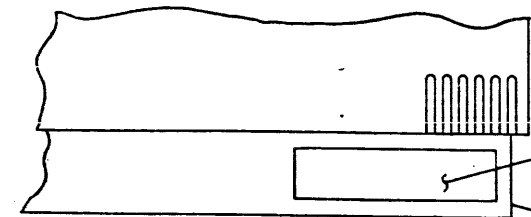


DRIVE I

DETAIL D

REAR VIEW OF RLO2

NOTE: 1. ATTACH BC21Z SHIELD WITH HARDWARE SUPPLIED WITH ITEM TYP DRIVE I & 11730-ZA.



DETAIL E

56

10 REF

REVISION HISTORY		
DATE	ECD NUMBER	REV

DWG NO.

8

7

6

5

4

3

2

TW

1

TITLE HARDWARE CONFIG. PACKAGE NO. 75

SIZE	CODE	DOCUMENT NUMBER	NUMBER	REV
D	AD	7017647-0-0		A
SCALE		SHEET 5 OF 5		

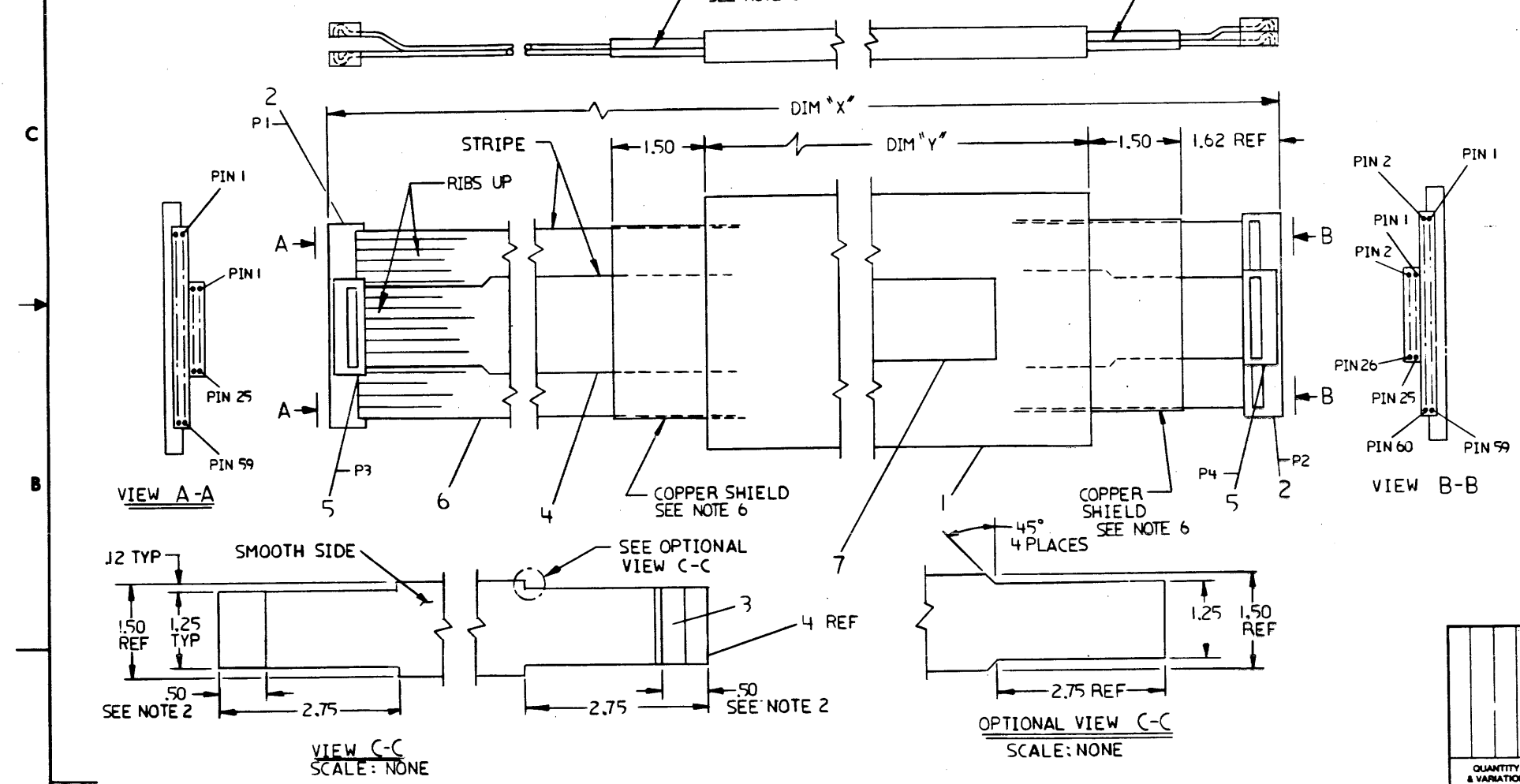
THIS DRAWING AND SPECIFICATIONS HEREIN ARE THE PROPERTY OF DIGITAL EQUIPMENT CORPORATION AND SHALL NOT BE REPRODUCED OR COPIED OR USED IN WHOLE OR IN PART AS THE BASIS FOR THE MANUFACTURE OR SALE OF ITEMS WITHOUT WRITTEN PERMISSION.
COPYRIGHT © 1982 DIGITAL EQUIPMENT CORPORATION

WIRE TABLE (60 PIN CABLE)								WIRE TABLE (26 PIN CABLE)							
FROM	TO	FROM	TO	FROM	TO	FROM	TO	FROM	TO	FROM	TO	FROM	TO		
P1-1	P2-1	P1-16	P2-16	P1-31	P2-31	P1-46	P2-46	P3-1	P4-1	P3-10	P4-10	P3-19	P4-19		
P1-2	P2-2	P1-17	P2-17	P1-32	P2-32	P1-47	P2-47	P3-2	P4-2	P3-11	P4-11	P3-20	P4-20		
P1-3	P2-3	P1-18	P2-18	P1-33	P2-33	P1-48	P2-48	P3-3	P4-3	P3-12	P4-12	P3-21	P4-21		
P1-4	P2-4	P1-19	P2-19	P1-34	P2-34	P1-49	P2-49	P3-4	P4-4	P3-13	P4-13	P3-22	P4-22		
P1-5	P2-5	P1-20	P2-20	P1-35	P2-35	P1-50	P2-50	P3-5	P4-5	P3-14	P4-14	P3-23	P4-23		
P1-6	P2-6	P1-21	P2-21	P1-36	P2-36	P1-51	P2-51	P3-6	P4-6	P3-15	P4-15	P3-24	P4-24		
P1-7	P2-7	P1-22	P2-22	P1-37	P2-37	P1-52	P2-52	P3-7	P4-7	P3-16	P4-16	P3-25	P4-25		
P1-8	P2-8	P1-23	P2-23	P1-38	P2-38	P1-53	P2-53	P3-8	P4-8	P3-17	P4-17	P3-26	P4-26		
P1-9	P2-9	P1-24	P2-24	P1-39	P2-39	P1-54	P2-54	P3-9	P4-9	P3-18	P4-18				
P1-10	P2-10	P1-25	P2-25	P1-40	P2-40	P1-55	P2-55								
P1-11	P2-11	P1-26	P2-26	P1-41	P2-41	P1-56	P2-56								
P1-12	P2-12	P1-27	P2-27	P1-42	P2-42	P1-57	P2-57								
P1-13	P2-13	P1-28	P2-28	P1-43	P2-43	P1-58	P2-58								
P1-14	P2-14	P1-29	P2-29	P1-44	P2-44	P1-59	P2-59								
P1-15	P2-15	P1-30	P2-30	P1-45	P2-45	P1-60	P2-60								

LEGEND		
PART NO	DIM X	DIM Y
7018783 00	120.00 ± 1.00	31.00 ± 1.00

LEGEND TABLE (VAR-00)			
ITEM NO.	PRECUT	FINISHED	REMARKS
4	10' 1/4"	10'	DIM X
6	10' 1/4"	10'	DIM X
1	35"	32"	DIM Y

- NOTES:
1. DRAIN WIRE (ON 26 CONDUCTOR CABLE) CONNECTS TO PIN 26.
 2. REMOVE SHIELD .50 FROM END OF CABLE (SEE VIEW C-C).
 3. COVER EXPOSED DRAIN WIRE AND SHIELD END WITH ITEM 3 PRIOR TO TO ASSY. (BOTH ENDS)
 4. TOLERANCE IS ±.12 ACCEPT AS NOTED.
 5. CABLES ARE TO BE INSIDE SHIELD ON BOTH SIDES.
 6. COPPER SHIELD ON JACKET IS TO BE SPLIT ON SIDES AND FOLDED BACK OVER JACKET BOTH ENDS.



CAUTION: SEE OFF SHEETS PARTS LIST LIST K-PL-7018783-0 - DBP (Z4165A)

DESCRIPTION	DRAWING NO.	PART NO.	ITEM NO.
UNLESS OTHERWISE SPECIFIED DIMENSIONS ARE IN INCHES AND THE FOLLOWING TOLERANCES APPLY (PER DEC STD 114):			
INCHES TOLERANCES	ANGLES ± 0° 30'	APPLICABLE DIMENSION RANGE (CHECK ONE)	DIMENSION RANGE IN INCHES
X = ± .1	SURFACE QUALITY	<input type="checkbox"/> OVER 0 TO 0.2 <input type="checkbox"/> OVER 0.2 TO 1.2 <input type="checkbox"/> OVER 1.2 TO 4.0 <input type="checkbox"/> OVER 4.0 TO 12.0 <input type="checkbox"/> OVER 12.0 TO 40.0 <input type="checkbox"/> OVER 40.0 TO 80.0	± .02
.XX = ± .02			± .05
.XXX = ± .008			± .10
QUANTITY & VARIATION	THIRD ANGLE PROJECTION	DATE 16 FEB 82	TITLE R80 I/O CABLE ASSY
DO NOT SCALE DRAWING	DATE 21 APR 82	DATE 21 APR 82	DATE 21 APR 82
REMOVE BURRS AND BREAK SHARP CORNERS	DATE 21 APR 82	DATE 21 APR 82	DATE 21 APR 82
MATERIAL SEE PARTS LIST	DATE 21 APR 82	DATE 21 APR 82	DATE 21 APR 82
FINISH	DATE 21 APR 82	DATE 21 APR 82	DATE 21 APR 82
	DATE 21 APR 82	DATE 21 APR 82	DATE 21 APR 82

REV	DATE	DESCRIPTION

AUTOMATED BY PRTLST.PP(44)

PARTS LIST

SHEET A1 OF A1

LINE ITEM	DOCUMENT NUMBER	PART NUMBER	DESCRIPTION	QUANTITY PER VARIATION
1	1	1220013-01	JACKET,SHIELDED,RIBBON CABLE	35
2	2	1211206-05	CONN,IDC 60SKT(2X30).100CC GOL	2
3	3	3612511-00	TAPE,VINYL ELECTRICAL,1/2'X20'	2
4	4	1700034-02	CABLE,FLAT,26 COND,30AWG,SHIELDE	121
5	5	1211206-04	CONN,IDC 26SKT(2X13).100CC GOL	2
6	6	9107738-06	CABLE,FLAT 60COND 28AWG	121
7	7	3616073-00	LABEL,ID W/COPY VERTICAL	1

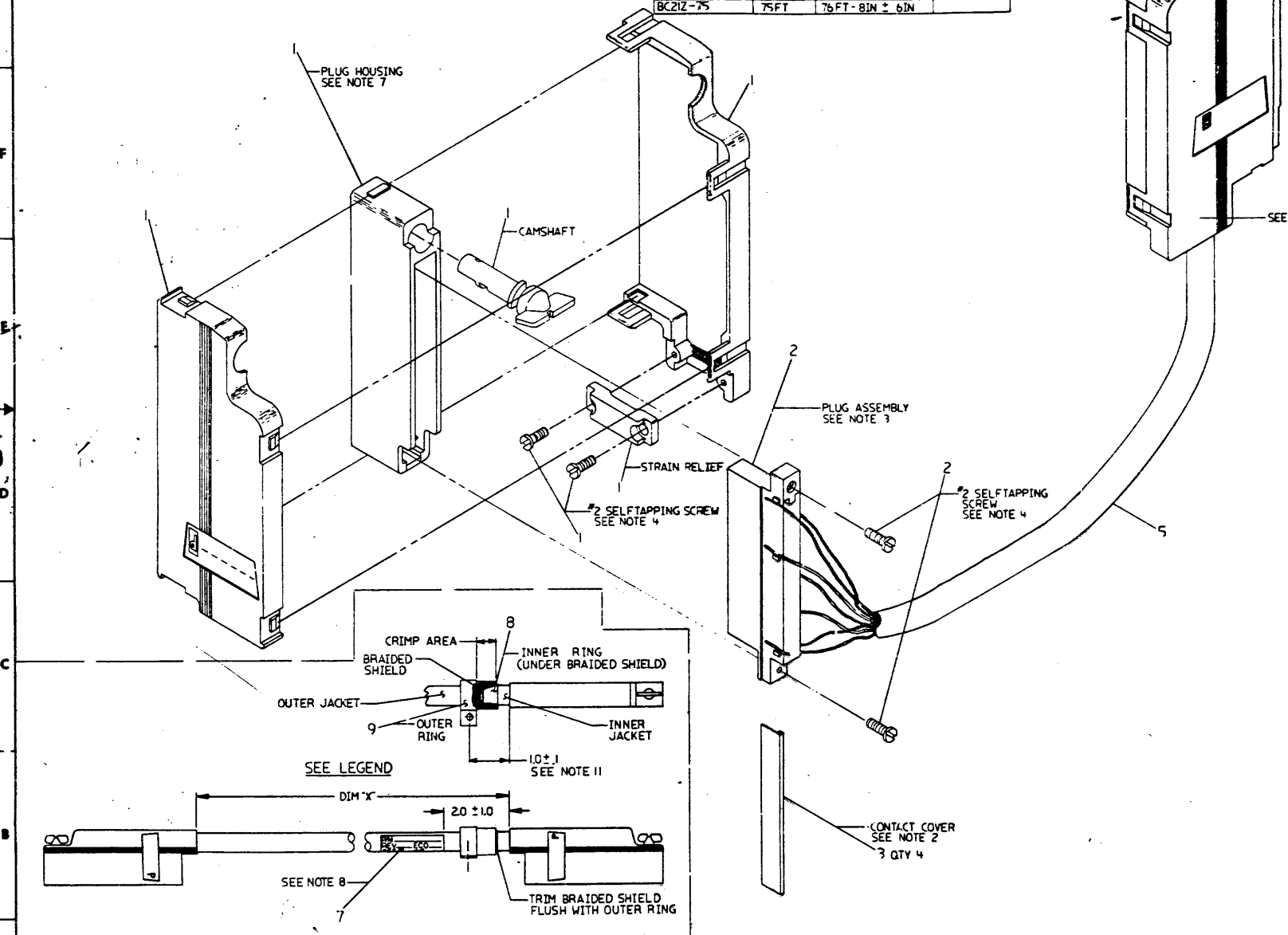
8 NOTE: ITEMS 1,3,4 & 6 ARE IN INCHES

REVISION HISTORY			BASIC PART NO: 7018783		
ENG	ECD NUMBER	REV	SECTION A OF A	DRN: H. DARAKJIAN	DATE: 22-APR-82
	INITIAL	A	SECTION. VARIATION INDEX	CHK'D: R.J. RILEY	DATE: 22-APR-82
			[A] 00	DES.ENG.: D. CARLSON	DATE: 22-APR-82
			[B]	RESP.ENG.: D. CARLSON	DATE: 22-APR-82
			[C]		
			[D]		
			[E]	MFG.ENG.: S. CASTIGLIONE	DATE: 22-APR-82
			[F]	ASSEMBLY NUMBER:	TOP DOCUMENT NUMBER:
				D-IA-7018783-0-0	D-AD-7017647-0-0
					FILE NAME: Z4165A.PLS
					EDIT #: 6
<p>* THIS DRAWING AND SPECIFICATIONS HEREIN, ARE THE PROPERTY OF DIGITAL EQUIPMENT CORPORATION AND SHALL NOT BE REPRODUCED OR COPIED OR USED IN WHOLE OR IN PART AS THE BASIS FOR THE MANUFACTURE OR SALE OF ITEMS WITHOUT WRITTEN PERMISSION. COPYRIGHT (C) 1982. DIGITAL EQUIPMENT CORPORATION *</p>					

THIS DRAWING AND THE PARTS LIST THEREON ARE UNCLASSIFIED AND THE DATE OF DECLASSIFICATION IS INDEFINITE.

LEGEND			
NUMBER	DIM 'X'	PRE-CUT LENGTH	REMARKS
BC21Z-86	6 FT	7 FT-8 IN ± 2 IN	
BC21Z-88	8 FT	9 FT-8 IN ± 2 IN	
BC21Z-89	10 FT	11 FT-8 IN ± 2 IN	
BC21Z-12	12 FT	13 FT-8 IN ± 3 IN	
BC21Z-20	20 FT	21 FT-8 IN ± 3 IN	
BC21Z-25	25 FT	26 FT-8 IN ± 3 IN	
BC21Z-30	30 FT	31 FT-8 IN ± 6 IN	
BC21Z-40	40 FT	41 FT-8 IN ± 6 IN	
BC21Z-50	50 FT	51 FT-8 IN ± 6 IN	
BC21Z-60	60 FT	61 FT-8 IN ± 6 IN	
BC21Z-75	75 FT	76 FT-8 IN ± 6 IN	

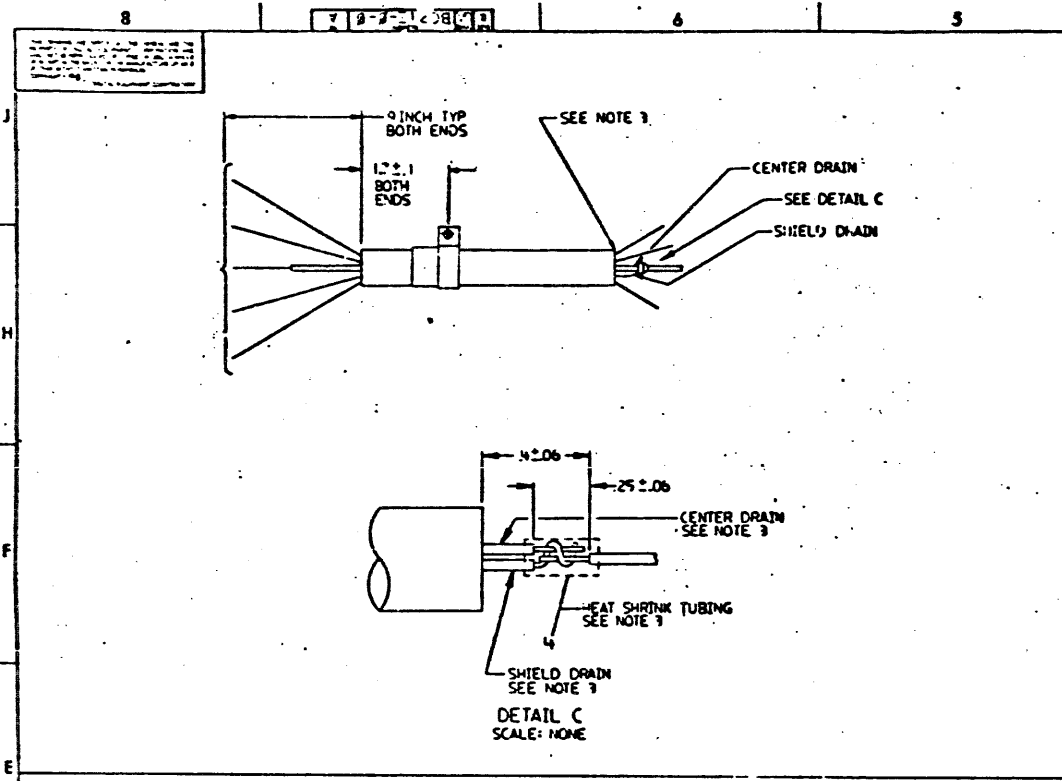
- NOTES:
- "CUT AND REMOVE 0.8 ± .5 INCHES OF THE OUTER CABLE JACKET FROM BOTH ENDS OF CABLE. CAUTION: DO NOT CUT OR NICK STRAIN WIRE UNDER OUTER JACKET. REMOVE THE NYLON WRAP AND ALUMINUM SHIELD FLUSH TO JACKET."
 - "IMP. SEMI-AUTOMATIC INSERTION MACHINES (COMPARATOR OR CHAMPOMATIC) MUST BE USED TO TERMINATE THE LEADS TO PLUG ASSEMBLIES ITEM 2. THE STANDARD CABLE CLAMP SUPPLIED WITH THE WIP MACHINES MAY REQUIRE MODIFYING TO POSITION CABLE. ITEM 5, TO PLUG ASSEMBLY, ITEM 2, PER DETAIL B. AFTER ASSEMBLY OF WIRES TO PLUG, INSTALL COVER, ITEM 5, TO EACH SIDE OF PLUG."
 - "THE DRAIN WIRE AND INNER GND WIRE MUST BE PREPARED AS FOLLOWS BEFORE TERMINATING CABLE TO PLUG. THESE PROCEDURES ARE DESCRIBED IN DEC ASSEMBLY PROCESSES FOR THIS ASSEMBLY. A SIGNED DISCLOSURE STATEMENT IS REQUIRED TO OBTAIN COPIES OF ANY DEC PROCESS SPECIFICATION."
 - 3.1 "CUT BACK THE CENTER BLACK GND WIRE .4 ± .1 INCH ABOVE JACKET. STRIP END .25 ± .06 INCH."
 - 3.2 "FIND AND SEPARATE THE SOLID WHITE AND YELLOW PAIRED WIRES. CUT THE WHITE WIRE FLUSH WITH JACKET. STRIP END OF LOOSE WHITE WIRE .25 ± .06 INCH."
 - 3.3 "POSITION STRIPPED END OF WHITE WIRE PARALLEL TO THE STRIPPED END OF THE BLACK GND WIRE. WRAP THE DRAIN WIRE AROUND THE STRIPPED END OF THE BLACK AND WHITE WIRE 2-4 TIMES. SOLDER WIRE SPLICE AND CUT OFF END OF DRAIN FLUSH WITH SPLICE."
 - 3.4 "COVER SPLICE WITH 0.5 ± .06 INCH OF SHRINKING TUBING. ITEM 6, TWIST THE WHITE AND YELLOW WIRES (PREVIOUSLY SEPARATED) BACK TOGETHER FOR APPROXIMATELY (3) THREE INCHES."
 - "SCREWS (2 X .51 S.T.) ARE PART OF ITEM 1. TORQUE SCREWS TO 2.5 ± .5 IN/LBS (ABLE CLAMP SHOULD BE CLAMPED IN POSITION BEFORE INSTALLING SCREWS. CABLE CLAMP MUST BE FLUSH TO HOUSING BOTH SIDES."
 - "ACTIVE CONTACT (DEC 121591-27) AND BLACK 28 GAG WIRE (DEC 910769-00) IS FOR PRODUCTION REPAIR ONLY. REF. AMP CONTACT (66555-1, P.1) AND CRIMP TOOL (90209-1) EXTRACTION TOOL (91111-1)."
 - "RING, ITEM 8, TO BE INSTALLED OVER EACH CONNECTOR AND SECURED AFTER COMPLETION OF ASSEMBLY."
 - "PRIOR TO SNAPPING SIDES OF HOUSING TOGETHER, ASSURE THAT ALL WIRES ARE WELL WITHIN HOUSING."
 - "LABEL, ITEM 9, TO CONTAIN:
ASSEMBLY P/N
REVISION (LEVEL)
REG. (PLACE OF BUILD) DATE (OF REG)
TEST (STAMP) (INSP. (STAMP))"
 - "DEC STANDARD 116 (WORKSHIP) APPLIED TO THIS ASSEMBLY."
 - "P/NK SHIPPING CONTAINER AS TO:
ASSEMBLY NO.
REVISION (LEVEL)
REG BY
DATE
QTY"
 - "CONN. GROUNDING SHEATH (STRAIN RELIEF (ITEM 9)) TO BE PLACED AT RIGHT ANGLE (± 20°) TO CONN. ZIF (ITEMS 1,2,3) AS SHOWN (BOTH VIEWS)."



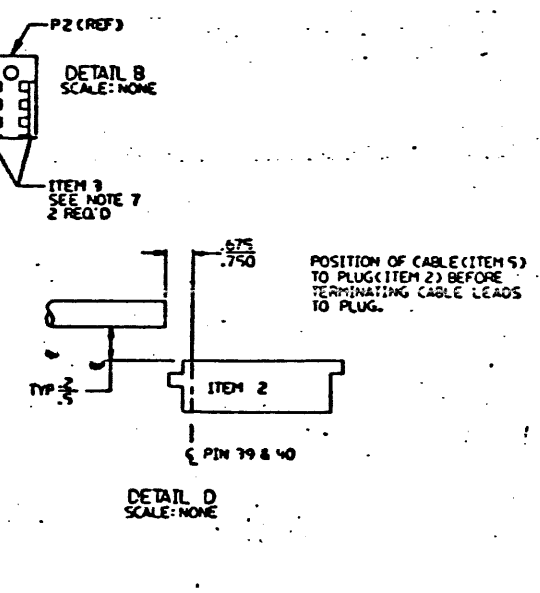
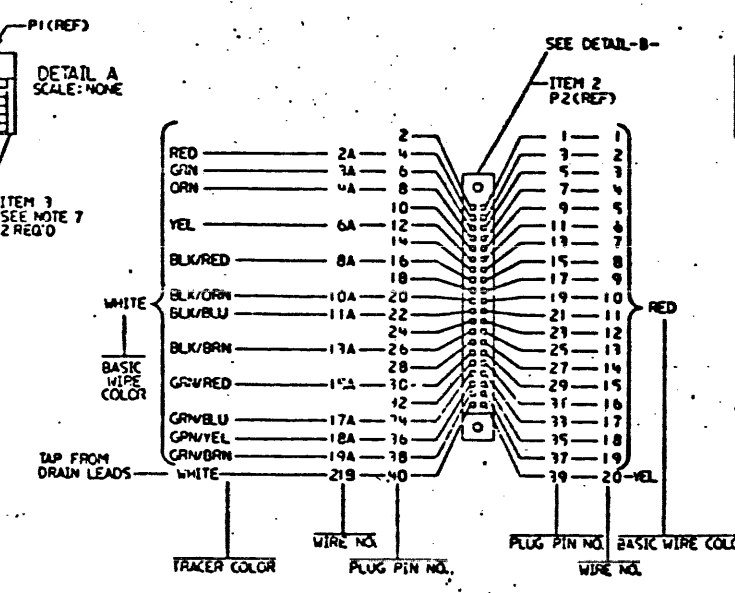
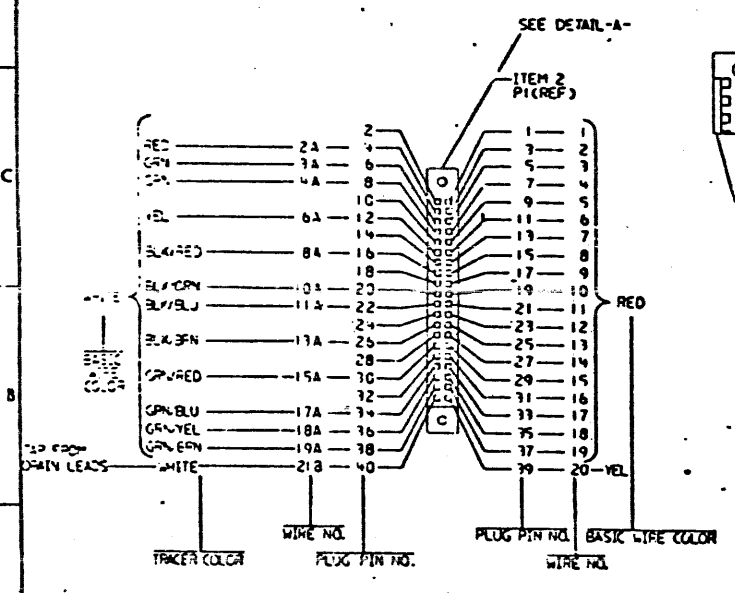
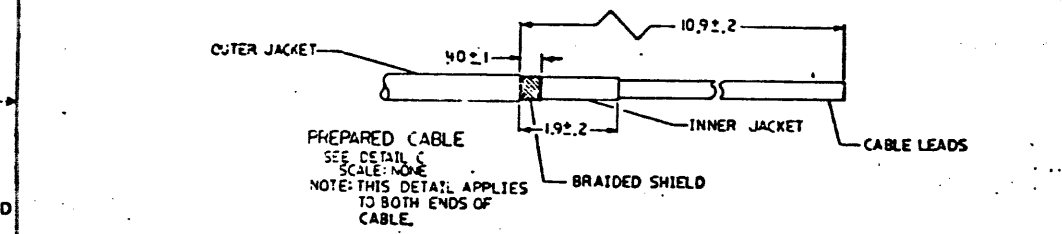
CAUTION: OFF SHEET PARTS LIST EXISTS. SEE K-PL-BC21Z-0-DBP (22929)

DESCRIPTION	DRAWING NO.	ITEM NO.
UNLESS OTHERWISE SPECIFIED DIMENSIONS ARE IN INCHES		
QUANTITY & VARIATION	REV. NO.	DATE
REV. 1	1	10/10/00
TITLE: I/O CABLE ASSEMBLY		
DRAWN BY: J. A. B. / CHECKED BY: J. A. B.		
PART NUMBER: 81A BC21Z-0-0		
SCALE: NONE		
SHEET 1 OF 2		

UNCLASSIFIED
DATE 10/10/00
BY: J. A. B.



WIRE NO.	FROM CONNECTOR PLUG	PLUG PIN NO.	BASIC WIRE COLOR	WITH TRAFFIC COLOR	TO CONNECTOR PLUG	PLUG PIN NO.	REMARKS
1							TWISTED PAIR
1A							
2	P1	3	RED		P2	3	
2A		4	WHT	RED		4	
3		5	RED			5	
3A		6	WHT	GRN		6	
4		7	RED			7	
4A		8	WHT	ORN		8	
5							
5A							
6		11	RED			11	
6A		12	WHT	YEL		12	
7							
7A							
8		15	RED			15	
8A		16	WHT	BLK/RED		16	
9							
9A							
10		19	RED			19	
10A		20	WHT	BLK/ORN		20	
11		21	RED			21	
11A		22	WHT	BLK/BLU		22	
12							
12A							
13		25	RED			25	
13A		26	WHT	BLK/BRN		26	
14							
14A							
15		29	RED			29	
15A		30	WHT	GRN/RED		30	
16							
16A							
17		33	RED			33	
17A		34	WHT	GRN/BLU		34	
18		35	RED			35	
18A		36	WHT	GRN/YEL		36	
19		37	RED			37	TWISTED PAIR
19A		38	WHT	GRN/BRN		38	
20		39	YEL			39	
20A							
21	P1	SEE 21B	WHT		P2	SEE 21B	SHIELD DRAIN
21A							CENTER DRAIN WIRE
21B	P1	40	WHT		P2	40	CND WIRE



CUT WIRE NO 20A OFF AT JACKET (SEE NOTE 3)
JUMP SHIELD & CENTER DRAIN TOGETHER PER DETAIL-C & TERMINATE WHT WIRE (21B) IN PIN 40.

AUTOMATED BY PRTLST.3P(44)

PARTS LIST

SHEET 01 OF 01

LINE ITEM	DOCUMENT NUMBER	PART NUMBER	DESCRIPTION	QUANTITY PER VARIATION												
				06	08	10	12	20	25	30	40	50	60	75		
1	1	1211591-52	CONN,ZIF 40PIN PLUG/STRAIN REL	2	2	2	2	2	2	2	2	2	2	2	2	2
2	2	1211591-07	CONN,ZIF 40PIN PLUG	2	2	2	2	2	2	2	2	2	2	2	2	2
3	3	1211591-11	CONN,ZIF COVER,CONTACT DISPLATI	4	4	4	4	4	4	4	4	4	4	4	4	4
4	4	9107255-00	TUBING,SHRINK 1/8 DIA.EXP UL	A/R	A/R	A/R	A/R	A/R	A/R	A/R	A/R	A/R	A/R	A/R	A/R	A/R
5	5	1700051-03	CABLE, 26 COND. 28AUG.TWP,SHIELD	A/R	A/R	A/R	A/R	A/R	A/R	A/R	A/R	A/R	A/R	A/R	A/R	A/R
6	6	9905012-04	ENVELOPE,MAILITE,SHIPPING	2	2	2	2	2	2	2	2	2	2	2	2	2
7	7	3616073-00	LABEL,CABLE IDENTIFICATION	1	1	1	1	1	1	1	1	1	1	1	1	1
8	8	1219082-01	CONN,GROUNDING SHEATH,INNER RING	2	2	2	2	2	2	2	2	2	2	2	2	2
9	9	1219145-01	CONN,GROUNDING SHEATH/STRAIN REL	2	2	2	2	2	2	2	2	2	2	2	2	2

10 NOTE: - LEGEND
 11 NOTE: - PART NUMBER VARIATION
 12 NOTE: - BC21Z-04 I/O CABLE ASSY,6FT
 13 NOTE: - BC21Z-08 I/O CABLE ASSY,8FT
 14 NOTE: - BC21Z-10 I/O CABLE ASSY,10FT
 15 NOTE: - BC21Z-12 I/O CABLE ASSY,12FT
 16 NOTE: - BC21Z-20 I/O CABLE ASSY,20FT
 17 NOTE: - BC21Z-25 I/O CABLE ASSY,25FT

LEGEND
 PART NUMBER VARIATION
 BC21Z-30 I/O CABLE ASSY,30FT
 BC21Z-40 I/O CABLE ASSY,40FT
 BC21Z-50 I/O CABLE ASSY,50FT
 BC21Z-60 I/O CABLE ASSY,60FT
 BC21Z-75 I/O CABLE ASSY,75FT

REVISION HISTORY		BASIC PART NO: BC21Z		DRN1	K. DAVIS	DATE: 12-OCT-81	D I S I T A I L	
ENG	ECO NUMBER	REV	SECTION A OF A	CHK'D:	B. MILLER	DATE: 13-OCT-81	TITLE	PARTS LIST
		A	SECTION. VARIATION INDEX				I/O CABLE ASSEMBLY	
			[A] 06,08,10,12,20,25,					
			30,40,50,60,75					
			[B]	DES.ENG.:	S. HANDE	DATE: 13-OCT-81		
			[C]	RESP.ENG.:	V. HARDER	DATE: 13-OCT-81	DOCUMENT NUMBER	
			[D]				SIZE CODE NUMBER	REV
			[E]	MFG.ENG.:	R. PAYETTE	DATE: 13-OCT-81	K PL	BC21Z-0-DBP A
			[F]	ASSEMBLY NUMBER:		TOP DOCUMENT NUMBER:	FILE NAME:	EDIT
				E-UA-BC21Z-0-0		BB-DD-RL01-0	Z2929A.PLS	8

"THIS DRAWING AND SPECIFICATIONS HEREIN, ARE THE PROPERTY OF DIGITAL EQUIPMENT CORPORATION AND SHALL NOT BE REPRODUCED OR COPIED OR USED IN WHOLE OR IN PART AS THE BASIS FOR THE MANUFACTURE OR SALE OF ITEMS WITHOUT WRITTEN PERMISSION. COPYRIGHT (C) 1981. DIGITAL EQUIPMENT CORPORATION"

4

3

REV. A B UA BC22D-0-0

1

"THIS DRAWING AND SPECIFICATIONS, HEREIN, ARE THE PROPERTY OF DIGITAL EQUIPMENT CORPORATION AND SHALL NOT BE REPRODUCED OR COPIED OR USED IN WHOLE OR IN PART AS THE BASIS FOR THE MANUFACTURE OR SALE OF ITEMS WITHOUT WRITTEN PERMISSION.
 COPYRIGHT © 1982 DIGITAL EQUIPMENT CORPORATION

NOTES:
 1. FOR CABLE CONFIGURATION REFER TO A-PS-1700313-0-0.

LEGEND

NUMBER	VARIATION	DIM "X"	DIM "Y" REF
BC22D-10	1700313-01	10 FT.	
BC22D-25	1700313-02	25 FT.	
BC22D-35	1700313-03	35 FT.	
BC22D-50	1700313-04	50 FT.	
BC22D-75	1700313-05	75 FT.	
BC22D-A0	1700313-06	100 FT.	
BC22D-A5	1700313-07	150 FT.	
BC22D-B0	1700313-08	200 FT.	
BC22D-B5	1700313-09	250 FT.	

WIRE TABLE

ITEM NO.	PAIR NO.	DESCRIPTION		TO		FROM		REMARKS
		AWG	COLOR	CONN	WITH	CONN	WITH	
2 THRU 10	X		BLK	PI-1		P2-1		
			BRN	PI-2		P2-3		
			RED	PI-3		P2-2		
			ORN	PI-6		P2-20		
			YEL	PI-7		P2-7		
			GRN	PI-20		P2-6		
			—	PI-SHELL		P2-SHELL		SHIELD & DRAIN WIRE

DESCRIPTION	DWG/PART NO.	ITEM NO.
UNLESS OTHERWISE SPECIFIED DIMENSIONS ARE IN INCHES		
ANGLES ±0.30°	CLASS OF ACCURACY (CHECK ONE)	NOMINAL DIMENSION RANGE INCHES
SURFACE QUALITY IN	MEDIUM <input type="checkbox"/>	±.004 ±.008 ±.012 ±.016 ±.024 ±.04
MICROINCHES	PREFERRED <input type="checkbox"/>	±.012 ±.016 ±.025 ±.04 ±.063 ±.1

THIRD ANGLE PROJECTION

REMOVE BURRS AND BREAK SHARP CORNERS

DO NOT SCALE DWG

MATERIAL: / /

FINISH: / /

ORN. *S. H. [Signature]* FIRST USED ON

CHK'D BY *[Signature]*

ENG. *[Signature]*

PROJ. ENG. *[Signature]*

PROD. NEXT HIGHER ASSY.

B-DD-BC22D-0

SCALE NONE

SHEET OF 1

TITLE: CABLE, NULL MODEM

digital

SIZE CODE: B UA BC22D-0-0

NUMBER: 1

REV. A

B

A

A

REV. A	ORIGINATED
CHANGE NO.	
CHK	

DRB 100A

4

3

2

1 MK

1

DIGITAL EQUIPMENT CORPORATION PARTS LIST				QUANTITY / VARIATION									NOTES:		
MADE BY S. ZYLAK DATE 14-MAR-82		CHECKED <i>J. Falkowski</i> DATE <i>13 APR 82</i>		SECTION		BC22D-10	BC22D-25	BC22D-35	BC22D-50	BC22D-75	BC22D-A0	BC22D-A5		BC22D-B0	BC22D-B5
ENG <i>R. Harrington</i> DATE <i>13 APR 82</i>		PROD DATE		ISSUED SECTION											
ITEM NO.	DRAWING NO.	PART NO.	DESCRIPTION												REF DESIGNATION
1	A-PS-1700313-Ø-Ø	1700313-00	CABLE, NULL MODEM	-	-	-	-	-	-	-	-	-	-	-	
2	A-PS-1700313-Ø-Ø	1700313-01	CABLE, NULL MODEM	1	-	-	-	-	-	-	-	-	-	-	
3	A-PS-1700313-Ø-Ø	1700313-02	CABLE, NULL MODEM	-	1	-	-	-	-	-	-	-	-	-	
4	A-PS-1700313-Ø-Ø	1700313-03	CABLE, NULL MODEM	-	-	1	-	-	-	-	-	-	-	-	
5	A-PS-1700313-Ø-Ø	1700313-04	CABLE, NULL MODEM	-	-	-	1	-	-	-	-	-	-	-	
6	A-PS-1700313-Ø-Ø	1700313-05	CABLE, NULL MODEM	-	-	-	-	1	-	-	-	-	-	-	
7	A-PS-1700313-Ø-Ø	1700313-06	CABLE, NULL MODEM	-	-	-	-	-	-	1	-	-	-	-	
8	A-PS-1700313-Ø-Ø	1700313-07	CABLE, NULL MODEM	-	-	-	-	-	-	-	1	-	-	-	
9	A-PS-1700313-Ø-Ø	1700313-08	CABLE, NULL MODEM	-	-	-	-	-	-	-	-	1	-	-	
10	A-PS-1700313-Ø-Ø	1700313-09	CABLE, NULL MODEM	-	-	-	-	-	-	-	-	-	1	-	

E.C.O. NO.

"THIS DRAWING AND SPECIFICATIONS, HEREIN, ARE THE PROPERTY OF DIGITAL EQUIPMENT CORPORATION AND SHALL NOT BE REPRODUCED OR COPIED OR USED IN WHOLE OR IN PART AS THE BASIS FOR THE MANUFACTURE OR SALE OF ITEMS WITHOUT WRITTEN PERMISSION. COPYRIGHT © DIGITAL EQUIPMENT CORPORATION"

TITLE
CABLE, NULL MODEM

ASSY NO.
B-UA-BC22D-Ø-Ø

SIZE CODE NUMBER
B PL BC22D-Ø-Ø

REV.
A

SHEET 1 OF 1

INSERTION PARTS LIST DATA BASE REV

Copyright © 1975
DIGITAL EQUIP CORP.

WIRE TABLE			
FROM	TO	FROM	TO
P1-1	P2-1	P1-21	P2-21
P1-2	P2-2	P1-22	P2-22
P1-3	P2-3	P1-23	P2-23
P1-4	P2-4	P1-24	P2-24
P1-5	P2-5	P1-25	P2-25
P1-6	P2-6	P1-26	P2-26
P1-7	P2-7	P1-27	P2-27
P1-8	P2-8	P1-28	P2-28
P1-9	P2-9	P1-29	P2-29
P1-10	P2-10	P1-30	P2-30
P1-11	P2-11	P1-31	P2-31
P1-12	P2-12	P1-32	P2-32
P1-13	P2-13	P1-33	P2-33
P1-14	P2-14	P1-34	P2-34
P1-15	P2-15	P1-35	P2-35
P1-16	P2-16	P1-36	P2-36
P1-17	P2-17	P1-37	P2-37
P1-18	P2-18	P1-38	P2-38
P1-19	P2-19	P1-39	P2-39
P1-20	P2-20	P1-40	P2-40

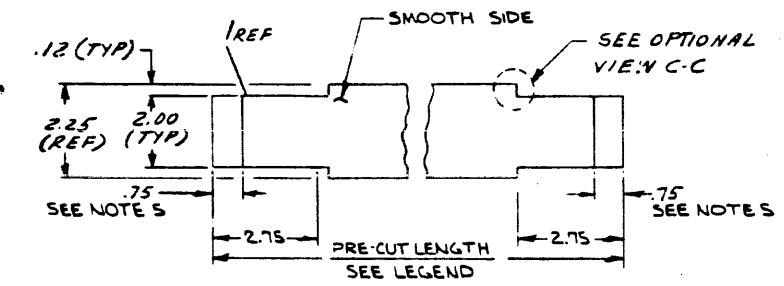
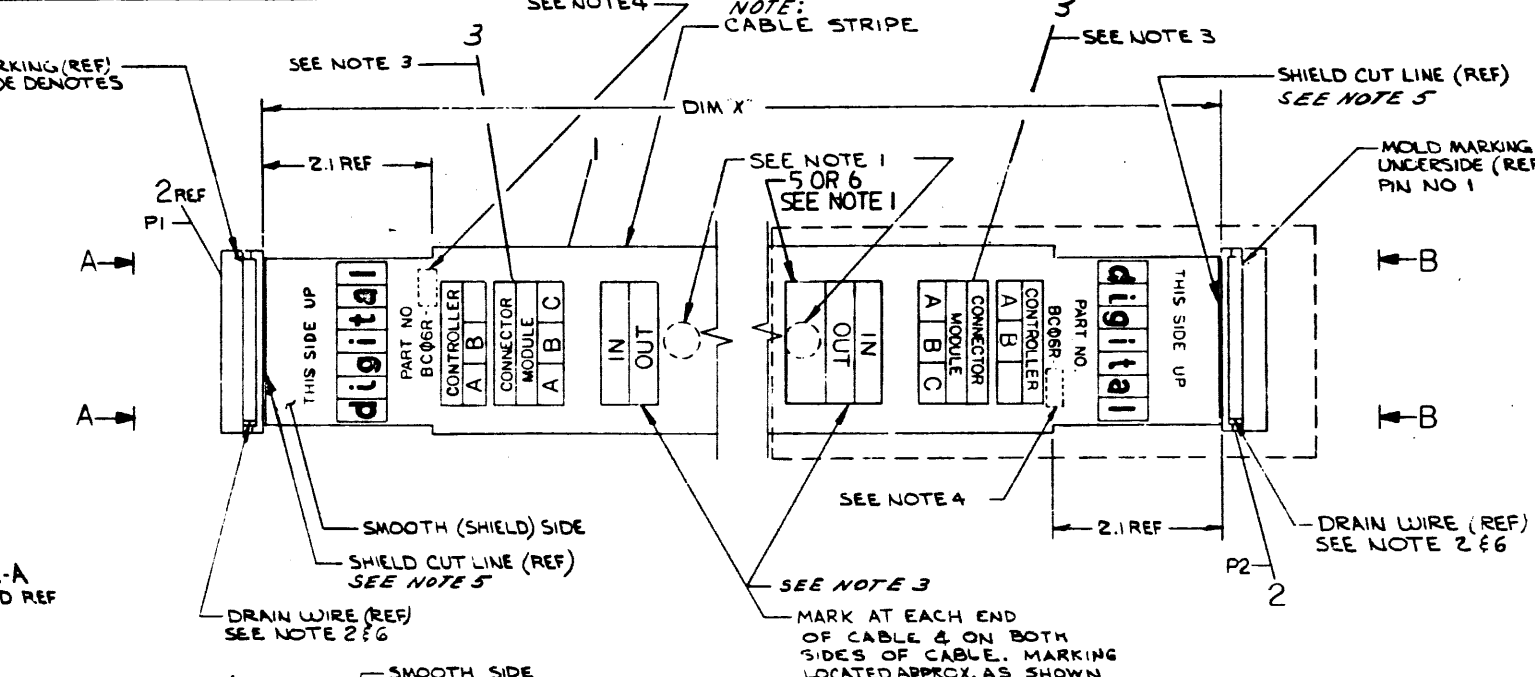
LEGEND			
NUMBER	DIM X'	PRECUT LENGTH	REMARKS
BC06R-01	1 FT	1 FT 1.5 IN ± 1 IN	SEE PRE-CUT VIEW C-C
BC06R-02	2 FT	2 FT 1.5 IN ± 1 IN	
BC06R-03	3 FT	3 FT 1.5 IN ± 1 IN	
BC06R-04	4 FT	4 FT 1.5 IN ± 1 IN	
* BC06R-05	4 FT 6 IN	4 FT 7.5 IN ± 1.5 IN	SEE NOTE 7
BC06R-06	6 FT	6 FT 1.5 IN ± 2 IN	
BC06R-08	8 FT	8 FT 1.5 IN ± 2 IN	
BC06R-10	10 FT	10 FT 1.5 IN ± 2 IN	
BC06R-12	12 FT	12 FT 1.5 IN ± 3 IN	
BC06R-20	20 FT	20 FT 1.5 IN ± 3 IN	
BC06R-25	25 FT	25 FT 1.5 IN ± 3 IN	
BC06R-30	30 FT	30 FT 1.5 IN ± 6 IN	
BC06R-50	50 FT	50 FT 1.5 IN ± 10 FT	
BC06R-60	60 FT	60 FT 1.5 IN ± 12 FT	
BC06R-75	75 FT	75 FT 1.5 IN ± 15 FT	
BC06R-100	100 FT	100 FT 1.5 IN ± 2 FT	
BC06R-07	7 FT	7 FT 1.5 IN ± 2 IN	
BC06R-08	8 FT 6 IN	8 FT 7.5 IN ± 1 IN	SEE PRE-CUT VIEW C-C
BC06R-15	15 FT	15 FT 1.5 IN ± 3 IN	

- NOTES:
- LABEL (ITEMS 5 OR 6 CAN BE USED) TO CONTAIN:
PART NO.
REV.
DATE (OF BUILD)
MFG (STAMP) TEST (STAMP)
INSP (STAMP)
AFFIX LABEL AROUND CABLE IN APPROX CENTER.
 - DRAIN WIRE CONNECTS TO PIN NO 40.
 - RUBBER STAMP INFORMATION SHOWN USING INK (ITEM 3) & ARTWORK DEC NO A-DC-741699-0-0.
 - STAMP APPLICABLE OPTION DASH NO. ACCORDING TO LENGTH.
 - REMOVE SHIELD .75 FROM END OF PRECUT CABLE (SEE VIEW C-C).
 - COVER EXPOSED DRAIN WIRE WITH ITEM 4 PRIOR TO ASSY (BOTH ENDS).
 - FOR RP04, RP05, RP06 USE WRAP AROUND VINYL LABEL. SEE VARIATIONS ON DRAWING NUMBER A-PS-3615389-0-0. ALSO SEE NEXT HIGHER ASSEMBLY E-IA-7 307-0-0 AND E-IA-7009808-0-0.

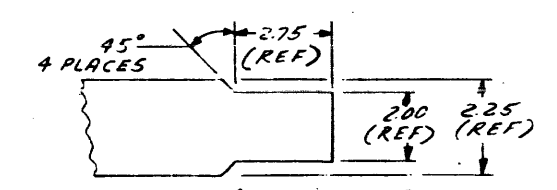
MOLD MARKING (REF) ON TOP SIDE DENOTES PIN NO 1

21
43
65
87
109
131
153
175
197
219
241
263
285
307
329
351
373
395
417
439
461
483
505
527
549
571
593
615
637
659
681
703
725
747
769
791
813
835
857
879
901
923
945
967
989
1011

VIEW A-A
CONN LEGEND REF
SCALE: 2/1



VIEW C-C
PRE-CUT VIEW
SCALE: NONE



OPTIONAL VIEW C-C
PRE-CUT VIEW
SCALE: NONE

21
43
65
87
109
131
153
175
197
219
241
263
285
307
329
351
373
395
417
439
461
483
505
527
549
571
593
615
637
659
681
703
725
747
769
791
813
835
857
879
901
923
945
967
989
1011

VIEW B-B
SCALE: 2/1

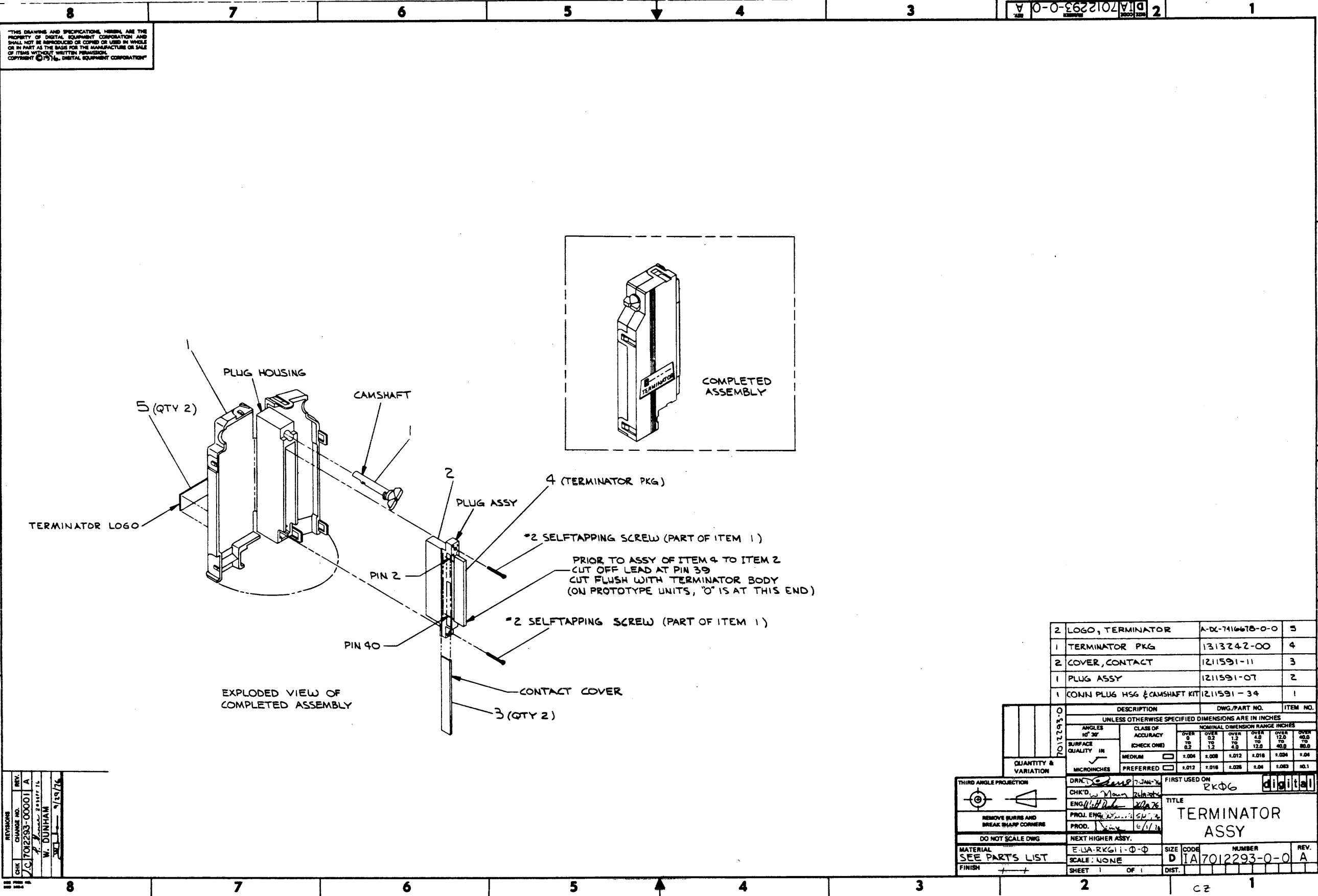
(CX ONLY) SEE NOTE 1
SEE NOTE 1

QTY.	DESCRIPTION	PART NO.	ITEM NO.
1	LABEL I.D.	3616989-0-0	6
1	LABEL I.D.	3616073-0-0	5
A/A	PLASTIC TAPE	3612511-0	4
N/R	INK	4901150	3
2	CONNECTOR, 40 SOCKET	1211206	2
A/R	CABLE, 40 COND FLAT W/SHIELD	17-00034	1

FIRST USED ON OPTION/MODEL RP04	QTY.	DESCRIPTION	PART NO.	ITEM NO.
PARTS LIST				
UNLESS OTHERWISE SPECIFIED DIMENSION IN INCHES TOLERANCES	DRN. <i>A. Dunigan</i>	DATE 12-22-75	EQUIPMENT CORPORATION	
DECIMALS	ANGLE	DATE 12-22-75	TITLE BC06R I/O CABLE	
XXX - 000	16° 30'	DATE 12-22-75	REV.	
XX - 02		DATE 12-22-75	SIZE CODE	
X - 1		DATE 12-22-75	NUMBER	
REMOVE BURRS AND BREAK SHARP CORNERS SURFACE QUALITY		DATE 12-22-75	REV.	
MATERIAL	SEE PARTS LIST	DATE 12-22-75	SCALE NONE	
FINISH	11	DATE 12-22-75	SHEET 1 OF 1	

REV.	CHANGED BY	DATE	DESCRIPTION
1	W. DUNIGAN	4-7-75	CONDON
2	W. DUNIGAN	4-7-75	CONDON
3	W. DUNIGAN	4-7-75	CONDON
4	W. DUNIGAN	4-7-75	CONDON
5	W. DUNIGAN	4-7-75	CONDON
6	W. DUNIGAN	4-7-75	CONDON
7	W. DUNIGAN	4-7-75	CONDON
8	W. DUNIGAN	4-7-75	CONDON

THIS DRAWING AND SPECIFICATIONS HEREIN ARE THE PROPERTY OF DIGITAL EQUIPMENT CORPORATION AND SHALL NOT BE REPRODUCED OR COPIED OR USED IN WHOLE OR IN PART AS THE BASIS FOR THE MANUFACTURE OR SALE OF ITEMS WITHOUT WRITTEN PERMISSION. COPYRIGHT © 1976, DIGITAL EQUIPMENT CORPORATION.



REV.	REV.
1	1
2	2
3	3
4	4
5	5
6	6
7	7
8	8

DESCRIPTION	DWG./PART NO.	ITEM NO.
2 LOGO, TERMINATOR	A-DC-741667B-0-0	5
1 TERMINATOR PKG	1313242-00	4
2 COVER, CONTACT	1211591-11	3
1 PLUG ASSY	1211591-07	2
1 CONN PLUG HSG & CAMSHAFT KIT	1211591-34	1

UNLESS OTHERWISE SPECIFIED DIMENSIONS ARE IN INCHES	
ANGLES 15° 30°	CLASS OF ACCURACY (CHECK ONE)
SURFACE QUALITY IN	MEDIUM <input type="checkbox"/> ±.004 ±.008 ±.012 ±.018 ±.024 ±.04
MICROWENCHES	PREFERRED <input type="checkbox"/> ±.012 ±.016 ±.025 ±.04 ±.063 ±.1

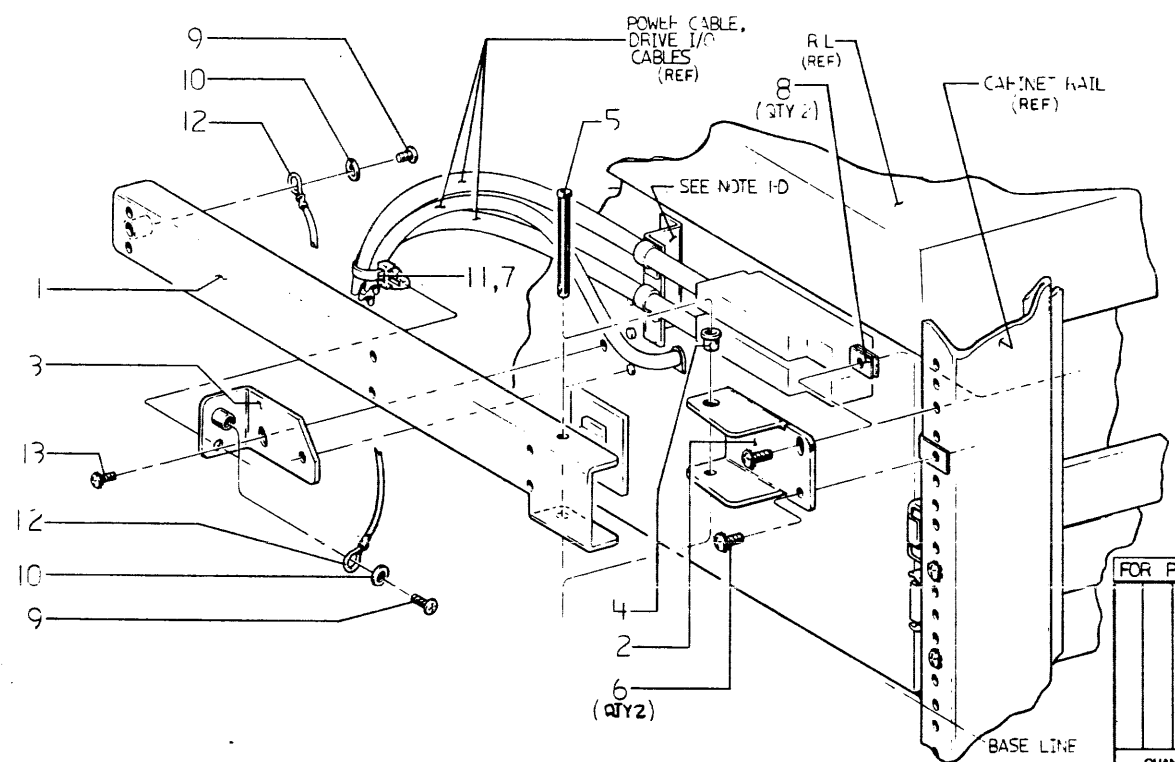
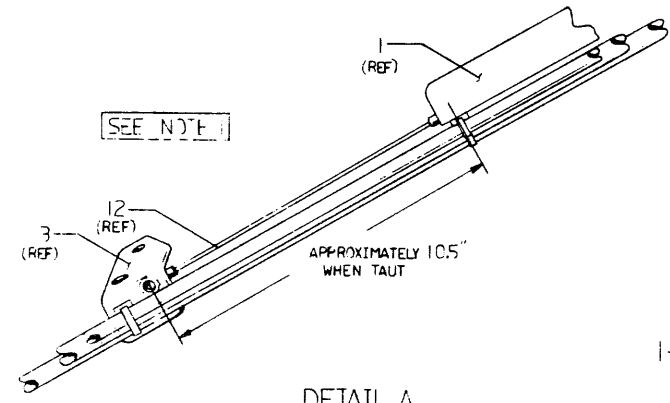
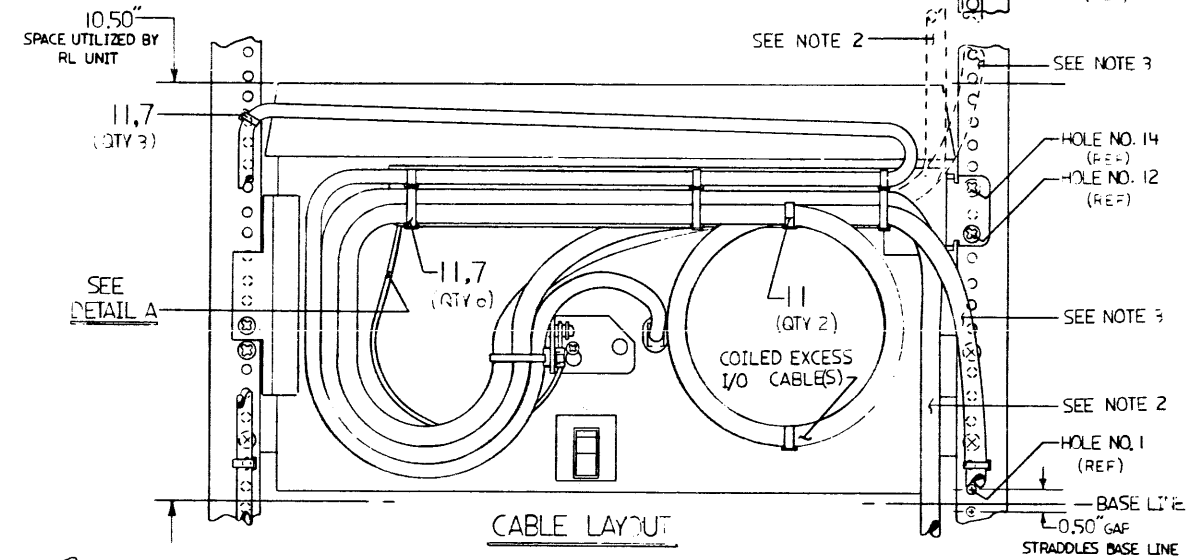
THIRD ANGLE PROJECTION	DRN: [Signature] 7-24-76	FIRST USED ON	2K06
REMOVE BURRS AND BREAK SHARP CORNERS	CHK'D: [Signature]	TITLE	TERMINATOR ASSY
DO NOT SCALE DWG	PROJ. ENG: [Signature]	SCALE: NONE	
MATERIAL SEE PARTS LIST	PROD: [Signature]	SIZE CODE	D
FINISH		NUMBER	1A7012293-0-0
		REV.	A

DATE DRAWN: 12/15/76
DRAWN: [Signature]
CHECKED: [Signature]
APPROVED: [Signature]
PART NO. 1A7012293-0-0
REV. A

THIS DRAWING AND SPECIFICATIONS HEREIN ARE THE PROPERTY OF DIGITAL EQUIPMENT CORPORATION AND SHALL NOT BE REPRODUCED OR COPIED IN WHOLE OR IN PART AS THE BASIS FOR THE MANUFACTURE OR SALE OF ITEMS WITHOUT WRITTEN PERMISSION. COPYRIGHT © 1980 DIGITAL EQUIPMENT CORPORATION

7-7-8224 V0 000 225

D
C
B
A



NOTE:

1. INSTALLATION PROCEDURE:
 - A. MOUNT RETRACTOR MOUNTING BRACKET (ITEM 2) TO RAIL AS SHOWN.
 - B. INSTALL TETHER CABLE (ITEM 12) BETWEEN TETHER RELEASE (ITEM 3) AND RETRACTOR ARM (ITEM 1) AS SHOWN. POSITION PIECES AS SHOWN IN DETAIL A.
 - C. ATTACH RETRACTOR ARM (ITEM 1) TO MOUNTING BRACKET (ITEM 2) AS SHOWN. DON'T ATTACH TETHER RELEASE (ITEM 3) AT THIS TIME.
 - D. ATTACH I/O CABLE(S) TO REAR OF DRIVE MAKING SURE THE DRIVE'S CABLE CLAMPING BRACKET IS POSITIONED AS SHOWN.
 - E. SLIDE DRIVE OUT TO SERVICE POSITION. IF CABINET HAS STABILIZER(S), PLACE IN SERVICE POSITION.
 - F. PULL DRIVE CABLES (I/O AND POWER) GENTLY BACK TO RETRACTOR ARM (ITEM 1) AND CLAMP TO END HOLES AS SHOWN USING ITEMS 7, 11.
 - G. ATTACH TETHER RELEASE (ITEM 3) TO CABLES AS SHOWN IN "DETAIL A". MAKE SURE TETHER IS TAUT AND CABLES ARE SLIGHTLY SLACK BEFORE SECURING TO THE RELEASE BRACKET.
 - H. RETURN DRIVE TO THE CUSTOMER LOADING POSITION AND ATTACH RELEASE BRACKET (ITEM 3) TO DRIVE AS SHOWN.
 - I. RETURN DRIVE TO NORMAL OPERATING POSITION.
 - J. ROUTE CABLES TO THEIR DESTINATIONS, COIL ANY EXCESS I/O CABLE AND THEN INSTALL THE REMAINING CABLE TIES (ITEM 11) AND PUSHMOUNTS (ITEM 7) AS SHOWN IN CABLE LAYOUT.
2. I/O CABLE ROUTING TO DRIVE DIRECTLY ABOVE OR BELOW.
3. I/O CABLE ROUTING TO TRANSITION BRACKET OR ADDITIONAL DRIVE NOT MOUNTED DIRECTLY ABOVE OR BELOW. NOTE THE MINIMUM 8 RAIL HOLES BETWEEN THE RETRACTOR MOUNTING SCREW AND THE FIRST RAIL MOUNTED CABLE TIE.
4. THERE ARE THREE SPARE CABLE TIES AND PUSHMOUNTS (ITEMS 7, 11).

FOR PARTS LIST SEE K-PL-H026-2-DBP.

DESCRIPTION	DRAWING NO.	PART NO.	ITEM NO.
UNLESS OTHERWISE SPECIFIED DIMENSIONS ARE IN INCHES AND THE FOLLOWING TOLERANCES APPLY (PER DEC STD 114)			
INCHES TOLERANCES	ANGLES ± 0° 30'	APPLICABLE DIMENSION RANGE (CHECK ONE)	DIMENSION RANGE IN INCHES
			OVER
X ± .1	SURFACE QUALITY	MICRONS	0.2 TO 1.2
X ± .02			1.2 TO 4.0
XXX ± .005			4.0 TO 12.0
			12.0 TO 40.0
			40.0 TO 80.0
			80.0 TO 100.0
QUANTITY & VARIATION			
THIRD ANGLE PROJECTION	DRN <i>S. Lopez</i>	DATE 12-19-80	TITLE digital
DO NOT SCALE DRAWING	CHKD <i>Nelson</i>	DATE 1-9-81	RL CABLE RETRACTOR ASSY.
REMOVE BURRS AND BREAK SHARP CORNERS	DES ENGR <i>Nelson</i>	DATE 1-9-81	
MATERIAL SEE PARTS LIST	REP ENGR <i>N. Nelson</i>	DATE 1-9-81	DOCUMENT NUMBER
FINISH <i>H</i>	MPD ENGR <i>Walter P. ...</i>	DATE 4-30-81	SIZE CODE NUMBER
	NEXT HIGHER DOC. B-DD-H026-B		DUA H026-B-0
			SCALE 12 SHEET 1 OF 1

REVISION HISTORY	REV.	INIT.
DATE		

8 7 6 5 4 3 2 1

LINE ITEM	DOCUMENT NUMBER	PART NUMBER	DESCRIPTION	QUANTITY PER VARIATION
1	D-IA-7424557-0-0	7424557-00	ARM CABLE CARRIER	1
2	C-MD-7424556-0-0	7424556-00	BRKT MTG CABLE CARRIER	1
3	B-IA-7424555-0-0	7424555-00	BRKT CABLE TEATHER REL.	1
4		9008111-00	BUSHING,SNAP,NYLON 3/8 MGTHOLE	1
5	A-PS-1217870-0-0	1217870-00	FIN,CLEVIS 2.50 X .25	1
6		9009700-00	SCREW,TRUS,PHIL,SEMS10-32X 1/2	2
7		9007867-00	MOUNT, PUSH,CABLE TIE	11
8		9007786-00	RETAINER, U-NUT, 10-32	2
9		9009642-00	SCREW,PAN,PHIL,SEMS 8-32X 1/4	2
10		9006662-00	WASHER, FLAT, .500 O.D. X .187 I	2
11		9007032-00	TIE,CABLE BUNDL.DIA 0-1-3/4"=101	13
12		1215700-04	CABLE ASSY,NYLON,11"LG	1
13		9009984-00	SCREW, SEMS, PHILLIPS PAN HD. 6-	1

REVISION HISTORY		BASIC PART NO: CH026		DRN:	A. J. ROCHA <i>HR</i>	DATE:	09-OCT-80	D I G I T A L			
ENG	ECD NUMBER	REV	SECTION A OF A	CHK'D:	R. A. NELSON <i>RA</i>	DATE:	01-JAN-81	TITLE PARTS LIST			
---	INIT	A	SECTION. VARIATION INDEX					RL RETRACTOR ASSY			
			[A] 00					DOCUMENT NUMBER			
			[B]	DES. ENG.:	R. A. NELSON <i>RA</i>	DATE:	01-JAN-81				
			[C]	RESP. ENG.:	R. A. NELSON <i>RA</i>	DATE:	01-JAN-81	SIZE	CODE	NUMBER	REV
			[D]								
			[E]	MFG. ENG.:	J. HESS <i>W. J. Hess</i>	DATE:	01-JAN-81	K	PL	H026-0-DBP	A
			[F]	ASSEMBLY NUMBER:		TOP DOCUMENT NUMBER:		FILE NAME:		EDIT #	
				D-UA-H026-0-00-0		B-DD-H026-0-0		Z0701.PLS		11	

*THIS DRAWING AND SPECIFICATIONS HEREIN, ARE THE PROPERTY OF DIGITAL EQUIPMENT CORPORATION AND SHALL NOT BE REPRODUCED OR COPIED OR USED IN WHOLE OR IN PART AS THE BASIS FOR THE MANUFACTURE OR SALE OF ITEMS WITHOUT WRITTEN PERMISSION. COPYRIGHT (C) 1981. DIGITAL EQUIPMENT CORPORATION *

TW

This drawing and specifications, herein, are the property of Digital Equipment Corporation and shall not be reproduced or copied or used in whole or in part as the basis for the manufacture or sale of items without written permission.

WIRE TABLE

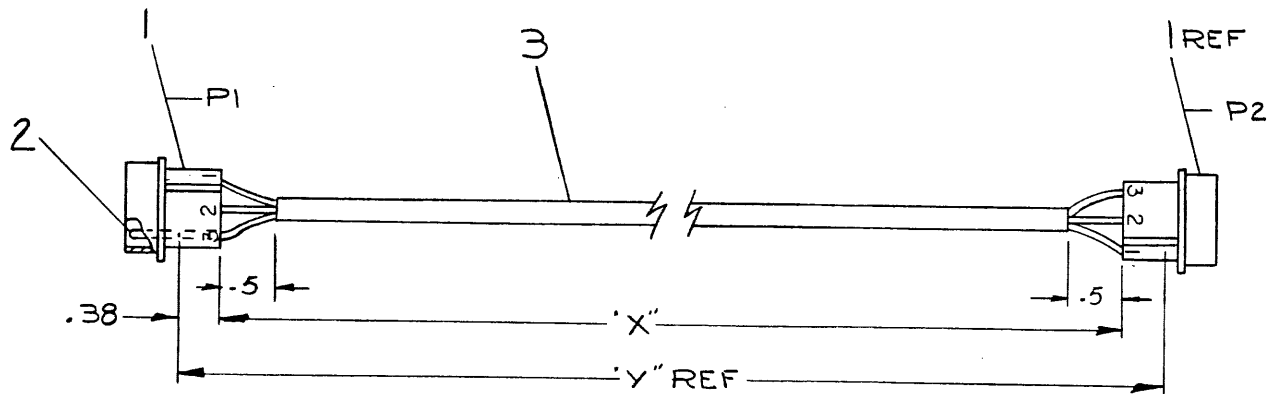
ITEM NO	DESCRIPTION	FROM		TO		
		AWG	COLOR	CONNECTION	WITH	CONNECTION
3	22	RED	P1-1	2	P2-1	2
3	22	BLK	P1-2	2	P2-2	2
3	22	GRN	P1-3	2	P2-3	2

LEGEND

NUMBER	DIM'X VARIATION	DIM'Y (PRECUT) REF
7008288-3F	3FT. 6 IN ± 1 IN.	3FT. 6.8 IN ± 1 IN.
7008288-8F	8FT. 6 IN ± 2 IN.	8FT. 6.8 IN ± 2 IN.
7008288-06	6FT. ± 2 IN.	6FT. 0.8 IN ± 2 IN.
7008288-12	12FT. ± 3 IN.	12FT. 0.8 IN ± 3 IN.
7008288-05	5FT. ± 1 IN.	5FT. 0.8 IN ± 2 IN.
7008288-10	10FT. ± 2 IN.	10FT. 0.8 IN ± 3 IN.
7008288-15	15FT. ± 3 IN.	15FT. 0.8 IN ± 3 IN.
7008288-08	8FT. ± 2 IN.	8FT. 0.8 IN ± 2 IN.
7008288-30	30FT. ± 7 IN.	30FT. 0.8 IN ± 7 IN.
7008288-40	40FT. ± 10 IN.	40FT. 0.8 IN ± 10 IN.
7008288-25	25FT. ± 10 IN.	25FT. 0.8 IN ± 10 IN.

NOTES

~~THE REMAINING BLK WIRE IS TO BE CUT SLACK AT JACKET (BOTH ENDS.)~~



REV.	CHANGE NO.	REV.
A	00001	7008288-00001
B	00002	7008288-00002
C	00003	7008288-00003
D	00004	7008288-00004
E	00005	7008288-00005
F	00006	7008288-00006
H	00003	7012401-00003
J	00007	7008288-ML007

FIRST USED ON OPTION/MODEL
PDP/11

UNLESS OTHERWISE SPECIFIED
DIMENSION IN INCHES
TOLERANCES
DECIMALS FRACTIONS ANGLES
±.008 ± 1/64 ± 0°30'

FINAL SURFACE QUALITY REMOVE BURRS AND BREAK SHARP CORNERS

MATERIAL
SEE PARTS LIST

FINISH
#

QTY.	DESCRIPTION	PART NO.	ITEM NO.
3	WIRE, 3 COND #22AWG	9107756	3
2	PIN MALE #60620-1	1209378-03	2
1	PIN HOUSING #1-480305-0	1209351-03	1

UNLESS OTHERWISE SPECIFIED
DRN. *J. P. Las* DATE 3/22/71
CHK'D *J. P. Las* DATE 3/31/71
ENG. *J. P. Las* DATE 4/2/71
PROJ. ENG. *J. P. Las* DATE 4/7/71
PROD. *J. P. Las* DATE 4/21/71

digital EQUIPMENT CORPORATION
MAYNARD, MASSACHUSETTS

TITLE
CABLE ASSY

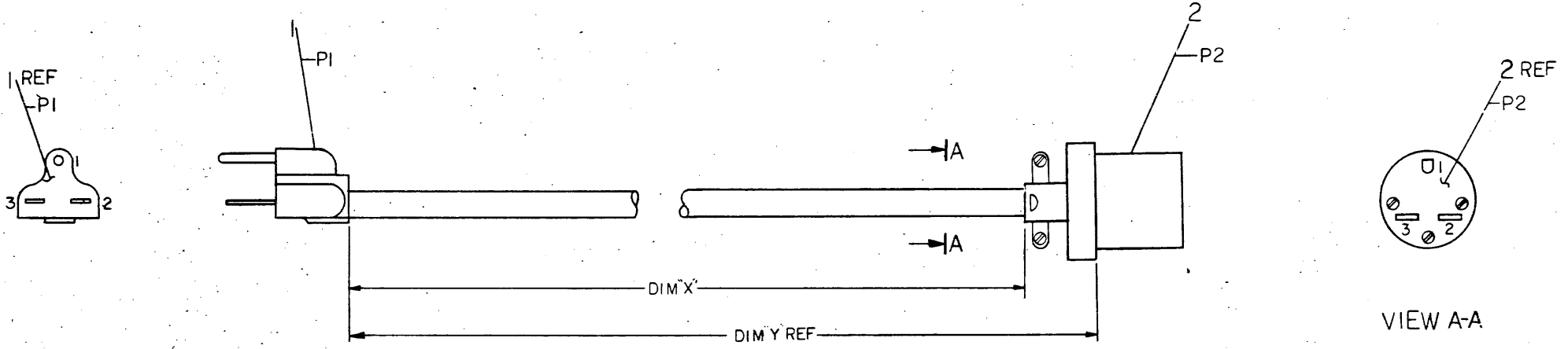
SIZE CODE NUMBER REV.
CIA 7008288-0-0 J

SCALE #
SHEET 1 OF 1

SIZE CODE NUMBER REV.
CIA 7008288-0-0 J

THIS DRAWING AND SPECIFICATION ARE THE PROPERTY OF DIGITAL EQUIPMENT CORPORATION AND SHALL NOT BE REPRODUCED OR COPIED OR USED IN WHOLE OR IN PART AS THE BASIS FOR THE MANUFACTURE OR SALE OF ITEMS WITHOUT WRITTEN PERMISSION.
COPYRIGHT © 1977, DIGITAL EQUIPMENT CORPORATION

WIRE TABLE						LEGEND		
ITEM NO	DESCRIPTION	FROM	TO	REMARKS	NUMBER	DIM X VARIATION	DIM Y (PREC.) REF	
1	18 GRN/YEL	PI-1	P2-1	2	7014308-03	3'0" ±.25"	3'1.5" ±.25"	
	18 BROWN	PI-2	P2-2	2	7014308-06	6'0" ±.25"	6'1.5" ±.25"	
	18 BLUE	PI-3	P2-3	2	7014308-09	9'0" ±.25"	9'1.5" ±.25"	



REV.	REV.
1	A
2	B
3	C
4	D
5	E
6	F
7	G
8	H

2	TIE CABLE	9007031	4
1	CABLE LABEL	9009532	3
1	CONNECTOR	9008855-00	2
1	POWER CORD	1700043-00	1

DESCRIPTION	DWG./PART NO.	ITEM NO.
UNLESS OTHERWISE SPECIFIED DIMENSIONS ARE IN INCHES		
ANGLES 90° 30°	CLASS OF ACCURACY	NOMINAL DIMENSIONS RANGE INCHES
SURFACE QUALITY	CHECK ONE	OVER 0 TO 1.2
IN	MEDIUM	1.2 TO 4.0
MICROINCHES	PREFERRED	4.0 TO 12.0
		12.0 TO 40.0
		40.0 TO 80.0
		80.0 TO 160.0
		160.0 TO 320.0
		320.0 TO 640.0
		640.0 TO 1280.0
		1280.0 TO 2560.0
		2560.0 TO 5120.0
		5120.0 TO 10240.0

THIRD ANGLE PROJECTION	DRN <i>[Signature]</i> 9/14/77	FIRST USED ON	11730	DIGITAL
REMOVE BURRS AND BREAK SHARP CORNERS	CHKD <i>[Signature]</i> 7/27/77	TITLE	POWER CORD ASSEMBLY	
DO NOT SCALE DWG	PROJ. ENG. <i>[Signature]</i> 9/14/77	SIZE	D	LA 7014308-0-0
MATERIAL SEE PARTS LIST	PROD. <i>[Signature]</i> 9/14/77	SCALE	NONE	NUMBER
FINISH		SHEET	1	OF
		DIST.		

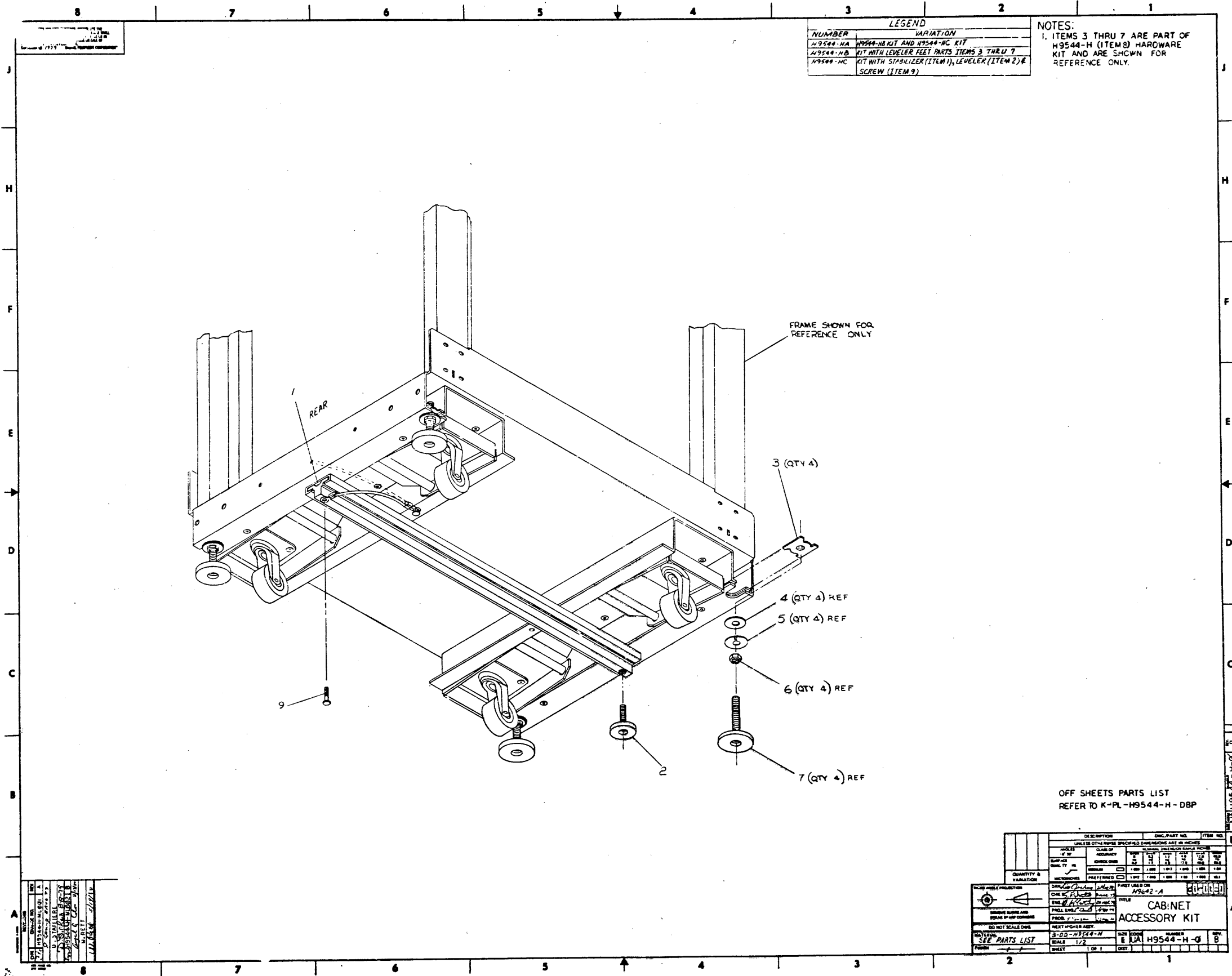
"THE MATERIAL HEREIN IS FOR INFORMATION PURPOSES ONLY AND IS SUBJECT TO CHANGE WITHOUT NOTICE. DIGITAL EQUIPMENT CORPORATION ASSUMES NO RESPONSIBILITY FOR ANY ERRORS WHICH MAY APPEAR HEREIN."

DRAWING DIRECTORY

"THIS DRAWING AND SPECIFICATIONS, HEREIN, ARE THE PROPERTY OF DIGITAL EQUIPMENT CORPORATION AND SHALL NOT BE REPRODUCED OR COPIED OR USED IN WHOLE OR IN PART AS THE BASIS FOR THE MANUFACTURE OR SALE OF ITEMS WITHOUT WRITTEN PERMISSION. COPYRIGHT © 1979 DIGITAL EQUIPMENT CORPORATION.

UNIT VARIATIONS	
VAR	TITLE
H9544-HA	KIT WITH STABILIZER LEG & LEVELER FEET
H9544-HB	KIT WITH LEVELER FEET ONLY
H9544-HC	KIT WITH STABILIZER LEG ONLY

REVISIONS	REV.		DRN.	S. ROBERTS	DATE	29MAR79	TITLE	digital	
	CHANGE NO.		CHK'D.	<i>S. Roberts</i>	DATE	2-JUN-79			
			PROJ. ENG.	<i>P. Dubois</i>	DATE	5 JUL 79			
			PROD.	<i>J. Souza</i>	DATE	5JUL79			
	CHK								
USED ON OPTION/MODEL				TITLE	CABINET ACCESSORY KIT				
SHEET 1 OF 2			SIZE	B	CODE	DD	NUMBER	H9544-H	REV
			DIST.						



LEGEND	
NUMBER	VARIATION
H9544-HA	H9544-HB KIT AND H9544-HC KIT
H9544-HB	KIT WITH LEVELER FEET PARTS ITEMS 3 THRU 7
H9544-HC	KIT WITH STABILIZER (ITEM 1), LEVELER (ITEM 2) & SCREW (ITEM 9)

NOTES:
 1. ITEMS 3 THRU 7 ARE PART OF H9544-H (ITEM 8) HARDWARE KIT AND ARE SHOWN FOR REFERENCE ONLY.

DATE: 1/17/79
 DRAWN BY: J. J. [unreadable]
 CHECKED BY: [unreadable]

REVISIONS:
 1. [unreadable]
 2. [unreadable]
 3. [unreadable]
 4. [unreadable]
 5. [unreadable]
 6. [unreadable]
 7. [unreadable]
 8. [unreadable]
 9. [unreadable]

OFF SHEETS PARTS LIST
 REFER TO K-PL-H9544-H-DBP

DESCRIPTION	QTY	PART NO.	ITEM NO.
1. [unreadable]	1	[unreadable]	1
2. [unreadable]	1	[unreadable]	2
3. [unreadable]	4	[unreadable]	3
4. [unreadable]	4	[unreadable]	4
5. [unreadable]	4	[unreadable]	5
6. [unreadable]	4	[unreadable]	6
7. [unreadable]	4	[unreadable]	7
8. [unreadable]	1	[unreadable]	8
9. [unreadable]	1	[unreadable]	9

DRAWN BY: J. J. [unreadable]
 CHECKED BY: [unreadable]
 TITLE: CABINET ACCESSORY KIT
 SCALE: 1/2"
 SHEET: 1 OF 1

LINE	ITEM	DOCUMENT NUMBER	PART NUMBER	DESCRIPTION	QUANTITY PER VARIATION		
					HA	HB	HC
1	1	C-MD-7422204-0-0	7422204-00	EXT FOOT (METAL)	-	-	1
2	2		1216373-02	FOOT,LEVELER 1-3/8 BASE DIA 5/16	-	-	1
3	3		9008878-00	NUT,TEE,IRR.BASE 1/2-13 S/ZIN	-	4	-
4	4		9009026-00	WASHER, FLAT, .875 O.D. X .515 I	-	4	-
5	5		9009895-00	WASHER, LOCK, SPLIT, .518 ID X .	-	4	-
6	6		9006596-00	NUT,HEX , 1/2-13X3/4 AF X 7/	-	4	-
7	7		9007601-01	FOOT, LEVELER, CUSHION, 1/2-13,	-	4	-
8	8		2200022-00	HARDWARE KIT FOR H9544-H	-	REF	-
9	9	B-MD-7424417-0-0	7424417-00	SCREW, HEX HEAD	-	-	1
10	10		H9544-HB	KIT OF 4 LEVELERS	1	-	-
11	11		H9544-HC	KIT OF 1 STABILIZER LEG WITH LEV	1	-	-

12 NOTE: ITEMS 3 THRU 7 ARE PART OF H9544-H HARDWARE KIT AND ARE
 13 NOTE: LISTED FOR REFERENCE ONLY

REVISION HISTORY			BASIC PART NO: H9544		DRN: LISE GRAHAM		DATE: 02-MAR-79		D I G I T A L			
ENG	ECO NUMBER	REV	SECTION A OF A		CHK'D:	S. ROBERTS	DATE:	02-MAR-79	TITLE PARTS LIST			
	INITIAL	*	SECTION, VARIATION INDEX						CABINET ACCESSORY KIT			
DS	H9544-H-ML001	A	[A] HA,HB,HC									
WR	H9544-H-ML002	B	[B]		DES.ENG.:	W.F. MC CARTHY	DATE:	02-MAR-79				
			[C]		RESP.ENG.:	P. DUBE	DATE:	02-MAR-79	DOCUMENT NUMBER			
			[D]						SIZE	CODE	NUMBER	REV
			[E]		MFG.ENG.:	R. CARRIER	DATE:	02-MAR-79	K	PL	H9544-H-DBP	B
			[F]		ASSEMBLY NUMBER:		TOP DOCUMENT NUMBER:		FILE NAME:		EDIT #	
					E-UA-H9544-H-0				Z0241B.PLS		10	

"THIS DRAWING AND SPECIFICATIONS HEREIN, ARE THE PROPERTY OF DIGITAL EQUIPMENT CORPORATION AND SHALL NOT BE REPRODUCED OR COPIED OR USED IN WHOLE OR IN PART AS THE BASIS FOR THE MANUFACTURE OR SALE OF ITEMS WITHOUT WRITTEN PERMISSION. COPYRIGHT (C) 1980. DIGITAL EQUIPMENT CORPORATION"