



"THE MATERIAL HEREIN IS FOR INFORMATION PURPOSES ONLY AND IS SUBJECT TO CHANGE WITHOUT NOTICE. DIGITAL EQUIPMENT CORPORATION ASSUMES NO RESPONSIBILITY FOR ANY ERRORS WHICH MAY APPEAR HEREIN."

DRAWING DIRECTORY

"THIS DRAWING AND SPECIFICATIONS, HEREIN, ARE THE PROPERTY OF DIGITAL EQUIPMENT CORPORATION AND SHALL NOT BE REPRODUCED OR COPIED OR USED IN WHOLE OR IN PART AS THE BASIS FOR THE MANUFACTURE OR SALE OF ITEMS WITHOUT WRITTEN PERMISSION. COPYRIGHT © 1976 DIGITAL EQUIPMENT CORPORATION."

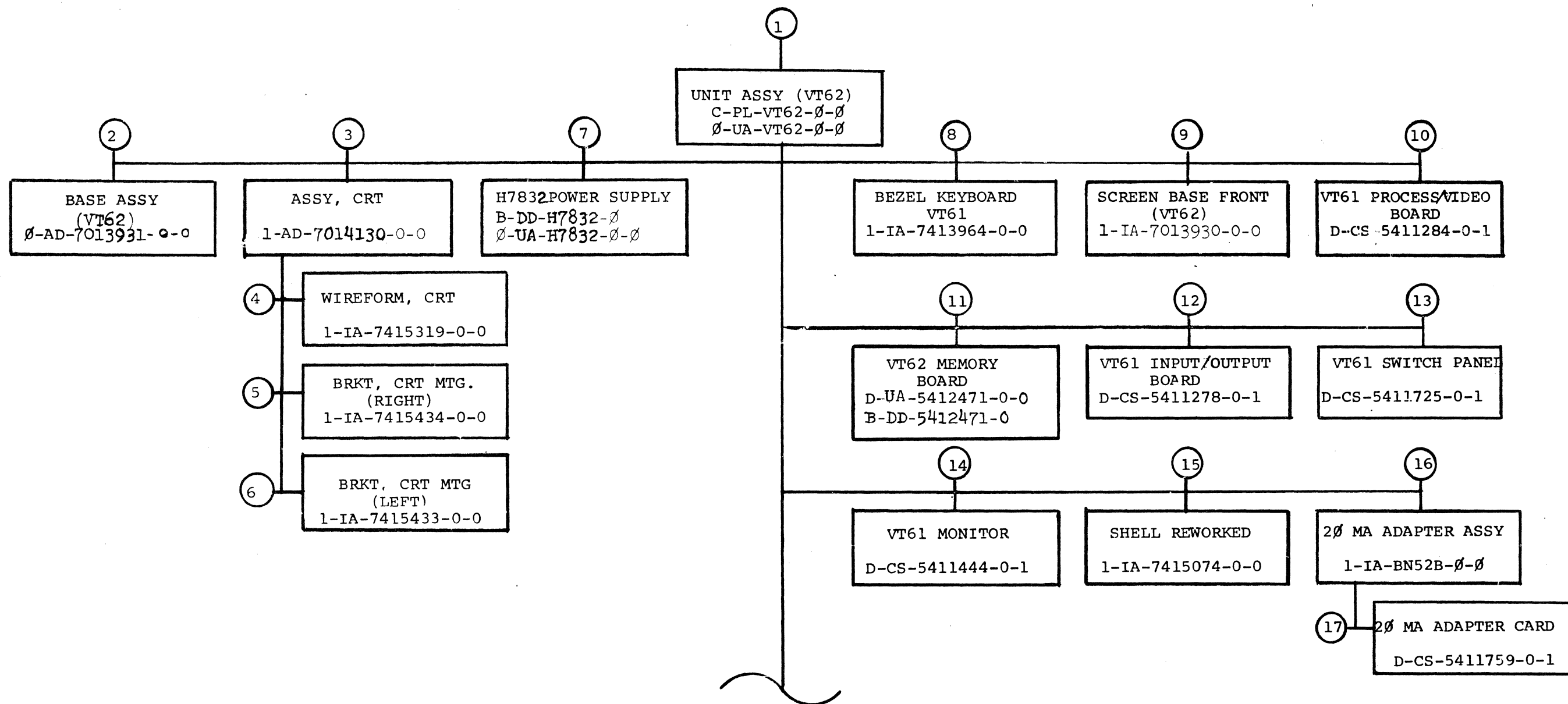
FOR FIELD MAINTENANCE PRINT SET REFER TO:

B-TC-VT62-Ø-2

UNIT VARIATIONS	
VAR	TITLE
VT62-AA	DDCMP BLOCK ORIENTED FORMS FORMATTED, SYNC, ASYNC, VIDEO TERMINAL 2Ø/MA 115V/6ØHZ
VT62-AB	DDCMP BLOCK ORIENTED FORMS FORMATTED, SYNC, ASYNC VIDEO TERMINAL 2Ø MA 230V/5Ø HZ
VT62-AC	DDCMP BLOCK ORIENTED FORMS FORMATTED, SYNC, ASYNC VIDEO TERMINAL 115V/6ØHZ, EIA WITH CONTROL
VT62-AD	DDCMP BLOCK ORIENTED FORMS FORMATTED, SYNC, ASYNC, VIDEO TERMINAL 23ØV/5Ø HZ, EIA WITH CONTROL

REVISIONS	REV.		USED ON OPTION/MODEL	VT62	DRN.	G. DRAYTON	DATE	8SEPT76	TITLE	UNIT ASSY (VT62)	digital
	CHANGE NO.				CHK'D.	<i>J. Faltowski</i>	DATE	31 MAR 77			
	CHK				PROJ. ENG.	<i>J. Faltowski</i>	DATE	31 MAR 77			
					PROD.	<i>B. H. ...</i>	DATE	31 MAR 77			
DRB 106A			SHEET 1 OF 6	SIZE	CODE	NUMBER	REV				
				B	DD	VT62-Ø					
				DIST.							

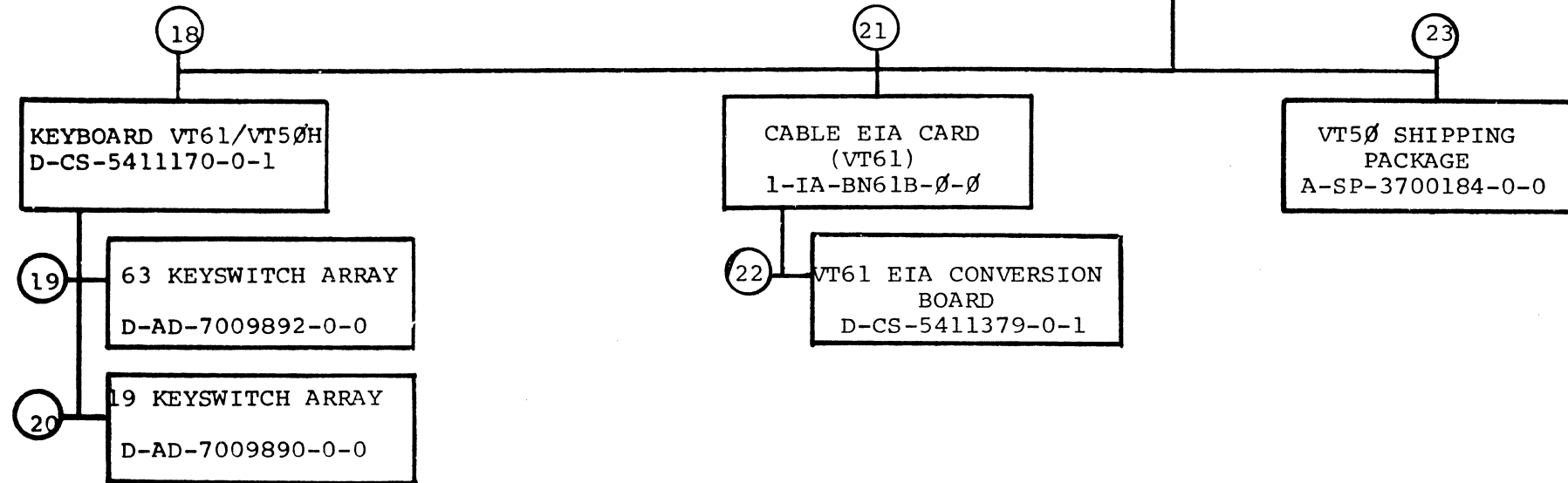
EN-01062-1A-16-R972-13251



CONTINUED ON SHEET #3

TITLE	SHEET	OF	SIZE	CODE	NUMBER	REV
UNIT ASSY (VT62)	2	6	B	DD	VT62-Ø	

CONTINUED FROM SHEET #3



TITLE	SHEET	SIZE	CODE	NUMBER	REV
UNIT ASSY (VT62)	3 OF 6	B	DD	VT62-Ø	

FIND NO.	DRAWING NO.	DESCRIPTION	TYPE	FIND NO.	DRAWING NO.	DESCRIPTION	TYPE
11	D-UA-5412471-0-0	VT62 MEMORY BOARD	E/M	15	1-IA-7415074-0-0	SHELL REWORKED	M
	D-MD-5412471-0-0	BOARD DRILLING & ETCHING	M		E-MD-7411540-0-0	SHELL VT5Ø	M
	D-CS-5412471-0-1	VT62 MEMORY BOARD SCHEMATIC	E		2-MD-7415344-0-0	SCREW THUMB	M
	B-DE-5412471-0	DRAWING DIRECTORY	-				
				16	1-IA-BN52B-Ø-Ø	2Ø MA ADAPTER ASSY	E/M
					E-UA-7012002-0-0	TESTER 2Ø MA LOOP ASSY	E/M
12	D-CS-5411278-0-1	VT61 INPUT/OUTPUT BOARD	E/M				
	K-CO-5411278-0-4	X-Y COORDINATE HOLE LOCATION	M				
	D-AH-5411278-0-5	ASSY/DRILLING HOLE LAYOUT	M	17	D-CS-5411759-0-1	2Ø MA ADAPTER CARD	E/M
	B-MH-5411278-0-6	MODULE ECO HISTORY	-		K-CO-5411759-0-4	X-Y COORDINATE HOLE LOCATION	M
	D-MD-5011277-0-0	VT61 I/O PANEL	M		D-AH-5411759-0-5	ASSY/DRILLING HOLE LAYOUT	M
					B-MH-5411759-0-6	MODULE ECO HISTORY	-
					5011758	ETCHED CIRCUIT BOARD	M
13	D-CS-5411725-0-1	VT61 SWITCH PANEL	E/M				
	K-CO-5411725-0-4	X-Y COORDINATE HOLE LOCATION	M				
	D-AH-5411725-0-5	ASSY/DRILLING HOLE LAYOUT	M	18	D-CS-5411170-0-1	KEYBOARD, VT61/VT5ØH	E/M
	B-MH-5411725-Ø-6	MODULE ECO HISTORY	-		K-CO-5411170-0-4	X-Y COORDINATE HOLE LOCATION	M
	1-MD-5011724-0-0	PANEL, SWITCH VT61	M		E-AH-5411170-0-5	ASSY DRILLING HOLE LAYOUT	M
	1-IA-7012014-0-0	CABLE, VT61 SWITCH PANEL	E/M		B-MH-5411170-0-6	MODULE ECO HISTORY	-
					5011169	ETCHED CIRCUIT BOARD	M
					1-IA-7012013-0-0	INTERCONNECTING KEYBOARD VT61	E/M
					B-DD-7010054-0	VT5Ø/61 KEYBOARD TESTER	E/M
14	D-CS-5411444-0-1	VT61 MONITOR	E/M				
	K-CO-5411444-0-4	X-Y COORDINATE HOLE LOCATION	M				
	D-AH-5411444-0-5	ASSY DRILLING HOLE LAYOUT	M	19	D-AD-7009892-0-0	63 KEYSWITCH ARRAY	M
	B-MH-5411444-0-6	MODULE ECO HISTORY	-		D-AD-7010035-0-0	63 KEYSWITCH HOUSING ASSY	M
	1-MD-5011443-0-0	VT61 MONITOR PANEL	M		D-AD-7009939-0-0	SPACE BAR ASSEMBLY	M
	1-IA-7011187-0-0	HARNESS, YOKE	E/M				
	2-IA-7012096-0-0	HARNESS, CRT	E/M				
	B-DD-7012848-0	PS MONITOR TESTER	E/M				
				20	D-AD-7009890-0-0	19 KEYSWITCH ARRAY	M
					D-AD-7010034-0-0	KEYSWITCH HOUSING ASSEMBLY	M

TYPE: E ELECTRICAL
M MECHANICAL
E/M ELECTRO/MECHANICAL

digital

TITLE UNIT ASSY (VT62)

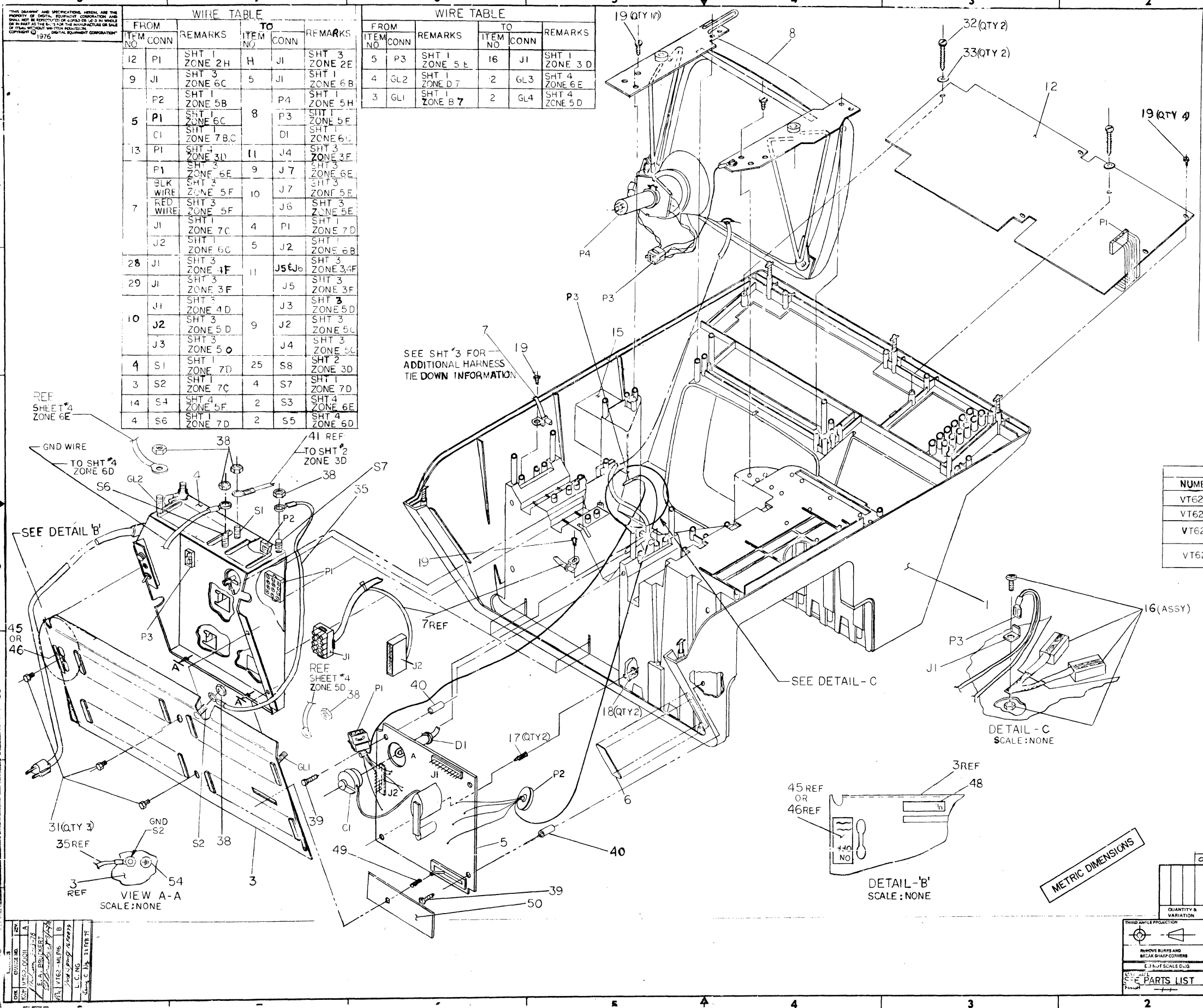
SHEET 5 OF 6	SIZE B	CODE DD	NUMBER VT62-Ø	REV
--------------	--------	---------	---------------	-----

EN-01062-2C-16-R-376-13251

THIS DRAWING AND SPECIFICATIONS HEREIN ARE THE PROPERTY OF ORNITH, INCORPORATED COMPANY AND SHALL NOT BE REPRODUCED OR COPIED OR USED IN WHOLE OR IN PART AS THE BASIS FOR THE MANUFACTURE OR SALE OF ITEMS WITHOUT WRITTEN PERMISSION OF ORNITH, INCORPORATED COMPANY.

WIRE TABLE				
FROM ITEM NO.	CONN	REMARKS	TO ITEM NO.	CONN
12	P1	SHT 1 ZONE 2H	H	J1
9	J1	SHT 3 ZONE 6C	5	J1
5	P2	SHT 1 ZONE 5B	8	P4
	P1	SHT 1 ZONE 6C		P3
	C1	SHT 1 ZONE 7B,C		D1
13	P1	SHT 3 ZONE 3D	11	J4
7	P1	SHT 3 ZONE 6E	10	J7
	BLK WIRE	SHT 3 ZONE 5F		J7
	RED WIRE	SHT 3 ZONE 5F		J6
	J1	SHT 1 ZONE 7C		P1
28	J1	SHT 3 ZONE 4F	11	J5
	J1	SHT 3 ZONE 3F		J5
	J1	SHT 3 ZONE 4D		J3
10	J2	SHT 3 ZONE 5D	9	J2
	J3	SHT 3 ZONE 5D		J4
	J3	SHT 3 ZONE 5D		J4
4	S1	SHT 1 ZONE 7D	25	S8
3	S2	SHT 1 ZONE 7C	4	S7
14	S4	SHT 4 ZONE 5F	2	S3
4	S6	SHT 1 ZONE 7D	2	S5

WIRE TABLE				
FROM ITEM NO.	CONN	REMARKS	TO ITEM NO.	CONN
5	P3	SHT 1 ZONE 5E	16	J1
4	GL2	SHT 1 ZONE D 7	2	GL3
3	GL1	SHT 1 ZONE B 7	2	GL4



NOTES
 1. FOR DRAWING DIRECTORY INFORMATION REFER TO B-DD-VT62-0
 2. BASE (ITEM #2) IS PLACED OVER SCREWS IN SHELL AND 1/4 TURN TO THE RIGHT IS MADE ON SCREWS TO SECURE BASE

LEGEND	
NUMBER	VARIATION
VT62-AA	20MA115V/60HZ(SEE PARTS LIST)
VT62-AB	20MA 230V/50HZ
VT62-AC	E1A WITH CONTROL 115V/60 HZ
VT62-AD	E1A WITH CONTROL 230V/50HZ (SEE PARTS LIST)

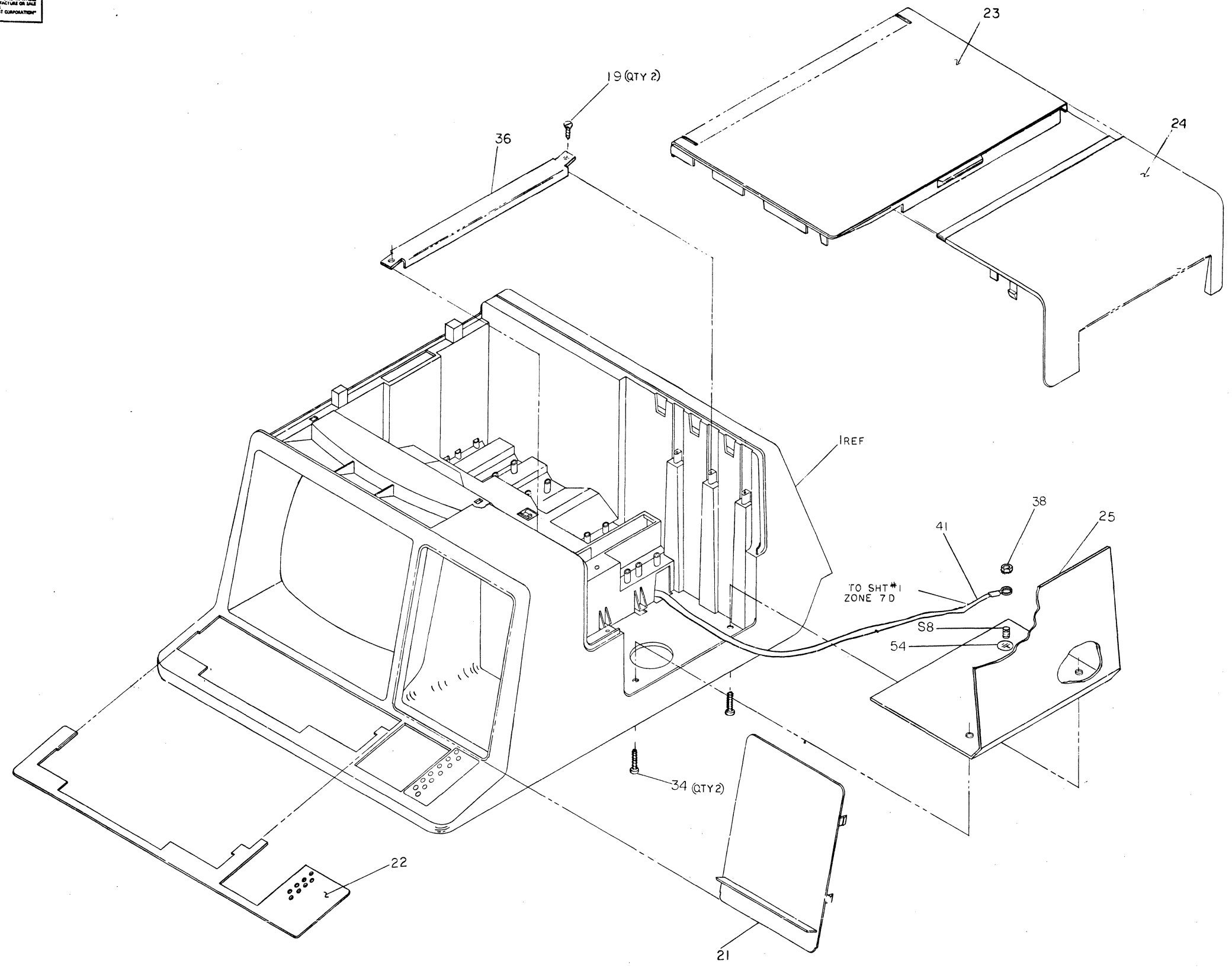
REV	DATE	BY	CHKD	DESCRIPTION
1				ISSUED FOR PRODUCTION
2				REVISION
3				REVISION
4				REVISION
5				REVISION

OFF SHEET PARTS LIST REFER TO C-PLV-T62-0-0	
DESCRIPTION	DWG. PART NO.
UNLESS OTHERWISE SPECIFIED DIMENSIONS ARE IN MILLIMETERS	
FINISHES: UNLESS OTHERWISE SPECIFIED DIMENSIONS ARE IN MILLIMETERS	
QUANTITY & VARIATION	
DRG. PART NO.	REV.
CHG'D.	DATE
ENG.	DATE
PROJ. LEAD	DATE
EXT. CHECK	DATE
REV. DATE	REV.
BY	DATE
CHKD.	DATE
APP'D.	DATE
REV. DATE	REV.

UNIT ASSEMBLY (VT62)	
REV.	DATE
1	
2	
3	
4	
5	

METRIC DIMENSIONS

ALL DRAWING AND SPECIFICATION METERS ARE THE PROPERTY OF DIGITAL EQUIPMENT CORPORATION AND SHALL NOT BE REPRODUCED OR COPIED OR USED IN WHOLE OR IN PART, IN ANY MANNER, WITHOUT THE WRITTEN PERMISSION OF THE COMPANY. DIGITAL EQUIPMENT CORPORATION

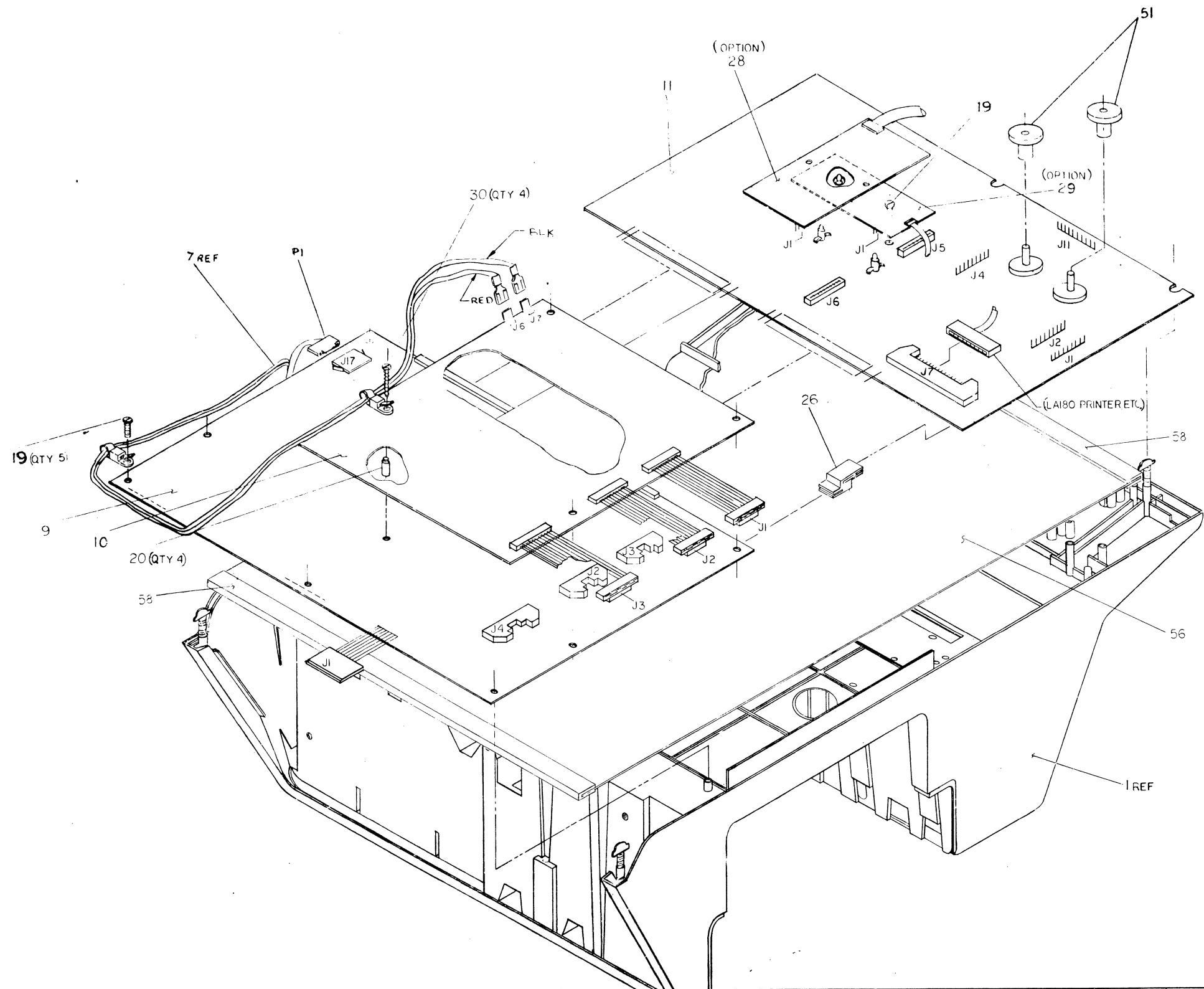


REV.	CHANGE NO.	DESCRIPTION

8	7	6	5	4	3	2	1
---	---	---	---	---	---	---	---

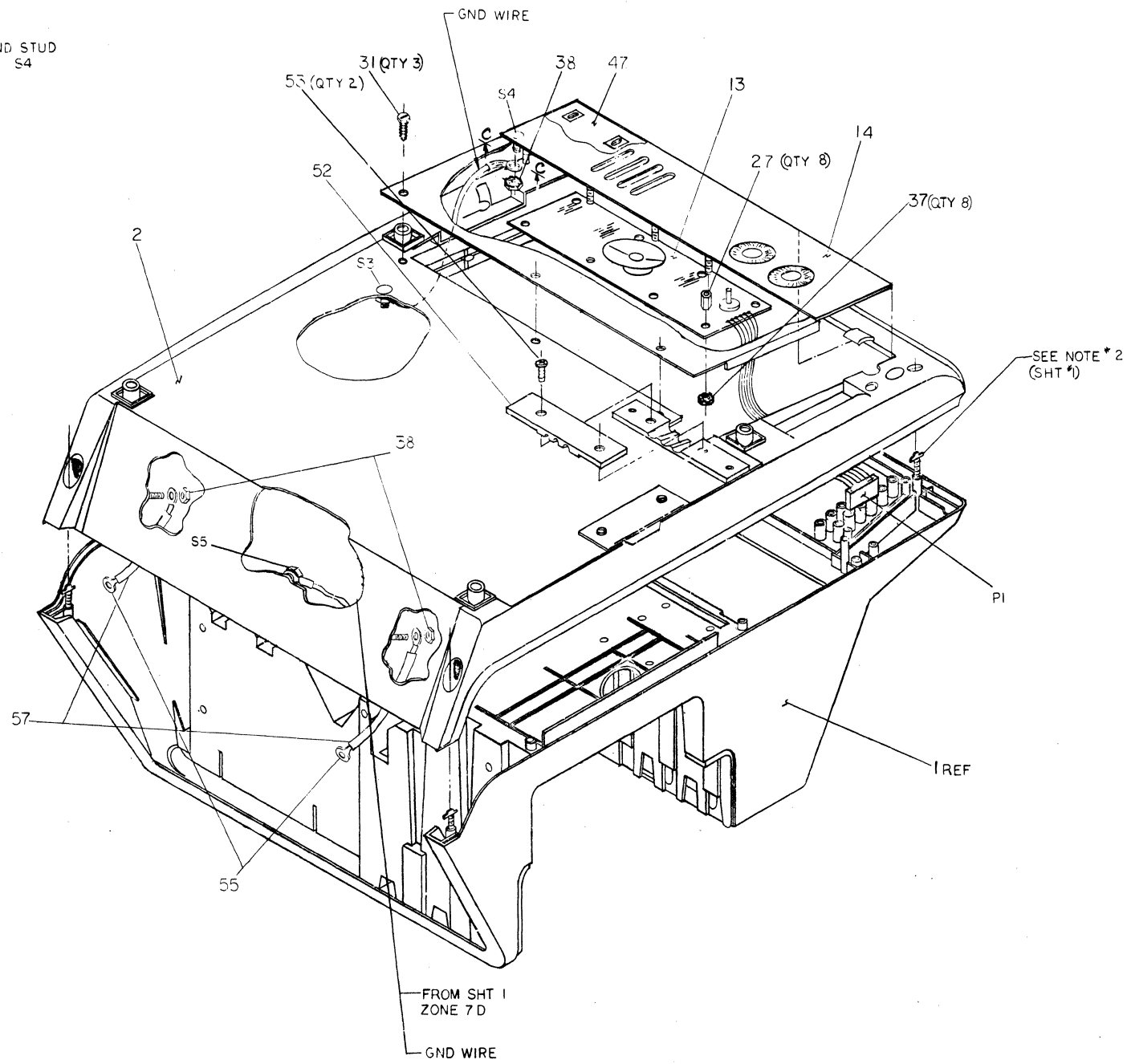
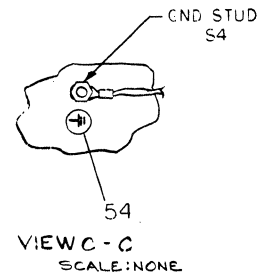
TITLE	UNIT ASSEMBLY (VT62)	SIZE/CODE	UUA	NUMBER	VT62-0-0	REV.	B
SCALE	NONE	SHEET	2 OF 4	DIST.			

DRAWING AND SPECIFICATIONS HEREIN ARE THE PROPERTY OF SPERRY GERRARD CORPORATION AND SHALL NOT BE REPRODUCED OR COPIED OR USED IN WHOLE OR IN PART IN ANY MANNER WITHOUT THE WRITTEN PERMISSION OF SPERRY GERRARD CORPORATION.
1976



REVISIONS		
NO.	CHANGE NO.	REV.

ALL DIMENSIONS AND SPECIFICATIONS HEREIN ARE THE PROPERTY OF DIGITAL EQUIPMENT CORPORATION AND SHALL BE REPRODUCED OR COMPILED OR USED IN WHOLE OR IN PART AS THE BASIS FOR THE MANUFACTURE OR SALE OF ANY PRODUCT WITHOUT THE PERMISSION OF DIGITAL EQUIPMENT CORPORATION.



REVISIONS		
CHK	CHANGE NO.	REV

TITLE	UNIT ASSEMBLY (VT62)	REVISION	NUMBER	REV.
SCALE	1:1		0 UA VT62-0-0	B

THIS DRAWING AND SPECIFICATIONS, HEREIN ARE THE PROPERTY OF DIGITAL EQUIPMENT CORPORATION AND SHALL NOT BE REPRODUCED OR COPIED OR USED IN WHOLE OR IN PART AS THE BASIS FOR THE MANUFACTURE OR SALE OF ITEMS WITHOUT WRITTEN PERMISSION. COPYRIGHT © DIGITAL EQUIPMENT CORPORATION

ITEM NO.	DWG. NO. / PART NO.	DESCRIPTION	VT62-AD			
			VT62-AA	VT62-AB	VT62-AC	VT62-AD
1.	1-IA-7415074-0-0	SHELL (REWORKED)	1	1	1	1
2.	Ø-AD 7013931-0-0	BASE ASSEMBLY	1	1	1	1
3.	1-IA-7418566-0-0	HEAT SINK	1	1	1	1
4.	Ø-UA-H7832-0-0	H7832 POWER SUPPLY (VT62)	1	1	1	1
5.	D-CS-5411444-0-1	BOARD, MONITOR	1	1	1	1
6.	A-PS-3613210-0-0	LABEL, ALU ADHESIVE ELECTRICAL DATA	1	1	1	1
7.	D-IA-7012017-0-0	HARNESS, POWER (VT61)	1	1	1	1
8.	1-AD-7014130-1-0	CRT ASSEMBLY	1	1	1	1
9.	D-CS-5411284-2-1	BOARD, PROCESS VIDEO (VT61)	1	1	1	1
10.	D-UA-5412471-0-1	BOARD, MEMORY (VT62)	1	1	1	1
11.	D-CS-5411278-1-1	BOARD, INPUT/OUTPUT (VT61)	1	1	1	1
12.	D-CS-5411170-10-1	KEYBOARD VT61/VT5ØH	1	1	1	1
13.	D-CS-5411725-0-1	BOARD, SWITCH PANEL (VT61)	1	1	1	1
14.	1-IA-7013930-0-0	SCREEN, BASE FRONT	1	1	1	1
15.	B-MD-7414751-0-0	SUPPORT FOAM	1	1	1	1
16.	1-IA-7011197-0-0	CRT, GROUNDING ASSEMBLY	1	1	1	1
17.	9009670-00	STANDOFF, PLASTIC SNAP-IN .25 LG	2	2	2	2
18.	9008407-01	SCR. PHL. PAN HD. #6-20 X .38 LG.	2	2	2	2
19.	9009681-05	SCR. THD. ROLLING #10 X .38 LG	24	24	24	24
20.	1212891-00	SPACER, PILOTED .75 LG.	4	4	4	4
21.	D-MD-7413103-0-0	COVER, CASSETTE	1	1	1	1
22.	1-IA-7413964-2-0	BEZEL, KEYBOARD VT61	1	1	1	1
23.	Ø-MD-7412573-0-0	COVER, BLANK FIXED ASSY	1	1	1	1
24.	E-MD-7412574-1-0	COPIER COVER (VT 5Ø)	1	1	1	1
25.	1-IA-7415317-0-0	PLATE, MTG (VT61)	1	1	1	1
26.	2-MD-7415342-0-0	CLIP, BOARD MTG.	1	1	1	1
27.	9006801-00	SPACER, METAL .25 HEX X .38 LG.	8	8	8	8
28.	1-IA-BN61Ø-Ø5	CABLE, EIA CARD (VT61)	-	-	1	1
29.	1-IA-BN52B-7F	ADAPTER ASSY 2Ø MA	1	1	-	-
30.	9009803-00	SCR. SELF-TAPPING TYPE A #8-45 X 1.38 LG	4	4	4	4
31.	9009683-01	SCR. HEX WASHER HD (BLK) #8-32X .38 LG.	6	6	6	6
32.	9009373-00	SCR. HEX HEAD - SELF TAP #4	2	2	2	2
33.	9009671-00	WASHER, METAL WITH GASKET	2	2	2	2
34.	9006043-03	SCR. PHL. TRUSS HD. #8-32 X 1.0 LG.	2	2	2	2
35.	C-IA-7418251-0-0	CABLE, SAFETY GROUND	1	1	1	1
36.	C-MD-7413400-0-0	BRACKET, COPIER WELL	1	1	1	1
37.	9008185-00	KEPNUT #6-32	8	8	8	8
38.	9006565-00	KEPNUT #10-32	10	10	10	10
39.	9009679-02	SCR. HEX WASHER HD. #8 X .75 LG.	2	2	2	2
40.	9009910-00	SPACER, PLASTIC #10 x .375 x .25 LG	2	2	2	2
41.	C-IA-7418251-3-0	CABLE, SAFETY GROUND	1	1	1	1
42.	A-PL-VT62-Ø-1	SHIPPING LIST	1	1	1	1
43.	A-SP-3700184-1-0	PACK INST. TERMINAL WITHOUT COPIER	1	1	1	1

115V, 60HZ
230V, 50HZ
115V, 60HZ
230V, 50HZ

REV.	CHANGE NO.	DATE
A	VT62-00011	3-13-78
B	VT62-MLØ16	3/22/78

E.A. BRUCKERT
 L.C. NG
 22 FEB 79

DRNG. DRAYTON	9 SEPT 76	FIRST USED ON	VT62
CHK'D BY	3 MAR 77	TITLE	UNIT ASSY (VT62)
ENG.	31 MAR 77	NUMBER	VT62-Ø-Ø
PROD. ENG.	31 MAR 77	REV.	B
PROD. MGR.	31 MAR 77	SCALE	1 OF 2
NEXT HIGHER ASSY.		SIZE CODE	C PL
		DIST.	

REV. B
 NUMBER VT62-Ø-Ø
 SIZE CODE C PL

THIS DRAWING AND SPECIFICATIONS, HEREIN ARE THE PROPERTY OF DIGITAL EQUIPMENT CORPORATION AND SHALL NOT BE REPRODUCED OR USED IN WHOLE OR IN PART AS THE BASIS FOR THE MANUFACTURE OR SALE OF ITEMS WITHOUT WRITTEN PERMISSION. COPYRIGHT © DIGITAL EQUIPMENT CORPORATION

ITEM NO.	DWG. NO./PART NO.	DESCRIPTION	VT62-AA	VT62-AB	VT62-AC	VT62-AD
45.	A-PS-3614166-1-0	LABEL ADHESIVE BACKED PRINTED	-	1	-	1
46.	A-PS-3614166-0-0	LABEL ADHESIVE BACKED PRINTED	1	-	1	-
47.	A-PS-3613241-1-0	DECAL BASE FRONT	1	1	1	1
48.	A-DC-7414213-0-0	DECAL (UL)	1	1	1	1
49.	1213771	SPRING, SLIDE COVER	1	1	1	1
50.	2-MD-7417806-0-0	COVER, SLIDE	1	1	1	1
51.	2-MD-7417802-0-0	SPACER, SWITCH	2	2	2	2
52.	C-MD-7417804-0-0	CABLE CLAMP UPPER	1	1	1	1
53.	9007854-01	SCREW, PHL PAN HD#8-32 X.56 LG	2	2	2	2
54.	A-PS-3612680-0-0	DECAL, GROUND SYMBOL	3	3	3	3
55.	9009830-01	STRAP, GND 7"	2	2	2	2
56.	2-MD-7419543-02	RFI SHIELD	1	1	1	1
57.	7419599-01	SLEEVING 6 1/8"	2	2	2	2
58.	9008845-00	TAPE, GLASS REINFORCED	A/R	A/R	A/R	A/R

115V
60HZ
230V
50 HZ
115V
60HZ
230V
50HZ

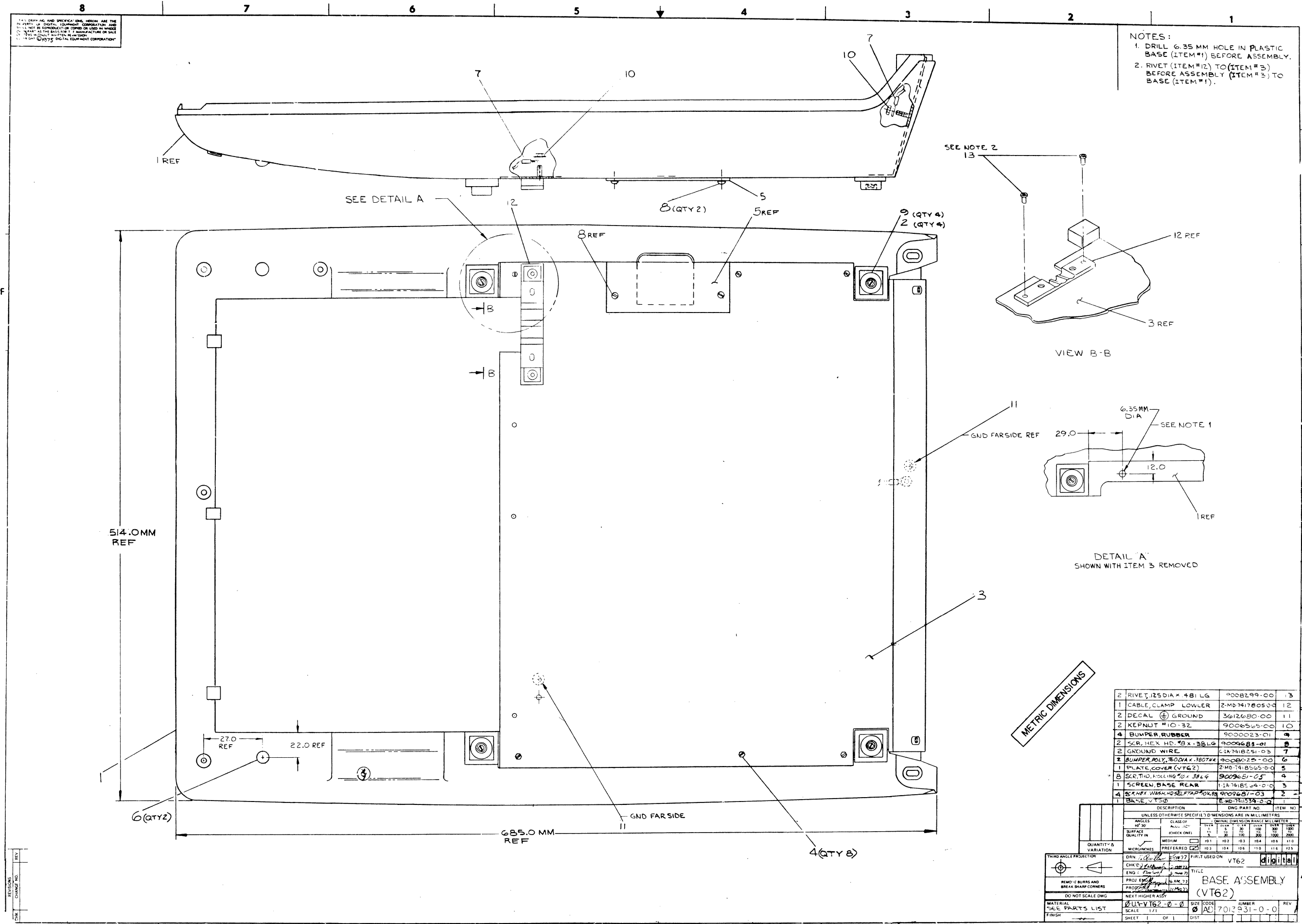
REV.	
CHG	

DRN. G. DRAYTON	9 SEPT 67	FIRST USED ON	VT62
CHK'D BY <i>[Signature]</i>	<i>[Date]</i>	TITLE	
ENG <i>[Signature]</i>	<i>[Date]</i>	UNIT ASSY (VT62)	
PROJ. ENG <i>[Signature]</i>	<i>[Date]</i>	NEXT HIGHER ASSY.	
PROD. <i>[Signature]</i>	<i>[Date]</i>	SIZE	CODE
		B-DD-VT62-0	C
SCALE		PL	NUMBER
			VT62-0-0
SHEET	2 OF 2	DIST.	REV. B

D
C
B
A

ALL DRAWINGS AND SPECIFICATIONS HEREIN ARE THE PROPERTY OF DIGITAL EQUIPMENT CORPORATION AND SHALL NOT BE REPRODUCED OR TRANSMITTED IN ANY FORM OR BY ANY MEANS, ELECTRONIC OR MECHANICAL, INCLUDING PHOTOCOPYING, RECORDING, OR BY ANY INFORMATION STORAGE AND RETRIEVAL SYSTEM, WITHOUT PERMISSION IN WRITING FROM DIGITAL EQUIPMENT CORPORATION.

NOTES:
 1. DRILL 6.35 MM HOLE IN PLASTIC BASE (ITEM #1) BEFORE ASSEMBLY.
 2. RIVET (ITEM #12) TO (ITEM #3) BEFORE ASSEMBLY (ITEM #3) TO BASE (ITEM #1).



METRIC DIMENSIONS

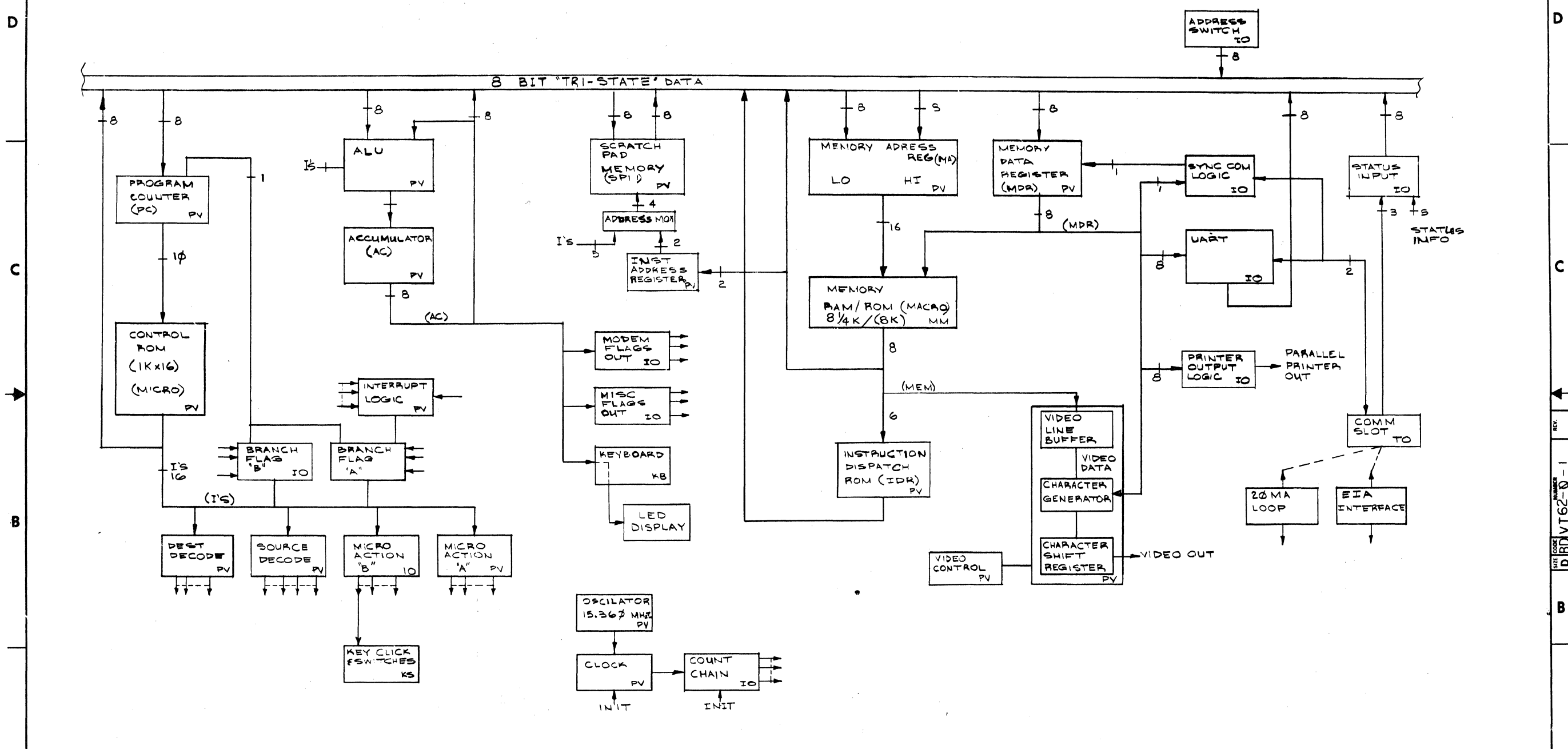
QTY	DESCRIPTION	DWG PART NO.	ITEM NO.
2	RIVET, 12SDIA X .481 LG	9008299-00	13
1	CABLE, CLAMP LOWLER	2-MD-74178050-0	12
2	DECAL (4) GROUND	3612680-00	11
2	KEPNUT #10-32	9006565-00	10
4	BUMPER, RUBBER	9000023-01	9
2	SCR, HEX HD, #8 X .35 LG	9009683-01	8
2	GROUND WIRE	11A-7418251-03	7
2	BUMPER, POLY, 76.0 DIA X .387 THK	9000825-00	6
1	PLATE, COVER (VT62)	2-MD-7418565-0-0	5
8	SCR, THD, KOLLING #10 X .39 LG	9009681-05	4
1	SCREEN, BASE REAR	11A-7418504-0-0	3
4	SCR, HEX WASH, HD SELF TAP, #10 X .39 LG	9009681-03	2
1	BASE, VT62	E-MD-741539-0-0	1

THIRD ANGLE PROJECTION	DRN: [Signature]	FIRST USED ON: VT62	TITLE: BASE ASSEMBLY (VT62)
REMOVED BURS AND BREAK SHARP CORNERS	CHK'D: [Signature]	DATE: [Date]	SCALE: 1/1
DO NOT SCALE DWG	ENG: [Signature]	DATE: [Date]	SIZE CODE: 0 AC
MATERIAL: SEE PARTS LIST	PROJ: [Signature]	DATE: [Date]	NUMBER: 7012931-0-0
FINISH: [Symbol]	REV: [Signature]	DATE: [Date]	REV: [Blank]
SHEET 1 OF 1	DIST: [Blank]		

REVISIONS
 CHANGING NO.
 DATE

THIS DRAWING AND SPECIFICATIONS, HEREIN, ARE THE PROPERTY OF DIGITAL EQUIPMENT CORPORATION AND SHALL NOT BE REPRODUCED OR COPIED OR USED IN WHOLE OR IN PART AS THE BASIS FOR THE MANUFACTURE OR SALE OF ITEMS WITHOUT WRITTEN PERMISSION. COPYRIGHT © 1977 DIGITAL EQUIPMENT CORPORATION

1-0-291A 000 2



REV.	
CHANGE NO.	
REVISIONS	
CHK	

DRN: T. Bullen	08/07/77	FIRST USED ON	VT62	digital
CHK'D: J. Falkner	3/11/77	TITLE	BLOCK DIAGRAM	
ENG: D. Hayward	11/11/77	SCALE		
PROJ. ENG: D. Hayward	2/11/77	SIZE	D BD	NUMBER
PROD. D. Hayward	3/11/77	SCALE		VT62-0-1
NEXT HIGHER ASSY.		SHEET	1 OF 2	REV.
0-UA-VT62-0-0		DIST.		

DEC FORM NO. DRD 102-D

THIS DRAWING AND SPECIFICATIONS HEREIN ARE THE PROPERTY OF DIGITAL EQUIPMENT CORPORATION AND SHALL NOT BE REPRODUCED OR COPIED OR USED IN WHOLE OR IN PART AS THE BASIS FOR THE MANUFACTURE OR SALE OF ITEMS WITHOUT WRITTEN PERMISSION. DIGITAL EQUIPMENT CORPORATION 1971

UA SIGNAL	I15	I14	I13	I12	I11	I10	I9	I8	I7	I6	I5	I4	I3	I2	I1	I0
NO OP A																
INC AC																
LD IA																
INC MA																
SHIFT MDR																
CLA PC																
COMP PC B																
LD RAM																

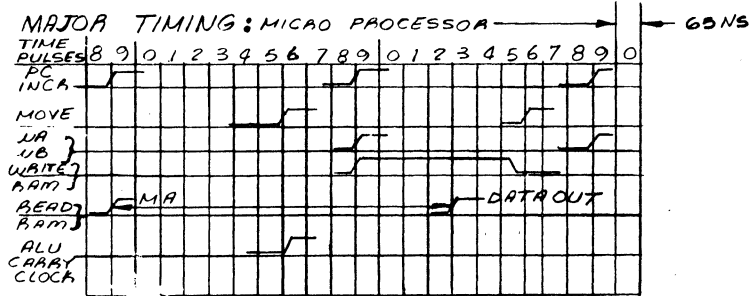
LB SIGNAL	I15	I14	I13	I12	I11	I10	I9	I8	I7	I6	I5	I4	I3	I2	I1	I0
NO OP B																
SPARE																
RESET FLAG																
SPARE																
SPARE																
LD MISC FLAG																
LD LED FLAG																
LD MODEM FLAG																
SET KEYCLICK																
LD INT CONTROL																
SPARE																
CLR MDR L																
LD SYNC CLANAL																
PLD L																
CLA VID SERV REQ																
ENABLE VID LD																
ENABLE MDR A																
ENABLE MDR B																

SOURCE SIGNAL	I15	I14	I13	I12	I11	I10	I9	I8	I7	I6	I5	I4	I3	I2	I1	I0
SEL AC																
SEL STATUS 1																
SEL SWITCHES																
SEL CAS 1																
SEL CAS 2																
SEL RAM																
SEL IDA																
SEL URAT																
SEL SPM LO																
SEL SPM HI																
SEL ADM																
SPARE																
TEST BOX SWITCH																

BRANCH FLAG SIGNAL	I15	I14	I13	I12	I11	I10	I9	I8	I7	I6	I5	I4	I3	I2	I1	I0
INTA 1																
NBX																
NBA																
F1																
F2																
C FLAG																
URAT A FLAG																
URAT B FLAG																
DO X OFF																
G OUT SER																
F3																
INTA 2																
KEY DOWN																
PWR UP																
SYNC ENH																
PARITY ERROR																
MEM BZY																
EQUAL																
CARRY OUT																
MDR O.F. OUT																
COPYER SER REQ																
PCF																
TRUE																
VID SERV																

* I13 IN THE BRANCH FLAGS SHOWS TRUE BRANCH

DESTINATION SIGNAL	I15	I14	I13	I12	I11	I10	I9	I8	I7	I6	I5	I4	I3	I2	I1	I0
LD MA LO																
LD MA HI																
LD PC																
LD URAT																
CAS 3 L																
LD MDR																
LD SPM																
LD SPM																
LD AC																

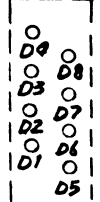


MISC FLAGS	MODEM FLAGS	LED FLAGS
AC0 GOUT STAOSE		D1
AC1 RTS	F3	D2
AC2 GOUT ENH		D3
AC3 STD	DTA	D4
AC4 CLR URAT A FLAG		D5
AC5		D6
AC6		D7
AC7 PWR UP		D8

STATUS	TERMINAL ADDR
DB0 CTS	1
DB1 SAD	2
DB2 CD	4
DB3	8
DB4 REMOTE L	16
DB5 PAINTER CABLE L	32
DB6 CARS LOCK L	64
DB7 FULL DUPLEX L	128

ALU FUNCTION	F3	F2	F1
NOT			
OR			
XOR			
AND			
DEC			
ADD			
SUB			
SHIFT LEFT			

	I15	I14	I13	I12	I11	I10	I9	I8	I7	I6	I5	I4	I3	I2	I1	I0
MOVE																
COMP TO R.C																
ALU																
BRANCH																
OPERATE																



NOTE: THIS DIAGRAM REPRESENTS THE PHYSICAL POSITIONING OF THE LED'S ON THE KEYBOARD

	INTERUPT FLAG
MDA 0	H
MDA 1	B
MDA 2	F1
MDA 3	F2

REVISIONS		
CHK	CHANGE NO.	REV.

(INST./CODE CHART)

TITLE	SIZE/COO.	NUMBER	REV.
BLOCK DIAGRAM	D BD	VT62-0-1	
SCALE	SHEET 2 OF 2	DIST.	

"THIS DRAWING AND SPECIFICATIONS, HEREIN, ARE THE PROPERTY OF DIGITAL EQUIPMENT CORPORATION AND SHALL NOT BE REPRODUCED OR COPIED OR USED IN WHOLE OR IN PART AS THE BASIS FOR THE MANUFACTURE OR SALE OF ITEMS WITHOUT WRITTEN PERMISSION OF DIGITAL EQUIPMENT CORPORATION" COPYRIGHT © 1975

NOTES:

- SEE SHEET #10 FOR COMPONENT OVERLAY DRAWING.
- SIGNAL PREFIX NOTATION (EX. PR2) IDENTIFIES THE SIGNAL SOURCE (BOARD & PRINT). THE FIRST 2 LETTERS OF THE PREFIX IDENTIFY THE BOARD PRINT SET, SIGNALS WHICH ARE FROM MULTIPLE SOURCES (EX. UB SIGNALS, TRI-STATE BUS OR WIRED OR'ED FROM OUTPUTS) DO NOT CARRY A SIGNAL PREFIX.
- UNLESS OTHERWISE NOTED: RESISTANCE IS IN OHMS, CAPACITANCE IS IN PICO FARADS.
- PARTS SHOULD NOT BE INCLUDED IN MODULE ASSY. KIT TWO 23-000A1'S SHOULD BE SUPPLIED TO FA#T WHERE THEY WILL BE BLASTED AND INSTALLED.
- PARTS SHOULD NOT BE INCLUDED IN MODULE ASSY. KIT FOUR 23-000F1'S SHOULD BE SUPPLIED TO FA#T WHERE THEY WILL BE BLASTED AND INSTALLED.

VARIATION EXPLANATION	
VARIATION	COMMENT
5411284-0	VT61
5411284-1	VT61T
5411284-2	VT62

	1	2	3	4	5	6	7	8
	E16	IC DEC 23050A9	23050A9	51				
	E17	IC DEC 23051A9	23051A9	52				
	E23	IC DEC 23052A9	23052A9	53				
	E24	IC DEC 23053A9	23053A9	54				
	E90	IC DEC 23054A9	23054A9	55				
	E93	IC DEC 23055A9	23055A9	56				
	E94	IC DEC 23056A9	23056A9	57				
	E95	IC DEC 23057A9	23057A9	58				
	J17	SCREW, BHM #4-40X 3/8 NYLON	9006401-04	59				
	J17	NUT, HEX #4-40 NYLON	9007992	60				
	E81	IC DEC 74H74	1909667	61				
	E23	IC DEC 23387A9	23387A9	62				
	W1, W3	JUMPER, INSULATED	9009185	63				
	W2, W4	JUMPER, INSULATED	9009185	64				
	E12 (SEE NOTE 4)	IC DEC 230194A1	230194A1	65				
	E13 (SEE NOTE 4)	IC DEC 230195A1	230195A1	66				
	E90 (SEE NOTE 5)	IC DEC 230186F1	230186F1	67				
	E93 (SEE NOTE 5)	IC DEC 230187F1	230187F1	68				
	E94 (SEE NOTE 5)	IC DEC 230188F1	230188F1	69				
	E95 (SEE NOTE 5)	IC DEC 230189F1	230189F1	70				
	E47, E57, E58, E76	IC DEC 7410	1905576-00	71				
	E12, E13, E16, E17, E23, E24, J11, J18	CONN., 16 PIN DIP	1211813-02	72				
	E90, E93, E94, E95	CONN., 18 PIN DIP	1211666-00	73				
	J2, J3, J4	CONN., RT. ANGLE HEADER	1209941-06	74				
	E6	IC DEC 7417	1909929-00	75				
	E6	CONN., 14 PIN DIP	1211813-01	76				
	R99	RES. 470, 1/4W, 5%	1300316-00	77				

	1	2	3	4	5	6	7	8
	X-Y COORDINATE HOLE LOC	K-CO-5411284-3-4	1					
	ASSY/DRILLING HOLE LAYOUT	E-AH-5411284-0-5	2					
	MODULE ECO HISTORY	B-MH-5411284-0-6	3					
	VT61 PROCESS VIDEO PANEL DRAWING	D-MD-5011283-00	4					
	WASHER	9006708-00	5					
	CAP 39UF 10V, 10% TANT	1000076-00	6					
	CAP 50UF 25V, ALEL	1001798-00	7					
	CAP 680PF 100V, 5% DM	1000026-00	8					
	CAP .01UF, 100V, 20% DISC	1001610-01	9					
	CAP 120PF, 100V, 5% DM	1000018-00	10					
	CAP .1UF, 100V, 20% DISC	1000030-00	11					
	CONN, SIDE ENTRY, 16 PIN	1212152-00	12					
	CONN, SIDE ENTRY, 11 PIN	1211851-00	13					
	CONN, BOTTOM ENTRY, 10 PIN	1211850-00	14					
	CONN, MATE-N-LOK, 8 PIN	1209340-00	15					
	PIN MATE-N-LOK	1209456-01	16					
	SOCKET, 16 PIN DIP	1211813-02	17					
	CONN, RT ANGLE HEADER 20P	1209941-06	18					
	CABLE ASSEMBLY (10 CONDUCTOR)	C-AD-7011144-0-0	19					
	RES. 27, 1/4W, 5%	1312482-00	20					
	RES 100, 1/4W, 5%	1300229-00	21					
	RES. 1K, 1/4W, 5%	1300365-00	22					
	RES. 39K, 1/4W, 5%	1302514-00	23					
	RES. 2.2K, 1/4W, 5%	1300417-00	24					
	RES. 4.7K, 1/4W, 5%	1300447-00	25					
	TRANSISTOR DEC 6531B	1509338-00	26					
	OSCILLATOR, CLOCK 15.360 MHZ	1812131-01	27					
	IC DEC 7400	1905575-00	28					
	E43, E45, E50, E52, E65, E68, E69, E77, E88, E92	IC DEC 7402	29					
	E29, E48, E51, E55, E64, E70, E89	IC DEC 7402	30					
	E40, E37, E61, E63, E75, E80, E85	IC DEC 7404	31					
	E57, E58, E76	IC DEC 7410	32					
	E22, E82	IC DEC 74H11	33					
	E87	IC DEC 74H30	34					
	E56, E62, E66	IC DEC 7442	35					
	E73, E84	IC DEC 7450	36					
	E21, E36, E44, E46, E49, E53, E54, E57, E86, E5	IC DEC 7474	37					
	E39	IC DEC 7486	38					
	E86, E87	IC DEC 7489	39					
	E7, E20, E9, E18, E25, E38	IC DEC 7495	40					
	E72	IC DEC 74151	41					
	E30	IC DEC 74153	42					
	E3, E19, E32	IC DEC 74157	43					
	E1, E2, E8, E15, E28, E33, E59, E91, E97	IC DEC 74161	44					
	E74	IC DEC 74164	45					
	E27, E34	IC DEC 74LS181	46					
	E4, E11, E14, E26, E35, E42, E60, E71, E78, E79, E83	IC DEC 8093	47					
	E10, E31	IC TMS3409, MK1007P	48					
	E41	IC DEC 23114A1	49					
	E13	IC DEC 23115A1	50					
	E12	IC DEC 23116A1	51					

REF. DESIGNATION	DESCRIPTION	PART NO.	ITEM NO.	REF. DESIGNATION	DESCRIPTION	PART NO.	ITEM NO.
-2							
-1							
0							

FIRST USED ON OPTION MODEL		PARTS LIST	
Q	T	Q	T

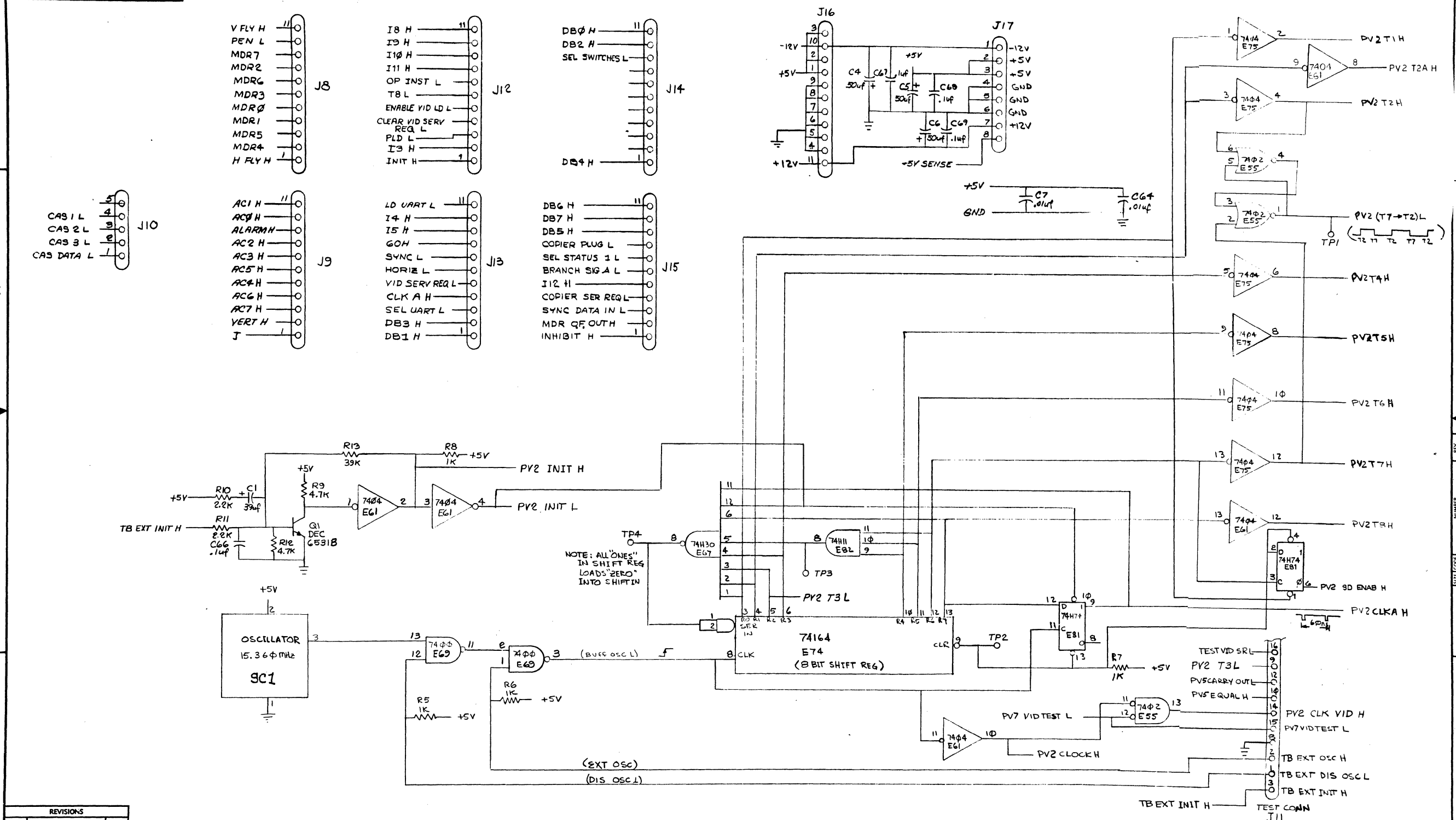
DRN. Co. Way	DATE 11-8-75	 VT61 PROCESS / VIDEO BOARD
CHK'D. Co. Way	DATE 11-9-75	
ENG. [Signature]	DATE 11-17-75	
PROJ. ENGS. [Signature]	DATE 11-15-75	
NEXT HIGHER ASSY		SIZE CODE: DCS
0-UA-VT61-0		NUMBER: 5411284-0-1
SCALE: 1/1		REV: M
SHEET: 1 of 10		DIST.

CHK	CHANGE NO.	REV.

IC TYPE	GND	+5V

THIS DRAWING AND SPECIFICATIONS HEREIN ARE THE PROPERTY OF DIGITAL EQUIPMENT CORPORATION AND SHALL NOT BE REPRODUCED OR COPIED OR USED IN WHOLE OR IN PART AS THE BASIS FOR THE MANUFACTURE OR SALE OF ITEMS WITHOUT WRITTEN PERMISSION. COPYRIGHT © 1975 DIGITAL EQUIPMENT CORPORATION

DCS 5411284-0-1 2



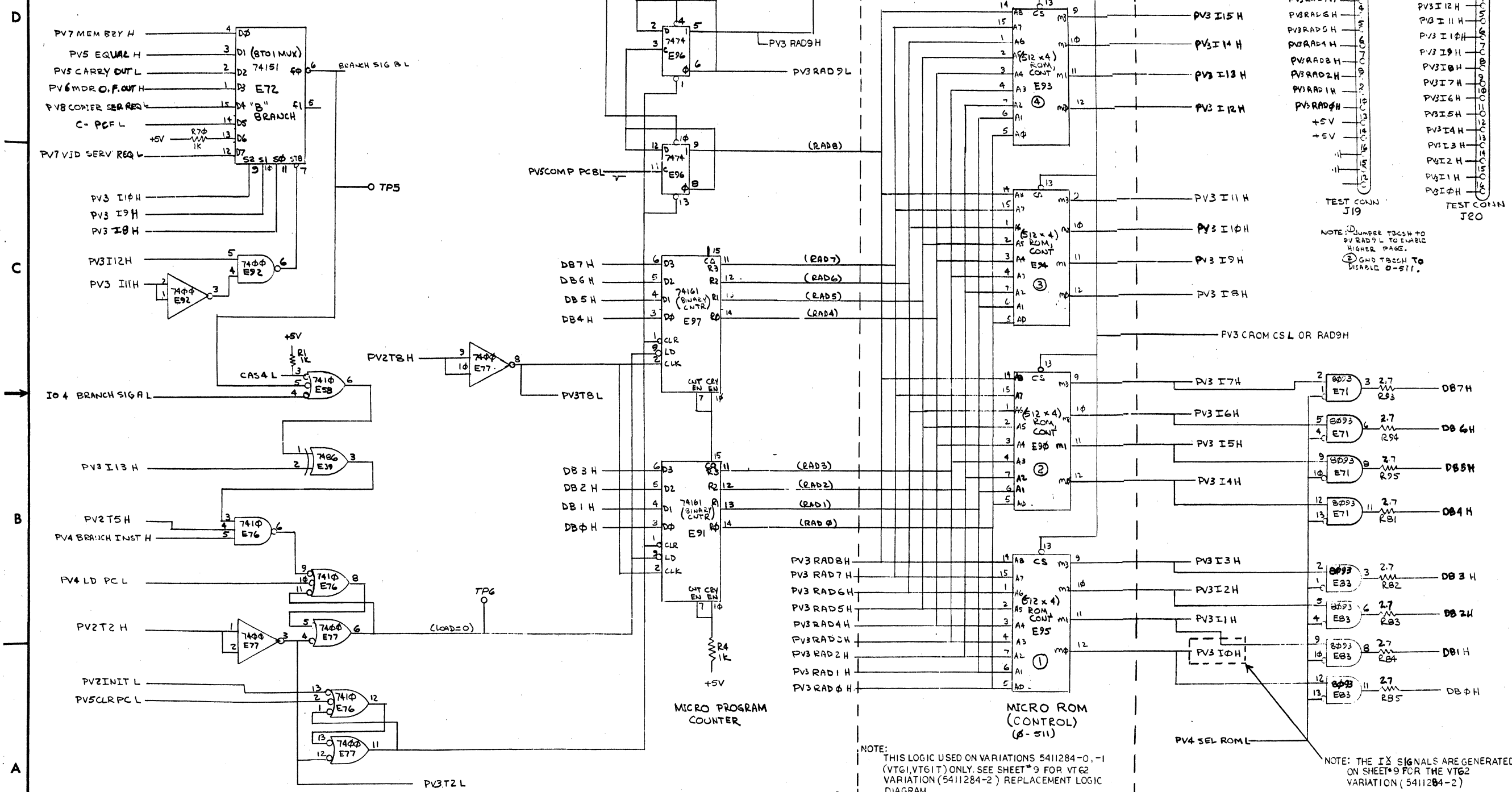
REVISIONS		
CHK	CHANGE NO.	REV.

TITLE VT61 PROCESSOR/VIDEO (OSC TIME STATES/INIT) SIZE CODE: NUMBER REV. DCS 5411284-0-1 M
SCALE: SHEET 2 OF 10

REV. NUMBER DCS 5411284-0-1 M

"THIS DRAWING AND SPECIFICATIONS, HEREIN, ARE THE PROPERTY OF DIGITAL EQUIPMENT CORPORATION AND SHALL NOT BE REPRODUCED OR COPIED OR USED IN WHOLE OR IN PART AS THE BASIS FOR THE MANUFACTURE OR SALE OF ITEMS WITHOUT WRITTEN PERMISSION. COPYRIGHT © 1975 DIGITAL EQUIPMENT CORPORATION"

NOTE: W1 INSTALLED ON 5411284-0-1, VARIATION (VT61, VT61T).
W2 INSTALLED ON 5411284-2 VARIATION (VT62)



NOTE: JUMPER TB35H TO PV3 RAD9L TO ENABLE HIGHER PAGE.
GND TB35H TO DISABLE 0-511.

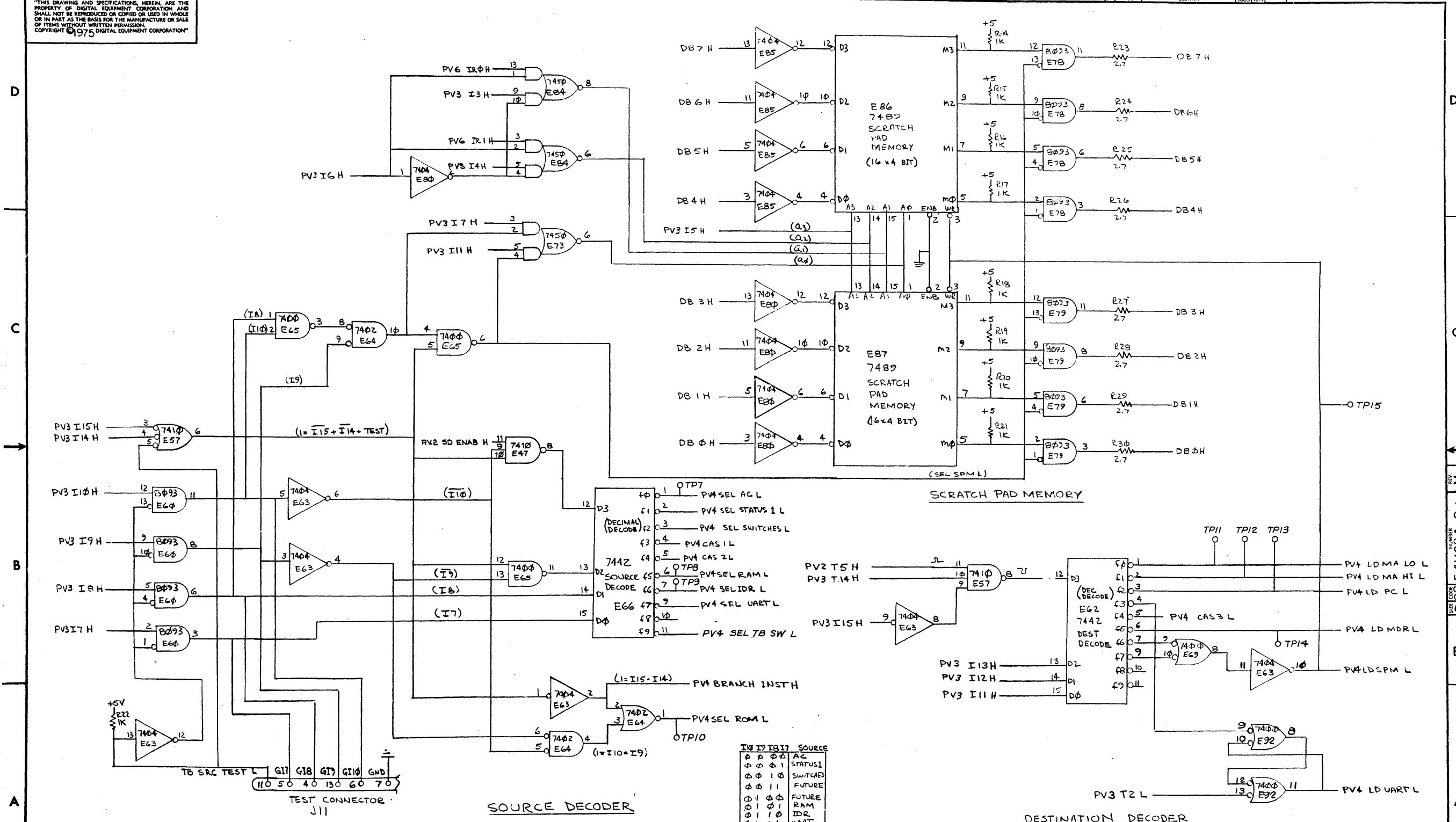
NOTE: THIS LOGIC USED ON VARIATIONS 5411284-0,-1 (VT61, VT61T) ONLY. SEE SHEET 9 FOR VT62 VARIATION (5411284-2) REPLACEMENT LOGIC DIAGRAM.

NOTE: THE I_X SIGNALS ARE GENERATED ON SHEET 9 FOR THE VT62 VARIATION (5411284-2)

REVISIONS		
CHK	CHANGE NO.	REV.

"THIS DRAWING AND SPECIFICATIONS, HEREIN, ARE THE PROPERTY OF DIGITAL EQUIPMENT CORPORATION AND SHALL NOT BE REPRODUCED OR COPIED OR USED IN WHOLE OR IN PART AS THE BASIS FOR THE MANUFACTURE OR SALE OF ITEMS WITHOUT WRITTEN PERMISSION. COPYRIGHT © 1975 DIGITAL EQUIPMENT CORPORATION"

DCS 5411284-0-1 2



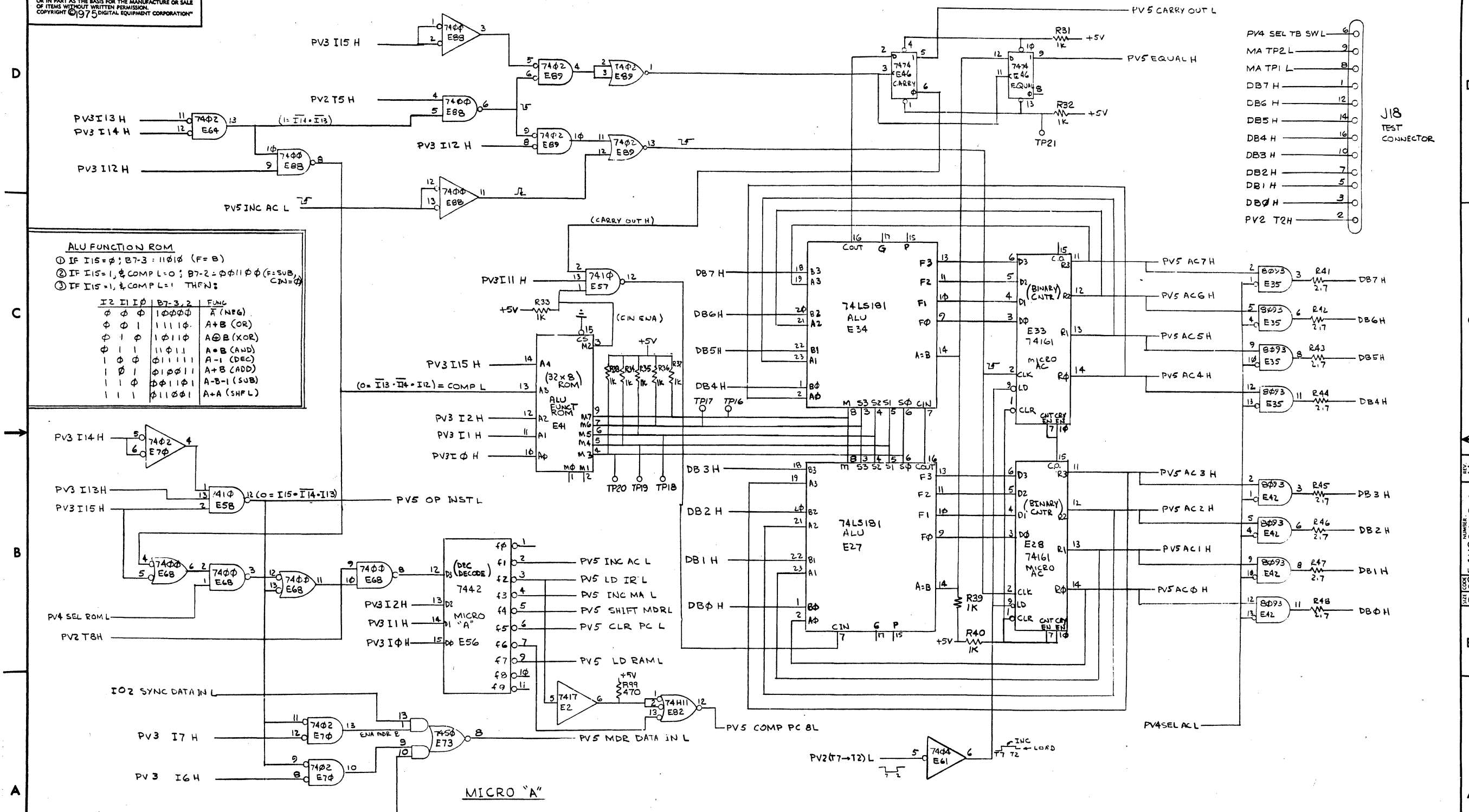
REVISIONS		
CHK	CHANGE NO.	REV.

IO	IO	IO	IO	SOURCE
0	0	0	0	AC
0	0	0	1	STATUS1
0	0	1	0	SWITCHES
0	0	1	1	FUTURE
0	1	0	0	FUTURE
0	1	0	1	RAM
0	1	1	0	IDR
0	1	1	1	UART
1	1	0	0	ROM
1	1	0	1	SPM LO
1	1	1	1	SPM HI

(1000 SPARE)
(1001 TEST BOX SW)

"THIS DRAWING AND SPECIFICATIONS, HEREIN, ARE THE PROPERTY OF DIGITAL EQUIPMENT CORPORATION AND SHALL NOT BE REPRODUCED OR COPIED OR USED IN WHOLE OR IN PART AS THE BASIS FOR THE MANUFACTURE OR SALE OF ITEMS WITHOUT WRITTEN PERMISSION. COPYRIGHT © 1975 DIGITAL EQUIPMENT CORPORATION"

4 1-0-1284-0-1 2



ALU FUNCTION ROM

① IF I15=0; B7-3: 11010 (F=B)
 ② IF I15=1, & COMP L=0; B7-2=00110 (F=SUB, CARRY=0)
 ③ IF I15=1, & COMP L=1 THEN:

I2	I1	I0	B7-3, 2	FUNC
0	0	0	10000	A (NEG)
0	0	1	11110	A+B (OR)
0	1	0	10110	A⊕B (XOR)
0	1	1	11111	A=B (AND)
1	0	0	01111	A-1 (DEC)
1	0	1	01001	A+B (ADD)
1	1	0	01101	A-B-1 (SUB)
1	1	1	01101	A+A (SHFL)

- J18 TEST CONNECTOR
- PV4 SEL TB SWL — 6
 - MA TP2 L — 9
 - MA TP1 L — 8
 - DB7 H — 1
 - DB6 H — 12
 - DB5 H — 14
 - DB4 H — 16
 - DB3 H — 10
 - DB2 H — 7
 - DB1 H — 5
 - DB0 H — 3
 - PV2 T2H — 2

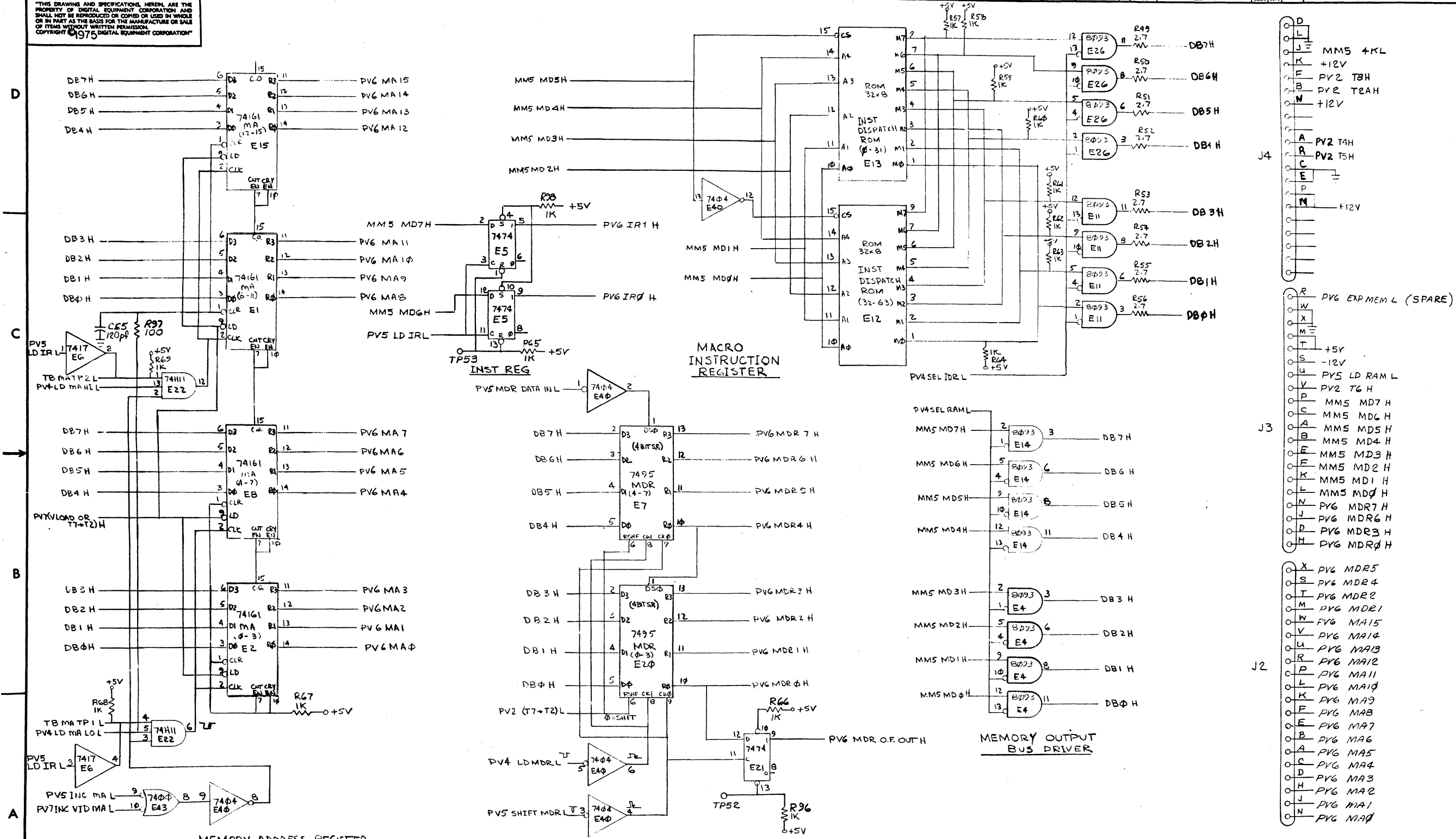
REVISIONS		
CHK	CHANGE NO.	REV.

TITLE VT61 PROCESSOR/VIDEO MICRO 'A' ACC
 SIZE CODE DCS
 NUMBER 5411284-0-1
 REV. M
 SCALE SHEET 5 OF 10
 DIST.

REV. M
 NUMBER DCS 5411284-0-1

"THIS DRAWING AND SPECIFICATIONS, HEREIN, ARE THE PROPERTY OF DIGITAL EQUIPMENT CORPORATION AND SHALL NOT BE REPRODUCED OR COPIED OR USED IN WHOLE OR IN PART AS THE BASIS FOR THE MANUFACTURE OR SALE OF ITEMS WITHOUT WRITTEN PERMISSION. COPYRIGHT © 1975 DIGITAL EQUIPMENT CORPORATION"

DCS 5411284-0-1



- D L
- J E MM5 4KL
- K +12V
- F PV2 T8H
- B PV2 T2AH
- N +12V
- A PV2 T4H
- R PV2 T5H
- C
- P
- N +12V
- R PV6 EXP MEM L (SPARE)
- W
- X
- M
- T +5V
- S -12V
- U PV5 LD RAM L
- V PV2 T6 H
- P
- C MM5 MD7 H
- A MM5 MD6 H
- B MM5 MD5 H
- F MM5 MD3 H
- K MM5 MD2 H
- L MM5 MD1 H
- N PV6 MDR7 H
- J PV6 MDR6 H
- D PV6 MDR3 H
- H PV6 MDR0 H
- X PV6 MDR5
- S PV6 MDR4
- T PV6 MDR2
- M PV6 MDR1
- W PV6 MA15
- V PV6 MA14
- U PV6 MA13
- R PV6 MA12
- P PV6 MA11
- L PV6 MA10
- K PV6 MA9
- F PV6 MA8
- E PV6 MA7
- B PV6 MA6
- A PV6 MA5
- C PV6 MA4
- D PV6 MA3
- H PV6 MA2
- J PV6 MA1
- N PV6 MA0

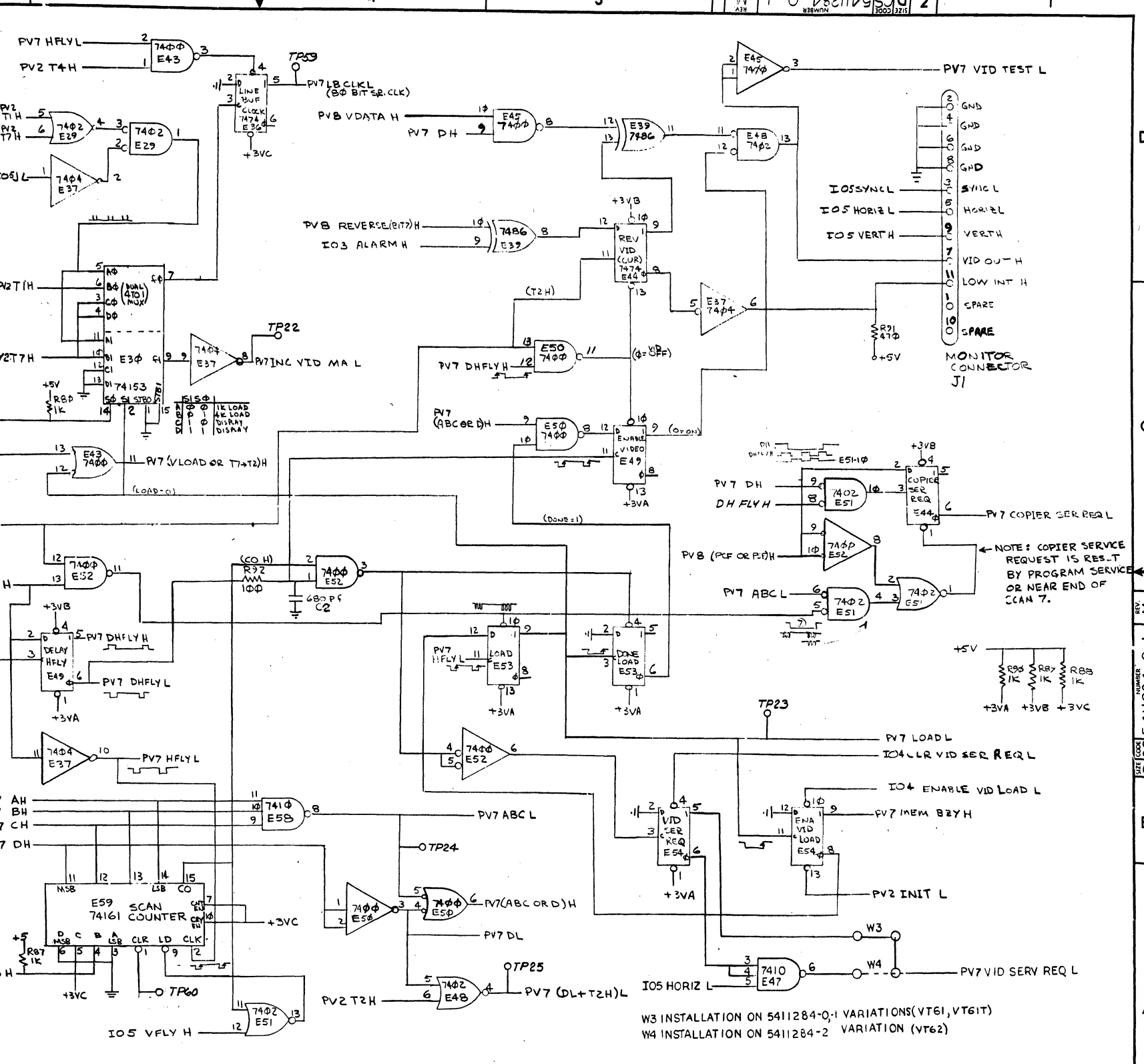
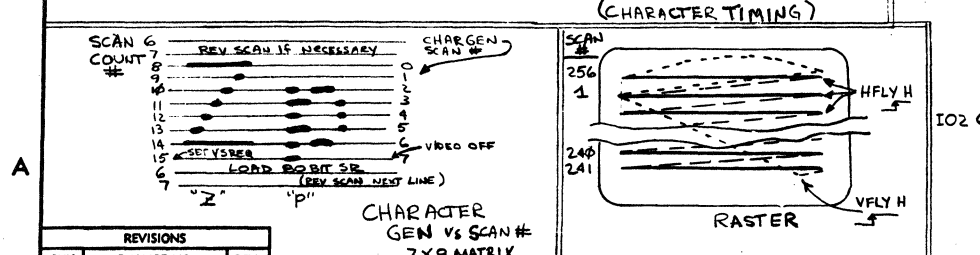
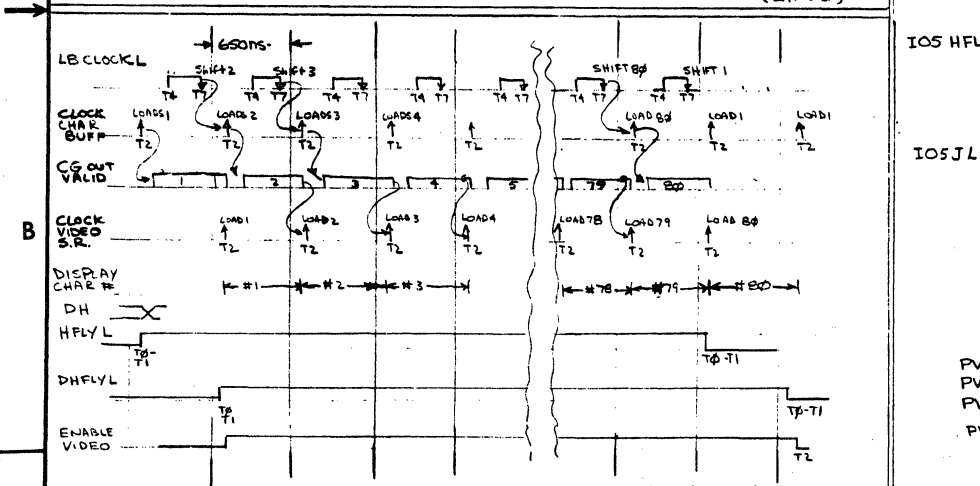
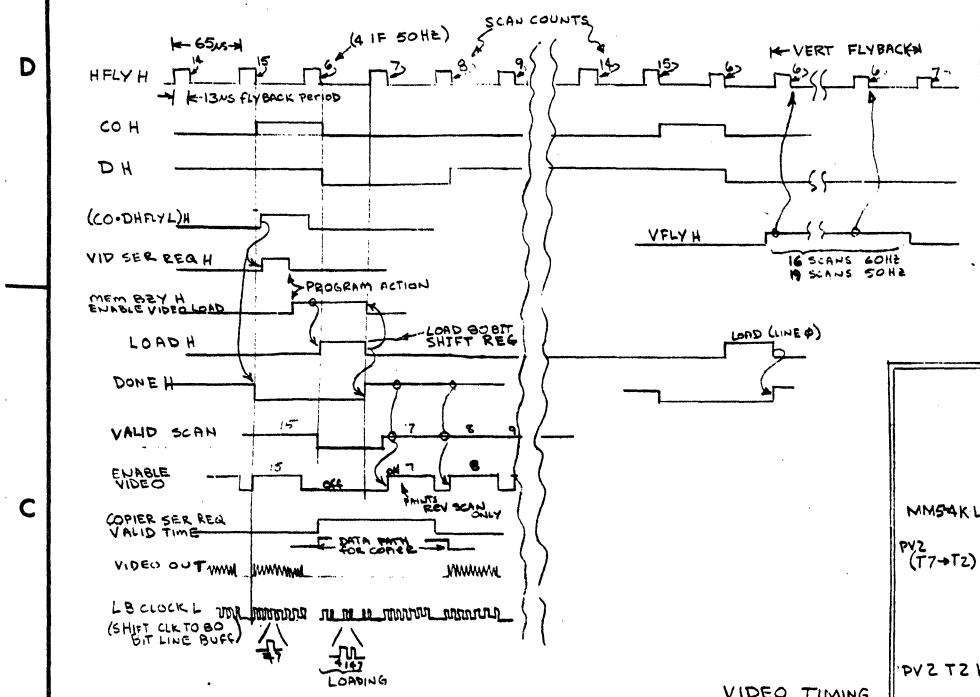
REVISIONS		
CHK	CHANGE NO.	REV.

TITLE VT61 PROCESSOR / VIDEO MA,MDR,IR,IDR, MEM CONN DCS 5411284-0-1 M

SCALE SHEET 6 OF 10

THIS DRAWING AND SPECIFICATIONS HEREIN ARE THE PROPERTY OF DIGITAL EQUIPMENT CORPORATION AND SHALL NOT BE REPRODUCED OR COPIED OR USED IN WHOLE OR IN PART AS THE BASIS FOR THE MANUFACTURE OR SALE OF ANY EQUIPMENT WITHOUT WRITTEN PERMISSION OF DIGITAL EQUIPMENT CORPORATION.
 COPYRIGHT © 1975 DIGITAL EQUIPMENT CORPORATION

DCS 5411284-0-1

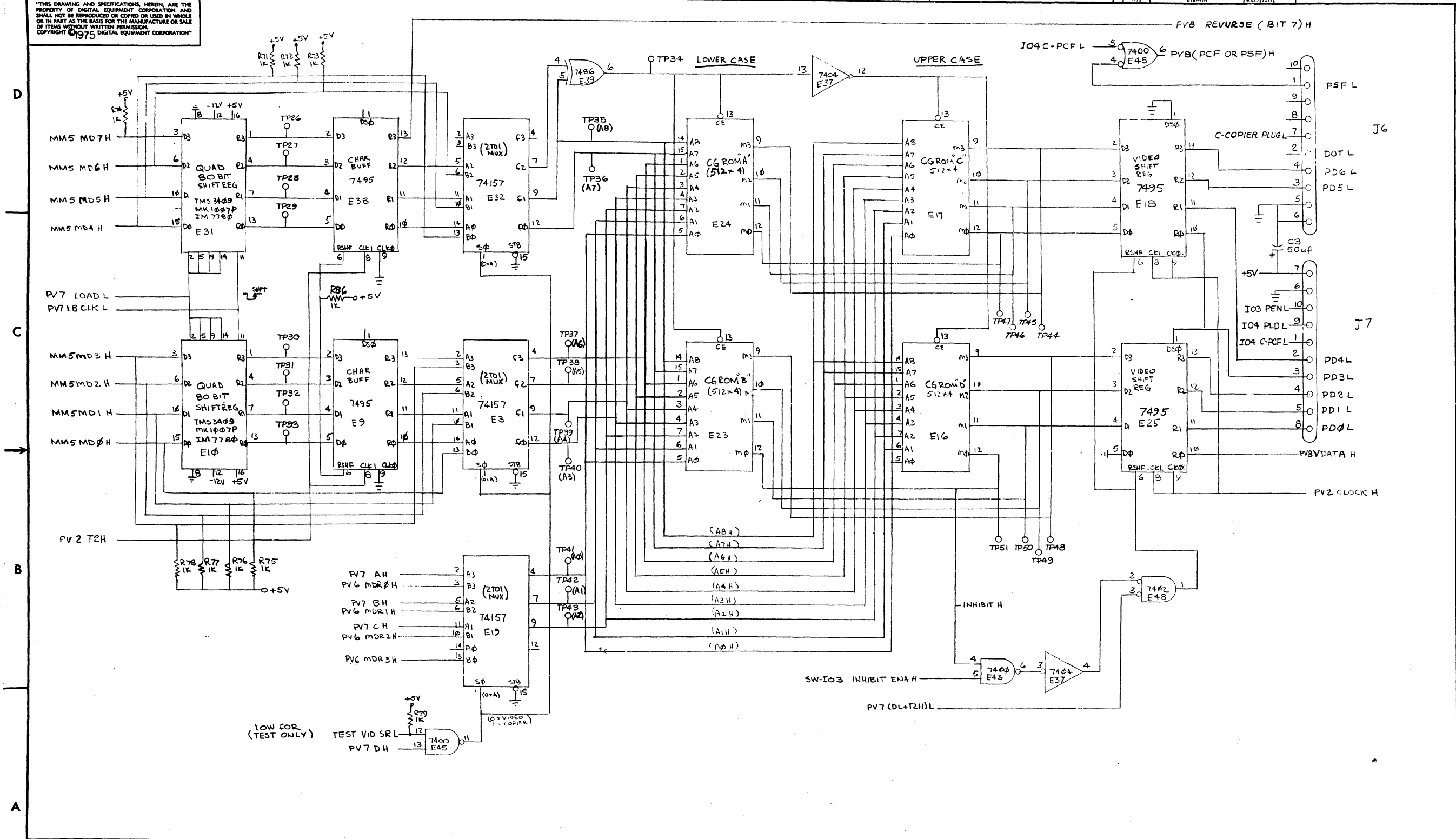


CHK	CHANGE NO.	REV.

TITLE	SIZE	CODE	NUMBER	REV.
VT61 PROCESSOR VIDEO (VIDEO CONTROL/COPIER)	DCS	5411284-0-1	M	

THIS DRAWING AND SPECIFICATIONS, HEREIN, ARE THE PROPERTY OF DIGITAL EQUIPMENT CORPORATION AND SHALL NOT BE REPRODUCED OR COPIED OR USED IN WHOLE OR IN PART AS THE BASIS FOR THE MANUFACTURE OR SALE OF ITEMS WITHOUT WRITTEN PERMISSION. COPYRIGHT © 1975 DIGITAL EQUIPMENT CORPORATION

1-0-1821179 2



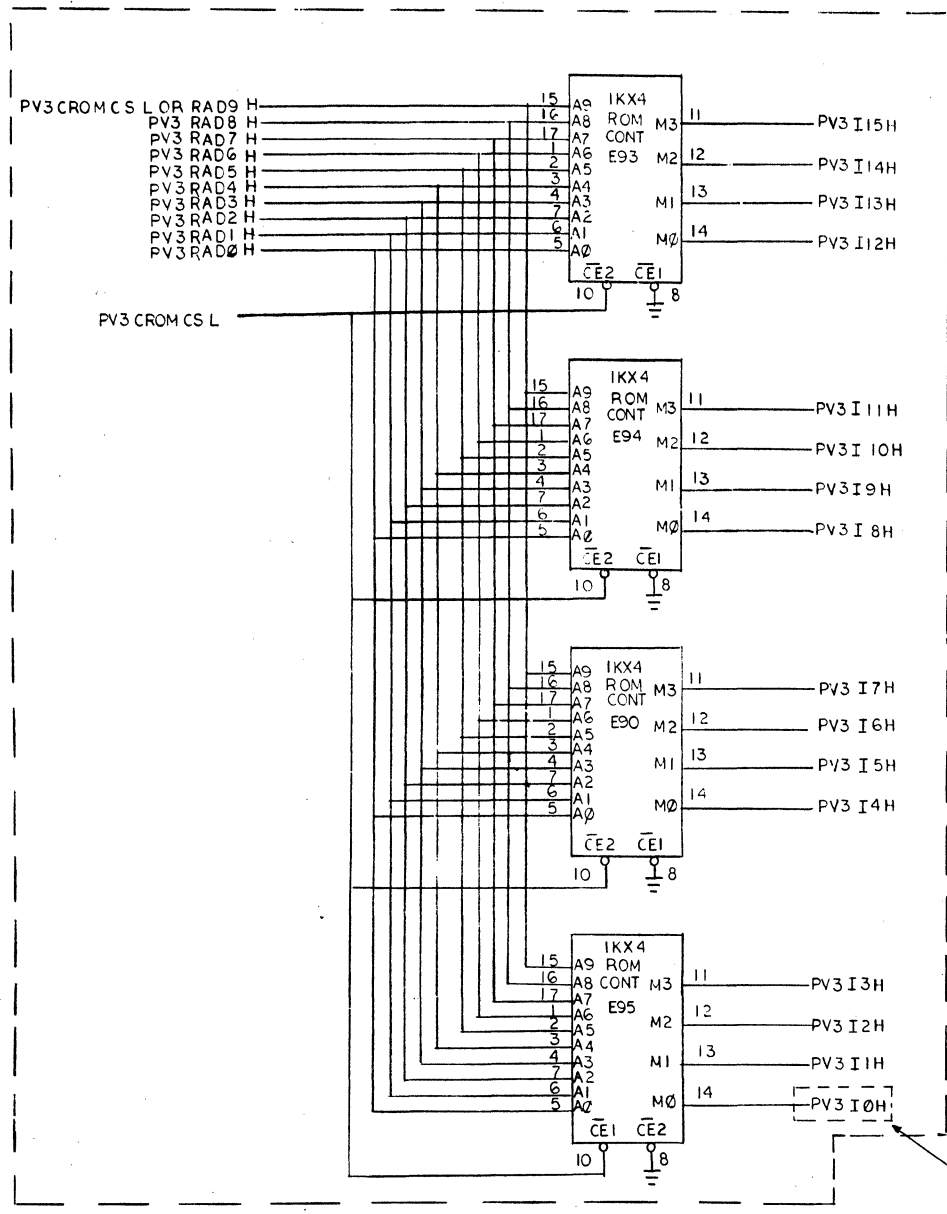
REVISIONS		
CHK	CHANGE NO.	REV.

TITLE: T161 PROCESSOR / VIDEO VIDEO DATA PATH / COOPER CONN. NUMBER: CS 5411284-0-1 REV. M
 SCALE: SHEET 8 OF 10

CS 5411284-0-1 M

"THIS DRAWING AND SPECIFICATIONS, HEREIN, ARE THE PROPERTY OF DIGITAL EQUIPMENT CORPORATION AND SHALL NOT BE REPRODUCED OR COPIED OR USED IN WHOLE OR IN PART AS THE BASIS FOR THE MANUFACTURE OR SALE OF ITEMS WITHOUT WRITTEN PERMISSION. COPYRIGHT © 1976 DIGITAL EQUIPMENT CORPORATION"

REV. 1-0-4-2-11-1
 DCS 5411284-0-1
 3002 3215



MICRO ROM
 (CONTROL)
 (0-1023)

NOTE:
 THIS LOGIC USED ON VT62 VARIATION (5411284-2) ONLY.
 SEE SHEET #3 FOR VT61, VT61T, VARIATIONS (5411284-0, -1).
 IX SIGNALS ARE GENERATED ON SHEET #3 FOR THE VT61,
 VT61T VARIATIONS (5411284-0, -1).

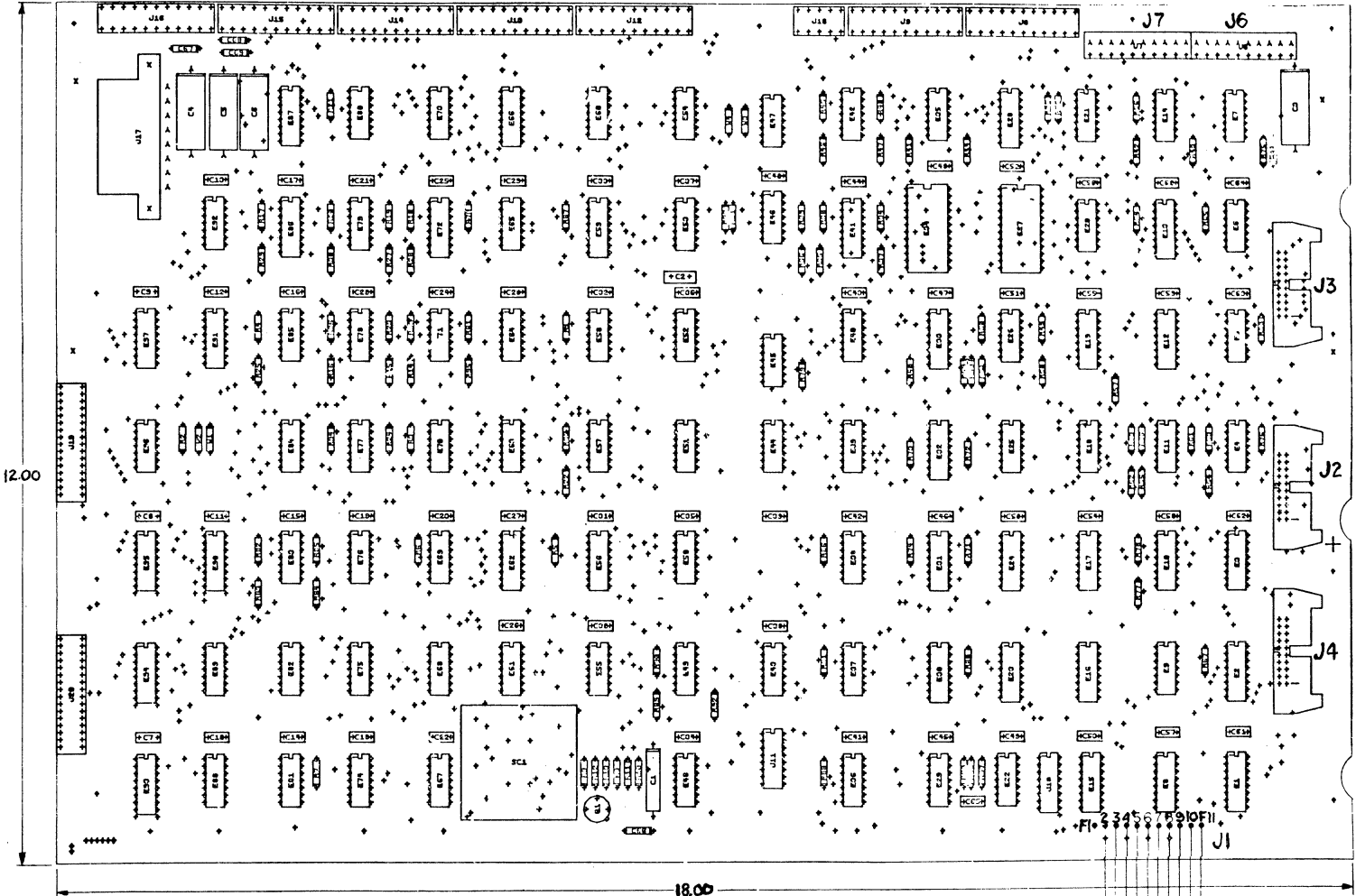
REVISIONS		
CHK	CHANGE NO.	REV.

REV. 1-0-4-2-11-1
 DCS 5411284-0-1
 3002 3215

TITLE VT61 PROCESSOR/VIDEO (CONTROL ROM 1KX16)		SIZE CODE DCS	NUMBER 5411284-0-1	REV. M
SCALE	SHEET 9 OF 10	DIST.		

"THIS DRAWING AND SPECIFICATIONS, HEREIN, ARE THE PROPERTY OF DIGITAL EQUIPMENT CORPORATION AND SHALL NOT BE REPRODUCED OR COPIED OR USED IN WHOLE OR IN PART AS THE BASIS FOR THE MANUFACTURE OR SALE OF ITEMS WITHOUT WRITTEN PERMISSION. COPYRIGHT © 1976 DIGITAL EQUIPMENT CORPORATION"

WIRE TABLE					
ITEM NO.	DESCRIPTION	FROM		TO	REMARKS
		AWG	COLOR		
19	BLK			FC-2	SOLID
	BRN			FC-3	
	RED			FC-4	
	ORN			FC-5	
	YEL			FC-6	
	GRN			FC-7	
	BLU			FC-8	
	VIO			FC-9	
	GRY			FC-10	
19	WHT			FC-11	SOLID



REVISIONS		
CHK	CHANGE NO.	REV.

TITLE	VT61 PROC./VID. BD.	SIZE/CODE	D CS	NUMBER	5411284-0-1	REV.	M
SCALE		SHEET	10	OF 10	DIST.		

DEC FORM NO. 080 137

REV. M
NUMBER 5411284-0-1
D CS

"THIS DRAWING AND SPECIFICATIONS HEREIN ARE THE PROPERTY OF DIGITAL EQUIPMENT CORPORATION AND SHALL NOT BE REPRODUCED OR COPIED OR USED IN WHOLE OR IN PART AS THE BASIS FOR THE MANUFACTURE OR SALE OF ITEMS WITHOUT WRITTEN PERMISSION. COPYRIGHT © 1975 DIGITAL EQUIPMENT CORPORATION"

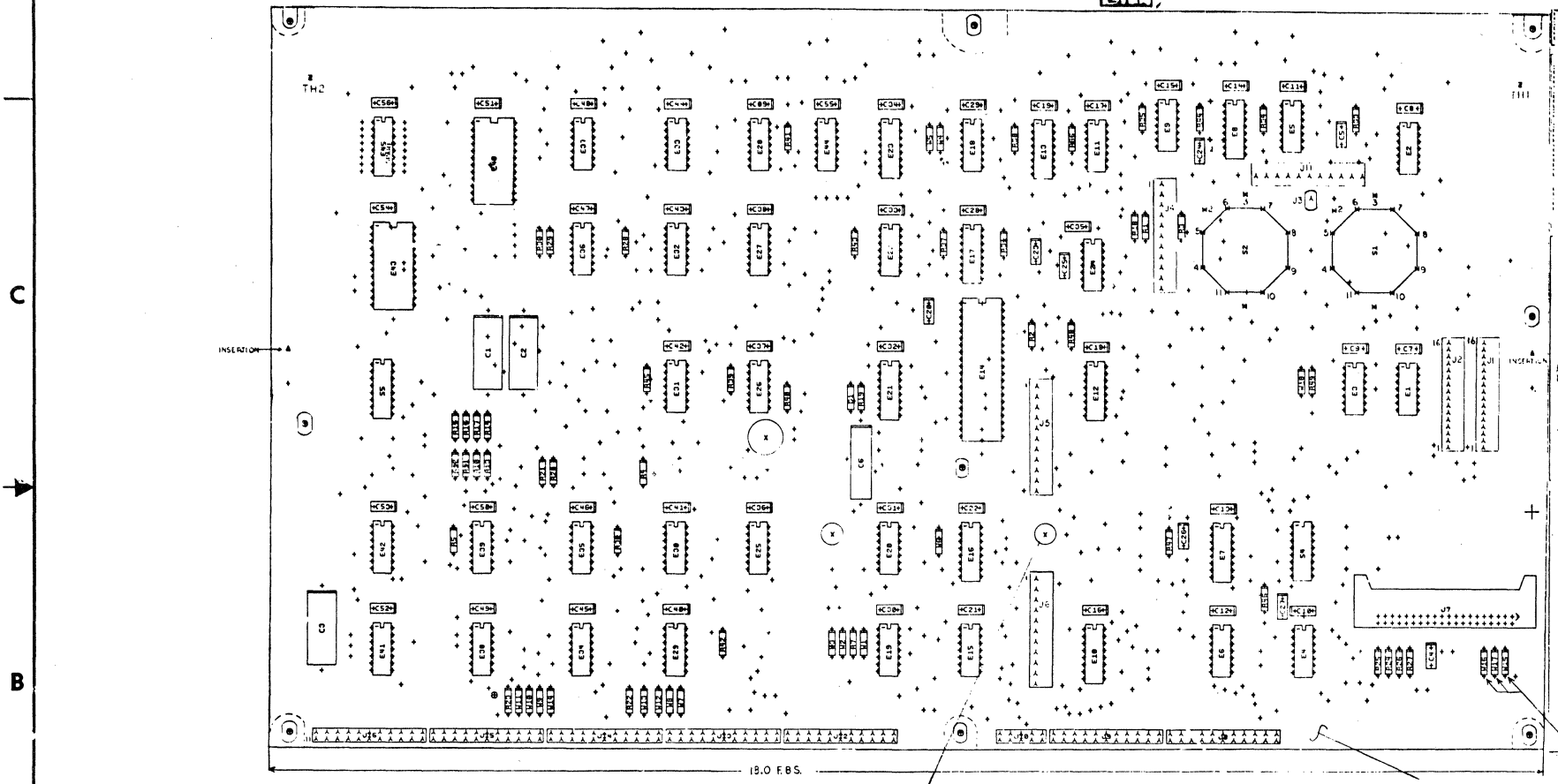
- NOTES:**
- SIGNAL PREFIX NOTATION (EX. I02) IDENTIFIES THE SIGNAL SOURCE (BOARD & PRINT). THE FIRST 2 (TWO) LETTERS OF THE PREFIX IDENTIFY THE BOARD PRINT SET, THE NUMBER INDICATES THE SHEET NUMBER WITHIN THE PRINT SET. SIGNALS WHICH ARE FROM MULTIPLE SOURCES (EX. DB-SIGNALS, TRI-STATE BUS, OR WIRED OR'ED FROM OUTPUTS) DO NOT CARRY A SIGNAL PREFIX.
 - UNLESS OTHERWISE NOTED: RESISTANCE IS IN OHMS, CAPACITANCE IS IN PICO FARADS.
 - W1, W6, W7, USED ONLY WITH SERIAL PRINTER
 - REFER TO A.H. FOR ETCH CUTS AND JUMPERS.

LEGEND

NUMBER	VARIATION
5411278-0	VT61, VT61T
5411278-1	VT62

QTY	REF.	DESIGNATION	DESCRIPTION	PART NO.	ITEM NO.
49	REF	S5	DIP SWITCH	1211164-04	1
50	REF	E20, E25, E29, E34, E41, E42	I.C. DEC 8093	1910937-00	2
51	REF	E21	I.C. DEC 74123	1910436-00	3
52	REF	R19	RES. 20K, 1/4W, 5%	1302391-00	4
53	REF	D1	DIODE D664	1100114-00	5
54	REF	C6	CAP 22MFD 35V TANT	1002433-00	6
55	REF	W1, W3, W4, W6-W14, W18	JUMPER, 22AWG, INSULATED	9009185-00	7
56	REF	R1, R2, R4, R5, R7, R10-R17, R20-R23, R28-R32, R34-R42, R45, R49, R7, R93	RES. 1K, 1/4W, 5%	1300365-00	8
57	REF	WIRE, 20AWG, SOLID GREEN		9105740-55	9
58	REF	TUBING		9107278-11	10

QTY	REF.	DESIGNATION	DESCRIPTION	PART NO.	ITEM NO.
1	REF		X-Y COORDINATE HOLE LOCATION	D-CS-5411278-0-1	1
1	REF		ASSY/DRILLING HOLE LAYOUT	K-CS-5411278-0-4	2
1	REF		MODULE I/O HISTORY	D-AH-5411278-0-5	3
1	REF		VT61 I/O PANEL	D-NO 5011270-0	4
5	REF	J4, J11, J13	STRAIGHT PINS	1212519-00	5
6	REF	C1-C3	CAP 50UF, 25V, AL-EL	1001795-00	6
7	REF	C7-C22, C28-C56	CAP .01UF, 100V DISC	1001610-01	7
8	REF	L4-C5	CAP 680PF, 100V, DAISS	1000026-00	8
9	REF	S4	DIP SWITCH	1211164-04	9
10	REF	J7	CONN, 40 PIN PT ANGLE HEADER	1209941-02	10
11	REF	J5, J8	CONN, TOP ENTRY C15	1212151-00	11
12	REF	E30, E37	I.C. DEC 7404	190986-00	12
13	REF	R33, R48	RES. 47, 1/4W, 5%	1300202-00	13
14	REF	R1, R2, R4, R20-R23, R28-R32, R34-R42, R45, R49, R7, R93	RES. 1K, 1/4W, 5%	1300365-00	14
15	REF	R26, R27	RES. 390, 1/4W, 5%	1300309-00	15
16	REF	R3	RES. 220, 1/4W, 5%	1300271-00	16
17	REF	R18	RES. 330, 1/4W, 5%	1300295-00	17
18	REF	R24, R25	RES. 180, 1/4W, 5%	1301322-00	18
19	REF	E3, E5, E27, E33, E19	I.C. DEC 7400	1905575-00	19
20	REF	E36	I.C. DEC 7413	1905578-00	20
21	REF	E1, E6	I.C. DEC 7417	1909929-00	21
22	REF	E32	I.C. DEC 7430	1905578-00	22
23	REF	E18, E31	I.C. DEC 7450	1905580-00	23
24	REF	E4, E25, E35, E44	I.C. DEC 7474	1905547-00	24
25	REF	E1, E28	I.C. DEC 7490	1909051-00	25
26	REF	E40	I.C. DEC 74150	1910153-00	26
27	REF	E43	I.C. DEC 74154	1909701-00	27
28	REF	E16	I.C. DEC 74157	1910655-00	28
29	REF	E8, E13, E17	I.C. DEC 74161	1910650-00	29
30	REF	E7, E10, E12, E23	I.C. DEC 74175	1910651-00	30
31	REF	E9, E11	I.C. DEC 74197	1910035-00	31
32	REF	E20, E25, E29, E34	I.C. DEC 8093	1910837-00	32
33	REF	E14	I.C. UART	1910459-00	33
34	REF	E2, E22	I.C. DEC 8640	1911469-00	34
35	REF	W2, W5, W7-W18	JUMPER, 22AWG, INSULATED	9009185-00	35
36	REF	J8-J9, J12-J16	F PINS	9009607-00	36
37	REF	J1-J2	STRAIGHT PINS	1212518-01	37
38	REF	S1, S2	SWITCH, ROTARY	1212937-00	38
39	REF	C23	CAP 470pF 100V DSM	1000024-00	39
40	REF	C24, C27	CAP 68pF 100V DSM	1000014-00	40
41	REF	R44, R46, R47	RES. 470, 1/4W, 5%	1300316-00	41
42	REF	R44, R46, R47	RES. 470, 1/4W, 5%	1300316-00	42
43	REF	C26	CAP 100pF 100V DSM	1000016-00	43
44	REF	C25	CAP 20mF 50V	1002839-00	44
45	REF	C23	CAP .1uF 100V	1000030	45
46	REF	E24	I.C. DEC 7414	1911324-00	46
47	REF	E15	I.C. DEC 7408	1910155-00	47
48	REF	E4, E26, E35, E38, E39, E44	I.C. DEC 7474	1905547-00	48



IC TYPE	GND	+5V
GND AND 5V ARE USUALLY PIN 7 AND 14 RESPECTIVELY EXCEPTONS ARE STATED ABOVE		
IC PIN LOCATIONS		

VARIATION JUMPER TABLE

JUMPER	VT61, VT61T	VT62
W1	OUT	IN
W2	IN	OUT
W3	OUT	IN
W4	OUT	IN
W5	IN	OUT
W6	OUT	IN

FUNCTION

SWITCH (S4)	VT61, VT61T		VT62	
	OFF	ON	OFF	ON
S4-1	NO PARITY	PARITY	NO PARITY	PARITY
S4-2	EVEN PARITY	ODD PARITY	EVEN PARITY	ODD PARITY
S4-3	8 DATA BITS	7 DATA BITS	8 DATA BITS	7 DATA BITS
S4-4	NORMAL MODE	FORCE BLK MODE		
S4-6	NORMAL	20C/D MODEM	HALF DUPLEX MODEM	NORMAL
S4-8	50 HZ	60 HZ	50 HZ	60 HZ

SEMICONDUCTOR CONVERSION CHART

CHK	ORIGINATED	REV.
	J. DESUK	
	J. BUZYNSKI	
	J. BUZYNSKI	

PARTS LIST

DEC NO.	EIA NO.	DEC NO.	EIA NO.

digital

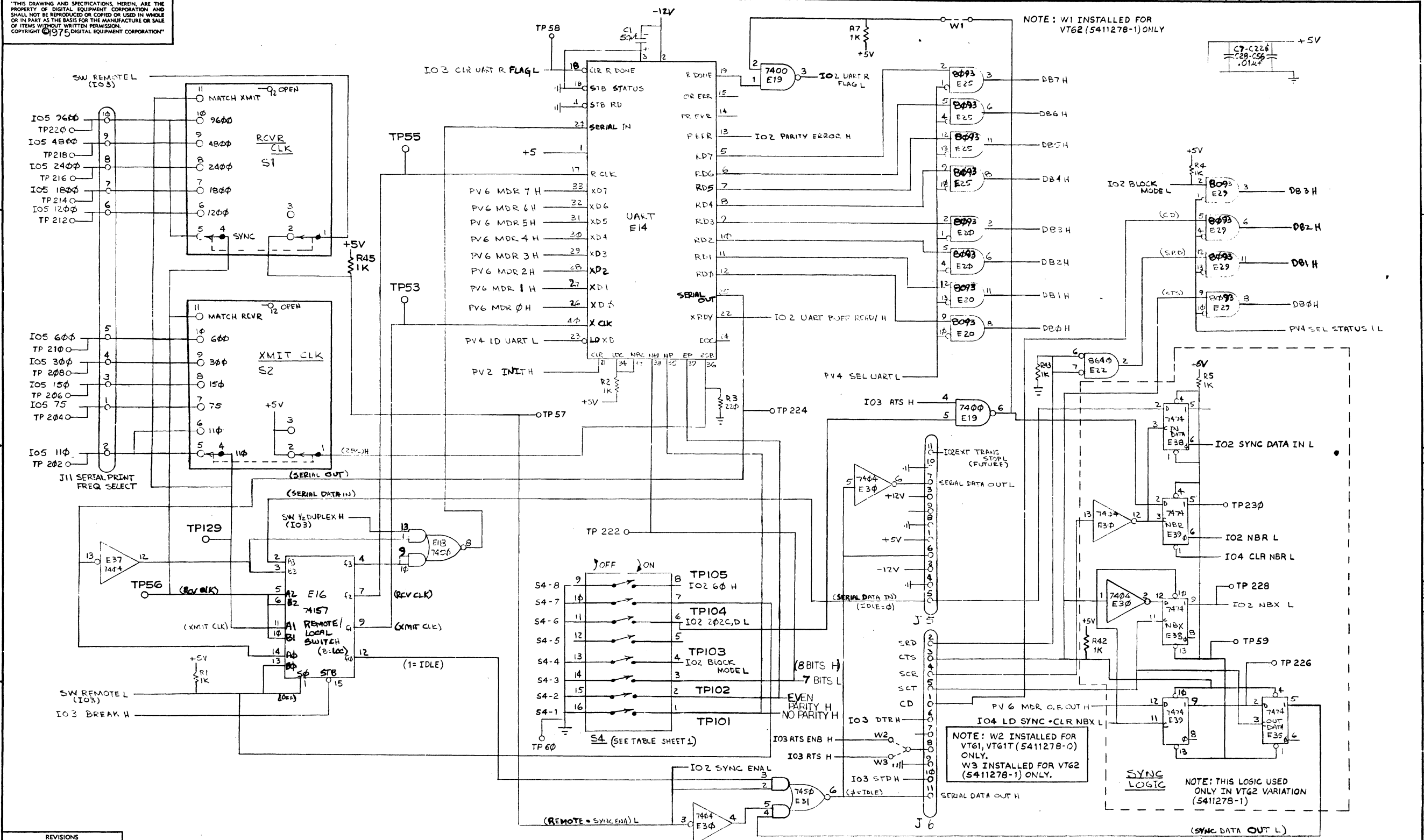
TITLE: VT61 INPUT/OUTPUT BOARD

SIZE CODE: D CS1 NUMBER: 5411278-0-1 REV. J

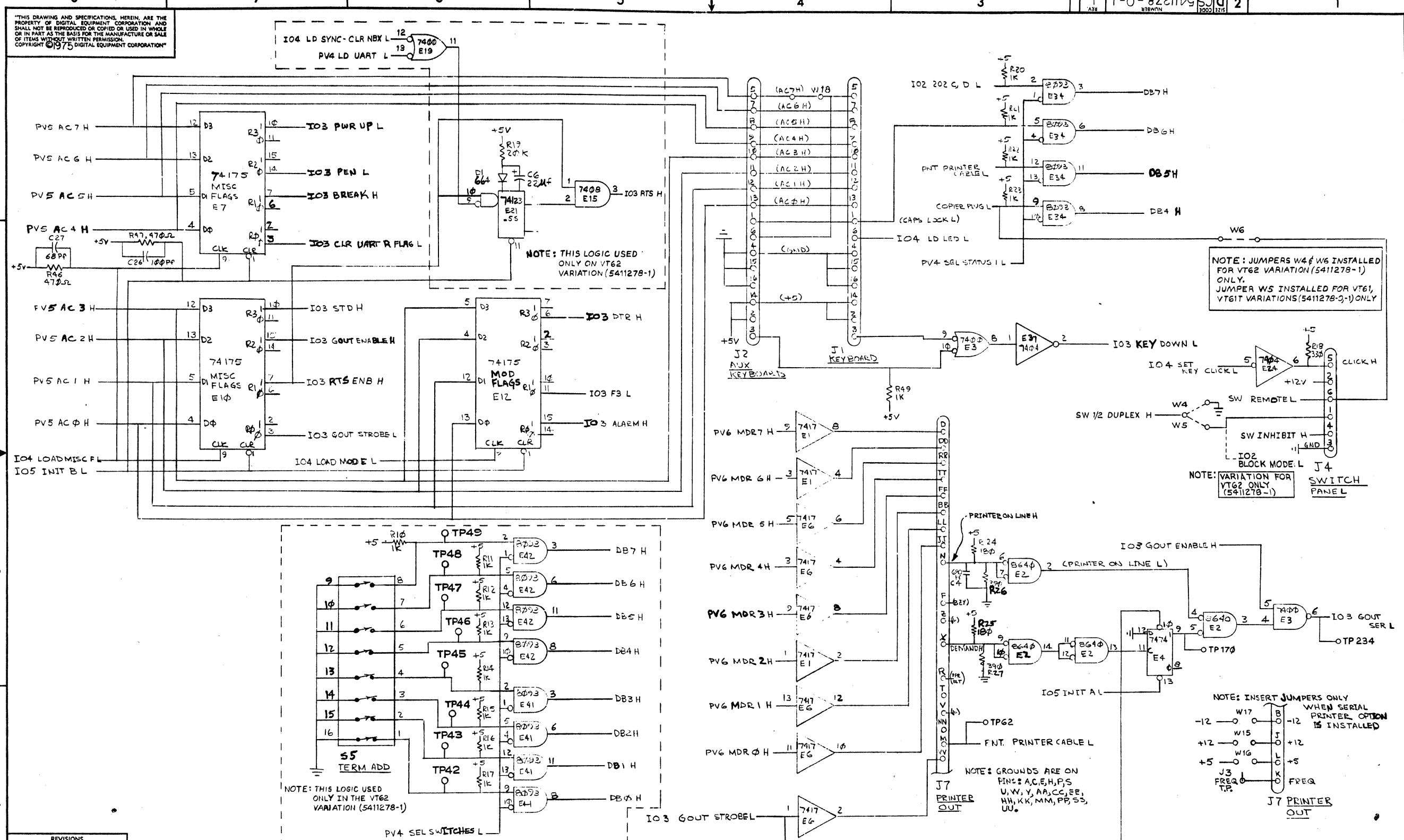
SCALE: 1 OF 5 SHEET

THIS DRAWING AND SPECIFICATIONS HEREIN ARE THE PROPERTY OF DIGITAL EQUIPMENT CORPORATION AND SHALL NOT BE REPRODUCED OR COPIED OR USED IN WHOLE OR IN PART AS THE BASIS FOR THE MANUFACTURE OR SALE OF ITEMS WITHOUT WRITTEN PERMISSION. COPYRIGHT © 1975 DIGITAL EQUIPMENT CORPORATION

DICS 5411278-0-1



REVISIONS		
CHK	CHANGE NO.	REV.



NOTE: JUMPERS W4 & W6 INSTALLED FOR VT62 VARIATION (5411278-1) ONLY. JUMPER W5 INSTALLED FOR VT61, VT61T VARIATIONS (5411278-3-1) ONLY

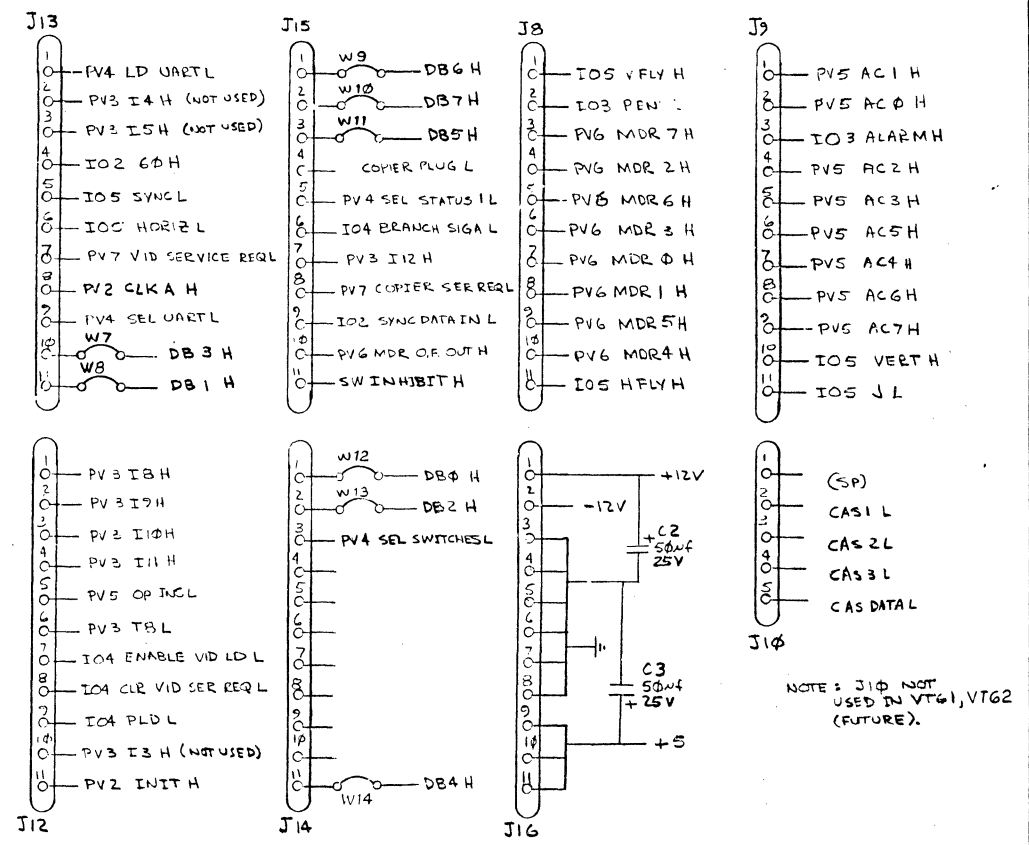
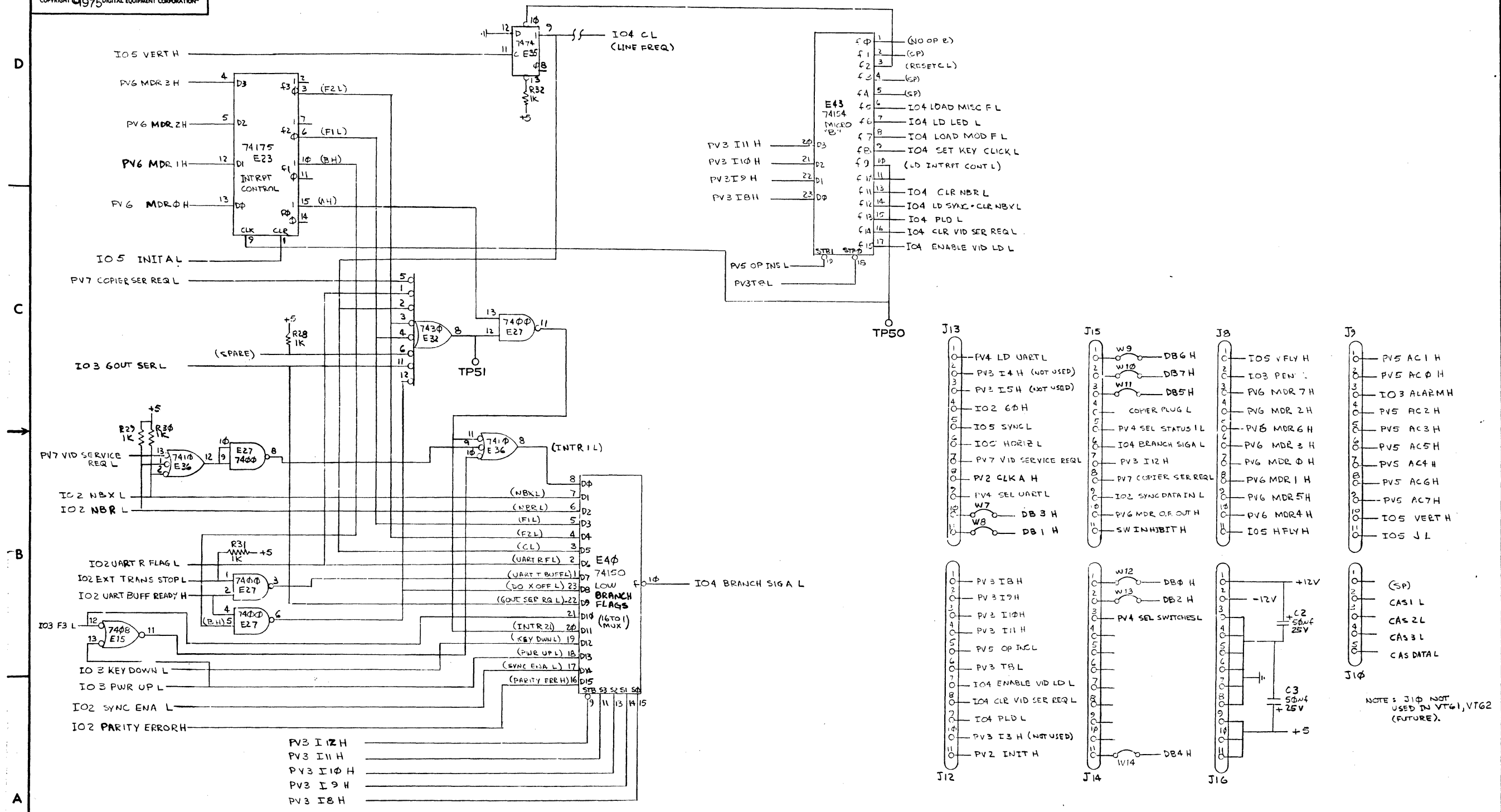
NOTE: VARIATION FOR VT62 ONLY (5411278-1)

NOTE: INSERT JUMPERS ONLY WHEN SERIAL PRINTER OPTION IS INSTALLED

"THIS DRAWING AND SPECIFICATIONS HEREIN ARE THE PROPERTY OF DIGITAL EQUIPMENT CORPORATION AND SHALL NOT BE REPRODUCED OR COPIED OR USED IN WHOLE OR IN PART AS THE BASIS FOR THE MANUFACTURE OR SALE OF ITEMS WITHOUT WRITTEN PERMISSION. COPYRIGHT ©1975 DIGITAL EQUIPMENT CORPORATION"

REVISIONS		
CHK	CHANGE NO.	REV.

"THIS DRAWING AND SPECIFICATIONS, HEREIN, ARE THE PROPERTY OF DIGITAL EQUIPMENT CORPORATION AND SHALL NOT BE REPRODUCED OR COPIED OR USED IN WHOLE OR IN PART AS THE BASIS FOR THE MANUFACTURE OR SALE OF ITEMS WITHOUT WRITTEN PERMISSION. COPYRIGHT © 1975 DIGITAL EQUIPMENT CORPORATION"

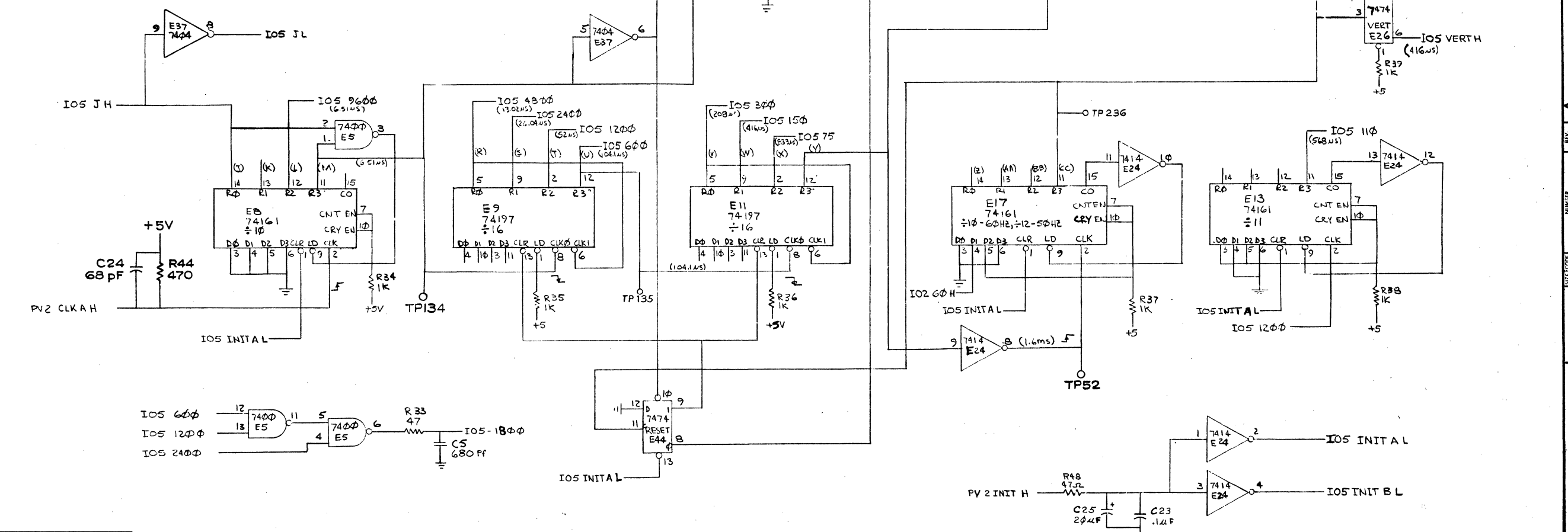
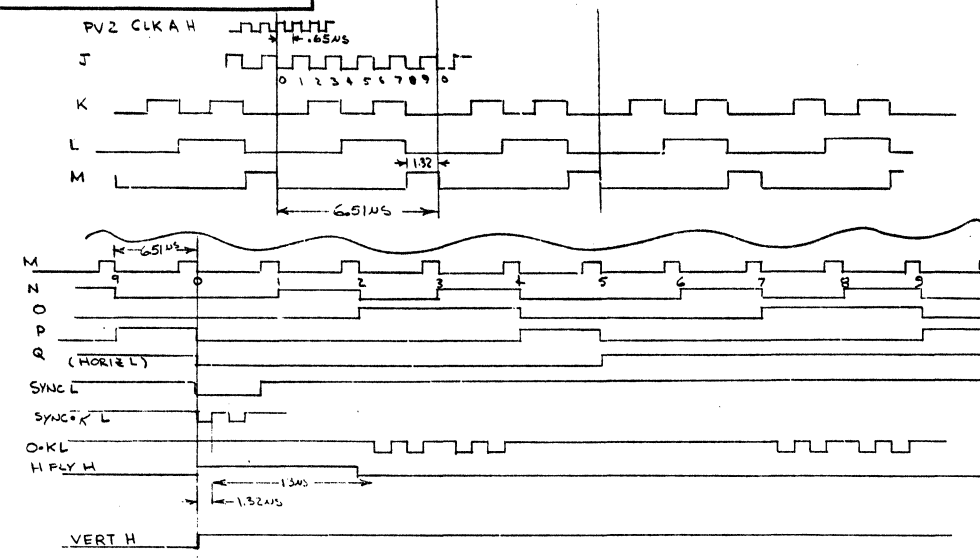


REVISIONS		
CHK	CHANGE NO.	REV.

TITLE VT61 INPUT/OUTPUT BOARD SIZE CODE NUMBER REV.
 DCS 5411278-0-1 J
 SCALE SHEET 4 OF 5 DIST.

DCS 5411284-0-1 J
 5411284-0-1 J

"THIS DRAWING AND SPECIFICATIONS, HEREIN, ARE THE PROPERTY OF DIGITAL EQUIPMENT CORPORATION AND SHALL NOT BE REPRODUCED OR COPIED OR USED IN WHOLE OR IN PART AS THE BASIS FOR THE MANUFACTURE OR SALE OF ITEMS WITHOUT WRITTEN PERMISSION. COPYRIGHT © 1975 DIGITAL EQUIPMENT CORPORATION"



REVISIONS		
CHK	CHANGE NO.	REV.

TITLE VT61 INPUT/OUTPUT BOARD
 SIZE CODE DCS 5411278-0-1
 NUMBER 5411278-0-1
 REV. J
 SCALE ——— SHEET 5 OF 5 DIST. ———

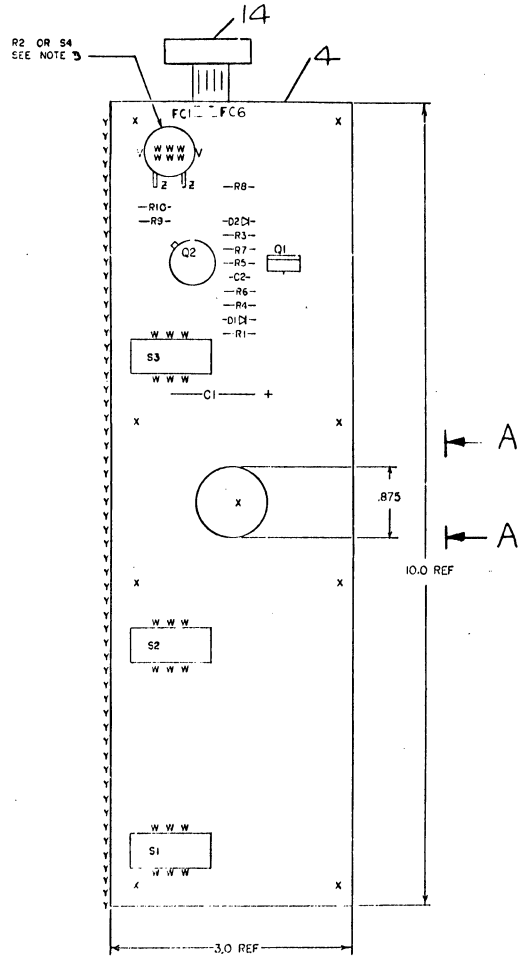
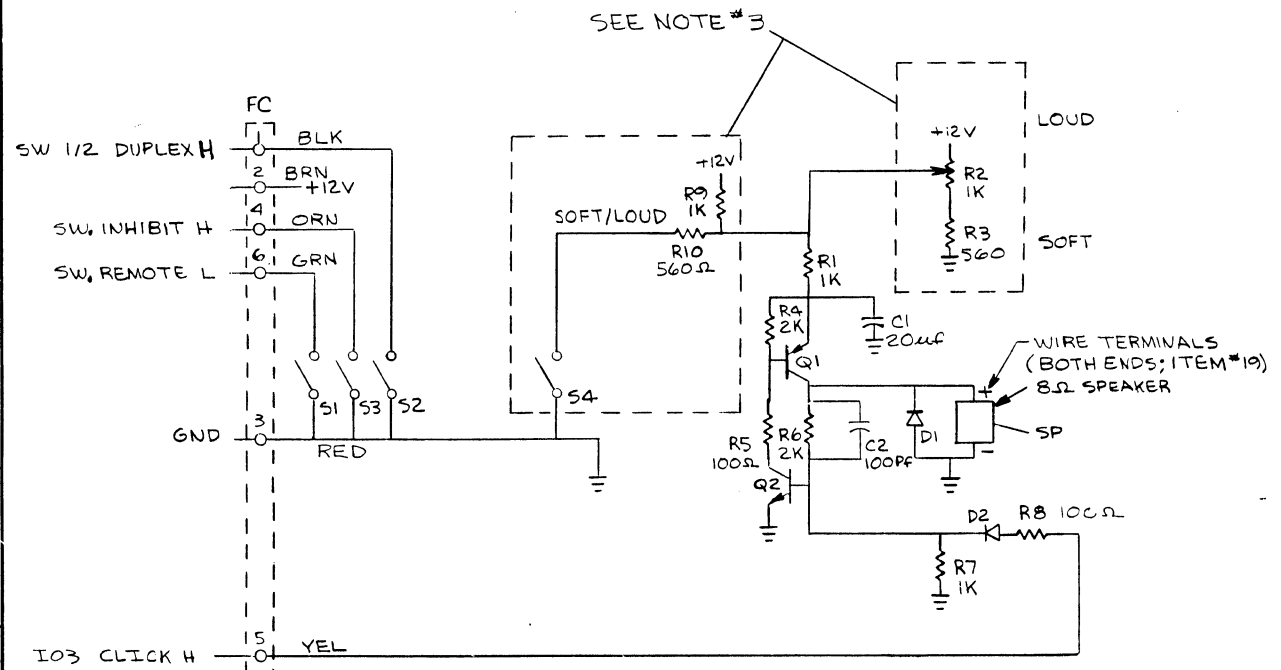
DCS 5411278-0-1 J

THIS DRAWING AND SPECIFICATIONS, HEREIN, ARE THE PROPERTY OF DIGITAL EQUIPMENT CORPORATION AND SHALL NOT BE REPRODUCED OR COPIED OR USED IN WHOLE OR IN PART AS THE BASIS FOR THE MANUFACTURE OR SALE OF ITEMS WITHOUT WRITTEN PERMISSION.
COPYRIGHT © 1975 DIGITAL EQUIPMENT CORPORATION

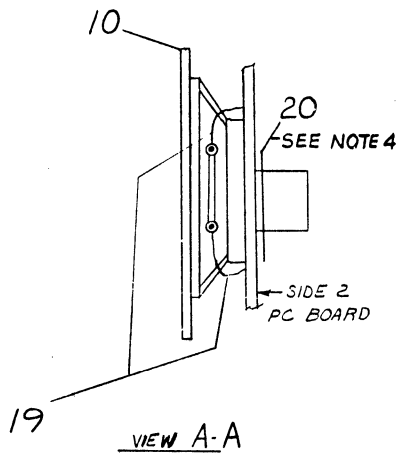
NOTES:

- SIGNAL PREFIX NOTATION (EX. SW1) IDENTIFIES THE SIGNAL SOURCE (BOARD & PRINT). THE FIRST 2(TWO) LETTERS OF THE PREFIX IDENTIFY THE BOARD PRINT SET. THE NUMBER INDICATES THE SHEET NUMBER WITHIN THE PRINT SET. SIGNALS WHICH ARE FROM MULTIPLE SOURCES (EX. DE SIGNALS, TRI-STATE BUS, OR WIRED OR'ED FROM OUTPUTS) DO NOT CARRY A SIGNAL PREFIX.
- UNLESS OTHERWISE NOTED: RESISTANCE IS IN OHMS, CAPACITANCE IS IN PICOFARADS
- R2 AND R3 ARE NORMALLY INSERTED. R0, R10, AND S4 COMPRISE AN ALTERNATE CIRCUIT, WHICH IS ETCHED BUT NOT NORMALLY INSERTED.

4 RETAINING RING (ITEM #20) SHOULD BE PUSHED DOWN FLUSH WITH PC BOARD HOLDING SPEAKER (ITEM #10) SECURELY TO BOARD.



WIRE TABLE						
ITEM NO	DESCRIPTION	AWG	COLOR	FROM	TO	REMARKS
				CONNECTION	CONNECTION	
14	---	---	BLK	---	FC-1	SOLD
↑	---	---	BRN	---	FC-2	↑
---	---	---	RED	---	FC-3	---
---	---	---	ORN	---	FC-4	---
---	---	---	YEL	---	FC-5	---
↓	---	---	GRN	---	FC-6	↓
14	---	---	---	---	---	SOLD



REF	DESCRIPTION	PART NO.	ITEM NO.
REF	X-Y COORDINATE HOLE LOC	K-CO-5411725-0-4	1
REF	ASSY/DRILLING HOLE LAYOUT	D-AH-5411725-0-5	2
REF	MODULE ECO HISTORY	B-MH-5411725-0-6	3
1	PANEL SWITCH VT61	1 MO 5011724-00	4
1	C2 CAP 100 PF	1000016-00	5
1	C1 CAP 20UF 50V 75%	1002839-00	6
1	D2 DIODE D662	1100113-00	7
1	D1 DIODE D664	1100114-00	8
2	R5, R8 RES 100 Ω 1/4W 5%	1300229-00	9
1	SP SPEAKER	1212564-00	10
1	R3 RES 500 Ω 1/4W 5%	1301890-00	11
2	R1, R7 RES 1K 1/4W 5%	1300365-00	12
2	R4, R6 RES 2K 1/4W 5%	1302368-00	13
1	CABLE ASSY	1-1A-1012014-00	14
1	Q1 TRANSISTOR D45C6	1510414-00	15
1	Q2 TRANSISTOR DEC 6531B	1509338-00	16
1	R2 POT 1K	1312961-00	17
3	S1-S3 SWITCH DPDT	1210919-00	18
A/R	USE WITH ITEM #10 WIRE #22 AWG, GRN	9107350-55	19
1	USE WITH ITEM #10 RING, RETAINING	9009792-00	20

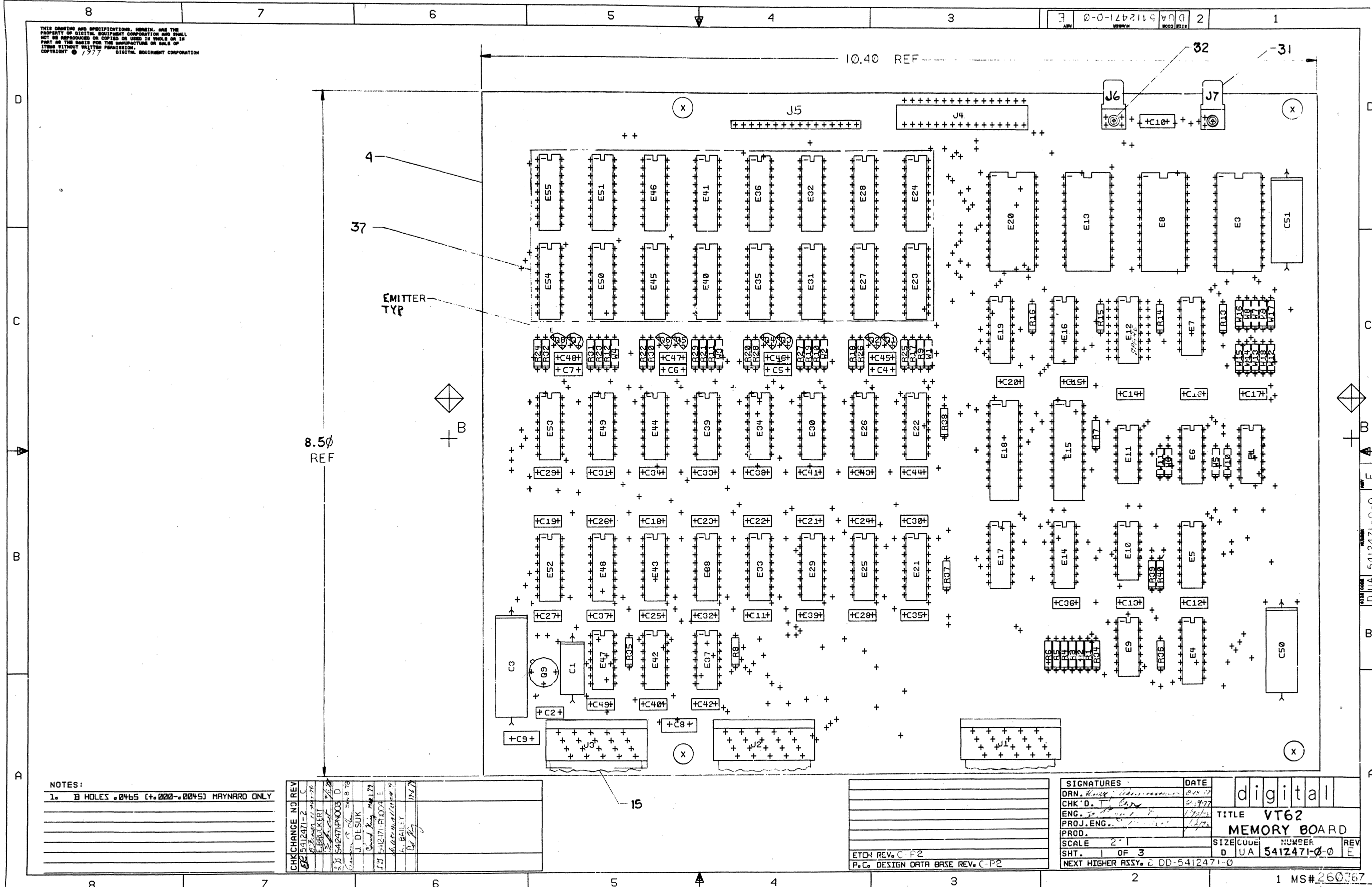
QTY	REF. DESIGNATION	DESCRIPTION	PART NO.	ITEM NO.

FIRST USED ON OPTION MODEL VT61		ETCH BOARD REV. B		PARTS LIST	
DRN. <i>W. Long</i>	DATE 8-4-75	digital		TITLE VT61 SWITCH PANEL	
CHKD. <i>John Boywood</i>	DATE 12-2-75				
EST. <i>Thompson</i>	DATE 12-5-75	NEXT HIGHER ASSY 0-UA-VT61-0		SIZE CODEC NUMBER DICS 5411725-0-1	
EVAL. E. G.	DATE 12-5-75	SCALE NONE		REV. B	
PROD. <i>Boyer</i>	DATE 12-5-75	SEMICONDUCTOR CONVERSION CHART		DIST.	
CHK	CHANGE NO.	REV.	DEC NO.	EIA NO.	SHEET 1 OF 1

IC PIN LOCATIONS
GND AND 5V ARE USUALLY PIN 7 AND 14 RESPECTIVELY EXCEPTIONS ARE STATED ABOVE

THIS DRAWING AND SPECIFICATIONS, HEREIN, ARE THE PROPERTY OF DIGITAL EQUIPMENT CORPORATION AND SHALL NOT BE REPRODUCED OR COPIED OR USED IN WHOLE OR IN PART AS THE BASIS FOR THE MANUFACTURE OR SALE OF ITEMS WITHOUT WRITTEN PERMISSION.
 COPYRIGHT © 1977 DIGITAL EQUIPMENT CORPORATION

REV 000 E211 2 000 E211 2
 5112471-0-0



NOTES:
 1. B HOLES = 0.45 (+.000-.0045) MAYNARD ONLY

CHG	NO	REV	DATE	BY	CHK'D
5112471-2	2	C	11/17/76	J. DESUK	
5112471-2	1	B	11/17/76	J. DESUK	
5112471-2	1	A	11/17/76	J. DESUK	

ETCH REV. C P2	DATE	BY
P.C. DESIGN DATA BASE REV. C P2		

SCALE 2:1	DATE	BY
SHT. 1 OF 3		
NEXT HIGHER ASSY. C DD-5412471-0		

SIGNATURES	DATE	digital
DRN. <i>[Signature]</i>	11/17/76	
CHK'D. <i>[Signature]</i>	11/17/76	TITLE VT62
PROJ. ENG. <i>[Signature]</i>	11/17/76	MEMORY BOARD
PROD.		SIZE CODE NUMBER REV
		D UA 5412471-0-0 E

8

7

6

5412471 5
5012470 C-P2

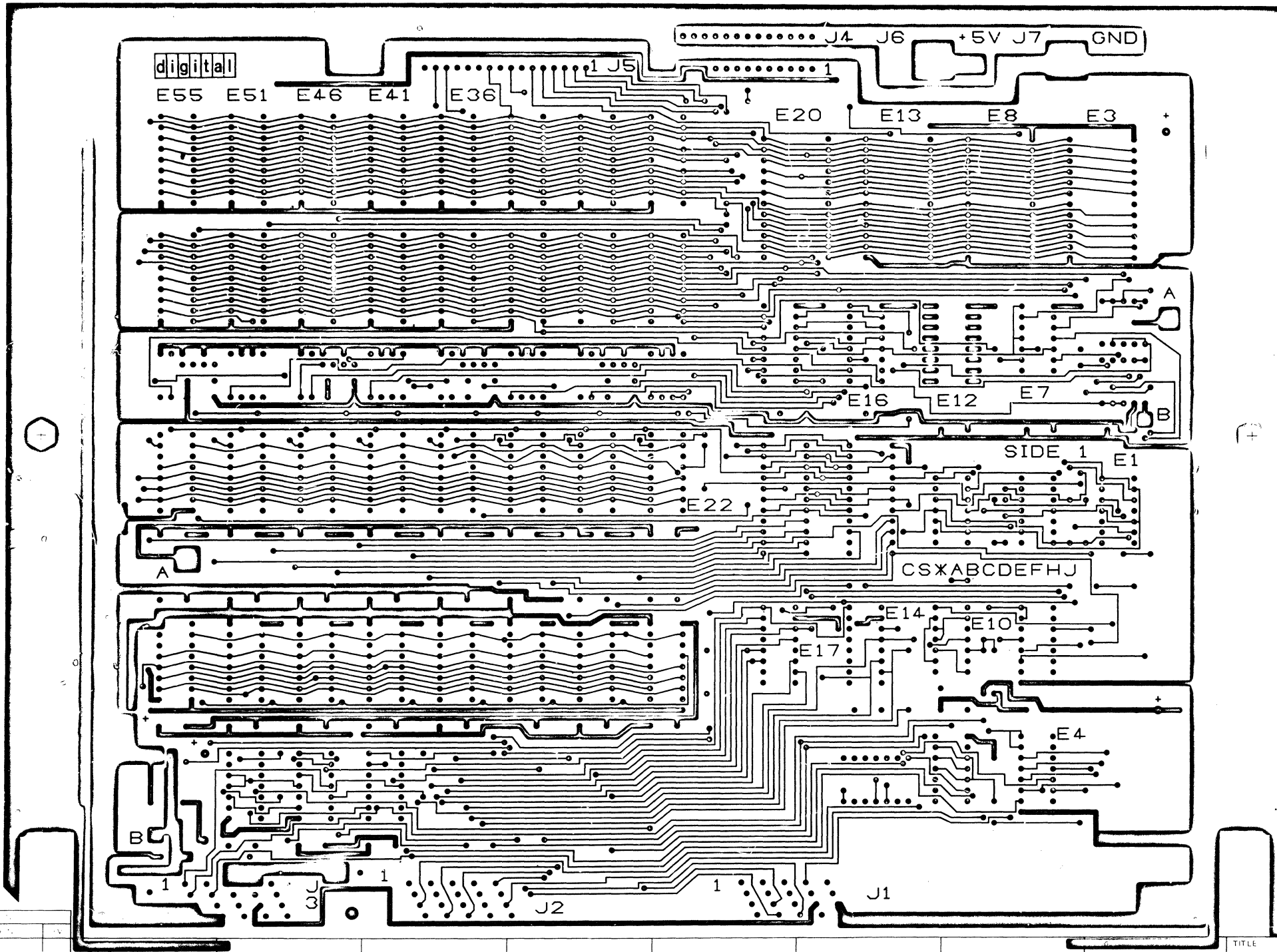
4

3

2 DUA5412471-0-0 E

1

0.977



DUA5412471-0-0

TITLE	VT62 MEMORY BOARD	DATE CODE	NUMBER	REV.
SCALE	2/1	SHEET	2 OF 3	
DIST				

8

7

6

5

4

3

2

1

8

7

6

5

42

4

3

2
1
D JA 5412471-0-0

D
C
B
A

8

7

6

5

4

3

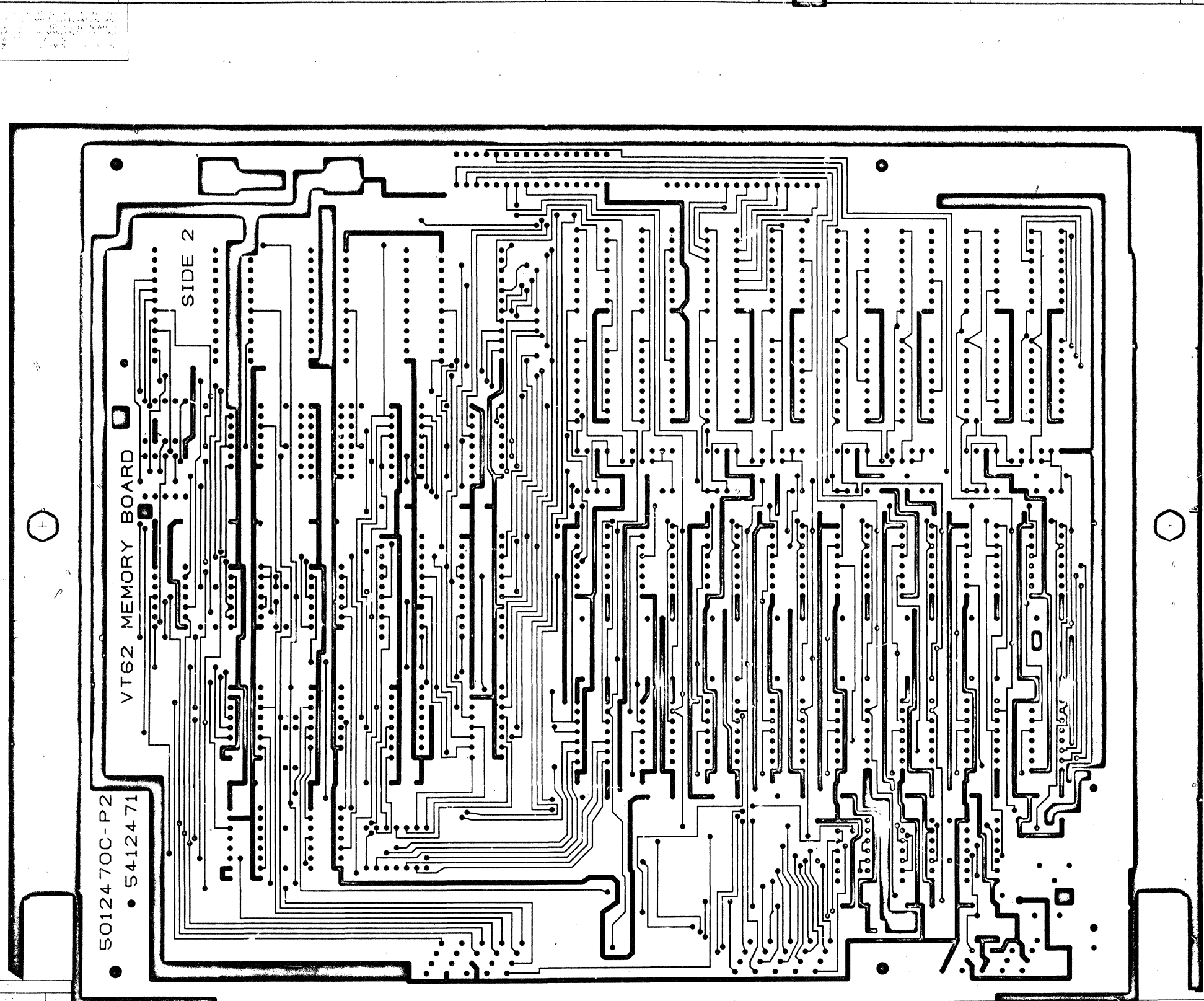
2

1

5012470C-P2
• 5412471

VT62 MEMORY BOARD

SIDE 2

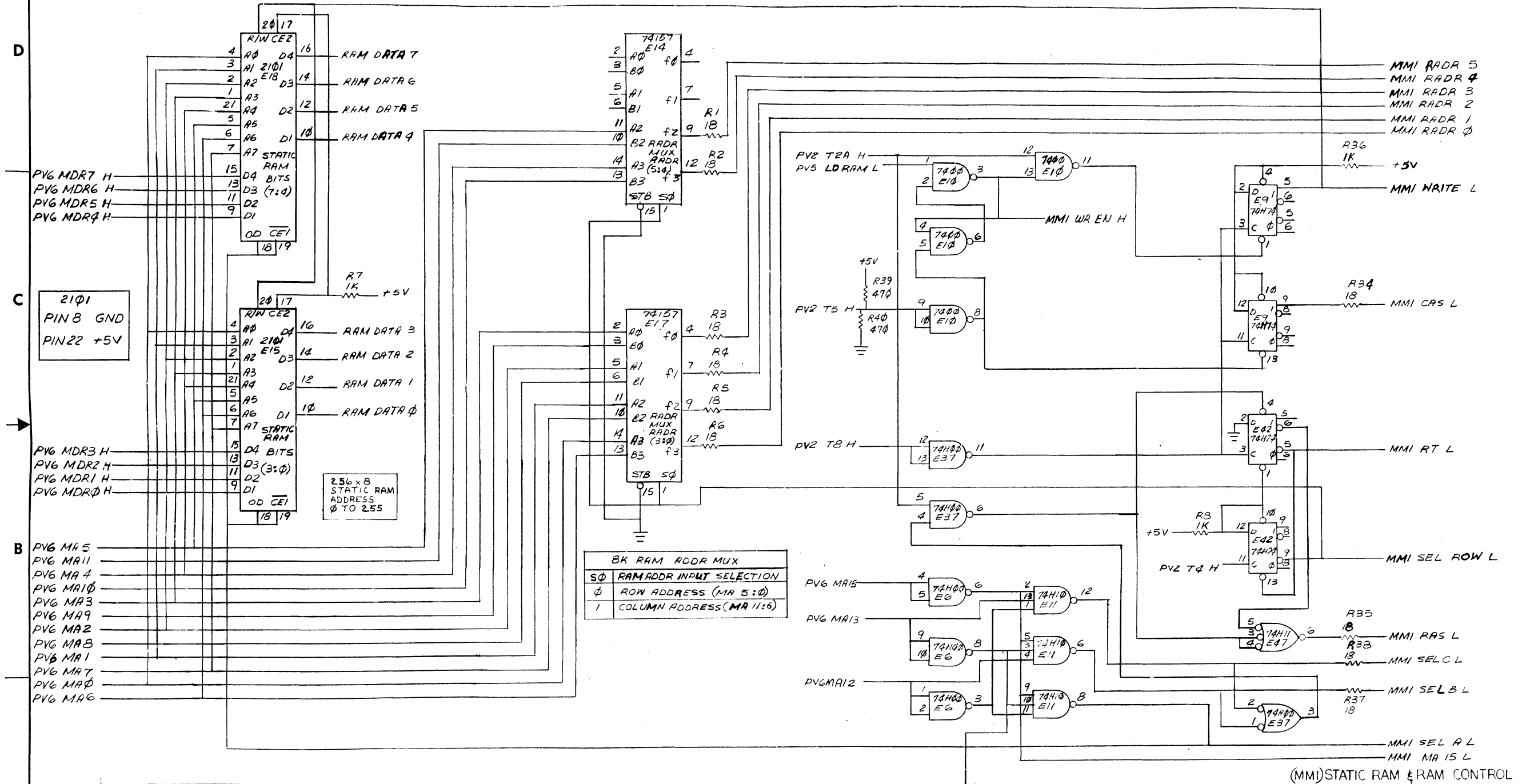


D JA 5412471-0-0 E

TITLE	VT62 MEMORY BOARD	SIZE CODE	D JA	NUMBER	5412471-0-0	REV	E
SCALE	2/1	SHEET	3	OF	3	DIST	

THIS DRAWING AND SPECIFICATIONS, HEREIN, ARE THE PROPERTY OF DIGITAL EQUIPMENT CORPORATION AND SHALL NOT BE REPRODUCED OR COPIED OR USED IN WHOLE OR IN PART AS THE BASIS FOR THE MANUFACTURE OR SALE OF ITEMS WITHOUT WRITTEN PERMISSION. COPYRIGHT © 1976 DIGITAL EQUIPMENT CORPORATION

CS 5412471-0-1



8K RAM ADDR MUX	
SΦ	RAM ADDR INPUT SELECTION
Φ	ROW ADDRESS (MA 5:Φ)
1	COLUMN ADDRESS (MA 11:6)

256 x 8
STATIC RAM
ADDRESS
Φ TO 255

21Φ1
PIN 8 GND
PIN 22 +5V

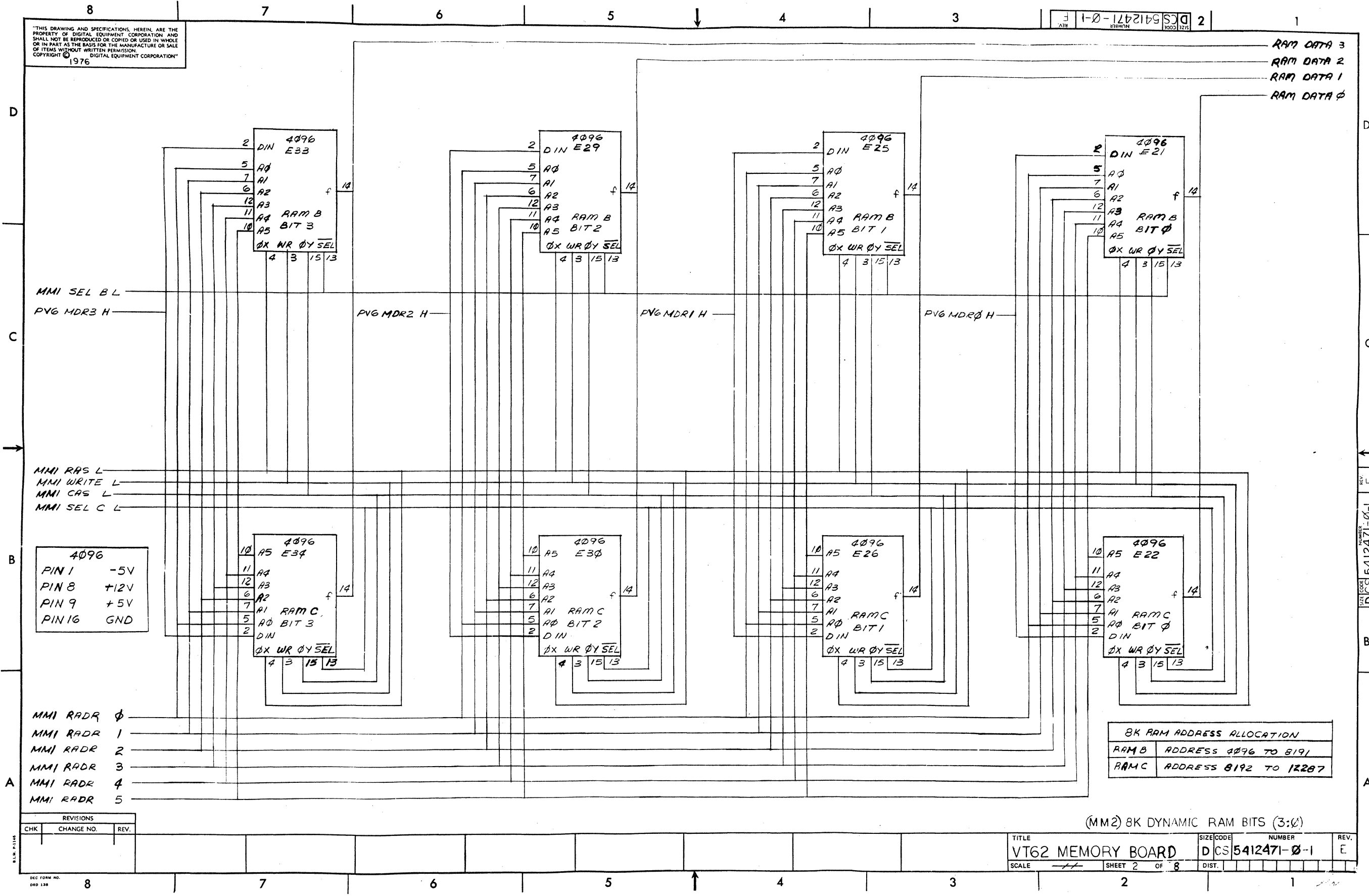
REV.	CHANGE NO.	BY	DATE
1	5412471-0-1
2
3
4
5
6
7
8

(MMI) STATIC RAM & RAM CONTROL

DRN: 5412471-0-1	FIRST USED ON: VT62	digital
CHKD: 9/23/76	TITLE: VT62 MEMORY BOARD	
ENG: 7/11/77	SCALE: 1:1	
PROJ. ENG: 7/11/77	SIZE: 10000	NUMBER: 1
PROD. & MFG. DATE: 7/11/77	SHEET: 1	OF 8
NEXT HIGHER ASSY: BDD-5412471-0		DIST.:

"THIS DRAWING AND SPECIFICATIONS, HEREIN, ARE THE PROPERTY OF DIGITAL EQUIPMENT CORPORATION AND SHALL NOT BE REPRODUCED OR COPIED OR USED IN WHOLE OR IN PART AS THE BASIS FOR THE MANUFACTURE OR SALE OF ITEMS WITHOUT WRITTEN PERMISSION. COPYRIGHT © 1976 DIGITAL EQUIPMENT CORPORATION"

DCS 5412471-0-1 E



8K RAM ADDRESS ALLOCATION	
RAM B	ADDRESS 0096 TO 8191
RAM C	ADDRESS 8192 TO 12287

(MM2) 8K DYNAMIC RAM BITS (3:0)

REVISIONS		
CHK	CHANGE NO.	REV.

TITLE: VT62 MEMORY BOARD
 SCALE: 1:1
 SHEET 2 OF 8
 SIZE CODE: DCS 5412471-0-1
 NUMBER: E
 REV.:

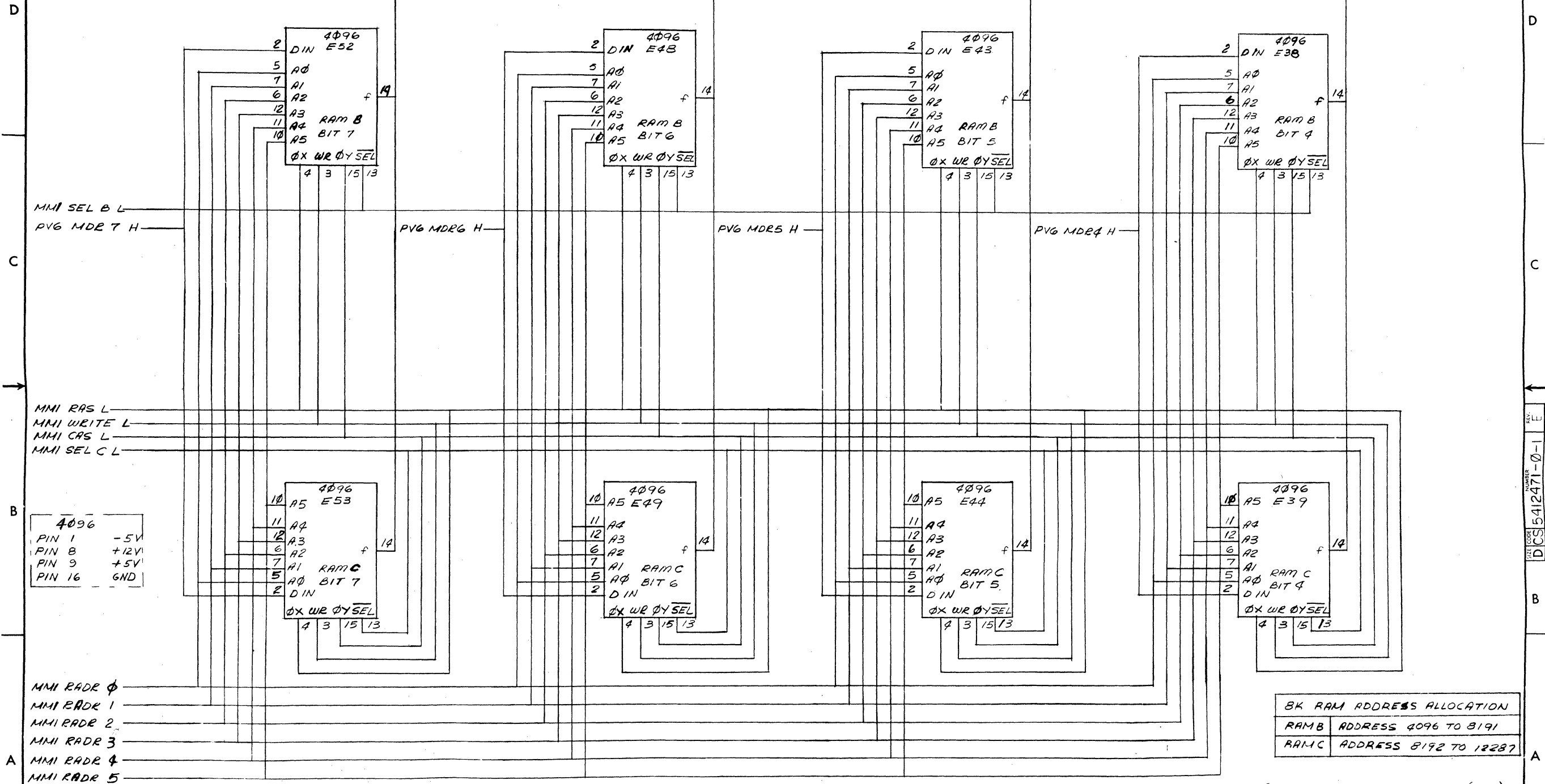
DCS 5412471-0-1 E

REV. 1/14

"THIS DRAWING AND SPECIFICATIONS HEREIN ARE THE PROPERTY OF DIGITAL EQUIPMENT CORPORATION AND SHALL NOT BE REPRODUCED OR COPIED OR USED IN WHOLE OR IN PART AS THE BASIS FOR THE MANUFACTURE OR SALE OF ITEMS WITHOUT WRITTEN PERMISSION. COPYRIGHT © 1976 DIGITAL EQUIPMENT CORPORATION"

DCS 5412471-0-1

RAM DATA 7
RAM DATA 6
RAM DATA 5
RAM DATA 4



4096
PIN 1 -5V
PIN 8 +12V
PIN 9 +5V
PIN 16 GND

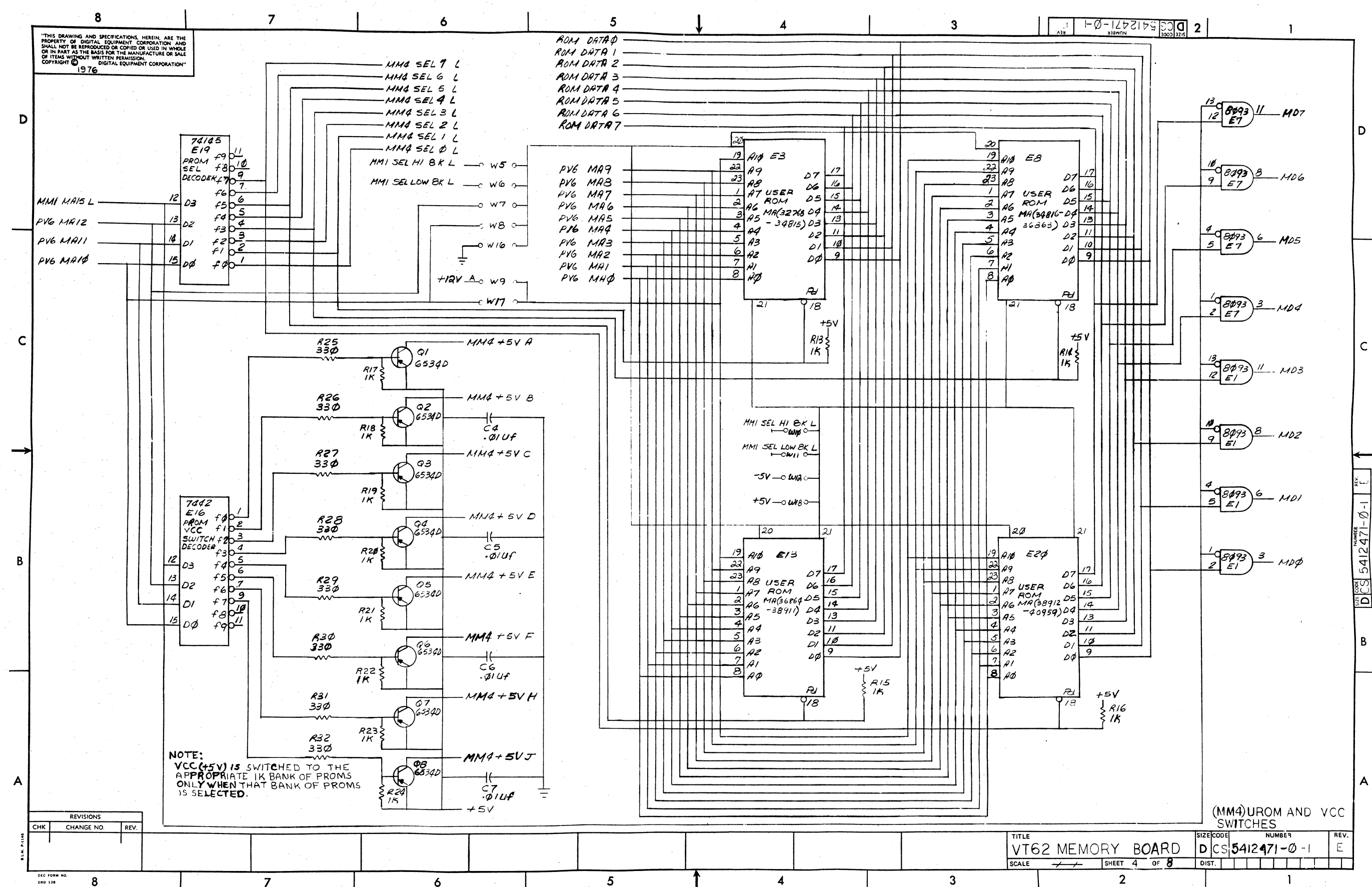
BK RAM ADDRESS ALLOCATION	
RAM B	ADDRESS 4096 TO 8191
RAM C	ADDRESS 8192 TO 12287

(MM3) BK DYNAMIC RAM BITS (7:4)

REVISIONS		
CHK	CHANGE NO.	REV.

TITLE
VT62 MEMORY BOARD
SCALE 1/1 SHEET 3 OF 6
SIZE CODE DCS NUMBER 5412471-0-1 REV. E

THIS DRAWING AND SPECIFICATIONS, HEREIN, ARE THE PROPERTY OF DIGITAL EQUIPMENT CORPORATION AND SHALL NOT BE REPRODUCED OR COPIED OR USED IN WHOLE OR IN PART AS THE BASIS FOR THE MANUFACTURE OR SALE OF ITEMS WITHOUT WRITTEN PERMISSION. COPYRIGHT © DIGITAL EQUIPMENT CORPORATION 1976



NOTE:
VCC (+5V) IS SWITCHED TO THE APPROPRIATE 1K BANK OF PROMS ONLY WHEN THAT BANK OF PROMS IS SELECTED.

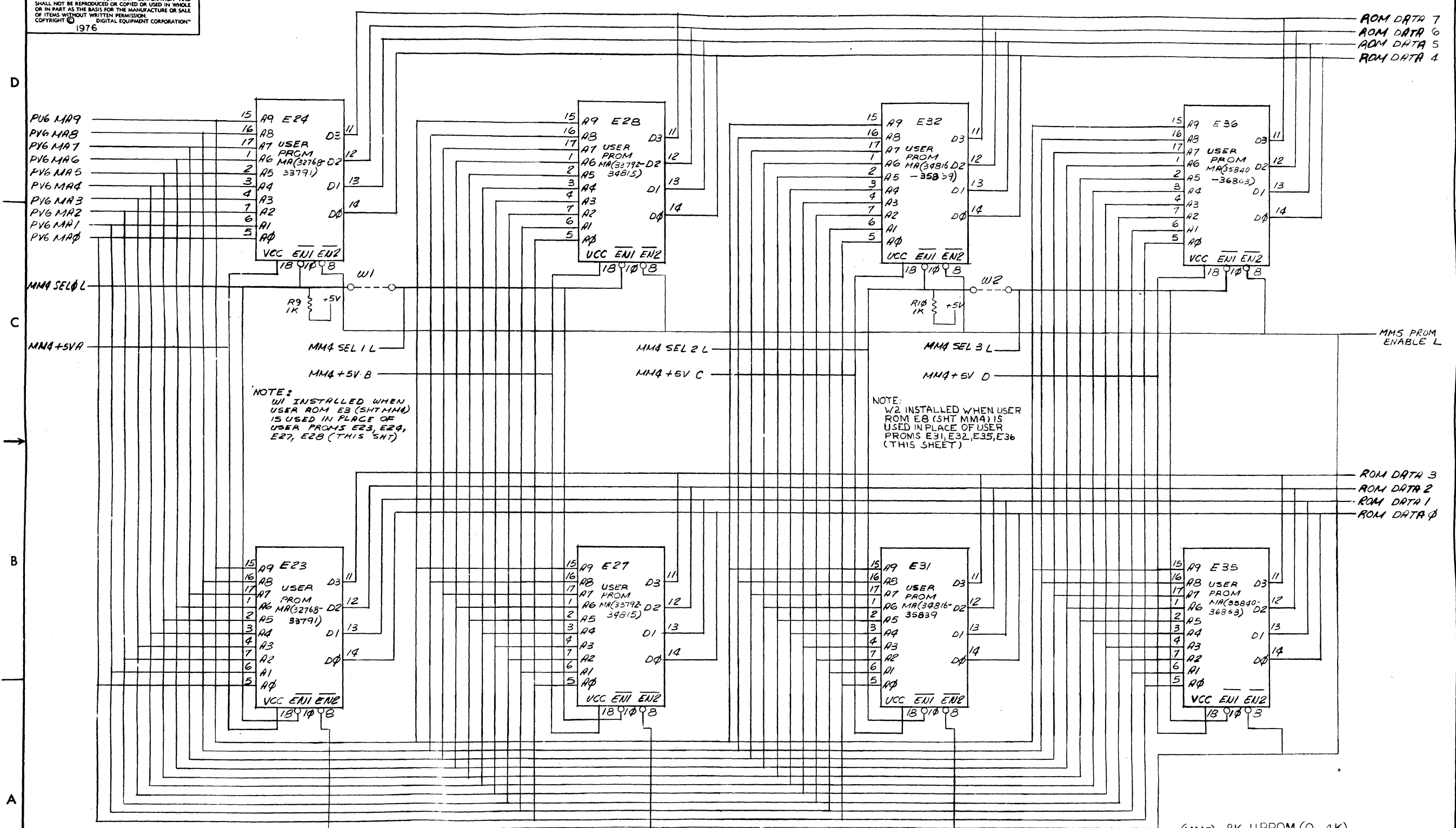
REVISIONS		
CHK	CHANGE NO.	REV.

TITLE	VT62 MEMORY BOARD	SIZE CODE	DCS 5412471-0-1	NUMBER		REV.	E
SCALE		SHEET	4	OF	8	DIST.	

DCS 5412471-0-1
 NUMBER
 REV.

"THIS DRAWING AND SPECIFICATIONS, HEREIN, ARE THE PROPERTY OF DIGITAL EQUIPMENT CORPORATION AND SHALL NOT BE REPRODUCED OR COPIED OR USED IN WHOLE OR IN PART AS THE BASIS FOR THE MANUFACTURE OR SALE OF ITEMS WITHOUT WRITTEN PERMISSION. DIGITAL EQUIPMENT CORPORATION" COPYRIGHT © 1976

REV. E 1-0-1 DCS 5412471-0-1



NOTE:
W1 INSTALLED WHEN
USER ROM E3 (SHT MMA)
IS USED IN PLACE OF
USER PROMS E23, E24,
E27, E28 (THIS SH7)

NOTE:
W2 INSTALLED WHEN USER
ROM E8 (SHT MMA) IS
USED IN PLACE OF USER
PROMS E31, E32, E35, E36
(THIS SHEET)

(MM5) 8K UPRAM (0-4K)

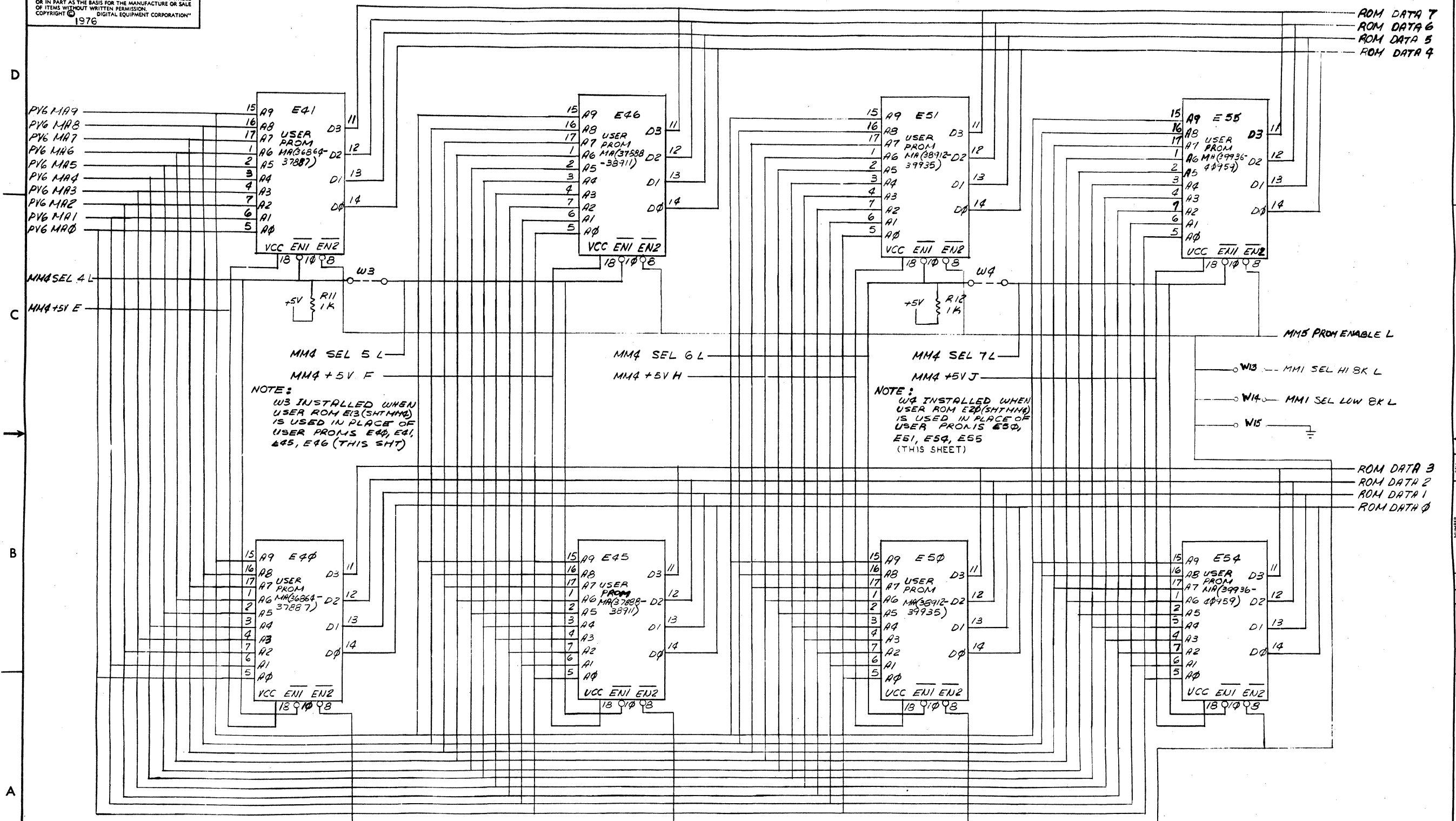
REVISIONS		
CHK	CHANGE NO.	REV.

TITLE: VT62 MEMORY BOARD
 SIZE CODE: DCS 5412471-0-1
 NUMBER: 5 OF 8
 SCALE: 1:1
 DIST.:

REV. E 1-0-1 DCS 5412471-0-1

"THIS DRAWING AND SPECIFICATIONS, HEREIN, ARE THE PROPERTY OF DIGITAL EQUIPMENT CORPORATION AND SHALL NOT BE REPRODUCED OR COPIED OR USED IN WHOLE OR IN PART AS THE BASIS FOR THE MANUFACTURE OR SALE OF ITEMS WITHOUT WRITTEN PERMISSION. COPYRIGHT © 1976 DIGITAL EQUIPMENT CORPORATION"

DCS 5412471-0-1
REV. E
NUMBER



NOTE:
W3 INSTALLED WHEN
USER ROM E13 (SHTMM4)
IS USED IN PLACE OF
USER PROMS E40, E41,
E45, E46 (THIS SHT)

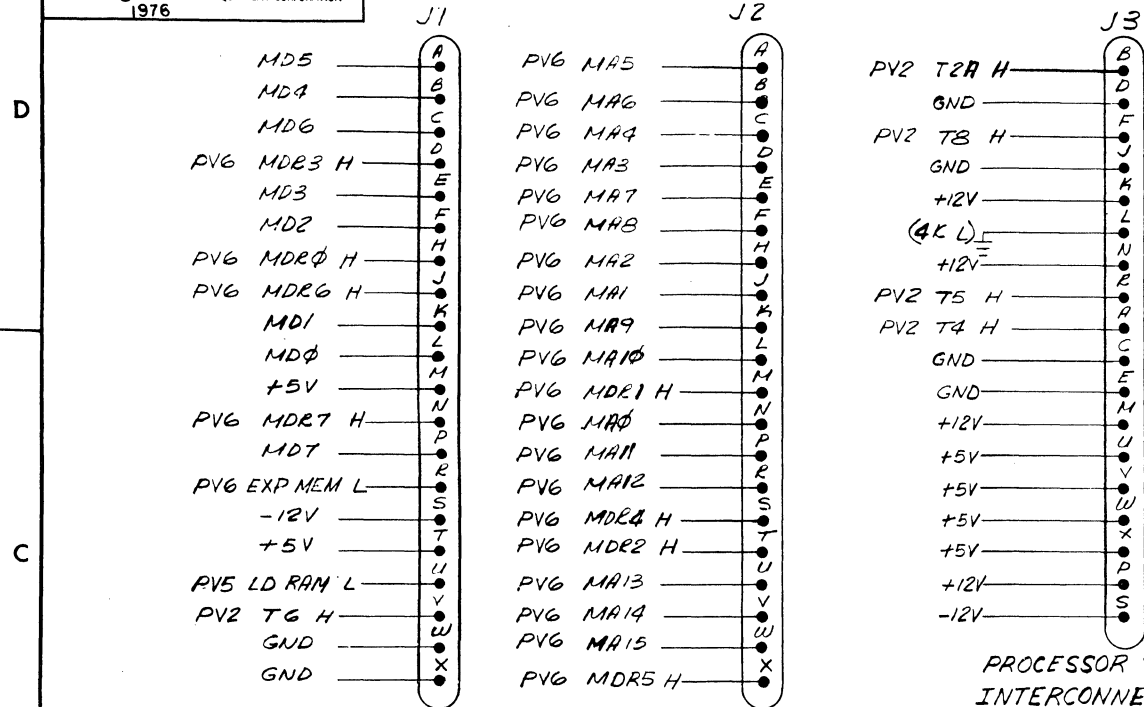
NOTE:
W4 INSTALLED WHEN
USER ROM E20 (SHTMM4)
IS USED IN PLACE OF
USER PROMS E50,
E51, E54, E55
(THIS SHEET)

(MM6) 8K UPROM(4-8K)

REVISIONS		
CHK	CHANGE NO.	REV.

TITLE	SIZE CODE	NUMBER	REV.
VT62 MEMORY BOARD	DCS 5412471-0-1		
SCALE	SHEET	OF	DIST.
	6	8	

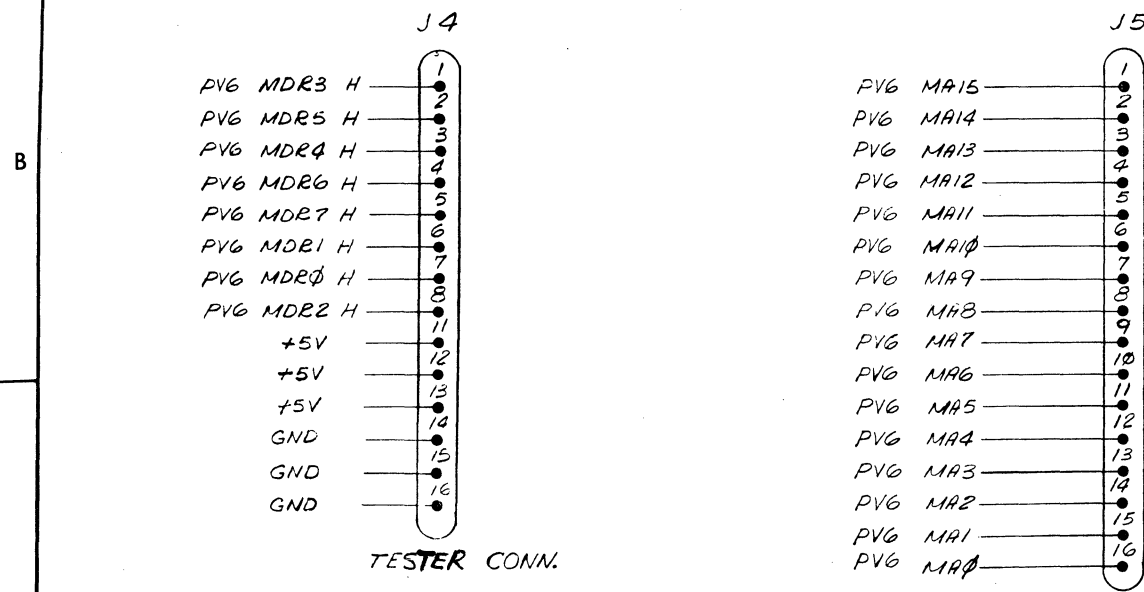
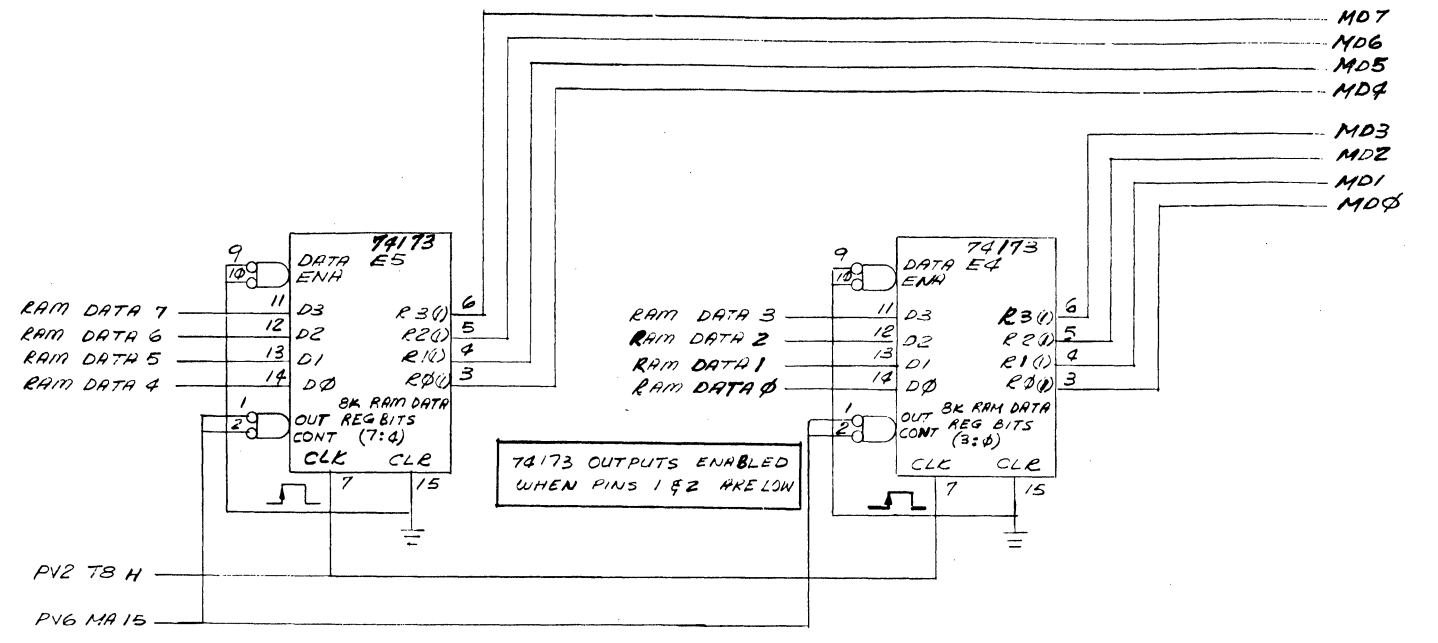
"THIS DRAWING AND SPECIFICATIONS, HEREIN, ARE THE PROPERTY OF DIGITAL EQUIPMENT CORPORATION AND SHALL NOT BE REPRODUCED OR COPIED OR USED IN WHOLE OR IN PART AS THE BASIS FOR THE MANUFACTURE OR SALE OF ITEMS WITHOUT WRITTEN PERMISSION. DIGITAL EQUIPMENT CORPORATION" 1976



PROCESSOR VIDEO BOARD INTERCONNECT

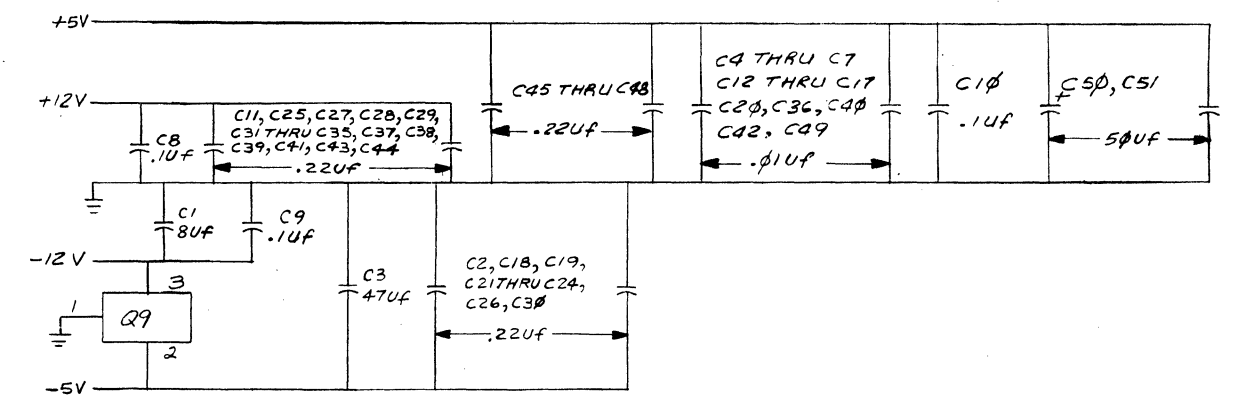
PROCESSOR VIDEO BOARD INTERCONNECT

PROCESSOR VIDEO BD. INTERCONNECT



TESTER CONN.

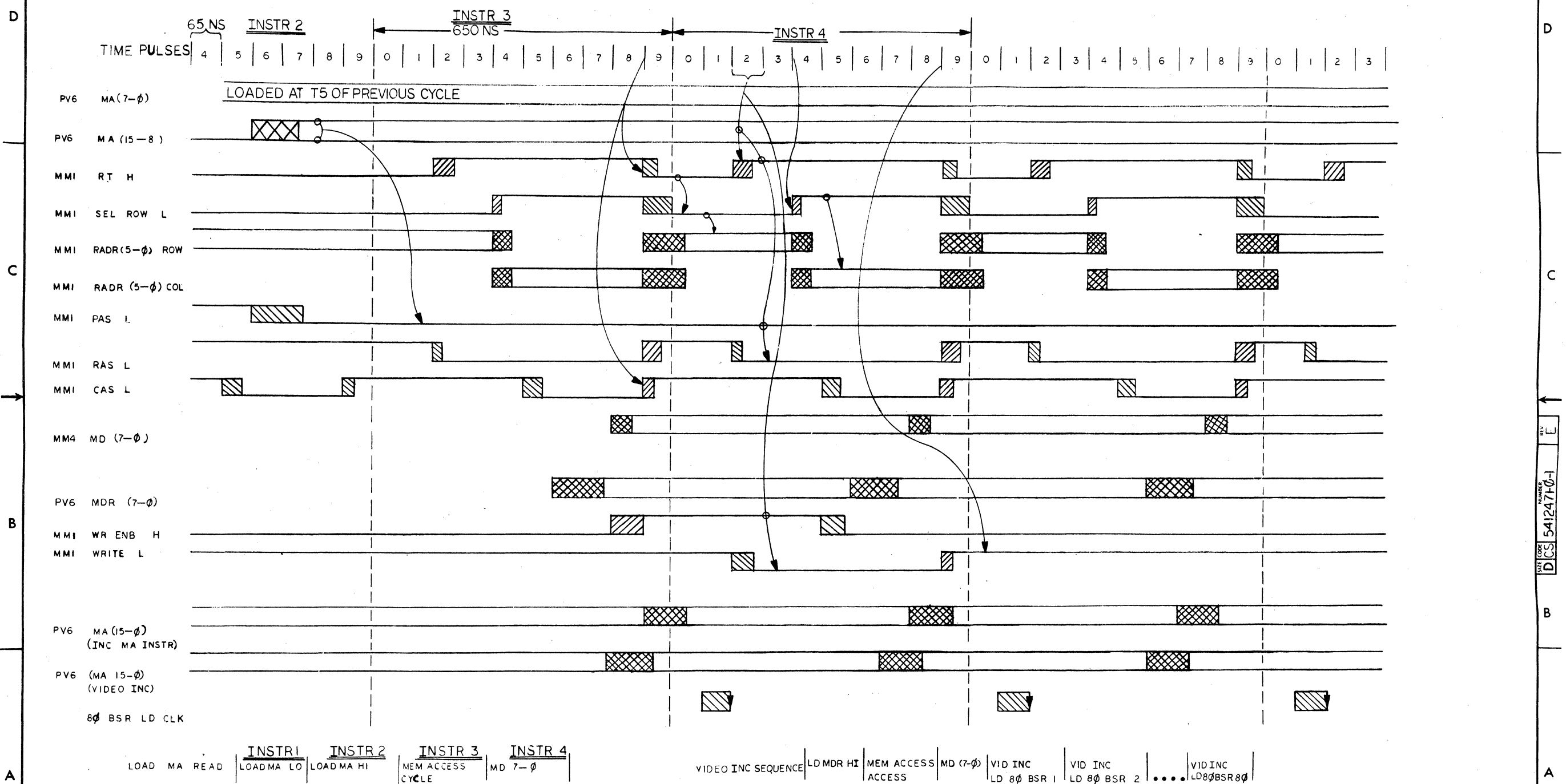
TESTER CONN.



(MM7) INTERCONNECT AND 8K RAM DATA REG

"THIS DRAWING AND SPECIFICATIONS, HEREIN, ARE THE PROPERTY OF DIGITAL EQUIPMENT CORPORATION AND SHALL NOT BE REPRODUCED OR COPIED OR USED IN WHOLE OR IN PART AS THE BASIS FOR THE MANUFACTURE OR SALE OF ITEMS WITHOUT WRITTEN PERMISSION. COPYRIGHT © 1976 DIGITAL EQUIPMENT CORPORATION"

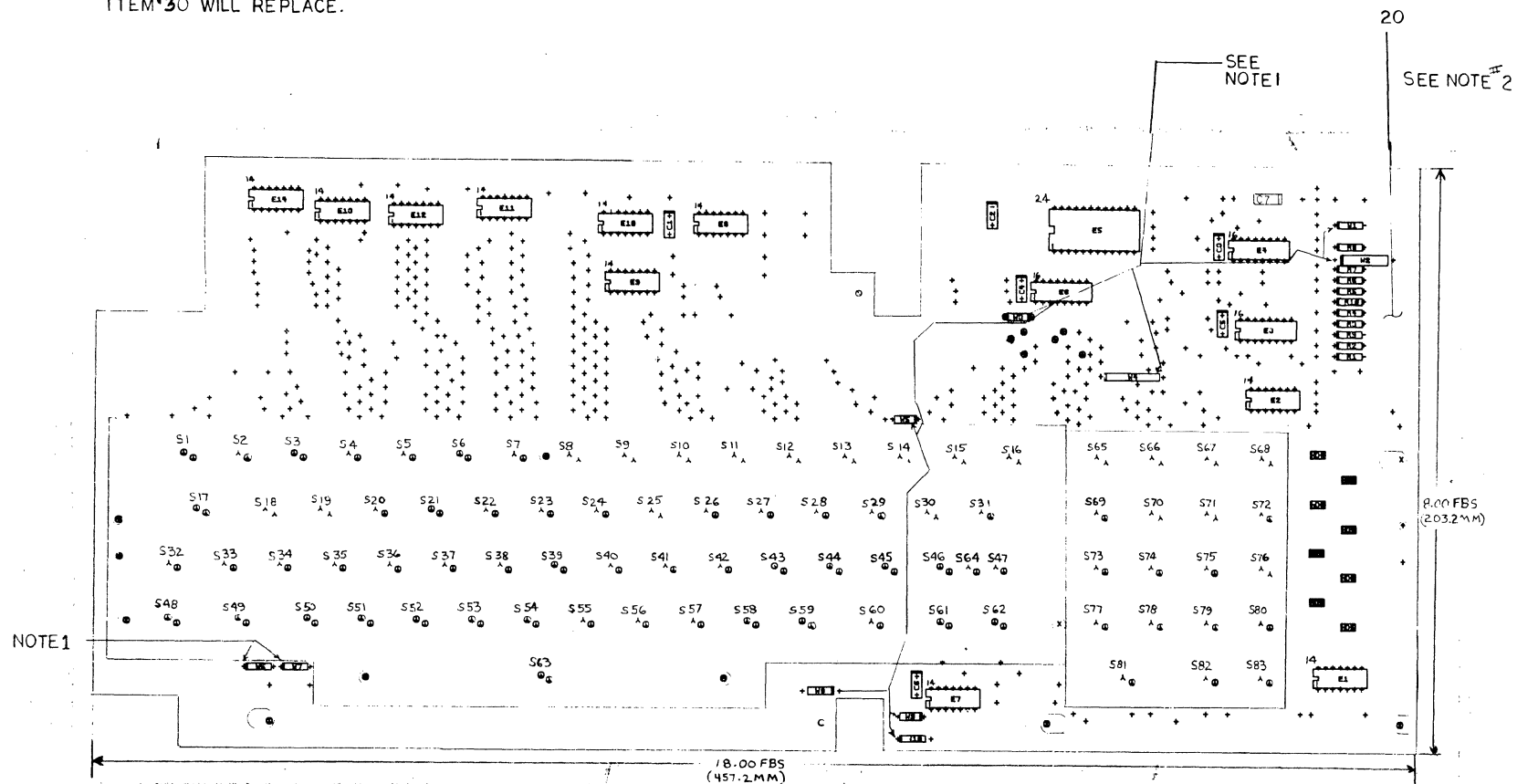
REV. E
D CS 5412471-0-1
SHEET CODE



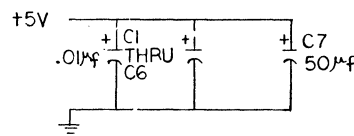
THIS DRAWING AND SPECIFICATIONS, HEREIN, ARE THE PROPERTY OF DIGITAL EQUIPMENT CORPORATION AND SHALL NOT BE REPRODUCED OR COPIED OR USED IN WHOLE OR IN PART AS THE BASIS FOR THE MANUFACTURE OR SALE OF ITEMS WITHOUT WRITTEN PERMISSION.
 COPYRIGHT © 1977 DIGITAL EQUIPMENT CORPORATION

NOTES:

1. OPTIONAL JUMPERS: SEE SHEET 2 FOR CONFIGURATION TABLE.
2. SEE SHEET 3 OF 5 FOR WIRING TABLE.
3. SEE SHEETS 4 & 5 FOR VARIATION KEYCAP PLACEMENT.
4. NOTE THAT THE B.O.M. FOR ALL VARIATIONS OF THIS BOARD MAY REQUIRE UPDATING ON ANY ECO.
5. VARIATION 14 UTILIZES THE KEYCAP SET, ITEM #27 WITH THE EXCEPTION OF POSITION S4 WHICH THE KEYCAP, ITEM #30 WILL REPLACE.



VARIATION EXPLANATION	
VARIATION	COMMENT
5411170-0	VT6I
5411170-1	HEAT CYCLED, SYSTEM TESTED 5411170-0
5411170-2	BASIC VT50H
5411170-3	HEAT CYCLED, SYSTEM TESTED 5411170-2
5411170-4	VT52
5411170-5	HEAT CYCLED, SYSTEM TESTED 5411170-4
5411170-6	VT6IT
5411170-7	HEAT CYCLED, SYSTEM TESTED 5411170-6
5411170-8	VT52-W
5411170-9	HEAT CYCLED, SYSTEM TESTED 5411170-8
5411170-10	VT62
5411170-11	HEAT CYCLED, SYSTEM TESTED 5411170-10
5411170-12	VT52-N
5411170-13	HEAT CYCLED, SYSTEM TESTED 5411170-12
5411170-14	VT52-W W/UK KEYCAP-S4
5411170-15	HEAT CYCLED, SYSTEM TESTED 5411170-14



IC TYPE	GND	+5V
DEC IC 7442	8	16
DEC IC 74175	8	16
DEC IC 74150	12	24

GND AND 5V ARE USUALLY PIN 7 AND 14 RESPECTIVELY EXCEPTIONS ARE STATED ABOVE

IC PIN LOCATIONS

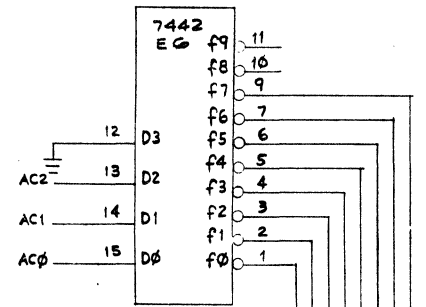
SEE OFF SHEET PARTS LIST

QTY	REF. DESIGNATION	DESCRIPTION	PART NO.	ITEM NO.
FIRST USED ON OPTION MODEL VT6I/VT50				
ETCH BOARD REV. D				
PARTS LIST				
DRN. DATE 6-27-77				
CHK'D DATE 5 JUL 77				
ENG. DATE 25-10-77				
PROJ. ENGR. DATE 25-10-77				
PROD. DATE		TITLE KEYBOARD VT6I/VT50H		
NEXT HIGHER ASSY 0-JA-VT50-0-0		SIZE CODE NUMBER REV. D CS 5411170-0-1 N		
SEMICONDUCTOR CONVERSION CHART				
DEC NO.	EIA NO.	DEC NO.	EIA NO.	
SCALE 1 OF 5				

"THIS DRAWING AND SPECIFICATIONS, HEREIN, ARE THE PROPERTY OF DIGITAL EQUIPMENT CORPORATION AND SHALL NOT BE REPRODUCED OR COPIED OR USED IN WHOLE OR IN PART AS THE BASIS FOR THE MANUFACTURE OR SALE OF ITEMS WITHOUT WRITTEN PERMISSION. COPYRIGHT © 1975 DIGITAL EQUIPMENT CORPORATION"

NOTE: NUMBERS 000 THRU 117 REPRESENT THE OCTAL AC ADDRESS OF EACH KEY.

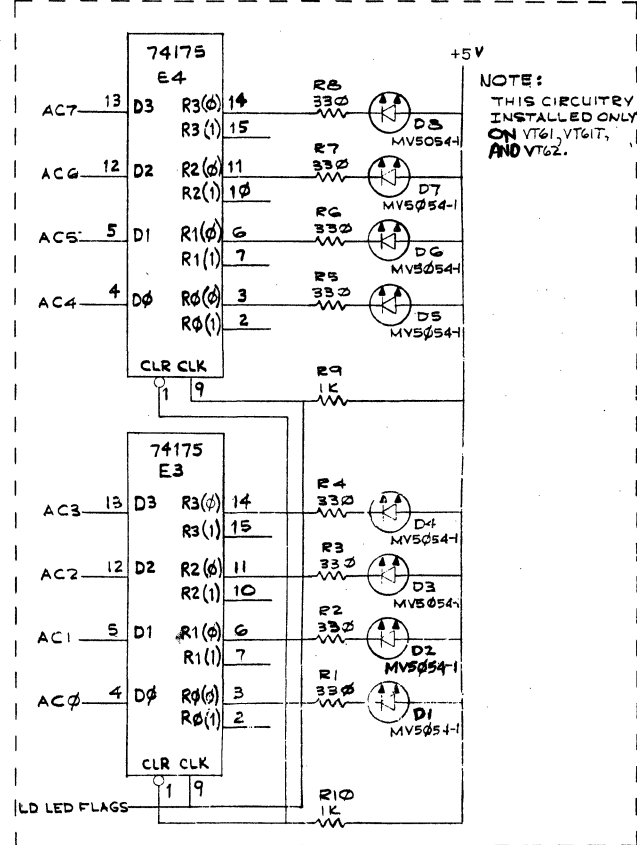
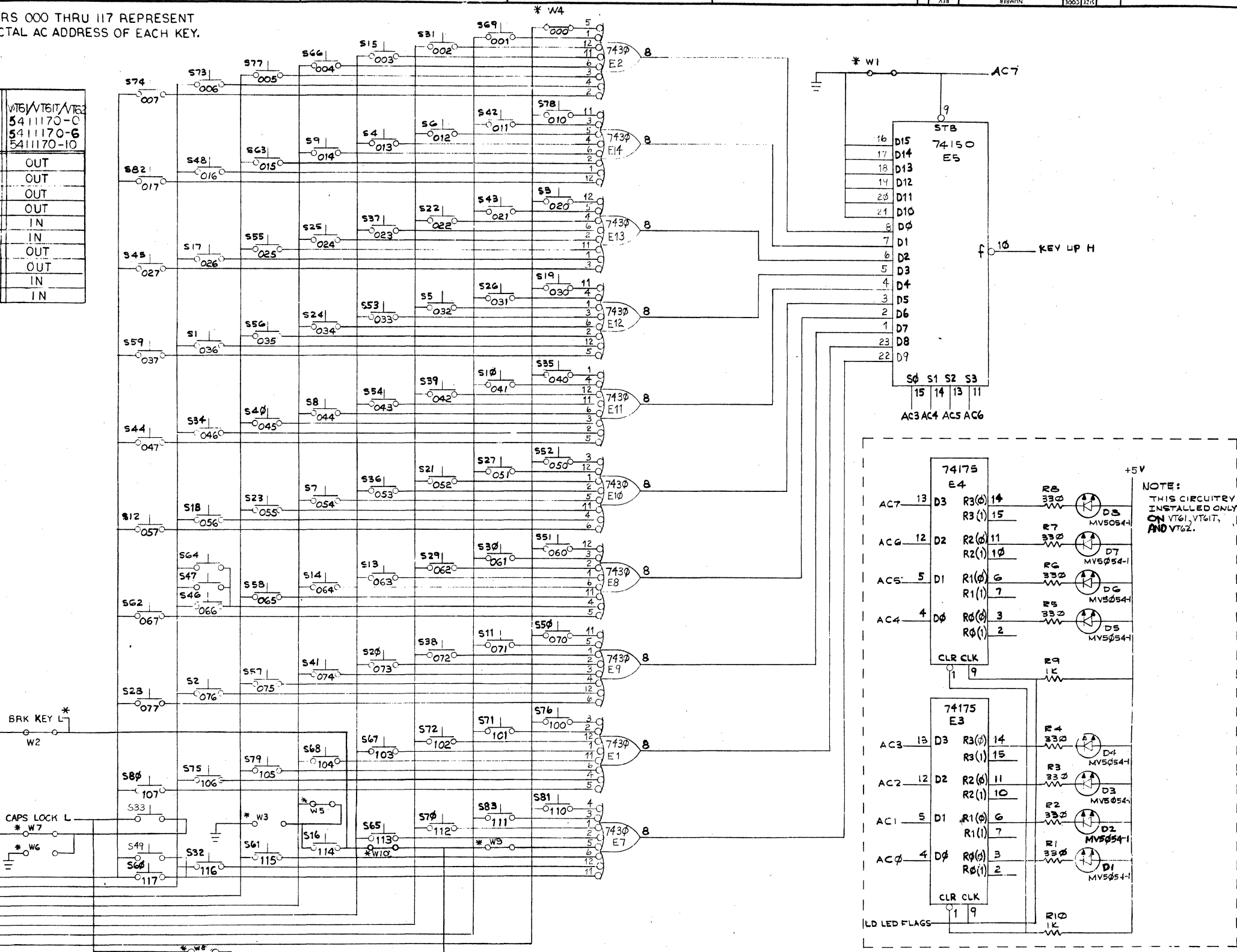
JUMPER	VT50H, J 5411170-2	VT52-N VT52, 52-W 5411170-4 5411170-8 5411170-12	VT6/VT6IT/VT62 5411170-0 5411170-6 5411170-10
W1	IN	IN	OUT
W2	IN	IN	OUT
W3	IN	IN	OUT
W4	IN	IN	OUT
W5	OUT	OUT	IN
W6	IN	OUT	IN
W7	OUT	IN	OUT
W8	OUT	IN	OUT
W9	OUT	IN	OUT
W10	OUT	OUT	IN



NOTE: SEE SHEET 3 FOR WIRE TABLES

FCI CONN

- 1 CAPS LOCK L
- 2 +5V
- 3 KEY UP H
- 4 GND
- 5 ACT
- 6 LD LED FLAGS
- 7 AC6
- 8 AC3
- 9 AC4
- 10 AC3
- 11 AC2
- 12 AC1
- 13 AC0
- 14 +5V
- 15 GND
- 16 GND

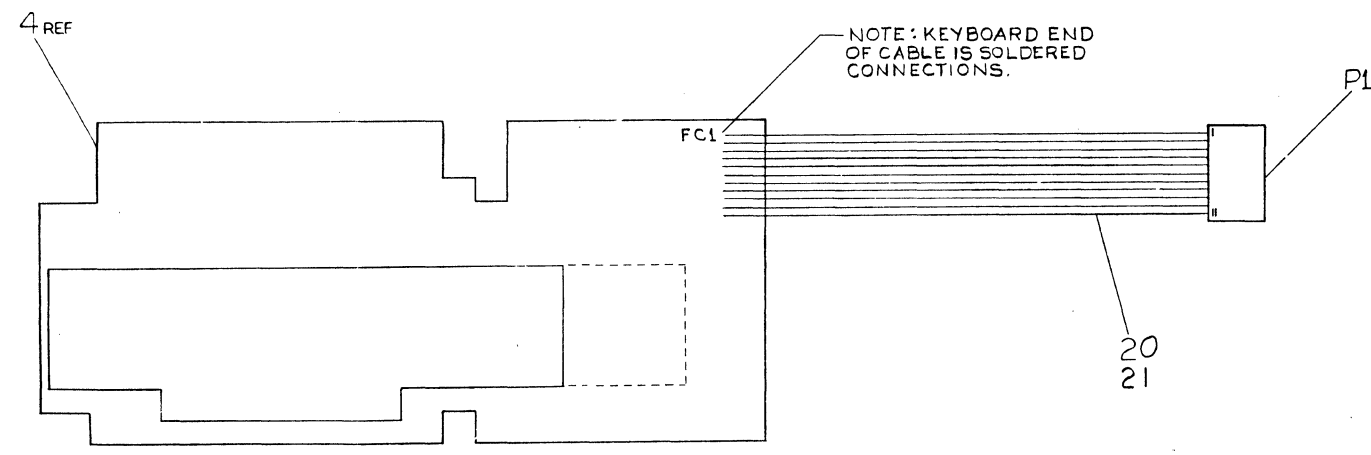


CHK	REVISIONS	CHANGE NO.	REV.

"THIS DRAWING AND SPECIFICATIONS, HEREIN, ARE THE PROPERTY OF DIGITAL EQUIPMENT CORPORATION AND SHALL NOT BE REPRODUCED OR COPIED OR USED IN WHOLE OR IN PART AS THE BASIS FOR THE MANUFACTURE OR SALE OF ITEMS WITHOUT WRITTEN PERMISSION. COPYRIGHT © 1973, DIGITAL EQUIPMENT CORPORATION"

WIRE TABLE (5411170-2,4,8,12)					
ITEM NO	AWG	COLOR	FROM CONNECTION	TO CONNECTION	REMARKS
21	22	BLK	P1-1	FC1-2	+5V
		BRN	P1-2	FC1-3	KEY UP H
		RED	P1-3	FC1-4	GND
		ORN	P1-4	FC1-8	AC5
		YEL	P1-5	FC1-9	AC 4
		GRN	P1-6	FC1-10	AC 3
		BLU	P1-7	FC1-11	AC 2
		VIO	P1-8	FC1-12	AC 1
		GRY	P1-9	FC1-13	AC Ø
		WHT	P1-10	FC1-6	BRK KEY
21	22	BLU	P1-11	FC1-7	AC 6

WIRE TABLE (5411170-0,6,10)					
ITEM NO	AWG	COLOR	FROM CONNECTION	TO CONNECTION	REMARKS
22	22	BLK	P1-1	FC1-1	CAPS LOGIC
		BRN	P1-2	FC1-2	+5V
		RED	P1-3	FC1-3	KEYUP
		ORN	P1-4	FC1-4	GND
		YEL	P1-5	FC1-5	AC7
		GRN	P1-6	FC1-6	LO LED FLAGS
		BLU	P1-7	FC1-7	AC6
		VIO	P1-8	FC1-8	AC5
		GRY	P1-9	FC1-9	AC4
		WHT	P1-10	FC1-10	AC3
		WHT/BLK	P1-11	FC1-11	AC2
		WHT/BRN	P1-12	FC1-12	AC1
		WHT/RED	P1-13	FC1-13	AC0
		WHT/ORN	P1-14	FC1-14	+5V
		WHT/YEL	P1-15	FC1-15	GND
22	22	WHT/GRN	P1-16	FC1-16	GND



INCH

REV.	CHANGE NO.	DATE

DEC FORM NO. DRD 100-C

QUANTITY & VARIATION	DESCRIPTION	DWG. PART NO.	ITEM NO.
	UNLESS OTHERWISE SPECIFIED DIMENSIONS ARE IN INCHES		
THIRD ANGLE PROJECTION	ANGLES ±0° 30'	CLASS OF ACCURACY (CHECK ONE)	NOMINAL DIMENSION RANGE INCHES
REMOVE BURRS AND BREAK SHARP CORNERS		MEDIUM <input type="checkbox"/>	OVER 0 TO 12 ±0.12
DO NOT SCALE DWG		PREFERRED <input type="checkbox"/>	OVER 12 TO 40.0 ±0.16
MATERIAL	DRN. <i>[Signature]</i>	OVER 40.0 TO 80.0 ±0.25	OVER 80.0 TO 120.0 ±0.375
FINISH	CHK'G. <i>[Signature]</i>	OVER 120.0 TO 400.0 ±0.50	OVER 400.0 TO 800.0 ±0.75
	ENG. <i>[Signature]</i>	PROJ. ENG. <i>[Signature]</i>	PRCB. <i>[Signature]</i>
	TITLE KEYBOARD VT61/VT50H (CABLE CONN)		
	NEXT HIGHER ASSY.		
	MATERIAL	SCALE	FINISH
	SIZE CODE	SCALE	FINISH
	DIST.	SHEET 3 OF 5	REV. AN

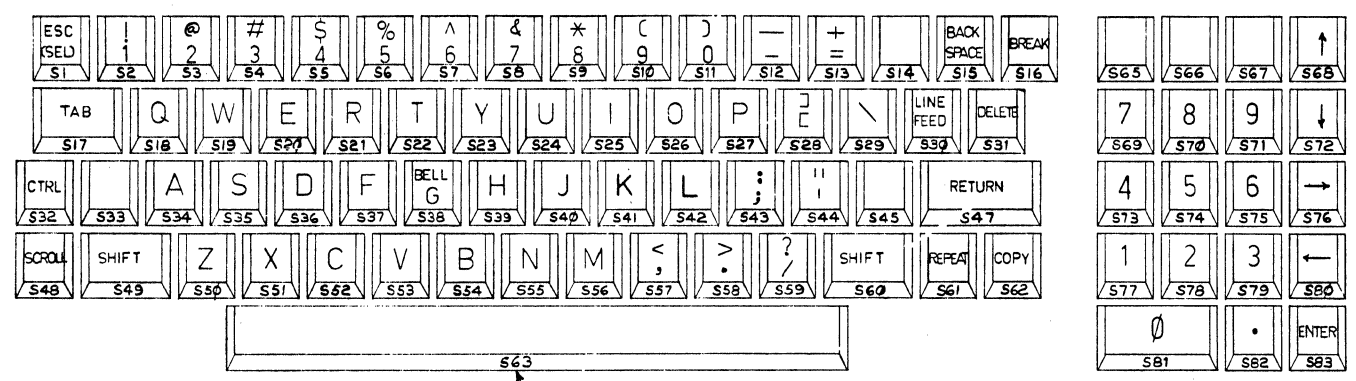
REV. N
NUMBER 5411170-0-1
SIZE CODE D

"THIS DRAWING AND SPECIFICATIONS HEREIN ARE THE PROPERTY OF DIGITAL EQUIPMENT CORPORATION AND SHALL NOT BE REPRODUCED OR COPIED OR USED IN WHOLE OR IN PART AS THE BASIS FOR THE MANUFACTURE OR SALE OF ITEMS WITHOUT WRITTEN PERMISSION. COPYRIGHT © 1975, DIGITAL EQUIPMENT CORPORATION"

11 1-6-071170-0-1 2

NOTES: 1. THE KEYCAP PLACEMENT ON THIS SHEET REPRESENTS THE VT50H, VT50J PLACEMENT. TO FIND KEYCAP LOCATIONS FOR OTHER VARIATIONS MATCH THE SWITCH NUMBERS (EXAMPLE S9) ON EACH KEYCAP ON THIS SHEET WITH THE CORRESPONDING SWITCH NUMBER FOR THE DESIRED VARIATION ON SHEET 5.
2. SEE PARTS LIST FOR ITEM NUMBERS FOR DESIRED VARIATIONS.

SEE NOTE 2



REV.	
CHK	
CHANGE NO.	

DEC FORM NO. DRD 102-0

DRN. Ed Mitchell	3-1-75	FIRST USED ON	VT50H / VT61	digital
CHK'D. [Signature]	3/1/75	TITLE	KEYBOARD VT61/VT50H	
ENG. [Signature]	3-1-75	(KEYCAP VARIATIONS)		
PROJ. ENG. [Signature]	3-1-75			
PROD. [Signature]	3-1-75			
NEXT HIGHER ASSY.				
SCALE NONE		SIZE CODE	D CS: 54 11170-0-1	REV. N
SHEET 4	OF 5	DIST.		

THIS DRAWING AND SPECIFICATIONS HEREIN ARE THE PROPERTY OF DIGITAL EQUIPMENT CORPORATION AND SHALL NOT BE REPRODUCED OR COPIED OR USED IN WHOLE OR IN PART AS THE BASIS FOR THE MANUFACTURE OR SALE OF ITEMS WITHOUT WRITTEN PERMISSION. COPYRIGHT © 1976 DIGITAL EQUIPMENT CORPORATION.

COLOR GUIDE
 NO NUMBER : GRAY
 1 : RED
 2 : BLUE
 3 : WHITE
 4 : GOLD
 5 : GRAY, LIGHT

NOTE: 1) LEGENDS IN LOWER PORTION OF BOX ARE ON THE FRONT FACE OF THE KEY.
 2) LEGEND ON SIDE IS ON SIDE OF KEY.

KEYCAP PLACEMENT

SWITCH NUMBER

VARIATION	S1	S2	S3	S4	S5	S6	S7	S8	S9	S10	S11	S12	S13	S14	S15	S16	S17	S18	S19	S20	S21	S22	S23	S24	S25	S26	S27	S28	S29	S30	S31	S32	S33	S34	S35	S36	S37	S38	S39	S40	S41	S42
5411170-0 (VT61)	ESC (SEL)	1	@	#	\$	%	^	&	*	()	-	=	~	2 BACK SPACE	1 BREAK	2 TAB	Q	W	E	R	T	Y	U	I	O	P	[]	1 LINE FEED	2 DELETE	1 CTRL	2 CAPS LOCK	A	S	D	F	BELL G	H	J	K	L
5411170-2 (VT50H)	ESC (SEL)	1	@	#	\$	%	^	&	*	()	-	=	~	2 BACK SPACE	1 BREAK	2 TAB	Q	W	E	R	T	Y	U	I	O	P	[]	1 LINE FEED	2 DELETE	1 CTRL	2 CAPS LOCK	A	S	D	F	BELL G	H	J	K	L
5411170-4 (VT52)	ESC (SEL)	1	@	#	\$	%	^	&	*	()	-	=	~	2 BACK SPACE	1 BREAK	2 TAB	Q	W	E	R	T	Y	U	I	O	P	[]	1 LINE FEED	2 DELETE	1 CTRL	2 CAPS LOCK	A	S	D	F	BELL G	H	J	K	L
5411170-6 (VT61T)	ESC (SEL)	1	@	#	\$	%	^	&	*	()	-	=	~	2 BACK SPACE	1 BREAK	2 TAB	Q	W	E	R	T	Y	U	I	O	P	[]	1 LINE FEED	2 DELETE	1 CTRL	2 CAPS LOCK	A	S	D	F	BELL G	H	J	K	L
5411170-8 (VT52-W)	ESC (SEL)	1	@	#	\$	%	^	&	*	()	-	=	~	2 BACK SPACE	1 BREAK	2 TAB	Q	W	E	R	T	Y	U	I	O	P	[]	1 LINE FEED	2 DELETE	1 CTRL	2 CAPS LOCK	A	S	D	F	BELL G	H	J	K	L
5411170-10 (VT62)	SELECT DE SELECT	1	@	#	\$	%	^	&	*	()	-	=	~	2 BACK SPACE	1 BREAK	2 TAB	Q	W	E	R	T	Y	U	I	O	P	[]	1 LINE FEED	2 DELETE	1 CTRL	2 CAPS LOCK	A	S	D	F	BELL G	H	J	K	L
5411170-12 (VT52-N)	ESC (SEL)	1	@	#	\$	%	^	&	*	()	-	=	~	2 BACK SPACE	1 BREAK	2 TAB	Q	W	E	R	T	Y	U	I	O	P	[]	1 LINE FEED	2 DELETE	1 CTRL	2 CAPS LOCK	A	S	D	F	BELL G	H	J	K	L
5411170-14 (VT52-W)	ESC (SEL)	1	@	#	\$	%	^	&	*	()	-	=	~	2 BACK SPACE	1 BREAK	2 TAB	Q	W	E	R	T	Y	U	I	O	P	[]	1 LINE FEED	2 DELETE	1 CTRL	2 CAPS LOCK	A	S	D	F	BELL G	H	J	K	L

SWITCH NUMBER (CONT.)

VARIATION	S43	S44	S45	S46	S47	S48	S49	S50	S51	S52	S53	S54	S55	S56	S57	S58	S59	S60	S61	S62	S63	S64	S65	S66	S67	S68	S69	S70	S71	S72	S73	S74	S75	S76	S77	S78	S79	S80	S81	S82	S83
5411170-0	:	1	2	3	4	5	6	7	8	9	0	<	>	?	1 SHIFT	2 REPEAT	3 COPY	4 SPACE BAR	5	6	7	8	9	↓	4	5	6	→	1	2	3	←	0	•	ENTER						
5411170-2	:	1	2	3	4	5	6	7	8	9	0	<	>	?	1 SHIFT	2 REPEAT	3 COPY	4 SPACE BAR	5	6	7	8	9	↓	4	5	6	→	1	2	3	←	0	•	ENTER						
5411170-4	:	1	2	3	4	5	6	7	8	9	0	<	>	?	1 SHIFT	2 REPEAT	3 COPY	4 SPACE BAR	5	6	7	8	9	↓	4	5	6	→	1	2	3	←	0	•	ENTER						
5411170-6	:	1	2	3	4	5	6	7	8	9	0	<	>	?	1 SHIFT	2 REPEAT	3 COPY	4 SPACE BAR	5	6	7	8	9	↓	4	5	6	→	1	2	3	←	0	•	ENTER						
5411170-8 (VT52-W)	:	1	2	3	4	5	6	7	8	9	0	<	>	?	1 SHIFT	2 REPEAT	3 COPY	4 SPACE BAR	5	6	7	8	9	↓	4	5	6	→	1	2	3	←	0	•	ENTER						
5411170-10 (VT62)	:	1	2	3	4	5	6	7	8	9	0	<	>	?	1 SHIFT	2 REPEAT	3 COPY	4 SPACE BAR	5	6	7	8	9	↓	4	5	6	→	1	2	3	←	0	•	ENTER						
5411170-12 (VT52-N)	:	1	2	3	4	5	6	7	8	9	0	<	>	?	1 SHIFT	2 REPEAT	3 COPY	4 SPACE BAR	5	6	7	8	9	↓	4	5	6	→	1	2	3	←	0	•	ENTER						
5411170-14 (VT52-W)	:	1	2	3	4	5	6	7	8	9	0	<	>	?	1 SHIFT	2 REPEAT	3 COPY	4 SPACE BAR	5	6	7	8	9	↓	4	5	6	→	1	2	3	←	0	•	ENTER						

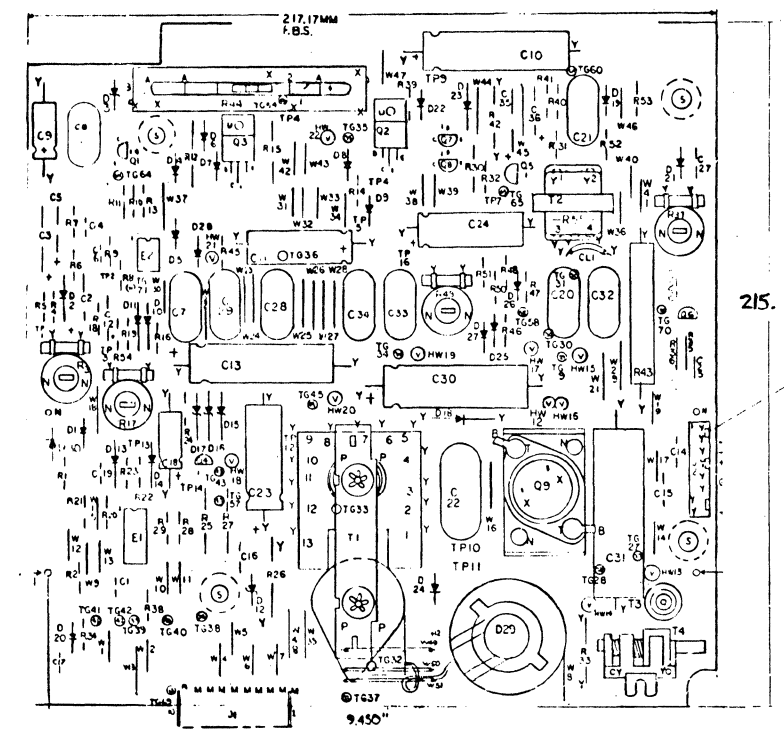
REVISIONS		
CHK	CHANGE NO.	REV.

TITLE: KEYBOARD, VT61/VT50H (KEYCAP PLACEMENT)
 SIZE CODE: DCS
 NUMBER: 5411170-0-1
 REV: N

THIS DRAWING AND SPECIFICATIONS HEREIN ARE THE PROPERTY OF DIGITAL EQUIPMENT CORPORATION AND SHALL NOT BE REPRODUCED OR COPIED OR USED IN WHOLE OR IN PART AS THE BASIS FOR THE MANUFACTURE OR SALE OF ANY ITEMS WITHOUT THE WRITTEN PERMISSION OF DIGITAL EQUIPMENT CORPORATION. COPYRIGHT © 1973

NOTES:

- THERE IS NO ETCH TO D29. CONNECTIONS ARE HARD WIRED.
- ETCH AND PUNCH/DRILL FOR T9-5 AND T9-22B.
- CURRENT LOOP 4 INCH LENGTH #22 AWG WIRE.
- MUST BE CONNECTED TO A POINT GROUND.
- UNLESS OTHERWISE NOTED: RESISTANCE IS IN OHMS, CAPACITANCE IS IN PICO FARADS.
- W21, W35, AND W48 ARE OPTIONAL.
- THESE COMPONENTS USED ON 0 VARIATION ONLY.
- FOR VARIATION-01, THE FOLLOWING PARTS ARE NOT USED: R36, R34, D28, D21, C27, C25 AND G6.
- LOCATION J1-10 NOT USED ON 1 VARIATION. BERG 10 PIN HEADER TO BE INSERTED STARTING AT LOCATION J1-9 WITH BLANK PIN LOCATED TO THE LEFT OF J1-1 (1 VARIATION ONLY).



215. REF
NOTE NOTCHES

IC TYPE	GND	+5V
GND AND 5V ARE USUALLY PIN 7 AND 14 RESPECTIVELY EXCEPTIONS ARE STATED ABOVE		
IC PIN LOCATIONS		

QTY	REF. DESIGNATION	DESCRIPTION	PART NO.	ITEM NO.
2	R25, R27	RES. 2.7K. 1W. 10%	1309023-00	53
1	R45	RES. 1M. 1/4W. 5%	1309595 00	54
1	R43	RES. 1.5 OHM. 10W 5%	1309735 00	55
1	R37	RES. POT 2K	1311853-03	56
1	R8	RES. 38K. 1/4W. 5%	1302394-00	57
1	R44	RES. POT 250K	1311844 00	58
1	R17	RES. POT 500	1311853-00	59
1	R3	RES. POT 50K	1311853-01	60
1	R349	RES. POT 1M	1311853-02	61
1	R15	RES. 47.2W 5%	1305258 00	62
1	Q5	TRANSISTOR. 2N2904A	1501913 00	63
2	Q3, Q4, Q6, Q7	TRANSISTOR. 2N3904	1509524 00	64
1	Q1	TRANSISTOR. D45C6	1510414 00	65
2	Q1, Q8	TRANSISTOR. 2N3775	1510959 00	66
1	Q9	TRANSISTOR. BUY 69C	1511852 00	67
1	Q2	TRANSISTOR. D44C8	1510421 00	68
1	T1	TRANSFORMER. AT2072	1611896 00	69
1	T2	TRANSFORMER. U9737	1611897-01	70
1	T3	TRANSFORMER. U9934	1611898 00	71
1	T4	TRANSFORMER. AT4072	1611895 00	72
1	E1	I.C. DEC 7406	1910741 00	73
1	E2	I.C. DEC 741 OP AMP	1910298 00	74
1		HEAT SINK WAKEFIELD. 632-3P	1211980 00	75
2	J1	STRAIGHT PINS HEADER	1212519 00	76
2	ITEM #15	KEYNUT #4-40	9006551 00	77
3		TIE WRAP	9007031	78
2		TERMINAL	9009876 00	79
44	W1-W19, W22-W34, W36, W47	WIRE JUMPER AWG#22	9107560 01	80
1	CL1	WIRE JUMPER AWG#22	9107350 00	81
1		USED WITH ITEM 32	1212126 00	82
1		HARNES. CRT	D-1A-7012096-00	83
1		HARNES. YOKE	D-1A-7011670-0	84
2	ITEM #15	SCH. PHILLIPS PAN HD #4-40 X .250	9008201 01	85
A/R	ITEM #15	COMPOUND. THERMAL	9008268 00	86
1	J2	CONNECTOR	1212619 00	87
A/R	W49, 51	INSULATED JUMPER	9107776 -66	88
1	R55	RES. 39 OHM 1/4W. 5%	1302377	89
1	D30	DIODE 1N754A	1109991 00	90
1	W52	WIRE. ECO AWG#30	9105740 55	91

* SEE NOTE 8

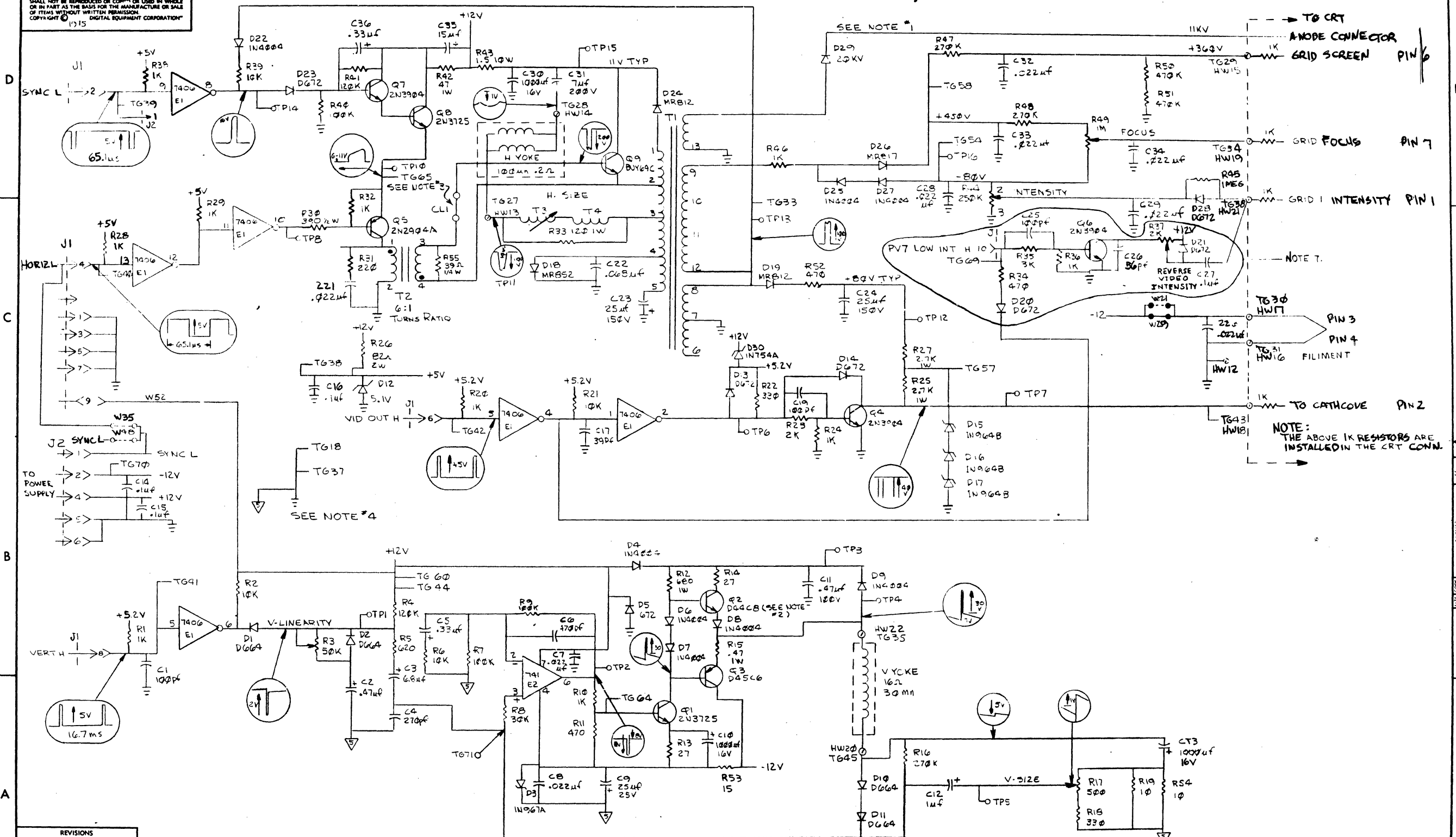
QTY	REF. DESIGNATION	DESCRIPTION	PART NO.	ITEM NO.
1	C1, C19, C25	CAP. 100PF 100V. 5%	1000016	5
1	C17	CAP. 39PF 100V. 5%	1000010	6
1	C4	CAP. 270PF. 100V. 5%	1000022	7
1	C6	CAP. 470PF. 100V. 5%	1000024	8
4	C14, C15, C16, C27	CAP. 1UF. 100V. 20%	1000050	9
1	C11	CAP. .47UF. 100V. 10%	1000040	10
1	C9	CAP. 25UF. 25V	1000075	11
1	C26	CAP. 56PF. 100V. 5%	1000012	12
1	C12	CAP. 1UF. 35V. 10%	1001776	13
1	C35	CAP. 15UF. 20V. 10%	1004912	14
1	C3	CAP. 6.8UF. 35V. 10%	1005306	15
2	C5, C36	CAP. .33UF. 20V. 10%	1005328	16
1	C2	CAP. .47UF. 35V. 10%	1005955	17
1	C31	CAP. 12UF. 200V	1011848-01	18
9	C7, C8, C20, C21, C20, C29, C32, C33, C34	CAP. 022UF	1011846	19
1	C22	CAP. 058UF. 60V	1011847	20
2	C23, C24	CAP. 25UF. 150V	1011849 00	21
3	C10, C13, C30	CAP. 1000UF 16V	1011849 02	22
4	D1, D2, D10, D11	DIODE. D684	1100114	23
1	D3	DIODE. 1N967A	1110068	24
1	D12	DIODE. 1N751A	1110994	25
5	D5, D13, D14, D20, D21, D23, D28	DIODE. D672	1105275 00	26
8	D4, D6, D7, D8, D9, D22, D25, D27	DIODE. 1N4204	1105796 00	27
1	D18	DIODE. 4R852	1109634 01	28
3	D15, D16, D17	DIODE. 1N964B	1109988	29
2	D19, D24	DIODE. M8B12	1111854 00	30
1	D26	DIODE. M8B17	1111854 01	31
1	D29	DIODE. H-V ASSY	1112553 00	32
1	R31	RES. 220 OHM. 1/4W. 5%	1300271 00	33
2	R18, R22	RES. 330 OHM. 1/4W. 5%	1300295	34
1	R39	RES. 390 OHM. 1/2W. 5%	1300308 00	35
3	R11, R34, R52	RES. 470 OHM. 1/4W. 5%	1300316 00	36
1	R12	RES. 680 OHM. 1W. 10%	1300346 00	37
9	R1, R10, R20, R24, R28, R29, R32, R36, R38, R46	RES. 1K. 1/4W. 5%	1300365 00	38
1	R53	RES. 15 OHM. 1/4W. 5%	1301421 00	39
1	R33	RES. 3K. 1/4W. 5%	1300432 00	40
4	R2, R6, R21, R39	RES. 10K. 1/4W. 5%	1300479 00	41
2	R4, R41	RES. 120K. 1/4W. 5%	1300539 00	42
3	R16, R47, R48	RES. 270K. 1/4W. 5%	1301310 00	43
2	R19, R4	RES. 1M OHM. 1/4W. 5%	1301317 00	44
2	R13, R14	RES. 27 OHM. 1/4W. 5%	1301522 00	45
1	R33	RES. 120 OHM. 1W. 5%	1301638 00	46
1	R42	RES. 47 OHM. 1W. 5%	1302189 00	47
1	R22	RES. 2K. 1/4W. 5%	1302388 00	48
2	R50, R51	RES. 470K. 1/4W. 5%	1302398 00	49
3	R7, R9, R40	RES. 100K. 1/4W. 5%	1302466 00	50
1	R5	RES. 820 OHM. 1/4W. 5%	1302478 00	51
1	R28	RES. 82 OHM. 2W. 10%	1301954 00	52

ETCH BOARD REV.	E	PARTS LIST	
DRN. DATE	12-5-76	digital	DATE
CHK'D. DATE	12-5-76	TITLE	DATE
ENG'D. DATE	12-5-76	VT61 MONITOR	DATE
EQUI. DATE	12-5-76	SIZE CODE	DATE
PROD. DATE	12-5-76	D CS 5411444-01	DATE
NEXT HIGHER ASSY	5411444-00	NUMBER	DATE
SCALE	1/1	REV.	
SHEET	1	REV. J	

DEC. NO.	EIA NO.	DEC. NO.	EIA NO.
5411444-00001	E	5411444-00002	E
5411444-00003	H	5411444-00004	J
5411444-00005	I	5411444-00006	K
5411444-00007	L	5411444-00008	M
5411444-00009	N	5411444-00010	O
5411444-00011	P	5411444-00012	Q
5411444-00013	R	5411444-00014	S
5411444-00015	T	5411444-00016	U
5411444-00017	V	5411444-00018	W
5411444-00019	X	5411444-00020	Y
5411444-00021	Z	5411444-00022	AA
5411444-00023	AB	5411444-00024	AC
5411444-00025	AD	5411444-00026	AE
5411444-00027	AF	5411444-00028	AG
5411444-00029	AH	5411444-00030	AI
5411444-00031	AJ	5411444-00032	AK
5411444-00033	AL	5411444-00034	AM
5411444-00035	AN	5411444-00036	AO
5411444-00037	AP	5411444-00038	AQ
5411444-00039	AR	5411444-00040	AS
5411444-00041	AT	5411444-00042	AW
5411444-00043	AX	5411444-00044	AY
5411444-00045	AZ	5411444-00046	BA
5411444-00047	BB	5411444-00048	BB
5411444-00049	BB	5411444-00050	BB
5411444-00051	BB	5411444-00052	BB
5411444-00053	BB	5411444-00054	BB
5411444-00055	BB	5411444-00056	BB
5411444-00057	BB	5411444-00058	BB
5411444-00059	BB	5411444-00060	BB
5411444-00061	BB	5411444-00062	BB
5411444-00063	BB	5411444-00064	BB
5411444-00065	BB	5411444-00066	BB
5411444-00067	BB	5411444-00068	BB
5411444-00069	BB	5411444-00070	BB
5411444-00071	BB	5411444-00072	BB
5411444-00073	BB	5411444-00074	BB
5411444-00075	BB	5411444-00076	BB
5411444-00077	BB	5411444-00078	BB
5411444-00079	BB	5411444-00080	BB
5411444-00081	BB	5411444-00082	BB
5411444-00083	BB	5411444-00084	BB
5411444-00085	BB	5411444-00086	BB
5411444-00087	BB	5411444-00088	BB
5411444-00089	BB	5411444-00090	BB
5411444-00091	BB	5411444-00092	BB
5411444-00093	BB	5411444-00094	BB
5411444-00095	BB	5411444-00096	BB
5411444-00097	BB	5411444-00098	BB
5411444-00099	BB	5411444-00100	BB

SEMICONDUCTOR CONVERSION CHART

THIS DRAWING AND SPECIFICATIONS, HEREIN, ARE THE PROPERTY OF DIGITAL EQUIPMENT CORPORATION AND SHALL NOT BE REPRODUCED OR COPIED OR USED IN WHOLE OR IN PART AS THE BASIS FOR THE MANUFACTURE OR SALE OF ITEMS WITHOUT WRITTEN PERMISSION. COPYRIGHT © 1975 DIGITAL EQUIPMENT CORPORATION



REVISIONS		
CHK	CHANGE NO.	REV.

TITLE: VT61 MONITOR
 SCALE: NONE
 SHEET: 2 OF 3
 SIZE CODE: DCS
 NUMBER: 5411444-0-1
 REV: J

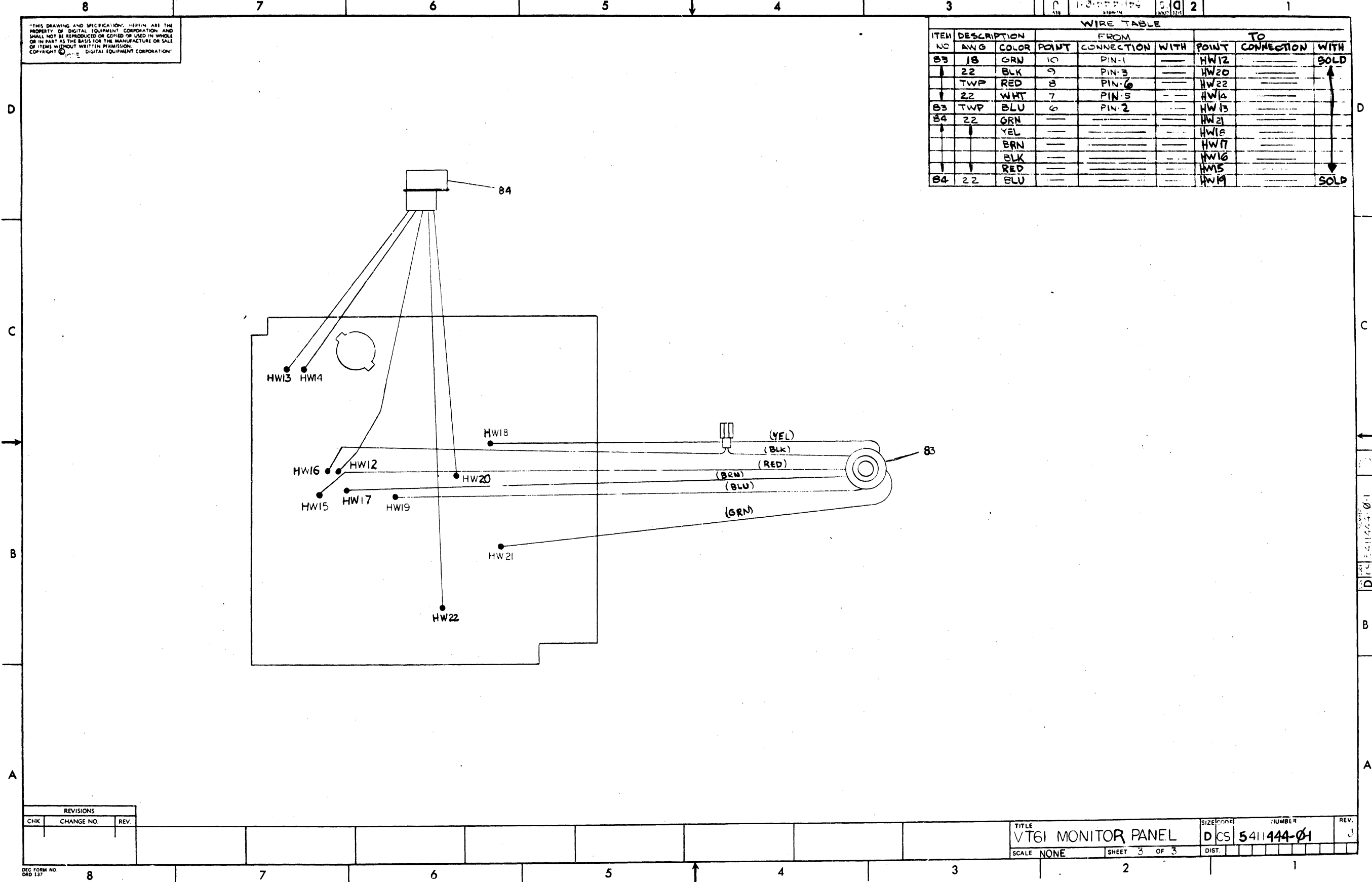
D CS 5411444-0-1

"THIS DRAWING AND SPECIFICATION HEREIN ARE THE PROPERTY OF DIGITAL EQUIPMENT CORPORATION AND SHALL NOT BE REPRODUCED OR COPIED IN WHOLE OR IN PART AS THE BASIS FOR THE MANUFACTURE OR SALE OF ITEMS WITHOUT WRITTEN PERMISSION. COPYRIGHT © 1965 DIGITAL EQUIPMENT CORPORATION"

1-30-00000000 0 2

WIRE TABLE

ITEM NO	DESCRIPTION		FROM			TO		
	ANG	COLOR	POINT	CONNECTION	WITH	POINT	CONNECTION	WITH
B3	18	GRN	10	PIN-1	---	HW12	---	SOLD
↓	22	BLK	9	PIN-3	---	HW20	---	↑
		TWP	8	PIN-6	---	HW22	---	
↓	22	WHT	7	PIN-5	---	HW1A	---	↑
		TWP	6	PIN-2	---	HW13	---	
B4	22	GRN	---	---	---	HW21	---	↑
↑	↑	YEL	---	---	---	HW1E	---	
		BRN	---	---	---	HW17	---	
↓	↓	BLK	---	---	---	HW16	---	
		RED	---	---	---	HW15	---	
B4	22	BLU	---	---	---	HW14	---	



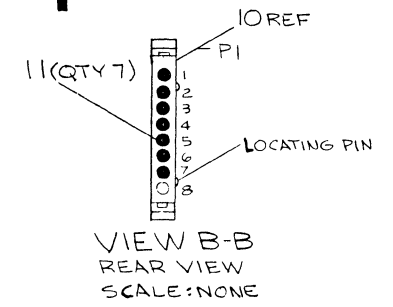
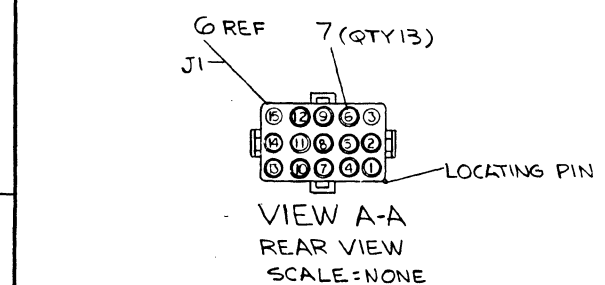
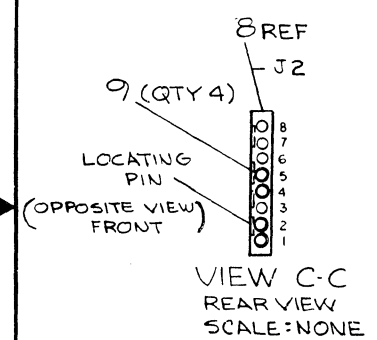
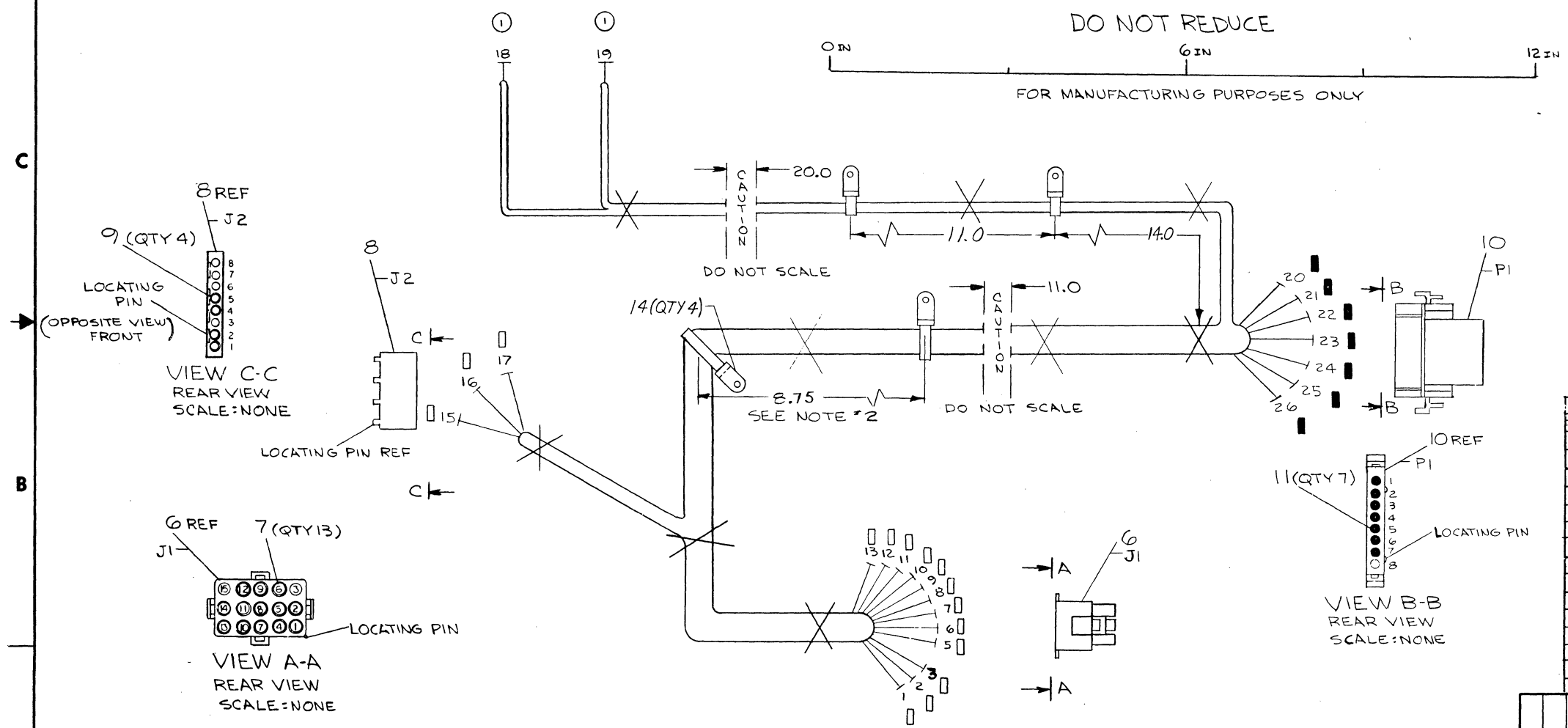
REVISIONS		
CHK	CHANGE NO.	REV.

TITLE: VT61 MONITOR PANEL
 SIZE: DCS
 NUMBER: 5411444-01
 SCALE: NONE
 SHEET: 3 OF 3
 DIST:

THIS DRAWING AND SPECIFICATIONS, HEREIN, ARE THE PROPERTY OF DIGITAL EQUIPMENT CORPORATION AND SHALL NOT BE REPRODUCED OR COPIED OR USED IN WHOLE OR IN PART AS THE BASIS FOR THE MANUFACTURE OR SALE OF ITEMS WITHOUT WRITTEN PERMISSION. COPYRIGHT © 1975, DIGITAL EQUIPMENT CORPORATION.

ITEM NO	DESCRIPTION	FROM				TO			
		AWG	COLOR	POINT	CONNECTION	WITH	POINT	CONNECTION	WITH
15	18	BLU	1	J1-1	7	15	J2-2	9	
4	14	BLU	2	J1-2	7	20	P1-1	11	
17	18	GRN	4	J1-5	7	16	J2-4	9	
3	14	GRN	5	J1-6	7	26	P1-7	11	
5	18	BLK	6	J1-7	7	17	J2-5	9	
1	14	BLK	7	J1-8	7	23	P1-4	11	
1	14	BLK	8	J1-9	7	24	P1-5	11	
2	14	RED	9	J1-10	7	21	P1-2	11	
1	14	BLK	10	J1-11	7	19	---	12	
1	14	BLK	11	J1-12	7	25	P1-6	11	
2	14	RED	12	J1-13	7	22	P1-3	11	
2	14	RED	13	J1-14	7	18	---	12	

NOTES:
 1. USE CABLE TIE (ITEM #13) APPROXIMATELY EVERY (3) THREE INCHES WHEN NECESSARY AND AT EVERY BREAKOUT POINT.
 2. ASSEMBLE CABLE TIE AND MOUNT (ITEM #14) AS SHOWN (REAR VIEW).



ITEM NO	DESCRIPTION	DWG / PART NO.	ITEM NO.
A/R	WIRE # 18 AWG GRN	9107360-55	17
A/R	WIRE # 18 AWG WH	9107360-53	16
A/R	WIRE # 18 AWG BLU	9107360-66	15
7	TIE AND MOUNT, CABLE	9007033-00	14
X 9	TIE, CABLE	9007880-00	13
2	TERMINAL, QUICK CONNECT	9007969-00	12
7	TERMINAL, PIN CONTACT	1209378-00	11
1	CONTACT, 8 PIN HOUSING	1209340-01	10
3	CONTACT, PIN	1212203-00	9
1	CONN, 8 SKT HOUSING	1212620-00	8
12	CONTACT, SOCKET	1212170-00	7
1	HOUSING, 15 CIRCUIT	1212167-05	6
A/R	WIRE # 18 AWG BLK	9107360-00	5
A/R	WIRE # 14 AWG BLU	9107370-66	4
A/R	WIRE # 14 AWG GRN	9107370-55	3
A/R	WIRE # 14 AWG RED	9107370-22	2
A/R	WIRE # 14 AWG BLK	9107370-00	1

SYMBOLS

UNLESS OTHERWISE SPECIFIED DIMENSIONS ARE IN INCHES

ANGLES	CLASS OF ACCURACY	NOMINAL DIMENSION RANGE INCHES					
±0° 30'	(CHECK ONE)	OVER 0 TO 0.2	OVER 0.2 TO 1.2	OVER 1.2 TO 4.0	OVER 4.0 TO 12.0	OVER 12.0 TO 40.0	OVER 40.0 TO 80.0
SURFACE QUALITY	MEDIUM	±.004	±.008	±.012	±.016	±.024	±.04
QUANTITY & VARIATION	PREFERRED	±.012	±.016	±.025	±.04	±.063	±.1

THIRD ANGLE PROJECTION

REMOVE BURRS AND BREAK SHARP CORNERS

DO NOT SCALE DWG

MATERIAL SEE PARTS LIST

FINISH

FIRST USED ON

VT61 digital

TITLE HARNESS, POWER (VT61)

SIZE CODE D IA

NUMBER 7012017-0-0

REV. A

REV.	CHANGE TO	DATE	BY
1	17012017-00 001	A	J. RUZYNSKI
2	17012017-00 001	A	J. RUZYNSKI

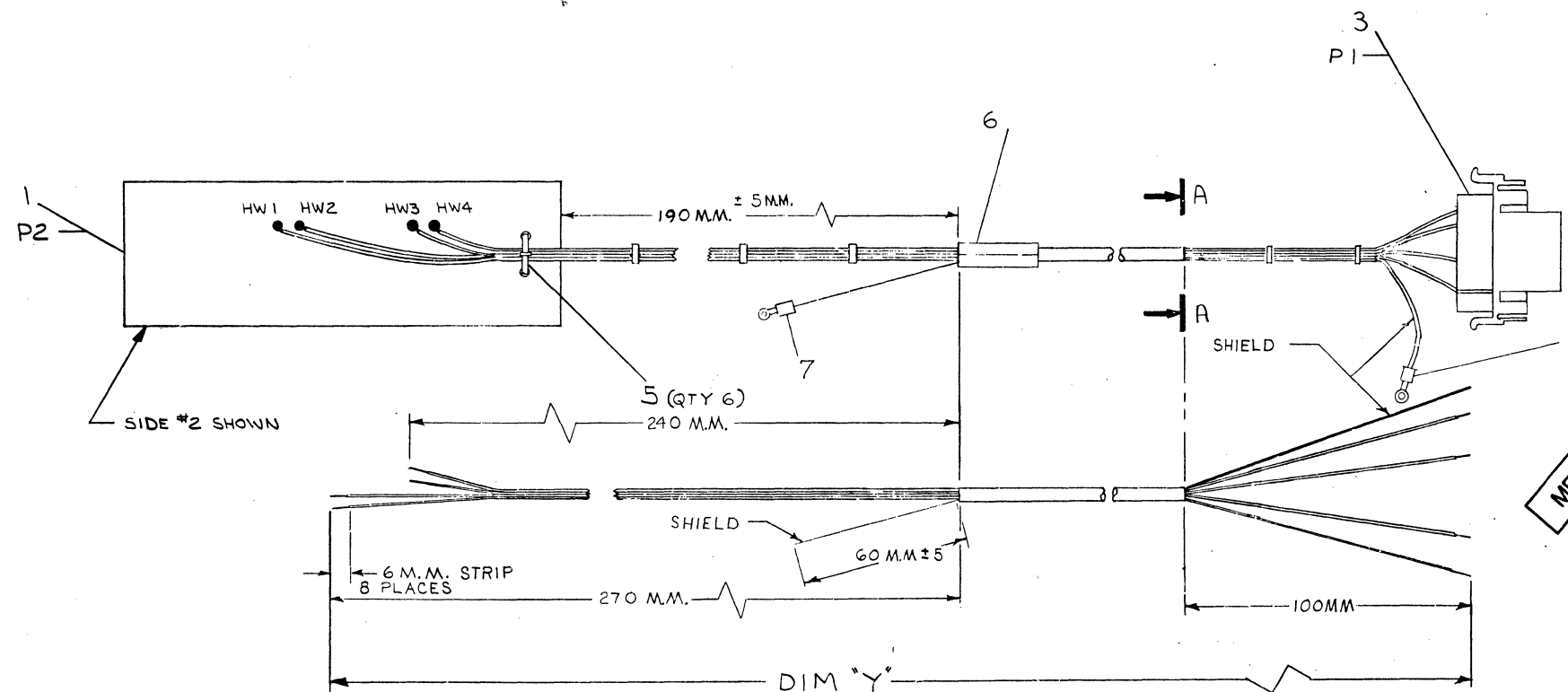
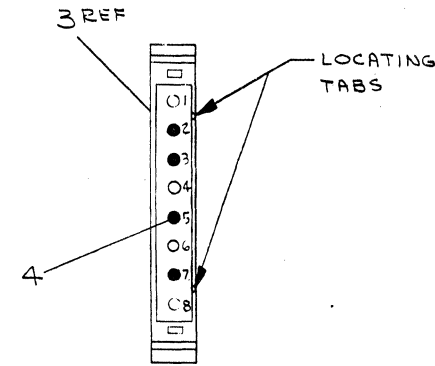
FORM NO. 100-C

"THIS DRAWING AND SPECIFICATIONS HEREIN ARE THE PROPERTY OF DIGITAL EQUIPMENT CORPORATION AND SHALL NOT BE REPRODUCED OR COPIED OR USED IN WHOLE OR IN PART AS THE BASIS FOR THE MANUFACTURE OR SALE OF ITEMS WITHOUT WRITTEN PERMISSION. COPYRIGHT © 1975, DIGITAL EQUIPMENT CORPORATION"

WIRE TABLE							
ITEM NO.	AWG	COLOR	FROM CONNECTION	WITH	TO CONNECTION	WITH	SIGNAL NAME
2	22	BLK	P1-2	3	P2-HW2	SOLD.	RX-
↑	↑	RED	P1-3	↑	P2-HW4	↑	TX-
↓	↓	WHT	P1-5	↓	P2-HW1	↓	RX+
2	22	GRN	P1-7	3	P2-HW3	SOLD.	TX+

LEGEND	
NUMBER	DIMY" PRE-CUT (REF)
BN52B-04	4.0M.
BN52B-7F	7.6M.

NOTE



METRIC DIMENSIONS

2	2	TERMINAL, RING TONGUE	9007928	7
1	1	SLEEVE, CABLE	3MD-7419728-0-0	6
6	6	TIE WRAP	9007031	5
4	4	TERMINAL, PIN CONTACT	1209378-03	4
1	1	CONN. PANEL MOUNT, 8 PIN	1209340-01	3
A/R	A/R	CABLE, 4 COND. #22 AWG STD.	1700097-00	2
1	1	20 MA ADAPTER CARD	D-CS-5411759-01	1

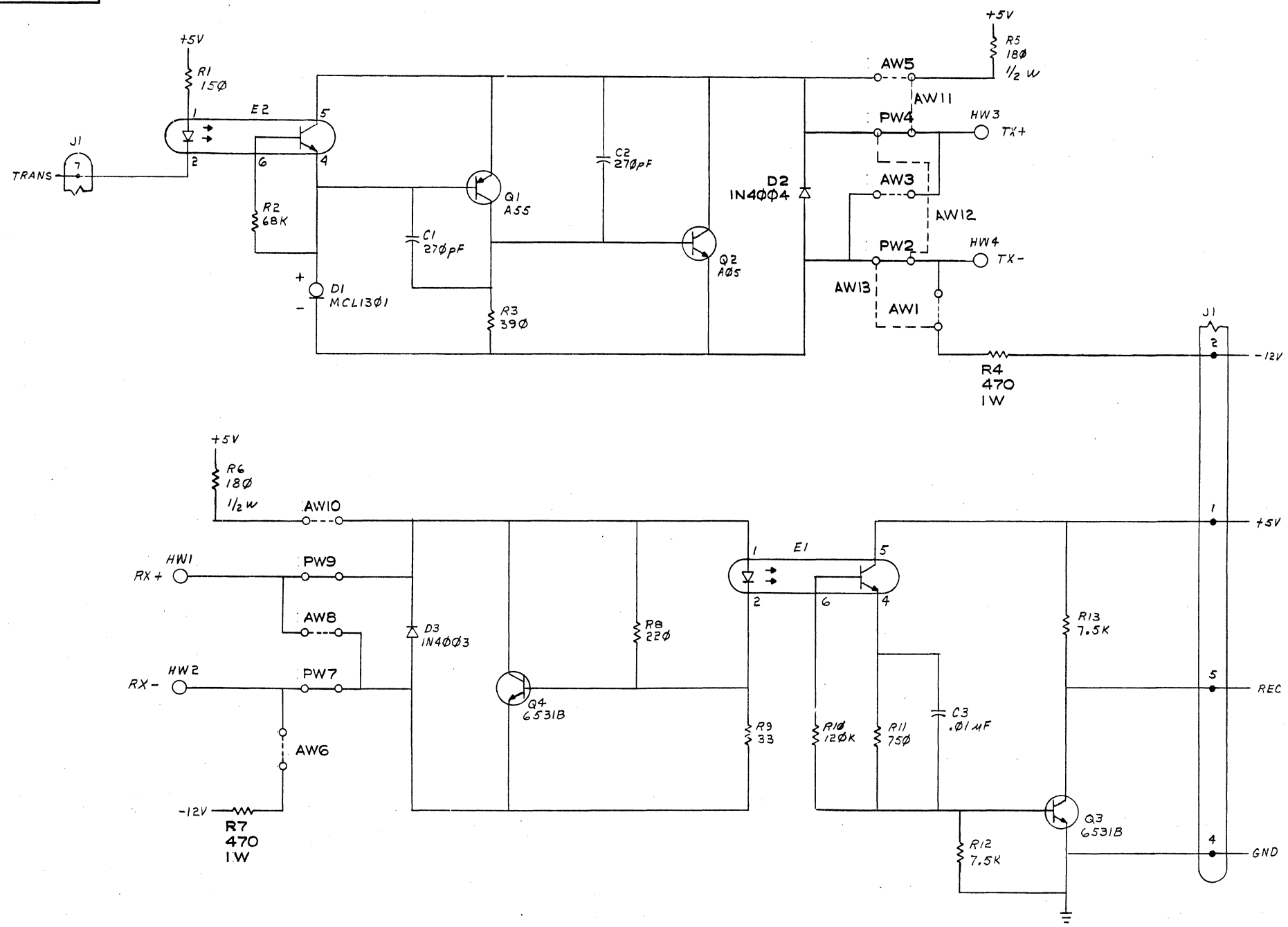
REV.	CHANGE NO.	REV.
1	BN52B-00001	A
2	21-9-78	B
3	1-26-78	B
4	1-26-78	B
5	1-26-78	B
6	1-26-78	B
7	1-26-78	B
8	1-26-78	B
9	1-26-78	B
10	1-26-78	B
11	1-26-78	B
12	1-26-78	B
13	1-26-78	B
14	1-26-78	B
15	1-26-78	B
16	1-26-78	B
17	1-26-78	B
18	1-26-78	B
19	1-26-78	B
20	1-26-78	B

QUANTITY & VARIATION		DESCRIPTION		DWG./PART NO.	ITEM NO.
BN52B-04	BN52B-04	UNLESS OTHERWISE SPECIFIED DIMENSIONS ARE IN MILLIMETERS			
ANGLES	CLASS OF ACCURACY	NOMINAL DIMENSION RANGE MILLIMETER			
±0° 30'	(CHECK ONE)	OVER 1 TO 5	OVER 5 TO 30	OVER 30 TO 100	OVER 100 TO 300
SURFACE QUALITY	(CHECK ONE)	±0.1	±0.2	±0.3	±0.4
MEDIUM		±0.3	±0.4	±0.6	±1.0
MICROINCHES	PREFERRED	±0.3	±0.4	±0.6	±1.0
THIRD ANGLE PROJECTION	DRN. 7-7-75	FIRST USED ON	VT52		
REMOVE BURRS AND BREAK SHARP CORNERS	CHK'D 7-31-75	TITLE	20 MA. ADAPTER ASSY		
DO NOT SCALE DWG	PROJ. ENG. 7-31-75	NEXT HIGHER ASSY.			
MATERIAL SEE PARTS LIST	SCALE 1/1	SIZE CODE	1 IA BN52B-0-0		
FINISH	SHEET 1 OF 1	DIST.			

1 IA BN52B-0-0 D

"THIS DRAWING AND SPECIFICATIONS, HEREIN, ARE THE PROPERTY OF DIGITAL EQUIPMENT CORPORATION AND SHALL NOT BE REPRODUCED OR COPIED OR USED IN WHOLE OR IN PART AS THE BASIS FOR THE MANUFACTURE OR SALE OF ITEMS WITHOUT WRITTEN PERMISSION. COPYRIGHT © 1975 DIGITAL EQUIPMENT CORPORATION"

1-0-692115 CS 2



NOTES :

1. HW = EYELETS FOR HARDWIRING POINTS
2. AW JUMPERS ARE OPTIONAL JUMPERS
3. TO CONVERT FROM PASSIVE TO ACTIVE MODE, DELETE JUMPERS PW2, PW4, PW7 & PW9. ADD JUMPERS AW1, AW3, AW5, AW6, AW8 & AW10.
4. FOR VT61T ONLY, TO CONVERT FROM PASSIVE TRANSMIT TO ACTIVE TRANSMIT, DELETE JUMPERS PW2 & PW4, ADD JUMPERS AW11, AW12 & AW13 INSTEAD OF AW1, AW3 & AW5. USE ITEM 26, TUBING (9107256-00) WITH JUMPERS.

REVISIONS		
CHK	CHANGE NO.	REV.

TITLE: 20MA ADAPTER CARD
 SIZE CODE: D CS 5411759-0-1
 NUMBER: 2
 REV: C
 SHEET 2 OF 2

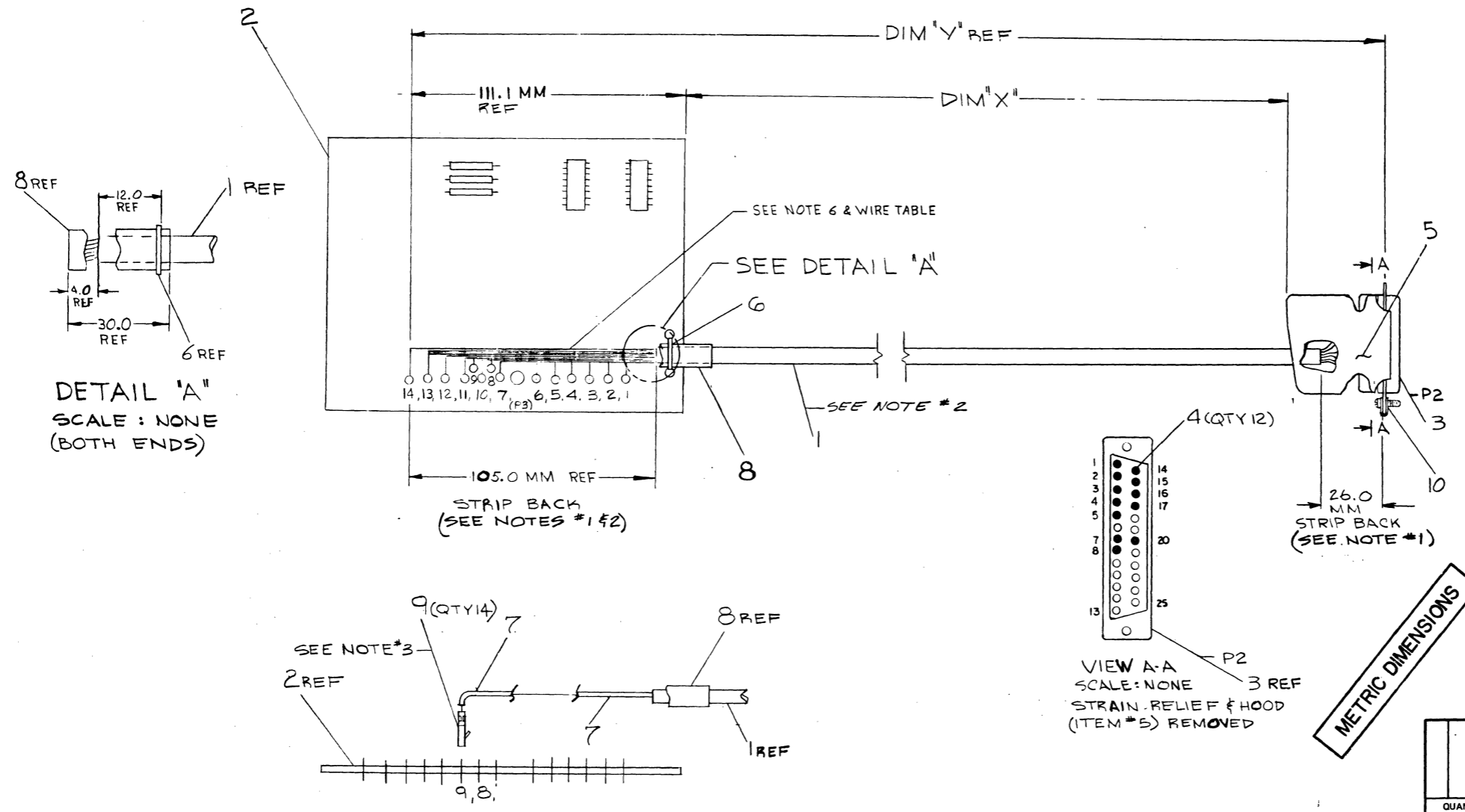
DEC FORM NO.

THIS DRAWING AND SPECIFICATIONS HEREBY ARE THE PROPERTY OF DIGITAL EQUIPMENT CORPORATION AND SHALL NOT BE REPRODUCED OR COPIED OR USED IN WHOLE OR IN PART AS THE BASIS FOR THE MANUFACTURE OR SALE OF ITEMS WITHOUT WRITTEN PERMISSION. COPYRIGHT © 1976

ITEM NO	DESCRIPTION	FROM		TO		SIGNAL NAME	REMARKS	WIRE LENGTH SEE NOTE 6
		AWG	COLOR	CONNECTION	WITH			
1	26 AWG OAL/WHT	P3-1		9#SOLD	P2-3	4	REC DATA	40 MM
	WHT/BLN	P3-2			P2-8		CARRIER	40 MM
	RED/BLN	P3-3			P2-16		EIA SECONDARY RCVD DATA	40 MM
	GAN/WHT	P3-4			P2-5		CLEAR TO SEND	40 MM
	GRAY	P3-5			P2-17		SERIAL CLK RCV	40 MM
	SHIELD 'A'	P3-8					GND SHIELD FOR P3-5 CONN. SEE NOTE #2	80 MM
	GRY/GAN	P3-6			P2-15		SERIAL CLK TRANS	45 MM
	SHIELD 'B'	P3-9					GND SHIELD FOR P3-6 CONN. SEE NOTE #2	80 MM
	BRN/WHT	P3-7			P2-7		GND	75 MM
	BLU/WHT	P3-10			P2-1		GND	80 MM
	BLU/BLU	P3-11			P2-20		DATA TERMINAL READY	85 MM
	WHT/BLN	P3-12			P2-4		REQUEST TO SEND	95 MM
	WHT/BLU	P3-13			P2-2		TRANSMITTED DATA	100 MM
1	26 AWG GRY/RED	P3-14		9#SOLD	P2-14	4	EIA SECONDARY TRANS DATA	105 MM

LEGEND		
NUMBER	DIM 'X'	DIM 'Y' (PRE-CUT) REF
BN61B-05	5.0 ± .01M	3.140 M

- NOTES:**
1. STRIP BACK OUTER JACKET (BOTH ENDS AS SHOWN)
 2. STRIP BACK TIN FOIL ON WIRES GOING TO P3-8 & P3-9 ON VT61 EIA CARD, AND PLACE TUBING EXTENDED OVER STRIPPED WIRES
 3. AFTER ASSEMBLING TERMINAL (ITEM #2) ON WIRES MAKE CONNECTIONS TO EIA CARD AND SOLDER AS SHOWN
 4. CUT BACK ALL UNUSED WIRES TO END OF CABLE JACKET (BOTH ENDS).
 5. CABLE JACKET SHOULD EXTEND UNDER THE CABLE TIE (ITEM 6) BY APPROX. 12.0MM.
 6. WIRE LENGTH INFORMATION APPLIES TO ITEM #2 END OF CABLE.

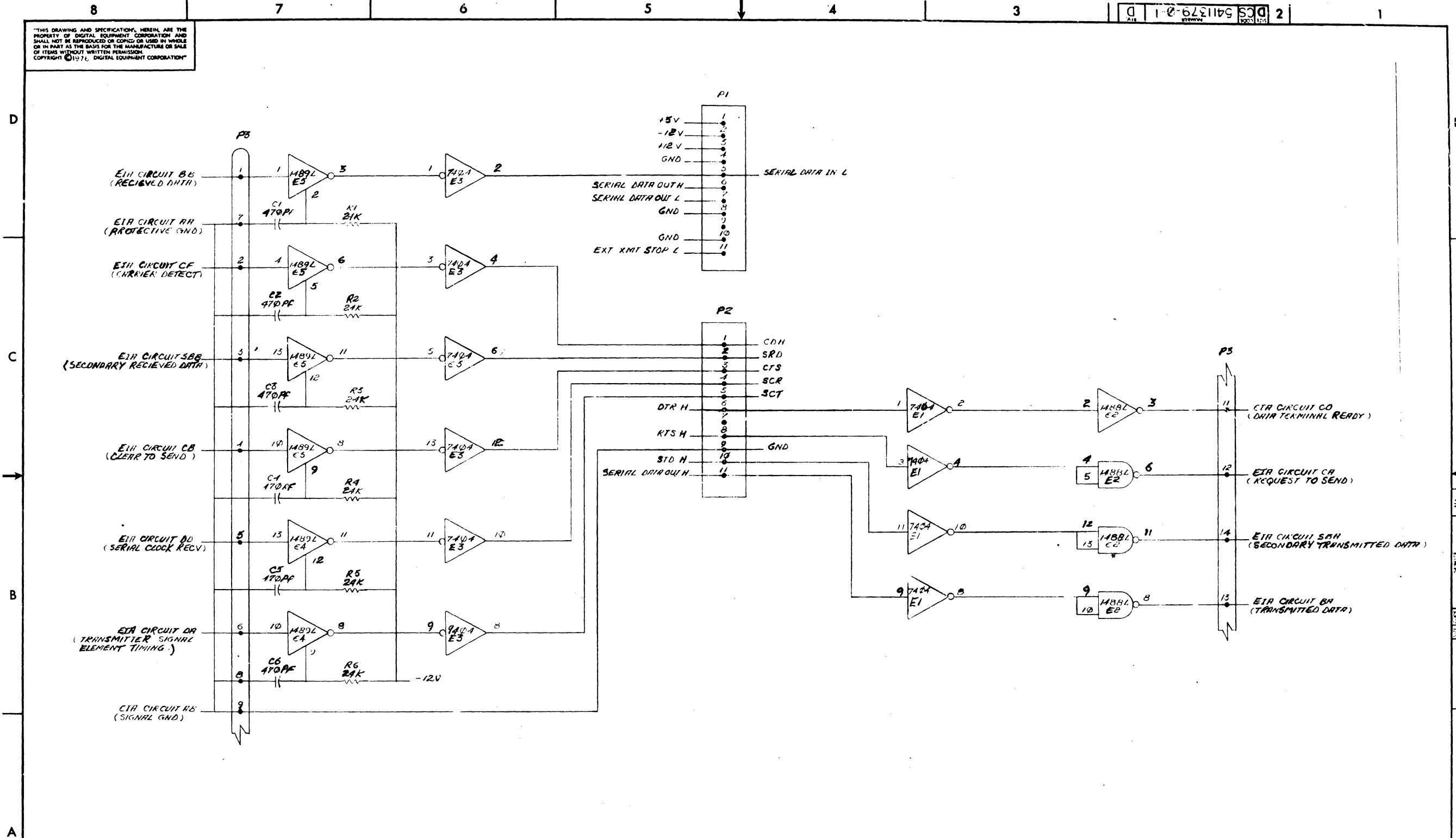


DESCRIPTION	DWG/PART NO.	ITEM NO.
2 SCREW, RETAINER MALE	1210493-51	10
18 TERMINAL SOLDERLESS CLAMP	9009706-00	9
WB TUBING, SHAINK.	9107252-09	8
AP TUBING, EXTAUDED	9107278-11	7
1 TIE, CABLE	9007031-00	6
1 CONN. HOOD & STRAIN RELIEF	1210493-50	5
12 CONTACT, PIN	1210493-43	4
1 CONN. SHELL & INSERT	1210493-31	3
1 VT61 EIA CARD	D-65-541379-0-1	2
NR CABLE, 28 COND 26 AWG	9107736-00	1

UNLESS OTHERWISE SPECIFIED DIMENSIONS ARE IN MILLIMETERS	
ANGLES ±0° 30'	CLASS OF ACCURACY (CHECK ONE)
SURFACE QUALITY IN MICROINCHES	MEDIUM
QUANTITY & VARIATION	PREFERRED
THIRD ANGLE PROJECTION	REMOVE BURRS AND BREAK SHARP CORNERS
DO NOT SCALE DWG	NEXT HIGHER ASSY.
MATERIAL SEE PARTS LIST	FINISH
DRN: [Signature]	CHK'D: [Signature]
ENG: [Signature]	PRJ. ENG: [Signature]
PROD: [Signature]	
FIRST USED ON V161	TITLE CABLE ASSY, VT61 EIA CARD
SIZE CODE 1 IA	NUMBER BN61B-0-0
SCALE	FEV. A
SHEET OF	DIST.

REV.	CHANGE NO.	DATE	BY
1	0004	25 APR 77	J. BUZYNSKI
2			

"THIS DRAWING AND SPECIFICATIONS, HEREIN, ARE THE PROPERTY OF DIGITAL EQUIPMENT CORPORATION AND SHALL NOT BE REPRODUCED OR COPIED OR USED IN WHOLE OR IN PART AS THE BASIS FOR THE MANUFACTURE OR SALE OF ITEMS WITHOUT WRITTEN PERMISSION. COPYRIGHT © 1976, DIGITAL EQUIPMENT CORPORATION"

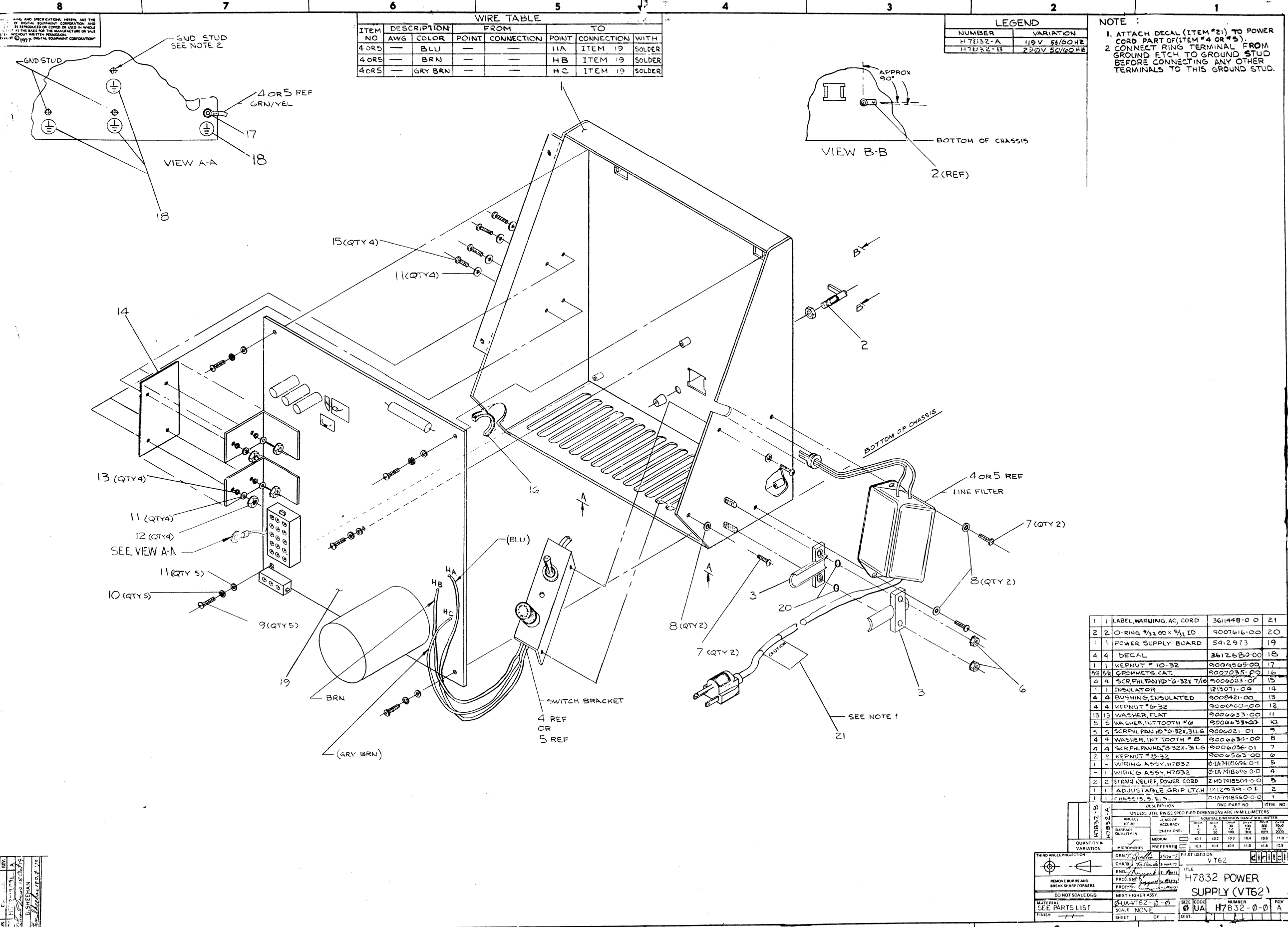


REVISIONS		
CHK	CHANGE NO.	REV.

TITLE: VT61 EIA CONVERSION BD. SIZE CODE: DCS. NUMBER: 5411379-0-1. REV: D. SCALE: NONE. SHEET: 2 OF 2. DIST:







WIRE TABLE						
ITEM NO	DESCRIPTION	FROM	TO	POINT CONNECTION	POINT CONNECTION	WITH
4 OR 5	BLU	---	---	HA	ITEM 19	SOLDER
4 OR 5	BRN	---	---	HB	ITEM 19	SOLDER
4 OR 5	GRY BRN	---	---	HC	ITEM 19	SOLDER

LEGEND	
NUMBER	VARIATION
H7832-A	110V 50/60HZ
H7832-B	230V 50/60HZ

NOTE:
 1. ATTACH DECAL (ITEM #21) TO POWER CORD PART OF (ITEM #4 OR #5).
 2. CONNECT RING TERMINAL FROM GROUND ETCH TO GROUND STUD BEFORE CONNECTING ANY OTHER TERMINALS TO THIS GROUND STUD.

ALL DIMENSIONS UNLESS OTHERWISE SPECIFIED ARE IN MILLIMETERS.
 UNLESS OTHERWISE SPECIFIED DIMENSIONS ARE IN MILLIMETERS.
 UNLESS OTHERWISE SPECIFIED DIMENSIONS ARE IN MILLIMETERS.
 UNLESS OTHERWISE SPECIFIED DIMENSIONS ARE IN MILLIMETERS.
 UNLESS OTHERWISE SPECIFIED DIMENSIONS ARE IN MILLIMETERS.

ITEM NO	DESCRIPTION	DWG PART NO	ITEM NO
1	LABEL, WARNING, AC, CORD	3611448-0-0	21
2	O-RING 3/32 OD x 3/32 ID	9007616-00	20
1	POWER SUPPLY BOARD	5412973	19
4	DECAL	3612680-00	18
1	KEPNUT # 10-32	90074565-00	17
1/2	GROMMETS, CAT.	9007035-00	16
4	SCRPHLPANHD # 6-32x 7/16	9006023-01	15
1	INSULATOR	1213071-00	14
4	BUSHING INSULATED	9006421-00	13
4	KEPNUT # 6-32	9006600-00	12
13	WASHER, FLAT	9006653-00	11
5	WASHER, INT TOOTH # 6	9006633-00	10
5	SCRPHLPANHD # 6-32x 3/16	9006021-01	9
4	WASHER, INT TOOTH # 8	9006634-00	8
4	SCRPHLPANHD # 6-32x 3/16	9006026-01	7
2	KEPNUT # 8-32	9006503-00	6
1	WIRING ASSY, H7832	01A7418696-0-1	5
1	WIRING ASSY, H7832	01A7418696-0-0	4
2	STRAIN RELIEF POWER CORD	2-MD7418504-0-0	3
1	ADJUSTABLE GRIP LATCH	1212939-0-1	2
1	CHASSIS, S.S.S.	01A7418560-0-0	1

UNLESS OTHERWISE SPECIFIED DIMENSIONS ARE IN MILLIMETERS

QUANTITY VARIATION

THIRD ANGLE PROJECTION

REMOVE BURRS AND BREAK SHARP CORNERS

DO NOT SCALE DWG

MATERIAL SEE PARTS LIST

FINISH

UNLESS OTHERWISE SPECIFIED DIMENSIONS ARE IN MILLIMETERS

ANGLES OF ACCURACY (CHECK ONE)

LEADS OF ACCURACY

QUALITY IN

QUANTITY VARIATION

PREFERRED

MICROINCHES

PREferred

10.3 10.4 10.6 11.0 11.8 12.5

DRN: [Signature]

CHK: [Signature]

ENG: [Signature]

PRCS: [Signature]

PROD: [Signature]

FILE: H7832 POWER SUPPLY (VT62)

NUMBER: 01A-VT62-2-0

SCALE: NONE

SIZE: 11x17

REV: A

SHEET: 1 OF 1

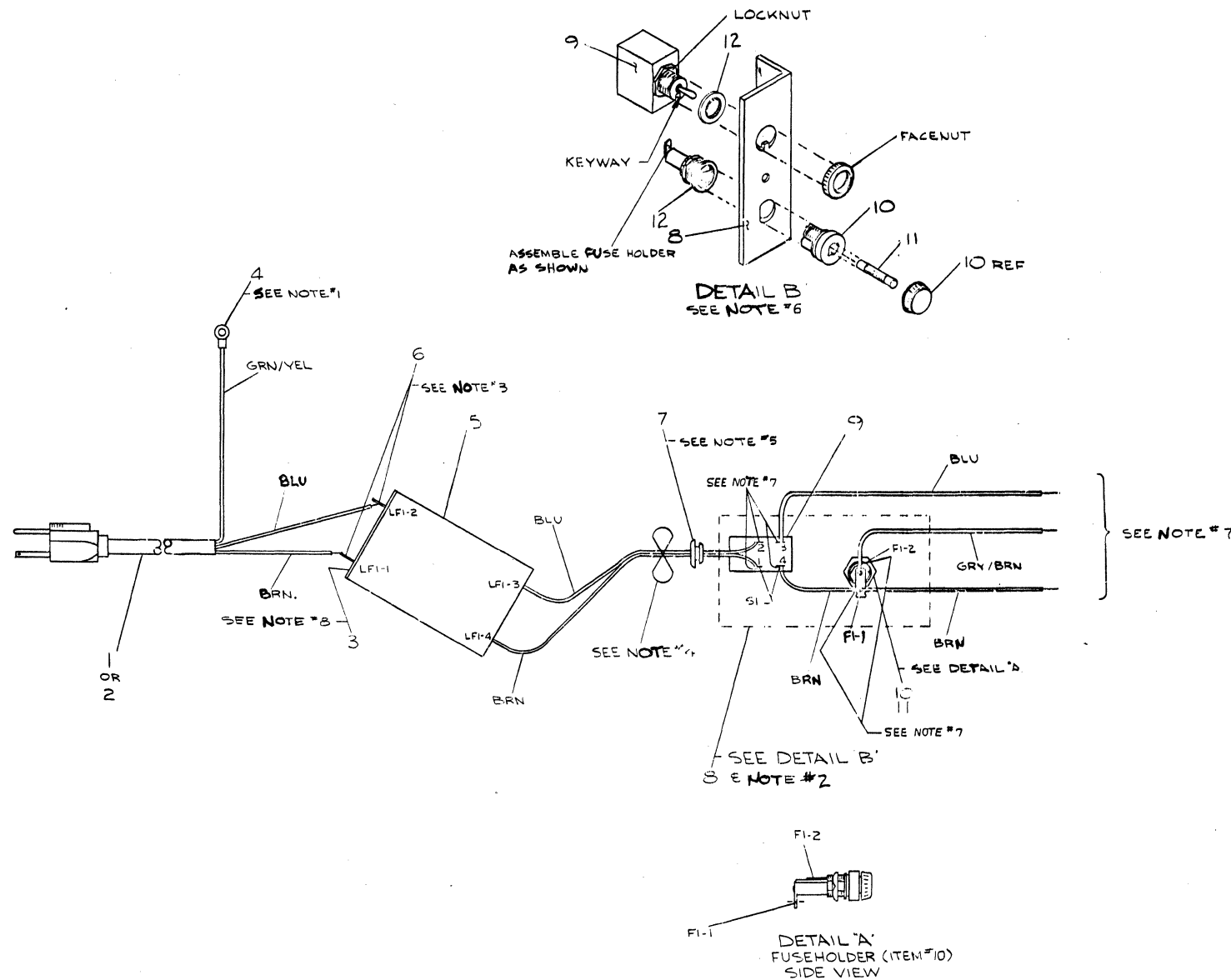
REV. 1
 11/15/78
 D. SHEEHAN
 15077

THIS DRAWING AND SPECIFICATIONS, HEREIN, ARE THE PROPERTY OF DIGITAL EQUIPMENT CORPORATION AND SHALL NOT BE REPRODUCED OR COPIED OR USED IN WHOLE OR IN PART AS THE BASIS FOR THE MANUFACTURE OF THIS OR OTHER EQUIPMENT WITHOUT THE WRITTEN PERMISSION OF DIGITAL EQUIPMENT CORPORATION.

WIRE TABLE									
ITEM NO	DESCRIPTION	FROM			TO			LENGTH	
		AN &	COLOR	POINT	CONNECTION	POINT	CONNECTION		
1or2		BRN				LFI-1	SOLD		
1or2		BLU				LFI-2	SOLD		
1or2		GRN/YEL						4	
5		BLU		LFI-3		SI-2	SOLD	180 MM	
5		BRN		LFI-4		SI-1	SOLD	180 MM	
13	18	BRN		SI-4	SOLD	FI-1	SOLD	60 MM	
5	18	BLU		SI-3	SOLD			100 MM	
14	18	GR/BRN		FI-2	SOLD			100 MM	
13	18	BRN		FI-1	SOLD			95 MM	

LEGEND	
NUMBER	VARIATION
7418696-00	W7832-A 115 V 50/60 HZ
7418696-01	W7832-B 230V 50/60 HZ

- NOTES:
1. TERMINAL RING TONGUE (ITEM #4) TO BE CRIMPED TO GRN/YEL WIRE.
 2. ASSEMBLE FUSE HOLDER (ITEM #10) & SWITCH (ITEM #9) BEFORE WIRING.
 3. BLU & BRN LEADS FROM POWER CORD (ITEM #1) TO BE SOLDERED TO FILTER (ITEM #5) INPUT TERMINALS AND INSULATED WITH SHRINK TUBING (ITEM #6).
 4. BLU & BRN OUTPUT LEADS ARE TWISTED TOGETHER, 9 TWIST PER FOOT.
 5. GROMMET (ITEM #7) TO BE SLID OVER TWISTED OUTPUT LEADS OF FILTER (ITEM #5) WITH LARGER DIA FACING FILTER.
 6. ADJUST LOCKNUT (SEE DETAIL 'B') SO THAT FACENUT IS FLUSH WITH TOGGLE SWITCH THREADS PROTRUDING THROUGH SWITCH BRACKET (ITEM #8).
 7. WIRES TO BE STRIPPED 5MM AND TINNED.
 8. PLACE COVER (ITEM #3) ON FILTER, LINE (ITEM #9) BEFORE WIRING.



METRIC DIMENSIONS

QTY	DESCRIPTION	ITEM #	QTY	DESCRIPTION	ITEM #
15	WIRE #18 AWG BLU	9107360-00	15		
14	WIRE #18 AWG GRY/BRN	9107410-01	14		
13	WIRE #18 AWG BRN	9107360-11	13		
12	WASHER INTERNAL TOOTH	9008980-00	12		
11	FUSE	9007217-00	11		
10	HOLDER FUSE	1212093-00	10		
9	SWITCH TOGGLE	1204722-01	9		
8	BRACKET SWITCH	21A-7410561-00	8		
7	GROMMET	9007668-01	7		
6	TUBING SHRINK	9107305-00	6		
5	FILTER LINE	1212005-00	5		
4	TERMINAL RING TONGUE	9007950-00	4		
3	CORD LINE FILTER TERMINAL	2MD-7416257-00	3		
2	CORD POWER REWORK	CM2-7415173-01	2		
1	CORD POWER REWORK	CM2-7415173-01	1		

UNLESS OTHERWISE SPECIFIED DIMENSIONS ARE IN MILLIMETERS

ANGLE	CLASS OF ACCURACY	CLASS OF ACCURACY	CLASS OF ACCURACY	CLASS OF ACCURACY
10/30	1	2	3	4

QUANTITY VARIATION: PREFERRED 101 102 103 104 105 110 210 310

REMOVE BURRS AND BREAK SHARP CORNERS

DO NOT SCALE DWG

DATE: 11/10/77

SCALE: NONE

SHEET: 1 OF 1

TITLE: WIRING ASSY (H7832)

NUMBER: 7418696-0-0

REV: 6

APPROVED: [Signature]

DATE: 11/10/77

BY: [Signature]

DATE: 11/10/77

BY: [Signature]

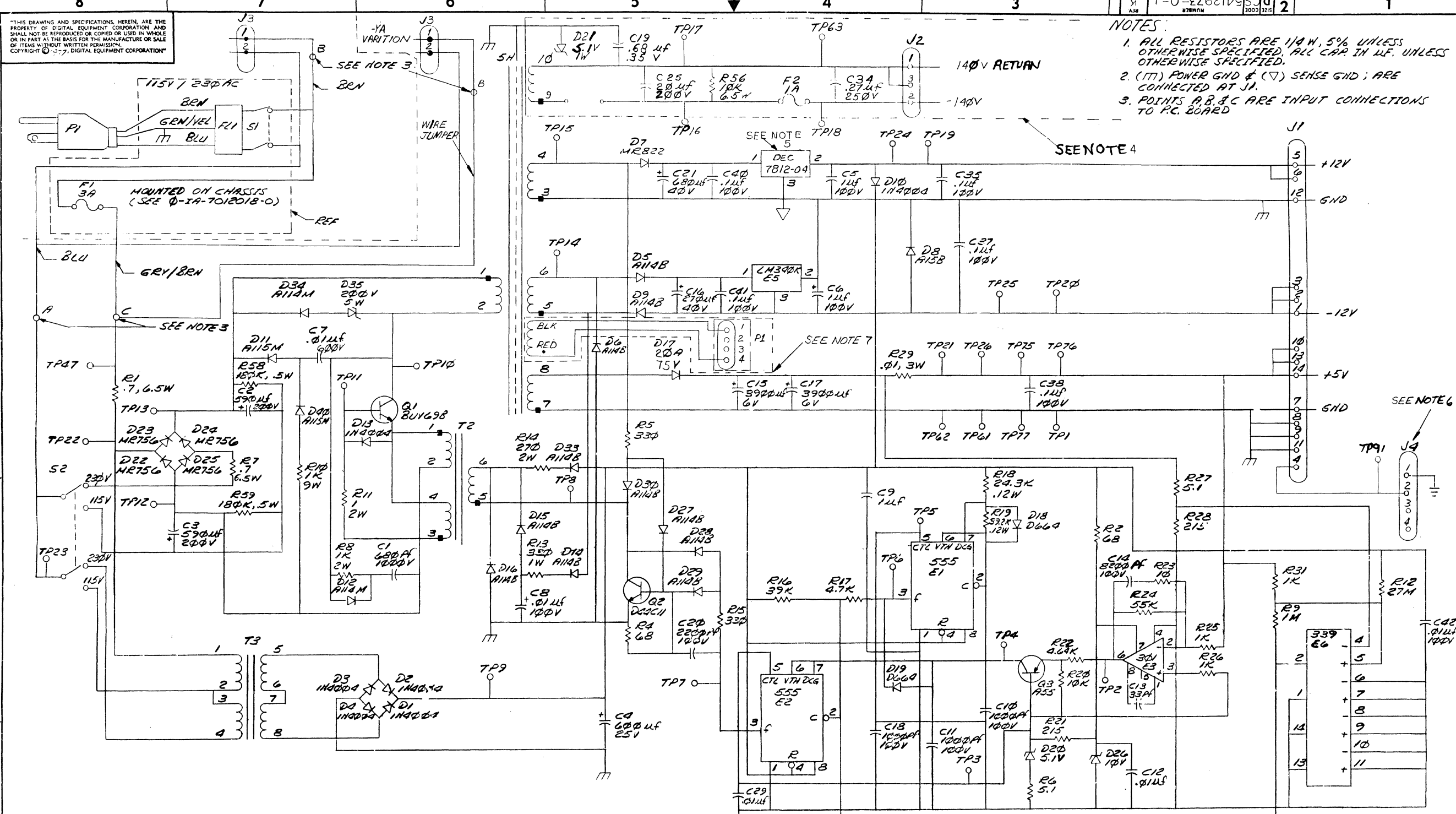
DATE: 11/10/77

BY: [Signature]

DATE: 11/10/77

"THIS DRAWING AND SPECIFICATIONS, HEREIN, ARE THE PROPERTY OF DIGITAL EQUIPMENT CORPORATION AND SHALL NOT BE REPRODUCED OR COPIED OR USED IN WHOLE OR IN PART AS THE BASIS FOR THE MANUFACTURE OR SALE OF ITEMS WITHOUT WRITTEN PERMISSION. COPYRIGHT © 1977, DIGITAL EQUIPMENT CORPORATION"

NOTES:
 1. ALL RESISTORS ARE 1/4 W, 5% UNLESS OTHERWISE SPECIFIED. ALL CAP IN UF, UNLESS OTHERWISE SPECIFIED.
 2. (TT) POWER GND & (▽) SENSE GND; ARE CONNECTED AT J1.
 3. POINTS A, B, & C ARE INPUT CONNECTIONS TO P.C. BOARD



NOTES CONT.
 4. THIS SECTION IS ONLY USED FOR -0 YAR. THE FOLLOWING PARTS ARE DELETED FROM -YA VAR: C19, C25, C34, D21, R56, J2, F2.
 5. LM340K (7812) IS USED ON -YA VARIATION.
 6. J4 IS USED ON -YA VARIATION.
 7. 300 V TRANSFORMER WINDING IS ONLY PRESENT ON -YA VARIATION.

REV.	CHANGE NO.	DESCRIPTION
1	1	INITIAL DESIGN
2	2	REVISED TO REFLECT CHANGES
3	3	REVISED TO REFLECT CHANGES
4	4	REVISED TO REFLECT CHANGES
5	5	REVISED TO REFLECT CHANGES
6	6	REVISED TO REFLECT CHANGES
7	7	REVISED TO REFLECT CHANGES
8	8	REVISED TO REFLECT CHANGES

DATE: 4/27/77	FIRST USED ON: VT62/VT68	digital
CHECKED: [Signature]	TITLE: VT61, VT62, VT78, FDCT	
ENGR: [Signature]	POWER SUPPLY	
PROJ. ENG. [Signature]		
PROD. [Signature]		
NEXT HIGHER ASSY:		
D-UA5412973-0-0	SIZE: DCS	NUMBER: 5412973-0-1
SCALE: 1/1	DIST.	REV. K
SHEET 1 OF 1		

