

# ILLUSTRATED PARTS BREAKDOWN

# LA120 DECwriter III

## HOW TO USE THE IPB

### GENERAL

This IPB is compiled following the organization and nomenclature of the engineering drawing structure.

### MAJOR ASSEMBLY LOCATOR

The Major Assembly Locator (first illustration) is an index that provides a description and a figure reference for all illustrations used in this manual.

### INDENTED PARTS LIST

This manual identifies each assembly being broken down (figure reference callout), and all parts of that assembly. Further breakdown of an assembly is shown by an asterisk (\*) preceding the item callouts in the Description Column. The number of asterisks preceding an item is used to denote the subordination of that item with respect to the Major Assembly. A single asterisk preceding an item description indicates that the item is part of the major assembly being illustrated. Items that are subordinate to single asterisks items, are denoted by two asterisks (\*\*) and immediately follow the related single asterisk item. Additional asterisks are used, as required, to denote further subordination. This system of part identification, provides a means for the user to identify the next higher assembly item and make alternate selections for parts when the required replacement part or assembly is not immediately available.

### COLUMN CALLOUT DESCRIPTION

**Figure & Item** — Indicates the figure number and item number of each part.

**Description** — Lists the name of the part and pertinent specifications (when required). Asterisks preceding the description denote the subordination of the part to the next higher assembly.

**DEC Part No.** — Lists the DEC part ordering number. A blank in this column indicates a DEC part number was not assigned at the time of publication.

**ECO Cut-In** — The notation at the top of this column indicates the ECO level of the system (option), at which the IPB was initially prepared. Subsequent ECO level designations, that modify existing parts or add new parts to the device, are inserted in the ECO Cut-In column next to the part that is added or modified. A bracket ([]) preceding the item description is used to indicate the parts affected by ECO's.

**Vendor Code/Part No.** — Indicates vendor parts that are not stocked by DEC. Refer to the Field Service Spares Catalog (vendor part number to DEC part number) for the vendor code cross-reference.

**Used On Code** — Letters in this column correspond to the variation codes assigned in Figure 1. Parts with an Alpha notation(s) are used only in those option variations. A blank indicates that the part is used on all option variations.

**Ref Fig No.** — A cross reference between illustrations. For each Major Assembly, the number in this column denotes the figure of the next higher assembly. For all subassemblies, the number in this column denotes the figure showing additional detailed breakdown.

### SYMBOL USAGE

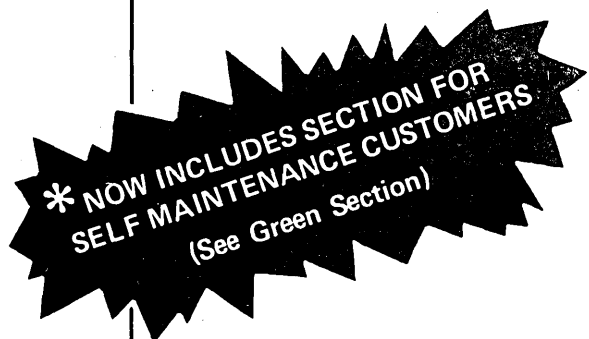
**Hardware Designators** — Alpha designators for screws (S), washers (W), nuts (N), and retaining rings (R) are inserted after the item number callouts on the illustration when stacked item numbers are used.

**Attaching Hardware** — The @ symbol is inserted before any part that is used as attaching hardware. Attaching hardware is denoted as those parts that are not an integral part of the referenced assembly.

**(NFR) Not Field Repairable** — The (NFR) symbol is inserted after any assembly that is not to be field dismantled.

**Other Symbols** — Any other symbols that are required for kits, accessories, etc., will be explained and appear as part of the item description.

REVISION HISTORY					OTHER IPB MANUALS REQUIRED TO SUPPORT THIS OPTION . . . . .	
PRINTING	ECO LEVEL			DATE		
5th Printing	LA120	00000-00148	70-15388	00003-00003	9-12-83	EK-H7110-IP
	70-15387	00001-00001	70-11446	00002-00002		EK-H7150-IP
	70-15168	00004-00005	70-15386	00001-00001		
	70-15548	00001-00001	70-15408	LA120-00122		
	70-14533	00009-00011	70-15276	LA120-00142		
	70-13859	LA36-00480	70-15763	00002-00002		
	70-17626	00002-00002	70-17630	00000-00001		
	70-09694	LA36-00388	70-15764	00001-00001		
	70-15389	00003-00003	70-10785	LA120-00109		
	70-15511	LA120-00068	70-16537	LA120-00091		
	70-11016	00002-00002	70-16530	00000-00005		
			70-16529	00000-00005		



Copyright © 1979, 1981, 1982, 1983 by Digital Equipment Corporation. All rights reserved.

DEC reserves the right, without notice, to make substitutions and modifications in the specifications of products documented in this manual and further reserves the right to withdraw any of these products from the market without notice.

DEC is not responsible for errors which may appear in the technical description (including illustrations and photographs) of the products covered by this manual.

None of the descriptions contained in this manual imply the granting of any license whatsoever to make, use or sell equipment constructed in accordance therewith.



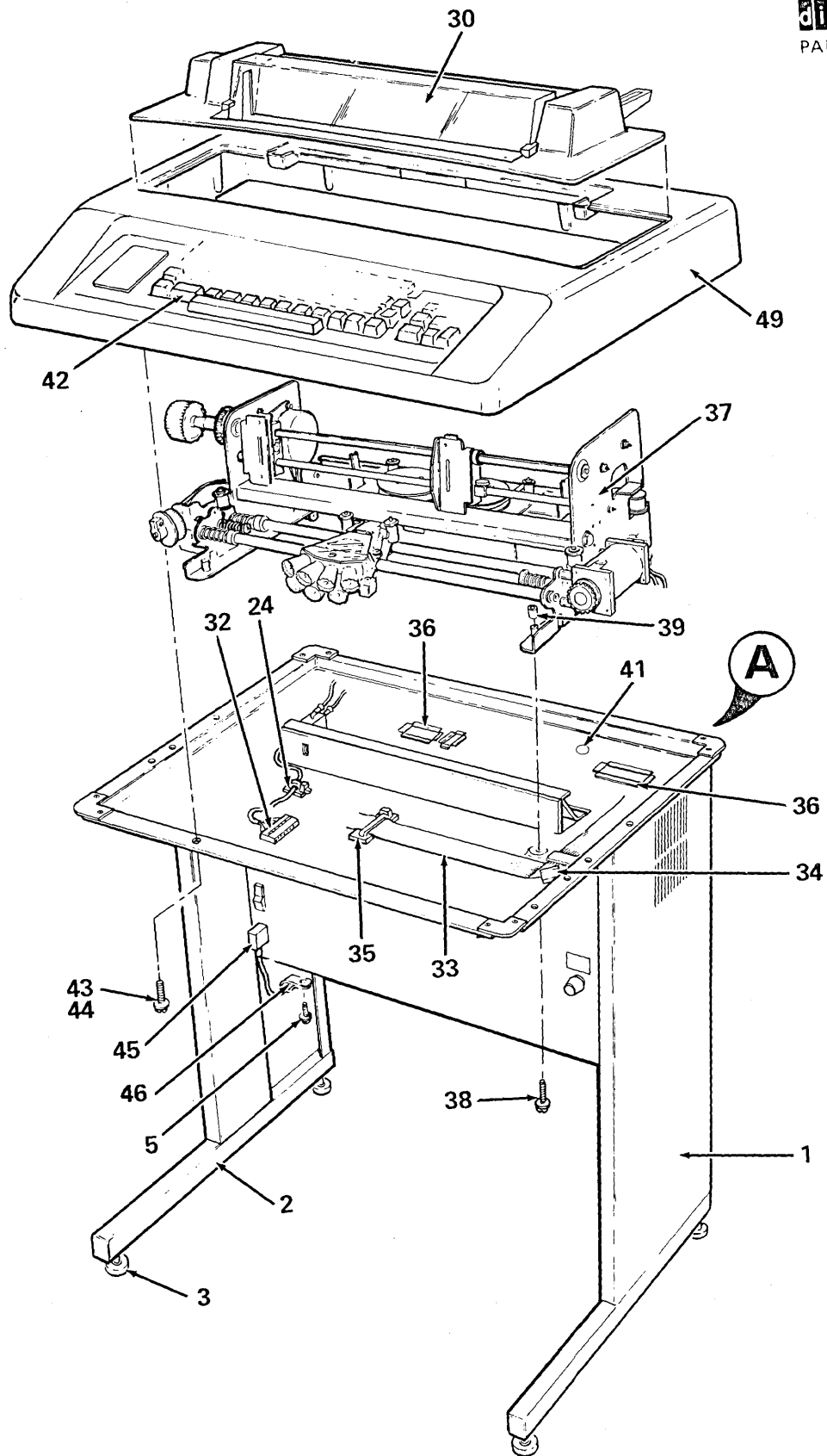
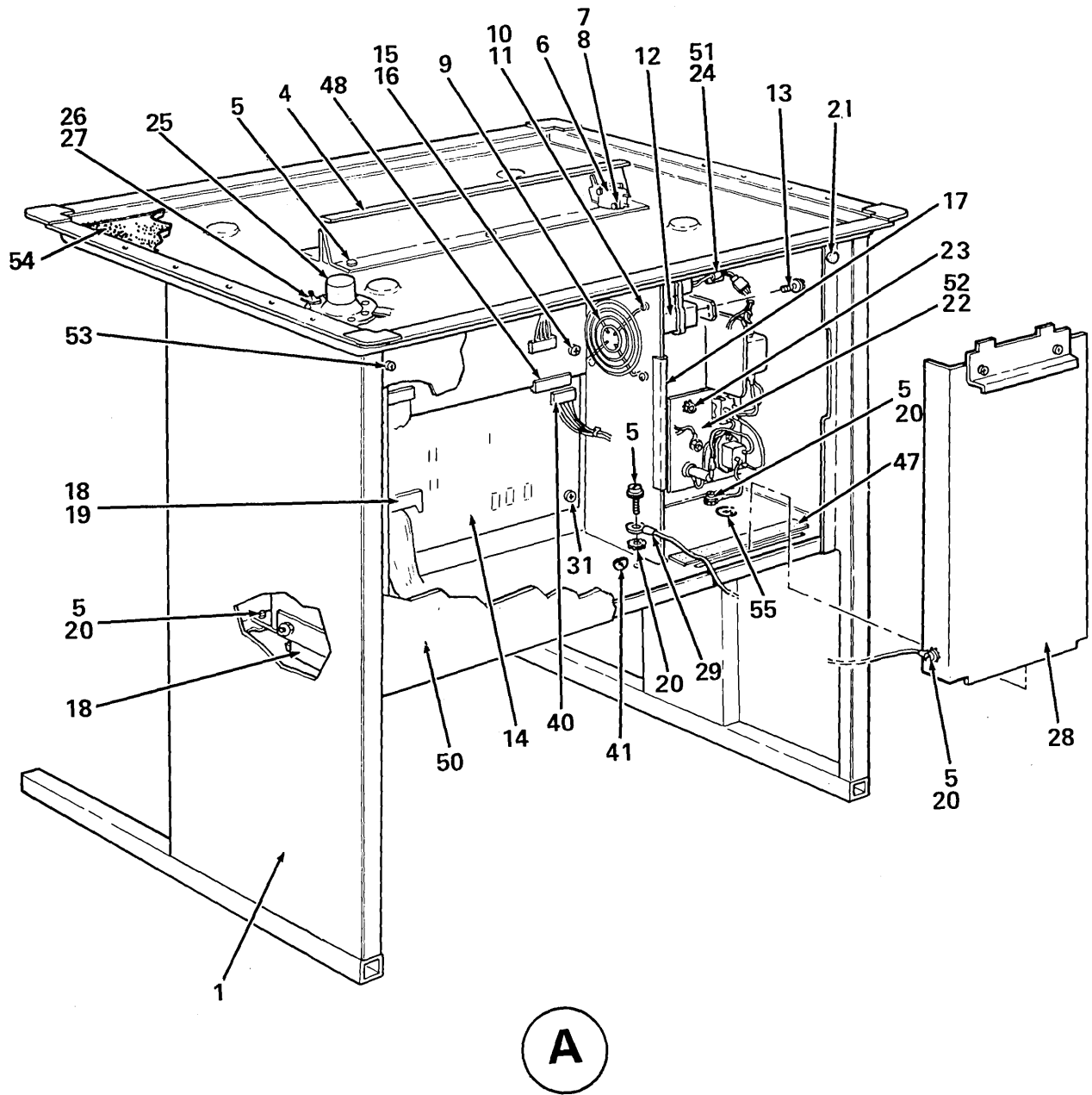


Figure 1. LA120 DECwriter III Unit Assembly (Sheet 1 of 2)

LA120-01

IPB-LA120



LA120-01A

Figure 1. LA120 DECwriter III Unit Assembly (Sheet 2 of 2)

FIG. & ITEM NO.	DESCRIPTION	DEC PART NO.	AF ECO CUT-IN LA120 00048	USED ON CODE	REF FIG NO.
1-	MODEL LA120 DECwriter III				
	Code A - Used on Model LA120-AA, No Numeric Pad, No Ribbon, No Paper, EIA Interface, 115V, 60 Hz	LA120-AA		A	
	Code B - Used on Model LA120-BA, Numeric Pad, EIA Interface, 115V, 60 Hz	LA120-BA		B	
	Code C - Used on Model LA120-HA, 20 mA Interface 115V, 60 Hz (deleted)	LA120-HA	00090	C	
	Code D - Used on Model LA120-DA, Universal Power Supply, EIA Interface, Numeric Pad (added)	LA120-DA	00090	D	
	Code E - Used on Model LA120-GA, Universal Power Supply, EIA Interface, No Numeric Pad (added)	LA120-GA	00090	E	
	Code F - Used on Model LA120-RE (No Keyboard) (added)	LA120-RE	00109	F	
1	*Frame Assembly	70-15152-00			
X- 2	*Closure, Tubing	12-11067-02			
X- 3	*Foot Leveling	90-09685-00			
X- 4	*Paper Guide	74-12158-00			
5	*Screw, Sems Hex Hd No. 8-32 x .38	90-09988-08			
X- 6	*Switch, (Rework) Paper Out	74-12424-00			
7	*Screw, Phl Pan Hd No. 4-40 x .56	90-08033-01			
X- 8	*Nut, Kep No. 4-40	90-06557-00			
X- 9	*Guard, Fan (deleted)	12-12580-00	00126		
X- 10	*Screw, Sems Hex Hd No. 6-32 x .38	90-06453-00			
X- 11	*Nut, Keps No. 6-32	90-08185-00			
X- 12	*Fan	12-12581-00			
13	*Screw, Sems Hex Hd No. 10-32 x .31	90-09985-00			
X- 14	*Printer and Logic Module Assembly	M7081-00			
15	*Screw, Sems Phl Hd Machine No. 6-32 x .44	90-09984-01			
X- 16	*Washer, External Tooth Lock No. 6 (deleted)	90-07649-00			
X-	*Washer, External Tooth Lock No. 6 (added)	90-07651-00	00145		
17	*Grommet Strip	90-09718-02			
X- 18	*E.I.A. CABLE ASSEMBLY	70-15386-0J			12
X- 19	*20 mA OPTION KIT (LA120) (deleted)	LA12X-AL	00090	C	
X- 20	*Washer, External Tooth Lock No. 8	90-08072-00			
21	*Bumper (deleted)	90-10076-00	00089		
X- 22	*POWER ENTRY BRACKET ASSEMBLY (CVT)	70-15168-00		A,B,C,F	3
X- 23	*Nut, Kep No. 8-32	90-06563-00			
24	*Clip, Harness (deleted)	90-08340-00	00139		
	*Clip, Harness (added)	90-08341-00	00148		
X- 25	*Speaker	12-15050-00			
26	*Nut, Speed	90-09301-00			

X = Purchasable Parts from IBG (See Green Section)

FIG. & ITEM NO.	DESCRIPTION	DEC PART NO.	ECO CUT-IN LA120 00048	USED ON CODE	REF FIG NO.
1-					
X- 27	*Screw, Phi Pan Hd No. 6-32 x .25	90-06020-01			
X- 28	*POWER SUPPLY ASSEMBLY (See H7110 IPB)	H7110-00		A,B,C,F	
X- 29	*POWER SUPPLY ASSEMBLY (See H7150 IPB) (added)	H7150-00	00090	D,E	
	*Ground Wire (Power Supply Chassis)	70-15552-00			
X- 30	*COVER ASSEMBLY	70-10758-00			17
	*Screw, Sems Hex Head No. 8-32 x 3/8 (deleted)	90-09683-01			
	*Screw, Sems Slotted Hex Hd No. 8-32 x .25 (added)	90-09988-12	00130		
X- 32	*SWITCHES HARNESS ASSEMBLY	70-15387-00			2
X- 33	*Head Cable Assembly	17-00107-01			
	*Clamp, Cable	90-09636-00			
	*Clip, Cable (deleted)	90-10096-00	00137		
	*Grommet (deleted)	90-08209-00			
	*Bushing, Snap (added)	90-00021-02	00086		
	*PRINTER MECHANISM ASSEMBLY (deleted)	70-14533-00			5
	*PRINTER MECHANISM ASSEMBLY (added)	70-14533-02	00148		5
	*Screw, Sems Hex Hd No. 10-32 x 1.00	90-09988-04			
	*Nut, Well No. 10-32	90-08896-00			
X- 40	*LOGIC POWER HARNESS ASSEMBLY	70-15408-00			13
	*Ground Decal (deleted)	36-12680-00			
	*Ground Decal (added)	36-12680-01	00105		
	*KEYBOARD BEZEL ASSEMBLY W/O Numeric Pad	70-15276-00		A,E	14
X- 42	*KEYBOARD BEZEL ASSEMBLY W/Numeric Pad	70-15276-01		B,C,D	14
	*Screw, Phi Pan Hd No. 6-18 x .50	90-09630-01			
X- 44	*Washer, Flat No. 6	90-06653-00			
X- 45	*Power Cord	17-00083-07			
	*Cable Clamp (deleted)	90-09636-00			
	*Cable Clamp (added)	90-10016-00	00148		
	*Foam	12-12461-00			
	*Grommet Strip	90-09718-04			
X- 49	*Housing Assembly	70-15581-00			
	*Cover Panel Assembly	70-16471-00		A,B,E,F	
	*Cover Panel Assembly (added)	70-16471-01	00136	C,D	
X- 51	*POWER SUPPLY HARNESS ASSEMBLY (added)	70-16537-00	00090	D,E	18
X- 52	*POWER ENTRY SWITCHER ASSEMBLY (added)	70-16530-00	00090	D,E	19
	*Screw, Sems Slotted Hex Hd No. 6-32 x .44 (added)	90-09988-13	00130		
	*Foam, Acoustic (added)	74-23859-00	00133		
	*Ground Decal (added)	36-12680-03	00105		

X = Purchasable Parts from IBG (See Green Section)

FIG. & ITEM NO.	DESCRIPTION	DEC PART NO.	ECO CUT-IN LA120 00048	USED ON CODE	REF FIG NO.
1-	Decals and Labels (Not Shown)				
	*Decal, Instruction (deleted)	36-15625-00		A,B,D,E	
	*Decal, Instruction (added)	74-16178-00	00106		
	*Decal, U.L.	74-16197-02			
	*Label, Fuse Warning	36-15811-00			
	*Label, Electrical Data	36-13210-02			
	*Label, Electrical Data	36-13210-01			
	*Label, CSA	36-13211-00			
X-	*Label, Set-Up Commands	36-15918-00		A,B,C,D,E	
	*Label (added)	36-16157-00	00090	D,E	
	*Label, "Fuse Rating" (added)	36-16040-00	00090	D,E	
	*Label, "Caution" (added)	36-15759-00	00090	D,E	
	*Label, "Component Revision" (added)	36-16786-00	00087		
	*Label, "FCC Class A Peripheral" (added)	36-17880-03	00134		
	*Label, "Users Instruction" (added)	36-18307-05	00134		
	*Label, "FCC Carton" (added)	36-18331-01	00134		
	*Label, "FCC Carton" (deleted)	36-18331-01	00138		
	*Label (added)	36-15285-00	00148	A,B	
	ACCESSORIES (Not Shown)				
	*Ribbon Spool, (w/Ribbon)	36-12153-00		B,D,F	
X-	*Ribbon Spool, (Empty)	12-12008-00			
	*Pkg. of Paper (100 Sheets)	74-12103-00		B,D,F	

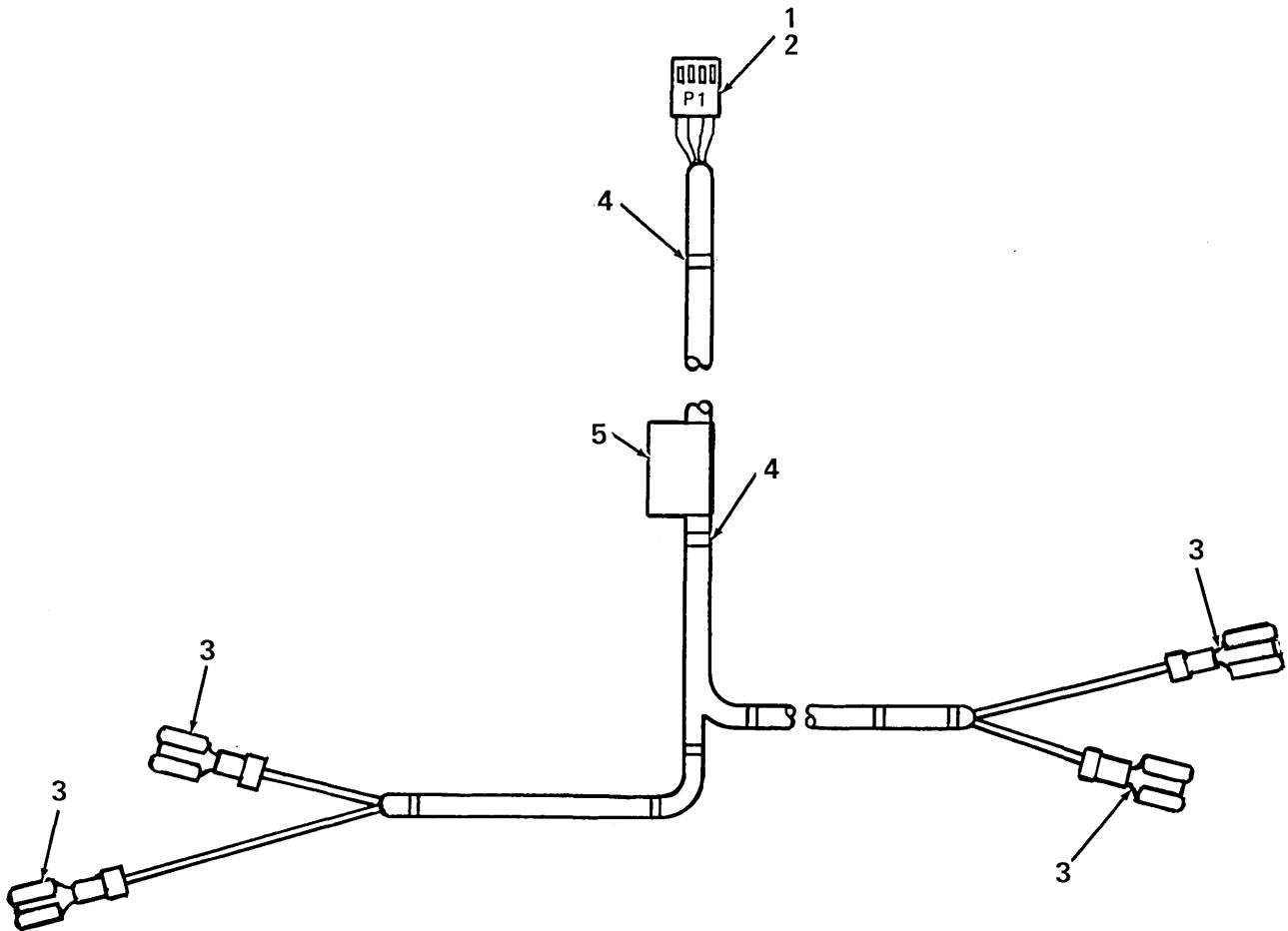
X = Purchasable Parts from IBG (See Green Section)





FIG. & ITEM NO.	DESCRIPTION	DEC PART NO.	ECO CUT-IN LA120 00015	USED ON CODE	REF FIG NO.
2- X	SWITCHES HARNESS ASSEMBLY	70-15387-00			1
1	*Connector, (P1) 4 Pin Housing, Universal	12-14930-00			
2	*Terminal (P1) Contact	12-14979-00			
X- 3	*Terminal, Quick Disconnect	90-08836-00			
X- 4	*Cable Tie	90-07031-00			
5	*Label, "I.D." (added)	36-16073-00	00123		

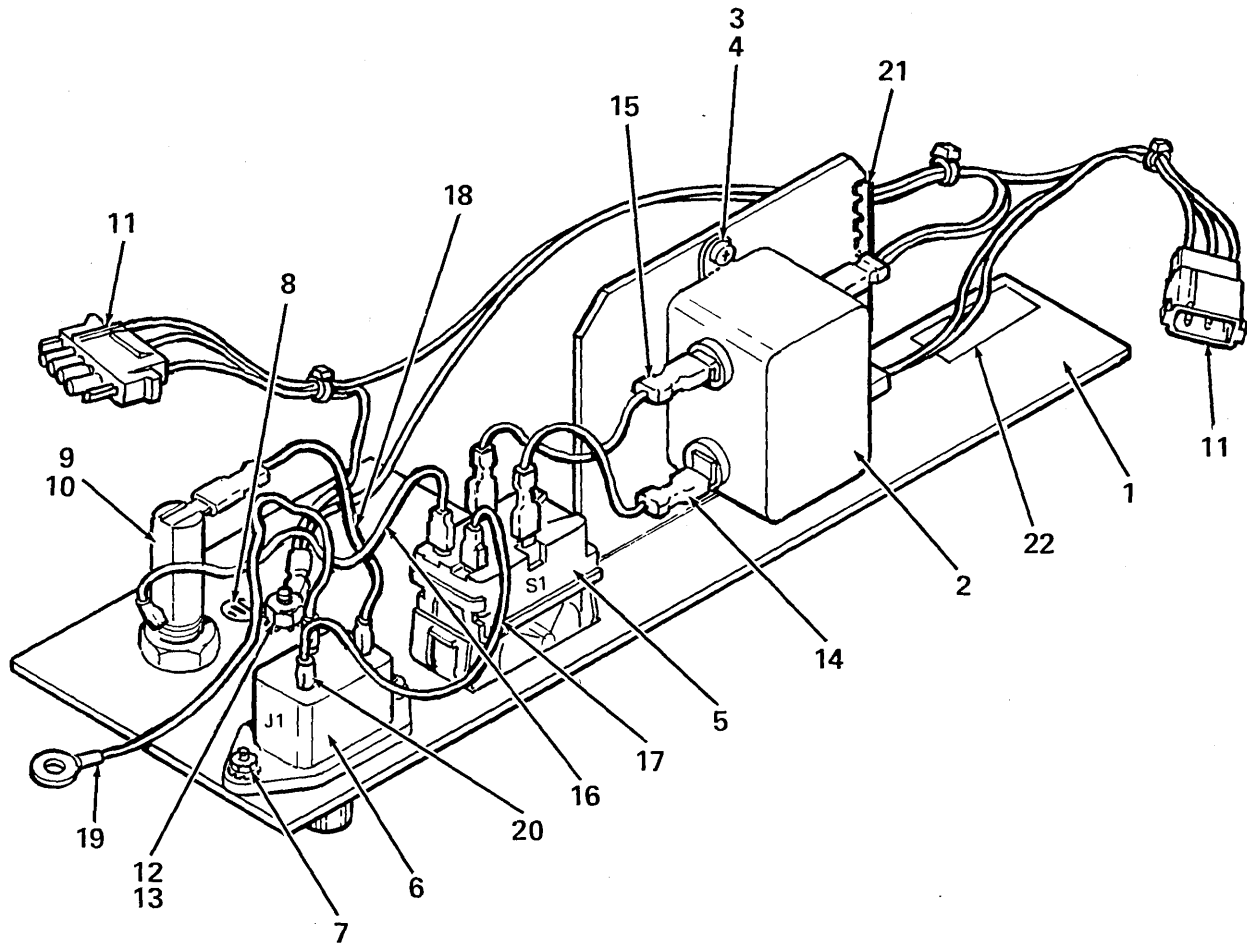
X = Purchasable Parts from IBG (See Green Section)



LA120-02

Figure 2. Switch Harness Assembly





LA120-03

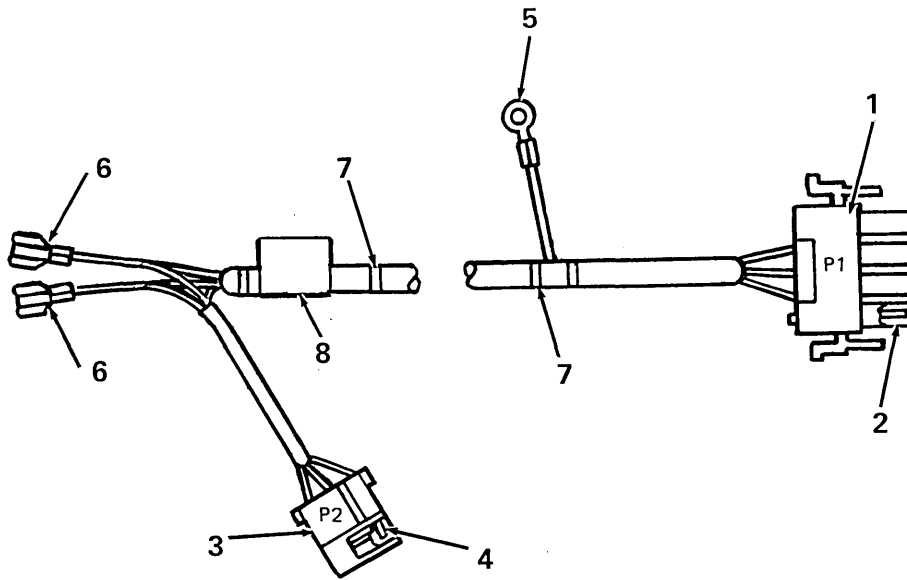
Figure 3. Power Entry Bracket Assembly

FIG. & ITEM NO.	DESCRIPTION	DEC PART NO.	ECO CUT-IN LA120 00018	USED ON CODE	REF FIG NO.
3- X-	POWER ENTRY BRACKET ASSEMBLY (CVT)	70-15168-00		A,B,C,F	1
1	*Bracket, Power Entry Mounting	74-20162-00			
X- 2	*Filter, Line	12-12877-00			
X- 3	*Screw, Phi Pan Hd No. 6-32 x .31	90-06021-01			
X- 4	*Nut, Kep No. 6-32	90-06560-00			
X- 5	*Switch, Rocker DPSTS (S1)	12-14545-00			
6	*Connector, (J1) Power Receptacle	12-13773-00			
X- 7	*Nut, Kep No. 4-40	90-06557-00			
8	*Decal, Ground	36-12680-01			
X- 9	*Fuse Holder, Receptacle (deleted)	12-12893-00			
	*Fuse Holder (added)	12-16391-00	70-15168 00003		
	*Fuse Holder (deleted)	12-16391-00	70-15168		
	*Fuse Holder (added)	12-16391-01	00004		
X- 10	*Fuse, 3A Slo Blow, 250V	90-07218-00			
11	*POWER ENTRY HARNESS ASSEMBLY	70-15548-00			4
X- 12	*Washer, External Tooth Lock No. 8	90-08151-00			
X- 13	*Nut, Kep No. 8-32	90-06563-00			
14	*Jumper Assembly (Blue)	70-15800-00			
15	*Jumper Assembly (Brown)	70-15800-01			
16	*Jumper Assembly (Black)	70-15800-02			
17	*Jumper Assembly (Blue)	70-15800-03			
18	*Jumper Assembly (Brown)	70-15800-04			
19	*Jumper Assembly (Green/Yellow)	70-15800-05			
20	*Tubing, Heat Shrink	91-07305-02			
21	*Grommet (added)	90-09718-01	70-15168 00002		
22	*Label, "Tractor Feed" (added)	36-18497-01	70-15168 00005		

X = Purchasable Parts from IBG (See Green Section)

FIG. & ITEM NO.	DESCRIPTION	DEC PART NO.	ECO CUT-IN 70-15548 00000	USED ON CODE	REF FIG NO.
4-	POWER ENTRY HARNESS ASSEMBLY	70-15548-00			3
X- 1	*Connector, (P1) Socket Housing 4 Pin Mate-N-Lok	12-12167-01			
X- 2	*Terminal, (P1) Socket Contact	12-12170-00			
X- 3	*Connector, (P2) Pin Housing 3 Pin Mate-N-Lok	12-10821-03			
X- 4	*Terminal, (P2) Pin Contact	12-09379-00			
5	*Terminal, Ring	90-07928-00			
6	*Terminal, Quick Disconnect (deleted)	90-10004-00			
	*Terminal, Quick Disconnect (added)	12-17000-02	LA120 00115		
X- 7	*Cable Tie	90-07031-00			
8	*Label, I.D. (added)	36-16073-00	LA120 00115		

X = Purchasable Parts from IBG (See Green Section)



LA120-04

Figure 4. Power Entry Harness Assembly



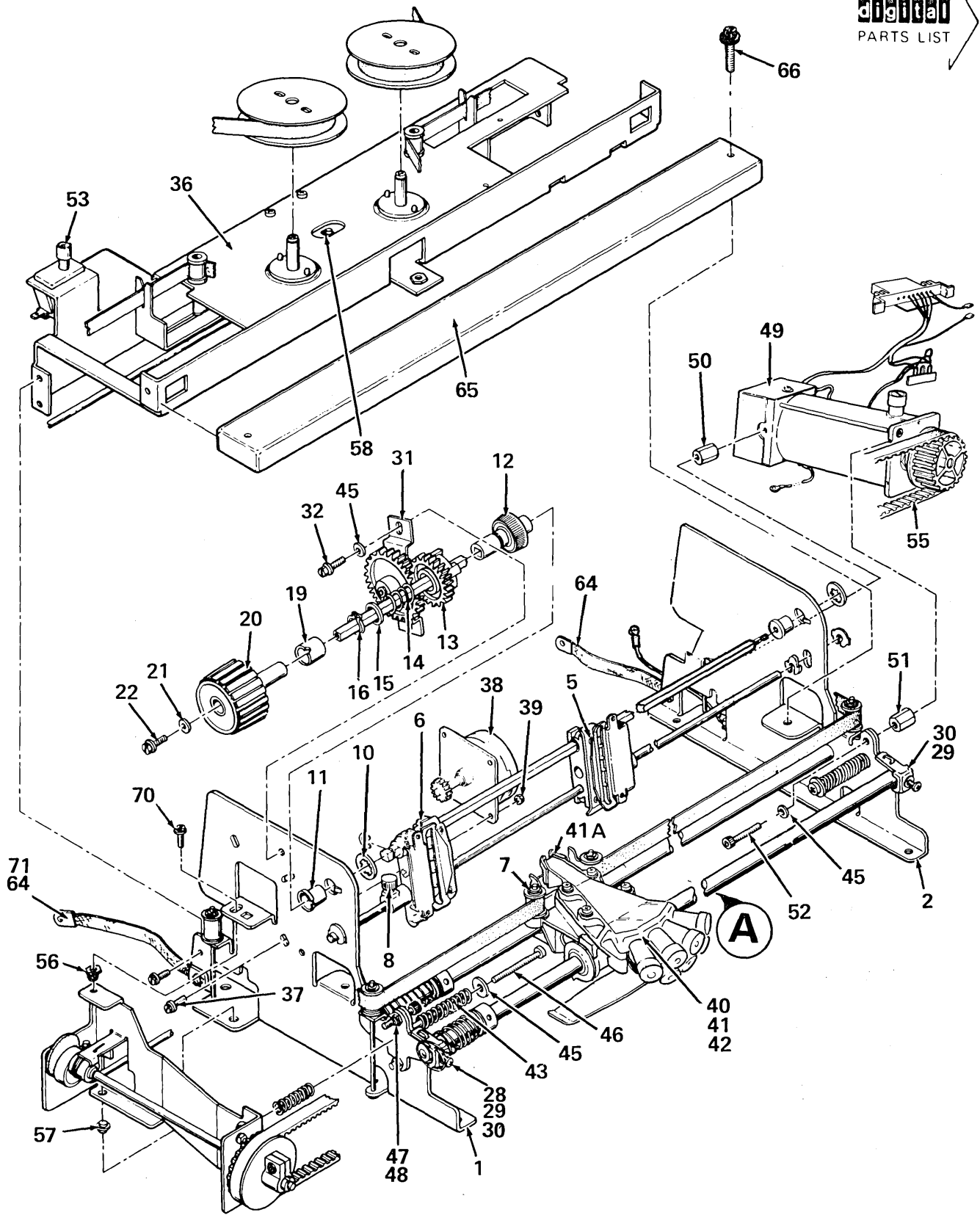


Figure 5. Printer Mechanism Assembly (Sheet 1 of 2)

LA120-05

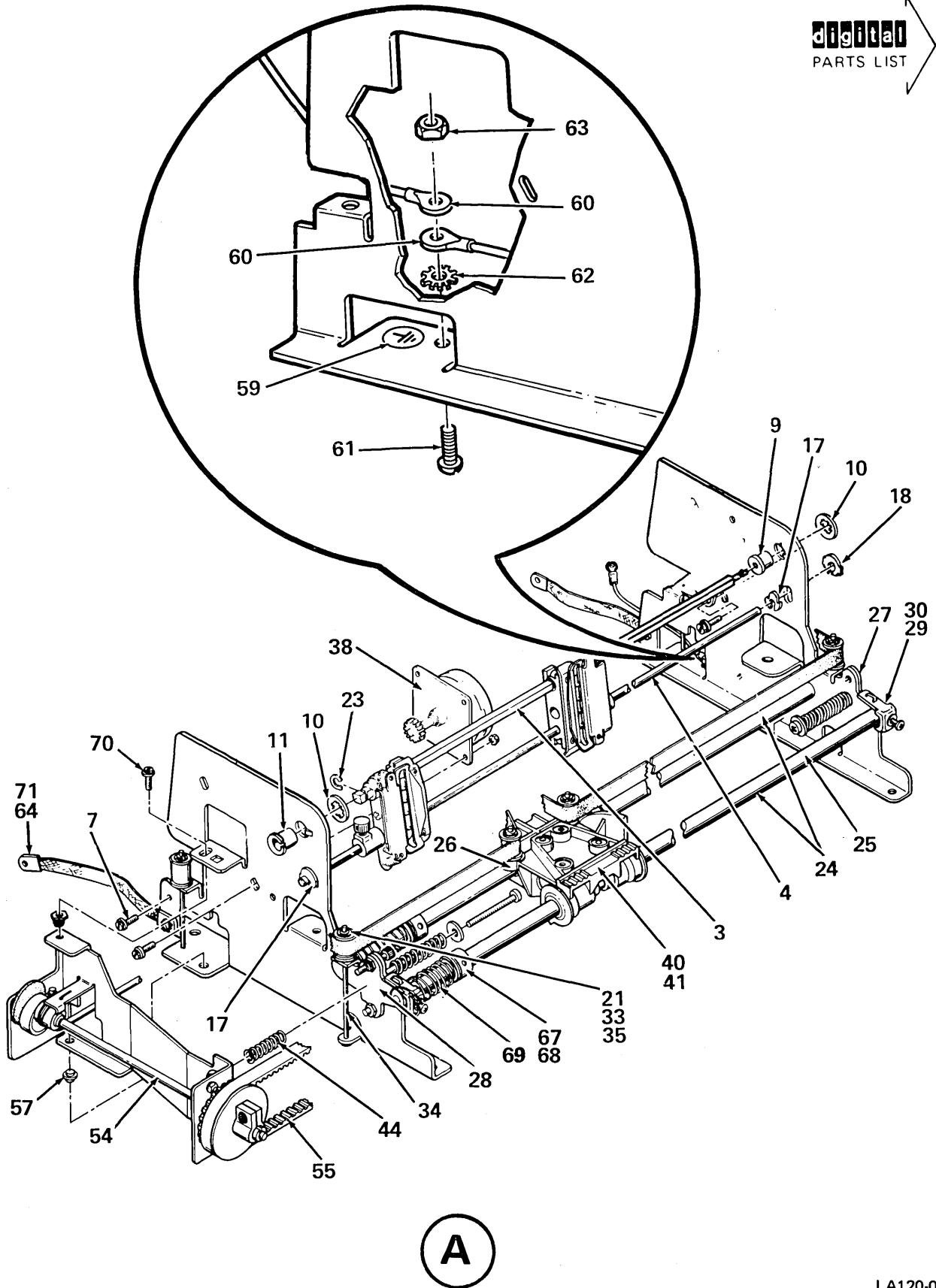


Figure 5. Printer Mechanism Assembly (Sheet 2 of 2)

LA120-05

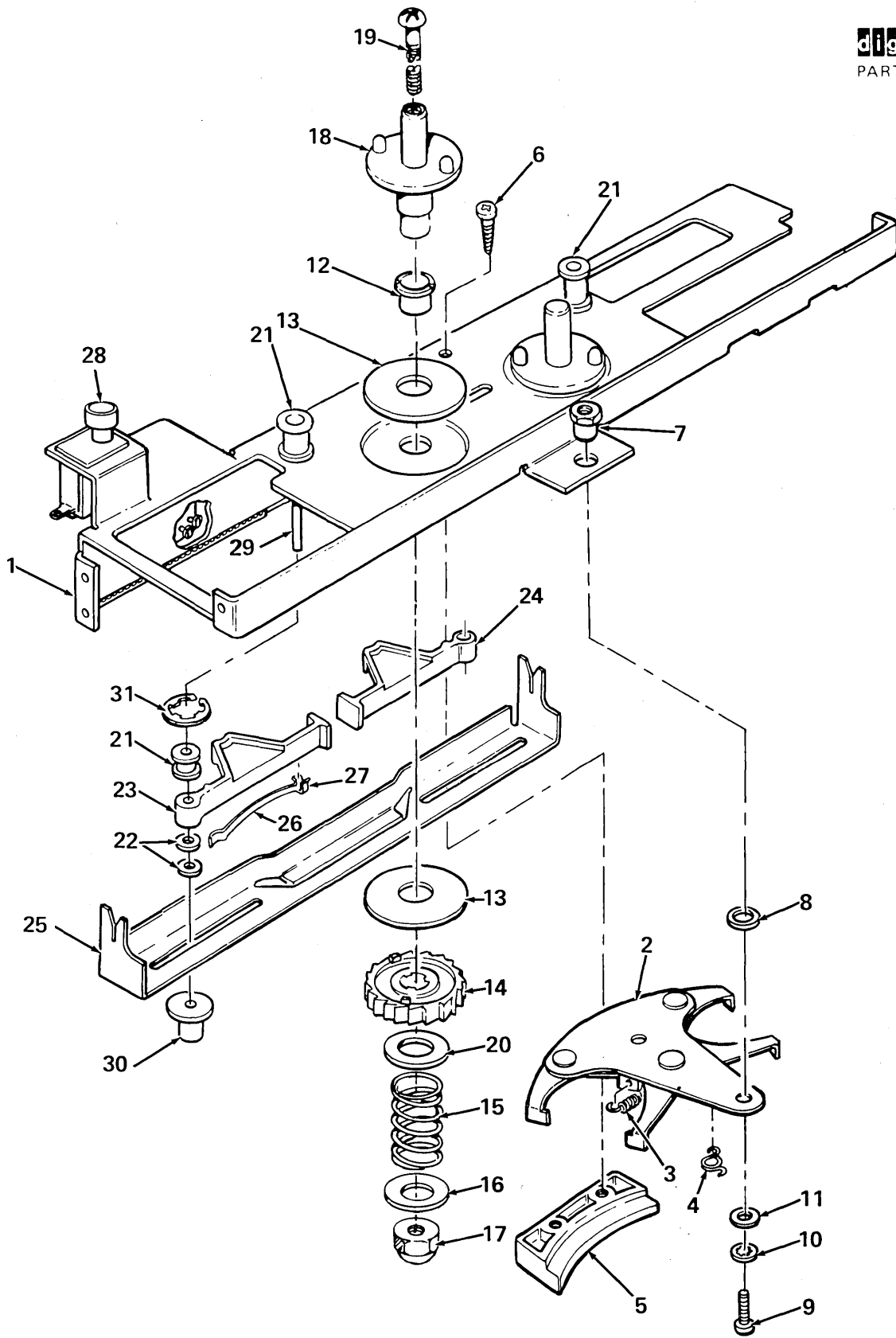


FIG. & ITEM NO.	DESCRIPTION	DEC PART NO.	ECO CUT-IN LA120 00047	USED ON CODE	REF FIG NO.
5-	PRINTER MECHANISM ASSEMBLY (deleted)	70-14533-00			1
	PRINTER MECHANISM ASSEMBLY (added)	70-14533-02	70-14533 00011		1
X- 1	*Plate, Side (L.H.)	74-18142-00			
X- 2	*Plate, Side (R.H.)	74-18142-01			
X- 3	*Shaft, Tractor Drive	74-11075-00			
X- 4	*Shaft, Tractor Support	74-11076-00			
X- 5	*Tractor, R.H. w/Lock (deleted)	12-11662-05			
X- 6	*Tractor, L.H. w/Lock (deleted)	12-11662-04			
X-	*Tractor, (Pair) (added)	12-16462-02	70-14533 00008		
7	*Screw, Sems Hex Hd No. 6-32 x 9/16	90-09988-01			
X- 8	*Screw, Tractor Lock (deleted)	74-14433-00	70-14533 00006		
X- 9	*Bushing, Tractor Shaft Retaining	74-11425-00			
X- 10	*Retaining Ring, Push On	90-09257-01			
X- 11	*Collar, Side Plate	74-11098-03			
X- 12	*Hub, Clutch	74-11441-00			
X- 13	*Gear, Drive Clutch	74-11440-00			
14	*Spring, Compression (deleted)	90-09592-00			
	*Spring, Compression (added)	12-15792-00	00097		
X- 15	*Washer, Clutch	74-11443-00			
X- 16	*Retaining Ring	90-09580-02			
X- 17	*Retaining Ring	90-09579-00			
X- 18	*Retaining Ring, Prong Lock	90-09581-00			
X- 19	*Adapter, Line Feed	74-12535-00			
X- 20	*Knob, Line Feed	74-11437-00			
X- 21	*Washer, Flat No. 6	90-06653-00			
22	*Screw, Sems Phi Pan Hd No. 6-32 x 3/8	90-09984-00			
X- 23	*Retaining Ring	90-09644-00			
X- 24	*Shaft, Carriage 1/2	74-18139-00			
25	*Shaft, Carriage 5/8 (deleted)	74-19394-00	00103		
X- 26	*Bushing, Plain (deleted)	74-11108-00			
X-	*Bushing (added)	74-14835-00	00103		
27	*Retainer, Shaft (No Inserts) (deleted)	74-20025-01			
	*Retainer, Shaft (No Inserts) (added)	74-18138-01	00103		
28	*Retainer, Shaft (w/Inserts) (deleted)	74-20025-00			
	*Retainer, Shaft (w/Inserts) (added)	74-18138-00	00103		
X- 29	*Clamp, Shaft (deleted)	74-20024-00			
X-	*Clamp, Shaft (added)	74-18137-00	00103		
X- 30	*Screw, Phi Pan Hd No. 8-32 x 3/8	90-06037-01			
X- 31	*IDLER GEAR ASSEMBLY	70-09694-00			7
32	*Screw, Sems Hex Hd No. 8-32 x 3/8	90-09988-08			
X- 33	*Frame, Ribbon Idler w/Bushing	74-11576-00			

X = Purchasable Parts from IBG (See Green Section)

FIG. & ITEM NO.	DESCRIPTION	DEC PART NO.	ECO CUT-IN LA120 00047	USED ON CODE	REF FIG NO.
5-					
X- 34	*Shaft, Idler	74-11575-00			
X- 35	*Retaining Ring	90-09273-00			
X- 36	*RIBBON CHASSIS ASSEMBLY (deleted)	70-13859-00			6
X-	*RIBBON CHASSIS ASSEMBLY (added)	70-17626-00	00132		6A
37	*Screw, Sems Hex Hd No. 8-32 x 3/8 (deleted)	90-09985-01			
	*Screw, Phl Pan Hd No. 8-32 x 1/2 (added)	90-09545-01	70-14533 00008		
X- 38	*STEPPING MOTOR ASSEMBLY (deleted)	70-15389-00			8
	*STEPPING MOTOR ASSEMBLY (added)	70-15389-01	70-14533 00011		8
X- 39	*Nut, Kep No. 8-32	90-06563-00			
40	*ADAPTER ASSEMBLY (deleted)	70-15511-00			9
X-	*CARRIAGE ASSEMBLY (added)	70-11016-00	00103		9A,9B
X- 41	*Print Head Assembly (NFR)	70-15085-00			
X- 41A	** Ribbon Retainer	74-19612-00			
X- 42	*Shield, Heat (deleted)	12-13365-02			
	*Shield, Heat (added)	12-13365-03	70-14533 00009		
43	*Spring, Compression	90-09578-00			
X- 44	*Spring, Compression	12-12510-00			
X- 45	*Washer, Flat	90-06668-00			
46	*Screw, Phl Pan Hd No. 10-32 x 2.00	90-06081-01			
47	*Screw, Soc. Hd Cap No. 8-32 x 1-1/8	90-00042-01			
48	*Nut, Stop No. 8-32 (deleted)	90-09061-00	70-14533 00007		
X- 49	*SERVO MOTOR ASSEMBLY	70-15388-00			10
50	*Spacer, Hex	90-09583-00			
51	*Spacer, D.C. Motor (deleted)	74-19421-00			
	*Spacer, Hex (added)	90-06832-00	00103		
52	*Screw, Sems Hex Hd No. 8-32 x 7/8 (deleted)	90-09988-06	70-14533 00010		
X- 53	*Switch, Interlock	12-12255-01			
X- 54	*RIBBON DRIVE ASSEMBLY	70-11446-00			11
X- 55	*Belt, Timing	12-11583-00			
X- 56	*Pivot, Ratchet	74-11103-00			
X- 57	*Pivot, Lower	74-11439-00			
X- 58	*Retaining Ring	90-09580-00			
59	*Decal, Ground	36-12680-00			
60	*Ground Strap	70-10001-05			
61	*Screw, Sems Hex Hd No. 10-32 x 1/2	90-09988-05			
X- 62	*Washer, External Tooth Lock No. 10	90-07651-00			
X- 63	*Nut, Kep No. 10-32	90-06564-00			
X- 64	*Ground Strap	90-09830-00			
X- 65	*Bar, Print	74-17937-00			
66	*Screw, Sems Hex Hd No. 1/4-20 x 1-1/8	90-09988-09			
X- 67	*Oil Reservoir (added)	74-13672-00	00103		
X- 68	*Wick (added)	74-13698-00	00103		
X- 69	*Spring (added)	74-13699-00	00103		
70	*Screw, Sems Slotted Hex Hd No. 8-32 x 1/2 (added)	90-09988-10	00117		
X- 71	*Screw, Hex Hd No. 1/4-20 x 3/8 (added)	90-09988-00	70-14533 00009		

X = Purchasable Parts from IBG (See Green Section)

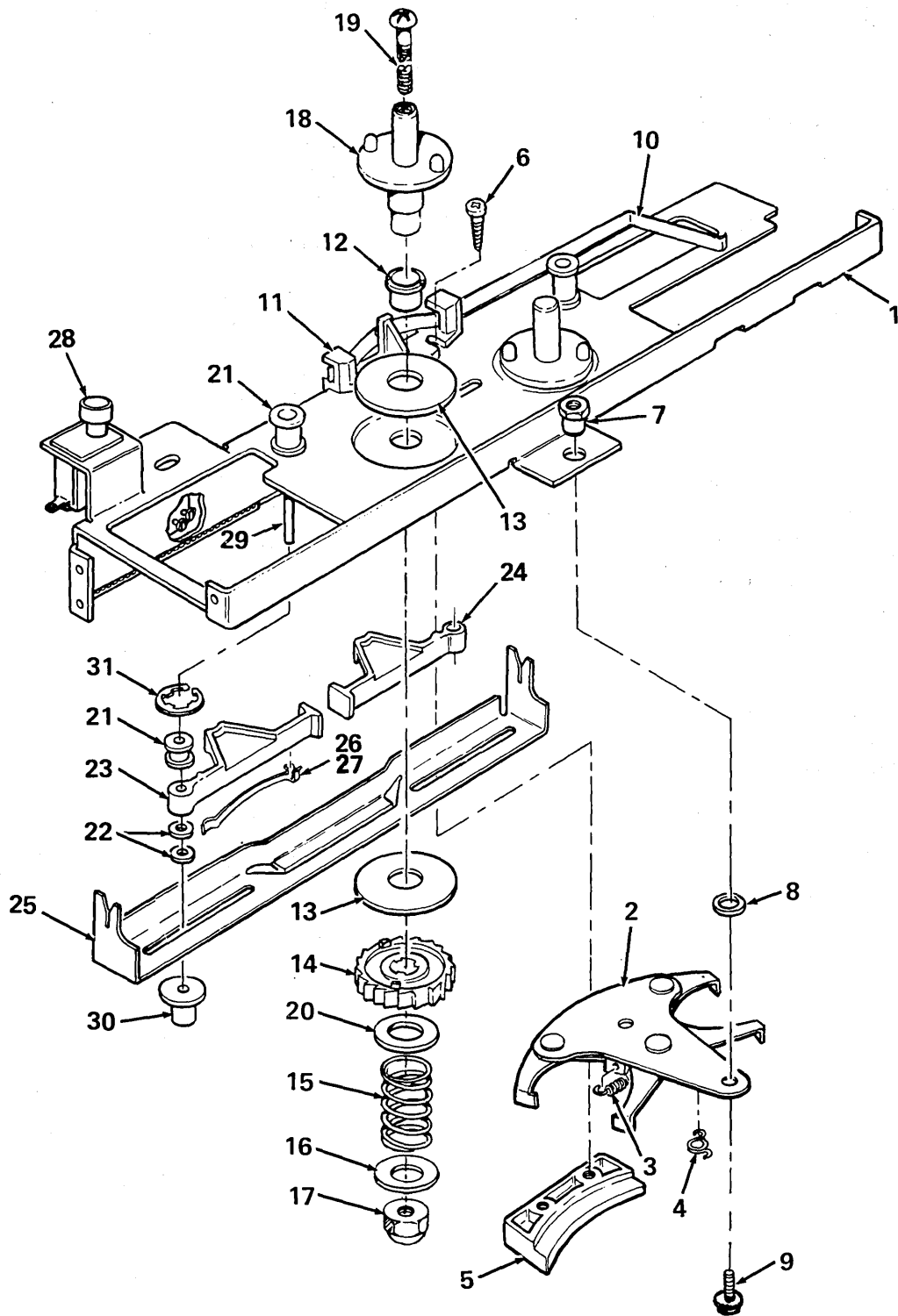


LA36-04A

Figure 6. Ribbon Chassis Assembly

FIG. & ITEM NO.	DESCRIPTION	DEC PART NO.	ECO CUT-IN LA36 00447	USED ON CODE	REF FIG NO.
6- X-	RIBBON CHASSIS ASSEMBLY (deleted) (See Figure 6A)	70-13859-00	LA120 00132		5
1	*Ribbon Chassis w/Inserts	74-17870-00			
X- 2	*Ratchet Base Assembly	70-09697-00			
X- 3	*Spring, Upper Pawl	74-11105-00			
X- 4	*Spring, Main Pawl	74-11090-00			
X- 5	*Guide, Shoe	74-11419-00			
6	*Screw, Phl Pan Hd Self-Tapping No. 8-32 x .38	90-09586-01			
X- 7	*Pivot, Ratchet	74-11103-00			
X- 8	*Washer, Ratchet	74-11061-00			
X- 9	*Screw, Phl Pan Hd No. 8-32 x .31	90-06036-01			
X- 10	*Washer, Split Lock No. 8	90-06690-00			
11	*Washer, Flat No. 8	90-06662-00			
12	*Bearing, Spool Driver (deleted)	74-20553-00			
X-	*Collar, Side Plate (added)	74-11098-02	00470		
X- 13	*Disk, Friction	74-11405-00			
X- 14	*Ratchet Wheel	74-11432-00			
X- 15	*Spring, Compression	12-12353-00			
X- 16	*Washer (.625 O.D. x .200 I.D. x .032)	90-06668-00			
17	*Nut, Elastic Stop No. 8-32	90-09061-00			
X- 18	*Driver, Spool	74-11048-00			
19	*Screw, Phl Pan Hd No. 8-32 x 2.750	90-06050-01			
X- 20	*Washer (.687 O.D. x .375 I.D. x .062) (deleted)	90-07858-00			
	*Washer (added)	12-16669-00	00462		
X- 21	*Cap, Standoff Spool	74-12976-00			
X- 22	*Washer, Nylon	90-06707-00			
X- 23	*Interposer (L.H.)	74-11058-01			
X- 24	*Interposer (R.H.)	74-11058-02			
X- 25	*Sensor, Reverse	74-11060-00			
X- 26	*Spring, Interposer	74-11087-00			
27	**"U" Clip	90-09748-00			
X- 28	*Switch, Pushbutton (SPST)	12-12255-00			
29	*Pin, Dowel	90-09650-00			
X- 30	*Standoff, Ribbon Spool	74-12977-00			
31	*Retaining Ring, Special	74-16620-00			

X = Purchasable Parts from IBG (See Green Section)



LA120-06A

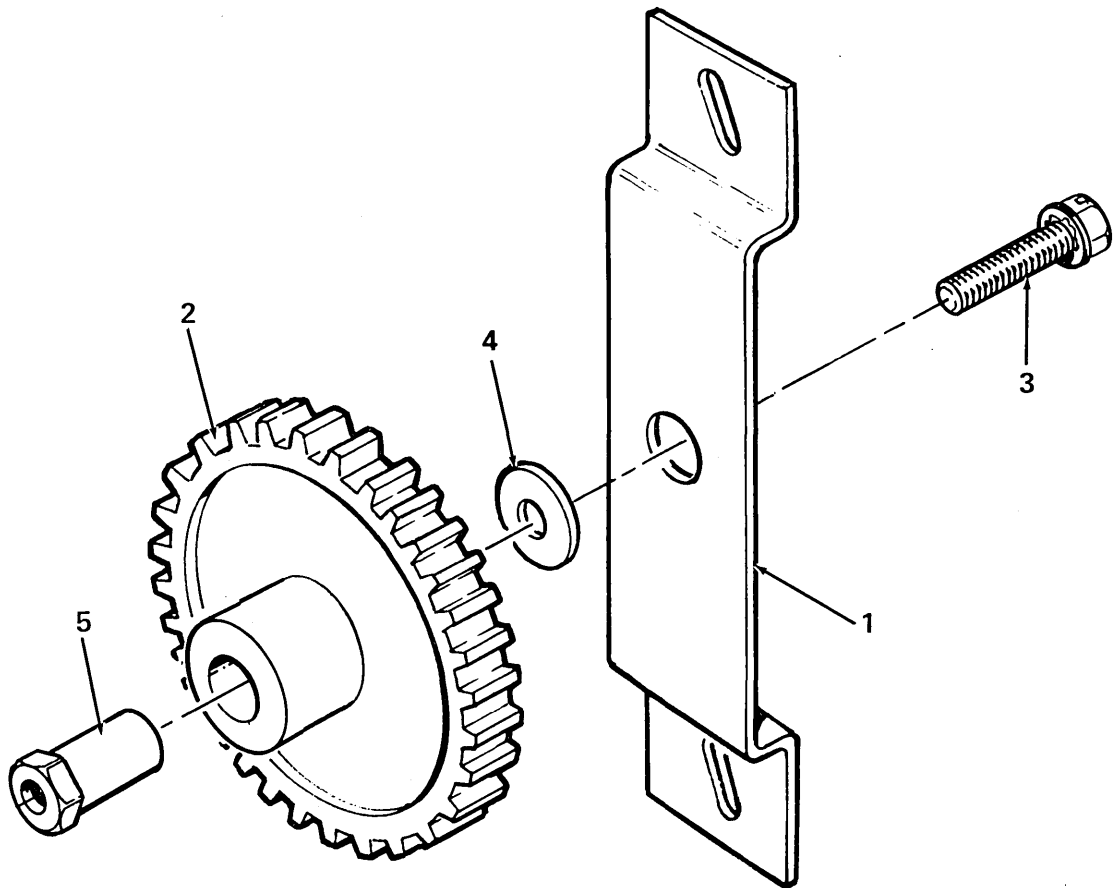
Figure 6A. Ribbon Chassis Assembly

FIG. & ITEM NO.	DESCRIPTION	DEC PART NO.	ECO CUT-IN 70-17626 00000	USED ON CODE	REF FIG NO.
6A-X-	RIBBON CHASSIS ASSEMBLY (added)	70-17626-00	LA120 00132		5
1	*Ribbon Chassis W/Inserts	74-17870-00			
X- 2	*Ratchet Base Assembly	70-09697-00			
X- 3	*Spring, Upper Pawl	74-11105-00			
X- 4	*Spring, Main Pawl	74-11090-00			
X- 5	*Guide, Shoe	74-11419-00			
6	*Screw, Phl Self Tapping No. 8-32 x .50 (deleted)	90-09514-02			
	*Screw, Phl Pan Hd No. 8-32 x .50 (added)	90-10279-00	00002		
X- 7	*Pivot, Ratchet	74-11103-00			
X- 8	*Washer, Ratchet	74-11061-00			
9	*Screw, Sems Hex Washer Hd No. 8-32 x 3/8	90-09988-07			
X- 10	*Spring, Ribbon Tension	74-24154-00			
X- 11	*Spring, Retaining Bracket	74-24155-00			
X- 12	*Collar, Side Plate	74-11098-02			
X- 13	*Disk, Friction	74-11405-00			
X- 14	*Ratchet Wheel	74-11432-00			
X- 15	*Spring, Compression	12-12353-00			
X- 16	*Washer (.625 O.D. x .200 I.D. x .032)	90-06668-00			
17	*Nut, Elastic Stop No. 8-32	90-09061-00			
X- 18	*Driver, Spool	74-11048-00			
19	*Screw, Phl Pan Hd No. 8-32 x 2.750	90-06050-01			
20	*Washer	12-16669-00			
X- 21	*Cap, Standoff Spool	74-12976-00			
X- 22	*Washer, Nylon	90-06707-00			
X- 23	*Interposer (L.H.)	74-11058-01			
X- 24	*Interposer (R.H.)	74-11058-02			
X- 25	*Sensor, Reverse	74-11060-00			
X- 26	*Spring, Interposer	74-11087-00			
27	**"U" Clip	90-09748-00			
X- 28	*Switch, Pushbutton (SPST)	12-12255-01			
29	*Pin, Dowel	90-09650-00			
X- 30	*Standoff, Ribbon Spool	74-12977-00			
31	*Retaining Ring, Special	74-16620-00			

X = Purchasable Parts from IBG (See Green Section)

FIG. & ITEM NO.	DESCRIPTION	DEC PART NO.	ECO CUT-IN LA36 00388	USED ON CODE	REF FIG NO.
7- X-	IDLER GEAR ASSEMBLY	70-09694-00			5
X- 1	*Bracket, Gear	74-11420-00			
X- 2	*Gear, 48 Tooth	12-11656-00			
3	*Screw, Sems Hex Hd No. 8-32 x .62	90-09988-03			
X- 4	*Washer, Flat No. 8	90-06668-00			
X- 5	*Standoff, Gear	74-16219-00			

X = Purchasable Parts from IBG (See Green Section)



LA180-13

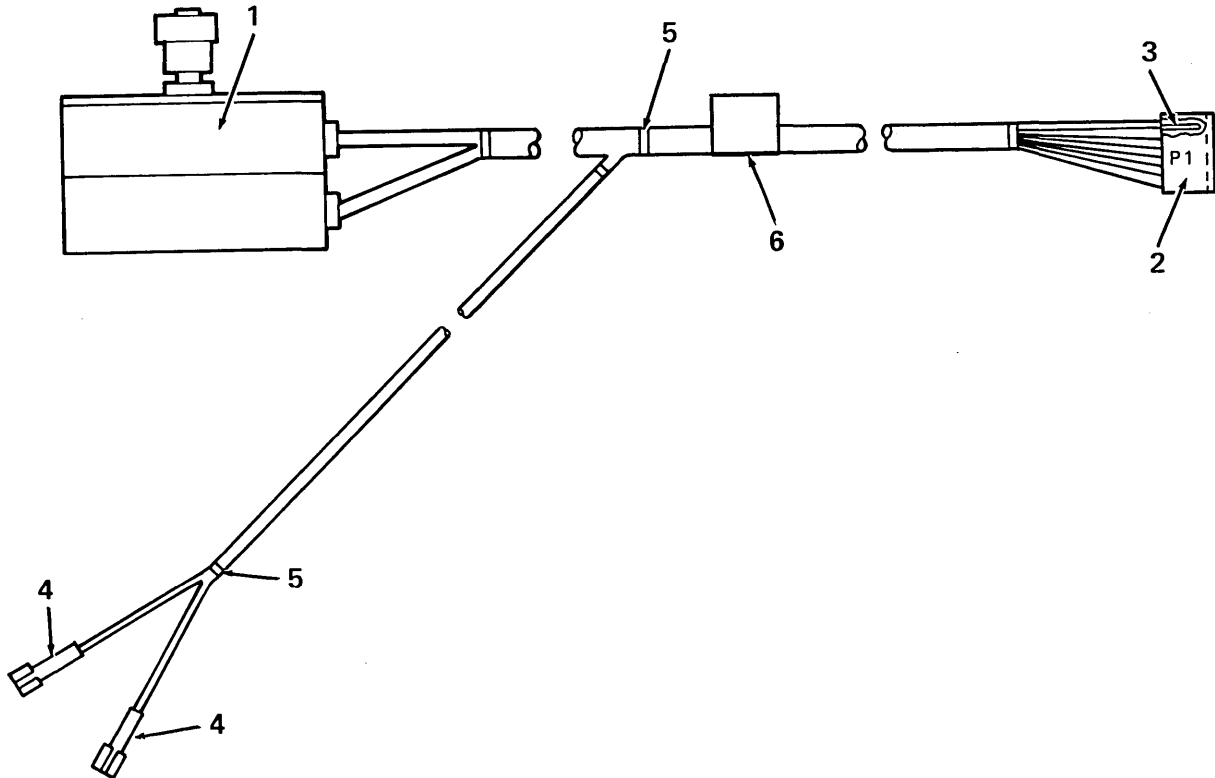
Figure 7. Idler Gear Assembly





FIG. & ITEM NO.	DESCRIPTION	DEC PART NO.	ECO CUT-IN 70-15389 00000	USED ON CODE	REF FIG NO.
8- X-	STEPPING MOTOR ASSEMBLY (deleted) STEPPING MOTOR ASSEMBLY (added) (See Note)	70-15389-00 70-15389-01	LA120 00148	A B	5 5
1	*Motor, Stepping (deleted) *Motor, Stepping (added)	12-14660-00 12-20470-01	00003	A B	
2	*Connector, (P1) 8 Pin Socket Housing (deleted) *Connector, (P1) 8 Pin Socket Housing (added)	12-14977-08 12-14977-01	00003	A B	
3	*Terminal, (P1) Socket Contact	12-14979-01			
X- 4	*Terminal, Quick Disconnect	90-08836-00			
X- 5	*Cable Tie	90-07031-00			
6	*Label, I.D. (added)	36-16073-00	LA120 00119		
Note: The Used on Code applies to this Figure only.					

X = Purchasable Parts from IBG (See Green Section)



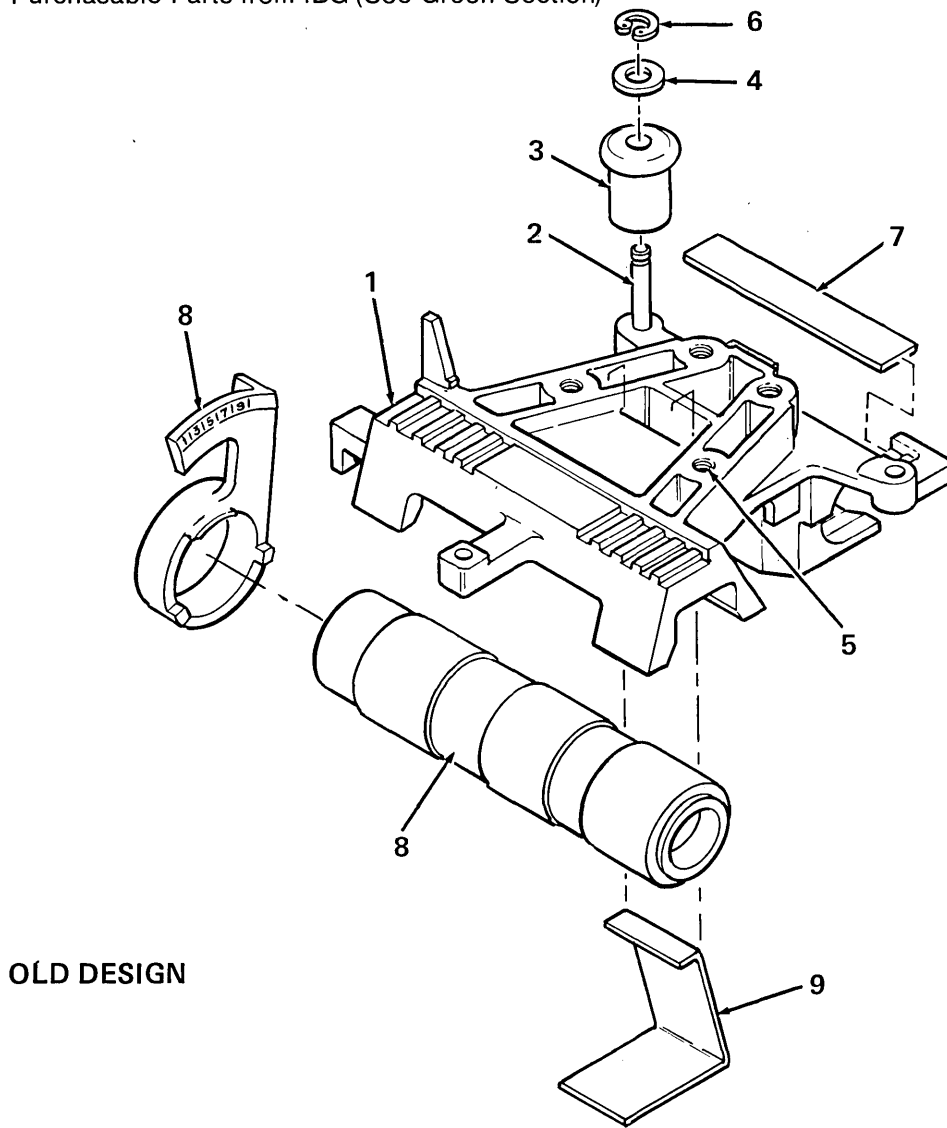
LA120-08

Figure 8. Stepping Motor Assembly



FIG. & ITEM NO.	DESCRIPTION	DEC PART NO.	ECO CUT-IN 70-15511 00000	USED ON CODE	REF FIG NO.
9-	ADAPTER ASSEMBLY (deleted) (Old Design)	70-15511-00	LA120 00103		5
1	*Adapter, Print Head	74-20634-00			
X- 2	*Shaft, Idler Carriage	74-11115-00			
X- 3	*Idler, Ribbon Carriage	74-11577-00			
X- 4	*Washer, Flat No. 6	90-06653-00			
5	*Insert No. 6-32	90-07644-00			
X- 6	*Retaining Ring	90-09273-00			
7	*Spring, Front Bearing	74-20293-00			
8	*Gap Lever Assembly	70-15546-00			
9	*Spring, Carriage	74-20641-00			

X = Purchasable Parts from IBG (See Green Section)



OLD DESIGN

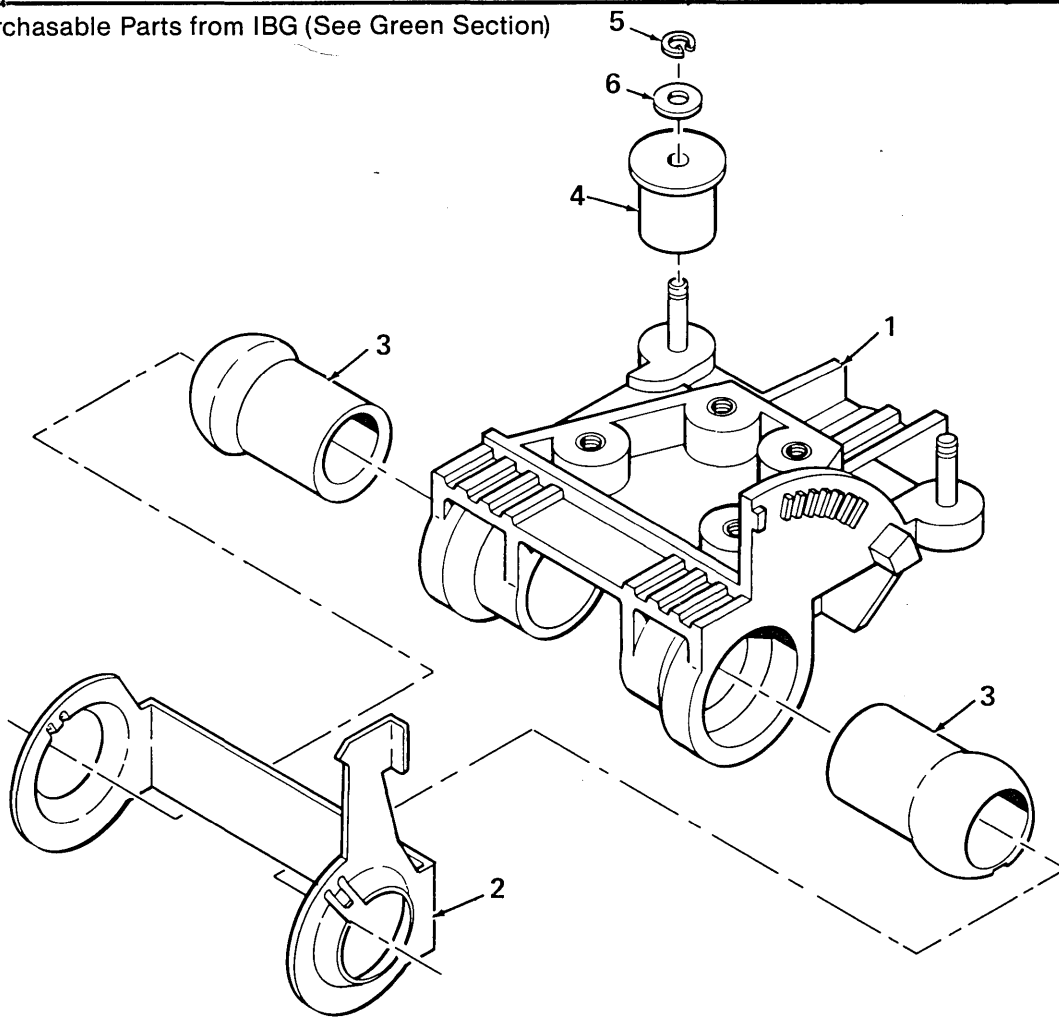
LA120-09

Figure 9. Adapter Assembly



FIG. & ITEM NO.	DESCRIPTION	DEC PART NO.	ECO CUT-IN LA180 00124	USED ON CODE	REF FIG NO.
9A- X-	CARRIAGE ASSEMBLY (Old Design) See Figure 9B	70-11016-00	LA120 00103		5
X- 1	*Carriage	12-12544-00			
X- 2	*Lever, Carriage Adjustment	74-13606-00			
X- 3	*Bushing, Eccentric	74-15125-00			
X- 4	*Carriage, Ribbon Idler W/Bushing (deleted) *Shaft, Idler (added)	74-11577-00 74-22758-00	70-11016 00002		
X- 5	*Retaining Ring (deleted)	90-09273-00	70-11016 00002		
X- 6	*Washer, Flat No. 6 (deleted)	90-06653-00	70-11016 00002		

X = Purchasable Parts from IBG (See Green Section)



OLD DESIGN

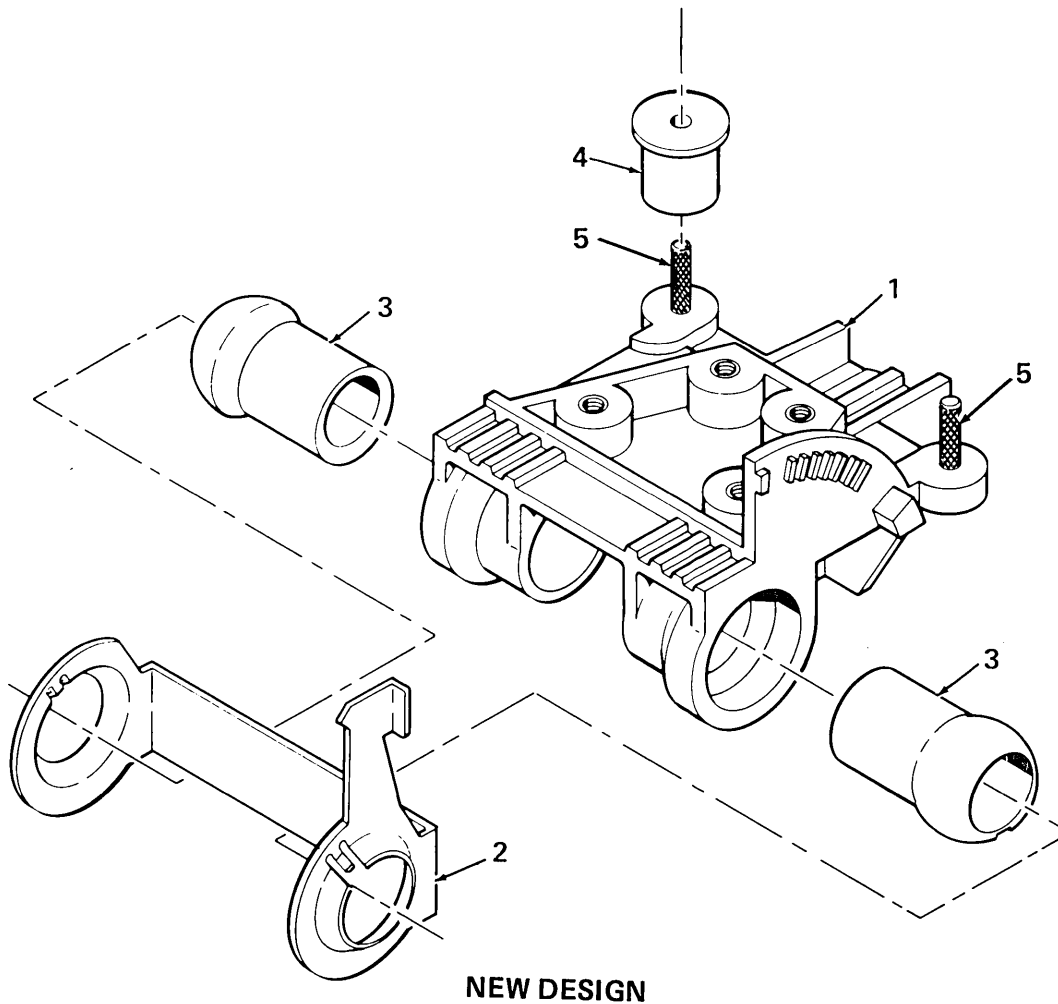
LA36-12

Figure 9A. Carriage Assembly



FIG. & ITEM NO.	DESCRIPTION	DEC PART NO.	ECO CUT-IN 70-11016 00002	USED ON CODE	REF FIG NO.
9B- X	CARRIAGE ASSEMBLY (NEW DESIGN)	70-11016-00			5
X- 1	*Carriage	12-12544-00			
2	*Lever, Carriage Adjustment	74-13606-00			
X- 3	*Bushing, Eccentric	74-15125-00			
4	*Carriage, Ribbon Idler	74-11102-00			
5	*Shaft, Idler	74-22758-00			

X = Purchasable Parts from IBG (See Green Section)

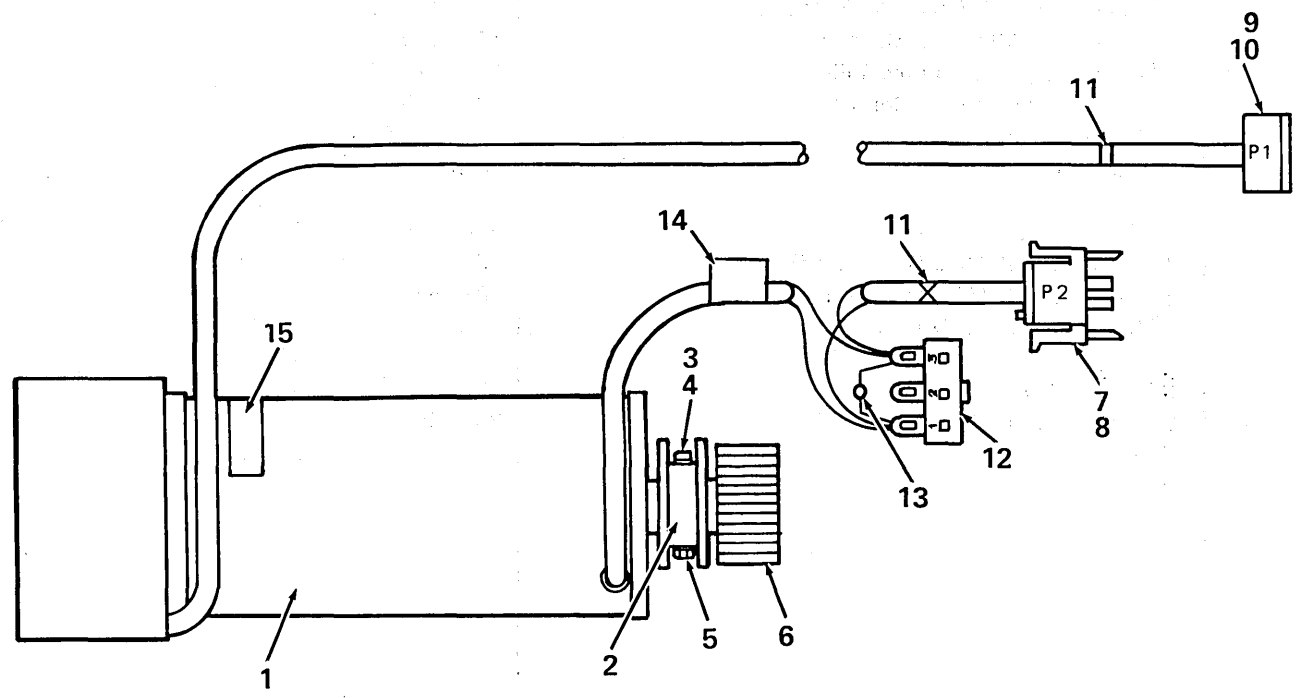


LA120-9B

Figure 9B. Carriage Assembly





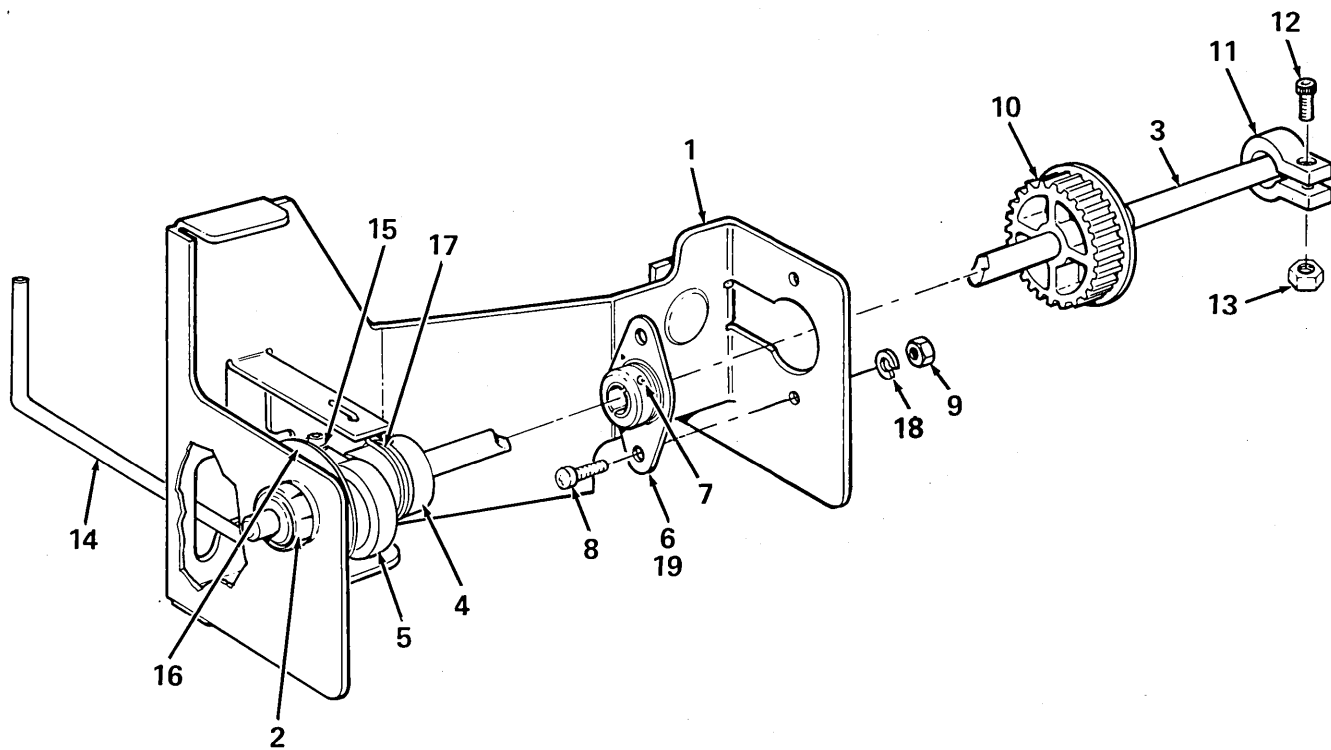


LA120-10

Figure 10. Servo Motor Assembly

FIG. & ITEM NO.	DESCRIPTION	DEC PART NO.	ECO CUT-IN LA120 00053	USED ON, CODE	REF FIG NO.
10- X-	SERVO MOTOR ASSEMBLY	70-15388-00			5
1	*Motor, D.C.	12-14659-00			
X- 2	*Clamp, Pulley	74-16402-00			
3	*Screw, Socket Hd Cap No. 6-32 x 1.0	90-06334-08			
X- 4	*Washer, Flat	90-06656-00			
5	*Nut, Hex No. 6-32 x .31	90-06558-00			
X- 6	*Pulley, 20 Tooth Motor	12-15239-00			
7	*Connector, (P2) Plug 2 Pin Mate-N-Lok	12-12167-02			
X- 8	*Terminal, (P2) Socket Contact	12-12170-00			
9	*Connector, (P1) Housing 4 Pin	12-14977-00			
10	*Terminal, (P1) Crimp Contact	12-14979-00			
X- 11	*Cable Tie (deleted)	90-07031-00			
	*Cable Tie (added)	90-10190-00	70-15388		
			00002		
12	*Terminal Strip (added)	90-07004-00	00093		
13	*Capacitor, .01 MFD Disc (added)	10-01610-01	00093		
X-	*Capacitor, .01 MFD Disc (deleted)	10-01610-01			
X-	*Capacitor, .68 MFD (added)	10-10031-06	70-15388		
			00003		
14	*Label, "I.D." (added)	36-16073-00	00120		
15	*Label, "Motor Rating" (added)	36-13307-00	70-15388		
			00003		

X = Purchasable Parts from IBG (See Green Section)



LA180-05

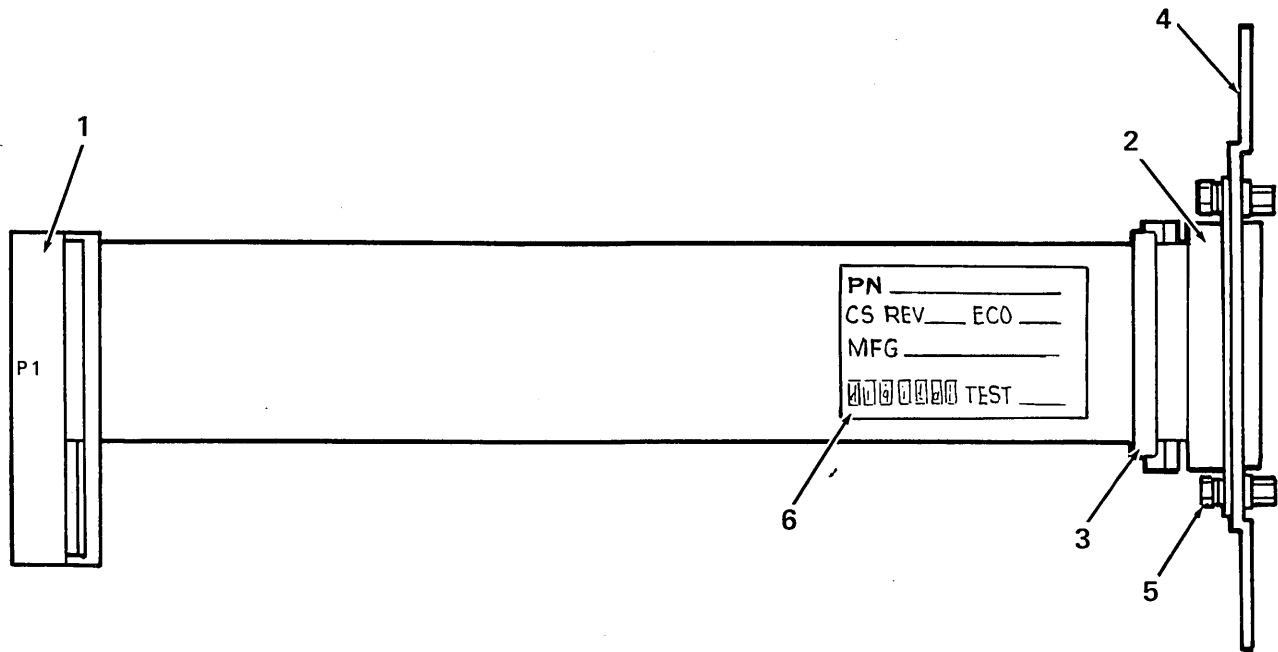
Figure 11. Ribbon Drive Assembly

FIG. & ITEM NO.	DESCRIPTION	DEC PART NO.	ECO CUT-IN 70-11446 00001	USED ON CODE	REF FIG NO.
11- X-	RIBBON DRIVE ASSEMBLY	70-11446-00			5
X- 1	*Bracket, Ribbon Drive	74-11113-00			
X- 2	*Bearing, Self-Aligning	12-11649-00			
X- 3	*Shaft, Ribbon Idler	74-11068-00			
X- 4	*Eccentric Ribbon w/Clutch	74-11578-00			
X- 5	*Rod, End	74-11084-00			
X- 6	*Bearing	12-11650-00			
7	*Screw, Soc Hd Cap No. 4-40 x .12 (deleted)	90-09651-00			
	*Screw, Soc Hd Cap No. 4-40 x .120 (added)	90-09651-08	LA180		
			00081		
X- 8	*Screw, Phl Pan Hd No. 8-32 x .31	90-06036-01			
X- 9	*Nut, Kep No. 8-32 (deleted)	90-06563-00			
	*Nut, Kep No. 8-32 (added)	90-06561-00	LA120		
			00114		
X- 10	*Pulley, Timing	12-12446-00			
X- 11	*Clamp, Collar	74-11124-00			
12	*Screw, Soc Hd Cap No. 6-32 x .50	90-08046-08			
13	*Nut, Hex (deleted)	90-08957-00			
	*Nut, Hex No. 6-32 (added)	90-06558-00	LA180		
			00081		
X- 14	*Pushrod	74-13526-00			
X- 15	*Retaining Ring	90-09580-00			
X- 16	*Washer, Eccentric	74-11123-00			
X- 17	*Spring Backstop	74-11426-00			
X- 18	*Washer, Split Lock No. 8 (added)	90-06690-00	LA120		
			00114		
19	*Ribbon Bearing Drive Assembly (added)	70-17345-00	LA120		
			00114		

X = Purchasable Parts from IBG (See Green Section)

FIG. & ITEM NO.	DESCRIPTION	DEC PART NO.	ECO CUT-IN LA120 00041	USED ON CODE	REF FIG NO.
12- X-	E.I.A. CABLE ASSEMBLY	70-15386-0J			1
X- 1	*Connector, (P1) Socket Housing 40 Pin	12-11206-00			
2	*Strain Relief (deleted)	12-15205-00			
	*Strain Relief (added)	12-18183-00	70-15386 00001		
3	*Strain Relief (deleted)	12-15206-00	70-15386 00001		
4	*Plate, E.I.A. Connector	74-20337-00			
X- 5	*Screw, Lock Assembly No. 4-40 (deleted)	90-08451-00			
	*Screw, Lock Assembly No. 4-40 (added)	90-08451-02	70-15386 00001		
6	*Label, Identification (deleted)	90-09255-00			
	*Label, I.D. (added)	36-16073-00	00128		

X = Purchasable Parts from IBG (See Green Section)



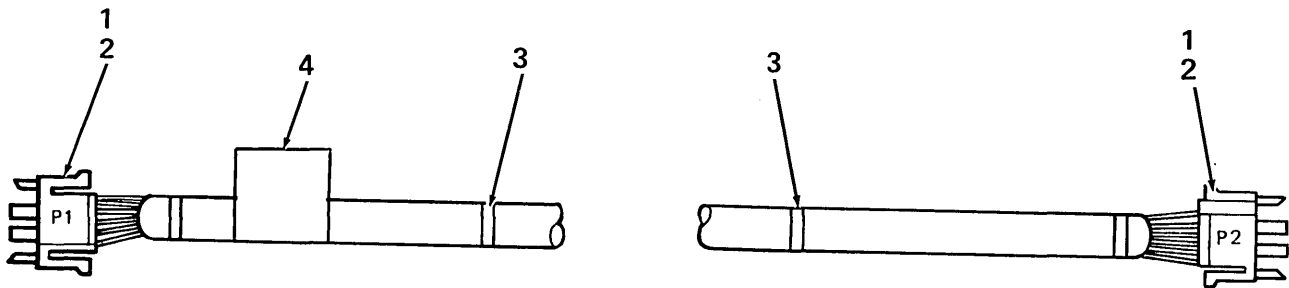
LA120-12

Figure 12. E.I.A. Cable Assembly



FIG. & ITEM NO.	DESCRIPTION	DEC PART NO.	ECO CUT-IN 70-15408 00000	USED ON CODE	REF FIG NO.
13- X	LOGIC POWER HARNESS ASSEMBLY	70-15408-00			1
1	*Connector, (P1, P2) Housing 6 Pin Mate-N-Lok	12-12167-06			
X- 2	*Terminal, (P1, P2) Socket Contact	12-12170-00			
X- 3	*Cable Tie	90-07031-00			
4	*Label, "I.D." (added)	36-16073-00	LA120 00122		

X = Purchasable Parts from IBG (See Green Section)

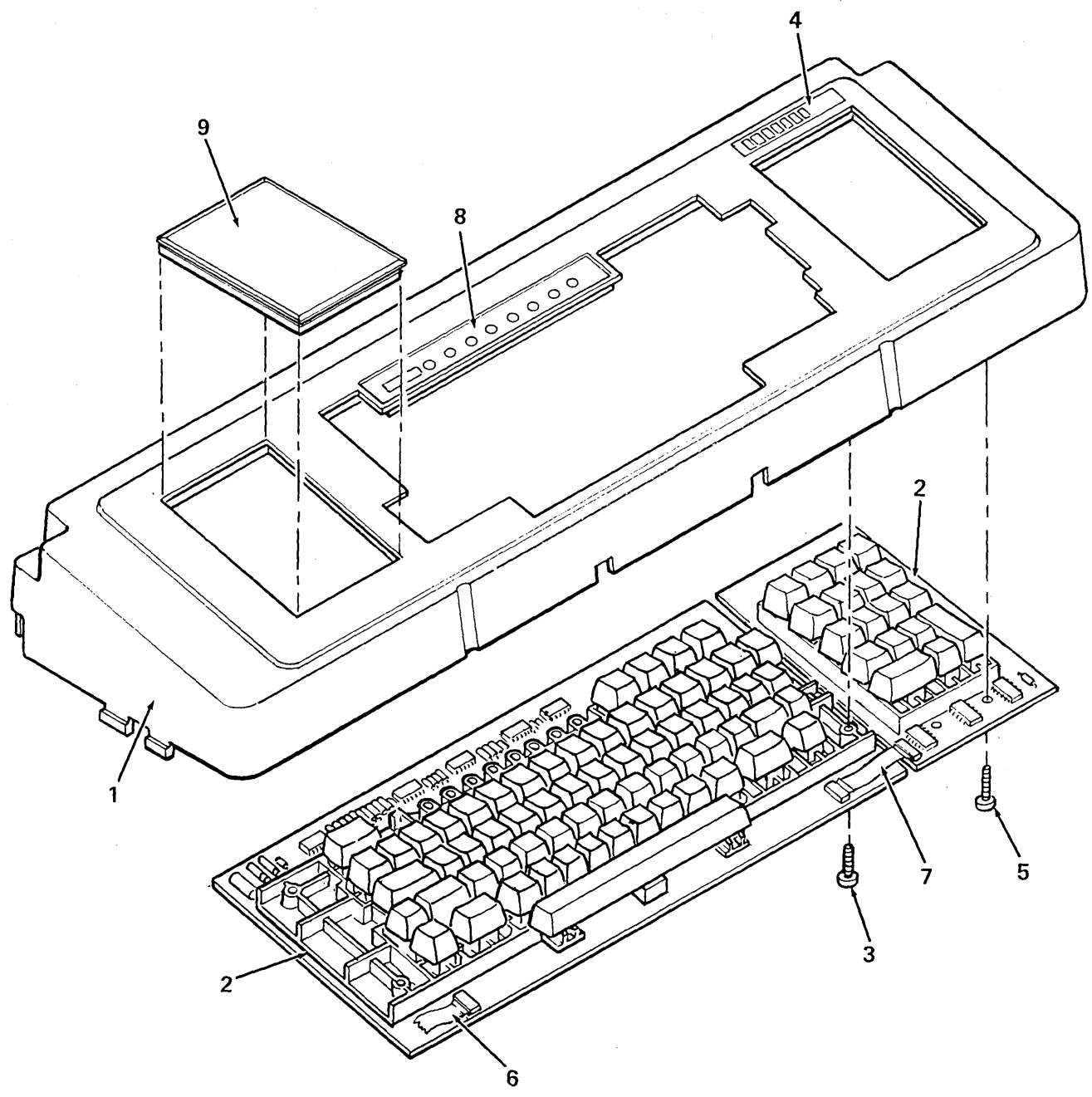


LA120-13

Figure 13. Logic Power Harness Assembly







LA120-14

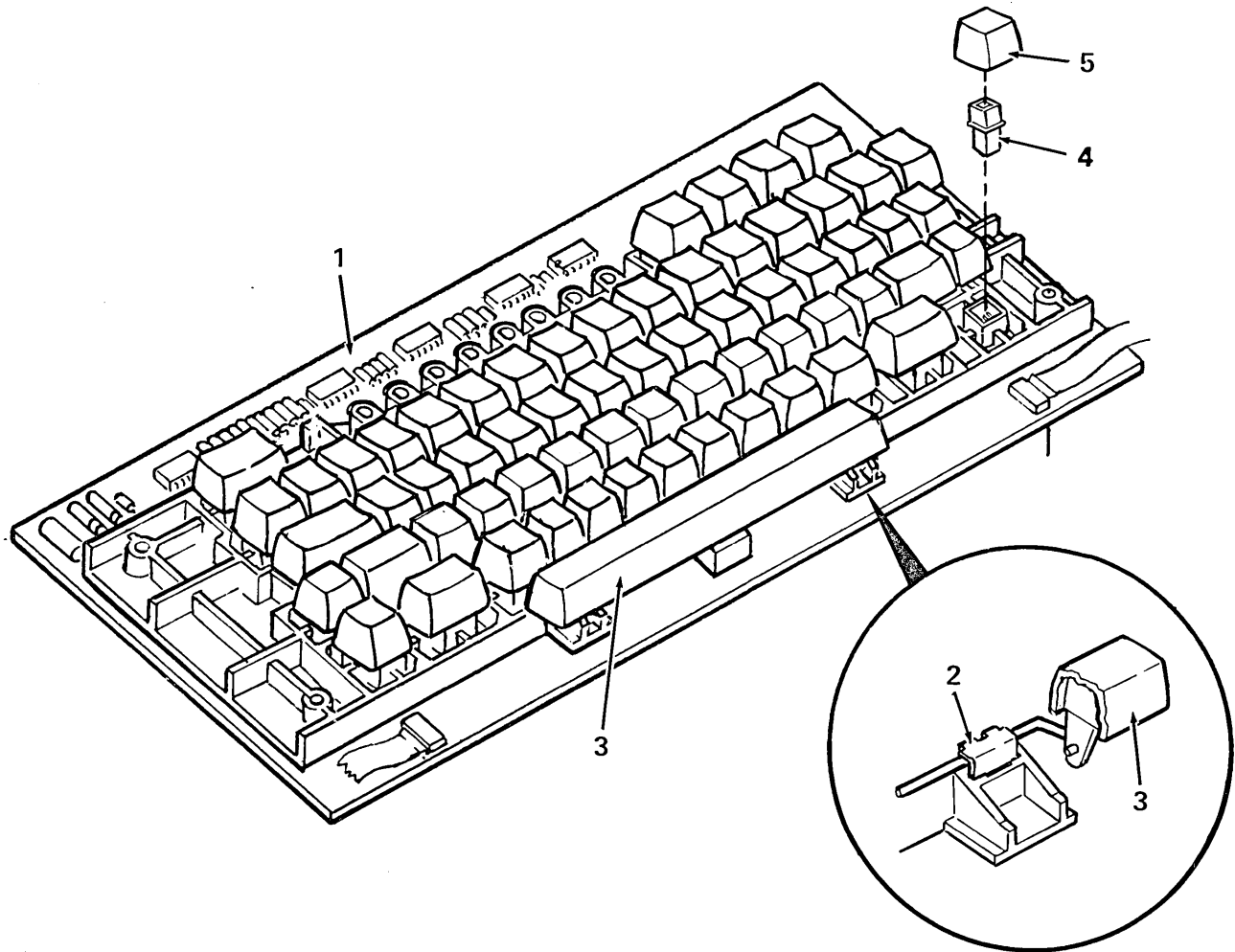
Figure 14. Keyboard Bezel Assembly

FIG. & ITEM NO.	DESCRIPTION	DEC PART NO.	ECO CUT-IN LA120 00023	USED ON CODE	REF FIG NO.
14-	KEYBOARD BEZEL ASSEMBLY W/O Numeric Pad	70-15276-00		AE	1
X-	KEYBOARD BEZEL ASSEMBLY W/Numeric Pad	70-15276-01		BCD	1
X- 1	* Bezel, Keyboard	12-14563-00			
X- 2	*KEYBOARD/KEYCAP ASSEMBLY (deleted)	70-15763-00		AE	15
	*KEYBOARD/KEYCAP ASSEMBLY (added)	70-17630-00	00142	AE	15A
	*KEYBOARD/KEYCAP ASSEMBLY (deleted)	70-15764-00		BCD	16
	*KEYBOARD/KEYCAP ASSEMBLY (added)	70-17630-01	00142	BCD	15A
3	*Screw, Hex Hd No. 8-18 x 3/4	90-10083-01			
4	* Logo	36-15684-00			
5	*Screw, Slotted Hex Hd No. 8-18 x 1/2	90-10083-00		BCD	
X- 6	*Cable Assembly	17-00120-00			
7	*Cable Assembly (deleted)	17-00119-00	00142	BCD	
X- 8	* Legend Strip	36-15683-00			
X- 9	*Closure, Options	12-15053-00			

X = Purchasable Parts from IBG (See Green Section)

FIG. & ITEM NO.	DESCRIPTION	DEC PART NO.	ECO CUT-IN LA120 00021	USED ON CODE	REF FIG NO.
15- X-	KEYBOARD/KEYCAP ASSEMBLY (deleted) See Figure 15A	70-15763-00	00142	A E	14
1	*Keyboard Module Assembly	54-12642-00			
2	*Clip, Equalizer Bar (deleted)	74-20120-00			
X- 2	*Clip, Equalizer Bar (added)	74-24160-00	70-15763 00001		
X- 3	*Space Bar Assembly	70-15050-00			
X- 4	*Adapter, Keycap (deleted)	12-14332-00	70-15763 00002		
X- 5	*Keycaps (Set)	12-14333-64			

X = Purchasable Parts from IBG (See Green Section)



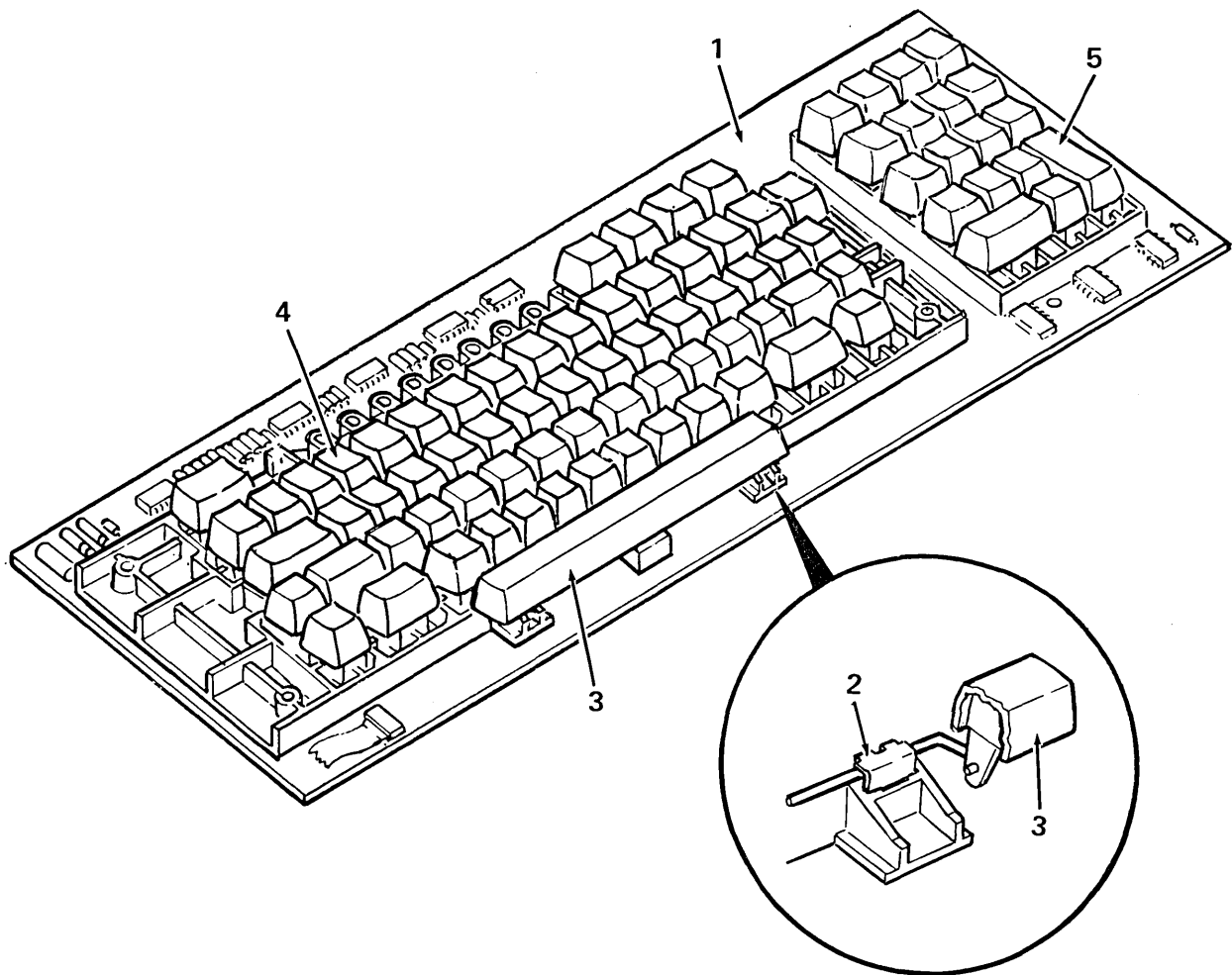
LA120-16

Figure 15. Keyboard/Keycap Assembly



FIG. & ITEM NO.	DESCRIPTION	DEC PART NO.	ECO CUT-IN LA120 00142	USED ON CODE	REF FIG NO.
15A-	KEYBOARD/KEYCAP ASSEMBLY (added)	70-17630-00		AE	14
	KEYBOARD/KEYCAP ASSEMBLY (added)	70-17630-01	00142	BCD	14
1	*Keyboard Module Assembly	54-13425-00			
X- 2	*Clip, Equalizer Bar	74-24160-00			
X- 3	*Space Bar Assembly	70-15050-00			
X- 4	*Keycap (Set)	12-14333-64			
X- 5	*Keycap (Set)	12-14333-91		BCD	

X = Purchasable Parts from IBG (See Green Section)



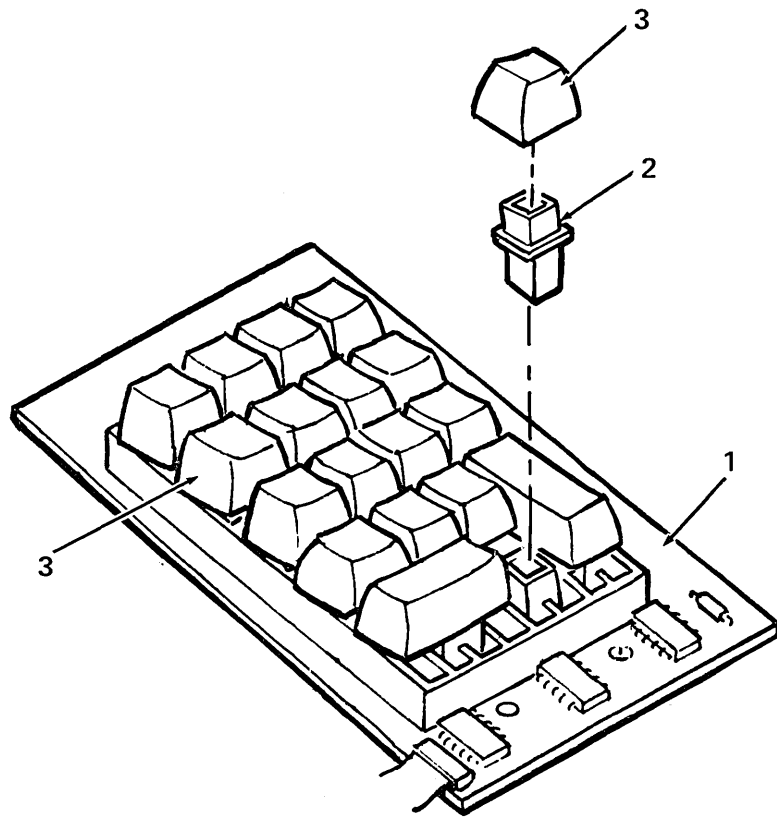
LA120-15A

Figure 15A. Keyboard/Keycap Assembly



FIG. & ITEM NO.	DESCRIPTION	DEC PART NO.	ECO CUT-IN 70-15764 00000	USED ON CODE	REF FIG NO.
16- X	KEYBOARD/KEYCAP ASSEMBLY (deleted)	70-15764-00	LA120 00142	BCD	14
1	*Keypad Module Assembly	54-12644-00			
X- 2	*Adapter, Keycap (deleted)	12-14332-00	00001		
X- 3	*Keycap (Set)	12-14333-91			

X = Purchasable Parts from IBG (See Green Section)



LA120-17

Figure 16. Keypad/Keycap Assembly





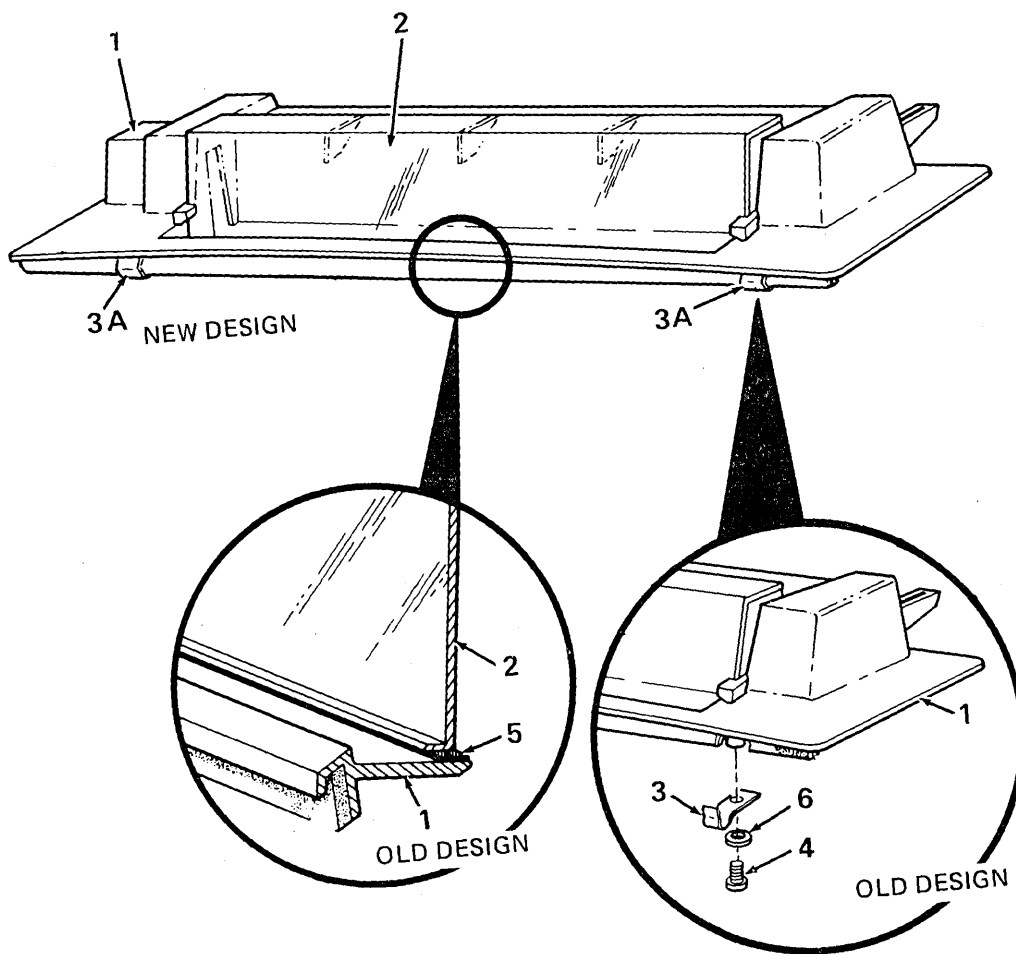


Figure 17. Cover Assembly

LA180-14

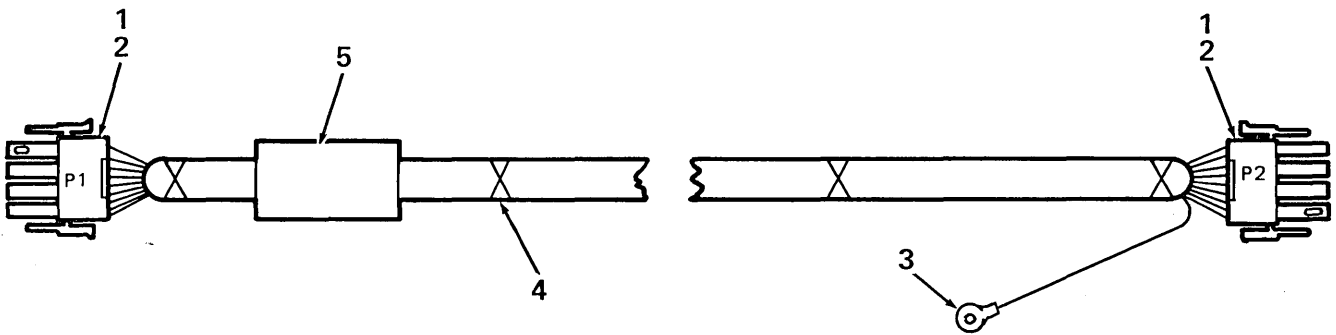
IPB-LA120

FIG. & ITEM NO.	DESCRIPTION	DEC PART NO.	ECO CUT-IN 70-10758 00000	USED ON CODE	REF FIG NO.
17- X-	COVER ASSEMBLY	70-10758-00			1
X- 1	*Cover Sub Assembly	70-11447-00			
X- 2	*Window, Print	12-12009-00			
3	*Clip, Cover (deleted)	74-11818-00			
X- 3A	*Clip, Cover (added)	12-15010-00	LA120 00109		
4	*Screw, Phi Pan Hd No. 6-18 x .33 (deleted)	90-09622-01	LA120 00109		
5	*Tape, Double Coated 1/2 x 1/32	90-07834-00			
X- 6	*Washer, Flat (deleted)	90-06653-00	LA120 00109		

X = Purchasable Parts from IBG (See Green Section)

FIG. & ITEM NO.	DESCRIPTION	DEC PART NO.	ECO CUT-IN LA120 00091	USED ON CODE	REF FIG NO.
18-X-	POWER SUPPLY HARNESS ASSEMBLY (added)	70-16537-00	00090	D, E	1
1	*Connector, (P1, P2) Pin Housing 12 Pin Mate-N-Lok	12-12167-03			
X- 2	*Terminal, (P1, P2) Contact	12-12170-00			
3	*Terminal, Ring	90-07928-00			
X- 4	*Cable Tie	90-07031-00			
5	*Label, Identification	36-16073-00			

X = Purchasable Parts from IBG (See Green Section)



LA120-18

Figure 18. Power Supply Harness Assembly



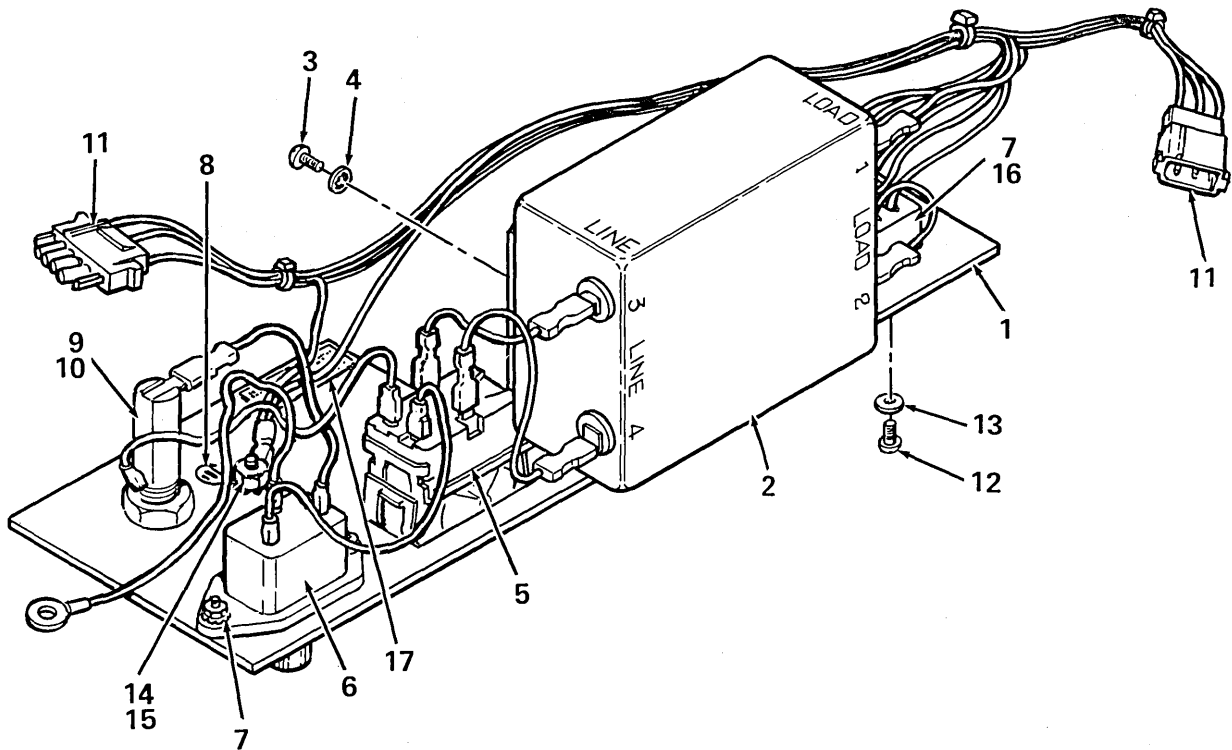


Figure 19. Power Entry Switcher Assembly

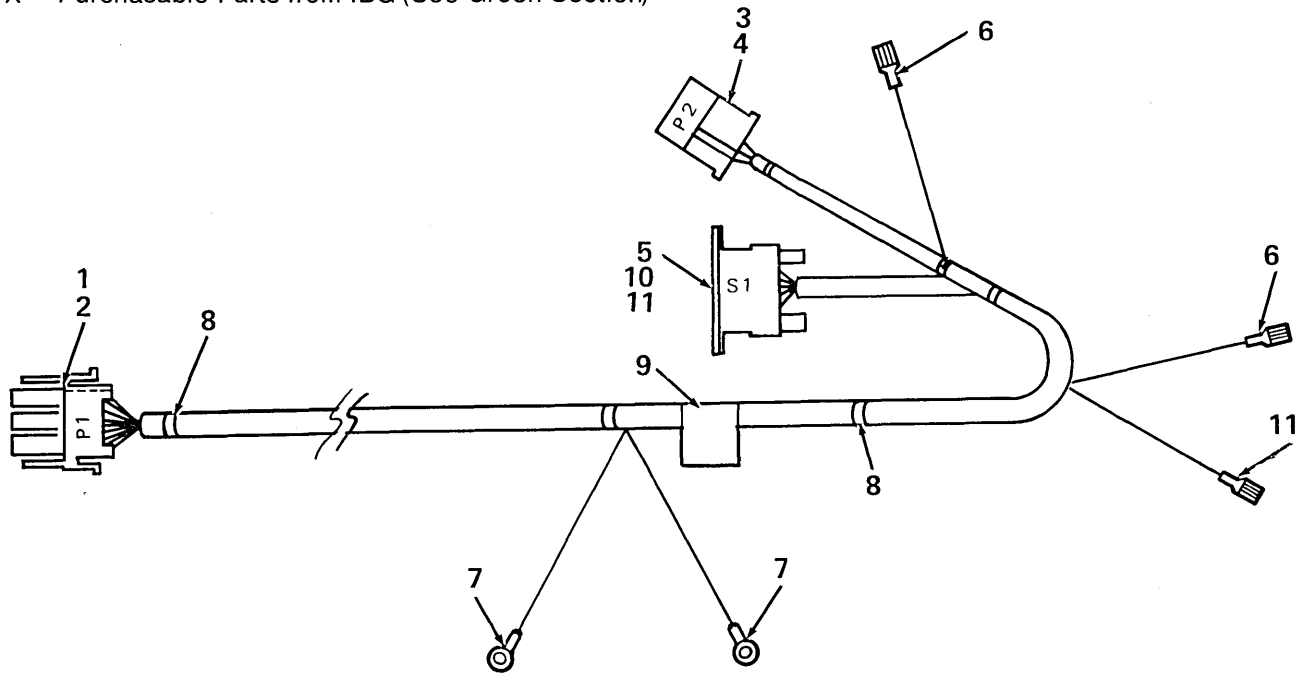
LA120-19

FIG. & ITEM NO.	DESCRIPTION	DEC PART NO.	ECO CUT-IN 70-16530 00000	USED ON CODE	REF FIG NO.
19- X-	POWER ENTRY SWITCHER ASSEMBLY (added)	70-16530-00	LA120 00090	D,E	1
1	*Bracket, Power Entry Mounting	74-20162-01			
X- 2	*Filter, Line 5A, 125/250V	12-16297-00			
X- 3	*Screw, Phi Pan Hd No. 6-32 x .31 (deleted)	90-06021-01	00005		
X- 4	*Washer, Internal Tooth Lock No. 6 (deleted)	90-06633-00			
X- 5	*Switch, Rocker DPST	12-14545-00			
6	*Connector, Power Receptacle (3 Contact)	12-13773-00			
X- 7	*Nut, Kep No. 4-40	90-06557-00			
8	*Decal, Ground	36-12680-01			
X- 9	*Fuse Holder (deleted)	12-12893-00			
	*Fuse Holder (added)	12-16391-01	00002		
X- 10	*Fuse, 6A Slo-Blow 250V	90-07999-00			
11	*POWER ENTRY HARNESS ASSEMBLY	70-16529-00			20
X- 12	*Screw, Phi Pan Hd No. 4-40 x .25 (deleted)	90-08301-01	00002		
X- 13	*Washer, Nylon (deleted)	90-06706-00	00002		
X- 14	*Washer, External Tooth Lock No. 8	90-08151-00			
X- 15	*Nut, Kep No. 8-32	90-06563-00			
X- 16	*Switch, Slide (added)	12-16901-00	00002		
17	*Label, "Tractor Feed" (added)	36-18497-01	00004		
18	*Screw, Sems Washer Hd No. 6-32x3/8 (added)	90-06453-00	00005		

X = Purchasable Parts from IBG (See Green Section)

FIG. & ITEM NO.	DESCRIPTION	DEC PART NO.	ECO CUT-IN 70-16529 00000	USED ON CODE	REF FIG NO.
20-	POWER ENTRY HARNESS ASSEMBLY	70-16529-00			19
1	*Connector, (P1) Universal Plug 9 Pin	12-12167-04			
X- 2	*Terminal, (P1) Contact	12-12170-00			
X- 3	*Connector, (P2) Socket 3 Pin Housing	12-10821-03			
X- 4	*Terminal, (P2) Socket	12-09379-00			
X- 5	*Switch, (S1) Slide (TPDT) (deleted) (See Note)	12-14155-03	00001		
6	*Terminal, Quick Disconnect (deleted)	90-10004-01			
	*Terminal, Quick Disconnect (Red) (added)	12-17000-00	LA120 00107		
7	*Terminal, Ring (Blue)	90-07928-00			
X- 8	*Cable Tie (deleted)	90-07031-00			
	*Cable Tie (added)	90-10190-00	00002		
9	*Label, I.D. (added)	36-16073-00	00001		
10	*Terminal, Quick Disconnect (Blue) (added)	12-17000-01	00001		
	*Terminal, Quick Disconnect (Blue) (deleted)	12-17000-01			
	*Terminal, Quick Disconnect (added)	12-17000-05	00003		
11	*Terminal, Quick Disconnect (added)	12-17000-06	00004		
<p>Note: This Switch now being assembled at a higher assembly. See Figure 19 for new Part No.</p>					

X = Purchasable Parts from IBG (See Green Section)



LA120-20

Figure 20. Power Entry Harness Assembly





**ILLUSTRATED PARTS BREAKDOWN  
COMMENT SHEET**

Any and all comments and suggestions for correcting errors and/or additional information to improve this manual will be reviewed and researched for possible use when this manual is revised and/or reprinted. Enter your comments and suggestions in the form provided below and return to Technical Documentation.

MODEL LA120 DECwriter III

PUBLICATION NO. EK-LA120-IP-005

FIGURE NO. \_\_\_\_\_ ITEM NO. \_\_\_\_\_  
CHANGE FROM \_\_\_\_\_  
CHANGE TO \_\_\_\_\_

FIGURE NO. \_\_\_\_\_ ITEM NO. \_\_\_\_\_  
CHANGE FROM \_\_\_\_\_  
CHANGE TO \_\_\_\_\_

FIGURE NO. \_\_\_\_\_ ITEM NO. \_\_\_\_\_  
CHANGE FROM \_\_\_\_\_  
CHANGE TO \_\_\_\_\_

FIGURE NO. \_\_\_\_\_ ITEM NO. \_\_\_\_\_  
CHANGE FROM \_\_\_\_\_  
CHANGE TO \_\_\_\_\_

FIGURE NO. \_\_\_\_\_ ITEM NO. \_\_\_\_\_  
CHANGE FROM \_\_\_\_\_  
CHANGE TO \_\_\_\_\_

FIGURE NO. \_\_\_\_\_ ITEM NO. \_\_\_\_\_  
CHANGE FROM \_\_\_\_\_  
CHANGE TO \_\_\_\_\_

ADDITIONAL COMMENT(S)

Please describe your position. \_\_\_\_\_

Name \_\_\_\_\_ Organization \_\_\_\_\_

Street \_\_\_\_\_ Department \_\_\_\_\_

City \_\_\_\_\_ State \_\_\_\_\_ Zip or Country \_\_\_\_\_

-----  
Fold Here  
-----

-----  
Do Not Tear - Fold Here and Staple  
-----

**digital**



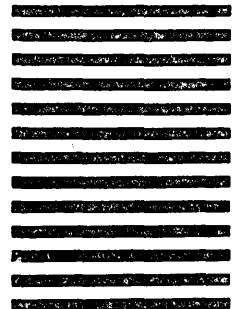
**No Postage  
Necessary  
if Mailed in the  
United States**

**BUSINESS REPLY MAIL**

FIRST CLASS PERMIT NO. 33 MAYNARD, MA

POSTAGE WILL BE PAID BY ADDRESSEE

**Digital Equipment Corporation  
Educational Services  
129 Parker Street, PK03-2/H31  
Maynard, MA 01754**



**digital**

**SELF-MAINTENANCE  
PURCHASABLE  
PARTS LIST**

**LA120**



**ORDERING INFORMATION**

Parts listed in the Illustrated Parts Breakdown (IPB) section prefixed by (X) may be purchased from Digital's Installed Base Group (IBG)

Some parts may not be available. Refer to the next higher assembly within this IPB. For information about availability, delivery, and pricing, call Product Demand Quote (PDQ) at number listed below.

**Phone**

Direct-To-Factory Ordering  
Toll Free Telephone

Continental U.S. and Puerto Rico  
Call 800-258-1710 (8:30 a.m. to 6:00 p.m. ET)

Alaska, Hawaii and New Hampshire  
Call 603-884-6660 (8:30 a.m. to 6:00 p.m. ET)

International see page A-17

**Direct Mail**

Direct Mail Ordering

U.S. Customers

Digital Equipment Corporation  
P.O. Box CS2008  
Nashua, NH 03061

International Customers

Digital Equipment Corporation  
IBG Business Manager  
c/o Digital's local subsidiary  
See page A-17

**SELF-MAINTENANCE  
PURCHASABLE PARTS LIST**





**SELF-MAINTENANCE  
PURCHASABLE PARTS LIST**

<u>TABLE OF CONTENTS</u>	<u>PAGE</u>
How to Order	Preceding Page
Recommended Spare Parts List	A-1
Components	A-1
Miscellaneous Hardware	A-4
Spares Kits	A-7
Tools	A-8
Maintenance Documentation	A-9/10
Supporting Products Guide	A-12
• Supplies	
• Accessories	
Digital Support Services	A-17
Digital Repairs and Customer Returns	A-18
Listing of International Offices	A-19
New Maintenance Literature from Digital	A-23



CATEGORY - RECOMMENDED SPARE PARTS LIST

The following is a list of loose piece spare parts which provide a 98% Level of Service (LOS).

To obtain information regarding spares supported by Digital's Installed Base Group contact your Digital representative for a Maintenance Products Recommendation (MPR). The MPR provides specific Level of Service (LOS) offerings (i.e., 98%, 95%, 90%, 80%, 70%) and is subdivided by categories as follows:

- o Recommended Spare Parts (Modules/Subassemblies)
- o Components (I.C.s, Transistors, etc.)
- o Tools and Test Equipment
- o Preventive Maintenance Parts
- o Hardware Documentation
- o Supplies (Printer ribbons, Magnetic media, etc.)

CATEGORY - COMPONENTS

Components are provided to those self-maintenance people who repair equipment to the component level. Components such as resistors, capacitors, transistors, diodes, transformers and integrated circuits are available through Digital Accessories and Supplies.

RECOMMENDED SPARE PARTS LIST

NO	PKG QTY	PART NUMBER	DESCRIPTION	VISUAL REFERENCE SEE IPB		COMMENTS
				FIG NO	ITEM NO	
1	1	H7110-00	POWER SUPPLY ASSEMBLY 120V 60HZ	1	28	NOTE 1
2	1	H7150-00	POWER SUPPLY ASSEMBLY 120/240V 50/60HZ	1	28	NOTE 1
3	1	M7081-00	PRINTER AND LOGIC MODULE ASSEMBLY	1	14	
4	10	10-01610-01	CAPACITOR, .01 MFD DISK	10	13	
5	1	10-10031-06	CAPACITOR, .68 MFD	10	13	
6	10	10-12607-04	270 MFD 40V + 100-10% AL	N/S	N/S	
7	1	10-14260-02	2100 MFD 40V + 75-10% AL	N/S	N/S	
8	1	10-14260-03	8200 MFD 6.3V + 75-10% AL	N/S	N/S	
9	1	10-16117-00	1600 MFD 200V + 50-10% AL	N/S	N/S	
10	1	10-16233-00	14.000 MFD 28V 20% AL	N/S	N/S	
11	10	11-10864-00	LED 2MCD@10MA	N/S	N/S	
12	1	11-14589-00	LED, 4-DIGIT, 10MA, 3V, RED	N/S	N/S	
13	10	12-09070-00	FUSE, SUB-MINI, 5.000A, 125V	N/S	N/S	
14	10	12-09379-00	TERMINAL, (P2) PIN CONTACT	4-20	4	
15	10	12-10821-03	CONNECTOR, (P2) PIN HOUSING 3 PIN MATE-N-LOK	4-20	3	
16	10	12-11067-02	CLOSURE, TUBING	1	2	
17	1	12-11206-00	CONNECTOR, (P1) SOCKET HOUSING 40 PIN	12	1	
18	1	12-11583-00	BELT TIMING .200 PITCH LGTH .4	5	55	
19	10	12-11649-00	BEARING, SELF-ALIGNING	11	2	
20	1	12-11650-00	BEARING	11	6	
21	10	12-11656-00	GEAR, 48 TOOTH	7	2	
22	1	12-11662-04	TRACTOR, L.H. W/LOCK	5	6	
23	1	12-11662-05	TRACTOR, R.H. W/LOCK	5	5	
24	1	12-12008-00	RIBBON SPOOL, (EMPTY)	1	N/S	
25	1	12-12009-00	WINDOW, PRINT	17	2	
26	10	12-12167-01	CONNECTOR, (P1) SOCKET HOUSING 4 PIN MATE-N-LOK	4	1	
27	10	12-12170-00	TERMINAL, (P1) SOCKET CONTACT	20-4	2-8	
28	1	12-12255-00	SWITCH, PUSHBUTTON (SPST)	6-6A	28	
29	1	12-12255-01	SWITCH, INTERLOCK	5	53	
30	1	12-12446-00	PULLEY, TIMING	11	10	
31	1	12-12544-00	CARRIAGE	9A-9B	1	
32	1	12-12580-00	GUARD, FAN	1	9	
33	1	12-12581-00	FAN	1	12	
34	1	12-12877-00	FILTER, LINE	3	2	
35	1	12-12893-00	FUSE HOLDER, RECEPTACLE	3-19	9	
36	10	12-13365-02	SHIELD, HEAT	5	42	
37	1	12-14155-03	SWITCH, (S1) SLIDE (TPDT)	20	5	
38	10	12-14332-00	ADAPTER, KEYCAP	15-16	4-2	
39	1	12-14333-64	KEYCAP (SET)	15-15A	5-4	
40	1	12-14333-91	KEYCAP (SET)	15A-16	5-3	
41	1	12-14545-00	SWITCH, ROCKER DPSTS (S1)	3-19	5	
42	1	12-14563-00	BEZEL, KEYBOARD	14	1	
43	1	12-15050-00	SPEAKER	1	25	
44	10	12-15053-00	CLOSURE, OPTIONS	14	9	
45	1	12-15239-00	PULLEY, 20 TOOTH MOTOR	10	6	

N/S Not Shown

A210

NOTE 1 = H7110 AND H7150 ARE NOT INTERCHANGABLE. MAJOR REWORK WOULD BE REQUIRED TO INTERCHANGE THESE POWER SUPPLIES.

NOTE 7 = DEC REPAIRABLE

RECOMMENDED SPARE PARTS LIST (Cont)

NO	PKG QTY	PART NUMBER	DESCRIPTION	VISUAL REFERENCE SEE IPB		COMMENTS
				FIG NO	ITEM NO	
46	1	12-15336-00	CONN, TEST, W/BALL CHAIN	N/S	N/S	
47	1	12-16297-00	FILTER, LINE 5A, 125/250V	19	2	
48	1	12-16462-02	TRACTOR, (PAIR)	5	6	NOTE 2
49	1	12-16901-00	SWITCH, SLIDE	19	16	
50	1	12-18685-02	TRACTORS (PAIR)	N/S	N/S	NOTE 2
51	1	16-15099-00	TRANSFORMER P=120 S=180 .1A	N/S	N/S	
52	1	17-00083-07	POWER CORD	1	45	
53	1	17-00107-01	HEAD CABLE ASSEMBLY	1	33	
54	1	17-00120-00	CABLE ASSEMBLY	14	6	
55	1	21-13108-00	8080A MICRORPROCESSOR 8-	N/S	N/S	
56	1	21-14408-01	16K MOS RAM 200NS	N/S	N/S	
57	1	21-14524-01	ROM 100X14 BIT ERASABLE	N/S	N/S	
58	1	23-1E4 -00	E4-01	N/S	N/S	
59	10	36-15683-00	LEGEND STRIP			
60	10	36-15918-00	LABEL, SET-UP COMMANDS	1	N/S	
61	1	4A-LA120-UP	LA120 COMPLETE SPARES KIT 120/240V, 50/60 HZ	N/S	N/S	
62	1	54-13044-00	PWR SUPPLY, MAIN BOARD, LA120	N/S	N/S	NOTE 3
63	1	70-09694-00	IDLER GEAR ASSEMBLY	5	31	
64	1	70-09697-00	RATCHET BASE ASSEMBLY	6-6A	2	
65	1	70-10758-00	COVER ASSEMBLY	1	30	
66	1	70-11016-00	CARRIAGE ASSEMBLY	5	40	
67	1	70-11446-00	RIBBON DRIVE ASSEMBLY	5	54	
68	1	70-11447-00	COVER SUB ASSEMBLY	17	1	
69	1	70-13859-00	RIBBON CHASSIS ASSEMBLY	5	36	
70	1	70-13910-00	KEYBOARD ARRAY ASSY	N/S	N/S	
71	1	70-14533-01	PRINTER MECHANISM W/O HEAD	N/S	N/S	
72	1	70-15050-00	SPACE BAR ASSEMBLY	15-15A	3	
73	1	70-15085-00	PRINT HEAD ASSEMBLY	5	41	
74	1	70-15168-00	POWER ENTRY BRACKET ASSEMBLY (CVT)	1	22	
75	1	70-15276-01	KEYBOARD BEZEL ASSEMBLY W/NUMERIC PAD	1	42	
76	1	70-15343-00	SOLENOID ASSY	N/S	N/S	NOTE 4
77	1	70-15386-0J	E.I.A. CABLE ASSEMBLY	1	18	
78	1	70-15387-00	SWITCHES HARNESS ASSEMBLY	1	32	
79	1	70-15388-00	SERVO MOTOR ASSEMBLY	5	49	
80	1	70-15389-00	STEPPING MOTOR ASSEMBLY	5	38	NOTE 5
81	1	70-15389-01	STEPPING MOTOR ASSEMBLY	5	38	NOTE 6
82	1	70-15408-00	LOGIC POWER HARNESS ASSEMBLY	1	40	
83	1	70-15581-00	HOUSING ASSEMBLY	1	49	
84	1	70-15763-00	KEYBOARD/KEYCAP ASSEMBLY	14	2	NOTE 7
85	1	70-15764-00	KEYBOARD/KEYCAP ASSEMBLY	14	2	NOTE 7
86	1	70-16530-00	POWER ENTRY SWITCHER ASSEMBLY	1	52	
87	1	70-16537-00	POWER SUPPLY HARNESS ASSEMBLY	1	51	
88	1	70-17626-00	RIBBON CHASSIS ASSEMBLY	5	36	
89	10	74-11048-00	DRIVER, SPOOL	6-6A	18	
90	10	74-11058-01	INTERPOSER (L.H.)	6-6A	23	
91	10	74-11058-02	INTERPOSER (R.H.)	6-6A	24	

A210

N/S Not Shown

NOTE 2 = 12-18695-02 REPLACES 12-16462-02. THE 12-16462-02 ARE TO BE PHASED OUT OF MANUFACTURING.

NOTE 3 = CIRCUIT BOARD WITHIN H7110 POWER SUPPLY.

NOTE 4 = SOLENOID, PART OF PRINTHEAD.

NOTE 5 = 70-15389-01 IS GRADUALLY BEING PHASED IN MANUFACTURING. THIS IS A HEAVIER DUTY MOTOR. INITIAL AVAILABILITY MAY BE A PROBLEM. THE -01 WILL EVENTUALLY REPLACE THE 70-15389-00. EITHER ONE WILL WORK IN THE PRINTER.

NOTE 6 = TARGET AVAILABILITY OCTOBER 3.

NOTE 7 = DEC REPAIRABLE



RECOMMENDED SPARE PARTS LIST (Cont)

NO	PKG QTY	PART NUMBER	DESCRIPTION	VISUAL REFERENCE SEE IPB		COMMENTS
				FIG NO	ITEM NO	
92	1	74-11060-00	SENSOR, REVERSE	6-6A	25	
93	1	74-11068-00	SHAFT, RIBBON IDLER	11	3	
94	1	74-11075-00	SHAFT, TRACTOR DRIVE	5	3	
95	1	74-11076-00	SHAFT, TRACTOR SUPPORT	5	4	
96	1	74-11084-00	ROD, END	11	5	
97	10	74-11098-02	COLLAR, SIDE PLATE	5-6A	11-12	
98	10	74-11098-03	COLLAR, SIDE PLATE	N/S	N/S	
99	10	74-11103-00	PIVOT, RATCHET	5-6A	56-7	
100	10	74-11108-00	BUSHING, PLAIN	5	26	
101	1	74-11113-00	BRACKET, RIBBON DRIVE	11	1	
102	10	74-11115-00	SHAFT, IDLER CARRIAGE	9	2	
103	1	74-11122-00	COVER	N/S	N/S	
104	10	74-11124-00	CLAMP, COLLAR	11	11	
105	10	74-11405-00	DISK, FRICTION	6-6A	12	
106	10	74-11419-00	GUIDE, SHOE	6-6A	5	
107	10	74-11420-00	BRACKET, GEAR	7	1	
108	10	74-11425-00	BUSHING, TRACTOR SHAFT RETAINING	5	9	
109	10	74-11432-00	RATCHET WHEEL	6-6A	14	
110	1	74-11437-00	KNOB, LINE FEED	5	20	
111	10	74-11439-00	PIVOT, LOWER	5	57	
112	10	74-11440-00	GEAR, DRIVE CLUTCH	5	13	
113	10	74-11441-00	HUB, CLUTCH	5	12	
114	10	74-11575-00	SHAFT, IDLER	5	34	
115	1	74-11576-00	FRAME, RIBBON IDLER W/BUSHING	5	33	
116	10	74-11577-00	CARRIAGE, RIBBON IDLER W/BUSHING	9-9A	3-4	
117	1	74-11578-00	ECCENTRIC RIBBON W/CLUTCH	11	4	
118	1	74-12158-00	PAPER GUIDE	1	4	
119	1	74-12424-00	SWITCH, (REWORK) PAPER OUT	1	6	
120	10	74-12535-00	ADAPTER, LINE FEED	5	19	
121	10	74-12976-00	CAP, STANDOFF SPOOL	6-6A	21	
122	10	74-12977-00	STANDOFF, RIBBON SPOOL	6-6A	30	
123	10	74-13526-00	PUSHROD	11	14	
124	10	74-13672-00	OIL, RESERVOIR	5	67	
125	10	74-13698-00	WICK	5	68	
126	10	74-14835-00	BUSHING	5	26	
127	10	74-14845-00	BUSHING PLAIN REWORK	N/S	N/S	
128	1	74-15125-00	BUSHING, ECCENTRIC	9A-9B	3	
129	1	74-16219-00	STANDOFF, GEAR	7	5	
130	10	74-16402-00	CLAMP, PULLEY	10	2	
131	1	74-17937-00	BAR, PRINT	5	65	
132	10	74-18137-00	CLAMP, SHAFT	5	29	
133	1	74-18139-00	SHAFT, CARRIAGE 1/2	5	24	
134	1	74-18142-00	PLATE, SIDE (L.H.)	5	1	
135	1	74-18142-01	PLATE, SIDE (R.H.)	5	2	
136	10	74-19612-00	RIBBON RETAINER	5	41A	
137	10	74-20024-00	CLAMP, SHAFT	5	29	
138	10	74-20736-00	LEVER, GAP ADJUSTER	N/S	N/S	
139	100	90-07031-00	CABLE TIE	2	4	
140	10	90-07213-00	FUSE, SLO BLO 1.5A 250V	N/S	N/S	
141	10	90-07218-00	FUSE, 3A SLO BLOW, 250V	3	10	
142	10	90-07222-00	FUSE, SLO BLOW, 5.000A, 250V	N/S	N/S	
143	10	90-07879-00	FUSE, SLO BLOW, 2.500A, 250V	N/S	N/S	
144	10	90-07999-00	FUSE, 6A SLO BLOW 250V	19	10	
145	50	90-08836-00	TERMINAL, QUICK DISCONNECT	2-8	3-4	
146	10	90-09320-00	FUSE, SLO BLOW, Y.000A 32V	N/S	N/S	
147	10	90-09685-00	FOOT, LEVELING	1	3	
148	10	90-09830-00	GROUND STRAP	5	64	

N/S Not Shown

A210

CATEGORY - MISCELLANEOUS HARDWARE

Springs

NO	PKG QTY	PART NUMBER	DESCRIPTION	COMMENTS
1	10	12-12353-00	SPRING, COMPRESSION	
2	10	12-12510-00	SPRING, COMPRESSION	
3	10	74-11087-00	SPRING, INTERPOSER	
4	10	74-11090-00	SPRING, MAIN PAWL	
5	10	74-11105-00	SPRING, UPPER PAWL	
6	10	74-11426-00	SPRING BACKSTOP	
7	10	74-13699-00	SPRING	
8	10	74-24154-00	SPRING, RIBBON TENSION	
9	10	74-24155-00	SPRING, RETAINING BRACKET	

Washers

NO	PKG QTY	PART NUMBER	DESCRIPTION	COMMENTS
1	10	74-11061-00	WASHER, RATCHET	
2	10	74-11123-00	WASHER, ECCENTRIC	
3	10	74-11443-00	WASHER, CLUTCH	
4	50	90-06633-00	WASHER, INTERNAL TOOTH LOCK NO. 6	
5	50	90-06653-00	WASHER, FLAT NO. 6	
6	50	90-06656-00	WASHER, FLAT	
7	1	90-06668-00	WASHER, FLAT (.625 O.D. X .200 I.D. X .032)	
8	50	90-06690-00	WASHER, SPLIT LOCK NO. 8	
9	50	90-06706-00	WASHER, NYLON	
10	50	90-06707-00	WASHER, NYLON	
11	50	90-07649-00	WASHER, EXTERNAL TOOTH LOCK NO. 6	
12	50	90-07651-00	WASHER, EXTERNAL TOOTH LOCK	
13	50	90-07858-00	WASHER, (.687 O.D. X .375 I.D. X .062)	
14	50	90-08072-00	WASHER, EXTERNAL TOOTH LOCK NO. 8	
15	50	90-08151-00	WASHER, EXTERNAL TOOTH LOCK NO. 8	

Screws

NO	PKG QTY	PART NUMBER	DESCRIPTION	COMMENTS
1	10	74-14433-00	SCREW, TRACTOR LOCK	
2	50	90-06020-01	SCREW, PHL PAN HD NO. 6-32 X .25	
3	50	90-06021-01	SCREW, PHL PAN HD NO. 6-32 X .31	
4	50	90-06036-01	SCREW, PHL PAN HD NO. 8-32 X .31	
5	50	90-06037-01	SCREW, PHL PAN HD NO. 8-32 X 3/8	
6	50	90-06453-00	SCREW, SEMS HEX HD NO. 6-32 X .38	
7	50	90-08301-01	SCREW, PHL PAN HD NO. 4-40 X .25	
8	50	90-08451-00	SCREW, LOCK ASSEMBLY NO. 4-40	
9	50	90-09988-00	SCREW, HEX HD NO. 1/4-20 X 3/8	

Retaining Rings

NO	PKG QTY	PART NUMBER	DESCRIPTION	COMMENTS
2	50	90-09257-01	RETAINING RING, PUSH ON	
3	50	90-09273-00	RETAINING RING	
4	50	90-09579-00	RETAINING RING	
5	50	90-09580-00	RETAINING RING	
6	50	90-09580-02	RETAINING RING	
7	50	90-09581-00	RETAINING RING, PRONG LOCK	
8	50	90-09644-00	RETAINING RING	

Nuts

NO	PKG QTY	PART NUMBER	DESCRIPTION	COMMENTS
1	50	90-06557-00	NUT, KEP NO. 4-40	
2	50	90-06560-00	NUT, KEP NO. 6-32	
3	50	90-06563-00	NUT, KEP NO. 8-32	
4	50	90-06564-00	NUT, KEP NO. 10-32	
5	50	90-08185-00	NUT, KEP NO. 6-32	

A210

Clip

NO	PKG QTY	PART NUMBER	DESCRIPTION	COMMENTS
1	10	12-15010-00	CATCH SPRING	
2	10	74-24160-00	CLIP, EQUALIZER BAR	

Cables

Null Modem (Terminal to Host)

NO	PKG QTY	PART NUMBER	DESCRIPTION	COMMENTS
1	1	BC22D-10	10' 25 PIN FEMALE RS232 TO 25 PIN FEMALE RS232 6 COND CABLE	
2	1	BC22D-25	25' (SAME AS ABOVE)	
3	1	BC22D-35	35' (SAME AS ABOVE)	
4	1	BC22D-50	50' (SAME AS ABOVE)	
5	1	BC22D-75	75' (SAME AS ABOVE)	
6	1	BC22D-A0	100' (SAME AS ABOVE)	
7	1	BC22D-A5	150' (SAME AS ABOVE)	
8	1	BC22D-B0	200' (SAME AS ABOVE)	
9	1	BC22D-B5	250' (SAME AS ABOVE)	
10	1	BC03M-B5	250' (SAME AS ABOVE)	NOTE 1
11	1	BC03M-E0	500' (SAME AS ABOVE)	NOTE 1
12	1	BC03M-L0	1000' (SAME AS ABOVE)	NOTE 1

NOTE 1 = BC03M-B5, E0, L0 ARE DESIGNED FOR CONDUIT INSTALLATIONS.

Asynchronous Modem Or EIA Extension

NO	PKG QTY	PART NUMBER	DESCRIPTION	COMMENTS
1	1	BC22E-10	10' 25 PIN MALE RS232 TO 25 PIN FEMALE RS232 16 COND CABLE	
2	1	BC22E-25	25' (SAME AS ABOVE)	
3	1	BC22E-35	35' (SAME AS ABOVE)	
4	1	BC22E-50	50' (SAME AS ABOVE)	
5	1	BC22E-75	75' (SAME AS ABOVE)	
6	1	BC22E-A0	100' (SAME AS ABOVE)	
7	1	BC22E-A5	150' (SAME AS ABOVE)	
8	1	BC22E-B0	200' (SAME AS ABOVE)	
9	1	BC22E-B5	250' (SAME AS ABOVE)	

Asynchronous Or Synchronous Modem Or 25 Cond EIA Applications

NO	PKG QTY	PART NUMBER	DESCRIPTION	COMMENTS
1	1	BC22F-10	10' 25 PIN MALE RS232 TO 25 PIN FEMALE RS232 25 COND CABLE	
2	1	BC22F-25	25' (SAME AS ABOVE)	
3	1	BC22F-35	35' (SAME AS ABOVE)	
4	1	BC22F-50	50' (SAME AS ABOVE)	
5	1	BC22F-75	75' (SAME AS ABOVE)	
6	1	BC22F-A0	100' (SAME AS ABOVE)	
7	1	BC22F-A5	150' (SAME AS ABOVE)	
8	1	BC22F-B0	200' (SAME AS ABOVE)	
9	1	BC22F-B5	250' (SAME AS ABOVE)	

A210



CATEGORY - SPARES KIT

Spares kits have been designed to support many of the popular Digital hardware devices and provide an economical and efficient means of sparing for self-maintenance customers. The kit approach to purchasing spare parts hardware has several advantages.

Spares kits are engineer designed to:

- o Contain the right mix and quantity of parts required for initial inventory.
- o Provide up to 90% Level of Service (LOS).
- o Supply parts for up to ten devices for a period of up to one year.

Spares kits provide a cost effective method of:

- o Obtaining initial spares with confidence.
- o Realizing savings of kits versus loose piece purchases.
- o Providing a portable on-site inventory for fast repair by swapping the defective part.

In addition, normal delivery for spares kits is off-the-shelf. Current delivery status may be obtained through your local Digital sales office.

LA120 SPARES KIT 120V/60HZ  
ORDERING PART NUMBER 4A-LA120-AA

Spares kit contents:

NO	PKG QTY	PART NUMBER	DESCRIPTION	VISUAL REFERENCE SEE IPB		COMMENTS
				FIG NO	ITEM NO	
1	1	M7081-00	PRINTER AND LOGIC MODULE ASSEMBLY	1	14	
2	10	11-10864-00	LED 2 MCD @ 10 MA	N/S	N/S	
3	10	12-09070-00	FUSE, SUBMINI, 5.00A, 125V	N/S	N/S	
4	1	12-11583-00	BELT, TIMING	5	55	
5	1	12-11662-04	TRACTOR, L.H. W/LOCK	5	6	
6	1	12-11162-05	TRACTOR, R.H. W/LOCK	5	5	
7	1	12-12255-01	SWITCH, INTERLOCK	5	53	
8	1	12-12581-00	FAN	1	12	
9	1	54-13044-00	POWER SUPPLY, MAIN BD.	N/S	N/S	
10	1	70-09694-00	IDLER GEAR ASSEMBLY	5	31	
11	1	70-11446-00	RIBBON DRIVE ASSEMBLY	5	54	
12	1	70-13859-00	RIBBON CHASSIS ASSEMBLY	5	36	
13	1	70-15085-00	PRINT HEAD ASSEMBLY (NFR)	5	41	
14	1	70-15168-00	POWER ENTRY BRACKET ASSEMBLY (CVT)	1	22	
15	1	70-15388-00	SERVO MOTOR ASSEMBLY	5	49	
16	1	70-15389-00	STEPPING MOTOR ASSEMBLY	5	38	
17	1	70-15763-00	KEYBOARD/KEYCAP ASSEMBLY	14	2	
18	1	74-12424-00	SWITCH, (REWORK) PAPER OUT	1	6	
19	10	90-07213-00	FUSE, SLO BLOW 1.5A, 250V	N/S	N/S	
20	10	90-07218-00	FUSE, 3A SLO BLOW, 250V	3	10	
21	10	90-07222-00	FUSE, SLO BLOW 5.000A, 250V	N/S	N/S	
22	10	90-07879-00	FUSE, SLO BLOW 2.50A, 250V	N/S	N/S	
23	1	EK-LA120-PS	LA120 MINI MAIN GUIDE	N/S	N/S	

N/S Not Shown

A210

-LA120 SPARES KIT 120/240V, 50/60HZ

ORDERING PART NUMBER 4A-LA120-UP

Spares kit contents:

NO	PKG QTY	PART NUMBER	DESCRIPTION	VISUAL REFERENCE SEE IPB		COMMENTS
				FIG NO	ITEM NO	
1	1	H7150-00	POWER SUPPLY ASSEMBLY 120/240V 50/60HZ	1	28	NOTE 7
2	1	M7081-00	PRINTER AND LOGIC MODULE ASSEMBLY	1	14	NOTE 7
3	10	11-10864-00	LED 2 MCD @ 10 MA	N/S	N/S	
4	10	12-09070-00	FUSE, SUBMINI 5.0A 125V	N/S	N/S	
5	1	12-11583-00	BELT, TIMING	5	55	
6	1	12-11662-04	TRACTOR, L.H. W/LOCK	5	6	
7	1	12-11662-05	TRACTOR, R.H. W/LOCK	5	5	
8	1	12-12255-01	SWITCH, INTERLOCK	5	53	
9	1	12-12581-00	FAN	1	12	
10	1	70-09694-00	IDLER GEAR ASSEMBLY	5	31	
11	1	70-11446-00	RIBBON DRIVE ASSEMBLY	5	54	
12	1	70-13859-00	RIBBON CHASSIS ASSEMBLY	5	36	
13	1	70-15085-00	PRINT HEAD ASSEMBLY (NFR)	5	41	
14	1	70-15388-00	SERVO MOTOR ASSEMBLY	5	49	
15	1	70-15389-00	STEPPING MOTOR ASSEMBLY	5	38	
16	1	70-15763-00	KEYBOARD/KEYCAP ASSEMBLY	14	2	NOTE 7
17	1	74-12424-00	SWITCH, (REWORK) PAPER OUT	1	6	
18	10	90-07879-00	FUSE, SLO BLOW 2.5A, 250V	N/S	N/S	
19	10	90-07999-00	FUSE, 6A SLO BLOW 250V	19	10	
20	10	90-09320-00	FUSE, SLO BLOW 6.0A, 32V	N/S	N/S	
21	1	EK-LA120-PS	LA120 MINI MAIN GUIDE	N/S	N/S	

N/S Not Shown  
NOTE 7 = DEC REPAIRABLE

CATEGORY - TOOLS

STKIT -(SYSTEMS TERMINAL TOOL KIT)

The Systems Terminal Tool Kit is designed to fill the requirements of maintenance personnel who work primarily on small systems and their options, such as hard copy printers and video terminals. A wide assortment of tools, ohm meter, and parts box are all contained within the lightweight, compact, easy to carry zipper pouch.

SYSTEMS TERMINAL TOOL KITS

ORDERING PART NUMBERS STKIT-AA (60 Hz)  
STKIT-AB (50 Hz)

NO.	PKG QTY	PART NUMBER	DESCRIPTION	COMMENTS
1	1	29-10093-00	ACID BRUSH	
2	1	29-10116-00	ELECTRICAL TAPE 3/4"	
3	1	29-10123-00	30 GAUGE WIRE DISPENSER WITH CUTTER-STRIPPER	
4	1	29-10133-00	SOLDER	
5	1	29-10135-00	#2 SCREW STARTER	
6	1	29-10143-00	ALIGNMENT TOOL, POT TRIM	
7	1	29-10144-00	ALIGNMENT TOOL, POT TRIM	
8	1	29-10147-00	OILER	
9	1	29-10149-00	PUNCH	
10	1	29-10150-00	PUNCH	
11	1	29-10151-00	PLASTIC PARTS BOX	
12	1	29-10205-00	FEELER GAUGE SET	
13	1	29-10206-00	CUTTER, DIAGONAL WIRE	
14	1	29-10236-00	PLIER, SHORT CHAIN NOSE	
15	1	29-10237-00	SOLDERING IRON, 22A, 30W, 120V	See Note 1
16	1	29-10238-00	4" ADJUSTABLE WRENCH	
17	1	29-10239-00	SOLDERING TIP	
18	1	29-10240-00	SOLDERING TIP	
19	1	29-10248-00	BURNISHER, CONTACT	
20	1	29-10268-00	SPLINE SET	
21	1	29-10310-00	KNIFE, XACTO	
22	1	29-10311-00	UTILITY PLIER	
23	1	29-10315-00	WRAP/UNWRAP TOOL	
24	1	29-10459-00	SCREWDRIVER, REGULAR POCKET	
25	1	29-10482-00	HEX KEY SET	
26	1	29-10519-00	SCREWDRIVER, PHILLIPS POCKET	
27	1	29-10562-00	DRIVER HANDLE	
28	1	29-10569-00	SOLDER AID	
29	1	29-10570-00	MAGNETIC PICKUP	
30	1	29-10571-00	SOLDERING TIP	
31	1	29-10572-00	JUNIOR DRIVER HANDLE	
32	1	29-10637-00	NUTDRIVER 3/16"	

Note 1: Contained only in the STKIT-AA Tool Kit.

A210

NO.	PKG QTY	PART NUMBER	DESCRIPTION	COMMENTS
33	1	29-10644-00	NUTDRIVER 7/32"	
34	1	29-10664-00	NUTDRIVER 1/4"	
35	1	29-10667-00	NUTDRIVER 9/32"	
36	1	29-10673-00	NUTDRIVER 5/16"	
37	1	29-10674-00	NUTDRIVER 11/32"	
38	1	29-10677-00	NUTDRIVER 3/8"	
39	1	29-10715-00	NUTDRIVER 1/2"	
40	1	29-10739-00	NUTDRIVER 7/16"	
41	1	29-10780-00	PEN LITE WITH BATTERIES	
42	1	29-10960-00	SLOTTED SCREWDRIVER, 5/16"	
43	1	29-10983-00	SLOTTED SCREWDRIVER, 1/4"	
44	1	29-10988-00	SLOTTED SCREWDRIVER, 3/16"	
45	1	29-10991-00	PHILLIPS SCREWDRIVER, #0	
46	1	29-11001-00	PHILLIPS SCREWDRIVER, #1	
47	1	29-11005-00	PHILLIPS SCREWDRIVER, #2	
48	1	29-11056-00	PLIER, RETAINING RING	
49	1	29-11057-00	1 1/4" DIAMETER MIRROR	
50	1	29-11245-00	6" SCALE, ENG/METRIC	
51	1	29-11362-00	FILE, FLAT TAPER	
52	1	29-11536-00	SOLDER SUCKER	
53	1	29-11560-00	SOLDER SUCKER REPLACEMENT TIP	
54	1	29-11579-00	HAMMER, 2.5 OZ	
55	1	29-11596-00	BLADE ASSORTMENT	
56	1	29-11602-00	16 X 11 ZIPPER CASE WITH POCKETS	
57	1	29-11674-00	SOLDERING IRON, 22A, 30W, 240V	
58	1	29-12573-00	OFFSET RACHET SCREWDRIVER	See Note 2
59	1	29-12577-00	10 PC IGNITION WRENCH SET	
60	1	29-13467-00	WIRE STRIPPER	
61	1	29-13510-00	VOM METER	
62	1	29-13511-00	COMB PUSH PULL HOOK	

Note 2: Contained only in the STKIT-AB tool kit.

CATEGORY - MAINTENANCE DOCUMENTATION

NO.	PKG QTY	PART NUMBER	DESCRIPTION	COMMENTS
1	1	EB-20752-20	TERMINALS & COMMUNICATION HANDBOOK	
2	1	EK-H7150-IP	H7150 POWER SUPPLY IPB	
3	1	EK-LA120-IP	DECWRITER III IPB	
4	1	EK-LA120-PS	LA120 SERIES POCKET SERVICE GUIDE	
5	1	EK-LA120-RG	LA120 OPERATOR REFERENCE CARD	
6	1	EK-LA120-TM	LA120 TECHNICAL MANUAL	
7	1	EK-LA120-UG	LA120 USER'S GUIDE	
8	1	MP-00663-00	LA120 PRINT SET	
9	1	FB-LA120-00	LA 120 DOCUMENTATION KIT CONTENTS: H7150 POWER SUPPLY IPB LA120 DECWRITER III IPB LA120 SERIES POCKET SERVICE GUIDE LA120 OPERATOR REFERENCE CARD LA120 TECHNICAL MANUAL LA120 USER'S GUIDE LA120 PRINT SET	

A210



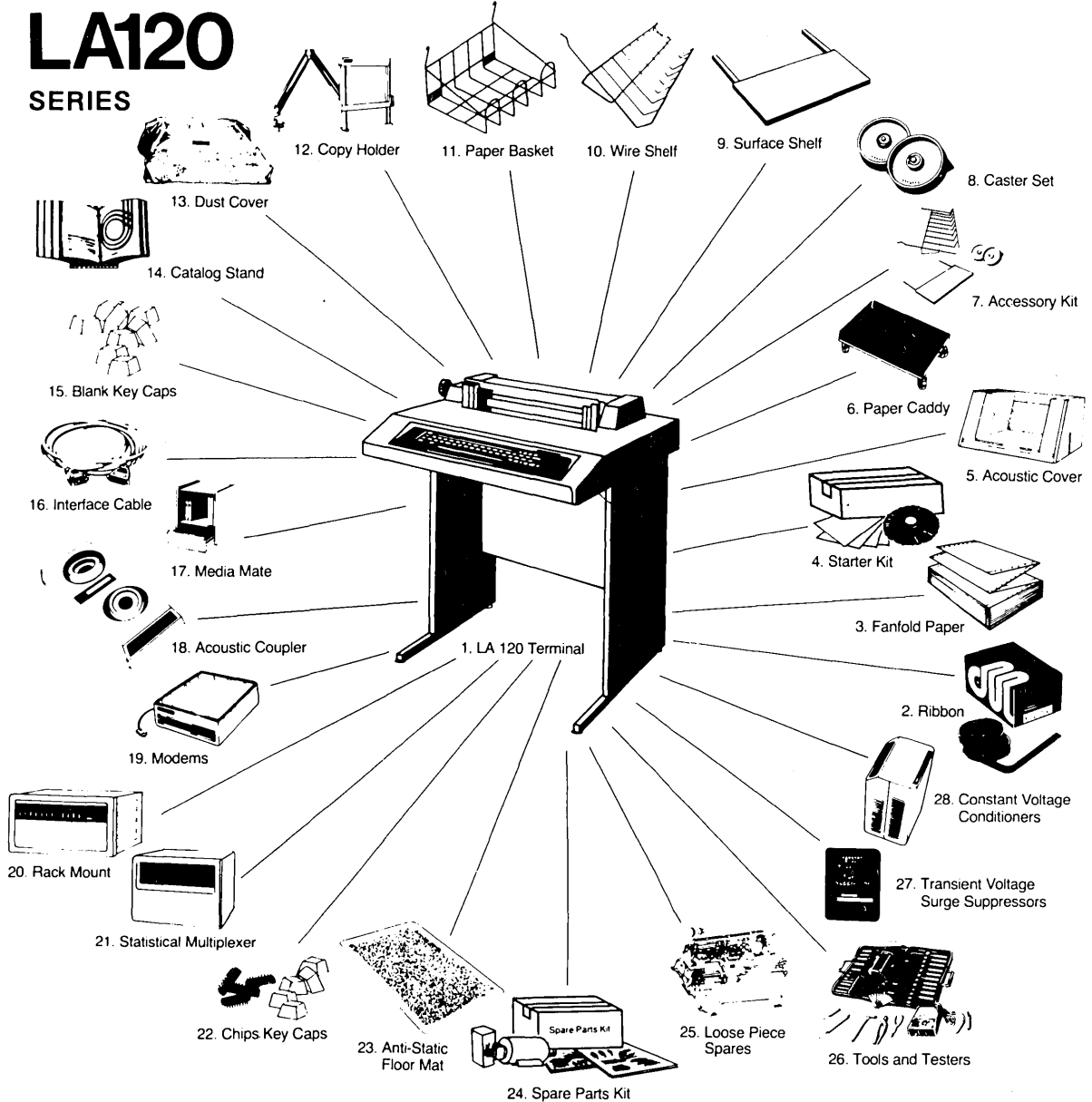


# LA120 Series

1200 BAUD  
HARDCOPY  
TERMINAL

The LA120 is a 180-cps hard-copy terminal with a 1200-baud rate. It is a recommended terminal for larger PDP-11 systems when high-speed print-out is required.

The products listed below are offered by DIGITAL Accessories & Supplies in support of the LA120 series hard-copy terminal.



ITEM PART NO. DESCRIPTION

## LA120 DECWRITER TERMINAL

1	LA120-DA	LA120 terminal, EIA RS232 interface, 120/240Vac — 50-60Hz
1	LA120-RA	LA120 Receive Only — no keyboard, EIA RS232, 120/240 Vac, 50/60Hz

---

## SUPPLIES

2	LAXXR-12	Dual/spool nylon ribbon. 0.5 in. wide × 60 yards long (1.27 cm × 54.9 m) 12 per box
3	H9850-PA	14-7/8 in. × 11 in. (37.8 cm × 27.9 cm), 1/2 in. green and white bar, 18 lb., 1 part, 2600 sheets per box
3	H9850-PB	14-7/8 in. × 11 in. (37.8 cm × 27.9 cm), 1/2 in. green and white bar, 15 lb., 2 part, carbon, 1300 sheets per box
3	H9850-PC	14-7/8 in. × 11 in. (37.8 cm × 27.9 cm), 1/2 in. green and white bar, 15 lb., 4 part, carbon, 650 sheets per box
3	H9850-PD	14-7/8 in. × 11 in. (37.8 cm × 27.9 cm), 1/2 in. green and white bar, 2 part, carbonless, 1500 sheets per box
3	H9850-PE	14-7/8 in. × 11 in. (37.8 cm × 27.9 cm), 1/2 in. green and white bar, 4 part, carbonless, 700 sheets per box
3	H9850-PF	9-7/8 in. × 11 in. (25.1 cm × 27.9 cm), 3 green rules per inch, 15 lb., 1 part, 3500 sheets per box
3	H9850-PN	9-7/8 in. × 11 in. (25.1 cm × 27.9 cm), 3 green rules per inch, 2 part, carbon, 1500 sheets per box
3	H9850-PP	9-7/8 in. × 11 in. (25.1 cm × 27.9 cm), 3 green rules per inch, 4 part, carbon, 750 sheets per box
3	H9850-PL	8-1/2 in. × 11 in. (21.6 cm × 27.9 cm), 1/2 in. green and white bar, 1 part, 15 lb., 3500 sheets per box
3	H9850-PT	8-1/2 in. × 11 in. (21.6 cm × 27.9 cm), 1/2 in. green and white bar, 2 part, carbon, 1500 sheets per box
3	H9850-PU	8-1/2 in. × 11 in. (21.6 cm × 27.9 cm), 1/2 in. green and white bar, 4 part, carbon, 750 sheets per box

---

## ACCESSORIES

4	LAXX-KT	Starter kit includes: <ul style="list-style-type: none"><li>• One box of dual/spool nylon ribbon (LAXXR-12)</li><li>• One work surface shelf (LAXX-KC)</li><li>• One wire shelf (LAXX-KD)</li><li>• One box of fanfold paper (H9850-PA)</li><li>• One LA120 dust cover (H9850-HL)</li></ul>
5	LAXX-FD	120/volt acoustic cover (not for use w/LAXX-NC or LAXX-KC). Does not fit LA120-RA
6	H9850-FA	Paper caddy with four 2-inch swivel casters for transporting printer paper, 15-3/4 in. wide × 11-3/4 in. deep (40 cm × 29.8 cm)
7	LAXX-KA	Accessory kit; includes one LAXX-KB, one LAXX-KC, and one LAXX-KD
8	LAXX-KB	Caster set, 2 pieces

---

ITEM	PART NO.	DESCRIPTION
<b>ACCESSORIES (cont.)</b>		
9	LAXX-KC	Work surface shelf, 25 in. long × 15 in. wide × 2 in. high (60.9 cm × 38.1 cm × 5.1 cm)
10	LAXX-KD	Wire shelf, 10-1/2 in. long × 18 in. wide × 2 in. high (26.7 cm × 45.7 cm × 5.1 cm)
11	LAXX-NC	Paper basket, 12 in. long × 16 in. wide × 13 in. high (30.5 cm × 40.6 cm × 33 cm)
12	H981-A	Copy holder
13	H9850-HL	Heavy gauge vinyl dust cover, charcoal brown with Digital logo
14	H980-CS	Catalog stand with eight one-inch removable cartridges for 8-1/2 in. × 11 in. documentation
14	H980-CP	Cartridges for catalog stand
15	LA12X-UA	Blank key cap kit of 50, Row 4†
15	LA12X-UB	Blank key cap kit of 50, Row 1†
15	LA12X-UC	Blank key cap kit of 50, Row 2†
15	LA12X-UD	Blank key cap kit of 50, F&J type
15	LA12X-UE	Blank key cap kit of 50, SET-UP
15	LA12X-UF	Blank key cap kit of 50, TAB
15	LA12X-UH	Blank key cap kit of 50, CAP LOCK
15	LA12X-UJ	Blank key cap kit of 50, SHIFT
15	LA12X-UL	Main array blank key cap set
15	LA12X-UM	Blank key cap kit of 50, CR
15	LA12X-UN	Blank key cap kit of 50, ENTER
15	LA12X-UP	Blank key cap kit of 50, Num Pad 0
15	LA12X-UR	Blank key cap kit of 50, Row 3†
15	LA12X-US	Blank key cap kit of 50, Row 5†
15	LA12X-UT	Numeric pad blank key cap set
16	BC03M-B5	Female-female null modem cable 250 ft. (76.2 m)
16	BC03M-EO	Female-female null modem cable 500 ft. (152.4 m)
16	BC03M-LO	Female-female null modem cable 1000 ft. (304.8 m)
16	BC05X-15	20 mA current loop extension cable 15 ft. (4.6 m)
16	BC05X-25	20 mA current loop extension cable 25 ft. (7.6 m)
16	BC05X-50	20 mA current loop extension cable 50 ft. (15.2 m)
16	BC22D-10	Fully shielded EIA RS232 female-female null modem cable shielded 10 ft. (3.0 m)
16	BC22D-25	Fully shielded EIA RS232 female-female null modem cable shielded 25 ft. (7.6 m)
16	BC22E-10	Fully shielded EIA RS232 male-female extension cable shielded 10 ft. (3.0 m)
16	BC22E-25	Fully shielded EIA RS232 male-female extension cable shielded 25 ft. (7.6 m)
17	H9850-AP	Media Mate™, file or shelf storage cart with casters and lockable drawer, 25-1/4 in. high × 15 in. deep × 18-1/2 in. wide (64.1 cm × 38.1 cm × 47.0 cm)

†Row 1 is the row immediately above Space Bar

**ACOUSTIC COUPLER**

18 DF01-A Acoustic telephone coupler, 300 bps with combination EIA RS232C and 20 mA current loop cable

**MODEMS**

19 DF02-AA Modem, full duplex direct connect, originate and auto answer, 300 bps, Bell 103J equivalent with EIA RS232C interface

19 DF02-AC DF02-AA with integral asynchronous automatic dialing unit

19 DF03-AA Direct connect, Bell 212A equivalent, 300/1200 bps, full duplex, synchronous/asynchronous modem with EIA RS232C interface

19 DF03-AC DF03-AA with integral asynchronous automatic dialing unit

20 DF03-RA 1200 bps Rack Mountable Modem

20 DF03-RC Same as DF03-RA, plus automatic originate (Auto Call)

20 DF100-RM Rack Mount Modem

20 DF100-PR Redundant Power Reg. Option

21 DFM04-AA 4 channel freestanding statistical multiplexer with expansion ability

21 DFM04-AB DFM04-AA with integral 4.8 K bps private line modem

21 DFM04-AC DFM04-AA with integral 9.6 K bps private line modem

21 DFM08-AA 8 channel freestanding statistical multiplexer with expansion ability

21 DFM08-AB DFM08-AA with integral 4.8 K bps private line modem

21 DFM08-AC DFM08-AA with integral 9.6 K bps private line modem

21 DFM12-AA 12 channel freestanding statistical multiplexer with expansion ability

21 DFM12-AB DFM12-AA with integral 4.8 K bps private line modem

21 DFM12-AC DFM12-AA with integral 9.6 K bps private line modem

21 DFM16-AA 16 channel freestanding statistical multiplexer with expansion ability

21 DFM16-AB DFM16-AA with integral 4.8 K bps private line modem

21 DFM16-AC DFM16-AA with integral 9.6 K bps private line modem

21 DFMXX-4E 4 channel expansion line card for DFM04, 08, and 12 options

21 DFMXX-8E 8 channel expansion line card for DFM04 and 08 options

21 DFMXX-AE Integral 4.8 K bps private line modem option for DFM04, 08, 12, 16-AA options

21 DFMXX-AC Integral 9.6 K bps private line modem option for DFM04, 08, 12, 16-AA options

**ADD-ONS**

22 LA12X-BL Numeric keypad

22 LA12X-DL 4K buffer

22 LA12X-FL Canadian French Character Set

22 LA12X-RL APL character set; key caps & ROM

22 LA12X-SL European character set key caps ROM

22 LA12X-BB Parallel interface for LA120

22 LA12X-AL 20 mA current loop interface option

†Row 1 is the row immediately above Space Bar

# LA120 Series

ITEM PART NO. DESCRIPTION

## DECmats

23	H9850-DA	Anti-static floor mat, DECmat, 4 ft. × 6 ft. (1.22 m × 1.83 m), Driftwood color (brownish gray)
23	H9850-DB	Anti-static floor mat, DECmat, 4 ft. × 6 ft. (1.22 m × 1.83 m), Summer Earth color (brown/gold)
23	H9850-DC	Anti-static floor mat, DECmat, 3 ft. × 10 ft. (.91 m × 3.05 m), Silver Birch color (silvergray/brown)
23	H9850-DD	Anti-static floor mat, DECmat, 3 ft. × 10 ft. (.91 m × 3.05 m), Autumn Bronze color (orange/brown)
23	H9850-DE	Anti-static floor mat, DECmat, 3 ft. × 10 ft. (.91 m × 3.05 m), Driftwood color (brownish/gray)
23	H9850-DF	Anti-static floor mat, DECmat, 4 ft. × 6 ft. (1.22 m × 1.83 m), Silver Birch color (silvergray/brown)
23	H9850-DH	Anti-static floor mat, DECmat, 4 ft. × 6 ft. (1.22 m × 1.83 m), Autumn Bronze color (orange/brown)
23	H9850-DJ	Anti-static clear floor mat, 4 ft. × 5 ft. (1.22 m × 1.5 m)

## SPARES KITS

24	4A-LA120-RA	LA120 receive only (RO) spares kit 120V/240V
24	4A-LA120-AA	LA120 spares kit, 120V/60Hz
24	4A-LA120-UP	LA120 spares kit, 120V/240V, 50/60 Hz

NOTE: For a complete listing of the contents of each spares kit, please reference Digital's Spares Kit Handbook.

## COMPONENTS AND LOOSE PIECE PARTS

25	Modules, subassemblies and other individual piece parts to support the specific LA120 repair philosophy are available from Digital Accessories and Supplies.	
----	--	--

## HARDWARE AIDS

26	12-15336	Data Loop Back Connector for RS232C
26	70-15503	Data Loop Back Connector for 20 Milliamp

## TOOLS

26	STKIT-AA	(60 Hz) Systems Terminal Tool Kit
26	STKIT-AB	(50 Hz) Systems Terminal Tool Kit

## TRANSIENT VOLTAGE SURGE SUPPRESSORS

27	H7007-AA	Single phase AC power 12 amp
27	H7007-AB	3 phase AC power 120/208V
27	H7007-AC	Split phase AC power 120/240V
27	H7007-AD	3 phase AC power 277/480V
27	H7007-AE	3 phase AC power 350/600V
27	H7007-BA	Single data line T/S input T/S output
27	H7007-BB	Single data line RS232 input RS232 output

## TRANSIENT VOLTAGE SURGE SUPPRESSORS (cont.)

27	H7007-BC	Single data line T/S input RS232 output
27	H7007-BD	Single data line RS232 input T/S output
27	H7007-CA	Multi data line daughter board
27	H7007-CC	Multi data line enclosure
27	H7007-CD	Multi data line enclosure
27	H7007-CE	Multi data line enclosure
27	H7007-CF	Multi data line enclosure
27	H7007-DA	Combination of H7007-AA and H7007-BA
27	H7007-DB	Combination of H7007-AA and H7007-BB

---

## CONSTANT VOLTAGE CONDITIONERS

28	H7225-AA	500 VA 120 Volts
28	H7225-AC	1000 VA 120 Volts
28	H7225-AE	2000 VA 120 Volts
28	H7225-AF	2500 VA 120 Volts
28	H7225-BE	2000 VA 120 Volts
28	H7225-BF	2500 VA 120 Volts
28	H7225-BG	3000 VA 120 Volts

## DIGITAL SUPPORT SERVICES

### Support Services

A wide range of maintenance and customer services are available from Digital to support your Digital hardware. Depending on the type of equipment, you can select an alternative which meets your service needs; from complete Digital maintenance to complete self-maintenance.

There are four service groups which are dedicated to satisfying the post sales service needs of Digital customers. Consult the nearest U.S. Digital sales office for more information. International see Page A-17

### Installed Base Group

#### Self-Maintenance Products

All spare parts necessary for self-maintenance are available from Digital. Self-maintenance products are designed to support the remotely located sites as well as those centrally located. On site spare parts contribute to higher uptime.

#### Educational Services

Through the Educational Services Group, Digital customers can be trained from inductory to State of the Art in software, hardware, and system management. Courses are offered at worldwide locations and at the customer's site.

#### Software Services

Software Services is an organization dedicated to supporting Digital software by providing software consulting, software maintenance, and software components to Digital customers. Presently there are over 2,000 software specialists located worldwide to assist customers with software needs.

#### Field Service

This organization provides Digital customers with both on-site and off-site maintenance service. There are a variety of contractual on-site service programs for terminals and computer systems. Per Call service is also provided in which maintenance is provided on a non-contractual time and material basis.

## DIGITAL REPAIRS AND CUSTOMER RETURNS

### The Customer Returns Center

The Customer Returns Center (CRC) is dedicated to the off-site service needs of the self-maintenance customer. CRC provides service on a wide range of Digital products. In addition, the CRC honors the corporate return-to-factory warranty for all module types (excluding CSS). The CRC's standard service offering is: DECmailer.

DECmailer is Digital's premium return-to-factory repair program. It provides qualified Digital customers with a fast, easy, economical way of handling module and subassembly repair.

The program features:

- o a five day turn-around
- o a large repair menu
- o an Emergency Dispatch Service
- o convenient monthly billing
- o quarterly account statements
- o a 90 day warranty
- o and pre-addressed shipping labels

DECmailer packages, including a price list and the agreement, are available on request by calling 800-225-5385. In Massachusetts, Alaska, and Hawaii, call 617-938-2280.

The CRC also offers a repair service for both in and out of warranty modules and sub-assemblies. It's called the Module Repair Service and it's designed for repair of modules not covered by DECmailer, and for customers who do not require the quick response of DECmailer. To use the Module Repair Service you must call the CRC to get a Return Authorization Number (RA#). To get an RA#, or for prices and lead times, call the 800# listed above.

DECmailer Service is available in the U.S. only.

For International information contact your local Digital subsidiary see page A-17



## LISTING OF INTERNATIONAL OFFICES

### **AUSTRALIA**

Digital Equipment Australia Pty. Ltd.  
Accessories & Supplies Group  
P.O. Box 232  
No. Adelaide, So. Australia 5006  
Australia  
Telephone: (61)-(8)-2674299  
Telex: 790-82825

### **AUSTRIA**

Digital Equipment Corporation, GmbH  
Shopping City Sued  
A-2334 Vosendorf-Sued  
Austria  
Telephone: (43)-(222)-6776410  
Telex: 847-134995

### **BELGIUM**

Digital Equipment SA/NV  
Rue de l'Aeronef, 1/  
Luchtschipstraat, 1  
Bruxxeles B-1140 Brussel  
Belgium  
Telephone: (32)-(2)-2425095  
Telex: 846-25297

### **CANADA**

Digital Equipment of Canada, Ltd.  
Accessories & Supplies Group  
940 Belfast Rd.  
Ottawa, Ontario K2K 2A6  
Canada  
Telephone: (800)-(267)-6146  
(613)-234-7726  
Telex: 610-562-8732

### **DENMARK**

Digital Equipment Corporation A/S  
Kristineberg 3  
DK-2100 Copenhagen O  
Denmark  
Telephone: (45)-(1)-299666  
Telex: 855-19675

### **FINLAND**

Digital Equipment Corporation OY  
PL 16  
SF-02201 Espoo 20  
Finland  
Telephone: (358)-(0)-423511  
Telex: 857-122324

### **FRANCE**

Digital Equipment France  
25 Place de la Loire  
Rungis 94528  
France  
Telephone: (33)-(1)-6872570  
Telex: 842-204270

### **GERMANY (WEST)**

Digital Equipment GmbH  
DEC - Park  
Freischiuetzstrasse 91  
D-8000 Munich 81  
West Germany  
Telephone: (49)-(89)-95910  
Telex: 841-5215780

### **HOLLAND**

Digital Equipment Corporation B.V.  
KaaP Hoorndreef 38  
NL-3563 AV Utrecht  
Holland  
Telephone: (31)-(30)-631222  
Telex: 844-40370

### **HONG KONG**

Digital Equipment Hong Kong Ltd.  
Accessories & Supplies  
5-7 Asean Plaza  
94, Granville Road  
Tsimshatsui East  
Kowloon  
Hong Kong  
Telephone: (852)-(3)-7315211  
Telex: 780-46424

### **IRELAND**

Digital Equipment International Ltd.  
Park House  
North Circular Road  
IRL-Dublin 7  
Ireland  
Telephone: (353)-(1)-308433  
Telex: 852-31023

### **ISRAEL**

Digital Equipment (DEC) Ltd.  
Accadia Junction  
Maskit St.  
46733 Herzliya  
Israel  
Telephone: (972)-(3)-5257157  
Telex: 342563

**ITALY**

Digital Equipment S.p.A.  
Viale Falvio Testi 11  
Ang. Via Gorki 105  
20092, Cinisello Balsamo  
Milan  
Italy  
Telephone: (39)-261797  
Telex: 843-333435

**JAPAN**

Digital Equipment Corporation Int'l.  
Accessories & Supplies Group  
Sunshine 60, P.O. Box 1135  
1-1 Higashi Ikebukuro 3-Chrome  
Toshima-ku, Tokyo 170  
Japan  
Telephone: (81)-(3)-9897111  
Telex: 781-26428

**NETHERLANDS**

Digital Equipment bv  
Kaap Hoordreef 66  
NL 3563 Av Utrecht  
Telephone: (31)-30631222  
Telex: 884-48245

**NEW ZEALAND**

Digital Equipment New Zealand Ltd.  
P.O. Box 17039  
Greenland, Auckland  
New Zealand  
Telephone: (64)-(9)-591280  
Telex: 791-2726

**NORWAY**

Digital Equipment Corporation A/S  
Pottemarkerveien 8  
N-Oslo 9  
Norway  
Telephone: (47)-(2)-160290  
Telex: 856-19079/16903

**PUERTO RICO AND CARIBBEAN**

Digital Equipment Latin America  
Accessories and Supplies Group  
P.O. Box 11038  
Fernandez Juncos Station  
Santurce 00910  
Puerto Rico  
Telephone: (800)-258-1710  
(809)-754-7575  
Telex: 385-7056

**SINGAPORE**

Digital Equipment Singapore (Pte) L  
San Centre, First Floor  
Chin Swee Road, Singapore 0316  
Republic of Singapore  
Telephone: (65)-919266  
Telex: 786-25435

**SOUTHEAST EUROPE AND NORTHERN AFRIC**

**ALGERIA, CYPRUS, GREECE, MALTA,  
MOROCCO, PORTUGAL, TUNISIA, TURKEY**  
Digital Equipment Corporation Int'l  
SEENA Branch  
Route des Jeunes 9  
CH 1211 Geneva 26  
Switzerland  
Telephone: (41)-(22)-429930  
Telex: 289201

**SPAIN**

Digital Equipment Corporation S.A.  
Sucursal en Espana  
Agustin de Foxa 17  
Madrid 16  
Spain  
Telephone: (34)-(1)-7331900  
Telex: 831-42192

**SWEDEN**

Digital Equipment AB  
Accessories & Supplies Group  
Englundavagen 7  
17124 Selna  
Sweden  
Telephone: (46)-(8)-7300200  
Telex: 854-17050

**SWITZERLAND**

Digital Equipment Corporation AG  
Schaffhauserstrasse 144  
CH-8302 Kloten/ZH  
Switzerland  
Telephone: (41)-(1)-8169111  
Telex: 845-56059

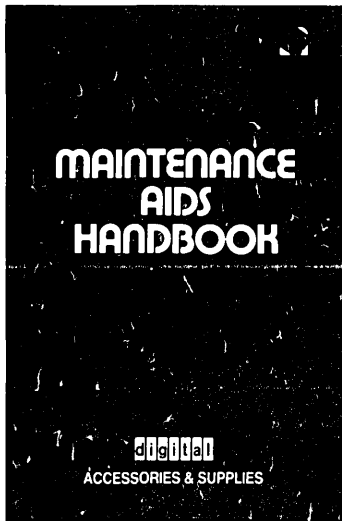
**UNITED KINGDOM**

Digital Equipment Co. Ltd.  
Units 9 & 10, Stadium Way  
Scours Lane  
GB-Reading RG3 6BX  
England  
Telephone: (44)-(734)-25533  
Telex: 851-847188

FOR ALL OTHER COUNTRIES OUTSIDE OF EUROPE CONTACT  
GENERAL INTERNATIONAL DISTRICT  
Digital Equipment Corporation  
Accessories & Supplies Group  
P.O. Box 577  
Littleton, Massachusetts 01460  
Telephone: (617)-486-7100  
Telex: 710-347-7651



## New Literature From Digital



The Maintenance Aids Handbook has been created to help the Digital customer who performs maintenance on Digital systems. It includes such items as:

- Test Equipment
- Hardware Aids
- Tools
- Preventive Maintenance Parts and Supplies

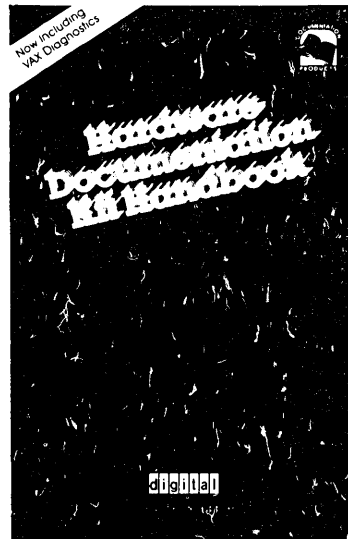
This handbook is a valuable reference tool providing maintenance information organized by product group. Send for your copy now!

### HARDWARE DOCUMENTATION KIT HANDBOOK

- NOW INCLUDING DIAGNOSTICS

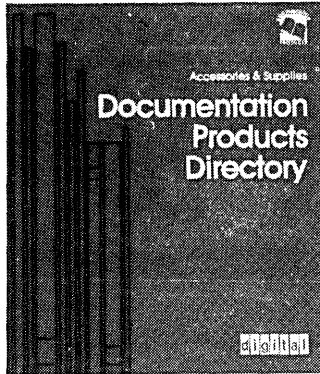
DIGITAL's Hardware Documentation Kit Handbook contains listings of documentation kits designed to support Digital's current, high volume products. The book is divided into two distinct sections. Section I supports option level products; Section II supports "Packaged Systems". A table of contents at the front of the book lists products by their option designation, while the index in the back sorts products by kit number to aid in referencing the various available kits. Packaged system matrices have been designed for each processor type.

The amount and types of documentation available for the individual devices vary depending upon the complexity and application of the device. The advantage of kitting these documents is twofold: 1) it simplifies ordering by reducing the number of line items, and 2) it often reduces expense, since most kits are priced below the sum of their loose piece prices.



To obtain a copy of any of the above literature fill in and cut out the coupon.

# New Literature From Digital



Finally! A single reference source of selected Digital hardware and software documentation products. This new directory makes necessary product information readily accessible and it can be used to determine what documentation products are required to support a particular hardware or software option.

The Directory contains:

#### SOFTWARE DOCUMENTATION PRODUCTS

- Software Documentation Kits
- Source Microfiche Kits
- Software Manuals, Handbooks, Reference Cards

#### HARDWARE DOCUMENTATION PRODUCTS

- Hardware Manuals
- Maintenance Prints
- Diagnostic Kits

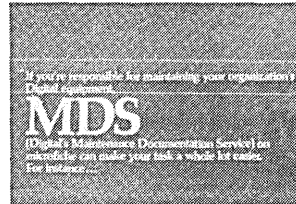
#### OTHER FEATURES

- Ordering/Pricing Information
- Accessories & Supplies Group Discount Policy
- System Software Organization
- Understanding Digital's Software Numbering Scheme
- Glossary of Software Terms and Abbreviations
- Documentation Index by Ordering Part Number
- Documentation Index by Description

- Do you always have the necessary documentation at your fingertips?
- Do you know which Digital Engineering changes are applicable to your system?

If you can't answer 'yes' to both of these questions, Digital's Maintenance Documentation Service (MDS) can help.

MDS provides almost all service documentation on microfiche: maintenance manuals, illustrated parts breakdowns, diagnostic listings, diagnostic change orders, diagnostic patch orders, wire lists, Field Change Orders (FCO's), Preventive Maintenance (PM) procedures, and a wealth of other useful information.



- Are you always up-to-date with the latest hardware changes? If not, DEC-O-LOG may be the answer!

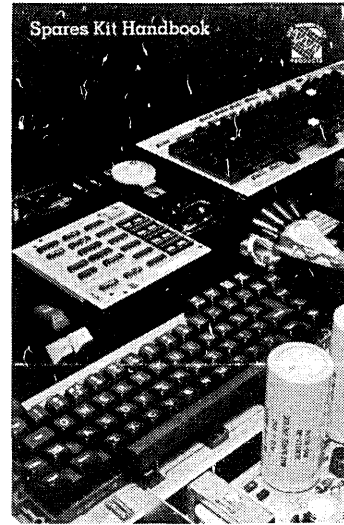
DEC-O-LOG is a valuable notification service. A subscription to DEC-O-LOG provides essential information for all Digital customers who maintain their own systems. DEC-O-LOG is a summary of Field Change Orders (FCO's) and Engineering Change Orders (ECO's) for your system's CPU's, peripheral options, subassemblies and modules.

To obtain a copy of any of the above literature fill in and cut out the coupon.

# New Literature From Digital

The Spares Kit Handbook is designed to help customers identify the proper kit (or single part) to spare Digital products. It is divided into three easy to use sections including a configurator which alphanumerically lists the hardware options or systems supported by spare parts. This list enables the user to determine which spares support specific options. A brief description of the type of kit and its part number are included.

If you are performing maintenance on your Digital system, you can't afford to be without a copy of this handbook.



To obtain a copy of any of the above literature fill in and cut out the coupon.

Clip and mail to: **Digital Equipment Corporation**  
**Attn: Circulation Dept. MKO1/W83**  
**Continental Boulevard**  
**Merrimack, N.H. 03054**

For more information about the products or services described on the previous pages, check the appropriate box(es) below.

- Documentation Products Directory
- Maintenance Documentation Service (MDS) Brochure
- DEC-O-Log Brochure
- Hardware Documentation Kit Handbook
- Spares Kit Handbook
- Maintenance Aids Handbook
- Please add me to your mailing list

Name \_\_\_\_\_

Title \_\_\_\_\_

Organization \_\_\_\_\_

Address \_\_\_\_\_

City, State, Zip \_\_\_\_\_

Tel./Ext. \_\_\_\_\_

IPB-LA120





**PURCHASABLE PARTS LIST**

**COMMENT SHEET**

Any and all comments and suggestions to improve this manual will be reviewed and researched for possible use when this manual is revised and/or reprinted. Enter your comments and suggestions in the form provided below and return to Digital Equipment Corporation.

MODEL LA120 DECwriter III

PUBLICATION NO. EK-LA120-IP-005

PAGE \_\_\_\_\_ SECTION \_\_\_\_\_ ITEM \_\_\_\_\_

COMMENT(S)

PAGE \_\_\_\_\_ SECTION \_\_\_\_\_ ITEM \_\_\_\_\_

COMMENT(S)

**ADDITIONAL COMMENT(S)**

Please describe your position. \_\_\_\_\_

Name \_\_\_\_\_ Organization \_\_\_\_\_

Street \_\_\_\_\_ Department \_\_\_\_\_

City \_\_\_\_\_ State \_\_\_\_\_ Zip or Country \_\_\_\_\_

-----  
Fold Here-----

-----  
Do Not Tear - Fold Here and Staple-----

**digital**



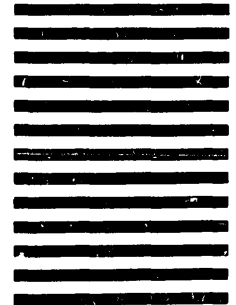
No Postage  
Necessary  
if Mailed in the  
United States

**BUSINESS REPLY MAIL**

FIRST CLASS PERMIT NO 33 MAYNARD, MA

POSTAGE WILL BE PAID BY ADDRESSEE

Digital Equipment Corporation  
Attn: Circulation Dept. MK01/W83  
Continental Boulevard  
Merrimack, N.H. 03054





For more information about the products or services described on the previous pages, check the appropriate box(es) below.

- Documentation Products Directory
- Maintenance Documentation Service (MDS) Brochure
- DEC-O-Log Brochure
- Hardware Documentation Kit Handbook
- Spares Kit Handbook
- Maintenance Aids Handbook
- Please add me to your mailing list

Name \_\_\_\_\_

Title \_\_\_\_\_

Organization \_\_\_\_\_

Address \_\_\_\_\_

City, State, Zip \_\_\_\_\_

Tel./Ext. \_\_\_\_\_

IPB-LA120

----- Fold Here -----

----- Do Not Tear - Fold Here and Staple -----

**digital**



No Postage  
Necessary  
if Mailed in the  
United States

**BUSINESS REPLY MAIL**

FIRST CLASS PERMIT NO 33 MAYNARD, MA

POSTAGE WILL BE PAID BY ADDRESSEE

Digital Equipment Corporation  
Attn: Circulation Dept. MK01/W83  
Continental Boulevard  
Merrimack, N.H. 03054

