

"THE MATERIAL HEREIN IS FOR INFORMATION PURPOSES ONLY AND IS SUBJECT TO CHANGE WITHOUT NOTICE. DIGITAL EQUIPMENT CORPORATION ASSUMES NO RESPONSIBILITY FOR ANY ERRORS WHICH MAY APPEAR HEREIN."

# FIELD MAINTENANCE PRINT SET

"THIS DRAWING AND SPECIFICATIONS, HEREIN, ARE THE PROPERTY OF DIGITAL EQUIPMENT CORPORATION AND SHALL NOT BE REPRODUCED OR COPIED OR USED IN WHOLE OR IN PART AS THE BASIS FOR THE MANUFACTURE OR SALE OF ITEMS WITHOUT WRITTEN PERMISSION. COPYRIGHT © DIGITAL EQUIPMENT CORPORATION." 1982

## TABLE OF CONTENTS

B-TC-PC100-0-1	RAINBOW (TC)
E-UA-PC100-0-DRU	RAINBOW
K-PL-PC100-0-DBP	RAINBOW (PL)
B-DD-PC100-0	RAINBOW (DRAWING DIRECTORY ONLY)
B-DD-5415486-0	MOTHER BOARD (PC100)
E-UA-5415486-0-0	MOTHER BOARD
K-PL-5415486-0-DBP	MOTHER BOARD (PL)
D-CS-5415486-0-1	MOTHER BOARD (CS)
B-DD-5415482-0	RX50 CONTROLLER (PC100)
E-UA-5415482-0-0	RX50 CONTROLLER (PC100)
K-PL-5415482-0-DBP	RX50 CONTROLLER (PC100) PL
D-CS-5415482-0-1	RX50 CONTROLLER (PC100) CS
MP-01415-00	PRINT SET BA25
D-AD-7019974-0-DBU	CPU ASSY. RAINBOW
K-PL-7019974-0-DBP	CPU ASSY. RAINBOW (PL)

UNIT VARIATIONS COVERED BY THIS PRINT SET
PC100-A
PC100-AN

# PC100<sup>A</sup> Field Maintenance Print Set

## Digital Equipment Corporation

Print Set Part Number **MP-** 01491-00

<b>REVISION HISTORY</b>	REV.	INITIAL A	DRN.	D. HEALY	DATE	12 OCT. 82	TITLE	digital			
	ECO NUMBER		CHK'D.	D. HEALY	DATE	2 DEC. 82					RAINBOW
	DATE		DES. ENG.	D. MOORE	DATE	2 DEC. 82					
	MP		RESP. ENG.	F. CHALOUX	DATE	2 DEC. 82					
			FIELD SERVICE	JERRY TEBO	DATE	2 DEC. 82					
		NEXT HIGHER DOC.				DOCUMENT NUMBER	SIZE	CODE	NUMBER	REV.	
							<b>B</b>	<b>TC</b>	PC100-0-1	<b>A</b>	
							SHEET	1	OF	1	

REV.
NUMBER
PC100-0-1
CODE
<b>TC</b>
SIZE
<b>B</b>

THIS DRAWING AND SPECIFICATIONS ARE THE PROPERTY OF DIGITAL EQUIPMENT CORPORATION AND SHALL NOT BE REPRODUCED OR COPIED OR USED IN WHOLE OR IN PART AS THE BASIS FOR THE MANUFACTURE OR SALE OF ITEMS WITHOUT WRITTEN PERMISSION.  
 COPYRIGHT © 1982 DIGITAL EQUIPMENT CORPORATION

### WIRING CHART

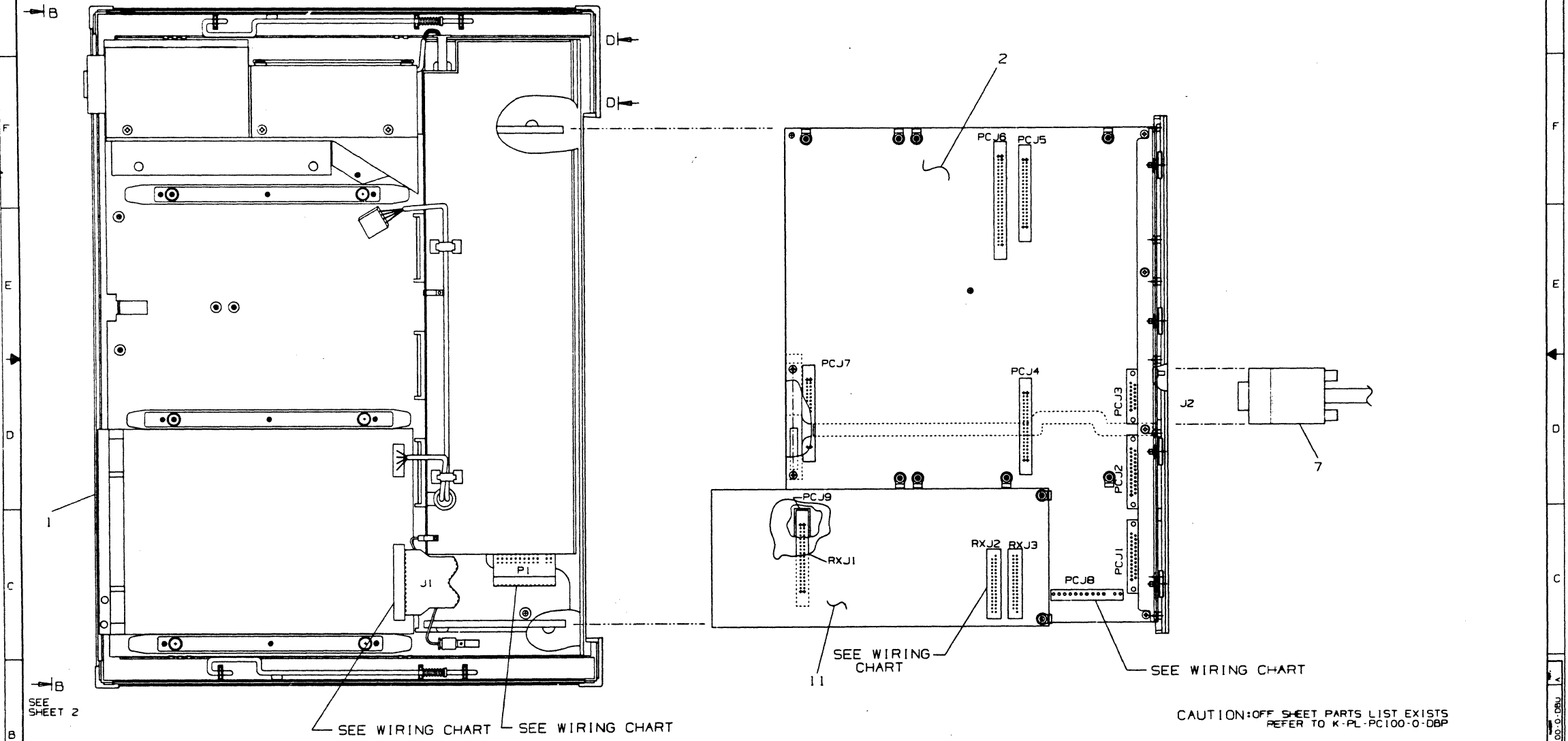
ITEM NO.	FROM	TO	REMARKS
1	J1 (BA25-B) PART OF ITEM 1	RXJ2 (5415482-00) PART OF ITEM 11	J1 USED TO IDENTIFY CABLE
2	P1 (BA25-B) PART OF ITEM 1	PCJ8 (5415486-01) PART OF ITEM 2	P1 USED TO IDENTIFY CABLE
7		PCJ3 (5415486-01) PART OF ITEM 2	CONNECTION SHOWN AS PREFERENCE. DO NOT CONNECT BEFORE SHIPPING. SHIP SEPARATELY.

### LEGEND

PART NUMBER	VARIATION
PC100-A	AS SHOWN
PC100-AN	AS SHOWN EXCEPT DELETE ITEM #8 AND ADD ITEM #12

### NOTES:

- ITEM #13 (NOT SHOWN ON THIS ASSY) IT WILL BE SHIPPED SEPARATELY AND INSTALLED AT CUSTOMER SITE.

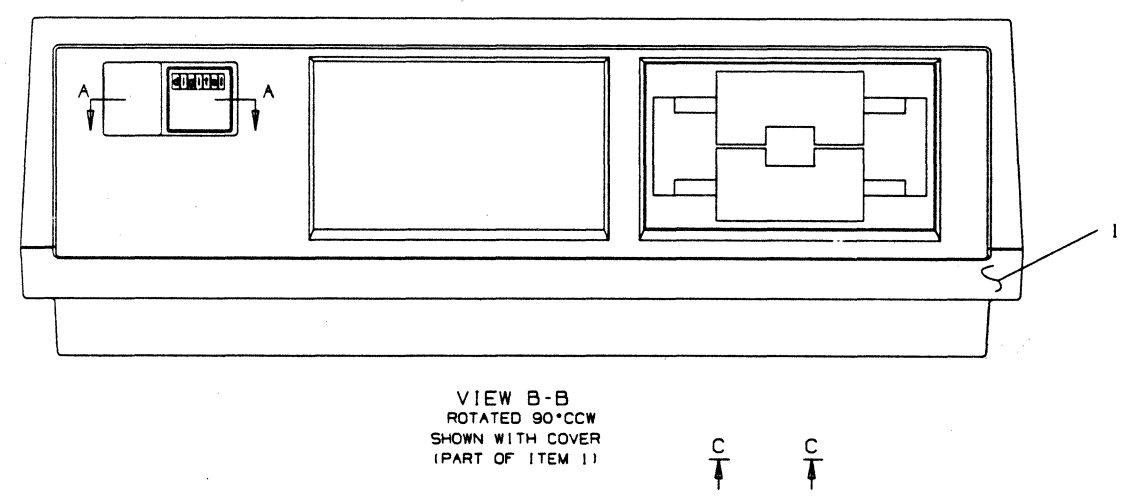
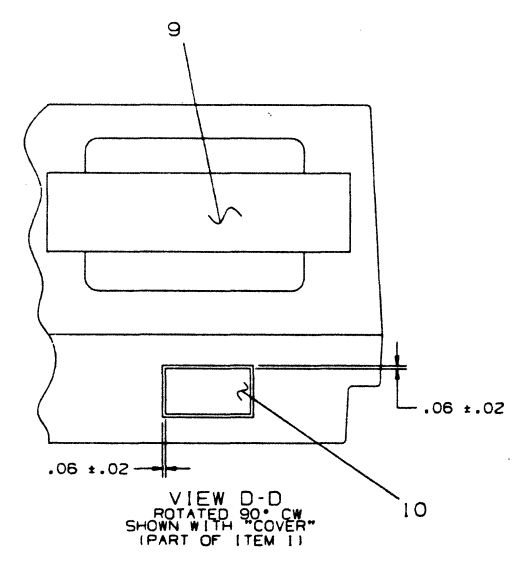
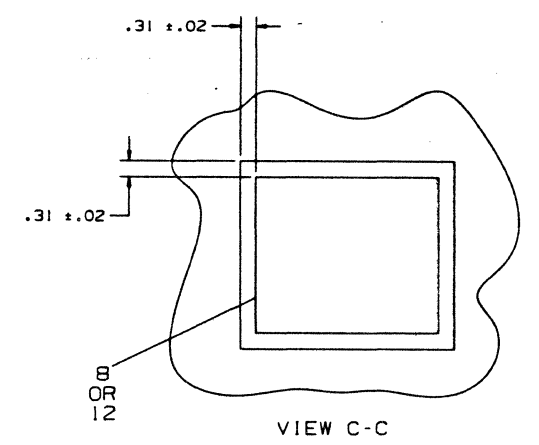
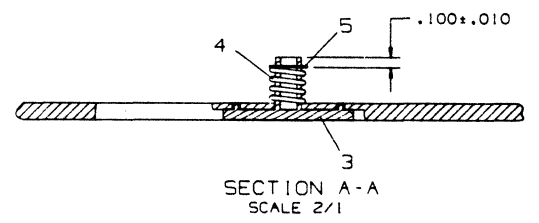


REV.	DATE	BY	CHKD.	DESCRIPTION
1				UNIT ECU 1300-A

DESCRIPTION	DRAWING NO.	PART NO.	UNIT
UNLESS OTHERWISE SPECIFIED DIMENSIONS ARE IN INCHES AND THE FOLLOWING TOLERANCES APPLY (PER DEC STD 114)			
DIMENSION RANGE IN INCHES			
0.000 - 0.250	0.250 - 1.000	1.000 - 2.000	2.000 - 10.000
±0.005	±0.005	±0.005	±0.010
QUANTITY & VARIATION			
THIRD ANGLE PROJECTION			
DO NOT SCALE DRAWING			
REMOVE BURRS AND BREAK SHARP CORNERS			
WATERPROOF SEE PARTS LIST			
FINISH NONE			
DRN	CHKD	APP'D	FILE
S. AZEVEDO			23-AA-B2
D. HEALY			9-DEC-82
J. MOORE			9-DEC-82
F. CHALQUI			9-DEC-82
S. PORTER			9-DEC-82
D. DEW			9-DEC-82
DOCUMENT NUMBER			REV.
E UJA PC100-0 DBU			A
DATE 1/71			

THIS DRAWING AND SPECIFICATIONS, HEREIN, ARE THE PROPERTY OF DIGITAL EQUIPMENT CORPORATION AND SHALL NOT BE REPRODUCED OR COPIED OR USED IN WHOLE OR IN PART AS THE BASIS FOR THE MANUFACTURE OR SALE OF ITEMS WITHOUT WRITTEN PERMISSION.  
 COPYRIGHT © 1982 DIGITAL EQUIPMENT CORPORATION

100-0-0013.v1.3



REVISION HISTORY		
DATE	ECO HISTORY	REV

FILE  
RA:180W

DOCUMENT NUMBER		
SYMBOL	NUMBER	REV
EUA	PC100-0-DBU	A
SCALE 1/1	SHEET 2	OF 2

AUTOMATED BY PRTLST.4Q(47)

PARTS LIST

SHEET A1 OF A1

LINE	ITEM	DOCUMENT NUMBER	PART NUMBER	DESCRIPTION	QUANTITY PER VARIATION	
					A	AN
1	1	E-UA-BA25-0-0	OBA25-B	BA25-A,RX50-AA,H7842-A,120/240V	1	1
2	2	D-AD-7019974-0-DBU	7019974-00	CPU ASSY, RAINBOW 100	1	1
3	3	D-IA-7427256-0-DBU	7427256-03	MEDALLION,RAINBOW 100	1	1
4	4		1220113-01	SPRING,COMPRESSION .3000DX .380	1	1
5	5		9010318-02	RING,RETAINER EXT F/.250	1	1
6	6	A-PA-3700695-0-0	3700695-02	PKG SYSTEM BA25 SMALL UNIT	1	1
7	7		1700283-00	CABLE,ASSY VIDEO B&W CT-150	1	1
8	8		3620218-01	*** THIS ITEM IS NOT USED ***	-	-
9	9		3617905-01	*** THIS ITEM IS NOT USED ***	-	-
10	10		3620215-02	*** THIS ITEM IS NOT USED ***	-	-
11	11	E-UA-5415482-0-0	5415482-00	PC100 RX50 CONTROLLER	1	1
12	12		3620218-05	LABEL,REGULATIONS,PC INTERIM	-	1
13	13		1700289-00	CABLE,ASSY,25 COND.	1	1
14	14		3620218-07	LABEL,PC100	1	-
15	15		3620215-06	LABEL,PWR.RATING CT 120/220-240	1	1
16	16		3618460-06	LABEL,BAR CODE BLANK	4	4
17	17		3616157-00	LABEL,CORRECT VOLTAGE SETTING,CA	1	1

REVISION HISTORY			BASIC PART NO: PC100		DRN: S. AZEVEDO		DATE: 23-JUL-82		D I G I T A L			
ENG	ECO NUMBER	REV	SECTION A OF A	CHK'D:	DATE:	TITLE	PARTS LIST					
	INITIAL	A	SECTION. VARIATION INDEX	D. HEALY	8-DEC-82	RAINBOW						
DD	PC100-ML001	B	[A] A ,AN									
FC	PC100-ML002	C	[B]	DES.ENG.: D. MOORE	8-DEC-82							
			[C]	RESP.ENG.: F. CHALOUX	8-DEC-82		DOCUMENT NUMBER					
			[D]			SIZE:CODE:	NUMBER	REV				
			[E]	MFG.ENG.: B. PORTER	8-DEC-82	K	PL	PC100-0-DBP	C			
			[F]	ASSEMBLY NUMBER:	TOP DOCUMENT NUMBER:	FILE NAME:	EDIT #:					
				E-UA-PC100-0-DBU	#B-DD-PC100-0	Z5232C.PLS	18					

"THIS DRAWING AND SPECIFICATIONS HEREIN, ARE THE PROPERTY OF DIGITAL EQUIPMENT CORPORATION AND SHALL NOT BE REPRODUCED OR COPIED OR USED IN WHOLE OR IN PART AS THE BASIS FOR THE MANUFACTURE OR SALE OF ITEMS WITHOUT WRITTEN PERMISSION. COPYRIGHT (C) 1983. DIGITAL EQUIPMENT CORPORATION "

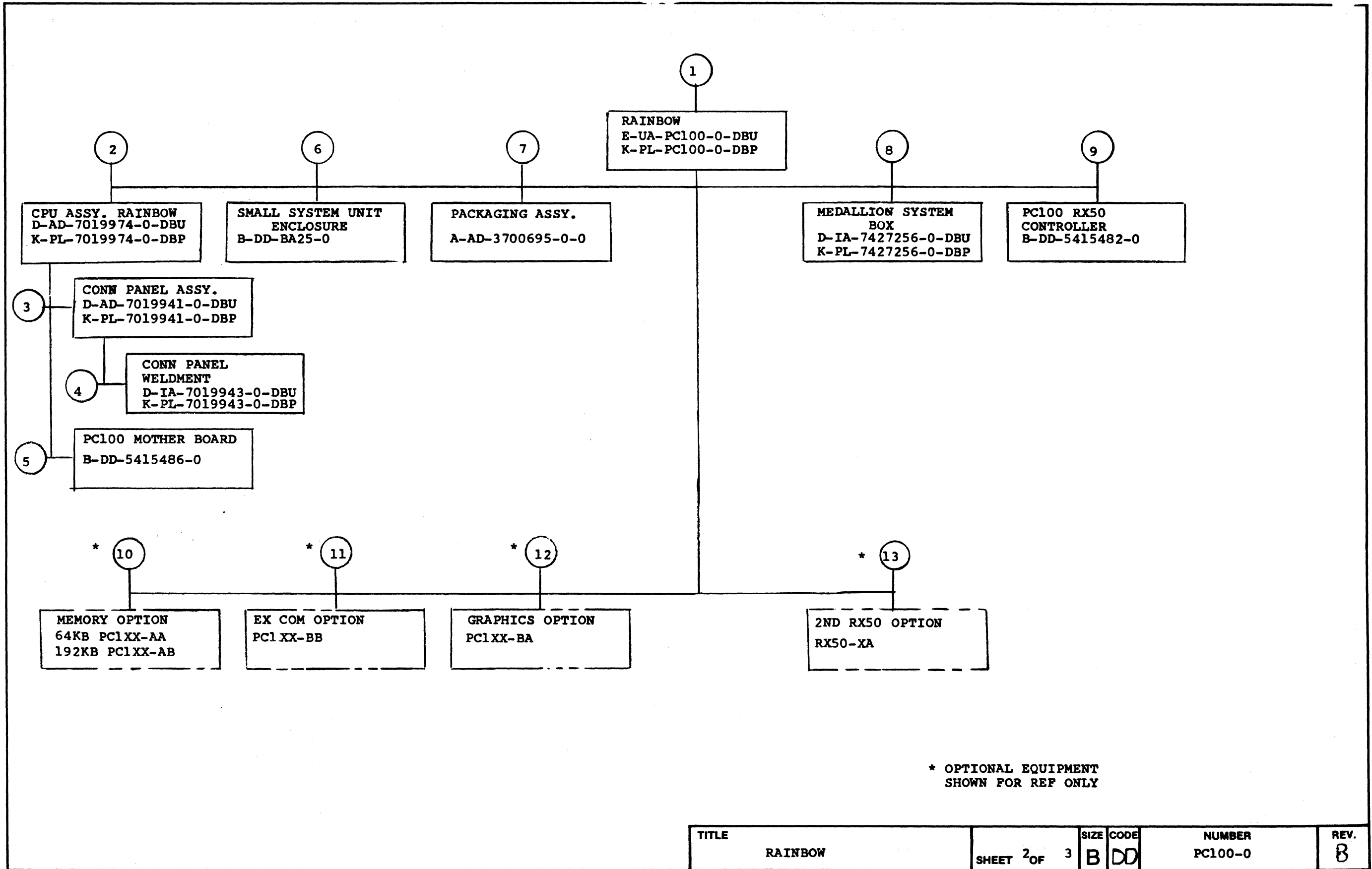
"THE MATERIAL HEREIN IS FOR INFORMATION PURPOSES ONLY AND IS SUBJECT TO CHANGE WITHOUT NOTICE. DIGITAL EQUIPMENT CORPORATION ASSUMES NO RESPONSIBILITY FOR ANY ERRORS WHICH MAY APPEAR HEREIN."

# DRAWING DIRECTORY

"THIS DRAWING AND SPECIFICATIONS, HEREIN, ARE THE PROPERTY OF DIGITAL EQUIPMENT CORPORATION AND SHALL NOT BE REPRODUCED OR COPIED OR USED IN WHOLE OR IN PART AS THE BASIS FOR THE MANUFACTURE OR SALE OF ITEMS WITHOUT WRITTEN PERMISSION. COPYRIGHT © 1982 DIGITAL EQUIPMENT CORPORATION."

UNIT VARIATIONS	
VAR	TITLE
PC100-A	PERSONAL COMPUTER Z80 & 8088, 64KB RAM 24 x 80/132 800KB RX50 FLOPPY, PRINTER PORT, ASYNC/SYNC PORT, 120/240V
PC100-AN	NON FCC COMPLIANT, PC100-A 120/240V

REVISIONS	REV.		INITIAL	PC100-ML004 B	USED ON OPTION/MODEL	DRN.	DATE	TITLE	digital										
	CHANGE NO.						D. HEALY			2DEC82	RAINBOW								
	CHK						CHK'D.	DATE	SIZE CODE NUMBER REV										
							D. HEALY	2DEC82		B DD PC100-0 B									
							PROJ. ENG.	DATE	DIST.										
							F. CHALOUX	2DEC82											
							PROD.	DATE											
							SHEET 1 OF 3	B. PORTER	2DEC82										



\* OPTIONAL EQUIPMENT  
SHOWN FOR REF ONLY

TITLE	RAINBOW	SHEET 2 OF 3	SIZE CODE	B DD	NUMBER	PC100-0	REV.	B
-------	---------	--------------	-----------	------	--------	---------	------	---

FIND NO.	DRAWING NO.	DESCRIPTION	TYPE	FIND NO.	DRAWING NO.	DESCRIPTION	TYPE
1	MP-01491-00	RAINBOW (MP)	-	6	B-DD-BA25-0	SMALL SYSTEM UNIT ENCLOSURE	E/M
	B-TC-PC100-0-1	RAINBOW (TC)	-				
	E-UA-PC100-0-DBU	RAINBOW	E/M				
	K-PL-PC100-0-DBP	RAINBOW (PL)	E/M				
	A-PS-1700283-0-0	CABLE ASSY. VIDEO	E/M				
	A-PS-3620218-0-0	LABEL, MONITOR (BCC#2-06)	M	7	A-PA-3700695-0-0	PACKAGING ASSY.	M
	A-PS-1700289-0-0	CABLE, MODEM (BCC#4-10)	M				
	A-PS-3617905-0-0	LABEL, WARNING	M				
	A-PS-3620215-0-0	LABEL, POWER RATING CT MONITOR	M				
	A-SP-PC100-0-0	PC100 SYSTEM SPECIFICATION	E/M				
				8	D-IA-7427256-0-DBU	MEDALLION, SYSTEM BOX	M
					K-PL-7427256-0-DBP	MEDALLION, SYSTEM BOX	M
					A-SS-7427256-0-3	ARTWORK, PC100	M
2	D-AD-7019974-0-DBU	CPU ASSY. RAINBOW 100	M	9	B-DD-5415482-0	PC100 RX50 CONTROLLER	E/M
	K-PL-7019974-0-DBP	CPU ASSY. RAINBOW 100 (PL)	M				
	E-MD-7427719-0-DBU	SUPPORT, KEEL RAINBOW	M				
3	D-AD-7019941-0-DBU	CONNECTOR PANEL ASSY.	M				
	K-PL-7019941-0-DBP	CONNECTOR PANEL ASSY. (PL)	M				
	E-MD-7426678-0-DBU	PANEL, DRESS	M				
	D-MD-7427174-0-DBU	PANEL, FILLER	M				
	D-IA-7427703-0-DBU	SCREW, THUMB	M				
	K-PL-7427703-0-DBU	SCREW, THUMB (PL)	M				
4	D-IA-7019943-0-DBU	CONNECTOR PANEL WELDMENT	M				
	K-PL-7019943-0-DBP	CONNECTOR PANEL WELDMENT (PL)	M				
	E-MD-7426682-0-DBU	PANEL BACK	M				
	K-PL-7426682-0-DBP	PANEL BACK (PL)	M				
	B-MD-7427602-0-DBU	BRACKET, ANGLE	M				
5	B-DD-5415486-0	PC100 MOTHER BOARD	E/M				

TYPE: E ELECTRICAL  
M MECHANICAL  
E/M ELECTRO/MECHANICAL

digital

TITLE RAINBOW

SHEET 3 OF 3

SIZE CODE B DD

NUMBER PC100-0

REV. B

DRAWING NO.	NO. OF SHTS.	PART NO.	DESCRIPTION	REVISIONS															
				A	B	C	D	E	F										
		5415486-00	PC100 MOTHER BOARD	A	B	C	D	E	F										
E-UA-5415486-0-0	1		PC100 MOTHER BOARD	A	B	C	D	E	F										
D-CS-5415486-0-1	13		PC100 MOTHER BOARD	A	B	C	D	E	F										
K-PL-5415486-0-DBP	4		PC100 MOTHER BOARD	A	B	C	D	E	F										
K-PC-5415486-0-DBC			PC DESIGN DATA BASE	E	E	E	E	F	F										
		5015485-00	ETCHED CIRCUIT BOARD	E	E	E	E	F	F										
D-MD-5015485-0-0	4		CIRCUIT DRILL & ETCH DRAWING	A	A	A	A	B	B										
E-EC-5015485-0-0	1		ETCH CUT DRAWING	A	B	C	D	E	E										
E-UA-5415486-0-0	1		PC100 MOTHER BOARD	-	-	-	-	-	DI										
D-CS-5415486-0-1	13		PC100 MOTHER BOARD	-	-	-	-	-	DI										
K-PL-5415486-0-DBP	4		PC100 MOTHER BOARD	-	-	-	-	-	DI										

**NOTES:**

DATE	CHG NO.	INIT	REVISIONS														
			A	B	C	D	E	F									
6-82																	
10-82		MLOO1															
11-82		MLOO2															
12-82		MLOO3															
2-83		MLOO4															
5-83		MLOO5															

"THIS DRAWING AND SPECIFICATIONS, HEREIN, ARE THE PROPERTY OF DIGITAL EQUIPMENT CORPORATION AND SHALL NOT BE REPRODUCED OR COPIED OR USED IN WHOLE OR IN PART AS THE BASIS FOR THE MANUFACTURE OR SALE OF ITEMS WITHOUT WRITTEN PERMISSION.  
 COPYRIGHT © 1982 DIGITAL EQUIPMENT CORPORATION

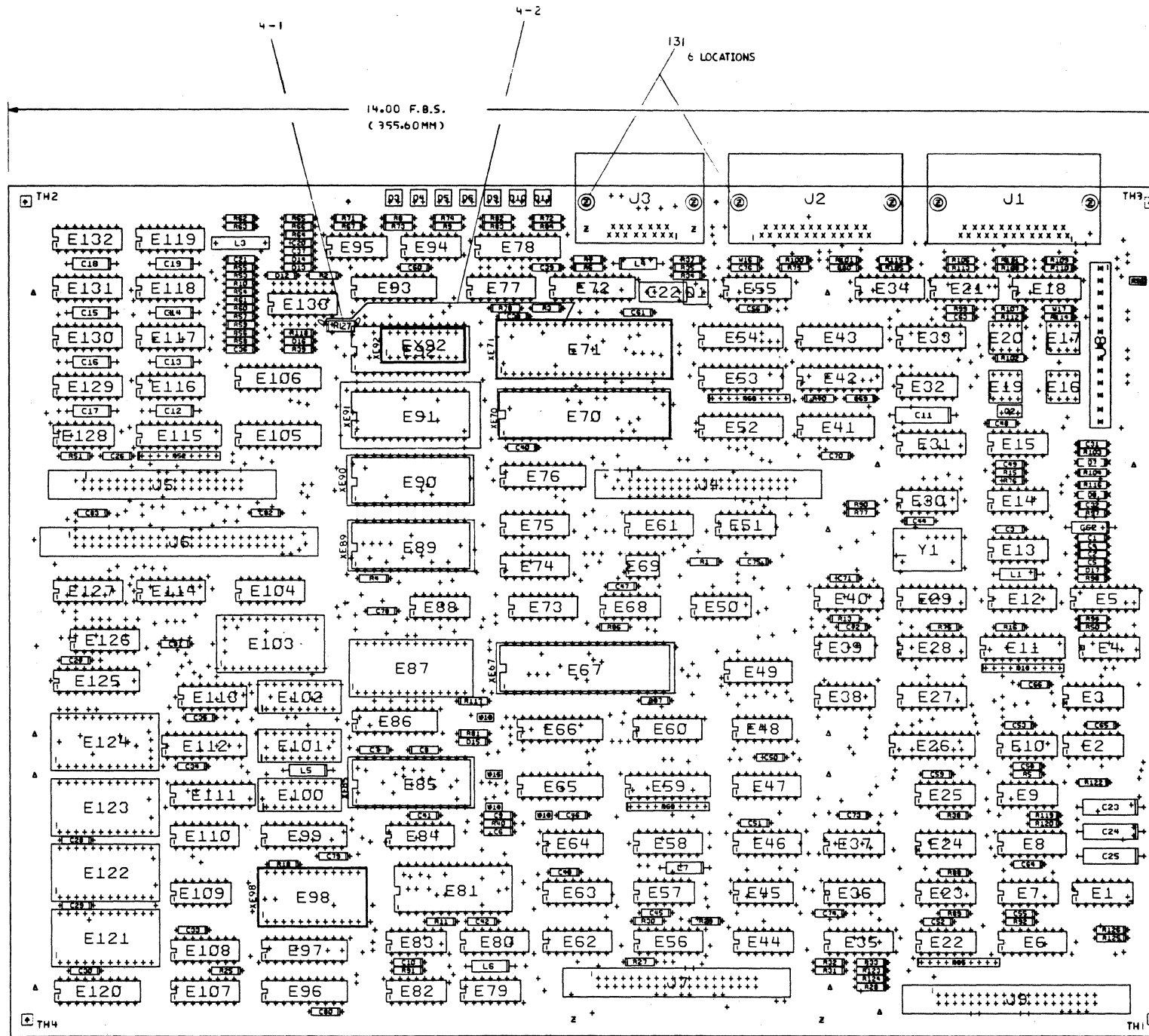


USED ON OPTION/MODEL	DRN. PEG LENNON	30JUN82	TITLE	PC100 MOTHER BOARD
PC100	CHK'D FRED CHALOUX	30JUN82	SIZE	B DD
	ENG. FRED CHALOUX	30JUN82	CODE	DD
	PROD ED TOMPKINS	30JUN82	NUMBER	5415486-0
			REV.	F
			SHEET 1 OF 1	



REWORK INSTRUCTIONS

ECO 5415-66-MCMB  
 COMPONENT ADD SIDE 1 AS SHOWN  
 +- R: 27  
 WIRE ADD SIDE 1 AS SHOWN  
 +-2 FROM E133-7 TO E71-33



NOTES:  
 1. UNLESS OTHERWISE SPECIFIED, ALL DIMENSIONS ARE IN MILLIMETERS.  
 2. DIMENSIONS ARE TO CENTER UNLESS OTHERWISE SPECIFIED.  
 3. DIMENSIONS TO COMPONENT EDGES ARE INDICATED BY DIMENSION LINES.  
 4. DIMENSIONS TO COMPONENT EDGES ARE INDICATED BY DIMENSION LINES.  
 5. DIMENSIONS TO COMPONENT EDGES ARE INDICATED BY DIMENSION LINES.  
 6. DIMENSIONS TO COMPONENT EDGES ARE INDICATED BY DIMENSION LINES.  
 7. DIMENSIONS TO COMPONENT EDGES ARE INDICATED BY DIMENSION LINES.  
 8. DIMENSIONS TO COMPONENT EDGES ARE INDICATED BY DIMENSION LINES.  
 9. DIMENSIONS TO COMPONENT EDGES ARE INDICATED BY DIMENSION LINES.  
 10. DIMENSIONS TO COMPONENT EDGES ARE INDICATED BY DIMENSION LINES.

DATE	BY	CHK'D BY	TITLE
12/27/77	J.P.	J.P.	DIGITAL BOARD MOTHER BOARD
12/27/77	J.P.	J.P.	DIGITAL BOARD MOTHER BOARD
12/27/77	J.P.	J.P.	DIGITAL BOARD MOTHER BOARD
12/27/77	J.P.	J.P.	DIGITAL BOARD MOTHER BOARD
12/27/77	J.P.	J.P.	DIGITAL BOARD MOTHER BOARD
12/27/77	J.P.	J.P.	DIGITAL BOARD MOTHER BOARD
12/27/77	J.P.	J.P.	DIGITAL BOARD MOTHER BOARD
12/27/77	J.P.	J.P.	DIGITAL BOARD MOTHER BOARD
12/27/77	J.P.	J.P.	DIGITAL BOARD MOTHER BOARD
12/27/77	J.P.	J.P.	DIGITAL BOARD MOTHER BOARD

STEP	NO.	DESCRIPTION	DATE
1	1	DESIGN	12/27/77
2	2	DESIGN	12/27/77
3	3	DESIGN	12/27/77
4	4	DESIGN	12/27/77
5	5	DESIGN	12/27/77
6	6	DESIGN	12/27/77
7	7	DESIGN	12/27/77
8	8	DESIGN	12/27/77
9	9	DESIGN	12/27/77
10	10	DESIGN	12/27/77

STEP	NO.	DESCRIPTION	DATE
1	1	DESIGN	12/27/77
2	2	DESIGN	12/27/77
3	3	DESIGN	12/27/77
4	4	DESIGN	12/27/77
5	5	DESIGN	12/27/77
6	6	DESIGN	12/27/77
7	7	DESIGN	12/27/77
8	8	DESIGN	12/27/77
9	9	DESIGN	12/27/77
10	10	DESIGN	12/27/77

STEP	NO.	DESCRIPTION	DATE
1	1	DESIGN	12/27/77
2	2	DESIGN	12/27/77
3	3	DESIGN	12/27/77
4	4	DESIGN	12/27/77
5	5	DESIGN	12/27/77
6	6	DESIGN	12/27/77
7	7	DESIGN	12/27/77
8	8	DESIGN	12/27/77
9	9	DESIGN	12/27/77
10	10	DESIGN	12/27/77

EIA 5415-66-0-0

LINE	ITEM	DOCUMENT NUMBER	PART NUMBER	DESCRIPTION	QTY	PER VARIATION	REFERENCE DESIGNATOR
1	1	D-MD-5015485-0-0	5015485-00	CIRCUIT DRILL & ETCH	1		
2	2		1000064-00	3.9MFD 10V 10% S.TANT	1		C62
3	3		1001383-00	4700.0 MMF 100V 3*200PPM MICA	1		C22
4	4		1001610-00	.01 MFD 50V +80-20% Z5U CER	10		C2-C9,C20,C21
5	5		1012784-00	.047 MFD 50V +80-20% CER	52	CONT	C1,C26-C56,C59-C61,C64,C65,C66, C69-C76,C78-C83
6	6		1013466-06	100.0 MMF 50V 5% CER	1		C10
7	7		1013466-11	.22 MFD 50V +80-20% Z5U CER	8		C12-C19
8	8		1017472-00	10 MFD 35V +50-10% AL EL	4		C23-C25,C11
9	9		1100114-00	D 664 QS\75PCB PIV= 25V SP	6		D12-D17
10	10		1105796-00	1N 4004 PIV=400 I= 1A D041 SP	2		D7,D8
11	11		1117373-01	LED ASSY RED	7		D3-D6,D9-D11
12	12		1211357-00	*** THIS ITEM IS NOT USED ***	-		
13	13		1211358-00	*** THIS ITEM IS NOT USED ***	-		
14	14		1214460-01	*** THIS ITEM IS NOT USED ***	-		
15	15		1215006-03	SKT,IC 18PIN DIP TIN SOLD	1		XE92
16	16		1215006-04	*** THIS ITEM IS NOT USED ***	-		
17	17		1215006-06	SKT,IC 24PIN DIP TIN SOLD	1		XE98
18	18		1215006-07	SKT,IC 28PIN DIP TIN SOLD	1		XE85
19	19		1215006-08	SKT,IC 40PIN DIP TIN SOLD	3		XE67,XE70,XE71
20	20		1215901-05	PCB,HEADER 02PIN(1X02).100CC STR	5		W13-W15,W90,W18
21	21		1215699-05	PCB,HEADER 12POS(1X13).156CC STR	1		J8
22	22		1219066-00	PCB HEADER 40PIN(2X20).100CC STR	4		J4,J5,J7,J9
23	23		1219066-03	PCB HEADER 52PIN(2X26).100CC STR	1		J6
24	24		1219606-02	SKT,IC 28PIN	2		XE89,XE90
25	25		1219678-04	SKT,IC 28PIN	1		XE91
26	26		1300271-00	220.0 .25 W 5.0 % CF	1		R34
27	27		1300295-00	330.0 .25 W 5.0 % CF	25	CONT	R3,R4,R10,R11,R16,R64,R65,R18, R50,R51,R70,R113-R115,R2,R76, CONT R90,R91,R71-R74,R82-R84

REVISION HISTORY		BASIC PART NO: 5415486		DRN:	WALT SUPINSKI	DATE:	26-MAY-82	D I G I T A L			
ENG	ECO NUMBER	REV	SECTION A OF A	CHK'D:	D. BARRIERE	DATE:	10-JUL-82	TITLE PARTS LIST			
FC	5415486-ML001	B	SECTION VARIATION INDEX	DES.ENG:	BOB MCNAMARA	DATE:	19-JUL-82	DOCUMENT NUMBER			
FC	5415486-ML002	C	[A] 00	RESP.ENG.:	FRED CHALOUX	DATE:	19-JUL-82	SIZE	CODE	NUMBER	REV
FC	5415486-ML003	D	[B]	MFG.ENG.:	ED TOMPKINS	DATE:	19-JUL-82	K	PL	5415486-0-DBP	E
FC	5415486-ML004	E	[C]	ASSEMBLY NUMBER:	E-UA-5415486-0-0	TOP DOCUMENT NUMBER:	#B-DD-5415486-0	FILE NAME:		Z4377E.PLS	EDIT #
			[D]								71
			[E]								
			[F]								
			[H]								
			[J]								
			[K]								
			[L]								
			[M]								
			[N]								

"THIS DRAWING AND SPECIFICATIONS HEREIN, ARE THE PROPERTY OF DIGITAL EQUIPMENT CORPORATION AND SHALL NOT BE REPRODUCED OR COPIED OR USED IN WHOLE OR IN PART AS THE BASIS FOR THE MANUFACTURE OR SALE OF ITEMS WITHOUT WRITTEN PERMISSION. COPYRIGHT (C) 1983. DIGITAL EQUIPMENT CORPORATION "

LINE	ITEM	DOCUMENT NUMBER	PART NUMBER	DESCRIPTION	QTY	PER VARIATION	REFERENCE DESIGNATOR
					00		
28	28		1300316-00	470.0 .25 W 5.0 % CF	2		R66,R67
29	29		1300417-00	*** THIS ITEM IS NOT USED ***	-		
30	30		1300447-00	4.70 K .25 W 5.0 % CF	25		R1,R6-R9,R92,R25,R15,R13,R89, CONT R27-R30,R38,R39,R75,R77,R78,R81, CONT R86,R87,R122,R123,R124 R102,R117,R116,R118,R127 R53-R61,R63 R5,R94,R40,R88 R62 R35,R37 R31,R32 R119 R98 R33 R100,R101,R105-R112,R99 R85 R69 R14,R52,R68 Q1 L3-L7 Y1 E13 E14,E95 E94 E51 E7,E9,E23,E24,E30,E10 E62,E40 E12,E29 E61 E64 Q2 E84 E83 E88 E50,E68,E79 E109 E38,E32,E48,E36,E2 E37 E22,E25,E44,E82,E45 E39 E73,E104,E49,E47,E58,E46 E35,E63 E31 E80,E127,E126,E113,E33,E55,E56 E6,E27 E5,E28 E107,E108,E110 E60,E74,E75,E114
31	31		1300479-00	10.0 K .25 W 5.0 % CF	5		
32	32		1301317-00	10.0 .25 W 5.0 % CF	10		
33	33		1301424-00	680.0 .25 W 5.0 % CF	4		
34	34		1301969-00	22.0 .25 W 5.0 % CF	1		
35	35		1302379-00	75.0 .25 W 5.0 % CF	2		
36	36		1303178-00	620.0 .25 W 5.0 % CF	2		
37	37		1309595-00	1.0 M .25 W 5.0 % CF	1		
38	38		1312930-00	5.10 K .25 W 5.0 % CF	1		
39	39		1313580-00	360.0 .25 W 5.0 % CF	1		
40	40		1313597-00	23.70 K .25 W 1.0 % RN55D-F10	11		
41	41		1316334-02	R NETWORK 9-10K 2.0 % 10PIN	1		
42	42		1316395-00	R NETWORK 9-4.7K 2.0 % 10PIN	1		
43	43		1316395-02	R NETWORK 9-1.0K 2.0 % 10PIN	3		
44	44		1510706-00	XA 55 PNP 500MW SI 60 50 P	1		
45	45		1618238-02	BEAD,FERRITE .1380DX.330LG	5		
46	46		1814830-00	OSCILLATOR, XTAL 24.073 MHZ	1		
47	47		1910532-00	74S00 NAND GATE-QUAD 2IN	1		
48	48		1910533-00	74S03 NAND GATE-QUAD 2IN,0	2		
49	49		1910535-00	74S05 INVERTER GATE-HEX 1	1		
50	50		1910536-00	74S10 NAND GATE-TRIPLE 3IN	1		
51	51		1910544-00	74S74 FF-D DUAL,EDGE TRIGG	6		
52	52		1910548-00	74S157 MUX 1 OF 2 (QUAD)	2		
53	53		1910957-00	74S175 FF-D QUAD COMMON CLO	2		
54	54		1911675-00	74S138 DECODER/DEMUX 3-8 LI	1		
55	55		1912389-00	74S08 AND GATE-QUAD 2IN,PO	1		
56	56		1912536-01	7805 VOLT REG,FIX +5V	1		
57	57		1912697-00	LS174 FF-D HEX W/CLEAR	1		
58	58		1912799-00	LS00 NAND-GATE-QUAD 2IN,P	1		
59	59		1912801-00	LS02 NOR-GATE-QUAD 2IN	1		
60	60		1912803-00	LS04 INVERTER GATE,HEX	3		
61	61		1912815-00	LS30 NAND GATE-SINGLE 8IN	1		
62	62		1912816-00	LS32 OR GATE-QUAD 2IN,POS	5		
63	63		1912820-00	LS51 A-O-I GATE 2-WIDE 2I	1		
64	64		1912821-00	LS74 FF-D DUAL,EDGE TRIGG	5		
65	65		1912829-00	LS86 X-OR GATE-QUAD 2IN	1		
66	66		1912842-00	LS138 DECODER-THREE INPUT,	6		
67	67		1912843-00	LS139 DECODER, 2 OF 4(DUAL	2		
68	68		1912844-00	LS151 MUX 1 OF 8 & DATA	1		
69	69		1912847-00	LS157 MUX 1 OF 2(QUAD)	7		
70	70		1912849-00	LS161 COUNTER,SYNCHR,4BIT	2		
71	71		1912853-00	LS175 FF-D QUAD	2		
72	72		1912854-00	LS193 COUNTER,SYNCHR,4BIT,	3		
73	73		1912859-00	LS258 MUX 1 OF 2 (DUAL),	4		

D	I	G	I	T	A	L	TITLE	PC100 MOTHER BOARD	SECTION A	OF A	SIZE	CODE	DOCUMENT NUMBER	REV
											K	PL	5415486-0-DBP	E

LINE	ITEM	DOCUMENT NUMBER	PART NUMBER	DESCRIPTION	QTY PER VARIATION 00	REFERENCE DESIGNATOR
74	74		1912863-00	LS273 FF-D OCTAL W/CLEAR	6	E99,E111,E42,E43,E52,E26
75	75		1914084-00	74S299 SHIFT REG.,8BIT RIGH	1	E97
76	76		1914214-00	LS374 FF-D OCTAL EDGE TRIG	2	E96,E112
77	77		1914423-01	CUSTOM LSI-BIPOLAR LS	1	E85
78	78		1914424-01	CUSTOM LSI-BIPOLAR L	1	E81
79	79		1914451-00	LS393 COUNTER,BINARY,4BIT	4	E3,E4,E15,E128
80	80		1915123-02	*** THIS ITEM IS NOT USED ***	-	
81	81		1915193-00	LS244 DRIVER,LINE,OCTAL,T	7	E53,E59,E66,E72,E115,E86,E54
82	82		1915218-00	LS245 TRANSCEIVER,BUS,OCT	5	E65,E106,E105,E120,E125
83	83		1915219-00	LS373 FF-D OCTAL-TRANSPARE	3	E76,E78,E93
84	84		1915415-00	9636 DRIVER,DUAL,EIA RS-	4	E17,E20,E16,E19
85	85		1916028-01	9643 DRIVER,TTL TO MOS,D	1	E69
86	86		1919018-00	LS148 PRIORITY ENCODER,8 T	1	E77
87	87		1920460-01	LS12 NAND GATE 3-IN	2	E57,E1
88	88		2112623-03	DUAL BAUD RATE GEN/PROG DIVIDER	1	E41
89	89		2113107-01	P 8251A PUSART COMM. INTERFA	1	E87
90	90		2113628-00	4050B BUFFER/CONVERTER GAT	1	E8
91	91		2114212-00	P 2114-2 RAM,1024X4,STATIC	3	E100-E102
92	92		2117872-01	RAM 2KX8 I/O MUXD 25	5	E121-E124,E103
93	93		2118467-01	*** THIS ITEM IS NOT USED ***	-	
94	94	SEE NOTE 134, 135	2118470-01	4864-1 MOS RAM 64K X1,200	8	E116-E119,E129-E132
95	95		2118472-01	*** THIS ITEM IS NOT USED ***	-	
96	96		2118856-00	CONTROLLER,MULTI-PROTOCOL SERIAL	1	E71
97	97		2119148-00	Z80A MICROPROCESSOR 40PIN	1	E67
98	98		2119533-01	8088 MICROPROCESSOR 5MHZ	1	E70
99	99		2120263-01	2212 RAM 256X4 NON-VOLATI	1	E92
100	100		23020E3-00	E3-03	1	E98
101	101		23090B1-00	B1-03	1	E11
102	102		23090E4-00	*** THIS ITEM IS NOT USED ***	-	
103	103		23091E4-00	*** THIS ITEM IS NOT USED ***	-	
104	104		23092E4-00	*** THIS ITEM IS NOT USED ***	-	
105	105		7426678-01	*** THIS ITEM IS NOT USED ***	-	
106	106		7426682-01	*** THIS ITEM IS NOT USED ***	-	
107	107		7426852-01	*** THIS ITEM IS NOT USED ***	-	
108	108		7427174-01	*** THIS ITEM IS NOT USED ***	-	
109	109		9000037-03	*** THIS ITEM IS NOT USED ***	-	
110	110		9006020-01	*** THIS ITEM IS NOT USED ***	-	
111	111		9006655-00	*** THIS ITEM IS NOT USED ***	-	
112	112		9007649-00	*** THIS ITEM IS NOT USED ***	-	
113	113		9007883-00	*** THIS ITEM IS NOT USED ***	-	
114	114		9008212-00	*** THIS ITEM IS NOT USED ***	-	
115	115		9008451-01	*** THIS ITEM IS NOT USED ***	-	
116	116		9009185-00	JUMPER, WIRE, INSULATED, BLACK B	1	W17
117	117		9009800-07	*** THIS ITEM IS NOT USED ***	-	
118	118		1219678-05	*** THIS ITEM IS NOT USED ***	-	
119	119		1220365-02	CONN,D SUB 15PIN ASSY RT ANGLE W	1	J3
120	120		1220365-03	CONN,D SUB 25PIN ASSY RT ANGLE W	1	J1
121	121		1618437-00	BEAD,FERRITE .23600X.394LG	1	L1

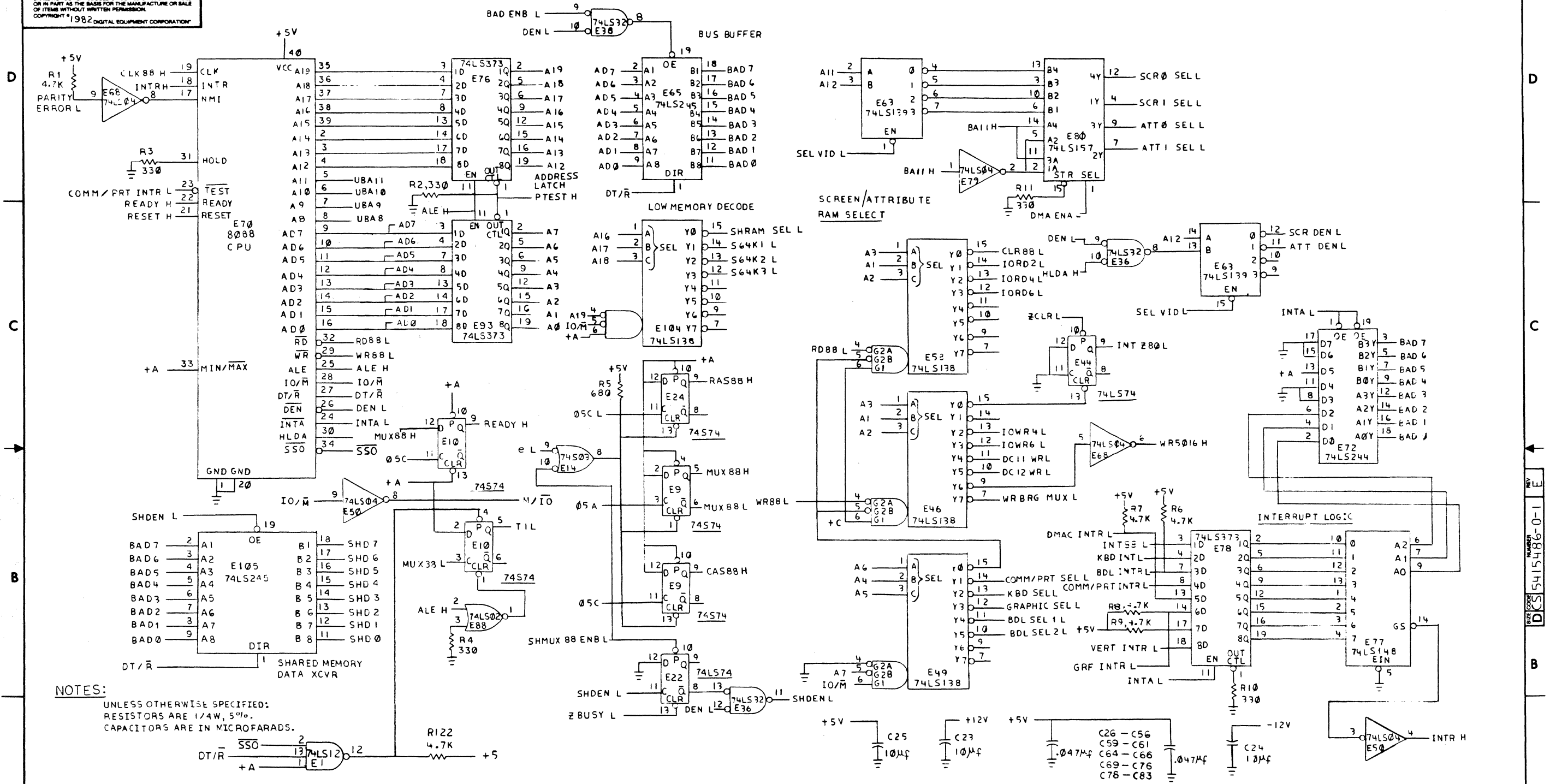
D	I	G	I	T	A	L	TITLE	SECTION A	OF A	SIZE	CODE	DOCUMENT NUMBER	REV
							PC100 MOTHER BOARD			K	PL	5415486-0-DBP	E

LINE	ITEM	DOCUMENT NUMBER	PART NUMBER	DESCRIPTION	QTY	PER VARIATION	REFERENCE DESIGNATOR
					00		
122	122		9107560-01	WIRE,BUSS 22AWG TIN BARE	A/R		
123	123		9105740-55	WIRE(WRAP) 30AWG KYNAR UL14	A/R		
124	124		1300365-00	1.0 K .25 W 5.0 % CF	2		R79,R80
125	125		1915123-03	26LS32-3 RECEIVER,LINE RS232	3		E18,E21,E34
126	126		1302466-00	100.0 K .25 W 5.0 % CF	4		R97,R120,R103,R104
127	127		1013466-12	2200.0 MMF 50V 10% X7R CER	1		C63
128	128		9107256-00	*** THIS ITEM IS NOT USED ***	-		
129	129	C-IA-7020274-0-0	7020274-15	COUNTRY ROM & CARRIER USA	1		E91
130	130		1220399-04	CONN,D SUB 25SKT ASSY RT ANGLE	1		J2
131	131		9006732-00	EYELET,ROLLED 0.1210DX0.219	6		
132	132		23176E4-00	E4-06	1		E89
133	133		23177E4-00	E4-06	1		E90

134 NOTE: P/N 21-18472-01 IS AN ALT. FOR PRIME P/N 21-18470-01, MIXING OF ALT. AND PRIME PARTS NOT ALLOWED.  
 135 NOTE: P/N 21-18467-01 AN ALT. FOR P/N 21-18470-01, MIXING OF ALT. AND PRIME PARTS NOT ALLOWED.

D	I	G	I	T	A	L	TITLE	PC100 MOTHER BOARD	SECTION A OF A	SIZE	CODE	DOCUMENT NUMBER	REV
										K	PL	5415486-0-DBP	E

THIS DRAWING AND SPECIFICATIONS HEREIN ARE THE PROPERTY OF DIGITAL EQUIPMENT CORPORATION AND SHALL NOT BE REPRODUCED OR COPIED OR USED IN WHOLE OR IN PART AS THE BASIS FOR THE MANUFACTURE OR SALE OF ITEMS WITHOUT WRITTEN PERMISSION. COPYRIGHT © 1982 DIGITAL EQUIPMENT CORPORATION.



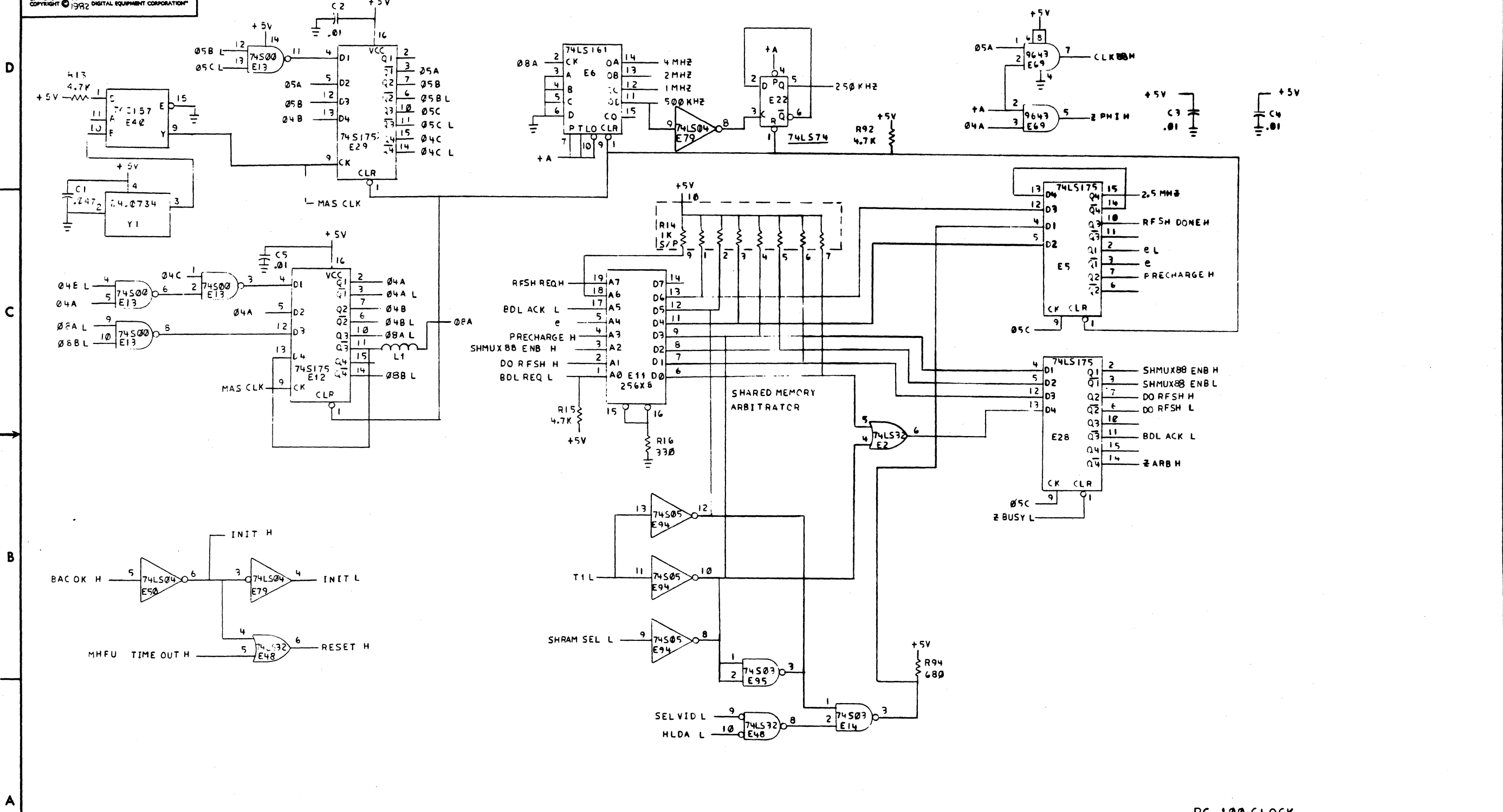
NOTES:  
UNLESS OTHERWISE SPECIFIED:  
RESISTORS ARE 1/4W, 5%.  
CAPACITORS ARE IN MICROFARADS.

REVISION HISTORY table with columns for DATE, REV, ECO NUMBER, and ORIGINATOR. It lists several revisions from A to H, including names like FRED CHALOUX and dates.

Document information table including fields for DATE (02-JUN-82), TITLE (PC100 MOTHER BOARD), DOCUMENT NUMBER (DCS 5415486-0-1), and other metadata.

REV E DCS 5415486-0-1

"THIS DRAWING AND SPECIFICATIONS, HEREIN, ARE THE PROPERTY OF DIGITAL EQUIPMENT CORPORATION AND SHALL NOT BE REPRODUCED OR COPIED OR USED IN WHOLE OR IN PART AS THE BASIS FOR THE MANUFACTURE OR SALE OF ITEMS WITHOUT WRITTEN PERMISSION. COPYRIGHT © 1982 DIGITAL EQUIPMENT CORPORATION"



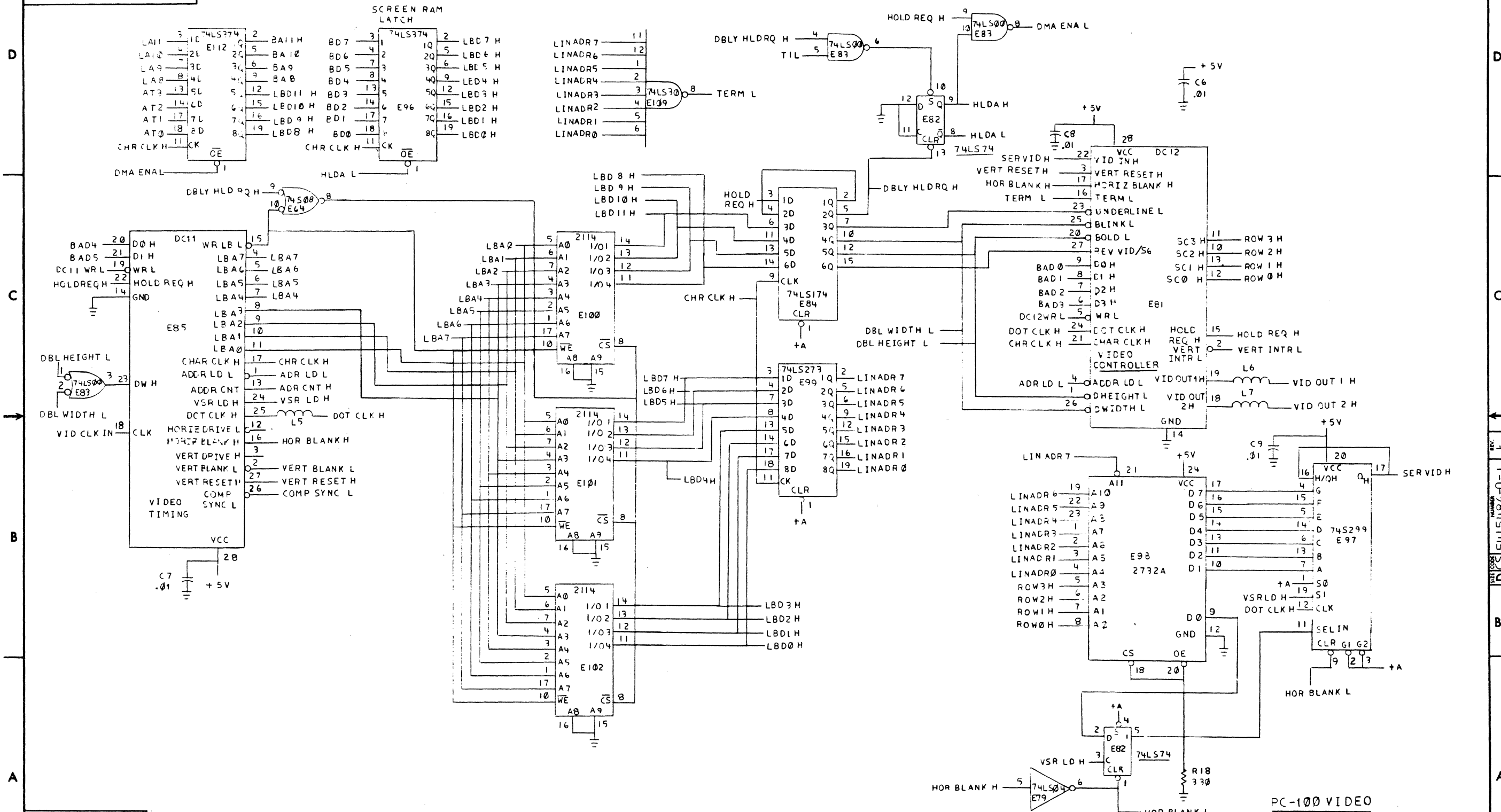
PC-100 CLOCK

REVISIONS		
CHK	CHANGE NO.	REV.

TITLE	PC100 MOTHER BOARD	REV.	E
SCALE	NONE	SHEET	2 OF 13
DATE			

D CS 5415486-0-1 E

THIS DRAWING AND SPECIFICATIONS HEREIN ARE THE PROPERTY OF DIGITAL EQUIPMENT CORPORATION AND SHALL NOT BE REPRODUCED OR COPIED OR USED IN WHOLE OR IN PART AS THE BASIS FOR THE MANUFACTURE OR SALE OF ITEMS WITHOUT WRITTEN PERMISSION. COPYRIGHT © 1982 DIGITAL EQUIPMENT CORPORATION



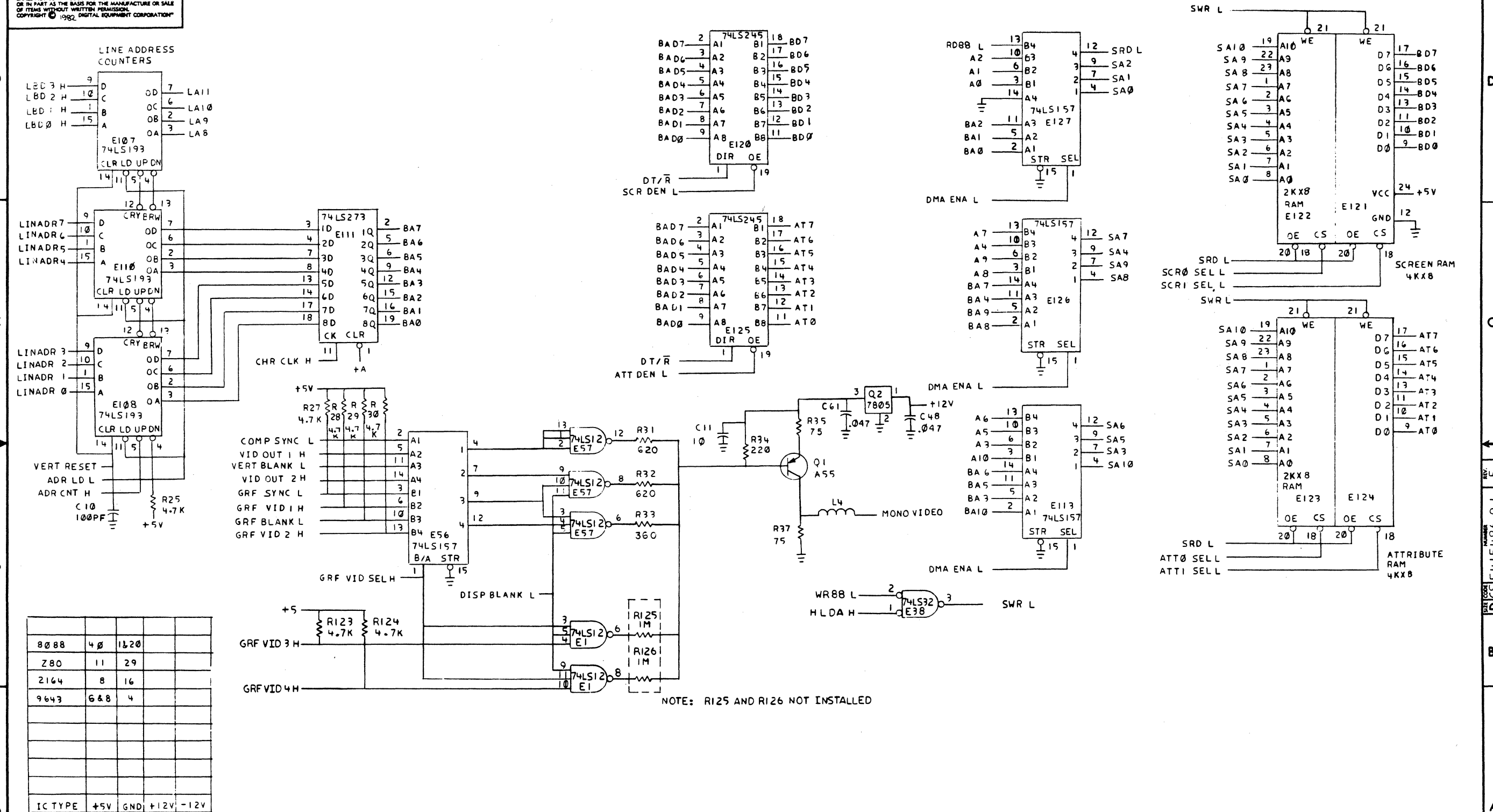
REVISIONS		
CHK	CHANGE NO.	REV.

TITLE	PC100 MOTHER BOARD	SIZE CODE	D CS	NUMBER	5415486-0-1	REV.	E
SCALE	NONE	SHEET	3 OF 13	DIST.			

REV. E  
NUMBER  
DCS 5415486-0-1



THIS DRAWING AND SPECIFICATIONS HEREIN ARE THE PROPERTY OF DIGITAL EQUIPMENT CORPORATION AND SHALL NOT BE REPRODUCED OR COPIED OR USED IN WHOLE OR IN PART AS THE BASIS FOR THE MANUFACTURE OR SALE OF ITEMS WITHOUT WRITTEN PERMISSION. COPYRIGHT © 1982 DIGITAL EQUIPMENT CORPORATION



IC TYPE	+5V	GND	+12V	-12V
8088	40	120		
Z80	11	29		
2144	8	16		
9643	6&8	4		

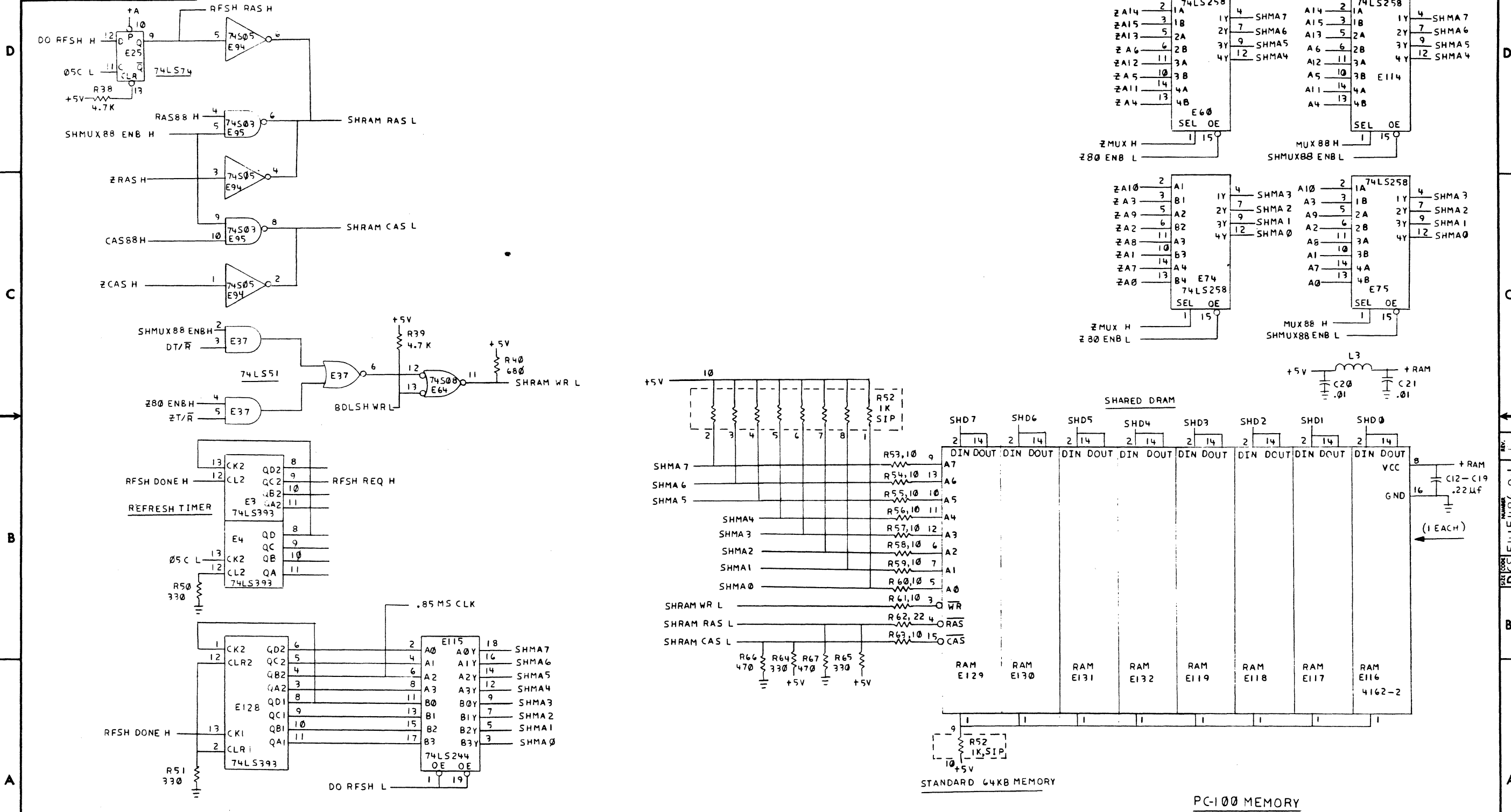
REVISIONS		
CHK	CHANGE NO.	REV.

TITLE	SIZE/CODE	NUMBER	REV.
PC100 MOTHER BOARD	DCS	5415486-0-1	E
SCALE NONE	SHEET 4 OF 13	DIST.	

PC-100 VIDEO DMA & VIDEO MEMORY

REV. 10/82 DCS 5415486-0-1

THIS DRAWING AND SPECIFICATIONS HEREIN ARE THE PROPERTY OF DIGITAL EQUIPMENT CORPORATION AND SHALL NOT BE REPRODUCED OR COPIED OR USED IN WHOLE OR IN PART AS THE BASIS FOR THE MANUFACTURE OR SALE OF ITEMS WITHOUT WRITTEN PERMISSION. DIGITAL EQUIPMENT CORPORATION. COPYRIGHT © 1982

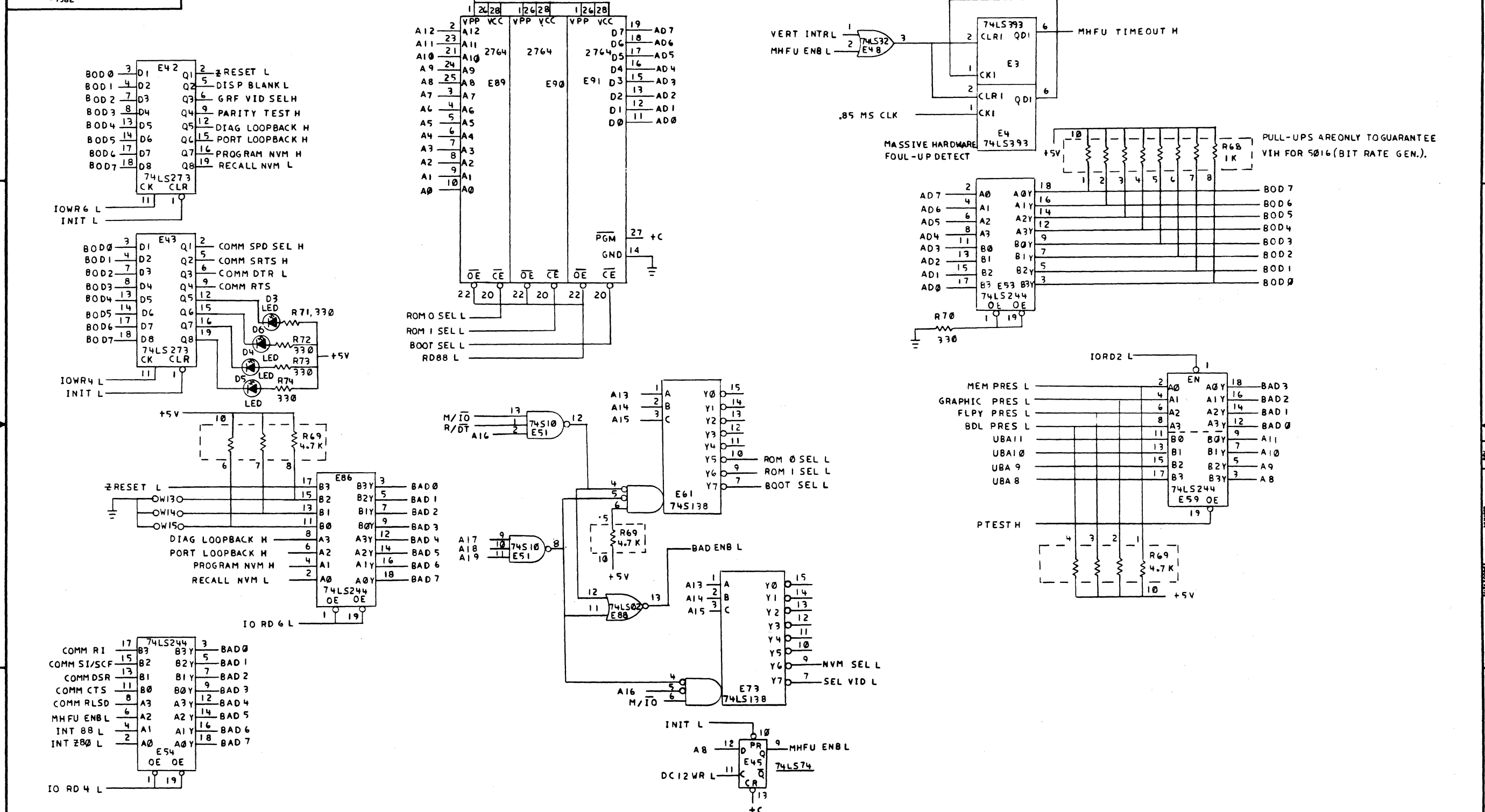


REVISIONS		
CHK	CHANGE NO.	REV.

TITLE	PC100 MOTHER BOARD	SIZE CODE	DCS	NUMBER	5415486-0-1	REV.	E
SCALE	NO NE	SHEET	5	OF	13	DIST.	

THIS DRAWING AND SPECIFICATIONS HEREIN ARE THE PROPERTY OF DIGITAL EQUIPMENT CORPORATION AND SHALL NOT BE REPRODUCED OR COPIED OR USED IN WHOLE OR IN PART AS THE BASIS FOR THE MANUFACTURE OR SALE OF ITEMS WITHOUT WRITTEN PERMISSION. COPYRIGHT © 1982 DIGITAL EQUIPMENT CORPORATION

3 1-0-98h5h5 SSO 2



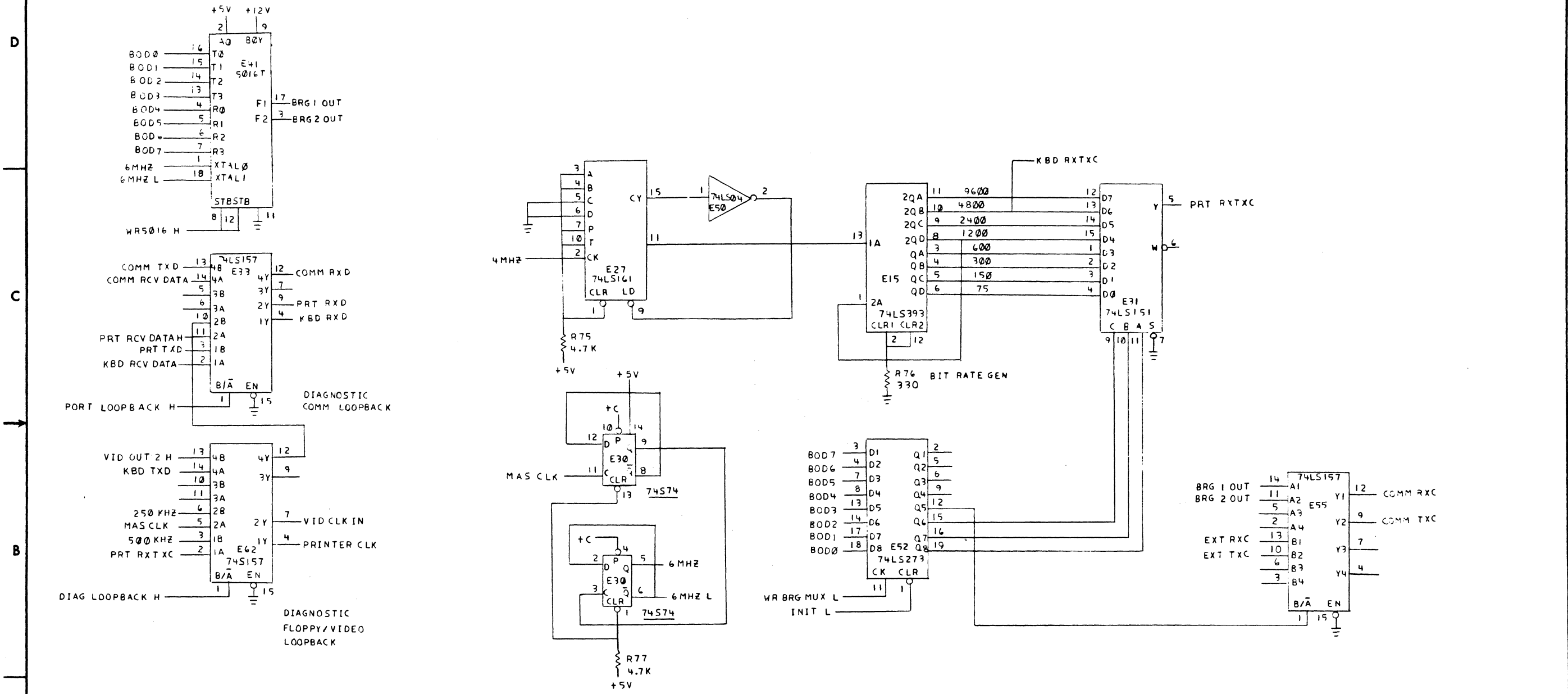
REVISIONS		
CHK	CHANGE NO.	REV.

PC-100 ROM & REG I/O

TITLE	SIZE/COOD	NUMBER	REV.
PC100 MOTHER BOARD	DCS	5415486-0-1	E
SCALE NONE	SHEET 6 OF 13	DIST.	

REV. E DCS 5415486-0-1

"THIS DRAWING AND SPECIFICATIONS, HEREIN, ARE THE PROPERTY OF DIGITAL EQUIPMENT CORPORATION AND SHALL NOT BE REPRODUCED OR COPIED OR USED IN WHOLE OR IN PART AS THE BASIS FOR THE MANUFACTURE OR SALE OF ITEMS WITHOUT WRITTEN PERMISSION. COPYRIGHT © 1982 DIGITAL EQUIPMENT CORPORATION"



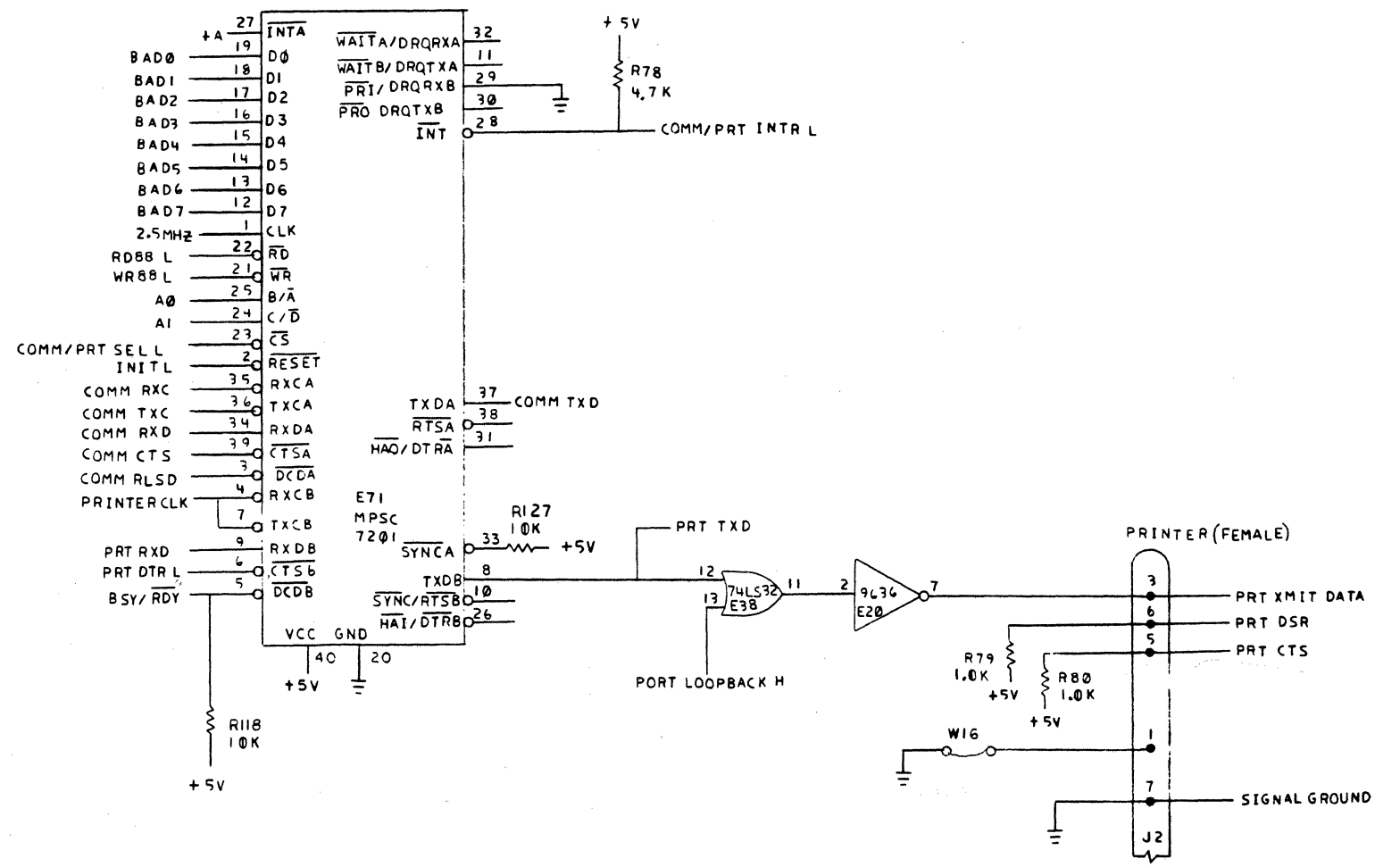
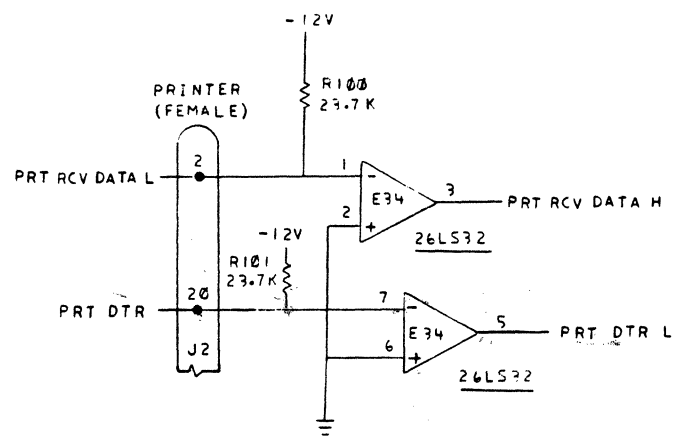
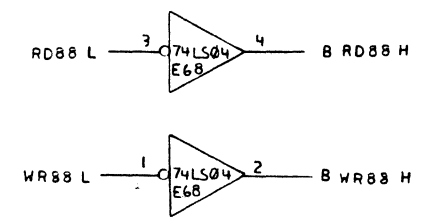
PC-100 BIT RATE GEN.

REVISIONS		
CHK	CHANGE NO.	REV.

TITLE	SIZE CODE	NUMBER	REV.
PC100 MOTHER BOARD	D	541,5486-0-1	E
SCALE NONE	SHEET 7	OF 13	DIST.

THIS DRAWING AND SPECIFICATIONS HEREIN ARE THE PROPERTY OF DIGITAL EQUIPMENT CORPORATION AND SHALL NOT BE REPRODUCED OR COPIED OR USED IN WHOLE OR IN PART AS THE BASIS FOR THE MANUFACTURE OR SALE OF ITEMS WITHOUT WRITTEN PERMISSION. COPYRIGHT © 1982 DIGITAL EQUIPMENT CORPORATION

D  
C  
B  
A

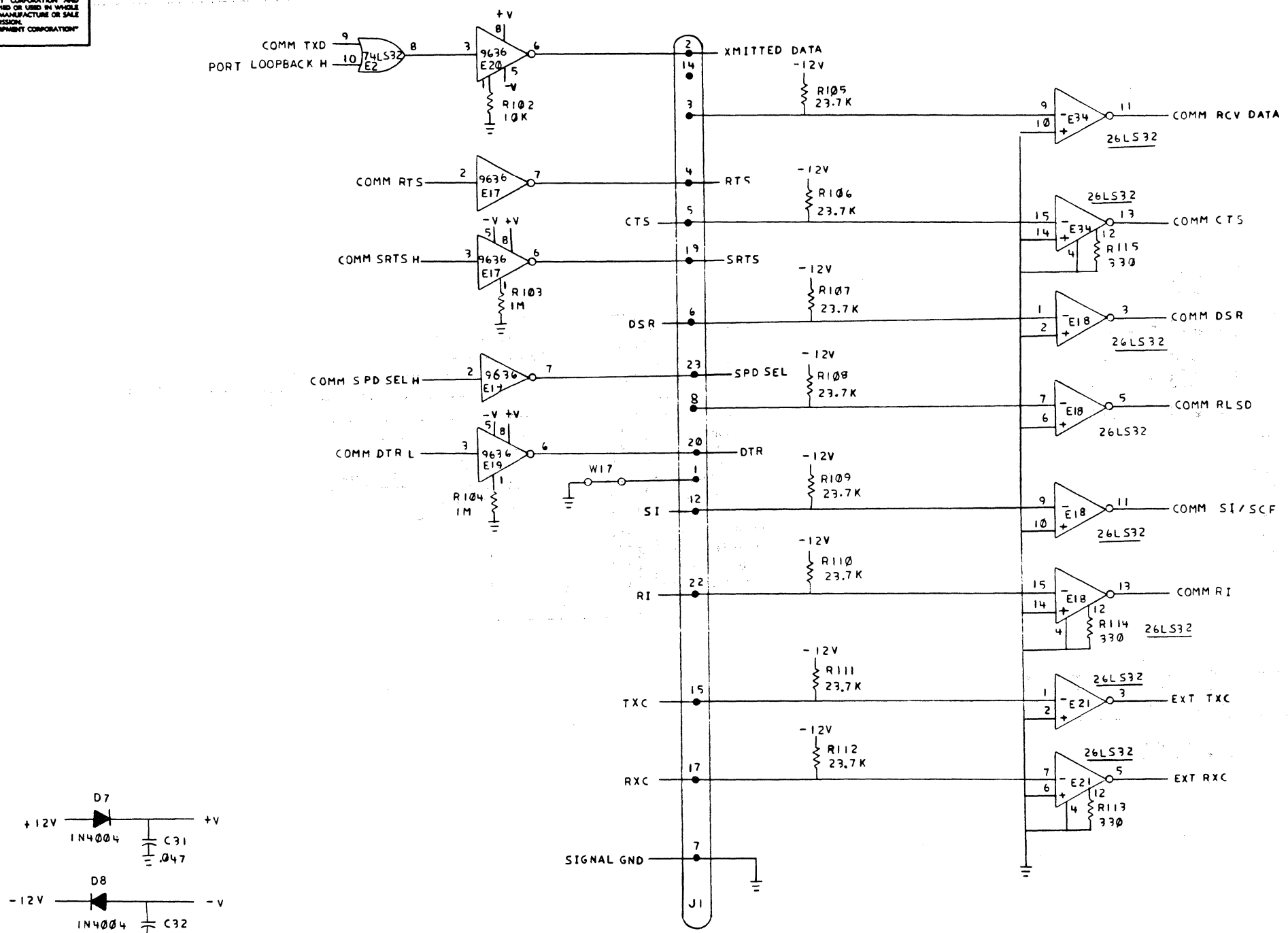


PC-100 COMM & PRINTER MPSC

REVISIONS		
CHK	CHANGE NO.	REV.

DCS 5415486-0-1 E

THIS DRAWING AND SPECIFICATIONS HEREIN ARE THE PROPERTY OF DIGITAL EQUIPMENT CORPORATION AND SHALL NOT BE REPRODUCED OR COPIED OR USED IN WHOLE OR IN PART AS THE BASIS FOR THE MANUFACTURE OR SALE OF ITEMS WITHOUT WRITTEN PERMISSION. COPYRIGHT © 1982 DIGITAL EQUIPMENT CORPORATION



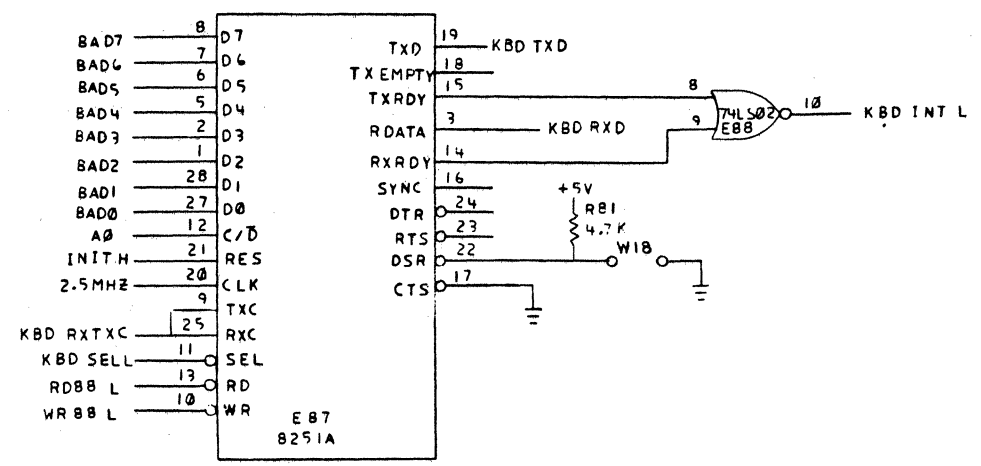
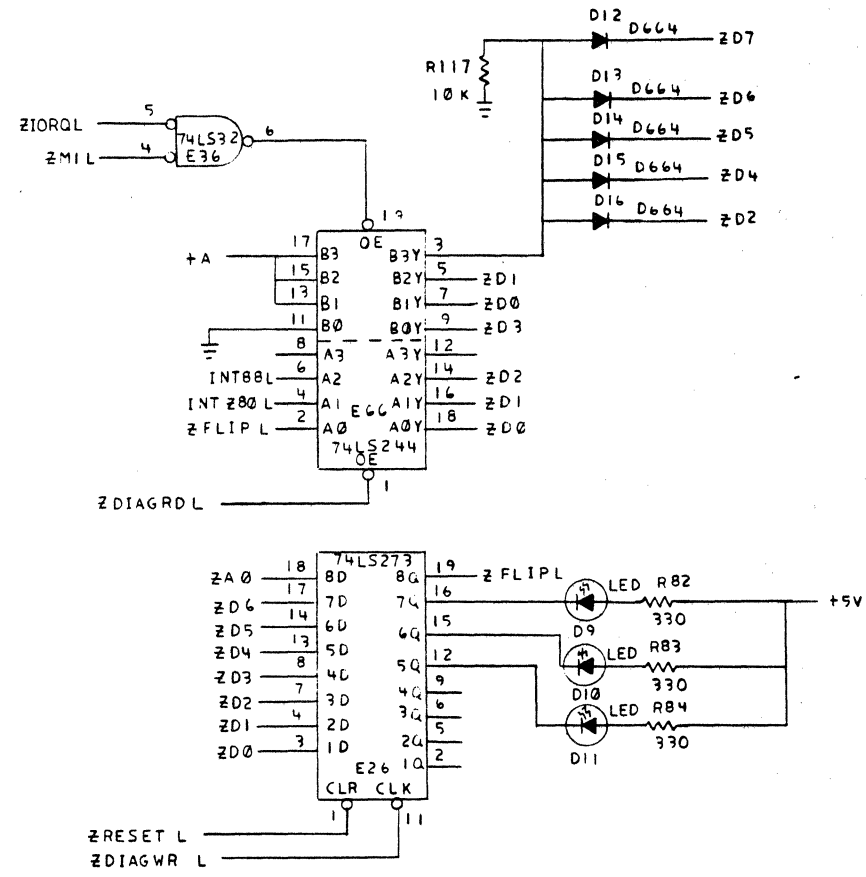
PC-100 COMM PORT

REVISIONS		
CHK	CHANGE NO.	REV.

TITLE	SIZE CODE	NUMBER	REV.
PC100 MOTHER BOARD	DCS	5415486-0-1	E
SCALE NONE	SHEET 9 OF 13	DIST.	

REV. E  
DCS 5415486-0-1

THIS DRAWING AND SPECIFICATIONS HEREIN ARE THE PROPERTY OF DIGITAL EQUIPMENT CORPORATION AND SHALL NOT BE REPRODUCED OR COPIED OR USED IN WHOLE OR IN PART AS THE BASIS FOR THE MANUFACTURE OR SALE OF ITEMS WITHOUT WRITTEN PERMISSION. COPYRIGHT © 1982 DIGITAL EQUIPMENT CORPORATION

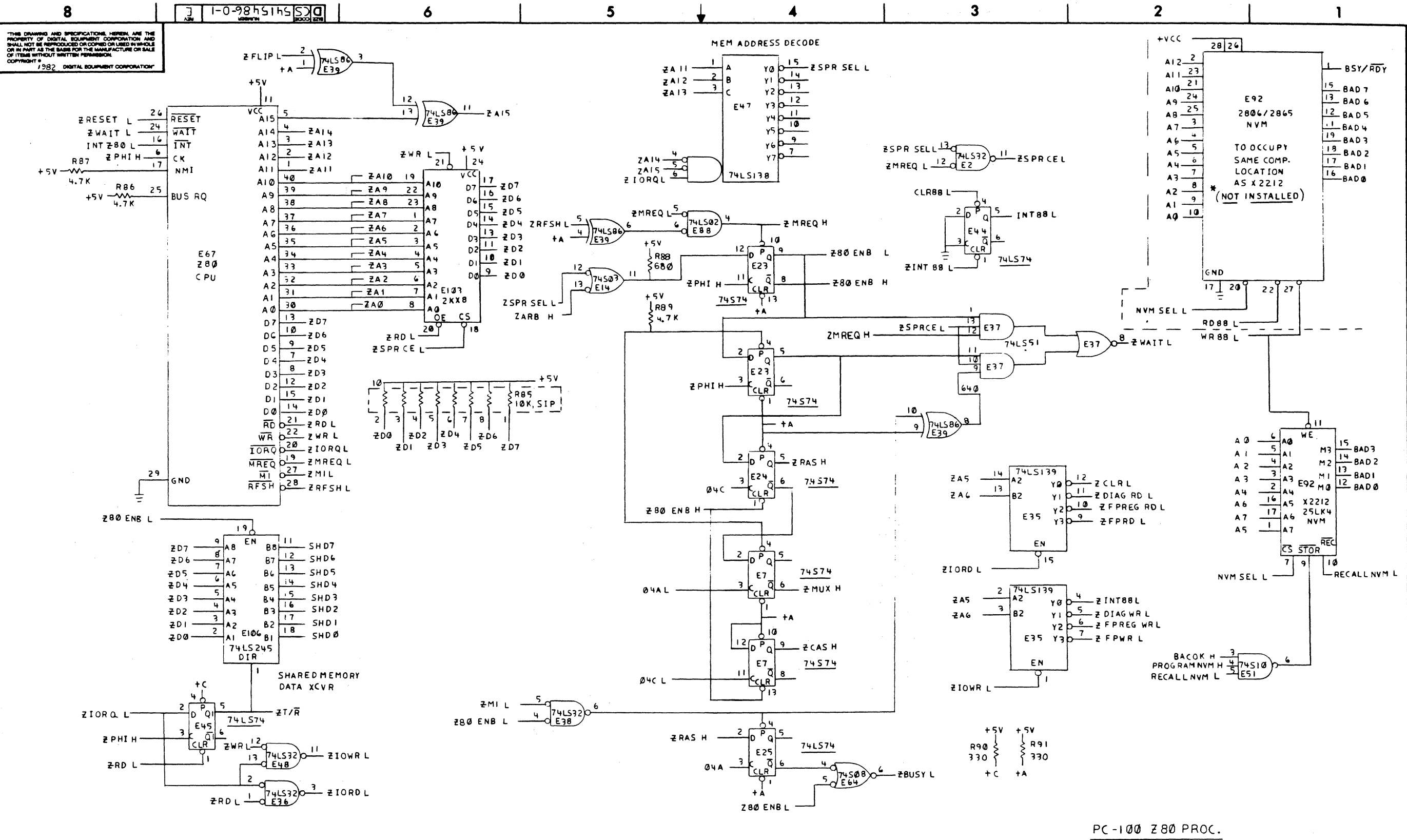


PC-100 KYBD/Z DIAGNOSTIC

REVISION HISTORY		
DATE	ECO NUMBER	REV.

TITLE		DOCUMENT NUMBER	
PC100 MOTHER BOARD		DCS 5415486-0-1	E
SCALE NONE	SHEET 10 OF 13		

DCS 5415486-0-1 E

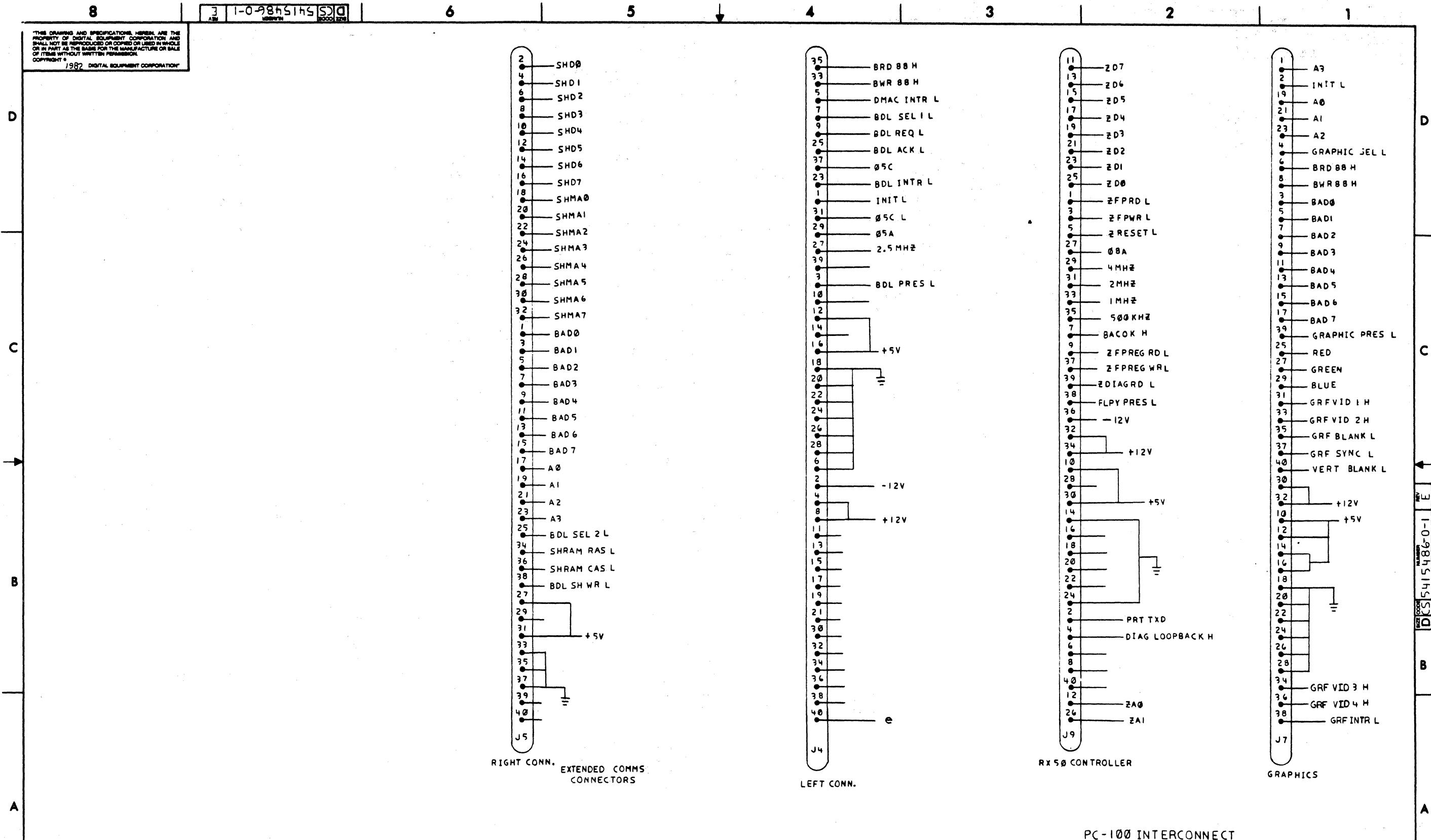


REVISION HISTORY		
DATE	ECO NUMBER	REV.

TITLE		DOCUMENT NUMBER	
PC100 MOTHER BOARD		DCS	5415486-0-1
SCALE NONE	SHEET 11	OF 13	



THIS DRAWING AND SPECIFICATIONS HEREIN ARE THE PROPERTY OF DIGITAL EQUIPMENT CORPORATION AND SHALL NOT BE REPRODUCED OR COPIED OR USED IN WHOLE OR IN PART AS THE BASIS FOR THE MANUFACTURE OR SALE OF ITEMS WITHOUT WRITTEN PERMISSION.  
COPYRIGHT © 1987 DIGITAL EQUIPMENT CORPORATION

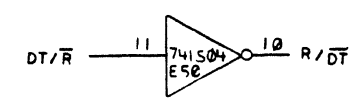


REVISION HISTORY		
DATE	ECO NUMBER	REV.

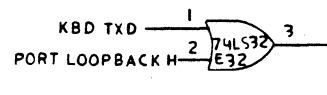
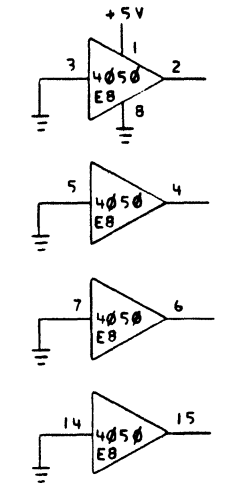
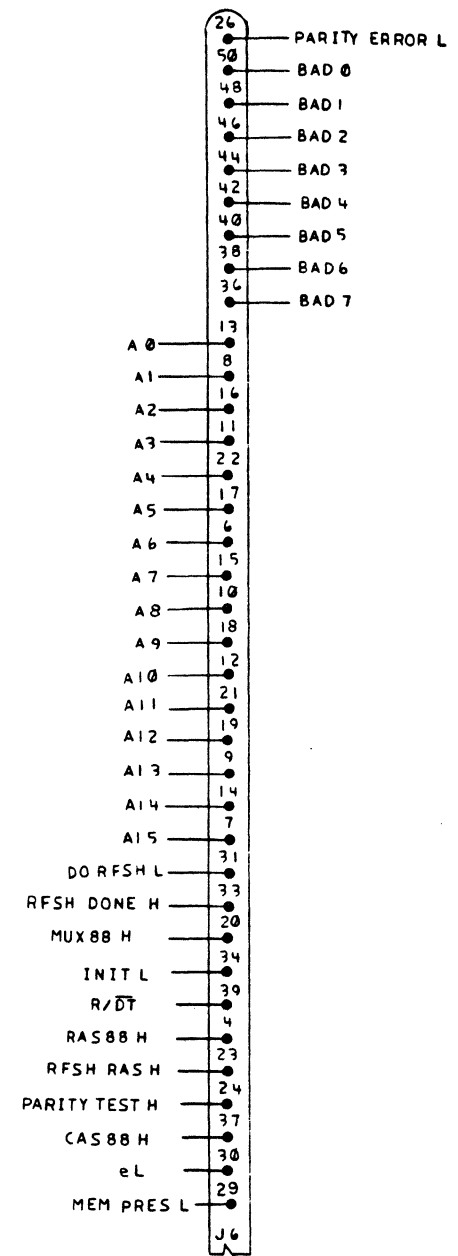
DOCUMENT NUMBER		
SIZE CODE	NUMBER	REV.
DCS	5415486-0-1	E
SCALE NONE		SHEET 12 OF 13

TITLE  
PC100 MOTHER BOARD

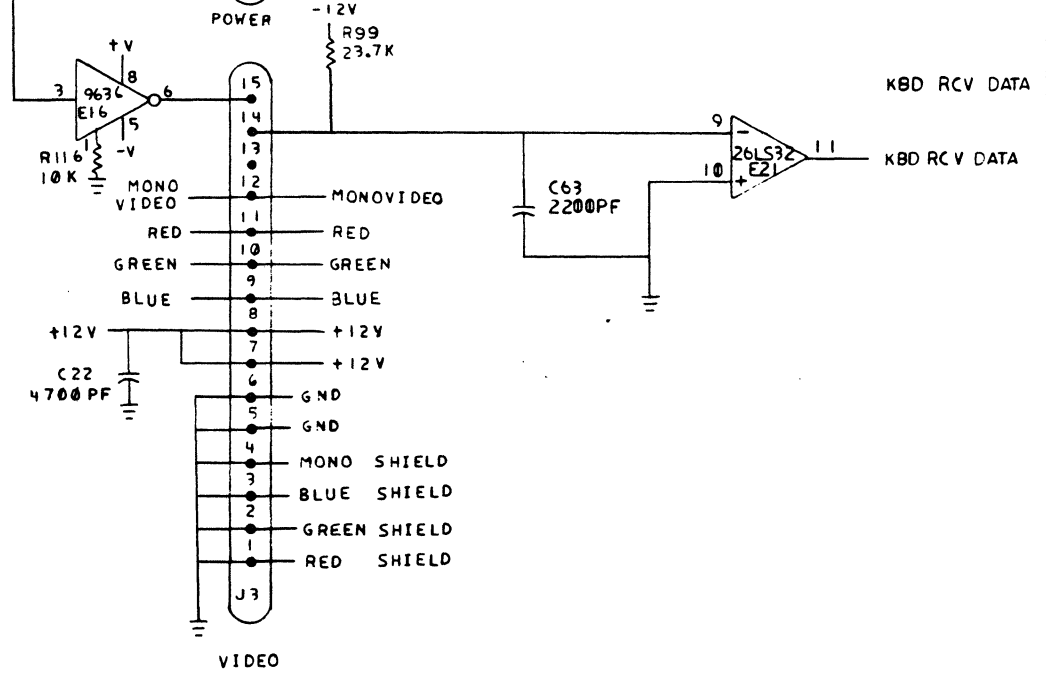
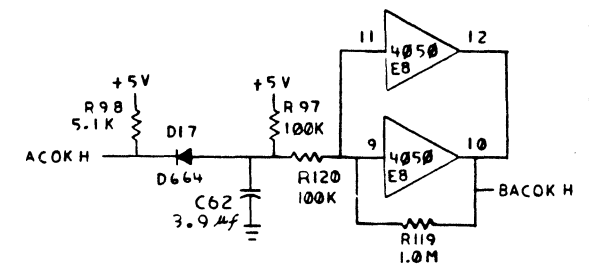
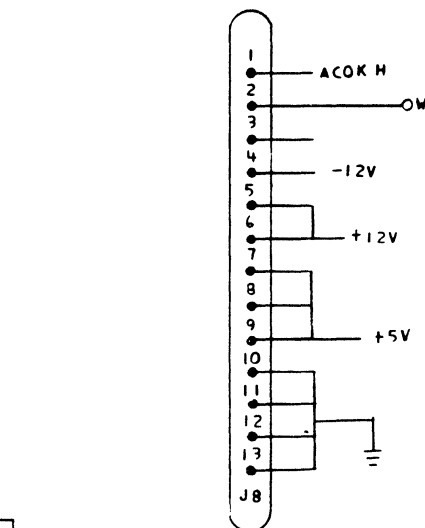
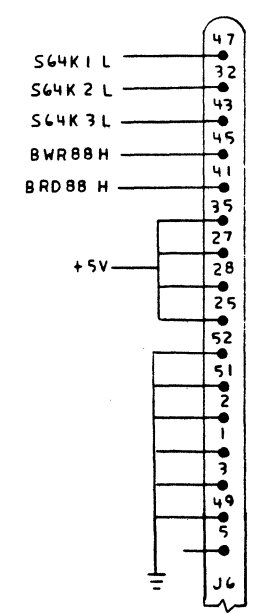
THIS DRAWING AND SPECIFICATIONS HEREIN ARE THE PROPERTY OF DIGITAL EQUIPMENT CORPORATION AND SHALL NOT BE REPRODUCED OR COPIED OR USED IN WHOLE OR IN PART AS THE BASIS FOR THE MANUFACTURE OR SALE OF ITEMS WITHOUT WRITTEN PERMISSION. COPYRIGHT © 1982 DIGITAL EQUIPMENT CORPORATION



MEMORY OPTION CONN



MEMORY OPT CONN.



PC-100 INTERCONNECT

REVISION HISTORY		
DATE	ECO NUMBER	REV.

TITLE  
PC100 MOTHER BOARD

DOCUMENT NUMBER		
SIZE CODE	NUMBER	REV.
DCS	5415486-0-1	E
SCALE NONE	SHEET 13 OF 13	

DCS 5415486-0-1

DRAWING NO.	NO. OF SHTS.	PART NO.	DESCRIPTION	REVISIONS															
				A	B	C	D												
		5415482-00	PC100 RX50 CONTROLLER	A	B	C	D												
E-UA-5415482-0-0	1		PC100 RX50 CONTROLLER	A	B	C	C												
D-CS-5415482-0-1	2		PC100 RX50 CONTROLLER	A	B	C	C												
K-PL-5415482-0-DBP	2		PC100 RX50 CONTROLLER	A	B	C	C												
K-PC-5415482-0-DBC			P.C. DESIGN DATA BASE	B	B	C	C												
B-DD-5015481-0-0	1		DRAWING DIRECTORY	-	-	A	B												
K-SP-5415482-0-DBP	22		PC100 RX50 CONTROLLER SPEC.	-	-	-	A												

**NOTES:**

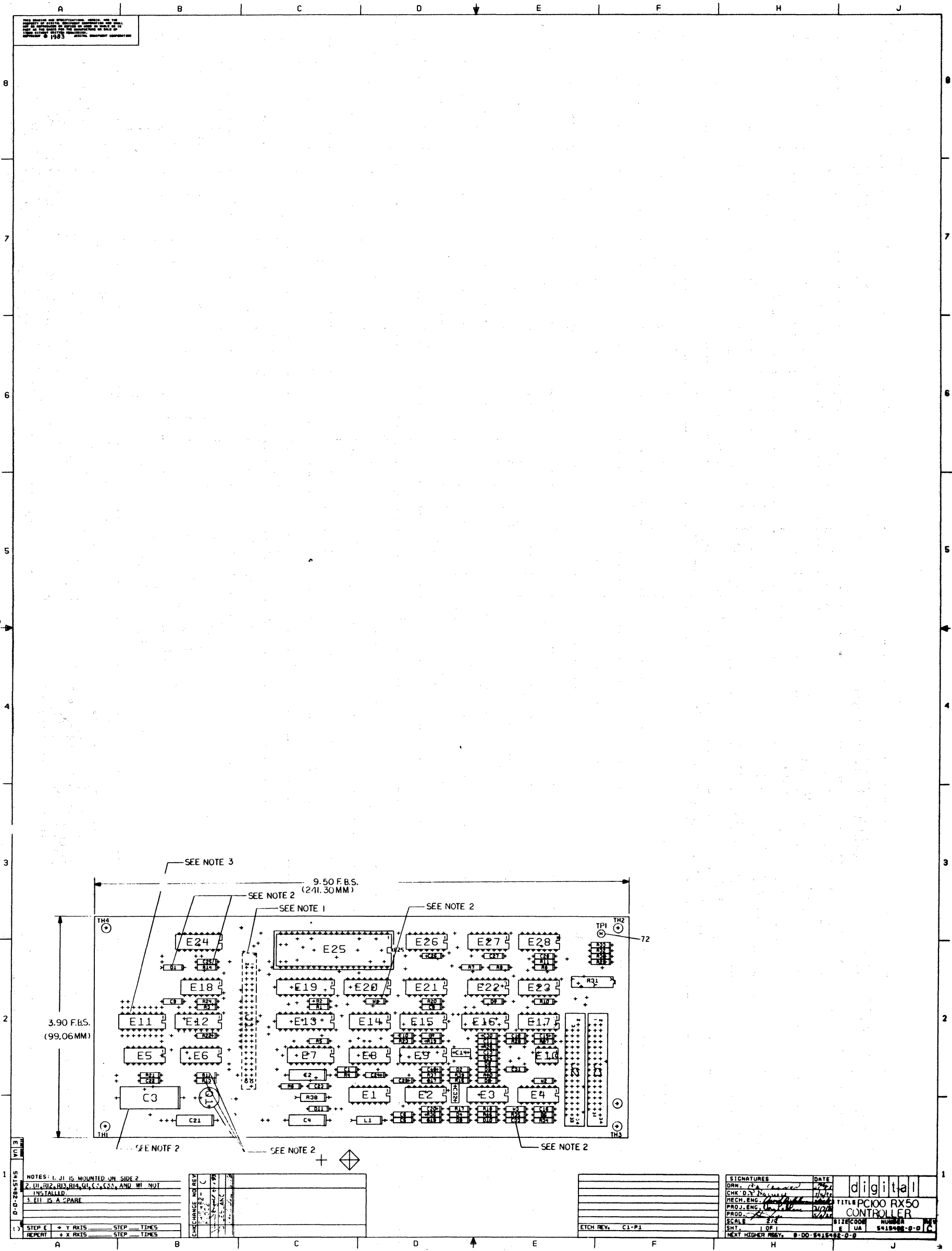
DATE	CHG NO.	INT.	REVISIONS			
			A	B	C	D
7/82						
1/83	ML001					
3/83	ML002					
6-85	ML003					

"THIS DRAWING AND SPECIFICATIONS, HEREIN, ARE THE PROPERTY OF DIGITAL EQUIPMENT CORPORATION AND SHALL NOT BE REPRODUCED OR COPIED OR USED IN WHOLE OR IN PART AS THE BASIS FOR THE MANUFACTURE OR SALE OF ITEMS WITHOUT WRITTEN PERMISSION.  
 COPYRIGHT © 1982 DIGITAL EQUIPMENT CORPORATION



USED ON OPTION/MODEL	DRN. J. COTE	13JUL82	TITLE	PC100 RX50 CONTROLLER			
PC100	CHK'D J. COTE	13JUL82	SIZE	CODE	NUMBER	REV.	
	ENG. D. LEBLANC	13JUL82	B	DD	5415482-0	D	
	PROD. E. TOMPKINS	13JUL82	SHEET 1 OF 1				

THIS DRAWING IS THE PROPERTY OF THE UNITED STATES GOVERNMENT AND IS LOANED TO YOU BY THE NATIONAL BUREAU OF STANDARDS. IT IS TO BE USED FOR THE PURPOSES SPECIFIED IN THE ORDER. IT IS NOT TO BE REPRODUCED OR TRANSMITTED IN ANY FORM OR BY ANY MEANS, ELECTRONIC OR MECHANICAL, INCLUDING PHOTOCOPYING, RECORDING, OR BY ANY INFORMATION STORAGE AND RETRIEVAL SYSTEM, WITHOUT PERMISSION IN WRITING FROM THE NATIONAL BUREAU OF STANDARDS. DATE: 1983



NOTES: 1. J1 IS MOUNTED ON SIDE 2  
 2. U1, U2, R13, R14, Q1, C3, C25, AND W1 NOT INSTALLED  
 3. E11 IS A SPARE

CHANGE NO	REV	DESCRIPTION
1	1	INITIAL RELEASE
2	2	REVISED TO ADD U1, U2, R13, R14, Q1, C3, C25, AND W1

ETCH REV. C1-P1
-----------------

SIGNATURES	DATE	TITLE
DRW. [Signature]	11/78	digital
CHK. BY [Signature]	11/78	
MECH. ENG. [Signature]	11/78	
PROJ. ENG. [Signature]	11/78	
PROD. [Signature]	11/78	
SCALE 2/4		
SHEET 1 OF 1		
NEXT HIGHER REV. 8-00-8418482-0-0		

STEP	REPET	Y AXIS	X AXIS	STEP	TIMES
1					

AUTOMATED BY PRTLST.3P(44)

PARTS LIST

SHEET A1 OF A2

LINE	ITEM	DOCUMENT NUMBER	PART NUMBER	DESCRIPTION	QTY PER VARIATION 00	REFERENCE DESIGNATOR
1	1	D-MD-5015481-0-0	5015481-00	CIRCUIT DRILL & ETCH	1	
2	2		1000022-00	270.0 MMF 100V 5%200PPM MICA	1	C32
3	3		1001610-00	.01 MFD 50V +80-20% Z5U CER	10	C5,C6,C8,C11,C12,C13,C16,C17, C19,C20
4	4		1001631-00	390.0 MMF 100V 5%200PPM MICA	1	C14
5	5		1005306-00	6.8MFD 35V 10% S.TANT	1	C2
6	6		1012084-03	*** THIS ITEM IS NOT USED ***	-	
7	7		1012784-00	.047 MFD 50V +80-20% CER	10	C22-C31
8	8		1013466-04	3.0 MMF 50V 5% CER	1	C15
9	9		1013466-06	10.0 MMF 50V 5% CER	2	C1,C10
10	10		1013466-07	220.0 MMF 50V 5% CER	1	C7
11	11		1013466-19	470.0 MMF 50V 5% CER	1	C18
12	12		1013466-27	820.0 MMF 50V 5% X7R CER	1	C9
13	13		1017472-00	10 MFD 35V +50-10% AL EL	2	C4,C21
14	14		1102421-01	DEC 753 VZ= 6.2 1% .40W	1	D6
15	15		1110488-00	*** THIS ITEM IS NOT USED ***	-	
16	16		1110994-00	1N 751A VZ= 5.1 5% .40W	1	D11
17	17		1111577-00	1N 4454 TR= 4NS PIV= 50 S	6	D2-D5,D7,D9
18	18		1215006-02	*** THIS ITEM IS NOT USED ***	-	
19	19		1215006-08	SKT,IC 40PIN DIP TIN SOLD	1	XE25
20	20		1219065-00	*** THIS ITEM IS NOT USED ***	-	
21	21		1219952-01	*** THIS ITEM IS NOT USED ***	-	
22	22		1300229-00	100.0 .25 W 5.0 % CF	1	R20
23	23		1300250-00	150.0 .25 W 5.0 % CF	5	R7-R11
24	24		1300274-00	220.0 .50 W 5.0 % CF	1	R38
25	25		1300309-00	390.0 .25 W 5.0 % CF	1	R24
26	26		1300365-00	1.0 K .25 W 5.0 % CF	6	R6,R15,R16,R21,R22,R37
27	27		1300444-00	3.90 K .25 W 5.0 % CF	2	R4,R23
28	28		1300447-00	*** THIS ITEM IS NOT USED ***	-	
29	29		1300479-00	10.0 K .25 W 5.0 % CF	3	R1-R3

REVISION HISTORY		BASIC PART NO: 5415482		DRN:	R.Z. BUREAU	DATE:	31-MAR-82	D I G I T A L			
ENG	ECO NUMBER	REV	SECTION A OF A	CHK'D:	J. LEPKOWSKI	DATE:	31-MAR-82	TITLE PARTS LIST			
	INITIAL	A	SECTION VARIATION INDEX	DES.ENG:	DAN LEBLANC	DATE:	12-JUL-82	DOCUMENT NUMBER			
DL	5415482-ML001	B	[A] 00	RESP.ENG.:	DAN LEBLANC	DATE:	12-JUL-82	SIZE	CODE	NUMBER	REV
DL	5415482-ML002	C	[B]	MFG.ENG.:	ED TOMPKINS	DATE:	12-JUL-82	K	PL	5415482-0-DBP	C
			[C]	ASSEMBLY NUMBER:	D-UA-5415482-0-0	TOP DOCUMENT NUMBER:	#D-BB-5415482-0	FILE NAME:		Z4363C.PLS	EDIT #
			[D]								21
			[E]								
			[F]								
			[G]								
			[H]								
			[I]								
			[J]								
			[K]								
			[L]								
			[M]								
			[N]								

"THIS DRAWING AND SPECIFICATIONS HEREIN, ARE THE PROPERTY OF DIGITAL EQUIPMENT CORPORATION AND SHALL NOT BE REPRODUCED OR COPIED OR USED IN WHOLE OR IN PART AS THE BASIS FOR THE MANUFACTURE OR SALE OF ITEMS WITHOUT WRITTEN PERMISSION. COPYRIGHT (C) 1983. DIGITAL EQUIPMENT CORPORATION "

AUTOMATED BY PRTLST.3P(44)

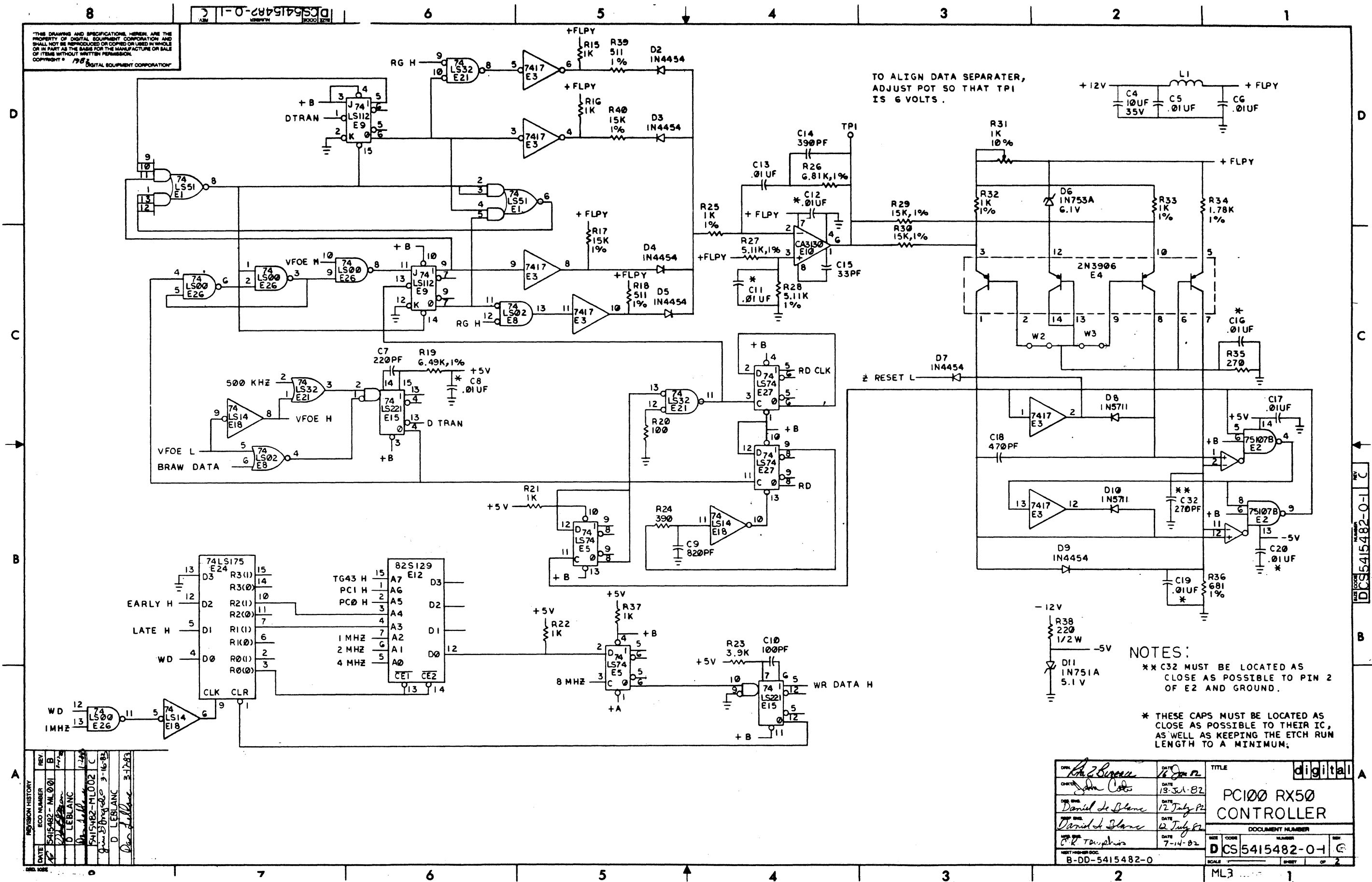
PARTS LIST

SHEET A2 OF A2

LINE	ITEM	DOCUMENT NUMBER	PART NUMBER	DESCRIPTION	QTY PER VARIATION	REFERENCE DESIGNATOR
					00	
30	30		1301972-00	270.0 .25 W 5.0 * CF	1	R35
31	31		1302395-00	*** THIS ITEM IS NOT USED ***	-	
32	32		1302411-00	511.0 .25 W 1.0 * RN55D-F10	2	R18,R39
33	33		1302612-00	1.78 K .25 W 1.0 * RN55D-F10	1	R34
34	34		1302872-00	681.0 .25 W 1.0 * RN55D-F1	1	R36
35	35		1303114-00	1.0 K .25 W 1.0 * RN55D-F10	3	R25,R32,R33
36	36		1304854-00	5.11 K .25 W 1.0 * RN55D-F10	2	R27,R28
37	37		1304870-00	6.81 K .25 W 1.0 * RN55D-F10	1	R26
38	38		1309143-07	1.0 K .75 W 10.0 * POT	1	R31
39	39		1313752-00	15.0 K .25 W 1.0 * RN55D-F10	4	R17,R40,R29,R30
40	40		1317399-00	6.49 K .25 W 1.0 * RN55D-F10	1	R19
41	41		1510706-00	*** THIS ITEM IS NOT USED ***	-	
42	42		1517999-00	3906 PNP 900MW ARRAY 14PIN	1	E4
43	43		1618238-02	BEAD,FERRITE .1380DX.330LG	1	L1
44	44		1909929-00	7417 BUFFER GATE-HEX 1INP	1	E3
45	45		1910268-00	DEC 75107B RECEIVER,LINE,DUAL	1	E2
46	46		1911219-00	7438 NAND GATE-QUAD 2IN,B	3	E17,E22,E23
47	47		1912799-00	LS00 NAND-GATE-QUAD 2IN,P	2	E14,E26
48	48		1912801-00	LS02 NOR-GATE-QUAD 2IN	1	E8
49	49		1912816-00	LS32 OR GATE-QUAD 2IN,POS	2	E21,E28
50	50		1912820-00	LS51 A-O-I GATE 2-WIDE 2I	2	E1,E6
51	51		1912824-00	LS74 FF-D DUAL,EDGE TRIGG	2	E5,E27
52	52		1912834-00	LS112 FF-JK,DUAL,EDGE TRIG	1	E9
53	53		1912848-00	LS158 MUX 1 OF 2 (QUAD)	1	E16
54	54		1912853-00	LS175 FF-D QUAD	1	E24
55	55		1912858-00	LS221 ONE SHOT-DUAL,SCHMIT	2	E7,E15
56	56		1912863-00	LS273 FF-D OCTAL W/CLEAR	1	E19
57	57		1913414-00	LS14 INVERTER GATE-HEX SC	1	E18
58	58		1913471-00	LS367 DRIVER,BUS,HEX,TRI-	1	E20
59	59		1914466-00	3130E OP AMP MOS/FET IN,CM	1	E10
60	60		1915193-00	LS244 DRIVER,LINE,OCTAL,T	1	E13
61	61		2118823-00	1793-02 FLOPPY DISK FORMAT	1	E25
62	62		23640A2-00	A2-05,A2-08 RO	1	E12
63	63		9009185-00	JUMPER,WIRE,INSULATED,BLACK B	2	W2,W3
64	64		9009743-00	*** THIS ITEM IS NOT USED ***	-	
65	65		9107256-00	*** THIS ITEM IS NOT USED ***	-	
66	66		1300539-00	120.0 K .25 W 5.0 * CF	1	R5
67	67		1219952-04	PCB HEADER 34PIN(2X17).100CC STR	1	J3
68	68		1219952-03	PCB HEADER 34PIN(2X17).100CC STR	1	J2
69	69		1110603-00	1N 5711 TM=100PS PIV= 70V HM	2	D8,D10
70	70		9105740-55	*** THIS ITEM IS NOT USED ***	-	
71	71		1219065-03	CONN,P+S 48SKT(2X24).100CC	1	J1
72	72		1215901-09	PCB,HEADER 01 PIN(1X01).100 CC S	1	TP1

D	I	G	I	T	A	L	TITLE	SECTION A OF A	SIZE	CODE	DOCUMENT NUMBER	REV
							PC100 RX50 CONTROLLER		K	PL	5415482-0-DBP	C

THIS DRAWING AND SPECIFICATIONS HEREIN ARE THE PROPERTY OF DIGITAL EQUIPMENT CORPORATION AND SHALL NOT BE REPRODUCED OR COPIED OR USED IN WHOLE OR IN PART AS THE BASIS FOR THE MANUFACTURE OR SALE OF ITEMS WITHOUT WRITTEN PERMISSION.  
 COPYRIGHT © 1980 DIGITAL EQUIPMENT CORPORATION

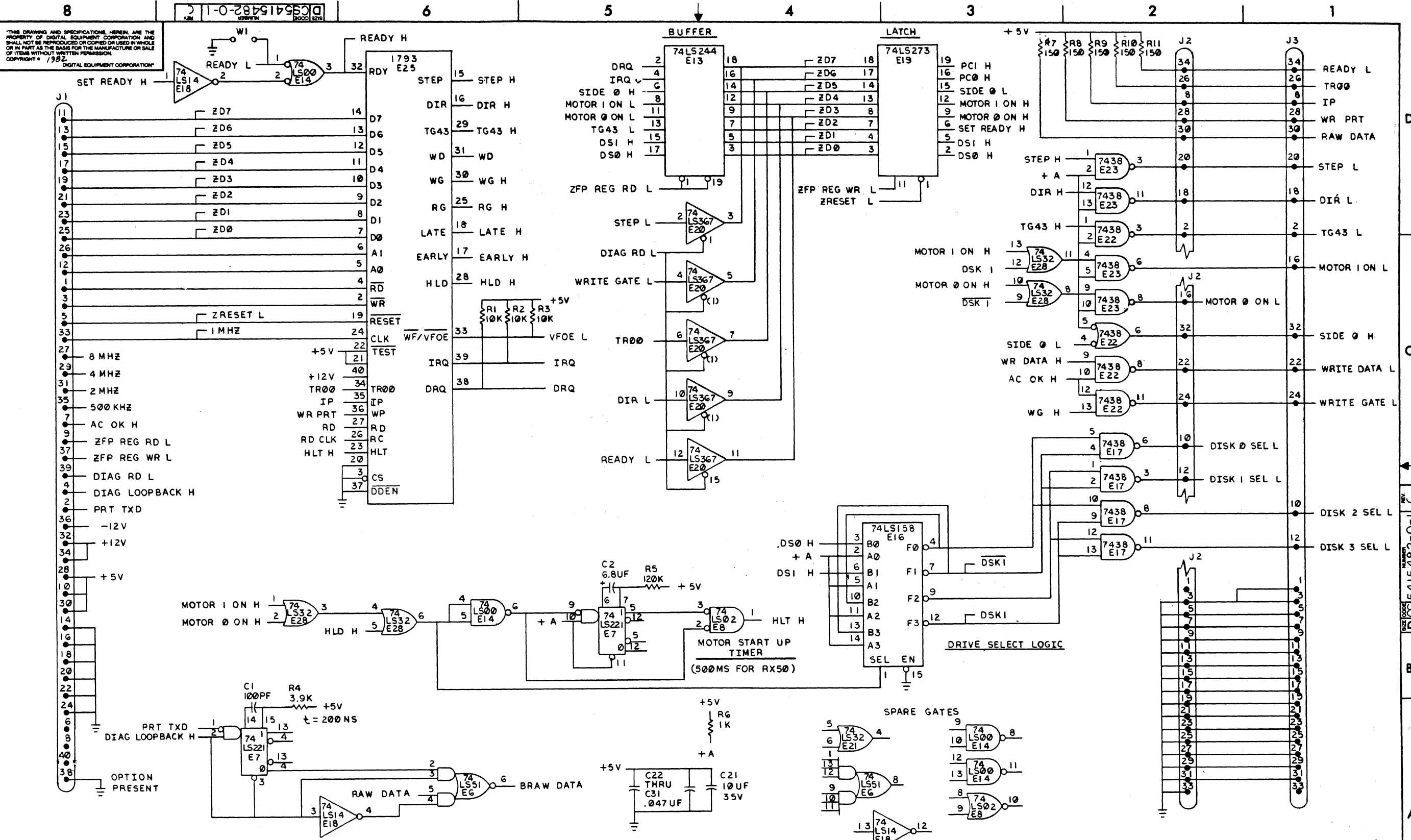


TO ALIGN DATA SEPARATER, ADJUST POT SO THAT TPI IS 6 VOLTS.

NOTES:  
 \*\* C32 MUST BE LOCATED AS CLOSE AS POSSIBLE TO PIN 2 OF E2 AND GROUND.  
 \* THESE CAPS MUST BE LOCATED AS CLOSE AS POSSIBLE TO THEIR IC, AS WELL AS KEEPING THE ETCH RUN LENGTH TO A MINIMUM.

DATE	REV	BY	CHKD	APP'D	DESCRIPTION
10/1/81	1	D. LEBLANC			INITIAL DESIGN
10/15/81	2	D. LEBLANC			REVISED FOR MANUFACTURE
10/20/81	3	D. LEBLANC			REVISED FOR MANUFACTURE
10/25/81	4	D. LEBLANC			REVISED FOR MANUFACTURE
11/1/81	5	D. LEBLANC			REVISED FOR MANUFACTURE

DESIGNED BY <i>John C. ...</i>	DATE 10/1/81	TITLE digital
CHECKED BY <i>John C. ...</i>	DATE 10/15/81	PC100 RX50 CONTROLLER
DESIGNED BY <i>Daniel de Blane</i>	DATE 12/17/81	DOCUMENT NUMBER DCS5415482-0-1
DESIGNED BY <i>Daniel de Blane</i>	DATE 12/17/81	SCALE ML3
DESIGNED BY <i>C. K. ...</i>	DATE 7-14-82	REV 1
NEXT NUMBER DOC. B-DD-5415482-0		



REVISION HISTORY		
DATE	ECO NUMBER	REV.

TITLE  
**PCI00 RX50  
 CONTROLLER**

DOCUMENT NUMBER		
SIZE	CODE	NUMBER

SCALE:      SHEET 2 OF 2



"THE MATERIAL HEREIN IS FOR INFORMATION PURPOSES ONLY AND IS SUBJECT TO CHANGE WITHOUT NOTICE. DIGITAL EQUIPMENT CORPORATION ASSUMES NO RESPONSIBILITY FOR ANY ERRORS WHICH MAY APPEAR HEREIN."

# FIELD MAINTENANCE PRINT SET

"THIS DRAWING AND SPECIFICATIONS, HEREIN, ARE THE PROPERTY OF DIGITAL EQUIPMENT CORPORATION AND SHALL NOT BE REPRODUCED OR COPIED OR USED IN WHOLE OR IN PART AS THE BASIS FOR THE MANUFACTURE OR SALE OF ITEMS WITHOUT WRITTEN PERMISSION. COPYRIGHT © 1982 DIGITAL EQUIPMENT CORPORATION."

## TABLE OF CONTENTS

B-TC-BA25-0-1	FIELD MAINTENANCE PRINT SET
B-DD-BA25-0	BA25 (DRAWING DIRECTORY ONLY)
E-UA-BA25-0-0	UNIT ASSY BA25
K-PL-BA25-0-DBP	UNIT ASSY BA25 (PARTS LIST)
B-PL-BA25-0-2	SHIPPING LIST

UNIT VARIATIONS COVERED BY THIS PRINT SET

BA25-A  
BA25-B

### Field Maintenance Print Set

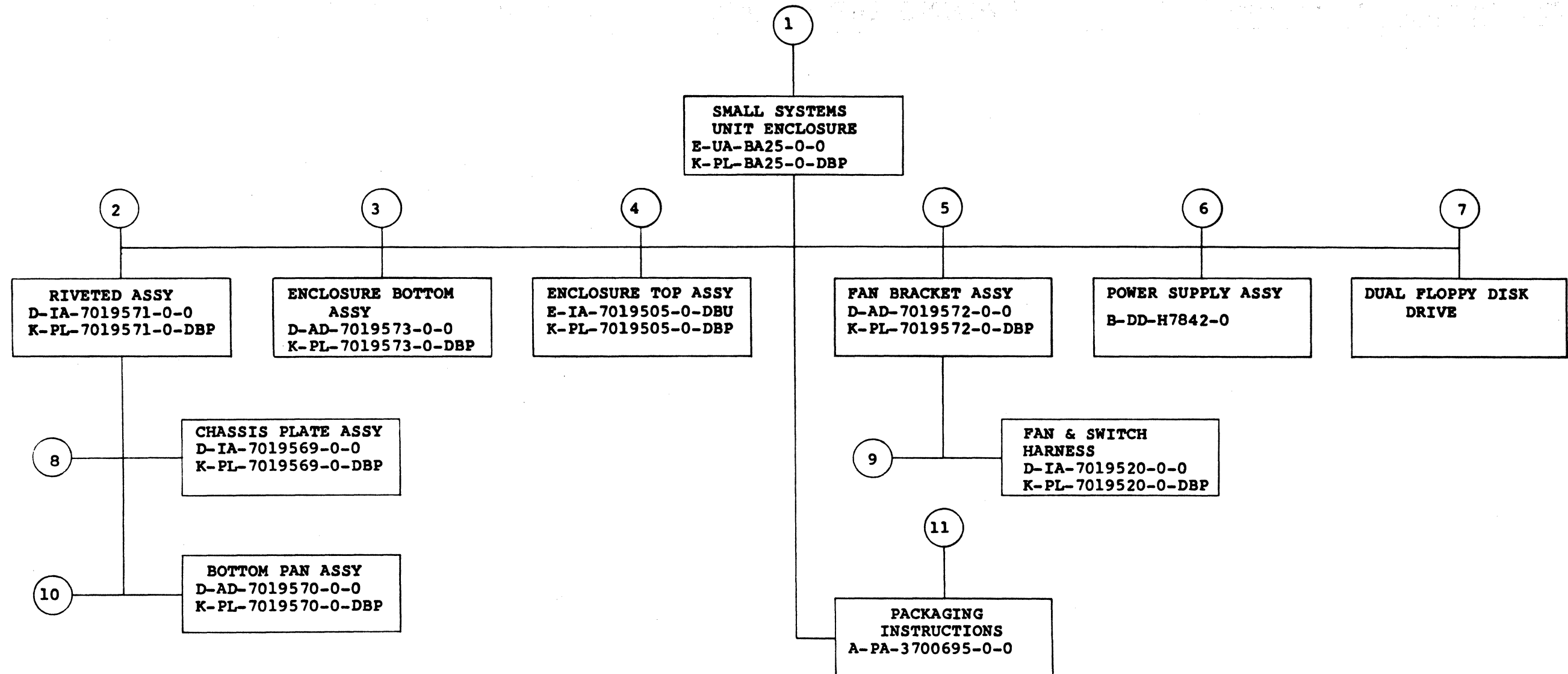
### Digital Equipment Corporation

Print Set Part Number **MP- 01415**


REVISION HISTORY	REV.	A	DRN.	Bob Netto	DATE	24 MAY 82	TITLE	digital		
	ECO NUMBER	RELEASE	CHK'D.	<i>Donny Chacks</i>	DATE	1 Oct 82	SMALL SYSTEM UNIT ENCLOSURE			
			DES. ENG.	<i>Don Albano</i>	DATE	1 Oct 82	DOCUMENT NUMBER			
			RESP. ENG.	<i>Daniel Albano</i>	DATE	1 Oct 82	SIZE	CODE	NUMBER	REV.
	DATE		FIELD SERVICE	GARY HOUESHELL	DATE	29 Oct 82	B	TC	BA25-0-1	A
		NEXT HIGHER DOC.	B-DD-BA25-0					SHEET 1 OF 1		

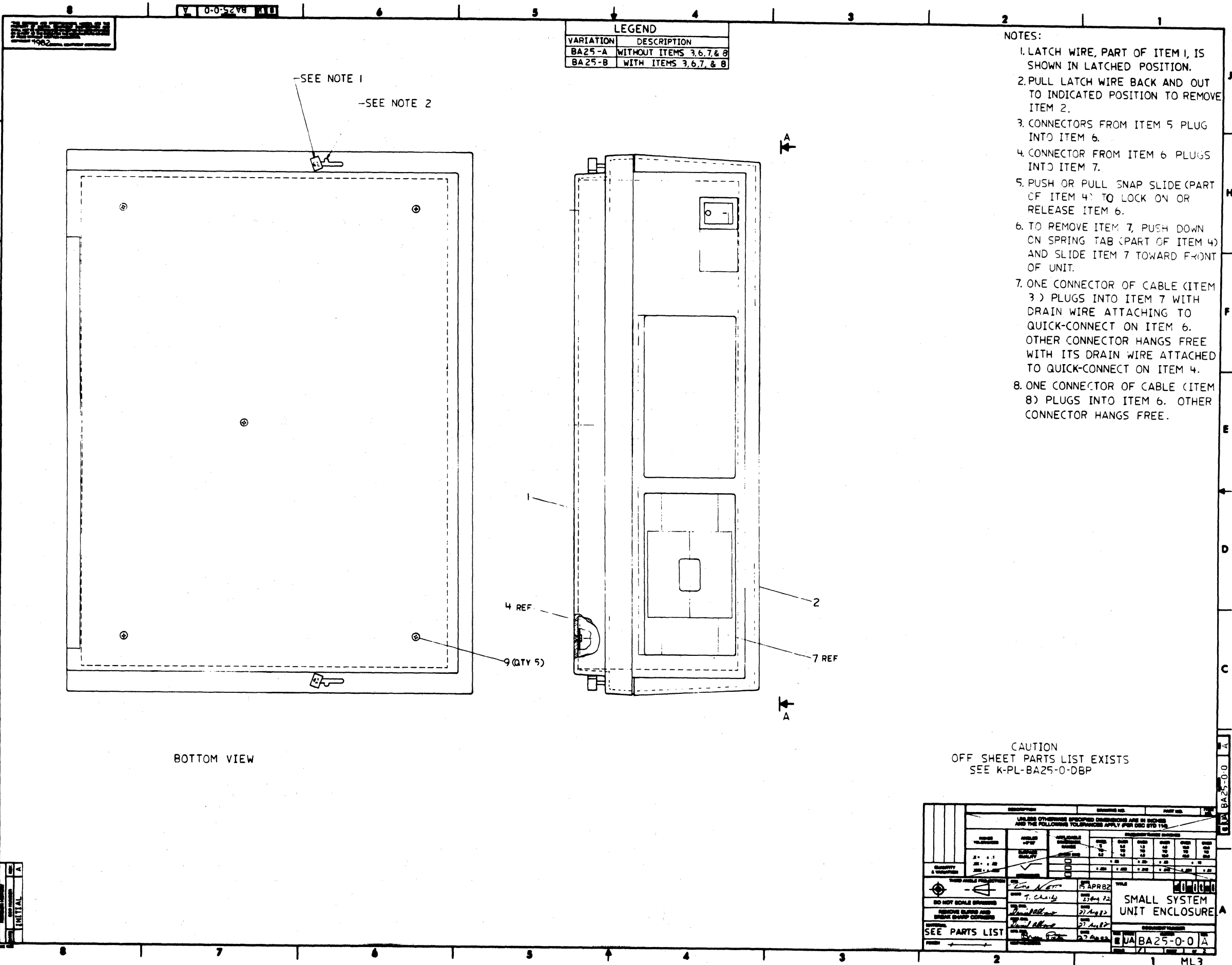
REV. A  
NUMBER BA25-0-1  
CODE TC  
SIZE B





TITLE	SMALL SYSTEM UNIT ENCLOSURE	SHEET 2 OF 3	SIZE	CODE	NUMBER	REV.
			B	DD	BA25-0	A

FIND NO.	DRAWING NO.	DESCRIPTION	TYPE	FIND NO.	DRAWING NO.	DESCRIPTION	TYPE								
	MP-01415	SMALL SYSTEM UNIT ENCLOSURE	-	6	B-DD-H7842A-0	POWER SUPPLY ASSY	E								
	B-TC-BA25-0-1	SMALL SYSTEMS UNIT ENCLOSURE	-												
	B-PL-BA25-0-2	SHIPPING LIST	-												
1	E-UA-BA25-0-0	SMALL SYSTEMS UNIT ENCLOSURE ASSY	E/M												
	K-PL-BA25-0-DBP	SMALL SYSTEMS UNIT ENCLOSURE (PARTS LIST)	E/M	7		DUAL FLOPPY DISC DRIVE	E								
2	D-IA-7019571-0-0	RIVETED ASSY	M												
	K-PL-7019571-0-DBP	RIVETED ASSY (PL)	M												
	D-IA-7426690-0-DBU	BAFFLE, FAN	M												
	D-MD-7425653-0-DBU	GUIDE, SLIDE	M												
				8	D-IA-7019569-0-0	CHASSIS PLATE ASSY	M								
					K-PL-7019569-0-DBP	CHASSIS PLATE ASSY (PL)	M								
					E-MD-7426695-0-DBU	CHASSIS	M								
					C-MD-7426826-0-DBU	SLIDE, SNAP	M								
3	E-AD-7019573-0-0	ENCLOSURE BOTTOM ASSY	M		B-MD-7427217-0-DBU	TAB, SPRING	M								
	K-PL-7019573-0-DBP	ENCLOSURE BOTTOM ASSY (PL)	M		D-MD-7425653-0-DBU	GUIDE, SLIDE	M								
	E-MD-7426688-0-DBU	ENCLOSURE BOTTOM	M												
	C-MD-7426242-0-DBU	WIREFORM, LATCH	M												
	C-MD-7426537-0-DBU	HANDLE, LATCH WIRE	M												
				9	D-IA-7019520-0-0	FAN & SWITCH HARNESS	E								
					K-PL-7019520-0-DBP	FAN & SWITCH HARNESS (PL)	E								
4	E-IA-7019505-0-DBU	ENCLOSURE TOP ASSY	M												
	K-PL-7019505-0-DBP	ENCLOSURE TOP ASSY (PL)	M												
	E-MD-7426689-0-DBU	ENCLOSURE TOP	M												
	E-MD-7426719-0-DBU	BEZEL, FRONT	M												
	E-MD-7426687-0-DBU	PANEL, LOUVER	M	10	D-AD-7019570-0-0	BOTTOM PAN ASSY	M								
	D-MD-7426718-0-DBU	BEZEL, LINE CHORD	M		K-PL-7019570-0-DBP	BOTTOM PAN ASSY (PL)	M								
	D-MD-7426788-0-DBU	COVER PLATE, BEZEL	M		E-IA-7426694-0-DBU	BOTTOM PAN	M								
5	D-AD-7019572-0-0	FAN BRACKET ASSY	E/M	11	A-PA-3700695-0-0	PACKAGING INSTRUCTIONS	-								
	K-PL-7019572-0-DBP	FAN BRACKET ASSY (PL)	E/M												
	D-IA-7426691-0-DBU	FAN BRACKET	M												
	D-MD-7426246-0-DBU	BEZEL, I/O SWITCH	M												
TYPE: E ELECTRICAL M MECHANICAL E/M ELECTRO/MECHANICAL						TITLE SMALL SYSTEM UNIT ENCLOSURE		SHEET 3 OF 3		SIZE CODE B DD		NUMBER BA25-0		REV. A	



LEGEND	
VARIATION	DESCRIPTION
BA25-A	WITHOUT ITEMS 3,6,7,&8
BA25-B	WITH ITEMS 3,6,7, & 8

- NOTES:
1. LATCH WIRE, PART OF ITEM 1, IS SHOWN IN LATCHED POSITION.
  2. PULL LATCH WIRE BACK AND OUT TO INDICATED POSITION TO REMOVE ITEM 2.
  3. CONNECTORS FROM ITEM 5 PLUG INTO ITEM 6.
  4. CONNECTOR FROM ITEM 6 PLUGS INTO ITEM 7.
  5. PUSH OR PULL SNAP SLIDE (PART OF ITEM 4) TO LOCK ON OR RELEASE ITEM 6.
  6. TO REMOVE ITEM 7, PUSH DOWN ON SPRING TAB (PART OF ITEM 4) AND SLIDE ITEM 7 TOWARD FRONT OF UNIT.
  7. ONE CONNECTOR OF CABLE (ITEM 3) PLUGS INTO ITEM 7 WITH DRAIN WIRE ATTACHING TO QUICK-CONNECT ON ITEM 6. OTHER CONNECTOR HANGS FREE WITH ITS DRAIN WIRE ATTACHED TO QUICK-CONNECT ON ITEM 4.
  8. ONE CONNECTOR OF CABLE (ITEM 8) PLUGS INTO ITEM 6. OTHER CONNECTOR HANGS FREE.

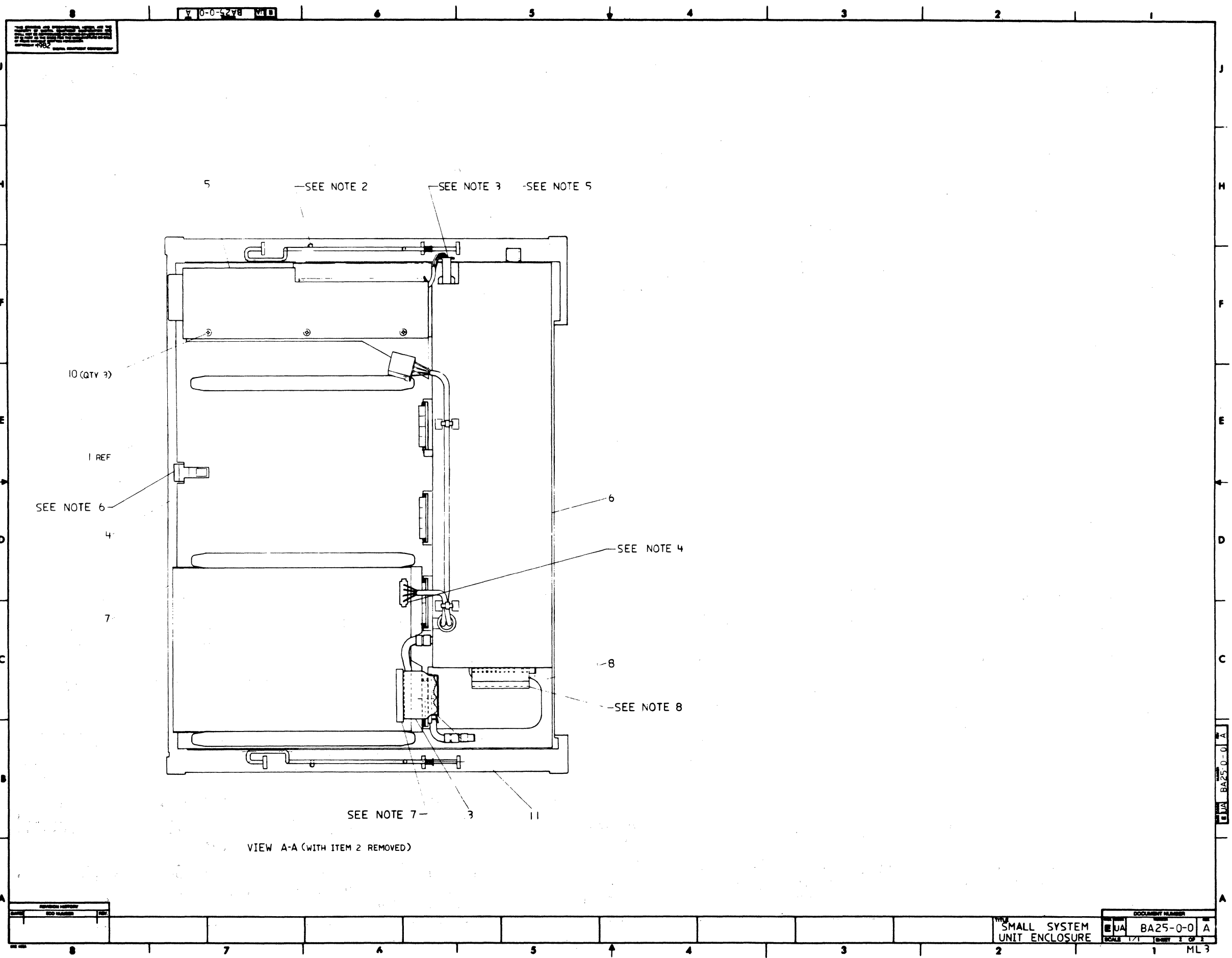
CAUTION  
OFF SHEET PARTS LIST EXISTS  
SEE K-PL-BA25-0-DBP

QUANTITY & UNIT		DATE		BY		CHECKED		APPROVED	
1	EA	15	APR 82	T. Clark					
1	EA	27	APR 82						
1	EA	27	APR 82						
1	EA	27	APR 82						

SMALL SYSTEM UNIT ENCLOSURE

SEE PARTS LIST

JA BA25-0-0 A



THIS DRAWING IS THE PROPERTY OF THE UNITED STATES GOVERNMENT AND IS LOANED TO YOU. IT AND ITS CONTENTS ARE NOT TO BE DISTRIBUTED OUTSIDE YOUR AGENCY.

BA25-0-0 A

BA25-0-0 A

REVISION HISTORY  
 NO. DATE BY

SMALL SYSTEM  
 UNIT ENCLOSURE

DOCUMENT NUMBER  
 BA25-0-0 A  
 SCALE 1/1  
 SHEET 2 OF 3  
 ML3

LINE ITEM	DOCUMENT NUMBER	PART NUMBER	DESCRIPTION	QUANTITY PER VARIATION	
				A	B
1	D-AD-7019573-0-0	7019573-00	ENCLOSURE BOTTOM ASSY.	1	1
2	E-IA-7019505-0-DBU	7019505-01	TOP ENCLOSURE ASSY. W/FILLER PLA	1	1
3		1700317-03	CABLE ASSY 34COND SHIELDED 8'LG	-	1
4	D-IA-7019571-0-0	7019571-00	RIVETED ASSY.	1	1
5	D-AD-7019572-0-0	7019572-00	FAN BRACKET ASSY	1	1
6	E-UA-H7842-0-0	H7842-A	SMALL SYS UNIT POW SUP: 130WATTS	-	1
7		0RX50-AA	DUAL 5.25" SINGLE SIDED FLOPPY D	-	1
8		1700318-01	CABLE ASSY,CT25 MOTHERBOARD PWR	-	1
9		9006021-02	SCREW,MACH FLAT PHIL 6-	5	5
10		9009701-00	SCREW,SEMS PAN PHIL 6-	3	3
11		1213715-02	CLIP,FLAT CABLE W/ADHESIVE BACK	1	1

REVISION HISTORY			BASIC PART NO: 0BA25		DRN: B. NETTO		DATE: 05-JUN-82		D I G I T A L			
ENG	ECO NUMBER	REV	SECTION A OF A	CHK'D:	T. CHACKO	DATE:	27-AUG-82	TITLE PARTS LIST				
	INITIAL	A	SECTION, VARIATION INDEX					SMALL SYSTEM UNIT ENCLOSURE				
			[A] A ,B					DOCUMENT NUMBER				
			[B]		DES.ENG.: D. ALBANO		DATE: 27-AUG-82	SIZE CODE NUMBER REV				
			[C]		RESP.ENG.: D. ALBANO		DATE: 27-AUG-82	K	PL	BA25-0-DBP	A	
			[D]		MFG.ENG.: J. TRITAK		DATE: 27-AUG-82	ASSEMBLY NUMBER: TOP DOCUMENT NUMBER: FILE NAME: EDIT #				
			[E]					#B-DD-BA25-0 #B-DD-BA25-0 Z4542A.PLS 7				
			[F]									

THIS DRAWING AND SPECIFICATIONS HEREIN, ARE THE PROPERTY OF DIGITAL EQUIPMENT CORPORATION AND SHALL NOT BE REPRODUCED OR COPIED OR USED IN WHOLE OR IN PART AS THE BASIS FOR THE MANUFACTURE OR SALE OF ITEMS WITHOUT WRITTEN PERMISSION. COPYRIGHT (C) 1982. DIGITAL EQUIPMENT CORPORATION



# PARTS LIST

QUANTITY / VARIATION

NOTES:

DRN. BOB NETTO DATE 25 MAY 82	DES. ENG. DATE	MFG. ENG.
----------------------------------	----------------	-----------

CHK'D. DATE	RESP. ENG. DATE	NEXT HIGHER DOC. B-DD-BA25-0
-------------	-----------------	------------------------------

ITEM NO.	DRAWING NO.	PART NO.	DESCRIPTION
----------	-------------	----------	-------------

BA25-A	BA25-B																
--------	--------	--	--	--	--	--	--	--	--	--	--	--	--	--	--	--	--

REFERENCE DESIGNATORS

1	E-UA-BA25-0-0	BA25-A	SMALL SYSTEM UNIT ENCLOSURE
---	---------------	--------	-----------------------------

1	-																
---	---	--	--	--	--	--	--	--	--	--	--	--	--	--	--	--	--

2	E-UA-BA25-0-0	BA25-B	SMALL SYSTEM UNIT ENCLOSURE
---	---------------	--------	-----------------------------

-	1																
---	---	--	--	--	--	--	--	--	--	--	--	--	--	--	--	--	--

ECO NO.

"THIS DRAWING AND SPECIFICATIONS, HEREIN, ARE THE PROPERTY OF DIGITAL EQUIPMENT CORPORATION AND SHALL NOT BE REPRODUCED OR COPIED OR USED IN WHOLE OR IN PART AS THE BASIS FOR THE MANUFACTURE OR SALE OF ITEMS WITHOUT WRITTEN PERMISSION.  
 COPYRIGHT © 1982 DIGITAL EQUIPMENT CORPORATION"

TITLE  
**BA25 SHIPPING LIST**

ASSY. NO.  
 E-UA-BA25-0-0

SECTION OF

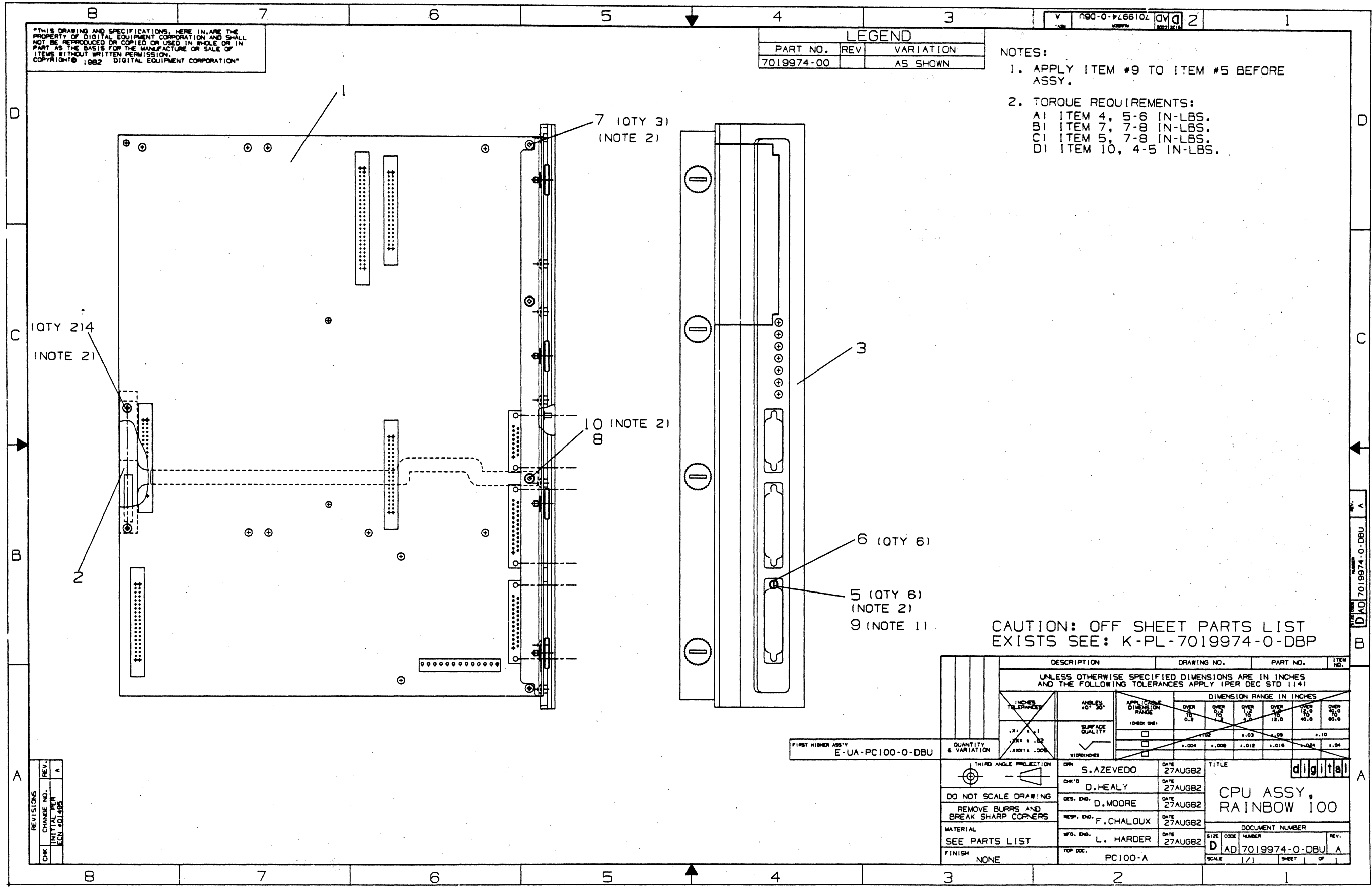
SIZE <b>B</b>	CODE <b>PL</b>	NUMBER BA25-0-2	REV. A
		SHEET 1	OF 1



"THIS DRAWING AND SPECIFICATIONS, HEREIN, ARE THE PROPERTY OF DIGITAL EQUIPMENT CORPORATION AND SHALL NOT BE REPRODUCED OR COPIED OR USED IN WHOLE OR IN PART AS THE BASIS FOR THE MANUFACTURE OR SALE OF ITEMS WITHOUT WRITTEN PERMISSION. COPYRIGHT © 1982 DIGITAL EQUIPMENT CORPORATION"

LEGEND		
PART NO.	REV	VARIATION
7019974-00		AS SHOWN

- NOTES:
1. APPLY ITEM #9 TO ITEM #5 BEFORE ASSY.
  2. TORQUE REQUIREMENTS:  
 A) ITEM 4, 5-6 IN-LBS.  
 B) ITEM 7, 7-8 IN-LBS.  
 C) ITEM 5, 7-8 IN-LBS.  
 D) ITEM 10, 4-5 IN-LBS.



10 QTY 214  
(NOTE 2)

7 (QTY 3)  
(NOTE 2)

10 (NOTE 2)

6 (QTY 6)

5 (QTY 6)  
9 (NOTE 1)

CAUTION: OFF SHEET PARTS LIST EXISTS SEE: K-PL-7019974-0-DBP

REV	CHG	DATE	BY
A			

DESCRIPTION	DRAWING NO.	PART NO.	ITEM NO.			
UNLESS OTHERWISE SPECIFIED DIMENSIONS ARE IN INCHES AND THE FOLLOWING TOLERANCES APPLY (PER DEC STD 114)						
INCHES TOLERANCES	ANGLES ±0° 30'	APPLICABLE DIMENSION RANGE (CHECK ONE)	DIMENSION RANGE IN INCHES			
			OVER 0.0 TO 0.5	OVER 0.5 TO 1.0	OVER 1.0 TO 12.0	OVER 12.0 TO 40.0
±.01 ±.01			±.04	±.03	±.02	±.01
±.02 ±.02						
±.005 ±.005						
SURFACE QUALITY						
FINISHES						
THIRD ANGLE PROJECTION						
DRN S. AZEVEDO DATE 27AUG82		TITLE CPU ASSY, RAINBOW 100				
DR'D D. HEALY DATE 27AUG82		DOCUMENT NUMBER				
DES. ENG. D. MOORE DATE 27AUG82		SIZE CODE NUMBER				
RESP. ENG. F. CHALOUX DATE 27AUG82		D AD 7019974-0-DBU A				
MATERIAL		SCALE 1/1				
SEE PARTS LIST		SHEET OF				
FINISH NONE		TOP DOC. PC100-A				

AUTOMATED BY PRTLST.4Q(47)

PARTS LIST

SHEET A1 OF A1

LINE	ITEM	DOCUMENT NUMBER	PART NUMBER	DESCRIPTION	QUANTITY PER VARIATION
					00
1	1	E-UA-5415486-0-0	5415486-01	PC100 MOTHERBOARD	1
2	2	E-MD-7427719-0-DBU	7427719-01	KEEL,SUPPORT,RAINBOW 100	1
3	3	D-AD-7019941-0-DBU	7019941-00	CONN. PANEL ASSY.	1
4	4		9010411-01	SCREW,TAP PAN PHIL THD RL 4-	2
5	5		9008451-05	SCREW,JACK,SLOT	6
6	6		9010099-00	WASHER,LOCK EXTERNAL STEEL	6
7	7		9000049-44	SCREW,SEMS PAN PHIL 4-	3
8	8		9009948-00	WASHER,FLAT NYLON	1
9	9		9009321-00	LOCK TITE, SCREW LOCK, 10CC PER	A/R
10	10		9006010-01	SCREW,MACH PAN PHIL 4-	1

REVISION HISTORY		BASIC PART NO: 7019974		DRN:	D. HEALY	DATE:	24-AUG-82	D I G I T A L			
ENG	ECO NUMBER	REV	SECTION A OF A	CHK'D:	D. HEALY	DATE:	18-OCT-82	TITLE		PARTS LIST	
	INITIAL	A	SECTION. VARIATION INDEX					CPU ASSY, RAINBOW 100			
			[A] 00	DES.ENG.:	D. DICKLEMAN	DATE:	18-OCT-82	DOCUMENT NUMBER			
			[B]	RESP.ENG.:	F. CHALOUX	DATE:	18-OCT-82	SIZE	CODE	NUMBER	REV
			[C]	MFG.ENG.:	L. HARDER	DATE:	18-OCT-82	K	PL	7019974-0-DBU	A
			[D]	ASSEMBLY NUMBER:	D-AD-7019974-0-DBU	TOP DOCUMENT NUMBER:	E-UA-PC100-A-0	FILE NAME:	Z5346A.PLS	EDIT #:	10
			[E]	"THIS DRAWING AND SPECIFICATIONS HEREIN, ARE THE PROPERTY OF DIGITAL EQUIPMENT CORPORATION AND SHALL NOT BE REPRODUCED OR COPIED OR USED IN WHOLE OR IN PART AS THE BASIS FOR THE MANUFACTURE OR SALE OF ITEMS WITHOUT WRITTEN PERMISSION. COPYRIGHT (C) 1982. DIGITAL EQUIPMENT CORPORATION "							
			[F]								