

THIS DRAWING AND THE SPECIFICATIONS CONTAINED HEREIN ARE CONFIDENTIAL AND PROPRIETARY. THEY ARE THE PROPERTY OF DIGITAL EQUIPMENT CORPORATION AND SHALL NOT BE REPRODUCED OR COPIED OR USED IN WHOLE OR IN PART AS THE BASIS FOR MANUFACTURING OR SALE OF ITEMS WITHOUT WRITTEN PERMISSION. THIS IS AN UNPUBLISHED WORK PROTECTED UNDER THE FEDERAL COPYRIGHT LAWS.  
 COPYRIGHT 1989  
 FIELD MAINTENANCE PRINT SET

TABLE OF CONTENTS

K-TC-DHQ11-0-0	FIELD MAINTENANCE PRINT SET
K-DD-DHQ11-0-0	DHQ11 8 LINE ASYNC MUX DRG DIR
K-PL-DHQ11-0-DBP	DHQ11 8 LINE ASYNC MUX PARTS LIST
K-PL-DHQ11-0-DBP1	DHQ11 PARTS LIST
K-DD-M3107-0-0	M3107 DRAWING DIRECTORY
K-PL-M3107-0-DBP	M3107 PARTS LIST
K-PL-M3107-0-DBP1	M3107 PARTS LIST
K-UA-M3107-0-1	M3107 UNIT ASSEMBLY
K-CS-M3107-0-0	M3107 MODULE CIRCUIT SCHEMATICS
K-PL-H3101-0-DBP	H3101 LOOPBACK CONNECTOR PARTS LIST
K-PL-CKDHQ11-0-DBP	DHQ11 CABINET KIT PARTS LIST
D-UA-H3173-A-DBU1	H3173A DISTRIBUTION PANEL UNIT ASSY
K-PL-H3173-A-DBP1	H3173A DISTRIBUTION PANEL PARTS LIST
K-DD-H3173-A-0	H3173 CONNECTOR ASSY DRAWING DIR
K-PL-H3173-A-DBP	H3173A DISTRIBUTION PANEL PARTS LIST
D-UA-H3173-A-DBU	H3173A DISTRIBUTION PANEL UNIT ASSY
K-DD-5416370-0-0	CONNECTOR BOARD DRAWING DIR
K-PL-5416370-0-DBP	CONNECTOR BOARD PARTS LIST
K-PL-5416370-0-DBP1	CONNECTOR MODULE PARTS LIST
K-UA-5416370-0-1	CONNECTOR MODULE UNIT ASSY
K-CS-5416370-0-1	CONNECTOR MODULE CIRCUIT SCHEMATICS
D-UA-5416370-0-0	CONNECTOR MODULE UNIT ASSY
D-CS-5416370-0-0	CONNECTOR MODULE CIRCUIT SCHEMATIC
B-DD-H3104-0-DBU	H3104 DRAWING DIRECTORY
B-PL-H3104-0-DBP	H3104 PARTS LIST
D-UA-7022616-0-DBU	H3104 UNIT ASSEMBLY
B-DD-5416859-0-0	H3104 PANEL DRAWING DIRECTORY
K-PL-5416859-0-DBP	H3104 PARTS LISTING
D-UA-5416859-0-1	H3104 PANEL UNIT ASSEMBLY
B-CS-5416859-0-1	HARMONICA PANEL CCT SCHEMATIC
K-PL-7022775-0-DBP	POWER CABLE PARTS LIST
C-IA-7022775-0-DBU	POWER CABLE DRAWING

UNIT VARIATIONS COVERED BY THIS PRINT SET

DHQ11-M  
 CK-DHQ11-AA  
 CK-DHQ11-AB  
 CK-DHQ11-AF  
 CK-DHQ11-WA  
 CK-DHQ11-WB  
 CK-DHQ11-WF

FIELD MAINTENANCE PRINT SET

DIGITAL EQUIPMENT CORPORATION

PRINT SET ORDER NO .

MP-02380 C1

REVISION HISTORY

REV	ECO NUMBER	DATE
A	INITIAL	- -
B	DHQ11-MK001	14-AUG-89
C	DHQ11-TW002	31-JUL-90
-	-	-
-	-	-
-	-	-
-	-	-
-	-	-
-	-	-
-	-	-

CONT. REVISION HISTORY

REV	ECO NUMBER	DATE
-	-	-
-	-	-
-	-	-
-	-	-
-	-	-
-	-	-
-	-	-
-	-	-
-	-	-

MADE BY : J. O'CALLAGHAN  
 DATE : 27-MAR-87

CHECKED BY : P. DAMPIER  
 DATE : 27-MAR-87

PROJECT ENGR : T. CREEDON  
 DATE : 27-MAR-87

RSPBLE ENGR : J. O'CALLAGHAN  
 DATE : 27-MAR-87

FIELD SERVICE : M. BUDD  
 DATE : 27-MAR-87

d | i | g | i | t | a | l | T M

TITLE: FIELD MAINTENANCE PRINT SET

DHQ11

SIZE	CODE	DOCUMENT NUMBER	REV.
K	TC	DHQ11-0-0	C

SHEET 1 OF 2 | EDIT : 5

TC FILENAME: DHQ11BTC1.TCF

THIS DRAWING AND THE SPECIFICATIONS CONTAINED HEREIN ARE CONFIDENTIAL AND PROPRIETARY. THEY ARE THE PROPERTY OF DIGITAL EQUIPMENT CORPORATION AND SHALL NOT BE REPRODUCED OR COPIED OR USED IN WHOLE OR IN PART AS THE BASIS FOR MANUFACTURING OR SALE OF ITEMS WITHOUT WRITTEN PERMISSION. THIS IS AN UNPUBLISHED WORK PROTECTED UNDER THE FEDERAL COPYRIGHT LAWS.  
 COPYRIGHT 1989  
 FIELD MAINTENANCE PRINT SET

TABLE OF CONTENTS

K-PL-H3100-0-DBP	RS232-DEC423 CONVERTOR PARTS LIST
K-UA-H3100-0-DRU	ACTIVE PANEL UNITY ASSEMBLY
K-PL-5414913-0-DBP	LEVEL CONVERTOR (PL)
K-UA-5414913-0-DBP	LEVEL CONVERTOR (UA)
K-CS-5414913-0-1	LEVEL CONVERTOR CCT SCHEMATICS
K-DD-5014912-0-0	ETCHED CCT BOARD (DD)
K-PL-5414915-0-DBP	DISTRIBUTION BD (PL)
K-UA-5414915-0-0	DISTRIBUTION BD (UA)
K-CS-5414915-0-1	DISTRIBUTION BD (CS)
K-DD-5014914-0-0	ETCHED CCT BOARD (DD)

UNIT VARIATIONS  
 COVERED BY THIS  
 PRINT SET

DHQ11-M  
 CK-DHQ11-AA  
 CK-DHQ11-AB  
 CK-DHQ11-AF  
 CK-DHQ11-WA  
 CK-DHQ11-WB  
 CK-DHQ11-WF

FIELD MAINTENANCE PRINT SET

DIGITAL EQUIPMENT CORPORATION

PRINT SET ORDER NO .

MP02380 C01

REVISION HISTORY			CONT. REVISION HISTORY			MADE BY : J. O'CALLAGHAN DATE : 27-MAR-87		d   i   g   i   t   a   l   T M
REV	ECO NUMBER	DATE	REV	ECO NUMBER	DATE	CHECKED BY : P. DAMPIER DATE : 27-MAR-87		
A	INITIAL	- -			- -	PROJECT ENGR : T. CREEDON DATE : 27-MAR-87		TITLE: FIELD MAINTENANCE PRINT SET
B	DHQ11-MK001	14-AUG-89			- -	RSPBLE ENGR : J. O'CALLAGHAN DATE : 27-MAR-87		DHQ11
C	DHQ11-TW002	31-JUL-90			- -	FIELD SERVICE : M. BUDD DATE : 27-MAR-87		SIZE   CODE   DOCUMENT NUMBER   REV. K   TC   DHQ11-0-0   C
								SHEET 2 OF 2   EDIT : 2
								TC FILENAME: DHQ11BTC2.TCF

DRAWING NO.	NO. SHTS	PART NO.	DESCRIPTION	REVISIONS
K-PL-DHQ11-0-DBP K-TC-DHQ11-0-0	1 2	DHQ11-M MP-02380	M3107-00 8 LINE ASYNC MUX FIELD MAINTENANCE PRINT SET PRINT SET	D1 D1 B B B C B1 C1
K-PL-DHQ11-0-DBP1 K-TC-DHQ11-0-0	1 2	DHQ11-M MP-02380	M3107-00 8 LINE ASYNC MUX FIELD MAINTENANCE PRINT SET PRINT SET	C1 C1 A A B C B1 C1

NOTES:

- THE DHQ11-M REVISION STARTS ON THIS DRAWING DIRECTORY AS D1 BECAUSE WHEN THE MODULE (M3107-00) CHANGED REVISION ON ECO #M3107-KL001, #M3107-KL002 AND #M3107-MK003, THE OPTION'S REVISION WAS NEVER BROUGHT UP TO DATE TO REFLECT THESE CHANGES.

R E V I S I O N H I S T O R Y	B	C
	E	M T
	C O O	0 0
	N 1	0 2
	D 8 7	
	A / /	
	T 8 9	
	E 9 0	

THIS DRAWING AND THE SPECIFICATIONS CONTAINED HEREIN ARE CONFIDENTIAL AND PROPRIETARY. THEY ARE THE PROPERTY OF DIGITAL EQUIPMENT CORPORATION AND SHALL NOT BE REPRODUCED OR COPIED OR USED IN WHOLE OR IN PART AS THE BASIS FOR THE MANUFACTURE OR SALE OF ITEMS WITHOUT WRITTEN PERMISSION. THIS IS AN UNPUBLISHED WORK PROTECTED UNDER THE FEDERAL COPYRIGHT LAWS.  
COPYRIGHT 1989

DRN: J. O'CALLAGHAN

DATE: 27-MAR-87

d | i | g | i | t | a | l | T M

CHK'D: P. DAMPIER

DATE: 27-MAR-87

TITLE  
DHQ11

DES.ENG.: T. CREEDON

DATE: 27-MAR-87

SHEET 1 OF 1 EDIT:  
11

RESP.ENG.: J. O'CALLAGHAN

DATE: 27-MAR-87

DOCUMENT NUMBER

DD FILENAME: DHQ11BDD.DDF

MFG.ENG.: R. COOKE

DATE: 27-MAR-87

SIZE	CODE	NUMBER	REV
K	DD	DHQ11-0-0	C

LINE	ITEM	TOP DOCUMENT	PART NUMBER	MIN REV	DESCRIPTION	M D1
1	1		M3107-00	D	GBUS 8 LINE ASYNC MUX MODULE,DUAL	1
2	2		EK-DHQ11-UG		DHQ11 USER GUIDE	1
3	3		99-07092-04		BAG,TRANSLUCENT,ESD PROTECTIVE	1
4	4		99-07976-03		ASSEMBLY	1

REVISION HISTORY		KPL MATRIX FORMAT		SECTION A OF A	DRN: C. IVE	DIGITAL		
ENG	ECO NUMBER	REV	SECTION/VARIATION INDEX		DATE: 27-MAR-87	TITLE	PARTS LIST	
---	INITIAL	A	[A] M		CHK'D: P. DAMPIER	DHQ11		
RB	DHQ11-MK001	B	[B]		DATE: 27-MAR-87	8 LINE ASYNC MUX		
			[C]		DES.ENG: T. CREEDON			
			[D]		DATE: 27-MAR-87		DOCUMENT NUMBER	
			[E]			SIZE	CODE	NUMBER
			[F]		RESP.ENG.: J. O'CALLAGHAN	K	PL	DHQ11-0-DBP
			[H]		DATE: 27-MAR-87			REV
			[J]					B
					MFG.ENG: R COOKE		RELEASE DATE: 17-AUG-89	
					DATE: 27-MAR-87		RELEASE STATUS: RELEASED	
					BASIC PART NUMBER:	ASSEMBLY NUMBER:	TOP DOCUMENT NUMBER:	EDIT #
					DHQ11	K-PL-DHQ11-0-DBP	K-DD-DHQ11-0-0	2
					FILE NAME: DHQ11B.PLS			

"THIS DRAWING AND THE SPECIFICATIONS CONTAINED HEREIN ARE CONFIDENTIAL AND PROPRIETARY. THEY ARE THE PROPERTY OF DIGITAL EQUIPMENT CORPORATION AND SHALL NOT BE REPRODUCED OR COPIED OR USED IN WHOLE OR IN PART AS THE BASIS FOR THE MANUFACTURE OR SALE OF ITEMS WITHOUT WRITTEN PERMISSION. THIS IS AN UNPUBLISHED WORK PROTECTED UNDER THE FEDERAL COPYRIGHT LAWS."

LINE	ITEM	TOP DOCUMENT	PART NUMBER	MIN REV	DESCRIPTION	M C1
1	1		M3107-00	C	QBUS 8 LINE ASYNC MUX MODULE, DUAL	1
2	2		EK-DHQ11-UG		DHQ11 USER GUIDE	1
3	3		99-07092-04		BAG, TRANSLUCENT, ESD PROTECTIVE	1
4	4		99-07976-03		ASSEMBLY	1

REVISION HISTORY			KPL MATRIX FORMAT		SECTION A OF A	DRN: L. VEIGA	DIGITAL			
ENG	ECO NUMBER	REV	SECTION/VARIATION INDEX			DATE: 14-AUG-89	TITLE		PARTS LIST	
---	DHQ11-MK001	A	[A]	M		CHK'D: G. LAMBERT	DHQ11		8 LINE ASYNC MUX	
			[B]			DATE: 14-AUG-89	DOCUMENT NUMBER			
			[C]			DES. ENG: R. BLANCHETTE	SIZE	CODE	NUMBER	REV
			[D]			DATE: 14-AUG-89	K	PL	DHQ11-0-DBP1	A
			[E]			RESP. ENG.: R. BLANCHETTE	RELEASE DATE: 17-AUG-89			
			[F]			DATE: 14-AUG-89	RELEASE STATUS: RELEASED			
			[H]			MFG. ENG: B. BROOKE	TOP DOCUMENT NUMBER:		EDIT #	
			[J]			DATE: 14-AUG-89	K-DD-DHQ11-0-0		5	
						BASIC PART NUMBER: DHQ11	ASSEMBLY NUMBER: K-PL-DHQ11-0-DBP1			
						FILE NAME: DHQ111A.PLS				

"THIS DRAWING AND THE SPECIFICATIONS CONTAINED HEREIN ARE CONFIDENTIAL AND PROPRIETARY. THEY ARE THE PROPERTY OF DIGITAL EQUIPMENT CORPORATION AND SHALL NOT BE REPRODUCED OR COPIED OR USED IN WHOLE OR IN PART AS THE BASIS FOR THE MANUFACTURE OR SALE OF ITEMS WITHOUT WRITTEN PERMISSION. THIS IS AN UNPUBLISHED WORK PROTECTED UNDER THE FEDERAL COPYRIGHT LAWS."

DRAWING NO.	NO. SHTS	PART NO.	DESCRIPTION	REVISIONS
K-PL-M3107-0-DBP	2	M3107-00	DHQ11 PARTS LIST	A1 B1 C1 D1 D2
K-UA-M3107-0-0	2		DHQ11 UNIT ASSEMBLY	A B C - D
K-CS-M3107-0-0	8		DHQ11 CKT SCHEMATICS	A A B - C
K-CS-M3107-0-DBX	-		VALID DATABASE SCHEMATIC	A A B C C
K-PC-M3107-0-DBJ	-		PC DESIGN DATA BASE	C C D C D
K-PL-M3107-0-DBP1	2		DHQ11 PARTS LIST	- - - A -
K-UA-M3107-0-1	2		DHQ11 UNIT ASSEMBLY	- - - A -
		5017651-01	ETCHED CIRCUIT BOARD	C1 C1 D1 C1 D1
K-DD-5017651-0-0	1		DRAWING DIRECTORY	C C D D D

NOTES:  
ON ECO # M3107-MK003, REVISION B1 IS UPGRADED TO D1.  
( ETCH REVISION C1) AND REVISION C1 IS UPGRADED TO  
D2. (ETCH REVISION D1),

R E V I S I O N	H I S T O R Y	E I C O N T E N T	I K N T	K L O 1	K L O 2	M K O 3	M K O 3
D A T E	M A Y	A P R I L	M A Y	M A Y	A U G	A U G	A U G
	7	8	8	7	7	9	9

THIS DRAWING AND THE SPECIFICATIONS CONTAINED  
HEREIN ARE CONFIDENTIAL AND PROPRIETARY. THEY  
ARE THE PROPERTY OF DIGITAL EQUIPMENT CORPOR-  
ATION AND SHALL NOT BE REPRODUCED OR COPIED  
OR USED IN WHOLE OR IN PART AS THE BASIS FOR  
THE MANUFACTURE OR SALE OF ITEMS WITHOUT WRIT-  
TEN PERMISSION. THIS IS AN UNPUBLISHED WORK  
PROTECTED UNDER THE FEDERAL COPYRIGHT LAWS.  
COPYRIGHT 1989

DRN: C. IVE	DATE: 05-MAY-87	d   i   g   i   t   a   l   TM
CHK'D: P. DAMPIER	DATE: 05-MAY-87	TITLE M3107 DRAWING DIRECTORY
DES.ENG.: T. CREEDON	DATE: 05-MAY-87	SHEET 1 OF 1   EDIT: 3
RESP.ENG.: J.O'CALLAGHAN	DATE: 05-MAY-87	DOCUMENT NUMBER
		DD FILENAME: M3107D.DDF
MFG.ENG.: R. COOKE	DATE: 05-MAY-87	SIZE   CODE   NUMBER   REV K   DD   M3107-0-0   D

LINE ITEM	TOP DOCUMENT	PART NUMBER	MIN REV	DESCRIPTION	QTY PER VAR/REV	REFERENCE DESIGNATORS
1	1	K-MD-5017651-0-0		CIRCUIT DRILL AND ETCH	1	
2	2			8.0 MFD 25V +75/-10% 85	3	C44,C47,C48
3	3			0.047MFD 50V +80/-20% Z5U C	28	C5,C6,C8-C10,C14,C15,C17, CONT C19-C21,C23,C24,C26,C28-C31, CONT C34-C37,C39,C40,C42,C43,C45,C46
4	4			2200 PFD 50V +/-10% X7R C	1	C25
5	5			0.022MFD 50V +/-10% X7R C	1	C11
6	6			5600 PFD 50V +/- 5% X7R C	1	C3
7	7			0.22 MFD 50V +80/-20% Z5U C	2	C1,C4
8	8			22 MFD 16V +/-10% SOL	4	C2,C7,C12,C16
9	9			PIV= 25 IO=135 MA	2	D2,D4
10	10			LED ASSY GREEN	1	D1
11	11			DIODE ARRY PIV= 150 IO=1.00A	3	D3,D5,D6
12	12			FUSE PICO 5.0 A 125V AXIAL LEA	1	F2
13	13			PCB,HEADER 40POS(2X20).100CC 90D	2	J1,J2
14	14			FUSE PICO 2.0 A 125V AXIAL LEA	1	F1
15	15			SW,DIP 08POS/1PST 5VDC100MA F	1	E11
16	16			SW,DIP 10POS/1PST 5VDC100MA F	1	E19
17	17			HANDLE,UNIBUS MODULE,MAGENTA	1	
18	18			PCB HEADER 04POS(1X04).100CC 90D	1	J3
19	19			68.0 .25 W 5.0 % CF	1	R7
20	20			3.90 K .25 W 5.0 % CF	1	R16
21	21			10.0 K .25 W 5.0 % CF	1	R11
22	22			1.20 K .25 W 5.0 % CF	1	R8
23	23			22.0 .25 W 5.0 % CF	1	R2
24	24			20.0 K .25 W 5.0 % CF	1	R12
25	25			100.0 K .25 W 5.0 % CF	1	R17
26	26			10.0 K .25 W 1.0 % RN55D-F10	1	R15
27	27			5.11 K .25 W 1.0 % RN55D-F10	3	R4,R9,R14
28	28			R. NET 330.0 -14 680.0 -14 5.0	1	E18

REVISION HISTORY		KPL MODULE FORMAT		SECTION A OF A	DRN: C. IVE	DIGITAL		
ENG	ECO NUMBER	REV	SECTION/VARIATION INDEX		DATE: 05-MAY-87	TITLE PARTS LIST		
---	INITIAL	A	[A]	00	[M]	DHQ11		
JN	M3107-KL001	B	[B]		[N]	DOCUMENT NUMBER		
JN	M3107-KL002	C	[C]		[P]	NUMBER		
RB	M3107-MK003	D	[D]		[Q]	SIZE	CODE	NUMBER
			[E]		[R]	K	PL	M3107-0-DBP
			[F]		[S]	REV		
			[H]		[T]	D		
			[J]		[V]	RELEASE DATE: 15-SEP-89		
			[K]		[W]	RELEASE STATUS: RELEASED		
			[L]		[Y]			
BASIC PART NUMBER:				ASSEMBLY NUMBER:		TOP DOCUMENT NUMBER:		EDIT #
M3107				K-UA-M3107-0-0		K-DD-M3107-0-0		1
FILE NAME: M3107D.PLS								

"THIS DRAWING AND THE SPECIFICATIONS CONTAINED HEREIN ARE CONFIDENTIAL AND PROPRIETARY. THEY ARE THE PROPERTY OF DIGITAL EQUIPMENT CORPORATION AND SHALL NOT BE REPRODUCED OR COPIED OR USED IN WHOLE OR IN PART AS THE BASIS FOR THE MANUFACTURE OR SALE OF ITEMS WITHOUT WRITTEN PERMISSION. THIS IS AN UNPUBLISHED WORK PROTECTED UNDER THE FEDERAL COPYRIGHT LAWS."

LINE	ITEM	TOP DOCUMENT	PART NUMBER	MIN REV	DESCRIPTION	QTY PER VAR/REV	REFERENCE DESIGNATORS
29	29		13-11522-00	200.0	.25 W 5.0 % CF	2	R6,R10
30	30		13-13349-00	33.0	K .25 W 5.0 % CF	1	R13
31	31		13-13596-00	20.0	K .25 W 1.0 % RN55D-F10	1	R5
32	32		13-19470-12	82.0	1.0 W 5.0 % M.OXIDE	1	R1
33	33		13-20421-01		R. NET 10.0K-15 5.0	1	E13
34	34		13-21509-01	.39	1.0 W 5.0 % WW	1	R3
35	35		15-10414-02		D 456C PNP 30WT SI 45V 4A B=	1	Q1
36	36		16-24190-01		50.0 UH 1.0A INDUCTOR	1	L1
37	37		18-25333-01		OSCILLATOR, XTAL 14.7456 MHZ	1	Y1
38	38		19-12860-00		LS259 LATCH 8BIT	2	E14,E15
39	39		19-15758-00		LS166 SHIFT REG. 8BIT PARA	2	E12,E20
40	40		19-19015-00		DC 021 BUS TRANSCEIVER,20PI	6	E1,E2,E9,E10,E17,E22
41	41		19-21592-01		TL 494 MODULATOR,PULSE WIDT	1	E23
42	42		19-23889-01		EIA OCTAL LINE DRIVE	3	E24-E26
43	43		19-23890-01		EIA OCTAL LINE RECEI	5	E6-E8,E16,E21
44	44		21-17872-05		RAM 2KX8 I/O MUXD	4	E4
45	45		21-25974-03		DC7044 OCTART GATE ARRAY	1	E5
46	46		21-30387-01		DC7141 OCTART CONTROLLER II	1	E3
47	47		90-06732-00		EYELET,ROLLED 0.1210DX0.219	4	

D	I	G	I	T	A	L	TITLE	SECTION A OF A	SIZE	CODE	DOCUMENT NUMBER	REV
							DHQ11		K	PL	M3107-0-DBP	D



LINE	ITEM	TOP DOCUMENT	PART NUMBER	MIN REV	DESCRIPTION	QTY	PER VAR/REV	REFERENCE DESIGNATORS
1	1	K-MD-5017651-0-0	50-17651-Q1		CIRCUIT DRILL AND ETCH	1		
2	2		10-12084-Q1*		8.0 MFD 25V +/-10% 85	3		C44,C47,C48
3	3		10-12784-00		0.047MFD 50V +80/-20% Z5U C	28		C5,C6,C8-C10,C14,C15,C17, CONT C19-C21,C23,C24,C26,C28-C31, CONT C34-C37,C39,C40,C42,C43,C45,C46
4	4		10-13466-12		2200 PFD 50V +/-10% X7R C	1		C25
5	5		10-13466-54		0.022MFD 50V +/-10% X7R C	1		C11
6	6		10-15573-Q1		5600 PFD 50V +/- 5% X7R C	1		C3
7	7		10-17897-Q1		0.22 MFD 50V +80/-20% Z5U C	2		C1,C4
8	8		10-25078-Q1		22 MFD 16V +/-10% S0L	4		C2,C7,C12,C16
9	9		11-00114-00		PIV= 25 IO=135 MA	2		D2,D4
10	10		11-17373-00		LED ASSY GREEN	1		D1
11	11		11-18982-00		DIODE ARRY PIV= 150 IO=1.00A	3		D3,D5,D6
12	12		12-05747-00		FUSE PICO 5.0 A 125V AXIAL LEA	1		F2
13	13		12-16832-Q2		PCB,HEADER 40POS(2X20).100CC 90D	2		J1,J2
14	14		12-10929-Q6		FUSE PICO 2.0 A 125V AXIAL LEA	1		F1
15	15		12-11164-Q4		SW,DIP 08POS/1PST 5VDC100MA F	1		E11
16	16		12-11164-Q6		SW,DIP 10POS/1PST 5VDC100MA F	1		E19
17	17		12-13543-Q1		HANDLE,UNIBUS MODULE,MAGENTA	1		
18	18		12-25466-Q1		PCB HEADER 04POS(1X04).100CC 90D	1		J3
19	19		13-00219-00		68.0 .25 W 5.0 % CF	1		R7
20	20		13-00444-00		3.90 K .25 W 5.0 % CF	1		R16
21	21		13-00479-00		10.0 K .25 W 5.0 % CF	1		R11
22	22		13-01320-00		1.20 K .25 W 5.0 % CF	1		R8
23	23		13-01969-00		22.0 .25 W 5.0 % CF	1		R2
24	24		13-02391-00		20.0 K .25 W 5.0 % CF	1		R12
25	25		13-02466-00		100.0 K .25 W 5.0 % CF	1		R17
26	26		13-03312-00		10.0 K .25 W 1.0 % RN55D-F10	1		R15
27	27		13-04854-00		5.11 K .25 W 1.0 % RN55D-F10	3		R4,R9,R14
28	28		13-11003-Q2		R. NET 330.0 -14 680.0 -14 5.0	1		E18

REVISION HISTORY			KPL MODULE FORMAT		SECTION A OF A	DRN: H. DENSMORE	DIGITAL		
ENG	ECO NUMBER	REV	SECTION/VARIATION INDEX			DATE: 24-AUG-89	TITLE	PARTS LIST	
RE	M3107-MK003	A	[A]	00	[M]	CHK'D: R. STANLEY	DHQ11		
			[B]		[N]	DATE: 24-AUG-89			
			[C]		[P]	DES.ENG: J.NOLAN		DOCUMENT NUMBER	
			[D]		[Q]	DATE: 24-AUG-89	SIZE	COD	NUMBER
			[E]		[R]	RESP.ENG.: R. BLANCHETTE	K	PL	M3107-0-DBP1
			[F]		[S]	DATE: 24-AUG-89			REV
			[H]		[T]	MFG.ENG: MIKE HASTY			A
			[J]		[V]	DATE: 24-AUG-89			
			[K]		[W]		RELEASE DATE: 08-SEP-89	RELEASE STATUS: RELEASED	
			[L]		[Y]				
			BASIC PART NUMBER:		ASSEMBLY NUMBER:	TOP DOCUMENT NUMBER:		EDIT #	
			M3107		K-UA-M3107-0-1	K-DD-M3107-0-0		10	
FILE NAME: M3107A1.PLS									

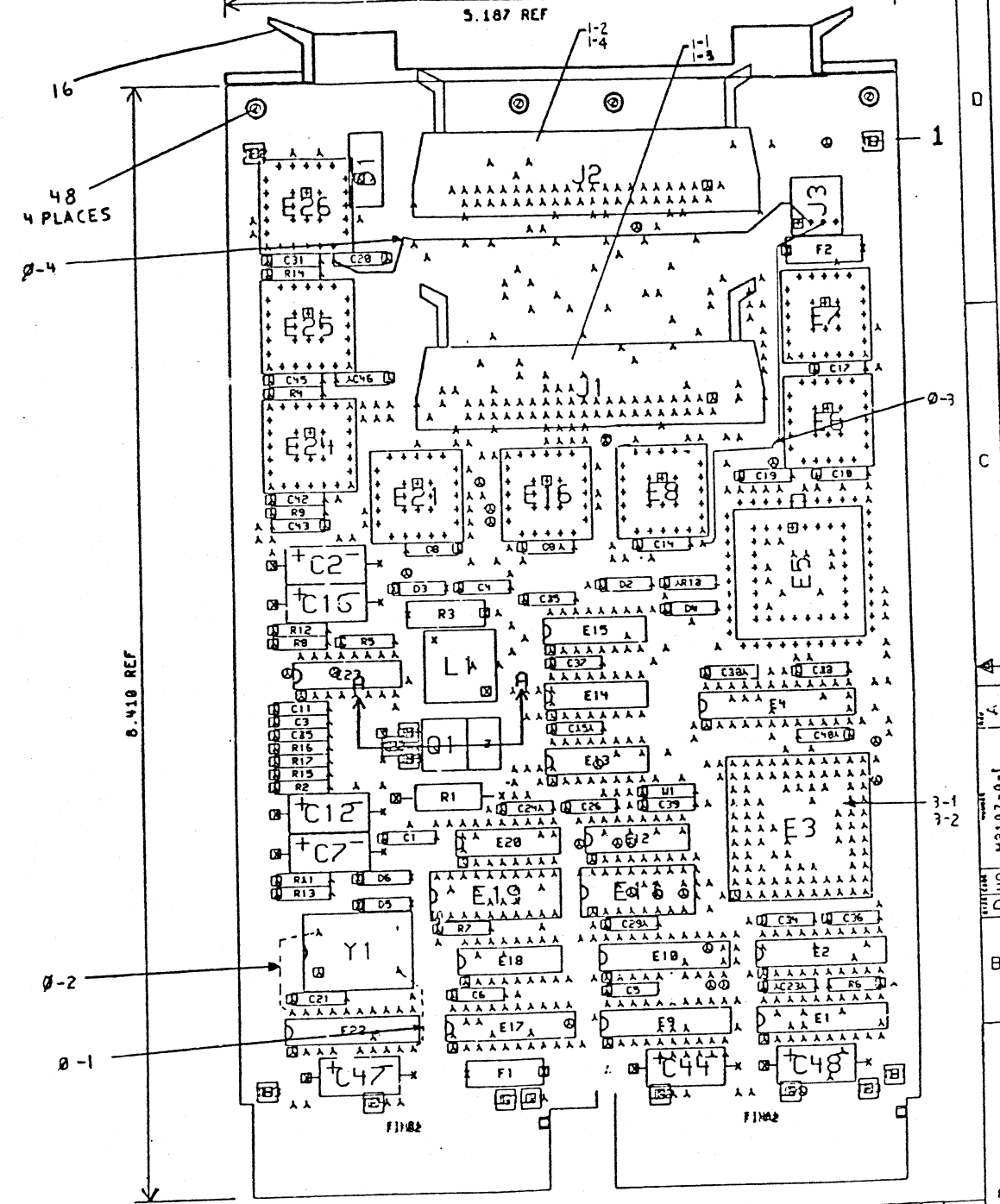
"THIS DRAWING AND THE SPECIFICATIONS CONTAINED HEREIN ARE CONFIDENTIAL AND PROPRIETARY. THEY ARE THE PROPERTY OF DIGITAL EQUIPMENT CORPORATION AND SHALL NOT BE REPRODUCED OR COPIED OR USED IN WHOLE OR IN PART AS THE BASIS FOR THE MANUFACTURE OR SALE OF ITEMS WITHOUT WRITTEN PERMISSION. THIS IS AN UNPUBLISHED WORK PROTECTED UNDER THE FEDERAL COPYRIGHT LAWS."

LINE ITEM	TOP DOCUMENT	PART NUMBER	MIN REV	DESCRIPTION	QTY PER VAR/REV 00 D1	REFERENCE DESIGNATORS
29	29	13-11522-00	200.0	.25 W 5.0 % CF	2	R6,R10
30	30	13-13349-00	33.0	K .25 W 5.0 % CF	1	R13
31	31	13-13596-00	20.0	K .25 W 1.0 % RN55D-F10	1	R5
32	32	13-19470-12	82.0	1.0 W 5.0 % M.OXIDE	1	R1
33	33	13-20421-01	R. NET	10.0K-15 5.0	1	E13
34	34	13-21509-01	.39	1.0 W 5.0 % WW	1	R3
35	35	15-10414-02	D	456C PNP 30WT SI 45V 4A B=	1	Q1
36	36	16-24190-01	50.0	UH 1.0A INDUCTOR	1	L1
37	37	18-25333-01		OSCILLATOR, XTAL 14.7456 MHZ	1	Y1
38	38	19-12860-00		LS259 LATCH 8BIT	2	E14,E15
39	39	19-15758-00		LS166 SHIFT REG. 8BIT PARA	2	E12,E20
40	40	19-19015-00	DC	021 BUS TRANSCEIVER,20PI	6	E1,E2,E9,E10,E17,E22
41	41	19-21592-01	TL	494 MODULATOR,PULSE WIDT	1	E23
42	42	19-23889-01		EIA OCTAL LINE DRIVE	3	E24-E26
43	43	19-23890-01		EIA OCTAL LINE RECEI	5	E6-E8,E16,E21
44	44	21-17872-05		RAM 2KX8 I/O MUXD 4	1	E4
45	45	21-25974-03		DC7044 OCTART GATE ARRAY	1	E5
46	46	21-30387-01		DC7141 OCTART CONTROLLER II	1	E3
47	47	90-06732-00		EYELET,ROLLED 0.1210DX0.219	4	
48	48	90-09185-00		JUMPER, WIRE, INSULATED, BLACK B	1	W1
49	49	91-05740-55		WIRE(WRAP) 30AWG KYNAR UL14	A/R	
50	50	91-07688-55		WIRE(WRAP) 24AWG KYNAR UL13	A/R	

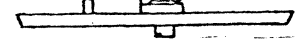
D	I	G	I	T	A	L	TITLE	SECTION A OF A	SIZE	CODE	DOCUMENT NUMBER	REV
							DHQ11		K	PL	M3107-0-DBP1	A

THIS DRAWING AND SPECIFICATIONS HEREBY ARE THE PROPERTY OF THE UNITED STATES GOVERNMENT AND SHALL NOT BE REPRODUCED OR TRANSMITTED IN ANY FORM OR BY ANY MEANS, ELECTRONIC OR MECHANICAL, INCLUDING PHOTOCOPYING, RECORDING, OR BY ANY INFORMATION STORAGE AND RETRIEVAL SYSTEM, WITHOUT PERMISSION IN WRITING FROM THE UNITED STATES GOVERNMENT.

COMPONENT SIDE VIEW



90-09280-00 90-06010-01  
90-06688-00



VIEW ON A-A  
SEE NOTE 1

CHK	DRAWN BY	ENGINEER	CHANGE NO	DATE	REV
RCS	H. Blumhert	R. BLANCHETTE	MK003	8/25/82	A

CHK	DRAWN BY	ENGINEER	CHANGE NO	DATE	REV

NOTES:  
1. IF A NON-PREFORMED TRANSISTOR IS USED IC 15-10114-01 INSTEAD OF 15-10113-02 THEN THE ITEMS REFERRED TO IN VIEW A-A ARE REQUIRED.  
A JUMPER WI 90-01185-00 SHOULD BE INSTALLED IF MODULE IS TO BE LOCKED IN ONV MODE  
STEP E → Y AXIS 3.130 STEP 1 TIMES  
REPEAT → X AXIS 3.132 STEP 1 TIMES

ETCH REV.	01
-----------	----

SIGNATURES	DATE	digital
DRN. CIVE	1-1-82	
CHK D. P. DORPHER	1-1-82	TITLE D-011
MECH. ENG. J. CLAFFEY	1-1-82	UNIT ASSEMBLY
PROJ. ENG. J. O'CALLAGHAN	1-1-82	SIZE CODE NUMBER
PROD. J. CLAFFEY	1-1-82	D U A M3187-0-1
SCALE 2/3	SHT. 1 OF 1	REF A
NEXT HIGHER ASSY. K-0A-M3187-0-1		

THIS DRAWING AND SPECIFICATIONS HEREIN ARE THE PROPERTY OF DIGITAL EQUIPMENT CORPORATION AND SHALL NOT BE REPRODUCED OR COPIED OR USED IN WHOLE OR IN PART AS THE BASIS FOR THE MANUFACTURE OR SALE OF ITEMS WITHOUT WRITTEN PERMISSION. COPYRIGHT © 1969 DIGITAL EQUIPMENT CORPORATION

D  
C  
B  
A

D  
C  
B  
A

REWORK INSTRUCTIONS:

WIRE ADDS:

- 0-1 FROM E22-10 TO Y1-2 ON SIDE 2 USE ITEM 58.
- 0-2 FROM E22-20 TO Y1-4 ON SIDE 2 USE ITEM 58.
- 0-3 FROM C14-2 TO J3-3 ON SIDE 1 USE ITEM 49.
- 0-4 FROM C20-2 TO J3-2 ON SIDE 1 USE ITEM 49.

REWORK INSTRUCTIONS: M3107-KL001.

FOR M3107-00 REV A1 UPGRADE MODULE OPTION.

OR

FOR M3107-00 REV B1 NEW BUILD.

COMPONENT DELETED:

- 1-1 DELETE COMPONENT 12-09941-02, (J1).
- 1-2 DELETE COMPONENT 12-09941-02, (J2).

ADD COMPONENT:

- 1-3 ADD COMPONENT 12-16832-02 (J1).
- 1-4 ADD COMPONENT 12-16832-02 (J2).

REWORK INSTRUCTIONS: M3107-MK003.

FOR M3107-00 REV B1 UPGRADE MODULE OPTION.

OR

FOR M3107-00 REV D1 NEW BUILD.

COMPONENT DELETED:

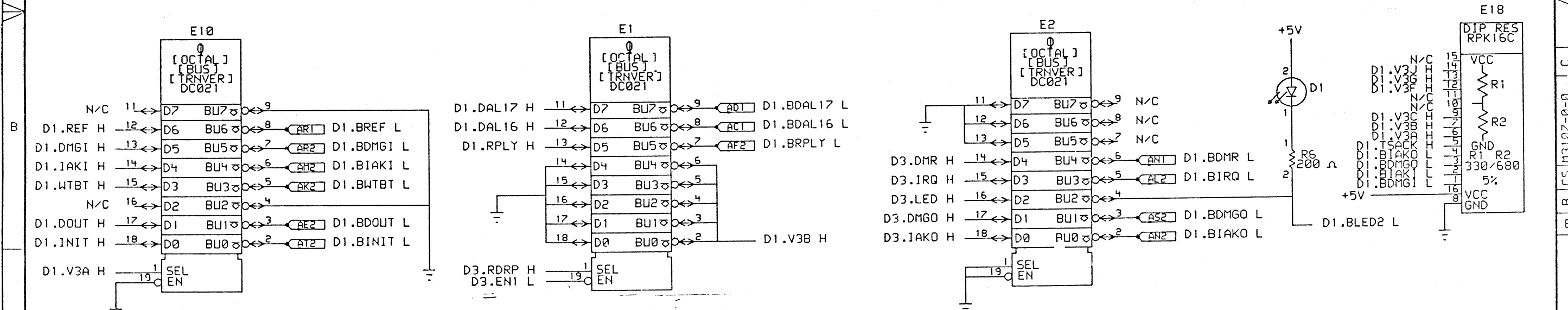
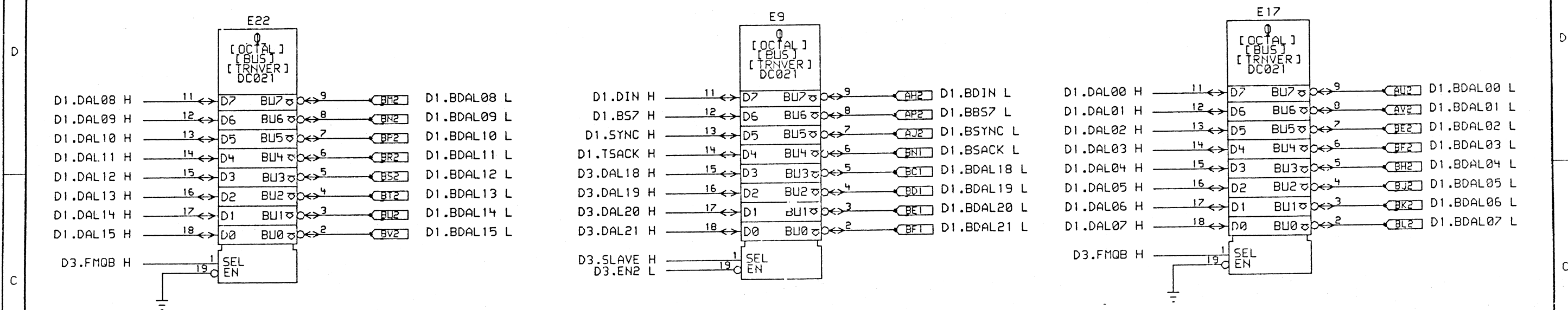
- 3-1 DELETE COMPONENT 21-26907-02, E3.

ADD COMPONENT:

- 3-2 ADD COMPONENT 21-30787-01, E3.

REVISIONS		
CHK	CHANGE NO	REV.

TITLE	SIZE CODE	NUMBER	REV.
DHQ11 UNIT ASSEMBLY	DUA	M3107-0-1	A
SCALE NONE	SHEET 2 OF 2	DIST.	



DRAWING LAST\_MODIFIED=Fr1 Sep 1 13:06:30 1989  
 DHQ11

THIS DRAWING AND THE SPECIFICATIONS CONTAINED  
 HEREIN ARE CONFIDENTIAL AND PROPRIETARY  
 HEREIN ARE THE PROPERTY OF DIGITAL EQUIPMENT CORP.  
 AND SHALL NOT BE REPRODUCED OR COPIED OR  
 USED IN WHOLE OR IN PART AS THE BASIS FOR  
 THE MANUFACTURE OR SALE OF OTHER ITEMS WITHOUT WRITTEN  
 PERMISSION. THIS IS AN UNPUBLISHED WORK  
 PROTECTED UNDER THE FEDERAL COPYRIGHT LAWS.  
 COPYRIGHT © 1989 DIGITAL EQUIPMENT CORPORATION

REVISION	CHANGE NO.	REV.
CHK		

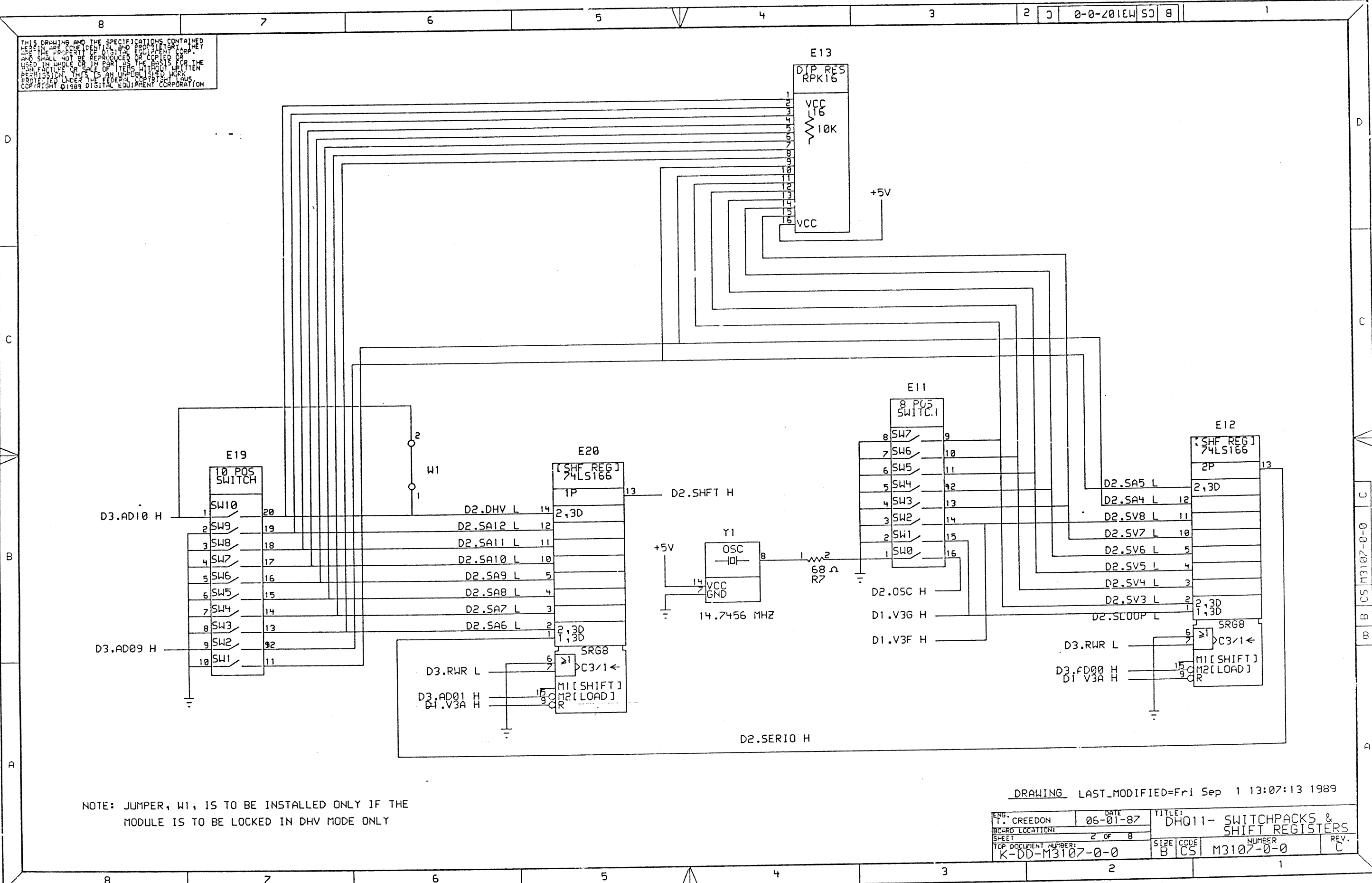
**digital**  
 USRA1  
 FIRST USED ON OPTION/MODEL:

DESIGNED BY	S. LOMBARDI	DATE	02-21-89
CHECK'D BY	S. LOMBARDI	DATE	02-21-89

ENGINEER	T. CREEDON	DATE	06-01-87
SHEET	1	OF	8
TOP DOCUMENT NUMBER	K-DD-M3107-0-0		

TITLE	DHQ11 QBUS INTERFACE		
SIZE	B	CODE	C5
NUMBER	M3107-0-0		
REV.	C		

THIS DRAWING AND THE SPECIFICATIONS CONTAINED HEREIN ARE CONFIDENTIAL AND PROPRIETARY AND SHALL NOT BE REPRODUCED OR COPIED OR USED IN WHOLE OR IN PART AS THE BASIS FOR THE MANUFACTURE OR SALE OF ITEMS WITHOUT WRITTEN PERMISSION. THIS IS AN UNPUBLISHED WORK. COPYRIGHT © 1989 DIGITAL EQUIPMENT CORPORATION

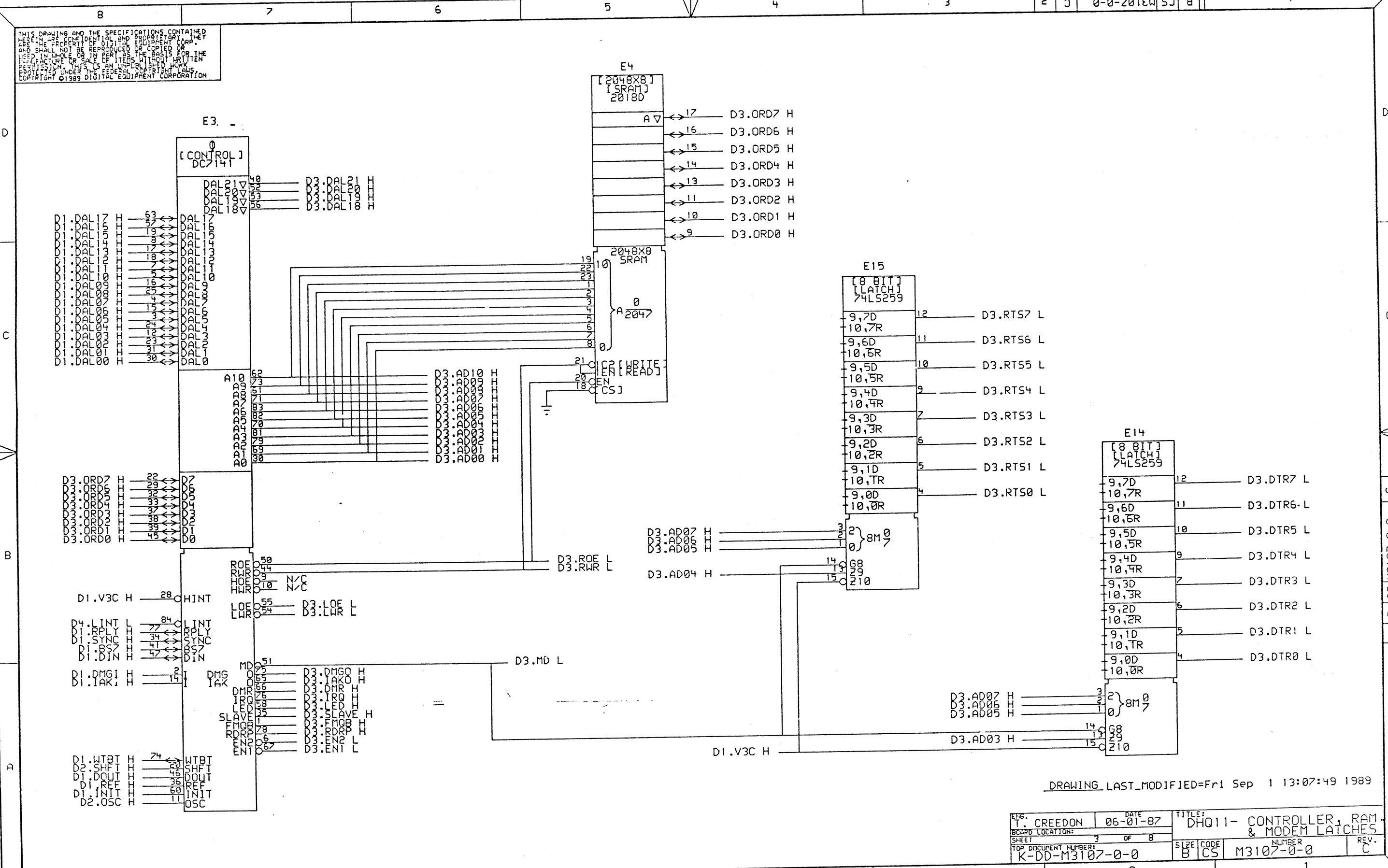


NOTE: JUMPER, W1, IS TO BE INSTALLED ONLY IF THE MODULE IS TO BE LOCKED IN DHV MODE ONLY

DRAWING LAST\_MODIFIED=Fri Sep 1 13:07:13 1989

ENG. CREEDON	DATE 06-01-87	TITLE: DH011- SWITCHPACKS & SHIFT REGISTERS
BOARD LOCATION:	2 OF 8	
SHEET		
TOP DOCUMENT NUMBER: K-DD-M3107-0-0	SIZE CODE B CS	NUMBER M3107-0-0
		REV. C

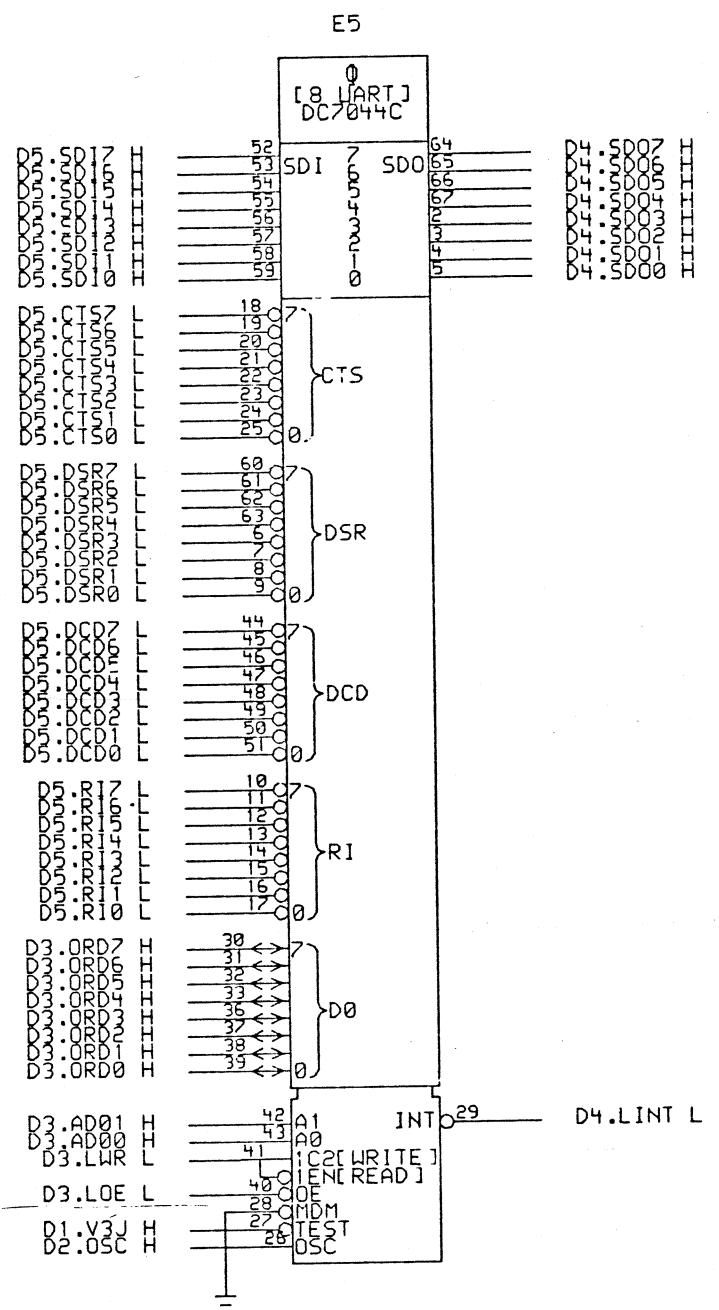
THIS DRAWING AND THE SPECIFICATIONS CONTAINED HEREIN ARE UNCLASSIFIED AND EXEMPT FROM AUTOMATIC DOWNGRADING AND DECLASSIFICATION. THE INFORMATION CONTAINED HEREIN IS UNCLASSIFIED EXCEPT WHERE SHOWN OTHERWISE. THIS DOCUMENT IS THE PROPERTY OF THE FEDERAL BUREAU OF INVESTIGATION AND IS LOANED TO YOU. IT IS TO BE RETURNED TO THE FBI OFFICE FROM WHICH LOANED. IT IS NOT TO BE REPRODUCED OR COPIED FOR DISTRIBUTION OUTSIDE YOUR AGENCY. THE INFORMATION CONTAINED HEREIN IS UNCLASSIFIED EXCEPT WHERE SHOWN OTHERWISE. THIS DOCUMENT IS THE PROPERTY OF THE FEDERAL BUREAU OF INVESTIGATION AND IS LOANED TO YOU. IT IS TO BE RETURNED TO THE FBI OFFICE FROM WHICH LOANED. IT IS NOT TO BE REPRODUCED OR COPIED FOR DISTRIBUTION OUTSIDE YOUR AGENCY. COPYRIGHT © 1989 DIGITAL EQUIPMENT CORPORATION



DRAWING LAST\_MODIFIED=Fri Sep 1 13:07:49 1989

ENG. T. CREEDON	DATE 06-01-87	TITLE: DH011- CONTROLLER, RAM & MODEM LATCHES
BOARD LOCATION:		REV. C
SHEET 3	OF 8	SIZE CODE B CS
TOP DOCUMENT NUMBER: K-DD-M3107-0-0		NUMBER M3107-0-0

THIS DRAWING AND THE SPECIFICATIONS CONTAINED HEREIN ARE THE PROPERTY OF DIGITAL EQUIPMENT CORP. AND SHALL NOT BE REPRODUCED OR COPIED OR USED IN WHOLE OR IN PART AS THE BASIS FOR THE MANUFACTURE OR SALE OF ITEMS WITHOUT THE WRITTEN PERMISSION OF DIGITAL EQUIPMENT CORP. THIS WORK IS PROTECTED UNDER THE FEDERAL PATENT LAWS. COPYRIGHT © 1989 DIGITAL EQUIPMENT CORPORATION

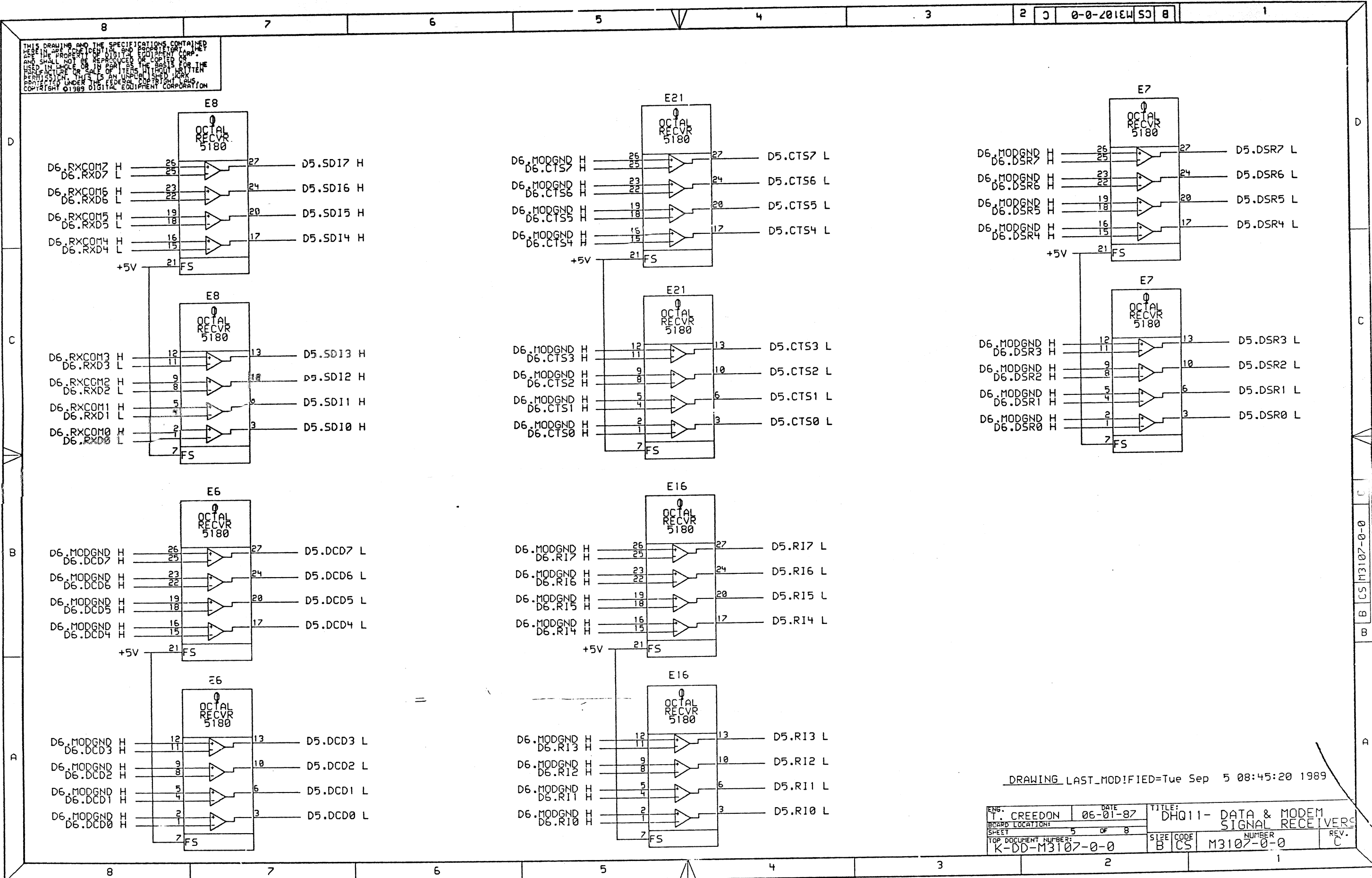


DRAWING LAST\_MODIFIED=Fri Sep 1 13:08:15 1989

FIG. T. CREEDON	DATE 06-01-87	TITLE: DHQ11	REV. C
BOARD LOCATION: 4 OF 8		DC7044 OCTART	
SHEET 4 OF 8		NUMBER M3107-0-0	
TOP DOCUMENT NUMBER: K-DD-M3107-0-0		SIZE B	CODE CS



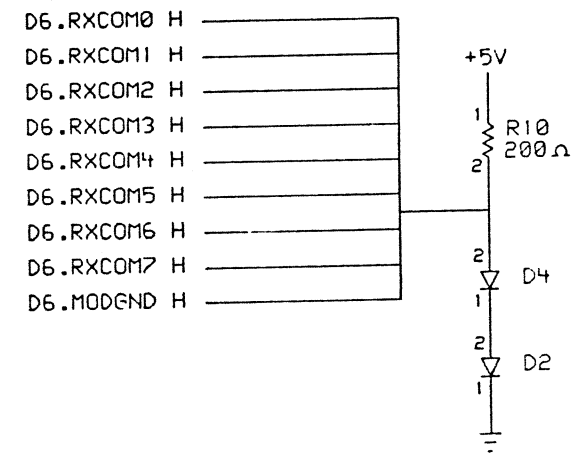
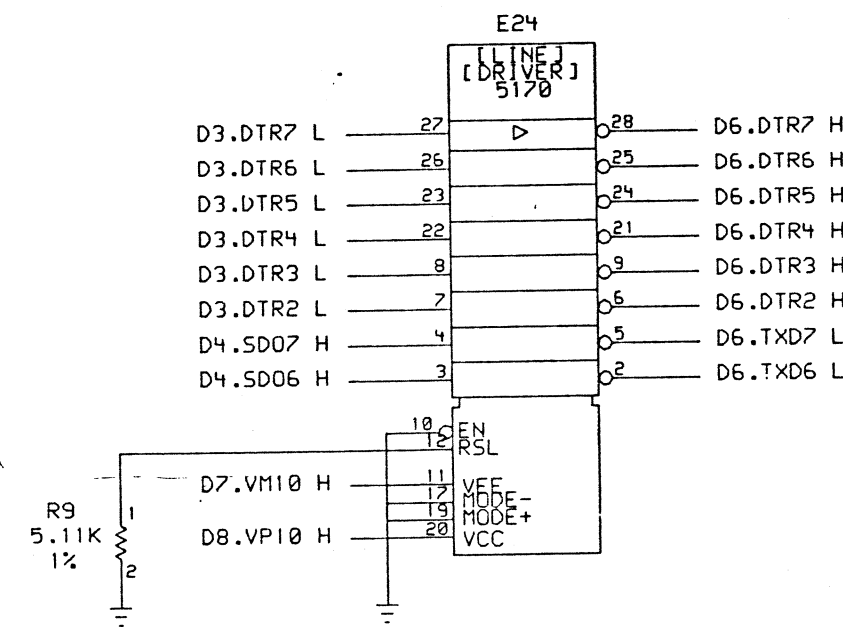
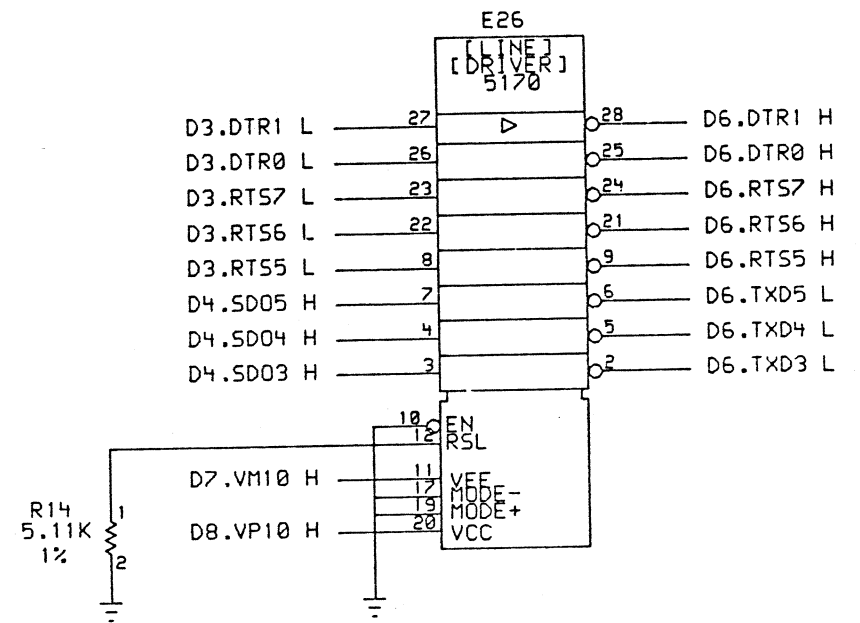
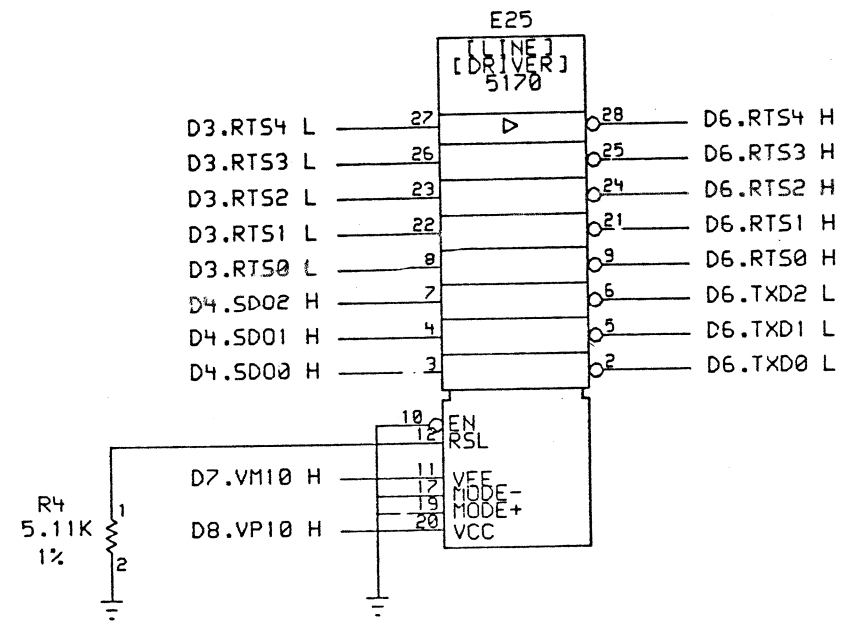
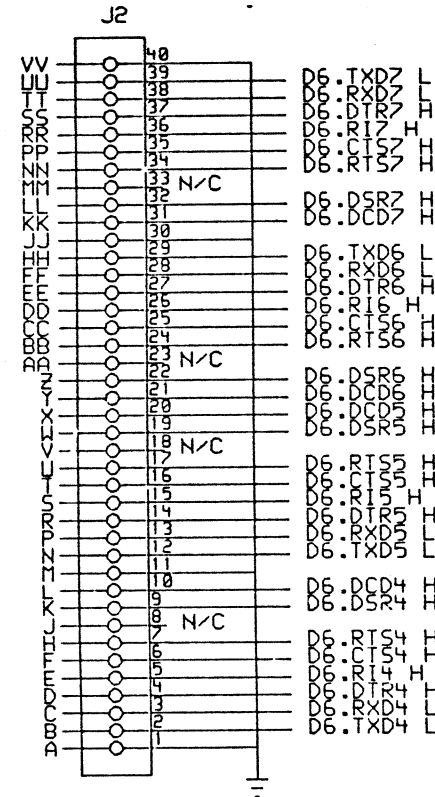
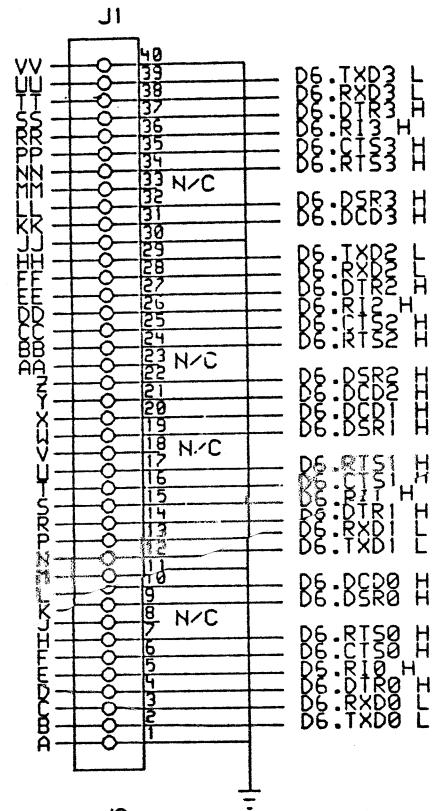
THIS DRAWING AND THE SPECIFICATIONS CONTAINED HEREIN ARE THE PROPERTY OF DIGITAL EQUIPMENT CORPORATION AND SHALL NOT BE REPRODUCED OR COPIED FOR USE IN THE SALE OF ITEMS IN ANY MANNER WITHOUT THE WRITTEN PERMISSION OF DIGITAL EQUIPMENT CORPORATION. COPYRIGHT © 1989 DIGITAL EQUIPMENT CORPORATION



DRAWING\_LAST\_MODIFIED= Tue Sep 5 08:45:20 1989

ENG. T. CREEDON	DATE 06-01-87	TITLE: DHQ11- DATA & MODEM SIGNAL RECEIVERS
BOARD LOCATION:	SHEET 5 OF 8	NUMBER
TOP DOCUMENT NUMBER: K-DD-M3107-0-0	SIZE CODE B CS	NUMBER M3107-0-0
		REV. C

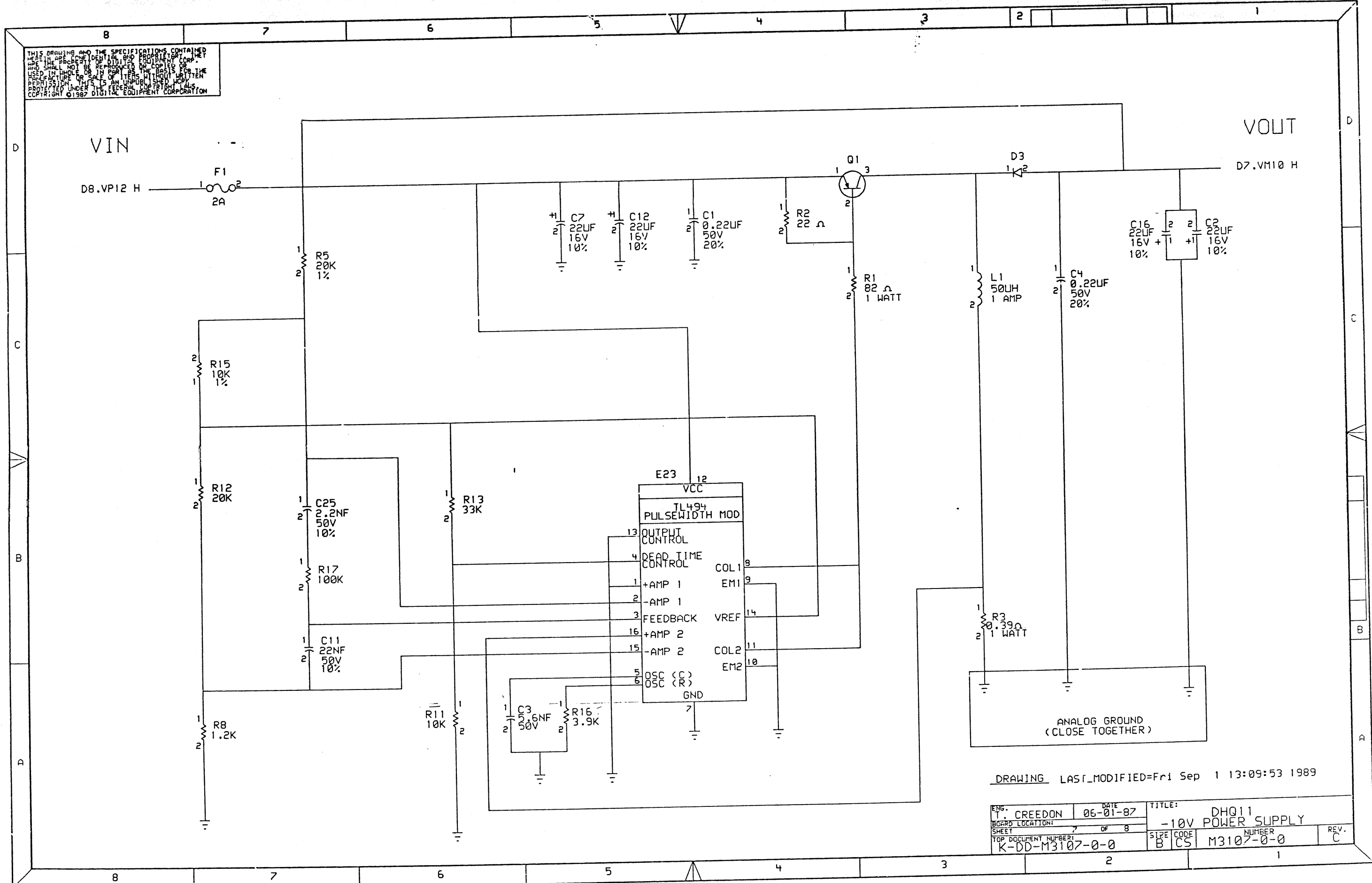
THIS DRAWING AND THE SPECIFICATIONS CONTAINED HEREIN ARE THE PROPERTY OF DIGITAL EQUIPMENT CORPORATION. NO PART OF THIS DRAWING OR SPECIFICATIONS SHALL BE REPRODUCED OR COPIED OR USED IN ANY MANNER OR FOR ANY PURPOSES WITHOUT THE WRITTEN PERMISSION OF DIGITAL EQUIPMENT CORPORATION. COPYRIGHT © 1989 DIGITAL EQUIPMENT CORPORATION.



DRAWING LAST\_MODIFIED=Fri Sep 1 13:09:22 1989

ENG. T. CREEDON	DATE 06-01-87	TITLE: DHQ11- DATA & MODEM SIGNAL TRANSMITTERS
SHEET 5 OF 8	SIZE CODE B CS	NUMBER M3107-0-0
TOP DOCUMENT NUMBER: K-DD-M3107-0-0		REV. C

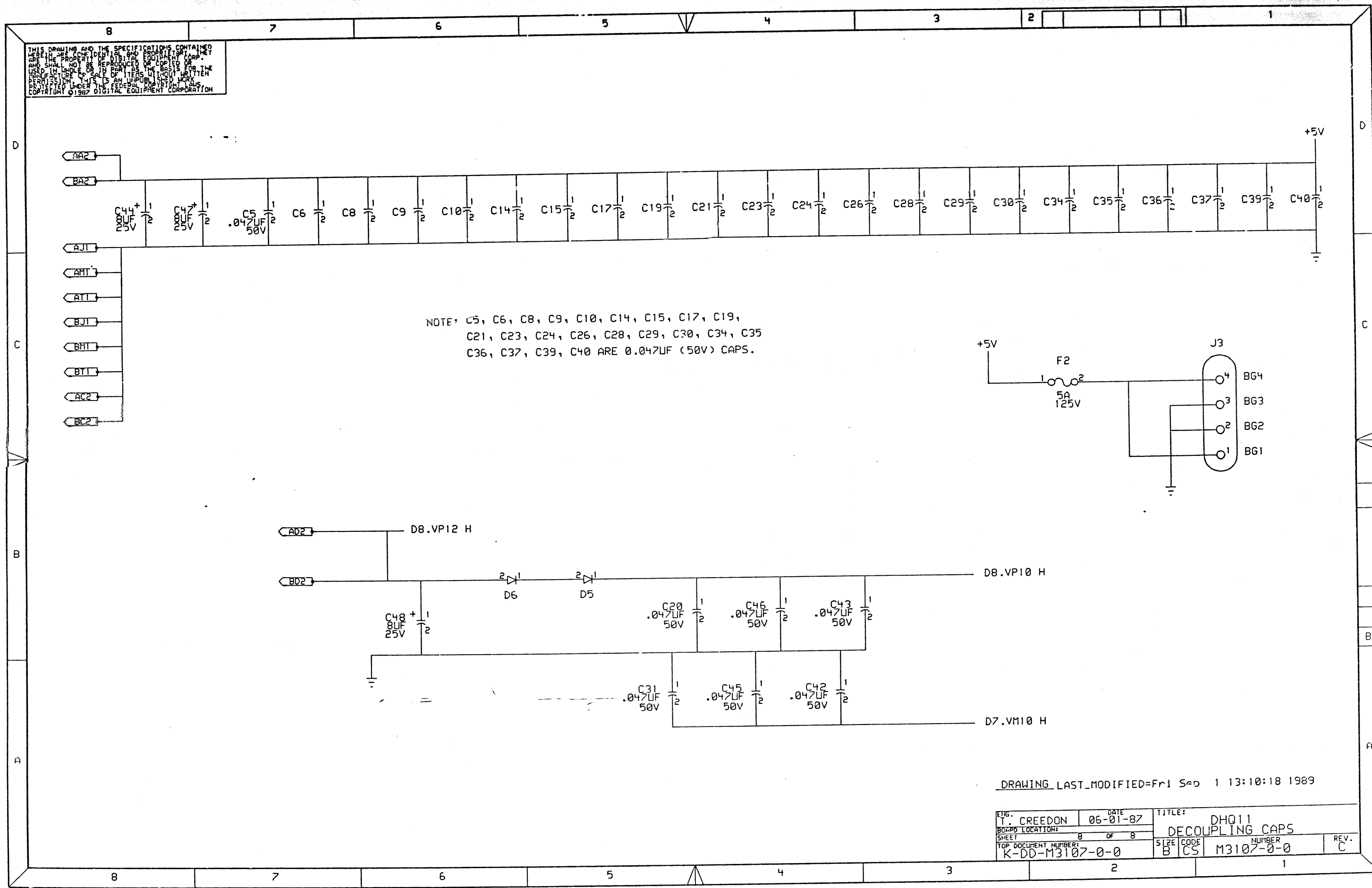
THIS DRAWING AND THE SPECIFICATIONS CONTAINED HEREIN ARE THE PROPERTY OF DIGITAL EQUIPMENT CORPORATION. THEY ARE TO BE KEPT IN CONFIDENCE AND NOT TO BE REPRODUCED OR COPIED OR USED IN WHOLE OR IN PART AS A BASIS FOR THE MANUFACTURE OR SALE OF ITEMS WITHOUT WRITTEN PERMISSION. THIS IS AN UNPUBLISHED COPY. PROTECTED UNDER THE FEDERAL PATENT LAWS. COPYRIGHT © 1987 DIGITAL EQUIPMENT CORPORATION



DRAWING LAST\_MODIFIED=Fri Sep 1 13:09:53 1989

ENG. T. CREEDON	DATE 06-01-87	TITLE: DHQ11
BOARD LOCATION:		-10V POWER SUPPLY
SHEET 7 OF 8	SIZE CODE B CS	NUMBER M3107-0-0
TOP DOCUMENT NUMBER K-DD-M3107-0-0		REV. C

THIS DRAWING AND THE SPECIFICATIONS CONTAINED HEREIN ARE THE PROPERTY OF DIGITAL EQUIPMENT CORPORATION. NO PART OF THIS DRAWING OR THE SPECIFICATIONS HEREIN SHALL BE REPRODUCED OR COPIED OR USED IN WHOLE OR IN PART AS THE BASIS FOR THE MANUFACTURE OF ANY ITEM WITHOUT WRITTEN PERMISSION OF SALES AND MARKETING DEPARTMENT. THIS DRAWING IS AN UNCONTROLLED COPY. PROTECTED UNDER THE FEDERAL COPYRIGHT LAWS. COPYRIGHT © 1987 DIGITAL EQUIPMENT CORPORATION



NOTE: C5, C6, C8, C9, C10, C14, C15, C17, C19, C21, C23, C24, C26, C28, C29, C30, C34, C35, C36, C37, C39, C40 ARE 0.047UF (50V) CAPS.

DRAWING LAST\_MODIFIED=Fri Sep 1 13:10:18 1989

ENG.	T. CREEDON	DATE	06-01-87	TITLE:	DHQ11 DECOUPLING CAPS		
BOARD LOCATION:				SIZE	CODE	NUMBER	REV.
SHEET	8	OF	8	B	CS	M3107-0-0	C
TOP DOCUMENT NUMBER:	K-DD-M3107-0-0						

AUTOMATED BY VAXKPL (V1.1)

PARTS LIST

SHEET A1 OF A1

LINE ITEM	TOP DOCUMENT	PART NUMBER	MIN REV	DESCRIPTION	QUANTITY PER VARIATION/REVISION
1	1 A-PS-1225146-0-0	12-25146-01		CONN, LOOPBACK 36PIN	1

REVISION HISTORY		KPL MATRIX FORMAT		SECTION A OF A	DRN: T. HUMMEL	DIGITAL			
ENG	ECO NUMBER	REV	SECTION/VARIATION INDEX	DATE: 11-DEC-85	TITLE	DOCUMENT NUMBER	SIZE	CODE	REV
	INITIAL	A	[A] 00	CHK'D: F. CARBONE	H3101				
			[B]	DATE: 11-DEC-85	LOOPBACK CONNECTOR				
			[C]	18-FEB-86					
			[D]	DES. ENG: M. MATTOCK					
			[E]	DATE: 11-DEC-85					
			[F]	RESP. ENG.: M. MATTOCK					
			[H]	DATE: 11-DEC-85	K PL H3101-0-0				A
			[J]	18-FEB-86	RELEASE DATE: 17-FEB-86				
				MFG. ENG: P. ANDERSON	RELEASE STATUS: RELEASED				
				DATE: 11-DEC-85					
				BASIC PART NUMBER:	ASSEMBLY NUMBER:	TOP DOCUMENT NUMBER:	FIL NAME:	EDIT #	
				H3101		K-PL-H3101-0-0	MK1254.PLS	15	

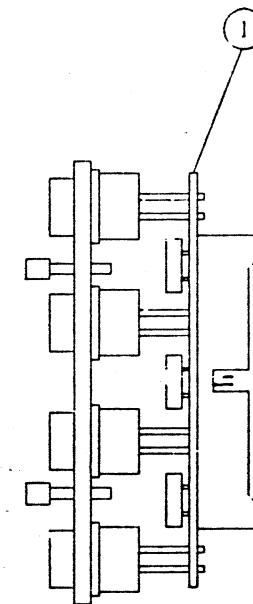
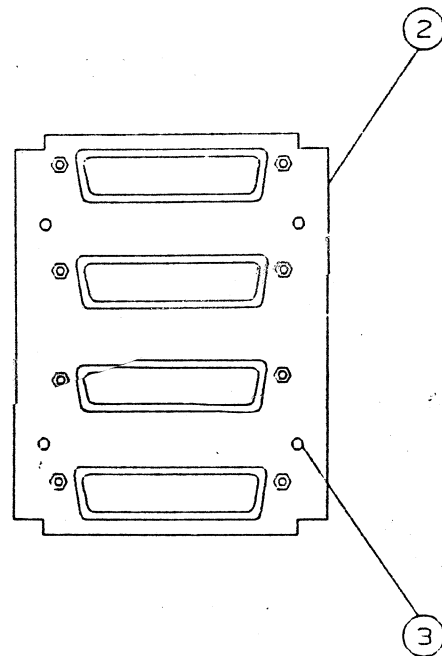
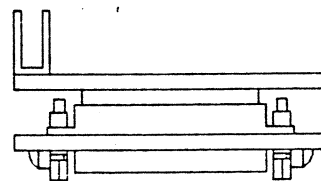
"THIS DRAWING AND THE SPECIFICATIONS CONTAINED HEREIN ARE CONFIDENTIAL AND PROPRIETARY. THEY ARE THE PROPERTY OF DIGITAL EQUIPMENT CORPORATION AND SHALL NOT BE REPRODUCED OR COPIED OR USED IN WHOLE OR IN PART AS THE BASIS FOR THE MANUFACTURE OR SALE OF ITEMS WITHOUT WRITTEN PERMISSION. THIS IS AN UNPUBLISHED WORK PROTECTED UNDER THE FEDERAL COPYRIGHT LAWS."

LINE	ITEM	TOP DOCUMENT	PART NUMBER	MIN REV	DESCRIPTION	QUANTITY PER VARIATION/REVISION					
						AA A02	AB A02	AF A02	WA B01	WB A01	WF A01
1	1		H7173-A	C	UPC (UTILITY PORT CONDITIONER) +30	2	2	2	-	-	-
2	2		BC05L-1K		1' 9" CABLE, 12-11644 EA END, MIRROR	2	-	-	2	-	-
3	3		BC05L-01		1 FT, H855 TO H855 3M NOT SHIELDED	-	2	-	-	2	-
4	4		BC05L-03		CABLE JUMPER	-	-	2	-	-	2
5	5		90-09701-00		SCREW, SEMS 6-32 PAN .312 XRCS	8	8	8	4	4	4
6	6		37-00822-01		PKG GEN. PURPOSE 99-06959-01 CUST.	1	1	1	-	-	-
7	7		H3100-00		DHV11 DEC423 ACTIVE DIST BLKHD, 8 L	-	-	-	1	1	1
8	8		17-01174-02		CABLE ASSY, 36COND, MOLDED, SHLD, 2-3	-	-	-	1	1	1
9	9		H3104-00		36-PIN TO 8 6-PIN DEC MODIFIED JAC	-	-	-	1	1	1
10	10		H3101-00		LOOP BACK CONNECTOR FOR H3100	-	-	-	1	-	-
11	11		70-22775-1K		CABLE ASSY, DC	-	-	-	-	1	-
12	12		70-22775-01		CABLE ASSY, DC	-	-	-	-	-	1
13	13		70-22775-03		CABLE ASSY, DC	-	-	-	-	1	-
14	14		74-27546-02		BRACKET, ADAPTER	-	-	-	1	1	1
15	15		37-00925-05		PKG OPTION CK-DHQ11-W*	-	-	-	1	1	1

REVISION HISTORY			KPL MATRIX FORMAT		SECTION A OF A	DRN: C. IVE	DIGITAL			
ENG:	ECO NUMBER	REV	SECTION/VARIATION INDEX			DATE: 30-APR-87				
---	INITIAL	A	[A]	AA, AB, AF, WA, WB, WF		CHK'D: P. DAMPIER	TITLE PARTS LIST			
JO	CKDHQ11-KL001	B	[B]			DATE: 30-APR-87	DHQ11			
RB	CKDHQ11-TW002	C	[C]			DES. ENG: T. CREEDON	CABLE CONCENTRATOR KITS			
			[D]			DATE: 30-APR-87	DOCUMENT NUMBER			
			[E]			RESP. ENG.: J. O'CALLAGHAN	SIZE	CODE	NUMBER	REV
			[F]			DATE: 30-APR-87	K	PL	CKDHQ11-0-DBP	C
			[H]			MFG. ENG: R. COOKE	RELEASE DATE: 12-JUL-90			
			[J]			DATE: 30-APR-87	RELEASE STATUS: RELEASED			
			BASIC PART NUMBER:		ASSEMBLY NUMBER:	TOP DOCUMENT NUMBER:			EDIT #	
			CKDHQ11			K-PL-CKDHQ11-0-DBP				
			FILE NAME: CKDHQ11C.PLS							

"THIS DRAWING AND THE SPECIFICATIONS CONTAINED HEREIN ARE CONFIDENTIAL AND PROPRIETARY. THEY ARE THE PROPERTY OF DIGITAL EQUIPMENT CORPORATION AND SHALL NOT BE REPRODUCED OR COPIED OR USED IN WHOLE OR IN PART AS THE BASIS FOR THE MANUFACTURE OR SALE OF ITEMS WITHOUT WRITTEN PERMISSION. THIS IS AN UNPUBLISHED WORK PROTECTED UNDER THE FEDERAL COPYRIGHT LAWS."

THIS DRAWING AND THE SPECIFICATIONS CONTAINED HEREIN ARE CONFIDENTIAL AND PROPRIETARY. THEY ARE THE PROPERTY OF DIGITAL EQUIPMENT CORPORATION AND SHALL NOT BE REPRODUCED OR COPIED OR USED IN WHOLE OR IN PART AS THE BASIS FOR THE MANUFACTURE OR SALE OF ITEMS WITHOUT WRITTEN PERMISSION. THIS IS AN UNPUBLISHED WORK PROTECTED UNDER THE FEDERAL COPYRIGHT LAWS, 1990



REV.	DATE	BY	CHKD
1			
2			
3			
4			
5			
6			
7			
8			

THIRD ANGLE PROJECTION	DESIGNED BY	N. MCGAW	DATE	16-AUG-90	TITLE	digital
	CHECKED BY	S. MATKIEWICZ	DATE	21-AUG-90		
DO NOT SCALE DRAWING	DESIGNED BY	M. MATTOCK	DATE	21-AUG-90	DOCUMENT NUMBER	
REMOVE BURRS AND BREAK SHARP CORNERS	RESP. ENG.	M. MATTOCK	DATE	21-AUG-90	SIZE	CODE
TOLERANCES:	WFO ENG.	S. WARD	DATE	21-AUG-90	D	UA
.X = ±	TOP PROJ.	K-DD-H3173-A-0			NUMBER	REV.
.XX = ±					H3173-A-0B01	A
.XXX = ±					SCALE	SHEET
ANGLES, ±						
(UNLESS OTHERWISE SPECIFIED)						

LINE	ITEM	TOP DOCUMENT	PART NUMBER	MIN REV	DESCRIPTION	A	CO2
1	1	K-UA-5416370-0-1	54-16370-02		DHV11 DISTRIBUTION BOARD ASSEMBLY	1	
2	2	C-MD-7428801-0-DBU	74-28801-02		PLATE,CONNECTOR,DHV-11	1	
3	3		90-08451-00		SCREW LOCK,ASSY .060THK	4	

REVISION HISTORY		KPL MATRIX FORMAT		SECTION A OF A		DRN: N. MCGAW		DIGITAL			
ENG	ECO NUMBER	REV	SECTION/VARIATION INDEX		DATE:	CHK'D:	TITLE	PARTS LIST			
RB	H3173-A-TW003	A	[A]	A	DATE: 17-AUG-90	S. MANKIEWICZ	H3173A DISTRIBUTION PANEL				
			[B]		DATE: 21-AUG-90						
			[C]		DES.ENG: M. MATTOCK						
			[D]		DATE: 29-AUG-90						
			[E]		RESP.ENG.: M. MATTOCK						
			[F]		DATE: 29-AUG-90			SIZE	CODE	DOCUMENT NUMBER	REV
			[H]		MFG.ENG: S. WARD			K	PL	H3173-A-DBP1	A
			[J]		DATE: 29-AUG-90			RELEASE DATE: 14-SEP-90			
								RELEASE STATUS: RELEASED			
					BASIC PART NUMBER:	ASSEMBLY NUMBER:	TOP DOCUMENT NUMBER:	EDIT #			
					H3173	D-UA-H3173-A-DBU1	K-DD-H3173-A-0	7			
					FILE NAME: H3173AA1.PLS						

"THIS DRAWING AND THE SPECIFICATIONS CONTAINED HEREIN ARE CONFIDENTIAL AND PROPRIETARY. THEY ARE THE PROPERTY OF DIGITAL EQUIPMENT CORPORATION AND SHALL NOT BE REPRODUCED OR COPIED OR USED IN WHOLE OR IN PART AS THE BASIS FOR THE MANUFACTURE OR SALE OF ITEMS WITHOUT WRITTEN PERMISSION. THIS IS AN UNPUBLISHED WORK PROTECTED UNDER THE FEDERAL COPYRIGHT LAWS."



DRAWING NO.	NO. SHTS	PART NO.	DESCRIPTION	REVISIONS
		H3173-A	H3173-A DISTRIBUTION PANEL	C1 C2
D-UA-H3173-A-DBU	1		H3173-A UNIT ASSEMBLY	C -
K-PL-H3173-A-DBP	1		H3173-A PARTS LIST	C -
D-UA-H3173-A-DBU1	1		H3173-A UNIT ASSEMBLY	- A
K-PL-H3173-A-DBP1	1		H3173-A PARTS LIST	- A

NOTES:  
1. PART REVISION C1 ASSEMBLY IS FIELD RETROFITTABLE ONLY AND WILL NOT BE IMPLEMENTED BY/IN MANUFACTURING.  
2. FOR FIELD UPGRADE KIT INSTALLATION, ORDER 70-22818-01 FOR CK-DHV11 & CK-DHQ11-AA, -AB, -AC AND -AF.

R E V I S I O N H I S T O R Y	REV	C	D
	ECNO	M	T
	NO	K	W
		0	0
		7	8
		9	9
		0	0

THIS DRAWING AND THE SPECIFICATIONS CONTAINED HEREIN ARE CONFIDENTIAL AND PROPRIETARY. THEY ARE THE PROPERTY OF DIGITAL EQUIPMENT CORPORATION AND SHALL NOT BE REPRODUCED OR COPIED OR USED IN WHOLE OR IN PART AS THE BASIS FOR THE MANUFACTURE OR SALE OF ITEMS WITHOUT WRITTEN PERMISSION. THIS IS AN UNPUBLISHED WORK PROTECTED UNDER THE FEDERAL COPYRIGHT LAWS. COPYRIGHT 1989	DRN: 3D ENG	DATE: 12-SEP-83	d   i   g   i   t   a   l   T M	
	CHK'D: P. DAMPIER	DATE: 14-SEP-83	TITLE H3173-A	
	DES.ENG.: T. HOLMES	DATE: 14-SEP-83	SHEET 1 OF 1	EDIT: 5
	RESP.ENG.: M. CHAMBERLAIN	DATE: 14-SEP-83	DOCUMENT NUMBER	
			DD FILENAME: H3173D.DDF	
	MFG.ENG.: P. TOOMEY	DATE: 14-SEP-83	SIZE   CODE   NUMBER	REV
		K   DD   H3173-A-0	D	

LINE	ITEM	TOP DOCUMENT	PART NUMBER	MIN REV	DESCRIPTION	A C01	QUANTITY PER VARIATION/REVISION
1	1	D-UA-5416370-0-0	54-16370-01		DHV11 CONNECTOR BOARD ASSY.		1
2	2	D-MD-7427573-0-DBU	74-27573-01		PLATE,CONNECTOR		1
3	3		90-08451-00		SCREW LOCK,ASSY .060THK		4
4	4		54-19893-01		8 DATA LINE ESD/EOS PROTECTION MOD		1
5	5		12-24383-01		FOAM,SIL RUBBER, ADH.BCKD. .250T		1
6	6		90-06560-00		NUT,KEPS 6-32 .312AF		1
7	7		90-09617-00		TIE,CABLE BUNDL.DIA 0-3 X 11"		2
8	8		EK-A0381-IN		DHV11/DHQ11 PROTECTION BOARD INSTA		1

1 GEN: FOR FIELD UPGRADE KIT INSTALLATION, ORDER 70-22818-01 FOR CK-DHV11 & CK-DHQ11-AA, -AB, -AC AND -AF.

REVISION HISTORY			KPL MATRIX FORMAT		SECTION A OF A		DRN: RITA BUREAU		DIGITAL			
ENG	ECO NUMBER	REV	SECTION/VARIATION INDEX		DATE: 17-JUN-83		CHK'D: BRIAN GOOD		TITLE PARTS LIST			
---	INITIAL	A	[A]	A	DATE: 17-JUN-83		DATE: 17-JUN-83		PANEL, DISTRIBUTION, H3173-A			
MC	H3173A-RY001	B	[B]				DES.ENG: A.J. HOLMES		DOCUMENT NUMBER			
RB	H3173-A-MK002	C	[C]				DATE: 17-JUN-83		SIZE	CODE	NUMBER	REV
			[D]				RESP.ENG.: M. CHAMBERLAIN		K	PL	H3173-A-DBP	C
			[E]				DATE: 17-JUN-83		RELEASE DATE: 01-AUG-90			
			[F]				MFG.ENG: P. TOOMEY		RELEASE STATUS: RELEASED			
			[H]				DATE: 17-JUN-83					
			[J]									
			BASIC PART NUMBER:		ASSEMBLY NUMBER:		TOP DOCUMENT NUMBLR:		EDIT #			
			H3173		D-UA-H3173-A-DBU		K-DD-H3173-A-0		7			
			FILE NAME: H3173C.PLS									

"THIS DRAWING AND THE SPECIFICATIONS CONTAINED HEREIN ARE CONFIDENTIAL AND PROPRIETARY. THEY ARE THE PROPERTY OF DIGITAL EQUIPMENT CORPORATION AND SHALL NOT BE REPRODUCED OR COPIED OR USED IN WHOLE OR IN PART AS THE BASIS FOR THE MANUFACTURE OR SALE OF ITEMS WITHOUT WRITTEN PERMISSION. THIS IS AN UNPUBLISHED WORK PROTECTED UNDER THE FEDERAL COPYRIGHT LAWS."



AUTOMATED BY PRTLST.4Q(50)

PARTS LIST

SHEET A1 OF A1

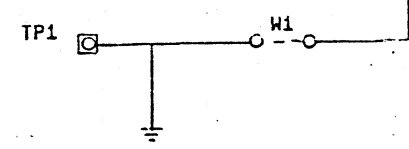
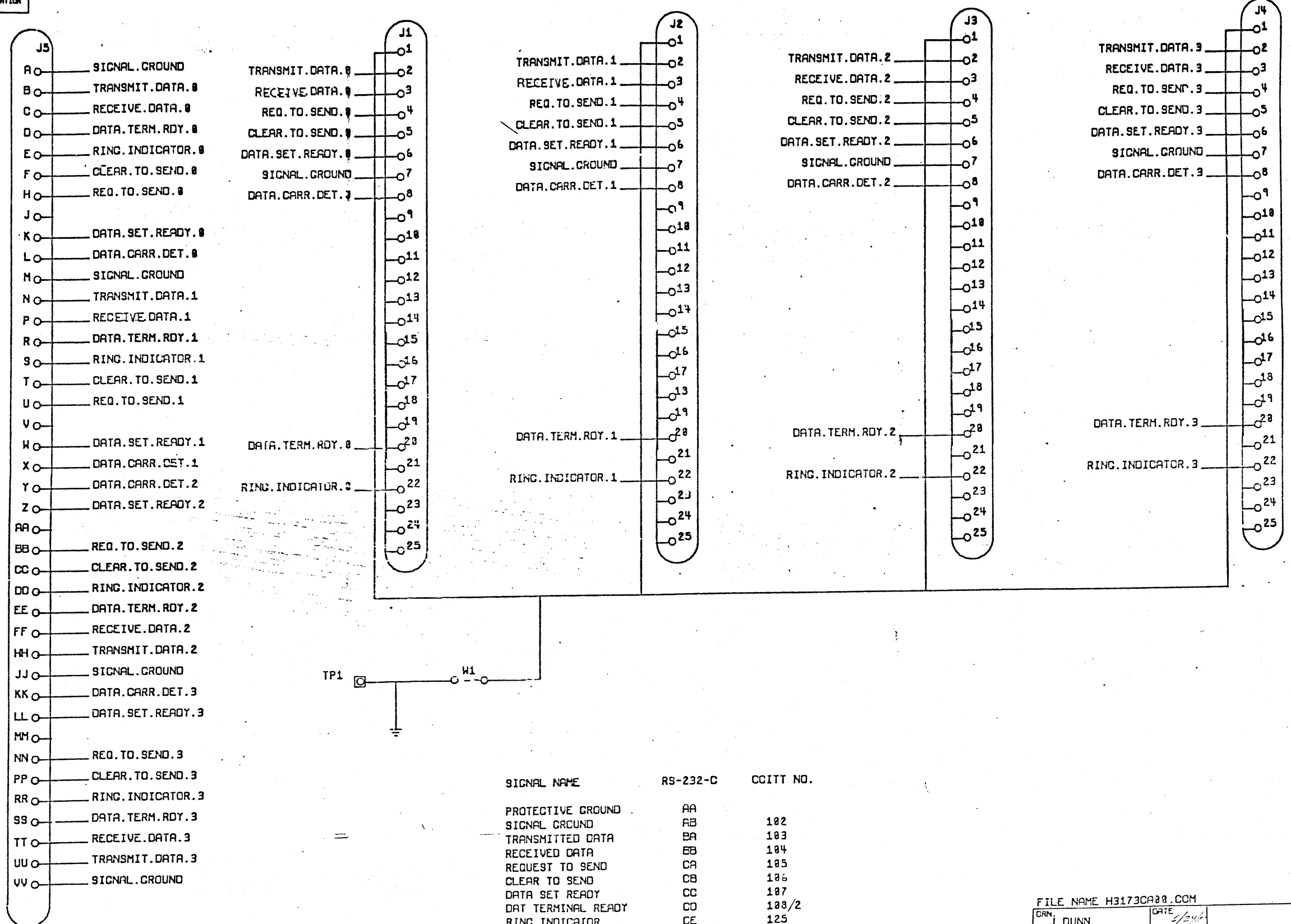
LINE ITEM	DOCUMENT NUMBER	PART NUMBER	DESCRIPTION	QTY PER VARIATION	REFERENCE DESIGNATOR
1	D-MD-5015588-0-0	5015588-01	DRILL AND ETCH CUT BOARD	1	
2		1214886-01	PCB,HEADER 40POS(2X40),10CCC	1	J5
3		1219573-11	CONN,D SUB 11PIN ASSY STR	4	J1-J4
4		9009185-00	JUMPER, WIRE, INSULATED, BLACK B	1	W1

REVISION HISTORY		BASIC PART NO: 5416370		DRN: RITA BUREAU	DATE: 23-SEP-83	DIGITAL	
ENG	ECD NUMBER	REV	SECTION A OF A	CHK'D: BRIAN GOOD	DATE: 23-SEP-83	TITLE PARTS LIST	
	INITIAL	A	SECTION.VARIATION INDEX	DES.ENG: A.J.HOLMES	DATE: 23-SEP-83	DOCUMENT NUMBER	
			[A] 01	RESP.ENG.: M. CHAMBERVAIN	DATE: 23-SEP-83	SIZE	CODE
			[B]	MFG.ENG.: F. TOOMEY	DATE: 23-SEP-83	K	PL
			[C]	ASSEMBLY NUMBER:	TOP DOCUMENT NUMBER:	NUMBER	
			[D]	D-UA-5416370-0-0	B-DD-5416370-0-0	FILE NAME:	
			[E]			Z9046A.PLS	
			[F]			REV	EDIT #
			[G]			A	3
			[H]				
			[I]				
			[J]				
			[K]				
			[L]				
			[M]				
			[N]				

\*THIS DRAWING AND SPECIFICATIONS HEREIN, ARE THE PROPERTY OF DIGITAL EQUIPMENT CORPORATION AND SHALL NOT BE REPRODUCED OR COPIED OR USED IN WHOLE OR IN PART AS THE BASIS FOR THE MANUFACTURE OR SALE OF ITEMS WITHOUT WRITTEN PERMISSION. COPYRIGHT (C) 1983. DIGITAL EQUIPMENT CORPORATION \*



THIS DRAWING AND SPECIFICATIONS, HEREIN, ARE THE PROPERTY OF DIGITAL EQUIPMENT CORPORATION AND SHALL NOT BE REPRODUCED OR COPIED OR USED IN WHOLE OR IN PART AS THE BASIS FOR THE MANUFACTURE OR SALE OF ITEMS WITHOUT WRITTEN PERMISSION.  
 COPYRIGHT 1983 DIGITAL EQUIPMENT CORPORATION



SIGNAL NAME	RS-232-C	CCITT NO.
PROTECTIVE GROUND	AA	
SIGNAL GROUND	AB	102
TRANSMITTED DATA	BA	103
RECEIVED DATA	BB	104
REQUEST TO SEND	CA	105
CLEAR TO SEND	CB	106
DATA SET READY	CC	107
DATA TERMINAL READY	CD	108/2
RING INDICATOR	CE	125
DATA CARRIER DETECT	CF	109

REV.	CHG. NO.	DATE

FILE NAME H3173CA00.COM		digital
DRN. J. DUNN	DATE 4/24/83	
CHKD. R. MARTIN	DATE 4/24/83	CONNECTOR MODULE ASSY.
DES. ENG. T. HOLMES	DATE 4/24/83	
RESP. ENG. M. CHAMBERLAIN	DATE 4/24/83	DOCUMENT NUMBER
MFG. ENG. P. TOOMEY	DATE 4/24/83	
TOP DOC. NO. B-00-H3173A-0-0	SCALE	SHEET 01 OF 01

DRAWING NO.	NO. SHTS	PART NO.	DESCRIPTION	REVISIONS
K-PL-H3104-0-DBP	1	H3104	H3104 CABLE CONCENTRATOR H3104 CABLE CONCENTRATOR (PL)	- B1 B2 C2 - A B C

NOTES:

R E V	A B C D			
	E C O N O	I N I T	M L O 0 1	M K O 0 2
D A T E		9 / 8 6	9 / 8 7	5 / 9 0

THIS DRAWING AND THE SPECIFICATIONS CONTAINED HEREIN ARE CONFIDENTIAL AND PROPRIETARY. THEY ARE THE PROPERTY OF DIGITAL EQUIPMENT CORPORATION AND SHALL NOT BE REPRODUCED OR COPIED OR USED IN WHOLE OR IN PART AS THE BASIS FOR THE MANUFACTURE OR SALE OF ITEMS WITHOUT WRITTEN PERMISSION. THIS IS AN UNPUBLISHED WORK PROTECTED UNDER THE FEDERAL COPYRIGHT LAWS. COPYRIGHT 1989

DRN: P. MOSCATELLI	DATE: 25-FEB-86	d   i   g   i   t   a   l   T M
CHK'D: W. COLSON	DATE: 25-FEB-86	TITLE H3104 CABLE CONCENTRATOR
DES.ENG.: M. ROMM	DATE: 25-FEB-86	SHEET 1 OF 1   EDIT: 2
RESP.ENG.: M. ROMM	DATE: 25-FEB-86	DOCUMENT NUMBER
		DD FILENAME: H3104D.DDF
MFG.ENG.: C. MORRIS	DATE: 25-FEB-86	SIZE   CODE   NUMBER   REV K   DD   H3104-0-0   D

LINE ITEM TOP DOCUMENT

PART NUMBER MIN REV

DESCRIPTION

00  
C02

QUANTITY PER VARIATION/REVISION

1	1	D-UA-7022615-0-DBU	70-22616-01	*** THIS ITEM IS NOT USED ***	-
2	2		30-28253-01 B	CABLE CONCENTRATOR ASSY W/MTG HARD	1

1 GEN: PART NUMBER 7022616-01 MAY BE SUBSTITUTED FOR ITEM #2 (3028253-01)

REVISION HISTORY			KPL MATRIX FORMAT		SECTION A OF A		DRN: D. LARGEY		DIGITAL			
ENG	ECO NUMBER	REV	SECTION/VARIATION INDEX		DATE:	CHK'D:	DATE:	TITLE	PARTS LIST			
---	INITIAL	A	[A]	00	01-OCT-86	D. HEALY	01-OCT-86	H3104 CABLE				
ML	H3104-MK002	B	[B]					CONCENTRATOR				
RB	H3104-TW003	C	[C]						DOCUMENT NUMBER			
			[D]						SIZE	CODE	NUMBER	REV
			[E]						K	PL	H3104-0-DBP	C
			[F]						RELEASE DATE: 25-MAY-90			
			[H]						RELEASE STATUS: RELEASED			
			[J]									
									BASIC PART NUMBER: H3104			EDIT #
									ASSEMBLY NUMBER:			2
									TOP DOCUMENT NUMBER: K-DD-H3104-0-0			
									FILE NAME: H3104C.PLS			

"THIS DRAWING AND THE SPECIFICATIONS CONTAINED HEREIN ARE CONFIDENTIAL AND PROPRIETARY. THEY ARE THE PROPERTY OF DIGITAL EQUIPMENT CORPORATION AND SHALL NOT BE REPRODUCED OR COPIED OR USED IN WHOLE OR IN PART AS THE BASIS FOR THE MANUFACTURE OR SALE OF ITEMS WITHOUT WRITTEN PERMISSION. THIS IS AN UNPUBLISHED WORK PROTECTED UNDER THE FEDERAL COPYRIGHT LAWS."





DRAWING NO.	NO. OF SHTS.	PART NO.	DESCRIPTION	REVISIONS															
				A1	B1	B2	B3												
		5416859-01	H3104 CABLE CONCENTRATOR	A1	B1	B2	B3												
D-UA-5416859-0-0	1		H3104 CABLE CONCENTRATOR UNIT ASY	A	B	-	B												
D-UA-5416859-0-1	1		H3104 CABLE CONCENTRATOR UNIT ASY	-	-	A	B												
B-CS-5416859-0-1	1		H3104 CABLE CONCENTRATOR SCHEMATIC	A	B	B	B												
K-PL-5416859-0-DBP	1		H3104 CABLE CONCENTRATOR PARTS LST	A	B	B	B												
K-PL-5416859-0-DBF1	1		H3104 CABLE CONCENTRATOR PARTS LST	-	-	A	B												
K-PC-5416859-0-DBJ			P.C. DESIGN DATA BASE	B	B	C	C												
		5016858-01	ETCHED CIRCUIT BOARD	B1	B1	C1	C1												
B-DD-5016859-0-0	1		DRAWING DIRECTORY	A	B	B	B												
K-CS-5416859-0-DBX	1		H3104 CABLE CONCENTRATOR VALID	A	B	B	B												

**NOTES:**

REVISION HISTORY		REV.
DATE	ECO NO.	
7/85	INIT	A
3/86	MLOO1	B
3/86	MLOO1	B
10/86	ML002	C

THIS DRAWING AND THE SPECIFICATIONS CONTAINED HEREIN ARE CONFIDENTIAL AND PROPRIETARY. THEY ARE THE PROPERTY OF DIGITAL EQUIPMENT CORPORATION AND SHALL NOT BE REPRODUCED OR COPIED OR USED IN WHOLE OR IN PART AS THE BASIS FOR THE MANUFACTURE OR SALE OF ITEMS WITHOUT WRITTEN PERMISSION. THIS IS AN UNPUBLISHED WORK PROTECTED UNDER THE FEDERAL COPYRIGHT LAWS. 1985



DRN. E. LANDRY	DATE 8/6/85	TITLE	
CHK'D B. CORMIER	DATE 8/8/85	H3104 CABLE CONCENTRATOR	
DES. ENG. N. WAINIO	DATE 11/27/85	DOCUMENT NUMBER	
RESP. ENG. N. WAINIO	DATE 11/27/85	SIZE B	CODE DD
MFG. ENG. R. RABY	DATE 8/6/85	NUMBER 5416859-0-0	REV C
		SHEET 1 OF 1	

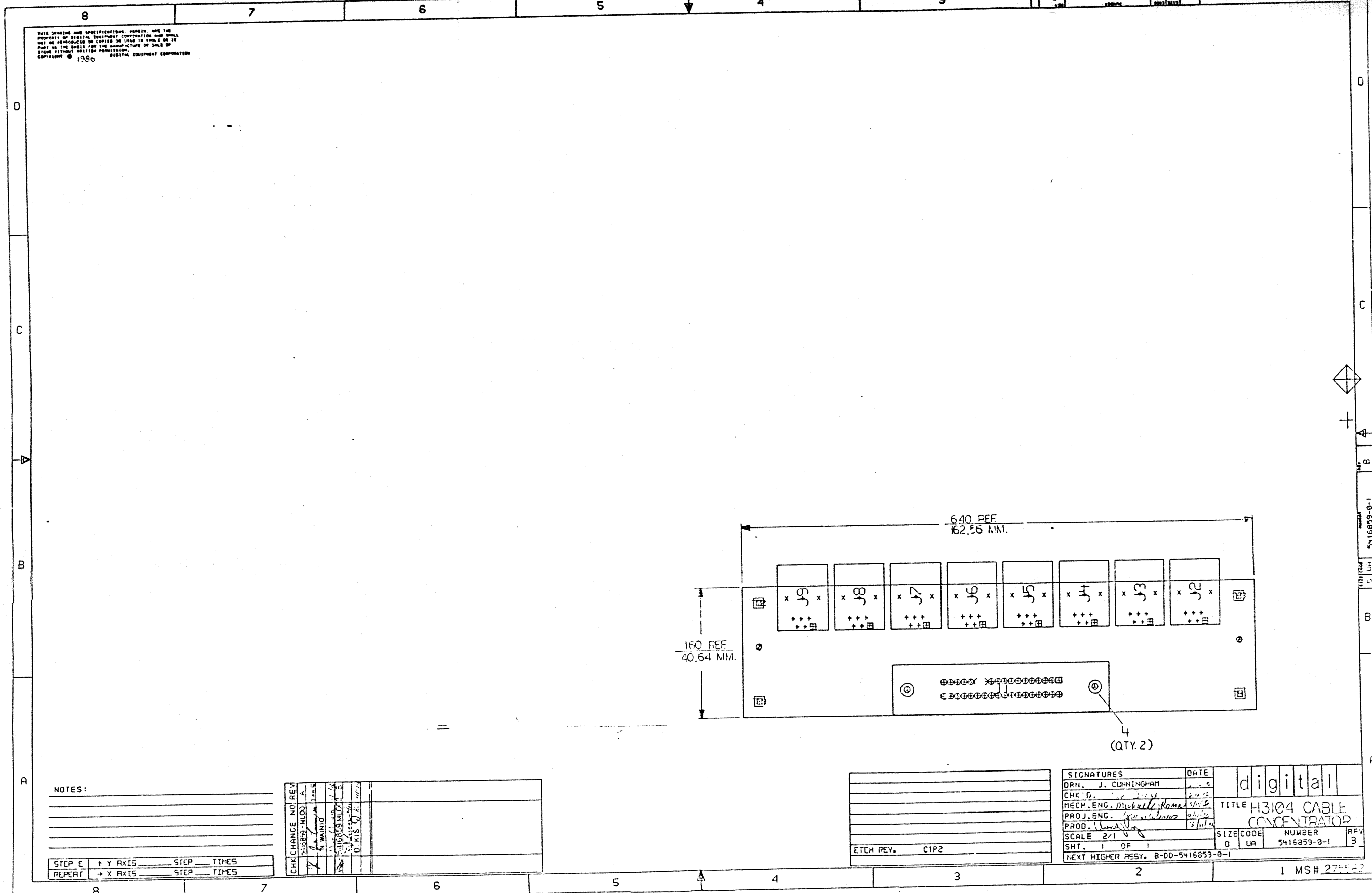
LINE	ITEM	TOP DOCUMENT	PART NUMBER	MIN REV	DESCRIPTION	QTY PER VAR/REV	REFERENCE DESIGNATORS
						01 B3	
1	1	D-MD-5016858-0-0	50-16858-01		CIRCUIT DRILL AND ETCH	1	
2	2		12-23433-02		CONN,LAN JACK 06 POS	8	J2-J9
3	3		12-25147-01		RACK+PANEL 36POS(2X18)	1	J1
4	4		90-06732-00		EYELET,ROLLED 0.1210DX0.219	2	

REVISION HISTORY			KPL MODULE FORMAT		SECTION A OF A	DRN: J. CUNNINGHAM	D I G I T A L				
ENG	ECO NUMBER	REV	SECTION/VARIATION INDEX			DATE: 06-AUG-85	TITLE PARTS LIST				
NW	5416859-ML001	A	[A]	01	[M]	CHK'D: D. DROZD	H3104 CABLE CONNECTOR				
DK	5416859-ML002	B	[B]		[N]	DATE: 06-AUG-85					
			[C]		[P]	DES.ENG: N. WAINIO	DOCUMENT NUMBER				
			[D]		[Q]	DATE: 06-AUG-85	SIZE	CODE	NUMBER	REV	
			[E]		[R]	RESP.ENG.: N. WAINIO	K	PL	5416859-0-DBP1	B	
			[F]		[S]	DATE: 06-AUG-85	RELEASE DATE: 15-OCT-86				
			[H]		[T]	MFG.ENG: R. RABY	RELEASE STATUS: RELEASED				
			[J]		[V]	DATE: 06-AUG-85					
			[K]		[W]						
			[L]		[Y]						
			BASIC PART NUMBER:		ASSEMBLY NUMBER:	TOP DOCUMENT NUMBER:	FILE NAME:		EDIT #		
			5416859		D-UA-5416859-0-0	B-DD-5416859-0-0	ML40B.PLS		2		

"THIS DRAWING AND THE SPECIFICATIONS CONTAINED HEREIN ARE CONFIDENTIAL AND PROPRIETARY. THEY ARE THE PROPERTY OF DIGITAL EQUIPMENT CORPORATION AND SHALL NOT BE REPRODUCED OR COPIED OR USED IN WHOLE OR IN PART AS THE BASIS FOR THE MANUFACTURE OR SALE OF ITEMS WITHOUT WRITTEN PERMISSION. THIS IS AN UNPUBLISHED WORK PROTECTED UNDER THE FEDERAL COPYRIGHT LAWS."

THIS DRAWING AND SPECIFICATIONS HEREBY ARE THE PROPERTY OF DIGITAL EQUIPMENT CORPORATION AND SHALL NOT BE REPRODUCED OR COPIED IN WHOLE OR IN PART AS THE BASIS FOR THE MANUFACTURE OF THIS OR OTHER EQUIPMENT WITHOUT WRITTEN PERMISSION.  
 COPYRIGHT © 1986 DIGITAL EQUIPMENT CORPORATION

8 1-0-658914G W1 2 1



NOTES:

STEP E	↑ Y AXIS	STEP	TIMES
REPEAT	→ X AXIS	STEP	TIMES

CHK	CHANCE NO.	REV.
✓	5416859-0101	A
✓	N. WAINIO	B
✓	5416859-0102	B
✓	D. KIS	C

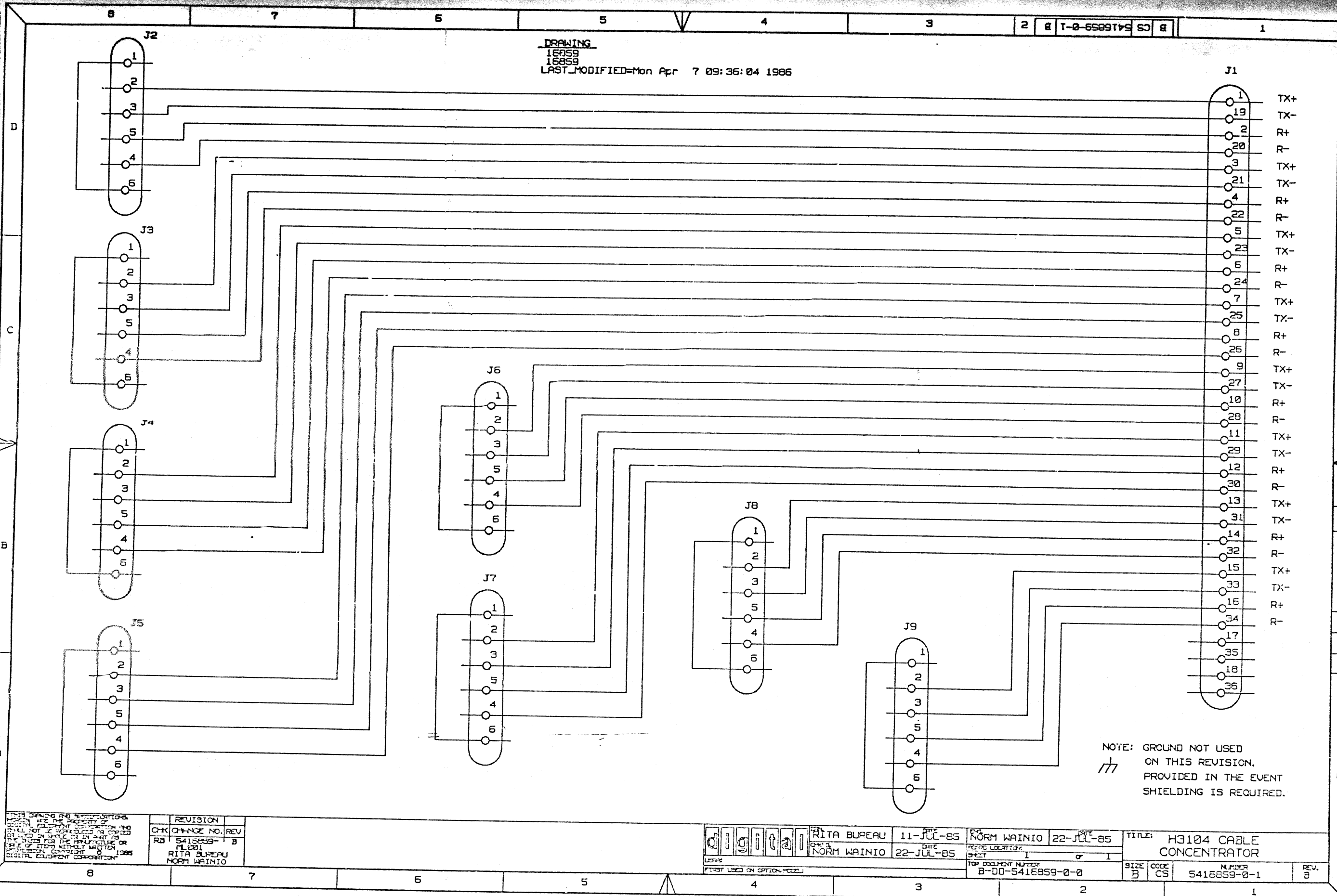
ETCH REV.	C1P2
-----------	------

SIGNATURES		DATE
DRN. J. CUNNINGHAM		2-1-86
CHK'D. [Signature]		2-1-86
MECH. ENG. [Signature]		2-1-86
PROJ. ENG. [Signature]		2-1-86
PROD. [Signature]		3-1-86

TITLE H3104 CABLE CONCENTRATOR	
SCALE 2/1	SIZE CODE D UA
SHT. 1 OF 1	NUMBER 5416859-0-1
NEXT HIGHER ASSY. B-DD-5416859-0-1	

1 MS# 27542

DRAWING  
 16859  
 16859  
 LAST\_MODIFIED=Mon Apr 7 09:36:04 1986



THIS DRAWING AND SPECIFICATIONS ARE THE PROPERTY OF DIGITAL EQUIPMENT CORPORATION. IT IS TO BE USED ONLY FOR THE PROJECT AND FOR THE PURPOSES SPECIFIED THEREIN. IT IS NOT TO BE REPRODUCED, COPIED, OR TRANSMITTED IN ANY FORM OR BY ANY MEANS, ELECTRONIC OR MECHANICAL, INCLUDING PHOTOCOPYING, RECORDING, OR BY ANY INFORMATION STORAGE AND RETRIEVAL SYSTEM, WITHOUT THE WRITTEN PERMISSION OF DIGITAL EQUIPMENT CORPORATION, 1985

REVISION		
CHK	CHANGE NO.	REV
RB	5416859-1	B
RITA BUREAU NORM WAINIO		

digital

RITA BUREAU	11-JUL-85	NORM WAINIO	22-JUL-85
NORM WAINIO	22-JUL-85		

PROJECT LOCATION	SHEET	OF	I
TOP DOCUMENT NUMBER B-DD-5416859-0-0			

TITLE: H3104 CABLE CONCENTRATOR			
SIZE	CODE	NUMBER	REV.
B	CS	5416859-0-1	B

AUTOMATED BY VAXKPL (V1.2)

PARTS LIST

SHEET A1 OF A1

LINE	ITEM	TOP DOCUMENT	PART NUMBER	MIN REV	DESCRIPTION	QUANTITY PER VARIATION/REVISION			
						01	03	0J	1K
						A2	A2	A2	A2
1	1		12-15047-03		CONN,P+S 04POS(1X04).098CC HSG	2	2	2	2
2	2		12-14979-01		CONN,P+S 02PIN 30-22AWG	8	8	8	8
3	3		91-07350-Q0		WIRE, 22AWG( 07/30)IPVC 150V 80 .06	15	39	10	24
4	4		91-07350-Q2		WIRE, 22AWG( 07/30)IPVC 150V 80	15	39	10	24
5	5		90-09996-Q1		TIE,CABLE,DISPENSER CARTON	1	7	-	3
6	6		36-16073-Q0		LABEL,ID W/COPY VERTICAL	1	1	1	1
7	7		91-07350-33		WIRE, 22AWG( 07/30)IPVC 150V 80	15	39	10	24
8	8		91-07350-77		WIRE, 22AWG( 07/30)IPVC 150V 80	15	39	10	24

1 GEN: QUANTITY OF ITEMS 3, 4, 7 & 8 ARE SHOWN IN INCHES

REVISION HISTORY		KPL MATRIX FORMAT		SECTION A OF A		DRN: T. HUMMEL	
ENG	ECO NUMBER	REV	SECTION/VARIATION INDEX	DATE	12-AUG-85	DIGITAL	
MM	7022775-MK001	A	[A] 01,03,0J,1K	CHK'D:	F. CARBONE	TITLE PARTS LIST	
		B	[B]	DATE:	12-AUG-85 4 APR-86	CABLE ASSY., DC	
			[C]	DES. ENG:	M. MATTOCK	DOCUMENT NUMBER	
			[D]	DATE:	12-AUG-85 4 APR-86	SIZE:	CODE:
			[E]	RESP. ENG.:	M. MATTOCK	NUMBER	REV
			[F]	DATE:	12-AUG-85	K	PL
			[G]	MFG. ENG.:	P. ANDERSON	7022775-0-0	B
			[H]	DATE:	26-NOV-85	RELEASE DATE: 28-JUL-86	
			[J]	BASIC PART NUMBER: 7022775		RELEASE STATUS: RELEASED	
				ASSEMBLY NUMBER: C-1A-7022775-0-DBU		TOP DOCUMENT NUMBER: K-CK-DHV11-0-0	
						FILE NAME: 7022775B.PLS	
						EDIT #: 2	

"THIS DRAWING AND THE SPECIFICATIONS CONTAINED HEREIN ARE CONFIDENTIAL AND PROPRIETARY. THEY ARE THE PROPERTY OF DIGITAL EQUIPMENT CORPORATION AND SHALL NOT BE REPRODUCED OR COPIED OR USED IN WHOLE OR IN PART AS THE BASIS FOR THE MANUFACTURE OR SALE OF ITEMS WITHOUT WRITTEN PERMISSION. THIS IS AN UNPUBLISHED WORK PROTECTED UNDER THE FEDERAL COPYRIGHT LAWS."

THIS DRAWING AND THE SPECIFICATIONS CONTAINED HEREIN ARE CONFIDENTIAL AND PROPRIETARY. THEY ARE THE PROPERTY OF DIGITAL EQUIPMENT CORPORATION AND SHALL NOT BE REPRODUCED OR COPIED OR USED IN WHOLE OR IN PART AS THE BASIS FOR THE MANUFACTURE OR SALE OF ITEMS WITHOUT WRITTEN PERMISSION. THIS IS AN UNPUBLISHED WORK PROTECTED UNDER THE FEDERAL COPYRIGHT LAWS.

### LEGEND

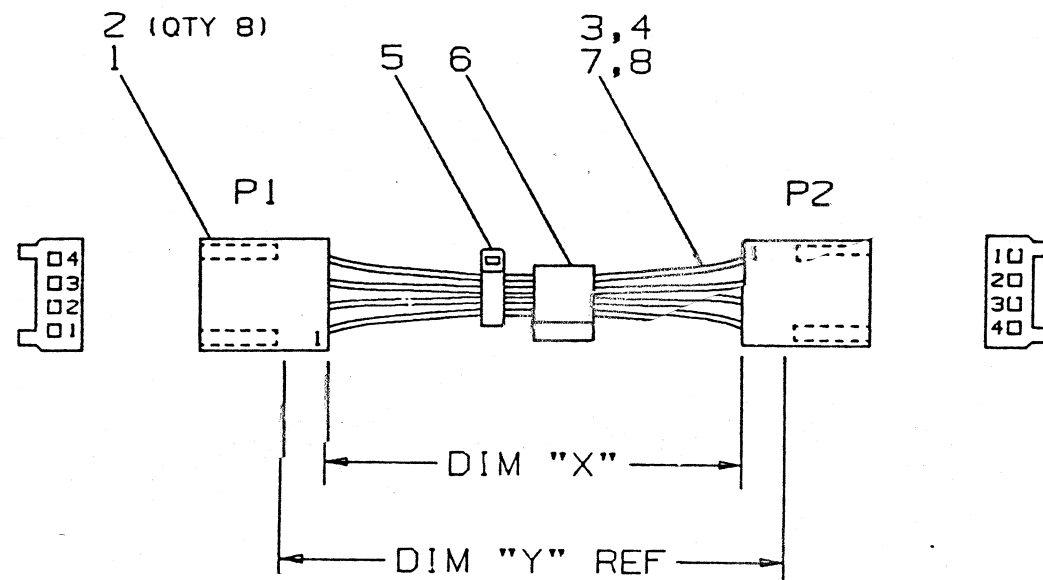
NUMBER	REV	DIM "X" VAR.	DIM "Y" (PRECUT)
7022775-0I	A2	1FT±1IN.	1FT-2IN±1IN
7022775-1K	A2	1FT-9IN±1IN	1FT-11IN±1IN
7022775-03	A2	3FT±1IN	3FT-2IN±1IN
7022775-0J	A2	8IN±1IN	9IN±1IN

### NOTES

- ITEM 5 IS TO BE USED EVERY 4 INCHES
- SPACE LABEL AND CABLE TIES EVENLY SO LABEL FUNCTIONS AS A CABLE TIE

### WIRE TABLE

ITEM NO.	DESCRIPTION		FROM	TO	REMARKS
	AWG	COLOR	CONNECTION	CONNECTION	
4	22	RED	P1-1	P2-4	
3	22	BLACK	P1-2	P2-3	
8	22	VIOLET	P1-3	P2-2	
7	22	ORANGE	P1-4	P2-1	



CAUTION: OFF SHEET PARTS LIST EXISTS REFER TO K-PL-7022775-0-0

FIRST HIGHER ASS'Y  
K-CK-DHV11-0-0

DESCRIPTION	DRAWING NO.	PART NO.	ITEM NO.																												
UNLESS OTHERWISE SPECIFIED DIMENSIONS ARE IN INCHES AND THE FOLLOWING TOLERANCES APPLY (PER DEC STD 114)																															
INCHES TOLERANCES .X: ± .1 .XX: ± .02 .XXX: ± .005	ANGLES ±0° 30'	APPLICABLE DIMENSION RANGE																													
		CHECK ONE																													
		<table border="1"> <thead> <tr> <th colspan="6">DIMENSION RANGE IN INCHES</th> </tr> <tr> <th>OVER 0 TO 0.2</th> <th>OVER 0.2 TO 1.2</th> <th>OVER 1.2 TO 4.0</th> <th>OVER 4.0 TO 12.0</th> <th>OVER 12.0 TO 40.0</th> <th>OVER 40.0 TO 80.0</th> </tr> </thead> <tbody> <tr> <td><input type="checkbox"/></td> <td><input type="checkbox"/></td> <td><input type="checkbox"/></td> <td><input type="checkbox"/></td> <td><input type="checkbox"/></td> <td><input type="checkbox"/></td> </tr> <tr> <td><input type="checkbox"/></td> <td>±.02</td> <td>±.03</td> <td>±.05</td> <td>±.10</td> <td></td> </tr> <tr> <td><input type="checkbox"/></td> <td>±.004</td> <td>±.008</td> <td>±.012</td> <td>±.018</td> <td>±.024</td> </tr> </tbody> </table>		DIMENSION RANGE IN INCHES						OVER 0 TO 0.2	OVER 0.2 TO 1.2	OVER 1.2 TO 4.0	OVER 4.0 TO 12.0	OVER 12.0 TO 40.0	OVER 40.0 TO 80.0	<input type="checkbox"/>	<input type="checkbox"/>	<input type="checkbox"/>	<input type="checkbox"/>	<input type="checkbox"/>	<input type="checkbox"/>	<input type="checkbox"/>	±.02	±.03	±.05	±.10		<input type="checkbox"/>	±.004	±.008	±.012
DIMENSION RANGE IN INCHES																															
OVER 0 TO 0.2	OVER 0.2 TO 1.2	OVER 1.2 TO 4.0	OVER 4.0 TO 12.0	OVER 12.0 TO 40.0	OVER 40.0 TO 80.0																										
<input type="checkbox"/>	<input type="checkbox"/>	<input type="checkbox"/>	<input type="checkbox"/>	<input type="checkbox"/>	<input type="checkbox"/>																										
<input type="checkbox"/>	±.02	±.03	±.05	±.10																											
<input type="checkbox"/>	±.004	±.008	±.012	±.018	±.024																										
SURFACE QUALITY <input checked="" type="checkbox"/> MICROINCHES		TITLE digital																													
THIRD ANGLE PROJECTION 		DRN T. HUMMEL DATE 8/12/85	CABLE ASSY.																												
DO NOT SCALE DRAWING		CHK'D F. CARBONE DATE 11/21/85																													
REMOVE BURRS AND BREAK SHARP CORNERS		DES. ENG. M. MATTOCK DATE 11/21/85	DOCUMENT NUMBER																												
MATERIAL SEE PARTS LIST		PESP. ENG. M. MATTOCK DATE 8/12/85																													
FINISH		MFG. ENG. P. ANDERSON DATE X	<table border="1"> <thead> <tr> <th>SIZE</th> <th>CODE</th> <th>NUMBER</th> <th>REV.</th> </tr> </thead> <tbody> <tr> <td>C</td> <td>1A</td> <td>7022775-0-DBU</td> <td>B</td> </tr> </tbody> </table>	SIZE	CODE	NUMBER	REV.	C	1A	7022775-0-DBU	B																				
SIZE	CODE	NUMBER	REV.																												
C	1A	7022775-0-DBU	B																												
K-CK-DHV11-0-0		SCALE 2/1 SHEET 1 OF 1																													

REV.	CHANGE NO.	INITIAL	DATE
A			
B	7022775-MK001		
	T. HUMMEL 6/30/86		
	M. MATTOCK		

SIZE CODE NUMBER  
 C 1A 7022775-0-DBU  
 REV. B

LINE	ITEM	TOP DOCUMENT	PART NUMBER	MIN REV	DESCRIPTION	00 E01
1	1	D-IA-7432517-0-DBU	74-32517-01		PLATE, MOUNTING, H3100	1
2	2	A-PS-1225069-0-0	12-25069-01		RACK+PANEL, 36PIN(2X18)	1
3	3		90-08301-01		SCREW, MACH 4-40 PAN .250 XRCS	2
4	4		90-09280-00		NUT, HEX 4-40X .184AF SS/NON	2
5	5		90-06688-00		WASHER, HELICAL SPLIT SST	2
6	6		90-10174-00		SCREW, SEMS 6-32 PAN .250 XRCS	2
7	8	B-DD-5414915-0	54-14915-01		DISTRIBUTION BD/ACTIVE	1
8	8		90-08120-00		SPACER, CLEAR HOLE HEX ALUM 6 X	2
9	9		90-00049-57		SCREW, SEMS 6-32 PAN .750 XRCS	2
10	10	K-DD-5414913-0-0	54-14913-01	J	LEVEL CONVERTOR	1

REVISION HISTORY			KPL MATRIX FORMAT SECTION A OF A		DRN: T. HUMMEL	DIGITAL			
ENG	ECO NUMBER	REV	SECTION/VARIATION INDEX		DATE: 11-DEC-85	TITLE		PARTS LIST	
---	INITIAL	A	[A]	00	CHK'D: F. CARBONE	H3100		DISTRIBUTION PANEL ASSY.	
MM	H3100-MK001	B	[B]		DATE: 11-DEC-85	DOCUMENT NUMBER			
PC	H3100-MK002	C	[C]		DES. ENG: M. MATTOCK	SIZE	CODE	NUMBER	REV
PC	H3100-MK003	D	[D]		DATE: 11-DEC-85	K	PL	H3100-0-DBP	F
PC	H3100-MK004	E	[E]		RESP. ENG.: M. MATTOCK	RELEASE DATE: 26-JUN-90			
RB	H3100-TW005	F	[F]		DATE: 11-DEC-85	RELEASE STATUS: RELEASED			
		G	[G]		MFG. ENG: P. ANDERSON	BASIC PART NUMBER: H3100		ASSEMBLY NUMBER: D-UA-H3100-0-DBU	
		H	[H]		DATE: 11-DEC-85	TOP DOCUMENT NUMBER: K-PL-H3100-0-DBP		EDIT # 2	
		J	[J]			FILE NAME: H3100F.PLS			

"THIS DRAWING AND THE SPECIFICATIONS CONTAINED HEREIN ARE CONFIDENTIAL AND PROPRIETARY. THEY ARE THE PROPERTY OF DIGITAL EQUIPMENT CORPORATION AND SHALL NOT BE REPRODUCED OR COPIED OR USED IN WHOLE OR IN PART AS THE BASIS FOR THE MANUFACTURE OR SALE OF ITEMS WITHOUT WRITTEN PERMISSION. THIS IS AN UNPUBLISHED WORK PROTECTED UNDER THE FEDERAL COPYRIGHT LAWS."

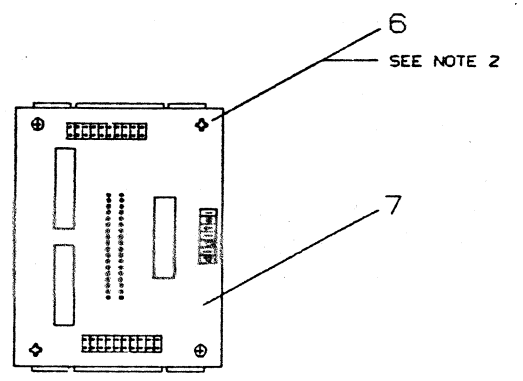
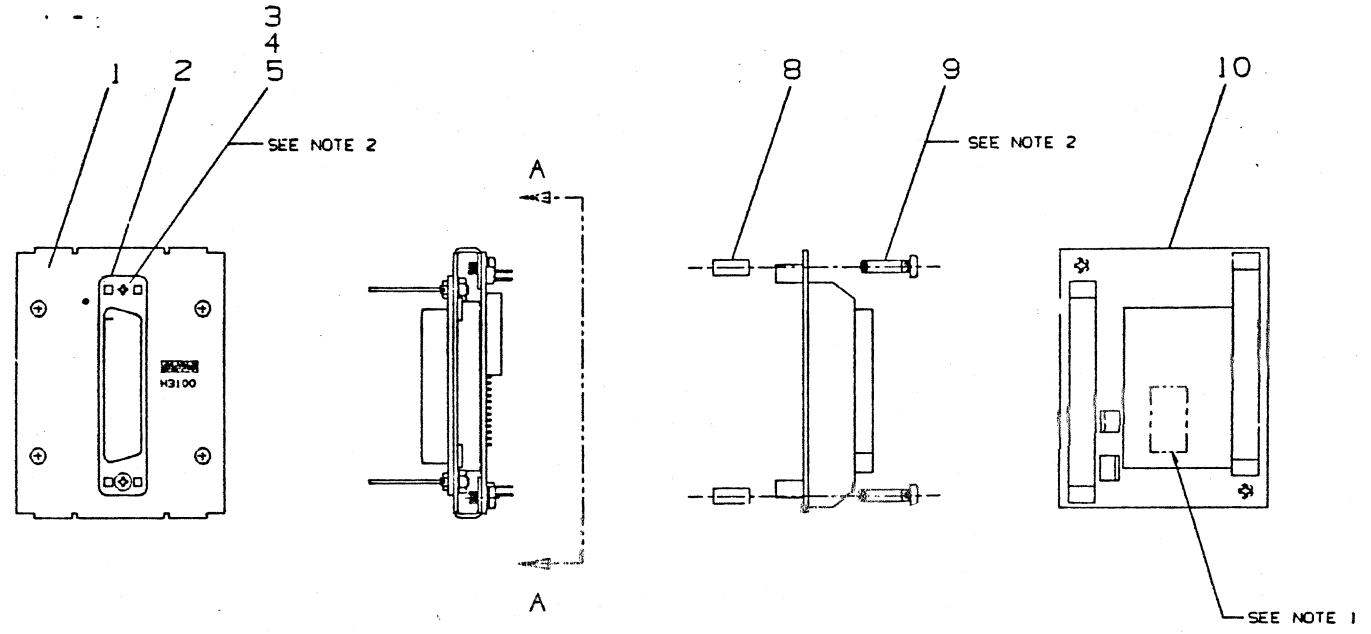


THIS DRAWING AND THE SPECIFICATIONS CONTAINED HEREIN ARE CONFIDENTIAL AND PROPRIETARY. THEY ARE THE PROPERTY OF DIGITAL EQUIPMENT CORPORATION AND SHALL NOT BE REPRODUCED OR COPIED OR USED IN WHOLE OR IN PART AS THE BASIS FOR THE MANUFACTURE OR SALE OF ITEMS WITHOUT WRITTEN PERMISSION. THIS IS AN UNPUBLISHED WORK PROTECTED UNDER THE FEDERAL COPYRIGHT LAWS, 1967.

LEGEND		
PART NO.	REV	VARIATION
H3100-00	E1	AS SHOWN

NOTES

- LOCATE DIGITAL PART NO., REV. (REFER TO LEGEND) AND VENDOR I.D., PER DEC STD 178-1, APPROX. AS SHOWN
- TORQUE ITEMS 8 AND 9 TO 5 IN-LBS AND TORQUE ITEM 3 TO 3 IN-LBS



VIEW A-A  
SCALE: 1/1

CAUTION: OFF SHEET PARTS LIST DOES EXIST  
SEE K-PL-H3100-0-DBP

REV.	CHG.	CHANGE NO.	INITIAL	DATE
A			INITIAL	
B		H3100-MK001	D. HYRE	02/JUN/86
C		H3100-MK002	M. MATTOCK	
D		H3100-MK003	T. HUMMEL	22/SEP/86
E		H3100-MK004	P. COLLETTE	
F		H3100-MK005	D. HYRE	5/MAY/87
G		H3100-MK006	P. COLLETTE	
H		H3100-MK007	R. GAGNON	08/MAY/89
I		H3100-MK008	R. BLANCHETTE	
J		H3100-MK009	A. MAYNES	25/JUN/90
K		H3100-MK010	R. BLANCHETTE	

DESCRIPTION	DRAWING NO.	PART NO.	ITEM NO.
UNLESS OTHERWISE SPECIFIED DIMENSIONS ARE IN INCHES AND THE FOLLOWING TOLERANCES APPLY (PER DEC STD 114)			
INCHES TOLERANCES	ANGLES 10° 30'	APPLICABLE DIMENSION RANGE	
		OVER 10" TO 12" 0.012	OVER 12" TO 18" 0.015
SURFACE QUALITY	FINISH	DIMENSION RANGE IN INCHES	
		OVER 10" TO 12" 0.012	OVER 12" TO 18" 0.015
		OVER 18" TO 30" 0.020	OVER 30" TO 80.0 0.025
QUANTITY & VARIATION	DATE	TITLE	
FINAL	2/7/86	H3100 DISTRIBUTION PANEL ASSY.	
THIRD ANGLE PROJECTION	DATE	DOCUMENT NUMBER	
	2/7/86	DUA H3100-0-DBU	
DO NOT SCALE DRAWING	DATE	SCALE: 1/1	SHEET 1 OF 1
REMOVE BURRS AND BREAK SHARP CORNERS	12/10/85		
MATERIAL	DATE		
	12/10/85		
FINISH	DATE		
	12/10/85		
	DATE		
	12/10/85		
	DATE		
	12/10/85		

A

A

AUTOMATED BY VAXKPL (V1.3)

PARTS LIST

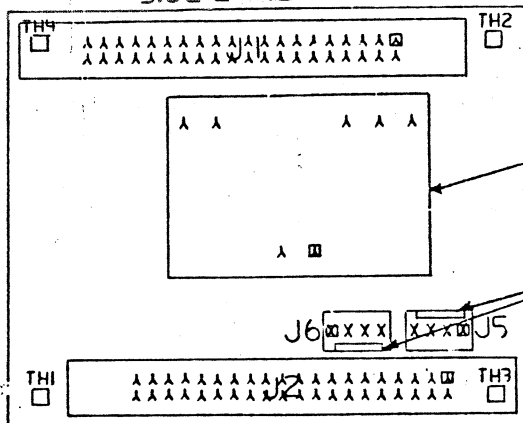
LINE ITEM	TOP DOCUMENT	PART NUMBER	MIN REV	DESCRIPTION	QTY PER VAR/REV	REFERENCE DESIGNATORS
					01 F1	
1	D-MD-5014912-0-0	50-14912-01		DRILL AND ETCH DWG	1	C4-C9
2		10-24053-07		0.047MFD 50V +/-20% Z5U CE	6	J5,J6
3		12-14976-00		PCB HEADER 04PIN(1X04).100CC STR	2	J1,J2
4		12-25329-01		PCB HEADER 40POS(2X20).100CC STK	2	J3,J4
5		12-25483-01		PCB HEADER 2JPOS	2	R4,R5
6		13-23829-30		2.00 K .25 W 1.0 X CHIP	2	R2
7		13-23829-70		5.23 K .25 W 1.0 X CHIP	1	R1
8		13-23830-01		10.0 K .25 W 1.0 X CHIP	1	E3,E4
9		19-23839-01		EIA OCTAL LINE DRIVE	2	E5
10		19-23890-01		EIA OCTAL LINE RECEI	1	
11		19-26068-02		HYBRID,DC/DC CONVERT	1	

REVISION HISTORY		KPL MODULE FORMAT SECTION A OF A		DRN: T. PHILLIPS	DIGITAL	
ENG:	ECO NUMBER	REV	SECTION/VARIATION INDEX	DATE: 16-OCT-85	TITLE PARTS LIST	
	INITIAL	A	[A] 01 [M]	CHK'D: R. DUBOIS	LEVEL CONVERTER BOARD	
PC	5414913-MK002	B	[B] [N]	DATE: 16-OCT-85	DES. ENG: M. MATTOCK	
PC	5414913-MK003	C	[C] [P]		DATE: 16-OCT-85 <i>P. Ballitt 29 May 87</i>	
			[D] [Q]		RESP. ENG.: M. MATTOCK	
			[E] [R]		DATE: 16-OCT-85 <i>P. Ballitt 27 May 87</i>	
			[F] [S]		MFG. ENG: P. ANDERSON	
			[G] [T]		DATE: 16-OCT-85	
			[H] [V]		RELEASE DATE: 27-APR-87	
			[J] [W]		RELEASE STATUS: RELEASED	
			[K] [X]			
			[L] [Y]			
BASIC PART NUMBER:		ASSEMBLY NUMBER:		TOP DOCUMENT NUMBER:		FILE NAME:
5414913		D-UA-5414913-0-0		K-DD-5414913-0-0		5414913C.PLS
<p>"THIS DRAWING AND THE SPECIFICATIONS CONTAINED HEREIN ARE CONFIDENTIAL AND PROPRIETARY. THEY ARE THE PROPERTY OF DIGITAL EQUIPMENT CORPORATION AND SHALL NOT BE REPRODUCED OR COPIED OR USED IN WHOLE OR IN PART AS THE BASIS FOR THE MANUFACTURE OR SALE OF ITEMS WITHOUT WRITTEN PERMISSION. THIS IS AN UNPUBLISHED WORK PROTECTED UNDER THE FEDERAL COPYRIGHT LAWS."</p>						

THIS DRAWING AND SPECIFICATIONS, HEREIN, ARE THE PROPERTY OF DIGITAL EQUIPMENT CORPORATION AND SHALL NOT BE REPRODUCED OR COPIED OR USED IN WHOLE OR IN PART AS THE BASIS FOR THE MANUFACTURE OR SALE OF ITEMS WITHOUT WRITTEN PERMISSION.  
 DIGITAL EQUIPMENT CORPORATION  
 1985

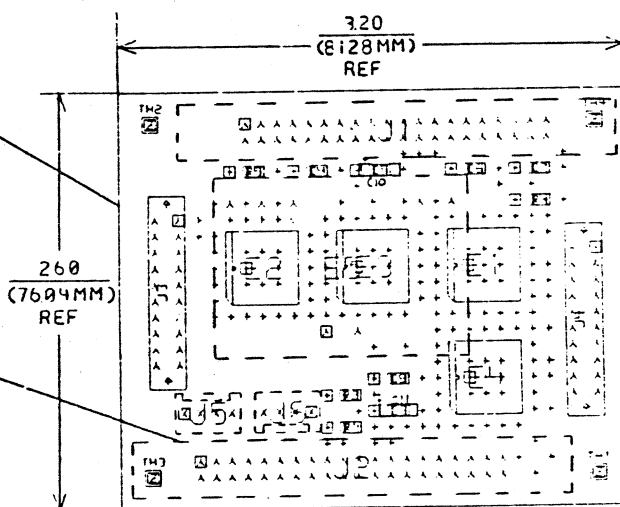
COMPONENT SIDE VIEW

SIDE 2 VIEW



INSTALL ITEM #11, 19-26068-02 (DC TO DC CONVERTER INTO ITEM #1 (PC BOARD) AS SHOWN.

NOTE POSITION OF TAB AND PIN 1 ON J5 & J6 (2 LOCATIONS) VIEWED FROM SIDE 2



CHK	DRAWN BY	ENGINEER	CHANGE NO	DATE	REV
TW	T. PHILLIPS	M. MATTOCK	MK002	16 OCT 84	B
	A. STAMM	P. COLLETTE	MK003	21 APR 87	C

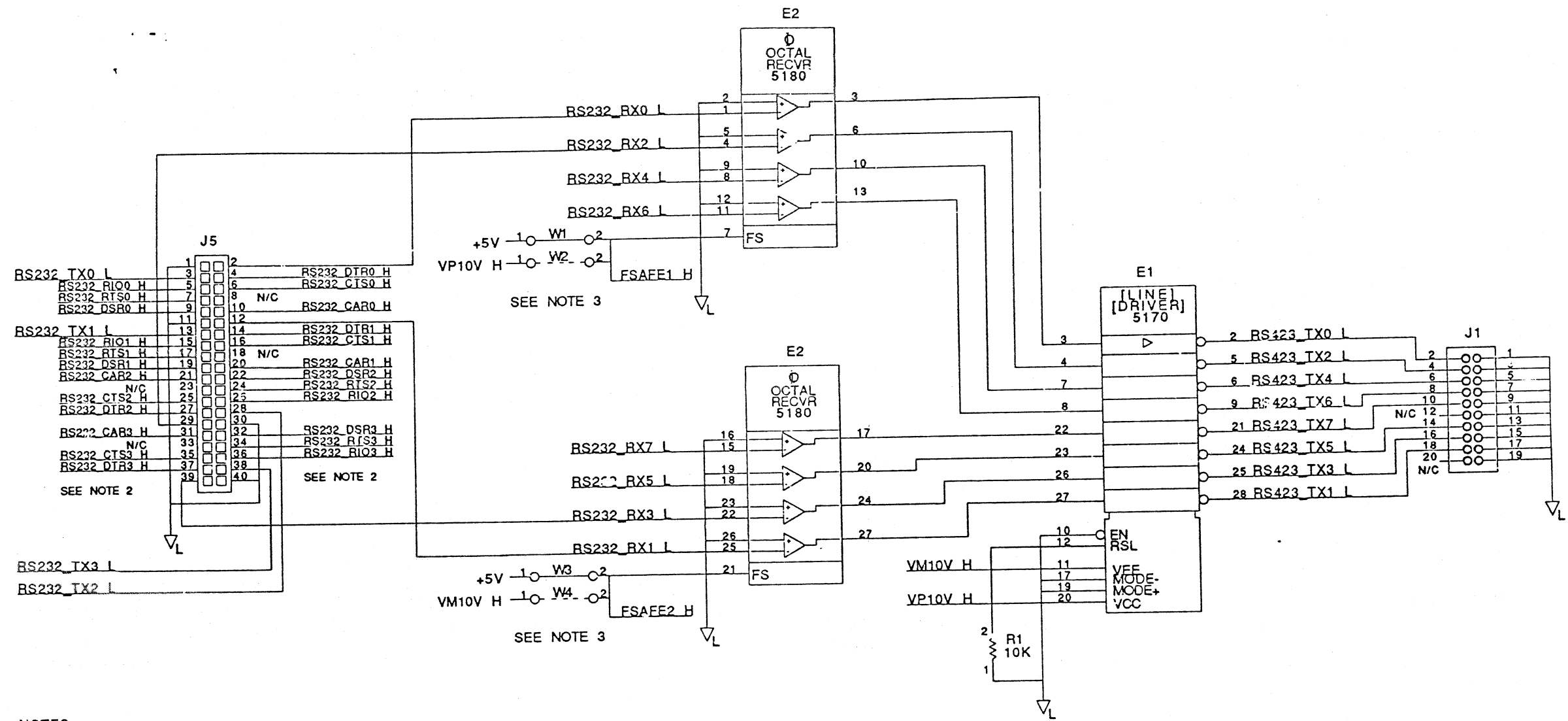
CHK	DRAWN BY	ENGINEER	CHANGE NO	DATE	REV

NOTES: 1. DASHED COMPONENTS (LOCATIONS J1, J2, J5, J6 AND E5) ARE MOUNTED ON SIDE 2.  
 2. WIRE IS TO BE CONNECTED TO PINS 1-5 INTO PINS ON BOARD OF CONVERTER UNIT.  
 3. PIN 1 IS POSITIVE TOWARDS 6A.  
 4. WIRE IS TO BE CONNECTED TO PINS 6-10 INTO PINS ON BOARD OF CONVERTER UNIT.  
 5. PINS ON BOARD OF CONVERTER UNIT.  
 STEP 1 → Y AXIS 2 TIMES STEP 4 TIMES  
 REPEAT → X AXIS 12 TIMES STEP 3 TIMES

ETCH REV. E1

SIGNATURES		DATE	TITLE LEVEL
DRN.	T. PHILLIPS	12/85	CONVERTER SFC.
CHK D.	Bob Dubois	12/85	
MECH. ENG.	John White	12/85	
PROJ. ENG.	John White	12/85	
PROD.	John White	2-5-86	
SCALE	2:2		
SHT.	1 OF 1		
NEXT HIGHER ASSY. K-00-51413-0			

MKO 1 WO#1294



NOTES:

1. UNLESS OTHERWISE SPECIFIED:
  - RESISTORS ARE 1/4 WATT, 1% TOLERANCE, SURFACE MOUNT
  - CAPACITORS ARE IN UF
2. MODEM SIGNALS ARE SHOWN FOR REFERENCE ONLY. THEY ARE NOT USED ON THIS BOARD.
3. W2 AND W4 ARE NOT USED.

RECEIVE RS232 - TRANSMIT RS423

DRAWING  
 TITLE=H3100  
 LAST\_MODIFIED=Fri Oct 27 10:59:24 1989

THIS DRAWING AND THE SPECIFICATIONS CONTAINED HEREIN ARE CONFIDENTIAL AND PROPRIETARY. THEY ARE THE PROPERTY OF DIGITAL EQUIPMENT CORP. AND SHALL NOT BE REPRODUCED OR COPIED OR USED IN WHOLE OR IN PART AS THE BASIS FOR THE MANUFACTURE OR SALE OF ITEMS WITHOUT WRITTEN PERMISSION. THIS IS AN UNPUBLISHED WORK PROTECTED UNDER THE FEDERAL COPYRIGHT LAWS. COPYRIGHT © 1989 DIGITAL EQUIPMENT CORPORATION

REVISION	CHK	CHANGE NO.	REV
5414913-MK004			

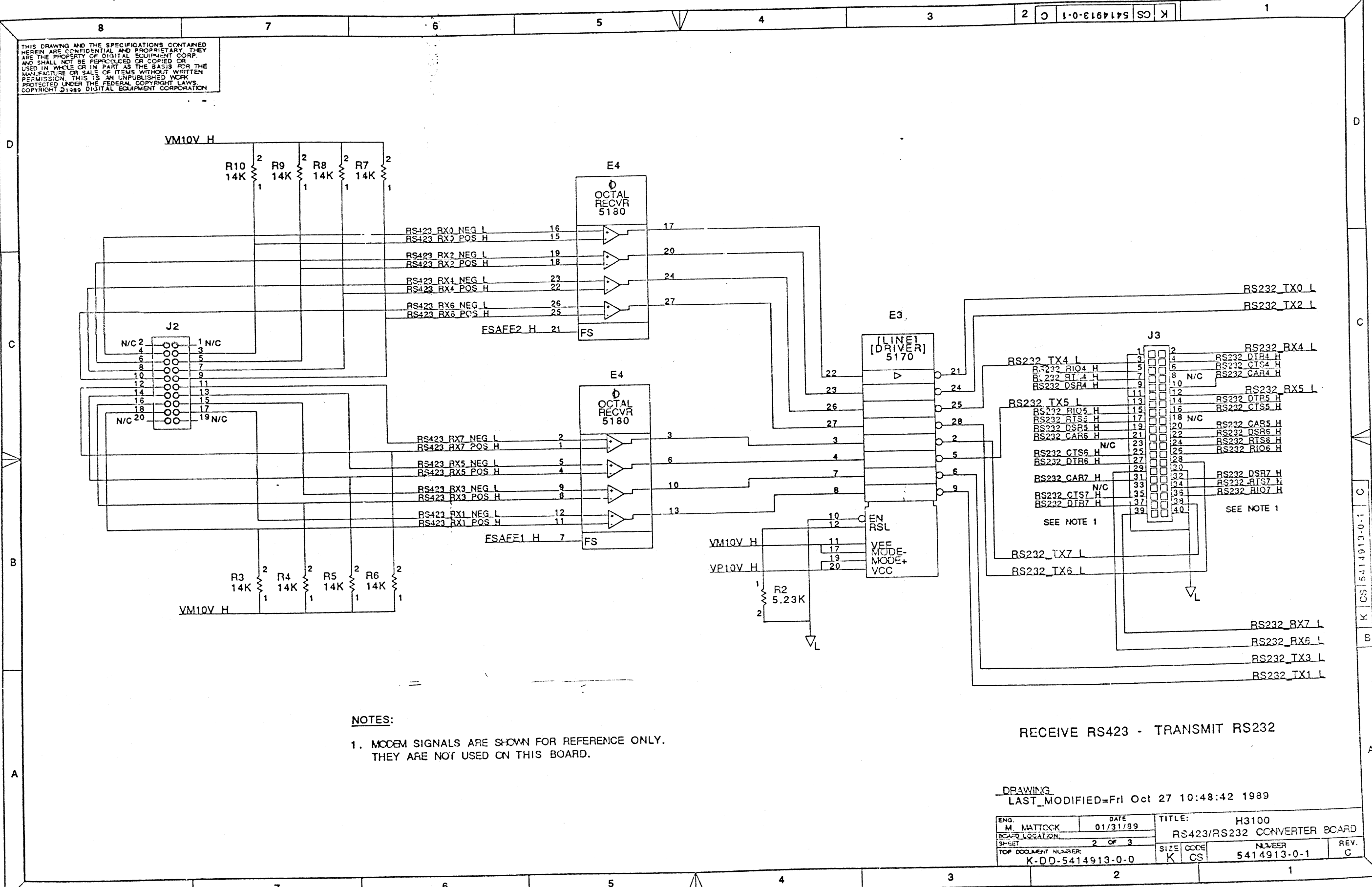
**digital**  
 DRN: CLIFF LO VERVE  
 CHK'D: J.C. TRENELAY

DATE: 01/31/89  
 DATE: 01/31/89

ENG: M. MATTOCK  
 DATE: 01/31/89  
 SHEET: 1 OF 3  
 TOP DOCUMENT NUMBER: K-DD-5414913-0-0

TITLE:	H3100
RS423/RS232 CONVERTER BOARD	
SIZE	CCOE
K	CS
NUMBER	5414913-0-1
REV.	C

THIS DRAWING AND THE SPECIFICATIONS CONTAINED HEREIN ARE CONFIDENTIAL AND PROPRIETARY. THEY ARE THE PROPERTY OF DIGITAL EQUIPMENT CORP. AND SHALL NOT BE REPRODUCED OR COPIED OR USED IN WHOLE OR IN PART AS THE BASIS FOR THE MANUFACTURE OR SALE OF ITEMS WITHOUT WRITTEN PERMISSION. THIS IS AN UNPUBLISHED WORK PROTECTED UNDER THE FEDERAL COPYRIGHT LAWS. COPYRIGHT © 1989 DIGITAL EQUIPMENT CORPORATION



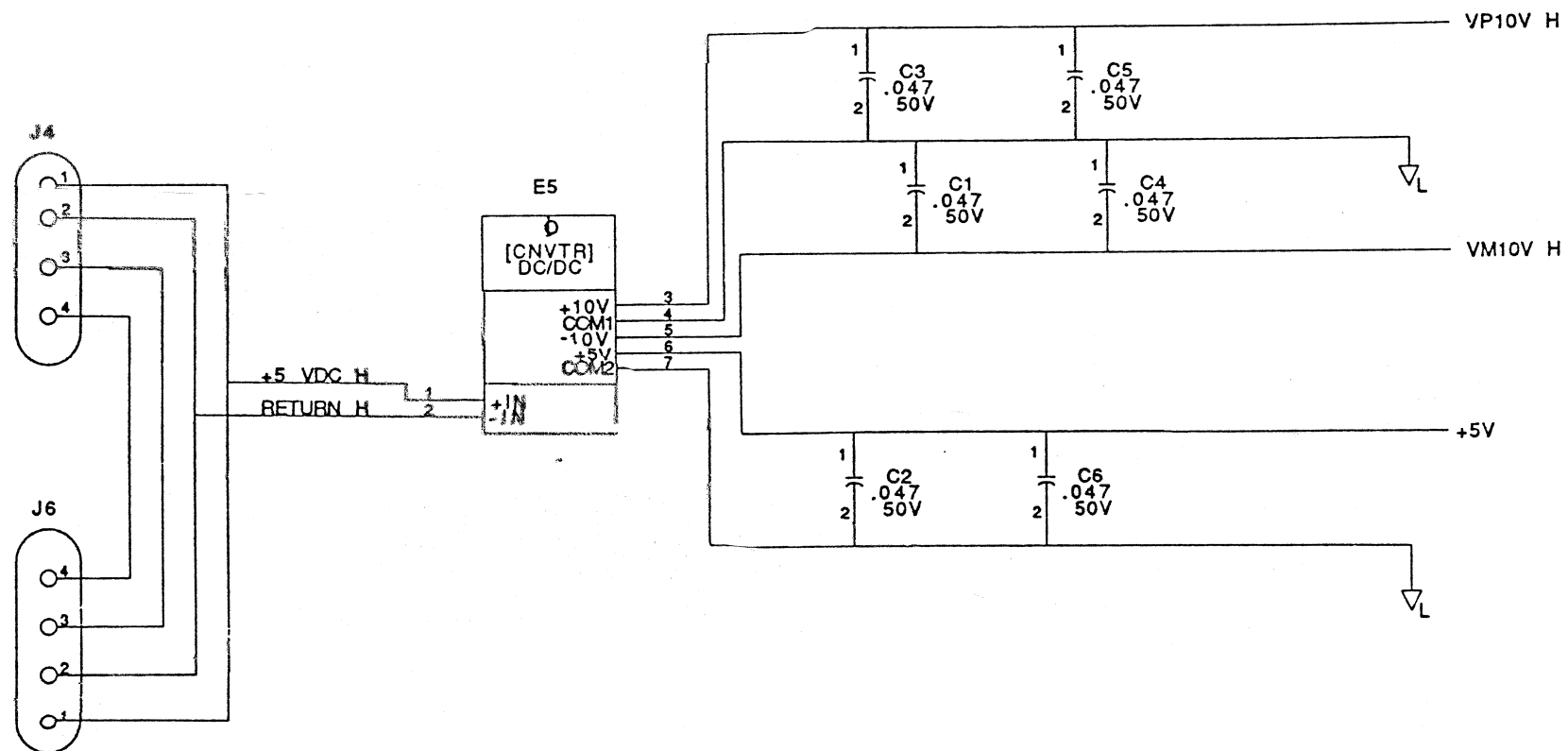
**NOTES:**  
 1. MODEM SIGNALS ARE SHOWN FOR REFERENCE ONLY. THEY ARE NOT USED ON THIS BOARD.

RECEIVE RS423 - TRANSMIT RS232

DRAWING  
 LAST MODIFIED=Fri Oct 27 10:48:42 1989

ENG. M. MATTOCK	DATE 01/31/89	TITLE: H3100 RS423/RS232 CONVERTER BOARD
REVISION: 2 OF 3	SIZE: K CS	NUMBER: 5414913-0-1
TOP DOCUMENT NUMBER: K-DD-5414913-0-0	REV. C	

THIS DRAWING AND THE SPECIFICATIONS CONTAINED HEREIN ARE CONFIDENTIAL AND PROPRIETARY. THEY ARE THE PROPERTY OF DIGITAL EQUIPMENT CORP. AND SHALL NOT BE REPRODUCED OR COPIED OR USED IN WHOLE OR IN PART AS THE BASIS FOR THE MANUFACTURE OR SALE OF ITEMS WITHOUT WRITTEN PERMISSION. THIS IS AN UNPUBLISHED WORK PROTECTED UNDER THE FEDERAL COPYRIGHT LAWS. COPYRIGHT © 1989 DIGITAL EQUIPMENT CORPORATION



VOLTAGE CONVERTER CIRCUIT

DRAWING  
LAST\_MODIFIED=Fri Oct 27 10:50:59 1989

ENG. M. MATTOCK	DATE 01/31/89	TITLE: H3100
BOARD LOCATION:	RS423/RS232 CONVERTER BOARD	
SHEET 3 OF 3	SIZE K	CODE CS
TOP DOCUMENT NUMBER: K-DD-5414913-0-0	NUMBER 5414913-0-1	REV. C

DRAWING NO.	NO. SHTS	PART NO.	DESCRIPTION	REVISIONS
D-MD-5014912-0-0	2	5014912-01	ETCH CIRCUIT BOARD	C1 D1 E1
D-EC-5014912-0-0	1		DRILL AND ETCH DRAWING ETCH CUT DRAWING	A A B A A INA

NOTES:

		A	B	C
R E V I S I O N	H I S T O R Y	E I C O I N T O N	M K O O 1	M K O O 4
		D A T E	1 0 / 8 8	0 6 / 8 8
			5	9

THIS DRAWING AND THE SPECIFICATIONS CONTAINED HEREIN ARE CONFIDENTIAL AND PROPRIETARY. THEY ARE THE PROPERTY OF DIGITAL EQUIPMENT CORPORATION AND SHALL NOT BE REPRODUCED OR COPIED OR USED IN WHOLE OR IN PART AS THE BASIS FOR THE MANUFACTURE OR SALE OF ITEMS WITHOUT WRITTEN PERMISSION. THIS IS AN UNPUBLISHED WORK PROTECTED UNDER THE FEDERAL COPYRIGHT LAWS.

DRN: B.BOURQUE

DATE: 06-JUN-89

d | i | g | i | t | a | l

CHK'D: JC TREMBLAY

DATE: 06-JUN-89

TITLE  
ETCH CIRCUIT BOARD

DES.ENG.: M.MATTOCK

DATE: 06-JUN-89

SHEET 1 OF 1 EDIT:  
0

RESP.ENG.: M.MATTOCK

DATE: 06-JUN-89

DOCUMENT NUMBER

DD FILENAME: 5014912C.DDF

MFG.ENG.: B.BUBOIS

DATE: 06-JUN-89

SIZE CODE NUMBER REV  
K DD 5014912-0-0 C

AUTOMATED BY VAXKPL (V1.3)

PARTS LIST

SHEET A1 OF A1

LINE ITEM	TOP DOCUMENT	PART NUMBER	MIN REV	DESCRIPTION	QTY PER VAR/REV	REFERENCE DESIGNATORS
1	D-HD-5014914-0-0	50-14914-01		DRILL AND ETCH DWG	1	
2	A-PS-1213488-0-0	12-13488-02		PCB HEADER 20PIN(2X10).100CC STR	2	J2,J3
3		19-25894-01		PROTECTION DEVICE-TR	2	E2,E3
4		19-25894-02		PROTECTION DEVICE,LO	1	E1

1 GEN: LOCATION J1 IS NOT ASSEMBLED AT THE 54 LEVEL.

REVISION HISTORY			KPL MODULE FORMAT		SECTION A OF A	DRY: T. PHILLIPS	DIGITAL		
ENG	ECO NUMBER	REV	SECTION/VARIATION	INDEX		DATE: 25-JUL-85	TITLE	PARTS LIST	
		A	[A]	01	[M]	CHK'D: R. DUBOIS	PROTECTION BOARD		
MM	5414915-MK001	B	[B]		[N]	DATE: 25-JUL-85			
PC	5414915-MK002	C	[C]		[P]	DES. ENG: M. MATTOCK			
			[D]		[Q]	DATE: 25-JUL-85		DOCUMENT NUMBER	
			[E]		[R]	<i>Mark Smith 17-JUL-87</i>	SIZE	CODE	NUMBER
			[F]		[S]	RESP. ENG: M. MATTOCK			REV
			[H]		[T]	DATE: 25-JUL-85	K	PL	5414915-0-DBP
			[J]		[V]	<i>Mark Smith 17-JUL-87</i>			C
			[K]		[W]	MFG. ENG: P. ANDERSON	RELEASE DATE: 07-JUL-87		
			[L]		[Y]	DATE: 25-JUL-85	RELEASE STATUS: RELEASED		
BASIC PART NUMBER:			ASSEMBLY NUMBER:		TOP DOCUMENT NUMBER:		FILE NAME:		EDIT #
5414915			D-UA-5414915-0-0		K-DD-5414915-0-0		5414915C.PLS		1

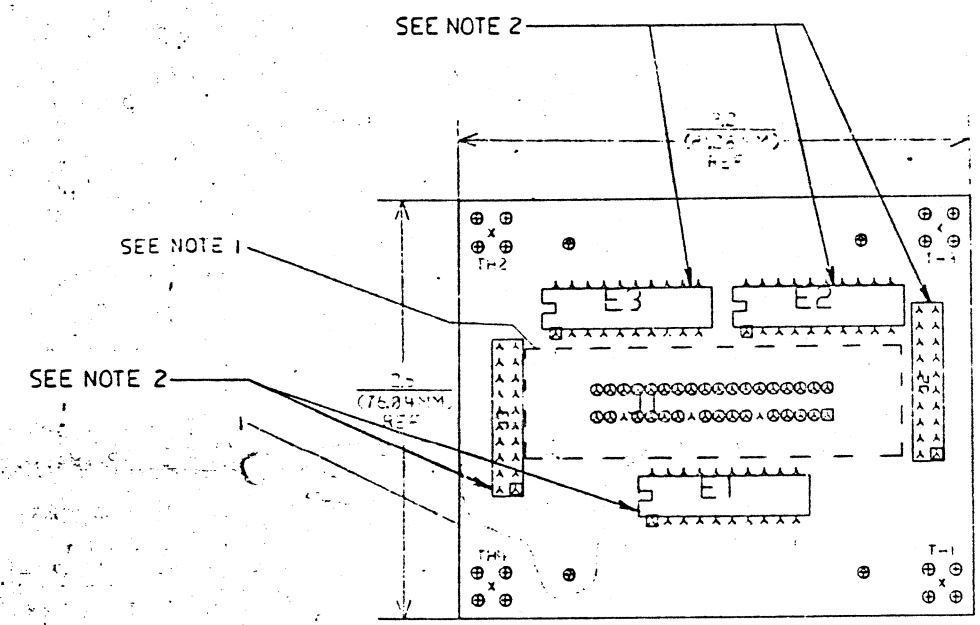
THIS DRAWING AND THE SPECIFICATIONS CONTAINED HEREIN ARE CONFIDENTIAL AND PROPRIETARY. THEY ARE THE PROPERTY OF DIGITAL EQUIPMENT CORPORATION AND SHALL NOT BE REPRODUCED OR COPIED OR USED IN WHOLE OR IN PART AS THE BASIS FOR THE MANUFACTURE OR SALE OF ITEMS WITHOUT WRITTEN PERMISSION. THIS IS AN UNPUBLISHED WORK PROTECTED UNDER THE FEDERAL COPYRIGHT LAWS.



THIS DRAWING AND SPECIFICATIONS, HEREIN ARE THE PROPERTY OF DIGITAL EQUIPMENT CORPORATION AND SHALL NOT BE REPRODUCED OR COPIED IN WHOLE OR IN PART AS THE BASIS FOR THE PRODUCTION OF ANY OF THESE ITEMS WITHOUT WRITTEN PERMISSION.  
 COPYRIGHT © 1975 DIGITAL EQUIPMENT CORPORATION

0-0-515415 2

COMPONENT SIDE VIEW



CHK	DRAWN BY	ENGINEER	CHANGE NO	DATE	REV
	PHILLIPS	M. MATTOCK	MK001	5/1/86	8

CHK	DRAWN BY	ENGINEER	CHANGE NO	DATE	REV

NOTES: 1. DASHED COMPONENT (LOCATION J1) IS MOUNTED ON SIDE 2.  
 2. E1, E2, E3, J2 & J3 CAN BE MOUNTED WITH PIN 1 IN EITHER DIRECTION.

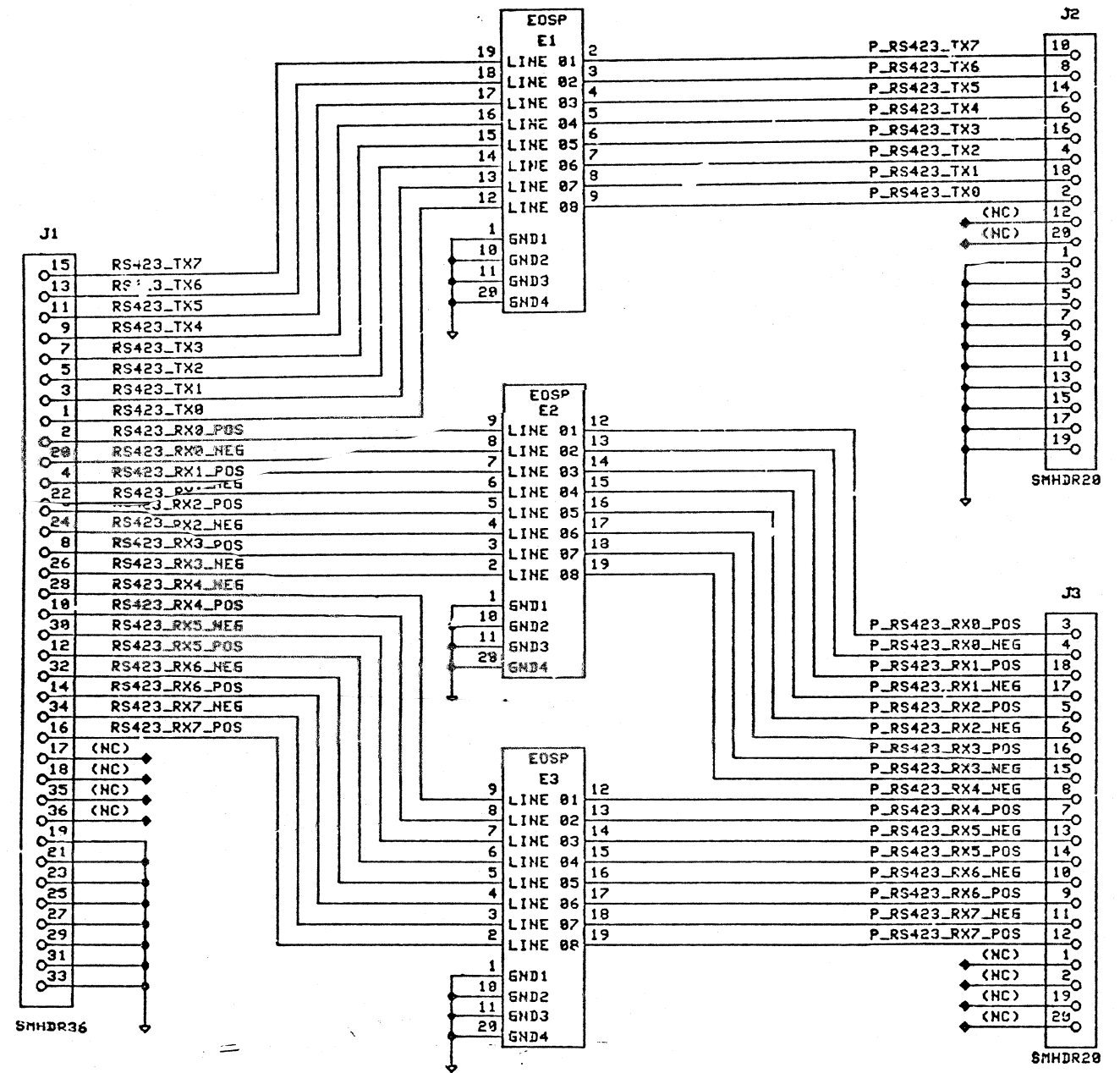
STEP 1 + Y AXIS 35 STEP 3 TIMES  
 REPEAT + X AXIS 35 STEP 4 TIMES

ETCH REV.	81
-----------	----

SIGNATURES	DATE
DRN. T. PHILLIPS	5/1/86
CHK. D. J.	
MECH. ENG.	
PROJ. ENG.	
PROD.	
SCALE 2/1	
SHT. 1 OF 1	
NEXT HIGHER ASSY. K-00-5414915-0	

digital	
TITLE PROTECTION BOARD	
SIZE/CODE	NUMBER
0 1 UA	5414915-0-0
REV	B

MK0 1 WO# 302536



CHK	CHANGE NO	REV
	INIT	A

THIS DRAWING AND THE SPECIFICATIONS CONTAINED HEREIN ARE CONFIDENTIAL AND PROPRIETARY. THEY ARE THE PROPERTY OF DIGITAL EQUIPMENT CORP. AND SHALL NOT BE REPRODUCED OR COPIED OR USED IN WHOLE OR IN PART AS THE BASIS FOR MANUFACTURE OR SALE OF ITEMS WITHOUT WRITTEN PERMISSION. THIS IS AN UNPUBLISHED WORK PROTECTED UNDER THE FEDERAL COPYRIGHT LAWS.

DRN BY BILL NEWTON	DATE 28-OCT-85	TITLE PROTECTION BOARD
CHK BY MICHAEL MATTOCK	DATE 28-OCT-85	
ENG MICHAEL MATTOCK	DATE 28-OCT-85	
TOP DOC K-DD-5414915-0		

THIS DRAWING AND THE SPECIFICATIONS CONTAINED HEREIN ARE CONFIDENTIAL AND PROPRIETARY. THEY ARE THE PROPERTY OF DIGITAL EQUIPMENT CORPORATION AND SHALL NOT BE REPRODUCED OR COPIED OR USED IN WHOLE OR IN PART AS THE BASIS FOR MANUFACTURING OR SALE OF ITEMS WITHOUT WRITTEN PERMISSION. THIS IS AN UNPUBLISHED WORK PROTECTED UNDER THE FEDERAL COPYRIGHT LAWS.

DRAWING DIRECTORY

I T E M	DRAWING NO.	NO. OF SHTS	PART NO.	DESCRIPTION	T Y P E	REVISIONS														
1			5014914-01	ETCH CIRCUIT BOARD		B1														
2	D-MD-5014914-0-0	2		DRILL AND ETCH		A														
3	D-EC-5014914-0-0	1		ETCH CUT		A														

NOTES:

DD  
REV A

REVISION HISTORY			CONT. REVISION HISTORY			MADE BY: I. PHILLIPS DATE: 31 OCT 85				d   i   g   i   t   a   l			
ENG	ECO NUMBER	REV	ENG	ECO NUMBER	REV	CHECKED BY: R. DUBOIS DATE: 31 OCT 85				TITLE DRAWING DIRECTORY			
-	INITIAL	A				DESIGN ENGINEER: M. MATTOCK DATE: 31 OCT 85				ETCH CIRCUIT BOARD			
						RESPONSIBLE ENG: M. MATTOCK DATE: 31 OCT 85				SIZE   CODE   DOCUMENT NUMBER   REV.			
						PRODUCTION ENG: J. CATTLEY DATE: 31 OCT 85				K   DD   5014914-0   A			
										SHEET 1 OF 1 MKO			