

**ILLUSTRATED
PARTS
BREAKDOWN**

**LA50
PRINTER**

HOW TO USE THE IPB

GENERAL

This IPB is compiled following the organization and nomenclature of the engineering drawing structure.

MAJOR ASSEMBLY LOCATOR (When Applicable)

The Major Assembly Locator (first illustration) is an index that provides a description and a figure reference for all illustrations used in this manual.

INDENTED PARTS LIST

This manual identifies each assembly being broken down (figure reference callout), and all parts of that assembly. Further breakdown of an assembly is shown by an asterisk (*) preceding the item callouts in the Description Column. The number of asterisks preceding an item is used to denote the subordination of that item with respect to the Major Assembly. A single asterisk preceding an item description indicates that the item is part of the major assembly being illustrated. Items that are subordinate to single asterisks items, are denoted by two asterisks (**) and immediately follow the related single asterisk item. Additional asterisks are used, as required, to denote further subordination. This system of part identification, provides a means for the user to identify the next higher assembly item and make alternate selections for parts when the required replacement part of assembly is not immediately available.

COLUMN CALLOUT DESCRIPTION

Figure and Item - Indicates the figure number and item number of each part.

Description - Lists the name of the part and pertinent specifications (when required). Asterisks preceding the description denote the subordination of the part to the next higher assembly.

DEC Part No. - Lists the Digital part ordering number. A blank in this column indicates a Digital part number was not assigned at the time of publication.

ECO Cut-In - The notation at the top of this column indicates the ECO level of the system (option), at which the IPB was initially prepared. Subsequent ECO level designations, that modify existing parts or add new parts to the device, are inserted in the ECO Cut-In column next to the part that is added or modified.

Used On Code - Letters in this column correspond to the variation codes assigned in Figure 1. Parts with an Alpha notation(s) are used only in those option variations. A blank indicates that the part is used on all option variations.

Ref Fig No. - A cross reference between illustrations. For each Major Assembly, the number in this column denotes the figure of the next higher assembly. For all subassemblies, the number in this column denotes the figure showing additional detailed breakdown.

PART NUMBER/PART DESCRIPTION SORT SECTION

Parts are sorted both numerically and alphabetically by description, referenced to a location within the IPB, by figure number and item number.

REVISION HISTORY			OTHER IPB MANUALS REQUIRED TO SUPPORT THIS OPTION
PRINTING	ECO LEVEL	DATE	
3rd Printing	N/A	5-SEP-1986	N/A

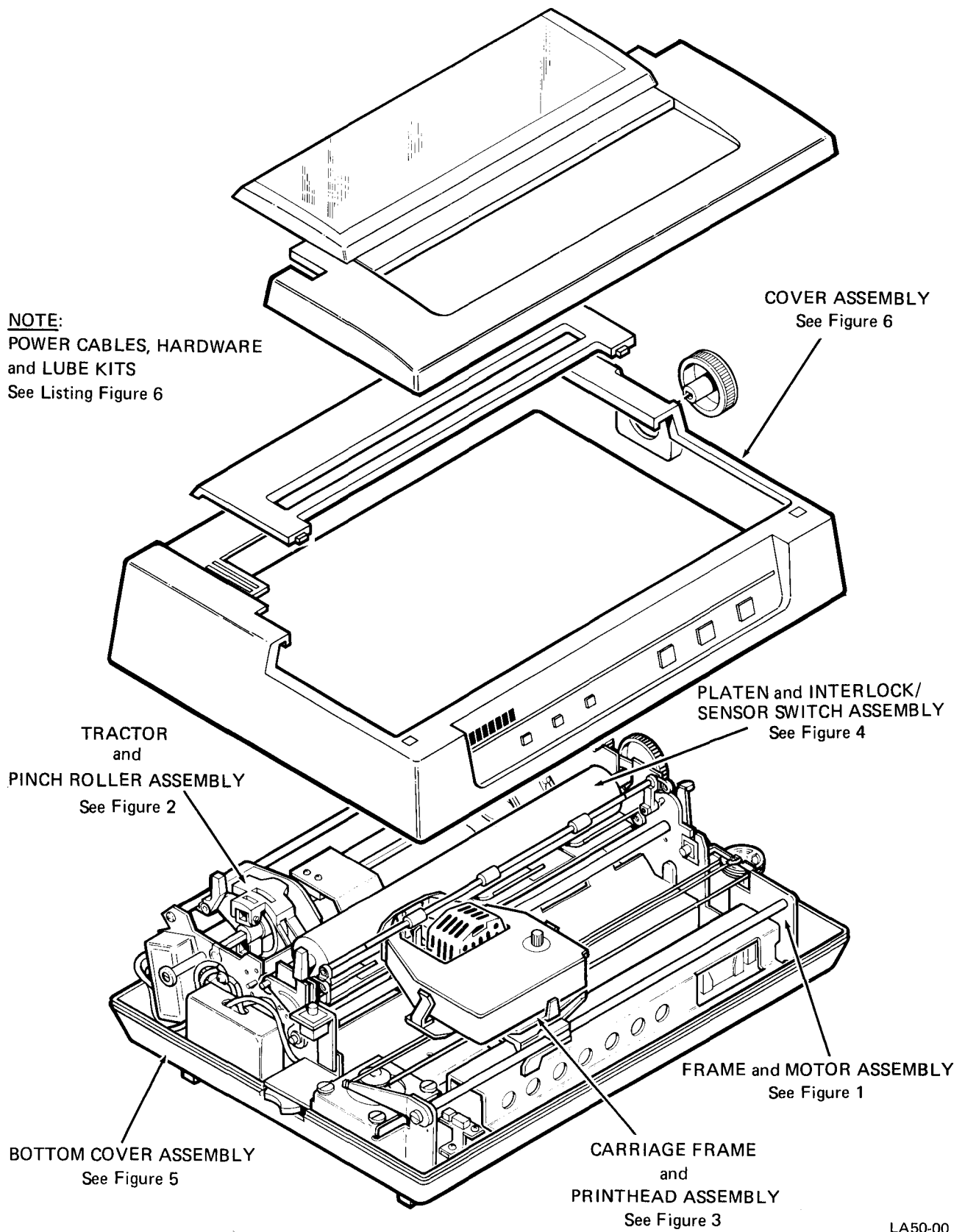
Copyright © 1983, 1986 by Digital Equipment Corporation. All rights reserved.

Digital Equipment Corporation reserves the right, without notice, to make substitutions and modifications in the specifications of products documented in this manual and further reserves the right to withdraw any of these products from the market without notice.

Digital Equipment Corporation is not responsible for errors which may appear in the technical description (including illustrations and photographs) of the products covered by this manual.

None of the descriptions contained in this manual imply the granting of any license whatsoever to make, use or sell equipment constructed in accordance therewith.

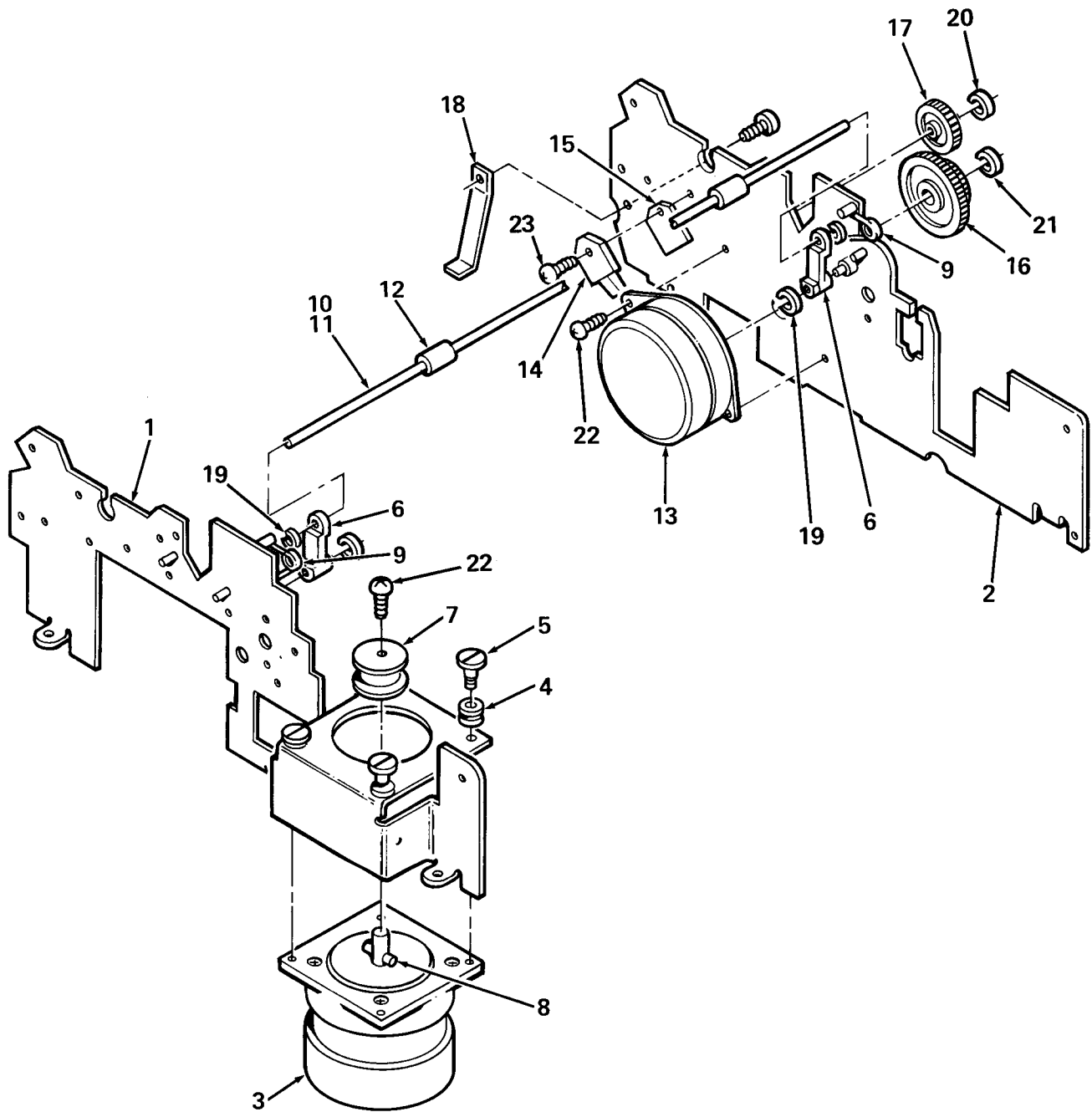
NOTE:
POWER CABLES, HARDWARE
and LUBE KITS
See Listing Figure 6



LA50-00

LA50 Printer – Major Assembly Locator

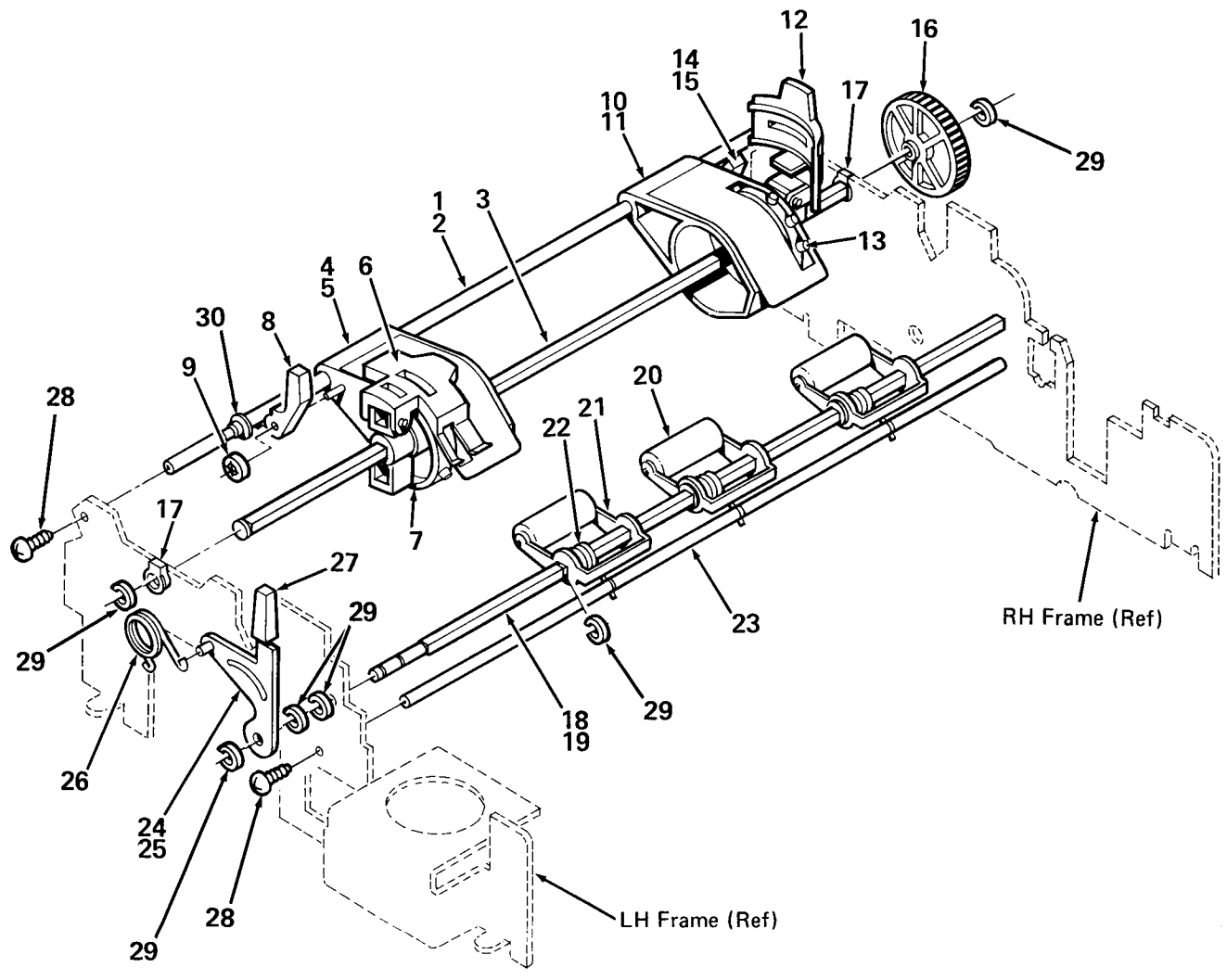
FIG. & ITEM NO.	DESCRIPTION	DEC PART NO. ^B	ECO CUT-IN	USED ON CODE	REF FIG NO.
	<p>LA50 PRINTER</p> <p>Complete Units:</p> <p>Model LA50-RA – 120V (104/128V)</p> <p>Model LA50-RB – 220V (191/235V)</p> <p>Model LA50-RC – 240V (208/256V)</p> <p>Model LA50-RD – 100V (90/110V)</p> <p>NOTE 1: Refer to Major Assembly Locator for location of Assemblies</p> <p>NOTE 2: Refer to Listing Figure 6 for Hardware Kits, Lube and Power Cables</p>	<p>30-19858-01</p> <p>30-19858-02</p> <p>30-19858-03</p> <p>30-19858-04</p>			



LA50-01

Figure 1. Frame and Motor Assembly

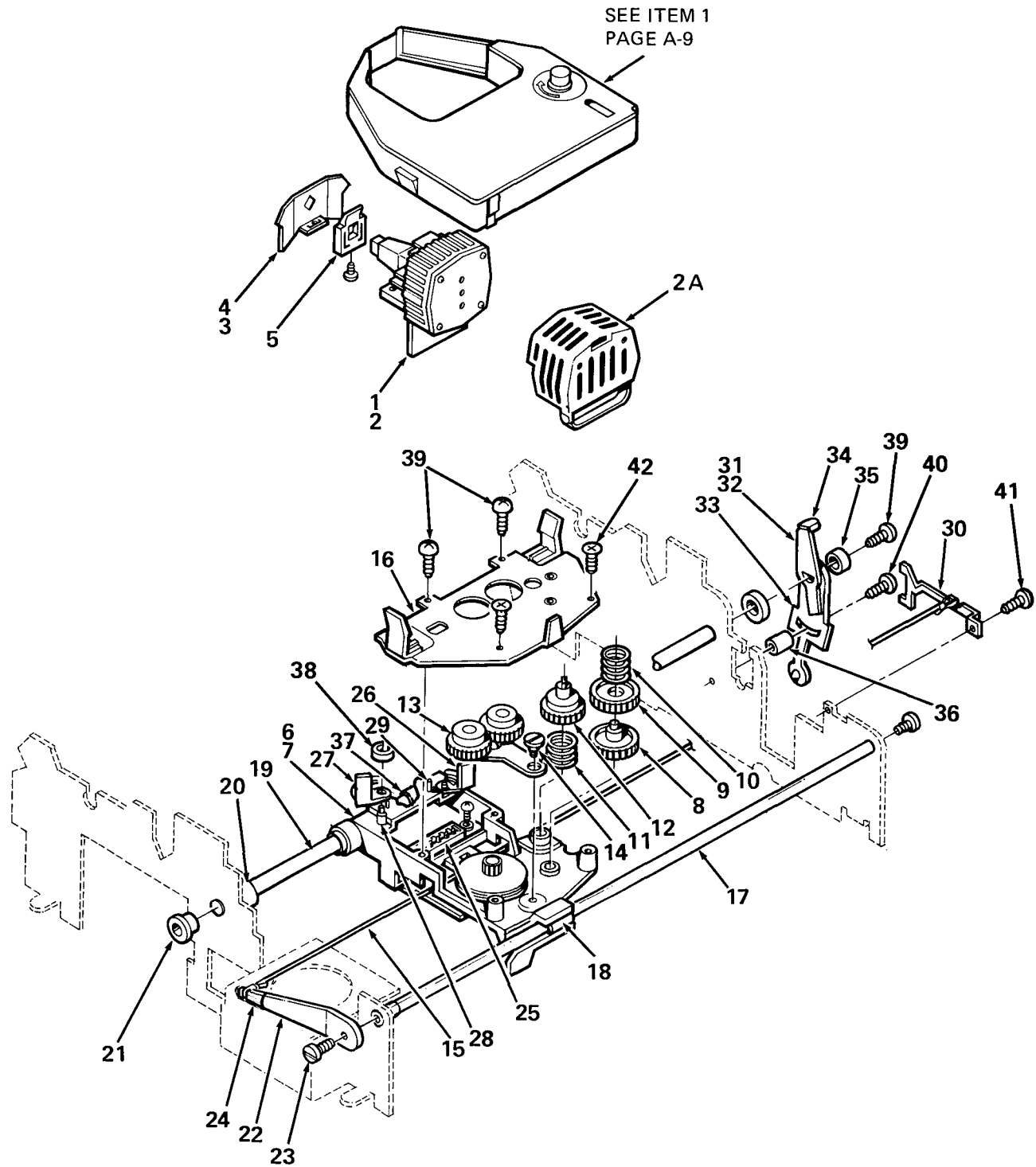
FIG. & ITEM NO.	DESCRIPTION	DEC PART NO.	ECO CUT-IN	USED ON CODE	REF FIG NO.
1-	FRAME AND MOTOR ASSEMBLY				N/A
1	*Frame (LH)	_____			
2	*Frame (RH)	_____			
3	*CARRIAGE MOTOR ASSEMBLY	29-24253-00			
4	*Rubber Foot	_____			
5	*Screw, Motor Set	See Note 1			
6	*Arm, Paper Set	_____			
7	*Pulley, Carriage Motor	29-24257-00			
8	*Pin, Motor Spacer	_____			
9	*Spring, Paper Clamp	See Note 2			
10	*PAPER BAIL BAR ASSEMBLY	29-24263-00			
11	**Shaft, Roller	_____			
12	**Roller, Paper Clamp	_____			
13	*LINE FEED MOTOR ASSEMBLY	29-24254-00			
14	*Transistor, 5V	29-24264-00			
15	*Transistor Sheet	_____			
16	*Gear, Paper Feed (B)	29-24256-00			
17	*Gear, Paper Feed (D)	29-24255-00			
18	*Plate, PCB Set (A)	_____			
19	*E-Ring 2	See Note 3			
20	*E-Ring 4	See Note 3			
21	*E-Ring 5	See Note 3			
22	*Screw, Sems M3x6	See Note 1			
23	*Screw, Pan Hd M3x6	See Note 1			
	Note 1: This part included in LA50 SCREW KIT DEC Part No. 29-24230-00 See page 17.				
	Note 2: This part included in LA50 SPRING KIT DEC Part No. 29-24232-00 See page 18.				
	Note 3: This part included in LA50 E-RING KIT DEC Part No. 29-24231-00 See page 17.				



LA50-02

Figure 2. Tractor and Pinch Roller Assembly

FIG. & ITEM NO.	DESCRIPTION	DEC PART NO.	ECO CUT-IN	USED ON CODE	REF FIG NO.
2-	TRACTOR and PINCH ROLLER ASSEMBLY				N/A
1	*TRACTOR ASSEMBLY	29-24265-00			
2	**Shaft, Tractor	_____			
3	**Shaft, Tractor Drive	_____			
4	**TRACTOR ASSEMBLY (LH) (OLD VERSION)	29-24266-00			
	**TRACTOR ASSEMBLY (LH) (NEW VERSION)	29-25261-00			
5	***Holder, Wheel (LH)	_____			
6	***Clamp, Paper (LH)	_____			
7	***Wheel, Tractor	_____			
8	***Lever, Tractor	_____			
9	***Ring, CS Play Fix	_____			
10	**TRACTOR ASSEMBLY (RH) (OLD VERSION)	29-24267-00			
	**TRACTOR ASSEMBLY (RH) (NEW VERSION)	29-25260-00			
11	***Holder, Wheel (RH)	_____			
12	***Clamp, Paper (RH)	_____			
13	***Wheel, Tractor	_____			
14	***Lever, Tractor	_____			
15	***Ring, CS Play Fix	_____			
16	*Gear, Tractor Drive	29-24270-00			
17	*Cam, Metal	_____			
18	*RELEASE LEVER SHAFT ASSEMBLY	29-24268-00			
19	**Shaft, Release Lever	_____			
20	**Roller, Friction	_____			
21	**Pinch Roller Assembly	29-24269-00			
22	**Spring, Pinch Roller	See Note 1			
23	*Shaft, Pinch Roller SP	_____			
24	*PAPER RELEASE LEVER ASSEMBLY	29-24271-00			
25	**Lever, Paper Release	_____			
26	**Spring, Toggle	See Note 1			
27	**Cap	_____			
28	*Screw, Sems M4x8	See Note 2			
29	*E-Ring 5	See Note 3			
30	*E-Ring 7	See Note 3			
	Note 1: This part included in LA50 SPRING KIT DEC Part No. 29-24232-00 See page 18.				
	Note 2: This part included in LA50 SCREWS KIT DEC Part No. 29-24230-00 See page 17.				
	Note 3: This part included in LA50 E-RING KIT DEC Part No. 29-24231-00 See page 17.				

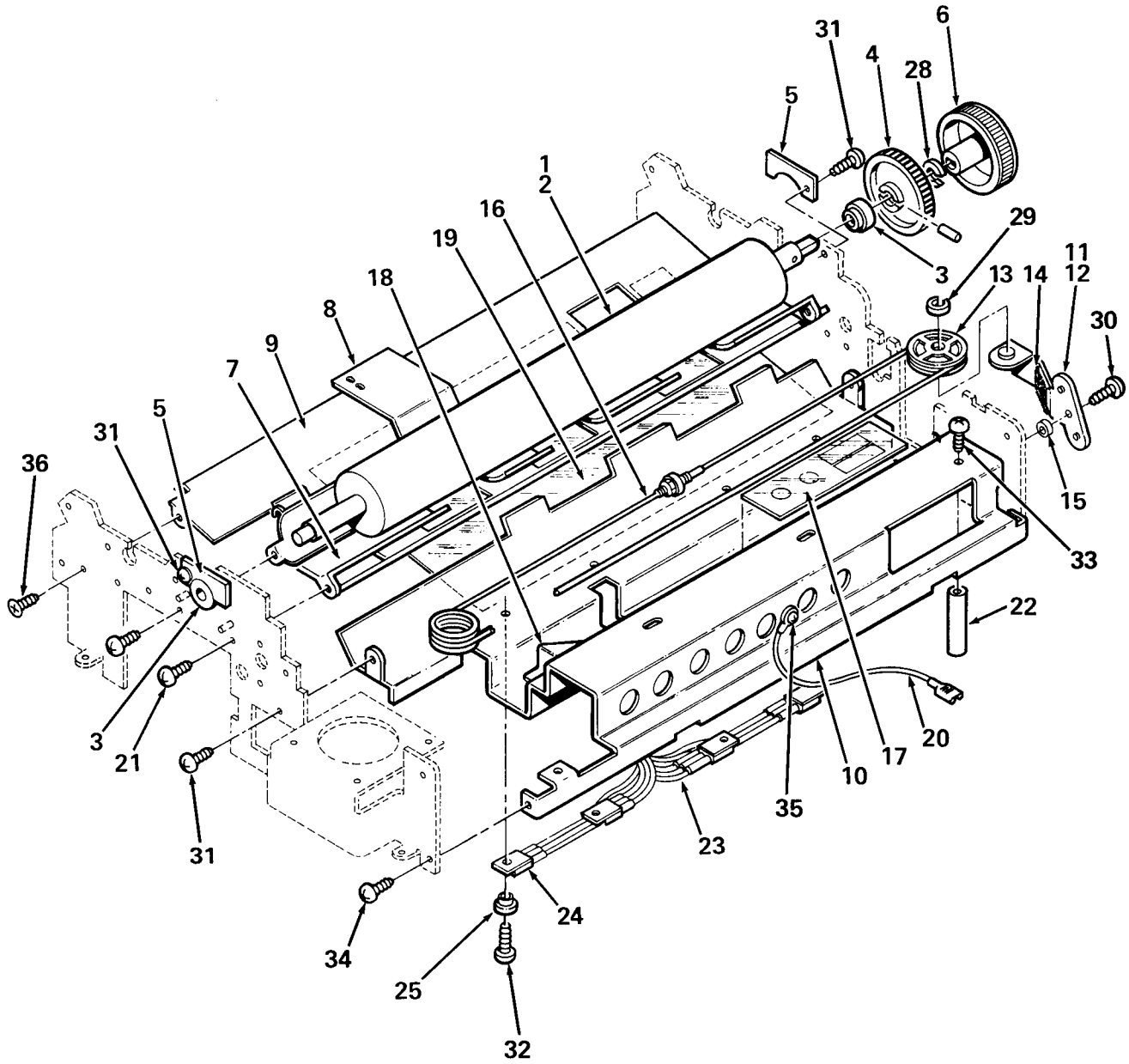


SEE ITEM 1
PAGE A-9

LA50-03

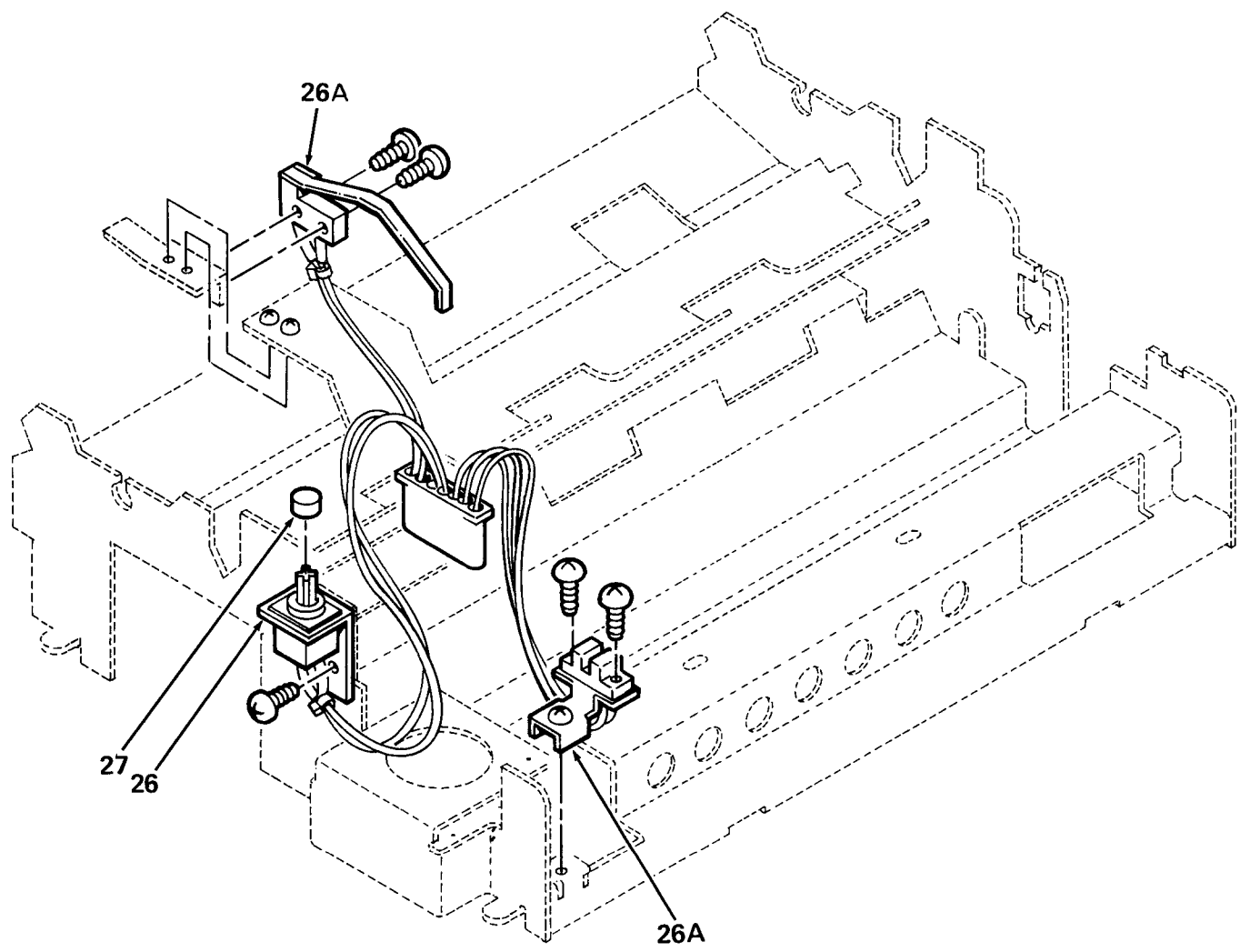
Figure 3. Carriage Frame and Printhead Assembly

FIG. & ITEM NO.	DESCRIPTION	DEC PART NO.	ECO CUT-IN	USED ON CODE	REF FIG NO.
3-	CARRIAGE FRAME and PRINTHEAD ASSEMBLY				N/A
1	*PRINTHEAD ASSEMBLY	29-24272-00			
2	**HEAD (DH-911-01)	_____			
2A	**Head Cover	29-24643-00			
3	**RIBBON GUIDE ASSEMBLY	29-24273-00			
4	***Plate, Ribbon Guide	_____			
5	***Guide, Ribbon	_____			
6	*CARRIAGE ASSEMBLY	29-24274-00			
7	**CARRIAGE MECHANISM ASSEMBLY	29-24275-00			
8	***Ratchet Gear B	_____			
9	***Ratchet Gear A	_____			
10	***Spring, Ratchet	_____			
11	***Spring, Ribbon	_____			
12	***Gear, Cassette Drive	_____			
13	***Arm, Change Gear	29-24276-00			
14	***Pin, CA Center	_____			
15	***Wire, Ribbon	29-24277-00			
16	**Plate, Cassette Mount	_____			
17	*Shaft, Carriage Guide	29-24259-00			
18	*Bushing, Carriage	29-24251-00			
19	*Shaft, Carriage	29-24261-00			
20	*Stop, Carriage	29-24262-00			
21	*Bushing, Carriage Shaft	_____			
22	*Arm, Ribbon Wire	29-24260-00			
23	*Screw, Shaft Carriage Guide	See Note 1			
24	*Protector, Wire Arm	_____			
25	*Cable, Printhead	29-24258-00			
26	*Lever, Head Set (RH)	_____			
27	*Lever, Head Set (LH)	_____			
28	*Screw, Lever Set	See Note 1			
29	*Screw, Head Set	See Note 1			
30	*Holder, Ribbon Wire	29-24250-00			
31	*PAPER THICKNESS LEVER ASSEMBLY	29-24248-00			
32	**Lever, Gap Set (A)	_____			
33	**Lever, Gap Set (B)	_____			
34	**Cap, Free Lever	_____			
35	**Cap, Lever Set	_____			
36	**Collar, Stop	_____			
37	*Lubrication Ring	29-24249-00			
38	*E-Ring 2	See Note 2			
39	*Screw, Pan Hd M3x6	See Note 1			
40	*Screw, Double Sems M3x5	See Note 1			
41	*Screw, Sems M3x10	See Note 1			
42	*Screw, Dish Head M3x6	See Note 1			
	Note 1: This part included in LA50 SCREWS KIT DEC Part No. 29-24230-00 See page 17.				
	Note 2: This part included in LA50 E-RING KIT DEC Part No. 29-24231-00 See page 17.				



LA50-04

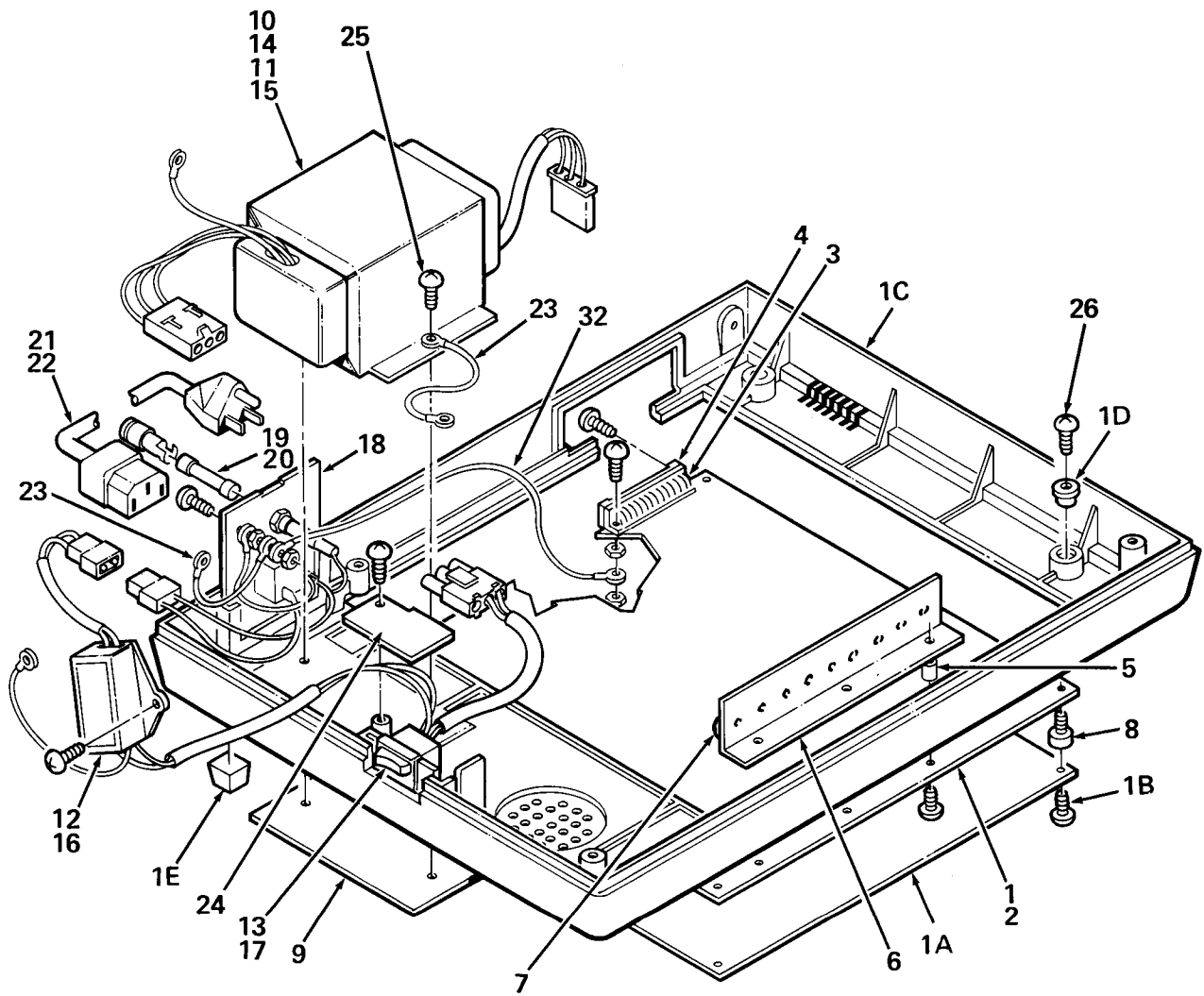
Figure 4. Platen and Interlock/Sensor Switch Assembly (Sheet 1 of 2)



LA50-04A

Figure 4. Platen and Interlock/Sensor Switch Assembly (Sheet 2 of 2)

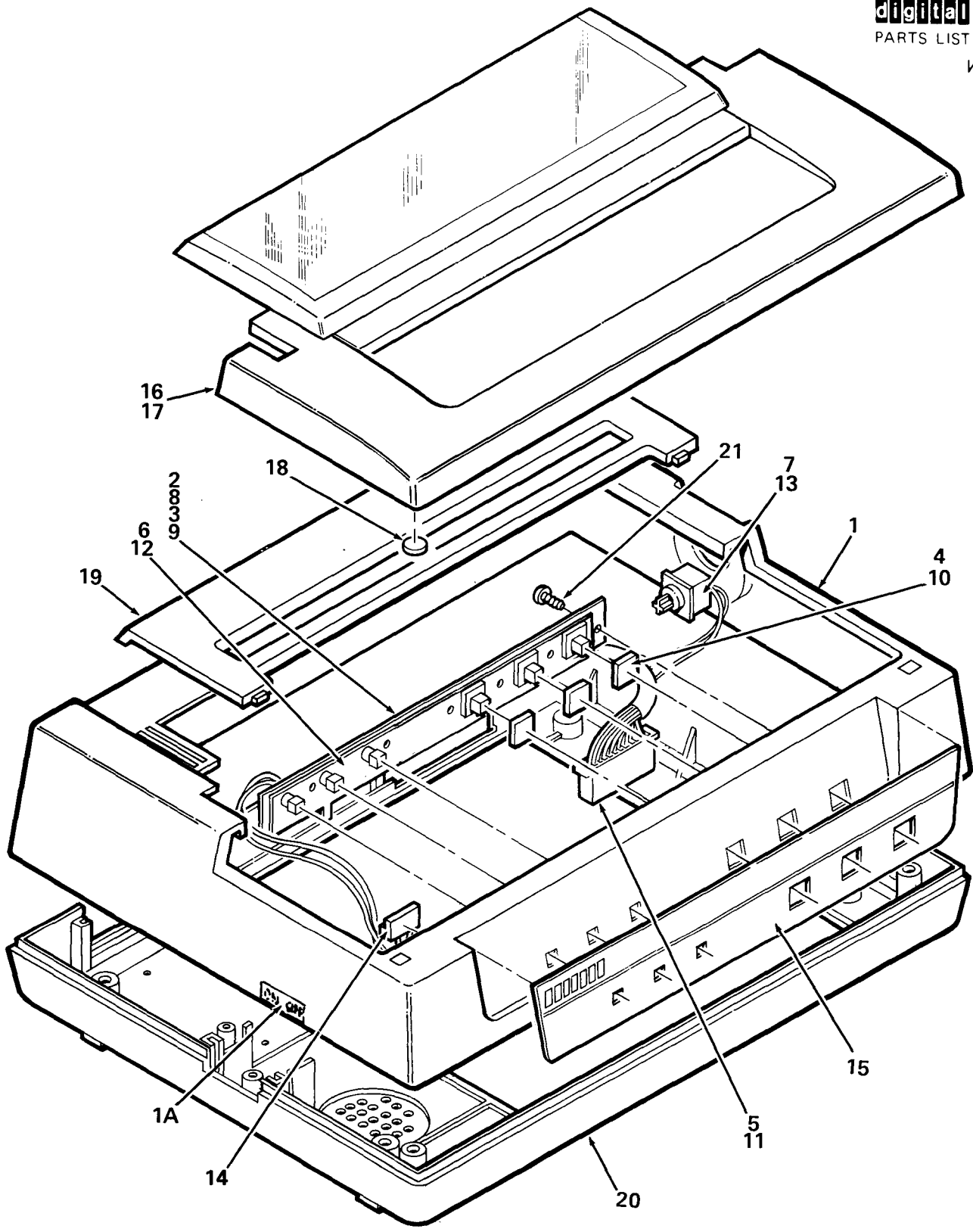
FIG. & ITEM NO.	DESCRIPTION	DEC PART NO.	ECO CUT-IN	USED ON CODE	REF FIG NO.
4-	PLATEN ASSEMBLY				N/A
1	*PLATEN ASSEMBLY	29-24252-00			
2	**Platen	_____			
3	**Bushing, Platen	_____			
4	*Gear, Paper Feed (C)	29-24243-00			
5	*Holder, Platen Shaft	_____			
6	*Knob, Platen	29-24278-00			
7	*Guide, Paper (C)	_____			
8	*Guide, Paper (D)	_____			
9	*Guide, Paper (B)	_____			
10	*Barrier (D)	_____			
11	*TENSION ARM ASSEMBLY	29-24244-00			
12	**Arm Tension	_____			
13	**Pulley, Tension Arm	29-24245-00			
14	*Tension Rubber	_____			
15	*Rubber, Motor Set	_____			
16	*Wire, Carriage	29-24246-00			
17	*Sheet, Switch	_____			
18	*Cover, Connector	_____			
19	*Chute, Dust	_____			
20	*Ground Wire (M8510)	_____			
21	*Screw, Paper Guide Set	_____			
22	*Stud, PC Board	_____			
23	*Carriage Transistor Assembly	29-24247-00			
24	*Transistor (2SD837B)	_____			
25	*Accessory	_____			
26	*Paper Out, Access Cover Interlock and Carriage Sensor Switch Assembly (Includes Item 26A - Model LA50-RA, RD only)	29-24282-00			
26A	*Paper Out and Carriage Sensor Switch Assembly (Does Not include Item 26 - Model LA50-RB, RC only)	29-24285-00			
27	*Cap, Switch	_____			
28	*E-Ring 6	See Note 1			
29	*E-Ring 7	See Note 1			
30	*Screw, Sems M4x8	See Note 2			
31	*Screw, Sems M3x6	See Note 2			
32	*Screw, Pan Hd M3x6	See Note 2			
33	*Screw, Sems Washer Hd M3x6	See Note 2			
34	*Screw, Sems M4x6	See Note 2			
35	*Screw, Dish Hd M3x6	See Note 2			
36	*Screw, Dish Hd M3x5	See Note 2			
	Note 1: This part included in LA50 SCREWS KIT DEC Part No. 29-24230-00 See page 17.				
	Note 2: This part included in LA50 E-RING KIT DEC Part No. 29-24231-00 See page 17.				



LA50-05

Figure 5. Bottom Cover Assembly

FIG. & ITEM NO.	DESCRIPTION	DEC PART NO.	ECO CUT-IN	USED ON CODE	REF FIG NO.
5-	BOTTOM COVER ASSEMBLY				N/A
1	*BOTTOM COVER ASSEMBLY	29-24279-00			
1A	**Bottom Window	_____			
1B	**Screw, Pan Head M3x6	See Note			
1C	**Cover, Bottom	_____			
1D	**Nut, Well	_____			
1E	**Rubber Foot	29-24281-00			
2	*CPU	29-24238-00			
3	**Connector	_____			
4	**Ground Plate, Connector	_____			
5	**Washer, Heat Sink	_____			
6	**Heat Sink	_____			
7	**NPN Transistor (2SD837B)	_____			
8	**Screw, PCB Support	_____			
9	*Plate, Transformer	_____			
10	*TRANSFORMER ASSEMBLY (for Model LA50-RA, RD)	29-24239-00			
11	**Transformer	_____			
12	**Noise Filter	_____			
13	**Power Switch	29-24280-00			
14	**TRANSFORMER ASSEMBLY (for Model LA50-RB, RC)	29-24240-00			
15	**Transformer	_____			
16	**Noise Filter	_____			
17	**Power Switch	29-24233-00			
18	*Cord Supporter	_____			
19	*AC Line Fuse, Reg-Blo 2A, 250V (Model LA50-RA, RD)	90-07215-00			
20	*AC Line Fuse, T Type 1A, 250V (Model LA50-RB, RC)	12-19283-00			
21	*UL Cord	_____			
22	*VDE Cord	_____			
23	*Ground Wire	_____			
24	*Switch Cover	_____			
25	*Screw, Sems M4x8	See Note			
26	*Screw, Sems M4x14	See Note			
	LABELS (Not Shown)				
	*Label, "Power Voltage 100V"				
	*Label, "Power Voltage 120V"				
	*Label, "Power Voltage 220V"				
	*Label, "Power Voltage 240V"				
	*Label, "Power Voltage Set For"				
	*Label, "Power Voltage Not Set For"				
	*Label, "Warning" (LA50-RA, LA50-RC)				
	*Label, "Warning" (LA50-RB, LA50-RD)				
	Note: This part included in LA50 SCREWS KIT DEC Part No. 29-24230-00 See page 17.				



LA50-06

Figure 6. Cover Assembly

FIG. & ITEM NO.	DESCRIPTION	DEC PART NO.	ECO CUT-IN	USED ON CODE	REF FIG NO.
6-	COVER ASSEMBLY				N/A
1	*Top Cover Assembly	29-24241-00			
1A	**Label, Switch	_____			
2	*FRONT PANEL and CARRIAGE STOP ASSEMBLY (Model LA50-RA, LA50-RD)	29-24283-00			
3	**Panel, Front	_____			
4	**Key, Top	_____			
5	**Connector	_____			
6	**LED Ground Plate	_____			
7	**Switch, Carriage Stop	_____			
8	*FRONT PANEL, CARRIAGE STOP SWITCH and ACCESS COVER INTERLOCK SWITCH ASSEMBLY (Model LA50-RB, LA50-RC)	_____			
9	**Panel, Front	_____			
10	**Key, Top	_____			
11	**Connector	_____			
12	**LED Ground Plate	_____			
13	**Switch, Carriage Stop	_____			
14	**Switch, Cover Interlock	_____			
15	*Control Panel	29-24234-00			
16	*Access Cover Assembly (Model LA50-RA, LA50-RD)	29-24236-00			
17	*Access Cover Assembly (Model LA50-RB, LA50-RC)	29-24237-00			
18	*Detect Magnet (Model LA50-RB, RC)	_____			
19	*Cover, Paper	29-24235-00			
20	*Bottom Cover Assembly	29-24279-00			
21	*Screw, Cover Set	See Note			
	Note: This part included in LA50 SCREWS KIT DEC Part No. 29-24230-00 See page 17.				

FIG. & ITEM NO.	DESCRIPTION	DEC PART NO.	ECO CUT-IN	USED ON CODE	REF FIG NO.
6-	<p>* LA50 SPRING KIT (Not Shown)</p> <p>** Spring, Paper Clamp</p> <p>** Spring, Toggle</p> <p>** Spring, Pinch Roller</p> <p>** Spring, Ratchet</p> <p>** Spring, Ribbon</p> <p>** Vinyl Bag</p> <p>LUBE (Not Shown)</p> <p>* Launa Oil (100CC)</p> <p>* Mallub Alloy (200GR)</p> <p>* Esso Beacon (200GR)</p> <p>POWER CABLES (Not Shown)</p> <p>* Power Cable (US)</p> <p>* Power Cable (Australia)</p> <p>* Power Cable (Continental Europe)</p> <p>* Power Cable (United Kingdom)</p> <p>* Power Cable (Switzerland)</p> <p>* Power Cable (Denmark)</p>	<p>29-24232-00</p> <p>_____</p> <p>_____</p> <p>_____</p> <p>_____</p> <p>_____</p> <p>_____</p> <p>29-24578-00</p> <p>29-24579-00</p> <p>29-24580-00</p> <p>17-00083-09</p> <p>17-00198-00</p> <p>17-00199-00</p> <p>17-00209-00</p> <p>17-00210-00</p> <p>17-00310-00</p>			

01000

PART NUMBER/DESCRIPTION SORT



LA50 PRINTER SORT BY DEC PART NUMBER

PART NO.	DESCRIPTION	FIG. NO.	ITEM
12-19283-00	AC Line Fuse, T Type 1A, 250V (Model LA50-RB, LA50-RC)	5	20
17-00083-09	Power Cable (US)	6	Not Shown
17-00198-00	Power Cable (Australia)	6	Not Shown
17-00199-00	Power Cable (Continental Europe)	6	Not Shown
17-00209-00	Power Cable (United Kingdom)	6	Not Shown
17-00210-00	Power Cable (Switzerland)	6	Not Shown
17-00310-00	Power Cable (Denmark)	6	Not Shown
29-24230-00	LA50 SCREWS KIT	6	Not Shown
29-24231-00	LA50 E-RING KIT	6	Not Shown
29-24232-00	LA50 SPRING KIT	6	Not Shown
29-24233-00	Power Switch	5	17
29-24234-00	Control Panel	6	15
29-24235-00	Cover, Paper	6	19
29-24236-00	Access Cover Assembly (Model LA50-RA, LA50-RD)	6	16
29-24237-00	Access Cover Assembly (Model LA50-RB, LA50-RC)	6	17
29-24238-00	CPU	5	2
29-24239-00	TRANSFORMER ASSEMBLY (For Model LA50-RA, LA50-RD)	5	10
29-24240-00	TRANSFORMER ASSEMBLY (For Model LA50-RB, LA50-RC)	5	14
29-24241-00	Top Cover Assembly	6	1
29-24243-00	Gear, Paper Feed (C)	4	4
29-24244-00	TENSION ARM ASSEMBLY	4	11
29-24245-00	Pulley, Tension Arm	4	13
29-24246-00	Wire, Carriage	4	16
29-24247-00	Carriage Transistor Assembly	4	23
29-24248-00	PAPER THICKNESS LEVER ASSEMBLY	3	31
29-24249-00	Lubrication Ring	3	37
29-24250-00	Holder, Ribbon Wire	3	30
29-24251-00	Bushing, Carriage	3	18
29-24252-00	PLATEN ASSEMBLY	4	1
29-24253-00	CARRIAGE MOTOR ASSEMBLY	1	3
29-24254-00	LINE FEED MOTOR ASSEMBLY	1	13
29-24255-00	Gear, Paper Feed (D)	1	17
29-24256-00	Gear, Paper Feed (B)	1	16
29-24257-00	Pulley, Carriage Motor	1	7
29-24258-00	Cable, Printhead	3	25
29-24259-00	Shaft, Carriage Guide	3	17
29-24260-00	Arm, Ribbon Wire	3	22
29-24261-00	Shaft, Carriage	3	19
29-24262-00	Stop, Carriage	3	20
29-24263-00	PAPER BAIL BAR ASSEMBLY	1	10

LA50 PRINTER SORT BY DEC PART NUMBER

PART NO.	DESCRIPTION	FIG. NO.	ITEM
29-24264-00	Transistor, 5V	1	14
29-24265-00	TRACTOR ASSEMBLY	2	1
29-24266-00	TRACTOR ASSEMBLY (LH) (OLD VERSION)	2	4
29-24267-00	TRACTOR ASSEMBLY (RH) (OLD VERSION)	2	10
29-24268-00	RELEASE LEVER SHAFT ASSEMBLY	2	18
29-24269-00	Pinch Roller Assembly	2	21
29-24270-00	Gear, Tractor Drive	2	16
29-24271-00	PAPER RELEASE LEVER ASSEMBLY	2	24
29-24272-00	PRINTHEAD ASSEMBLY	3	1
29-24273-00	RIBBON GUIDE ASSEMBLY	3	3
29-24274-00	CARRIAGE ASSEMBLY	3	6
29-24275-00	CARRIAGE MECHANISM ASSEMBLY	3	7
29-24276-00	Arm, Change Gear	3	13
29-24277-00	Wire, Ribbon	3	15
29-24278-00	Knob, Platen	4	6
29-24279-00	BOTTOM COVER ASSEMBLY	5	1
29-24279-00	Bottom Cover Assembly	6	20
29-24280-00	Power Switch	5	13
29-24281-00	Rubber Foot	5	1E
29-24282-00	Paper Out, Access Cover Interlock and Carriage Sensor Switch Assembly (Includes Item 26A - Model LA50-RA, LA50-RD only)	4	26
29-24283-00	FRONT PANEL and CARRIAGE STOP ASSEMBLY (Model LA50-RA, LA50-RD)	6	2
29-24285-00	Paper Out and Carriage Sensor Switch Assembly (Does Not Include Item 26 -- Model LA50-RB, LA50-RC only)	4	26A
29-24578-00	Launa Oil (100CC)	6	Not Shown
29-24579-00	Mallub Alloy (200GR)	6	Not Shown
29-24580-00	Esso Beacon (200GR)	6	Not Shown
29-24643-00	Head Cover	3	2A
29-25260-00	TRACTOR ASSEMBLY (RH) (NEW VERSION)	2	10
29-25261-00	TRACTOR ASSEMBLY (LH) (NEW VERSION)	2	4
30-19858-01	Model LA50-RA -- 120V (104/128V)	6	N/A
30-19858-02	Model LA50-RB -- 220V (191/235V)	6	N/A
30-19858-03	Model LA50-RC -- 240C (208/256V)	6	N/A
30-19858-04	Model LA50-RD -- 100V (90/110V)	6	N/A
90-07215-00	AC Line Fuse, Reg-Blo 2A, 250V (Model LA50-RA, LA50-RD)	5	19

LA50 PRINTER SORTED BY DEC PART DESCRIPTION

DESCRIPTION	DEC PART NO.	FIG. NO.	ITEM
AC Line Fuse, Reg-Blo 2A, 250V (Model LA50-RA, LA50-RD)	90-07215-00	5	19
AC Line Fuse, T Type 1A, 250V (Model LA50-RB, LA50-RC)	12-19283-00	5	20
Access Cover Assembly (Model LA50-RA, LA50-RD)	29-24236-00	6	16
Access Cover Assembly (Model LA50-RB, LA50-RC)	29-24237-00	6	17
Accessory	N/A	4	25
Accessory	N/A	6	Not Shown
Arm Tension	N/A	4	12
Arm, Change Gear	29-24276-00	3	13
Arm, Paper Set	N/A	1	6
Arm, Ribbon Wire	29-24260-00	3	22
Barrier (D)	N/A	4	10
Bottom Cover Assembly	29-24279-00	6	20
BOTTOM COVER ASSEMBLY	N/A	5	N/A
BOTTOM COVER ASSEMBLY	29-24279-00	5	1
Bottom Window	N/A	5	1A
Bushing, Carriage	29-24251-00	3	18
Bushing, Carriage Shaft	N/A	3	21
Bushing, Platen	N/A	4	3
Cable, Printhead	29-24258-00	3	25
Cam, Metal	N/A	2	17
Cap	N/A	2	27
Cap, Free Lever	N/A	3	34
Cap, Lever Set	N/A	3	35
Cap, Switch	N/A	4	27
CARRIAGE ASSEMBLY	29-24274-00	3	6
CARRIAGE FRAME and PRINthead ASSEMBLY	N/A	3	N/A
CARRIAGE MECHANISM ASSEMBLY	29-24275-00	3	7
CARRIAGE MOTOR ASSEMBLY	29-24253-00	1	3
Carriage Transistor Assembly	29-24247-00	4	23
Chute, Dust	N/A	4	19
Clamp, Paper (LH)	N/A	2	6
Clamp, Paper (RH)	N/A	2	12
Collar, Stop	N/A	3	36
Connector	N/A	6	5
Connector	N/A	5	3
Connector	N/A	6	11
Control Panel	29-24234-00	6	15
Cord Supporter	N/A	5	18
COVER ASSEMBLY	N/A	6	N/A
Cover, Bottom	N/A	5	1C
Cover, Connector	N/A	4	18
Cover, Paper	29-24235-00	6	19
CPU	29-24238-00	5	2
CS Play Fix Ring	N/A	6	Not Shown

LA50 PRINTER SORTED BY DEC PART DESCRIPTION

DESCRIPTION	DEC PART NO.	FIG. NO.	ITEM
Detect Magnet (Model LA50-RB, LA50-RC)	N/A	6	18
E-Ring 2	N/A	3	38
E-Ring 2	N/A	1	19
E-Ring 2	N/A	6	Not Shown
E-Ring 2.5	N/A	6	Not Shown
E-Ring 4	N/A	6	Not Shown
E-Ring 4	N/A	1	20
E-Ring 5	N/A	2	29
E-Ring 5	N/A	1	21
E-Ring 5	N/A	6	Not Shown
E-Ring 6	N/A	4	28
E-Ring 6	N/A	6	Not Shown
E-Ring 7	N/A	4	29
E-Ring 7	N/A	6	Not Shown
E-Ring 7	N/A	2	30
Esso Beacon (200GR)	29-24580-00	6	Not Shown
Frame (LH)	N/A	1	1
Frame (RH)	N/A	1	2
FRAME and MOTOR ASSEMBLY	N/A	1	N/A
FRONT PANEL and CARRIAGE STOP ASSEMBLY (Model LA50-RA, LA50-RD)	29-24283-00	6	2
FRONT PANEL, CARRIAGE STOP SWITCH and ACCESS COVER INTERLOCK SWITCH ASSEMBLY (Model LA50-RB, LA50-RC)	N/A	6	8
Gear, Cassette Drive	N/A	3	12
Gear, Paper Feed (B)	29-24256-00	1	16
Gear, Paper Feed (C)	29-24243-00	4	4
Gear, Paper Feed (D)	29-24255-00	1	17
Gear, Tractor Drive	29-24270-00	2	16
Ground Plate, Connector	N/A	5	4
Ground Wire	N/A	5	23
Ground Wire (M8510)	N/A	4	20
Guide, Paper (B)	N/A	4	9
Guide, Paper (C)	N/A	4	7
Guide, Paper (D)	N/A	4	8
Guide, Ribbon	N/A	3	5
HEAD (DH-911-01)	N/A	3	2
Head Cover	29-24643-00	3	2A
Heat Sink	N/A	5	6
Holder, Platen Shaft	N/A	4	5
Holder, Ribbon Wire	29-24250-00	3	30
Holder, Wheel (LH)	N/A	2	5
Holder, Wheel (RH)	N/A	2	11

LA50 PRINTER SORTED BY DEC PART DESCRIPTION

DESCRIPTION	DEC PART NO.	FIG. NO.	ITEM
Key, Top	N/A	6	10
Key, Top	N/A	6	4
Knob, Platen	29-24278-00	4	6
LA50 E-RING KIT	29-24231-00	6	Not Shown
LA50 SCREWS KIT	29-24230-00	6	Not Shown
LA50 SPRING KIT	29-24232-00	6	Not Shown
Label, "POWER VOLTAGE 100V"	N/A	5	Not Shown
Label, "POWER VOLTAGE 120V"	N/A	5	Not Shown
Label, "POWER VOLTAGE 220V"	N/A	5	Not Shown
Label, "POWER VOLTAGE 240V"	N/A	5	Not Shown
Label, "POWER VOLTAGE NOT SET FOR"	N/A	5	Not Shown
Label, "POWER VOLTAGE SET FOR"	N/A	5	Not Shown
Label, "WARNING" (LA50-RA, LA50-RC)	N/A	5	Not Shown
Label, "WARNING" (LA50-RB, LA50-RD)	N/A	5	Not Shown
Label, Switch	N/A	6	1A
Launa Oil (100CC)	29-24578-00	6	Not Shown
LED Ground Plate	N/A	6	6
LED Ground Plate	N/A	6	12
Lever, Gap Set (A)	N/A	3	32
Lever, Gap Set (B)	N/A	3	33
Lever, Head Set (LH)	N/A	3	27
Lever, Head Set (RH)	N/A	3	26
Lever, Paper Release	N/A	2	25
Lever, Tractor	N/A	2	14
Lever, Tractor	N/A	2	8
LINE FEED MOTOR ASSEMBLY	29-24254-00	1	13
Lubrication Ring	29-24249-00	3	37
Mallub Alloy (200GR)	29-24579-00	6	Not Shown
Model LA50-RA -- 120V (104/128V)	30-19858-01	6	N/A
Model LA50-RB -- 220V (191/235V)	30-19858-02	6	N/A
Model LA50-RC -- 240C (208/256V)	30-19858-03	6	N/A
Model LA50-RD -- 100V (90/110V)	30-19858-04	6	N/A
Noise Filter	N/A	5	12
Noise Filter	N/A	5	16
NPN Transistor (2SD837B)	N/A	5	7
Nut, Well	N/A	5	1D
Panel, Front	N/A	6	9
Panel, Front	N/A	6	3
PAPER BAIL BAR ASSEMBLY	29-24263-00	1	10
Paper Out and Carriage Sensor Switch Assembly (Does Not include Item 26 -- Model LA50-RB, LA50-RC only)	29-24285-00	4	26A
Paper Out, Access Cover Interlock and Carriage Sensor Switch Assembly (Includes Item 26A -- Model LA50-RA, LA50-RD only)	29-24282-00	4	26

LA50 PRINTER SORTED BY DEC PART DESCRIPTION

DESCRIPTION	DEC PART NO.	FIG. NO.	ITEM
PAPER RELEASE LEVER ASSEMBLY	29-24271-00	2	24
PAPER THICKNESS LEVER ASSEMBLY	29-24248-00	3	31
Pin, CA Center	N/A	3	14
Pin, Motor Spacer	N/A	1	8
Pinch Roller Assembly	29-24269-00	2	21
Plate, Cassette Mount	N/A	3	16
Plate, PCB Set (A)	N/A	1	18
Plate, Transformer	N/A	5	9
Plate, Ribbon Guide	N/A	3	4
Platen	N/A	4	2
PLATEN ASSEMBLY	29-24252-00	4	1
PLATEN ASSEMBLY	N/A	4	N/A
Power Cable (Australia)	17-00198-00	6	Not Shown
Power Cable (Continental Europe)	17-00199-00	6	Not Shown
Power Cable (Denmark)	17-00310-00	6	Not Shown
Power Cable (Switzerland)	17-00210-00	6	Not Shown
Power Cable (United Kingdom)	17-00209-00	6	Not Shown
Power Cable (US)	17-00083-09	6	Not Shown
Power Switch	29-24233-00	5	17
Power Switch	29-24280-00	5	13
PRINTHEAD ASSEMBLY	29-24272-00	3	1
Protector, Wire Arm	N/A	3	24
Pulley, Carriage Motor	29-24257-00	1	7
Pulley, Tension Arm	29-24245-00	4	13
Ratchet Gear A	N/A	3	9
Ratchet Gear B	N/A	3	8
RELEASE LEVER SHAFT ASSEMBLY	29-24268-00	2	18
RIBBON GUIDE ASSEMBLY	29-24273-00	3	3
Ring, CS Play Fix	N/A	2	9
Ring, CS Play Fix	N/A	2	15
Roller, Friction	N/A	2	20
Roller, Paper Clamp	N/A	1	12
Rubber Foot	N/A	1	4
Rubber Foot	29-24281-00	5	1E
Rubber, Motor Set	N/A	4	15
Screw, Carrier Guide Shaft	N/A	6	Not Shown
Screw, Cover Set	N/A	6	Not Shown
Screw, Cover Set	N/A	6	21
Screw, Dish Hd M3x5	N/A	4	36
Screw, Dish Hd M3x6	N/A	3	42
Screw, Dish Hd M3x6	N/A	4	35
Screw, Dish Head M3x5	N/A	6	Not Shown
Screw, Dish Head M3x6	N/A	6	Not Shown
Screw, Double Sems M3x5	N/A	3	40
Screw, Double Sems M3x5	N/A	6	Not Shown
Screw, Double Sems M3x6	N/A	6	Not Shown
Screw, Double Sems M4x10	N/A	6	Not Shown

LA50 PRINTER SORTED BY DEC PART DESCRIPTION

DESCRIPTION	DEC PART NO.	FIG. NO.	ITEM
Screw, Head Set	N/A	6	Not Shown
Screw, Head Set	N/A	3	29
Screw, Lever Set	N/A	6	Not Shown
Screw, Lever Set	N/A	3	28
Screw, Motor Set	N/A	1	5
Screw, Motor Set	N/A	6	Not Shown
Screw, Pan Hd M3x6	N/A	5	1B
Screw, Pan Hd M3x6	N/A	1	23
Screw, Pan Hd M3x6	N/A	3	39
Screw, Pan Hd M3x6	N/A	4	32
Screw, Pan Head M2x3	N/A	6	Not Shown
Screw, Pan Head M3x6	N/A	6	Not Shown
Screw, Pan Head M3x6	N/A	6	Not Shown
Screw, Pan Head M3x6	N/A	6	Not Shown
Screw, Pan Head M3x8	N/A	6	Not Shown
Screw, Pan Head M3x8	N/A	6	Not Shown
Screw, Pan Head M4x10	N/A	6	Not Shown
Screw, Paper Guide Set	N/A	4	21
Screw, PC Board Support	N/A	6	Not Shown
Screw, PCB Support	N/A	5	8
Screw, Sems M2.6x8	N/A	6	Not Shown
Screw, Sems M3x10	N/A	3	41
Screw, Sems M3x6	N/A	1	22
Screw, Sems M3x6	N/A	4	31
Screw, Sems M3x6	N/A	6	Not Shown
Screw, Sems M4x14	N/A	6	Not Shown
Screw, Sems M4x14	N/A	5	26
Screw, Sems M4x6	N/A	6	Not Shown
Screw, Sems M4x6	N/A	4	34
Screw, Sems M4x8	N/A	6	Not Shown
Screw, Sems M4x8	N/A	4	30
Screw, Sems M4x8	N/A	2	28
Screw, Sems M4x8	N/A	5	25
Screw, Sems Washer Hd M3x6	N/A	4	33
Screw, Shaft Carriage Guide	N/A	3	23
Screw, Tapping M3x6	N/A	6	Not Shown
Shaft, Carriage	29-24261-00	3	19
Shaft, Carriage Guide	29-24259-00	3	17
Shaft, Pinch Roller SP	N/A	2	23
Shaft, Release Lever	N/A	2	19
Shaft, Roller	N/A	1	11
Shaft, Tractor	N/A	2	2
Shaft, Tractor Drive	N/A	2	3
Sheet, Switch	N/A	4	17
Spring, Paper Clamp	N/A	6	Not Shown
Spring, Paper Clamp	N/A	1	9
Spring, Pinch Roller	N/A	2	22
Spring, Pinch Roller	N/A	6	Not Shown
Spring, Ratchet	N/A	3	10
Spring, Ratchet	N/A	6	Not Shown

LA50 PRINTER SORTED BY DEC PART DESCRIPTION

DESCRIPTION	DEC PART NO.	FIG. NO.	ITEM
Spring, Ribbon	N/A	3	11
Spring, Ribbon	N/A	6	Not Shown
Spring, Toggle	N/A	2	26
Spring, Toggle	N/A	6	Not Shown
Stop, Carriage	29-24262-00	3	20
Stud, PC Board	N/A	4	22
Switch Cap	N/A	6	Not Shown
Switch Cover	N/A	5	24
Switch, Carriage Stop	N/A	6	7
Switch, Carriage Stop	N/A	6	13
Switch, Cover Interlock	N/A	6	14
TENSION ARM ASSEMBLY	29-24244-00	4	11
Tension Rubber	N/A	4	14
Top Cover Assembly	29-24241-00	6	1
TRACTOR and PINCH ROLLER ASSEMBLY	N/A	2	N/A
TRACTOR ASSEMBLY	29-24265-00	2	1
TRACTOR ASSEMBLY (LH) (NEW VERSION)	29-25261-00	2	4
TRACTOR ASSEMBLY (LH) (OLD VERSION)	29-24266-00	2	4
TRACTOR ASSEMBLY (RH) (NEW VERSION)	29-25260-00	2	10
TRACTOR ASSEMBLY (RH) (OLD VERSION)	29-24267-00	2	10
Transformer	N/A	5	11
Transformer	N/A	5	15
TRANSFORMER ASSEMBLY (for Model LA50-RA, LA50-RD)	29-24239-00	5	10
TRANSFORMER ASSEMBLY (For Model LA50-RB, LA50-RD)	29-24240-00	5	14
Transistor (2SD837B)	N/A	4	24
Transistor Sheet	N/A	1	15
Transistor, 5V	29-24264-00	1	14
UL Cord	N/A	5	21
VDE Cord	N/A	5	22
Vinyl Bag	N/A	6	Not Shown
Vinyl Bag	N/A	6	Not Shown
Vinyl Bag	N/A	6	Not Shown
Washer, Heat Sink	N/A	5	5
Washer, Spring M5	N/A	6	Not Shown
Washer, Toothed M4	N/A	6	Not Shown
Wheel, Tractor	N/A	2	13
Wheel, Tractor	N/A	2	7
Wire, Carriage	29-24246-00	4	16
Wire, Ribbon	29-24277-00	3	15

**ILLUSTRATED PARTS BREAKDOWN
COMMENT SHEET**

Any and all comments and suggestions for correcting errors and/or additional information to improve this manual will be reviewed and researched for possible use when this manual is revised and/or reprinted. Enter your comments and suggestions in the form provided below and return to Technical Documentation.

MODEL LA50 PRINTER

PUBLICATION NO. EK-0LA50-IP-003

FIGURE NO. _____ ITEM NO. _____
CHANGE FROM _____
CHANGE TO _____

FIGURE NO. _____ ITEM NO. _____
CHANGE FROM _____
CHANGE TO _____

FIGURE NO. _____ ITEM NO. _____
CHANGE FROM _____
CHANGE TO _____

FIGURE NO. _____ ITEM NO. _____
CHANGE FROM _____
CHANGE TO _____

FIGURE NO. _____ ITEM NO. _____
CHANGE FROM _____
CHANGE TO _____

FIGURE NO. _____ ITEM NO. _____
CHANGE FROM _____
CHANGE TO _____

ADDITIONAL COMMENT(S)

Please describe your position. _____

Name _____ Organization _____

Street _____ Department _____

City _____ State _____ Zip or Country _____

Fold Here

Do Not Tear - Fold Here and Staple

digital



No Postage
Necessary
if Mailed in the
United States

BUSINESS REPLY MAIL

FIRST CLASS PERMIT NO 33 MAYNARD, MA

POSTAGE WILL BE PAID BY ADDRESSEE

Digital Equipment Corporation
Educational Services
129 Parker Street, PK03-2/H31
Maynard, MA 01754

