

NOTES:
~~1. LEFT COVER PLATE & PANEL SWITCHES MUST BE REMOVED TO INSTALL PART #12.~~
 2. ALL DIMENSIONS ARE FOR REF. ONLY
 3. FOR EMCOR INSTALLATION DWG REFER TO E-OD-81-0-20
 4. FOR BUD INSTALLATION DWG. REFER TO E-OD-81-0-19
 5. FOR DRAWING INDEX LIST REFER TO D-DI-81-0-21
 6. WHEN HIGH SPEED READER IS USED ATTACH LABEL (#15) OVER STANDARD RIMLOADER INSTRUCTIONS
 7. ITEM NO. 19 MUST BE INSTALLED AS SHOWN ON SHEET 2
 8. FOR O. E. M. SHIPPING CABINET SEE PARTS LIST #A-PL-7005707-0-0.

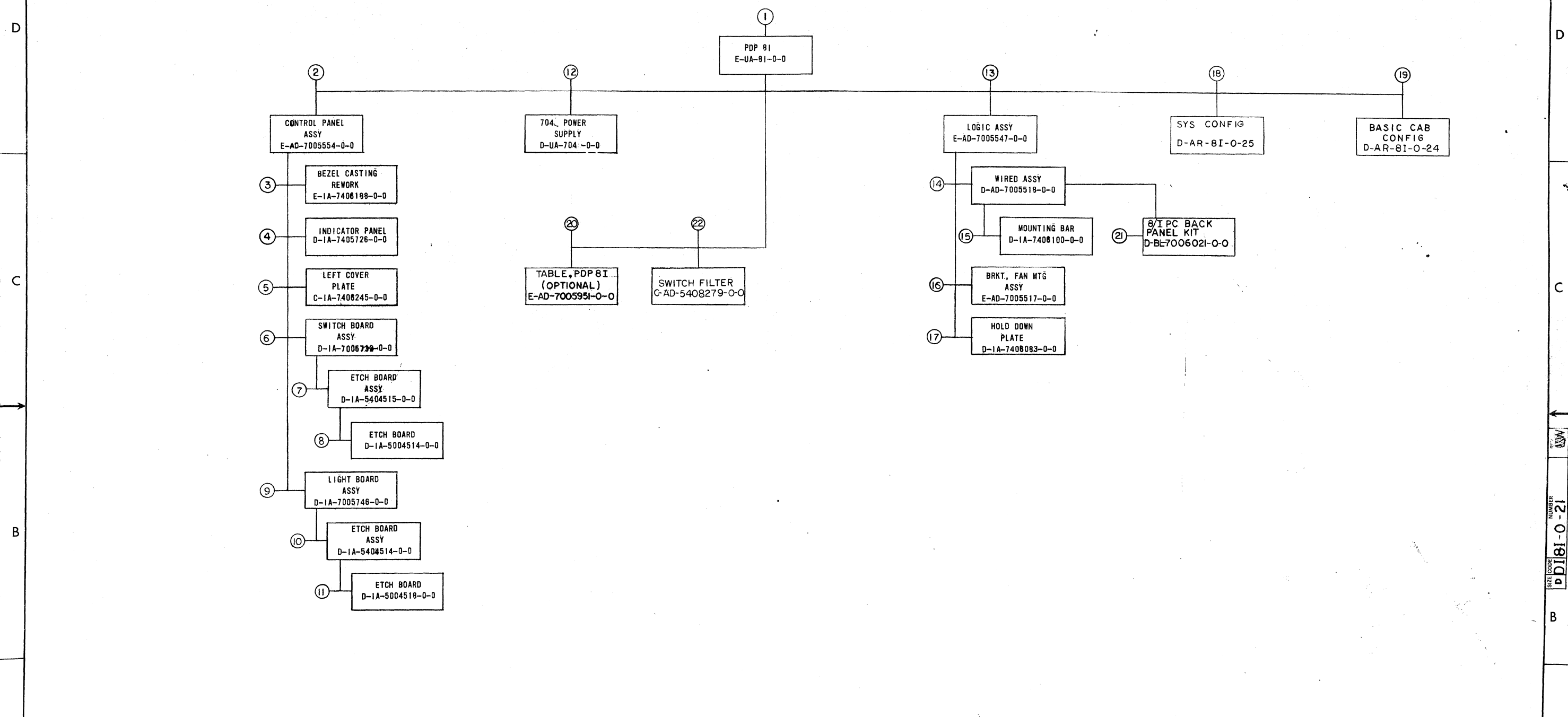
REV.	DESCRIPTION	DATE
1	CHG TO AGREE WITH PARTS LIST	11-7-67
2	ADDED ITEM #24	11-7-67
3	EXTENSIVE CHANGES SEE REV-1	2/7/68
4	ADDED ITEM #24	2/7/68
5	ADDED NOTE #6	2/7/68
6	ADDED NOTE #6	2/7/68
7	ADDED NOTE #6	2/7/68
8	ADDED NOTE #6	2/7/68
9	ADDED NOTE #6	2/7/68
10	ADDED NOTE #6	2/7/68
11	ADDED NOTE #6	2/7/68
12	ADDED NOTE #6	2/7/68
13	ADDED NOTE #6	2/7/68
14	ADDED NOTE #6	2/7/68
15	ADDED NOTE #6	2/7/68

UNLESS OTHERWISE SPECIFIED DIMENSION IN INCHES TOLERANCES DECIMAL FRACTIONS ANGLES FINISH REMOVE BURRS AND BREAK SHARP CORNERS	DATE 10-24-67	DATE 11-27-67	DATE 11-27-67	DATE 11-27-67	DATE 11-27-67
DRW. <i>M. Kelly</i>	CHKD. <i>M. Kelly</i>	APP. <i>M. Kelly</i>	DATE 11-27-67	DATE 11-27-67	DATE 11-27-67
FIRST USED FOR E-UA-81-0-0			SCALE 1/2	SHEET 1	OF 2
DESCRIPTION PDP 8 I			PARTS LIST	PART NO.	ITEM NO.
UNLESS OTHERWISE SPECIFIED DIMENSION IN INCHES TOLERANCES DECIMAL FRACTIONS ANGLES FINISH REMOVE BURRS AND BREAK SHARP CORNERS			DATE 10-24-67	DATE 11-27-67	DATE 11-27-67
DRW. <i>M. Kelly</i>			CHKD. <i>M. Kelly</i>	APP. <i>M. Kelly</i>	DATE 11-27-67
FIRST USED FOR E-UA-81-0-0			SCALE 1/2	SHEET 1	OF 2
DESCRIPTION PDP 8 I			PARTS LIST	PART NO.	ITEM NO.

EUA 81-0-0

This drawing and specifications, herein, are the property of Digital Equipment Corporation and shall not be reproduced or copied or used in whole or in part as the basis for the manufacture or sale of items without written permission.

DDI 81-0-21



REV	CHG	NO	REV
C	ECO	3303	1
D	ECO	3374	2
E	ECO	3444	3
F	ECO	3499	4
G	ECO	3525	5
H	ECO	3526	6
I	ECO	3527	7
J	ECO	3528	8
K	ECO	3529	9
L	ECO	3530	10
M	ECO	3531	11
N	ECO	3532	12
O	ECO	3533	13
P	ECO	3534	14
Q	ECO	3535	15
R	ECO	3536	16
S	ECO	3537	17
T	ECO	3538	18
U	ECO	3539	19
V	ECO	3540	20
W	ECO	3541	21
X	ECO	3542	22
Y	ECO	3543	23
Z	ECO	3544	24

ASSY DWG # E-UA-81-0-0

QTY.	DESCRIPTION	PART NO.	ITEM NO.
PARTS LIST			
1	PDP 8I DRAWING INDEX LIST		

UNLESS OTHERWISE SPECIFIED	DRN DOUG HALL	DATE 10/23/67
UNLESS OTHERWISE SPECIFIED	CHK'D D. HEALY	DATE 11/7/67
DIMENSION IN INCHES	ENG. E. ZNAMEROWSKI	DATE 11/7/67
TOLERANCES	PROJ. ENG. ED DECASTRO	DATE 11/9/67
DECIMALS FRACTIONS ANGLES	PROD. R. CASOLET	DATE 11/8/67
± .005 ± 1/64 ± 0°30'	FIRST USED ON	E-UA-81-0-0
FINAL SURFACE QUALITY	SCALE NONE	
REMOVE BURRS AND BREAK SHARP CORNERS	SHEET 1 OF 2	
MATERIAL		
FINISH		

digital EQUIPMENT CORPORATION
MAYNARD, MASSACHUSETTS

TITLE
PDP 8I DRAWING INDEX LIST

SIZE CODE NUMBER REV
DDI 81-0-21 G W

Drawings and specifications, herein, are the property of Digital Equipment Corporation and shall not be reproduced or copied or used in whole or in part as the basis for the manufacture or sale of items without written permission.

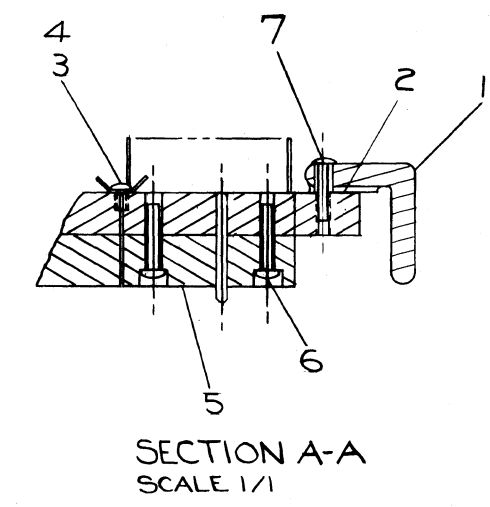
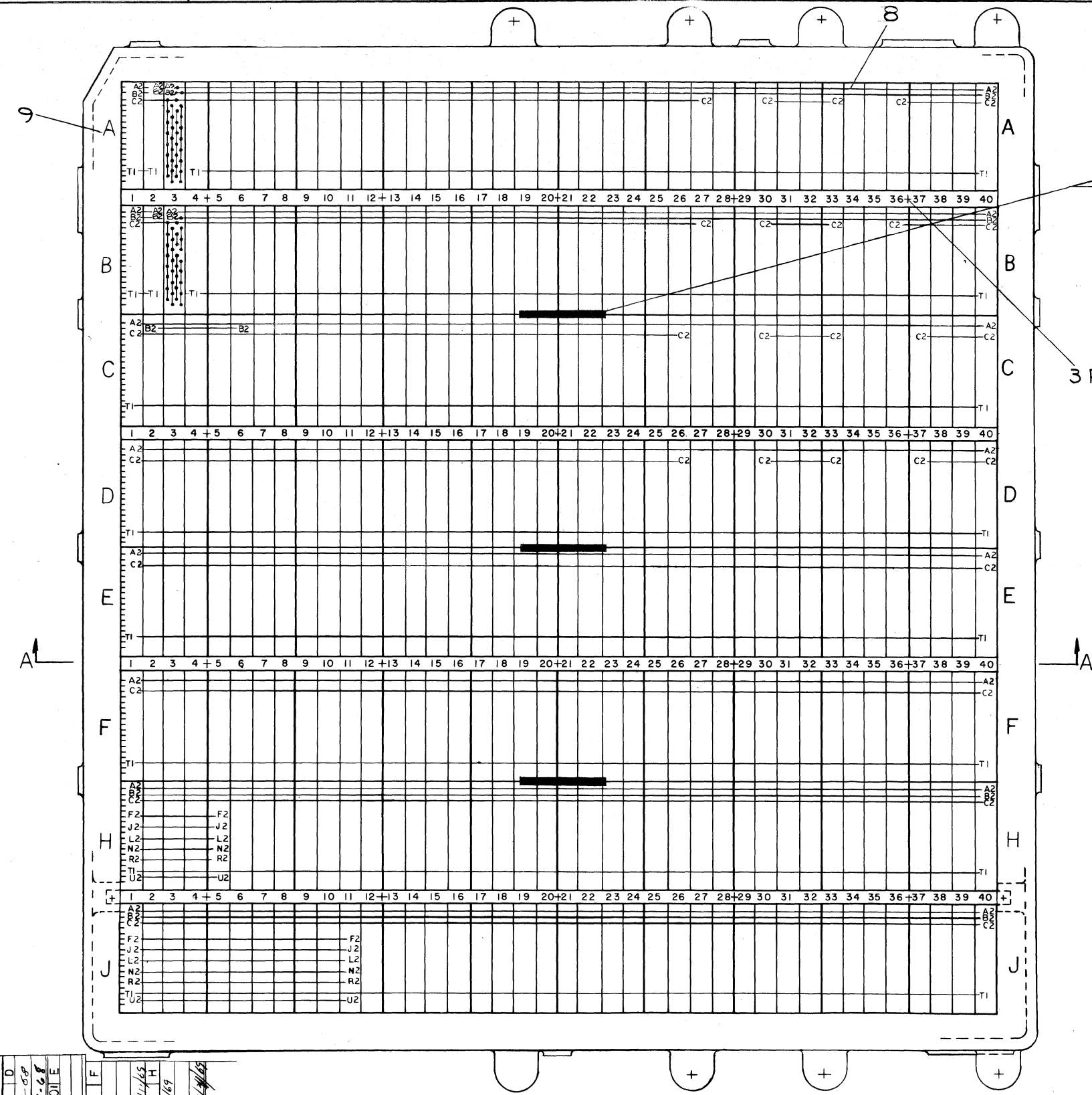
MECHANICAL				DEPT USAGE				MECHANICAL				DEPT USAGE				ELECTRICAL				DEPT USAGE																																																																																											
FIND NO.	DESCRIPTION	PART NO.	PROD CUST F/C	FIND NO.	DESCRIPTION	PART NO.	PROD CUST F/C	FIND NO.	DESCRIPTION	PART NO.	PROD CUST F/C	FIND NO.	DESCRIPTION	PART NO.	PROD CUST F/C	FIND NO.	DESCRIPTION	PART NO.	PROD CUST F/C																																																																																												
1	PDP 8I PDP 8I (PL) FRONT PANEL BRKT, SUPPORT BOTTOM BRKT, SUPPORT TOP BRKT, PIVOT POINT (LOWER) CASTING, PANEL SUPPORT (REWORK) LABEL, HIGH SPEED RIM LOADER INSTALLATION DWG BUD CAB INSTALLATION DWG EMCOR CAB O.E.M. SHIPPING CABINET ASSY.	E-UA-81-0-0 A-PL-91-0-0 D-IA-7406295-0-0 C-IA-7406347-0-0 C-IA-7406339-0-0 C-MD-7406550-0-0 E-IA-7406105-0-0 B-IA-7406563-0-0 E-00-81-0-19 E-00-81-0-20 A-PL-7005707-0-0		9	LIGHT BOARD ASSY CLAMP, CABLE	D-IA-7005746-0-0 1202704		1	PDP 8I FLOW DIAGRAM (AUTO FUNCTIONS) TIMING MANUAL FUNCTIONS & RUN INSTRUCTION REG & MAJOR STATES REG OUTPUT GATE CONTROL SHIFT & CARRY GATE CONTROL REG INPUT CONTROL & SKIP INTERRUPT & BREAK CONTROL MAJOR REGISTERS MAJOR REGISTERS GATING I/O LEVEL CONVERTERS TELETYPE RECEIVERS TELETYPE TRANSMITTER MEMORY CONTROL SENSE AMPS & INHIBIT DRIVERS Y AXIS SELECTION Y AXIS SELECTION MODULE UTILIZATION MODULE PARTS LIST WIRE LIST (81) CONSOLE SWITCHES INDICATORS OPTION CABLE CONN OPTION PWR REQ GENERAL WIRING SHEET ACCEPTANCE CRITERIA TIMED SHARED OPTION AC HARNESS CONN	A-ML-81-0-0 D-FD-81-0-1 D-BS-81-0-2 D-BS-81-0-3 D-BS-81-0-4 D-BS-81-0-5 D-BS-81-0-6 D-BS-81-0-7 D-BS-81-0-8 D-BS-81-0-9 D-BS-81-0-10 D-BS-81-0-11 D-BS-81-0-12 D-BS-81-0-13 D-BS-81-0-14 D-BS-81-0-15 D-BS-81-0-16 D-MU-81-0-17 A-PL-81-0-17 K-WL-81-0-19 D-CS-81-0-27 C-IC-81-0-29 C-IC-81-0-28 A-WL-81-0-31 A-SP-KT8-I-3 A-SP-KT8-I-4 D-IC-81-0-32		2	CONTROL PANEL ASSY CONTROL PANEL ASSY (PL) RIGHT COVER PLATE SUPPORT, GLASS RETAINER, GLASS SUPPORT RET, GLASS SUPPORT (UPPER) PLATE, LOCKING RET, GLASS SUPPORT (LOWER)	E-AD-7005554-0-0 A-PL-7005554-0-0 D-MD-7405332-0-0 D-IA-7406098-0-0 C-IA-7406551-0-0 B-MD-7406544-0-0 B-MD-7406474-0-0 A-MD-7406545-0-0		10	ETCH BOARD ASSY ASSY/DRILLING HOLE LAYOUT	D-IA-5404519-0-0 C-AH-5404519-0-5		7	ETCH BOARD ASSY CIRCUIT SCHEMATIC	B-CS-5404515-0-1		3	BEZEL CASTING REWORK PIN, PIVOT	E-IA-7406188-0-0 A-MD-7406548-0-0		10	ETCH BOARD ASSY CIRCUIT SCHEMATIC	B-CS-5404519-0-1		4	INDICATOR PANEL CONTROL PANEL STEP #4 CONTROL PANEL STEP #3 CONTROL PANEL STEP #2 CONTROL PANEL STEP #1	D-IA-7405726-0-0 C-SS-7405992-0-0 C-SS-7405991-0-0 C-SS-7405980-0-0 C-SS-7405979-0-0		12	704 POWER SUPPLY 704 POWER SUPPLY (PL)	D-UA-704 -0-0 A-PL-704 -0-0		14	WIRE ASSY WIRE ASSY (PL) LOGIC FRAME SCOTCHCAL 288 PIN CONN BLOCK WIRING CASTING REWORK	D-AD-7005518-0-0 A-PL-7005518-0-0 A-BC-7406371-8-0 E-SC-3405466-0-0 E-IA-7406076-0-0		12	704 POWER SUPPLY	C-CS-704-0-1		5	LEFT COVER PLATE LEFT COVER PLATE SILK SCREEN	C-IA-7406245-0-0 A-SS-7406245-0-1		15	MTG BAR BAR, MTG	D-IA-7406100-0-0 C-MD-7405035-0-0		16	BRKT, FAN MTG ASSY BRKT, FAN MTG ASSY (PL) BRKT, FAN AC, HARNESS STOP FILTER R.H. STOP FILTER L.H.	E-AD-7005517-0-0 A-PL-7005517-0-0 D-MD-7406086-0-0 D-IA-7005753-0-0 B-IA-7406599-0-0 B-IA-7406600-0-0		14	WIRE ASSY	D-AD-7005519-0-0		6	SWITCH BOARD ASSY CLAMP, CABLE	D-IA-7005732-0-0 1202704		17	PLATE HOLD DOWN FOAM STIMPSON	D-IA-7406083-0-0 1205892		21	8/I PC BACK PANEL KIT	D-BL-7006021-00		7	ETCH BOARD ASSY (BURN ORN)ROCKER TO SWITCH RS-50FB-PC (LIGHT GRAY)ROCKER TO SWITCH RS-50FB-PC (BURN ORN)ROCKER TO SWITCH RS-9-3-FB (LIGHT GRAY)ROCKER TO SWITCH RS-9-3-FB SPACER #2 SPACER SWITCH BOARD ASSY/DRILLING HOLE LAYOUT	D-IA-5404515-0-0 C-AD-5404539-1-0 C-AD-5404539-2-0 C-AD-5404536-1-0 C-AD-5404536-2-0 C-MD-5503902-0-0 B-MD-7406549-0-0 C-AH-5404515-0-5		18	SYSTEM CONFIG (OPTIONAL) CABLE CONN W011 TO W021 CABLE CONN W011 TO W021 EXT P. SUPPLY	D-AR-81-0-25 C-IA-7005820-1-0 C-IA-7005820-2-0 C-IA-7406414-0-0		22	SWITCH FILTER CS	B-CS-5408279-0-1		8	ETCH BOARD ETCH PATTERN P.C. BLANK	C-IA-5004514-0-0 PC-5004514 1404721		19	BASIC CAB CONFIG (OPTIONAL) RET, TRANS RET, TRANS STRIP BLANK, TOP	D-AR-81-0-24 C-MD-7406407-0-0 A-MD-7406378-0-0 C-MD-7406401-0-0		1	CUSTOMER VARIATIONS	A-CV-81-0-33		20	TABLE, PDP 8I (OPTIONAL)	E-AD-7005951-0-0		CONT	8I/8L BUS ACCESSORY LIST	A-SP-81-0-34 A-AL-81-0-35		22	SWITCH FILTER SWITCH FILTER (PL) SWITCH FILTER COVER	C-AD-5408279-0-0 A-PL-5408279-0-0 B-MD-5508281-0-0	

QTY.	DESCRIPTION	PART NO.	ITEM NO.
PARTS LIST			
UNLESS OTHERWISE SPECIFIED			
DRN. DOUG HALL	DATE 10/28/67	digital EQUIPMENT CORPORATION MAYNARD, MASSACHUSETTS	
CHKD. D. HEALY	DATE 11/7/67	TITLE	
TOLERANCES		PDP 8/I DRAWING INDEX LIST	
DECIMALS FRACTIONS ANGLES	DATE 11/7/67	PROJ. ENG. S. ZNAMERKOWSKI	
± .005 ± 1/64 ± 0°30'	DATE 11/7/67	ED DECASTRO	
REMOVE BURRS AND BREAK SHARP CORNERS	DATE 11/8/67	PROD. R. CATOLET	
MATERIAL	FIRST USED ON	SCALE NONE	
FINISH	E-UA-81-0-0	SHEET 2 OF 2	
SIZE CODE NUMBER		REV	
D DI 81-0-21		W	
DIST. 6			

REVISIONS	REV.
CHANGE NO.	
CHK	

This drawing and specifications, herein, are the property of Digital Equipment Corporation and shall not be reproduced or copied or used in whole or in part as the basis for the manufacture or sale of items without written permission.

- NOTES:
- A2 = +5V
B2 = -15V
C2 = GROUND
 - 15V(B2) NOT USED ON RACKS C, D, E & F.
 - ATTACH NEOPRENE SHIMS (ITEM #10) BETWEEN BLOCKS IN APPROX. LOCATION SHOWN WITH ITEM #11 (DOUBLE SIDED TAPE)



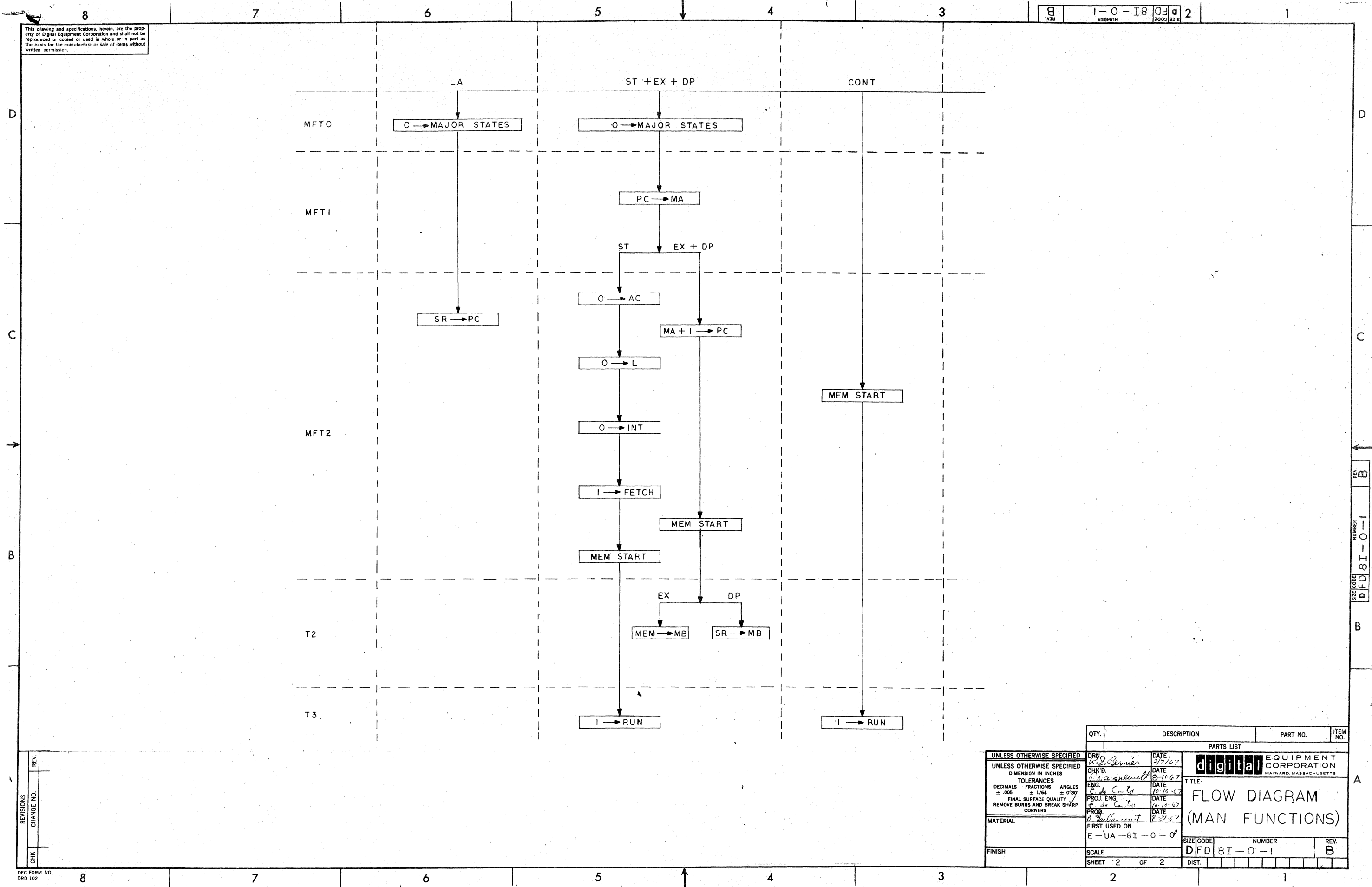
REV.	CHANGE NO.	DESCRIPTION
A	ECO # 3158	CHANGED PARTS LIST
B	ECO # 3300	CHGD PARTS LIST
C	ECO # 3303	TITLE WAS WIRED ASSY CASTING
D	ECO # 3303	ECO # 3303
E	ECO # 3303	ECO # 3303
F	ECO # 3303	ECO # 3303
G	ECO # 3303	ECO # 3303
H	ECO # 3303	ECO # 3303

NOTE: AFTER WIRE WRAP SEE DWG #A-WL-BI-O-26 FOR ADDITIONAL POWER WIRES

QTY.	DESCRIPTION	PART NO.	ITEM NO.
PARTS LIST			
UNLESS OTHERWISE SPECIFIED		DRN. DATE	
DIMENSION IN INCHES		6/19/67	
TOLERANCES		DATE	
DECIMALS	FRACTIONS	ANGLES	8/15/67
±.005	± 1/64	± 0°30'	DATE
FINAL SURFACE QUALITY		8/15/67	
REMOVE BURRS AND BREAK SHARP CORNERS		DATE	
MATERIAL		PROD. DATE	
FINISH		FIRST USED ON	
		D-AD-7005652-0-0	
SCALE NONE		SIZE/CODE	
SHEET 1 OF 1		D AD 7005518-0-0	
		NUMBER	
		1	
		REV.	
		H	

This drawing and specifications, herein, are the property of Digital Equipment Corporation and shall not be reproduced or copied or used in whole or in part as the basis for the manufacture or sale of items without written permission.

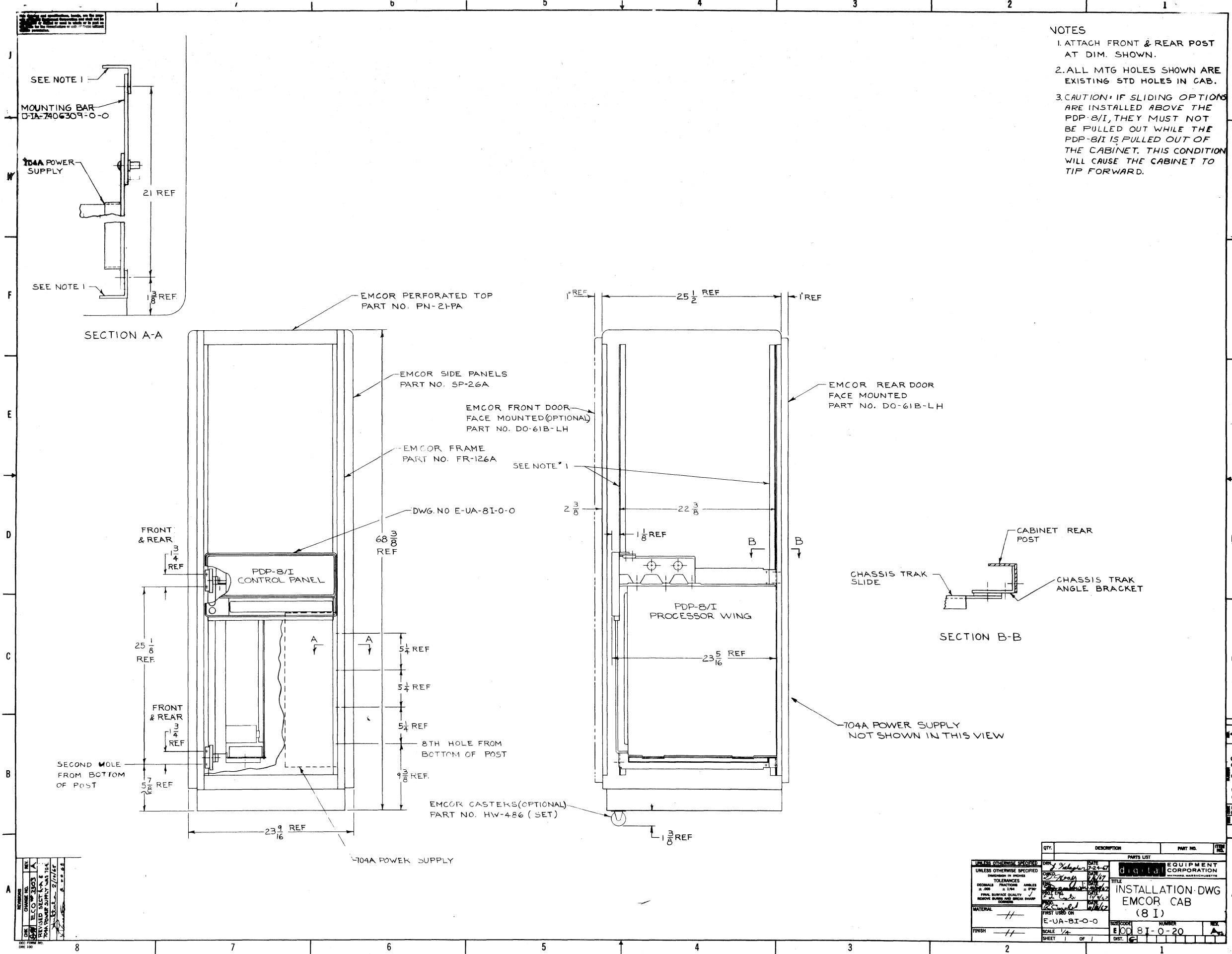
SIZE CODE DFD 81-0-1
NUMBER 2
REV B



REV.	
CHANGE NO.	
CHK	

QTY.	DESCRIPTION	PART NO.	ITEM NO.
PARTS LIST			
UNLESS OTHERWISE SPECIFIED			
DRA. <i>R. Bernier</i> DATE 2/7/67			
CHK'D. <i>W. Casavant</i> DATE 2-11-67			
ENG. <i>C. de Caeste</i> DATE 10-10-67			
PROJ. ENG. <i>C. de Caeste</i> DATE 10-10-67			
PROB. <i>B. Walker</i> DATE 8-21-67			
MATERIAL			
FINISH			
FIRST USED ON			
E-UA-81-0-0			
SCALE		SIZE CODE	NUMBER
SHEET 2 OF 2		DFD 81-0-1	REV. B

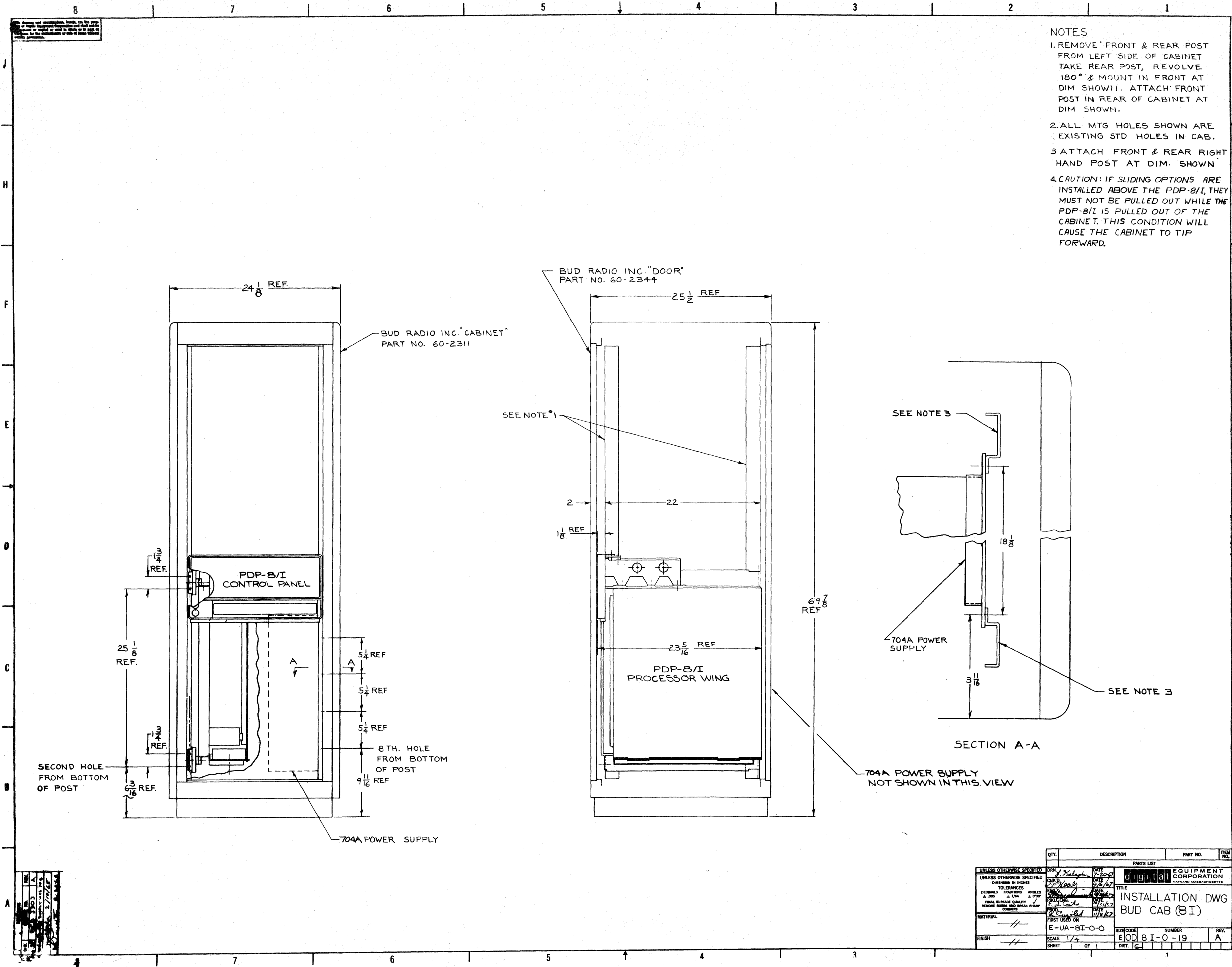
digital EQUIPMENT CORPORATION
MAYNARD, MASSACHUSETTS
TITLE:
FLOW DIAGRAM (MAN FUNCTIONS)



- NOTES
1. ATTACH FRONT & REAR POST AT DIM. SHOWN.
 2. ALL MTG HOLES SHOWN ARE EXISTING STD HOLES IN CAB.
 3. CAUTION: IF SLIDING OPTIONS ARE INSTALLED ABOVE THE PDP-8/I, THEY MUST NOT BE PULLED OUT WHILE THE PDP-8/I IS PULLED OUT OF THE CABINET. THIS CONDITION WILL CAUSE THE CABINET TO TIP FORWARD.

REV	DATE	BY	CHKD
1	10/1/68	J. C. S.	J. C. S.
2	10/1/68	J. C. S.	J. C. S.
3	10/1/68	J. C. S.	J. C. S.
4	10/1/68	J. C. S.	J. C. S.
5	10/1/68	J. C. S.	J. C. S.
6	10/1/68	J. C. S.	J. C. S.
7	10/1/68	J. C. S.	J. C. S.
8	10/1/68	J. C. S.	J. C. S.

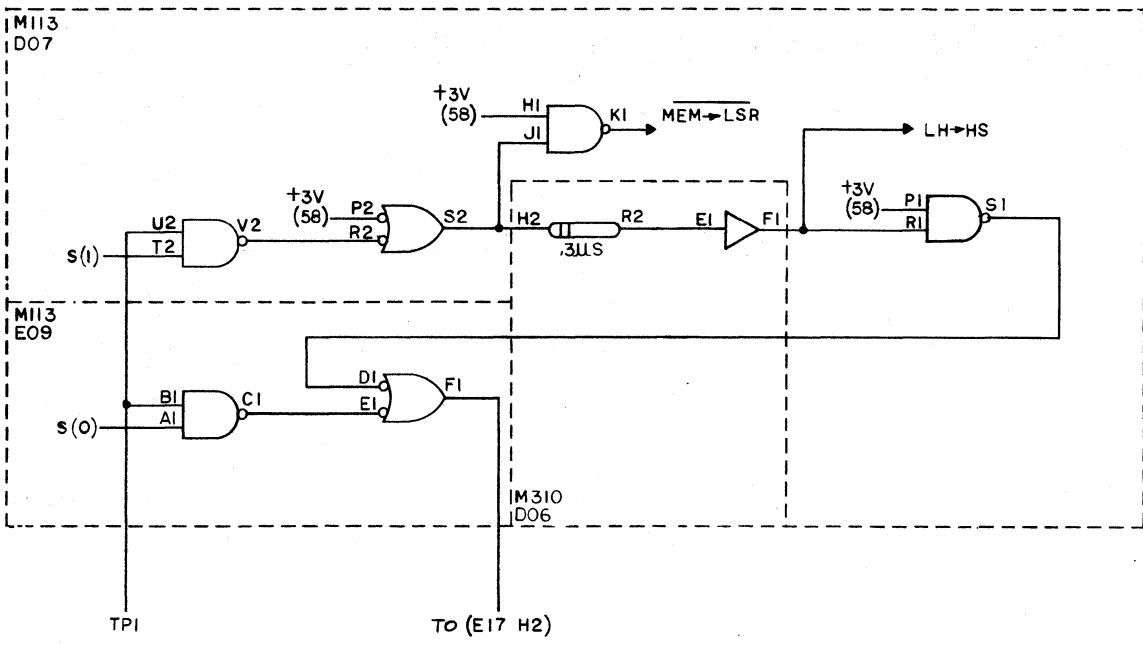
UNLESS OTHERWISE SPECIFIED	DRN	DATE	BY	CHKD
TOLERANCES	1/16	10/1/68	J. C. S.	J. C. S.
FINISH SURFACE QUALITY	1/16	10/1/68	J. C. S.	J. C. S.
MATERIAL	1/16	10/1/68	J. C. S.	J. C. S.
FINISH	1/16	10/1/68	J. C. S.	J. C. S.
QTY.	DESCRIPTION	PART NO.	UNIT	
1	EMCOR CAB (8 I)	E-UA-81-0-0		
1	704A POWER SUPPLY			
1	EMCOR PERFORATED TOP	PN-21-PA		
1	EMCOR SIDE PANELS	SP-26A		
1	EMCOR FRONT DOOR	DO-61B-LH		
1	EMCOR REAR DOOR	DO-61B-LH		
1	EMCOR FRAME	FR-126A		
1	EMCOR CASTERS (OPTIONAL)	HW-486 (SET)		
1	PDP-8/I CONTROL PANEL			
1	PDP-8/I PROCESSOR WING			
1	704A POWER SUPPLY			
1	EMCOR PERFORATED TOP	PN-21-PA		
1	EMCOR SIDE PANELS	SP-26A		
1	EMCOR FRONT DOOR	DO-61B-LH		
1	EMCOR REAR DOOR	DO-61B-LH		
1	EMCOR FRAME	FR-126A		
1	EMCOR CASTERS (OPTIONAL)	HW-486 (SET)		
1	PDP-8/I CONTROL PANEL			
1	PDP-8/I PROCESSOR WING			
1	704A POWER SUPPLY			
1	EMCOR PERFORATED TOP	PN-21-PA		
1	EMCOR SIDE PANELS	SP-26A		
1	EMCOR FRONT DOOR	DO-61B-LH		
1	EMCOR REAR DOOR	DO-61B-LH		
1	EMCOR FRAME	FR-126A		
1	EMCOR CASTERS (OPTIONAL)	HW-486 (SET)		
1	PDP-8/I CONTROL PANEL			
1	PDP-8/I PROCESSOR WING			
1	704A POWER SUPPLY			
1	EMCOR PERFORATED TOP	PN-21-PA		
1	EMCOR SIDE PANELS	SP-26A		
1	EMCOR FRONT DOOR	DO-61B-LH		
1	EMCOR REAR DOOR	DO-61B-LH		
1	EMCOR FRAME	FR-126A		
1	EMCOR CASTERS (OPTIONAL)	HW-486 (SET)		
1	PDP-8/I CONTROL PANEL			
1	PDP-8/I PROCESSOR WING			
1	704A POWER SUPPLY			
1	EMCOR PERFORATED TOP	PN-21-PA		
1	EMCOR SIDE PANELS	SP-26A		
1	EMCOR FRONT DOOR	DO-61B-LH		
1	EMCOR REAR DOOR	DO-61B-LH		
1	EMCOR FRAME	FR-126A		
1	EMCOR CASTERS (OPTIONAL)	HW-486 (SET)		
1	PDP-8/I CONTROL PANEL			
1	PDP-8/I PROCESSOR WING			
1	704A POWER SUPPLY			
1	EMCOR PERFORATED TOP	PN-21-PA		
1	EMCOR SIDE PANELS	SP-26A		
1	EMCOR FRONT DOOR	DO-61B-LH		
1	EMCOR REAR DOOR	DO-61B-LH		
1	EMCOR FRAME	FR-126A		
1	EMCOR CASTERS (OPTIONAL)	HW-486 (SET)		
1	PDP-8/I CONTROL PANEL			
1	PDP-8/I PROCESSOR WING			
1	704A POWER SUPPLY			
1	EMCOR PERFORATED TOP	PN-21-PA		
1	EMCOR SIDE PANELS	SP-26A		
1	EMCOR FRONT DOOR	DO-61B-LH		
1	EMCOR REAR DOOR	DO-61B-LH		
1	EMCOR FRAME	FR-126A		
1	EMCOR CASTERS (OPTIONAL)	HW-486 (SET)		
1	PDP-8/I CONTROL PANEL			
1	PDP-8/I PROCESSOR WING			
1	704A POWER SUPPLY			
1	EMCOR PERFORATED TOP	PN-21-PA		
1	EMCOR SIDE PANELS	SP-26A		
1	EMCOR FRONT DOOR	DO-61B-LH		
1	EMCOR REAR DOOR	DO-61B-LH		
1	EMCOR FRAME	FR-126A		
1	EMCOR CASTERS (OPTIONAL)	HW-486 (SET)		
1	PDP-8/I CONTROL PANEL			
1	PDP-8/I PROCESSOR WING			
1	704A POWER SUPPLY			
1	EMCOR PERFORATED TOP	PN-21-PA		
1	EMCOR SIDE PANELS	SP-26A		
1	EMCOR FRONT DOOR	DO-61B-LH		
1	EMCOR REAR DOOR	DO-61B-LH		
1	EMCOR FRAME	FR-126A		
1	EMCOR CASTERS (OPTIONAL)	HW-486 (SET)		
1	PDP-8/I CONTROL PANEL			
1	PDP-8/I PROCESSOR WING			
1	704A POWER SUPPLY			
1	EMCOR PERFORATED TOP	PN-21-PA		
1	EMCOR SIDE PANELS	SP-26A		
1	EMCOR FRONT DOOR	DO-61B-LH		
1	EMCOR REAR DOOR	DO-61B-LH		
1	EMCOR FRAME	FR-126A		
1	EMCOR CASTERS (OPTIONAL)	HW-486 (SET)		
1	PDP-8/I CONTROL PANEL			
1	PDP-8/I PROCESSOR WING			
1	704A POWER SUPPLY			
1	EMCOR PERFORATED TOP	PN-21-PA		
1	EMCOR SIDE PANELS	SP-26A		
1	EMCOR FRONT DOOR	DO-61B-LH		
1	EMCOR REAR DOOR	DO-61B-LH		
1	EMCOR FRAME	FR-126A		
1	EMCOR CASTERS (OPTIONAL)	HW-486 (SET)		
1	PDP-8/I CONTROL PANEL			
1	PDP-8/I PROCESSOR WING			
1	704A POWER SUPPLY			
1	EMCOR PERFORATED TOP	PN-21-PA		
1	EMCOR SIDE PANELS	SP-26A		
1	EMCOR FRONT DOOR	DO-61B-LH		
1	EMCOR REAR DOOR	DO-61B-LH		
1	EMCOR FRAME	FR-126A		
1	EMCOR CASTERS (OPTIONAL)	HW-486 (SET)		
1	PDP-8/I CONTROL PANEL			
1	PDP-8/I PROCESSOR WING			
1	704A POWER SUPPLY			
1	EMCOR PERFORATED TOP	PN-21-PA		
1	EMCOR SIDE PANELS	SP-26A		
1	EMCOR FRONT DOOR	DO-61B-LH		
1	EMCOR REAR DOOR	DO-61B-LH		
1	EMCOR FRAME	FR-126A		
1	EMCOR CASTERS (OPTIONAL)	HW-486 (SET)		
1	PDP-8/I CONTROL PANEL			
1	PDP-8/I PROCESSOR WING			
1	704A POWER SUPPLY			
1	EMCOR PERFORATED TOP	PN-21-PA		
1	EMCOR SIDE PANELS	SP-26A		
1	EMCOR FRONT DOOR	DO-61B-LH		
1	EMCOR REAR DOOR	DO-61B-LH		
1	EMCOR FRAME	FR-126A		
1	EMCOR CASTERS (OPTIONAL)	HW-486 (SET)		
1	PDP-8/I CONTROL PANEL			
1	PDP-8/I PROCESSOR WING			
1	704A POWER SUPPLY			
1	EMCOR PERFORATED TOP	PN-21-PA		
1	EMCOR SIDE PANELS	SP-26A		
1	EMCOR FRONT DOOR	DO-61B-LH		
1	EMCOR REAR DOOR	DO-61B-LH		
1	EMCOR FRAME	FR-126A		
1	EMCOR CASTERS (OPTIONAL)	HW-486 (SET)		
1	PDP-8/I CONTROL PANEL			
1	PDP-8/I PROCESSOR WING			
1	704A POWER SUPPLY			
1	EMCOR PERFORATED TOP	PN-21-PA		
1	EMCOR SIDE PANELS	SP-26A		
1	EMCOR FRONT DOOR	DO-61B-LH		
1	EMCOR REAR DOOR	DO-61B-LH		
1	EMCOR FRAME	FR-126A		
1	EMCOR CASTERS (OPTIONAL)	HW-486 (SET)		
1	PDP-8/I CONTROL PANEL			
1	PDP-8/I PROCESSOR WING			
1	704A POWER SUPPLY			
1	EMCOR PERFORATED TOP	PN-21-PA		
1	EMCOR SIDE PANELS	SP-26A		
1	EMCOR FRONT DOOR	DO-61B-LH		
1	EMCOR REAR DOOR	DO-61B-LH		
1	EMCOR FRAME	FR-126A		
1	EMCOR CASTERS (OPTIONAL)	HW-486 (SET)		
1	PDP-8/I CONTROL PANEL			
1	PDP-8/I PROCESSOR WING			
1	704A POWER SUPPLY			
1	EMCOR PERFORATED TOP	PN-21-PA		
1	EMCOR SIDE PANELS	SP-26A		
1	EMCOR FRONT DOOR	DO-61B-LH		
1	EMCOR REAR DOOR	DO-61B-LH		
1	EMCOR FRAME	FR-126A		
1	EMCOR CASTERS (OPTIONAL)	HW-486 (SET)		
1	PDP-8/I CONTROL PANEL			
1	PDP-8/I PROCESSOR WING			
1	704A POWER SUPPLY			
1	EMCOR PERFORATED TOP	PN-21-PA		
1	EMCOR SIDE PANELS	SP-26A		
1	EMCOR FRONT DOOR	DO-61B-LH		
1	EMCOR REAR DOOR	DO-61B-LH		
1	EMCOR FRAME	FR-126A		
1	EMCOR CASTERS (OPTIONAL)	HW-486 (SET)		
1	PDP-8/I CONTROL PANEL			
1	PDP-8/I PROCESSOR WING			
1	704A POWER SUPPLY			
1	EMCOR PERFORATED TOP	PN-21-PA		
1	EMCOR SIDE PANELS	SP-26A		
1	EMCOR FRONT DOOR	DO-61B-LH		
1	EMCOR REAR DOOR	DO-61B-LH		
1	EMCOR FRAME	FR-126A		
1	EMCOR CASTERS (OPTIONAL)	HW-486 (SET)		
1	PDP-8/I CONTROL PANEL			
1	PDP-8/I PROCESSOR WING			
1	704A POWER SUPPLY			
1	EMCOR PERFORATED TOP	PN-21-PA		
1	EMCOR SIDE PANELS	SP-26A		
1	EMCOR FRONT DOOR	DO-61B-LH		
1	EMCOR REAR DOOR	DO-61B-LH		
1	EMCOR FRAME	FR-126A		
1	EMCOR CASTERS (OPTIONAL)	HW-486 (SET)		
1	PDP-8/I CONTROL PANEL			
1	PDP-8/I PROCESSOR WING			
1	704A POWER SUPPLY			
1	EMCOR PERFORATED TOP	PN-21-PA		
1	EMCOR SIDE PANELS	SP-26A		
1	EMCOR FRONT DOOR	DO-61B-LH		
1	EMCOR REAR DOOR	DO-61B-LH		
1	EMCOR FRAME	FR-126A		
1	EMCOR CASTERS (OPTIONAL)	HW-486 (SET)		
1	PDP-8/I CONTROL PANEL			
1	PDP-8/I PROCESSOR WING			
1	704A POWER SUPPLY			
1	EMCOR PERFORATED TOP	PN-21-PA		
1	EMCOR SIDE PANELS	SP-26A		
1	EMCOR FRONT DOOR	DO-61B-LH		
1	EMCOR REAR DOOR	DO-61B-LH		
1	EMCOR FRAME	FR-126A		
1	EMCOR CASTERS (OPTIONAL)	HW-486 (SET)		
1	PDP-8/I CONTROL PANEL			
1	PDP-8/I PROCESSOR WING			
1	704A POWER SUPPLY			
1	EMCOR PERFORATED TOP	PN-21-PA		
1	EMCOR SIDE PANELS	SP-26A		
1	EMCOR FRONT DOOR	DO-61B-LH		
1	EMCOR REAR DOOR	DO-61B-LH		
1	EMCOR FRAME	FR-126A		
1	EMCOR CASTERS (OPTIONAL)	HW-486 (SET)		
1	PDP-8/I CONTROL PANEL			
1	PDP-8/I PROCESSOR WING			
1	704A POWER SUPPLY			
1	EMCOR PERFORATED TOP	PN-21-PA		
1	EMCOR SIDE PANELS	SP-26A		
1	EMCOR FRONT DOOR	DO-61B-LH		
1	EMCOR REAR DOOR	DO-61B-LH		
1	EMCOR FRAME	FR-126A		
1	EMCOR CASTERS (OPTIONAL)	HW-486 (SET)		
1	PDP-8/I CONTROL PANEL			
1	PDP-8/I PROCESSOR WING			
1	704A POWER SUPPLY			
1	EMCOR PERFORATED TOP	PN-21-PA		
1	EMCOR SIDE PANELS	SP-26A		
1	EMCOR FRONT DOOR	DO-61B-LH		
1	EMCOR REAR DOOR	DO-61B-LH		
1	EMCOR FRAME	FR-126A		
1	EMCOR CASTERS (OPTIONAL)	HW-486 (SET)		
1	PDP-8/I CONTROL PANEL			
1	PDP-8/I PROCESSOR WING			
1	704A POWER SUPPLY			
1	EMCOR PERFORATED TOP	PN-21-PA		
1	EMCOR SIDE PANELS	SP-26A		
1	EMCOR FRONT DOOR	DO-61B-LH		
1	EMCOR REAR DOOR	DO-61B-LH		
1	EMCOR FRAME	FR-126A		
1	EMCOR CASTERS (OPTIONAL)	HW-486 (SET)		
1	PDP-8/I CONTROL PANEL			
1	PDP-8/I PROCESSOR WING			
1	704A POWER SUPPLY			
1				



- NOTES
1. REMOVE FRONT & REAR POST FROM LEFT SIDE OF CABINET. TAKE REAR POST, REVOLVE 180° & MOUNT IN FRONT AT DIM SHOWN. ATTACH FRONT POST IN REAR OF CABINET AT DIM SHOWN.
 2. ALL MTG HOLES SHOWN ARE EXISTING STD HOLES IN CAB.
 3. ATTACH FRONT & REAR RIGHT HAND POST AT DIM SHOWN.
 4. CAUTION: IF SLIDING OPTIONS ARE INSTALLED ABOVE THE PDP-8/I, THEY MUST NOT BE PULLED OUT WHILE THE PDP-8/I IS PULLED OUT OF THE CABINET. THIS CONDITION WILL CAUSE THE CABINET TO TIP FORWARD.

QTY.	DESCRIPTION	PART NO.	ITEM NO.
	PARTS LIST		
	digital EQUIPMENT CORPORATION		
	METHUEN, MASSACHUSETTS		
	TITLE		
	INSTALLATION DWG		
	BUD CAB (8I)		
	MATERIAL		
	E-UA-8I-0-0		
	FINISH		
	SCALE 1/4		
	SHEET OF		
	SIZE CODE NUMBER REV		
	EOD 8I-0-19 A		

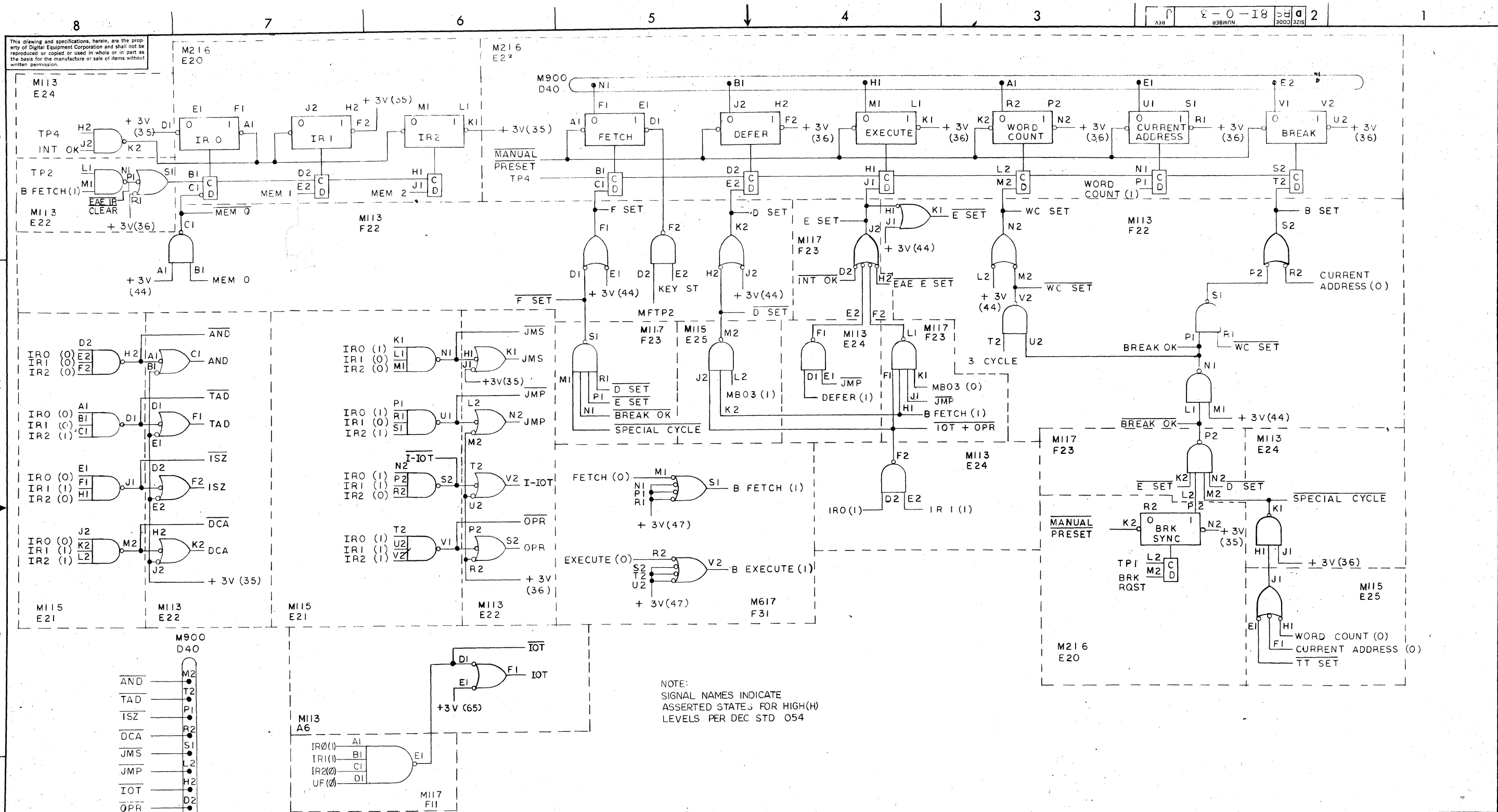
This drawing and specifications, herein, are the property of Digital Equipment Corporation and shall not be reproduced or copied or used in whole or in part as the basis for the manufacture or sale of items without written permission.



REV.	W
81-00081	W
81-00085	Y
81-00086	Z

DEC FORM NO. DRD 102 A

QTY.	DESCRIPTION	PART NO.	ITEM NO.
PARTS LIST			
UNLESS OTHERWISE SPECIFIED		DRN. <i>James Reardon</i>	DATE 9-24-68
UNLESS OTHERWISE SPECIFIED		CHK'D.	DATE
TOLERANCES		ENG.	DATE
DECIMALS FRACTIONS ANGLES		PROJ. ENG.	DATE
± .005 ± 1/64 ± 0°30'		PROD.	DATE
FINAL SURFACE QUALITY		FIRST USED ON	
REMOVE BURRS AND BREAK SHARP CORNERS		E-UA-81-0-0	
MATERIAL	TITLE		
FINISH	TIMING MANUAL		
	FUNCTIONS RUN		
	SCALE	NUMBER	REV.
	SHEET 2 OF 2	DBS 81-0-2	Z



REV.	DATE	BY	CHK.	DESCRIPTION
1	11/17/67	J. O'LOUGHLIN	J. O'LOUGHLIN	REVISED TO ADD IOT AND OPR
2	11/17/67	J. O'LOUGHLIN	J. O'LOUGHLIN	REVISED TO ADD IOT AND OPR
3	11/17/67	J. O'LOUGHLIN	J. O'LOUGHLIN	REVISED TO ADD IOT AND OPR
4	11/17/67	J. O'LOUGHLIN	J. O'LOUGHLIN	REVISED TO ADD IOT AND OPR
5	11/17/67	J. O'LOUGHLIN	J. O'LOUGHLIN	REVISED TO ADD IOT AND OPR
6	11/17/67	J. O'LOUGHLIN	J. O'LOUGHLIN	REVISED TO ADD IOT AND OPR
7	11/17/67	J. O'LOUGHLIN	J. O'LOUGHLIN	REVISED TO ADD IOT AND OPR
8	11/17/67	J. O'LOUGHLIN	J. O'LOUGHLIN	REVISED TO ADD IOT AND OPR

QTY.	DESCRIPTION	PART NO.	ITEM NO.
PARTS LIST			
UNLESS OTHERWISE SPECIFIED			
DIMENSION IN INCHES			
DECIMALS	FRACTIONS	ANGLES	
± .005	± 1/64	± 0°30'	
FINAL SURFACE QUALITY / REMOVE BURRS AND BREAK SHARP CORNERS			
MATERIAL		FIRST USED ON	
FINISH		E-UA-8I-0-0	
SCALE		SIZE CODE	
SHEET 1 OF 1		D1BS 8I-0-3	
		NUMBER	
		8I-0-3	
		REV	
		J1	

This drawing and specifications, herein, are the property of Digital Equipment Corporation and shall not be reproduced or copied or used in whole or in part as the basis for the manufacture or sale of items without written permission.

D

D

C

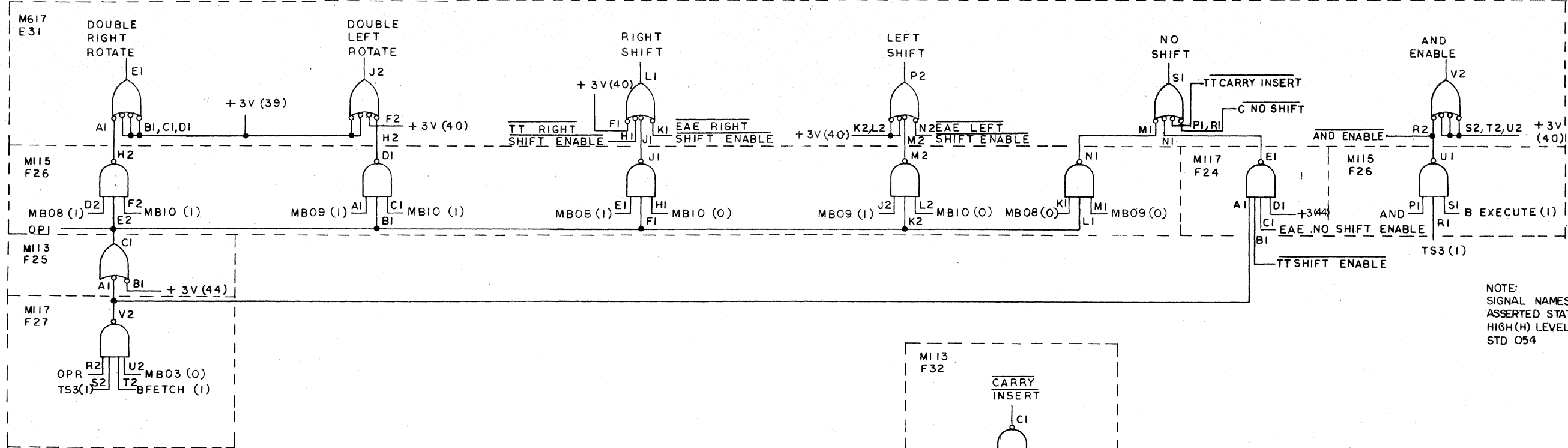
C

B

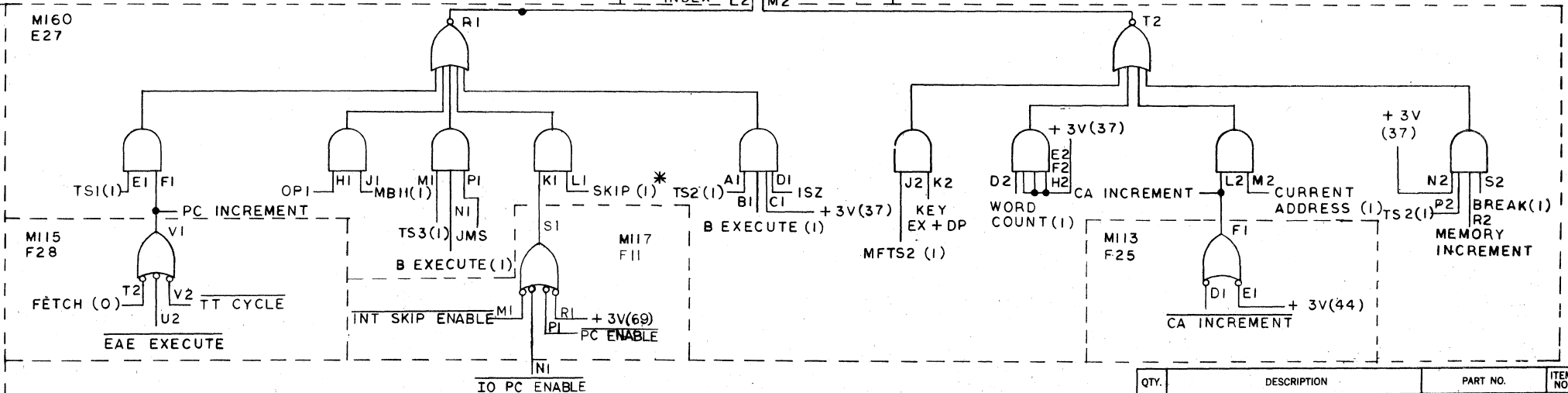
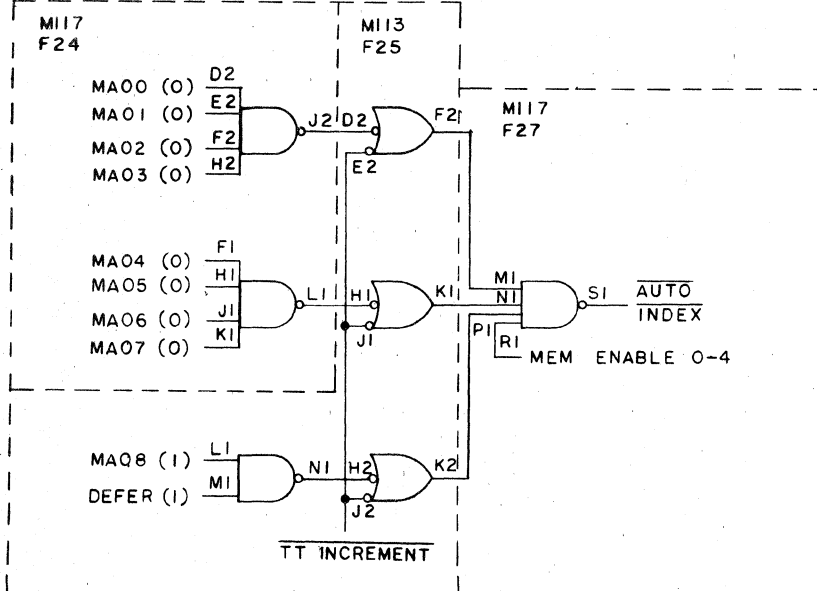
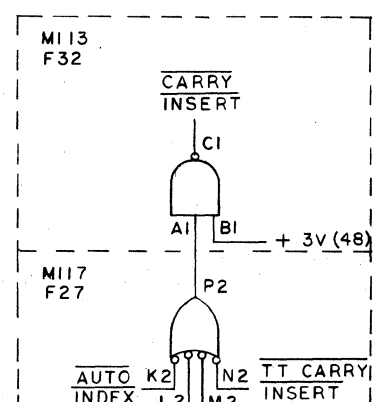
B

A

A



NOTE: SIGNAL NAMES INDICATE ASSERTED STATES FOR HIGH(H) LEVELS PER DEC STD 054



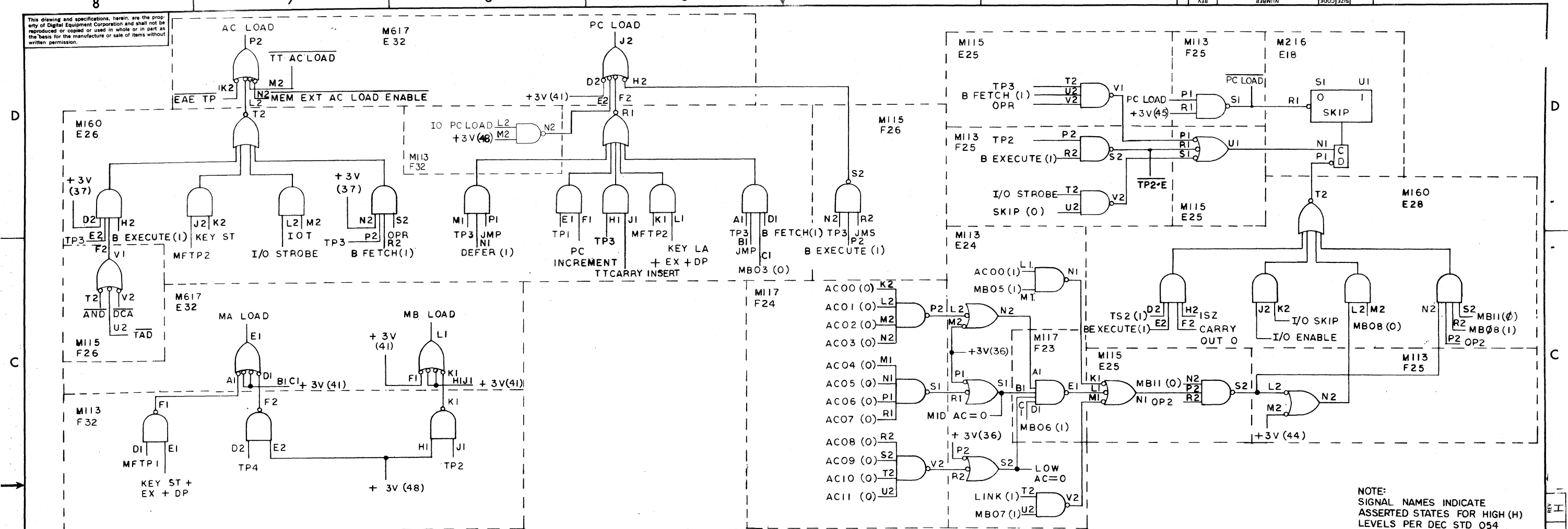
* NOTE: IF A KT81 IS INSTALLED THIS BECOMES SKIP ORED. SEE OPTION JUMPERS 81-0-23

REV.	CHG. NO.	DATE	BY	CHKD.
1	1	9/27/67	J. O'LOUGHLIN	J. O'LOUGHLIN
2	2	10/14/67	J. O'LOUGHLIN	J. O'LOUGHLIN
3	3	10/14/67	J. O'LOUGHLIN	J. O'LOUGHLIN
4	4	10/14/67	J. O'LOUGHLIN	J. O'LOUGHLIN
5	5	10/14/67	J. O'LOUGHLIN	J. O'LOUGHLIN
6	6	10/14/67	J. O'LOUGHLIN	J. O'LOUGHLIN
7	7	10/14/67	J. O'LOUGHLIN	J. O'LOUGHLIN
8	8	10/14/67	J. O'LOUGHLIN	J. O'LOUGHLIN

QTY.	DESCRIPTION	PART NO.	ITEM NO.
	PARTS LIST		
	UNLESS OTHERWISE SPECIFIED		
	UNLESS OTHERWISE SPECIFIED		
	TOLERANCES		
	DECIMALS FRACTIONS ANGLES		
	± .005 ± 1/64 ± 0°30'		
	FINAL SURFACE QUALITY		
	REMOVE BURRS AND BREAK SHARP CORNERS		
	MATERIAL		
	FINISH		
	DRM 0	DATE 1/10/67	
	CHKD. R. J. Bernick	DATE 8-11-67	
	ENG. C. J. Carter	DATE 10-11-67	
	PROJ. ENG. C. J. Carter	DATE 10-11-67	
	PROD. J. O'LOUGHLIN	DATE 8-21-67	
	FIRST USED ON		
	E-UA-81-0-0		
	SCALE		
	SHEET 1 OF 1		
	digital EQUIPMENT CORPORATION MAYNARD, MASSACHUSETTS		
	TITLE SHIFT & CARRY GATE CONTROL		
	SIZE CODE	NUMBER	REV.
	DBS 81-0-5		H
	DIST.		

REV. H
NUMBER DBS 81-0-5

This drawing and specifications, herein, are the property of Digital Equipment Corporation and shall not be reproduced or copied in whole or in part as a basis for the manufacture or sale of items without written permission.



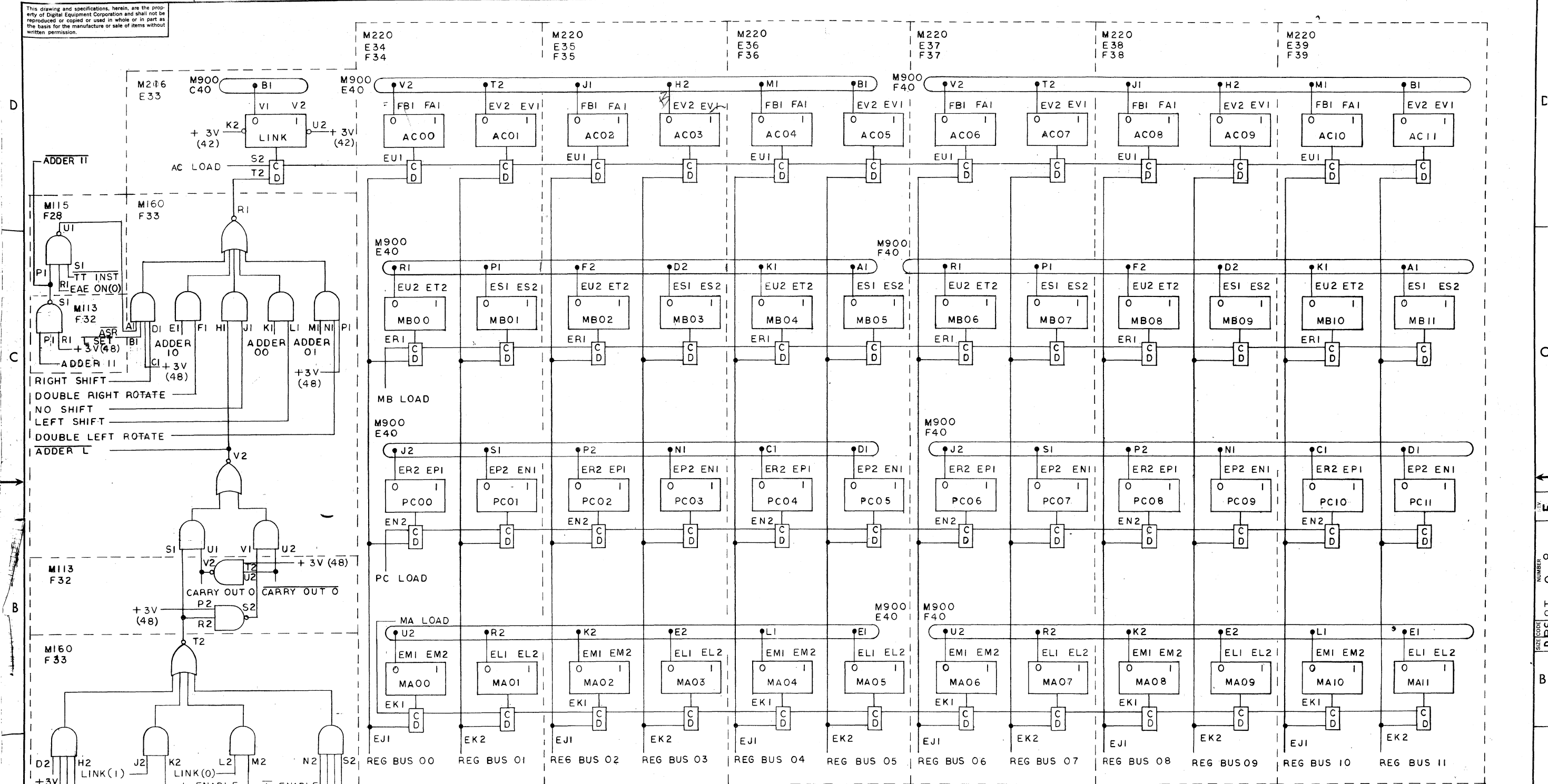
REV.	CHANGE NO.	DATE	BY
A	1	9-6-67	ECO
B	2	9-11-67	ECO
C	3	10-1-67	ECO
D	4	10-1-67	ECO
E	5	10-1-67	ECO
F	6	10-1-67	ECO
G	7	10-1-67	ECO
H	8	10-1-67	ECO

QTY.	DESCRIPTION	PART NO.	ITEM NO.
PARTS LIST			
UNLESS OTHERWISE SPECIFIED: DRN DATE 2/2/67			
UNLESS OTHERWISE SPECIFIED: CHKD. DATE 8-11-67			
DIMENSION IN INCHES: ENG. DATE 10-1-67			
TOLERANCES: DECIMALS FRACTIONS ANGLES: F. de Coster DATE 10-1-67			
= .005 = 1/64 = 0°30' PROJ. ENG. DATE 10-1-67			
FINAL SURFACE QUALITY: REMOVE BURRS AND BREAK SHARP CORNERS: PROD. DATE 9-21-67			
MATERIAL: FIRST USED ON: E-UA-8I-0-0			
FINISH: SCALE: SHEET 1 OF 1			
SIZE CODE: DBS 8I-0-6		NUMBER: H	
DIST.			

NOTE: SIGNAL NAMES INDICATE ASSERTED STATES FOR HIGH (H) LEVELS PER DEC STD 054.

REV. H
NUMBER 8I-0-6
SIZE CODE DBS

This drawing and specifications, herein, are the property of Digital Equipment Corporation and shall not be reproduced or copied or used in whole or in part as the basis for the manufacture or sale of items without written permission.



NOTE:
SIGNAL NAMES INDICATE ASSERTED STATES
FOR HIGH (H) LEVELS PER DEC STD 054

REV.	CHG. NO.	DATE	BY	CHK.
A	1	9-6-67	D. Hall	
B	2	10-11-67	R. L. ...	
C	3	10-11-67	R. L. ...	
D	4	10-11-67	R. L. ...	
E	5	10-11-67	R. L. ...	

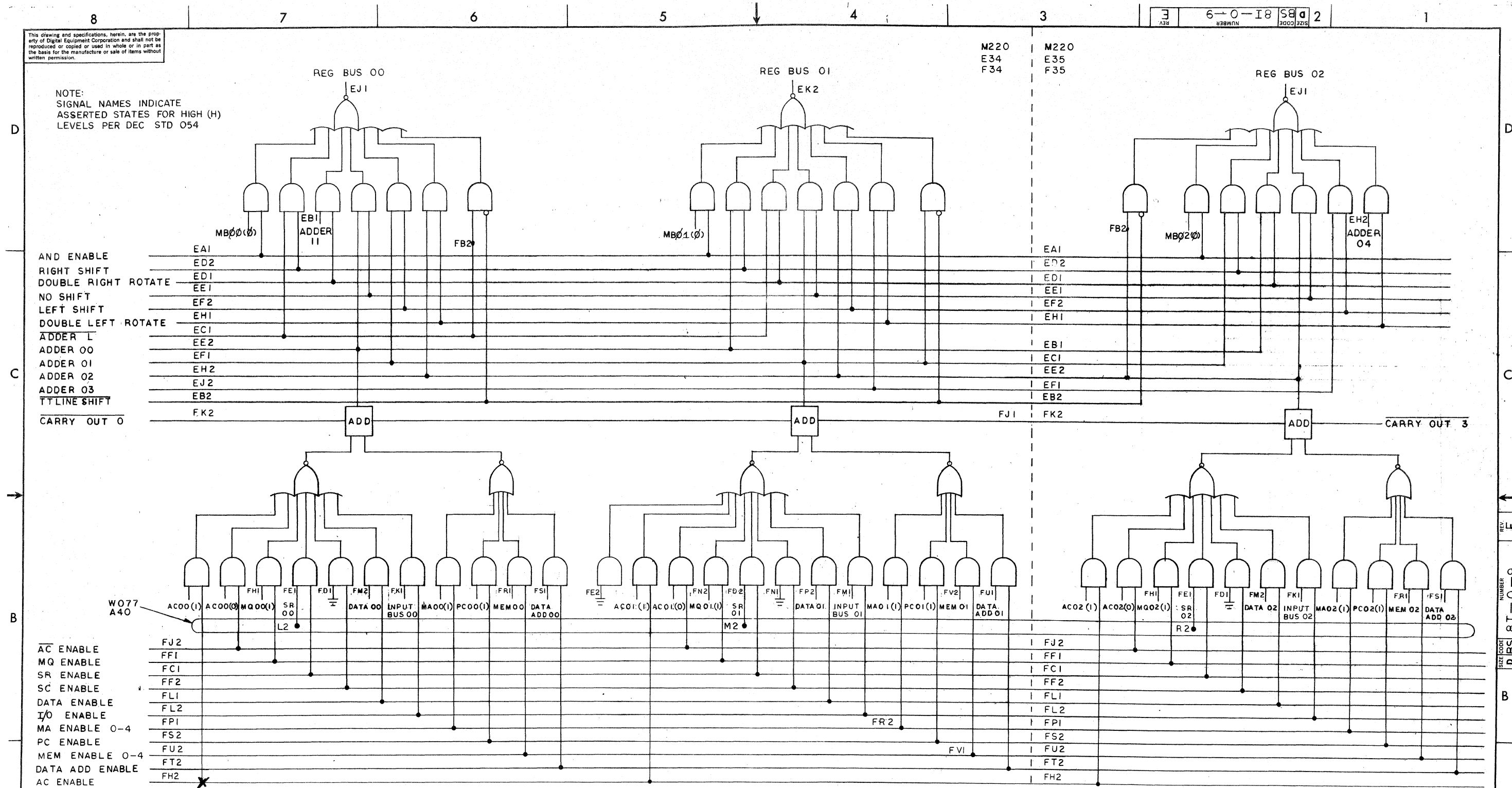
QTY.	DESCRIPTION	PART NO.	ITEM NO.
PARTS LIST			
UNLESS OTHERWISE SPECIFIED			
DIMENSION IN INCHES			
TOLERANCES			
DECIMALS	FRACTIONS	ANGLES	
± .005	± 1/64	± 0°30'	
FINAL SURFACE QUALITY / REMOVE BURRS AND BREAK SHARP CORNERS			
MATERIAL			
FIRST USED ON			
E-UA-81-0-0			
FINISH			
SCALE			
SHEET 1 OF 1			
SIZE CODE		NUMBER	REV.
D BS		81-0-8	E
DIST.			

digital EQUIPMENT CORPORATION
MAYNARD, MASSACHUSETTS

TITLE
MAJOR REGISTERS

This drawing and specifications, herein, are the property of Digital Equipment Corporation and shall not be reproduced or copied or used in whole or in part as the basis for the manufacture or sale of items without written permission.

NOTE:
SIGNAL NAMES INDICATE
ASSERTED STATES FOR HIGH (H)
LEVELS PER DEC STD 054

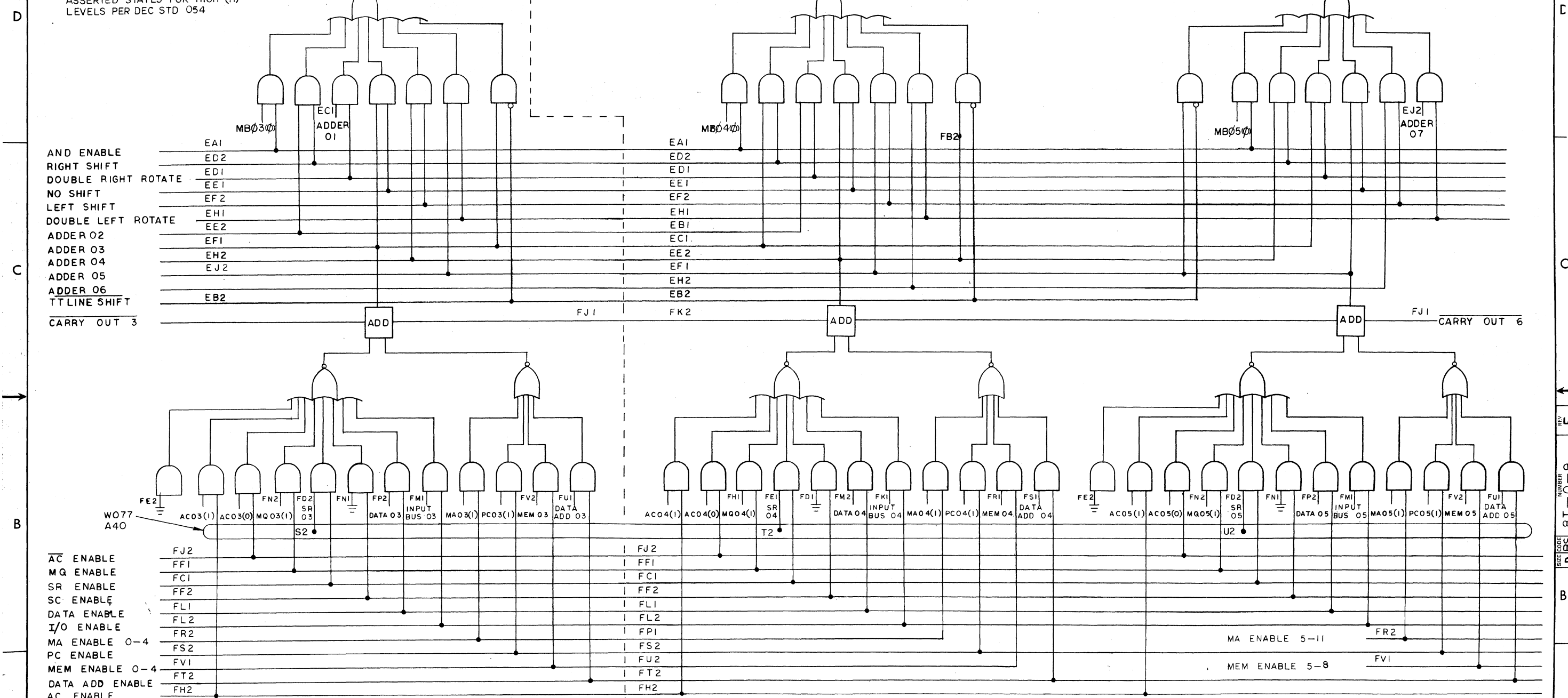


REV.	CHG.	NO.	DATE	BY
A				
B				
C				
D				
E				

QTY.	DESCRIPTION	PART NO.	ITEM NO.
	PARTS LIST		
	UNLESS OTHERWISE SPECIFIED		
	DIMENSION IN INCHES		
	TOLERANCES		
	DECIMALS FRACTIONS ANGLES		
	± .005 ± 1/64 ± 0°30'		
	FINAL SURFACE QUALITY / REMOVE BURRS AND BREAK SHARP CORNERS		
	MATERIAL		
	FINISH		
	SCALE		
	SHEET 1 OF 4		
	DATE 1/5/66		
	DATE 8-11-67		
	DATE 10-10-67		
	DATE 11-11-67		
	DATE 12-11-67		
	DATE 1-11-68		
	DATE 2-11-68		
	DATE 3-11-68		
	DATE 4-11-68		
	DATE 5-11-68		
	DATE 6-11-68		
	DATE 7-11-68		
	DATE 8-11-68		
	DATE 9-11-68		
	DATE 10-11-68		
	DATE 11-11-68		
	DATE 12-11-68		
	DATE 1-11-69		
	DATE 2-11-69		
	DATE 3-11-69		
	DATE 4-11-69		
	DATE 5-11-69		
	DATE 6-11-69		
	DATE 7-11-69		
	DATE 8-11-69		
	DATE 9-11-69		
	DATE 10-11-69		
	DATE 11-11-69		
	DATE 12-11-69		
	DATE 1-11-70		
	DATE 2-11-70		
	DATE 3-11-70		
	DATE 4-11-70		
	DATE 5-11-70		
	DATE 6-11-70		
	DATE 7-11-70		
	DATE 8-11-70		
	DATE 9-11-70		
	DATE 10-11-70		
	DATE 11-11-70		
	DATE 12-11-70		
	DATE 1-11-71		
	DATE 2-11-71		
	DATE 3-11-71		
	DATE 4-11-71		
	DATE 5-11-71		
	DATE 6-11-71		
	DATE 7-11-71		
	DATE 8-11-71		
	DATE 9-11-71		
	DATE 10-11-71		
	DATE 11-11-71		
	DATE 12-11-71		
	DATE 1-11-72		
	DATE 2-11-72		
	DATE 3-11-72		
	DATE 4-11-72		
	DATE 5-11-72		
	DATE 6-11-72		
	DATE 7-11-72		
	DATE 8-11-72		
	DATE 9-11-72		
	DATE 10-11-72		
	DATE 11-11-72		
	DATE 12-11-72		
	DATE 1-11-73		
	DATE 2-11-73		
	DATE 3-11-73		
	DATE 4-11-73		
	DATE 5-11-73		
	DATE 6-11-73		
	DATE 7-11-73		
	DATE 8-11-73		
	DATE 9-11-73		
	DATE 10-11-73		
	DATE 11-11-73		
	DATE 12-11-73		
	DATE 1-11-74		
	DATE 2-11-74		
	DATE 3-11-74		
	DATE 4-11-74		
	DATE 5-11-74		
	DATE 6-11-74		
	DATE 7-11-74		
	DATE 8-11-74		
	DATE 9-11-74		
	DATE 10-11-74		
	DATE 11-11-74		
	DATE 12-11-74		
	DATE 1-11-75		
	DATE 2-11-75		
	DATE 3-11-75		
	DATE 4-11-75		
	DATE 5-11-75		
	DATE 6-11-75		
	DATE 7-11-75		
	DATE 8-11-75		
	DATE 9-11-75		
	DATE 10-11-75		
	DATE 11-11-75		
	DATE 12-11-75		
	DATE 1-11-76		
	DATE 2-11-76		
	DATE 3-11-76		
	DATE 4-11-76		
	DATE 5-11-76		
	DATE 6-11-76		
	DATE 7-11-76		
	DATE 8-11-76		
	DATE 9-11-76		
	DATE 10-11-76		
	DATE 11-11-76		
	DATE 12-11-76		
	DATE 1-11-77		
	DATE 2-11-77		
	DATE 3-11-77		
	DATE 4-11-77		
	DATE 5-11-77		
	DATE 6-11-77		
	DATE 7-11-77		
	DATE 8-11-77		
	DATE 9-11-77		
	DATE 10-11-77		
	DATE 11-11-77		
	DATE 12-11-77		
	DATE 1-11-78		
	DATE 2-11-78		
	DATE 3-11-78		
	DATE 4-11-78		
	DATE 5-11-78		
	DATE 6-11-78		
	DATE 7-11-78		
	DATE 8-11-78		
	DATE 9-11-78		
	DATE 10-11-78		
	DATE 11-11-78		
	DATE 12-11-78		
	DATE 1-11-79		
	DATE 2-11-79		
	DATE 3-11-79		
	DATE 4-11-79		
	DATE 5-11-79		
	DATE 6-11-79		
	DATE 7-11-79		
	DATE 8-11-79		
	DATE 9-11-79		
	DATE 10-11-79		
	DATE 11-11-79		
	DATE 12-11-79		
	DATE 1-11-80		
	DATE 2-11-80		
	DATE 3-11-80		
	DATE 4-11-80		
	DATE 5-11-80		
	DATE 6-11-80		
	DATE 7-11-80		
	DATE 8-11-80		
	DATE 9-11-80		
	DATE 10-11-80		
	DATE 11-11-80		
	DATE 12-11-80		
	DATE 1-11-81		
	DATE 2-11-81		
	DATE 3-11-81		
	DATE 4-11-81		
	DATE 5-11-81		
	DATE 6-11-81		
	DATE 7-11-81		
	DATE 8-11-81		
	DATE 9-11-81		
	DATE 10-11-81		
	DATE 11-11-81		
	DATE 12-11-81		
	DATE 1-11-82		
	DATE 2-11-82		
	DATE 3-11-82		
	DATE 4-11-82		
	DATE 5-11-82		
	DATE 6-11-82		
	DATE 7-11-82		
	DATE 8-11-82		
	DATE 9-11-82		
	DATE 10-11-82		
	DATE 11-11-82		
	DATE 12-11-82		
	DATE 1-11-83		
	DATE 2-11-83		
	DATE 3-11-83		
	DATE 4-11-83		
	DATE 5-11-83		
	DATE 6-11-83		
	DATE 7-11-83		
	DATE 8-11-83		
	DATE 9-11-83		
	DATE 10-11-83		
	DATE 11-11-83		
	DATE 12-11-83		
	DATE 1-11-84		
	DATE 2-11-84		
	DATE 3-11-84		
	DATE 4-11-84		
	DATE 5-11-84		
	DATE 6-11-84		
	DATE 7-11-84		
	DATE 8-11-84		
	DATE 9-11-84		
	DATE 10-11-84		
	DATE 11-11-84		
	DATE 12-11-84		
	DATE 1-11-85		
	DATE 2-11-85		
	DATE 3-11-85		
	DATE 4-11-85		
	DATE 5-11-85		
	DATE 6-11-85		
	DATE 7-11-85		
	DATE 8-11-85		
	DATE 9-11-85		
	DATE 10-11-85		
	DATE 11-11-85		
	DATE 12-11-85		
	DATE 1-11-86		
	DATE 2-11-86		
	DATE 3-11-86		
	DATE 4-11-86		
	DATE 5-11-86		
	DATE 6-11-86		
	DATE 7-11-86		
	DATE 8-11-86		
	DATE 9-11-86		
	DATE 10-11-86		
	DATE 11-11-86		
	DATE 12-11-86		
	DATE 1-11-87		
	DATE 2-11-87		
	DATE 3-11-87		
	DATE 4-11-87		
	DATE 5-11-87		
	DATE 6-11-87		
	DATE 7-11-87		
	DATE 8-11-87		
	DATE 9-11-87		
	DATE 10-11-87		
	DATE 11-11-87		
	DATE 12-11-87		
	DATE 1-11-88		
	DATE 2-11-88		
	DATE 3-11-88		
	DATE 4-11-88		
	DATE 5-11-88		
	DATE 6-11-88		
	DATE 7-11-88		
	DATE 8-11-88		
	DATE 9-11-88		
	DATE 10-11-88		
	DATE 11-11-88		
	DATE 12-11-88		
	DATE 1-11-89		
	DATE 2-11-89		
	DATE 3-11-89		
	DATE 4-11-89		
	DATE 5-11-89		
	DATE 6-11-89		
	DATE 7-11-89		
	DATE 8-11-89		
	DATE 9-11-89		
	DATE 10-11-89		
	DATE 11-11-89		
	DATE 12-11-89		
	DATE 1-11-90		
	DATE 2-11-90		
	DATE 3-11-90		
	DATE 4-11-90		
	DATE 5-11-90		
	DATE 6-11-90		
	DATE 7-11-90		
	DATE 8-11-90		
	DATE 9-11-90		
	DATE 10-11-90		
	DATE 11-11-90		
	DATE 12-11-90		
	DATE 1-11-91		
	DATE 2-11-91		
	DATE 3-11-91		
	DATE 4-11-91		
	DATE 5-11-91		
	DATE 6-11-91		
	DATE 7-11-91		
	DATE 8-11-91		
	DATE 9-11-91		
	DATE 10-11-91		
	DATE 11-11-91		
	DATE 12-11-91		
	DATE 1-11-92		
	DATE 2-11-92		
	DATE 3-11-92		
	DATE 4-11-92		
	DATE 5-11-92		
	DATE 6-11-92		
	DATE 7-11-92		
	DATE 8-11-92		
	DATE 9-11-92		
	DATE 10-11-92		
	DATE 11-11-92		
	DATE 12-11-92		
	DATE 1-11-93		
	DATE 2-11-93		
	DATE 3-11-93		
	DATE 4-11-93		
	DATE 5-11-93		
	DATE 6-11-93		
	DATE 7-11-93		
	DATE 8-11-93		
	DATE 9-11-93		
	DATE 10-11-93		
	DATE 11-11-93		
	DATE 12-11-93		
	DATE 1-11-94		
	DATE 2-11-94		
	DATE 3-11-94		
	DATE 4-11-94		
	DATE 5-11-94		
	DATE 6-11-94		
	DATE 7-11-94		
	DATE 8-11-94		
	DATE 9-11-94		
	DATE 10-11-94		
	DATE 11-11-94		
	DATE 12-11-94		
	DATE 1-11-95		
	DATE 2-11-95		
	DATE 3-11-95		
	DATE 4-11-95		
	DATE 5-11-95		
	DATE 6-11-95		
	DATE 7-11-95		
	DATE 8-11-95		
	DATE 9-11-95		
	DATE 10-11-95		
	DATE 11-11-95		
	DATE 12-11-95		
	DATE 1-11-96		
	DATE 2-11-96		
	DATE 3-11-96		
	DATE 4-11-96		
	DATE 5-11-96		
	DATE 6-11-96		
	DATE 7-11-96		
	DATE 8-11-96		
	DATE 9-11-96		
	DATE 10-11-96		
	DATE 11-11-96		
	DATE 12-11-96		
	DATE 1-11-97		
	DATE 2-11-97		
	DATE 3-11-97		
	DATE 4-11-97		
	DATE 5-11-97		
	DATE 6-11-97		
	DATE 7-11-97		
	DATE 8-11-97		
	DATE 9-11-97		
	DATE 10-11-97		
	DATE 11-11-97		
	DATE 12-11-97		
	DATE 1-11-98		
	DATE 2-11-98		
	DATE 3-11-98		
	DATE 4-11-98		
	DATE 5-11-98		
	DATE 6-11-98		
	DATE 7-11-98		
	DATE 8-11-98		

This drawing and specifications, herein, are the property of Digital Equipment Corporation and shall not be reproduced or copied or used in whole or in part as the basis for the manufacture or sale of items without written permission.

NOTE:
SIGNAL NAMES INDICATE
ASSERTED STATES FOR HIGH (H)
LEVELS PER DEC STD 054



REV.	CHANGE NO.

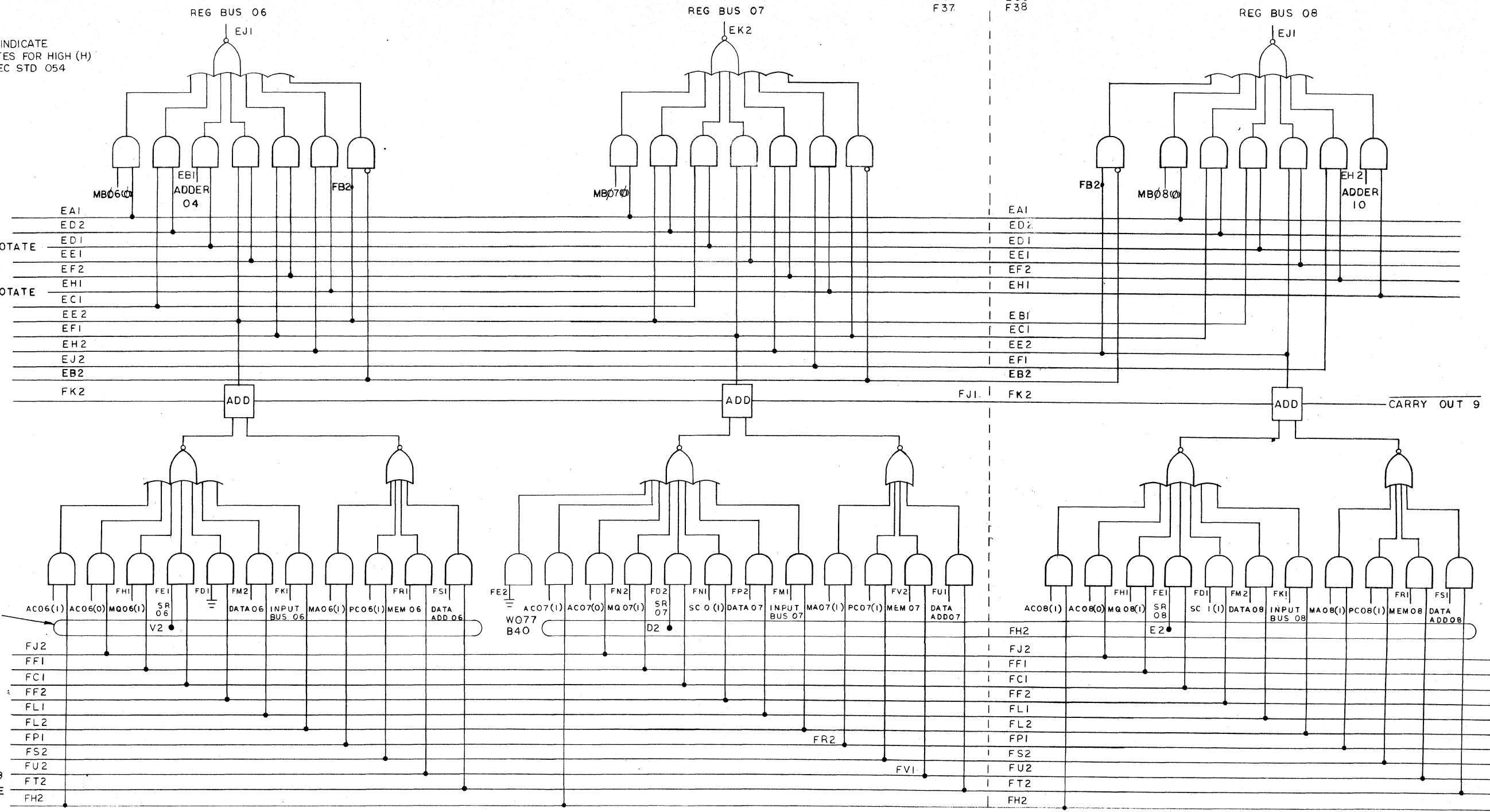
UNLESS OTHERWISE SPECIFIED DIMENSION IN INCHES TOLERANCES DECIMALS FRACTIONS ANGLES ± .005 ± 1/64 ± 0°30'	UNLESS OTHERWISE SPECIFIED FINAL SURFACE QUALITY REMOVE BURRS AND BREAK SHARP CORNERS
---	---

DRN <i>R. J. Bernier</i>	DATE 11/5/66	digital CORPORATION MAYNARD, MASSACHUSETTS
CHK'D. <i>R. J. Bernier</i>	DATE 3-11-67	
ENG. <i>R. J. Bernier</i>	DATE 10-25-67	
PROJ. ENG. <i>R. J. Bernier</i>	DATE 10-25-67	
PROD. <i>R. J. Bernier</i>	DATE 10-25-67	TITLE MAJOR REGISTER GATING
FIRST USED ON E-UA-8I-0-0	SCALE SHEET 2 OF 4	SIZE CODE DBS 8I-0-9
PARTS LIST		NUMBER REV E

This drawing and specifications, herein, are the property of Digital Equipment Corporation and shall not be reproduced or copied or used in whole or in part as the basis for the manufacture or sale of items without written permission.

NOTE:
SIGNAL NAMES INDICATE
ASSERTED STATES FOR HIGH (H)
LEVELS PER DEC STD 054

- AND ENABLE
- RIGHT SHIFT
- DOUBLE RIGHT ROTATE
- NO SHIFT
- LEFT SHIFT
- DOUBLE LEFT ROTATE
- ADDER 05
- ADDER 06
- ADDER 07
- ADDER 08
- ADDER 09
- TTL LINE SHIFT
- CARRY OUT 6



- AC ENABLE
- MQ ENABLE
- SR ENABLE
- SC ENABLE
- DATA ENABLE
- I/O ENABLE
- MA ENABLE 5-11
- PC ENABLE
- MEM ENABLE 5-8
- DATA ADD ENABLE
- AC ENABLE

M220
E37
F37

M220
E38
F38

REV. CHANGE NO.

EC FORM NO. RD 102

UNLESS OTHERWISE SPECIFIED
DIMENSION IN INCHES
TOLERANCES
DECIMALS FRACTIONS ANGLES
±.005 ±1/64 ±0°30'
FINAL SURFACE QUALITY
REMOVE BURRS AND BREAK SHARP CORNERS

QTY.	DESCRIPTION	PARTS LIST	PART NO.	ITEM NO.
		digital EQUIPMENT CORPORATION MAYNARD, MASSACHUSETTS		
		TITLE MAJOR REGISTER GATING		
		DATE	1/15/66	
		CHK'D.		
		DATE	3-11-67	
		ENG.		
		DATE	11-1-67	
		PROJ. ENG.		
		DATE	11-1-67	
		PROD.		
		DATE	12-1-67	
		FIRST USED ON	E-UA-8I-0-0	
		SCALE		
		SHEET	3 OF 4	
		SIZE CODE	DBS 8I-C-9	
		NUMBER		
		DIST.		

REV. NUMBER DBS 8I-0-9 E

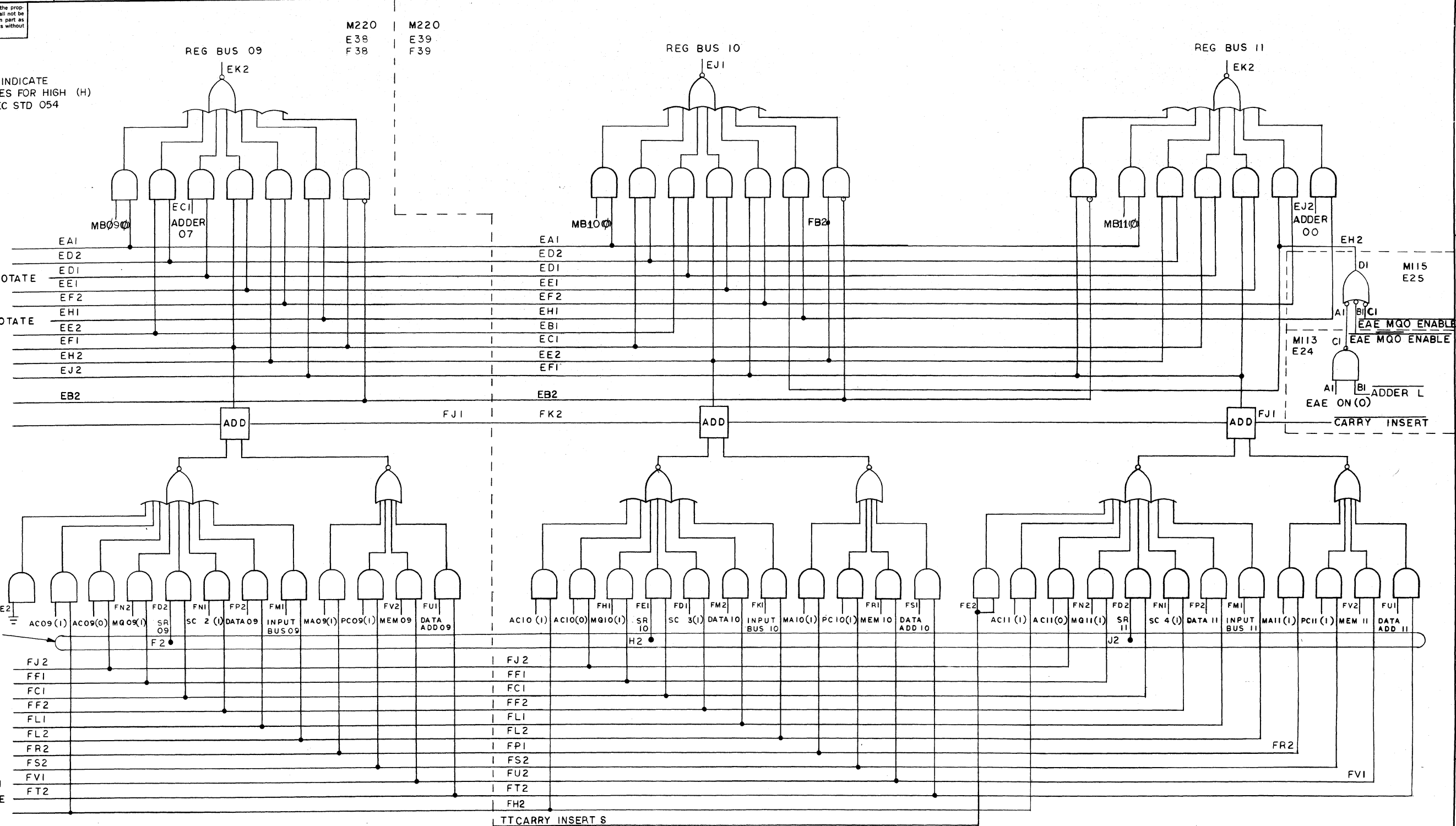
A

This drawing and specifications, herein, are the property of Digital Equipment Corporation and shall not be reproduced or copied or used in whole or in part as the basis for the manufacture or sale of items without written permission.

NOTE:
SIGNAL NAMES INDICATE
ASSERTED STATES FOR HIGH (H)
LEVELS PER DEC STD 054

AND ENABLE
RIGHT SHIFT
DOUBLE RIGHT ROTATE
NO SHIFT
LEFT SHIFT
DOUBLE LEFT ROTATE
ADDER 08
ADDER 09
ADDER 10
ADDER 11
TT LINE SHIFT
CARRY OUT 9

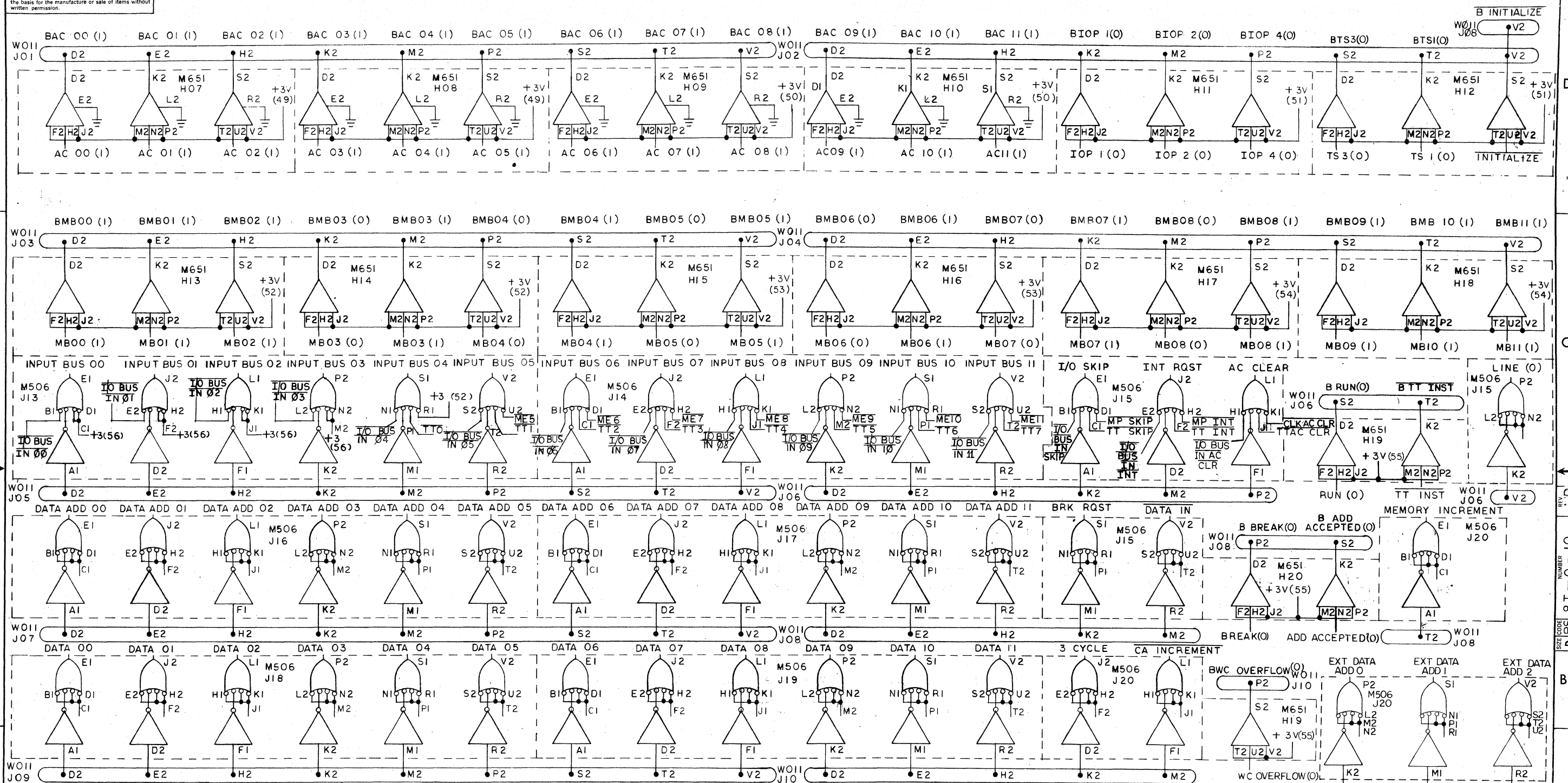
AC ENABLE
MQ ENABLE
SR ENABLE
SC ENABLE
DATA ENABLE
I/O ENABLE
MA ENABLE 5-11
PC ENABLE
MEM ENABLE 9-11
DATA ADD ENABLE
AC ENABLE



REV	CHANGE NO.

UNLESS OTHERWISE SPECIFIED		DRN	DATE	digital EQUIPMENT CORPORATION MAYNARD, MASSACHUSETTS		
DIMENSION IN INCHES		CHKD	DATE			
TOLERANCES		ENG	DATE	TITLE MAJOR REGISTER GATING		
DECIMALS	FRACTIONS	PROJ. ENG.	DATE			
± .005	± 1/64	PROD.	DATE			
ANGLES ± 0°30'		FIRST USED ON	DATE			
FINAL SURFACE QUALITY		E-UA-8I-0-0		SIZE CODE	NUMBER	RFY
REMOVE BURRS AND BREAK SHARP CORNERS		SCALE		DBS 8I-0-9		E
MATERIAL		FINISH		SHEET	4 OF 4	

This drawing and specifications, herein, are the property of Digital Equipment Corporation and shall not be reproduced or copied or used in whole or in part as the basis for the manufacture or sale of items without written permission.



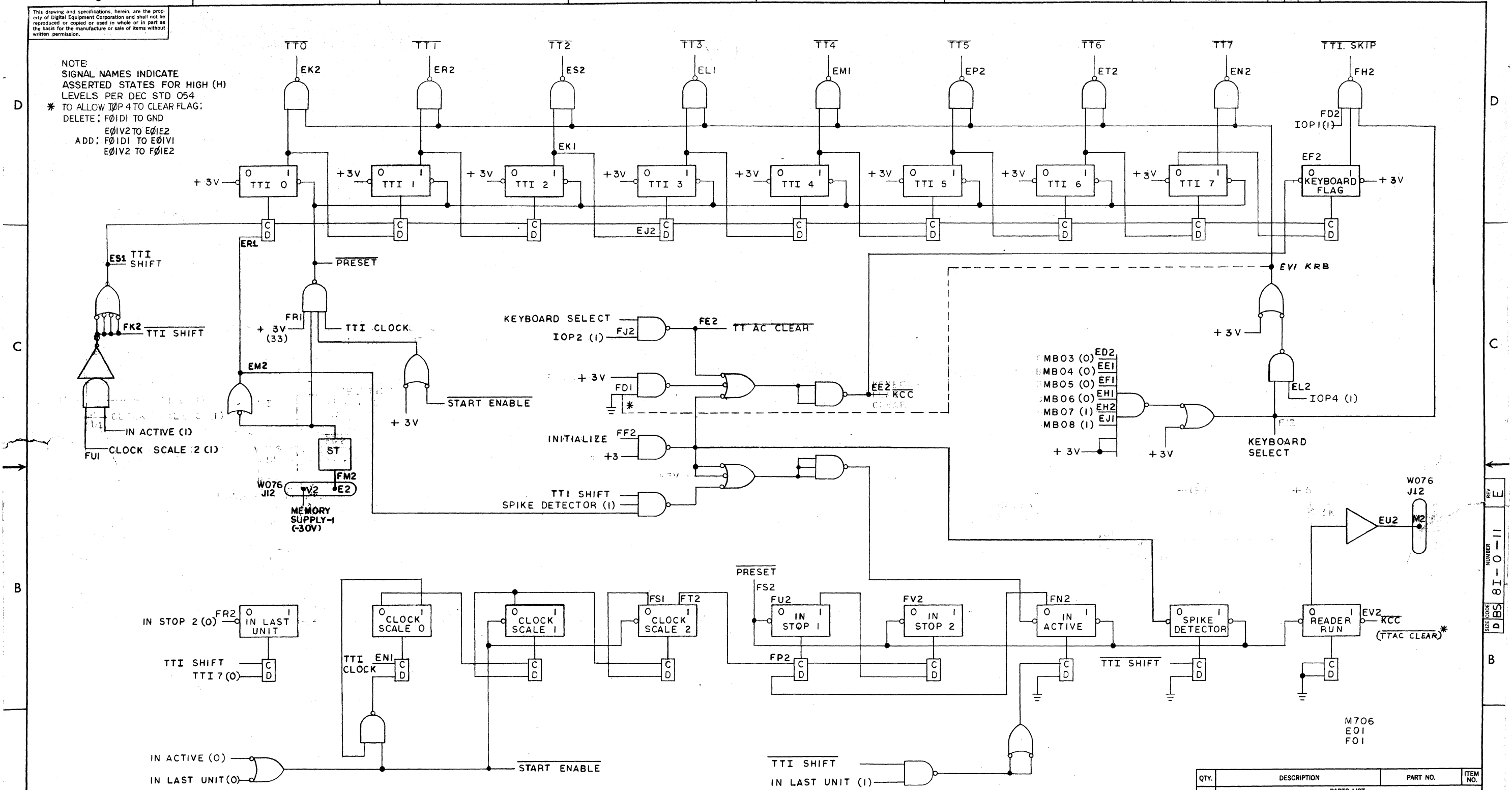
NOTES:
 1. FOR KA81 SUBSTITUTE
 D-BS-KA81-01 FOR THIS PRINT
 2. SIGNAL NAMES INDICATE ASSERTED STATES FOR HIGH (H) LEVELS PER DEC STD 054

REV.	CHG. NO.	DATE	BY	CHKD.
1	ECO-2	7/27/67	A	
2				
3				
4				
5				
6				
7				
8				

UNLESS OTHERWISE SPECIFIED DIMENSION IN INCHES TOLERANCES DECIMALS FRACTIONS ANGLES ±.005 ± 1/64 ± 0°30'	DRN DATE CHKD. DATE ENG. DATE PROJ. ENG. DATE PROD. DATE	DATE 3/1/67	
MATERIAL FINISH	FIRST USED ON E-UA-81-0-0	DATE	
SCALE SHEET 1 OF 1		I/O LEVEL CONVERTERS SIZE CODE DBS 81-0-10 NUMBER P	

This drawing and specifications, herein, are the property of Digital Equipment Corporation and shall not be reproduced or copied or used in whole or in part as the basis for the manufacture or sale of items without written permission.

NOTE:
 SIGNAL NAMES INDICATE ASSERTED STATES FOR HIGH (H) LEVELS PER DEC STD 054
 * TO ALLOW IOP 4 TO CLEAR FLAG:
 DELETE: F01DI TO GND
 E01V2 TO E01E2
 ADD: F01DI TO E01V1
 E01V2 TO F01E2



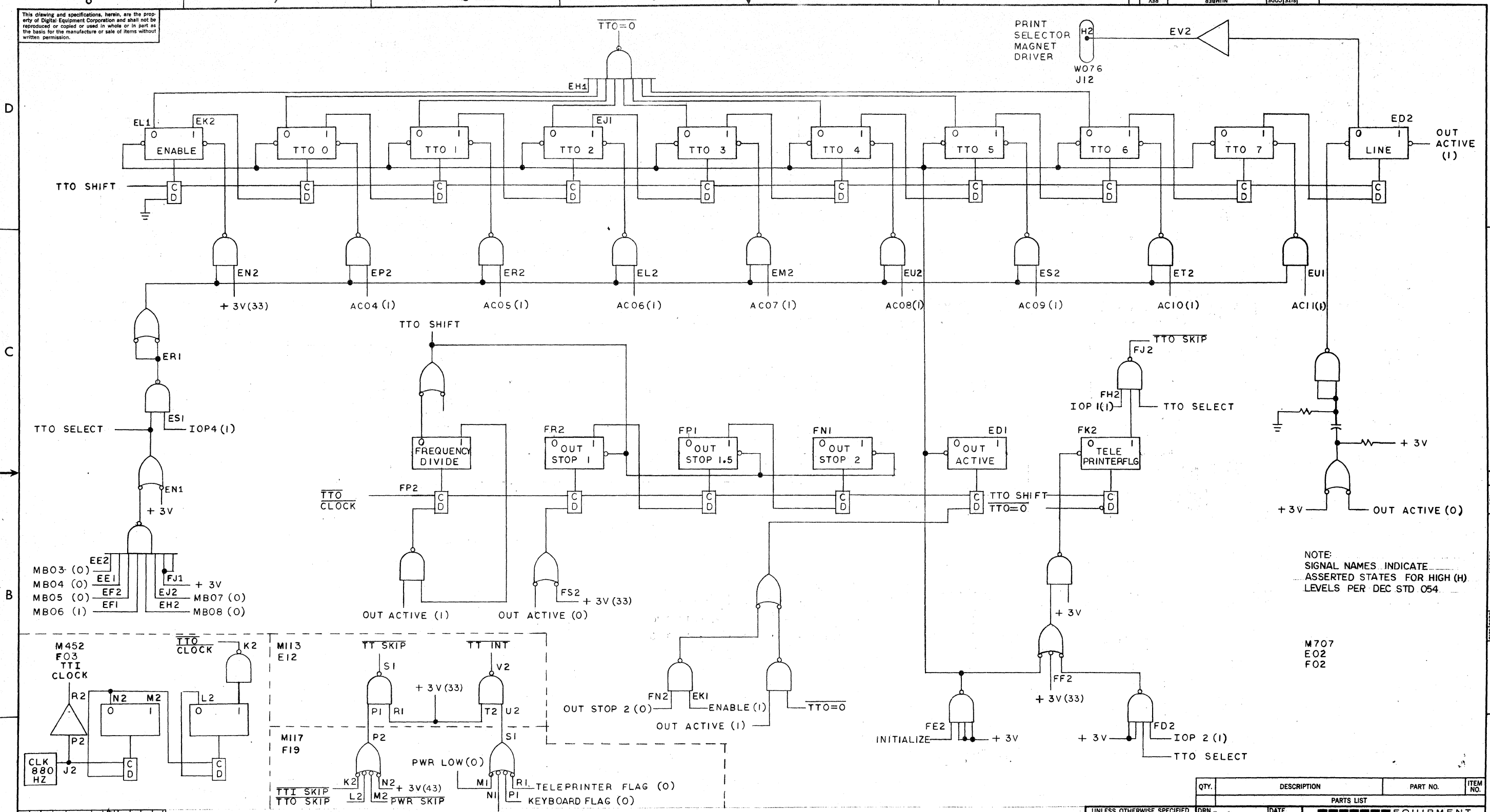
REV.	CHANGE NO.	DATE	BY
5			
4			
3			
2			
1			

QTY.	DESCRIPTION	PART NO.	ITEM NO.
PARTS LIST			
UNLESS OTHERWISE SPECIFIED			
DIMENSION IN INCHES			
TOLERANCES			
DECIMALS	FRACTIONS	ANGLES	
± .005	± 1/64	± 0°30'	
FINAL SURFACE QUALITY			
REMOVE BURRS AND BREAK SHARP CORNERS			
MATERIAL			
FINISH			
SCALE			
SHEET 1 OF 1			

DRN	DATE	7 MAR 67
CHKD.	DATE	8-11-67
ENG.	DATE	10-10-67
PROJ. ENG.	DATE	10-10-67
PROD.	DATE	1-21-67

FIRST USED ON		REV.
E-UA-8I-0-0		E
SIZE CODE	NUMBER	REV.
DBS 8I-0-11		E

This drawing and specifications, herein, are the property of Digital Equipment Corporation and shall not be reproduced or copied or used in whole or in part as the basis for the manufacture or sale of items without written permission.



NOTE:
SIGNAL NAMES INDICATE
ASSERTED STATES FOR HIGH (H)
LEVELS PER DEC STD 054

M707
E02
F02

REV.	CHANGE NO.	DATE	BY
A	1	11/14/67	J. O'LOUGHLIN
B	2	11/22/67	J. O'LOUGHLIN
C	3	12-16-67	J. O'LOUGHLIN
D	4	1/6-68	J. O'LOUGHLIN
E	5	1/21-68	J. O'LOUGHLIN
F	6	1/29-68	J. O'LOUGHLIN

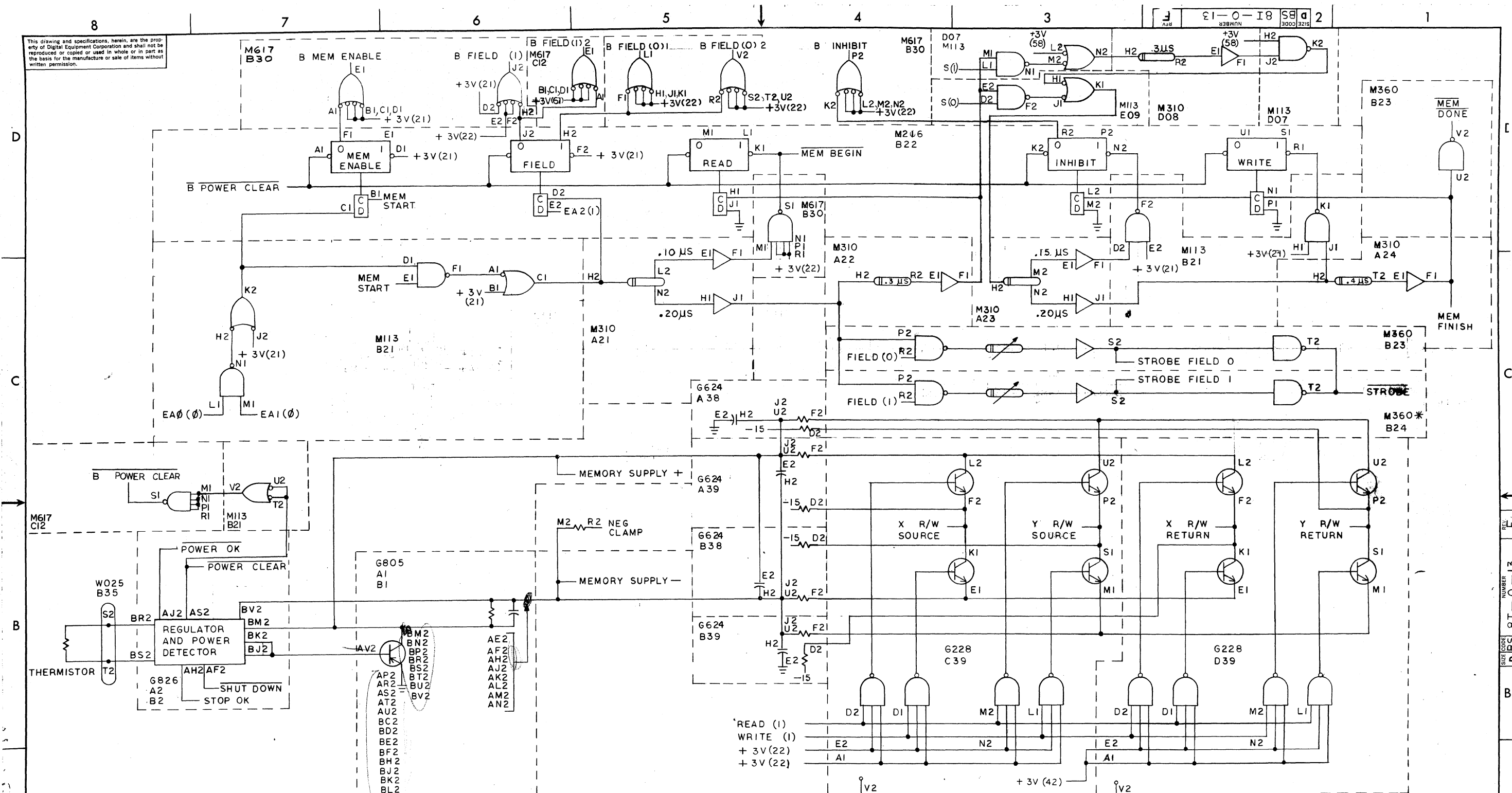
DEC FORM NO. DRD 102

QTY.	DESCRIPTION	PART NO.	ITEM NO.
PARTS LIST			
UNLESS OTHERWISE SPECIFIED			
DIMENSION IN INCHES			
TOLERANCES			
DECIMALS	FRACTIONS	ANGLES	
± .005	± 1/64	± 0°30'	
FINAL SURFACE QUALITY			
REMOVE BURRS AND BREAK SHARP CORNERS			
MATERIAL			
FINISH			
UNLESS OTHERWISE SPECIFIED		DRN. <i>R. J. Lerner</i>	DATE 7 MAR 67
UNLESS OTHERWISE SPECIFIED		CHK'D. <i>V. R. Gault</i>	DATE 3-11-67
UNLESS OTHERWISE SPECIFIED		ENG. <i>C. de Castro</i>	DATE 10-16-67
UNLESS OTHERWISE SPECIFIED		PROJ. ENG. <i>C. de Castro</i>	DATE 11-1-67
UNLESS OTHERWISE SPECIFIED		PROD. <i>R. J. Lerner</i>	DATE
UNLESS OTHERWISE SPECIFIED		FIRST USED ON	
UNLESS OTHERWISE SPECIFIED		E-UA-8I-0-0	
UNLESS OTHERWISE SPECIFIED		SCALE	
UNLESS OTHERWISE SPECIFIED		SHEET 1 OF 1	
UNLESS OTHERWISE SPECIFIED		SIZE CODE DBS 8I-0-12	NUMBER
UNLESS OTHERWISE SPECIFIED		REV. C	

digital EQUIPMENT CORPORATION
MAYNARD, MASSACHUSETTS

TITLE
TELETYPE TRANSMITTER

This drawing and specifications, herein, are the property of Digital Equipment Corporation and shall not be reproduced or copied in whole or in part as the basis for the manufacture or sale of items without written permission.



* USE ONLY IF MCBI IS INSTALLED.

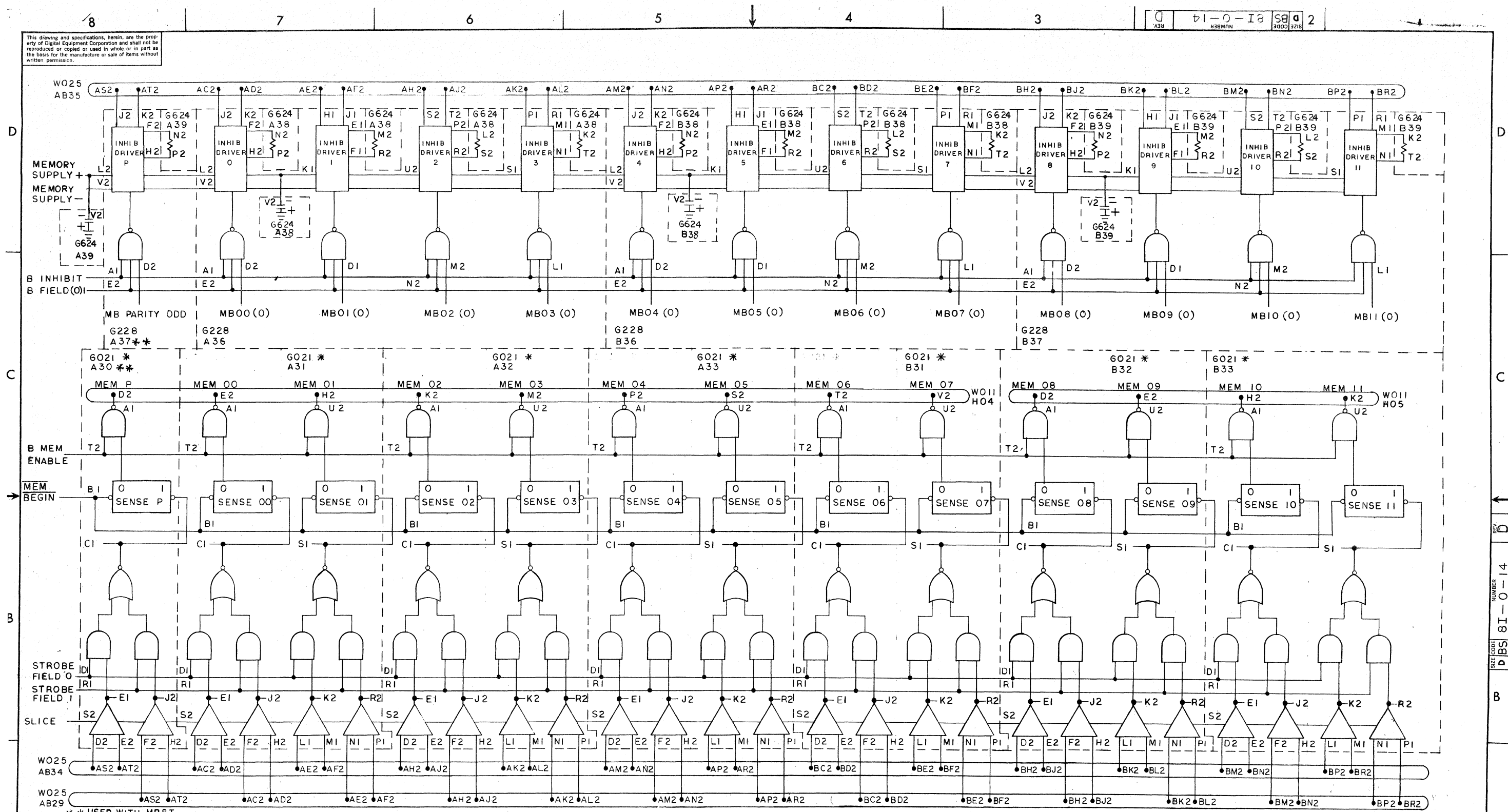
NOTE:
SIGNAL NAMES INDICATE
ASSERTED STATES FOR HIGH(H)
LEVELS PER DEC STD 054

UNLESS OTHERWISE SPECIFIED		UNLESS OTHERWISE SPECIFIED	
DRN	DATE	DRN	DATE
CHKD	DATE	CHKD	DATE
ENG	DATE	ENG	DATE
PROJ. ENG.	DATE	PROJ. ENG.	DATE
PROD.	DATE	PROD.	DATE
FIRST USED ON		FIRST USED ON	
E-UA-RT-0-0		E-UA-RT-0-0	
MATERIAL		MATERIAL	
FINISH		FINISH	

QTY.	DESCRIPTION	PART NO.	ITEM NO.
	PARTS LIST		
	digital EQUIPMENT CORPORATION		
	MAYNARD, MASSACHUSETTS		
	TITLE		
	MEMORY CONTROL		
	SIZE CODE	NUMBER	REV.
	D8S	8I-0-13	F
	SCALE		
	SHEET	OF	
	DIST.		

REVISIONS	CHANGE NO.	REV.
	1	A
	2	B
	3	C
	4	D
	5	E
	6	F

This drawing and specifications, herein, are the property of Digital Equipment Corporation and shall not be reproduced or copied or used in whole or in part as the basis for the manufacture or sale of items without written permission.



* USED WITH MP81
 * USE G020 ONLY IF MC81 IS NOT INSTALLED

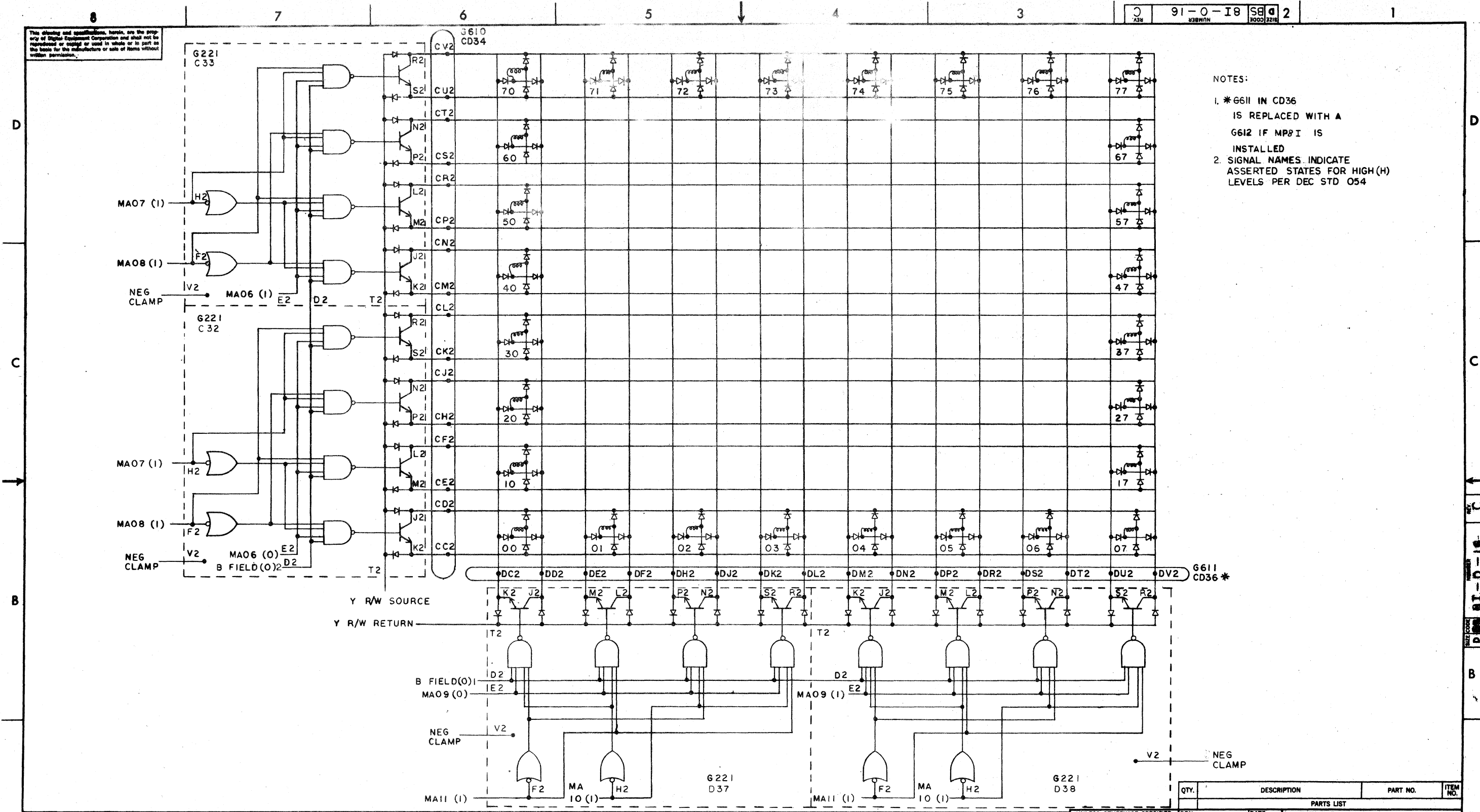
REV	CHANGE NO.	DATE
A	1	11/16/67
B	2	11/16/67
C	3	11/16/67
D	4	11/16/67

NOTE:
 SIGNAL NAMES INDICATE
 ASSERTED STATES FOR
 HIGH (H) LEVELS PER DEC
 STD 054

UNLESS OTHERWISE SPECIFIED DIMENSION IN INCHES TOLERANCES DECIMALS FRACTIONS ANGLES ± .005 ± 1/64 ± 0°30'	DATE 1/3/67 DATE 8-11-67 DATE 10-16-67 DATE 6-16-67 DATE 1-21-67	digital EQUIPMENT CORPORATION MAYNARD, MASSACHUSETTS TITLE SENSE AMPS & INHIBIT DRIVERS
MATERIAL	FIRST USED ON E-UA-8I-0-0	
FINISH	SCALE	SIZE CODE DBS 8I-0-14
	SHEET 1 OF 1	NUMBER 8I-0-14
		REV D

This drawing and specifications, herein, are the property of Digital Equipment Corporation and shall not be reproduced or copied or used in whole or in part as the basis for the manufacture or sale of items without written permission.

- NOTES:
- *G611 IN CD36 IS REPLACED WITH A G612 IF MP91 IS INSTALLED
 - SIGNAL NAMES INDICATE ASSERTED STATES FOR HIGH (H) LEVELS PER DEC STD 054



REV.	DATE	BY	CHKD.
A	11/14/67	JF O'LOUGHLIN	JF O'LOUGHLIN
B	11/14/67	JF O'LOUGHLIN	JF O'LOUGHLIN
C	11/14/67	JF O'LOUGHLIN	JF O'LOUGHLIN

QTY.	DESCRIPTION	PART NO.	ITEM NO.

UNLESS OTHERWISE SPECIFIED	DATE	2/7/67
UNLESS OTHERWISE SPECIFIED	DATE	8-11-67
DIMENSION IN INCHES	DATE	10-10-67
TOLERANCES	DATE	10-10-67
DECIMALS FRACTIONS ANGLES	DATE	
± .005 ± 1/64 ± 0°30'	DATE	
FINAL SURFACE QUALITY	DATE	
REMOVE BURRS AND BREAK SHARP CORNERS	DATE	
MATERIAL	DATE	
FIRST USED ON	DATE	
E-UA-81-0-0	DATE	
FINISH	SCALE	
	SHEET 1 OF 1	

digital EQUIPMENT CORPORATION	TITLE	Y AXIS SELECTION
MAYNARD, MASSACHUSETTS	SIZE/CODE	NUMBER
	D81-0-16	REV. C

81-0-16

This drawing and specifications are the property of Digital Equipment Corporation and shall not be reproduced or copied or used in whole or in part as the basis for the manufacture or sale of items without written permission.

DIGITAL EQUIPMENT CORPORATION
MAYNARD, MASSACHUSETTS

ENGINEERING SPECIFICATION

DATE 11/7/67

TITLE TEMPORARY JUMPERS, REMOVE (EXCEPT AS NOTED) WHEN OPTIONS ARE INSTALLED

REVISIONS

REV	DESCRIPTION	CHG NO	ORIG	DATE	APPD BY	DATE
—	ORIGINATED	4	VAILLAN-COURT	11/14/67	—	—
A	CHANGED PAGE 2	10	VAILLAN-COURT	3/22/68	<i>F. O'Looney</i>	3/27/68
B	CHANGED PAGE 2	12	VAILLAN-COURT	5/2/68	<i>R. Villan-court</i>	5/2/68
C	CHANGED PAGE 2	13	J. O'LOUGHLIN	5-15-68	<i>R. Villan-court</i>	5/16/68
D	CHANGED PAGE 2	81-00009	J. O'LOUGHLIN	8-2-68	<i>F. O'Looney</i>	9/3/68
E	_____	00013	_____	9-24-68	<i>F. O'Looney</i>	10/4/68
F	_____	00025	_____	1-6-69	<i>F. O'Looney</i>	1/9/69
H	_____	00026	_____	1-13-69	<i>F. O'Looney</i>	1/16/69
J	_____	00028	BOWMAN	1/20/69	<i>MEa</i>	1/23/69
K	_____	00047	CZAJKOWSKI	4-30-69	<i>MEa</i>	5/1/69
L	_____	00052	_____	5-22-69	<i>MEa</i>	5/29/69
M	_____	81-00097	M. ARSENAULT	2-4-70	<i>MEa</i>	2/28/70
N	ADDED PAGE 10	81-00105	M. ARSENAULT	7-10-70	<i>MEa</i>	7/13/70
P	CORRECT PAGE 4	81-00121	M. ARSENAULT	12-29-71	<i>MSA</i>	1/3/72

ENG E. DECASTRO	APPD <i>R. Villan-court</i>	SIZE A	CODE SP	NUMBER 81-0-23	REV P.
--------------------	--------------------------------	-----------	------------	-------------------	-----------

ENGINEERING SPECIFICATION



CONTINUATION SHEET

TITLE TEMPORARY JUMPERS-REMOVE WHEN KP81 (POWER FAIL OPTION) IS INSTALLED

COLOR	SIGNAL NAME →	FROM PIN	TO PIN	← SIGNAL NAME
BLUE	STOP OK	E13K1	E13N1	+3 (34)
BLUE	RESTART	E10R2	E10A2	+5 VOLTS
BLUE	RESTART	E12L2	E12C2	GND

ENGINEERING SPECIFICATION

CONTINUATION SHEET

TITLE TEMPORARY JUMPERS--REMOVE WHEN KE8I (EXTENDED ARITH. ELEMENT) IS INSTALLED

COLOR	SIGNAL NAME →	FROM PIN	TO PIN	←SIGNAL NAME
BLUE	MQ ENABLE	F39F1	F39C2	GND
BLUE	SC ENABLE	F39F2	F40C2	GND
BLUE	EAE NO SHIFT EN.	F24C1	F24D1	+3 (44)
BLUE	EAE E SET	F23H2	F22L2	+3 (44)
BLUE	EAE ON ∅	F28R1	F32R1	+3 (48)
BLUE	EAE MEM ENABLE	F31D2	F31V1	+3 (48)
BLUE	B EAE ON	F33P2	F33C2	GND
BLUE	EAE L DISABLE	E28L1	E28C2	GND

SIZE A CODE SP NUMBER 8I-0-23 REV P

ENGINEERING SPECIFICATION

CONTINUATION SHEET

TITLE TEMPORARY JUMPERS--REMOVE WHEN DL8I (DATA LINE INTERFACE) IS INSTALLED

COLOR	SIGNAL NAME →	FROM PIN	TO PIN	←SIGNAL NAME
BLUE	TT L DISABLE	C10L1	C10C2	GND
BLUE	TT SHIFT ENABLE	C09F2	C09C2	GND
BLUE	TT CARRY INSERTS	C09S2	C09T1	GND
BLUE	TT CARRY INSERT	D09N1	D09T1	GND
BLUE	TTL DISABLE	D09S2	D08T1	GND
BLUE	TT RIGHT SHIFT EN	C10F1	C10U2	+3 (23)
BLUE	INH D	E09H1	E09U1	+3 (59)
BLUE	INH D	E09H1	E09D1	E09D1
BLUE	E09D1	E09D1	D09P1	STORE
BLUE	STORE	D09P1	C09S1	TT CARRY INSERT
BLUE	TT CARRY INSERT	C09S1	D09R2	S (∅)
BLUE	S (∅)	D09R2	C09K2	MEM INH 9-II
BLUE	MEM INH 9-11	C09K2	C09K1	TT SHIFT EN
BLUE	TT SHIFT EN	C09K1	D07C1	C NO, SHIFT
BLUE	TT CYCLE	C10N1	C12V1	+3 (60)
BLUE	TT CYCLE	C10N1	C10C1	TT SET
BLUE	TT SET	C10C1	D10L1	TT INCREMENT
BLUE	TT INCREMENT	D10L1	D09V1	TT AC LOAD
BLUE	TT AC LOAD	D09V1	D09P2	TT INST
BLUE	TT INST	D09P2	D09S1	TT I/O ENABLE
BLUE	TT IO ENABLE	D09S1	C10F1	TT RIGHT SHIFT EN

SIZE A CODE SP NUMBER 8I-0-23 REV P

ENGINEERING SPECIFICATION

digital

CONTINUATION SHEET

TITLE TEMPORARY JUMPERS—REMOVE WHEN MC8I (MEMORY EXTENSION CONTROL) IS INSTALLED

COLOR	SIGNAL NAME →	FROM PIN	TO PIN	← SIGNAL NAME
BLUE	EA2 (1)	H03H2	H03C2	GND
BLUE	A20V1	C12D2	C12C2	GND

SIZE A	CODE SP	NUMBER 8I-0-23	REV P
------------------	------------	-------------------	----------

ENGINEERING SPECIFICATION

digital

CONTINUATION SHEET

TITLE TEMPORARY JUMPERS—REMOVE WHEN KW8KD/ or E or F (REAL TIME CLOCK) IS INSTALLED

COLOR	SIGNAL NAME →	FROM PIN	TO PIN	← SIGNAL NAME
BLUE	CLK AC CLR	J15K1	F11U1	+3 (69)

SIZE A	CODE SP	NUMBER 8I-0-23	REV P
------------------	------------	-------------------	----------

ENGINEERING SPECIFICATION



CONTINUATION SHEET

TITLE TEMPORARY JUMPERS—REMOVE OR ADD AS NOTED WHEN K8I (POSITIVE BUS) IS INSTALLED

COLOR	SIGNAL NAME→	FROM PIN	TO PIN	←SIGNAL NAME	ADD	DEL
BLUE	F12E1	F12T2	F12E1	TIMING CHANGE		X
BLUE	F12E1	F12E1	F12V2	ON M310	X	

SIZE A	CODE SP	NUMBER 8I-0-23	REV P
------------------	------------	-------------------	----------

SHEET 7 OF 10

ENGINEERING SPECIFICATION



CONTINUATION SHEET

TITLE TEMPORARY JUMPERS—REMOVE WHEN KT8I (TIME SHARING OPTION) IS INSTALLED

COLOR	SIGNAL NAME→	FROM PIN	TO PIN	←SIGNAL NAME
BLUE	\overline{CUF}	F11H2	F11U1	+3 (69)
BLUE	$UF(\emptyset)$	E13D1	E15M2	+3 (34)
BLUE	$\overline{ME}5$	J13U2	H13P2	+3 (52)
BLUE	\overline{UINT}	F19N1	F19N2	+3 (43)
BLUE	SKIP (1)	E18U1	B04V1	SKIP ORED

SIZE A	CODE SP	NUMBER 8I-0-23	REV P
------------------	------------	-------------------	----------

SHEET 8 OF 10

ENGINEERING SPECIFICATION



CONTINUATION SHEET

TITLE TEMPORARY JUMPERS-REMOVE WHEN VC8I (DISPLAY CONTROL) IS INSTALLED

COLOR	SIGNAL NAME →	FROM PIN	TO PIN	← SIGNAL NAME
BLUE	LIGHT PEN OUTPUT	DO3V2	DO3T1	GND

SIZE A	CODE SP	NUMBER 8I-0-23	REV P
------------------	------------	-------------------	-----------------

ENGINEERING SPECIFICATION



CONTINUATION SHEET

TITLE Temporary Jumpers-Remove when MP8I (Memory Parity Control) is installed

Color	Signal Name →	From Pin	To Pin ←	Signal Name
Blue	$\overline{\text{MP INT}}$	J15H2	E15V1	+3 Volts (70)
Blue	$\overline{\text{MP SKIP}}$	J15D1	F09V1	+3 Volts (71)

SIZE A	CODE SP	NUMBER 8I-0-23	REV P
------------------	------------	-------------------	-----------------

This drawing and specifications, herein, are the property of Digital Equipment Corporation and shall not be reproduced or copied or used in whole or in part as the basis for the manufacture or sale of items without written permission.

Table with columns 1-44 and rows A-D. Contains various electronic component labels and specifications such as REGULATOR, POWER CONT, and various memory and control units.

Table with columns 1-44 and rows A-D. Contains various electronic component labels and specifications such as PUNCH CABLE, RDR CABLE, and various control and timing units.

NOTES: 1. NOTATION INDICATES USE ONLY WHEN OPTION INSTALLED

- 2.*FOR MC8I REPLACE THE G020S IN LOC A30,A31,A32,A33 B31,B32 AND B33 WITH G021S
3.*FOR MP8I AND MC8I8' THE USUAL MEMORY STACK DEC# 30-05256-1 IS REPLACED BY DEC# 30-05256-2 WITH G12S AT LOC CD36 AND CD29 RESPECTIVELY.

Table with columns for revision control: REV, CHANGE NO., CHK, DATE, and names of personnel.

Technical drawing header block including: digital EQUIPMENT CORPORATION, MODULE UTILIZATION, DATE 8/19/67, and drawing number 8I-0-17.

This drawing and specifications, herein, are the property of Digital Equipment Corporation and shall not be reproduced or copied or used in whole or in part as the basis for the manufacture or sale of items without written permission.

Table with columns 1-44 and rows D, E, F, C. Contains various module specifications and functional descriptions such as TTY RECVR, TTY TRANS, TTI FLAG, TTI SKIP, IN ACTIVE, OUT ACTIVE, IN STOP, OUT STOP, CLK SCALE, etc.

Table with columns 1-44 and rows H, B, J. Contains detailed module specifications including EXT MEM CONN, BAC, IOP, TS, MBO, MB, RUN, BREAK, K V 8 I, etc.

Notes and specifications section. Includes notes 1-5 regarding cable placement and options, and a table for module options (VC8I, VP8I, KW8I, etc.).

digital EQUIPMENT CORPORATION logo and title 'MODULE UTILIZATION'. Includes fields for DATE, PROJ. ENG., PROD., and SCALE.

Vertical text on the right edge: D, E, F, C, I, B, J, A

Vertical text on the right edge: 81-0-17

Vertical text on the right edge: AN



PARTS LIST

MODIFICATION NO. & QUANTITY

REVISIONS

ITEM NO	DRAWING NO.	DESCRIPTION	MODIFICATION NO. & QUANTITY																						
			PDP8I	MC81A	MC81B	MP8I	KE8I	DL8I	KP8I	PR8I	PP8I	VC8I	VP8I	KWB1A	KWB1B	KWB1C	KWB1D	KWB1E	KWB1F	KA8I	CR8I OR CR81	KT8I	VM88	MM8I	
		G020 SENSE AMP	6	⊕	⊕	1																			
		G021 SENSE AMP	6	7																					
		G221 MEMORY SELECTOR	8	8	8																				
		G228 INHIBIT DRIVER	5	3	3	1																			
		G624 RESISTOR BOARD	4	3	3																				
		G805 NEGATIVE REGULATOR	1																						
		G826 REGULATOR CONTROL	1																						
		MEMORY STACK DEC#30-05256-1	1	1	⊗	⊗																			
		MEMORY STACK DEC#30-05256-2			1	1																			
		M113 10-2 INPUT NAND GATES	14	9	9	2	10	3													2				
		M115 8-3 INPUT NAND GATES	5	2	2	1	6	2													1				
		M117 6-4 INPUT NAND GATES	6			2	1															1			
		M160 GATE MODULE	7			1																			
		M162 PARITY CIRCUIT				4																			
		M216 6-FLIP-FLOPS	6	4	4	4	1														1				
		M220 MAJOR REGISTERS	6				⊗																		
		M310 DELAY LINE	13			1	2																		
		M360 VARIABLE DELAY	1	1	1																				
		M452 VARIABLE CLOCK	1																						
		M506 NEGATIVE INPUT CONVERTER	8																		⊕				
		M617 6-4 INPUT NOR BUFFERS	6	5	5	1																			
		M651 NEGATIVE OUTPUT CONVERTER	14																		⊕				
		M700 MANUAL TIMING GENERATOR	1																						
		M706 TELETYPE RECEIVER	1																						
		M707 TELETYPE TRANSMITTER	1																						
		M720 MEMORY DETECTION		1	1																				
		M703 POWER FAIL																							
		M7050 READER CONTROL																							
		M715 READER CLOCK																							
		M710 PUNCH CONTROL																							
		M040 SOLENOID DRIVER																							
		M701 DISPLAY CONTROL																							
		A607 10 BIT D-A CONVERTER																							

CHANGE NO	DATE	ENG
H-10 REDRAWN REVISED	3/27/68	FGL
J-12	5-2-68	BU
K-13	5-15-68	BV
L-8I-00009	8-26-68	FGL
M 8I-00013	9-30-68	FGL
N 8I-00015	11-6-68	FGL
P 8I-00020	12-2-68	FGL
R 8I-00021	12/4/68	FGL
S 8I-00024	12/26/68	FGL
T 8I-00025	1/19/69	FGL
U 8I-00032	7/1/69	MCG
V 8I-00034	2/21/69	MCG
W 8I-00042	3/19/69	MCG
Y 8I-00046	5/4/69	MCG
Z 8I-00050	5-16-69	MCG
AA 8I-00052	5-22-69	MCG
AB 8I-00054	6/3/69	MCG
AC 00059	6/12/69	MCG
AD 8I-00068	7/1/69	MCG
AE 8I-00071	8-26-69	MCG
AF 8I-00081	11-4-69	MCG
AH 8I-00093	1-29-70	MCG
AJ 8I-00096	2-11-70	MCG
AK 8I-00099	4-3-70	MCG
AL 8I-00107	8-25-70	MCG
AM 8I-00110	10-20-70	MCG
AN 8I-00115	2-17-71	MCG

NOTES: 1. ⊕ FOR MC8I THE G021 REPLACES THE G020 OF THE PDP8I OR MP8I
 2. ⊗ FOR MP8I AND MC81B THE MEMORY STACK DEC#30-05256-2 REPLACES DEC#30-05256-1
 3. ⊕ FOR KA8I THE M506 AND M650 ARE REPLACED BY THE M516, M661 AND M660 NOTED
 4. ⊗ FOR DL8I - M220 MODULES MUST BE "B" REV OR LATER

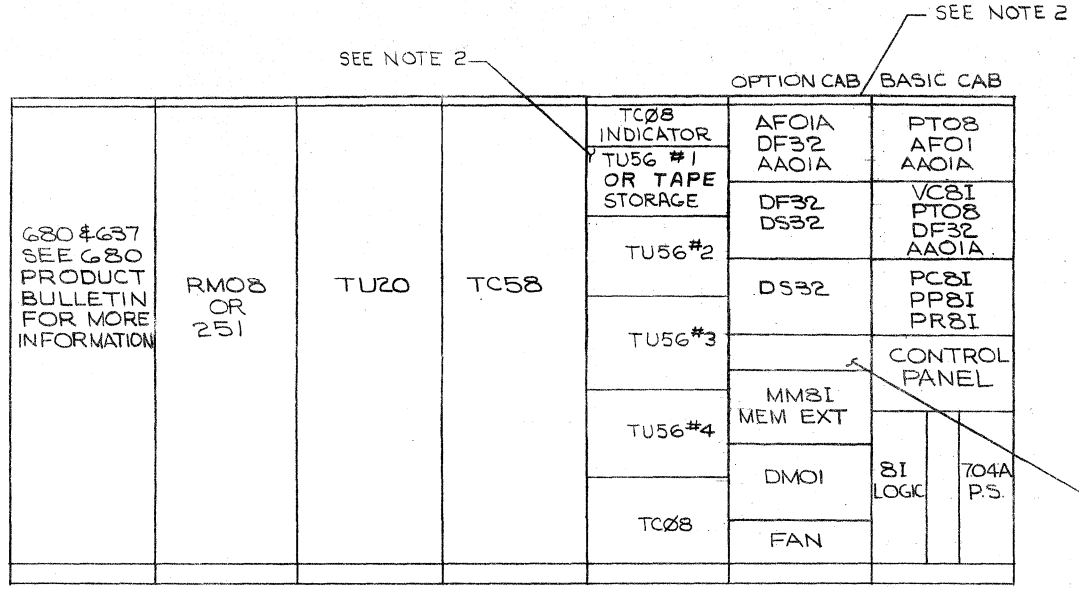
MADE BY R. BERNIER	DATE 8-9-67	TITLE MODULE UTILIZATION	CODE PL	SIZE C	DRWG. NO. 8I-0-17	REV/LTR A
CHECKED P. DAIGNEAULT	DATE 8-11-67	FOR PDP-8I	ASSY NO. D-MU-8I-0-17	SHEET 1 OF 2		
ENG R. J. JAMES	DATE 8-21-67					

This drawing and specifications, herein, are the property of Digital Equipment Corporation and shall not be reproduced or copied or used in whole or in part as the basis for the manufacture or sale of items without written permission.

NOTES:
 1. OPTION CABINET H961A SHALL ALSO INCLUDE PANEL DISTRIBUTION ASSY *D-AD-70054-09-0-0 COVERS C-IA-7405570-0-0 COVER RETAINERS *C-IA-7405570-2-0 (COVERS RETAINERS TO BE USED TO FILL ANY SPACES LEFT BLANK ON FRONT OF OPTION CABINET H961A
 2. IF FOUR TU56'S ARE USED, INSTA TAPE STORAGE RACK ELSEWHERE IN THE SYSTEM.

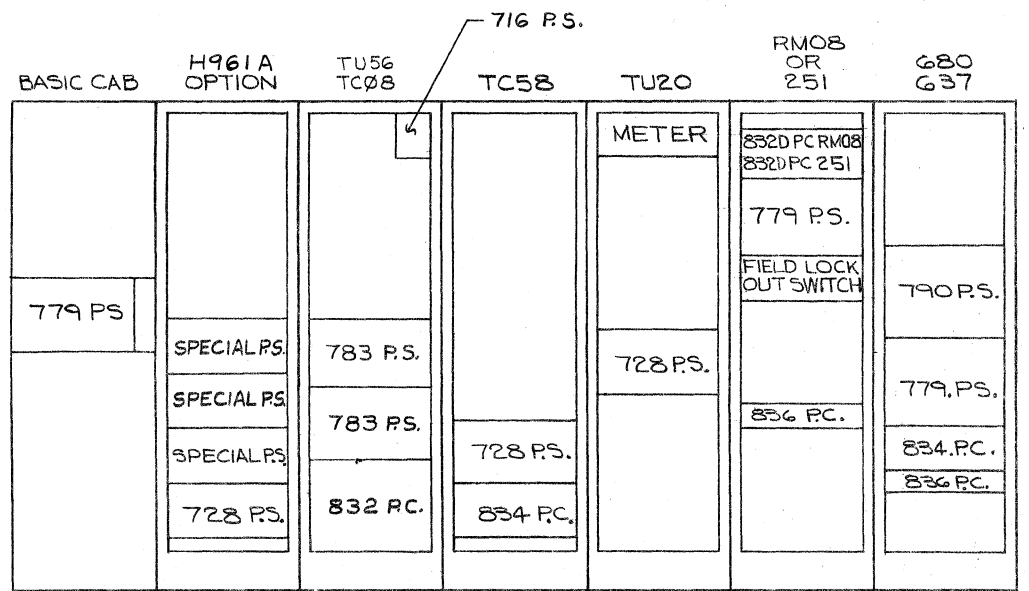
D

C



FRONT

B



REAR

A

REV.	CHG. NO.	REV.
A	81-00014	1
B	81-00024	2
C	81-00098	3
D	81-00106	4

REVISIONS

CHK: O'LOUGHLIN, MARSNAULT, ARSENAULT, [Signature]

DATE: 10-3-68, 12-26-68, 4-2-70, 5-2-70

FIRST USED ON OPTION/ MODEL	QTY.	DESCRIPTION	PART NO.
UNLESS OTHERWISE SPECIFIED			
UNLESS OTHERWISE SPECIFIED			
DECIMALS ± .005			
FRACTIONS ± 1/64			
ANGLES ± 0°30'			
FINAL SURFACE QUALITY			
REMOVE BURRS AND BREAK SHARP CORNERS			
MATERIAL			
FINISH			

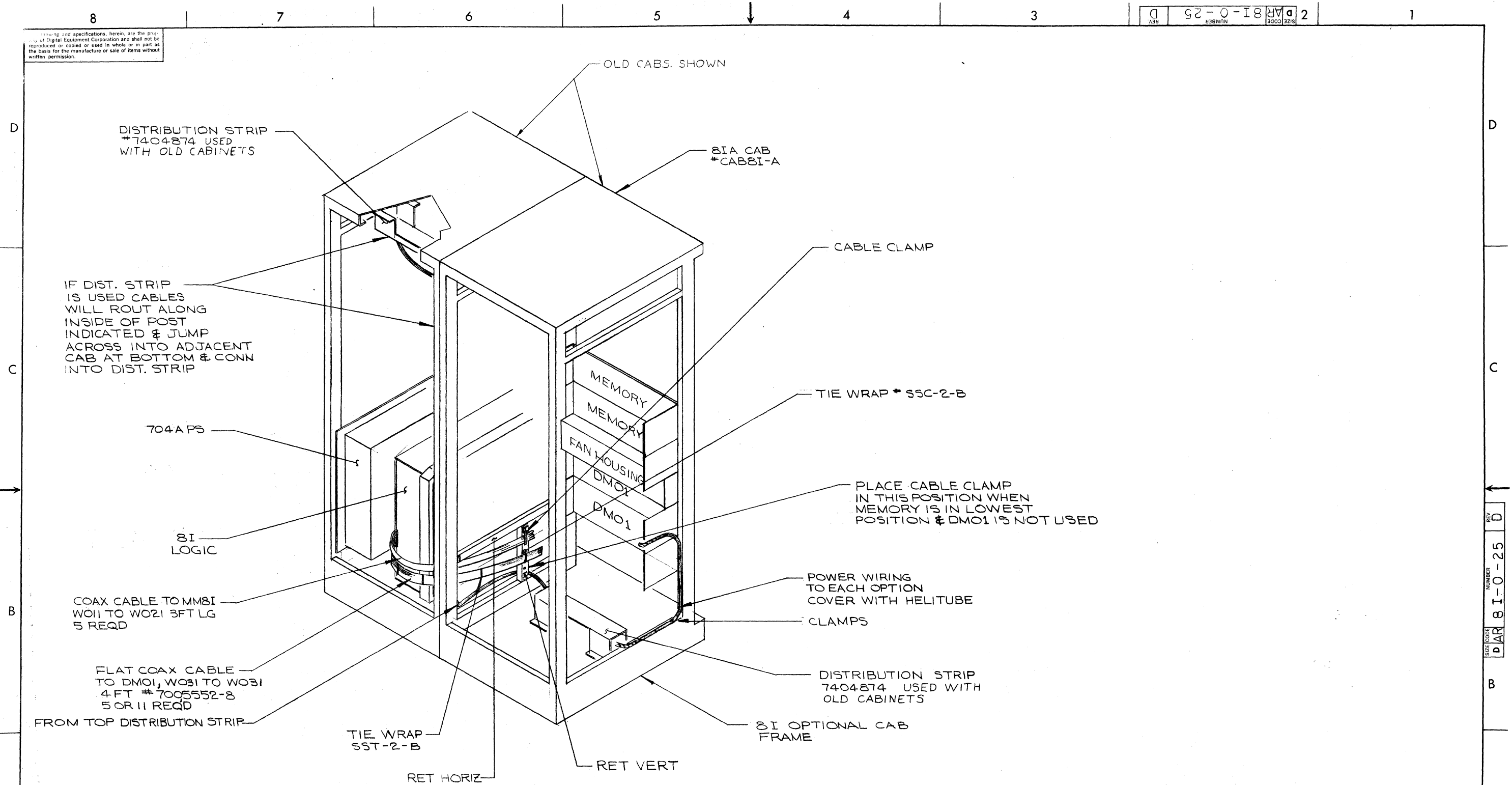
digital EQUIPMENT CORPORATION
 MAYNARD, MASSACHUSETTS

SYSTEM CONFIGURATION (8I)

SCALE: 1/12
 SHEET 1 OF 4

SIZE CODE: DAR
 NUMBER: 8I-0-25
 DIST. 16

Drawing and specifications herein are the property of Digital Equipment Corporation and shall not be reproduced or copied or used in whole or in part as the basis for the manufacture or sale of items without written permission.

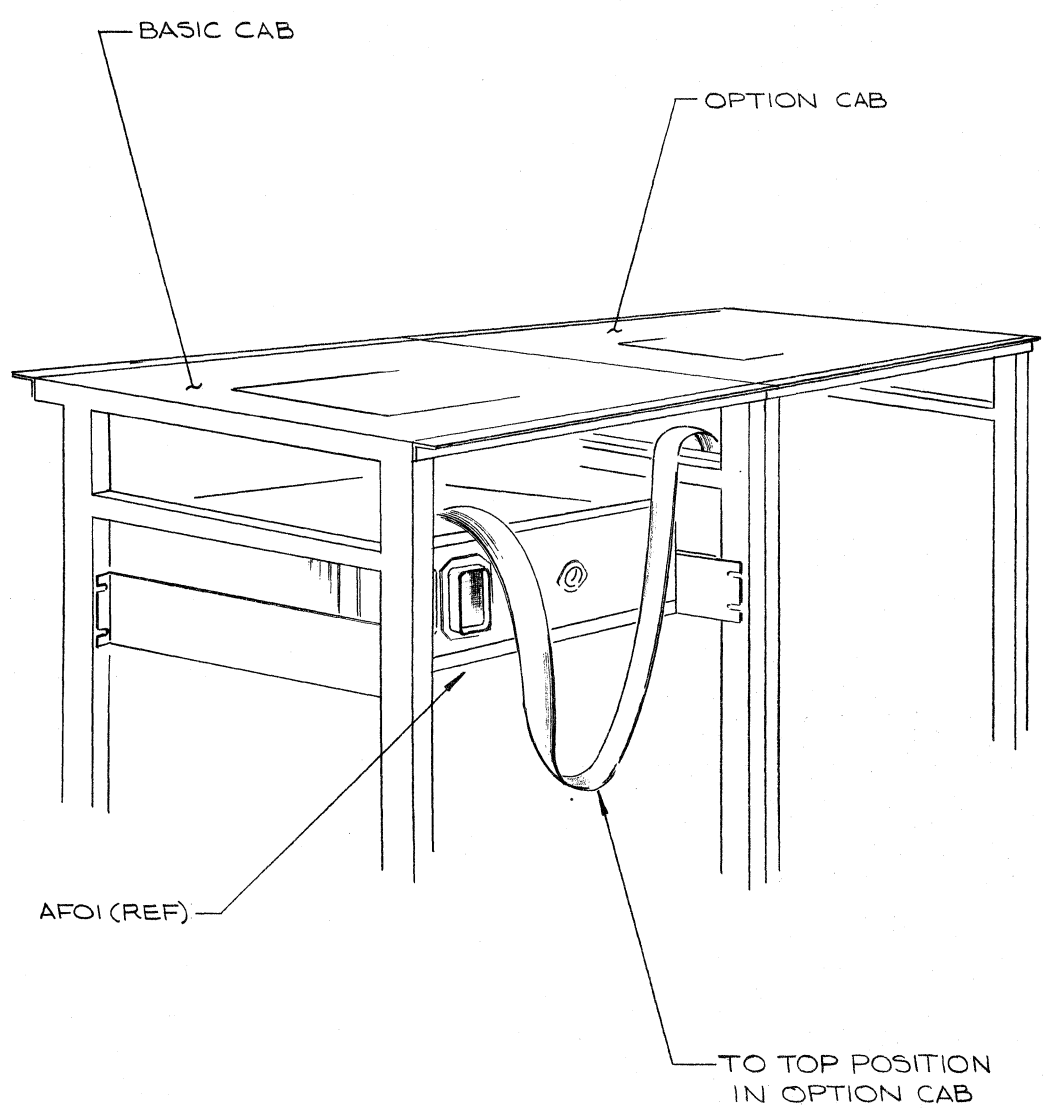


REV	
CHANGE NO	
CHK	

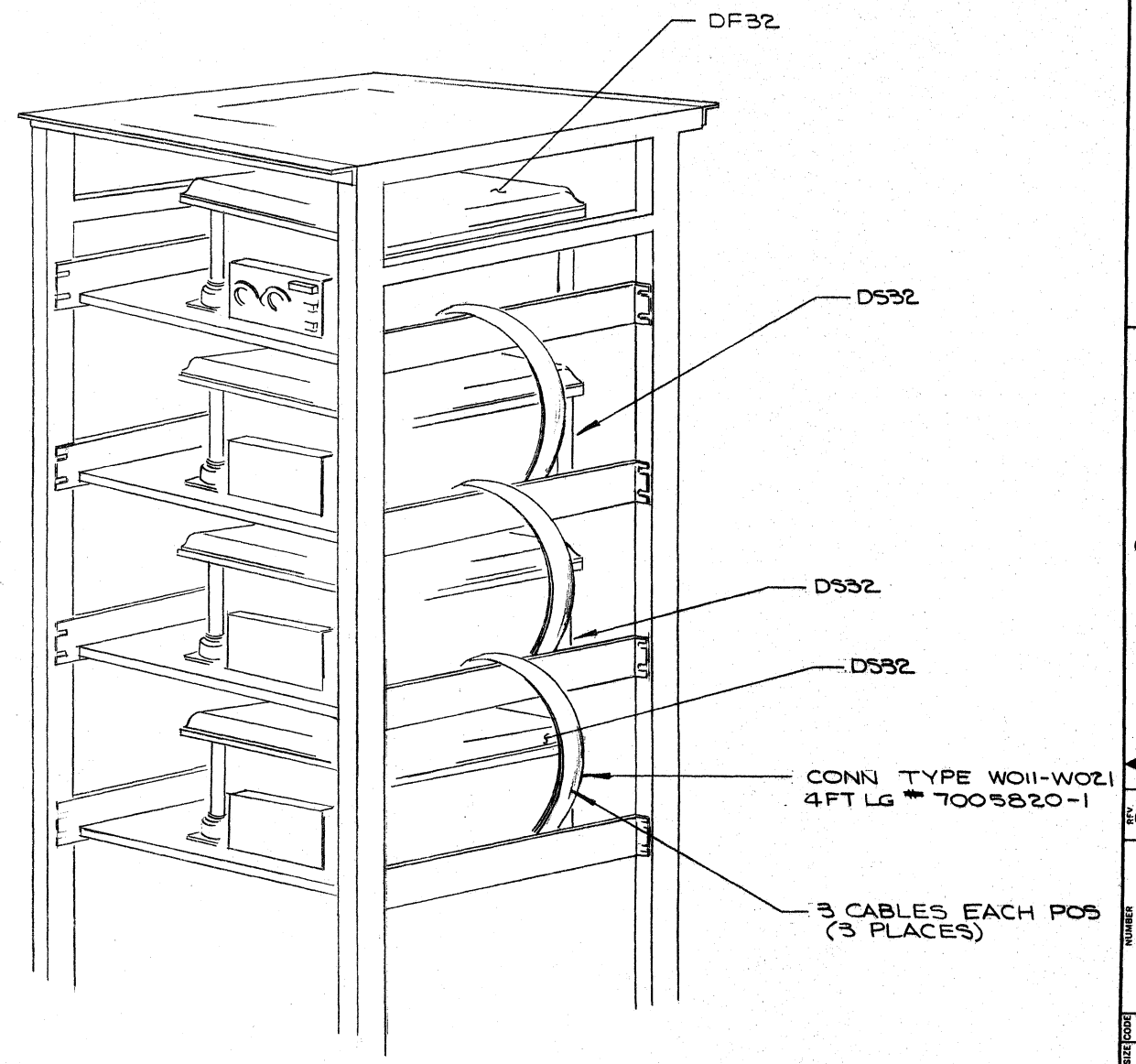
QTY.	DESCRIPTION	PART NO.	ITEM NO.
PARTS LIST			
UNLESS OTHERWISE SPECIFIED		DATE 2/15/68	digital EQUIPMENT CORPORATION MAYNARD, MASSACHUSETTS
UNLESS OTHERWISE SPECIFIED		DATE 4/24/68	
DIMENSION IN INCHES		DATE 5/2/68	TITLE SYSTEM CONFIGURATION 81
TOLERANCES		DATE 5/2/68	
DECIMALS	FRACTIONS	ANGLES	
± .005	± 1/64	± 0°30'	
FINAL SURFACE QUALITY		DATE 5/2/68	SIZE CODE NUMBER REV. DAR 81-0-25 D
REMOVE BURRS AND BREAK SHARP CORNERS		DATE 5/2/68	
MATERIAL	FINISH	SCALE NONE	SHEET 2 OF 4
---	---	DIST. G	

This drawing and specifications, herein, are the property of Digital Equipment Corporation and shall not be reproduced or copied or used in whole or in part as the basis for the manufacture or sale of items without written permission.

REV. 0
 SIZE CODE
 PART 81-0-25
 NUMBER
 DIST. 2



CABLING FROM
 TOP POSITION OF BASIC CAB
 TO TOP POSITION OF OPTION CAB



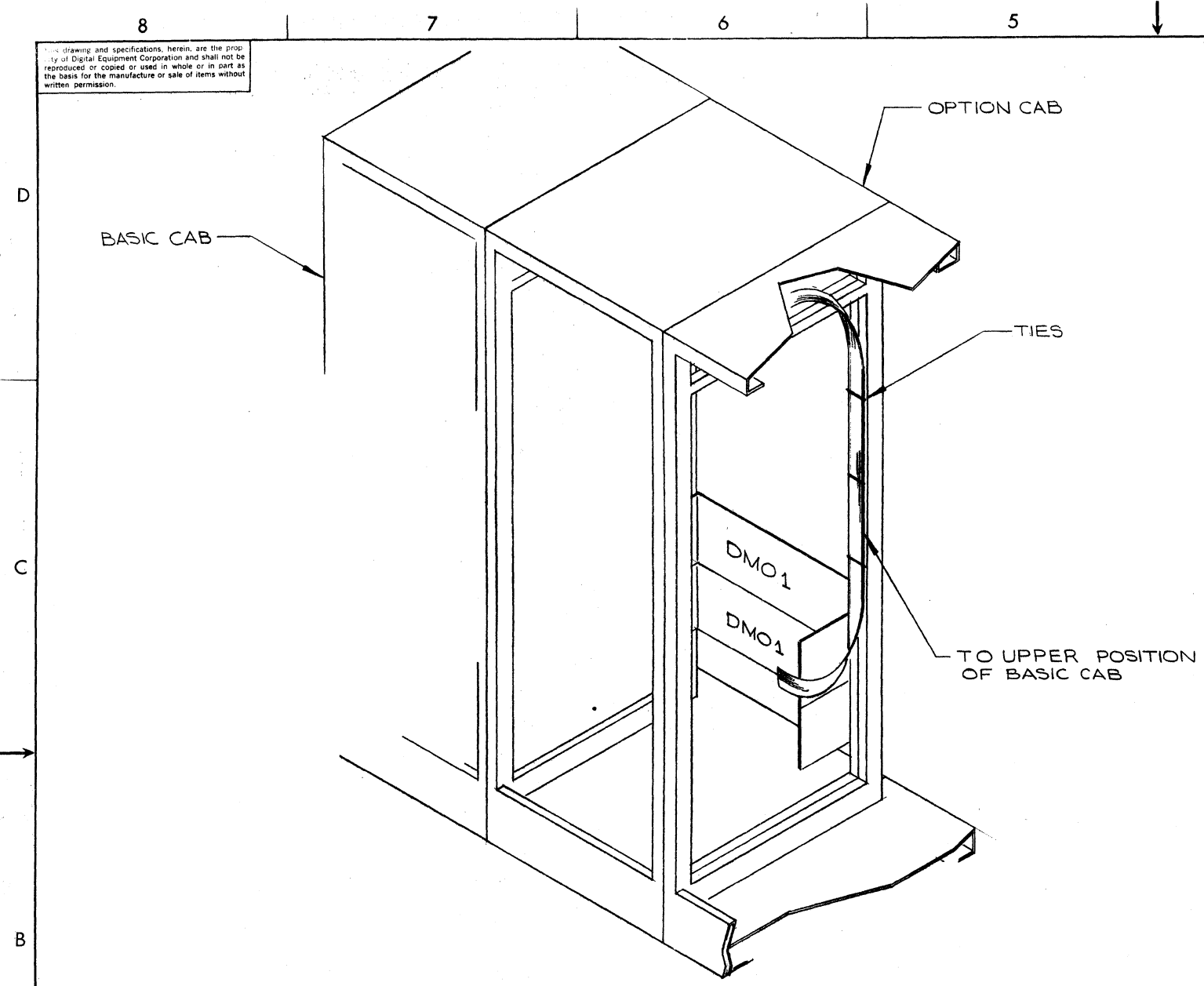
DF32 & DS32 CABLING

REVISIONS
 CHANGE NO.
 CHK

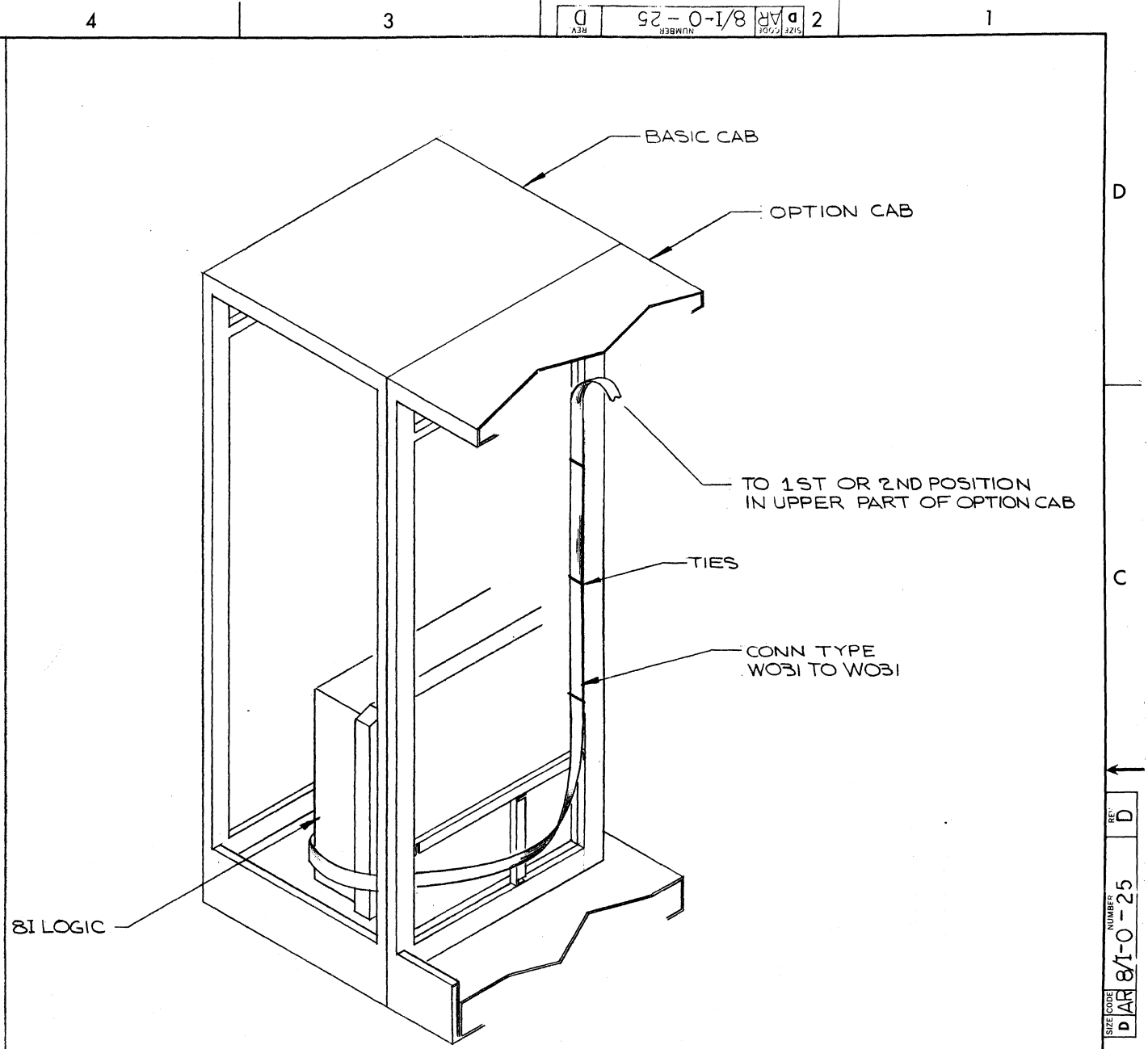
QTY.	DESCRIPTION	PART NO.	ITEM NO.
PARTS LIST			
UNLESS OTHERWISE SPECIFIED		DWN. DATE 4/1/68 CHK'D. DATE 4/21/68 ENG. DATE 5/12/67 PROJ. ENG. DATE 5/12/67 PROD. DATE 5/7/67 FIRST USED ON	
UNLESS OTHERWISE SPECIFIED		digital EQUIPMENT CORPORATION MAYNARD, MASSACHUSETTS	
DIMENSION IN INCHES TOLERANCES DECIMALS FRACTIONS ANGLES ± .005 ± 1/64 ± 0°30' FINAL SURFACE QUALITY REMOVE BURRS AND BREAK SHARP CORNERS		TITLE SYSTEM CONFIGURATION (8 I)	
MATERIAL	///	SCALE	NONE
FINISH	///	SHEET	3 OF 4
SIZE CODE		NUMBER	REV.
DAR 81-0-25		81-0-25	D
DIST.			

This drawing and specifications herein are the property of Digital Equipment Corporation and shall not be reproduced or copied or used in whole or in part as the basis for the manufacture or sale of items without written permission.

REV. 2
NUMBER 8I-0-25
DATE 8/1-0-81



DMO1 TO OPTIONS
WHEN USING BASIC & OPTIONAL CAB

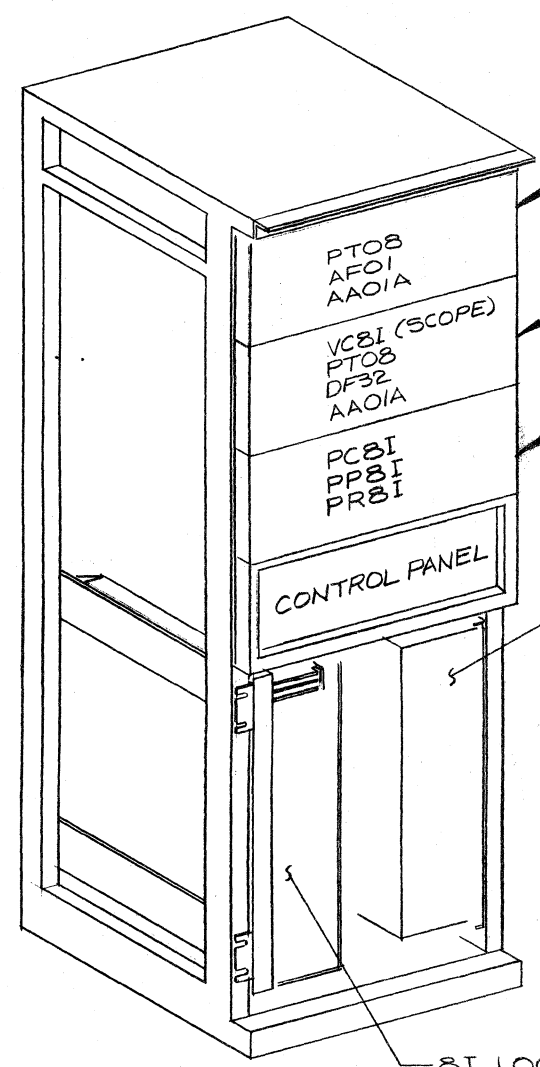


8I TO UPPER PART
OF OPTION CAB

REV.	
CHG	
CHK	

QTY.	DESCRIPTION	PART NO.	ITEM NO.
PARTS LIST			
UNLESS OTHERWISE SPECIFIED		DRN. <i>J. Macken</i>	DATE <i>3/26/68</i>
UNLESS OTHERWISE SPECIFIED		CHK'D. <i>B. Nealy</i>	DATE <i>4/24/68</i>
DIMENSION IN INCHES		ENG. <i>J. Macken</i>	DATE <i>1/23/68</i>
TOLERANCES		PROL. ENG. <i>J. Macken</i>	DATE <i>3/21/68</i>
DECIMALS FRACTIONS ANGLES		PROD. <i>B. Nealy</i>	DATE <i>7/1/68</i>
± .005 ± 1/64 ± 0°30'		FIRST USED ON	
FINAL SURFACE QUALITY		MATERIAL	
REMOVE BURRS AND BREAK SHARP CORNERS		FINISH	
		SCALE NONE	
		SHEET 4 OF 4	
		digital EQUIPMENT CORPORATION MAYNARD, MASSACHUSETTS	
		TITLE SYSTEM COFIGURATION (8I)	
		SIZE CODE D I A R	NUMBER 8 I - 0 - 2 5
		REV. D	

This drawing and specifications, herein, are the property of Digital Equipment Corporation and shall not be reproduced or copied or used in whole or in part as the basis for the manufacture or sale of items without written permission.

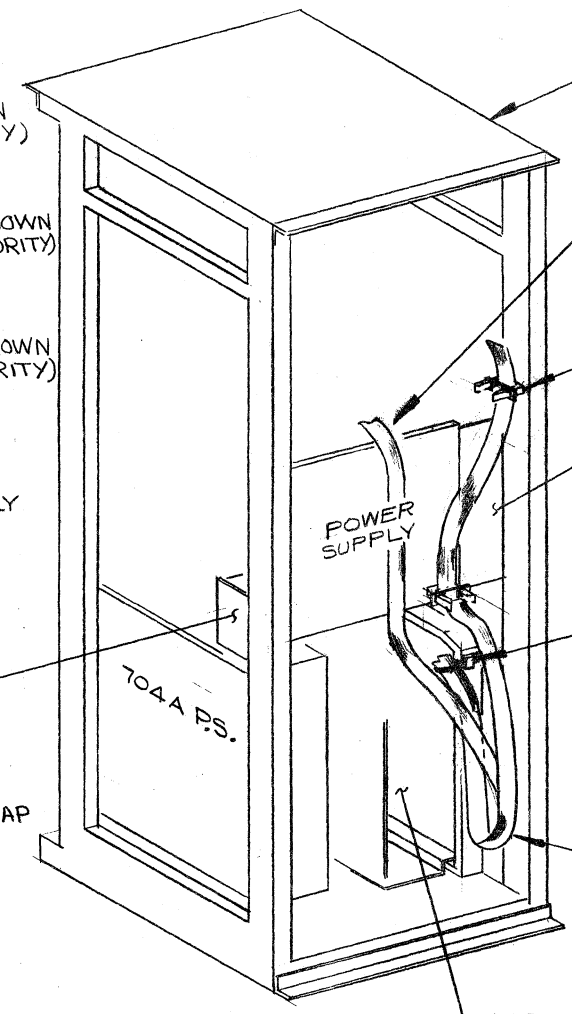


OPTION POSITION #1 (SHOWN IN ORDER OF PRIORITY)

OPTION POSITION #2 (SHOWN IN ORDER OF PRIORITY)

OPTION POSITION #3 (SHOWN IN ORDER OF PRIORITY)

TRANSFORMER #1725 (USED WITH 50 HZ DF32 DEC#1602583 WHEN MTG USE RETAINER TRANS STRAP #7406378 & RETAINER, TRANS #7406407 TRANSFORMER MTG USED IN NEW CAB IS 7406781



OLD CAB SHOWN

CABLES FROM PC8I, PP8I, PR8I BYPASS DAKOTA CLAMP, LOOP & GO TO 8I THROUGH TIE WRAP

DAKOTA CLAMP #2C1-100 CABLES SHOULD BE FREE TO SLIDE THROUGH CLAMPS

EXTENDER #7406414 USED WITH 779 PS EXTENDER NOT REQUIRED IN H950 CAB WHEN 799 POWER SUPPLY IS USED

TIE WRAP #SSC-2-B

LOOP

FRONT

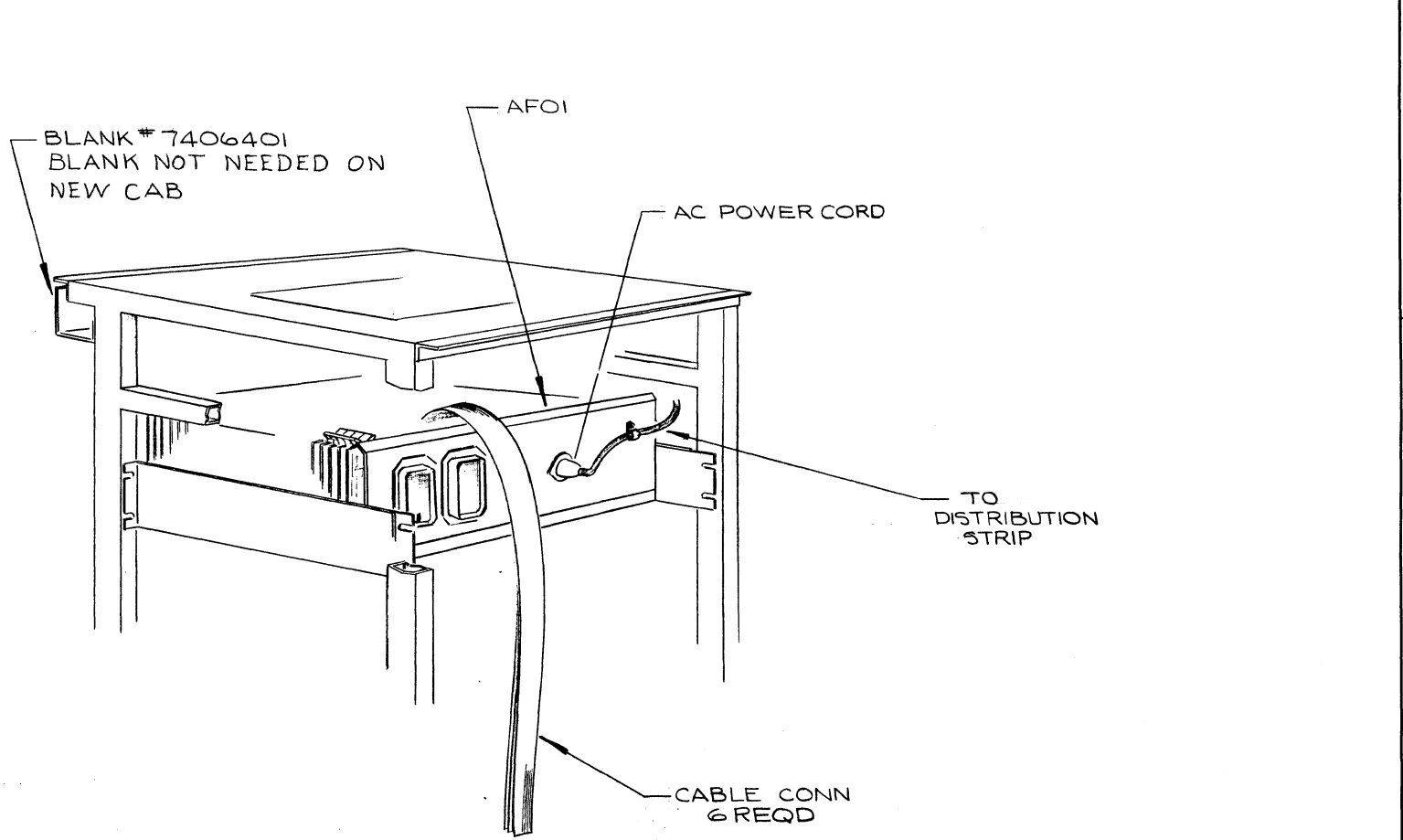
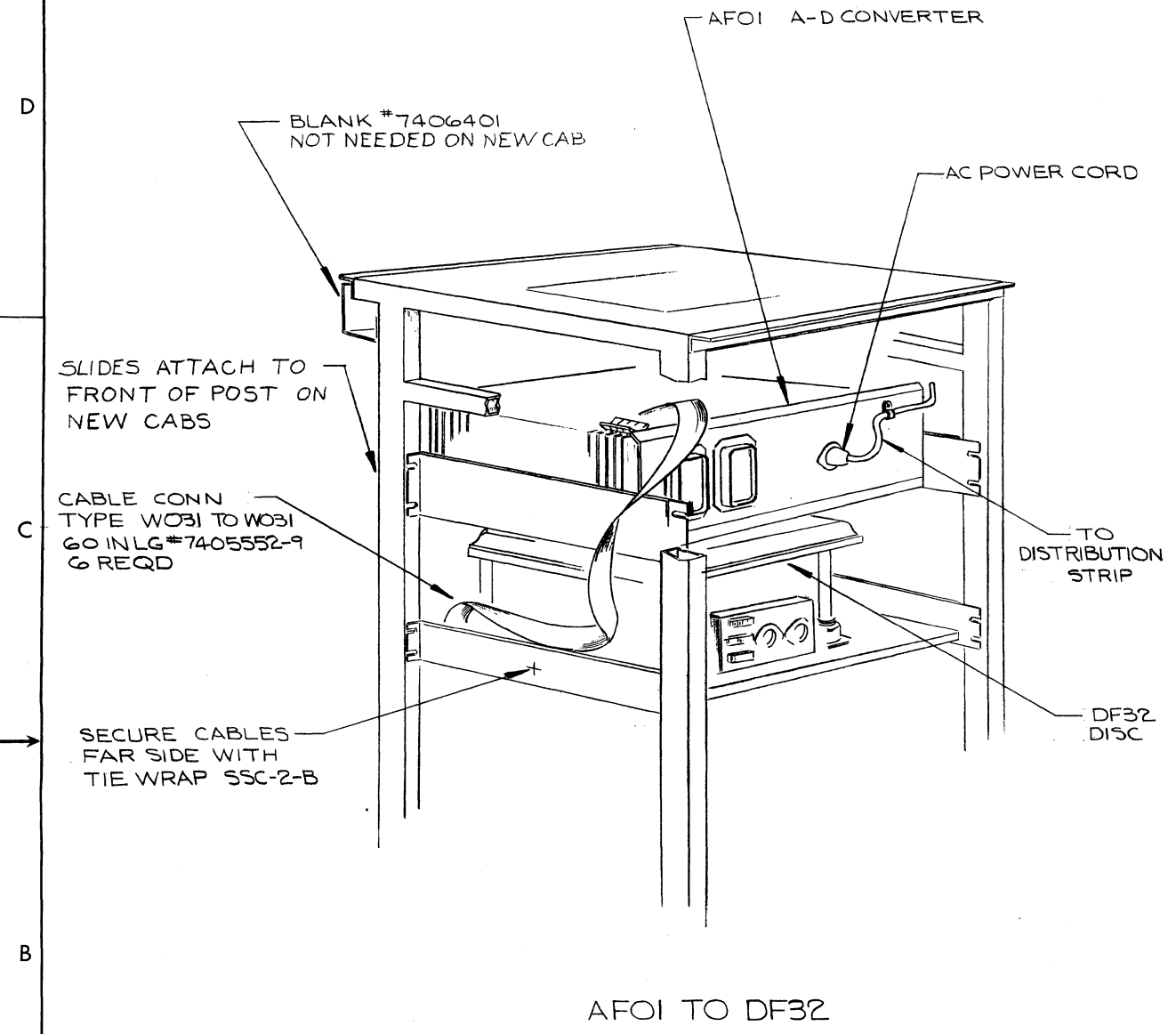
REAR

REV	CHG	NO	DATE	BY
A	8-00014			
B	81-00018			

OLUGLIN
G. WHIPPS

FIRST USED ON OPTION MODEL	QTY.	DESCRIPTION	PART NO.	ITEM NO.
8I				
PARTS LIST				
UNLESS OTHERWISE SPECIFIED				
DIMENSION IN INCHES				
TOLERANCES				
DECIMALS	FRACTIONS	ANGLES		
± .005	± 1/64	± 0°30'		
FINAL SURFACE QUALITY				
REMOVE BURRS AND BREAK SHARP CORNERS				
MATERIAL				
NEXT HIGHER ASSY				
FINISH				
SCALE NONE				
SHEET 1 OF 4				
TITLE			SIZE CODE	NUMBER
BASIC CAB 8/I CONFIGURATION			DAR	81-0-24
REV.			REV.	
B			B	

This drawing and specifications herein are the property of Digital Equipment Corporation and shall not be reproduced or copied or used in whole or in part as the basis for the manufacture or sale of items without written permission.



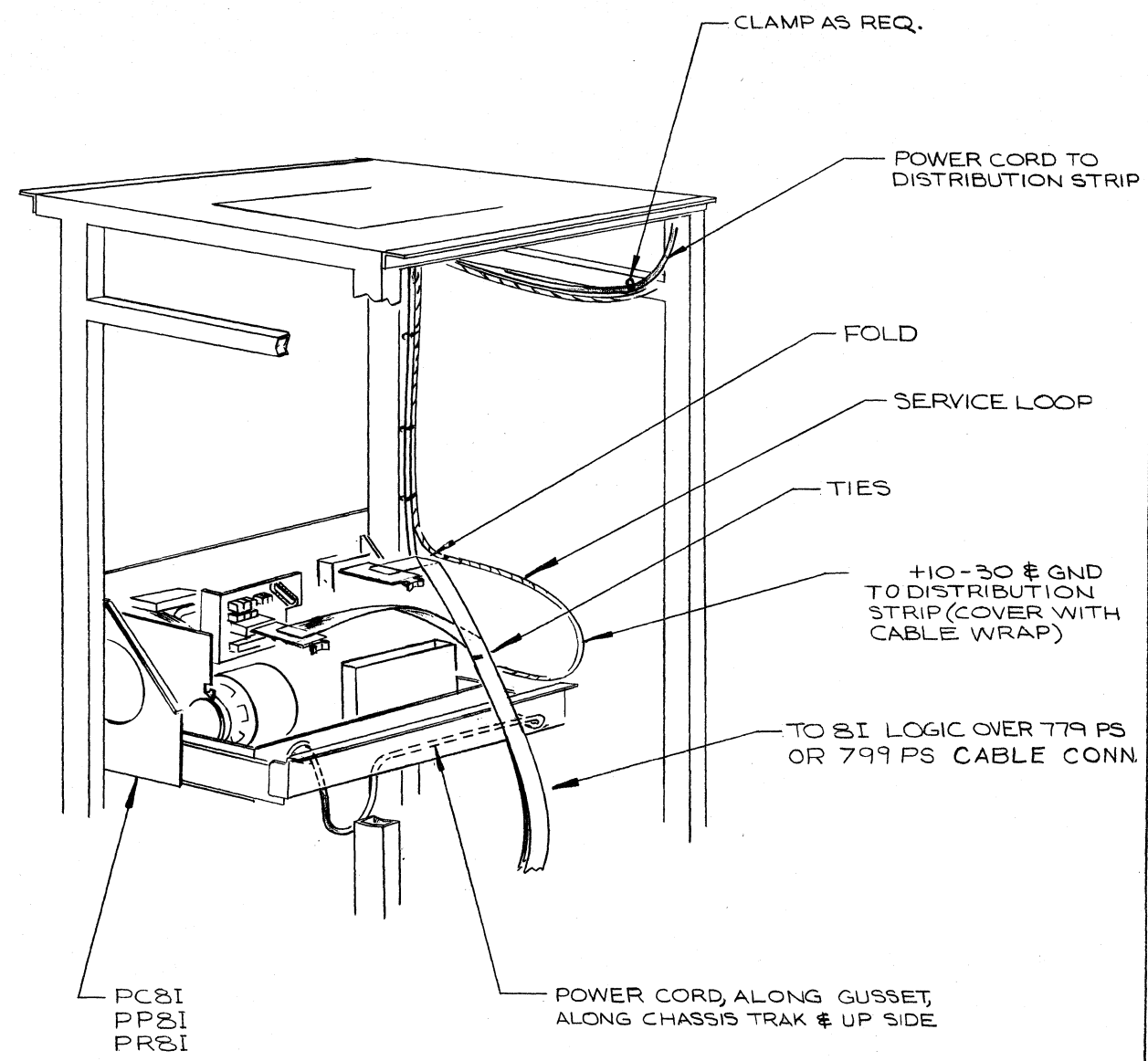
AFOI TO PT08 OR AAOIA OR 8I
 AFOI TO PT08 OR AAOIA W031 TO W031
 48 IN LG #7405552-8
 AFOI TO 8I W031 TO W031 108 IN LG #7405552-13

REV.	
CHG	
NO.	

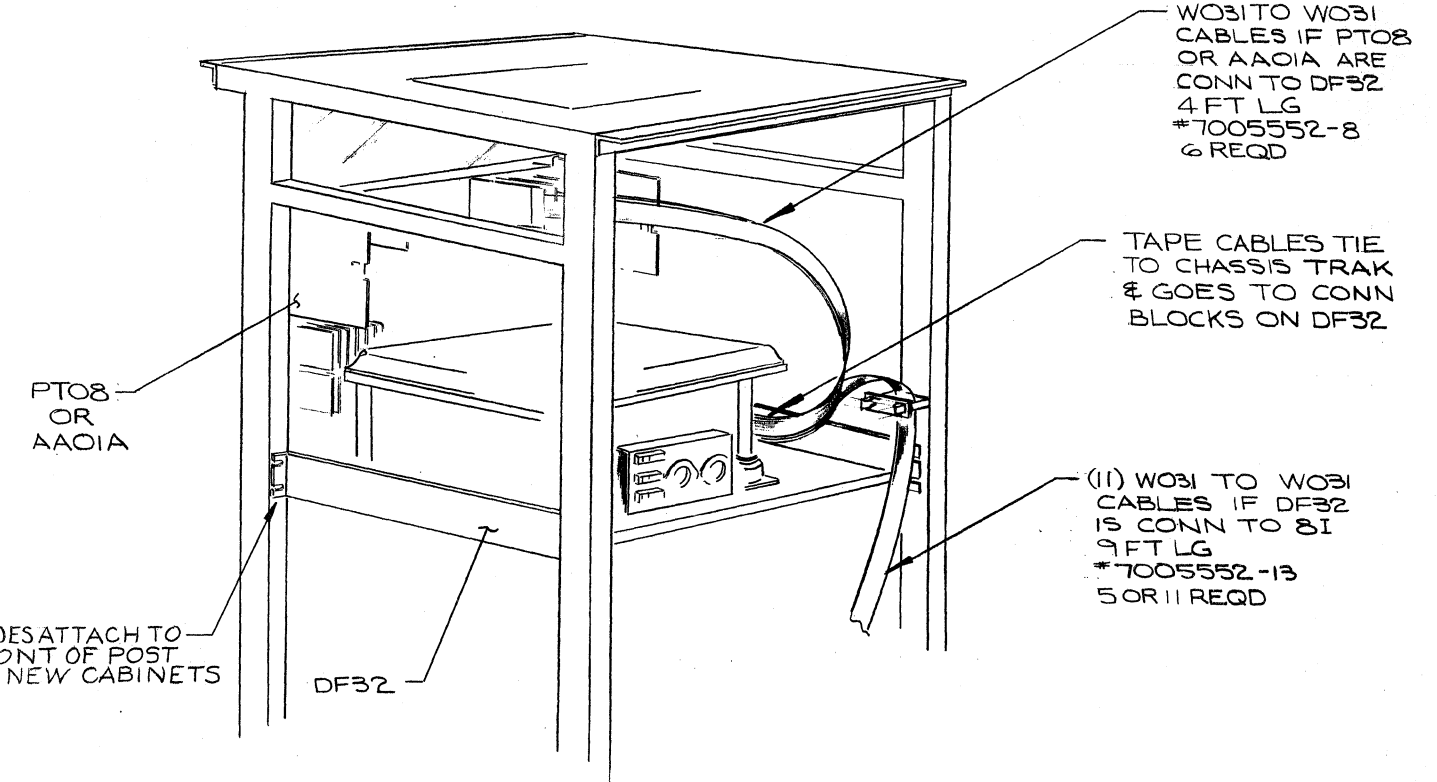
UNLESS OTHERWISE SPECIFIED	
DIMENSION IN INCHES	
DECIMALS	FRACTIONS
± .005	± 1/64
ANGLES ± 0°30'	
FINAL SURFACE QUALITY REMOVE BURRS AND BREAK SHARP CORNERS	
MATERIAL	///
FINISH	///

QTY.	DESCRIPTION	PART NO.	ITEM NO.
PARTS LIST			
	DRN <i>Madden</i>	DATE 4/11/68	digital EQUIPMENT CORPORATION MAYNARD, MASSACHUSETTS
	CHKD <i>Nealy</i>	DATE 4/24/68	
	ENG. <i>Nealy</i>	DATE 4/20/68	
	PROJ. ENG. <i>Nealy</i>	DATE 5/22/68	
	PROD. <i>Williamson</i>	DATE 5/14/68	
FIRST USED ON		///	
SCALE NONE			
SHEET 2 OF 4			
TITLE		BASIC CAB 8/I CONFIGURATION	
SIZE CODE		NUMBER	REV.
DAR 8I-0-24			B
DIST. 6			

This drawing and specifications herein are the property of Digital Equipment Corporation and shall not be reproduced or copied or used in whole or in part as the basis for the manufacture or sale of items without written permission.



PC8I, PP8I OR PR8I TO 8I



PT08 OR AAOIA TO DF32
DF32 TO 8I

REV.	
CHANGE NO.	
CHK	

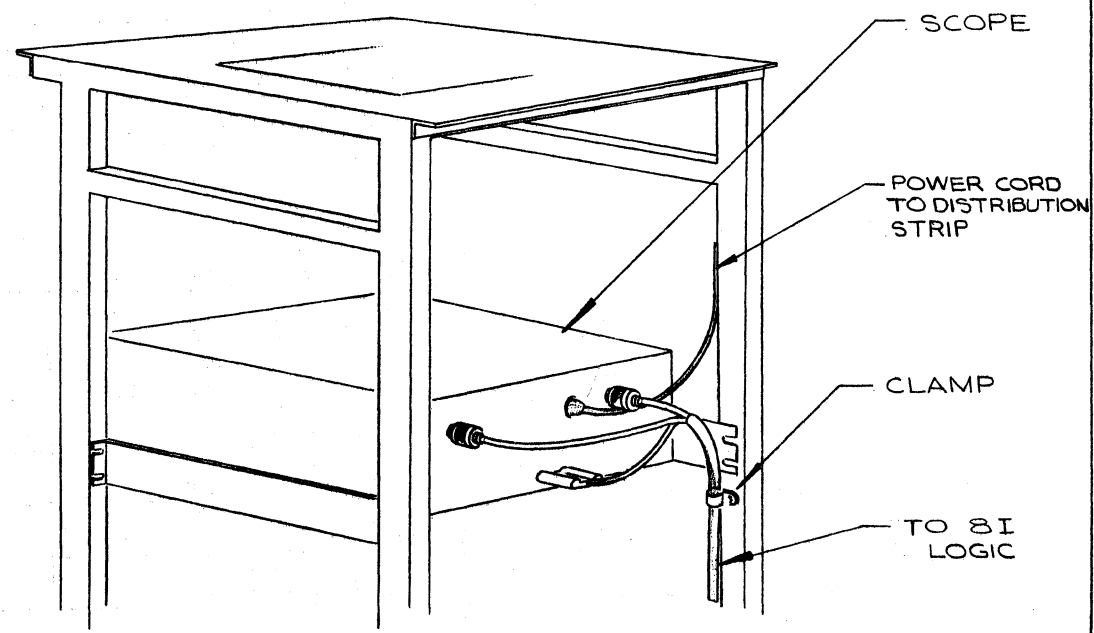
QTY.	DESCRIPTION	PART NO.	ITEM NO.
PARTS LIST			
UNLESS OTHERWISE SPECIFIED		DRN. <i>M. Menden</i> DATE <i>9/15/68</i> DATE <i>9/29/68</i> ENG. <i>Kealy</i> DATE <i>5-2-68</i> PROJ. ENG. <i>Laughlin</i> DATE <i>5/2/68</i> PROJ. <i>B. Hollander</i> DATE <i>5/2/68</i>	
UNLESS OTHERWISE SPECIFIED DIMENSION IN INCHES TOLERANCES DECIMALS FRACTIONS ANGLES ± .005 ± 1/64 ± 0°30' FINAL SURFACE QUALITY REMOVE BURRS AND BREAK SHARP CORNERS		digital EQUIPMENT CORPORATION MAYNARD, MASSACHUSETTS TITLE BASIC CAB 8/I CONFIGURATION	
MATERIAL	FINISH	SCALE	SHEET
---	---	NONE	3 OF 4
FIRST USED ON		SIZE CODE	NUMBER
---		DAR	81-0-24
		DIST.	6
		REV.	B

This drawing and specifications, herein, are the property of Digital Equipment Corporation and shall not be reproduced or copied or used in whole or in part as the basis for the manufacture or sale of items without written permission.

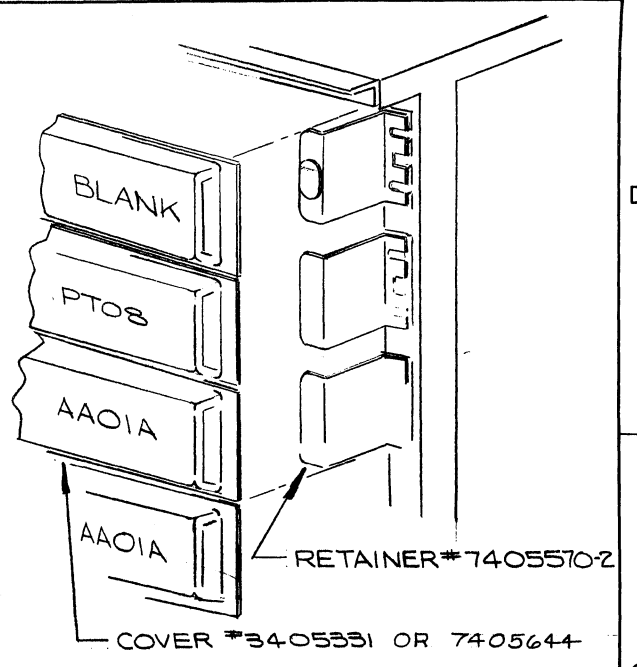
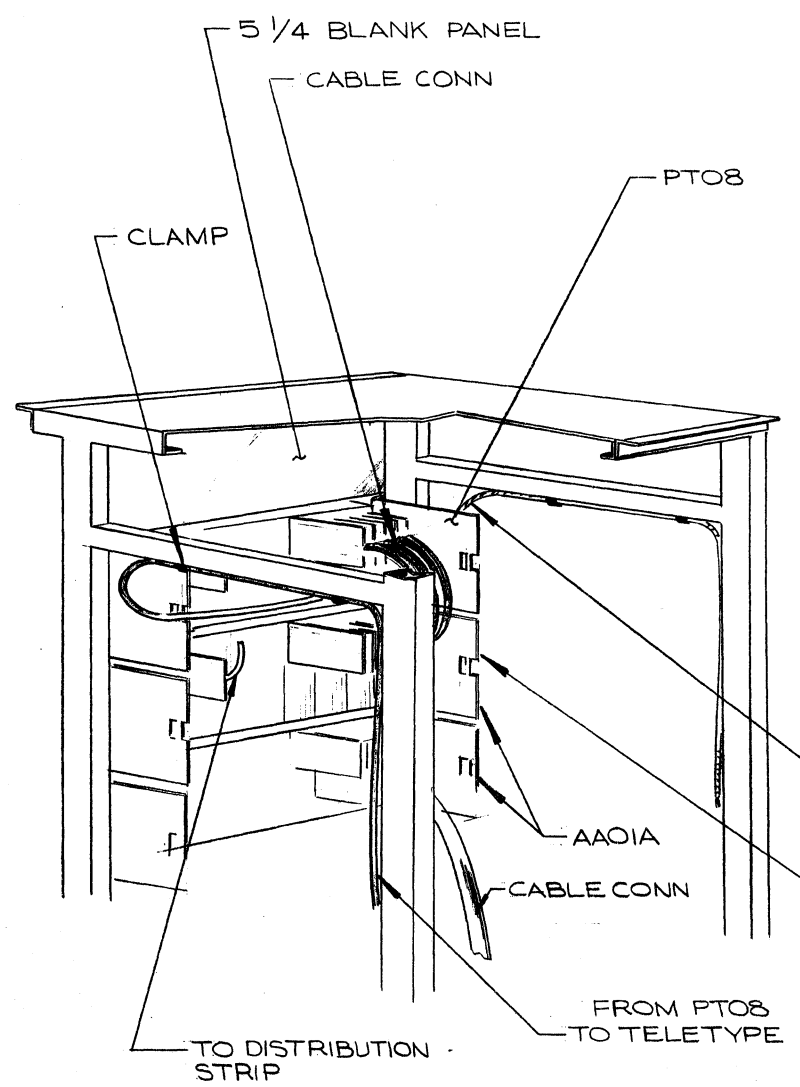
REV. B
SIZE CODE D
PART NUMBER 81-0-24

D
C
B
A

D
C
B
A



VC8I, VC8IA



FRONT VIEW OF CAB

TO DISTRIBUTION STRIP FROM TERM STRIP ON SIDE OF MTG PANEL
IF PTO8 & AAOIA OPTIONS ARE USED SEPARATELY CABLE CONNECTORS WILL GO DIRECTLY TO 8I

- PTO8 TO AAOIA - W021-W021-18" LG COAX # 7405541-5 (6 REQD)
- PTO8 TO 8I - W031 TO W031-96" LG FLEX PRINT # 7405552-12 (6 REQD)
- AAOIA TO 8I - W031 TO W031-96" LG FLEX PRINT # 7405552-12 (6 REQD)

REV. B
NUMBER 81-0-24

REVISIONS	REV.
CHANGE NO.	
CHK	

QTY.	DESCRIPTION	PART NO.	ITEM NO.
PARTS LIST			
UNLESS OTHERWISE SPECIFIED		DATE 4/12/68	
DIMENSION IN INCHES		DATE 4/29/68	
TOLERANCES		DATE 4-20-68	
DECIMALS	FRACTIONS	ANGLES	DATE 8/27/68
± .005	± 1/64	± 0°30'	
FINAL SURFACE QUALITY		DATE 5/2/68	
REMOVE BURRS AND BREAK SHARP CORNERS			
MATERIAL		FIRST USED ON	
FINISH		SCALE NONE	
SHEET 4 OF 4		SIZE CODE D	
		NUMBER 81-0-24	
		REV. B	


digital EQUIPMENT CORPORATION
MAYNARD, MASSACHUSETTS
TITLE
BASIC CAB 8/I CONFIGURATION


and shall not be reproduced or used in whole or in part as the basis for the manufacture or sale of items without written permission.

SIGNAL NAME	FROM PIN	TO PIN	COLOR	REMARKS
GND	A03J1	C02C2	BLK	
GND	A03K1	C03C2		
GND	A03L1	D02C2		
GND	A03M1	D03C2		
GND	B03D1	E02C2		
GND	B03E1	E03C2		
GND	B03F1	F02C2		
GND	B03H1	F03C2		
GND	B03J1	H02C2		
GND	B03K1	H03C2		
GND	B03L1	J02C2		
GND	B03M1	J03C2	BLK	
+5V	A03D2	A02A2	RED	
+5V	A03E2	A03A2		
+5V	A03F2	B02A2		
+5V	A03H2	B03A2		
+5V	A03J2	C02A2		
+5V	A03K2	C03A2		
+5V	A03L2	D02A2		
+5V	A03M2	D03A2		
+5V	A03N2	E02A2		
+5V	A03P2	E03A2		
+5V	A03R2	F02A2		
+5V	A03S2	F03A2	RED	

SIGNAL NAME	FROM PIN	TO PIN	COLOR	REMARKS
+5V	B03D2	H02A2	RED	
+5V	B03E2	H03A2		
+5V	B03F2	J02A2		
+5V	B03H2	J03A2	RED	
-15V	B03L2	A02B2	BLUE	
-15V	B03M2	A03B2		
-15V	B03N2	B02B2		
-15V	B03P2	B03B2		
-15V	B03R2	H02B2		
-15V	B03S2	H03B2		
-15V	B03T2	J02B2		
-15V	B03U2	J03B2	BLUE	
GND	A02T1	A03U1	BLK	
GND	A03U1	A03V1		
GND	A03V1	A04T1		
GND	B02T1	B03U1		
GND	B03U1	B03V1		
GND	B03V1	B04T1	BLK	
	B03K2	C02B2	BLUE	


*NOTE: ALL WIRES TO BE INSTALLED WITH 24 GAUGE A.W.G. +5 IN RED, -15 IN BLUE, AND GND. IN BLACK. A SPECIAL CHUCK TO BE USED FOR #24 WIRE AND 30 GAUGE PINS.

REVISIONS				DRN. I. T.	DATE 1/26/68	 <p>digital EQUIPMENT CORPORATION MAYNARD, MASSACHUSETTS</p>
REV.	DATE	CHG. NO.	APP'D.	CHK'D.	DATE	
ORIG. #6:1/25/68						
A	3-6-68	9	OV			
				DATE 1/26/68		<p>TITLE GENERAL WIRING SHEET FOR POWER WIRES</p>
				DATE 2/15/68		
				DATE 2/15/68		
				DATE 2/15/68		
				DATE 2/15/68		
				FIRST USED ON		
SCALE		A WL	NUMBER 8I-0-26	REV. A		
SHEET 1 OF 2		DIST.				

REVISIONS				DRN. I. T.	DATE 1/68	 <p>digital EQUIPMENT CORPORATION MAYNARD, MASSACHUSETTS</p>
REV.	DATE	CHG. NO.	APP'D.	CHK'D.	DATE	
				DATE 1/68		<p>TITLE GENERAL WIRING SHEET FOR POWER WIRES</p>
				DATE		
				DATE		
				DATE		
				DATE		
				FIRST USED ON		
SCALE		A WL	NUMBER 8I-0-26	REV. A		
SHEET 2 OF 2		DIST.				


DRWG NO	REVLTR
K-WL-8I-0-18.	BJ

REVISIONS			
REV LTR	ECO NO	DATE	ENG
AY	8I-00081	11-3-69	MEA
REVISED & REDRAWN			
AZ	8I-00084	11-25-69	MEC
BA	8I-00085	12-5-69	MEC
BB	8I-00086	12-10-69	MEC
BC	8I-00093	1-27-70	MEC
BD	8I-00100	4-21-70	MEC
BE	8I-00107	8-26-70	MEC
BF	8I-00114	1-18-71	MEC
BH	8I-00116	3-10-71	MEC
BJ	8I-00119	9-16-71	MEC


DRAWN T. CHULADA	DATE 8-21-67		TITLE WIRE LIST PDP 8/I									
CHECKED J. MC HUGH	DATE 8-21-67		FOR TAPE # FILE *									
ENG R. AMES	DATE 8-21-67		SIZE K	CODE WL	DWG. NO. 8I-0-18							
PROJ. ENG R. AMES	DATE 8-21-67		ASSY NO E-UA-8I-0-0		REV LTR BJ							
PROD R. AMES	DATE 8-21-67	SCALE	SHEET	OF	DIST.							

This drawing and specifications, herein, are the property of Digital Equipment Corporation and shall not be reproduced or copied or used in whole or in part as the basis for the manufacture or sale of items without written permission.

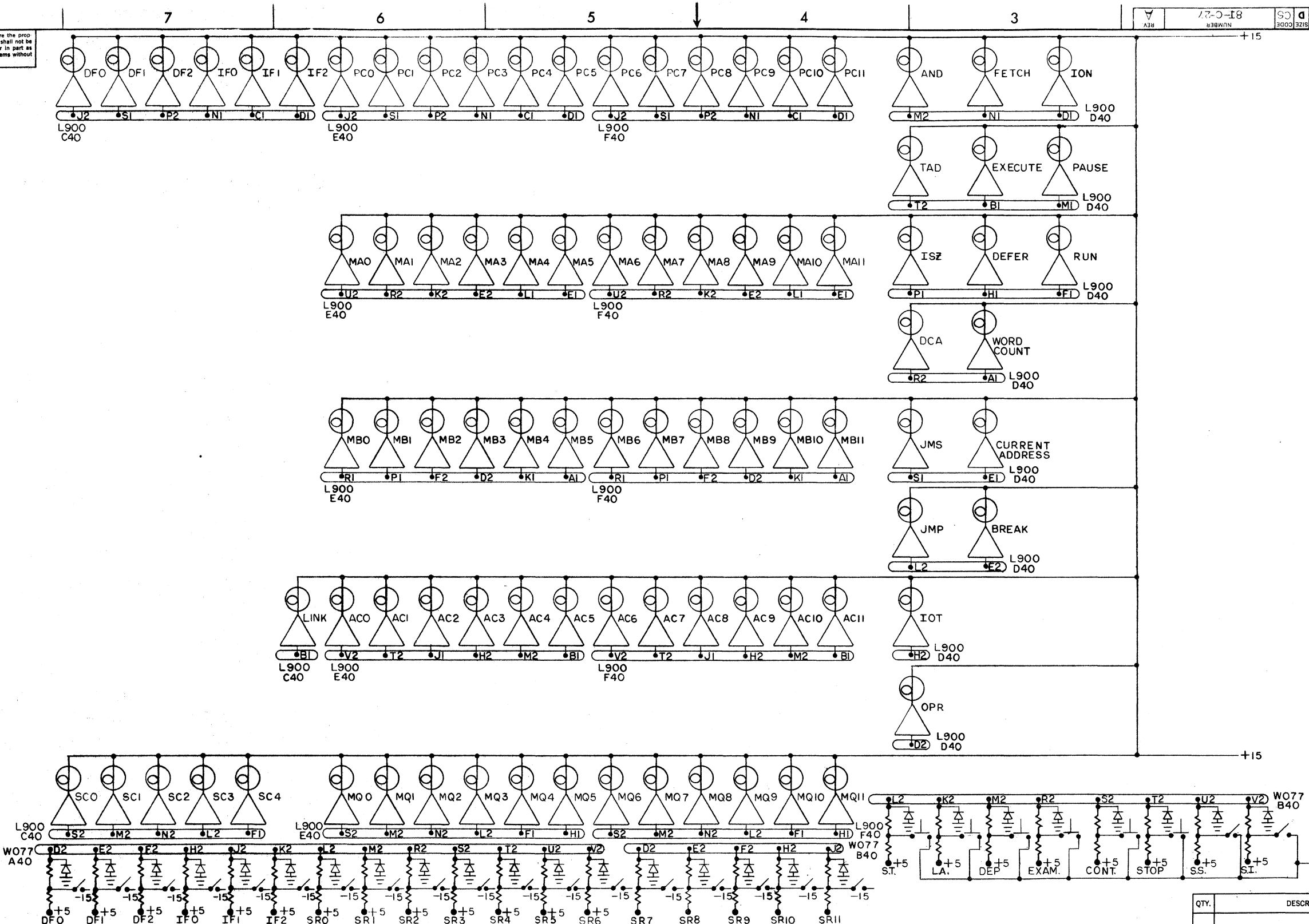
SIGNAL NAME	FROM PIN	TO PIN	COLOR	REMARKS
	*A30D2	A34S2	RED	TWP
	A30E2	A34T2	WHITE	
	A30F2	A29S2	RED	TWP
	A30H2	A29T2	WHITE	
	A31D2	A34C2	RED	TWP
	A31E2	A34D2	WHITE	
	A31F2	A29C2	RED	TWP
	A31H2	A29D2	WHITE	
	A31L1	A34E2	RED	TWP
	A31M1	A34F2	WHITE	
	A31N1	A29E2	RED	TWP
	A31P1	A29F2	WHITE	
	A32D2	A34H2	RED	TWP
	A32E2	A34J2	WHITE	
	A32F2	A29H2	RED	TWP
	A32H2	A29J2	WHITE	
	A32L1	A34K2	RED	TWP
	A32M1	A34L2	WHITE	
	A32N1	A29K2	RED	TWP
	A32P1	A29L2	WHITE	
	A33D2	A34M2	RED	TWP
	A33E2	A34N2	WHITE	
	A33F2	A29M2	RED	TWP
	A33H2	A29N2	WHITE	
	A33L1	A34P2	RED	TWP
	A33M1	A34R2	WHITE	

REVISIONS				DRN. B. VIDITO	DATE 12/2/68	 MAYNARD, MASSACHUSETTS	TITLE GENERAL WIRING SHEET FOR TWISTED PAIR	SIZE	CODE	NUMBER	REV.
REV.	DATE	CHG. NO.	APP'D.	CHK'D.	DATE			A	WL	8I-0-31	
-	12/2/68	8I-00022	ORIG	<i>B. Vidito</i>	12/2/68						
				ENG.	DATE						
				PROJ. ENG.	DATE						
				PROD.	DATE						
				FIRST USED ON							
				SCALE							
				SHEET 1 OF 2		DIST.					

SIGNAL NAME	FROM PIN	TO PIN	COLOR	REMARKS
	A33N1	A29P2	RED	TWP
	A33P1	A29R2	WHITE	
	B31D2	B34C2	RED	TWP
	B31E2	B34D2	WHITE	
	B31F2	B29C2	RED	TWP
	B31H2	B29D2	WHITE	
	B31L1	B34E2	RED	TWP
	B31M1	B34F2	WHITE	
	B31N1	B29E2	RED	TWP
	B31P1	B29F2	WHITE	
	B32D2	B34H2	RED	TWP
	B32E2	B34J2	WHITE	
	B32F2	B29H2	RED	TWP
	B32H2	B29J2	WHITE	
	B32L1	B34K2	RED	TWP
	B32M1	B34L2	WHITE	
	B32N1	B29K2	RED	TWP
	B32P1	B29L2	WHITE	
	B33D2	B34M2	RED	TWP
	B33E2	B34N2	WHITE	
	B33F2	B29M2	RED	TWP
	B33H2	B29N2	WHITE	
	B33L1	B34P2	RED	TWP
	B33M1	B34R2	WHITE	
	B33N1	B29P2	RED	TWP
	B33P1	B29R2	WHITE	

REVISIONS				DRN. B. VIDITO	DATE 12/2/68	 MAYNARD, MASSACHUSETTS	TITLE GENERAL WIRING SHEET FOR TWISTED PAIR	SIZE	CODE	NUMBER	REV.
REV.	DATE	CHG. NO.	APP'D.	CHK'D.	DATE			A	WL	8I-0-31	
				ENG.	DATE						
				PROJ. ENG.	DATE						
				PROD.	DATE						
				FIRST USED ON							
				SCALE							
				SHEET 2 OF 2		DIST.					

This drawing and specifications, herein, are the property of Digital Equipment Corporation and shall not be reproduced or copied or used in whole or in part as the basis for the manufacture or sale of items without written permission.



REV.	CHANGE NO.	DATE
1	ORIG ECD	8-1-68
2	81-00026	11/1/68
3		

CHK: J. O'LOUGHLIN
 DEC 11 1968

UNLESS OTHERWISE SPECIFIED	DRN: Ferguson	DATE: 2-2-68
UNLESS OTHERWISE SPECIFIED	CHK'D: Ferguson	DATE: 2-21-68
DIMENSION IN INCHES	ENG: Ferguson	DATE: 2-22-68
TOLERANCES	PROJ. ENG: Ferguson	DATE: 2-22-68
DECIMALS FRACTIONS ANGLES	PROD: Ferguson	DATE: 2-22-68
= .005 = 1/64 = 0°30'	FIRST USED ON:	
FINAL SURFACE QUALITY		
REMOVE BURRS AND BREAK SHARP CORNERS		
MATERIAL:		
FINISH:		

QTY.	DESCRIPTION	PART NO.	ITEM NO.
PARTS LIST			
digital CORPORATION MAYNARD, MASSACHUSETTS			
TITLE PDP 8 I CONSOLE SWITCHES & INDICATORS			
SCALE		SIZE CODE	NUMBER
SHEET OF		DCS	81-0-27
		DIST.	REV. A

DIGITAL EQUIPMENT CORPORATION
MAYNARD, MASSACHUSETTS

ENGINEERING SPECIFICATION

DATE 4/5/68

TITLE PDP-8/I ACCEPTANCE PROCEDURE

REVISIONS

REV	DESCRIPTION	CHG NO	ORIG	DATE	APPD BY	DATE
			ECO 12			

SCOPE:

To define the criteria necessary to accept for shipment model PDP-8/I computer.

TEST SOFTWARE:

Address Test Low	Maindec-08-D1B1
Address Test High	Maindec-08-D1B2
Checkerboard Low	Maindec-08-D1J1
Checkerboard High	Maindec-08-D1J2
Instruction Test I	Maindec-8I-D01A
Instruction Test II	Maindec-8I-D02A
Instruction Test IIB	Maindec-08-D02B
Random Jmp Test	Maindec-08-D04B
Random Jmp-Jms Test	Maindec-08-D05B
Random ISZ Test	Maindec-08-D07B
Power On-Off Test	Maindec-08-D1AA
Pal III	
DDT	
Symbolic Tape Editor	
Fortran	

PROCEDURE:

- Complete the checklist forms supplied at acceptance.
- Run each Maindec test program specified for a time period of no more than 15 minutes.
- The vibration test is performed by slowly sliding an 8-inch length of teflon rod, 3/8 inch diameter, horizontally across the modules twice in each direction. The slotted hold-down plate supplied for this test must be installed before the vibration test is started. The vibration test should be performed once during each test program. The memory stack assembly must not be subjected to the vibration test.

ENG	APPD	SIZE	CODE	NUMBER	REV
		A	SP	8I-0-30	

ENGINEERING SPECIFICATION

CONTINUATION SHEET

TITLE PDP-8/I ACCEPTANCE PROCEDURE

- Run the four (4) user programs specified no more than one pass on each program.

SHIPPING LISTS:

Software Shipping List

- 3 rolls oiled paper punch tape
- 1 roll teleprinter paper
- 1 log book
- 1 maintenance manual
- 1 ASR 33 teletype manual - vol. 1
- 1 ASR 33 teletype manual - vol. 2
- 1 ASR 33 teletype manual - parts
- 1 spare ribbon for ASR33
- 1 PDP-8/I small computer handbook C800
- 1 logic handbook
- 1 supplies and suppliers lists
- 1 8/I pocket instruction card
- 1 M series handbook
- 1 key sheet
- 1 construction requisition
- 1 ECO kick back envelope secured inside computer ECO sit copies in ECO envelope configuration diagram

Print Shipping List

flow diagram - auto functions (1)	81-0-1
manual functions (2)	81-0-1
timing, manual functions, run	81-0-2
instruction register, major states	81-0-3
reg. output gate control	81-0-4
shift and carry gate control	81-0-5
reg. input control and skip	81-0-6
interrupt and break control	81-0-7
major registers	81-0-8
major registers gating (1)	81-0-9
(2)	81-0-9
(3)	81-0-9
(4)	81-0-9
I/O level converters	81-0-10
teletype receiver	81-0-11
teletype transmitter	81-0-12
memory control	81-0-13
sense amps and inhibit drivers	81-0-14
X axis selection	81-0-15
Y axis selection	81-0-16

SIZE	CODE	NUMBER	REV
A	SP	8I-0-30	

ENGINEERING SPECIFICATION

CONTINUATION SHEET

TITLE PDP-8/I ACCEPTANCE PROCEDURE

Module Schematic Shipping List

Print/Module No.

G020
G021
G221
G228
G624
G792
G805
G813
G826
M113
M115
M117
M160
M216
M220
M310
M360
M452
M506
M617
M650
M700
M706
M707
W900
5404515
5404517
5404519

Tape & Writeup Shipping List

Instruction Test I ... Maindec-8I-D01A-D 1/22/68
 ... 8I-D01A-PB 1/22/68
 Instruction Test II .. Maindec-8I-D02A-D 1/22/68
 .. 8I-D02A-PB 1/22/68
 Instruction Test Part 2B Maindec-08-D02B-D 1/3/68
 08-D02B-PB 1/3/68
 Random JMP Test ... Maindec-08-D04B-D 2/8/68
 08-D04B-PB 2/8/68
 Random JMP-JMS Test .. Maindec-08-D05B-D 12/28/67
 08-D05B-PB 12/28/67
 Random ISZ Test ... Maindec-08-D07B-D 12/26/67
 08-D07B-PB 12/26/67

SIZE	CODE	NUMBER	REV
A	SP	8I-0-30	

ENGINEERING SPECIFICATION

CONTINUATION SHEET

TITLE PDP-8/I ACCEPTANCE PROCEDURE

Basic Checkerboard ... Maindec-08-D1JO
 ... (Low) D1J1-PB
 ... (High) D1J2-PB
 Memory Address Test .. Maindec-08-D1B0-D 1/12/68
 ... (Low) 08-D1B1-PB 1/12/68
 ... (High) 08-D1B1-PB 1/12/68
 Family of '8 ASR-33
 Reader ... Maindec-08-D2PA-D-(L) 2/23/68
 ... 08-D2PA-PB(L) 2/23/68
 Test Tape Binary Count Pattern 08-D2G3-PB(L) 2/23/68
 Family of '8 ASR-33
 Punch Test ... Maindec-08-D2QA-D-(L) 2/21/68
 Punch ... 08-D2QA-PB(L) 2/21/68
 Family of '8 ASR-33
 Keyboard Test ... Maindec-08-D2RA-D-(L) 2/21/68
 ... 08-D2RA-PB(L) 2/21/68
 Printer Test ... Maindec-08-D2SA-D-(L) 2/21/68
 ... 08-D2SA-PB(L) 2/21/68
 Family of '8 ASR-33 Reader
 Printer, Punch Test .. Maindec-08-D2TA-D
 ... 08-D2TA-PB
 Memory Power ON/OFF Test
 Maindec-08-D1AA-D
 ... 08-D1AA-PB

SIZE	CODE	NUMBER	REV
A	SP	8I-0-30	

This drawing and specifications, herein, are the property of Digital Equipment Corporation and shall not be reproduced or copied or used in whole or in part as the basis for the manufacture or sale of items without written permission.

NOTES:
1. REFER TO PRINT "D-MD-5008048-0-0 FOR BOARD SIZE AND HOLE LOCATION.

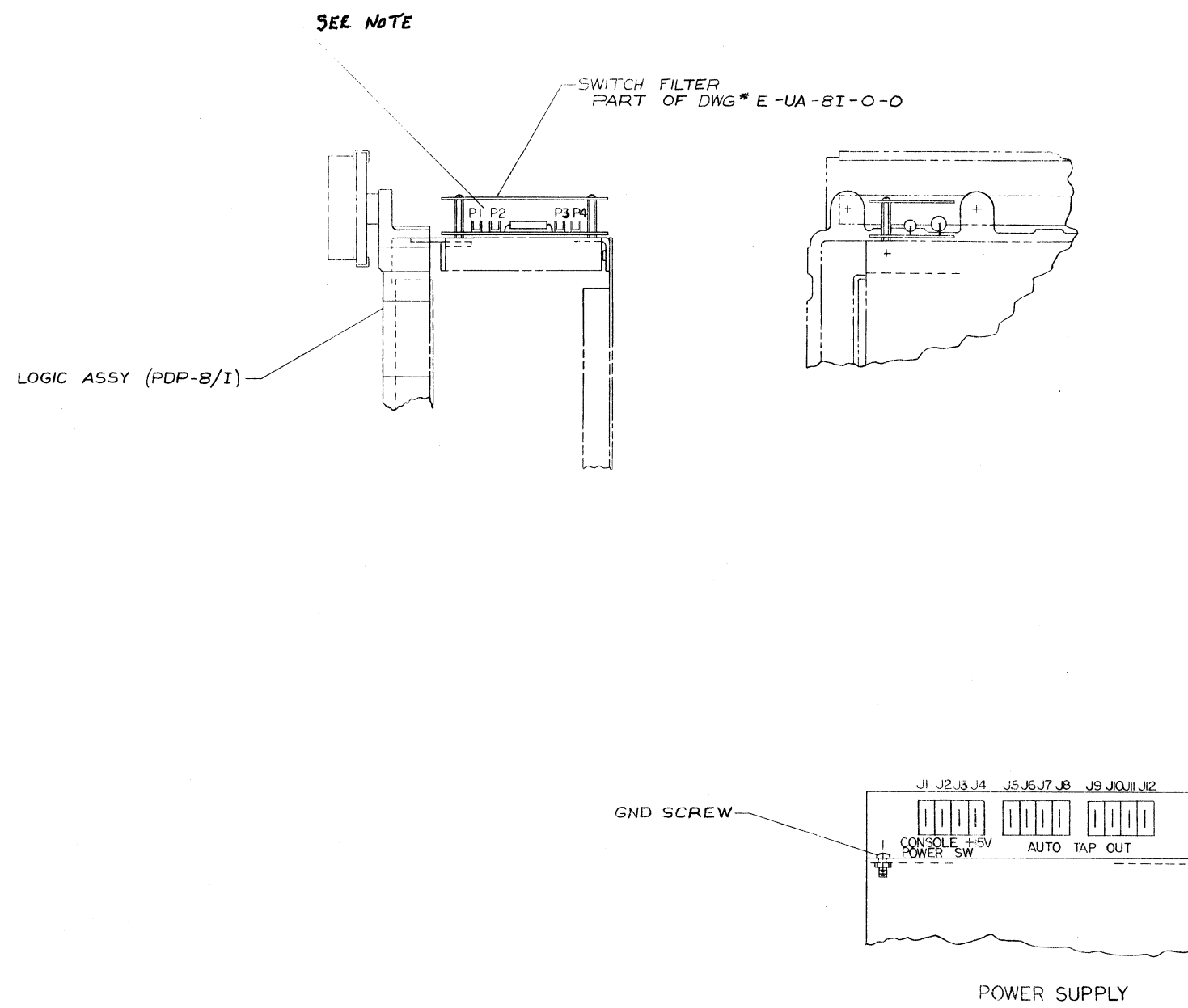
BOARD NO.	5008048-1	5008048-2	5008048-3	5008048-4	5008048-5	5008048-6	5008048-7		
MODEL NO.	E012	E013	E014	E015	E016	E017	E018		
ASSY NO.	5408037	5408038	5408039	5408040	5408041	5408042	5408043		
BOARD LOC	AB 1-20	AB 21-40	CD 1-20	CD 21-40	EF 1-20	EF 21-40	HJ 1-20		
REV LTR	ECO NO.	REV LTR	ECO NO.	REV LTR	ECO NO.	REV LTR	ECO NO.	REV LTR	ECO NO.
B	I3	B	I3	B	I3	B	I3	B	I3
C	8I-00008	C	8I-00008	C	8I-00008	C	8I-00008	C	8I-00008
D	8I-00013	D	8I-00013	D	8I-00013	D	8I-00013	D	8I-00013
E	8I-00025	E	8I-00015	E	8I-00025	E	8I-00015	E	8I-00025
F	8I-00032	F	8I-00022	F	8I-00025	F	8I-00025	F	8I-00050
H	8I-00052	H	8I-00025	H	8I-00029	H	8I-00050	H	8I-00081
						J	8I-00054		
						K	8I-00085		

REV	CHANGE NO.	REV
1	ORIG. 8I-00015	-
2	8I-00022	A
3	Stan Portia 12-18-68	
4	OLOUGHIN 12/23/68	
5	8I-00025	B
6	Stan Portia 1-6-69	
7	J O'LOUGHLIN 1/13/69	
8	8I-00029	C
9	Stan Portia 1/29/69	
10	ARSENault 1/23/69	
11	8I-00032	D
12	Stan Portia 2/11/69	
13	ARSENault 2/11/69	
14	8I-00050	E
15	T. Sullivan 5-15-69	
16	ARSENault	
17	00054	F
18	T. Sullivan 6-30-69	
19	ARSENault	
20	8I-00081	H
21	T. Sullivan 11-3-69	
22	ARSENault	
23	8I-00065	J
24	Stan Portia 11-19-69	
25	ARSENault	
26	8I-00065	J
27	Stan Portia 11-19-69	
28	ARSENault	

FIRST USED ON OPTION MODEL	QTY.	DESCRIPTION	PART NO.	ITEM NO.
8/I				
UNLESS OTHERWISE SPECIFIED				
UNLESS OTHERWISE SPECIFIED	DRN	DATE	PARTS LIST	
DIMENSION IN INCHES	Stan Portia	10/9/68	digital EQUIPMENT CORPORATION	
TOLERANCES	CHK'D	DATE	MAYNARD, MASSACHUSETTS	
DECIMALS FRACTIONS ANGLES	Stan Portia	10-8-68	TITLE	
± .005 ± 1/64 ± 0°30'	ENG	DATE	8/I PC BACK PANEL KIT	
FINAL SURFACE QUALITY	PROJ. ENG.	DATE		
REMOVE BURRS AND BREAK SHARP CORNERS	Stan Portia	11/14/68		
MATERIAL	PROD.	DATE		
	Stan Portia	11/14/68		
NEXT HIGHER ASSY	A-ML-8I-O			
FINISH	SCALE	1/1	SIZE CODE	NUMBER
	SHEET	1 OF 1	DBL	7006021-0-0
			DIST.	REV. J

This drawing and specifications herein are the property of Digital Equipment Corporation and shall not be reproduced or copied in whole or in part as the basis for the manufacture or sale of items without written permission.

NOTES:
 1. CONNECT P1 & P2 TO PANEL LOCK SWITCH. USE #18 AWG RED WIRE.

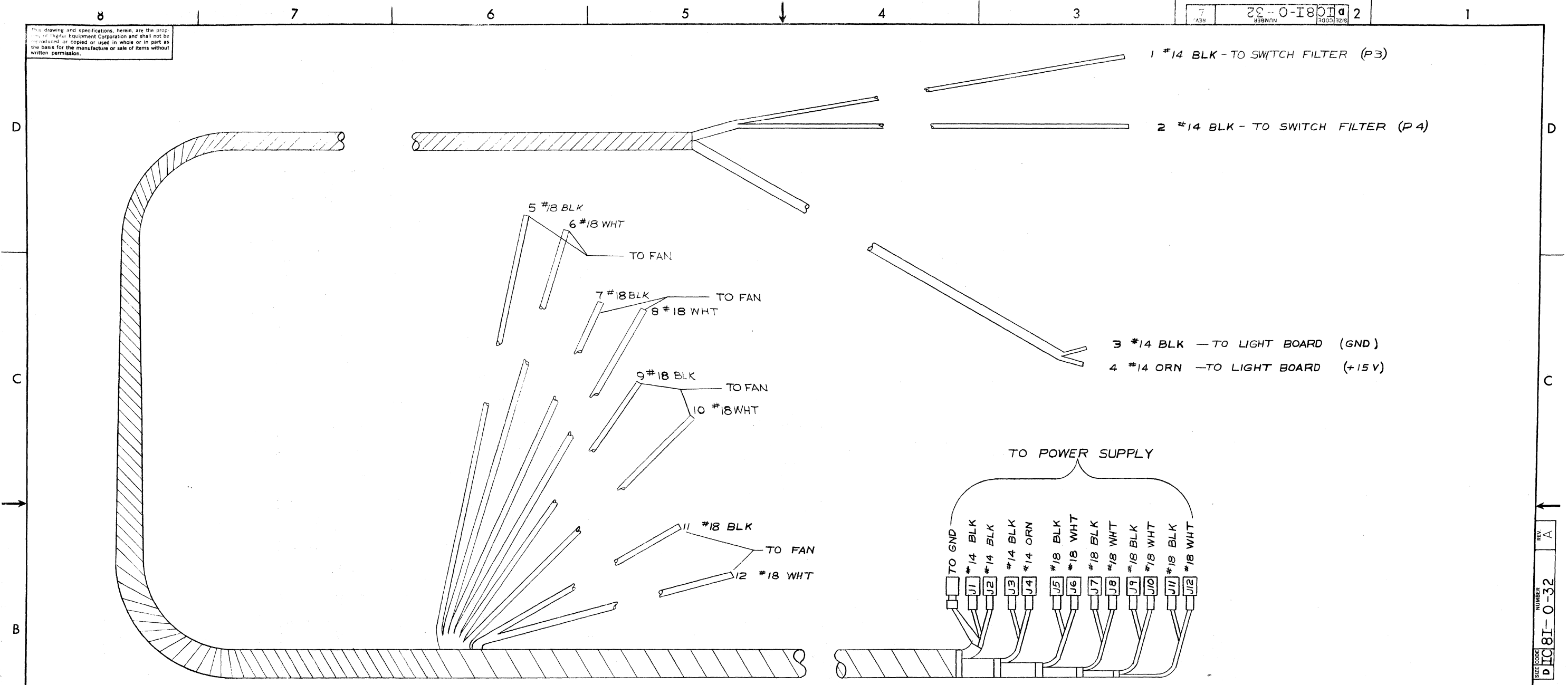


REV.	CHANGE NO.	DATE
1	ORIG. 81-00027	4-14-69
2	SI-C0101	7-14-69
3	ASSEMBLY	7-14-69

FIRST USE	OPTION	MODEL	QTY.	DESCRIPTION	PART NO.	ITEM NO.
8/I						
PARTS LIST						
UNLESS OTHERWISE SPECIFIED		DRN	DATE	digital EQUIPMENT CORPORATION MAYNARD, MASSACHUSETTS		
UNLESS OTHERWISE SPECIFIED		CHK'D.	DATE	TITLE		
DIMENSION IN INCHES		W. B. ...	7/14/69	AC HARNESS CONNECTIONS TO PDP-8/I		
TOLERANCES		ENG.	DATE	SIZE CODE NUMBER REV.		
DECIMALS FRACTIONS ANGLES		PROJ. ENG.	DATE	D I C 8 I - 0 - 3 2 A		
± .005 ± 1/64 ± 0°30'		PROD.	DATE	SCALE 1 OF 2		
FINAL SURFACE QUALITY REMOVE BURRS AND BREAK SHARP CORNERS				SHEET 1 OF 2		
MATERIAL		NEXT HIGHER ASSY		DIST.		
FINISH						

This drawing and specifications, herein, are the property of Digital Equipment Corporation and shall not be reproduced or copied or used in whole or in part as the basis for the manufacture or sale of items without written permission.

SIZE CODE NUMBER
 28-0-1801-2



REVISIONS	REV.
CHANGE NO.	
CHK	

FIRST USED ON OPTION MODEL	QTY.	DESCRIPTION	PART NO.	ITEM NO.
PARTS LIST				
UNLESS OTHERWISE SPECIFIED	DRN. <i>W.F. Gately</i>	DATE <i>2/1/68</i>	digital EQUIPMENT CORPORATION MAYNARD, MASSACHUSETTS TITLE AC HARNESS CONNECTIONS TO PDP-8/I	
UNLESS OTHERWISE SPECIFIED	CHK'D. <i>W.F. Gately</i>	DATE <i>2/1/68</i>		
DIMENSION IN INCHES	ENG. <i>W.F. Gately</i>	DATE <i>2/1/68</i>		
TOLERANCES	PROJ. ENG. <i>W.F. Gately</i>	DATE <i>2/1/68</i>		
DECIMALS ± .005	PROJ. ENG. <i>W.F. Gately</i>	DATE <i>2/1/68</i>	SIZE CODE NUMBER REV. DIC 81-0-32 A	
FRACTIONS ± 1/64	PROD. <i>W.F. Gately</i>	DATE <i>2/1/68</i>	SCALE <i>++</i> SHEET <i>2</i> OF <i>2</i>	
ANGLES ± 0°30'	NEXT HIGHER ASSY		DIST.	
FINAL SURFACE QUALITY				
REMOVE BURRS AND BREAK SHARP CORNERS				
MATERIAL				
FINISH				

SIZE CODE NUMBER
 P I C 81-0-32
 REV. A

DIGITAL EQUIPMENT CORPORATION
MAYNARD, MASSACHUSETTS

ACCESSORY LIST

LEGEND

D DOCUMENT
DN DOCUMENT CHANGE NOTICE
PA PAPER TAPE ASCII
PB PAPER TAPE BINARY
PM PAPER TAPE READ-IN-MODE

QUANTITY/VARIATION

MADE BY DATE	Dee Moran	CHECKED <i>a. d. [signature]</i> DATE 3-12-70	SECTION
ENG DATE	<i>M. [signature]</i>	PRODB <i>B. [signature]</i> DATE 3-6-70	ISSUED SECT.

ITEM NO.	DWG NO. / PART NO.	DESCRIPTION	QUANTITY/VARIATION						KIT CHECK	BY	DATE	INSTALLATION CHECK	BY	DATE
1.	C-18 1000-7/69	Programming Handbook	1											
2.	C-105 1800-3/69	Logic Handbook	1											
3.	DEC-12-1031	Log Book	1											
4.	310B Vol. I & II 1184B Parts	Teletype Manuals	3											
5.	36-5360	Teletype Ribbon	1											
6.	36-5365	Rolls of oiled tape	3											
7.	F4/4/69/250	Roll of printer paper	1											
8.	None	Supplies List	1											
9.	C-16	8I Instruction Card	1											
10.	F816	8I Replacement Schematic Book	1											
11.	8I-HR1A-D 8I-HR2A-D	Set of 8I Maintenance Manuals	1											
12.	PDP-8I-0-0	Set of PDP-8I Prints	1											
13.	12-3486	Keys	2											
14.	F09-100	Small Computer Handbook	1											

TITLE	PDP-8I	ASSY. NO.	SIZE CODE	NUMBER	REV.	ECO NO
			A AL	8I-0-35		
SHEET OF		DIST.				