



THIS DRAWING AND SPECIFICATIONS, HEREIN, ARE THE PROPERTY OF DIGITAL EQUIPMENT CORPORATION AND SHALL NOT BE REPRODUCED OR COPIED OR USED IN WHOLE OR IN PART AS THE BASIS FOR THE MANUFACTURE OR SALE OF ITEMS WITHOUT WRITTEN PERMISSION.
 COPYRIGHT © 1975 DIGITAL EQUIPMENT CORPORATION

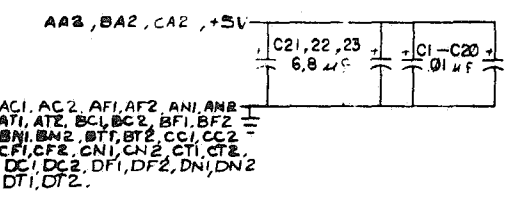
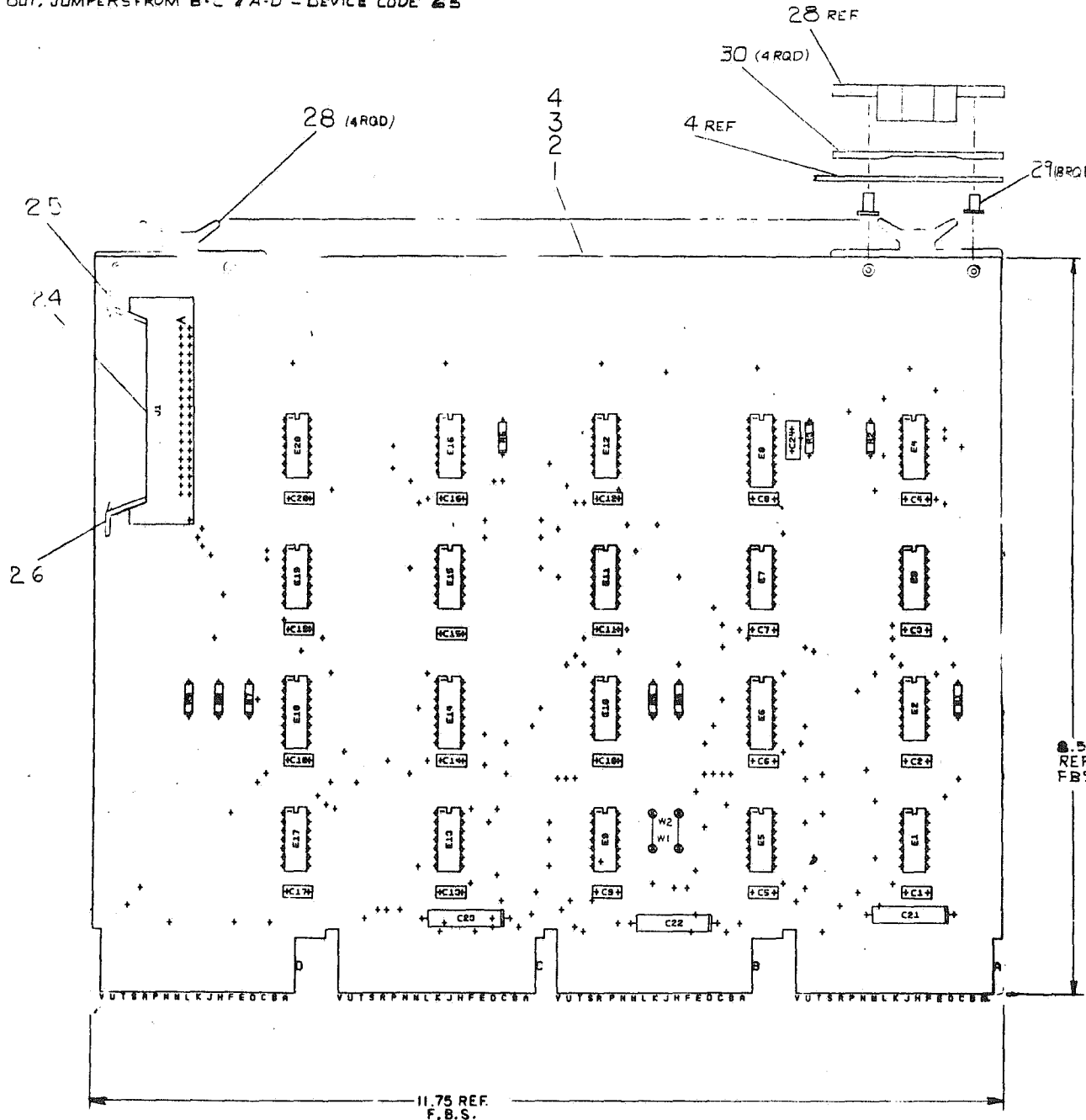
NOTES:
 1. STANDARD JUMPER CONFIGURATION IS W1 IN, W2 IN - DEVICE CODE 66
 OPTION IS W1, W2 OUT, JUMPERS FROM B-C & A-D - DEVICE CODE 65

8 7 6 5 4 3 2 1
 F-0-9928W 500 2

REF.	DESCRIPTION	PART NO.	QTY	
	X Y COORDINATE HOLE LOCATION	K-CQ-M8365-0-4	1	
	ASSY/DRILLING HOLE LAYOUT	D-AH-M8365-0-5	2	
	MODULE ECO HISTORY	B-MH-M8365-0-6	3	
1	ETCHED CIRCUIT BOARD	5011818	4	
1	C24	CAP, 100PF, 100V, 5%	1000016	5
20	C1 THRU C20	CAP, 0.01UF, 50V, 20%	1001610-01	6
3	C21, C22, C23	CAP, 6.8UF, 35V, 10%	1005306	7
2	R5, R8	RES 150 1/4W 5%	1300250	8
2	R4, R7	RES 330 1/4W 5%	1300295	9
4	R1, R2, R6, R9	RES 1K 1/4W 5%	1300365	10
1	R3	RES 4.7K, 1/4W 5%	1300447	11
2	E3, E4	DEC IC 7474	1905547	12
1	E20	DEC IC 74133	1905575	13
1	E12	DEC IC 7402	1909004	14
1	E10	DEC IC 364	1909486	15
2	E2, E19	DEC IC 7404	1909686	16
1	E1	DEC IC 314	1909704	17
3	E7, E11, E15	DEC IC 6881	1909705	18
1	E18	DEC IC 7442	1910046	19
1	E16	DEC IC 7404	1910155	20
1	E8	DEC IC 74123	1910436	21
2	E6, E14	DEC IC 74175	1910651	22
4	E5, E9, E13, E17	DEC IC 8640	1911469	23
1	J1	CONN 40 PIN RT ANGLE HEADER	1209941-02	24
1		LATCH L H	1209941-03	25
1		LATCH R H	1209941-04	26
4		SPLIT LUGS	9006735	27
4		HANDLE FLIP CHIP	9008337-06	28
8		EYELET	3006732	29
4		SPACER (CABLE CLAMP)	1202704	30
A/B	W1, W2	WIRE, 22 AWG, SOLID	3107560-01	31

COMPONENT SUBSTITUTION CHART

PART CALLED FOR		SUBSTITUTE PART	
QTY	PART NO. DESCR.	QTY	PART NO. DESCR.
20	1001610-01 0.01UF DISC	20	1001610-05 0.01UF GLASS
1	1909704 314	1	1910391 5314
1	1909486 384	1	1910394 5384
1	1909486 384	1	1910393 7384
4	1911469 8640	4	1910392 5380
		4	1909771 6380
		4	1910390 7380
4	1911469 8640	4	1911115 11380
3	1909705 8881	3	1909773 97401



AA2, BA2, CA2, +5V
 AC1, AC2, AF1, AF2, AN1, AN2
 AT1, AT2, BC1, BC2, BF1, BF2
 BN1, BN2, BT1, BT2, CC1, CC2
 CF1, CF2, CN1, CN2, CT1, CT2
 DC1, DC2, DF1, DF2, DN1, DN2
 DT1, DT2

IC TYPE	QTY	LOC
74123	8	16
74175	8	16
7442	8	16
314	1	8
8640	1	8
384	1	8
IC TYPE	QTY	+5V

QTY AND QTY ARE USUALLY PIN 7 AND 14 RESPECTIVELY UNLESS OTHERWISE STATED ABOVE

IC PIN LOCATIONS

FIRST USED ON OPTION MODEL
 LA-8

ETCH BOARD REV. B

DATE 07/75
 DATE 11/75
 DATE 12/75
 DATE 1/76

LA180 INTERFACE

3-DD-PDP-8/E

SCALE 1 OF 2

SEMICONDUCTOR CONVERSION CHART

DEC NO. EIA NO. DEC NO. EIA NO.

ORIGINATED BY: J. KIRK
 DATE: 24 JUN 76
 PART NO: M8365-0001

CHK: [Signature]

REV: A

REV: B

THIS DRAWING AND SPECIFICATIONS HEREIN ARE THE PROPERTY OF DIGITAL EQUIPMENT CORPORATION AND SHALL NOT BE REPRODUCED OR COPIED OR USED IN WHOLE OR IN PART AS THE BASIS FOR THE MANUFACTURE OR SALE OF ITEMS WITHOUT WRITTEN PERMISSION. COPYRIGHT © 1973 DIGITAL EQUIPMENT CORPORATION.

D
C
B
A

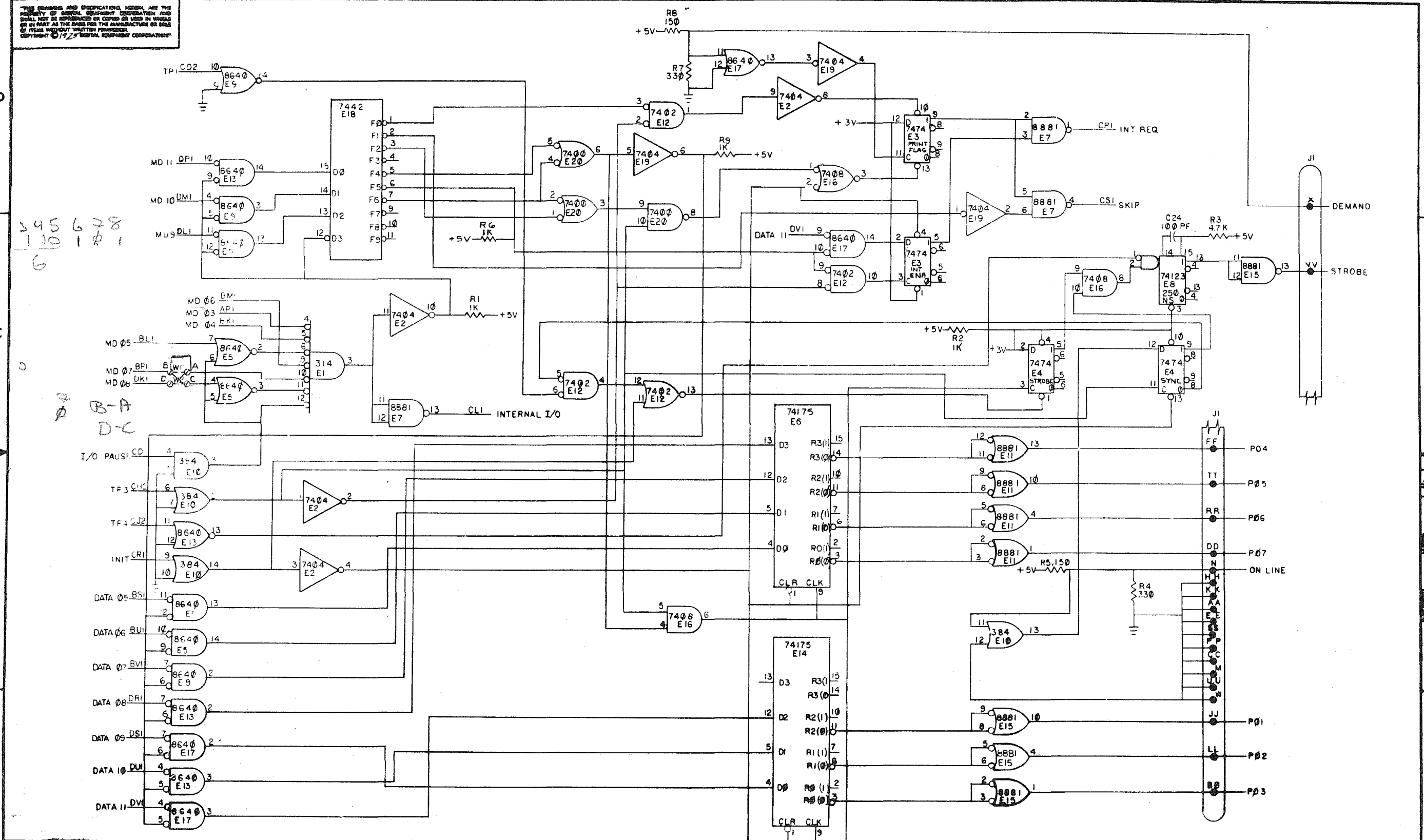
D
C
B
A

345 678
110 101
6

B-A
D-C

REVISIONS		
CHK	CHANGE NO.	REV.

DES FORM NO. 000 100

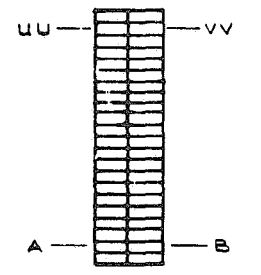


THIS DRAWING AND SPECIFICATIONS HEREIN ARE THE PROPERTY OF DIGITAL EQUIPMENT CORPORATION AND SHALL NOT BE REPRODUCED OR COPIED OR USED IN WHOLE OR IN PART AS THE BASIS FOR THE MANUFACTURE OR SALE OF ITEMS WITHOUT WRITTEN PERMISSION. DIGITAL EQUIPMENT CORPORATION. COPYRIGHT © 1975

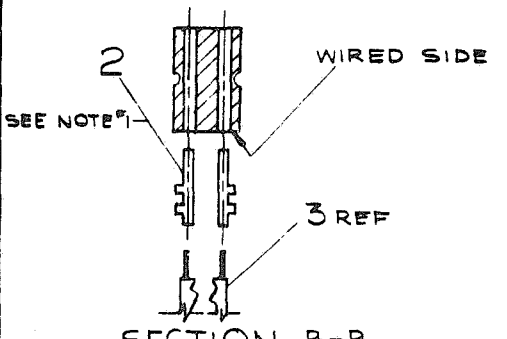
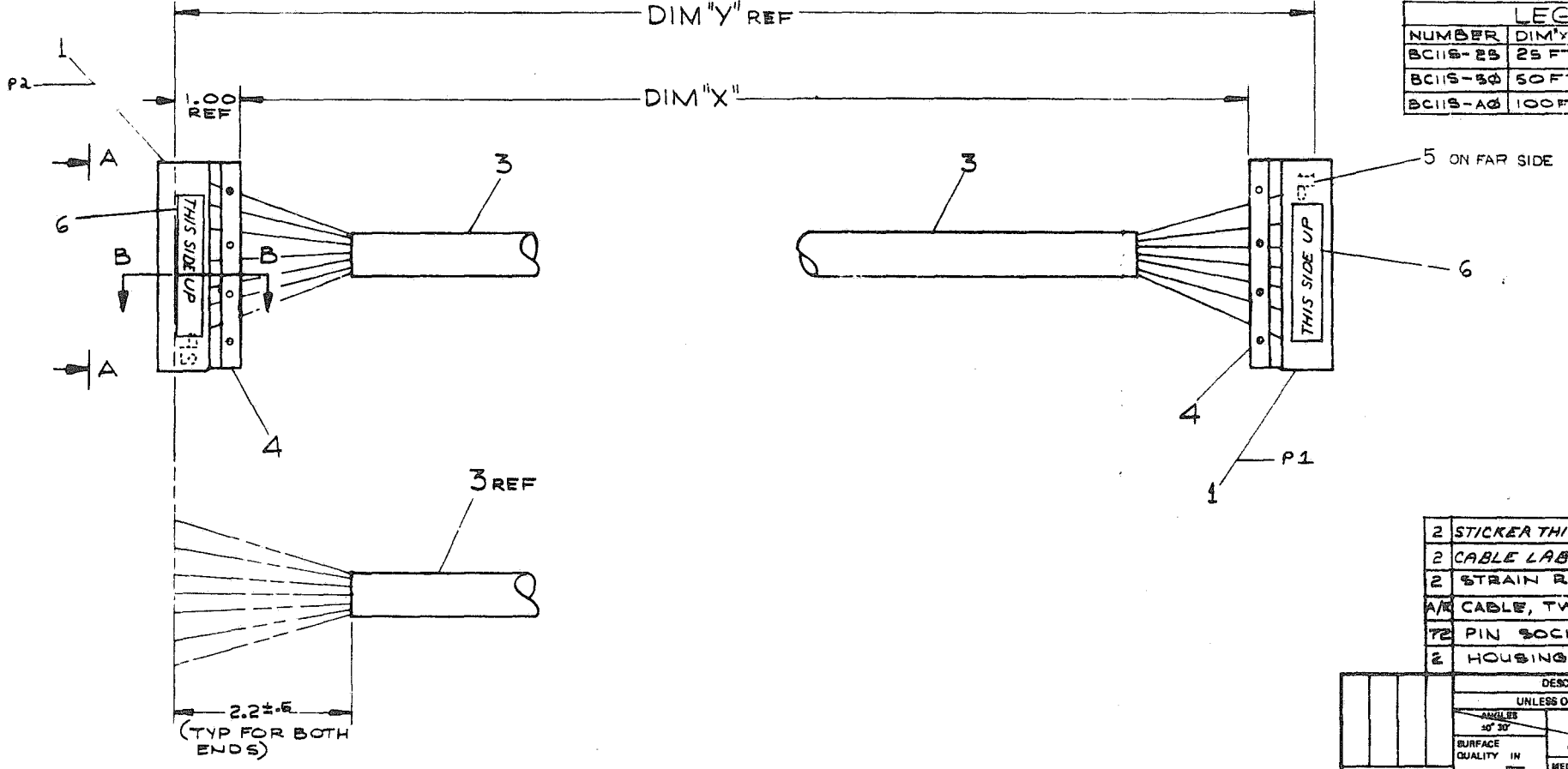
WIRE TABLE															
ITEM NO	DESCRIPTION	FROM	TO	SIGNAL NAME	ITEM NO	DESCRIPTION	FROM	TO	SIGNAL NAME						
	AWG	COLOR	CONNECTION	N TH	CONNECTION	WITH									
3	24	BLU	PI-SS	2	P2-D	2	D5 RTN	3	24	GRY	PI-V	2	P2-AA	2	PAPER GND
	TWP	WHT	PI-PP		P2-F		D6 RTN		TWP	RED	PI-U		P2-BB		PAPER RTN
		GRN	PI-AA		P2-V		D3 RTN			BLU	PI-VV		P2-A		STROBE
		WHT	PI-EE		P2-R		D4 RTN			BLK	PI-UU		P2-B		STROBE RTN
		GRN	PI-L		P2-KK		* +5			ORN	PI-N		P2-HH		SELECT (ONLINE)
		WHT	PI-K		P2-LL		* RTN			BLK	PI-M		P2-JJ		SELECT RTN
		BRN	PI-HH		P2-N		D RTN			GRN	PI-T		P2-CC		HDWR
		WHT	PI-KK		P2-L		D2 RTN			BLK	PI-S		P2-DD		HDWR RTN
		GRY	PI-F		P2-PP		*SEE NOTE 2			BRN	PI-Z		P2-W		*SEE NOTE 2
		WHT	PI-E		P2-RR		*SEE NOTE 2			BLC	PI-Y		P2-X		*SEE NOTE 2
		BLU	PI-NN		P2-H		PRIME			GRY	PI-DD		P2-S		D7
		RED	PI-MM		P2-J		PRIME RTN			BLK	PI-D		P2-SS		DB(PARITY)
		BRN	PI-CC		P2-T		D7 RTN			BLU	PI-TT		P2-C		D5
		RED	PI-CC		P2-TT		D8 RTN			YEL	PI-RP		P2-E		D6
		GRN	PI-R		P2-EE		FAULT			ORN	PI-BB		P2-U		D3
		RED	PI-P		P2-FF		FAULT RTN			YEL	PI-FF		P2-P		D4
		BRN	PI-X		P2-Y		DEM			GRN	PI-JJ		P2-M		D1
		RED	PI-W	2	P2-Z	2	DEM RTN			YEL	PI-LL	2	P2-K	2	D2

NOTES:
 1. MFG. SHOULD USE MACHINE CRIMPING TOOL FOR THE ASSY OF PINS (ITEM # 2)
 2. UNUSED CONN

NUMBER	DIM "Y" VARIATION	DIM "Y" (PRECUT) REF
BC115-25	25 FT. ± 3.0 IN	25 FT. 2.0 IN
BC115-30	30 FT. ± 2.0 IN	30 FT. 2.0 IN
BC115-A0	100 FT. ± 2.0 IN	100 FT. 2.0 IN



VIEW A-A
SCALE: NONE



SECTION B-B
SCALE: NONE

QUANTITY & VARIATION	DESCRIPTION	DWG. PART NO.	ITEM NO.
2	STICKER THIS SIDE UP	3611567	6
2	CABLE LABEL	9008473	5
2	STRAIN RELIEF	1211166	4
A/R	CABLE, TWP # 24 AWG	9107700-00	3
72	PIN SOCKET	1210089-4	2
2	HOUSING	1210918-15	1

UNLESS OTHERWISE SPECIFIED DIMENSIONS ARE IN INCHES

ANGLES	CLASS OF ACCURACY	NOMINAL DIMENSION RANGE INCHES					
		0 TO .25	.25 TO .40	.40 TO .63	.63 TO 1.00	1.00 TO 2.00	2.00 TO 40.0
±.004	CHECK QREY	±.004	±.008	±.012	±.016	±.024	±.04
SURFACE QUALITY IN		MEDIUM					

THIRD ANGLE PROJECTION

REMOVE BURRS AND BREAK SHARP CORNERS

DO NOT SCALE DWG

MATERIAL: A-PL-CM11-B-0

SCALE: 1 OF 1

SHEET: 1 OF 1

FINISH: ---

DESCRIPTION: CABLE, PRINTER

DWG. PART NO.: 3611567

ITEM NO.: 6

DATE: 9/26/75

CHK'D: [Signature]

ENG: [Signature]

PROJ. ENG: [Signature]

PROD: [Signature]

SIZE: D IA

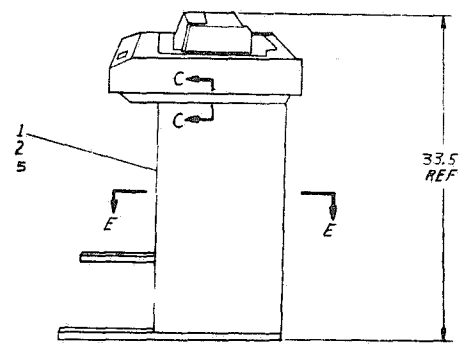
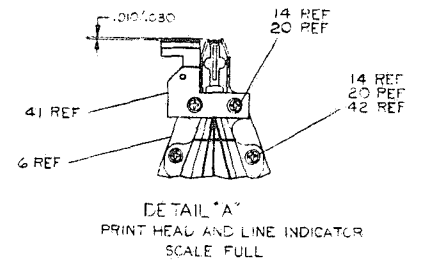
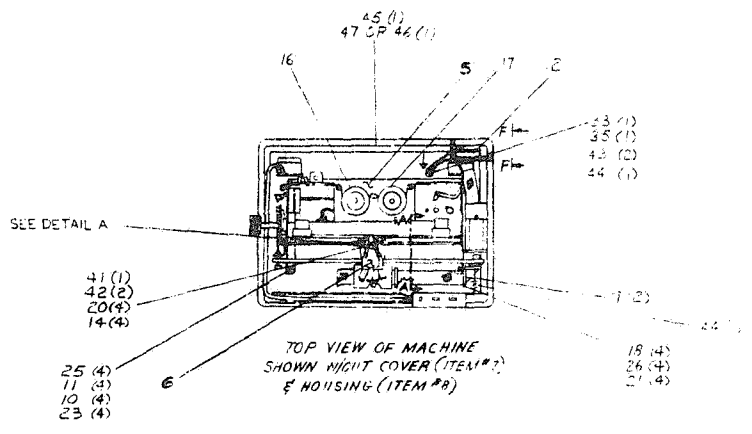
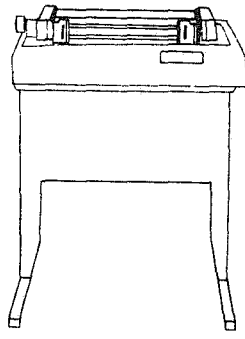
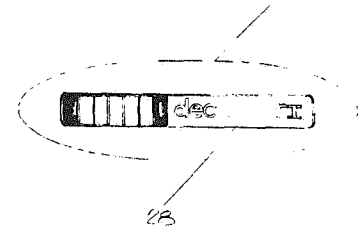
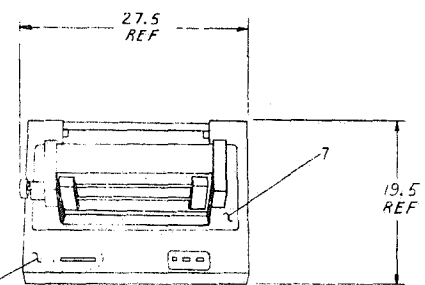
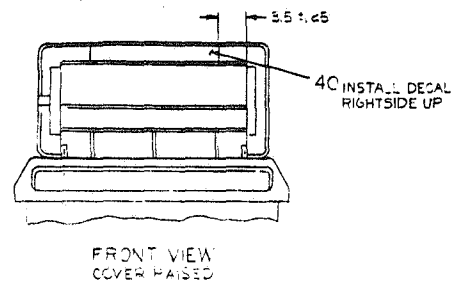
CODE: BC115-0-0

NUMBER: 1

REV: A

REV.	DATE	BY	APP.
A	9/26/75	[Signature]	[Signature]

LA 180-00

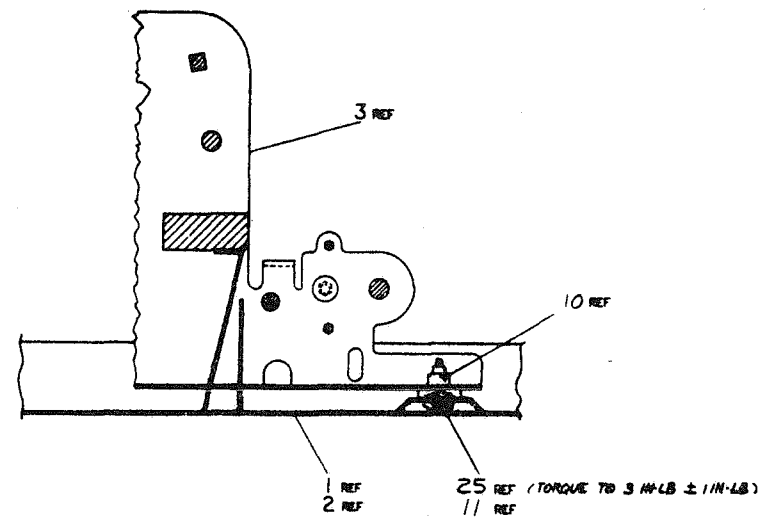


NOTES:
1. FOR PARTS LIST SEE DRAWING # A PL-LA 180-00
2. ITEMS # 32 (PLATE, INPUT CLAMP), #33 (2 SCREWS), #34 (2 LOCKWASHERS), #35 (2 PLATE-WASHERS) AND #36 (2 RAINLIEF) ARE TO BE SHIPPED LOOSE WITH UNIT.

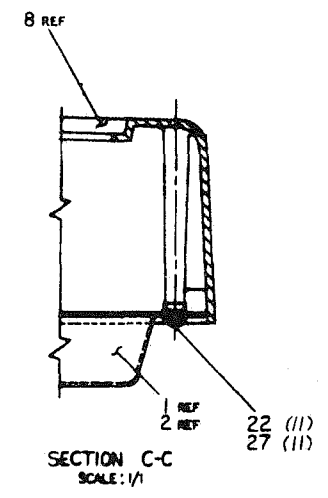
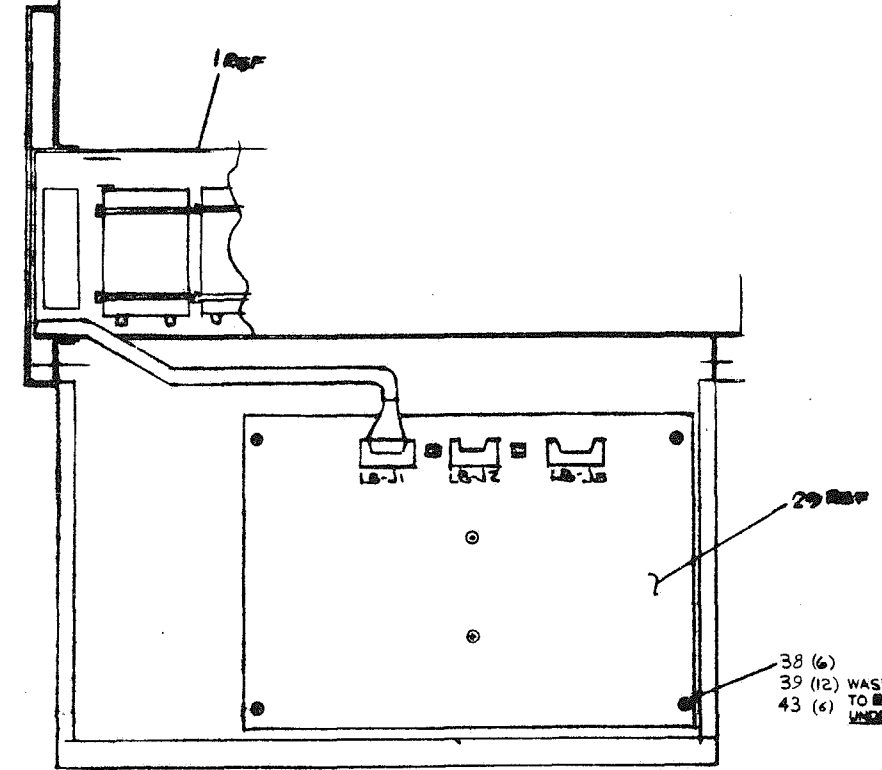
REV.	DESCRIPTION	PART NO.	QTY.
1	LA 180		
2			
3			
4			
5			
6			
7			
8			
9			
10			
11			
12			
13			
14			
15			
16			
17			
18			
19			
20			
21			
22			
23			
24			
25			
26			
27			
28			
29			
30			
31			
32			
33			
34			
35			
36			
37			
38			
39			
40			
41			
42			
43			
44			
45			
46			
47			
48			
49			
50			
51			
52			
53			
54			
55			
56			
57			
58			
59			
60			
61			
62			
63			
64			
65			
66			
67			
68			
69			
70			
71			
72			
73			
74			
75			
76			
77			
78			
79			
80			
81			
82			
83			
84			
85			
86			
87			
88			
89			
90			
91			
92			
93			
94			
95			
96			
97			
98			
99			
100			

LA 180-00

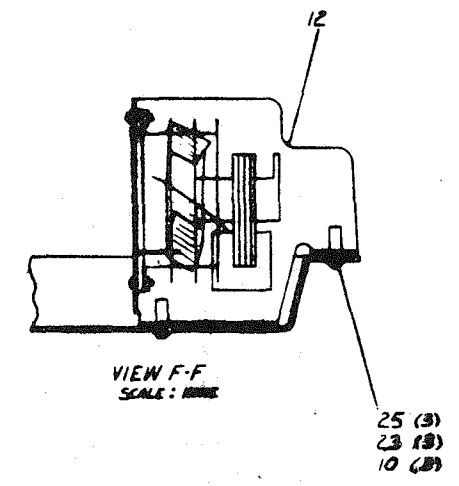
LA 180
UNIT ASSY
LA 180-00



SECTION A-A
SCALE: 1/1



SECTION C-C
SCALE: 1/1



VIEW F-F
SCALE: 1/1

THIS DRAWING AND SPECIFICATIONS HEREIN ARE THE PROPERTY OF DIGITAL EQUIPMENT CORPORATION AND SHALL NOT BE REPRODUCED OR COPIED OR USED IN WHOLE OR IN PART AS THE BASIS FOR THE MANUFACTURE OR SALE OF ITEMS WITHOUT WRITTEN PERMISSION. COPYRIGHT © 1974, DIGITAL EQUIPMENT CORPORATION.

PARTS LIST

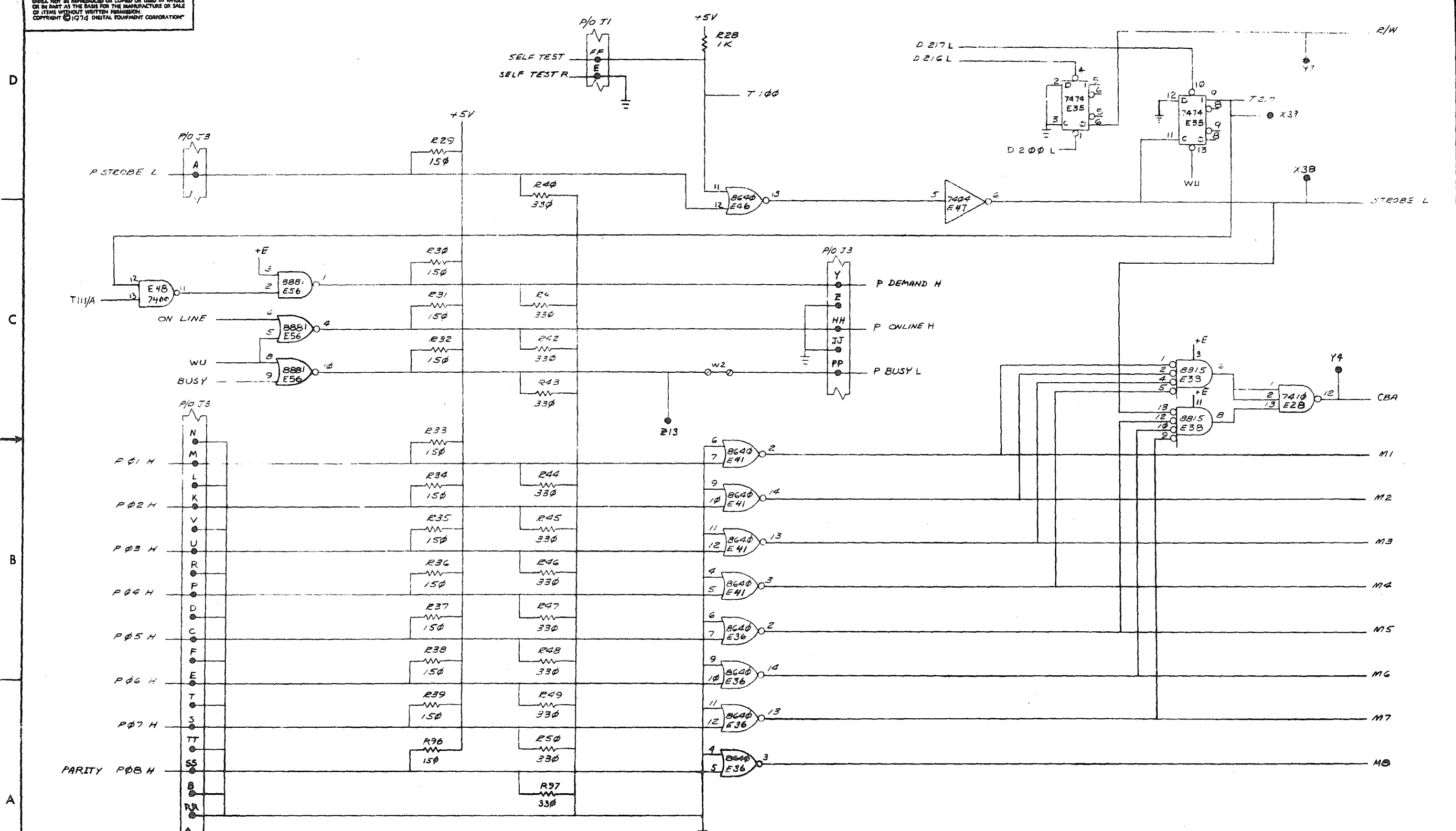
QTY	REF DESIGNATION	DESCRIPTION	PART NO	ITEM NO
REF		X-Y COORDINATE HOLE LOCATION	K-CO-5411023-0-4	1
REF		ASSY/CELLING HOLE LAYOUT	K-MH-5411023-0-5	2
REF		MODULE ECO HISTORY	K-MH-5411023-0-6	3
1		ETCHED CIRCUIT BOARD	5011022-00	4
4	C79, C80, C81, C100	CAP 39PF 100V 5%	1000010-00	5
1	C85	CAP .68UF 50V 10%	1010031-06	6
2	C82, C83	CAP .047UF 100V 10%	1000051-00	7
6	C92, C94-97, C99	CAP .25UF 25V 10%	1000075-00	8
57	C1-C51, C71-E76	CAP .01UF 50V	1001610-00	9
1	C84	CAP .1UF 100V 10%	1002362-00	10
2	C77, C78	CAP .005UF 100V 20%	1001765-00	11
6	C86-C91	CAP 50UF 25V 10%	1001796-00	12
2	D1, D35	DIODE D664	1100114-00	13
2	D33, D34	DIODE 1N748A 3.9V 5%	1100122-00	14
2	D4, D4	DIODE 4051A	1100573-00	15
1	D5	DIODE D662	1100115-00	16
3	J1, J2, J3	CONN 40 PIN	1203941-02	17
2	E1, E7	SOCKET IC 24 PIN	1210692-00	18
1	R86	RES 51K 1/4W 5%	1309422-00	19
14	R30-R39, R11, R20, R21, R22, R23, R24, R25, R26, R27, R28, R29, R30, R31, R32, R33, R34, R35, R36, R37, R38, R39	RES 150 1/4W 5%	1300250-00	20
3	R78, R80, R82	RES 100 1/4W 5%	1300229-00	21
1	E57	RES 820 1/4W 5%	1301775-00	22
3	R79, R70, R71	RES 180 1/4W 5%	1301322-00	23
1	E33	RES 560 1/4W 5%	1301890-00	24
14	R40-R50, R33, R37, R105	RES 330 1/4W 5%	1300295-00	25
2	R84, R85	RES 470 1/4W 5%	1300316-00	26
24	R1-R12, R13-R17, R105, R111, R112, R89, R94, R27-R28, R106	RES 1K 1/4W 5%	1300365-00	27
1	R87	RES 1.5K 1/4W 5%	1300391-00	28
5	R81, R88, R90-E92	RES 56K 1/4W 5%	1301974-00	29
2	R55, R56	RES 1K 1/4W 5%	1302748-00	30
1	E51	RES 47K 1/4W 5%	1302177-00	31
1	E61	RES 11.5K 1/4W 1%	1302860-00	32
2	R72, R73	RES 820K 1/4W 10%	1303187-00	33
2	R62, R63	RES 2.61K 1/4W 1%	1303303-00	34
2	R76, R77	RES 5.11K 1/4W 1%	1304854-00	35
2	R74, R75	RES 6.8 1/4W 1%	1305126-00	36
1	R58	RES 216K 1/4W 1%	1305419-00	38
2	R52, R54	RES 225K 1/4W 1%	1305424-00	39
6	R64-E69	RES 2K 1/4W 5%	1302308-00	40
1	R60	RES 16.9K 1/4W 1%	1312618-00	41
1	R59	RES 24.3K 1/4W 1%	1309418-00	42
2	Q2, Q3	TRANS 4534D PNP	1503409-00	43
9	Q4-Q12	TRANS MP2005 NPN	1510705-00	44
1	Q1	TRANS MP2005 PNP	1510538-00	45
1	Y1	CRYSTAL 1.6896 MHz	1811689-00	46
11	E80, E20, E23, E25, E26, E19, E35, E40, E51, E59, E55	I.C. 7474	1905547-00	47
9	E84, E90, E49, E72	I.C. 7400	1905575-00	48
1	E88	I.C. 7410	1905576-00	49
1	E30	I.C. 7420	1905577-00	50
1	E29	I.C. 7401	1905590-00	51
2	E82, E86	I.C. 7493A	1908054-00	52

PARTS LIST

QTY	REF DESIGNATION	DESCRIPTION	PART NO	ITEM NO
3	E34, E41, E46	I.C. 8690	1911469-00	53
1	E81, E33, E47, E74, E75, E27	I.C. 7404	1909686-00	54
3	E45, E60, E73	I.C. 74154	1909701-00	55
1	E16	I.C. 7413	1909989-00	56
5	E12, E14, E62, E64, E67	I.C. 74193	1910018-00	57
1	E53	I.C. 7442	1910046-00	58
1	E19	I.C. 74190	1910095-00	59
1	E56	I.C. 8881	1909705-00	60
2	E57, E74	I.C. 74150	1910153-00	61
3	E5, E15, E21	I.C. LM301A	1910282-00	62
1	E65	I.C. 7489	1910396-00	63
1	E42	I.C. 74123	1910436-00	64
2	E34, E44	I.C. 74161	1910650-00	65
1	E22	I.C. 74175	1910651-00	66
2	E2, E8	I.C. 2101-2	2112323-00	67
2	E61, E66	I.C. 1702A PROMS	2400044-00	68
1	E38	I.C. 8815	1909713-00	69
4	E3, E9, E32, E37	I.C. 74197	1910035-00	70
4	E43, E59, E63, E68	I.C. 7408	1910155-00	71
1	E1	I.C. MK2626 (UNSLASHED O)	2307146-00	72
1	E7	I.C. MK 2627 (ALPHA SET)	2307046-00	73
6		SPLIT LUGS	9006735	74
1		SCREW PPH	9006011-01	75
2		FASTON TAB	9007113-00	76
1		KEP NUT	9006557-00	77
2		EYLETS	9009000	78
9	R98-R104, R109, R107	RES 47K 1/4W 5%	1302177	79
1	E58	I.C. 7414	1911324	80
1	E13	I.C. 74180	1910724	81
1	E10	I.C. 9601	1909373	82
1	E6	I.C. 7406	1910741	83
1	C98	CAP 39UF 10V 10%	1000076	84
7	R20 THRU R26	RES 4.7K 1/4W 5%	1300447-00	85
2	W1, W8	INSULATED JUMPER	9009185	86
AR		JUMPER, INSULATED	9105740-55	87
3		LATCH, LEFT	1209941-03	88
3		LATCH, RIGHT	1209941-04	89
1	E71	IC MK2611 IP CROM	23088A6	90

REVISIONS		
CHK	CHANGE NO	REV

THIS DRAWING AND SPECIFICATIONS HEREIN ARE THE PROPERTY OF DIGITAL EQUIPMENT CORPORATION AND SHALL NOT BE REPRODUCED OR COPIED OR USED IN WHOLE OR IN PART AS THE BASIS FOR THE MANUFACTURE OR SALE OF ITEMS WITHOUT WRITTEN PERMISSION. COPYRIGHT © 1974 DIGITAL EQUIPMENT CORPORATION

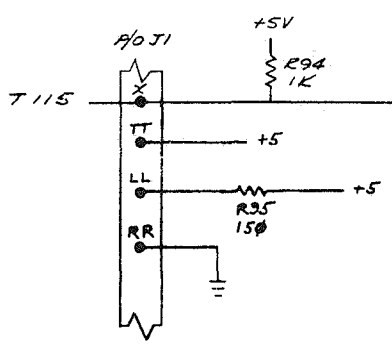


REVISIONS		
CHK	CHANGE NO.	REV.

DCS 5411023-0-1 P 2

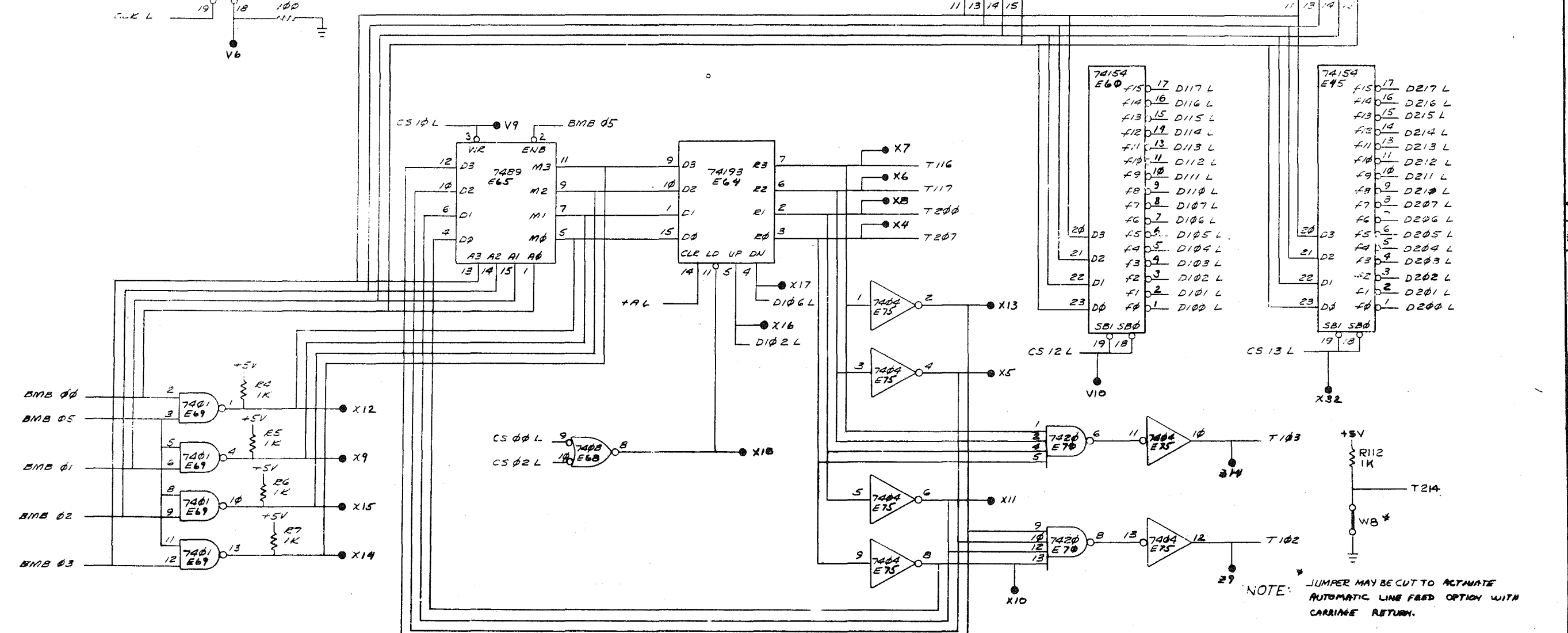
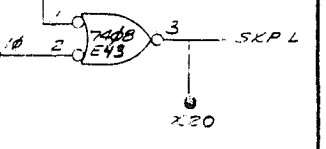
THE DRAWING AND SPECIFICATIONS HEREIN ARE THE PROPERTY OF DIGITAL EQUIPMENT CORPORATION AND SHALL NOT BE REPRODUCED OR COPIED OR USED IN WHOLE OR IN PART AS THE BASIS FOR THE MANUFACTURE OR SALE OF ANY EQUIPMENT WITHOUT WRITTEN PERMISSION. COPYRIGHT © 1974 DIGITAL EQUIPMENT CORPORATION

74154 E73	f15	17	CS 17 L		
	f14	16	CS 16 L		
	f13	15	CS 15 L		
	f12	14	CS 14 L		
	f11	13	CS 13 L		
	f10	12	CS 12 L		
	f9	11	CS 11 L		
	f8	10	CS 10 L		
	f7	9	CS 9 L		
	f6	8	CS 8 L		
	f5	7	CS 7 L		
BMB 07	20	D3	f4	6	CS 04 L
BMB 06	21	D2	f3	5	CS 03 L
BMB 05	22	D1	f2	4	CS 02 L
BMB 04	23	D0	f1	3	CS 01 L



T117	16	D15
T116	17	D14
T114	19	D12
T112	21	D10
T111	22	D9
T110	23	D8
T107	1	D7
T106	2	D6
T105	3	D5
T104	4	D4
T103	5	D3
T102	6	D2
T101	7	D1
T100	8	D0

T217	16	D15
T216	17	D14
T215	18	D13
T214	19	D12
T213	20	D11
T212	21	D10
T211	22	D9
T210	23	D8
T207	1	D7
T206	2	D6
T205	3	D5
T204	4	D4
T203	5	D3
T202	6	D2
T201	7	D1
T200	8	D0

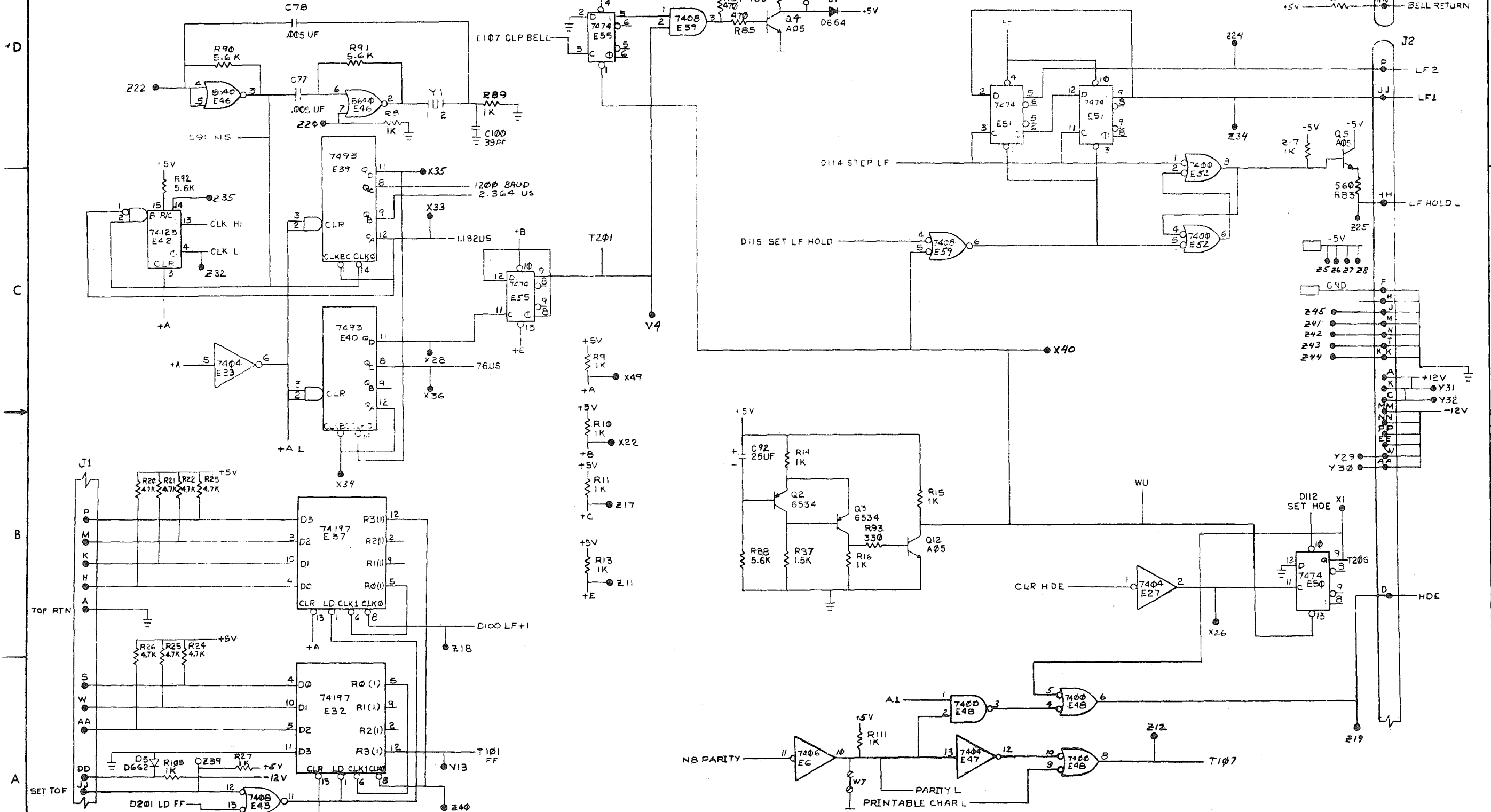


NOTE: * JUMPER MAY BE CUT TO ACTIVATE AUTOMATIC LINE FEED OPTION WITH CARRIAGE RETURN.

REVISIONS		
CHK	CHANGE NO.	REV.

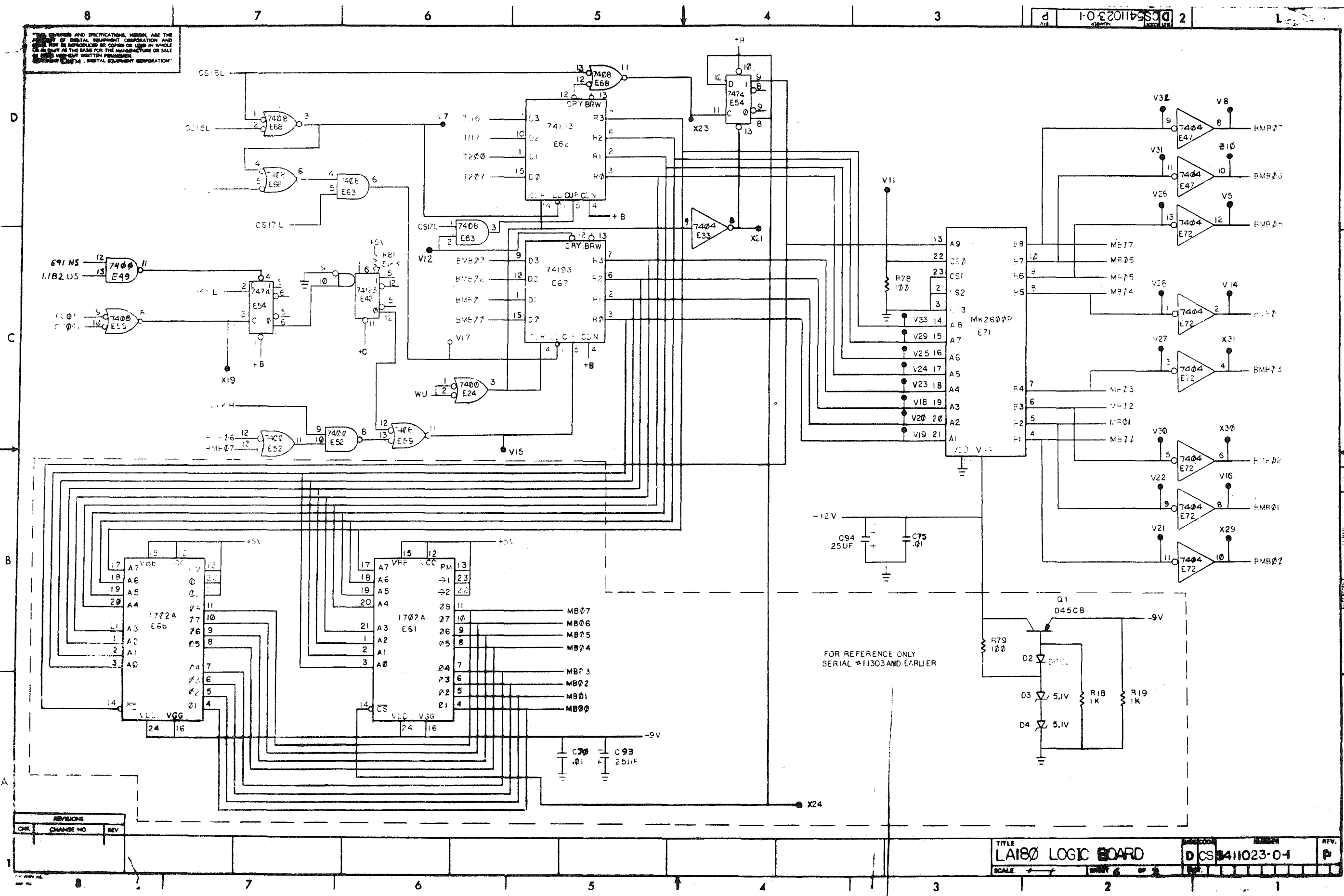
THIS DRAWING AND SPECIFICATIONS, HEREIN, ARE THE PROPERTY OF DIGITAL EQUIPMENT CORPORATION AND SHALL NOT BE REPRODUCED OR COPIED OR USED IN WHOLE OR IN PART AS THE BASIS FOR THE MANUFACTURE OR SALE OF ITEMS WITHOUT WRITTEN PERMISSION. COPYRIGHT © 1974, DIGITAL EQUIPMENT CORPORATION.

NOTES
1. * INDICATES JUMPER MAY BE CUT TO LOWER VOLUME.



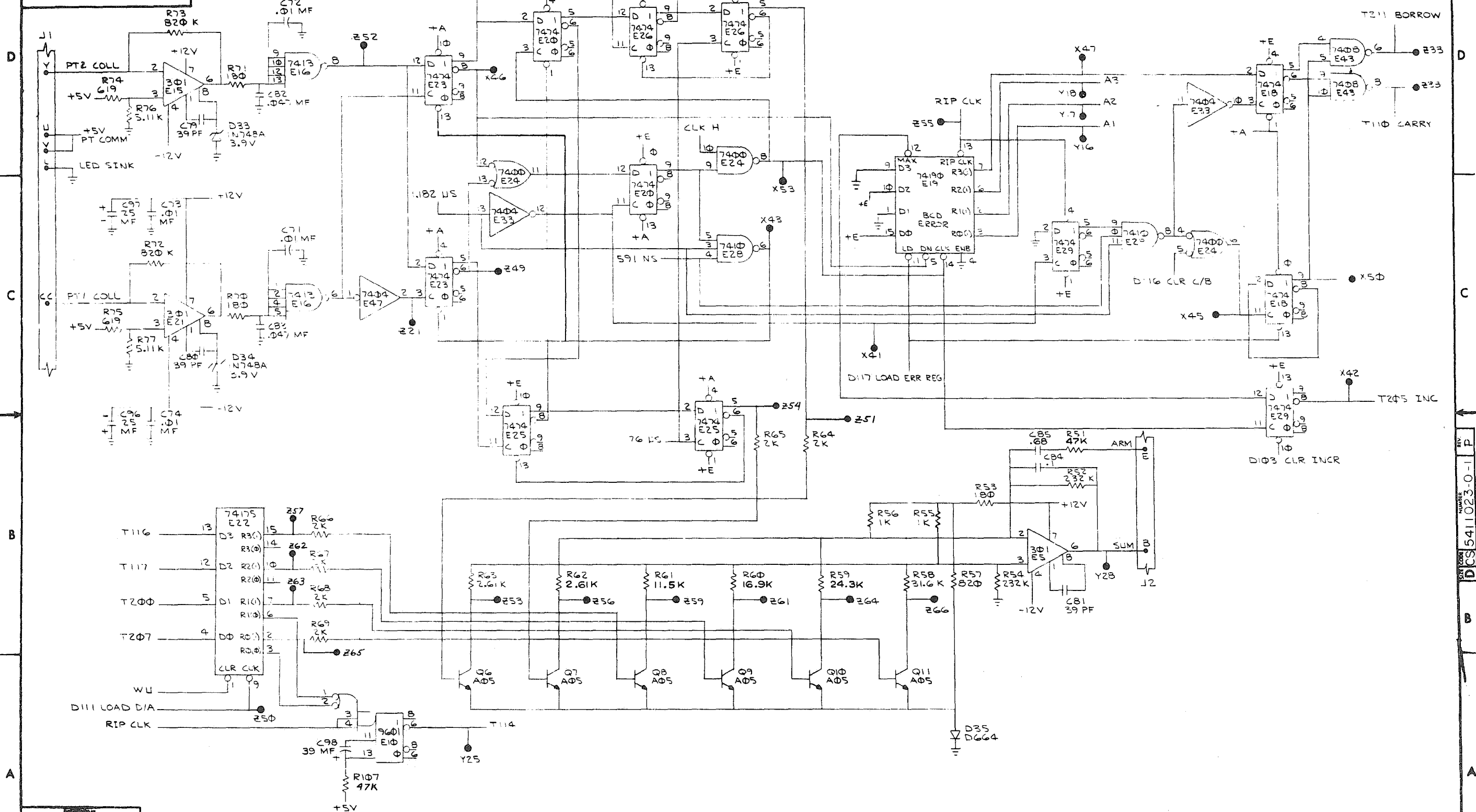
REVISIONS table with columns: CHK, CHANGE NO., REV.

THE DIMENSIONS AND SPECIFICATIONS HEREIN ARE THE PROPERTY OF WESTAL EQUIPMENT CORPORATION AND SHALL BE REPRODUCED OR COPIED OR USED IN WHOLE OR IN PART AS THE BASIS FOR THE MANUFACTURE OR SALE OF EQUIPMENT WITHOUT PERMISSION OF WESTAL EQUIPMENT CORPORATION.



REVISIONS		
CHK	CHANGE NO	REV

THIS BOARD AND SPECIFICATIONS HEREIN ARE THE PROPERTY OF GENERAL ELECTRIC COMPANY AND SHALL NOT BE DISCLOSED OR COPIED IN WHOLE OR IN PART TO ANY OTHER PERSON OR ORGANIZATION WITHOUT THE WRITTEN PERMISSION OF THE COMPANY. © 1975, GENERAL ELECTRIC COMPANY

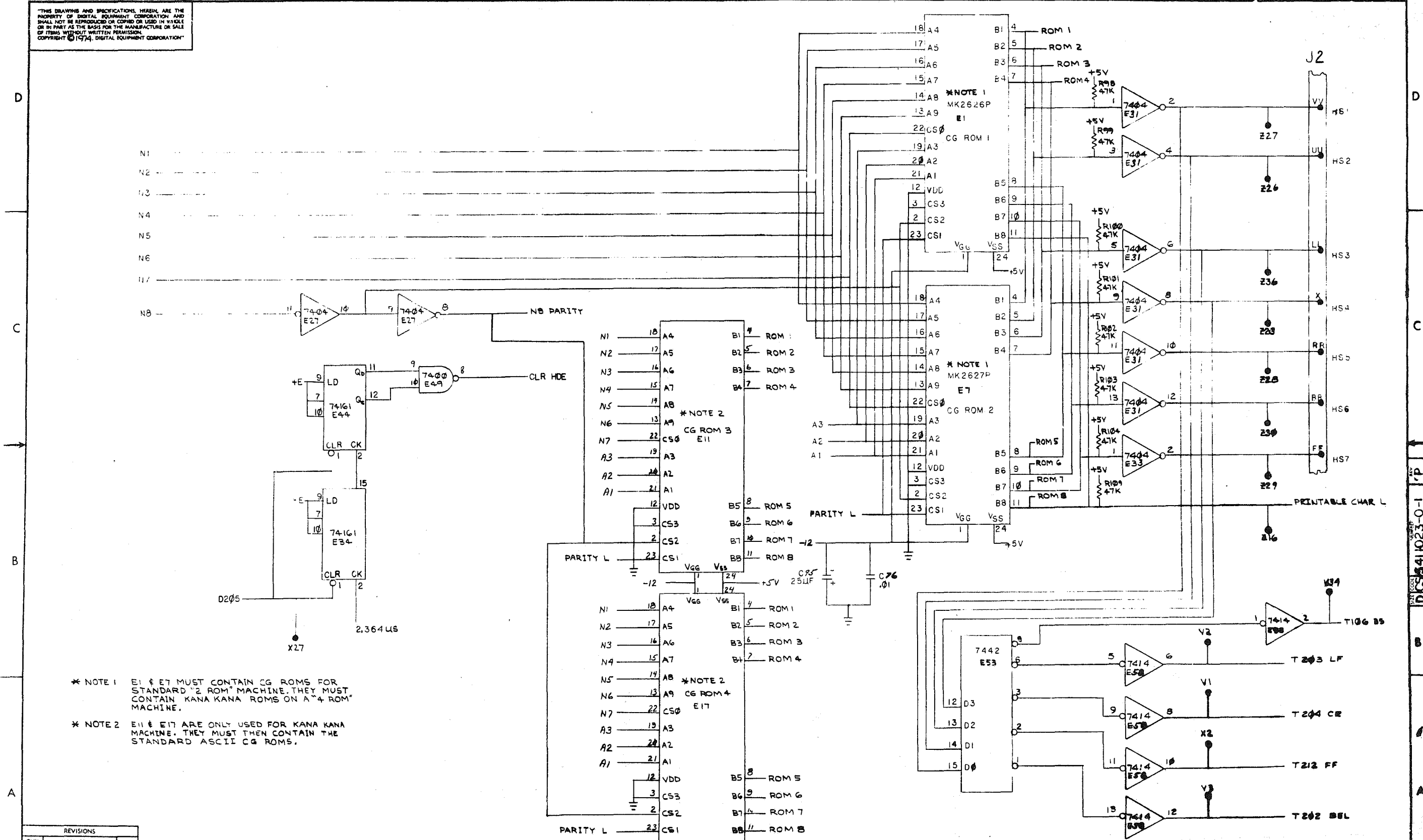


REV.	NO.	DATE

TITLE LA180 LOGIC BOARD		REV. NO. D CS 5411023-0-1	REV. P
SCALE		INSET 7 OF 9	DATE

REV. 1-0-2201799 2

"THIS DRAWING AND SPECIFICATIONS HEREIN ARE THE PROPERTY OF DIGITAL EQUIPMENT CORPORATION AND SHALL NOT BE REPRODUCED OR COPIED OR USED IN WHOLE OR IN PART AS THE BASIS FOR THE MANUFACTURE OR SALE OF ITEMS WITHOUT WRITTEN PERMISSION. COPYRIGHT © 1974, DIGITAL EQUIPMENT CORPORATION"



* NOTE 1 E1 & E7 MUST CONTAIN CG ROMS FOR STANDARD "2 ROM" MACHINE. THEY MUST CONTAIN KANA KANA ROMS ON A "4 ROM" MACHINE.

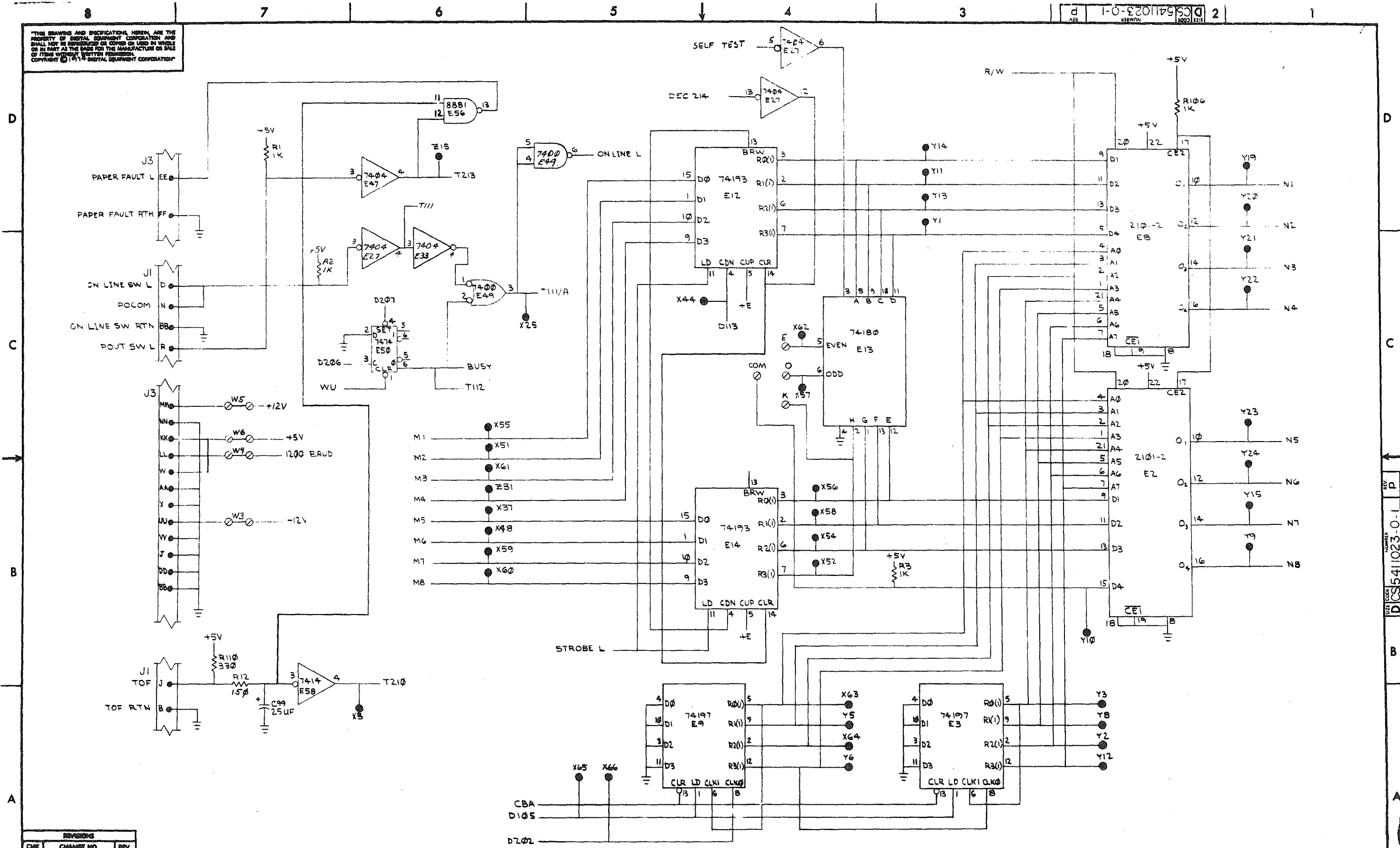
* NOTE 2 E11 & E17 ARE ONLY USED FOR KANA KANA MACHINE. THEY MUST THEN CONTAIN THE STANDARD ASCII CG ROMS.

REVISIONS		
CHK	CHANGE NO	REV

D CS 5411023-0-1 P

THIS DRAWING AND SPECIFICATIONS HEREIN ARE THE PROPERTY OF DIGITAL EQUIPMENT CORPORATION AND SHALL NOT BE REPRODUCED OR COPIED OR USED IN WHOLE OR IN PART AS THE BASIS FOR THE MANUFACTURE OR SALE OF ITEMS WITHOUT WRITTEN PERMISSION. COPYRIGHT © 1971 DIGITAL EQUIPMENT CORPORATION

REV. P
NUMBER DCS 5411023-0-1
DATE 1-0-73



REVISIONS		
CHK	CHANGE NO.	REV.

TITLE LA180 LOGIC BOARD
 SIZE CODE DCS 5411023-0-1
 NUMBER P
 SCALE SHEET 9 OF 9 DMT.

REV. P
 NUMBER DCS 5411023-0-1

THIS DRAWING AND SPECIFICATIONS HEREON ARE THE PROPERTY OF DIGITAL EQUIPMENT CORPORATION AND SHALL NOT BE REPRODUCED OR COPIED OR USED IN WHOLE OR IN PART AS THE BASIS FOR THE MANUFACTURE OR SALE OF ITEMS WITHOUT WRITTEN PERMISSION OF DIGITAL EQUIPMENT CORPORATION. COPYRIGHT © 1975, DIGITAL EQUIPMENT CORPORATION.

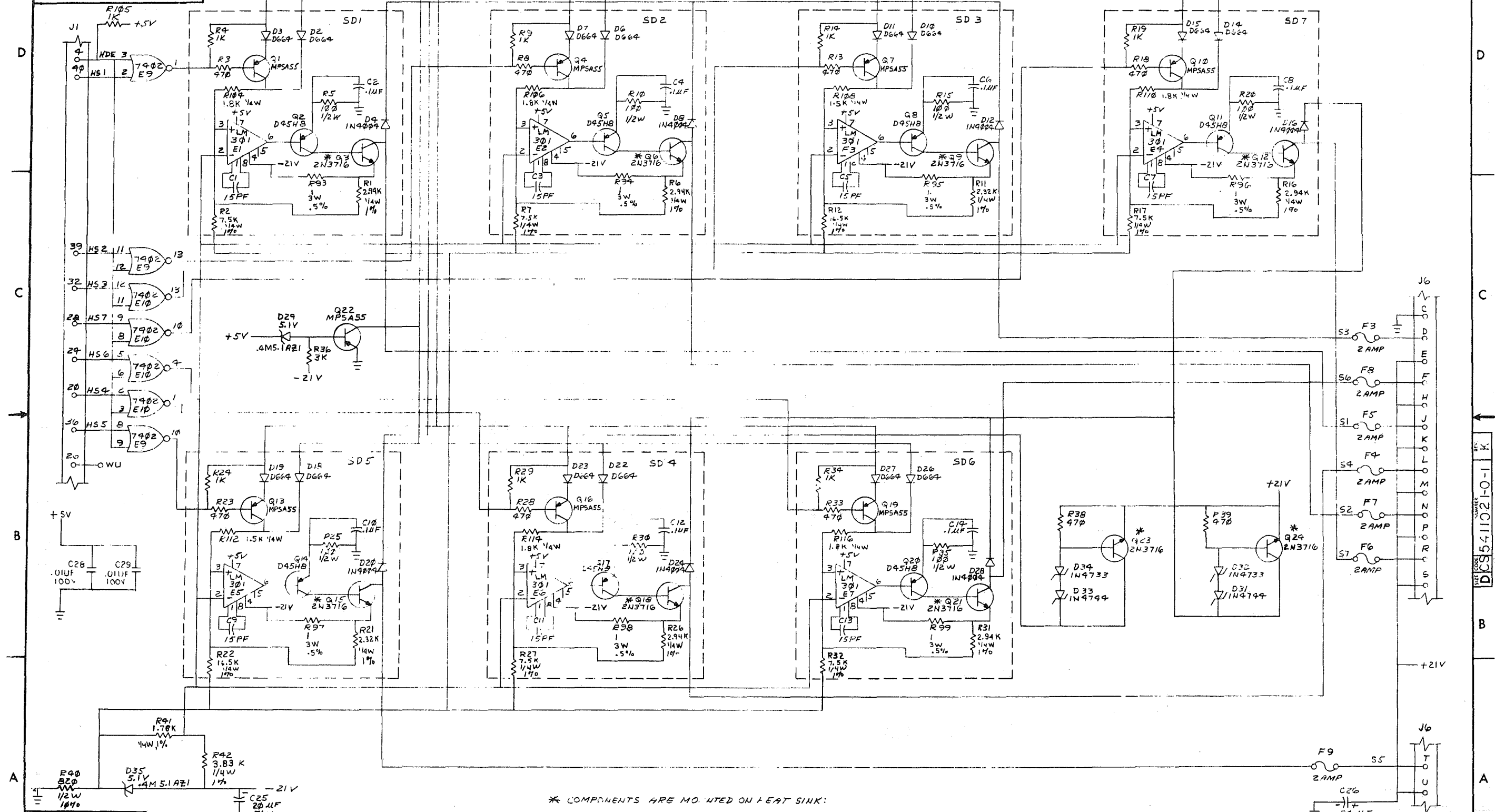
QTY	REF DESIGNATIONS	DESCRIPTION	PART NO	ITEM NO
REF		X-Y COORDINATE HOLE LOCATION	KC0-5411021-0-4	1
REF		RESISTOR DRILLING HOLE LAYOUT	EAM-5411021-0-5	2
REF		MODULE ECO HISTORY	B-MH-5411021-0-6	3
1		ETCHED CIRCUIT BOARD	5211020	4
3	C18, C21, C22	CAP 25UF, 25V, 10% +75% HLEL	1002075-00	5
6	C16, C17, C28, C29-C31	CAP .01UF, 15V, 20% DISC	1001310-01	6
1	C19	CAP .22UF, 15V, 10% MILK	1002037-00	7
1	C20	CAP .15UF, 15V, 20% AL EL	1002933-00	8
2	C25, C26	CAP .2UF, 5V, 10% +75% HLEL	1002839-00	9
1	C24	CAP .15UF, 3V, 10% DISC	1002125-00	10
7	C13, C5, C7, C9, C11, C13	CAP .15UF, 100V, 5% D.M.	1002427-00	11
7	C2, C9, C6, C8, C10, C12, C14	CAP .1UF, 15V, 20% DISC	1002030-00	12
1	C23	CAP .33UF, 20V, 10% DISC	1005328-00	13
22	D2, D3, D6, D7, D10, D11, D14, D15, D18, D19, D21, D27, D28, D32, D33, D34, D41, D39, D52, D61, C28, D62	DIODE D269	1100114-00	14
2	D31, D33	DIODE IN4794	1105099-00	15
13	D9, D8, D12, D16, D20, D28, D36, D47, D49, D55, D56, D57, D24	DIODE IN4554	1105796-00	16
4	D54 THRU D57	DIODE IN4721	1110182-00	17
1	D53	DIODE BP16E 21V	1110714-00	18
4	D29, D35, D59, D60	DIODE .4M 5.1A 21.5V 1% ZENER	1105873-00	19
2	D32, D34	DIODE IN4733	1110488-00	20
1	D20	DIODE IN7484	1104360-00	21
2	D42, D48	DIODE IN7484	1100122-00	22
4		KEYING PLUG, MATE-N-LOK	1211595-00	23
4	J2, J3, J4, J5	CONN MATE-N-LOK 3 SKT	1309340-00	25
28		SOCKET PL. MATE-N-LOK	1209456-01	26
2	R52, R60	RES 2K, 1/4W, 5%	1302388-00	27
1	R47	RES 39, 1/2W, 5%	1302336-00	28
7	R93 THRU R99	RES 1, 3/4W, 5%	1312547-00	29
4	R100 THRU R103	RES 4, 5W, 5% W.W.	1311624-00	30
1	R67	RES 100, 1/4W, 5%	1300229-00	31
1	R76	RES 18, 1/4W, 5%	1302124-00	32
2	R73, R74	RES 100, 10W, 5% W.W.	1310597-00	33
7	R5, R10, R15, R20, RES. R30, R35	RES 100, 1/2W, 5%	1300228-00	34
5	R44, R58, R92, R108, R112	RES 1.5K, 1/4W, 5%	1300391-00	35
1	R84	RES 220, 1/4W, 5%	1300271-00	36
2	R56, R64	RES 150, 2W, 5% W.W.	1305524-00	37
2	R55, R63	RES 150, 5W, 5% W.W.	1301898-00	38
1	R83	RES 270, 1/4W, 5%	1301972-00	39
1	R50	RES 390, 2W, 5%	1301864-00	40
1	R75	RES 270, 2W, 10%	1300288-00	41
1	R82	RES 300, 2W, 5%	1309855-00	42
2	R78, R81	RES 390, 1/4W, 5%	1300309-00	43
1	R79	RES 470, 2W, 5%	1303062-00	44
2	R85, R86	RES 150, 1/4W, 5%	1300250-00	45
2	R37, R59	RES 300, 1/2W, 5%	1300291-00	46
9	R43, R4, R9, R4, R19, R24, R29, R34, R105	RES 1K, 1/4W, 5%	1300365-00	47

QTY	REF DESIGNATIONS	DESCRIPTION	PART NO	ITEM NO
2	R45, R48	RES 5.1K, 1/4W, 5%	1303048-00	48
3	R77, R80, R91	RES 3.3K, 1/4W, 5%	1300444-00	49
2	R92, R99	RES 4.7K, 1/4W, 5%	1300447-00	50
3	R53, R61, R66	RES 10K, 1/4W, 5%	1300479-00	51
2	R88, R89	RES 4.0K, 1/4W, 1%	1303047-00	52
2	R87, R90	RES 619, 1/4W, 1%	1305126-00	53
15	R3, R8, R13, R18, R23, R33, R38, R28, R39, R46, R49, R54, R57, R62, R65	RES 470, 1/4W, 5%	1300316-00	54
1	R40	RES 820, 1/2W, 10%	1300356-00	55
1	R36	RES 3K, 1/4W, 5%	1300432-00	56
5	R2, R7, R7, R27, R32	RES 75K, 1/4W, 1%	1305322-00	57
1	R41	RES 1.78K, 1/4W, 1%	1302612-00	58
5	R1, R2, R16, R26, R31	RES 2.94K, 1/4W, 1%	1301981-00	59
1	R42	RES 3.83K, 1/4W, 1%	1309413-00	60
2	R1, R2	RES 2.32K, 1/4W, 1%	1312545-00	61
1	Q3, Q6, Q9, Q12, Q5, Q14, Q2, Q24, Q21	TRANS 2N3716	1503069-00	62
2	Q42, Q43	TRANS 3715	1503068-00	63
1	Q51	TRANS 2N3791	1509581-00	64
2	Q28, Q39	TRANS 6531B	1509338-00	65
6	Q6, Q30, Q39, Q47, Q48, Q33	TRANS MPS 405	1510705-00	66
13	Q37, Q35, Q1, Q4, Q7, Q10, Q13, Q16, Q19, Q27, Q22, Q45, Q46	TRANS MPS 455	1510706-00	67
5	Q41, Q28, Q30, Q49, Q32	TRANS TIP31A	1512590-00	68
4	Q40, Q29, Q31, Q50	TRANS TIP32A	1512589-00	69
7	Q8, Q5, Q8, Q11, Q9, Q17, Q20	TRANS D45HB	1510708-00	70
2	E9, E10	IC 7402	1909004-00	71
1	E8	IC LM309K REGULATOR	1910460-00	72
7	E1 THRU E7	IC LM301A OP AMP	1910282-00	73
1	J6	H802 18 PIN (MODIFIED)	5510831-00	74
2		RIVET, POP	3006460-00	75
1		HEAT SINK	7413424-00	76
4		FUSE CLIP	3009513-01	77
9		WASHER (MATE-N-LOK STANDOFF)	3006693-00	78
8		EYELET	9006732-00	79
2	F1, F2	FUSE 3 AMP SLO BLO	9007218-00	80
2		FASTON TAB	9007113-00	81
2		EYELET	5009000-00	82
26		SCREW PPH 9-90X1/2	9006013-01	83
35		NUT, KEP 4-40	9006557-00	84
1		SCREW PPH 6-32 X15/16	9007838-01	85
1		NUT, KEP 6-32	9006560-00	86
1		CABLE, POWER BOARD	6-AD-7010363-1	87
13		INSULATOR, TD-3	9006721-00	88
2		INSULATOR	9009597-00	89
1		COMPOUND, THERMAL JOINT	9008268-00	90
5		SCREW PPH 9-90 X 7/16	9006012-01	91
7	F3 THRU F9	FUSE, PICO, 2 AMP	1211751-00	92
1		LABEL	3611567-00	93
5	R104, R106, R110, R114, R116	RES 1.8K, 1/4W, 5%	1300398-00	94
2	R12, R27	RES 16.5K, 1/4W, 1%	1312546-00	95
14	WIRE	WIRE, AWG 14, GREEN	9107370-55	96
2	R70, R71	RES. 60, 10W, 5%	1312997	97

QTY	REF DESIGNATIONS	DESCRIPTION	PART NO	ITEM NO
1	R37	RES 300, 1/2W, 5%	1300291-00	46
2	R117, R118	RES 100, 1/4W, 5%	1300316-00	54

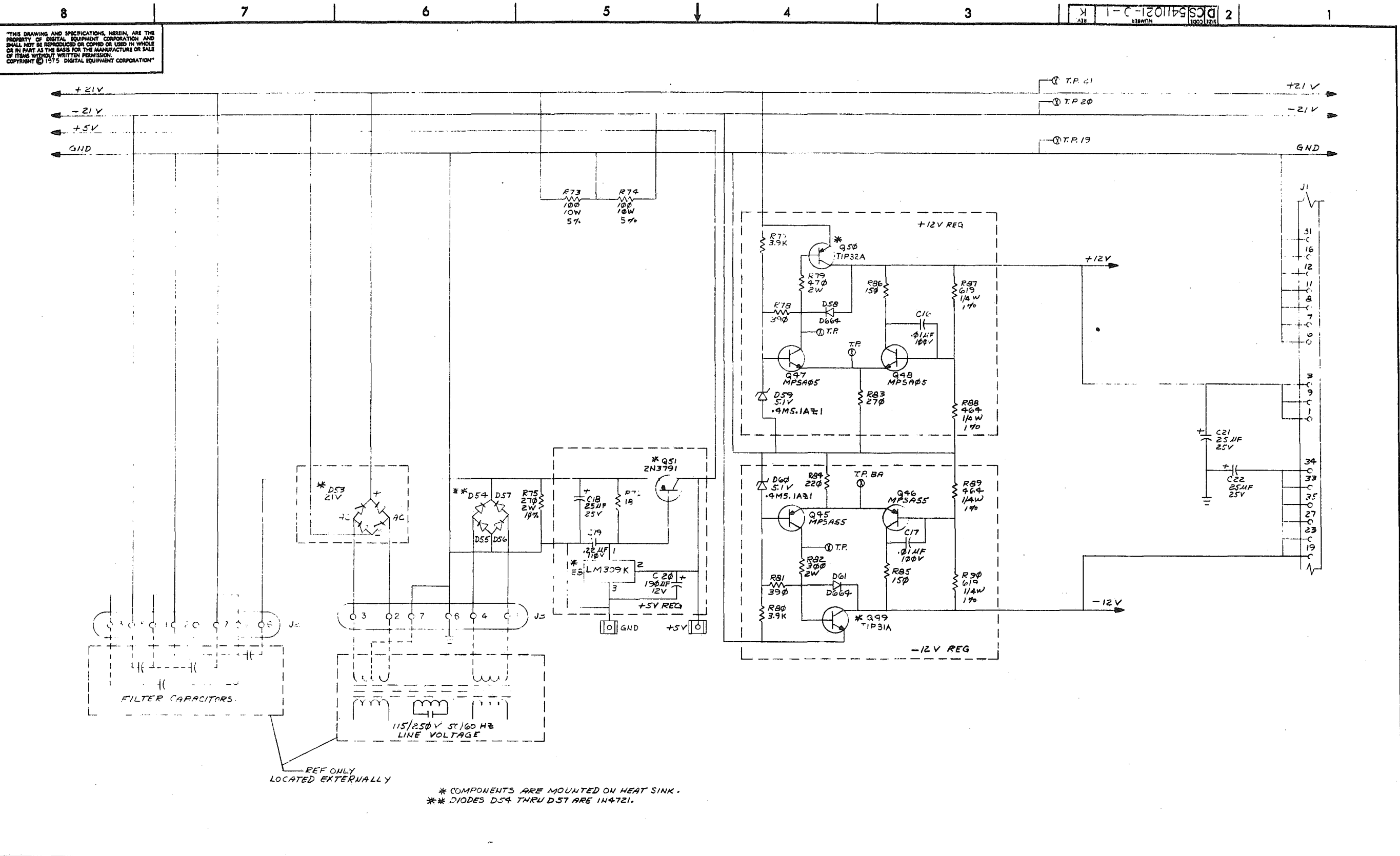
CHK	CHANGE NO	REV

"THIS DRAWING AND SPECIFICATIONS, HEREIN, ARE THE PROPERTY OF DIGITAL EQUIPMENT CORPORATION AND SHALL NOT BE REPRODUCED OR COPIED IN WHOLE OR IN PART AS THE BASIS FOR THE MANUFACTURE OR SALE OF ITEMS WITHOUT WRITTEN PERMISSION. COPYRIGHT © 1975 DIGITAL EQUIPMENT CORPORATION"



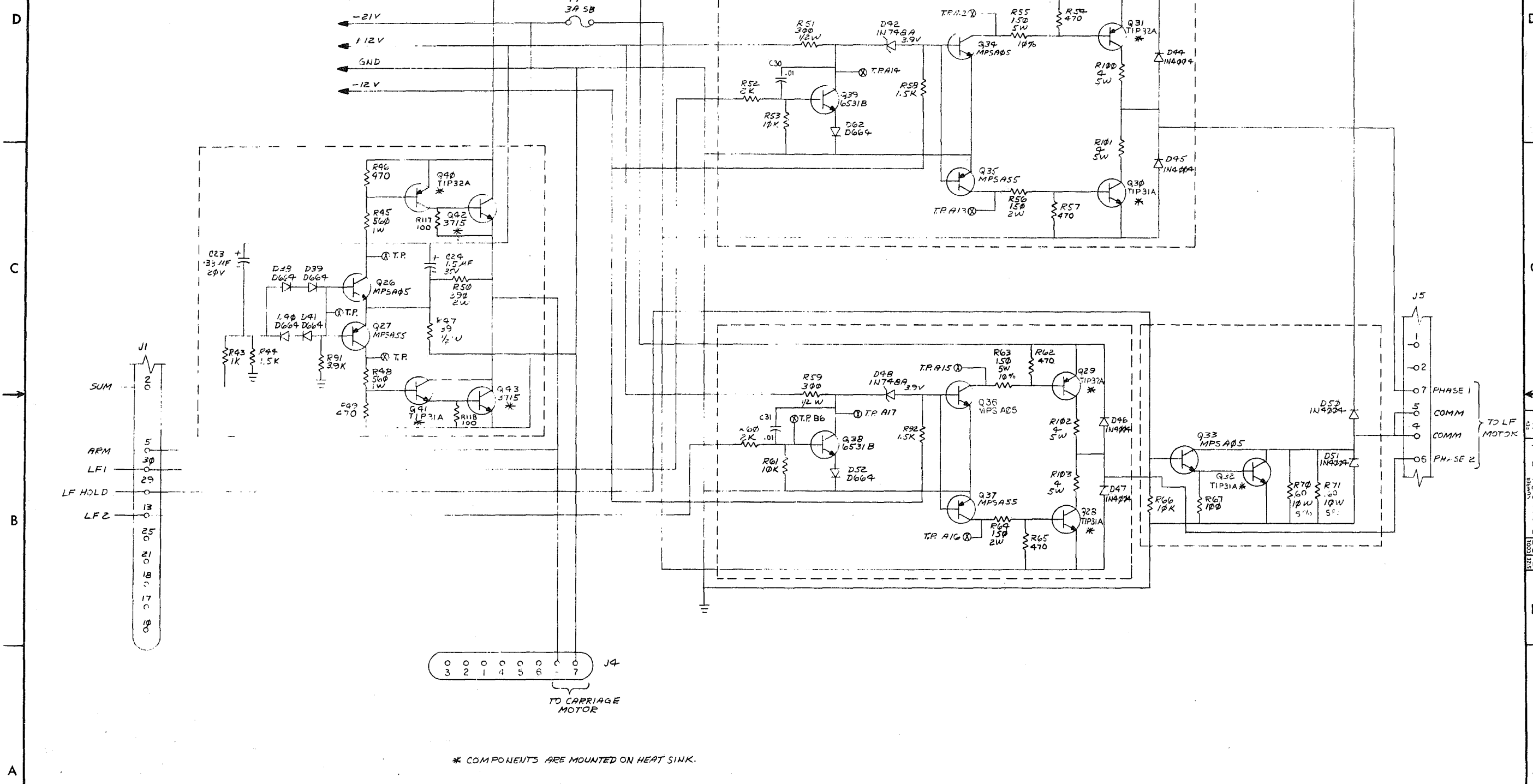
REVISIONS		
CHK	CHANGE NO.	REV.

"THIS DRAWING AND SPECIFICATIONS, HEREIN, ARE THE PROPERTY OF DIGITAL EQUIPMENT CORPORATION AND SHALL NOT BE REPRODUCED OR COPIED OR USED IN WHOLE OR IN PART AS THE BASIS FOR THE MANUFACTURE OR SALE OF ITEMS WITHOUT WRITTEN PERMISSION. COPYRIGHT © 1975 DIGITAL EQUIPMENT CORPORATION"



REVISIONS		
CHK	CHANGE NO.	REV.

THIS DRAWING AND SPECIFICATIONS HEREIN ARE THE PROPERTY OF DIGITAL EQUIPMENT CORPORATION AND SHALL NOT BE REPRODUCED OR COPIED OR USED IN WHOLE OR IN PART AS THE BASIS FOR THE MANUFACTURE OR SALE OF ITEMS WITHOUT WRITTEN PERMISSION. COPYRIGHT © 1975 DIGITAL EQUIPMENT CORPORATION



* COMPONENTS ARE MOUNTED ON HEAT SINK.

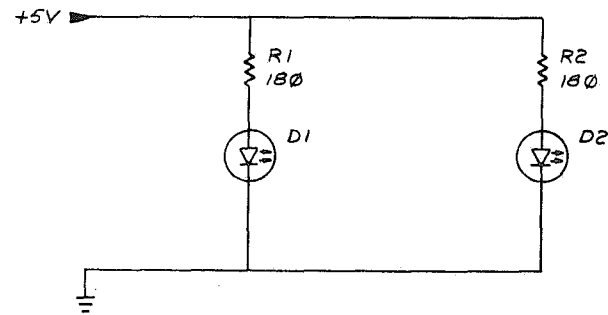
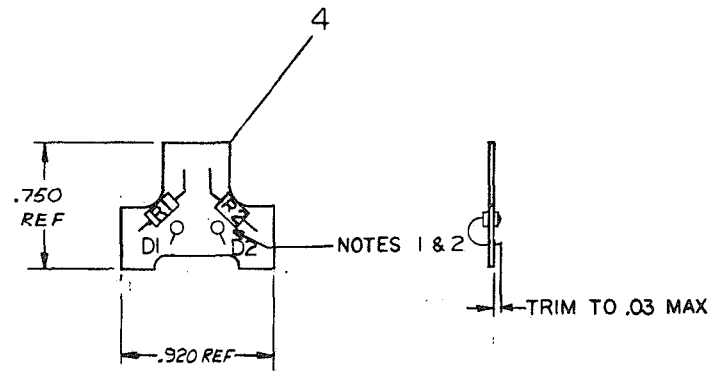
REVISIONS		
CHK	CHANGE NO.	REV.

TITLE	LA180 POWER BOARD	SIZE CODE	NUMBER	REV.
SCALE	SHEET 5 OF 5	DIST.	DCS 5411021-0-1	K

This drawing and specifications, herein, are the property of Digital Equipment Corporation and shall not be reproduced or copied or used in whole or in part as the basis for the manufacture or sale of items without written permission.

COPYRIGHT © 1974 DIGITAL EQUIPMENT CORPORATION

- NOTES:
1. HEAT APPLIED TO D1 AND D2 DURING SOLDERING SHALL NOT EXCEED 285°C FOR A PERIOD OF 15 SECONDS.
 2. FINISHED HOLE SIZE FOR MOUNTING D1 AND D2 SHALL BE .078 MIN. .083 MAX



REF	X-Y COORDINATE HOLE LOCATION	K-CO-5410991-0-4	1	
REF	ASSY/DRILLING HOLE LAYOUT	D-AH-5410991-0-5	2	
REF	MODULE ECO HISTORY	B-MH-5410991-0-6	3	
1	ETCHED CIRCUIT BOARD	DIA-5010990-0-0	4	
2	R1, R2	RES 180 1/4W 5%	1301322	5
2	D1, D2	LIGHT EMITTING DIODE	1111907	6

QTY	REF DESIGNATION	DESCRIPTION	PART NO.	ITEM NO.
-----	-----------------	-------------	----------	----------

ETCH BOARD REV		B											
<table border="1"> <tr> <td>DATE</td> <td>3/1/78</td> </tr> <tr> <td>DATE</td> <td>5-1-78</td> </tr> <tr> <td>DATE</td> <td>7-15-78</td> </tr> <tr> <td>DATE</td> <td>7-18-78</td> </tr> <tr> <td>DATE</td> <td>7-18-78</td> </tr> </table>				DATE	3/1/78	DATE	5-1-78	DATE	7-15-78	DATE	7-18-78	DATE	7-18-78
DATE	3/1/78												
DATE	5-1-78												
DATE	7-15-78												
DATE	7-18-78												
DATE	7-18-78												
TITLE		LA36 ENCODER PC BOARD LED											
EQUIPMENT CORPORATION		MAYNARD, MASSACHUSETTS											
NEXT HIGHER ASSY													
SCALE		D/CS 5410991-0-1											
SHEET / OF /		REV. C											

11/17/75	J. BITTO	5410991-0-0002	C
2-10-75	C. BICROFF	5410991-0-0001	B

REV	DATE	DESCRIPTION
1		
2		
3		
4		
5		
6		
7		
8		
9		
10		

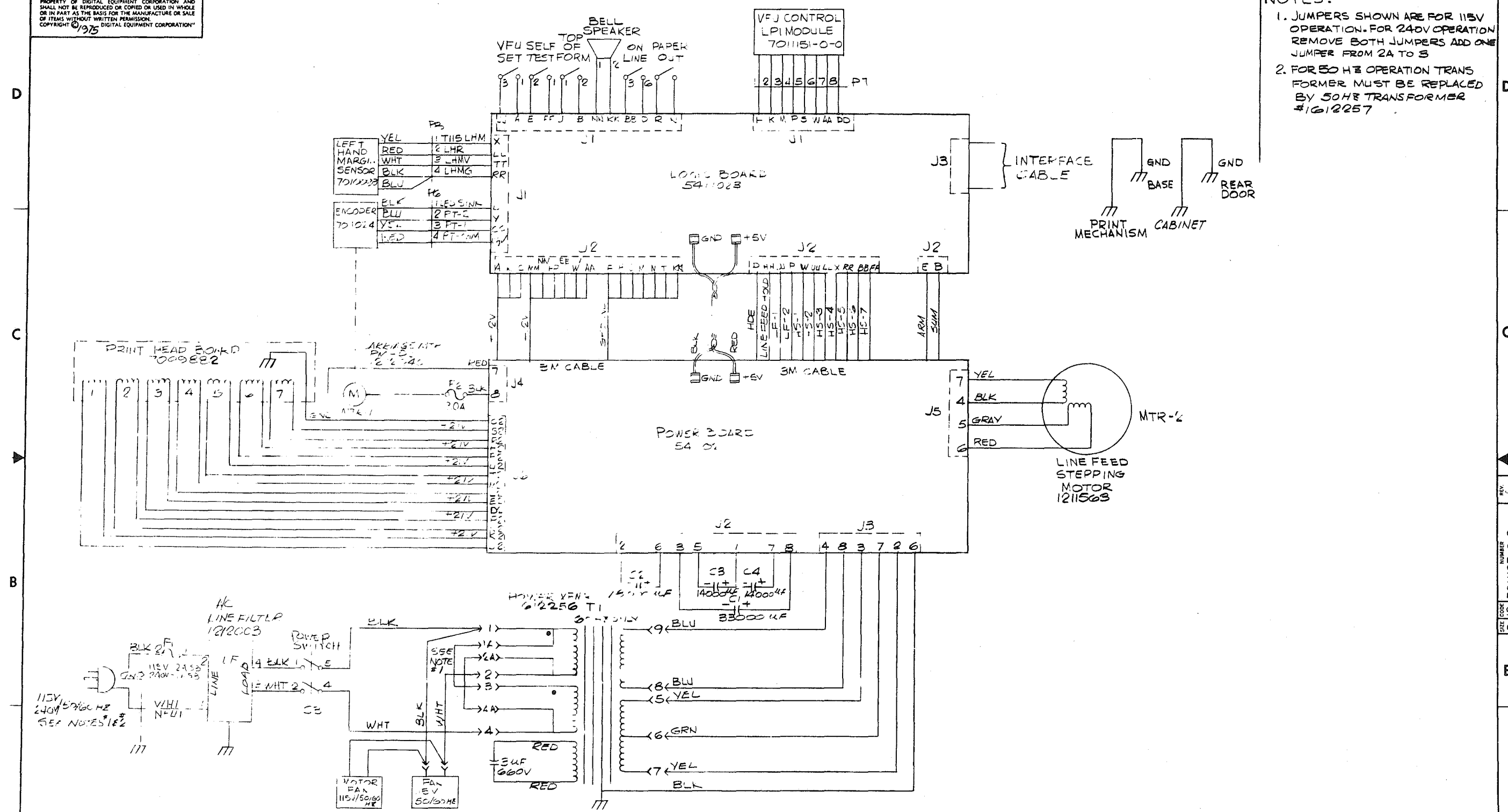
DEC NO.	EIA NO.	DEC NO.	EIA NO.

DEC FORM NO. DRD-135

DCS 5410991-0-1 C
 SUBJECT NUMBER
 DCS 5410991-0-1 C

"THIS DRAWING AND SPECIFICATIONS HEREIN ARE THE PROPERTY OF DIGITAL EQUIPMENT CORPORATION AND SHALL NOT BE REPRODUCED OR COPIED OR USED IN WHOLE OR IN PART AS THE BASIS FOR THE MANUFACTURE OR SALE OF ITEMS WITHOUT WRITTEN PERMISSION. COPYRIGHT © 1975 DIGITAL EQUIPMENT CORPORATION"

- NOTES:
1. JUMPERS SHOWN ARE FOR 115V OPERATION. FOR 240V OPERATION REMOVE BOTH JUMPERS ADD ONE JUMPER FROM 2A TO 3
 2. FOR 50 HZ OPERATION TRANS FORMER MUST BE REPLACED BY 50 HZ TRANSFORMER #1612257



REV.	CHG.	NO.

DRN: <i>[Signature]</i> 4/11/75	FIRST USED ON: LA180	digital
CHK'D: <i>[Signature]</i> 4/18/75	TITLE: INTERCONNECTION DRAWING	
ENG. V: <i>[Signature]</i> 4/23/75	PROJECT: <i>[Signature]</i> 4/23/75	
PROD. <i>[Signature]</i> 4/23/75	NEXT HIGHER ASSY.	
E-UA-LA180-0	SIZE: D	CODE: IC
SCALE: -#-	NUMBER: 7011167-0-0	REV. A
SHEET: 1 OF 1	DIST.	

This drawing and specifications, herein, are the property of Digital Equipment Corporation and shall not be reproduced or copied or used in whole or in part as the basis for the manufacture or sale of items without written permission.

DIGITAL EQUIPMENT CORPORATION MAYNARD MASSACHUSETTS					
PACKAGING INSTRUCTION				REV: A	DATE: 7/75
TITLE DECwriter				B	1/76
MATERIAL REQUIREMENTS					
Quantity	Purchase Specification No.	Description			
1	9905601	Stitched Tube			
1	9905601-01	Full Telescope Cap			
1	9905639	Pad with Foam (LA36 LA35 only)			
1	9905129-39	Poly Bag			
1	9905651	Wood Skid			
1	9905651-01	Wood Brace (2 X 3)			
2	90-09288	Tee Nut			
2	90-09290-03	3/8-16 X 3 Hex-Head Bolt			
1	36-12520-0-0	Caution Tag			
6 ft	90-09634	Stain Resistant Tape (3M)			
1	90-07032	Panduit Cable Tie			
20 ft	9905734-02	Polypropylene Strapping			
1	9905129-35	Poly Bag			
PACKAGING INSTRUCTIONS					
Step	Procedure				
1.	Lift the cover and slide the print head to the left as far as it will go. Slip the Panduit Cable Tie (90-07032) around the ribbon rollers (A and B). Do not over-tighten. Fasten Caution Tag (36-12520-0-0) to tractor drive shaft. Close cover.				
2.	Place Pad with Foam (9905639) (foam side down) on top of the LA36/LA35 keyboard. Tape with two (2) strips of glass filament tape (90-09634). Tape back door closed, using two (2) strips of tape.				
3.	Place DECwriter on top of Skid Deck (9905651).				
4.	Place all hardware and software into Poly Bag (9905129-35) and staple to deck of skid.				
5.	Place one strip of CW21 (Custom Wrap) or Microfoam, over each leg of the DECwriter.				
6.	Place Wood Brace (9905651-01) on top of legs as far back as it will go to properly align the bolt holes.				
7.	Place Hex-Head Bolts (90-09290-03) through the bolt holes in the wood brace; place the Tee Nuts (90-09288) up and underneath the skid deck; then tighten down.				
8.	Place a Poly Bag (9905129-39) over the DECwriter. Then, place the Stitched Tube (9905601) over and around the unit. Assemble Full Telescope Cap (9905601-01) and place on top of Stitched Tube.				
NOTE					
Make sure that the Stitched Tube is resting on the wood skid base, on all 4 sides.					
9.	Strap in two places as shown in Figure 2. Use Polypropylene strapping (9905734-02).				
ENG. <i>Ken Merian</i> 12/24/75 APPD. <i>R. W. L.</i> 12/24/75 SIZE A CODE SP NUMBER 3700131-0-0 REV B					
DEC 8-(551)-1031-1-R671 SHEET 1 OF 3 DRA - 129					

This drawing and specifications, herein, are the property of Digital Equipment Corporation and shall not be reproduced or copied or used in whole or in part as the basis for the manufacture or sale of items without written permission.

PACKAGING INSTRUCTION					
TITLE DECWRITER				REV: _____	DATE: _____
NOTE: Make changes to "C" size original only and rephotograph.					
ENG. _____ APPD. _____ 1/77 SIZE A CODE SP NUMBER 3700131-0-0 REV B					
DEC-108 SHEET 2 OF 3					

This drawing and specifications, herein, are the property of Digital Equipment Corporation and shall not be reproduced or copied or used in whole or in part as the basis for the manufacture or sale of items without written permission.

PACKAGING INSTRUCTION					
TITLE DECWRITER				REV: _____	DATE: _____
NOTE: Make changes to "C" size original only and rephotograph.					
ENG. <i>Ken Merian</i> 7/24/75 APPD. <i>R. W. L.</i> 7/24/75 SIZE A CODE SP NUMBER 3700131-0-0 REV B					
DEC-108 SHEET 3 OF 3					

