

PDP-15 SYSTEMS RP15 DISK PACK CONTROL MAINTENANCE MANUAL VOLUME 2

The material herein is for information purposes only and is subject to change without notice. Digital Equipment Corporation assumes no responsibility for any errors which may appear herein.

These drawings and specifications herein are the property of Digital Equipment Corporation and shall not be reproduced or copied or used in whole or in part as the basis for the manufacture or sale of items without written permission.
Copyright © 1975, Digital Equipment Corporation

1st Printing December 1970

Copyright © 1970 by Digital Equipment Corporation

The material in this manual is for information purposes and is subject to change without notice.

The following are trademarks of Digital Equipment Corporation, Maynard, Massachusetts:

DEC	PDP
FLIP CHIP	FOCAL
DIGITAL	COMPUTER LAB

Table 1-1 is an index to the engineering drawings.

RP15 Disk Pack Control Maintenance Manual

INTRODUCTION

Volume 2 of the maintenance manual includes a complete set of engineering drawings for the RP15 Disk Pack Control. The drawings supplied with each RP15 will include the latest engineering change orders (ECOs) applicable to that system. The drawing number index, Table 1-1, lists the complete set of drawings and the order in which they are provided.

ENGINEERING DRAWING ORGANIZATION

Each engineering drawing is assigned a coded drawing identification number that indicates the size, the drawing type, a system identification, the manufacturing variation, and the drawing number in the series.

For example, the drawing identification number D-BS-RP15-0-03 provides the following information:

D	D-size (22 x 34 inches) drawing
BS	Block Schematic (drawing type)
RP15	Pertains to overall RP15 System
0	Manufacturing variation
03	The third in the series of RP15 Block Schematics

Drawing Codes

The codes assigned to each type of engineering drawing are listed in the following chart:

Type Code	Definition	Type Code	Definition
AD	Assembly Drawing	MU	Module utilization drawing
BS	Block Schematic	PL	Parts List
CS	Circuit Schematic	SP	Specifications
IA	Inseparable Assembly	TD	Timing Diagram
IC	Interconnection Diagram	UA	Unit assembly
ML	Master Drawing List		

Table 1-1
Drawing Number Index

Size (Original)	Type	Number	Title
D	AD	7006820-0-0	Max Configuration H963-C
A	PL	7006820-0-0	Max Configuration H963-C (PL)
D	UA	RP15-0-0	RP15 Unit Assembly
A	PL	RP15-0-0	RP15 Unit Assembly (PL)
D	DI	RP15-0-1	Drawing Index RP15
D	AD	7006259-0-0	Switch Plate Assembly
A	PL	7006259-0-0	Switch Plate Assembly (PL)
C	CS	716-0-1	Ind. Power Supply 716
A	PL	716-0-0	Ind. Power Supply 716 (PL)
B	CS	841-B-1	841-B Power Control
A	PL	841-B-0	841-B Power Control (PL)
D	AD	7006821-0-0	RP15 Wired Assembly
A	PL	7006821-0-0	RP15 Wired Assembly (PL)
A	ML	RP15-0	RP15
D	MU	RP15-0-02	Module Utilization
A	PL	RP15-0-02	Module Utilization (PL)
D	BS	RP15-0-03	Maintenance Control
D	BS	RP15-0-04	Maintenance Control Buffer
D	BS	RP15-0-05	Read/Write Control No. 1
D	BS	RP15-0-06	Read/Write Control No. 2
D	BS	RP15-0-07	Read/Write Control No. 3
D	BS	RP15-0-08	Data Separator Control
D	BS	RP15-0-09	Status Control No. 1
D	BS	RP15-0-10	Status Control No. 2
D	BS	RP15-0-11	Status Control No. 3
D	BS	RP15-0-12	API Control
D	BS	RP15-0-13	Buffer Register Control
D	BS	RP15-0-14	DCH Control
D	BS	RP15-0-15	Short & Long Register Control

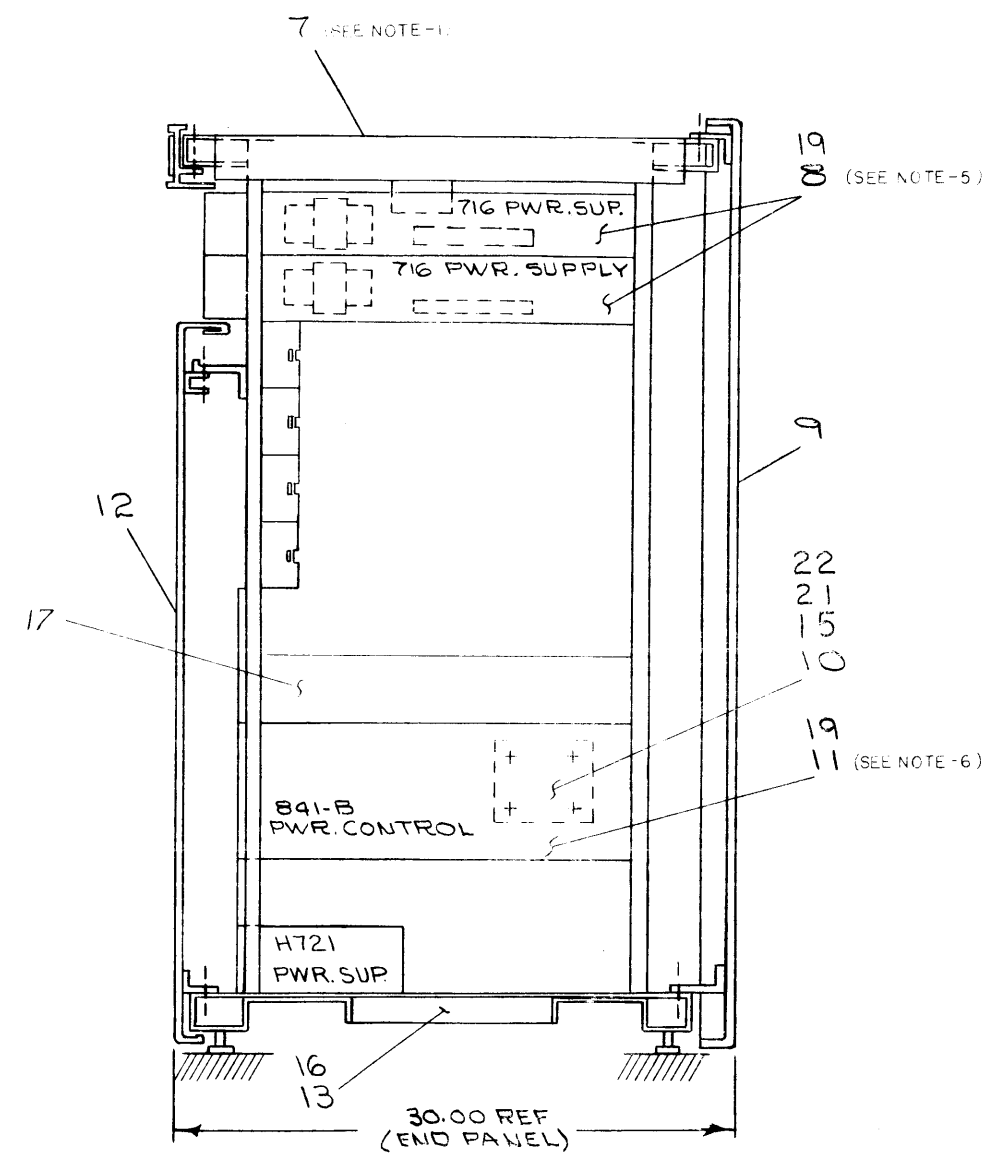
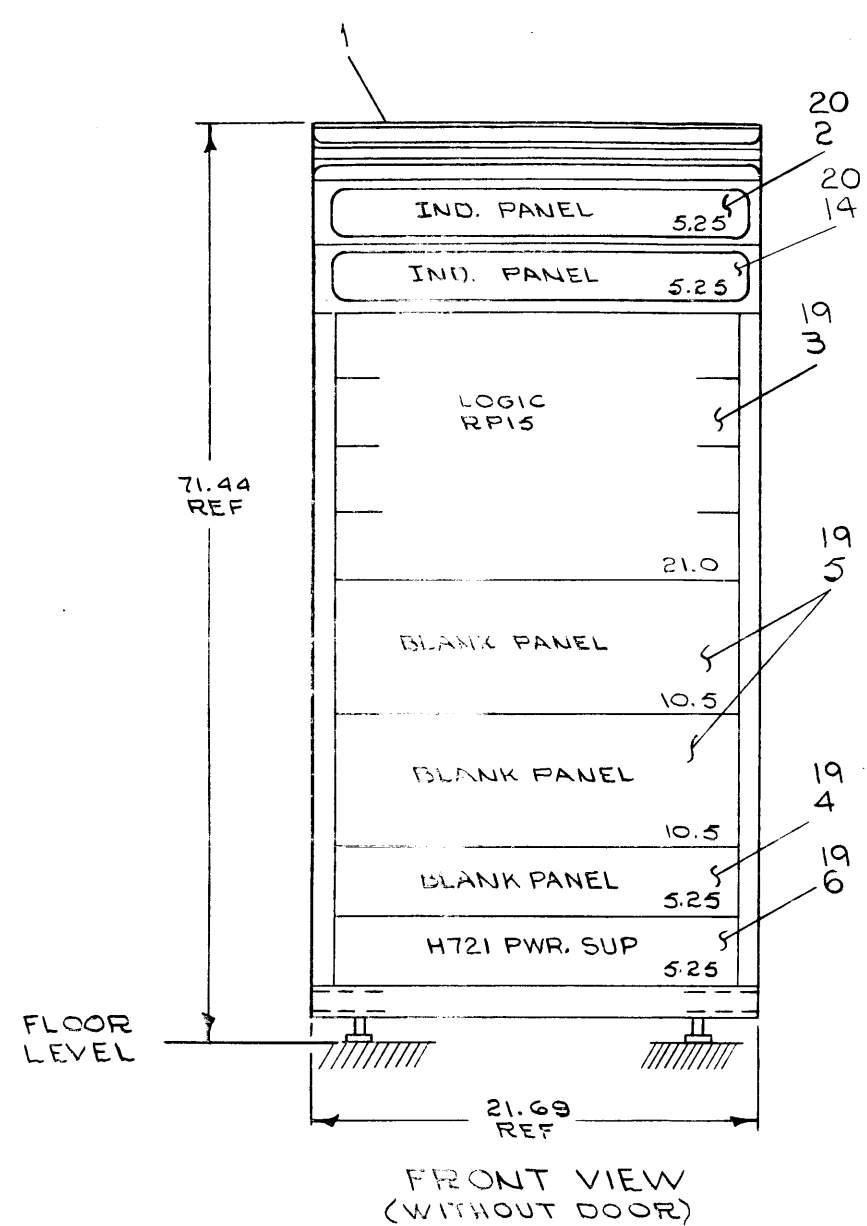
Table 1-1 (Cont)
Drawing Number Index

Size (Original)	Type	Number	Title
D	BS	RP15-0-16	Tag & Bus Line Control
D	BS	RP15-0-17	WC & CA Control
D	BS	RP15-0-18	Major State Control
D	BS	RP15-0-19	Major State
D	BS	RP15-0-20	IOT Selection
D	BS	RP15-0-21	Function Register
D	BS	RP15-0-22	Write Format Generator
D	BS	RP15-0-23	Sector Word Count
D	BS	RP15-0-24	Write Check Comparator 00-15
D	BS	RP15-0-25	Write Check Comparator 16-31
D	BS	RP15-0-26	Write Check Comparator 32-35
D	BS	RP15-0-27	Cylinder Comparator
D	BS	RP15-0-28	Cylinder Address Register
D	BS	RP15-0-29	Head Address Register
D	BS	RP15-0-30	Sector Address Register
D	BS	RP15-0-31	Word Count Register
D	BS	RP15-0-32	Current Address Register
D	BS	RP15-0-33	Buffer Register 00-05, 18-23
D	BS	RP15-0-34	Buffer Register 06-11, 24-29
D	BS	RP15-0-35	Buffer Register 12-17, 30-35
D	BS	RP15-0-36	Shift Register 00-11
D	BS	RP15-0-37	Shift Register 12-23
D	BS	RP15-0-38	Shift Register 24-35
D	BS	RP15-0-39	Long. Parity Register 00-17
D	BS	RP15-0-40	Long. Parity Register 18-26
D	BS	RP15-0-41	Long. Parity Register 27-35
D	BS	RP15-0-42	Bus Multiplexer 00-05
D	BS	RP15-0-43	Bus Multiplexer 06-11
D	BS	RP15-0-44	Bus Multiplexer 12-17
D	BS	RP15-0-45	Multiplexer Terminator 00-17
D	BS	RP15-0-46	Unit Disk Drivers
D	BS	RP15-0-47	Bus Disk Drivers

Table 1-1 (Cont)
Drawing Number Index

Size (Original)	Type	Number	Title
D	BS	RP15-0-48	Disk Disk Drivers
D	BS	RP15-0-49	I/O Bus Drivers 00-17
D	BS	RP15-0-50	I/O Address Drivers
D	BS	RP15-0-51	I/O Bus Receivers
D	IC	RP15-0-52	I/O Bus Interface
D	IC	RP15-0-53	Drive-Control Cable Interface
D	IC	RP15-0-54	Indicator Interface
D	BS	RP15-0-55	Lockout Interface
D	TD	RP15-0-56	Timing Diagrams
D	SP	RP15-0-57	Adjustment & Maintenance
A	SP	RP15-0-60	RP15 Customer Acceptance Procedure
D	CS	5408458-0-1	Peripheral Indicator Panel Circuit Schematic
E	IA	5408458-0-0	Peripheral Indicator Panel Parts List
D	CS	H721-0-1	H721 Power Supply Circuit Schematic with Parts List

This drawing and specifications herein are the property of Digital Equipment Corporation and shall not be reproduced or copied or used in whole or in part as the basis for the manufacture or sale of items without written permission.



- NOTES:
1. FOR INDEX LIST, REFER TO: D01 RP15-0-1.
 2. ~~GROUND STRAP SHOULD BE LOCATED AS CLOSE TO BOTTOM OF CABINET AS POSSIBLE BEFORE INSTALLATION OF STRAP. REMOVE PAINT AND CLEAN AREA TO INSURE GOOD GROUND.~~
 3. FOR INSTALLATION OF GROUND STRAP, SEE DRAWING NUMBER D-0C-H950-0-0 (SHEET 4 OF 5)
 4. FAN MOUNTING IN FRONT OF CABINET
 5. 716 PS. MOUNTED ON THE LEFT SIDE OF THE CABINET LOOKING FROM THE FRONT
 6. 841-B PC MOUNTED ON THE RIGHT SIDE OF THE CABINET LOOKING FROM THE FRONT

LOCATION OF SPEED NUTS ITEM # 18			
LOCATE ALL NUTS BY COUNTING HOLES FROM TOP OF CABINET FRAME			
HOLE NUMBERS			
	FRONT		REAR
3	34	61	93
7	39	66	97
12	43	70	102
16	48	75	106
21	48	79	106
25	52	84	BOTH
30	57	88	SIDES
LEFT SIDE HOLE NOS		RIGHT SIDE HOLE NOS	
1		64	98
4	FRONT	68	FRONT
7	&	76	&
10	REAR	87	REAR

REV	CHG	NO	DATE	BY	DESCRIPTION
1					
2					
3					
4					
5					
6					
7					
8					
9					
10					
11					
12					
13					
14					
15					
16					
17					
18					
19					
20					
21					
22					
23					
24					
25					
26					
27					
28					
29					
30					
31					
32					
33					
34					
35					
36					
37					
38					
39					
40					
41					
42					
43					
44					
45					
46					
47					
48					
49					
50					

FIRST USED ON OPTION/MODEL
RP15

DO NOT SCALE DRAWING UNLESS OTHERWISE SPECIFIED DIMENSION IN INCHES		DRN: <i>(Signature)</i> DATE: 12-2-71	DIGITAL EQUIPMENT CORPORATION MAYNARD, MASSACHUSETTS	
TOLERANCES DECIMALS FRACTIONS ANGLES ± .005 ± 1/64 ± 0°30'		CHG: <i>(Signature)</i> DATE: 12-2-71	TITLE RP15 UNIT ASSEMBLY	
FINAL SURFACE QUALITY REMOVE BURRS AND BREAK SHARP CORNERS		PROJ. ENG: <i>(Signature)</i> DATE: 12-2-71	PARTS LIST	
MATERIAL //		PROD: <i>(Signature)</i> DATE: 12-2-71	NEXT HIGHER ASSY D-AD-006820-0-0	
FINISH		SCALE 1/8" = 1"	SIZE CODE DUA RP15-0-0	NUMBER REV. E

This drawing and specifications herein are the property of Digital Equipment Corporation and shall not be reproduced or copied in whole or in part as the basis for the manufacture or sale of items without written permission.

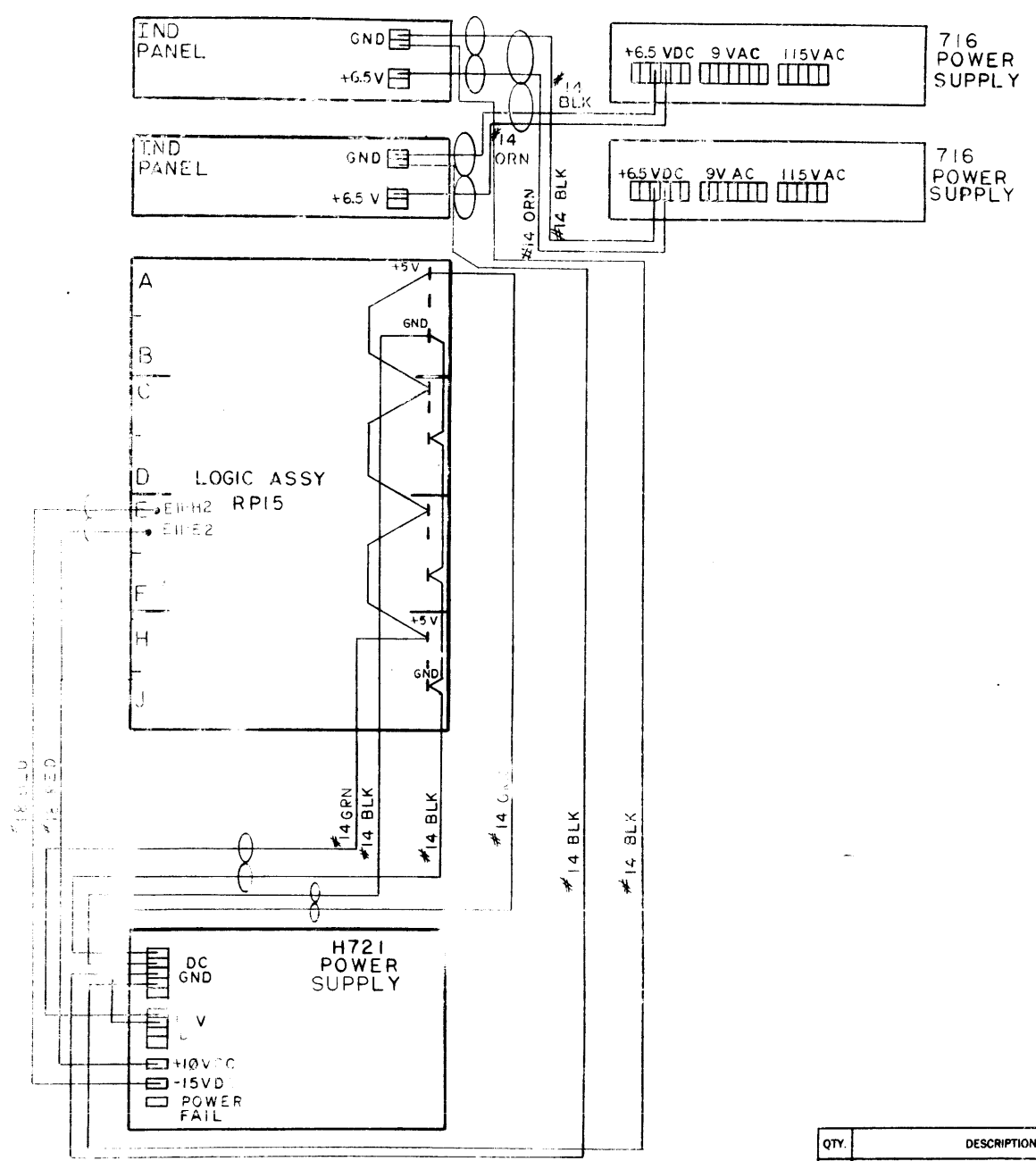
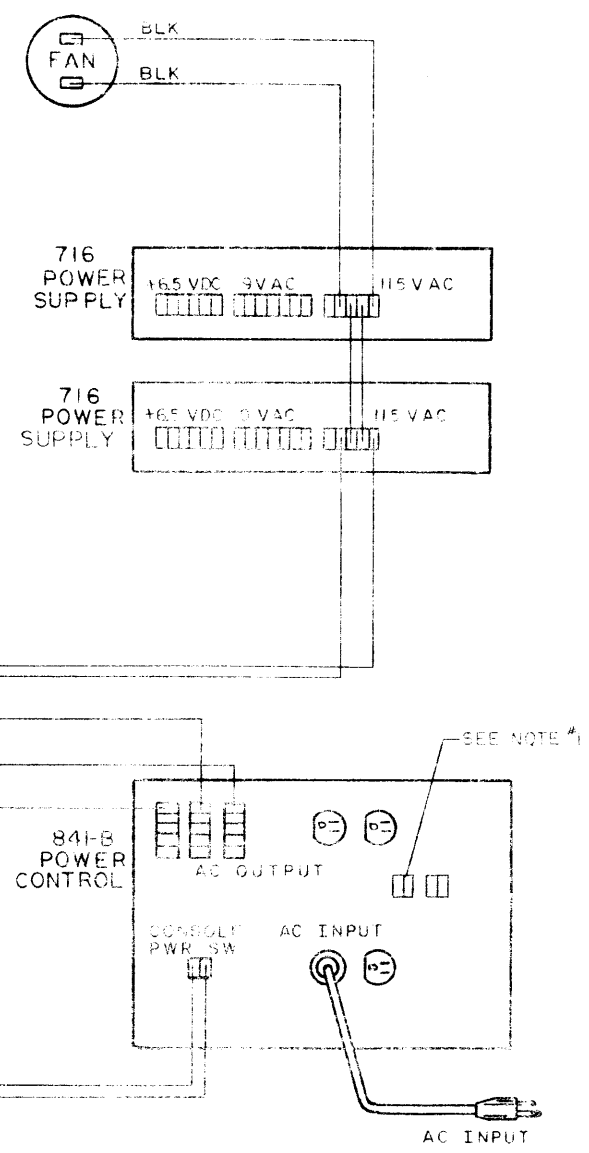
REV E 0-0-915 RPI5 2

AC/DC POWER WIRING

AC

DC

- NOTES:
1. REMOVE THE TWO ORANGE JUMPERS LOCATED ON THE FACE OF THE 841B POWER CONTROL TO CONVERT TO 230 VAC. THESE JUMPERS ARE CLEARLY MARKED "JUMPER 115 VAC".
 2. REMOVE THE PERFORATED TOP ON THE LOGIC POWER SUPPLY (H721). TO CONVERT TO 230 VAC REMOVE JUMPERS BETWEEN POINTS 1 & 3, 3 & 5 AND 2 & 4 ON TERMINAL BLOCK TBI. ADD A JUMPER BETWEEN POINTS 2 & 3, 4 & 5 OF TBI.



REV	
CHG	
NO	

FIRST USED ON OPTION/MODEL
PDP 15

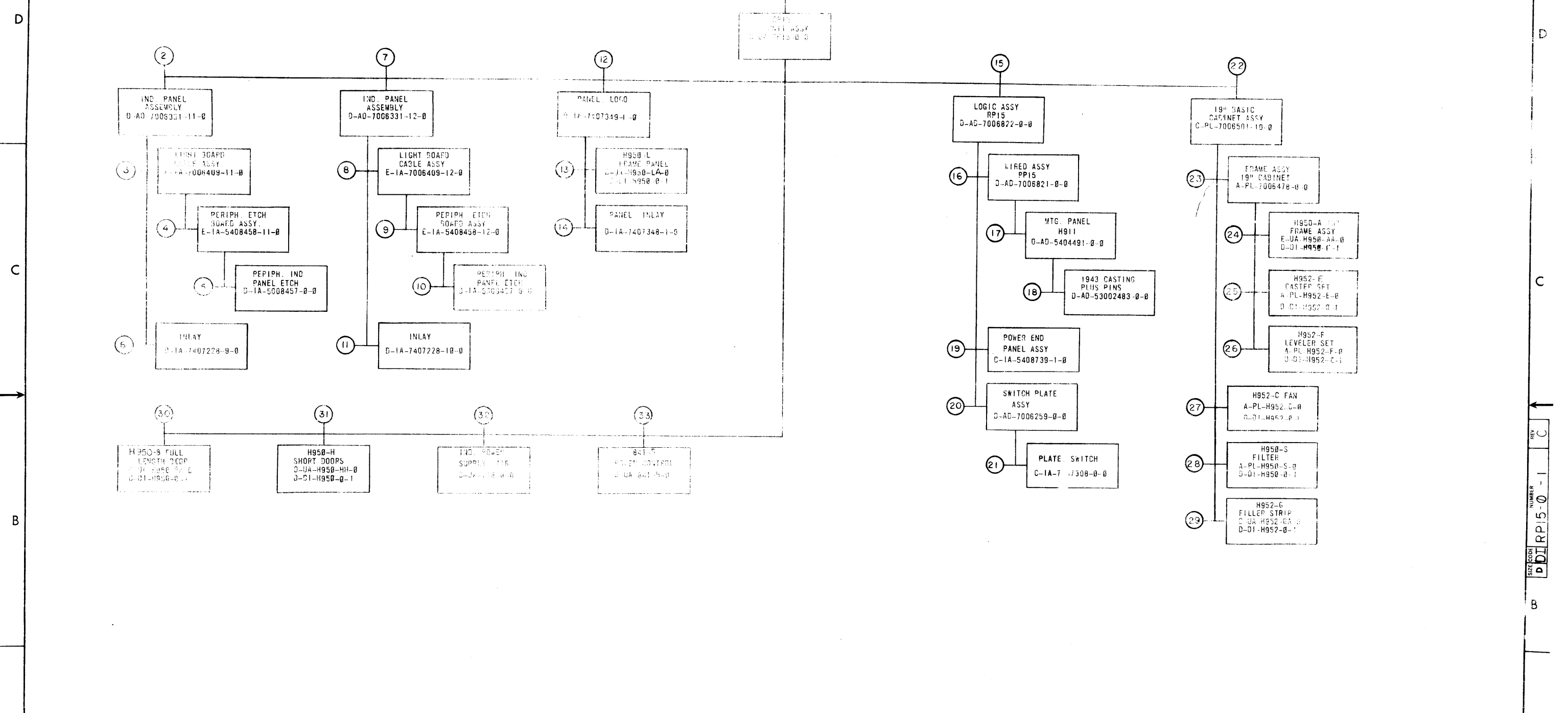
DO NOT SCALE DRAWING
UNLESS OTHERWISE SPECIFIED
DIMENSION IN INCHES
TOLERANCES
DECIMALS FRACTIONS ANGLES
± .005 ± 1/64 ± 0°30'
FINAL SURFACE QUALITY
REMOVE BURRS AND BREAK SHARP CORNERS
MATERIAL

QTY.	DESCRIPTION	PART NO.	ITEM NO.
PARTS LIST			
DIGITAL EQUIPMENT CORPORATION MAYNARD, MASSACHUSETTS			
TITLE RPI5 UNIT ASSEMBLY			
NEXT HIGHER ASSY D-AD-7006920 0-0			
SCALE		NUMBER DUA RPI5-0-0	
SHEET 2 OF 2		REV. E	

DIGITAL EQUIPMENT CORPORATION MAYNARD, MASSACHUSETTS			QUANTITY/VARIATION																	
PARTS LIST																				
MADE BY P. LEBLANC		CHECKED V. DAMBRAUSKAS	SECTION																	
DATE 3-2-70		DATE 4-21-70	1																	
ENG <i>W. B. King</i>		PROD <i>George Burch</i>	ISSUED SECT.																	
DATE 4-24-70		DATE 4-27-70	1																	
ITEM NO.	DWG NO. / PART NO.	DESCRIPTION																		
1	D-IA-7407349-1-0	PANEL LOGO		1																
2	D-AD-7006331-11-0	INDICATOR PANEL ASSEMBLY		1																
3	D-AD-7006821-0-0	LOGIC ASSEMBLY RP15		1																
4	B5100	BLANK, PANEL (5½) 7402016		1																
5	B5100	BLANK PANEL (10½) 7402027		2																
6	1209603	POWER SUPPLY (H721)		1																
7	C-PL-7006501-10-0	BASIC CABINET ASSEMBLY		1																
8	D-UA-716-0-0	INDICATOR POWER SUPPLY 716		2																
9	D-UA-H95Ø-BA-Ø	H95Ø-B FULL LENGTH DOOR		1																
10	D-UA-841-B-Ø	POWER CONTROL 841-B		1																
11	D-MD-7407467-0-0	MTG Panel (841-GØ)		1																
12	D-UA-H95Ø-HH-Ø	H95Ø-H SHORT DOORS		1																
13	9008887	GROUND STRAP		A/R																
14	D-AD-7006331-12-0	INDICATOR PANEL ASSEMBLY		1																
15	9107673-25	POWER CORD 25FT		1																
16	9006568	NUT 5/16-18 KEPS		A/R																
17	D-MD-7408352-0-0	CABLE, BRACKET		1																
18	9007786	NUT #10-32 TINNEMAN #C31748-032-27		33																
19	9006074-3	SCR PH HD #10-32 5/8 L.G.		48																
20	9006074-2	SCR PH HD FLAT #10-32 5/8 SST		8																
21	9006040-3	SCR PH HD TRUSS #8-32 x 5/8 SST		4																
22	9006563	NUT, KEPS #8-32		4																
TITLE		ASSY NO		SIZE	CODE	NUMBER		REV.	ECO NO.											
RP15 UNIT ASSEMBLY		D-UA-RP15-Ø-Ø		A	PL	RP15-Ø-Ø		E	RP15-00010											
		SHEET 1 OF 1		DIST																

DEC FORM NO.
DRA 110

The drawing and performance forms are the property of Digital Equipment Corporation and shall be reproduced in whole or in part only on the basis of a written request to the writer.



REV	CHG	CHANGE NO.	DATE	BY
1			1/11/70	ZEH
2			1/11/70	ZEH
3			1/11/70	ZEH
4			1/11/70	ZEH
5			1/11/70	ZEH
6			1/11/70	ZEH
7			1/11/70	ZEH

FIRST USED ON OPTION/MODEL
RP15

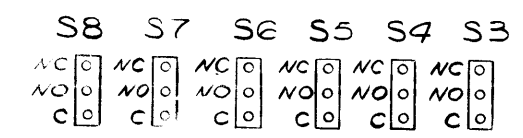
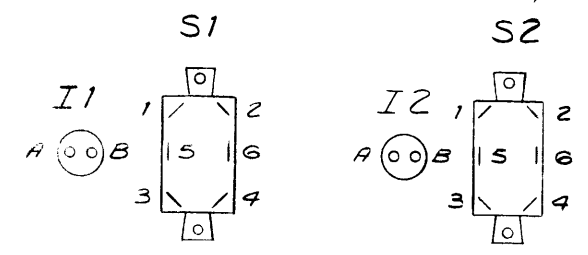
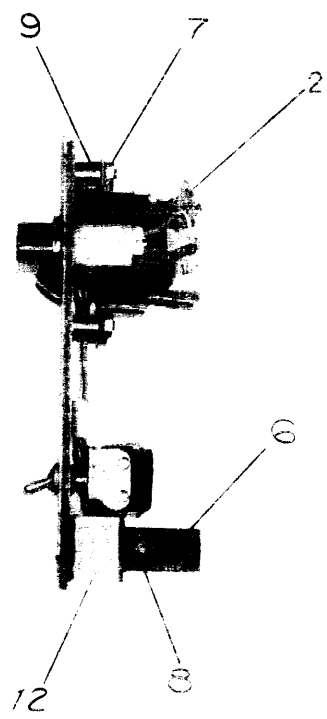
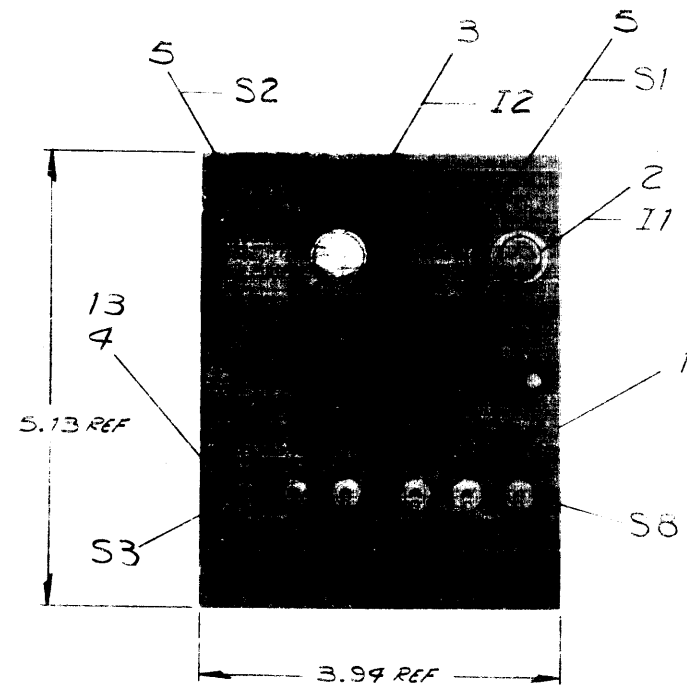
DO NOT SCALE DRAWING	
UNLESS OTHERWISE SPECIFIED	
DIMENSION IN INCHES	
TOLERANCES	
DECIMALS	FRACTIONS
± .005	± 1/64
ANGLES ± 0°30'	
FINAL SURFACE QUALITY	
REMOVE BURRS AND BREAK SHARP CORNERS	
MATERIAL	
FINISH	

QTY	DESCRIPTION	PART NO	ITEM NO
PARTS LIST			
digital CORPORATION MAYNARD, MASSACHUSETTS			
TITLE DWG INDEX RP15			
NEXT HIGHER ASSY D-UA-RP15-0-0		SCALE 1/1	SHEET 2 OF 2
SIZE/CODE D-DI-RP15-0-1		NUMBER 1	REV. C

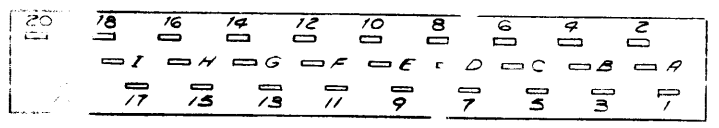
This drawing and specifications herein are the property of Digital Equipment Corporation and shall not be reproduced or copied or used in whole or in part as the basis for the manufacture or sale of items without written permission.

0-0-629000 2

WIRED TABLE						WIRED TABLE					
ITEM NO	DESCRIPTION	CONNECTIONS FROM	TO	EQUIP FROM WITH ITEMS	EQUIP TO WITH ITEMS	ITEM NO	DESCRIPTION	CONNECTIONS FROM	TO	EQUIP FROM WITH ITEMS	EQUIP TO WITH ITEMS
21	WEL	S1-C	S1-1	27	27	24	#22 W/O	S6-NC	PC-8	SOLDER	SOLDER
21	WEL	S1-1	S2-2	27	27	25	GRY	S7-NO	PC-9		
14	WHT/GRN	S1-1	PC-17		SOLDER	17	WHT/GRN	S7-NC	PC-10		
20	WHT/BLU	S1-4	PC-16			16	WHT/RED	S8-NO	PC-11		
15	WHT/BRN	S2-1	PC-14			19	WHT/GRN	S8-NC	PC-12		
11	YEL	S2-2	S6-C			11	YEL	S3-C	S4-C		
22	WHT/GRN	S2-3	PC-15		SOLDER	11	YEL	S4-C	S5-C		
11	YEL	S2-7	S2-E	27	27	11	YEL	S5-C	S6-C		
19	WHT/GRN	S3-NC	PC-13	SOLDER	SOLDER	11	YEL	S6-C	S7-C		
17	WHT/GRN	S5-NC	PC-2			11	YEL	S7-C	S8-C		
16	WHT/RED	S4-NO	PC-18			11	#22 YEL	S8-C	S8-PC-3	SOLDER	SOLDER
21	WHT/W/O	S4-NC	PC-4			2	BLK	I1-B	S1-5		27
23	BRN	S6-NO	PC-7			2	RED	I1-A	S1-1		27
26	WHT	S5-NC	PC-6			3	BLK	I2-B	S2-2		27
18	#22 WHT/YEL	S6-NC	PC-7	SOLDER	SOLDER	3	RED	I2-A	S2-6		27



PC



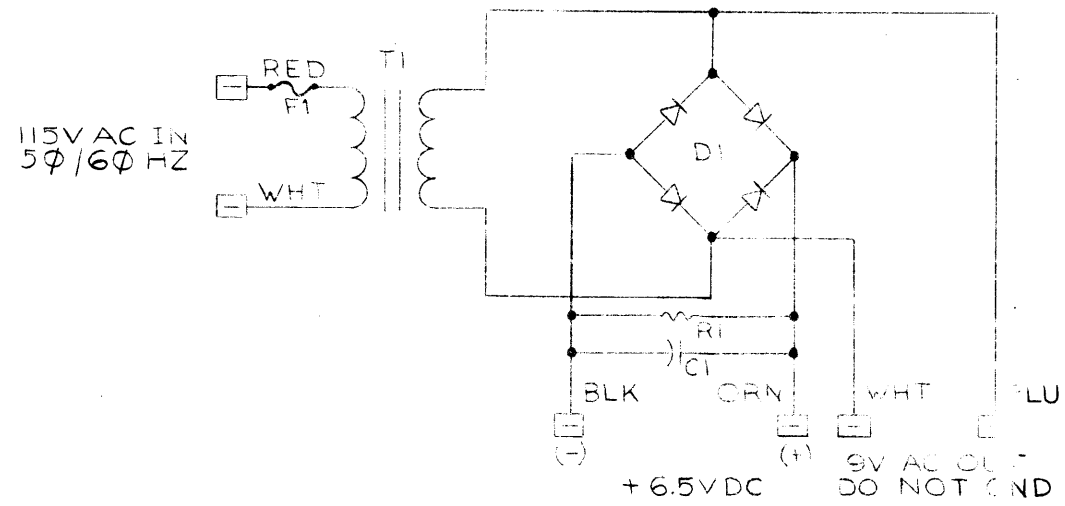
WIRED DIAGRAM

REV	CHANGE NO.	DATE
1	RPC9-0002	2-2-70
2	RPC9-0004	2-6-70
3	RPC9-0004	3-12-70
4	RPC9-0007	3-17-70
5	RPC9-0007	5-6-70
6	RPC9-0010	5-7-70
7	RPC9-0010	5-7-70
8	RPC9-0010	5-7-70

TOLERANCES
DECIMALS
.XXX = ± .005
.XX = ± .02
.X = ± .1

FIRST USED ON OPTION/MODEL RP09-A	QTY.	DESCRIPTION	PART NO.	ITEM NO.
UNLESS OTHERWISE SPECIFIED				
DIMENSION IN INCHES				
TOLERANCES				
DECIMALS	FRACTIONS	ANGLES		
± .005	± 1/64	± 0°30'		
FINAL SURFACE QUALITY				
REMOVE BURRS AND BREAK SHARP CORNERS				
MATERIAL	DATE	DATE	PARTS LIST	
	9-10-69	9/16/69	digital EQUIPMENT CORPORATION	
FINISH	DATE	DATE	TITLE	
	1-5-70	1-6-70	SWITCH PLATE ASSY	
NEXT HIGHER ASSY				
D-AD-7006749-0-0				
SCALE: NONE				
SHEET 1 OF 1				
SIZE CODE: NUMBER: REV.				
DAD 7006259-0-0				
DIST: 3				

THIS SCHEMATIC IS FURNISHED ONLY FOR TEST AND MAINTENANCE PURPOSES. THE CIRCUITS ARE PROPRIETARY IN NATURE AND SHOULD BE TREATED ACCORDINGLY. COPYRIGHT BY DIGITAL EQUIPMENT CORPORATION



F1	1/2 AMP S.B. FUSE	900209
R1	5ohm 25W RES	1300165
C1	18000MFD 10V DCCAP	1009437
	PARTS LIST	D-UA-716-0-0
T1	XMFR*F64-U TRIAD	1609588
DI	DIODE PACK DM-2	1105397
REF DESIGNATION	DESCRIPTION	PART NO.

PARTS LIST

REV	NO.	DATE	BY
A	0001		
B	0002		
C	0003		

DRN.	DATE
RAIMONDI	6-18-69
CHK'D HEALY	6-25-69
ENG. VONADA	7-21-69
PROD. ANTONUCCIO	7-25-69

TRANSISTOR & DIODE CONVERSION CHART			
DEC	EIA	DEC	EIA

digital
EQUIPMENT CORPORATION
MAYNARD, MASSACHUSETTS

TITLE			
CIRCUIT SCHEMATIC			
716			
SIZE	CODE	NUMBER	REV.
C	CS	716-0-1	C
PRINTED CIRCUIT REV.			

SIZE CODE 716-0-1 REV C

Pink

DIGITAL EQUIPMENT CORPORATION
MAYNARD, MASSACHUSETTS
PARTS LIST

MADE BY ROBERT CHARD
 DATE 6/5/69
 ENG S. ZNAMIEROWSKI
 DATE 6/10/69

CHECKED D. HEALEY
 DATE 6/6/69
 PROD R. ANTONUICIO
 DATE 6/12/69

SECTION 1
 ISSUED SECT. 1

ITEM NO.	DWG NO. / PART NO.	DESCRIPTION	QUANTITY / VARIATION
1	D-MD-5308466-0-0	PANEL, MTG 716 P.S.	1
2	B-MD-5308465-0-0	BRACKET MTG. TERMINAL	1
3	1105397	DIODE PACK DM-2	1
4	1609588	TRANSFORMER #P64-U TRIAD	1
5	9007919	CONN SOLDERLESS #50906 ARKLESS	20
6	9007234	BUSHING JUNC TERM ORN #DC-202-1 HEYMAN	3
7	9007237	BUSHING JUNC TERM BLK, #DC-202-1 HEYMAN	3
8	9007232	BUSHING JUNC TERM BLU, #DC-202-1 HEYMAN	4
9	9007235	BUSHING JUNC TERM WHT, #DC-202-1 HEYMAN	7
10	9007231	BUSHING JUNC TERM RED, #DC-202-1 HEYMAN	3
11	9007238	TERM TAB T-202-S HEYMAN	20
12	9006022-1	SCR PHL HD PAN #6-32 x 3/8 LG SST	9
13	9007794-1	SCR PHL HD PAN #6-32 x 11/16 LG SST	2
14	9006633	WASH INT TOOTH LOCK #6 SST	8
15	9006071-1	SCR PHL HD PAN #10-32 x 3/8 LG SST	4
16	9006635	WASH INT TOOTH LOCK #10 SST	4
17	9007031	TIE WRAP SST-1B PANDUIT	AR
18	9107560-1	WIRE BUSSING #22 AWG	AR
19	9107305-02	TUBING, SHRINKABLE, RED 3/16 D x 9/16 LG	2
20	9107370-99	WIRE, STRANDED #14 TEF INS WHT	AR
21	9107370-66	WIRE, STRANDED #14 TEF INS BLU	AR
22	9107370-51	WIRE, STRANDED #14 TEF INS ORN	AR

TITLE INDICATOR POWER SUPPLY 716

ASSY NO. D-UA-716-0-0
 SIZE CODE A PL
 NUMBER 716-0-0
 SHEET 1 OF 2
 DIST.

REV. ECO NO
 F 716-00008

DIGITAL EQUIPMENT CORPORATION
MAYNARD, MASSACHUSETTS
PARTS LIST

MADE BY ROBERT CHARD
 DATE 6/5/69
 ENG S. ZNAMIEROWSKI
 DATE 6/10/69

CHECKED D. HEALEY
 DATE 6/6/69
 PROD R. ANTONUICIO
 DATE 6/12/69

SECTION 1
 ISSUED SECT. 1

ITEM NO.	DWG NO. / PART NO.	DESCRIPTION	QUANTITY / VARIATION
13	9107370-00	WIRE, STRANDED #14 TEF INS BLK	AR
14	A-DC-5305448-0-0	DECAL, 716 POWER SUPPLY	AR
15	1009437	THERMAL COMPOUND #340 DOW CORNING	AR
16	1300655	CAP 18000 MFD 10V	1
17	9006133	RESISTOR 5ohm 25W 5%	1
18	9009052	SCR PHL PAN HD 6-32 x 2-1/2 SST	1
19	9006829	CAP MOUNTING BRACKET	1
20	9007776	SPACER 1/2AFX x 3/8LG #10 HOLE AL	1
21	9006674	TAB #61349-1 AMP	2
22	9006996	WASH #916 CORE WARD LEONARD	2
23	9007209	#4405 FUSE HOLDER	1
24	9006859	1/2 AMP S.B. FUSE	1
25	7404508	THREADED STAND OFF 3/4 6-32	2
26	9006633	FIBER COVER PLATE	1
27	A-PI-3700120-0-0	A6 INTERNAL LOCK WASHER	2
28		PACKAGING INSTRUCTION	1
29			
30			
31			
32			
33			
34			
35			
36			
37			
38			
39			
40			
41			
42			
43			
44			
45			
46			
47			
48			
49			
50			
51			
52			
53			
54			
55			
56			
57			
58			
59			
60			
61			
62			
63			
64			
65			
66			
67			
68			
69			
70			
71			
72			
73			
74			
75			
76			
77			
78			
79			
80			
81			
82			
83			
84			
85			
86			
87			
88			
89			
90			
91			
92			
93			
94			
95			
96			
97			
98			
99			
100			

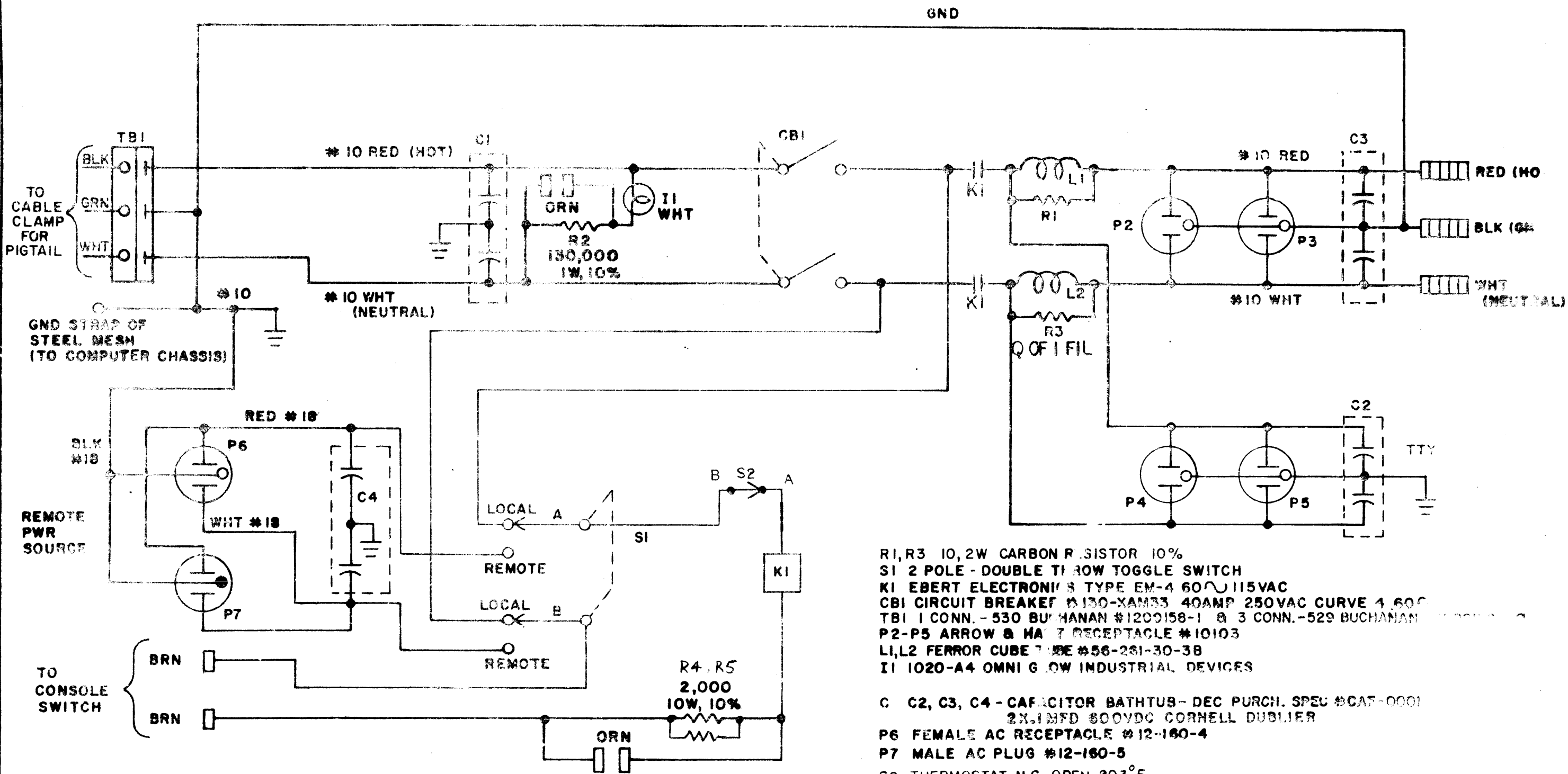
TITLE INDICATOR POWER SUPPLY

ASSY NO. D-UA-716-0-0
 SIZE CODE A PL
 NUMBER 716-0-0
 SHEET 2 OF 2
 DIST.

REV. ECO NO
 F 716-00008

THIS SCHEMATIC IS FURNISHED ONLY FOR TEST AND MAINTENANCE PURPOSES. THE CIRCUITS ARE PROPRIETARY IN NATURE AND SHOULD BE TREATED ACCORDINGLY. COPYRIGHT 1969 BY DIGITAL EQUIPMENT CORPORATION

REV NUMBER SIZE CODE



- R1, R3 10, 2W CARBON RESISTOR 10%
- S1 2 POLE - DOUBLE THROW TOGGLE SWITCH
- K1 EBERT ELECTRONICS TYPE EM-4 60/115VAC
- CBI CIRCUIT BREAKER #130-XAM33 40AMP 250VAC CURVE 1 60C
- TBI 1 CONN. - 530 BUCHANAN #1209158-1 & 3 CONN. - 529 BUCHANAN
- P2-P5 ARROW & HALF RECEPTACLE #10103
- L1, L2 FERROR CUBE TYPE #56-261-30-3B
- I1 1020-A4 OMNI GLOW INDUSTRIAL DEVICES
- C2, C3, C4 - CAPACITOR BATHTUB - DEC PURCH. SPEC #CAT-0001
2X.1MFD 600VDC CORNELL DUBLIER
- P6 FEMALE AC RECEPTACLE #12-160-4
- P7 MALE AC PLUG #12-160-5
- S2 THERMOSTAT N.C. OPEN 203°F

REV	CHG NO	BY	DATE
A	1		
B	2		
C	3		

DRN	M. Haller	DATE	2-17-69
CHK'D		DATE	2-20-69
ENG	K. Margeson	DATE	2-25-69
PROD.		DATE	

TRANSISTOR & DIODE CONVERSION CHART			
DEC	EIA	DEC	EIA

digital
EQUIPMENT CORPORATION
MAYNARD, MASSACHUSETTS

TITLE			
POWER CONTROL 841B			
SIZE	CODE	NUMBER	RF
B	CS	841-B-1	C
PRINTED CIRCUIT REV.			

DIGITAL EQUIPMENT CORPORATION
MAYNARD MASSACHUSETTS

PARTS LIST

MADE BY K. GULLICK
DATE 9/19/69
ENG. K. MORGAN
DATE 3/11/69

CHECKED DICK REILLY
DATE 2/19/69
PROC. B. Bullman
DATE 3/11/69

SECTION 1
ISSUED SECT. 1

DWG NO. / PART NO.	DESCRIPTION
E-IA-5306295-0-0	CHASSIS-841-B
9007231	BUSH TERM DC-202-1 RED
9007238	TAB SOLDER T-202-S
9007237	BUSH TERM DC-202-1 BLK
9007235	BUSH TERM DC-202-1 WHT
9107560-5	WIRE #14 AWG SOLID BUSSING
B-IA-5304373-0-0	RECEPTACLE ASSEMBLY
9006024-1	SCR PHL H PAN 6-32 x 3/8 SST
9006633	WASH INT TOOTH LOCK
10-02133	CAP-BATH 1000VDC 440 AC 2 x .1 MFD
9006022-1	SCR PHL H PAN 6-32 x 3/8 SST
9006560	NUT KEPS #6-32
9007089	CLAMP 3/4 NYLON
1209158-0	BARRIER STRIP 3 BUCHANNAN 529 MD
9006656	WASH FLAT #6
9006283	WIRE #50010-1
9007113	TERMINALS #1200-WP
1201219-02	CIR BREAKER AM330GB 40 AMP 250V
12-05303	LAMP #120044 (WHT) OMNI GLOW
1204816	SW TOGGLE 7592K9 CUTLER HAM
9007633	BUSH TERM DC-202-1 BRN
9007239	TAB DOUB MALE T-202-D

TITLE POWER CONTROL 841-B&C

ASSY NO. D-UA-841B

SIZE CODE A PL

NUMBER 841-B-φ

REV. ECO NO. 1000009

SHEET 1 OF 4

DIST.

QUANTITY / VARIATION

QTY	REV	ECO NO
1	1	
5	5	
15	15	
5	5	
5	5	
A/RA/R		
2	2	
10	10	
12	12	
4	4	
18	18	
16	16	
1	1	
3	3	
2	2	
2	2	
55	55	
3	3	
1	1	
1	1	
1	1	
2	2	
2	2	
6	6	

DIGITAL EQUIPMENT CORPORATION
MAYNARD MASSACHUSETTS

PARTS LIST

MADE BY K. GULLICK
DATE 9/19/69
ENG. K. MORGAN
DATE 3/11/69

CHECKED D. REILLY
DATE 2/19/69
PROC. B. Bullman
DATE 3/11/69

SECTION 1
ISSUED SECT. 1

DWG NO. / PART NO.	DESCRIPTION
B-DC-306102-0-0	DECAL 841-B + 841-C
D-MD-5308214-0-0	COVER
9007135	GROMMET CATERPILAR 1/16
1201252	PLUG #160-5 AMPHENOL
1201251	RECP #160-4 AMPHENOL
9107440-1	WIRE #14 RED & WHT STRD
9107370-1	WIRE #10 BLK STRD
9107278-10	TUBING #18 WHITE
1305603	RESISTOR 2K 10W 10%
1305604	RESISTOR 130K 1W 5%
9107360-3	WIRE #16 RED STRD
9107360-10	WIRE #18 WHT STRD
9107995	SHRINK TUBING WHT
9107426-2	WIRE #16 RED & WHT STRD
12-05768	RELAY EM-4 120 VAC
9006071-1	PHL H PAN 10-32 x 3/8 SST
9006565	NUT KEPS HEX 10-32
1300172	RESISTOR 10 OHMS 3W 10%
1605147	FERRITE CUBE TUBE #56-261-30-38
9007234	BUSH TERM DC-202-1 ORN
9107278-3	TUBING #18 RED
9007015	GROMMET #1043-M

QTY	REV	ECO NO
1	1	
1	1	
A/RA/R		
1	1	
1	1	
A/RA/R		
A/RA/R		
2		
1	1	
A/RA/R		
A/RA/R		
A/RA/R		
A/RA/R		
1		
2	2	
2	2	
2	2	
2	2	
4	4	
A/RA/R		
6	1	

TITLE POWER CONTROL 841-B&C

ASSY NO. D-UA-841B

SIZE CODE A PL

NUMBER 841-B-φ

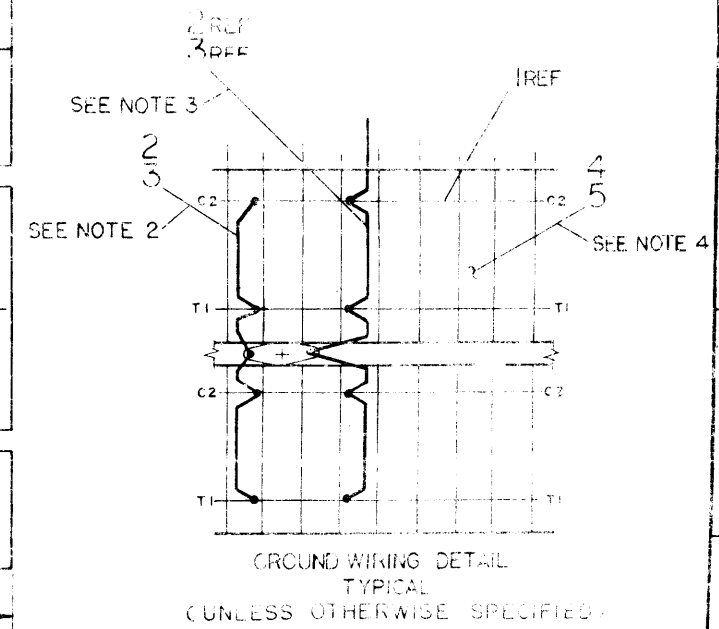
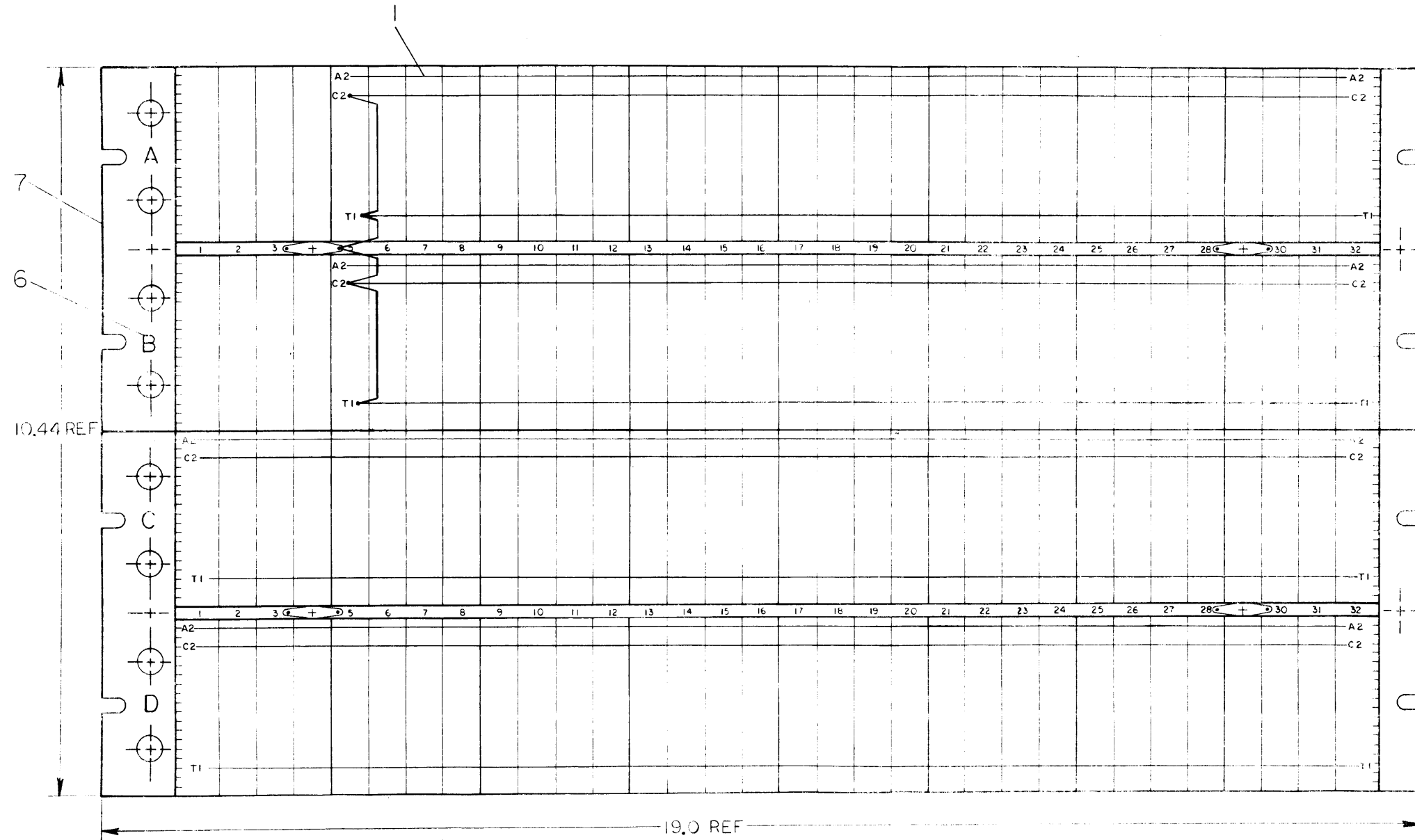
REV. ECO NO. 1000009

SHEET 2 OF 4

DIST.

This drawing and specifications, herein, are the property of Digital Equipment Corporation and shall not be reproduced or copied or used in whole or in part as the basis for the manufacture or sale of items without written permission.

- NOTES:
1. CONNECTIONS ON ITEM NUMBER 1 & 2 TO BE LOCATED AND SOLDERED AT THE WIRE BLOCKS.
 2. ALL WIRE BLOCKS TO BE GROUNDED TO GROUND LUGS AS SHOWN, 4 PLACES.
 3. JUMPER GROUND BUSSING AS SHOWN, 8 PLACES.
 4. USE #14 WIRE (ITEM #4) FOR MACHINE WRAPPED AND BLUE WIRE (ITEM #5) FOR HAND WRAPPED WIRING.



REV	CHANGE NO.	DATE
1	PP15-01-18	
2		
3		

FIRST USED ON OPTION/MODEL	QTY.	DESCRIPTION	PART NO.	ITEM NO.
RP15				
PARTS LIST				
DO NOT SCALE DRAWING	DRN	DATE	digital EQUIPMENT CORPORATION WAREHOUSES 1000 WASHINGTON STREET CAMBRIDGE, MASSACHUSETTS 02142	
UNLESS OTHERWISE SPECIFIED	CHKD.	DATE		
TOLERANCES UNLESS OTHERWISE SPECIFIED	ENG	DATE		
DIMENSIONS IN PARENTESIS ARE HOLE DIMENSIONS	PROJ. ENG.	DATE		
	PROD.	DATE		
MATERIAL	NEXT HIGHER ASSY			
	D AD-7006822 0 0			
	D AD-7006821 0 0			

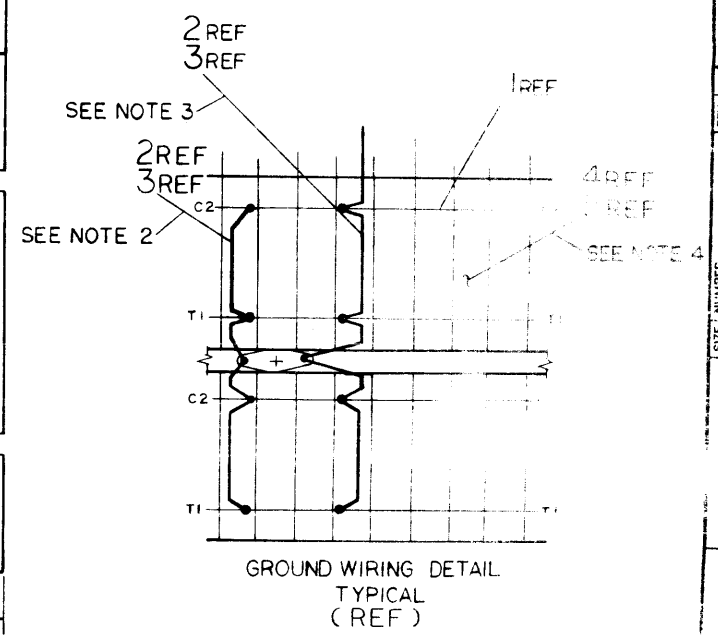
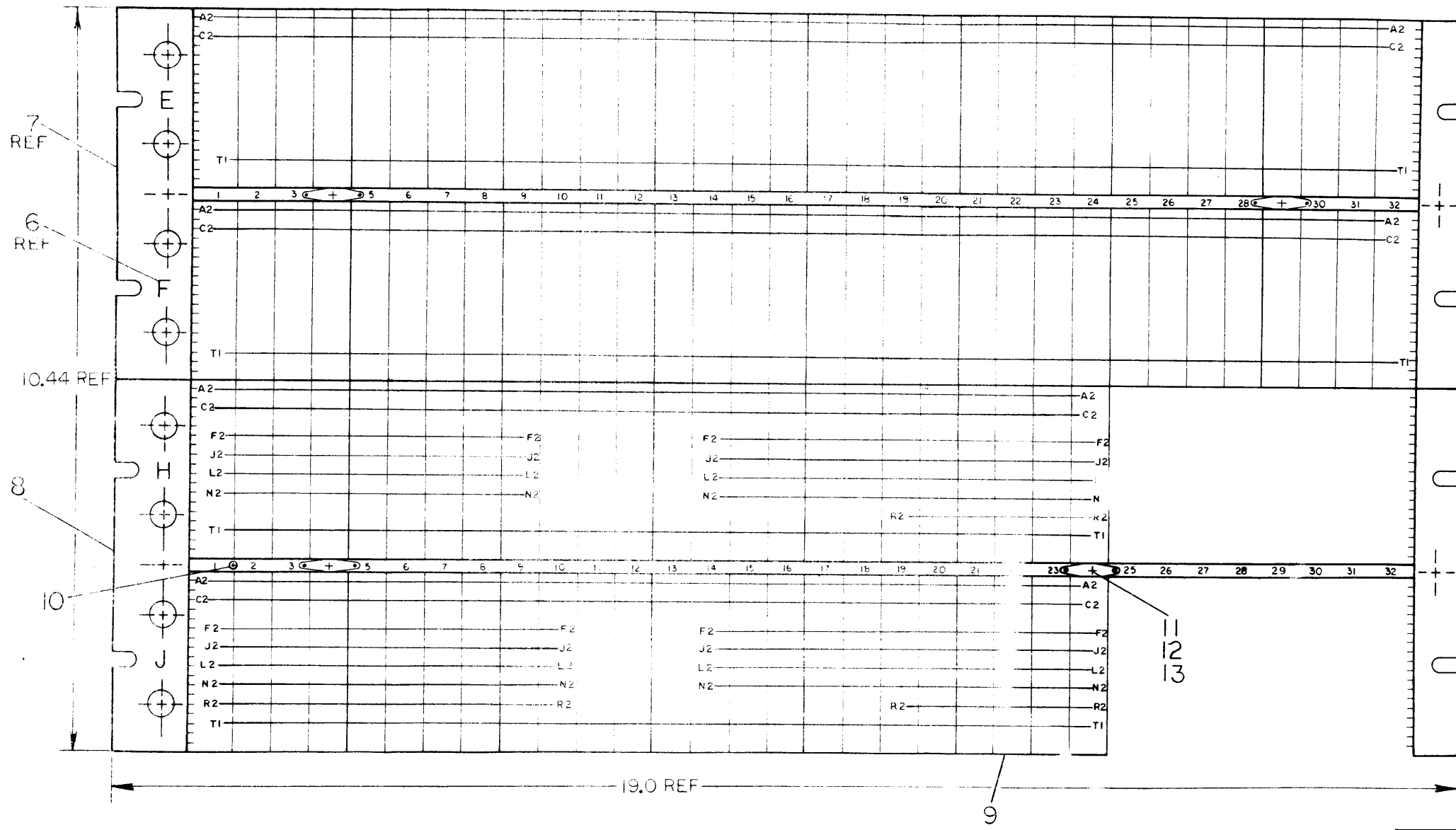
REV. 1
 SIZE NUMBER D AD-7006821-0-0-A
 CP

This drawing and specifications herein are the property of Digital Equipment Corporation and shall not be reproduced or copied or used in whole or in part as the basis for the manufacture or sale of items without written permission.

REV. A D AD-7006821-0-0 2 1

- NOTES:
1. CONNECTIONS ON ITEM NUMBER 12 TO BE LOCATED AND SOLDERED AT MINIMUM PRACTICAL HEIGHT ABOVE BOARD.
 2. ALL CONNECTOR BLOCKS TO BE ORIENTED TO GROUND LUGS AS SHOWN IN REF 1.
 3. JUMPER GROUND BUSSING AS SHOWN IN 8 PLACES.
 4. USE YELLOW WIRE (ITEM #4) FOR MACHINE WRAPPED AND BLUE WIRE (ITEM #5) FOR HAND WRAPPED WIRING.

D
C
B
A



REV.	
CHK	

FIRST USED ON OPTION/MODEL RP15	QTY.	DESCRIPTION	PART NO.	ITEM NO.
PARTS LIST				
DO NOT SCALE DRAWING	DRN. DATE 3/1/68	DATE 3/1/68	digital EQUIPMENT CORPORATION MAYNARD, MASSACHUSETTS	
UNLESS OTHERWISE SPECIFIED DIMENSION IN INCHES	CHKD. DATE 4/23/70	DATE 4/23/70	TITLE WIRED ASS'Y RP15	
TOLERANCES	ENG. DATE 4/23/70	DATE 4/23/70	NEXT HIGHER ASSY D-AD-7006822-0-0	
DECIMALS FRACTIONS ANGLES	PROJ. ENG. DATE 4/23/70	DATE 4/23/70	SIZE CODE	NUMBER
± .005 ± 1/64 ± 0°30'	PROJ. DATE 4/23/70	DATE 4/23/70	D AD	7006821 0-0
FINAL SURFACE QUALITY	PROJ. DATE 4/23/70	DATE 4/23/70	SHEET	2 OF 2
REMOVE BURRS AND BREAK SHARP CORNERS			DIST.	
MATERIAL				
FINISH				

REV. A D AD-7006821-0-0

FORM NO. 1-7

8 7 6 5 4 3 2 1

This drawing and specifications, herein, are the property of Digital Equipment Corporation and shall not be reproduced or copied or used in whole or in part as the basis for the manufacture or sale of items without written permission.

MASTER DRAWING LIST

DWG. NO.	REV. LET.	NO. OF SHEETS	TITLE
D-UA-RP15-0-0	E	2	RP15 UNIT ASSEMBLY
A-PL-RP15-0-0	E	1	RP15 UNIT ASSEMBLY (PL)
D-DI-RP15-0-1	C	2	RP15 DRAWING INDEX
D-AD-7006821-0-0	B	2	RP15 WIRED ASSY
A-PL-7006821-0-0	B	1	RP15 WIRED ASSY (PL)
A-WT-7006821-0	*	1	RP15 AWT REVISION STATUS
D-MU-RP15-0-02	K	4	MODULE UTILIZATION
A-PL-RP15-0-02	K	2	MODULE UTILIZATION
D-BS-RP15-0-03		1	MAINTENANCE CONTROL
D-BS-RP15-0-04	C	1	MAINTENANCE CONTROL BUFFER
D-BS-RP15-0-05	C	1	READ/WRITE CONTROL #1
D-BS-RP15-0-06	A	1	READ/WRITE CONTROL #2
D-BS-RP15-0-07	C	1	READ/WRITE CONTROL #3
D-BS-RP15-0-08	C	1	DATA SEPERATOR CONTROL
D-BS-RP15-0-09	D	1	STATUS CONTROL #1
D-BS-RP15-0-10	E	1	STATUS CONTROL #2
D-BS-RP15-0-11		1	STATUS CONTROL #3
D-BS-RP15-0-12		1	API CONTROL
D-BS-RP15-0-13	E	1	BUFFER REGISTER CONTROL
D-BS-RP15-0-14		1	DCH CONTROL
D-BS-RP15-0-15	B	1	SHIFT & LONG. REGISTER CONTROL
D-BS-RP15-0-16	F	1	TAG AND BUS LINE CONTROL
D-BS-RP15-0-17	B	1	WC & CA CONTROL
D-BS-RP15-0-18	A	1	MAJOR STATE CONTROL
D-BS-RP15-0-19		1	MAJOR STATE
D-BS-RP15-0-20		1	IOT SELECTION
D-BS-RP15-0-21		1	FUNCTION REGISTER
D-BS-RP15-0-22	B	1	WRITE FORMAT GENERATOR
D-BS-RP15-0-23		1	SECTOR WORD COUNT
D-BS-RP15-0-24		1	WRITE CHECK COMPARATOR 00-15
D-BS-RP15-0-25		1	WRITE CHECK COMPARATOR 16-31
D-BS-RP15-0-26		1	WRITE CHECK COMPARATOR
D-BS-RP15-0-27	A	1	CYLINDER COMPARATOR
D-BS-RP15-0-28	A	1	CYLINDER ADDRESS REGISTER
D-BS-RP15-0-29		1	HEAD ADDRESS REGISTER

REVISIONS				DRN. P. LEBLANC 7/17/70		DATE 7-23-70		EQUIPMENT CORPORATION <small>MAYNARD, MASSACHUSETTS</small>			
REV.	DATE	CHG. NO.	APP'D.	CHK'D.	DATE	TITLE RP15 CONTROL FOR RP02					
A	9/70	RP15-5	J.Z.	<i>R. P. Reas</i>	7-23-70						
B	11/70	RP15-7	J.Z.	<i>J. Z.</i>	7-24-70						
C	2/71	RP15-8	J.Z.	<i>J. Z.</i>	7-24-70						
D	11/71	RP15-10	J.Z.	<i>J. Z.</i>	7-24-70						
E	12/71	RP15-9	J.Z.	<i>J. Z.</i>	7-24-70						
F	2/72	RP15-11	J.Z.	<i>J. Z.</i>	7-24-70						
H	7/72	RP15-12	J.Z.	<i>J. Z.</i>	7-24-70						
J	8/72	RP15-13	J.Z.	<i>J. Z.</i>	7-24-70						
K	9/72	RP15-14	J.Z.	<i>J. Z.</i>	7-24-70						
L	12/72	RP15-15	J.Z.	<i>J. Z.</i>	7-24-70						
M	1/73	RP15-16	J.Z.	<i>J. Z.</i>	7-24-70						
N	6/73	RP15-17	J.Z.	<i>J. Z.</i>	7-24-70						
FIRST USED ON				PDP15		SIZE	CODE	NUMBER		REV.	
SCALE				NONE		A	ML	RP15-0		R	
SHEET				1 OF 2		DIST.					

MASTER DRAWING LIST

DWG. NO.	REV. LET.	NO. OF SHEETS	TITLE
D-BS-RP15-0-30	A	1	SECTOR ADDRESS REGISTER
D-BS-RP15-0-31		1	WORD COUNT REGISTER 00-17
D-BS-RP15-0-32		1	CURRENT ADDRESS REGISTER
D-BS-RP15-0-33		1	BUFFER REGISTER 00-05, 18-23
D-BS-RP15-0-34		1	BUFFER REGISTER 06-11, 24-29
D-BS-RP15-0-35		1	BUFFER REGISTER 12-17, 30-35
D-BS-RP15-0-36		1	SHIFT REGISTER 00-11
D-BS-RP15-0-37		1	SHIFT REGISTER 12-23
D-BS-RP15-0-38		1	SHIFT REGISTER 24-35
D-BS-RP15-0-39	A	1	LONG. PARITY REGISTER 00-17
D-BS-RP15-0-40		1	LONG. PARITY REGISTER 18-26
D-BS-RP15-0-41		1	LONG. PARITY REGISTER 27-35
D-BS-RP15-0-42	A	1	BUS MULTIPLEXER 00-05
D-BS-RP15-0-43	C	1	BUS MULTIPLEXER 06-11
D-BS-RP15-0-44	A	1	BUS MULTIPLEXER 12-17
D-BS-RP15-0-45	A	1	MULTIPLEXER TERMINATOR 00-17
D-BS-RP15-0-46		1	UNIT DISK DRIVERS
D-BS-RP15-0-47	B	1	BUS DISK DRIVERS
D-BS-RP15-0-48	B	1	DISK RECEIVERS
D-BS-RP15-0-49	A	1	I/O BUS DRIVERS 00-17
D-BS-RP15-0-50		1	I/O ADDRESS DRIVERS
D-BS-RP15-0-51		1	I/O BUS RECEIVERS
D-IC-RP15-0-52	A	1	I/O BUS INTERFACE
D-IC-RP15-0-53	B	1	DRIVE-CONTROL CABLE INTERFACE
D-IC-RP15-0-54	B	1	INDICATOR INTERFACE
D-BS-RP15-0-55		1	LOCKOUT INTERFACE
D-TD-RP15-0-56	C	5	RP15 TIMING DIAGRAM
D-SP-RP15-0-57	B	1	ADJUSTMENT & MAINTENANCE
K-WL-RP15-0-58	R		WIRE LIST
A-SP-RP15-0-59	A	81	RP15 SPECIFICATION
A-SP-RP15-0-60	-	3	RP15 CUSTOMER ACCEPTANCE PROCEDURE

REVISIONS				DRN. P. LEBLANC 7/17/70		DATE 7-23-70		EQUIPMENT CORPORATION <small>MAYNARD, MASSACHUSETTS</small>			
REV.	DATE	CHG. NO.	APP'D.	CHK'D.	DATE	TITLE F • RP15.					
P	8-74	RP15-0008	<i>F. O.</i>	<i>R. P. Reas</i>	7-23-70						
R	10-74	RP15-0009	<i>F. O.</i>	<i>J. Z.</i>	7-24-70						
				<i>J. Z.</i>	7-24-70						
				<i>J. Z.</i>	7-24-70						
FIRST USED ON				PDP15		SIZE	CODE	NUMBER		REV.	
SCALE				NONE		A	ML	RP15-0		R	
SHEET				2 OF 2		DIST.					

This drawing and specifications, herein, are the property of Digital Equipment Corporation and shall not be reproduced or copied or used in whole or in part as the basis for the manufacture or sale of items without written permission.

SIZE CODE NUMBER
DMU RP15-0-02

	M216		M113		M216		M113		M216		M401		M302		M113		M115		M117		M113		M119		M119		M606		M212		M602		M627		M216		M216		M602		M216		M113				
USAGE	2	1	2	1	2	1	2	1	2	1	2	1	2	1	2	1	2	1	2	1	2	1	2	1	2	1	2	1	2	1	2	1	2	1	2	1	2	1	2	1	2	1	2	1	2	1	2
CA 00	CA 02	CA 01	CA 03	CA 04	CA 05	CA 06	CA 07	CA 08	CA 09	CA 10	CA 11	CA 12	CA 13	CA 14	CA 15	CA 16	CA 17	CA 18	CA 19	CA 20	CA 21	CA 22	CA 23	CA 24	CA 25	CA 26	CA 27	CA 28	CA 29	CA 30	CA 31	CA 32	CA 33	CA 34	CA 35	CA 36	CA 37	CA 38	CA 39	CA 40	CA 41	CA 42	CA 43	CA 44			
CA 01	CA 03	CA 02	CA 04	CA 05	CA 06	CA 07	CA 08	CA 09	CA 10	CA 11	CA 12	CA 13	CA 14	CA 15	CA 16	CA 17	CA 18	CA 19	CA 20	CA 21	CA 22	CA 23	CA 24	CA 25	CA 26	CA 27	CA 28	CA 29	CA 30	CA 31	CA 32	CA 33	CA 34	CA 35	CA 36	CA 37	CA 38	CA 39	CA 40	CA 41	CA 42	CA 43	CA 44				
CA 04	CA 05	CA 06	CA 07	CA 08	CA 09	CA 10	CA 11	CA 12	CA 13	CA 14	CA 15	CA 16	CA 17	CA 18	CA 19	CA 20	CA 21	CA 22	CA 23	CA 24	CA 25	CA 26	CA 27	CA 28	CA 29	CA 30	CA 31	CA 32	CA 33	CA 34	CA 35	CA 36	CA 37	CA 38	CA 39	CA 40	CA 41	CA 42	CA 43	CA 44							

	M216		M113		M216		M113		M216		M311		M111		M112		M119		M119		M216		M216		M627		M135		M117		M119		M611		M133		M119		M119		M117		M216		
USAGE	2	1	2	1	2	1	2	1	2	1	2	1	2	1	2	1	2	1	2	1	2	1	2	1	2	1	2	1	2	1	2	1	2	1	2	1	2	1	2	1	2	1	2	1	2
WC 00	WC 02	WC 01	WC 03	WC 04	WC 05	WC 06	WC 07	WC 08	WC 09	WC 10	WC 11	WC 12	WC 13	WC 14	WC 15	WC 16	WC 17	WC 18	WC 19	WC 20	WC 21	WC 22	WC 23	WC 24	WC 25	WC 26	WC 27	WC 28	WC 29	WC 30	WC 31	WC 32	WC 33	WC 34	WC 35	WC 36	WC 37	WC 38	WC 39	WC 40	WC 41	WC 42	WC 43	WC 44	
WC 01	WC 03	WC 02	WC 04	WC 05	WC 06	WC 07	WC 08	WC 09	WC 10	WC 11	WC 12	WC 13	WC 14	WC 15	WC 16	WC 17	WC 18	WC 19	WC 20	WC 21	WC 22	WC 23	WC 24	WC 25	WC 26	WC 27	WC 28	WC 29	WC 30	WC 31	WC 32	WC 33	WC 34	WC 35	WC 36	WC 37	WC 38	WC 39	WC 40	WC 41	WC 42	WC 43	WC 44		
WC 04	WC 05	WC 06	WC 07	WC 08	WC 09	WC 10	WC 11	WC 12	WC 13	WC 14	WC 15	WC 16	WC 17	WC 18	WC 19	WC 20	WC 21	WC 22	WC 23	WC 24	WC 25	WC 26	WC 27	WC 28	WC 29	WC 30	WC 31	WC 32	WC 33	WC 34	WC 35	WC 36	WC 37	WC 38	WC 39	WC 40	WC 41	WC 42	WC 43	WC 44					

	M606		M302		M302		M216		M117		M204		M204		M212		M212		M212																										
USAGE	2	1	2	1	2	1	2	1	2	1	2	1	2	1	2	1	2	1	2	1	2	1	2	1	2	1	2	1	2	1	2	1	2	1	2	1	2	1	2	1	2	1	2	1	2
FIRST DATA BIT	SECTOR END	SECTOR DLYD	SECTOR DLYD	SECTOR DLYD	SECTOR DLYD	SECTOR DLYD	SECTOR DLYD	SECTOR DLYD	SECTOR DLYD	SECTOR DLYD	SECTOR DLYD	SECTOR DLYD	SECTOR DLYD	SECTOR DLYD	SECTOR DLYD	SECTOR DLYD	SECTOR DLYD	SECTOR DLYD	SECTOR DLYD	SECTOR DLYD	SECTOR DLYD	SECTOR DLYD	SECTOR DLYD	SECTOR DLYD	SECTOR DLYD	SECTOR DLYD	SECTOR DLYD	SECTOR DLYD	SECTOR DLYD	SECTOR DLYD	SECTOR DLYD	SECTOR DLYD	SECTOR DLYD	SECTOR DLYD	SECTOR DLYD	SECTOR DLYD	SECTOR DLYD	SECTOR DLYD	SECTOR DLYD	SECTOR DLYD	SECTOR DLYD	SECTOR DLYD	SECTOR DLYD	SECTOR DLYD	SECTOR DLYD
FIRST DATA BIT	SECTOR END	SECTOR DLYD	SECTOR DLYD	SECTOR DLYD	SECTOR DLYD	SECTOR DLYD	SECTOR DLYD	SECTOR DLYD	SECTOR DLYD	SECTOR DLYD	SECTOR DLYD	SECTOR DLYD	SECTOR DLYD	SECTOR DLYD	SECTOR DLYD	SECTOR DLYD	SECTOR DLYD	SECTOR DLYD	SECTOR DLYD	SECTOR DLYD	SECTOR DLYD	SECTOR DLYD	SECTOR DLYD	SECTOR DLYD	SECTOR DLYD	SECTOR DLYD	SECTOR DLYD	SECTOR DLYD	SECTOR DLYD	SECTOR DLYD	SECTOR DLYD	SECTOR DLYD	SECTOR DLYD	SECTOR DLYD	SECTOR DLYD	SECTOR DLYD	SECTOR DLYD	SECTOR DLYD	SECTOR DLYD	SECTOR DLYD	SECTOR DLYD	SECTOR DLYD	SECTOR DLYD	SECTOR DLYD	
FIRST DATA BIT	SECTOR END	SECTOR DLYD	SECTOR DLYD	SECTOR DLYD	SECTOR DLYD	SECTOR DLYD	SECTOR DLYD	SECTOR DLYD	SECTOR DLYD	SECTOR DLYD	SECTOR DLYD	SECTOR DLYD	SECTOR DLYD	SECTOR DLYD	SECTOR DLYD	SECTOR DLYD	SECTOR DLYD	SECTOR DLYD	SECTOR DLYD	SECTOR DLYD	SECTOR DLYD	SECTOR DLYD	SECTOR DLYD	SECTOR DLYD	SECTOR DLYD	SECTOR DLYD	SECTOR DLYD	SECTOR DLYD	SECTOR DLYD	SECTOR DLYD	SECTOR DLYD	SECTOR DLYD	SECTOR DLYD	SECTOR DLYD	SECTOR DLYD	SECTOR DLYD	SECTOR DLYD	SECTOR DLYD	SECTOR DLYD	SECTOR DLYD	SECTOR DLYD	SECTOR DLYD	SECTOR DLYD	SECTOR DLYD	

REVISIONS CHANGE NO. REV.	FIRST USED ON OPTION / MODEL PDP15		DO NOT SCALE DRAWING UNLESS OTHERWISE SPECIFIED DIMENSION IN INCHES		DRN. <i>A. Ramon</i> CHK'D. <i>A. Ramon</i> ENG. <i>A. Ramon</i> PROJ. ENG. <i>A. Ramon</i> DATE 7-22-70		DATE 7-22-70 DATE 7-23-70 DATE 7-24-70 DATE 7-24-70		digital EQUIPMENT CORPORATION MAYNARD, MASSACHUSETTS	
			TOLERANCES DECIMALS FRACTIONS ANGLES ± .005 ± 1/64 ± 0°30'		MATERIAL		NEXT HIGHER ASSY		TITLE	
			FINISH		SCALE		SHEET		MODULE UTILIZATION (RP15)	
			SHEET 2 OF 4		DIST.		SIZE CODE		DMU RP15-0-02	

DIGITAL EQUIPMENT CORPORATION MAYNARD, MASSACHUSETTS PARTS LIST

MADE BY K. RUSS
 DATE 7-22-70
 ENG *J. Zyl*
 DATE 7-24-70

CHECKED K. RUSS
 DATE 7-22-70
 PROD *J. Bunchy*
 DATE 7-24-70

SECTION 1
 ISSUED SECT. 1

ITEM NO.	DWG NO. / PART NO.	DESCRIPTION	QUANTITY / VARIATION
	M002	LOGIC 1 SOURCE	3
	M104	I/O BUS MULTIPLEXER	2
	M111	INVERTER	7
	M112	NOR GATE	5
	M113	TEN 2-INPUT NAND GATES	17
	M115	EIGHT 3-INPUT NAND GATES	8
	M117	SIX 4-INPUT NAND GATES	8
	M119	THREE 8-INPUT NAND GATES	17
	M121	AND/NOR GATE	14
	M149	9 X 2 NAND WIRED OR MATRIX	8
	M160	AND/NOR GATE	1
	M161	BINARY TO OCTAL/DECIMAL DECODER	1
	M203	8 R/S FLIP FLOP	2
	M204	GENERAL PURPOSE BUFFER AND COUNTER	2
	M207	GENERAL PURPOSE FLIP FLOP	8
	M212	SIX BIT L-R SHIFT REGISTER	13
	M216	SIX FLIP FLOPS	24
	M302	ONE SHOT DELAY	3
	M311	TAP DELAY	1
	M312	DELAY MODULE	2
	M401	VARIABLE CLOCK	1
	M405	CRYSTAL CLOCK MODIFIED TO 5 MC	1

TITLE MODULE UTILIZATION (COUNT)

ASSY NO. D-MU-RP15-0-02
 SHEET 1 OF 2

SIZE CODE A PL
 NUMBER RP15-0-02
 DIST.

REV. ECO NO. K RP15-00019

DIGITAL EQUIPMENT CORPORATION MAYNARD, MASSACHUSETTS PARTS LIST

MADE BY K. RUSS
 DATE 7-22-70
 ENG *J. Zyl*
 DATE 7-24-70

CHECKED K. RUSS
 DATE 7-22-70
 PROD *J. Bunchy*
 DATE 7-24-70

SECTION 1
 ISSUED SECT. 1

ITEM NO.	DWG NO. / PART NO.	DESCRIPTION	QUANTITY / VARIATION
	M421	CLOCK	1
	M500	I/O BUS RECEIVER	9
	M602	PULSE AMPLIFIER	4
	M606	PULSE GENERATOR	6
	M611	HIGH SPEED POWER INVERTER	2
	M622	8 BIT POS. INPUT/OUTPUT BUS DRIVER	13
	M627	NAND POWER AMPLIFIER	3
	M911	MEMORY BUS CP TERMINATOR	2
	M133	TEN 2-INPUT NAND GATES	1
	M135	EIGHT 3-INPUT NAND GATES	1

TITLE MODULE UTILIZATION (COUNT)

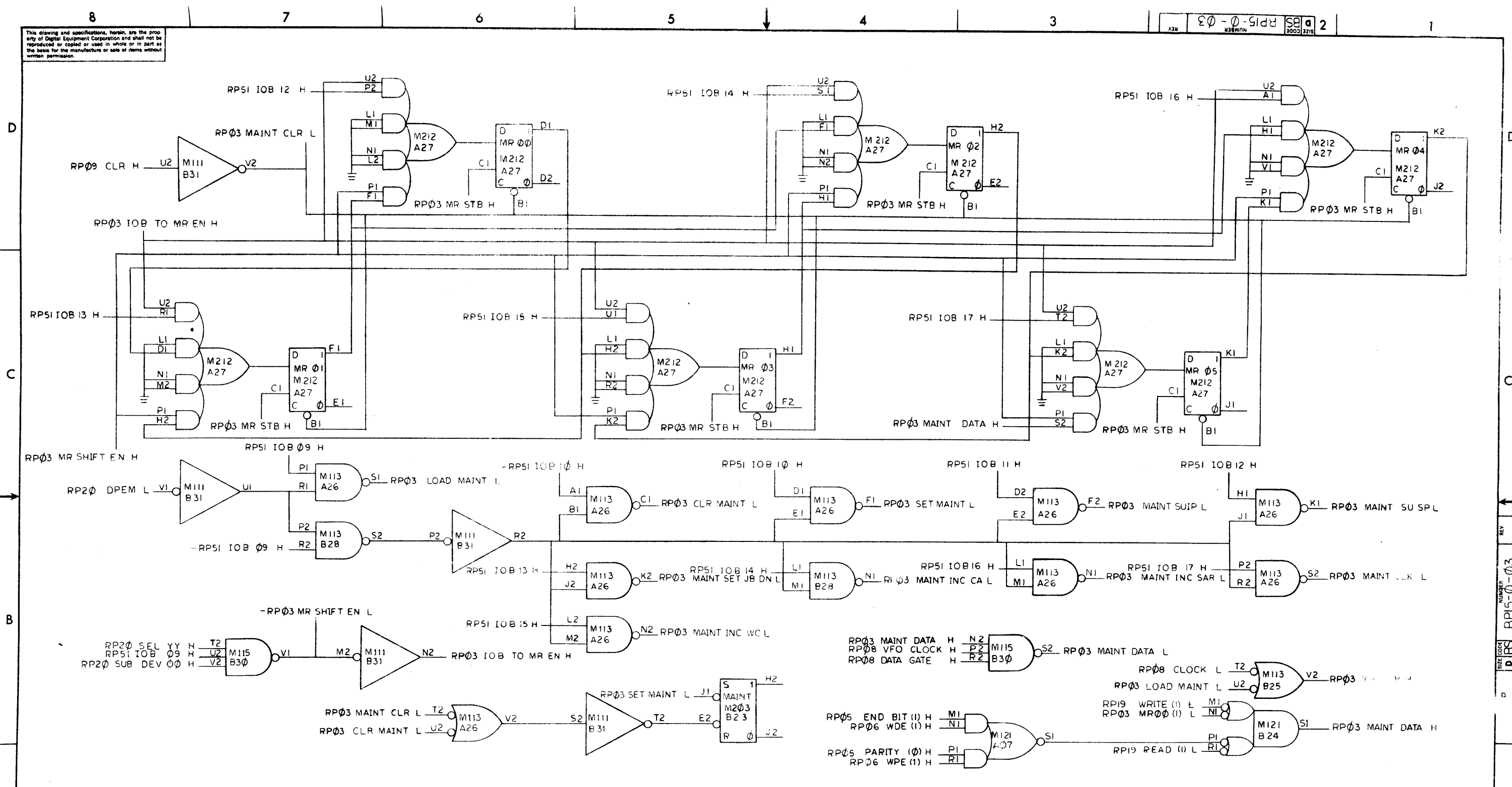
ASSY NO. D-MU-RP15-0-02
 SHEET 2 OF 2

SIZE CODE A PL
 NUMBER RP15-0-02
 DIST.

REV. ECO NO. K

This drawing and specifications, herein, are the property of Digital Equipment Corporation and shall not be reproduced or copied or used in whole or in part as the basis for the manufacture or sale of items without written permission.

REV. 2
 DBS RPI5-0-03
 1000 1215

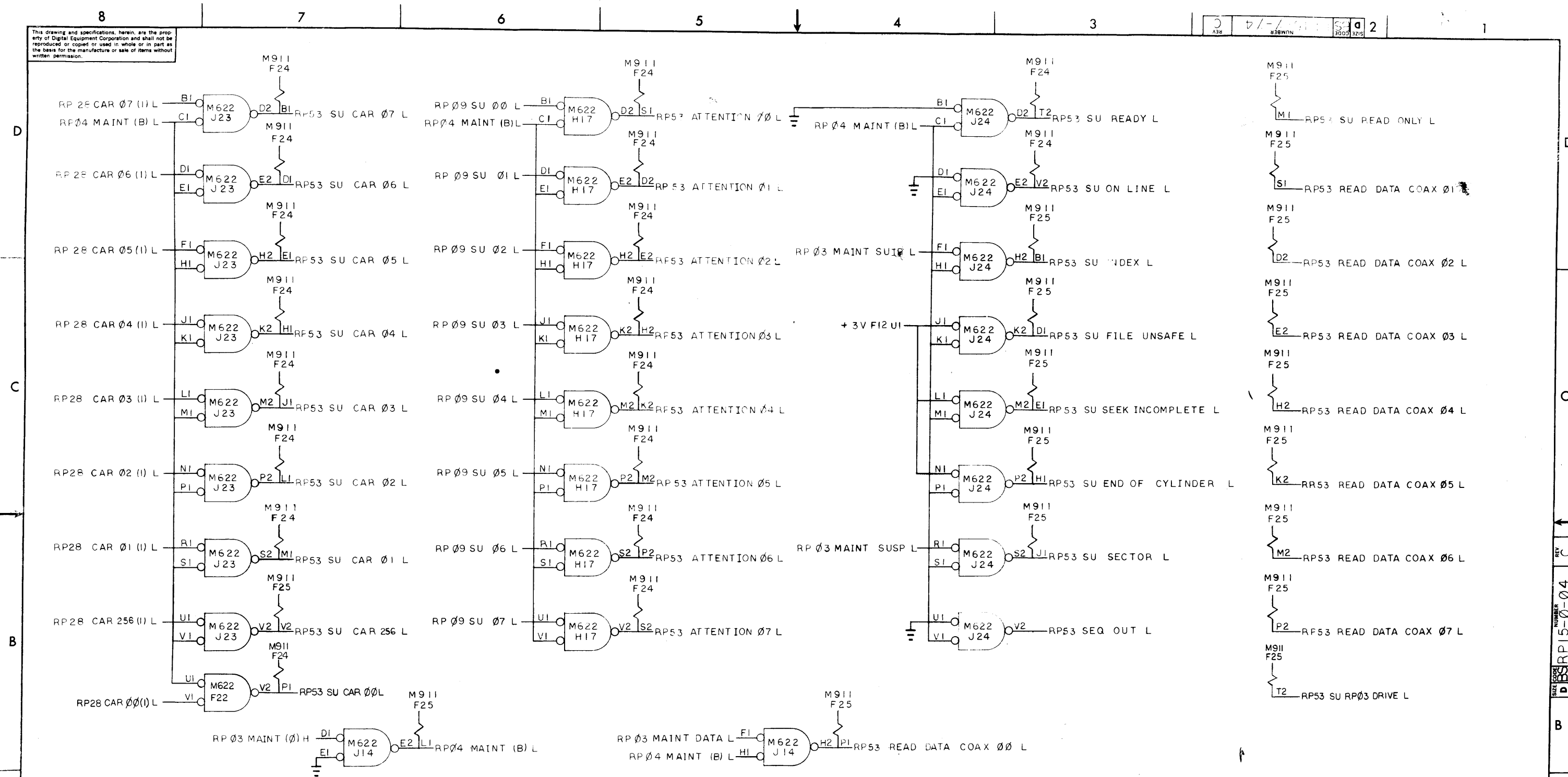


REV.	CHANGE NO.

FIRST USED ON OPTION/MODEL	QTY.	DESCRIPTION	PART NO.	ITEM NO.
PDP15				
PARTS LIST				
UNLESS OTHERWISE SPECIFIED		DRG. <i>Ant...</i>	DATE <i>3/25/70</i>	digital EQUIPMENT CORPORATION MAYNARD, MASSACHUSETTS
UNLESS OTHERWISE SPECIFIED		CHK'D <i>A. Adams</i>	DATE <i>2-23-70</i>	
DIMENSION IN INCHES		ENG. <i>S. Zel</i>	DATE <i>7-24-70</i>	
TOLERANCES		PROJ. ENG. <i>S. Zel</i>	DATE <i>7-24-70</i>	
DECIMALS FRACTIONS ANGLES		PROD. <i>S. Zel</i>	DATE <i>7-24-70</i>	
= .005 = 1/64 = 0°30'		NEXT HIGHER ASSY		TITLE MAINTENANCE CONTROL
FINAL SURFACE QUALITY		SCALE	SIZE CODE	
REMOVE BURRS AND BREAK SHARP CORNERS		SHEET 1 OF 1	NUMBER	
MATERIAL			REV.	
FINISH			DBS RPI5-0-03	

REV. 2
 DBS RPI5-0-03

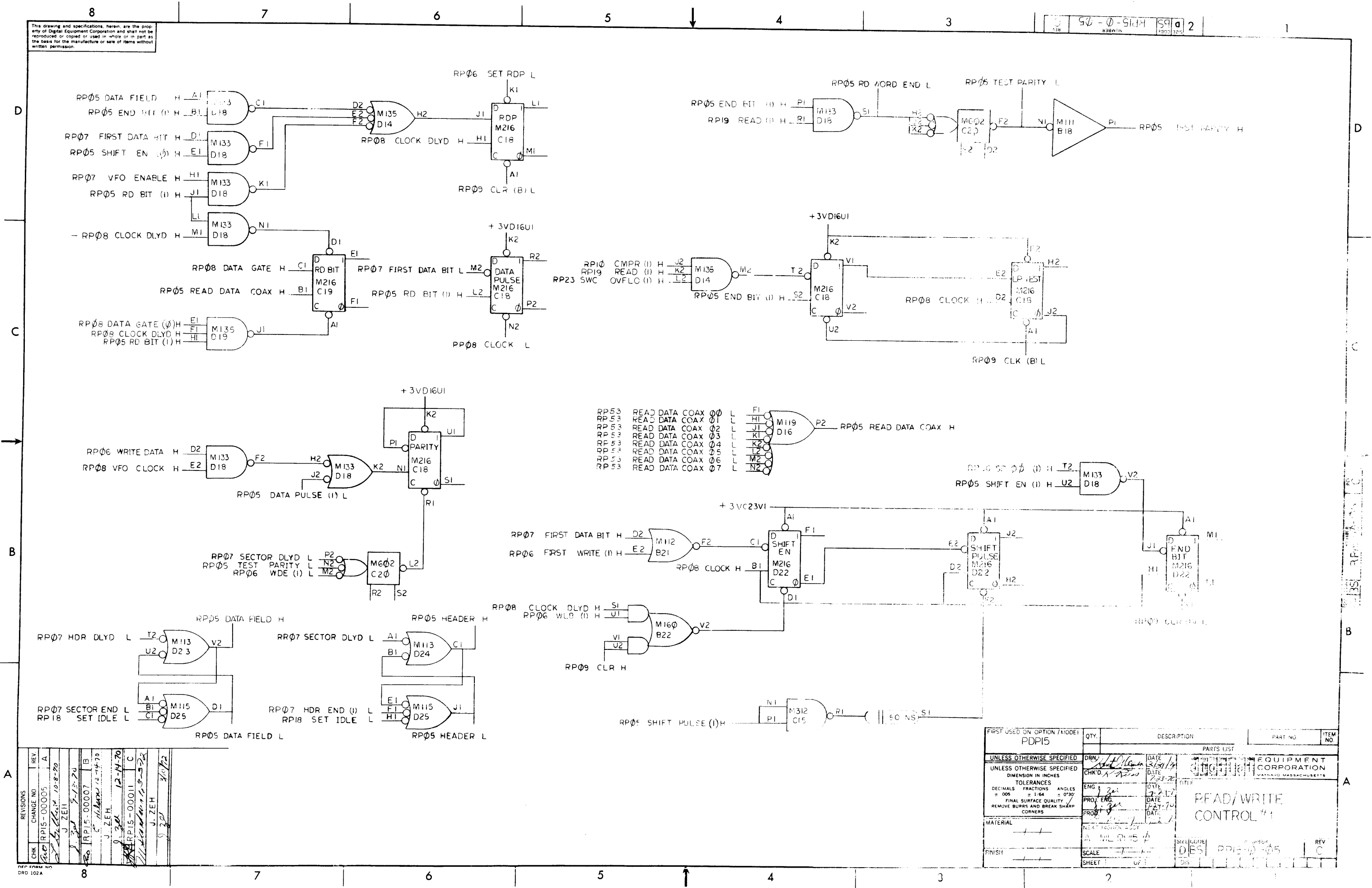
This drawing and specifications herein are the property of Digital Equipment Corporation and shall not be reproduced or copied or used in whole or in part as the basis for the manufacture or sale of items without written permission.



REV	DATE	BY	CHK	DESCRIPTION
1	1-16-70	J. ZEH	J. ZEH	INITIAL DESIGN
2	2-23-70	J. ZEH	J. ZEH	REVISED TO ADD COAX SIGNALS
3	7-24-70	J. ZEH	J. ZEH	REVISED TO ADD MAINT SIGNALS
4	1-24-70	J. ZEH	J. ZEH	REVISED TO ADD DRIVE SIGNAL
5	2-16-72	J. ZEH	J. ZEH	REVISED TO ADD DRIVE SIGNAL
6	2-16-72	J. ZEH	J. ZEH	REVISED TO ADD DRIVE SIGNAL
7	2-16-72	J. ZEH	J. ZEH	REVISED TO ADD DRIVE SIGNAL
8	2-16-72	J. ZEH	J. ZEH	REVISED TO ADD DRIVE SIGNAL

FIRST USED ON OPTION/MODEL	QTY.	DESCRIPTION	PART NO.	ITEM NO.
PDP15				
PARTS LIST				
digital EQUIPMENT CORPORATION MAYNARD, MASSACHUSETTS				
TITLE: MAINTENANCE CONTROL BUFFERS				
SIZE CODE: D NUMBER: RP15-0-04				
SCALE: 1 OF 1 SHEET				

This drawing and specifications, herein, are the property of Digital Equipment Corporation and shall not be reproduced or copied or used in whole or in part as the basis for the manufacture or sale of items without written permission.



- RP53 READ DATA COAX 00 L F1
- RP53 READ DATA COAX 01 L H1
- RP53 READ DATA COAX 02 L J1
- RP53 READ DATA COAX 03 L K1
- RP53 READ DATA COAX 04 L L1
- RP53 READ DATA COAX 05 L M1
- RP53 READ DATA COAX 06 L N1
- RP53 READ DATA COAX 07 L N2

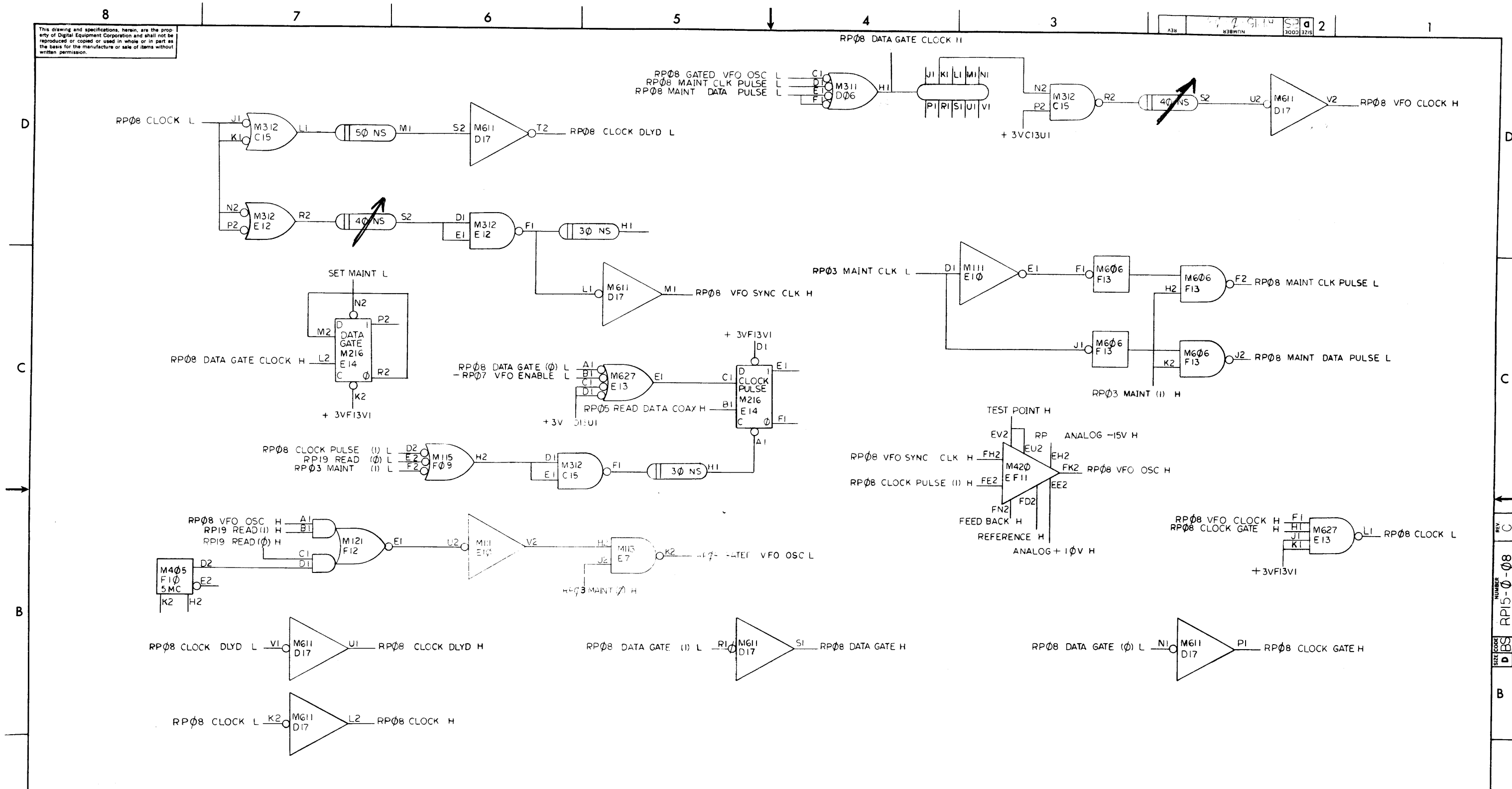
REV	CHANGE NO	DATE	BY
A	1	12-14-70	J. ZEH
B	2	12-14-70	J. ZEH
C	3	12-14-70	J. ZEH
D	4	12-14-70	J. ZEH

QTY.	DESCRIPTION	PART NO.	ITEM NO.
FIRST USED ON OPTION / MODEL PDP15			
UNLESS OTHERWISE SPECIFIED			
DIMENSION IN INCHES			
TOLERANCES			
DECIMALS FRACTIONS ANGLES			
± .005 ± 1/64 ± 0°30'			
FINAL SURFACE QUALITY / REMOVE BURRS AND BREAK SHARP CORNERS			
MATERIAL			
FINISH			
SHEET			

READ/WRITE CONTROL #1

SCALE: 1" = 1"

This drawing and specifications, herein, are the property of Digital Equipment Corporation and shall not be reproduced or copied or used in whole or in part as the basis for the manufacture or sale of items without written permission.

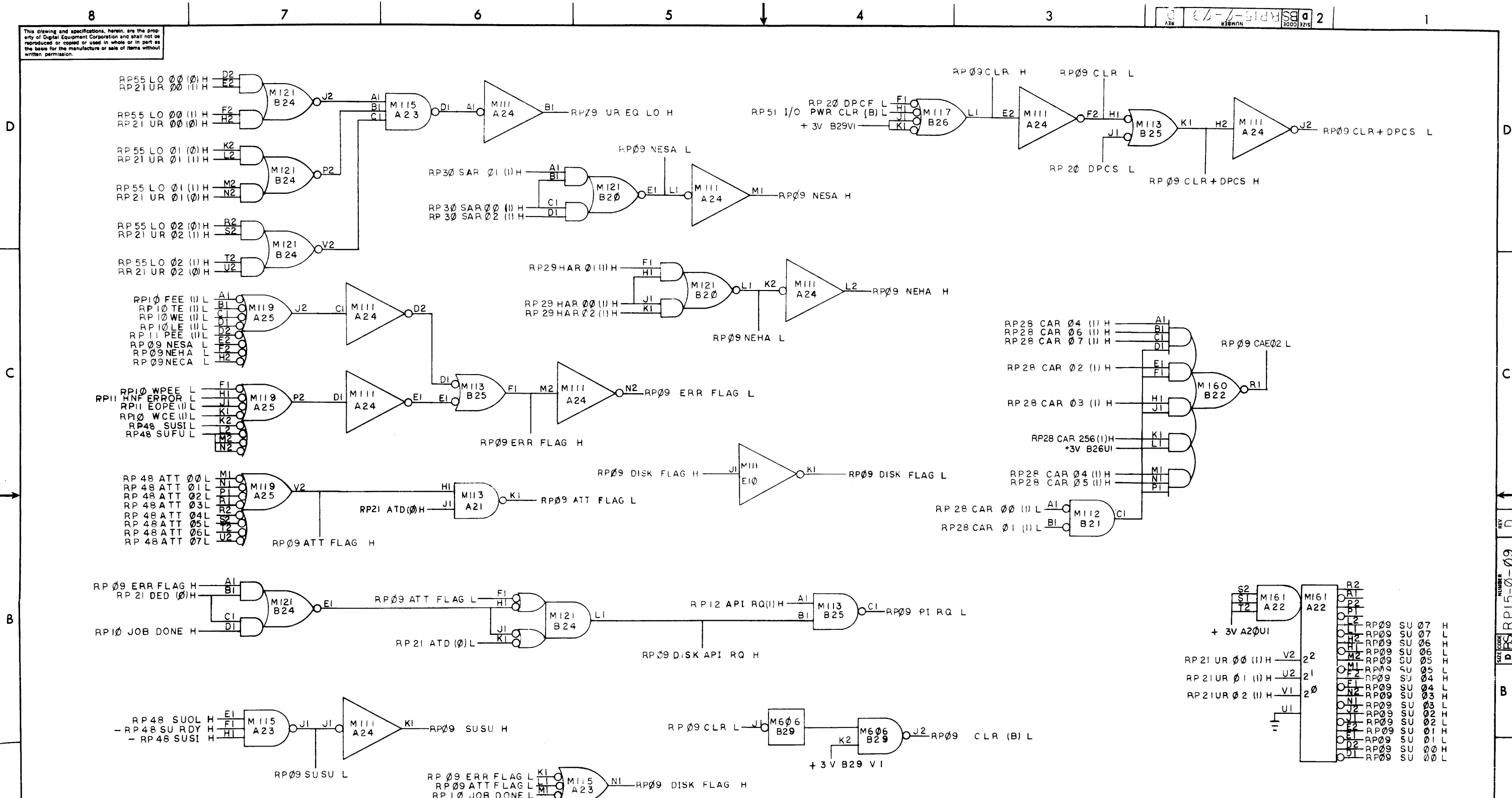


REV	CHANGE NO.	DATE	BY	CHKD.
A	0005	10-1-70	J. ZEH	J. ZEH
B	0007	10-14-70	J. ZEH	J. ZEH
C	0009	10-16-72	J. ZEH	J. ZEH

FIRST USED ON OPTION MODEL	QTY.	DESCRIPTION	PART NO.	ITEM NO.
PDP15				
PARTS LIST				
UNLESS OTHERWISE SPECIFIED				
DIMENSION IN INCHES				
TOLERANCES				
DECIMALS	FRACTIONS	ANGLES		
± .005	± 1/64	± 0°30'		
FINAL SURFACE QUALITY				
REMOVE BURRS AND BREAK SHARP CORNERS				
MATERIAL				
NEXT HIGHER ASSEMBLY				
A - ML - RP15 - 0				
FINISH				
SCALE				
SHEET OF 1				
TITLE			SIZE CODE	NUMBER
DATA SEPARATOR CONTROL			DBS	RP15-0-08
DIST.			REV	C

This drawing and specifications, herein, are the property of Digital Equipment Corporation and shall not be reproduced or copied or used in whole or in part as the basis for the manufacture or sale of items without written permission.

DBSRP15-0-09



REV	CHG	NO	DATE	BY	CHK'D
A		0005	10-8-70	J. ZEH	
B		0007	12-14-70	J. ZEH	
C		0009	12-14-70	J. ZEH	
D		0018	2-16-72	J. ZEH	

REV	CHG	NO	DATE	BY	CHK'D
A		0005	10-8-70	J. ZEH	
B		0007	12-14-70	J. ZEH	
C		0009	12-14-70	J. ZEH	
D		0018	2-16-72	J. ZEH	

REV	CHG	NO	DATE	BY	CHK'D
A		0005	10-8-70	J. ZEH	
B		0007	12-14-70	J. ZEH	
C		0009	12-14-70	J. ZEH	
D		0018	2-16-72	J. ZEH	

REV	CHG	NO	DATE	BY	CHK'D
A		0005	10-8-70	J. ZEH	
B		0007	12-14-70	J. ZEH	
C		0009	12-14-70	J. ZEH	
D		0018	2-16-72	J. ZEH	

REV	CHG	NO	DATE	BY	CHK'D
A		0005	10-8-70	J. ZEH	
B		0007	12-14-70	J. ZEH	
C		0009	12-14-70	J. ZEH	
D		0018	2-16-72	J. ZEH	

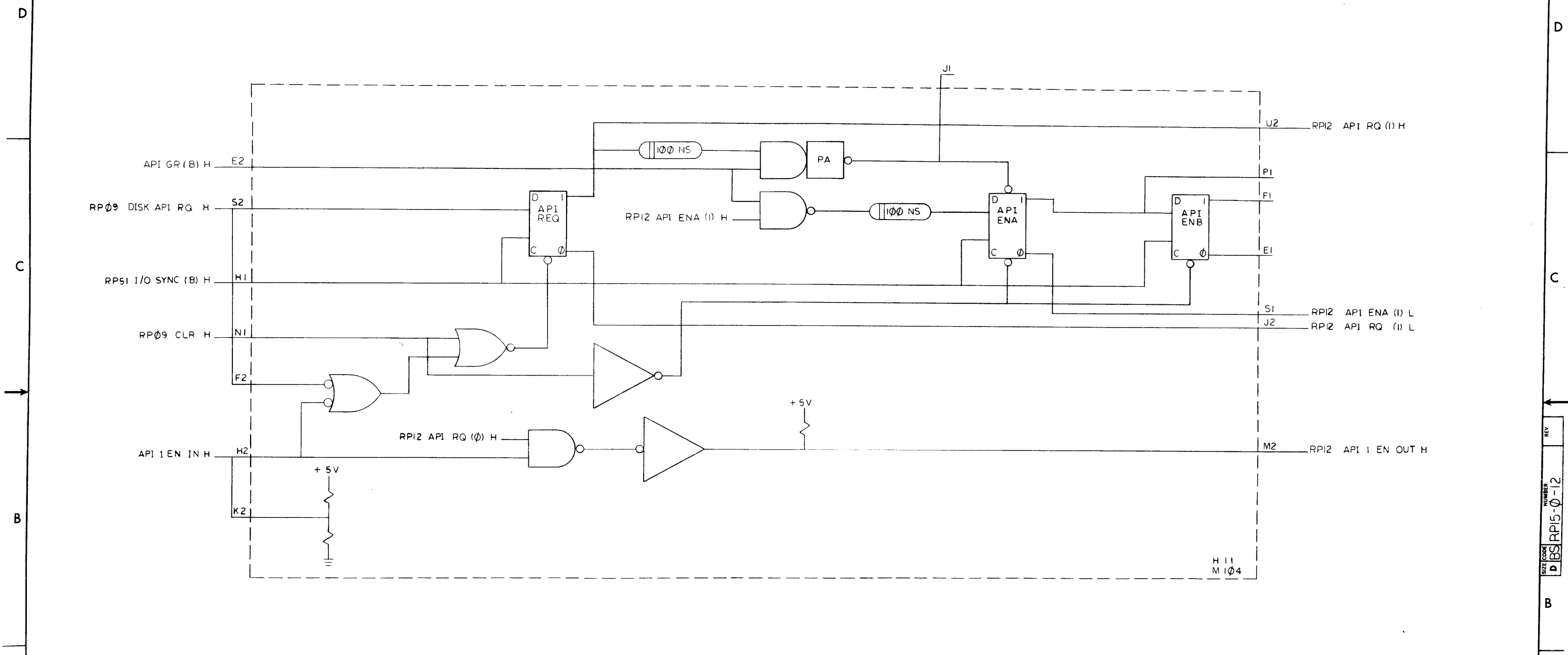
REV	CHG	NO	DATE	BY	CHK'D
A		0005	10-8-70	J. ZEH	
B		0007	12-14-70	J. ZEH	
C		0009	12-14-70	J. ZEH	
D		0018	2-16-72	J. ZEH	

DEC FORM NO. DRD 1024

DBSRP15-0-09

This drawing and specifications, herein, are the property of Digital Equipment Corporation and shall not be reproduced or copied or used in whole or in part as the basis for the manufacture or sale of items without written permission.

REV 2
 SIZE CODE D
 NUMBER BS RP15-0-12



H 11
 M 104

REV.	
CHANGE NO.	
CHK	

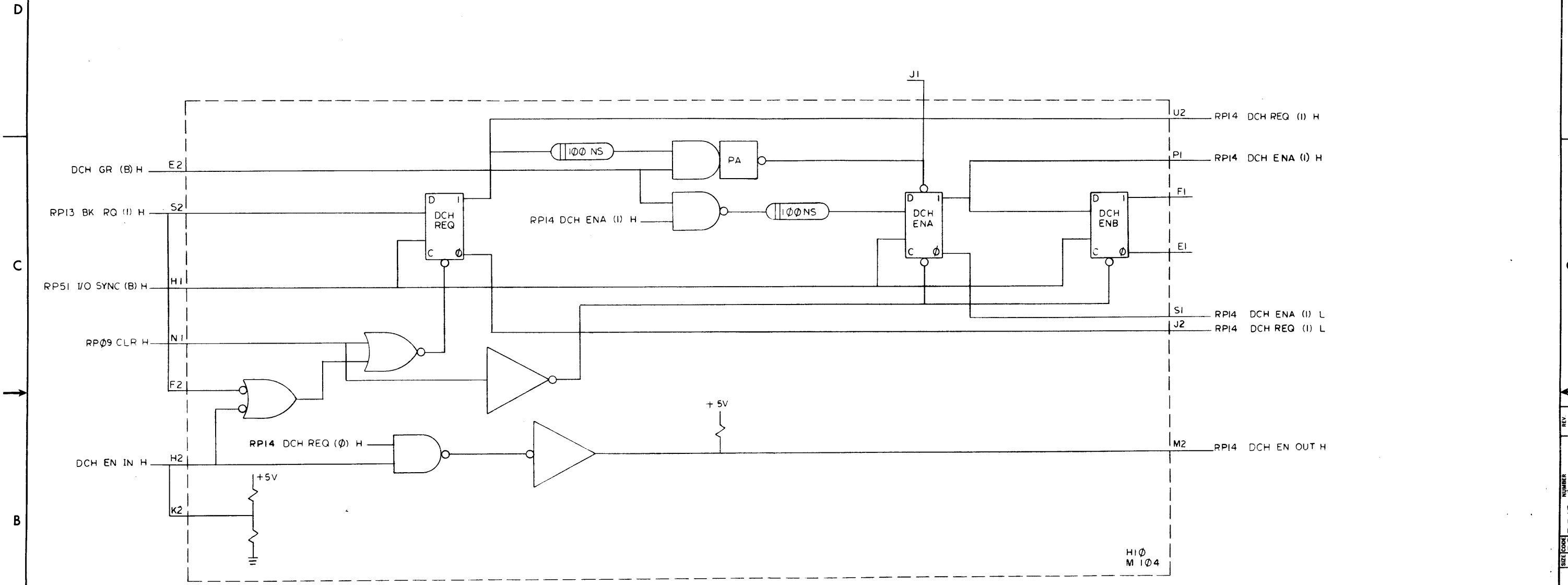
DEC FORM NO DRD 102A

FIRST USED ON OPTION / MODEL PDP15	QTY.	DESCRIPTION	PART NO.	ITEM NO.
PARTS LIST				
UNLESS OTHERWISE SPECIFIED DIMENSION IN INCHES TOLERANCES DECIMALS FRACTIONS ANGLES ± .005 ± 1/64 ± 0°30' FINAL SURFACE QUALITY REMOVE BURRS AND BREAK SHARP CORNERS	DRN <i>[Signature]</i>	DATE 7-21-70	digital CORPORATION MAYNARD, MASSACHUSETTS	
	CHK'D <i>[Signature]</i>	DATE 7-23-70		
	ENG. <i>[Signature]</i>	DATE 7-27-70		
	PROJ. ENG. <i>[Signature]</i>	DATE 7-29-70		
	PRD. <i>[Signature]</i>	DATE 7-24-70	TITLE API CONTROL	
MATERIAL	NEXT HIGHER CLASSY		SIZE CODE	NUMBER
FINISH	SCALE		D BS	RP15-0-12
	SHEET 1	OF 1	DIST.	REV

8 7 6 5 4 3 2 1

REV
 NUMBER BS RP15-0-12

This drawing and specifications, herein, are the property of Digital Equipment Corporation and shall not be reproduced or copied or used in whole or in part as the basis for the manufacture or sale of items without written permission.

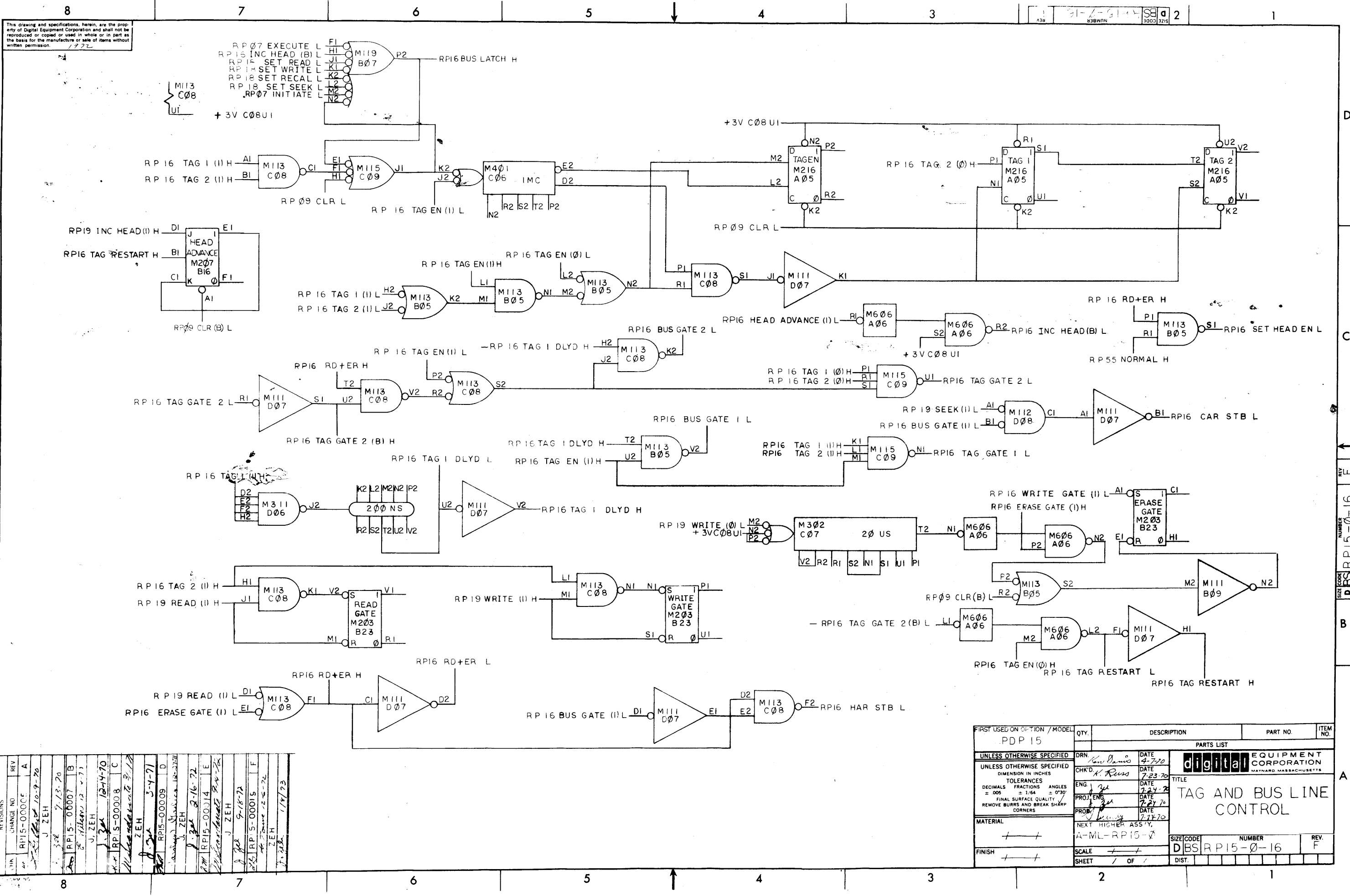


H10
M104

REVISIONS	CHK	CHANGE NO.	REV.

FIRST USED ON OPTION / MODEL	QTY.	DESCRIPTION	PART NO.	ITEM NO.
PDP 15				
PARTS LIST				
UNLESS OTHERWISE SPECIFIED	DRW	DATE	digital EQUIPMENT CORPORATION MAYNARD, MASSACHUSETTS TITLE <h2 style="margin: 0;">DCH CONTROL</h2>	
UNLESS OTHERWISE SPECIFIED	CHK'D	DATE		
UNLESS OTHERWISE SPECIFIED	ENG.	DATE		
UNLESS OTHERWISE SPECIFIED	PROJ. ENG.	DATE		
UNLESS OTHERWISE SPECIFIED	PROJ.	DATE		
TOLERANCES				
DECIMALS	FRACTIONS	ANGLES		
± .005	± 1/64	± 0°30'		
FINAL SURFACE QUALITY / REMOVE BURRS AND BREAK SHARP CORNERS				
MATERIAL	NEXT HIGHER ASSY			
FINISH	SCALE			
	SHEET 1 OF 1			
SIZE CODE		NUMBER		REV.
DBS		RP15-0-14		
DIST.				

This drawing and specifications, herein, are the property of Digital Equipment Corporation and shall not be reproduced or copied or used in whole or in part as the basis for the manufacture or sale of items without written permission.

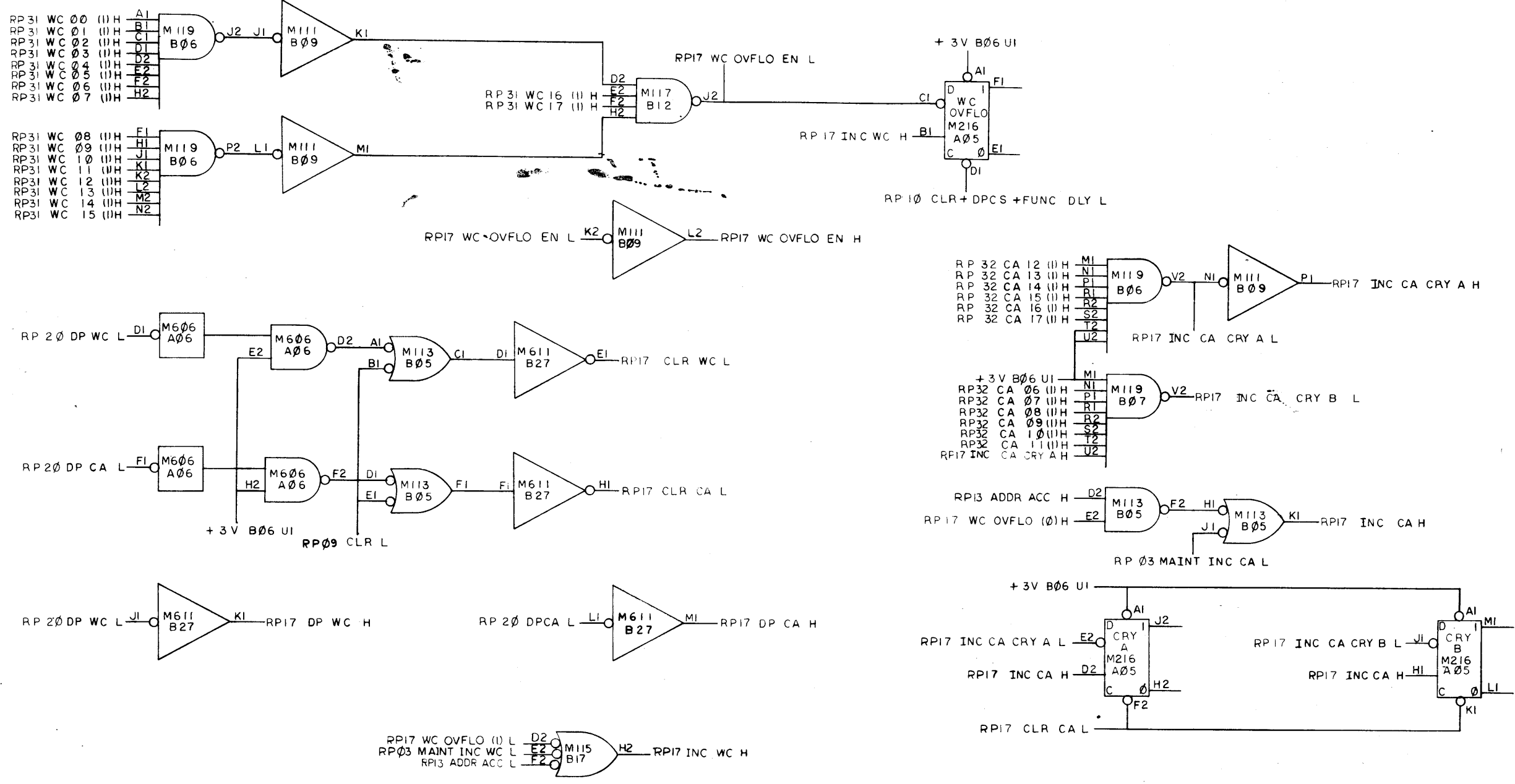


REV	CHANGE NO	DATE	BY	CHKD
A	RP15-0000	10-9-70	J. ZEH	
B	RP15-0000	7-13-70	J. ZEH	
C	RP15-0000	10-9-70	J. ZEH	
D	RP15-0000	3-4-71	J. ZEH	
E	RP15-0014	2-16-72	J. ZEH	
F	RP15-0015	9-18-72	J. ZEH	
G	RP15-0015	11-22-72	J. ZEH	
H	RP15-0015	1-17-73	J. ZEH	

FIRST USED ON OPTION / MODEL	QTY.	DESCRIPTION	PART NO.	ITEM NO.
PDP 15				
PARTS LIST				
digital EQUIPMENT CORPORATION MAYNARD, MASSACHUSETTS				
TITLE: TAG AND BUS LINE CONTROL				
SIZE CODE: D BS RP15-0-16				
NUMBER: F				
SCALE: 1 OF 1				
SHEET: 1 OF 1				

This drawing and specifications, herein, are the property of Digital Equipment Corporation and shall not be reproduced or copied or used in whole or in part as the basis for the manufacture or sale of items without written permission.

REV. 2
 11-7-70
 DBS
 15-0-17

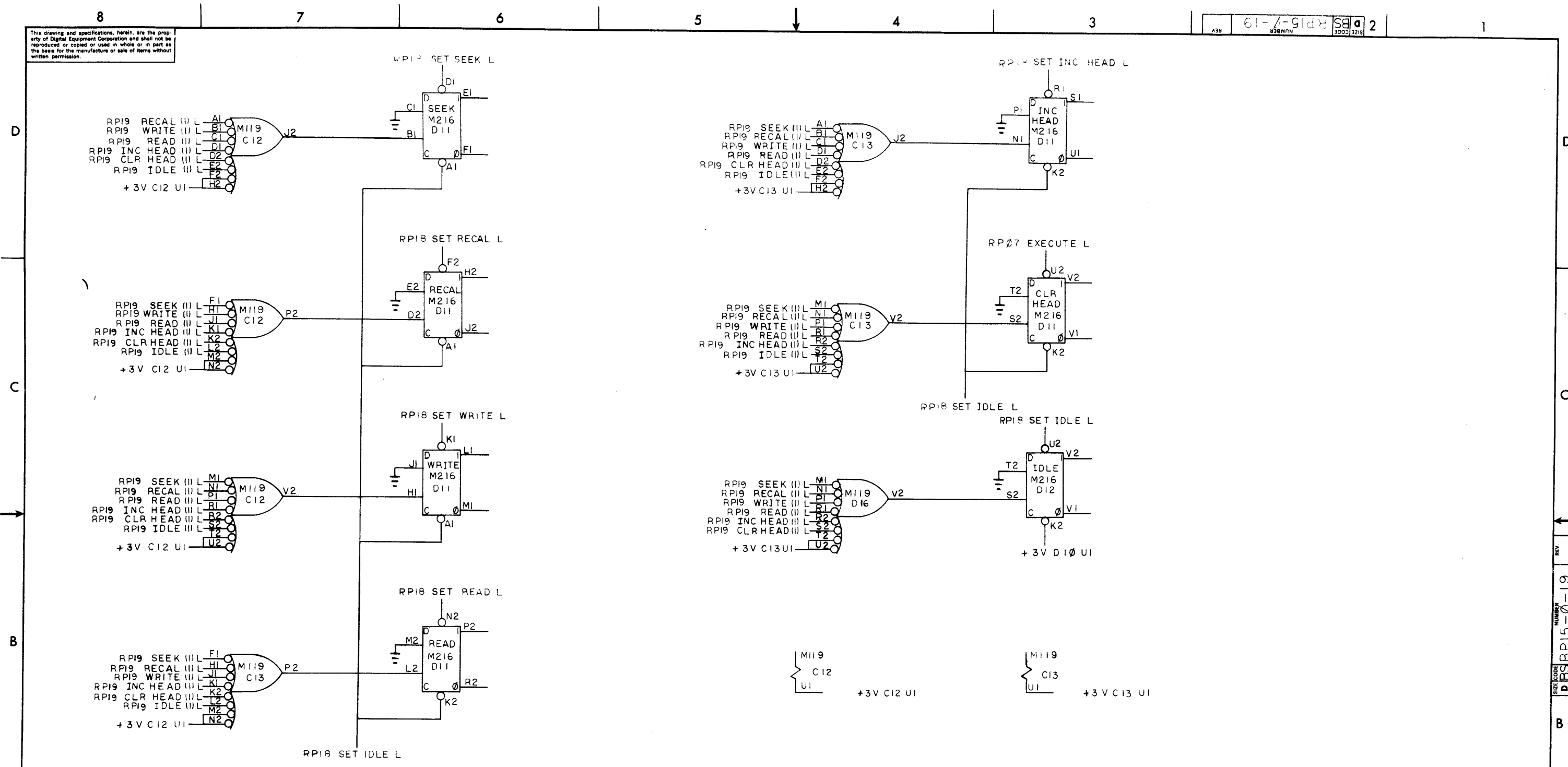


REV.	CHANGE NO.	DATE	BY
A	15-00007	12-14-70	J. ZEH
B	00009	12-14-70	J. ZEH
C	00010	12-14-70	J. ZEH
D	00011	12-14-70	J. ZEH

FIRST USED ON OPTION / MODEL	QTY.	DESCRIPTION	PART NO.	ITEM NO.
PDP 15				
PARTS LIST				
digital CORPORATION WAYNAND MASSACHUSETTS				
TITLE WC & CA CONTROL				
MATERIAL FINISH				
NEXT HIGHER ASSY A-ML-RP15-0				
SCALE SHEET 1 OF 1				
SIZE CODE NUMBER REV. DBS RP15-0-17 B				

This drawing and specifications herein are the property of Digital Equipment Corporation and shall not be reproduced or copied or used in whole or in part as the basis for the manufacture or sale of items without written permission.

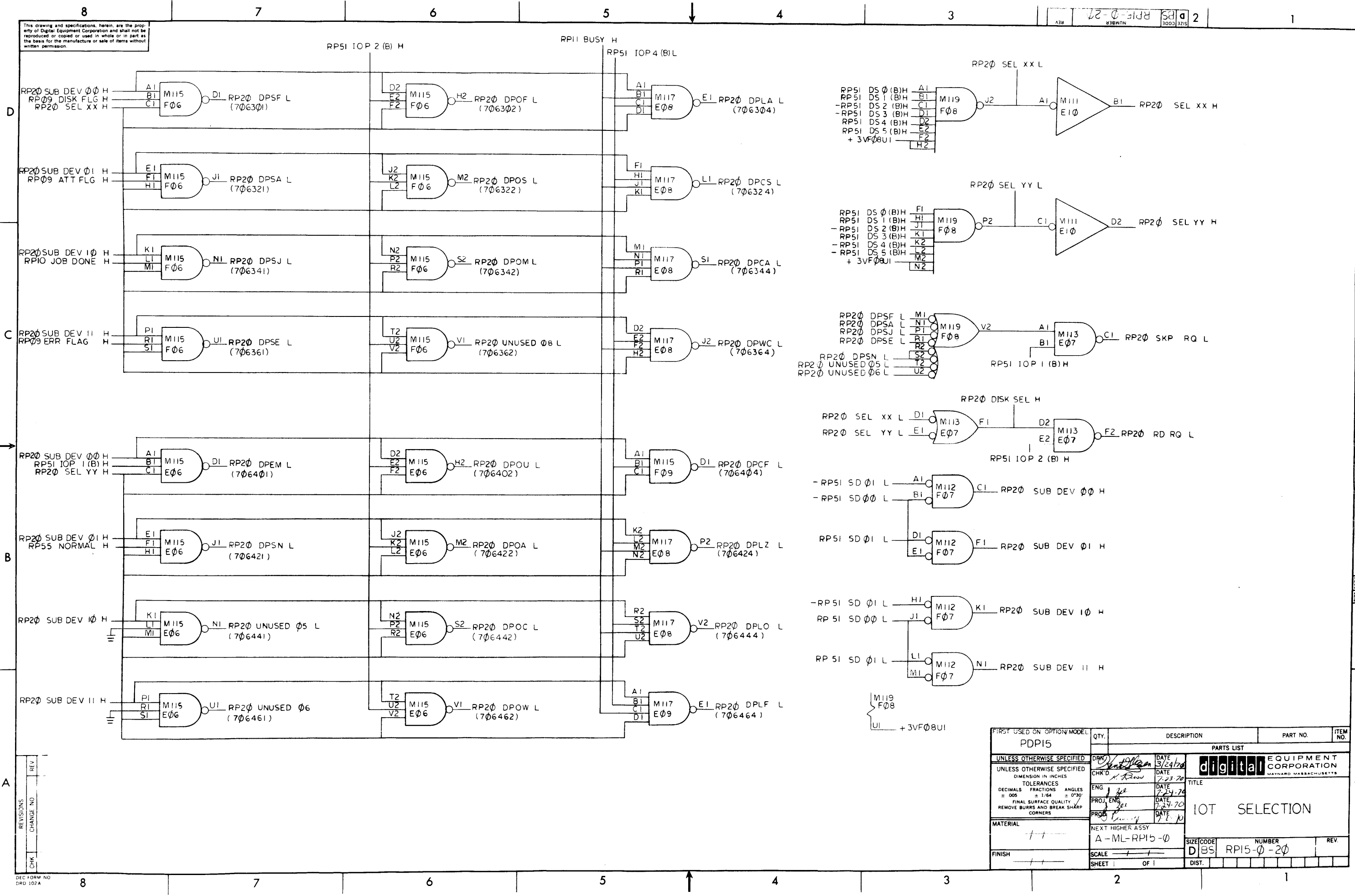
REV. 2
 SIZE CODE DBSRP15-0-19
 NUMBER



REV	
CHANGE NO.	
CHK	

REVISED ON	OPTION	MODEL	QTY.	DESCRIPTION	PART NO.	ITEM NO.
		PDP 15				
PARTS LIST						
UNLESS OTHERWISE SPECIFIED	DRN	DATE	digital EQUIPMENT CORPORATION MAYNARD, MASSACHUSETTS			
	CHK'D	DATE	TITLE			
	ENG	DATE	MAJOR STATE			
	PROJ. ENG.	DATE				
	PROD.	DATE				
MATERIAL	NEXT HIGHER ASS'Y.					
	A-ML-RP15-0					
FINISH	SCALE	SIZE CODE		NUMBER	REV	
		DBSRP15-0-19				
	SHEET	OF	D'ST.			

This drawing and specifications, herein, are the property of Digital Equipment Corporation and shall not be reproduced or copied or used in whole or in part as the basis for the manufacture or sale of items without written permission.



FIRST USED ON OPTION MODEL	QTY.	DESCRIPTION	PART NO.	ITEM NO.
PDP15				
PARTS LIST				
UNLESS OTHERWISE SPECIFIED	DRW	DATE	digital EQUIPMENT CORPORATION MAYNARD MASSACHUSETTS	
UNLESS OTHERWISE SPECIFIED	CHK'D	DATE		
TOLERANCES	ENG	DATE		
DECIMALS FRACTIONS ANGLES	PROJ. ENG.	DATE		
± .005 ± 1/64 ± 0°30'	PROD.	DATE		
FINAL SURFACE QUALITY			TITLE IOT SELECTION	
REMOVE BURRS AND BREAK SHARP CORNERS				
MATERIAL				
FINISH			NEXT HIGHER ASSY A-ML-RP15-0	
			SCALE	NUMBER
			SHEET 1 OF 1	DIST.

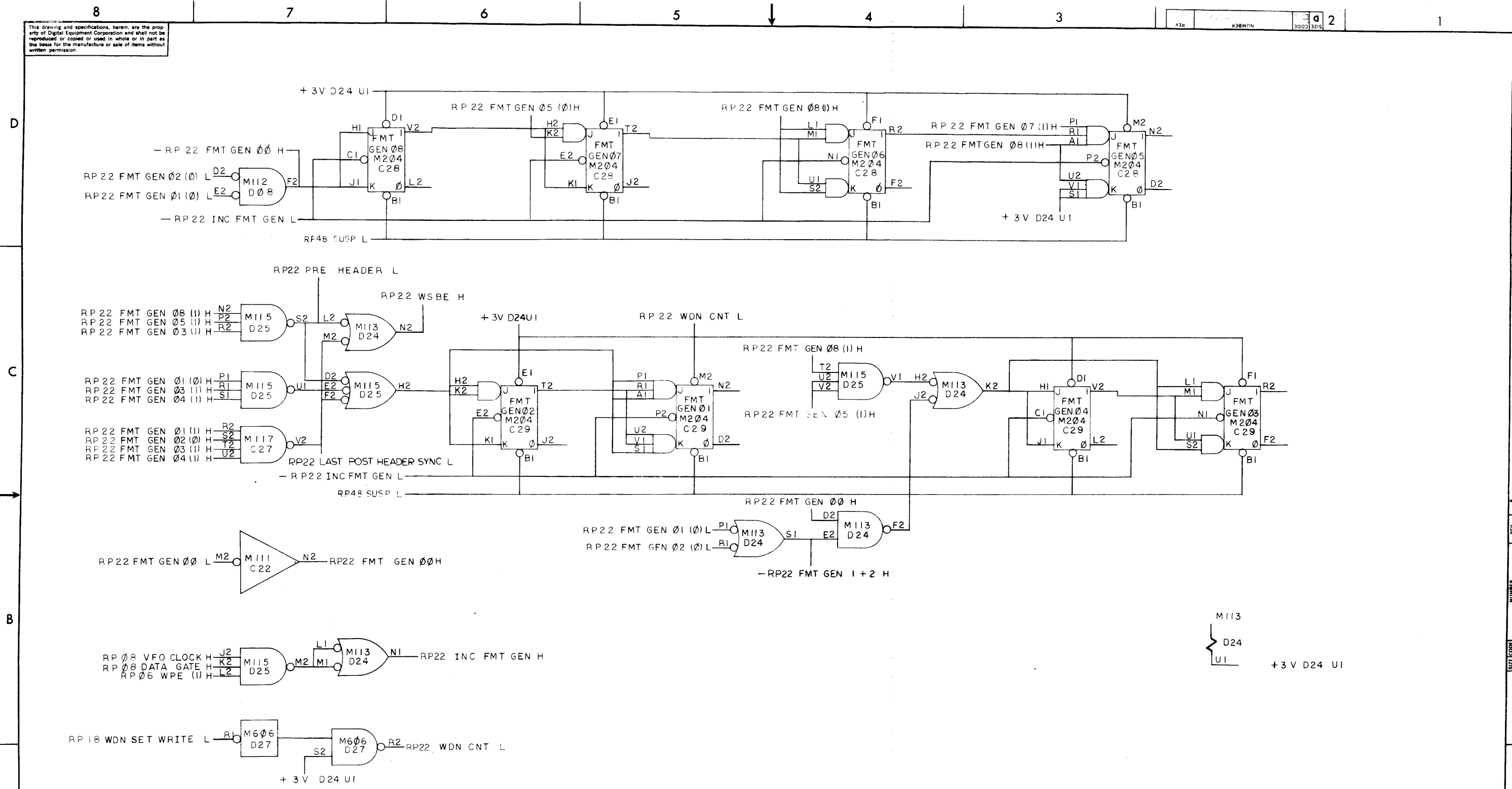
REV.	CHNGT. NO.	REVISIONS

REV. NUMBER PART NO. SIZE CODE

B

A

This drawing and specifications, herein, are the property of Digital Equipment Corporation and shall not be reproduced or copied or used in whole or in part as the basis for the manufacture or sale of items without written permission.



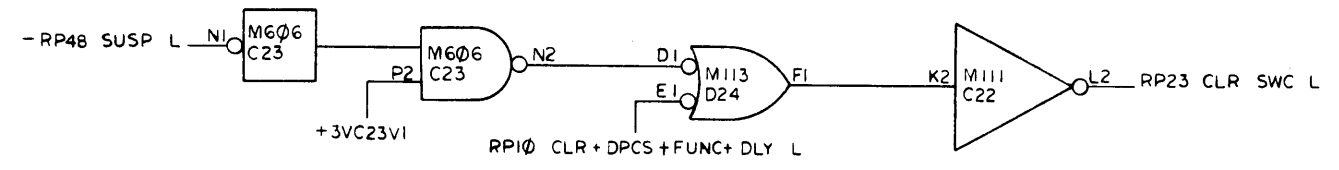
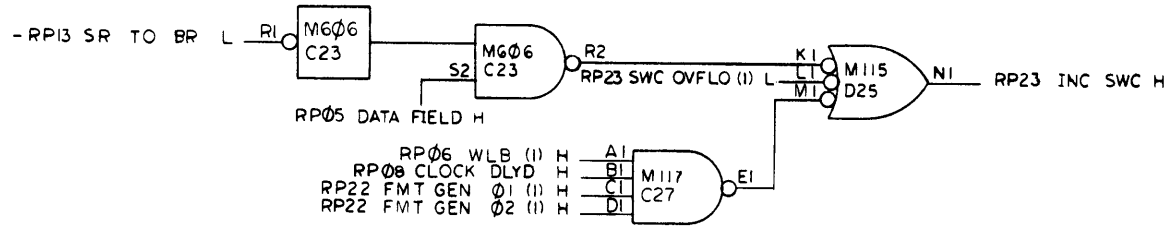
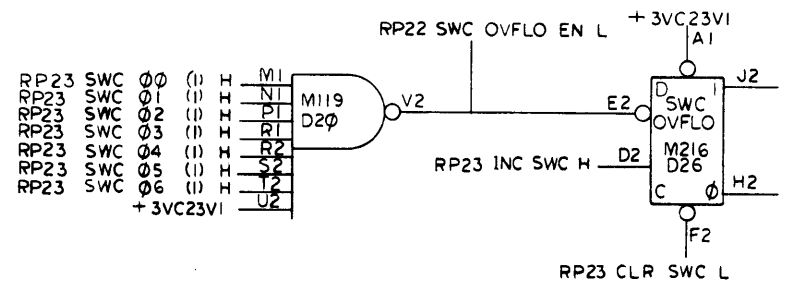
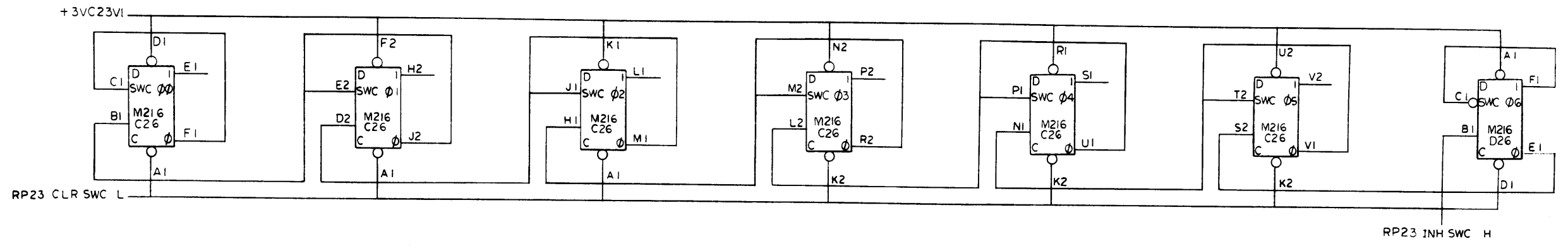
M113
D24
UI
+3V D24 U1

REV.	CHG.	NO.	DATE	BY	CHK.
1					
2					
3					
4					
5					
6					
7					
8					

FIRST USED ON (FIG./MODEL)	QTY.	DESCRIPTION	PART NO.	ITEM NO.
PDP 15				
UNLESS OTHERWISE SPECIFIED				
DRN		DATE		
CHK'D		DATE		
ENG.		DATE		
PROJ. ENG.		DATE		
PROD.		DATE		
MATERIAL				
FINISH				
TITLE				
PARTS LIST				
digital EQUIPMENT CORPORATION				
WRITE FORMAT GENERATOR				
SCALE				
SHEET				
REV.				
DIST.				

This drawing and specifications herein are the property of Digital Equipment Corporation and shall not be reproduced or copied or used in whole or in part as the basis for the manufacture or sale of items without written permission.

REV. 2
 NUMBER 82-0-9101
 DATE 7/23/70



REV	CHANGE NO

SEC FORM NO DRD 102A

FIRST USED ON OPTION / MODEL	QTY.	DESCRIPTION	PART NO.	ITEM NO.
PDP15				
PARTS LIST				
UNLESS OTHERWISE SPECIFIED	DRY	DATE 4/7/70	digital EQUIPMENT CORPORATION MAYNARD, MASSACHUSETTS	
DIMENSION IN INCHES	CHK'D	DATE 7-23-70		
TOLERANCES	ENG	DATE 7-24-70	TITLE SECTOR WORD COUNT	
DECIMALS FRACTIONS ANGLES	PROJ. ENG	DATE 7-24-70		
REMOVE BURRS AND BREAK SHARP CORNERS	PROB	DATE 7-24-70	SIZE CODE DBS NUMBER RP15-0-23 REV	
MATERIAL	NEXT HIGHER ASSY		SCALE SHEET 1 OF 1	
	A - ML - RP15-0			
FINISH	DIST		SHEET 1 OF 1	

REV. 2
 NUMBER 82-0-9101
 DATE 7/23/70

DBS RP15-0-23

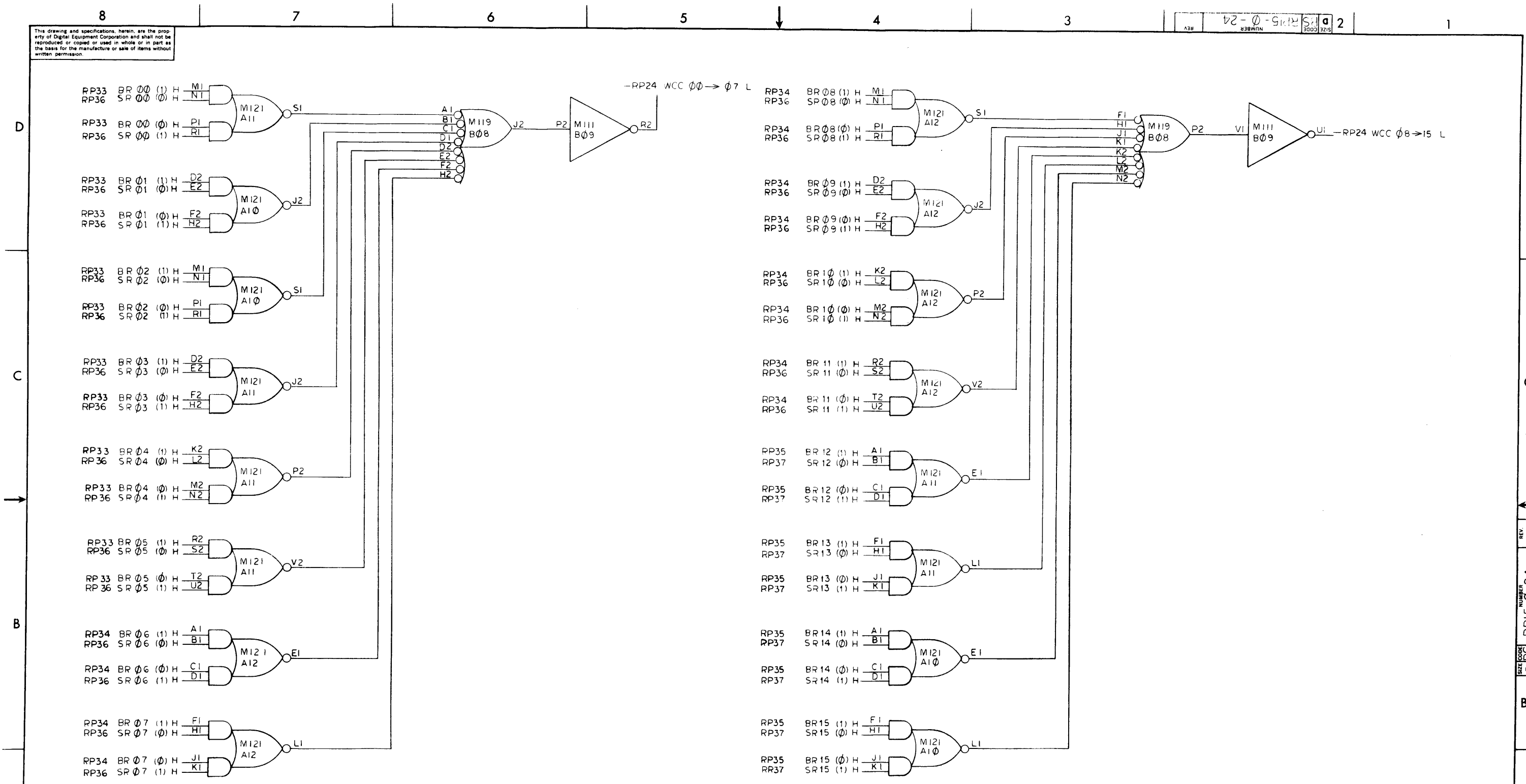
TITLE

SCALE

SHEET 1 OF 1

This drawing and specifications herein are the property of Digital Equipment Corporation and shall not be reproduced or copied or used in whole or in part as the basis for the manufacture or sale of items without written permission.

15-0-24
 330033215
 a 2



REV	
CHANGE NO	
CHK	

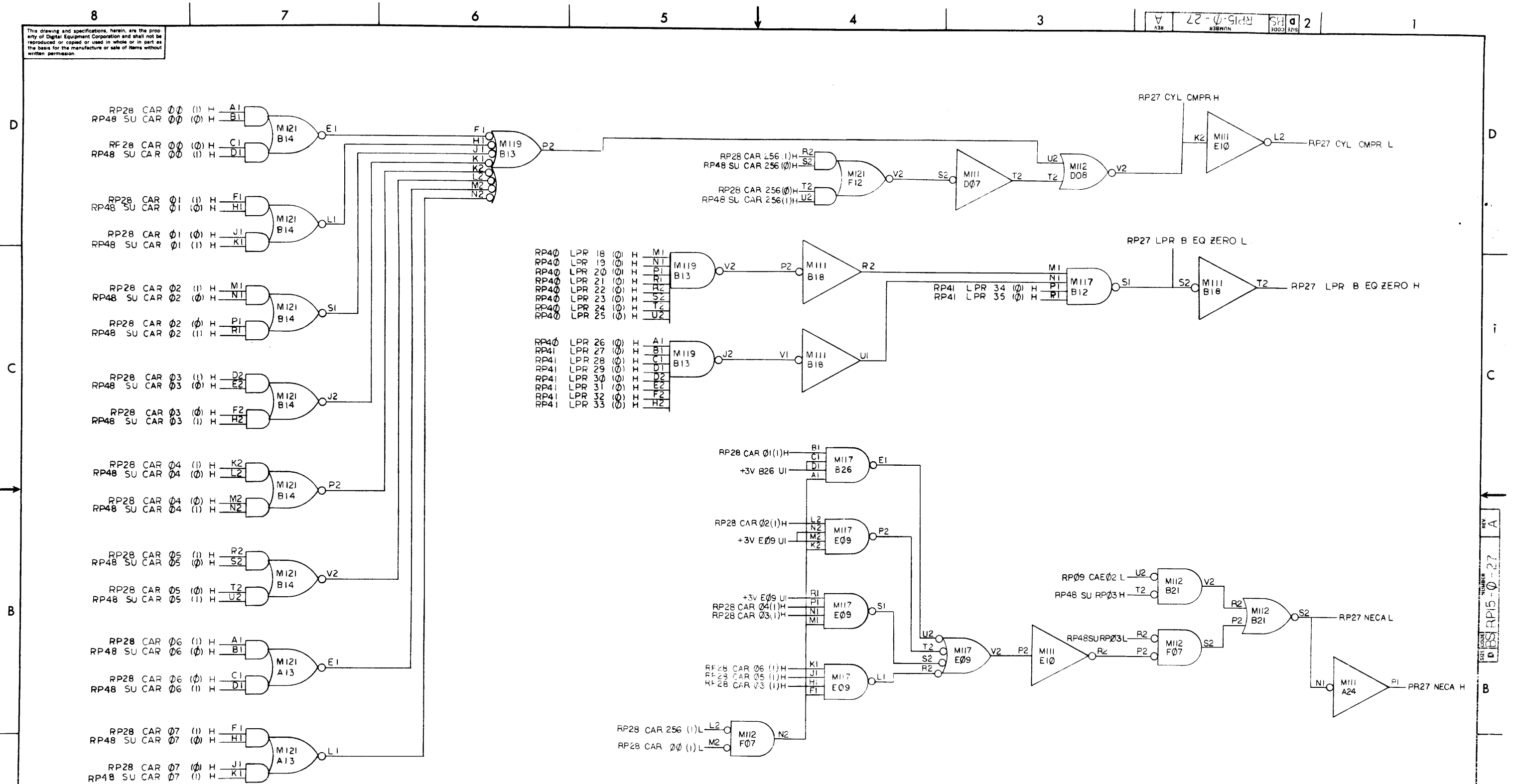
DEC FORM NO. DRD 1024

FIRST USED ON OPTION/ MODEL PDP15	QTY.	DESCRIPTION	PART NO.	ITEM NO.
PARTS LIST				
UNLESS OTHERWISE SPECIFIED DIMENSION IN INCHES TOLERANCES DECIMALS FRACTIONS ANGLES = .005 = 1/64 = 0°30'	DATE 7-23-72	DATE 7-24-72	DATE 7-24-72	DATE 7-24-72
MATERIAL ---		NEXT HIGHER ASSY A - ML-RP15-0		
FINISH ---		SCALE SHEET 1 OF 1		
TITLE WRITE CHECK COMPARATOR 00 - 15		SIZE CODE D BS RP15-0-24		
DIST.		REV.		

REV. NUMBER
 DBS RP15-0-24

This drawing and specifications, herein, are the property of Digital Equipment Corporation and shall not be reproduced or copied or used in whole or in part as the basis for the manufacture or sale of items without written permission.

REV 2
 NUMBER DBS-0-27
 CODE 328



REV	CHANGE NO	BY	DATE
1	1	F. DOLL	7-23-70
2	1	F. DOLL	7-24-70

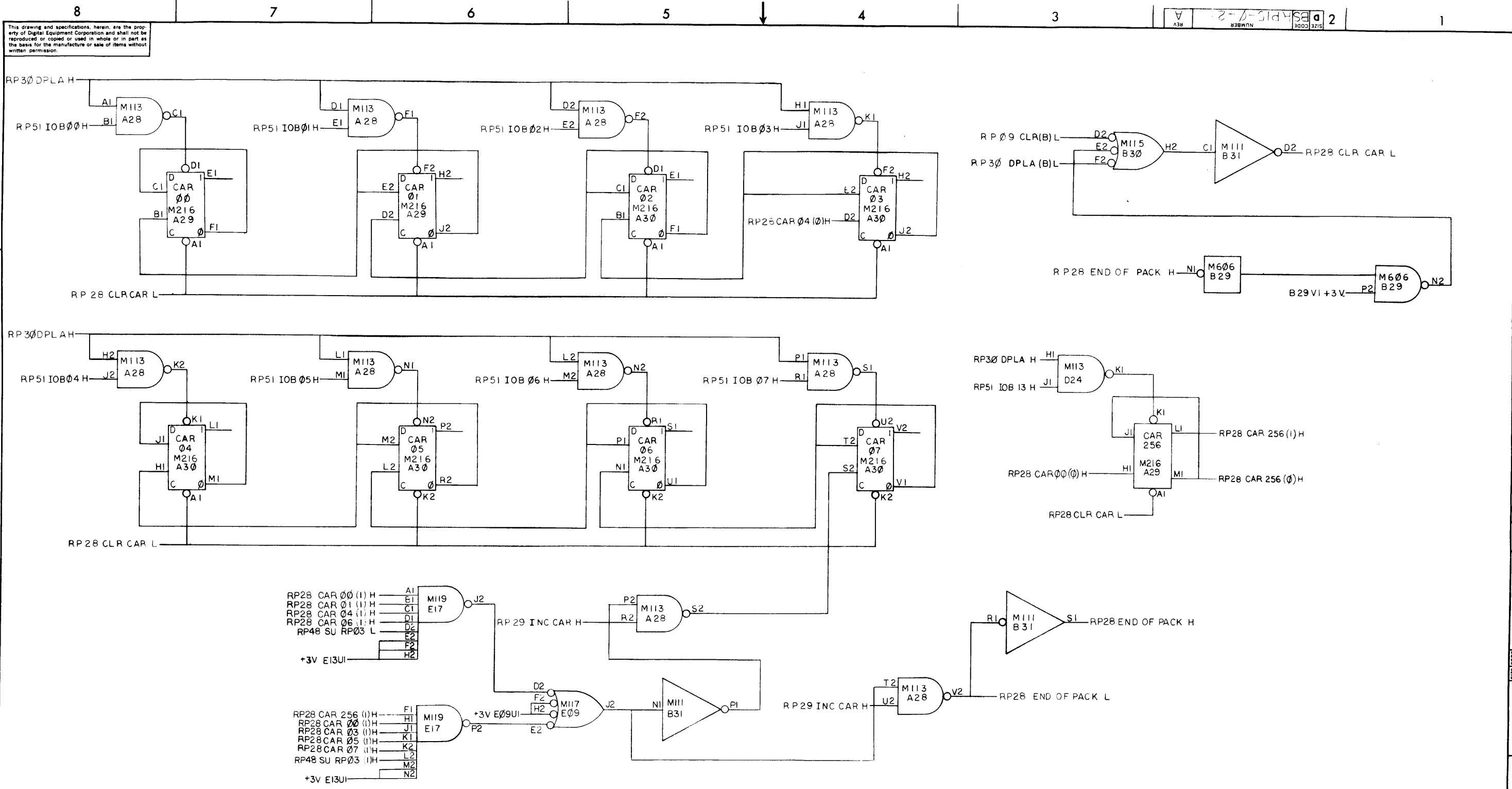
DEL FORM NO 1024

FIRST USED ON OPTION/MODEL	QTY.	DESCRIPTION	PART NO.	ITEM NO.
PDPI5				
PARTS LIST				
UNLESS OTHERWISE SPECIFIED				
DIMENSION IN INCHES				
TOLERANCES				
DECIMALS	FRACTIONS	ANGLES		
= .005	= 1/64	= 0°30'		
FINAL SURFACE QUALITY				
REMOVE BURRS AND BREAK SHARP CORNERS				
MATERIAL				
NEXT HIGHER ASSY				
A-ML-RP15-0				
FINISH				
SCALE				
SHEET 1 OF 1				
SIZE CODE		NUMBER	REV.	
DBS		RP15-0-27	A	
DIST.				

REV A
 NUMBER DBS-0-27
 SIZE CODE

A

This drawing and specifications, herein, are the property of Digital Equipment Corporation and shall not be reproduced or copied or used in whole or in part as the basis for the manufacture or sale of items without written permission.



REV	CHANGE NO	DATE
A	1	7-24-70
B	1	7-24-70
C	1	7-24-70
D	1	7-24-70

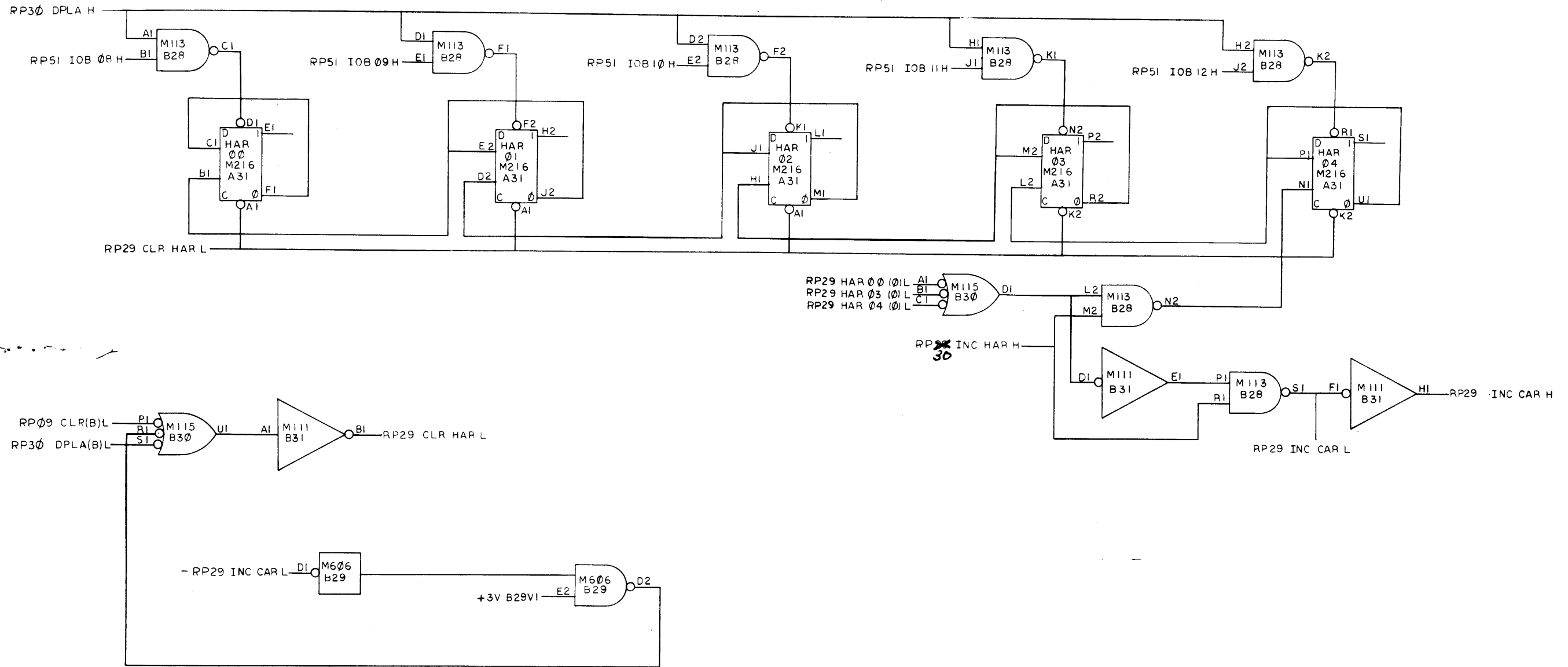
DEC FORM NO DRD 102A

FIRST USED ON OPTION/MODEL	QTY.	DESCRIPTION	PART NO.	ITEM NO.
PDP 15				
UNLESS OTHERWISE SPECIFIED				
DRN		DATE	PARTS LIST	
CHK'D	<i>N. Russo</i>	3-24-70	digital EQUIPMENT CORPORATION	
ENG		7-23-70	MAYNARD MASSACHUSETTS	
PRJ. ENG		7-24-70	TITLE	
PROB		7-24-70	CYLINDER ADDRESS REGISTER	
MATERIAL				
NEXT HIGHER ASSY.				
A-ML-RP15-0				
FINISH				
SCALE				
SHEET 1 OF 1				
SIZE CODE		NUMBER		REV
D		BS RP15-0-28		A

REV. A
NUMBER
D BS RP15-0-28

This drawing and specifications, herein, are the property of Digital Equipment Corporation and shall not be reproduced or copied or used in whole or in part as the basis for the manufacture or sale of items without written permission.

8 7 6 5 4 3 2 1



REV	
CHANGE NO	
CHK	

DEC FORM NO. DRD 102A

8 7 6 5 4 3 2 1

FIRST USED ON OPTION MODEL PDP15	QTY.	DESCRIPTION	PART NO.	ITEM NO.
PARTS LIST				
UNLESS OTHERWISE SPECIFIED	DRN	DATE	 digital EQUIPMENT CORPORATION NAYARD MASSACHUSETTS	
UNLESS OTHERWISE SPECIFIED	CHK'D.	DATE		
DIMENSION IN INCHES	ENG.	DATE		
TOLERANCES	PROJ. ENG.	DATE		
DECIMALS FRACTIONS ANGLES	PROD.	DATE	TITLE HEAD ADDRESS REGISTER	
± .005 ± .001 ± .030				
FINAL SURFACE QUALITY			NUMBER DBS RP15-0-29	
REMOVE BURRS AND BREAK SHARP CORNERS				
MATERIAL	NEXT HIGHER ASSY.		DIST.	
FINISH	A-ML-RP15-0			
SCALE		SHEET		OF

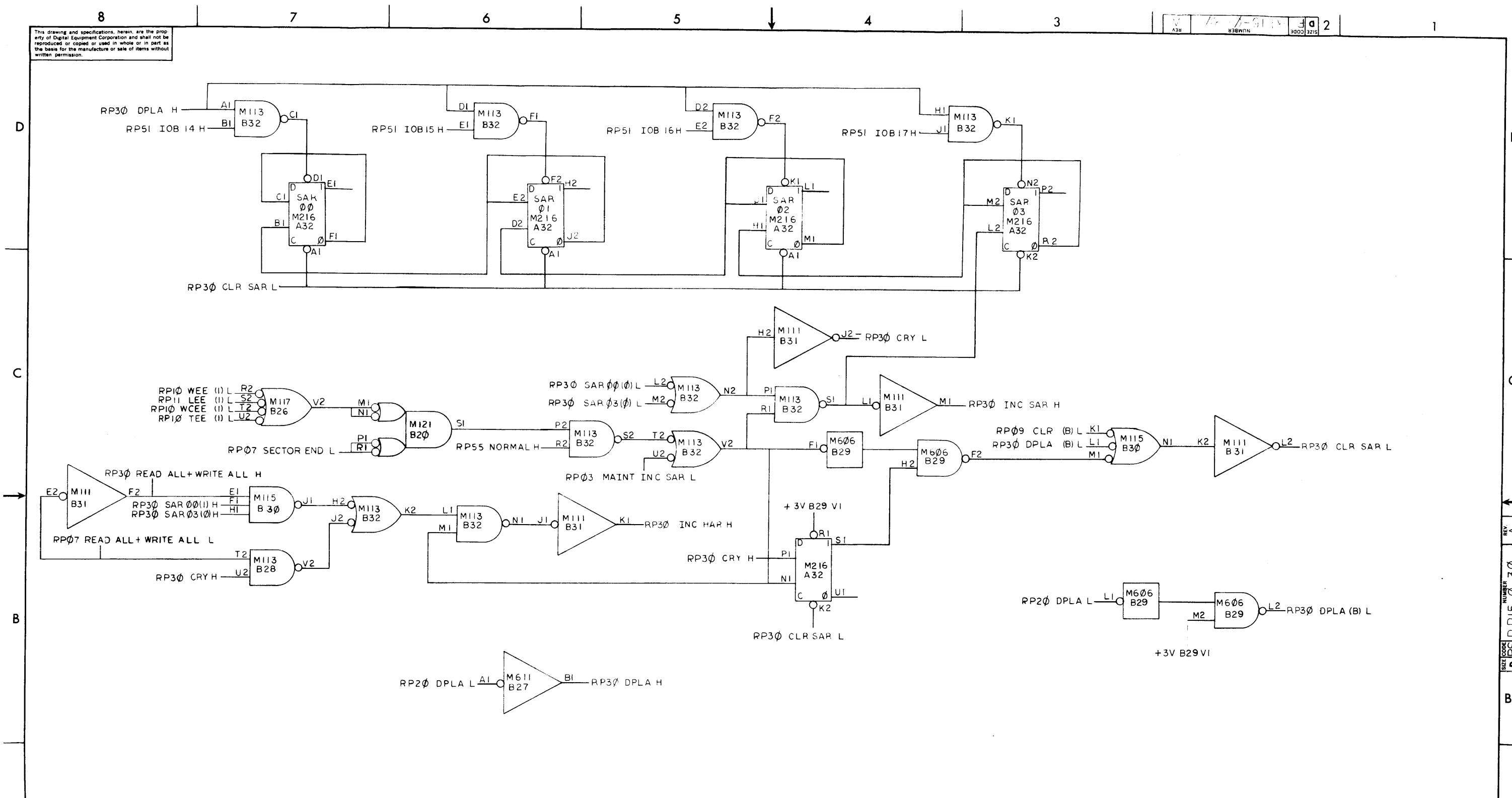
REV. NUMBER
DBS RP15-0-29

B

A

This drawing and specifications, herein, are the property of Digital Equipment Corporation and shall not be reproduced or copied or used in whole or in part as the basis for the manufacture or sale of items without written permission.

REV 1/2-91 3000 3215

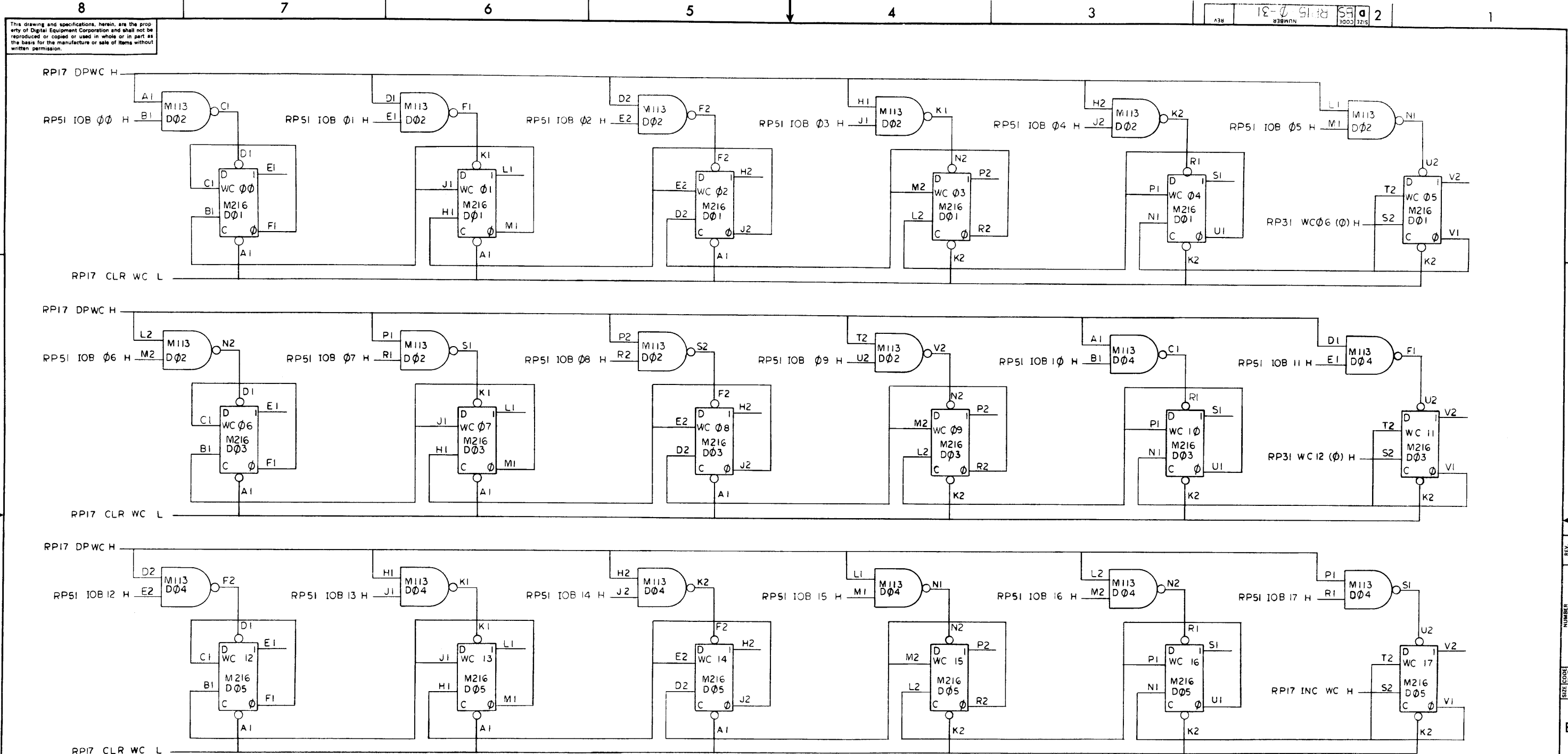


REV	CHG	NO	DATE
1	RP15-00012		8-1-72
2			
3			

DEC FORM NO DRD 102A

FIRST USED ON OPTION MODEL	QTY.	DESCRIPTION	PART NO.	ITEM NO.
PDP 15				
PARTS LIST				
UNLESS OTHERWISE SPECIFIED	DRN	DATE	digital EQUIPMENT CORPORATION MAYNARD, MASSACHUSETTS	
UNLESS OTHERWISE SPECIFIED	CHK'D	DATE		
DIMENSION IN INCHES			TITLE	
TOLERANCES				
DECIMALS	FRACTIONS	ANGLES	SECTOR ADDRESS REGISTER	
= .005	= 1/64	= 0°30'		
FINAL SURFACE QUALITY			SIZE CODE NUMBER REV D BS RP15-0-30 A	
REMOVE BURRS AND BREAK SHARP CORNERS				
MATERIAL	NEXT HIGHER ASSY.		SCALE OF 1 SHEET 1 OF 1	
FINISH	A-ML-RP15-0			

SIZE CODE NUMBER REV
D BS RP15-0-30 A



This drawing and specifications, herein, are the property of Digital Equipment Corporation and shall not be reproduced or copied or used in whole or in part as the basis for the manufacture or sale of items without written permission.

REV. 2
NUMBER 15-0 9118 SA 3003 3215

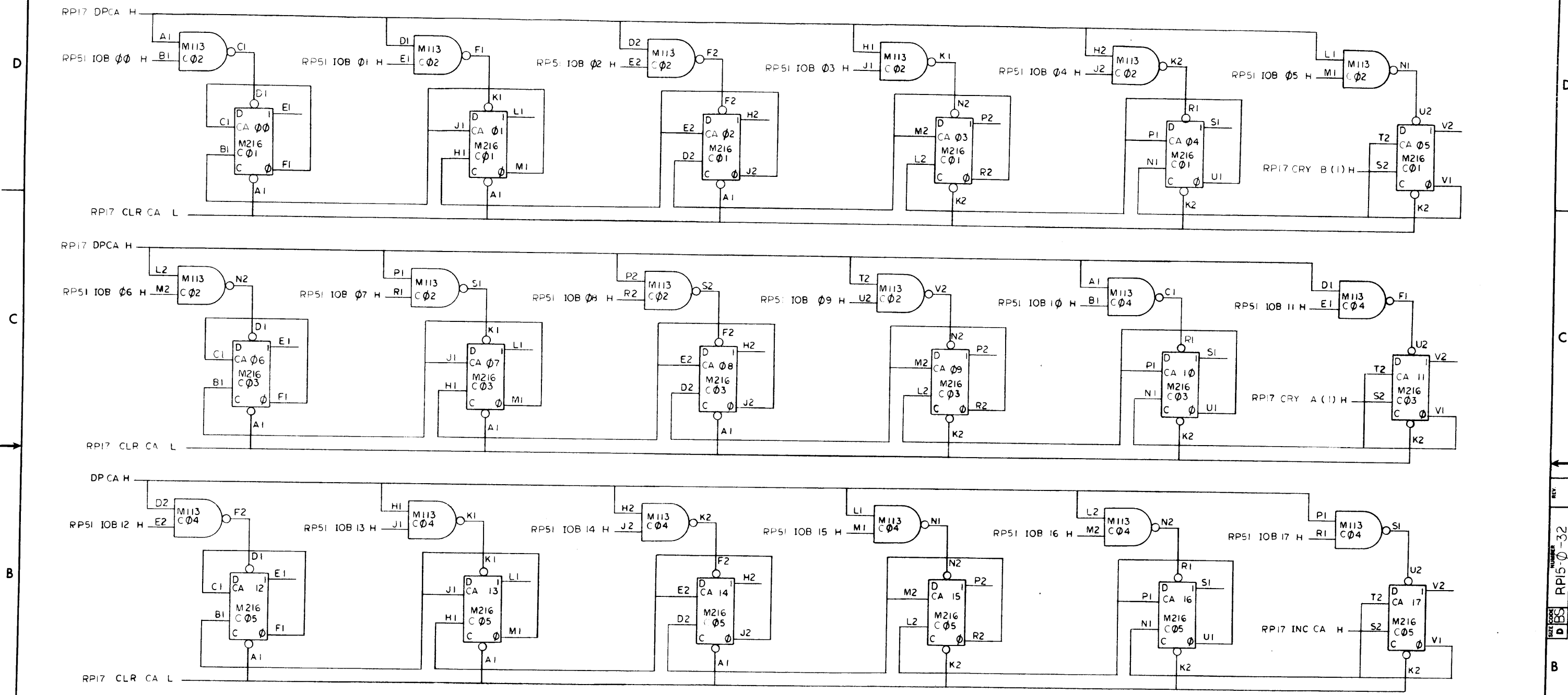
REVISIONS	NO.	REV.
CHK		

FIRST USED ON OPTION/MODEL PDP15	QTY.	DESCRIPTION	PART NO.	ITEM NO.
UNLESS OTHERWISE SPECIFIED	DRY	DATE	PARTS LIST	
UNLESS OTHERWISE SPECIFIED	CHK'D. <i>K. Jones</i>	DATE	digital EQUIPMENT CORPORATION MAYNARD, MASSACHUSETTS	
DIMENSION IN INCHES	ENG. <i>21</i>	DATE	TITLE	
TOLERANCES	PROJ. ENG. <i>git</i>	DATE	WORD COUNT REGISTER 00-17	
DECIMALS FRACTIONS ANGLES	PROD. <i>...</i>	DATE	SIZE CODE NUMBER REV.	
± .005 ± 1/64 ± .030°	NEXT HIGHER ASSY		D ES RP15-0-31	
FINAL SURFACE QUALITY	A-ML-RP15-0		SCALE SHEET 1 OF 1	
REMOVE BURRS AND BREAK SHARP CORNERS			DIST.	
MATERIAL				
FINISH				

REV. 2
NUMBER 15-0 9118 SA 3003 3215

REV. 2
NUMBER 15-0 9118 SA 3003 3215

This drawing and specifications herein are the property of Digital Equipment Corporation and shall not be reproduced or copied or used in whole or in part as the basis for the manufacture or sale of items without written permission.

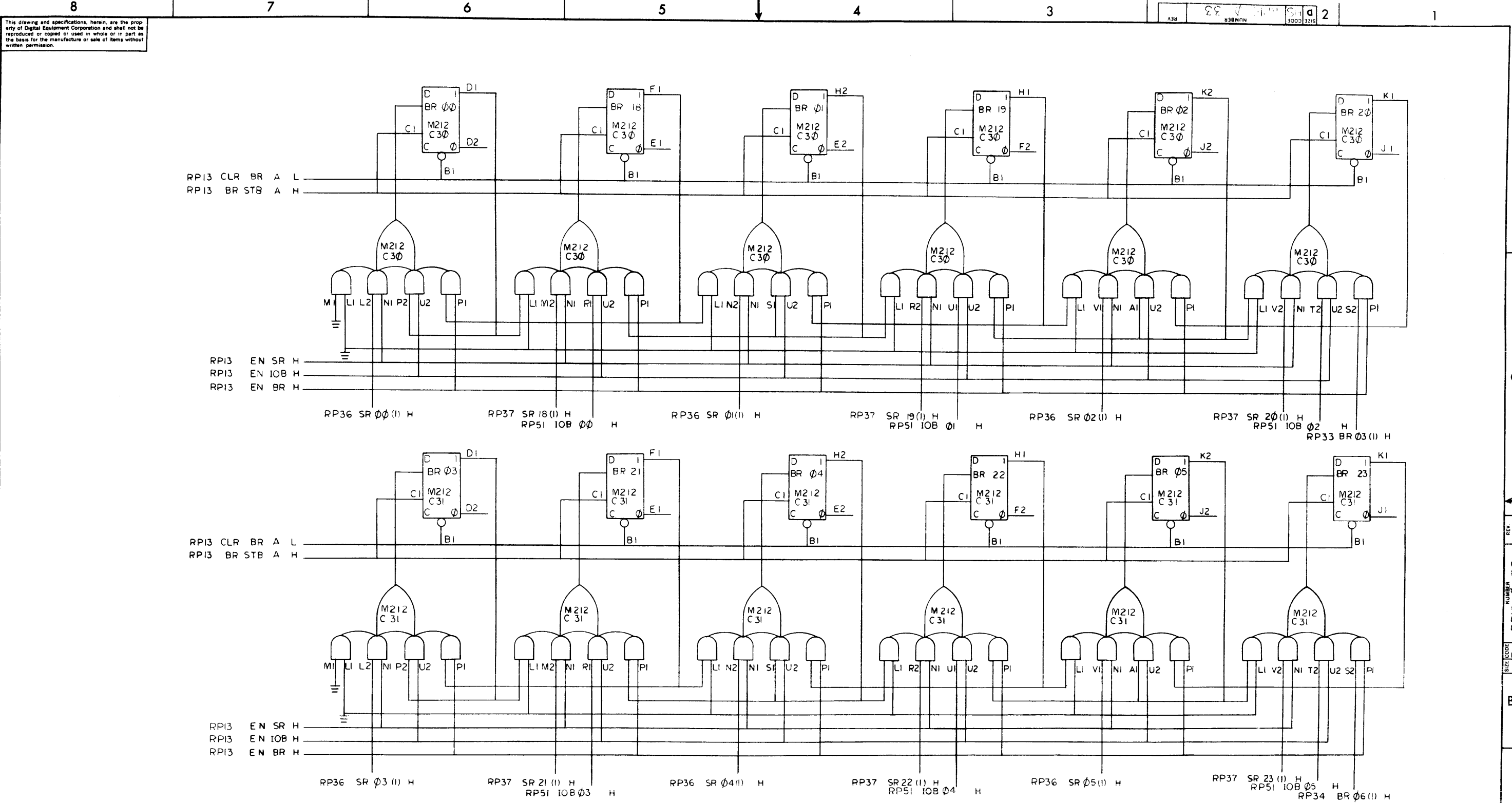


REV	
CHANGE NO	
CHK	

FIRST USED ON OPTION/ MODEL	QTY.	DESCRIPTION	PART NO.	ITEM NO.
RPS15				
PARTS LIST				
UNLESS OTHERWISE SPECIFIED		DRN	DATE	
DIMENSION IN INCHES		CHK'D	DATE	
TOLERANCES		ENG	DATE	
DECIMALS FRACTIONS ANGLES		PROJ. ENG.	DATE	
= .005 = 1/64 = 0.30		PROD.	DATE	
FINAL SURFACE QUALITY		NEXT HIGHER LEVEL		
REMOVE BURRS AND BREAK SHARP CORNERS		A. M. RPS15		
MATERIAL				
FINISH				
SCALE		SHEET 1 OF 1		
DIST.		SIZE CODE DBS		NUMBER RPS15-0-32
				REV.

digital EQUIPMENT CORPORATION
 MAYNARD, MASSACHUSETTS
 TITLE
 CURRENT ADDRESS REGISTER 00 - 17

REV. 1
 NUMBER RPS15-0-32
 SIZE CODE DBS



This drawing and specifications, herein, are the property of Digital Equipment Corporation and shall not be reproduced or copied or used in whole or in part as the basis for the manufacture or sale of items without written permission.

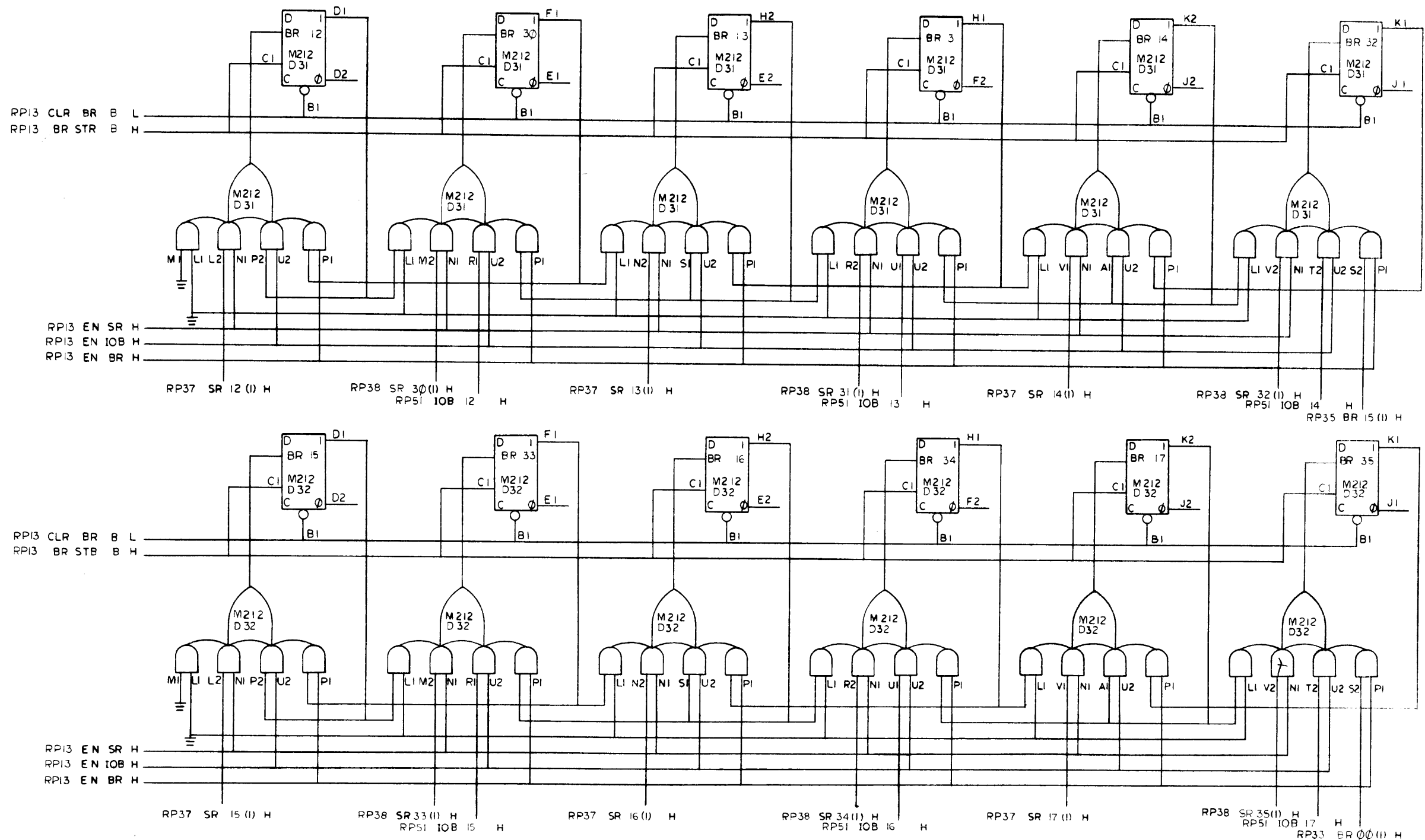
REV	
CHANGE NO.	
CHK	

FIRST USED ON OPTION / MODEL PDP15	QTY.	DESCRIPTION	PART NO.	ITEM NO.
PARTS LIST				
UNLESS OTHERWISE SPECIFIED	DRN	DATE	digital CORPORATION MAYNARD, MASSACHUSETTS	
UNLESS OTHERWISE SPECIFIED	CHK'D. <i>X</i>	DATE	TITLE	
DIMENSION IN INCHES		2-23-70	BUFFER REGISTER	
TOLERANCES	ENG. <i>J</i>	DATE	00-05, 18-23	
DECIMALS = .005		7-24-70		
FRACTIONS = 1/64	PROJ. ENG. <i>J</i>	DATE		
ANGLES = 0°30'	PROD. <i>J</i>	DATE		
FINAL SURFACE QUALITY		7-21-70		
REMOVE BURRS AND BREAK SHARP CORNERS				
MATERIAL	NEXT HIGHER ASSY			
FINISH	A - ML - RP15-0			
SCALE	SIZE CODE NUMBER			
SHEET	D BS RP15-0-33			
OF 1	REV			

REV. NUMBER RP15-0-33

This drawing and specifications, herein, are the property of Digital Equipment Corporation and shall not be reproduced or copied or used in whole or in part as the basis for the manufacture or sale of items without written permission.

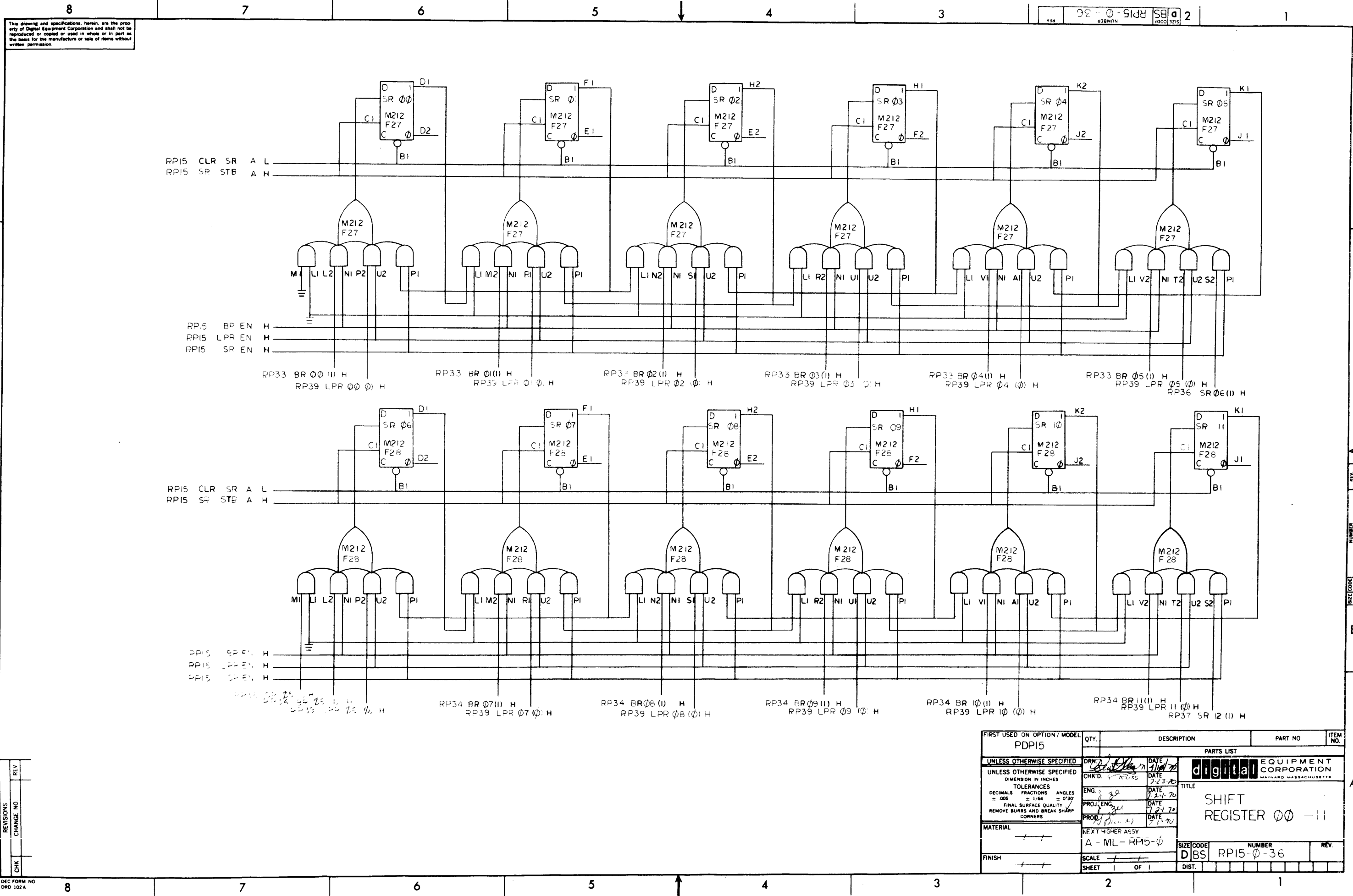
REV. 1
 NUMBER 12718
 DBS RP15-0-35



REV.	
CHANGE NO.	
CHK.	

FIRST USED ON OPTION / MODEL PDP15	QTY.	DESCRIPTION	PART NO.	ITEM NO.
UNLESS OTHERWISE SPECIFIED				
DIMENSION IN INCHES				
TOLERANCES				
DECIMALS	FRACTIONS	ANGLES		
= .005	= 1/64	= 0°30'		
FINAL SURFACE QUALITY / REMOVE BURRS AND BREAK SHARP CORNERS				
MATERIAL	NEXT HIGHER ASSY			
FINISH	SCALE			
	SHEET 1 OF 1			
PARTS LIST		TITLE		
digital EQUIPMENT CORPORATION MAYNARD, MASSACHUSETTS		BUFFER REGISTER		
		12 7. 30 -35		
SIZE CODE DBS		NUMBER RP15-0-35		
DIST.		REV.		

This drawing and specifications, herein, are the property of Digital Equipment Corporation and shall not be reproduced or copied or used in whole or in part as the basis for the manufacture or sale of items without written permission.



REV	
CHANGE NO	
CHK	

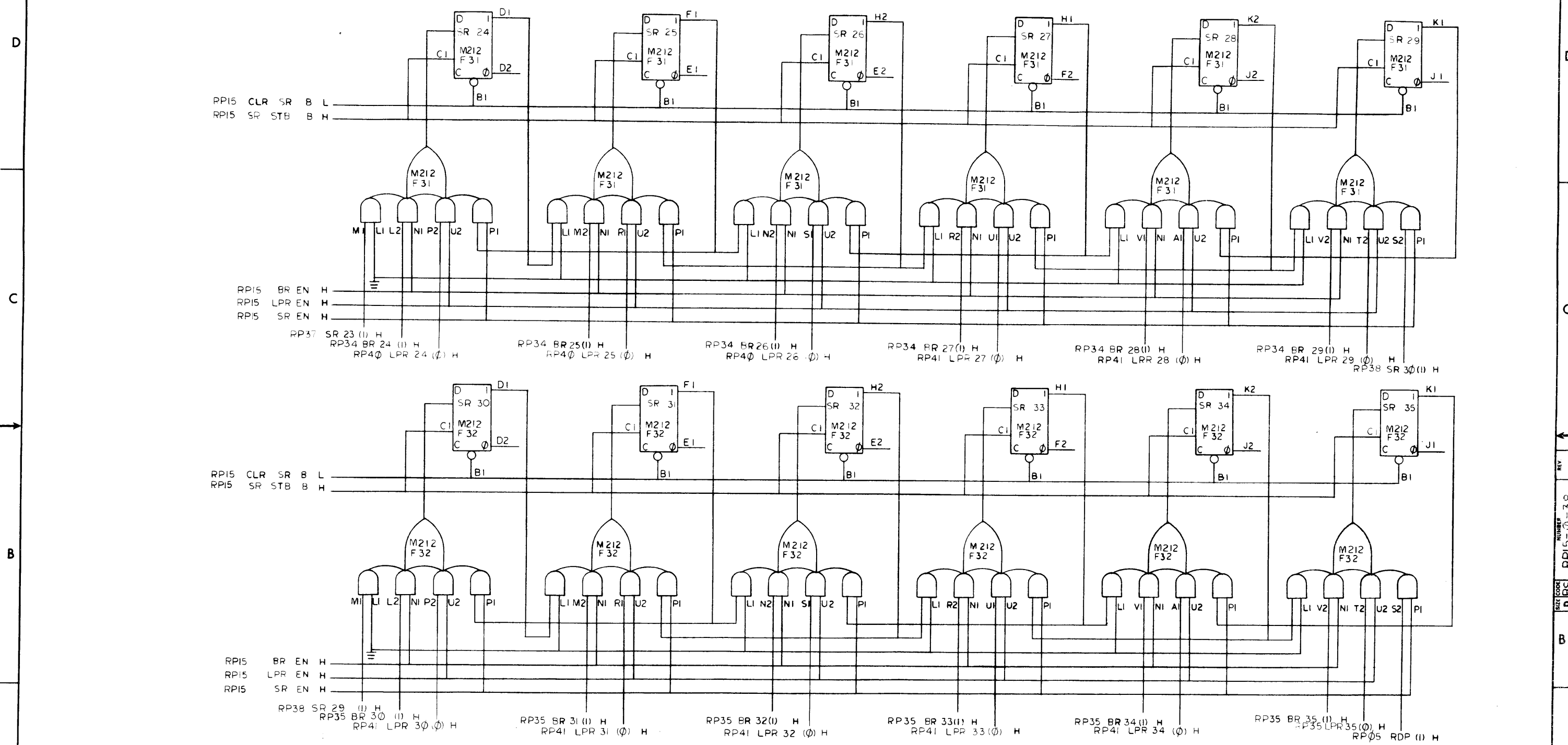
DEC FORM NO 080 102 A

FIRST USED ON OPTION / MODEL PDP15	QTY.	DESCRIPTION	PART NO.	ITEM NO.
UNLESS OTHERWISE SPECIFIED DIMENSION IN INCHES TOLERANCES DECIMALS FRACTIONS ANGLES = .005 = 1/64 = 0°30' FINAL SURFACE QUALITY REMOVE BURRS AND BREAK SHARP CORNERS	DRN: <i>[Signature]</i> DATE: 11/16/70 CHK'D: <i>[Signature]</i> DATE: 2/3/70 ENG: <i>[Signature]</i> DATE: 2/24/70 PROJ. ENG: <i>[Signature]</i> DATE: 7/24/70 PROD: <i>[Signature]</i> DATE: 7/1/70	DATE: 11/16/70 DATE: 2/3/70 DATE: 2/24/70 DATE: 7/24/70 DATE: 7/1/70	PARTS LIST digital EQUIPMENT CORPORATION MAYNARD, MASSACHUSETTS	
MATERIAL FINISH	NEXT HIGHER ASSY A - ML - RP15-0		TITLE SHIFT REGISTER 00-11	
	SCALE	SHEET	DIST.	REV.
	OF 1			

SIZE CODE
 DBS
 NUMBER
 RP15-0-36
 REV.

This drawing and specifications, herein, are the property of Digital Equipment Corporation and shall not be reproduced or copied or used in whole or in part as the basis for the manufacture or sale of items without written permission.

89-0-918 SB a 2

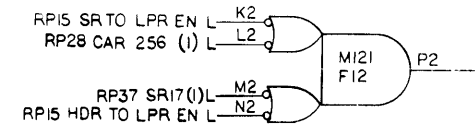
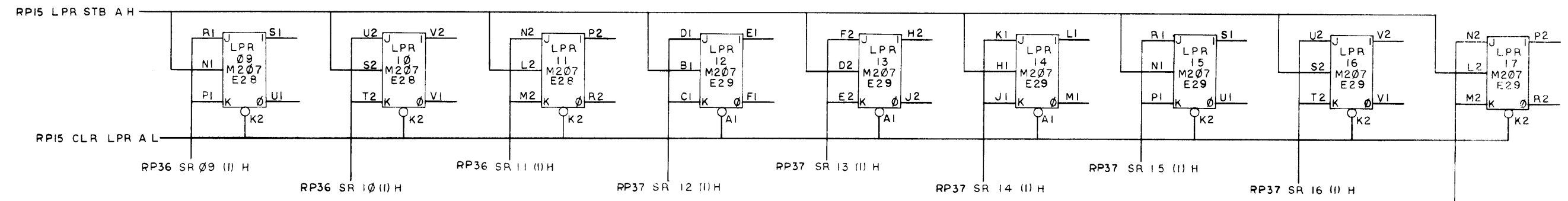
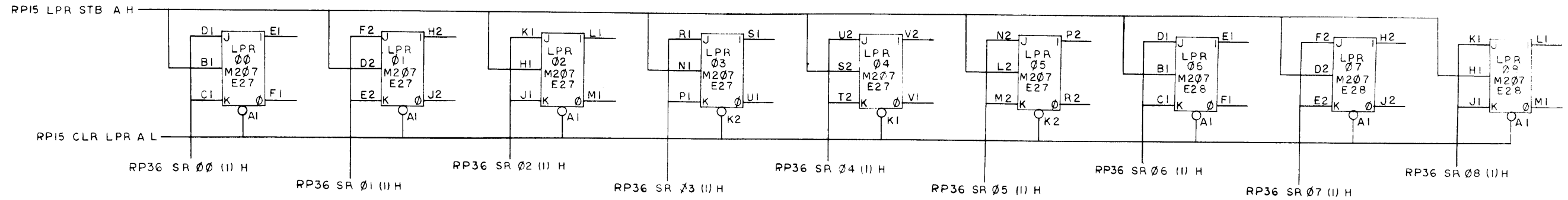


REVISIONS	REV
CHK	CHANGE NO.

FIRST USED ON OPTION / MODEL PDP15	QTY.	DESCRIPTION	PART NO.	ITEM NO.
PARTS LIST				
UNLESS OTHERWISE SPECIFIED				
UNLESS OTHERWISE SPECIFIED				
DIMENSION IN INCHES				
TOLERANCES				
DECIMALS	FRACTIONS	ANGLES		
= .005	= 1/64	= 0°30'		
FINAL SURFACE QUALITY				
REMOVE BURRS AND BREAK SHARP CORNERS				
MATERIAL				
NEXT HIGHER ASSY				
A - ML - RP15-0				
FINISH				
SCALE				
SHEET 1 OF 1				
TITLE		SHIFT REGISTER 24 - 35		
SIZE CODE	NUMBER	REV.		
D BS	RP15-0-38			

This drawing and specifications, herein, are the property of Digital Equipment Corporation and shall not be reproduced or copied or used in whole or in part as the basis for the manufacture or sale of items without written permission.

13B 3000 2

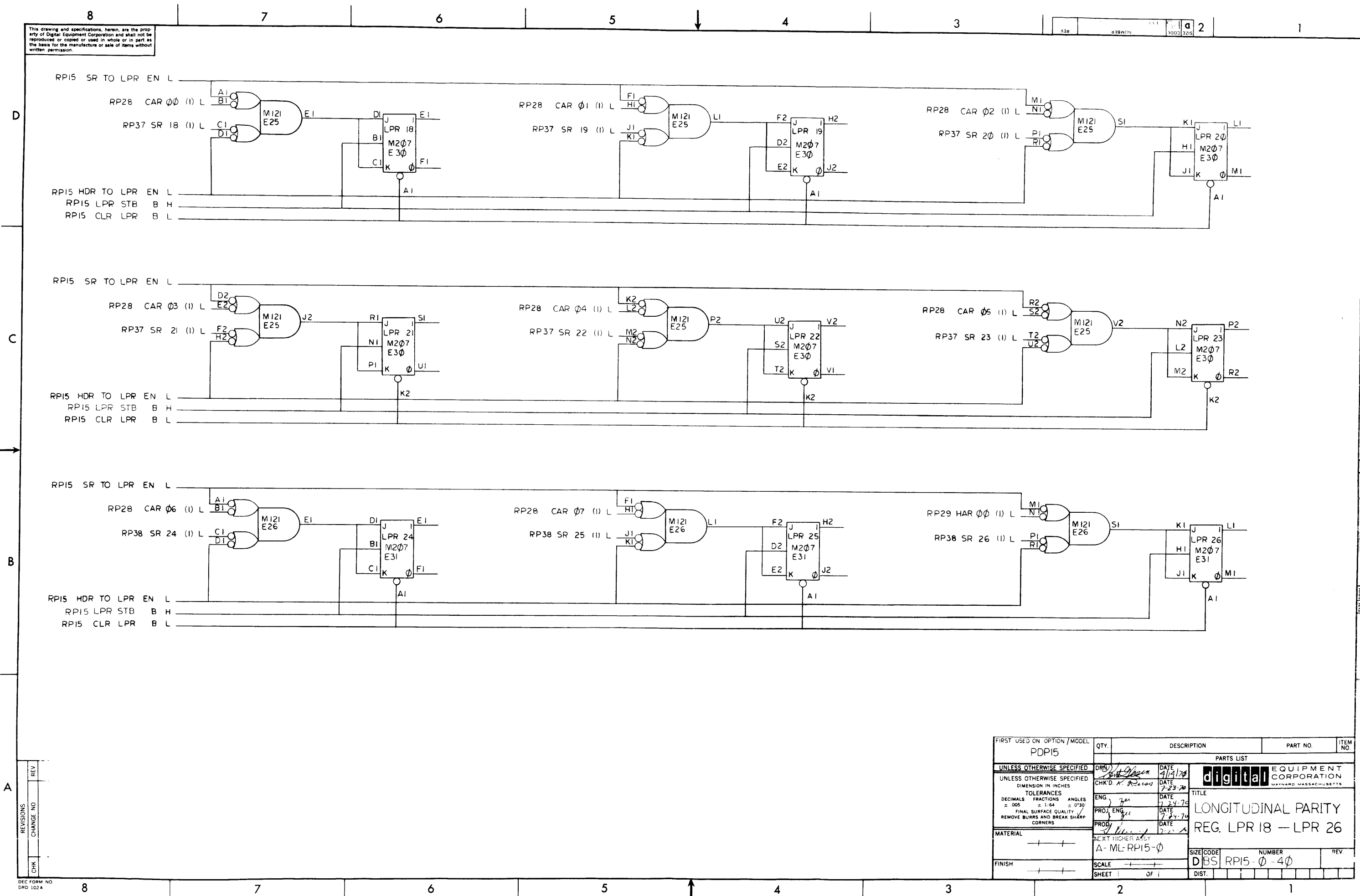


REV	CHG	NO	DATE	BY
1				
2				
3				
4				
5				
6				
7				
8				

FIRST USED ON OPTION/MODEL	QTY.	DESCRIPTION	PART NO.	ITEM NO.
PDP 15				
PARTS LIST				
UNLESS OTHERWISE SPECIFIED	DRN	DATE	digital CORPORATION MAYNARD, MASSACHUSETTS	
UNLESS OTHERWISE SPECIFIED	CHK'D.	DATE		
DIMENSION IN INCHES	ENG.	DATE	TITLE LONGITUDINAL PARITY REG. LPR07-LPR17	
TOLERANCES	PROJ. ENG.	DATE		
DECIMALS FRACTIONS ANGLES	PROD.	DATE		
± .005 ± 1/64 ± 0°30'			SIZE CODE NUMBER DBSR-15-2-39 A	
FINAL SURFACE QUALITY REMOVE BURRS AND BREAK SHARP CORNERS			SCALE SHEET 1 OF 1	
MATERIAL			DIST.	
FINISH				

REV A DBSR-15-2-39

This drawing and specifications, herein, are the property of Digital Equipment Corporation and shall not be reproduced or copied or used in whole or in part as the basis for the manufacture or sale of items without written permission.



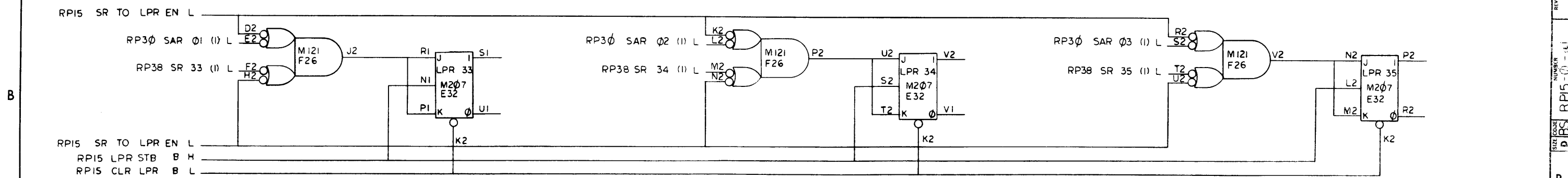
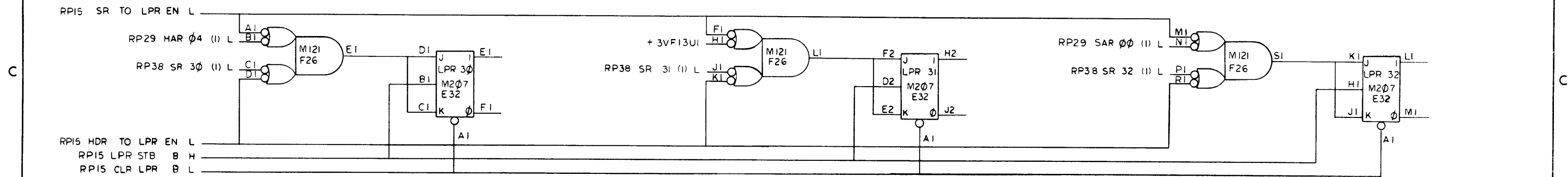
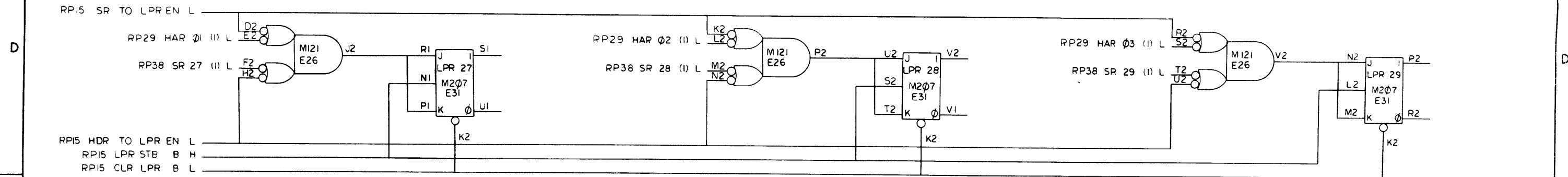
FIRST USED ON OPTION / MODEL	QTY.	DESCRIPTION	PART NO.	ITEM NO.
PDP15				
PARTS LIST				
UNLESS OTHERWISE SPECIFIED	DRN	DATE	digital EQUIPMENT CORPORATION MAYNARD, MASSACHUSETTS	
UNLESS OTHERWISE SPECIFIED	CHK'D	DATE	TITLE	
DIMENSION IN INCHES		7-23-70	LONGITUDINAL PARITY	
TOLERANCES	ENG	DATE	REG. LPR 18 - LPR 26	
DECIMALS FRACTIONS ANGLES	PROJ. ENG.	7-24-70		
= .005 = 1/64 = 0°30'	PROD.	DATE		
REMOVE BURRS AND BREAK SHARP CORNERS		7-24-70		
MATERIAL	NEXT HIGHER ASSY			
FINISH	A-ML-RP15-0			
SCALE	SIZE CODE NUMBER REV			
SHEET	DBS RP15-0-40			
	DIST.			

REV	CHANGE NO	REVISIONS

DEC FORM NO. DRD 102A

This drawing and specifications herein are the property of Digital Equipment Corporation and shall not be reproduced or copied or used in whole or in part as the basis for the manufacture or sale of items without written permission.

REV. 1
 NUMBER 1
 SIZE CODE DBS
 3003 3216

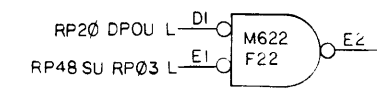
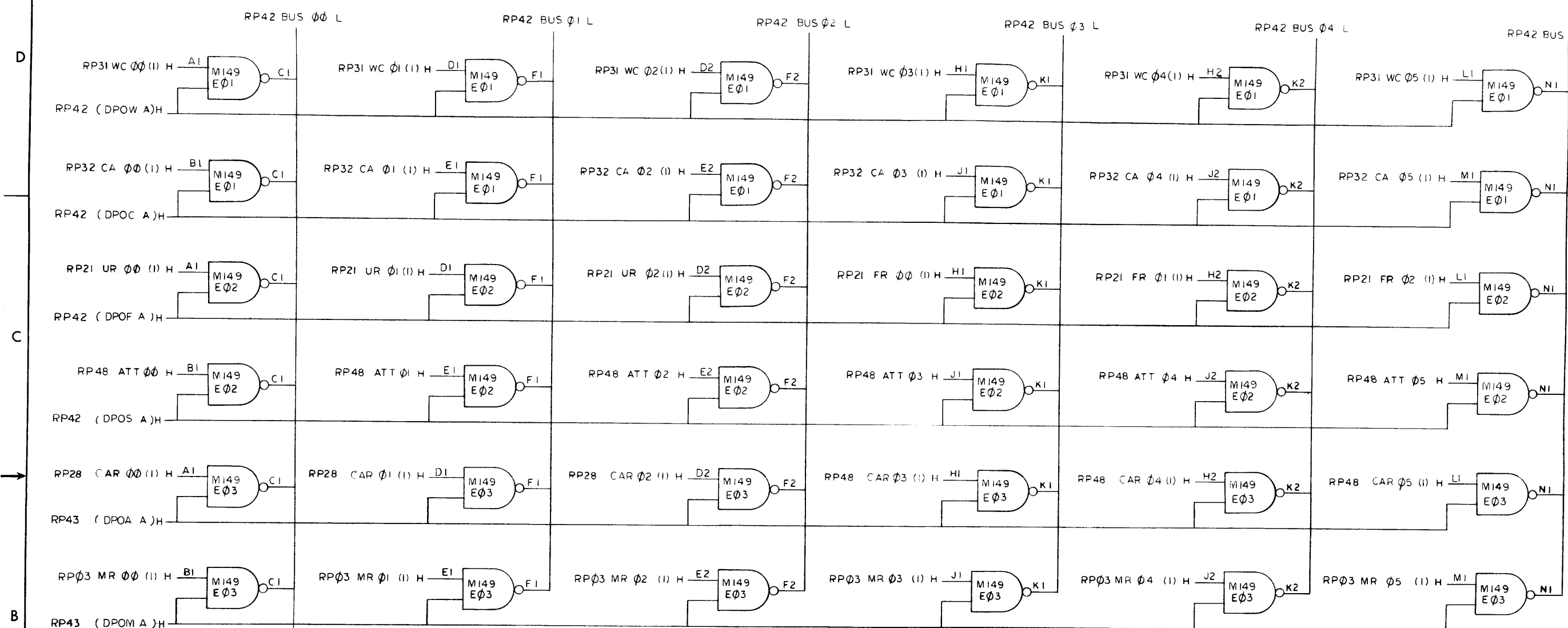


A

REV	
CHANGE NO.	
CHK	

FIRST USED ON OPTION / MODEL PDP15	QTY	DESCRIPTION	PART NO	ITEM NO.
PARTS LIST				
UNLESS OTHERWISE SPECIFIED	DRN: <i>W. Wilson</i>	DATE: 7/19/70	digital EQUIPMENT CORPORATION MAYNARD, MASSACHUSETTS	
UNLESS OTHERWISE SPECIFIED	CHK'D: <i>K. Rivas</i>	DATE: 2-23-70	TITLE	
TOLERANCES		ENG: <i>J. J.</i>	DATE: 7-24-70	LONGITUDINAL PARTY REG. LPR 27 - LPR 35
DECIMALS	FRACTIONS	PROJ. ENG: <i>J. J.</i>	DATE: 7-24-70	
ANGLES		PROJ. <i>J. J.</i>	DATE: 7-24-70	
± .005	± 1/64			
± .030				
REMOVE BURRS AND BREAK SHARP CORNERS				
MATERIAL	NEXT HIGHER ASSY			
++	Δ-MIL-RP15-Ø			
FINISH	SCALE	SIZE CODE NUMBER REV.		
++	1	DBS RP15-Ø-41		
	SHEET 1	OF 1	DIST	

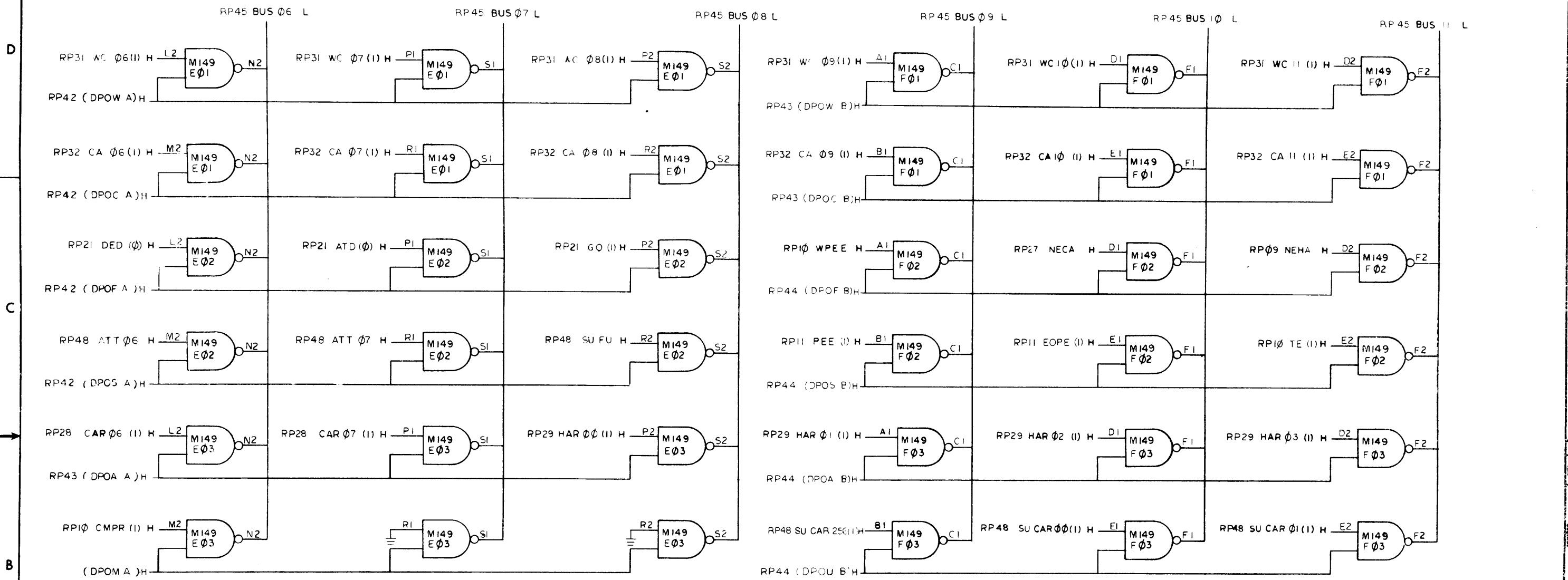
This drawing and specifications, herein, are the property of Digital Equipment Corporation and shall not be reproduced or copied or used in whole or in part as the basis for the manufacture or sale of items without written permission.



REV	NO	DATE	BY	CHK'D
1	1	7-23-70	JJ	JJ
2	1	7-24-70	JJ	JJ
3	1	7-24-70	JJ	JJ
4	1	7-24-70	JJ	JJ

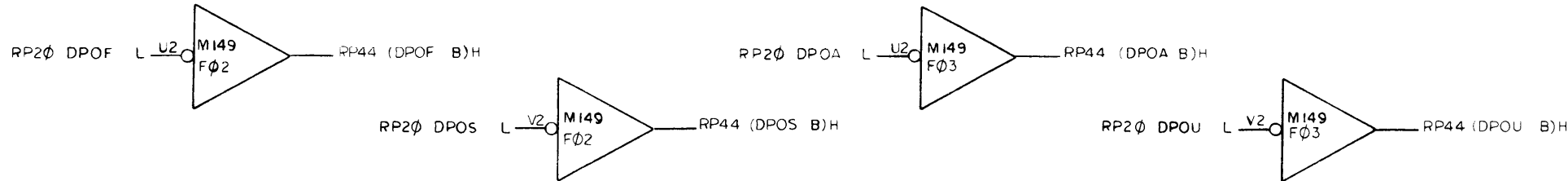
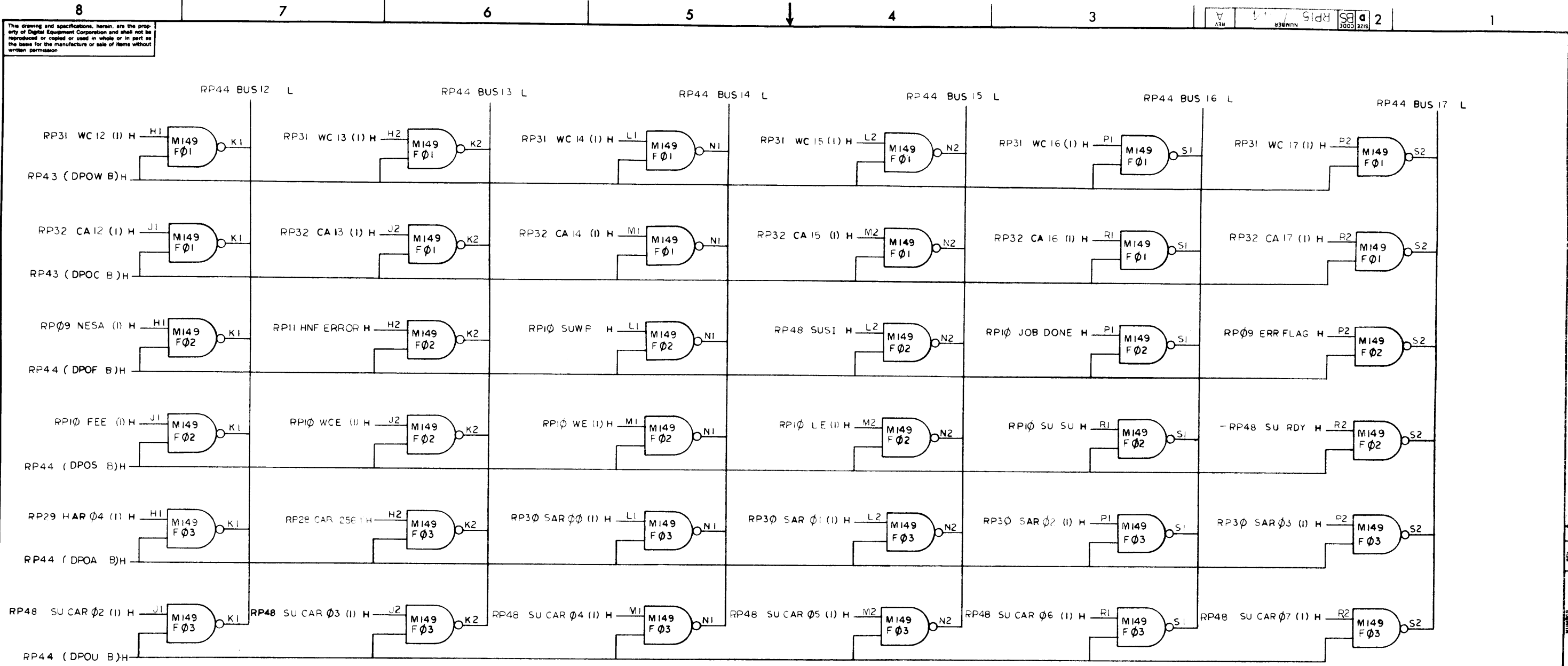
FIRST USED ON OPTION/MODEL	QTY.	DESCRIPTION	PART NO.	ITEM NO.
PDP15				
UNLESS OTHERWISE SPECIFIED		DRN	DATE	digital EQUIPMENT CORPORATION MAYNARD, MASSACHUSETTS
UNLESS OTHERWISE SPECIFIED		CHK'D	DATE	
DIMENSION IN INCHES		ENG.	DATE	
TOLERANCES		PROJ. ENG.	DATE	
DECIMALS FRACTIONS ANGLES		PROD.	DATE	TITLE
= .005 = 1/64 = 0°30'		NEXT HIGH RASSY		BUS
FINAL SURFACE QUALITY / REMOVE BURRS AND BREAK SHARP CORNERS		A-ML-RP15-φ		MULTIPLIER φ0-φ5
MATERIAL	FINISH	SCALE	SIZE CODE	NUMBER
---	---	---	D/BS	RP15-φ-42
SHEET		OF	DIST.	REV.
				A

The drawing and specifications, herein, are the property of Digital Equipment Corporation and shall not be reproduced or copied, or used in whole or in part as the basis for the manufacture or sale of items without written permission.



REV	CHANGE NO.	DATE	BY	CHKD.
A	00007	12-14-70	J. ZEH	
B	00012	12-14-70	J. ZEH	
C	00018	8-1-72	J. ZEH	
		8-14-74	F. DOLL	
		8-16-74	F. DOLL	

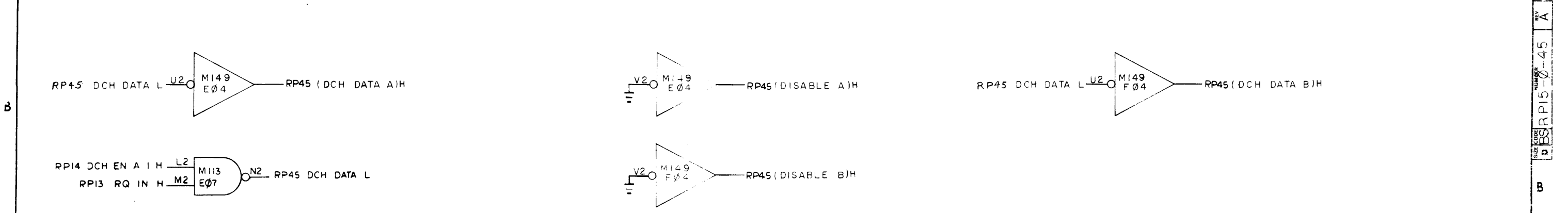
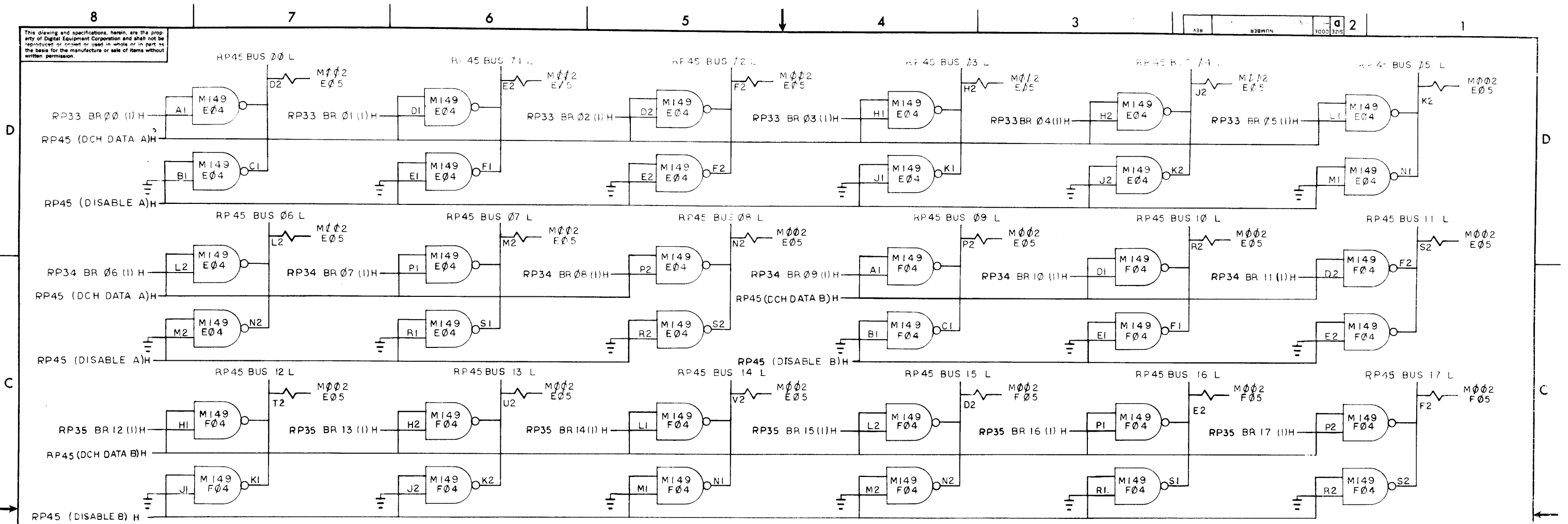
FIRST USED ON OPTION MODEL	QTY.	DESCRIPTION	PART NO.	ITEM NO.
PDP15				
UNLESS OTHERWISE SPECIFIED				
DIMENSION IN INCHES				
TOLERANCES				
DECIMALS	FRACTIONS	ANGLES		
± .005	± 1/64	± 0°30'		
FINAL SURFACE QUALITY				
REMOVE BURRS AND BREAK SHARP CORNERS				
MATERIAL	FINISH	SCALE		
++	++	1:1		
NEXT HIGHER ASSY				
A-ML RP15-0				
TITLE				
BUS MULTIPLEXER 06-11				
PARTS LIST				
digital CORPORATION MAYNARD, MASSACHUSETTS				
SIZE CODE				
DBS				
NUMBFR				
RP15-0-43				
REV				
C				
SHEET				
OF 1				
DIST.				



REV	CHANGE NO.	DATE
A	1	8-13-74
B	2	8-16-74

FIRST USED ON OPTION MODEL	QTY.	DESCRIPTION	PART NO.	ITEM NO.
PDP15				
UNLESS OTHERWISE SPECIFIED				
DIMENSION IN INCHES				
TOLERANCES				
DECIMALS	FRACTIONS	ANGLES		
± .005	± 1/64	± 0°30'		
FINAL SURFACE QUALITY				
REMOVE BURRS AND BREAK SHARP CORNERS				
MATERIAL				
NEXT HIGHER ASSY				
A-ML-RP15-0				
FINISH				
SCALE				
SHEET 1 OF 1				
PARTS LIST			digital EQUIPMENT CORPORATION	
TITLE			MAYNARD MASSACHUSETTS	
BUS MULTIPLEXER 12 - 17				
SIZE CODE	NUMBER	REV.		
D BS	RP15-0-44	A		

This drawing and specifications herein are the property of Digital Equipment Corporation and shall not be reproduced or copied or used in whole or in part as the basis for the manufacture or sale of items without written permission.



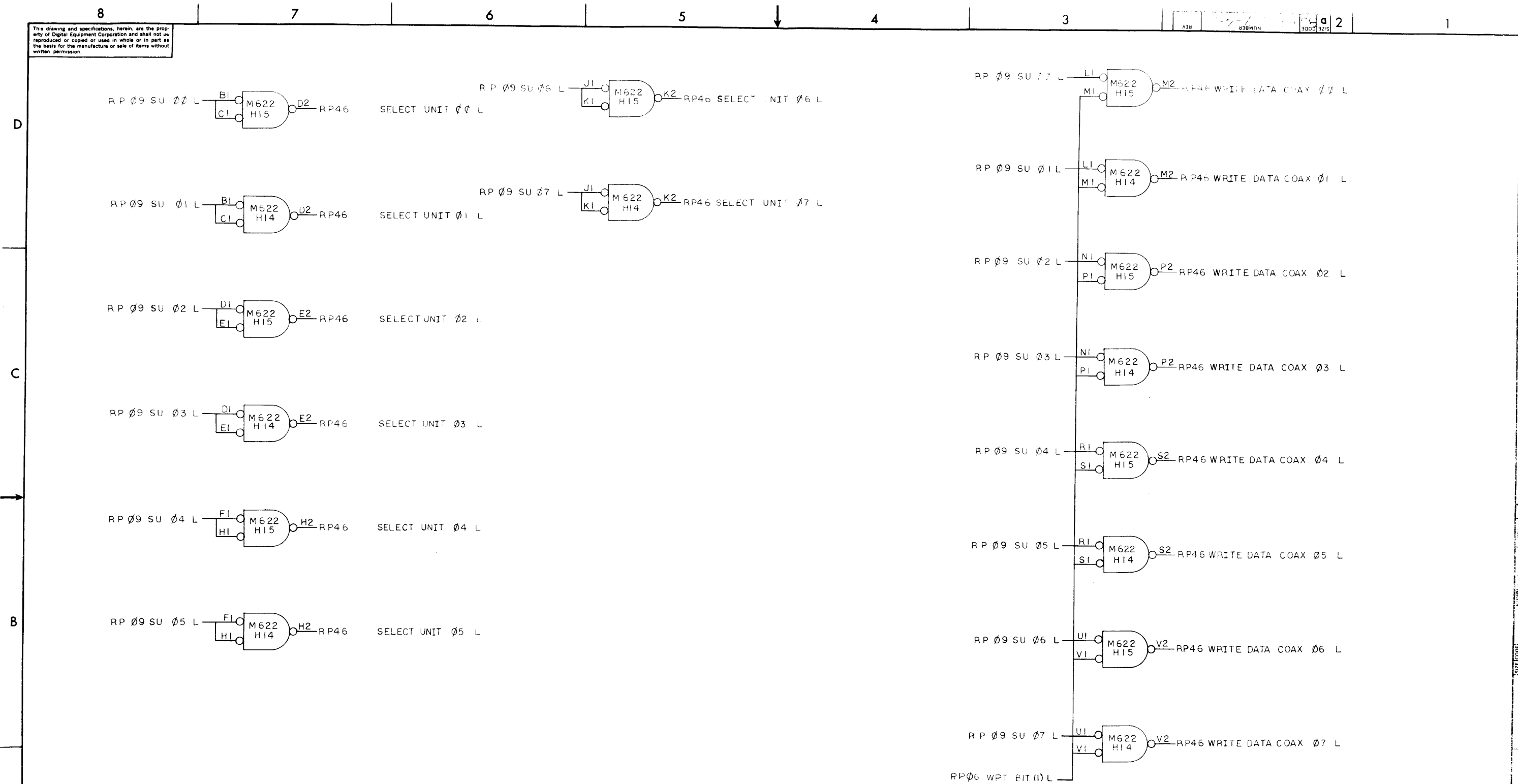
REV	CHANGE NO.	DATE
1	RP15-00007	12-14-70
2	J.2.E.H.	12-14-70

DEC FORM NO. DRD 102A

FIRST USED ON OPTION/MODEL	QTY.	DESCRIPTION	PART NO.	ITEM NO.
PDP 15				
UNLESS OTHERWISE SPECIFIED				
UNLESS OTHERWISE SPECIFIED				
DIMENSION IN INCHES				
TOLERANCES				
DECIMALS	FRACTIONS	ANGLES		
± .005	± 1/64	± 0°30'		
FINAL SURFACE QUALITY				
REMOVE BURRS AND BREAK SHARP CORNERS				
MATERIAL				
FINISH				
SCALE				
SHEET 1 OF 1				
PARTS LIST			PART NO.	
digital CORPORATION			MAYNARD, MASSACHUSETTS	
TITLE			PART NO.	
MULTI-PLXER			00-17	
TERMINATOR			A-ML-RP15-0	
SIZE CODE			NUMBER	
D5R15-0-45			A	
DIST.				

REV. A
ITEM NO. 00-17
PART NO. A-ML-RP15-0
SIZE CODE D5R15-0-45

This drawing and specifications herein are the property of Digital Equipment Corporation and shall not be reproduced or copied or used in whole or in part as the basis for the manufacture or sale of items without written permission.

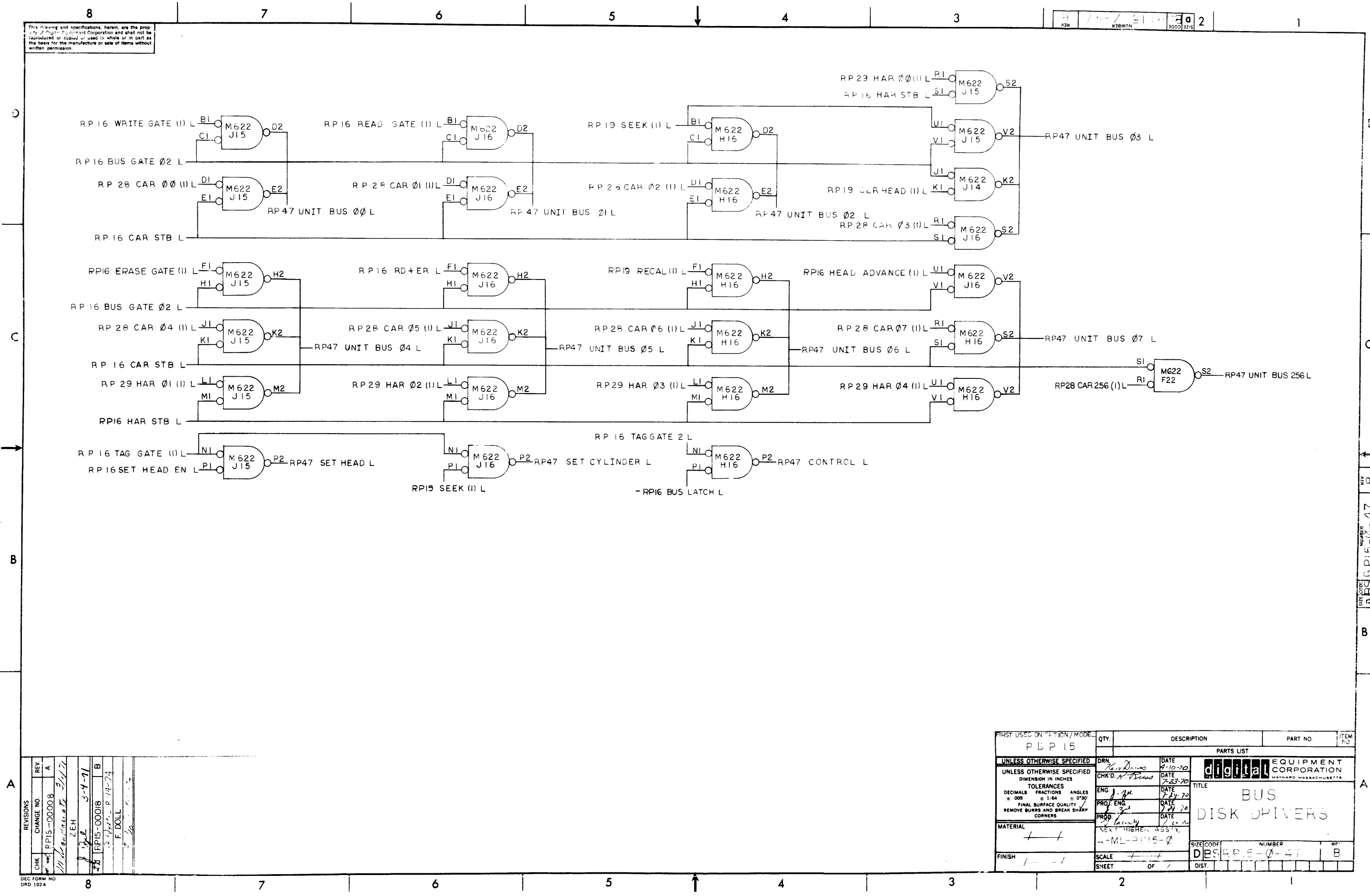


A	REV	
	CHANGE NO	
CHK		

FIRST USED OR OPTION MODEL PDP 15	QTY.	DESCRIPTION	PART NO.	ITEM NO.
PARTS LIST				
UNLESS OTHERWISE SPECIFIED	DRN	DATE	digital EQUIPMENT CORPORATION MAYNARD, MASSACHUSETTS	
UNLESS OTHERWISE SPECIFIED	CHK'D	DATE	TITLE	
TOLERANCES	ENG	DATE	UNIT DISK DRIVERS	
DECIMALS = .005	PROJ. ENG.	DATE	SIZE CODE	
FRACTIONS = 1/64	PROD.	DATE	NUMBER	
ANGLES = 0°30'			DBSRP15-0-46	
FINAL SURFACE QUALITY			REV.	
REMOVE BURRS AND BREAK SHARP CORNERS			SCALE	
MATERIAL			SHEET	
FINISH			OF 1	
			DIST.	

This drawing and specifications, herein, are the property of Digital Equipment Corporation and shall not be reproduced or copied or used in whole or in part as the basis for the manufacture or sale of items without written permission.

REV. NUMBER SIZE CODE
 2

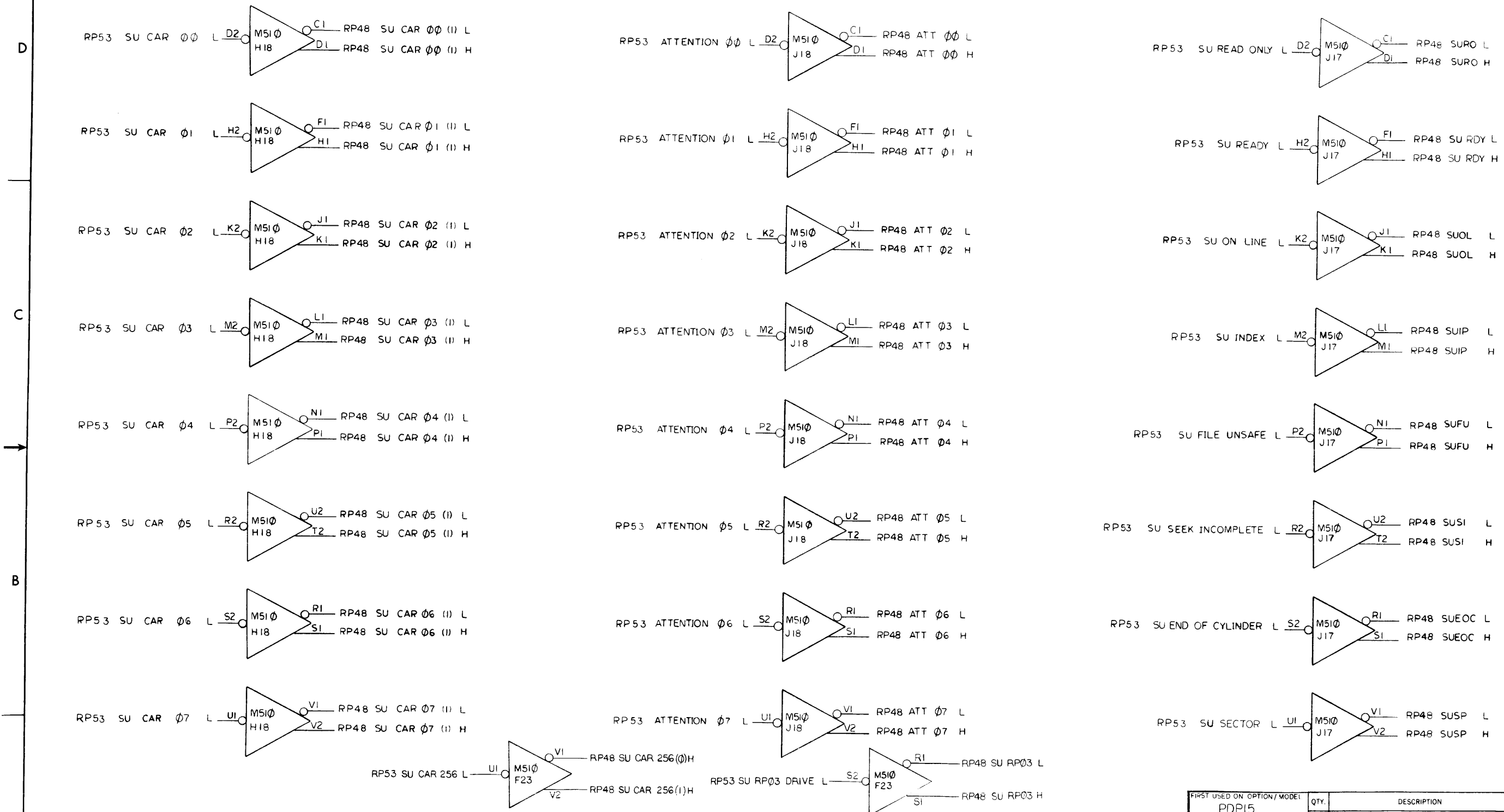


REV.	CHANGE NO.	CHK	DATE
A	00008	PP15	3-1-71
B	00018	PP15	8-14-74

FIRST USED ON PART/NO.	QTY.	DESCRIPTION	PART NO.	ITEM NO.
PP15				
PARTS LIST				
UNLESS OTHERWISE SPECIFIED		DRN	DATE	digital EQUIPMENT CORPORATION MAYNARD, MASSACHUSETTS
UNLESS OTHERWISE SPECIFIED		CHK'D	DATE	
DIMENSION IN INCHES		ENG	DATE	TITLE BUS DISK DRIVERS
TOLERANCES		PROJ. ENG.	DATE	
DECIMALS FRACTIONS ANGLES		PROD.	DATE	
± .005 ± 1/64 ± 0°30'		NEXT HIGHER ASSY.		SIZE CODE NUMBER DBSRP15-Ø-47
FINAL SURFACE QUALITY REMOVE BURRS AND BREAK SHARP CORNERS		A-ML-PP15-Ø		
MATERIAL	FINISH	SCALE	SHEET	OF

This drawing and specifications, herein, are the property of Digital Equipment Corporation and shall not be reproduced or copied or used in whole or in part as the basis for the manufacture or sale of items without written permission.

REV. 2
 NUMBER 84-0-48
 CODE 1325

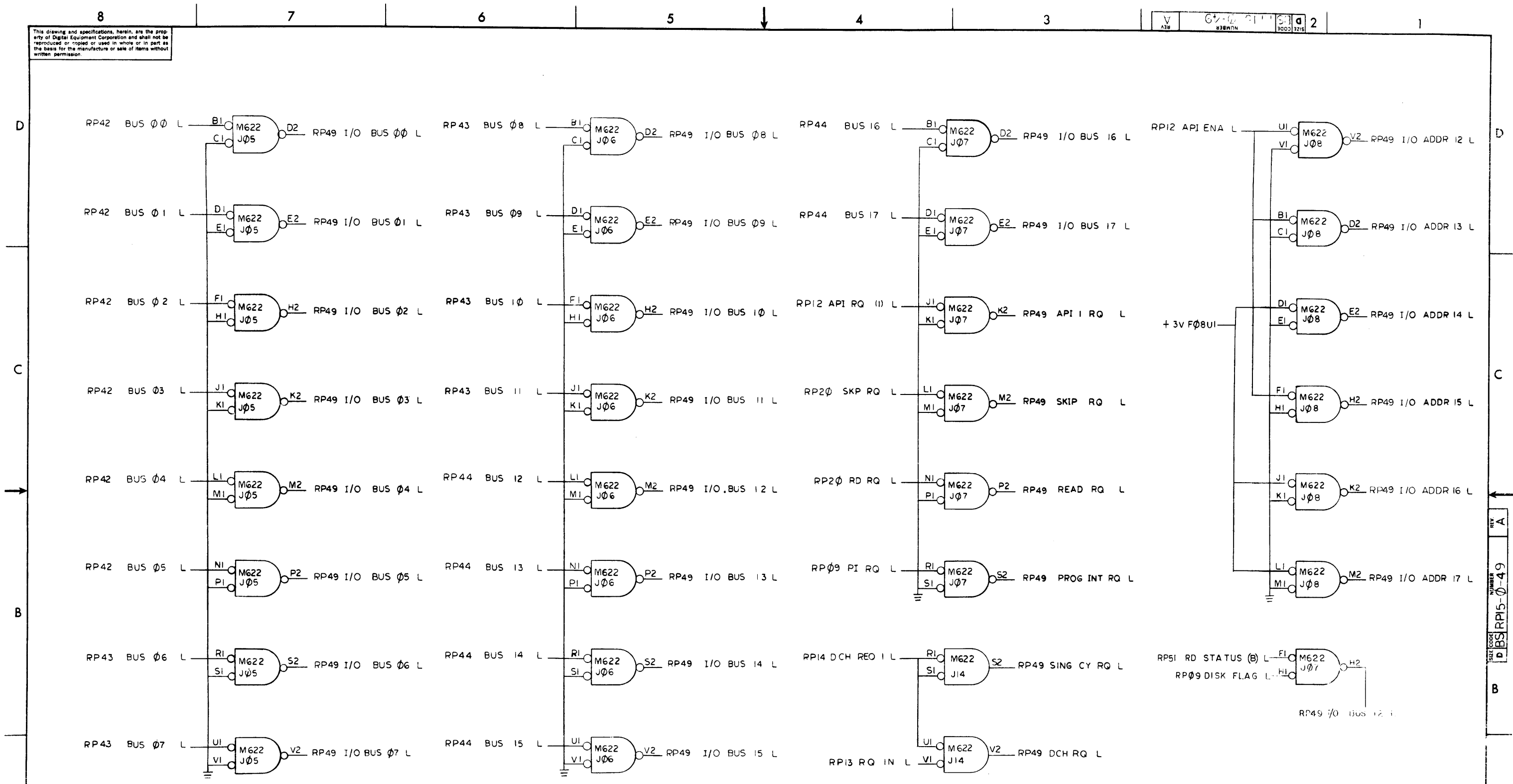


REV	CHANGE NO	DATE	BY	CHKD
A	RF15-0005	10-9-70	J ZEH	
B	RP15-0001B	8-13-74	F DOLL	

FIRST USED ON OPTION / MODEL	QTY.	DESCRIPTION	PART NO.	ITEM NO.
PDP15				
PARTS LIST				
UNLESS OTHERWISE SPECIFIED	DRN	DATE	 digital CORPORATION MAYNARD, MASSACHUSETTS	
UNLESS OTHERWISE SPECIFIED	CHK'D	DATE		
TOLERANCES	ENG	DATE		
DECIMALS FRACTIONS ANGLES	PROJ ENG	DATE		
= .005 = 1/64 = 0°30' FINAL SURFACE QUALITY REMOVE BURRS AND BREAK SHARP CORNERS	PROJ	DATE	TITLE DISK RECEIVERS	
MATERIAL	NEXT HIGHER ASSY		SIZE/CODE	NUMBER
FINISH	SCALE	SHEET	DBS	RP15-0-48
		OF 1	DIST.	REV B

This drawing and specifications, herein, are the property of Digital Equipment Corporation and shall not be reproduced or copied or used in whole or in part as the basis for the manufacture or sale of items without written permission.

REV A 2

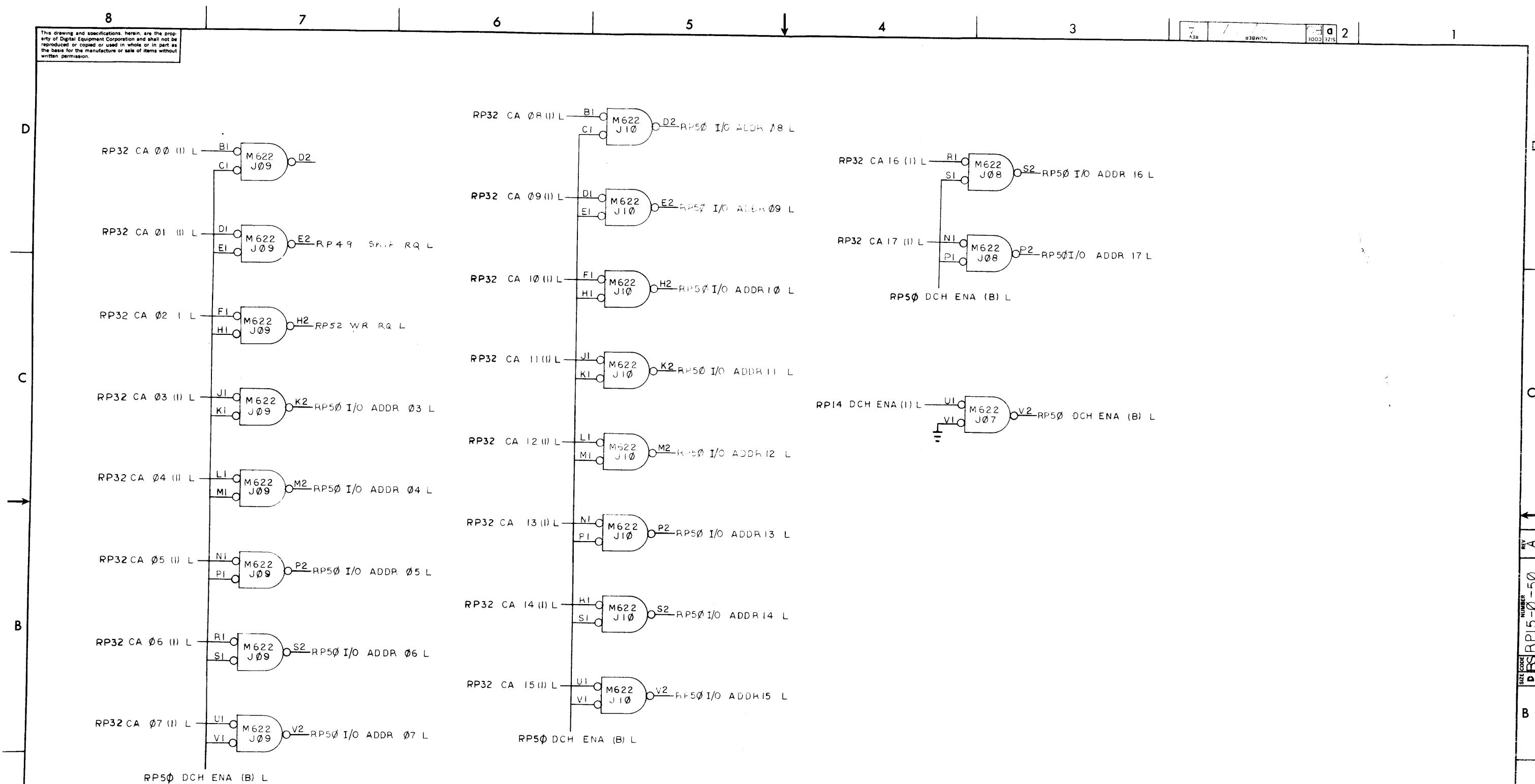


REV	CHANGE NO	DATE
A	1	10-9-70
	2	5-13-70

FIRST USED ON OPTION / MODEL	QTY.	DESCRIPTION	PART NO.	ITEM NO.
PDP15				
PARTS LIST				
UNLESS OTHERWISE SPECIFIED		DRN: <i>[Signature]</i>	DATE: 7-23-70	digital EQUIPMENT CORPORATION MAYNARD, MASSACHUSETTS
UNLESS OTHERWISE SPECIFIED		CHK'D: <i>[Signature]</i>	DATE: 7-23-70	
DIMENSION IN INCHES		ENG: <i>[Signature]</i>	DATE: 7-24-70	
TOLERANCES		PROJ. ENG: <i>[Signature]</i>	DATE: 7-27-70	
DECIMALS FRACTIONS ANGLES		PROB: <i>[Signature]</i>	DATE: 7-27-70	TITLE I/O BUS DRIVERS 00-17
± .005 ± 1/64 ± 0°30'		NEXT HIGHER ASSY A-MIL-RP15-0		
FINAL SURFACE QUALITY		SCALE: 1" = 1"	SHEET: 1 OF 1	SIZE/CODE: DBS
REMOVE BURRS AND BREAK SHARP CORNERS		DIST.:		NUMBER: RP15-0-49
				REV: A

This drawing and specifications herein are the property of Digital Equipment Corporation and shall not be reproduced or copied or used in whole or in part as the basis for the manufacture or sale of items without written permission.

7 838WVN 3003 3215 2 1

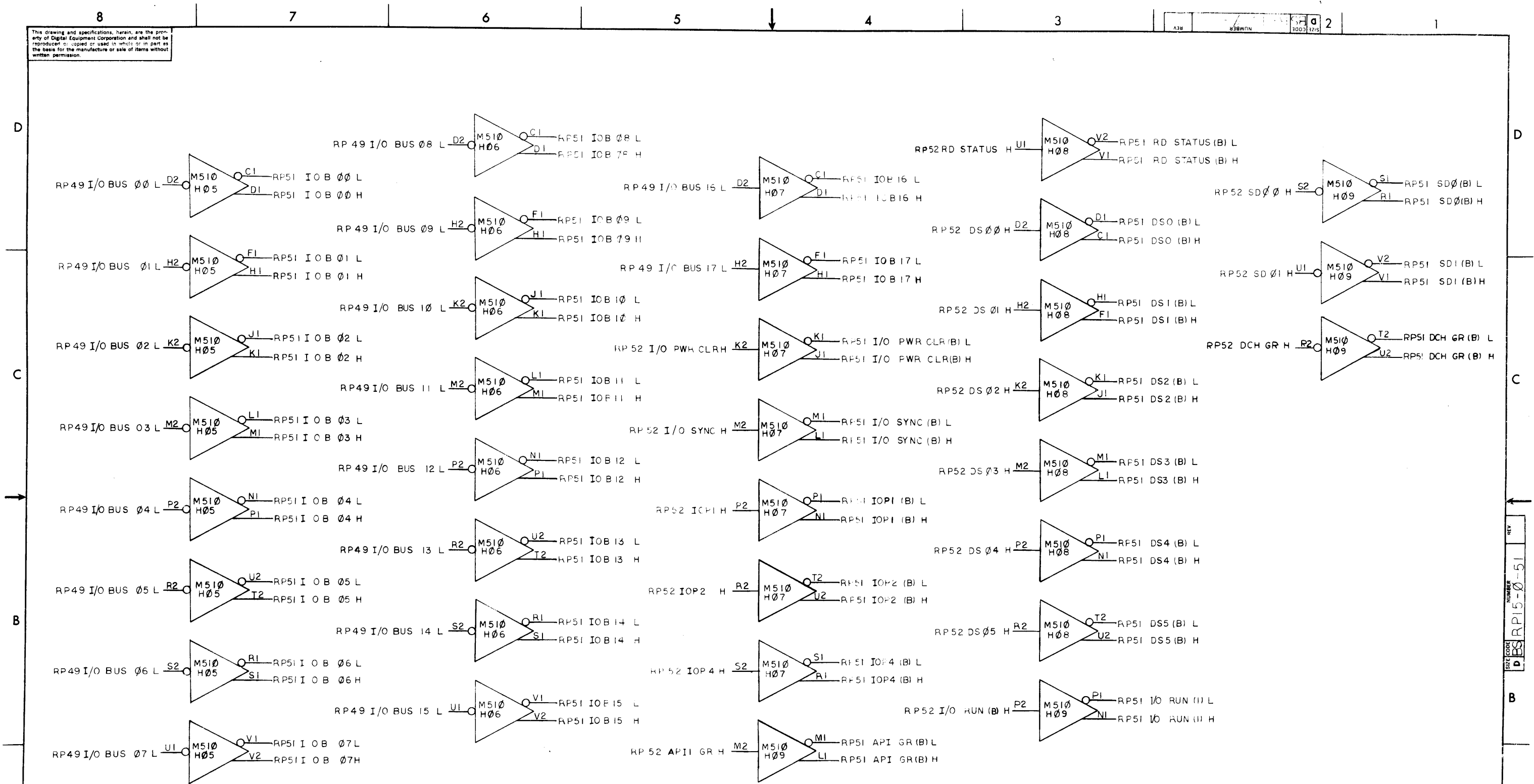


REV	CHANGE NO	DATE
1	CC007	12-14-70
2		

FIRST USED ON OPTION/MODEL	QTY.	DESCRIPTION	PART NO.	ITEM NO.
PDP 15				
PARTS LIST				
UNLESS OTHERWISE SPECIFIED				
DIMENSION IN INCHES		DRN.	DATE	
TOLERANCES		CHK'D. X Russo	4-9-70	
DECIMALS	FRACTIONS	ENG. J. J.	DATE	
± .005	± 1/64	PROJ. ENG.	7-21-70	
FINAL SURFACE QUALITY / REMOVE BURRS AND BREAK SHARP CORNERS		PROD. J. J.	DATE	
			7-24-70	
MATERIAL				
FINISH				
TITLE		I/O ADDRESS DRIVERS		
MATERIAL		A-ML-RP15-0		
SCALE		SIZE CODE		
SHEET 1 OF 1		D B S R P 1 5 - 0 - 5 0		
		NUMBER		
		REV. A		

REV. A
NUMBER
D B S R P 1 5 - 0 - 5 0
SIZE CODE

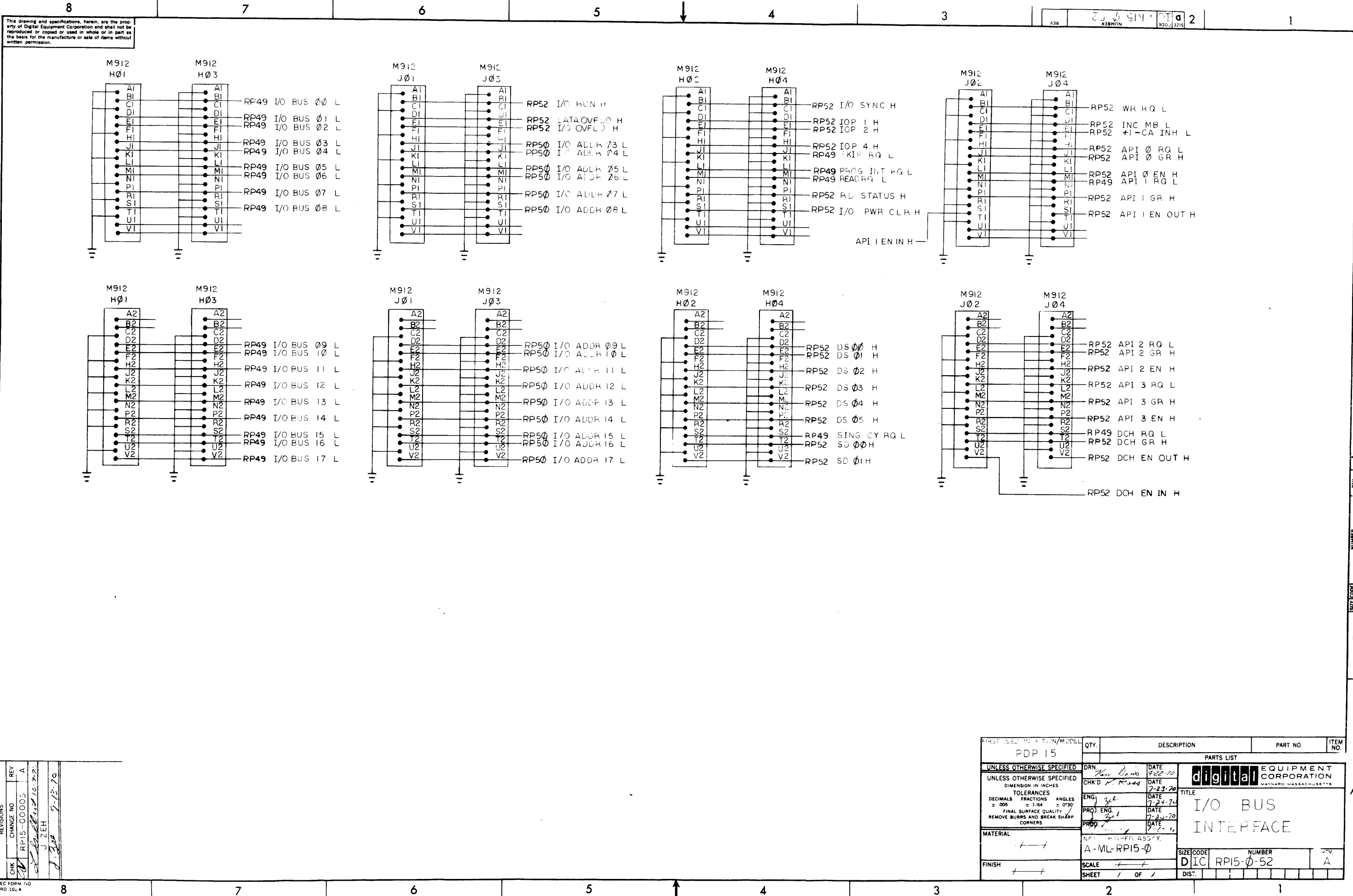
This drawing and specifications, herein, are the property of Digital Equipment Corporation and shall not be reproduced or copied or used in whole or in part as the basis for the manufacture or sale of items without written permission.



REV	
CHANGE NO	
CHK	

FIRST USED ON OPTION/MODEL PDP 15	QTY.	DESCRIPTION	PART NO.	ITEM NO.
PARTS LIST				
UNLESS OTHERWISE SPECIFIED	DRN	DATE	digital EQUIPMENT CORPORATION MAYNARD, MASSACHUSETTS	
UNLESS OTHERWISE SPECIFIED	CHK'D	DATE	TITLE	
DIMENSION IN INCHES			I/O BUS	
TOLERANCES	ENG	DATE	RECEIVERS	
DECIMALS = 0.005	PROJ. ENG	DATE		
FRACTIONS = 1/64	PROJ. ENGR	DATE		
ANGLES = 0°30'				
FINAL SURFACE QUALITY				
REMOVE BURRS AND BREAK SHARP CORNERS				
MATERIAL				
FINISH				
	SCALE		SIZE/CODE	NUMBER
	SHEET	OF	D51RP15-0-51	REV.

This drawing and specifications, herein, are the property of Digital Equipment Corporation and shall not be reproduced or copied or used in whole or in part as the basis for the manufacture or sale of items without written permission.

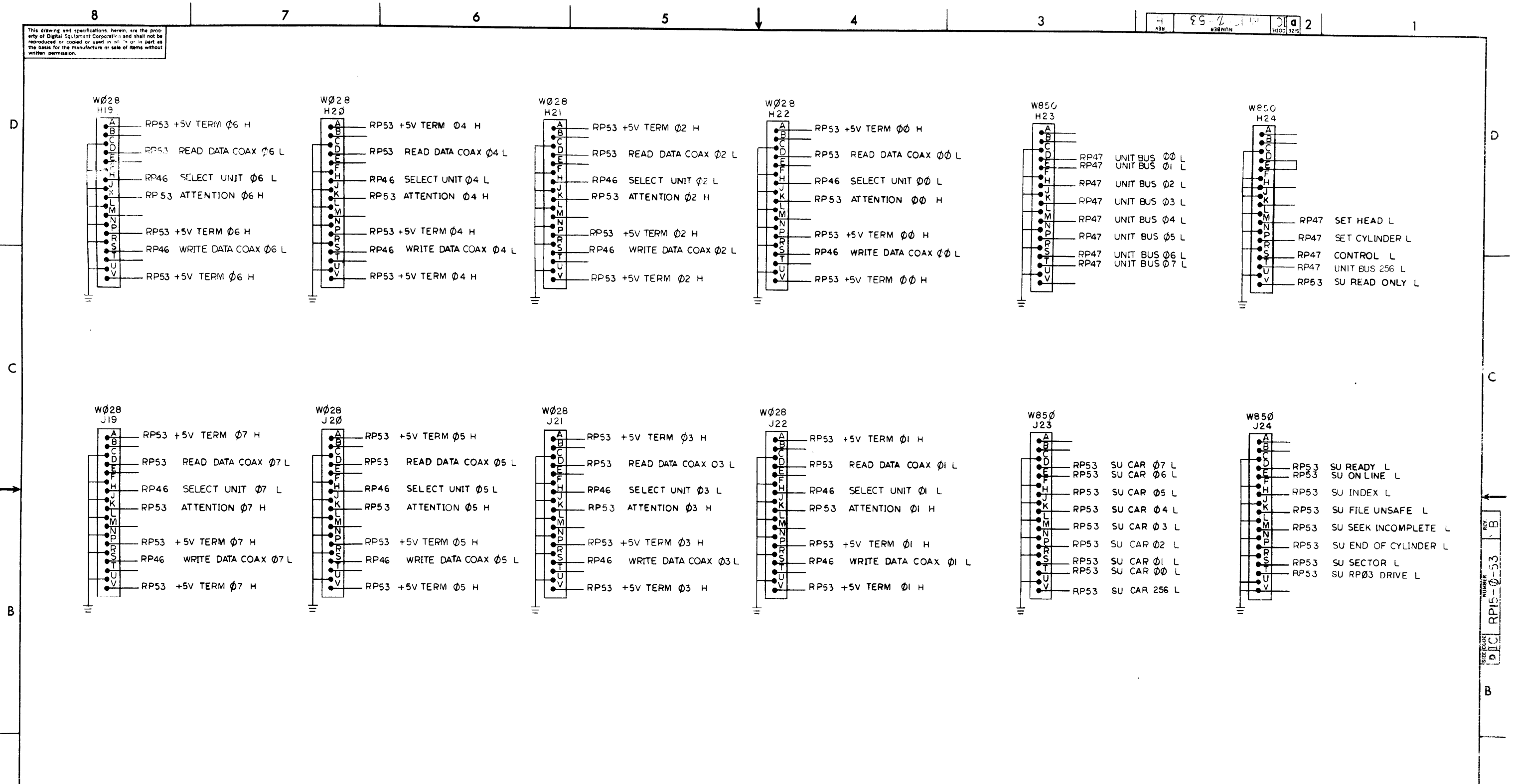


REV	CHANGE NO.	DATE
A	RP15-00003	7-24-70
B		7-24-70
C		7-24-70
D		7-24-70

QTY.	DESCRIPTION	PART NO.	ITEM NO.
	PDP 15		
PARTS LIST			
UNLESS OTHERWISE SPECIFIED		digital EQUIPMENT CORPORATION MAYNARD, MASSACHUSETTS	
UNLESS OTHERWISE SPECIFIED		TITLE	
DIMENSION IN INCHES		I/O BUS INTERFACE	
TOLERANCES		SIZE CODE NUMBER	
DECIMALS FRACTIONS ANGLES		D I C RP15-0-52	
± .005 ± 1/64 ± 0°30'		REV. A	
FINAL SURFACE QUALITY		SCALE	
REMOVE BURRS AND BREAK SHARP CORNERS		SHEET 1 OF 1	
MATERIAL		DIST.	
FINISH			

This drawing and specifications herein are the property of Digital Equipment Corporation and shall not be reproduced or copied or used in whole or in part as the basis for the manufacture or sale of items without written permission.

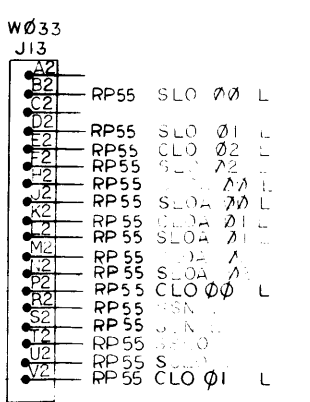
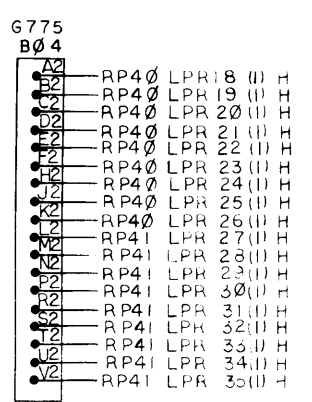
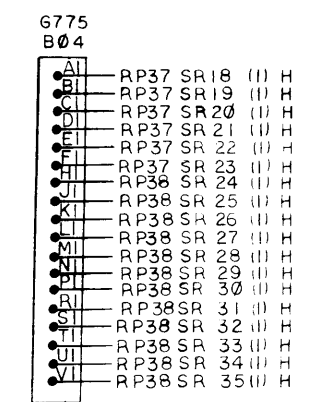
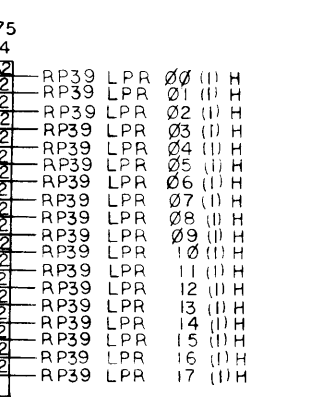
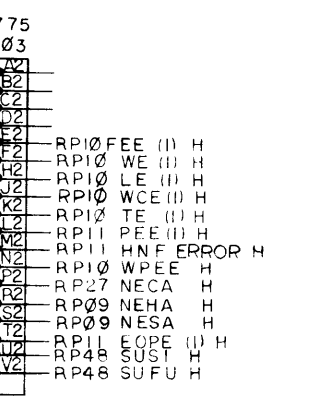
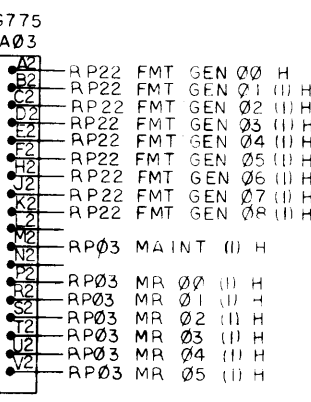
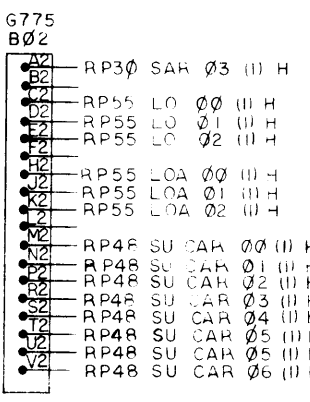
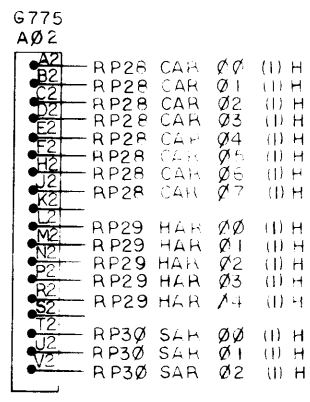
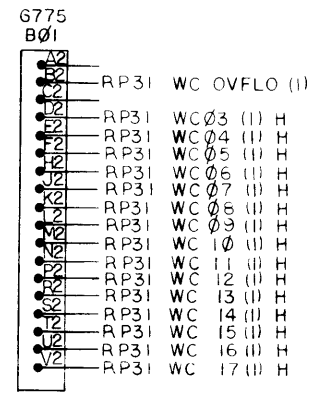
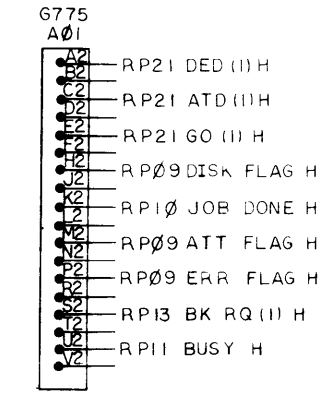
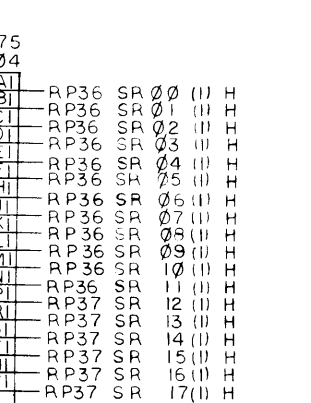
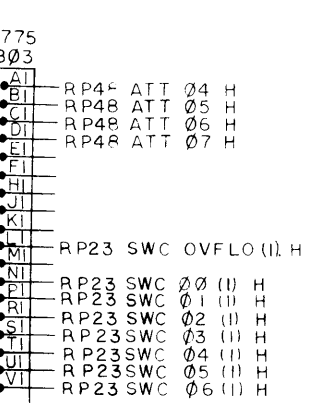
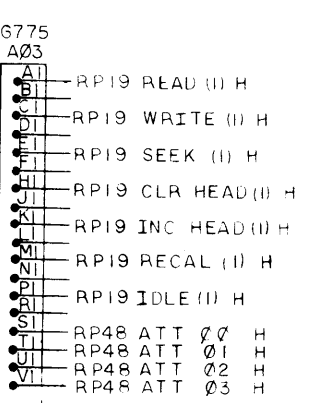
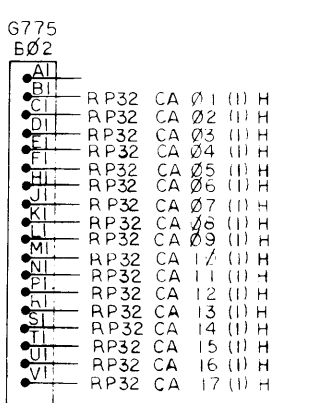
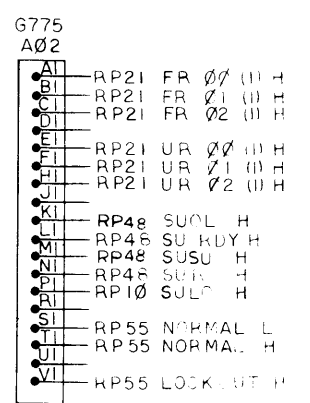
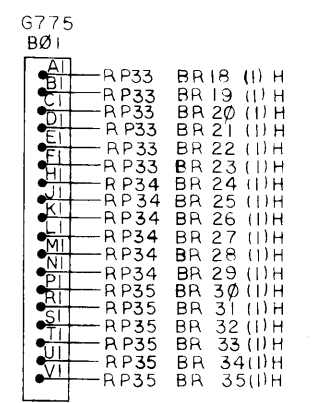
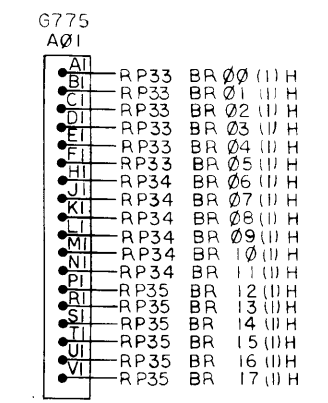
REV 53
 SIZE CODE
 D I C
 NUMBER
 8589911



REV	CHANGE NO	CHK
A	RP15-00005	
B	5-13-70	
C	8-13-74	
D		

FIRST USED ON OPTION MODEL	QTY.	DESCRIPTION	PART NO.	ITEM NO.
PDP15				
PARTS LIST				
UNLESS OTHERWISE SPECIFIED		DRN: <i>[Signature]</i>	DATE: 4/23/70	digital CORPORATION MAYNARD MASSACHUSETTS
UNLESS OTHERWISE SPECIFIED		CHK'D: <i>[Signature]</i>	DATE: 7-23-70	
TOLERANCES		ENG: <i>[Signature]</i>	DATE: 7-24-70	
DIMENSION IN INCHES		PROJ. ENG: <i>[Signature]</i>	DATE: 7-24-70	
DECIMALS = .005 FRACTIONS = 1/64 ANGLES = 0°30' FINAL SURFACE QUALITY REMOVE BURRS AND BREAK SHARP CORNERS		PROJ. <i>[Signature]</i>	DATE: 7-24-70	TITLE
MATERIAL		NEXT HIGHER ASSY		DRIVE CONTROL CABLE INTERFACE
FINISH		A-ML-RP15-0		SCALE
		SHEET 1 OF 1		DIST
		SIZE CODE		NUMBER
		D I C		RP15-0-53
				REV
				B

This drawing and specifications, herein, are the property of Digital Equipment Corporation and shall not be reproduced or copied or used in whole or in part as the basis for the manufacture or sale of items without written permission.

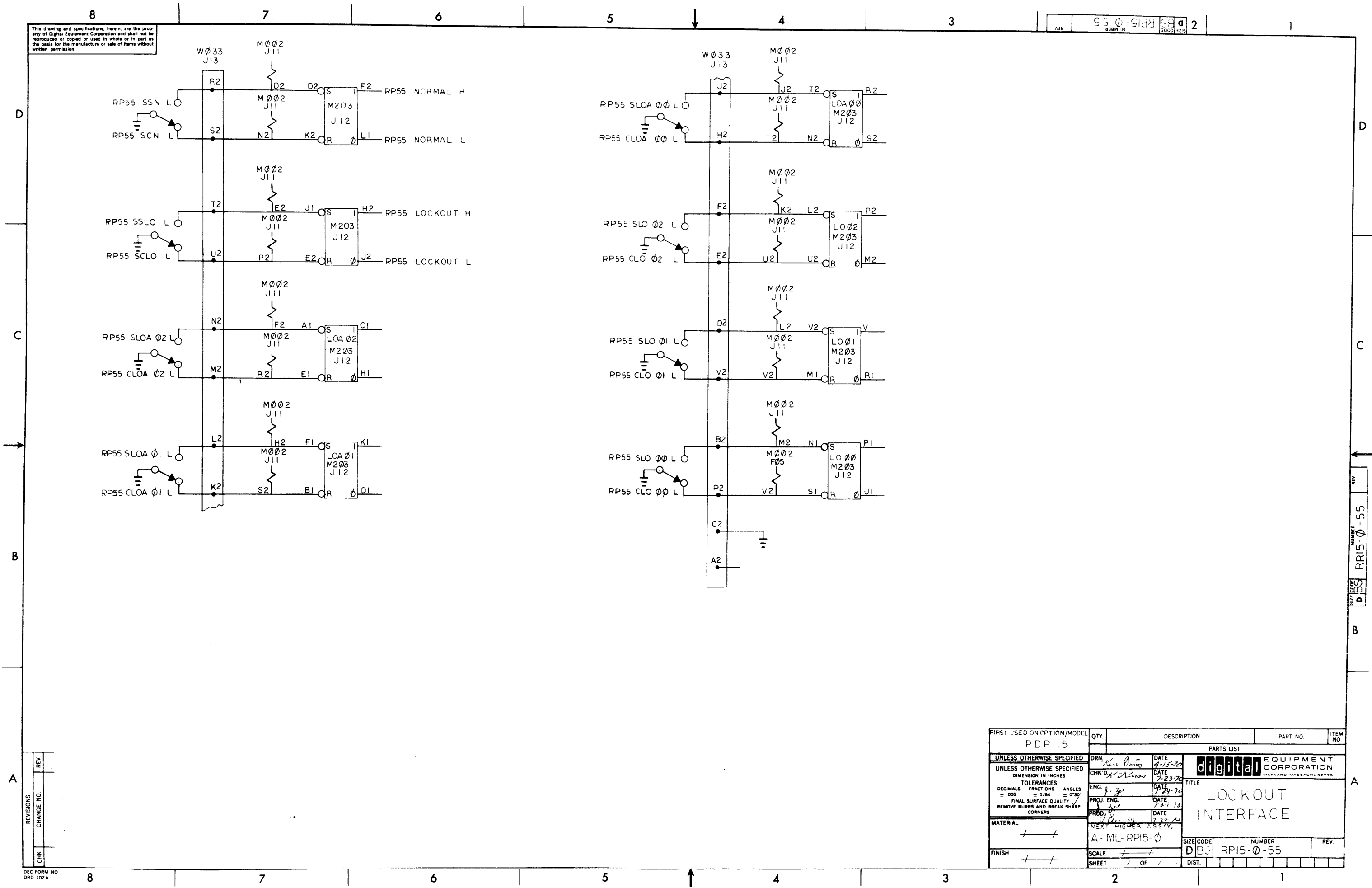


REV	CHANGE NO.	CHK	DATE
A		RP15-0001	7-31-72
B		RP15-0008	8-1-72
C		RP15-0008	8-14-74
D		RP15-0008	8-14-74

DESCRIPTION DIP 15	QTY.	DESCRIPTION	PART NO.	ITEM NO.
PARTS LIST				
digital EQUIPMENT CORPORATION MAYNARD, MASSACHUSETTS				
TITLE INDICATOR INTERFACE				
SIZE CODE NUMBER REV DIP15-0-54 B				
SCALE SHEET 1 OF 1				

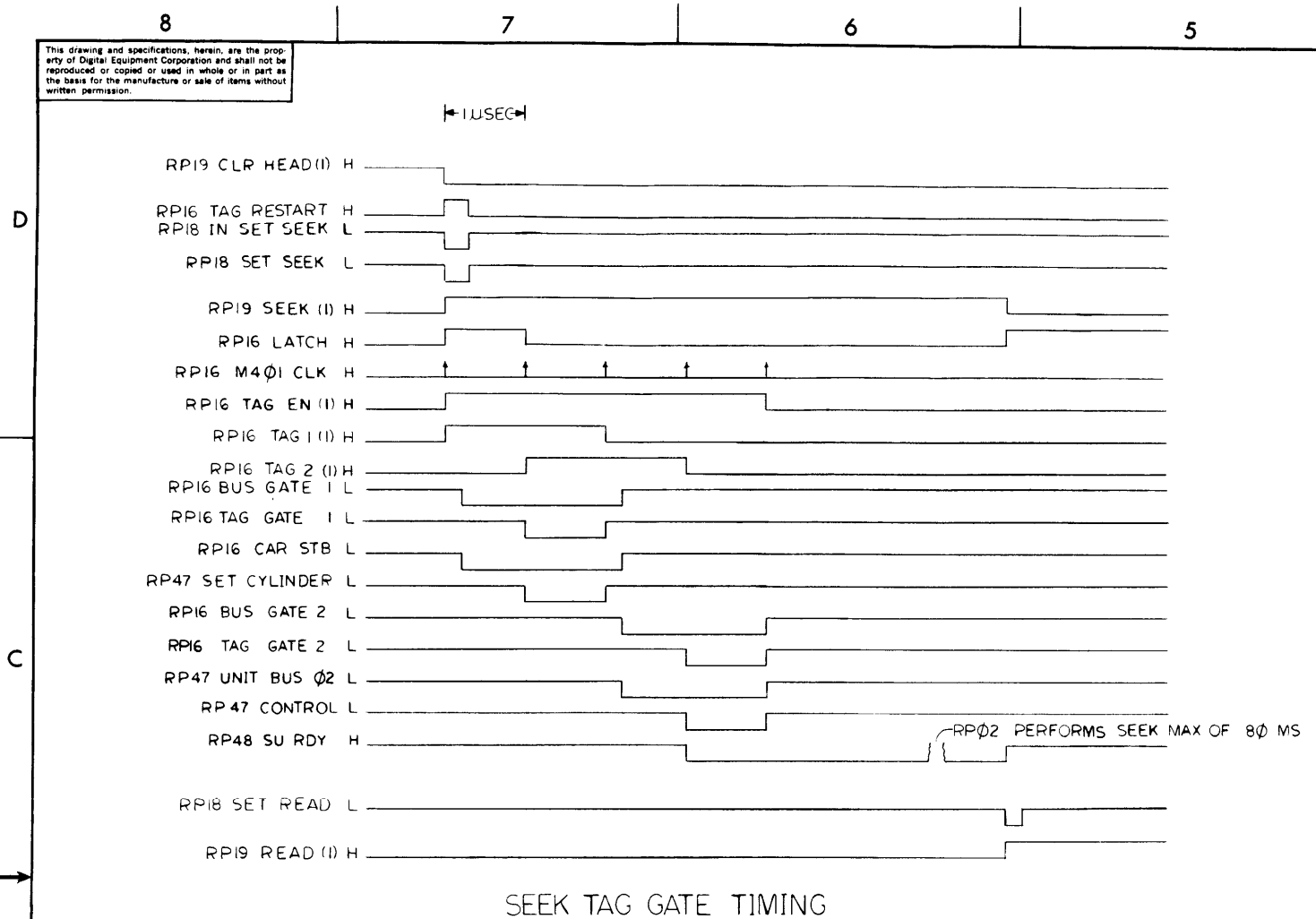
This drawing and specifications, herein, are the property of Digital Equipment Corporation and shall not be reproduced or copied or used in whole or in part as the basis for the manufacture or sale of items without written permission.

55 0 915 SH 2

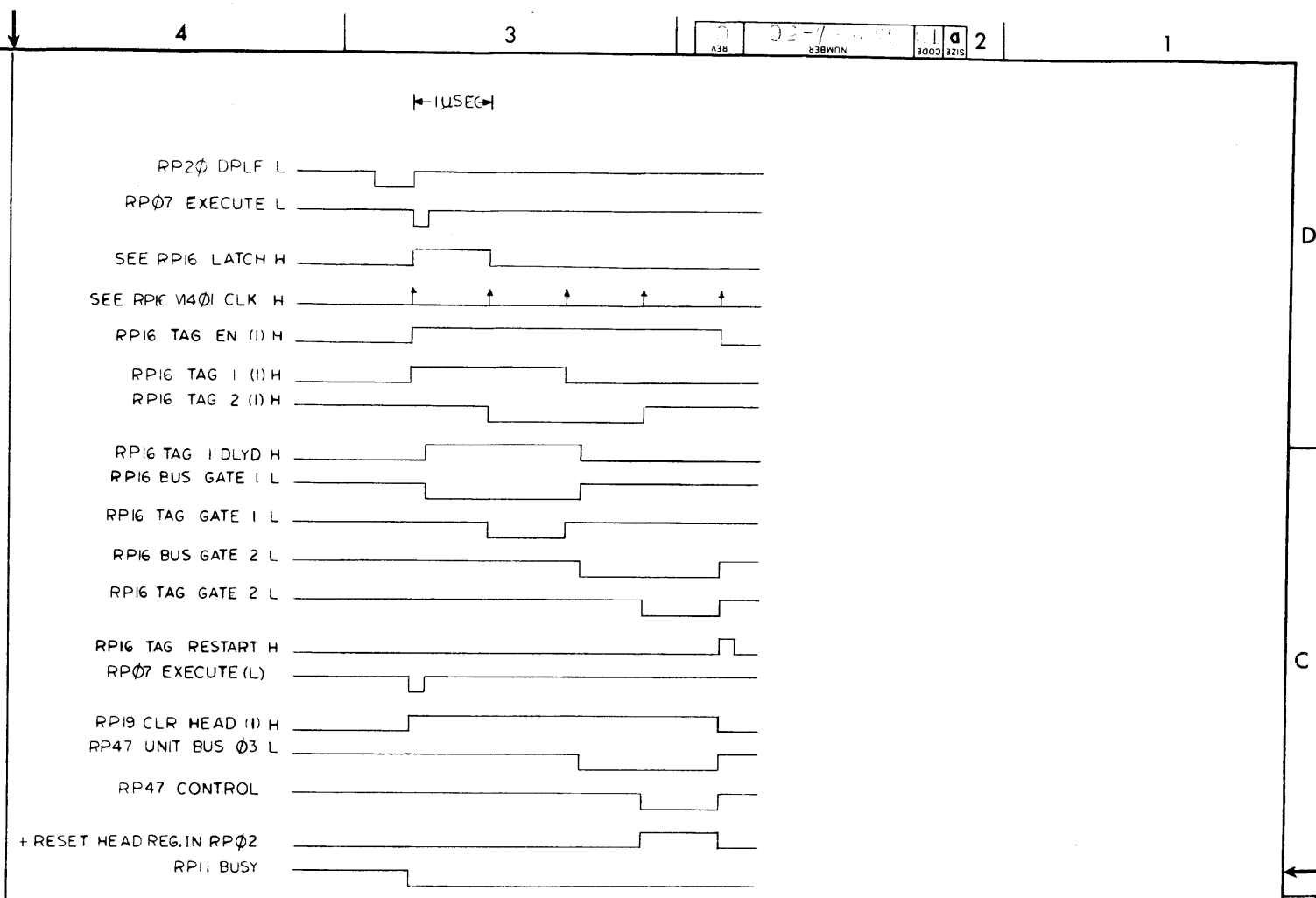


This drawing and specifications herein are the property of Digital Equipment Corporation and shall not be reproduced or copied in whole or in part as the basis for the manufacture or sale of items without written permission.

3000 3215 a 2



SEEK TAG GATE TIMING



CLR HEADS TAG GATE TIMING

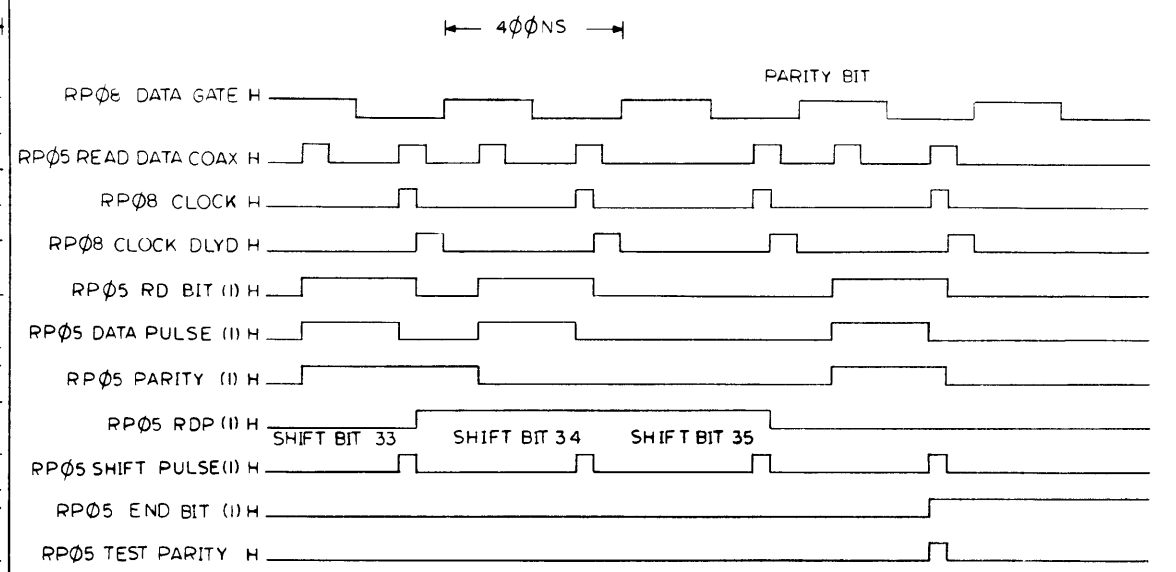
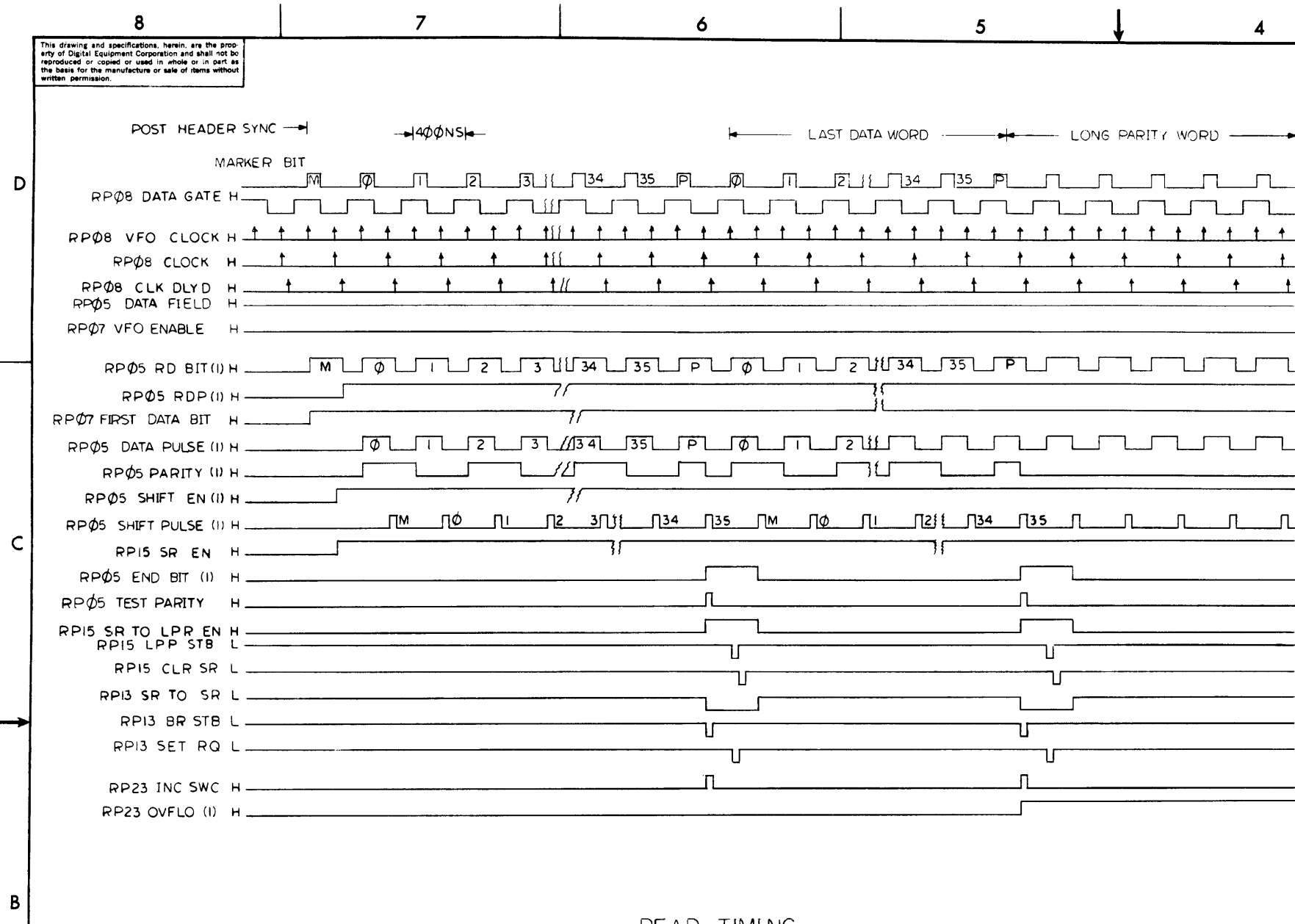
REV	CHANGE NO	DATE	BY	CHK
A	RP-0000*		J ZEH	
B	RP15-0000*	5-13-70	J ZEH	
C	RP15-0000B	12-14-70	J ZEH	
	RP15-0000B	3-4-71	J ZEH	

FIRST USED ON OPTION	MODEL	QTY.	DESCRIPTION	PART NO.	ITEM NO.
PDP15					
PARTS LIST					
UNLESS OTHERWISE SPECIFIED		DRN	DATE	digital EQUIPMENT CORPORATION MAYNARD MASSACHUSETTS	
UNLESS OTHERWISE SPECIFIED		CHK'D	DATE	TITLE	
DIMENSION IN INCHES		ENG	DATE	TIMING DIAGRAM	
TOLERANCES		PROJ. ENG	DATE	SIZE CODE	
DECIMALS = .005		PROB	DATE	NUMBER	
FRACTIONS = 1/64				RPI5-Ø-56	
ANGLES = 0°30'				REV	
FINAL SURFACE QUALITY				C	
REMOVE BURRS AND BREAK SHARP CORNERS				SHEET	
MATERIAL		NEXT HIGHER ASSY		DIST.	
FINISH		A-ML-RPI5-Ø		OF 5	
SCALE		SHEET 1			

REV. C
NUMBER RPI5-Ø-56
SIZE CODE DTD

This drawing and specifications herein are the property of Digital Equipment Corporation and shall not be reproduced or copied or used in whole or in part as the basis for the manufacture or sale of items without written permission.

REV. C 95-1/11/70
 SIZE CODE D TD NUMBER RP15-0-56



AT THIS TIME PARITY ERROR WOULD BE DETECTED FOR THE WORD SETTING EITHER FEE OR WEE F/F

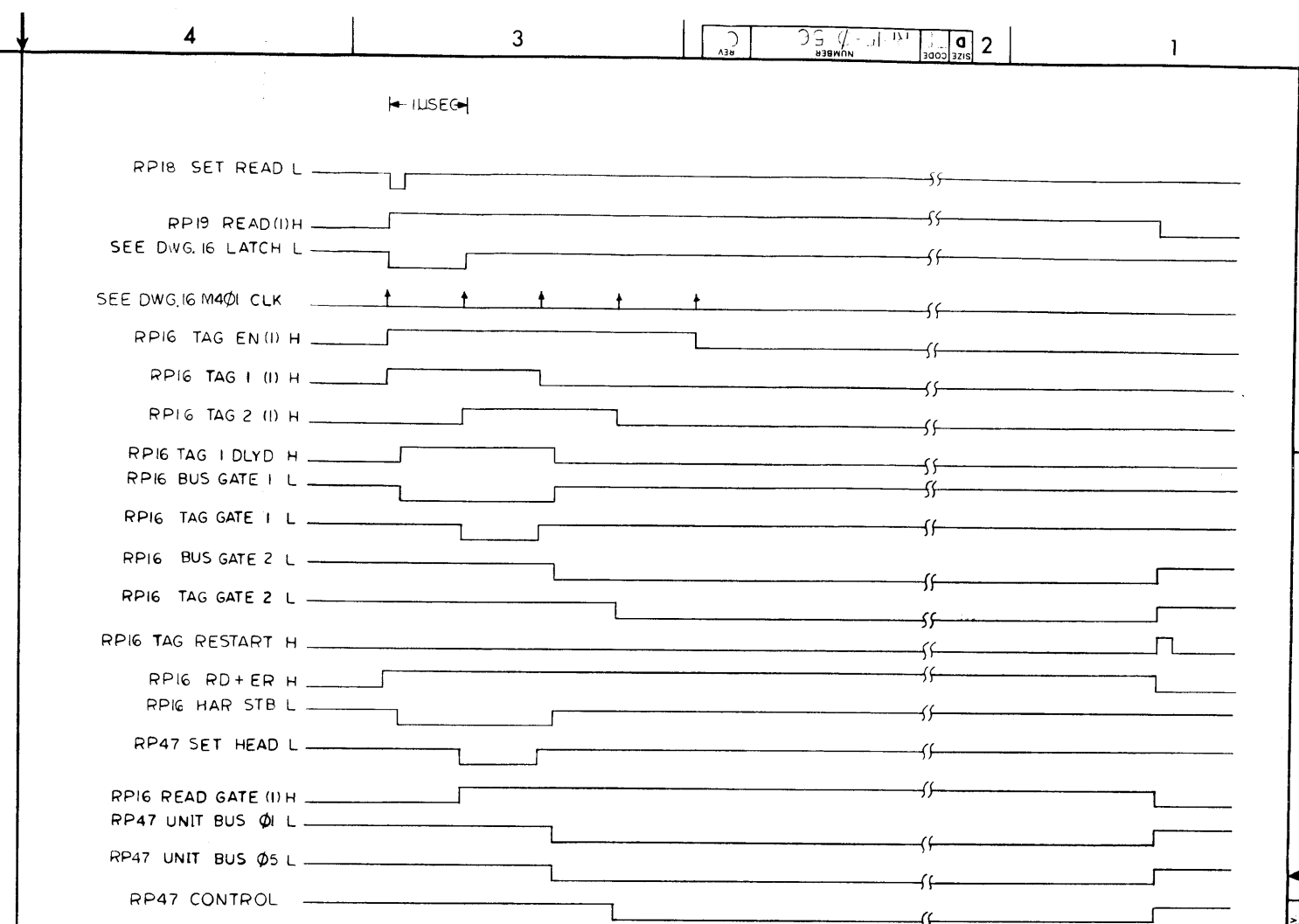
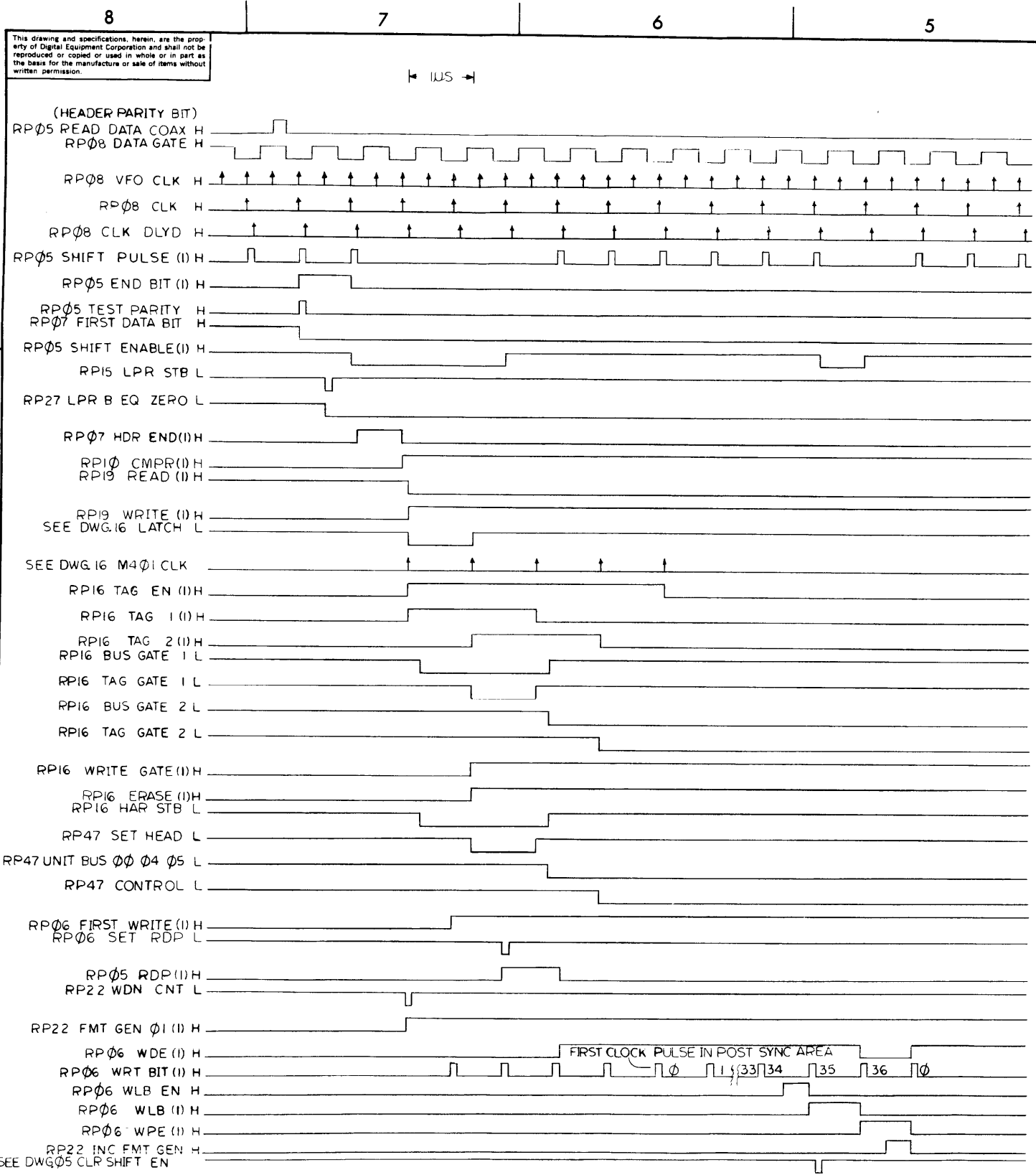
WORD PARITY SENSE TIMING

REV	NO.
CHANGE NO.	
CHK	

FIRST USED ON OPTION/ MODEL PDP15	QTY.	DESCRIPTION	PART NO.	ITEM NO.
PARTS LIST				
UNLESS OTHERWISE SPECIFIED	DRN.	DATE	digital EQUIPMENT CORPORATION MAYNARD, MASSACHUSETTS	
UNLESS OTHERWISE SPECIFIED	CHK'D.	DATE	TITLE	
TOLERANCES	ENG.	DATE	TIMING DIAGRAM	
DECIMALS FRACTIONS ANGLES	PROJ. ENG.	DATE		
± 0.05 ± 1/64 ± 0°30'	PROB.	DATE		
FINAL SURFACE QUALITY REMOVE BURRS AND BREAK SHARP CORNERS				
MATERIAL	NEXT HIGHER ASSY			
	A-ML-RP15-0			
FINISH	SCALE		SIZE CODE	NUMBER
			D TD	RP15-0-56
	SHEET	2 OF 5	DIST.	REV. C

REV. C
 NUMBER RP15-0-56
 SIZE CODE D TD

This drawing and specifications, herein, are the property of Digital Equipment Corporation and shall not be reproduced or copied or used in whole or in part as the basis for the manufacture or sale of items without written permission.



READ TAG GATE TIMING

WRITE TAG GATE TIMING & CONTROL

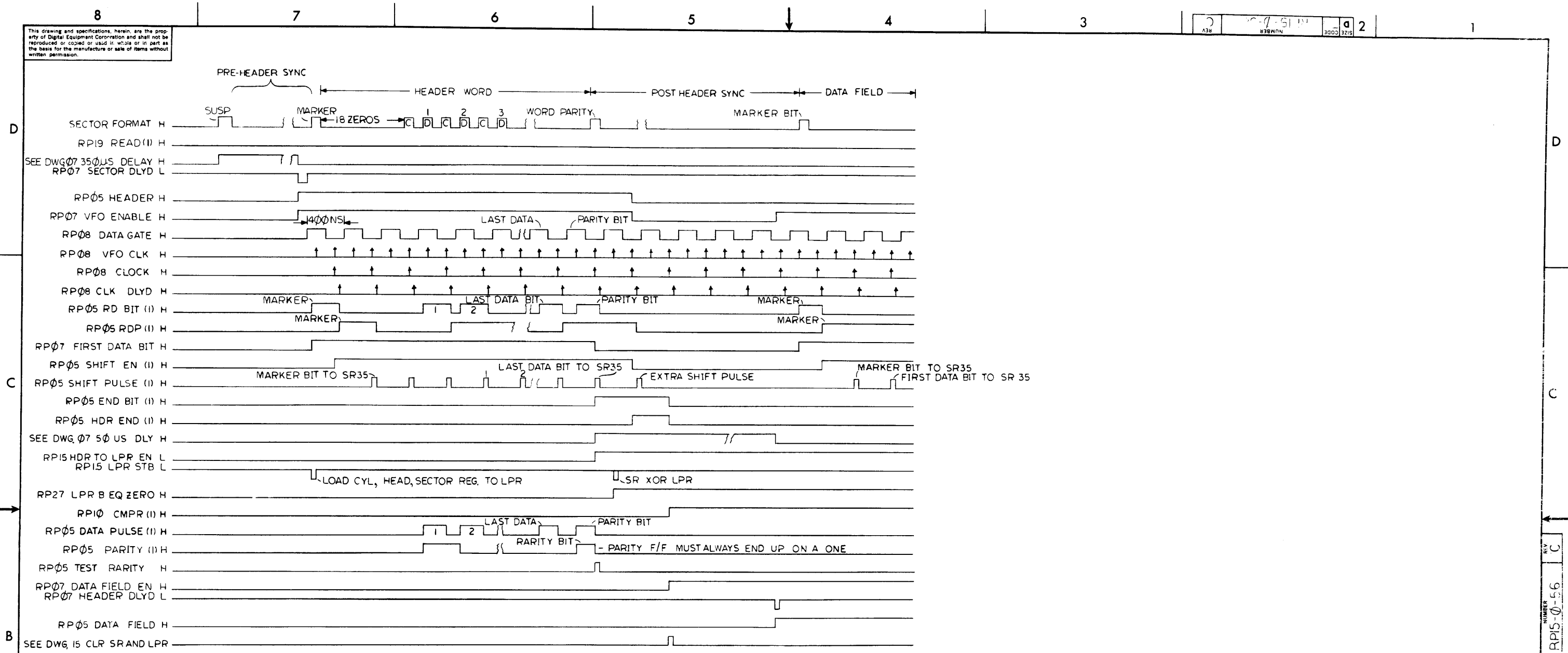
FIRST USED ON OPTION / MODEL PDP15	QTY.	DESCRIPTION	PART NO.	ITEM NO.
PARTS LIST				
UNLESS OTHERWISE SPECIFIED	DRN	DATE	digital EQUIPMENT CORPORATION MAYNARD, MASSACHUSETTS	
UNLESS OTHERWISE SPECIFIED	CHK'D	DATE	TITLE	
DIMENSION IN INCHES	ENG	DATE	TIMING	
TOLERANCES	PROJ. ENG	DATE	DIAGRAM	
DECIMALS FRACTIONS ANGLES	PROD.	DATE	NEXT HIGHER BODY	
± .005 ± 1/64 ± 0°30'			A - ML - RP15 - 0	
FINAL SURFACE QUALITY / REMOVE BURRS AND BREAK SHARP CORNERS			SIZE CODE	NUMBER
			DITD	RP15-0-56
MATERIAL			SCALE	REV.
FINISH			3 OF 5	C
			SHEET	DIST.

REVISIONS	REV
CHANGE NO.	
CHK	

REV. C
NUMBER RP15-0-56
SIZE CODE DITD

This drawing and specifications, herein, are the property of Digital Equipment Corporation and shall not be reproduced or copied or used in whole or in part as the basis for the manufacture or sale of items without written permission.

REV. C
 NUMBER RP15-0-56
 SIZE CODE DTD



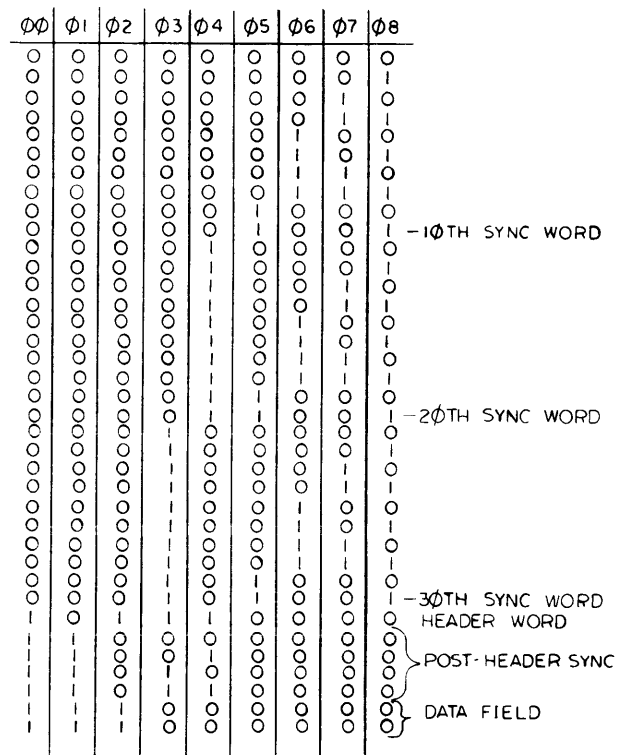
HEADER TIMING

REV	
CHANGE NO.	
CHK	

FIRST USED ON OPTION / MODEL PDP15	QTY.	DESCRIPTION	PART NO	ITEM NO.
PARTS LIST				
UNLESS OTHERWISE SPECIFIED	DRN	DATE	digital EQUIPMENT CORPORATION MAYNARD MASSACHUSETTS	
UNLESS OTHERWISE SPECIFIED	CHK'D.	DATE	TITLE	
DIMENSION IN INCHES	ENG.	DATE	TIMING DIAGRAM	
TOLERANCES	PROJ. ENG.	DATE	SIZE CODE NUMBER REV	
DECIMALS FRACTIONS ANGLES	PROD.	DATE	D T D RP15-0-56 C	
= .005 ± 1/64 = 0°30'	NEXT HIGHER ASSY		SCALE SHEET 4 OF 5 DIST.	
FINAL SURFACE QUALITY REMOVE BURRS AND BREAK SHARP CORNERS	A-ML-RP15-0			
MATERIAL				
FINISH				

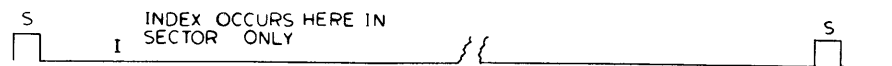
This drawing and specifications herein are the property of Digital Equipment Corporation and shall not be reproduced or copied or used in whole or in part as the basis for the manufacture or sale of items without written permission.

FORMAT GENERATOR COUNT



	FMT GEN 01	FMT GEN 02
PRE-HEADER	0	0
HEADER	0	1
POST-HEADER	1	0
DATA	1	1

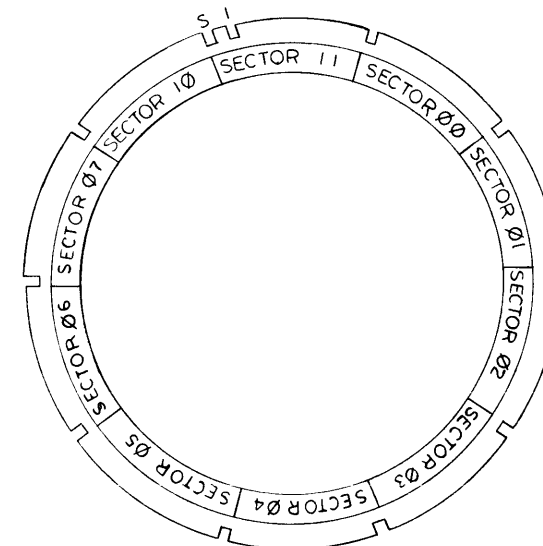
RP15 FORMAT



PRE-HEADER SYNC	HEADER	POST-HEADER SYNC	0	P	127	P	128	P	LPCC	P	GUARD BITS	PRE-HEAD SYNC
PRE-HEADER SYNC 30 37 BIT WORDS ALL ZEROS EXCEPT LAST BIT (11 0 9 10 ZEROS FOLLOWED BY 1 ONE BIT)	HEADER 1-36 BIT WORDS AND A PARITY BIT BITS 0-17 NOT USED BITS 18-25 CYLINDER ADDRESS (8 BITS) BITS 26-30 HEAD ADDRESS (5 BITS) BITS 31 NOT USED BITS 32-35 SECTOR ADDRESS (4 BITS)	4-37 BIT WORDS ALL ZERO EXCEPT LAST BIT 147 10 ZEROS FOLLOWED BY 1 ONE BIT	128	36 BIT DATA WORDS AND 1 PARITY BIT PER WORD	LONG PARITY 1 WORD 36 BITS PLUS PARITY BIT	PREVENT WRITE/ERASE CURRENT SHUT DOWN FROM DESTROYING LPCC WORD						

- * PRE-HEADER SYNC USED TO SYNC UP VFO WRITTEN DURING FORMATTING
- ** POST-HEADER SYNC USED TO SYNC VFO WRITTEN FOR EACH WRITE OPERATION
- *** THE SINGLE 1 BIT IN SYNC AREA'S ARE USED TO MARK START OF READ OPERATION MARKS END OF WORD IN THE SHIFT REGISTER

RP15 DISK SECTOR LAYOUT



REV	CHANGE NO.

DEC FORM NO DRD 102A

FIRST USED ON OPTION/MODEL	QTY.	DESCRIPTION	PART NO.	ITEM NO.
PDP 15				
PARTS LIST				
UNLESS OTHERWISE SPECIFIED	DRN	DATE	digital EQUIPMENT CORPORATION MAYNARD, MASSACHUSETTS	
UNLESS OTHERWISE SPECIFIED	CHK'D	DATE		
TOLERANCES	ENG	DATE		
DECIMALS FRACTIONS ANGLES	PROJ. ENG	DATE		
± .005 ± 1/64 ± 0°30'	PROD	DATE		
FINAL SURFACE QUALITY REMOVE BURRS AND BREAK SHARP CORNERS			TIMING DIAGRAM	
MATERIAL	NEXT HIGHER ASSY			
FINISH	A-ML-RP15-0	SCALE	SIZE CODE	NUMBER
		SHEET 5 OF 5	D TD	RP15-0-56
			DIST.	REV C

This drawing and specifications, herein, are the property of Digital Equipment Corporation and shall not be reproduced or copied or used in whole or in part as the basis for the manufacture or sale of items without written permission.

RP15 ADJUSTMENT PROCEDURE

1. POWER DOWN SYSTEM. REMOVE ALL CABLES IN SLOTS H19 - H24 AND SLOTS J19 - J24. CABLES SHOULD BE MARKED WITH APPROPRIATE LOCATIONS.
2. REMOVE M622 MODULES LOCATED IN H14, H15, AND H16. PLACE M622 MODULES IN SLOTS H17, J23, AND J24.
3. POWER UP SYSTEM. SET ACCUMULATOR SWITCHES TO 760032. LOAD RP15 INSTRUCTION TEST. AFTER TAPE IS LOADED AND THE TELETYPE BELL RINGS, LOWER AC SWITCH 00.
4. SET UP OSCILLOSCOPE FOR INTERNAL SYNC ON PROBE #1. PLACE PROBE #1 ON C24F2. ADJUST TOP POT IN SLOT C24 UNTIL TRACE ON SCOPE IS A 1.5 USEC HIGH LEVEL.
5. PLACE PROBE #1 ON C24T2. ADJUST LOWER POT IN SLOT C24 UNTIL TRACE ON SCOPE IS A 350 USEC HIGH LEVEL.
6. PLACE PROBE #1 ON C25F2. ADJUST TOP POT C25 UNTIL TRACE ON SCOPE IS A 50 USEC HIGH LEVEL.
7. SET ACCUMULATOR SWITCHES TO 760130. AFTER BELL RINGS, LOWER AC SWITCH 00.
8. PLACE PROBE #1 ON C07T2. ADJUST LOWER POT IN C07 UNTIL TRACE ON SCOPE IS A 20 USEC HIGH LEVEL.
9. PLACE PROBE #1 ON A05P2. ADJUST POT IN C06 UNTIL TRACE ON SCOPE IS A 4 USEC HIGH LEVEL.
10. POWER DOWN SYSTEM. REMOVE M622 MODULES LOCATED IN SLOTS H17, J23, AND J24. REPLACE M622 MODULES IN LOCATIONS H14, H15, AND H16.
11. REPLACE ALL CABLES REMOVED IN STEP #1.
12. POWER UP SYSTEM. RP02 DISK DRIVE MUST BE ON LINE AND READY.
13. PRESS I/O RESET. PLACE PROBE #1 ON CLOCK H, D17L2. PLACE PROBE #2 ON CLOCK GATE H, D17P1. ADJUST POT IN SLOT C15 UNTIL LEADING EDGE OF PULSE ON PROBE #1 FALLS EXACTLY IN THE MIDDLE OF THE HIGH LEVEL ON PROBE #2.
14. LOAD THE FOLLOWING PROGRAM FROM THE ACCUMULATOR SWITCHES. DISK PACK MUST BE FORMATTED CORRECTLY PRIOR TO THIS STEP.

100/	703302	CAF
	200000	LAC 0
	706344	DPCA
	777400	LAW -400
	706384	DPWC
	200001	LAC 1
	706464	DPLF
	706341	DPSJ
	600107	JMP -1
	600100	JMP 100
0/	010000	CA = 10000
	011000	FUNCTION = READ & GO
15. START PROGRAM AT LOCATION 100. PLACE PROBE #1 ON E14B1. PLACE PROBE #2 ON F11E2. MEASURE THE DELAY BETWEEN THE LEADING EDGES OF PROBE #1 AND PROBE #2 (MEASURE AT THE 50% POINTS OF THE FIRST PULSES IN TRACE ONLY.) RECORD THE DELAY ON PAPER. (~20 NSEC)
16. PLACE PROBE #1 ON D17L2. PLACE PROBE #2 ON F11H2. ADJUST POT IN LOCATION C12 UNTIL THE DELAY BETWEEN PROBE #1 AND PROBE #2 IS EQUAL TO THE RECORDED DELAY FROM STEP #15.

TO CONVERT FROM DISK OPERATION TO DISKLESS. FOLLOW STEPS 1 - 3

1. POWER DOWN SYSTEM. REMOVE ALL CABLES IN SLOTS H19-H24 AND SLOTS J19-J24. CABLES SHOULD BE MARKED WITH APPROPRIATE LOCATIONS.
2. REMOVE M622 MODULES LOCATED H14, H15, AND H16. PLACE M622 MODULES IN SLOTS H17, J23, J24.
3. POWER UP SYSTEM

TO CONVERT FROM DISKLESS OPERATION TO DISK. FOLLOW STEPS 4-6

4. POWER DOWN SYSTEM. REMOVE M622 MODULES LOCATED IN SLOTS H17, J23, AND J24. REPLACE M622 MODULES IN LOCATIONS H14, H15, AND H16
5. REPLACE ALL CABLES REMOVED IN STEP #1.
6. POWER UP SYSTEM.

REV	NO	DATE	BY
A	1	12-14-70	J. ZIH
B	2	12-14-70	J. ZIH
B	3	12-14-70	J. ZIH
B	4	12-14-70	J. ZIH

FIRST USED ON OPTION / MODEL		QTY.	DESCRIPTION	PART NO.	ITEM NO.
PDP15					
PARTS LIST					
UNLESS OTHERWISE SPECIFIED					
DIMENSION IN INCHES		DRN	DATE	digital EQUIPMENT CORPORATION MAYNARD, MASSACHUSETTS	
TOLERANCES		CHK'D	DATE	TITLE	
DECIMALS	FRACTIONS	ENG	DATE	ADJUSTMENT & MAINTENANCE	
± .005	± 1/64	PROJ. ENG.	DATE	SIZE CODE NUMBER	
FINAL SURFACE QUALITY		PROD.	DATE	DISP RP15-0-57	
REMOVE BURRS AND BREAK SHARP CORNERS				REV B	
MATERIAL		NEXT HIGHER ASSY		SCALE	
+		A-ML-RP15-0		SHEET 1 OF 1	
FINISH		DIST.		REV B	
+					

This drawing and specifications, herein, are the property of Digital Equipment Corporation and shall not be reproduced or copied or used in whole or in part as the basis for the manufacture or sale of items without written permission.

DIGITAL EQUIPMENT CORPORATION
MAYNARD, MASSACHUSETTS

ENGINEERING SPECIFICATION

DATE 7/15/74

TITLE RP15 CUSTOMER ACCEPTANCE PROCEDURE

REVISIONS

REV	DESCRIPTION	CHG NO	ORIG	DATE	APPD BY	DATE
-	ORIGINATED	RP15-00018	F. DOLL	8-74	F. Doll	8-74

1.0 This procedure contains the necessary information for on-site customer acceptance of the RP15 disk drive controller.

2.0 Required documents

2.1 RP15 check list (attached)

3.0 Preliminary checks:

3.1 Check that all items called out in the above check list are present.

3.2 Perform an overall quality check of the RP15 to verify that there are no mechanical or electrical defects, and that the general appearance is acceptable.

4.0 Diagnostic Testing

4.1 Run each of the following diagnostic programs:

MAINDEC-15-D5HB	Instruction Test
MAINDEC-15-DARPC-A	FORMATTER
MAINDEC-15-DARPB-A	ADDRESS TEST
MAINDEC-15-DARPA-C	RANDOM EXERCISOR

4.2 Program run times should be as follows:

	RP02	RP03	TIME
Instr. Test	One Pass Only		50 Min
Formatter	1 Pass	1 Pass	12 Min/25 Min
Address Test	2 Passes	1 Pass	16 Min/16 Min
Random Exercisor	2 Passes	1 Pass	2 Hr/2Hr

4.3 The following criteria shall be used to evaluate system reliability.

4.3.1 There can be no more than 1 seek error in 10^6 seeks. Since there will be less than 10^4 accumulated seeks during the running of all tests, 1 seek error constitutes an acceptance failure.

ENG <i>Fred Doll</i>	APPD <i>Fred Doll</i>	SIZE A	CODE SP	NUMBER RP15-0-60	REV
----------------------	-----------------------	---------------	----------------	------------------	-----

ENGINEERING SPECIFICATION



CONTINUATION SHEET

TITLE RP15 CUSTOMER ACCEPTANCE PROCEDURE

4.3.2 There can be no more than 1 read error in 10^9 bits read. One pass of the Random Exercisor will read $.88 \times 10^9$ (RP02) or 1.76×10^9 (RP03) bits, therefore more than 1 read error in the specified run time constitutes an acceptance failure..

4.3.3 There can be no more than 1 write error in 10^{10} bits written. Since only 1.8×10^9 bits are written during the running of all tests, 1 write error constitutes an acceptance failure.

4.3.4 Definitions

Read Error: An error is detected when reading a disk sector. The data can be recovered by performing a sequence of 10 rereads, one re-access to the same track following a home seek, and 10 more rereads.

Write Error: An error is detected, but the data cannot be recovered through the sequence described above.

Seek Error: The drive does not properly position itself in response to a seek command.

4.3.5 Pack Attributable Errors

Due to the higher recording density of the RP03 errors may occur during use or testing that do not indicated drive failure.

Any data error, either read or write, which occurs more than once in the same cylinder, surface, sector, and word (+ 0 words) is a pack attributable error and as such should not be included in the reliability error total.

Of the possible 8120 tracks on an RP02P disk pack, no more than 60 tracks may contain an unuseable area. For RP02's no more than 30 tracks may contain unuseable areas.

SIZE A	CODE SP	NUMBER RP15-0-60	REV
---------------	----------------	------------------	-----



TITLE RP15 CUSTOMER ACCEPTANCE PROCEDURE

RP15 CHECKLIST

CUSTOMER:
CHECKER:

DEC #:
DATE:

I. RP15

- A. I/O BUS CABLE (BC09-B) _____
- B. REMOTE POWER CABLE (EXTENSION CORD) _____
- C. DIAGNOSTIC TAPES, WRITE-UPS & LISTINGS _____
 - 1. Formatter MAINDEC-15-DARPC-A _____
 - 2. Instruction Test MAINDEC-15-D5HB _____
 - 3. Address Test MAINDEC-15-DARPB-A _____
 - 4. Random Data Test MAINDEC-15-DARPA-C _____
- D. RP15 MAINTENANCE MANUAL _____
- E. RP15 PRINT SET _____
- F. RP02 CLEANING KIT _____
- G. TERMINATOR FOR LAST UNIT _____
- H. E.C.O. STATUS SHEET _____
- I. FUSE, 5 AMP SLO-BLOW (5) _____

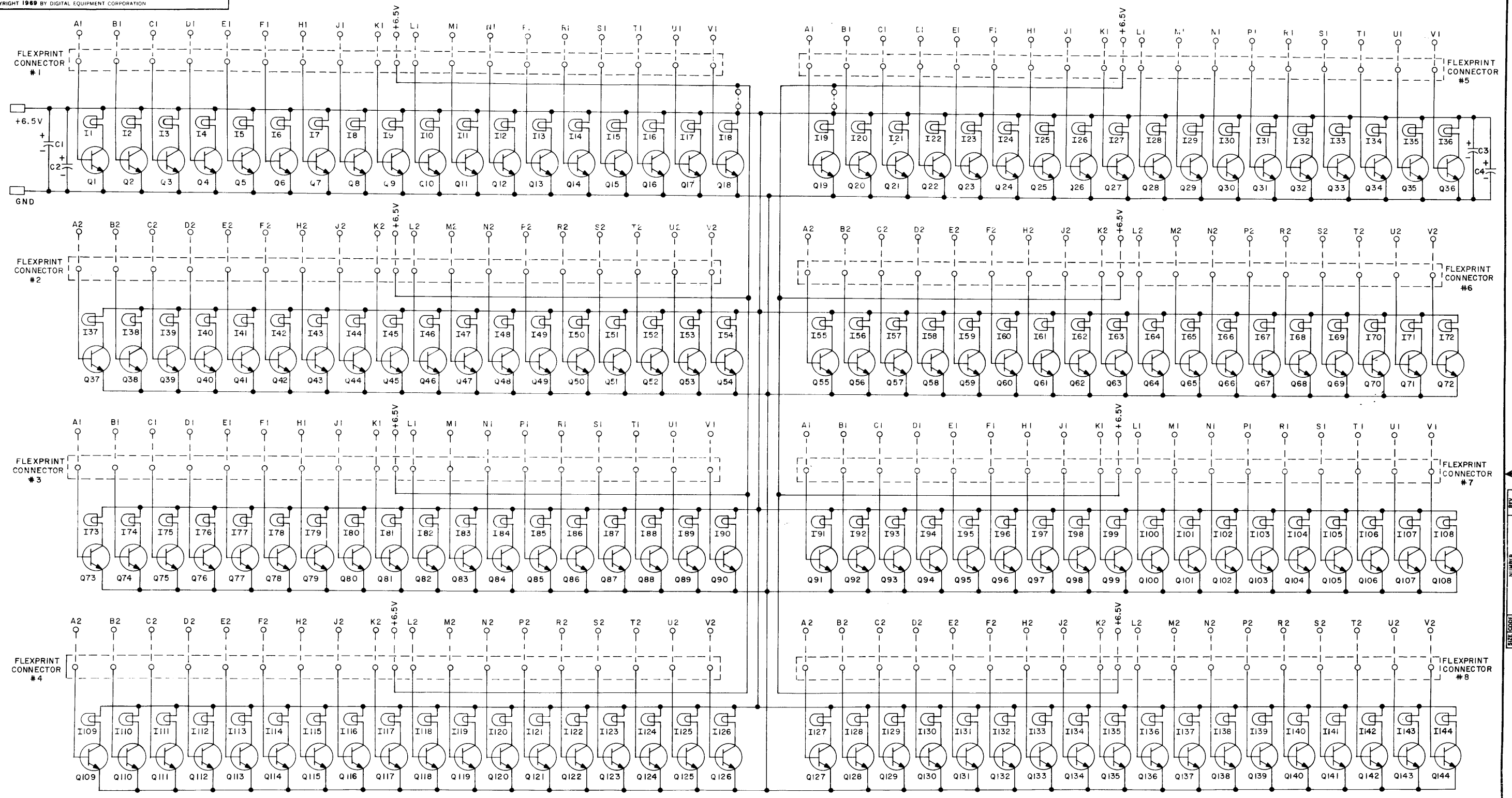
II. RP02/RP03

- A. UNIT CABLE _____
- B. BUS CABLE _____
- C. POWER CABLE _____
- D. MAINTENANCE MANUALS (2) _____
- E. SPARE PACK FILTER (1 PER PACK) _____
- F. DISK PACK (RP02P) _____
- * G. DISK PACK LOG _____
- * H. INSERT KIT, FILE IDENTIFICATION _____
- * I. KICK PLATE, SIDE (2) _____
- * J. KICK PLATE FRONT & REAR (2) _____
- * K. CUP, CASTOR (4) _____
- * L. SCREW, BINDER HD. #8-32 x .30 (12) _____

*RP02 ONLY

SIZE A	CODE SP	NUMBER RP15-0-60	REV
-----------	------------	---------------------	-----

THIS SCHEMATIC IS FURNISHED ONLY FOR TEST AND MAINTENANCE PURPOSES. THE CIRCUITS ARE PROPRIETARY IN NATURE AND SHOULD BE TREATED ACCORDINGLY. COPYRIGHT 1969 BY DIGITAL EQUIPMENT CORPORATION

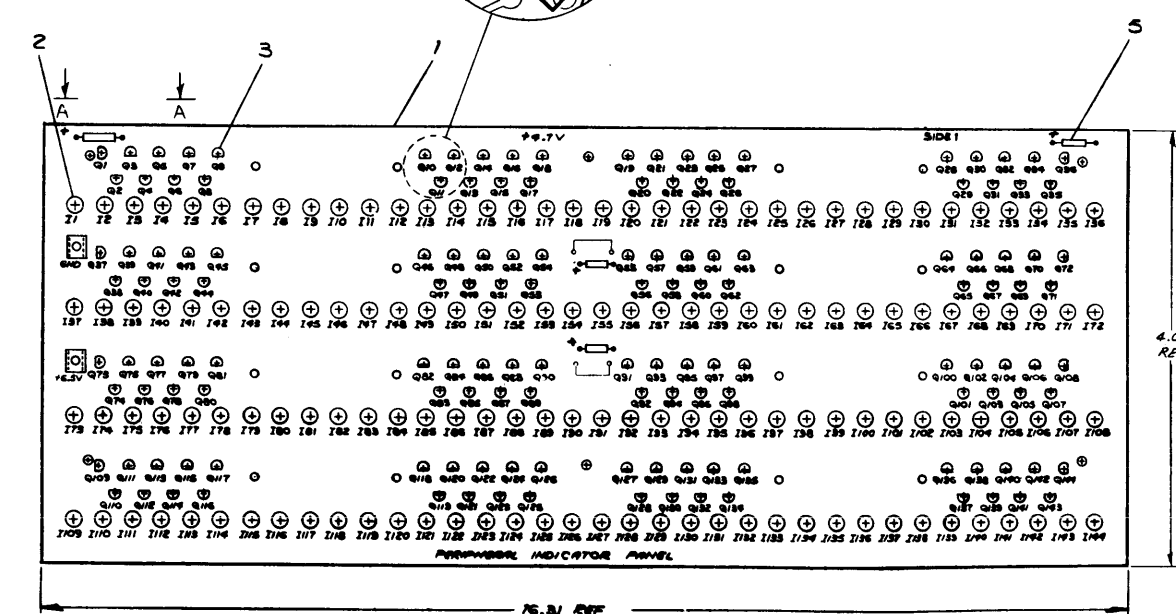
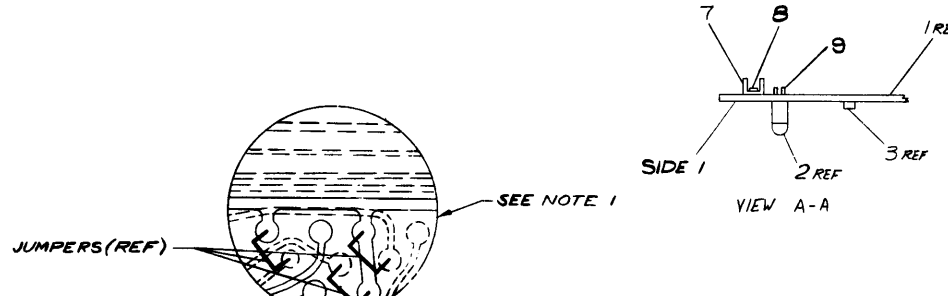


UNLESS OTHERWISE INDICATED:
 TRANSISTORS ARE DEC3009B
 O--O INDICATES JUMPER
 CAPACITORS ARE 39MFD 10V 10%
 LAMPS ARE I209219

REVISIONS CHK'G NO. REV. DATE 1 00001 A 2 00003 P	DRN <i>Weller</i> DATE 8-3-69 CHK'D <i>Weller</i> DATE 7-15-69 ENG <i>Weller</i> DATE 9-19-69 PROD DATE	TRANSISTOR & DIODE CONVERSION CHART DEC EIA DEC EIA DEC3009B 2N3009	digital EQUIPMENT CORPORATION MAYNARD, MASSACHUSETTS	TITLE PERIPHERAL INDICATOR PANEL 5408458 SIZE CODE NUMBER REV D CS 5408458-0-1 P
	PRINTED CIRCUIT REV.			5
	DISC 5408458-0-1			PINK
	DEC FORM NO. DRD 101			

NUMBER VARIATION	COMPONENT LOCATION	JUMPER EMITTER TO BASE OF FOLLOWING TRANSISTOR(S)	NUMBER VARIATION	COMPONENT LOCATION	JUMPER EMITTER TO BASE OF FOLLOWING TRANSISTOR(S)	PART NUMBER																
						5408458-1	5408458-2	5408458-3	5408458-4	5408458-5	5408458-6	5408458-7	5408458-8	5408458-9	5408458-10	5408458-11	5408458-12	5408458-13	5408458-14	5408458-15	5408458-16	
5408458-1	1 THRU 11, 13 THRU 22, 27, 28, 41, 42, 44, 45, 48, 51, 62, 72, 73, 75, 77, 78, 81, 91 THRU 102, 103 THRU 113, 117, 127 THRU 144	12, 35, 40, 42, 44, 46, 51, 52, 53, 54, 62, 76, 78, 79, 80, 82-90, 114-116, 118-126	5408458-2	1 THRU 144		AP03 V778 AK08 AK09 AK10 AK11 AK12 AK13 AK14 AK15 AK16 AK17 AK18 AK19 AK20 AK21 AK22 AK23 AK24 AK25 AK26 AK27 AK28 AK29 AK30 AK31 AK32 AK33 AK34 AK35 AK36 AK37 AK38 AK39 AK40 AK41 AK42 AK43 AK44 AK45 AK46 AK47 AK48 AK49 AK50 AK51 AK52 AK53 AK54 AK55 AK56 AK57 AK58 AK59 AK60 AK61 AK62 AK63 AK64 AK65 AK66 AK67 AK68 AK69 AK70 AK71 AK72 AK73 AK74 AK75 AK76 AK77 AK78 AK79 AK80 AK81 AK82 AK83 AK84 AK85 AK86 AK87 AK88 AK89 AK90 AK91 AK92 AK93 AK94 AK95 AK96 AK97 AK98 AK99 AK00																
5408458-2	1 THRU 18, 20 THRU 110, 112, 113, 115 THRU 118, 120 THRU 131, 135 THRU 144	19, 111, 114, 119, 132	5408458-3	1 THRU 30, 32 THRU 108, 119 THRU 133	31, 109 THRU 118, 134 THRU 144																	
5408458-3	37 THRU 72, 73, 75, 77, 79, 85 THRU 108	74, 76, 78, 80-84	5408458-4	1 THRU 36, 38 THRU 48, 50 THRU 53, 55 THRU 60, 62 THRU 69, 71, 75 THRU 89, 94 THRU 107, 109 THRU 126, 129 THRU 143	87, 89, 84, 61, 70, 72, 74, 78, 79, 90, 91, 92, 93, 106, 127, 128, 144																	
5408458-4	1 THRU 6, 10 THRU 40, 43 THRU 65, 67 THRU 72, 73, 77, 80, 83, 86, 87, 90 THRU 120, 132, 134, 136 THRU 144	9, 41, 42, 66, 73, 75, 76, 78, 79, 81, 82, 84, 85, 88, 89, 131, 133, 135	5408458-5	1 THRU 144																		
5408458-5	37 THRU 108		5408458-6	1 THRU 36, 37, 39, 41, 43, 45, 47, 49, 51, 53, 55, 56 THRU 65, 68 THRU 76, 78, 79, 80, 82, 83, 84, 86, 87, 89, 90, 91, 92, 94 THRU 116, 118, 119, 120, 121, 122, 124, 126, 128, 136 THRU 144	38, 40, 42, 44, 46, 48, 50, 52, 54, 56, 57, 77, 81, 85, 89, 93, 117, 122, 128, 137																	
5408458-6	1 THRU 80, 82 THRU 89, 92 THRU 94, 100 THRU 122, 125 THRU 130, 132, 134, 136, 138, 140, 142, 144	81, 90, 91, 97-99, 122, 124, 131, 132, 135, 137, 139, 141, 143	5408458-7	1 THRU 36	73 THRU 144																	
5408458-7	1 THRU 36	73 THRU 144	5408458-8	37 THRU 108																		
5408458-8	37 THRU 108		5408458-9	37 THRU 108																		
5408458-9	37 THRU 108		5408458-10	1 THRU 62, 64, 66, 68, 70, 72, 73, 75, 77 THRU 80, 82, 84, 86 THRU 87, 89, 90, 105 THRU 113, 115 THRU 119, 121	63, 65, 67, 69, 71, 74, 76, 81, 84, 85, 114, 120, 122 THRU 126																	
5408458-10	1 THRU 62, 64, 66, 68, 70, 72, 73, 75, 77 THRU 80, 82, 84, 86 THRU 87, 89, 90, 105 THRU 113, 115 THRU 119, 121	63, 65, 67, 69, 71, 74, 76, 81, 84, 85, 114, 120, 122 THRU 126	5408458-11	1 THRU 37, 39, 41, 43, 45, 47, 49, 51, 53, 56, 58 THRU 75, 77 THRU 79, 81 THRU 85, 87, 88, 90, 92 THRU 116, 118 THRU 122, 124 THRU 127, 129 THRU 131, 133 THRU 135, 137 THRU 144	38, 40, 42, 44, 46, 48, 50, 52, 54, 55, 57, 76, 80, 86, 89, 91, 117, 123, 128, 132, 136																	
5408458-11	1 THRU 37, 39, 41, 43, 45, 47, 49, 51, 53, 56, 58 THRU 75, 77 THRU 79, 81 THRU 85, 87, 88, 90, 92 THRU 116, 118 THRU 122, 124 THRU 127, 129 THRU 131, 133 THRU 135, 137 THRU 144	38, 40, 42, 44, 46, 48, 50, 52, 54, 55, 57, 76, 80, 86, 89, 91, 117, 123, 128, 132, 136	5408458-12	1, 3, 5, 7, 9, 11, 13, 15 THRU 22, 28, 30 THRU 45, 47, 49 THRU 54, 59 THRU 144	2, 4, 6, 8, 10, 12, 14, 23 THRU 27, 29, 46, 48, 55 THRU 58																	
5408458-12	1, 3, 5, 7, 9, 11, 13, 15 THRU 22, 28, 30 THRU 45, 47, 49 THRU 54, 59 THRU 144	2, 4, 6, 8, 10, 12, 14, 23 THRU 27, 29, 46, 48, 55 THRU 58	5408458-13	1 THRU 101, 104 THRU 116, 118 THRU 24, 26 THRU 37, 39, 43, 45, 47, 50 THRU 52, 62 THRU 73, 75, 77, 79, 81, 83, 86, 88, 93 THRU 109, 111, 113, 115, 117, 119, 121, 123, 125 THRU 144	89, 12 THRU 13, 17, 25, 38, 40, 41, 42, 44, 46, 48, 49, 53 THRU 61, 74, 76, 78, 80, 82, 84, 85, 87, 89 THRU 92, 110, 112, 114, 116, 118, 120, 122, 123, 126 THRU 128																	
5408458-13	1 THRU 101, 104 THRU 116, 118 THRU 24, 26 THRU 37, 39, 43, 45, 47, 50 THRU 52, 62 THRU 73, 75, 77, 79, 81, 83, 86, 88, 93 THRU 109, 111, 113, 115, 117, 119, 121, 123, 125 THRU 144	89, 12 THRU 13, 17, 25, 38, 40, 41, 42, 44, 46, 48, 49, 53 THRU 61, 74, 76, 78, 80, 82, 84, 85, 87, 89 THRU 92, 110, 112, 114, 116, 118, 120, 122, 123, 126 THRU 128	5408458-14	1 THRU 144																		
5408458-14	1 THRU 144		5408458-15	1 THRU 90, 109 THRU 126	91 THRU 108, 127 THRU 144																	
5408458-15	1 THRU 90, 109 THRU 126	91 THRU 108, 127 THRU 144	5408458-16	1 THRU 36, 38 THRU 48, 50 THRU 53, 55 THRU 62 THRU 65, 68, 69, 71, 75 THRU 89, 94 THRU 107, 109 THRU 125, 129 THRU 143	37, 49, 54, 61, 66, 67, 70, 72, 73, 74, 80, 91, 92, 93, 108, 126, 127, 128, 144																	
5408458-16	1 THRU 36, 38 THRU 48, 50 THRU 53, 55 THRU 62 THRU 65, 68, 69, 71, 75 THRU 89, 94 THRU 107, 109 THRU 125, 129 THRU 143	37, 49, 54, 61, 66, 67, 70, 72, 73, 74, 80, 91, 92, 93, 108, 126, 127, 128, 144	5408458-17	1 THRU 18, 23 THRU 47, 49 THRU 58, 60 THRU 83, 85 THRU 94, 96 THRU 99, 101 THRU 108, 126, 130 THRU 132 THRU 134	19 THRU 22, 48, 59, 84, 75, 100, 109 THRU 125, 131, 137 THRU 144																	
5408458-17	1 THRU 18, 23 THRU 47, 49 THRU 58, 60 THRU 83, 85 THRU 94, 96 THRU 99, 101 THRU 108, 126, 130 THRU 132 THRU 134	19 THRU 22, 48, 59, 84, 75, 100, 109 THRU 125, 131, 137 THRU 144	5408458-18	1 THRU 88, 91 THRU 124, 127 THRU 133, 140 THRU 144	89, 70, 125, 124, 139																	
5408458-18	1 THRU 88, 91 THRU 124, 127 THRU 133, 140 THRU 144	89, 70, 125, 124, 139	5408458-19	1 THRU 144																		
5408458-19	1 THRU 144		5408458-20	1 THRU 144																		
5408458-20	1 THRU 144		5408458-21	1 THRU 144																		
5408458-21	1 THRU 144		5408458-22	1 THRU 144																		
5408458-22	1 THRU 144		5408458-23	1 THRU 144																		
5408458-23	1 THRU 144		5408458-24	1 THRU 126, 130 THRU 144	127 THRU 129																	
5408458-24	1 THRU 126, 130 THRU 144	127 THRU 129	5408458-25	1 THRU 72, 97, 99, 101, 103, 105 THRU 108	73 THRU 86, 98, 100, 102, 104, 109 THRU 144																	
5408458-25	1 THRU 72, 97, 99, 101, 103, 105 THRU 108	73 THRU 86, 98, 100, 102, 104, 109 THRU 144	5408458-26	6 THRU 16, 19 THRU 36, 43 THRU 52, 55 THRU 72, 78 THRU 88, 91 THRU 108, 127 THRU 138	1 THRU 5, 17, 18, 87 THRU 42, 53, 54, 78 THRU 77, 89, 90, 109 THRU 126, 139 THRU 144																	
5408458-26	6 THRU 16, 19 THRU 36, 43 THRU 52, 55 THRU 72, 78 THRU 88, 91 THRU 108, 127 THRU 138	1 THRU 5, 17, 18, 87 THRU 42, 53, 54, 78 THRU 77, 89, 90, 109 THRU 126, 139 THRU 144																				

ITEM NO.	DESCRIPTION	PART NUMBER	QTY																									
1	ETCH BOARD	D-M-5000ST-0-0																										
2	LIGHT BULB ADV	1203219																										
3	TRANSISTOR 2N3008B	1203100																										
4	TRANSISTOR 2N3008B	1203100																										
5	CAPACITOR 500P ADV	1000078																										
6	DIODE 1N4001 ADV	1000082																										
7	TRIM PISTON 1/2" 120 AMP	9007112																										
8	WASHER 1/8" X 1/8" STIMPSON	9008722																										
9	CIRCUIT SCHEMATIC	D-C-3000158-0-1																										
	LIGHT SOCKET	300781E																										

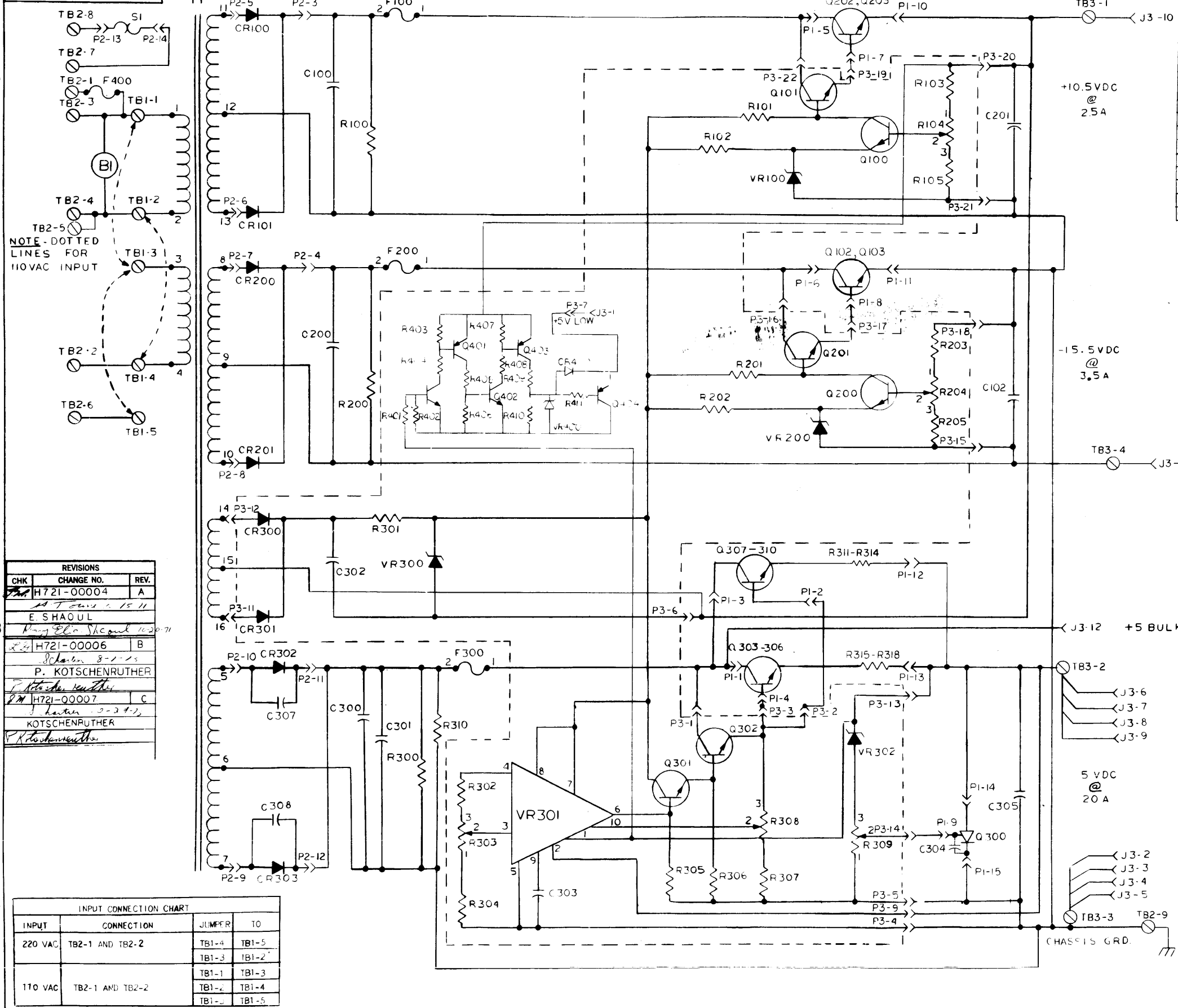


NOTE:
1. TYPICAL JUMPER CONFIGURATION.

CHECKED		QTY	DESCRIPTION	PART NO.
<input type="checkbox"/>	FLANDERS		PERIPHERAL	
<input type="checkbox"/>	YONEDA		ETCH BOARD ASSY	

D-1145408458-0-0-AH

This drawing and specifications, herein, are the property of Digital Equipment Corporation and shall not be reproduced or copied or used in whole or in part as the basis for the manufacture or sale of items without written permission.



REVISIONS		
CHK	CHANGE NO.	REV.
	H721-00004	A
	E. SHAOUL	
	H721-00006	
	P. KOTSCHENRUTHER	
	H721-00007	C
	KOTSCHENRUTHER	

INPUT CONNECTION CHART			
INPUT	CONNECTION	JUMPER	TO
220 VAC	TB2-1 AND TB2-2	TB1-4	TB1-5
		TB1-3	TB1-2
110 VAC	TB2-1 AND TB2-2	TB1-1	TB1-3
		TB1-2	TB1-4
		TB1-5	TB1-5

COMPONENT CHART

CKT REF	DESCRIPTION	CKT. REF	DESCRIPTION
R401	1.7K 1/8 W	A1	P. C. CARD ASS'Y.
R402	2.97K 1/8 W	B1	FAN
K403-408	1K 5/8 1/4 W	G100	CAPACITOR 12,000 MFD @ 30 VDC
R409	8240 1/2 W	G102, 201	CAPACITOR 100 MFD @ 25 VDC
R410	10045 1 W	C200	CAPACITOR 19,000 MFD @ 40 VDC
R411	1045 1/4 W	C307, 308	CAPACITOR 1.0 MFD @ 50 VDC
Q407	DEC 6531B	C300, 301	CAPACITOR 50,000 MFD @ 25 VDC
Q402	DEC 6531B	C302	CAPACITOR 500 MFD @ 25 VDC
Q401	DEC 6534E	C303	CAPACITOR 0.0022 MFD @ 100 VDC
Q403	DEC 6534E	C304	CAPACITOR 0.68 MFD @ 35 VDC
Q404	DEC 6534E	C305	CAPACITOR 270 MFD @ 15 V
VR400	1N751A	T1	TRANSFORMER
CR400	DEC664	CR100, 101	DIODE BRIDGE 1N1201A
		CR200, 201	" "
		CR300, 301	DIODE 1N645
		CR302, 303	DIODE 1N1185A
F100	FUSE 3A AGC		
F200	FUSE 5A AGC		
F300	FUSE 25A AGC		
F400	FUSE 12A ABC		
Q302	TRANSISTOR 2N3055		
Q100, 200	TRANSISTOR 2N1613		
Q301	" "		
Q101, 201	TRANSISTOR 2N3054		
Q303-310	TRANSISTOR 2N3055		
Q102, 103	" "		
Q202, 203	" "		
Q300	S. C. R. C30U		
R100	RESISTOR 125 Ω 10 W 5%		
R101	RESISTOR 5600 1 W 5%		
R102, 201	RESISTOR 15000 1 W 10%		
R103	RESISTOR 681 Ω 1/2 W 1%		
R104, 204	POT. 5000 3/4 W ±10%		
R303, 308	" " " "		
R105, 205	RESISTOR 9090 1/8 W 1%		
R200	RESISTOR 350 Ω 25 W 5%		
R202	RESISTOR 2.7K 1 W 5%		
R203	RESISTOR 1.62 K 1/4 W 1%		
R300, 310	RESISTOR 1000 25 W 5%		
R301	RESISTOR 68 Ω 2 W 5%		
R302	RESISTOR 7500 1/2 W 1%		
R304	RESISTOR 2.2 K 1/2 W 5%		
R305	RESISTOR 2K 1/2 W 5%		
R306	RESISTOR 1K 1/2 W 5%		
R307	RESISTOR 6800 1/2 W 5%		
R309	POT. 500 3/4 W ±20%		
R311-R318	RESISTOR 0.1 Ω 5 W 5%		
S1	THERMOSTAT		
VR100, 200	ZENER 1N751A		
VR300	" "		
VR301	L.C. REG. UA723C		
VR302	ZENER 1N750A		

FIRST USED ON OPTION/ MOD PDP-15	QTY.	DESCRIPTION	PART NO.	ITEM NO.
UNLESS OTHERWISE SPECIFIED DIMENSION IN INCHES	DATE 3/30/70	PARTS LIST		
UNLESS OTHERWISE SPECIFIED TOLERANCES	DATE 2/19/70	digital EQUIPMENT CORPORATION MAYNARD MASSACHUSETTS		
DECIMALS ±.005	DATE 2/19/70	TITLE H721 CIRCUIT SCHEMATIC		
FRACTIONS ± 1/64	DATE 2/19/70	MATERIAL		
ANGLES ± 0°30'	DATE 2/19/70	NEXT HIGHER ASSY		
FINAL SURFACE QUALITY REMOVE BURRS AND BREAK SHARP CORNERS	DATE 2/19/70	SIZE CODE D/C S H721-0-1		
	DATE 2/19/70	FINISH		
	DATE 2/19/70	SCALE		
	DATE 2/19/70	SHEET / OF /		