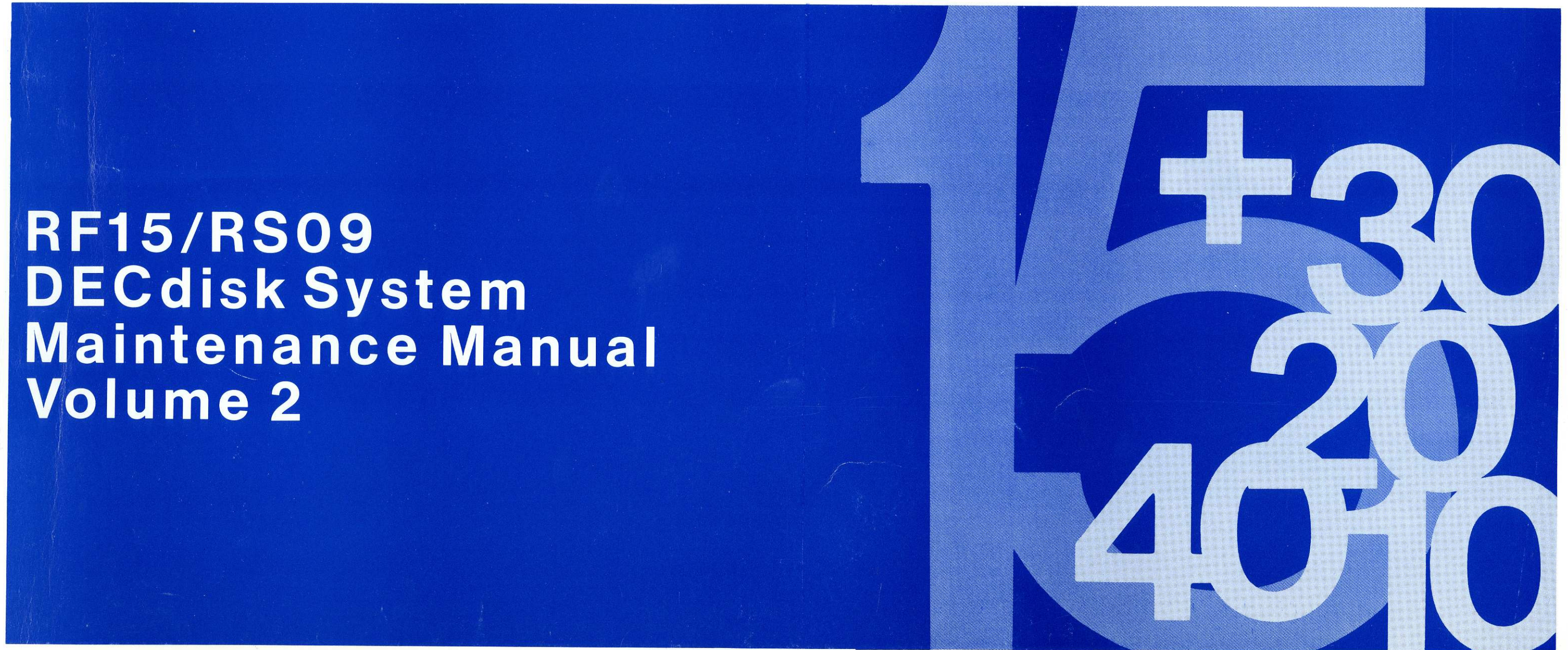


PDP-15 Systems

**RF15/RS09
DECdisk System
Maintenance Manual
Volume 2**



PDP-15 SYSTEMS
RF15/RS09 DECdisk SYSTEM
MAINTENANCE MANUAL
VOLUME 2

1st Printing October 1970
2nd Printing (Rev) July 1971

The material herein is for information purposes only and is subject to change without notice. Digital Equipment Corporation assumes no responsibility for any errors which may appear herein.

These drawings and specifications herein are the property of Digital Equipment Corporation and shall not be reproduced or copied or used in whole or in part as the basis for the manufacture or sale of items without written permission.
Copyright © 1975, Digital Equipment Corporation

Copyright © 1971 by Digital Equipment Corporation

The material in this manual is for informational purposes and is subject to change without notice.

The following are trademarks of Digital Equipment Corporation, Maynard, Massachusetts:

DEC	PDP
FLIP CHIP	FOCAL
DIGITAL	COMPUTER LAB

RF15/RS09 DECdisk System Engineering Drawings

This volume of the RF15/RS09 DECdisk System Maintenance Manual contains the engineering drawings for the RF15 DECdisk Control and the RS09 DECdisk Drive that are referenced in Volume 1.

DRAWING CODES

Digital Equipment Corporation engineering drawings are coded to designate drawing type, major assembly, and series. A drawing number such as D-BS-RF15-0-01 contains the following information:

D	Size (original)
BS	Type (block schematic)
RF15	Equipment designation
0	Manufacturing variation
01	The first drawing of a series

The drawing type codes are defined as follows:

AD	Assembly drawing
AR	Arrangement drawing
BS	Block schematic
CS	Circuit schematic
DI	Drawing index
FD	Flow diagram
IA	Inseparable Assembly
IC	Interconnection cabling
ML	Master drawing list
MU	Module utilization drawing
PL	Parts list
TD	Timing diagram
UA	Unit assembly
WL	Wire list

DRAWING NUMBER INDEX

Table 1 is an index to the engineering drawings, arranged by equipment and drawing type codes.

Table 1
Drawing Number Index

Drawing No.	Revision	Title
RF15 DECdisk Control		
D-UA-RF15-0-0		RF15 DECdisk Control
A-PL-RF15-0-0		RF15 DECdisk Control
A-PL-7006675-0-0		RF15 Wired Assembly
D-BS-RF15-0-01	C	A Timing Track Error Detection and Regeneration
D-BS-RF15-0-02	C	B, C, and D Timing Track Error Detection and Regeneration
D-BS-RF15-0-03	E	RF15 Control 1
D-BS-RF15-0-04	A	RF15 Control 2
D-BS-RF15-0-05		Program Control 1
D-BS-RF15-0-06		Program Control 2
D-BS-RF15-0-07	C	DCH Control
D-BS-RF15-0-08	B	API Control
D-BS-RF15-0-09	A	Maintenance Timing Track
D-BS-RF15-0-10	D	Status Register
D-BS-RF15-0-11		Disk Selection
D-BS-RF15-0-12	A	Disk Segment
D-BS-RF15-0-13		Word Address
D-BS-RF15-0-14	B	Disk Track Address
D-BS-RF15-0-15		Equal Comparison Gating
D-BS-RF15-0-16	A	Shift Register 1
D-BS-RF15-0-17	A	Shift Register 2 (2 sheets)
D-BS-RF15-0-18		Buffer Register 1
D-BS-RF15-0-19		Buffer Register 2
D-BS-RF15-0-20	A	IOB Sel 1
D-BS-RF15-0-21		IOB Sel 2
D-BS-RF15-0-22		IOB Sel 3
D-IC-RF15-0-23		Indicator Cables
D-BS-RF15-0-24		RF15 I/O Drivers and Receivers 1
D-BS-RF15-0-25	B	RF15 I/O Drivers and Receivers 2
D-BS-RF15-0-26	B	RF15 I/O Drivers and Receivers 3
D-BS-RF15-0-27		1-Cycle Data Break
D-IC-RF15-0-28		RF15 To and From RS09
D-IC-RF15-0-29	A	RF15 I/O Cable

Table 1 (Cont)
Drawing Number Index

Drawing No.	Revision	Title
RF15 DECdisk Control (Cont)		
D-BS-RF15-0-30 D-BS-RF15-0-31 D-BS-RF15-0-32 D-IC-RF15-0-35 D-DI-RF15-0-36 D-AR-RF15-0-37 D-MU-RF15-0-38 A-PL-RF15-0-38	A	Selection Panel Converter RS09-RF15 ADS Register AC, DC Power Wiring (3 sheets) Drawing Index List RF15/RS09 Arrangement Module Utilization (2 sheets) Module Utilization Parts List (2 sheets)
D-FD-RF15-0-39 D-AD-7006675-0-0 D-AD-7006356-0-0 C-AD-5408405-0-0 B-CS-5408405-0-1 E-IA-5408458-0-0 D-CS-5408458-0-1	A B P	Flow Diagram (3 sheets) RF15 Wired Assembly Jumper Panel Assembly (RF09) Panel Left End Assembly (RF09) Panel Left End Assembly (RF09) Etch Board Assembly Etch Board Assembly
RS09 DECdisk Drive		
A-ML-RS09-0 A-ML-RS09-P A-PL-RS09-0-0	N J D	262K 18-Bit DECdisk (RS09) 60 Hz Chassis Assembly with Logic 262K 18-Bit DECdisk (RS09) (2 sheets)
D-UA-RS09-0-0 D-BS-RS09-0-1 D-BS-RS09-0-2 D-BS-RS09-0-3 D-BS-RS09-0-4 D-BS-RS09-0-5 D-IC-RS09-0-7	D A A A	262K 18-Bit DECdisk (RS09) Control 1 Track Select Matrix 0 Track Select Matrix 1 Control Unit Connectors Control 2 RS09 Location Chart, Track, Head, Cable
D-DI-RS09-0-8 D-MU-RS09-0-9 A-PL-RS09-0-9 E-AD-7006255-0-0	E A A C	Drawing Index List RS09-0 (2 sheets) Module Utilization (RS09) Module Utilization List (RS09) Blower Filter Assembly (RS09)
RS09-TA Timing Track Writer		
D-UA-RS09-TA-0 A-PL-RS09-TA-0 D-MU-RS09-TA-1 A-PL-RS09-TA-1	A A B B	Timing Track Writer RS09-TA (2 sheets) Timing Track Writer (RS09-TA) (2 shts) Module Utilization RS09-TA Module Utilization List (RS09-TA)

Table 1 (Cont)
Drawing Number Index

Drawing No.	Revision	Title
RS09-TA Timing Track Writer (Cont)		
D-BS-RS09-TA-2 D-BS-RS09-TA-3 D-BS-RS09-TA-4 D-FD-RS09-TA-5 D-TD-RS09-TA-6 D-DI-RS09-TA-7 D-AD-7006493-0-0 A-PL-7006493-0-0 D-IA-7006522-0-0 A-ML-RS09-TA	B C C A A A A D E	RS09 TTW Cont.; Prim. Track Writers RS09 TTW Cont., Gap Det. Spare Track Writers RS09 TTW BC, WA, CLK RS09 TT Writer Flow Chart RS09 TT Writer Timing Diagram, Stop Timing RS09-TA Drawing Index List RS09-TA Wired Assembly RS09-TA Wired Assembly Timing Track Writer RS09-TA
RS08-M Disk Assembly		
A-ML-RS08-M D-UA-RS08-M-0 A-PL-RS08-M-0 D-DI-RS08-M-1 D-AD-7006156-0-0 D-CS-7006156-0-1 C-AD-7005740-0-0	F C C C J E A	RS08-M Disk Assembly 60 Hz RS08-M Disk Assembly (2 shts) RS08-M Disk Assembly (2 shts) RS08-M Disk Assembly Chassis Assembly w/o Logic (2 shts) Power Control and Motor Control Head Shoe Assembly
Power Supply 705-B		
A-PL-705-B-0 D-UA-705-B-0 C-CS-705-B-1	A A	Power Supply 705-B (3 shts) Power Supply 705-B (2 shts) Power Supply 705-B
Indicator Power Supply 716		
B-CS-716-B-1 D-UA-716-0-0 A-PL-716-0-0	E E	716B Circuit Schematic Indicator Power Supply 716 Indicator Power Supply 716 (2 shts)
Line Filter and Power Control 855		
D-UA-855-0-0 C-CS-855-0-1	A	Line Filter and Power Control 855 (2 shts) 855 Circuit Schematic

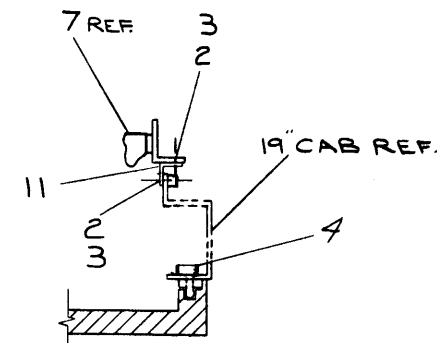
Table 1 (Cont)
Drawing Number Index

Drawing No.	Revision	Title
RF09 Tester		
A-ML-RF09-T D-UA-RF09-T-0 C-CS-RF09-T-01 D-IC-RF09-T-02 D-BS-RF09-T-03 D-MU-RF09-T-04 A-WL-RF09-T-05 A-PI-3700006-0-0 A-PI-37000014-0-0		RF09 Tester RF09 Tester (2 sheets) Power Supply Cables Indicator Drivers RF09-T Module Utilization General Wiring Sheet, Track and Disk Select Monitor (2 shts) RS08 Cabinet-Mounted Disk Dry Packaging of Disk Assembly (3 shts) RS08/09 Packaging Instruction (3 shts)

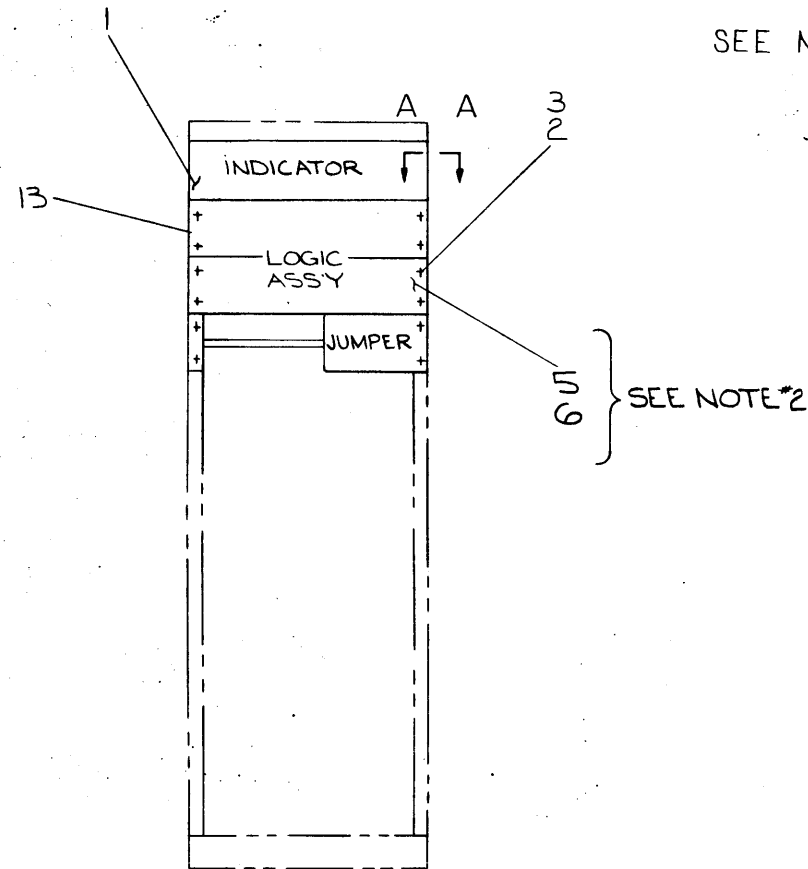
This drawing and specifications, herein, are the property of Digital Equipment Corporation and shall not be reproduced or copied or used in whole or in part as the basis for the manufacture or sale of items without written permission.

NOTES

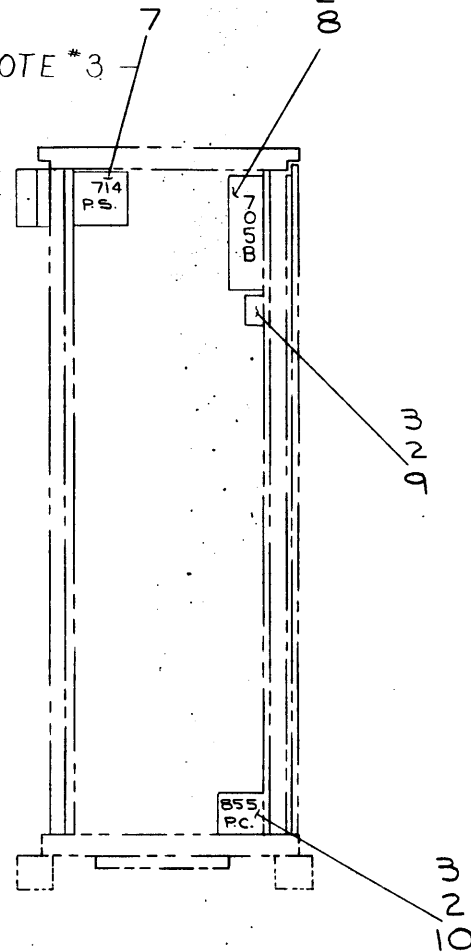
1. FOR DWG INDEX LIST REFER TO DWG D-DI-RF15-0-36
2. FOR CABLE ORIENTATION REFER TO MODULE UTILIZATION D-MU-RS09-0-5 & D-MU-RF15-0-38
3. SEE DRAWING D-UA-7006748-0-0 FOR INSTALLATION OF CAR AND BRKT.



SECTION A-A
 SCALE: NONE



SEE NOTE *3



SEE NOTE *2

FIRST USED ON OPTION/MODEL
 RF15

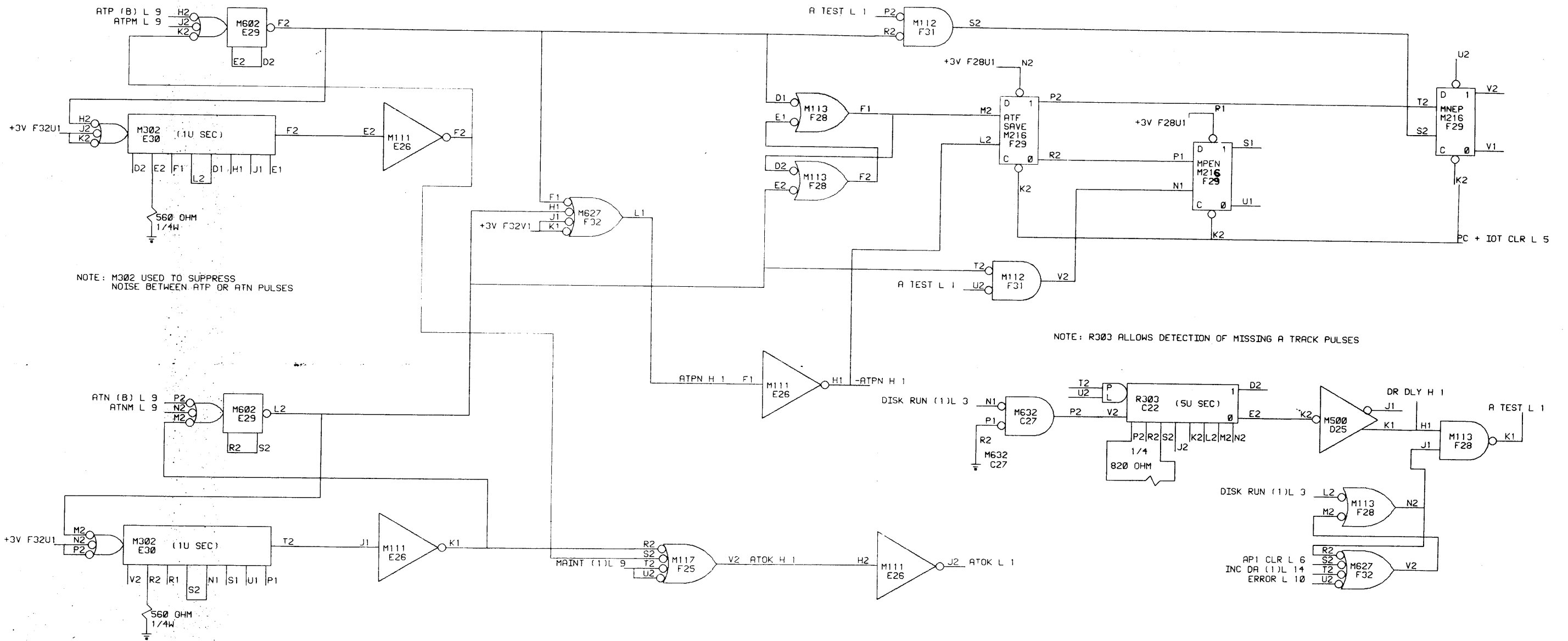
DO NOT SCALE DRAWING
 UNLESS OTHERWISE SPECIFIED
 DIMENSION IN INCHES
 TOLERANCES
 ANGLES
 FINISH
 MATERIAL

DATE 1-15-70
 DATE 1-23-70
 DATE 1-23-70
 DATE 1-23-70
 DATE 1-23-70
 DATE 1-23-70
 DATE 1-23-70
 DATE 1-23-70

digital EQUIPMENT CORPORATION
 MAYNARD, MASSACHUSETTS
 TITLE
 DEC DISK CONTROL
 RF15
 SIZE CODE DUA
 NUMBER RF15-0-0
 REV. B
 SHEET 2 OF 1

REV.	CHANGE NO.	DATE
A	RF15-00013	5-21-71
B	RF15-00018	5-24-71
C	RF15-00019	5-27-72
D	RF15-00020	10-5-72

This drawing and specifications, herein, are the property of Digital Equipment Corporation and shall not be reproduced or copied or used in whole or in part as the basis for the manufacture or sale of items without written permission.



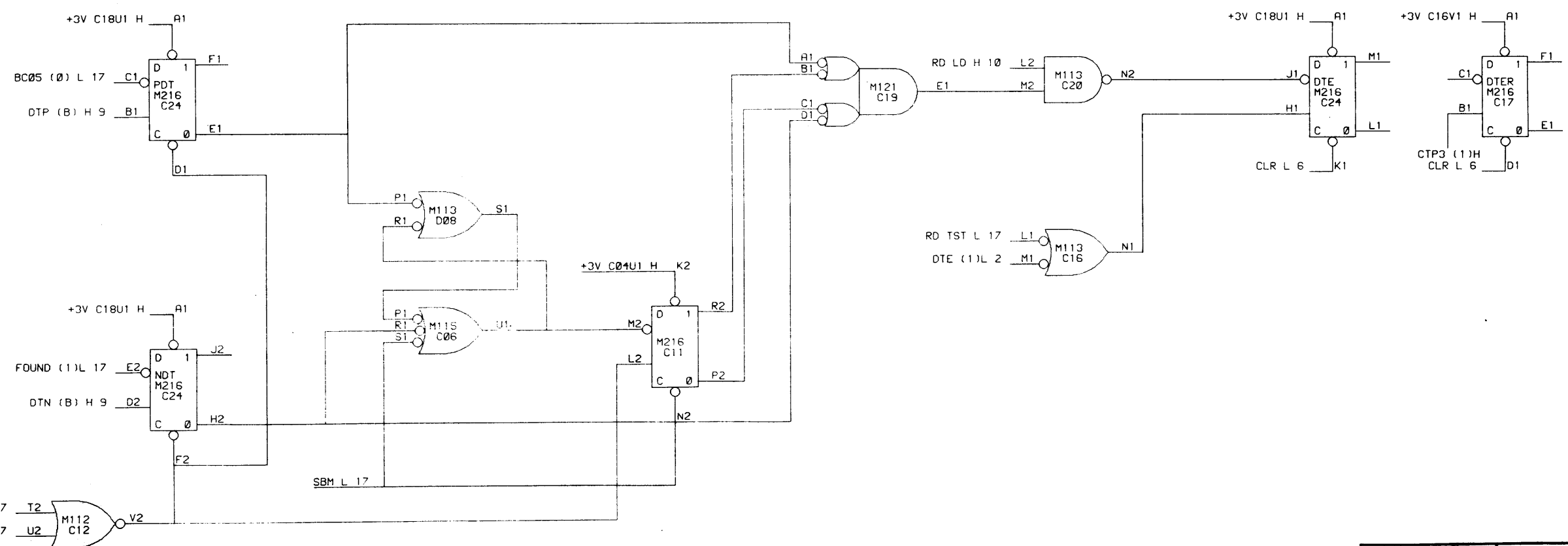
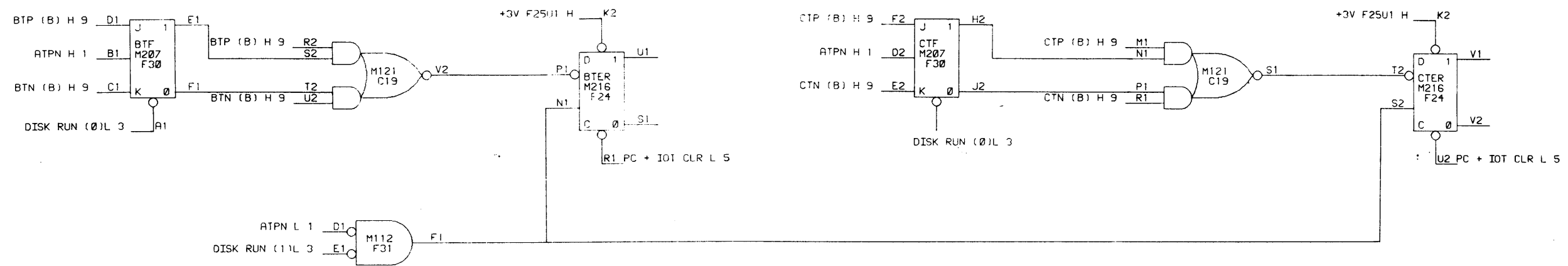
NOTE: M302 USED TO SUPPRESS NOISE BETWEEN ATP OR ATN PULSES

NOTE: R303 ALLOWS DETECTION OF MISSING A TRACK PULSES

REVISIONS		
CHK	CHANGE NO.	REV.
TC	RF15-00001	A
	R SOFKA 5/24/70	
	E KING	
TC	RF15-00002	B
	R SOFKA	
	E KING	
	RF15-00004	C

DRN J FASSHAUER	DATE 11/29/69	digital EQUIPMENT CORPORATION MAYNARD, MASSACHUSETTS
CHKD N RHEULT	DATE 11/29/69	
ENG E KING	DATE 12/1/69	TITLE A TT ERR DET AND REGEN
PROV D YONADA	DATE 12/1/69	
PROD C TOMPKINS	DATE 12/2/69	
FIRST USED ON RF15	SIZE CODE D BS	NUMBER RF15-0-01
SCALE	DIST.	REV. C
SHEET 1 OF 1		

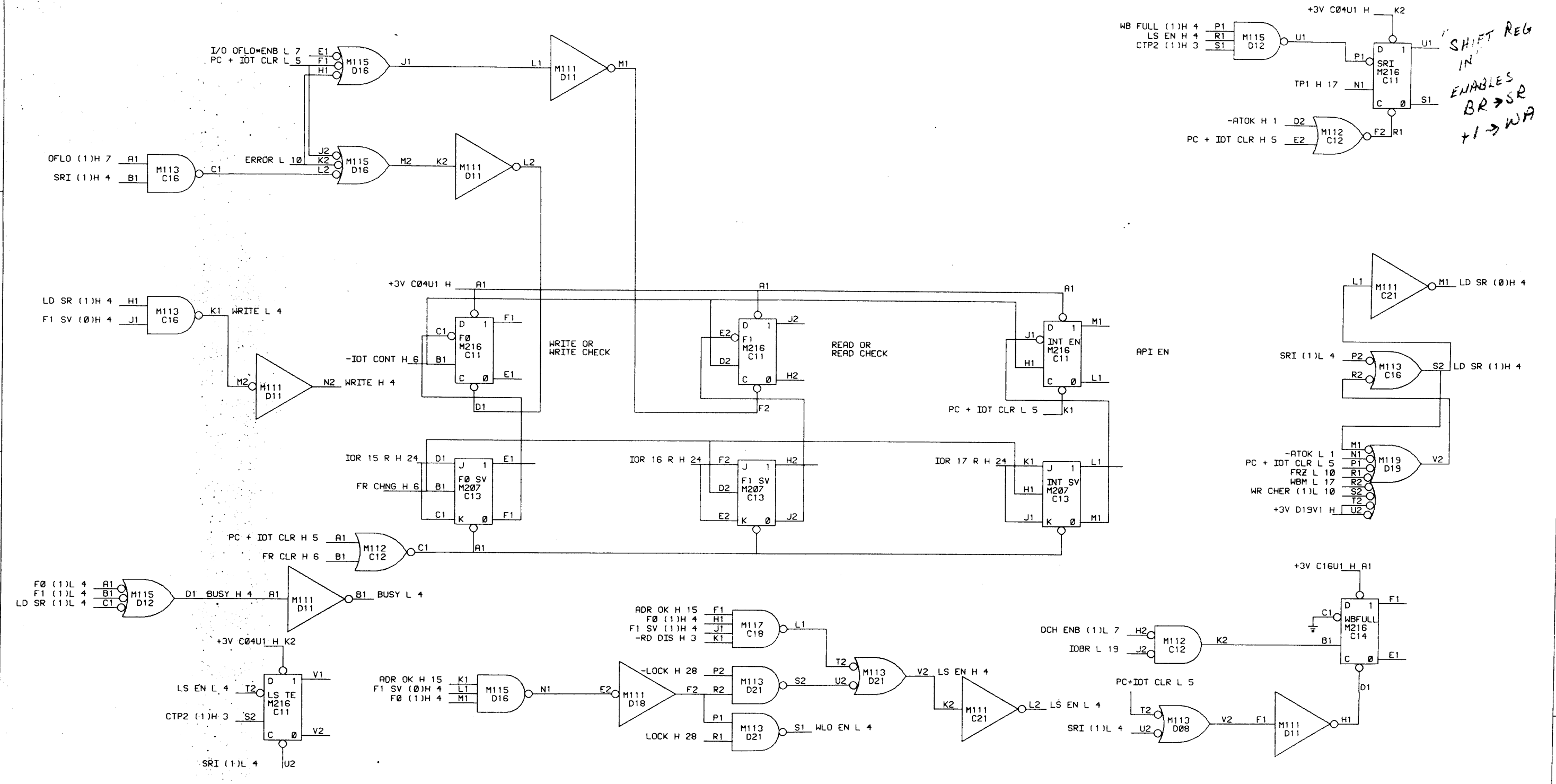
This drawing and specifications, herein, are the property of Digital Equipment Corporation and shall not be reproduced or copied or used in whole or in part as the basis for the manufacture or sale of items without written permission.



REVISIONS		
CHK	CHANGE NO.	REV.
AC	RF15-00001	A
	R SOFKA 5/27/70	
	D VONADA 6/9/70	
GH	RF15-00006	B
	K COTE 7/8/70	
	D VONADA 7/10/70	
	RF15-00010	FC
	D VONADA 9-25-70	

DRN J FASSHAUER	DATE 11/29/69	 digital EQUIPMENT CORPORATION <small>MAYNARD, MASSACHUSETTS</small>
CHKD N RAEULT	DATE 11/29/69	
ENG E KING	DATE 12/1/69	TITLE B C D TT ERR DET AND REGEN
PROJ ENG D VONADA	DATE 12/1/69	
PROD C TOMPKINS	DATE 12/2/69	
FIRST USED ON RF15		
SCALE	SIZE CODE D BS	NUMBER RF15-0-02
SHEET 1 OF 1	DIST.	REV. C

This drawing and specifications, herein, are the property of Digital Equipment Corporation and shall not be reproduced or copied or used in whole or in part on any basis for the manufacture or sale of items without written permission.



DRN. J FASSHAUER	DATE 11/29/69	digital EQUIPMENT CORPORATION MAYNARD, MASSACHUSETTS
CHK'D. N RHEULT	DATE 12/29/69	
ENG. E KING	DATE 12/1/69	TITLE
PROJ. ENG. D YONADA	DATE 12/1/69	RF15 CONTROL 2
PROD. C TOMPKINS	DATE 12/2/69	
FIRST USED ON		
RF15	SIZE CODE D BS	NUMBER RF15-0-04
SCALE		REV. A
SHEET 1 OF 1	DIST.	

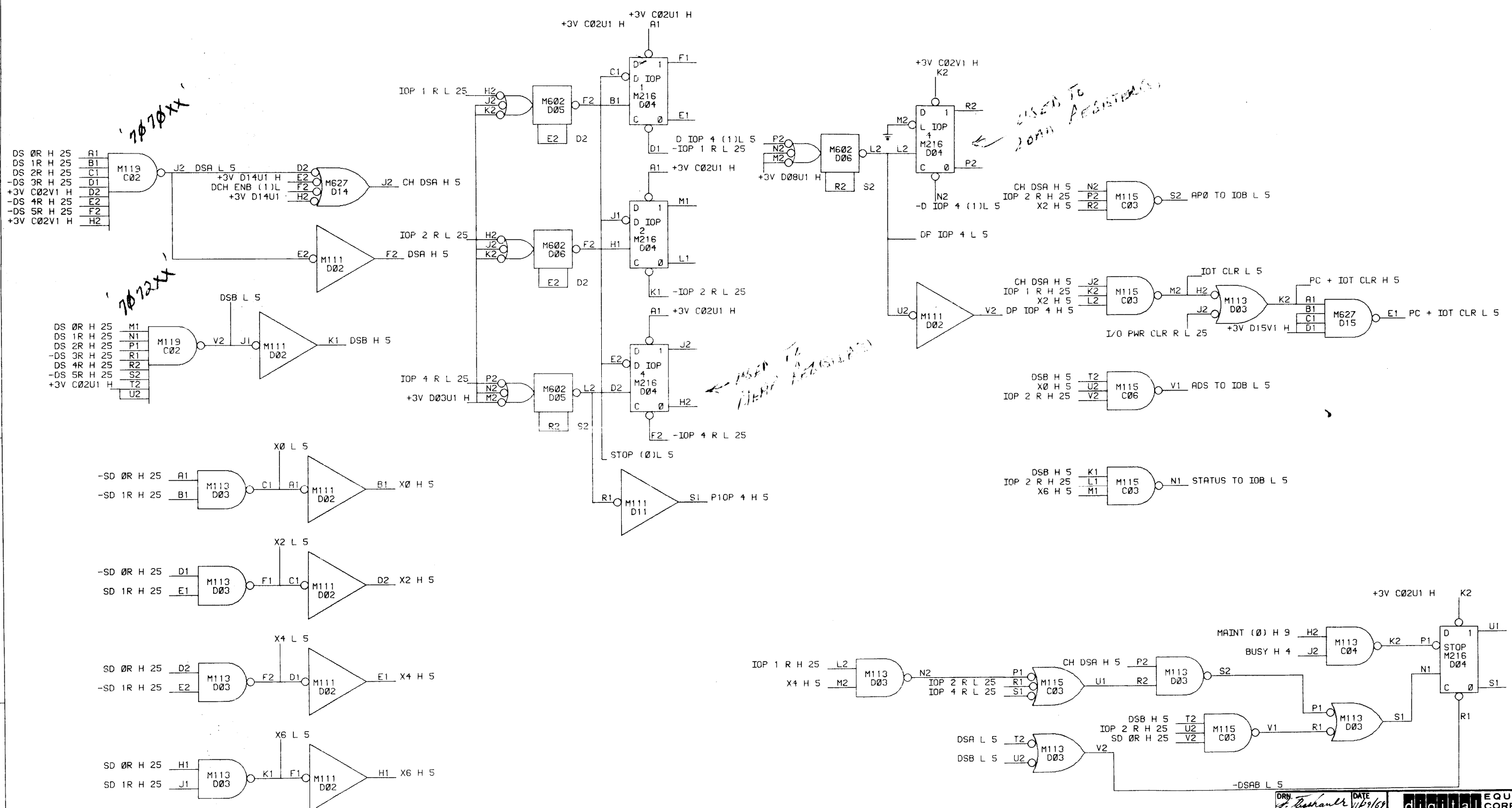
This drawing and specifications, herein, are the property of Digital Equipment Corporation and shall not be reproduced or copied or used in whole or in part as the basis for the manufacture or sale of items without written permission.

D

C

B

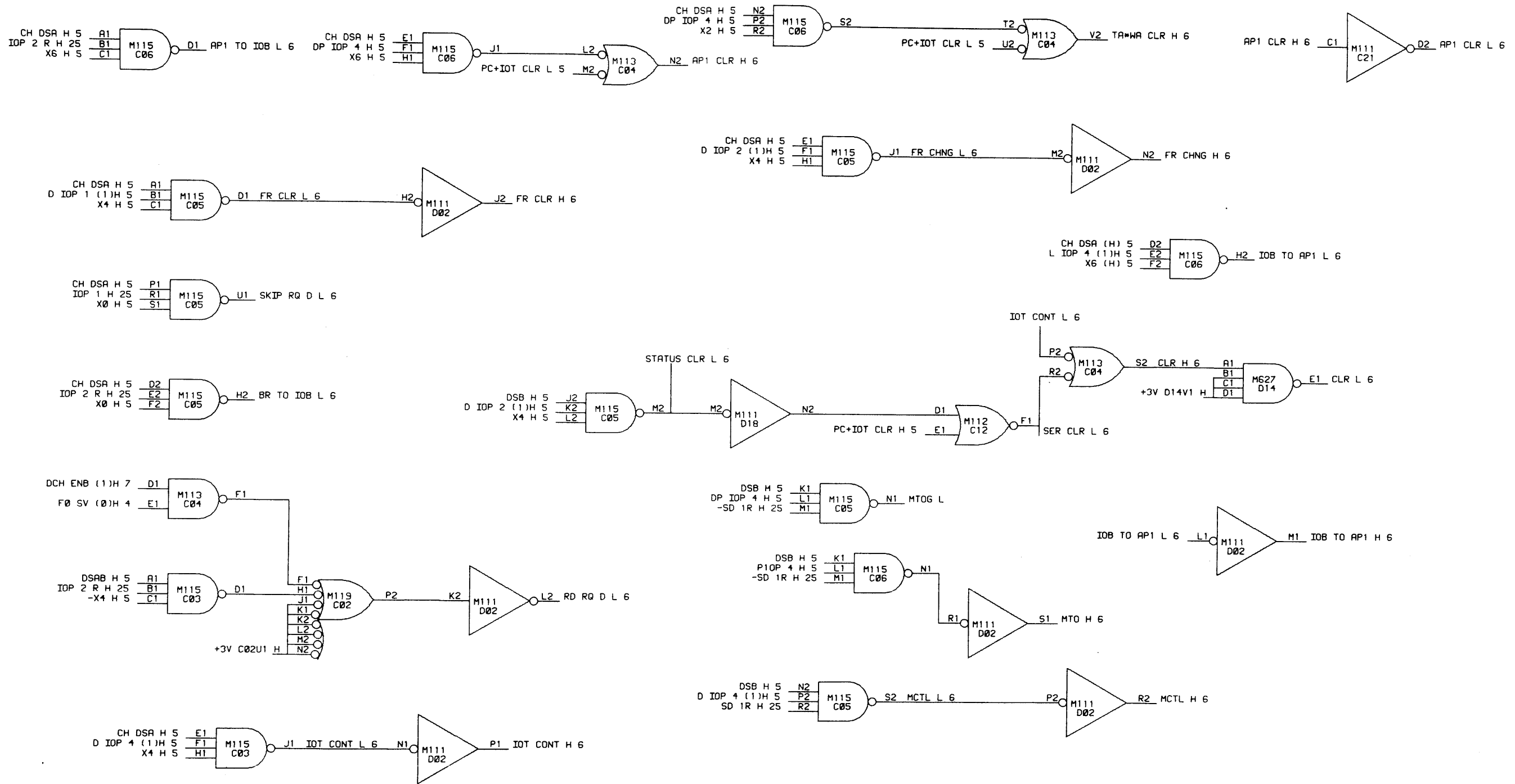
A



REVISIONS		
CHK	CHANGE NO.	REV.

DRN <i>R. B. Bunker</i>	DATE 1/29/69	digital EQUIPMENT CORPORATION MAYNARD, MASSACHUSETTS
CHK'D <i>R. B. Bunker</i>	DATE 1/29/69	
ENG. <i>C. D. Tompkins</i>	DATE 12-1-68	TITLE PROGRAM CONTROL 1
PRD & ENG. <i>C. D. Tompkins</i>	DATE 12-7-68	
PRD. <i>C. D. Tompkins</i>	DATE 12-2-68	
FIRST USED ON		
RF15	SIZE CODE	NUMBER
SCALE	D BS	RF15-0-05
SHEET 1 OF 1	DIST.	REV. 00

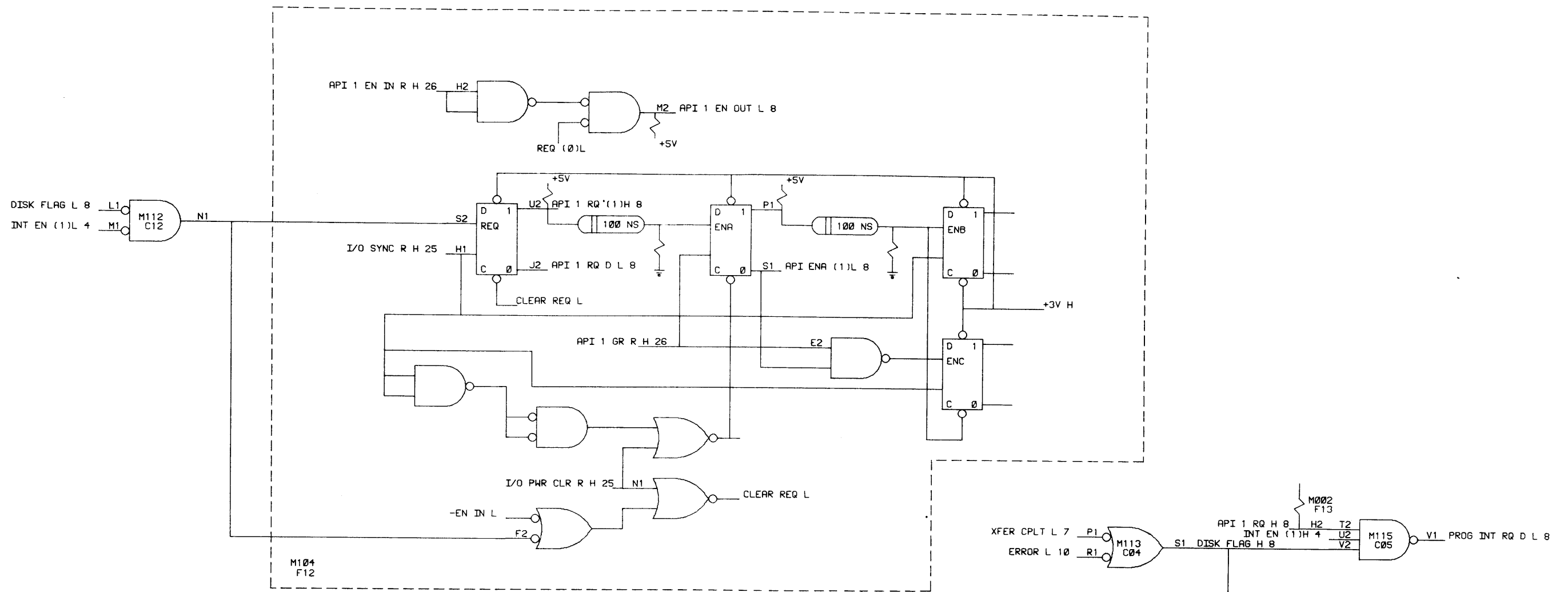
This drawing and specifications herein are the property of Digital Equipment Corporation and shall not be reproduced or copied or used in whole or in part as the basis for the manufacture or sale of items without written permission.



REVISIONS		
CHK	CHANGE NO.	REV.

DRN	DATE	digital EQUIPMENT CORPORATION MAYNARD, MASSACHUSETTS
CHK'D	DATE	
ENC	DATE	TITLE
PROJ ENG	DATE	PROGRAM CONTR. 2
PROJ	DATE	
FIRST USED ON		
RF 15		
SCALE	SIZE CODE	ABER
SHEET 1 OF 1	D BS RF15-06	REV. 00

This drawing and specifications, herein, are the property of Digital Equipment Corporation and shall not be reproduced or copied or used in whole or in part as the basis for the manufacture or sale of items without written permission.

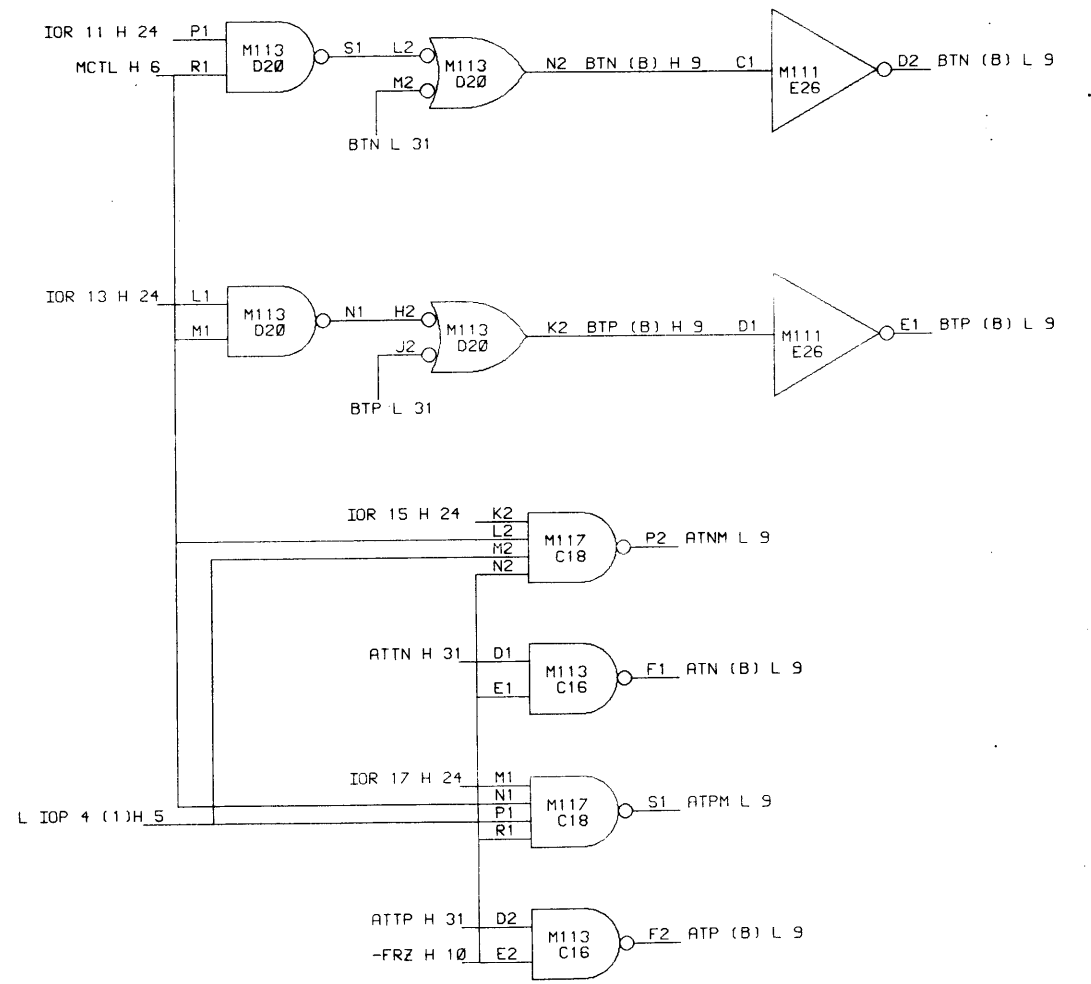
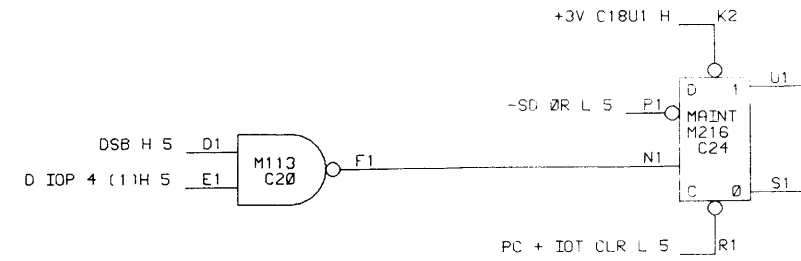
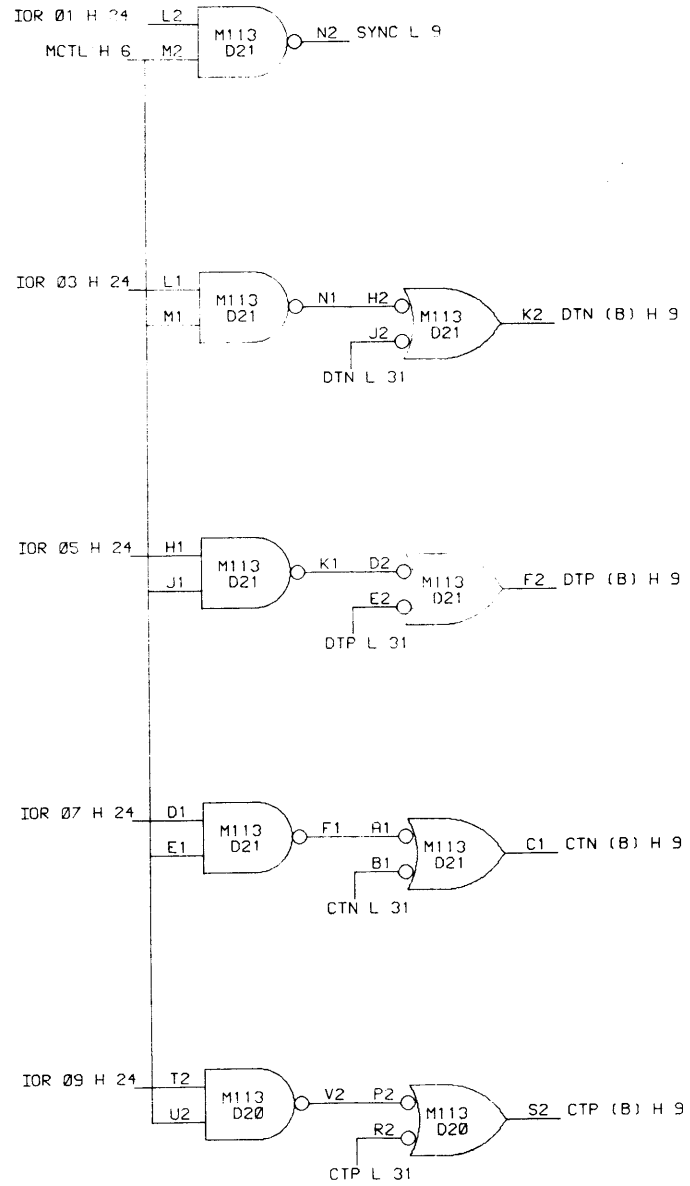
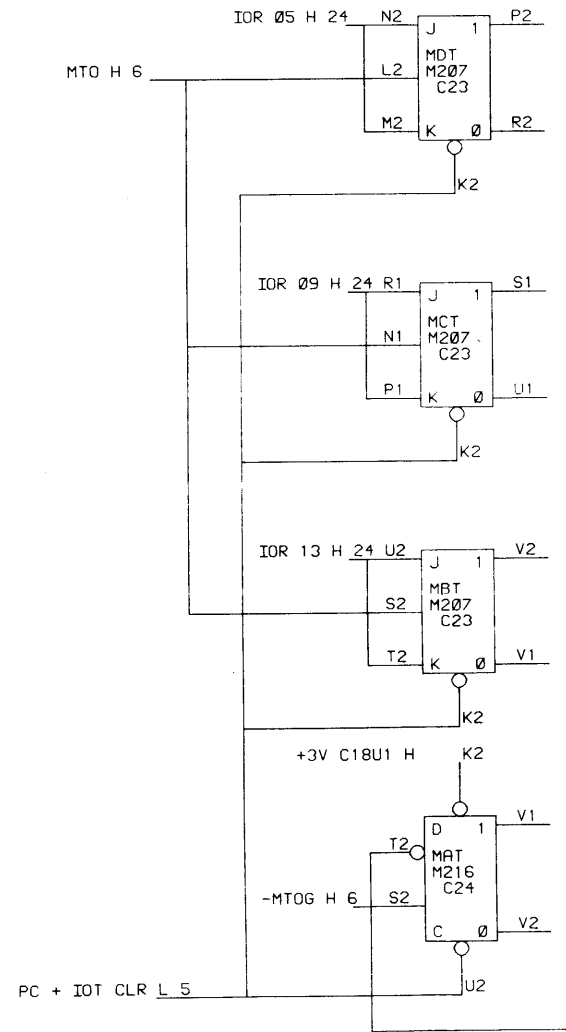


NOTE: THIS DIAGRAM SHOWS CONCEPT ONLY.
REFER TO ACTUAL M104 CIRCUIT SCHEMATIC FOR DETAIL.
THIS DIAGRAM DOES NOT REFLECT
ANY FUTURE M104 CHANGES.

REVISIONS		
CHK	CHANGE NO.	REV.
GJH	RF15-00009	A
	K WALSH 9/4/70	
	D VONADA 9/8/70	
	RF15-00011	B
	5/1/72 10-1-72	

DRN	J FASSHAUER	DATE	11-29-69	digital EQUIPMENT CORPORATION MAYNARD, MASSACHUSETTS			
CHKD	N RHEULT	DATE	11-29-69				
ENGR	EDWARD KING	DATE	12-1-69	TITLE API CONTROL			
PROG	D VONADA	DATE	12-1-69				
PROD	L TOMPKINS	DATE	12-2-69				
FIRST USED ON	RF15	SCALE	D BS	NUMBER	RF15-0-08	REV.	B
SHEET	1	OF	1	DIST.			

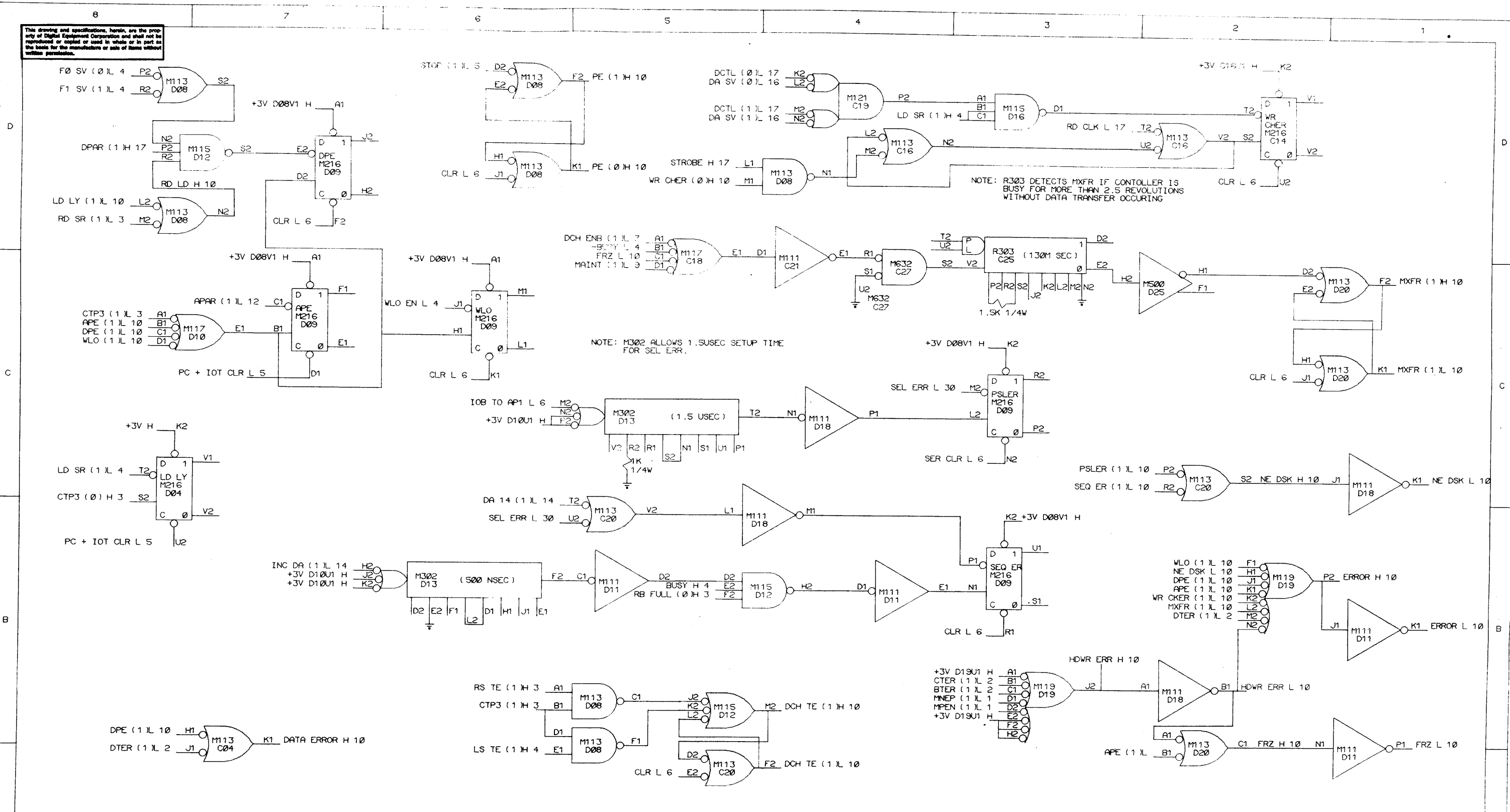
This drawing and specifications, herein, are the property of Digital Equipment Corporation and shall not be reproduced or copied or used in whole or in part as the basis for the manufacture or sale of items without written permission.



REVISIONS		
CHK	CHANGE NO.	REV.
	RF15-00010	A

DRN J FASSHAUR	DATE 11/29/69	digital EQUIPMENT CORPORATION MAYNARD, MASSACHUSETTS
CHK'D R HEAULT	DATE 11/29/69	
ENG E KING	DATE 12/1/69	TITLE MAINTANCE TT
PROJ ENG D VONADA	DATE 12/1/69	
PROD C TOMPKINS	DATE 12/1/69	
FIRST USED ON RF15	SIZE CODE D BS	NUMBER RF15-0-09
SCALE	SHEET 1	REV. A
	OF 1	

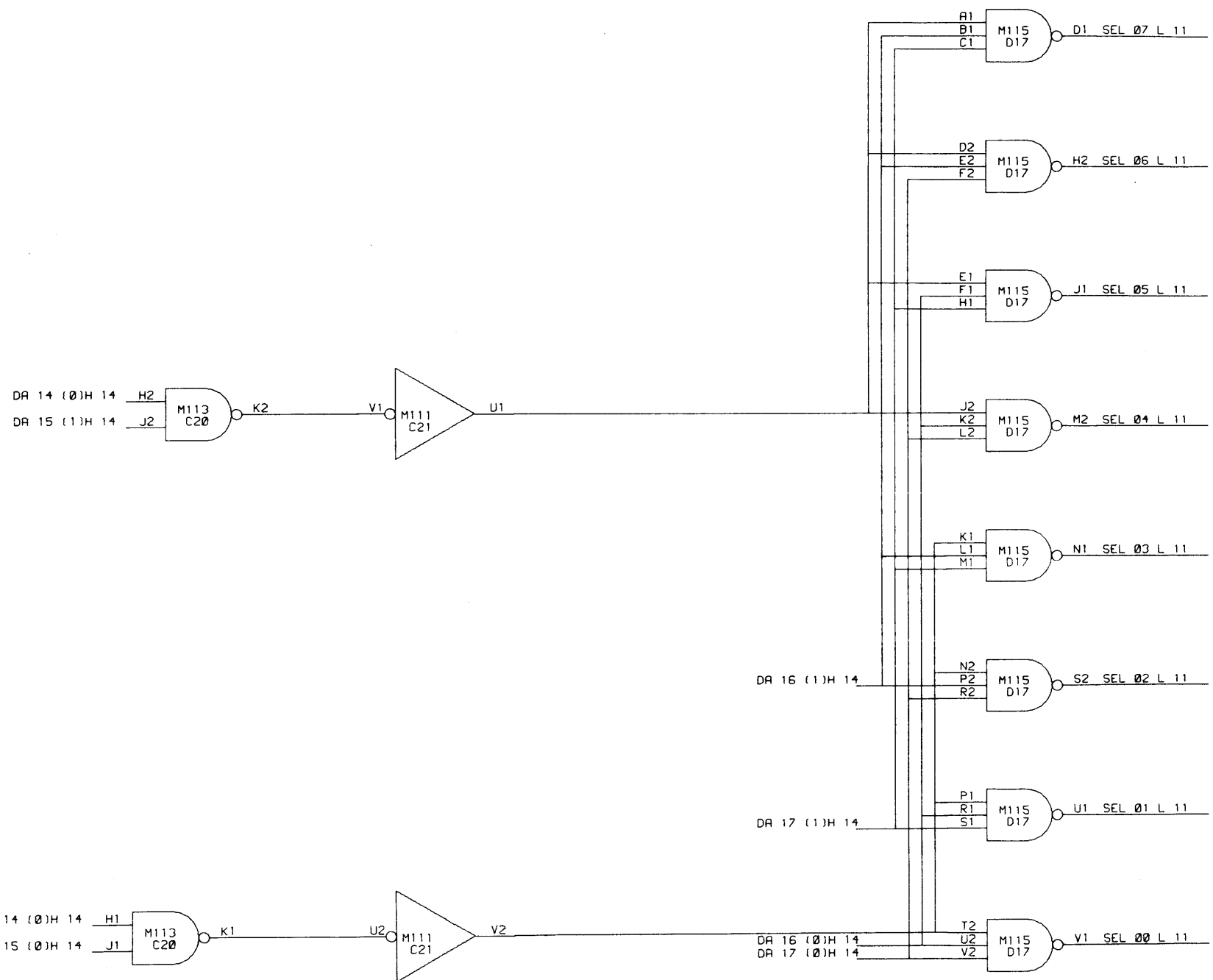
This drawing and specifications, herein, are the property of Digital Equipment Corporation and shall not be reproduced or copied or used in whole or in part as the basis for the manufacture or sale of items without written permission.



REVISIONS		
CHK	CHANGE NO.	REV.
AC	RF15-00001	A
R	SOYKA 5/27/70	
D	VONADA 6/9/70	
GH	RF15-00006	B
K	COTE 7/8/70	
D	VONADA 7/10/70	
GJH	RF15-00010	C
N	LEGERE 9/24/70	
D	G VONADA 9/25/70	
J	RF15-00016	D

DRN J FASSHAEUER	DATE 11/29/69	digital EQUIPMENT CORPORATION MAYNARD, MASSACHUSETTS
CHK'D N RHEAULT	DATE 11/29/69	
ENG C KING	DATE 12/1/69	TITLE STATUS REGISTER
PROJ. ENG. D VONADA	DATE 12/1/69	
PROD. C TOMPKINS	DATE 12/1/69	
FIRST USED ON RF15	SCALE D BS	NUMBER RF15-0-10
SHEET 3	OF 3	REV. D

This drawing and specifications, herein, are the property of Digital Equipment Corporation and shall not be reproduced or copied or used in whole or in part as the basis for the manufacture or sale of items without written permission.



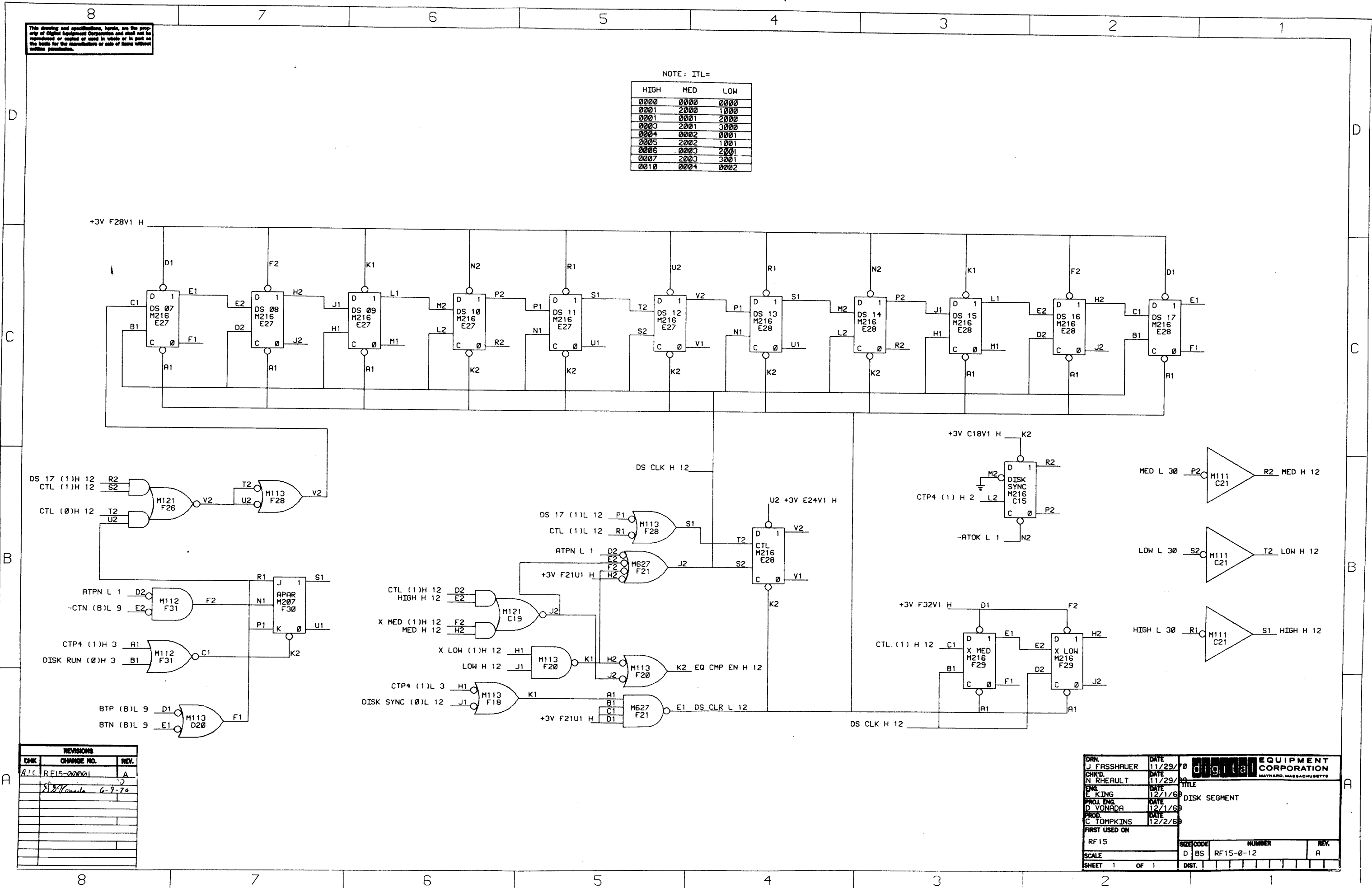
REVISIONS		
CHK	CHANGE NO.	REV.

DRN	DATE	digital EQUIPMENT CORPORATION MAYNARD MASSACHUSETTS
CHKD.	DATE	
ENG.	DATE	TITLE
PROJ. ENG.	DATE	DISK SELECTION
PROD.	DATE	
FIRST USED ON	DATE	
RF 15		SIZE CODE
SCALE		D BS
SHEET 1 OF 1		NUMBER
		RF 15-0-11
		DIST.
		REV.
		00

This drawing and specifications, herein, are the property of Digital Equipment Corporation and shall not be reproduced or copied or used in whole or in part as the basis for the manufacture of any item without written permission.

NOTE: ITL=

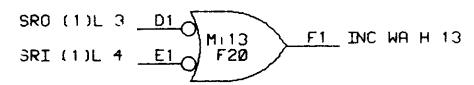
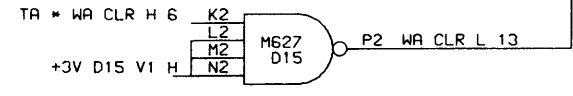
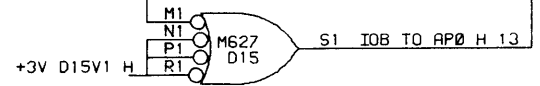
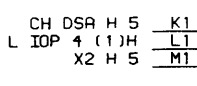
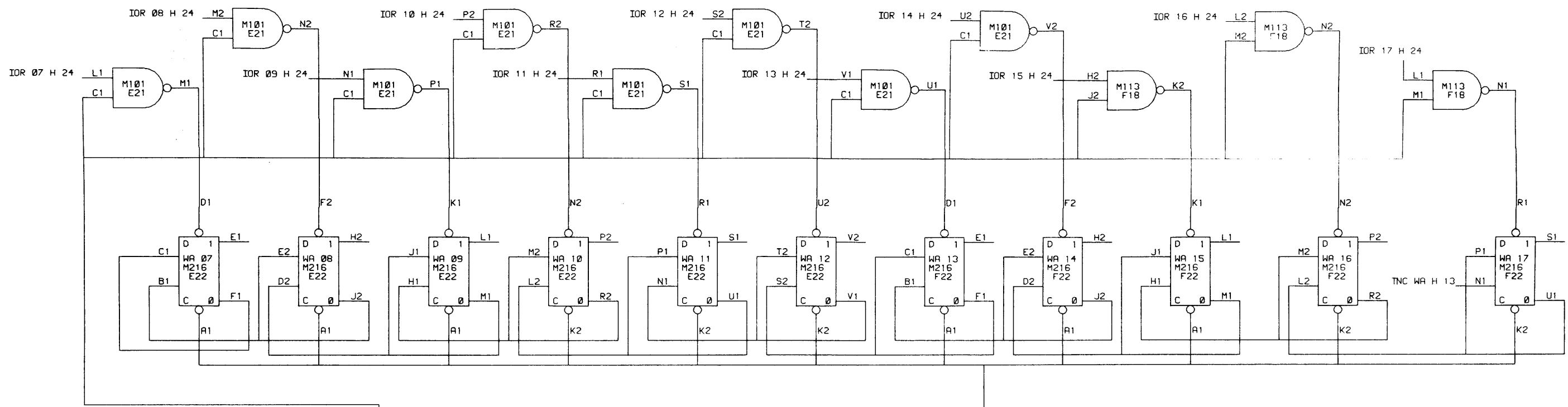
HIGH	MED	LOW
0000	0000	0000
0001	2000	1000
0001	0001	2000
0003	2001	3000
0004	0002	0001
0005	2002	1001
0006	0003	2001
0007	2003	3001
0010	0004	0002



REVISIONS		
CHK	CHANGE NO.	REV.
AIC	RF15-00001	A

DRN. J FRSSHAUER	DATE 11/29/70	digital EQUIPMENT CORPORATION MAYNARD, MASSACHUSETTS
CHK'D. N RHEAULT	DATE 11/29/70	
ENG. E KING	DATE 12/1/69	TITLE DISK SEGMENT
PROJ. ENG. D VONRADA	DATE 12/1/69	
PROD. C TOMPKINS	DATE 12/2/69	
FIRST USED ON		
RF15	SIZE CODE D BS	NUMBER RF15-0-12
SCALE		REV. A
SHEET 1 OF 1	DIST.	

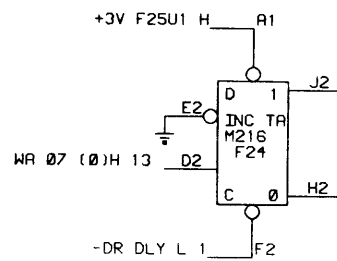
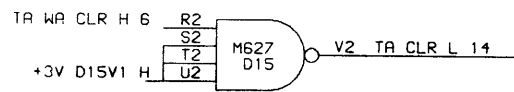
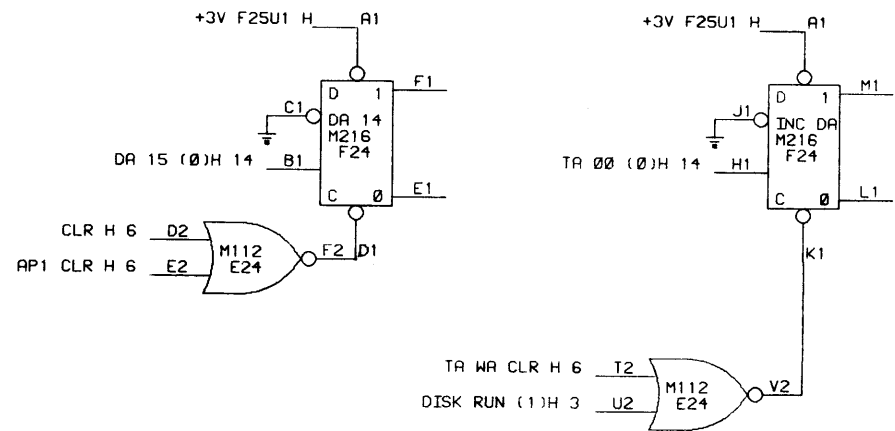
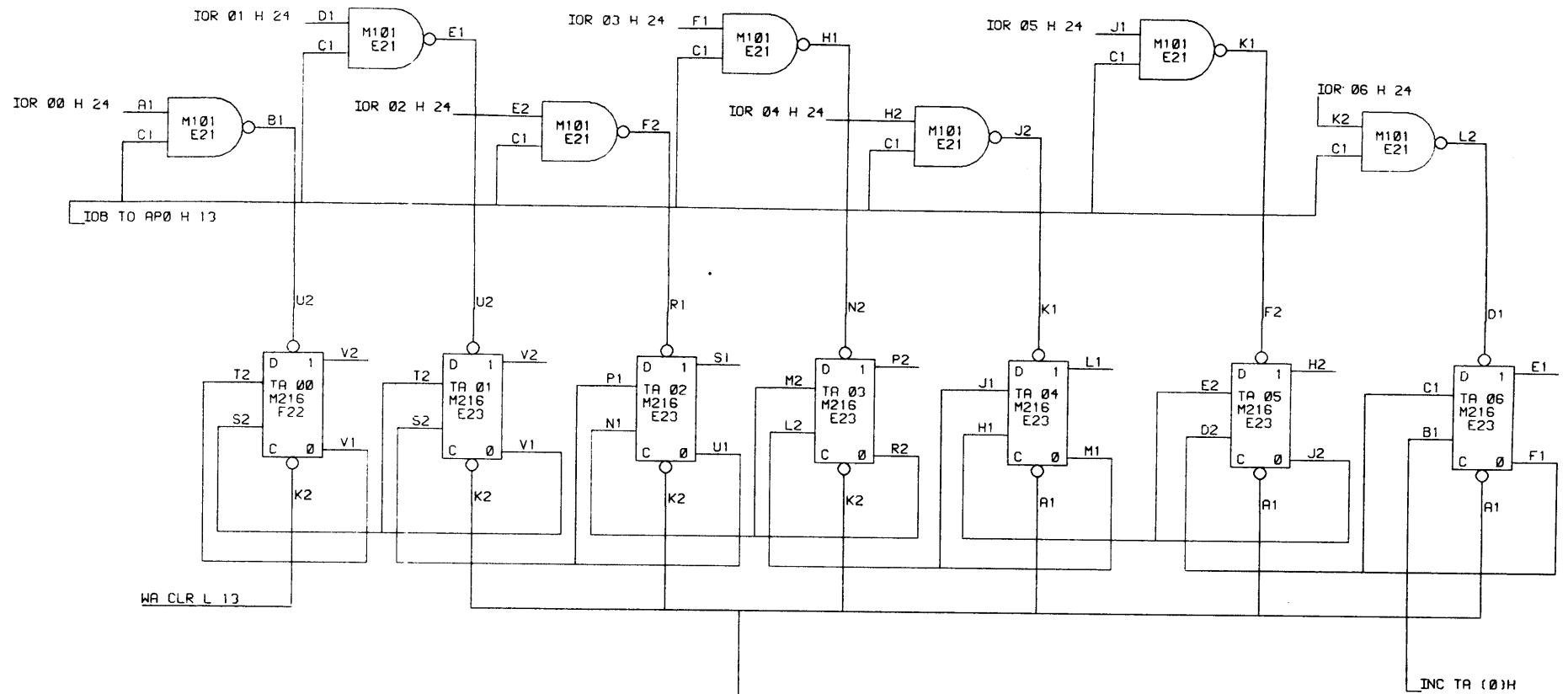
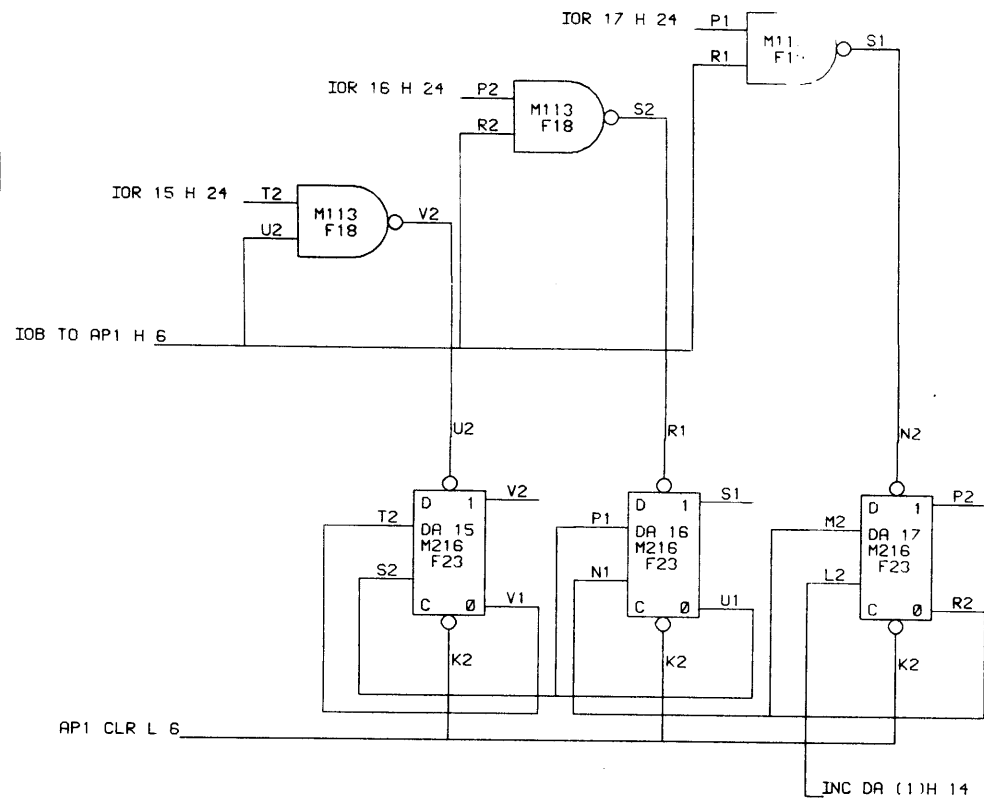
This drawing and specifications, herein, are the property of Digital Equipment Corporation and shall not be reproduced or copied or used in whole or in part as the basis for the manufacture or sale of items without written permission.



REVISIONS		
CHK	CHANGE NO.	REV.

DRN	DATE	digital EQUIPMENT CORPORATION MAYNARD, MASSACHUSETTS	
CHK'D	DATE	TITLE	
ENG	DATE	WORD ADDRESS	
PRJ. ENG	DATE		
PROD.	DATE		
FIRST USED ON			
RF 15	SIZE CODE	NUMBER	REV.
SCALE	D BS	RF15-0-13	00
SHEET 1	OF 1	DIST.	

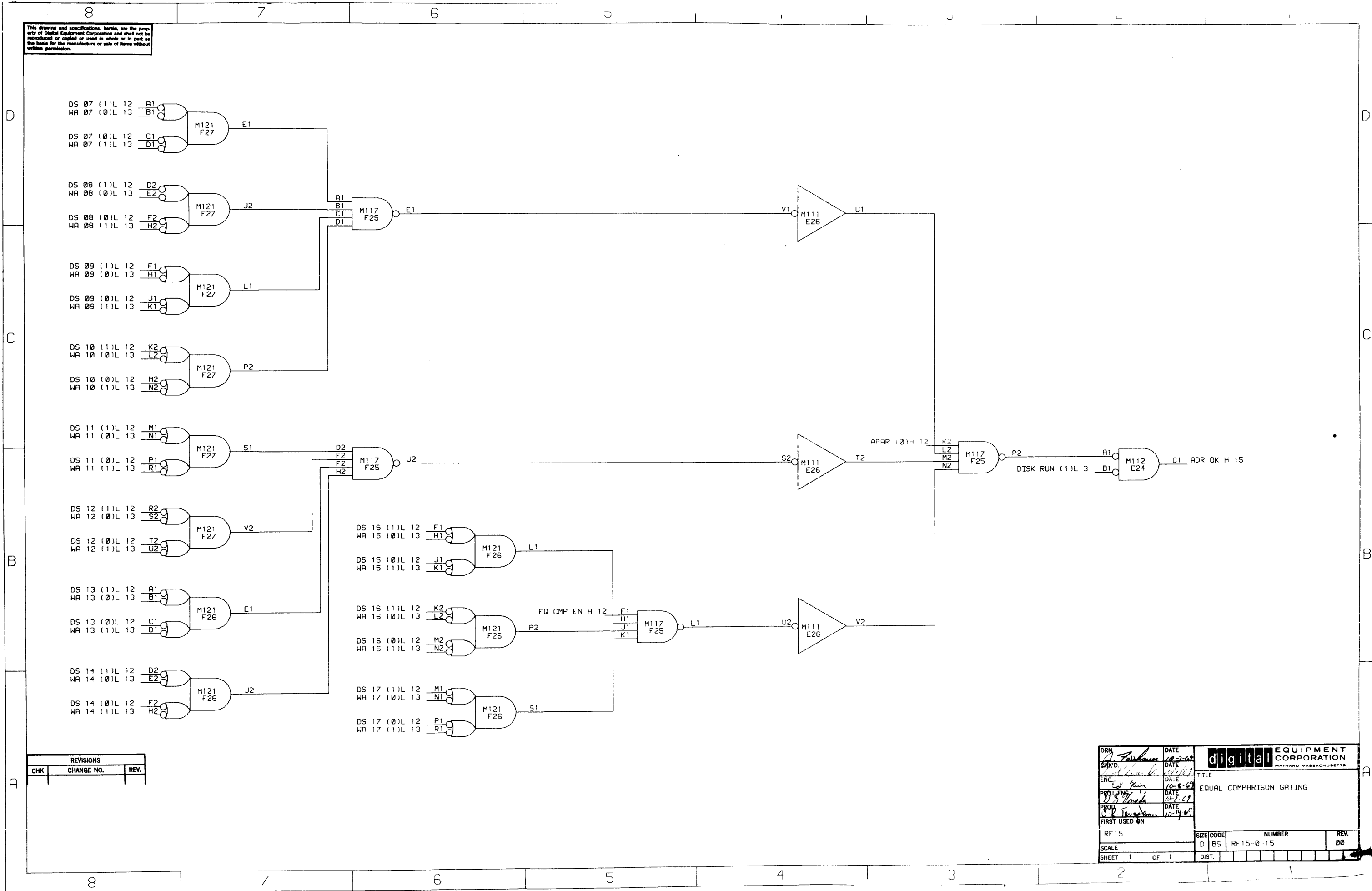
This drawing and specifications, herein, are the property of Digital Equipment Corporation and shall not be reproduced or copied or used in whole or in part as the basis for the manufacture or sale of items without written permission.



REVISIONS		
CHK	CHANGE NO.	REV.
TC	RF15-00001	A
	R SOFKA	
	E KING	
FV	RF15-00004	B
	K King	
	D Vonada	
	C Tompkins	

DRN J FASSHAUER	DATE 11/29/69	 digital EQUIPMENT CORPORATION MAYNARD, MASSACHUSETTS
CHKD R RHEAULT	DATE 11/29/69	
ENG E KING	DATE 12/1/69	
PROJ. ENG. D VONADA	DATE 12/1/69	
PROD. C TOMPKINS	DATE 12/2/69	
FIRST USED ON RF15		TITLE DISK TRACK ADDRESS
SCALE	SIZE CODE D BS	NUMBER RF15-0-14
SHEET 1 OF 1	DIST.	REV. B

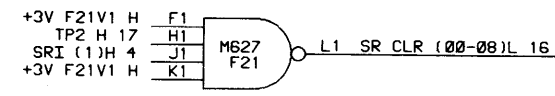
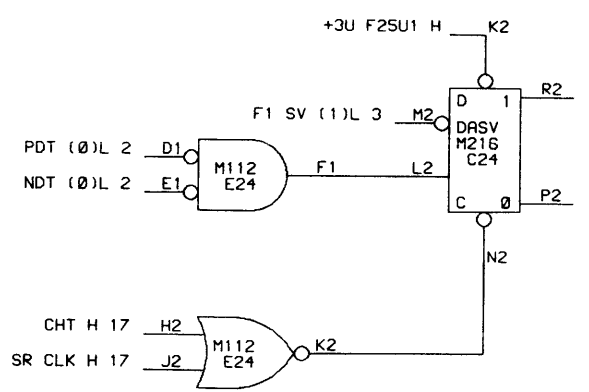
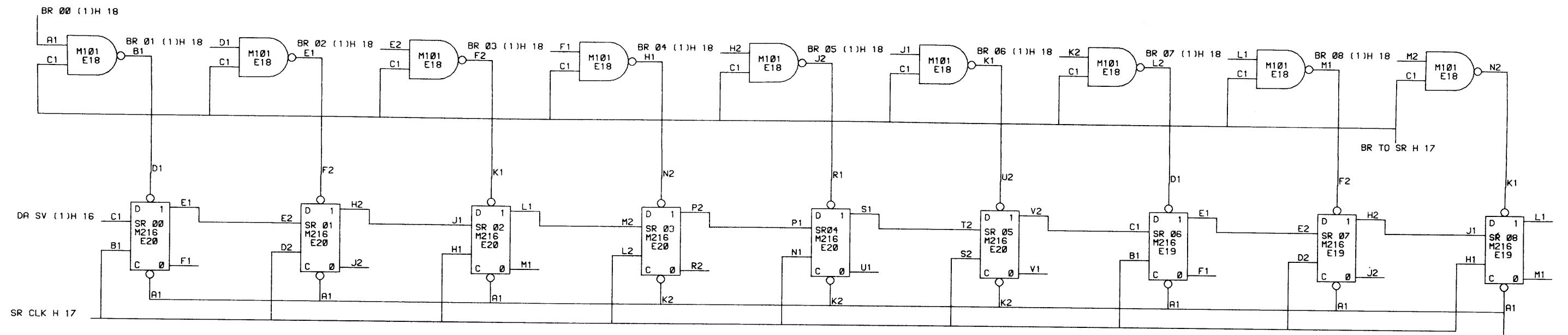
This drawing and specifications, herein, are the property of Digital Equipment Corporation and shall not be reproduced or copied or used in whole or in part as the basis for the manufacture or sale of items without written permission.



REVISIONS		
CHK	CHANGE NO.	REV.

DRN	DATE	digital EQUIPMENT CORPORATION MAYNARD, MASSACHUSETTS
CHK'D	DATE	
ENG.	DATE	TITLE
PROJ. ENG.	DATE	EQUAL COMPARISON GATING
PROD.	DATE	
FIRST USED ON		
RF 15	SIZE CODE	NUMBER
SCALE	D BS	RF15-0-15
SHEET 1 OF 1	DIST.	REV. 00

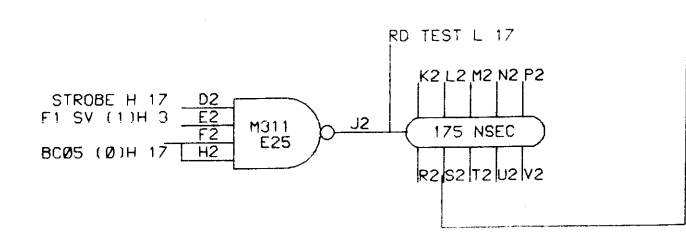
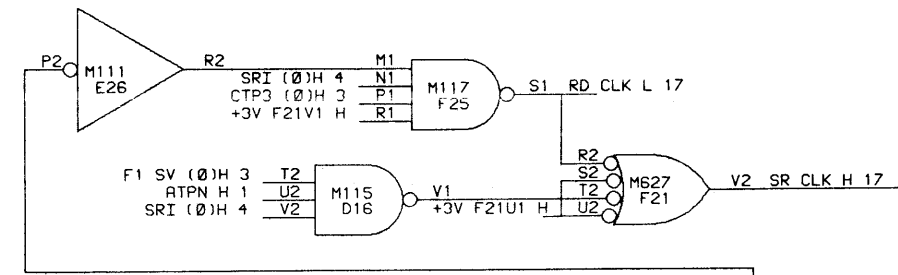
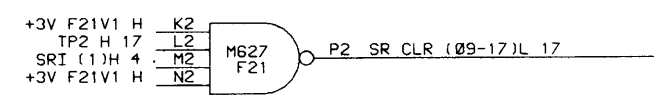
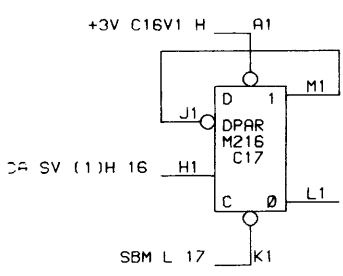
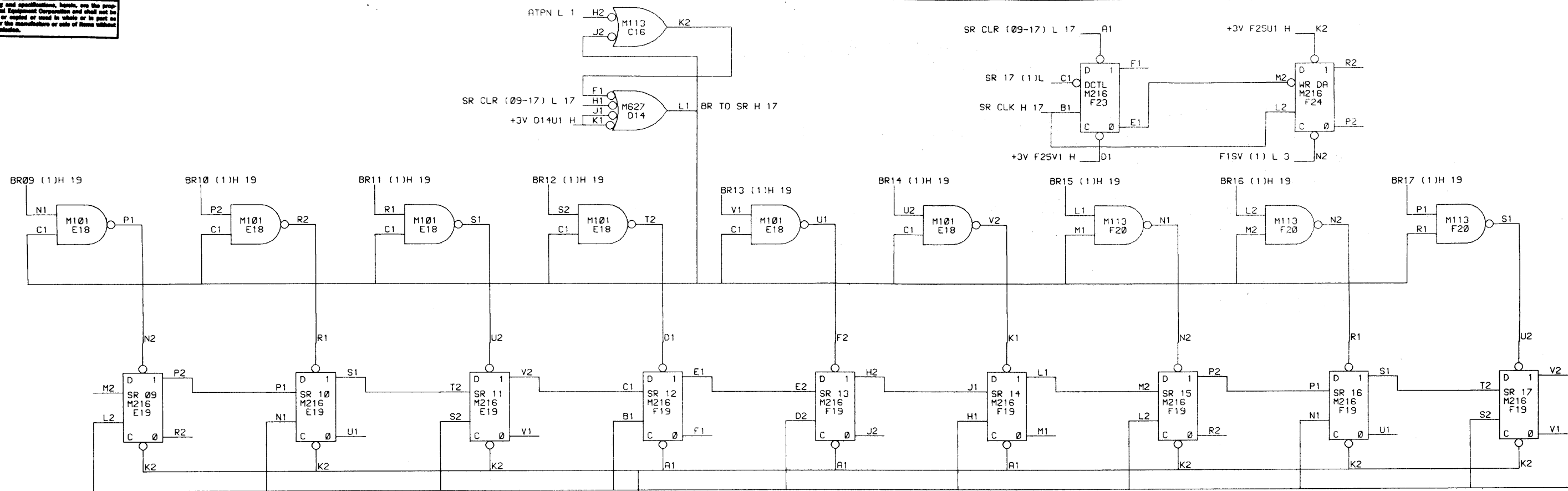
This drawing and specifications, herein, are the property of Digital Equipment Corporation and shall not be reproduced or copied or used in whole or in part as the basis for the manufacture or sale of items without written permission.



REVISIONS		
CHK	CHANGE NO.	REV.
	RF15-00001	A

DRN J FASSHAUER	DATE 11/29/69	digital EQUIPMENT CORPORATION MAYNARD, MASSACHUSETTS
CHK'D N RHEAULT	DATE 11/29/69	
ENG E KING	DATE 12/1/69	TITLE SHIFT REGISTER 1
PROJ. ENG D VONADA	DATE 12/1/69	
PROD G YDMPKINS	DATE 12/14/69	
FIRST USED ON RF15	SIZE CODE D BS	NUMBER RF15-0-16
SCALE	DIST.	REV. A
SHEET 1	OF 1	

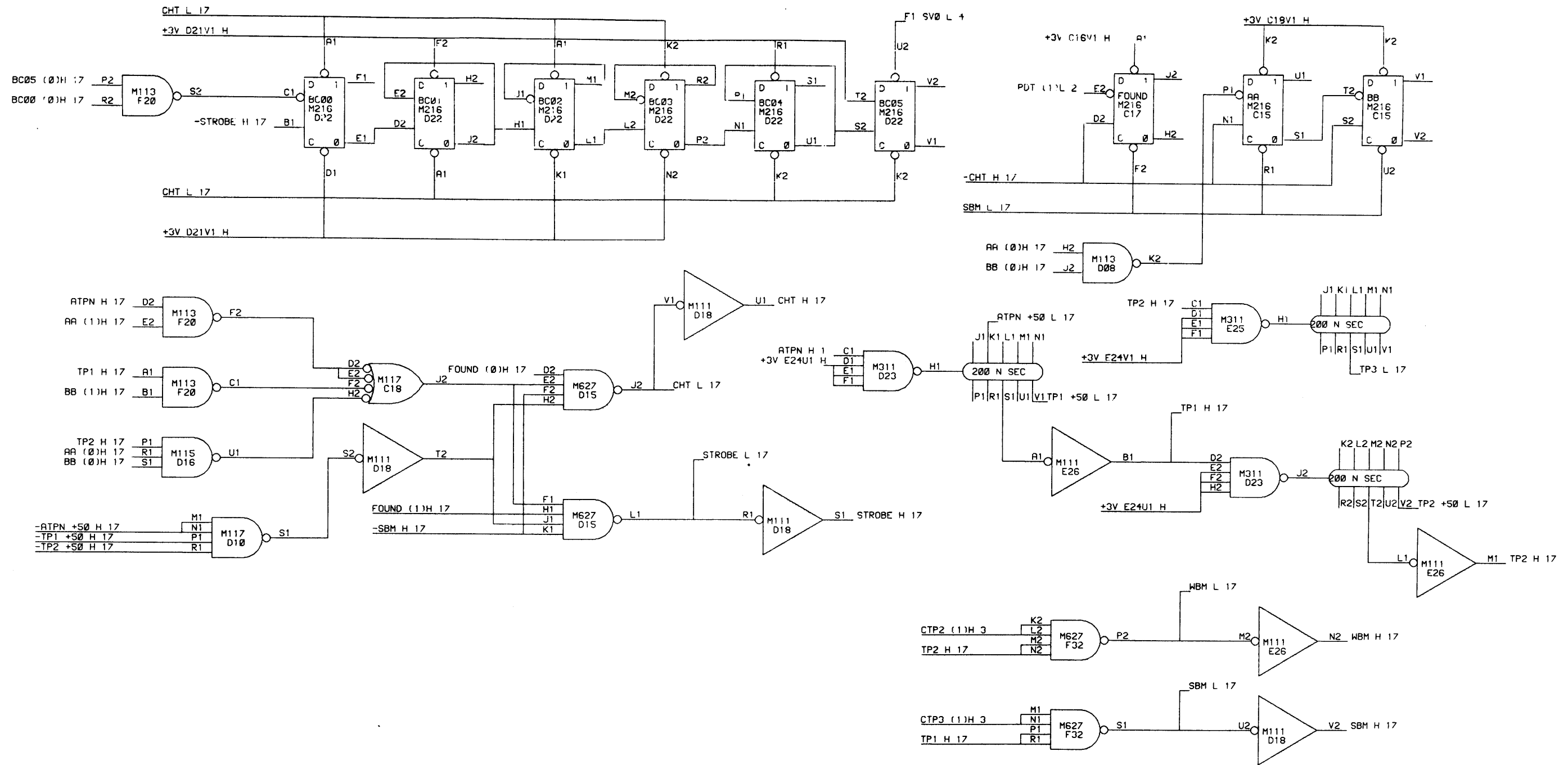
This drawing and specifications, herein, are the property of Digital Equipment Corporation and shall not be reproduced or copied or used in whole or in part on any basis for the manufacture or sale of items without written permission.



REVISIONS		
CHK	CHANGE NO.	REV.
	RF15-22201	A

DRN: J FASSHAUER	DATE: 11/29/69	digital EQUIPMENT CORPORATION MAYNARD, MASSACHUSETTS
CHKD: N RHEAULT	DATE: 11/29/69	
ENG: E KING	DATE: 12/1/69	TITLE: SHIFT REGISTER 2
PROJ. ENG: D VONADA	DATE: 12/1/69	
PROD: C TOMPKINS	DATE: 12/2/69	
FIRST USED ON: RF15	SIZE CODE: D BS	NUMBER: RF15-0-17
SCALE: 1 OF 2	DIST.	REV. A

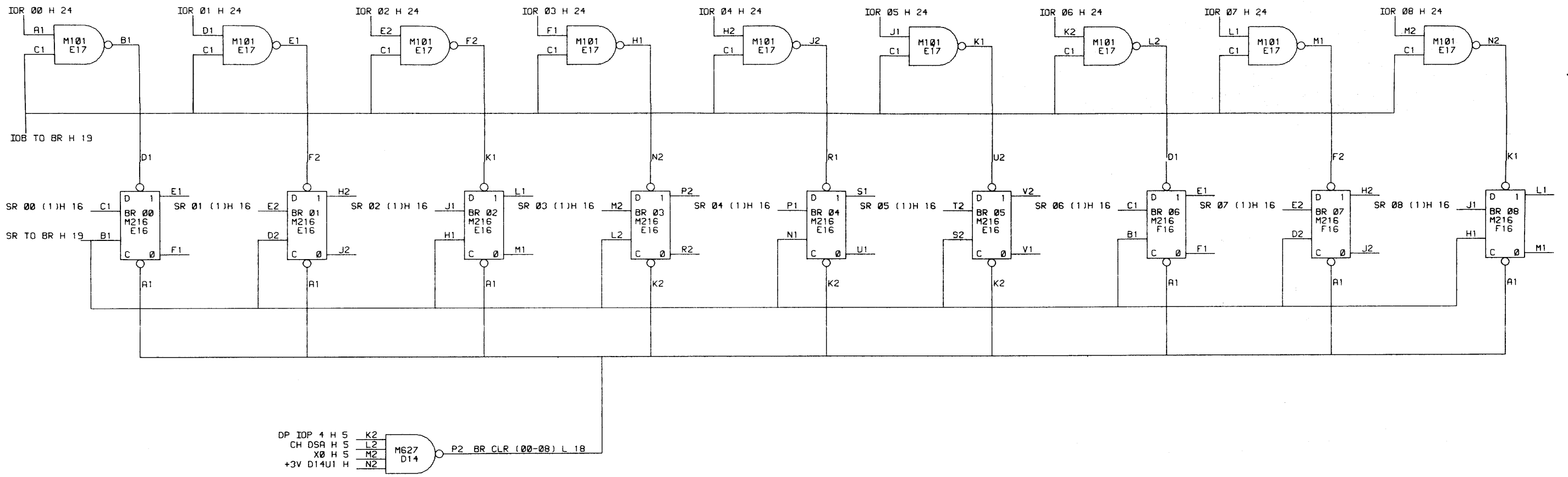
This drawing and specifications, herein, are the property of Digital Equipment Corporation and shall not be reproduced or copied or used in whole or in part as the basis for the manufacture or sale of items without written permission.



REVISIONS		
CHK	CHANGE NO.	REV.
	RF15-00001	9

DRW J. FASSHAUER	DATE 11/29/69	digital EQUIPMENT CORPORATION MAYNARD, MASSACHUSETTS
CHKD W. REARULT	DATE 11/29/69	
ENGR D. VONDRA	DATE 12/1/69	TITLE SHIFT REGISTER 2
PROV C. TOMPKINS	DATE 12/2/69	
FIRST USED ON RF15		
SCALE SHEET 2 OF 2	SIZE CODE D BS	NUMBER RF15-0-17
	DIST.	REV. A

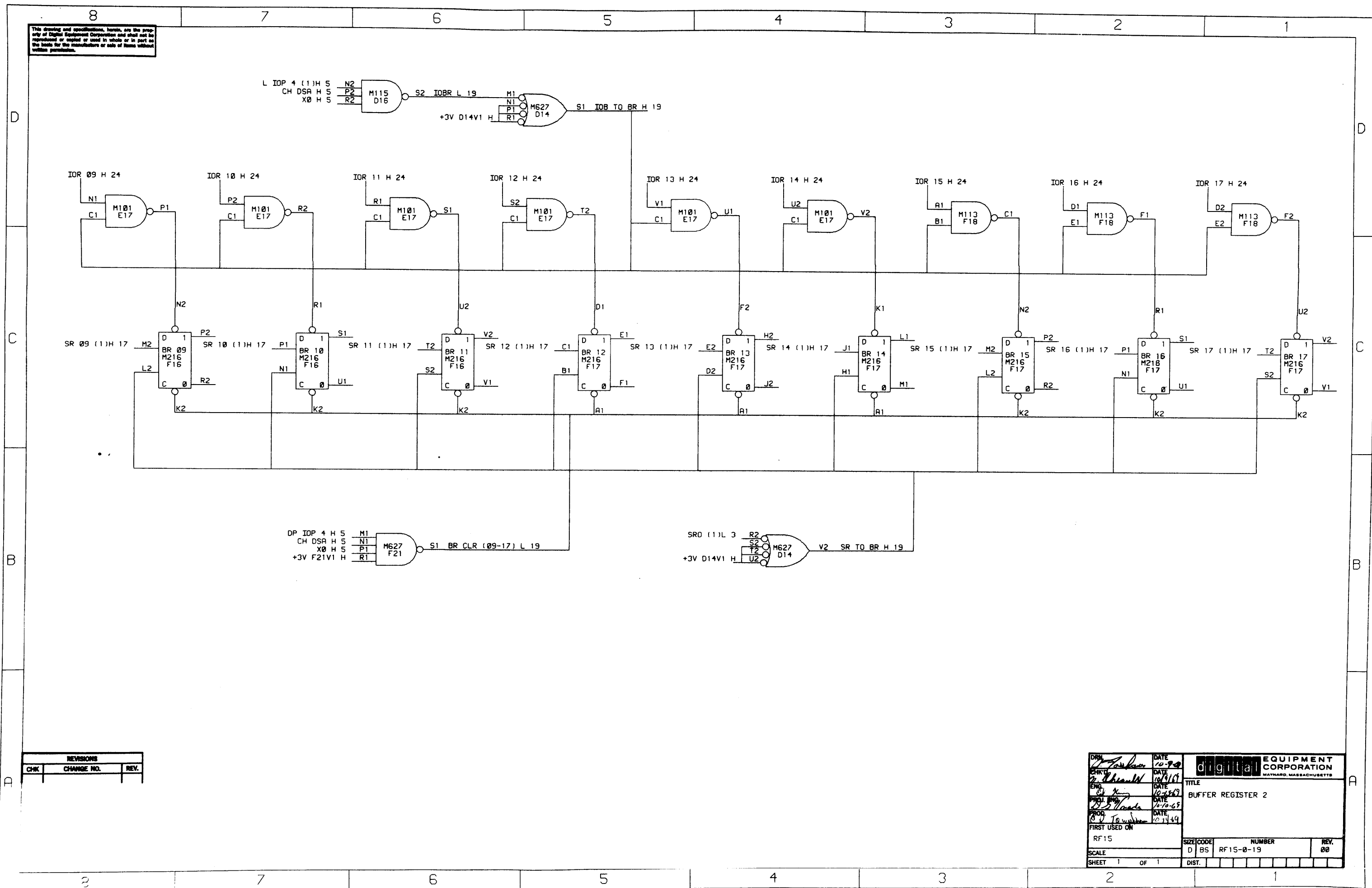
This drawing and specifications, herein, are the property of Digital Equipment Corporation and shall not be reproduced or copied or used in whole or in part as the basis for the manufacture or sale of items without written permission.



REVISIONS		
CHK	CHANGE NO.	REV.

DRN: <i>10-2-69</i>	DATE: <i>10-2-69</i>	 digital EQUIPMENT CORPORATION MAYNARD, MASSACHUSETTS
CHK'D: <i>W. King</i>	DATE: <i>10-8-69</i>	
ENG: <i>W. King</i>	DATE: <i>10-8-69</i>	
PROJ. ENG: <i>W. King</i>	DATE: <i>10-8-69</i>	
PROB: <i>W. King</i>	DATE: <i>10-11-69</i>	
FIRST USED ON		TITLE: BUFFER REGISTER 1
KT 15	SIZE CODE: D BS	NUMBER: RF15-0-18
SCALE:	DIST.:	REV. 00
SHEET 1 OF 1		

This drawing and specifications, herein, are the property of Digital Equipment Corporation and shall not be reproduced or copied or used in whole or in part as the basis for the manufacture or sale of items without written permission.



REVISIONS		
CHK	CHANGE NO.	REV.

DATE	10-9-68	digital EQUIPMENT CORPORATION MAYNARD, MASSACHUSETTS
CHK'D	10/9/68	
ENG	10-10-68	TITLE
PROJ. ENG.	10-10-68	BUFFER REGISTER 2
PROD.	10-14-68	
FIRST USED ON		
RF15		
SCALE		
SHEET 1 OF 1	DIST.	

This drawing and specifications, herein, are the property of Digital Equipment Corporation and shall not be reproduced or copied or used in whole or in part as the basis for the manufacture or sale of items without written permission.

8

7

6

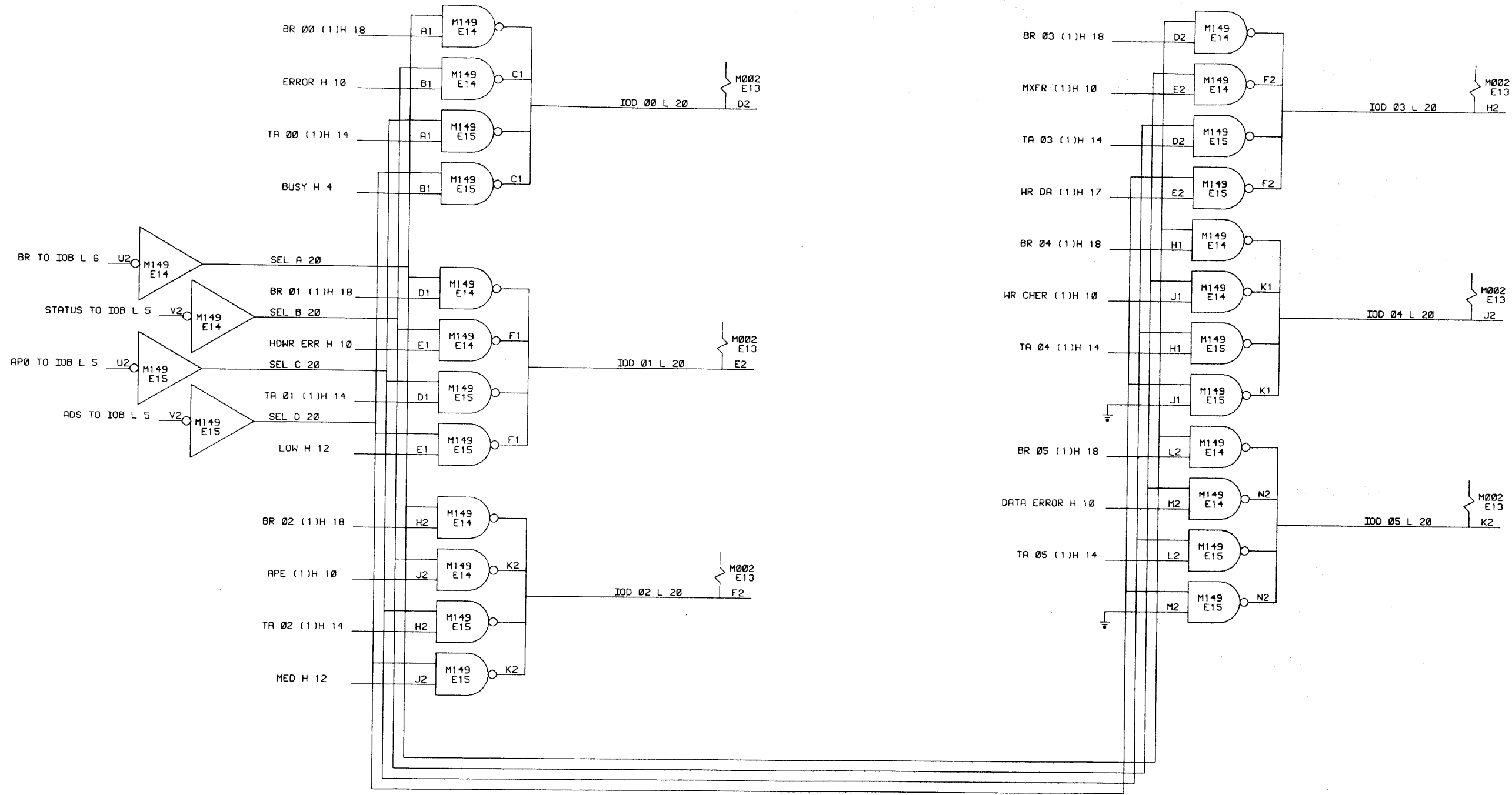
5

4

3

2

1



C

B

A

REVISIONS		
CHK	CHANGE NO.	REV.
A	RF15-00001	A

DRN J FRASSHAUER	DATE 11/29/69	 digital EQUIPMENT CORPORATION <small>MAYNARD, MASSACHUSETTS</small>
CHKD R RHEAULT	DATE 11/29/69	
ENGR D VONNADA	DATE 12/1/69	
PROJ C TOMPKINS	DATE 12/2/69	
FIRST USED ON RF15		
SCALE SHEET 1 OF 1	SIZE CODE D BS	NUMBER RF15-0-20
	DIST.	REV. A

8

7

6

5

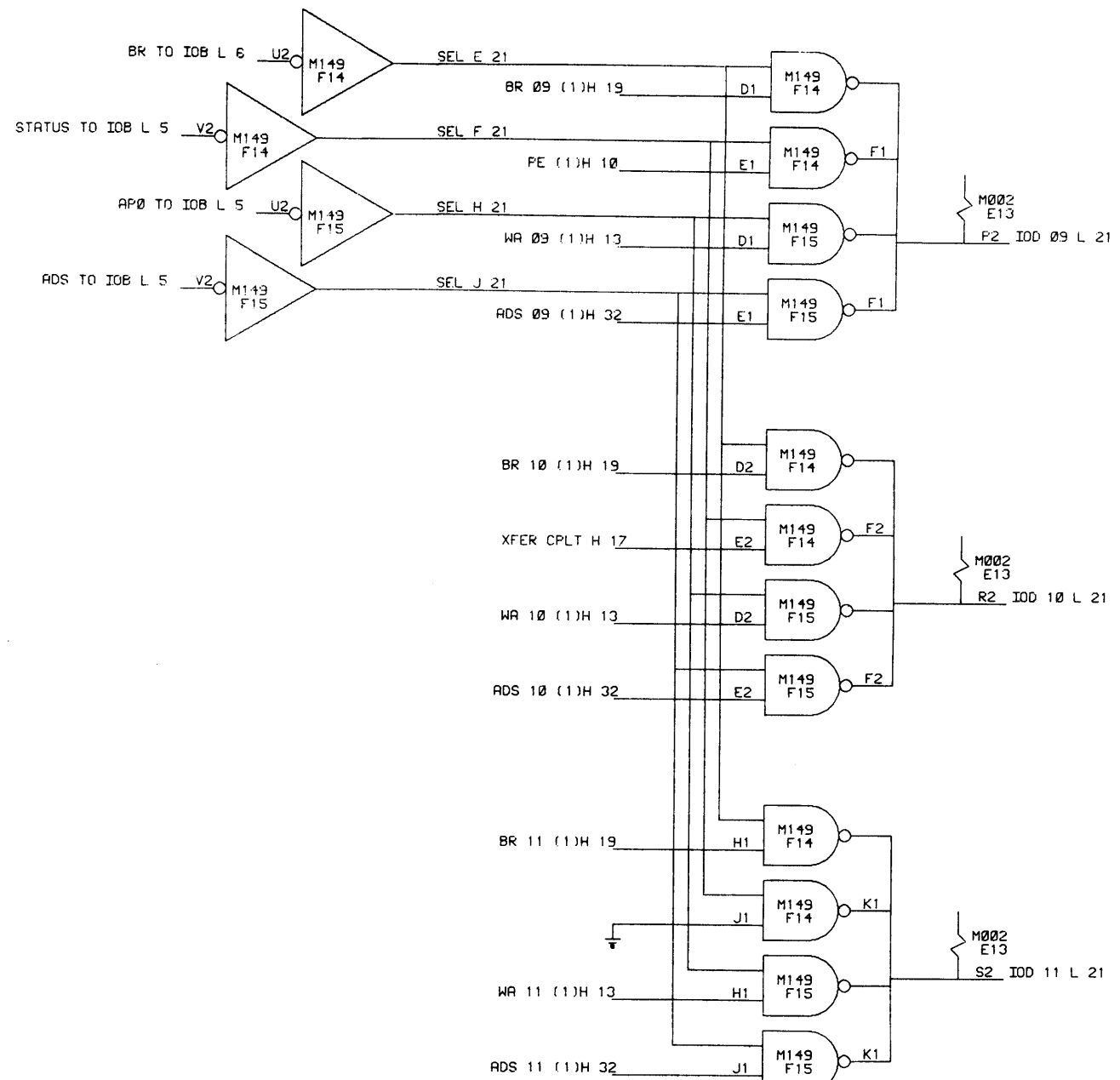
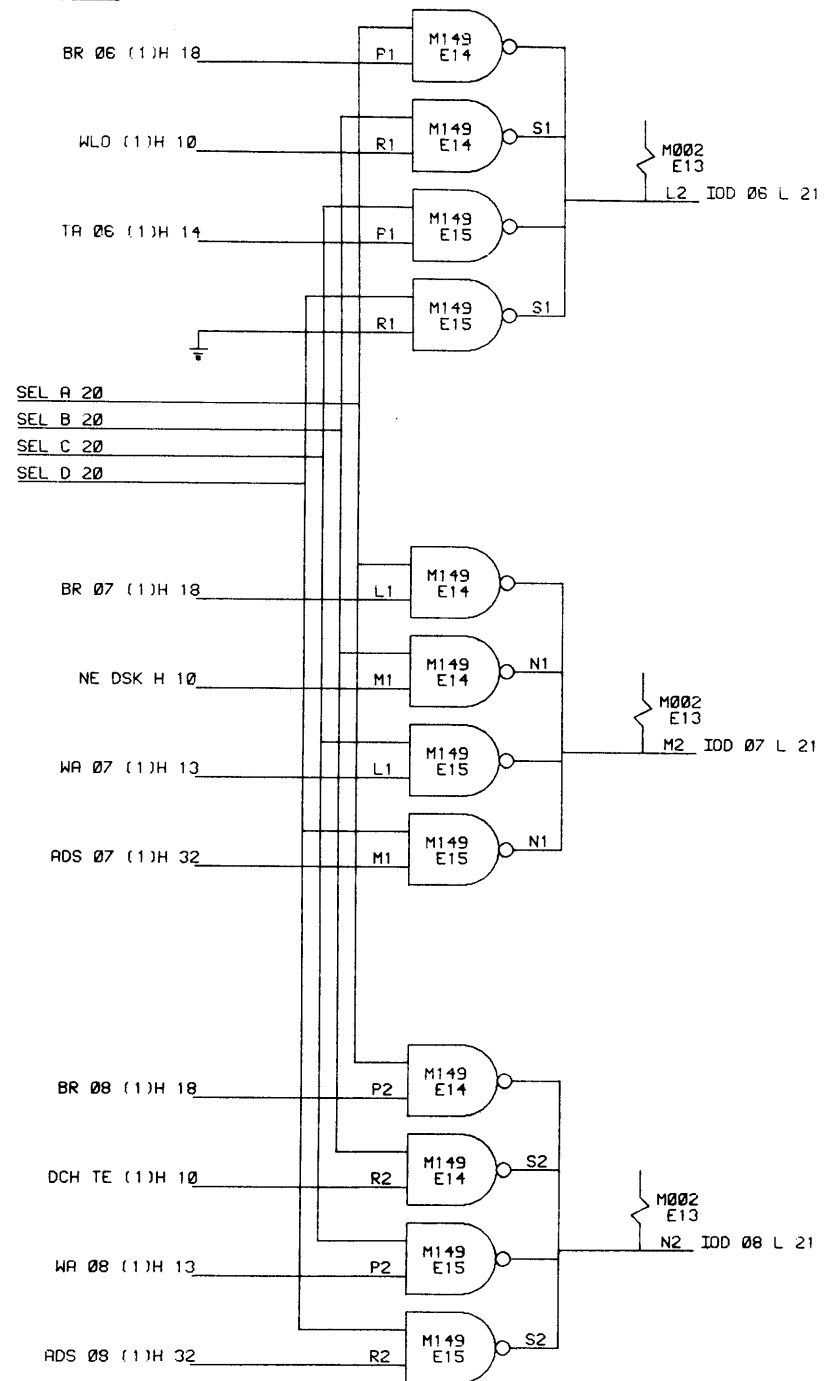
4

3

2

1

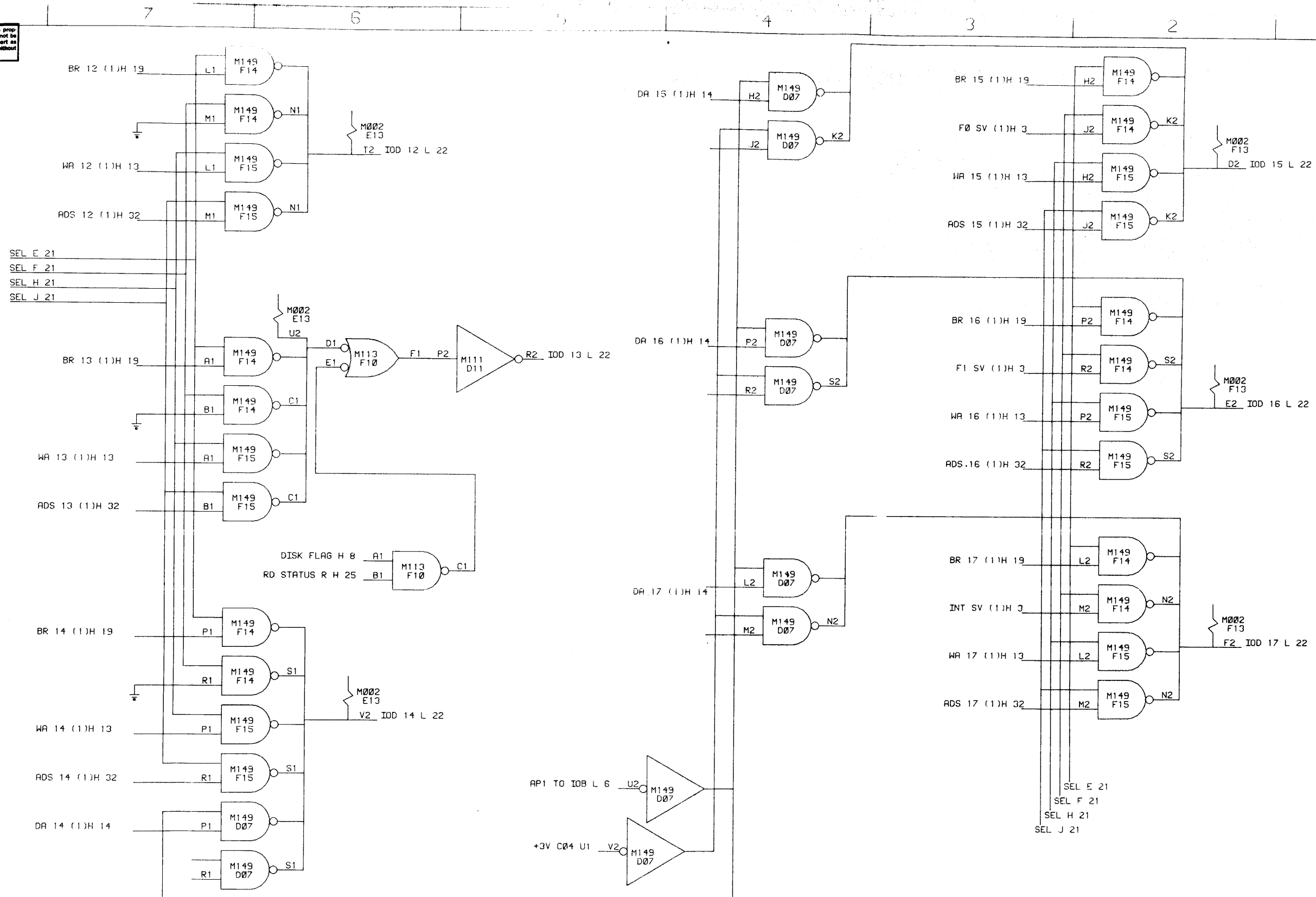
This drawing and specifications, herein, are the property of Digital Equipment Corporation and shall not be reproduced or copied or used in whole or in part as the basis for the manufacture or sale of items without written permission.



REVISIONS		
CHK	CHANGE NO.	REV.

DRN <i>R. J. Tompkins</i>	DATE <i>11/11/69</i>	digital EQUIPMENT CORPORATION MAYNARD, MASSACHUSETTS
CHK'D <i>R. J. Tompkins</i>	DATE <i>11/11/69</i>	
ENG. <i>R. J. Tompkins</i>	DATE <i>12-1-69</i>	TITLE IOB SEL 2
PROV'G <i>R. J. Tompkins</i>	DATE <i>12-1-69</i>	
PRD. <i>R. J. Tompkins</i>	DATE <i>12-2-69</i>	
FIRST USED ON RF15		
SCALE D BS	NUMBER RF15-0-21	REV. 00
SHEET 1 OF 1	DIST.	

This drawing and specifications, herein, are the property of Digital Equipment Corporation and shall not be reproduced or copied or used in whole or in part as the basis for the manufacture or sale of items without written permission.



REVISIONS		
CHK	CHANGE NO.	REV.

DRN <i>R. Freshwater</i>	DATE 11/16/68	digital EQUIPMENT CORPORATION MAYNARD, MASSACHUSETTS
CHK'D <i>R. Beaulieu</i>	DATE 11/16/68	
ENG <i>R. King</i>	DATE 12-1-68	TITLE IOB SEL3
PROG ENR <i>R. J. Smith</i>	DATE 12-7-69	
PROD <i>R. P. Taylor</i>	DATE 12-2-69	
FIRST USED ON RF15		
SCALE D BS	NUMBER RF15-0-22	REV. 00
SHEET	OF	DIST.

This drawing and specifications, herein, are the property of Digital Equipment Corporation and shall not be reproduced or copied or used in whole or in part as the basis for the manufacture or sale of items without written permission.

6775
C01 -IND P1

- A1 ERROR H 10
- B1 HDWR ERR H 10
- C1 APE (1)H 10
- D1 MXFR (1)H 10
- E1 WR CHER (1)H 10
- F1 DATA ERROR H 10
- H1 WLO (1)H 10
- J1 NE DSK H 10
- K1 DCH TE (1)H 10
- L1 FE (1)H 10
- M1 XFER CPLT H 7
- N1
- P1 F0 SV (1)H 3
- R1 F1 SV (1)H 3
- S1 INT SV (1)H 3
- T1 DA 15 (1)H 14
- U1 DA 16 (1)H 14
- V1 DA 17 (1)H 14

6775
D01 -IND P2

- A1 DA 14 (1)H 14
- B1
- C1 SEQ ER (1)H 10
- D1
- E1 FSLER (1)H 10
- F1
- H1 WRITE H 4
- J1
- K1 DISK RUN (1)H 3
- L1
- M1
- N1
- P1
- R1
- S1
- T1
- U1
- V1

6775
E01 -IND P3

- A1 TA 00 (1)H 14
- B1 TA 01 (1)H 14
- C1 TA 02 (1)H 14
- D1 TA 03 (1)H 14
- E1 TA 04 (1)H 14
- F1 TA 05 (1)H 14
- H1 TA 06 (1)H 14
- J1 WA 07 (1)H 13
- K1 WA 08 (1)H 13
- L1 WA 09 (1)H 13
- M1 WA 10 (1)H 13
- N1 WA 11 (1)H 13
- P1 WA 12 (1)H 13
- R1 WA 13 (1)H 13
- S1 WA 14 (1)H 13
- T1 WA 15 (1)H 13
- U1 WA 16 (1)H 13
- V1 WA 17 (1)H 13

6775
F01 -IND P4

- A1 SR 00 (1)H 16
- B1 SR 01 (1)H 16
- C1 SR 02 (1)H 16
- D1 SR 03 (1)H 16
- E1 SR 04 (1)H 16
- F1 SR 05 (1)H 16
- H1 SR 06 (1)H 16
- J1 SR 07 (1)H 16
- K1 SR 08 (1)H 16
- L1 SR 09 (1)H 17
- M1 SR 10 (1)H 17
- N1 SR 11 (1)H 17
- P1 SR 12 (1)H 17
- R1 SR 13 (1)H 17
- S1 SR 14 (1)H 17
- T1 SR 15 (1)H 17
- U1 SR 16 (1)H 17
- V1 SR 17 (1)H 17

6775
C01 -IND P1

- A2 DISK FLAG H 8
- B2
- C2 DATA FLAG (1)H 7
- D2
- E2 OFLO (1)H 7
- F2
- H2 APAR (1)H 12
- J2
- K2 DPAR (1)H 17
- L2
- M2
- N2
- P2
- R2
- S2
- T2
- U2
- V2

6775
D01 -IND P2

- A2 MNEP (1)H 1
- B2 MPEN (1)H 1
- C2 BTER (1)H 2
- D2 CTER (1)H 2
- E2 DTE (1)H 2
- F2
- H2
- J2
- K2 MAINT (1)H 9
- L2
- M2
- N2
- P2
- R2
- S2
- T2
- U2
- V2

6775
E01 -IND P3

- A2 BUSY H 4
- B2 LOW H 12
- C2 MED H 12
- D2
- E2
- F2
- H2
- J2 DS 07 (1)H 12
- K2 DS 08 (1)H 12
- L2 DS 09 (1)H 12
- M2 DS 10 (1)H 12
- N2 DS 11 (1)H 12
- P2 DS 12 (1)H 12
- R2 DS 13 (1)H 12
- S2 DS 14 (1)H 12
- T2 DS 15 (1)H 12
- U2 DS 16 (1)H 12
- V2 DS 17 (1)H 12

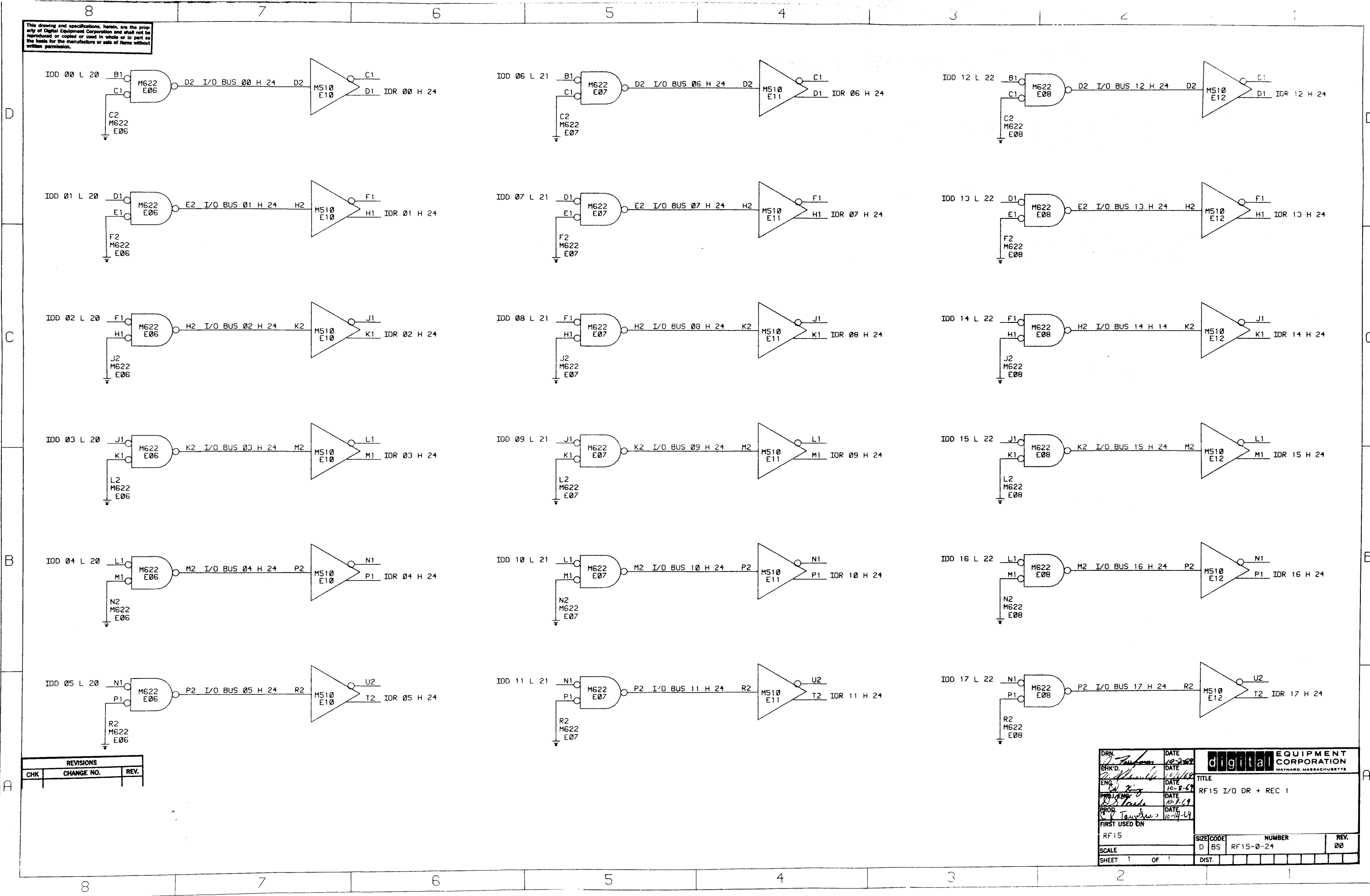
6775
F01 -IND P4

- A2 BR 00 (1)H 18
- B2 BR 01 (1)H 18
- C2 BR 02 (1)H 18
- D2 BR 03 (1)H 18
- E2 BR 04 (1)H 18
- F2 BR 05 (1)H 18
- H2 BR 06 (1)H 18
- J2 BR 07 (1)H 18
- K2 BR 08 (1)H 18
- L2 BR 09 (1)H 19
- M2 BR 10 (1)H 19
- N2 BR 11 (1)H 19
- P2 BR 12 (1)H 19
- R2 BR 13 (1)H 19
- S2 BR 14 (1)H 19
- T2 BR 15 (1)H 19
- U2 BR 16 (1)H 19
- V2 BR 17 (1)H 19

REVISIONS		
CHK	CHANGE NO.	REV.

DRN <i>Freeman</i>	DATE 11/20/69	digital EQUIPMENT CORPORATION MAYNARD, MASSACHUSETTS
CHKD <i>Shulman</i>	DATE 11/23/69	
ENG <i>Wing</i>	DATE 12-1-69	TITLE INDICATOR CABLES
PROL ENG <i>B. J. Tompkins</i>	DATE 12-1-69	
PROD <i>C. J. Tompkins</i>	DATE 12-2-69	
FIRST USED ON RF15	SIZE CODE D IC	NUMBER RF15-0-23
SCALE		REV. 00
SHEET	OF	DIST.

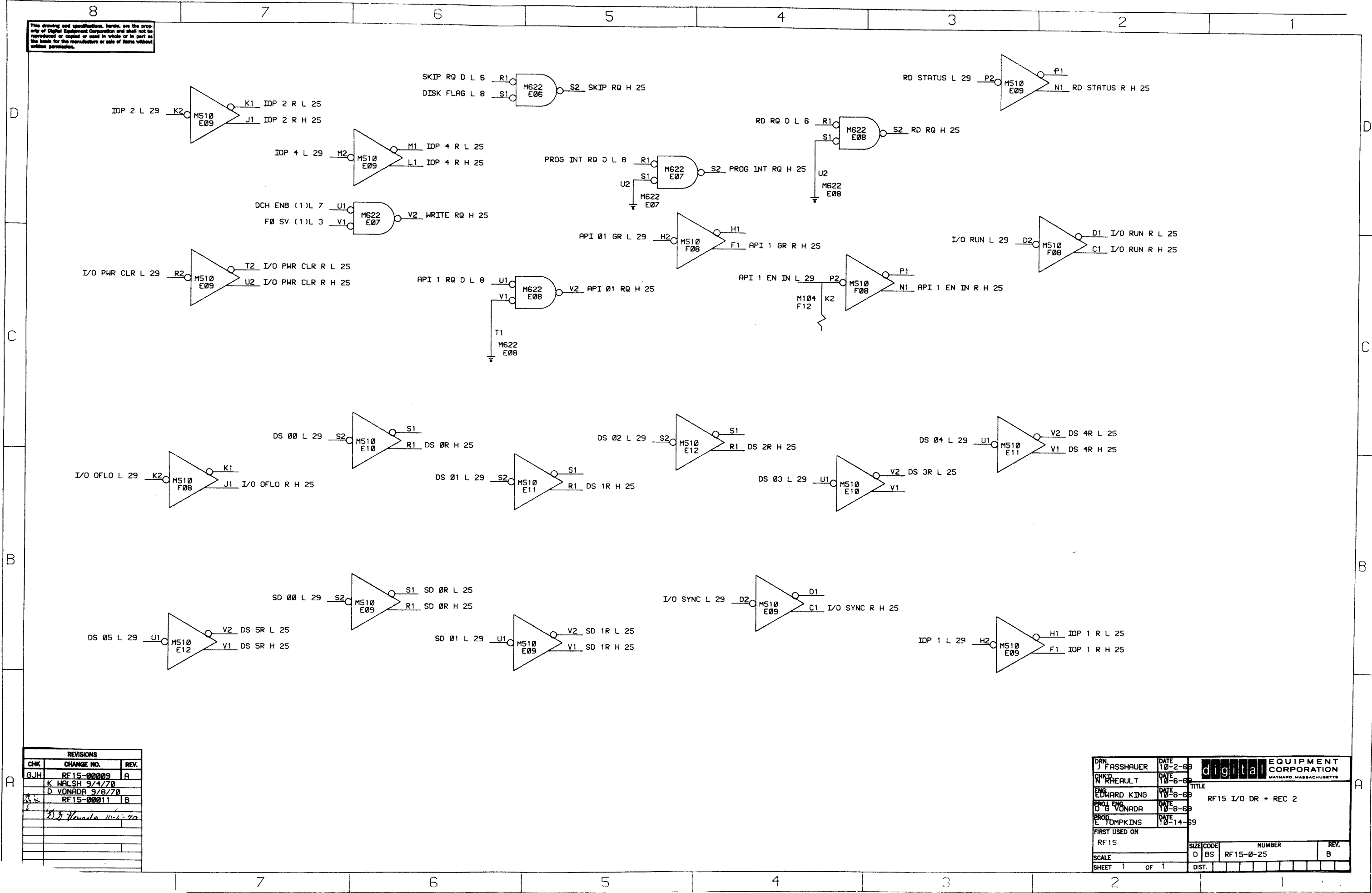
This drawing and specifications, herein, are the property of Digital Equipment Corporation and shall not be reproduced or copied or used in whole or in part as the basis for the manufacture or sale of items without written permission.



REVISIONS		
CHK	CHANGE NO.	REV.

DRN: <i>J. F. ...</i>	DATE: 10-2-69	 digital EQUIPMENT CORPORATION MAYNARD, MASSACHUSETTS
CHK'D: <i>R. ...</i>	DATE: 10/1/69	
ENG: <i>R. ...</i>	DATE: 10-9-69	
PROJ. ENG: <i>D. ...</i>	DATE: 10-7-69	
PROP: <i>C. ...</i>	DATE: 10-14-69	
FIRST USED DN		TITLE: RF15 I/O DR + REC 1
RF15	SIZE CODE: D BS	NUMBER: RF15-0-24
SCALE:	SHEET: 1 OF 1	DIST.:
REV. 00		

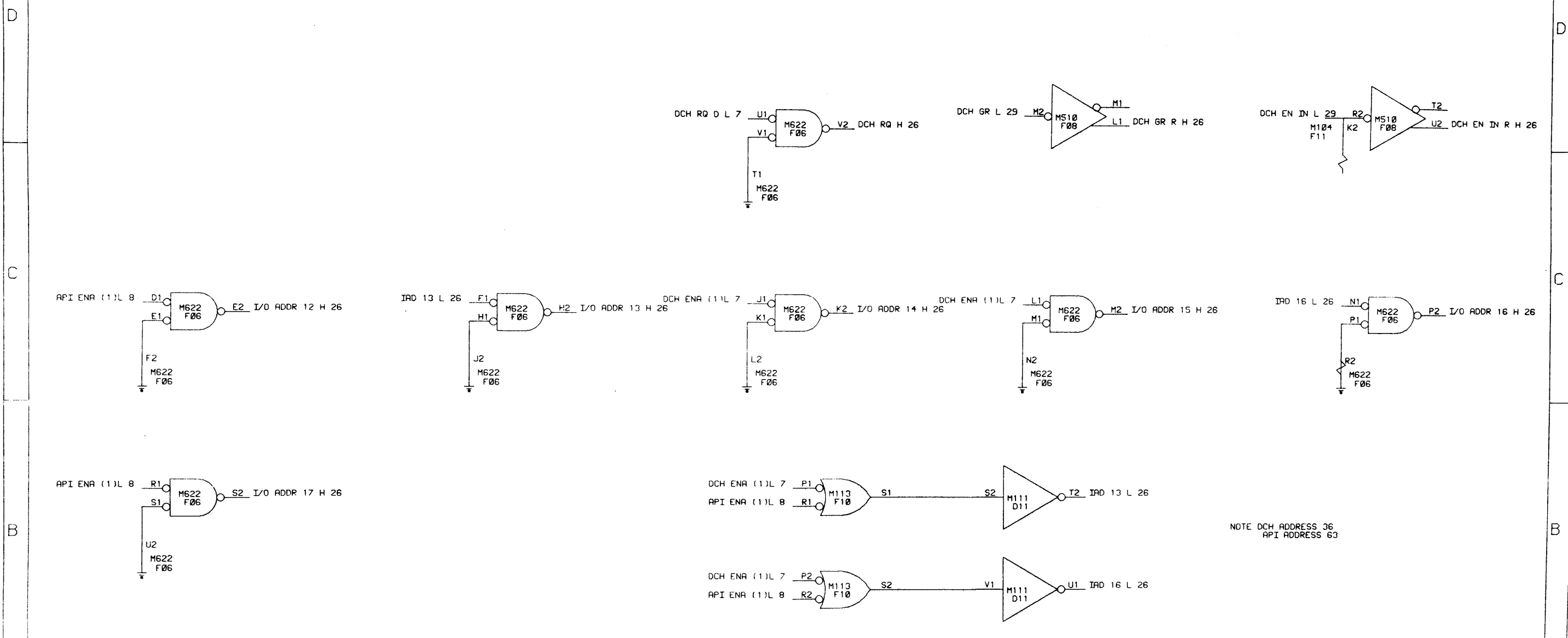
This drawing and specifications, herein, are the property of Digital Equipment Corporation and shall not be reproduced or copied or used in whole or in part as the basis for the manufacture or sale of items without written permission.



REVISIONS		
CHK	CHANGE NO.	REV.
GJH	RF15-00009	A
	K WALSH 9/4/70	
	D VONADA 9/8/70	
	RF15-00011	B
	<i>RF15-00011</i>	

DRN. J FASSHAUER	DATE 10-2-69	digital EQUIPMENT CORPORATION MAYNARD, MASSACHUSETTS
CHKD. N RHEAULT	DATE 10-6-69	
ENG. EDWARD KING	DATE 10-8-69	TITLE
PROJ. ENG. D G VONADA	DATE 10-8-69	RF15 I/O DR + REC 2
PROD. E TOMPKINS	DATE 10-14-69	
FIRST USED ON		
RF15		
SCALE	SIZE CODE D BS	NUMBER RF15-0-25
SHEET 1 OF 1	DIST.	REV. B

This drawing and specifications, herein, are the property of Digital Equipment Corporation and shall not be reproduced or copied or used in whole or in part as the basis for the manufacture or sale of items without written permission.



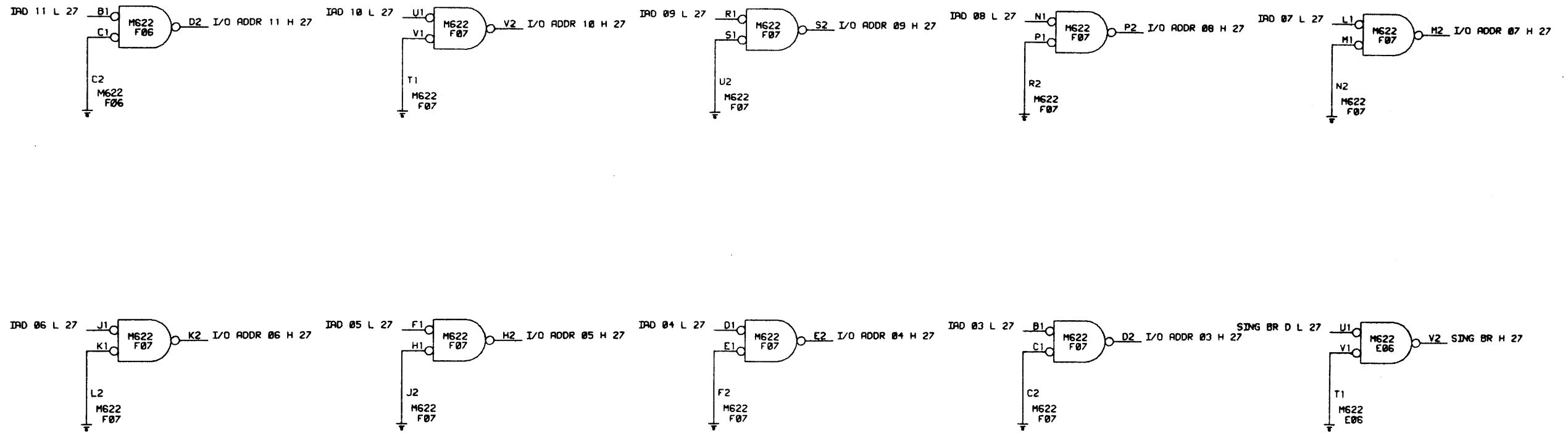
NOTE DCH ADDRESS 36
API ADDRESS 63

REVISIONS		
CHK	CHANGE NO.	REV.
G JH	RF15-00009	A
K WALSH	9/4/70	
D VONADA	9/8/70	
JH	RF15-00011	B
<i>D. S. Walsh 10-1-70</i>		

DRN J FASSHAUER	DATE 11-29-69	 DIGITAL EQUIPMENT CORPORATION <small>MAYNARD MASSACHUSETTS</small>
CHKD N RHEAULT	DATE 11-29-69	
ENG EDWARD KING	DATE 12-1-69	TITLE RF15 I/O DR & REC 3
PROV ENG D G VONADA	DATE 12-1-69	
PROD E TOMPKINS	DATE 12-2-69	
FIRST USED ON		
RF15	SIZE CODE D BS	NUMBER RF15-0-26
SCALE		REV. B
SHEET 1 OF 1	DIST.	

This drawing and specifications, herein, are the property of Digital Equipment Corporation and shall not be reproduced or copied or used in whole or in part as the basis for the manufacture or sale of items without written permission.

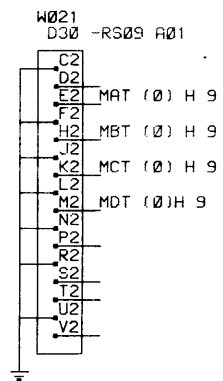
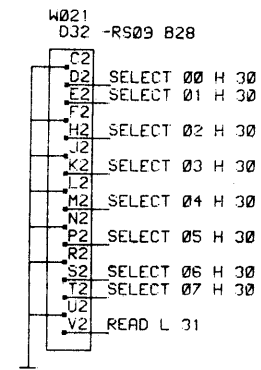
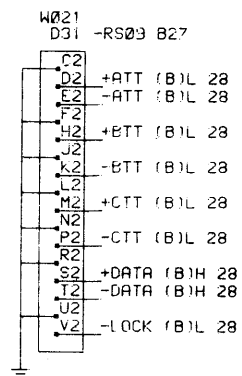
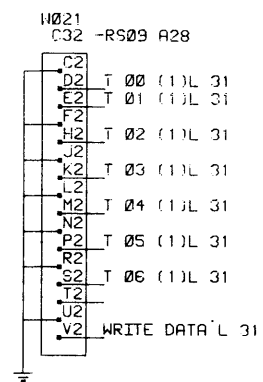
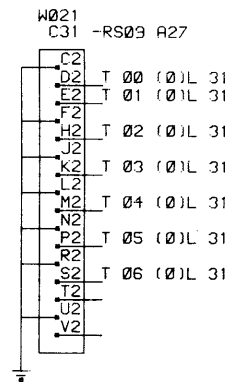
NOTE: THIS PRINT SUPPLIED TO SHOW EXISTING WIRING AND FOR THE CONVENIENCE OF SPECIAL SYSTEMS APPLICATIONS. MODULE IN LOCATION F07 IS NOT SUPPLIED.



REVISIONS		
CHK	CHANGE NO.	REV.

DRN <i>[Signature]</i>	DATE 10-2-66	 digital EQUIPMENT CORPORATION MAYNARD MASSACHUSETTS
OR'D. <i>[Signature]</i>	DATE 10/1/66	
ENG. <i>[Signature]</i>	DATE 10-2-66	
PROJ. ENG. <i>[Signature]</i>	DATE 10-7-65	
FRST. <i>[Signature]</i>	DATE 2-7-69	
TITLE 1 CYCLE DATA BREAK		
RF15	SIZE CODE D 85	NUMBER RF15-0-27
SCALE		REV. 00
SHEET 1 OF 1	DIST.	

This drawing and specifications, herein, are the property of Digital Equipment Corporation and shall not be reproduced or copied or used in whole or in part as the basis for the manufacture or sale of items without written permission.



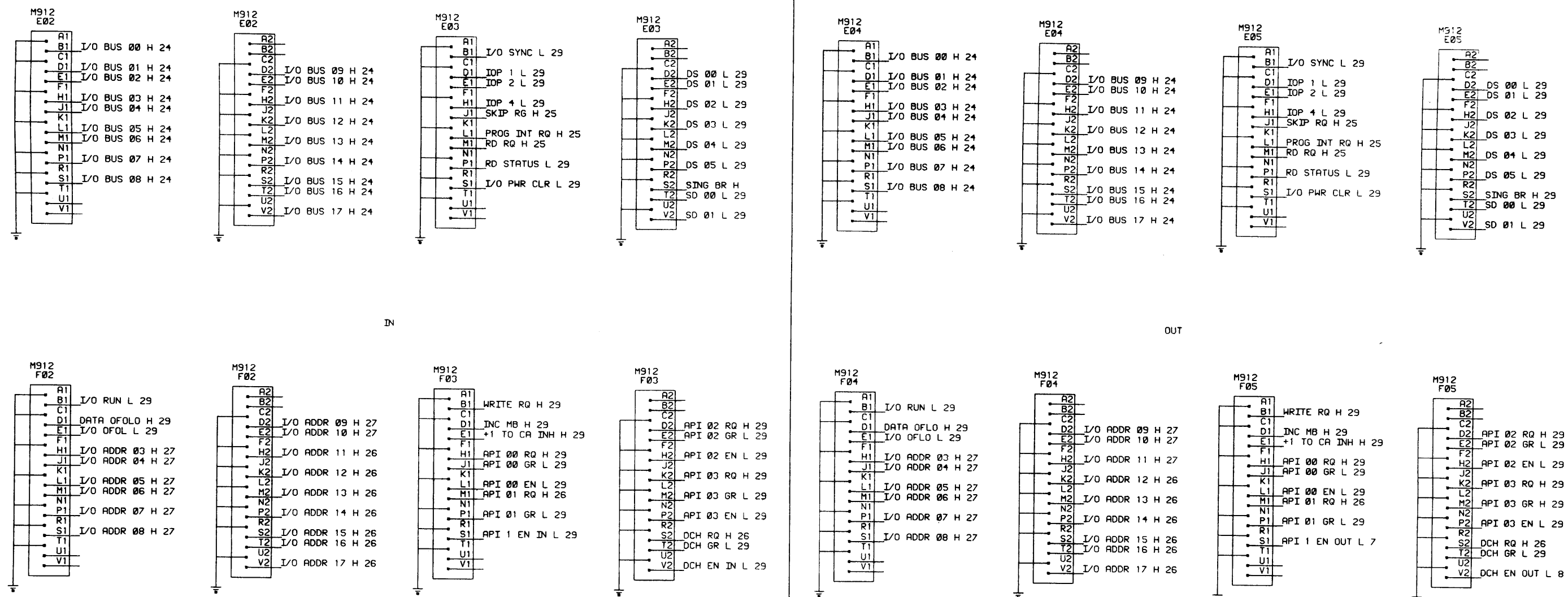
(MAINTENANCE ONLY)
(SEE NOTE 1)

- NOTES:
1. MAINTENANCE SIGNALS GO HIGH (POS. TRANSION) ON FIRST PROGRAM '1' AFTER IOT CLR.
 2. TERMINATOR CARDS (6723) LOCATED IN C31, C32, +D32 AND 6711 IN D31 ARE TO BE REMOVED AND PUT IN THE (DISK BUS OUT) CABLE SLOTS OF THE LAST RS09. INSERT 6723'S IN LOCATIONS A27, A28 + B28 AND THE 6711 IN LOCATION B27 OF THE LAST RS09.

REVISIONS		
CHK	CHANGE NO.	REV.

DRN. <i>F. Foubert</i>	DATE <i>11/26/69</i>	digital EQUIPMENT CORPORATION MAYNARD, MASSACHUSETTS
CHK'D. <i>M. P. ...</i>	DATE <i>11/26/69</i>	
ENG. <i>R. ...</i>	DATE <i>12-1-69</i>	
PROJ. ENG. <i>R. ...</i>	DATE <i>12-1-69</i>	
PROD. <i>C. D. ...</i>	DATE <i>12-2-69</i>	
TITLE RF15 TO AND FROM RS09		REV. 00
SIZE/CODE D IC	NUMBER RF15-0-28	
SCALE	SHEET 1 OF 1	DIST.

This drawing and specifications herein are the property of Digital Equipment Corporation and shall not be reproduced or copied or used in whole or in part as the basis for the manufacture or sale of items without written permission.



REVISIONS		
CHK	CHANGE NO.	REV.
AN	RF15-0011	A

DRN J.FASSHAUER	DATE 10-9-69	 MAYNARD, MASSACHUSETTS	TITLE RF15 I/O CABLE
CHKD. N.RHEAULT	DATE 10-9-69		
ENG. E.KING	DATE 10-1-69		
PROJ. ENG. D.VONADA	DATE 10-10-69		
PROD. E.TOMPkins	DATE 10-14-69		
FIRST USED ON RF15		SIZE CODE D IC	NUMBER RF15-0-29
SCALE SHEET 1 OF 1		REV. A	

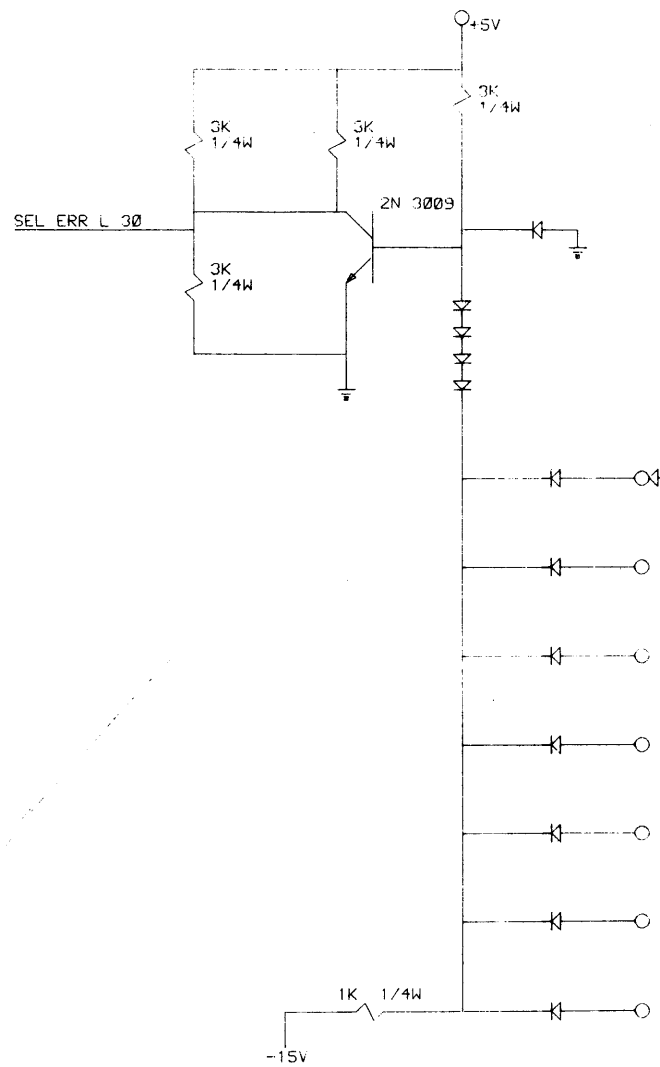
This drawing and specifications, herein, are the property of Digital Equipment Corporation and shall not be reproduced or copied or used in whole or in part as the basis for the manufacture or sale of items without written permission.

MS14
C30

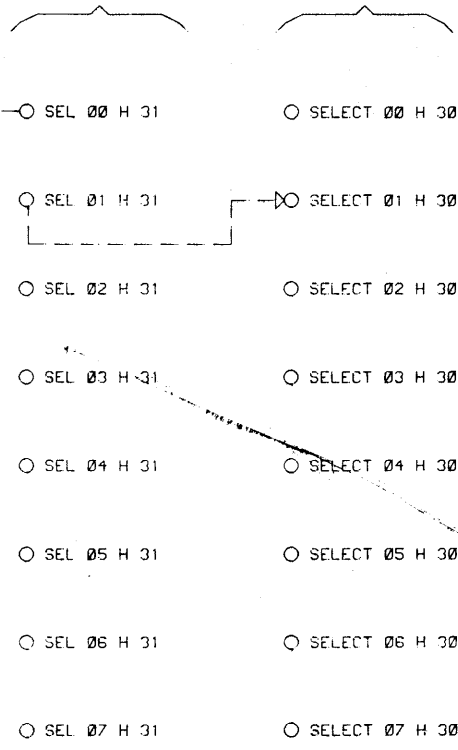
A1	SELECT 00	H	30
B1	SELECT 01	H	30
C1	SELECT 02	H	30
D1	SELECT 03	H	30
E1	SELECT 04	H	30
F1	SELECT 05	H	30
H1	SELECT 06	H	30
J1	SELECT 07	H	30
K1	SEL 00	H	31
L1	SEL 01	H	31
M1	SEL 02	H	31
N1	SEL 03	H	31
P1	SEL 04	H	31
R1	SEL 05	H	31
S1	SEL 06	H	31
T1	SEL 07	H	31
U1			
V1			

MS14
C30

A2	+5V
B2	-15V
C2	
D2	HIGH L 30
E2	LOW L 30
H2	
J2	MED L 30
K2	
L2	SEL ERR L 30
M2	
N2	
P2	
R2	
S2	
T2	
U2	
V2	

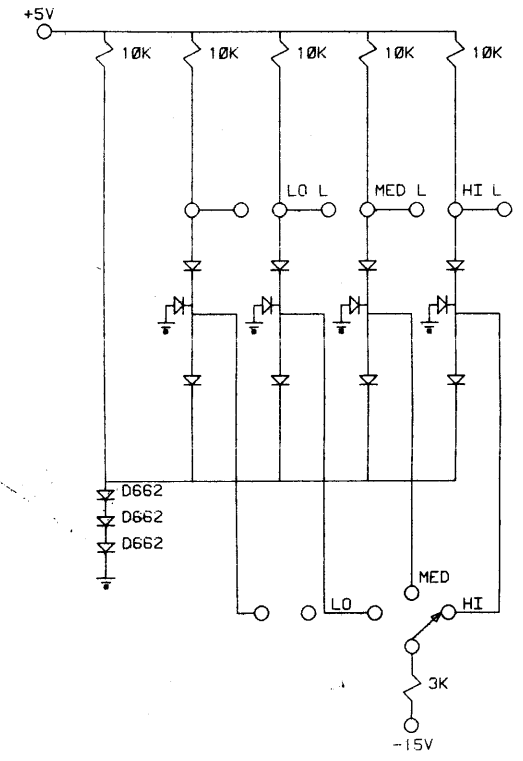


FROM CTL
SELECT LINES



JUMPER FOR
NONEXISTENT
DISK

JUMPER
FOR DESIRED
PHYSICAL DISK

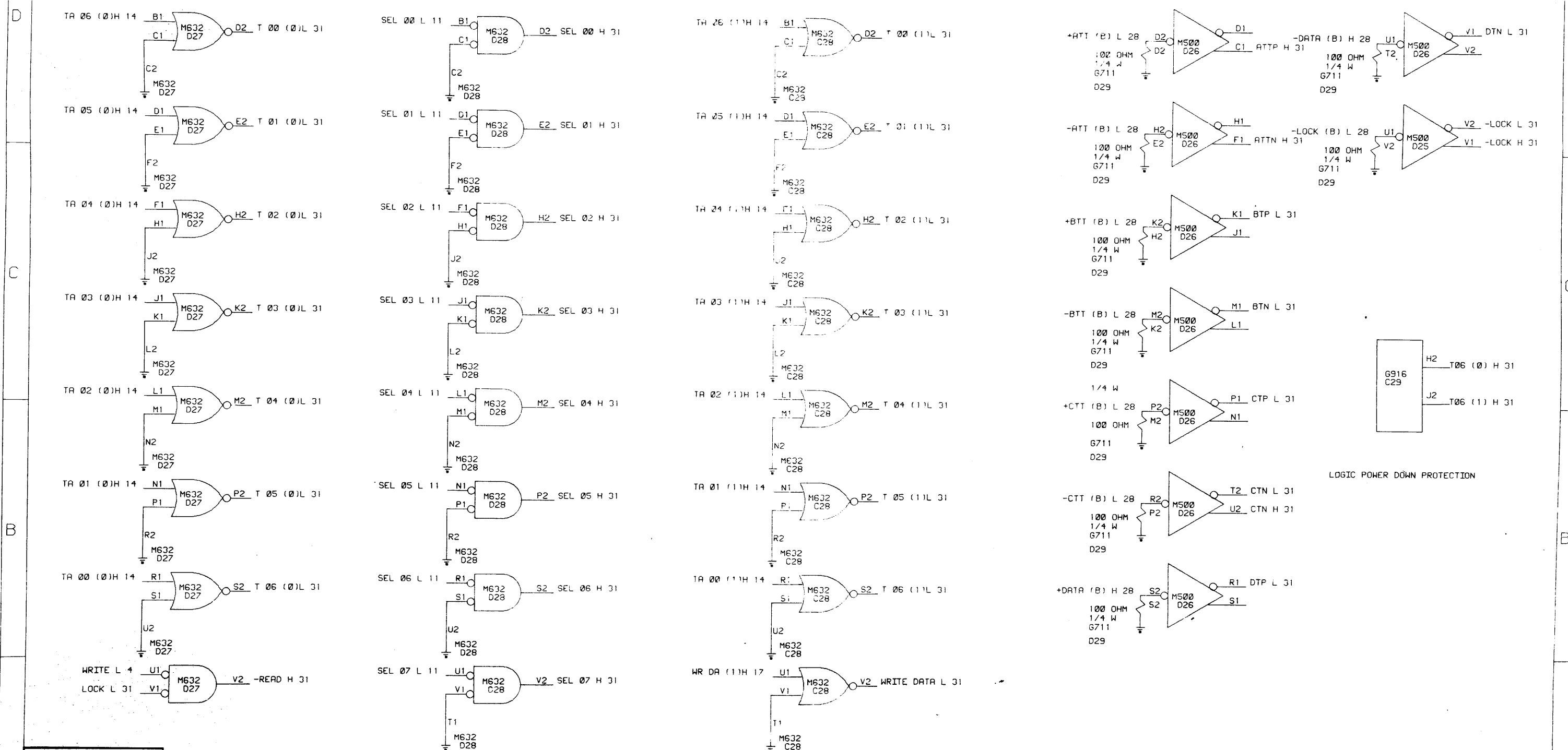


REVISIONS

CHK	CHANGE NO.	REV.

DRN <i>J. P. ...</i>	DATE 11/2/68	digital EQUIPMENT CORPORATION MAYNARD, MASSACHUSETTS
CHKD <i>J. P. ...</i>	DATE 11/9/68	
ENG. <i>P. King</i>	DATE 12-1-69	TITLE SELECTION PANEL
PRD. ENG. <i>R. J. ...</i>	DATE 12-1-69	
PROB. <i>C. J. ...</i>	DATE 12-2-69	
FIRST USED ON		
RF15	SIZE CODE C BS	NUMBER RF15-0-30
SCALE		REV. 00
SHEET	OF	DIST.

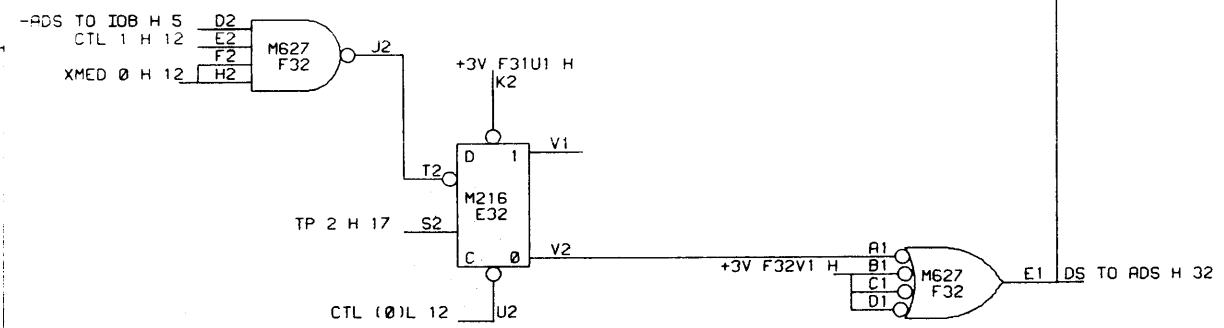
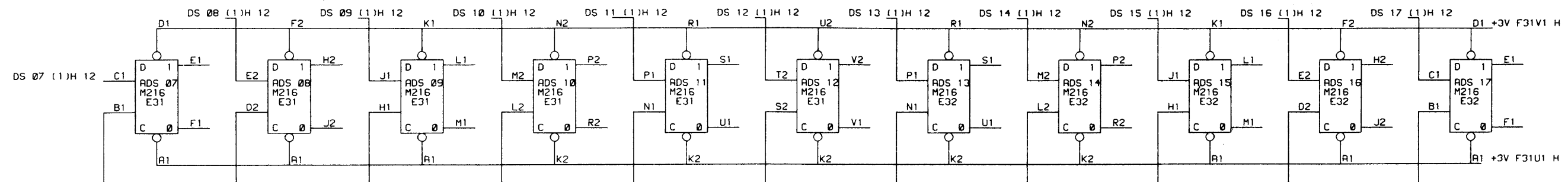
This drawing and specifications, herein, are the property of Digital Equipment Corporation and shall not be reproduced or copied or used in whole or in part as the basis for the manufacture or sale of items without written permission.



REVISIONS		
CHK	CHANGE NO.	REV.
RF15-00012		A

DRN.	DATE	digital EQUIPMENT CORPORATION MAYNARD, MASSACHUSETTS
CHK'D.	DATE	
ENG.	DATE	TITLE
PROJ. ENG.	DATE	CONVERTER RSP - RF15
PROD.	DATE	
FIRST USED ON		
RF15		
SCALE	SIZE CODE	NUMBER
	0 B3 RF15-31	
SHEET 1 OF	DIST.	REV. A

This drawing and specifications, herein, are the property of Digital Equipment Corporation and shall not be reproduced or copied or used in whole or in part as the basis for the manufacture or sale of items without written permission.



REVISIONS		
CHK	CHANGE NO.	REV.

DRN <i>J. Fairman</i>	DATE 10-2-69	 digital EQUIPMENT CORPORATION <small>MAYNARD, MASSACHUSETTS</small>	TITLE ADS REGISTER
CHKD <i>D. B. Thomas</i>	DATE 10/1/69		
ENGR <i>J. K.</i>	DATE 10-8-69		
PROJ. ENGR <i>D. B. Thomas</i>	DATE 10-8-69		
PROD. <i>C. R. Tomlinson</i>	DATE 12-14-69		
FIRST USED ON			
RF 15		SIZE CODE D BS	NUMBER RF 15-0-32
SCALE			REV. 00
SHEET 1 OF 1	DIST.		

This drawing and specifications, herein, are the property of Digital Equipment Corporation and shall not be reproduced or copied or used in whole or in part as the basis for the manufacture or sale of items without written permission.

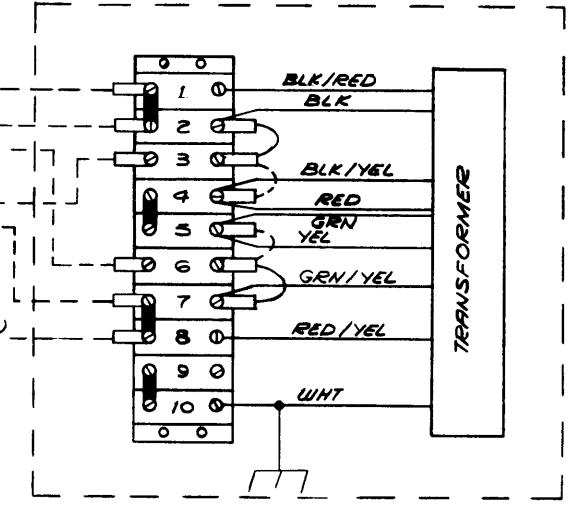
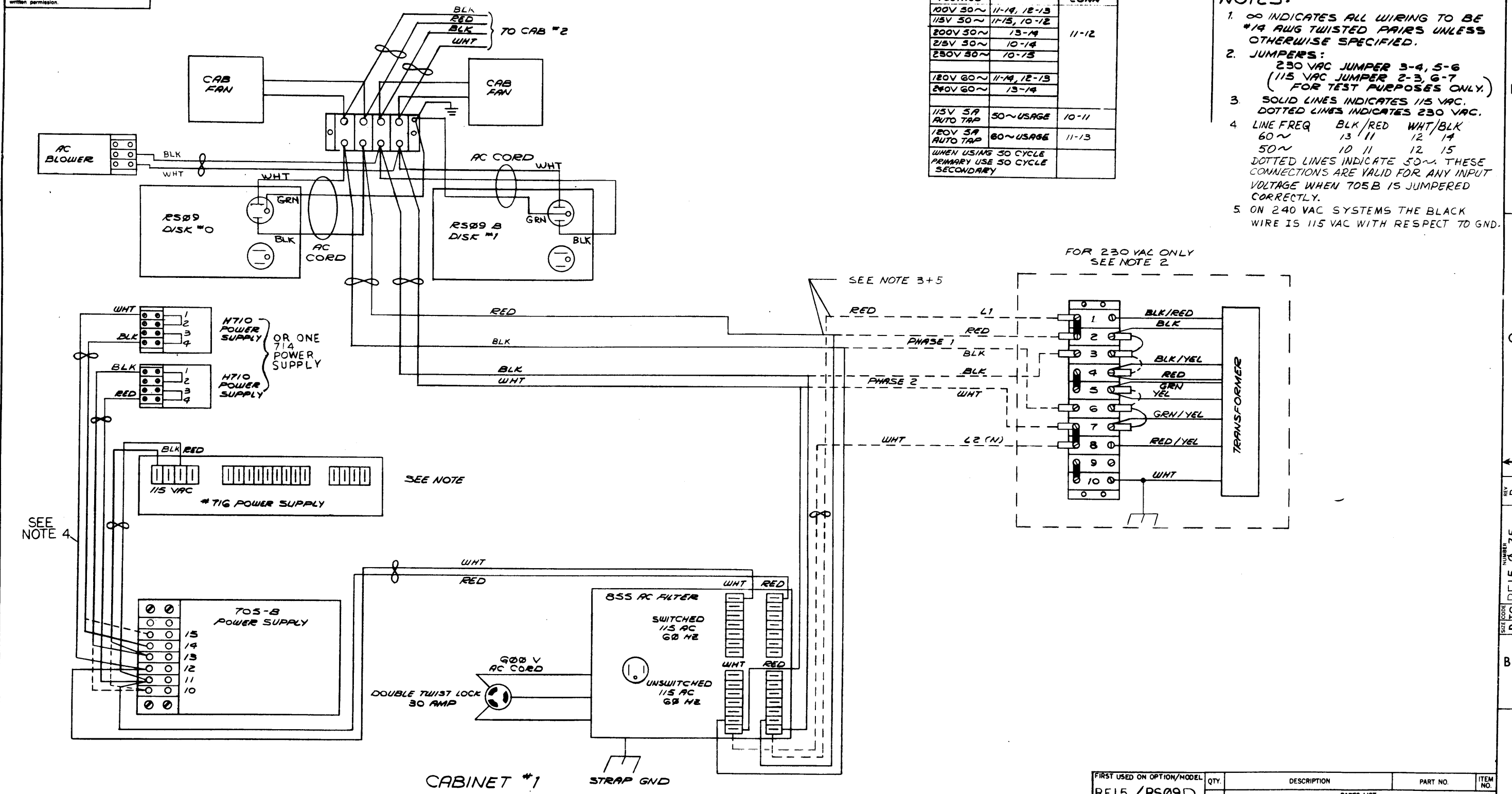
SIZE CODE 2
 NUMBER D1C RF15-0-35
 REV B

INPUT VOLTAGE	JUMPERS	LINE CONN
100V 50~	11-14, 12-13	
115V 50~	11-13, 10-12	
200V 50~	13-14	11-12
215V 50~	10-14	
250V 50~	10-13	
120V 60~	11-14, 12-13	
240V 60~	13-14	
115V 5A AUTO TAP	50~USAGE	10-11
120V 5A AUTO TAP	60~USAGE	11-13
WHEN USING 50 CYCLE PRIMARY USE 50 CYCLE SECONDARY		

NOTES:

- ∞ INDICATES ALL WIRING TO BE #14 AWG TWISTED PAIRS UNLESS OTHERWISE SPECIFIED.
- JUMPERS:
 230 VAC JUMPER 3-4, 5-6
 (115 VAC JUMPER 2-3, 6-7 FOR TEST PURPOSES ONLY.)
- SOLID LINES INDICATES 115 VAC. DOTTED LINES INDICATES 230 VAC.
- LINE FREQ BLK/RED WHT/BLK
 60~ 13/11 12/14
 50~ 10/11 12/15
 DOTTED LINES INDICATE 50~. THESE CONNECTIONS ARE VALID FOR ANY INPUT VOLTAGE WHEN 705B IS JUMPED CORRECTLY.
- ON 240 VAC SYSTEMS THE BLACK WIRE IS 115 VAC WITH RESPECT TO GND.

FOR 230 VAC ONLY
 SEE NOTE 2



REV	CHG	NO.	DATE	BY	APP
A					
B					

FIRST USED ON OPTION/MODEL	QTY.	DESCRIPTION	PART NO.	ITEM NO.
RF15 / RS09D				
UNLESS OTHERWISE SPECIFIED				
DIMENSION IN INCHES				
TOLERANCES				
DECIMALS	FRACTIONS	ANGLES		
± .005	± 1/64	± 0°30'		
FINAL SURFACE QUALITY				
REMOVE BURRS AND BREAK SHARP CORNERS				
MATERIAL	NEXT HIGHER ASSY			
FINISH	A-ML-RF15-0			
SCALE		SHEET		1 OF 3
TITLE		PARTS LIST		
PWR WIRING AC, DC (RF15)		digital EQUIPMENT CORPORATION		
SIZE CODE		NUMBER		REV
D1C RF15-0-35		7		B
DIST.				

REV B
 NUMBER D1C RF15-0-35
 SIZE CODE

This drawing and specifications, herein, are the property of Digital Equipment Corporation and shall not be reproduced or copied or used in whole or in part as the basis for the manufacture or sale of items without written permission.

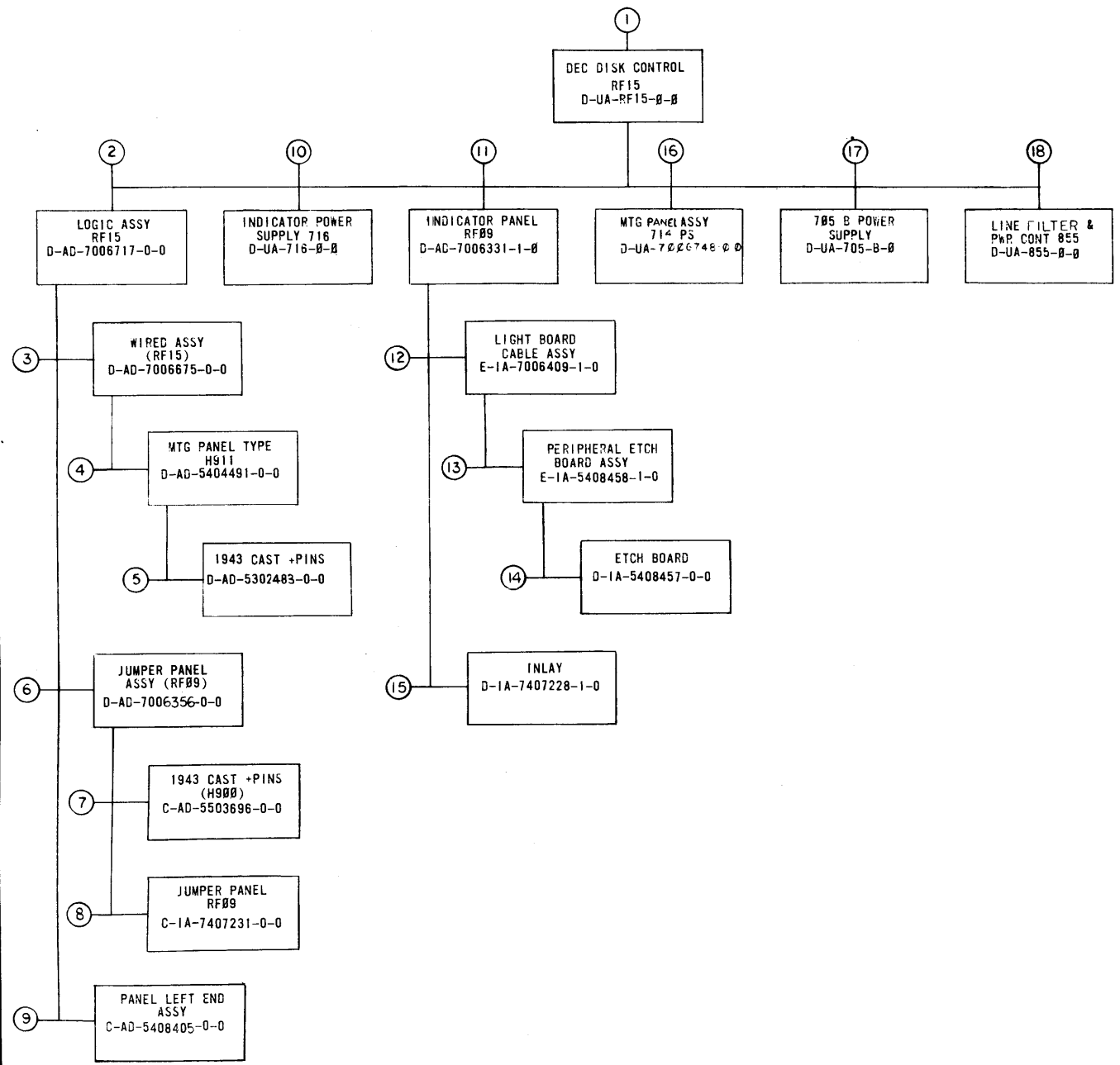
D

C

B

A

REV	CHANGE NO	CHK	DATE
1	0003	A	
2		B	
3		C	
4		D	
5		E	
6		F	
7		G	
8		H	
9		I	
10		J	
11		K	
12		L	
13		M	
14		N	
15		O	
16		P	
17		Q	
18		R	



MECHANICAL				DEPTH USAGE			ELECTRICAL				DEPTH USAGE		
FIND NO.	DESCRIPTION	PART NO.	PROD	CUST	F/C	FIND NO.	DESCRIPTION	PART NO.	PROD	CUST	F/C		
1	DEC DISK CONTROL RF15 DEC DISK CONTROL RF15 (PL) BRACKET MTG CABLE BC09B	D-UA-RF15-B-0 A-PL-RF15-B-0 C-IA-7407337-0-0 D-UA-BC09-7-B				1	DEC DISK CONTROL (RF15) RF15/RS09 ARRANGEMENT POWER WIRING AC/DC MODULE UTILIZATION MODULE UTILIZATION (PL) WIRE LIST RF15 CONTROL TIMING DIAGRAM 1 RF15 CONTROL TIMING DIAGRAM 2 RF15 CONTROL TIMING DIAGRAM 3 RF15 CONTROL TIMING DIAGRAM 4 A.T.T. ERR DET AND REGEN B.C.D. TT ERR DET AND REGEN RF15 CONTROL 1 RF15 CONTROL 2 PROGRAM CONTROL 1 PROGRAM CONTROL 2 DCH CONTROL API CONTROL MAINTENANCE TT STATUS REGISTER DISK SELECTION DISK SEGMENT WORD ADDRESS DISK TRACK ADDRESS EQUAL COMPARISON GATING SHIFT REGISTER 1 SHIFT REGISTER 2 BUFFER REGISTER 1 BUFFER REGISTER 2 IOB SEL. 1 IOB SEL. 2 IOB SEL. 3 INDICATOR CABLES RF15 I/O DRIVER & RECEIVER 1 RF15 I/O DRIVER & RECEIVER 2 RF15 I/O DRIVER & RECEIVER 3 1 CYCLE DATA BREAK RF15 TO AND FROM RS09 RF15 I/O CABLE SELECTION PANEL CONNECTOR RS09-RF15 ADS REGISTER FLOW CHART RF15 ENG SPECS PART A RF15/09 ENG SPECS PART B RF15/09 WIRED ASSY (RF15) WIRED ASSY (RF15) (PL)	A-WL-RF15-B D-AR-RF15-B-37 D-IC-RF15-B-35 D-MU-RF15-B-38 A-PL-RF15-B-38 K-WL-RF15-B-33 D-TD-RF15-B-TD1 D-TD-RF15-B-TD2 D-TD-RF15-B-TD3 D-TD-RF15-B-TD4 D-BS-RF15-B-01 D-BS-RF15-B-02 D-BS-RF15-B-03 D-BS-RF15-B-04 D-BS-RF15-B-05 D-BS-RF15-B-06 D-BS-RF15-B-07 D-BS-RF15-B-08 D-BS-RF15-B-09 D-BS-RF15-B-10 D-BS-RF15-B-11 D-BS-RF15-B-12 D-BS-RF15-B-13 D-BS-RF15-B-14 D-BS-RF15-B-15 D-BS-RF15-B-16 D-BS-RF15-B-17 D-BS-RF15-B-18 D-BS-RF15-B-19 D-BS-RF15-B-20 D-BS-RF15-B-21 D-BS-RF15-B-22 D-IC-RF15-B-23 D-BS-RF15-B-24 D-BS-RF15-B-25 D-BS-RF15-B-26 D-BS-RF15-B-27 D-IC-RF15-B-28 D-BS-RF15-B-29 D-BS-RF15-B-30 D-BS-RF15-B-31 D-BS-RF15-B-32 D-FD-RF15-0-39 A-SP-RF15-0-40 A-SP-RF15-0-41 D-AD-7006675-0-0 A-PL-7006675-0-0					
2	LOGIC ASSY LOGIC ASSY (PL) RETAINER BLOCK RIGHT END PANEL	D-AD-7006717-0-0 A-PL-7006717-0-0 C-MD-7407127-0-0 C-MD-5302486-0-0				2	WIRED ASSY (RF15) WIRED ASSY (RF15) (PL) LOGIC FRAME DECALS	D-AD-7006675-0-0 A-PL-7006675-0-0 A-DC-7406371-0-0					
3	WIRED ASSY (RF15) WIRED ASSY (RF15) (PL) LOGIC FRAME DECALS	D-AD-7006675-0-0 A-PL-7006675-0-0 A-DC-7406371-0-0				3	WIRED ASSY (RF15) (PL)	A-PL-7006675-0-0					
4	MTG PANEL TYPE H911 MTG PANEL TYPE H911 (PL) 288 PIN CONN BLOCK TYPE #H803	D-AD-5404491-0-0 A-PL-5404491-0-0 E-SC-1205348-0-0				4	MTG PANEL TYPE H911 MTG PANEL TYPE H911 (PL) 288 PIN CONN BLOCK TYPE #H803	D-AD-5404491-0-0 A-PL-5404491-0-0 E-SC-1205348-0-0					
5	1943 CASTING PLUS PINS 1943 CASTING PLUS PINS (PL) 1943 FRAME CASTING	D-AD-5302483-0-0 A-PL-5302483-0-0 E-MD-1202885-0-0				5	1943 CASTING PLUS PINS 1943 CASTING PLUS PINS (PL) 1943 FRAME CASTING	D-AD-5302483-0-0 A-PL-5302483-0-0 E-MD-1202885-0-0					
6	JUMPER PANEL ASSY (RF09) JUMPER PANEL ASSY (RF09) (PL) SELECTION PANEL ASSY CLAMP WIRE	D-AD-7006356-0-0 A-PL-7006356-0-0 D-IA-7006438-0-0 B-IA-7407422-0-0				6	JUMPER PANEL ASSY (RF09) JUMPER PANEL ASSY (RF09) (PL) SELECTION PANEL ASSY CLAMP WIRE	D-AD-7006356-0-0 A-PL-7006356-0-0 D-IA-7006438-0-0 B-IA-7407422-0-0					
7	1943 CASTING PLUS PINS (H900) 1943 CASTING PLUS PINS (H900) (PL) 1943 FRAME CASTING	C-AD-5503696-0-0 A-PL-5503696-0-0 E-MD-1202885-0-0				7	1943 CASTING PLUS PINS (H900) 1943 CASTING PLUS PINS (H900) (PL) 1943 FRAME CASTING	C-AD-5503696-0-0 A-PL-5503696-0-0 E-MD-1202885-0-0					
8	JUMPER PANEL RF09 SILK SCREEN	C-IA-7407231-0-0 C-SS-7407231-0-1				8	JUMPER PANEL RF09 SILK SCREEN	C-IA-7407231-0-0 C-SS-7407231-0-1					
9	PANEL LEFT END ASSY PANEL LEFT END ASSY (PL) PANEL LEFT END PANEL LEFT END DECAL	C-AD-5408405-0-0 A-PL-5408405-0-0 C-MD-5308404-0-0 A-DC-5308406-0-0				9	PANEL LEFT END ASSY PANEL LEFT END ASSY (PL) PANEL LEFT END PANEL LEFT END DECAL	C-AD-5408405-0-0 A-PL-5408405-0-0 C-MD-5308404-0-0 A-DC-5308406-0-0					
10	INDICATOR POWER SUPPLY 716 INDICATOR POWER SUPPLY 716 (PL)	D-UA-716-0-0 A-PL-716-0-0				10	INDICATOR POWER SUPPLY 716 INDICATOR POWER SUPPLY 716 (PL)	D-UA-716-0-0 A-PL-716-0-0					
11	RF09 INDICATOR PANEL ASSY RF09 INDICATOR PANEL ASSY (PL) 5 1/4 SNAP ON BEZEL BENELEX BENELEX MTG BRACKET LATCH MOLDING	D-AD-7006331-1-0 C-PL-7006331-1-0 C-SC-1209226-0-0 D-IA-7407222-0-0 C-MD-7407086-3-0 C-SC-1209224-0-0				11	RF09 INDICATOR PANEL ASSY RF09 INDICATOR PANEL ASSY (PL) 5 1/4 SNAP ON BEZEL BENELEX BENELEX MTG BRACKET LATCH MOLDING	D-AD-7006331-1-0 C-PL-7006331-1-0 C-SC-1209226-0-0 D-IA-7407222-0-0 C-MD-7407086-3-0 C-SC-1209224-0-0					
12	LIGHT BOARD CABLE ASSY	E-IA-7006409-1-0				12	LIGHT BOARD CABLE ASSY	E-IA-7006409-1-0					
13	PERIPHERAL ETCH BD ASSY	E-IA-5408458-1-0				13	PERIPHERAL ETCH BD ASSY	E-IA-5408458-1-0					
14	ETCH BOARD PRINTED CIRCUIT	D-IA-5008457-0-0 PC-5008457				14	ETCH BOARD PRINTED CIRCUIT	D-IA-5008457-0-0 PC-5008457					
15	INLAY SILK SCREEN WHT SILK SCREEN BLK	D-IA-7407228-1-0 C-SS-7407228-0-1 C-SS-7407228-0-2				15	INLAY SILK SCREEN WHT SILK SCREEN BLK	D-IA-7407228-1-0 C-SS-7407228-0-1 C-SS-7407228-0-2					
16	MTG PANEL ASSY 714 PS MTG PANEL ASSY 714 PS (PL)	D-AD-7006717-0-0 A-PL-7006717-0-0				16	MTG PANEL ASSY 714 PS MTG PANEL ASSY 714 PS (PL)	D-AD-7006717-0-0 A-PL-7006717-0-0					
17	705B P.S. 705B P.S. (PL)	D-UA-705-B-0 A-PL-705-B-0				17	705B P.S. 705B P.S. (PL)	D-UA-705-B-0 A-PL-705-B-0					
18	LINE FILTER & POWER CONT 855 LINE FILTER & POWER CONT 855 (PL)	D-UA-855-B-0 A-PL-855-B-0				18	LINE FILTER & POWER CONT 855 LINE FILTER & POWER CONT 855 (PL)	D-UA-855-B-0 A-PL-855-B-0					

D

C

B

A

DO NOT SCALE DRAWING	DRN. 11/23/81	DATE 12-31-81	digital EQUIPMENT CORPORATION MAYNARD MASSACHUSETTS
UNLESS OTHERWISE SPECIFIED DIMENSION IN INCHES	CHK'D 11/23/81	DATE 12/27/81	
TOLERANCES	ENG. 11/23/81	DATE 1-23-82	TITLE DRAWING INDEX LIST RF15
DECIMALS FRACTIONS ANGLES	PROJ. ENG. 11/23/81	DATE 1-23-82	
± .005 ± 1/64 ± 0°30'	PROD. 11/23/81	DATE 1-23-82	NEXT HIGHER ASSY (H900) D-DI-7006108-0-1
FINAL SURFACE QUALITY REMOVE BURRS AND BREAK SHARP CORNERS	SCALE 1/1	DATE 1-23-82	
MATERIAL	SIZE CODE D-DI-RF15-0-36		NUMBER 97V
FINISH	SCALE 1/1		
SHEET 1 OF 1		DIST. G	

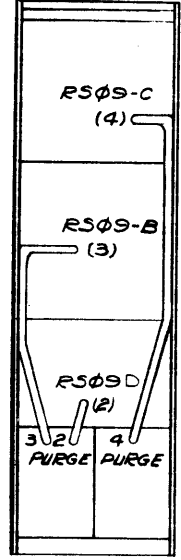
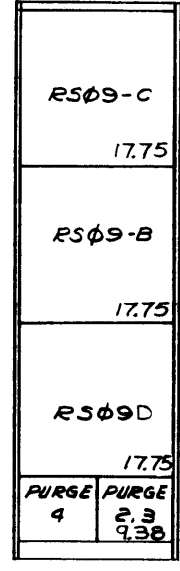
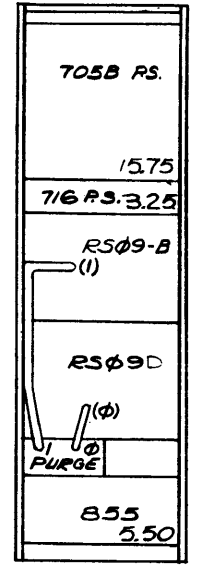
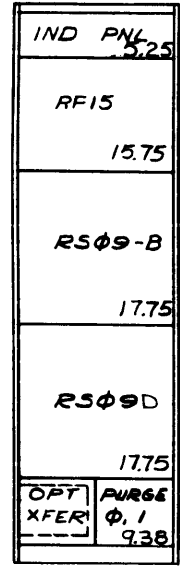
This drawing and specifications, herein, are the property of Digital Equipment Corporation and shall not be reproduced or copied in whole or in part as the basis for the manufacture or sale of items without written permission.

REV. 2
 SIZE CODE D
 NUMBER 15-0-37

CABINET #1

CABINET #2

NOTES:
 1. ALL DIM SHOWN ARE FOR REF ONLY # ONLY INDICATE APPROX SPACE USED.



FRONT

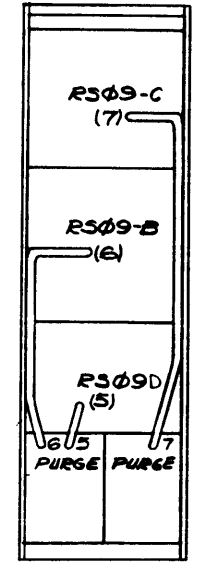
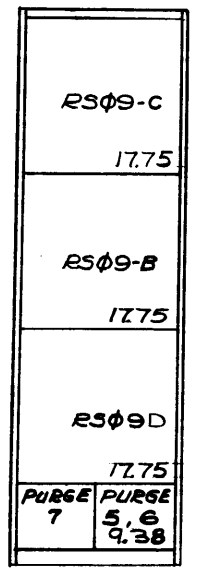
REAR

FRONT

REAR

CABINET #3

CAB #3 CAB #2 CAB #1



FRONT

REAR

FRONT
 SHOWING ORDER OF CAB ASSEM TOGETHER

REV.	
CHANGE NO.	
CHK	

FIRST USED ON OPTION/MODEL
 RF15 /RS09

DO NOT SCALE DRAWING
 UNLESS OTHERWISE SPECIFIED
 DIMENSION IN INCHES
 TOLERANCES
 DECIMAL FRACTIONS ANGLES = 0°30'
 FINAL SURFACE QUALITY
 REMOVE BURRS AND BREAK SHARP CORNERS
 MATERIAL
 FINISH

QTY.	DESCRIPTION	PART NO.	ITEM NO.
PARTS LIST			
digital EQUIPMENT CORPORATION MAYNARD, MASSACHUSETTS			
TITLE RF15 /RS09 ARRANGEMENT			
NEXT HIGHER ASSY A-M-L-RF15-0		SCALE NONE	REV.
SHEET 1 OF 1		DIST.	

REV. 2
 SIZE CODE D
 NUMBER 15-0-37

This drawing and specifications, herein, are the property of Digital Equipment Corporation and shall not be reproduced or copied in whole or in part as the basis for the manufacture or sale of items without written permission.

1518-0000 NUMBER 3003218

		1		2		3		4		5		6		7		8		9		10		11		12		13		14		15		16		17		18		19		20		21		22	
		G775		BC89B		BC89B		BC89B		BC89B		M622		M622		M622		M510		M510		M510		M510		M882		M149		M149		M216		M181		M181		M216		M216		M181		M216	
USAGE		CABLE		CABLE		CABLE		CABLE		CABLE		CABLE		CABLE		CABLE		CABLE		CABLE		CABLE		CABLE		CABLE		CABLE		CABLE		CABLE		CABLE		CABLE		CABLE		CABLE		CABLE		CABLE	
D	E	I O BUS 00	I O BUS 01	I O BUS 02	I O BUS 03	I O BUS 04	I O BUS 05	I O BUS 06	I O BUS 07	I O BUS 08	I O BUS 09	I O BUS 10	I O BUS 11	I O BUS 12	I O BUS 13	I O BUS 14	I O BUS 15	I O SYNC R	I O P IR	I O R 00	I O R 01	I O R 02	I O R 03	I O R 04	I O R 05	I O R 06	I O R 07	I O R 08	I O R 09	I O R 10	I O R 11	I O R 12	I O R 13	I O R 14	I O R 15	I O R 16	I O R 17	I O R 18	I O R 19	I O R 20	I O R 21	I O R 22			
		I O BUS 22	I O BUS 23	I O BUS 24	I O BUS 25	I O BUS 26	I O BUS 27	I O BUS 28	I O BUS 29	I O BUS 30	I O BUS 31	I O BUS 32	I O BUS 33	I O BUS 34	I O BUS 35	I O BUS 36	I O BUS 37	I O BUS 38	I O BUS 39	I O BUS 40	I O BUS 41	I O BUS 42	I O BUS 43	I O BUS 44	I O BUS 45	I O BUS 46	I O BUS 47	I O BUS 48	I O BUS 49	I O BUS 50	I O BUS 51	I O BUS 52	I O BUS 53	I O BUS 54	I O BUS 55	I O BUS 56	I O BUS 57	I O BUS 58	I O BUS 59	I O BUS 60	I O BUS 61	I O BUS 62			
		I O BUS 64	I O BUS 65	I O BUS 66	I O BUS 67	I O BUS 68	I O BUS 69	I O BUS 70	I O BUS 71	I O BUS 72	I O BUS 73	I O BUS 74	I O BUS 75	I O BUS 76	I O BUS 77	I O BUS 78	I O BUS 79	I O BUS 80	I O BUS 81	I O BUS 82	I O BUS 83	I O BUS 84	I O BUS 85	I O BUS 86	I O BUS 87	I O BUS 88	I O BUS 89	I O BUS 90	I O BUS 91	I O BUS 92	I O BUS 93	I O BUS 94	I O BUS 95	I O BUS 96	I O BUS 97	I O BUS 98	I O BUS 99	I O BUS 100	I O BUS 101	I O BUS 102	I O BUS 103	I O BUS 104			
		SKIP RQ	SING BR	PROG INT RQ	WRITE RQ	RD RQ	API I RQ	I O PWR CLR	SD 01R	DS 00R	DS 03R	DS 01R	DS 04R	DS 02	DS 05	DS 06	DS 07	DS 08	DS 09	DS 10	DS 11	DS 12	DS 13	DS 14	DS 15	DS 16	DS 17	DS 18	DS 19	DS 20	DS 21	DS 22	DS 23	DS 24	DS 25	DS 26	DS 27	DS 28	DS 29	DS 30	DS 31	DS 32			
C	F	I O ADDR 11	I O ADDR 12	I O ADDR 13	I O ADDR 14	I O ADDR 15	I O ADDR 16	I O ADDR 17	I O ADDR 18	I O ADDR 19	I O ADDR 20	I O ADDR 21	I O ADDR 22	I O ADDR 23	I O ADDR 24	I O ADDR 25	I O ADDR 26	I O ADDR 27	I O ADDR 28	I O ADDR 29	I O ADDR 30	I O ADDR 31	I O ADDR 32	I O ADDR 33	I O ADDR 34	I O ADDR 35	I O ADDR 36	I O ADDR 37	I O ADDR 38	I O ADDR 39	I O ADDR 40	I O ADDR 41	I O ADDR 42	I O ADDR 43	I O ADDR 44	I O ADDR 45	I O ADDR 46	I O ADDR 47	I O ADDR 48	I O ADDR 49	I O ADDR 50				
		I O ADDR 51	I O ADDR 52	I O ADDR 53	I O ADDR 54	I O ADDR 55	I O ADDR 56	I O ADDR 57	I O ADDR 58	I O ADDR 59	I O ADDR 60	I O ADDR 61	I O ADDR 62	I O ADDR 63	I O ADDR 64	I O ADDR 65	I O ADDR 66	I O ADDR 67	I O ADDR 68	I O ADDR 69	I O ADDR 70	I O ADDR 71	I O ADDR 72	I O ADDR 73	I O ADDR 74	I O ADDR 75	I O ADDR 76	I O ADDR 77	I O ADDR 78	I O ADDR 79	I O ADDR 80	I O ADDR 81	I O ADDR 82	I O ADDR 83	I O ADDR 84	I O ADDR 85	I O ADDR 86	I O ADDR 87	I O ADDR 88	I O ADDR 89	I O ADDR 90				
		I O ADDR 91	I O ADDR 92	I O ADDR 93	I O ADDR 94	I O ADDR 95	I O ADDR 96	I O ADDR 97	I O ADDR 98	I O ADDR 99	I O ADDR 100	I O ADDR 101	I O ADDR 102	I O ADDR 103	I O ADDR 104	I O ADDR 105	I O ADDR 106	I O ADDR 107	I O ADDR 108	I O ADDR 109	I O ADDR 110	I O ADDR 111	I O ADDR 112	I O ADDR 113	I O ADDR 114	I O ADDR 115	I O ADDR 116	I O ADDR 117	I O ADDR 118	I O ADDR 119	I O ADDR 120	I O ADDR 121	I O ADDR 122	I O ADDR 123	I O ADDR 124	I O ADDR 125	I O ADDR 126	I O ADDR 127	I O ADDR 128	I O ADDR 129	I O ADDR 130				
		I O ADDR 131	I O ADDR 132	I O ADDR 133	I O ADDR 134	I O ADDR 135	I O ADDR 136	I O ADDR 137	I O ADDR 138	I O ADDR 139	I O ADDR 140	I O ADDR 141	I O ADDR 142	I O ADDR 143	I O ADDR 144	I O ADDR 145	I O ADDR 146	I O ADDR 147	I O ADDR 148	I O ADDR 149	I O ADDR 150	I O ADDR 151	I O ADDR 152	I O ADDR 153	I O ADDR 154	I O ADDR 155	I O ADDR 156	I O ADDR 157	I O ADDR 158	I O ADDR 159	I O ADDR 160	I O ADDR 161	I O ADDR 162	I O ADDR 163	I O ADDR 164	I O ADDR 165	I O ADDR 166	I O ADDR 167	I O ADDR 168	I O ADDR 169	I O ADDR 170				

REV.	CHG.	NO.	DATE	BY	REASON
1	1	1	10-5-70	VONADA	INITIAL
2	1	1	10-18-70	VONADA	REVISED
3	1	1	11-7-71	VONADA	REVISED
4	1	1	12-16-73	VONADA	REVISED

* ONLY FOR SING CYCLF RK

FIRST USED ON OPTION / MODEL
RF15

DO NOT SCALE DRAWING	UNLESS OTHERWISE SPECIFIED DIMENSION IN INCHES	TOLERANCES	DECIMALS FRACTIONS ANGLES	± .005 ± 1/64 ± 0°30'	FINAL SURFACE QUALITY REMOVE BURRS AND BREAK SHARP CORNERS
MATERIAL	FINISH	SCALE	SHEET	1 OF 2	DATE
DATE	12-16-73	DATE	12-16-73	DATE	12-16-73
DATE	1-23-70	DATE	1-23-70	DATE	1-23-70
DATE	1-23-70	DATE	1-23-70	DATE	1-23-70
DATE	1-23-70	DATE	1-23-70	DATE	1-23-70

digital EQUIPMENT CORPORATION
MAYNARD, MASSACHUSETTS

MODULE UTILIZATION (RF15)

SIZE CODE: DMURF15-0-38 NUMBER: 0 REV: 0

		8	7	6	5	4	3	REV. 15-0-38		1																									
		1	2	3	4	5	6	7	8	9	10	11	12	13	14	15	16	17	18	19	20	21	22												
D C	USAGE	CABLE	M119	M115	M113	M115	M115				M216	M112	M207	M216	M216	M113	M216	M117	M121	M113	M111	R393													
	D S A		C03D2		FR CLR BR TO IOB API TO IOB IOB TO API						F0	C19B1	C13A1 SER CLR C14B1	C11R1 C14R1	F0SV F1SV	C16R1 RD SR	WB FULL RS TE DISK RUN CTP2	CTP1 AA	DISK SYNC	D16L2 ATP(B) ATN(B) D14F1 WRITE C16N2	DTER RB FULL FOUND	C21D1 D21T2	D15E2 ATNM D16A1	C20M2 F21E2	F21E2	RD D15 DCH T.E	C24N1 C21Y1	C27R1	API CLR						
	C B 2 P 2		IOT CONT IOT CLR STATUS TO IOB APB TO IOB	C02F1 DATA ERROR API CLR XFER CPLT CLR	C04K2 API CLR	FR CHNG STATUS CLR C04L2 D10R2																													
D S B		D03R2 D03R1	D03R2 D03R1	DISK FLAG TA WA CHR	SKIP RQD PROG INT RQ									INT EN LSTE			SRO WR CHER	CTP3	BB	C24H1 LD SR		DPAR	ATPM D19F1	F24T2 F24D1			C17L2 NE DSK	D18L1	HIGH LOW						
	USAGE	CABLE	M111	M113	M216	M602	M602	M149	M113		M216	M117	M111	M115	M302	M627	M627	M115	M115	M111	M118	M113	M113	M216											
D C D C		X00 X04 X06 DSB IOB TO API IOT CONT MTO	X02 FR CLR RO RQ D FR CHNG MCTL DISK FLAG DP IDP4	X08 PC IOT CLR X06 C03P1 D03P1	D10P1 D10P4 D10P4 D10P2																														
			IOB TO API IOT CONT MTO	X06 C03P1 D03P1	D10P4 STOP LDLY	D04B1 D04D2 D04H1 D04L2																													

REV.	
CHANGE NO.	
CHK	
DES	

△ HEAD SIMULATOR CABLE USED FOR MAINTENANCE ONLY

FIRST USED ON OPTION/MODEL

RF15

DO NOT SCALE DRAWING

UNLESS OTHERWISE SPECIFIED DIMENSION IN INCHES

TOLERANCES
DECIMALS FRACTIONS ANGLES
± .005 ± 1/64 ± 0°30'

PROT. END DATE 1-23-70
FINAL SURFACE QUALITY DATE 1-23-70
REMOVE BURRS AND BREAK SHARP CORNERS DATE 1-23-70

MATERIAL

FINISH

DRN: *J.C. Williams* DATE: 12-16-69
J. Williams DATE: 1/20
J. Williams DATE: 1-23-70
R.V. Williams DATE: 1-23-70

digital EQUIPMENT CORPORATION
NAYARD, MASSACHUSETTS

TITLE: **MODULE UTILIZATION (RF15)**

NEXT HIGHER ASSY: **A-ML-RF15-0**

SCALE: **2 OF 2**

SHEET: **2 OF 2**

SIZE/COORD. NUMBER: **DMU RF15-0-38**

DIGITAL EQUIPMENT CORPORATION MAYNARD, MASSACHUSETTS PARTS LIST

MADE BY L. MCGEE
 DATE 12/16/69
 ENG D. S. Thoma
 DATE 1-29-70
 CHECKED *Matthew* 1/22/70
 DATE 1/23/70
 PRODRK Thompson
 SECTION 1
 ISSUED SECT. 1

ITEM NO.	DWG NO./PART NO. BASIC VAR.	DESCRIPTION	QTY/VAR	UNIT COST	UNIT QUANTITY	QUANTITY ISSUED
	G711	RF08 TERMINATOR BOARD				
	M002	LOGIC 1 SOURCE	2			
	M101	BUS DATA INTERFACE	2			
	M104	IO BUS MULTIPLEXER	3			
	M111	INVERTER	2			
	M112	NOR GATE	5			
	M113	TEN 2-INPUT NAND GATES	3			
	M115	EIGHT 3-INPUT NAND GATES	11			
	M117	SIX 4-INPUT NAND GATES	6			
	M119	THREE 8-INPUT NAND GATES	3			
	M121	AND/NOR GATES	2			
	M149	DIODE GATE	3			
	M207	GENERAL PURPOSE FLIP-FLOP	5			
	M216	6 FLIP FLOPS	3			
	M302	DUAL DELAY MULTIVIBRATOR	3			
	M303	DELAY LINE	24			
	M311	TAP DELAY	2			
	M500	NEG INPUT CONVERTER	2			
	M602	PULSE AMPLIFIER	2			
	M627	NAND POWER AMPLIFIER	3			
	M632	POS INPUT CONVERTER	4			
			4			

TITLE MODULE UTILIZATION LIST RF15
 ASSY NO. D-MU-RF15-0-38
 SIZE CODE A PL
 NUMBER RF15-0-38
 REV. D
 ECO NO. RF15-00016

DIGITAL EQUIPMENT CORPORATION MAYNARD, MASSACHUSETTS PARTS LIST

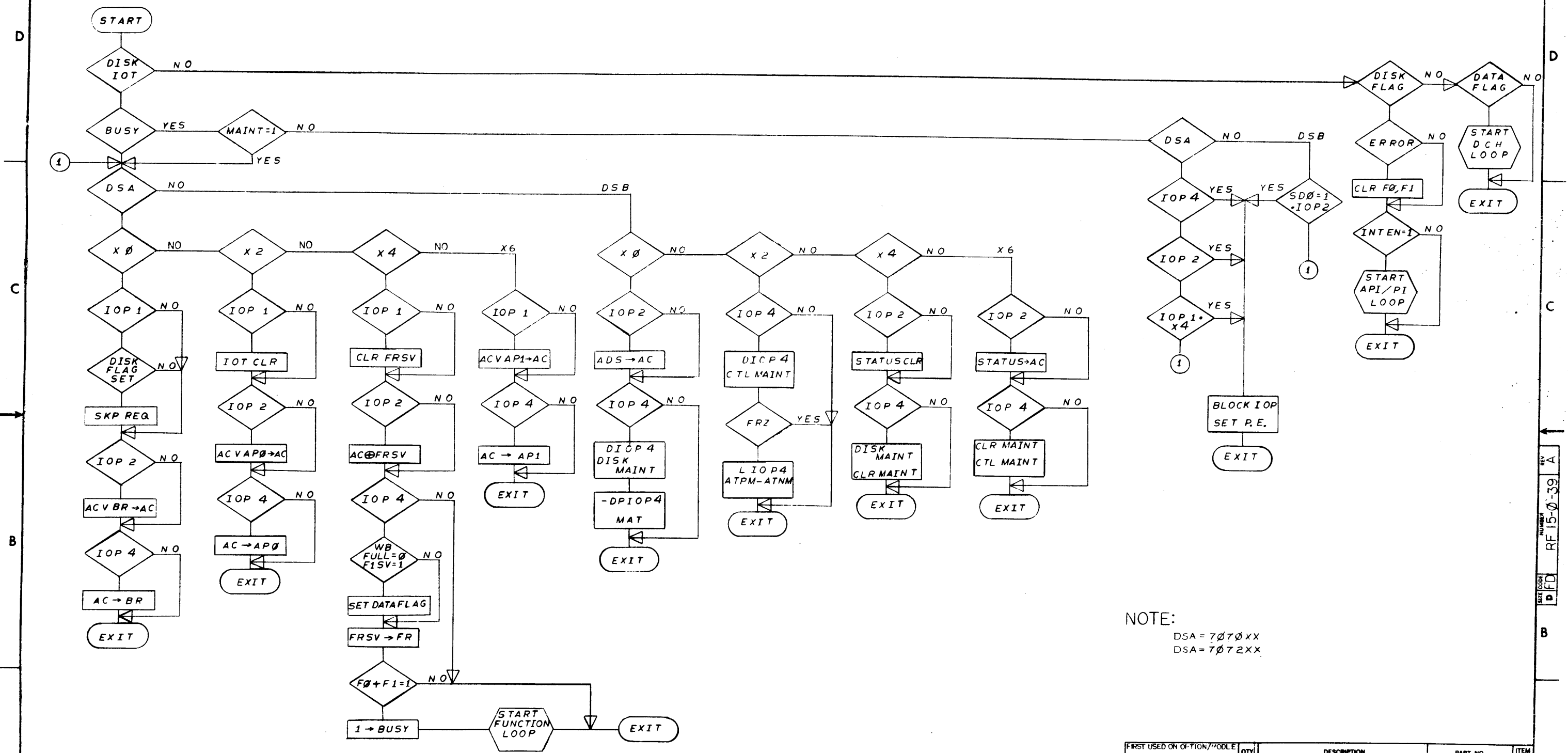
MADE BY L. McGe
 DATE 12/16/69
 ENG D. S. Thoma
 DATE 1-29-70
 CHECKED *Matthew* 1/22/70
 DATE 1/23/70
 PRODRK Thompson
 SECTION 1
 ISSUED SECT. 1

ITEM NO.	DWG NO./PART NO. BASIC VAR.	DESCRIPTION	QTY/VAR	UNIT COST	UNIT QUANTITY	QUANTITY ISSUED
	R303	INTERGRATING ONE SHOT	3			
	G723	NEG BUS TERMINATOR RF09 DISK G723	3			
	M622	BUS DRIVER	4			
	M510	I/O BUS RECEIVER	5			
	G916	POWER DETECTOR SWITCH-FILTER	1			

TITLE MODULE UTILIZATION LIST (RF15)
 ASSY NO. D-MU-RF15-0-38
 SIZE CODE A PL
 NUMBER RF15-0-38
 REV. D
 ECO NO. RF15-00016

CONTROL LOOP

This drawing and specifications, herein, are the property of Digital Equipment Corporation and shall not be reproduced or applied or used in whole or in part as the basis for the manufacture or sale of items without written permission.



NOTE:
 DSA = 7070XX
 DSA = 7072XX

REV	DATE	BY	CHK
1	6-9-70	JUNADA	
2	6-9-70	JUNADA	

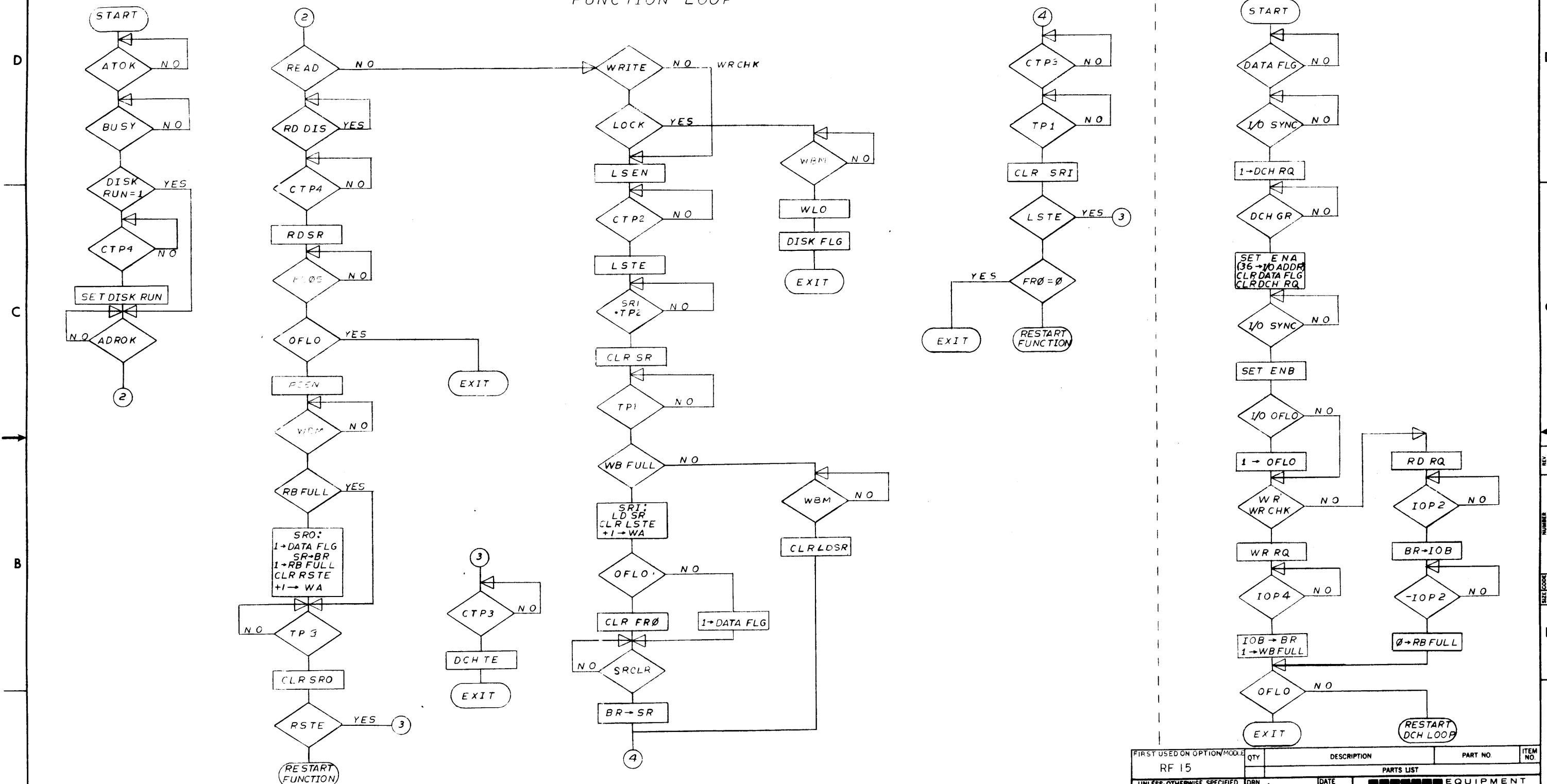
QTY	DESCRIPTION	PART NO.	ITEM NO.
RF 15			
PARTS LIST			
digital EQUIPMENT CORPORATION MAYNARD, MASSACHUSETTS			
TITLE: FLOW DIAGRAM			
SCALE: NONE			
SHEET 1 OF 3			
SIZE CODE: DFD		NUMBER: RF 15-0-39	REV: A

REV A
RF 15-0-39

This drawing and specifications herein are the property of Digital Equipment Corporation and shall not be reproduced or copied or used in whole or in part as the basis for the manufacture or sale of items without written permission.

FUNCTION LOOP

DCH LOOP



REV	CHANGE NO

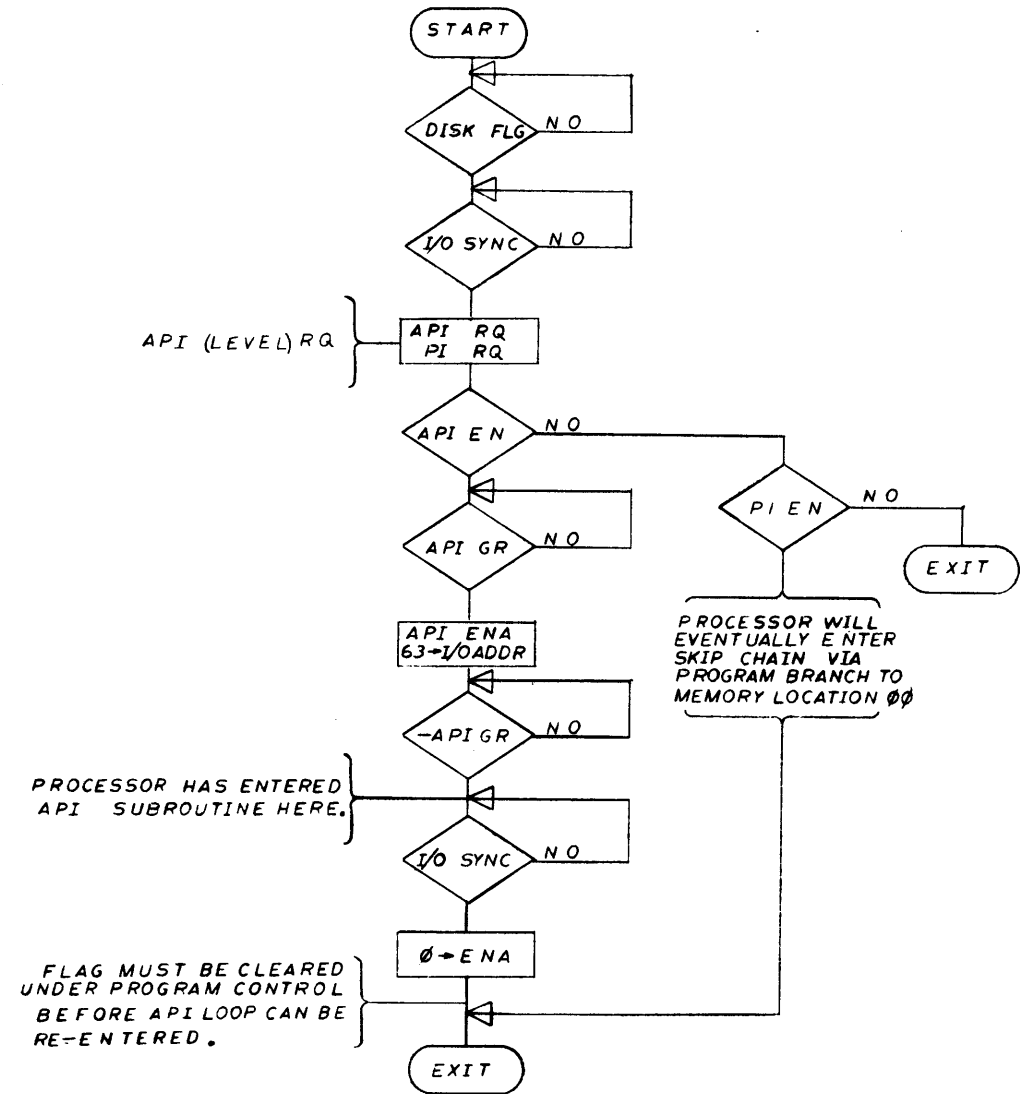
DEC FORM NO DRD 102A

FIRST USED ON OPTION/MODEL RF 15	QTY	DESCRIPTION	PART NO	ITEM NO
PARTS LIST				
UNLESS OTHERWISE SPECIFIED DRN DATE 2/8/70				
UNLESS OTHERWISE SPECIFIED DIMENSION IN INCHES CHK'D DATE 2-6-70				
TOLERANCES DECIMALS FRACTIONS ANGLES ± .005 = 1/64 = 0°30'				
FINAL SURFACE QUALITY REMOVE BURRS AND BREAK SHARP CORNERS				
MATERIAL	NEXT HIGHER ASSY	TITLE		
FINISH	A-ML-RF 15-0	FLOW DIAGRAM		
SCALE NONE	SIZE CODE DFD	NUMBER RF 15-0-39	REV A	
SHEET 2 OF 3	DIST.			

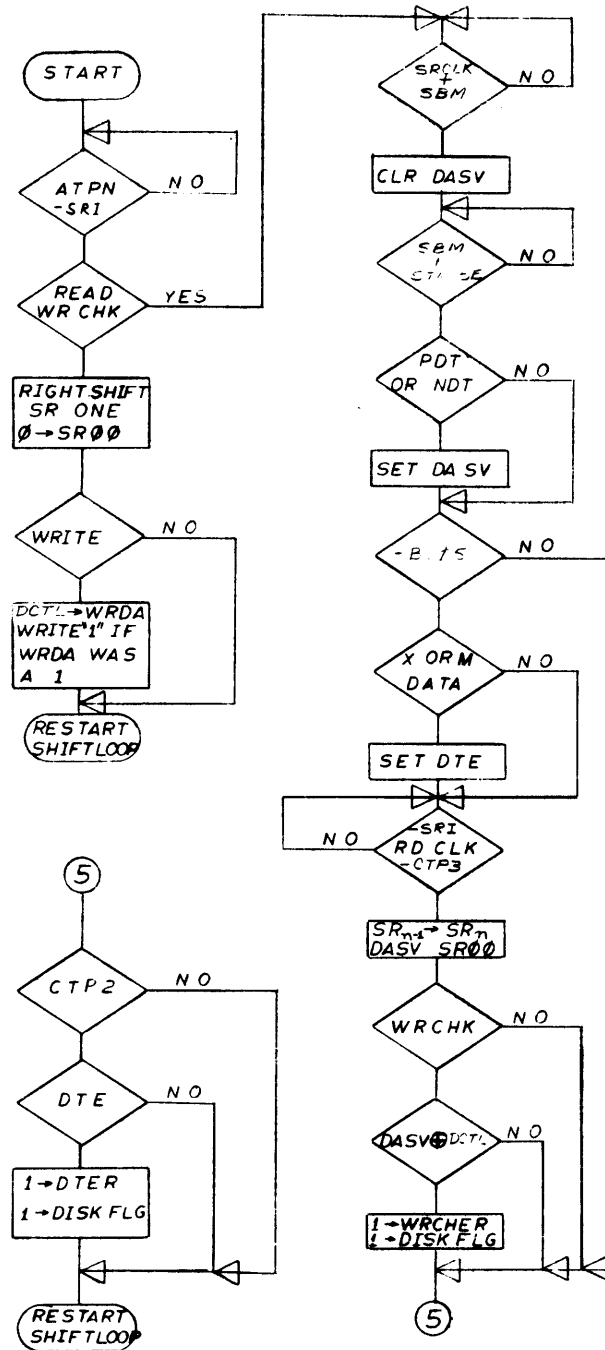
REV A
NUMBER RF 15-0-39
SIZE CODE DFD

This drawing and specifications, herein, are the property of Digital Equipment Corporation and shall not be reproduced or copied or used in whole or in part as the basis for the manufacture or sale of items without written permission.

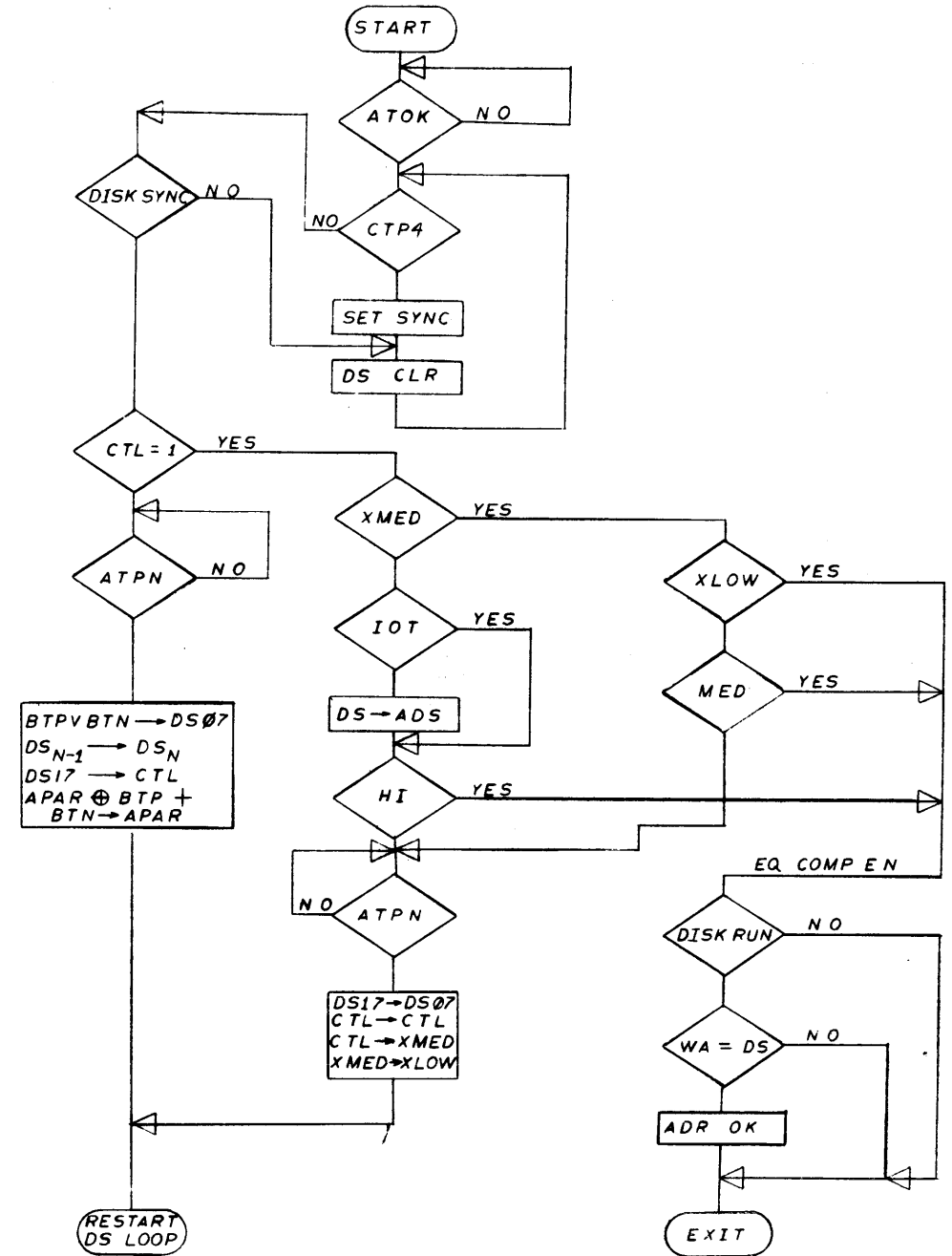
API/PI LOOP



SHIFT LOOP



DS LOOP



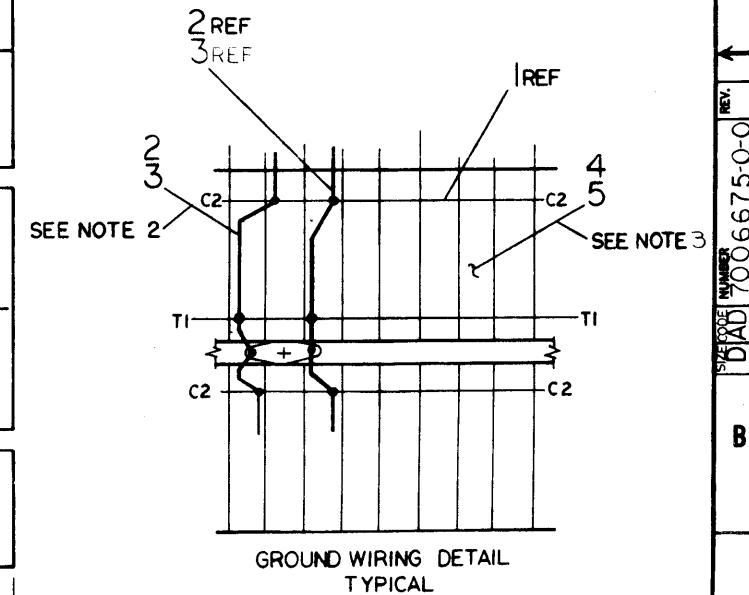
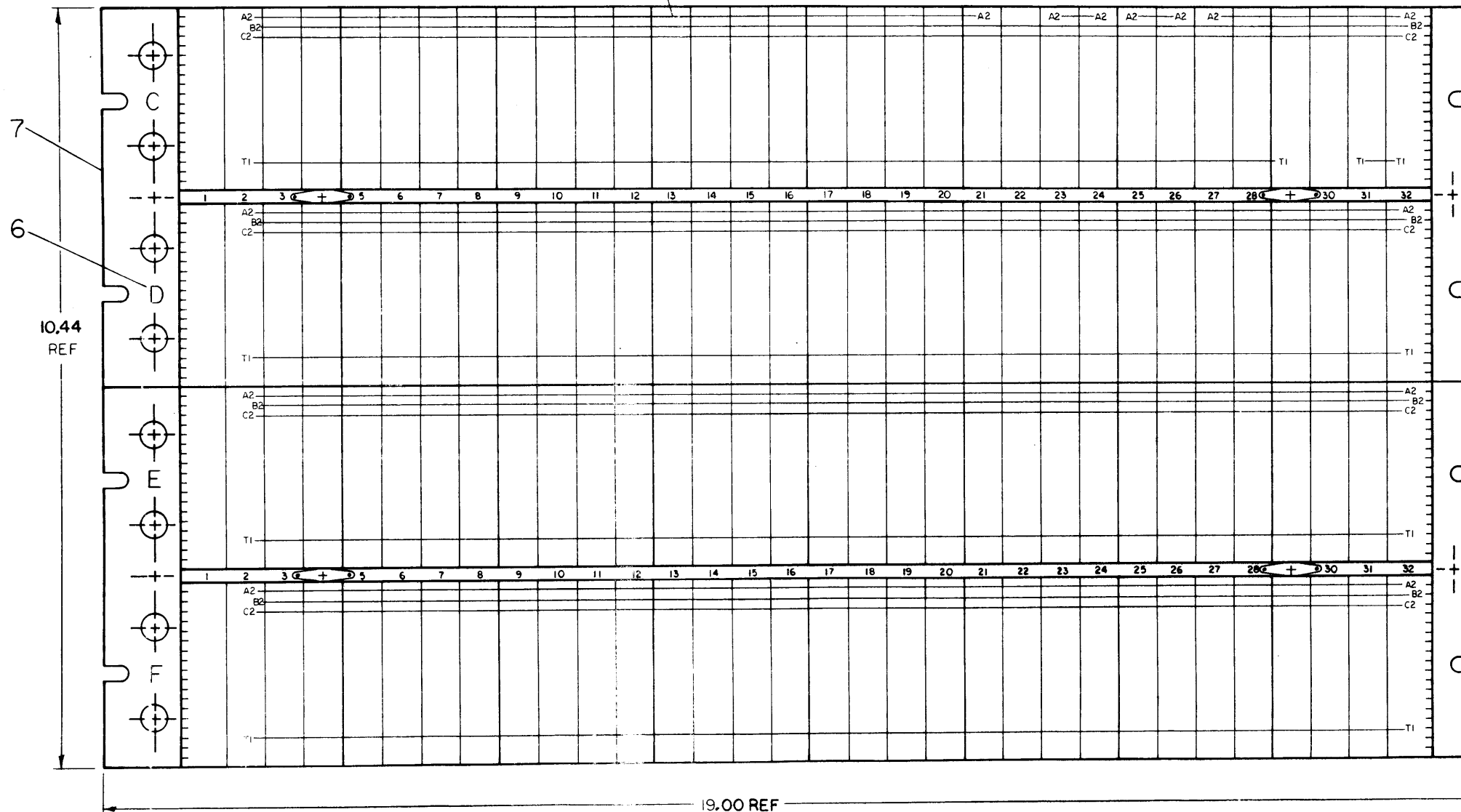
REV	CHANGE NO.

DEC FORM NO DRD 102A

FIRST USED ON OPTION/MODEL RF 15	QTY.	DESCRIPTION	PART NO.	ITEM NO.
PARTS LIST				
UNLESS OTHERWISE SPECIFIED	DRN.	DATE	digital EQUIPMENT CORPORATION MAYNARD, MASSACHUSETTS	
UNLESS OTHERWISE SPECIFIED	CHK'D.	DATE	TITLE	
DIMENSION IN INCHES			FLOW DIAGRAM	
TOLERANCES	ENG.	DATE		
DECIMALS FRACTIONS ANGLES				
± .005 ± 1/64 ± 0°30'				
FINAL SURFACE QUALITY	PROD.	DATE		
REMOVE BURRS AND BREAK SHARP CORNERS				
MATERIAL	NEXT HIGHER ASS'Y			
	A-ML-RF15-0			
FINISH	SCALE	NONE	SIZE CODE	NUMBER
			DFD	RF15-0-39
	SHEET	3	OF	3
	DIST.			

This drawing and specifications, herein, are the property of Digital Equipment Corporation and shall not be reproduced or copied or used in whole or in part as the basis for the manufacture or sale of items without written permission.

- NOTES:
1. CONNECTIONS ON ITEM NUMBER 1#2 TO BE LOCATED AND SOLDERED AT MINIMUM PRACTICAL HEIGHT ABOVE BLOCKS.
 2. ALL CONNECTOR BLOCKS TO BE GROUNDED TO GROUND LUGS AS SHOWN, 4 PLACES
 3. USE YELLOW WIRE (ITEM#4) FOR MACHINE WRAPPED AND BLUE WIRE (ITEM#5) FOR HAND WRAPPED WIRING.



TOLERANCES DECIMALS
 .XXX ± .005
 .XX ± .02
 .X ± .1

FIRST USED ON OPTION/MODEL	QTY.	DESCRIPTION	PART NO.	ITEM NO.
RF15				
PARTS LIST				
digital EQUIPMENT CORPORATION MAYNARD, MASSACHUSETTS				
TITLE WIRED ASS'Y (RF15)				
DUA-RF15-00				
SCALE NONE				
SHEET OF 1				
DAD 7006675-0-0				

REV.	CHANGE NO.	REVISIONS

DEC FORM NO. 117

REV. 1
DAD 7006675-0-0

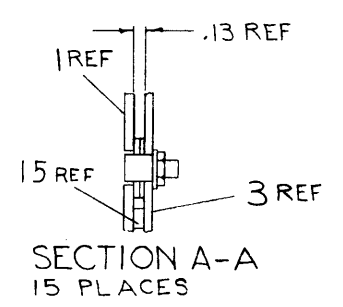
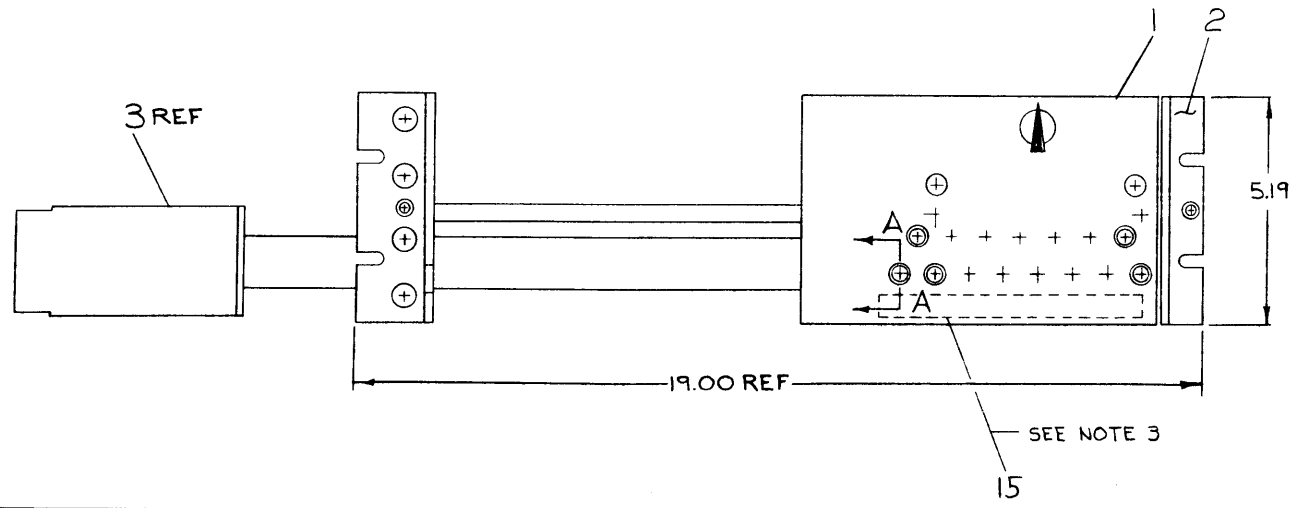
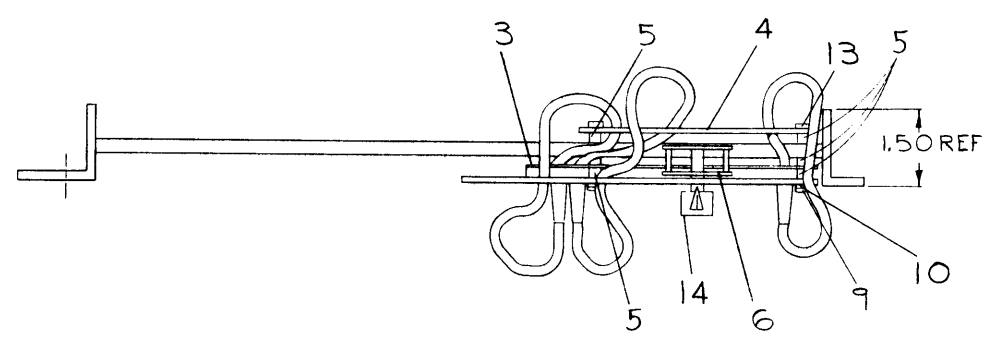
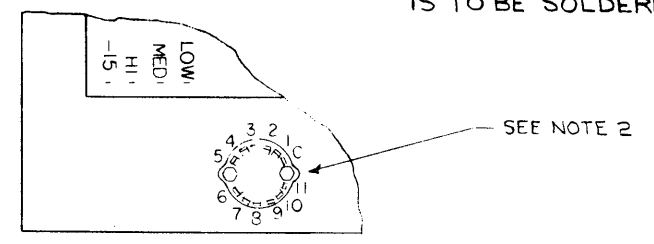
This drawing and specifications, herein, are the property of Digital Equipment Corporation and shall not be reproduced or copied or used in whole or in part as the basis for the manufacture or sale of items without written permission.

REV C 0-0-999900Z 10A 2
 NUMBER 7006356-0-0

ITEM NO	DESCRIPTION		CONNECTIONS		EQUIP FROM WITH ITEMS	EQUIP TO WITH ITEMS	REMARKS
	AWG	COLOR	FROM	TO			
7	24	BLU	LOW	SI-1	A	A	
			MED	SI-2	A	A	
			HIGH	SI-3	A	A	
7	24		-15V	SI-6	A	A	
8		RES	SI-C	SI-6	A, I	A, I	

- NOTES
1. REMOVE ROLL PINS FROM ITEM #2 BEFORE ASSEMBLY
 2. REMOVE ONE FINGER FROM SWITCH STOP PLATE TO MAKE 3 POSITION SWITCH.
 3. 5-1/2 LENGTH FOAM TAPE FASTENED TO BOTTOM OF PANEL.

LETTER DESIGNATION "A" INDICATES WIRE IS TO BE SOLDERED PER ABOVE TABLE.



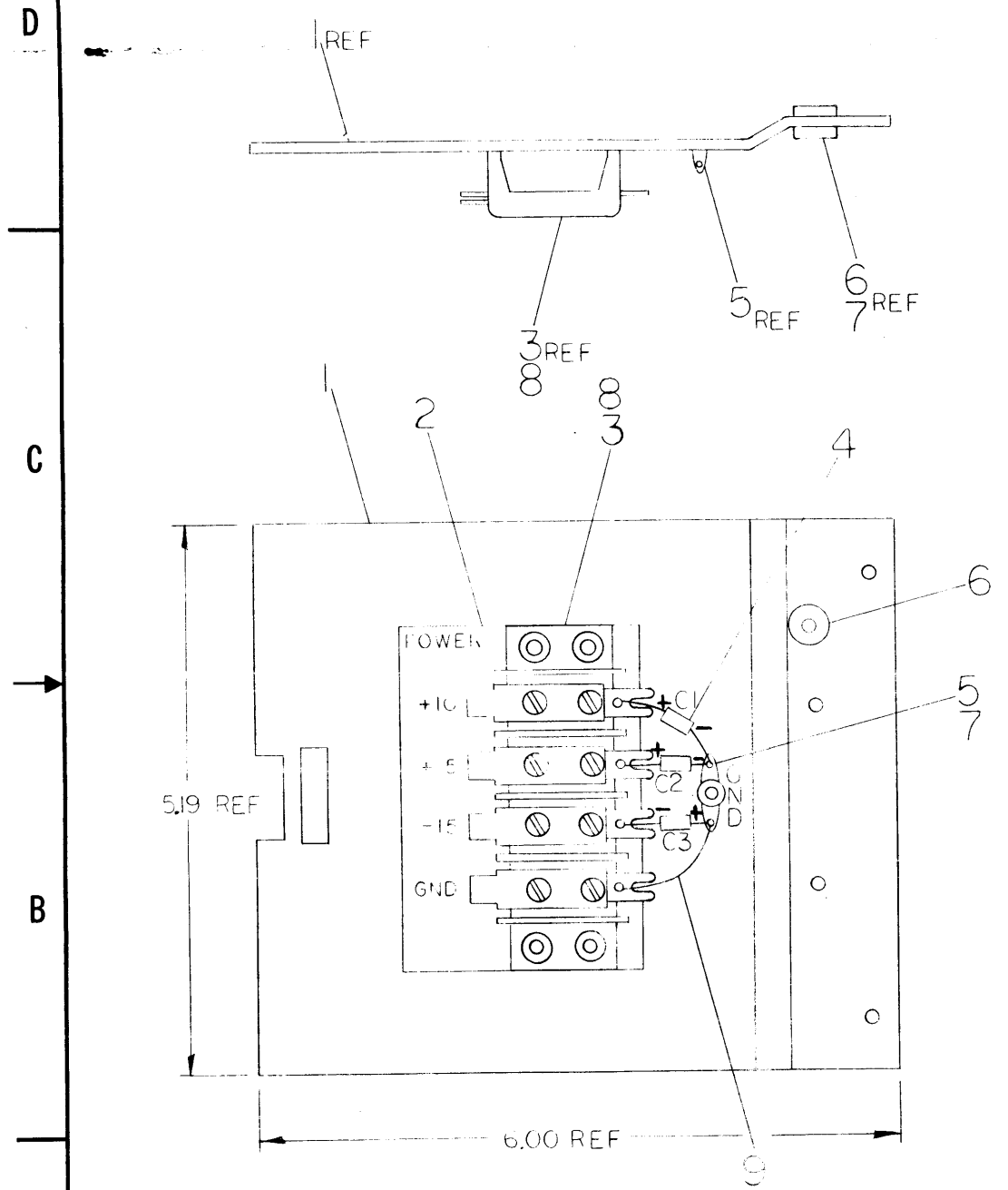
REV	CHG	NO	DATE	BY	CHK
A		1	5-13-69	D. VONADA	
B		2	10-16-69	D. VONADA	
C		3	11-12-69	D. VONADA	
		4	1-6-73	D. VONADA	
		5	3-23-73	D. VONADA	

TOLERANCES
 DECIMALS
 .XXX = ±.005
 XX = ±.02
 X = ±.1

FIRST USED ON OPT. OR MODEL	QTY.	DESCRIPTION	PART NO.	ITEM NO.
RF09				
UNLESS OTHERWISE SPECIFIED				
DIMENSION IN INCHES				
DECIMALS	FRACTIONS	ANGLES		
± .005	= 1/64	± 0°30'		
FINAL SURFACE QUALITY				
REMOVE BURRS AND BREAK SHARP CORNERS				
MATERIAL	DRN	DATE		
	CHK'D	DATE		
	PRO' ENG	DATE		
	PROD.	DATE		
PARTS LIST				
digital EQUIPMENT CORPORATION MAYNARD, MASSACHUSETTS				
TITLE				
JUMPER PANEL (ASSY)				
RF09				
SCALE NONE				
SHEET OF				
NUMBER 7006356-0-0				
REV. C				

REV C
 NUMBER 7006356-0-0

This drawing and specifications, herein, are the property of Digital Equipment Corporation and shall not be reproduced or copied or used in whole or in part as the basis for the manufacture or sale of items without written permission.



REVISIONS	REV.
	CHANGE NO.
CHK	

TOLERANCES

DECIMALS

.XXX = ± .005

.XX = ± .02

.X = ± .1

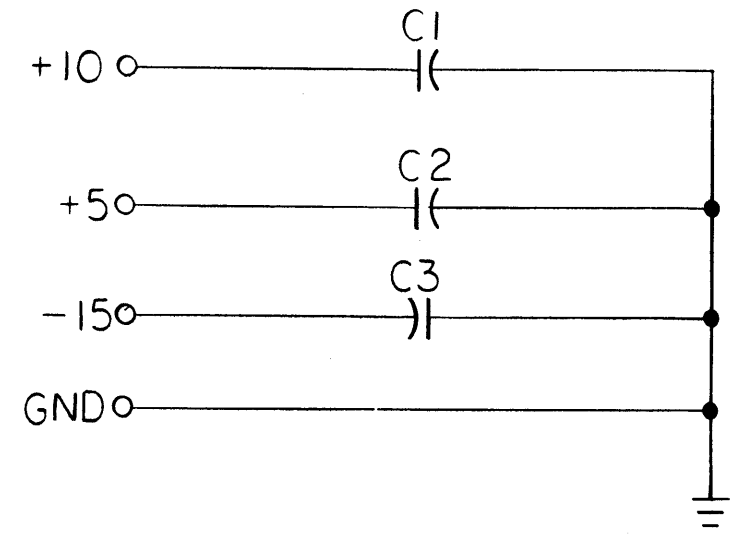
FIRST USED ON OPTION / MODEL RF09-0	QTY.	DESCRIPTION	PART NO.	ITEM NO.						
PARTS LIST										
UNLESS OTHERWISE SPECIFIED	DRN. <i>C. J. ...</i>	DATE 7/1/69	digital EQUIPMENT CORPORATION MAYNARD, MASSACHUSETTS							
UNLESS OTHERWISE SPECIFIED	CHK'D. <i>C. J. ...</i>	DATE 3/1/69								
DIMENSION IN INCHES TOLERANCES <table border="1"> <tr> <td>DECIMALS</td> <td>FRACTIONS</td> <td>ANGLES</td> </tr> <tr> <td>± .005</td> <td>± 1/64</td> <td>± 0°30'</td> </tr> </table> FINAL SURFACE QUALITY REMOVE BURRS AND BREAK SHARP CORNERS	DECIMALS	FRACTIONS	ANGLES	± .005	± 1/64	± 0°30'	ENG. <i>D. D. ...</i> DATE 6-10-69 PROJ. ENG. <i>D. D. ...</i> DATE 6-10-69 PROD. <i>V. A. ...</i> DATE 6/12/69 NEXT HIGHER ASSY.	TITLE PANEL LEFT END ASSY (RF09)		
DECIMALS	FRACTIONS	ANGLES								
± .005	± 1/64	± 0°30'								
MATERIAL #	CAL 006353	SCALE #	SIZE CODE C AD 5408405-0-0	NUMBER REV.						
FINISH #	SHEET 1 OF 1	DIST.								

SIZE CODE NUMBER REV.
C AD 5408405-0-0



REV.	NUMBER	SIZE	CODE
	5408405-0-1	B	CS

THIS SCHEMATIC IS FURNISHED ONLY FOR TEST AND MAINTENANCE PURPOSES. THE CIRCUITS ARE PROPRIETARY IN NATURE AND SHOULD BE TREATED ACCORDINGLY. COPYRIGHT BY DIGITAL EQUIPMENT CORPORATION



	PARTS LIST	A-PL-5408405-0
CI THRU C3	CAP. 6.8 MFD 35V 20%	1000067
REFERENCE DESIGNATION	DESCRIPTION	PART NO.
PARTS LIST		

RF09-0

REVISIONS	CHK	CHG NO.	REV.	DRN.	DATE
				<i>A. Flanigan</i>	4/17/69
				<i>D. Neely</i>	4/30/69
				<i>J. Vonada</i>	6-10-69
			PROB.	DATE	
				6/11/69	

TRANSISTOR & DIODE CONVERSION CHART			
DEC	EIA	DEC	EIA

digital
EQUIPMENT CORPORATION
MAYNARD, MASSACHUSETTS

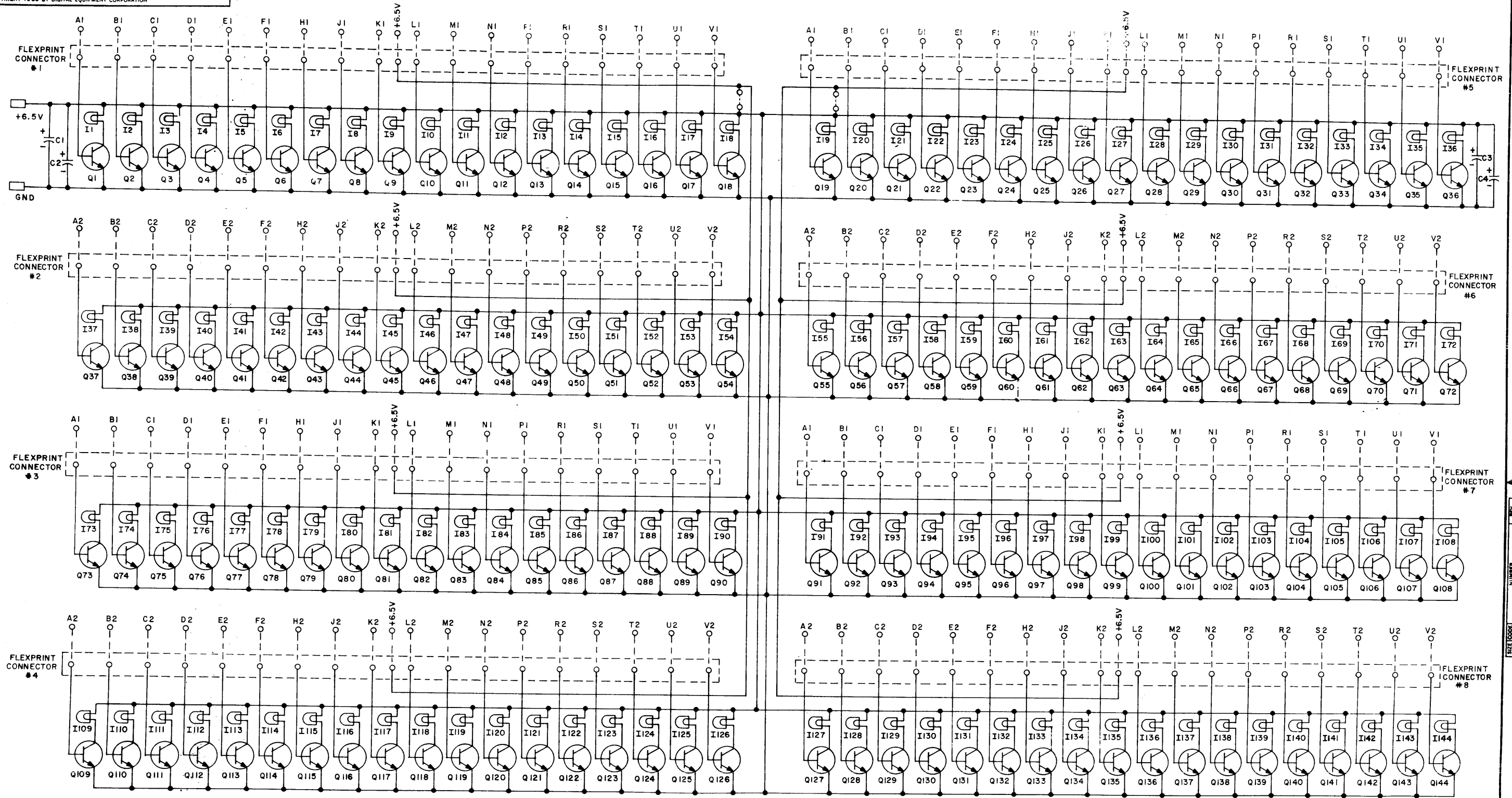
TITLE				PANEL, LEFT END ASS'Y (RF09)			
SIZE	CODE	NUMBER		REV.			
B	CS	5408405-0-1					
PRINTED CIRCUIT REV.							



PINK

THIS SCHEMATIC IS FURNISHED ONLY FOR TEST AND MAINTENANCE PURPOSES. THE CIRCUITS ARE PROPRIETARY IN NATURE AND SHOULD BE TREATED ACCORDINGLY. COPYRIGHT 1969 BY DIGITAL EQUIPMENT CORPORATION

SIZE CODE NUMBER
D CS 5408458-0-1



UNLESS OTHERWISE INDICATED:
 TRANSISTORS ARE DEC3009B
 O--O INDICATES JUMPER
 CAPACITORS ARE 39MFD 10V 10%
 LAMPS ARE I209219

REVISIONS CHG NO. REV. A DATE 10/01/69 BY J. J. [Signature]	DRN. Mr. Keller DATE 9-3-69	TRANSISTOR & DIODE CONVERSION CHART		TITLE PERIPHERAL INDICATOR PANEL 5408458
	CHG'D. [Signature] DATE 7-15-69	DEC EIA DEC EIA		
	DATE 9-19-69 PROD. [Signature]	DEC3009B 2N3008		
	DATE	DATE	NUMBER CS 5408458-0-1	

MASTER DRAWING LIST

This drawing and specifications, herein, are the property of Digital Equipment Corporation and shall not be reproduced or copied in whole or in part as the basis for the manufacture or sale of items without written permission.

DWG. NO.	REV. LET.	NO. OF SHEETS	TITLE
D-UA-RS09-0-0	D	1	262K 18 BIT DEC DISK
A-PL-RS09-0-0	D	2	262K 18 BIT DEC DISK (PARTS LIST)
D-DI-RS09-0-8	E	2	DWG. INDEX LIST RS09-0
A-ML-RS09-P-0	REF	1	CHASSIS ASSY WITH LOGIC
A-ML-RS08-M-0	REF	1	DISK ASSY 60 HZ
D-BS-RS09-0-1	A	1	CONTROL 1
D-BS-RS09-0-2		1	TRACK SELECT MATRIX 0
D-BS-RS09-0-3		1	TRACK SELECT MATRIX 1
D-BS-RS09-0-4	A	1	CONTROL UNIT CONNECTORS
D-BS-RS09-0-5	A	1	CONTROL 2
K-WL-RS09-0-WL	C		WIRE LIST
D-MU-RS09-0-9	A	1	MODULE UTILIZATION
A-PL-RS09-0-9	A	1	MODULE UTILIZATION (PARTS LIST)
D-IC-RS09-0-7			LOC CHART-TRACK, HEAD, CABLE
D-IC-RF09-0-35	REF	3	POWER WIRING AC/DC
D-AR-RF09-0-37	REF	1	RFO9/RS09 ARRANGEMENT
A-WL-RS09-0-10		4	HAND WRAP WIRE LIST
C-WD-RS09-0-11	A	1	HAND WRAP ROUTING
A-SP-RS09-0-12		11	RS09 CALIBRATION PROCEDURE

REVISIONS				DRN.	DATE	digital	EQUIPMENT CORPORATION	
REV.	DATE	CHG. NO.	APP'D.	CHK'D.	DATE		MAYNARD, MASSACHUSETTS	
A	10/79	00004	D.V.	D.Healy	7/69	TITLE 262K 18 BIT DEC DISK (RS09) 60 HZ		
B	12/79	00006	D.V.	D.Healy	7/69			
C	1/79	00008	D.V.	D.G.Vonada	7/69			
D	1/79	00009	D.V.	PROJ. ENG.	DATE			
E	1/79	00010	D.V.	D.G.Vonada	7/69			
F	4/79	00012	D.V.	PROD.	DATE			
H	5/79	00013	D.V.	R.Anronocio	7/69			
J	3/79	00014	J.L.					
K	10/79	00018	D.V.					
L	5/79	00019	D.V.					
M	7/79	00021	A.V.					
N	9/79	00022	D.V.					
P	4/73	00023	D.V.					

FIRST USED ON		SIZE	CODE	NUMBER	REV.
RS09-0		A	ML	RS09-0	P
SCALE		DIST.			
SHEET 1 OF 1					

This drawing and specifications, herein, are the property of Digital Equipment Corporation and shall not be reproduced or copied or used in whole or in part as the basis for the manufacture or sale of items without written permission.

MASTER DRAWING LIST

DWG. NO.	REV. LET.	NO. OF SHEETS	TITLE
D-UA-RS09-P-0	A	1	CHASSIS ASSY WITH LOGIC
A-PL-RS09-P-0	A	1	CHASSIS ASSY WITH LOGIC
D-DI-RS09-P-1	B	1	DWG INDEX LIST RS09-P-1
A-ML-RS09-0	REF	1	262 K 18 BIT DEC DISK
K-WL-RS09-0-WL	C		WIRE LIST
D-MU-RS09-0-9	A	2	MODULE UTILIZATION
A-PL-RS09-0-9	A	2	MODULE UTILIZATION LIST
D-AD-7006357-0-0	#	1	WIRED ASSY
A-PL-7006357-0-0	#	1	WIRED ASSY P.L.
A-WT-7006357-0	#	1	RS09 AWT REVISION STATUS

REVISIONS				DRN.	DATE	digital	EQUIPMENT CORPORATION								
REV.	DATE	CHG. NO.	APP'D.	D. HEALY	17/69			MAYNARD, MASSACHUSETTS							
A	10/69	RS09-4	D.V.				TITLE CHASSIS ASSY WITH LOGIC (RS09)								
B	12/69	00006	D.V.												
C	1/70	RS09-9	D.V.	<i>D.J. Wade</i>	7-28-69										
D	4/70	RS09P-1	J.J.												
E	4/70	RS09P-3	D.V.	<i>D.J. Wade</i>	7-28-69										
F	5/70	00013	D.V.												
H	9/71	00021	A.V.				<table border="1" style="width: 100%; border-collapse: collapse;"> <tr> <td style="width: 25%;">SIZE</td> <td style="width: 25%;">CODE</td> <td style="width: 25%;">NUMBER</td> <td style="width: 25%;">REV.</td> </tr> <tr> <td>A</td> <td>ML</td> <td>RS09-P</td> <td>K</td> </tr> </table>	SIZE	CODE	NUMBER	REV.	A	ML	RS09-P	K
SIZE	CODE	NUMBER	REV.												
A	ML	RS09-P	K												
J	4/72	RS09P-5	<i>D.J. Wade</i>	<i>K.M. Henderson</i>	7-29-69										
K	3/75	RS09P-6	<i>F.V.</i>												
FIRST USED ON				RS09-P											
SCALE				A											
SHEET 1 OF 1				DIST.											

DIGITAL EQUIPMENT CORPORATION

MAYNARD, MASSACHUSETTS

PARTS LIST

MADE BY G. FLANDERS CHECKED D. HEALY SECTION
 DATE 6/30/69 DATE 7/2/69
 ENG PROD DATE 7/2/69 ISSUED SECT. 1
 DATE 7/19/69

ITEM NO.	DWG NO. / PART NO.	DESCRIPTION	REV.	ECO NO.
1	D-UA-RS08-M-0	DISK ASSY 60 HZ		
1	D-UA-RS08-MA-0	DISK ASSY 50 HZ		
2	D-UA-RS09-P-0	CHASSIS ASSY WITH LOGIC		
3	E-AD-7006255-0-0	BLOWER FILTER		
4	D-MD-7407235-0-0	PLATE, MTG BLOWER		
5	A-AD-7006379-0-0	19" CAB ASSY		
6	B-MD-7407013-0-0	SUPPORT		
7	* D-AD-7006416-0-0	STEP DOWN TRANS ASSY		
8	D-UA-655-0-0	BLINE FILTER & POWER CONTROL 655		
9	A-DC-7406707-0-0	POWER PANEL DECAL (60 HZ)		
9	A-DC-7406707-0-0	POWER PANEL DECAL (50 HZ)		
*10	C-MD-7407442-0-0	SPACER, CHASSIS SLIDES		
11	9007779	HOSE CLAMP 1-3/4		
12	1209470	HOSE 1-1/2 I.D. #CMD#FT-3214-1 VAC-U-FLEX		
13	9007786	NUT, C31758-1032-27 TINNERMAN		
14	9006073-3	SCR, PHL HD TRUSS #10-32 x 1/2 SST		
15	9007651	WASH, EXT TOOTH #10		
16	9006368	SCR, SOC HD CAP #1/4-20 x 1/4 SST		
17	9006056-3	SCR PH HD TRUSS #1/4-20 x 1/2 SST		
18	9006724	WASH, EXT TOOTH 1/2 I.D.		
REF	D-AR-RF09-0-37	RF09/RS09 ARRANGEMENT DWG		
*	NOT A PRODUCTION PART--SEE NOTE 3 ON ASSY D-UA-RS09-0-0			
TITLE	262K 18 BIT DEC DISK (RS09)			

ASSY NO. D-UA-RS09-0-0
 SIZE CODE A P L
 SHEET 1 OF 2
 NUMBER RS09-0-0
 REV. D
 ECO NO. RS09-00019

DIGITAL EQUIPMENT CORPORATION

MAYNARD, MASSACHUSETTS

PARTS LIST

MADE BY G. Flanners CHECKED D. Healy SECTION 1
 DATE 6/30/69 DATE 7/2/69
 ENG PROD DATE 7/2/69 ISSUED SECT. 1
 DATE 7/19/69

ITEM NO.	DWG NO. / PART NO.	DESCRIPTION	REV.	ECO NO.
19	C-IA-7006266-1	Cable Line Filter (Female)		
20	C-IA-7006266-2	Cable Line Filter (Male)		
21	C-IA-7005820-4-0	Cable W021 to W011 9 FT Long		
22	B-5100	PANEL BLANK 7402025.		
23	9107682	CABLE BRAIDED 5/8" x 10 FT LG FELDEN 8672		
24	9107245-00	TUBING 3/8" x 10 FT LG BLK		
25	9007926	CONNECTOR #50321 ARKLESS		
26	9007880	TIEWRAP PANDUIT SST 1.5M		
27	C-IA-7006481-3-0	POWER CORD		
28	D-IA-7409012-0-0	FILTER		
29	D-IA-7409013-0-0	FILTER FRAME		
30	9006022-1	SCR, PHL HD PAN #6-32 X 3/8 SST		
*1	* USE ONLY ON FIRST CAB, 240 VOLTS ONLY			
TITLE	262K 18BIT DEC DISK (RS09)			

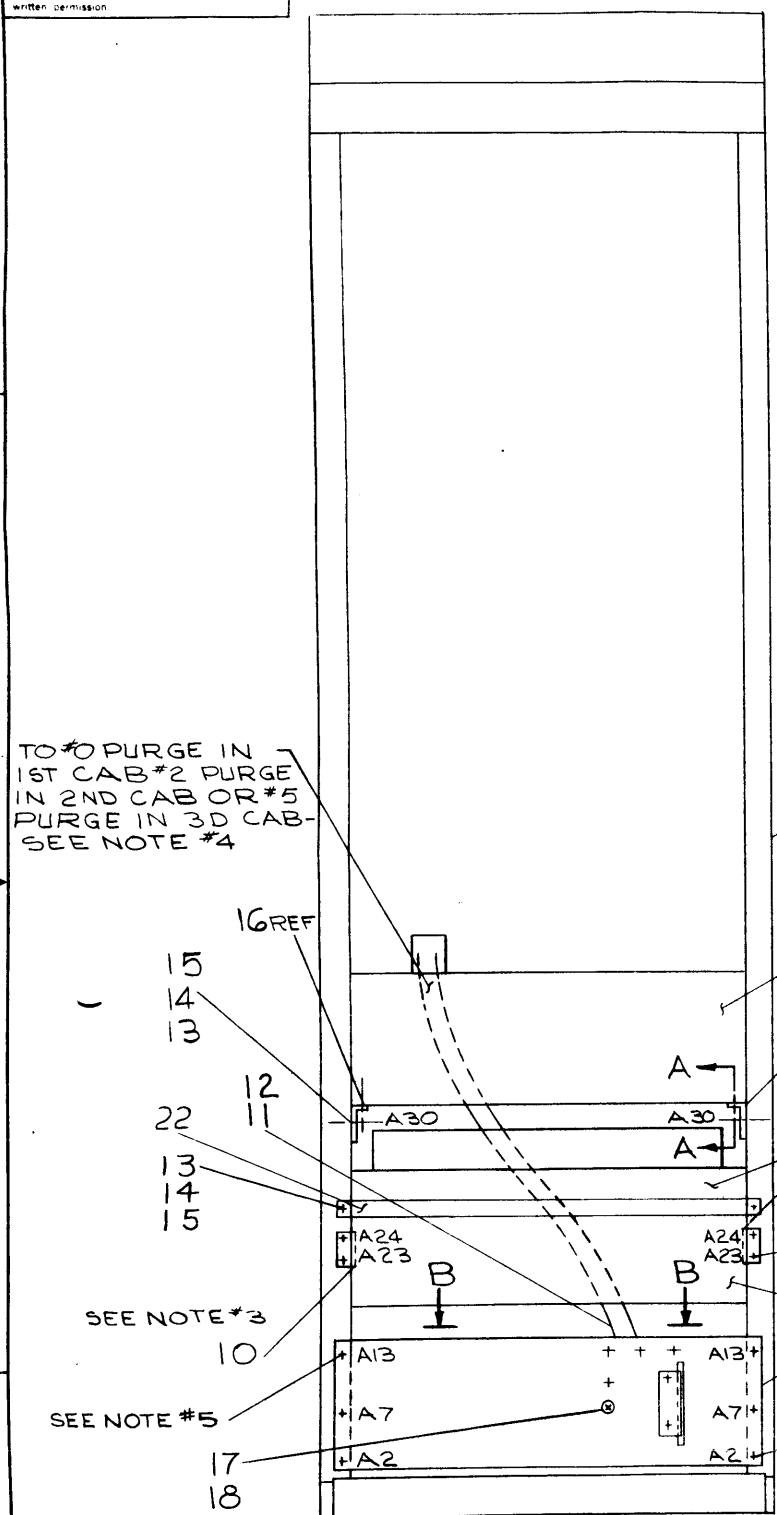
ASSY NO. D-UA-RS-09-0-0
 SIZE CODE A P L
 SHEET 2 OF 2
 NUMBER RS09-0-0
 REV. D
 ECO NO.

This drawing and specifications herein are the property of Digital Equipment Corporation and shall not be reproduced or copied in whole or in part as the basis for the manufacture or sale of items without written permission.

0 0-0-6 RS09-0-2

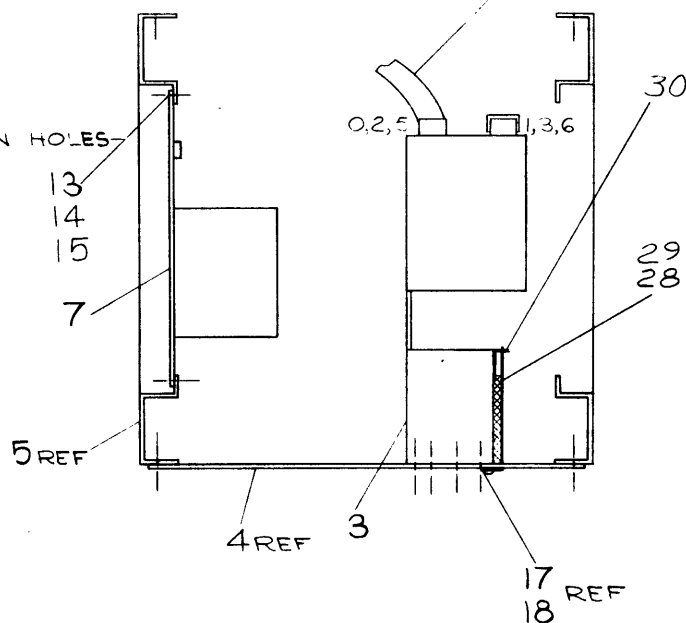
LEGEND	
NUMBER	VARIATION
RS09-0	60 HZ
RS09-A	50 HZ

- NOTES:
- FOR DWG INDEX, PLEASE REFER TO DWG D-UI-RS09-0-2.
 - PLACE PROPER DECAL TEM#9 (50 OR 60 HZ) IN SILK SCREENED SQUARE BOX AT REAR OF CHASSIS ASS'Y.
 - IF CABINETS ARE MADE OVER SIZE SPACER ITEM #10 SHALL BE USED ON EITHER ONE END OR BOTH ENDS UNDER CHASSIS SLIDES.
 - REMOVE CAP & ATTACH HOSE ITEM #12 TO PURGE #00R#2 OR #5 - REFER TO RF09/RS09 ARRANGEMENT DWG #D-AR-RF09-0-37.
 - INDICATES LOCATIONS FOR MTG ITEMS 4, 6, 7, - SEE DWG# E-UA-H950-A-0 SHEET #2.
 - FOR CABLE ORIENTATION REFER TO MODULE UTILIZATION #D-MU-RS09-0-5 & D-MU-RF09-0-33.
 - GROUND STRAP WITH BLACK TUBING AND TIEWRAPS TO BE CONNECTED BETWEEN COMPUTER CAB AND FREE STANDING RS09 CAB.

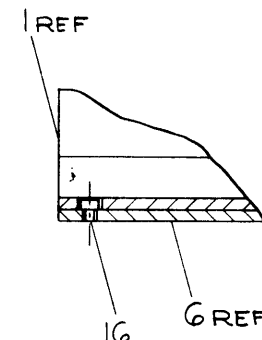


LOCATED IN HOLES A10 & A11

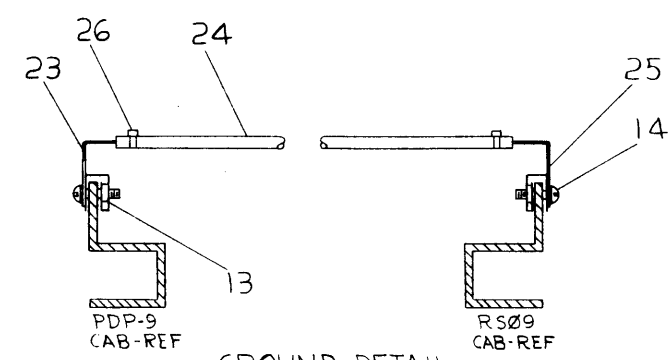
—SEE NOTE #4



VIEW B-B



SECTION A-A



GROUND DETAIL
CAB TO CAB
(SEE NOTE 7)

TO PURGE IN 1ST CAB #2 PURGE IN 2ND CAB OR #5 PURGE IN 3D CAB - SEE NOTE #4

SEE NOTE #3

SEE NOTE #5

SEE NOTE 2
10 REF

SEE NOTE #6
21

REV	NO	DATE	BY	CHKD	DESCRIPTION
A	1	11-1-67	D. VONADA		RS09-0C004
B	2	11-5-67	D. VONADA		RS09-00010
C	3	11-15-67	C. VONADA		R-09-00012
D	4	11-22-67	VONADA		RS09-00019
	5	11-22-67	VONADA		RS09-00021

DEC FORM NO DRD 100

QTY.	DESCRIPTION	PART NO.	ITEM NO.
PARTS LIST			
FIRST USED ON OPTION / MODEL RS09-0		DO NOT SCALE DRAWING UNLESS OTHERWISE SPECIFIED	
TOLERANCES DIMENSION IN INCHES DECIMALS FRACTIONS ANGLES ± .005 ± 1/64 ± 0°30'		MATERIAL	
FINISH		NEXT HIGHER ASSY	
SCALE NONE		A-ML-RS09-0	
SHEET OF 1		SIZE CODE NUMBER REV. DUARS09-0-0 D	

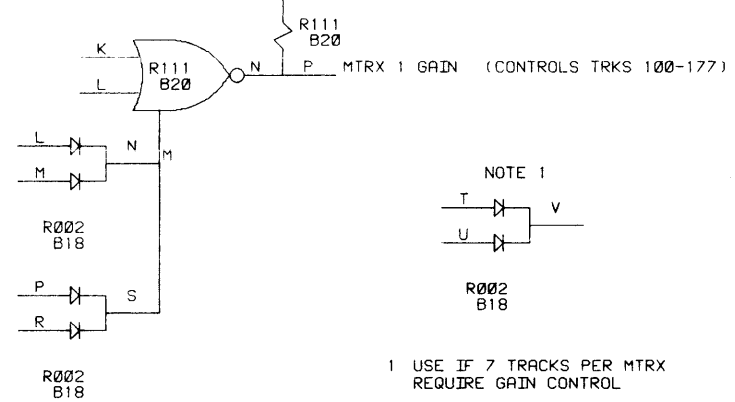
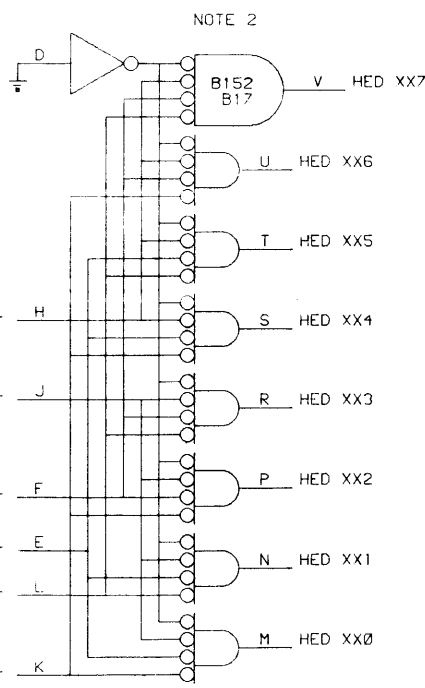
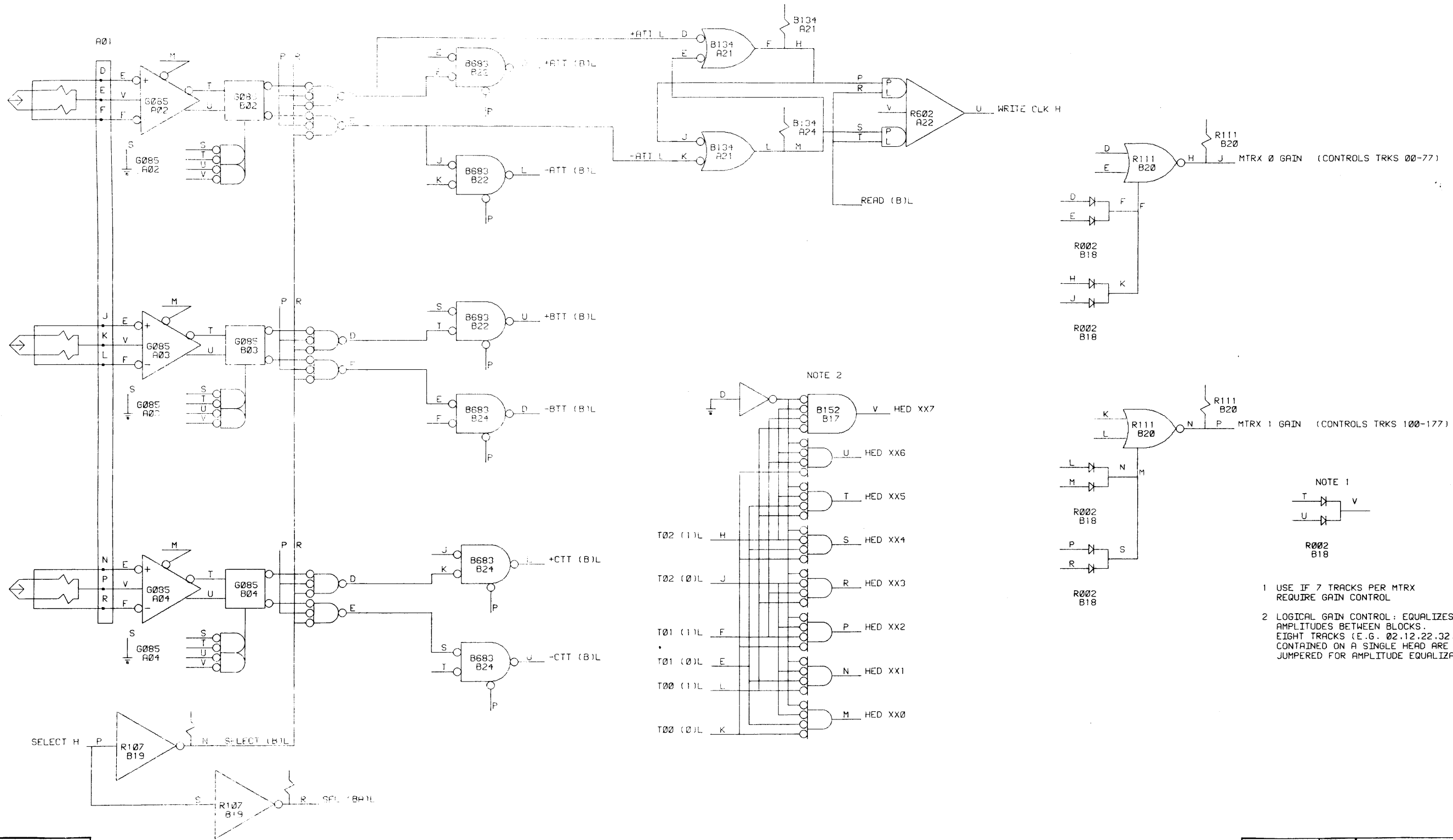
digital EQUIPMENT CORPORATION
MAYNARD, MASSACHUSETTS

TITLE
262 K 18 BIT DEC DISK (RS09)

REV D
DUARS09-0-0

This drawing and specifications, herein, are the property of Digital Equipment Corporation and shall not be reproduced or copied or used in whole or in part as the basis for the manufacture or sale of items without written permission.

8 7 6 5 4 3 2 1



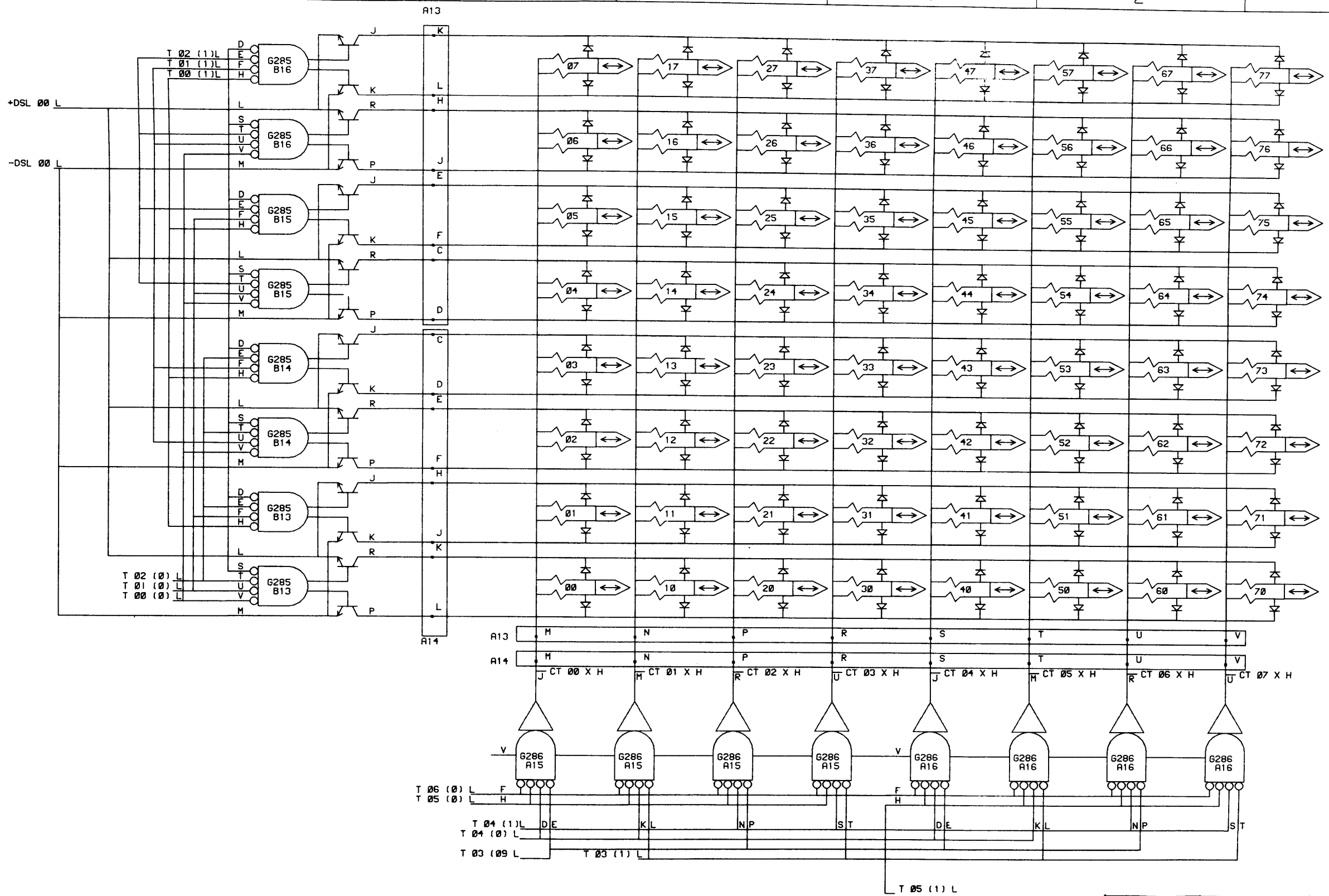
NOTE 1
1 USE IF 7 TRACKS PER MTRX REQUIRE GAIN CONTROL
2 LOGICAL GAIN CONTROL: EQUALIZES AMPLITUDES BETWEEN BLOCKS. EIGHT TRACKS (E.G. 02,12,22,32,42,52,62,72) CONTAINED ON A SINGLE HEAD ARE JUMPERED FOR AMPLITUDE EQUALIZATION

REVISIONS		
CHK	CHANGE NO.	REV.
WV	RS09-00018	A
	<i>B.S. / month 28 Oct 69</i>	

DRN K B0GGS	DATE 9/22/69	digital EQUIPMENT CORPORATION MAYNARD, MASSACHUSETTS	TITLE CONTROL 1	
CHK'D N RHEAULT	DATE 9/22/69			
ENG. E KING	DATE 9/22/69			
PROJ. ENG. D VONADOR	DATE 9/22/69			
PROD. E TOMPKINS	DATE 9/22/69	FIRST USED ON		
RS09		SIZE CODE D BS	NUMBER RS09-0-1	REV. A
SCALE SHEET 1 OF 1		DIST.		

5 4 3 2 1

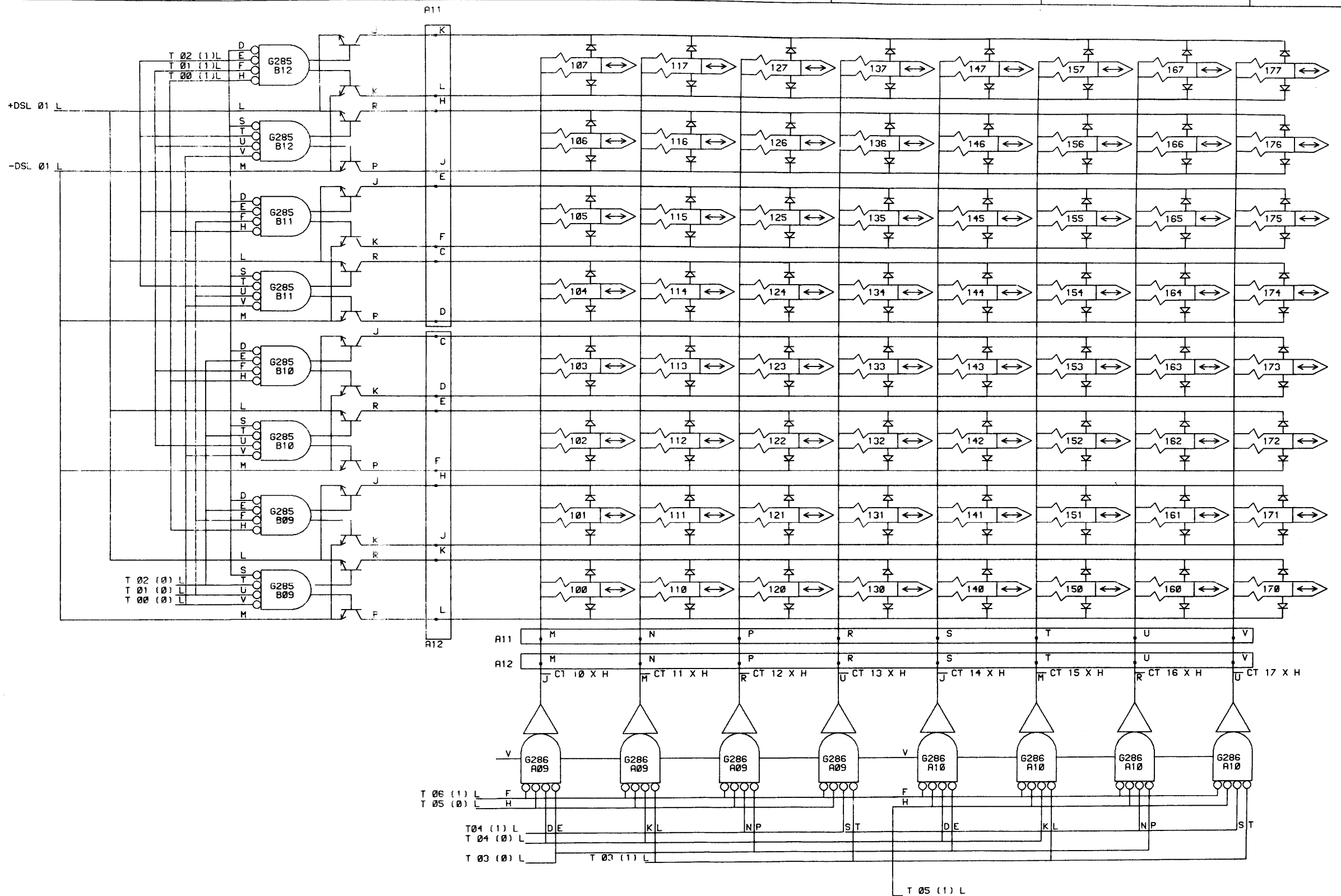
This drawing and specifications, herein, are the property of Digital Equipment Corporation and shall not be reproduced or copied or used in whole or in part as the basis for the manufacture or sale of items without written permission.



REVISIONS		
CHK	CHANGE NO.	REV.

DRN	DATE	digital EQUIPMENT CORPORATION MAYNARD, MASSACHUSETTS
CHK'D	DATE	
ENG.	DATE	TITLE
PROJ. ENG.	DATE	TRACK SELECT MATRIX 0
PROD.	DATE	
FIRST USED ON		
RS09	SIZE CODE	NUMBER
SCALE	D BS	RS09-0-2
SHEET 1 OF 1	DIST.	REV. 00

This drawing and specifications, herein, are the property of Digital Equipment Corporation and shall not be reproduced or copied or used in whole or in part as the basis for the manufacture or sale of items without written permission.

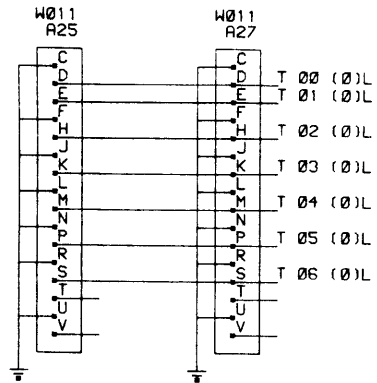


REVISIONS		
CHK	CHANGE NO.	REV.

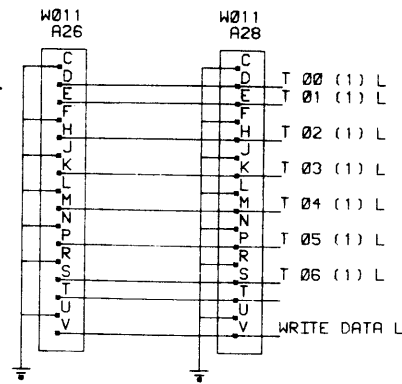
DRN	DATE	digital EQUIPMENT CORPORATION MAYNARD, MASSACHUSETTS
CHK'D	DATE	
ENG.	DATE	TITLE
PROJ. ENG.	DATE	TRACK SELECT MATRIX I
PROD.	DATE	
FIRST USED ON		
RS09		
SCALE	SIZE CODE	NUMBER
SHEET 1 OF 1	D	BS RS09-0-3
	DIST.	REV. 00

This drawing and specifications, herein, are the property of Digital Equipment Corporation and shall not be reproduced or copied or used in whole or in part as the basis for the manufacture or sale of items without written permission.

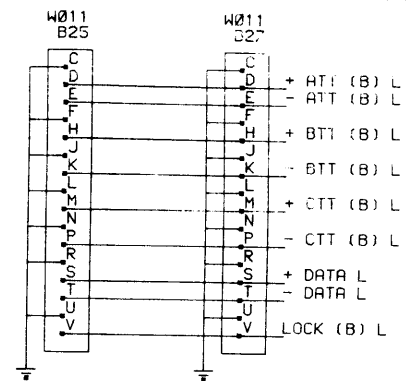
G723 CLAMPED TERMINATIONS IN LAST RS



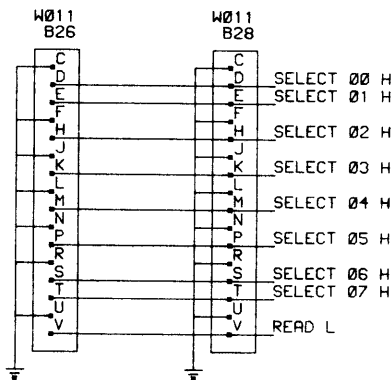
G723 CLAMPED TERMINATIONS IN LAST RS



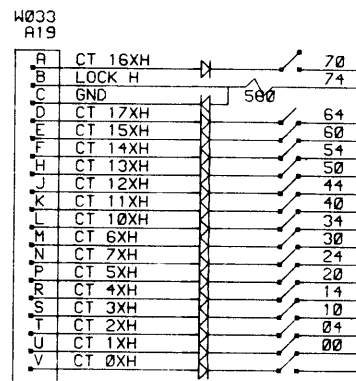
G711 100 OHM TERMINATIONS IN RE AND LAST RS



G723 CLAMPED TERMINATIONS IN LAST RS



WRITE LOCKOUT SWITCHES XY

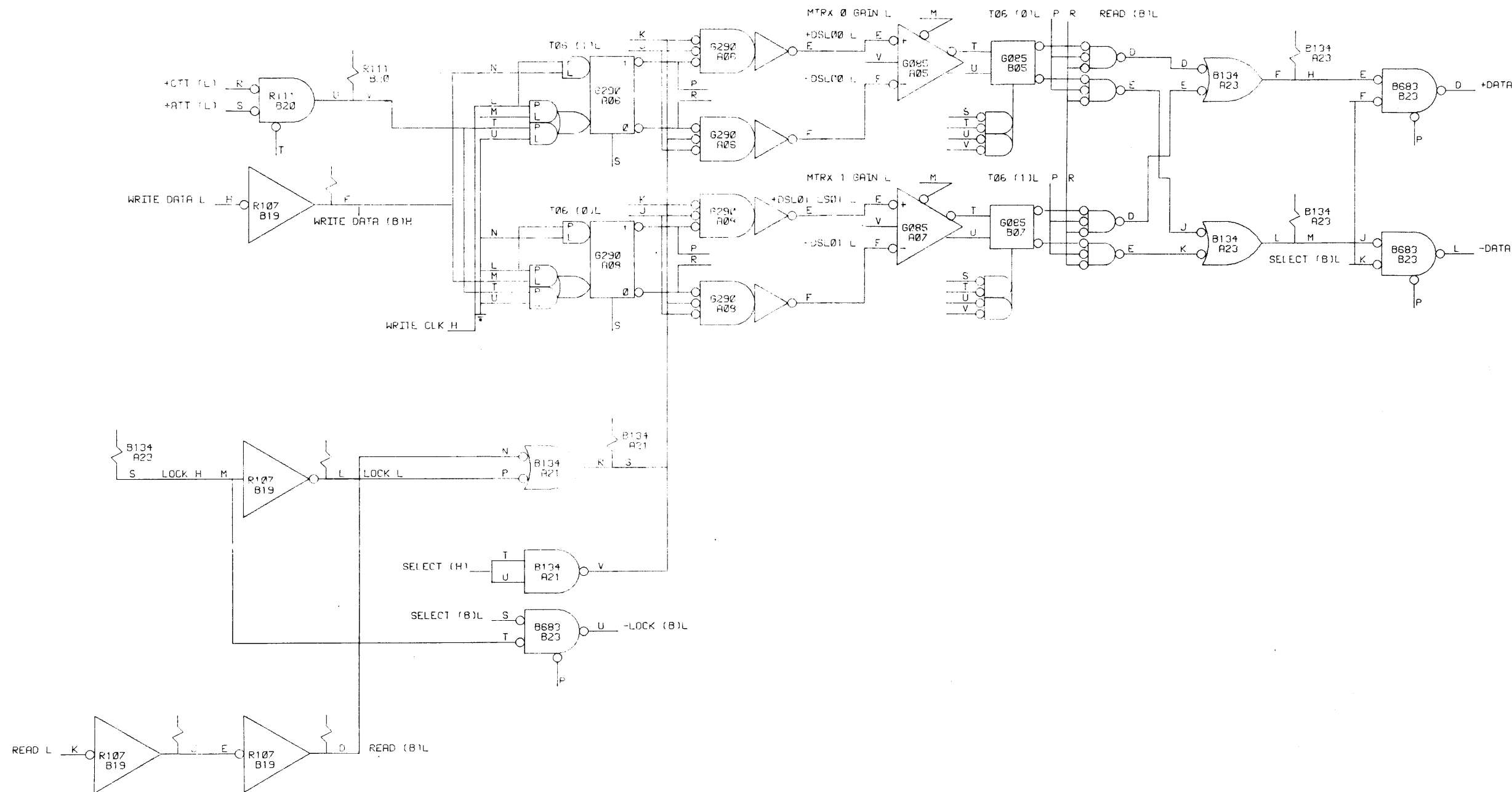


OPEN-WRITE ENABLED
CLOSED-WRITE DISABLED


REVISIONS		
CHK	CHANGE NO.	REV.
78	RS09-00006	A
	12/10/68	
	12-1-69	

DRN.	K. BOGGS	DATE	9/22/68				
CHK'D.	N. RHEAULT	DATE	1/22/69				
ENG.	E.D. KING	DATE	3/22/68	TITLE CONTROL UNIT CONNECTORS			
PROJ. ENG.	B.S. VONADA	DATE	9/22/68				
PROD.	C.H. JOMPINS	DATE	1/22/69				
FIRST USED ON							
RS09		SIZE/CODE	D BS	NUMBER	RS09-0-4	REV.	A
SCALE							
SHEET	1	OF	1	DIST.			

This drawing and specifications, herein, are the property of Digital Equipment Corporation and shall not be reproduced or copied or used in whole or in part as the basis for the manufacture or sale of items without written permission.



REVISIONS		
CHK	CHANGE NO.	REV.
7/1	RS09-00006	A
	12/10/69	
	12-15-69	

DRN.	K. BOGGS	DATE	9/22/69	 digital EQUIPMENT CORPORATION <small>MAYNARD, MASSACHUSETTS</small>
CHK'D.	N. RHEAULT	DATE	9/22/69	
ENG.	E.D. KING	DATE	9/22/69	
PROJ. ENG.	D.G. VONADA	DATE	9/22/69	
PROD.	C.B. TOMPKINS	DATE	9/22/69	
FIRST USED ON	RS09	SIZE	D BS	
SCALE		CODE	RS09-0-5	
SHEET	1	OF	1	

TITLE

CONTROL 2

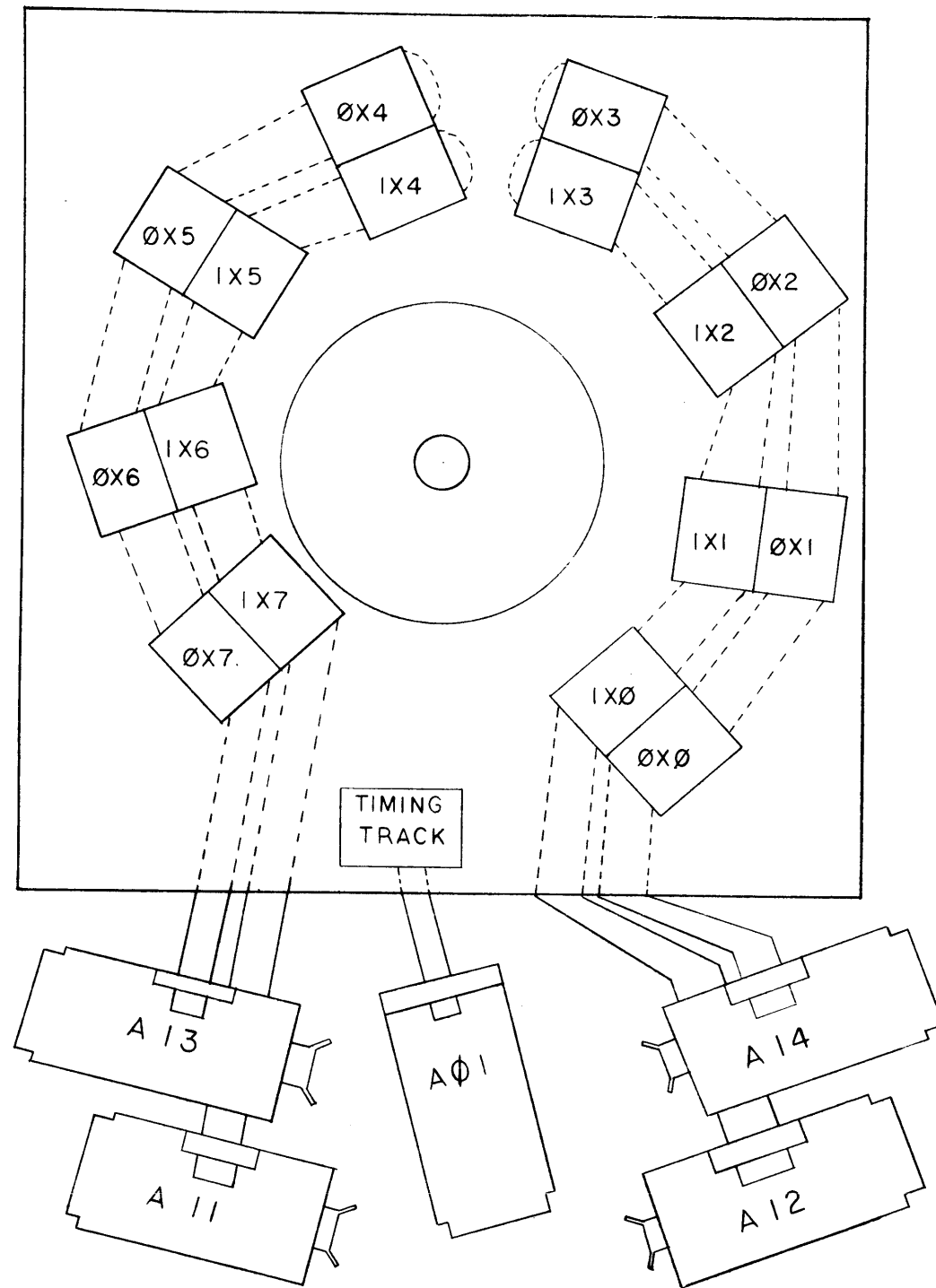
REV.

A

This drawing and specifications, herein, are the property of Digital Equipment Corporation, and shall not be reproduced or copied or used in whole or in part as the basis for the manufacture or sale of items without written permission.

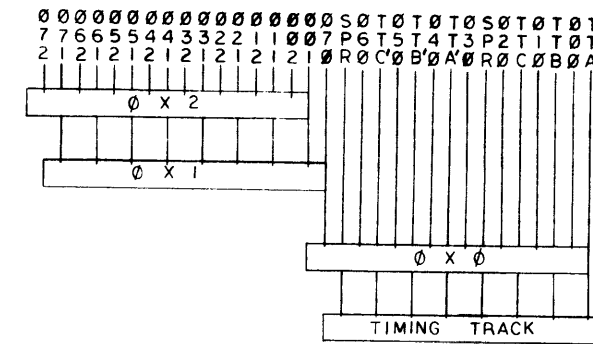
REV. 2
 NUMBER 2-0-60SR09-0
 CODE 30003215

TOP VIEW
 DISK REMOVED



TRACK INTERLACE SCHEME

HEAD	INTERLACES	HEAD
T. TRACK		Ø X Ø
Ø X 1		Ø X 2
Ø X 3		Ø X 4
Ø X 5		Ø X 6
Ø X 7		1 X Ø
1 X 1		1 X 2
1 X 3		1 X 4
1 X 5		1 X 6
1 X 7		

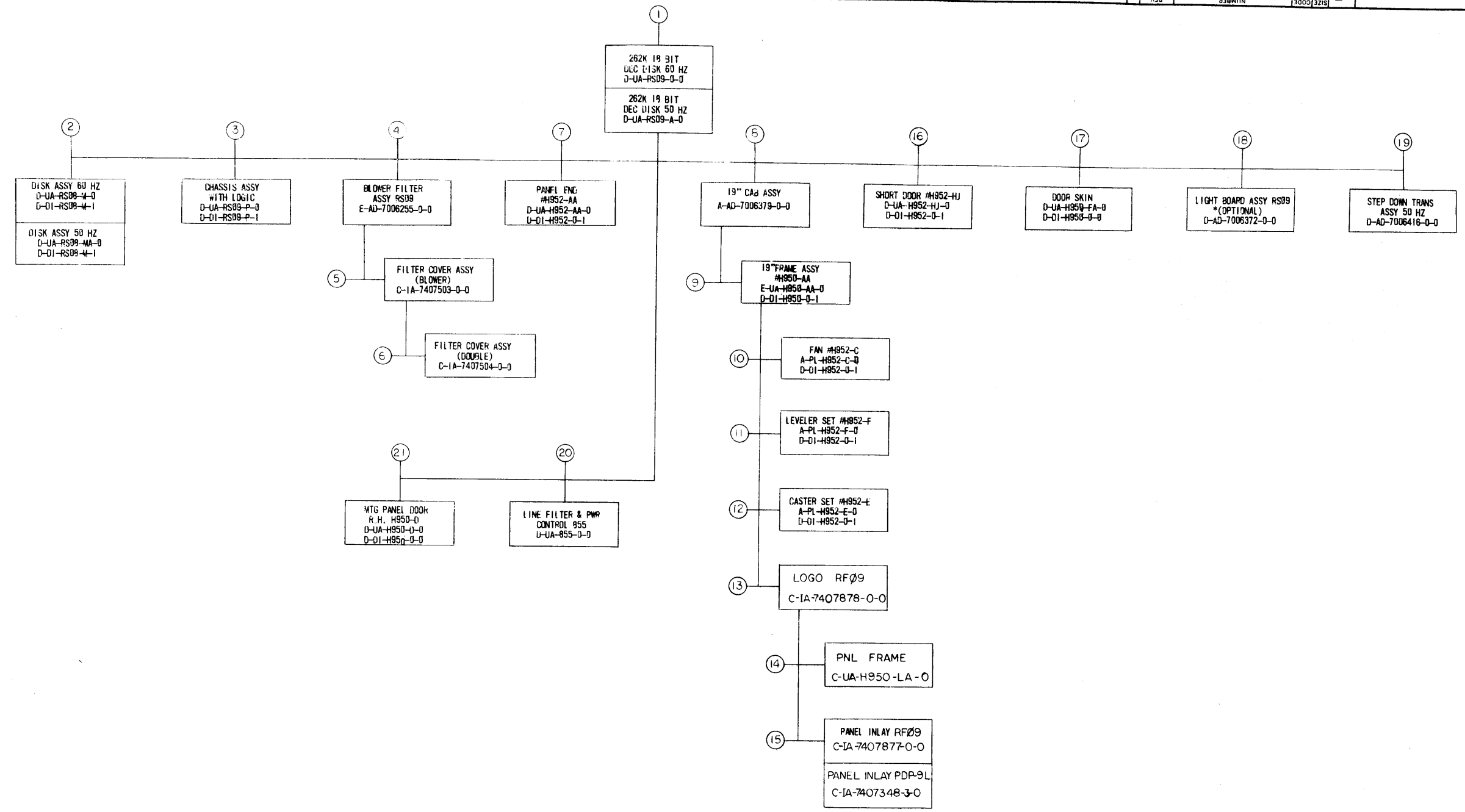


OUTER EDGE
 ROTATION AS SHOWN

REV.	
CHANGE NO.	
REV.	

FIRST USED ON OPTION/MODEL RS09-0	QTY.	DESCRIPTION	PART NO.	ITEM NO.
PARTS LIST				
UNLESS OTHERWISE SPECIFIED	DRN.	DATE	digital EQUIPMENT CORPORATION MAYNARD, MASSACHUSETTS	
	CHK'D.	DATE	TITLE	
UNLESS OTHERWISE SPECIFIED	ENG.	DATE	(RS09)	
DIMENSION IN INCHES	PROJ. ENG.	DATE	LOCATION CHART	
TOLERANCES	PROD.	DATE	TRACK, HEAD, CABLE	
DECIMALS FRACTIONS ANGLES	NEXT HIGHER ASSY		SIZE CODE	NUMBER
= 005 ± 1/64 = 0°30'	A-ML-RS09-0		DIC	RS09-0-7
FINAL SURFACE QUALITY	SCALE	NONE	DIST.	
REMOVE BURRS AND BREAK SHARP CORNERS	SHEET	1 OF 1		

This drawing and specifications herein are the property of Digital Equipment Corporation and shall not be reproduced or copied or used in whole or in part as the basis for the manufacture or sale of items without written permission.



* NOT A PRODUCTION PART - USED FOR TEST PURPOSES ONLY.

CHK	CHANGE NO	REV
	RS09-00004	A
		B
		C
		D
		E

REVISIONS

1. WRE:ICE
 2. WRE:ICE
 3. WRE:ICE
 4. WRE:ICE
 5. WRE:ICE
 6. WRE:ICE
 7. WRE:ICE
 8. WRE:ICE
 9. WRE:ICE
 10. WRE:ICE
 11. WRE:ICE
 12. WRE:ICE
 13. WRE:ICE
 14. WRE:ICE
 15. WRE:ICE
 16. WRE:ICE
 17. WRE:ICE
 18. WRE:ICE
 19. WRE:ICE
 20. WRE:ICE
 21. WRE:ICE

FIRST USED ON OPTION/MODEL
 RS09-0

DO NOT SCALE DRAWING
 UNLESS OTHERWISE SPECIFIED
 DIMENSION IN INCHES
 TOLERANCES
 DECIMALS FRACTIONS ANGLES
 = .005 = 1/64 = 0°30'
 FINAL SURFACE QUALITY
 REMOVE BURRS AND BREAK SHARP CORNERS

QTY.	DESCRIPTION	PART NO.	ITEM NO.
PARTS LIST			
digital EQUIPMENT CORPORATION MAYNARD, MASSACHUSETTS			
DRAWING INDEX LIST RS09-0			
SCALE		SHEET 1 OF 2	
NEXT HIGHER ASSY		DIST.	

REV E
 NUMBER D I R S 0 9 - 0 - 8
 SIZE CODE B

This drawing and specifications, herein, are the property of Digital Equipment Corporation and shall not be reproduced or copied or used in whole or in part as the basis for the manufacture or sale of items without written permission.

8-0-608410 2

MECHANICAL				MECHANICAL				ELECTRICAL				ELECTRICAL																																																																																																																																																											
FIND NO	DESCRIPTION	PART NO	DEPT USAGE	FIND NO	DESCRIPTION	PART NO	DEPT USAGE	FIND NO	DESCRIPTION	PART NO	DEPT USAGE	FIND NO	DESCRIPTION	PART NO	DEPT USAGE																																																																																																																																																								
			PROD CUST F C				PROD CUST F C				PROD CUST F C				PROD CUST F C																																																																																																																																																								
1	262K 19 BIT DEC DISK 60 HZ 262K 19 BIT DEC DISK 50 HZ 262K 19 BIT DEC DISK (P.L.) PLATE, MTG BLOWER SUPPORT SPACER, CHASSIS (OPTIONAL) POWER PANEL DECAL 60 HZ POWER PANEL DECAL 50 HZ CABLE WØ21 TO WØ11 9FT PANEL BLANK PACKAGING INSTRUCTIONS FILTER FILTER FRAME	D-UA-RSØ9-Ø-Ø D-UA-RSØ9-A-Ø A-PL-RSØ9-B-Ø D-MD-74Ø7235-Ø-Ø B-MD-74Ø7Ø13-Ø-Ø C-MD-74Ø7442-Ø-Ø A-DC-74Ø67Ø7-Ø-Ø A-DC-74Ø67Ø7-Ø-Ø C-IA-7ØØ582Ø-4-Ø B-51ØØ A-PI-37ØØØØ6-Ø-Ø D-IA-74Ø9Ø12-Ø-Ø D-IA-74Ø9Ø13-Ø-Ø		10	FAN H952-C DWG INDEX LIST	A-PL-H952-C-Ø D-Ø1-H952-Ø-Ø		1	262K 19 BIT DEC DISK 60 HZ 262K 19 BIT DEC DISK 50 HZ CONTROL 1 TRACK SELECT MATRIX Ø TRACK SELECT MATRIX 1 CONTROL UNIT CONNECTORS CONTROL 2 WIRE LIST MODULE UTILIZATION MODULE UTILIZATION LIST LOG CHART, TRACK, HEAD, CABLE POWER WIRING AC DC RFØ9 RSØ9 ARRANGEMENT HAND WRAP WIRE LIST HAND WRAP ROUTING RSØ9 CALIBRATION PROCEDURE	A-ML-RSØ9-Ø A-ML-RSØ9-A D-BS-RSØ9-Ø-1 D-BS-RSØ9-Ø-2 D-BS-RSØ9-Ø-3 D-BS-RSØ9-Ø-4 D-BS-RSØ9-Ø-5 K-WL-RSØ9-Ø-WL D-MU-RSØ9-Ø-9 A-PL-RSØ9-Ø-9 D-IC-RSØ9-Ø-7 D-IC-RFØ9-Ø-35 D-AR-RFØ9-Ø-37 A-WL-RSØ9-Ø-1Ø C-WD-RSØ9-Ø-11 A-SF-R-Ø-Ø-Ø-12		2	DISK ASSY 60 HZ DISK ASSY 50 HZ DISK ASSY (P.L.) DWG INDEX LIST	D-UA-RSØ9-M-Ø D-UA-RSØ9-MA-Ø A-PL-RSØ9-M-Ø D-Ø1-RSØ9-M-Ø		2	DISK ASSY RSØ9-M-Ø DISK ASSY RSØ9-MA-Ø	A-ML-RSØ9-M A-ML-RSØ9-MA		3	CHASSIS ASSY WITH LOGIC CHASSIS ASSY WITH LOGIC (P.L.) DWG INDEX LIST	D-UA-RSØ9-P-Ø A-PL-RSØ9-P-Ø D-Ø1-RSØ9-P-Ø		3	CHASSIS ASSY LOGIC	A-ML-RSØ9-P		4	BLOWER FILTER ASSY RSØ9 BLOWER FILTER ASSY RSØ9 (P.L.) FILTER FRAME RETAINER SCREEN, PREFILTER PLATE, MTG SIDE CONTAINER, FILTER	E-AD-7ØØ6255-Ø-Ø A-PL-7ØØ6255-Ø-Ø C-MD-74Ø9Ø14-Ø-Ø B-MD-74Ø7182-Ø-Ø D-IA-74Ø7237-Ø-Ø D-IA-74Ø7236-Ø-Ø		4	BLOWER FILTER ASSY	E-AD-7ØØ6255-Ø-Ø		5	FILTER COVER ASSY BLOWER COVER, FILTER	C-IA-74Ø75Ø3-Ø-Ø D-MD-74Ø7256-1-Ø		5	STEP DOWN TRANS ASSY	D-AD-7ØØ6416-Ø-Ø		6	FILTER COVER ASSY (DOUBLE) COVER, FILTER	C-IA-74Ø75Ø4-Ø-Ø D-MD-74Ø7256-2-Ø		6	LINE FILTER & PWR CONT 955 CIRCUIT SCHEMATIC 955	D-UA-955-Ø-Ø C-CS-955-Ø-Ø		7	PANEL, END H952-AA PANEL, END (P.L.) DWG INDEX LIST	D-UA-H952-AA-Ø A-PL-H952-Ø-Ø D-Ø1-H952-Ø-1		7	LIGHT BOARD ASSY RSØ9 (OPTIONAL) LIGHT BOARD ASSY RSØ9 (P.L.)	D-AD-7ØØ6372-Ø-Ø A-PL-7ØØ6372-Ø-Ø		8	19" CAB ASSY 19" CAB ASSY (P.L.)	A-AD-7ØØ6379-Ø-Ø A-PL-7ØØ6379-Ø-Ø		8	STEP DOWN TRANS ASSY (50 HZ) STEP DOWN TRANS ASSY (50 HZ) (P.L.) PANEL, TRANSFORMER BRACKET, TRANSFORMER	D-AD-7ØØ6416-Ø-Ø A-PL-7ØØ6416-Ø-Ø D-IA-74Ø75ØØ-Ø-Ø D-IA-74Ø7493-Ø-Ø		9	19" FRAME ASSY H95Ø-AA 19" FRAME ASSY (P.L.) DWG INDEX LIST	E-UA-H95Ø-AA-Ø A-PL-H95Ø-Ø-Ø D-Ø1-H95Ø-Ø-1		9	LINE FILTER & PWR CONT 955 LINE FILTER & PWR CONT 955 (P.L.)	D-UA-955-Ø-Ø A-PL-955-Ø-Ø		10	MTG PANEL DOOR R.H. #H95Ø-Ø MTG PANEL DOOR R.H. #H95Ø-Ø (P.L.) DWG INDEX LIST	D-UA-H95Ø-Ø-Ø A-PL-H95Ø-Ø-Ø D-Ø1-H95Ø-Ø-Ø		11	LEVELER SET H952-F DWG INDEX LIST	A-PL-H952-F-Ø D-Ø1-H952-Ø-1		11	19" CAB ASSY	A-AD-7ØØ6379-Ø-Ø A-PL-7ØØ6379-Ø-Ø		12	CASTER SET H952-E DWG INDEX LIST	A-PL-H952-E-Ø D-Ø1-H952-E-Ø		12	19" FRAME ASSY	E-UA-H95Ø-AA-Ø A-PL-H95Ø-Ø-Ø D-Ø1-H95Ø-Ø-1		13	LOGO RFØ9	C-IA-74Ø7878-Ø-Ø		13	19" FRAME ASSY (P.L.)	E-UA-H95Ø-AA-Ø A-PL-H95Ø-Ø-Ø D-Ø1-H95Ø-Ø-1		14	PANEL, FRAME H95Ø-LA PANEL FRAME H95Ø-LA (P.L.) DWG INDEX LIST PNL FRAME	C-UA-H95Ø-LA-Ø A-PL-H95Ø-LA-Ø D-Ø1-H95Ø-Ø-1 C-IA-74Ø6694-Ø-Ø		14	19" FRAME ASSY (P.L.)	E-UA-H95Ø-AA-Ø A-PL-H95Ø-Ø-Ø D-Ø1-H95Ø-Ø-1		15	PANEL INLAY PDP 9L PANEL INLAY RFØ9	C-IA-74Ø7349-3-Ø C-IA-74Ø7877-Ø-Ø		15	19" FRAME ASSY (P.L.)	E-UA-H95Ø-AA-Ø A-PL-H95Ø-Ø-Ø D-Ø1-H95Ø-Ø-1		16	SHORT DOOR H952-HJ SHORT DOOR (P.L.) DWG INDEX LIST	D-UA-H95Ø-HJ-Ø A-PL-H95Ø-HJ-Ø D-Ø1-H95Ø-Ø-1		16	19" FRAME ASSY (P.L.)	E-UA-H95Ø-AA-Ø A-PL-H95Ø-Ø-Ø D-Ø1-H95Ø-Ø-1		17	DOOR SKIN H95Ø-FA-Ø DOOR SKIN (P.L.) DWG INDEX LIST	D-UA-H95Ø-FA-Ø A-PL-H95Ø-Ø-Ø D-Ø1-H95Ø-Ø-1		17	19" FRAME ASSY (P.L.)	E-UA-H95Ø-AA-Ø A-PL-H95Ø-Ø-Ø D-Ø1-H95Ø-Ø-1		18	LIGHT BOARD ASSY RSØ9 (OPTIONAL) LIGHT BOARD ASSY RSØ9 (P.L.)	D-AD-7ØØ6372-Ø-Ø A-PL-7ØØ6372-Ø-Ø		18	19" FRAME ASSY (P.L.)	E-UA-H95Ø-AA-Ø A-PL-H95Ø-Ø-Ø D-Ø1-H95Ø-Ø-1		19	STEP DOWN TRANS ASSY (50 HZ) STEP DOWN TRANS ASSY (50 HZ) (P.L.) PANEL, TRANSFORMER BRACKET, TRANSFORMER	D-AD-7ØØ6416-Ø-Ø A-PL-7ØØ6416-Ø-Ø D-IA-74Ø75ØØ-Ø-Ø D-IA-74Ø7493-Ø-Ø		19	19" FRAME ASSY (P.L.)	E-UA-H95Ø-AA-Ø A-PL-H95Ø-Ø-Ø D-Ø1-H95Ø-Ø-1		20	LINE FILTER & PWR CONT 955 LINE FILTER & PWR CONT 955 (P.L.)	D-UA-955-Ø-Ø A-PL-955-Ø-Ø		20	19" FRAME ASSY (P.L.)	E-UA-H95Ø-AA-Ø A-PL-H95Ø-Ø-Ø D-Ø1-H95Ø-Ø-1		21	MTG PANEL DOOR R.H. #H95Ø-Ø MTG PANEL DOOR R.H. #H95Ø-Ø (P.L.) DWG INDEX LIST	D-UA-H95Ø-Ø-Ø A-PL-H95Ø-Ø-Ø D-Ø1-H95Ø-Ø-Ø		21	19" FRAME ASSY (P.L.)	E-UA-H95Ø-AA-Ø A-PL-H95Ø-Ø-Ø D-Ø1-H95Ø-Ø-1	

REV
CHG
NO

QTY.	DESCRIPTION	PART NO.	ITEM NO.																
PARTS LIST																			
<table border="1"> <tr> <td>FIRST USED ON OPTION / MODEL</td> <td>DO NOT SCALE DRAWING UNLESS OTHERWISE SPECIFIED DIMENSION IN INCHES</td> <td>DRN. DATE CHK'D. DATE ENG. DATE PROJ. ENG. DATE PROD. DATE</td> <td>DATE DATE DATE DATE DATE</td> </tr> <tr> <td>TOLERANCES DECIMALS FRACTIONS ANGLES = .008 = 1/64 = 0°30'</td> <td>FINAL SURFACE QUALITY REMOVE BURRS AND BREAK SHARP CORNERS</td> <td colspan="2"> digital EQUIPMENT CORPORATION MAYNARD, MASSACHUSETTS TITLE DRAWING INDEX LIST RSØ9-Ø </td> </tr> <tr> <td>MATERIAL</td> <td>NEXT HIGHER ASSY</td> <td colspan="2"> SIZE CODE NUMBER REV D-1 RSØ9-Ø-8 E </td> </tr> <tr> <td>FINISH</td> <td>SCALE</td> <td colspan="2"> DIST. 2 OF 2 </td> </tr> </table>				FIRST USED ON OPTION / MODEL	DO NOT SCALE DRAWING UNLESS OTHERWISE SPECIFIED DIMENSION IN INCHES	DRN. DATE CHK'D. DATE ENG. DATE PROJ. ENG. DATE PROD. DATE	DATE DATE DATE DATE DATE	TOLERANCES DECIMALS FRACTIONS ANGLES = .008 = 1/64 = 0°30'	FINAL SURFACE QUALITY REMOVE BURRS AND BREAK SHARP CORNERS	digital EQUIPMENT CORPORATION MAYNARD, MASSACHUSETTS TITLE DRAWING INDEX LIST RSØ9-Ø		MATERIAL	NEXT HIGHER ASSY	SIZE CODE NUMBER REV D-1 RSØ9-Ø-8 E		FINISH	SCALE	DIST. 2 OF 2	
FIRST USED ON OPTION / MODEL	DO NOT SCALE DRAWING UNLESS OTHERWISE SPECIFIED DIMENSION IN INCHES	DRN. DATE CHK'D. DATE ENG. DATE PROJ. ENG. DATE PROD. DATE	DATE DATE DATE DATE DATE																
TOLERANCES DECIMALS FRACTIONS ANGLES = .008 = 1/64 = 0°30'	FINAL SURFACE QUALITY REMOVE BURRS AND BREAK SHARP CORNERS	digital EQUIPMENT CORPORATION MAYNARD, MASSACHUSETTS TITLE DRAWING INDEX LIST RSØ9-Ø																	
MATERIAL	NEXT HIGHER ASSY	SIZE CODE NUMBER REV D-1 RSØ9-Ø-8 E																	
FINISH	SCALE	DIST. 2 OF 2																	

DIGITAL EQUIPMENT CORPORATION
MAYNARD, MASSACHUSETTS

PARTS LIST

QUANTITY / VARIATION

MADE BY ROBICHARD
DATE 6/25/69
ENG *D. J. Vanda*
DATE 7-28-69

CHECKED D. HEALY
DATE 6/26/69
PROD *X to integrate*
DATE 7-24-69

SECTION 1
ISSUED SECT. 1

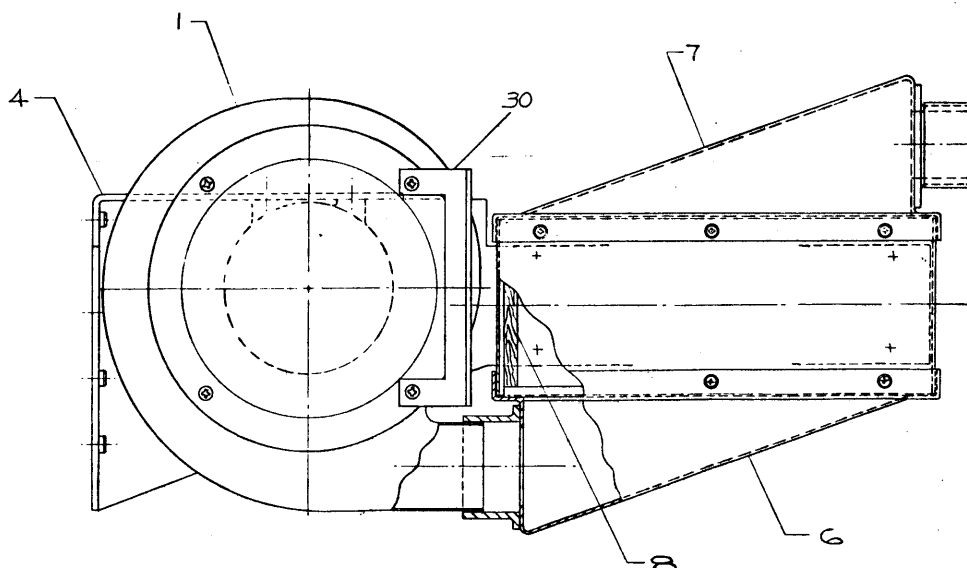
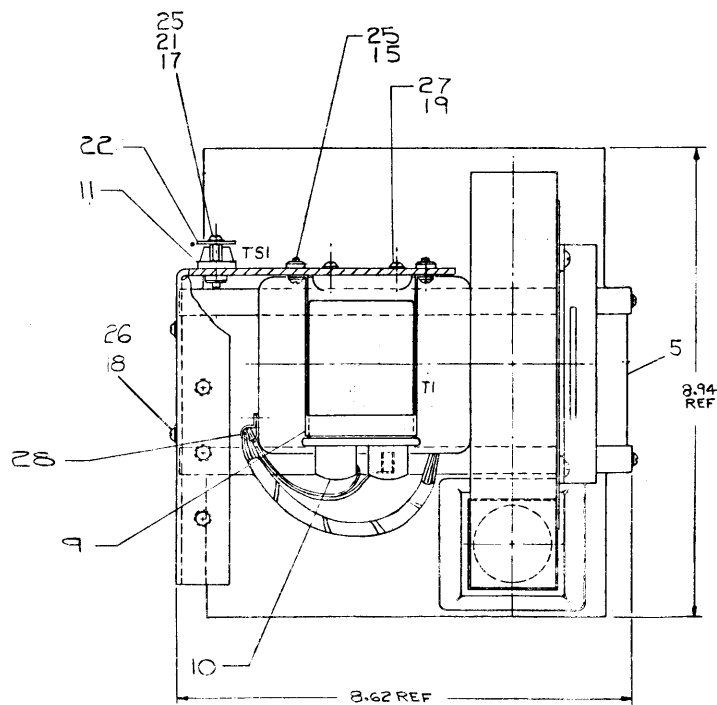
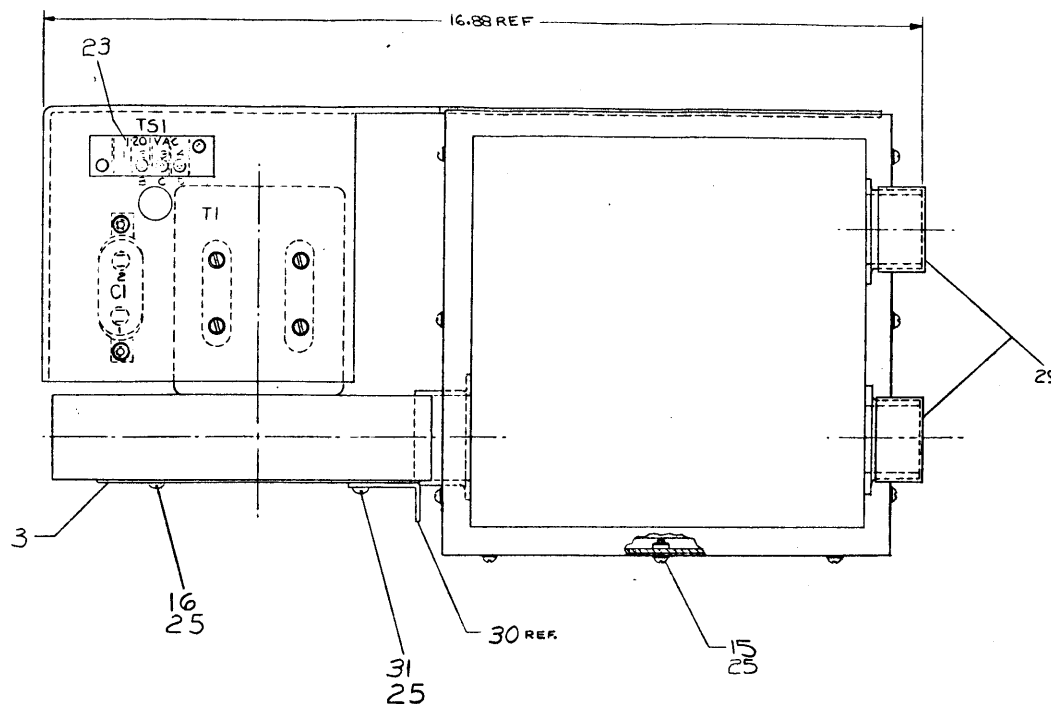
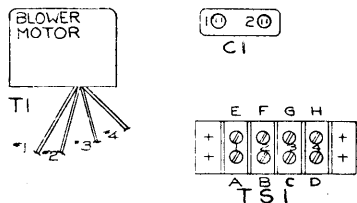
ITEM NO.	DWG NO. / PART NO.	DESCRIPTION												
	B134	DIODE GATE	2											
	B152	BINARY TO OCTAL DECODER	1											
	B683	BUS DRIVER	3											
	G085	DISC READ AMP & SLICE	5											
	G285	SERIES SWITCH	8											
	G286	CENTER TAP SELECTOR	4											
	G290	WRITE AMP	2											
	R002	DIODE CLUSTER	1											
	R107	INVERTER	1											
	R111	DIODE GATE	1											
	R602	PULSE AMPLIFIER	1											

TITLE MODULE UTILIZATION LIST (RS09)	ASSY NO. D-MU-RS09-0-0	SIZE A	CODE PL	NUMBER RS09-0-0	REV. A	ECO NO. RS09-00009
SHEET 1 OF 1		DIST.				

X

1. This drawing is a preliminary drawing. It is for information only and is subject to change without notice. It is not to be used for manufacturing or construction purposes.

ITEM NO	DESCRIPTION	CONNECTIONS	EQUIP FROM	EQUIP TO
12	18 RED	C1-2	T51-4	13, 20
2	18 WHT	C1-1	T51-3C	13, 20
1	1 GRN	T1-1	T51-2B	24
1	1 BLU	T1-2	T51-2B	24
1	1 WHT	T1-3	T51-3C	24
1	1 RED	T1-4	T51-4D	24



REV	DESCRIPTION	DATE
1	ISSUED FOR FAB	11/15/50
2	CHANGED TO 1/4\"	11/15/50
3	CHANGED TO 1/4\"	11/15/50
4	CHANGED TO 1/4\"	11/15/50
5	CHANGED TO 1/4\"	11/15/50
6	CHANGED TO 1/4\"	11/15/50
7	CHANGED TO 1/4\"	11/15/50
8	CHANGED TO 1/4\"	11/15/50
9	CHANGED TO 1/4\"	11/15/50
10	CHANGED TO 1/4\"	11/15/50
11	CHANGED TO 1/4\"	11/15/50
12	CHANGED TO 1/4\"	11/15/50
13	CHANGED TO 1/4\"	11/15/50
14	CHANGED TO 1/4\"	11/15/50
15	CHANGED TO 1/4\"	11/15/50
16	CHANGED TO 1/4\"	11/15/50
17	CHANGED TO 1/4\"	11/15/50
18	CHANGED TO 1/4\"	11/15/50
19	CHANGED TO 1/4\"	11/15/50
20	CHANGED TO 1/4\"	11/15/50
21	CHANGED TO 1/4\"	11/15/50
22	CHANGED TO 1/4\"	11/15/50
23	CHANGED TO 1/4\"	11/15/50
24	CHANGED TO 1/4\"	11/15/50
25	CHANGED TO 1/4\"	11/15/50
26	CHANGED TO 1/4\"	11/15/50
27	CHANGED TO 1/4\"	11/15/50
28	CHANGED TO 1/4\"	11/15/50
29	CHANGED TO 1/4\"	11/15/50
30	CHANGED TO 1/4\"	11/15/50
31	CHANGED TO 1/4\"	11/15/50

TOLERANCES
 DECIMALS
 .XXX = ±.005
 .XX = ±.02
 .X = ±.1

TOLERANCES
 UNLESS OTHERWISE SPECIFIED
 DIMENSIONS IN INCHES
 DECIMALS FRACTIONS ANGLES
 .XXX ±.005 .XXX ±.005
 .XX ±.02 .XX ±.02
 .X ±.1 .X ±.1

FRESH
 REMOVE BURRS AND BREAK SHARP CORNERS

FIRST AID INSP ENGR	QTY	DESCRIPTION	PART NO.	REV
R509 0		BLOWER FILTER ASSY (R509)		

UNLESS OTHERWISE SPECIFIED
 DIMENSIONS IN INCHES
 DECIMALS FRACTIONS ANGLES
 .XXX ±.005 .XXX ±.005
 .XX ±.02 .XX ±.02
 .X ±.1 .X ±.1

FRESH
 REMOVE BURRS AND BREAK SHARP CORNERS

SCALE
 1:1

DATE
 11/15/50

BY
 EAD

CHECKED
 [Signature]

APPROVED
 [Signature]

DESCRIPTION
 BLOWER FILTER ASSY (R509)

PART NO.
 R509

REV
 C

QUANTITY
 1

OF
 1

SHEET
 1

OF
 1

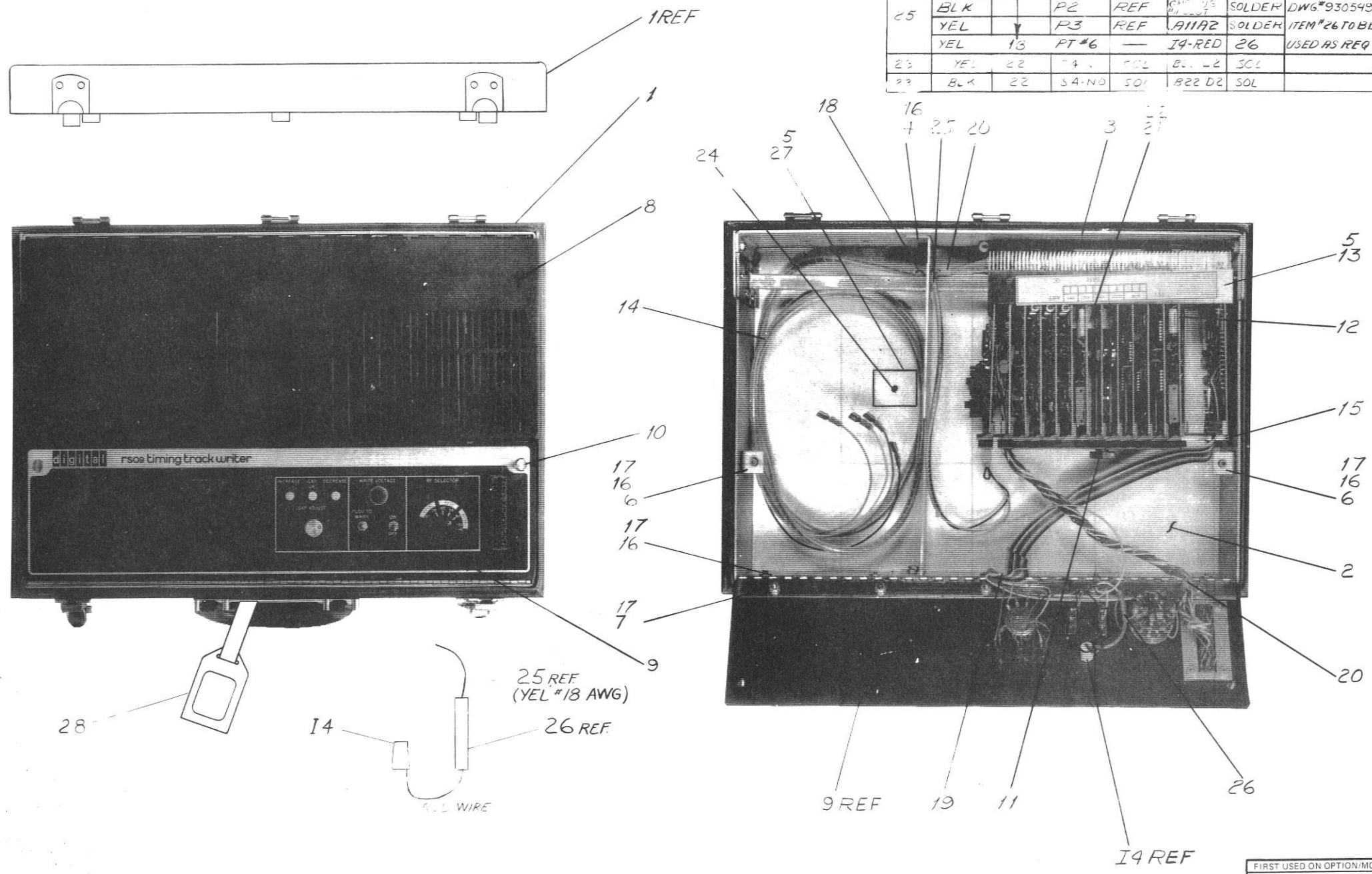
1006235-0-C

This drawing and specifications, herein, are the property of Digital Equipment Corporation and shall not be reproduced or copied in whole or in part as the basis for the manufacture or sale of items without written permission.
 COPYRIGHT © 1973
 DIGITAL EQUIPT. CORP

REV	CHANGE NO.	REV
B	1	RS09TA-00006
A	1	REVISED & REDAWN S. ALLAIN 2-13-74
		VONADA 4-21-74

ITEM NO.	DESCRIPTION	FROM	TO	REMARKS
14	YEL #13	---	A11B2	SOLDER
14	BLK #1	---	B11B2	SOLDER
14	BLU	---	B11B2	SOLDER
14	RED	---	B12B2	SOLDER
25	RED	P1	REF	SEE HARNESS
	BLK	P2	REF	DWG #9305492-0-0
	YEL	P3	REF	ITEM #26 TO BE
	YEL #13	PT #6	I4-RED	26 USED AS REQ'D.
23	YEL #22	74	COL	B-22 SOL
23	BLK #22	S4-NO	501	B22 D2 SOL

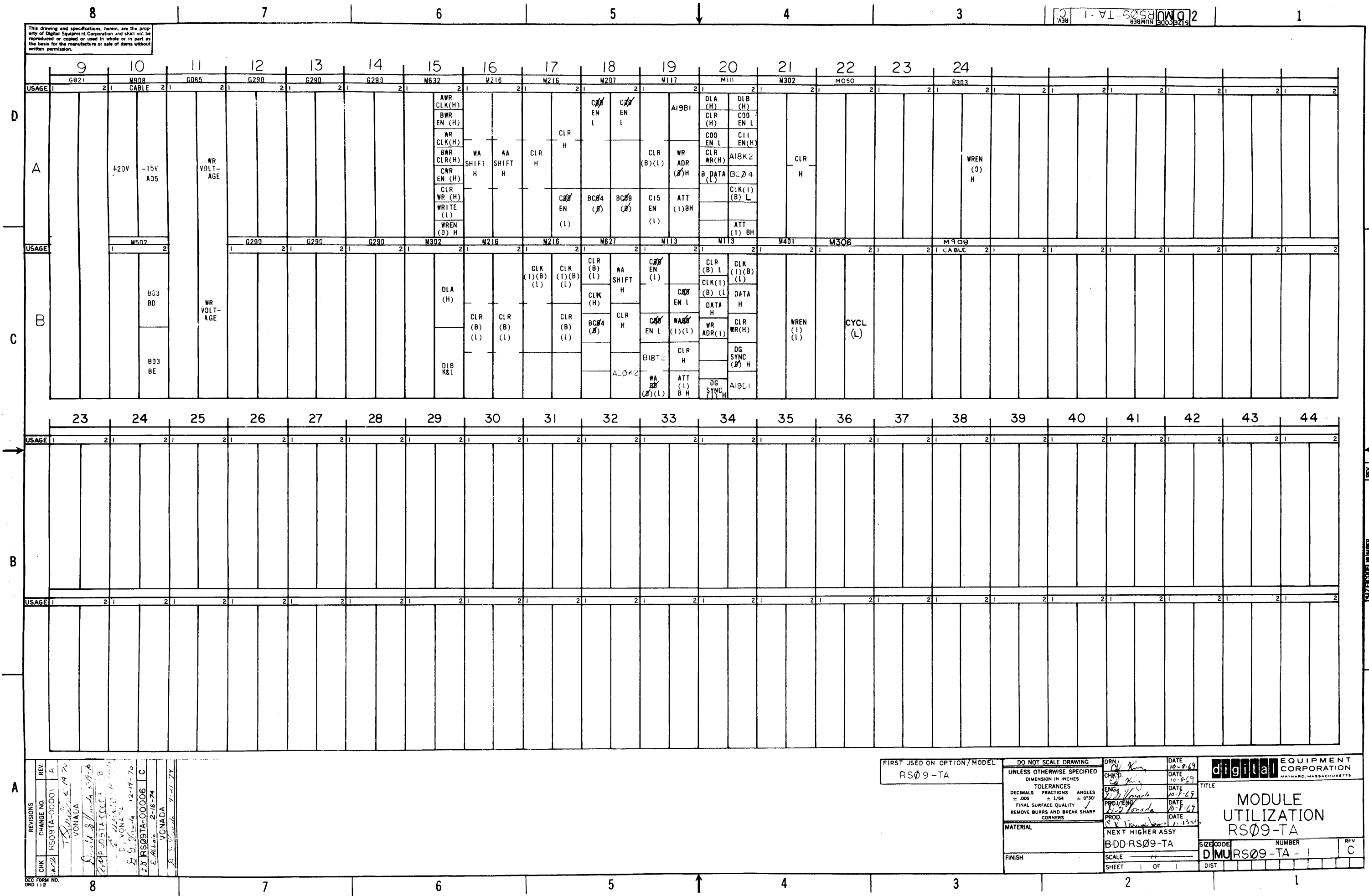
NOTES:
 1. REMOVE EXISTING SCREW FROM LOGIC AND REPLACE WITH ITEM #22 TO MOUNT ITEM #21
 2. FOR DWG DIRECTORY REFER TO DWG. B-DD-RS09-TA



QTY.	DESCRIPTION	PART NO.	ITEM NO.
1	I.D. LUGGAGE TAG	2919682	28
1	BRACKET, TESTER SWITCH	9605890-0-0	27
1	SPLICE BUTT, AMP 34071	9006782	26
1	DC POWER HARNESS	DIA-9305492-0-0	25
1	SPST MICRO SWITCH	1201168	24
AIR	YEL/BLK TWP I.PVC #22/16	9107420-04	23
2	SCRW PHL FILL HD #8-32X1/2 LG.	9007799-6	22
1	CABLE RETAINING BLOCK (NYLON)	1209850	21
3	CLAMP, CABLE 3/8 DIA.	9007083	20
1	TIE WRAP, SCREW DOWN	9007033	19
2	SCR, PHL PAN HD #8-32X1/2 LG.	9006039-1	18
17	KEP NUT #8-32	9006563	17
20	SCR, PHL FLAT HD #8-32X3/8 LG.	9006037-2	16
1	MODULE HOLDOWN BRKT	DIA-96057962-0	15
1	POWER CABLE, RS09-TA	DIA-9305501-1-0	14
1	WIRED ASSY, RS09-TA	DAD-7006493-0-0	13
1	MODULE PARTS LIST	A-PL-RS09-TA 1	12
1	MODULE RETAINER SCREW	7405692	11
2	FASTENER, SOUTHCO #58-27-310-29	9008430	10
1	CONT PANEL ASSY, (RS09-TA)	D-AD-9305486-0-0	9
1	COVER, CHASSIS	EIA-9605714-0-0	8
1	HINGE, TESTER CONT PANEL	D-MD-9605710-0-0	7
2	BRACKET, TESTER CHASSIS	CIA-9605712-0-0	6
10	POP RIVETS AD43 B8	9006509	5
1	DIVIDER BRKT, TESTER	DIA-9605713-0-0	4
1	BACK PANEL, TESTER	DIA-9605714-0-0	3
1	CHASSIS, TESTER	EIA-9605709-0-0	2
1	CASE TESTER	2919153	1

FIRST USED ON OPTION/MODEL RS09-TA	QTY.	DESCRIPTION	PART NO.	ITEM NO.
PARTS LIST				
UNLESS OTHERWISE SPECIFIED DIMENSION IN INCHES TOLERANCES	DRN CHKD EVD PROJ ENR PROJ	DATE DATE DATE DATE DATE	digital EQUIPMENT CORPORATION MAYNARD, MASSACHUSETTS	
DECIMALS .XXX = .005 .XX = .02 X = .1	ANGLES ±0° 30'	DATE DATE DATE	TITLE TIMING TRACK WRITER TESTER (RS09-TA)	
REMOVE BURRS AND BREAK SHARP CORNERS SURFACE QUALITY	MATERIAL	NEXT HIGHER ASSY.	SCALE NONE	REV. B
FINISH	B-DD-RS09-TA	SIZE CODE DUA	NUMBER RS09-TA-0	
	SHEET OF	DIST.		

This drawing and specifications, herein, are the property of Digital Equipment Corporation and shall not be reproduced or copied or used in whole or in part as the basis for the manufacture or sale of items without written permission.



REV.	CHANGE NO.	DESCRIPTION
A	RS09TA-00001	...
B	RS09TA-00002	...
C	RS09TA-00006	...

FIRST USED ON OPTION/MODEL
RS09-TA

DO NOT SCALE DRAWING
UNLESS OTHERWISE SPECIFIED
DIMENSION IN INCHES
TOLERANCES
DECIMALS FRACTIONS ANGLES
± .005 ± 1/64 ± 0°30'
FINAL SURFACE QUALITY
REMOVE BURRS AND BREAK SHARP CORNERS

DRN: [Signature]
CHKD: [Signature]
ENG: [Signature]
PROD: [Signature]
DATE: 10-8-69
DATE: 10-8-69
DATE: 10-8-69
DATE: 10-13-69
NEXT HIGHER ASSY: B-DD-RS09-TA

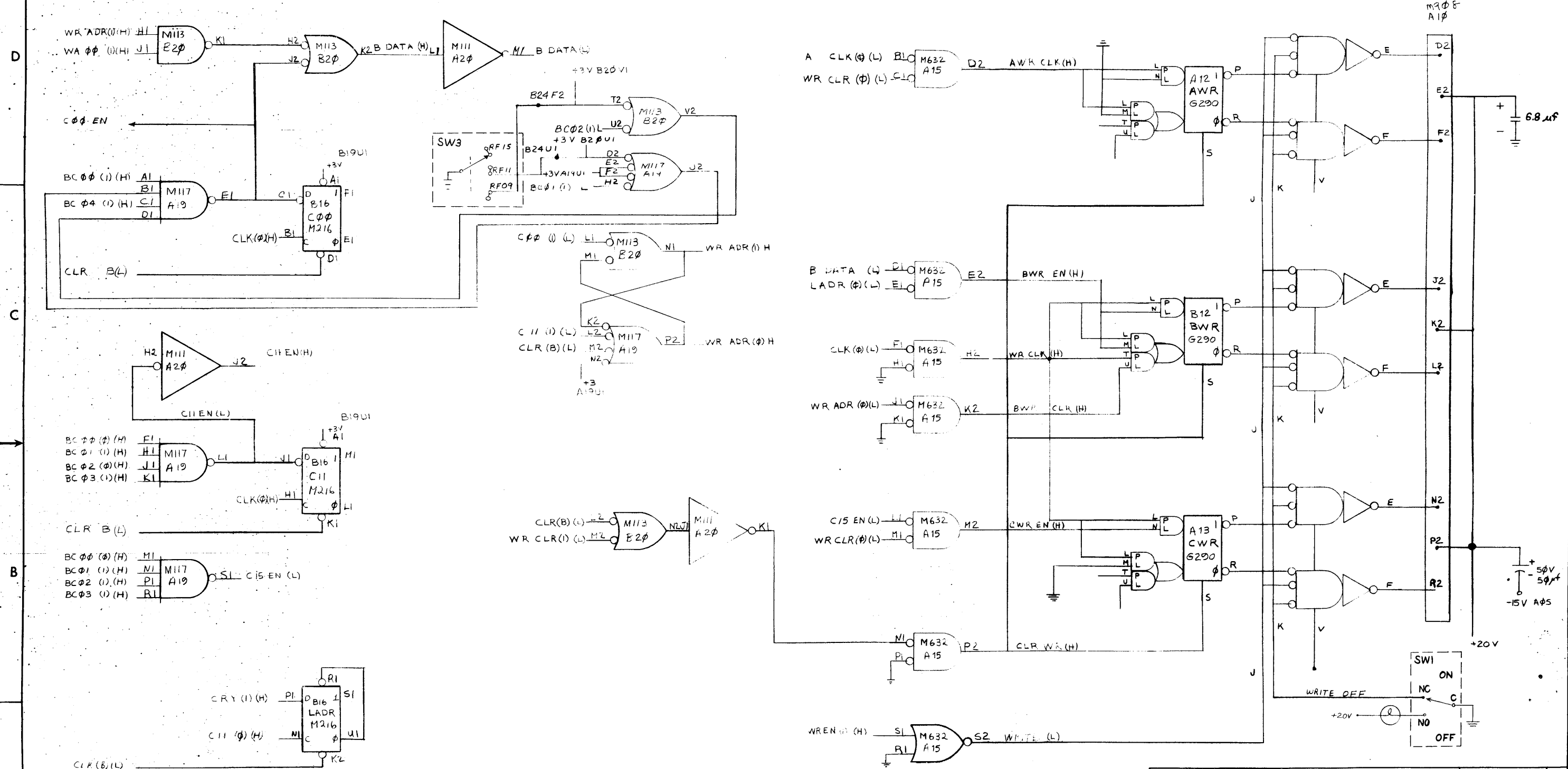
digital EQUIPMENT CORPORATION
MAYNARD, MASSACHUSETTS

TITLE: MODULE UTILIZATION RS09-TA

SIZE CODE: D
NUMBER: MURS09-TA-1
REV: C

SCALE: 1:1
SHEET: 1 OF 1

This drawing and specifications, herein, are the property of Digital Equipment Corporation and shall not be reproduced or copied or used in whole or in part as the basis for the manufacture or sale of items without written permission.

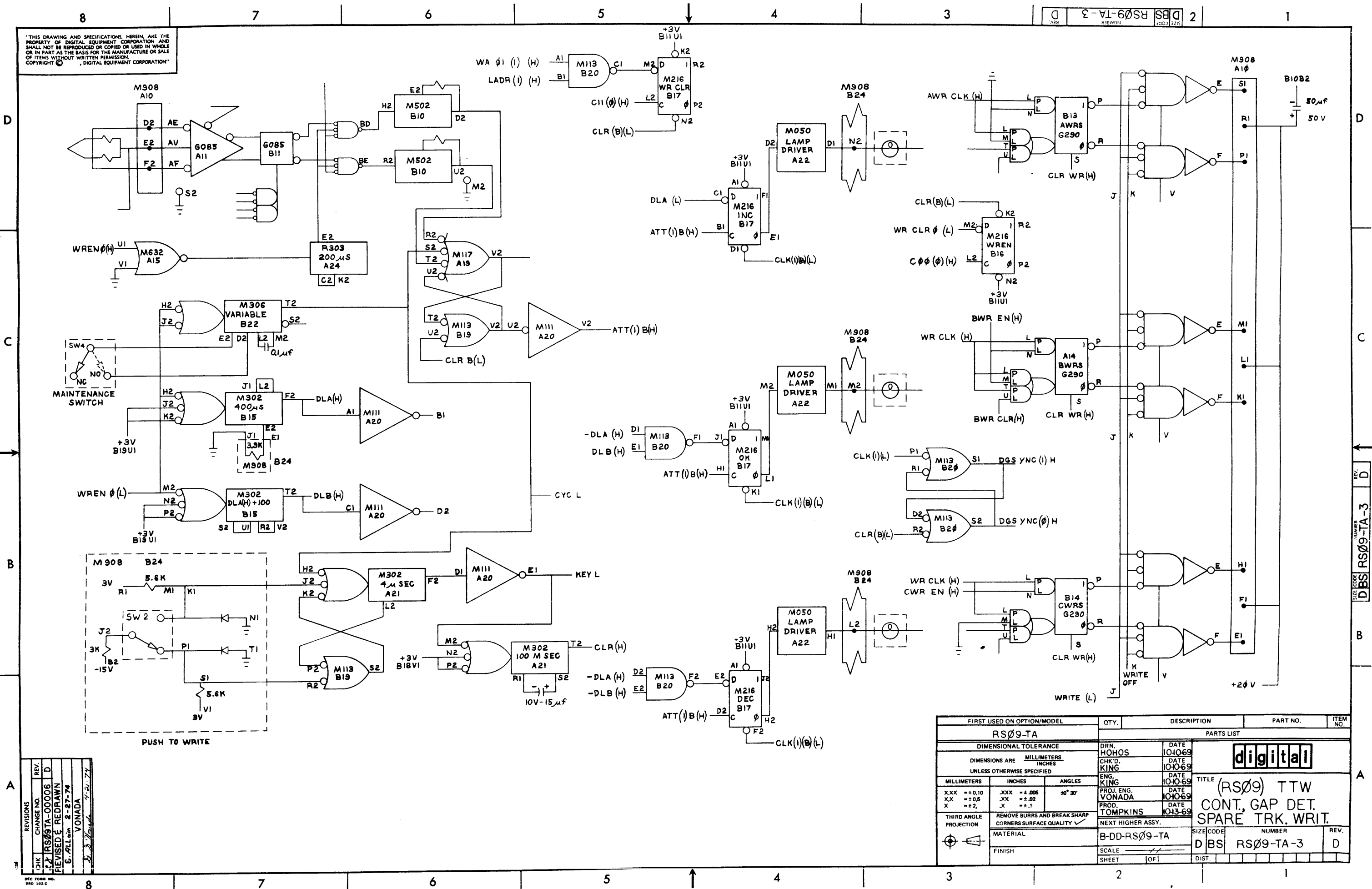


REV.	CHANGE NO.	DATE	BY
A	RS09TA-00001	5-19-70	VONADA
B	RS09TA-00003	12-10-70	VONADA
C	RS09TA-00006	2-18-74	VONADA

FRST USED ON OPT/MOD	QTY.	DESCRIPTION	PART NO.	ITEM NO.
RS09-TA				
UNLESS OTHERWISE SPECIFIED				
DRN. <i>[Signature]</i> DATE 8-10-63				
CHK'D. <i>[Signature]</i> DATE 10-10-67				
ENG. <i>[Signature]</i> DATE 12-10-67				
PROD. <i>[Signature]</i> DATE 10-12-67				
MATERIAL				
FINISH				
NEXT HIGHER ASSY				
SCALE				
SHEET				

digital EQUIPMENT CORPORATION MAYNARD, MASSACHUSETTS		
TITLE (RS09) TTW CONT.; PRIM. TRACK WRITERS		
SIZE CODE	NUMBER	REV.
DBS	RS09-TA-2	C

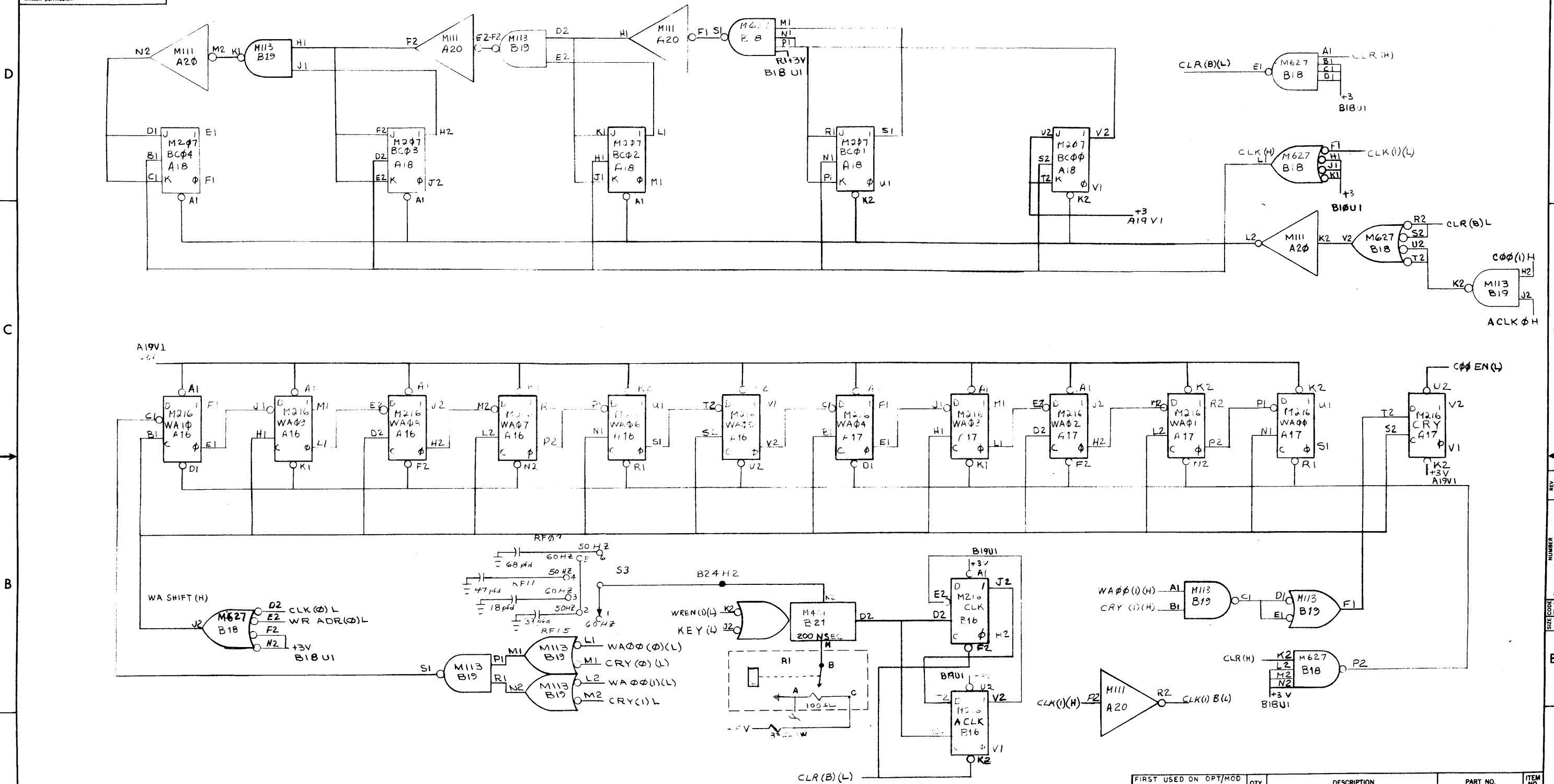
THIS DRAWING AND SPECIFICATIONS, HEREIN, ARE THE PROPERTY OF DIGITAL EQUIPMENT CORPORATION AND SHALL NOT BE REPRODUCED OR COPIED OR USED IN WHOLE OR IN PART AS THE BASIS FOR THE MANUFACTURE OR SALE OF ITEMS WITHOUT WRITTEN PERMISSION. COPYRIGHT © DIGITAL EQUIPMENT CORPORATION



REV.	CHANGE NO.	DATE	BY
1	RS09TA-0006	D	REVISED & REDRAWN
2	8-27-74		VONADA
3			

FIRST USED ON OPTION/MODEL	QTY.	DESCRIPTION	PART NO.	ITEM NO.
RS09-TA				
PARTS LIST				
DIMENSIONAL TOLERANCE		DRN. HOHOS	DATE 10-10-69	
DIMENSIONS ARE MILLIMETERS UNLESS OTHERWISE SPECIFIED		CHK'D. KING	DATE 10-10-69	
MILLIMETERS	INCHES	ENG. KING	DATE 10-10-69	
XXX = +0.10	.XXX = ±.005	PROJ. ENG. VONADA	DATE 10-10-69	
XX = ±0.5	.XX = ±.02	PROD. TOMPKINS	DATE 10-13-69	
X = ±2,	.X = ±.1	TITLE (RS09) TTW CONT. GAP DET. SPARE TRK. WRIT.		
THIRD ANGLE PROJECTION	REMOVE BURRS AND BREAK SHARP CORNERS SURFACE QUALITY	NEXT HIGHER ASSY.		
MATERIAL		B-DD-RS09-TA	SIZE CODE	NUMBER
FINISH		D BS RS09-TA-3	SCALE	REV. D
SHEET		OF	DIST.	

This drawing and specifications, herein, are the property of Digital Equipment Corporation and shall not be reproduced or copied or used in whole or in part as the basis for the manufacture or sale of items without written permission.

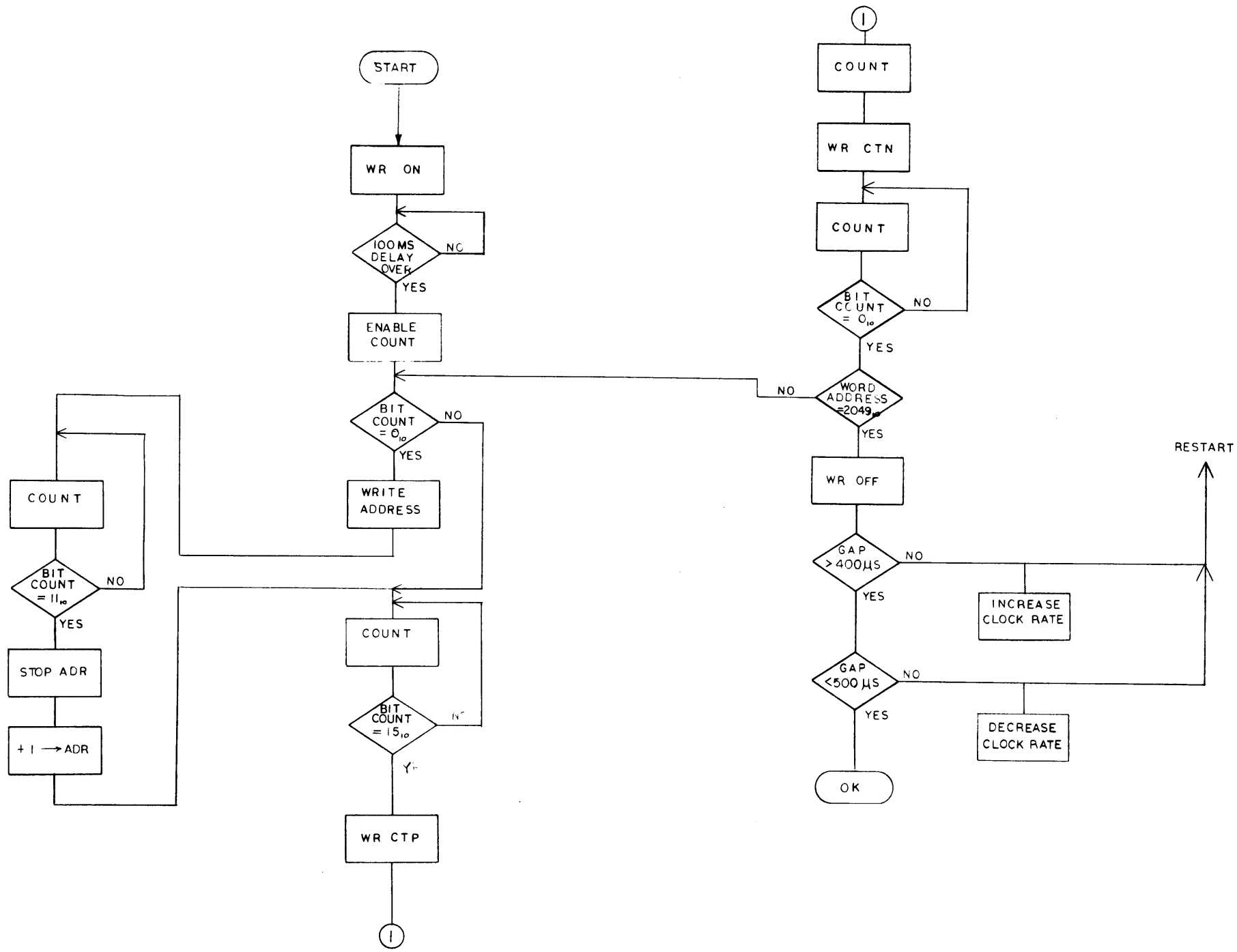


REV	CHG	NO.	DATE
L			
B			
C			
D			
E			
F			
G			
H			
I			
J			
K			
L			
M			
N			
O			
P			
Q			
R			
S			
T			
U			
V			
W			
X			
Y			
Z			

FIRST USED ON OPT/MOD	QTY.	DESCRIPTION	PART NO.	ITEM NO.												
RS09-TA																
PARTS LIST																
<table border="1"> <tr> <td>DRN</td> <td>DATE</td> <td rowspan="4"> digital EQUIPMENT CORPORATION MAYNARD, MASSACHUSETTS </td> </tr> <tr> <td>CHK'D</td> <td>DATE</td> </tr> <tr> <td>ENG</td> <td>DATE</td> </tr> <tr> <td>PROJ. ENG.</td> <td>DATE</td> </tr> <tr> <td>PROD.</td> <td>DATE</td> <td></td> </tr> </table>					DRN	DATE	digital EQUIPMENT CORPORATION MAYNARD, MASSACHUSETTS	CHK'D	DATE	ENG	DATE	PROJ. ENG.	DATE	PROD.	DATE	
DRN	DATE	digital EQUIPMENT CORPORATION MAYNARD, MASSACHUSETTS														
CHK'D	DATE															
ENG	DATE															
PROJ. ENG.	DATE															
PROD.	DATE															
TITLE		RS09 TTW EC, WA, CLK														
MATERIAL		B-DD-RS09-TA														
FINISH		SCALE: H														
SHEET		OF 1														
DIST.		D B S R S 0 9 - T A - 4														
		REV D														

This drawing and specifications, herein, are the property of Digital Equipment Corporation and shall not be reproduced or copied or used in whole or in part as the basis for the manufacture or sale of items without written permission.

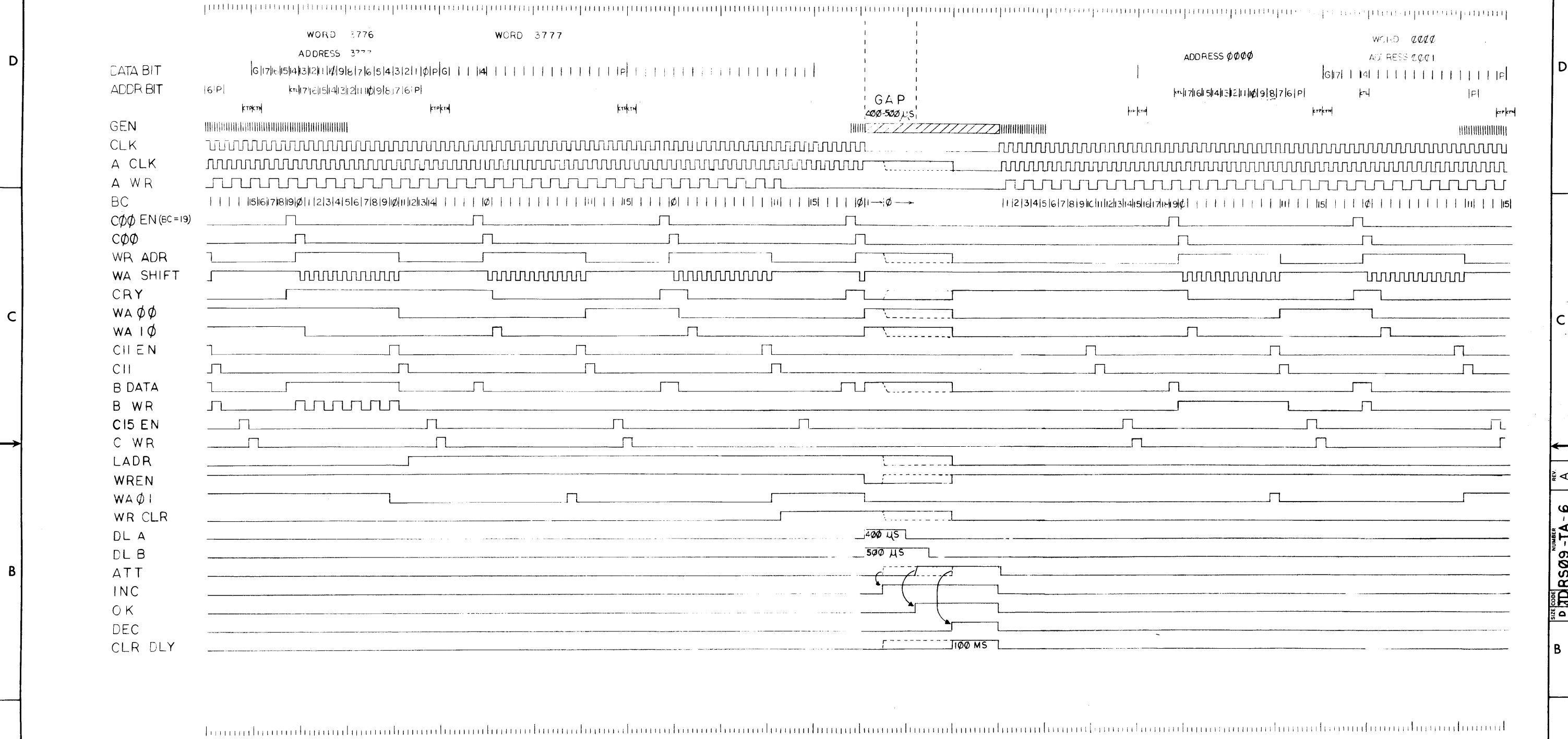
REV. A
 SIZE CODE
 NUMBER
 DFDRS09-TA-5



REV	CHANGE NO.	DATE
A	000005	1-13-69
D. VONADA		
1-20-72		

FIRST USED ON	CPT MOD	QTY.	DESCRIPTION	PART NO.	ITEM NO.
RS09-TA					
PARTS LIST					
UNLESS OTHERWISE SPECIFIED	DRN.	DATE	digital EQUIPMENT CORPORATION MAYNARD, MASSACHUSETTS		
DIMENSION IN INCHES	CHK'D.	DATE	TITLE		
TOLERANCES	ENG.	DATE	RS09 TT WRITER		
DECIMALS FRACTIONS ANGLES	PROJ. ENG.	DATE	FLOW CHART		
± .005 ± 1/64 ± 0°30'	PROD.	DATE	SIZE CODE NUMBER REV.		
FINAL SURFACE QUALITY	CR.	DATE	A-MI-RS09-TA DFDRS09-TA-5 A		
REMOVE BURRS AND BREAK SHARP CORNERS	NEXT HIGHER ASSY		SCALE		
	A-MI-RS09-TA		SHEET 2 OF 1		
MATERIAL			DIST.		
FINISH					

This drawing and specifications, herein, are the property of Digital Equipment Corporation and shall not be reproduced or copied or used in whole or in part as the basis for the manufacture or sale of items without written permission.



CHK	CHANGE NO.	REV
	RS09TA-00005	A

REVISIONS

D. VONADA

FIRST USED ON	QTY.	DESCRIPTION	PART NO.	ITEM NO.
RS09-TA				
UNLESS OTHERWISE SPECIFIED				
DRN.	DATE	PARTS LIST		
CHK'D.	DATE	digital EQUIPMENT CORPORATION		
ENG.	DATE	MAYNARD, MASSACHUSETTS		
PROJ. ENG.	DATE	TITLE		
PROD.	DATE	TIM. DIAG.		
		STOP TIM.		
		(RS09) TT WRITER		
MATERIAL	NEXT HIGHER ASSY	SCALE	SIZE CODE	NUMBER
	A-ML-RS09-TA		DITDRS09-TA-6	REV. A
FINISH		SHEET	OF	
		1	1	

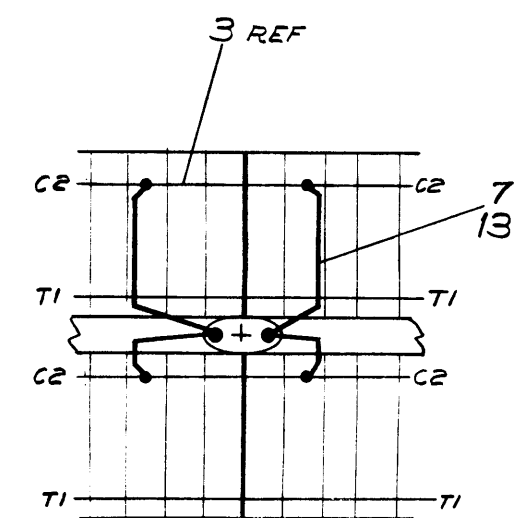
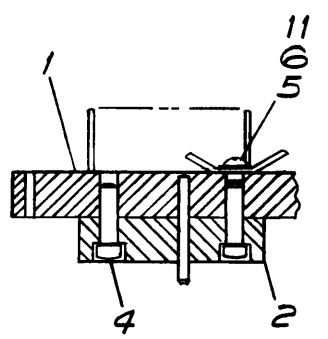
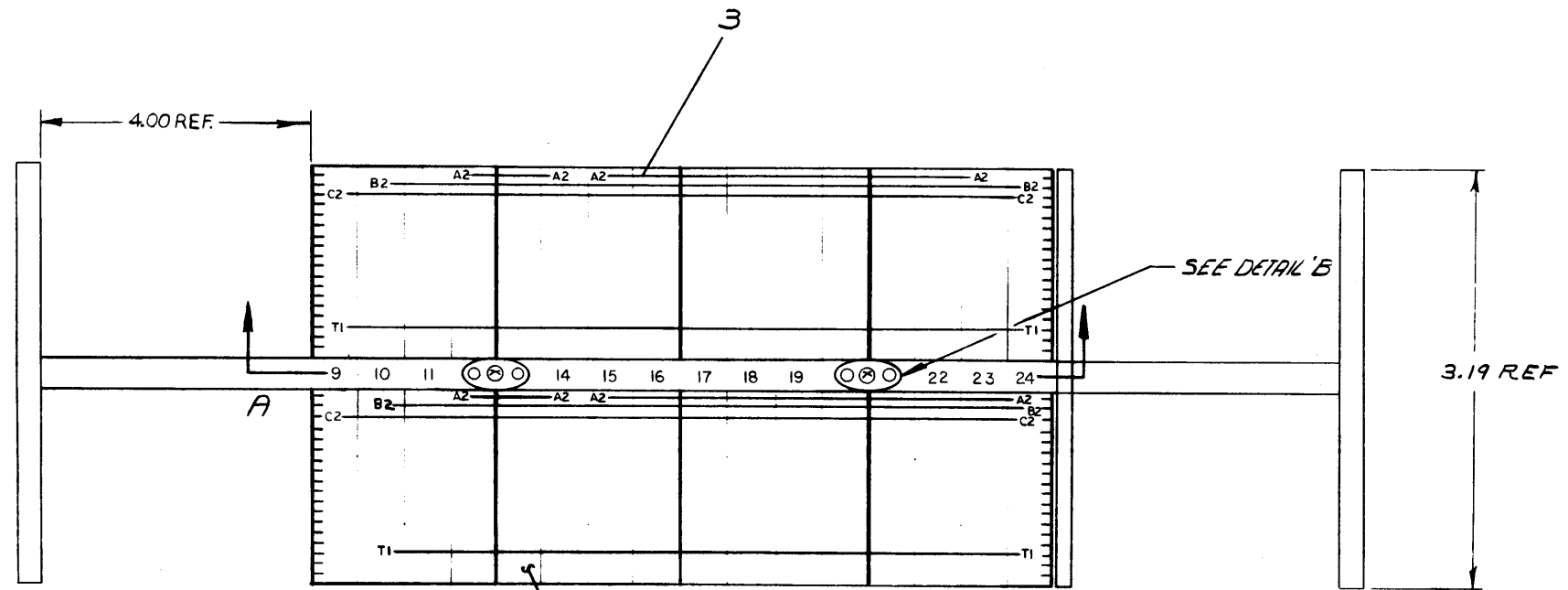
This drawing and specifications herein are the property of Digital Equipment Corporation and shall not be reproduced or copied or used in whole or in part as the basis for the manufacture or sale of items without written permission.

0-096493-00 2

EXTERNAL COMPONENT TABLE

ITEM	COMP	POL	FROM	TO	POL	REMARKS
10	CAP	-	A21R1	A21S2	+	11S WIRES/ITEM 7 USE TERMINALS ITEM #14
15	CAP	-	A10B2	A10P2	+	11S WIRES/ITEM 16 USE TERMINALS ITEM #14
15	CAP	-	B10B2	A10R1	+	11S WIRES/ITEM 17 USE TERMINALS ITEM #14
19	CAP	-	A10C2	A10E2	+	"
19	CAP	-	A13C2	A14A2	+	"
19	CAP	-	A22B2	A23C2	+	"
18	CAP	-	B22L2	B22M2		"

- NOTES:**
- ~~1. 1943 FRAME CASTING TO BE PAINTED BLACK PER SPEC # 9200130-34~~
 2. CONNECTIONS ON ITEM #3, 13 TO BE LOCATED AND SOLDERED AT MINIMUM PRACTICAL HEIGHT ABOVE BLOCKS.
 3. CONNECTOR BLOCKS TO BE GROUNDED TO GROUND LUGS AS SHOWN, 2 PLACES
 4. JUMPER GROUND BUSSING AS SHOWN, 4 PLACES.
 5. USE YELLOW WIRE (ITEM #8) FOR MACHINE WRAPPED AND BLUE WIRE (ITEM #9) FOR HAND WRAPPED WIRING.
 6. LOGIC MUST BE MOUNTED UPSIDE DOWN.



REV	CHG	NO.	DATE	BY	APP
A	RS09TA-00002				
B	RS09TA-00006				
C	RS09TA-00007				
D	7006493-00001				

FIRST USED ON OPTION/ MODEL RS09-TA	DO NOT SCALE DRAWING UNLESS OTHERWISE SPECIFIED DIMENSION IN INCHES	DRN. DATE CHK. DATE ENG. DATE PROD. DATE	DATE DATE DATE DATE
TOLERANCES DECIMAL XXX = ±.005 XX = ±.02 X = ±.1	TOLERANCES FRACTIONS ANGLES = 0°30' FINAL SURFACE QUALITY REMOVE BURRS AND BREAK SHARP CORNERS	digital EQUIPMENT CORPORATION MAYNARD, MASSACHUSETTS TITLE WIRED ASSY (RS09-TA)	
MATERIAL	FINISH SEE NOTE #1	NEXT HIGHER ASSY D-UA-RS09-TA-0 SCALE SHEET 1 OF 1	
PARTS LIST QTY. DESCRIPTION PART NO. ITEM NO.		SIZE/CODE NUMBER REV DIST. D/AD 7006493-0-0 1	

REV D
NUMBER 7006493-00
P/AD

DIGITAL EQUIPMENT CORPORATION MAYNARD, MASSACHUSETTS PARTS LIST				QUANTITY / VARIATION																	
MADE BY J. DEVIN		CHECKED D. HEALY		SECTION		7006493-0															
DATE 8/28/69		DATE 9/16/69		1																	
ENG <i>D. Vanada</i>		PROD <i>R. Thompson</i>		ISSUED SECT.																	
DATE 10-8-69		DATE 1-12-69		1																	
ITEM NO.	DWG NO. / PART NO.	DESCRIPTION																			
1	D-AD-9605733-0-0	1943 FRAME CASTING REWORK				1															
2	D-SC-1205348-0-0	288 PIN BLOCK #H803				4															
3	1205541	BUS STRIP				A/R															
4		SCR PHL HD FIL #8-32 X 5/8 SST				8															
5	9006035	SCR PHL HD PAN #8-32 X 1/4 SST				2															
6	9007597	TERMINAL #2116-08-0-0 SHAKEPROOF				2															
7	9107265-09	#22 TUBING, TEFLON, WHT				A/R															
8	9105740-44	#30 AWG SOLID TEF INS WIRE (YEL)				A/R															
9	9105740-66	#30 AWG SOLID TEF INS WIRE (BLU)				A/R															
10	1004812	CAPACITOR 15MFD 20V 10% S. TANT				1															
11	9006034	WASH INT TOOTH #8				2															
12	A-DC-7406310-0-0	LOGIC FRAME DECAL WHT				A/R															
13	9105760-01	#22 AWG BUS WIRE				A/R															
14	9007655	TERMI POINT CLIP#85952-3 AMP INC				6															
15	1000080	50 MFD 50V-10 + 75% S. TANT				2															
16	9107265-06	#22 TUBING TEFLON BLU				A/R															
17	9107265-01	#22 TUBING TEFLON BRN				A/R															
18	1000030	CAPACITOR, .1MFD 100V 20% DISC				1															
19	1000067	CAPACITOR, 6.8MFD 35V 20% S. TANT.				3															
REF	K-WL-RS09-TA-WL	WIRE LIST																			
TITLE WIRED ASSY (RS09-TA)				ASSY NO. D-AD-7006493-0-0		SIZE CODE A PL		NUMBER 7006493-0-0				REV. D		ECO NO. 7006493 00001							
				SHEET 1 OF 1		DIST.															

DEC FORM NO.
DRA 110

DRAWING DIRECTORY

"THIS DRAWING AND SPECIFICATIONS, HEREIN, ARE THE PROPERTY OF DIGITAL EQUIPMENT CORPORATION AND SHALL NOT BE REPRODUCED OR COPIED OR USED IN WHOLE OR IN PART AS THE BASIS FOR THE MANUFACTURE OR SALE OF ITEMS WITHOUT WRITTEN PERMISSION. COPYRIGHT © 1973, DIGITAL EQUIPMENT CORPORATION"

CUSTOMER PRINT SET INDEX

THIS IS PRINT SET

--	--	--	--	--

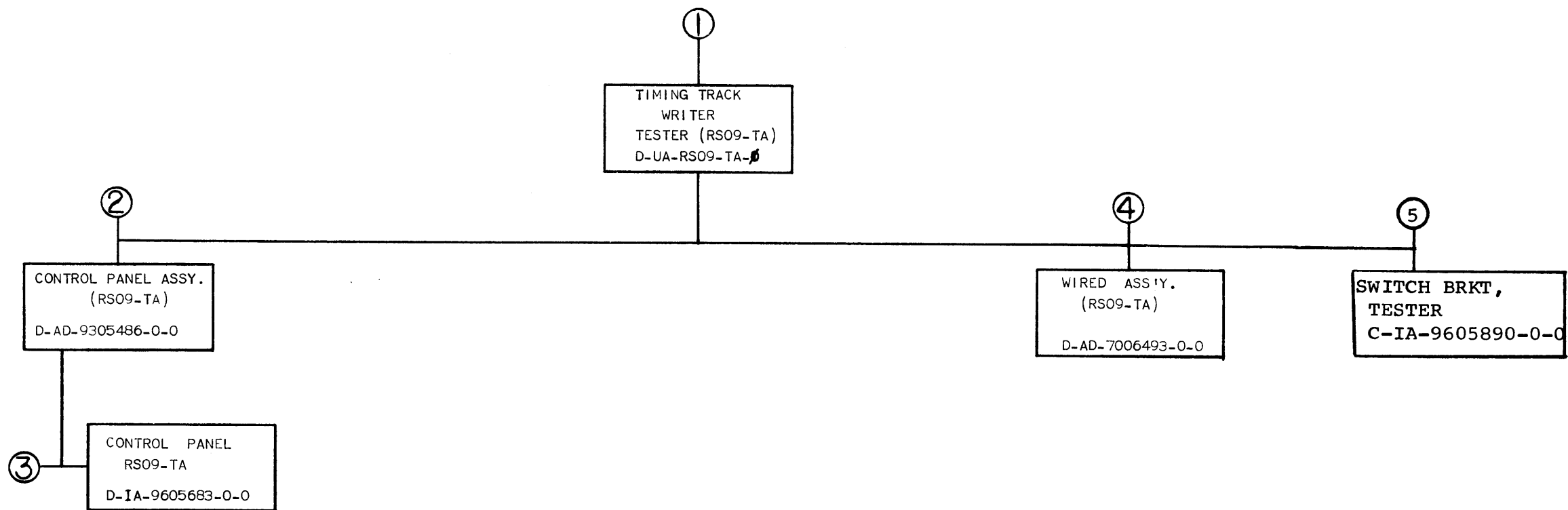
	SEQUENCE			SEQUENCE
↙	↙		↗	↗
DWG. DIRECTORY		B-DD-RS09-TA		
RS09 TTW TIMING DIAGRAM		D-TD-RS09-TA-6		
TTY WRITER FLOW CHART		D-FD-RS09-TA-5		
TTY CONT. PRIM. TRK. WRITERS		D-BS-RS09-TA-2		
TTY CONT. GAP DET.SP. TRK.WRT.		D-BS-RS09-TA-3		
TTW. B.C. WA. CLK.		D-BS-RS09-TA-4		
MODULE UTILIZATION		D-MU-RS09-TA-1		
MODULE UTILIZATION (PL)		A-PL-RS09-TA-1		
UNIT ASS'Y.		D-UA-RS09-TA-8		
WIRED ASSY.		D-AD-7006493-0-0		
WIRED ASS'Y. (PL)		A-PL-7006493-0-0		
CONTROL PANEL ASS'Y.		D-AD-9305486-0-0		
CONTROL PANEL CABLE		D-IA-7006522-0-0		
DISK PLUG CABLE		D-IA-9305491-0-0		
D.C. POWER CABLE		D-IA-9305501-0-0		
D.C. POWER HARNESS		D-IA-9305492-0-0		
WIRE LIST		K-WL-RS09-TA-WL		
RS09-TA-CHECKOUT/TROUBLESHOOT		A-SP-RS09-TA-8		
PROCEDURE				

UNIT VARIATIONS		PRINT SET			
VAR	TITLE	RS09-TA			
RS09-TA	RS09-TA TIMING TRACK WRITER	X			
	TESTER				

REVISIONS	
DATE	CHG. NO.
1/74	RS09TA-TA F
9/74	RS09TA-7 H
	ORIGINATED

USED ON OPTION/MODEL	DRN. DEVIN	DATE	TITLE			
RS09-TA	CHK'D. DEVIN	10/31/73	RS09-TA			
		10/31/73	TIMING TRACK WRITER			
	PROJ ENG.	01/24/74	TESTER			
	PROD.	01/24/74	SIZE	CODE	NUMBER	REV
	FIELD SERV.	1/24/74	B	DD	RS09-TA	H
SHEET 1 OF 3			DIST			

DEC 16-13251-1062-1A-R:72



TITLE	SHEET	OF	SIZE	CODE	NUMBER	REV
TIMING TRACK WRITER TESTER	2	3	B	DD	RS09-TA	H

CUSTOMER PRINT SET		ELECTRICAL					CUSTOMER PRINT SET		MECHANICAL						
RS09-TA	MFG. SET	FIND NO.	DRAWING NO.	REV	NO OF SHT	DESCRIPTION	OPTION NO./FILE DATE	RS09-TA	MFG. SET	FIND NO.	DRAWING NO.	REV	NO OF SHT	DESCRIPTION	OPTION NO./FILE DATE
X		1	D-MU-RS09-TA-1	C	1	MODULE UTILIZATION		X		1	D-UA-RS09-TA-0	B	1	TIMING TRACK WRITER TESTER	
X			A-PL-RS09-TA-1	C	1	MODULE UTILIZATION (PL)					E-1A-9605709-0-0		1	TESTER CHASSIS	
X			D-BS-RS09-TA-2	C	1	TTW CONT. PRIM. TRACK WRITERS					D-1A-9605714-0-0		1	BACK PANEL	
X			D-BS-RS09-TA-3	D	1	TTW CONT. GAP. DET. SPARE TRK. WRT.					D-1A-9605718-0-0		1	DIVIDER BRKT.	
X			D-BS-RS09-TA-4	D	1	TTW BC WA. CLK.					C-1A-9605712-0-0		1	BRKT. CHASSIS	
X			D-FD-RS09-TA-5	A	1	TTW WRITER FLOW CHART					D-MD-9605710-0-0		1	HINGE, TESTER PANEL	
X			D-TD-RS09-TA-6	A	1	TIMING DIAG. STOR. TIP. TTW WRITER		X			E-IA-9605711-0-0		1	COVER CHASSIS	
								X			D-IA-9305501-1-0	#	1	TESTER D.C. POWER CABLE	
								X			D-IA-9305492-0-0	#	1	D.C. POWER HARNESS	
											D-IA-9605796-2-0		1	MODULE HOLD DOWN BRKT.	
											C-IA-7405642-0-0		1	MODULE RETAINER SCREW	
								X		2	D-AD-9305486-0-0	#	1	CONTROL PANEL ASS'Y.	
X		4	D-AD-7006493-0-0	B	1	WIRED ASS'Y.		X			D-IA-7006522-0-0	#	1	CONTROL PANEL CABLE ASS'Y.	
X			A-PL-7006493-0-0	B	1	WIRED ASS'Y. (PL)		X			D-IA-9305491-0-0	#	1	DISK PLUG CABLE	
X			K-WL-RS09-TA-WL	D	1	WIRE LIST					B-MA-4908-0-0		1	4908 IND. LIGHT ASS'Y.	
											B-MD-9605726-0-0		1	HOLD DOWN BRKT. 36 PIN CONN.	
X			A-SP-RS09-TA-8		4	RS09-TA-TTW CHECKOUT AND TROUBLESHOOTING PROC.				3	D-IA-9605683-0-0		1	CONTROL PANEL	
											C-SS-9605683-0-1		1	SILK SCREEN	
										4	D-AD-7006493-0-0	C	1	WIRED ASSY.	
											A-PL-7006493-0-0	C	1	WIRED ASS'Y. (PL)	
											D-MD-9605733-0-0		1	CASTING FRAME REWORK	
											D-SC-1205348-0-0		1	288 PIN BLOCK	
										5	C-IA-9605890-0-0		1	SWITCH BRKT. TESTER	
											C-SS-9605890-0-1		1	SILK SCREEN	

CUSTOMER PRINT SET CODES	X = PRINT OF DOCUMENT INCLUDED IN PRINT SET	TITLE TIMING TRACK WRITER TESTER	SHEET 3 OF 3	SIZE B	CODE DD	NUMBER RS09-TA	REV H
	C = INCLUDES ALL PRINTS INDICATED ON DOCUMENT						
	S = CONFIDENTIAL AUTHORIZED SIGNATURE REQUIRED						

MASTER DRAWING LIST

This drawing and specifications, herein, are the property of Digital Equipment Corporation and shall not be reproduced or copied or used in whole or in part as the basis for the manufacture or sale of items without written permission.

DWG. NO.	REV. LET.	NO. OF SHEETS	TITLE
D-UA-RS08-M-0	L	2	DISK ASSY 60HZ
A-PL-RS08-M-0	L	3	DISK ASSY 60HZ
D-RC-RT08-M-2	A	2	HEAD MATRIX
D-AD-7006109-0-0	REF	1	WIRED ASSY RS08-P
A-PL-7006109-0-0	REF	1	WIRED ASSY RS08-P(PL)
D-IC-RS08-0-3	REF	1	RF08/RS08 CABLE ARRANGEMENT
D-DI-RS08-M-1	L	1	DWG INDEX LIST RS08-M
K-WL-RS08-P-WL	REF.		WIRE LIST

REVISIONS				DRN.	DATE	digital EQUIPMENT CORPORATION <small>MAYNARD, MASSACHUSETTS</small>
REV.	DATE	CHG. NO.	APP'D.	HEALY	3/25/69	
ORIG	3/26/69	RS08-00002		CHK'D. HEALY	3/25/69	TITLE DISK ASSY 60HZ RS08-M
A	9/69	RS08P-7	I.M.	ENG. <i>W. S. J. L.</i>	4/10/69	
B	1/70	RS08P-9	G.S.	PROJ. ENG. <i>W. S. J. L.</i>	4/10/69	
C	5/70	RS08M-3	W.S.	PROD. <i>W. S. J. L.</i>		
D	2/71	RS08M-6	J.L.			
E	5/71	RS08M-8	J.L.			
F	2/72	RS08M-9	P.S.	FIRST USED ON		
H	6/73	RS08M-11	R.C.	RS08-M		

SIZE	CODE	NUMBER	REV.
A	ML	RS08-M	H

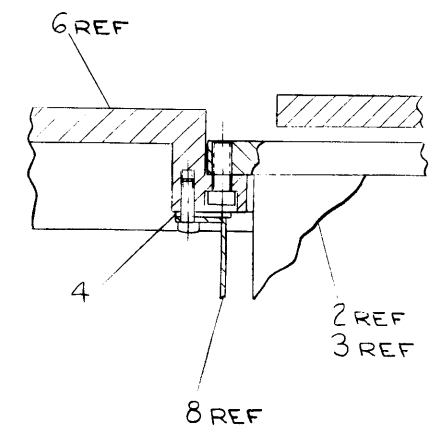
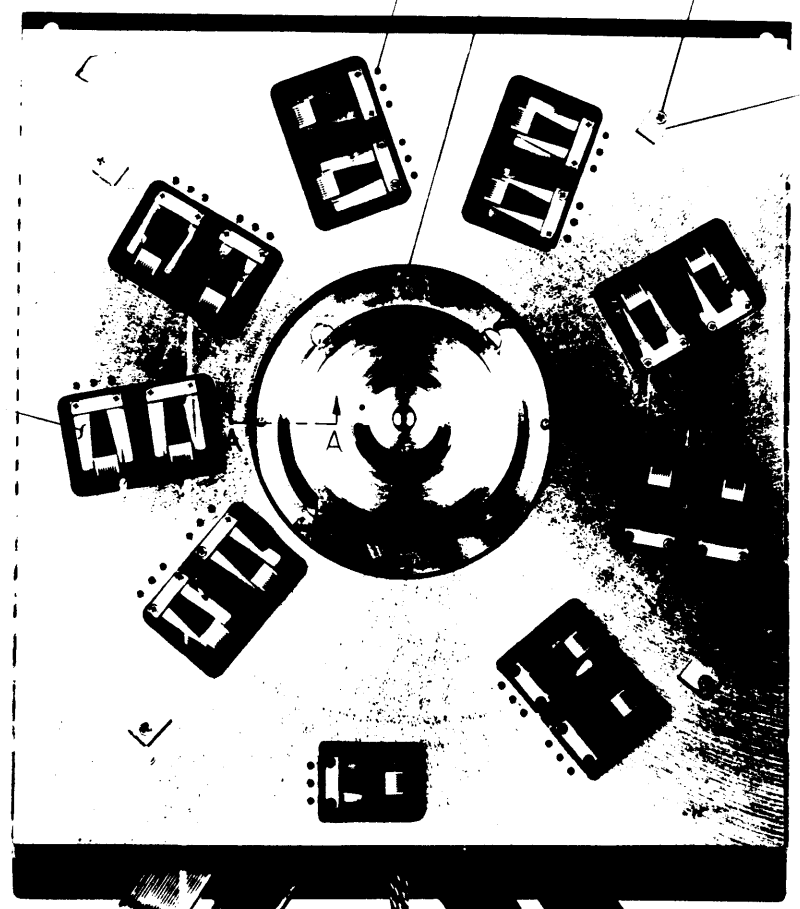
SCALE	SHEET	1	OF	1	DIST.				
-------	-------	---	----	---	-------	--	--	--	--

This drawing and specifications, herein, are the property of Digital Equipment Corporation and shall not be reproduced or copied or used in whole or in part as the basis for the manufacture or sale of items without written permission.

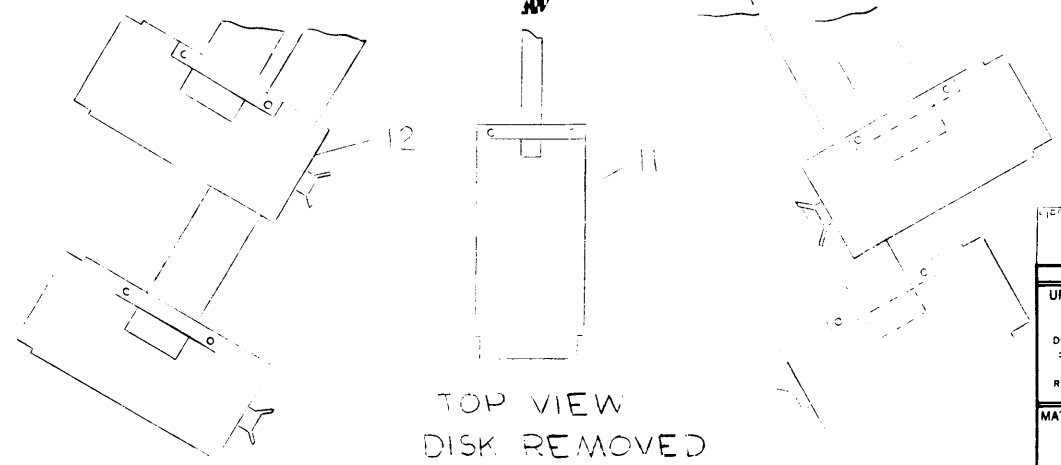
REV. C-M-808M-0

NUMBER	VARIATION
RS08-M	60 HZ
RS08-MA	50 HZ

- LEGEND
- NOTES:
- FOR DWG INDEX LIST REFER TO DD: RS08-M-1.
 - APPLY TORQUE SEAL (BLUE) 2 PLACES IN SCREW LOCATIONS ON SIDES OPPOSITE.
 - AIR COVER (ITEM 36) TO BE ATTACHED TO UELF (ITEM 6) WITH RTV (ITEM 35.) MUST BE AN AIR-TIGHT SEAL.
 - MOTOR LOCK (ITEM #41) TO BE REMOVED AND ROTATED 180° AND REATTACHED TO MOTOR HOUSING WITH BRUSH ASSEMBLY IN CONTACT WITH MOTOR SHAFT EXTENSION BEFORE STARTING MOTOR.
 - BRUSH ASSEMBLY (ITEM #42) TO BE ASSEMBLED TO MOTOR LOCK (ITEM #41) USING ITEMS #43 & #44 (SEE DETAIL "A").



SECTION A-A



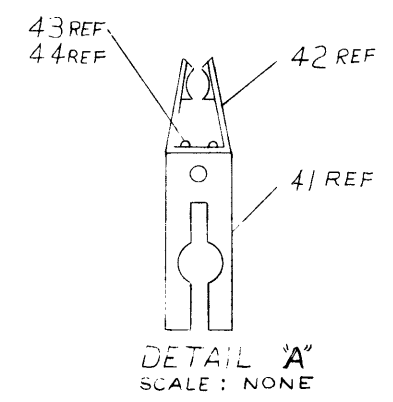
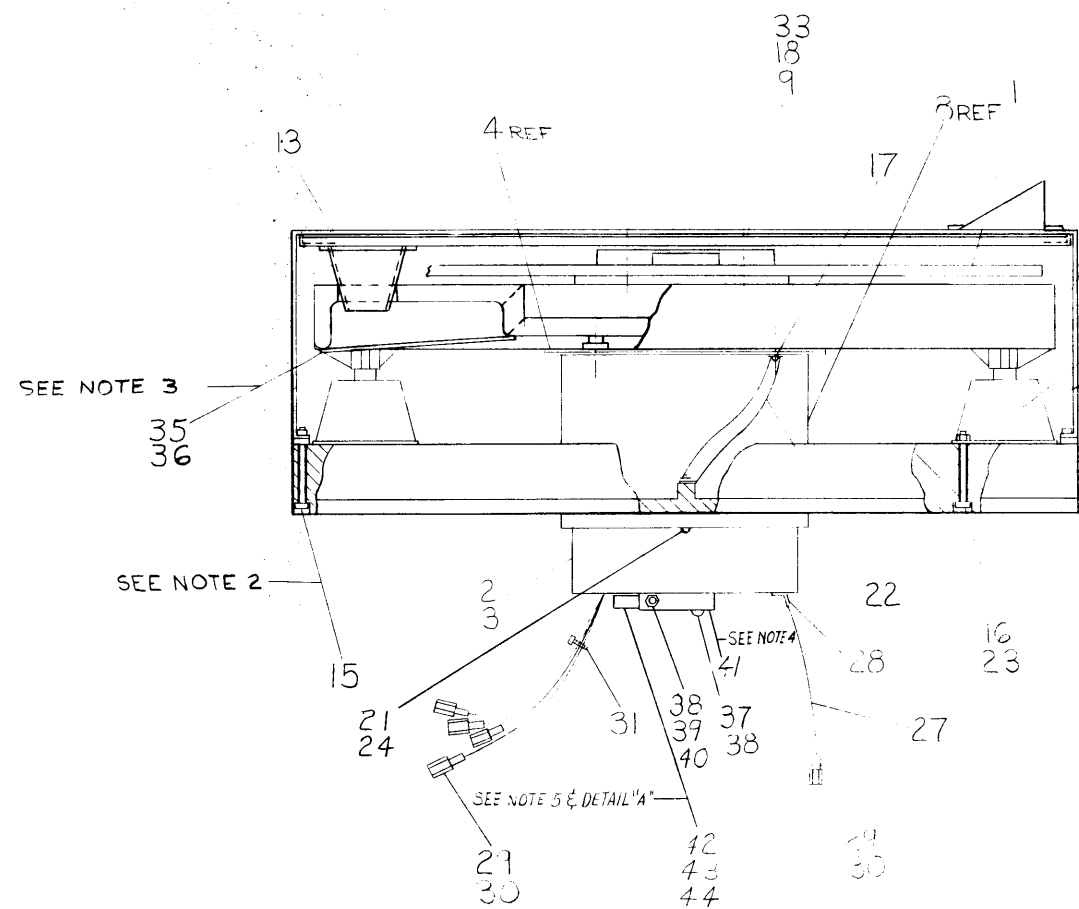
TOP VIEW DISK REMOVED

REV.	CHANGE NO.	DATE	BY	CHKD.	DATE
1	0000	1/10/68	I. MORRIS		
2	0001	1/10/68	I. MORRIS		
3	0002	1/10/68	I. MORRIS		
4	0003	1/10/68	I. MORRIS		
5	0004	1/10/68	I. MORRIS		
6	0005	1/10/68	I. MORRIS		
7	0006	1/10/68	I. MORRIS		
8	0007	1/10/68	I. MORRIS		

QTY.	DESCRIPTION	PART NO.	ITEM NO.
PARTS LIST			
digital EQUIPMENT CORPORATION MAYNARD, MASSACHUSETTS			
TITLE			REV.
DISK ASSY			D
RS08-M			
SCALE	SHEET	OF	
1	1	2	

This drawing and specifications herein are the property of Digital Equipment Corporation and shall not be reproduced or copied or used in whole or in part as the basis for the manufacture or sale of items without written permission.

0-W-053700 2
3000 3218



VIEW A = 10

REV	DATE	BY	CHKD

QTY.	DESCRIPTION	PART NO.	ITEM NO.
PARTS LIST			
UNLESS OTHERWISE SPECIFIED		DRN. <i>[Signature]</i> DATE <i>3/2/69</i>	
UNLESS OTHERWISE SPECIFIED		CHKD. <i>[Signature]</i> DATE <i>3/3/69</i>	
DIMENSION IN INCHES		ENG. <i>[Signature]</i> DATE <i>4/10/69</i>	
TOLERANCES		PROJ. ENG. <i>[Signature]</i> DATE <i>4/10/69</i>	
DECIMALS FRACTIONS ANGLES		PROD. DATE	
= .005 ± .1/64 ± 0°30'			
FINAL SURFACE QUALITY			
REMOVE BURRS AND BREAK SHARP CORNERS			
MATERIAL	FIRST USED ON	digital EQUIPMENT CORPORATION MAYNARD, MASSACHUSETTS TITLE DISK ASSY 'RS08-M	
FINISH	SCALE		
	SHEET 2 OF 2	SIZE CODE	NUMBER
		DUAR508-M-0	

REV D
NUMBER
DUAR508-M-0

DIGITAL EQUIPMENT CORPORATION
MAYNARD, MASSACHUSETTS

PARTS LIST

MADE BY G. FLANDERS
DATE 3/25/69
ENG *Wm Jones*
DATE 4/10/69

CHECKED D. HEALY
DATE 3/26/69
PROD *Rm Jones*
DATE 4/10/69

SECTION 1
ISSUED SECT. 1

ITEM NO.	DWG NO. / PART NO.	DESCRIPTION	RS08-M (60HZ)	RS08-MA (50HZ)	QUANTITY / VARIATION
1	3005981	DISK	1	1	
2	D-IA-7406866-1-0	MOTOR & HUB ASSY (60HZ)	1		
3	D-IA-7406866-2-0	MOTOR & HUB ASSY (50HZ)	1		
4	B-WD-7407023-0-0	GASKET, BUNNEL	1		
5	B-MD-7406999-0-0	BUMPER, DISK	4		
6	E-IA-7407058-0-0	DECK	1		
7	E-IA-7407008-0-0	DECK MOUNTING, BOTTOM	1		
8	D-IA-7407024-0-0	FUNNEL	1		
9	C-MD-7407004-0-0	CAP, DISK	1		
10	1209319	SHOCK MT 156-PHLW-13 (LORD)	4		
11	D-AD-7006197-0-0	HARNESSTIMING TRACK	1		
12	D-IA-7006221-0-0	DATA HEAD HARNESST	1		
13	D-AD-7006147-0-0	COVER ASSY	1		
14	C-AD-7005745-0-0	HEAD SHOWN ASSY	1		
15	9007909	SCR SOC HD #6-32 x 1 3/4	17	17	
16	9007955	SCR SOC HD #8-32 x 1 1/2	12	12	
17	9006024-1	SCR PH HD PAN #6-32 x 1/2	16	16	
18	9006332	SCR SOC HD #6-32 x 3/4	59	59	
19	9006347	SCR SOC HD #10-32 x 5/8	4	4	
20	9006021-2	SCR FLAT HD #6-32 x 5/16	4	4	
21	9006029-1	SCR PH HD PAN #6-32 x 1 1/4	4	4	
22	9006990	GND STRAP JANCO #740F-33-20	1	1	

TITLE DISK ASSY RS08-M

ASSY NO. D-UA-RS08-M-Ø

SHEET 1 OF 3

SIZE CODE A PL

NUMBER RS08-M-Ø

REV. ECO NO. RS08M 00011 D

DIGITAL EQUIPMENT CORPORATION
MAYNARD, MASSACHUSETTS

PARTS LIST

MADE BY G. FLANDERS
DATE 3/25/69
ENG *Wm Jones*
DATE 4/10/69

CHECKED D. HEALY
DATE 3/26/69
PROD *Rm Jones*
DATE 4/10/69

SECTION 1
ISSUED SECT. 1

ITEM NO.	DWG NO. / PART NO.	DESCRIPTION	RS08-M (60HZ)	RS08-MA (50HZ)	QUANTITY / VARIATION
23	9006563	NUT KEPS #8	16	16	
24	9006560	NUT KEPS #6	1	1	
25	9006633	WASH INT TOOTH LOCK #6	59	59	
26	9006656	WASH FLAT #6	59	59	
27	9107360-00	#18 GA STRD TEF INS (BLK)	A/RA/R		
28	9005781	SOLDERLESS CONN #34132 AMP INC	1	1	
29	9006997	SOLDERLESS CONN#42025-1 AMP INC	5	5	
30	9107305	HY SHRINK TUBING RED	A/RA/R		
31	9007031	TY WRAP #SST-158	A/RA/R		
32	9007906	SPLIT LOCK WASH #10	4	4	
33	9007801	SPLIT LOCK WASH #6	4	4	
34	9007941	TORQUE SEAL (BLUE) ORGANIC PROD	A/R A/R		
35	9009058	REV (LOW ORGANIC) GE	A/R A/R		
36	C-MD-7408195-0-0	AIR COVER	1	1	
37	9006011-1	#4-40 X .38 PH PAN HD SCREW	1	1	
38	9008172	#4 WASHER	2	2	
REF	E-MD-9305076-0-0	GLASS ALIGNMENT DISK			
39	9006017-1	#4-40 X 1.00 PH PAN HD SCREW	1	1	
40	9006557	#4-40 KEPS NUT	1	1	
41	C-MD-7408858	MOTOR LOCK	1	1	
42	12-10659	BRUSH ASSEMBLY	1	1	
43	9006000-1	#2-56 X .25 PH PAN HD SCREW	2	2	

TITLE DISK ASSY RS08-M

ASSY NO. D-UA-RS08-M-Ø

SHEET 2 OF 3

SIZE CODE A PL

NUMBER RS08-M-Ø

REV. ECO NO. D

DIGITAL EQUIPMENT CORPORATION
MAYNARD, MASSACHUSETTS

PARTS LIST

MADE BY G. FLANDERS	CHECKED D. HEALY	SECTION
DATE 3/25/69	DATE 3/26/69	ISSUED SECT.
ENG IRA MORRIS	PROD <i>[Signature]</i>	
DATE 4/10/69	DATE 4/10/69	

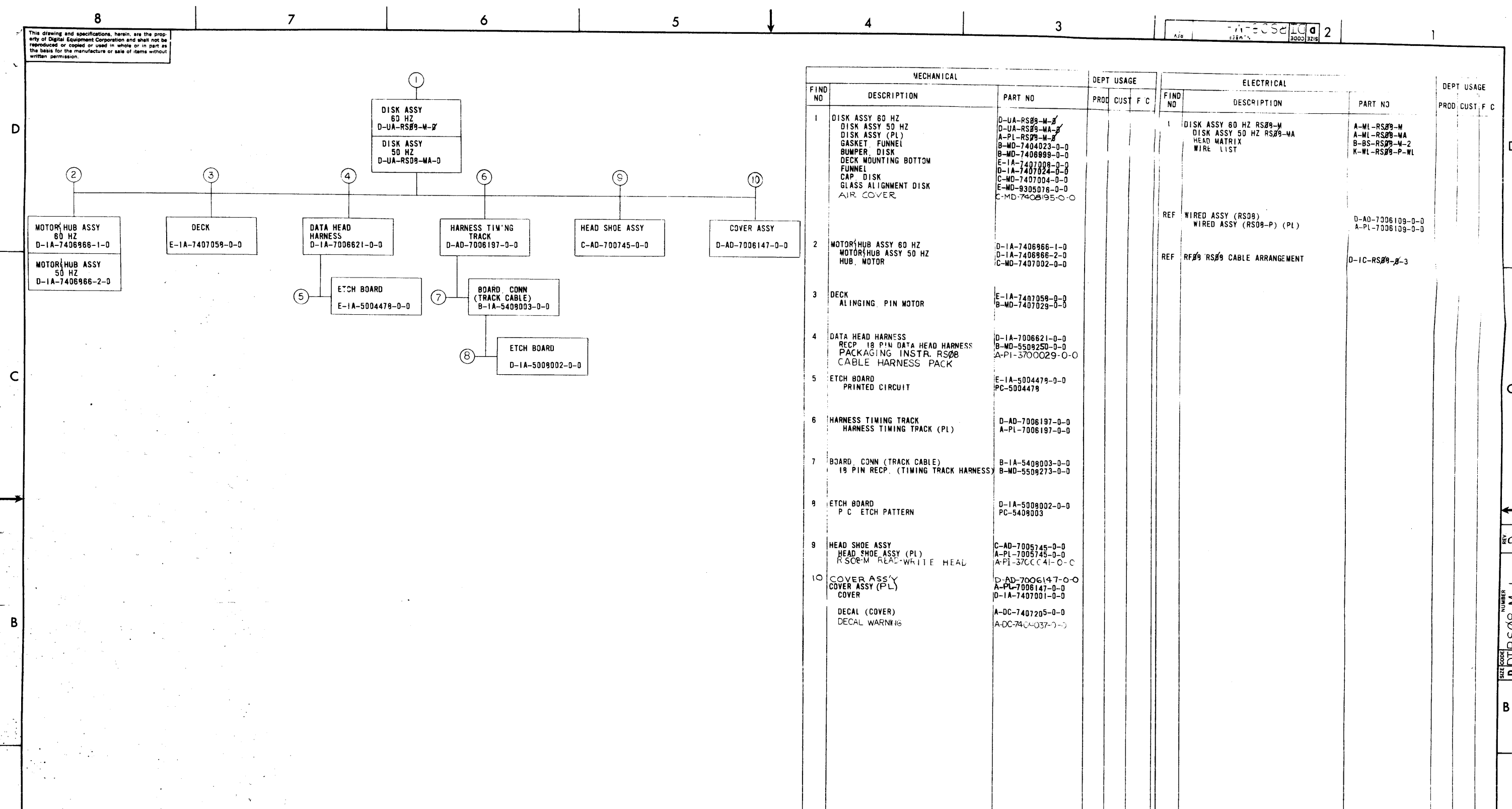
QUANTITY / VARIATION

ITEM NO.	DWG NO. / PART NO.	DESCRIPTION	QUANTITY / VARIATION																	
			RS08-M (60HZ)	RS08-MA (50HZ)																
44	9006631	#2 INTERNAL TOOTH LOCKWASHER	2	2																
45	9006377	SCR, SOC HD CAP 1/4-20 X 1 1/2	4	4																
46	9006637	WASHER, INT TOOTH #1214	4	4																

TITLE DISK ASSY RS08-M	ASSY NO. D-UA-RS08-M-Ø	SIZE CODE A PL	NUMBER RS08-M-Ø	REV. D	ECO NO.
SHEET 3 OF 3		DIST. G			

This drawing and specifications, herein, are the property of Digital Equipment Corporation and shall not be reproduced or copied or used in whole or in part as the basis for the manufacture or sale of items without written permission.

DATE CODE 2 30003216



MECHANICAL			ELECTRICAL				
FIND NO	DESCRIPTION	PART NO	DEPT USAGE	FIND NO	DESCRIPTION	PART NO	DEPT USAGE
			PROD CUST F C				PROD CUST F C
1	DISK ASSY 60 HZ DISK ASSY 50 HZ DISK ASSY (PL) GASKET, FUNNEL BUMPER, DISK DECK MOUNTING BOTTOM FUNNEL CAP, DISK GLASS ALIGNMENT DISK AIR COVER	D-UA-RS08-M-0 D-UA-RS08-MA-0 A-PL-RS08-M-0 B-MD-7404023-0-0 B-MD-7408999-0-0 E-1A-7407009-0-0 D-1A-7407024-0-0 C-MD-7407004-0-0 E-MD-9305076-0-0 C-MD-7408995-0-0		1	DISK ASSY 60 HZ RS08-M DISK ASSY 50 HZ RS08-MA HEAD MATRIX WIRE LIST	A-ML-RS08-M A-ML-RS08-MA B-BS-RS08-M-2 K-WL-RS08-P-WL	
2	MOTOR HUB ASSY 60 HZ MOTOR HUB ASSY 50 HZ HUB, MOTOR	D-1A-7406966-1-0 D-1A-7406966-2-0 C-MD-7407002-0-0		REF	WIRED ASSY (RS08) WIRED ASSY (RS08-P) (PL)	D-AD-7006109-0-0 A-PL-7006109-0-0	
3	DECK ALIGNING, PIN MOTOR	E-1A-7407059-0-0 B-MD-7407029-0-0		REF	RS08 CABLE ARRANGEMENT	D-1C-RS08-0-3	
4	DATA HEAD HARNESS RECP, 18 PIN DATA HEAD HARNESS PACKAGING INSTR, RS08 CABLE HARNESS PACK	D-1A-7006621-0-0 B-MD-5509250-0-0 A-PL-3700029-0-0					
5	ETCH BOARD PRINTED CIRCUIT	E-1A-5004479-0-0 PC-5004479					
6	HARNESS TIMING TRACK HARNESS TIMING TRACK (PL)	D-AD-7006197-0-0 A-PL-7006197-0-0					
7	BOARD, CONN (TRACK CABLE) 18 PIN RECP. (TIMING TRACK HARNESS)	B-1A-5409003-0-0 B-MD-5509273-0-0					
9	ETCH BOARD P C ETCH PATTERN	D-1A-5009002-0-0 PC-5409003					
9	HEAD SHOE ASSY HEAD SHOE ASSY (PL) RS08-M READ-WRITE HEAD	C-AD-7005745-0-0 A-PL-7005745-0-0 A-PL-3700041-0-0					
10	COVER ASSY COVER ASSY (PL) COVER	D-AD-7006147-0-0 A-PL-7006147-0-0 D-1A-7407001-0-0					
	DECAL (COVER) DECAL WARNING	A-DC-7407205-0-0 A-DC-7404037-0-0					

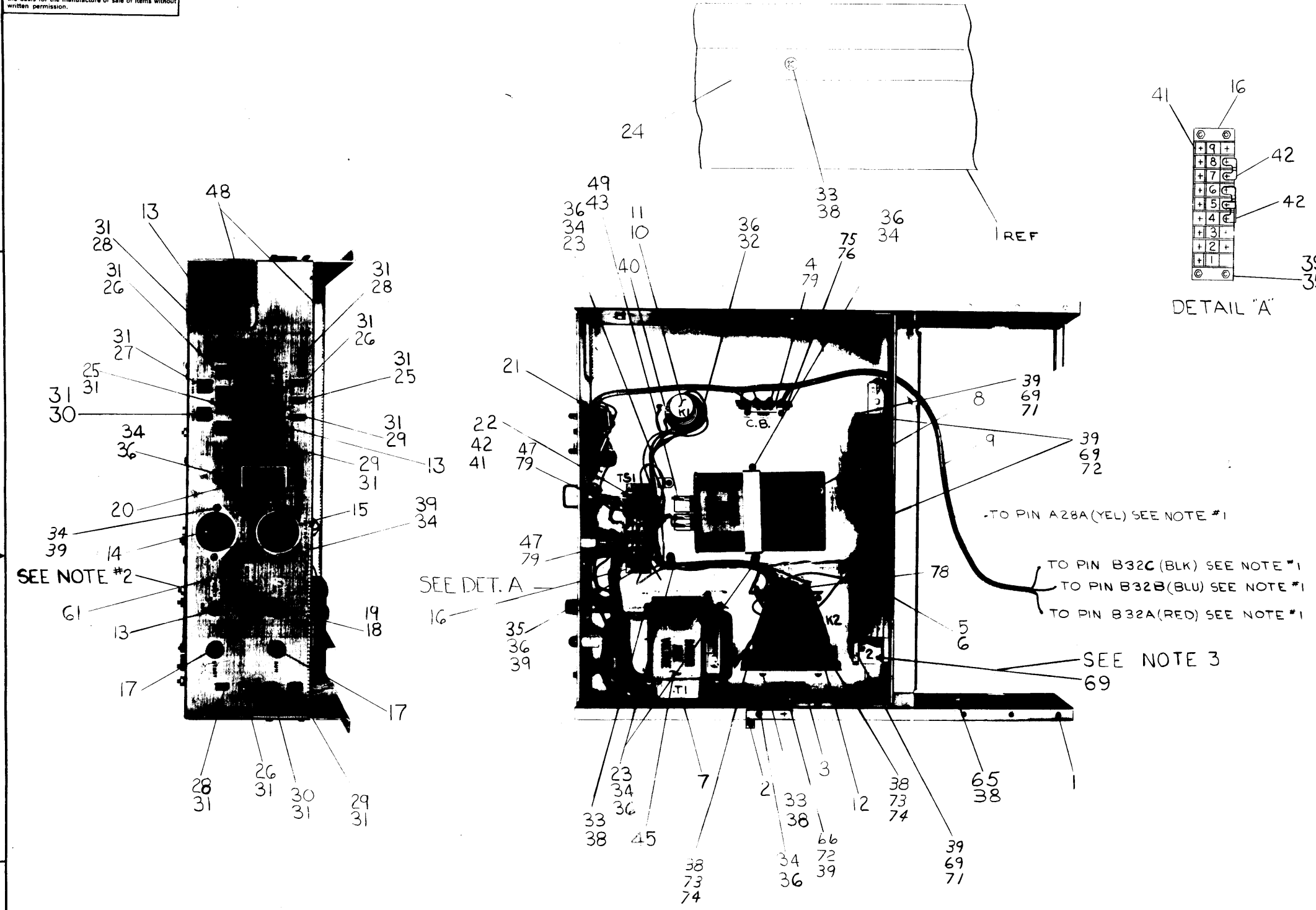
REV	CHG	NO	DATE	BY	DESCRIPTION
1	RS08-0002				ORIGINATED
2	RS08M-0003	A	11/17/69	G. MC FALL	
3	RS08M-0006	B	1/14/70	LAWRENCE	
4	RS08M-0006	C	5/17/71	LAWRENCE	
5	RS08M-0001	D	1/17/71	LAWRENCE	

FIRST USED ON OPTION MODEL RS08-M		QTY.	DESCRIPTION	PART NO.	ITEM NO.
UNLESS OTHERWISE SPECIFIED					
DIMENSION IN INCHES					
TOLERANCES					
DECIMALS	FRACTIONS	ANGLES			
± .005	± 1/64	± 0°30'			
FINAL SURFACE QUALITY					
REMOVE BURRS AND BREAK SHARP CORNERS					
MATERIAL	A-ML-RS08-M				
FINISH					
SCALE	1				
SHEET	OF 1				
digital EQUIPMENT CORPORATION MAYNARD, MASSACHUSETTS		TITLE DWG INDEX RS08-M		SIZE CODE NUMBER REV. D RS08-M-1 D	

This drawing and specifications, herein, are the property of Digital Equipment Corporation and shall not be reproduced or copied or used in whole or in part as the basis for the manufacture or sale of items without written permission.

- NOTES:**
1. TAG END OF WIRES AS INDICATED.
 2. PLACE PROPER DECAL *A-DC-7406707-0-0 (50 OR 60HZ) AT TIME OF INSTALLATION IN SYSTEM CABINET AS SHOWN.
 3. SPACE FAN SCREENS OFF FANS WITH #6 FLAT WASHERS (ITEM 69) 16 PLACES

D
C
B
A



REV.	CHG. NO.	BY	DATE	DESCRIPTION
1	RS08-0002			ORIGINATED
2	RS08-0007		6/9/69	SAVIERS
3	RS08P-0004			SAVIERS
4	RS08P-0005			SAVIERS
5	RS08P-0006			SAVIERS
6	RS08P-0007			SAVIERS
7	RS08P-0008			SAVIERS
8	RS08P-0009			SAVIERS

FIRST USE ON OPTION / MODEL	QTY.	DESCRIPTION	PART NO.	ITEM NO.
RS08-P				
PARTS LIST				
UNLESS OTHERWISE SPECIFIED	DRN.	DATE	digital EQUIPMENT CORPORATION MAYNARD, MASSACHUSETTS	
UNLESS OTHERWISE SPECIFIED	CHK'D	DATE	TITLE	
DIMENSION IN INCHES	ENG.	DATE	CHASSIS ASSY W/O LOGIC	
TOLERANCES	PROJ. ENG.	DATE	REV.	
DECIMALS FRACTIONS ANGLES	PROD.	DATE	L	
±.005 ± 1/64 ± 0°30'			NUMBER	
FINAL SURFACE QUALITY			D AD 7006156-0-0	
REMOVE BURRS AND BREAK SHARP CORNERS			DIST.	
MATERIAL	FIRST USE ON OPTION		REV.	
FINISH	D-UA-RS08-P-0		L	
	SCALE		SHEET	
	1 OF 2			

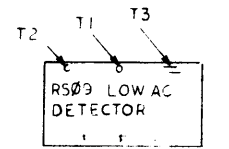
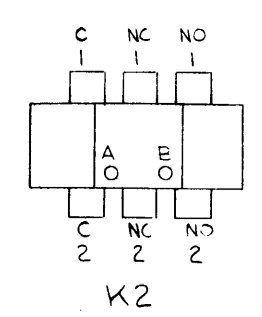
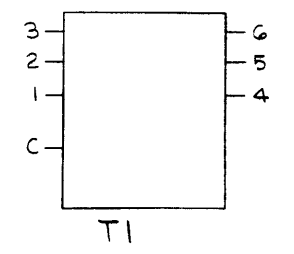
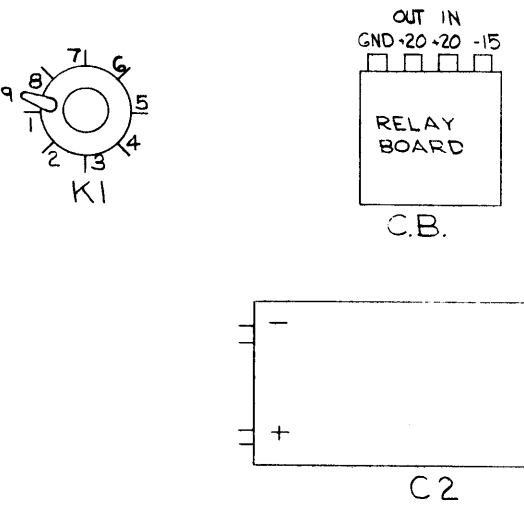
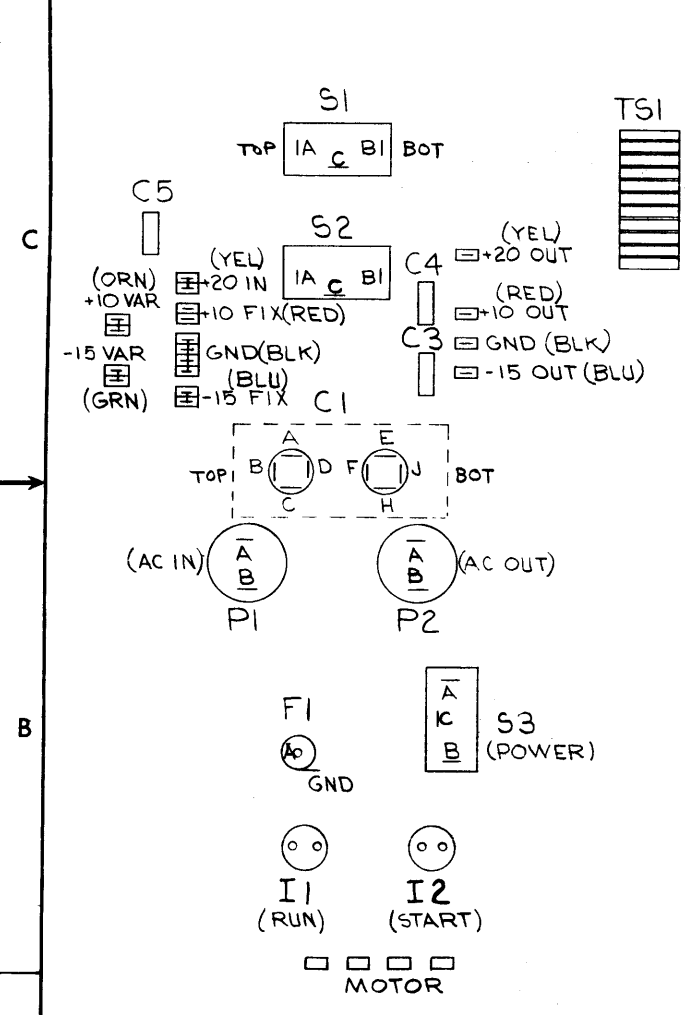
REV. L
ITEM NO. 7006156-0-0
SIZE CODE D AD

This drawing and specifications, herein, are the property of Digital Equipment Corporation and shall not be reproduced or copied or used in whole or in part as the basis for the manufacture or sale of items without written permission.

0-0-9919002 2

WIRE TABLE

ITEM NO	DESCRIPTION	CONNECTIONS	EQUIP FROM WITH ITEMS	EQUIP TO WITH ITEMS
51	18 RED	T1- 1	T51- 6	*A 47, 79
56	WHT	T1-C	T51- 6	*A 47, 79
52	ORN	T1-G	T51- 9	*A 47, 79
57	GRY/RED	K2-NC- 1	K1- 2	
66	RES RI	K2-NC- 1	K2-110 1	*A
58	GRY/GRN	K2-C- 1	K2- T3	79
58	GRY/GRN	RS09- T3	K1- 7	43, 47 *A
59	GRY/WHT	RS09- T1	K1- 3	78 *A
59	GRY/WHT	T1	C1- F	78, 79, 47
52	ORN	K2-NO- 2	T51- 9	79, 47
51	RED	K2-NC- 2	T51- 7	79, 47
51	RED	T51- 7	K1- 5	79 *A
51	RED	K2-NC- 2	K2-C- 2	
60	RED	FAN-1- A	FAN-2- A	*A, 47
60	WHT	FAN-1- B	FAN-2- B	*A, 47
60	RED	FAN-1- A	T51- 8	*A, 47, 79, 47
60	WHT	FAN-1- B	T51- 6	*A, 47, 79, 47
53	YEL	C2+	MOTOR- YEL	43, *A
53	RED	C2-	MOTOR- RED	43, *A
57	GRY/RED	C2-	K1- 2	43, *A
50	BLK	C.B.- GND	GND	79 *A
50	BLK	C.B.- GND	SEE NOTE 1	79 *A
53	YEL	C.B.-OUT+20	+20 OUT	79 *A
53	YEL	C.B.-OUT+20	SEE NOTE 1	79 *A
53	YEL	C.B.-IN+20	+20 IN	79 *A
55	BLU	C.B.-(-)15	SEE NOTE 1	79 *A
55	BLU	C.B.-(-)15	-15 OUT	79 *A
50	18 BLK	K1- 1	K1- 9	*A
	BLK	I1(RUN)	F1- GND	*A
	BLK	I1(RUN)	MOTOR-GRN	*A
	BLK	I2(START)	MOTOR-RED	*A
	BLK	I2(START)	MOTOR-GRN	*A
56	18 WHT	MOTOR-GRN	T51- 4- 6	*A
51	RED	F1- GND	T51- 8	*A 47
51	RED	F1- A	S3-C(POWER)	*A 47, *A 47
51	RED	S3- B	C1- D	*A 43
51	RED	P1-A(BRASS)	P2-A(BRASS)	*A 47
56	WHT	P1-B(TIN)	P2-B(TIN)	*A 47
51	RED	P2-A(BRASS)	T51- 3	*A 47
56	WHT	P2-B(TIN)	T51- 1	*A 47
63	RED	C1- B	T51- 3	22, 79
62	WHT	C1- E	T51- 1	22, 79
56	WHT	C1- J	T51- 6	43 *A
54	GRN	S2- A	-15 VAR	*A
55	BLU	S2- B	-15 FIX	*A
55	BLU	S2- C	-15 OUT	*A
52	ORN	S1- A	+10 VAR	*A
51	RED	S1- B	+10 FIX	*A
51	RED	S1- C	+10 OUT	*A
21	CAP	C3	-15 OUT	*A, 64
21	CAP	C3	GND	*A, 64
21	CAP	C4	GND	*A, 64
21	CAP	C4	+10 OUT	*A, 64
21	CAP	C5	+20 IN	*A, 64
21	CAP	C5	GND	*A, 64
51	RED	C.B.-110 OUT	SEE NOTE 1	*A
50	BLK	GND	GND	*A
56	18 WHT	MOTOR- BLU	MOTOR- GRN	*A

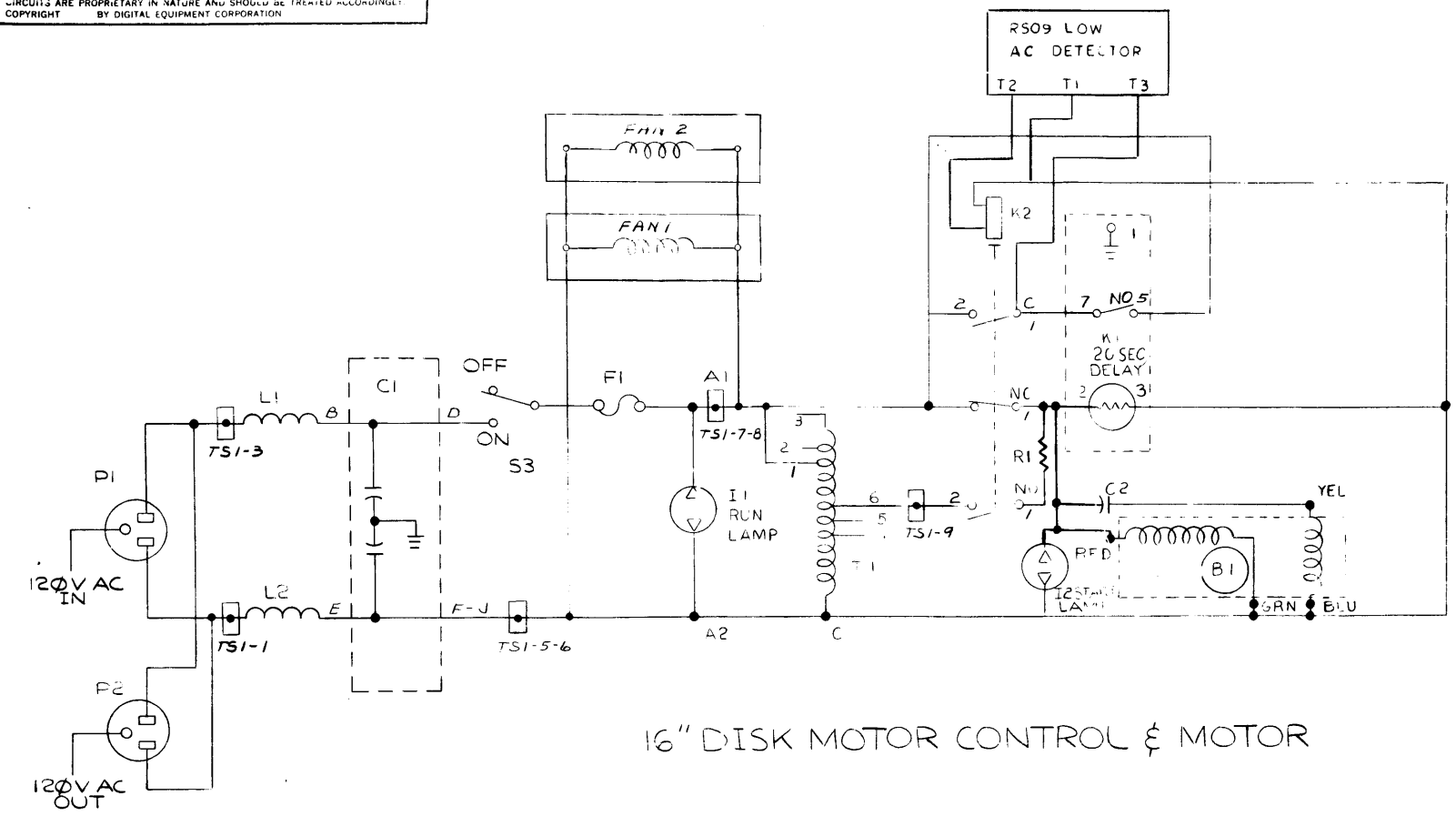


** MOUNT ON K2, T2 TO A & T1 TO B
 * LETTER DESIGNATION "A" INDICATES WIRE IS TO BE SOLDERED PER ABOVE TABLE

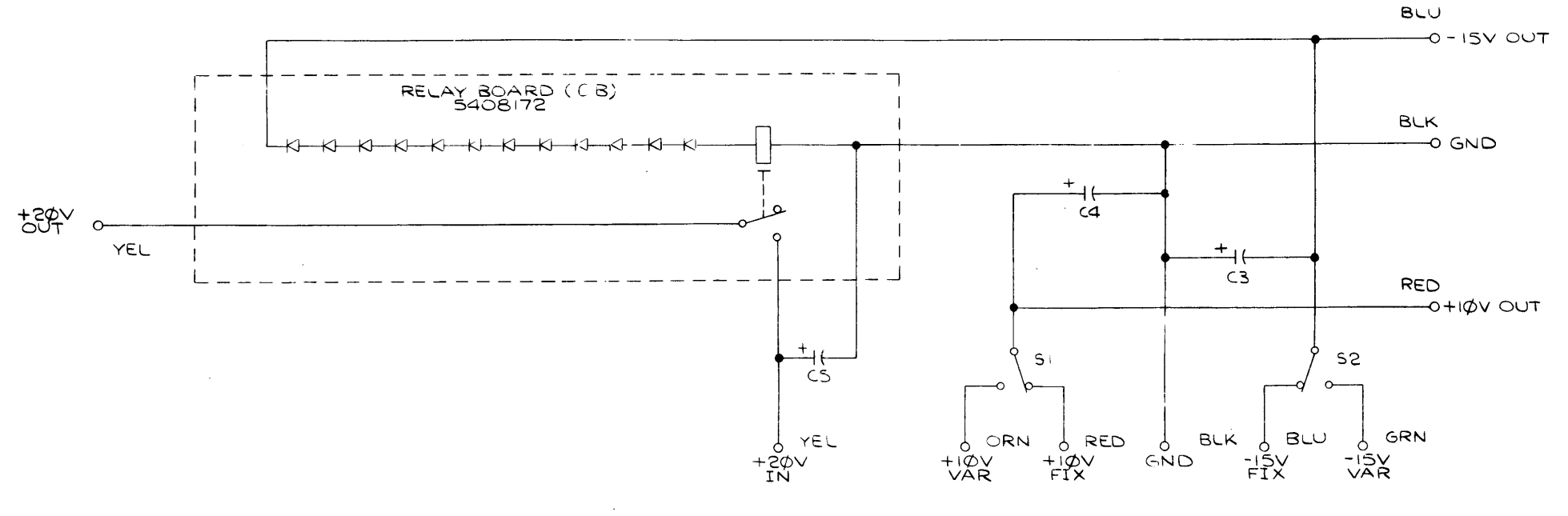
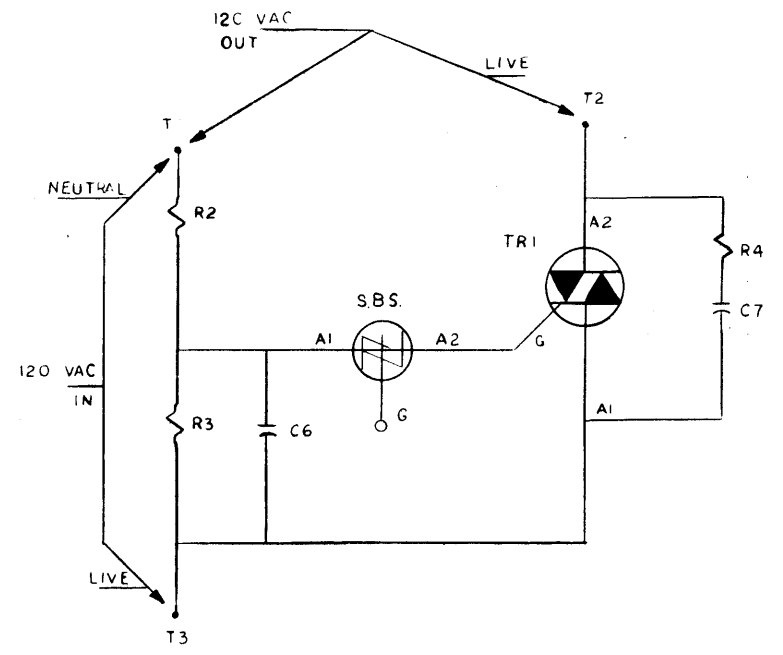
REV.	CHANGE NO.	CHK

UNLESS OTHERWISE SPECIFIED DIMENSION IN INCHES TOLERANCES DECIMALS FRACTIONS ANGLES ±.005 ±.004 ±.030 FINAL SURFACE QUALITY REMOVE BURRS AND BREAK SHARP CORNERS	DRN. DATE 4/15/69 CHK'D. DATE 4/15/69 ENG. DATE 4/15/69 PROJ. ENG. DATE 4/15/69 PROD. DATE 4/15/69	DATE 4/15/69 DATE 4/15/69 DATE 4/15/69 DATE 4/15/69	digital EQUIPMENT CORPORATION MAYNARD, MASSACHUSETTS
MATERIAL	FIRST USED ON	SCALE	TITLE CHASSIS ASSY W/O LOGIC
FINISH	SHEET 2 OF 2	DIST	SIZE CODE NUMBER REV DAD7006156-0-0 L

THIS SCHEMATIC IS FURNISHED ONLY FOR TEST AND MAINTENANCE PURPOSES. THE CIRCUITS ARE PROPRIETARY IN NATURE AND SHOULD BE TREATED ACCORDINGLY. COPYRIGHT BY DIGITAL EQUIPMENT CORPORATION



16" DISK MOTOR CONTROL & MOTOR



RS08 D.C. POWER CONTROL

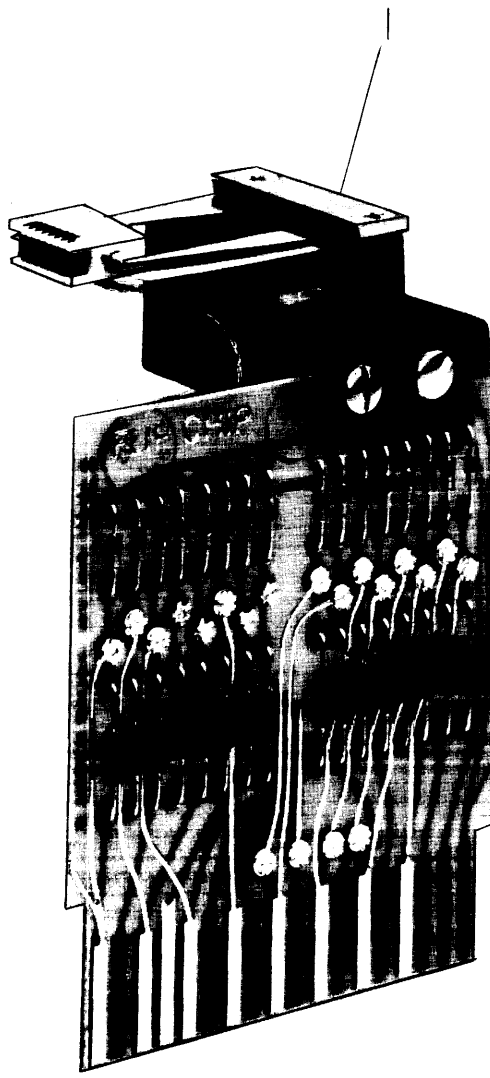
REF DESIGNATION	DESCRIPTION	PART NO.
RS09 LOW AC DET	MODULE	5409920
RS09 LOW AC DET	CIRCUIT BOARD	5009919
R2	RES 5K 3.5W 5%	1310911
R3	RES. 360Ω 1/2W 5%CC	1302383
R4	RES. 10K 1/4W 5%CC	1300479
C6	CAP 1MFD 100V 20%	1000030
C7	CAP .033 MFD 100V 10%	1000050
SBS	2N4992 TRIAC TRIGGER	1510910
TR1	TRIAC DEC 40669	1510070
FAN1, FAN2	FAN, MUFFIN ROTRON	1205033
TS1	TRM STRIP #9-540 1/2 INCH JONES	9006912
R1	RES 1.5 Ω 55W	1302702
C1	CAP 2 × .1MFD 600VDC	1002153
C2	CAP 30MFD 370V	1009122
C3, C4, C5	CAP 50 MFD 50V	1000080
K1	TIMING RELAY	1209121
K2	EBERT RELAY	1209491
B1	MOTOR 50 HZ	1209003-21
B1	MOTOR 60 HZ	1209003-20
I1, I2	LIGHT PILOT 110V	1205458
T1	2:1 AUTO XMFR	1609313
S1, S2, S3	SWITCH SPDT	1202279
L1, L2	TUBE FERROXCUBE	1605147
F1	7 AMP S.B. FUSE	9007224
CB	RELAY BOARD	5408172
P1	SOX 3 PIN AC MALE	1201252
P2	SOX 3 PIN FEMALE	1201251
PARTS LIST		

DRN	DATE	TRANSISTOR & DIODE CONVERSION CHART	TITLE
CHK'D	DATE	DEC EIA	POWER CONTROL AND MOTOR CONTROL
APP'D	DATE	DEC EIA	EQUIPMENT CORPORATION
PROD.	DATE	DEC EIA	MAYNARD, MASSACHUSETTS

This drawing and specifications, herein, are the property of Digital Equipment Corporation and shall not be reproduced or copied or used in whole or in part as the basis for the manufacture or sale of items without written permission.

LEGEND	
NUMBER	VARIATION
7005745-0	UNLOADED (FROM VENDOR)
7005745-1	RELOADED TO 31 GRAMS
7005745-2	RELOADED TO 25 GRAMS

3 RE STOCK RM - 61



D
C
B
A

D
C
B
A

REV.	CHANGE NO.	DATE	BY	CHK'D.
A	RS08-00002	4/3/68	I. MORRIS	
B	7005745-00001	8-17-78	G. SAVIERS	

FIRST USED ON OPTION/MODEL		QTY.	DESCRIPTION	PART NO.	ITEM NO.
RS08-M					
UNLESS OTHERWISE SPECIFIED		PARTS LIST			
UNLESS OTHERWISE SPECIFIED		digital EQUIPMENT CORPORATION MAYNARD, MASSACHUSETTS			
DIMENSION IN INCHES		TITLE			
TOLERANCES		HEAD SHOE ASSY			
DECIMALS ± .005	FRACTIONS ± 1/64	ANGLES ± 0°30'	DRN. G.F. DATE 2/5/68 R. COOK		
FINAL SURFACE QUALITY REMOVE BURRS AND BREAK SHARP CORNERS			CHK'D. D.H. DATE 3/6/68 J. M. OLSHEFSKI		
MATERIAL			ENG. DATE 4-12-68 K. E. FITZGERALD		
FINISH			PROJ. ENG. DATE 4-12-68 S. F. LAMBERT		
D-U-A-RS08-M-φ			PROD. DATE 5-12-68 R. W. ANTONUCCIO		
NEXT HIGHER ASSY			SIZE CODE NUMBER CAD 7005745-0-0		
SCALE			SHEET OF DIST.		

DIGITAL EQUIPMENT CORPORATION
MAYNARD, MASSACHUSETTS
PARTS LIST

MADE BY K. GULICK CHECKED K. RUSS SECTION
DATE 3/12/69 DATE 3/24/69 1
ENG PROD *Russ* ISSUED SECT.
DATE *F. M. Anderson* DATE *4/1/69* 1

ITEM NO.	DWG NO. / PART NO.	DESCRIPTION	SIZE CODE	NUMBER	REV.	ECO NO.
REF	C-CS-705-B-1	705-B P/S CIRCUIT SCHEMATIC	A	PL		705B-00001
1	E-IA-5308234-0-0	CHASSIS				
2	1105799	DM-15 DIODE PAK				
3	1102933	DM-1 DIODE PAK				
4	9006027-1	SCR PHL HD PAN #6-32 x 7/8 LG				
5	9006633	WASH INT TOOTH #6 HOLE				
6	9006997	SLDLESS CONN 42025-1 AMP				
7	9107305	HY SHRINK TUBING #14 RED				
8	D-MD-5304483-0-0	RETAINER CAPACITOR				
9	1004874	CAP 160,000 20 VDC				
10	1605802	TRANSFORMER T-65238 ACME				
11	9007925	ADAPTER #300H21A ARK-LES				
12	1300190	RESISTOR 25F25 W.L.				
13	9006033-1	SCR PHL HD PAN 6-32 x 2 1/2 LG				
14	9006674	CTR. WASH #916 CORE TYPE 2A W.L.				
15	9006929	SPACER 1/2 AF c 3/8 LG x #10 HOLE				
16	D-MD-5304499-0-0	BRACKET, TERMINAL				
17	9006024-1	SCR PHL HD PAN #6-32 x 5/8 SST				
18	9006560	NUT KEPS #6-32 SST				
19	9107253	TUBING SHRINKABLE WHT 1/4				
20	1205761	FAN BOXER/ROTRON 50/60 CPS				
21	9006568	NUT KEPS #5/16-18 SST				

TITLE POWER SUPPLY 705-B ASSY NO. D-UA-705-B-0 SHEET 1 OF 3 SIZE CODE A PL NUMBER 705-B-0 REV. A ECO NO. 705B-00001

DEC FORM NO. DRA 110

DIGITAL EQUIPMENT CORPORATION
MAYNARD, MASSACHUSETTS
PARTS LIST

MADE BY KEN GULICK CHECKED K. RUSS SECTION
DATE 3/12/69 DATE 3/24/69 1
ENG PROD *Russ* ISSUED SECT.
DATE *F. M. Anderson* DATE *4/1/69* 1

ITEM NO.	DWG NO. / PART NO.	DESCRIPTION	SIZE CODE	NUMBER	REV.	ECO NO.
22	9006255	CAP SCR HEX HD 5/16-18 x 3/4 LG				
23	9007852	WASH. FLAT 11/16 O.D. x 3/8 I.D.x1/16 THK				
24	C-MD-7404881-0-0	SCREEN, FAN				
25	9006022-1	SCR PHL HD PAN #6-32 x 3/8 LG SST				
26	A-DC-5304512-0-0	CAUTION CHECK LABEL				
27	9007233	BUSHING #DC-202-1 YEL HEYMAN				
28	9006776	CONN. #31889 AMP				
29	9007232	BUSHING #DC-202-1 BLU HEYMAN				
30	9007238	SOLDER TAB #T-202-S HEYMAN				
31	9007613	ADAPTER #3000C27-1N3				
32	9007031	TIE WRAP SST-1-B PANDUIT				
33	9007242	FUSE HOLDER TYPE HKP BUSS				
34	9007218	FUSE 3AG 3 AMP S.B.				
35	9007225	FUSE 3AG 10 AMP S.B.				
36	9007224	FUSE 3AG 7 AMP S.B.				
37	9006779	SLDLESS CONN #329509 AMP				
38	9007231	BUSHING #DC-202-1 RED HEYMAN				
39	9007234	BUSHING #DC-202-1 ORN HEYMAN				
40	9006999	SLDLESS CONN #41829 AMP				
41	9107430-2	WIRE #18AWG TWP RED/WHT				
42	B-DC-5308355-0-0	DECALS POWER SUPPLY				
43	C-MD-5304458-0-0	COVER PROTECTION				

TITLE POWER SUPPLY 705-B ASSY NO. D-UA-705-B-0 SHEET 2 OF 3 SIZE CODE A PL NUMBER 705-B-0 REV. A ECO NO. 705B-00001

DEC FORM NO. DRA 110

DIGITAL EQUIPMENT CORPORATION
MAYNARD, MASSACHUSETTS
PARTS LIST

QUANTITY / VARIATION

MADE BY K. GULICK	CHECKED K. RUSS	SECTION
DATE 3/12/69	DATE 3/24/69	1
ENG <i>F.A. Amicus</i>	PROD <i>[Signature]</i>	ISSUED SECT.
DATE <i>4/1/69</i>	DATE <i>4/1/69</i>	1

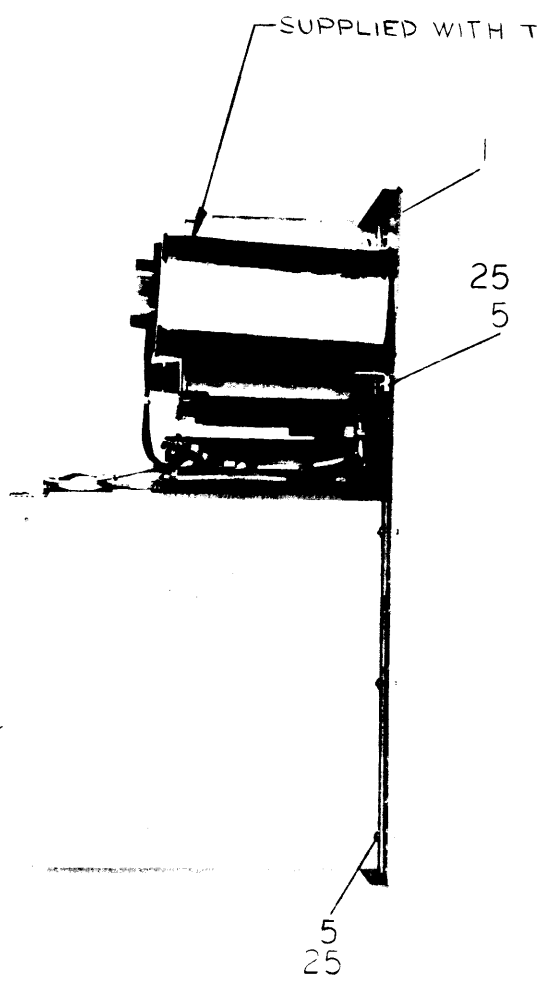
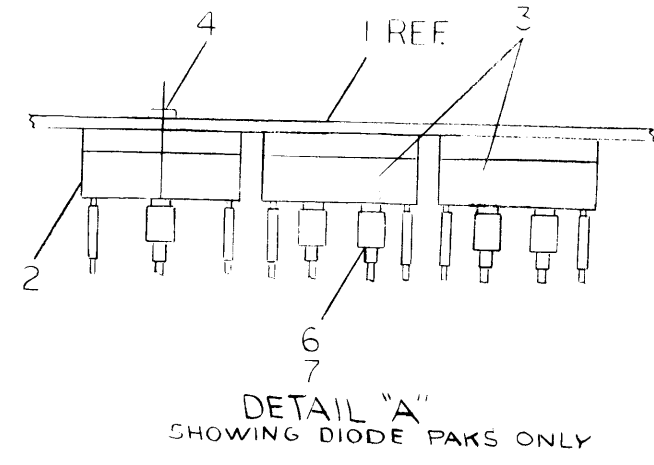
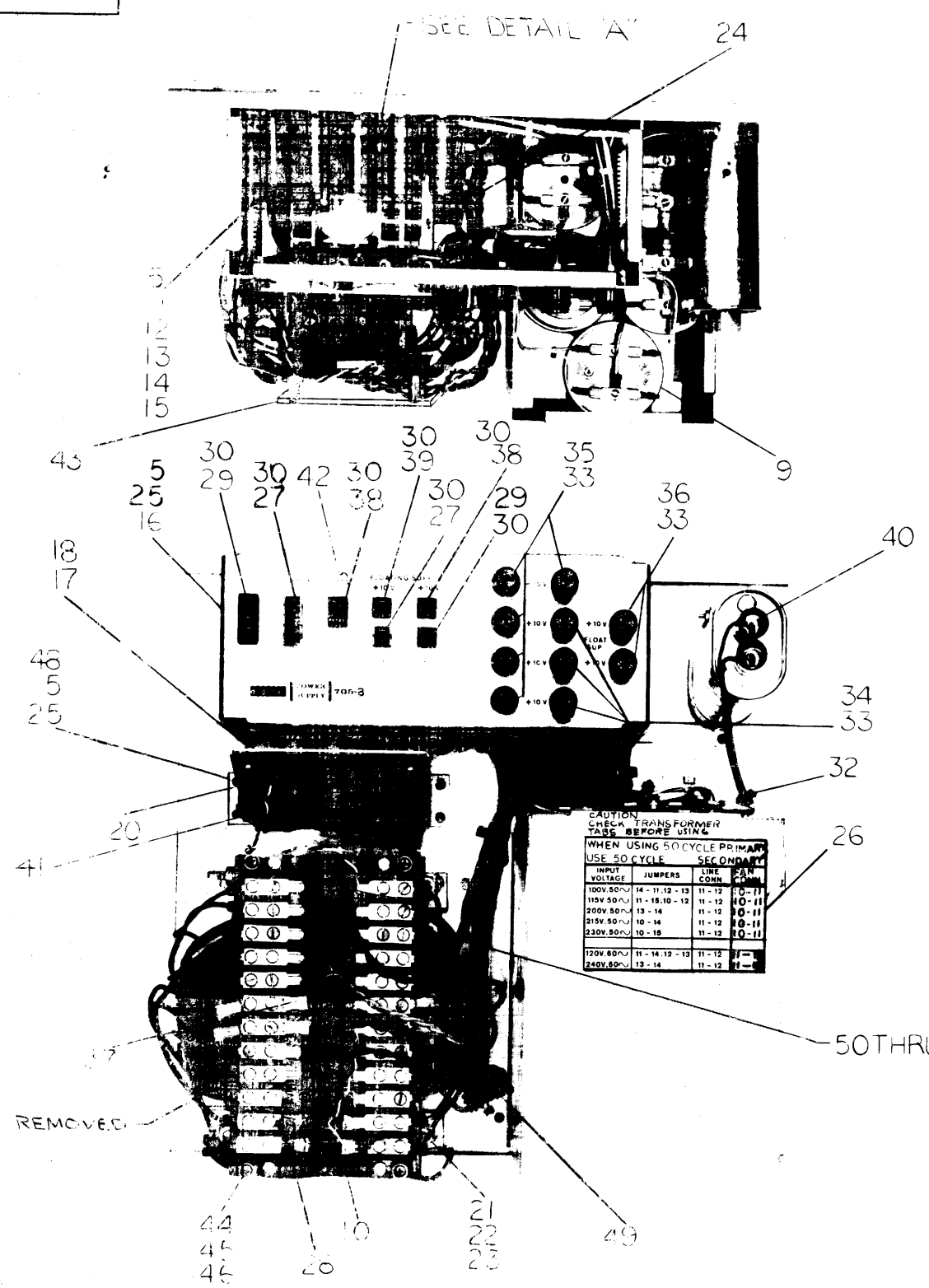
ITEM NO.	DWG NO. / PART NO.	DESCRIPTION	QTY	UNIT	VAR	VAR	VAR	VAR	VAR	VAR	VAR	VAR	VAR	VAR	VAR	VAR	VAR	VAR	VAR	VAR
44	9006634	WASH INT TOOTH #8 HOLE	4																	
45	9006045-1	SCR PHL HD PAN #8-32 x 1 1/2 LG	4																	
46	9006823	SPACER 3/8 A.F. x 3/4 LG x #8 HOLE	4																	
47	9007920	CONN #50906-7 ARK-LES	8																	
48	D-MD-5304451-0-0	FAN BRKT	1																	
49	9007032	TIE WRAP SST-2-B PANDUIT	A/R																	
50	9107370-7	WIRE #14 AWG STRD TEF BLU	A/R																	
51	9007634	CONN #362429 AMP	A/R																	
52	9107390-10	WIRE #10 AWG STRD TEF INS WHT	A/R																	
53	9107390-7	WIRE #10 AWG STRD TEF INS BLU	A/R																	
54	9107370-5	WIRE #14 AWG STRD TEF INS YEL	A/R																	
55	9107370-4	WIRE #14 AWG STRD TEF INS ORN	A/R																	
56	9107370-3	WIRE #14 AWG STRD TEF INS RED	A/R																	
57	A-PI-3700060-0-0	705B POWER SUPPLY INTERPLANT	1																	
		SHIPPING PACKAGE																		

TITLE	ASSY NO.	SIZE	CODE	NUMBER	REV.	ECO NO.
POWER SUPPLY 705-B	D-UA-705-B	A	PL	705-B-0	A	
	SHEET 3 OF 3	DIST.				

DEC FORM NO. DRA 110

This drawing and specifications herein, are the property of Digital Equipment Corporation and shall not be reproduced or copied or used in whole or in part as the basis for the manufacture or sale of items without written permission.

- NOTES:
1. ALL WIRES TO BE #14 AWG TEFLON INS. STRD UNLESS OTHERWISE SPECIFIED.
 2. * ASTERISK INDICATES WIRES THAT ARE SUPPLIED WITH TRANSFORMER.
 3. TWIST WIRES TOGETHER, ONE TWIST PER INCH MIN.



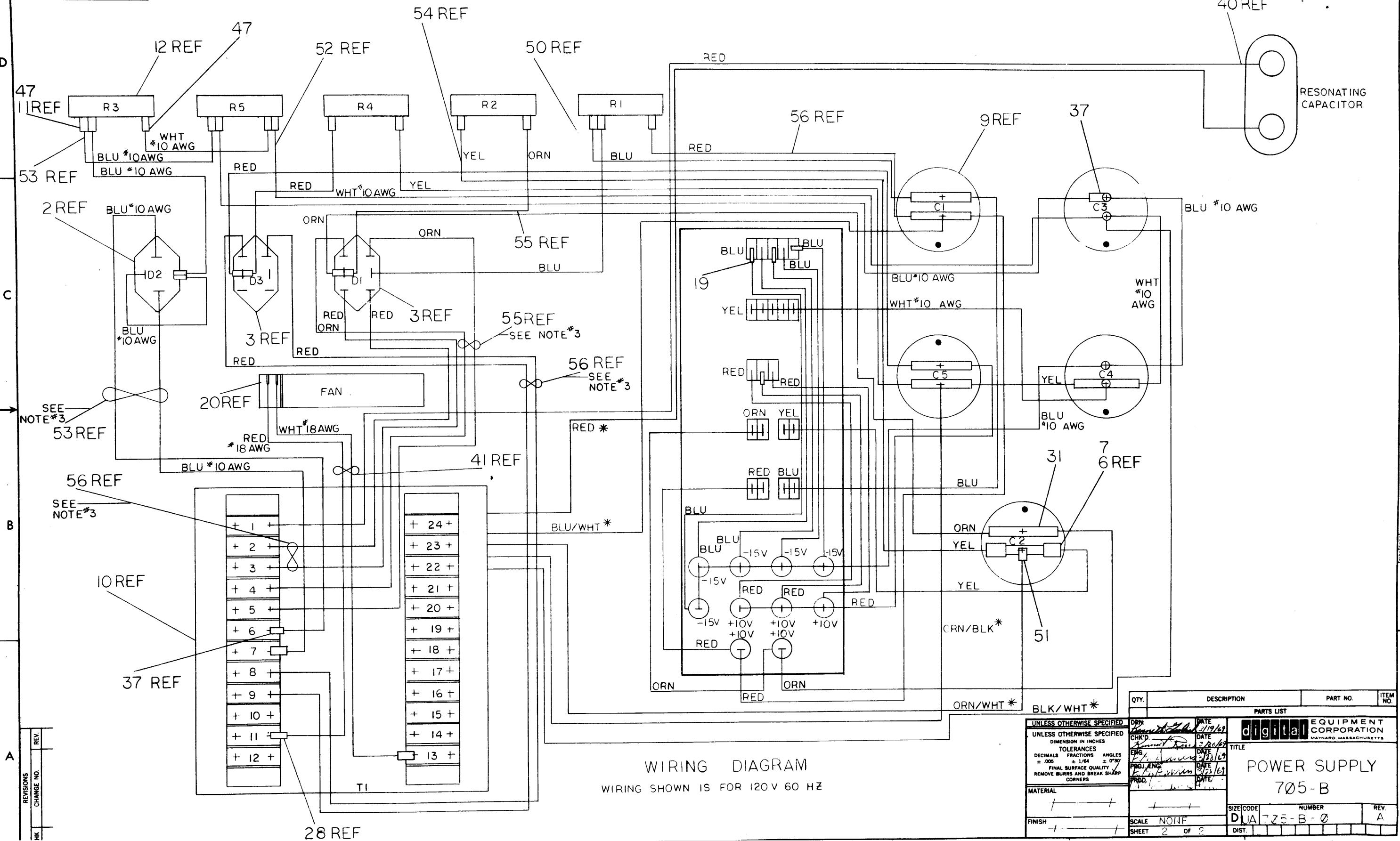
REV.	CHANGE NO.	DATE
A	705-B-0001	3/12/69

CHK
LAMPENCE

FIRST USED ON / OPTION / MODEL	QTY.	DESCRIPTION	PART NO.	ITEM NO.
UNLESS OTHERWISE SPECIFIED	DRW	DATE	PARTS LIST	
UNLESS OTHERWISE SPECIFIED	CHKD	DATE	digital EQUIPMENT CORPORATION MAYNARD, MASSACHUSETTS	
DIMENSION IN INCHES	DATE	DATE	TITLE	
TOLERANCES	DATE	DATE	POWER SUPPLY	
DECIMALS FRACTIONS ANGLES	DATE	DATE	705-B	
± .005 ± 1/64 ± 0'30"	DATE	DATE	SIZE CODE NUMBER	
FINAL SURFACE QUALITY REMOVE BURRS AND BREAK SHARP CORNERS	DATE	DATE	DUA 705-B-0	
MATERIAL	DATE	DATE	REV. A	
+	DATE	DATE	SCALE NONE	
+	DATE	DATE	SHEET 1 OF 2	
	DATE	DATE	DIST.	

REV. A
NUMBER
DUA 705-B-0

This drawing and specifications, herein, are the property of Digital Equipment Corporation and shall not be reproduced or copied or used in whole or in part as the basis for the manufacture or sale of items without written permission.



WIRING DIAGRAM
WIRING SHOWN IS FOR 120V 60 HZ

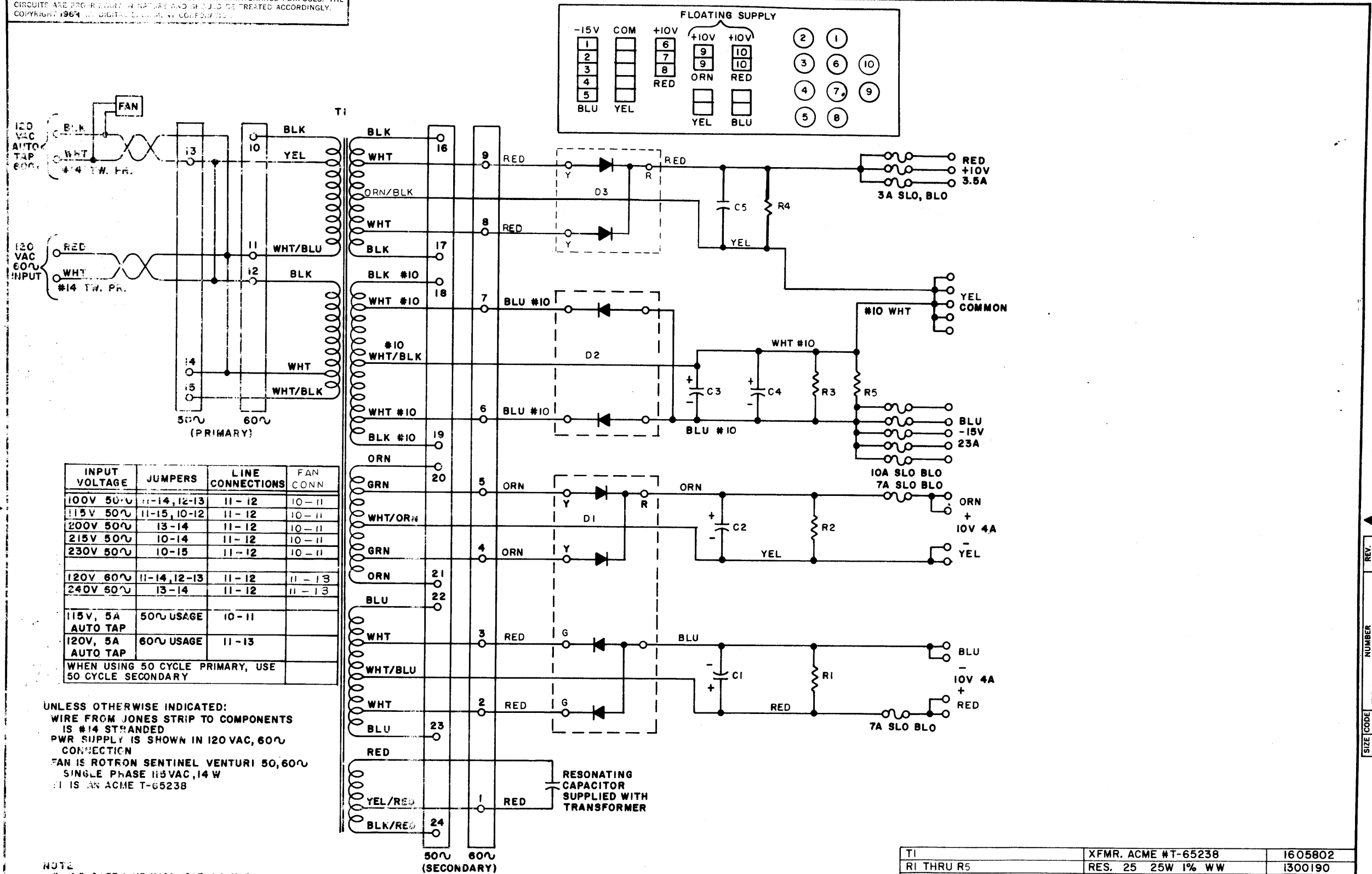
UNLESS OTHERWISE SPECIFIED	
DIMENSION IN INCHES	
DECIMALS	FRACTIONS
± .005	± 1/64
FINAL SURFACE QUALITY	
REMOVE BURRS AND BREAK SHARP CORNERS	
MATERIAL	
FINISH	

DRN	DATE
CHKD	DATE
ENG	DATE
PROJ. ENG.	DATE
PRDD.	DATE

PARTS LIST		digital EQUIPMENT CORPORATION MAYNARD, MASSACHUSETTS	
TITLE			
POWER SUPPLY			
705-B			
SIZE CODE	NUMBER	REV.	
DUA	705-B-0	A	
SCALE	SHEET	OF	
NONE	2	2	

REVISIONS	REV.
CHANGE NO.	
CHK	

THIS SCHEMATIC IS FURNISHED ONLY FOR TEST AND MAINTENANCE PURPOSES. THE CIRCUITS ARE PROGRAMMABLE IN NATURE AND SHOULD BE TREATED ACCORDINGLY. COPYRIGHT 1964 BY DIGITAL EQUIPMENT CORPORATION.



INPUT VOLTAGE	JUMPERS	LINE CONNECTIONS	FAN CONN
100V 50 \sim	11-14, 12-13	11-12	10-11
115V 50 \sim	11-15, 10-12	11-12	10-11
200V 50 \sim	13-14	11-12	10-11
215V 50 \sim	10-14	11-12	10-11
230V 50 \sim	10-15	11-12	10-11
120V 60 \sim	11-14, 12-13	11-12	11-13
240V 60 \sim	13-14	11-12	11-13
115V, 5A AUTO TAP	50 \sim USAGE	10-11	
120V, 5A AUTO TAP	60 \sim USAGE	11-13	
WHEN USING 50 CYCLE PRIMARY, USE 50 CYCLE SECONDARY			

UNLESS OTHERWISE INDICATED:
 WIRE FROM JONES STRIP TO COMPONENTS IS #14 STRANDED
 PWR SUPPLY IS SHOWN IN 120 VAC, 60 \sim CONNECTION
 FAN IS ROTRON SENTINEL VENTURI 50, 60 \sim SINGLE PHASE 115 VAC, 14 W
 C1 IS AN ACME T-65238

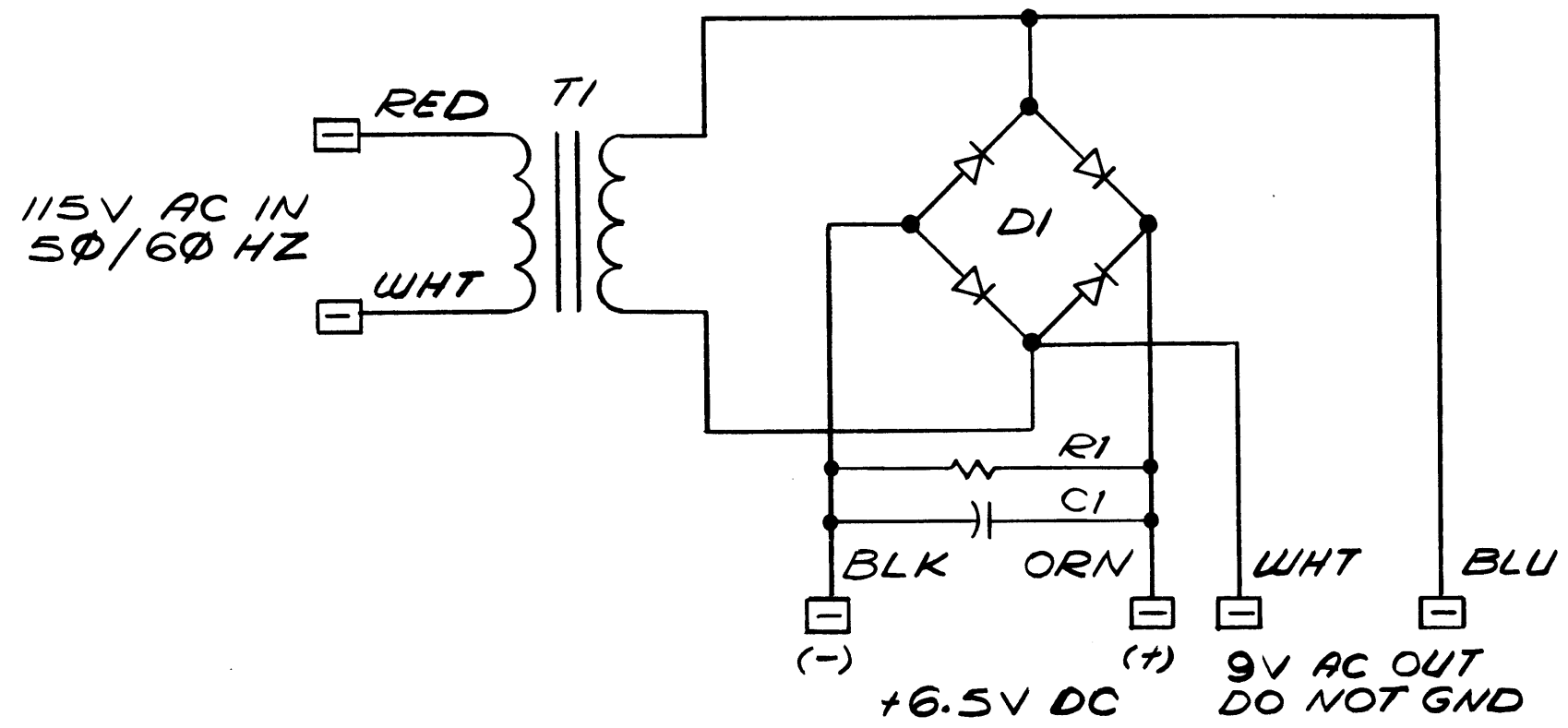
NOTE
 O INDICATES HEYMAN TAB CONNECTORS
 O INDICATES ELSES

REFERENCE DESIGNATION	DESCRIPTION	PART NO.
T1	XFMR. ACME #T-65238	1605802
R1 THRU R5	RES. 25 25W 1% WW	1300190
D2	DIO. PACK DM-15	1105799
D1 D3	DIO. PACK DM-1	1102933
C1 THRU C5	CAP. 160,000 MFD 20V	1004874
	PARTS LIST	A-PL-705-0-0
	PARTS LIST	

REVISIONS CHK CHG NO. REV.	DRN <i>Amzelich</i>	DATE 3/13/69	TRANSISTOR & DIODE CONVERSION CHART				TITLE POWER SUPPLY 705-B
	CHKD <i>R. Russo</i>	DATE 3/26/69	DEC	EIA	DEC	EIA	
	DES <i>J. Harris</i>	DATE 3/23/69					SIZE CODE NUMBER REV.
	APP <i>Amzelich</i>	DATE 2/11/69					C CS 705-B-1
							PRINTED CIRCUIT REV.

REV. NUMBER
 SIZE CODE NUMBER
 C CS 705-B-1

THIS SCHEMATIC IS FURNISHED ONLY FOR TEST AND MAINTENANCE PURPOSES. THE CIRCUITS ARE PROPRIETARY IN NATURE AND SHOULD BE TREATED ACCORDINGLY. COPYRIGHT BY DIGITAL EQUIPMENT CORPORATION



C1	CAP 18,000 MFD 10V DC	1009437
R1	RES 5 Ω 25W, W.L.	1300165
	PARTS LIST	D-UA-716-B-Ø
T1	XMFR*F69-U TRIAD	1609588
DI	DIODE PACK DM-2	1105392
REF DESIGNATION	DESCRIPTION	PART NO
PARTS LIST		

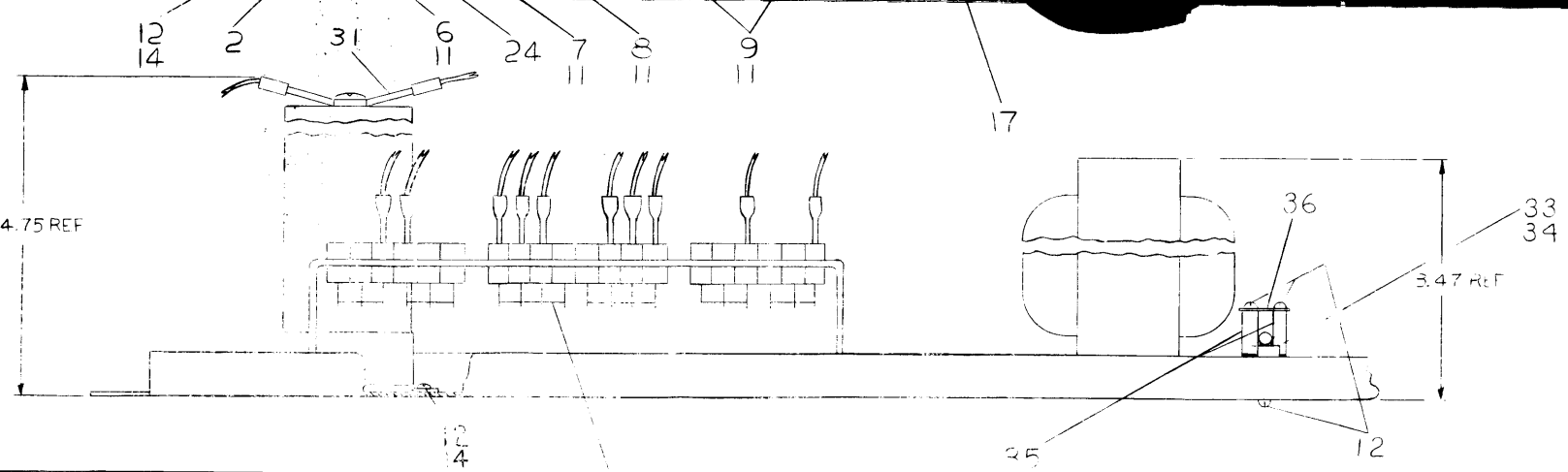
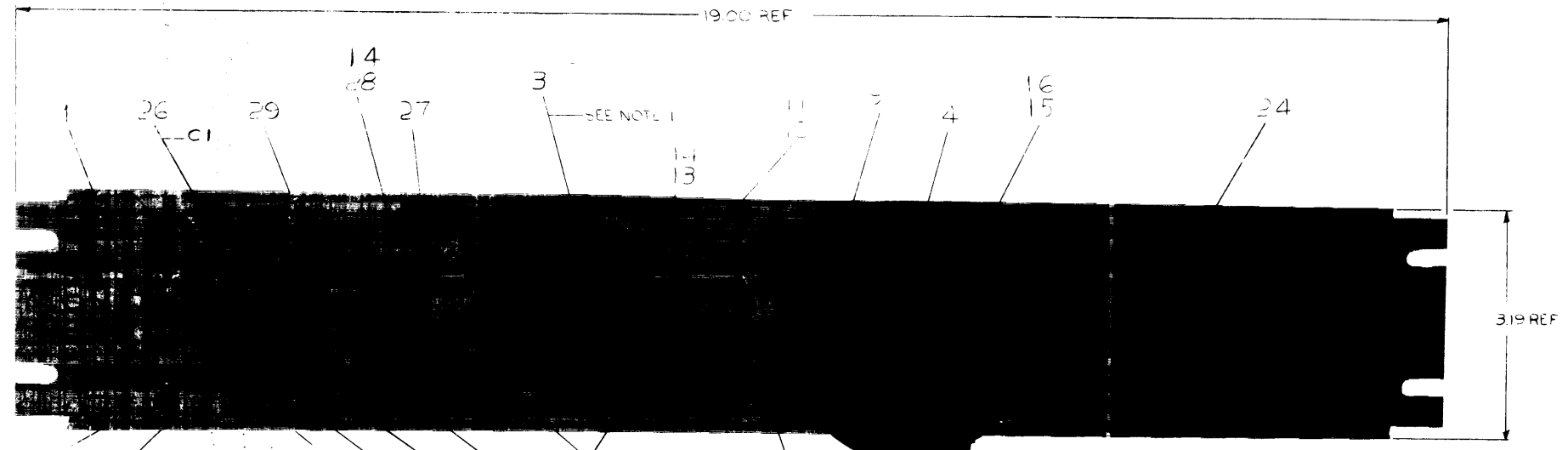
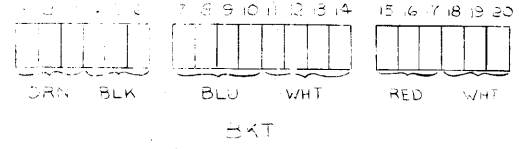
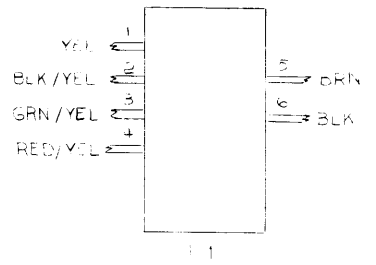
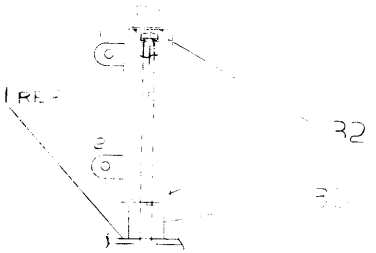
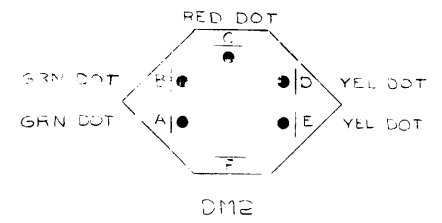
FIRST USED ON OPTION / MODEL
716-B

REVISIONS CHK CHG NO. REV.	DRN. <i>ROBINSON</i>	DATE <i>10-9-69</i>	TRANSISTOR & DIODE CONVERSION CHART		digital EQUIPMENT CORPORATION MAYNARD, MASSACHUSETTS	TITLE CIRCUIT SCHEMATIC 716B			
	CHK'D <i>D. Nealy</i>	DATE <i>10-28-69</i>	DEC	EIA		SIZE B	CODE CS	NUMBER 716-B-1	REV.
	ENG. <i>J. Zel</i>	DATE <i>1-5-70</i>							
	PROD. <i>J. Bundy</i>	DATE <i>1-6-70</i>							
PRINTED CIRCUIT REV.									

This drawing and specifications, herein, are the property of Digital Equipment Corporation and shall not be reproduced or copied or used in whole or in part as the basis for the manufacture or sale of items without written permission. 1974

WIRE TABLE								
ITEM NO	DESCRIPTION	AWG	COLOR	CONNECTIONS FROM	CONNECTIONS TO	WIRE LENGTH WITH ITEMS	EQUIP TO WITH ITEMS	REMARKS
-	YEL			TI-1	BKT-5	-	5	
-	RED/YEL			TI-4	BKT-14	-	5	
-	BRN			TI-5	F1	-	5	SOLDER F1
-	BLU			TI-6	BKT-17	-	5	
20	*14	WHT		DM2-A	BKT-12	5	5	
21	*14	BLU		DM2-B	BKT-7	5	5	
22	*14	ORN		DM2-C	RI-1	5	5	SOLDER RI-1
21	*14	BLU		DM2-D	BKT-8	5	5	
20	*14	WHT		DM2-E	BKT-13	5	5	
23	*14	BLK		DM2-F	RI-2	5	5	SOLDER RI-1
18	*22	-		BKT-1	BKT-3	-	-	1 THRU 3
18	*22	-		BKT-4	BKT-6	-	-	4 THRU 6
18	*22	-		BKT-7	BKT-10	-	-	7 THRU 10
18	*22	-		BKT-11	BKT-14	-	-	11 THRU 14
18	*22	-		BKT-15	BKT-17	-	-	15 THRU 17
18	*22	-		BKT-18	BKT-20	-	-	18 THRU 20
-	GRN/YEL			TI-3	-	-	19	TIE END
-	BLU/YEL			TI-2	-	-	19	TIE END
22	*14	ORN		RI-1	CI-A	-	31	SOLDER RI-1
22	*14	ORN		CI-A	BKT-3	31	5	
23	*14	BLK		RI-2	CI-B	-	31	SOLDER RI-2
23	*14	BLK		CI-B	BKT-4	31	5	
-	*4	BRN		F1	BKT-20	-	5	

NOTES
 1. APPLY THERMAL COMPOUND ITEM #25 #340 DOW CORNING OR EQUIV TO CONTACTING SURFACES OF ITEM #1 & ITEM #3.



REV.	CHANGE NO.	DESCRIPTION
1	7-6-00001	REDRAWN & REVISED
2	7-6-00002	REVISED
3	7-6-00003	REVISED
4	7-6-00004	REVISED
5	7-6-00005	REVISED
6	7-6-00006	REVISED
7	7-6-00007	REVISED
8	7-6-00008	REVISED
9	7-6-00009	REVISED
10	7-6-00010	REVISED
11	7-6-00011	REVISED
12	7-6-00012	REVISED
13	7-6-00013	REVISED
14	7-6-00014	REVISED
15	7-6-00015	REVISED
16	7-6-00016	REVISED
17	7-6-00017	REVISED
18	7-6-00018	REVISED
19	7-6-00019	REVISED
20	7-6-00020	REVISED
21	7-6-00021	REVISED
22	7-6-00022	REVISED
23	7-6-00023	REVISED
24	7-6-00024	REVISED
25	7-6-00025	REVISED
26	7-6-00026	REVISED
27	7-6-00027	REVISED
28	7-6-00028	REVISED
29	7-6-00029	REVISED
30	7-6-00030	REVISED
31	7-6-00031	REVISED
32	7-6-00032	REVISED
33	7-6-00033	REVISED
34	7-6-00034	REVISED
35	7-6-00035	REVISED
36	7-6-00036	REVISED
37	7-6-00037	REVISED
38	7-6-00038	REVISED
39	7-6-00039	REVISED
40	7-6-00040	REVISED

TOLERANCES
 DECIMALS
 .XXX = ± .005
 .XX = ± .02
 .X = ± .1

FIRST USED ON OPT/MOD RF09	QTY.	DESCRIPTION	PART NO.	ITEM NO.
PARTS LIST				
UNLESS OTHERWISE SPECIFIED DIMENSION IN INCHES	DRN. ROBICHAUD	DATE 6-5-69	digital EQUIPMENT CORPORATION MAYNARD, MASSACHUSETTS	
UNLESS OTHERWISE SPECIFIED FINAL SURFACE QUALITY REMOVE BURRS AND BREAK SHARP CORNERS	CHK'D. D. HEALY	DATE 6-10-69	TITLE INDICATOR POWER SUPPLY 716	
MATERIAL	ENG. Z. NAMIEROWSKI	DATE 6-10-69	PROJ. ENG. D. VONADA	
FINISH	PROD. ANTONUCCIO	DATE 6-12-69	FIRST USED ON D-UA-RF09-0-0	
SCALE 1/1	SHEET 1 OF 1	SIZE CODE D UA	NUMBER 716-0-0	REV. F

REV. F
 NUMBER 716-0-0
 SIZE CODE D UA

DIGITAL EQUIPMENT CORPORATION
MAYNARD, MASSACHUSETTS
PARTS LIST

MADE BY ROBICHARD
DATE 6/5/69
ENG S. ZNAMIEROWSKI
DATE 6/10/69

CHECKED D. HEALEY
DATE 6/6/69
PROD R. ANTONUICIO
DATE 6/12/69

SECTION 1
ISSUED SECT. 1

ITEM NO.	DWG NO. / PART NO.	DESCRIPTION	QUANTITY / VARIATION
1	D-MD-5308466-0-0	PANEL, MTG 716 P.S.	1
2	B-MD-5308465-0-0	BRACKET MTG. TERMINAL	1
3	1105397	DIODE PACK DM-2	1
4	1609588	TRANSFORMER #F64-U TRIAD	1
5	9007919	CONN SOLDERLESS #50906 ARKLESS	20
6	9007234	BUSHING JUNC TERM ORN #DC-202-1 HEYMAN	3
7	9007237	BUSHING JUNC TERM BLK, #DC-202-1 HEYMAN	3
8	9007232	BUSHING JUNC TERM BLU, #DC-202-1 HEYMAN	4
9	9007235	BUSHING JUNC TERM WHT, #DC-202-1 HEYMAN	7
10	9007231	BUSHING JUNC TERM RED, #DC-202-1 HEYMAN	3
11	9007238	TERM TAB T-202-S HEYMAN	20
12	9006022-1	SCR PHL HD PAN #6-32 x 3/8 LG SST	9
13	9007794-1	SCR PHL HD PAN #6-32 x 11/16 LG SST	2
14	9006633	WASH INT TOOTH LOCK #6 SST	8
15	9006071-1	SCR PHL HD PAN #10-32 x 3/8 LG SST	4
16	9006635	WASH INT TOOTH LOCK #10 SST	4
17	9007031	TIE WRAP SST-1E PANDUIT	4
18	9107560-1	WIRE BUSSING #22 AWG	4
19	9107305-02	TUBING, SHRINKABLE, RED 3/16 D x 9/16 LG	2
20	9107370-99	WIRE, STRANDED #14 TEF INS WHT	4
21	9107370-66	WIRE, STRANDED #14 TEF INS BLU	4
22	9107370-33	WIRE, STRANDED #14 TEF INS ORN	4

TITLE INDICATOR POWER SUPPLY 716
ASSY NO. D-UA-716-0-0
SIZE CODE A PL
NUMBER 716-0-0
REV. ECO NO. 716-00008
SHEET 1 OF 2
DIST.

DEC FORM NO.16-1031
DRA 110

DIGITAL EQUIPMENT CORPORATION
MAYNARD, MASSACHUSETTS
PARTS LIST

MADE BY ROBICHARD
DATE 6/5/69
ENG S. ZNAMIEROWSKI
DATE 6/10/69

CHECKED D. HEALEY
DATE 6/6/69
PROD R. ANTONUICIO
DATE 6/12/69

SECTION 1
ISSUED SECT. 1

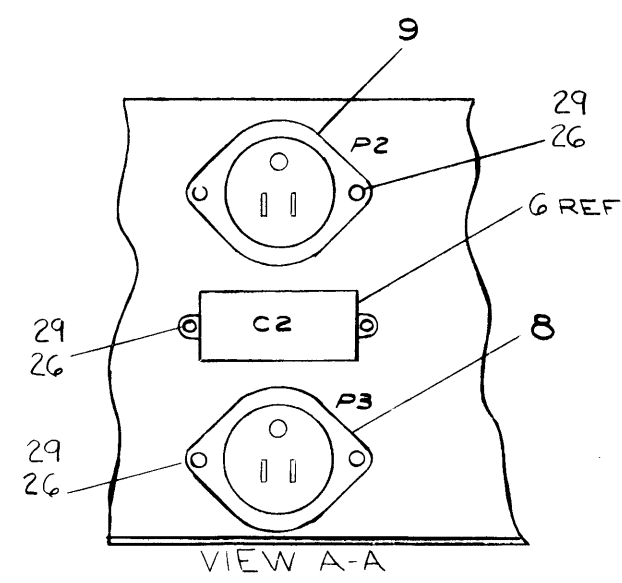
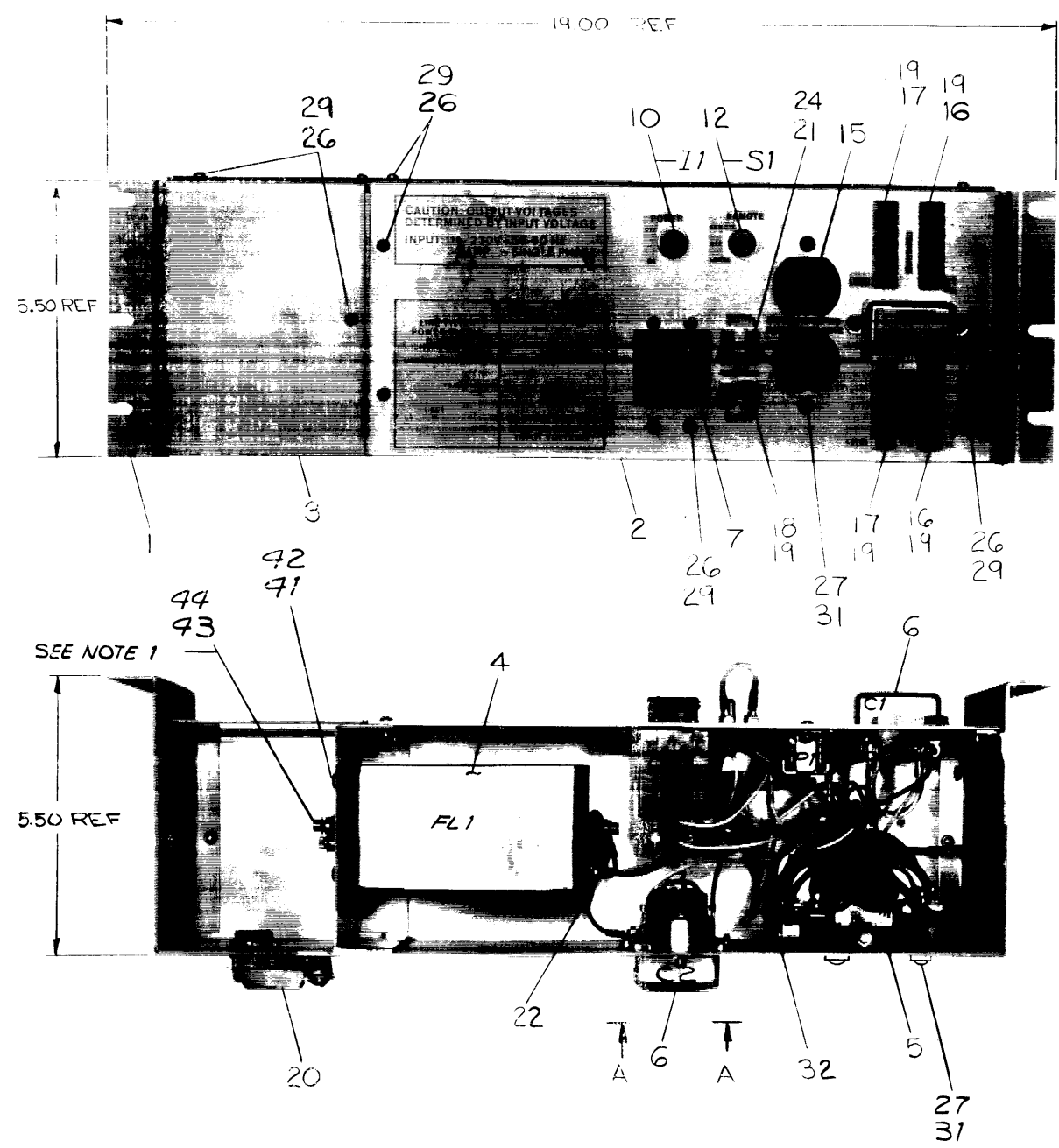
ITEM NO.	DWG NO. / PART NO.	DESCRIPTION	QUANTITY / VARIATION
23	9107370-00	WIRE, STRANDED #14 TEF INS BLK	4
24	A-DC-5308448-0-0	DECAL, 716 POWER SUPPLY	4
25		THERMAL COMPOUND #340 DOW CORNING	4
26	1009437	CAP 18000 MFD 10V	1
27	1300165	RESISTOR 5ohm 25W 5%	1
28	9006033	SCR PHL PAN HD 6-32 x 2-1/2 SST	1
29	9009052	CAP MOUNTING BRACKET	1
30	9006829	SPACER 1/2AFX x 3/8LG #10 HOLE AL	1
31	9007776	TAB #61349-1 AMP	2
32	9006674	WASH #916 CORE WARD LEONARD	2
33	9006996	#4405 FUSE HOLDER	1
34	9007209	1/2 AMP S.B. FUSE	1
35	9006859	THREADED STAND OFF 3/4 6-32	2
36	7404508	FIBER COVER PLATE	1
37	9006633	A6 INTERNAL LOCK WASHER	2
38	A-PI-3700120-0-0	PACKAGING INSTRUCTION	1
REF	C-CS-716-0-1	CIRCUIT SCHEMATIC	

TITLE INDICATOR POWER SUPPLY
ASSY NO. D-UA-716-0-0
SIZE CODE A PL
NUMBER 716-0-0
REV. ECO NO. 716-00008
SHEET 2 OF 2
DIST.

DEC FORM NO.16 1031

This drawing and specifications herein are the property of Digital Equipment Corporation and shall not be reproduced or copied or used in whole or in part as the basis for the manufacture or sale of items without written permission.

NOTES:
 1. REPLACE 5 #8-32 x 5/16 LG PAN HD SCREWS SUPPLIED WITH ITEM #4 WITH ITEMS #43 & 44



TOLERANCES DECIMALS
 .XXX = ±.003
 .XX = ±.02
 .X = ±.1

FIRST USED ON OPTION / MODEL	QTY.	DESCRIPTION	PART NO.	ITEM NO.
R509-0				
PARTS LIST				
UNLESS OTHERWISE SPECIFIED	DRN. <i>cf Lindner</i>	DATE <i>6-1-69</i>	digital EQUIPMENT CORPORATION MAYNARD, MASSACHUSETTS LINE FILTER & PWR CONT 855	
UNLESS OTHERWISE SPECIFIED	CHK'D. <i>D. Xai</i>	DATE <i>6/23/69</i>		
TOLERANCES	ENG. <i>W. J. ...</i>	DATE <i>7/21/69</i>		
ANGLES = 0°30'	PROG. ENG. <i>W. J. ...</i>	DATE <i>7/21/69</i>		
FINAL SURFACE QUALITY REMOVE BURRS AND BREAK SHARP CORNERS	PROG. <i>W. J. ...</i>	DATE <i>7/21/69</i>	TITLE LINE FILTER & PWR CONT 855	
MATERIAL	NEXT HIGHER ASSY		SIZE CODE NUMBER D-UA-R509-0-0	
FINISH	SCALE		DIST. G SHEET 1 OF 2	

REVISIONS	CHANGE NO.	REV.
	855-00002	A
VONADA <i>W. J. ...</i> 2-4-70 P.M. 855-00004 <i>J. ...</i> 8-9-71 VONADA <i>W. J. ...</i> 8-20-73		

DEC FORM NO. 8

SIZE CODE NUMBER
 DUA855-0-0

This drawing and specifications, herein, are the property of Digital Equipment Corporation and shall not be reproduced or copied or used in whole or in part as a basis for the manufacture or sale of items without written permission.

REV 98 3002 3216

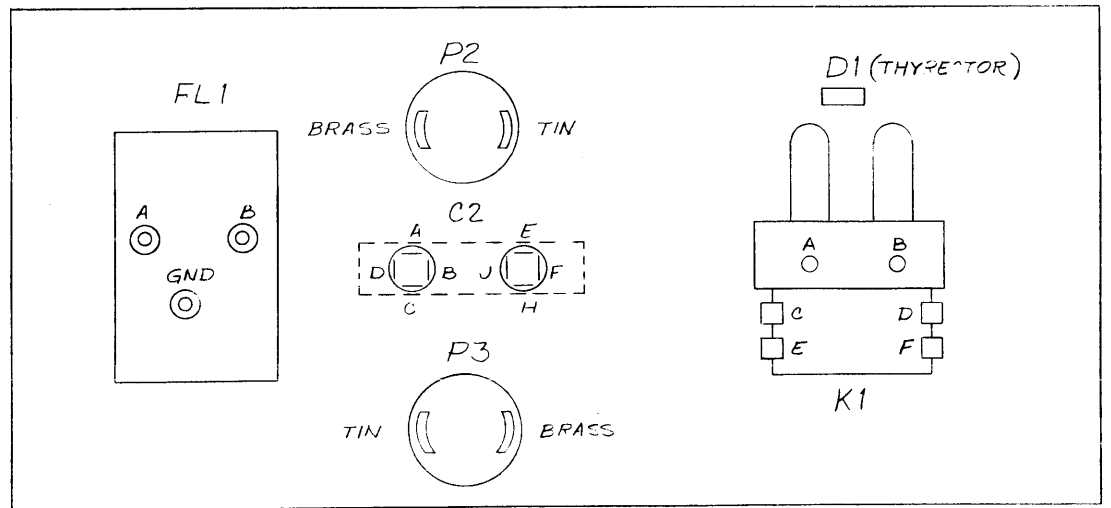
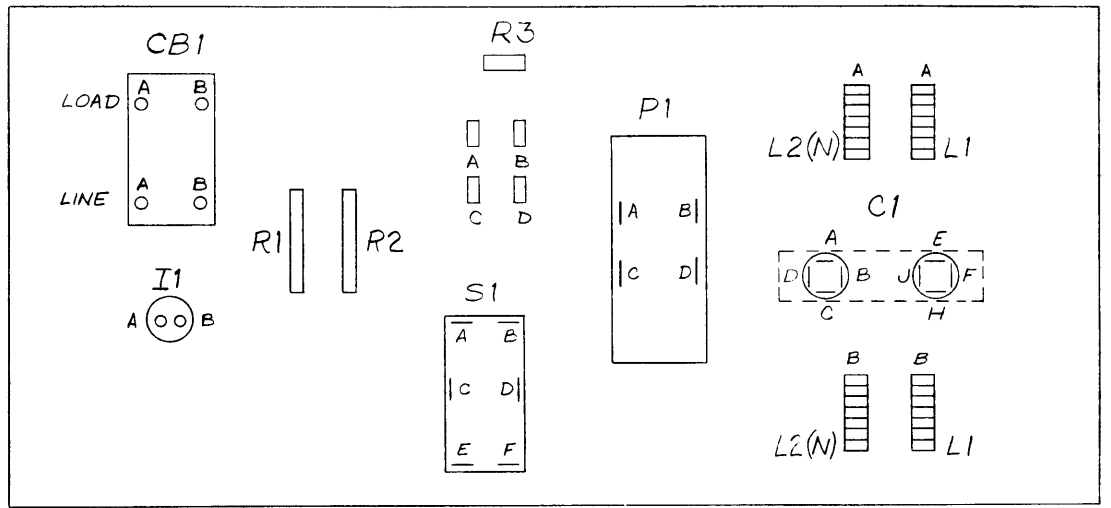
WIRE TABLE

ITEM NO	DESCRIPTION	CONNECT TO		EQUIP FROM WITH ITEMS	EQUIP TO WITH ITEMS	REMARKS
		FROM	TO			
40	#10 RED	FL1-A	CB1-LINE-B	23	23	
39	#10 WHT	FL1-B	CB1-LINE-A	23	23	
36	#14 BLK	FL1-END	P3-GND	22	22	
35	#14 WHT	CB1-LOAD-A	115V-E	22	*A	
46	#12 WHT	CB1-LOAD-A	P1-C	23	38	
35	#14 WHT	CB1-LOAD-A	S1-E	22	21	
46	#12 WHT	CB1-LOAD-A	K1-C	23	-	
33	#14 RED	CB1-LOAD-B	S1-F	22	21	
47	#12 RED	CB1-LOAD-B	K1-E	23	-	
47	#12 RED	CB1-LOAD-B	H1-D	23	21	
10	- RED	I1-A	CB1-LOAD-E	-	45	LIGHT (L1)
10	- BLK	I1-B	115V-A	-	*A	
35	#14 WHT	S1-A	C2-D	21	21	
33	#14 RED	S1-B	C2-F	21	21	
35	#14 WHT	S1-C	115V-C	21	*A	
33	#14 RED	S1-L	K1-B	21	22	

WIRE TABLE

ITEM NO	DESCRIPTION	CONNECT TO		EQUIP FROM WITH ITEMS	EQUIP TO WITH ITEMS	REMARKS
		FROM	TO			
35	#14 WHT	115V-D	K1-A	*A	22	
43	#12 WHT	P1-A	L2(N)-A	38	*A	
47	#12 RED	P1-B	L1-A	38	*A	
47	#12 RED	C1-A	K1-I	38	-	
47	#12 RED	C1-C	L1-B	38	*A	
46	#12 WHT	C1-E	K1-D	38	-	
46	#12 WHT	C1-H	L2(N)-E	38	*A	
33	#14 RED	P2-BRASS	C2-E	*A	21	
35	#14 WHT	P2-TIN	C2-A	*A	21	
35	#14 WHT	P3-TIN	C2-C	*A	21	
33	#14 RED	P3-BRASS	C2-H	*A	21	
24	#14 BRN	115V-A	115V-B	21,24	21,24	
34	#14 DRN	115V-C	115V-D	21,24	21,24	
11	-	K1-A	K1-B	45,25	45,25	THYRECTOR(D1)
13	-	115V-A	115V-B	*A	*A	RES (R3)
14	-	115V-C	115V-D	37*A	37*A	RES (R1)
14	-	115V-C	115V-D	37*A	37*A	RES (R2)

NOTE: WIRE TABLE IS CHANGED FOR 1.1.11.1.



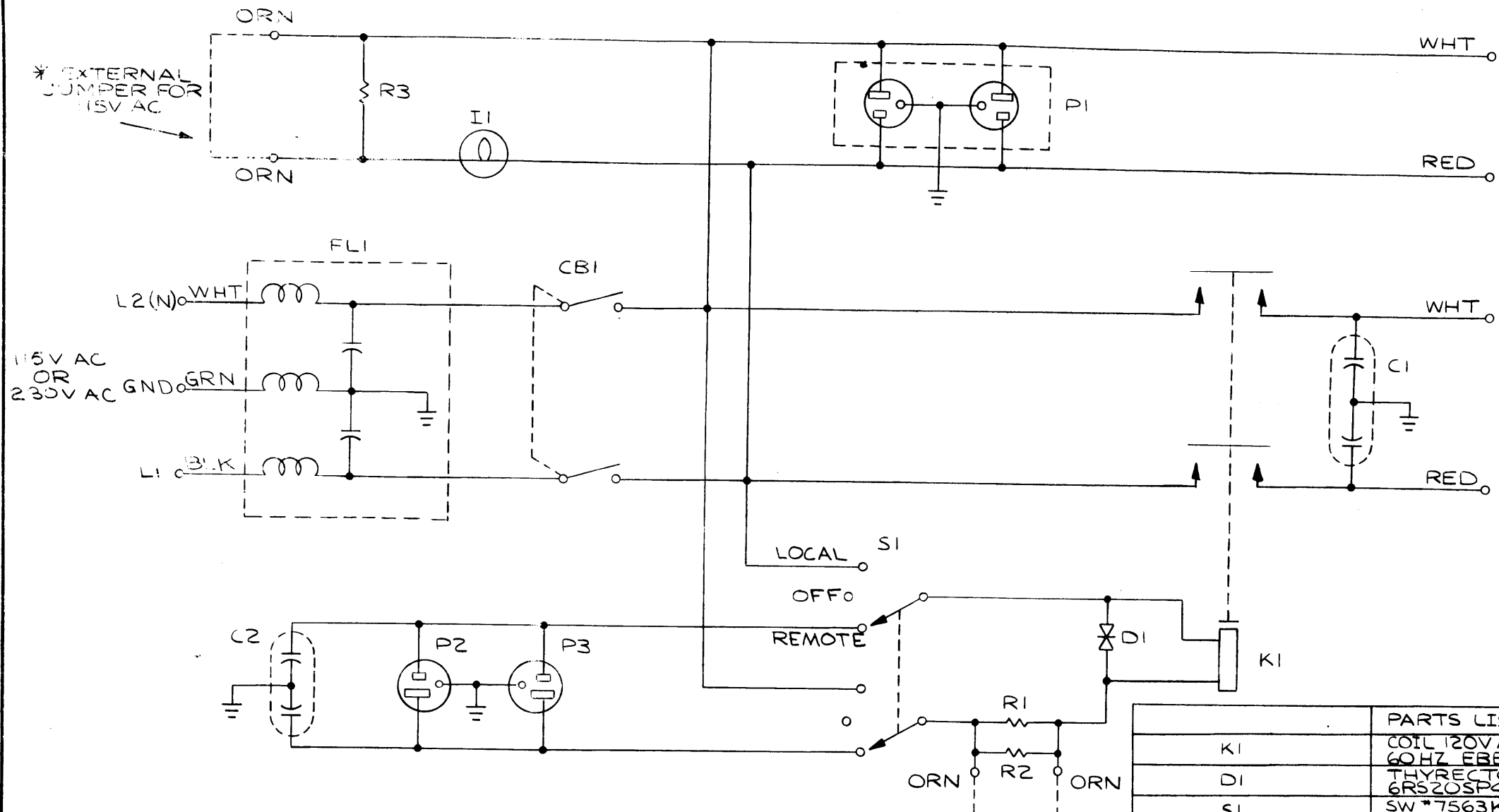
REV	
CHANGE NO	
CHK	

FIRST USED ON OPTION/MODEL
RS09-0

DO NOT SCALE DRAWING
UNLESS OTHERWISE SPECIFIED
DIMENSION IN INCHES
TOLERANCES
DECIMALS FRACTIONS ANGLES
± .005 ± 1/64 ± 0°30'
FINAL SURFACE QUALITY
REMOVE BURRS AND BREAK SHARP CORNERS

QTY.	DESCRIPTION	PART NO.	ITEM NO.
PARTS LIST			
DRN	FLANDERS	DATE 6-11-69	digital CORPORATION MAYNARD, MASSACHUSETTS TITLE LINE FILTER & PWR CONT 855
CHK'D	HEALY	DATE 6-20-69	
ENG.	ZNAMIEROWSKI	DATE 7-28-69	
PROJ. ENG.	VOLTA	DATE 7-21-69	
PROD.	ANTONUCCIO	DATE 7-27-69	
NEXT HIGHER ASSY			
MATERIAL		FINISH	
SCALE		SHEET 2 OF 2	
SIZE CODE	NUMBER	REV	
DUA	855-0-0	E	

THIS SCHEMATIC IS FURNISHED ONLY FOR TEST AND MAINTENANCE PURPOSES. THE CIRCUITS ARE PROPRIETARY IN NATURE AND SHOULD BE TREATED ACCORDINGLY. COPYRIGHT © 1969 BY DIGITAL CORPORATION



NOTES:
1. * REMOVE JUMPER IF 230V AC

* EXTERNAL JUMPER FOR 115V AC

REF DESIGNATION	DESCRIPTION	PART NO.
KI	COIL 120V AC 60HZ EBERT	1205768
DI	THYRECTOR 6RS2OSP4B4	1100106
SI	SW *7563K6 DPST C.H.	1205964
CBI	CKT BKR 40AMP 2P. CURVE 4	1201219-02
P3	FEMALE AC PLUG #160-4 AMPH.	1201251
P2	MALE AC PLUG #160-5 AMPH.	1201252
PI	RECP DOUBLE *10103 A.HART	1205351
I1	LAMP *1020CSS 125V IND. DEV	1201280
FL1	LINE FILTER *JN17-3715B1	1209269
C1, C2	CAP 2X .1 MFD 1000V DC	1002153
R3	RES 130K, 1W, 5%	1305604
R1, R2	RES 2K, 10W, 10%	1305603

PARTS LIST

REV.	CHG	IND.	REV.

DRN	DATE
R. Rainey	6-19-69

TRANSISTOR & DIODE CONVERSION CHART			
DEC	EIA	DEC	EIA

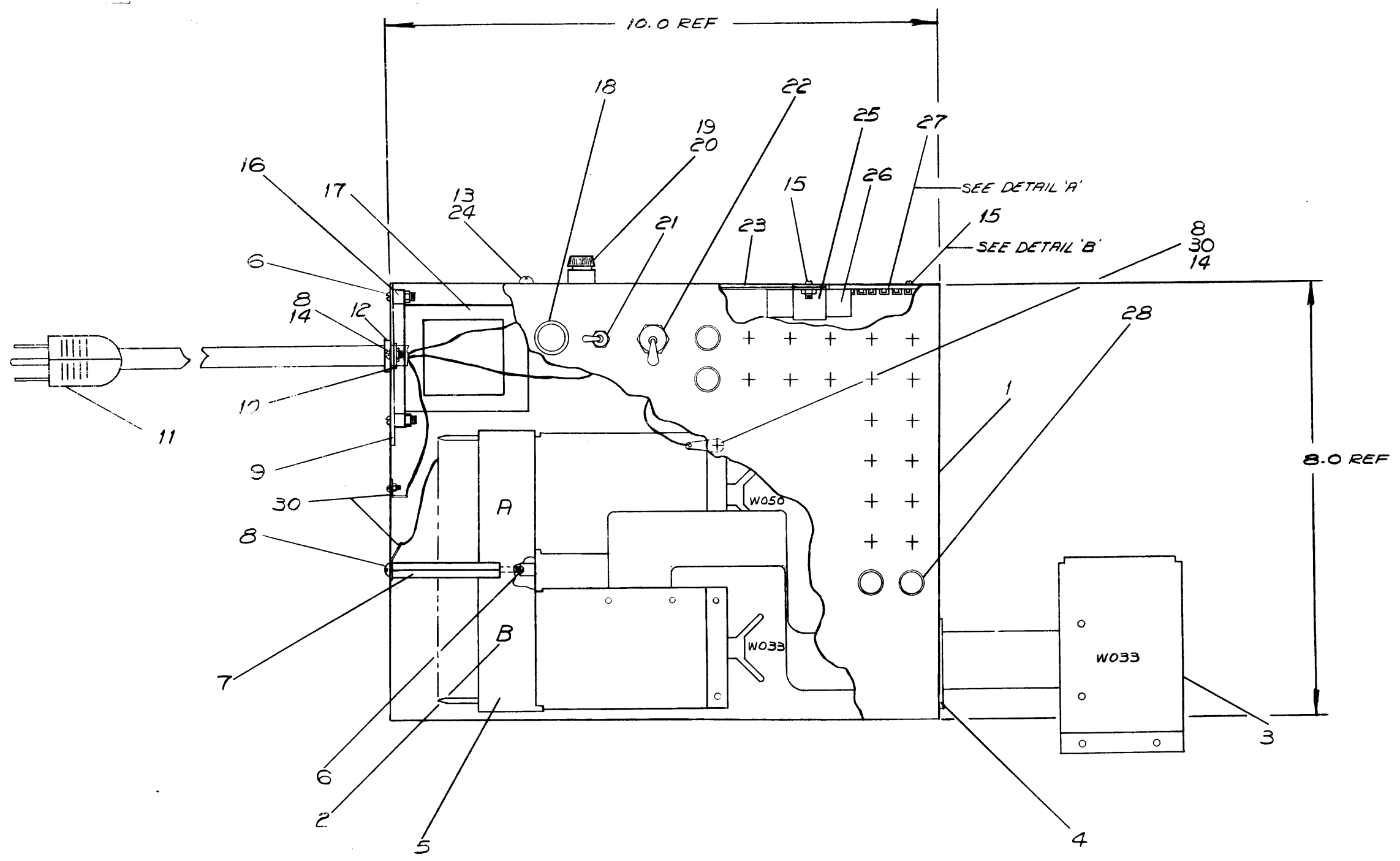
digital EQUIPMENT CORPORATION
MAYNARD, MASSACHUSETTS

TITLE: CIRCUIT SCHEMATIC
855

SIZE: C CS
CODE: 855-0-1
NUMBER: 855-0-1
REV.:

REV. 855-0-1
SIZE CODE C CS

PAK



REV.	CHANGE NO.

FIRST USED ON OPTION/ MODEL

TOLERANCES DECIMAL

XXX = ± .005

XX = ± .02

X = ± .1

DO NOT SCALE DRAWING

UNLESS OTHERWISE SPECIFIED DIMENSION IN INCHES

TOLERANCES DECIMALS FRACTIONS ANGLES

± .005 ± 1/64 ± 0°30'

FINAL SURFACE QUALITY REMOVE BURRS AND BREAK SHARP CORNERS

MATERIAL

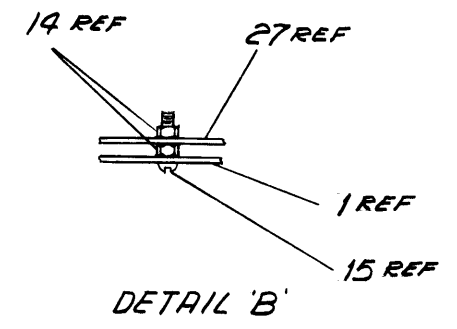
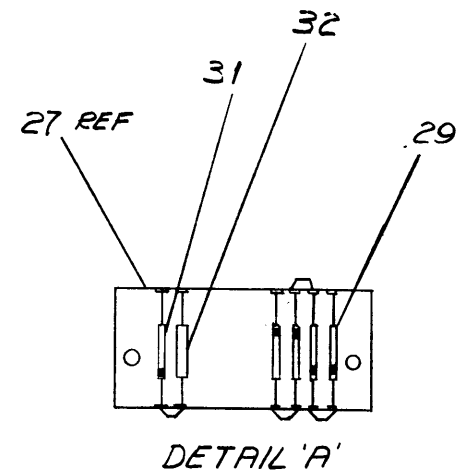
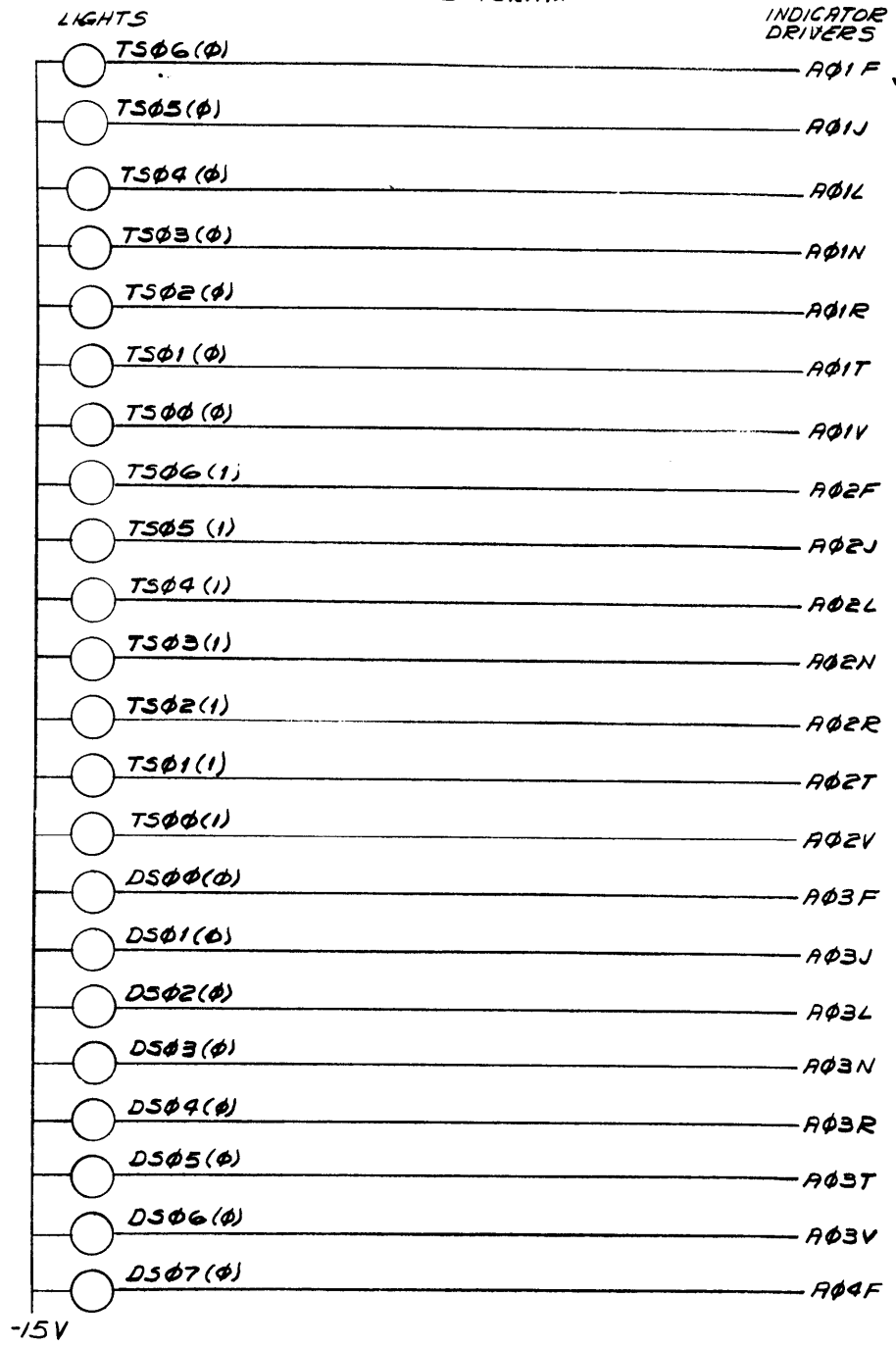
FINISH

QTY.	DESCRIPTION	PART NO.	ITEM NO.
PARTS LIST			
DRN.	DATE	digital EQUIPMENT CORPORATION	
CHKD.	DATE	MAYNARD MASSACHUSETTS	
ENG.	DATE	TITLE	
PROJ. ENG.	DATE	RF09 TESTER	
PROD.	DATE	NEXT HIGHER ASSY	
SCALE		SIZE CODE	NUMBER
SHEET	1 OF 2	DJUA	RF09-T-0
DIST		REV.	

This drawing and specifications herein are the property of Digital Equipment Corporation and shall not be reproduced or copied or used in whole or in part as the basis for the manufacture or sale of items without written permission.

0-1-6048 2

INDICATOR WIRING DIAGRAM



REV.	
CHANGE NO.	
CHK	

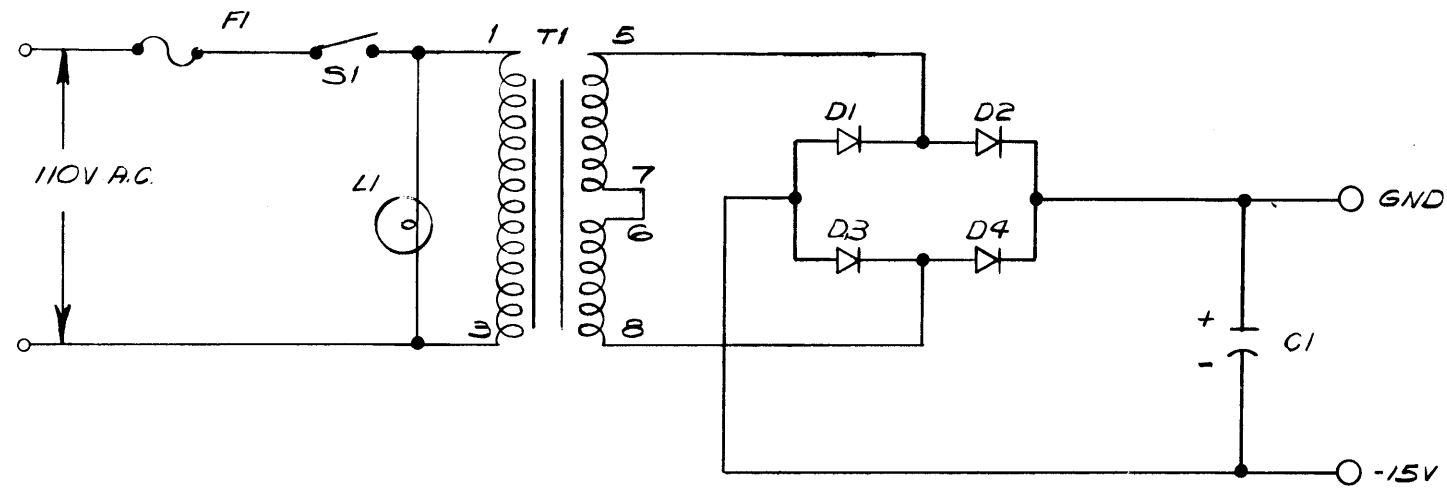
FIRST USED ON OPTION/MODEL
RF09-T

DO NOT SCALE DRAWING
UNLESS OTHERWISE SPECIFIED
DIMENSION IN INCHES
TOLERANCES
DECIMALS FRACTIONS ANGLES
± .005 ± 1/64 ± 0°30'
FINAL SURFACE QUALITY
REMOVE BURRS AND BREAK SHARP CORNERS
MATERIAL
FINISH

QTY.	DESCRIPTION	PART NO.	ITEM NO.
PARTS LIST			
DRN	DATE 7-23-65	digital EQUIPMENT CORPORATION MAYNARD, MASSACHUSETTS TITLE RF09 TESTER	
CHK	DATE 8-17-65		
ENG.	DATE		
PROJ. ENG.	DATE		
PROD.	DATE	NEXT HIGHER ASSY	
SCALE		SIZE CODE	NUMBER
SHEET 2 OF 2		DUA	RF09-T-0
		DIST.	

REV. NUMBER
DUA RF09-T-0

THIS SCHEMATIC IS FURNISHED ONLY FOR TEST AND MAINTENANCE PURPOSES. THE CIRCUITS ARE PROPRIETARY IN NATURE AND SHOULD BE TREATED ACCORDINGLY. COPYRIGHT BY DIGITAL EQUIPMENT CORPORATION



T1	TRANS 23V50 12VCT	1605719
SI	SWITCH C-H 7503	1201331
LI	LIGHT. PILOT 110V	1205403
FI	FUSE .25A 3A5	9007205
D1, D2, D3, D4	DIODES 1A MRE 66	1103188
C1	CAP 1000 MFD 12 1	1000090
REF. DESIGN.	DESCRIPTION	PART NO.

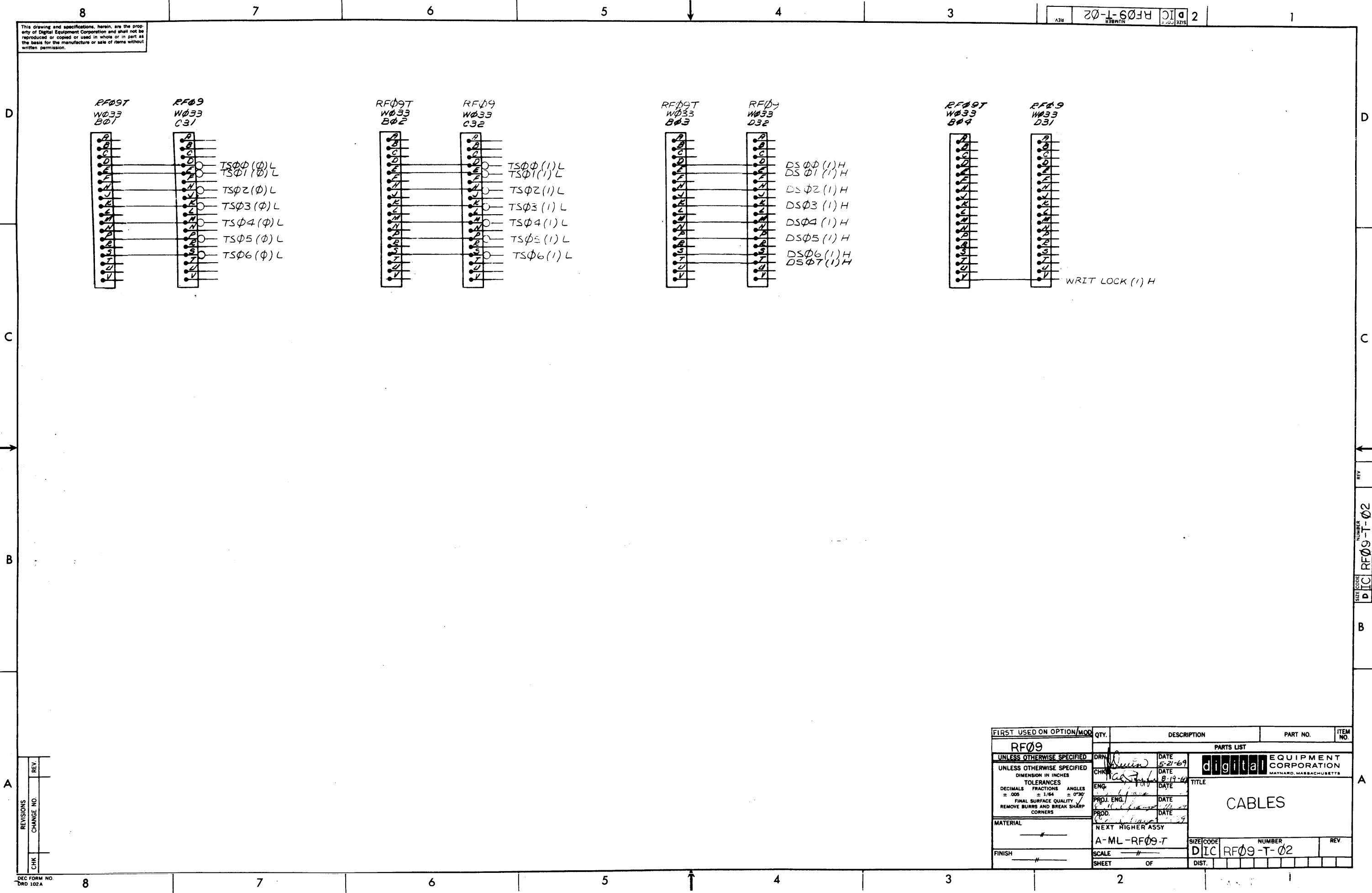
REVISIONS CHK CHG NO. REV.	DRW <i>[Signature]</i>	DATE 5-21-69	TRANSISTOR & DIODE CONVERSION CHART				digital EQUIPMENT CORPORATION MAYNARD, MASSACHUSETTS	TITLE POWER SUPPLY	
	CHK <i>[Signature]</i>	DATE 8-14-69	DEC	EIA	DEC	EIA		SIZE	CODE
	ENG. <i>[Signature]</i>	DATE 9/15/69						C	CS
	PROD. <i>[Signature]</i>	DATE 9/15/69						NUMBER	REV.
							RF09-T-01	01	
							PRINTED CIRCUIT REV.		

DEC FORM NO. DRC 102

PART

REV. NUMBER
RF09-T-01
SIZE CODE
C CS

This drawing and specifications, herein, are the property of Digital Equipment Corporation and shall not be reproduced or copied or used in whole or in part as the basis for the manufacture or sale of items without written permission.

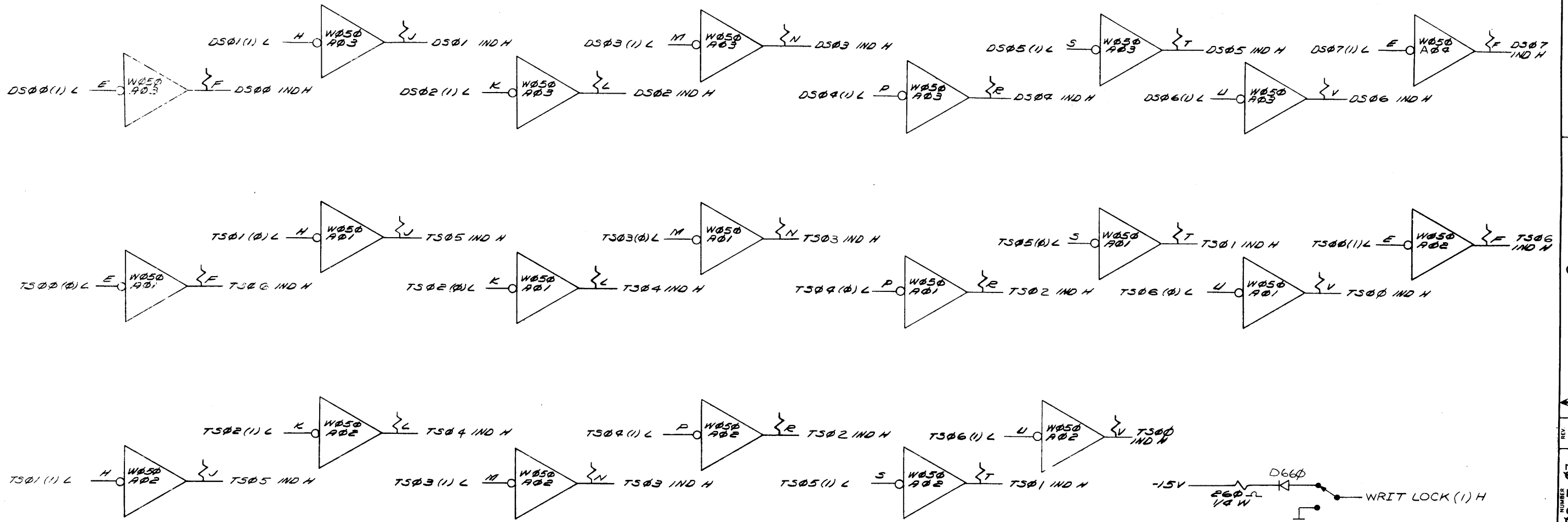


REV	
CHANGE NO.	
CHK	

FIRST USED ON OPTION/MOD	QTY.	DESCRIPTION	PART NO.	ITEM NO.
RF09				
PARTS LIST				
UNLESS OTHERWISE SPECIFIED	DRN	DATE	digital EQUIPMENT CORPORATION	
UNLESS OTHERWISE SPECIFIED	CHK	DATE	MAYNARD, MASSACHUSETTS	
DIMENSION IN INCHES	ENG	DATE	TITLE	
TOLERANCES	PROJ. ENG.	DATE	CABLES	
DECIMALS ± .005	PROD.	DATE		
FRACTIONS ± 1/64				
ANGLES ± 0°30'				
FINAL SURFACE QUALITY				
REMOVE BURRS AND BREAK SHARP CORNERS				
MATERIAL	NEXT HIGHER ASSY			
	A-ML-RF09-T			
FINISH	SCALE	SIZE/CODE	NUMBER	REV
		D I C	RF09-T-02	
	SHEET	OF	DIST.	

This drawing and specifications herein are the property of Digital Equipment Corporation and shall not be reproduced or copied or used in whole or in part as the basis for the manufacture or sale of items without written permission.

SIZE CODE D B S NUMBER RF09-T-03



REVISIONS	REV.
CHANGE NO.	
CHK	

FIRST USED ON OPTION	QTY.	DESCRIPTION	PART NO.	ITEM NO.
RF09-T				
UNLESS OTHERWISE SPECIFIED	DRN	DATE	PARTS LIST	
UNLESS OTHERWISE SPECIFIED	CHK	DATE	digital EQUIPMENT CORPORATION MAYNARD, MASSACHUSETTS	
DIMENSION IN INCHES	ENR	DATE	TITLE	
TOLERANCES	PROJ. ENG.	DATE	INDICATOR DRIVERS	
DECIMALS FRACTIONS ANGLES	PROD.	DATE	NEXT HIGHER ASSY	
± .005 ± 1/64 ± 0°30'			A-ML-RF09-T	
FINAL SURFACE QUALITY / REMOVE BURRS AND BREAK SHARP CORNERS			SIZE CODE	NUMBER
			D B S	RF09-T-03
MATERIAL			SCALE	REV.
FINISH			SHEET	1 OF 1
			DIST.	

<small>This drawing and specifications, herein, are the property of Digital Equipment Corporation and shall not be reproduced or copied or used in whole or in part as the basis for the manufacture or sale of items without written permission.</small>				SIZE CODE D MU NUMBER RF09-T-04 REV 2																																																		
	1	2	3	4	5	6	7	8	9	10	11	12	13	14	15	16	17	18	19	20	21	22	23	24	25	26	27	28	29	30	31	32	33	34	35	36	37	38	39	40	41	42	43	44										
USAGE	W050	W050	W050	W050																																																		
	T500 IND H	T500 IND H	D500 IND H	D507 IND H																																																		
	T506 IND H	T506 IND H	D506 IND H																																																			
	W033 CABLE	W033 CABLE	W033 CABLE	W033 CABLE																																																		
	T500 Ø1L	T500 Ø1L	D500 Ø1H																																																			
	T506 Ø1L	T506 Ø1L	D507 Ø1H																																																			

REVISIONS CHANGE NO. _____ CHK _____ DEC FORM NO. 892	FIRST USED ON OPTION / MOD RF09-T	UNLESS OTHERWISE SPECIFIED DIMENSION IN INCHES TOLERANCES DECIMALS ± .005 FRACTIONS ± 1/64 ANGLES = 0°30' FINAL SURFACE QUALITY REMOVE BURRS AND BREAK SHARP CORNERS	DRN <i>Quinn</i> DATE 7-24-69 CHK <i>[Signature]</i> DATE 8-19-69 ENG <i>[Signature]</i> DATE PROJ. ENG. DATE PROD. DATE NEXT HIGHER ASSY A-M-L-RF09-T	DATE 7-24-69 DATE 8-19-69 DATE DATE DATE	digital EQUIPMENT CORPORATION WATYARD, MASSACHUSETTS	TITLE MODULE UTILIZATION RF09-T	SIZE CODE D MU	NUMBER RF09-T-04	REV. 2	
	SCALE 1 OF 1	SHEET 1 OF 1	C:ST.							


8
7
6
5
4
3
2
1
A
B
C
D


8
7
6
5
4
3
2
1
A
B
C
D

This drawing and specifications, herein, are the property of Digital Equipment Corporation and shall not be reproduced or copied or used in whole or in part as the basis for the manufacture or sale of items without written permission.

SIGNAL NAME	FROM PIN	TO PIN	COLOR	REMARKS
TS0(0) L	B01D	A01E		
TS1(0) L	B01E	A01H		
TS2(0) L	B01H	A01K		
TS3(0) L	B01K	A01M		
TS4(0) L	B01M	A01P		
TS5(0) L	B01P	A01S		
TS6(0) L	B01S	A01U		
TS0(1) L	B02D	A02E		
TS1(1) L	B02E	A02H		
TS2(1) L	B02H	A02K		
TS3(1) L	B02K	A02M		
TS4(1) L	B02M	A02P		
TS5(1) L	B02P	A02S		
TS6(1) L	B02S	A02U		
DS0(1) H	B03D	A03E		
DS1(1) H	B03E	A03H		
DS2(1) H	B03H	A03K		
DS3(1) H	B03K	A03M		
DS4(1) H	B03M	A03P		
DS5(1) H	B03P	A03S		
DS6(1) H	B03S	A03U		
DS7(1) H	B03T	A04E		
Write Lock (1) H	write lock 5w	B04V		

SIGNAL NAME	FROM PIN	TO PIN	COLOR	REMARKS
TS6(0) IND H	A01F	Light Ind		
TS5(0) IND H	A01J	Light Ind		
TS4(0) IND H	A01L	Light Ind		
TS3(0) IND H	A01N	Light Ind		
TS2(0) IND H	A01R	Light Ind		
TS1(0) IND H	A01T	Light Ind		
TS0(0) IND H	A01V	Light Ind		
TS6(1) IND H	A02F	Light Ind		
TS5(1) IND H	A02J	Light Ind		
TS4(1) IND H	A02L	Light Ind		
TS3(1) IND H	A02N	Light Ind		
TS2(1) IND H	A02R	Light Ind		
TS1(1) IND H	A02T	Light Ind		
TS0(1) IND H	A02V	Light Ind		
DS0(0) IND H	A03F	Light Ind		
DS1(0) IND H	A03J	Light Ind		
DS2(0) IND H	A03L	Light Ind		
DS3(0) IND H	A03N	Light Ind		
DS4(0) IND H	A03R	Light Ind		
DS5(0) IND H	A03T	Light Ind		
DS6(0) IND H	A03V	Light Ind		
DS7(0) IND H	A04F	Light Ind		

REVISIONS				DATE 5-21-69	 MAYNARD, MASSACHUSETTS
REV.	DATE	CHG. NO.	APP'D.	DATE	
				DATE	
				DATE	
				DATE	
TITLE					
GENERAL WIRING SHEET					
FOR TRACK AND DISK					
SELECT MONITOR					
FIRST USED ON		NUMBER			
A-M-L-RF09-7		RF09-T-5			
SCALE		REV.			
1 OF 2					
SHEET		DIST.			

REVISIONS				DATE 5-21-69	 MAYNARD, MASSACHUSETTS
REV.	DATE	CHG. NO.	APP'D.	DATE	
				DATE	
				DATE	
				DATE	
TITLE					
GENERAL WIRING SHEET					
FOR TRACK AND DISK					
SELECT MONITOR					
FIRST USED ON		NUMBER			
A-M-L-RF09-7		RF09-T-5			
SCALE		REV.			
2 OF 2					
SHEET		DIST.			

PINK T

PINK T

This drawing and specifications, herein, are the property of Digital Equipment Corporation and shall not be reproduced or copied or used in whole or in part as the basis for the manufacture or sale of items without written permission.

DIGITAL EQUIPMENT CORPORATION MAYNARD MASSACHUSETTS

PACKAGING INSTRUCTION

TITLE RS08 Cabinet-Mounted Disk
Dry Packaging of Disk Assembly

REV: A DATE: 4/30/70
B 7/10/70

MATERIAL REQUIREMENTS

Quantity	Identification No.	Purchase Specification	Description
1	--	99-05007	RS08 desiccant pan (1)
A/R	--	90-07834	3M Double-sided tape 1/2" wide (Scotch #4032)
1	--	99-05006	Bag of DRIERITE desiccant (3)
1	--	--	Plastic air inlet cap
As required	676	--	PERMACEL silver cloth tape
1	CMD7605746-0-0	--	Shipping bracket
2	90-06073-1	--	10-32 x 1/2 lg. machine screws
2	90-07651	--	External star washers

PACKAGING INSTRUCTIONS

Step	Procedure
1	Install and tighten Disk drive motor lock.
2	Disconnect blue, green, red, yellow, and black Disk drive motor leads.
3	Wrap leads around motor housing, and tape in place as shown in Figure 1.
4	Assemble the shipping bracket to the disk casting. Secure the disk motor to the bracket by using same motor-lock screw provided with motor lock.
5	Thoroughly clean dust and foreign matter from the desiccant pan.
6	Cut four strips of double-sided tape; then place them on the top side of the desiccant pan flange to form a gasket.
7	Place one 8-ounce bag of DRIERITE desiccant into the pan.
8	Remove the remaining backing from the gasket, place the pan over the disk motor, and affix the pan firmly to the disk casting. Be certain to offset the desiccant pan so that it does not interfere with the mercury relay in the logic section.
9	Using PERMACEL silver cloth tape, cut as shown in Figure 1, tape the entire flange area to secure and seal the pan to the disk casting.
10	Remove the air filtration hose, and cap the air access opening to seal the disk from the outside environment.

ENG *J. W. Lawrence* APPD *J. W. Lawrence* SIZE A CODE PI NUMBER 3700006-0-0

MATERIAL HANDLING INSTRUCTION

REV: B DATE: _____

TITLE RS08 CABINET-MOUNTED DISK etc.

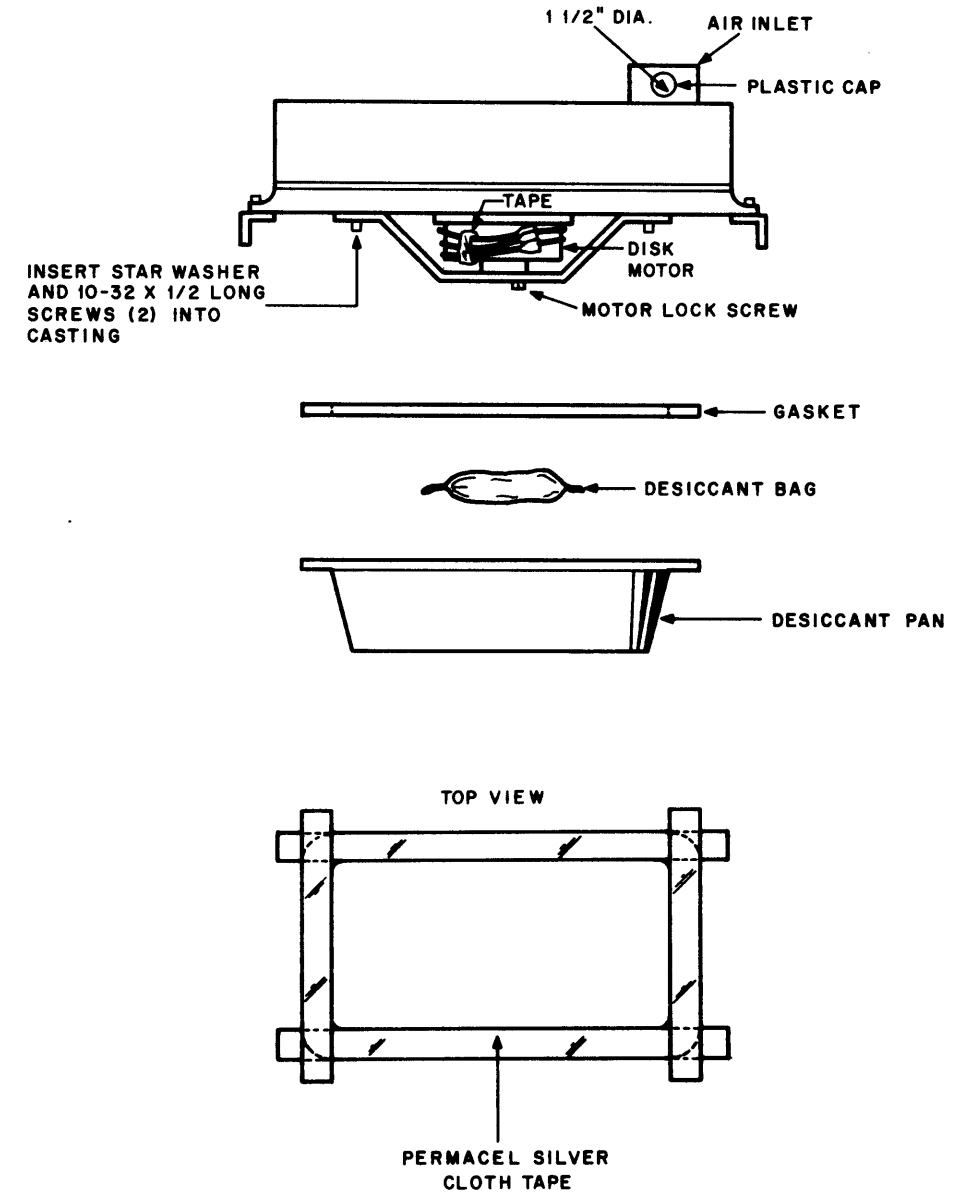


FIGURE 1

ENG. *J. W. Lawrence* APPD. *J. W. Lawrence* SIZE A CODE PI NUMBER 3700006-0-0

This drawing and specifications, herein, are the property of Digital Equipment Corporation and shall not be reproduced or copied or used in whole or in part as the basis for the manufacture or sale of items without written permission.

**DIGITAL EQUIPMENT CORPORATION
MAYNARD MASSACHUSETTS**

PACKAGING INSTRUCTION

REV: A DATE: 10-72

TITLE RS08/09 PACKAGING INSTRUCTION

MATERIAL REQUIREMENTS

<u>Quantity</u>	<u>Identification No.</u>	<u>Stock No.</u>	<u>Description</u>
1	1913 1709	99-05019	RS08 Shipping Pallet
1	1-1914 1812 1210-0	99-05018	RS08 Inner Carton
1	3-1812 1710 0806-0	99-05223	Stitched Tube
8	A430-13	99-05017	Hardi-Pads (3 in.)
1	1-2604 2502 1904-0	99-05020	RS08 Outer Carton
4			Round Head Wood Screw, #10 x 1 in. length
2		9006073-1	10-32 x 1/2 Phillips Pan Head Machine screw.
1		9905006	8 oz. Bag of Dessicant
As required			3 in. wide Glas-Flex Tape
5		9905012-1	Envelope
2		9007651	#10 External star washers
1	C-MD-7605746-0-0		Shipping bracket
1		9905007	RS08 Dessicant Pan
As required	676		Permacel silver cloth tape
As required		9007834	3M Scotch #4032 Double-Sided Tape - 1/2 in. Wide

PACKAGING INSTRUCTIONS

<u>Step</u>	<u>Procedure</u>
1	Install and securely tighten the disk drive motor lock.
2	Wrap the blue, green, red, yellow and black disk drive motor leads around the motor housing and tape them in place as shown in Figure 1.
3	Assemble the shipping bracket (C-MD-7605746-0-0) to the disk casting using two #10-32 screws (9006073-1) and two external star washers (9007651). Secure the disk motor to the bracket using the same motor lock screw provided with motor lock.
4	Thoroughly clean foreign matter from the dessicant pan (9905007).

ENG J.W. Lawrence APPD J.W. Lawrence 4-16-71 SIZE A CODE PI NUMBER 3700014-0-0 REV A

PACKAGING INSTRUCTION

CONTINUATION SHEET

TITLE RS08/09 PACKAGING

- 5 Cut four strips of double-sided 3M Scotch #4032 tape and place them on the top side of the dessicant pan flange to form a gasket.
Remove tape backing from only one side.
- 6 Place one 8 oz. bag of Drierite dessicant (9905006) onto the top of the shipping bracket.
- 7 Remove the remaining backing from the gasket, place the dessicant pan over the disk motor, and affix the pan firmly to the Disk Casting.
- 8 Using Permacel silver cloth tape, cut as shown in Figure 1, tape the entire dessicant pan flange area to secure and seal the pan to the Disk Casting.
- 9 Check to be sure the air access opening is capped to seal the disk from the outside environment.
- 10 Place the disk shipping pallet on a table with the four pallet mounting feet facing upward.
- 11 Place the disk onto the shipping pallet with the main casting resting on the four pallet feet.

NOTE

The shipping pallet and Disk casting are not symmetrical.

- 12 Using the four #10 round head wood screws, or an equivalent, securely fasten the Disk casting to the pallet mounting feet.
- 13 Cover the five Disk module cable cards with envelopes (9905012-1) and tape them to the black cover.
- 14 Tape together the bottom of the Disk inner carton (99-05018) with 3M Glas-Flex tape, then insert the stitched tube (99-05223) into the inner carton as shown in Figure 2.
- 15 Place the Disk into the inner carton with the Disk's black top facing down so that the shoulder of the Disk casting rests on the inner sleeve.

NOTE

The packing box and the casting are not symmetrical.

- 16 Using 3-in. wide Glas-Flex tape, tape the inner carton shut.
- 17 Place four Hardi corner pad assemblies into the bottom of the outer carton as shown in Figure 2.
- 18 Place the inner carton with the Disk into the outer carton so that it rests on the four corner pads.
- 19 Place four Hardi corner pads on top of the inner box.

J.W. Lawrence J.W. Lawrence 4-16-71 SIZE A CODE PI NUMBER 3700014-0-0 REV A

PACKAGING INSTRUCTION

CONTINUATION SHEET

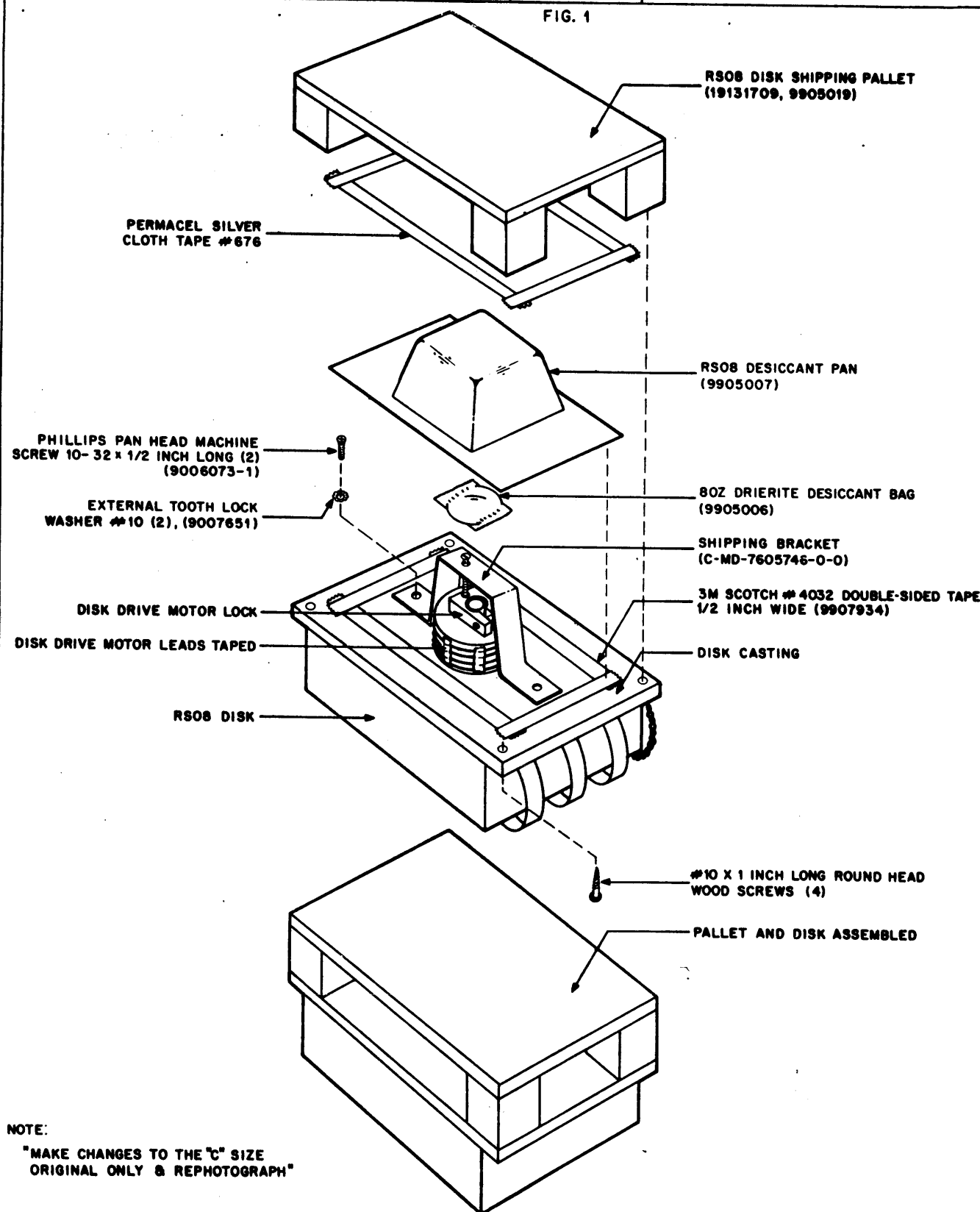
TITLE RS08/09 PACKAGING INSTRUCTION

- 20 Close the top of the outer carton and seal it tight with 3-in. Glas-Flex tape.
- 21 Strap the carton to a 27 x 32-in. pallet (D-PS-1210569-0-0).

PACKAGING INSTRUCTIONS

REV: A DATE: 10-72

TITLE RS08/09 DISK



NOTE:
"MAKE CHANGES TO THE "C" SIZE ORIGINAL ONLY & REPHOTOGRAPH"

ENG. <i>J.W. Lawrence</i>	APPD. <i>J.W. Lawrence 4-16-71</i>	SIZE A	CODE PI	NUMBER 3700014-0-0	REV A
------------------------------	---------------------------------------	-----------	------------	-----------------------	----------

DRC-108

J.W. Lawrence

J.W. Lawrence 4-16-71

SIZE A CODE PI NUMBER 3700014-0-0

REV A

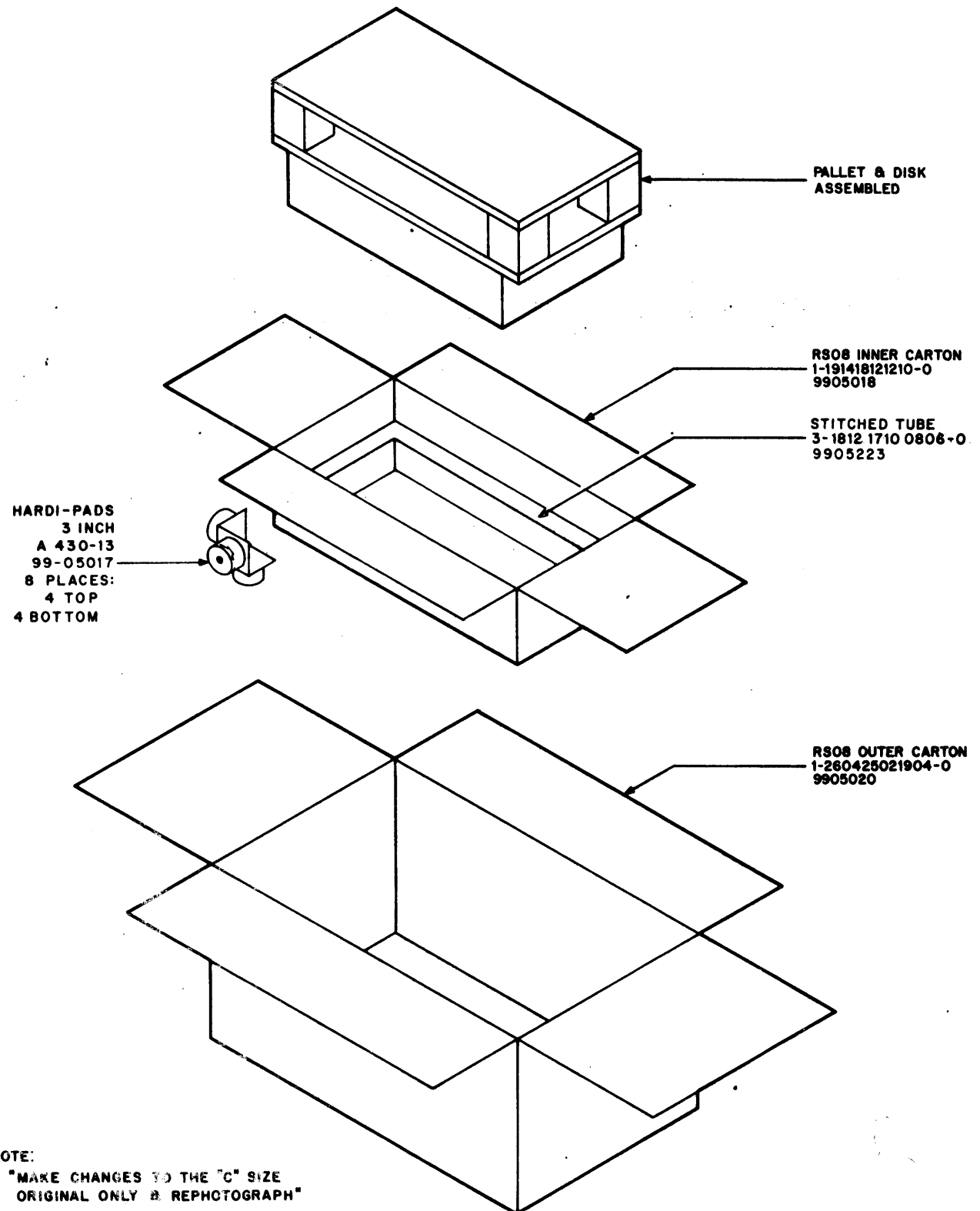
This drawing and specifications, herein, are the property of Digital Equipment Corporation and shall not be reproduced or copied or used in whole or in part as the basis for the manufacture or sale of items without written permission.

PACKAGING INSTRUCTIONS

REV: A DATE: 10-72

TITLE
RS08/09 DISK

FIG. 2



NOTE:
"MAKE CHANGES TO THE "C" SIZE
ORIGINAL ONLY & REPHOTOGRAPH"

ENG. <i>J.W. Lawrence</i>	APPD. <i>J.W. Lawrence 4-16-71</i>	SIZE A	CODE PI	NUMBER 3700014-0-0	REV A
------------------------------	---------------------------------------	-----------	------------	-----------------------	----------