

* THE MATERIAL HEREIN IS FOR INFORMATION PURPOSES ONLY AND IS SUBJECT TO CHANGE WITHOUT NOTICE. DIGITAL EQUIPMENT CORPORATION ASSUMES NO RESPONSIBILITY FOR ANY ERRORS WHICH MAY APPEAR HEREIN.*

FIELD MAINTENANCE PRINT SET

* THIS DRAWING AND SPECIFICATIONS, HEREIN, ARE THE PROPERTY OF DIGITAL EQUIPMENT CORPORATION AND SHALL NOT BE REPRODUCED OR COPIED OR USED IN WHOLE OR IN PART AS THE BASIS FOR THE MANUFACTURE OR SALE OF ITEMS WITHOUT WRITTEN PERMISSION.* COPYRIGHT © 1984 DIGITAL EQUIPMENT CORPORATION.

TABLE OF CONTENTS

B-TC-PC380-0-DBU1	PC380 UNIT ASSY (TC)
D-UA-PC380-0-0	PC380 UNIT ASSY
K-PL-PC380-0-DBP	PC380 UNIT ASSY (PL)
B-DD-PC380-0	PC380 UNIT ASSY (DD ONLY)
B-DD-5415058-0	RX50 CONTROLLER (DD ONLY)
D-UA-5415058-0-0	RX50 CONTROLLER
K-PL-5415058-0-DBP	RX50 CONTROLLER (PL)
D-CS-5415058-0-1	RX50 CONTROLLER
A-PS-1700280-0-0	CABLE ASSY 16 CONN.
A-PS-1700342-0-0	CABLE ASSY D.C. PWR.
A-PS-1700285-0-0	CABLE ASSY 34 CONN.
A-PS-1700283-0-0	CABLE ASSY, VIDEO
MP-01957-01	PRINT SET KDJ11-C
MP-01483-00	PRINT SET RCX50
MP-01320-00	PRINT SET H7862-C
MP-01482-00	PRINT SET RX50-AA

UNIT VARIATIONS COVERED BY THIS PRINT SET
PC380-AA
PC380-AB
PC380-BA
PC380-BB

PC380 FIELD MAINTENANCE PRINT SET

DIGITAL EQUIPMENT CORPORATION

PRINT SET PART
NUMBER MP-01922-01

REVISION HISTORY	
DATE	ECQ NUMBER REV. INITIAL
	A

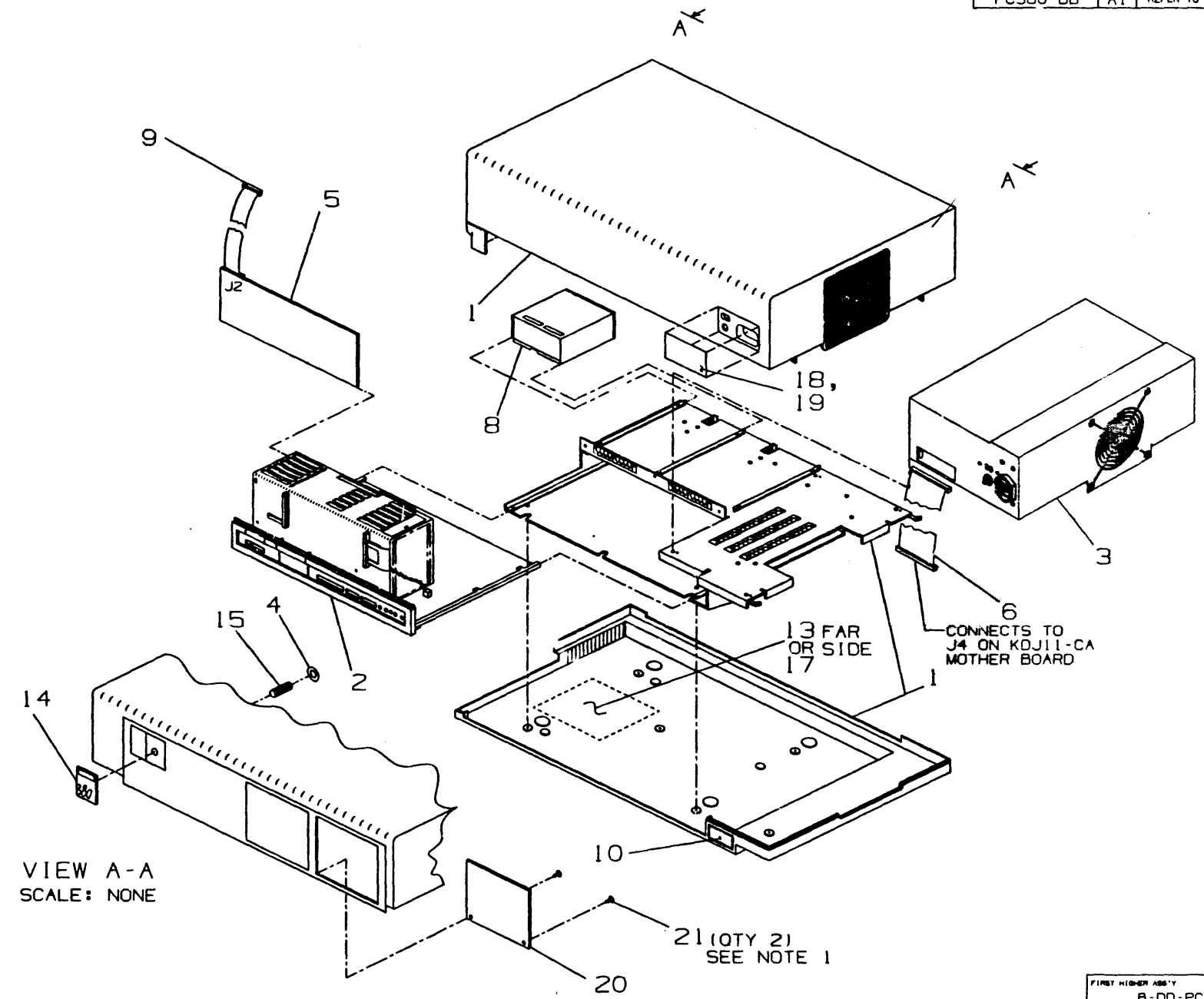
DRN. <i>B. Siort</i>	DATE 3 MAY 84	TITLE digital PC380 UNIT ASSY		
CHK'D D. HEALY	DATE 6 JUN 84	SIZE CODE B TC	NUMBER PC380-0-DBU1	REV. A
DES. ENG. S. BOULY	DATE 6 JUN 84			
RESP. ENG. H. RETTSTADT	DATE 6 JUN 84			
FIELD SERVICE RON CAPRIO	DATE 6 JUN 84			
TOP DOC. B-DD-PC380-0-DBU		SHEET 1 OF 1		

REV. A
NUMBER PC380-0-DBU1
SIZE CODE **B TC**

THIS DRAWING AND THE SPECIFICATIONS CONTAINED HEREIN ARE CONFIDENTIAL AND PROPRIETARY. THEY ARE THE PROPERTY OF DIGITAL EQUIPMENT CORPORATION AND SHALL NOT BE REPRODUCED OR COPIED OR USED IN WHOLE OR IN PART AS THE BASIS FOR THE MANUFACTURE OR SALE OF ITEMS WITHOUT WRITTEN PERMISSION. THIS IS AN UNPUBLISHED WORK PROTECTED UNDER THE FEDERAL COPYRIGHT LAWS. 1984

LEGEND		
PART NO.	REV	VARIATION
PC380-AA	A1	REFER TO K-PL-PC380-0-DBP
PC380-AB	A1	REFER TO K-PL-PC380-0-DBP
PC380-BA	A1	REFER TO K-PL-PC380-0-DBP
PC380-BB	A1	REFER TO K-PL-PC380-0-DBP

- NOTES:
- TIGHTEN ITEM 21 TO 1 IN. LBS. MIN.
 - ITEMS #11 AND #16 ARE NOT SHOWN ON THIS ASSEMBLY.



VIEW A-A
SCALE: NONE

PLOT AT .25

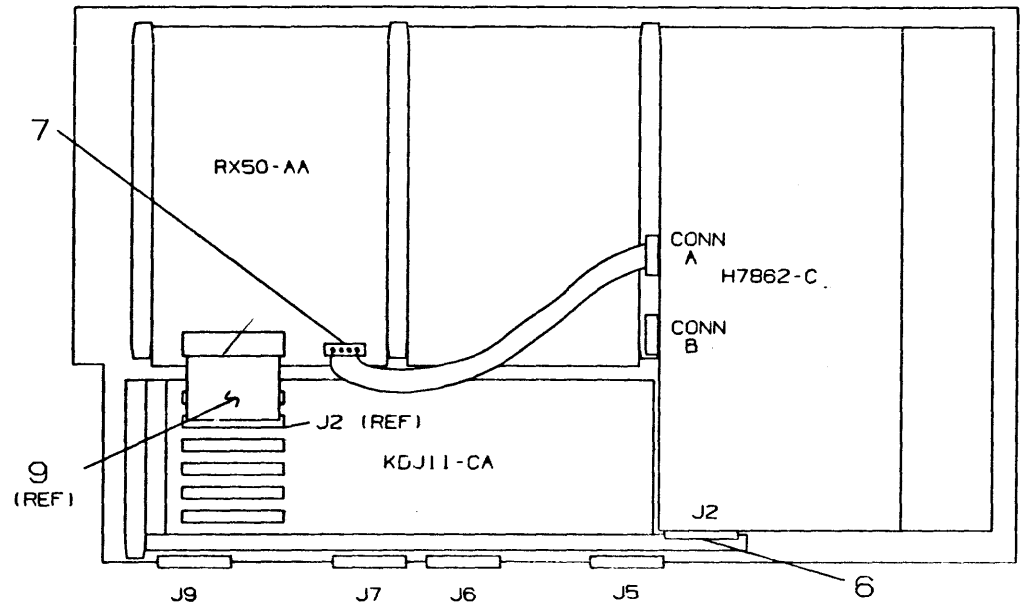
CAUTION: OFF SHEET PARTS EXITS
REFER TO K-PL-PC380-0-DBP (Z9983)

REV.	INITIAL

DESCRIPTION	DRAWING NO.	PART NO.	ITEM NO.
UNLESS OTHERWISE SPECIFIED DIMENSIONS ARE IN INCHES AND THE FOLLOWING TOLERANCES APPLY (PER DEC STD 1114)			
INCHES TOLERANCES .X1 ± .1 .XX1 ± .02 .XXX1 ± .005	ANGLES 40°-90° SURFACE QUALITY ✓ MICROINCHES	APPLICABLE DIMENSION RANGE (CHECK ONE)	
		DIMENSION RANGE IN INCHES	
		OVER 0 TO 0.2	OVER 0.2 TO 1.2
		OVER 1.2 TO 4.0	OVER 4.0 TO 12.0
		OVER 12.0 TO 40.0	OVER 40.0 TO 100.0
		±.004	±.008 ±.012 ±.018 ±.024 ±.04
THIRD ANGLE PROJECTION	DATE	TITLE	
DO NOT SCALE DRAWING	B. SIART	PC380 UNIT ASSEMBLY	
REMOVE BURRS AND BREAK SHARP CORNERS	D. HEALY	DOCUMENT NUMBER	
MATERIAL SEE PARTS LIST	S. BOULAY	D UA PC380-0-DBU	
FINISH NONE	H. RETTSTADT	SCALE NONE	SHEET 1 OF 2
	J. CRABTREE		

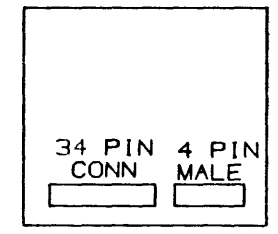
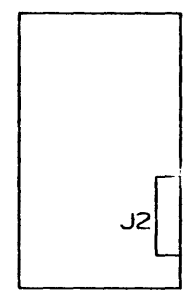
*THIS DRAWING AND THE SPECIFICATIONS CONTAINED HEREIN ARE CONFIDENTIAL AND PROPRIETARY. THEY ARE THE PROPERTY OF DIGITAL EQUIPMENT CORPORATION AND SHALL NOT BE REPRODUCED OR COPIED OR USED IN WHOLE OR IN PART AS THE BASIS FOR THE MANUFACTURE OR SALE OF ITEMS WITHOUT WRITTEN PERMISSION. THIS IS AN UNPUBLISHED WORK PROTECTED UNDER THE FEDERAL COPYRIGHT LAWS. 1984

CABLE AND BOARD HOOKUP			
ITEM #	FROM	TO	REMARKS
8	J4(5416237-01)	J2(H7862-C)	KDJ11 MOTHER BOARD TO H7862-C POWER SUPPLY
5	5415058 (RX50-AA BOARD)	J1(5416237-01) (SLOT 2)	RX CONTROLLER TO SLOT 2 KDJ11-CA
9	34 PIN CONN IN RX50-AA	J2(5415058)	RX50 CONTROLLER BOARD TO RX50-AA
7	4 PIN CONN ON RX50-AA	CONN A ON H7862-C	RX50-AA TO POWER SUPPLY
-	BATTERY (KDJ11-CA)	J3(5416237-01)	BATTERY TO MOTHER BOARD (KDJ11-CA)

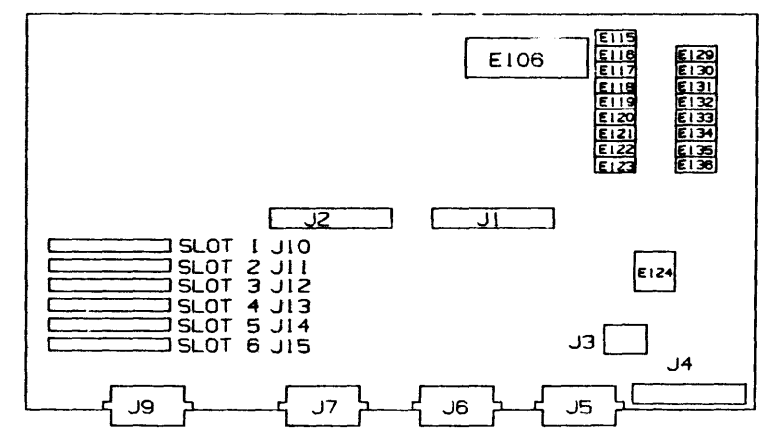


TOP VIEW WITH ITEM #1 (TOP ENCLOSURE) REMOVED & UNITS ASSEMBLED IN PLACE

5415058
RX50-CONTROLLER BD
SIDE 1



IN RX50-AA UNIT



KDJ11-CA BOARD
5416237-01

REVISIONS		
CHK	CHANGE NO	REV

LINE ITEM	TOP DOCUMENT	PART NUMBER	MIN REV	DESCRIPTION	VARIATION REVISION LEVEL:	QTY PER VARIATION			
						AA A1	AB A1	BA A1	BB A1
1	1	E-UA-BA50-0-0		BA50 -A		1	1	1	1
2	2	D-UA-KDJ11-C-0		KDJ11-CA		1	1	1	1
3	3	E-UA-H7862-0-0		H7862-C		1	1	1	1
4	4		9009865-01	B	NUT,PUSH ROUND .250STUD DIA	1	1	1	1
5	5	D-UA-5415058-0-0	5415058-00		RX50 CONTROLLER	1	1	-	-
6	6	A-PS-1700280-0-0	1700280-00	C	CABLE ASSY 16COND. CT-150	1	1	1	1
7	7	A-PS-1700342-0-0	1700342-02	B	CABLE ASSY,DC POWER 7.5"LG	1	1	-	-
8	8	E-UA-RX50-0-DBU	RX50 -AA		DUAL 5.25" SINGLE SIDED FLOPPY D	1	1	-	-
9	9	A-PS-1700285-0-0	1700285-00	B	CABLE,ASSY 34COND. CT150	1	1	-	-
10	10	A-PS-3620215-0-0	3620215-01		LABEL,PWR.RATING CT 100-120/220	1	1	1	1
11	11	A-PS-1700283-0-0	1700283-00	C	CABLE,ASSY VIDEO B&W CT-150	1	1	1	1
12	12	A-PA-3700699-0-0	3700699-05		PKG SYSTEM LARGE UNIT CUSTOMER	1	1	1	1
13	13	A-PS-3620218-0-0	3620218-13	A	LABEL,REGULATIONS,CT SYS BOX PC3	1	-	1	-
14	14	D-IA-7427256-0-DBU	7427256-08		MEDALLIAN SYSTEM BOX	1	1	1	1
15	15	A-PS-1220113-0-0	1220113-01		SPRING,COMPRESSION .3000DX .380	1	1	1	1
16	16	A-PS-1700300-0-0	1700300-00	A	CABLE,PRINTER,ASSY 7COND 26AWGW/	-	1	-	1
17	17	A-PS-3620218-0-0	3620218-14	A	LABEL,REGULATIONS,CT SYS BOX PC3	1	-	1	-
18	18	A-PS-3617905-0-0	3617905-16	A	LABEL,WARNING EQUIP. RATING,100-	-	1	-	1
19	19	A-PS-3617905-0-0	3617905-17	A	LABEL,WARNING EQUIP. RATING,220-	-	-	1	1
20	20	D-MD-7426788-0-DBU	7426788-01		COVER,PLATE BEZEL	-	-	2	2
21	21		9006009-02	-	SCREW,MACH FLAT PHIL 4-	-	-	2	2

REVISION HISTORY		BASIC PART NO: PC380		DRN: B. SIART	DATE: 15-JUN-84	D I G I T A L			
ENG:	ECO NUMBER	REV	SECTION A OF A	CHK'D: D. HEALY	DATE: 16-JUL-84	TITLE PARTS LIST PC380 UNIT ASSY			
---	INITIAL	A	SECTION VARIATION INDEX (A)AA,AB,BA,BB	DES.ENG: S. BOULAY	DATE: 16-JUL-84	DOCUMENT NUMBER			
			(B)	RESP.ENG.: H. RETTSTADT	DATE: 16-JUL-84	SIZE	CODE	NUMBER	REV
			(C)	MFG.ENG.: J. CRABTREE	DATE: 16-JUL-84	K	PL	PC380-0-DBP	A
			(D)	ASSEMBLY NUMBER: D-UA-PC380-0-DBU	TOP DOCUMENT NUMBER: B-DD-PC380-0-DBU	RELEASE DATE: 16-JUL-84			
			(E)			FILE NAME: Z9983A.PLS			EDIT # 9
			(F)						

"THIS DRAWING AND THE SPECIFICATIONS CONTAINED HEREIN ARE CONFIDENTIAL AND PROPRIETARY. THEY ARE THE PROPERTY OF DIGITAL EQUIPMENT CORPORATION AND SHALL NOT BE REPRODUCED OR COPIED OR USED IN WHOLE OR IN PART AS THE BASIS FOR THE MANUFACTURE OR SALE OF ITEMS WITHOUT WRITTEN PERMISSION. THIS IS AN UNPUBLISHED WORK PROTECTED UNDER THE FEDERAL COPYRIGHT LAWS."

" THE MATERIAL HEREIN IS FOR INFORMATION PURPOSES ONLY AND IS SUBJECT TO CHANGE WITHOUT NOTICE. DIGITAL EQUIPMENT CORPORATION ASSUMES NO RESPONSIBILITY FOR ANY ERRORS WHICH MAY APPEAR HEREIN."

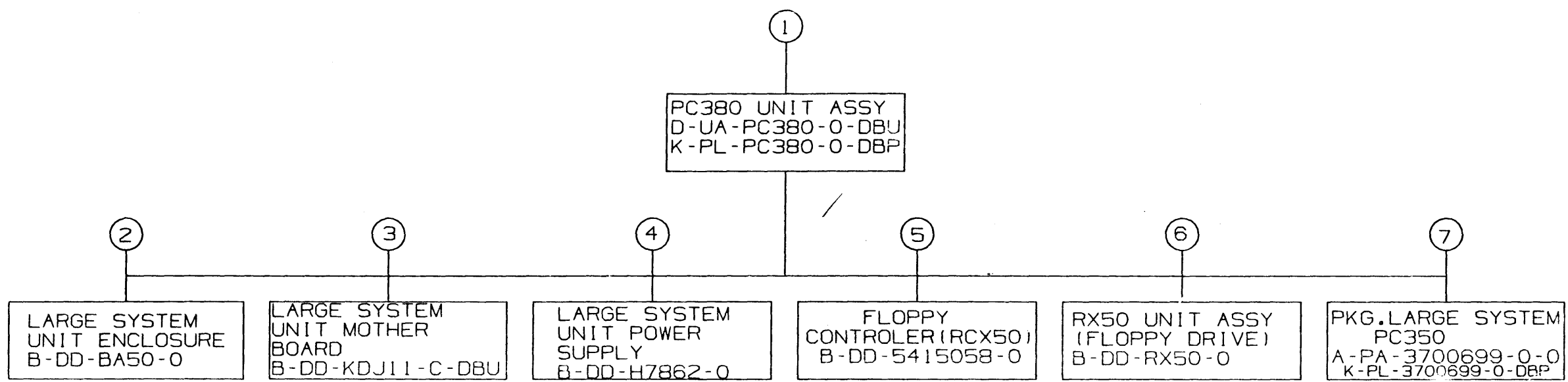
DRAWING DIRECTORY

" THIS DRAWING AND SPECIFICATIONS, HEREIN, ARE THE PROPERTY OF DIGITAL EQUIPMENT CORPORATION AND SHALL NOT BE REPRODUCED OR COPIED OR USED IN WHOLE OR IN PART AS THE BASIS FOR THE MANUFACTURE OR SALE OF ITEMS WITHOUT WRITTEN PERMISSION." COPYRIGHT © 1984 DIGITAL EQUIPMENT CORPORATION.

UNIT VARIATIONS

VAR	TITLE
PC380-AA	BA50-A, [H7862-C WITH VOLTAGE SETTING @ 110 VOLTS], KDJ11-CA, RX50-AA, RCX50-, 1700300-10
PC380-AB	BA50-A, [H7862-C WITH VOLTAGE SETTING @ 220 VOLTS], KDJ11-CA, RX5-AA, RCX50, 1700300-10
PC380-BA	BA50-A, [H7862-C WITH VOLTAGE SETTING @ 110 VOLTS], 1700300-10, KDJ11-CA
PC380-BB	BA50-A, [H7862-C WITH VOLTAGE SETTING @ 220 VOLTS], KDJ11-CA, 1700300-10

REVISIONS	CHG. NO. REV. A	INITIAL	USED ON OPTION/MODEL	DRN. <i>B. Sient</i> DATE 6 JUN 84	TITLE <div style="text-align: right; border: 1px solid black; padding: 2px; float: right;">digital</div> PC380 UNIT ASSY
CHK	A	A		CHK'D D. HEALY DATE 6 JUN 84	
				PROJ. ENG. S. BOULAY DATE 6 JUN 84	
				PROD. J. CRABTREE DATE 6 JUN 84	
					SIZE CODE BDD
					NUMBER PC380-0-DBU
					REV. A
					DIST.



TITLE:	PC380 UNIT ASSY	SHEET 2 OF 3	SIZE CODE BDD	NUMBER PC320-0-DBU	REV. A
--------	-----------------	--------------	-------------------------	-----------------------	-----------

FIND NO.	DRAWING NO.	DESCRIPTION	TYPE	FIND NO.	DRAWING NO.	DESCRIPTION	TYPE
1	MP-01922-01	PC380 UNIT ASSY (PRINT SET PART NO.)	-				
	B-TC-PC380-0-DBU1	PC380 UNIT ASSY (FIELD MAINT. PRINT SET)	-	6	B-DD-RX50-0	RX50 UNIT ASSY. (FLOPPY DRIVE)	E/M
	D-UA-PC380-0-0	PC380 UNIT ASSY	E/M				
	K-PL-PC380-0-DBP	PC380 UNIT ASSY (PL.)	E/M				
	A-PS-1700280-0-0	CABLE ASSY. 16 COND	E/M				
	A-PS-1700285-0-0	CABLE ASSY. 34 COND	E/M				
	A-PS-1700342-0-0	CABLE ASSY. 4 COND	E/M				
	A-PS-1700283-0-0	CABLE ASSY. VIDEO	E/M				
	A-PS-3620215-0-0	LABEL, PWR RATING SYS BOX	M				
	A-PS-1700300-0-0	CABLE, PRINTER	E/M	7	A-PA-3700699-0-0	PKG. LARGE SYSTEM PC350	M
					K-PL-3700699-0-0	PKG. LARGE SYSTEM PC350 (PL)	M
2	B-DD-BA50-0	LARGE SYSTEM UNIT ENCLOSURE	M				
3	B-DD-KDJ11-C-DBU	LARGE SYSTEM UNIT MOTHER BOARD	E/M				
4	B-DD-H7862-0	LARGE SYSTEM UNIT POWER SUPPLY	E/M				
5	B-DD-5415058-0	FLOPPY CONTROLER (RCX50)	E/M				

TYPE: E ELECTRICAL
M MECHANICAL
E/M ELECTRO/MECHANICAL



TITLE: PC380 UNIT ASSY

SHEET 3 OF 3

SIZE CODE
B DD

NUMBER
PC380-0-DBU

REV.
A

DRAWING NO.	NO. OF SHTS.	PART NO.	DESCRIPTION	REVISIONS																			
				A	B	C	D	E															
		5415058-00	RX50 CONTROLLER	A	B	C	D	E															
D-UA-5415058-0-0	1		RX50 CONTROLLER	A	B	C	D	E															
D-MD-5015057-0-0	3		CIRCUIT DRILL & ETCH	A	A	A	A	A															
D-EC-5015057-0-0	1		ETCH CUT DRAWING	A	A	A	A	A															
		5015057	ETCHED CIRCUIT BOARD	D	D	D	D	D															
K-CS-5415058-0-1	4		RX50 CONTROLLER	A	B	C	D	E															
K-PL-5415058-0-DBP	3		RX50 CONTROLLER	A	B	C	D	E															
K-PC-5415058-0-DBC	-		P.C. DESIGN DATA BASE	A	A	A	D	E															
K-CS-5415058-0-DBS	-		CIRCUIT SCHEMATIC DATA BASE	A	B	C	D	E															
A-PI-377/689-05			PACKAGING INSTRUCTIONS																				
-DD-5015057-0	1		DRAWING DIRECTORY	-	-	-	-	A															

NOTES:

REVISIONS		DATE	CHG NO.	ORIG.	REV.
		5/82		A	
		1/83	SH001	B	
		1/84	SH002	C	
		4/84	SH003	D	
		5/84	SH004	E	

THIS DRAWING AND SPECIFICATIONS, HEREIN, ARE THE PROPERTY OF DIGITAL EQUIPMENT CORPORATION AND SHALL NOT BE REPRODUCED OR COPIED OR USED IN WHOLE OR IN PART AS THE BASIS FOR THE MANUFACTURE OR SALE OF ITEMS WITHOUT WRITTEN PERMISSION.

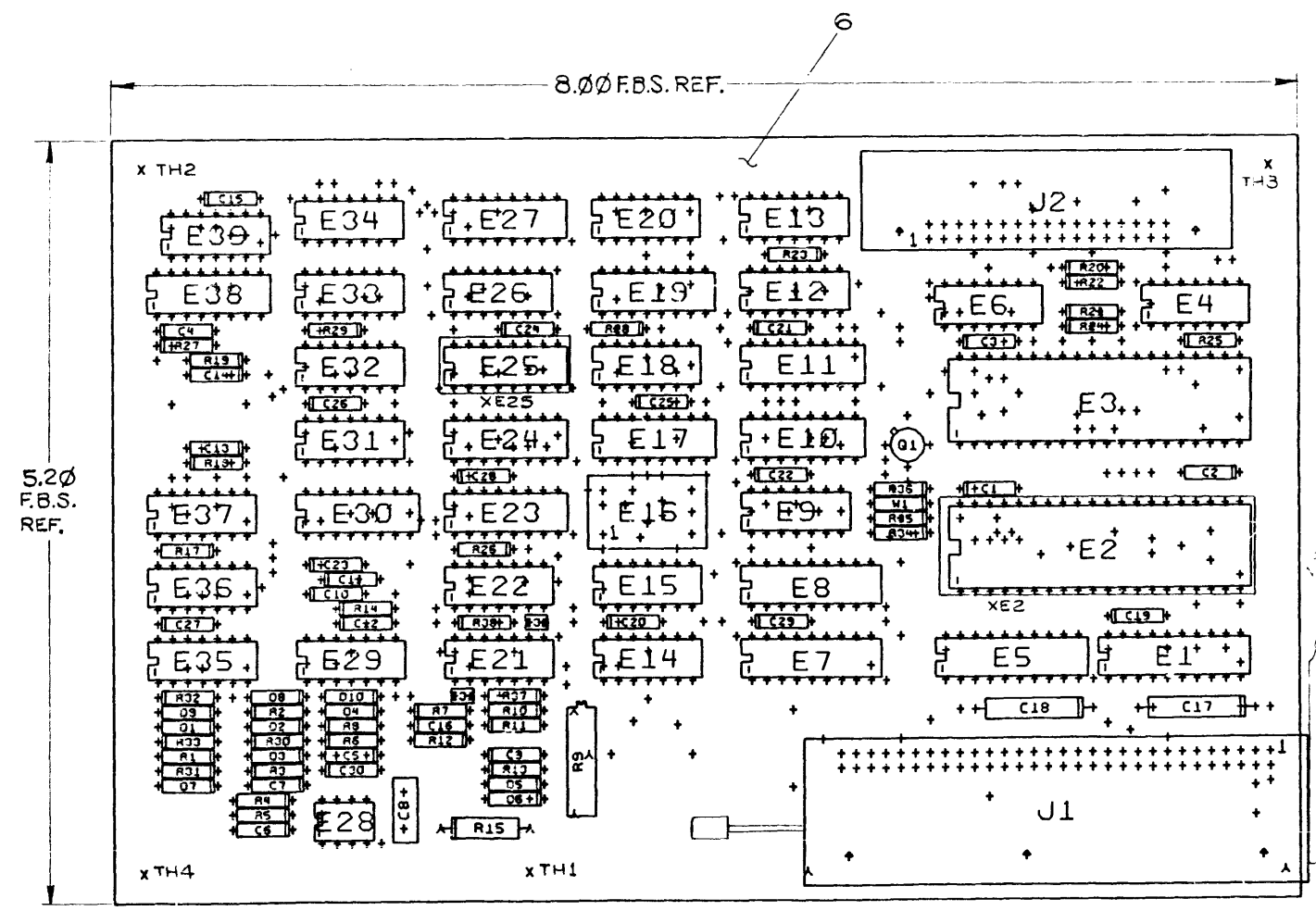
COPYRIGHT © 1982 DIGITAL EQUIPMENT CORPORATION



USED ON OPTION/MODEL	DRN. V. Mangaudis	28MAY82	TITLE	
RX50 CT	CHK'D P. Brennan	1 JUN 82	RX50 CONTROLLER	
	ENG. Marc Hildebrand	6/23/82	SIZE	CODE
	PROD. DICK POWERS	5/26/82	B	DD
			NUMBER	5415058-0
			REV.	E
			SHEET 1 OF 1	

THIS DRAWING IS THE PROPERTY OF DIGITAL EQUIPMENT CORPORATION AND SHALL NOT BE REPRODUCED OR TRANSMITTED IN ANY FORM OR BY ANY MEANS, ELECTRONIC OR MECHANICAL, INCLUDING PHOTOCOPYING, RECORDING, OR BY ANY INFORMATION STORAGE AND RETRIEVAL SYSTEM, WITHOUT THE WRITTEN PERMISSION OF DIGITAL EQUIPMENT CORPORATION.

COMPONENT SIDE VIEW

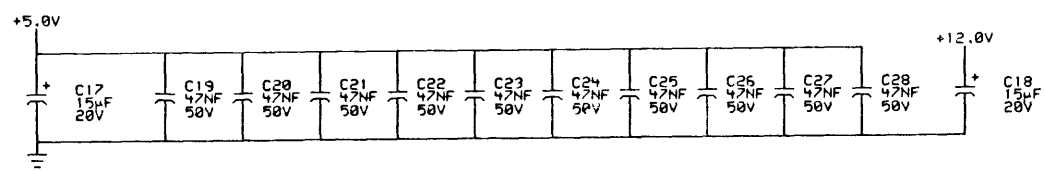
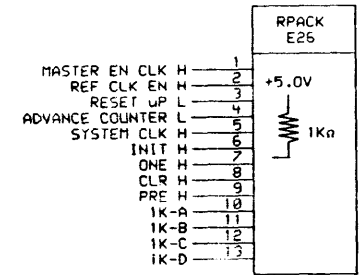
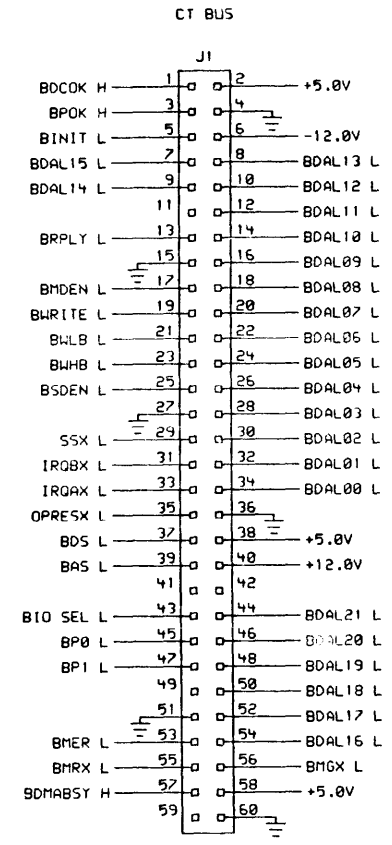


1. THE MODULE NUMBER, CC2004 WILL BE NOT STAMPED ON THE HANDLE AT THE MODULE BUILD SITE.
 2. W1 IS INSTALLED FOR MANUFACTURING TEST AND IS TO BE REMOVED BEFORE SHIPMENT.

5415058-B	5415058-C	5415058-D	5415058-E
M. HILDEBRANT	M. HILDEBRANT	M. HILDEBRANT	M. HILDEBRANT
5415058-B	5415058-C	5415058-D	5415058-E
M. HILDEBRANT	M. HILDEBRANT	M. HILDEBRANT	M. HILDEBRANT
5415058-B	5415058-C	5415058-D	5415058-E
M. HILDEBRANT	M. HILDEBRANT	M. HILDEBRANT	M. HILDEBRANT

ETCH REV. D

SIGNATURES	DATE	digital
DRN. J. CARTER	4-15-82	
CHK'D. <i>[Signature]</i>	5-24-82	TITLE RX50
MECH. ENG. <i>[Signature]</i>		CONTROLLER
PROJ. ENG. <i>[Signature]</i>		
PROD. ENGR. POWER. <i>[Signature]</i>		
SCALE 2/1	SIZE CODE	NUMBER
SHT. 1 OF 1	0 UA	5415058-0-0 E
NEXT HIGHER ASSY. B-00-5415058-0	SHO	1 MS#



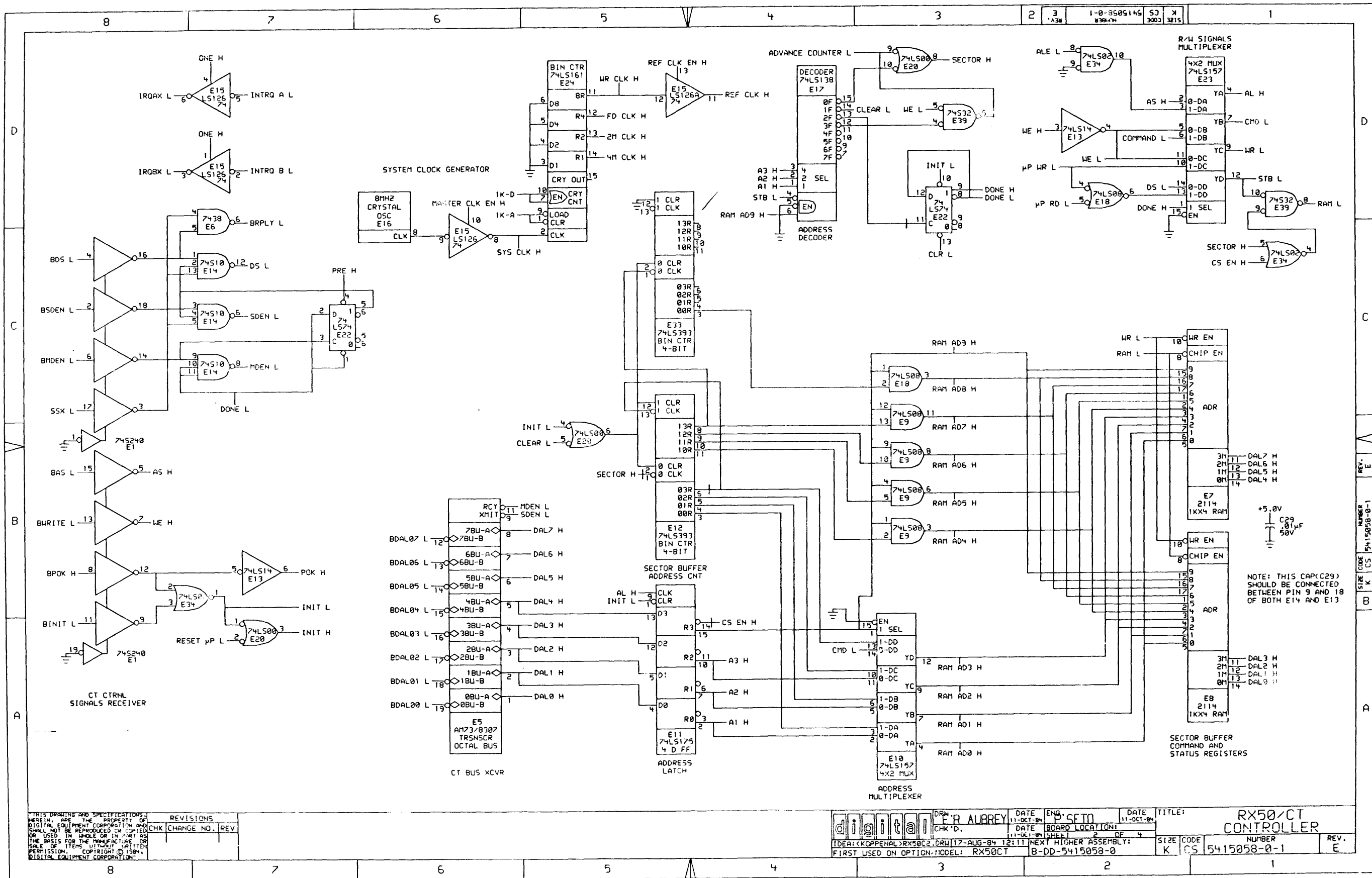
REV. E
NUMBER 5415058-0-1
SIZE CODE CS K

THIS DRAWING AND SPECIFICATIONS, HEREIN, ARE THE PROPERTY OF DIGITAL EQUIPMENT CORPORATION AND SHALL NOT BE REPRODUCED OR COPIED OR USED IN WHOLE OR IN PART AS THE BASIS FOR THE MANUFACTURE OR SALE OF ITEMS WITHOUT WRITTEN PERMISSION. COPYRIGHT © 1984, DIGITAL EQUIPMENT CORPORATION.

REVISIONS	
CHK	CHANGE NO. REV

digital
DRW: ER AUBREY
DATE: 11-OCT-84
CHK'D: ER AUBREY
DATE: 11-OCT-84
SHEET: 1 OF 4
IDEA: (KOPPENAL)RX50CT.DRW|17-AUG-84 12:09
FIRST USED ON OPTIUM/MODEL: RX50CT

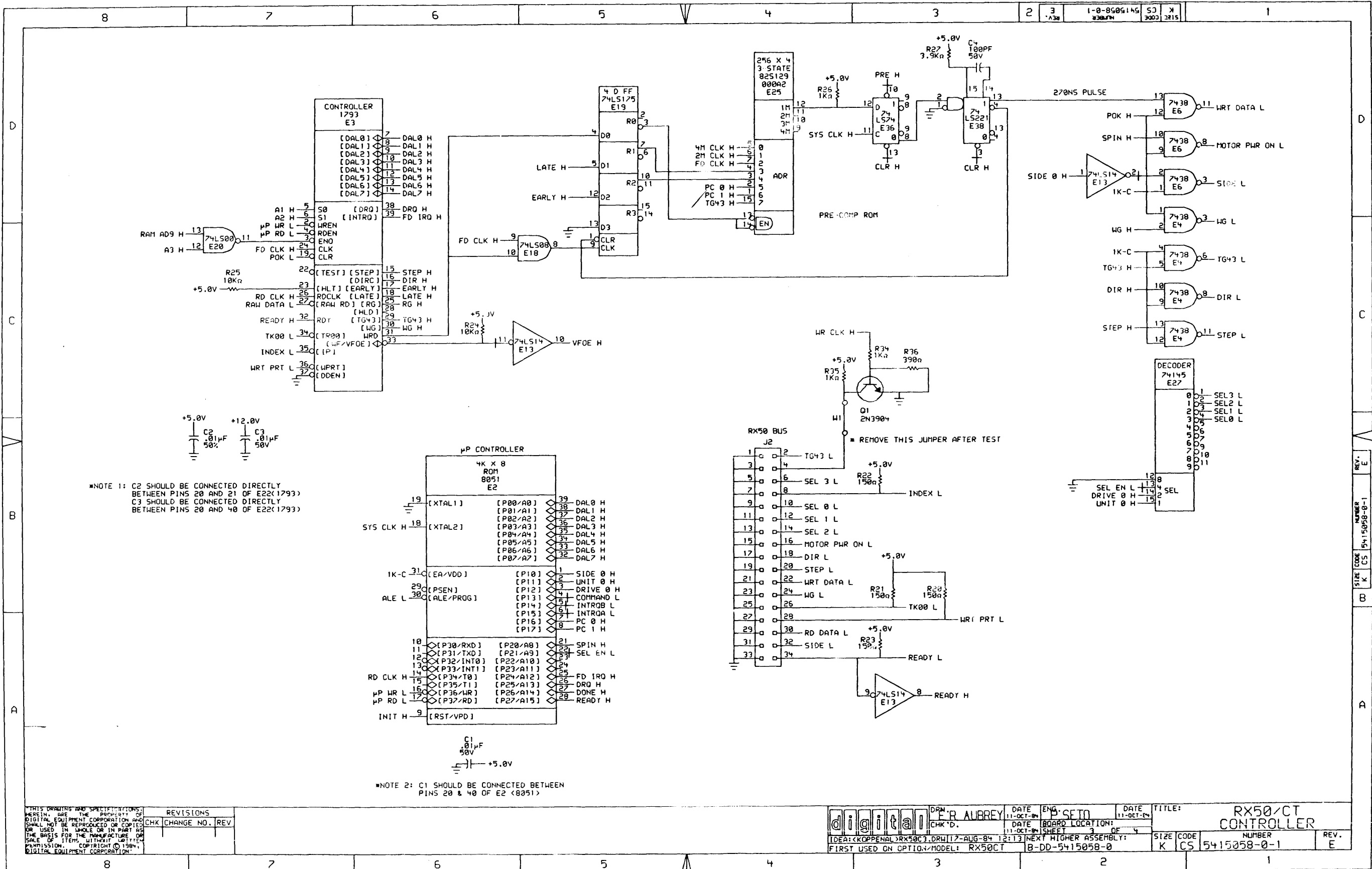
ENG: SETO
DATE: 11-OCT-84
BOARD LOCATION: 1
TITLE: RX50/CT CONTROLLER
SIZE CODE NUMBER REV.
K CS 5415058-0-1 E



THIS DRAWING AND SPECIFICATIONS ARE THE PROPERTY OF DIGITAL EQUIPMENT CORPORATION AND SHALL NOT BE REPRODUCED OR COPIED OR USED IN WHOLE OR IN PART AS THE BASIS FOR THE MANUFACTURE OR SALE OF ITEMS WITHOUT WRITTEN PERMISSION. COPYRIGHT © 1984 DIGITAL EQUIPMENT CORPORATION.

REV.	NO.	DESCRIPTION	DATE
1	1	INITIAL ISSUE	11-OCT-84

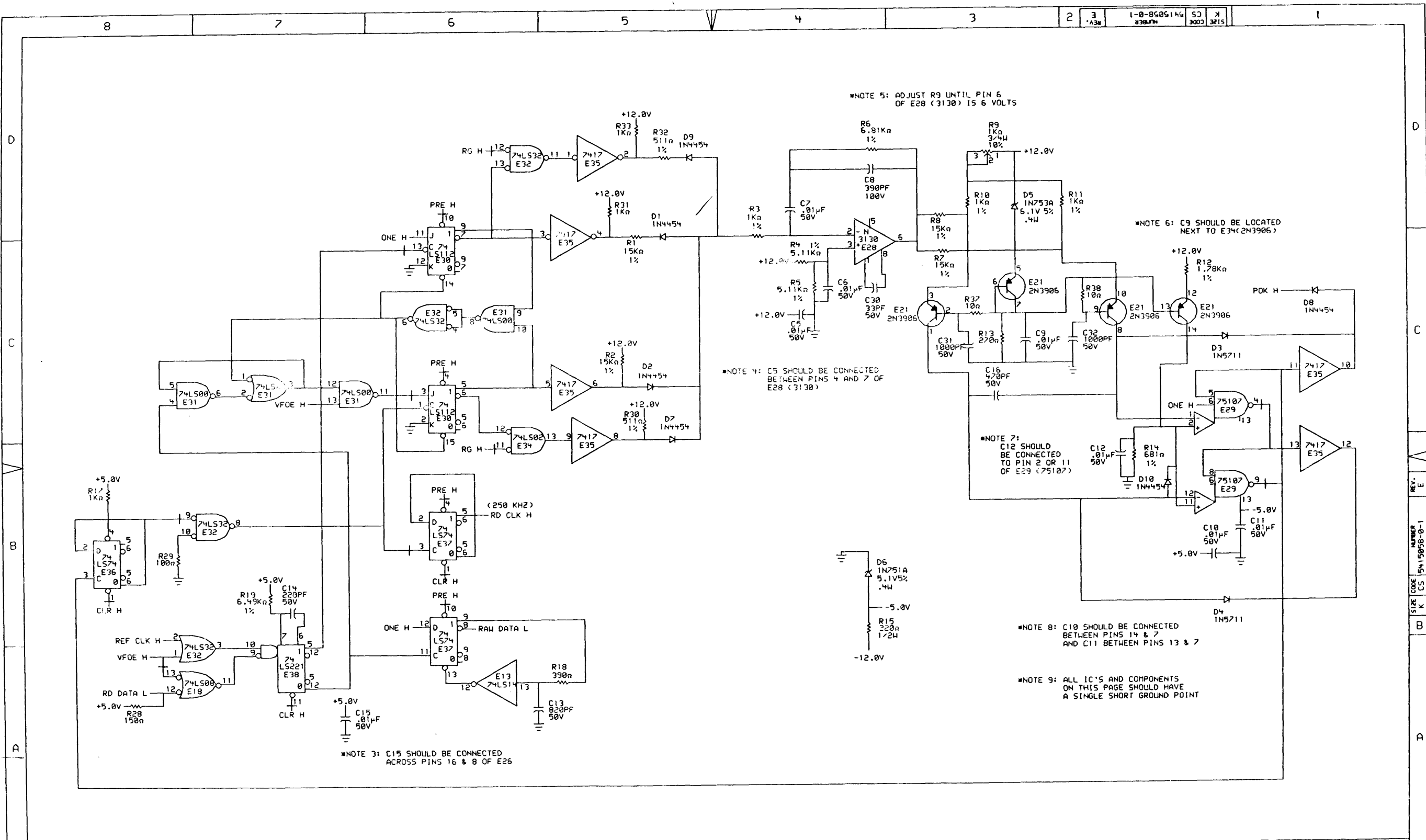
digital DRW: F R AUBREY DATE: 11-OCT-84 ENG: P SFTO DATE: 11-OCT-84 TITLE: RX50/CT CONTROLLER
 CHK'D: DATE: BOARD LOCATION: SHEET: 2 OF 4
 IDEAS: KOPPENAL/RX50C2.DRW/17-AUG-84 12:11 NEXT HIGHER ASSEMBLY:
 FIRST USED ON OPTION/MODEL: RX50CT B-DD-5415058-0 SIZE: CODE: K CS NUMBER: 5415058-0-1 REV: E



NOTE 1: C2 SHOULD BE CONNECTED DIRECTLY BETWEEN PINS 20 AND 21 OF E22 (1793)
 C3 SHOULD BE CONNECTED DIRECTLY BETWEEN PINS 20 AND 40 OF E22 (1793)

NOTE 2: C1 SHOULD BE CONNECTED BETWEEN PINS 20 & 40 OF E2 (8051)

THIS DRAWING AND SPECIFICATIONS ARE THE PROPERTY OF DIGITAL EQUIPMENT CORPORATION AND SHALL NOT BE REPRODUCED OR COPIED OR USED IN WHOLE OR IN PART AS THE BASIS FOR THE MANUFACTURE OR SALE OF ITEMS WITHOUT WRITTEN PERMISSION. COPYRIGHT © 1984, DIGITAL EQUIPMENT CORPORATION.		REVISIONS CHK CHANGE NO. REV	DATE: 11-OCT-84 DATE: 11-OCT-84 DATE: 11-OCT-84	ENG: P SETO DATE: 11-OCT-84 DATE: 11-OCT-84	TITLE: RX50/CT CONTROLLER BOARD LOCATION: 3 SHEET: 4
digital IDEA: KOPPENAL/RX50C3.DRW/17-AUG-84 12:13 NEXT HIGHER ASSEMBLY: FIRST USED ON OPTIQ4 MODEL: RX50CT 18-DD-5415058-0		SIZE: K CODE: CS	NUMBER: 5415058-0-1	REV: E	



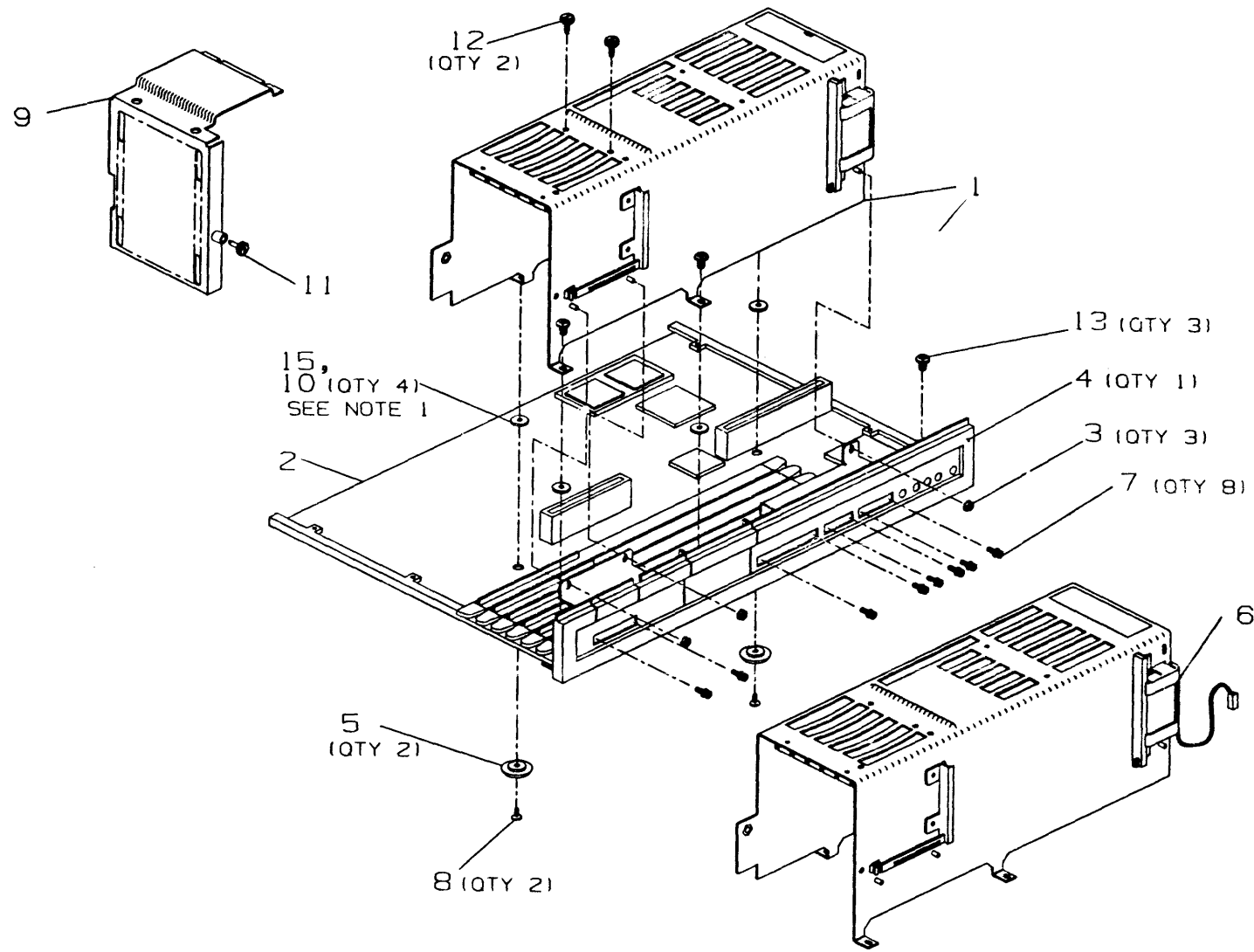
THIS DRAWING AND SPECIFICATIONS, HEREIN, ARE THE PROPERTY OF DIGITAL EQUIPMENT CORPORATION AND SHALL NOT BE REPRODUCED OR COPIED OR USED IN WHOLE OR IN PART AS THE BASIS FOR THE MANUFACTURE OR SALE OF ITEMS, WITHOUT WRITTEN PERMISSION. COPYRIGHT © 1984, DIGITAL EQUIPMENT CORPORATION.		REVISIONS CHK CHANGE NO. REV	DRN: ER AUREY DATE: 11-OCT-84 SHEET: 4 OF 4	ENG: SETO DATE: 11-OCT-84 SHEET: 4 OF 4	TITLE: RX50/CT CONTROLLER NUMBER: 5415058-0-1 REV: E
--	--	---------------------------------	---	---	--

THIS DRAWING AND THE SPECIFICATIONS CONTAINED HEREIN ARE CONFIDENTIAL AND PROPRIETARY. THEY ARE THE PROPERTY OF DIGITAL EQUIPMENT CORPORATION AND SHALL NOT BE REPRODUCED OR COPIED OR USED IN WHOLE OR IN PART AS THE BASIS FOR THE MANUFACTURE OR SALE OF ITEMS WITHOUT WRITTEN PERMISSION. THIS IS AN UNPUBLISHED WORK PROTECTED UNDER THE FEDERAL COPYRIGHT LAWS. 1984

LEGEND		
PART NO.	REV.	VARIATION
KDJ11-CA	A1	LARGE SYSTEM UNIT MOTHER BOARD

NOTES:

1. APPLY ITEM #10 (WASHER) TO ITEM #2 (BOARD) WITH ITEM #15 (ADHESIVE) BEFORE ASSEMBLY 4 PLACES



PLOT AT .50

CAUTION: OFF SHEET PARTS LIST EXISTS REFER TO K-PL-KDJ11-C-DBP (Z9243)

DESCRIPTION	DRAWING NO.	PART NO.	ITEM NO.
UNLESS OTHERWISE SPECIFIED DIMENSIONS ARE IN INCHES AND THE FOLLOWING TOLERANCES APPLY (PER DEC STD 114)			
INCHES TOLERANCES	ANGLES 10°-30°	APPLICABLE DIMENSION RANGE	
		APPLICABLE DIMENSION RANGE	APPLICABLE DIMENSION RANGE
.XX ± .01	SURFACE QUALITY	OVER 0.2 TO 1.0	OVER 12.0 TO 40.0
.XX ± .02		OVER 1.0 TO 12.0	OVER 40.0 TO 80.0
.XXX ± .005		OVER 0.2 TO 0.2	OVER 0.2 TO 0.2
THIRD ANGLE PROJECTION		DATE	TITLE
DO NOT SCALE DRAWING		B. START MAY 17 84	LARGE SYSTEM UNIT MOTHER BOARD
REMOVE BURRS AND BREAK SHARP CORNERS		D. HEALY JUN 22 84	
MATERIAL SEE PARTS LIST		S. BOULAY JUN 22 84	
FINISH		H. REITSTADT JUN 22 84	
FIRST HIGHER ASSY B-DD-KDJ11-C-DBU		J. CRABTREE JUN 22 84	DOCUMENT NUMBER
QUANTITY & VARIATION		D-LA-KDJ11-C-DBU	D L A KDJ11-C-DBU
SCALE NONE		SHEET 1 OF 1	

REV.	INITIAL
A	

LINE	ITEM	TOP DOCUMENT	PART NUMBER	MIN REV	DESCRIPTION	VARIATION REVISION LEVEL:	QTY	PER VARIATION
1	1	D-IA-7020611-0-0	7020611-02		CARD CAGE ASSY.		1	CA
2	2	D-UA-5416237-0-0	5416237-01		SYSTEM BOARD PC352		1	A1
3	3		9008185-00		NUT,HEX EXT TOOTH LCKWSHR	6-32	3	
4	4	D-IA-7020610-0-0	7020610-01		CONNECTOR PANEL ASSY		1	
5	5	C-MD-7426852-0-DBU	7426852-01		SPACER,PC BOARD SUPPORT		2	
6	6	A-PS-1219245-0-0	1219245-00		BATTERY,3CELL 3.75V .18MA NICAD		1	
7	7		9008451-06		SCREW,JACK HEX WASHER		8	
8	8		9010089-03		SCREW,TAP PAN PHIL THD RL	6-	2	
9	9	D-IA-7428266-0-0	7428266-02		DOOR,CARD CAGE		1	
10	10		9006707-00		WASHER,FLAT	NYLON	4	
11	11	A-PS-1220934-0-0	1220934-01		SCREW,THUMB	STEEL 4-40	1	
12	12	A-PS-1220933-0-0	1220933-01		SCREW,THUMB	STEEL 4-40	2	
13	13		9009708-00		SCREW,TAP PAN PHIL THD RL	6-	3	
14	14	A-PA-3700697-0-0	3700697-01		PKG MOTHER BD. KDF11-CA			A/R
15	15		9009157-01		ADH,LIQ.RM.TEMP CURING COLORLESS			A/R

16 NOTE: 1:ITEM 14 TO BE USED FOR FIELD SERVICE SPARES ONLY.

REVISION HISTORY			BASIC PART NO: KDJ11	DRN: B. SIART	DATE: 13-MAR-84	D I G I T A L			
ENG!	ECO NUMBER	REV	SECTION A OF A	CHK'D: D. HEALY	DATE:	TITLE PARTS LIST			
---	INITIAL	A	SECTION VARIATION INDEX (A)CA	DES.ENG: S. BOULAY	DATE:	LARGE SYSTEM UNIT MOTHER BOARD			
			(B)	RESP.ENG.: H. RETTSTAT	DATE:	DOCUMENT NUMBER			
			(C)	MFG.ENG.: JOHN CRABTREE	DATE:	SIZE	CODE	NUMBER	REV
			(D)	ASSEMBLY NUMBER:	TOP DOCUMENT NUMBER:	K	PL	KDJ11-C-DEP	A
			(E)	D-UA-KDJ11-C-DBU	B-DD-KDJ11-C-DBU	RELEASE DATE: 29-JUN-84			
			(F)			FILE NAME:	Z9243A.PLS		EDIT #
								8	

"THIS DRAWING AND THE SPECIFICATIONS CONTAINED HEREIN ARE CONFIDENTIAL AND PROPRIETARY. THEY ARE THE PROPERTY OF DIGITAL EQUIPMENT CORPORATION AND SHALL NOT BE REPRODUCED OR COPIED OR USED IN WHOLE OR IN PART AS THE BASIS FOR THE MANUFACTURE OR SALE OF ITEMS WITHOUT WRITTEN PERMISSION. THIS IS AN UNPUBLISHED WORK PROTECTED UNDER THE FEDERAL COPYRIGHT LAWS."

DRAWING NO.	NO. OF SHTS	PART NO.	DESCRIPTION	REVISIONS															
				REV	DATE	BY	DESCRIPTION	REV	DATE	BY	DESCRIPTION	REV	DATE	BY	DESCRIPTION	REV	DATE	BY	DESCRIPTION
		5416237-01	PC 380 SYSTEM BOARD	A1															
E-UA-5416237-0-0	1		PC 380 SYSTEM BOARD UNIT ASSEMBLY	A															
K-CS-5416237-0-1	17		PC 380 SYSTEM BOARD CIRCUIT SCHEMATIC	A															
K-PL-5416237-0-DBP	4		PC 380 SYSTEM BOARD PARTS LIST	A															
K-PC-5416237-0-DBJ	1		PC DESIGN DATA BASE	E															
		5016236-01	ETCHED CIRCUIT BOARD	E1															
B-DD-5016236-0-0	1		DRAWING DIRECTORY	A															
K-CS-5416237-0-DBS	1		PC 380 SYSTEM BOARD SUDS DATA BASE	A															

NOTES:

REVISION HISTORY		REV.	DATE
5/85	INIT	A	
19SEP-84	5416237-ML001	B	

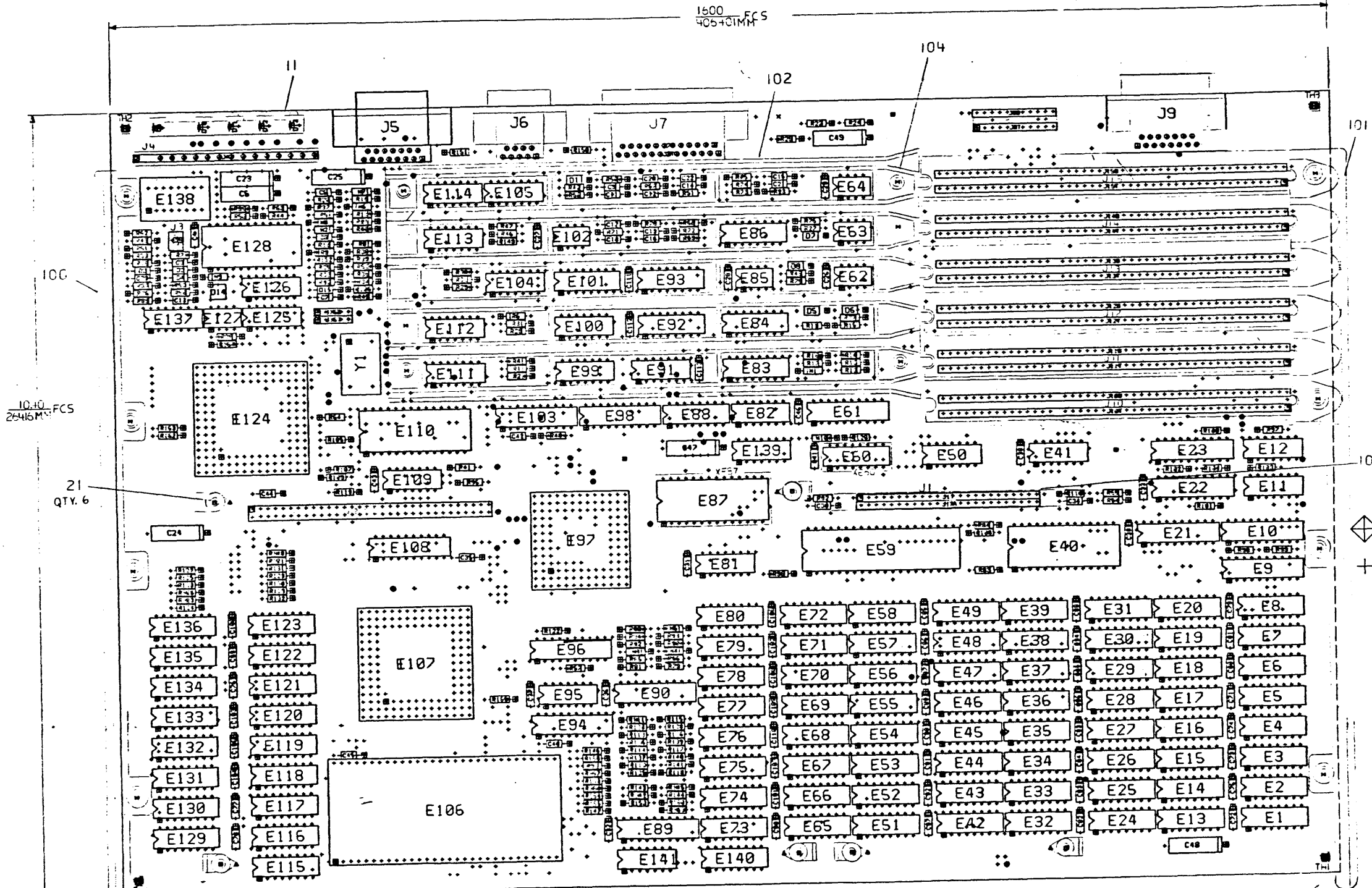
THIS DRAWING AND THE SPECIFICATIONS CONTAINED HEREIN ARE CONFIDENTIAL AND PROPRIETARY. THEY ARE THE PROPERTY OF DIGITAL EQUIPMENT CORPORATION AND SHALL NOT BE REPRODUCED OR COPIED OR USED IN WHOLE OR IN PART AS THE BASIS FOR THE MANUFACTURE OR SALE OF ITEMS WITHOUT WRITTEN PERMISSION. THIS IS AN UNPUBLISHED WORK PROTECTED UNDER THE FEDERAL COPYRIGHT LAWS.

1984



DRN. E. LANDRY	DATE 3 MAY 84
CHK'D D. DROZD	DATE 3 MAY 84
DES. ENG. J. FERGUSON	DATE 3 MAY 84
RESP. ENG. D. POWERS	DATE 3 MAY 84
MFG. ENG. D. POWERS	DATE 3 MAY 84

TITLE		PC 380 SYSTEM BOARD	
DOCUMENT NUMBER			
SIZE	CODE	NUMBER	REV.
B	DD	5416237-0-0	5
SHEET		1 OF 1	



10:10
25446MM FCS

1600
4054C1MM FCS

21
QTY. 6

COMPONENT REF DESIGNATION		CONVERSION CHART	
FROM COMPAS	TO COMP IN	DESIGN	DATE
LISTED IN PART	DESIGN		
J1120B	J1120		
J7707A	J7707		
J8103A	J8103		
J01040A	J01040		
J11040A	J11040		
J11040B	J11040		
J11040C	J11040		
J11040D	J11040		
J11040E	J11040		
J11040F	J11040		
J11040G	J11040		
J11040H	J11040		
J11040I	J11040		
J11040J	J11040		
J11040K	J11040		
J11040L	J11040		
J11040M	J11040		
J11040N	J11040		
J11040O	J11040		
J11040P	J11040		
J11040Q	J11040		
J11040R	J11040		
J11040S	J11040		
J11040T	J11040		
J11040U	J11040		
J11040V	J11040		
J11040W	J11040		
J11040X	J11040		
J11040Y	J11040		
J11040Z	J11040		

DATE	10/180
ORIG. D.	
CHEK. D.	
MECH. ENG.	
PROJ. ENG.	
SCALE	
SMT	
ETCH	
REV. A	
REV. B	
REV. C	
REV. D	
REV. E	
REV. F	
REV. G	
REV. H	
REV. I	
REV. J	
REV. K	
REV. L	
REV. M	
REV. N	
REV. O	
REV. P	
REV. Q	
REV. R	
REV. S	
REV. T	
REV. U	
REV. V	
REV. W	
REV. X	
REV. Y	
REV. Z	

NOTES: 1. FOR INST. REF. NO. 114-222
 2. THIS DRAWING IS UNLESS OTHERWISE SPECIFIED
 3. DIMENSIONS ARE IN MILLIMETERS UNLESS OTHERWISE SPECIFIED
 4. DIMENSIONS ARE IN INCHES UNLESS OTHERWISE SPECIFIED
 5. DIMENSIONS ARE IN MILLIMETERS UNLESS OTHERWISE SPECIFIED
 6. DIMENSIONS ARE IN INCHES UNLESS OTHERWISE SPECIFIED
 7. DIMENSIONS ARE IN MILLIMETERS UNLESS OTHERWISE SPECIFIED
 8. DIMENSIONS ARE IN INCHES UNLESS OTHERWISE SPECIFIED
 9. DIMENSIONS ARE IN MILLIMETERS UNLESS OTHERWISE SPECIFIED
 10. DIMENSIONS ARE IN INCHES UNLESS OTHERWISE SPECIFIED

STEP	DESCRIPTION	DATE
1	DESIGN	
2	ETCH	
3	TEST	
4	SHIP	

CHANGE NO. REV.

E1045416237-0-0

LINE	ITEM	TOP DOCUMENT	PART NUMBER	MIN REV	DESCRIPTION	QTY PER VARIATION				REFERENCE DESIGNATOR
						AC A1	AH A1	AJ A1	AP A1	
1	1	D-MD-5016236-0-0	5016236-01		CIRCUIT DRILL AND ETCH	1	1	1	1	
2	2		1004812-00		15 MFD 20V 10% S.TANT	6	6	6	6	C23-C25,C47-C49
3	3		1004813-00		10 MFD 20V 10% S.TANT	1	1	1	1	C5
4	4		1012784-00		.047 MFD 50V +80-20% CER	11	11	11	11	C13,C30,C34,C35,C40,C42,C44,C45, CONT C6-C8
5	5		1013466-12		2200.0 MMF 50V 10% X7R CER	3	3	3	3	C9,C11,C12
6	6		1013466-45		220.0 MMF 1 50V 1% NPO CER	2	2	2	2	C3,C70
7	7		1014265-00		.22 MFD 50V +80-20% CER	58	58	58	58	C4,C26-C29,C31-C33,C36-C39,C41, CONT C43,C46,C71-C113
8	8		1105871-00		VZ= 5.15 1% 250 MW	1	1	1	1	D15
9	9		1110967-00		PIV= 600 IO= 1.00A 1N4005 DO-41	5	5	5	5	D1,D5-D7,D9
10	10		1114117-00		PIV= 40 IO= 75 A / 4NS	3	3	3	3	D2-D4
11	11		1122347-01		LED ASSY,1GREEN/4RED	1	1	1	1	D8
12	12		1215006-02		SKT,IC 16PIN DIP TIN SOLD	1	1	1	1	XE60
13	13		1215006-07		SKT,IC 28PIN DIP TIN SOLD	1	1	1	1	XE87
14	14		1217869-04		PCB,HEADER 10PIN(2X05).100CC STR	1	1	1	1	J16
15	15		1218817-01		CARD EDGE 90PIN(2X45).100CC TBA	6	6	6	6	J10-J15
16	16		1219032-00		PCB HEADER 16PIN(1X16).156CC STR	1	1	1	1	J4
17	17		1219066-06		PCB HEADER 48PIN(2X24).100CC STR	1	1	1	1	J1
18	18		1219066-07		PCB HEADER 64PIN(2X32).100CC STR	1	1	1	1	J2
19	19		1219251-00		PCB HEADER 02PIN(1X02).100CC STR	1	1	1	1	J3
20	20		1219517-01		CARD EDGE 22PIN(2X11).100CC STR	1	1	1	1	J8
21	21		1219857-05		STANDOFF,NYLON	6	6	6	6	
22	22		1220365-03		CONN,D SUB 25PIN ASSY 90D	1	1	1	1	J7
23	23		1220398-01		CONN,D SUB 9PIN ASSY RT ANGLE	1	1	1	1	J6
24	24		1220398-02		CONN,D SUB 15PIN ASSY RT ANGLE	1	1	1	1	J5
25	25		1220399-01		CONN,D SUB 15SKT ASSY RT ANGLE	1	1	1	1	J9
26	26		1300202-00		47.0 .25 W 5.0 % CF	12	12	12	12	R123-R133,R149
27	27		1300271-00		220.0 .25 W 5.0 % CF	6	6	6	6	R22-R25,R61,R108
28	28		1300316-00		470.0 .25 W 5.0 % CF	1	1	1	1	R44

REVISION HISTORY			BASIC PART NO: 5416237			DRN: R. RHOADES			DATE: 23-JAN-84			D I G I T A L									
ENG	ECO NUMBER	REV	SECTION A OF A			CHK'D: DAVID DROZD			DATE: 1-MAY-84			TITLE PARTS LIST									
---	INITIAL	A	SECTION.VARIATION INDEX			DES.ENG: J. FERGUSON			DATE: 2-MAY-84			DOCUMENT NUMBER									
JB	5416237-ML001	B	[A]	AC,AH,AJ,AP	[B]	[C]	[D]	[E]	[F]	[H]	[J]	[K]	[L]	[M]	[N]	RESP.ENG.: J.FERGUSON	DATE: 1-MAY-84	K	PL	5416237-0-DBP	B
			[M]		[N]	MFG.ENG.: D. POWERS			DATE: 2-MAY-84			RELEASE DATE: 01-OCT-84									
						ASSEMBLY NUMBER:			TOP DOCUMENT NUMBER:			FILE NAME:			EDIT #						
						D-UA-5416237-0-0			B-DD-5416237-0-0			Z7206B.PLS			15						

"THIS DRAWING AND THE SPECIFICATIONS CONTAINED HEREIN ARE CONFIDENTIAL AND PROPRIETARY. THEY ARE THE PROPERTY OF DIGITAL EQUIPMENT CORPORATION AND SHALL NOT BE REPRODUCED OR COPIED OR USED IN WHOLE OR IN PART AS THE BASIS FOR THE MANUFACTURE OR SALE OF ITEMS WITHOUT WRITTEN PERMISSION. THIS IS AN UNPUBLISHED WORK PROTECTED UNDER THE FEDERAL COPYRIGHT LAWS."

LINE	ITEM	TOP DOCUMENT	PART NUMBER	MIN REV	DESCRIPTION	VARIATION	REVISION LEVEL	QTY PER VARIATION				REFERENCE DESIGNATOR
								AC A1	AH A1	AJ A1	AP A1	
29	29		1300365-00	1.0	K	.25 W 5.0 %	CF	15	15	15	15	R6,R39,R52,R53,R111-R118, CONT R162-R164
30	30		1300398-00	1.80	K	.25 W 5.0 %	CF	2	2	2	2	R64,R88
31	31		1300426-00	2.70	K	.25 W 5.0 %	CF	1	1	1	1	R150
32	32		1300432-00	3.0	K	.25 W 5.0 %	CF	11	11	11	11	R7,R43,R147,R148,R40,R41,R54, CONT R55,R63,R80,R165
33	33		1300447-00	4.70	K	.25 W 5.0 %	CF	9	9	9	9	R93,R97-R104
34	34		1300479-00	10.0	K	.25 W 5.0 %	CF	32	32	32	32	R11-R17,R27,R56,R57,R60,R65,R66, CONT R76,R79,R81,R87,R94,R95, CONT R105-R107,R109,R110,R89,R90,R92, CONT R119-R122,R152
35	35		1301425-00	300.0		.25 W 5.0 %	CF	1	1	1	1	R26
36	36		1301969-00	22.0		.25 W 5.0 %	CF	23	23	23	23	R134-R145,R91,R153-R161,R146
37	37		1302388-00	2.0	K	.25 W 5.0 %	CF	1	1	1	1	R151
38	38		1302871-00	1.21	K	.25 W 1.0 %	RN55D-F10	3	3	3	3	R3,R30,R35
39	39		1302872-00	681.0		.25 W 1.0 %	RN55D-F1	1	1	1	1	R45
40	40		1303064-00	75.0		.25 W 1.0 %	RN55D-F10	4	4	4	4	R5,R21,R37,R38
41	41		1304838-00	43.0	K	.25 W 5.0 %	CF	6	6	6	6	R58,R59,R82-R84,R96
42	42		1305126-00	619.0		.25 W 1.0 %	RN55D-F10	3	3	3	3	R4,R31,R36
43	43		1305324-00	4.99	K	.25 W 1.0 %	RN55D-F10	3	3	3	3	R1,R28,R33
44	44		1309595-00	1.0	M	.25 W 5.0 %	CF	3	3	3	3	R49,R77,R78
45	45		1311422-00	178.0		.25 W 1.0 %	RN55D-F10	3	3	3	3	R8,R18,R46
46	46		1312626-00	2.49	K	.25 W 1.0 %	RN55D-F10	3	3	3	3	R2,R29,R34
47	47		1313581-00	110.0		.25 W 1.0 %	RN55D-F10	6	6	6	6	R9,R10,R19,R20,R47,R48
48	48		1313597-00	23.70	K	.25 W 1.0 %	RN55D-F10	12	12	12	12	R42,R50,R51,R67-R75
49	49		1313794-00	787.0		.25 W 1.0 %	RN55D-F10	1	1	1	1	R32
50	50		1317404-00	249.0		.25 W 1.0 %	RN55D-F10	1	1	1	1	R62
51	51		1319373-01			R NETWORK 14-330	14-680 14PIN	3	3	3	3	E11,E12,E41
52	52		1319373-02			R NETWORK 14-1.5K	14-3.3K 14PIN	2	2	2	2	E81,E82
53	53		1319610-01	750.0	K	.25 W .10%	RN55E-B 2	1	1	1	1	R85
54	54		1319645-01	487.0	K	.25 W .10%	RN55E-B 2	1	1	1	1	R86
55	55		1514961-00			TPQ2222 NPN 500MW SI 40 100		1	1	1	1	E104
56	56		1514962-00			TPQ2907 PNP 500MW SI 40 100		2	2	2	2	E113,E114
57	57		1811660-56			OSCILLATOR, XTAL 20.16 MHZ		1	1	1	1	Y1
58	58		1818800-00			OSCILLATOR, XTAL 32.768KHZ		1	1	1	1	E138
59	59		1910533-00			74S03 NAND GATE-QUAD 2IN,0		2	2	2	2	E111,E112
60	60		1910534-00			74S04 INVERTER GATE-HEX 1I		1	1	1	1	E100
61	61		1910535-00			74S05 INVERTER GATE-HEX 1		2	2	2	2	E95,E125
62	62		1910536-00			74S10 NAND GATE-TRIPLE 3IN		1	1	1	1	E99
63	63		1910544-00			74S74 FF-D DUAL,EDGE TRIGG		1	1	1	1	E91
64	64		1910957-00			74S175 FF-D QUAD COMMON CLO		1	1	1	1	E84
65	65		1911469-00		DEC	8640 RECEIVER,BUS,QUAD,U		1	1	1	1	E105
66	66		1911675-00			74S138 DECODER/DEMUX 3-8 LI		1	1	1	1	E88
67	67		1912388-00			74S02 NOR GATE-QUAD 2IN,PO		1	1	1	1	E126
68	68		1912389-00			74S08 AND GATE-QUAD 2IN,PO		1	1	1	1	E109
69	69		1912803-00			LS04 INVERTER GATE,HEX		1	1	1	1	E139
70	70		1912816-00			LS32 OR GATE-QUAD 2IN,POS		2	2	2	2	E50,E141
71	71		1912842-00			LS138 DECODER-THREE INPUT,		2	2	2	2	E83,E92

D	I	G	I	T	A	L	TITLE	SECTION A OF A	SIZE	CODE	DOCUMENT NUMBER	REV
							PC380 SYSTEM BOARD		K	PL	5416237-0-DBP	B

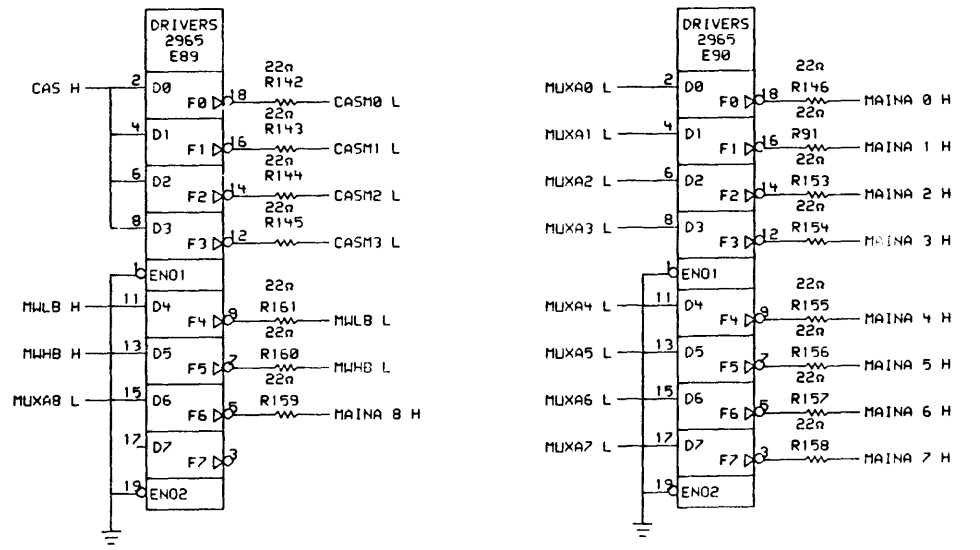
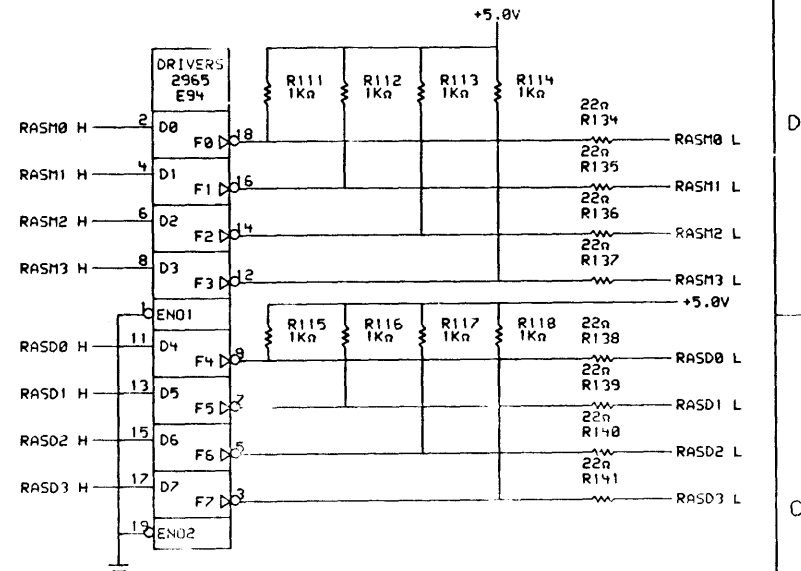
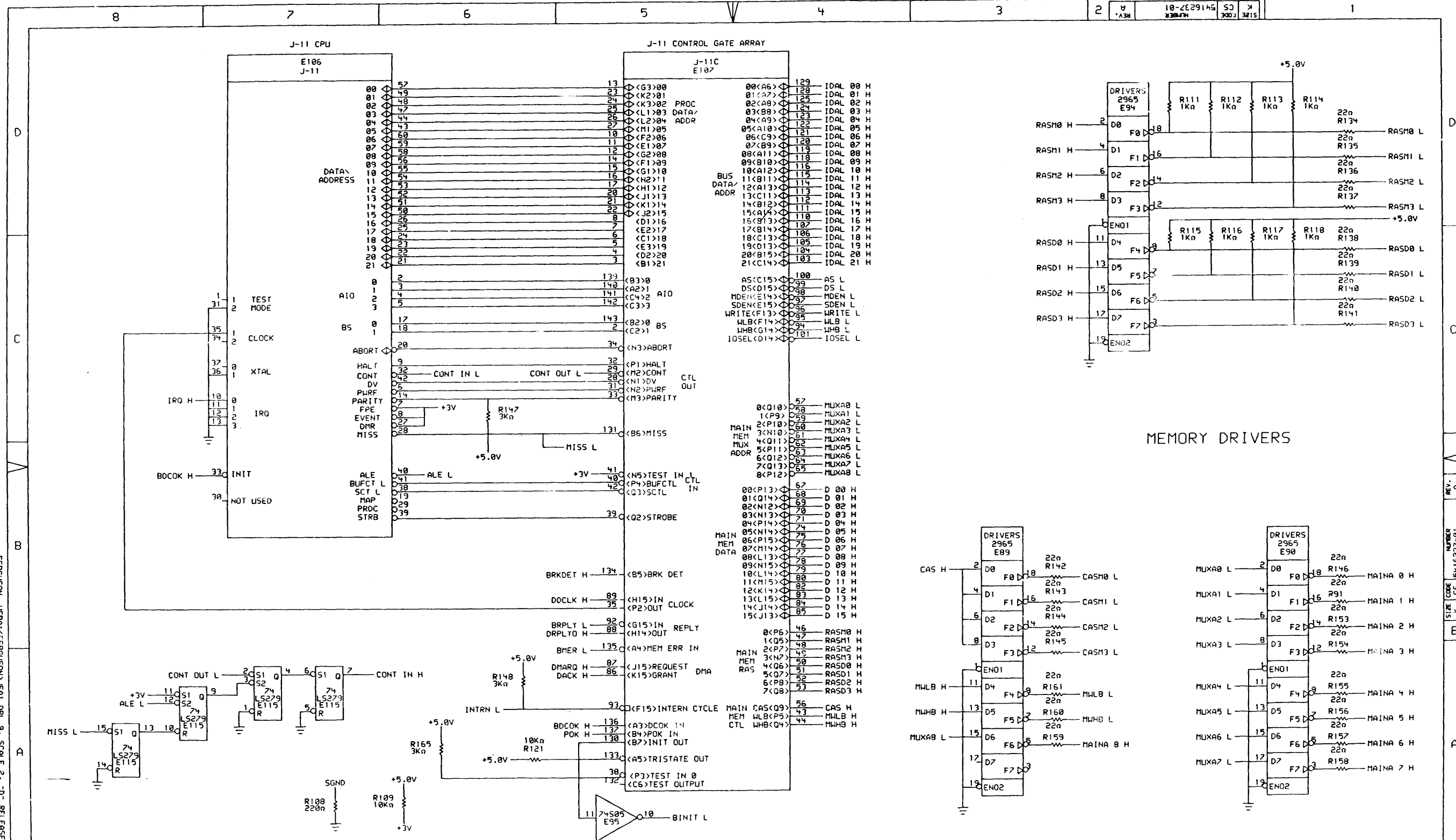
LINE	ITEM	TOP DOCUMENT	PART NUMBER	MIN REV	DESCRIPTION	QTY PER VARIATION				REFERENCE DESIGNATOR
						AC A1	AH A1	AJ A1	AP A1	
72	72		1912864-00		LS279 LATCH, QUAD-S-R	1	1	1	1	E115
73	73		1913493-00		74S241 OCTAL BUFFER, TRI-STA	2	2	2	2	E9, E22
74	74		1913777-00		LS240 DRIVER, LINE, OCTAL, T	1	1	1	1	E61
75	75		1914140-01	LM	211P COMPARATOR, VOLTAGE	1	1	1	1	E127
76	76		1915123-03		26LS32-3 RECEIVER, LINE RS232	3	3	3	3	E86, E93, E101
77	77		1915193-00		LS244 DRIVER, LINE, OCTAL, T	1	1	1	1	E96
78	78		1915218-00		LS245 TRANSCEIVER, BUS, OCT	1	1	1	1	E108
79	79		1915219-00		LS373 FF-D OCTAL-TRANSPARE	2	2	2	2	E98, E103
80	80		1915415-00		9636 DRIVER, DUAL, EIA RS-	5	5	5	5	E62-E64, E85, E102
81	81		1918708-00		8307 TRANCEIVER, BI-DIRECT	3	3	3	3	E10, E21, E23
82	82		1918868-00		LS26 NAND GATE, 2-IN, HIGH	1	1	1	1	E137
83	83		1919635-01		2965 DRIVER, DYNAMIC RAM	3	3	3	3	E89, E90, E94
84	84		1919684-01	LM	385B2 PREC VOLT REF. 1.23	1	1	1	1	D14
85	85		2117370-02		6665-15 RAM 64KX1 150NS DY	-	-	80	-	E1-E8, E13-E20, E24-E39, E42-E49, CONT E51-E58, E65-E80, E116-E123, CONT E129-E136
86	86		2118467-02		8264-15 RAM 64K X1, 150NS 1	80	-	-	-	E1-E8, E13-E20, E24-E39, E42-E49, CONT E51-E58, E65-E80, E116-E123, CONT E129-E136
87	87		2118470-02		*** THIS ITEM IS NOT USED ***	-	-	-	-	
88	88		2118472-02		4164-3 MOS RAM 64K X1, 150	-	80	-	-	E1-E8, E13-E20, E24-E39, E42-E49, CONT E51-E58, E65-E80, E116-E123, CONT E129-E136
89	89		2118623-00		2661-3 COMMUNICATIONS, INTER	2	2	2	2	E40, F110
90	90		2118795-00		146818 CLOCK/CALENDAR/RAM	1	1	1	1	E128
91	91		2118856-00		CONTROLLER, MULTI-PROTOCOL SERIAL	1	1	1	1	E59
92	92		2118995-02		*** THIS ITEM IS NOT USED ***	-	-	-	-	
93	93		2120549-02		64K MOS RAM 150NS 1	-	-	80	-	E1-E8, E13-E20, E24-E39, E42-E49, CONT E51-E58, E65-E80, E116-E123, CONT E129-E136
94	94		2122376-01		DC365 GRID ARRAY 144PIN J-11 BUS	1	1	1	1	E107
95	95		2122377-01		DC363 GRID ARRAY 144PIN VIDEO CO	1	1	1	1	E124
96	96		2122378-01		DC362 GRID ARRAY 120PIN I/O CONT	1	1	1	1	E97
97	97		23052E5-00		*** THIS ITEM IS NOT USED ***	-	-	-	-	
98	98		23346A1-00		A1-07	1	1	1	1	E60
99	99		5719400-05		HYBRID, ASSY W/2 CHIPS 10MHZ	1	1	1	1	E106
100	100		7425654-00		SLIDE, MOTHER BD. (LEFT SIDE)	1	1	1	1	
101	101		7425706-00		MOTHER BOARD SLIDE (RIGHT)	1	1	1	1	
102	102		7425707-00		BRACKET, GUIDANCE, P.C. BOARD	1	1	1	1	
103	103		7428702-01		RESTRAINT, PCB	1	1	1	1	
104	104		9000024-01		EYELET, ROLLED 0.1210DX0.192	12	12	12	12	
105	105		9009185-00		JUMPER, WIRE, INSULATED, BLACK B	8	8	8	8	W1-W3, W5-W8, W10
106	106		23090E5-00		E5-01, E5-02 ROM	1	1	1	1	E87

D	I	G	I	T	A	L	TITLE	SECTION A	OF A	SIZE	CODE	DOCUMENT NUMBER	REV
							PC380 SYSTEM BOARD			K	PL	5416237-0-DBP	B

LINE ITEM	TOP DOCUMENT	PART NUMBER	MIN REV	DESCRIPTION	QTY PER VARIATION	REFERENCE DESIGNATOR
				VARIATION REVISION LEVEL:	AC AH AJ AP	
					A1 A1 A1 A1	

- 107 NOTE: 1. 5416237-AA IS A PRIMARY VARIATION OF A PC380 SYSTEM BOARD (NOT A MODULE TYPE).
- 108 NOTE: 3. 5416237-AC IS A MODULE TYPE USING FUJITSU 64K MOS DEVICES.
- 109 NOTE: 5. 5416237-AH IS A MODULE TYPE USING NEC 64K MOS DEVICES.
- 110 NOTE: 6. 5416237-AJ IS A MODULE TYPE USING MOTOROLA 64K MOS DEVICES.
- 111 NOTE: 7. 5416237-AP IS A MODULE TYPE USING MITSUBISHI 64K MOS DEVICES.
- 112 NOTE: 8. 5719400-04 CAN BE SUBSTITUTED FOR 5719400-05.

D I G I T A L	TITLE	SECTION A OF A	SIZE	CODE	DOCUMENT NUMBER	REV
	PC380 SYSTEM BOARD		K	PL	5416237-0-DBP	B

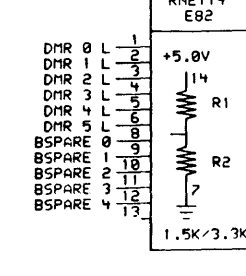
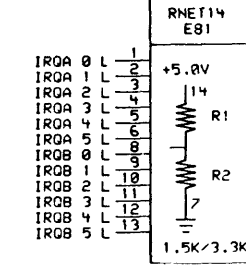
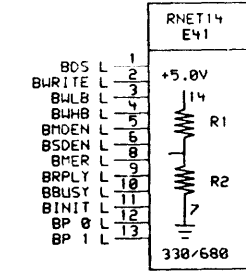
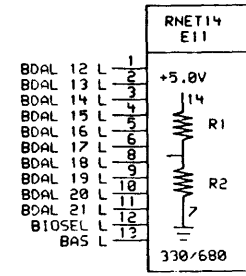
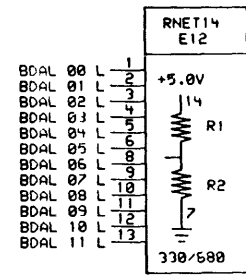
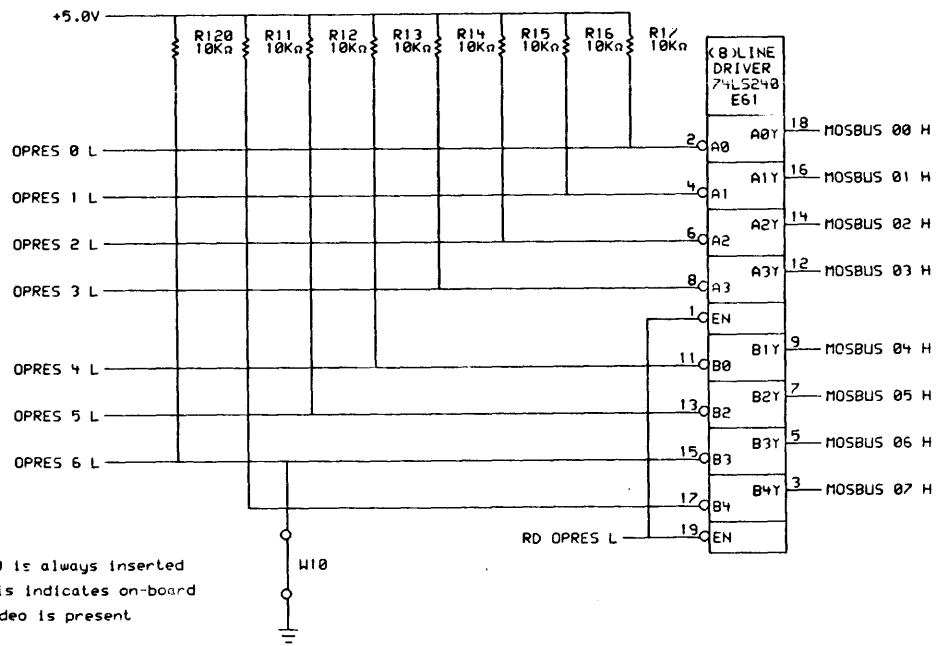
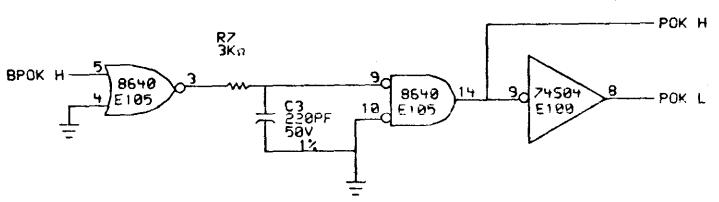
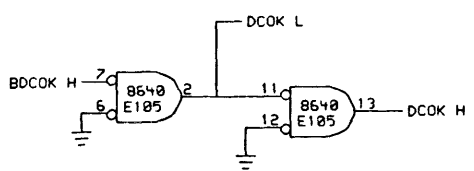
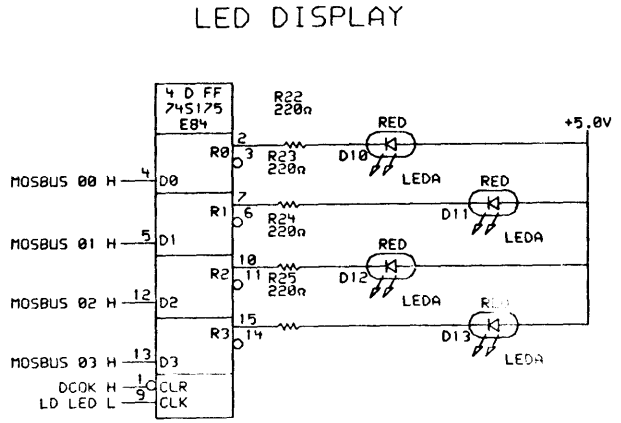


THIS DRAWING AND SPECIFICATIONS ARE THE PROPERTY OF DIGITAL EQUIPMENT CORPORATION AND SHALL NOT BE REPRODUCED OR COPIED OR USED IN WHOLE OR IN PART AS THE BASIS FOR THE MANUFACTURE OF ANY ITEMS WITHOUT WRITTEN PERMISSION. COPYRIGHT © 1984, DIGITAL EQUIPMENT CORPORATION.

REV.	CHG.	NO.	REV.

digital	DRN.	Dr. Bodurtha	DATE	08-MAY-84	ENG.	J. Ferguson	DATE	08-MAY-84	TITLE:	PC380 SYSTEM MODULE
	CHK'D.		DATE		BOARD LOCATION:		SHEET	OF 12	SIZE	CODE
FIRST USED ON OPTION/MODEL:		100 MAJ. Q1 16:30 NEXT HIGHER ASSEMBLY:		PC380		NUMBER	K CS 5416237-01		REV.	A

FERGUSON, USRA:FERGUSON\JFAT.DPL, 9, SCALE 2, "D" RELEASE BOX, SIGNED OFF FERGUSON JFAT, PLOT 4, 251 08-11-84 17:35

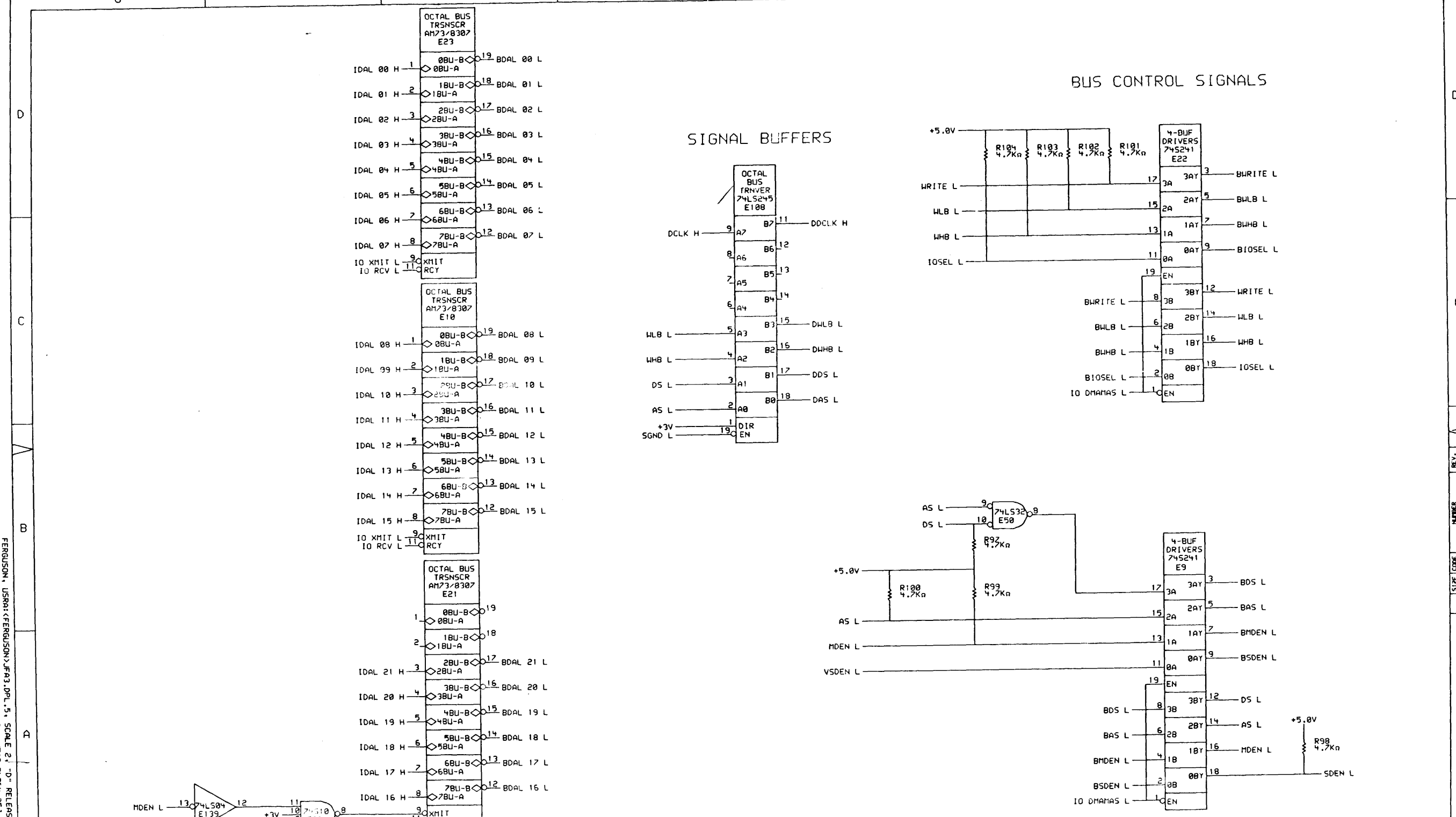


REVISIONS	
CHK	CHANGE NO. REV

digital	DRN. Dr. Badurtha	DATE 08-MAY-84	ENG. J. Ferguson	DATE 08-MAY-84	TITLE: PC380 SYSTEM MODULE
	CHK'D.	DATE 08-MAY-84	BOARD LOCATION: SHEET 2 OF 12	SIZE CODE K CS	NUMBER 5416237-01
FIRST USED ON OPTION/MODEL: KDJ11-C				PC380	REV. A

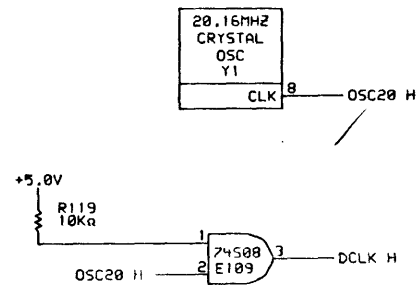
FERGUSON, USRA:FERGUSON,JFAZ,DP.L.5, SCALE 2, "G" RELEASE BOX, SIGNED OFF FERGUSON, JFAZ, PLO 4, (25) 08-MAY-84 12:35

REV. A
NUMBER 5416237-01
SIZE CODE K CS

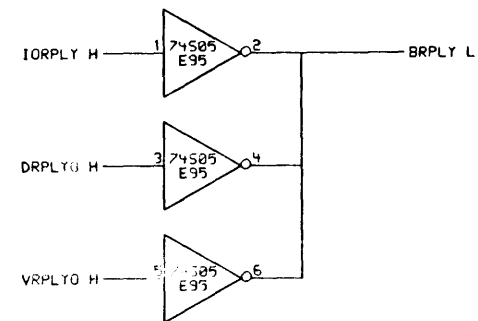


FERGUSON, USRA<<FERGUSON>>JFA3.DRW, 5, SCALE: 2, "D", RELEASE BOX, SIGNED OFF FERGUSON, JFA3.PLOT, 4, 251, 08-MAY-84 17:39

SYSTEM CLOCK



REPLY LOGIC

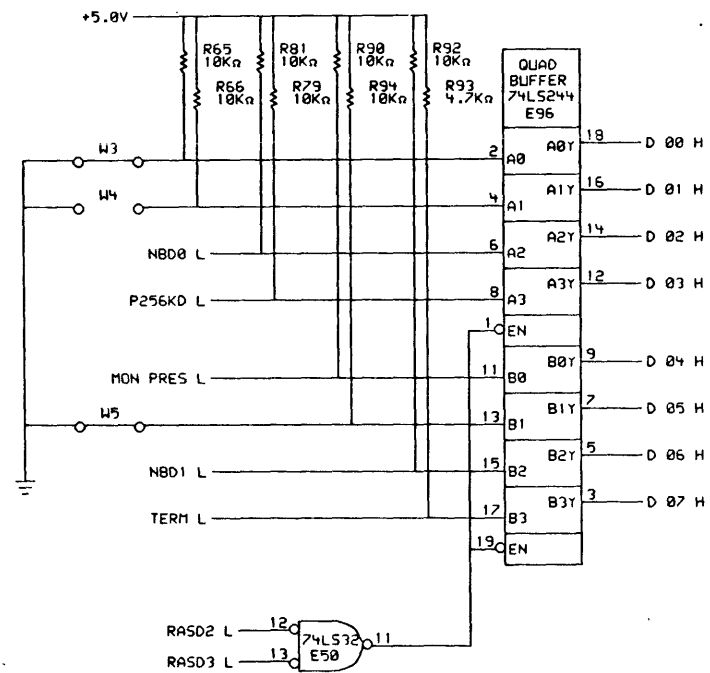


MEMORY JUMPER CONFIGURATION

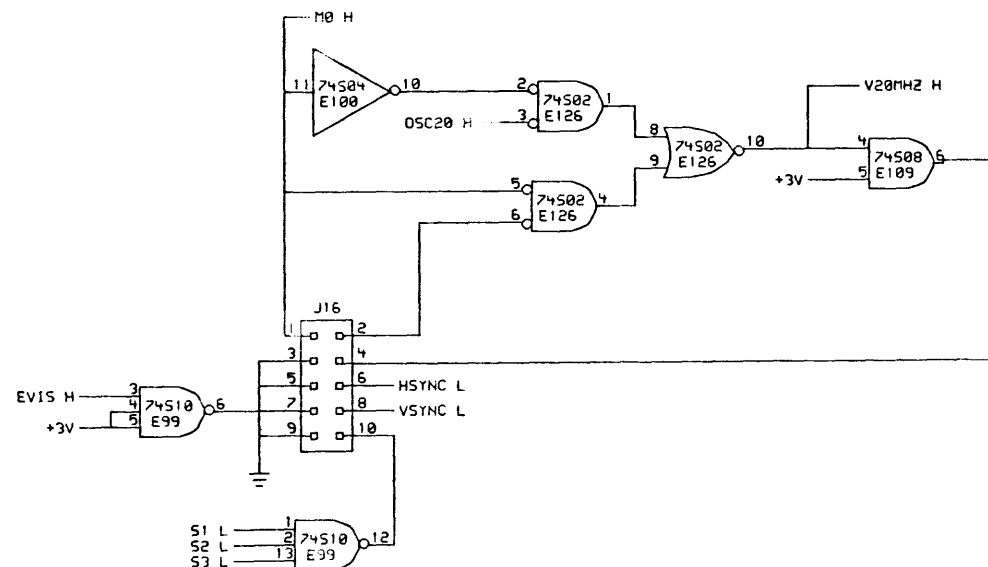
W3	W4	W5
NB00 L	P256KM L	NB01 L
IN	OUT	IN

■ This jumper configuration indicates
512 KB main memory (4 banks of 64K parts)

MAIN MEMORY CONTROL



IVIS LOGIC



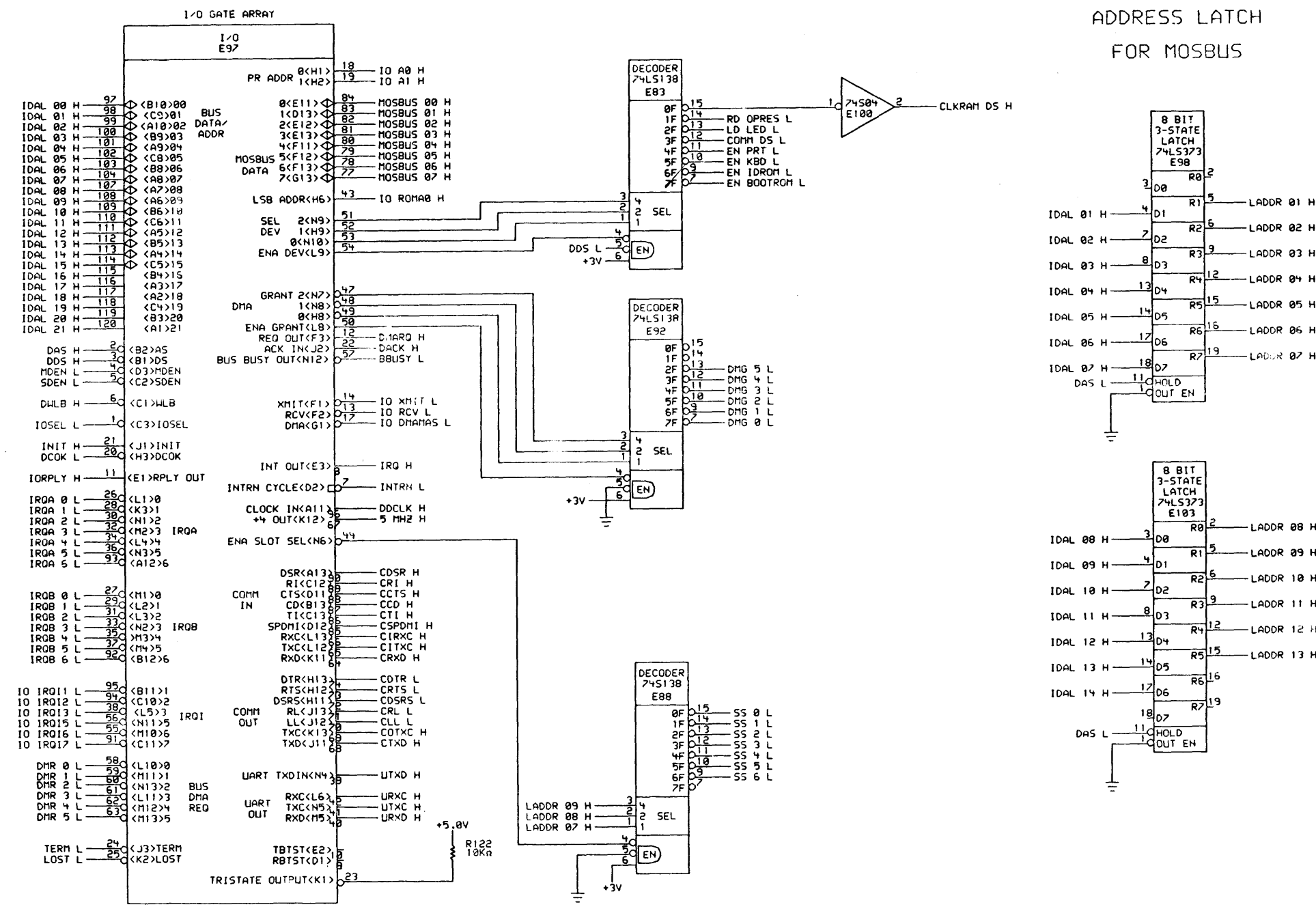
FERGIUSON, USRA<FERGIUSON>JFH, DP, 6, SCALE 2, "D" RELEASE BOX, SIGNED OFF
 FERGIUSON, JFH, PLOT, 1, 25, 08-19-84, 17:39

THIS DRAWING AND SPECIFICATIONS ARE THE PROPERTY OF DIGITAL EQUIPMENT CORPORATION AND SHALL NOT BE REPRODUCED OR COPIED OR USED IN WHOLE OR IN PART AS THE BASIS FOR THE MANUFACTURE OR SALE OF ITEMS WITHOUT WRITTEN PERMISSION. COPYRIGHT © 1984 DIGITAL EQUIPMENT CORPORATION.

REVISIONS	
CHK	CHANGE NO. REV

digital	DRN. Dr. Bodurtha	DATE 08-MAY-84	ENG. J. Ferguson	DATE 08-MAY-84	TITLE: PC380
	CHK'D.	DATE 08-MAY-84	BOARD LOCATION: SHEET 4 OF 17	SIZE CODE K CS	NUMBER 5416237-01
FIRST USED ON OPTION/MODEL: KDJ11-C PC380					REV. A

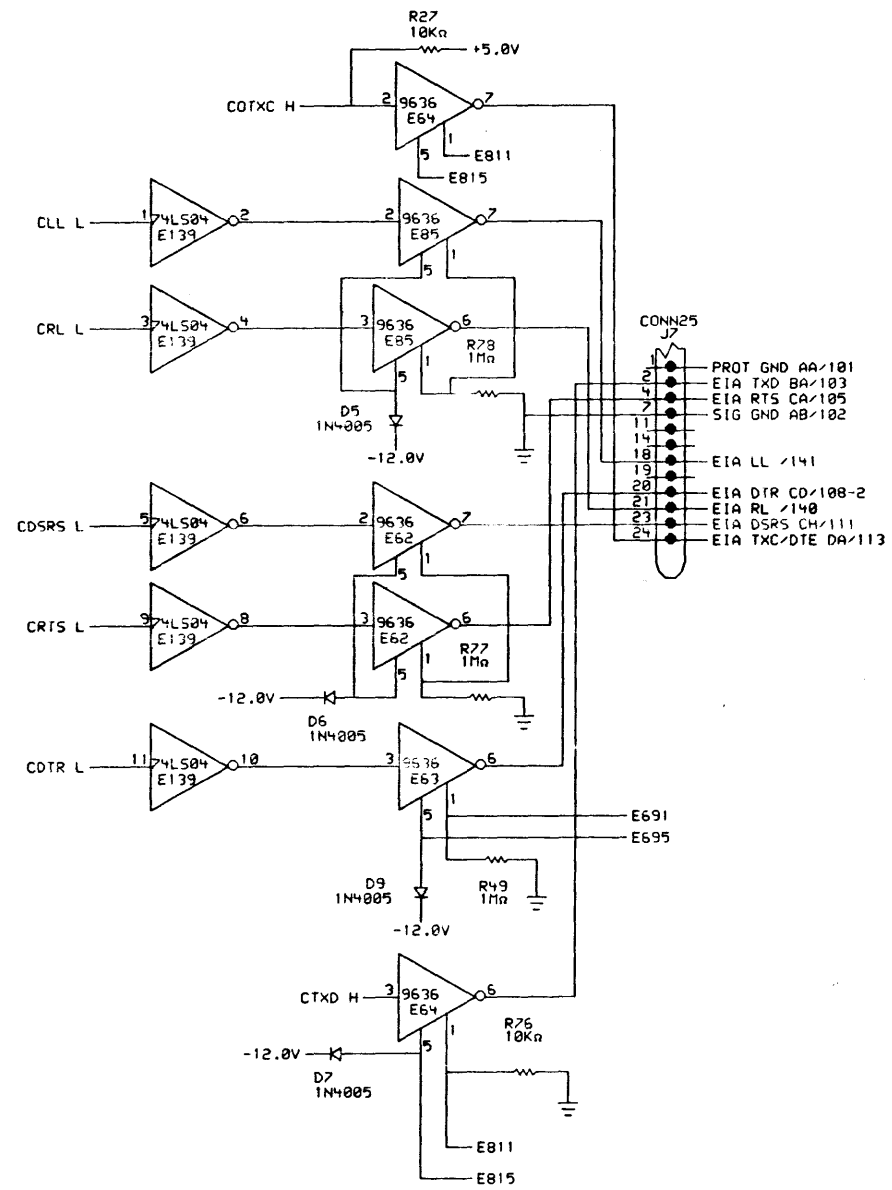
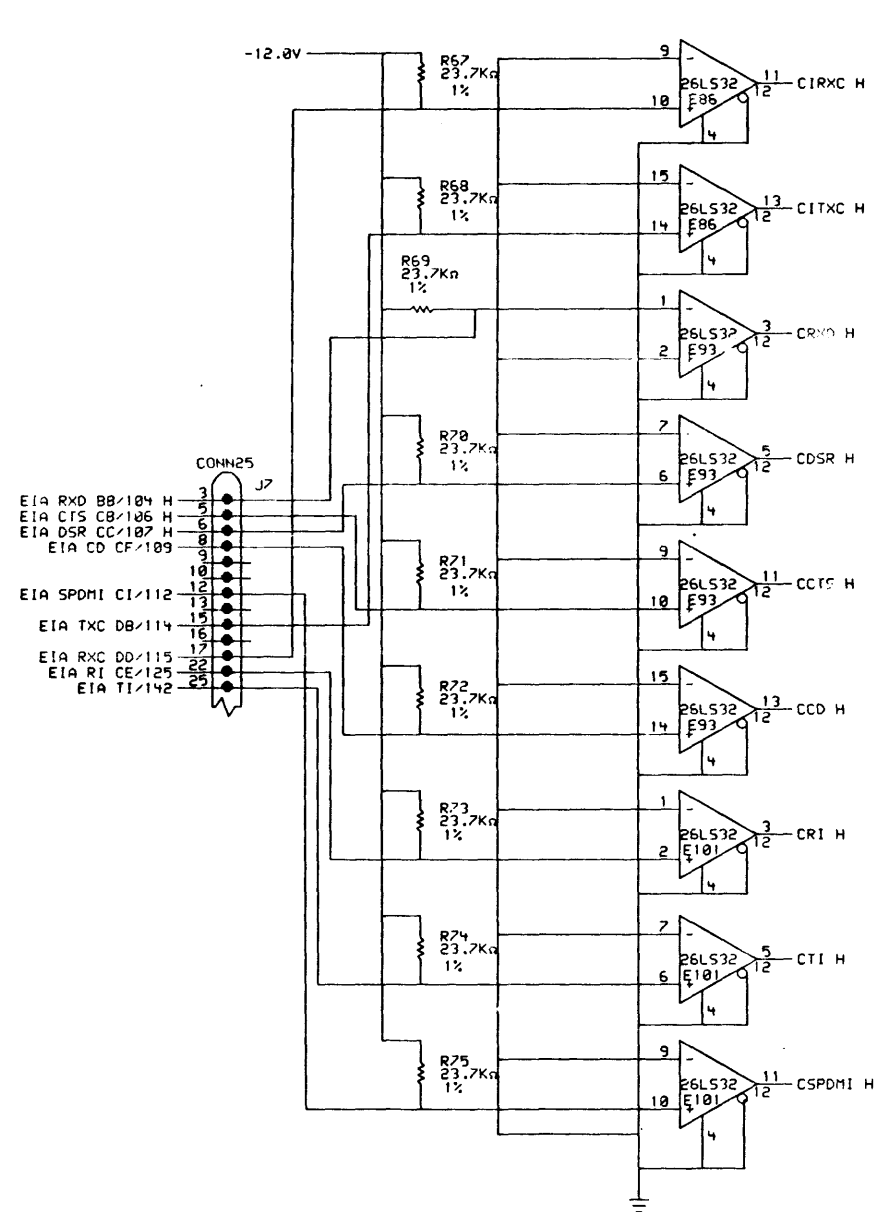
ADDRESS LATCH FOR MOSBUS



THIS DRAWING AND SPECIFICATIONS, HEREIN, ARE THE PROPERTY OF DIGITAL EQUIPMENT CORPORATION AND SHALL NOT BE REPRODUCED OR COPIED OR USED IN WHOLE OR IN PART AS THE BASIS FOR THE MANUFACTURE OR SALE OF ITEMS WITHOUT WRITTEN PERMISSION. COPYRIGHT © 1984, DIGITAL EQUIPMENT CORPORATION.		REVISIONS CHK CHANGE NO. REV	TITLE: PC380 SYSTEM MODULE
DIGITAL DSK1 JFA3.DRW	DRN. Dr. Bodurtha CHK'D.	DATE 08-MAY-84 DATE 08-MAY-84	ENG. J. Ferguson DATE 08-MAY-84 BOARD LOCATION: SHEET 5 OF 12
FIRST USED ON OPTION/MODE: KDJ11-C	NEXT HIGHER ASSEMBLY: PC380	SIZE CODE K CS	NUMBER 5416237-01 REV. A

FERGUSON, USRA:FERGUSON>JFA5.DPL.5, SCALE 2, "D" RELEASE BOX, SIGNED OFF
 FERGUSON JFA5.PLOT.4.25J 08-MAY-84 17:48

EIA RECEIVERS AND DRIVERS



THIS DRAWING AND SPECIFICATIONS ARE THE PROPERTY OF DIGITAL EQUIPMENT CORPORATION AND SHALL NOT BE REPRODUCED OR COPIED OR USED IN WHOLE OR IN PART AS THE BASIS FOR THE MANUFACTURE OR SALE OF ITEMS WITHOUT WRITTEN PERMISSION. COPYRIGHT © 1984, DIGITAL EQUIPMENT CORPORATION.

REVISIONS	
CHK	CHANGE NO. / REV.

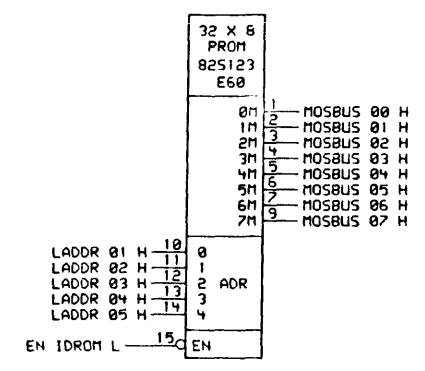
digital
 DSK: JFAG.DRW
 FIRST USED ON OPTION MODEL: KDJ11-C

DRN. Dr. Badurtha
 DATE: 08-19-84
 ENG. J. Ferguson
 DATE: 08-19-84
 BOARD LOCATION: 6 OF 17
 SHEET: 6 OF 17
 NEXT HIGHER ASSEMBLY: PC380

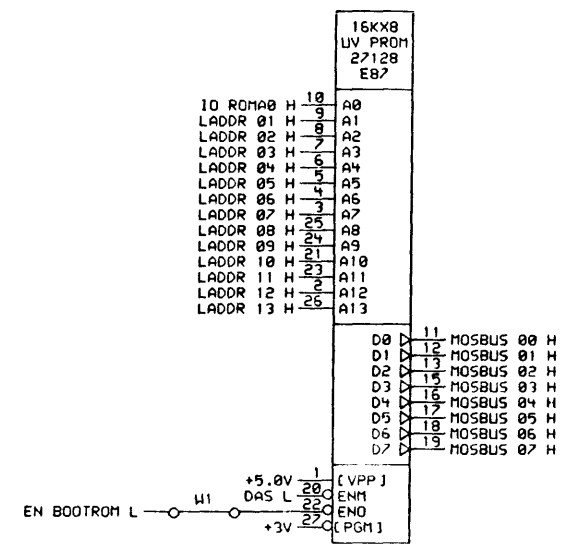
TITLE: PC380 SYSTEM MODULE
 SIZE CODE: K / CS
 NUMBER: 5416237-01
 REV. A

FERGUSON, USRA:FERGUSON, JFAG, DPL, S, SCALE 2, "D", RELEASE BOX, SIGNED OFF
 FERGUSON, JFAG, PLOT 4, 253 08-19-84 17:48

ID ROM

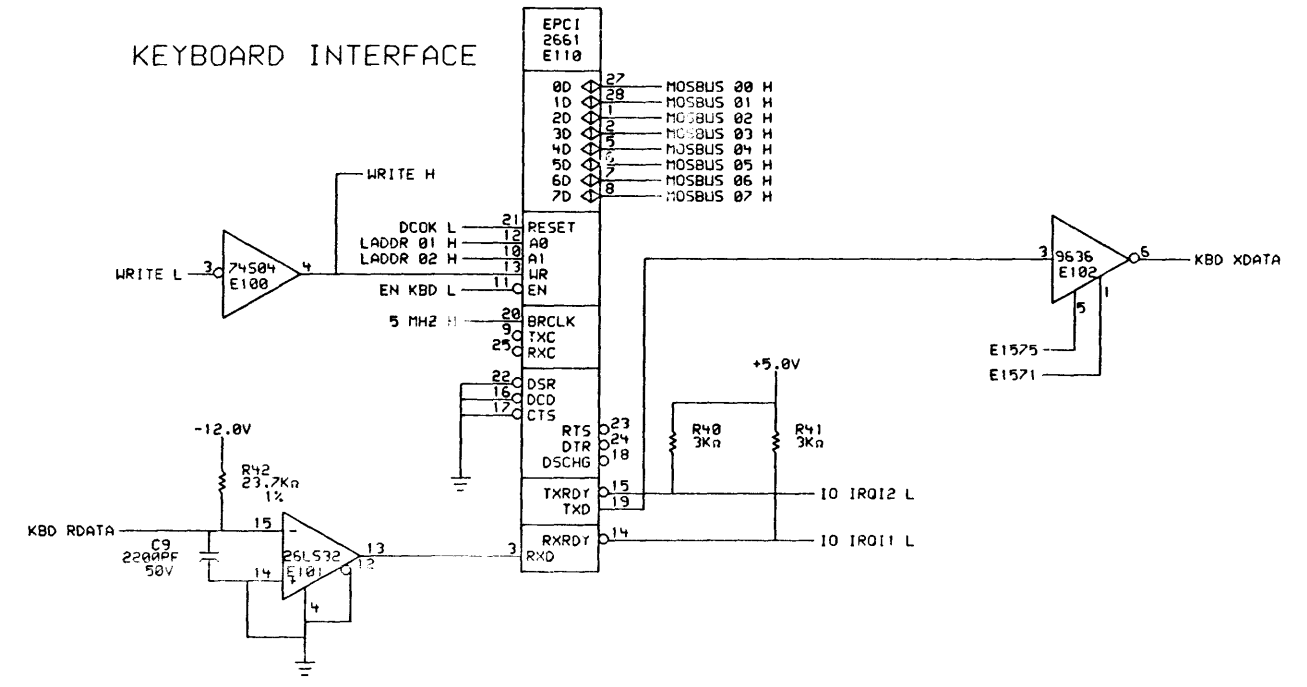


BOOT ROM

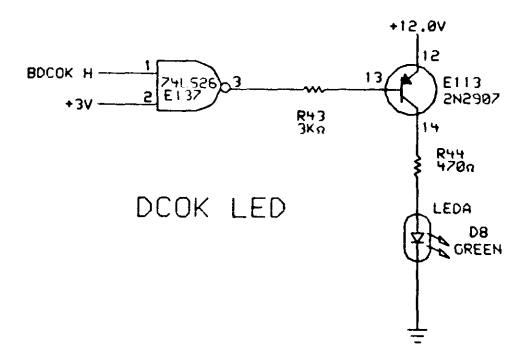
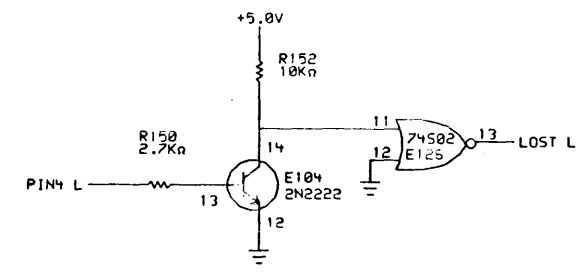
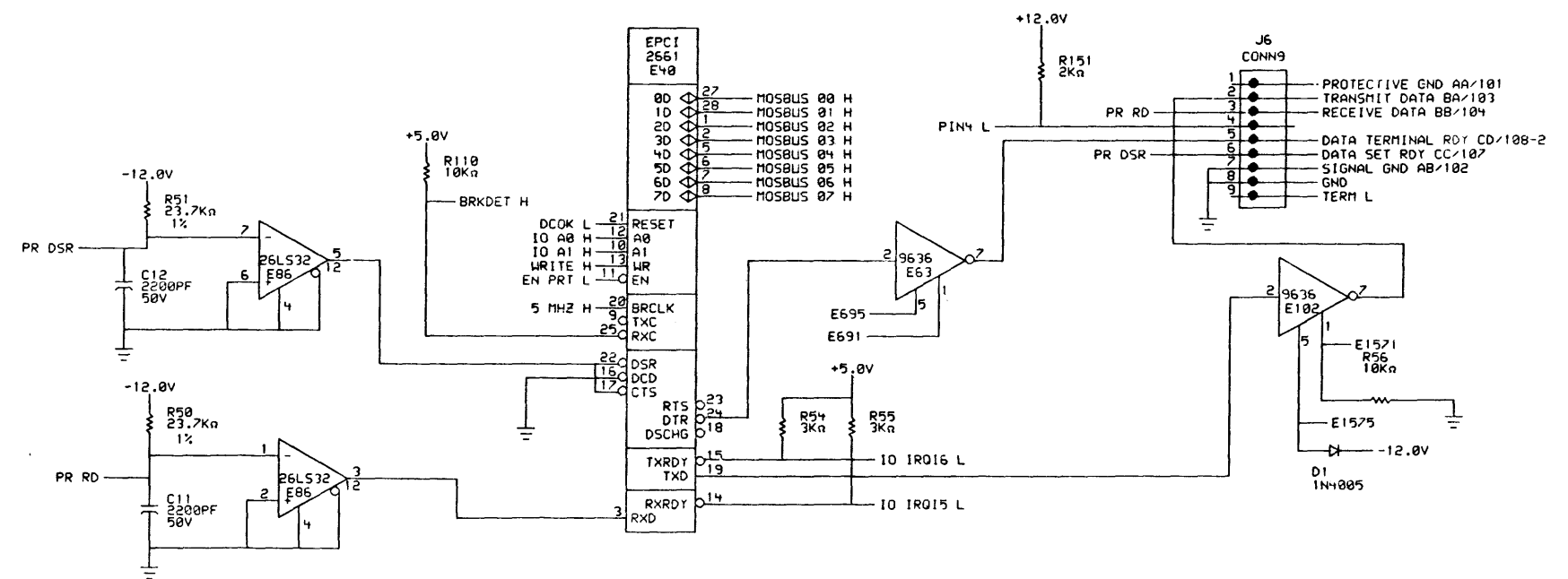


W1 is always installed

KEYBOARD INTERFACE



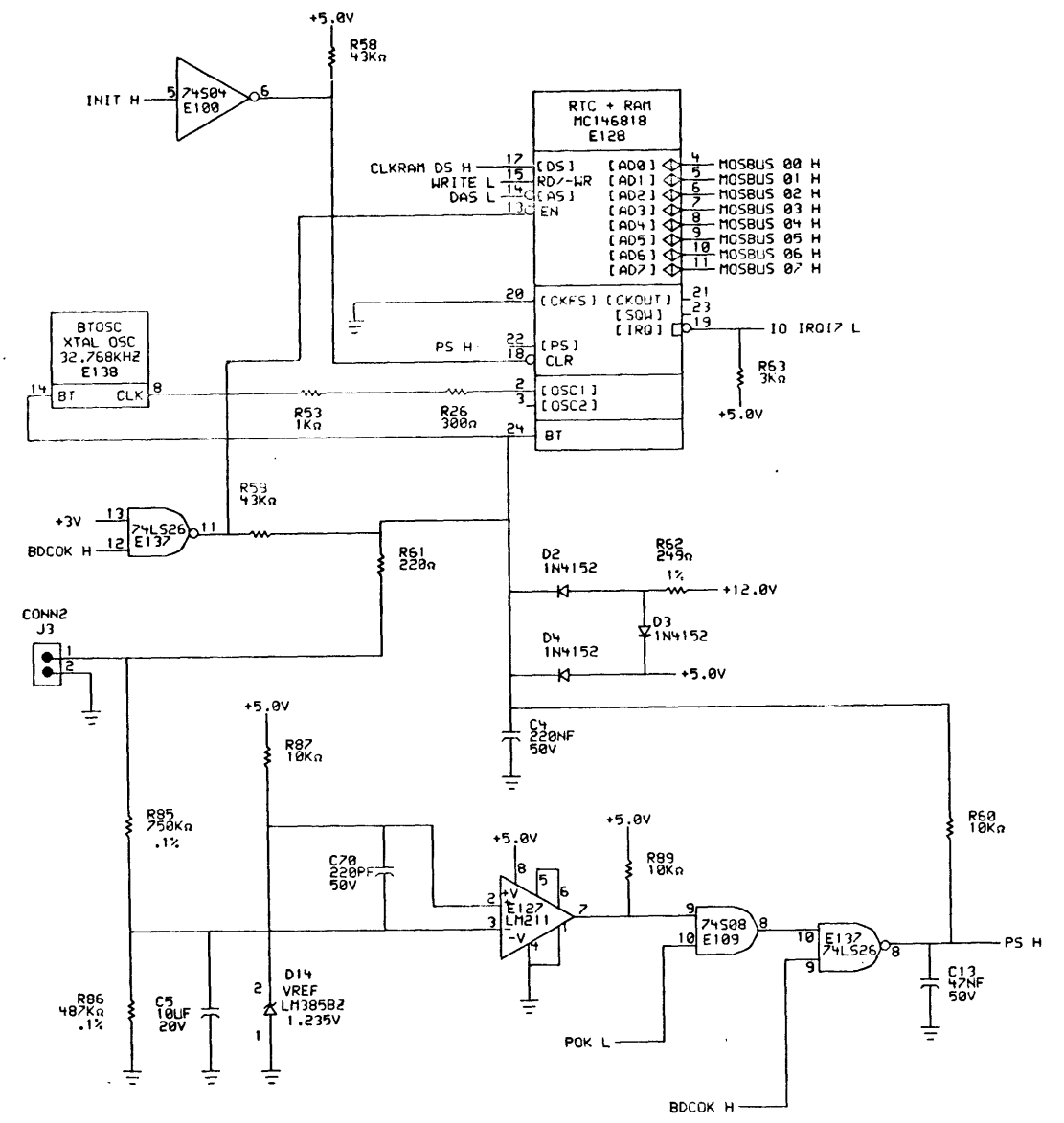
PRINTER INTERFACE



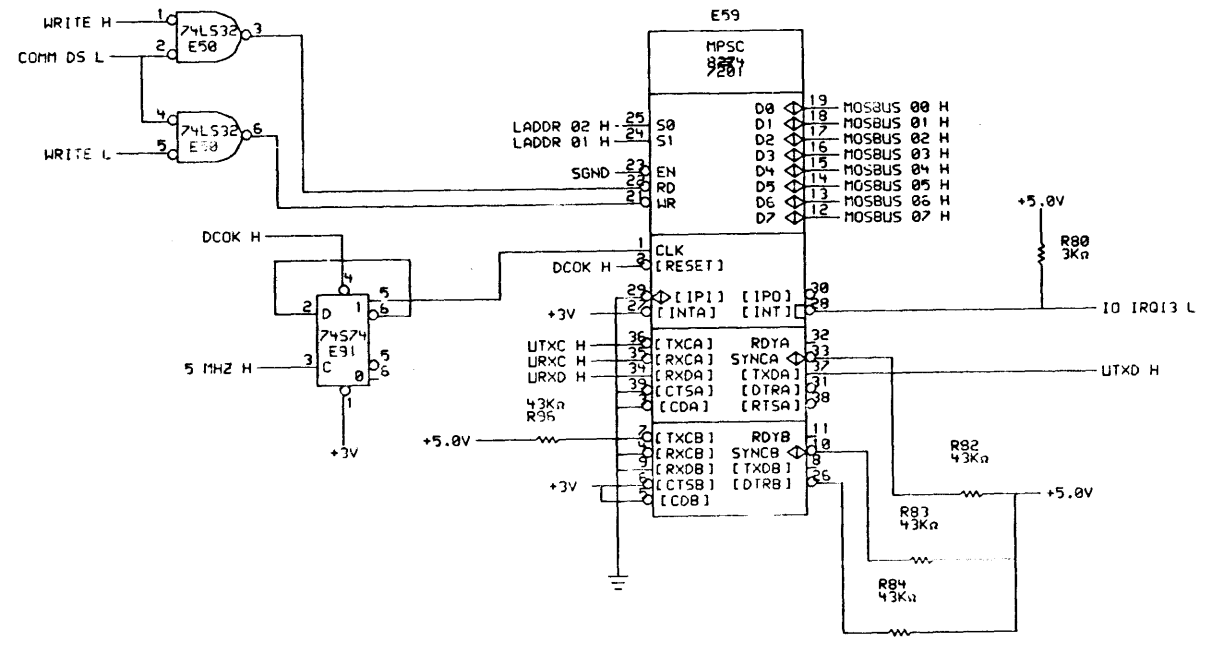
THIS DRAWING AND SPECIFICATIONS ARE THE PROPERTY OF DIGITAL EQUIPMENT CORPORATION AND SHALL NOT BE REPRODUCED OR COPIED OR USED IN WHOLE OR IN PART AS THE BASIS FOR THE MANUFACTURE OR SALE OF ITEMS WITHOUT WRITTEN PERMISSION. COPYRIGHT © 1984, DIGITAL EQUIPMENT CORPORATION.	REVISIONS CHK CHANGE NO. REV	DRN. Dr. Bodurtha DATE 08-MAY-84 CHECK'D. DATE 08-MAY-84 SHEET 7 OF 12 DSK: JFA7 DRH 08-MAY-84 16:53 NEXT HIGHER ASSEMBLY: PC300	ENG. J. Ferguson DATE 08-MAY-84 BOARD LOCATION: 7 TITLE: PC380 SYSTEM MODULE	SIZE CODE NUMBER REV. K CS 5416237-01 A
	FIRST USED ON OPTION MODEL: K0J11-C			
	PC300			

FERUGSON, USRA:(FERUGSON)JFA7.DPL.5, SCALE 2+ "D" RELEASE BOX, SIGNED OFF
 FERUGSON JFA7.PLOT.4,25 J 08-MAY-84 17:48

BATTERY BACKED-UP
CLOCK AND RAM



COMM USART



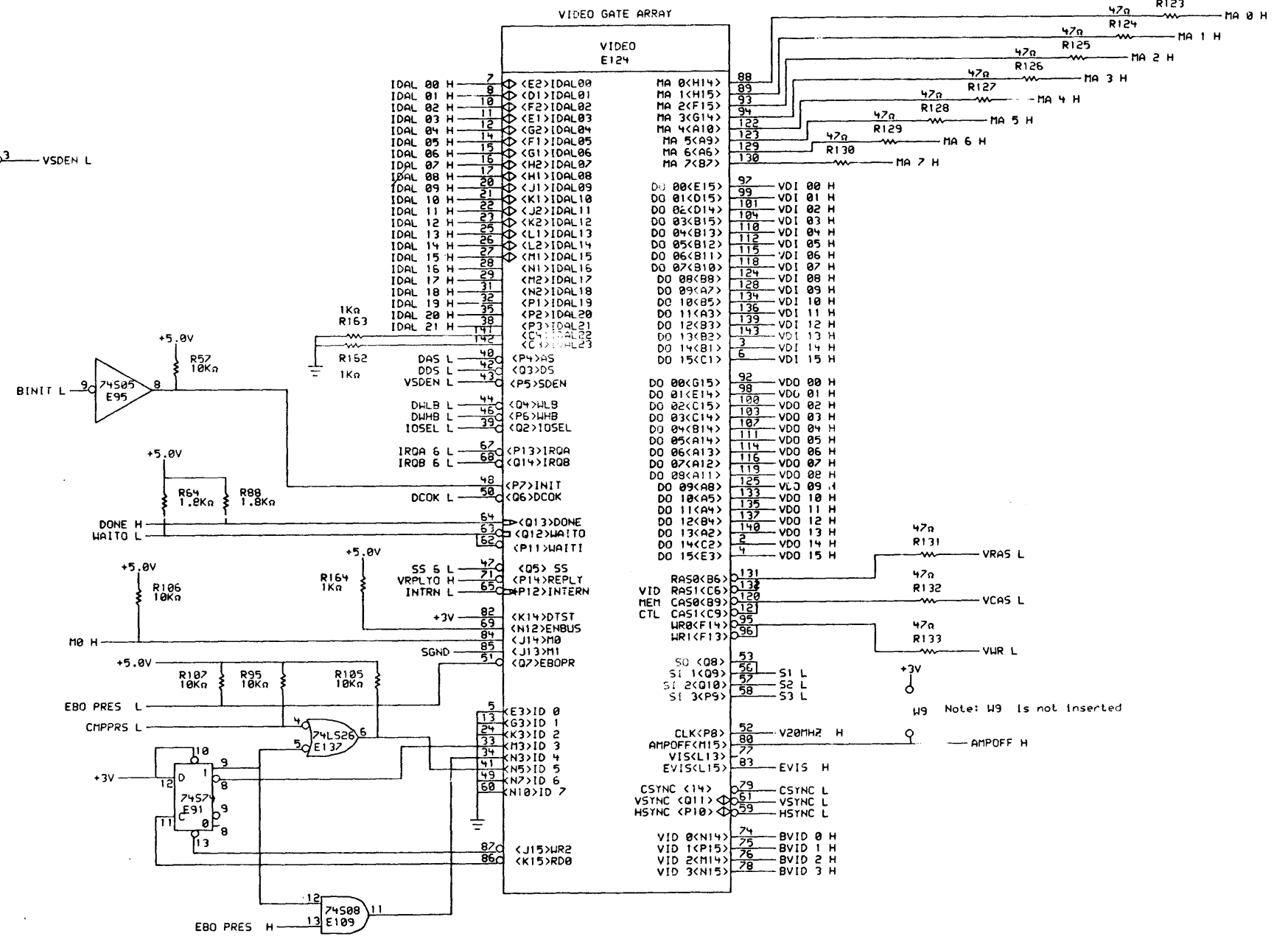
FERGUSON, USRA<FERGUSON>JF08.DRW, 5, SCALE 2:1, "D" RELEASE BOX, SIGNED OFF
 FERGUSON, JF08.PLOT, 4, 25, 88-MAY-84 17:49

REVISIONS		
CHK	CHANGE NO.	REV.

	DRN. Dr. Bodurtha	DATE 08-MAY-84	ENG. J. Ferguson	DATE 08-MAY-84	TITLE: PC380 SYSTEM MODULE
	CHK'D.	DATE	BOARD LOCATION:	SHEET 8 OF 12	SIZE CODE NUMBER REV. K CS 5416237-01 A
DSK: JF08.DRW		08-MAY-84 16:56	NEXT HIGHER ASSEMBLY: PC380		8
FIRST USED ON OPTION/MODEL: KDJ11-C					1

REV. A
 NUMBER 15416237-01
 SIZE K CS
 B
 A

EBO CONN J2	
+5.0V	1 2
BRPLY L	3 4
IDAL 00 H	5 6
IDAL 02 H	7 8
IDAL 04 H	9 10
IDAL 06 H	11 12
GND	13 14
IDAL 08 H	15 16
IDAL 10 H	17 18
IDAL 12 H	19 20
IDAL 14 H	21 22
BVID 0 H	23 24
IDAL 16 H	25 26
IDAL 18 H	27 28
IDAL 20 H	29 30
IOSEL L	31 32
GND	33 34
DDS	35 36
DHLBV	37 38
SS 6 L	39 40
DCOK L	41 42
BVID 2 H	43 44
V20MHZ H	45 46
S2 L	47 48
HSYNC L	49 50
WAIT0 L	51 52
GND	53 54
GVID 0 H	55 56
GVID 2 H	57 58
RVID 0 H	59 60
RVID 2 H	61 62
+5.0V	63 64



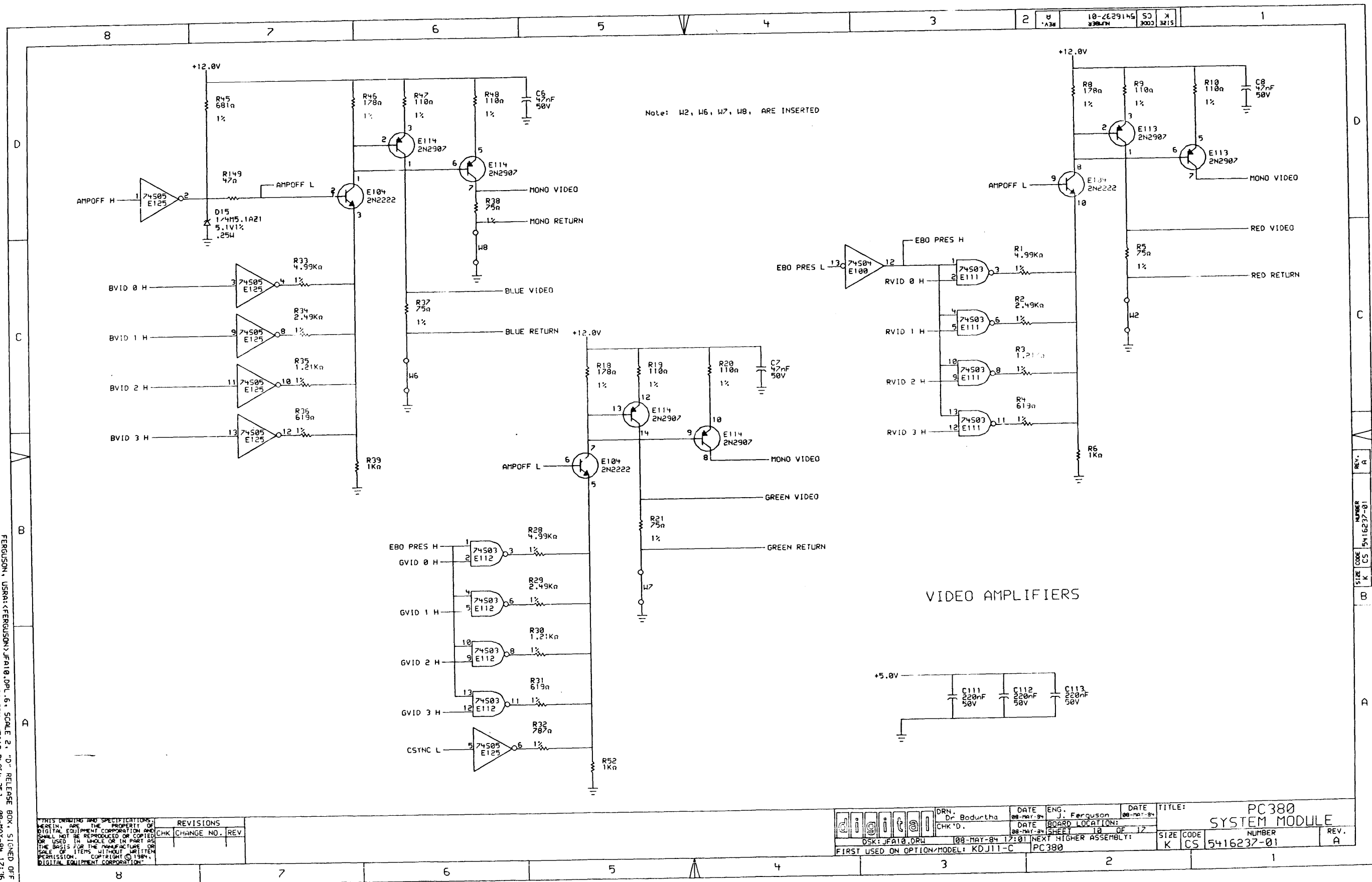
FERGLSON, USRA<FERGLSON>JF89.DPL.5, SCALE 2, "D" RELEASE BOX, SIGNED OFF
 FERGLSON JF89.PLOC.4,251 08-11-84 17:49

REVISIONS		
CHK	CHANGE NO.	REV

	DRN. Dr. Bodurtha	DATE 08-MAY-84	ENG. J. Ferguson	DATE 08-MAY-84	TITLE: PC380
	CHK'D.	DATE 08-MAY-84	BOARD LOCATION: SHEET 9 OF 12	DATE 08-MAY-84	SYSTEM MODULE
DSK: JFAS. DRH		08-MAY-84 16:57	NEXT HIGHER ASSEMBLY: PC380	SIZE CODE K CS	NUMBER 5416237-01
FIRST USED ON OPTION/MODEL: KDJ11-C				REV. A	

REV. A
 SIZE CODE K CS 5416237-01

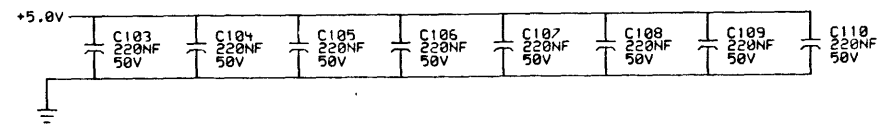
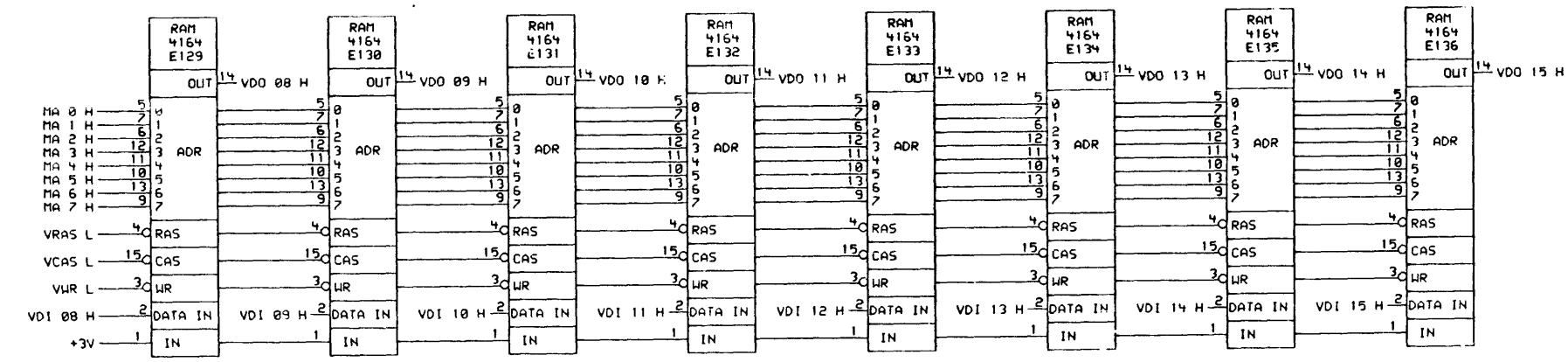
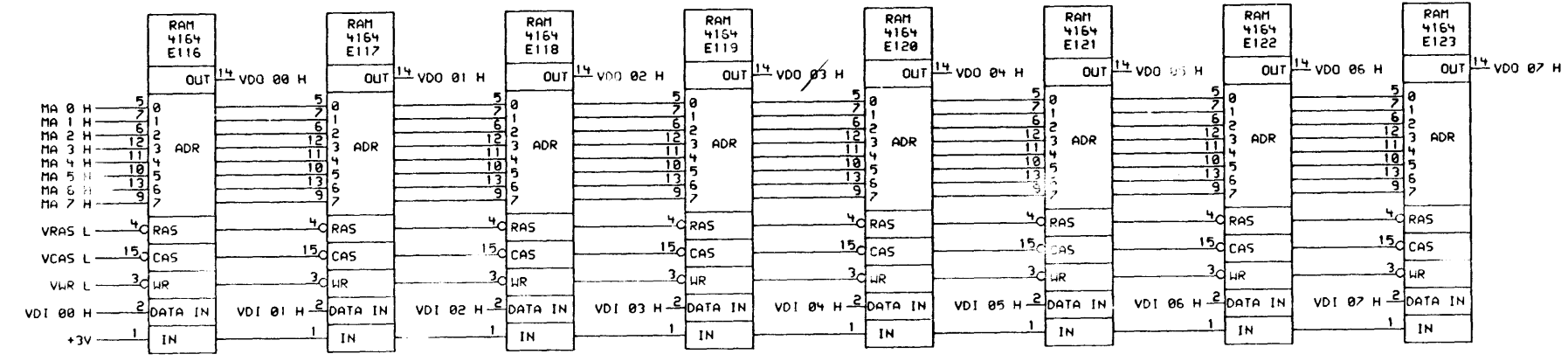
FERGUSON, USRA:FERGUSON/JFA18.DPL.6, SCALE 2: "D" RELEASE BOX, SIGNED OFF
 FERGUSON JFA18.PLOT.4, 25] 08-MAY-84 17:16



REVISIONS	
CHK	CHANGE NO. REV.

	DRN. Dr. Bodurtha	DATE 08-MAY-84	ENG. J. Ferguson	DATE 08-MAY-84	TITLE: PC380 SYSTEM MODULE
	CHK'D.	DATE 08-MAY-84	BOARD LOCATION: SHEET 18 OF 12	SIZE CODE K CS	NUMBER 5416237-01
DSK: JFA18.DRW			08-MAY-84 17:01		NEXT HIGHER ASSEMBLY: PC380
FIRST USED ON OPTION/MODEL: KDJ11-C			PC380		REV. A

VIDEO MEMORY
 64K DRAMS



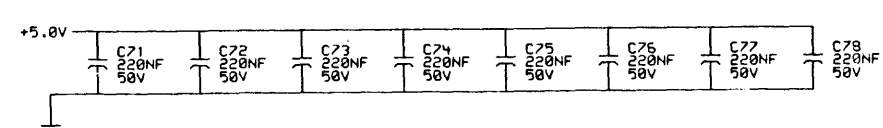
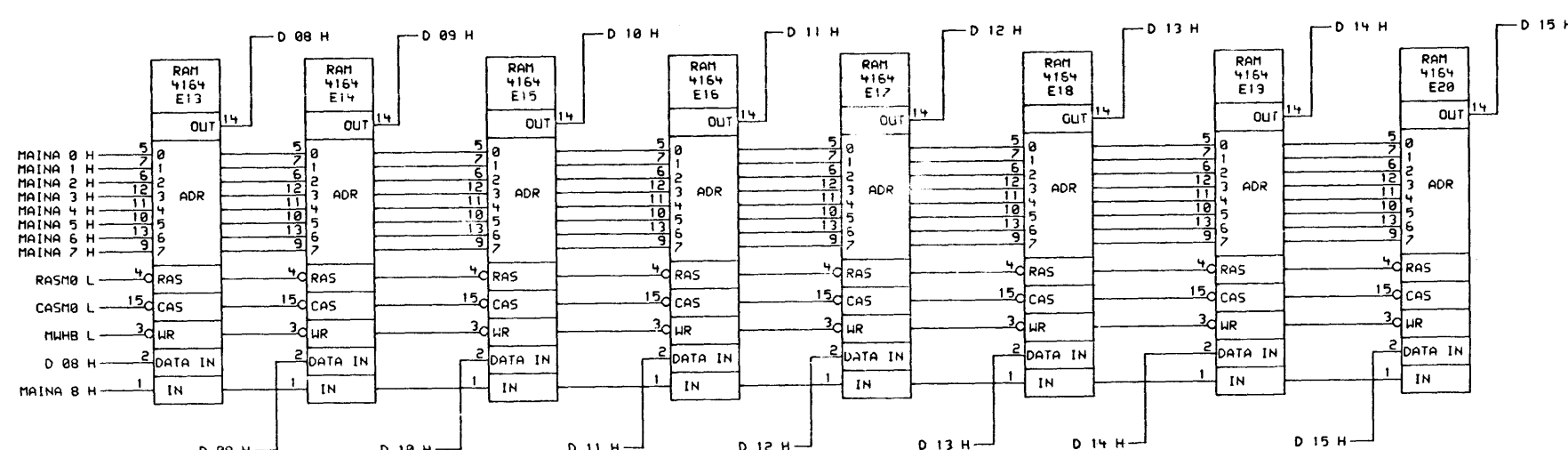
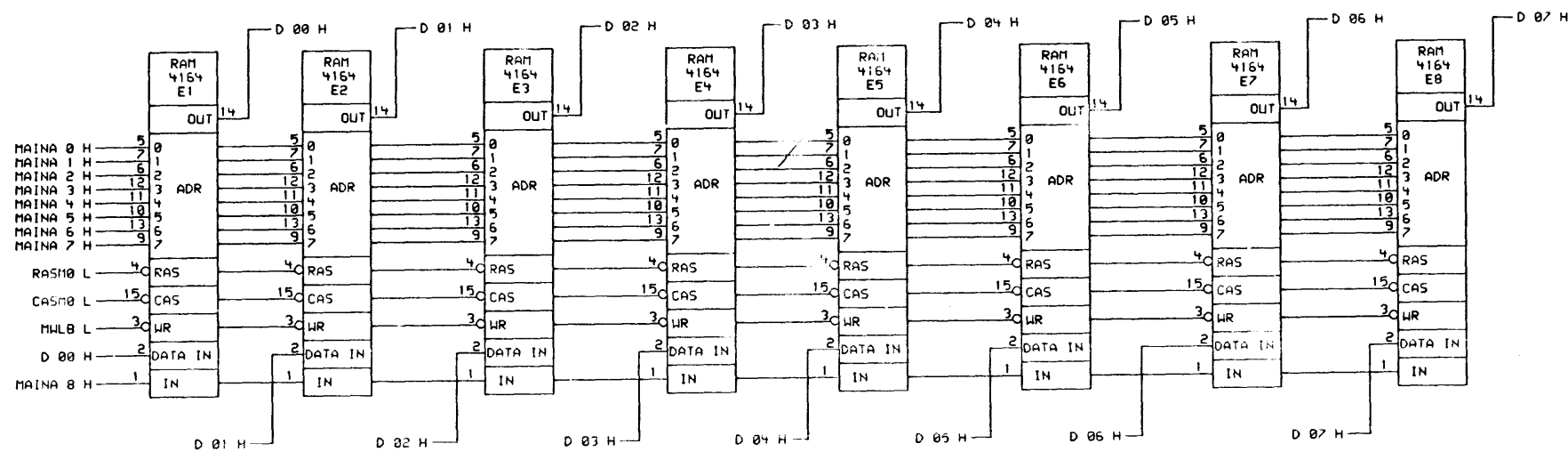
FERUGSON, USRAI<FERUGSON>JFA11, DR L. 5, SCALE 2, "D" RELEASE BOX, SIGNED OFF
 FERUGSON JFA11, PLOT 4, 251 08-NOV-84 17:36

REVISIONS		
CHK	CHANGE NO.	REV

digital	DRN. Dr. Bodurtha	DATE 88-MAY-84	ENG. J. Ferguson	DATE 88-MAY-84	TITLE: PC380
	CHK'D.	DATE 88-MAY-84	BOARD LOCATIONS:	SHEET 11 OF 17	SYSTEM MODULE
DSX: JFA11, DRW 88-MAY-84 17:36 NEXT HIGHER ASSEMBLY: PC380					NUMBER 5416237-01
FIRST USED ON OPTION/MODEL: KDJ11-C					REV. A

REV. A
 NUMBER 5416237-01
 SIZE CODE K CS

MAIN MEMORY
BANK 0



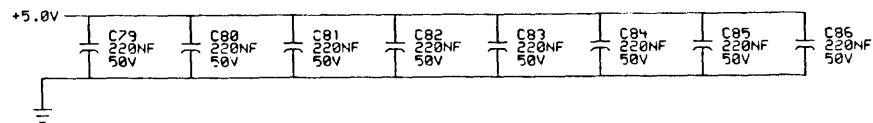
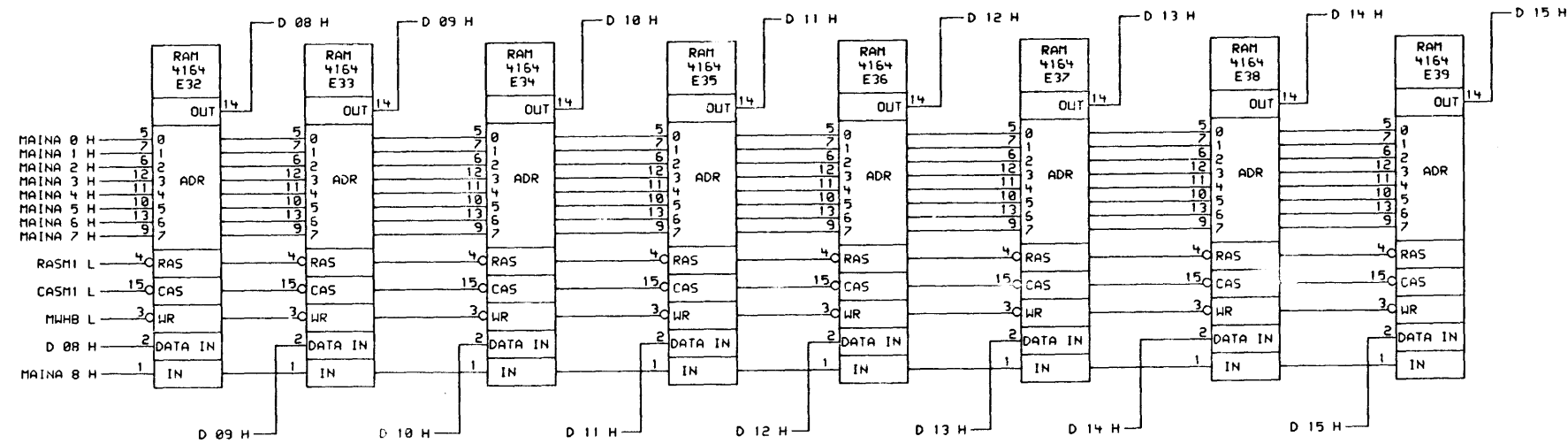
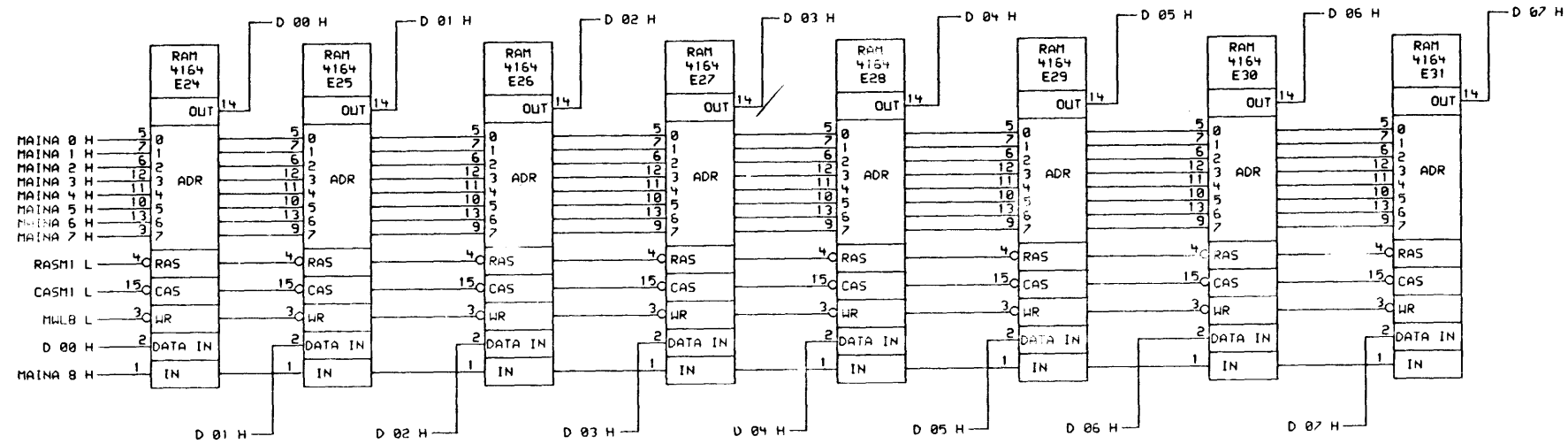
THIS DRAWING AND SPECIFICATIONS
HEREIN ARE THE PROPERTY OF
DIGITAL EQUIPMENT CORPORATION AND
SHALL NOT BE REPRODUCED OR COPIED
OR USED IN WHOLE OR IN PART AS
THE BASIS FOR THE MANUFACTURE OR
SALE OF ITEMS WITHOUT WRITTEN
PERMISSION. COPYRIGHT © 1984,
DIGITAL EQUIPMENT CORPORATION

REVISIONS	
CHK	CHANGE NO. REV

	DRN. Dr. Bodurtha	DATE 08-MAY-84	ENG. J. Ferguson	DATE 08-MAY-84	TITLE: PC380 SYSTEM MODULE
	CHK'D.	DATE 08-MAY-84	BOARD LOCATION: SHEET 12 OF 17	SIZE CODE K CS	NUMBER 5416237-01
OSK: JFA12.0RH 08-MAY-84 12:08 NEXT HIGHER ASSEMBLY: PC380			FIRST USED ON OPTION/MODEL: KDJ11-C		REV. A

FERUGSON, USRA<FERUGSON>JFA12.DPL.5, SCALE 2, "C" RELEASE BOX, STIGNED OFF
 FERUGSON JFA12.PLOT 4 (25) 08-MAY-84 12:36

MAIN MEMORY
 BANK 1



THIS DRAWING AND SPECIFICATIONS HEREIN ARE THE PROPERTY OF DIGITAL EQUIPMENT CORPORATION AND SHALL NOT BE REPRODUCED OR COPIED OR USED IN WHOLE OR IN PART AS THE BASIS FOR THE MANUFACTURE OR SALE OF ITEMS WITHOUT WRITTEN PERMISSION. COPYRIGHT © 1984, DIGITAL EQUIPMENT CORPORATION.

REVISIONS	
CHK	CHANGE NO. REV

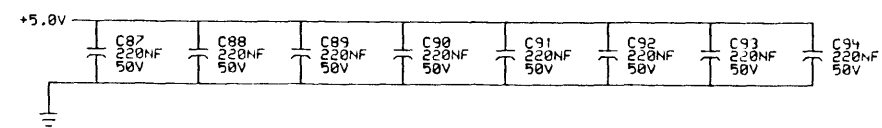
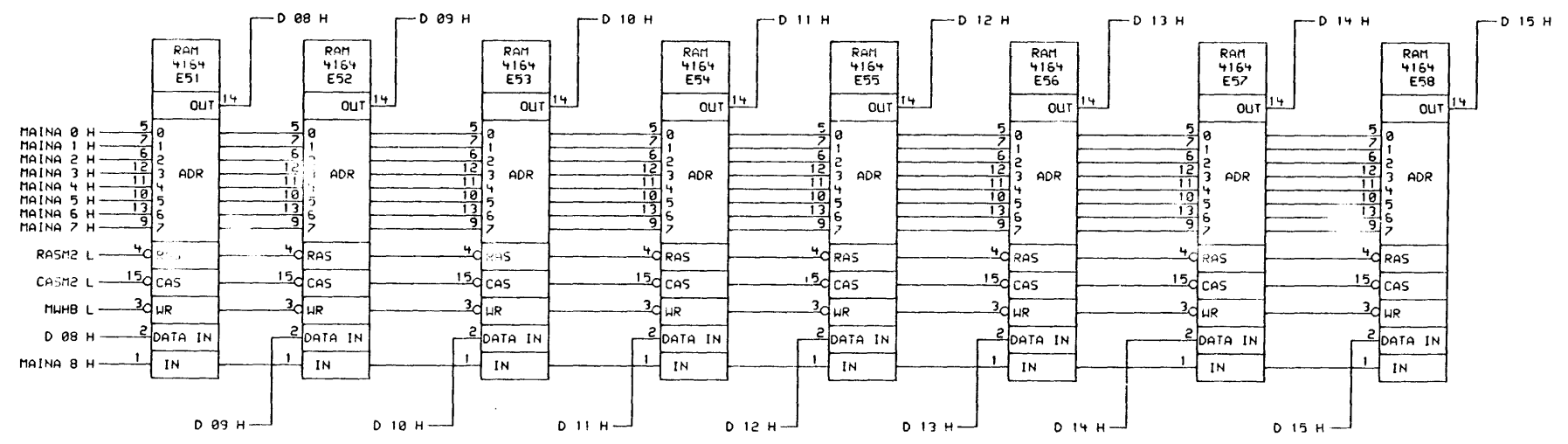
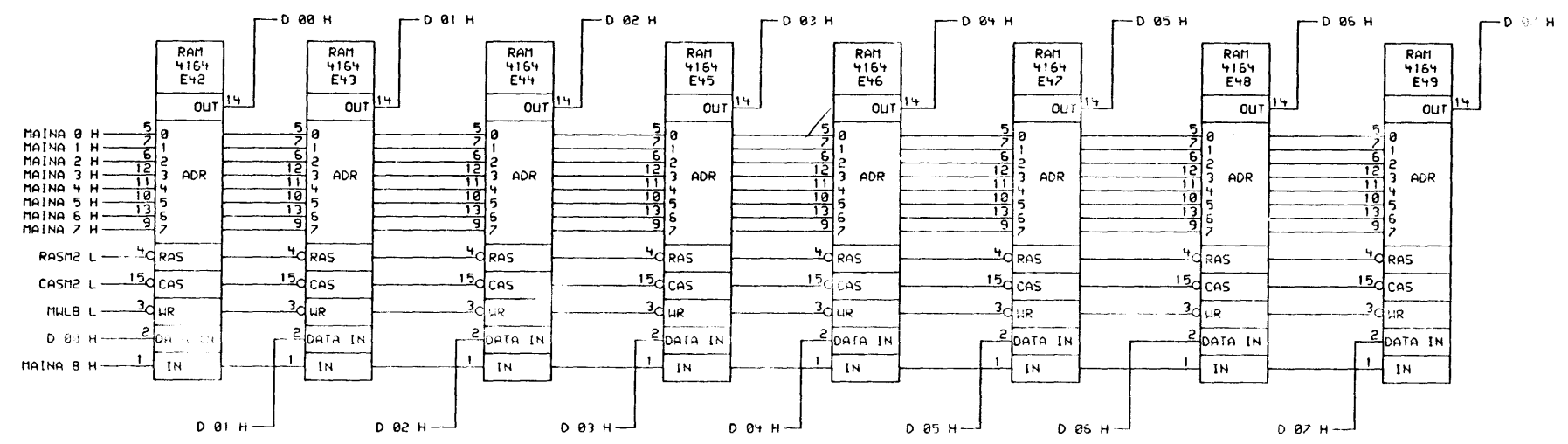
	DRN. Dr. Bodurtha	DATE 08-MAY-84	ENG. J. Ferguson	DATE 08-MAY-84	TITLE: PC380 SYSTEM MODULE
	CHK'D.	DATE 08-MAY-84	BOARD LOCATION: 13 OF 17	SHEET 13 OF 17	SIZE CODE K CS 5416237-01
DSK: JFA13.DRW 08-MAY-84 12:13 NEXT HIGHER ASSEMBLY: PC380				NUMBER	REV. A

FERGUSON, USRA<FERGUSON>JFA13.DRW, 5, SCALE 2, "C", RELEASE BOX, SIGNED OFF
 FERGUSON JFA13.PLOT 4, 251 08-MAY-84 17:37

8 7 6 5 4 3 2 1

10-2329145 SC X
 SIZE CODE NUMBER 300 321

MAIN MEMORY
 BANK 2



REV. A
 SIZE CODE NUMBER
 K CS 5416237-01
 B
 A

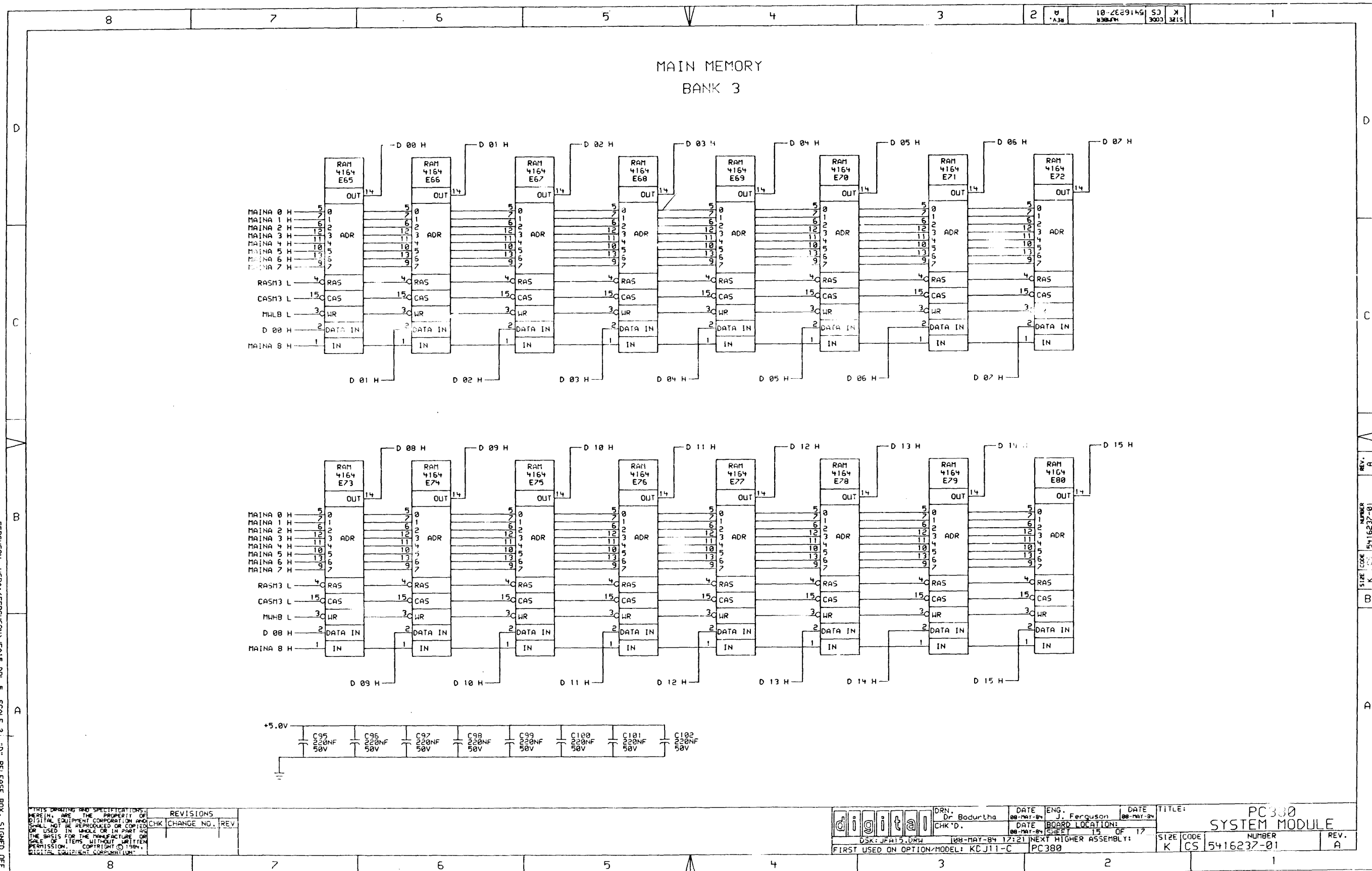
FERGUSON, USRAI<FERGUSON>JFAT4.DP: 5, SCALE 2, "D" RELEASE BOX, STONED OFF
 FERGUSON JFAT4.PLO4.251 08-MAY-84 12:37

THIS DRAWING AND SPECIFICATIONS
 HEREIN, ARE THE PROPERTY OF
 DIGITAL EQUIPMENT CORPORATION AND
 SHALL NOT BE REPRODUCED OR COPIED
 OR USED IN WHOLE OR IN PART
 FOR ANY PURPOSE WITHOUT WRITTEN
 PERMISSION. COPYRIGHT © 1984,
 DIGITAL EQUIPMENT CORPORATION

CHK	CHANGE NO.	REV.

digital	DRN. Dr. Bodurtha	DATE 08-MAY-84	ENG. Ferguson	DATE 08-MAY-84	TITLE: PC380
	CHK'D.	DATE 08-MAY-84	BOARD LOCATION: SHEET 14 OF 17		SYSTEM MODULE
OSK: JFAT4.DM 108-MAY-84 12:16 NEXT HIGHER ASSEMBLY: PC380					SIZE CODE NUMBER REV. K CS 5416237-01 A

8 7 6 5 4 3 2 1



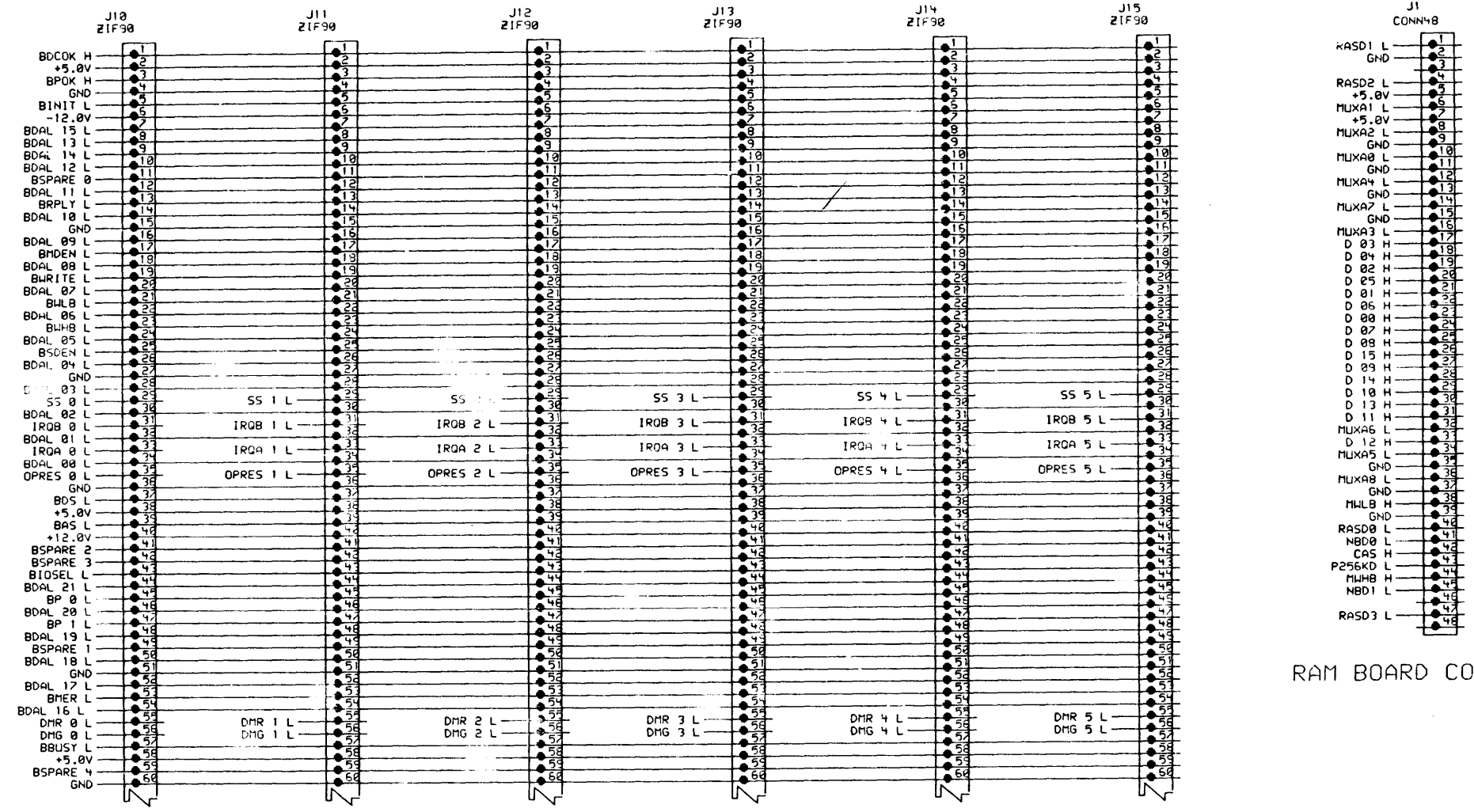
FERGUSON, USRA:FERGUSON>JFA15.DPL.5, SCALE 2:1, "D" RELEASE BOX, SIGNED OFF
 FERGUSON JFA15.PLOT4.25 J 08-MAY-84 17:38

REVISIONS		
CHK	CHANGE NO.	REV

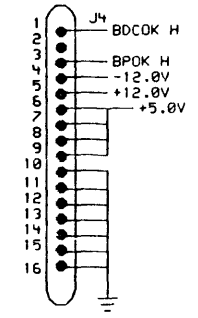
digital	DRN. Dr. Bodurtha	DATE 08-MAY-84	ENG. J. Ferguson	DATE 08-MAY-84	TITLE: PC380 SYSTEM MODULE
	CHK'D.	DATE 08-MAY-84	BOARD LOCATION: SHEET 15 OF 17	DATE 08-MAY-84	SIZE CODE K CS 5416237-01
FIRST USED ON OPTION/MODEL: KCJ11-C		NEXT HIGHER ASSEMBLY: PC380		NUMBER 5416237-01	REV. A

REV. A
 NUMBER 5416237-01
 SIZE CODE K

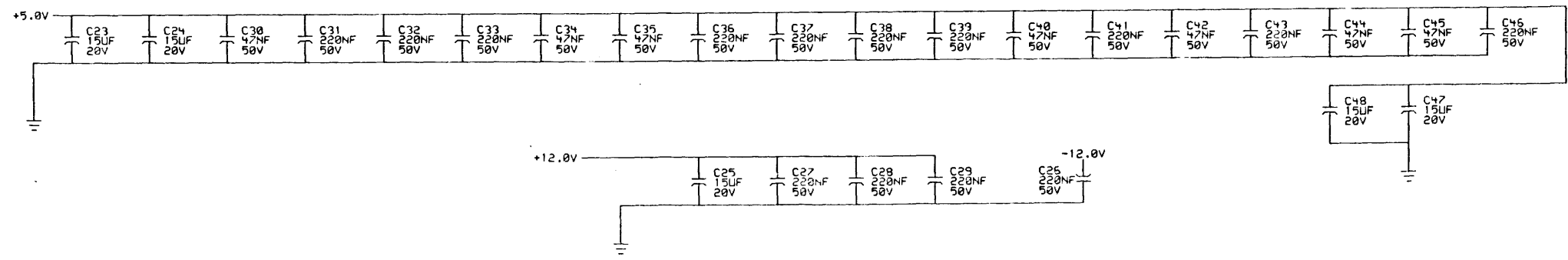
CT BACKPLANE CONNECTORS



RAM BOARD CONNECTOR



DC POWER CONN

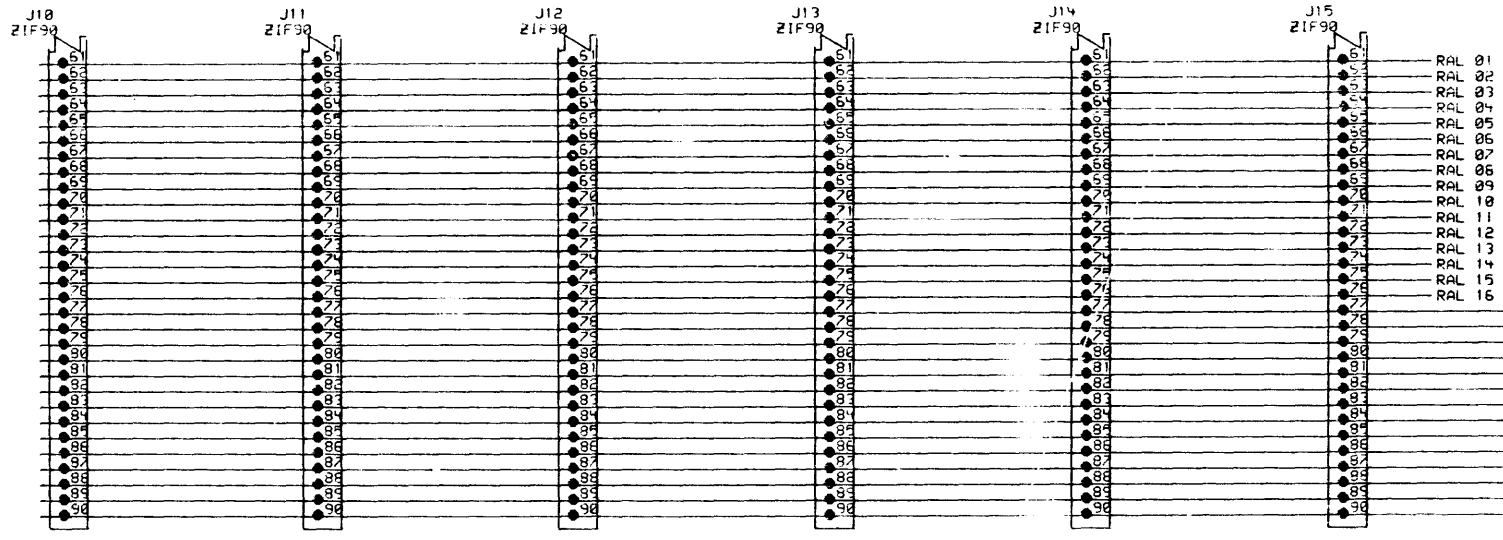
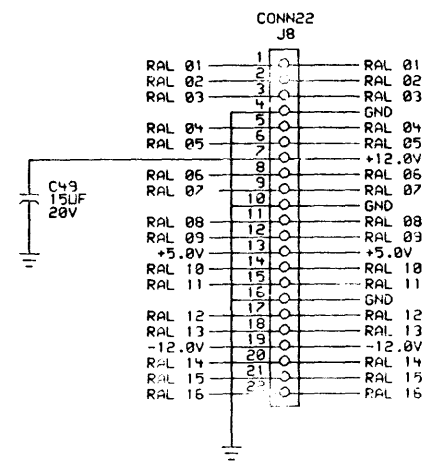


FERROUSION, USRA:FERROUSION>JF16.DPL.5, SCALE 2, "D" RELEASE BOX, SIGNED OFF
 FERROUSION JF16.PLOT 4, 253 08-MAY-84 17:38

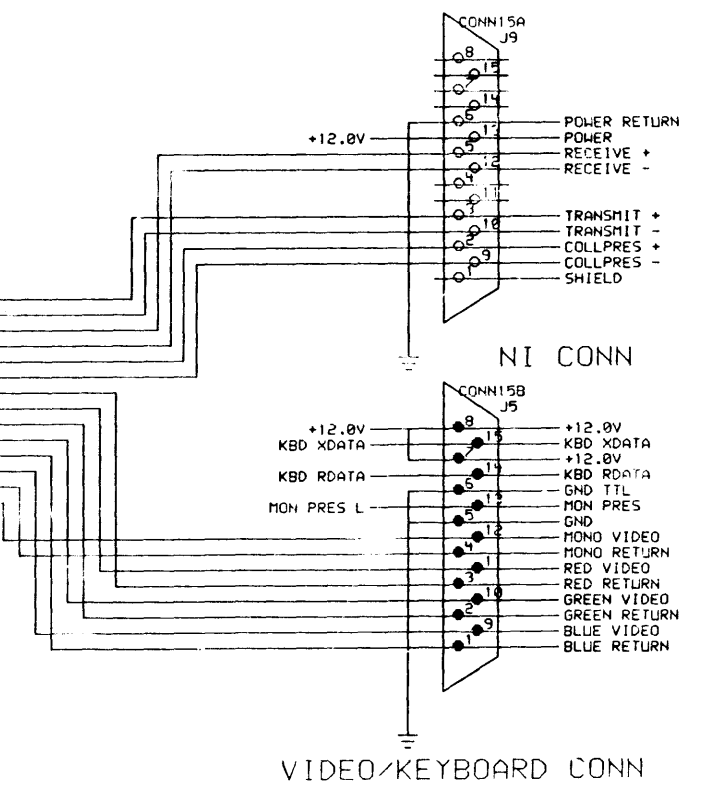
REVISIONS	
CHK	CHANGE NO. REV.

ORN. Dr. Bodurtha CHK'D.	DATE 08-MAY-84	ENG. J. Ferguson	DATE 08-MAY-84	TITLE: PC380
	DATE 08-MAY-84	BOARD LOCATION: 15 OF 17	SHEET 15 OF 17	SYSTEM MODULE
DSK: JF16.DRW 08-MAY-84 17:26 NEXT HIGHER ASSEMBLY: PC380				SIZE CODE K CS NUMBER 5416237-01 REV. A

REMOTE ACCESS CONN



CT BACKPLANE CONNECTORS



VIDEO/KEYBOARD CONN

FERGUSON, USRA:FERGUSON\JF17.DPL 5, SCALE 2, "D" RELEASE BOX, SIGNED JFF
 FERGUSON JF17.PLOT(4,25) 08-MAY-84 17:38

REVISIONS			
CHK	CHANGE NO.	REV	

		DRN. Dr. Badurtha CHK'D.	DATE 08-MAR-84 DATE 08-MAR-84	ENG. J. Ferguson SHEET 17 OF 17	DATE 08-MAR-84 BOARD LOCATION:	TITLE: PC380 SYSTEM MODULE
DSX: JF17.DRW FIRST USED ON OPTION/MODEL: KDJ11-C		08-MAY-84 17:29 NEXT HIGHER ASSEMBLY: PC380	SIZE CODE K CS	NUMBER 5416237-01	REV. A	1

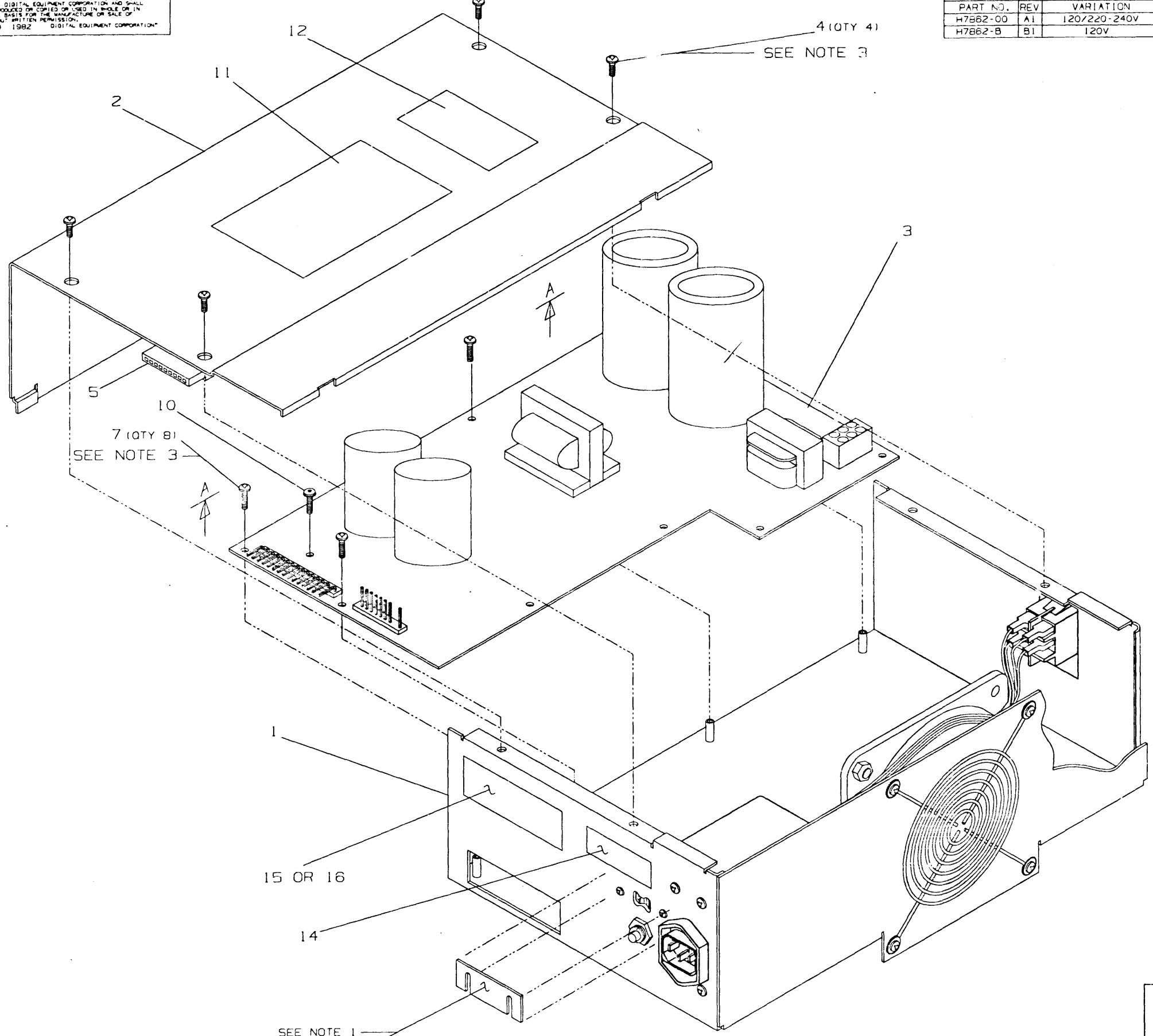
PROPERTY OF DIGITAL EQUIPMENT CORPORATION AND SHALL NOT BE REPRODUCED OR COPIED OR USED IN WHOLE OR IN PART AS THE BASIS FOR THE MANUFACTURE OR SALE OF ANYTHING WITHOUT WRITTEN PERMISSION OF DIGITAL EQUIPMENT CORPORATION © 1982

LEGEND		
PART NO.	REV	VARIATION
H7862-00	A1	120/220-240V
H7862-B	B1	120V

- NOTES:
1. PRIOR TO ASSY ITEM 171, ENSURE THAT THE VOLTAGE IS SET TO 115V POSITION. LOOSEN SCREWS APPROXIMATELY .125 INCHES. INSERT SWITCH COVER PLATE BETWEEN MOUNTING SCREWS AND POWER SUPPLY CHASSIS PRELOAD SWITCH COVER PLATE BY INSERTING SCREWDRIVER IN THE PLATE CAVITY AND FORCING IT BACK AGAINST THE SCREW HEADS. USING A TORQUE SCREWDRIVER, TIGHTEN THE SCREWS UNTIL 4.5±.5 IN LBS. OF TORQUE HAS BEEN APPLIED.
 2. REPLACE EXISTING LABEL - ITEM 15- (3620122-01) WITH 120V LABEL - ITEM 16- (3620122-03).
 3. ASSEMBLY HARDWARE TO BE TIGHTENED TO 7-9 INCH POUNDS.

J
H
F
E
D
C
B
A

J
H
F
E
D
C
B
A



LAYER #4 = FORMAT SHEET 2
LAYER #3 = WORK SHEET 2
LAYER #2 = FORMAT SHEET 1
LAYER #1 = WORK SHEET 1

PLOT AT 1.00

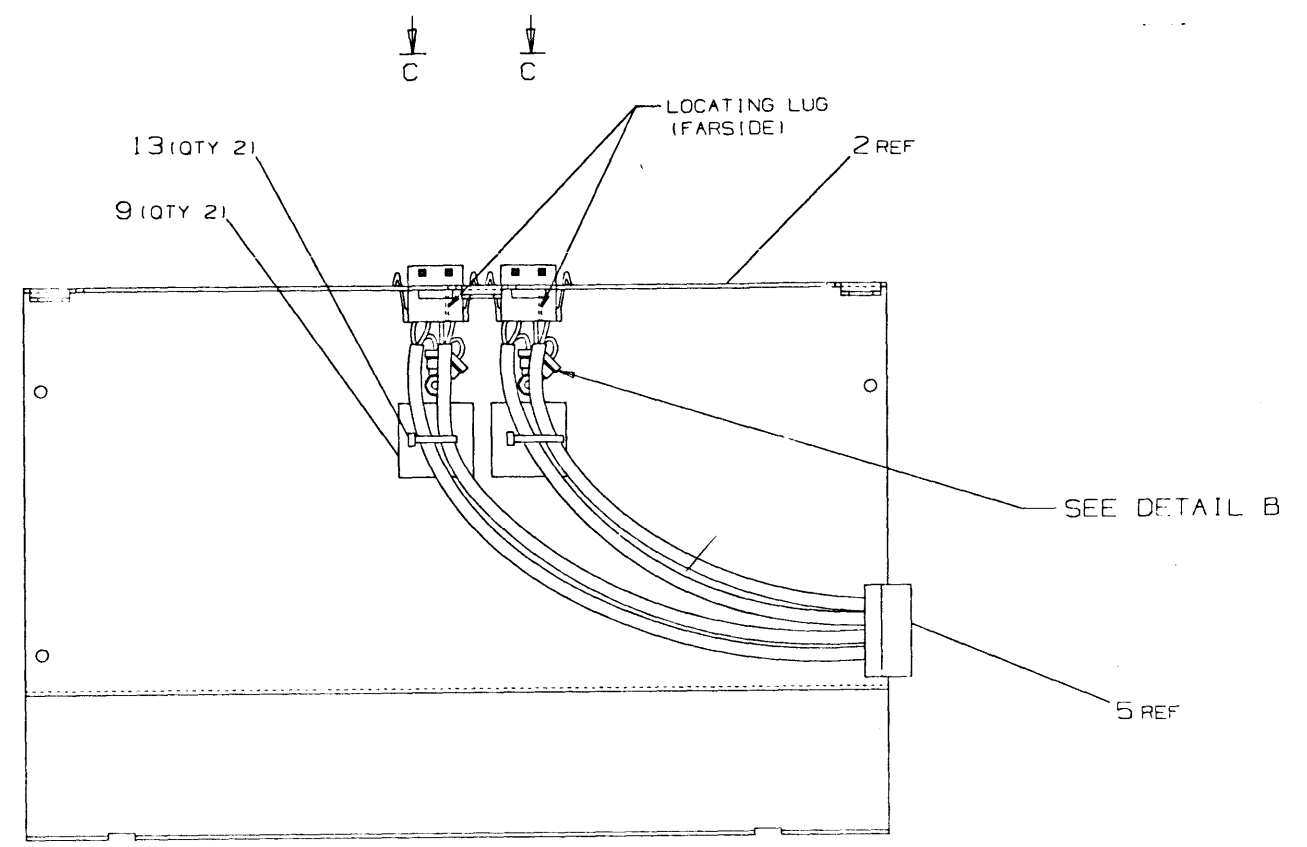
CAUTION: OFF SHEET PARTS LIST
SEE K-PL-H7862-0-DBP
(22799)

REV	CHANGE NO.	INITIAL	DATE
A	1	P. GAGNE	20/JAN/83
B	1	R. V. WHITE	13/JUL/82
C	1	R. V. WHITE	13/JUL/82
D	1	L. RIPPSTEIN	13/JUL/82
E	1	J. HALLIDAY	13/JUL/82
F	1	P. FAVINI	20/NOV/81

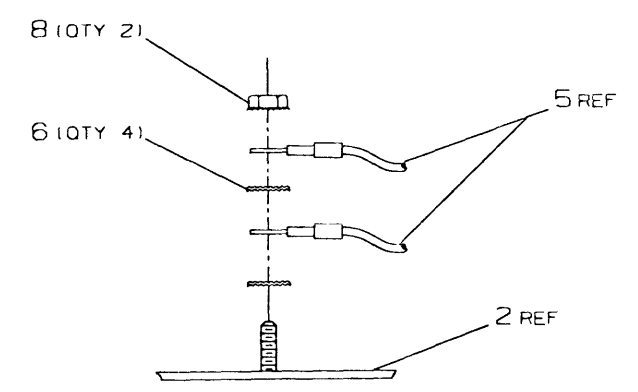
QUANTITY & VARIATION
B-DD-H7862-0

DESCRIPTION	DRAWING NO.	PART NO.
H7862 POWER SUPPLY	B-DD-H7862-0	H7862-C-DBU-C
UNLESS OTHERWISE SPECIFIED DIMENSIONS ARE IN INCHES AND THE FOLLOWING TOLERANCES APPLY (PER DEC STD 114)		
INCHES TOLERANCES		
DIMENSION RANGE IN INCHES		
THIRD ANGLE PROJECTION		
DO NOT SCALE DRAWING		
REMOVE BURRS AND BREAK SHARP CORNERS		
MATERIAL		
FINISH		
DATE		
SCALE		
SHEET		
OF		
ML1		

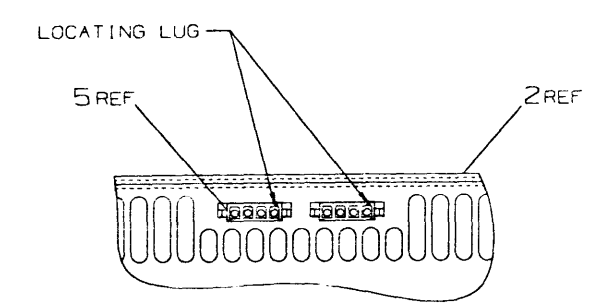
PROPERTY OF DIGITAL EQUIPMENT CORPORATION AND SHALL NOT BE REPRODUCED OR COPIED OR USED IN WHOLE OR IN PART AS THE BASIS FOR THE MANUFACTURE OR SALE OF ITEMS WITHOUT WRITTEN PERMISSION.
 COPYRIGHT © 1983 DIGITAL EQUIPMENT CORPORATION



VIEW A-A
 SCALE: 1/1



DETAIL B
 SCALE: NONE
 2 PLACES



VIEW C-C
 SCALE: NONE

REVISION HISTORY		
DATE	ECO HISTORY	REV

TITLE		DOCUMENT NUMBER	
H7862 POWER SUPPLY		E UA H7862-0-DBU C	
SCALE 1/1	SHEET 2 OF 2	ML1	

C
 I
 E U A H 7 8 6 2 - 0 - D B U
 C
 L
 M
 F
 E
 D
 C
 B
 A

J
 H
 F
 E
 D
 C
 B
 A

AUTOMATED BY: PRT-ST-SP(44)

PARTS LIST

SHEET 01 OF 01

LINE	ITEM	DOCUMENT NUMBER	PART NUMBER	DESCRIPTION	QUANTITY	PER VARIATION
					00	B
1	1	E-AD-7018970-0-DBU	7018970-00	CHASSIS ASSY.	1	1
2	2	E-MD-7426214-0-DBU	7426214-00	COVER	1	1
3	3	E-UA-5415086-0-0	5415086-00	H7862 CIRCUIT BOARD	1	1
4	4		9000049-35	SCREW,SEMS PAN PHIL THD RL 6-	4	4
5	5	D-IA-7019731-0-DBU	7019731-0L	CABLE ASSY, DC OUTPUT	1	1
6	6		9007649-00	WASHER,LOCK EXTERNAL STEEL	4	4
7	7		9000049-36	SCREW,SEMS PAN PHIL THD RL 6-	8	8
8	8		9008185-00	NUT,HEX EXT TOOTH LCKWSHR 6-32	2	2
9	9		9008264-00	MOUNT, CABLE TIE, ADHESIVE BACKE	2	2
10	10		9010245-01	SCREW,WASH PAN 6-	1	1
11	11	A-PS-3616930-0-0	3616930-00	LABEL,DANGER STORED HIGH VOLTAGE	1	1
12	12	A-PS-3620124-0-0	3620124-01	LABEL,CAUTION NO USER SERVICEABL	1	1
13	13		9007031-00	TIE,CABLE BUNDL.D 0- 3/4"=101	2	2
14	14		3616157-00	LABEL,CORRECT VOLTAGE SETTING,CA	1	1
15	15		3620122-01	LABEL,ELEC.RATING F/H7862 P.S.	1	1
16	16		3620122-03	LABEL,ELEC.RATINGS H7862B	1	1
17	17	E-MD-7426932-0-0	7426932-01	PLATE,COVER,VOLTAGE SWITCH	1	1

REVISION HISTORY			BASIC PART NO: H7862	DRN: PETE FAVINI	DATE: 15-JUL-81	D I G I T A L		
ENG:	ECO NUMBER	REV	SECTION: A OF A	CHK'D: F. HALLIDAY	DATE: 13-JUL-82	TITLE: PARTS LIST		
	INITIAL	A	SECTION: VARIATION INDEX	DES.ENG.: ROBERT V. WHITE	DATE: 13-JUL-82	DOCUMENT NUMBER		
AP	H7862-ML002	B	[A] 00,B	RESP.ENG.: ROBERT V. WHITE	DATE: 13-JUL-82	SIZE: CODE: NUMBER	REV	
JB	H7862-ML004	C	[B]	MFG.ENG.: LEE RIPPSTEN	DATE: 13-JUL-82	K PL H7862-0-DBP	C	
			[C]	ASSEMBLY NUMBER: E-UA-H7862-0-DBU	TOP DOCUMENT NUMBER: E-UA-H7862-0-DBU	FILE NAME: Z2799C.PLS	EDIT #	
			[D]				5	
			[E]					
			[F]					

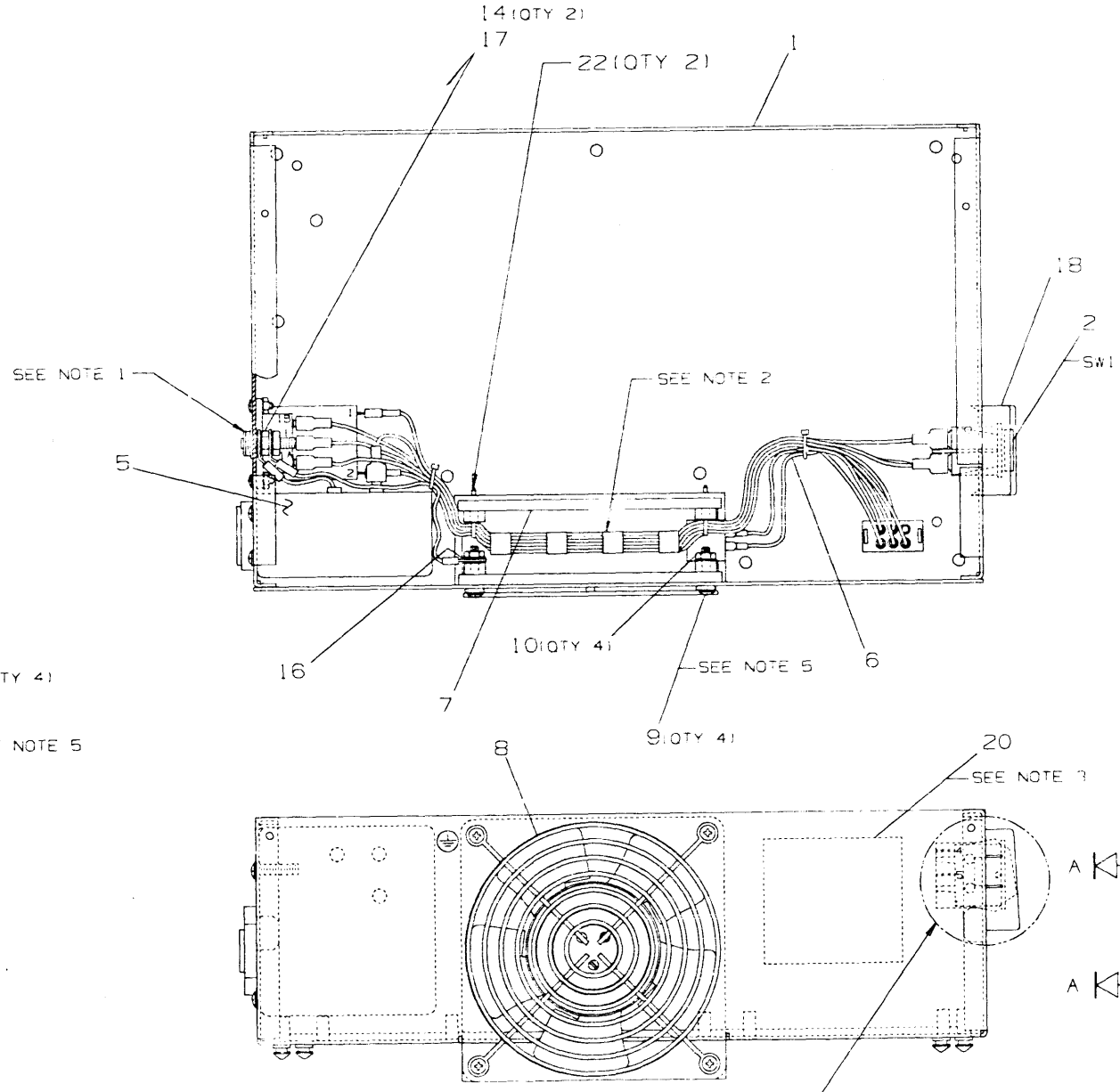
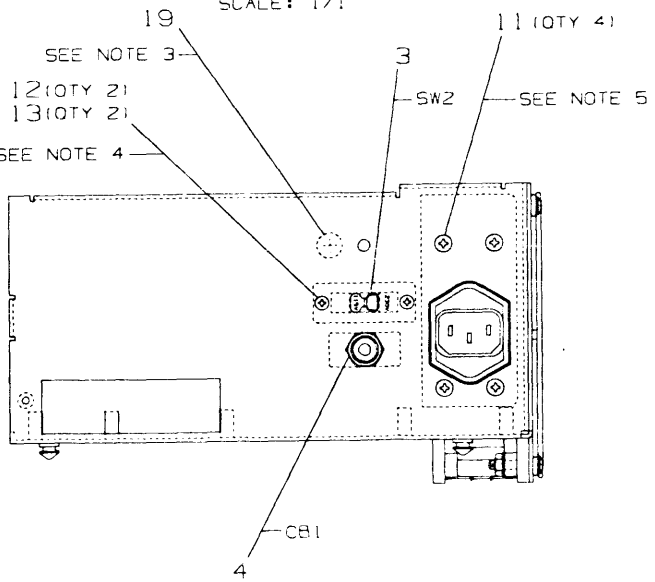
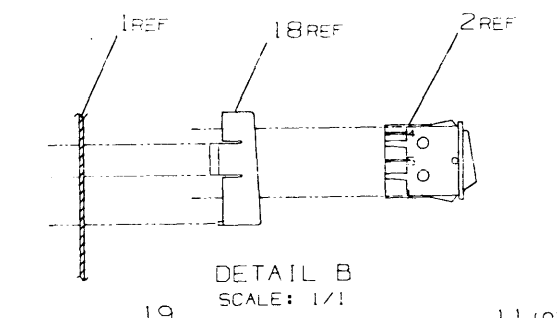
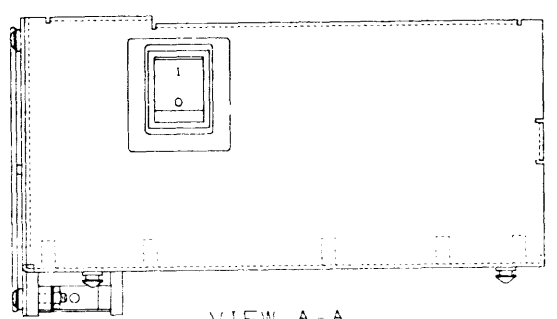
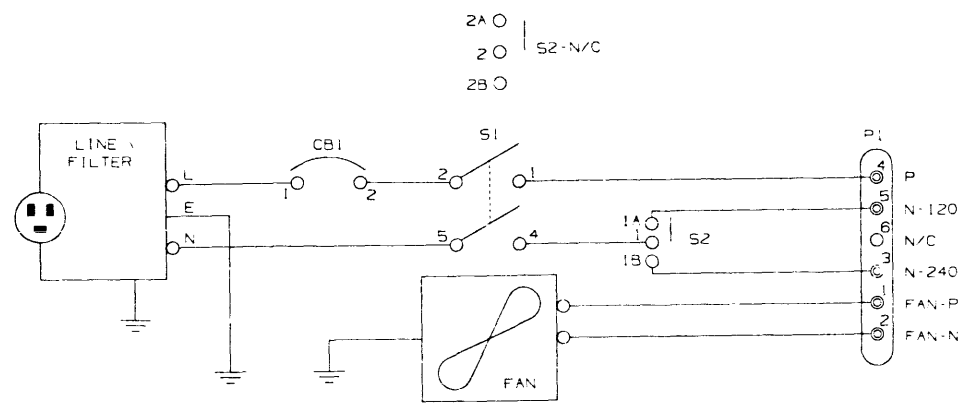
"THIS DRAWING AND SPECIFICATIONS HEREIN, ARE THE PROPERTY OF DIGITAL EQUIPMENT CORPORATION AND SHALL NOT BE REPRODUCED OR COPIED OR USED IN WHOLE OR IN PART AS THE BASIS FOR THE MANUFACTURE OR SALE OF ITEMS WITHOUT WRITTEN PERMISSION. COPYRIGHT (C) 1983. DIGITAL EQUIPMENT CORPORATION"

THIS DRAWING AND SPECIFICATIONS HEREIN ARE THE PROPERTY OF DIGITAL EQUIPMENT CORPORATION AND SHALL NOT BE REPRODUCED OR COPIED OR USED IN WHOLE OR IN PART AS THE BASIS FOR THE MANUFACTURE OR SALE OF ITEMS WITHOUT WRITTEN PERMISSION.
 COPYRIGHT © 1963 DIGITAL EQUIPMENT CORPORATION

PART NO.	REV	VARIATION
7018970-00	A1	AS SHOWN

- LEGEND
- NOTES:
1. EXPOSE 0 THREADS MIN. 4 THREADS MAX.
 2. HARNESS MUST BE TAPED FLAT ACROSS FAN HOUSING. USE TIE WRAPS (ITEM 22) TO SECURE HARNESS AWAY FROM FAN MOUNTING HARDWARE (AS SHOWN).
 3. LABEL INSIDE SURFACE.
 4. TORQUE: 4-5 IN. LBS.
 5. TORQUE: 7-9 IN. LBS.

HARNESS CONNECTION CHART					
ITEM NO.	HARNESS POINT	CONNECTION	WITH	REMARKS	
1		S1-4			
2		S1-5			
3		S1-2			
4		S1-1			
5		P1-5			
6		P1-4			
7		P1-1			
8		P1-2			
9		P1-3			
10		FAN-N			
11		FAN-P			
12		FAN-GND			
13		LF-PHASE			
14		LF-NEUT			
15		CB1-1			
16		CB1-2			
17		S2-1A			
18		S2-1			
19		S2-1B			
20		CHASSIS GND			



LAYER #2 : FORMAT
 LAYER #1 : WORK

PLOT AT 1.00

CAUTION:
 OFF SHEET PARTS LIST
 SEE K-PL-7018970-0-DBP
 (Z3204)

REV.	DATE	BY	CHKD.	DESCRIPTION
A				
B				
C				

DESCRIPTION	DRAWING NO.	PART NO.	REV.
CHASSIS ASSY	47862	7018970-0-DBU	C

DIMENSION RANGE IN INCHES	
INCHES TOLERANCES	APPLICABLE UNLESS OTHERWISE SPECIFIED
0.000 - 0.250	±0.005
0.250 - 0.500	±0.008
0.500 - 1.000	±0.012
1.000 - 2.000	±0.015
2.000 - 3.000	±0.020
3.000 - 4.000	±0.025
4.000 - 6.000	±0.030
6.000 - 10.000	±0.040
10.000 - 18.000	±0.050
18.000 - 30.000	±0.060
30.000 - 48.000	±0.075
48.000 - 72.000	±0.090
72.000 - 120.000	±0.120
120.000 - 240.000	±0.150
240.000 - 480.000	±0.200
480.000 - 960.000	±0.250

QUANTITY & VARIATION	THIRD ANGLE PROJECTION	DATE	TITLE
1	AS SHOWN	2/24/62	CHASSIS ASSY, 47862
		3/1/62	
		3/2/62	
		3/3/62	
		3/4/62	
		3/5/62	
		3/6/62	
		3/7/62	
		3/8/62	
		3/9/62	
		3/10/62	
		3/11/62	
		3/12/62	
		3/13/62	
		3/14/62	
		3/15/62	
		3/16/62	
		3/17/62	
		3/18/62	
		3/19/62	
		3/20/62	
		3/21/62	
		3/22/62	
		3/23/62	
		3/24/62	
		3/25/62	
		3/26/62	
		3/27/62	
		3/28/62	
		3/29/62	
		3/30/62	
		3/31/62	

PARTS LIST

LINE	ITEM	DOCUMENT NUMBER	PART NUMBER	DESCRIPTION	QUANTITY PER VARIATION
1	1	E-IA-7426213-0-DBU	7426213-00	CHASSIS	1
2	2	A-PS-1217051-0-0	1217051-04	SW,RKR 2PST ON NONE-OFF 16A	1
3	3	A-PS-1216901-0-0	1216901-00	SW,SLIDE 2PDI 5A	1
4	4	A-PS-1219912-0-0	1219912-01	CKT BKR 6.0 A 250V 1P MAGNETIC	1
5	5	A-PS-1219046-0-0	1219046-00	FILTER,LINE 240V16A 47-63HZ	1
6	6	D-IA-7018969-0 DBU	7018969-00	HARNES, CHASSIS	1
7	7	A-PS-1213185-0-0	1213185-03	FAN,TUBE AXIAL 4.5" 70CFM 115V	1
8	8	A-PS-1210263-0-0	1210263-01	GUARD,FINGER 4.125 X 4.125,NO OF	1
9	9		9000049-37	SCREW,SEMS PAN PHIL,THD XL 6-3	4
10	10		9008185-00	NUT,HEX EXT TOOTH LCKWSHR 6-32	4
11	11		9010155-00	SCREW,SEMS PAN PHIL 6-	4
12	12		9006011-01	SCREW,MACH PAN PHIL 4-	2
13	13		9006557-00	NUT,HEX EXT TOOTH LCKWSHR 4-40	2
14	14		9006565-00	NUT,HEX EXT TOOTH LCKWSHR 10-32	2
15	15		3620122-01	*** THIS ITEM IS NOT USED ***	-
16	16		9007649-00	WASHER,LOCK EXTERNAL STEEL	1
17	17		9007651-00	WASHER,LOCK EXTERNAL STEEL	1
18	18	D-MD-7426246-0-0	7426246-01	BEZEL,I/O SWITCH	1
19	19		3612680-00	DECAL, GROUND SIGN PER 3E6 *	2
20	20		3620123-01	LABEL,FUSE,BLK/YEL 4 LANGUAGES	1
21	21		3616157-00	*** THIS ITEM IS NOT USED ***	-
22	22		9007031-00	TIE,CABLE BUNGL,DIA 0- 3/4"=101	2

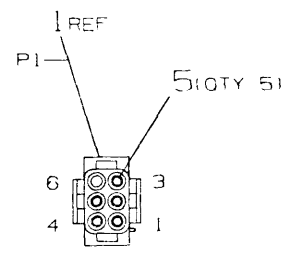
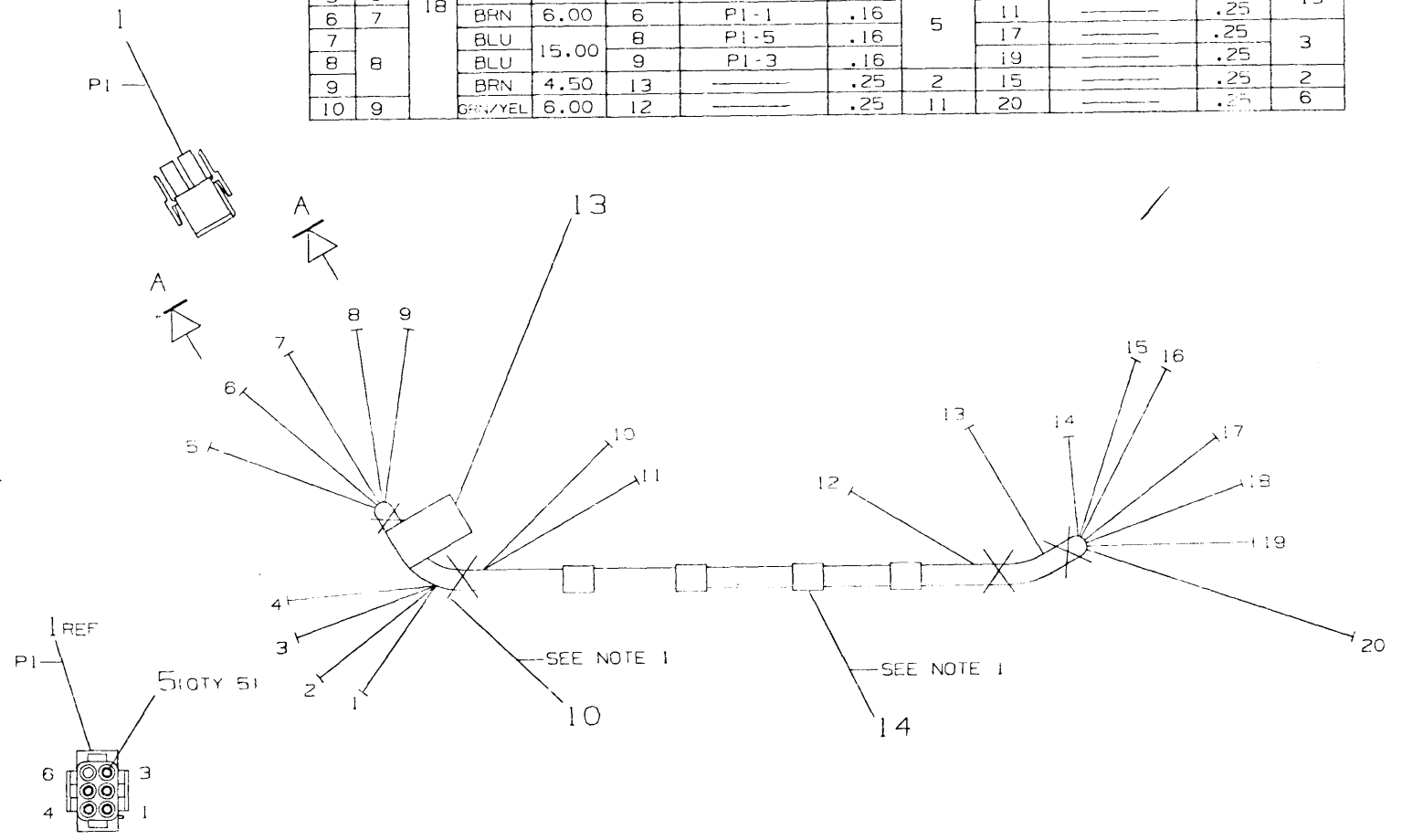
REVISION HISTORY		BASIC PART NO: 7018970		DRN:	B. VOWLES	DATE:	05-OCT-81	D I G I T A L			
ENG:	ECO NUMBER	REV	SECTION A OF A	CHK'D:	F. HALLIDAY	DATE:	13-JUL-82	TITLE PARTS LIST			
	INITIAL	A	SECTION VARIATION INDEX					CHASSIS ASSY, H7862			
AP	7018970-ML001	B	[A] 00	DES.ENG.:	ROBERT V. WHITE	DATE:	13-JUL-82	DOCUMENT NUMBER			
AP	7018970-ML002	C	[B]	RESP.ENG.:	ROBERT V. WHITE	DATE:	13-JUL-82	SIZE	CODE	NUMBER	REV
			[C]	MFG.ENG.:	L. RIPPSTEIN	DATE:	13-JUL-82	K	PL	7018970-0-DBP	C
			[D]	ASSEMBLY NUMBER:	E-AD-7018970-0-DBU	TOP DOCUMENT NUMBER:	E-AD-7018970-0-DBU	FILE NAME:	Z3204C.PLS	EDIT #:	42
			[E]	"THIS DRAWING AND SPECIFICATIONS HEREIN, ARE THE PROPERTY OF DIGITAL EQUIPMENT CORPORATION AND SHALL NOT BE REPRODUCED OR COPIED OR USED IN WHOLE OR IN PART AS THE BASIS FOR THE MANUFACTURE OR SALE OF ITEMS WITHOUT WRITTEN PERMISSION. COPYRIGHT (C) 1983. DIGITAL EQUIPMENT CORPORATION"							
			[F]	CHK	HH	33					

"THIS DRAWING AND SPECIFICATIONS, HEREIN, ARE THE PROPERTY OF DIGITAL EQUIPMENT CORPORATION AND SHALL NOT BE REPRODUCED OR COPIED OR USED IN WHOLE OR IN PART AS THE BASIS FOR THE MANUFACTURE OR SALE OF ITEMS WITHOUT WRITTEN PERMISSION. COPYRIGHT © 1983 DIGITAL EQUIPMENT CORPORATION"

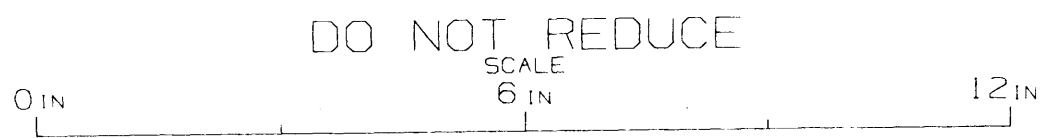
RUN NO.		ITEM NO.	DESCRIPTION			FROM			TO				
NO.			AWG	COLOR	LENGTH	POINT	CONNECTION	STRIP	WIDTH	POINT	CONNECTION	STRIP	WIDTH
1	8		BLU	13.50	1	---		.25		18	---	.25	3
2	8		BLU	13.00	2	---		.25		14	---	.25	2
3	7		BRN	13.25	3	---		.25		16	---	.25	2
4	8		BRN	5.50	4	---		.25		7	P1-4	.16	5
5	8	18	BLU	5.75	5	P1-2		.16		10	---	.25	15
6	7		BRN	6.00	6	P1-1		.16		11	---	.25	15
7	8		BLU	15.00	8	P1-5		.16		17	---	.25	3
8	8		BLU	4.50	9	P1-3		.16		19	---	.25	2
9	8		BRN	4.50	13	---		.25	2	15	---	.25	2
10	9		GRN/YEL	6.00	12	---		.25	11	20	---	.25	6

LEGEND		
PART NO.	REV	VARIATION
7018969-00	A1	AS SHOWN

- NOTES:
- USE TIE WRAPS (X) ITEM 10 AT EVERY BREAKOUT POINT. TAPE MIDDLE SECTION OF HARNESS AS A FLAT CABLE USING TAPE (ITEM 14) AS SHOWN. DO NOT BUNDLE.
 - CONNECTORS TO BE LABELED WITH COMPONENT IDENTIFIERS USING BRADY MARKERS (ITEM 12).
 - UNLESS OTHERWISE NOTED ALL LENGTHS ARE IN INCHES.



VIEW A-A
SCALE: 1/1



LAYER 2 SHT 1 : TITLE BLOCK LAYER
LAYER 1 SHT 1 : WORK LAYER

PLOT AT : 1.00

CAUTION: OFF SHEET PARTS LIST EXIST
SEE K-PL-7018969-0-DBP
(23203)

REV.	CHNGL. NO.	INITIAL	DATE
A			
B	7018969-MLO01		14/JUN/83
		S. TRUDIAL	
		BLITTO	

DESCRIPTION	DRAWING NO.	PART NO.	ITEM NO.
UNLESS OTHERWISE SPECIFIED DIMENSIONS ARE IN INCHES AND THE FOLLOWING TOLERANCES APPLY (PER DEC STD 114)			
INCHES TOLERANCES	ANGLES ±0° 30'	APPROXIMATE DIMENSION RANGE	
		CHECK ONE	DIMENSION RANGE IN INCHES
.X ± .1	SURFACE QUALITY	OVER 0.2 TO 0.2	OVER 0.2 TO 0.5
.XX ± .02		OVER 0.5 TO 12.0	OVER 12.0 TO 40.0
.XXX ± .005	✓	OVER 12.0 TO 40.0	OVER 40.0 TO 80.0
	MICROINCHES	±.004	±.008
		±.012	±.016
		±.024	±.04
THIRD ANGLE PROJECTION	DRN B. VOWLES	DATE 1 OCT 81	TITLE digital
DO NOT SCALE DRAWING	CHK'D F. HALLIDAY	DATE 13 JUL 82	HARNESS CHASSIS
REMOVE BURRS AND BREAK SHARP CORNERS	DES. ENG. ROBERT V. WHITE	DATE 13 JUL 82	
MATERIAL	RESP. ENG. ROBERT V. WHITE	DATE 13 JUL 82	DOCUMENT NUMBER
SEE PARTS LIST	WFS. ENG. L. RIPPSTEIN	DATE 13 JUL 82	D 1A 7018969-0-DBU
FINISH NONE	TOP DOC. D-1A-7018969-0-DBU		SCALE 1/1 SHEET 1 OF 1

DRAWN BY: M. J. B. DATE: 1 OCT 81
CHECKED BY: F. HALLIDAY DATE: 13 JUL 82
DESIGNED BY: ROBERT V. WHITE DATE: 13 JUL 82
RESPONSIBLE ENGINEER: ROBERT V. WHITE DATE: 13 JUL 82
WORKING ENGINEER: L. RIPPSTEIN DATE: 13 JUL 82
PART NO.: 7018969-0-DBU
REV.: B
SCALE: 1/1
SHEET: 1 OF 1

AUTOMATED BY PRTLST.3P(44)

PARTS LIST

SHEET A1 OF A1

LINE	ITEM	DOCUMENT NUMBER	PART NUMBER	DESCRIPTION	QUANTITY PER VARIATION
1	1	A-PS-1212167-0-0	1212167-06	MATE-N-LOK 06SKT(2X03).250CC HSG	1
2	2	A-PS-1217000-0-0	1217000-00	TERM,QUICK .250TAB CRIMP 18-2	8
3	3	A-PS-1217000-0-0	1217000-05	TERM,QUICK .110TAB CRIMP 18-2	3
4	4	A-PS-1217000-0-0	1217000-01	*** THIS ITEM IS NOT USED ***	-
5	5	A-PS-1212170-0-0	1212170-00	MATE-N-LOK 01SKT 20-14AWG .08500	5
6	6		9007930-00	TERM,RING #10STUD CRIMP 16-2	1
7	7		9107858-11	WIRE,SOLID 18AWG PVC 300V10	A/R
8	8		9107858-66	WIRE,SOLID 18AWG PVC 300V10	A/R
9	9		9107859-54	WIRE,SOLID 18AWG PVC 300V10	A/R
10	10		9007031-00	TIE,CABLE BUNDL.DIA 0- 3/4"=101	A/R
11	11		9007929-00	TERM,RING #5,6STUD CRIMP 16-2	1
12	12		9008356-01	WIRE MARKER,NUMERIC,1-48	1
13	13	A-PS-3616073-0-0	3616073-00	LABEL,ID W/COPY VERTICAL	1
14	14		9009507-00	TAPE,VINYL ADH .75 WDX .00	A/R
15	15		1217000-07	TERM,QUICK .110TAB CRIMP 18-2	2

REVISION HISTORY			BASIC PART NO: 7018969		D I G I T A L	
ENG	ECO NUMBER	REV	SECTION A OF A	DRN:	B. VOWLES	DATE: 05-OCT-81
	INITIAL	A	SECTION VARIATION INDEX	CHK'D:	F. HALLIDAY	DATE: 13-JUL-82
JB	7018969-ML001	B	[A] 00	DR. ENG.:	ROBERT V. WHITE	DATE: 13-JUL-82
			[B]	RESP. ENG.:	ROBERT V. WHITE	DATE: 13-JUL-82
			[C]	MFG. ENG.:	L. RIPPSTEIN	DATE: 13-JUL-82
			[D]	ASSEMBLY NUMBER:	D-IA-7018969-0-DBU	TOP DOCUMENT NUMBER:
			[E]			D-IA-7018969-0-DBU
			[F]			FILE NAME:
						Z3203B.PLS
						EDIT #
						9

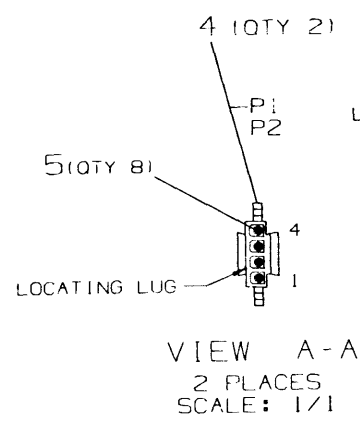
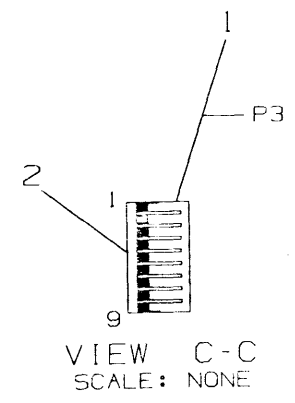
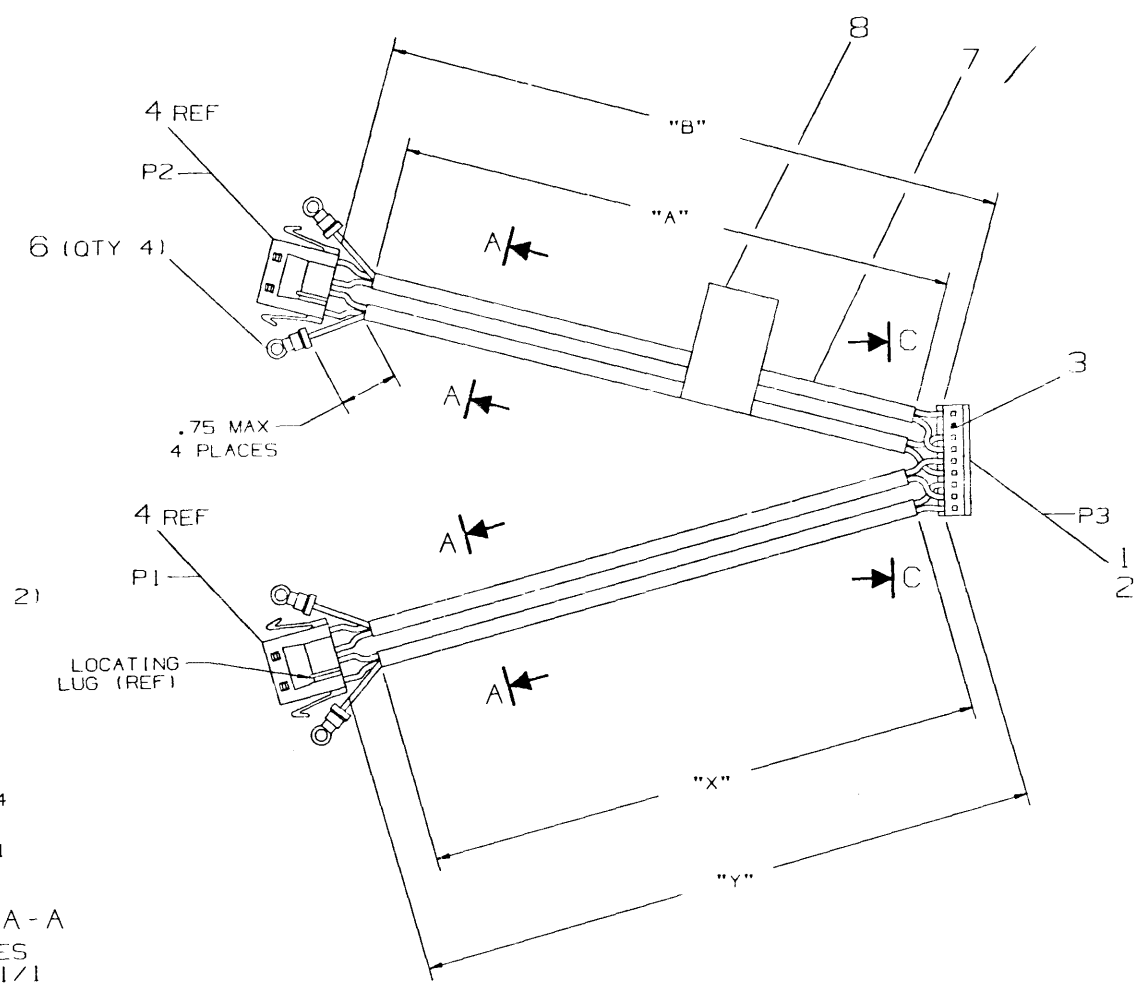
"THIS DRAWING AND SPECIFICATIONS HEREIN, ARE THE PROPERTY OF DIGITAL EQUIPMENT CORPORATION AND SHALL NOT BE REPRODUCED OR COPIED OR USED IN WHOLE OR IN PART AS THE BASIS FOR THE MANUFACTURE OR SALE OF ITEMS WITHOUT WRITTEN PERMISSION. COPYRIGHT (C) 1983. DIGITAL EQUIPMENT CORPORATION "

"THIS DRAWING AND SPECIFICATIONS, HERE IN, ARE THE PROPERTY OF DIGITAL EQUIPMENT CORPORATION AND SHALL NOT BE REPRODUCED OR COPIED OR USED IN WHOLE OR IN PART AS THE BASIS FOR THE MANUFACTURE OR SALE OF ITEMS WITHOUT WRITTEN PERMISSION.
 COPYRIGHT © 1982 DIGITAL EQUIPMENT CORPORATION"

ITEM NO.		DESCRIPTION		FROM		TO		REMARKS
NO.	AWG	COLOR	LENGTH	CONNECTION	WITH	CONNECTION	WITH	
7	18	WHT	9.5	P1-1	5	P3-5	CRIMP	SEE NOTE 2
		BLK		P1-2		P3-8		
		BLK		P1-3		P3-9		
		WHT		P1-4		P3-7		
	11.5	WHT	P2-1	P3-4				
		BLK	P2-2	P3-1				
		BLK	P2-3	P3-3				
		WHT	P2-4	P3-6				

LEGEND			
NUMBER	REV	DIM "X" VAR.	DIM "Y"
7019731-0L	A1	8.0	9.0
		DIM "A" VAR.	DIM "B"
		10.0	11.0

NOTES:
 1. STRIP LENGTHS FOR P1 & P2 CONNECTIONS: .016. NO STRIP REQUIRED FOR P3 CONNECTIONS.



LAYER 2: FOPMAT LAYER
 LAYER 1: WORK LAYER
 PLOT AT: 1.00

CAUTION: OFF SHEETS PARTS LIST EXISTS
 SEE K-PL-7019731-0-DBP
 (Z4668)

DESCRIPTION	DRAWING NO.	PART NO.	ITEM NO.
UNLESS OTHERWISE SPECIFIED DIMENSIONS ARE IN INCHES AND THE FOLLOWING TOLERANCES APPLY (PER DEC STD 114)			
INCHES TOLERANCES	ANGLES ±0° 30'	APPLICABLE DIMENSION RANGE	
		OVER 0.2 TO 0.2	OVER 0.2 TO 4.0
SURFACE QUALITY	MICROINCHES	±.004	±.008
		±.012	±.016
THIRD ANGLE PROJECTION		DRN A. PERRY	DATE 25MAY82
DO NOT SCALL DRAWING		CHK'D F. HALLIDAY	DATE 13JUL82
REMOVE BURRS AND BREAK SHARP CORNERS		DES. ENG. R. V. WHITE	DATE 13JUL82
MATERIAL SEE PARTS LIST		RESP. ENG. R. V. WHITE	DATE 13JUL82
FINISH		WFO. ENG. LEE RIPPSTEIN	DATE 13JUL82
FIRST HIGH ASSY E-UA-H7862-0-DBU		TOP DOC. D-1A-7019731-0-DBU	DATE 13JUL82
TITLE		CABLE ASSY, DC. OUTPUT	
DOCUMENT NUMBER		D-1A-7019731-0-DBU A	
SCALE 1/1		SHEET 1 OF 1	

REV.	CHANGE NO.	INITIAL	DATE

PART NO. 7019731-0-DBU
 DRAWING NO. D-1A-7019731-0-DBU A
 SHEET 1 OF 1

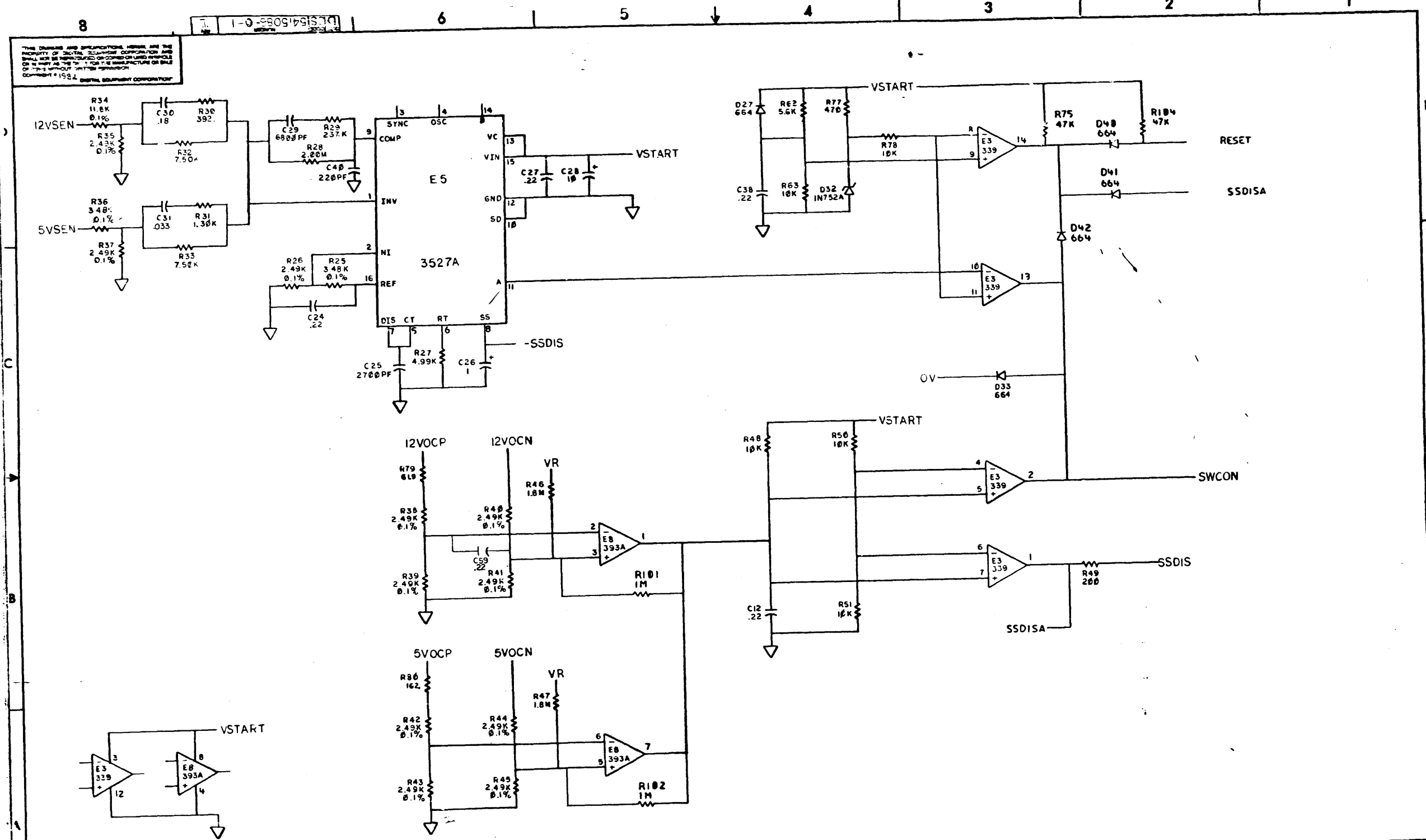
LINE ITEM	DOCUMENT NUMBER	PART NUMBER	DESCRIPTION	QUANTITY PER VARIATION
1	A-PS-1215306-0-0	1215306-00	CONN, IDC 09POS(1X09).106CC TIN	1
2	A-PS-1216650-0-0	1216650-02	CONN, IDC 9POS STANDARD COVER	1
3	A-PS-1215588-0-0	1215588-00	CONN, P+S KEYING PLUG USE W 12	1
4	A-PS-1209350-0-0	1209350-04	MATE-N-LOK 04SKT(1X04).200CC HSG	2
5	A-PS-1209379-0-0	1209379-00	MATE-N-LOK 01SKT 20-14AWG .0820D	8
6		9007929-00	TERM, RING #5,6STUD CRIMP 16-2	4
7	A-PS-1700345-0-0	1700345-01	CABLE, 3 COND. 18AWG SHIELDED	A/R
8	A-PS-3616073-0-0	3616073-00	LABEL, ID W/COPY VERTICAL	1

REVISION HISTORY		BASIC PART NO: 7019731		DRN: ROBERT V. WHITE		DATE: 10-JUN-82		DIGITAL	
ENG	ECD NUMBER	REV	SECTION A OF A	CHK'D:	F. HALLIDAY	DATE:	13-JUL-82	TITLE	PARTS LIST
	INITIAL	A	SECTION. VARIATION INDEX					CABLE ASSY, DC, OUTPUT	
			[A] OL	DES.ENG.:	R.V. WHITE	DATE:	13-JUL-82		
			[B]	RESP.ENG.:	R.V. WHITE	DATE:	13-JUL-82		DOCUMENT NUMBER
			[C]					SIZE:CODE: NUMBER	REV
			[D]	MFG.ENG.:	LEE RIPPSTEIN	DATE:	13-JUL-82	K ! FL ! 7019731-0-DBP	A
			[E]	ASSEMBLY NUMBER:		TOP DOCUMENT NUMBER:		FILE NAME:	EDIT #
			[F]	D-IA-7019731-0-DBU		D-IA-7019731-0-DBU		Z4668A.PLS	5

"THIS DRAWING AND SPECIFICATIONS HEREIN, ARE THE PROPERTY OF DIGITAL EQUIPMENT CORPORATION AND SHALL NOT BE REPRODUCED OR COPIED OR USED IN WHOLE OR IN PART AS THE BASIS FOR THE MANUFACTURE OR SALE OF ITEMS WITHOUT WRITTEN PERMISSION. COPYRIGHT (C) 1982. DIGITAL EQUIPMENT CORPORATION"

THIS DRAWING AND SPECIFICATIONS HEREAFTER ARE THE PROPERTY OF DIGITAL EQUIPMENT CORPORATION AND SHALL NOT BE REPRODUCED OR COPIED OR USED IN WHOLE OR IN PART IN ANY MANNER WITHOUT THE WRITTEN PERMISSION OF THIS COMPANY. DATE: 1984. DESIGN: 1592.

1-0-5415086-0-1



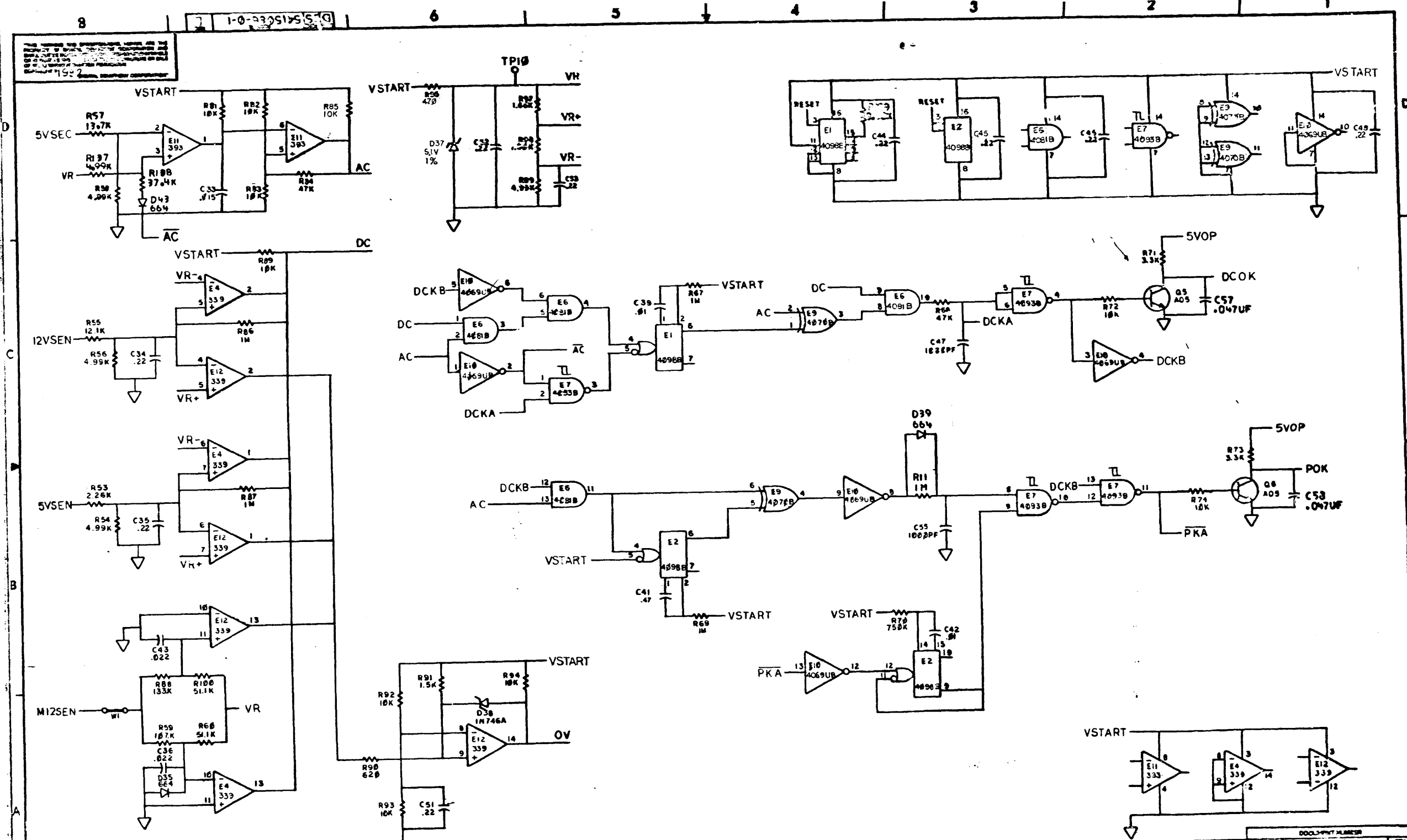
REVISION HISTORY		
DATE	ECO NUMBER	REV

H7862 CIRCUIT BOARD

DOCUMENT NUMBER
DCS 5415086-0-1

DCS 5415086-0-1

THIS DRAWING AND SPECIFICATIONS HEREBY ARE THE PROPERTY OF SCS. IT IS TO BE KEPT CONFIDENTIAL AND NOT TO BE REPRODUCED OR TRANSMITTED IN ANY FORM OR BY ANY MEANS, ELECTRONIC OR MECHANICAL, INCLUDING PHOTOCOPYING, RECORDING, OR BY ANY INFORMATION STORAGE AND RETRIEVAL SYSTEM.

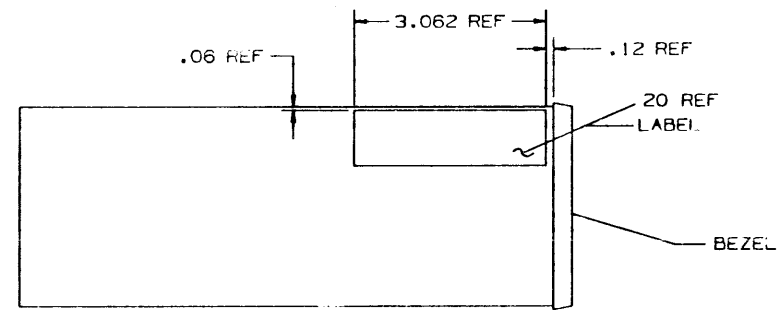
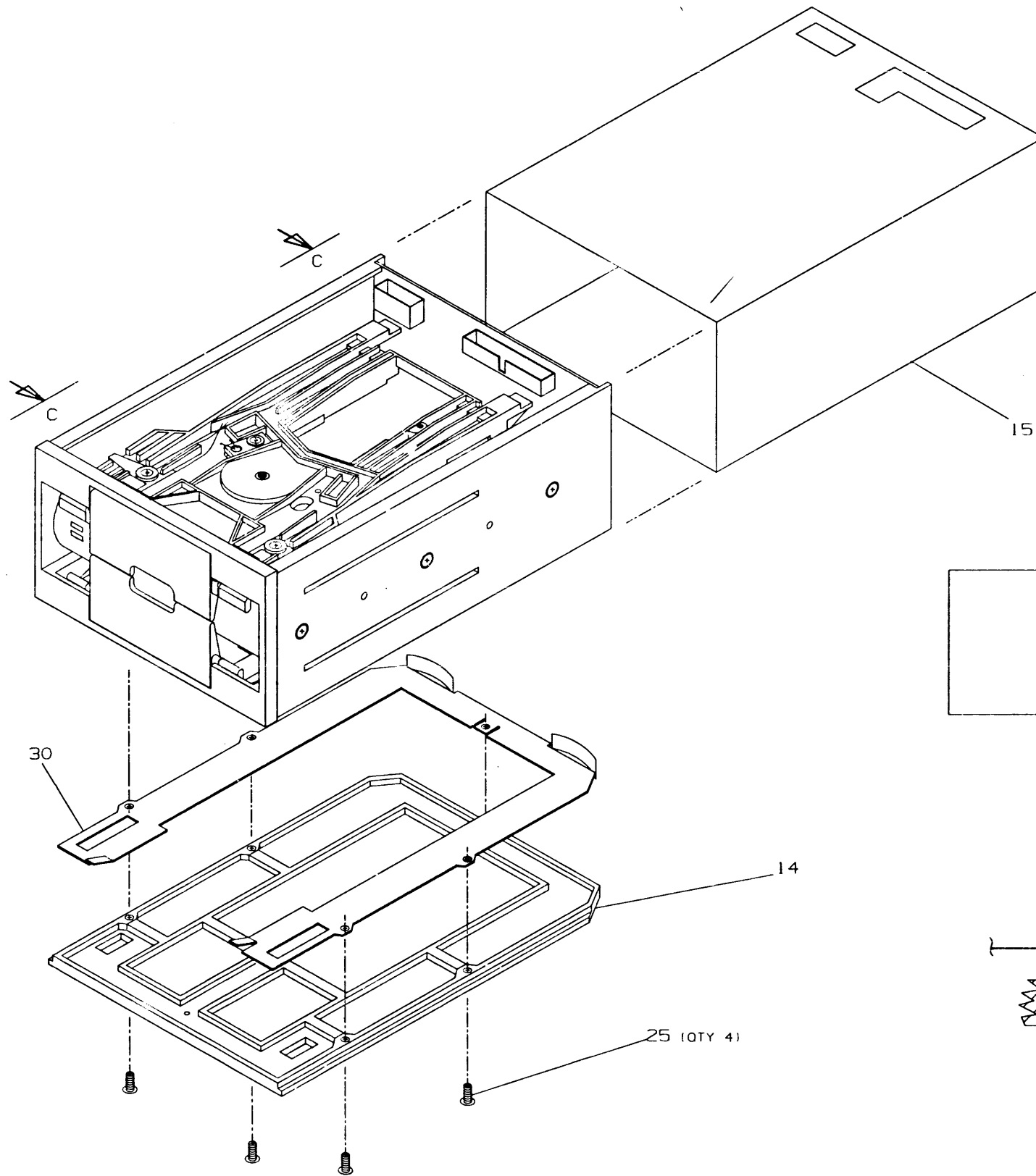


REVISION HISTORY		
DATE	ECO NUMBER	REV

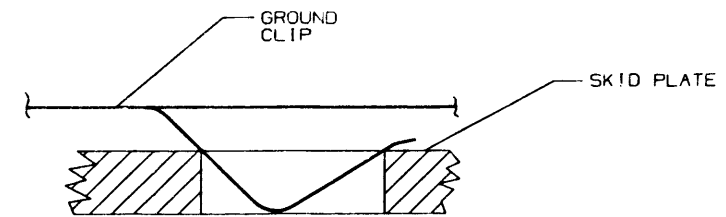
H7862 CIRCUIT BOARD
DCS 5415096-0-1 L

THIS DRAWING AND SPECIFICATIONS HEREIN ARE THE PROPERTY OF DIGITAL EQUIPMENT CORPORATION AND SHALL NOT BE REPRODUCED OR COPIED OR USED IN WHOLE OR IN PART AS THE BASIS FOR THE MANUFACTURE OR SALE OF ITEMS WITHOUT WRITTEN PERMISSION.
 COPYRIGHT © 1982 DIGITAL EQUIPMENT CORPORATION

0 000-0-0634 3



VIEW C-C
 LABEL PLACEMENT



DETAIL OF HOW
 GROUND CLIP FITS
 INTO SKID PLATE

REVISION HISTORY		
DATE	ECO HISTORY	REV

TITLE RX50

DOCUMENT NUMBER

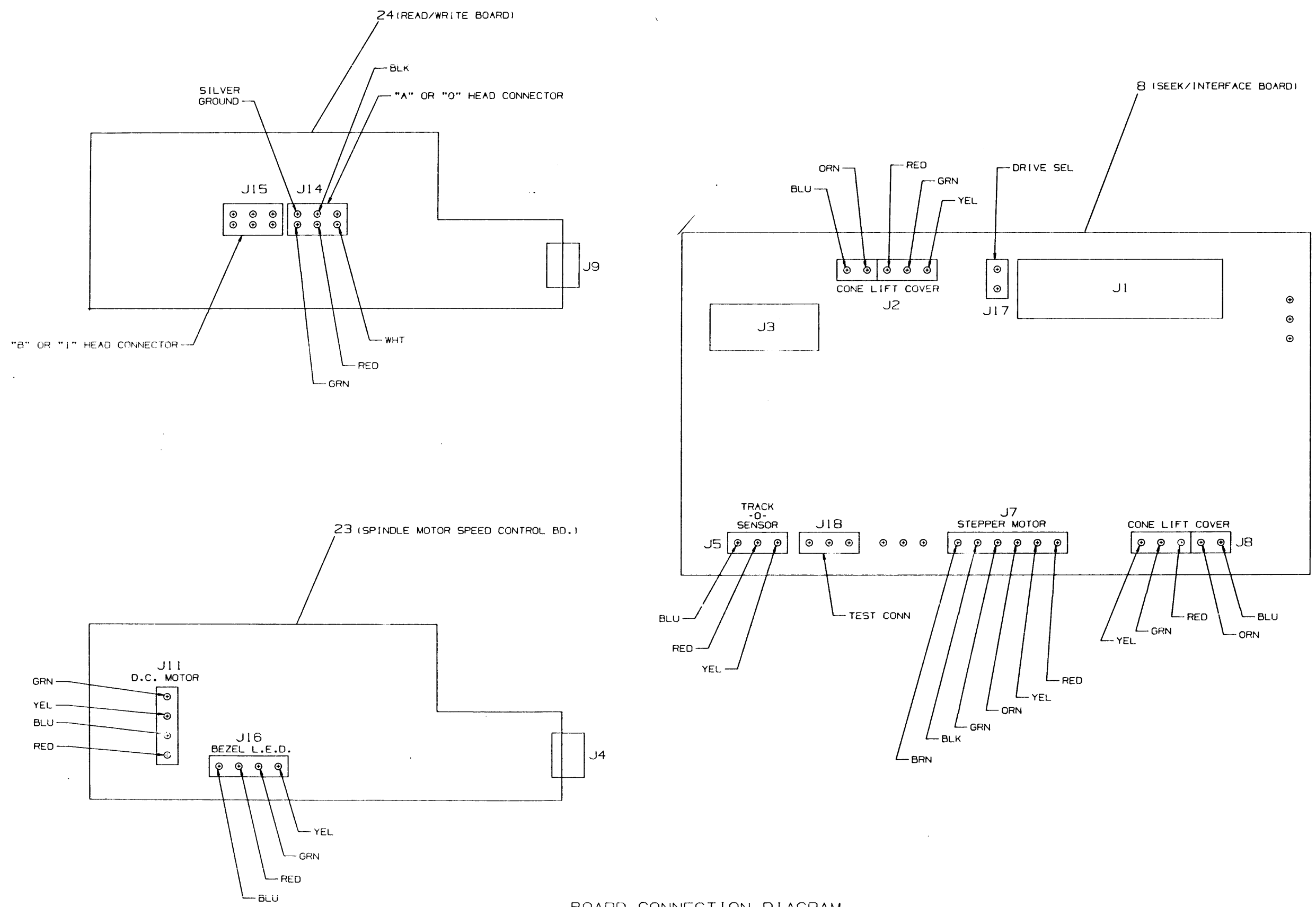
SIZE CODE NUMBER REV

J
I
H
G
F
E
D
C
B
A

J
H
F
E
D
C
B
A

THIS DRAWING AND SPECIFICATIONS HEREIN ARE THE PROPERTY OF DIGITAL EQUIPMENT CORPORATION AND SHALL NOT BE REPRODUCED OR COPIED OR USED IN WHOLE OR IN PART AS THE BASIS FOR THE MANUFACTURE OR SALE OF ANY EQUIPMENT WITHOUT WRITTEN PERMISSION. COPYRIGHT © 1982 DIGITAL EQUIPMENT CORPORATION

0 1750-0-05X8 VN 3



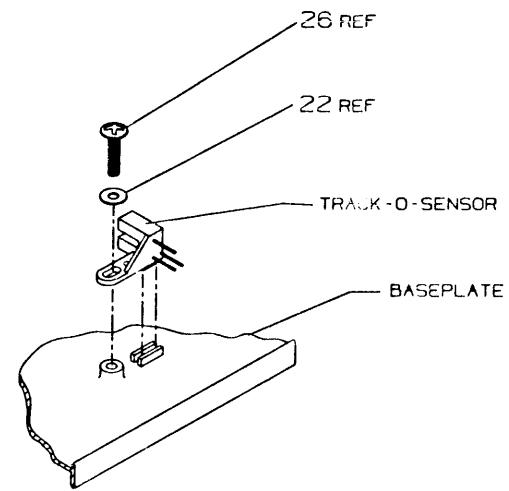
BOARD CONNECTION DIAGRAM

REVISION HISTORY		
DATE	EQG HISTORY	REV

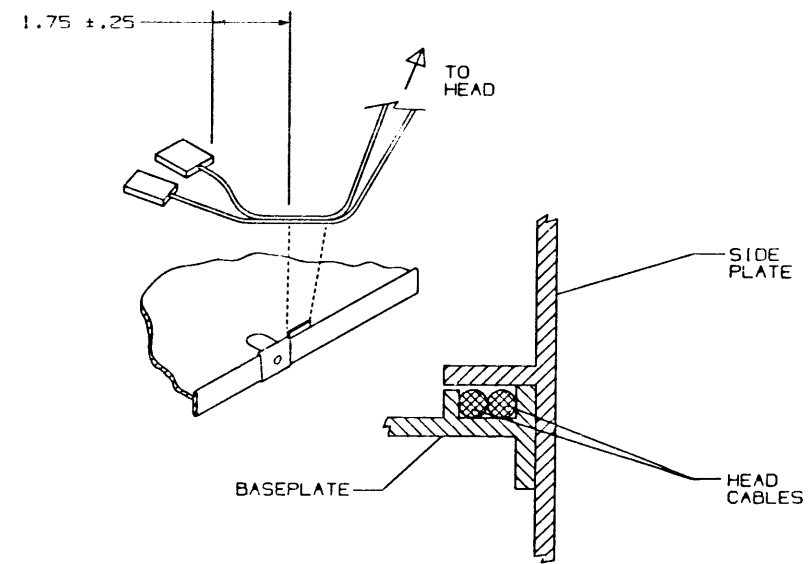
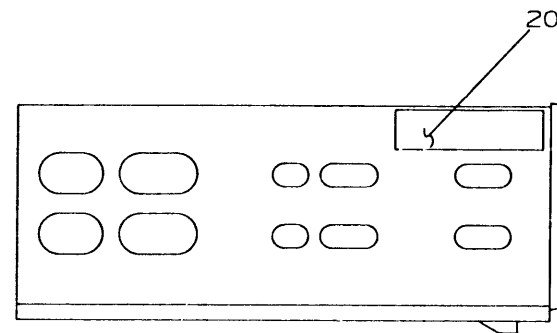
DOCUMENT NUMBER

TITLE

THIS DRAWING AND SPECIFICATIONS, INCLUDING THE PROPERTY OF DIGITAL EQUIPMENT CORPORATION AND SHALL NOT BE REPRODUCED OR COPIED OR USED IN WHOLE OR IN PART AS THE BASIS FOR THE MANUFACTURE OR SALE OF ITEMS WITHOUT WRITTEN PERMISSION.
 COPYRIGHT © 1982 DIGITAL EQUIPMENT CORPORATION



MOUNTING POSITION FOR TRACK-O-SENSOR



HEAD CABLE STRAIN RELIEF

REVISION HISTORY		
DATE	ECR HISTORY	REV

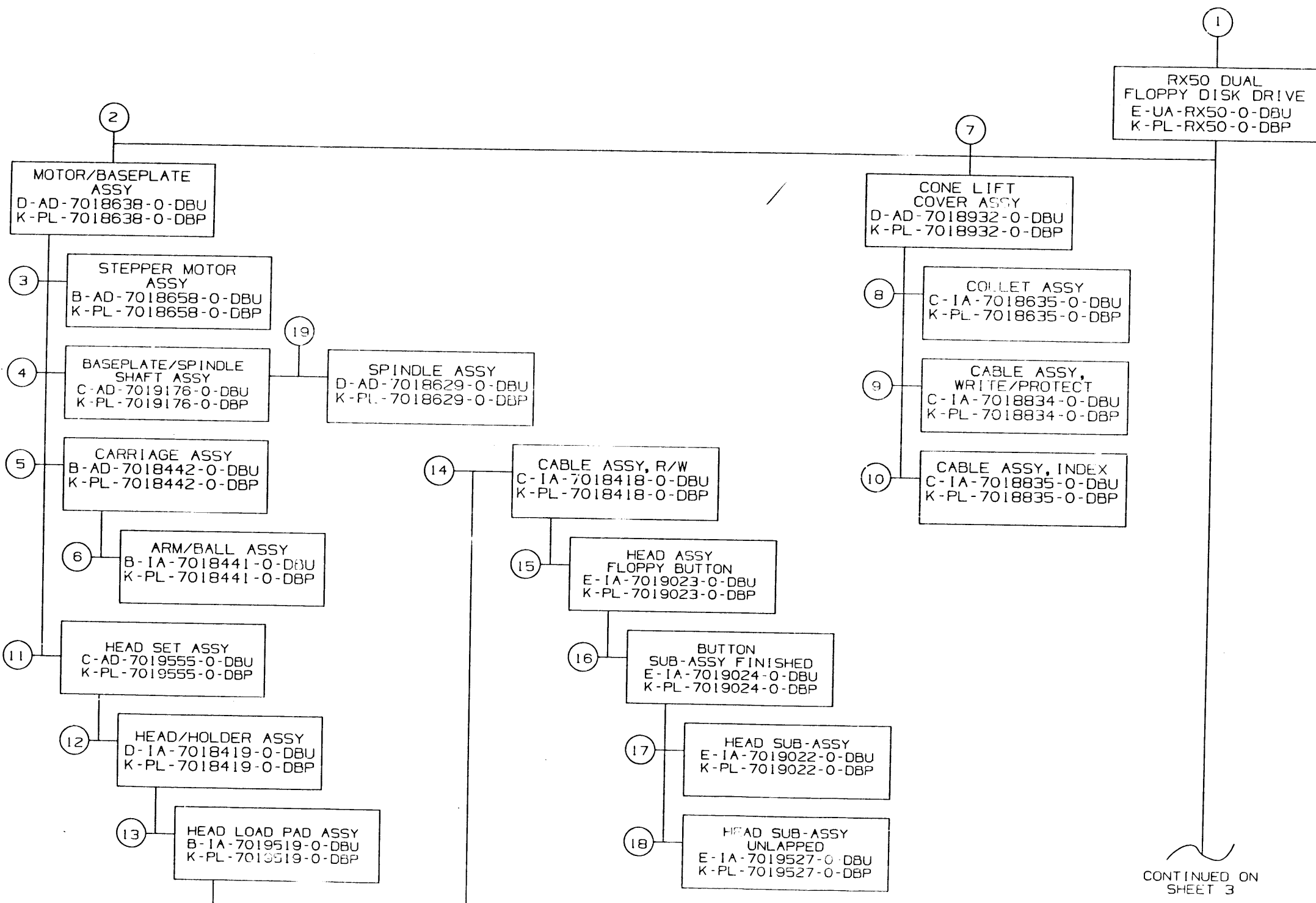
SEE SHEET 1

DOCUMENT NUMBER
 TITLE
 SIZE CODE
 NUMBER
 REV

LINE	ITEM	TOP DOCUMENT	PART NUMBER	MIN REV	DESCRIPTION	QTY	PER VARIATION
					VARIATION REVISION LEVEL:	AA	
1	1	D-AD-7018638-0-DBU	7018638-00		MOTOR/BASEPLATE ASSY.	1	
2	2	D-AD-7018932-0-DBU	7018932-02		CONE LIFT COVER ASSY.	1	
3	3	D-MD-7426536-0-DBU	7426536-01		*** THIS ITEM IS NOT USED ***	-	
4	4	B-IA-7019118-0-DBU	7019118-00		BEZEL ASSY.	1	
5	5	E-MD-7425241-0-DBU	7425241-01		SIDE,CARD GUIDE,(MACH.PART)	2	
6	6	D-UA-5415074-0-0	5415074-00		*** THIS ITEM IS NOT USED ***	-	
7	7	D-UA-5415111-0-0	5415111-00		*** THIS ITEM IS NOT USED ***	-	
8	8	D-UA-5415066-0-0	5415066-00		SEEK INTERFACE BOARD	1	
9	9	C-MD-7425234-0-DBU	7425234-00		SPRING, RETURN CONE LIFT COVER	4	
10	10	B-IA-7018931-0-DBU	7018931-00		CABLE ASSY, TRACK-O-SENSOR	1	
11	11		9006021-01		*** THIS ITEM IS NOT USED ***	-	
12	12		9008407-01		*** THIS ITEM IS NOT USED ***	-	
13	13		9006021-02		*** THIS ITEM IS NOT USED ***	-	
14	14	D-MD-7425652-0-DBU	7425652-02		PLATE,SKID	1	
15	15	E-IA-7019918-0-DBU	7019918-01		SHIELD ASSY. RX50 DRIVE	1	
16	16		9006633-00		*** THIS ITEM IS NOT USED ***	-	
17	17	D-AD-7018932-0-DBU	7018932-03		CONE LIFT COVER ASSY.	1	
18	18	B-AD-7019120-0-DBU	7019120-00		*** THIS ITEM IS NOT USED ***	-	
19	19		9006024-02		SCREW,MACH FLAT PHIL 6-	2	
20	20		3619833-01		LABEL,BAR CODE S/N RX50-AA	1	
21	21		9009507-00		*** THIS ITEM IS NOT USED ***	-	
22	22		9006656-00		WASHER,FLAT STEEL	1	
23	23		7019175-00		MOTOR/PCB ASSY.	1	
24	24		7019177-00		R/W PCB ASSY	1	
25	25		9006024-01		SCREW,MACH PAN PHIL 6-	4	
26	26		9009708-00		SCREW,TAP PAN PHIL THD RL 6-	5	
27	27		9006020-02		SCREW,MACH FLAT PHIL 6-	6	
28	28		9009882-00		WASHER,LOCK INTERNAL SST	1	
29	29		9008992-00		WASHER,FLAT NYLON	2	
30	30		7428201-02		CLIP,GROUNDING	1	

REVISION HISTORY			BASIC PART NO: RX50		DRN:	DATE:	DIGITAL			
ENG:	ECO NUMBER	REV	SECTION A	OF A	A. PINKARD	29-JUN-82				
---	INITIAL	A	SECTION VARIATION INDEX		M. CARMAN	29-JUN-82	TITLE PARTS LIST			
DW	RX50-SH001	B	{A}AA				RX50 UNIT ASSY			
DW	RX50-SH002	C	{B}		D. WARREN	29-JUN-82	DOCUMENT NUMBER			
DW	RX50-SH003	D	{C}				SIZE	CODE	NUMBER	REV
			{D}		RESP.ENG.: M. CARMAN	29-JUN-82	K	PL	RX50-0-DBP	D
			{E}		MFG.ENG.: P. BARTON	29-JUN-82	RELEASE DATE: 01-OCT-84			
			{F}		ASSEMBLY NUMBER:	TOP DOCUMENT NUMBER:	FILE NAME:		EDIT #	
					E-UA-RX50-0-DBU	#B-DD-RX50-0	Z4621D.PLS		12	

"THIS DRAWING AND THE SPECIFICATIONS CONTAINED HEREIN ARE CONFIDENTIAL AND PROPRIETARY. THEY ARE THE PROPERTY OF DIGITAL EQUIPMENT CORPORATION AND SHALL NOT BE REPRODUCED OR COPIED OR USED IN WHOLE OR IN PART AS THE BASIS FOR THE MANUFACTURE OR SALE OF ITEMS WITHOUT WRITTEN PERMISSION. THIS IS AN UNPUBLISHED WORK PROTECTED UNDER THE FEDERAL COPYRIGHT LAWS."

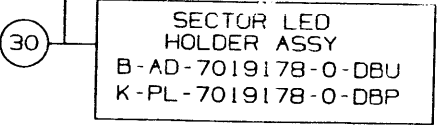
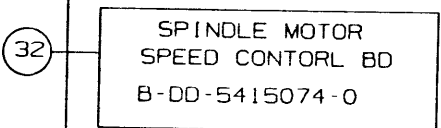
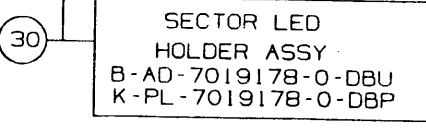
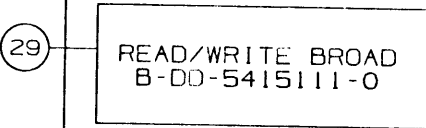
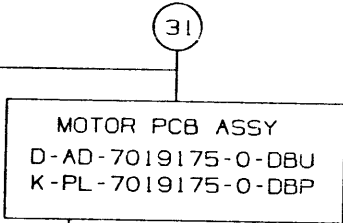
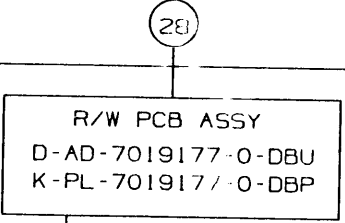
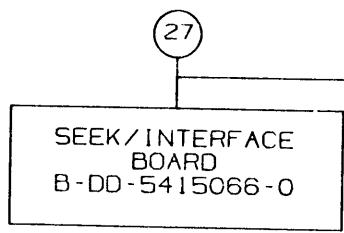
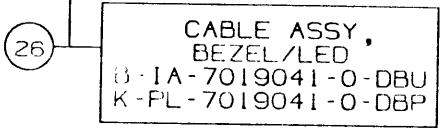
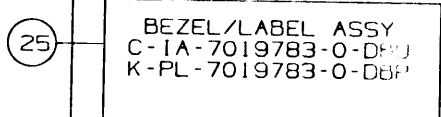
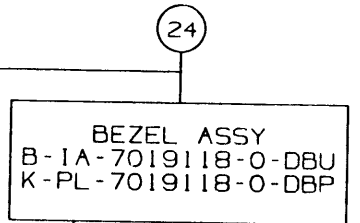
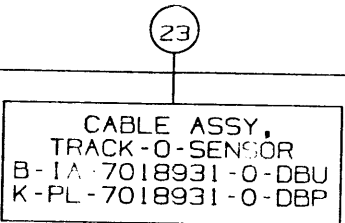
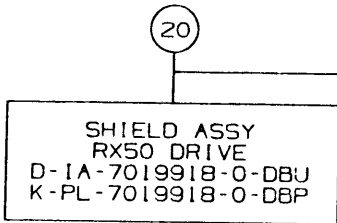


CONTINUED ON SHEET 3

TITLE: RX50 DUAL FLOPPY DISK DRIVE	SHEET 2 OF 6	SIZE CODE BDD	NUMBER RX50-0	REV. B
---------------------------------------	--------------	------------------	------------------	-----------

SHO

CONTINUED FROM SHEET 2



TITLE:	SIZE CODE	NUMBER	REV.
RX50 DUAL FLOPPY DISK DRIVE	B DD	RX50-0	B

SHEET 3 OF 6

SHO

FIND NO.	DRAWING NO.	DESCRIPTION	TYPE	FIND NO.	DRAWING NO.	DESCRIPTION	TYPE
					C-MD-7426342-0-DBU	SHIELD, RX50 INNER	M
					B-MD-7426343-0-DBU	PIN, TERMINATION	M
					C-MD-7426997-0-DBU	BAR, ERASE BUTT (FLOPPY HEAD)	M
10	C-1A-7018835-0-DBU	CABLE ASSY, INDEX	E				
	K-PL-7018835-0-DBP	CABLE ASSY, INDEX (PL)	E				
	B-MD-7425235-0-DBU	HOLDER, SECTOR SENSOR	M				
				16	E-1A-7019024-0-DBU	BUTTON SUB-ASSY FINISHED	M
					K-PL-7019024-0-DBP	BUTTON SUB-ASSY FINISHED (PL)	M
					E-MD-7426349-0-DBU	BUTTON, PLASTIC FLOPPY	M
11	C-AD-7019555-0-DBU	HEAD SET ASSY, RX50	M				
	K-PL-7019555-0-DBP	HEAD SET ASSY, RX50 (PL)	M				
	C-MC-7426707-0-CBU	STRAIN RELIEF	M				
	1220021-0-0	RAT TAIL	M				
				17	E-1A-7019022-0-DBU	HEAD SUB-ASSY	M
					K-PL-7019022-0-DBP	HEAD SUB-ASSY (PL)	M
					E-MD-7426347-0-DBU	CORE ASSY R/W	M
					E-MD-7426348-0-DBU	CORE ASSY ERASE	M
					C-MD-7426346-0-DBU	SLIDER	M
12	D-1A-7018419-0-DBU	HEAD/HOLDER ASSY	E/M				
	K-PL-7018419-0-DBP	HEAD/HOLDER ASSY (PL)	E/M				
	D-MD-7425219-0-DBU	HOLDER, HEAD	M				
	D-MD-7425220-0-DBU	ARM HEAD LOAD	M				
	B-MD-7425222-0-DBU	SHAFT, LOAD ARM	M				
	D-MD-7425381-0-DBU	SPRING, TORSION	M				
	C-MD-7426979-0-DBU	SHIELD, HEAD, RX50	M				
				18	E-1A-7019527-0-DBU	HEAD SUB-ASSY UNLAPPED	M
					K-PL-7019527-0-DBP	HEAD SUB-ASSY UNLAPPED (PL)	M
					E-MD-7426347-0-DBU	CORE ASSY R/W	M
					E-MD-7426348-0-DBU	CORE ASSY ERASE	M
					C-MD-7426346-0-DBU	SLIDER	M
13	B-1A-7019519-0-DBU	HEAD LOAD PAD ASSY	M				
	K-PL-7019519-0-DBP	HEAD LOAD PAD ASSY (PL)	M				
	B-MD-7425245-0-DBU	PAD, HEAD LOAD	M				
	B-MD-7425221-0-DBU	HOLDER, HEAD LOAD PAD	M				
				19	D-AD-7018629-0-DBU	SPINDLE ASSY	M
					K-PL-7018629-0-DBP	SPINDLE ASSY (PL)	M
					E-MD-7425215-0-DBU	SPINDLE	M
					B-MD-7425249-0-DBU	SPACER, SPINDLE	M
14	C-1A-7018418-0-DBU	CABLE ASSY, R/W	E				
	K-PL-7018418-0-DBP	CABLE ASSY, R/W (PL)	E				
15	E-1A-7019023-0-DBU	HEAD ASSY FLOPPY BUTTON	E/M				
	K-PL-7019023-0-DBP	HEAD ASSY FLOPPY BUTTON (PL)	E/M				
	C-MD-7426344-0-DBU	SPRING BUTT BAR	M				
	C-MD-7426345-0-DBU	BAR R/W BUTT (FLOPPY HEAD)	M				
				20	E-1A-7019918-0-DBU	SHIELD ASSY RX50 DRIVE	M
					K-PL-7019918-0-DBP	SHIELD ASSY RX50 DRIVE (PL)	M
					E-MD-7427207-0-DBU	SHIELD, RX50 DRIVE	M

TYPE: E ELECTRICAL
M MECHANICAL
E/M ELECTRO/MECHANICAL

digital

TITLE: RX50 DUAL FLOPPY DISK DRIVE

SHEET 50F 6

SIZE CODE
BDD

NUMBER
RX50-0

REV.
B

DRB 108A

SHO

FIND NO.	DRAWING NO.	DESCRIPTION	TYPE	FIND NO.	DRAWING NO.	DESCRIPTION	TYPE
				29	B-DD-5415111-0	READ/WRITE BOARD	E/M
				30	B-AD-7019178-0-DBU	SECTOR LED HOLDER ASSY	E/M
					K-PL-7019178-0-DBP	SECTOR LED HOLDER ASSY (PL)	E/M
					D-MD-7425931-0-DBU	HOLDER, L.E.D.	M
23	B-1A-7018931-0-DBU	CABLE ASSY, TRACK-O-SENSOR	E	31	D-AD-7019175-0-DBU	MOTOR PCB ASSY	E/M
	K-PL-7018931-0-DBP	CABLE ASSY, TRACK-O-SENSOR (PL)	E		K-PL-7019175-0-DBU	MOTOR PCB ASSY (PL)	E/M
24	B-1A-7019118-0-DBU	BEZEL ASSY	M	32	B-DD-5415074-0	SPINDLE MOTOR SPEED CONTROL BOARD	E/M
	K-PL-7019118-0-DBP	BEZEL ASSY (PL)	M				
			M				
25	C-1A-7019783-0-DBU	BEZEL/LABEL ASSY	M				
	K-PL-7019783-0-DBP	BEZEL/LABEL ASSY (PL)	M				
	D-MD-7425242-0-DBU	BEZEL FRONT	M				
26	B-1A-7019041-0-DBU	CABLE ASSY BEZEL LED	E				
	K-PL-7019041-0-DBP	CABLE ASSY BEZEL LED (PL)	E				
27	B-DD-5415066-0	SEEK/INTERFACE BOARD	E/M				
28	D-AD-7019177-0-DBU	R/W PCB ASSY	E/M				
	K-PL-7019177-0-DBP	R/W PCB ASSY (PL)	E/M				

TYPE: E ELECTRICAL
M MECHANICAL
E/M ELECTRO/MECHANICAL

digital

TITLE: RX50 DUAL FLOPPY DISK DRIVE

SHEET 6 OF 6

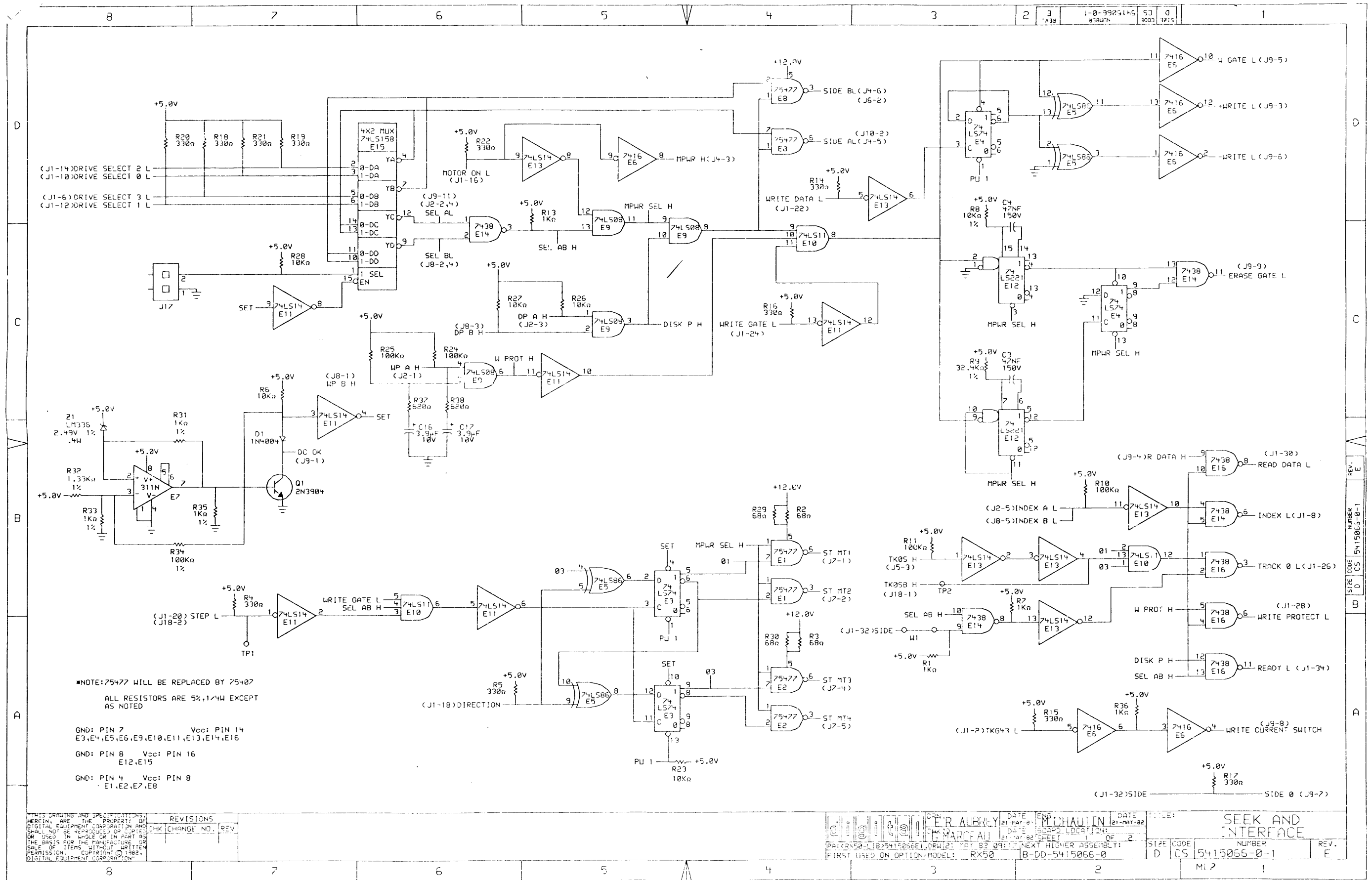
SIZE CODE
BDD

NUMBER
RX50-0

REV.
B

DRB 108A

SHO



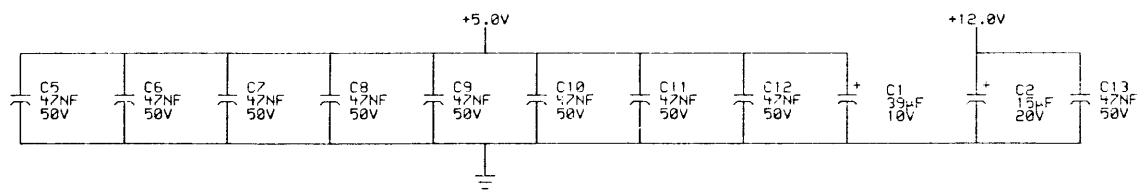
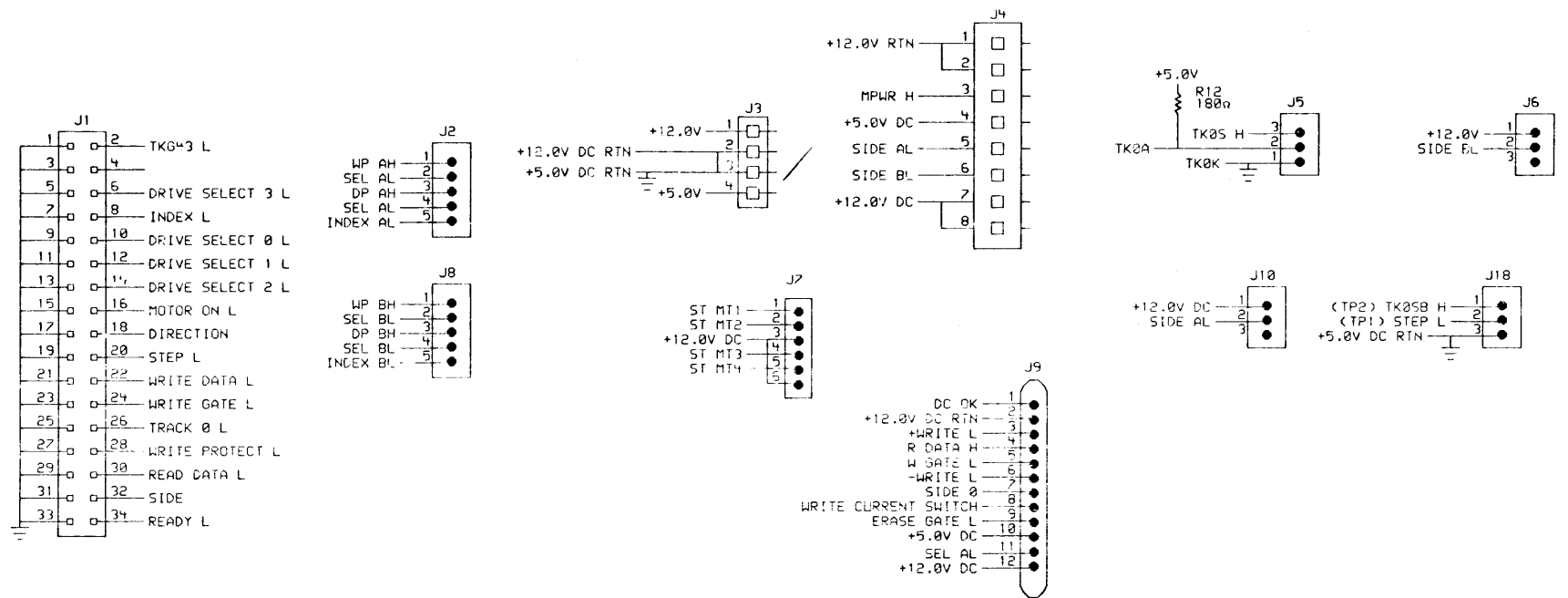
NOTE: 75477 WILL BE REPLACED BY 75407
 ALL RESISTORS ARE 5%, 1/4W EXCEPT AS NOTED

GND: PIN 7 Vcc: PIN 14
 E3, E4, E5, E6, E9, E10, E11, E13, E14, E16
 GND: PIN 8 Vcc: PIN 16
 E12, E15
 GND: PIN 4 Vcc: PIN 8
 E1, E2, E7, E8

REV.	NUMBER	DATE	BY	CHK	CHANGE NO.	REV
1	5415065-0-1	21-MAY-82	E. R. AUBREY	M. CHAUTIN		

THIS DRAWING AND SPECIFICATIONS HEREIN ARE THE PROPERTY OF DIGITAL EQUIPMENT CORPORATION AND SHALL NOT BE REPRODUCED OR COPIED OR USED IN WHOLE OR IN PART AS THE BASIS FOR THE MANUFACTURE OR SALE OF ITEMS WITHOUT WRITTEN PERMISSION. COPYRIGHT © 1982. DIGITAL EQUIPMENT CORPORATION.

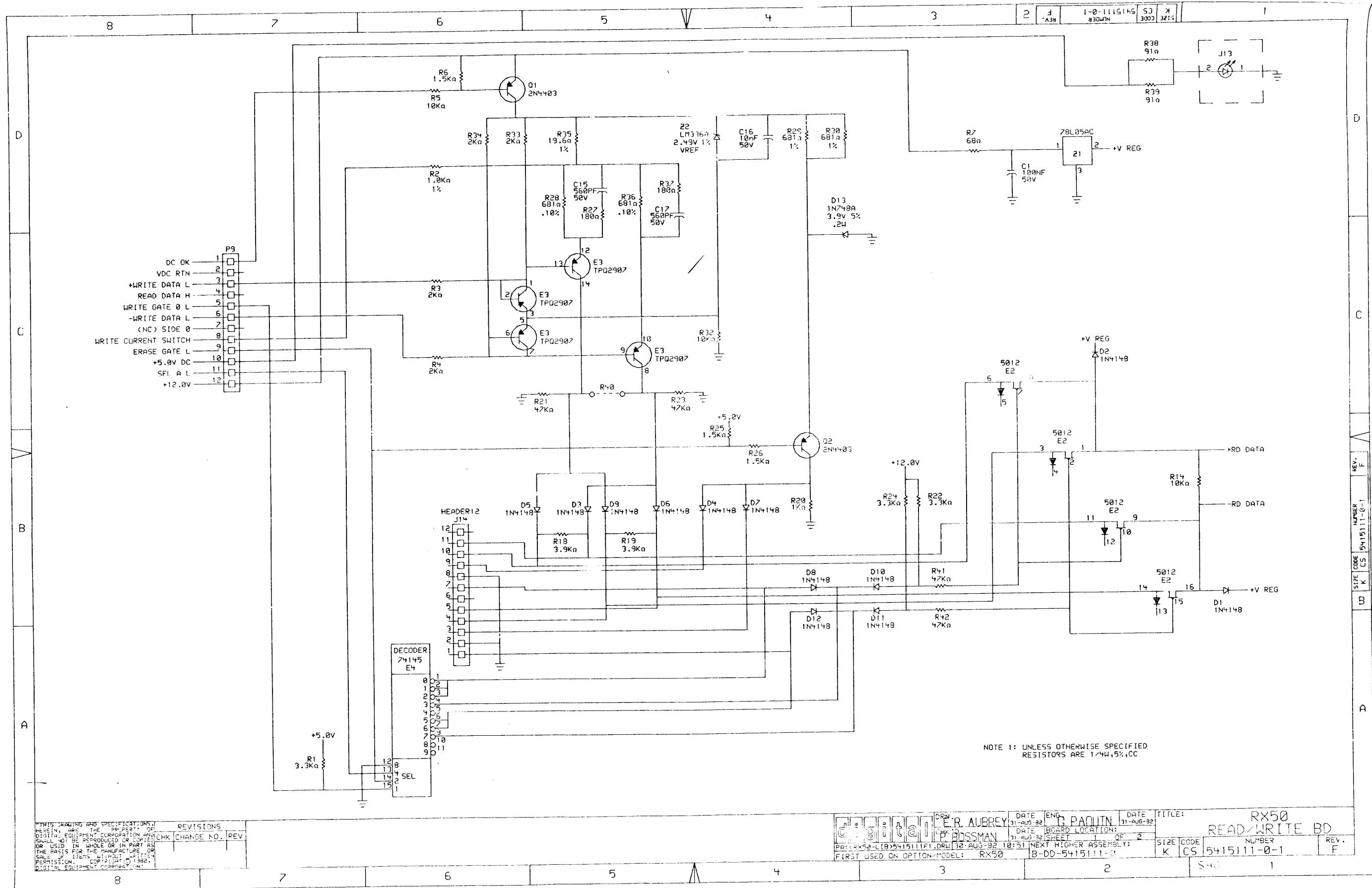
PA: CRX50-LIB 5415066E1.DPL.1, SCALE 2, "D" RELEASE BOX, SIGNED OFF



THIS DRAWING AND SPECIFICATIONS HEREIN ARE THE PROPERTY OF DIGITAL EQUIPMENT CORPORATION AND SHALL NOT BE REPRODUCED OR COPIED OR USED IN WHOLE OR IN PART AS THE BASIS OF THE MANUFACTURE OR SALE OF ITEMS WITHOUT WRITTEN PERMISSION. COPYRIGHT © 1982, DIGITAL EQUIPMENT CORPORATION.

REVISIONS		
CHK	CHANGE NO.	REV.

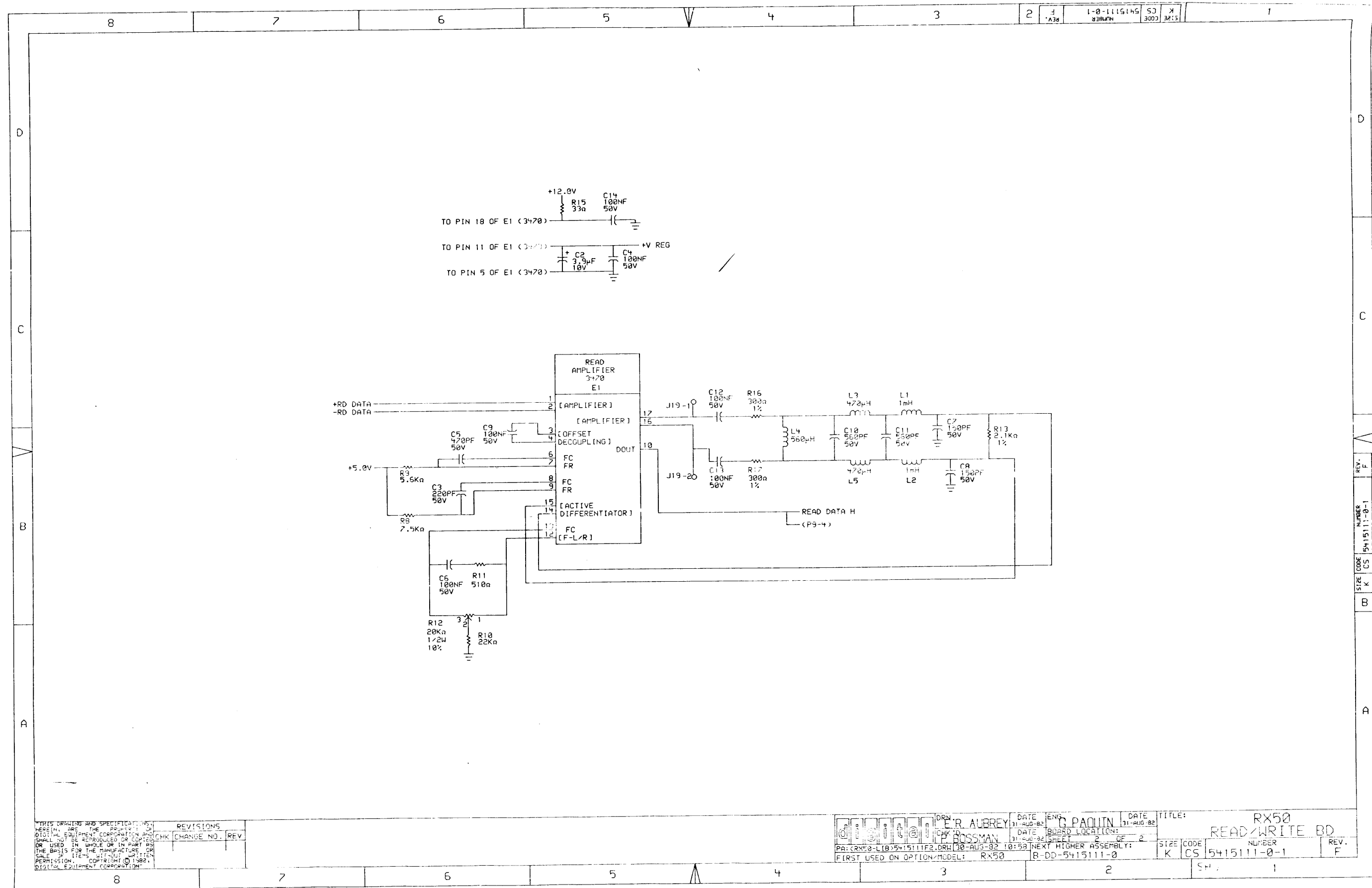
	DRN: R. AUBREY	DATE: 21-MAY-82	ENG: M. CHAUTIN	DATE: 21-MAY-82	TITLE: SEEK AND INTERFACE
	CHK: MARCEAU	DATE: 21-MAY-82	BOARD LOCATION: 2	OF: 2	SIZE: D
PA: <RX50-LIB>5+15066E2.DPL.1 FIRST USED ON OPTION MODEL: RX50		NEXT HIGHER ASSEMBLY: B-D-5+15066-2		NUMBER: 5+15066-0-1	REV.: E



THIS DRAWING AND SPECIFICATIONS ARE THE PROPERTY OF DIGITAL EQUIPMENT CORPORATION AND SHALL NOT BE REPRODUCED OR COPIED OR USED IN WHOLE OR IN PART AS THE BASIS FOR THE MANUFACTURE OR SALE OF ITEMS WITHOUT WRITTEN PERMISSION. COPYRIGHT © 1982, DIGITAL EQUIPMENT CORPORATION.

REVISIONS	
CHK	CHANGE NO. REV.

DATE: 31-AUG-82	ENG: E. R. AUBREY	DATE: 31-AUG-82	ENG: G. PAQUIN	TITLE: RX50
DATE: 31-AUG-82	DESIGNER: J. BOSSMAN	DATE: 31-AUG-82	BOARD LOCATION: 1	READ/WRITE BD
FIRST USED ON OPTION MODEL: RX50		NEXT HIGHER ASSEMBLY: B-DD-5415111-0		SIZE: K
				CODE: CS
				NUMBER: 5415111-0-1
				REV.: F



THIS DRAWING AND SPECIFICATIONS HEREBY ARE THE PROPERTY OF DIGITAL EQUIPMENT CORPORATION AND SHALL NOT BE REPRODUCED OR COPIED OR USED IN WHOLE OR IN PART AS THE BASIS FOR THE MANUFACTURE OR SALE OF ITEMS WITHOUT WRITTEN PERMISSION. COPYRIGHT © 1982, DIGITAL EQUIPMENT CORPORATION

REVISIONS	
CHK	CHANGE NO. REV.

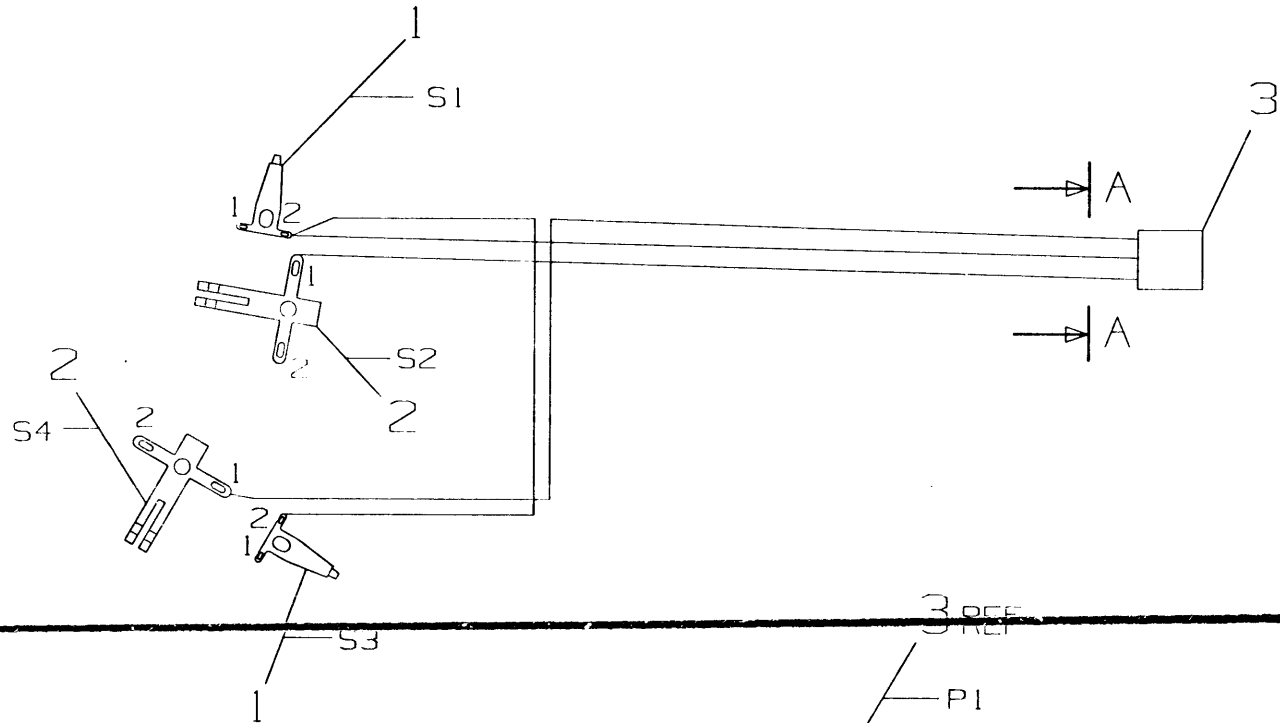
	DRA: E. R. AUBREY DATE: 31-AUG-82 CHK: J. BOSSMAN DATE: 31-AUG-82 PA: (RX50-LIB) 5415111F3.0RI 30-AUG-82 10:52 FIRST USED ON OPTION/MODEL: RX50	ENG: G. PAQUIN DATE: 31-AUG-82 BOARD LOCATION: 2 SHEET: 2 OF 2 NEXT HIGHER ASSEMBLY: B-DD-5415111-0	TITLE: RX50 READ/WRITE BD	SIZE CODE: K CS NUMBER: 5415111-0-1 REV.: F
--	--	---	------------------------------	---

"THIS DRAWING AND SPECIFICATIONS, HEREIN, ARE THE PROPERTY OF DIGITAL EQUIPMENT CORPORATION AND SHALL NOT BE REPRODUCED OR COPIED OR USED IN WHOLE OR IN PART AS THE BASIS FOR THE MANUFACTURE OR SALE OF ITEMS WITHOUT WRITTEN PERMISSION. COPYRIGHT © 1982 DIGITAL EQUIPMENT CORPORATION"

WIRE TABLE

ITEM NO.	DESCRIPTION		FROM		TO		PRECUT LENGTH
	AWG	COLOR	CONN	WITH	CONN	WITH	
6	26	YEL	P1-1	---	S2-1	SLDR	7.38 ±.12
5	26	GRN	P1-2	---	S1-2	SLDR	7.38 ±.12
4	26	RED	P1-3	---	S4-1	SLDR	10.00 ±.12
5	26	GRN	S1-2	SLDR	S3-2	SLDR	7.70 ±.12

NOTES:



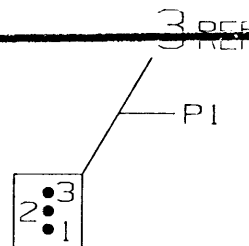
LEGEND		
PART NO.	REV	VARIATION
7018834-00	A1	AS SHOWN

LAYER 2 : FORMAT LAYER

LAYER 1 : WORK LAYER

PLOT AT : 1.00

CAUTION: OFF-SHEET PARTS LIST EXISTS
SEE K-PL-7018834-0-DBP



VIEW "A-A"

FIRST HIGHER ASS'Y
D-AD-7018932-0-DBU

DESCRIPTION	DRAWING NO.	PART NO.	ITEM NO.																																
UNLESS OTHERWISE SPECIFIED DIMENSIONS ARE IN INCHES AND THE FOLLOWING TOLERANCES APPLY (PER DEC STD 114)																																			
<table border="1"> <tr> <th colspan="2">INCHES TOLERANCES</th> <th rowspan="3">APPLICABLE DIMENSION RANGE (CHECK ONE)</th> <th colspan="6">DIMENSION RANGE IN INCHES</th> </tr> <tr> <td>.X: ±.1</td> <td>ANGLES ±0° 30'</td> <td>OVER 0 TO 0.2</td> <td>OVER 0.2 TO 1.2</td> <td>OVER 1.2 TO 4.0</td> <td>OVER 4.0 TO 12.0</td> <td>OVER 12.0 TO 40.0</td> <td>OVER 40.0 TO 60.0</td> </tr> <tr> <td>.XX: ±.02</td> <td rowspan="2">SURFACE QUALITY</td> <td>±.02</td> <td>±.03</td> <td>±.05</td> <td>±.10</td> <td></td> <td></td> </tr> <tr> <td>.XXX: ±.005</td> <td>±.004</td> <td>±.008</td> <td>±.012</td> <td>±.016</td> <td>±.024</td> <td>±.04</td> </tr> </table>	INCHES TOLERANCES		APPLICABLE DIMENSION RANGE (CHECK ONE)	DIMENSION RANGE IN INCHES						.X: ±.1	ANGLES ±0° 30'	OVER 0 TO 0.2	OVER 0.2 TO 1.2	OVER 1.2 TO 4.0	OVER 4.0 TO 12.0	OVER 12.0 TO 40.0	OVER 40.0 TO 60.0	.XX: ±.02	SURFACE QUALITY	±.02	±.03	±.05	±.10			.XXX: ±.005	±.004	±.008	±.012	±.016	±.024	±.04	QUANTITY & VARIATION		
	INCHES TOLERANCES			APPLICABLE DIMENSION RANGE (CHECK ONE)	DIMENSION RANGE IN INCHES																														
	.X: ±.1	ANGLES ±0° 30'			OVER 0 TO 0.2	OVER 0.2 TO 1.2	OVER 1.2 TO 4.0	OVER 4.0 TO 12.0	OVER 12.0 TO 40.0	OVER 40.0 TO 60.0																									
.XX: ±.02	SURFACE QUALITY	±.02	±.03		±.05	±.10																													
.XXX: ±.005		±.004	±.008	±.012	±.016	±.024	±.04																												
THIRD ANGLE PROJECTION	DRN A. PINKARD DATE 9 MAR 81	TITLE digital CABLE ASSY, WRITE/PROTECT																																	
DO NOT SCALE DRAWING	CHK'D M. CARMAN DATE 12 MAR 82	DES. ENG. D. WARREN DATE 12 MAR 82																																	
REMOVE BURRS AND BREAK SHARP CORNERS	RES. ENG. M. CARMAN DATE 12 MAR 82	MFG. ENG. G. AIKEY DATE 12 MAR 82																																	
MATERIAL SEE PARTS LIST	TOP DOC. C-IA-7018834-0-DBU	DOCUMENT NUMBER C IA 7018834-0-DBU																																	
FINISH ---		SCALE NONE SHEET 1 OF 1																																	

REV.	CHG. NO.	INITIAL
A		MC

REV. A
NUMBER 7018834-0-DBU
SIZE CODE C IA

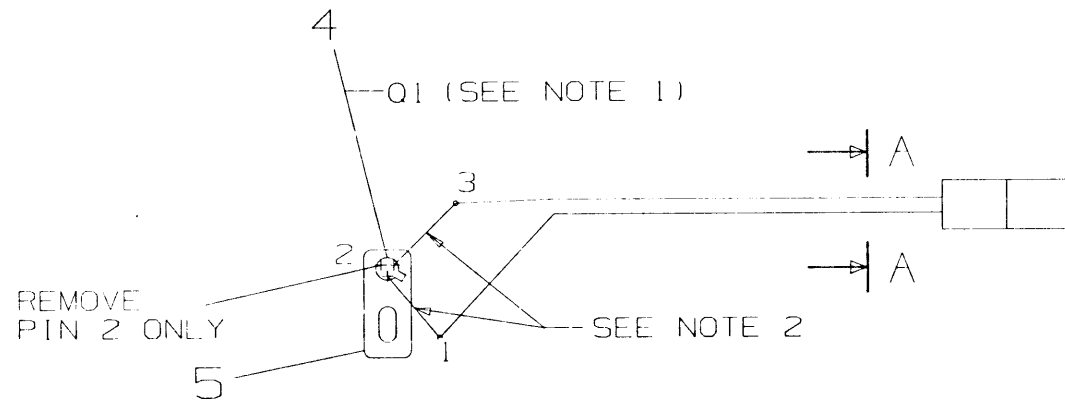
"THIS DRAWING AND SPECIFICATIONS, HEREIN, ARE THE PROPERTY OF DIGITAL EQUIPMENT CORPORATION AND SHALL NOT BE REPRODUCED OR COPIED OR USED IN WHOLE OR IN PART AS THE BASIS FOR THE MANUFACTURE OR SALE OF ITEMS WITHOUT WRITTEN PERMISSION. COPYRIGHT © 1982 DIGITAL EQUIPMENT CORPORATION"

LEGEND		
PART NO.	REV	VARIATION
7018835-00	A2	AS SHOWN

NOTES:
 1. ORIENT Q1 AS SHOWN.
 2. ADD ITEM 6 (SHRINK TUBING), 2 PLACES.

WIRE TABLE

ITEM NO.	DESCRIPTION		FROM		TO		PRECUT LENGTH
	AWG	COLOR	CONN	WITH	CONN	WITH	
2	26	ORN	P1-1	---	Q1-1	SLDR	6.00 ±.12
3	26	BLU	P1-2	---	Q1-3	SLDR	6.00 ±.12



LAYER 2 : FORMAT LAYER
 LAYER 1 : WORK LAYER
 PLOT AT : 1.00

CAUTION: OFF-SHEET PARTS LIST EXISTS
 SEE K-PL-7018835-0-DBP

VIEW "A-A"

FIRST HIGHER ASS'Y
 D-AD-7018932-0-DBU

DESCRIPTION	DRAWING NO.	PART NO.	ITEM NO.								
UNLESS OTHERWISE SPECIFIED DIMENSIONS ARE IN INCHES AND THE FOLLOWING TOLERANCES APPLY (PER DEC STD 114)											
INCHES TOLERANCES .X: ±.1 .XX: ±.02 .XXX: ±.005	ANGLES ±0° 30'	APPLICABLE DIMENSION RANGE (CHECK ONE)									
		DIMENSION RANGE IN INCHES									
		OVER 0 TO 0.2	OVER 0.2 TO 1.2	OVER 1.2 TO 4.0	OVER 4.0 TO 12.0	OVER 12.0 TO 40.0	OVER 40.0 TO 60.0				
SURFACE QUALITY <input checked="" type="checkbox"/> MICROINCHES		<input type="checkbox"/> ±.02	<input type="checkbox"/> ±.03	<input type="checkbox"/> ±.05	<input type="checkbox"/> ±.10	<input type="checkbox"/> ±.004	<input type="checkbox"/> ±.008	<input type="checkbox"/> ±.012	<input type="checkbox"/> ±.016	<input type="checkbox"/> ±.024	<input type="checkbox"/> ±.04
THIRD ANGLE PROJECTION 	DRN A. PINKARD	DATE 6 MAR 81	TITLE digital								
DO NOT SCALE DRAWING	CHK'D R. PUDELKO	DATE 12 MAR 82	CABLE ASSY, INDEX								
REMOVE BURRS AND BREAK SHARP CORNERS	DES. ENG. D. WARREN	DATE 12 MAR 82									
MATERIAL SEE PARTS LIST	RESP. ENG. M. CARMAN	DATE 12 MAR 82	DOCUMENT NUMBER								
FINISH ---	VFG. ENG. G. AIKEY	DATE 12 MAR 82	SCALE C 1A 7018835-0-DBU B								
TOP DOC. C-1A-7018835-0-DBU		SHEET 1 OF 1									

REVISIONS	
CHK	CHANGE NO. REV.
	A
	B
7018835-SH001	
G. DRAYTON 6/16/83	
DALE WILLIAMS	

REV. B
 NUMBER 7018835-0-DBU
 SIZE CODE C 1A

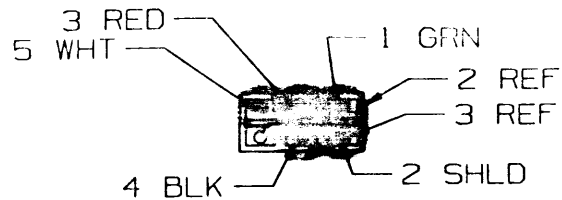
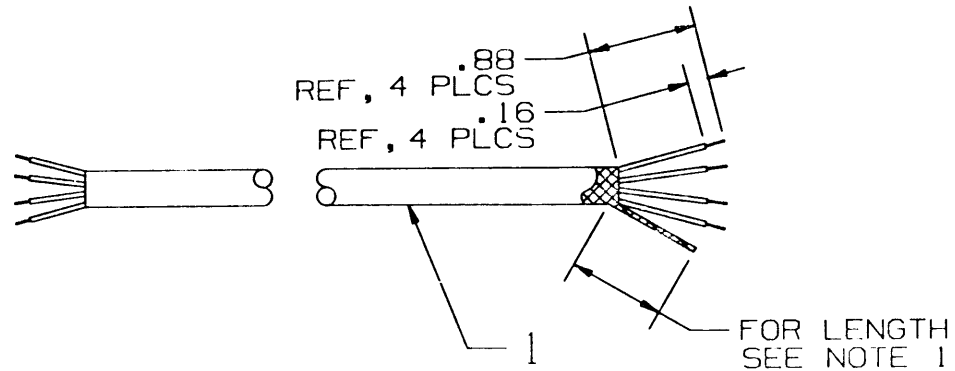
SHO

"THIS DRAWING AND SPECIFICATIONS, HEREIN, ARE THE PROPERTY OF DIGITAL EQUIPMENT CORPORATION AND SHALL NOT BE REPRODUCED OR COPIED OR USED IN WHOLE OR IN PART AS THE BASIS FOR THE MANUFACTURE OR SALE OF ITEMS WITHOUT WRITTEN PERMISSION.
 COPYRIGHT © 1982 DIGITAL EQUIPMENT CORPORATION"

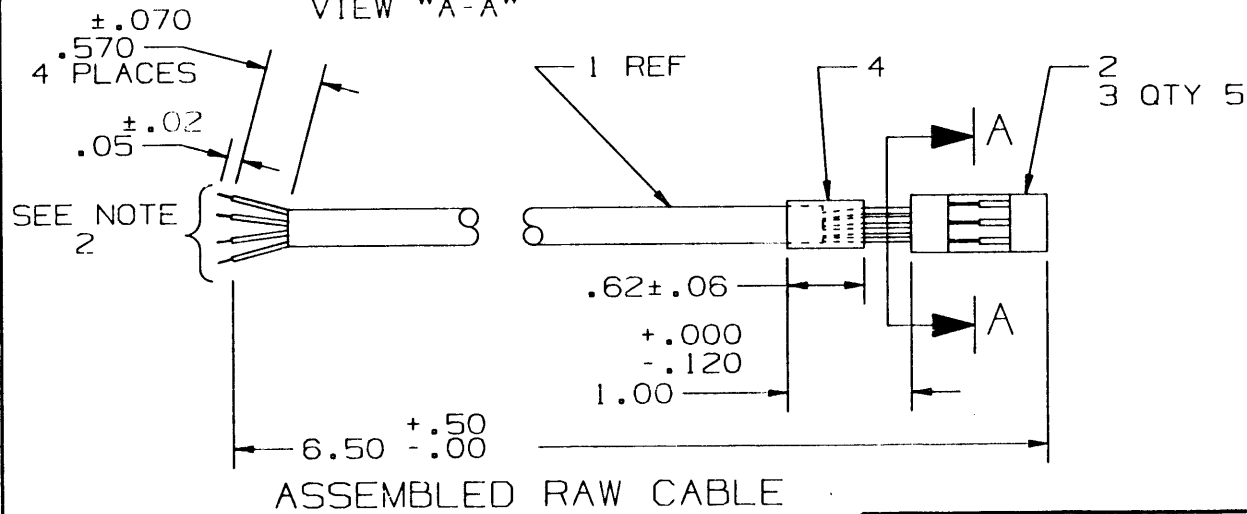
LEGEND		
PART NO.	REV	VARIATION
7018418-00	A3	AS SHOWN

NOTES:

- SHIELD IS USED AS STRAIN RELIEF. WHEN CRIMP SOCKETS (ITEM 3) ARE INSERTED INTO CONNECTOR (ITEM 2), ALL WIRES EXCEPT SHIELD SHALL BE SLACK.
- CONDUCTORS TO BE TWISTED AND TINNED USING LOW TEMPERATURE NONE RESIN SOLDER FOR A LENGTH OF .03 MIN..03 WILL BE MEASURED FROM END OF CONDUCTOR.



VIEW "A-A"



ASSEMBLED RAW CABLE

FIRST HIGHER ASS'Y
 C-1A-7018708-0-DBU

LAYER 2 : FORMAT LAYER
 LAYER 1 : WORK LAYER
 PLOT AT : 1.00
 CAUTION: OFF-SHEET PARTS LIST EXISTS
 SEE K-PL-7018418-0-DBP

DESCRIPTION	DRAWING NO.	PART NO.	ITEM NO.
UNLESS OTHERWISE SPECIFIED DIMENSIONS ARE IN INCHES AND THE FOLLOWING TOLERANCES APPLY (PER DEC STD 114)			
INCHES TOLERANCES	ANGLES ±0° 30'	APPLICABLE DIMENSION RANGE (CHECK ONE)	
		OVER 0 TO 0.2	OVER 0.2 TO 1.2
SURFACE QUALITY	MICROINCHES	OVER 1.2 TO 4.0	OVER 4.0 TO 12.0
		OVER 12.0 TO 40.0	OVER 40.0 TO 60.0
.X: ± .1	□	±.02	±.03
.XX: ± .02	□	±.004	±.008
.XXX: ± .005	□	±.012	±.016
		±.024	±.04
THIRD ANGLE PROJECTION	DRN A. PINKARD	DATE 26 FEB 81	TITLE digital
DO NOT SCALE DRAWING	CHK'D R. PUDELKO	DATE 12 MAR 82	CABLE ASSY, R/W
REMOVE BURRS AND BREAK SHARP CORNERS	DES. ENG. D. WARREN	DATE 12 MAR 82	
MATERIAL SEE PARTS LIST	RESP. ENG. D. WILLIAMS	DATE 12 MAR 82	DOCUMENT NUMBER
FINISH NONE	MFG. ENG. J. CHERNOVA	DATE 12 MAR 82	SIZE CODE NUMBER REV. C IA 7018418-0-DBU C
	TOP DOC. C-1A-7018418-0-DBU	SCALE NONE	SHEET 1 OF 1

REV.	CHANGE NO.	INITIAL	DATE
A			
B			
C			

7019555-ML001
 C.W. FIELDS 2/2/83
 RALPH BERTHAUME
 7018413-SH001
 G. DRAYTON 7/15/83
 DALE WILLIAMS

REV. C
 NUMBER 7018418-0-DBU
 SIZE CODE C IA

A

SHO

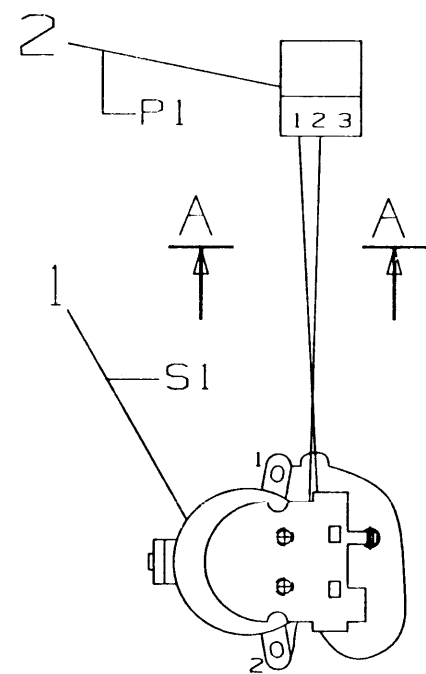
"THIS DRAWING AND SPECIFICATIONS, HEREIN, ARE THE PROPERTY OF DIGITAL EQUIPMENT CORPORATION AND SHALL NOT BE REPRODUCED OR COPIED OR USED IN WHOLE OR IN PART AS THE BASIS FOR THE MANUFACTURE OR SALE OF ITEMS WITHOUT WRITTEN PERMISSION.
 COPYRIGHT © 1982 DIGITAL EQUIPMENT CORPORATION"

WIRE TABLE

ITEM NO.	DESCRIPTION		FROM		TO		REMARKS (PRECUT LENGTH)
	AWG	COLOR	CONN	WITH	CONN	WITH	
3	26	BLU	P1-2	—	S1-2	SLDR	4.00 ±.12
4	26	YEL	P1-1	—	S1-1	SLDR	5.00 ±.12

NOTES:

- ROUTE BLUE WIRE BETWEEN FRAME & COIL HSG.
- ROUTE YELLOW WIRE AROUND BACK OF FRAME THEN BETWEEN FRAME & COIL HSG.



2 REF



VIEW "A-A"

LEGEND		
PART NO.	REV	VARIATION
7018933-00	A1	AS SHOWN

CAUTION: OFF-SHEET PARTS LIST EXISTS
 SEE K-PL-7018933-0-DBP

REVISIONS	CHANGE NO.	REV.
RP	INITIAL	A
RP	7018933-SH001	B
C.W.FIELDS 6/26/84		
DALE WILLIAMS		

FIRST HIGHER ASS'Y B-AD-7019120-0-DBU

DESCRIPTION	DRAWING NO.	PART NO.	ITEM NO.				
UNLESS OTHERWISE SPECIFIED DIMENSIONS ARE IN INCHES AND THE FOLLOWING TOLERANCES APPLY (PER DEC STD 114)							
INCHES TOLERANCES .X: ±.1 .XX: ±.02 .XXX: ±.005	ANGLES ±0° 30'	APPLICABLE DIMENSION RANGE (CHECK ONE) <input type="checkbox"/> <input checked="" type="checkbox"/> <input type="checkbox"/>	DIMENSION RANGE IN INCHES				
			OVER 0 TO 0.2	OVER 0.2 TO 1.2	OVER 1.2 TO 4.0	OVER 4.0 TO 12.0	OVER 12.0 TO 40.0
			±.02	±.03	±.05	±.10	
QUANTITY & VARIATION			±.004	±.008	±.012	±.015	±.024 ±.04
THIRD ANGLE PROJECTION	DRN A. PINKARD	DATE 13 NOV 81	TITLE digital				
DO NOT SCALE DRAWING	CHK'D R. PUDELKO	DATE 12 MAR 82	CABLE ASSY				
REMOVE BURRS AND BREAK SHARP CORNERS	DES. ENG. D. WARREN	DATE 12 MAR 82	SOLENOID				
MATERIAL SEE PARTS LIST	RESP. ENG. M. CARMAN	DATE 12 MAR 82	DOCUMENT NUMBER				
FINISH NONE	MFG. ENG. G. AIKEY	DATE 12 MAR 82	SIZE B	CODE IA	NUMBER 7018933-0-DBU	REV. B	
	TOP DOC. B-1A-7018933-0-DBU	SCALE NONE	SHEET 1 OF 1				

B

B

A

A

4

3

2

1

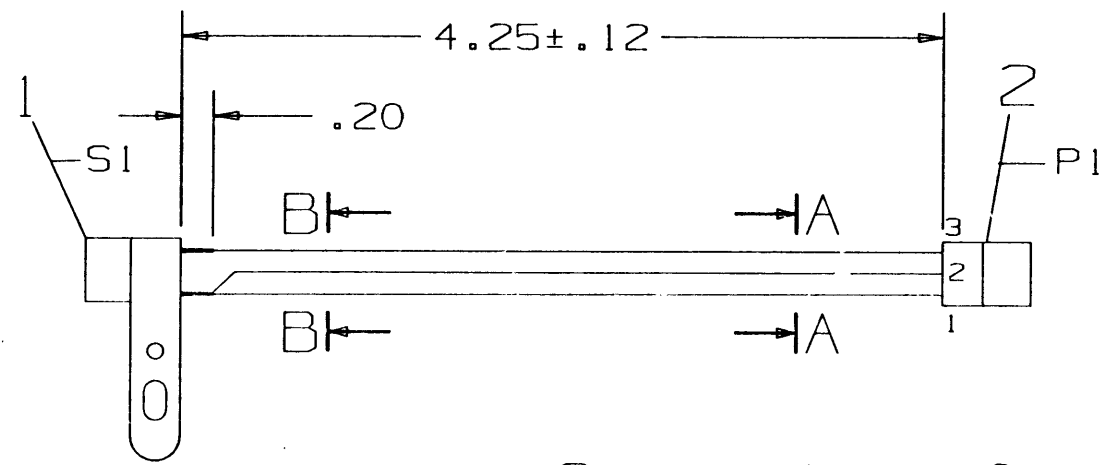
SHO

"THIS DRAWING AND SPECIFICATIONS, HEREIN, ARE THE PROPERTY OF DIGITAL EQUIPMENT CORPORATION AND SHALL NOT BE REPRODUCED OR COPIED OR USED IN WHOLE OR IN PART AS THE BASIS FOR THE MANUFACTURE OR SALE OF ITEMS WITHOUT WRITTEN PERMISSION.
 COPYRIGHT © 1982 DIGITAL EQUIPMENT CORPORATION"

WIRE TABLE

ITEM NO.	DESCRIPTION		FROM		TO		REMARKS (PRECUT LENGTH)
	AWG	COLOR	CONN	WITH	CONN	WITH	
3	26	YEL	P1-3	---	SI-3	SLDR	4.25 ± .12
4	26	RED	P1-2	---	SI-1	SLDR	4.25 ± .12
5	26	BLU	P1-1	---	SI-2	SLDR	4.25 ± .12

NOTES:



VIEW "A-A"

VIEW "B-B"

LEGEND		
PART NO.	REV	VARIATION
7018931-00	A1	AS SHOWN

LAYER 2: FORMAT LAYER
 LAYER 1: WORK LAYER
 PLOT AT : 1.00

CAUTION: OFF-SHEET PARTS LIST EXISTS
 SEE K-PL-7018931-0-DBP

REVISIONS	CHANGE NO.	REV.	INITIAL
		A	
		B	

7018931-SH001
 G.C. MACKENZIE 19 MAY 84
 DALE WILLIAMS

FIRST HIGHER ASSY E-UA-RX50-0-DBU

DESCRIPTION	DRAWING NO.	PART NO.	ITEM NO.
UNLESS OTHERWISE SPECIFIED DIMENSIONS ARE IN INCHES AND THE FOLLOWING TOLERANCES APPLY (PER DEC STD 114)			
INCHES TOLERANCES .X: ± .1 .XX: ± .02 .XXX: ± .005	ANGLES 10°-30° SURFACE QUALITY <input checked="" type="checkbox"/> MICROFINISH	APPLICABLE DIMENSION RANGE (CHECK ONE)	
		DIMENSION RANGE IN INCHES	
QUANTITY & VARIATION		OVER 0.2 TO 1.2	OVER 1.2 TO 4.0
		OVER 4.0 TO 12.0	OVER 12.0 TO 40.0
		OVER 40.0 TO 80.0	OVER 80.0 TO 100.0
		±.004	±.008
		±.012	±.018
		±.024	±.04
THIRD ANGLE PROJECTION	DRN A. PINKARD	DATE 12 NOV 81	TITLE
DO NOT SCALE DRAWING	CHK'D R. PUDELKO	DATE 12 MAR 92	digital CABLE ASSY, TRACK 0 SENSOR
REMOVE BURRS AND BREAK SHARP CORNERS	DES. ENG. D. WARREN	DATE 12 MAR 82	
MATERIAL	RESP. ENG. M. CARMAN	DATE 12 MAR 82	DOCUMENT NUMBER
SEE PARTS LIST	MFG. ENG. G. AIKEY	DATE 12 MAR 82	SIZE CODE NUMBER REV. B IA 7018931-0-DBU B
FINISH NONE	TOP DOC. B-1A-7018931-0-DBU	SCALE NONE	SHEET 1 OF 1

4

3

2

1

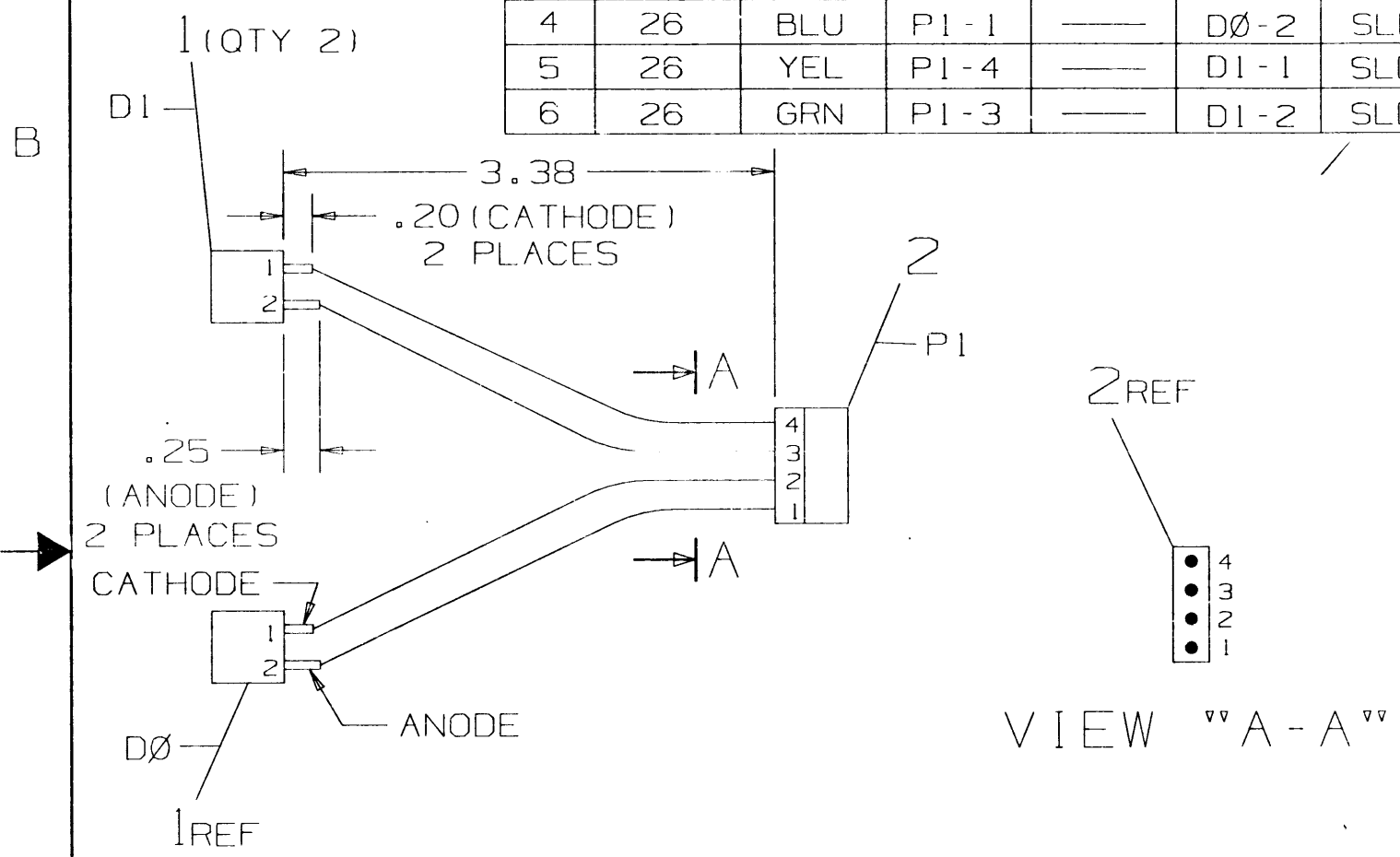
SHO

"THIS DRAWING AND SPECIFICATIONS, HEREIN, ARE THE PROPERTY OF DIGITAL EQUIPMENT CORPORATION AND SHALL NOT BE REPRODUCED OR COPIED OR USED IN WHOLE OR IN PART AS THE BASIS FOR THE MANUFACTURE OR SALE OF ITEMS WITHOUT WRITTEN PERMISSION.
 COPYRIGHT © 1982 DIGITAL EQUIPMENT CORPORATION"

WIRE TABLE

ITEM NO.	DESCRIPTION		FROM		TO		REMARKS (PRE-CUT LENGTH)
	AWG	COLOR	CONN	WITH	CONN	WITH	
3	26	RED	P1-2	---	DØ-1	SLDR	3.50 ± .12
4	26	BLU	P1-1	---	DØ-2	SLDR	3.50 ± .12
5	26	YEL	P1-4	---	D1-1	SLDR	3.50 ± .12
6	26	GRN	P1-3	---	D1-2	SLDR	3.50 ± .12

NOTES:
 1. BEFORE SOLDERING, ADD ITEM 7 (SHRINK TUBING) 4 PLACES.



LEGEND		
PART NO.	REV	VARIATION
7019041-00	A2	AS SHOWN

LAYER 2: FORMAT LAYER
 LAYER 1: WORK LAYER
 PLOT AT: 1.00

CAUTION: OFF-SHEET PARTS LIST EXISTS
 SEE K-PL-7019041-0-DBP

REVISIONS	CHANGE NO.	REV.
RP	INITIAL	A
	7019041-SH001	B
	G. DRAYTON	6/16/83
	DALE WILLIAMS	

FIRST HIGHER ASSY B-1A-7019118-0-DBU

DESCRIPTION	DRAWING NO.	PART NO.	ITEM NO.
UNLESS OTHERWISE SPECIFIED DIMENSIONS ARE IN INCHES AND THE FOLLOWING TOLERANCES APPLY (PER DEC STD 114)			
INCHES TOLERANCES .X: ± .1 .XX: ± .02 .XXX: ± .005	ANGLES 10° 30'	APPLICABLE DIMENSION RANGE	
		SURFACE QUALITY <input type="checkbox"/> (CHECK ONE) <input type="checkbox"/> <input type="checkbox"/>	
DIMENSION RANGE IN INCHES			
	OVER 0.2 TO 0.2	OVER 0.2 TO 1.2	OVER 1.2 TO 4.0
	OVER 4.0 TO 12.0	OVER 12.0 TO 40.0	OVER 40.0 TO 60.0
	±.02	±.03	±.05
	±.004	±.008	±.012
	±.016	±.024	±.04
THIRD ANGLE PROJECTION	DRN A. PINKARD	DATE 13 NOV 81	TITLE digital
DO NOT SCALE DRAWING	CHK'D R. PUDELKO	DATE 12 MAR 82	CABLE ASSY, BEZEL LED
REMOVE BURRS AND BREAK SHARP CORNERS	DES. ENG. D. WARREN	DATE 12 MAR 82	
MATERIAL	RESP. ENG. M. CARMAN	DATE 12 MAR 82	DOCUMENT NUMBER
SEE PARTS LIST	MFG. ENG. G. AIKEY	DATE 12 MAR 82	SIZE CODE NUMBER
FINISH NONE	TOP DOC. B-1A-7019041-0-DBU	SCALE NONE	SHEET 1 OF 1