

DZ11

8-LINE ASYNCHMUX TESTS MD-11-DZDZA-B

EP-DZDZA-B-DL-A

NOV 1976

COPYRIGHT © 1976

digital

FICHE 1 OF 1

MADE IN USA

.REM 2

IDENTIFICATION

PRODUCT CODE:	MAINDEC-11-DZDZA-8-D
PRODUCT NAME:	DZ11 8 LINE ASYNC MUX TESTS
DATE RELEASED:	OCT 1976
MAINTAINER:	DIAGNOSTICS
AUTHORS:	JOHN EGOLF JERRYL PAYNE

THE INFORMATION IN THIS DOCUMENT IS SUBJECT TO CHANGE WITHOUT NOTICE AND SHOULD NOT BE CONSTRUED AS A COMMITMENT BY DIGITAL EQUIPMENT CORPORATION. DIGITAL EQUIPMENT CORPORATION ASSUMES NO RESPONSIBILITY FOR ANY ERRORS THAT MAY APPEAR IN THIS DOCUMENT.

THE SOFTWARE DESCRIBED IN THIS DOCUMENT IS FURNISHED UNDER A LICENSE AND MAY ONLY BE USED OR COPIED IN ACCORDANCE WITH THE TERMS OF SUCH LICENSE.

DIGITAL EQUIPMENT CORPORATION ASSUMES NO RESPONSIBILITY FOR THE USE OF RELIABILITY OF ITS SOFTWARE ON EQUIPMENT THAT IS NOT SUPPLIED BY DIGITAL.

COPYRIGHT (C) 1976 DIGITAL EQUIPMENT CORPORATION

11-27(732) 03-NOV-76 15:03 PAGE 2
DZ11 8.P11

108
109
110
111
112
113
114
115
116
117
118
119
120

2.2 STORAGE

PROGRAM WILL USE ALL BK OF MEMORY EXCEPT WHERE ABL AND BOOTSTRAP LOADER RESIDE. LOCATION 1500 THRU 2000 ARE ESPECIALLY TO BE NOTED AND TO BE UNTOUCHED BY OPERATOR AFTER PARAMETERS HAVE BEEN INPUT FROM CONSOLE (SW00=1); OR AFTER THE 'AUTO SIZING' HAS BEEN DONE. THESE LOCATIONS MAY BE CHANGED IF THE USER UNDERSTANDS THEIR MEANING AND DIFFERENT PARAMETERS ARE REQUIRED.

3. LOADING PROCEEDURE

3.1 METHOD

ALL PROGRAMS ARE IN ABSOLUTE FORMAT AND ARE LOADED USING THE ABSOLUTE LOADER. NOTE: IF THE DIAGNOSTICS ARE ON A MEDIA SUCH AS DISK, MAGTAPE, DECTAPE, OR CASSETTE; FOLLOW INSTRUCTIONS FOR THE MONITOR WHICH HAS BEEN PROVIDED ON THAT SPECIFIC MEDIA.

ABSOLUTE LOADER STARTING ADDRESS *500

MEMORY * SIZE

4K	17
8K	37
12K	57
16K	77
20K	117
24K	137
28K	157

3.1.1 PLACE ADDRESS OF ABS LOADER INTO SWITCH REGISTER.
(ALSO PLACE 'HALT' SW UP)

3.1.2 DEPRESS 'LOAD ADDRESS' KEY ON CONSOLE AND RELEASE.

3.1.3 DEPRESS 'START KEY' ON CONSOLE AND RELEASE (PROGRAM SHOULD NOW BE LOADING INTO CPU)

121
122
123
124
125
126
127
128
129
130
131
132
133
134
135
136
137
138
139
140
141
142
143
144
145
146
147
148
149
150
151
152
153
154
155
156
157
158
159
160
161
162
163
164
165
166
167
168
169
170
171

4. STARTING PROCEEDURE

- A. SET SWITCH REGISTER TO 000200
- B. DEPRESS 'LOAD ADDRESS' KEY AND RELEASE
- C. SET SWR TO ZERO FOR 'AUTO SIZING' OR LEAVE OR SET SW00=1 FOR USER INPUT FROM CONSOLE TERMINAL.
- D. DEPRESS 'START KEY' AND RELEASE, THE PROGRAM WILL TYPE MAINDEC NAME AND PROGRAM NAME (IF THIS WAS THE FIRST START UP OF THE PROGRAM OR PARAMETERS WERE CHANGED BY SW00=1) AND ALSO THE FOLLOWING:

```

'MAP OF DZ11 STATUS'
1500 160010
1502 000300
1504 000005
1506 000377
1510 017470
1512 000000

```

THE ABOVE IS ONLY AN EXAMPLE! THIS WOULD INDICATE THE STATUS TABLE STARTING AT ADD. 1500 IN THE PROGRAM. THE STATUS TABLE MUST BE VERIFIED BY THE USER IF AUTO SIZING IS DONE. FOR INFORMATION OF STATUS TABLE SEE SECTION 8.4 FOR HELP.

THE PROGRAM WILL TYPE "RUNNING" AND PROCEED TO RUN THE DIAGNOSTIC

4.1 CONTROL SWITCH SETTINGS

NOTE: IF THERE IS NO REAL SWR (177570); SWR MAY BE MODIFIED AT LOC:176 OR BY HITTING CONTROL "G" {↑G} ON CONSOLE TERMINAL.

- SW 15 SET: HALT ON ERROR
- SW 14 SET: LOOP ON CURRENT TEST
- SW 13 SET: INHIBIT ERROR PRINT OUT
- SW 12 SET: INHIBIT **ALL** TYPE OUT/BELL ON ERROR.
- SW 11 SET: INHIBIT ITERATIONS. (QUICK PASS)
- SW 10 SET: ESCAPE TO NEXT TEST
- SW 09 SET: LOOP WITH CURRENT DATA
- SW 08 SET: CATCH ERROR AND LOOP ON IT
- SW 07 SET: NO AUTO SIZE: CLR-DO AUTO SIZE. IF 1ST START OF PROGRAM AFTER LOADING.
- SW 06 SET: RESELECT DZ11'S DESIRED ACTIVE
- SW 05 SET: RESERVED
- SW 04 SET: SELECT DELAY PARAMETER(DEFAULT = 36)
- SW 03 SET: EXTRA PARAMETER INPUT
- SW 02 SET: LOCK ON SELECTED TEST
- SW 01 SET: RESTART PROGRAM AT SELECTED TEST
- SW 00 SET: GET USERS PARAMETERS FROM CONSOLE

172
173
174
175
176
177
178
179
180
181
182
183
184
185
186
187
188
189
190
191
192
193
194
195
196
197
198
199
200
201
202
203
204
205
206
207
208
209
210
211
212
213
214
215
216

4.1.2 SWITCH REGISTER RESTRICTIONS

SW 06 RESELECT DZ11'S DESIRED ACTIVE. PLEASE NOTE THAT A MESSAGE IS TYPED OUT FOR SETTING THE SWITCH REGISTER EQUAL TO DZ11'S ACTIVE. THIS MEANS IF THE SYSTEM HAS FOUR DZ11S; BITS 00,01,02,03 WILL BE SET IN LOC 'DZACTV' FROM THE SWITCH REGISTER. USING THIS SWITCH(SW06) ALTERS THAT LOCATION; THEREFORE IF FOUR DZ11S ARE IN THE SYSTEM ***DO NOT*** SET SWITCHS GREATER THAN SW 03 IN THE UP POSITION. THIS WOULD BE A FATAL ERROR. DO NOT SELECT MORE ACTIVE DZ11S THAN HAS BEEN GIVEN INFORMATION ABOUT IN PARAMETER INPUT (SW00=1)

METHOD: A: LOAD ADDRESS 200
B: START WITH SW 06=1
C: PROGRAM WILL TYPE MESSAGE
D: SET THE BINARY NUMBER OF DZ11S DESIRED ACTIVE EXAMPLE: 1=1
DZ11; 3=2 DZ11; 7=3 DZ11; 17=4 DZ11 37=5 DZ11 ETC/AA PRESS CONTINUE.
E: NUMBER (IF VALID) WILL BE IN DATA LIGHTS (EXCLUDING 11/05)
F: SET WITH ANY OTHER SWITCH SETTINGS DESIRED. PRESS CONTINUE.

SW 01 RESTART PROGRAM AT SELECTED TEST IT IS STRONGLY SUGGESTED THAT AT LEAST ONE PASS HAS BEEN MADE BEFORE TRYING TO SELECT A TEST THAT IS NOT IN THE ORDER OF SEQUENCE THE REASON BEING IS THAT THE PROGRAM HAS TO CLEAR AREAS AND SET UP PARAMETERS. NOTE: IF RUNNING MULTIPLE DZ11'S; THE DZ11 YOU DESIRE TO BE UNDER TEST MUST BE SELECTED BY THE USE OF SW06 BEFORE LOCKING ON THE TEST. IN OTHER WORDS; EACH TIME THE PROGRAM IS STARTED; THE FIRST DZ11 WILL BE SELECTED TO BE UNDER TEST UNLESS SW06 IS USED TO SELECT ONLY ONE.

SW 09 LOOP ON CURRENT DATA: THIS SWITCH WILL ONLY WORK IF CALL 'SCOPI' IS IN THAT TEST. THE REASON BEING THAT MOST TESTS DEAL WITH BLOCKS OF DIFFERENT DATA TO BE SENT OR RECEIVED ALL AT ONCE THUS IN BLOCK DATA; ONE PATTERN CAN'T BE SINGLED OUT.

SW 04 SELECT DELAY PARAMETER: THIS SWITCH SHOULD BE USED WITH CARE AS TOO SHORT A DELAY WILL CAUSE VALID TESTS TO FAIL ON CERTAIN PROCESSORS. IT IS RECOMMENDED THAT THIS SWITCH ONLY BE IN CONJUNCTION WITH SCOPE LOOPS, E.G. SW 14,9,4,1 SET; SW 9,4,2,1 SET. THE SHORTEST PARAMETER IS 1; THE LONGEST ACCEPTED IS 177776.

217
218
219
220
221
222
223
224
225
226
227
228
229
230
231
232
233
234
235
236
237
238
239
240
241
242
243
244
245
246
247
248
249
250
251
252
253
254
255

4.1.3 SWITCH REGISTER PRIORITYS

ERROR SWITCHES

1. SW 12 DELETE PRINT OUT/BELL ON ERROR.
2. SW 13 DELETE ERROR PRINTOUT.
3. SW 15 HALT ON THE ERROR.
4. SW 08 GOTO BEGINNING OF THE TEST(ON ERROR).
5. SW 10 GOTO NEXT TEST(ON ERROR).

SCOPE SWITCHES

1. SW 09 (IF ENABLED BY 'SCOPI') ON AN ERROR; IF AN '*' IS PRINTED IN FRONT OF THE TEST NO. (EX. *TEST NO. 10) SW09 IS INCORPORATED IN THAT TEST AND THEREFORE SW09 IS *USUALLY* THE BEST SWITCH FOR THE SCOPE LOOP (SW14=0, SW10=0, SW09=1, SW08=0). IF SW09 IS NOT ENABELED; AND THERE IS A *HARD* ERROR (CONSTANT); SW08 IS BEST.
(SW14=1,0, SW10=0, SW09=0, SW08=1). FOR INTERMITTENT ERRORS; SW14=1 WILL LOOP ON TEST REGARDLESS OF ERROR OR NOT ERROR.
(SW14=1, SW10=0, SW09=0, SW08=1,0)
2. SW 14
3. SW 11

4.2 STARTING ADDRESS

SA 200 - ADDRESS 200 IS FOR NORMAL EXECUTION OF THE DIAGNOSTIC. THIS WILL DO THE MAJOR TESTING NECESSARY FOR VERIFICATION OF HARDWARE.

SA 210 - CABLE/ECHO - TERMINAL TESTS. STARTING AT ADDRESS 210 WILL GIVE THE USER THE OPTION TO VERIFY THE EIA CABLES AT THE DIST PNL OR VERIFY A TRUE LINK TO ANY DEC SUPPORTED EIA TERMINAL SUPPORTED BY THE DZ11.

NOTE: IF ADDRESS 000042 IS NON-ZERO THE PROGRAM ASSUMES IT IS UNDER ACT11 OR XXDP CONTROL AND WILL ACT ACCORDINGLY AFTER *ALL* AVAILABLE DZ11'S ARE TESTED THE PROGRAM WILL RETURN TO 'XXDP' OR 'ACT-11'.

5. OPERATING PROCEDURE

WHEN PROGRAM IS INITIALLY STARTED MESSAGES AS DESCRIBED IN SECTION FOUR WILL BE PRINTED AND PROGRAM WILL BEGIN RUNNING THE DIAGNOSTIC.

266
267
268
269
270
271
272
273
274
275
276
277
278
279
280
281
282
283
284
285
286
287
288
289
290
291
292
293
294
295
296
297
298
299
300
301
302
303
304

5.1 NORMAL START OF DIAGNOSTIC

ON THE FIRST START OF THE DIAGNOSTIC AT ADDRESS 200; IF AUTO SIZING IS NOT USED OR WHENEVER SW00=1; THE FOLLOWING QUESTIONS ARE ASKED AND MUST BE ANSWERED.

"1ST CSR ADDRESS (160000:163700): "

YOU MUST TYPE IN THE FIRST DZ11 CSR IN THE SYSTEM YOU WISH TESTING TO BEGIN AT. RANGE: 160000:163700

"1ST VECTOR ADDRESS (300:770): "

YOU MUST TYPE IN THE VECTOR OF THE FIRST DZ11 IN THE SYSTEM UNDER TEST. RANGE 300:770

"BR LEVEL (4:6): "

TYPE IN THE PRIORITY LEVEL OF THE DZ11 THAT THE ABOVE INFORMATION HAS BEEN GIVEN ABOUT. RANGE 4 OR 5 OR 6.

"TYPE "A" FOR EIA MODULE OR "B" FOR ZOMA (A:B): "

TYPE "A" IF RUNNING A DZ11-A,B,E (EIA).
TYPE "B" IF RUNNING A DZ11-C,D,F (ZOMA).
TYPING A <CR> DEFAULTS TO EIA MODULES.

"MAINTAINCE MODE
[EXTERNAL <H325> (E)]
[INTERNAL <DZCSR03=1>(I)]
[STAGGERED <H327> (S)]

TYPE "E" OR "I" OR "S" DEPENDING ON WHICH MODE YOU WISH TO RUN IN. IF RUNNING "EXTERNAL"; ALL SELECTED LINES MUST BE TERMINATED BY A H325 TEST CONNECTOR.

305
306
307
308
309
310
311
312
313
314
315
316
317
318
319
320
321
322
323
324
325
326
327
328
329
330
331
332
333
334
335
336
337
338

"# OF DZ11'S <IN OCTAL> (1:20): "

TYPE TOTAL NUMBER OF DZ11'S TO BE TESTED IN THE SYSTEM. RANGE IS 1 THRU 20 IN OCTAL.

***** IF SW03=1 THEN *****
IF SW03=1 THE FOLLOWING WILL BE PRINTED.

"LINES ACTIVE BY BIT <IN OCTAL> (001:377):"

EACH BIT REPRESENTS A LINE AND ANY COMBINATION OF LINES MAY BE SELECTED (HOWEVER IN STAGGERED MODE TWO ADJACENT LINES MUST BE SELECTED (0-1, 2-3, 4-5, 6-7))..

"DEFAULT BAUD RATE <IN OCTAL> (00:17): "

THIS GIVES THE USER A CHANCE TO CHANGE THE DEFAULT BAUD RATE USED IN APP. 90% OF THE TEST. NORMAL OPERATION IS A "17" (19.2K) OR "16" (9.6K). "00"(50 BAUD)- NOT ADVISED.

IT IS IMPORTANT TO NOTE THAT ALL DZ11'S IN THE SYSTEM MUST BE CONTIGIOUS FOR BOTH ADDRESS AND VECTORS. ALSO ALL THE EXTRA PARAMETERS OTHER THAN CSR AND VECTORS ARE GIVEN TO THE EXISTING DZ11'S IN THE SYSTEM. IF NOT ALL DZ11'S ARE SAME PRIORITY OR IF THE MODE OF OPERATION IS DIFFERENT FOR EACH DZ11; THIS MUST BE "PATCHED" INTO THE CORRECT STATUS MAP ENTRY WHICH IS PRINTED AT START TIME. AN ALTERNATIVE IS TO PUT SW00=1 AT START TIME; ANSWER QUESTIONS ABOUT DZ11 UNDER TEST AND INDICATE ONLY 1 DZ11 IN THE SYSTEM. IF THE STATUS MAP IS TO BE "PATCHED" IT MUST BE DONE AFTER THE QUESTIONS ARE ANSWERED OR AFTER THE AUTO SIZE.

339
340
341
342
343
344
345
346
347
348
349
350
351
352
353
354
355
356
357
358
359
360
361
362
363
364
365
366
367
368
369
370
371
372
373
374
375
376
377
378
379
380
381
382
383
384
385
386
387
388
389
390
391
392

5.2 HOW TO RUN THE "CABLE/ECHO" TESTS.

NORMAL STARTING FOR THE FIRST TIME WOULD BE: LOAD ADDRESS 210; START WITH THE SWR EQUAL TO 213.

NOTE: SW00=1 ASKS FOR "VECTOR" AND "CSR"
SW01=1 ASKS FOR "WHICH TEST ECHO OR CABLE", "BAUD RATE", "LINE" UNDER TEST. PROGRAM WILL PRINT OUT:

"VECTOR ADDRESS--"

YOU TYPE VECTOR WITH A <CR>.

"CONTROL REGISTER ADDRESS--"

YOU TYPE IN DZCSR UNDER TEST.

"WHICH TEST ? ECHO OR CABLE (E OR C)"

LETS DO THE CABLE TEST FIRST. **THIS TEST IS ONLY TO BE DONE ON THE EIA VERSION OF THE DZ11 NOT THE 20MA VERSION". TYPE "C" <CR>

"BAUD RATE- "

TYPE EITHER 50, 110, 135, 150, 300, 600, 1200 1800, 2000, 2400, 3600, 4800, 7200, 9600 FOLLOWED BY <CR>

"LINE: "

YOU TYPE THE LINE WHICH HAS THE H325 TEST CONNECTOR. (TYPE EITHER 0, 1, 2, 3, 4, 5, 6, 7) PROGRAM WILL THEN PRINT:

"CABLE TEST"

AND IF EVERYTHING IS WORKING; THE FOLLOWING WILL BE PRINTED:

"PASS DONE."

"PASS DONE."

ETC.

TO CHANGE LINES: HIT ANY PRINTING KEY ON YOUR CONSOLE TERMINAL WHILE THE PROGRAM IS RUNNING AND THE FOLLOWING WILL BE PRINTED:

"LINE: "

NOW CHANGE THE H325 TEST CONNECTOR TO ANOTHER LINE AND TYPE THE NEW LINE. PROGRAM WILL THEN PRINT:

"CABLE TEST"

"PASS DONE."

"PASS DONE."

CONTINUE THIS OPERATION UNTIL ALL LINES ARE TESTED.

393
394
395
396
397
398
399
400
401
402
403
404
405
406
407
408
409
410
411
412
413
414
415
416
417
418
419
420
421
422
423
424
425
426
427
428
429
430
431
432
433
434
435
436
437
438
439
440

5.3 ECHO TEST

IF PROGRAM HAS ALREADY BEEN STARTED AT 210 AND THE VECTOR AND ADDRESS HAVE BEEN TYPED IN: JUST LOAD ADDRESS 210 AND START WITH SWR EQUAL TO 212. PROGRAM WILL PRINT:

"WHICH TEST ? ECHO OR CABLE (E OR C)"

NOW TYPE AN "E" TO DO THE ECHO TEST. PROGRAM WILL PRINT:

"BAUD RATE--"

TYPE BAUD RATE AT WHICH THE TERMINAL IS SET THAT IS CONNECTED TO THE DZ11 DIST PNL. PROGRAM WILL PRINT:

LINE: "

TYPE THE LINE THE TERMINAL IS CONNECTED TO AT THE DIST PNL THEN THE PROGRAM WILL PRINT:

"TERMINAL ECHO TEST"

*** AT THIS POINT THE MESSAGE:

"THE QUICK BROWN FOX JUMPED OVER THE LAZY DOGS BACK 0123456789"

SHOULD BE PRINTED ON THE TERMINAL CONNECTED TO THE DZ11. IF THIS MESSAGE IS DESIRED TO BE CONTINUOUSLY OUTPUT; SET THE SWR TO 377 (SWR=377) WHILE IT IS BEING OUTPUT OR WHEN PROGRAM IS STARTED AT 210. WHEN THIS MESSAGE IS DONE AND THE SWR IS NOT EQUAL TO 377; THE CONSOLE WILL PRINT:

"TYPE A CHAR. ON DZ11 TERMINAL"

ANY PRINTABLE CHAR HIT ON DZ11 TERMINAL SHOULD BE ECHOED BACK ON THE TERMINAL. **IF YOU HIT CNTRL C (^C) ON THE DZ11 TERMINAL THE PROGRAM WILL PRINT:

"PASS DONE."

ON THE CONSOLE TERMINAL AND THE "QUICK BROWN FOX" WILL BE PRINTED ON DZ11 TERMINAL AGAIN AND THE ECHO TEST WILL BE RUNNING. TO CHANGE LINES; DO LIKE CABLE TEST. HIT PRINTABLE KEY ON CONSOLE TERMINAL. AND CHANGE THE LINE ON WHICH THE TERMINAL IS CONNECTED. AND ENTER THE NEW LINE TO THE PROGRAM.

441
442
443
444
445
446
447
448
449
450
451
452
453
454
455
456
457
458
459
460
461
462
463
464
465
466
467
468
469
470
471
472
473
474
475
476
477
478
479
480
481
482
483
484
485

5.4 PROGRAM AND/OR OPERATOR ACTION

THE TYPICAL APPROACH SHOULD BE

1. HALT ON ERROR (VIA SW 15=1) WHEN EVER AN ERROR OCCURS.
2. CLEAR SW 15.
3. SET SW 14: (LOOP ON THIS TEST)
4. SET SW 13: (INHIBIT ERROR PRINT OUT)

THE TEST NUMBER AND PC WILL BE TYPED OUT AND POSSIBLY AN ERROR MESSAGE (THIS DEPENDS ON THE TEST) TO GIVE THE OPERATOR AN IDEA AS TO THE SOURCE OF THE PROBLEM. IF IT IS NECESSARY TO KNOW MORE INFORMATION CONCERNING THE ERROR REPORT; LOOK IN THE LISTING FOR THAT TEST NUMBER WHICH WAS TYPED OUT AND THEN NOTE THE PC OF THE ERROR REPORT THIS WAY THE EXACT FUNCTIONING OF THE TEST CAN BE INTERPETED.

6. ERRORS

AS DESCRIBED PREVIOUSLY THERE WILL ALWAYS BE A TEST NUMBER AND PC TYPED OUT AT THE TIME OF AN ERROR (PROVIDING SW 13=0 AND SW 12=0). IN MOST CASES ADDITIONAL INFORMATION WILL BE SUPPLIED TO THE THE ERROR MESSAGE WHICH IS TO GIVE THE OPERATOR AN INDICATION OF THE ERROR.

6.2 ERROR RECOVERY

IF FOR SOME REASON THE DZ11 SHOULD 'HANG THE BUS' (GAIN CONTROL OF BUS SO THAT CONSOLE MANUAL FUNCTIONS ARE INHIBITED) AN INIT OR POWER DOWN/UP IS NECESSARY FOR OPERATOR TO REGAIN CONTROL OF CPU. IF THIS SHOULD HAPPEN; LOOK IN LOCATION 'TSTNO' (ADDRESS 1216)FOR THE NUMBER OF THE TEST THAT WAS RUNNING AT THE TIME OF THE CATASTROPHIC ERROR. IN THIS WAY THE OPERATOR WILL HAVE AN IDEA AS TO WHAT THE DZ11 WAS DOING AT THE TIME OF THE ERROR.

7. RESTRICTIONS

7.1 STARTING RESTRICTIONS

SEE SECTION 4. (PLEASE)
STATUS TABLE SHOULD BE VERIFIED REGARDLESS OF HOW PROGRAM WAS STARTED. ALSO IT IS IMPORTANT TO USE THIS LISTING ALONG WITH THE INFORMATION PRINTED ON THE TTY TO COMPLETLY ISOLATE PROBLEMS.

486
487
488
489
490
491
492
493
494
495
496
497
498
499
500
501
502
503
504
505
506
507
508
509
510
511
512
513
514
515

7.2 OPERATING RESTRICTIONS

PARAMETER MUST BE INPUT FROM USER OR APT IF "AUTO SIZING" IS NOT USED.

8. MISCELLANEOUS

8.1 EXECUTION TIME

ALL DZ11 DEVICE DIAGNOSTICS WILL GIVE AN 'END PASS' MESSAGE (PROVIDING NO ERRORS AND SW12=0) WITHIN 2 MIN. THIS IS ASSUMING SW11=2 (DELETE ITERATIONS) IS SET TO GIVE THE FASTEST POSSIBLE EXECUTION. THE ACTUAL EXECUTION TIME DEPENDS GREATLY ON THE PDP11 CPU CONFIGURATION.

8.2 PASS COMPLETE

NOTE: *EVERY* TIME THE PROGRAM IS STARTED; THE TESTS WILL RUN AS IF SW11 (DELETE ITERATIONS) WAS UP (=1). THIS IS TO 'VERIFY NO *HARD* ERRORS' AS SOON AS POSSIBLE. THEREFORE THE FIRST PASS -EACH TIME PROGRAM IS STARTED- WILL BE A 'QUICK PASS' UNTIL ALL DZ11'S IN SYSTEM ARE TESTED. WHEN THE DIAGNOSTIC HAS COMPLETED A PASS THE FOLLOWING IS AN EXAMPLE OF THE PRINT OUT TO BE EXPECTED.

END PASS DZDZA-B CSR: 1E0010 VEC: 300 PASSES: 000001 ERRORS: 000000

NOTE: THE NUMBERS FOR CSR AND VEC ARE NOT NECESSARILY THE VALUES FOR THE DEVICE. THEY ARE ONLY FOR THIS EXAMPLE.

516
517
518
519
520
521
522
523
524
525
526
527
528
529
530
531
532
533
534
535
536
537
538
539
540
541
542
543
544

8.4 KEY LOCATIONS

SLPADR (1126) CONTAINS THE ADDRESS WHERE PROGRAM WILL RETURN WHEN ITERATION COUNT IS REACHED OR IF LOOP ON TEST IS ASSERTED.

NEXT (1360) CONTAINS THE ADDRESS OF THE NEXT TEST TO BE PERFORMED.

\$TSTNM (1122) CONTAINS THE NUMBER OF THE TEST NOW BEING PERFORMED.

RUN (1406) THE BIT IN 'RUN' ALWAYS POINTS ONE PAST THE DZ11 CURRENTLY BEING TESTED. EXAMPLE: (RUN) 1304/0000000001000000 MEANS THAT DZ11 NO.05 IS THE DZ11 NOW RUNNING.

STATUS MAP (1500)-(2000) THESE LOCATIONS CONTAIN THE INFORMATION NEEDED TO TEST UP TO 16 (DECIMAL) DZ11S SEQUENTIALY. THEY CONTAIN THE CSR, VECTOR AND STATUS CONCERNING THE CONFIGURATION OF EACH DZ11.

DZACTV (1404) EACH BIT SET IN THIS LOCATION INDICATES THAT THE ASSOCIATED DZ11 WILL BE TESTED IN TURN. EXAMPLE: (DZACTV) 1300/0000000000011111 MEANS THAT DZ11 NO. 00,01,02,03,04 WILL BE TESTED. EXAMPLE: (DZACTV) 1300/0000000000010001 MEANS THAT DZ11 NO. 00,04 WILL BE TESTED.

\$BASE (1310) CONTAINS THE RECEIVER CSR OF THE CURRENT DZ11 UNDER TEST.

575
576
577
578
579
580
581
582
583
584
585
586

B.4A MORE ON THAT 'STATUS TABLE' (1500-2000)

'MAP OF DZ11 STATUS'

1500	160010
1502	000300
1504	000005
1506	000377
1510	017470
1512	000000

THE ABOVE INFORMATION WILL BE REPEATED FOR EACH OF UP TO 8 DZ11'S IN THE SYSTEM(THESE WILL FOLLOW UNDER THIS TABLE). EXPLANATION:

- 1500 160010 THIS IS THE SYSTEM CONTROL REGISTER FOR THE 1ST DZ11 IN THE SYSTEM.
- 1502 000300 THIS IS VECTOR 'A' FOR THE FIRST DZ11 IN THE SYSTEM.
- 1504 000005 THIS REPRESENTS THE BUS INTERRUPT PRIORITY LEVEL OF THE DZ11. BIT15 OF THIS LOCATION INDICATES EITHER EIA OR 20MA. IF BIT15=0 MODULE SHOULD BE EIA; IF BIT15=1 MODULE SHOULD BE 20MA.
- 1506 000377 THIS IS THE BINARY REPRESENTATION OF WHAT LINES ARE TO BE TESTED.
- 1510 017470 THIS IS THE PARAMETER LOCATION USED IS MOST OF THE TESTS. IT INDICATED PARAMETERS OF: RX ON, SPEED SELECT 17 (19.2K BAUD) EIGHT BITS PER CHAR, AND TWO STOP BITS. THE USER MAY ALTER THE STOP BITS AND THE SPEED, BUT THE REMAINING PARAMETERS SHOULD BE LEFT ALONE.
- 1512 000000 THIS LOCATION WILL CONTAIN EITHER ALL ZEROS INDICATING THAT INTERNAL LOOP WAS SELECTED AS MODE OF OPERATION OR IT WILL CONTAIN 10000 INDICATING THAT "STAGGERED MODE" WAS SELECTED OR IT WILL CONTAIN 000200 INDICATING THAT "EXTERNAL" WAS THE MODE SELECTED.

THE ABOVE IS REPEATED FOR EACH DZ11 IN THE SYSTEM. THE TABLE IS FILLED BY AUTO SIZING OR BY THE MANUAL PARAMETER INPUT PROGRAM AS DESCRIBED PREVIOUSLY. ALSO IF DESIRED BY USER: THE LOCATIONS MAY BE ALTERED BY HAND (TOGGLED IN) TO SUIT THE SPECIFIC CONFIGURATION.

587
588
589
590
591
592
593
594
595
596
597
598
599
600
601
602
603
604
605
606
607
608
609
610
611
612
613
614
615
616
617
618
619
620
621
622
623
624
625
626
627
628
629
630
631
632
633
634
635
636
637
638
639
640
641
642

8.5 *** METHOD OF AUTO SIZING ***

8.5.1 FINDING THE CONTROL STATUS REGISTER.

THE PROGRAM WILL START AT ADDRESS 160000 AND START 'REFERENCEING' THE ADDRESS IN THE POINTER. IF A NON-EX MEMORY TRAP OCCURS, THE POINTER (HOLDING 160000) IS UPDATED BY 10 AND THE ABOVE IS REPEATED UNTIL ADDRESS 163700 IS REACHED. IF A 'SLAVE SYNC RESPONSE' WAS ISSUED BY THE DZ11 (OR ANY OTHER DEVICE) (NO NXM TRAP), "MASTER SCAN ENABLE" IS ATTEMPTED TO BE SET AND THE "TCR" BIT FOR LINE 7 IS SET. "TRDY" IS THEN TESTED TO BE SET AND BOTH "TCR07" AND "MASTER SCAN ENABLE" ARE TESTED TO BE STILL SET. IF ALL OF THIS WORKED, THEN A "DEVICE CLEAR" IS ISSUED TESTING THAT THE BIT CAN BE READ BACK AND THAT AFTER SOME TIME IT SELF CLEARS. IF ALL OF THE ABOVE WORKED, THIS DEVICE IS ASSUMED TO BE A DZ11. IF ANY OF THE ABOVE FAILED; UPDATING OF THE POINTER IS DONE AND THE SEQUENCE IS REPEATED.

NOTE: IF THE PROGRAM DOES NOT FIND YOUR DZ11; SOMETHING IS WRONG AND AUTO SIZING SHOULD NOT BE DONE.

8.5.2 FINDING THE VECTOR

THE VECTOR AREA (ADDRESS 300-776) IS FILLED WITH THE INSTRUCTION IOT AND '+2' (NEXT ADDRESS). BIT14 AND BITS (TX INTERRUPT ENABLE AND MSTSCAN ENABLE) ARE SET INTO THE DZCSR. "TCR07" IS THEN SET. A DELAY IS MADE AND IF NO INTERRUPT OCCURES (BECAUSE OF A BAD DZ11) THE PROGRAM ASSUMES VECTOR ADDRESS 300 AND THE PROBLEM SHOULD BE FIXED IN THE DIAGNOSTIC. ONCE THE PROBLEM IS FIXED, THE PROGRAM SHOULD BE RE-SETUP AGAIN TO GET CORRECT VECTOR. IF AN INTERRUPT OCCURRED, THE ADDRESS TO WHICH THE DZ11 INTERRUPTED TO IS PICKED UP AND REPORTED AS THE VECTOR. NOTE: IF THE VECTOR REPORTED IS NOT THE VECTOR SET UP BY YOU; THERE IS A PROBLEM AND AUTO SIZING SHOULD NOT BE DONE.

8.5.3 PARAMETER ASSUMPTIONS.

SINCE TOO MUCH HARDWARE WOULD NEED TO BE TURNED ON TO SIZE THE REST OF THE PARAMETERS; THE PROGRAM MUST ASSUME THE REMAINING VARIATIONS. THE RESULT IF NOT TO YOUR SPECIFIC CONFIGURATION MAY BE ALTERED BY HAND (TOGGLE IN) IF DESIRED. IN THIS WAY 95% OF THE PARAMETER SETUP WAS DONE BY THE PROGRAM AND 5% BY YOU.

THEREFORE:

- 1) BUS PRIORITY IS SET TO LEVELS.
- 2) ALL EIGHT LINES ARE ASSUMED TO BE TESTED.
- 3) DEFAULT BAUD RATE IS SET TO 17 (19.2 K).
- 4) MODE OF OPERATION IS "INTERNAL MODE".
- 5) MODULE IS ASSUMED TO BE "EIA" VERSION.
SET BIT 15 IN PRIORITY ENTRY OF MAP IF YOU HAVE A 20MA MODULE.

IN ALL ADJUSTMENTS PLEASE REFER TO SECTION 8.4A FOR GREATER DETAIL.

.TITLE MO-11-DZDZA-B
: *COPYRIGHT (C) 1976
: *DIGITAL EQUIPMENT CORP.
: *MAYNARD, MASS. 01754

```

643      ;*
644      ;*PROGRAM BY JERRYL PAYNE,JOHN EGOLF
645      ;*
646      ;*THIS PROGRAM WAS ASSEMBLED USING THE PDP-11 MAINDEC SYSMAC
647      ;*PACKAGE (MAINDEC-11-DZQAC-CO),MAR 21, 1976.
648      ;*
649      000001 ;$TN=1
650      ;STARTING PROCEDURE
651      ;LOAD PROGRAM
652      ;LOAD ADDRESS 000200
653      ;PRESS START
654      ;PROGRAM WILL TYPE "MAINDEC-11-DZDZAB/<200>/EIGHT LINE ASYNC MUX TESTS"
655      ;PROGRAM WILL TYPE "RUNNING" TO INDICATE THAT TESTING HAS STARTED
656      ;AT THE END OF A PASS, PROGRAM WILL TYPE PASS COMPLETE MESSAGE
657      ;AND THEN RESUME TESTING
658
659      .SBTTL BASIC DEFINITIONS
660
661      ;*INITIAL ADDRESS OF THE STACK POINTER *** 1120 ***
662      001120 STACK= 1120
663      .EQUIV EMT,ERROR      ;;BASIC DEFINITION OF ERROR CALL
664      .EQUIV IOT,SCOPE      ;;BASIC DEFINITION OF SCOPE CALL
665
666      ;*MISCELLANEOUS DEFINITIONS
667      000011 HT= 11      ;;CODE FOR HORIZONTAL TAB
668      000012 LF= 12      ;;CODE FOR LINE FEED
669      000015 CR= 15      ;;CODE FOR CARRIAGE RETURN
670      000200 CRLF= 200    ;;CODE FOR CARRIAGE RETURN-LINE FEED
671      177776 PS= 177776  ;;PROCESSOR STATUS WORD
672      .EQUIV PS,PSW
673      177774 STKLMT= 177774 ;;STACK LIMIT REGISTER
674      177772 PIRQ= 177772 ;;PROGRAM INTERRUPT REQUEST REGISTER
675      177570 DSWR= 177570 ;;HARDWARE SWITCH REGISTER
676      177570 DDISP= 177570 ;;HARDWARE DISPLAY REGISTER
677
678      ;*GENERAL PURPOSE REGISTER DEFINITIONS
679      000000 R0= %0      ;;GENERAL REGISTER
680      000001 R1= %1      ;;GENERAL REGISTER
681      000002 R2= %2      ;;GENERAL REGISTER
682      000003 R3= %3      ;;GENERAL REGISTER
683      000004 R4= %4      ;;GENERAL REGISTER
684      000005 R5= %5      ;;GENERAL REGISTER
685      000006 R6= %6      ;;GENERAL REGISTER
686      000007 R7= %7      ;;GENERAL REGISTER
687      .EQUIV R6,SP      ;;STACK POINTER
688      .EQUIV R7,PC      ;;PROGRAM COUNTER
689
690      ;*PRIORITY LEVEL DEFINITIONS
691      000000 PR0= 0      ;;PRIORITY LEVEL 0
692      000040 PR1= 40     ;;PRIORITY LEVEL 1
693      000100 PR2= 100    ;;PRIORITY LEVEL 2
694      000140 PR3= 140    ;;PRIORITY LEVEL 3
695      000200 PR4= 200    ;;PRIORITY LEVEL 4
696      000240 PR5= 240    ;;PRIORITY LEVEL 5
697      000300 PR6= 300    ;;PRIORITY LEVEL 6
698      000340 PR7= 340    ;;PRIORITY LEVEL 7

```

MD-11-DZDZA-B
DZDZAB.P11

MACY11 27(732) 03-NOV-76 15:03 PAGE 18
BASIC DEFINITIONS

```

699
700
701      100000
702      040000
703      020000
704      010000
705      004000
706      002000
707      001000
708      000400
709      000200
710      000100
711      000040
712      000020
713      000010
714      000004
715      000002
716      000001
717
718
719
720
721
722
723
724
725
726
727
728
729      100000
730      040000
731      020000
732      010000
733      004000
734      002000
735      001000
736      000400
737      000200
738      000100
739      000040
740      000020
741      000010
742      000004
743      000002
744      000001
745
746
747
748
749
750
751
752
753
754

```

```

.*"SWITCH REGISTER" SWITCH DEFINITIONS
SW15= 100000
SW14= 40000
SW13= 20000
SW12= 10000
SW11= 4000
SW10= 2000
SW09= 1000
SW08= 400
SW07= 200
SW06= 100
SW05= 40
SW04= 20
SW03= 10
SW02= 4
SW01= 2
SW00= 1
.EQUIV SW09,SW9
.EQUIV SW08,SW8
.EQUIV SW07,SW7
.EQUIV SW06,SW6
.EQUIV SW05,SW5
.EQUIV SW04,SW4
.EQUIV SW03,SW3
.EQUIV SW02,SW2
.EQUIV SW01,SW1
.EQUIV SW00,SW0

.*DATA BIT DEFINITIONS (BIT00 TO BIT15)
BIT15= 100000
BIT14= 40000
BIT13= 20000
BIT12= 10000
BIT11= 4000
BIT10= 2000
BIT09= 1000
BIT08= 400
BIT07= 200
BIT06= 100
BIT05= 40
BIT04= 20
BIT03= 10
BIT02= 4
BIT01= 2
BIT00= 1
.EQUIV BIT09,BIT9
.EQUIV BIT08,BIT8
.EQUIV BIT07,BIT7
.EQUIV BIT06,BIT6
.EQUIV BIT05,BIT5
.EQUIV BIT04,BIT4
.EQUIV BIT03,BIT3
.EQUIV BIT02,BIT2
.EQUIV BIT01,BIT1
.EQUIV BIT00,BIT0

```



```

755
756      ;*BASIC "CPU" TRAP VECTOR ADDRESSES
757      000004      ERRVEC= 4      ; TIME OUT AND OTHER ERRORS
758      000010      RESVEC= 10     ; RESERVED AND ILLEGAL INSTRUCTIONS
759      000014      TBITVEC=14     ; "T" BIT
760      000014      TRTVEC= 14     ; TRACE TRAP
761      000014      BPTVEC= 14     ; BREAKPOINT TRAP (BPT)
762      000020      IOTVEC= 20     ; INPUT/OUTPUT TRAP (IOT) **SCOPE**
763      000024      PWRVEC= 24     ; POWER FAIL
764      000030      EMTVEC= 30     ; EMULATOR TRAP (EMT) **ERROR**
765      000034      TRAPVEC=34     ; "TRAP" TRAP
766      000060      TKVEC= 60      ; TTY KEYBOARD VECTOR
767      000064      TPVEC= 64      ; TTY PRINTER VECTOR
768      000240      PIRQVEC=240    ; PROGRAM INTERRUPT REQUEST VECTOR

```

```

770
771      ; INSTRUCTION DEFINITIONS
772      -----

```

```

773
774      005746      PUSH1SP=5746    ; DECREMENT PROCESSOR STACK 1 WORD
775      005726      POP1SP=5726    ; INCREMENT PROCESSOR STACK 1 WORD
776      010046      PUSHRO=10046   ; SAVE RO ON STACK
777      012600      POPRO=12600    ; RESTORE RO FROM STACK
778      024646      PUSH2SP=24646  ; DECREMENT STACK TWICE
779      022626      POP2SP=22626   ; INCREMENT STACK TWICE

```

```

780
781      ; DZ11 CONTROL AND STATUS REGISTER DEFINITIONS
782      ; (DZCSR) BIT DEFINITIONS
783      -----

```

```

784
785      000010      MAINT = BIT3     ; MAINTENANCE MODE ENABLE
786      000020      DCLR=BIT4      ; DEVICE CLEAR
787      000040      MSENAB=BITS    ; MASTER SCAN ENABLE
788      000100      RIE=BIT6       ; RECEIVER INTERRUPT ENABLE
789      000200      RDONE=BIT7     ; RECEIVER DONE
790      010000      SILOEN= BIT12   ; SILO ALARM ENABLE
791      020000      SILOAL = BIT13  ; SILO ALARM
792      040000      TIE=BIT14      ; TRANSMITTER INTERRUPT ENABLE
793      100000      TRDY=BIT15     ; TRANSMITTER READY

```

```

794
795      ; DZCSR WORD DEFINITIONS
796      -----

```

```

797      000000      TLO=0           ; TRANSMIT LINE 0
798      000400      TL1=BIT8       ; TRANSMIT LINE 1
799      001000      TL2=BIT9       ; TRANSMIT LINE 2
800      001400      TL3=BIT9!BIT8  ; TRANSMIT LINE 3
801      002000      TL4=BIT10      ; TRANSMIT LINE 4
802      002400      TL5=BIT10!BIT8 ; TRANSMIT LINE 5
803      003000      TL6=BIT10!BIT9 ; TRANSMIT LINE 6
804      003400      TL7=BIT10!BIT9!BIT8 ; TRANSMIT LINE 7

```

```

805
806      ; DZRBUF BIT DEFINITIONS
807      -----

```

```

808
809
810      010000      PARER=BIT12     ; PARITY ERROR

```

811	020000	FRMERR=BIT13	:FRAME ERROR
812	040000	OVRRUN=BIT14	:OVERRUN ERROR
813	100000	DVALID=BIT15	:DATA VALID
814			
815			
816			
817			
818	000000	RL0=0	:RECEIVER LINE 0
819	000400	RL1=BIT8	:RECEIVER LINE 1
820	001000	RL2=BIT9	:RECEIVER LINE 2
821	001400	RL3=BIT9!BIT8	:RECEIVER LINE 3
822	002000	RL4=BIT10	:RECEIVER LINE 4
823	002400	RL5=BIT10!BIT8	:RECEIVER LINE 5
824	003000	RL6=BIT10!BIT9	:RECEIVER LINE 6
825	003400	RL7=BIT10!BIT9!BIT8	:RECEIVER LINE 7
826			
827			
828			
829			
830	000000	LP0=0	:LINE PARAMETER 0
831	000001	LP1=BIT0	:LINE PARAMETER 1
832	000002	LP2=BIT1	:LINE PARAMETER 2
833	000003	LP3=BIT1!BIT0	:LINE PARAMETER 3
834	000004	LP4=BIT2	:LINE PARAMETER 4
835	000005	LP5=BIT2!BIT0	:LINE PARAMETER 5
836	000006	LP6=BIT2!BIT1	:LINE PARAMETER 6
837	000007	LP7=BIT2!BIT1!BIT0	:LINE PARAMETER 7
838			
839	000000	FIVE=0	:FIVE BITS/CHAR, 1 STOP BIT
840	000010	SIX=BIT3	:SIX BITS/CHAR, 1 STOP BIT
841	000020	SEVEN=BIT4	:SEVEN BITS/CHAR, 1 STOP BIT
842	000030	EIGHT=BIT4!BIT3	:EIGHT BITS/CHAR, 1 STOP BIT
843	000040	FIVES=BIT5	:FIVE BITS/CHAR, 2 STOP BITS
844	000050	SIXS=BIT5!BIT3	:SIX BITS/CHAR, 2 STOP BITS
845	000060	SEVENS=BIT5!BIT4	:SEVEN BITS/CHAR, 2 STOP BITS
846	000070	EIGHTS=BIT5!BIT4!BIT3	:EIGHT BITS/CHAR, 2 STOP BITS
847			
848	000100	PARITY=BIT6	:PARITY ENABLED
849	000200	ODDPAR=BIT7	:ODD PARITY ENABLED
850	000000	ONESTOP=0	:ONE STOP BIT ENABLED
851	000040	TWOSTOP=BIT5	:TWO STOP BITS ENABLED
852	000000	EVEPAR=0	:EVEN PARITY ENABLED
853	010000	RCVON=BIT12	:ENABLE RECEIVER (RECEIVER ON)
854			
855	000000	S50=0	:SPEED 50 BAUD
856	000400	S75=BIT8	:SPEED 75 BAUD
857	001000	S110=BIT9	:SPEED 110 BAUD
858	001400	S134=BIT9!BIT8	:SPEED 134.5 BAUD
859	002000	S150=BIT10	:SPEED 150 BAUD
860	002400	S300=BIT10!BIT8	:SPEED 300 BAUD
861	003000	S600=BIT10!BIT9	:SPEED 600 BAUD
862	003400	S1200=BIT10!BIT9!BIT8	:SPEED 1200 BAUD
863	004000	S1800=BIT11	:SPEED 1800 BAUD
864	004400	S2000=BIT11!BIT8	:SPEED 2000 BAUD
865	005000	S2400=BIT11!BIT9	:SPEED 2400 BAUD
866	005400	S3600=BIT11!BIT9!BIT8	:SPEED 3600 BAUD

867	006000	S4800=BIT11!BIT10	;SPEED 4800 BAUD
868	006400	S7200=BIT11!BIT10!BIT8	;SPEED 7200 BAUD
869	007000	S9600=BIT11!BIT10!BIT9	;SPEED 9600 BAUD
870	007400	S19200=BIT11!BIT10!BIT9!BIT8	;SPEED 19200 BAUD

;DZTCR BIT DEFINITIONS

871			
872			
873			
874	000001	TCR0=BIT0	;TCR0
875	000002	TCR1=BIT1	;TCR1
876	000004	TCR2=BIT2	;TCR2
877	000010	TCR3=BIT3	;TCR3
878	000020	TCR4=BIT4	;TCR4
879	000040	TCR5=BIT5	;TCR5
880	000100	TCR6=BIT6	;TCR6
881	000200	TCR7=BIT7	;TCR7
882	000400	DTR0=BIT8	;DTR0
883	001000	DTR1=BIT9	;DTR1
884	002000	DTR2=BIT10	;DTR2
885	004000	DTR3=BIT11	;DTR3
886	010000	DTR4=BIT12	;DTR4
887	020000	DTR5=BIT13	;DTR5
888	040000	DTR6=BIT14	;DTR6
889	100000	DTR7=BIT15	;DTR7

;DZMSR BIT DEFINITIONS

891			
892			
893	000001	RING0=BIT0	;RING INDICATED ON LINE 0
894	000002	RING1=BIT1	;RING INDICATED ON LINE 1
895	000004	RING2=BIT2	;RING INDICATED ON LINE 2
896	000010	RING3=BIT3	;RING INDICATED ON LINE 3
897	000020	RING4=BIT4	;RING INDICATED ON LINE 4
898	000040	RING5=BIT5	;RING INDICATED ON LINE 5
899	000100	RING6=BIT6	;RING INDICATED ON LINE 6
900	000200	RING7=BIT7	;RING INDICATED ON LINE 7
901	000400	C00=BIT8	;CARRIER PRESENT ON LINE 0
902	001000	C01=BIT9	;CARRIER PRESENT ON LINE 1
903	002000	C02=BIT10	;CARRIER PRESENT ON LINE 2
904	004000	C03=BIT11	;CARRIER PRESENT ON LINE 3
905	010000	C04=BIT12	;CARRIER PRESENT ON LINE 4
906	020000	C05=BIT13	;CARRIER PRESENT ON LINE 5
907	040000	C06=BIT14	;CARRIER PRESENT ON LINE 6
908	100000	C07=BIT15	;CARRIER PRESENT ON LINE 7

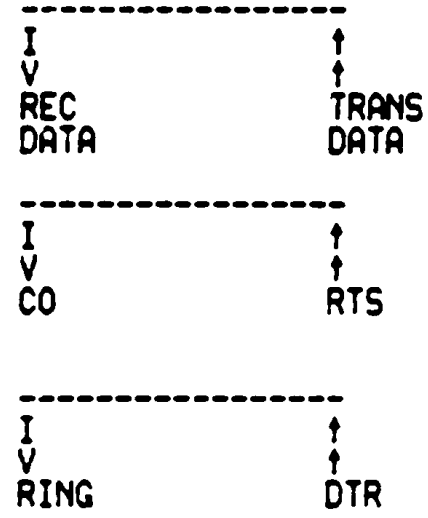
;DZTDR BIT DEFINITIONS

911			
912			
913	000400	BRK0=BIT8	;BREAK FOR LINE 0
914	001000	BRK1=BIT9	;BREAK FOR LINE 1
915	002000	BRK2=BIT10	;BREAK FOR LINE 2
916	004000	BRK3=BIT11	;BREAK FOR LINE 3
917	010000	BRK4=BIT12	;BREAK FOR LINE 4
918	020000	BRK5=BIT13	;BREAK FOR LINE 5
919	040000	BRK6=BIT14	;BREAK FOR LINE 6
920	100000	BRK7=BIT15	;BREAK FOR LINE 7

921
922

923
924
925
926
927
928
929
930
931
932
933
934
935
936
937
938
939
940

TABLE OF LOOP AROUND FUNCTIONS (H325)




```

941      ;*****
942      ;-----
943      ; TRAPCATCHER FOR ILLEGAL INTERRUPTS
944      ; THE STANDARD "TRAP CATCHER" IS PLACED
945      ; BETWEEN ADDRESS 0 TO ADDRESS 776.
946      ; IT LOOKS LIKE "PC+2 HALT".
947      ;-----
948      ;*****
949
950      000000      .=0
951      ; STANDARD INTERRUPT VECTORS
952      ;-----
953
954      000010      .=10
955      000012      010620      SET.PS      ;FAKE "MTPS" INSTRUCTION TRAP
956      000012      000340      PR7          ;MAKE SURE PS IS PRIORITY 7
957
958      000020      .=20
959      000020      004642      .SCOPE      ;SCOPE LOOP HANDLER
960      000022      000340      PR7          ;HANDLE AT PRIORITY 7
961      000024      007500      $PWRDN     ;POWER FAIL HANDLER
962      000026      000340      340         ;SERVICE AT PRIORITY LEVEL 7
963      000030      006570      $ERROR    ;ERROR HANDLER
964      000032      000340      340         ;SERVICE AT PRIORITY LEVEL 7
965      000034      006462      .TRPSRV    ;GENERAL HANDLER DISPATCH SERVICE
966      000036      000340      340         ;SERVICE AT PRIORITY LEVEL 7
967      .SBTTL ACT11 HOOKS
968
969      ;*****
970      ;HOOKS REQUIRED BY ACT11
971      000040      $SVPC=.      ;SAVE PC
972      000046      .=46
973      000046      004576      $ENDAD     ;;1)SET LOC.46 TO ADDRESS OF $ENDAD IN .$EOP
974      000052      .=52
975      000052      000000      .WORD 0     ;;2)SET LOC.52 TO ZERO
976      000040      .=52
977      000040      $SVPC
978      000174      .=174
979      000174      000000      DISPREG:0   ;SOFTWARE DISPLAY REGISTER FOR SWITCHLESS 115
980      000176      000000      SWREG: 0    ;SOFTWARE SWITCH REGISTER FOR SWITCHLESS 115
981      000200      .=200
982      000200      000137      002150      JMP .START ;GO TO START OF PROGRAM
983      000210      .=210
984      000210      000137      023114      JMP XSTART ;GOTO CABLE TEST/ECHO TEST
985
986
987      001000      .=1000
988      001000      005200      040515      047111      MTITLE: .ASCIZ <200><12>/MAINDEC-11-DZDZAB/<200>/EIGHT LINE ASYNC MUX TESTS/<200>
(2)

```

.SBTTL COMMON TAGS

*THIS TABLE CONTAINS VARIOUS COMMON STORAGE LOCATIONS
*USED IN THE PROGRAM.

989
990
991
992
993
994
995 001120
996 001120
997 001120 000000
998 001122 000
999 001123 000
1000 001124 000000
1001 001126 000000
1002 001130 000000
1003 001132 000000
1004 001134 000
1005 001135 001
1006 001136 000000
1007 001140 000000
1008 001142 000000
1009 001144 000000
1010 001146 000000
1011 001150 000000
1012 001152 000000
1013 001154 000
1014 001155 000
1015 001156 000000
1016 001160 177570
1017 001162 177570
1018 001164 177560
1019 001166 177562
1020 001170 177564
1021 001172 177566
1022 001174 000
1023 001175 002
1024 001176 012
1025 001177 000
1026 001200 000000
1027
1028 001202 000000
1029 001204 000000
1030 001206 000000
1031 001210 000000
1032 001212 000000
1033 001214 000000
1034 001216 000000
1035 001220 000000
1036 001222 000000
1037 001224 000000
1038 001226 000000
1039 001230 077
1040 001231 015
1041 001232 000012
1042
1043
1044

SCMTAG: .-1120

.WORD 0
\$STNM: .BYTE 0
\$ERFLG: .BYTE 0
\$ICNT: .WORD 0
\$LPADR: .WORD 0
\$LPERR: .WORD 0
\$ERTTL: .WORD 0
\$ITEMB: .BYTE 0
\$ERMAX: .BYTE 1
\$ERRPC: .WORD 0
\$GDADR: .WORD 0
\$BDADR: .WORD 0
\$GDADR: .WORD 0
\$BDADR: .WORD 0
\$AUTOB: .BYTE 0
\$INTAG: .BYTE 0
\$SWR: .WORD DSWR
\$DISPLAY: .WORD DDISP
\$TKS: 177560
\$TKB: 177562
\$TPS: 177564
\$TPB: 177566
\$NULL: .BYTE 0
\$FILLS: .BYTE 2
\$FILLC: .BYTE 12
\$TPFLG: .BYTE 0
\$REGAD: .WORD 0
\$REG0: .WORD 0
\$REG1: .WORD 0
\$REG2: .WORD 0
\$REG3: .WORD 0
\$REG4: .WORD 0
\$REG5: .WORD 0
\$TMP0: .WORD 0
\$TMP1: .WORD 0
\$TMP2: .WORD 0
\$TMP3: .WORD 0
\$TIMES: 0
\$QUES: .ASCII /?/
\$CRLF: .ASCII <15>
\$LF: .ASCIZ <12>

;; START OF COMMON TAGS

;; CONTAINS THE TEST NUMBER
;; CONTAINS ERROR FLAG
;; CONTAINS SUBJECT ITERATION COUNT
;; CONTAINS SCOPE LOOP ADDRESS
;; CONTAINS SCOPE RETURN FOR ERRORS
;; CONTAINS TOTAL ERRORS DETECTED
;; CONTAINS ITEM CONTROL BYTE
;; CONTAINS MAX. ERRORS PER TEST
;; CONTAINS PC OF LAST ERROR INSTRUCTION
;; CONTAINS ADDRESS OF 'GOOD' DATA
;; CONTAINS ADDRESS OF 'BAD' DATA
;; CONTAINS 'GOOD' DATA
;; CONTAINS 'BAD' DATA
;; RESERVED--NOT TO BE USED
;; AUTOMATIC MODE INDICATOR
;; INTERRUPT MODE INDICATOR
;; ADDRESS OF SWITCH REGISTER
;; ADDRESS OF DISPLAY REGISTER
;; TTY KBD STATUS
;; TTY KBD BUFFER
;; TTY PRINTER STATUS REG. ADDRESS
;; TTY PRINTER BUFFER REG. ADDRESS
;; CONTAINS NULL CHARACTER FOR FILLS
;; CONTAINS # OF FILLER CHARACTERS REQUIRED
;; INSERT FILL CHARS. AFTER A "LINE FEED"
;; "TERMINAL AVAILABLE" FLAG (BIT<07>=0=YES)
;; CONTAINS THE ADDRESS FROM WHICH (\$REG0) WAS OBTAINED
;; CONTAINS ((\$REGAD)+0)
;; CONTAINS ((\$REGAD)+2)
;; CONTAINS ((\$REGAD)+4)
;; CONTAINS ((\$REGAD)+6)
;; CONTAINS ((\$REGAD)+10)
;; CONTAINS ((\$REGAD)+12)
;; USER DEFINED
;; USER DEFINED
;; USER DEFINED
;; USER DEFINED
;; MAX. NUMBER OF ITERATIONS
;; QUESTION MARK
;; CARRIAGE RETURN
;; LINE FEED

.SBTTL APT MAILBOX-ETABLE

Line No.	Address	Value	Field Name	Description
1045			*****	
1046			.EVEN	
1047	001234		\$MAIL:	APT MAILBOX
1048	001234	000000	\$MSGTY: .WORD	MESSAGE TYPE CODE
1049	001236	000000	\$FATAL: .WORD	FATAL ERROR NUMBER
1050	001240	000000	\$TESTN: .WORD	TEST NUMBER
1051	001242	000000	\$PASS: .WORD	PASS COUNT
1052	001244	000000	\$DEVCT: .WORD	DEVICE COUNT
1053	001246	000000	\$UNIT: .WORD	I/C UNIT NUMBER
1054	001250	000000	\$MSGAD: .WORD	MESSAGE ADDRESS
1055	001252	000000	\$MSGLG: .WORD	MESSAGE LENGTH
1056	001254		\$ETABLE:	APT ENVIRONMENT TABLE
1057	001254	000	\$ENV: .BYTE	ENVIRONMENT BYTE
1058	001255	000	\$ENVM: .BYTE	ENVIRONMENT MODE BITS
1059	001256	000000	\$SWREG: .WORD	APT SWITCH REGISTER
1060	001260	000000	\$USWR: .WORD	USER SWITCHES
1061	001262	000000	\$CPUOP: .WORD	CPU TYPE, OPTIONS
1062			BIT 15-11=CPU TYPE	
1063			11/04=01, 11/05=02, 11/20=03, 11/40=04, 11/45=05	
1064			11/70=06, PDQ=07, Q=10	
1065			BIT 10=REAL TIME CLOCK	
1066			BIT 9=FLOATING POINT PROCESSOR	
1067			BIT 8=MEMORY MANAGEMENT	
1068	001264	000	\$MAMS1: .BYTE	HIGH ADDRESS, M.S. BYTE
1069	001265	000	\$MTYP1: .BYTE	MEM. TYPE, BLK#1
1070			MEM. TYPE BYTE -- (HIGH BYTE)	
1071			900 NSEC CORE=001	
1072			300 NSEC BIPOLAR=002	
1073			500 NSEC MOS=003	
1074	001266	000000	\$MADR1: .WORD	HIGH ADDRESS, BLK#1
1075			MEM. LAST ADDR.=3 BYTES, THIS WORD AND LOW OF "TYPE" ABOVE	
1076	001270	000	\$MAMS2: .BYTE	HIGH ADDRESS, M.S. BYTE
1077	001271	000	\$MTYP2: .BYTE	MEM. TYPE, BLK#2
1078	001272	000000	\$MADR2: .WORD	MEM. LAST ADDRESS, BLK#2
1079	001274	000	\$MAMS3: .BYTE	HIGH ADDRESS, M.S. BYTE
1080	001275	000	\$MTYP3: .BYTE	MEM. TYPE, BLK#3
1081	001276	000000	\$MADR3: .WORD	MEM. LAST ADDRESS, BLK#3
1082	001300	000	\$MAMS4: .BYTE	HIGH ADDRESS, M.S. BYTE
1083	001301	000	\$MTYP4: .BYTE	MEM. TYPE, BLK#4
1084	001302	000000	\$MADR4: .WORD	MEM. LAST ADDRESS, BLK#4
1085	001304	000000	\$VECT1: .WORD	INTERRUPT VECTOR#1, BUS PRIORITY#1
1086	001306	000000	\$VECT2: .WORD	INTERRUPT VECTOR#2, BUS PRIORITY#2
1087	001310	160010	\$BASE: .WORD	BASE ADDRESS OF EQUIPMENT UNDER TEST
1088	001312	000000	\$DEVN: .WORD	DEVICE MAP
1089	001314	000000	\$CDW1: .WORD	CONTROLLER DESCRIPTION WORD#1
1090	001316	000000	\$CDW2: .WORD	CONTROLLER DESCRIPTION WORD#2
1091	001320	000000	\$DDW0: .WORD	DEVICE DESCRIPTOR WORD#0
1092	001322	000000	\$DDW1: .WORD	DEVICE DESCRIPTOR WORD#1
1093	001324	000000	\$DDW2: .WORD	DEVICE DESCRIPTOR WORD#2
1094	001326	000000	\$DDW3: .WORD	DEVICE DESCRIPTOR WORD#3
1095	001330	000000	\$DDW4: .WORD	DEVICE DESCRIPTOR WORD#4
1096	001332	000000	\$DDW5: .WORD	DEVICE DESCRIPTOR WORD#5
1097	001334	000000	\$DDW6: .WORD	DEVICE DESCRIPTOR WORD#6
1098	001336	000000	\$DDW7: .WORD	DEVICE DESCRIPTOR WORD#7
1099	001340	000000	\$DDW8: .WORD	DEVICE DESCRIPTOR WORD#8
1100	001342	000000	\$DDW9: .WORD	DEVICE DESCRIPTOR WORD#9

MD-11-DZDZA-8
DZDZAB.P11

MACY11 27(732) 03-NOV-76 15:03 PAGE 26
APT MAILBOX-ETABLE

1101	001344	000000	\$DDW10: .WORD	ADDW10	:: DEVICE DESCRIPTOR WORD#10
1102	001346	000000	\$DDW11: .WORD	ADDW11	:: DEVICE DESCRIPTOR WORD#11
1103	001350	000000	\$DDW12: .WORD	ADDW12	:: DEVICE DESCRIPTOR WORD#12
1104	001352	000000	\$DDW13: .WORD	ADDW13	:: DEVICE DESCRIPTOR WORD#13
1105	001354	000000	\$DDW14: .WORD	ADDW14	:: DEVICE DESCRIPTOR WORD#14
1106	001356	000000	\$DDW15: .WORD	ADDW15	:: DEVICE DESCRIPTOR WORD#15
1107					
1108					
1109	001360		\$ETEND:		
1110					



```

1111      .SBTTL  ERROR POINTER TABLE
1112
1113      ;*THIS TABLE CONTAINS THE INFORMATION FOR EACH ERROR THAT CAN OCCUR.
1114      ;*THE INFORMATION IS OBTAINED BY USING THE INDEX NUMBER FOUND IN
1115      ;*LOCATION SITEMB. THIS NUMBER INDICATES WHICH ITEM IN THE TABLE IS PERTINENT.
1116      ;*NOTE1:      IF SITEMB IS 0 THE ONLY PERTINENT DATA IS ($ERRPC).
1117      ;*NOTE2:      EACH ITEM IN THE TABLE CONTAINS 4 POINTERS EXPLAINED AS FOLLOWS:
1118
1119      ;*      EM      ;;POINTS TO THE ERROR MESSAGE
1120      ;*      DH      ;;POINTS TO THE DATA HEADER
1121      ;*      DT      ;;POINTS TO THE DATA
1122      ;*      DF      ;;POINTS TO THE DATA FORMAT
1123
1124
1125      001360      SERRTB:
1126
1127      ;PROGRAM CONTROL PARAMETERS
1128      ;-----
1129
1130      001360      000000      NEXT:      0      ;ADDRESS OF NEXT TEST TO BE EXECUTED
1131      001362      000000      LOCK:      0      ;ADDRESS FOR LOCK ON CURRENT DATA
1132
1133      ;PROGRAM VARIABLES
1134      ;-----
1135
1136      001364      000377      LINE:      377      ;DEFAULT ALL EIGHT LINES RUNNING
1137      001366      017470      PAR:      17470      ;PARAMETERS: 8 BITS/CHAR, 2 STOP BITS, 19200 BAUD, NO PARIT
1138      001370      000000      MODE:      0      ;DEFAULT MAINTENANCE MODE
1139      001372      000000      SAVLIN: 0      ;LINE NUMBER
1140      001374      000000      XMTLIN: 0      ;TRANSMISSION LINE NUMBER
1141      001376      000000      XMTCNT: 0      ;COUNT OF WORDS IN A TRANSMISSION PATTERN
1142      001400      000000      REGIST: 0      ;DEVICE ADDRESS STORAGE LOCATION
1143      001402      000000      SAVPC: 0      ;PROGRAM COUNTER STORAGE
1144      001404      000001      DZACTV: .BLKW 1      ;*DZ11'S SELECTED ACTIVE.
1145      001406      000001      RUN:      1      ;*POINTER ONE PAST RUNNING DEVICE.
1146      001410      000001      DZNUM:  .BLKB 1      ;*OCTAL NUMBER OF DZ11'S.
1147      001411      001      SAVNUM: .BYTE 1      ;*WORKABLE NUMBER.
1148
1149      001412      001500      .EVEN
      ACTIVE: DZ.MAP      ;TABLE POINTER.

```

1150					
1151				: PROGRAM CONTROL FLAGS	
1152				:-----	
1153					
1154	001414	000	EIAFLG: .BYTE	0	: 0=EIA 100000=20MA
1155	001415	000	INIFLG: .BYTE	00	: PROGRAM INITIALIZATION FLAG
1156	001416	000	HDRFLG: .BYTE	00	: PROGRAM INITIALIZATION FLAG FOR HEADER MAP
1157	001417	000	MNTFLG: .BYTE	00	: MAINTENANCE BIT SET FLAG
1158	001420	000	DONFLG: .BYTE	0	: TRANSMISSION COMPLETION FLAG
1159		001422	.EVEN		
1160			: DATA VARIABLES		
1161	001422	000000	TD0: .WORD	0	
1162	001424	000000	TD1: .WORD	00	
1163	001426	000000	TD2: .WORD	00	
1164	001430	000000	TD3: .WORD	00	
1165	001432	000000	TD4: .WORD	00	
1166	001434	000000	TD5: .WORD	00	
1167	001436	000000	TD6: .WORD	00	
1168	001440	000000	TD7: .WORD	00	
1169	001442	000000	TR0: .WORD	00	
1170	001444	000000	TR1: .WORD	00	
1171	001446	000000	TR2: .WORD	00	
1172	001450	000000	TR3: .WORD	00	
1173	001452	000000	TR4: .WORD	00	
1174	001454	000000	TR5: .WORD	00	
1175	001456	000000	TR6: .WORD	00	
1176	001460	000000	TR7: .WORD	0	
1177	001462		STOP:		
1178			.SBTTL	APT PARAMETER BLOCK	
1179					
1180					
1181			:*****		
1182			:SET LOCATIONS 24 AND 44 AS REQUIRED FOR APT		
1183		001462	:*****		
1184		000024	.SX=.	: SAVE CURRENT LOCATION	
1185	000024	000200	=24	: SET POWER FAIL TO POINT TO START OF PROGRAM	
1186		000044	200	: FOR APT START UP	
1187	000044	001462	=44	: POINT TO APT INDIRECT ADDRESS PNTR.	
1188		001462	\$APTHDR	: POINT TO APT HEADER BLOCK	
1189			=.SX	: RESET LOCATION COUNTER	
1190			:*****		
1191			:SETUP APT PARAMETER BLOCK AS DEFINED IN THE APT-PDP11 DIAGNOSTIC		
1192			:INTERFACE SPEC.		
1193	001462		\$APTHD:		
1194	001462	000000	\$SHIBTS: .WORD	0	: TWO HIGH BITS OF 18 BIT MAILBOX ADDR.
1195	001464	001234	\$MBADR: .WORD	\$MAIL	: ADDRESS OF APT MAILBOX (BITS 0-15)
1196	001466	000136	\$STMT: .WORD	90.	: RUN TIM OF LONGEST TEST
1197	001470	000137	\$PASTM: .WORD	95.	: RUN TIME IN SECS. OF 1ST PASS ON 1 UNIT (QUICK VERIFY)
1198	001472	000137	\$UNITM: .WORD	95.	: ADDITIONAL RUN TIME (SECS) OF A PASS FOR EACH ADDITIONAL UNIT
1199	001474	000052	.WORD	SETEND-\$MAIL/2	: LENGTH MAILBOX-ETABLE(WORDS)
1200			:DZ11 STATUS TABLE AND ADDRESS ASSIGNMENTS		
1201			:-----		
1202					
1203		001500	.=1500		
1204	001500		OZ.MAP:		
1205					

1206	001500	000001	DZCR0:	.BLKW	1	:CONTROL STATUS REGISTER FOR DZ11 NUMBER 0
1207	001502	000001	DZVC0:	.BLKW	1	:RECEIVER AND BASE VECTOR FOR DZ11 NUMBER 0
1208	001504	000001	DZLV0:	.BLKW	1	:PRIORITY LEVEL AND EIA FLAG SELECTOR
1209	001506	000001	LINE0:	.BLKW	1	:ALL LINES SELECTED
1210	001510	000001	PAR0:	.BLKW	1	:PARAMETERS
1211	001512	000001	MANT0:	.BLKW	1	:MAINTENANCE MODE FOR THIS DEVICE
1212						
1213	001514	000001	DZCR1:	.BLKW	1	:CONTROL STATUS REGISTER FOR DZ11 NUMBER 1
1214	001516	000001	DZVC1:	.BLKW	1	:RECEIVER AND BASE VECTOR FOR DZ11 NUMBER 1
1215	001520	000001	DZLV1:	.BLKW	1	:PRIORITY LEVEL AND EIA FLAG SELECTOR
1216	001522	000001	LINE1:	.BLKW	1	:ALL LINES SELECTED
1217	001524	000001	PAR1:	.BLKW	1	:PARAMETERS
1218	001526	000001	MANT1:	.BLKW	1	:MAINTENANCE MODE FOR THIS DEVICE
1219						
1220	001530	000001	DZCR2:	.BLKW	1	:CONTROL STATUS REGISTER FOR DZ11 NUMBER 2
1221	001532	000001	DZVC2:	.BLKW	1	:RECEIVER AND BASE VECTOR FOR DZ11 NUMBER 2
1222	001534	000001	DZLV2:	.BLKW	1	:PRIORITY LEVEL AND EIA FLAG SELECTOR
1223	001536	000001	LINE2:	.BLKW	1	:ALL LINES SELECTED
1224	001540	000001	PAR2:	.BLKW	1	:PARAMETERS
1225	001542	000001	MANT2:	.BLKW	1	:MAINTENANCE MODE FOR THIS DEVICE
1226						
1227	001544	000001	DZCR3:	.BLKW	1	:CONTROL STATUS REGISTER FOR DZ11 NUMBER 3
1228	001546	000001	DZVC3:	.BLKW	1	:RECEIVER AND BASE VECTOR FOR DZ11 NUMBER 3
1229	001550	000001	DZLV3:	.BLKW	1	:PRIORITY LEVEL AND EIA FLAG SELECTOR
1230	001552	000001	LINE3:	.BLKW	1	:ALL LINES SELECTED
1231	001554	000001	PAR3:	.BLKW	1	:PARAMETERS
1232	001556	000001	MANT3:	.BLKW	1	:MAINTENANCE MODE FOR THIS DEVICE
1233						
1234	001560	000001	DZCR4:	.BLKW	1	:CONTROL STATUS REGISTER FOR DZ11 NUMBER 4
1235	001562	000001	DZVC4:	.BLKW	1	:RECEIVER AND BASE VECTOR FOR DZ11 NUMBER 4
1236	001564	000001	DZLV4:	.BLKW	1	:PRIORITY LEVEL AND EIA FLAG SELECTOR
1237	001566	000001	LINE4:	.BLKW	1	:ALL LINES SELECTED
1238	001570	000001	PAR4:	.BLKW	1	:PARAMETERS
1239	001572	000001	MANT4:	.BLKW	1	:MAINTENANCE MODE FOR THIS DEVICE
1240						
1241	001574	000001	DZCR5:	.BLKW	1	:CONTROL STATUS REGISTER FOR DZ11 NUMBER 5
1242	001576	000001	DZVC5:	.BLKW	1	:RECEIVER AND BASE VECTOR FOR DZ11 NUMBER 5
1243	001600	000001	DZLV5:	.BLKW	1	:PRIORITY LEVEL AND EIA FLAG SELECTOR
1244	001602	000001	LINE5:	.BLKW	1	:ALL LINES SELECTED
1245	001604	000001	PAR5:	.BLKW	1	:PARAMETERS
1246	001606	000001	MANT5:	.BLKW	1	:MAINTENANCE MODE FOR THIS DEVICE
1247						
1248	001610	000001	DZCR6:	.BLKW	1	:CONTROL STATUS REGISTER FOR DZ11 NUMBER 6
1249	001612	000001	DZVC6:	.BLKW	1	:RECEIVER AND BASE VECTOR FOR DZ11 NUMBER 6
1250	001614	000001	DZLV6:	.BLKW	1	:PRIORITY LEVEL AND EIA FLAG SELECTOR
1251	001616	000001	LINE6:	.BLKW	1	:ALL LINES SELECTED
1252	001620	000001	PAR6:	.BLKW	1	:PARAMETERS
1253	001622	000001	MANT6:	.BLKW	1	:MAINTENANCE MODE FOR THIS DEVICE
1254						
1255	001624	000001	DZCR7:	.BLKW	1	:CONTROL STATUS REGISTER FOR DZ11 NUMBER 7
1256	001626	000001	DZVC7:	.BLKW	1	:RECEIVER AND BASE VECTOR FOR DZ11 NUMBER 7
1257	001630	000001	DZLV7:	.BLKW	1	:PRIORITY LEVEL AND EIA FLAG SELECTOR
1258	001632	000001	LINE7:	.BLKW	1	:ALL LINES SELECTED
1259	001634	000001	PAR7:	.BLKW	1	:PARAMETERS
1260	001636	000001	MANT7:	.BLKW	1	:MAINTENANCE MODE FOR THIS DEVICE
1261						

1262	001640	000001	DZCR10: .BLKW	1	:CONTROL STATUS REGISTER FOR DZ11 NUMBER 10
1263	001642	000001	DZVC10: .BLKW	1	:RECEIVER AND BASE VECTOR FOR DZ11 NUMBER 10
1264	001644	000001	DZLV10: .BLKW	1	:PRIORITY LEVEL AND EIA FLAG SELECTOR
1265	001646	000001	LINE10: .BLKW	1	:ALL LINES SELECTED
1266	001650	000001	PAR10: .BLKW	1	:PARAMETERS
1267	001652	000001	MANT10: .BLKW	1	:MAINTENANCE MODE FOR THIS DEVICE
1268					
1269	001654	000001	DZCR11: .BLKW	1	:CONTROL STATUS REGISTER FOR DZ11 NUMBER 11
1270	001656	000001	DZVC11: .BLKW	1	:RECEIVER AND BASE VECTOR FOR DZ11 NUMBER 11
1271	001660	000001	DZLV11: .BLKW	1	:PRIORITY LEVEL AND EIA FLAG SELECTOR
1272	001662	000001	LINE11: .BLKW	1	:ALL LINES SELECTED
1273	001664	000001	PAR11: .BLKW	1	:PARAMETERS
1274	001666	000001	MANT11: .BLKW	1	:MAINTENANCE MODE FOR THIS DEVICE
1275					
1276	001670	000001	DZCR12: .BLKW	1	:CONTROL STATUS REGISTER FOR DZ11 NUMBER 12
1277	001672	000001	DZVC12: .BLKW	1	:RECEIVER AND BASE VECTOR FOR DZ11 NUMBER 12
1278	001674	000001	DZLV12: .BLKW	1	:PRIORITY LEVEL AND EIA FLAG SELECTOR
1279	001676	000001	LINE12: .BLKW	1	:ALL LINES SELECTED
1280	001700	000001	PAR12: .BLKW	1	:PARAMETERS
1281	001702	000001	MANT12: .BLKW	1	:MAINTENANCE MODE FOR THIS DEVICE
1282					
1283	001704	000001	DZCR13: .BLKW	1	:CONTROL STATUS REGISTER FOR DZ11 NUMBER 13
1284	001706	000001	DZVC13: .BLKW	1	:RECEIVER AND BASE VECTOR FOR DZ11 NUMBER 13
1285	001710	000001	DZLV13: .BLKW	1	:PRIORITY LEVEL AND EIA FLAG SELECTOR
1286	001712	000001	LINE13: .BLKW	1	:ALL LINES SELECTED
1287	001714	000001	PAR13: .BLKW	1	:PARAMETERS
1288	001716	000001	MANT13: .BLKW	1	:MAINTENANCE MODE FOR THIS DEVICE
1289					
1290	001720	000001	DZCR14: .BLKW	1	:CONTROL STATUS REGISTER FOR DZ11 NUMBER 14
1291	001722	000001	DZVC14: .BLKW	1	:RECEIVER AND BASE VECTOR FOR DZ11 NUMBER 14
1292	001724	000001	DZLV14: .BLKW	1	:PRIORITY LEVEL AND EIA FLAG SELECTOR
1293	001726	000001	LINE14: .BLKW	1	:ALL LINES SELECTED
1294	001730	000001	PAR14: .BLKW	1	:PARAMETERS
1295	001732	000001	MANT14: .BLKW	1	:MAINTENANCE MODE FOR THIS DEVICE
1296					
1297	001734	000001	DZCR15: .BLKW	1	:CONTROL STATUS REGISTER FOR DZ11 NUMBER 15
1298	001736	000001	DZVC15: .BLKW	1	:RECEIVER AND BASE VECTOR FOR DZ11 NUMBER 15
1299	001740	000001	DZLV15: .BLKW	1	:PRIORITY LEVEL AND EIA FLAG SELECTOR
1300	001742	000001	LINE15: .BLKW	1	:ALL LINES SELECTED
1301	001744	000001	PAR15: .BLKW	1	:PARAMETERS
1302	001746	000001	MANT15: .BLKW	1	:MAINTENANCE MODE FOR THIS DEVICE
1303					
1304	001750	000001	DZCR16: .BLKW	1	:CONTROL STATUS REGISTER FOR DZ11 NUMBER 16
1305	001752	000001	DZVC16: .BLKW	1	:RECEIVER AND BASE VECTOR FOR DZ11 NUMBER 16
1306	001754	000001	DZLV16: .BLKW	1	:PRIORITY LEVEL AND EIA FLAG SELECTOR
1307	001756	000001	LINE16: .BLKW	1	:ALL LINES SELECTED
1308	001760	000001	PAR16: .BLKW	1	:PARAMETERS
1309	001762	000001	MANT16: .BLKW	1	:MAINTENANCE MODE FOR THIS DEVICE
1310					
1311	001764	000001	DZCR17: .BLKW	1	:CONTROL STATUS REGISTER FOR DZ11 NUMBER 17
1312	001766	000001	DZVC17: .BLKW	1	:RECEIVER AND BASE VECTOR FOR DZ11 NUMBER 17
1313	001770	000001	DZLV17: .BLKW	1	:PRIORITY LEVEL AND EIA FLAG SELECTOR
1314	001772	000001	LINE17: .BLKW	1	:ALL LINES SELECTED
1315	001774	000001	PAR17: .BLKW	1	:PARAMETERS
1316	001776	000001	MANT17: .BLKW	1	:MAINTENANCE MODE FOR THIS DEVICE
1317					

E03

MD-11-DZDZA-B MACY11 27(732) 03-NOV-76 15:03 PAGE 31
DZDZAB.P11 APT PARAMETER BLOCK

1318 002000 177777

DZ.END: 177777

1319
1320
1321
1322
1323
1324
1325
1326
1327
1328
1329
1330
1331
1332
1333
1334
1335
1336
1337
1338
1339
1340
1341
1342
1343
1344
1345
1346
1347
1348
1349
1350
1351
1352
1353
1354
1355
1356
1357
1358
1359
1360

;DEFINITIONS FOR TRAP SUBROUTINE CALLS
;POINTERS TO SUBROUTINES CAN BE FOUND
;IN THE TABLE IMMEDIATELY FOLLOWING THE DEFINITIONS

```

:*****
:-----
:TRPTAB:
ADVANCE=TRAP+0 ;CALL TO ADVANCE TO NEXT TEST( OR SCOPE THIS ONE)
      .ADVANCE
SCOPI=TRAP+1 ;CALL TO LOOP ON CURRENT DATA HANDLER
      .SCOPI
TYPE=TRAP+2 ;CALL TO TELETYPE OUTPUT ROUTINE
      .TYPE
INSTR=TRAP+3 ;CALL TO ASCII STRING INPUT ROUTINE
      .INSTR
INSTER=TRAP+4 ;CALL TO INPUT ERROR HANDLER
      .INSTER
PARAM=TRAP+5 ;CALL TO NUMERICAL DATA INPUT ROUTINE
      .PARAM
SETFLG=TRAP+6 ;CALL TO SET FLAG ROUTINE
      .SETFLG
SAVOS=TRAP+7 ;CALL TO REGISTER SAVE ROUTINE
      .SAVOS
RESOS=TRAP+10 ;CALL TO REGISTER RESTORE ROUTINE
      .RESOS
CONVRT=TRAP+11 ;CALL TO DATA OUTPUT ROUTINE
      .CONVRT
CNVRT=TRAP+12 ;CALL TO DATA OUTPUT ROUTINE WITHOUT CR/LF.
      .CNVRT
DEVICE.CLR=TRAP+13 ;CALL TO ISSUE A DEVICE CLEAR
      .DEVICE.CLR
DELAY=TRAP+14 ;CALL TO DELAY FOR FAST CPU'S
      .DELAY
PARMD=TRAP+15 ;CONVERT DECIMAL STRING TO OCTAL
      .PARMD
PAWCH=TRAP+16 ;SET FLAG ECHO OR CABLE
      .PAWCH
DCLASM=TRAP+17 ;CLEAR DEVICE, SET MAINT. BIT IF I MODE
      .DCLASM
:-----
:*****

```

```

1361                                     ;DZ11 VECTOR AND REGISTER INDIRECT POINTERS
1362                                     ;WORKING AREA
1363
1364 002042 160040 DZCSR: 160040 ;R/W
1365 002044 160041 HDZCSR: 160041 ;R/W
1366 002046 160042 DZRBUF: 160042 ;READ ONLY
1367 002050 160043 HDZRBUF: 160043 ;READ ONLY
1368 002052 160042 DZLPR: 160042 ;WRITE ONLY
1369 002054 160043 HDZLPR: 160043 ;WRITE ONLY
1370 002056 160044 DZTCR: 160044 ;R/W
1371 002060 160045 HDZTCR: 160045 ;R/W
1372 002062 160046 DZMSR: 160046 ;READ ONLY
1373 002064 160047 HDZMSR: 160047 ;READ ONLY
1374 002066 160046 DZTDR: 160046 ;WRITE ONLY
1375 002070 160047 HDZTDR: 160047 ;WRITE ONLY
1376                                     ;DEFAULT DZ VECTORS
1377 002072 000300 DZRIV: 300 ;REC INTR VECTOR
1378 002074 000302 DZRIS: 302 ;REC INTR STATUS
1379 002076 000304 DZTIV: 304 ;XMIT INTR VECTOR
1380 002100 000306 DZTIS: 306 ;XMIT INTR STATUS
1381
1382

```

1383
1384
1385
1386
1387 002102
1388 002102 000000
1389 002104 000000
1390 002106 000000
1391 002110 000000
1392 002112 000000
1393 002114 000000
1394 002116 000000
1395 002120 000000
1396 002122 000000
1397 002124 000000
1398 002126 000000
1399 002130 000000
1400 002132 000000
1401 002134 000000
1402 002136 000000
1403 002140 000000
1404 002142 000000
1405 002144 000000
1406 002146 000000

; TIME TABLE FOR RELATIVE TIMING TESTS

TMTBL:
T50: 0
T75: 0
T110: 0
T134: 0
T150: 0
T300: 0
T600: 0
T1200: 0
T1800: 0
T2000: 0
T2400: 0
T3600: 0
T4800: 0
T7200: 0
T9600: 0
TEIGHT: 0
TSEVEN: 0
TSIX: 0
TFIVE: 0


```

1407
1408
1409
1410
1411
1412
1413
1414
1415 002150
1416 002150 000005
1417 002152 012706 001120
1418 002156 106427 000340
1419 002162 012737 007500 000024
1420 002170 113737 001410 001411
1421 002176 005037 001242
1422 002202 105037 001123
1423 002206 012737 001500 001412
1424 002214 012737 000001 001406
1425 002222 005037 001132
1426 002226 005037 001136
1427 002232 005037 001122
1428 002236 012737 002150 001126
1429
1430
1431 002244 013746 000006
1432 002250 013746 000004
1433 002254 012737 002274 000004
1434 002262 022777 177777 176670
1435 002270 001402
1436 002272 000407
1437 002274 022626
1438 002276 012737 000176 001160
1439 002304 012737 000174 001162
1440 002312 012637 000004
1441 002316 012637 000006
1442 002322 005737 000042
1443 002326 001402
1444 002330 000137 004114
1445 002334 105737 001415
1446 002340 001004
1447 002342 104402 001000
1448 002346 105337 001415
1449 002352 105737 001255
1450 002356 100004
1451 002360 004737 011260
1452 002364 000137 004140
1453 002370 032777 000001 176562
1454 002376 001011
1455 002400 122737 000377 001415
1456 002406 001003
1457 002410 105777 176544
1458 002414 100402
1459 002416 000137 003104
1460 002422 012700 001500
1461 002426 105037 001416
1462 002432 005020

;PROGRAM INITIALIZATION
;LOCK OUT INTERRUPTS
;SET UP PROCESSOR STACK
;SET UP POWER FAIL VECTOR
;CLEAR PROGRAM CONTROL FLAGS AND COUNTS
;TYPE TITLE MESSAGE

.START:
RESET
MOV #STACK,SP
MTPS #PR7
MOV #SPWRDN,2#24
MOV#B DZNUM,SAVNUM
CLR $PASS
CLR#B $ERFLG
MOV #DZ.MAP,ACTIVE
MOV #1,RUN
CLR $ERTTL
CLR $ERRPC
CLR $TSTNM
MOV #.START,$LPADR

;CLEAR THE WORLD. START NEW ENVIRONMENT
;SET UP STACK
;LOCK OUT INTERRUPTS
;SET UP POWER FAIL VECTOR
;SAVE NUMBER OF DEVICES IN SYSTEM.
;CLEAR PASS COUNT
;CLEAR ERROR FLAG
;GET MAP POINTER.
;POINT POINTER TO FIRST DEVICE.
;CLEAR ERROR COUNT
;CLEAR LAST ERROR POINTER
;SET UP FOR TEST 1
;SET UP FOR POWER FAIL BEFORE
;TESTING STARTS

;SET UP FOR SMALL 11 SWITCH REGISTER COMPATIBILITY
MOV 6,-(SP)
MOV 4,-(SP)
MOV #20$ 4
CMP #-1,$SWR
BEQ 22$
BR 21$
POP2SP
MOV #SWREG,SWR
MOV #DISPR$G,DISPLAY
MOV (SP)+,4
MOV (SP)+,6
TST 42
BEQ 31$
JMP 63$
TSTB INIFLG
BNE 29$
TYPE $MTITLE
DECB INIFLG
TSTB $ENVM
BPL 30$
JSR PC,SETAPT
JMP 16$
BIT #SW00,$SWR
BNE 32$
CMPB #377,INIFLG
BNE +10
TSTB $SWR
BMI 32$
JMP 73$
MOV #DZ.MAP,RO
CLR#B HDRFLG
CLR (RO)+

;SAVE BUS ERROR PS
;SAVE BUS ERROR PC
;SET UP TO TRAP TO THIS ROUTINE
;CAN 177570 BE REFERENCED?
;IF SO AND IT IS -1, TREAT LIKE SWITCHLESS
;IF YES, SKIP AROUND THE SETUP
;REMOVE THE TRAP FROM THE STACK
;IF NO TRAP COMES HERE. POINT TO SOFTWARE SWP
;POINT TO SOFTWARE DISPLAY REGISTER
;RESTORE THE BUS ERROR VECTOR

;WORKING UNDER A MONITOR ?
;NO
;IF YES, SKIP THE TERMINAL INTERROGATION
;HAVE WE ALREADY BEEN HERE TODAY?
;IF SO, SKIP PRINTING THE TITLE.
;PRINT THE DIAGNOSTIC'S TITLE
;SET THE ONCE ONLY FLAG
;DETERMINE WHETHER APT SIZING SHOULD BE DONE
;IF NOT, GO CHECK FOR AUTO-SIZING
;OTHERWISE, GO DO APT SIZING FROM ETABLE
;GO PRINT DZ STATUS TABLE
;RESELECT ?
;IF YES, GO SET UP THE INFORMATION
;ON 1ST START: MUST ANSWER QUESTION
;IF NOT ANSWERING QUESTIONS
;ARE U AUTO SIZING?
;NO AUTO SIZE! NO SW00=1 ON 1ST START!
;IF NO, SKIP THE INTERROGATION
;POINT TO THE BEGINNING OF THE MAP TABLE
;MAKE SURE A MAP GETS PRINTED
;CLEAR A TABLE LOCATION

```

```

1463 002434 020027 002000          CMP      RD,#DZ.END      ;HAVE THE TABLE BOUNDARIES BEEN EXCEEDED?
1464 002440 001374                    BNE      65$             ;IF NOT ,CLEAR THE NEXT LOCATION IN THE TABLE
1465 002442 105337 001415          DECB     INIFLG          ;INSURE NO AUTO SIZING IF QUESTIONS ANSWERED!
1466
1467
1468
1469
1470
1471
1472 002446                    ;THE FOLLOWING ARE PARAMETERS USED TO FILL IN THE MAP
1473 002446 104403                    ;TABLE AND SET UP THE DIAGNOSTIC.
1474 002450 003312                    ;GET THE BASE ADDRESS OF THE DZ11'S
1475 002452 104405                    33$:
1476 002454 160000                    INSTR     ;CALL THE STRING INPUT ROUTINE
1477 002456 163770                    66$      ;POINTER TO MESSAGE TO BE PRINTED
1478 002460 001500                    PARAM     ;CALL THE OCTAL TO ASCII CONVERT ROUTINE
1479 002462 007                      160000   ;LOWEST LEGITIMATE VALUE OF EXPECTED RESPONSE
1480 002463 001                      163770   ;HIGHEST LEGITIMATE VALUE OF EXPECTED RESPONSE
1481 002464 013737 001500 001310    DZCRO    ;POINTER TO MAP LOCATION TO BE FILLED
1482
1483
1484
1485
1486
1487
1488
1489
1490
1491
1492
1493
1494
1495
1496
1497
1498 002516 104403                    .BYTE    7              ;MASK OF INVALID BITS FOR THIS PARAMETER
1499 002520 003417                    .BYTE    1              ;NUMBER OF PARAMETERS TO STORE
1500 002522 104405                    MOV      DZCRO,$BASE   ;COPY BASE ADDRESS TO ETABLE
1501 002524 000004                    ;GET THE BASE VECTOR ADDRESS
1502 002526 000007                    34$:
1503 002530 001504                    INSTR     ;CALL THE STRING INPUT ROUTINE
1504 002532 000          67$      ;POINTER TO MESSAGE TO BE PRINTED
1505 002533 001          PARAM     ;CALL THE OCTAL TO ASCII CONVERT ROUTINE
1506 002534 113737 001504 001305    300      ;LOWEST LEGITIMATE VALUE OF EXPECTED RESPONSE
1507 002542 106337 001305          776      ;HIGHEST LEGITIMATE VALUE OF EXPECTED RESPONSE
1508 002546 106337 001305          DZVCO    ;POINTER TO MAP LOCATION TO BE FILLED
1509 002552 106337 001305          .BYTE    3              ;MASK OF INVALID BITS FOR THIS PARAMETER
1510 002556 106337 001305          .BYTE    1              ;NUMBER OF PARAMETERS TO STORE
1511 002562 106337 001305          MOV      DZVCO,$VECT1 ;COPY VECTOR TO ETABLE
1512
1513
1514
1515 002566 104402 004000                    ;GET THE BUS REQUEST LEVEL
1516 002572 005037 001220                    INSTR     ;CALL THE STRING INPUT ROUTINE
1517 002576 105777 176362                    68$      ;POINTER TO MESSAGE TO BE PRINTED
1518 002602 100375                    PARAM     ;CALL THE OCTAL TO ASCII CONVERT ROUTINE
1519
1520
1521
1522
1523
1524
1525
1526
1527
1528
1529
1530
1531
1532
1533
1534
1535
1536
1537
1538
1539
1540
1541
1542
1543
1544
1545
1546
1547
1548
1549
1550
1551
1552
1553
1554
1555
1556
1557
1558
1559
1560
1561
1562
1563
1564
1565
1566
1567
1568
1569
1570
1571
1572
1573
1574
1575
1576
1577
1578
1579
1580
1581
1582
1583
1584
1585
1586
1587
1588
1589
1590
1591
1592
1593
1594
1595
1596
1597
1598
1599
1600
1601
1602
1603
1604
1605
1606
1607
1608
1609
1610
1611
1612
1613
1614
1615
1616
1617
1618
1619
1620
1621
1622
1623
1624
1625
1626
1627
1628
1629
1630
1631
1632
1633
1634
1635
1636
1637
1638
1639
1640
1641
1642
1643
1644
1645
1646
1647
1648
1649
1650
1651
1652
1653
1654
1655
1656
1657
1658
1659
1660
1661
1662
1663
1664
1665
1666
1667
1668
1669
1670
1671
1672
1673
1674
1675
1676
1677
1678
1679
1680
1681
1682
1683
1684
1685
1686
1687
1688
1689
1690
1691
1692
1693
1694
1695
1696
1697
1698
1699
1700
1701
1702
1703
1704
1705
1706
1707
1708
1709
1710
1711
1712
1713
1714
1715
1716
1717
1718
1719
1720
1721
1722
1723
1724
1725
1726
1727
1728
1729
1730
1731
1732
1733
1734
1735
1736
1737
1738
1739
1740
1741
1742
1743
1744
1745
1746
1747
1748
1749
1750
1751
1752
1753
1754
1755
1756
1757
1758
1759
1760
1761
1762
1763
1764
1765
1766
1767
1768
1769
1770
1771
1772
1773
1774
1775
1776
1777
1778
1779
1780
1781
1782
1783
1784
1785
1786
1787
1788
1789
1790
1791
1792
1793
1794
1795
1796
1797
1798
1799
1800
1801
1802
1803
1804
1805
1806
1807
1808
1809
1810
1811
1812
1813
1814
1815
1816
1817
1818
1819
1820
1821
1822
1823
1824
1825
1826
1827
1828
1829
1830
1831
1832
1833
1834
1835
1836
1837
1838
1839
1840
1841
1842
1843
1844
1845
1846
1847
1848
1849
1850
1851
1852
1853
1854
1855
1856
1857
1858
1859
1860
1861
1862
1863
1864
1865
1866
1867
1868
1869
1870
1871
1872
1873
1874
1875
1876
1877
1878
1879
1880
1881
1882
1883
1884
1885
1886
1887
1888
1889
1890
1891
1892
1893
1894
1895
1896
1897
1898
1899
1900
1901
1902
1903
1904
1905
1906
1907
1908
1909
1910
1911
1912
1913
1914
1915
1916
1917
1918
1919
1920
1921
1922
1923
1924
1925
1926
1927
1928
1929
1930
1931
1932
1933
1934
1935
1936
1937
1938
1939
1940
1941
1942
1943
1944
1945
1946
1947
1948
1949
1950
1951
1952
1953
1954
1955
1956
1957
1958
1959
1960
1961
1962
1963
1964
1965
1966
1967
1968
1969
1970
1971
1972
1973
1974
1975
1976
1977
1978
1979
1980
1981
1982
1983
1984
1985
1986
1987
1988
1989
1990
1991
1992
1993
1994
1995
1996
1997
1998
1999
2000

```

K03

MD-11-DZDZA-B
DZDZAB.P11

MACY11 27(732) 03-NOV-76 15:03 PAGE 37
PROGRAM INITIALIZATION AND START UP.

```

1519 002604 017746 176356          MOV      @STKB,-(SP)      ;IF YES, PUT CHARACETR ON STACK
1520 002610 042716 000240          BIC      #240,(SP)      ;STRIP DOWN CHARACTER
1521 002614 122726 000015          CMPB    #15,(SP)+      ;IS IT ?
1522 002620 001414          BEQ      81$           ;IF SO, GET OUT
1523 002622 014677 176344          MOV      -(SP),@STPB    ;IF NOT, PRINT CHARACTER
1524 002626 042737 100000 001504      BIC      #BIT15,DZLVO    ;CLEAR EIA FLAG
1525 002634 122726 000102          CMPB    #102,(SP)+     ;IS IT A B?
1526 002640 001356          BNE      80$           ;IF NOT, GO BACK FOR INPUT
1527 002642 052737 100000 001504      BIS      #BIT15,DZLVO    ;IF SO, SET FLAG
1528 002650 000752          BR       80$           ;GET MORE INPUT
1529 002652          81$:
1530
1531          ;GET THE MODE OF OPERATION (E,I,S)
1532
1533 002652 104403          INSTR    ;CALL THE STRING INPUT ROUTINE
1534 002654 003630          72$     ;POINTER TO THE MESSAGE TO BE PRINTED
1535 002656 104406          SETFLG   ;CALL THE MAINTENANCE FLAG SETUP ROUTINE
1536 002660 001512          MANTO    ;THIS IS THE FLAG BEING SETUP
1537
1538          ;GET THE NUMBER OF DZ11'S RUNNING
1539
1540 002662 104403          INSTR    ;CALL THE STRING INPUT ROUTINE
1541 002664 003566          71$     ;POINTER TO MESSAGE TO BE PRINTED
1542 002666 104405          PARAM   ;CALL THE OCTAL TO ASCII CONVERT ROUTINE
1543 002670 000001          1       ;LOWEST LEGITIMATE VALUE OF EXPECTED RESPONSE
1544 002672 000020          16      ;HIGHEST LEGITIMATE VALUE OF EXPECTED RESPONSE
1545 002674 001220          $TMP1   ;POINTER TO MAP LOCATION TO BE FILLED
1546 002676 000         .BYTE   0             ;MASK OF INVALID BITS FOR THIS PARAMETER
1547 002677 001         .BYTE   1             ;NUMBER OF PARAMETERS TO STORE
1548
1549 002700 012737 000377 001506      MOV      #377,LINED    ;SET UP DEFAULT LINES
1550 002706 012737 017470 001510      MOV      #17470,PARO   ;SET UP DEFAULT LPR PARAMETER
1551
1552 002714 032777 000010 176236      BIT      #SW03,@SWR    ;RECEIVER ON; 19.2 KBAUD; 2STOP BITS; 8 BIT/CHAR
1553 002722 001402          BEQ      40$           ;DO YOU WANT PARAMETERS?
1554 002724 004737 003134          JSR      PC,23$       ;IF NO, SKIP THE PARAMETER CALL
1555 002730 012737 000001 001312 40$:      MOV      #1,$DEVN     ;GET PARAMETERS
1556 002736 113737 001220 001410          MOVVB   $TMP1,DZNUM    ;INITIALIZE ACTIVE DEVICE SELECTION PARAMETER
1557 002744 113737 001220 001411          MOVVB   $TMP1,SAVNUM   ;COPY THE NUMBER OF DEVICES
1558 002752 005337 001220          62$:      DEC      $TMP1        ;COPY A BACKUP NUMBER
1559 002756 001404          BEQ      61$           ;$TMP1 CONTAINS THE COUNT OF UNINITIALIZED
1560 002760 000261          SEC      ;SELECTED DEVICES
1561 002762 006137 001312          ROL     $DEVN         ;SET A BIT FLAG TO INDICATE AN ACTIVE DEVICE
1562 002766 000771          BR       62$         ;POINT TO THE NEXT DEVICE
1563 002770 013737 001312 001222 61$:      MOV      $DEVN,$TMP2   ;GO DO THIS PROCEDURE AGAIN
1564 002776 013737 001312 001404          MOV      $DEVN,DZACTV  ;# OF TIMES
1565 003004 012700 001500          MOV      #DZCR0,RC    ;COPY THE ACTIVE DEVICE PARAMETER
1566 003010 012701 001514          MOV      #DZCR1,R1    ;SET A POINTER TO THE SPECIFIED INFORMATION
1567 003014 012702 001320          MOV      #DZDWO,R2    ;POINT R1 TO THE REST OF THE MAP TABLE
1568 003020 000241          CLC      ;POINT TO ETABLE'S DEVICE DESCRIPTOR WORDS
1569 003022 006037 001222          ROR     $TMP2         ;INITIALIZE THE "C" BIT FOR A ROTATION
1570 003026 006237 001222          64$:      ASR     $TMP2         ;SKIP MAPPING SETUP FOR DEVICE 0- IT'S DONE
1571 003032 103404          BCS     41$           ;ISOLATE A SELECTION FLAG IN THE "C" BIT
1572 003034 012711 177777          MOV      #-1,(R1)     ;IS THIS DEVICE SELECTED? IF YES, GO LOAD TABLE
1573 003040 000137 004114          JMP     63$           ;TERMINATE THE LIST
1574 003044 012011          41$:      MOV      (R0)+,(R1)   ;GO TO THE NEXT BLOCK
;ADDRESS

```

MD-11-DZDZA-B MACY11 27(732) 03-NOV-76 15:03 PAGE 38
 DZDZAB.P11 PROGRAM INITIALIZATION AND START UP.

1575	003046	062721	000010		ADD	#10,(R1)+	;POINT TO THE NEXT DZ11 ADDRESS VALUE	
1576	003052	012011			MOV	(R0)+,(R1)	;VECTOR	
1577	003054	062721	000010		ADD	#10,(R1)+	;POINT TO THE NEXT VECTOR VALUE	
1578	003060	012021			MOV	(R0)+,(R1)+	;LEVEL	
1579	003062	012021			MOV	(R0)+,(R1)+	;LINES	
1580	003064	016012	177774		MOV	-4(R0),(R2)	;GET THE EIA FLAG FROM THE PRIORITY WORD	
1581	003070	042712	077777		BIC	#77777,(R2)	;ISOLATE THAT FLAG	
1582	003074	051022			BIS	(R0),(R2)+	;ADD PARAMETERS TO DEVICE DESCRIPTOR WORD	
1583	003076	012021			MOV	(R0)+,(R1)+	;PARAMETERS	
1584	003100	012021			MOV	(R0)+,(R1)+	;MAINTENANCE MODE	
1585	003102	000751			BR	64\$		
1586	003104	032777	000010	176046	73\$:	BIT	#5W03,DSWR	;ASK PARAMETERS ?
1587	003112	001002			BNE	42\$;IF NO, GO DO AUTO SIZING	
1588	003114	000137	004114		JMP	63\$;GO SET UP FOR AUTO SIZING	
1589	003120	004737	003134		42\$:	JSR	PC,23\$;GO ASK PARAMETERS
1590	003124	105337	001415		DECB	INIFLG	;INSURE NO AUTO SIZE IF QUESTIONS ANSWERED	
1591	003130	000137	004140		JMP	16\$;GO TO THE NEXT BLOCK	
1592								
1593							;GET THE ACTIVE LINES PARAMETER	
1594								
1595	003134				23\$:			
1596	003134	104403			INSTR		;CALL THE STRING INPUT ROUTINE	
1597	003136	003442			69\$;POINTER TO MESSAGE TO BE PRINTED	
1598	003140	104405			PARAM		;CALL THE OCTAL TO ASCII CONVERT ROUTINE	
1599	003142	000001			1		;LOWEST LEGITIMATE VALUE OF EXPECTED RESPONSE	
1600	003144	000377			377		;HIGHEST LEGITIMATE VALUE OF EXPECTED RESPONSE	
1601	003146	001506			LINE0		;POINTER TO MAP LOCATION TO BE FILLED	
1602	003150	000			.BYTE	0	;MASK OF INVALID BITS FOR THIS PARAMETER	
1603	003151	001			.BYTE	1	;NUMBER OF PARAMETERS TO STORE	
1604	003152	105037	001416		CLRB	HDRFLG	;MAKE SURE THE CHANGES ARE PRINTED	
1605								
1606							;THIS SEGMENT CHECKS TO MAKE SURE THE LINE PARAMETER JUST ENTERED	
1607							;IS LEGITIMATE IN STAGGERED MODE OPERATION IF THAT MODE WAS SELECTED	
1608								
1609	003156	005737	001512		TST	MANTO	;IS STAGGERED THE MODE OF OPERATION?	
1610	003162	100021			BPL	26\$;IF NOT, SKIP THIS SEGMENT	
1611	003164	013703	001506		MOV	LINE0,R3	;GET A SCRATCH COPY OF THE ACTIVE LINES	
1612	003170	006003			24\$:	ROR	R3	;GET A LINE SELECTION BIT(EVEN NUMBER LINE)
1613	003172	103410			BCS	25\$;IF IT IS SELECTED, CHECK TO SEE IF THE NEXT IS TOO	
1614	003174	001414			BEQ	26\$;IF ALL HAVE BEEN CHECKED, CONTINUE PROCESSING	
1615	003176	006203			ASR	R3	;IF IT IS 0,CHECK TO SEE IF THE NEXT IS TOO	
1616	003200	103373			BCC	24\$;IF THIS ONE'S 0 TOO, GO CHECK THE NEXT PAIR	
1617	003202	104402	001230		27\$:	TYPE	,SQUES	;THIS IS AN INCORRECT PARAMETER
1618	003206	104402	010256		TYPE	MBADLN	;LET THE USER KNOW ABOUT IT	
1619	003212	000750			BR	23\$;GO GET THE CORRECT PARAMETER	
1620	003214	001772			25\$:	BEQ	27\$;IF ANOTHER FLAG ISN'T SET, THERE'S AN ERROR
1621	003216	006203			ASR	R3	;GET THE NEXT FLAG	
1622	003220	103370			BCC	27\$;IF IT ISN'T SET, THERE'S AN ERROR	
1623	003222	000241			CLC		;INITIALIZE THE "C" BIT FOR TESTING OF THE NEXT PAIR	
1624	003224	000761			BR	24\$;GO TEST THE NEXT PAIR OF FLAGS	
1625								
1626							;GET THE LINE PARAMETER REGISTER ARGUMENT	
1627								
1628	003226				26\$:			
1629	003226	104403			INSTR		;CALL THE STRING INPUT ROUTINE	
1630	003230	003516			70\$;POINTER TO MESSAGE TO BE PRINTED	

M03

MD-11-DZDZA-B MACY11 27(732) 03-NOV-76 15:03 PAGE 39
 DZDZAB.P11 PROGRAM INITIALIZATION AND START UP.

1631	003232	104405				PARAM		
1632	003234	000000				0	; CALL THE OCTAL TO ASCII CONVERT ROUTINE	
1633	003236	000017				17	; LOWEST LEGITIMATE VALUE OF EXPECTED RESPONSE	
1634	003240	001510				PAR0	; HIGHEST LEGITIMATE VALUE OF EXPECTED RESPONSE	
1635	003242	000				.BYTE 0	; POINTER TO MAP LOCATION TO BE FILLED	
1636	003243	001				.BYTE 1	; MASK OF INVALID BITS FOR THIS PARAMETER	
1637	003244	012702	001506			MOV #LINED,R2	; NUMBER OF PARAMETERS TO STORE	
1638	003250	012703	001510			MOV #PAR0,R3	; POINT TO THE LINE SELECTION PARAMETER	
1639	003254	000313				SWAB (R3)	; POINT TO THE CHOSEN PARAMETERS	
1640	003256	052713	010070			BIS #10070,(R3)	; PLACE IN HIGH BYTE	
1641	003262	011262	000014	28\$:		MOV (R2),14(R2)	; PLACE EXTRA PARAMETERS INTO LOC	
1642	003266	011363	000014			MOV (R3),14(R3)	; LOAD THE LINES	
1643	003272	062702	000014			ADD #14,R2	; LOAD THE PARAMETERS	
1644	003276	062703	000014			ADD #14,R3	; POINT TO THE NEXT SET	
1645	003302	020327	001774			CMP R3,#PAR17	; .. OF BOTH PARAMETERS	
1646	003306	001365				BNE 28\$; HAVE THE TABLE BOUNDARIES BEEN EXCEEDED?	
1647	003310	000207				RTS PC	; IF NOT, GO LOAD SOME MORE PARAMETERS	
1648	003312	030600	052123	041440	66\$:	.ASCIZ <200>/1ST CSR ADDRESS (160000:163700): /	; RETURN TO CALLING BLOCK	
(1)	003356	030600	052123	053040	67\$:	.ASCIZ <200>/1ST VECTOR ADDRESS (300:770): /		
(1)	003417	200	051102	046040	68\$:	.ASCIZ <200>/BR LEVEL (4:6): /		
(1)	003442	046200	047111	051505	69\$:	.ASCIZ <200>/LINES ACTIVE BY BIT <IN OCTAL>(001:377): /		
(1)	003516	042200	043105	052501	70\$:	.ASCIZ <200>/DEFAULT BAUD RATE <IN OCTAL>(00:17): /		
(1)	003566	021600	047440	020106	71\$:	.ASCIZ <200>/# OF DZ11'S <IN OCTAL> (1:20): /		
(1)	003630	046600	044501	052116	72\$:	.ASCII <200>/MAINTENANCE MODE/		
(1)	003651	200	055440	054105		.ASCII <200>/ [EXTERNAL <H325> (E)]/		
(1)	003705	200	055440	047111		.ASCII <200>/ [INTERNAL <DZCSR03=1>(I)]/		
(1)	003741	200	055440	052123		.ASCIZ <200>/ [STAGGERED <H327> (S)]: /		
(1)	004000	052200	050131	020105	74\$:	.ASCIZ <200>/TYPE "A" FOR EIA MODULE OR "B" FOR 20 MA (A:B): /		
(1)	004062	042600	052116	051105	75\$:	.ASCIZ <200>/ENTER DELAY PARAMETER: /		
(1)		004114			63\$:	.EVEN		
(1)	004114							
1649	004114	122737	000377	001415		CMPB #377,INIFLG	; ONLY DO AUTO SIZE ON 1ST START	
1650	004122	001006				BNE 16\$		
1651	004124	032777	000200	175026		BIT #BIT7,#SWR	; BIT7=1??	
1652	004132	001002				BNE 16\$; BR IF NO AUTO SIZE	
1653	004134	004737	011432			JSR PC,AUTO.SIZE	; GO DO THE AUTO SIZE	
1654	004140	105737	001416		16\$:	TSTB HDRFLG	; HAS THE TABLE BEEN TYPED YET?	
1655	004144	001021				BNE 1\$; IF SO, DON'T TYPE IT AGAIN	
1656	004146	105337	001416			DECB HDRFLG	; INDICATE THAT THE TABLE WILL BE TYPED	
1657	004152	104402	010231			TYPE ,XHEAD	; TYPE MAP HEADER	
1658	004156	012700	001500			MOV #DZ.MAP,RO	; SET POINTER	
1659	004162	010037	001220		5\$:	MOV RO,\$TMP1	; POINT TO THE MAP LOCATION	
1660	004166	012037	001222			MOV (RO)+,\$TMP2	; SET DATA	
1661	004172	022737	177777	001222		CMP #-1,\$TMP2	; END OF LIST?	
1662	004200	001403				BEQ 1\$; BR IF YES	
1663	004202	104411			17\$:	CONVRT	; CALL THE OCTAL TO ASCII CONVERSION ROUTINE	
1664	004204	010220				XSTATQ	; CONVERT THE DATA AT THIS ADDRESS	
1665	004206	000765				BR 5\$; GO PRINT THE NEXT PARAMETER	
1666	004210	005737	000042		1\$:	TST #42	; IS PROGRAM RUNNING UNDER MONITOR	
1667	004214	001026				BNE 3\$; YES	
1668	004216	032777	000100	174734		BIT #SW06,#SWR	; DESELECT SPECIFIC DEVICES??	
1669	004224	001422				BEQ 3\$; BR IF NO.	
1670	004226	104402	010152			TYPE ,MNEW	; TYPE THE MESSAGE.	
1671	004232	005000				CLR RO	; ZERO DATA DISPLAY	
1672	004234	000000				HALT	; WAIT FOR USER TO TELL WHAT DEVICES TO RUN	
1673	004236	027737	174716	001312		CMP #SWR,\$DEVN	; IS THE NUMBER VALID?	

1715
1716
1717
1718
1719
1720
1721
1722
1723
1724
1725
1726
1727
1728
1729
1730
1731
1732
1733
1734
1735
1736
1737
1738
1739
1740
1741
1742
1743
1744
1745
1746
1747
1748
1749
1750
1751
1752
1753
1754
1755
1756
1757
1758
1759
1760
1761
1762
1763
1764
1765
1766
1767
1768
1769
1770

004432
004432 000004
004434 005037 001136
004440 105037 001123
004444 104402 007715
004450 104402 010077
004454 104412 004612
004460 104402 010105
004464 104412 004620
004470 005237 001242
004474 104402 010113
004500 104412 004626
004504 005337 001242
004510 104402 010124
004514 104412 004634
004520 105337 001411
004524 001030
004526 113737 001410 001411
004534 005037 001226
004540 005237 001242
004544 042737 100000 001242
004552 005327
004554 000001
004556 003013
004560 012737
004562 000001
004564 004554
004566 013700 000042
004572 001405
004574 000005
004576 004710
004600 000240
004602 000240
004604 000240
004606
004606 000137
004610 010722
004612 000001
004614 006 002
004616 002042
004620 000001
004622 003 002
004624 002072

```

:END OF PASS
:TYPE NAME OF TEST
:UPDATE PASS COUNT
:CHECK FOR EXIT TO ACT-11
:RESTART TEST
.SBTTL  END OF PASS ROUTINE

:*****
:INCREMENT THE PASS NUMBER ($PASS)
:*IF THERES A MONITOR GO TO IT
:*IF THERE ISN'T JUMP TO CYCLE

SEOP:
SCOPE
CLR $ERRPC ;CLEAR LAST ERROR PC
CLRB $ERFLG ;CLEAR ERROR FLAG
TYPE ,MEPASS ;TYPE END PASS
TYPE ,MCSRX ;TYPE CSR
CNVRT ,XCSR ;SHOW IT
TYPE ,MVECX ;TYPE VECTOR
CNVRT ,XVEC ;SHOW IT
INC $PASS ;RAISE PASS COUNT
TYPE ,MPASSX ;TYPE PASSES
CNVRT ,XPASS ;SHOW IT
DEC $PASS ;RESTORE PASS COUNT
TYPE ,MERRX ;TYPE ERRORS
CNVRT ,XERR ;SHOW IT
DECB $AVNUM ;ARE ALL DEVICES TESTED?
BNE $DOAGN ;BR IF NO.
MOV B,DZNUM,$AVNUM ;RESTORE THE COUNT
CLR $TIMES ;ZERO THE NUMBER OF ITERATIONS
INC $PASS ;INCREMENT THE PASS NUMBER
BIC #100000,$PASS ;DON'T ALLOW A NEG. NUMBER
DEC (PC)+ ;LOOP?

SEOPCT: .WORD 1 ;YES
BGT $DOAGN ;RESTORE COUNTER
MOV (PC)+,2(PC)+

SENOCT: .WORD 1

SGETH2: MOV 2#42,R0 ;GET MONITOR ADDRESS
BEQ $DOAGN ;BRANCH IF NO MONITOR
RESET ;CLEAR THE WORLD
JSR PC,(R0) ;GO TO MONITOR
NOP ;SAVE ROOM
NOP ;FOR
NOP ;ACT11

$DOAGN: JMP 2(PC)+ ;RETURN
SRTNAD: .WORD CYCLE

XCSR: 1
.BYTE 6,2
DZCSR

XVEC: 1
.BYTE 3,2
DZRIV
```

```

1771 004626 000001
1772 004630 006 002
1773 004632 001242
1774 004634 000001
1775 004636 006 002
1776 004640 001132
1777
1778
1779
1780
1781
1782
1783
1784
1785
1786
1787
1788
1789
1790
1791
1792
1793 004642
1794 004642 004737 007212
1795 004646 005037 001136
1796 004652 022716 012170
1797 004656 001413
1798 004660 000406
1799 004662 105777 174276
1800 004666 100067
1801 004670 017766 174272 177776
1802 004676 032777 040000 174254
1803 004704 001060
1804
1805 004706 000416
1806
1807 004710 013746 000004
1808 004714 012737 004734 000004
1809 004722 005737 177060
1810 004726 012637 000004
1811 004732 000436
1812 004734 022626
1813 004736 012637 000004
1814 004742 000441
1815 004744
1816 004744 105737 001123
1817 004750 001404
1818 004752 105037 001123
1819 004756 005037 001226
1820 004762 032777 004000 174170
1821 004770 001011
1822 004772 005737 001242
1823 004776 001406
1824 005000 005237 001124
1825 005004 023737 001226 001124
1826 005012 002015

```

```

XPASS: 1
      .BYTE 6,2
      $PASS
XERR: 1
      .BYTE 6,2
      $ERTTL

;SCOPE LOOP AND ITERATION HANDLER
-----

.SBTTL SCOPE HANDLER ROUTINE

;*****
;THIS ROUTINE CONTROLS THE LOOPING OF SUBTESTS. IT WILL INCREMENT
;AND LOAD THE TEST NUMBER($TSTN) INTO THE DISPLAY REG.(DISPLAY<7:0>)
;AND LOAD THE ERROR FLAG ($ERFLG) INTO DISPLAY<15:08>
;THE SWITCH OPTIONS PROVIDED BY THIS ROUTINE ARE:
;SW14=1 LOOP ON TEST
;SW11=1 INHIBIT ITERATIONS
;CALL
;* SCOPE ;;SCOPE=10T

$SCOPE:
.SCOPE: JSR PC,SERV.G ;FIND OUT IF (<G>) WAS HIT
        CLR $ERRPC ;CLEAR LAST ERROR PC.
        CMP #TST1+2,(SP) ;IS THIS THE SCOPE AT THE BEGINNING OF TST1?
        BEQ $XTSTR ;IF SO, DON'T LOOP ON IT
        BR 1$ ;GOTO 1$ (IF LOCK SW02=1; THIS LOC =240)
        TSTB #STKS ;KEYBOARD DONE?
        BPL $OVER ;BR IF NO. (LOCK: HIT KEY TO GOTO NEXT TEST)
        MOV #STKB,-2(SP) ;CLEAR DONE BIT
        BIT #BIT14,$SWR ;LOOP ON PRESENT TEST?
        BNE $OVER ;YES IF SW14=1
;*****START OF CODE FOR THE XOR TESTER*****
$XTSTR: BR 6$ ;IF RUNNING ON THE "XOR" TESTER CHANGE
        MOV #ERRVEC,-(SP) ;THIS INSTRUCTION TO A "NOP" (NOP=240)
        MOV #SS,$ERRVEC ;SAVE THE CONTENTS OF THE ERROR VECTOR
        TST #177060 ;SET FOR TIMEOUT
        BR $SVLAD ;TIME OUT ON XOR?
        CMP (SP)+,(SP)+ ;RESTORE THE ERROR VECTOR
        MOV (SP)+,$ERRVEC ;GO TO THE NEXT TEST
        BR $OVER ;CLEAR THE STACK AFTER A TIME OUT
        CMP (SP)+,$ERRVEC ;RESTORE THE ERROR VECTOR
        BR $OVER ;LOOP ON THE PRESENT TEST
6$;*****END OF CODE FOR THE XOR TESTER*****
2$: TSTB $ERFLG ;HAS AN ERROR OCCURRED?
    BEQ 3$ ;BR IF NO
    CLRB $ERFLG ;ZERO THE ERROR FLAG
    CLR $TIMES ;CLEAR THE NUMBER OF ITERATIONS TO MAKE
    BIT #BIT11,$SWR ;INHIBIT ITERATIONS?
    BNE 1$ ;BR IF YES
    TST $PASS ;IF FIRST PASS OF PROGRAM
    BEQ 1$ ;INHIBIT ITERATIONS
    INC $ICNT ;INCREMENT ITERATION COUNT
    CMP $TIMES,$ICNT ;CHECK THE NUMBER OF ITERATIONS MADE
    BGE $OVER ;BR IF MORE ITERATION REQUIRED

```

```

1827 005014 012737 000001 001124 1S:   MOV      #1,SICNT      ;; REINITIALIZE THE ITERATION COUNTER
1828 005022 013737 005104 001226      MOV      $MXCNT,$TIMES ;; SET NUMBER OF ITERATIONS TO DO
1829 005030 105237 001122      $SVLAD: INCB     $STNM      ;; COUNT TEST NUMBERS
1830 005034 113737 001122 001240      MOV      $STNM,$TESTN ;; SET TEST NUMBER IN APT MAILBOX
1831 005042 011637 001126      MOV      (SP), $LPADR ;; SAVE SCOPE LOOP ADDRESS
1832 005046 013777 001122 174106 $OVER:  MOV      $STNM,$DISPLAY ;; DISPLAY TEST NUMBER
1833 005054 013716 001126      MOV      $LPADR,(SP)  ;; FUDGE RETURN ADDRESS
1834 005060 105037 001417      3S:   CLR      MNTFLG    ;; CLEAR THE MAINTENANCE BIT SETTER AFTER EACH TEST
1835 005064 005737 001370      TST      MODE        ;; HAS THE MODE BEEN CHANGED?
1836 005070 001003      BNE      4S          ;; IF NOT INTERNAL, GO DO A TEST
1837 005072 112737 000010 001417      MOV      @MAINT,MNTFLG ;; IF INTERNAL MODE NOW, SET THE MAINTENANCE BIT
1838 005100 000002      4S:   RTI              ;; GO DO THE TEST
1839 005102 000406      BRW:    406
1840 005104 000005      $MXCNT: 5              ;; MAX. NUMBER OF ITERATIONS
1841
1842                      ;CHECK FOR FREEZE ON CURRENT DATA
1843                      ;-----
1844
1845 005106 032777 001000 174044 .SCOPI: BIT      #SW09,$SWR  ;; IS SW09=1(SET)?
1846 005114 001405      BEQ      1S          ;; BR IF NOT SET.
1847 005116 005737 001362      TST      LOCK        ;; IS THER A TIGHT LOOP SPECIFIED?
1848 005122 001402      BEQ      1S          ;; IF NO, RETURN
1849 005124 013716 001362      MOV      LOCK,(SP)   ;; IF YES, GOTO THE ADDRESS IN LOCK.
1850 005130 000002      1S:   RTI              ;; GO BACK.
1851
1852 005132      .TYPE:
1853      .SBTTL  TYPE ROUTINE
1854
1855      ;*****
1856      ;ROUTINE TO TYPE ASCIZ MESSAGE. MESSAGE MUST TERMINATE WITH A 0 BYTE.
1857      ;THE ROUTINE WILL INSERT A NUMBER OF NULL CHARACTERS AFTER A LINE FEED.
1858      ;NOTE1:      $NULL CONTAINS THE CHARACTER TO BE USED AS THE FILLER CHARACTER.
1859      ;NOTE2:      $FILLS CONTAINS THE NUMBER OF FILLER CHARACTERS REQUIRED.
1860      ;NOTE3:      $FILLC CONTAINS THE CHARACTER TO FILL AFTER.
1861      ;
1862      ;CALL:
1863      ;1) USING A TRAP INSTRUCTION
1864      ;      TYPE      ,MESADR      ;;MESADR IS FIRST ADDRESS OF AN ASCIZ STRING
1865      ;OR
1866      ;      TYPE
1867      ;      MESADR
1868      ;
1869
1870 005132 105737 001177      $TYPE:  TST      $TPFLG  ;; IS THERE A TERMINAL?
1871 005136 100002      BPL      1S          ;; BR IF YES
1872 005140 000000      HALT                    ;; HALT HERE IF NO TERMINAL
1873 005142 000430      BR              ;; LEAVE
1874 005144 010046      1S:   MOV      RO,-(SP)  ;; SAVE RO
1875 005146 017600 000002      MOV      @2(SP),RO    ;; GET ADDRESS OF ASCIZ STRING
1876 005152 122737 000001 001254      CMPB     @APTENV,$ENV  ;; RUNNING IN APT MODE
1877 005160 001011      BNE      62S         ;; NO GO CHECK FOR APT CONSOLE
1878 005162 132737 000100 001255      BITB     @APTPOOL,$ENVM ;; SPOOL MESSAGE TO APT
1879 005170 001405      BEQ      62S         ;; NO GO CHECK FOR CONSOLE
1880 005172 010037 005202      MOV      RO,$1S      ;; SETUP MESSAGE ADDRESS FOR APT
1881 005176 004737 005422      JSR      PC,$ATY3    ;; SPOOL MESSAGE TO APT
1882 005202 000000      61S:   .WORD     0      ;; MESSAGE ADDRESS

```

```

1883 005204 132737 000040 001255 62$: BITB #APTCSUP,$ENVM ;;APT CONSOLE SUPPRESSED
1884 005212 001003 BNE 60$ ;;YES,SKIP TYPE OUT
1885 005214 112046 2$: MOVB (RO)+,-(SP) ;;PUSH CHARACTER TO BE TYPED ONTO STACK
1886 005216 001005 BNE 4$ ;;BR IF IT ISN'T THE TERMINATOR
1887 005220 005726 TST (SP)+ ;;IF TERMINATOR POP IT OFF THE STACK
1888 005222 012600 60$: MOV (SP)+,RO ;;RESTORE RO
1889 005224 062716 000002 3$: ADD #2,(SP) ;;ADJUST RETURN PC
1890 005230 000002 RTI ;;RETURN
1891 005232 122716 000011 4$: CMPB #HT,(SP) ;;BRANCH IF <HT>
1892 005236 001430 BEQ 8$
1893 005240 122716 000200 CMPB #CRLF,(SP) ;;BRANCH IF NOT <CRLF>
1894 005244 001006 BNE 5$
1895 005246 005726 TST (SP)+ ;;POP <CR><LF> EQUIV
1896 005250 104402 TYPE ;;TYPE A CR AND LF
1897 005252 001231 SCRLF
1898 005254 105037 005410 CLRB $CHARCNT ;;CLEAR CHARACTER COUNT
1899 005260 000755 BR 2$ ;;GET NEXT CHARACTER
1900 005262 004737 005344 5$: JSR PC,$TYPEC ;;GO TYPE THIS CHARACTER
1901 005266 123726 001176 6$: CMPB $FILLC,(SP)+ ;;IS IT TIME FOR FILLER CHARS.?
1902 005272 001350 BNE 2$ ;;IF NO GO GET NEXT CHAR.
1903 005274 013746 001174 MOV $NULL,-(SP) ;;GET # OF FILLER CHARS. NEEDED
1904 AND THE NULL CHAR.
1905 005300 105366 000001 7$: DECB 1(SP) ;;DOES A NULL NEED TO BE TYPED?
1906 005304 002770 BLT 6$ ;;BR IF NO--GO POP THE NULL OFF OF STACK
1907 005306 004737 005344 JSR PC,$TYPEC ;;GO TYPE A NULL
1908 005312 105337 005410 DECB $CHARCNT ;;DO NOT COUNT AS A COUNT
1909 005316 000770 BR 7$ ;;LOOP

```

;HORIZONTAL TAB PROCESSOR

```

1910
1911
1912
1913 005320 112716 000040 8$: MOVB #' (SP) ;;REPLACE TAB WITH SPACE
1914 005324 004737 005344 9$: JSR PC,$TYPEC ;;TYPE A SPACE
1915 005330 132737 000007 005410 BITB #7,$CHARCNT ;;BRANCH IF NOT AT
1916 005336 001372 BNE 9$ ;;TAB STOP
1917 005340 005726 TST (SP)+ ;;POP SPACE OFF STACK
1918 005342 000724 BR 2$ ;;GET NEXT CHARACTER
1919 005344 105777 173620 $TYPEC: TSTB $STPS ;;WAIT UNTIL PRINTER IS READY
1920 005350 100375 BPL $TYPEC
1921 005352 116677 000002 173612 MOVB 2(SP),$STPB ;;LOAD CHAR TO BE TYPED INTO DATA REG.
1922 005360 122766 000015 000002 CMPB #CR,2(SP) ;;IS CHARACTER A CARRIAGE RETURN?
1923 005366 001003 BNE 1$ ;;BRANCH IF NO
1924 005370 105037 005410 CLRB $CHARCNT ;;YES--CLEAR CHARACTER COUNT
1925 005374 000406 BR $TYPEX ;;EXIT
1926 005376 122766 000012 000002 1$: CMPB #LF,2(SP) ;;IS CHARACTER A LINE FEED?
1927 005404 001402 BEQ $TYPEX ;;BRANCH IF YES
1928 005406 105227 INCB (PC)+ ;;COUNT THE CHARACTER
1929 005410 000000 $CHARCNT: .WORD 0 ;;CHARACTER COUNT STORAGE
1930 005412 000207 $TYPEX: RTS PC

```

.SBTTL APT COMMUNICATIONS ROUTINE

```

1931
1932
1933
1934
1935 005414 112737 000001 005660 $ATY1: MOVB #1,$FFLG ;;TO REPORT FATAL ERROR
1936 005422 112737 000001 005656 $ATY3: MOVB #1,$MFLG ;;TO TYPE A MESSAGE
1937 005430 000403 BR $ATYC
1938 005432 112737 000001 005660 $ATY4: MOVB #1,$FFLG ;;TO ONLY REPORT FATAL ERROR

```

```

1939 005440          SATYC:
1940 005440 010046      MOV      R0,-(SP)      ;; PUSH R0 ON STACK
1941 005442 010146      MOV      R1,-(SP)      ;; PUSH R1 ON STACK
1942 005444 105737 005656  TSTB     $MFLG        ;; SHOULD TYPE A MESSAGE?
1943 005450 001450      BEQ      5$           ;; IF NOT: BR
1944 005452 122737 000001 001254  CMPB     #APTENV,$ENV   ;; OPERATING UNDER APT?
1945 005460 001031      BNE     3$           ;; IF NOT: BR
1946 005462 132737 000100 001255  BITB     #APTPOOL,$ENVM ;; SHOULD SPOOL MESSAGES?
1947 005470 001425      BEQ      3$           ;; IF NOT: BR
1948 005472 017600 000004      MOV      24(SP),R0     ;; GET MESSAGE ADDR.
1949 005476 062766 000002 000004  ADD     #2,4(SP)       ;; BUMP RETURN ADDR.
1950 005504 005737 001234      1$:    TST     $MSGTYPE    ;; SEE IF DONE W/ LAST XMISSION?
1951 005510 001375      BNE     1$           ;; IF NOT: WAIT
1952 005512 010037 001250      MOV      R0,$MSGAD     ;; PUT ADDR IN MAILBOX
1953 005516 105720          2$:    TSTB     (R0)+       ;; FIND END OF MESSAGE
1954 005520 001376      BNE     2$
1955 005522 163700 001250      SUB     $MSGAD,R0     ;; SUB START OF MESSAGE
1956 005526 006200      ASR     R0           ;; GET MESSAGE LNTH IN WORDS
1957 005530 010037 001252      MOV      R0,$MSGLGT   ;; PUT LENGTH IN MAILBOX
1958 005534 012737 000004 001234  MOV     #4,$MSGTYPE   ;; TELL APT TO TAKE MSG.
1959 005542 000413      BR      5$
1960 005544 017637 000004 005570  3$:    MOV      24(SP),4$   ;; PUT MSG ADDR IN JSR LINKAGE
1961 005552 062766 000002 000004  ADD     #2,4(SP)       ;; BUMP RETURN ADDRESS
1962 005560 013746 177776      MOV     177776,-(SP)  ;; PUSH 177776 ON STACK
1963 005564 004737 005132      JSR     PC,$TYPE     ;; CALL TYPE MACRO
1964 005570 000000          4$:    .WORD    0
1965 005572          5$:
1966 005572 105737 005660          10$:   TSTB     $FFLG        ;; SHOULD REPORT FATAL ERROR?
1967 005576 001416      BEQ     12$         ;; IF NOT: BR
1968 005600 005737 001254      TST     $ENV         ;; RUNNING UNDER APT?
1969 005604 001413      BEQ     12$         ;; IF NOT: BR
1970 005606 005737 001234          11$:   TST     $MSGTYPE    ;; FINISHED LAST MESSAGE?
1971 005612 001375      BNE     11$        ;; IF NOT: WAIT
1972 005614 017637 000004 001236  MOV     24(SP),$FATAL  ;; GET ERROR #
1973 005622 062766 000002 000004  ADD     #2,4(SP)       ;; BUMP RETURN ADDR.
1974 005630 005237 001234          12$:   INC     $MSGTYPE    ;; TELL APT TO TAKE ERROR
1975 005634 105037 005660      CLRB   $FFLG        ;; CLEAR FATAL FLAG
1976 005640 105037 005657      CLRB   $LFLG        ;; CLEAR LOG FLAG
1977 005644 105037 005656      CLRB   $MFLG        ;; CLEAR MESSAGE FLAG
1978 005650 012601      MOV     (SP)+,R1     ;; POP STACK INTO R1
1979 005652 012600      MOV     (SP)+,R0     ;; POP STACK INTO R0
1980 005654 000207      RTS     PC          ;; RETURN
1981 005656      000      $MFLG: .BYTE    0   ;; MESSG. FLAG
1982 005657      000      $LFLG: .BYTE    0   ;; LOG FLAG
1983 005660      000      $FFLG: .BYTE    0   ;; FATAL FLAG
1984          005662      .EVEN
1985          000200  APTSIZE=200
1986          000001  APTENV=001
1987          000100  APTPOOL=100
1988          000040  APTCSUP=040
1989
1990          ;; STRING INPUT ROUTINE
1991          -----
1992
1993 005662 010346      .INSTR: MOV     R3,-(SP)  ;; SAVE R3 ON STACK
1994 005664 010446      MOV     R4,-(SP)  ;; SAVE R4 ON STACK

```

1995	005666	017637	000004	005704	MOV	24(SP),.MSG	;GET THE ADDRESS OF THE MESSAGE TO BE PRINTED
1996	005674	062766	000002	000004	ADD	#2,4(SP)	;POINT TO INSTRUCTION AFTER ADDRESS POINTER
1997	005702	104402			.INST1: TYPE		;PRINT THE MESSAGE
1998	005704	000000			.MSG: 0		;MESSAGE IS POINTED TO FROM HERE
1999	005706	012704	010452		MOV	#INBUF,R4	;POINT R4 TO THE INPUT BUFFER
2000	005712	012703	000007		MOV	#7,R3	;SET THE MAXIMUM NUMBER OF CHARACTERS ALLOWED
2001	005716	105777	173242		15: TSTB	25TKS	;HAS A CHARACTER BEEN RECEIVED?
2002	005722	100375			BPL	15	;IF NO, KEEP WAITING FOR IT
2003	005724	117714	173236		MOVB	25TKB,(R4)	;IF YES, SAVE IT IN THE INPUT BUFFER
2004	005730	142714	000200		BICB	#200,(R4)	;KEEP ONLY THE 7-BIT ASCII INFORMATION
2005	005734	122427	000015		CMPB	(R4)+,#15	;IS THIS CHARACTER A LINE FEED?
2006	005740	001417			BEQ	INSTR2	;IF SO, TERMINATE THE INPUT SEQUENCE
2007	005742	105777	173222		25: TSTB	25TPS	;IF NOT, CHECK TO SEE IF THE CHARACTER CAN PRINT
2008	005746	100375			BPL	25	;IF WE CAN'T, WAIT UNTIL WE CAN
2009	005750	017777	173212	173214	MOV	25TKB,25TPB	;ECHO THE CHARACTER BACK
2010	005756	005303			DEC	R3	;REDUCE THE NUMBER OF CHARACTERS RECEIVED
2011	005760	001356			BNE	15	;IF WE DON'T HAVE 7, GO GET SOME MORE
2012	005762	012604			MOV	(SP)+,R4	;IF WE HAVE 7, RESTORE R4
2013	005764	012603			MOV	(SP)+,R3	;RESTORE R3
2014	005766	010346			.INSTE: MOV	R3,-(SP)	;SAVE R3 ON THE STACK
2015	005770	010446			MOV	R4,-(SP)	;SAVE R4 ON THE STACK
2016	005772	104402	001230		TYPE	,SQUES	;PRINT A QUESTION MARK... WHAT'S GOING ON?
2017	005776	000741			BR	.INST1	;GO PRINT THE MESSAGE AGAIN
2018	006000	012604			INSTR2: MOV	(SP)+,R4	;RESTORE R4
2019	006002	012603			MOV	(SP)+,R3	;RESTORE R3
2020	006004	000002			RTI		;RETURN TO THE MAIN PROCEDURE
2021							
2022							
2023							
2024							
2025	006006	010546			.PARAM: MOV	R5,-(SP)	;SAVE R5 ON THE STACK
2026	006010	010446			MOV	R4,-(SP)	;SAVE R4 ON THE STACK
2027	006012	016605	000004		MOV	4(SP),R5	;GET THE SETUP INFORMATION POINTER
2028	006016	012537	006176		MOV	(R5)+,LOLIM	;SET THE LOW LIMIT FOR THE INPUT
2029	006022	012537	006200		MOV	(R5)+,HILIM	;SET THE HIGH LIMIT FOR THE INPUT
2030	006026	012537	006202		MOV	(R5)+,DEVADR	;SAVE THE ADDRESS WHERE THE RESULT WILL BE STORED
2031	006032	112537	006204		MOVB	(R5)+,LOBIT5	;GET THE MASK OF THE INCORRECT BITS
2032	006036	112537	006205		MOVB	(R5)+,ADRCNT	;GET THE COUNT OF ITEMS TO BE STORED
2033	006042	010566	000004		MOV	R5,4(SP)	;POINT TO WHERE MAIN LINE PROGRAM WILL RESUME
2034	006046	005005			PARAM1: CLR	R5	;INITIALIZE THE ASCII TO OCTAL RESULT WORD
2035	006050	012704	010452		MOV	#INBUF,R4	;POINT TO THE INPUT BUFFER
2036	006054	122714	000015		CMPB	#15,(R4)	;IS THIS CHARACTER A CARRIAGE RETURN?
2037	006060	001420			BEQ	PARERR	;IF SO, PRINT THE MESSAGE AGAIN
2038	006062	121427	000060		15: CMPB	(R4),#60	;IS THIS CHARACTER BELOW THE NUMERIC RANGE?
2039	006066	002415			BLT	PARERR	;IF SO, GO PRINT THE MESSAGE AGAIN
2040	006070	121427	000067		CMPB	(R4),#67	;IS THIS CHARACTER ABOVE THE NUMERIC RANGE?
2041	006074	003012			BGT	PARERR	;IF SO, GO PRINT THE MESSAGE AGAIN
2042	006076	142714	000060		BICB	#60,(R4)	;ISOLATE THE NUMBER THE CHARACTER REPRESENTS
2043	006102	152405			BISB	(R4)+,R5	;CONCATENATE THESE BITS TO THE ALREADY EXISTING STRING
2044	006104	122714	000015		CMPB	#15,(R4)	;IS THE NEXT CHARACTER A CARRIAGE RETURN?
2045	006110	001406			BEQ	LIMITS	;IF SO, GO SEE IF NUMBER IS WITHIN LIMITS
2046	006112	006305			ASL	R5	;CLEAR BIT POSITION 0, MOVE EXISTING STRING TO LEFT
2047	006114	006305			ASL	R5	;CLEAR POSITION 1, MOVE STRING TO LEFT AGAIN
2048	006116	006305			ASL	R5	;MOVE THE STRING ONE MORE TIME TO MAKE ROOM FOR
2049							;NEXT THREE BITS
2050	006120	000760			BR	15	;GO GET THE NEXT CHARACTER

;CONVERT ASCII STRING TO OCTAL

```

2051 006122 104404          PARERR: INSTER          ;THERE WAS AN ERROR... GO PRINT MESSAGE AGAIN
2052 006124 000750          BR          PARAM1      ;TRY GETTING THE PARAMETERS AGAIN
2053
2054                          ;TEST TO SEE IF NUMBER IS WITHIN LIMITS
2055                          -----
2056
2057 006126 020537 006200    LIMITS: CMP          R5,HILIM      ;DOES RESULT EXCEED ITS MAXIMUM CORRECT VALUE?
2058 006132 101373          BHI          PARERR      ;IF YES, GO PRINT THE MESSAGE AGAIN
2059 006134 020537 006176    CMP          R5,LOLIM     ;IS THE RESULT LOWER THAN ALLOWED?
2060 006140 103770          BLO          PARERR      ;IF YES, GO PRINT THE MESSAGE AGAIN
2061 006142 133705 006204    BITB        LOBITS,R5    ;ARE ANY INCORRECT BITS SET IN THE RESULT?
2062 006146 001365          BNE          PARERR      ;IF SO, GO PRINT THE MESSAGE AGAIN
2063
2064                          ;STORE NUMBER AT SPECIFIED ADDRESS
2065
2066 006150 013704 006202    1$: MOV          DEVADR,R4    ;POINT TO THE LOCATION WHERE THE RESULT WILL BE STORED
2067 006154 010524          MOV          R5,(R4)+     ;STORE THE RESULT
2068 006156 062705 000002    ADD          #2,R5        ;CALCULATE THE NEXT DATUM
2069 006162 105337 006205    DECB        ADCNT        ;REDUCE COUNT OF STORED RESULTS. IS IT EXCEEDED?
2070 006166 001372          BNE          1$          ;IF NOT, GO STORE THE NEXT DATUM
2071 006170 012604          MOV          (SP)+,R4     ;RESTORE R4
2072 006172 012605          MOV          (SP)+,R5     ;RESTORE R5
2073 006174 000002          RTI                    ;RETURN TO THE MAIN PROGRAM
2074
2075 006176 000000          LOLIM: 0                ;LOWEST ACCEPTABLE VALUE
2076 006200 000000          HILIM: 0                ;HIGHEST ACCEPTABLE
2077 006202 000000          DEVADR: 0               ;LOCATION WHERE RESULT WILL BE STORED
2078 006204          000                ;INCORRECT BITS MASK
2079 006205          000                ;COUNT OF ITEMS TO BE STORED
2080
2081                          ;SAVE PC OF TEST THAT FAILED AND RO-R5
2082                          -----
2083
2084 006206 016637 000004 001402 .SAV05: MOV          4(SP),SAVPC    ;SAVE R7 (PC)
2085
2086                          ;SAVE RO-R5
2087
2088 006214 010537 001214    SV05: MOV          R5,$REG5    ;SAVE R5
2089 006220 010437 001212    MOV          R4,$REG4    ;SAVE R4
2090 006224 010337 001210    MOV          R3,$REG3    ;SAVE R3
2091 006230 010237 001206    MOV          R2,$REG2    ;SAVE R2
2092 006234 010137 001204    MOV          R1,$REG1    ;SAVE R1
2093 006240 010037 001202    MOV          R0,$REG0    ;SAVE R0
2094 006244 000002          RTI                    ;LEAVE.
2095
2096                          ;RESTORE RO-R5
2097
2098 006246 013700 001202    .RES05: MOV          $REG0,R0    ;RESTORE R0
2099 006252 013701 001204    MOV          $REG1,R1    ;RESTORE R1
2100 006256 013702 001206    MOV          $REG2,R2    ;RESTORE R2
2101 006262 013703 001210    MOV          $REG3,R3    ;RESTORE R3
2102 006266 013704 001212    MOV          $REG4,R4    ;RESTORE R4
2103 006272 013705 001214    MOV          $REG5,R5    ;RESTORE R5
2104 006276 000002          RTI                    ;LEAVE
2105
2106                          ;CONVERT OCTAL NUMBER TO ASCII AND OUTPUT TO TELEPRINTER

```

```

2107
2108
2109 006300 104402 001231 .CONVR: TYPE $SCLF ;PRINT A CARRIAGE RETURN
2110 006304 010046 .CNVRT: MOV R0,-(SP) ;SAVE R0
2111 006306 010146 MOV R1,-(SP) ;SAVE R1
2112 006310 010346 MOV R3,-(SP) ;SAVE R3
2113 006312 010446 MOV R4,-(SP) ;SAVE R4
2114 006314 010546 MOV R5,-(SP) ;SAVE R5
2115 006316 017601 000012 MOV @12(SP),R1 ;PLACE THE ADDRESS OF THE ARGUMENTS IN R1
2116 006322 062766 000002 000012 ADD #2,12(SP) ;POINT TO WHERE MAIN PROGRAM WILL RESUME
2117 006330 012137 006454 MOV (R1)+,WRDCNT ;GET NUMBER OF WORDS TO BE PRINTED
2118 006334 112105 1S: MOV (R1)+,R5 ;GET THE NUMBER OF CHARACTERS TO BE PRINTED
2119 006336 112100 MOV (R1)+,R0 ;GET THE NUMBER OF SPACES TO PRINT
2120 006340 013104 MOV @2(R1)+,R4 ;COPY THE WORD TO BE CONVERTED
2121 006342 110537 006456 MOV R5,CHRCNT ;COPY THE CHARACTER COUNT
2122 006346 010403 3S: MOV R4,R3 ;COPY THE ARGUMENT WORD AGAIN
2123 006350 042703 177770 BIC #10<7>,R3 ;ISOLATE THREE BITS TO BE TREATED AS A CHARACTER
2124 006354 062703 000060 ADD #060,R3 ;MAKE AN ASCII CHARACTER OUT OF THEM
2125 006360 110346 MOV R3,-(SP) ;SAVE THAT CHARACTER
2126 006362 006004 ROR R4 ;MOVE THE NEXT THREE BITS INTO PLACE
2127 006364 006204 ASR R4 ;MOVE THEM AGAIN
2128 006366 006204 ASR R4 ;AND FINALLY A THIRD TIME
2129 006370 005305 DEC R5 ;REDUCE CHARACTER COUNT. ARE ALL CHARACTERS
2130 ;BUILT?
2131 006372 001365 BNE 3S ;IF NO, GO BUILD THE NEXT ONE.
2132 006374 012703 010556 MOV #MDATA,R3 ;NOW POINT TO WHERE NUMBER WILL BE PRINTED FROM
2133 006400 112623 4S: MOV (SP)+,(R3)+ ;STORE THE CHARACTER, STARTING WITH THE MOST
2134 006402 105337 006456 DECB CHRCNT ;REDUCE COUNT. ARE ALL CHARACTERS TRANSFERRED?
2135 006406 001374 BNE 4S ;IF NO, GO TRANSFER ANOTHER
2136 006410 105700 TSTB R0 ;ARE ANY SPACES TO BE PRINTED?
2137 006412 001404 BEQ 6S ;IF NO, DON'T SET UP ANY
2138 006414 112723 000040 5S: MOV #040,(R3)+ ;ADD A SPACE TO THE OUTPUT BUFFER
2139 006420 105300 DECB R0 ;REDUCE THE COUNT. SHOULD WE PRINT MORE?
2140 006422 001374 BNE 5S ;IF YES, GO ADD ANOTHER SPACE
2141 006424 105013 6S: CLRB (R3) ;TERMINATE THE OUTPUT BUFFER WITH A ZERO
2142 006426 104402 010556 TYPE ,MDATA ;PRINT THE STRING WE JUST BUILT
2143 006432 005337 006454 DEC WRDCNT ;REDUCE THE WORD COUNT. ARE ANY MORE WORDS LEFT?
2144 006436 001336 BNE 1S ;IF YES, GO CONVERT THEM
2145 006440 012605 MOV (SP)+,R5 ;RESTORE R5
2146 006442 012604 MOV (SP)+,R4 ;RESTORE R4
2147 006444 012603 MOV (SP)+,R3 ;RESTORE R3
2148 006446 012601 MOV (SP)+,R1 ;RESTORE R1
2149 006450 012600 MOV (SP)+,R0 ;RESTORE R0
2150 006452 000002 RTI ;RETURN TO THE MAIN PROGRAM
2151 006454 000000 WRDCNT: 0
2152 006456 000 CHRCNT: .BYTE ;NUMBER OF CHARACTERS TO PRINT
2153 006457 000 SPACNT: .BYTE 0 ;NUMBER OF SPACES TO PRINT
2154
2155 006460 000000 BINWRD: 0
2156
2157
2158 ;TRAP DISPATCH SERVICE
2159 ;ARGUMENT OF TRAP IS EXTRACTED
2160 ;AND USED AS OFFSET TO OBTAIN POINTER
2161 ;TO SELECTED SUBROUTINE
2162

```

```

2163 006462 010046      .TRPSR: MOV      RO,-(SP)      ;SAVE RO. USE RO TO FIND TRAP ROUTINE
2164 006464 016600 000002      MOV      2(SP),RO      ;GET TRAP ADDRESS
2165 006470 005740      TST      -(RO)         ;GET TRAP
2166 006472 111000      MOV      (RO),RO       ;GET RIGHT BYTE OF TRAP (TRAP OFFSET)
2167 006474 006300      ASL      RO            ;POSITION OFFSET FOR TABLE INDEXING
2168 006476 016000 002002      MOV      .TRPTAB(RO),RO ;PLACE INDEXED ADDRESS OF TABLE IN RO
2169 006502 000200      RTS      RO            ;TRANSFER TO THAT ADDRESS AND RESTORE OLD RO
2170
2171      ;DEVICE CLEAR ROUTINE
2172      ;ISSUE A DEVICE CLEAR
2173      -----
2174 006504      .DEVICE.CLR:
2175 006504 052777 000020 173330      BIS      #DCLR, @DZCSR ;SET DCLR
2176 006512 032777 000020 173322      IS:     BIT      #DCLR, @DZCSR ;DID IT CLEAR?
2177 006520 001374      BNE      IS           ;BR IF NO
2178 006522 000002      RTI                     ;EXIT ROUTINE
2179
2180      ;ROUTINE TO HANDLE MAINTENANCE BIT SETTING WITH DEVICE CLEAR
2181      -----
2182 006524 104413      .DCLASM: DEVICE.CLR ;ISSUE A DEVICE CLEAR
2183 006526 153777 001417 173306      BISS     MNTFLG, @DZCSR ;LOAD THE MAINTENANCE BIT IF IT IS I MODE
2184 006534 000002      RTI                     ;RETURN TO CALLING ROUTINE
2185
2186 006536      .DELAY:
2187 006536 010046      MOV      RO,-(SP)      ;SAVE RO
2188 006540 013700 006554      MOV      DLYCNT,RO     ;SET COUNT
2189 006544 005300      IS:     DEC      RO     ;DELAY
2190 006546 001376      BNE      IS           ;
2191 006550 012600      MOV      (SP)+,RO     ;RESTORE RO
2192 006552 000002      RTI                     ;LEAVE ROUTINE
2193 006554 000036      DLYCNT: .WORD      30. ;PATCHABLE LOC FOR MORE TIME
2194
2195      ;ADVANCE TO NEXT TEST HANDLER
2196      -----
2197
2198 006556 013716 001360      .ADVANCE: MOV      NEXT,(SP) ;CRUNCH STACK WITH ADDRESS OF SCOPE CALL
2199 006562 005037 001362      CLR      LOCK         ;RESET TIGHT LOOP ADDRESS
2200 006566 000002      RTI                     ;CHECK TO SEE IF OLD TEST GETS REPEATED
2201
2202      ;ERROR HANDLER
2203      -----
2204
2205 006570 004737 007212      $ERROR: JSR      PC, SERV.G ;FIND OUT IF <↑G> WAS HIT
2206 006574 032777 010000 172356      BIT      #SW12, @SWR   ;BELL ON ERROR?
2207 006602 001406      BEQ      XBX          ;BR IF NO BELL
2208 006604 105777 172360      TSTB     @STPS        ;TTY READY.
2209 006610 100003      BPL      XBX          ;DON'T WAIT IF TTY NOT READY.
2210 006612 112777 000207 172352      MOV      #207, @STPB  ;PUSH A BELL AT THE TTY.
2211 006620 032777 020000 172332      XBX:     BIT      #SW13, @SWR ;DELETE ERROR PRINT OUT?
2212 006626 001113      BNE      HALTS        ;BR IF NO PRINT OUT WANTED.
2213 006630 021637 001136      CMP      (SP), $ERRPC ;WAS THIS ERROR FOUND LAST TIME?
2214 006634 001404      BEQ      IS           ;BR IF YES
2215 006636 011637 001136      MOV      (SP), $ERRPC ;RECORD BEING HERE
2216 006642 105037 001123      CLRB     $ERFLG       ;PREPARE HEADER
2217 006646 104407      IS:     SAVOS        ;SAVE ALL PROC REGISTERS
2218 006650 011605      MOV      (SP), R5     ;GET THE PC OF ERROR

```

2219	006652	162705	000002		SUB	#2,R5	;GET ADDRESS OF TRAP CALL
2220	006656	011504			MOV	(R5),R4	;GET ERROR INSTRUCTION
2221	006660	110437	001134		MOV	R4,\$ITEMB	;COPY TEST NUMBER FOR APT HANDLING
2222	006664	006304			ASL	R4	;MULT BY TWO
2223	006666	061504			ADD	(R5),R4	;DOUBLE IT
2224	006670	006304			ASL	R4	;MULT AGAIN
2225	006672	042704	177001		BIC	#177001,R4	;CLEAR JUNK
2226	006676	062704	026174		ADD	#.ERRTAB,R4	;GET POINTER
2227	006702	012437	007026		MOV	(R4)+,ERRMSG	;GET ERROR MESSAGE
2228	006706	012437	007040		MOV	(R4)+,DATAHD	;GET DATA HEADRER
2229	006712	011437	007052		MOV	(R4),DATABP	;GET DATA TABLE
2230	006716	105737	001123		TSTB	\$ERFLG	;TYPE HEADER
2231	006722	001403			BEQ	TYPMSG	;BR IF YES
2232	006724	005737	007052		TST	DATABP	;DOES DATA TABLE EXIST?
2233	006730	001044			BNE	TYPDAT	;BR IF YES.
2234	006732	104402	001231		TYPMSG:	TYPE	;TYPE A CARRIAGE RETURN
2235	006736	104402	001231			,\$CRLF	;AND TYPE ANOTHER
2236	006742	005737	001362		TYPE	, \$CRLF	
2237	006746	001402			TST	LOCK	
2238	006750	104402	010147		BEQ	IS	
2239	006754	104402	010135		TYPE	,MASTEK	
2240	006760	104412	007204		TYPE	,MTSTN	
2241	006764	104402	010224		IS:	,XTSTN	;SHOW IT
2242	006770	104412	007176		CNVRT	,MERRPC	;TYPE PC.
2243	006774	104402	010077		TYPE	,ERTABO	;SHOW IT
2244	007000	104412	004612		CNVRT	,MCSR	
2245	007004	104402	001231		TYPE	,XCSR	
2246	007010	112737	177777	001123	CNVRT	, \$CRLF	;GIVE A CR/LF
2247	007016	005737	007026		MOV	#-1,\$ERFLG	;NO MORE HEADER UNLESS NO DATA TABLE.
2248	007022	001402			TST	ERRMSG	;IS THERE AN ERROR MESSAGE?
2249	007024	104402			BEQ	WTBS.FM	;BR IF NO.
2250	007026	000000			TYPE		;TYPE
2251	007030				ERRMSG:	0	ERROR MESSAGE
2252	007030	005737	007040		WTBS.FM:		
2253	007034	001402			TST	DATAHD	;DATA HEADER?
2254	007036	104402			BEQ	TYPDAT	;BR IF NO
2255	007040	000000			TYPE		;TYPE
2256	007042	005737	007052		DATAHD:	0	DATA HEADER
2257	007046	001402			TYPDAT:	TST	DATA TABLE?
2258	007050	104411			BEQ	DATABP	;BR IF NO.
2259	007052	000000			CONVRT	RESREG	;SHOW
2260	007054	104410			DATABP:	0	DATA TABLE
2261	007056	122737	000001	001254	RESREG:	RES05	;RESTORE PROC REGISTERS
2262	007064	001007			HALTS:	CMPB	;IS APT RUNNING?
2263	007066	113737	001134	007100		BNE	;SKIP APT CALL IF NOT
2264	007074	004737	005432		MOV	\$ITEMB,75	;COPY ERROR NUMBER
2265	007100	000000			JSR	PC,\$ATY4	;CALL APT SERVICE
2266	007102	000777			75:	.WORD	0
2267	007104	022737	004576	000042	85:	BR	85
2268	007112	001403			25:	CMP	#SENDAD,2#42
2269	007114	005777	172040			BEQ	IS
2270	007120	100004			TST	\$SWR	;IF SO, HANDLE ACCORDINGLY
2271	007122	016677	000002	172032	15:	BPL	EXITER
2272	007130	000000				MOV	2(SP),2DISPLAY
2273	007132	005237	001132		EXITER:	INC	\$ERTTL
2274	007136	032777	000400	172014		BIT	#SW08,\$SWR


```

2331 007452 020200 051450 051127 89$: .ASCIZ <200>? (SWR)=/?
2332 007460 036451 000057
2333
2334 007464 000001 .EVEN
2335 007466 006 000 88$: 1
2336 007470 007472 .BYTE 6,0
2337 007472 000000 90$: .WORD 0
2338 007474 036457 000057 91$: .ASCIZ ?/=/?
2339
2340 .EVEN
2341 .SBTTL POWER DOWN AND UP ROUTINES
2342
2343 ;:*****
2344 ;:POWER DOWN ROUTINE
2345 $PWRDN: MOV $SILLUP, @#PWRVEC ;; SET FOR FAST UP
2346 MOV #340, @#PWRVEC+2 ;; PRIO:7
2347 MOV RO, -(SP) ;; PUSH RO ON STACK
2348 MOV R1, -(SP) ;; PUSH R1 ON STACK
2349 MOV R2, -(SP) ;; PUSH R2 ON STACK
2350 MOV R3, -(SP) ;; PUSH R3 ON STACK
2351 MOV R4, -(SP) ;; PUSH R4 ON STACK
2352 MOV R5, -(SP) ;; PUSH R5 ON STACK
2353 MOV @SWR, -(SP) ;; PUSH @SWR ON STACK
2354 MOV SP, $SAVR6 ;; SAVE SP
2355 MOV $SPWRUP, @#PWRVEC ;; SET UP VECTOR
2356 HALT
2357 BR .-2 ;; HANG UP
2358
2359 ;:*****
2360 ;:POWER UP ROUTINE
2361 $PWRUP: MOV $SILLUP, @#PWRVEC ;; SET FOR FAST DOWN
2362 MOV $SAVR6, SP ;; GET SP
2363 CLR $SAVR6 ;; WAIT LOOP FOR THE TTY
2364 1$: INC $SAVR6 ;; WAIT FOR THE INC
2365 BNE 1$ OF WORD
2366 MOV (SP)+, @SWR ;; POP STACK INTO @SWR
2367 MOV (SP)+, R5 ;; POP STACK INTO R5
2368 MOV (SP)+, R4 ;; POP STACK INTO R4
2369 MOV (SP)+, R3 ;; POP STACK INTO R3
2370 MOV (SP)+, R2 ;; POP STACK INTO R2
2371 MOV (SP)+, R1 ;; POP STACK INTO R1
2372 MOV (SP)+, RO ;; POP STACK INTO RO
2373 MOV $SPWRDN, @#PWRVEC ;; SET UP THE POWER DOWN VECTOR
2374 MOV #340, @#PWRVEC+2 ;; PRIO:7
2375 TYPE ;; REPORT THE POWER FAILURE
2376 $PWRMG: .WORD MPFAIL ;; POWER FAIL MESSAGE POINTER
2377 MOV (PC)+, (SP) ;; RESTART AT RESTART
2378 $PWRAD: .WORD RESTART ;; RESTART ADDRESS
2379 RTI
2380 $SILLUP: HALT ;; THE POWER UP SEQUENCE WAS STARTED
2381 BR .-2 ;; BEFORE THE POWER DOWN WAS COMPLETE
2382 $SAVR6: 0 ;; PUT THE SP HERE
2383 MPFAIL: .ASCIZ <200>/PWR FAILED. RESTART AT LAST TEST /
(2) 007715 200 047105 020104 MEPASS: .ASCIZ <200>/END PASS DZDZA-B /
(2) 007741 200 052522 047116 MR: .ASCIZ <200>/RUNNING /
(2) 007755 200 051120 043517 MERR2: .ASCIZ <200>/PROGRAM INDICATES NO DEVICES PRESENT./
(2) 010024 044600 051516 043125 MERR3: .ASCIZ <200>/INSUFFICIENT DATA!/

```

```

(2) 010050 046200 041517 020113 MLOCK: .ASCIZ <200>/LOCK ON SELECTED TEST/
(2) 010077 103 051123 020072 MCSRX: .ASCIZ /CSR: /
(2) 010105 126 041505 020072 MVECX: .ASCIZ /VEC: /
(2) 010113 120 051501 042523 MPASSX: .ASCIZ /PASSES: /
(2) 010124 051105 047522 051522 MERRX: .ASCIZ /ERRORS: /
(2) 010135 124 051505 020124 MTSTN: .ASCIZ /TEST NO: /
(2) 010147 052 000040 MASTEK: .ASCIZ /* /
(2) 010152 051600 052105 051440 MNEW: .ASCIZ <200>/SET SWITCH REG TO DZ11'S DESIRED ACTIVE./
(2) 010224 041520 020072 000 MERRPC: .ASCIZ /PC: /
(2) 010231 200 040515 020120 XHEAD: .ASCIZ <200>/MAP OF DZ11 STATUS/<200>
(2) 010256 044600 046114 043505 MBADLN: .ASCIZ <200>/ILLEGAL ENTRY IN STAGGERED MODE/<200>

```

```

(2) 010320 000002 XSTATQ: 2
2383 010322 006 003 .BYTE 6,3
2384 010324 001220 $TMP1
2385 010326 006 002 .BYTE 6,2
2386 010330 001222 $TMP2

```

```

.EVEN
;THIS ROUTINE ESTABLISHES WHICH MAINTENANCE MODE THE DEVICE IS IN
-----
;E=EXTERNAL LOOP BACK
;I=INTERNAL LOOP BACK
;S=STAGGERED LOOP BACK

```

```

2393 010332 017605 000000 .SETFLG: MOV 2(SP),R5 ;PICK UP ADDRESS OF TAG
2394 010336 042737 000040 010452 BIC #40,INBUF ;STRIP LOWER CASE
2395 010344 122737 000105 010452 CMPB #'E,INBUF ;IS IT EXTERNAL LOOP BACK ?
2396 010352 001005 BNE 4$ ;NO
2397 010354 013715 010444 MOV 15,(R5) ;YES STORE INFO
2398 010360 105037 001417 CLRB MNTFLG ;SET MAINT BIT =0
2399 010364 000422 BR 7$ ;GET OUT
2400 010366 122737 000111 010452 4$: CMPB #'I,INBUF ;IS IT INTERNAL LOOP BACK ?
2401 010374 001006 BNE 5$ ;NO
2402 010376 013715 010446 MOV 25,(R5) ;YES STORE INFO
2403 010402 112737 000010 001417 MOVB #MAINT,MNTFLG ;SET UP THE MAINTENANCE FLAG LOADER
2404 010410 000410 BR 7$ ;GET OUT
2405 010412 122737 000123 010452 5$: CMPB #'S,INBUF ;IS IT STAGGERED LOOP BACK ?
2406 010420 001007 BNE 6$ ;WHAT ?
2407 010422 013715 010450 MOV 35,(R5) ;YES STORE INFO
2408 010426 105037 001417 CLRB MNTFLG ;ZERO BITS
2409 010432 062716 000002 7$: ADD #2,(SP) ;POP AROUND
2410 010436 000002 RTI
2411 010440 104404 6$: INSTER ;RETRY
2412 010442 000733 BR .SETFLG ;DITTO
2413 010444 000200 1$: .WORD 200 ;EXTERNAL = E
2414 010446 000000 2$: .WORD 0 ;INTERNAL = I
2415 010450 100000 3$: .WORD 100000 ;STAGGERED = S

```

;BUFFERS FOR INPUT-OUTPUT

```

2418
2419 010452 000000 INBUF: 0
2420 010514 . = +40
2421 010514 000000 TEMP: 0
2422 010556 . = +40
2423 010556 000000 MDATA: 0
2424 010620 . = +40
2425

```


03-11-0202A-B
0202AB.P11

MACY11 27(732) 03-NOV-76 15:03 PAGE 54
POWER DOWN AND UP ROUTINES

010620	011637	010716		SET.PS:	MOV	(SP),3\$	
010624	162737	000002	010716		SUB	#2,3\$	
010632	017737	000060	010720		MOV	23\$,4\$	
010640	022737	106427	010720		CMP	#106427,4\$	
010646	001003				BNE	1\$	
010650	011637	010716			MOV	(SP),3\$	
010654	000412				BR	2\$	
010656	022737	106437	010720	1\$:	CMP	#106437,4\$	
010664	001401				BEQ	.+4	
010666	000000				HALT		;RESERVED INSTRUCTION NOT "MTPS"
010670	011637	010716			MOV	(SP),3\$	
010674	017737	000016	010716		MOV	23\$,3\$	
010702	062716	000002		2\$:	ADD	#2,(SP)	
010706	017766	000004	000002		MOV	23\$,2(SP)	
010714	000002				RTI		
010716	000000			3\$:	0		
010720	000000			4\$:	0		

010722
010726
010730
010734
010736
010740
010746
010754
010756
010762
010766
010774
011002
011004
011012
011014
011020
011024
011030
011036
011044
011046
011054
011060
011064
011070
011076
011078
011079
011076
011104
011110
011114
011120
011124
011130
011132
011140
011142
011146
011150
011152
011154
011156
011160
011162
011163
011164
011170

005737 001404
001004
104402 007755
000000
000776
013737 005104 001226
033737 001406 001404
001017
006137 001406
005537 001406
062737 000014 001412
022737 002000 001412
001356
012737 001500 001412
000752
006137 001406
005537 001406
013700 001412
062737 000014 001412
022737 002000 001412
001003
012737 001500 001412
012037 001310
012037 002072
012037 026170
113737 026171 001414
042737 100000 026170
012037 001364
012037 001366
012037 001370
004737 025762
005737 000042
001046
032777 000002 170020
001442
104402 001231
104403
010135
104405
000001
001000
001122
000
001
012700 012166
022710 000004

CYCLE: TST DZACTV
BNE 15
TYPE ,MERR2
HALT
BR
15: MOV \$MXCNT,STIMES
BIT RUN,DZACTV
BNE 25
ROL RUN
ADC RUN
ADD #14,ACTIVE
CMP #DZ.END,ACTIVE
BNE 15
MOV #DZ.MAP,ACTIVE
BR 15
25: ROL RUN
ADC RUN
MOV ACTIVE,R0
ADD #14,ACTIVE
CMP #DZ.END,ACTIVE
BNE 35
35: MOV #DZ.MAP,ACTIVE
MOV (R0)+,\$BASE
MOV (R0)+,DZRIV
MOV (R0)+,DZPRT
MOVB DZPRT+1,EIAFLG
BIC #BIT15,DZPRT
MOV (R0)+,LINE
MOV (R0)+,PAR
MOV (R0)+,MODE
JSR PC,DZLEV
TST #42
BNE 45
BIT #SW01,\$SWR
BEQ 45
75: TYPE ,SCRLF
INSTR
MTSTN
PARAM
1
1000
\$STNM
.BYTE 0
.BYTE 1
MOV #TST1,R0
55: CMP #4,(R0)

: ROUTINE USED TO "CYCLE" THROUGH UP TO SIXTEEN DZ11'S
: THIS ROUTINE SETS UP THE CONTROL ADDRESS FOR THE DIAGNOSTIC
: AND RUNS THE SPECIFIED DZ11'S. THIS ROUTINE *MUST*
: BE RUN FIRST BEFORE ENTERING THE DIAGNOSTIC FOR THE
: SETUP NECESSARY.

: ARE ANY DZ11'S TO BE TESTED?
: BR IF OK.
: NO DZ11'S SELECTED!!
: STOP THE SHOW.
: DISQUALIFY CONT. SW.
: RESTORE THE NUMBER OF ITERATIONS TO MAKE
: IS THIS ONE "ACTIVE"
: BR IF GOOD ONE FOUND.
: UPDATE POINTER
: CATCH CARRY FROM RUN
: UPDATE ADDRESS POINTER.
: HAVE WE PASSED THE END OF THE MAP?
: IF NO, KEEP GOING; NOT ALL TESTED FOR.
: RESET ADDRESS POINTER.
: KEEP LOOKING FOR ACTIVE DZ11
: UPDATE POINTER.
: CATCH CARRY.
: GET ADDRESS POINTER.
: UPDATE.
: ALL DONE?
: BR IF NO.
: RESTORE POINTER.
: LOAD SYSTEM CTRL. REG
: LOAD VECTOR
: LOAD PRIORITY
: EIA OR ZOMA
: CLEAR FLAG
: SET UP LINE DZ LINES ACTIVE
: SET UP PARAMETERIZATION
: SET UP MAINTENANCE MODE
: SET UP
: ARE WE UNDER MONITOR CONTROL?
: IF YES, SKIP THIS SETUP
: IF SW01=1, GET STARTING TEST #
: BR IF NO TEST IS TO BE INPUTTED
: CALL THE STRING INPUT ROUTINE
: POINTER TO MESSAGE TO BE PRINTED
: CALL THE OCTAL TO ASCII CONVERT ROUTINE
: LOWEST LEGITIMATE VALUE OF EXPECTED RESPONSE
: HIGHEST LEGITIMATE VALUE OF EXPECTED RESPONSE
: POINTER TO MAP LOCATION TO BE FILLED
: MASK OF INVALID BITS FOR THIS PARAMETER
: NUMBER OF PARAMETERS TO STORE

2599	011174	001015				BNE	65	
2500	011176	022760	012737	000002		CMP	#12737,2(R0)	
2501	011204	001011				BNE	65	
2502	011206	023760	001122	000004		CMP	\$STNM,4(R0)	: IS THIS THE TEST ?
2503	011214	001005				BNE	65	: IF NOT, DON'T PROCESS NUMBER
2504	011216	010037	001126			MOV	R0,\$LPADR	: SAVE PC
2505	011222	104402	001231			TYPE	\$CRLF	
2506	011226	000412				BR	65	
2507	011230	005720			65:	TST	(R0)+	
2508	011232	020027	022130			CMP	R0,#TLAST+10	
2509	011236	001354				BNE	55	
2510	011240	104402	001230			TYPE	\$QUES	
2511	011244	000736				BR	75	
2512	011246	012737	012166	001126	45:	MOV	#TST1,\$LPADR	: PREPARE TEST ADDRESS
2513	011254				85:			
2514	011254	000177	167646			RESTART:JMP	2\$LPADR	: GO START TESTING.***WARNING!***
2515								: THIS JUMP IS USED BY POWER UP ROUTINE!!!!
2516								

E05

NO-11-DZDZA-B
DZDZAB.P11

MAY11 27(732) 03-NOV-76 15:03 PAGE 57
POWER DOWN AND UP ROUTINES

```

2517                                     :-ROUTINE USED TO SET UP THE DIAGNOSTIC VIA APT.
2518                                     ; IF BIT7 IN THE ENVIRONMENT MODE ($ENVM) BYTE IS SET.
2519                                     ; THE PROGRAM WILL LOAD ITS PARAMETERS FROM THE ETABLE.
2520
2521 011260 012700 001500   SETAPT: MOV    #DZ.MAP,R0      ;POINT TO THE DEVICE MAP TABLE
2522 011264 013701 001310   MOV    $BASE,R1      ;BUILD DEVICE ADDRESSES IN R1
2523 011270 013702 001304   MOV    $VECT1,R2     ;BUILD DEVICE VECTORS IN R2
2524 011274 042702 177007   BIC    #1C<770>,R2  ;STRIP AWAY OTHER INFORMATION
2525
2526 011300 113703 001305   MOVB   $VECT1+1,R3   ;LOAD THE INTERRUPT PRIORITY FROM R3
2527 011304 106003         RORB   R3            ;ALIGN THE NUMBER
2528 011306 106003         RORB   R3            ;ALIGN THE NUMBER
2529 011310 106003         RORB   R3            ;ALIGN THE NUMBER
2530 011312 106003         RORB   R3            ;ALIGN THE NUMBER
2531 011314 106003         RORB   R3            ;ALIGN THE NUMBER
2532 011316 042703 177770   BIC    #1C<7>,R3    ;REMOVE ALL BUT BUS LEVEL NUMBER
2533 011322 012704 001320   A      MOV    #SDDW0,R4 ;POINT TO THE BEGINNING OF DEVICE PARAMETERS
2534 011326 013705 001312   MOV    $DEVN,R5     ;GET THE MAP OF ACTIVE DEVICES
2535 011332 010537 001404   MOV    R5,DZACTV   ;SAVE THE BIT MAP
2536 011336 006005         1$:   ROR    R5            ;GET A DEVICE SELECTION BIT
2537 011340 103407         BCS   3$           ;IF IT IS SELECTED, GO SET UP A MAP
2538 011342 001425         BEQ   5$           ;IF NO MORE ARE SELECTED, GET OUT OF SETUP
2539 011344 005724         TST   (R4)+         ;POINT TO NEXT DEVICE DESCRIPTOR
2540 011346 062701 000010   2$:   ADD    #10,R1     ;SET UP THE NEXT ADDRESS
2541 011352 062702 000010   ADD    #10,R2     ;SET UP THE NEXT VECTOR GROUP
2542 011356 000767         BR    1$          ;GO SEE IF MORE DEVICES REMAIN
2543 011360 010120         3$:   MOV    R1,(R0)+    ;LOAD DEVICE ADDRESS
2544 011362 010220         MOV    R2,(R0)+    ;LOAD THE VECTOR ADDRESS
2545 011364 010320         MOV    R3,(R0)+    ;LOAD THE INTERRUPT PRIORITY LEVEL
2546 011366 013729 001314   MOV    $CDW1,(R0)+ ;GET THE NUMBER OF LINES IN OPERATION
2547 011372 012420         MOV    (R4)+,(R0)+ ;LOAD DEVICE PARAMETERS
2548 011374 100406         BMI   4$          ;IF 20MA MODE SELECTED, SET IT UP
2549 011376 052760 100000 177772   BIS   #100000,-6(R0) ;SET THE 20MA FLAG IN DZLVN
2550 011404 042760 100000 177776   BIC   #100000,-2(R0) ;CLEAR THE FLAG IN DZPARN
2551 011412 005020         4$:   CLR    (R0)+      ;DEFAULT OPERATION TO INTERNAL MAINTENANCE MODE
2552 011414 000754         BR    2$          ;GO BUILD THE NEXT ADDRESS
2553 011416 012710 177777   5$:   MOV    #-1,(R0)   ;TERMINATE THE DEVICE MAP
2554 011422 012737 001256 001160   MOV    #SSWREG,SWR ;SET TO SOFTWARE APT SWITCH REGISTER
2555 011430 000207         RTS    PC         ;RETURN TO PRINT STATUS TABLE
2556
2557
2558                                     ;*ROUTINE USED TO "AUTO SIZE" THE DZ11
2559                                     ;*CSR AND VECTOR.
2560                                     ;*NOTE: THE CSR MAY BE ANY WHERE IN THE FLOATING
2561                                     ;* ADDRESS RANGE (160000:163700)
2562                                     ;* AND THE VECTOR MAY BE ANY WHERE IN THE
2563                                     ;* FLOATING VECTOR RANGE (300:770)
2564                                     ;*
2565
2566 011432         AUTO.SIZE:
2567 011432 000005         RESET
2568 011434 105337 001415   DECB   INIFLG      ;INSURE A BUS INIT.
2569 011440 012702 001500   CSRMAP: MOV    #DZ.MAP,R2 ;SHOW THAT I WAS HERE
2570 011444 012703 001320   MOV    #SDDW0,R3   ;LOAD MAP POINTER.
2571 011450 005022         1$:   CLR    (R2)+      ;POINT TO ETABLE DEVICE DESCRIPTOR WORDS
2572 011452 022702 002000   CMP    #DZ.END,R2 ;ZERO ENTIRE MAP
                                     ;ALL DONE?

```

F05

NO-11-DZDZA-B MACY11 27(732) 03-NOV-76 15:03 PAGE 58
 DZDZAB.P11 POWER DOWN AND UP ROUTINES

2573	011456	001374				BNE	1\$;BR IF NO
2574	011460	105037	001410			CLRB	DZNUM	;SET OCTAL NUMBER OF DZ11'S TO 0
2575	011464	012702	001500			MOV	#DZ.MAP,R2	
2576	011470	012701	160000			MOV	#160000,R1	;SET FOR FIRST ADDRESS TO BE TESTED
2577	011474	012737	011770	000004		MOV	#6\$,2#4	;SET FOR NON-EXISTENT DEVICE TIME OUT
2578	011502	052711	000040		2\$:	BIS	#BIT5,(R1)	;TRY TO SET MASTER SCAN ENABLE
2579	011506	052761	000200	000004		BIS	#BIT7,4(R1)	;TRY TO TRANSMIT ON LINE 7
2580	011514	005000				CLR	RO	;USE RO AS A COUNTER
2581	011516	005711			7\$:	TST	(R1)	;HAS TRANSMITTER READY COME UP?
2582	011520	100403				BMI	8\$;IF SO, GO GET A FINAL CHECK
2583	011522	005300				DEC	RO	;REDUCE COUNT. TIME UP?
2584	011524	001374				BNE	7\$;IF NOT, KEEP WAITING
2585	011526	000451				BR	3\$;ASSUME IT'S NOT A DZ11
2586	011530	032761	000200	000004	8\$:	BIT	#BIT7,4(R1)	;IS LINE 7 ENABLE STILL SET? IT SHOULD BE
2587	011536	001445				BEQ	3\$;IF IT'S NOT, ASSUME IT'S NOT A DZ11
2588	011540	032711	000040			BIT	#BIT5,(R1)	;IS MASTER SCAN ENABLE STILL SET?
2589	011544	001442				BEQ	3\$;IF NOT, ASSUME IT'S NOT A DZ11
2590	011546	005000				CLR	RO	
2591	011550	052711	000020			BIS	#20,(R1)	;SET DEVICE CLEAR
2592	011554	032711	000020			BIT	#20,(R1)	;SHOULD STAY SET FOR A WHILE IF DZ
2593	011560	001434				BEQ	3\$;BR IF NOT DZ11
2594	011562	032711	000020			BIT	#20,(R1)	;WAIT FOR BIT TO CLEAR
2595	011566	001404				BEQ	.+12	;BR WHEN CLEARED
2596	011570	104414				DELAY		
2597	011572	005200				INC	RO	
2598	011574	001372				BNE	.-12	
2599	011576	000425				BR	3\$;BIT NOT CLEARED! MUST NOT BE DZ11
2600	011600	005011				CLR	(R1)	;GET RID OF MASTER SCAN ENABLE
2601	011602	005061	000004			CLR	4(R1)	;GET RID OF LINE 7 ENABLE
2602								;AT THIS POINT IT IS ASSUMED THAT R1 HOLDS A DZ11 CSR ADDRESS.
2603	011606	010122				MOV	R1,(R2)+	;STORE CSR IN CORE TABLE.
2604	011610	005722				TST	(R2)+	;POP OVER VECTOR STORE AREA
2605	011612	012722	000005			MOV	#5,(R2)+	;SET THE DEFAULT BUS LEVEL
2606	011616	012722	000377			MOV	#377,(R2)+	;SET THE DEFAULT LINE SELECTION PARAMETER
2607	011622	012712	017470			MOV	#17470,(R2)	;SET THE DEFAULT PARAMETERS
2608	011626	012223				MOV	(R2)+,(R3)+	;COPY PARAMETERS INTO ETABLE DESCRIPTOR
2609	011630	005022				CLR	(R2)+	;SET THE DEFAULT MODE OF OPERATION
2610	011632	012712	177777			MOV	#-1,(R2)	;TERMINATE LIST
2611	011636	105237	001410			INCB	DZNUM	;UPDATE DEVICE COUNTER
2612	011642	122737	000020	001410		CMPS	#20,DZNUM	;ARE MAX. NO. OF DEV FOUND?
2613	011650	001405				BEQ	100\$;YES DON'T LOOK FOR ANY MORE.
2614	011652	062701	000010		3\$:	ADD	#10,R1	;UPDATE CSR POINTER ADDRESS
2615	011656	022701	163700			CMPS	#163700,R1	
2616	011662	001307				BNE	2\$;BR IF MORE ADDRESS TO CHECK.
2617	011664				100\$:			
2618	011664	105737	001410			TSTB	DZNUM	;WERE ANY DZ11'S FOUND AT ALL?
2619	011670	001432				BEQ	5\$;ERROR AUTO SIZER FOUND NO DZ11'S IN THIS SYS.
2620	011672	113701	001410			MOVB	DZNUM,R1	
2621	011676	110137	001411			MOVB	R1,SAVNUM	;SAVE NUMBER OF DEVICES
2622	011702	012737	000001	001404		MOV	#1,DZACTV	
2623	011710	005301			4\$:	DEC	R1	
2624	011712	001404				BEQ	48\$	
2625	011714	000261				SEC		
2626	011716	006137	001404			ROL	DZACTV	
2627	011722	000772				BR	4\$	
2628	011724	013737	001500	001310	98\$:	MOV	DZCRO,\$BASE	;POINT TO THE ADDRESS OF FIRST DEVICE

H05

MO-11-DZDZA-8
DZDZAB.P11

MACY11 27(732) 03-NOV-76 15:03 PAGE 60
DZ11 DEVICE DIAGNOSTICS. COPYRIGHT 1976 DIGITAL EQUIP. CORP.

2674
2675
2676
2677
2678
2679
2680
2681
2682
2683
2684
2685
2686
2687
2688
2689
2690
2691
2692
2693
2694
2695
2696
2697
2698
2699
2700
2701
2702
2703
2704
2705
2706
2707
2708
2709
2710
2711
2712
2713
2714
2715
2716
2717
2718
2719
2720
2721
2722
2723
2724
2725
2726
2727
2728
2729

012166	000004		
012170	012737	000001	001122
012176	012737	012356	001360
012204	012737	012344	000004
012212	012737	000340	000006
012220	012737	012226	001362
012226	013700	002042	
012232	011001		
012234	000240		
012236	005010		
012240	000240		
012242	012737	012250	001362
012250	013700	002046	
012254	011001		
012256	000240		
012260	005010		
012262	000240		
012264	012737	012272	001362
012272	013700	002056	
012276	011001		
012300	000240		
012302	005010		
012304	000240		
012306	012737	012314	001362
012314	013700	002062	
012320	011001		
012322	000240		
012324	005010		
012326	000240		
012330	012737	000006	000004
012336	005037	000006	
012342	104400		
012344	011601		
012346	022626		
012350	104001		
012352	104401		
012354	000111		
012356	000004		
012360	012737	000002	001122
012366	012737	012442	001360
012374	013700	002042	
012400	012705	000020	
012404	010510		

```

***** TEST 1 *****
*THIS TEST PROVES THE SLAVE SYNC RESPONSE
*DURING A READ OR WRITE TO THE FOLLOWING ADDRESS:
*   DZCSR, DZRBUF, DZTCR, DZMSR
::* TEST 1
*****
TST1:  SCOPE
      MOV     #1,STSTNM      ;LOAD THE NUMBER OF THIS TEST
      MOV     #TST2,NEXT    ;POINT TO THE START OF THE NEXT TEST
      MOV     #55,4         ;SET TRAP VECTOR
      MOV     #PR7,6        ;SET PRIORITY TO LEVEL 7
      MOV     #1$,LOCK      ;SET RETURN IF SW09=11
1$:    MOV     DZCSR,RO      ;SET ADDRESS TO TEST
      MOV     (RO),R1       ;READ THE ADDRESS
      NOP
      CLR     (RO)          ;WRITE THE ADDRESS
      MOV     #2$,LOCK      ;SET RETURN ADDRESS FOR SW09
2$:    MOV     DZRBUF,RO    ;SET ADDRESS TO TEST
      MOV     (RO),R1       ;READ THE ADDRESS
      NOP
      CLR     (RO)          ;WRITE THE ADDRESS
      MOV     #3$,LOCK      ;SET RETURN ADDRESS FOR SW09
3$:    MOV     DZTCR,RO    ;SET ADDRESS TO TEST
      MOV     (RO),R1       ;READ THE ADDRESS
      NOP
      CLR     (RO)          ;WRITE THE ADDRESS
      MOV     #4$,LOCK      ;SET RETURN ADDRESS
4$:    MOV     DZMSR,RO    ;SET ADDRESS TO TEST
      MOV     (RO),R1       ;READ FROM ADDRESS
      NOP
      CLR     (RO)          ;WRITE THE ADDRESS
      MOV     #6,4         ;SET TRAP CATCHER BACK TO NORMAL
      CLR     6
      ADVANCE
5$:    MOV     (SP),R1      ;SCOPE THIS TEST
      CMP     (SP)+,(SP)+  ;SAVE PC OF TRAP
      ERROR  1             ;POP TRAP OFF STACK
      SCOPI  1             ;*NO SLAVE SYNC RESPONSE.
      JMP     (R1)         ;SW09=1?
      RTI
***** TEST 2 *****
*THIS TEST PROVES THAT BIT "DCLR"
*CAN BE SET AND THAT IT WILL CLEAR
*BY ITSELF AFTER A PERIOD OF TIME.
::* TEST 2
*****
TST2:  SCOPE
      MOV     #2,STSTNM      ;LOAD THE NUMBER OF THIS TEST
      MOV     #TST3,NEXT    ;POINT TO THE START OF THE NEXT TEST
      MOV     DZCSR,RO      ;SET POINTER
      MOV     #DCLR,R5      ;SET DCLR
      MOV     R5,(RO)       ;WRITE DCLR INTO DZCSR

```



```

2786 ;:* TEST 4
2787 ;:*****
2788 012534 000004 1ST4: SCOPE
2789 012536 012737 000004 001122 MOV #4,$STSTNM ;LOAD THE NUMBER OF THIS TEST
2790 012544 012737 012626 001360 MOV #TST5,NEXT ;POINT TO THE START OF THE NEXT TEST
2791 012552 013700 002042 MOV DZCSR,R0 ;GET BASE ADDRESS
2792 012556 012705 000040 MOV #MSENAB,R5 ;SET BIT
2793 012562 010510 MOV R5,(R0) ;SET SET IN DEVICE
2794 012564 011004 MOV (R0),R4 ;READ THE BIT FROM DEVICE
2795 012556 020504 CMP R5,R4 ;WAS BIT SET?
2796 012570 001401 BEQ 1$ ;BR IF YES
2797 012572 104002 ERROR 2 ;*BIT R/W FAILURE
2798 012574 040510 1$: BIC R5,(R0) ;CLEAR THE BIT.
2799 012576 011004 MOV (R0),R4 ;READ DEVICE
2800 012600 001404 BEQ 2$ ;BR IF BITS WERE CLEARED.
2801 012602 010546 MOV R5,-(SP) ;SAVE THE BIT
2802 012604 005005 CLR R5 ;SET EXPECTED RESULTS TO 0
2803 012606 104002 ERROR 2 ;*BIT FAILED TO CLEAR
2804 012610 012605 MOV (SP)+,R5 ;RESTORE THE BIT.
2805 012612 010510 2$: MOV R5,(R0) ;SET THE BIT AGAIN
2806 012614 104413 DEVICE.CLR ;ISSUE DEVICE CLEAR
2807 012616 011004 MOV (R0),R4 ;READ THE BIT.
2808 012620 001402 BEQ 3$ ;BR IF BIT CLEARED BY INIT (DEVICE CLEAR)
2809 012622 005005 CLR R5 ;SET EXPECTED TO ZERO
2810 012624 104002 ERROR 2 ;*BIT NOT CLEARED BY DEVICE CLEAR
2811 012626 3$:
2812 ;:***** TEST 5 *****
2813 ;*TEST TO VERIFY THAT BIT "SILOEN" CAN
2814 ;*BE SET. THEN VERIFY THAT BIT "SILOEN" CAN
2815 ;*BE CLEARED (WRITTEN TO A ZERO). AND FINALLY
2816 ;*VERIFY THAT AFTER BEING SET AGAIN IT CAN BE
2817 ;*CLEARED BY A "DEVICE CLEAR"
2818 ;:* TEST 5
2819 ;:*****
2820 012626 000004 1ST5: SCOPE
2821 012630 012737 000005 001122 MOV #5,$STSTNM ;LOAD THE NUMBER OF THIS TEST
2822 012636 012737 012720 001360 MOV #TST6,NEXT ;POINT TO THE START OF THE NEXT TEST
2823 012644 013700 002042 MOV DZCSR,R0 ;GET BASE ADDRESS
2824 012650 012705 010000 MOV #SILOEN,R5 ;SET BIT
2825 012654 010510 MOV R5,(R0) ;SET SET IN DEVICE
2826 012656 011004 MOV (R0),R4 ;READ THE BIT FROM DEVICE
2827 012660 020504 CMP R5,R4 ;WAS BIT SET?
2828 012662 001401 BEQ 1$ ;BR IF YES
2829 012664 104002 ERROR 2 ;*BIT R/W FAILURE
2830 012666 040510 1$: BIC R5,(R0) ;CLEAR THE BIT.
2831 012670 011004 MOV (R0),R4 ;READ DEVICE
2832 012672 001404 BEQ 2$ ;BR IF BITS WERE CLEARED.
2833 012674 010546 MOV R5,-(SP) ;SAVE THE BIT
2834 012676 005005 CLR R5 ;SET EXPECTED RESULTS TO 0
2835 012700 104002 ERROR 2 ;*BIT FAILED TO CLEAR
2836 012702 012605 MOV (SP)+,R5 ;RESTORE THE BIT.
2837 012704 010510 2$: MOV R5,(R0) ;SET THE BIT AGAIN
2838 012706 104413 DEVICE.CLR ;ISSUE DEVICE CLEAR
2839 012710 011004 MOV (R0),R4 ;READ THE BIT.
2840 012712 001402 BEQ 3$ ;BR IF BIT CLEARED BY INIT (DEVICE CLEAR)
2841 012714 005005 CLR R5 ;SET EXPECTED TO ZERO

```

K05

MD-11-DZDZA-B
DZDZAB.P11

MACY11 27(732) 03-NOV-76
DZ11 DEVICE DIAGNOSTICS.

15:03 PAGE 63
COPYRIGHT 1976 DIGITAL EQUIP. CORP.

2842 012716 104002
2843 012720

ERROR 2 ;*BIT NOT CLEARED BY DEVICE CLEAR

3\$:

***** TEST 6 *****
;*TEST TO VERIFY THAT BIT "RIE" CAN
;*BE SET. THEN VERIFY THAT BIT "RIE" CAN
;*BE CLEARED (WRITTEN TO A ZERO). AND FINALLY
;*VERIFY THAT AFTER BEING SET AGAIN IT CAN BE
;*CLEARED BY A "DEVICE CLEAR"

::* TEST 6

2851
2852 012720 000004
2853 012722 012737 000006 001122
2854 012730 012737 013012 001360
2855 012736 013700 002042
2856 012742 012705 000100
2857 012746 010510
2858 012750 011004
2859 012752 020504
2860 012754 001401
2861 012756 104002
2862 012760 040510
2863 012762 011004
2864 012764 001404
2865 012766 010546
2866 012770 005005
2867 012772 104002
2868 012774 012605
2869 012776 010510
2870 013000 104413
2871 013002 011004
2872 013004 001402
2873 013006 005005
2874 013010 104002
2875 013012

TST6: SCOPE
MOV #6, STSTNM ;LOAD THE NUMBER OF THIS TEST
MOV #TST7, NEXT ;POINT TO THE START OF THE NEXT TEST
MOV DZCSR, R0 ;GET BASE ADDRESS
MOV #RIE, R5 ;SET BIT
MOV R5, (R0) ;SET SET IN DEVICE
MOV (R0), R4 ;READ THE BIT FROM DEVICE
CMP R5, R4 ;WAS BIT SET?
BEQ 1\$;BR IF YES
ERROR 2 ;*BIT R/W FAILURE
1\$: BIC R5, (R0) ;CLEAR THE BIT.
MOV (R0), R4 ;READ DEVICE
BEQ 2\$;BR IF BITS WERE CLEARED.
MOV R5, -(SP) ;SAVE THE BIT
CLR R5 ;SET EXPECTED RESULTS TO 0
ERROR 2 ;*BIT FAILED TO CLEAR
MOV (SP)+, R5 ;RESTORE THE BIT.
2\$: MOV R5, (R0) ;SET THE BIT AGAIN
DEVICE.CLR ;ISSUE DEVICE CLEAR
MOV (R0), R4 ;READ THE BIT.
BEQ 3\$;BR IF BIT CLEARED BY INIT (DEVICE CLEAR)
CLR R5 ;SET EXPECTED TO ZERO
ERROR 2 ;*BIT NOT CLEARED BY DEVICE CLEAR

3\$:

***** TEST 7 *****
;*TEST TO VERIFY THAT BIT "TIE" CAN
;*BE SET. THEN VERIFY THAT BIT "TIE" CAN
;*BE CLEARED (WRITTEN TO A ZERO). AND FINALLY
;*VERIFY THAT AFTER BEING SET AGAIN IT CAN BE
;*CLEARED BY A "DEVICE CLEAR"

::* TEST 7

2881
2882
2883
2884 013012 000004
2885 013014 012737 000007 001122
2886 013022 012737 013104 001360
2887 013030 013700 002042
2888 013034 012705 040000
2889 013040 010510
2890 013042 011004
2891 013044 020504
2892 013046 001401
2893 013050 104002
2894 013052 040510
2895 013054 011004
2896 013056 001404
2897 013060 010546

TST7: SCOPE
MOV #7, STSTNM ;LOAD THE NUMBER OF THIS TEST
MOV #TST10, NEXT ;POINT TO THE START OF THE NEXT TEST
MOV DZCSR, R0 ;GET BASE ADDRESS
MOV #TIE, R5 ;SET BIT
MOV R5, (R0) ;SET SET IN DEVICE
MOV (R0), R4 ;READ THE BIT FROM DEVICE
CMP R5, R4 ;WAS BIT SET?
BEQ 1\$;BR IF YES
ERROR 2 ;*BIT R/W FAILURE
1\$: BIC R5, (R0) ;CLEAR THE BIT.
MOV (R0), R4 ;READ DEVICE
BEQ 2\$;BR IF BITS WERE CLEARED.
MOV R5, -(SP) ;SAVE THE BIT

1\$:

```

2898 013062 005005          CLR      R5          ;SET EXPECTED RESULTS TO 0
2899 013064 104002          ERROR    2          ;*BIT FAILED TO CLEAR
2900 013066 012605          MOV      (SP)+,R5    ;RESTORE THE BIT.
2901 013070 010510          2$:     MOV      R5,(R0) ;SET THE BIT AGAIN
2902 013072 104413          DEVICE.CLR ;ISSUE DEVICE CLEAR
2903 013074 011004          MOV      (R0),R4    ;READ THE BIT.
2904 013076 001402          BEQ      3$         ;BR IF BIT CLEARED BY INIT (DEVICE CLEAR)
2905 013100 005005          CLR      R5          ;SET EXPECTED TO ZERO
2906 013102 104002          ERROR    2          ;*BIT NOT CLEARED BY DEVICE CLEAR
2907 013104
2908
2909
2910
2911
2912
2913
2914
2915 013104 000004          ;***** TEST 10 *****
2916 013106 012737 000010 001122          ;*THIS TESTS THAT ALL OF THE FOLLOWING
2917 013114 012737 013242 001360          ;*BITS CAN BE: SET, CLEARED, CLEARED BY "DEVICE CLEAR "
2918 013122 013700 002056          ;*BITS TESTED ARE:
2919 013126 012705 000001          ;* TCR0, TCR1, TCR2, TCR3, TCR4, TCR5, TCR6, TCR7
2920 013132 012737 013140 001362          ;:* TEST 10
2921 013140 010510          ;*****
2922 013142 011004          TST10: SCOPE
2923 013144 042704 177400          MOV      #10,$STNM   ;LOAD THE NUMBER OF THIS TEST
2924 013150 020504          MOV      #TST11,NEXT ;POINT TO THE START OF THE NEXT TEST
2925 013152 001401          MOV      DZTCR,R0    ;SET DEVICE ADDRESS
2926 013154 104002          MOV      #TCR0,R5    ;SET EXPECTED RESULTS
2927 013156 040510          MOV      #1$,$LOCK   ;SET FOR SW09
2928 013160 011004          1$:     MOV      R5,(R0)    ;SET THE BIT
2929 013162 042704 177400          MOV      (R0),R4    ;READ THE BIT FROM THE DEVICE
2930 013166 005704          BIC      #1C<377>,R4 ;CLEAR HIGH BYTE
2931 013170 001404          CMP      R5,R4       ;WAS BIT OK?
2932 013172 010546          BEQ      2$         ;BR IF YES
2933 013174 005005          ERROR    2          ;*BIT FAILED TO SET.
2934 013176 104002          2$:     BIC      R5,(R0)    ;CLEAR THE BIT
2935 013200 012605          MOV      (R0),R4    ;READ THE REGISTER
2936 013202 010510          BIC      #1C<377>,R4 ;CLEAR HIGH BYTE
2937 013204 104413          TST      R4         ;BITS CLEAR?
2938 013206 011004          BEQ      3$         ;BR IF YES
2939 013210 042704 177400          MOV      R5,-(SP)   ;SAVE GOOD RESULTS
2940 013214 005704          CLR      R5         ;SET EXPECTED TO 0
2941 013216 001404          ERROR    2          ;*REPORT BIT NOT CLEAR
2942 013220 010546          MOV      (SP)+,R5   ;RESTORE R5
2943 013222 005005          3$:     MOV      R5,(R0)    ;SET THE BIT AGAIN.
2944 013224 104002          DEVICE.CLR ;ISSUE DEVICE CLEAR
2945 013226 012605          MOV      (R0),R4    ;READ THE REGISTER
2946 013230 104401          BIC      #1C<377>,R4 ;CLEAR HIGH BYTE
2947 013232 106305          TST      R4         ;BITS CLEAR?
2948 013234 001341          BEQ      4$         ;BR IF YES
2949 013236 005037 001362          MOV      R5,-(SP)   ;SAVE GOOD RESULTS
2950
2951
2952
2953          CLR      R5         ;SET EXPECTED TO 0
          ERROR    2          ;*REPORT BIT NOT CLEAR
          MOV      (SP)+,R5   ;RESTORE R5
          4$:     SCOPI   R5         ;LOCK ON BIT? SET SW09=1
          ASLB    R5         ;CHANGE TO NEXT BIT
          BNE    1$         ;CONTINUE TESTING
          CLR    LOCK      ;MAKE SURE TIGHT LOOP IS CLEANED UP
          ;***** TEST 11 *****
          ;*THIS TESTS THAT ALL OF THE FOLLOWING
          ;*BITS CAN BE: SET, CLEARED, CLEARED BY "RESET INSTR *NOT* DEVICE CLEAR "
          ;*BITS TESTED ARE:

```

M05

MD-11-DZDZA-B
DZDZAB.P11

MACY11 27(732) 03-NOV-76 15:03 PAGE 65
DZ11 DEVICE DIAGNOSTICS. COPYRIGHT 1976 DIGITAL EQUIP. CORP.

```
2954 ;* DTR0, DTR1, DTR2, DTR3, DTR4, DTR5, DTR6, DTR7
2955 ;*THIS TEST IS NOT DONE IF MODULE IS 20MA VERSION
2956 ;:* TEST 11
2957 ;*****
2958 013242 000004 TST11: SCOPE
2959 013244 012737 000011 001122 MOV #11,STSTNM ;LOAD THE NUMBER OF THIS TEST
2960 013252 012737 013416 001360 MOV #TST12,NEXT ;POINT TO THE START OF THE NEXT TEST
2961 013260 013700 002056 MOV DZTCR,R0 ;SET DEVICE ADDRESS
2962 013264 012705 000400 MOV #DTR0,R5 ;SET EXPECTED RESULTS
2963 013270 012737 013306 001362 MOV #1$,LOCK ;SET FOR SW09
2964 013276 105737 001414 TSTB EIAFLG ;20MA OR EIA
2965 013302 100001 BPL 1$ ;BR IF EIA
2966 013304 104400 ADVANCE ;EXIT TEST
2967 013306 010510 1$: MOV R5,(R0) ;SET THE BIT
2968 013310 011004 MOV (R0),R4 ;READ THE BIT FROM THE DEVICE
2969 013312 105004 CLRB R4 ;CLEAR LOW BYTE
2970 013314 020504 CMP R5,R4 ;WAS BIT OK?
2971 013316 001401 BEQ 2$ ;BR IF YES
2972 013320 104002 ERROR 2 ;*BIT FAILED TO SET.
2973 013322 040510 2$: BIC R5,(R0) ;CLEAR THE BIT
2974 013324 011004 MOV (R0),R4 ;READ THE REGISTER
2975 013326 105004 CLRB R4 ;CLEAR LOW BYTE
2976 013330 005704 TST R4 ;BITS CLEAR?
2977 013332 001404 BEQ 3$ ;BR IF YES
2978 013334 010546 MOV R5,-(SP) ;SAVE GOOD RESULTS
2979 013336 005005 CLR R5 ;SET EXPECTED TO 0
2980 013340 104002 ERROR 2 ;*REPORT BIT NOT CLEAR
2981 013342 012605 MOV (SP)+,R5 ;RESTORE R5
2982 013344 010510 3$: MOV R5,(R0) ;SET THE BIT AGAIN.
2983 013346 104413 DEVICE.CLR ;ISSUE DEVICE CLEAR
2984 013350 011004 MOV (R0),R4 ;READ THE REGISTER
2985 013352 105004 CLRB R4 ;CLEAR LOW BYTE
2986 013354 030510 BIT R5,(R0) ;WAS BIT CLEARED BY DEVICE.CLR?
2987 013356 001001 BNE .+4 ;BR IF NO (IT SHOULDN'T BE CLEAR)
2988 013360 104002 ERROR 2 ;*BIT CLEARED BY DEVICE.CLR
2989 013362 000005 RESET ;ISSUE A BUS INIT
2990 013364 011004 MOV (R0),R4 ;READ REGISTER
2991 013366 105004 CLRB R4 ;CLEAR LOW BYTE
2992 013370 005704 TST R4 ;BITS CLEAR?
2993 013372 001404 BEQ 4$ ;BR IF YES
2994 013374 010546 MOV R5,-(SP) ;SAVE GOOD RESULTS
2995 013376 005005 CLR R5 ;SET EXPECTED TO 0
2996 013400 104002 ERROR 2 ;*REPORT BIT NOT CLEAR
2997 013402 012605 MOV (SP)+,R5 ;RESTORE R5
2998 013404 104401 4$: SCOP1 ;LOCK ON BIT? SET SW09=1
2999 013406 106305 ASLB R5 ;CHANGE TO NEXT BIT
3000 013410 001336 BNE 1$ ;CONTINUE TESTING
3001 013412 005037 001362 CLR LOCK ;MAKE SURE TIGHT LOOP IS CLEANED UP
3002 ;***** TEST 12 *****
3003 ;*THIS TEST PERFORMS RESET TESTING &
3004 ;*TESTING OF WRITE ONLY OR READ ONLY BIT
3005 ;* TEST BITS "RDONE, BIT11, BIT10, BIT9, BIT8, BIT2, BIT1
3006 ;* BIT0, SILOAL" ARE READ ONLY AND THAT TROY IS
3007 ;* ZERO UNTIL A LINE IS SELECTED AND MSENAB IS SET.
3008 ;*
3009 ;:* TEST 12
```

N05

MD-11-DZDZA-B
DZDZAB.P11

MACY11 27(732) 03-NOV-76 15:03 PAGE 66
DZ11 DEVICE DIAGNOSTICS. COPYRIGHT 1976 DIGITAL EQUIP. CORP.

```
3010
3011 013416 000004
3012 013420 012737 000012 001122
3013 013426 012737 013534 001360
3014 013434 013700 002042
3015 013440 005005
3016 013442 012710 027607
3017
3018 013446 011004
3019 013450 001401
3020 013452 104002
3021 013454 012710 100000 1S:
3022 013460 011004
3023 013462 001401
3024 013464 104002
3025 013466 012705 100000 2S:
3026 013472 005077 166354
3027 013476 052777 000001 166352
3028 013504 052710 000040
3029 013510 052705 000040
3030 013514 005002
3031 013516 011004 3S:
3032 013520 020504
3033 013522 001404
3034 013524 104414
3035 013526 005202
3036 013530 001372
3037 013532 104002
3038 013534 4S:
3039
3040
3041
3042
3043
3044
3045
3046
3047
3048 013534 000004
3049 013536 012737 000013 001122
3050 013544 012737 013620 001360
3051 013552 104413
3052 013554 013700 002042
3053 013560 012710 177757
3054 013564 012705 050150
3055 013570 011004
3056 013572 020405
3057 013574 001401
3058 013576 104002
3059 013600 012705 000020 1S:
3060
3061
3062 013604 052710 000020
3063 013610 011004
3064 013612 020405
3065 013614 001401

;:*****
TST12: SCOPE
MOV #12,$STSTNM ;LOAD THE NUMBER OF THIS TEST
MOV #TST13,NEXT ;POINT TO THE START OF THE NEXT TEST
MOV DZCSR,R0 ;SET ADDRESS TO R0
CLR R5 ;SET EXPECTED TO 0
MOV #RDONE+BIT11+BIT10+BIT9+BIT8+BIT2+BIT1+BIT0+$ILOAL,(R0) ;WRITE THE BITS
MOV (R0),R4 ;READ BACK THE BITS
BEQ 1$ ;BR IF NONE ARE SET.
ERROR 2 ;*BITS WERE SET.
MOV #TRDY,(R0) ;ATTEMPT TO WRITE TRDY
MOV (R0),R4 ;READ TRDY
BEQ 2$ ;BR IF NOT SET
ERROR 2 ;*
MOV #TRDY,R5 ;SET EXPECTED BIT
CLR @DZLPR ;LOAD LINE 0
BIS #TCRO,@DZTCR ;SET TCR BIT
BIS #MSENAB,(R0) ;
BIS #MSENAB,R5 ;SET SCAN ENABLE
CLR R2 ;SET COUNTER TO ZERO
MOV (R0),R4 ;READ THE REGISTER
CMP R5,R4 ;BIT SET?
BEQ 4$ ;BR IF YES
DELAY ;STALL TIME
INC R2 ;UPDATE COUNTER
BNE 3$ ;BR IF COUNTER NOT DONE.
ERROR 2 ;*TRDY NOT SET!

;***** TEST 13 *****
;THIS TEST PERFORMS RESET TESTING AND
;TESTING OF READ ONLY AND WRITE ONLY BITS
; IN REGISTER DZCSR
;VERIFY THAT "TIE" "SILOEN" "RIE" "MSENAB", "MAINT"
;ARE THE ONLY R/W BITS IN THE DZCSR.
;THEN SET "DCLR" AND VERIFY THEY ARE CLEARED
;:* TEST 13
;:*****
TST13: SCOPE
MOV #13,$STSTNM ;LOAD THE NUMBER OF THIS TEST
MOV #TST14,NEXT ;POINT TO THE START OF THE NEXT TEST
MOV DEVICE.CLR
MOV DZCSR,R0 ;SET UP FOR ERROR MESSAGE
MOV #TC<DCLR>,(R0) ;TRY TO WRITE
MOV #TIE!SILOEN!RIE!MSENAB!MAINT,R5 ;MAKE EXPECTED
MOV (R0),R4 ;ACTUAL
CMP R4,R5 ;CMP EXPECTED VS ACTUAL
BEQ 1$ ;YES
ERROR 2 ;*NO
MOV #DCLR,R5 ;EXPECTED...NOTE THAT DCLR REMAINS
;SET LONG ENOUGH TO READ IT...HOWEVER
;IF YOU EXAMINE THIS BIT IT SHOULD BE CLEAR.
BIS #DCLR,(R0) ;DEVICE MASTER RESET
MOV (R0),R4 ;ACTUAL
CMP R4,R5 ;CMP ACTUAL VS EXPECTED
BEQ 2$ ;YES
```

B06

NO-11-DZDZA-B
DZDZAB.P11

MAY11 27.732) 03-NOV-76 15:03 PAGE 67
DZ11 DEVICE DIAGNOSTICS. COPYRIGHT 1976 DIGITAL EQUIP. CORP.

3066	013616	104002		
3067	013620			
3068				
3069				
3070				
3071				
3072				
3073				
3074	013620	000004		
3075	013622	012737	000014	001122
3076	013630	012737	013710	001360
3077	013636	104413		
3078	013640	013700	002046	
3079	013644	012777	177777	166200
3080	013652	011004		
3081	013654	010405		
3082	013656	042705	104000	
3083	013662	020405		
3084	013664	001401		
3085	013666	104002		
3086	013670	010403		
3087	013672	005103		
3088	013674	010377	166152	
3089	013700	011004		
3090	013702	020405		
3091	013704	001401		
3092	013706	104002		
3093	013710			
3094				
3095				
3096				
3097				
3098				
3099				
3100	013710	007004		
3101	013712	012737	000015	001122
3102	013720	012737	013774	001360
3103	013726	104413		
3104	013730	013700	002062	
3105	013734	012777	177777	166124
3106	013742	011004		
3107	013744	010405		
3108	013746	020405		
3109	013750	001401		
3110	013752	104002		
3111	013754	010403		
3112	013756	005103		
3113	013760	010377	166102	
3114	013764	011004		
3115	013766	020405		
3116	013770	001401		
3117	013772	104002		
3118	013774			
3119				
3120				
3121				

```

ERROR 2 ;*NO
2$:
;***** TEST 14 *****
;*THIS TEST PERFORMS RESET TESTING AND
;*TESTING OF READ ONLY REGISTER DZRBUF
;*AND TESTING OF WRITE ONLY REGISTER DZLPR
;:* TEST 14
;*****
TST14: SCOPE
MOV #14,$STNM ;LOAD THE NUMBER OF THIS TEST
MOV #TST15,NEXT ;POINT TO THE START OF THE NEXT TEST
DEVICE.CLR ;CLEAR DZ11
MOV DZRBUF,R0 ;SET UP FOR ERROR MESSAGE
MOV #-1,DZLPR ;TRY TO WRITE ALL 1'S
MOV (R0),R4 ;ACTUAL
MOV R4,R5 ;MAKE EXPECTED
BIC #DVALID:BIT11,R5 ;DITTO
CMP R4,R5 ;CMP ACTUAL VS EXPECTED
BEQ 1$ ;IF YES,GO CONTINUE PROCESSING
ERROR 2 ;*ERROR- BIT PATTERN NOT CORRECT
1$: MOV R4,R3 ;GET A COPY OF THE ACTUAL BIT PATTERN
COM R3 ;GET THE LOGICAL INVERSE OF THE BIT PATTERN
MOV R3,DZLPR ;TRY TO WRITE
MOV (R0),R4 ;ACTUAL
CMP R4,R5 ;CMP ACTUAL VS EXPECTED
BEQ 2$ ;IF YES, GET OUT OF THIS TEST
ERROR 2 ;*NO
2$:
;***** TEST 15 *****
;*THIS TEST PERFORMS RESET TESTING AND
;*TESTING OF READ ONLY REGISTER DZMSR
;*AND TESTING OF WRITE ONLY REGISTER DZTDR
;:* TEST 15
;*****
TST15: SCOPE
MOV #15,$STNM ;LOAD THE NUMBER OF THIS TEST
MOV #TST16,NEXT ;POINT TO THE START OF THE NEXT TEST
DEVICE.CLR ;CLEAR DZ11
MOV DZMSR,R0 ;SET UP FOR ERROR MESSAGE
MOV #-1,DZTDR ;TRY TO WRITE ALL 1'S
MOV (R0),R4 ;ACTUAL
MOV R4,R5 ;MAKE EXPECTED
CMP R4,R5 ;CMP ACTUAL VS EXPECTED
BEQ 1$ ;IF YES,GO CONTINUE PROCESSING
ERROR 2 ;*ERROR- BIT PATTERN NOT CORRECT
1$: MOV R4,R3 ;GET A COPY OF THE ACTUAL BIT PATTERN
COM R3 ;GET THE LOGICAL INVERSE OF THE BIT PATTERN
MOV R3,DZTDR ;TRY TO WRITE
MOV (R0),R4 ;ACTUAL
CMP R4,R5 ;CMP ACTUAL VS EXPECTED
BEQ 2$ ;IF YES, GET OUT OF THIS TEST
ERROR 2 ;*NO
2$:
;***** TEST 16 *****
;*VERIFY THAT IF WE ARE IN "STAGGERED" MODE

```


C06

NO-11-DZD2A-B
DZD2A8.P11

MAY11 27(732) 03-NOV-76 15:03 PAGE 68
DZ11 DEVICE DIAGNOSTICS. COPYRIGHT 1976 DIGITAL EQUIP. CORP.

* THAT SETTING "DTR" FOR A LINE WILL
* BRING UP "RING" AND "CARRIER" FOR THE
* ASSOCIATED LINE IN WHICH WE ARE STAGGERED!
* LINE0 DTR= LINE1 RING AND CARRIER
* LINE1 DTR= LINE0 RING AND CARRIER
* LINE2 DTR= LINE3 RING AND CARRIER
* LINE3 DTR= LINE4 RING AND CARRIER
* ETC...

3123
3124
3125
3126
3127
3128
3129
3130
3131
3132
3133 013774 000004
3134 013776 012737 000016 001122
3135 014004 012737 014164 001360
3136 014012 012737 014064 001362
3137 014020 105737 001414
3138 014024 100005
3139 014026 104400
3140 014030 013700 002062
3141 014034 104413
3142 014036 005003
3143 014040 012702 000001
3144 014044 005737 001370
3145 014050 100405
3146 014052 013737 001360 001126
3147 014060 000177 165042
3148 014064 130237 001364
3149 014070 001004
3150 014072 005203
3151 014074 106302
3152 014076 103372
3153 014100 104400
3154 014102 010204
3155 014104 032703 000001
3156 014110 001402
3157 014112 006204
3158 014114 000401
3159 014116 006304
3160 014120 005005
3161 014122 150405
3162 014124 000305
3163 014126 150405
3164 014130 150277 165724
3165 014134 011004
3166 014136 020504
3167 014140 001401
3168 014142 104002
3169 014144 140277 165710
3170 014150 011004
3171 014152 001402
3172 014154 005005
3173 014156 104002
3174 014160 104401
3175 014162 000743
3176
3177

::* TEST 16

↑TST16: SCOPE
MOV #16,STSTNM ;LOAD THE NUMBER OF THIS TEST
MOV #TST17,NEXT ;POINT TO THE START OF THE NEXT TEST
MOV #15,LOCK ;USE THIS ADDRESS IF A TIGHT SCOPE LOOP IS SELECTED
TSTB EIAFLG ;EIA OR 20MA?
BPL .+14 ;BR IF EIA
ADVANCE ;EXIT TEST
MOV DZMSR,R0 ;SET REGISTER
DEVICE.CLR ;INIT DZ11
CLR R3 ;ZERO LINE NUMBER
MOV -1,R2 ;SET POINTER
TST MODE ;ARE WE IN STAGGERED MODE?
BMI 15 ;YES WE ARE!
MOV NEXT,SLPADR ;LEAVE THIS TEST! NOT STAGGERED
JMP @SLPADR ;EXIT
15: BITB R2,LINE ;TEST THIS LINE?
BNE 35 ;YES
25: INC R3 ;LINE #
ASLB R2 ;GET NEXT LINE
BCC 15 ;KEEP TESTING
ADVANCE ;ADVANCE THIS TEST
35: MOV R2,R4 ;SAVE BINARY BIT FOR LINE #
BIT #BIT0,R3 ;GET STAGGERED COMPANION LINE
BEQ 45 ;BR IF LINE EVEN
ASR R4 ;ADJUST LINE
BR 55 ;ADJUST LINE
45: ASL R4 ;ADJUST LINE
55: CLR R5 ;SET EXPECTED
BISB R4,R5
SWAB R5
BISB R4,R5
BISB R2,@DZTCR ;SET DTR
MOV (R0),R4 ;READ MSR REGISTER
CMP R5,R4 ;OK?
BEQ 65 ;YES
ERROR 2 ;*ERROR IN RING OR CARRIER
BICB R2,@DZTCR ;CLEAR DTR
MOV (R0),R4 ;READ MSR
BEQ 75 ;BR IF THEY CLEARED
CLR R5 ;SET EXPECTED TO 0
ERROR 2 ;*BITS NOT CLEARED
75: SCOP1 ;LOCK ON SIGNAL?
BR 25 ;CONTINUE TEST

***** TEST 17 *****

```

3178
3179
3180
3181
3182
3183
3184
3185
3186
3187
3188
3189 014164 000004
3190 014166 012737 000017 001122
3191 014174 012737 014322 001360
3192 014202 012737 014236 001362
3193 014210 105737 001370
3194 014214 100401
3195 014216 104400
3196 014220 105737 001414
3197 014224 100774
3198 014226 013700 002062
3199 014232 012702 000001
3200 014236 130237 001364
3201 014242 001003
3202 014244 106302
3203 014246 103373
3204 014250 104400
3205 014252 005005
3206 014254 150205
3207 014256 000305
3208 014260 150205
3209 014262 150277 165572
3210 014266 104414
3211 014270 011004
3212 014272 020504
3213 014274 001401
3214 014276 104002
3215 014300 140277 165554
3216 014304 104414
3217 014306 011004
3218 014310 001402
3219 014312 005005
3220 014314 104002
3221 014316 104401
3222 014320 000751
3223
3224
3225
3226
3227
3228
3229
3230
3231 014322 000004
3232 014324 012737 000020 001122
3233 014332 012737 014436 001360

```

```

: *TEST TO VERIFY THAT IF IN "EXTERNAL"
: *MODE; SETTING DTR FOR SELECTED LINES
: *WILL BRING UP "CARRIER" AND "RING"
: *FOR THAT SAME LINE. NOTE: IF YOU HAVE
: *SELECTED MODE AS "EXTERNAL", THE H325 TEST CONNECTER
: *MUST BE USED ON ALL SPECIFIED LINES.
: *LINES MAY BE SPECIFIED BY SWRO3=1
: *AND SWRO0=1 AT START TIME OR ALTERING
: *STATUS MAP.

```

::* TEST 17

:*****

```

:ST17: SCOPE
MOV #17,STSTNM ;LOAD THE NUMBER OF THIS TEST
MOV #ST20,NEXT ;POINT TO THE START OF THE NEXT TEST
MOV #3$,LOCK ;USE THIS ADDRESS IF A TIGHT SCOPE LOOP IS SELECTED
TSTB MODE ;EXTERNAL?
BMI 2$ ;BR IF YES
ADVANCE ;EXIT TEST
TSTB EIAFLG ;YOU BETTER BE IN
BMI 1$ ;EIA MODE FOR THIS TEST.
MOV DZMSR,R0 ;SET REGISTER
MOV #1,R2 ;SET LINE POINTER
BITB R2,LINE ;LINE SELECTED?
BNE 5$ ;BR IF YES
ASLB R2 ;NEXT LINE
BCC 3$ ;CONTINUE TEST
ADVANCE ;ADVANCE THIS TEST
CLR R5 ;SET EXPECTED
BISB R2,R5
SWAB R5
BISB R2,R5
BISB R2,ANDZTCR ;SET DTR
DELAY ;CABLE DELAY
MOV (R0),R4 ;READ MSR
CMP R5,R4 ;BITS OK?
BEQ 6$ ;BR IF YES
ERROR 2 ;CARRIER OR RING ERROR
BICB R2,ANDZTCR ;CLEAR DTR
DELAY ;CABLE DELAY
MOV (R0),R4 ;READ MSR
BEQ 7$ ;BR IF BITS CLEARED
CLR R5 ;CLEAR EXPECTED LOC.
ERROR 2 ;BITS NOT CLEARED.
SCOPI ;LOCK ON LINE?
BR 4$ ;CONTINUE TEST

```

:***** TEST 20 *****

```

: * THIS TEST VERIFIES THAT TROY IS SET WHEN A LINE
: * IS READY TO BE LOADED, AND THAT THE LINE SPECI-
: * FIED IN BITS 8-10 OF DZCSR CORRESPOND
: * TO THE LINE SELECTED IN DZTCR

```

::* TEST 20

:*****

```

:ST20: SCOPE
MOV #20,STSTNM ;LOAD THE NUMBER OF THIS TEST
MOV #ST21,NEXT ;POINT TO THE START OF THE NEXT TEST

```

E06

MD-11-DZDZM-B
DZDZAB.P11

MACY11 27(732) 03-NOV-76 15:03 PAGE 70
DZ11 DEVICE DIAGNOSTICS. COPYRIGHT 1976 DIGITAL EQUIP. CORP.

```

3234 014340 104413          DEVICE.CLR          ;ISSUE A "DEVICE CLEAR" (RESET)
3235 014342 013700 002042  MOV          DZCSR,R0          ;SET POINTER
3236 014346 012705 100040  MOV          #MSENAB,TRDY,R5 ;START THE EXPECTED LINE NUMBER AT 0
3237 014352 012702 000001  MOV          #1,R2          ;USING R2 AS A BIT POINTER, POINT TO LINE 0
3238 014356 130237 001364          BITB          R2,LINE          ;IS THIS LINE SELECTED?
3239 014362 001420          BEQ          5$            ;IF NO, SKIP THE STARTUP
3240 014364 050277 165466          BIS          R2,JDZTCR        ;SET THE GO BIT FOR THIS LINE
3241 014370 052710 000040          BIS          #MSENAB,(R0)    ;START THE SCANNER
3242 014374 005004          CLR          R4            ;SET FOR DELAY
3243 014376 032710 100000          BIT          #TRDY,(R0)      ;TX READY?
3244 014402 001004          BNE          4$            ;BR IF YES
3245 014404 104414          DELAY          ;DELAY
3246 014406 005204          INC          R4            ;COUNTER
3247 014410 001372          BNE          3$            ;BR IF (>)0!
3248 014412 104002          ERROR          2          ;*TX NOT READY!
3249 014414 011004          MOV          (R0),R4        ;GET THE LINE POINTED TO BY THE SCANNER
3250 014416 020405          CMP          R4,R5          ;IS THE LINE NUMBER WHAT IT SHOULD BE?
3251 014420 001401          BEQ          5$            ;IF YES, GO WORK ON THE NEXT LINE
3252 014422 104002          ERROR          2          ;*LINE NUMBER DID NOT MATCH TCR BIT
3253 014424 062705 000400          ADD          #400,R5        ;POINT TO THE NEXT EXPECTED LINE
3254 014430 104413          DEVICE.CLR        ;ISSUE A "DEVICE CLEAR" (RESET)
3255 014432 106302          ASLB         R2            ;POINT TO THE NEXT LINE.ARE ALL LINES TESTED?
3256 014434 103350          BCC          1$            ;IF NOT, GO DO THE NEXT LINE
3257 014436
3258
3259
3260
3261
3262
3263
3264
3265
3266
3267 014436 000004          ;***** TEST 21 *****
3268 014440 012737 000021 001122          ;*TEST TO TRANSMIT ONE CHAR AND
3269 014446 012737 014754 001360          ;*RECEIVE ONE CHAR ON ONE LINE
3270 014454 012737 014722 001362          ;*AT A TIME. THE CHAR IS "252" AND
3271 014462 104417          ;*ALL SELECTED LINES WILL BE TURNED ON
3272 014464 013701 001366          ;*ONE AT A TIME. THIS IS THE FIRST TIME ANY
3273 014470 012702 000001          ;*DATA IS CHECKED IN THE RECEIVER.
3274 014474 030237 001364          ;:* TEST 21
3275 014500 001402          ;*****
3276 014502 010177 165344          ;*TST21: SCOPE
3277 014506 005201          MOV          #21,$STNM      ;LOAD THE NUMBER OF THIS TEST
3278 014510 106302          MOV          #TST22,NEXT    ;POINT TO THE START OF THE NEXT TEST
3279 014512 103370          MOV          #16$,LOCK      ;USE THIS ADDRESS IF A TIGHT SCOPE LOOP IS SELECTED
3280 014514 005037 001372          DCLASM          ;CLEAR DEVICE AND SET MAINT BIT IF I MODE
3281 014520 012702 000001          MOV          PAR,R1         ;PICK UP PARAMETERS
3282 014524 052777 000040 165310          MOV          #1,R2         ;PICK UP INIT POINTER
3283 014532 030237 001364          BIT          R2,LINE        ;SHOULD THIS LINE BE SET UP ?
3284 014536 001463          BEQ          2$            ;NO
3285 014540 010277 165312          MOV          R1,JDZLPR      ;SET UP LINE PARAMETERS
3286 014544 032777 000200 165270          INC          R1            ;POSITION POINTER TO THE NEXT LINE
3287 014552 001401          ASLB         R2            ;GOT 'EM ALL ?
3288 014554 104020          BCC          1$            ;IF NO, GO SET UP THE NEXT LINE
3289 014556 005005          CLR          SAVLIN        ;CLEAR LINE # INDICATOR
                                MOV          #1,R2         ;LINE POINTER
                                BIS          #MSENAB,JDZCSR    ;START SCANNER
3$:          BIT          R2,LINE        ;VALID LINE ?
                                BEQ          14$          ;NO SET UP NEXT LINE
4$:          MOV          R2,JDZTCR    ;SET TCR BIT
                                BIT          #RDONE,JDZCSR    ;IS REC DONE = 0 ?
                                BEQ          5$            ;IF YES, ALLOW TIME FOR TRDY TO SET
5$:          ERROR          20          ;*REC DONE SHOULD = 0
                                CLR          R5

```

F06

NO-11-DZDZA-B
DZDZAB.P11

MACY11 27(732) 03-NOV-76 15:03 PAGE 71
DZ11 DEVICE DIAGNOSTICS. COPYRIGHT 1976 DIGITAL EQUIP. CORP.

```

3290 014560 032777 100000 165254 6$: BIT #TRDY,20ZCSR
3291 014566 001004 BNE 7$
3292 014570 104414 DELAY
3293 014572 105205 INCB R5
3294 014574 001371 BNE 6$
3295 014576 104003 ERROR 3 ;*TRDY FAILED TO SET!
3296 014600 112777 000252 165260 7$: MOVB #252,20ZTDR ;LOAD CHARACTER
3297 014606 013705 001372 MOV SAVLIN,R5 ;MAKE EXPECTED LINE #
3298 014612 105737 001371 TSTB MODE+1 ;IS THIS TEST IN STAGGERED MODE?
3299 014616 001406 BEQ 10$ ;IF NOT, SKIP STAGGERED SETUP
3300
;WE MUST NOW INVERT THE LAST BIT OF THE LINE NUMBER
3302
3303 014620 006205 ASR R5 ;GET THE LAST BIT INTO THE CARRY BIT
3304 014622 103402 BCS 8$ ;IF IT IS SET, GO CLEAR IT
3305 014624 000261 SEC ;IF IT IS CLEAR SET IT HERE
3306 014626 000401 BR 9$ ;SKIP THE CLEARING
3307 014630 000241 8$: CLC ;CLEAR THE CARRY BIT (INVERSION OF LINE PARITY)
3308 014632 006105 9$: ROL R5 ;GET THE NEW BIT BACK INTO R5
3309 014634 000305 10$: SWAB R5 ;MOVE THE LINE NUMBER TO THE UPPER BYTE
3310 014636 152705 000252 BISB #252,R5 ;ADD CHARACTER
3311 014642 104400 ADVANCE ;ADVANCE TO THE NEXT TEST
3312 014644 052705 100000 BIS #DVALID,R5 ;ADD DATA VALID
3313 014650 005003 CLR R3
3314 014652 032777 000200 165162 11$: BIT #RDONE,20ZCSR
3315 014660 001004 BNE 12$
3316 014662 104414 DELAY
3317 014664 105203 INCB R3
3318 014666 001371 BNE 11$
3319 014670 104004 ERROR 4 ;*RDONE FAILED TO SET!
3320 014672 017704 165150 12$: MOV 20ZRBUF,R4 ;LOAD THE VALUE ACTUALLY RECEIVED
3321 014676 020405 CMP R4,R5 ;COMPARE ACTUAL VS EXPECTED. ARE THEY THE SAME?
3322 014700 001401 BEQ 13$ ;IF YES, GO DO THE NEXT LINE
3323 014702 104006 ERROR 6 ;*NO DATA/CONTENTS DID NOT COMPARE
3324 014704 104401 13$: SCOP1 ;CHECK TO SEE IF SWITCH NINE IS SET
3325 014706 040277 165144 14$: BIC R2,20ZTCR ;CLEAR TCR BIT FOR THAT LINE.
3326 014712 005237 001372 15$: INC SAVLIN ;INC EXPECTED LINE
3327 014716 013700 001372 MOV SAVLIN,R0 ;SET UP CHARACTER OF SET
3328 014722 006300 ASL R0 ;MAKE THE OFFSET A POWER OF TWO
3329 014724 106302 ASLB R2 ;SHIFT THE LINE POINTER. ARE WE ALL DONE?
3330 014726 103301 BCC 3$ ;IF NO, GO AROUND AGAIN FOR NEXT LINE
3331 014730 104400 ADVANCE ;GO TO NEXT TEST
3332
3333 ;TIGHT SCOPE LOOP FOR THIS TEST. LOOP TRANSMITS CHARACTERS ONLY
3334 ;THANKS TO JOHN MCINTYRE AND WESTMINSTER STAFF...
3335
3336 014732 032777 100000 165102 16$: BIT #TRDY,20ZCSR ;IS TRANSMITTER READY?
3337 014740 001774 BEQ 16$ ;IF NOT, WAIT FOR IT
3338 014742 112777 000252 165116 MOVB #252,20ZTDR ;LOAD THE CHARACTER
3339 014750 104401 SCOP1 ;LOOP AGIN IF SW09=1
3340 014752 000755 BR 14$ ;OTHERWISE, GO PICK UP THE TEST NORMALLY
3341
3342 ;***** TEST 22 *****
3343 ;* THIS TEST PROVES THAT THE TRANSMITTER TRANSMITS
3344 ;*CHARACTERS (FLAG MODE)AND THE RECEIVER RECEIVES (FLAG MODE)
3345 ;*(ONE LINE AT A TIME BASED UPON VALID LINES)

```

G06

MD-11-DZDZA-B
DZDZAB.P11

MAY11 27(732) 03-NOV-76 15:03 PAGE 72
DZ11 DEVICE DIAGNOSTICS. COPYRIGHT 1976 DIGITAL EQUIP. CORP.

```

3346                                     ;*THIS IS THE FIRST TIME THAT ALL DATA IS CHECKED
3347                                     ;:* TEST 22
3348                                     ;:*****
3349 014754 000004 TST22: SCOPE
3350 014756 012737 000022 001122 MOV #22,STSTNM ;LOAD THE NUMBER OF THIS TEST
3351 014764 012737 015302 001360 MOV #TST23,NEXT ;POINT TO THE START OF THE NEXT TEST
3352 014772 012737 015106 001362 MOV #45,LOCK ;USE THIS ADDRESS IF A TIGHT SCOPE LOOP IS SELECTED
3353 015000 104417 DCLASM ;CLEAR DEVICE AND SET MAINT BIT IF I MODE
3354 015002 013701 001366 MOV PAR,R1 ;PICK UP PARAMETERS
3355 015006 012702 000001 MOV #1,R2 ;PICK UP INIT POINTER
3356 015012 030237 001364 15: BIT R2,LINE ;SHOULD THIS LINE BE SET UP ?
3357 015016 001402 BEQ 25 ;NO
3358 015020 010177 165026 MOV R1,@DZLPR ;SET UP LINE PARAMETERS
3359 015024 005201 25: INC R1 ;POSITION POINTER TO THE NEXT LINE
3360 015026 106302 ASLB R2 ;GOT 'EM ALL ?
3361 015030 103370 BCC 15 ;IF NO, GO SET UP THE NEXT LINE
3362 015032 005037 001372 CLR SAVLIN ;CLEAR LINE # INDICATOR
3363 015036 012700 001422 MOV #TDD,R0 ;POINT TO THE DATA AREA
3364 015042 005020 CLR (R0)+ ;CLEAR A DATA WORD
3365 015044 022700 001462 CMP #STOP,R0 ;FINISHED ?
3366 015050 001374 BNE -6 ;NO
3367 015052 005000 CLR R0 ;CLEAR OFFSET
3368 015054 013737 002046 001400 MOV DZRBUFF,REGIST ;SAVE FOR ERROR MSG
3369 015062 012702 000001 MOV #1,R2 ;LINE POINTER
3370 015066 052777 000040 164746 BIS #MSENAB,@DZCSR ;START SCANNER
3371 015074 030237 001364 35: BIT R2,LINE ;VALID LINE ?
3372 015100 001465 BEQ 14 ;NO SET UP NEXT LINE
3373 015102 010277 164750 MOV R2,@DZTCR ;SET TCR BIT
3374 015106 032777 000200 164726 45: BIT #RDONE,@DZCSR ;IS REC DONE = 0 ?
3375 015114 001401 BEQ 55 ;IF YES, ALLOW TIME FOR TRDY TO SET
3376 015116 104020 ERROR 20 ;*REC DONE SHOULD = 0
3377 015120 005005 55: CLR R5
3378 015122 032777 100000 164712 65: BIT #TRDY,@DZCSR
3379 015130 001004 BNE 75
3380 015132 104414 DELAY
3381 015134 105205 INCB R5
3382 015136 001371 BNE 65
3383 015140 104003 ERROR 3
3384 015142 116077 001422 164716 75: MOVB TDD(R0),@DZTOR ;*TRDY FAILED TO SET!
3385 015150 013705 001372 MOV SAVLIN,R5 ;LOAD CHARACTER
3386 015154 105737 001371 TSTB MODE+1 ;MAKE EXPECTED LINE #
3387 015160 001406 BEQ 105 ;IS THIS TEST IN STAGGERED MODE?
3388                                     ;IF NOT, SKIP STAGGERED SETUP
3389                                     ;WE MUST NOW INVERT THE LAST BIT OF THE LINE NUMBER
3390
3391 015162 006205 ASR R5 ;GET THE LAST BIT INTO THE CARRY BIT
3392 015164 103402 BCS 85 ;IF IT IS SET, GO CLEAR IT
3393 015166 000261 SEC ;IF IT IS CLEAR SET IT HERE
3394 015170 000401 BR 95 ;SKIP THE CLEARING
3395 015172 000241 85: CLC ;CLEAR THE CARRY BIT (INVERSION OF LINE PARITY)
3396 015174 006105 95: ROL R5 ;GET THE NEW BIT BACK INTO R5
3397 015176 000305 105: SWAB R5 ;MOVE THE LINE NUMBER TO THE UPPER BYTE
3398 015200 156005 001422 BISB TDD(R0),R5 ;ADD CHARACTER
3399 015204 052705 100000 BIS #DVALID,R5 ;ADD DATA VALID
3400 015210 005003 CLR R3
3401 015212 032777 000200 164622 115: BIT #RDONE,@DZCSR

```

H06

MD-11-DZDZA-B
DZDZAB.P11

MACY11 27(732) 03-NOV-76 15:03 PAGE 73
DZ11 DEVICE DIAGNOSTICS. COPYRIGHT 1976 DIGITAL EQUIP. CORP.

```
3402 015220 001004 BNE 12$
3403 015222 104414 DELAY
3404 015224 005204 INC R4
3405 015226 001371 BNE 11$
3406 015230 104004 ERROR 4 ;*RDONE FAILED TO SET!
3407 015232 017704 164610 12$: MOV DZDRBUF,R4 ;LOAD THE VALUE ACTUALLY RECEIVED
3408 015236 020405 CMP R4,R5 ;COMPARE ACTUAL VS EXPECTED. ARE THEY THE SAME?
3409 015240 001401 BEQ 13$ ;IF YES, GO DO THE NEXT LINE
3410 015242 104006 ERROR 6 ;*NO DATA/CONTENTS DID NOT COMPARE
3411 015244 104401 SCOPI 13$: ;CHECK TO SEE IF SWITCH NINE IS SET
3412 015246 105260 001422 INCB TDD(RO) ;INCREMENT BINARY PATTERN FOR THIS LINE
3413 015252 001315 BNE 4$ ;GO 'ROUND AGAIN FOR NEXT CHARACTER
3414 015254 040277 164576 14$: BIC R2,DZTCR ;CLEAR TCR BIT FOR THAT LINE.
3415 015260 005237 001372 15$: INC SAVLIN ;INC EXPECTED LINE
3416 015264 013700 001372 MOV SAVLIN,RO ;SET UP CHARACTER OFFSET
3417 015270 006300 ASL RO ;MAKE THE OFFSET A POWER OF TWO
3418 015272 106302 ASLB R2 ;SHIFT THE LINE POINTER. ARE WE ALL DONE?
3419 015274 103277 BCC 3$ ;IF NO, GO AROUND AGAIN FOR NEXT LINE
3420 015276 005037 001362 CLR LOCK ;MAKE SURE LOCK IS CLEAR FOR NEXT TEST
3421
3422
3423 ;***** TEST 23 *****
3424 ;THIS TEST WILL PROVE THAT:
3425 ;* 1) THE TRANSMITTER "BREAK BIT" WORKS
3426 ;* 2) THE RECEIVER CAN FLAG "FRAMING ERRORS"
3427 ;* 3) THE RECEIVER CAN FLAG "PARITY ERRORS"
3428 ;*ONLY ONE LINE AT A TIME WILL BE EXERCISED.
3429 ;*THIS TEST WILL NOT BE EXERCISED UNLESS
3430 ;*CONNECTED BY EXTERNAL PLUG.
3431 ;:* TEST 23
3432 ;*****
3433 015302 000004 ST23: SCOPE
3434 015304 012737 000023 001122 MOV #23,$STNM ;LOAD THE NUMBER OF THIS TEST
3435 015312 012737 015560 001360 MOV #TST24,NEXT ;POINT TO THE START OF THE NEXT TEST
3436 015320 012737 015416 001362 MOV #3$,LOCK ;SET FOR LOOP
3437 015326 005737 001370 TST MODE ;ARE WE RUNNING IN INTERNAL MODE?
3438 015332 001510 BEQ 12$ ;IF SO, SKIP THIS TEST
3439 015334 104417 DCLASM ;CLEAR DEVICE AND SET MAINT BIT IF I MODE
3440 015336 013701 001366 MOV PAR,R1 ;PICK UP PARAMETERS
3441 015342 052701 000300 BIS #ODDPAR:PARITY,R1 ;FORCE ODD PARITY
3442 015346 012700 000001 MOV #1,RO ;PICK UP INIT POINTER
3443 015352 030037 001364 1$: BIT RO,LINE ;SHOULD THIS LINE BE SET UP ?
3444 015356 001402 BEQ 2$ ;IF NOT DON'T SET IT UP
3445 015360 010177 164466 MOV R1,DZLPR ;OTHERWISE, SET UP LINE PARAMETERS
3446 015364 005201 2$: INC R1
3447 015366 106300 ASLB RO ;GOT 'EM ALL ?
3448 015370 103370 BCC 1$ ;NO
3449 015372 005037 001372 CLR SAVLIN ;CLEAR LINE #
3450 015376 012702 000001 MOV #1,R2 ;LINE POINTER
3451 015402 052777 000040 164432 BIS #MSENAB,DZCSR ;SET MASTER SCAN ENABLE
3452 015410 013737 002046 001400 MOV DZDRBUF,REGIST ;SAVE FOR ERRR MESSAGE
3453 015416 030237 001364 3$: BIT R2,LINE
3454 015422 001443 BEQ 10$
3455 015424 010277 164426 MOV R2,DZTCR ;SET TCR BIT
3456 015430 110277 164434 MOV R2,DZTDR ;SET BREAK BIT
3457 015434 112777 000377 164424 4$: MOV #377,DZTDR ;LOAD CHARACTER
```

```

3458 015442 013705 001372      MOV     SAVLIN,R5      ;MAKE EXPECTED DATA
3459 015446 105737 001371      TSTB   MODE+1        ;IS THIS TEST IN STAGGERED MODE?
3460 015452 001406                BEQ     7$           ;IF NOT, SKIP STAGGERED SETUP
3461
3462                                ;WE MUST NOW INVERT THE LAST BIT OF THE LINE NUMBER
3463
3464 015454 006205                ASR     R5           ;GET THE LAST BIT INTO THE CARRY BIT
3465 015456 103402                BCS    5$           ;IF IT IS SET, GO CLEAR IT
3466 015460 000261                SEC                    ;IF IT IS CLEAR SET IT HERE
3467 015462 000401                BR     6$           ;SKIP THE CLEARING
3468 015464 300241                5$:   CLC                    ;CLEAR THE CARRY BIT (INVERSION OF LINE PARITY)
3469 015466 006105                6$:   ROL     R5           ;GET THE NEW BIT BACK INTO R5
3470 015470 000305                7$:   SWAB   R5           ;PUT LINE NUMBER IN UPPER BYTE
3471 015472 052705 130000      BIS    #DVALID!PARER!FRMERR,R5 ;ADD EXPECTED
3472 015476 005004                CLR    R4
3473 015500 032777 000200 164334 8$:   BIT    #RDONE, @DZCSR
3474 015506 001004                BNE    9$
3475 015510 104414                DELAY
3476 015512 005204                INC    R4
3477 015514 001371                BNE    8$
3478 015516 104004                ERROR  4           ;*RDONE FAILED TO SET!
3479 015520 017704 164322      9$:   MOV    @DZRBUF,R4 ;ACTUAL
3480 015524 020405                CMP    R4,R5        ;CMP ACTUAL VS EXPECTED. DO THEY MATCH?
3481 015526 001401                BEQ    10$          ;IF YES, GO CLEAN UP
3482 015530 104006                ERROR  6           ;*DATA/CONTENTS FAILED TO COMPARE
3483 015532 105077 164332      10$:  CLRB   @DZTDR        ;CLEAR BREAK BITS
3484 015536 104401                SCOP1
3485 015540 005237 001372      11$:  INC    SAVLIN        ;INC LINE #
3486 015544 040277 164306      BIC    R2,@DZTCR    ;CLEAR TCR BIT
3487 015550 106302                ASLB   R2
3488 015552 103321                BCC    3$
3489 015554 005037 001362      12$:  CLR    LOCK          ;MAKE SURE LOCK IS CLEAR FOR NEXT TEST
3490                                ;***** TEST 24 *****
3491                                ;* THIS TEST VERIFIES THAT THE DEVICE DOES NOT INTERRUPT
3492                                ;*WHILE THE PROCESSOR STATUS IS SET EXACTLY
3493                                ;*TO WHAT THE DZ11 PRIORITY IS SET TO.
3494                                ;*DEFAULT PRIORITY IS AT 5 (240).
3495                                ;:* TEST 24
3496                                ;*****
3497 015560 000004                TEST24: SCOPE
3498 015562 012737 000024 001122      MOV    #24, $STNM    ;LOAD THE NUMBER OF THIS TEST
3499 015570 012737 016066 001360      MOV    #TST25,NEXT  ;POINT TO THE START OF THE NEXT TEST
3500 015576 104417                DCLASM
3501 015600 013701 001366      MOV    R0,R1        ;CLEAR DEVICE AND SET MAINT BIT IF I MODE
3502 015604 012702 000001      MOV    #1,R2        ;PICK UP PARAMETERS
3503 015610 030237 001364      1$:   BIT    R2,LINE    ;PICK UP INIT POINTER
3504 015614 001402                BEQ    2$           ;SHOULD THIS LINE BE SET UP ?
3505 015616 010177 164230      MOV    R1,@DZLPR    ;NO
3506 015622 005201                2$:   INC    R1        ;SET UP LINE PARAMETERS
3507 015624 106302                ASLB   R2           ;POSITION POINTER TO THE NEXT LINE
3508 015626 103370                BCC    1$          ;GOT 'EM ALL ?
3509 015630 005037 001372      CLR    SAVLIN        ;IF NO, GO SET UP THE NEXT LINE
3510 015634 106437 026170      MTPS   @DZPRT        ;CLEAR LINE # INDICATOR
3511 015640 113777 001364 164210      MOVB   LINE,@DZTCR  ;SET CPU STATUS TO DZ11 PRIO,
3512 015646                ;ENABLE THE VALID LINES
3513 015646 012777 015734 164222      3$:   MOV    #6$,@DZTIV  ;SET UP THE TRANSMITTER INTERRUPT VECTOR

```



```

3514 015654 012777 015742 164210      MOV      #75, @DZRIV      ;SET UP THE RECEIVER INTERRUPT VECTOR
3515 015662 013777 026170 164204      MOV      DZPRT, @DZRRIS ;SET THE INTERRUPT VECTOR STATUS
3516 015670 013777 026170 164202      MOV      DZPRT, @DZTTIS ;SET TRANSMITTER INTERRUPT PRIORITY
3517 015676 052777 040040 164136      BIS      #TIE! #SENAB, @DZCSR ;ENABLE THE DEVICE
3518 015704 005005                CLR      R5
3519 015706 032777 100000 164126 45:    BIT      #TRDY, @DZCSR
3520 015714 001403                BEQ      55
3521 015716 000240                NOP
3522 015720 000240                NOP
3523 015722 000411                BR       85
3524 015724 104414                55:    DELAY
3525 015726 005205                INC      R5
3526 015730 001366                BNE     45
3527 015732 104003                ERROR   3                ;*TRDY NOT SET!
3528 015734 104010                65:    ERROR   10                ;*TRANSMITTER SHOULD NOT INTERRUPT
3529 015736 022626                CMP     (SP)+, (SP)+    ;POP FOR FAKE RTI
3530 015740 000402                BR       85                ;CONTINUE TEST
3531 015742 104012                75:    ERROR   12                ;*RECEIVER SHOULD NOT INTERRUPT
3532 015744 022626                CMP     (SP)+, (SP)+    ;POP FOR FAKE RTI
3533 015746 042777 040000 164066 85:    BIC     #TIE, @DZCSR    ;RESET TRANSMITTER INTERRUPT ENABLE
3534 015754 113777 001422 164104                MOV     TDO, @DZTDR    ;PUT ANY RANDOM CHARACTER IN TRANSMITTER BUFFER
3535 015762 012777 016052 164106                MOV     #115, @DZTIV   ;SET UP THE TRANSMITTER INTERRUPT VECTOR
3536 015770 012777 016060 164074                MOV     #125, @DZRIV   ;SET UP THE RECEIVER INTERRUPT VECTOR
3537 015776 013777 026170 164070                MOV     DZPRT, @DZRRIS ;SET THE INTERRUPT VECTOR STATUS
3538 016004 013777 026170 164066                MOV     DZPRT, @DZTTIS ;SET TRANSMITTER INTERRUPT PRIORITY
3539 016012 052777 000140 164022                BIS     #RIE! #SENAB, @DZCSR ;ENABLE THE DEVICE
3540 016020 005005                CLR     R5
3541 016022 032777 000200 164012 95:    BIT     #RDONE, @DZCSR
3542 016030 001403                BEQ     105
3543 016032 000240                NOP
3544 016034 000240                NOP
3545 016036 000412                BR      135
3546 016040 104414                105:   DELAY
3547 016042 005205                INC     R5
3548 016044 001366                BNE     95
3549 016046 104004                ERROR   4                ;*NO RX DONE! (NOT SET)
3550 016050 000405                BR      135                ;CONTINUE TEST
3551 016052 104010                115:   ERROR   10                ;*TRANSMITTER SHOULD NOT INTERRUPT
3552 016054 022626                CMP     (SP)+, (SP)+    ;POP FOR FAKE RTI
3553 016056 000402                BR      135                ;CONT TEST
3554 016060 104012                125:   ERROR   12                ;*RECEIVER SHOULD NOT INTERRUPT
3555 016062 022626                CMP     (SP)+, (SP)+    ;POP FOR FAKE RTI
3556 016064                135:
3557 016064 104413                DEVICE.CLR                ;ISSUE DEVICE CLEAR (RESET)
3558                ;***** TEST 25 *****
3559                ;* THIS TEST VERIFIES THAT THE DEVICE DOES INTERRUPT
3560                ;*WHILE THE PROCESSOR STATUS IS SET TO EXACTLY
3561                ;*ONE LEVEL LOWER THAN THE DZ11. DZ11 PRIORITY
3562                ;*DEFAULT TO LEVEL 5 MINUS ONE LEVEL IS LEVEL 4.
3563                ;:* TEST 25
3564                ;*****
3565 016066 000004                †ST25: SCOPE
3566 016070 012737 000025 001122                MOV     #25, $STNM      ;LOAD THE NUMBER OF THIS TEST
3567 016076 012737 015422 001360                MOV     #TST26, NEXT    ;POINT TO THE START OF THE NEXT TEST
3568 016104 104417                DCLASM                ;CLEAR DEVICE AND SET MAINT BIT IF I MODE
3569 016106 013701 001366                MOV     PAR, R1          ;PICK UP PARAMETERS

```

K06

MD-11-DZDZA-B
DZDZAB.P11

MACY11 27(732) 03-NOV-76
DZ11 DEVICE DIAGNOSTICS.

15:03 PAGE 76
COPYRIGHT 1976 DIGITAL EQUIP. CORP.

3570	016112	012702	000001			MOV	#1,R2	;PICK UP INIT POINTER
3571	016116	030237	001364	15:		BIT	R2,LINE	;SHOULD THIS LINE BE SET UP ?
3572	016122	001402				BEQ	25	;NO
3573	016124	010177	163722			MOV	R1,ADZLPR	;SET UP LINE PARAMETERS
3574	016130	005201		25:		INC	R1	;POSITION POINTER TO THE NEXT LINE
3575	016132	106302				ASLB	R2	;GOT 'EM ALL ?
3576	016134	103370				BCC	15	;IF NO, GO SET UP THE NEXT LINE
3577	016136	005037	001372			CLR	SAVLIN	;CLEAR LINE # INDICATOR
3578	016142	106437	026170			MTPS	ADZPRT	;SET CPU STATUS TO DZ11 PRIO.
3579	016146	106437	026172			MTPS	ADLESS1	;MAKE CPU ONE LEVEL LOWER THAN DZ11
3580	016152	113777	001364	163676		MOV8	LINE,ADZTCR	;ENABLE THE VALID LINES
3581	016160			35:				
3582	016160	012777	016250	163710		MOV	#65,ADZTIV	;SET UP THE TRANSMITTER INTERRUPT VECTOR
3583	016166	012777	016272	163676		MOV	#75,ADZRIV	;SET UP THE RECEIVER INTERRUPT VECTOR
3584	016174	013777	016170	163672		MOV	DZPRT,ADZ RIS	;SET THE INTERRUPT VECTOR STATUS
3585	016202	013777	016170	163670		MOV	DZPRT,ADZTIS	;SET TRANSMITTER INTERRUPT PRIORITY
3586	016210	052777	040040	163624		BIS	#TIE!#SENAB,ADZCSR	;ENABLE THE DEVICE
3587	016216	005277				CLR	R5	
3588	016220	032777	100000	163614	45:	BIT	#TRDY,ADZCSR	
3589	016226	001404				BEQ	55	
3590	016230	000240				NOP		
3591	016232	000240				NOP		
3592	016234	104007				ERROR	7	;*TRANSMITTER FAILED TO INTERRUPT
3593	016236	000417				BR	85	
3594	016240	104414			55:	DELAY		
3595	016242	005205				INC	R5	
3596	016244	001365				BNE	45	
3597	016246	104003				ERROR	3	;*TRDY NOT SET!
3598	016250	022626			65:	POP2SP		;REMOVE THE INTERRUPT FROM THE STACK
3599	016252	042777	040000	163562		BIC	#TIE,ADZCSR	;DON'T LET ANY MORE INTERRUPTS OCCUR
3600	016260	106437	026170			MTPS	ADZPRT	;SET CPU STATUS TO DZ11 PRIORITY
3601	016264	106437	026172			MTPS	ADLESS1	;MAKE CPU ONE LEVEL LOWER THAN DZ11
3602	016270	000402				BR	85	;RETURN TO THE NORMAL FLOW
3603	016272	104012			75:	ERROR	12	;*RECEIVER SHOULD NOT INTERRUPT
3604	016274	022626				CMP	(SP)+,(SP)+	;POP FOR FAKE RTI
3605	016276	042777	040000	163536	85:	BIC	#TIE,ADZCSR	;RESET TRANSMITTER INTERRUPT ENABLE
3606	016304	113777	001422	163554		MOV8	T00,ADZTDR	;PUT ANY RANDOM CHARACTER IN TRANSMITTER BUFFER
3607	016312	012777	016404	163556		MOV	#115,ADZTIV	;SET UP THE TRANSMITTER INTERRUPT VECTOR
3608	016320	012777	016412	163544		MOV	#125,ADZRIV	;SET UP THE RECEIVER INTERRUPT VECTOR
3609	016326	013777	026170	163540		MOV	DZPRT,ADZ RIS	;SET THE INTERRUPT VECTOR STATUS
3610	016334	013777	026170	163536		MOV	DZPRT,ADZTIS	;SET TRANSMITTER INTERRUPT PRIORITY
3611	016342	052777	000140	163472		BIS	#RIE!#SENAB,ADZCSR	;ENABLE THE DEVICE
3612	016350	005005				CLR	R5	
3613	016352	032777	000200	163462	95:	BIT	#RDONE,ADZCSR	
3614	016360	001404				BEQ	105	
3615	016362	000240				NOP		
3616	016364	000240				NOP		
3617	016366	104011				ERROR	11	;*RECEIVER FAILED TO INTERRUPT
3618	016370	000413				BR	135	
3619	016372	104414			105:	DELAY		
3620	016374	005205				INC	R5	
3621	016376	001365				BNE	95	
3622	016400	104004				ERROR	4	;*NC RX DONE! (NOT SET)
3623	016402	000406				BR	135	;CONTINUE TEST
3624	016404	104010			115:	ERROR	10	;*TRANSMITTER SHOULD NOT INTERRUPT
3625	016406	022626				CMP	(SP)+,(SP)+	;POP FOR FAKE RTI

L06

MD-11-DZDZA-B
DZDZAB.P11

MACY11 27(732) 03-NOV-76 15:03 PAGE 77
DZ11 DEVICE DIAGNOSTICS. COPYRIGHT 1976 DIGITAL EQUIP. CORP.

```

3626 016410 000403          BR      13$      ;CONT TEST
3627 016412 022626          POP2SP          ;REMOVE THE INTERRUPT FROM THE STACK
3628 016414 005077 163422  CLR      2DZCSR  ;DON'T ALLOW ANY MORE INTERRUPTS
3629 016420          13$:
3630 016420 104413          DEVICE.CLR    ;ISSUE DEVICE CLEAR (RESET)
3631
3632          ;***** TEST 26 *****
3633          ;*THIS TEST VERIFIES THAT THE RECEIVER WILL
3634          ;*INTERRUPT BEFORE THE TRANSMITTER EVEN
3635          ;*THOUGH THE TRANSMITTER WAS ENABLED
3636          ;*FIRST. SET PS TO LEVEL 7;
3637          ;*GET RDONE AND TRY TO SET;
3638          ;*SET TX IE AND RX IE;
3639          ;*CLEAR PS AND EXPECT RX TO INTERRUPT FIRST
3640          ;:* TEST 26
3641          ;*****
3642 016422 000004          TST26: SCOPE
3643 016424 012737 000026 001122  MOV      #26,STSTNM ;LOAD THE NUMBER OF THIS TEST
3644 016432 012737 017054 001360  MOV      #TST27,NEXT ;POINT TO THE START OF THE NEXT TEST
3645 016440 104417          DCLASM          ;CLEAR DEVICE AND SET MAINT BIT IF I MODE
3646 016442 013701 001366          MOV      PAR,R1    ;PICK UP PARAMETERS
3647 016446 012702 000001          MOV      #1,R2    ;PICK UP INIT POINTER
3648 016452 030237 001364          1$: BIT      R2,LINE ;SHOULD THIS LINE BE SET UP ?
3649 016456 001402          BEQ      2$      ;NO
3650 015460 010177 163366          MOV      R1,2DZLPR ;SET UP LINE PARAMETERS
3651 016464 005201          2$: INC      R1    ;POSITION POINTER TO THE NEXT LINE
3652 016466 106302          ASLB    R2      ;GOT 'EM ALL ?
3653 016470 103370          BCC     1$      ;IF NO, GO SET UP THE NEXT LINE
3654 016472 005037 001372          CLR      SAVLIN  ;CLEAR LINE # INDICATOR
3655 016476 012777 016726 163366          MOV      #85,2DZRIV ;SETUP INTERRUPT STUFF
3656 016504 013777 026170 163362          MOV      DZPRT,2DZRIS
3657 016512 012777 017016 163356          MOV      #125,2DZTIV
3658 016520 013777 026170 163352          MOV      DZPRT,2DZTIS
3659 016526 052777 000040 163306          BIS      #MSENAB,2DZCSR
3660 016534 012702 000001          MOV      #1,R2    ;LINE POINTER
3661 016540 030237 001364          3$: BIT      R2,LINE ;VALID LINE ?
3662 016544 001004          BNE     4$      ;
3663 016546 005237 001372          INC      SAVLIN
3664 016552 106302          ASLB    R2
3665 016554 000771          BR      3$
3666 016556 106427 000340          4$: MTPS   #PR7
3667 016562 000240          NOP
3668 016564 000240          NOP
3669 016566 110277 163264          MOVB    R2,2DZTCR ;SET TCR BIT
3670 016572 005777 163250          TST     2DZRBUF  ;VALID DATA?
3671 016576 100001          BPL     .+4      ;IT BETTER NOT BE SET
3672 016600 104017          ERROR  17      ;DATA VALID SHOULD NOT BE SET
3673 016602 105777 163234          TSTB   2DZCSR   ;RECEIVER DONE ?
3674 016606 100001          BPL     .+4
3675 016610 104020          ERROR  20      ;RECEIVER DONE BIT SHOULD NOT BE SET
3676 016612 005005          CLR     R5
3677 016614 005004          CLR     R4
3678 016616 005777 163220          99$: TST     2DZCSR  ;WAIT FOR TRDY
3679 016622 100404          BMI     100$   ;BR IF READY
3680 016624 104414          DELAY  ;STALL TIME
3681 016626 005204          INC     R4

```

MO6

MD-11-DZDZA-B
DZDZAB.P11

MACY11 27(732) 03-NOV-76
DZ11 DEVICE DIAGNOSTICS.

15:03 PAGE 78
COPYRIGHT 1976 DIGITAL EQUIP. CORP.

```

3682 016630 001372          BNE      99$
3683 016632 104003          ERROR    3          ;TRDY FAILED TO SET
3684 016634 105077 163226 100$: CLR      2DZTDR
3685 016640 005004          CLR      R4
3686 016642 032777 000200 163172 6$: BIT      *RDONE,2DZCSR
3687 016650 001004          BNE      7$
3688 016652 104414          DELAY
3689 016654 005204          INC      R4
3690 016656 001371          BNE      6$
3691 016660 104004          ERROR    4          ;*RDONE FAILED TO SET!
3692 016662 005777 163154 7$: TST      2DZCSR          ;TRANS DONE BIT = 1 ?
3693 016666 100401          BMI      +4          ;YES
3694 016670 104003          ERROR    3          ;*NO TRANS DONE FAILED TO SET
3695          ;NOW THAT BOTH TRANSMITTER AND RECEIVER DONE BIT =1
3696          ;SET INTERRUPT ENABLES AND WATCH THE FUR FLY
3697 016672 052777 040000 163142 BIS      *TIE,2DZCSR
3698 016700 052777 000100 163134 BIS      *RIE,2DZCSR
3699 016706 106427 000000 MTPS    #0
3700 016712 000240          NOP
3701 016714 000240          NOP
3702 016716 104007          ERROR    7          ;*TRANSMITTER FAILED TO INTERRUPT
3703 016720 104011          ERROR    11         ;*RECEIVER FAILED TO INTERRUPT
3704          ;CHECK BR LEVEL
3705 016722 000137 017022 JMP      13$          ;GET OUT
3706
3707          ;RECEIVER INTERRUPT ROUTINE
3708 016726 017704 163114 8$: MOV      2DZRBUF,R4          ;ACTUAL
3709 016732 010403          MOV      R4,R3
3710 016734 000303          SWAB    R3
3711 016736 042703 177770 BIC      *C<7>,R3          ;STRIP JUNK
3712 016742 105737 001371 TSTB    MODE+1          ;IS THIS TEST IN STAGGERED MODE?
3713 016746 001406          BEQ      11$          ;IF NOT, SKIP STAGGERED SETUP
3714
3715          ;WE MUST NOW INVERT THE LAST BIT OF THE LINE NUMBER
3716
3717 016750 006203          ASR      R3          ;GET THE LAST BIT INTO THE CARRY BIT
3718 016752 103402          BCS     9$          ;IF IT IS SET, GO CLEAR IT
3719 016754 000261          SEC
3720 016756 000401          BR      10$          ;IF IT IS CLEAR SET IT HERE
3721 016760 000241          CLC          ;SKIP THE CLEARING
3722 016762 006103          9$: CLC          ;CLEAR THE CARRY BIT (INVERSION OF LINE PARITY)
3723 016764 020337 001372 10$: ROL      R3          ;GET THE NEW BIT BACK INTO R3
3724 016770 001401          11$: CMP      R3,SAVLIN          ;IS THIS A VALID LINE
3725 016772 104015          BEQ     +4          ;YES
3726 016774 042704 177400 ERROR    15          ;*INVALID LINE
3727 017000 120504          BIC     *C<377>,R4          ;STRIP JUNK
3728 017002 001401          CMPB   R5,R4          ;DATA COMPARE ?
3729 017004 104005          BEQ     +4          ;YES
3730 017006 040277 163044 ERROR    5          ;*DATA DOES NOT COMPARE
3731 017012 022626          BIC     R2,2DZTCR          ;CLEAR TCR BIT
3732 017014 000402          POP2SP          ;REMOVE THE INTERRUPT VECTOR FROM THE STACK
3733          BR      13$          ;GO GET OUT OF INTERRUPT MODE
3734 017016 104011          ;TRANSMITTER INTERRUPT SVC ROUTINE
3735          ERROR    11          ;THE RECEIVER INTERRUPT FAILED
3736          ;TO OVERRIDE THE TRANSMITTER
3737 017020 022626          POP2SP          ;REMOVE THE INTERRUPT VECTOR FROM THE STACK
3737 017022 042777 040100 163012 13$: BIC     *TIE!RIE,2DZCSR ;CLEAR INTERRUPT ENABLES

```

```

3738 017030 013777 002074 163034      MOV    DZRIS,ADZRIV    ;RESTORE TRAPCATCHER
3739 017036 005077 163032      CLR    ADZRIS
3740 017042 013777 002100 163026      MOV    DZTIS,ADZTIV
3741 017050 005077 163024      CLR    ADZTIS
3742                                     ;***** TEST 27 *****
3743                                     ;*THIS TEST VERIFYS OVERRUN AND SILO ALARM
3744                                     ;*ONE LINE AT A TIME - BASED UPON VALID LINES
3745                                     ;*AS EACH OF THE FIRST 16 CHARS ARE SENT; SILO ALARM IS
3746                                     ;*TESTED TO BE CLEARED. ON THE 16TH CHAR THE PROGRAM THEN
3747                                     ;*EXPECTS SILO ALARM TO SET. THEN THE ENTIRE
3748                                     ;*SILO IS FILLED AND AN OVERRUN IS EXPECTED ON THE 65TH
3749                                     ;*CHAR PULLED OUT OUT THE SILO.
3750                                     ;:* TEST 27
3751                                     ;*****
3752 017054 000004      ST27:  SCOPE
3753 017056 012737 000027 001122      MOV    #27,STSTNM      ;LOAD THE NUMBER OF THIS TEST
3754 017064 012737 017602 001360      MOV    #TS130,NEXT     ;POINT TO THE START OF THE NEXT TEST
3755 017072 012737 017506 001362      MOV    #18$,LOCK      ;SET FOR LOOP
3756 017100 104417      DCLASM                 ;CLEAR DEVICE AND SET MAINT BIT IF I MODE
3757 017102 013701 001366      MOV    PAR,R1          ;PICK UP PARAMETERS
3758 017106 012702 000001      MOV    #1,R2           ;PICK UP INIT POINTER
3759 017112 030237 001364      15:   BIT    R2,LINE     ;SHOULD THIS LINE BE SET UP ?
3760 017116 001402      BEQ    2$,             ;NO
3761 017120 010177 162726      MOV    R1,ADZLPR      ;SET UP LINE PARAMETERS
3762 017124 005201      25:   INC    R1         ;POSITION POINTER TO THE NEXT LINE
3763 017126 106302      ASLB   R2             ;GOT 'EM ALL ?
3764 017130 103370      BCC    1$,            ;IF NO, GO SET UP THE NEXT LINE
3765 017132 005037 001372      CLR    SAVLIN         ;CLEAR LINE # INDICATOR
3766 017136 012700 001422      MOV    #TDO,RO        ;POINT TO THE DATA AREA
3767 017142 005020      CLR    (RO)+          ;CLEAR A DATA WORD
3768 017144 022700 001462      CMP    #STOP,RO       ;FINISHED ?
3769 017150 001374      BNE    -6             ;NO
3770 017152 005000      CLR    RO             ;CLEAR OFFSET
3771 017154 012702 000001      MOV    #1,R2          ;LINE POINTER
3772 017160 052777 010040 162654      BIS    #MSENAB!SILOEN,ADZCSR ;START SCANNER & SET SILO ENABLE
3773 017166 030237 001364      35:   BIT    R2,LINE     ;VALID LINE?
3774 017172 001002      BNE    +6             ;YES
3775 017174 000137 017462      JMP    17$,           ;TRY NEXT LINE
3776 017200 013700 001372      MOV    SAVLIN,RO      ;MAKE OFFSET
3777 017204 006300      ASL    RO             ;MAKE POWER OF TWO
3778 017206 010277 162644      MOV    R2,ADZTCR     ;SET TCR BIT
3779 017212 105777 162624      45:   TSTB   ADZCSR     ;REC DONE = 1 ?
3780 017216 100001      BPL    +4             ;
3781 017220 104020      ERROR  20             ;REC DONE SHOULD NOT = 1
3782 017222 005003      CLR    R3             ;SET CHARACTER COUNT
3783 017224 005004      55:   CLR    R4
3784 017226 032777 100000 162606 65:   BIT    #TRDY,ADZCSR
3785 017234 001004      BNE    7$,            ;
3786 017236 104414      DELAY                 ;
3787 017240 105204      INCB   R4             ;
3788 017242 001371      BNE    6$,            ;
3789 017244 104003      ERROR  3             ;*TRDY FAILED TO SET
3790 017246 116077 001422 162612 75:   MOVB   TDO(RO),ADZTDR ;LOAD A CHARACTER
3791 017254 005260 001422      INC    TDO(RO)        ;SET UP NEXT CHARACTER
3792 017260 020327 000017      CMP    R3,#15.        ;16 CHARACTERS ?
3793 017264 103006      BHIS   8$,            ;

```

3794	017266	032777	020000	162546		BIT	#SILOAL, DZCSR	:SILO ALARM = 0 ?
3795	017274	001401				BEQ	+4	:YES
3796	017276	104013				ERROR	13	:*SILO ALARM SHOULD NOT = 1
3797								:UNTIL 16. DATA CHARACTERS
3798	017300	000411				BR	10\$	
3799	017302	005004			8\$:	CLR	R4	
3800	017304	032777	020000	162530	9\$:	BIT	#SILOAL, DZCSR	
3801	017312	001004				BNE	10\$	
3802	017314	104414				DELAY		
3803	017316	005204				INC	R4	
3804	017320	001371				BNE	9\$	
3805	017322	104014				ERROR	14	:*SILO ALARM FAILED TO SET!
3806								:SILO ALARM SHOULD =1 AFTER 16.
3807								:DATA CHARACTERS
3808	017324	005203			10\$:	INC	R3	:INC CHAR COUNT
3809	017326	022703	000102			CMP	#66., R3	:FINISHED SENDING CHARACTERS ?
3810	017332	001334				BNE	5\$:NO
3811	017334	005004				CLR	R4	
3812	017336	104414				DELAY		
3813	017340	105204				INCB	R4	
3814	017342	001375				BNE	-4	
3815								:NOW LETS READ THE SILO
3816	017344	013705	001372			MOV	SAVLIN, R5	:MAKE EXPECTED LINE #
3817	017350	105737	001371			TSTB	MODE+1	:IS THIS TEST IN STAGGERED MODE?
3818	017354	001406				BEQ	13\$:IF NOT, SKIP STAGGERED SETUP
3819								
3820								:WE MUST NOW INVERT THE LAST BIT OF THE LINE NUMBER
3821								
3822	017356	006205				ASR	R5	:GET THE LAST BIT INTO THE CARRY BIT
3823	017360	103402				BCS	11\$:IF IT IS SET, GO CLEAR IT
3824	017362	000261				SEC		:IF IT IS CLEAR SET IT HERE
3825	017364	000401				BR	12\$:SKIP THE CLEARING
3826	017366	000241			11\$:	CLC		:CLEAR THE CARRY BIT (INVERSION OF LINE PARITY)
3827	017370	006105			12\$:	ROL	R5	:GET THE NEW BIT BACK INTO R5
3828	017372	000305			13\$:	SWAB	R5	:PUT IN UPPER BYTE
3829	017374	052705	100000			BIS	#DVALID, R5	:ADD DATA VALID
3830	017400	017704	162442		14\$:	MOV	DZRBUF, R4	:ACTUAL
3831	017404	020405				CMP	R4, R5	:ACTUAL VS. EXPECTED
3832	017406	001401				BEQ	15\$:YES
3833	017410	104006				ERROR	6	:*DATA/CONTENTS DID NOT COMPARE
3834	017412	032777	020000	162422	15\$:	BIT	#SILOAL, DZCSR	:SILO ALARM= 0 ?
3835	017420	001401				BEQ	16\$:YES
3836	017422	104016				ERROR	16	:READING DZRBUF DID NOT CLEAR SILO ALARM
3837	017424	005205			16\$:	INC	R5	:UP CHARACTER
3838	017426	120527	000077			CMPB	R5, #63.	:LAST SILO CHAR ?....64TH CHAR
3839	017432	101762				BLOS	14\$	
3840	017434	005205				INC	R5	:ADD 1 MORE FOR THE CLOBBERED CHAR
3841	017436	052705	040000			BIS	#OVRUN, R5	:ADD OVERRUN TO EXPECTED
3842	017442	120527	000101			CMPB	R5, #65.	:LAST CHARACTER ?
3843	017446	001754				BEQ	14\$	
3844	017450	017704	162372			MOV	DZRBUF, R4	:FOR GOOD MEASURE
3845	017454	005704				TST	R4	:DATA VALID SHOULD = 0
3846	017456	100001				BPL	17\$:YES
3847	017460	104017				ERROR	17	:DATA VALID SHOULD = 0
3848	017462	040277	162370		17\$:	BIC	R2, DZTCR	:CLR TCR BIT
3849	017466	104401				SCOP1		:LOOP?

```

3850 017470 005237 001372      INC      SAVLIN      :INC EXPECTED LINE
3851 017474 106302      ASLB     R2           :NEXT LINE
3852 017476 103402      BCS      +6          :NO
3853 017500 000137 017166      JMP      38          :YES
3854 017504 104400      ADVANCE          :GO TO NEXT TEST
3855
3856      :TIGHT SCOPE LOOP FOR THIS TEST. SENDS 20. CHARACTERS
3857      :ON DZ LINE PREVIOUSLY SELECTED CONTINUOUSLY WHILE SW09=1.
3858      :USED TO SCOPE SILO ALARM PULSES, ETC.
3859      :SPECIAL THANKS TO WALT BYSKO FOR THIS TEST
3860
3861 017506 052777 010040 162326 18$:  BIS      #MSENAB!SILOEN,20ZCSR :SETUP DEVICE
3862 017514 012777 017572 162354      MOV      #20$,20ZTIV :SETUP TRANSMITTER VECTOR
3863 017522 012737 000024 001216      MOV      #20, $TMP0  :TEMPORARY COUNT OF CHARACTER BURST
3864 017530 050277 162322      BIS      R2,20ZTCR  :ENABLE LINE
3865 017534 052777 040000 162300      BIS      #TIE,20ZCSR :ENABLE INTERRUPTS
3866 017542 106427 000000      MTPS     #0          :LOWER PRIORITY
3867 017546 000001      19$:  WAIT          :ALLOW INTERRUPTS
3868 017550 005337 001216      DEC      $TMP0      :REDUCE COUNT. ALL CHARACTERS SENT?
3869 017554 001374      BNE      19$        :IF NO, WAIT FOR MORE
3870 017556 042777 050040 162256      BIC      #SILOEN!MSENAB!TIE,20ZCSR :RESET SILO COUNTER, CLEAR STROBE
3871 017564 104401      SCOP1          :LOOP AGAIN?
3872 017566 000137 017462      JMP      17$        :IF NOT, RETURN TO WHERE YOU LEFT OFF
3873 017572 112777 000252 162266 20$:  MOVB     #252,20ZTDR :SEND A CHARACTER
3874 017600 000002      RTI          :ALLOW MORE CHARACTERS TO COME
3875      :***** TEST 30 *****
3876      :*THIS TEST THAT "SILO ENABLE" WILL INHIBIT
3877      :*RECEIVER INTERRUPTS AND THAT ON THE
3878      :*16TH CHAR THAT "SILO ALARM" WILL CAUSE AN
3879      :*INTERRUPT WITH "RIE" SET.
3880      :*THIS WILL DO ALL SELECTED LINES ONE AT A TIME.
3881      :::* TEST 30
3882      :*****
3883      :*ST30: SCOPE
3884 017602 000004      MOV      #30,$STSTM :LOAD THE NUMBER OF THIS TEST
3885 017604 012737 000030 001122      MOV      #TST31,NEXT :POINT TO THE START OF THE NEXT TEST
3886 017612 012737 020164 001360      MOV      #38$,LOCK  :SET FOR LOOP
3887 017620 012737 017714 001362      DCLASM          :CLEAR DEVICE AND SET MAINT BIT IF I MODE
3888 017626 104417      MOV      PAR,R1     :PICK UP PARAMETERS
3889 017630 013701 001366      MOV      #1,R2     :PICK UP INIT POINTER
3890 017634 012702 000001      1$:  BIT      R2,LINE  :SHOULD THIS LINE BE SET UP ?
3891 017640 030237 001364      BEQ      25$       :NO
3892 017644 001402      MOV      R1,20ZLPR :SET UP LINE PARAMETERS
3893 017646 010177 162200      2$:  INC      R1       :POSITION POINTER TO THE NEXT LINE
3894 017652 005201      ASLB     R2         :GOT 'EM ALL ?
3895 017654 106302      BCC      18$       :IF NO, GO SET UP THE NEXT LINE
3896 017656 103370      CLR      SAVLIN    :CLEAR LINE # INDICATOR
3897 017660 005037 001372      MOV      #TDO,RO   :POINT TO THE DATA AREA
3898 017664 012700 001422      CLR      (RO)+     :CLEAR A DATA WORD
3899 017670 005020      CMP      #STOP,RO  :FINISHED ?
3900 017672 022700 001462      BNE      -6        :NO
3901 017676 001374      CLR      RO        :CLEAR OFFSET
3902 017700 005000      MOV      #1,R2    :LINE POINTER
3903 017702 012702 000001      BIS      #MSENAB!SILOEN!RIE,20ZCSR :START SCANNER & SET SILO ENABLE
3904 017706 052777 010140 162126      3$:  BIT      R2,LINE  :VALID LINE?
3905 017714 030237 001364

```

D07

NO-11-07D2A-B
02D2A8.P11

MACY11 27(732) 03-NOV-76 15:03 PAGE 82
DZ11 DEVICE DIAGNOSTICS. COPYRIGHT 1976 DIGITAL EQUIP. CORP.

3906	017720	001002				BNE	:+6		:YES
3907	017722	000137	020136			JMP	17\$:TRY NEXT LINE
3908	017726	005777	162114			TST	@DZRBUF		:EMPTY THE SILO
3909	017732	100775				BMI	:-4		:BR IF DATA VALID IS SET!
3910	017734	106427	000000			MTPS	#0		:SET PROCESSOR PRIORITY TO 0
3911	017740	012777	020126	162124		MOV	#11\$, @DZRIV		:SET FOR UNEXPECTED INTER.
3912	017746	012777	000340	162120		MOV	#PR7, @DZRS		:SET PRIO.
3913	017754	013700	001372			MOV	SAVLIN, R0		:MAKE OFFSET
3914	017760	006300				ASL	R0		:MAKE POWER OF TWO
3915	017762	010277	162070			MOV	R2, @DZTCR		:SET TCR BIT
3916	017766	005004			5\$:	CLR	R4		
3917	017770	032777	100000	162044	6\$:	BIT	#TRDY, @DZCSR		
3918	017776	001004				BNE	7\$		
3919	020000	104414				DELAY			
3920	020002	005204				INC	R4		
3921	020004	001371				BNE	6\$		
3922	020006	104003				ERROR	3		:*TRDY FAILED TO SET
3923	020010	116077	001422	162050	7\$:	MOVB	TDO(R0), @DZTCR		:LOAD A CHARACTER
3924	020016	005260	001422			INC	TDO(R0)		:SET UP NEXT CHARACTER
3925	020022	022760	000017	001422		CMP	#15., TDO(R0)		:15 CHARS YET?
3926	020030	001406				BEQ	8\$		
3927	020032	032777	020000	162002		BIT	#SILOAL, @DZCSR		:SILO ALARM = 0 ?
3928	020040	001401				BEQ	:+4		:YES
3929	020042	104013				ERROR	13		:*SILO ALARM SHOULD NOT = 1
3930									:UNTIL 16. DATA CHARACTERS
3931	020044	000751				BR	6\$		
3932	020046	012777	020134	162016	8\$:	MOV	#12\$, @DZRIV		:SET NEW VECTOR
3933	020054	032777	100000	161760		BIT	#TRDY, @DZCSR		:READY FOR 16TH CHAR
3934	020062	001774				BEQ	:-6		
3935	020064	016077	001422	161774		MOV	TDO(R0), @DZTCR		:LOAD THE 16TH CHAR.
3936	020072	005004				CLR	R4		
3937	020074	032777	020000	161740	9\$:	BIT	#SILOAL, @DZCSR		
3938	020102	001005				BNE	10\$		
3939	020104	104414				DELAY			
3940	020106	005204				INC	R4		
3941	020110	001371				BNE	9\$		
3942	020112	104014				ERROR	14		:*SILO ALARM FAILED TO SET!
3943	020114	000410				BR	17\$:SILO ALARM SHOULD =1 AFTER 16.
3944									:DATA CHARACTERS
3945	020116	000240			10\$:				:STALL
3946	020120	000240				NOP			
3947	020122	104000				ERROR			:SILO ALARM NOT INTERRUPTING.
3948	020124	000404				BR	17\$:CONTINUE TEST.
3949	020126	022626			11\$:	CMP	(SP)+, (SP)+		:FAKE RTI
3950	020130	104012				ERROR	12		:RX SHOULD NOT INTERRUPT
3951	020132	000401				BR	17\$:CONTINUE
3952	020134	022626			12\$:	CMP	(SP)+, (SP)+		:GOOD INTERRUPT TO HERE.
3953	020136	040277	161714		17\$:	BIC	R2, @DZTCR		:CLR TCR BIT
3954	020142	104401				SCOPI			:LOOP?
3955	020144	005237	001372			INC	SAVLIN		:INC EXPECTED LINE
3956	020150	106302				ASLB	R2		:NEXT LINE
3957	020152	103402				BCS	:+6		:NO
3958	020154	000137	017714			JMP	3\$:YES
3959	020160	005037	001362			CLR	LOCK		:CLEAR TIGHT LOOP FOR NEXT TEST

E07

NO-11-DZDZA-B
DZDZAB.P11

MACY11 27(732) 03-NOV-76 15:03 PAGE 83
DZ11 DEVICE DIAGNOSTICS. COPYRIGHT 1976 DIGITAL EQUIP. CORP.

```
3960 ;***** TEST 31 *****
3961 ;THIS TEST RUNS ALL LINES FULL BORE
3962 ;BASED UPON QUALIFIED LINES
3963 ;. THIS IS AN INTERRUPT TEST ON THE RECEIVER AND
3964 ;TRANSMITTER
3965 ;: * TEST 31
3966 ;*****
3967 020164 000004 TS131: SCOPE
3968 020166 012737 000031 001122 MOV #31, $STNM ;LOAD THE NUMBER OF THIS TEST
3969 020174 012737 020772 001360 MOV #TS132, NEXT ;POINT TO THE START OF THE NEXT TEST
3970 020202 104417 DCLASH ;CLEAR DEVICE AND SET MAINT BIT IF I MODE
3971 020204 013737 001364 020770 MOV LINE, RXTCR ;SET IMAGE OF TCR BITS
3972 020212 013701 001366 RSTART: MOV PAR, R1 ;PICK UP PARAMETER
3973 020216 012700 000001 MOV #1, R0 ;PICK UP INIT POINTER
3974 020222 030037 001364 INIT: BIT R0, LINE ;SHOULD THIS LINE BE SET UP
3975 020226 001402 BEQ 1$ ;NO
3976 020230 010177 161616 MOV R1, @DZLPR ;SET UP LINE PARAM REGISTER
3977 020234 005201 1$: INC R1
3978 020236 106300 ASLB R0 ;GOT 'EM ALL ?
3979 020240 103370 BCC INIT ;NO
3990 020242 012700 001422 MOV #TDO, R0 ;CLEAR TRANS DATA POINTER & REC POINTERS
3981 020246 005020 INIT1: CLR (R0)+
3982 020250 022700 001462 CMP #STOP, R0 ;FINISHED ?
3983 020254 001374 BNE INIT1 ;NO, CONTINUE CLEARING
3984 020256 012777 020514 161606 MOV #PXSVC, @DZRIV ;SET UP REC INTR VECTOR
3985 020264 012777 000340 161602 MOV #PR7, @DZRI$ ;STATUS
3986 020272 012777 020414 161576 MOV #TXSVC, @DZTIV ;SET UP TRANS INTR VECTOR
3987 020300 012777 000340 161572 MOV #PR7, @DZTIS ;STATUS
3988 020306 052777 000040 161526 BIS #MSENAB, @DZCSR ;SET MASTER SCAN ENABLE
3989 020314 052777 000100 161520 BIS #RIE, @DZCSR ;SET REC INTR ENABLE
3990 020322 052777 040000 161512 BIS #TIE, @DZCSR ;SET TRANS INTR ENABLE
3991 020330 113777 001364 161520 MOVB LINE, @DZTCR ;SET TCR BITS...UP UP AND AWAY !
3992 020336 106437 026172 MTPS @#LESS1 ;ALLOW INTERRUPTS
3993
3994
3995 020342 005037 020412 SNAP: CLR 66$
3996 020346 013727 006554 67$: MOV DLYCNT, (PC)+ ;SET FOR DELAY
3997 020352 003000 68$: 0
3998 020354 005337 020352 DEC 68$
3999 020360 001375 BNE .-4
4000 020362 105737 020770 TSTB RXTCR ;WAIT FOR ALL RECIEVERS TO FINISH
4001 020366 001002 BNE 3$
4002 020370 000137 020670 JMP OUT
4003 020374 005237 020412 3$: INC 66$
4004 020400 001362 BNE 67$
4005 020402 104007 ERROR 7 ;*TRANSMITTER FAILED TO INTERRUPT
4006 020404 104011 ERROR 11 ;*RECEIVER FAILED TO INTERRUPT
4007 020406 000137 020742 JMP FINI
4008 020412 000000 66$: 0
4009
4010 ;TRANS INTR SVC ROUTINE
4011 020414 005777 161422 TXSVC: TST @DZCSR ;TRANS INTR ?
4012 020420 100401 BMI .+4
4013 020422 104003 ERROR 3 ;*TRANSMITTER FAILED
4014 020424 117703 MOVB @HDZCSR, R3 ;SAVE IT
4015 ;NOW TEST FOR LINE # ETC
```

F07

MO-11-D7D2A-B
DZDZAB.P11

MACY11 27(732) 03-NOV-76 15:03 PAGE 84
DZ11 DEVICE DIAGNOSTICS. COPYRIGHT 1976 DIGITAL EQUIP. CORP.

4016	020430	042703	177770		BIC	#1C<7>,R3	:STRIP JUNK
4017	020434	010304			MOV	R3,R4	:SAVE
4018	020436	012702	000001		MOV	#1,R2	:SET UP POSITION POINTER
4019	020442	105303		3\$:	DECB	R3	:IS IT THIS LINE ?
4020	020444	100402			BMI	4\$:YES
4021	020446	006302			ASL	R2	:UP THE LINE #
4022	020450	000774			BR	3\$:GO 'ROUND AGAIN
4023	020452	030237	001364	4\$:	BIT	R2,LINE	:VALID LINE?
4024	020456	001001			BNE	.+4	:YES
4025	020460	104011			ERROR	11	:NO, INVALID LINE!!!!
4026	020462	042704	177770		BIC	#1C<7>,R4	:STRIP JUNK
4027	020466	006304			ASL	R4	:MAKE POWER OF 2
4028	020470	116477	001422	161370	MOVB	TDO(R4),DZTDR	:LOAD CHARACTER
4029	020476	105264	001422		INCB	TDO(R4)	:SET UP NEXT CHARACTER
4030	020502	001002			BNE	5\$:LAST CHARACTER ?
4031	020504	040277	161346		BIC	R2,DZTCR	:YES, CLEAR TCR BIT
4032	020510	005200		5\$:	INC	R0	:INCR RECEIVER TIMER
4033	020512	000002			RTI		
4034							
4035							
4036							
4037	020514	105777	161322		.REC INTR SVC ROUTINE		
4038	020520	100401			RXSVC: TSTB	DZCSR	:REC DONE ?
4039	020522	104004			BMI	.+4	:YES
4040	020524	032777	020000	161310	ERROR	4	:FALSE INTERRUPT
4041	020532	001401			BIT	#SILOAL,DZCSR	:SILO ALARM?
4042	020534	104000			BEQ	.+4	:NO
4043	020536	017704	161304		ERROR		:SILO ALARM SHOULD NOT =1
4044	020542	100401			MOV	DZRSUF,R4	:SAVE IT
4045	020544	104000			BMI	.+4	:YES
4046	020546	032704	070000		ERROR		:YOU LOSE ...DATA VALID WAS'NT SET
4047	020552	001401			BIT	#OVRUN!FMERR!PARER,R4	
4048	020554	104000			BEQ	.+4	
4049	020556	010403			ERROR		:RECEIVER ERROR FLAG/S WERE SET
4050	020560	000303			MOV	R4,R3	
4051	020562	042703	177770		SWAB	R3	
4052	020566	010337	001372		BIC	#1C<7>,R3	:STRIP JUNK
4053	020572	012702	000001		MOV	R3,SAVLIN	:SAVE LINE NUMBER
4054	020576	105303		5\$:	MOV	#1,R2	:SET UP POSITION POINTER
4055	020600	100402			DECB	R3	
4056	020602	006302			BMI	6\$	
4057	020604	000774			ASL	R2	:RE POSITION POINTER
4058	020606	030237	001364	6\$:	BR	5\$:GO 'ROUND AGAIN
4059	020612	001001			BIT	R2,LINE	:LINE VALID ?
4060	020614	104011			BNE	.+4	:YES
4061	020616	013703	001372		ERROR	11	:INVALID LINE #
4062	020622	006303			MOV	SAVLIN,R3	:GET THE LINE NUMBER AGAIN
4063	020624	126304	001442		ASL	R3	:USE R3 AS A POINTER IN THE DATA TABLE
4064	020630	001405			CMPB	TRO(R3),R4	:DOES THE DATA CHARACTER COMPARE ?
4065	020632	016305	001442		BEQ	2\$:YES
4066	020636	042704	177400		MOV	TRO(R3),R5	:SAVE EXPECTED
4067					BIC	#1C<377>,R4	:CLEAR JUNK
4068							:R2 = LINE # BY BIT POSITION
4069							:R4 = ACTUAL DATA
4070	020642	104005					:R5 = EXPECTED DATA
4071	020644	005263	001442	2\$:	ERROR	5	:*NO, DATA DOES NOT COMPARE
					INC	TRO(R3)	:SET UP FOR NEXT CHARACTER

G07

MD-11-DZDZA-B
DZDZAB.P11

MACY11 27(732) 03-NOV-76
DZ11 DEVICE DIAGNOSTICS.

15:03 PAGE 85
COPYRIGHT 1976 DIGITAL EQUIP. CORP.

```

4072 020650 105763 001442      TSTB   TR0(R3) ;ALL CHARS DONE?
4073 020654 001002              BNE     +6
4074 020656 040237 020770      BIC     R2,RXTCR ;ZERO LINE DONE INDICATOR.
4075 020662 012716 020342      MOV     #SNAP,(SP) ;RESET THE BACKGROUND TIMING LOOP
4076 020666 000002              RTI
4077
4078
4079
4080 020670 106427 000340      CJT:   MTPS   #PR7 ;STOP ALL INTERRUPTS
4081 020674 104413              DEVICE.CLR ;CLEAR ALL INTERRUPTS AWAY
4082 020676 005003              CLR     R3
4083 020700 005037 001372      CLR     SAVLIN
4084 020704 012702 000001      MOV     #1,R2
4085 020710 030237 001364      1$:   BIT     R2,LINE ;VALID LINE ?
4086 020714 001405              BEQ     2$ ;NO
4087 020716 022763 000400 001442      CMP     #400,TR0(R3) ;RECEIVED A BINARY COUNT PATTERN ?
4088 020724 001401              BEQ     +4 ;YES
4089 020726 104000              ERROR   0 ;THE LINE FAILED TO RECEIVE A FULL
4090 ;BINARY COUNT PATTERN
4091 020730 005237 001372      2$:   INC     SAVLIN ;SET UP FOR NEXT LINE
4092 020734 005723              TST     (R3)+ ;ADD 2
4093 020736 106302              ASLB   R2 ;SET UP NEXT LINE POINTER
4094 020740 103363              BCC    1$ ;FINISHED ?
4095 020742
4096 020742 013777 002074 161122      FINI:  MOV     DZRI$ ,DZRIV ;RESTORE TRAPCATCHER
4097 020750 005077 161120              CLR     DZRIS
4098 020754 013777 002100 161114      MOV     DZTI$ ,DZTIV
4099 020762 005077 161112              CLR     DZTI$
4100 020766 104400              ADVANCE ;GO TO THE NEXT TEST
4101 020770 000000      RXTCR: 0 ;RX IMAGE OF TCR BITS
4102
4103
4104
4105 ;***** TEST 32 *****
4106 ;*DZ11 RELATIVE TIMING TEST.
4107 ;*EACH SELECTED LINE WILL IN TURN RUN 16. CHARS
4108 ;*AT ALL BAUD RATES AND THEN THE HIGHEST BAUD
4109 ;*WITH ALL CHAR LENGTHS. EACH NEW PARAMETER SHOULD
4110 ;*DECREASE IN TIME FROM THE PREVIOUS PARAMETERS SELECTED.
4111 ;*THE TIME IS CHECKED AGAINST THE LAST PARAMETER USED
4112 ;* AND A LOWER TIME IS EXPECTED ON THE CURRENT PARAMETER.
4113 ;*PARAMETERS ARE:
4114 ;* EIGHT BITS/PER/CHAR - TWO STOP BITS AT
4115 ;* 50, 75, 110, 134.5, 150, 300, 600, 1200, 1800, 2000
4116 ;* 2400, 3600, 4800, 7200, 9600 BAUD.
4117 ;* 19.2 K BAUD - TWO STOP BITS AT
4118 ;* SEVEN, SIX, FIVE BITS/PER/CHAR.
4119 ;*AFTER EACH LINE HAS FINISHED ALL THE ABOVE PARAMETERS
4120 ;*THE NEXT SELECTED LINE IS THE TESTED.
4121 ;:* TEST 32
4122 ;*****
4123 ;*ST32: SCOPE
4124 MOV     #32,$STNM ;LOAD THE NUMBER OF THIS TEST
4125 MOV     #2,$TIMES
4126 MOV     #TST33,NEXT ;POINT TO THE START OF THE NEXT TEST
4127 MOV     #3,$LOCK ;SET FOR LOOP
4128 CLR     OFFSET ;RESET THIS VARIABLE

```



```

4184 021372 105237 001224      INCB  $TMP3      ;DOUBLE COUNT
4185 021376 001366      BNE    4$        ;CONTINUE TEST
4186 021400 104011      ERROR  11        ;INTERRUPTS NOT FINISHED
4187 021402 004737 007212      5$: JSR    PC,SERV.G ;(<↑G>)?
4188 021406 104401      SCOP1 ;LOOP?
4189 021410 062737 000002 023112      ADD    #2,OFFSET
4190 021416 013700 021464      MOV    7$,R0
4191 021422 042700 170377      BIC    #1C<17*400>,R0
4192 021426 022700 007400      CMP    #<17*400>,R0
4193 021432 001010      BNE    6$
4194 021434 032737 000030 021464      BIT    #BIT4+BIT3,7$
4195 021442 001610      BEQ    2$
4196 021444 162737 000010 021464      SUB    #BIT3,7$
4197 021452 000633      BR     3$
4198 021454 062737 000400 021464 6$: ADD    #400,7$
4199 021462 000627      BR     3$
4200 021464 000000      7$: 0
4201 ;***** TEST 33 *****
4202 ;* THIS TEST VERIFIES THAT EVEN PARITY WORKS
4203 ;* FOR ALL ODD LINES SELECTED AND THAT ODD PARITY WORKS FOR ALL
4204 ;* EVEN LINES SELECTED.
4205 ;*THE MAIN FUNCTION OF THIS TEST IS TO VERIFY
4206 ;*THAT "PE" (PARITY ERROR) CAN BE FLAGGED BY
4207 ;*THE UARTS. THIS TEST WILL NOT BE DONE UNLESS
4208 ;*YOU ARE IN "STAGGERED" MODE.
4209 ;*40(8) CHARS ARE USED FOR THIS TEST.
4210 ;*ALL SELECTED LINES WILL BE ENABLED
4211 ;*AT THE SAME TIME!
4212 ;::* TEST 33
4213 ;:*****
4214 021466 000004      TST33: SCOPE
4215 021470 012737 000033 001122      MOV    #33,$STNM ;LOAD THE NUMBER OF THIS TEST
4216 021476 012737 022120 001360      MOV    #TST34,NEXT ;POINT TO THE START OF THE NEXT TEST
4217 021504 005737 001370      TST    MODE ;IS THIS STAGGERED MODE?
4218 021510 100111      BPL    6$ ;IF NOT, DON'T DO THIS TEST
4219 021512 104417      DCLASM ;CLEAR DEVICE AND SET MAINT BIT IF I MODE
4220 021514 013701 001366      MOV    PAR,R1 ;USE R1 TO BUILD PARAMETERS TO BE LOADED
4221 021520 042701 000200      BIC    #ODDPAR,R1 ;MAKE SURE ODD PARITY ISN'T SET
4222 021524 052701 000100      BIS    #PARITY,R1 ;MAKE SURE PARITY IS TURNED ON
4223 021530 012702 000001      MOV    #1,R2 ;USE R2 AS A LINE POINTER
4224 021534 030237 001364      1$: BIT    R2,LINE ;IS THIS A VALID LINE?
4225 021540 001411      BEQ    3$ ;IF NOT, SKIP TO THE NEXT LINE
4226 021542 032701 000001      BIT    #BIT0,R1 ;IS THIS LINE AN ODD LINE?
4227 021546 001002      BNE    2$ ;IF IT'S ODD, USE EVEN PARITY
4228 021550 052701 000200      BIS    #ODDPAR,R1 ;IF IT'S EVEN, USE ODD PARITY
4229 021554 010177 160272      2$: MOV    R1,$DZLPR ;LOAD THE LINE PARAMETER REGISTER
4230 021560 042701 000200      BIC    #ODDPAR,R1 ;SET UP THE NEXT PARITY TO EVEN
4231 021564 005201      3$: INC    R1 ;POINT TO THE NEXT LINE
4232 021566 106302      ASLB   R2 ;MOVE THE BIT POINTER IN R2 TO THE NEXT LINE
4233 021570 103361      BCC    1$ ;IF WE'RE NOT DONE, GO CHECK THE NEXT LINE
4234 021572 005037 001372      CLR    SAVLIN ;CLEAR THE LINE NUMBER INDICATOR
4235 021576 005002      CLR    R2 ;USE R2 TO COUNT TOTAL NUMBER OF TRANSMISSIONS
4236 021600 005003      CLR    R3 ;USE R3 TO COUNT TOTAL NUMBER OF RECEPTIONS
4237 021602 012737 000040 001376      MOV    #40,XMTCNT ;TRANSMIT A BINARY COUNT PATTERN(00-40)
4238 021610 012700 001422      MOV    #T00,R0 ;POINT TO THE DATA AREA
4239 021614 005020      CLR    (R0)+ ;CLEAR A DATA WORD

```

J07

MO-11-DZDZA-B
DZDZAB.P11

MACY11 27(732) 03-NOV-76
DZ11 DEVICE DIAGNOSTICS.

15:03 PAGE 88
COPYRIGHT 1976 DIGITAL EQUIP. CORP.

```

4240 021616 022700 001462      CMP      #STOP,R0      ;FINISHED ?
4241 021622 001374              BNE      .-6          ;NO
4242 021624 005000              CLR      R0          ;CLEAR OFFSET
4243 021626 012777 022552 160242  MOV      #XMTSRV, @DZTIV ;SET UP THE TRANSMITTER INTERRUPT VECTOR
4244 021634 012777 021742 160230  MOV      #9$, @DZRIV   ;SET UP THE RECEIVER INTERRUPT VECTOR
4245 021642 013777 026170 160224  MOV      DZPRT, @DZ RIS ;SET THE INTERRUPT VECTOR STATUS
4246 021650 013777 026170 160222  MOV      DZPRT, @DZTIS ;SET TRANSMITTER INTERRUPT PRIORITY
4247 021656 052777 040140 160156  BIS      #RIE!TIE!MSENAB, @DZCSR ;ENABLE THE DEVICE
4248 021664 113777 001364 160164  MOVVB   LINE, @DZTCR  ;ENABLE ALL SELECTED LINES
4249 021672 106427 000000              MTPS     #0          ;ALLOW INTERRUPTS
4250 021676 005037 021736      4$:     CLR      7$
4251 021702 005037 021740              CLR      8$
4252 021706 032777 000100 160126  5$:     BIT      #RIE, @DZCSR ;WHEN RX DONE; RIE WILL =0
4253 021714 001407              BEQ      6$          ;BR IF ALL DONE
4254 021716 005237 021736              INC      7$
4255 021722 001371              BNE      5$
4256 021724 105237 021740              INCB     8$
4257 021730 100366              BPL      5$
4258 021732 104011              ERROR   11          ;*RX FAILED TO FINISH (INTERRUPT)
4259 021734 104400      6$:     ADVANCE ;ADVANCE LOOP
4260 021736 000000      7$:     0
4261 021740 000000      8$:     0
4262
4263
4264
4265
4266
4267
4268
4269
4270
4271
4272
4273
4274
4275
4276
4277
4278
4279
4280
4281
4282
4283
4284
4285
4286
4287
4288
4289
4290
4291
4292
4293
4294
4295
021742 017704 160100      9$:     MOV      @DZRBUF, R4 ;GET THE CHARACTER
021746 100401              BMI      10$        ;IF IT WAS VALID, CONTINUE TESTING
021750 104000              ERROR   ;ERROR- ILLEGAL CHAR... DATA VALID NOT SET
021752 010401      10$:    MOV      R4, R1      ;COPY THE RECEIVED INFORMATION
021754 000301              SWAB    R1          ;GET THE LINE NUMBER IN THE LOWER BYTE
021756 042701 177770      BIC      #1C<7>, R1 ;ISOLATE THE LINE NUMBER
021762 006301              ASL     R1          ;ALIGN IT CN A WORD BOUNDARY
021764 032704 010000      BIT      #PARER, R4 ;PARITY ERROR SHOULD BE SET. IS IT?
021770 001013              BNE     11$        ;IF SO, GO CHECK CHARACTER
021772 013737 002046 001400  MOV      DZRBUF, REGIST ;SET UP FOR THE ERROR MESSAGE
022000 010405              MOV     R4, R5
022002 042705 000377      BIC      #377, R5
022006 156105 001442      BISB    TRO(R1), R5 ;GET THE CORRECT CHARACTER
022012 052705 110000      BIS     #DVALID!PARER, R5 ;BUILD WHAT WAS EXPECTED
022016 104006              ERROR   6          ;*ERROR- DID NOT GET CORRECT INFORMATION
022020 126104 001442      11$:    CMPB   TRO(R1), R4 ;CHECK THE CHARACTER. IS IT CORRECT?
022024 001413              BEQ     12$        ;IF SO, GO SET UP NEXT CHARACTER
022026 116105 001442      MOVVB   TRO(R1), R5 ;LOAD THE CHARACTER FOR ERROR REPORTING
022032 042705 177400      BIC     #1C<377>, R5 ;CLEAR SIGN EXTEND
022036 010137 001372      MOV     R1, SAVLIN ;GET THE LINE NUMBER FOR REPORTING
022042 006237 001372      ASR    SAVLIN      ;ALIGN IT CORRECTLY
022046 042704 177400      BIC     #1C<377>, R4 ;REMOVE THE JUNK FROM R4, THE ACTUAL CHARACTER
022052 104005              ERROR   5          ;DATA ERROR
022054 005261 001442      12$:    INC     TRO(R1)    ;SET UP THE NEXT CHARACTER
022060 005203              INC     R3          ;ADD TO THE TOTAL RECEIVED COUNT
022062 032777 040000 157752  BIT     #TIE, @DZCSR ;ARE TRANSMISSIONS DONE?
022070 001010              BNE     13$        ;IF NO, GO RECEIVE SOME MORE
022072 020203              CMP     R2, R3     ;ARE ALL CHARACTERS RECEIVED?
022074 001006              BNE     13$        ;IF NO, GO RECEIVE SOME MORE
022076 042777 000100 157736  BIC     #RIE, @DZCSR ;DISABLE RECEIVER INTERRUPTS

```

;RECEIVER SERVICE ROUTINE

K07

MC-11-DZDZA-B
DZDZAB.P11

MACY11 27(732) 03-NOV-76
DZ11 DEVICE DIAGNOSTICS.

15:03 PAGE 89
COPYRIGHT 1976 DIGITAL EQUIP. CORP.

4296	022104	012716	021734		MOV #6\$, (SP)	; CRUNCH THE STACK
4297	022110	000002			RTI	; RETURN AND FINISH
4298	022112	012716	021676	13\$:	MOV #4\$, (SP)	; CRUNCH THE STACK
4299	022116	000002			RTI	; GO BACK TO RECEIVER WAIT LOOP
4300					;***** TEST 34 *****	
4301					; *THIS TEST VERIFIES THAT ODD PARITY WORKS FOR ALL ODD LINES	
4302					; * SELECTED AND THAT EVEN PARITY WORKS FOR ALL EVEN LINES SELECTED	
4303					; *THE MAIN FUNCTION OF THIS TEST IS TO VERIFY	
4304					; *THAT "PE" (PARITY ERROR) CAN BE FLAGGED BY	
4305					; *THE UARTS. THIS TEST WILL NOT BE DONE UNLESS	
4306					; *YOU ARE IN "STAGGERED" MODE.	
4307					; *40(8) CHARS ARE USED FOR THIS TEST.	
4308					; *ALL SELECTED LINES WILL BE ENABLED	
4309					; *AT THE SAME TIME!	
4310					;::* TEST 34	
4311					;*****	
4312	022120	000004			†ST34: SCOPE	
4313	022122	012737	000034	001122	MOV #34, \$STSTM	; LOAD THE NUMBER OF THIS TEST
4314	022130	012737	004432	001360	MOV #SEOP, NEXT	; POINT TO THE END-OF-PASS HANDLER
4315	022136	005737	001370		TST MODE	; IS THIS STAGGERED MODE?
4316	022142	100111			BPL 6\$; IF NOT, DON'T DO THIS TEST
4317	022144	104417			DCLASM	; CLEAR DEVICE AND SET MAINT BIT IF I MODE
4318	022146	013701	001366		MOV PAR, R1	; USE R1 TO BUILD PARAMETERS TO BE LOADED
4319	022152	042701	000200		BIC #ODDPAR, R1	; MAKE SURE ODD PARITY ISN'T SET
4320	022156	052701	000100		BIS #PARITY, R1	; MAKE SURE PARITY IS TURNED ON
4321	022162	012702	000001		MOV #1, R2	; USE R2 AS A LINE POINTER
4322	022166	030237	001364	1\$:	BIT R2, LINE	; IS THIS A VALID LINE?
4323	022172	001411			BEQ 3\$; IF NOT, SKIP TO THE NEXT LINE
4324	022174	032701	000001		BIT #BIT0, R1	; IS THIS LINE AN ODD LINE?
4325	022200	001402			BEQ 2\$; IF IT'S EVEN, USE EVEN PARITY
4326	022202	052701	000200		BIS #ODDPAR, R1	; IF IT'S ODD, USE ODD PARITY
4327	022206	010177	157640	2\$:	MOV R1, \$DZLPR	; LOAD THE LINE PARAMETER REGISTER
4328	022212	042701	000200		BIC #ODDPAR, R1	; SET UP THE NEXT PARITY TO EVEN
4329	022216	005201		3\$:	INC R1	; POINT TO THE NEXT LINE
4330	022220	106302			ASLB R2	; MOVE THE BIT POINTER IN R2 TO THE NEXT LINE
4331	022222	103361			BCC 1\$; IF WE'RE NOT DONE, GO CHECK THE NEXT LINE
4332	022224	005037	001372		CLR SAVLIN	; CLEAR THE LINE NUMBER INDICATOR
4333	022230	005002			CLR R2	; USE R2 TO COUNT TOTAL NUMBER OF TRANSMISSIONS
4334	022232	005003			CLR R3	; USE R3 TO COUNT TOTAL NUMBER OF RECEPTIONS
4335	022234	012737	000040	001376	MOV #40, XMTCNT	; TRANSMIT A BINARY COUNT PATTERN(00-40)
4336	022242	012700	001422		MOV #TDO, RO	; POINT TO THE DATA AREA
4337	022246	005020			CLR (RO)+	; CLEAR A DATA WORD
4338	022250	022700	001462		CMP #STOP, RO	; FINISHED ?
4339	022254	001374			BNE -6	; NO
4340	022256	005000			CLR RO	; CLEAR OFFSET
4341	022260	012777	022552	157610	MOV #XMTSRV, \$DZTIV	; SET UP THE TRANSMITTER INTERRUPT VECTOR
4342	022266	012777	022374	157576	MOV #9\$, \$DZRIV	; SET UP THE RECEIVER INTERRUPT VECTOR
4343	022274	013777	026170	157572	MOV DZPRT, \$DZRRIS	; SET THE INTERRUPT VECTOR STATUS
4344	022302	013777	026170	157570	MOV DZPRT, \$DZTTIS	; SET TRANSMITTER INTERRUPT PRIORITY
4345	022310	052777	040140	157524	BIS #RIE, \$IE!MSENAB, \$DZCSR	; ENABLE THE DEVICE
4346	022316	113777	001364	157532	MOV LINE, \$DZTCR	; ENABLE ALL SELECTED LINES
4347	022324	106427	000000		MTPS #0	; ALLOW INTERRUPTS
4348	022330	005037	022370	4\$:	CLR 7\$	
4349	022334	005037	022372		CLR 8\$	
4350	022340	032777	000100	157474	5\$: BIT #RIE, \$DZCSR	; WHEN RX DONE; RIE WILL =0
4351	022346	001407			BEQ 6\$; BR IF ALL DONE

L07

MD-11-DZDZA-8
DZDZAB.P11

MACY11 27(732) 03-NOV-76
DZ11 DEVICE DIAGNOSTICS.

15:03 PAGE 90
COPYRIGHT 1976 DIGITAL EQUIP. CORP.

4352	022350	005237	022370		INC	7\$	
4353	022354	001371			BNE	5\$	
4354	022356	105237	022372		INCB	8\$	
4355	022362	100366			BPL	5\$	
4356	022364	104011			ERROR	11	;*RX FAILED TO FINISH (INTERRUPT)
4357	022366	104400		6\$:	ADVANCE		;*ADVANCE LOOP
4358	022370	000000		7\$:	0		
4359	022372	000000		8\$:	0		
4360							
4361							
4362							
4363							
4364	022374	017704	157446	9\$:	MOV	ADZRF, R4	;GET THE CHARACTER
4365	022400	100401			BMI	10\$;IF IT WAS VALID, CONTINUE TESTING
4366	022402	104000			ERROR		;ERROR- ILLEGAL CHAR... DATA VALID NOT SET
4367	022404	010401		10\$:	MOV	R4, R1	;COPY THE RECEIVED INFORMATION
4368	022406	000301			SWAB	R1	;GET THE LINE NUMBER IN THE LOWER BYTE
4369	022410	042701	177770		BIC	#1C<7>, R1	;ISOLATE THE LINE NUMBER
4370	022414	006301			ASL	R1	;ALIGN IT ON A WORD BOUNDARY
4371	022416	032704	010000		BIT	#PARER, R4	;PARITY ERROR SHOULD BE SET. IS IT?
4372	022422	001013			BNE	11\$;IF SO, GO CHECK CHARACTER
4373	022424	013737	002046 001400		MOV	DZRBUF, REGIST	;SET UP FOR THE ERROR MESSAGE
4374	022432	010405			MOV	R4, R5	
4375	022434	042705	000377		BIC	#377, R5	
4376	022440	156105	001442		BISB	TRO(R1), R5	;GET THE CORRECT CHARACTER
4377	022444	052705	110000		BIS	#DVALID, PARER, R5	;BUILD WHAT WAS EXPECTED
4378	022450	104006			ERROR	6	;ERROR- DID NOT GET CORRECT INFORMATION
4379	022452	126104	001442	11\$:	CMPB	TRO(R1), R4	;CHECK THE CHARACTER. IS IT CORRECT?
4380	022456	001413			BEG	12\$;IF SO, GO SET UP NEXT CHARACTER
4381	022460	116105	001442		MOVB	TRO(R1), R5	;LOAD THE CHARACTER FOR ERROR REPORTING
4382	022464	042705	177400		BIC	#1C<377>, R5	;CLEAR SIGN EXTEND
4383	022470	010137	001372		MOV	R1, SAVLIN	;GET THE LINE NUMBER FOR REPORTING
4384	022474	006237	001372		ASR	SAVLIN	;ALIGN IT CORRECTLY
4385	022500	042704	177400		BIC	#1C<377>, R4	;REMOVE THE JUNK FROM R4, THE ACTUAL CHARACTER
4386	022504	104005			ERROR	5	;DATA ERROR
4387	022506	005261	001442	12\$:	INC	TRO(R1)	;SET UP THE NEXT CHARACTER
4388	022512	005203			INC	R3	;ADD TO THE TOTAL RECEIVED COUNT
4389	022514	032777	040000 157320		BIT	#TIE, ADZCSR	;ARE TRANSMISSIONS DONE?
4390	022522	001010			BNE	13\$;IF NO, GO RECEIVE SOME MORE
4391	022524	020203			CMP	R2, R3	;ARE ALL CHARACTERS RECEIVED?
4392	022526	001006			BNE	13\$;IF NO, GO RECEIVE SOME MORE
4393	022530	042777	000100 157304		BIC	#RIE, ADZCSR	;DISABLE RECEIVER INTERRUPTS
4394	022536	012716	022366		MOV	#6\$, (SP)	;CRUNCH THE STACK
4395	022542	000002			RTI		;RETURN AND FINISH
4396	022544	012716	022330	13\$:	MOV	#4\$, (SP)	;CRUNCH THE STACK
4397	022550	000002			RTI		;GO BACK TO RECEIVER WAIT LOOP

;RECEIVER SERVICE ROUTINE

M07

MO-11-DZDZA-B
DZDZAB.P11

MACY11 27(732) 03-NOV-76 15:03 PAGE 91
DZ11 DEVICE DIAGNOSTICS. COPYRIGHT 1976 DIGITAL EQUIP. CORP.

```

4398
4399                                     ; TRANSMITTER INTERRUPT SERVICE
4400                                     ;-----
4401
4402 022552 117701 157266      XMTSRV: MOVB   @HDZCSR,R1      ; GET THE LINE NUMBER. IS THE TRANSMITTER
4403 022556 100401              BMI    1$              ; REALLY READY? IF SO, GO LOAD THE CHARACTER
4404 022560 104003              ERROR  3              ; *TRANSMITTER NOT READY- FALSE INTERRUPT
4405 022562 042701 177770      1$:  BIC    #1C<7>,R1      ; ISOLATE THE LINE NUMBER
4406 022566 006301              ASL    R1              ; MAKE SURE IT REFERENCES A WORD BOUNDARY
4407 022570 116177 001422 157270  MOVB   TDO(R1),@DZTDR  ; LOAD THE CURRENT CHARACTER FOR THIS LINE
4408 022576 005261 001422      INC    TDO(R1)        ; SET UP NEXT CHARACTER FOR THIS LINE
4409 022602 005202              INC    R2              ; UP THE NUMBER OF TRANSMISSIONS
4410 022604 023761 001376 001422  CMP    XMTCNT,TDO(R1) ; HAVE WE DONE ALL PATTERNS ON THIS LINE?
4411 022612 001015              BNE    4$              ; IF NOT, KEEP ON TRANSMITTING
4412 022614 012700 000001      MOV    #1,R0          ; SET UP A DESELECTION POINTER
4413 022620 006201              ASR    R1              ; GET THE LINE NUMBER AGAIN
4414 022622 005301              2$:  DEC    R1              ; REDUCE THE COUNT. WAS THIS THE LINE?
4415 022624 100402              BMI    3$              ; IF SO, GO DISABLE THE ENABLE BIT FOR IT
4416 022626 006300              ASL    R0              ; MOVE THE POINTER TO THE NEXT LINE
4417 022630 000774              BR     2$              ; GO CHECK THE NEXT LINE
4418 022632 140077 157220      3$:  BICB   R0,@DZTCR    ; DISABLE THE LINE POINTED TO BY R0
4419 022636 001003              BNE    4$              ; IF MORE LINES ARE ACTIVE, GO CONTINUE TRANSMIT
4420 022640 042777 040000 157174  BIC    #TIE,@DZCSR    ; IF NOT, DISABLE TRANSMITTER INTERRUPTS
4421 022646 000002              4$:  RTI              ; RETURN TO THE TIMING LOOP
4422
4423                                     ; RELATIVE TIME BUILDING ROUTINE
4424                                     ;-----
4425
4426 022650 012737 000004 001222  BUILD: MOV    #4,STMP2      ; ROTATE 4 BITS BACK INTO STMP1
4427 022656 006037 001224      1$:  ROR    STMP3        ; GET THE BITS FROM STMP3, THE HIGH BYTE
4428 022662 006037 001220      ROR    STMP1        ; OF THE RELATIVE TIME COUNTER. PUT THEM BACK
4429 022666 005337 001222      DEC    STMP2        ; INTO STMP1 USING THE CARRY BIT WITH
4430                                     ; ROTATE INSTRUCTIONS
4431 022672 001371              BNE    1$            ; REDUCE COUNT. ALL BITS BACK? IF NOT, GET MORE
4432 022674 000207              RTS    PC            ; RETURN TO CALLING TEST
4433

```

```

;RECEIVER SERVICE ROUTINE
4434
4435
4436 022676 105777 157140          RXISR1: TSTB   JDZCSR           ; IS THE RECEIVER REALLY READY?
4437 022702 100401                BMI    1$           ; IF SO, GO SERVICE IT
4438 022704 104004                ERROR  4           ; *ERROR- RECEIVER DONE FLAG ISN'T SET
4439 022706 017704 157134          1$:  MOV    JDZRBUF,R4        ; SAVE THE RECEIVER INFORMATION
4440 022712 100401                BMI    2$           ; IF IT WAS VALID, GO PROCESS IT
4441 022714 104000                ERROR  2           ; ERROR- DATA VALID WASN'T SET
4442 022716 032704 070000          2$:  BIT    #OVRUN!FRMERR!PARER,R4 ; ARE ANY ERROR FLAGS SET?
4443 022722 001404                BEQ    3$           ; IF NOT, GO CONTINUE PROCESSING
4444 022724 013737 002046 001400    MOV    DZRBUF,REGIST ; SET UP FOR ERROR REPORTING
4445 022732 104002                ERROR  2           ; ERROR- RECEIVER ERROR FLAG SET
4446 022734 010401                3$:  MOV    R4,R1         ; COPY THE RECEIVER INFORMATION
4447 022736 000301                SWAB   R1          ; GET THE LINE NUMBER IN THE LOWER BYTE
4448 022740 042701 177770          BIC    #1C<7>,R1    ; ISOLATE THE LINE NUMBER
4449 022744 006301                ASL    R1          ; ALIGN IT ON A WORD BOUNDARY
4450 022746 120461 001442          CMPB   R4,TR0(R1)  ; IS THE CHARACTER WHAT IT SHOULD BE?
4451 022752 001413                BEQ    4$           ; IF SO, GO CONTINUE PROCESSING
4452 022754 116105 001442          MOVB   TR0(R1),R5  ; GET WHAT WAS EXPECTED FOR ERROR REPORTING
4453 022760 042705 177400          BIC    #1C<377>,R5 ; ELIMINATE PROPAGATED SIGN
4454 022764 042704 177400          BIC    #1C<377>,R4 ; ISOLATE THE ACTUAL CHARACTER
4455 022770 010137 001372          MOV    R1,SAVLIN  ; GET THE LINE NUMBER OF THE RECEIVER ERROR
4456 022774 006237 001372          ASR    SAVLIN     ; ALIGN IT CORRECTLY FOR REPORTING
4457 023000 104005                ERROR  5           ; *DATA ERROR
4458 023002 005261 001442          4$:  INC    TR0(R1)     ; SET UP THE NEXT EXPECTED CHARACTER
4459 023006 005203                INC    R3         ; INCREMENT THE COUNT OF RECEIVED CHARACTERS
4460 023010 032761 000020 001442    BIT    #20,TR0(R1) ; HAVE ALL CHARACTERS BEEN RECEIVED?
4461 023016 001402                BEQ    5$           ; IF NOT, GO RECEIVE SOME MORE
4462 023020 020203                CMP    R2,R3      ; HAVE WE RECEIVED ALL CHARACTERS?
4463 023022 001401                BEQ    6$           ; IF SO, GO DETERMINE THE TIMING
4464 023024 000002                5$:  RTI                    ; GO CONTINUE TIMING AND ALLOW INTERRUPTS
4465 023026 004737 022650          6$:  JSR    PC,BUILD    ; GET THE RELATIVE TIME (SIGNIFICANT BITS)
4466
4467 023032 013700 023112          MOV    OFFSET,R0  ; GET POPINTER
4468 023036 013760 001220 002102    MOV    $TMP1,TMTBL(R0) ; SAVE THIS TEST'S TIME
4469 023044 005737 023112          TST    OFFSET     ; FIRST TEST?
4470 023050 001414                BEQ    7$           ; IF NOT, GO CHECK THE TIME
4471 023052 005740                TST    -(R0)       ; POINT TO THE PREVIOUS TIME TAKEN
4472 023054 026037 002102 001220    CMP    TMTBL(R0),$TMP1 ; IS THIS TIME WHAT IT SHOULD BE?
4473 023062 101007                BHI    7$           ; IF SO, GO TO THE NEXT TEST
4474 023064 016005 002102          MOV    TMTBL(R0),R5 ; PLACE WHAT WAS EXPECTED IN R5
4475 023070 010137 001372          MOV    R1,SAVLIN  ; GET THE LINE NUMBER OF THE RECEIVER
4476 023074 006237 001372          ASR    SAVLIN     ; MAKE SURE IT'S THE LINE NUMBER
4477 023100 104021                ERROR  21          ; TIMING ERROR
4478 023102 042777 000140 156732  7$:  BIC    #RIE!MSENAB,JDZCSR ; DISABLE THE DEVICE
4479 023110 000002                RTI                    ; RETURN TO THE PROGRAM
4480 023112 000000          OFFSET: 0

```

:DZ11 ECHO/CABLE TEST
:COPYRIGHT 1976, DIGITAL EQUIPMENT CORP., MAYNARD, MASS. 01754

4500
4501
4502
4503
4504
4505
4506
4507
4508
4509
4510
4511
4512
4513
4514
4515
4516
4517
4518
4519
4520
4521
4522
4523
4524
4525
4526
4527
4528
4529
4530
4531
4532
4533
4534
4535
4536

:*STARTING PROCEDURE
:*LOAD PROGRAM
:*LOAD ADDRESS 000210
:*PRESS START
:*PROGRAM WILL TYPE DZ11 ECHO/CABLE TEST
:*PROGRAM WILL TYPE WHICH TEST- ECHO OR CABLE
:*TYPE IN E OR C RESPECTIVELY
:*PROGRAM WILL TYPE "VECTOR ADDRESS-"
:*TYPE IN THE ADDRESS OF THE RECEIVER INTERRUPT VECTOR
:*FOR THE DZ11 TO BE TESTED, FOLLOWED BY <CARRIAGE RETURN>
:*PROGRAM WILL TYPE "CONTROL REGISTER ADDRESS-"
:*TYPE IN THE ADDRESS OF THE SYSTEM CONTROL REGISTER
:*FOR THE DZ11 TO BE TESTED, FOLLOWED BY <CARRIAGE RETURN>
:*PROGRAM WILL TYPE "LINE NUMBER-"
:*TYPE IN THE LINE NUMBER TO BE TESTED (IN OCTAL)
:* FOLLOWED BY <CARRIAGE RETURN>
:*PROGRAM WILL TYPE "BAUD RATE-"
:*TYPE IN THE BAUD RATE OF THE DZ11 TERMINAL
:* FOLLOWED BY <CARRIAGE RETURN>
; *THE FOLLOWING BAUD RATES ARE ACCEPTED IN DECIMAL

- * 50
- * 75
- * 110
- * 135 (ROUNDED OFF 134.5)
- * 150
- * 300
- * 600
- * 1200
- * 1800
- * 2000
- * 2400
- * 3600
- * 4800
- * 7200
- * 9600

:*ALL OTHERS ARE REJECTED
:*PROGRAM WILL TYPE "ECHO" OR "CABLE TEST" TO INDICATE THAT TESTING HAS STARTED

:PROGRAM INITIALIZATION
:LOCK OUT INTERRUPTS
:SET UP PROCESSOR STACK
:SET UP POWER FAIL VECTOR
:CLEAR PROGRAM FLAGS AND COUNTS

023114 012706 001120
023120 106427 000340
023124 012737 023114 001126
023132 005037 025274
023136 005037 001242
023142 005037 001132
023146 105037 001123

XSTART: MOV #STACK, SP ;SET UP PROCESSOR STACK
MTPS #PR7 ;LOCK OUT INTERRUPTS
MOV #XSTART, \$LPADR ;SET UP IN CASE OF POWER FAIL
CLR STFLG ;CLEAR TEST START FLAG
CLR \$PASS ;CLEAR PASS COUNT
CLR \$ERTTL ;CLEAR ERROR COUNT
CLRB \$ERFLG ;CLEAR ERROR FLAG

C08

MO-11-DZ02A-B
DZ02AB.P11

MACY11 27(732) 03-NOV-76 15:03 PAGE 94
DZ11 DEVICE DIAGNOSTICS. COPYRIGHT 1976 DIGITAL EQUIP. CORP.

4537	023152	005037	025300				CLR	LAST	:CLEAR LAST ERROR PC
4538	023156	032777	000001	155774	VEC1:		BIT	#SW00, #SWR	:IF SW00=1, GET NEW VECTOR
4539	023164	001465					BEG	OTHER	:AND CSR
4540	023166	012701	000300		VEC2:		MOV	#300, R1	
4541	023172	012732	000302				MOV	#302, R2	
4542	023176	010221			IS:		MOV	R2, (R1)+	:RESTORE TRAPCATCHER
4543	023200	005022					CLR	(R2)+	:IN FLOATING VECTOR AREA
4544	023202	022122					CMP	(R1)+, (R2)+	:UPDATE THE POINTERS
4545	023204	020127	001000				CMP	R1, #1000	
4546	023210	001372					BNE	IS	
4547	023212	104403					INSTR		:INPUT ADDRESS OF DEVICE VECTOR
4548	023214	025326					MVECTOR		:MESSAGE "VECTOR ADDRESS--"
4549	023216	104405					PARAM		:CONVERT STRING TO OCTAL
4550	023220	000300					300		:LOW LIMIT
4551	023222	000770					770		:HIGH LIMIT
4552	023224	002072					DZRIV		:LOCATIONS TO BE FILLED
4553	023226	003			.BYTE		3		:LSB MASK
4554	023227	004			.BYTE		4		:NUMBER OF LOCATIONS
4555	023230	104403					INSTR		:INPUT ADDRESS OF DEVICE CSR
4556	023232	025350					MREGAD		:MESSAGE "CONTROL REGISTER ADDRESS--"
4557	023234	104405					PARAM		:CONVERT STRING TO OCTAL
4558	023236	160000					160000		:LOW LIMIT
4559	023240	163700					163700		:HIGH LIMIT
4560	023242	002042					DZCSR		:LOCATIONS TO BE FILLED
4561	023244	007			.BYTE		7		:LSB MASK
4562	023245	001			.BYTE		1		:NUMBER OF LOCATIONS
4563	023246	013737	002042	002046			MOV	DZCSR, DZRBUF	:BEGIN BUILDING DEVICE ADDRESSES
4564	023254	062737	000002	002046			ADD	#2, DZRBUF	:FORM THE READ BUFFER ADDRESS
4565	023262	013737	002046	002052			MOV	DZRBUF, DZLPR	:REMEMBER THAT THIS IS ALSO LINE PARAMETER REG.
4566	023270	013737	002046	002056			MOV	DZRBUF, DZTCR	:BEGIN BUILDING TRANSMITTER CONTROL REGISTER
4567	023276	062737	000002	002056			ADD	#2, DZTCR	:FORM THE TRANSMITTER CONTROL REGISTER POINTER
4568	023304	013737	002056	002060			MOV	DZTCR, HDZTCR	
4569	023312	005237	002060				INC	HDZTCR	
4570	023316	013737	002056	002066			MOV	DZTCR, DZTDR	:BEGIN FORMING TRANSMITTER DATA REGISTER
4571	023324	062737	000002	002066			ADD	#2, DZTDR	:FORM THE TRANSMITTER DATA REGISTER
4572	023332	013737	002066	002062			MOV	DZTDR, DZMSR	
4573	023340	032777	000002	155612	OTHER:		BIT	#SW01, #SWR	:RESELECT OF TEST?
4574	023346	001427					BEG	XBEGIN	:IF NOT, SKIP ASKING WHICH ONE
4575	023350	104403					INSTR		:INPUT WHICH TEST YOU ARE RUNNING
4576	023352	025534					MWCH		:ECHO OR CABLE
4577	023354	104416					PARAM		:SET FLAG
4578	023356	025272					WCHFLG		:THIS FLAG
4579	023360	104403			BAUD:		INSTR		:INPUT BAUD RATE
4580	023362	025456					MSPEED		:MESSAGE "BAUD RATE--"
4581	023364	104415					PARAM		:CONVERT DECIMAL STRING TO OCTAL
4582	023366	000062					50		:LOW LIMIT
4583	023370	022600					9600		:HIGH LIMIT
4584	023372	025310					LINESP		:LOCATION TO BE FILLED
4585	023374	000			.BYTE		0		:LSB MASK
4586	023375	001			.BYTE		1		:NUMBER OF LOCATIONS
4587	023376	104413			LINEX:		DEVICE.CLR		:CLEAR DEVICE
4588	023400	005037	025274				CLR	STFLG	:CLEAR PROGRAM START FLAG
4589	023404	104403					INSTR		:INPUT LINE NUMBER
4590	023406	025446					MLINE		:MESSAGE "LINE NUMBER--"
4591	023410	104405					PARAM		:CONVERT STRING TO OCTAL
4592	023412	000000					0		:LOW LIMIT

```

4593 023414 000007          7          :HIGH LIMIT
4594 023416 001372          SAVLIN    :LOCATION TO BE FILLED
4595 023420          000          .BYTE    0          :LSB MASK
4596 023421          001          .BYTE    1          :NUMBER OF LOCATIONS
4597 023422 004537 025076      JSR      RS,SET
4598
4599 023426 106427 000340      XBEGIN: MTPS    #PR7          :LOCK OUT INTERRUPTS
4600 023432 012706 001120      MOV      #STACK,SP :SET UP PROCESSOR STACK
4601 023436 005037 025276      CLR     LOCKUP    :CLEAR TIMEOUT
4602 023442 005737 025272      TST    WCHFLG    :ECHO OR CABLE TEST ?
4603 023446 001413          BEQ     2$        :ECHO
4604 023450 012737 024150 001126      MOV     #TEST2,$LPAOR :CABLE TEST
4605 023456 005737 025274      TST    STFLG     :ARE YOU LOOPING ?
4606 023462 001017          BNE     1$        :YES
4607 023464 005137 025274      COM    STFLG     :NO
4608 023470 104402 025627      TYPE   MCABLE    :TYPE CABLE TEST
4609 023474 000412          BR      1$
4610 023476 012737 023526 001126 2$: MOV     #TEST1,$LPAOR :SET UP ECHO TEST
4611 023504 005737 025274      TST    STFLG     :ARE YOU LOOPING ?
4612 023510 001004          BNE     1$        :YES
4613 023512 005137 025274      COM    STFLG     :NO
4614 023516 104402 025602      TYPE   MTERM     :TYPE ECHO TEST
4615 023522 000177 155400      JMP     $LPAOR   :START TESTING
4616
4617          :THIS TEST WILL ACCEPT 1 CHARACTER AT A TIME
4618          : (IN INTERRUPT MODE) AND TRANSMIT THAT SAME CHARACTER,
4619          : ONE LINE AT A TIME, ANY LINE 0 THRU 7 (OCTAL)
4620 023526 104413          TEST1: DEVICE.CLR :CLEAR DZ11
4621 023530 012737 000001 001122      MOV     #1,$STNM
4622 023536 013777 025316 156312      MOV     NUMTCR,$ZTCR :SET TCR BIT
4623 023544 013737 025314 001366      MOV     NUMLIN,PAR  :SET PARAMETERS
4624 023552 053737 025312 001366      BIS    SPEED,PAR   :SET BAUD RATE
4625 023560 013777 001366 156264      MOV     PAR,$ZLPR  :LOAD PARAM.
4626 023566 012777 000040 156246      MOV     #SENAB,$ZCSR :SET SCANN ENABLE
4627 023574 005004          CLR     R4
4628 023576 012705 025644      MOV     #MQUICK,RS  :SET MESSAGE BUFFER
4629 023602 005777 156234 3$: TST    $ZCSR
4630 023606 100404          BMI    2$
4631 023610 104414          DELAY
4632 023612 005304          DEC    R4
4633 023614 001372          BNE    3$
4634 023616 104003          ERROR  3          :NO TRDY SET! WHY?
4635 023620 005004 2$: CLR     R4          :RESET COUNTER TO 0
4636 023622 112577 156240      MOVB   (R5)+,$ZTDR :LOAD CHAR
4637 023626 001365          BNE    3$
4638 023630 004737 007212      JSR    PC,SERV.G   :<IG>?
4639 023634 122777 000377 155316      CMPEB #377,$SWR   :RE-DO QUICK BROWN?
4640 023642 001731          BEQ    TEST1      :BR IF REPEAT PATTERN
4641 023644 104413          DEVICE.CLR
4642 023646 106427 000340      MTPS   #PR7          :LOCK OUT INTERRUPTS
4643 023652 012737 024606 001360      MOV     #XEOP,NEXT
4644 023660 104413          DEVICE.CLR
4645 023662 013737 025314 001366      MOV     NUMLIN,PAR  :SELECT LINE # & SET INTERRUPT ENABLE
4646 023670 053737 025312 001366      BIS    SPEED,PAR   :SET LINE SPEED AND
4647          :CHARACTER LENGTH (TRANS. & REC.)
4648 023676 052737 010000 001366      BIS    #RCVON,PAR  :MAKE SURE RECEIVER IS TURNED ON

```


F08

NO-11-DZDZA-B
DZDZAB.P11

MACY11 27(732) 03-NOV-76 15:03 PAGE 97
DZ11 DEVICE DIAGNOSTICS. COPYRIGHT 1976 DIGITAL EQUIP. CORP.

4705	024172	012737	024200	001362		MOV	#15, LOCK	: LOOP
4706	024200	113777	025316	155652	15:	MOV	NUMTCR, #DZTCR	: SET DTR
4707	024206	005005				CLR	R5	
4708	024210	153705	025316			BIS	NUMTCR, R5	: BUILD EXPECTED
4709	024214	000305				SWAB	R5	: PUT IN HIGH BYTE
4710	024216	153705	025316			BIS	NUMTCR, R5	
4711	024222	104414				DELAY		: WAIT FOR CABLE DELAY
4712	024224	017704	155632			MOV	#DZMSR, R4	: READY MODEM BITS
4713	024230	020504				CMP	R5, R4	: ARE THEY OK?
4714	024232	001401				BEQ	25	: BR IF YES
4715	024234	104022				ERROR	22	: IS THE TEST CONNECTOR ON?
4716								: HAS RIGHT LINE BEEN SELECTED?
4717								: IF SO- YOU HAVE A PROBLEM!
4718								: MODEM BITS NOT RIGHT
4719	024236	104401			25:	SCOPI		: LOOP
4720	024240	104413			35:	DEVICE. CLR		: INIT DZ11
4721	024242	013737	025312	001366		MOV	SPEED, PAR	: SET LINE SPEED
4722	024250	053737	025314	001366		BIS	NUMLIN, PAR	: SELECT LINE # & REC. INTERRUPT ENABLE
4723	024256	052737	010000	001366		BIS	#RCVON, PAR	: ENABLE THE RECEIVER FOR THIS LINE
4724	024264	052777	043140	155550		BIS	#TIE!RIE!MSENAB, #DZCSR	: SET TRANSMITTER INTERRUPT ENABLE
4725	024272	012777	024406	155572		MOV	#INTREC, #DZRIV	: SET UP INTR SERVICE
4726	024300	013777	025320	155566		MOV	PRI0, #DZRI5	: SET UP LEVEL
4727	024306	012777	024566	155562		MOV	#INTRAN, #DZTIV	: SET UP INTR SERVICE
4728	024314	013777	025320	155556		MOV	PRI0, #DZTIS	: SET UP LEVEL
4729	024322	005001				CLR	R1	: RX DATA POINTER- SET TO 0
4730	024324	005002				CLR	R2	: TX DATA POINTER- SET TO 0
4731	024326	013777	001366	155516		MOV	PAR, #DZLPR	: SET THE PARAMETERS AND TURN ON RECEIVER
4732	024334	106437	026172			MTPS	#LESS1	: ALLOW INTERRUPTS
4733	024340	013777	025316	155510		MOV	NUMTCR, #DZTCR	: SET UP TCR BIT
4734								
4735								: YOU RETURN HERE AFTER EVERY RECEIVER INTERRUPT
4736	024346	105777	154612		SPIN:	TSTB	#STKS	: IF SOMEBODY HITS A KEY- GET A NEW LINE #
4737	024352	100006				BPL	15	: BR IF NO KEY HIT
4738	024354	005777	154606			TST	#STKB	: CLEAR CHAR
4739	024360	004737	007212			JSR	PC, SERV.G	: MAKE SURE IT WASN'T (<G>)
4740	024364	000137	023376			JMP	LINEX	: SWO2=1
4741	024370	005237	025276		15:	INC	LOCKUP	: INC TIMEOUT FLAG
4742	024374	001364				BNE	SPIN	: IF NOT 0 RETURN SPINNING
4743	024376	104011				ERROR	11	: *RECEIVER FAILED TO INTERRUPT CHECK CABLE/TERMINATOR
4744	024400	000004			QUITS:	SCOPE		
4745	024402	000137	024606			JMP	XEOP	: CALL FOR END OF PASS
4746	024406	005037	025276		INTREC:	CLR	LOCKUP	: CLEAR TIMEOUT FLAG
4747	024412	105777	155424			TSTB	#DZCSR	: TEST REC DONE
4748	024416	100401				BMI	.+4	: YES
4749	024420	104004				ERROR	4	: *FALSE INTERRUPT
4750	024422	017737	155420	025322		MOV	#DZRBUF, RECDAT	: SAVE WORD
4751	024430	100401				BMI	.+4	
4752	024432	104023				ERROR	23	: *NON VALID CHARACTER
4753	024434	032737	040000	025322		BIT	#BIT14, RECDAT	: DATA OVERRUN ?
4754	024442	001401				BEQ	.+4	: NO
4755	024444	104024				ERROR	24	: *YES
4756	024446	032737	020000	025322		BIT	#BIT13, RECDAT	: FRAMING ERROR ?
4757	024454	001401				BEQ	.+4	: NO
4758	024456	104025				ERROR	25	: *YES
4759	024460	032737	010000	025322		BIT	#BIT12, RECDAT	: PARITY ERROR ?
4760	024466	001401				BEQ	.+4	: NO

F08

NO-11-DZDZA-B
DZDZAB.P11

MACY11 27(732) 03-NOV-76 15:03 PAGE 97
DZ11 DEVICE DIAGNOSTICS. COPYRIGHT 1976 DIGITAL EQUIP. CORP.

4705	024172	012737	024200	001362		MOV	#15, LOCK	: LOOP
4706	024200	113777	025316	155652	15:	MOV	NUMTCR, #DZTCR	: SET DTR
4707	024206	005005				CLR	R5	
4708	024210	153705	025316			BIS	NUMTCR, R5	: BUILD EXPECTED
4709	024214	000305				SWAB	R5	: PUT IN HIGH BYTE
4710	024216	153705	025316			BIS	NUMTCR, R5	
4711	024222	104414				DELAY		: WAIT FOR CABLE DELAY
4712	024224	017704	155632			MOV	#DZMSR, R4	: READY MODEM BITS
4713	024230	020504				CMP	R5, R4	: ARE THEY OK?
4714	024232	001401				BEG	25	: BR IF YES
4715	024234	104022				ERROR	22	: IS THE TEST CONNECTOR ON?
4716								: HAS RIGHT LINE BEEN SELECTED?
4717								: IF SO- YOU HAVE A PROBLEM!
4718								: MODEM BITS NOT RIGHT
4719	024236	104401			25:	SCOPI		: LOOP
4720	024240	104413			35:	DEVICE.CLR		: INIT DZ11
4721	024242	013737	025312	001366		MOV	SPEED, PAR	: SET LINE SPEED
4722	024250	053737	025314	001366		BIS	NUMLIN, PAR	: SELECT LINE # & REC. INTERRUPT ENABLE
4723	024256	052737	010000	001366		BIS	#RCVON, PAR	: ENABLE THE RECEIVER FOR THIS LINE
4724	024264	052777	040140	155550		BIS	#TIE!RIE!MSENAB, #DZCSR	: SET TRANSMITTER INTERRUPT ENABLE
4725	024272	012777	024406	155572		MOV	#INTREC, #DZRV	: SET UP INTR SERVICE
4726	024300	013777	025320	155566		MOV	PRI0, #DZRS	: SET UP LEVEL
4727	024306	012777	024566	155562		MOV	#INTRAN, #DZTV	: SET UP INTR SERVICE
4728	024314	013777	025320	155556		MOV	PRI0, #DZTS	: SET UP LEVEL
4729	024322	005001				CLR	R1	: RX DATA POINTER- SET TO 0
4730	024324	005002				CLR	R2	: TX DATA POINTER- SET TO 0
4731	024326	013777	001366	155516		MOV	PAR, #DZLPR	: SET THE PARAMETERS AND TURN ON RECEIVER
4732	024334	106437	026172			MTPS	#LESS1	: ALLOW INTERRUPTS
4733	024340	013777	025316	155510		MOV	NUMTCR, #DZTCR	: SET UP TCR BIT
4734								
4735								: YOU RETURN HERE AFTER EVERY RECEIVER INTERRUPT
4736	024346	105777	154612		SPIN:	TSTB	#STKS	: IF SOMEBODY HITS A KEY- GET A NEW LINE #
4737	024352	100006				BPL	15	: BR IF NO KEY HIT
4738	024354	005777	154606			TST	#STKB	: CLEAR CHAR
4739	024360	004737	007212			JSR	PC, SERV.G	: MAKE SURE IT WASN'T (<G>)
4740	024364	000137	023376			JMP	LINEX	: SWDZ=1
4741	024370	005237	025276		15:	INC	LOCKUP	: INC TIMEOUT FLAG
4742	024374	001364				BNE	SPIN	: IF NOT 0 RETURN SPINNING
4743	024376	104011				ERROR	11	: *RECEIVER FAILED TO INTERRUPT CHECK CABLE/TERMINATOR
4744	024400	000004			QUITS:	SCOPE		
4745	024402	000137	024606			JMP	XEOP	: CALL FOR END OF PASS
4746	024406	005037	025276		INTREC:	CLR	LOCKUP	: CLEAR TIMEOUT FLAG
4747	024412	105777	155424			TSTB	#DZCSR	: TEST REC DONE
4748	024416	100401				BMI	.+4	: YES
4749	024420	104004				ERROR	4	: *FALSE INTERRUPT
4750	024422	017737	155420	025322		MOV	#DZRBUF, RECDAT	: SAVE WORD
4751	024430	100401				BMI	.+4	
4752	024432	104023				ERROR	23	: *NON VALID CHARACTER
4753	024434	032737	040000	025322		BIT	#BIT14, RECDAT	: DATA OVERRUN ?
4754	024442	001401				BEG	.+4	: NO
4755	024444	104024				ERROR	24	: *YES
4756	024446	032737	020000	025322		BIT	#BIT13, RECDAT	: FRAMING ERROR ?
4757	024454	001401				BEG	.+4	: NO
4758	024456	104025				ERROR	25	: *YES
4759	024460	032737	010000	025322		BIT	#BIT12, RECDAT	: PARITY ERROR ?
4760	024466	001401				BEG	.+4	: NO

H08

MD-11-DZD2A-B
DZDZAB.P11

MACY11 27(732) 03-NOV-76 15:03 PAGE 99
DZ11 DEVICE DIAGNOSTICS. COPYRIGHT 1976 DIGITAL EQUIP. CORP.

```

4788
4789
4790
4791
4792 024606 104402
4793 024610 025404
4794 024612 005037 025300
4795 024616 105037 001123
4796 024622 000137 023426
4797
4798
4799 024626 011605
4800 024630 012537 025012
4801 024634 012537 025014
4802 024640 012537 025016
4803 024644 112537 025020
4804 024650 112537 025021
4805 024654 010516
4806 024656 005005
4807 024660 012704 010452
4808 024664 122714 000015
4809 024670 001424
4810 024672 121427 000060
4811 024676 002421
4812 024700 121427 000071
4813 024704 003016
4814 024706 142714 000060
4815 024712 005002
4816 024714 152402
4817 024716 060205
4818 024720 122714 000015
4819 024724 001410
4820 024726 006305
4821 024730 010502
4822 024732 006305
4823 024734 006305
4824 024736 060205
4825 024740 000754
4826 024742 104404
4827 024744 000744
4828
4829
4830
4831 024746 020537 025014
4832 024752 101373
4833 024754 020537 025012
4834 024760 103770
4835 024762 133705 025020
4836 024766 001365
4837
4838
4839
4840 024770 013704 025016
4841 024774 010524
4842 024776 062705 000002
4843 025002 105337 025021

```

```

;END OF PASS
;RESTART TEST

XEOP: TYPE ;TYPE NAME OF TEST
      MPASS
      CLR LAST ;CLEAR LAST ERROR PC
      CLRB SERFLG ;CLEAR ERROR FLAG
RSTRT: JMP XBEGIN

.PARMD: ;CONVERT DECIMAL ASCII STRING TO OCTAL
        MOV (SP),R5
        MOV (R5)+,6$
        MOV (R5)+,7$
        MOV (R5)+,8$
        MOV (R5)+,9$
        MOV (R5)+,10$
        MOV R5,(SP)
2$:    CLR R5
        MOV #INBUF,R4
        CMPB #15,(R4)
1$:    BEQ 3$
        CMPB (R4),#'0
        BLT 3$
        CMPB (R4),#'9
        BGT 3$
        BICB #'0,(R4)
        CLR R2
        BISB (R4)+,R2
        ADD R2,R5
        CMPB #15,(R4)
        BEQ 4$
        ASL R5 ;X2
        MOV R5,R2 ;SAVE X2
        ASL R5 ;X4
        ASL R5 ;X8
        ADD R2,R5 ;TIMES 10
        BR 1$
3$:    INSTER
        BR 2$

;TEST TO SEE IF NUMBER IS WITHIN LIMITS
4$:    CMP R5,7$
        BHI 3$
        CMP R5,6$
        BLO 3$
        BITB 9$,R5
        BNE 3$

;STORE NUMBER AT SPECIFIED ADDRESS
5$:    MOV 8$,R4
        MOV R5,(R4)+
        ADD #2,R5
        DECB 10$

```

```

4844 025006 001372          BNE      55
4845 025010 000002          RTI
4846 025012 000000          65:    0
4847 025014 000000          75:    0
4848 025016 000000          85:    0
4849 025020      000          95:    .BYTE 0
4850 025021      000          105:   .BYTE 0
4851
4852
4853          ;COMPARE THE FIRST CHARACTER IN THE TELETYPE INPUT
4854          ;BUFFER TO THE CHARACTERS "E" AND "C".
4855          ;IF THE CHARACTER IS "E" CLEAR THE FLAG
4856          ;IF THE CHARACTER IS "C" SET THE FLAG
4857
4858 025022 017605 000000 .PAWCH:MOV  2(SP),R5
4859 025026 142737 000040 010452 BICB     #40,INBUF ;SET FOR LOWER CASE INPUT
4860 025034 122737 000105 010452 CMPB     #'E,INBUF ;IS IT "E" ?
4861 025042 001002          BNE     15
4862 025044 105015          CLRB   (R5) ;000
4863 025046 000406          BR     25
4864 025050 122737 000103 010452 15:    CMPB     #'C,INBUF ;IS IT "C" ?
4865 025056 001005          BNE     35
4866 025060 112715 177777          MOVB   #-1,(R5) ;3177
4867 025064 062716 000002          25:    ADD     #2,(SP)
4868 025070 000002          RTI
4869 025072 104404          35:    INSTER          ;RETRY
4870 025074 000752          BR     .PAWCH
4871
4872
4873
4874          ;THIS ROUTINE CONVERTS LINE SPEED (LINESP) AND
4875          ;LINE NUMBER (SAVLIN) FOR DZLPR, DZTCR AND DZCSR
4876          ;REGISTER USAGE.
4877
4878 025076 013737 001372 025314 SET:     MOV     SAVLIN,NUMLIN ;SAVE SAVLIN
4879 025104 013700 001372          XTCRO:  MOV     SAVLIN,R0 ;COPY THE LINE NUMBER FOR LOOP CONTROL
4880 025110 005037 025316          CLR     NUMTCR ;SET A DEFAULT OF LINE 0 OR NO LINES
4881 025114 012702 000001          MOV     #1,R2 ;SET A BIT POINTER TO THE FIRST LINE
4882 025120 005300          XTCR1:  DEC     R0 ;REDUCE THE INDICATOR. IS IT MINUS YET?
4883 025122 100402          BMI     SET1 ;IF SO, R2 POINTS TO THE RIGHT LINE
4884 025124 006302          ASL    R2 ;IF NOT, MOVE THE POINTER TO THE NEXT LINE
4885 025126 000774          BR     XTCR1 ;GO SEE IF THIS LINE IS THE ONE
4886 025130 012701 025172          SET1:  MOV     #TABLE2,R1
4887 025134 010237 025316          MOV     R2,NUMTCR ;COPY THE CORRECT BIT POINTER
4888 025140 022137 025310          15:    CMP     (R1)+,LINESP
4889 025144 001407          BEQ    25
4890 025146 005721          TST   (R1)+ ;IS IT THE END OF TABLE?
4891 025150 001373          BNE    15 ;NO
4892 025152 104402 025420          TYPE   ,MINVAL ;INVALID BAUD RATE, BEGIN AGAIN
4893 025156 012705 023360          MOV     #BAUD,R5 ;JUMP TO BAUD THRU R5
4894 025162 000402          BR     35
4895 025164 011137 025312          25:    MOV     (R1),SPEED ;SET UP BAUD RATE
4896 025170 000205          35:    RTS     R5
4897
4898
4899

```

```

4844 025006 001372          BNE      5$
4845 025010 000002          RTI
4846 025012 000000          6$:      0
4847 025014 000000          7$:      0
4848 025016 000000          8$:      0
4849 025020          9$:      .BYTE 0
4850 025021          10$:     .BYTE 0
4851
4852
4853          ;COMPARE THE FIRST CHARACTER IN THE TELETYPE INPUT
4854          ;BUFFER TO THE CHARACTERS "E" AND "C"
4855          ;IF THE CHARACTER IS "E" CLEAR THE FLAG
4856          ;IF THE CHARACTER IS "C" SET THE FLAG
4857
4858 025022 017605 000000 .PAWCH:MOV  2(SP),R5
4859 025026 142737 000040 010452 BICB      #40,INBUF ;SET FOR LOWER CASE INPUT
4860 025034 122737 000105 010452 CMPB      #'E,INBUF ;IS IT "E" ?
4861 025042 001002          BNE      1$
4862 025044 105015          CLR      (R5) ;000
4863 025046 000406          BR       2$
4864 025050 122737 000103 010452 1$:      CMPB      #'C,INBUF ;IS IT "C" ?
4865 025056 001005          BNE      3$
4866 025060 112715 177777          MOV      #-1,(R5) ;3177
4867 025064 062716 000002          2$:      ADD      #2,(SP)
4868 025070 000002          RTI
4869 025072 104404          3$:      INSTER          ;RETRY
4870 025074 000752          BR       .PAWCH
4871
4872
4873
4874          ;THIS ROUTINE CONVERTS LINE SPEED (LINESP) AND
4875          ;LINE NUMBER (SAVLIN) FOR DZLPR, DZTCR AND DZCSR
4876          ;REGISTER USAGE.
4877
4878 025076 013737 001372 025314 SET:      MOV      SAVLIN,NUMLIN ;SAVE SAVLIN
4879 025104 013700 001372          XTCRO:  MOV      SAVLIN,R0 ;COPY THE LINE NUMBER FOR LOOP CONTROL
4880 025110 005037 025316          CLR      NUMTCR ;SET A DEFAULT OF LINE 0 OR NO LINES
4881 025114 012702 000001          MOV      #1,R2 ;SET A BIT POINTER TO THE FIRST LINE
4882 025120 005300          XTCR1:  DEC      R0 ;REDUCE THE INDICATOR. IS IT MINUS YET?
4883 025122 100402          BMI     SET1 ;IF SO, R2 POINTS TO THE RIGHT LINE
4884 025124 006302          ASL     R2 ;IF NOT, MOVE THE POINTER TO THE NEXT LINE
4885 025126 000774          BR      XTCR1 ;GO SEE IF THIS LINE IS THE ONE
4886 025130 012701 025172          SET1:  MOV      #TABLE2,R1
4887 025134 010237 025316          MOV      R2,NUMTCR ;COPY THE CORRECT BIT POINTER
4888 025140 022137 025310          1$:      CMP      (R1)+,LINESP
4889 025144 001407          BEQ     2$
4890 025146 005721          TST     (R1)+ ;IS IT THE END OF TABLE?
4891 025150 001373          BNE     1$ ;NO
4892 025152 104402 025420          TYPE   MINVAL ;INVALID BAUD RATE,BEGIN AGAIN
4893 025156 012705 023360          MOV     #BAUD,R5 ;JUMP TO BAUD THRU R5
4894 025162 000402          BR      3$
4895 025164 011137 025312          2$:      MOV     (R1),SPEED ;SET UP BAUD RATE
4896 025170 000205          3$:      RTS      R5
4897
4898
4899

```

JOB

MD-11-DZDZA-B
DZDZAB.P11

MACY11 27(732) 03-NOV-76 15:03 PAGE 101
DZ11 DEVICE DIAGNOSTICS. COPYRIGHT 1976 DIGITAL EQUIP. CORP.

```

4900
4901 025172 000062
4902 025174 010070
4903 025176 000113
4904 025200 010470
4905 025202 000156
4906 025204 011070
4907 025206 000207
4908 025210 011470
4909 025212 000226
4910 025214 012070
4911 025216 000454
4912 025220 012470
4913 025222 001130
4914 025224 013070
4915 025226 002260
4916 025230 013470
4917 025232 003410
4918 025234 014070
4919 025236 003720
4920 025240 014470
4921 025242 004540
4922 025244 015070
4923 025246 007020
4924 025250 015470
4925 025252 011300
4926 025254 016070
4927 025256 016040
4928 025260 016470
4929 025262 022600
4930 025264 017070
4931 025266 177777 000000
4932
4933
4934 025272 000000
4935 025274 000000
4936 025276 000000
4937 025300 000000
4938 025302 000000
4939 025304 000000
4940 025306 000000
4941 025310 000156
4942 025312 006307
4943
4944 025314 000100
4945
4946 025316 000001
4947 025320 000240
4948 025322 000000
4949 025324 000000
4950 025326 053200 041505 047524
      025350 041600 047117 051124
      025404 050200 051501 020123
      025420 044600 053116 046101
      025446 046200 047111 035105
      025456 041200 052501 020104
  
```

```

TABLE2: ;THE FOLLOWING IS A TABLE OF LEGAL BAUD RATES (8 BITS/CHAR)
        .WORD 50. ;50 BAUD
        .WORD 10070 ;
        .WORD 75. ;75 BAUD
        .WORD 10470 ;
        .WORD 110. ;110 BAUD
        .WORD 11070 ;TWO STOP BITS
        .WORD 135. ;134.5 BAUD
        .WORD 11470 ;TWO STOP BITS
        .WORD 150. ;150 BAUD
        .WORD 12070 ;TWO STOP BITS
        .WORD 300. ;300 BAUD
        .WORD 12470 ;ONE STOP BIT
        .WORD 600. ;600 BAUD
        .WORD 13070 ;ONE STOP BIT
        .WORD 1200. ;1200 BAUD
        .WORD 13470 ;ONE STOP BIT
        .WORD 1800. ;1800 BAUD
        .WORD 14070 ;ONE STOP BIT
        .WORD 2000. ;2000 BAUD
        .WORD 14470 ;ONE STOP BIT
        .WORD 2400. ;2400 BAUD
        .WORD 15070 ;ONE STOP BIT
        .WORD 3600. ;3600 BAUD
        .WORD 15470 ;ONE STOP BIT
        .WORD 4800. ;4800 BAUD
        .WORD 16070 ;ONE STOP BIT
        .WORD 7200. ;7200 BAUD
        .WORD 16470 ;ONE STOP BIT
        .WORD 9600. ;9600 BAUD
        .WORD 17070 ;
        .WORD -1,0 ;TABLE TERMINATOR
  
```

```

WCHFLG: 0 ;ECHO OR CABLE FLAG
STFLG: 0 ;PROGRAM START FLAG
LOCKUP: 0 ;TIMEOUT FLAG
LAST: 0 ;LAST ERROR PC
TDATA: 0
RDATA: 0
BYTCNT: 0 1
LINE SP: 110. ;DEFAULT BAUD RATE
SPEED: 6307 ;DEFAULT 110 BAUD, 8 BITS/CHAR,
;FDX, 2 STOP BITS
;DEFAULT VALUE, REC. INTERRUPT ENABLED
NUMLIN: 100
NUMTCR: 1 ;DEFAULT VALUE, TCR BIT 0
PRIO: 240 ;DEFAULT DEVICE PRIORITY 5
RECDAT: 0
TBUF: 0
MVECT0: .ASCIZ <200>/VECTOR ADDRESS- /
MREGAD: .ASCIZ <200>/CONTROL REGISTER ADDRESS- /
MPASS: .ASCIZ <200>/PASS DONE./
MINVAL: .ASCIZ <200>/INVALID BAUD RATE - /
MLINE: .ASCIZ <200>/LINE: /
MSPEED: .ASCIZ <200>/BAUD RATE - /
  
```

K08

MO-11-DZDZA-B
DZDZAB.P11

MACY11 27(732) 03-NOV-76 15:03 PAGE 102
DZ11 DEVICE DIAGNOSTICS. COPYRIGHT 1976 DIGITAL EQUIP. CORP.

```
025474 052200 050131 020105 MCHAR: .ASCIZ <200>/TYPE A CHAR. ON DZ11 TERMINAL /
025534 053600 044510 044103 MWHICH: .ASCIZ <200>/WHICH TEST ? ECHO OR CABLE (E OR C) /
025602 052200 051105 044515 MTERM: .ASCIZ <200>/TERMINAL ECHO TEST /
025627 200 040503 046102 MCABLE: .ASCIZ <200>/CABLE TEST /
025644 006777 177777 177412 MQUICK: .ASCII <377><15><377><377><12><377><377>
025653 124 042510 050440 .ASCII /THE QUICK BROWN FOX JUMPED OVER THE LAZY DOGS BACK 0123456789/
025750 006777 177777 177412 .ASCII <377><15><377><377><12><377><377><377><0>
025762
```

```
.EVEN
;:*****
;UTILITIES
;:*****
```

```
:THIS UTILITY CALCULATES PRIORITY LEVEL, SETS UP CSR'S, SETS UP VECTORS.
DZLEV: ASL DZPRT ;BUILD PRIORITY IN THIS LOCATION
ASL DZPRT ;USING ARITHMETIC SHIFTS, ROTATE
ASL DZPRT ; THE PRIORITY LEVEL PAST
ASL DZPRT ; THE BIT POSITIONS CORRE-
MOV DZPRT, LESS1 ;SPONDING TO THE CONDITION CODES
SUB #1, LESS1 ;MOVE THIS TO LESS1
BIC #37, LESS1 ;CREATE THE NEXT LOWEST PRIORITY
MOV DZRIV, RO ;INSURE THAT THE TNZVC BITS ARE CLEAR
ADD #2, RO ;PLACE THE BASE VECTOR ADDRESS IN RO
MOV RO, DZRVIS ;CALCULATE THE RECEIVER INTERRUPT STATUS ADDR.
ADD #2, RO ;STORE IT HERE
MOV RO, DZTIV ;CALCULATE THE TRANSMITTER INTERRUPT VECTOR
ADD #2, RO ;STORE IT HERE
MOV RO, DZTIS ;CALCULATE THE TRANSMITTER VECTOR STATUS ADDRESS
;STORE IT HERE
```

```
:THIS SEGMENT SETS UP POINTERS FOR THE GIVEN DZ11. $BASE IS THE BASE ADDRESS
;OF THE DEVICE
```

```
4951
4952
4953
4954
4955 025762 006337 026170
4956 025766 006337 026170
4957 025772 006337 026170
4958 025776 006337 026170
4959 026002 006337 026170
4960 026006 013737 026170 026172
4961 026014 162737 000001 026172
4962 026022 042737 000037 026172
4963 026030 013700 002072
4964 026034 062700 000002
4965 026040 010037 002074
4966 026044 062700 000002
4967 026050 010037 002076
4968 026054 062700 000002
4969 026060 010037 002100
4970
4971
4972
4973 026064 013700 001310
4974 026070 010037 002042
4975 026074 005200
4976 026076 010037 002044
4977 026102 005200
4978 026104 010037 002046
4979 026110 010037 002052
4980 026114 005200
4981 026116 010037 002050
4982 026122 010037 002054
4983 026126 005200
4984 026130 010037 002056
4985 026134 005200
4986 026136 010037 002060
4987 026142 005200
4988 026144 010037 002062
4989 026150 010037 002066
4990 026154 005200
4991 026156 010037 002064
4992 026162 010037 002070
4993 026166 000207
4994 026170 000240
4995 026172 000200
4996

MOV $BASE, RO ;COPY THE ADDRESS BEING LOADED
MOV RO, DZCSR ;XXX0
INC RO
MOV RO, HDZCSR ;XXX1
INC RO
MOV RO, DZRBUF ;XXX2
MOV RO, DZLPR ;XXX2
INC RO
MOV RO, HDZRBUF ;XXX3
MOV RO, HDZLPR ;XXX3
INC RO
MOV RO, DZTCR ;XXX4
INC RO
MOV RO, HDZTCR ;XXX5
INC RO
MOV RO, DZMSR ;XXX6
MOV RO, DZTDR ;XXX6
INC RO
MOV RO, HDZMSR ;XXX7
MOV RO, HDZTDR ;XXX7
RTS PC
DZPRT: PR5
LESS1: PR4 ;LEVEL TO ALLOW INTERRUPTS
```

L08

MD-11-DZDZA-B
DZDZAB.P11

MACY11 27(732) 03-NOV-76 15:03 PAGE 103
DZ11 DEVICE DIAGNOSTICS. COPYRIGHT 1976 DIGITAL EQUIP. CORP.

			;ERROR ERROR TABLE	
			.ERRTAB:	;ERROR 0
4997				
4998	026174	000000	0	
4999	026176	000000	0	
5000	026200	000000	0	
5001				
5002	026202	026406	EM1	;ERROR
5003	026204	027606	DH1	
5004	026206	030004	DT1	
5005				
5006	026210	026461	EM2	;ERROR 2
5007	026212	027631	DH2	
5008	026214	030016	DT2	
5009				
5010	026216	026507	EM3	;ERROR 3
5011	026220	027664	DH3	
5012	026222	030034	DT3	
5013				
5014	026224	026546	EM4	;ERROR 4
5015	026226	027664	DH3	
5016	026230	030034	DT3	
5017				
5018	026232	026575	EM5	;ERROR 5
5019	026234	027676	DH4	
5020	026236	030042	DT4	
5021				
5022	026240	026624	EM6	;ERROR 6
5023	026242	027676	DH4	
5024	026244	030042	DT4	
5025				
5026	026246	026662	EM7	;ERROR 7
5027	026250	027664	DH3	
5028	026252	030034	DT3	
5029				
5030	026254	026723	EM8	;ERROR 10
5031	026256	027664	DH3	
5032	026260	030034	DT3	
5033				
5034	026262	026765	EM9	;ERROR 11
5035	026264	027664	DH3	
5036	026266	030034	DT3	
5037				
5038	026270	027023	EM10	;ERROR 12
5039	026272	027664	DH3	
5040	026274	030034	DT3	
5041				
5042	026276	027062	EM13	;ERROR 13
5043	026300	027664	DH3	
5044	026302	030034	DT3	
5045				
5046	026304	027113	EM14	;ERROR 14
5047	026306	027664	DH3	
5048	026310	030034	DT3	
5049				
5050	026312	027145	EM15	;ERROR 15
5051	026314	000000	0	
5052	026316	000000	0	

5089
5090

```

026406 047200 020117 046123 EM1: .ASCIZ <200>/NO SLAVE SYNC RESPONSE FROM DZ11 REGISTER/
026461      200 042522 044507 EM2: .ASCIZ <200>/REGISTER R/W FAILURE?
026507      200 051124 047101 EM3: .ASCIZ <200>/TRANSMIT READY (TRDY) NOT SET/
026546 051200 041505 044505 EM4: .ASCIZ <200>/RECEIVER DONE NOT SET/
026575      200 040504 040524 EM5: .ASCIZ <200>/DATA COMPARISON ERROR/
026624 042200 030532 020061 EM6: .ASCIZ <200>/DZ11 *RECEIVER BUFFER* ERROR/
026662 052200 040522 051516 EM7: .ASCIZ <200>/TRANSMITTER FAILED TO INTERRUPT/
026723      200 047125 054105 EM8: .ASCIZ <200>/UNEXPECTED TRANSMITTER INTERRUPT/
026765      200 042522 042503 EM9: .ASCIZ <200>/RECEIVER FAILED TO INTERRUPT/
027023      200 047125 054105 EM10: .ASCIZ <200>/UNEXPECTED RECEIVER INTERRUPT/
027062 051600 046111 020117 EM13: .ASCIZ <200>/SILO ALARM SET TOO SOON/
027113      200 044523 047514 EM14: .ASCIZ <200>/SILO ALARM FAILED TO SET/
027145      200 041501 044524 EM15: .ASCIZ <200>/ACTION DETECTED ON INVALID LINE./
027207      200 042522 042101 EM16: .ASCIZ <200>/READING DZRBUF DID NOT CLEAR SILO ALARM/
027260 042200 052101 020101 EM17: .ASCIZ <200>/DATA VALID SHOULD NOT BE SET/
027316 051200 041505 044505 EM20: .ASCIZ <200>/RECEIVER DONE SHOULD NOT BE SET/
027357      200 042522 040514 EM21: .ASCIZ <200>/RELATIVE TIMING ERROR./
027407      200 047515 042504 EM22: .ASCIZ <200>/MODEM SIGNAL ERROR ON CABLE TEST/
027451      200 040504 040524 EM23: .ASCIZ <200>/DATA VALID IS NOT SET!/
027501      200 040504 040524 EM24: .ASCIZ <200>/DATA OVERRUN IS SET!/
027527      200 051106 046501 EM25: .ASCIZ <200>/FRAMING ERROR OCCURRED/
027557      200 040520 044522 EM26: .ASCIZ <200>/PARITY ERROR OCCURRED/

027606 052200 040522 020120 DH1: .ASCIZ <200>/TRAP PC DZ11 REG/
027631      200 054105 042520 DH2: .ASCIZ <200>/EXPECTED FOUND REGISTER/
027664 046200 047111 020105 DH3: .ASCIZ <200>/LINE NO./
027676 042600 050130 041505 DH4: .ASCIZ <200>/EXPECTED FOUND LINE/
027725      200 054124 046040 DH5: .ASCIZ <200>/TX LINE PREVIOUS TIME ACTUAL TIME PARAMETER/
    
```

.EVEN

```

030004 000002          DT1: 2 .DATA TABLES FOR ERROR MESSAGES
030006      006      003      .BYTE 6,3
030010 001204          $REG1
030012      006      001      .BYTE 6,1
030014 001202          $REG0

030016 000003          DT2: 3
030020      006      004      .BYTE 6,4
030022 001214          $REG5
030024      006      001      .BYTE 6,1
030026 001212          $REG4
030030      006      001      .BYTE 6,1
030032 001202          $REG0

030034 000001          DT3: 1
030036      003      001      .BYTE 3,1
030040 001372          SAVL IN

030042 000003          DT4: 3
030044      006      004      .BYTE 6,4
030046 001214          $REG5
030050      006      001      .BYTE 6,1
030052 001212          $REG4
030054      003      001      .BYTE 3,1
    
```

MD-11-D7D2A-B
D7D2AB.P11

MACY11 27(732) 03-NOV-76 15:03 PAGE 106
D211 DEVICE DIAGNOSTICS. COPYRIGHT 1976 DIGITAL EQUIP. CORP.

030056 001372

SAVLIN

030060 000004

DTS: 4

030062 003 005

.BYTE 3.5

030064 001372

SAVLIN

030066 006 011

.BYTE 6.9.

030070 001214

\$REGS

030072 006 007

.BYTE 6.7

030074 001220

\$TMP1

030076 006 001

.BYTE 6.1

030100 001400

REGIST

030102 000001

CORMAX:
.ENC

K09

MD-11-DZDZA-B MACY11 27(732) 03-NOV-76 15:03 PAGE 116
 DZDZAB.P11 CROSS REFERENCE TABLE -- USER SYMBOLS

RDONE = 00C200	789#	3016	3286	3314	3374	3401	3473	3541	3613	3686	4759	4764	4769*
RECDAT 025322	4666*	4669	4673	4674	4676*	4677*	4678	4750*	4753	4756			
REGIST 001400	4770*	4771	4948#										
RESREG 007054	1142#	3368*	3452*	4163*	4275*	4373*	4444*	5090					
RESTAR 011254	2257	2260#											
RESVEC= 000010	2377	2514#											
RESOS = 104410	758#												
RIE = 000100	1342#	2260											
	788#	2856	3054	3539	3611	3698	3737	3903	3989	4178	4180	4247	4252
	4295	4345	4350	4393	4478	4653	4690	4724					
RINGO = 000001	893#												
RING1 = 000002	894#												
RING2 = 000004	895#												
RING3 = 000010	896#												
RING4 = 000020	897#												
RING5 = 000040	898#												
RING6 = 000100	899#												
RING7 = 000200	900#												
RLO = 000000	818#												
RL1 = 000400	819#												
RL2 = 001000	820#												
RL3 = 001400	821#												
RL4 = 002000	822#												
RL5 = 002400	823#												
RL6 = 003000	824#												
RL7 = 003400	825#												
RSTART 020212	3972#												
RSTRT 024622	4796#												
RUN 001406	1145#	1424*	2458	2460*	2461*	2467*	2468*						
RXISR1 022676	4174	4436#											
RXSVC 020514	3984	4037#											
RXTCR 020770	3971*	4000	4074*	4101#									
RO = %000000	679#	1460*	1462*	1463	1565*	1574	1576	1578	1579	1580	1582	1583	1584
	1658*	1659	1660	1671*	1679*	1691*	1693*	1695	1696	1754*	1757	1874	1875*
	1880	1885	1888*	1940	1948*	1952	1953	1955*	1956*	1957	1979*	2093	2098*
	2110	2119*	2136	2139*	2149*	2163	2164*	2165	2166*	2167*	2168*	2169*	2187
	2188*	2189*	2191*	2346	2371*	2469*	2475	2476	2477	2480	2481	2482	2497*
	2498	2500	2502	2504	2507	2508	2521*	2543*	2544*	2545*	2546*	2547*	2549*
	2550*	2551*	2553*	2580*	2583*	2590*	2597*	2634*	2643*	2645*	2647	2658*	2687*
	2688	2690*	2693*	2694	2696*	2699*	2700	2702*	2705*	2706	2708*	2727*	2729*
	2730	2738	2759*	2761*	2762	2766*	2767	2773*	2775	2791*	2793*	2794	2798*
	2799	2805*	2807	2823*	2825*	2826	2830*	2831	2837*	2839	2855*	2857*	2858
	2862*	2863	2869*	2871	2887*	2889*	2890	2894*	2895	2901*	2903	2918*	2921*
	2922	2927*	2928	2936*	2938	2961*	2967*	2968	2973*	2974	2982*	2984	2986
	2990	3014*	3016*	3018	3021*	3022	3028*	3031	3052*	3053*	3055	3062*	3063
	3078*	3080	3089	3104*	3106	3114	3140*	3165	3170	3198*	3211	3217	3235*
	3241*	3243	3249	3327*	3328*	3363*	3364*	3365	3367*	3384	3398	3412*	3416*
	3417*	3442*	3443	3447*	3766*	3767*	3768	3770*	3776*	3777*	3790	3791*	3897*
	3898*	3899	3901*	3913*	3914*	3923	3924*	3925	3935	3973*	3974	3978*	3990*
	3981*	3982	4032*	4135*	4136*	4137	4164*	4165*	4166	4190*	4191*	4192	4238*
	4239*	4240	4242*	4336*	4337*	4338	4340*	4412*	4416*	4418	4467*	4468*	4471
	4472	4474	4879*	4882*	4963*	4964*	4965	4966*	4967	4968*	4969	4973*	4974
	4975*	4976	4977*	4978	4979	4980*	4981	4982	4983*	4984	4985*	4986	4987*
	4988	4989	4990*	4991	4992								
R1 = %000001	680#	1566*	1572*	1574*	1575*	1576*	1577*	1578*	1579*	1583*	1584*	1692*	1693
	1694*	1695	1941	1978*	2092	2099*	2111	2115*	2117	2118	2119	2120	2148*

		2347	2370*	2522*	2540*	2543	2576*	2578*	2579*	2581	2586	2588	2591*	2592
		2594	2600*	2601*	2603	2614*	2615	2620*	2621	2623*	2644*	2645	2646*	2647
		2648	2655*	2656*	2688*	2694*	2700*	2706*	2713*	2717	3272*	3276	3277*	3354*
		3358	3359*	3440*	3441*	3445	3446*	3501*	3505	3506*	3569*	3573	3574*	3646*
		3650	3651*	3757*	3761	3762*	3888*	3892	3893*	3972*	3976	3977*	4220*	4221*
		4222*	4225	4228*	4229	4230*	4231*	4269*	4270*	4271*	4272*	4278	4281	4283
		4285	4289*	4318*	4319*	4320*	4324	4326*	4327	4328*	4329*	4367*	4368*	4369*
		4370*	4376	4379	4381	4383	4387*	4402*	4405*	4406*	4407	4408*	4410	4413*
		4414*	4446*	4447*	4448*	4449*	4450	4452	4455	4458*	4460	4475	4540*	4542*
		4544	4545	4729*	4762	4774	4778*	4886*	4888	4890	4895			
R2	=%000002	681*	1567*	1580*	1581*	1582*	1637*	1641*	1643*	2091	2100*	2348	2369*	2523*
		2524*	2541*	2544	2569*	2571*	2572	2575*	2603*	2604	2605*	2606*	2607*	2608
		2609*	2610*	2642*	2654*	2655	2660*	2662*	2664*	2665*	2666*	2735*	2744*	3030*
		3035*	3143*	3148	3151*	3154	3164	3169	3199*	3200	3202*	3206	3208	3209
		3215	3237*	3238	3240	3255*	3273*	3274	3278*	3281*	3283	3285	3325	3329*
		3355*	3356	3360*	3369*	3371	3373	3414	3418*	3450*	3453	3455	3456	3486
		3487*	3502*	3503	3507*	3570*	357.	3575*	3647*	3648	3652*	3660*	3661	3664*
		3669	3730	3758*	3759	3763*	3771*	3773	3778	3848	3851*	3864	3889*	3890
		3894*	3902*	3905	3915	3953	3956*	4018*	4021*	4023	4031	4053*	4056*	4058
		4074	4084*	4085	4093*	4168*	4223*	4224	4232*	4235*	4293	4321*	4322	4330*
		4333*	4391	4409*	4462	4541*	4542	4543*	4544	4730*	4785	4786*	4815*	4816*
		4817	4821*	4824	4881*	4884*	4887							
R3	=%000003	682*	1611*	1612*	1615*	1621*	1638*	1639*	1640*	1642*	1644*	1645	1993	2000*
		2010*	2013*	2014	2019*	2090	2101*	2112	2122*	2123*	2124*	2125	2132*	2133*
		2138*	2141*	2147*	2349	2368*	2526*	2527*	2528*	2529*	2530*	2531*	2532*	2545
		2570*	2608*	2737*	2740*	3086*	3087*	3088	3111*	3112*	3113	3142*	3150*	3155
		3313*	3317*	3400*	3709*	3710*	3711*	3717*	3722*	3723	3782*	3792	3808*	3809
		4014*	4016*	4017	4019*	4049*	4050*	4051*	4052	4054*	4061*	4062*	4063	4065
		4071*	4072	4082*	4087	4092	4169*	4236*	4290*	4293	4334*	4388*	4391	4459*
		4462												
R4	=%000004	683*	1994	1999*	2003*	2004*	2005	2012*	2015	2018*	2026	2035*	2036	2038
		2040	2042*	2043	2044	2066*	2067*	2071*	2089	2102*	2113	2035*	2036	2038
		2127*	2128*	2146*	2220*	2221	2222*	2223*	2224*	2225*	2226*	2227	2228	2229
		2350	2367*	2533*	2539	2547	2650*	2651*	2730*	2731	2738*	2762*	2763	2767*
		2775*	2794*	2795	2799*	2807*	2826*	2827	2831*	2839*	2858*	2859	2863*	2871*
		2890*	2891	2895*	2903*	2922*	2923*	2924	2928*	2929*	2930	2938*	2939*	2940
		2968*	2969*	2970	2974*	2975*	2976	2984*	2985*	2990*	2991*	2992	3018*	3022*
		3031*	3032	3055*	3056	3063*	3064	3080*	3081	3083	3086	3089*	3090	3106*
		3107	3108	3111	3114*	3115	3154*	3157*	3159*	3161	3163	3165*	3166	3170*
		3211*	3212	3217*	3242*	3246*	3249*	3250	3320*	3321	3404*	3407*	3408	3472*
		3476*	3479*	3480	3677*	3681*	3685*	3689*	3708*	3709	3726*	3727	3783*	3787*
		3799*	3803*	3811*	3813*	3830*	3831	3844*	3845	3916*	3920*	3936*	3940*	4017*
		4026*	4027*	4028	4029*	4043*	4046	4049	4063	4066*	4266*	4269	4273	4276
		4281	4287*	4364*	4367	4371	4374	4379	4385*	4439*	4442	4446	4450	4454*
		4627*	4632*	4635*	4712*	4713	4764*	4765*	4766	4807*	4808	4810	4812	4814*
		4816	4818	4840*	4841*									
R5	=%000005	684*	2025	2027*	2028	2029	2030	2031	2032	2033	2034*	2043*	2046*	2047*
		2048*	2057	2059	2061	2067	2068*	2072*	2088	2103*	2114	2118*	2121	2129*
		2145*	2218*	2219*	2220	2223	2351	2366*	2393*	2397*	2402*	2407*	2534*	2535
		2536*	2728*	2729	2731	2736*	2760*	2761	2763	2766	2769	2770*	2772*	2773
		2777*	2792*	2793	2795	2798	2801	2802*	2804*	2805	2809*	2824*	2825	2827
		2830	2833	2834*	2836*	2837	2841*	2856*	2857	2859	2862	2865	2866*	2868*
		2869	2873*	2888*	2889	2891	2894	2897	2898*	2900*	2901	2905*	2919*	2921
		2924	2927	2932	2933*	2935*	2936	2942	2943*	2945*	2947*	2962*	2967	2970
		2973	2978	2979*	2981*	2982	2986	2994	2995*	2997*	2999*	3015*	3025*	3029*
		3032	3054*	3056	3059*	3064	3081*	3082*	3083	3090	3107*	3108	3115	3160*

		3161*	3162*	3163*	3166	3172*	3205*	3206*	3207*	3208*	3212	3219*	3236*	3250
		3253*	3289*	3293*	3297*	3303*	3308*	3309*	3310*	3312*	3321	3377*	3381*	3385*
		3391*	3396*	3397*	3398*	3399*	3408	3458*	3464*	3469*	3470*	3471*	3480	3518*
		3525*	3540*	3547*	3587*	3595*	3612*	3620*	3676*	3727	3816*	3822*	3827*	3828*
		3829*	3831	3837*	3838	3840*	3841*	3842	4065*	4276*	4277*	4278*	4279*	4283*
		4284*	4374*	4375*	4376*	4377*	4381*	4382*	4452*	4453*	4474*	4597*	4628*	4636
		4707*	4708*	4709*	4710*	4713	4762*	4763*	4766	4799*	4800	4801	4802	4803
		4804	4805	4806*	4817*	4820*	4821	4822*	4823*	4824*	4831	4833	4835	4841
		4842*	4858*	4862*	4866*	4893*	4896*							
R6	=%000006	685#	687											
R7	=%000007	686#	688											
SAVLIN	001372	1139#	3280*	3297	3326*	3327	3362*	3385	3415*	3416	3449*	3458	3485*	3509*
		3577*	3654*	3663*	3723	3765*	3776	3816	3850*	3896*	3913	3955*	4052*	4061
		4083*	4091*	4128*	4234*	4285*	4286*	4332*	4383*	4384*	4455*	4456*	4475*	4476*
		4594	4678	4771	4878	4879	5090							
SAVNUM	001411	1147#	1420*	1557*	1742*	1744*	2621*							
SAVPC	001402	1143#	2084*	2284										
SAVOS	= 104407	1340#	2217											
SCOP1	= 104401	1328#	2716	2946	2998	3174	3221	3324	3339	3411	3484	3849	3871	3954
		4188	4719											
SERV.G	007212	1794	2205	2288#	2295	4187	4638	4658	4739					
SET	025076	4597	4878#											
SETAPT	011260	1451	2521#											
SETFLG	= 104406	1338#	1535											
SET.PS	010620	955	2426#											
SET1	025130	4883	4886#											
SEVEN	= 000020	841#												
SEVENS	= 000060	845#												
SILCAL	= 025000	791#	3016	3794	3800	3834	3927	3937	4040					
SILOEN	= 010000	790#	2824	3054	3772	3861	3870	3903						
SIX	= 000010	840#												
SIXS	= 000050	844#												
SNAP	020342	3995#	4075											
SP	=%000006	687#	1417*	1431*	1432*	1440	1441	1519*	1520*	1521	1523	1525	1702*	1796
		1801*	1807*	1810	1812	1813	1831	1833*	1849*	1874*	1875	1885*	1887	1888
		1889*	1891	1893	1895	1901	1903*	1905*	1913*	1917	1921	1922	1926	1940*
		1941*	1948	1949*	1960	1961*	1962*	1972	1973*	1978	1979	1993*	1994*	1995
		1996*	2012	2013	2014*	2015*	2018	2019	2025*	2026*	2027	2033*	2071	2072
		2084	2110*	2111*	2112*	2113*	2114*	2115	2116*	2125*	2133	2145	2146	2147
		2148	2149	2163*	2164	2187*	2191	2198*	2213	2215	2218	2271	2279*	2290*
		2291*	2292	2303*	2304*	2305	2310	2316	2318	2320*	2321	2324*	2325*	2326
		2346*	2347*	2348*	2349*	2350*	2351*	2352*	2353	2361*	2365	2366	2367	2368
		2369	2370	2371	2376*	2393	2409*	2426	2431	2436	2438*	2439*	2637*	2664
		2668*	2713	2714	2769*	2772	2801*	2804	2833*	2836	2865*	2868	2897*	2900
		2932*	2935	2942*	2945	2978*	2981	2994*	2997	3529	3532	3552	3555	3604
		3625	3949	3952	4075*	4296*	4298*	4394*	4396*	4530*	4600*	4686*	4776*	4779*
		4799	4805*	4858	4867*									
SPACNT	006457	2153#												
SPEED	025312	4624	4646	4721	4895*	4942#								
SPIN	024346	4736#	4742	4779										
STACK	= 001120	662#	1417	1702	2279	4530	4600							
STFLG	025274	4533*	4588*	4605	4607*	4611	4613*	4935#						
STKLMT	= 177774	673#												
STOP	001462	1177#	3365	3768	3899	3982	4137	4166	4240	4338				
SVOS	006214	2088#												
SWR	001160	1016#	1434	1438*	1453	1457	1552	1586	1651	1668	1673	1678	1681	1706

TDATA	025302	4938#												
T00	001422	1161#	3363	3384	3398	3412*	3534	3606	3766	3790	3791*	3897	3923	3924*
		3925	3935	3380	4028	4029*	4135	4164	4238	4336	4407	4408*	4410	
TD1	001424	1162#												
TD2	001426	1163#												
TD3	001430	1164#												
TD4	001432	1165#												
TD5	001434	1166#												
TD6	001436	1167#												
TD7	001440	1168#												
TEIGHT	002140	1403#												
TEMP	010514	2421#												
TEST1	023526	4610	4620#	4640										
TEST2	024150	4604	4697#											
TFIVE	002146	1406#												
TIE =	040000	792#	2888	3054	3517	3523	3586	3599	3605	3697	3737	3865	3870	3990
		4178	4247	4291	4345	4389	4420	4724						
TKVEC =	000060	766#												
TLAST =	022120	2508	5090#											
TLO =	000000	797#												
T.L1 =	000400	798#												
TL2 =	001000	799#												
TL3 =	001400	800#												
TL4 =	002000	801#												
TL5 =	002400	802#												
TL6 =	003000	803#												
TL7 =	003400	804#												
TMTBL	002102	1387#	4468*	4472	4474									
TPVEC =	000064	767#												
TRAPVE =	000034	765#												
TRDY =	100000	793#	3021	3025	3236	3243	3290	3336	3378	3519	3588	3784	3917	3933
TRTVEC =	000014	760#												
TRO	001442	1169#	4063	4065	4071*	4072	4087	4278	4281	4283	4289*	4376	4379	4381
		4387*	4450	4452	4458*	4460								
TR1	001444	1170#												
TR2	001446	1171#												
TR3	001450	1172#												
TR4	001452	1173#												
TR5	001454	1174#												
TR6	001456	1175#												
TR7	001460	1176#												
TSEVEN	002142	1404#												
TSIX	002144	1405#												
TST1	012166	1796	2497	2512	2681#									
TST10	013104	2886	2915#											
TST11	013242	2917	2958#											
TST12	013416	2960	3011#											
TST13	013534	3013	3048#											
TST14	013620	3050	3074#											
TST15	013710	3076	3100#											
TST16	013774	3102	3133#											
TST17	014164	3135	3189#											
TST2	012356	2683	2724#											
TST20	014322	3191	3231#											
TST21	014436	3233	3267#											
TST22	014754	3269	3349#											

H10

MD-11-DZDZA-B MACY11 27(732) 03-NOV-76 15:03 PAGE 126
DZDZAB.P11 CROSS REFERENCE TABLE -- USER SYMBOLS

.SASTA= ***** U 1936 1939
.SX = 001462 1183# 1188

MO-11-DZDZA-8
DZDZAB.P11

MACY11 27(732) 03-NOV-76 15:03 PAGE 130
CROSS REFERENCE TABLE -- MACPO NAMES

.SSCOP	10	639#	1781
.SSIZE	10		
.SSUPR	10		
.STRAP	10	-639#	
.STYPB	10		
.STYPC	10		
.STYPE	10	639#	1852
.STYPO	10		
.S4OCA	10		
.1170	10		

ADC	2461	2468													
ADD	1575	1577	1643	1644	1889	1949	1961	1973	1996	2068	2116	2124	2223	2226	2409
	2438	2462	2470	2540	2541	2614	2662	3253	4189	4198	4564	4567	4571	4817	4824
	4842	4867	4964	4966	4968										
ASL	2046	2047	2048	2167	2222	2224	3159	3328	3417	3777	3914	4021	4027	4056	4062
	4272	4370	4406	4416	4449	4820	4822	4823	4884	4955	4956	4557	4958	4959	
ASLB	1507	1508	1509	1510	1511	2947	2999	3151	3202	3255	3278	3329	3360	3418	3447
	3487	3507	3575	3652	3664	3763	3851	3894	3956	3978	4093	4143	4232	4330	
ASR	1570	1615	1621	1956	2127	2128	3157	3303	3391	3464	3717	3822	4286	4384	4413
	4456	4476													
BCC	1616	1622	2652	3152	3203	3256	3279	3330	3361	3419	3448	3488	3508	3576	3653
	3764	3895	3979	4094	4144	4154	4233	4331							
BCS	1571	1613	2315	2537	3304	3392	3465	3718	3823	3852	3957				
BEQ	1435	1443	1522	1553	1559	1614	1620	1662	1669	1692	1707	1755	1797	1817	1823
	1846	1848	1879	1892	1927	1943	1947	1967	1969	2006	2037	2045	2137	2207	2214
	2231	2237	2248	2253	2257	2268	2277	2289	2305	2434	2487	2538	2587	2589	2593
	2595	2613	2619	2624	2732	2739	2764	2768	2776	2796	2800	2808	2828	2832	2840
	2860	2864	2872	2892	2896	2904	2925	2931	2941	2971	2977	2993	3019	3023	3033
	3057	3065	3084	3091	3109	3116	3156	3167	3171	3213	3218	3239	3251	3275	3284
	3287	3299	3322	3337	3357	3372	3375	3387	3409	3438	3444	3454	3460	3481	3504
	3520	3542	3572	3589	3614	3649	3713	3724	3728	3760	3795	3818	3832	3835	3843
	3891	3926	3928	3934	3975	4041	4047	4064	4086	4088	4181	4195	4225	4253	4282
	4323	4325	4351	4380	4443	4451	4461	4463	4470	4539	4574	4603	4640	4670	4679
	4714	4754	4757	4760	4767	4772	4809	4819	4889						
BGE	1826														
BGT	1750	2041	2319	4813											
BHI	2058	4473	4832												
BHIS	3793														
BIC	1520	1524	1581	1747	2123	2225	2291	2304	2320	2325	2394	2479	2524	2532	2550
	2666	2766	2798	2830	2862	2894	2923	2927	2929	2939	2973	3082	3325	3414	3486
	3533	3599	3605	3711	3726	3730	3737	3848	3870	3953	4016	4026	4031	4051	4066
	4074	4140	4148	4161	4191	4221	4230	4271	4277	4284	4287	4295	4319	4328	4369
	4375	4382	4385	4393	4405	4420	4448	4453	4454	4478	4675	4676	4763	4765	4769
	4962														
BICB	2004	2042	3169	3215	4418	4814	4859								
BIS	1527	1582	1640	2175	2321	2549	2578	2579	2591	3027	3028	3029	3062	3240	3241
	3282	3312	3370	3399	3441	3451	3471	3517	3539	3586	3611	3659	3697	3698	3772
	3829	3841	3861	3864	3865	3903	3988	3989	3990	4141	4159	4162	4178	4222	4228
	4247	4279	4320	4326	4345	4377	4624	4646	4648	4722	4723	4724			
BISB	2043	2183	3161	3163	3164	3206	3208	3209	3310	3398	4278	4376	4708	4710	4816
BIT	1453	1552	1586	1651	1668	1681	1706	1802	1820	1845	2176	2206	2211	2274	2276
	2294	2458	2486	2586	2588	2592	2594	2986	3155	3243	3274	3283	3286	3290	3314
	3336	3356	3371	3378	3378	3401	3443	3453	3473	3503	3519	3541	3571	3588	3613
	3648	3661	3686	3759	3773	3784	3794	3800	3834	3890	3905	3917	3927	3933	3937
	3974	4023	4040	4046	4058	4085	4132	4180	4194	4224	4226	4252	4273	4291	4322
	4324	4350	4371	4389	4442	4460	4538	4573	4669	4753	4756	4759			
BITB	1878	1883	1915	1946	2061	3148	3200	3238	4835						
BLO	2060	4834													
BLOS	1674	2649	3839												
BLT	1906	2039	2317	4811											
BMI	1458	2548	2582	3145	3194	3197	3679	3693	3909	4012	4020	4038	4044	4055	4267
	4365	4403	4415	4437	4440	4630	4664	4667	4748	4751	4783	4883			
BNE	1446	1454	1456	1464	1526	1587	1646	1650	1652	1655	1667	1697	1705	1743	1803
	1821	1836	1877	1884	1886	1894	1902	1916	1923	1945	1951	1954	1971	2011	2062
	2070	2131	2135	2140	2144	2177	2190	2212	2233	2262	2275	2293	2295	2327	2364
	2396	2401	2406	2430	2453	2459	2464	2473	2485	2499	2501	2503	2509	2573	2584

M10

MO-11-DZDZA-B
DZDZAB.P11

MACY11 27(732) 03-NOV-76 15:03 PAGE 133
CROSS REFERENCE TABLE -- PERMANENT SYMBOLS

	2598	2616	2659	2743	2745	2948	2987	3000	3036	3149	3201	3244	3247	3291	3294
	3315	3318	3366	3379	3382	3402	3405	3413	3474	3477	3526	3548	3596	3621	3662
	3682	3687	3690	3769	3774	3785	3788	3801	3804	3810	3814	3869	3900	3906	3918
	3921	3938	3941	3983	3999	4001	4004	4024	4030	4059	4073	4133	4138	4167	4183
	4185	4193	4227	4241	4255	4274	4292	4294	4339	4353	4372	4390	4392	4411	4419
	4431	4546	4606	4612	4633	4637	4684	4742	4775	4836	4844	4651	4865	4891	
BPL	1450	1518	1610	1800	1871	1920	2002	2008	2209	2270	2302	2309	2323	2965	3138
	3671	3674	3780	3846	4151	4218	4257	4316	4355	4656	4737				
BR	1436	1528	1562	1585	1619	1624	1665	1677	1710	1798	1805	1811	1814	1873	1899
	1909	1918	1925	1937	1959	2017	2050	2052	2266	2356	2380	2399	2404	2412	2432
	2456	2466	2506	2511	2542	2552	2585	2599	2627	2632	2636	2663	3158	3175	3222
	3306	3340	3394	3467	3523	3530	3545	3550	3553	3593	3602	3618	3623	3626	3665
	3720	3732	3798	3825	3931	3943	3948	3951	4022	4057	4156	4197	4199	4417	4609
	4777	4825	4827	4863	4870	4885	4894								
CLC	1568	1623	2311	3307	3395	3468	3721	3826	4152	4155					
CLR	1421	1425	1426	1427	1462	1516	1671	1694	1729	1745	1795	1819	2034	2199	2307
	2362	2551	2571	2580	2590	2600	2601	2609	2634	2690	2696	2702	2708	2711	2735
	2736	2737	2770	2777	2802	2809	2834	2841	2866	2873	2898	2905	2933	2943	2949
	2979	2995	3001	3015	3026	3030	3142	3160	3172	3205	3219	3242	3280	3289	3313
	3362	3364	3367	3377	3400	3420	3449	3472	3489	3509	3518	3540	3577	3587	3612
	3628	3654	3676	3677	3685	3739	3741	3765	3767	3770	3782	3783	3799	3811	3896
	3898	3901	3916	3936	3959	3981	3995	4082	4083	4097	4099	4127	4128	4129	4136
	4142	4165	4168	4169	4170	4171	4234	4235	4236	4239	4242	4250	4251	4332	4333
	4334	4337	4340	4348	4349	4533	4534	4535	4537	4543	4588	4601	4627	4635	4707
	4729	4730	4746	4794	4806	4815	4880								
CLRB	1422	1461	1604	1730	1818	1834	1898	1924	1975	1976	1977	2141	2216	2398	2408
	2574	2969	2975	2985	2991	3483	3684	4536	4795	4862					
CMP	1434	1463	1645	1661	1673	1695	1696	1796	1812	1825	2057	2059	2213	2267	2288
	2316	2318	2429	2433	2463	2471	2498	2500	2502	2508	2572	2615	2647	2648	2714
	2731	2763	2795	2827	2859	2891	2924	2970	3032	3056	3064	3083	3090	3108	3115
	3166	3212	3250	3321	3365	3408	3480	3529	3532	3552	3555	3604	3625	3723	3768
	3792	3809	3831	3899	3925	3949	3952	3982	4087	4137	4166	4192	4240	4293	4338
	4391	4410	4462	4472	4544	4545	4678	4713	4766	4771	4831	4833	4888		
CMPB	1455	1521	1525	1649	1876	1891	1893	1901	1922	1926	1944	2005	2036	2038	2040
	2044	2261	2292	2305	2326	2395	2400	2405	2612	3727	3838	3842	4063	4281	4379
	4450	4639	4683	4774	4808	4810	4812	4818	4860	4864					
COM	3087	3112	4607	4613											
DEC	1558	1739	1748	2010	2129	2143	2189	2583	2623	2744	3868	3998	4414	4429	4632
	4882														
DECB	1448	1465	1590	1656	1742	1905	1908	2069	2134	2139	2568	4019	4054	4843	
EMT	663														
HALT	951	1672	1676	1680	1872	2272	2355	2379	2435	2455	2635				
INC	1736	1746	1824	1974	2273	2363	2597	2658	2740	3035	3150	3246	3277	3326	3359
	3404	3415	3446	3476	3485	3506	3525	3547	3574	3595	3620	3651	3663	3681	3689
	3762	3791	3803	3808	3837	3840	3850	3893	3920	3924	3940	3955	3977	4003	4032
	4071	4091	4139	4182	4231	4254	4289	4290	4329	4352	4387	4388	4408	4409	4458
	4459	4569	4741	4975	4977	4980	4983	4985	4987	4990					
INCB	1829	1928	2611	3293	3317	3381	3412	3787	3813	4029	4184	4256	4354	4778	4786
IOT	664														
JMP	982	984	1444	1452	1459	1573	1588	1591	1714	1762	2280	2514	2717	3147	3705
	3775	3853	3872	3907	3958	4002	4007	4615	4659	4740	4745	4796			
JSR	1451	1554	1589	1653	1757	1794	1881	1900	1907	1914	1963	2205	2264	2483	4187
	4465	4597	4638	4658	4739										
MOV	1417	1419	1423	1424	1428	1431	1432	1433	1438	1439	1440	1441	1460	1481	1494
	1519	1523	1549	1550	1555	1563	1564	1565	1566	1567	1572	1574	1576	1578	1579
	1580	1583	1584	1611	1637	1638	1641	1642	1658	1659	1660	1678	1679	1691	1692

RTI	1838	1850	1890	2020	2073	2094	2104	2150	2178	2184	2192	2200	2291	2378	2410
	2440	2638	2669	3874	4033	4076	4297	4299	4395	4397	4421	4464	4479	4687	4691
RTS	4780	4787	4845	4868											
SEC	1647	1930	1980	2169	2329	2555	2672	4432	4896	4993					
SECB	1550	2625	2325	3393	3456	9	3824	4157							
SECB	1955	2219	2427	2665	4196	31									
TRAP	1639	3162	3207	3309	3397	3470	3710	3828	4050	4270	4368	4447	4677	4709	4770
	1326	1328	1330	1332	1334	1336	1338	1340	1342	1344	1346	1348	1350	1352	1354
	1356														
*ST	1442	1609	1666	1704	1809	1822	1835	1847	1887	1895	1917	1950	1968	1970	2165
	2232	2236	2247	2252	2256	2269	2452	2484	2507	2539	2581	2604	2930	2940	2976
	2992	3144	3437	3670	3678	3692	3845	3908	4011	4092	4150	4217	4315	4469	4471
	4622	4635	4611	4629	4657	4738	4782	4890							
*STB	1445	1449	1457	1517	1654	1799	1816	1870	1919	1942	1953	1966	2001	2007	2136
	2238	2230	2301	2308	2322	2618	2964	3137	3193	3196	3298	3386	3459	3673	3712
	3779	3817	4000	4037	4072	4436	4655	4663	4736	4747					
WAIT	3867														
.ASC11	1039	1040	1648	4950											
.ASC12	988	1041	1648	2331	2338	2382	4950	5090							
.BLKB	1146														
.BLKW	1144	1206	1207	1208	1209	1210	1211	1213	1214	1215	1216	1217	1218	1220	1221
	1222	1223	1224	1225	1227	1228	1229	1230	1231	1232	1234	1235	1236	1237	1238
	1239	1241	1242	1243	1244	1245	1246	1248	1249	1250	1251	1252	1253	1255	1256
	1257	1258	1259	1260	1262	1263	1264	1265	1266	1267	1269	1270	1271	1272	1273
	1274	1276	1277	1278	1279	1290	1281	1283	1284	1285	1286	1287	1288	1290	1291
	1292	1293	1294	1295	1297	1298	1299	1300	1301	1302	1304	1305	1306	1307	1308
	1309	1311	1312	1313	1314	1315	1316								
.BYTE	998	999	1004	1005	1013	1014	1022	1023	1024	1025	1057	1058	1068	1069	1076
	1077	1079	1080	1082	1083	1147	1154	1155	1156	1157	1158	1479	1480	1492	1493
	1504	1505	1546	1547	1602	1603	1635	1636	1689	1690	1766	1769	1772	1775	1981
	1982	1983	2078	2079	2152	2153	2283	2286	2335	2383	2385	2495	2495	4553	4554
	4561	4562	4585	4586	4595	4596	4849	4850	5090						
.ENABL	1	639													
.END	5090														
.ENOC	644	663	755	769	970	974	976	992	996	998	1026	1034	1038	1039	1043
	1046	1068	1076	1079	1082	1085	1086	1087	1088	1089	1090	1091	1092	1093	1094
	1095	1096	1097	1098	1099	1100	1101	1102	1103	1104	1105	1106	1107	1111	1181
	1183	1190	1203	1723	1724	1726	1745	1750	1753	1754	1756	1762	1764	1784	1787
	1790	1802	1804	1815	1816	1818	1820	1824	1829	1831	1832	1840	1841	1856	1885
	1935	1936	1939	1966	1981	2343	2352	2353	2359	2365	2366	2376	2378	2382	2443
	2674	2676	2679	2681	2682	2684	2719	2722	2724	2725	2727	2749	2754	2756	2757
	2759	2781	2786	2788	2789	2791	2813	2818	2820	2821	2823	2845	2850	2852	2853
	2855	2877	2882	2894	2895	2887	2909	2913	2915	2916	2918	2921	2949	2951	2956
	2958	2959	29-1	2967	3001	3003	3009	3011	3012	3014	3040	3046	3048	3049	3051
	3069	3072	3074	3075	3077	3095	3098	3100	3101	3103	3121	3130	3133	3134	3136
	3178	3187	3189	3190	3192	3225	3229	3231	3232	3234	3259	3265	3267	3268	3270
	3272	3343	3347	3349	3350	3352	3354	34-4	3431	3433	3434	3436	3440	3491	3495
	3497	3498	3500	3501	3531	3556	3558	3559	3563	3565	3566	3568	3569	3603	3629
	3631	3633	3640	3642	3643	3645	3646	3743	3750	3752	3753	3755	3757	3876	3881
	3883	3884	3836	3838	3961	3965	3967	3968	3970	3971	4105	4120	4122	4123	4126
	4148	4202	4205	4212	4214	4215	4217	4220	4229	4301	4303	4310	4312	4313	4315
	4318	4327	5030												
.EQUIV	663	664	672	687	688	717	718	719	720	721	722	723	724	725	726
	745	746	747	748	749	750	751	752	753	754					
.EVEN	1046	1148	1159	1648	1984	2333	2339	2382	2387	4950	5090				
.IF	639	640	661	727	755	969	972	974	991	995	997	1026	1034	1038	1039

	1042	1043	1045	1058	1076	1079	1092	1085	1086	1087	1088	1089	1090	1091	1092
	1093	1094	1095	1096	1097	1098	1099	1100	1101	1102	1103	1104	1105	1106	1107
	1111	1180	1182	1189	1203	1722	1723	1724	1725	1726	1728	1749	1752	1754	1756
	1762	1764	1783	1786	1790	1794	1802	1814	1816	1817	1818	1820	1822	1830	1832
	1834	1840	1841	1855	1876	1934	1936	1939	1966	1981	2342	2352	2353	2358	2365
	2366	2374	2376	2378	2382	2426	2675	2679	2680	2692	2683	2718	2722	2723	2725
	2726	2748	2754	2755	2757	2758	2780	2786	2787	2789	2790	2812	2818	2819	2821
	2822	2844	2850	2851	2853	2854	2876	2882	2883	2885	2886	2908	2913	2914	2916
	2917	2921	2923	2950	2956	2957	2959	2960	2964	2969	3002	3009	3010	3012	3013
	3039	3046	3047	3049	3050	3068	3072	3073	3075	3076	3094	3098	3099	3101	3102
	3120	3130	3132	3134	3135	3177	3187	3188	3190	3191	3224	3229	3230	3232	3233
	3258	3265	3266	3268	3269	3271	3342	3347	3348	3350	3351	3353	3423	3431	3432
	3434	3435	3439	3430	3491	3495	3496	3498	3499	3500	3528	3554	3558	3559	3563
	3564	3566	3567	3568	3598	3627	3631	3632	3640	3641	3643	3644	3645	3742	3750
	3751	3753	3754	3756	3875	3881	3882	3884	3885	3887	3960	3965	3966	3968	3969
	3970	4104	4120	4121	4123	4125	4147	4201	4202	4212	4213	4215	4216	4219	4227
	4300	4301	4310	4311	4313	4314	4317	4325	5090						
.IFF	663	970	974	976	992	996	998	1026	1043	1046	1181	1183	1190	1723	1725
	1728	1750	1753	1764	1784	1814	1816	1818	1834	1840	1856	1925	2343	2359	2374
	2426	2676	2679	2681	2682	2683	2684	2719	2722	2724	2725	2726	2727	2749	2754
	2756	2757	2758	2759	2781	2786	2788	2789	2790	2791	2813	2818	2820	2821	2822
	2823	2845	2850	2852	2853	2854	2855	2877	2882	2884	2885	2886	2887	2909	2913
	2915	2916	2917	2918	2924	2930	2940	2951	2956	2958	2959	2960	2961	2969	2975
	2985	3003	3009	3011	3012	3013	3014	3040	3046	3048	3049	3050	3051	3069	3072
	3074	3075	3076	3077	3095	3098	3100	3101	3102	3103	3121	3130	3133	3134	3135
	3136	3178	3187	3189	3190	3191	3192	3225	3229	3231	3232	3233	3234	3259	3265
	3267	3268	3269	3270	3343	3347	3349	3350	3351	3352	3424	3431	3433	3434	3435
	3436	3491	3495	3497	3499	3499	3500	3528	3554	3559	3563	3565	3566	3567	3568
	3603	3627	3633	3640	3641	3643	3644	3645	3743	3750	3752	3753	3754	3755	3876
	3681	3883	3884	3885	3886	3961	3965	3967	3968	3969	3970	4105	4120	4122	4123
	4125	4126	4202	4205	4212	4214	4215	4216	4217	4227	4301	4310	4312	4313	4314
	4327														
.IFT	639	1820	2674	2675	2679	2718	2722	2748	2754	2780	2786	2812	2818	2844	2850
	2876	2882	2908	2913	2923	2929	2939	2950	2956	2969	2975	2985	3002	3009	3039
	3046	3068	3072	3094	3098	3120	3130	3177	3187	3224	3229	3258	3265	3342	3347
	3423	3431	3490	3495	3528	3556	3558	3559	3563	3598	3627	3632	3640	3742	3750
	3875	3881	3960	3965	4104	4120	4201	4202	4212	4227	4300	4301	4310	4325	
.IFTF	639	1818	2924	2930	2940	2970	2976	2992							
.IIF	639	644	649	650	1042	1046	1745	1764	1787	1788	1789	1790	1794	1819	1832
	1840	1841	1932	2683	2684	2726	2727	2758	2759	2790	2791	2822	2823	2854	2855
	2886	2887	2913	2917	2918	2955	2960	2961	3013	3014	3050	3051	3076	3077	3082
	3102	3103	3108	3135	3136	3191	3192	3233	3234	3269	3270	3271	3351	3352	3353
	3435	3436	3439	3499	3500	3511	3523	3545	3557	3567	3568	3579	3592	3601	3617
	3630	3644	3645	3754	3755	3756	3885	3886	3887	3969	3970	4124	4126	4147	4216
	4217	4219	4314	4315	4317										
.IRP	1326	1328	1330	1332	1334	1336	1338	1340	1342	1344	1346	1348	1350	1352	1354
	1356	1728	1794	1834	1940	1941	1962	1978	1979	2346	2352	2365	2366	2675	2679
	2680	2683	2718	2722	2723	2726	2748	2754	2755	2758	2780	2786	2787	2790	2812
	2818	2819	2822	2844	2850	2851	2854	2876	2882	2883	2886	2908	2913	2914	2917
	2950	2956	2957	2960	3002	3009	3010	3013	3039	3046	3047	3050	3062	3072	3073
	3076	3094	3098	3099	3102	3120	3131	3132	3135	3177	3187	3188	3191	3224	3229
	3230	3233	3258	3265	3266	3269	3342	3347	3348	3351	3423	3431	3432	3435	3490
	3495	3496	3499	3558	3563	3564	3567	3632	3640	3641	3644	3742	3750	3751	3754
	3875	3891	3882	3885	3960	3965	3966	3969	4104	4120	4121	4125	4201	4212	4213
	4216	4300	4310	4311	4314	5090									
.LIST	1	639	650	659	769	941	951	986	988	1025	1026	1029	1030	1031	1032

	1033	1034	1035	1036	1037	1038	1043	1046	1205	1212	1219	1226	1233	1240	1247
	1254	1261	1268	1275	1282	1289	1296	1303	1310	1317	1319	1328	1330	1332	1334
	1336	1338	1340	1342	1344	1346	1348	1350	1352	1354	1356	1358	1407	1649	1715
	1745	1756	1778	1790	1989	2382	2674	2675	2679	2680	2682	2684	2718	2722	2723
	2725	2727	2748	2754	2755	2757	2759	2780	2786	2787	2789	2791	2812	2918	2919
	2821	2823	2844	2850	2851	2853	2855	2876	2882	2883	2885	2887	2908	2913	2914
	2916	2918	2950	2956	2957	2959	2961	3002	3009	3010	3012	3014	3039	3046	3047
	3049	3051	3068	3072	3073	3075	3077	3094	3098	3099	3101	3103	3120	3130	3132
	3134	3137	3177	3187	3188	3190	3193	3224	3229	3230	3232	3234	3258	3265	3266
	3268	3271	3342	3347	3348	3350	3353	3423	3431	3432	3434	3436	3490	3495	3496
	3498	3500	3558	3563	3564	3566	3568	3632	3640	3641	3643	3645	3742	3750	3751
	3753	3755	3875	3881	3882	3884	3886	3960	3965	3966	3968	3970	4104	4120	4121
	4123	4126	4201	4212	4213	4215	4217	4300	4310	4311	4313	4315	4522	4950	5090
.MACRO	1	639	989												
.MCALL	639	769	1043												
.MLIST	1	639	650	659	769	941	951	986	988	1026	1028	1029	1030	1031	1032
	1033	1034	1035	1036	1037	1038	1043	1046	1205	1212	1219	1226	1233	1240	1247
	1254	1261	1268	1275	1282	1289	1296	1303	1310	1317	1319	1328	1330	1332	1334
	1336	1338	1340	1342	1344	1346	1348	1350	1352	1354	1356	1358	1407	1648	1715
	1745	1756	1778	1790	1989	2382	2674	2675	2679	2680	2682	2684	2718	2722	2723
	2725	2727	2748	2754	2755	2757	2759	2780	2786	2787	2789	2791	2812	2818	2819
	2821	2823	2844	2850	2851	2853	2855	2876	2882	2883	2885	2887	2908	2913	2914
	2916	2918	2950	2956	2957	2959	2961	3002	3009	3010	3012	3014	3039	3046	3047
	3049	3051	3068	3072	3073	3075	3077	3094	3098	3099	3101	3103	3120	3130	3132
	3134	3137	3177	3187	3188	3190	3193	3224	3229	3230	3232	3234	3258	3265	3266
	3268	3271	3342	3347	3348	3350	3353	3423	3431	3432	3434	3436	3490	3495	3496
	3498	3500	3558	3563	3564	3566	3568	3632	3640	3641	3643	3645	3742	3750	3751
	3753	3755	3875	3881	3882	3884	3886	3960	3965	3966	3968	3970	4104	4120	4121
	4123	4126	4201	4212	4213	4215	4217	4300	4310	4311	4313	4315	4522	4950	5090
.PAGE	941	989	1111	1150	1319	1361	1382	1407	1715	2443	2517	2674	4398	4434	4997
.REM	1														
.REPT	650	659	951	1028	1034	1205	1989								
.SBTTL	650	659	769	941	967	986	989	1043	1111	1178	1407	1715	1720	1778	1781
	1853	1932	2340	2674											
.TITLE	639														
.WORD	975	997	1000	1001	1002	1004	1006	1007	1008	1009	1010	1011	1012	1015	1016
	1017	1026	1028	1029	1030	1031	1032	1033	1034	1035	1036	1037	1048	1049	1050
	1051	1052	1053	1054	1055	1059	1060	1061	1074	1078	1081	1084	1085	1086	1087
	1088	1089	1090	1091	1092	1093	1094	1095	1096	1097	1098	1099	1100	1101	1102
	1103	1104	1105	1106	1161	1162	1163	1164	1165	1166	1167	1168	1169	1170	1171
	1172	1173	1174	1175	1176	1194	1195	1196	1197	1198	1199	1749	1752	1763	1882
	1929	1964	2193	2265	2337	2375	2377	2413	2414	2415	4901	4902	4903	4904	4905
	4906	4907	4908	4909	4910	4911	4912	4913	4914	4915	4916	4917	4918	4919	4920
	4921	4922	4923	4924	4925	4926	4927	4928	4929	4930	4931				

ERRORS DETECTED: 0
DEFAULT GLOBALS GENERATED: 0

* DZDZAB.SEQ/SOL/CRF/PAGNUM/NL:TOC=SYSMAC.CO,DZDZAB.P11
RUN-TIME: 57 76 11 SECONDS
RUN-TIME RATIO: 323/146=2.2
CORE USED: 51K (101 PAGES)

