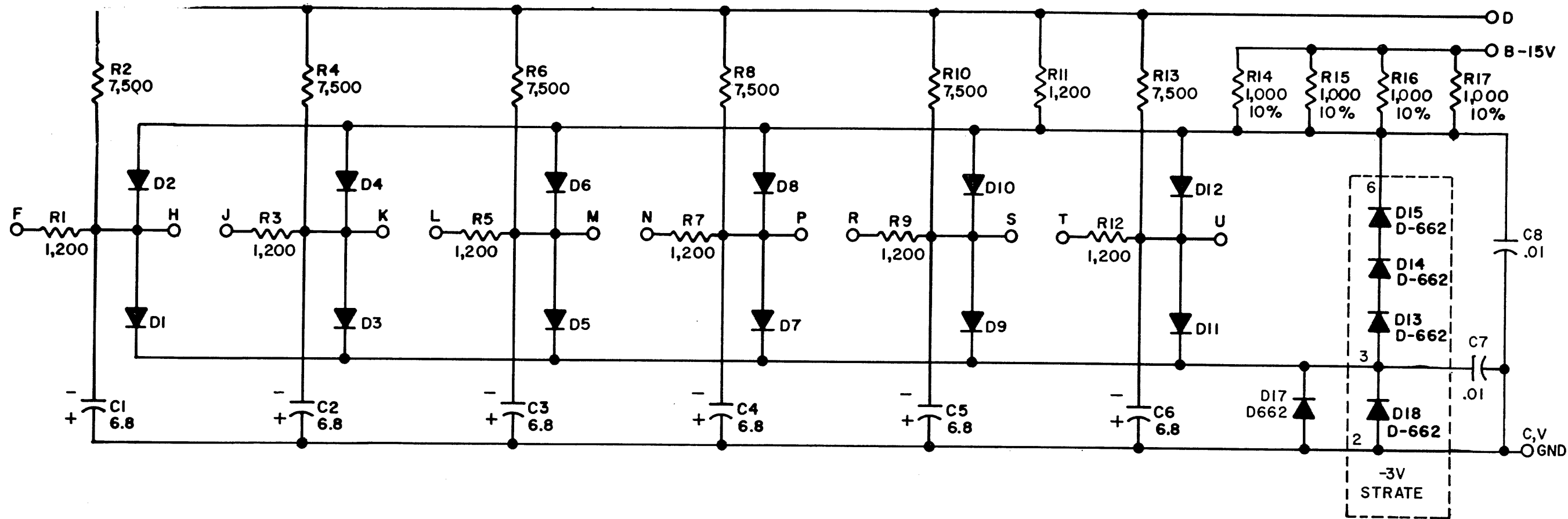


THIS SCHEMATIC IS FURNISHED ONLY FOR TEST AND MAINTENANCE PURPOSES. THE CIRCUITS ARE PROPRIETARY IN NATURE AND SHOULD BE TREATED ACCORDINGLY. COPYRIGHT 1964 BY DIGITAL EQUIPMENT CORPORATION



UNLESS OTHERWISE INDICATED:  
RESISTORS ARE 1/4 W, 5%  
CAPACITORS ARE MFD  
DIODES ARE D-664



REVISIONS CHG NO REV DAW 5283 2 REV. & REDR. 5408 C	DRN. A. OUELLETTE	DATE 8-3-64	TRANSISTOR & DIODE CONVERSION CHART		<b>digital</b> EQUIPMENT CORPORATION MAYNARD, MASSACHUSETTS	TITLE SWITCH FILTER W700			
	CHK'D N. PERRYMAN	DATE 8-4-64	DEC	EIA		SIZE B	CODE CS	NUMBER W700-0-1	REV. C
	ENG. B. SCUDNEY	DATE 8-4-64	D662	IN645		PRINTED CIRCUIT REV. B			
	PROD.	DATE	D664	IN3606					