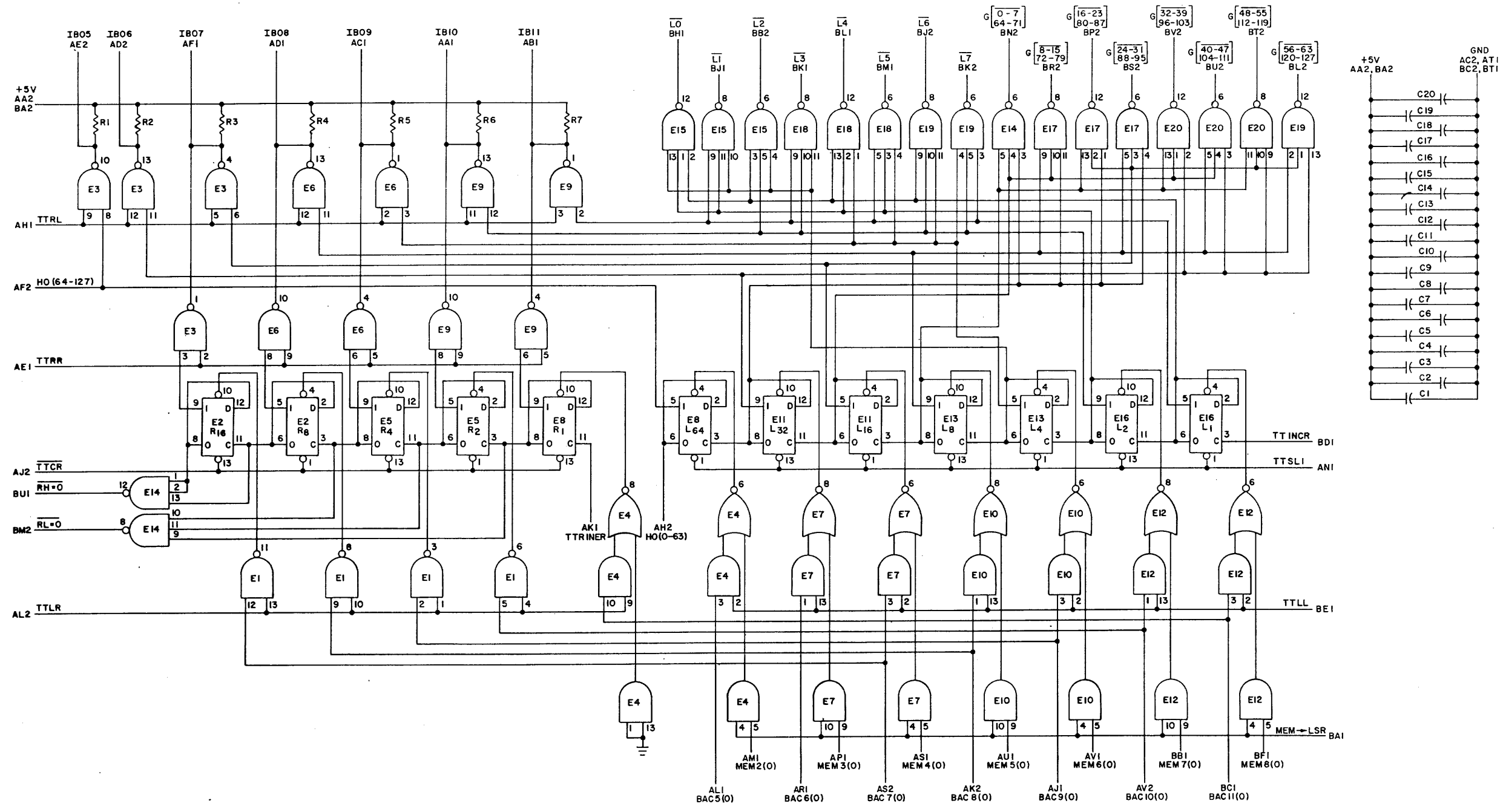


THIS SCHEMATIC IS FURNISHED ONLY FOR TEST AND MAINTENANCE PURPOSES. THE CIRCUITS ARE PROPRIETARY IN NATURE AND SHOULD BE TREATED ACCORDINGLY. COPYRIGHT 1968 BY DIGITAL EQUIPMENT CORPORATION



E14, E15, E17, -E20	INTEGRATED CKT. DEC74H10N	1909057
E4, E7, E10, E12	INTEGRATED CKT. DEC74H50N	1909060
E3, E6, E9	INTEGRATED CKT. DEC7401N	1905590
E2, E5, E8, E11, E13, E16	INTEGRATED CKT. DEC7474N	1905547
E1	INTEGRATED CKT. DEC7400N	1905575
R1 - R7	RES. 1.5K 1/4W 5% CC	1300391
C1 - C20	CAP. .01MFD 100V 20% DISC	1001610
PARTS LIST		A-PL-M751-0-0
REFERENCE DESIGNATION	DESCRIPTION	PART NO.

REVISIONS CHKD NO. REV.	DRN. <i>Dr. Walker</i> DATE <i>11-3-68</i> CHKD. <i>Dr. Walker</i> DATE <i>11-12-68</i> ENG. <i>Dr. Walker</i> DATE <i>11-12-68</i> PROD. DATE	TRANSISTOR & DIODE CONVERSION CHART DEC EIA DEC EIA		digital EQUIPMENT CORPORATION MAYNARD, MASSACHUSETTS	TITLE LINE REGISTER AND CONTROL M751	
					SIZE CODE NUMBER D CS M751-0-1	REV.
					PRINTED CIRCUIT REV.	A

PART NUMBER
 CS M751-0-1