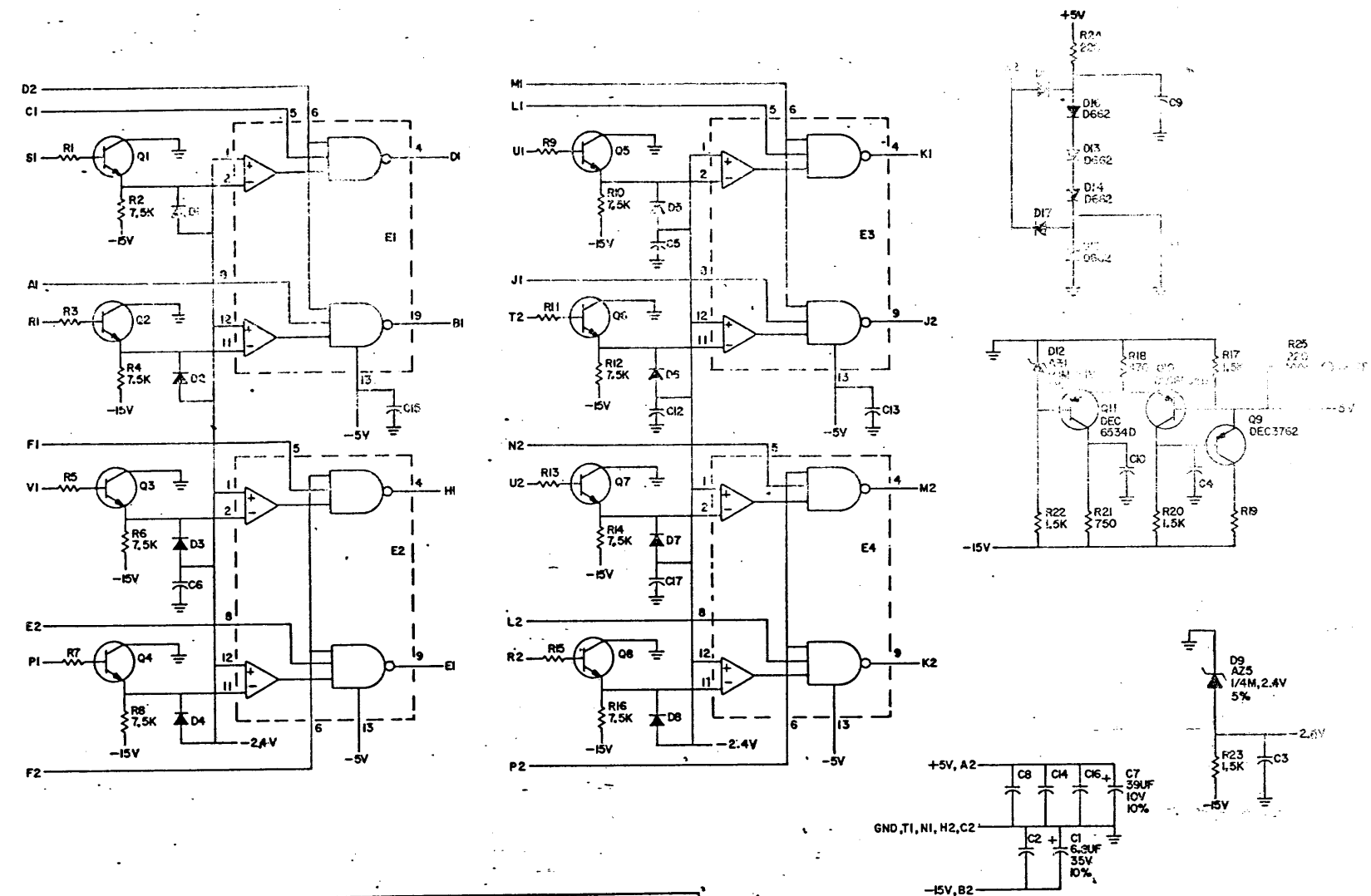
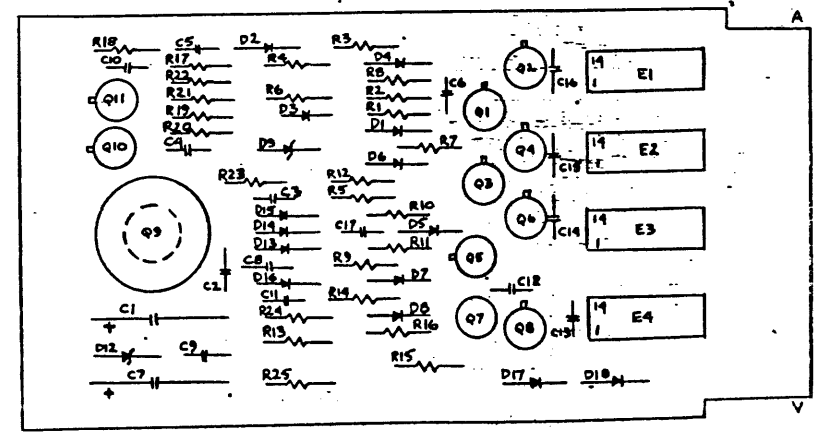


THIS SCHEMATIC IS FURNISHED ONLY FOR TEST AND MAINTENANCE PURPOSES. THE CIRCUITS ARE PROPRIETARY IN NATURE AND SHOULD BE TREATED ACCORDINGLY. COPYRIGHT 1970 BY DIGITAL EQUIPMENT CORPORATION.



UNLESS OTHERWISE INDICATED:
 TRANSISTORS = DEC3009B
 DIODES = D664
 RESISTORS = 100, 1/4W, 5%
 CAPACITORS = .01UF, 100V, 20%
 IC'S = DEC75107
 PIN 7 = GND
 PIN 14 = +5V ON ALL IC'S



| | | | |
|------------|---------------|------------------------------|-----|
| 25 | 1101938 | DIODE AZ5 1/4M, 2.4V 5% | 1 |
| 24 | 9008268 | WAKEFIELD THERMAL COMPOUND | A/R |
| 23 | 9008337-06 | HANDLE, FLIP CHIP - MAGENTA | 1 |
| 22 | 9006732 | EYELET #GS 4-7 | 2 |
| 21 | 1910268 | I.C. DEC 75107 | 4 |
| 20 | 1509649 | TRANSISTOR DEC 3762 | 1 |
| 19 | 1503409-00 | TRANSISTOR DEC 6534D | 2 |
| 18 | 1503100 | TRANSISTOR DEC 3009B | 8 |
| 17 | 1301422 | RES. 7.5K, 1/4W, 5% | 8 |
| 16 | 1301401 | RES. 750, 1/4W, 5% | 1 |
| 15 | 1300391 | RES. 1.5K, 1/4W, 5% | 4 |
| 14 | 1300316 | RES. 470, 1/4W, 5% | 1 |
| 13 | 1300271 | RES. 220, 1/4W, 5% | 2 |
| 12 | 1300229 | RES. 100, 1/4W, 5% | 9 |
| 11 | 1202313 | HEAT SINK | 1 |
| 10 | 1105871 | DIODE AZ1, 1/4M, 5.1V, 1% | 1 |
| 9 | 1100114 | DIODE D664 | 10 |
| 8 | 1100113 | DIODE D662 | 4 |
| 7 | 1005306 | CAP. 6.8UF, 35V, 10% S. TANT | 1 |
| 6 | 1001610 | CAP. .01UF, 100V, 20% DISC | 15 |
| 5 | 1000076 | CAP. 39UF, 10V, 10% S. TANT | 1 |
| 4 | 5009353 | ETCHED CIRCUIT BOARD | 1 |
| 3 | E-CC-1564-0-6 | MODULE ECO HISTORY | |
| 2 | C-AS-M564-0-5 | ASSY/DRILLING HOLE LAYOUT | |
| 1 | K-CC-M564-0-4 | X-Y COORDINATE HOLE LOCATION | |
| ITEM | DEC PART NO. | DESCRIPTION | QTY |
| PARTS LIST | | | |

| | | | | | | |
|-------------------------------------|---------------------------|------------------|-----------------------|-------------------------------------|--------------------|------------------|
| DESIGNED BY R. B. BROWN | CHECKED BY J. J. BROWN | DATE 12/15/70 | DATE 7-11-71 | DATE 12-15-71 | DATE 12-15-71 | DATE 12-15-71 |
| TRANSISTOR & DIODE CONVERSION CHART | | | EQUIPMENT CORPORATION | | | |
| DEC | EM | DEC | EM | TITLE -3V I.O. BUS RECEIVER M564 | | |
| DEC3009B | 2N3762 | DEC6534D | MPS6534 | SHEET NO. D | NUMBER M564-0-1 | REV. F |
| D664 | IN3806 | D662 | IN648 | PRINTED CIRCUIT REV | | |
| AZ1 | | AZ1 | | E | | |