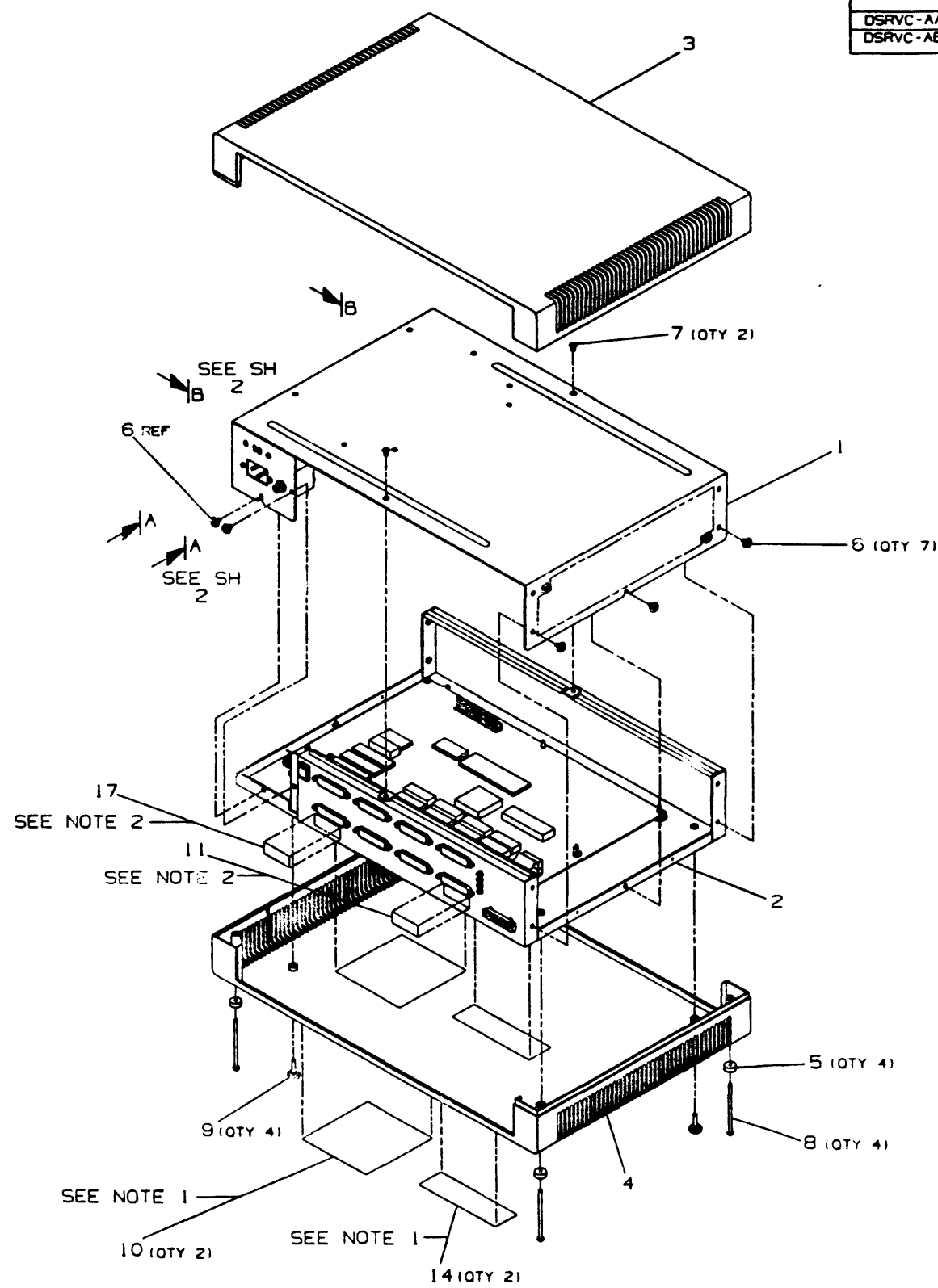


LEGEND		
PART NO	REV	VARIATION
DSRVC-A2	A1	DECROUTER 200 (120V) (FOR NORTH AMERICAN FIELD SERVICE SPARES ONLY)
DSRVC-AA	A1	DECROUTER 200 (120V)
DSRVC-AB	A1	DECROUTER 200 (240V)

- NOTES:
1. LABELS (ITEMS 10 & 14) TO BE PLACED APPROXIMATELY WHERE SHOWN ON SHEET METAL BASE (ITEM 2) AND PLASTIC BASE (ITEM 4) PRIOR TO ASSEMBLING.
  2. LOCATE LABELS (ITEMS 11, 12, 13, & 17) APPROXIMATELY WHERE SHOWN.



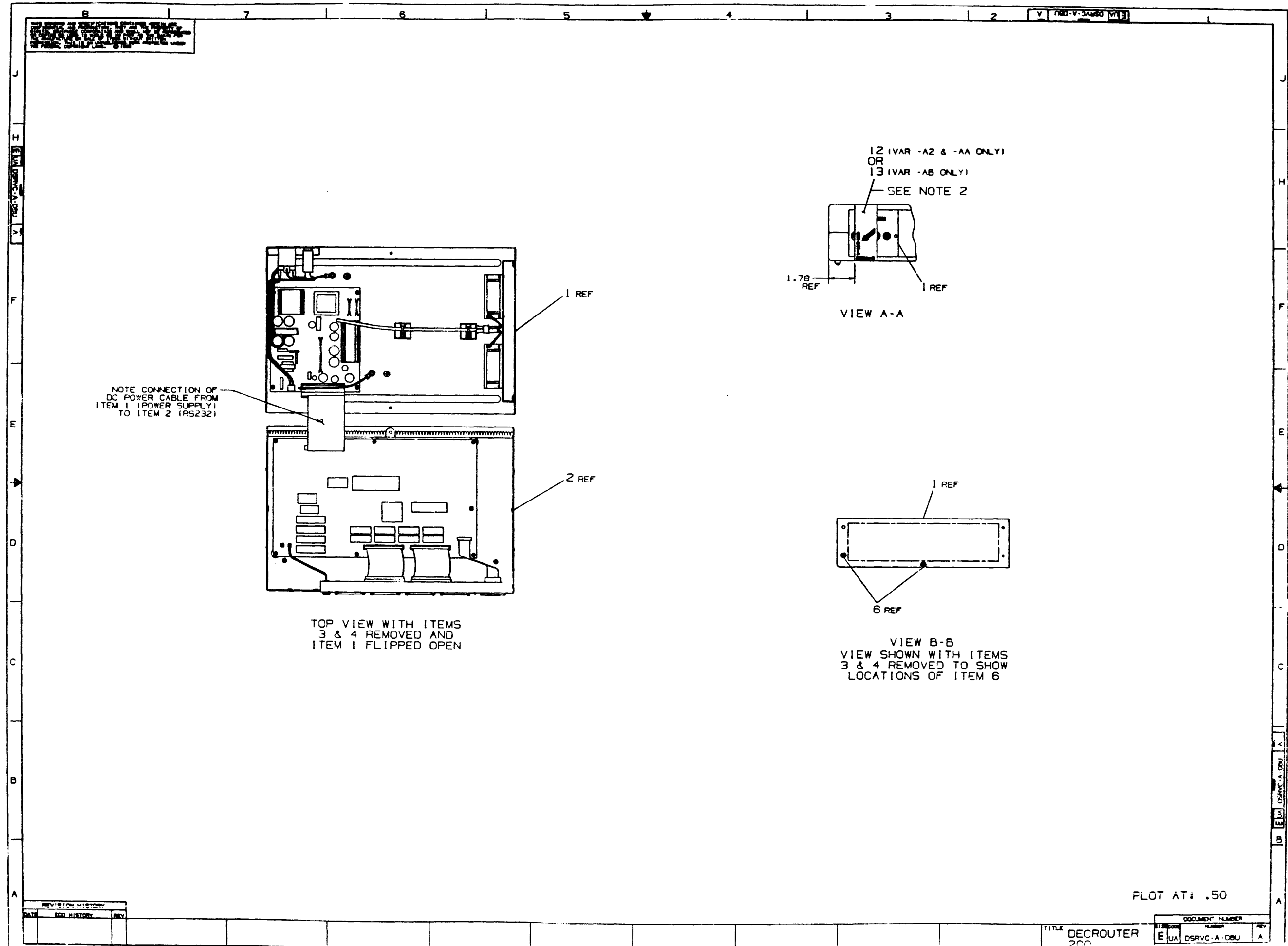
LAYER 1: WORK LAYER (SH 1)  
 LAYER 2: FORMAT LAYER (SH 1)  
 LAYER 3: WORK LAYER (SH 2)  
 LAYER 4: FORMAT LAYER (SH 2)

PL0: AT: .50

CAUTION: OFF SHEET PARTS LIST EXISTS  
 SEE K-PL-DSRVC-A-DBP  
 (LTN007)

DESCRIPTION	DRAWING NO.	PART NO.
UNLESS OTHERWISE SPECIFIED DIMENSIONS ARE IN INCHES AND THE FOLLOWING TOLERANCES APPLY (PER DEC STD 114)		
FRONT VIEW	SP-8	
RIGHT SIDE VIEW	SP-9	
TOP VIEW	SP-10	
ISOMETRIC VIEW	SP-11	
SECTION A-A	SP-12	
SECTION B-B	SP-13	
EXPLODED VIEW	SP-14	
REVISIONS	DATE	BY
1. REVISED TO ADD PART 17	12-15-68	E. TENANDER
2. REVISED TO ADD PART 10	1-15-69	BOURGALTY/WM
3. REVISED TO ADD PART 14	1-15-69	G. MCCARTHY
4. REVISED TO ADD PART 11	1-15-69	A. PARIKH
5. REVISED TO ADD PART 17	1-15-69	J. SEQUINOT
6. REVISED TO ADD PART 17	1-15-69	J. SEQUINOT
7. REVISED TO ADD PART 17	1-15-69	J. SEQUINOT
8. REVISED TO ADD PART 17	1-15-69	J. SEQUINOT
9. REVISED TO ADD PART 17	1-15-69	J. SEQUINOT
10. REVISED TO ADD PART 17	1-15-69	J. SEQUINOT
11. REVISED TO ADD PART 17	1-15-69	J. SEQUINOT
12. REVISED TO ADD PART 17	1-15-69	J. SEQUINOT
13. REVISED TO ADD PART 17	1-15-69	J. SEQUINOT
14. REVISED TO ADD PART 17	1-15-69	J. SEQUINOT
15. REVISED TO ADD PART 17	1-15-69	J. SEQUINOT
16. REVISED TO ADD PART 17	1-15-69	J. SEQUINOT
17. REVISED TO ADD PART 17	1-15-69	J. SEQUINOT
18. REVISED TO ADD PART 17	1-15-69	J. SEQUINOT
19. REVISED TO ADD PART 17	1-15-69	J. SEQUINOT
20. REVISED TO ADD PART 17	1-15-69	J. SEQUINOT
21. REVISED TO ADD PART 17	1-15-69	J. SEQUINOT
22. REVISED TO ADD PART 17	1-15-69	J. SEQUINOT
23. REVISED TO ADD PART 17	1-15-69	J. SEQUINOT
24. REVISED TO ADD PART 17	1-15-69	J. SEQUINOT
25. REVISED TO ADD PART 17	1-15-69	J. SEQUINOT
26. REVISED TO ADD PART 17	1-15-69	J. SEQUINOT
27. REVISED TO ADD PART 17	1-15-69	J. SEQUINOT
28. REVISED TO ADD PART 17	1-15-69	J. SEQUINOT
29. REVISED TO ADD PART 17	1-15-69	J. SEQUINOT
30. REVISED TO ADD PART 17	1-15-69	J. SEQUINOT
31. REVISED TO ADD PART 17	1-15-69	J. SEQUINOT
32. REVISED TO ADD PART 17	1-15-69	J. SEQUINOT
33. REVISED TO ADD PART 17	1-15-69	J. SEQUINOT
34. REVISED TO ADD PART 17	1-15-69	J. SEQUINOT
35. REVISED TO ADD PART 17	1-15-69	J. SEQUINOT
36. REVISED TO ADD PART 17	1-15-69	J. SEQUINOT
37. REVISED TO ADD PART 17	1-15-69	J. SEQUINOT
38. REVISED TO ADD PART 17	1-15-69	J. SEQUINOT
39. REVISED TO ADD PART 17	1-15-69	J. SEQUINOT
40. REVISED TO ADD PART 17	1-15-69	J. SEQUINOT
41. REVISED TO ADD PART 17	1-15-69	J. SEQUINOT
42. REVISED TO ADD PART 17	1-15-69	J. SEQUINOT
43. REVISED TO ADD PART 17	1-15-69	J. SEQUINOT
44. REVISED TO ADD PART 17	1-15-69	J. SEQUINOT
45. REVISED TO ADD PART 17	1-15-69	J. SEQUINOT
46. REVISED TO ADD PART 17	1-15-69	J. SEQUINOT
47. REVISED TO ADD PART 17	1-15-69	J. SEQUINOT
48. REVISED TO ADD PART 17	1-15-69	J. SEQUINOT
49. REVISED TO ADD PART 17	1-15-69	J. SEQUINOT
50. REVISED TO ADD PART 17	1-15-69	J. SEQUINOT
51. REVISED TO ADD PART 17	1-15-69	J. SEQUINOT
52. REVISED TO ADD PART 17	1-15-69	J. SEQUINOT
53. REVISED TO ADD PART 17	1-15-69	J. SEQUINOT
54. REVISED TO ADD PART 17	1-15-69	J. SEQUINOT
55. REVISED TO ADD PART 17	1-15-69	J. SEQUINOT
56. REVISED TO ADD PART 17	1-15-69	J. SEQUINOT
57. REVISED TO ADD PART 17	1-15-69	J. SEQUINOT
58. REVISED TO ADD PART 17	1-15-69	J. SEQUINOT
59. REVISED TO ADD PART 17	1-15-69	J. SEQUINOT
60. REVISED TO ADD PART 17	1-15-69	J. SEQUINOT
61. REVISED TO ADD PART 17	1-15-69	J. SEQUINOT
62. REVISED TO ADD PART 17	1-15-69	J. SEQUINOT
63. REVISED TO ADD PART 17	1-15-69	J. SEQUINOT
64. REVISED TO ADD PART 17	1-15-69	J. SEQUINOT
65. REVISED TO ADD PART 17	1-15-69	J. SEQUINOT
66. REVISED TO ADD PART 17	1-15-69	J. SEQUINOT
67. REVISED TO ADD PART 17	1-15-69	J. SEQUINOT
68. REVISED TO ADD PART 17	1-15-69	J. SEQUINOT
69. REVISED TO ADD PART 17	1-15-69	J. SEQUINOT
70. REVISED TO ADD PART 17	1-15-69	J. SEQUINOT
71. REVISED TO ADD PART 17	1-15-69	J. SEQUINOT
72. REVISED TO ADD PART 17	1-15-69	J. SEQUINOT
73. REVISED TO ADD PART 17	1-15-69	J. SEQUINOT
74. REVISED TO ADD PART 17	1-15-69	J. SEQUINOT
75. REVISED TO ADD PART 17	1-15-69	J. SEQUINOT
76. REVISED TO ADD PART 17	1-15-69	J. SEQUINOT
77. REVISED TO ADD PART 17	1-15-69	J. SEQUINOT
78. REVISED TO ADD PART 17	1-15-69	J. SEQUINOT
79. REVISED TO ADD PART 17	1-15-69	J. SEQUINOT
80. REVISED TO ADD PART 17	1-15-69	J. SEQUINOT
81. REVISED TO ADD PART 17	1-15-69	J. SEQUINOT
82. REVISED TO ADD PART 17	1-15-69	J. SEQUINOT
83. REVISED TO ADD PART 17	1-15-69	J. SEQUINOT
84. REVISED TO ADD PART 17	1-15-69	J. SEQUINOT
85. REVISED TO ADD PART 17	1-15-69	J. SEQUINOT
86. REVISED TO ADD PART 17	1-15-69	J. SEQUINOT
87. REVISED TO ADD PART 17	1-15-69	J. SEQUINOT
88. REVISED TO ADD PART 17	1-15-69	J. SEQUINOT
89. REVISED TO ADD PART 17	1-15-69	J. SEQUINOT
90. REVISED TO ADD PART 17	1-15-69	J. SEQUINOT
91. REVISED TO ADD PART 17	1-15-69	J. SEQUINOT
92. REVISED TO ADD PART 17	1-15-69	J. SEQUINOT
93. REVISED TO ADD PART 17	1-15-69	J. SEQUINOT
94. REVISED TO ADD PART 17	1-15-69	J. SEQUINOT
95. REVISED TO ADD PART 17	1-15-69	J. SEQUINOT
96. REVISED TO ADD PART 17	1-15-69	J. SEQUINOT
97. REVISED TO ADD PART 17	1-15-69	J. SEQUINOT
98. REVISED TO ADD PART 17	1-15-69	J. SEQUINOT
99. REVISED TO ADD PART 17	1-15-69	J. SEQUINOT
100. REVISED TO ADD PART 17	1-15-69	J. SEQUINOT

REVISIONS	INITIALS
1	A



LINE ITEM	TOP DOCUMENT	PART NUMBER	MIN REV	DESCRIPTION	QUANTITY PER VARIATION/REVISION		
					A2 A1	AA A1	AB A1
1	1 E-AD-7023163-0-DBU	70-23163-01		COVER, ASSY.	1	1	1
2	2 E-AD-7023922-0-DBU	70-23922-01		BASE ASSY, DECROUTER 200	1	1	1
3	3 E-IA-7432072-0-DBU	74-32072-01		COVER, CORPORATE BOX	1	1	1
4	4 E-IA-7432072-0-DBU	74-32072-02		BASE, CORPORATE BOX	1	1	1
5	5 A-PS-1224506-0-0	12-24506-02		FOOT, RUBBER .38THK	4	4	4
6	6	90-00049-22		SCREW, SEMS PAN PHIL 6-32	7	7	7
7	7	90-09749-00		SCREW, MACH FLAT PHIL 6-32	2	2	2
8	8	90-08411-01		SCREW, MACH RND PHIL 8-32	4	4	4
9	9	90-10718-01		SCREW, SHLD PHIL 6-32	4	4	4
10	10 A-PS-3616786-0-0	36-16786-01		LABEL, ECO STATUS FOUR PART	2	2	2
11	11 A-PS-3624044-0-0	36-24044-01		LABEL, ETHERNET ADDRESS	1	1	1
12	12 A-PS-3617905-0-0	36-17905-16		LABEL, WARNING EQUIP. RATING, 100-12	1	1	-
13	13 A-PS-3617905-0-0	36-17905-17		LABEL, WARNING EQUIP. RATING, 220-24	-	-	1
14	14 A-PS-3625985-0-0	36-25985-01		LABEL, BOTTOM DSRVB	2	2	2
15	15 A-PS-3700805-0-0	37-00805-06		PKG COMM SERVER DSRVB/DSRVC CUS.	1	1	1
16	17 K-PL-DSRVC-0-DBP	DSRVC-KA		DSRVC-AA KIT FOR US, CANADA (FRENCH/	-	1	-
17	17 A-PS-3526516-0-0	36-26516-02		LABEL, BAR CODE PLOYESTER 4 UP	1	1	1
18	18 A-PS-1215336-0-0	12-15336-08		CONN, D SUB 25POS SE	-	1	1

- 1 GEN: NOTE: 1. REFER TO K-PL-DSRBC-0-DBP FOR COUNTRY KITS.
- 2 GEN: NOTE: 2. -A2 IS FOR NOTRH AMERICAN FIELD SERVICE SPARES ONLY.
- 3 GEN: NOTE: 3. ITEM #18 NOT SHOWN ON UNIT, BUT INSERTED SEPERATELY IN SHIPPING CONTAINER.

REVISION HISTORY		KPL MATRIX FORMAT		SECTION A OF A	DRN: E. TENANDER	D I G I T A L		
ENG	ECO NUMBER	REV	SECTION/VARIATION INDEX		DATE: 23-APR-86	TITLE PARTS LIST		
---	INITIAL	A	[A]	A2, AA, AB	CHK'D: BOURGAULT/WM	DECROUTER 200		
			[B]		DATE: 13-JUN-86	DOCUMENT NUMBER		
			[C]		DES. ENG: W. MCCARTHY	SIZE	CODE	NUMBER
			[D]		DATE: 13-JUN-86	K	PL	DSRVC-A-DBP
			[E]		RESP. ENG.: A. PARIKH	RELEASE DATE: 16-JUN-86		
			[F]		DATE: 13-JUN-86	RELEASE STATUS: RELEASED		
			[H]		MFG. ENG: J. SEQUINOT	BASIC PART NUMBER: DSRVC		
			[J]		DATE: 13-JUN-86	ASSEMBLY NUMBER: E-UA-DSRVC-A-DBU		
						TOP DOCUMENT NUMBER: B-DD-DSRVC-A-DBU		
						FILE NAME: LTN007A.PLS		
						EDIT # 49		

"THIS DRAWING AND THE SPECIFICATIONS CONTAINED HEREIN ARE CONFIDENTIAL AND PROPRIETARY. THEY ARE THE PROPERTY OF DIGITAL EQUIPMENT CORPORATION AND SHALL NOT BE REPRODUCED OR COPIED OR USED IN WHOLE OR IN PART AS THE BASIS FOR THE MANUFACTURE OR SALE OF ITEMS WITHOUT WRITTEN PERMISSION. THIS IS AN UNPUBLISHED WORK PROTECTED UNDER THE FEDERAL COPYRIGHT LAWS."

DRAWING NO.	NO. SHTS	PART NO.	DESCRIPTION	REVISIONS
		5418027-01	RS232 I/O BOARD	A1
E-UA-5418027-0-0	2		RS232 I/O BOARD UNIT ASSEMBLY	A
K-PL-5418027-0-DBP	1		RS232 I/O BOARD PARTS LIST	A
K-PC-5418027-0-DBV	-		PC DATA BASE	A
K-CS-5418027-0-DBD	-		DAISY DATA BASE	A
K-BD-5418027-0-ESD1	1		RS232 I/O BOARD BLOCK DIAGRAM	A
K-CS-5418027-0-ESD2	1		RS232 I/O BOARD SCHEMATIC	A
K-CS-5418027-0-ESD3	1		RS232 I/O BOARD SCHEMATIC	A
K-CS-5418027-0-ESD4	1		RS232 I/O BOARD SCHEMATIC	A
K-CS-5418027-0-ESD5	1		RS232 I/O BOARD SCHEMATIC	A
K-CS-5418027-0-ESD6	1		RS232 I/O BOARD SCHEMATIC	A
K-CS-5418027-0-ESD7	1		RS232 I/O BOARD SCHEMATIC	A
K-DD-5018026-0-0	1		DRAWING DIRECTORY	A

NOTES:

R E V I S I O N  
 H I S T O R Y  
 D A T E  
 1 8  
 1 6

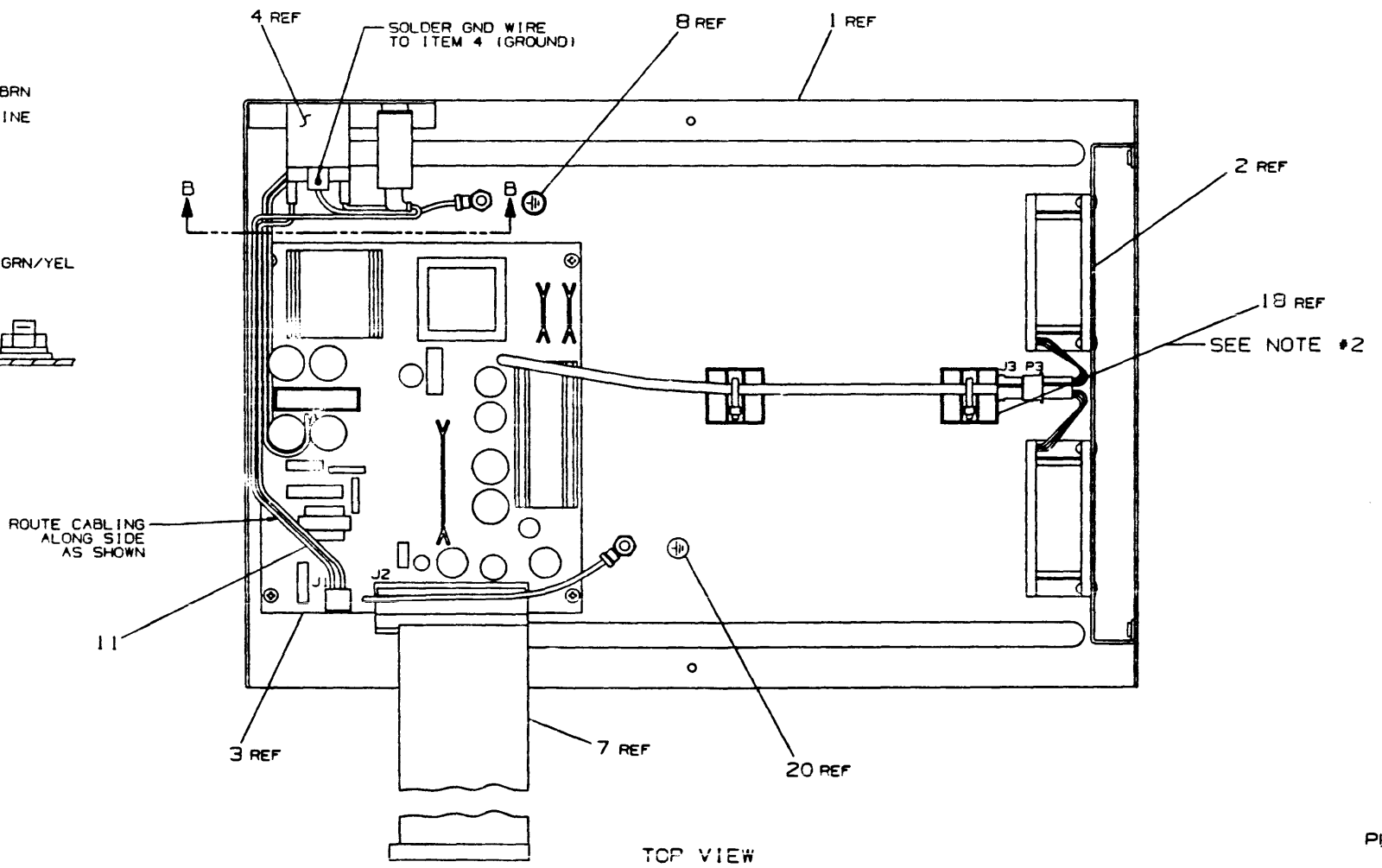
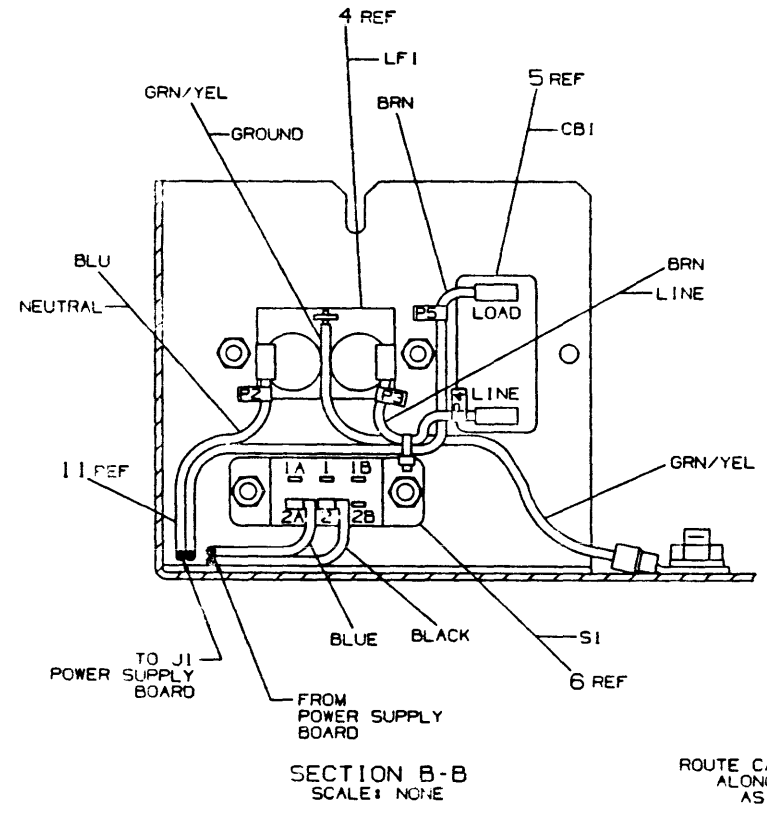
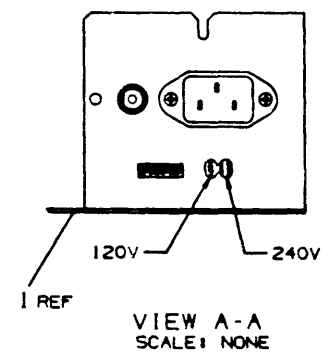
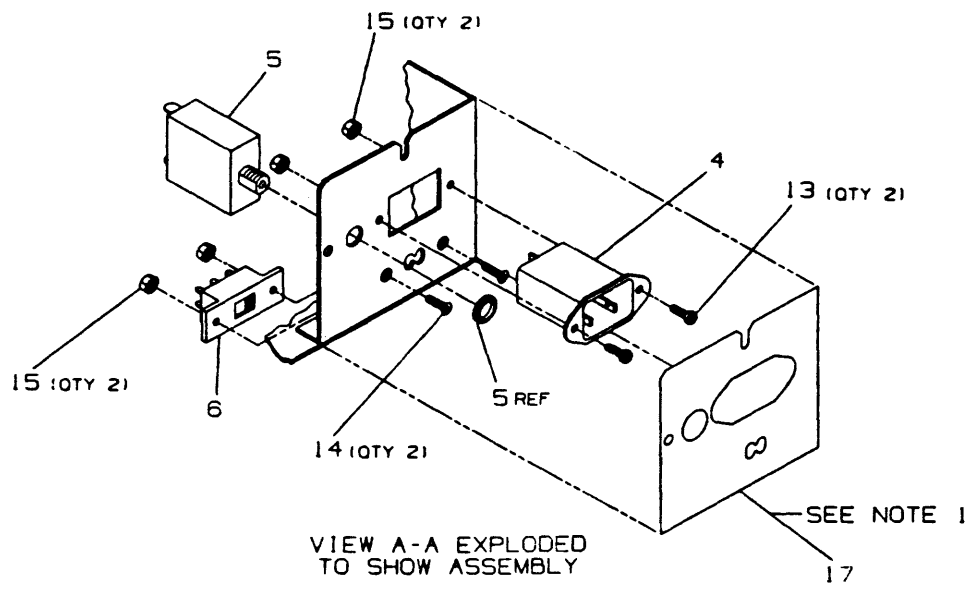
THIS DRAWING AND THE SPECIFICATIONS CONTAINED HEREIN ARE CONFIDENTIAL AND PROPRIETARY. THEY ARE THE PROPERTY OF DIGITAL EQUIPMENT CORPORATION AND SHALL NOT BE REPRODUCED OR COPIED OR USED IN WHOLE OR IN PART AS THE BASIS FOR THE MANUFACTURE OR SALE OF ITEMS WITHOUT WRITTEN PERMISSION. THIS IS AN UNPUBLISHED WORK PROTECTED UNDER THE FEDERAL COPYRIGHT LAWS.

DRN: SHEILA MANSOR	DATE: 25APR86	d i g i t a l	
CHK'D: FRANK GAROFALO	DATE: 29-APR-86	TITLE RS232 I/O BOARD	
DES. ENG.: R. BATTERSBY	DATE: 29-APR-86	SHEET 1 OF 1	EDIT: 4
RESP. ENG.: R. BATTERSBY	DATE: 29-APR-86	DOCUMENT NUMBER	
		DD FILENAME: 18027.DDF	
MFG. ENG.: JAIME SEGUINOT	DATE: 29-APR-86	SIZE: CODE: NUMBER	REV: A
		K DD 5418027-0-0	





WIRING INTERCONNECTION LIST		
ITEM	FROM	TO
AC INPUT HARNESS 11	P1	PWR SPLY (J1)
	POINT P2 (BLU)	LF1 (NEUTRAL)
	GROUND WIRE (G/Y)	LF1 (GND W/SOLDER)
	POINT P3 (BRN)	LF1 (LINE)
	POINT P4 (BRN)	CB1 (LINE)
POWER SUPPLY 3	TERMINAL (G/Y)	COVER GND STUD
	POINT P5 (BRN)	CB1 (LOAD)
	BLUE WIRE	S1 (2A)
	BLACK WIRE	S1 (2)
DC POWER CABLE 7	2 PIN MATE-N-LOK	FAN ASSY (P3)
	GROUND WIRE (G/Y)	COVER GND STUD
	RIBBON CABLE	PWR SPLY J2



REVISION HISTORY		
DATE	ECO HISTORY	REV

PLOT AT: 1.00

LINE	ITEM	TOP DOCUMENT	PART NUMBER	MIN REV	DESCRIPTION	QTY
1	1	E-IA-7432929-0-DBU	74-32929-01		COVER,DECSERVER 200	1
2	2	D-IA-7023165-0-DBU	70-23165-01		FAN, ASSY.	1
3	3	A-PS-3021383-0-0	30-21383-02		P.S. MULTIPLE OUTPUT	1
4	4	A-PS-1215905-0-0	12-15905-01		FILTER,LINE EMI/RFI 115/250V 50-60	1
5	5	A-PS-1219912-0-0	12-19912-07		CKT,BKR 2.0A 250V 1P MAG	1
6	6	A-PS-1216901-0-0	12-16901-04		SW,SLIDE 2PDT VOLTAGE SELECT 6A25	1
7	7	A-PS-1701392-0-0	17-01392-01		WIRE HARN ASSY 15COND 19PCON	1
8	8	A-PS-3612680-0-0	36-12680-02		LABEL,GROUND SYMBOL W/CIRCLE BLACK	1
9	9		90-06565-00		NUT,HEX EXT TOOTH LCKWSHR 10-32X	2
10	10		90-06664-00		WASHER,FLAT SST	2
11	11	A-PS-1701310-0-0	17-01310-01		WIRE HARN ASSY 18COND	1
12	12		90-10174-00		SCREW,SEMS PAN PHIL 6-32	3
13	13		90-06011-01		SCREW,MACH PAN PHIL 4-40	2
14	14		90-00039-19		SCREW,MACH FLAT PHIL 4-40	2
15	15		90-06557-00		NUT,HEX EXT TOOTH LCKWSHR 4-40X	4
16	16		90-10174-03		SCREW,SEMS PAN PHIL 6-32	4
17	17		36-25984-01		LABEL,REAR COMMON BOX POWER SUPPLY	1
18	18		90-08264-00		MOUNT, CABLE TIE, ADHESIVE BACKED,	2
19	19		90-07031-00		TIE,CABLE BUNDL.DIA 0- 3/4"=101	2
20	20	A-PS-3612680-0-0	36-12680-00		LABEL,GROUND SYMBOL BLACK	1

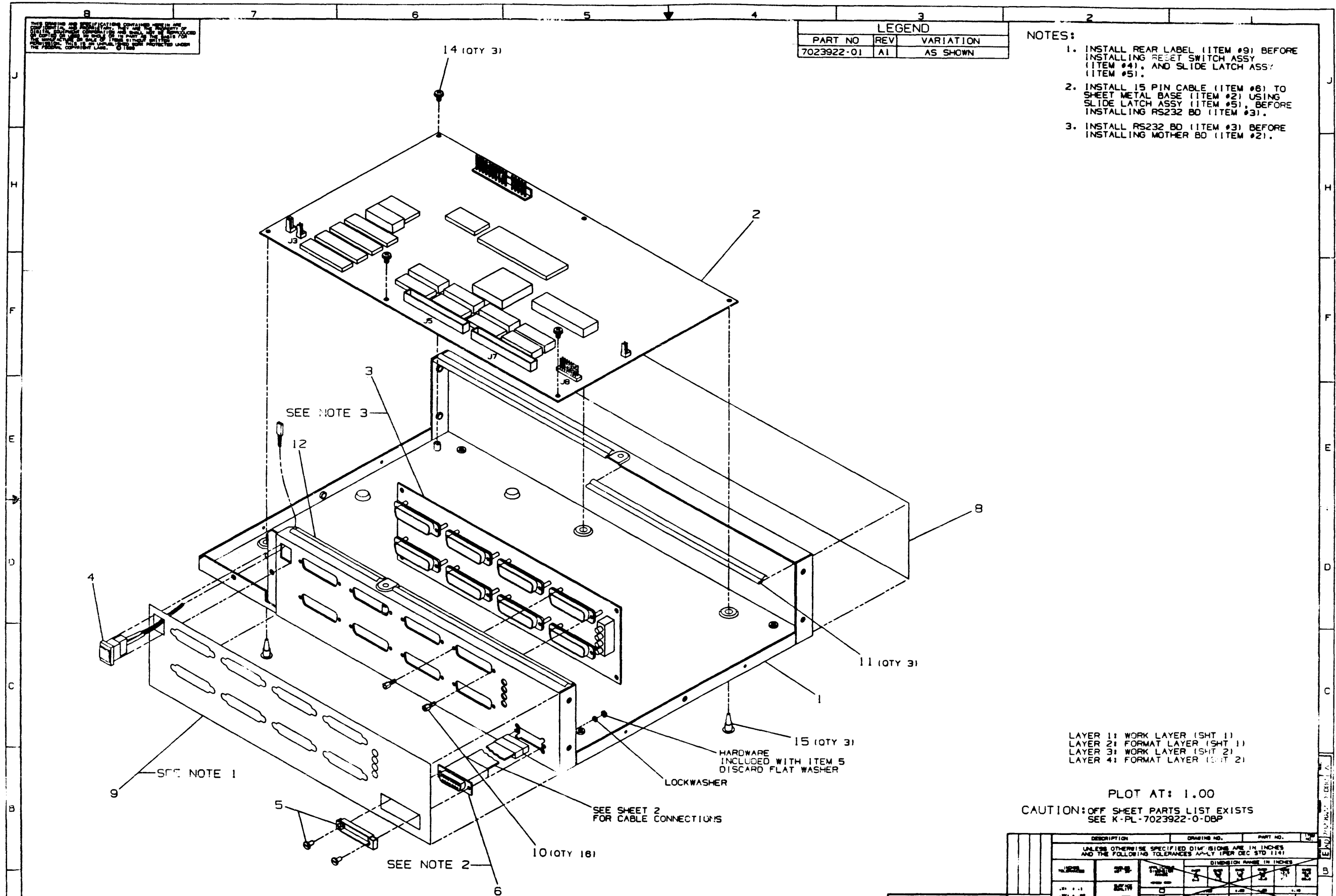
REVISION HISTORY		KPL MATRIX FORMAT		SECTION A OF A		DRN: E.TENANDER		D I G I T A L	
ENG	ECO NUMBER	REV	SECTION/VARIATION INDEX	DATE	CHK'D	TITLE	DOCUMENT NUMBER	SIZE	CODE
---	INITIAL	A	[A] 01	11-FEB-86	BOURGAULT/WM	PARTS LIST			
			[B]	04-JUN-86		COVER ASSY			
			[C]		W. MCCARTHY				
			[D]	04-JUN-86					
			[E]						
			[F]		A. PARIKH				
			[H]	04-JUN-86					
			[J]						
					J. SEQUINOT				
				04-JUN-86					
						RELEASE DATE: 05-JUN-86			
						RELEASE STATUS: RELEASED			
			BASIC PART NUMBER:	ASSEMBLY NUMBER:	TOP DOCUMENT NUMBER:	FILE NAME:	EDIT #		
			7023163	E-AD-7023163-0-DBU	E-AD-7023163-0-DBU	7023163A.PLS	27		

"THIS DRAWING AND THE SPECIFICATIONS CONTAINED HEREIN ARE CONFIDENTIAL AND PROPRIETARY. THEY ARE THE PROPERTY OF DIGITAL EQUIPMENT CORPORATION AND SHALL NOT BE REPRODUCED OR COPIED OR USED IN WHOLE OR IN PART AS THE BASIS FOR THE MANUFACTURE OR SALE OF ITEMS WITHOUT WRITTEN PERMISSION. THIS IS AN UNPUBLISHED WORK PROTECTED UNDER THE FEDERAL COPYRIGHT LAWS."

THIS DRAWING AND SPECIFICATIONS CONTAINED HEREIN ARE THE PROPERTY OF THE UNITED STATES GOVERNMENT. IT IS TO BE REPRODUCED AS SHOWN, UNLESS OTHERWISE SPECIFIED. IT IS TO BE USED AS A GUIDE IN THE CONSTRUCTION OF THE EQUIPMENT DESCRIBED HEREIN. IT IS NOT TO BE USED AS A BASIS FOR THE DESIGN OF OTHER EQUIPMENT. IT IS TO BE USED AS A GUIDE IN THE CONSTRUCTION OF THE EQUIPMENT DESCRIBED HEREIN. IT IS NOT TO BE USED AS A BASIS FOR THE DESIGN OF OTHER EQUIPMENT.

LEGEND		
PART NO	REV	VARIATION
7023922-01	A1	AS SHOWN

- NOTES:
1. INSTALL REAR LABEL (ITEM #9) BEFORE INSTALLING RESET SWITCH ASSY (ITEM #4), AND SLIDE LATCH ASSY (ITEM #5).
  2. INSTALL 15 PIN CABLE (ITEM #6) TO SHEET METAL BASE (ITEM #2) USING SLIDE LATCH ASSY (ITEM #5), BEFORE INSTALLING RS232 BO (ITEM #3).
  3. INSTALL RS232 BO (ITEM #3) BEFORE INSTALLING MOTHER BO (ITEM #21).



LAYER 1: WORK LAYER (SHT 1)  
 LAYER 2: FORMAT LAYER (SHT 1)  
 LAYER 3: WORK LAYER (SHT 2)  
 LAYER 4: FORMAT LAYER (SHT 2)

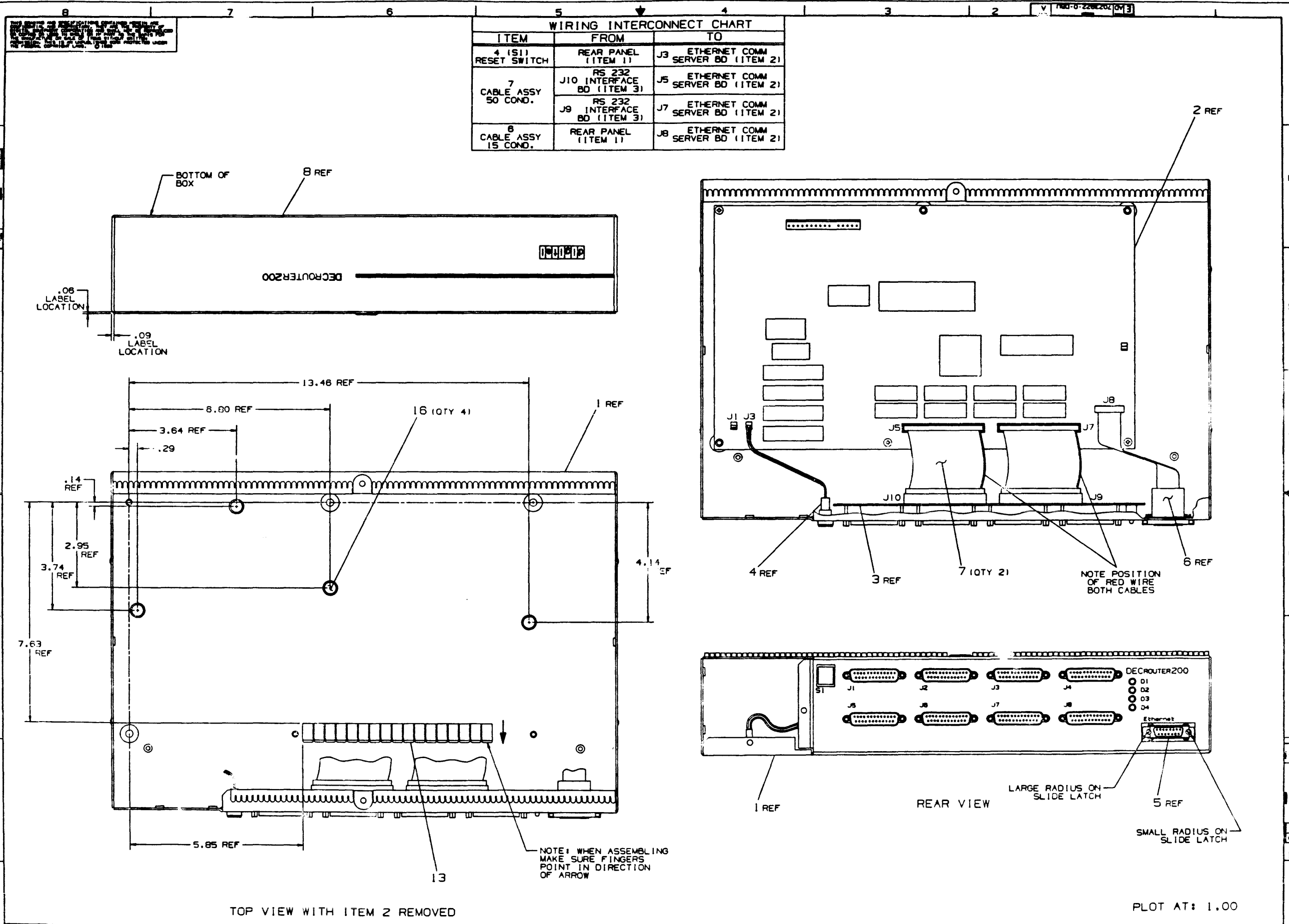
PLOT AT: 1.00  
 CAUTION: OFF SHEET PARTS LIST EXISTS  
 SEE K-PL-7023922-0-DBP

DESCRIPTION	DRAWING NO.	PART NO.	REV.
UNLESS OTHERWISE SPECIFIED DIMENSIONS ARE IN INCHES AND THE FOLLOWING TOLERANCES APPLY (PER DEC STD 114)			
DIMENSION RANGE IN INCHES			
0.000 - 0.250	0.250 - 0.500	0.500 - 1.000	1.000 - 2.000
±0.005	±0.005	±0.005	±0.005
0.250 - 0.500	0.500 - 1.000	1.000 - 2.000	2.000 - 4.000
±0.005	±0.005	±0.005	±0.005
4.000 - 6.000	6.000 - 10.000	10.000 - 20.000	20.000 - 48.000
±0.005	±0.005	±0.005	±0.005
48.000 - 96.000	96.000 - 192.000	192.000 - 384.000	384.000 - 768.000
±0.005	±0.005	±0.005	±0.005
768.000 - 1536.000	1536.000 - 3072.000	3072.000 - 6144.000	6144.000 - 12288.000
±0.005	±0.005	±0.005	±0.005

DATE: 10/1/70	BY: E. TENANDER	CHKD: J. BARBER	TITLE: BASE ASSY, DECROUNTER 200
DESIGNED BY: E. TENANDER	APP'D: E. TENANDER	CHKD: J. BARBER	DATE: 10/1/70
DO NOT SCALE DRAWING	REMOVE BURRS AND BREAK SHARP CORNERS	MATERIAL: SEE PARTS LIST	SEE PARTS LIST

REVISIONS  
 INITIALS



WIRING INTERCONNECT CHART		
ITEM	FROM	TO
4 (S1) RESET SWITCH	REAR PANEL (ITEM 1)	J3 ETHERNET COMM SERVER BD (ITEM 2)
7 CABLE ASSY 50 COND.	RS 232 J10 INTERFACE BD (ITEM 3)	J5 ETHERNET COMM SERVER BD (ITEM 2)
	RS 232 J9 INTERFACE BD (ITEM 3)	J7 ETHERNET COMM SERVER BD (ITEM 2)
8 CABLE ASSY 15 COND.	REAR PANEL (ITEM 1)	J8 ETHERNET COMM SERVER BD (ITEM 2)

REVISION HISTORY		
DATE	APP. HISTORY	REV.

PLOT AT: 1.00

DOCUMENT NUMBER		

AUTOMATED BY VAXKPL (V1.1)

P A R T S L I S T

SHEET A1 OF A1  
 QUANTITY PER VARIATION/REVISION

LINE	ITEM	TOP DOCUMENT	PART NUMBER	MIN REV	DESCRIPTION	QTY
1	1	E-IA-7432930-0-DBU	74-32930-01		BASE,DECSERVER 200	1
2	2		54-18034-03		DECSERVER MAIN BOARD	1
3	3		54-18027-01		RS232 INTERFACE BD W/ESD PROTECTIO	1
4	4	A-PS-1701393-0-0	17-01393-01		WIRE HARN ASSY 22AWG	1
5	5	A-PS-1218489-0-0	12-18489-02		LATCH ASSY,SLIDE .450 LG	1
6	6	A-PS-1700559-0-0	17-00559-01		CABLE ASSY,15COND,FLAT,28AWG,15PDS	1
7	7	A-PS-1701338-0-0	17-01338-01		CABLE ASSY,50COND,FLAT,50(2X25)REC	2
8	8	A-PS-3626084-0-0	36-26084-03		LABEL,FRONT DEC ROUTER 200	1
9	9	A-PS-3625984-0-0	36-25984-04		LABEL,REAR,DEC ROUTER 200	1
10	10		90-08451-05		SCREW LOCK,STANDOFF ONLY .060THK	16
11	11	A-PS-1226160-0-0	12-26160-04		SHIELD,EMI/RFI,COPPER FINGERS 8.00	3
12	12	A-PS-1226160-0-0	12-26160-01		SHIELD,EMI/RFI,COPPER FINGERS 4.12	1
13	13	A-PS-1226489-01	12-26489-01		SHIELD,EMI/RFI AD	1
14	14		90-10174-00		SCREW,SEMS PAN PHIL 6-32	3
15	15	A-PS-1223075-0-0	12-23075-03		STANDOFF PC BOARD NYLON	3
16	16		90-03538-00		BUMPER, ADH BACK RUBBER	4

REVISION HISTORY		KPL MATRIX FORMAT		SECTION A OF A	DRN: E. TENANDER	D I G I T A L			
ENG	ECO NUMBER	REV	SECTION/VARIATION INDEX		DATE: 18-APR-86				
---	INITIAL	A	[A]	01	CHK'D: BOURGAULT/WM	TITLE PARTS LIST			
			[B]		DATE: 04-JUN-86	BASE ASSY, DECROUTER 200			
			[C]		DES.ENG: W. MCCARTHY	DOCUMENT NUMBER			
			[D]		DATE: 04-JUN-86	SIZE	CODE	NUMBER	REV
			[E]		RESP.ENG.: A. PARIKH	K	PL	7023922-0-DBP	A
			[F]		DATE: 04-JUN-86	RELEASE DATE: 05-JUN-86			
			[H]		MFG.ENG: J. SEQUINOT	RELEASE STATUS: RELEASED			
			[J]		DATE: 04-JUN-86				
BASIC PART NUMBER:		ASSEMBLY NUMBER:		TOP DOCUMENT NUMBER:		FILE NAME:		EDIT #	
7023922		E-AD-7023922-0-DBU		E-AD-7023922-0-DBU		7023922A.PLS		30	

"THIS DRAWING AND THE SPECIFICATIONS CONTAINED HEREIN ARE CONFIDENTIAL AND PROPRIETARY. THEY ARE THE PROPERTY OF DIGITAL EQUIPMENT CORPORATION AND SHALL NOT BE REPRODUCED OR COPIED OR USED IN WHOLE OR IN PART AS THE BASIS FOR THE MANUFACTURE OR SALE OF ITEMS WITHOUT WRITTEN PERMISSION. THIS IS AN UNPUBLISHED WORK PROTECTED UNDER THE FEDERAL COPYRIGHT LAWS."

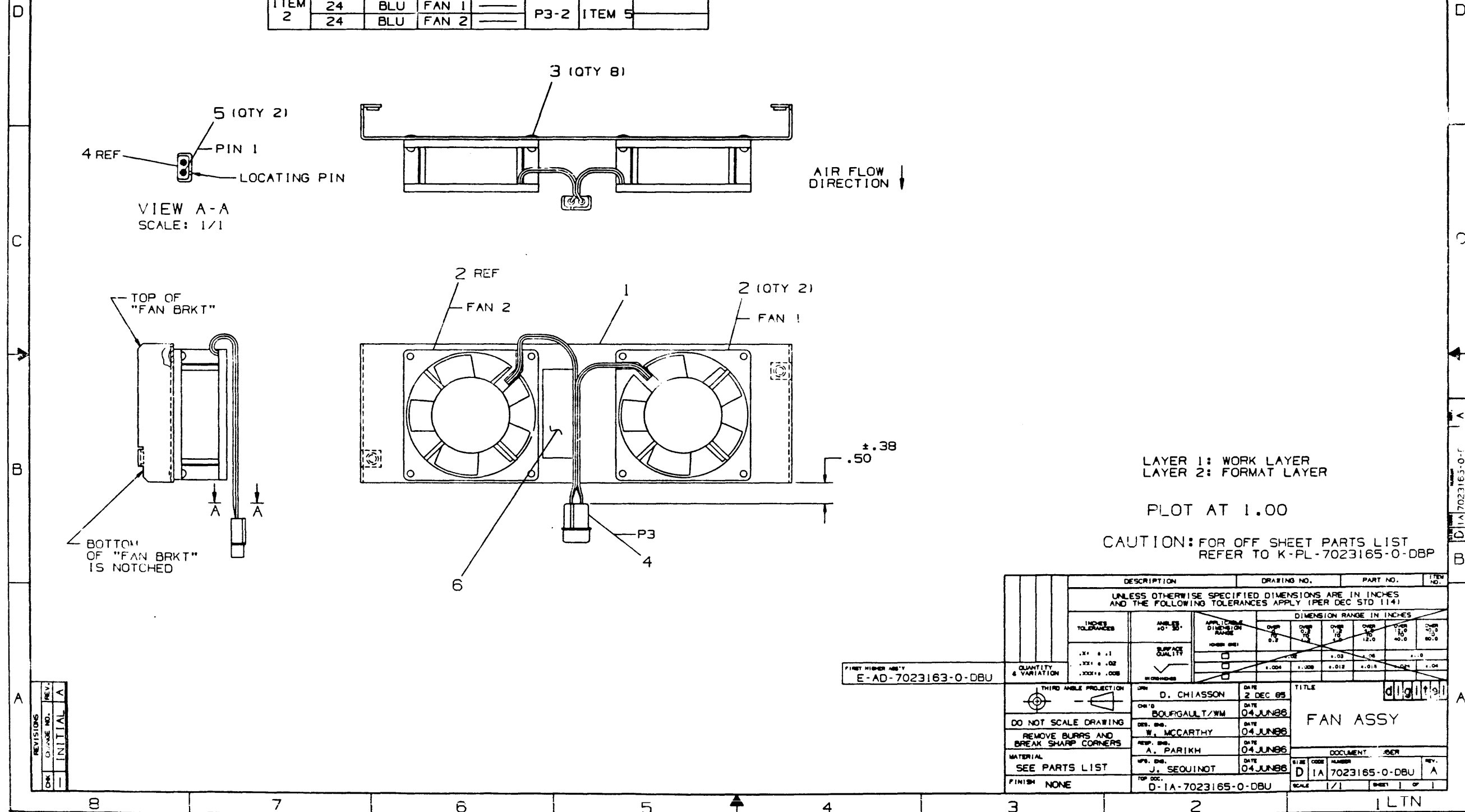
THIS DRAWING AND SPECIFICATIONS CONTAINED HEREIN ARE CONFIDENTIAL AND PROPRIETARY. THEY ARE THE PROPERTY OF DIGITAL EQUIPMENT CORPORATION AND SHALL NOT BE REPRODUCED OR COPIED OR USED IN WHOLE OR IN PART AS THE BASIS FOR THE MANUFACTURE OR SALE OF ITEMS WITHOUT WRITTEN PERMISSION. THIS IS AN UNCLASSIFIED WORK PROTECTED UNDER THE FEDERAL COPYRIGHT LAWS. © 1988

WIRE TABLE							
ITEM NO	DESCRIPTION	COLOR	FROM		TO		REMARKS
			CONN	WITH	CONN	WITH	
PART OF ITEM 2	24	RED	FAN 1	---	P3-1	ITEM 5	
	24	RED	FAN 2	---			
PART OF ITEM 2	24	BLU	FAN 1	---	P3-2	ITEM 5	
	24	BLU	FAN 2	---			

LEGEND		
PART NO	REV	VARIATION
7023165-01	A1	AS SHOWN

NOTES:

- FANS MUST BE POSITIONED ON BRACKET AS SHOWN WITH WIRES LOCATED AT TOP OF "FAN BRKT".



LAYER 1: WORK LAYER  
LAYER 2: FORMAT LAYER

PLOT AT 1.00

CAUTION: FOR OFF SHEET PARTS LIST REFER TO K-PL-7023165-0-DBP

DESCRIPTION	DRAWING NO.	PART NO.	ITEM NO.
UNLESS OTHERWISE SPECIFIED DIMENSIONS ARE IN INCHES AND THE FOLLOWING TOLERANCES APPLY (PER DEC STD 114)			
INCHES TOLERANCES	DIMENSION RANGE IN INCHES		
	OVER 12.0	OVER 3.0	OVER 0.1
.XX ± .02	.XX ± .02	.XX ± .02	.XX ± .02
.XXX ± .008	.XXX ± .008	.XXX ± .008	.XXX ± .008
QUANTITY & VARIATION	FIRST HIGHER ASSEMBLY		
THIRD ANGLE PROJECTION	E-AD-7023163-0-DBU		
DO NOT SCALE DRAWING	DES. ENG. D. CHIASSON	DATE 2 DEC 85	TITLE FAN ASSY
REMOVE BURRS AND BREAK SHARP CORNERS	DES. ENG. BOUFGAULT/WM	DATE 04 JUN 86	DOCUMENT 089
MATERIAL	DES. ENG. W. MCCARTHY	DATE 04 JUN 86	SCALE 1/1
SEE PARTS LIST	DES. ENG. A. PARIKH	DATE 04 JUN 86	SHEET 1 OF 1
FINISH NONE	DES. ENG. J. SEQUINOT	DATE 04 JUN 86	LTN
	TOP DOC. D-1A-7023165-0-DBU		

REV.	INITIAL
1	A

AUTOMATED BY VAXKPL (V1.1)

P A R T S L I S T

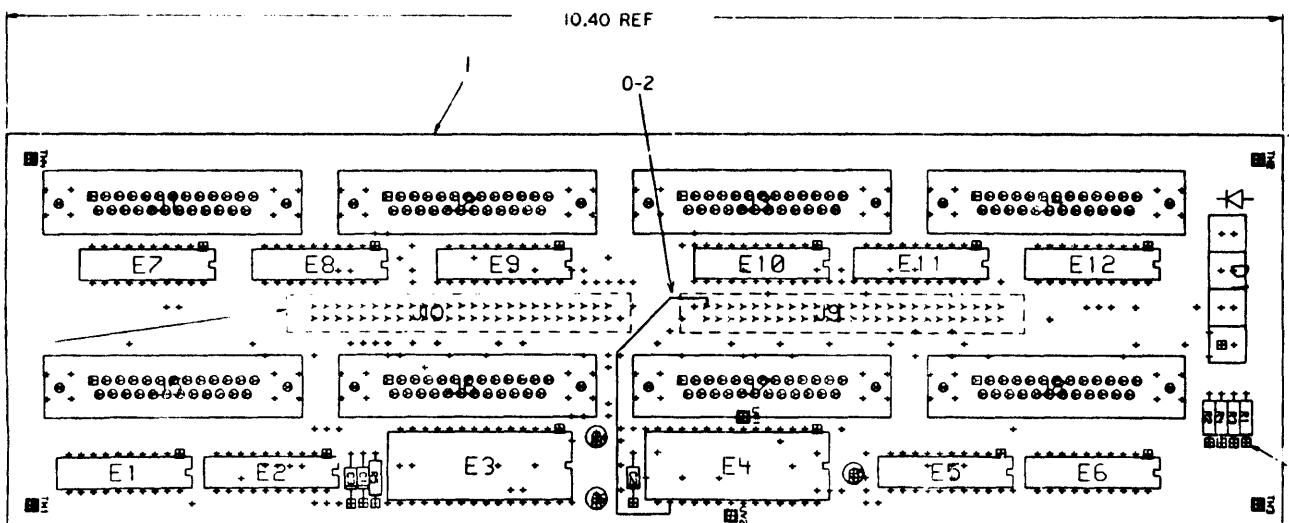
SHEET A1 OF A1

LINE ITEM	TOP DOCUMENT	PART NUMBER	MIN REV	DESCRIPTION	QTY	QUANTITY PER VARIATION/REVISION
1	D-IA-7432931-0-DBU	74-32931-01		BRACKET,FAN	1	
2	A-PS-1221125-0-0	12-21125-01		FAN,TUBE AXIAL 3.125" 12VDC	2	
3		90-00030-37		RIVET,LOBREAK 5/32DX	8	
4	A-PS-1210822-0-0	12-10822-02		MATE-N-LOK 02PIN(1X02) HSG	1	
5	A-PS-1209378-0-0	12-09378-08		MATE-N-LOK 01PIN 22-18AWG .0850D	2	
6		90-09255-03		LABEL,P.S./SUB.ASSY ID	1	

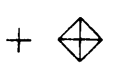
REVISION HISTORY		KPL MATRIX FORMAT		SECTION A OF A	DRN: D. CHIASSON	D I G I T A L			
ENG	ECO NUMBER	REV	SECTION/VARIATION INDEX		DATE: 09-JAN-86				
---	INITIAL	A	[A]	01	CHK'D: BOURGAULT/WM	TITLE PARTS LIST			
			[B]		DATE: 04-JUN-86	FAN ASSY			
			[C]		DES.ENG: W. MCCARTHY				
			[D]		DATE: 04-JUN-86	DOCUMENT NUMBER			
			[E]			SIZE	CODE	NUMBER	REV
			[F]		RESP.ENG.: A. PARIKH	K	PL	7023165-0-DBP	A
			[H]		DATE: 04-JUN-86				
			[J]		MFG.ENG: J. SEQUINOT	RELEASE DATE: 05-JUN-86			
					DATE: 04-JUN-86	RELEASE STATUS: RELEASED			
		BASIC PART NUMBER:		ASSEMBLY NUMBER:	TOP DOCUMENT NUMBER:	FILE NAME:		EDIT #	
		7023165		D-IA-7023165-0-DBU	D-IA-7023165-0-DBU	7023165A.PLS		18	

"THIS DRAWING AND THE SPECIFICATIONS CONTAINED HEREIN ARE CONFIDENTIAL AND PROPRIETARY. THEY ARE THE PROPERTY OF DIGITAL EQUIPMENT CORPORATION AND SHALL NOT BE REPRODUCED OR COPIED OR USED IN WHOLE OR IN PART AS THE BASIS FOR THE MANUFACTURE OR SALE OF ITEMS WITHOUT WRITTEN PERMISSION. THIS IS AN UNPUBLISHED WORK PROTECTED UNDER THE FEDERAL COPYRIGHT LAWS."

THIS DRAWING AND ALL RIGHTS HEREIN ARE THE PROPERTY OF THE U.S. GOVERNMENT AND ARE NOT TO BE REPRODUCED OR TRANSMITTED IN ANY FORM OR BY ANY MEANS, ELECTRONIC OR MECHANICAL, INCLUDING PHOTOCOPYING, RECORDING, OR BY ANY INFORMATION STORAGE AND RETRIEVAL SYSTEM, WITHOUT PERMISSION IN WRITING FROM THE U.S. GOVERNMENT PRINTING OFFICE: 1985



SEE NOTE 3



CHK	DRAWN BY	ENGINEER	CHANGE NO	DATE	REV

NOTES:

1. ALL PARTS TO BE PWB

2. CD NUMBER COMPONENT PIN NO. 1

3. J9 AND J10 ARE MOUNTED ON SIDE 2

STEP 1 - Y AXIS - STEP 2 TIMES

DEPART - X AXIS - STEP 2 TIMES

ETCH REV. A1

SIGNATURES	DATE	TITLE
DRN. [Signature]	[Date]	digital
CHK. D. [Signature]	[Date]	
MECH. ENG. [Signature]	[Date]	
PROJ. ENG. [Signature]	[Date]	
PROD. [Signature]	[Date]	
SCALE 2X		
SHT. 1 OF 2		
NEXT HIGHER ASSY. R (D) 544807 0 0		



8 6 5 4 3 2 1

THIS DRAWING AND THE SPECIFICATIONS CONTAINED HEREIN ARE CONFIDENTIAL AND PROPRIETARY. THEY ARE THE PROPERTY OF DIGITAL EQUIPMENT CORPORATION AND SHALL NOT BE REPRODUCED OR COPIED OR USED IN WHOLE OR IN PART AS THE BASIS FOR THE MANUFACTURE OR SALE OF ITEMS WITHOUT WRITTEN PERMISSION. THIS IS AN UNPUBLISHED WORK PROTECTED UNDER THE FEDERAL COPYRIGHT LAWS.

REWORK INSTRUCTIONS  
WIRE ADDS - SIDE 1  
0-2 FROM E4-16 TO J9-50

D  
C  
B  
A

D  
C  
B  
A

DJA 5418027-0-0 A

REVISION HISTORY		
REV	ECO NUMBER	DATE

END MTC  
E4-16-REV A (28)

8 7 6 5 4 3 2

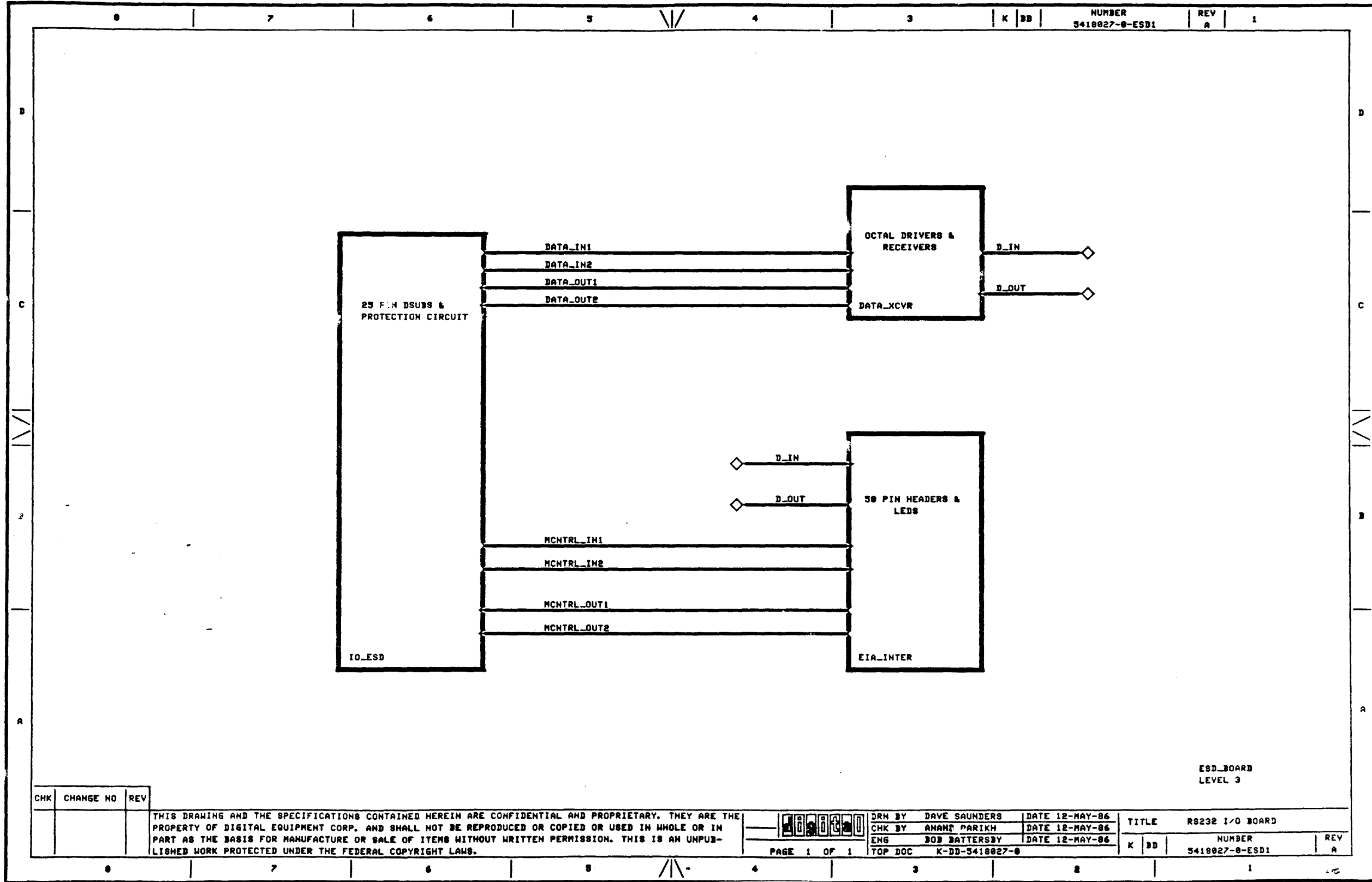
DOCUMENT NUMBER		
SIZE CODE	NUMBER	REV
DJA	5418027-0-0	A
SCALE	SHEET 2 OF 2	

TITLE  
RS232 I/O BOARD

D

C





CHK	CHANGE NO	REV

THIS DRAWING AND THE SPECIFICATIONS CONTAINED HEREIN ARE CONFIDENTIAL AND PROPRIETARY. THEY ARE THE PROPERTY OF DIGITAL EQUIPMENT CORP. AND SHALL NOT BE REPRODUCED OR COPIED OR USED IN WHOLE OR IN PART AS THE BASIS FOR MANUFACTURE OR SALE OF ITEMS WITHOUT WRITTEN PERMISSION. THIS IS AN UNPUBLISHED WORK PROTECTED UNDER THE FEDERAL COPYRIGHT LAWS.

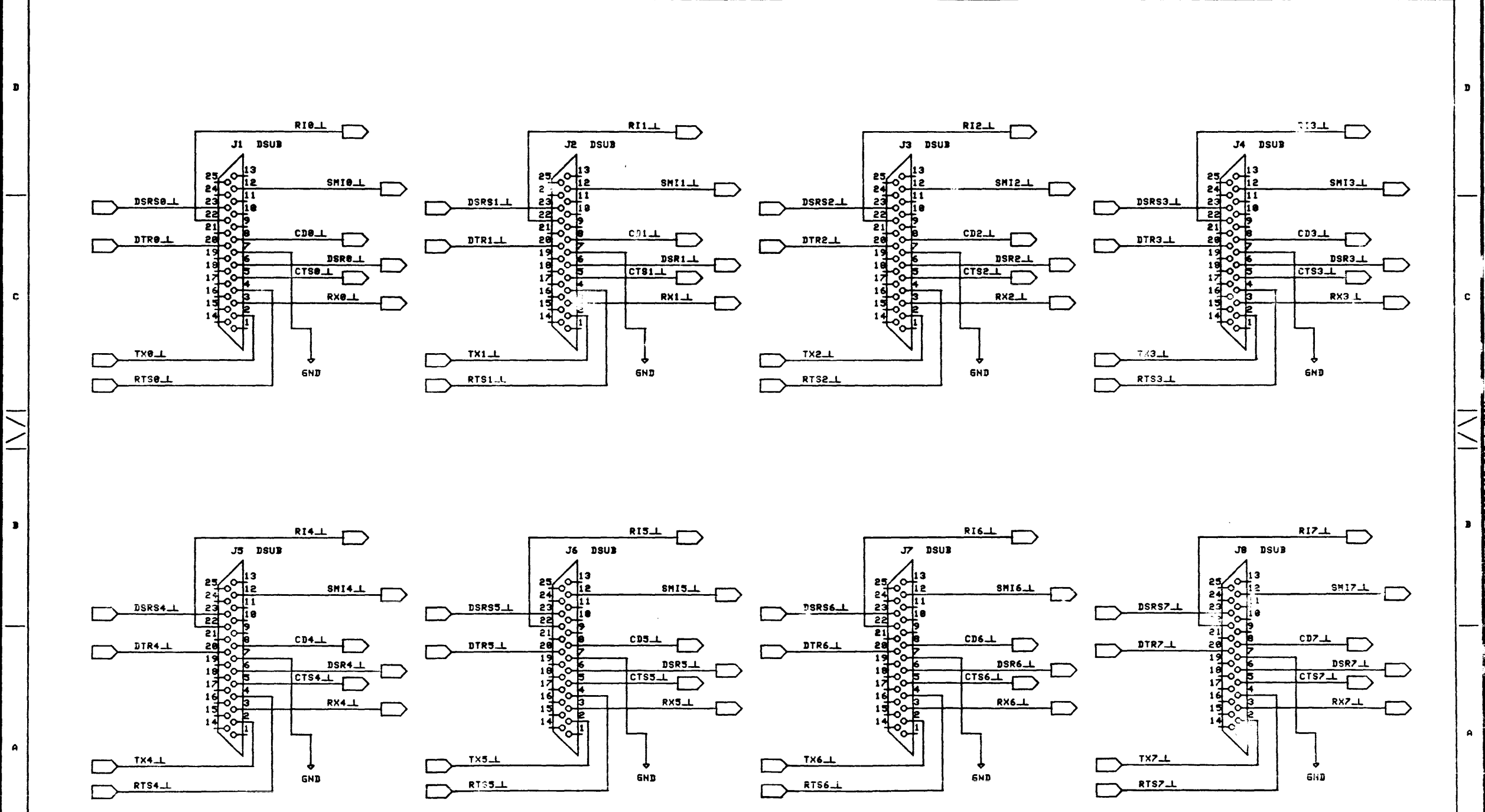
PAGE 1 OF 1

DRM BY	DAVE SAUNDERS	DATE	12-MAY-86
CHK BY	ANANT PARIKH	DATE	12-MAY-86
ENG	BOB BATTERSBY	DATE	12-MAY-86
TOP DOC	K-DD-5418027-0		

TITLE	R8232 I/O BOARD		
NUMBER	5418027-0-ESD1	REV	A

ESD\_BOARD  
LEVEL 3

MAY 86 1415 K/PROTEUS KING/DEC/SERVER2/TERR/CNTRL/ESD\_BOARD 1. DRAM



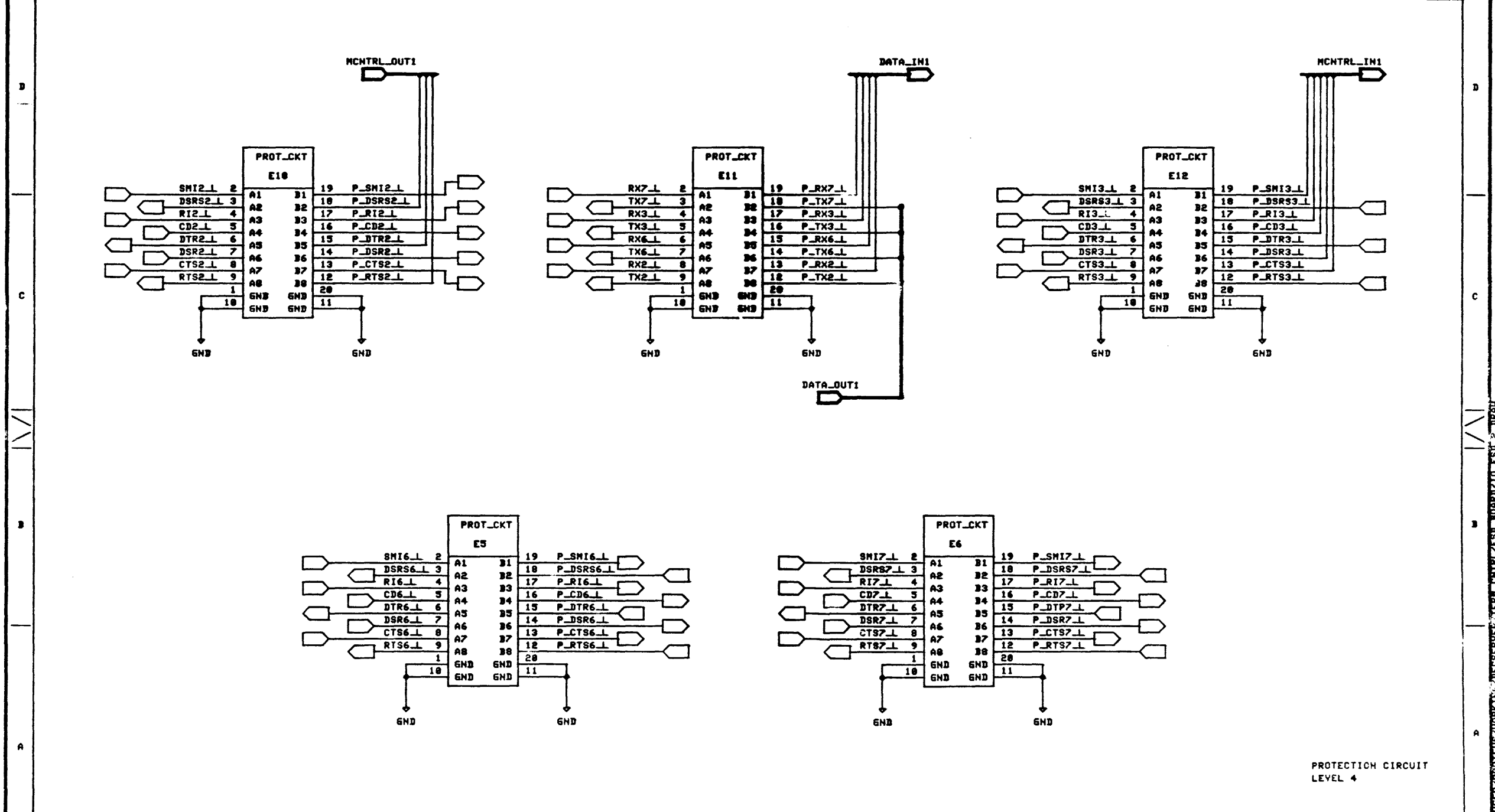
CHK	CHANGE NO	REV

THIS DRAWING AND THE SPECIFICATIONS CONTAINED HEREIN ARE CONFIDENTIAL AND PROPRIETARY. THEY ARE THE PROPERTY OF DIGITAL EQUIPMENT CORP. AND SHALL NOT BE REPRODUCED OR COPIED OR USED IN WHOLE OR IN PART AS THE BASIS FOR MANUFACTURE OR SALE OF ITEMS WITHOUT WRITTEN PERMISSION. THIS IS AN UNPUBLISHED WORK PROTECTED UNDER THE FEDERAL COPYRIGHT LAWS.

DRN BY DAVE SAUNDERS	DATE 12-MAY-86
CHK BY ANAND PARIKH	DATE 12-MAY-86
ENG BOB BATTERSBY	DATE 12-MAY-86
TOP DOC K-DD-5418827-0	

EIA INTERFACE LEVEL 4	
TITLE RS232 I/O BOARD	NUMBER 5418827-0-ESD2
REV A	REV A

21 MAY 86 1418 705877 PROTEUS/WORKING 7.05.00/REV/TERM/CONT/ESD2 BOARD/10.ESD T. DRAH



PROTECTION CIRCUIT LEVEL 4

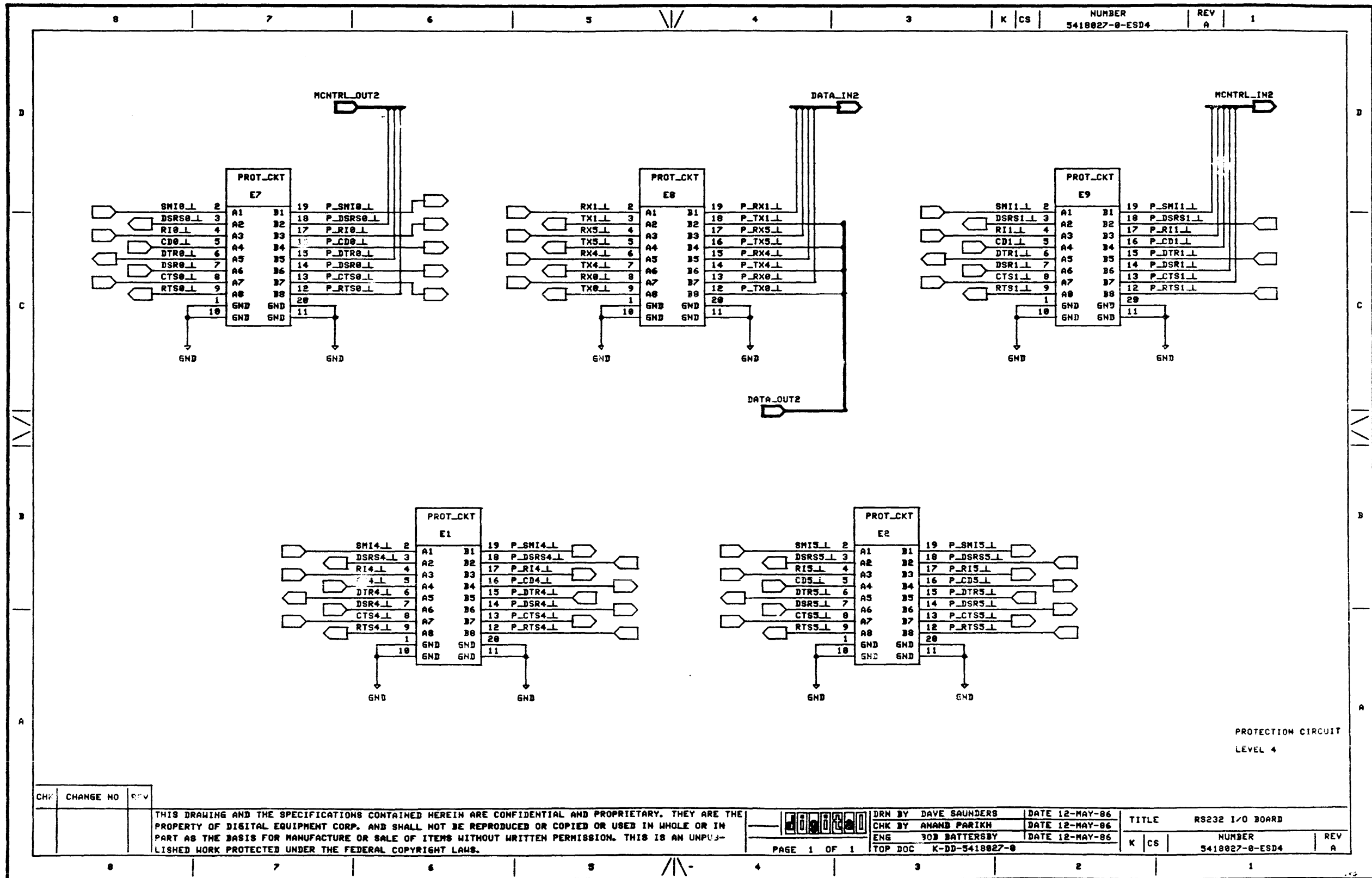
CHK	CHANGE NO	REV

THIS DRAWING AND THE SPECIFICATIONS CONTAINED HEREIN ARE CONFIDENTIAL AND PROPRIETARY. THEY ARE THE PROPERTY OF DIGITAL EQUIPMENT CORP. AND SHALL NOT BE REPRODUCED OR COPIED OR USED IN WHOLE OR IN PART AS THE BASIS FOR MANUFACTURE OR SALE OF ITEMS WITHOUT WRITTEN PERMISSION. THIS IS AN UNPUBLISHED WORK PROTECTED UNDER THE FEDERAL COPYRIGHT LAWS.

DRN BY DAVE SAUNDERS DATE 12-MAY-86  
 CHK BY ANAND PARIKH DATE 12-MAY-86  
 ENG BOB BATTERSBY DATE 12-MAY-86  
 TOP DOC K-DD-5418027-0

TITLE R8232 I/O BOARD  
 NUMBER 5418027-0-ESD3  
 REV A

21 MAY 86 14:22 USER:PROTEUS/WORKING/DESERVE/TERM/CTRL/ESD\_BOARD710\_ESD\_2.DRAW



PROTECTION CIRCUIT  
LEVEL 4

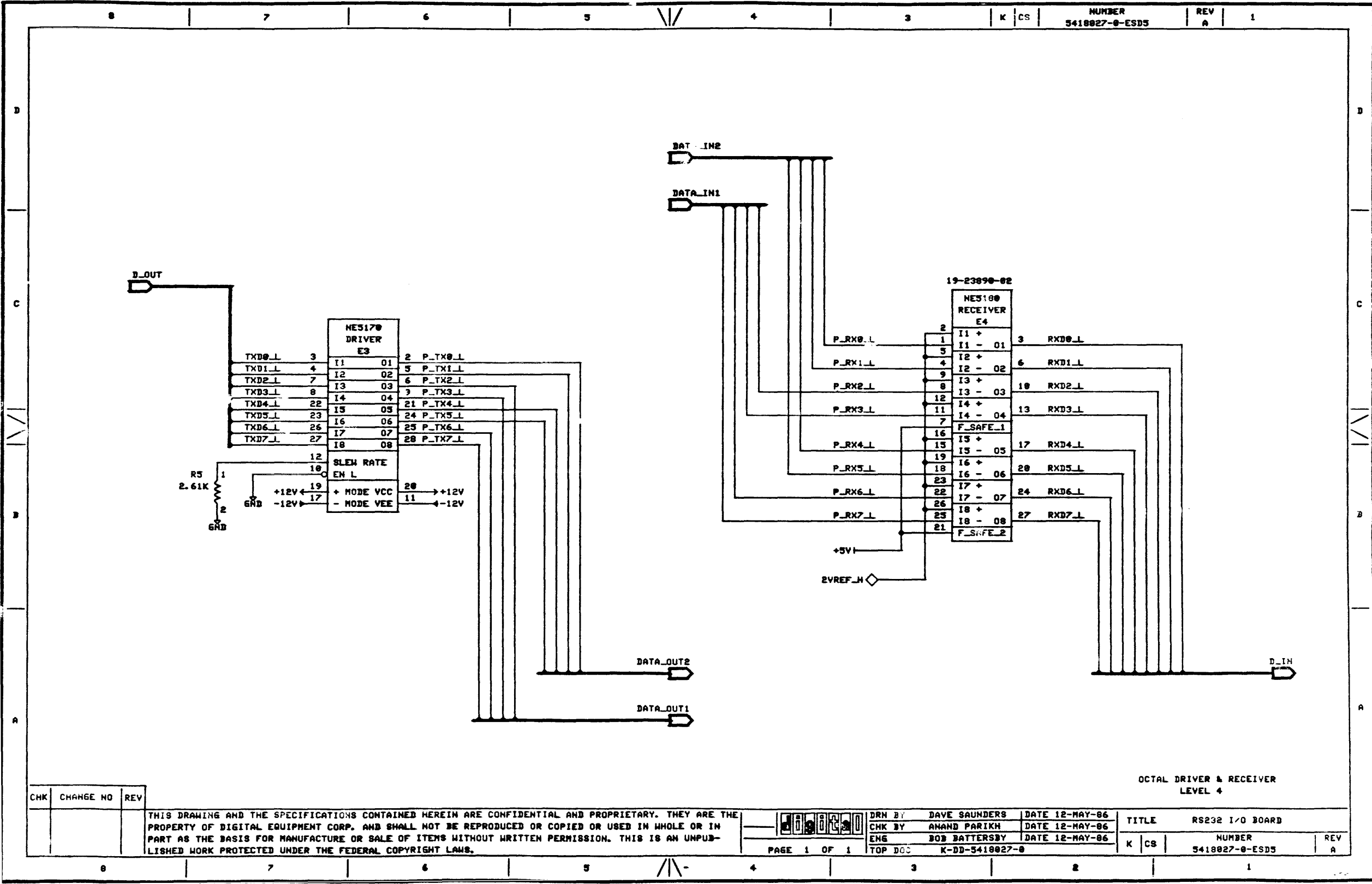
CHK	CHANGE NO	REV

THIS DRAWING AND THE SPECIFICATIONS CONTAINED HEREIN ARE CONFIDENTIAL AND PROPRIETARY. THEY ARE THE PROPERTY OF DIGITAL EQUIPMENT CORP. AND SHALL NOT BE REPRODUCED OR COPIED OR USED IN WHOLE OR IN PART AS THE BASIS FOR MANUFACTURE OR SALE OF ITEMS WITHOUT WRITTEN PERMISSION. THIS IS AN UNPUBLISHED WORK PROTECTED UNDER THE FEDERAL COPYRIGHT LAWS.

DRN BY DAVE SAUNDERS DATE 12-MAY-86  
 CHK BY ANAND PARIKH DATE 12-MAY-86  
 ENG 303 BATTERSBY DATE 12-MAY-86  
 TOP DOC K-DD-5418827-0

TITLE RS232 I/O BOARD  
 NUMBER 5418827-0-ESD4  
 REV A

21 MAY 86 11:24 USER:PROTEUS/HORKING:JESERVER/TERM:CONTROL/ESD\_BOARD/101330 3. DRAN



Z:\MAY 86 14:51 \USER\PROTEUS\WORKING\DECSERVER\TERM\_CTRL\ESD\_BOARD\DATA\_CVR 1.DRAW



NOTE: THIS PAGE DEFINES THE CONTENTS OF EACH BUNDLE USED IN THE BOARD I/O BOARD PRINT SET

BUNDLE NAME	CONTENTS
B_IN	RX02.L, RX01.L, RX02.L, RX03.L, RX04.L, RX05.L, RX06.L & RX07.L
B_OUT	TX02.L, TX01.L, TX02.L, TX03.L, TX04.L, TX05.L, TX06.L & TX07.L
DATA_IN1	P_RX02.L, P_RX03.L, P_RX04.L & P_RX07.L
DATA_IN2	P_RX01.L, P_RX01.L, P_RX04.L & P_RX05.L
DATA_OUT1	P_TX02.L, P_TX03.L, P_TX04.L & P_TX07.L
DATA_OUT2	P_TX01.L, P_TX1.L, P_TX4.L & P_TX5.L
MCNTL_IN1	P_R12.L, P_R16.L, P_R13.L, P_R17.L, P_SH12.L, P_SH16.L, P_SH13.L, P_SH17.L, P_CB2.L, P_CB6.L, P_CB3.L, P_CB7.L, P_BSR2.L, P_BSR3.L, P_BSR6.L, P_BSR7.L, P_CTS2.L, P_CTS3.L, P_CTS6.L & P_CTS7.L
MCNTL_IN2	P_R18.L, P_R11.L, P_R14.L, P_R15.L, P_SH18.L, P_SH11.L, P_SH14.L, P_SH15.L, P_CB8.L, P_CB1.L, P_CB4.L, P_CB5.L, P_BSR8.L, P_BSR1.L, P_BSR4.L, P_BSR5.L, P_CTS8.L, P_CTS1.L, P_CTS4.L & P_CTS5.L
MCNTL_OUT1	P_BSR2.L, P_BSR3.L, P_BSR6.L, P_BSR7.L, P_BTR2.L, P_BTR3.L, P_BTR6.L, P_BTR7.L, P_RT2.L, P_RT3.L, P_RT6.L & P_RT7.L
MCNTL_OUT2	P_BTR8.L, P_BTR1.L, P_BTR4.L, P_BTR5.L, P_BSR8.L, P_BSR1.L, P_BSR4.L, P_BSR5.L, P_RT8.L, P_RT1.L, P_RT4.L & P_RT5.L

CNK	CHANGE NO	REV

THIS DRAWING AND THE SPECIFICATIONS CONTAINED HEREIN ARE CONFIDENTIAL AND PROPRIETARY. THEY ARE THE PROPERTY OF DIGITAL EQUIPMENT CORP. AND SHALL NOT BE REPRODUCED OR COPIED OR USED IN WHOLE OR IN PART AS THE BASIS FOR MANUFACTURE OR SALE OF ITEMS WITHOUT WRITTEN PERMISSION. THIS IS AN UNPUBLISHED WORK PROTECTED UNDER THE FEDERAL COPYRIGHT LAWS.

000000  
PAGE 1 OF 1

DRN BY	DAVE SAUNDERS	DATE	12-MAY-86
CNK BY	ANAND PARIKH	DATE	12-MAY-86
ENG	BOB BATTERSBY	DATE	12-MAY-86
TOP DOC	K-88-3418827-0		

TITLE	RS232 I/O BOARD
NUMBER	3418827-0-ESD7
REV	A

K:\MAY 86\14188\70682\PROTEUS\WORKING\RECEIVED\TEMP\K86\KES\BOARD CONTENTS.P111

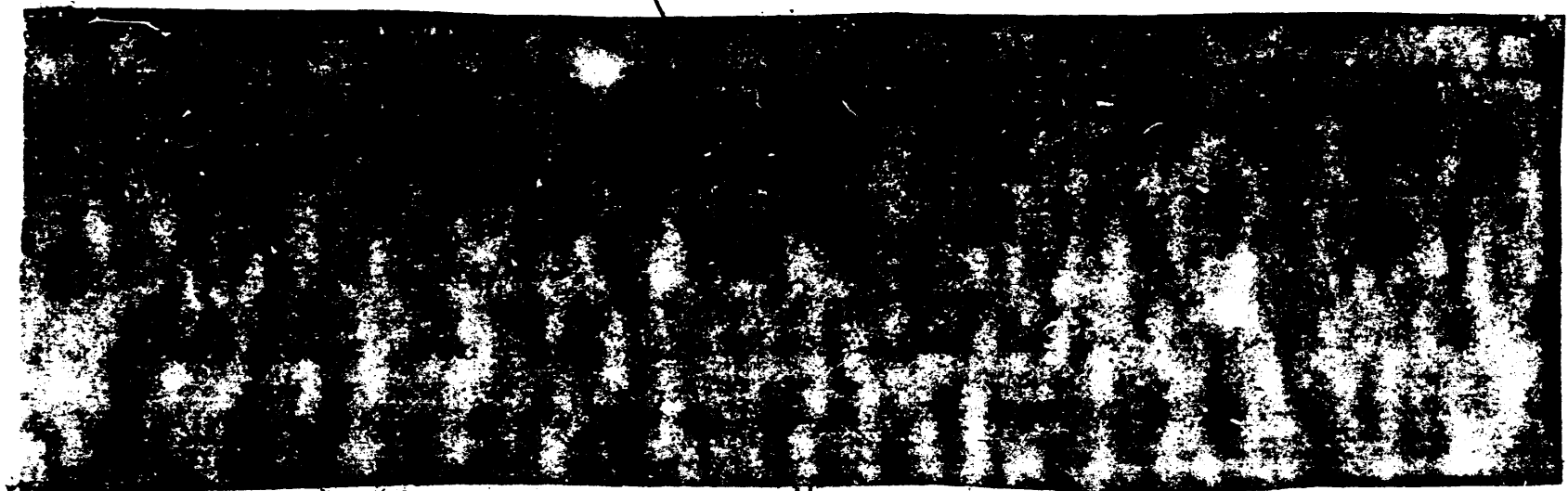


LINE	ITEM	TOP DOCUMENT	PART NUMBER	MIN REV	DESCRIPTION	QTY PER VAR/REV	REFERENCE DESIGNATORS
						01 A1	
1	1	D-MD-5018026-0-0	50-18026-01		DRILL AND ETCH BOARD	1	
2	2		10-13466-22		0.10 MFD 50V +80/-20% Z5U C	3	C1-C3
3	3		10-23486-01		2.2 MFD 50V +/-20% ALU	3	C4-C6
4	4		11-26094-01		QUAD GREEN LED ASSEMBLY .456HOURS	1	D1
5	5		12-25898-01		CONN,DSUB 25PIN ASSY STR GOLD P	8	J1-J8
6	6		12-23627-01		PCB HEADER 50POS(2X25).100CC STR	2	J9,J10
7	7		13-00250-00		150.0 .25 W 5.0 % CF	4	R1-R4
8	8		13-03303-00		2.61 K .25 W 1.0 % RN55D-F10	1	R5
9	9		19-25894-01		PROTECTION DEVICE-TR	10	E1,E2,E5-E12
10	10		19-23889-02		EIA OCTAL LINE DRIVE	1	E3
11	11		19-23890-02		EIA OCTAL LINE RECEI	1	E4
12	12		91-05740-55		WIRE(WRAP) 30AWG KYNAR UL14	A/R	

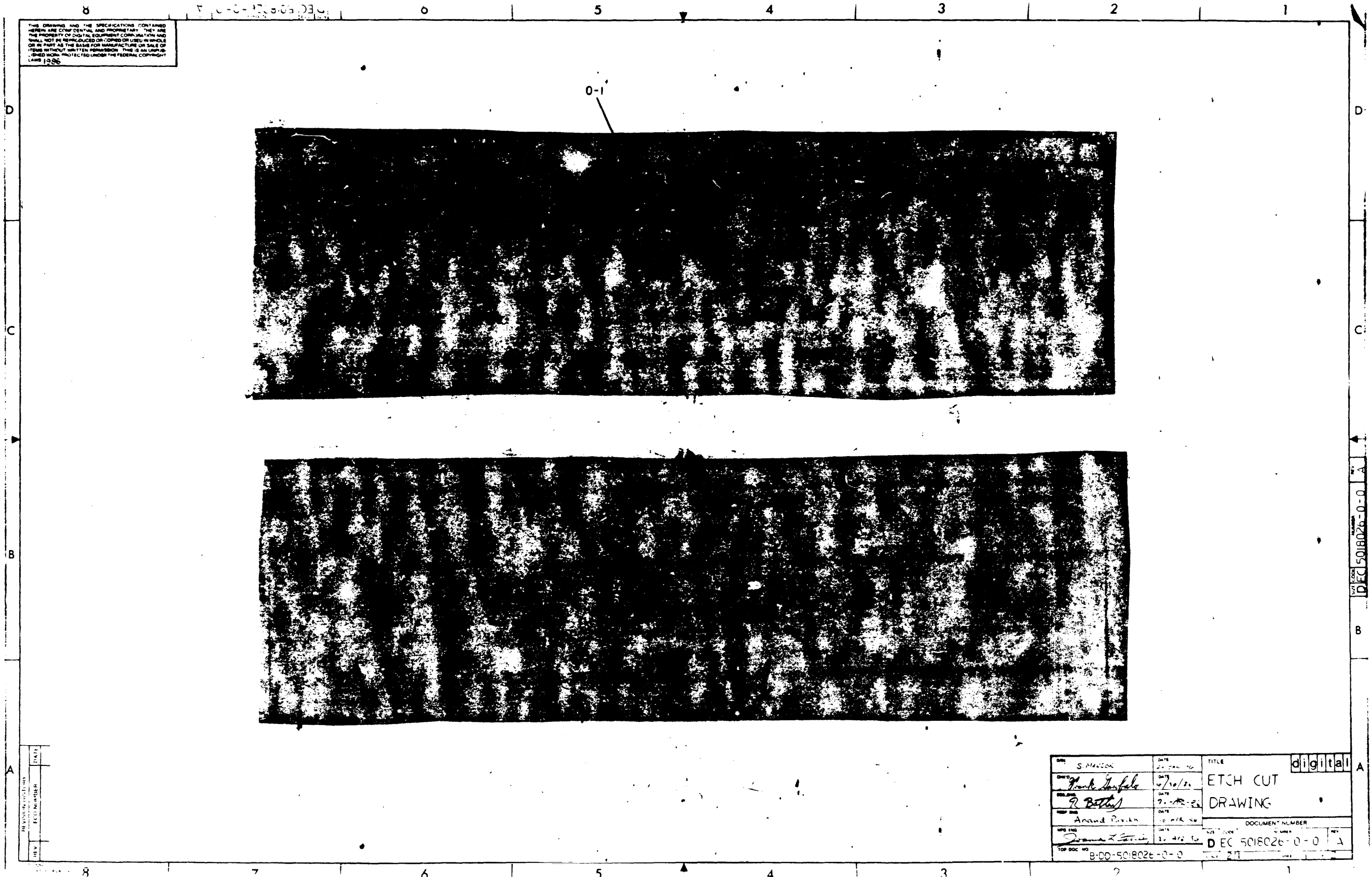
REVISION HISTORY		KPL MODULE FORMAT		SECTION A OF A		DRN: S.MANSOR		DIGITAL	
ENG	ECO NUMBER	REV	SECTION/VARIATION INDEX		DATE:	DATE:		TITLE	PARTS LIST
---	INITIAL	A	[A]	01	[M]	18-NOV-85	18-NOV-85	RS232 I/O BOARD	
			[B]		[N]				
			[C]		[P]				
			[D]		[Q]				
			[E]		[R]				
			[F]		[S]				
			[H]		[T]				
			[J]		[V]				
			[K]		[W]				
			[L]		[Y]				
		BASIC PART NUMBER:		ASSEMBLY NUMBER:		TOP DOCUMENT NUMBER:		FILE NAME:	
		5418027		E-UA-5418027-0-0		K-DD-5418027-0-0		TW824A.PLS	
								EDIT #	
								28	

"THIS DRAWING AND THE SPECIFICATIONS CONTAINED HEREIN ARE CONFIDENTIAL AND PROPRIETARY. THEY ARE THE PROPERTY OF DIGITAL EQUIPMENT CORPORATION AND SHALL NOT BE REPRODUCED OR COPIED OR USED IN WHOLE OR IN PART AS THE BASIS FOR THE MANUFACTURE OR SALE OF ITEMS WITHOUT WRITTEN PERMISSION. THIS IS AN UNPUBLISHED WORK PROTECTED UNDER THE FEDERAL COPYRIGHT LAWS."

THIS DRAWING AND THE SPECIFICATIONS CONTAINED HEREIN ARE CONFIDENTIAL AND PROPRIETARY. THEY ARE THE PROPERTY OF DIGITAL EQUIPMENT CORPORATION AND SHALL NOT BE REPRODUCED OR COPIED OR USED IN WHOLE OR IN PART AS THE BASIS FOR MANUFACTURE OR SALE OF ITEMS WITHOUT WRITTEN PERMISSION. THIS IS AN UNCLASSIFIED WORK PRODUCT UNDER THE FEDERAL COPYRIGHT LAWS [1976]



0-1



REVISIONS  
DATE  
BY  
DESCRIPTION

DATE	20 JAN 76	TITLE	ETCH CUT
BY	S. MANICK	DATE	7/10/75
BY	Frank DeFede	DATE	7-10-75
BY	R. Bittan	DATE	10 APR 76
BY	Anand Parikh	DATE	10 APR 76
BY	James L. Smith	DATE	10 APR 76
TOP DOC NO	B-00-5018026-0-0	DOCUMENT NUMBER	D EC 5018026-0-0 A

DEC 5018026-0-0 A

digital

THIS DRAWING AND THE SPECIFICATIONS CONTAINED HEREIN ARE CONFIDENTIAL AND PROPRIETARY. THEY ARE THE PROPERTY OF DIGITAL EQUIPMENT CORPORATION AND SHALL NOT BE REPRODUCED OR COPIED OR USED IN WHOLE OR IN PART AS THE BASIS FOR THE MANUFACTURE OR SALE OF ITEMS WITHOUT WRITTEN PERMISSION. THIS IS AN UNPUBLISHED WORK PROTECTED UNDER THE FEDERAL COPYRIGHT LAW. 1986

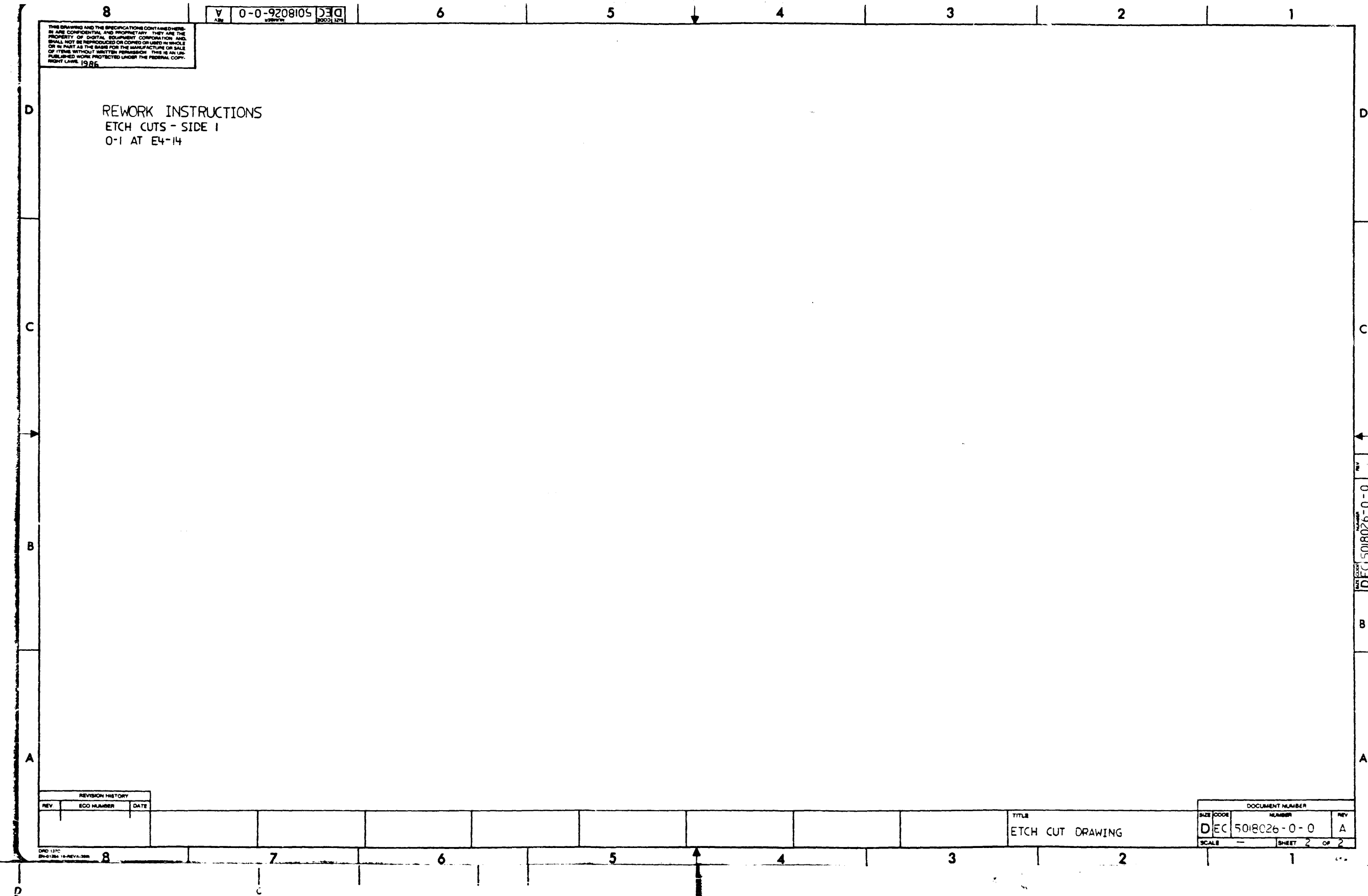
DEC 5018026-0-0 A

REWORK INSTRUCTIONS  
ETCH CUTS - SIDE 1  
0-1 AT E4-14

REVISION HISTORY		
REV	ECO NUMBER	DATE

TITLE  
ETCH CUT DRAWING

DOCUMENT NUMBER  
DEC 5018026-0-0 A  
SCALE - SHEET 2 OF 2



DRAWING NO.	NO. SHTS	PART NO.	DESCRIPTION	REVISIONS
		5418034-01	DECSERVER 200	A1
		5418034-02	DECSERVER 200	A1
		5418034-03	DECSERVER 200	A1
E-UA-5418034-0-0	2		DECSERVER 200 UNIT ASSEMBLY	A
K-PL-5418034-0-DBP	4		DECSERVER 200 PARTS LIST	A
K-PC-5418034-0-DBV	-		DECSERVER 200 PC DATA BASE	C
K-DD-5018033-0-0	1		DRAWING DIRECTORY	A
K-CS-5418034-0-DBD	-		DAISY DATA BASE	A
K-BD-5418034-0-B1	1		DECSERVER 200 BLOCK DIAGRAM	A
K-BD-5418034-0-B2	1		DECSERVER 200 BLOCK DIAGRAM	A
K-BD-5418034-0-B3	1		DECSERVER 200 BLOCK DIAGRAM	A
K-BD-5418034-0-CPU1	1		DECSERVER 200 BLOCK DIAGRAM	A
K-CS-5418034-0-CPU2	1		DECSERVER 200 SCHEMATIC	A
K-CS-5418034-0-CPU3	1		DECSERVER 200 SCHEMATIC	A
K-CS-5418034-0-CPU4	1		DECSERVER 200 SCHEMATIC	A
K-CS-5418034-0-CPU5	1		DECSERVER 200 SCHEMATIC	A
K-CS-5418034-0-CPU6	1		DECSERVER 200 SCHEMATIC	A

NOTES:

R E V I S I O N  
 H I S T O R Y  
 D A T E

A  
 R  
 E  
 V  
 I  
 S  
 I  
 O  
 N  
 I  
 T  
 E  
 M  
 S  
 A  
 P  
 P  
 R  
 O  
 P  
 R  
 I  
 E  
 T  
 Y

THIS DRAWING AND THE SPECIFICATIONS CONTAINED HEREIN ARE CONFIDENTIAL AND PROPRIETARY. THEY ARE THE PROPERTY OF DIGITAL EQUIPMENT CORPORATION AND SHALL NOT BE REPRODUCED OR COPIED OR USED IN WHOLE OR IN PART AS THE BASIS FOR THE MANUFACTURE OR SALE OF ITEMS WITHOUT WRITTEN PERMISSION. THIS IS AN UNPUBLISHED WORK PROTECTED UNDER THE FEDERAL COPYRIGHT LAWS.

DRN: SHEILA MANSOR	DATE: 16-APR-86	d i g i t a l	
CHK'D: FRANK GAROFALO	DATE: 29-APR-86	TITLE DECSERVER 200	
DES.ENG.: DAN CEDRONE	DATE: 29-APR-86	SHEET 1 OF 2	EDIT: 21
RESP.ENG.: DAN CEDRONE	DATE: 29-APR-86	DOCUMENT NUMBER	
		DD FILENAME: 5418034A.DDF	
MFG.ENG.: JAIME SEGUINOT	DATE: 29-APR-86	SIZE CODE	NUMBER REV
		K DD	5418034-0-0 A

DRAWING NO.	NO. SHTS	PART NO.	DESCRIPTION	REVISIONS
K-CS-5418034-0-CPU7	1		DECSERVER 200 SCHEMATIC	A
K-CS-5418034-0-CPU8	1		DECSERVER 200 SCHEMATIC	A
K-BD-5418034-0-MEM1	1		DECSERVER 200 BLOCK DIAGRAM	A
K-CS-5418034-0-MEM2	1		DECSERVER 200 SCHEMATIC	A
K-CS-5418034-0-MEM3	1		DECSERVER 200 SCHEMATIC	A
K-CS-5418034-0-MEM4	1		DECSERVER 200 SCHEMATIC	A
K-CS-5418034-0-MEM5	1		DECSERVER 200 SCHEMATIC	A
K-CS-5418034-0-MEM6	1		DECSERVER 200 SCHEMATIC	A
K-CS-5418034-0-MEM7	1		DECSERVER 200 SCHEMATIC	A
K-CS-5418034-0-MEM8	1		DECSERVER 200 SCHEMATIC	A
K-CS-5418034-0-MEM9	1		DECSERVER 200 SCHEMATIC	A
K-CS-5418034-0-MEM10	1		DECSERVER 200 SCHEMATIC	A
K-BD-5418034-0-INT1	1		DECSERVER 200 BLOCK DIAGRAM	A
K-CS-5418034-0-INT2	1		DECSERVER 200 SCHEMATIC	A
K-CS-5418034-0-INT3	1		DECSERVER 200 SCHEMATIC	A
K-CS-5418034-0-INT4	1		DECSERVER 200 SCHEMATIC	A
K-CS-5418034-0-ARB1	1		DECSERVER 200 SCHEMATIC	A
K-BD-5418034-0-B4	1		DECSERVER 200 BLOCK DIAGRAM	A
K-BD-5418034-0-TRM1	1		DECSERVER 200 BLOCK DIAGRAM	A
K-CS-5418034-0-TRM2	1		DECSERVER 200 SCHEMATIC	A
K-CS-5418034-0-TRM3	1		DECSERVER 200 SCHEMATIC	A
K-CS-5418034-0-TRM4	1		DECSERVER 200 SCHEMATIC	A
K-CS-5418034-0-TRM5	1		DECSERVER 200 SCHEMATIC	A
K-CS-5418034-0-TRM6	1		DECSERVER 200 SCHEMATIC	A
K-CS-5418034-0-TRM7	1		DECSERVER 200 SCHEMATIC	A
K-CS-5418034-0-TRM8	1		DECSERVER 200 SCHEMATIC	A
K-CS-5418034-0-TRM9	1		DECSERVER 200 SCHEMATIC	A
K-CS-5418034-0-TRM10	1		DECSERVER 200 SCHEMATIC	A
K-CS-5418034-0-TRM11	1		DECSERVER 200 SCHEMATIC	A
K-BD-5418034-0-NET1	1		DECSERVER 200 BLOCK DIAGRAM	A
K-CS-5418034-0-NET2	1		DECSERVER 200 SCHEMATIC	A
K-CS-5418034-0-NET3	1		DECSERVER 200 SCHEMATIC	A
K-CS-5418034-0-NET4	1		DECSERVER 200 SCHEMATIC	A
K-CS-5418034-0-NET5	1		DECSERVER 200 SCHEMATIC	A
K-CS-5418034-0-PWR	1		DECSERVER 200 SCHEMATIC	A
K-CS-5418034-0-CAP1	1		DECSERVER 200 SCHEMATIC	A
K-CS-5418034-0-CAP2	1		DECSERVER 200 SCHEMATIC	A
K-CS-5418034-0-D1	1		DECSERVER 200 SCHEMATIC	A
K-CS-5418034-0-D2	1		DECSERVER 200 SCHEMATIC	A
K-CS-5418034-0-D3	1		DECSERVER 200 SCHEMATIC	A



8 6 5 4 3 2 1

THIS DRAWING AND THE SPECIFICATIONS CONTAINED HEREIN ARE CONFIDENTIAL AND PROPRIETARY. THEY ARE THE PROPERTY OF DIGITAL EQUIPMENT CORPORATION AND SHALL NOT BE REPRODUCED OR COPIED OR USED IN WHOLE OR IN PART AS THE BASIS FOR THE MANUFACTURE OR SALE OF ITEMS WITHOUT WRITTEN PERMISSION. THIS IS AN UNPUBLISHED WORK PROTECTED UNDER THE FEDERAL COPYRIGHT LAW 1986

REWORK INSTRUCTIONS

COMPONENT ADDS

0-2 ADD THERMISTOR (13-26688-01) R83 TO SPARE LOCATION E42 BETWEEN E42-9 AND E42-12.

WIRE ADDS-SIDE 1

0-3 FROM E42-12 TO C33-2.  
0-4 FROM E42-9 TO PTH LOCATED NEAR J4-7 AND J4-8.

REVISION HISTORY		
REV	ECO NUMBER	DATE

TITLE DEC SERVER 200  
MAIN BOARD

DOCUMENT NUMBER			
SIZE	CODE	NUMBER	REV
D	UA	5418034-0-0	1
SCALE		SHEET 2 OF 2	

8 7 6 5 4 3 2 1

D C B A

DWG 137C  
EN-01284-16-REVADMB

LINE	ITEM	TOP DOCUMENT	PART NUMBER	MIN REV	DESCRIPTION	QTY PER VAR/REV			REFERENCE DESIGNATORS
						01 A1	02 A1	03 A1	
1	1	D-MD-5018033-0-0	50-18033-01		DRILL AND ETCH BOARD	1	1	1	
2	3		10-01610-00		0.010MFD 50V +80/-20% Z5U C	2	2	2	C132,C133
3	4		10-02174-00		2.0 MFD 25V +75/-10% ALU	2	2	2	C3,C129
4	5		10-11605-00		100 MFD 10V +/-10% SOL	1	1	1	C127
5	6		10-12084-01		8.0 MFD 25V +75/-10% ALU	7	7	7	C1,C32,C52,C70,C96,C137,C140
6	7		10-12784-00		0.047MFD 50V +80/-20% Z5U C	103	-	103	C4-C21,C23,C25-C31,C33-C51, CONT C53-C69,C71-C77,C80-C84, CONT C89-C95,C97,C102-C110, CONT C115-C117,C119-C121,C128,C134, CONT C139,C142,C143,C145 C4-C21,C23,C25-C31,C33-C51, CONT C54-C58,C60-C64,C68,C69, CONT C71-C76,C80-C82,C89-C93, CONT C102-C105,C107-C110,C115-C117, CONT C119,C128,C134,C139,C142,C143, CONT C145
			CONT			-	89	-	
7	8		10-13466-06		100 PFD 50V +/- 5% NP0 C	3	3	3	C2,C122,C135
8	9		10-13466-22		0.10 MFD 50V +80/-20% Z5U C	7	-	7	C118,C130,C136,C141,C144,C146, CONT C147 C118,C130,C136,C141,C144
			CONT			-	5	-	
9	10		10-13466-34		4700 PFD 50V +/- 5% X7R C	1	1	1	C131
10	11		10-13466-50		680 PFD 50V +/- 5% NP0 C	1	1	1	C138
11	12		10-17472-00		10 MFD 35V +75/-10% ALU	2	2	2	C22,C24
12	13		10-25853-01		0.22 MFD 50V +80/-20% Z5U C	-	-	18	C78,C79,C85-C88,C98-C101, CONT C111-C114,C123-C126 C78,C79,C85-C87,C98-C100, CONT C111-C113,C123-C125
			CONT			14	14	-	
13	14		11-16475-00		PIV= 75 - 4HS 1N4148	4	-	4	D2-D5
14	15		12-13488-00		PCB,HEADER 10PIN(2X05).100CC	1	1	1	J2
15	16		12-13488-13		PCB,HEADER 16PIN(2X08).100CC STR	1	1	1	J8
16	17	SEE NOTE 3	12-14314-00		CONN,P+S 02SKT(1X02).100CC JUM	2	2	2	
17	18		12-15006-07		SKT,IC 28PIN DIP TIN SOLD	2	2	2	XE17,XE31

REVISION HISTORY		KPL MODULE FORMAT		SECTION A OF A		DRN: S.MANSOR		DIGITAL	
ENG	ECO NUMBER	REV	SECTION/VARIATION INDEX		DATE:	CHK'D:	TITLE	PARTS LIST	
---	INITIAL	A	[A]	01,02,03	[M]	14-JAN-86	F.GAROFALO	DEC SERVER 200	
			[B]		[N]	14-JAN-86		MAIN BOARD	
			[C]		[P]		DAN CEDRONE	DOCUMENT NUMBER	
			[D]		[Q]	14-JAN-86		SIZE	CODE
			[E]		[R]		DAN CEDRONE	NUMBER	REV
			[F]		[S]	14-JAN-86		K	PL
			[H]		[T]		JAIMES SEGUINOT	5418034-0-DBP	
			[J]		[V]	19-JUN-86		RELEASE DATE: 07-JUL-86	
			[K]		[W]			RELEASE STATUS: RELEASED	
			[L]		[Y]				
BASIC PART NUMBER:		ASSEMBLY NUMBER:		TOP DOCUMENT NUMBER:		FILE NAME:		EDIT #	
5418034		E-UA-5418034-0-0		K-DD-5418034-0-0		TW826A.PLS		48	

"THIS DRAWING AND THE SPECIFICATIONS CONTAINED HEREIN ARE CONFIDENTIAL AND PROPRIETARY. THEY ARE THE PROPERTY OF DIGITAL EQUIPMENT CORPORATION AND SHALL NOT BE REPRODUCED OR COPIED OR USED IN WHOLE OR IN PART AS THE BASIS FOR THE MANUFACTURE OR SALE OF ITEMS WITHOUT WRITTEN PERMISSION. THIS IS AN UNPUBLISHED WORK PROTECTED UNDER THE FEDERAL COPYRIGHT LAWS."



LINE	ITEM	TOP DOCUMENT	PART NUMBER	MIN REV	DESCRIPTION	QTY PER VAR/REV			REFERENCE DESIGNATORS
						01 A1	02 A1	03 A1	
18	19		12-15006-19		/REPLACED BY 12-23871-17	1	1	1	XE59
19	20		12-16652-18		PCB HEADER STR	1	1	1	J4
20	21		12-19251-00		PCB HEADER 02PIN(1X02).100CC STR	3	3	3	J1, J3, J6
21	22		12-23627-01		PCB HEADER 50POS(2X25).100CC STR	2	-	2	J5, J7
					CONT	-	1	-	J5
22	23		13-00005-07		R. NET 4.7K-15 5.0	3	3	3	E7, E37, E81
23	24		13-00197-00		33.0 .25 W 5.0 % CF	21	21	21	R43-R50, R52, R53, R55-R63, R65, R67
24	25		13-00229-00		100.0 .25 W 5.0 % CF	22	22	22	R14-R17, R19, R20, R22, R24, R26,
					CONT				R28, R31, R33, R35, R37, R38, R51,
					CONT				R54, R64, R69, R74, R79, R82
25	26		13-00247-00		120.0 .25 W 5.0 % CF	2	2	2	R29, R30
26	27		13-00316-00		470.0 .25 W 5.0 % CF	1	1	1	R9
27	28		13-00365-00		1.0 K .25 W 5.0 % CF	1	1	1	R8
28	29		13-00432-00		3.0 K .25 W 5.0 % CF	1	1	1	R71
29	30		13-00539-00		120.0 K .25 W 5.0 % CF	1	1	1	R11
30	31		13-01322-00		180.0 .25 W 5.0 % CF	2	2	2	R27, R32
31	32		13-02388-00		2.0 K .25 W 5.0 % CF	10	10	10	R6, R13, R18, R21, R23, R25, R36, R40,
					CONT				R41, R66
32	33		13-02397-00		130.0 K .25 W 5.0 % CF	2	2	2	R1, R2
33	34		13-02871-00		1.21 K .25 W 1.0 % RN55D-F10	1	1	1	R4
34	35		13-03114-00		1.0 K .25 W 1.0 % RN55D-F10	1	1	1	R7
35	36		13-03179-00		8.20 K .25 W 5.0 % CF	2	2	2	R10, R12
36	37		13-03303-00		2.61 K .25 W 1.0 % RN55D-F10	3	-	3	R34, R39, R42
37	38		13-04841-00		75.0 K .25 W 5.0 % CF	1	1	1	R70
38	39		13-05346-00		27.0 K .25 W 5.0 % CF	1	1	1	R5
39	40		13-05621-00		111.1 .25 W 0.10% RN55D-B10	2	-	2	R80, R81
40	41		13-09422-00		5.10 .25 W 5.0 % CF	1	1	1	R68
41	42		13-11522-00		200.0 .25 W 5.0 % CF	1	1	1	R76
42	43		13-12930-00		5.10 K .25 W 5.0 % CF	1	1	1	R3
43	44		13-18150-75		40.20 .25 W 1.0 % RN55D-F10	4	4	4	R73, R75, R77, R78
44	45		13-18247-00		510.0 .25 W 5.0 % CF	1	1	1	R72
45	46		13-26688-01		THERMISTOR PTC 0.062 15%	1	1	1	R83
46	47		16-16653-01		DELAY= 100NS, 10TAPS WITH TTLBU	1	1	1	E92
47	48		16-25072-01		XFMR, 75UH	1	1	1	E116
48	49		18-11660-50		OSCILLATOR, XTAL 29.4912 MHZ	1	1	1	Y1
49	50		18-22815-01		XTAL 20.000 MHZ	1	1	1	Y2
50	51		19-12108-01		LM 339ANVOLT, CMPRTR, QUAD	1	1	1	E1
51	52		19-12799-00		LS00 NAND-GATE-QUAD 2IN, P	1	1	1	E9
52	53		19-12805-00		LS08 AND GATE-QUAD 2IN, PO	2	2	2	E5, E49
53	54		19-12810-00		LS20 NAND GATE-DUAL 4IN	1	1	1	E16
54	55		19-12811-00		LS21 AND GATE-DUAL 4IN, PO	1	1	1	E4
55	56		19-12816-00		LS32 OR GATE-QUAD 2IN, POS	2	2	2	E8, E43
56	57		19-12818-00		LS38 NAND BUFFER-QUAD 2IN	1	1	1	E25
57	58		19-12824-00		LS74 FF-D DUAL, EDGE TRIGG	2	2	2	E2, E28
58	59		19-12837-00		LS123 ONE SHOT-DUAL, RETRIG	2	2	2	E3, E114
59	60		19-12845-00		LS153 MUX 1 OF 4 (DUAL)	1	1	1	E15
60	61		19-12847-00		LS157 MUX 1 OF 2 (QUAD)	3	3	3	E13, E38, E40
61	62		19-12848-00		LS158 MUX 1 OF 2 (QUAD)	1	1	1	E12
62	63		19-12863-00		LS273 FF-D OCTAL W/CLEAR	1	1	1	E69
63	64		19-13414-00		LS14 INVERTER GATE-HEX SC	1	1	1	E104

D	I	G	I	T	A	L	TITLE	SECTION A	OF A	SIZE	CODE	DOCUMENT NUMBER	REV
							DEC SERVER 200 MAIN BOARD			K	PL	5418034-0-DBP	A

LINE	ITEM	TOP DOCUMENT	PART NUMBER	MIN REV	DESCRIPTION	QTY	PER	VAR/REV	REFERENCE DESIGNATORS
						01	02	03	
						A1	A1	A1	
64	65		19-14085-00		74S260 NOR GATE-DUAL, POS	1	1	1	E45
65	66		19-15193-00		LS244 DRIVER, LINE, OCTAL, TR	1	1	1	E34
66	67		19-19006-00	LM	336A VOLT REF. 2.49V 1%	1	1	1	D1
67	68		19-19018-00		LS148 PRIORITY ENCODER, 8 T	4	4	4	E26, E33, E35, E47
68	69		19-20441-01		74F245 TRANSCEIVER, BI-DIREC	2	2	2	E60, E71
69	70		19-20442-01		74F374 FF-D, OCTAL, TRI-STATE	3	3	3	E36, E39, E51
70	71		19-20572-01		74F244 BUFFER/LINE DRIVER, 0	2	2	2	E56, E68
71	72		19-21009-01		74F241 BUFFER/LINE DRIVER, N	1	1	1	E80
72	73		19-21010-01		74F373 OCTAL TRANSPARENT LA	4	4	4	E46, E82, E94, E106
73	74		19-21305-01		74F00 NAND GATE, QUAD, 2-IN	1	1	1	E57
74	75		19-21306-01		74F02 NOR GATE, QUAD, 2-IN	1	1	1	E6
75	76		19-21307-01		74F04 HEX INVERTER	3	3	3	E14, E44, E91
76	77		19-21308-01		74F08 AND GATE, QUAD, 2-IN	1	1	1	E58
77	78		19-21311-01		74F20 NAND GATE, DUAL, 4-IN	2	2	2	E27, E90
78	79		19-21312-01		74F32 OR GATE, QUAD, 2-IN	3	3	3	E23, E29, E62
79	80		19-21314-01		74F74 FF-D, DUAL, POS., EDGE	6	6	6	E48, E61, E63, E66, E70, E105
80	81		19-21315-01		74F86 EXCLUSIVE OR GATE, QU	1	1	1	E54
81	82		19-21316-01		74F138 DECODER/DEMUX, 1-OF-8	1	1	1	E24
82	83		19-21317-01		74F139 DECODER, DUAL, 1-OF-4	1	1	1	E79
83	84		19-21322-01		74F161 BINARY COUNTER, PRES	1	1	1	E10
84	85		19-21331-01		74F258 MUX, QUAD, 2-IN	3	3	3	E103, E111, E112
85	86		19-21332-01		74F280 PARITY GEN/CHECK, 9-B	2	2	2	E55, E67
86	87		19-21671-03		INTERFACE, SERIAL ADAPTOR 300MIL	1	1	1	E115
87	88		19-22191-01		74F353 MULTIPLEXER, DUAL 4I	1	1	1	E93
88	89		19-23889-02		EIA OCTAL LINE DRIVE	3	-	3	E53, E74, E85
89	90		19-23890-02		EIA OCTAL LINE RECEI	5	-	5	E52, E73, E84, E97, E98
90	91		19-25706-01		74F37 QUAD 2-INPUT NAND BU	1	1	1	E83
91	92		21-20067-01		68000 MICROPROCESSOR, 16BIT	1	1	1	E59
92	93		21-20068-01		2681 REC./TRANS., ASYNC., D	4	4	4	E19-E22
93	94		21-21414-02		50256 RAM 256KX1 DYNAMIC M	2	2	2	E64, E65
94	95		21-21672-04		CONTROLLER, LOCAL AREA NETWORK	1	1	1	E95
95	96	SEE NOTE 4	21-22421-02		*** THIS ITEM IS NOT USED ***	-	-	-	
96	97	SEE NOTE 4	21-22422-02		*** THIS ITEM IS NOT USED ***	-	-	-	
97	98		21-24412-02		RAM, 64KX4, DYNAMIC	15	12	-	E75-E77, E86-E88, E99-E101, CONT E107-E109
			CONT			-	-	16	E75-E78, E86-E89, E99-E102, CONT E107-E110
98	99	SEE NOTE 2	21-24414-02		*** THIS ITEM IS NOT USED ***	-	-	-	
99	100		21-25710-02		GATE ARRAY, LANCE	1	1	1	E96
100	101		21-25874-02		DC7053B DEC SERVER GATE ARRAY	1	-	1	E72
101	102		23-163K3-00		K3-03 PAL, QUAD AND-0	1	1	1	E30
102	103		23-225E5-00		E5-01, E5-02, E5-03 ROM	1	1	1	E31
103	104		23-226E5-00		E5-01, E5-02, E5-03 ROM	1	1	1	E17
104	105		23-365A1-00		A1-09	1	1	1	E32
105	106		23-4N1 -00		N1-04 E	1	1	1	E18
106	107		90-09185-00		JUMPER, WIRE, INSULATED, BLACK B	1	-	-	W2
			CONT			-	-	2	W1, W4
						-	15	-	W2, W3, W5, W6, W8-W17, W22
107	108		91-07727-00		WIRE (WRAP) 26AWG KYNAR UL14	A/R	A/R	A/R	

D	I	G	I	T	A	L	TITLE	SECTION A OF A	SIZE	CODE	DOCUMENT NUMBER	REV
							DEC SERVER 200 MAIN BOARD		K	PL	5418034-0-DBP	A

AUTOMATED BY VAXKPL (V1.2)

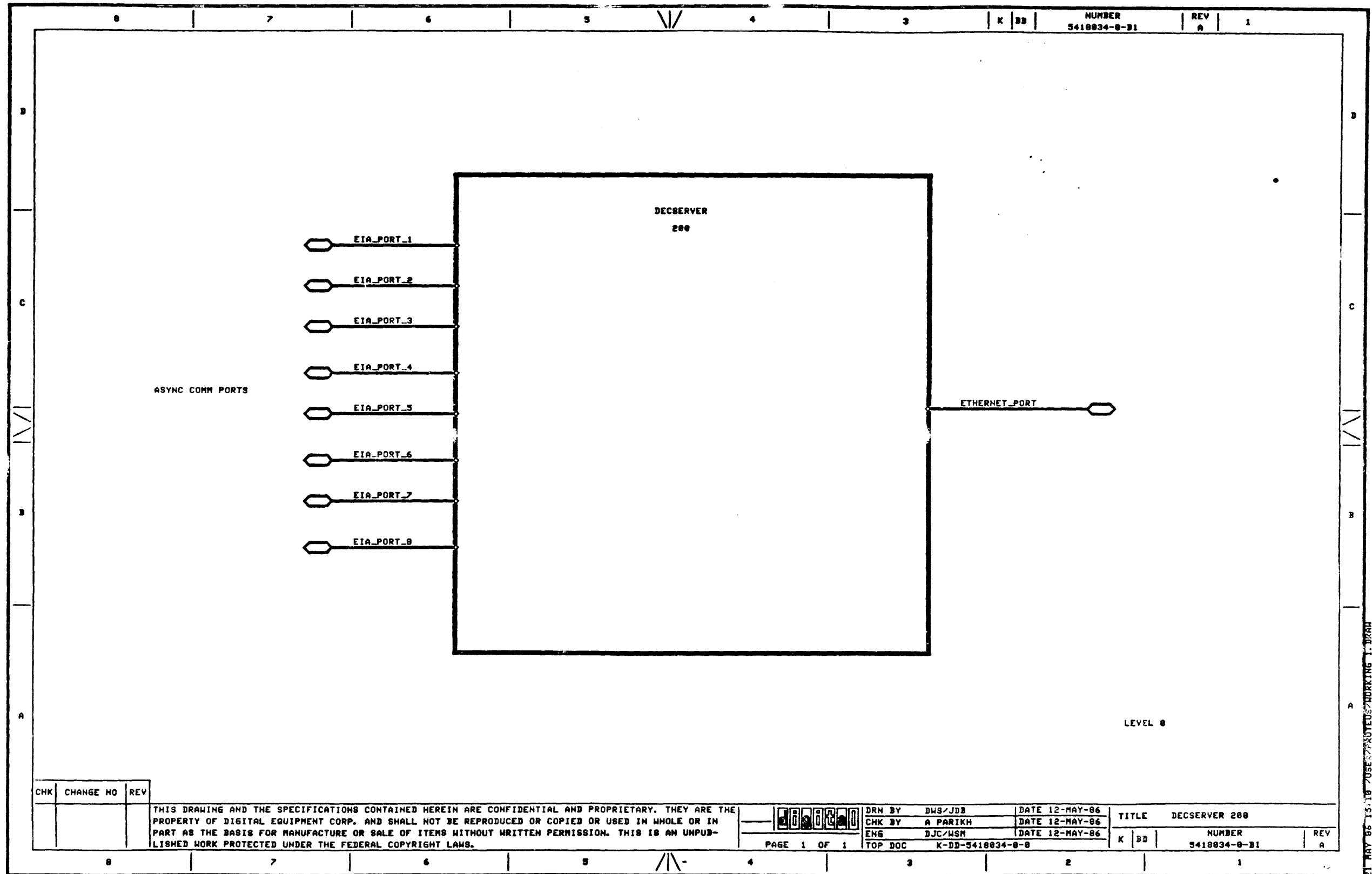
P A R T S L I S T

SHEET A4 OF A4

LINE ITEM	TOP DOCUMENT	PART NUMBER	MIN REV	DESCRIPTION	QTY PER VAR/REV			REFERENCE DESIGNATORS
					01	02	03	
					A1	A1	A1	

- 1 GEN: 1.SPARE LOCATIONS: E11,E41,E50,E113.
- 2 GEN: 2.P/N 21-24414-02 MAY BE SUBSTITUTED FOR P/N 21-24412-02,USING THE SAME REFERENCE DESIGNATORS.
- 3 GEN: 3.SOCKET 12-14314-00 IS INSERTED ON TO J1 AND J6 AFTER FF333 TESTING.
- 4 GEN: 4.P/N 21-22421-02 OR 21-22422-02 MAY BE SUBSTITUTED FOR P/N 21-21414-02, USING THE SAME REFERENCE DESIGNATORS.
- 5 GEN: 5.FOR VARIATION -01, COMPONENTS NOT TO BE INSTALLED ARE: E78,E89,E102,E110,W1,W3-W24,C88,C101,C114,C126.
- 6 GEN: 6.FOR VARIATION -02, COMPONENTS NOT TO BE INSTALLED ARE: E52,E53,E72,E73,E74,E78,E84,E85,E89,E97,E98,E102,E110,W1,W4,W7,
- 7 GEN: FROM 6, W18-W21,W23,W24,C53,C59,C65-C67,C77,C83,C84,C94,C95,C97,C106,C120,C121,C146,C147,C88,C101,C114,C126,D2-D5,R34,R39
- 8 GEN: FROM 6, R42,R80,R31,J7.
- 9 GEN: 7.FOR VARIATION -03, COMPONENTS NOT TO BE INSTALLED ARE: W2,W3,W5-W24.

D	I	G	I	T	A	L	TITLE	SECTION A OF A	SIZE	CODE	DOCUMENT NUMBER	REV
							DEC SERVER 200 MAIN BOARD		K	PL	5418034-0-DBP	A



NUMBER 5418834-0-01 REV A 1

ASync COMM PORTS

DECserver  
200

ETHERNET\_PORT

LEVEL 0

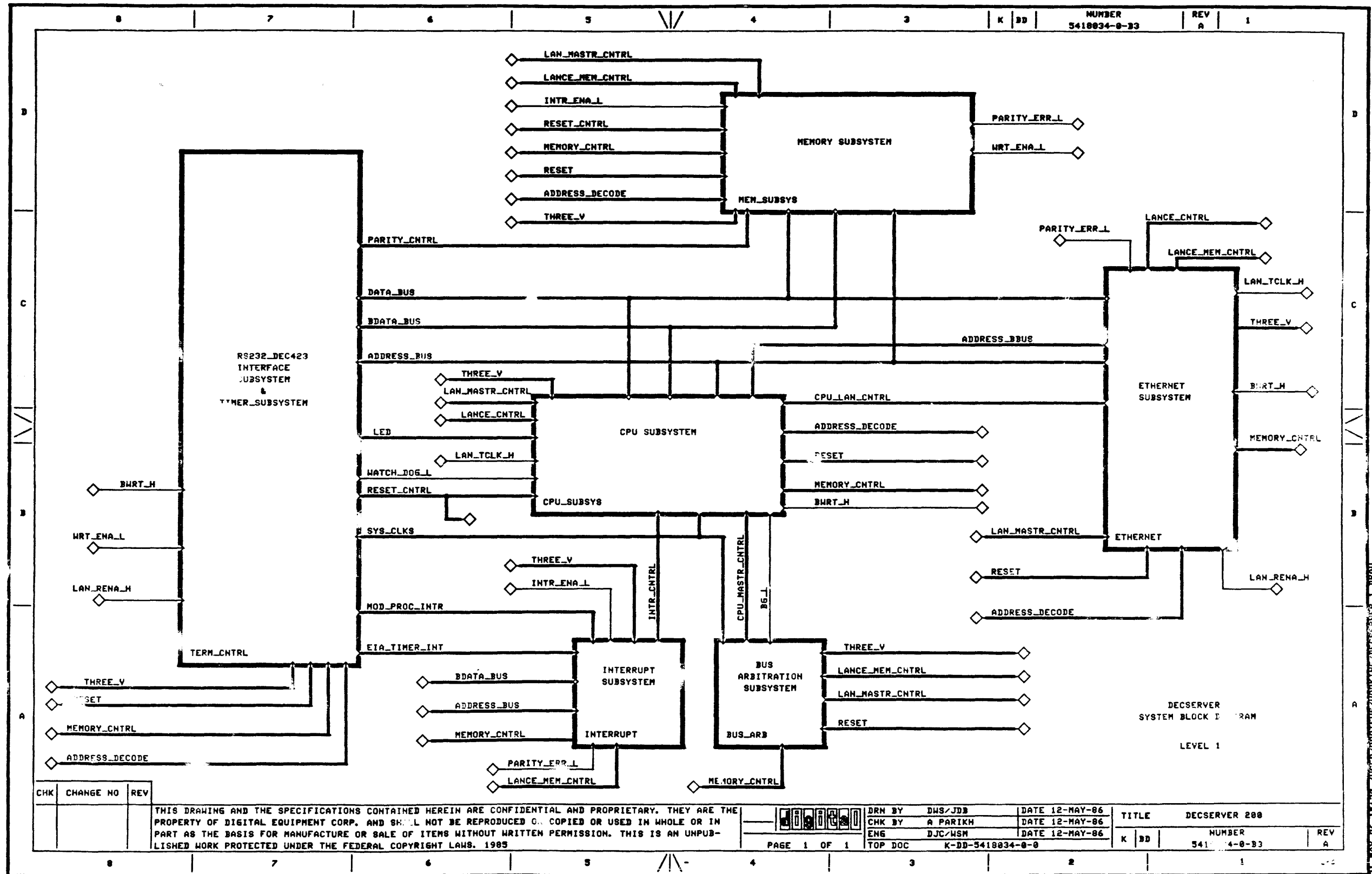
CHK	CHANGE NO	REV

THIS DRAWING AND THE SPECIFICATIONS CONTAINED HEREIN ARE CONFIDENTIAL AND PROPRIETARY. THEY ARE THE PROPERTY OF DIGITAL EQUIPMENT CORP. AND SHALL NOT BE REPRODUCED OR COPIED OR USED IN WHOLE OR IN PART AS THE BASIS FOR MANUFACTURE OR SALE OF ITEMS WITHOUT WRITTEN PERMISSION. THIS IS AN UNPUBLISHED WORK PROTECTED UNDER THE FEDERAL COPYRIGHT LAWS.

DRN BY	DWS/JDB	DATE	12-MAY-86	TITLE	DECserver 200
CHK BY	A PARIKH	DATE	12-MAY-86	NUMBER	5418834-0-01
ENG	DJC/MSH	DATE	12-MAY-86	REV	A
PAGE 1 OF 1		TOP DOC K-DD-5418834-0-0		K DD	

21 MAY 86 13:18 USE PASTEUP WORKING 1. DRAD





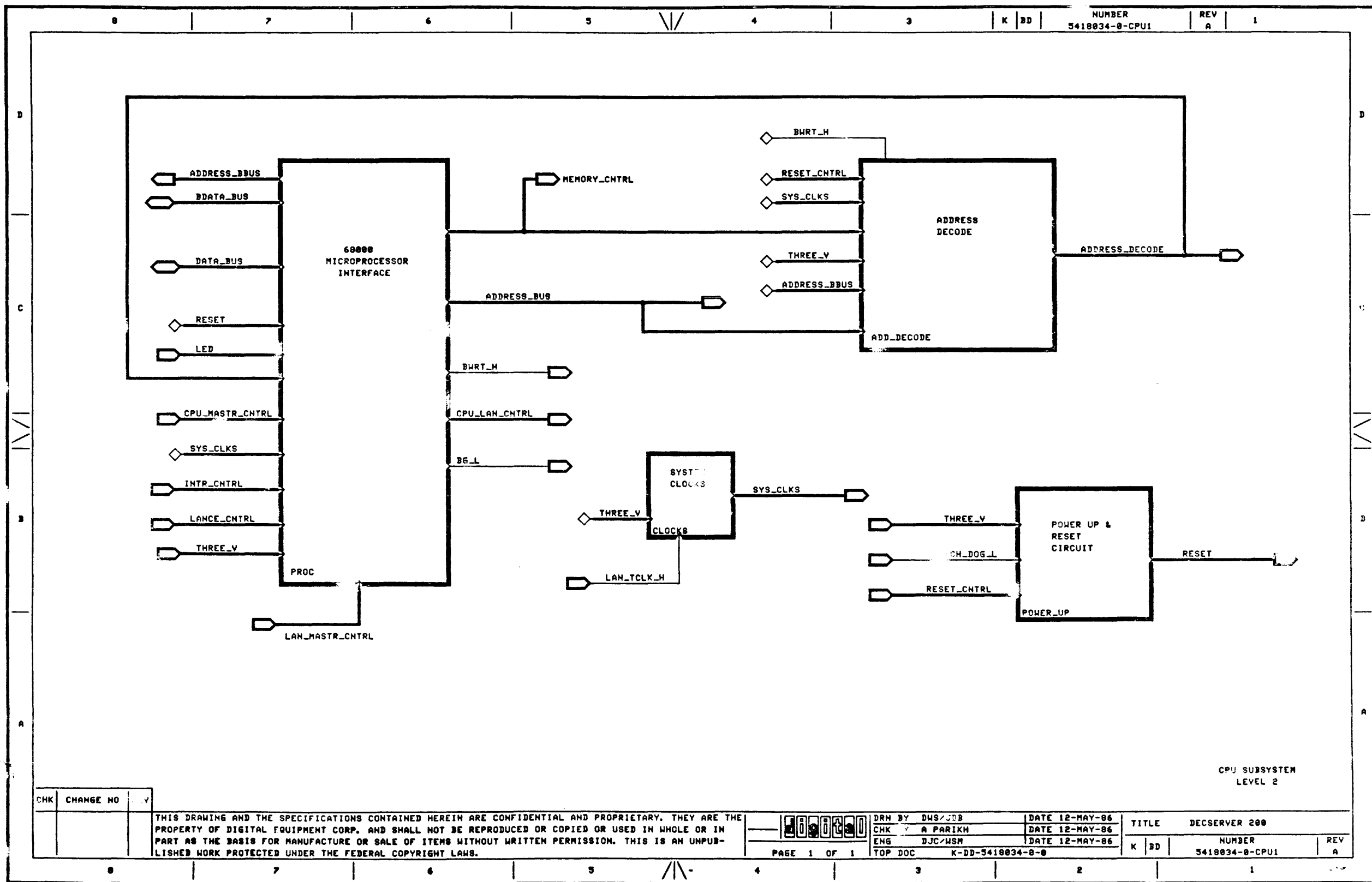
CHK	CHANGE NO	REV

THIS DRAWING AND THE SPECIFICATIONS CONTAINED HEREIN ARE CONFIDENTIAL AND PROPRIETARY. THEY ARE THE PROPERTY OF DIGITAL EQUIPMENT CORP. AND SHALL NOT BE REPRODUCED OR COPIED OR USED IN WHOLE OR IN PART AS THE BASIS FOR MANUFACTURE OR SALE OF ITEMS WITHOUT WRITTEN PERMISSION. THIS IS AN UNPUBLISHED WORK PROTECTED UNDER THE FEDERAL COPYRIGHT LAWS, 1985

DRN BY	DWS/JDB	DATE	12-MAY-86
CHK BY	A PARIKH	DATE	12-MAY-86
ENG	DJC/MSM	DATE	12-MAY-86
PAGE 1 OF 1		TOP DOC	K-DD-5418834-0-0

TITLE	DECserver 200
NUMBER	541 4-0-83
REV	A

21 MAY 86 15:28 USER:PROTEUS/HOKING/DECserver 1.000

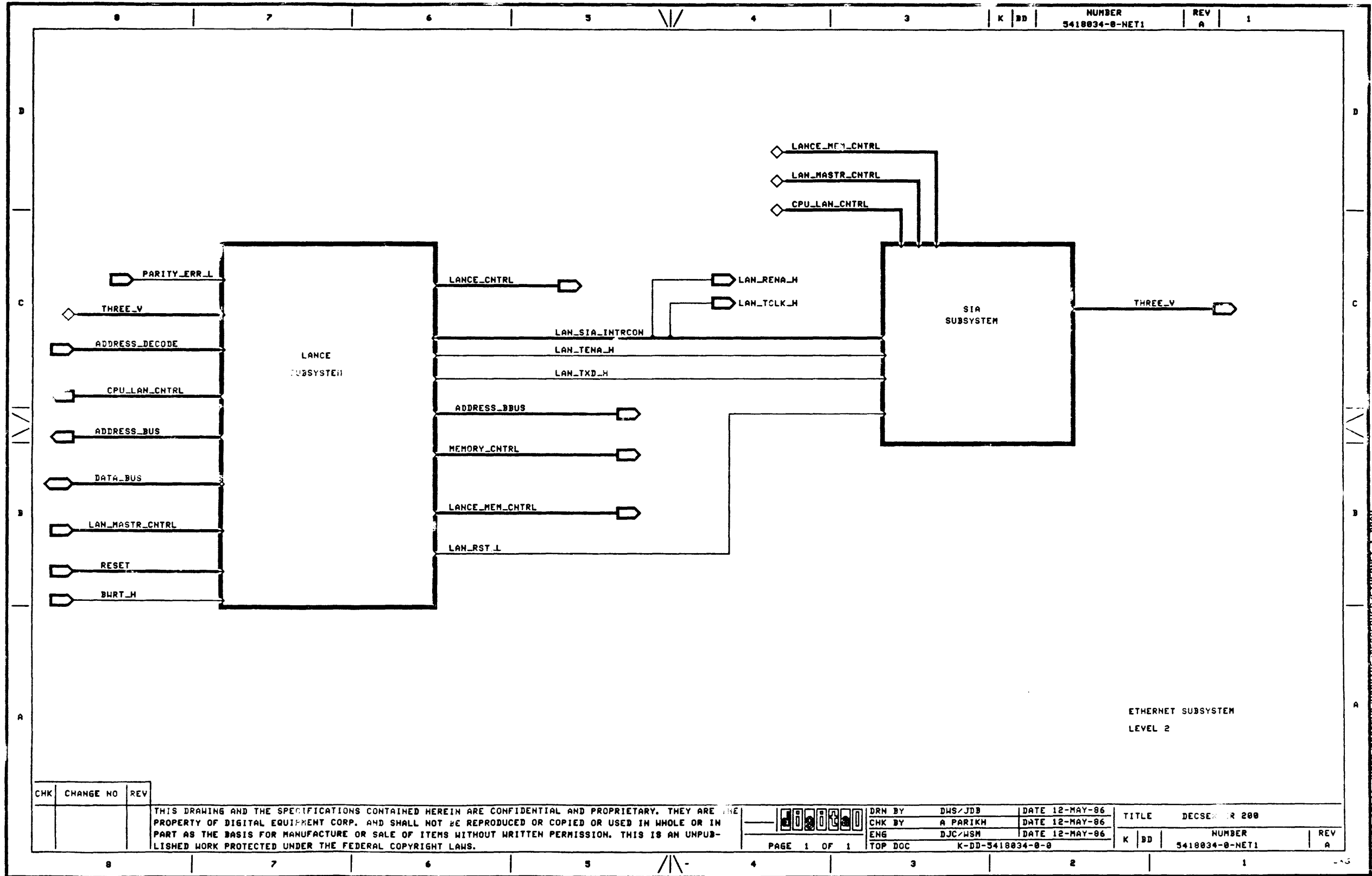


CHK	CHANGE NO	Y

THIS DRAWING AND THE SPECIFICATIONS CONTAINED HEREIN ARE CONFIDENTIAL AND PROPRIETARY. THEY ARE THE PROPERTY OF DIGITAL EQUIPMENT CORP. AND SHALL NOT BE REPRODUCED OR COPIED OR USED IN WHOLE OR IN PART AS THE BASIS FOR MANUFACTURE OR SALE OF ITEMS WITHOUT WRITTEN PERMISSION. THIS IS AN UNPUBLISHED WORK PROTECTED UNDER THE FEDERAL COPYRIGHT LAWS.

DRN BY	DWS/JDB	DATE	12-MAY-86	TITLE	DECSERVER 200
CHK	A PARIKH	DATE	12-MAY-86	NUMBER	5418034-0-CPU1
ENG	DJC/WSH	DATE	12-MAY-86	REV	A
TOP DOC	K-DD-5418034-0-0				

MAY 86 15:23 / USER:PROTEUS/HOKING/DECSERVER/CPU-SUBSYS 1. DRAM



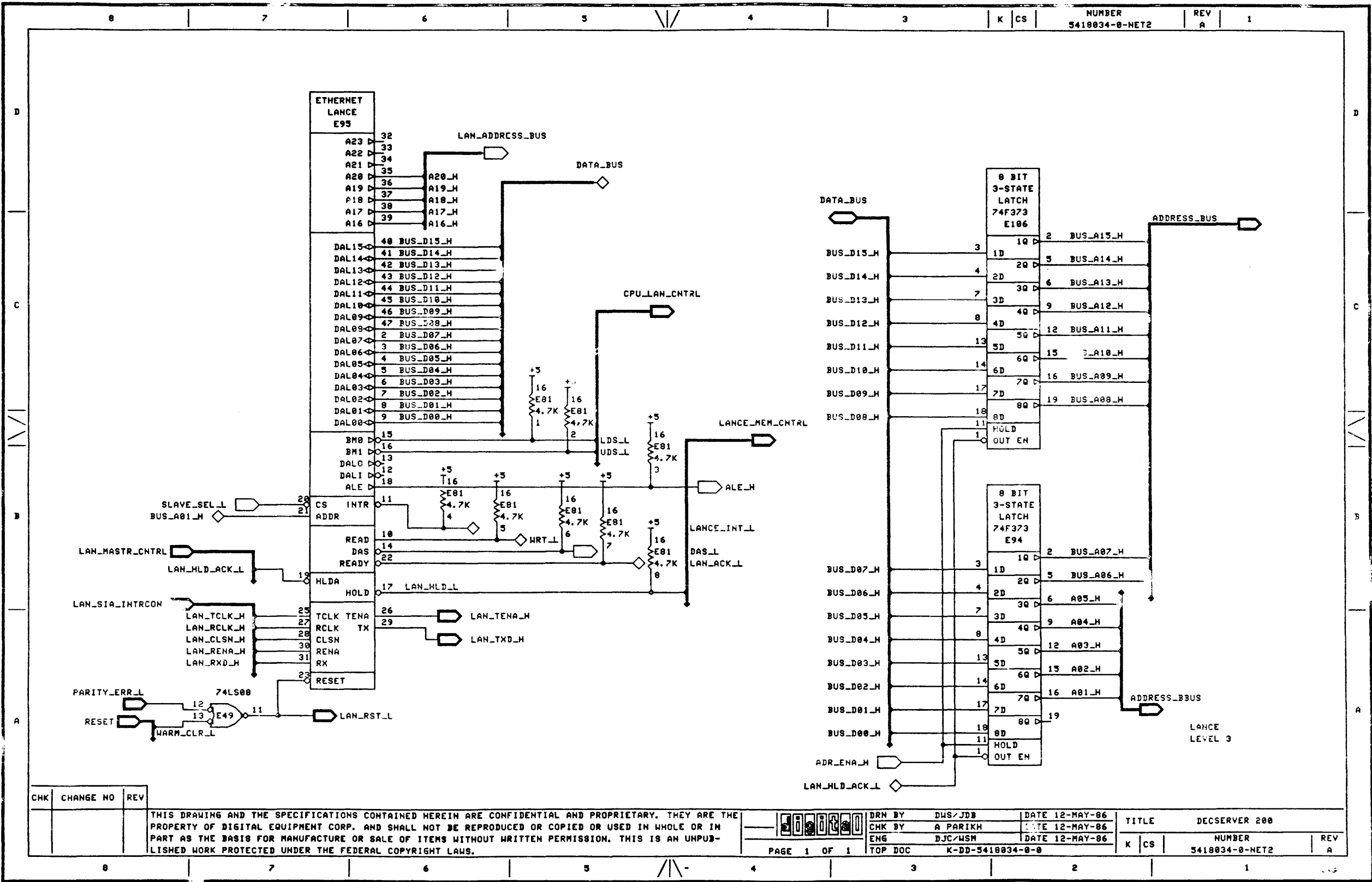
CHK	CHANGE NO	REV

THIS DRAWING AND THE SPECIFICATIONS CONTAINED HEREIN ARE CONFIDENTIAL AND PROPRIETARY. THEY ARE THE PROPERTY OF DIGITAL EQUIPMENT CORP. AND SHALL NOT BE REPRODUCED OR COPIED OR USED IN WHOLE OR IN PART AS THE BASIS FOR MANUFACTURE OR SALE OF ITEMS WITHOUT WRITTEN PERMISSION. THIS IS AN UNPUBLISHED WORK PROTECTED UNDER THE FEDERAL COPYRIGHT LAWS.

DRN BY	DWS/JDB	DATE	12-MAY-86	TITLE	DECSECTER 200
CHK BY	A PARIKH	DATE	12-MAY-86	NUMBER	5418034-0-NET1
ENG	DJC/WSM	DATE	12-MAY-86	REV	A
PAGE	1 OF 1	TOP DOC	K-DD-5418034-0-0		

22 MAY 86 15:46 USER:PROTEUS/HORKING/DECSECTER/ETHERNET L. DRAN



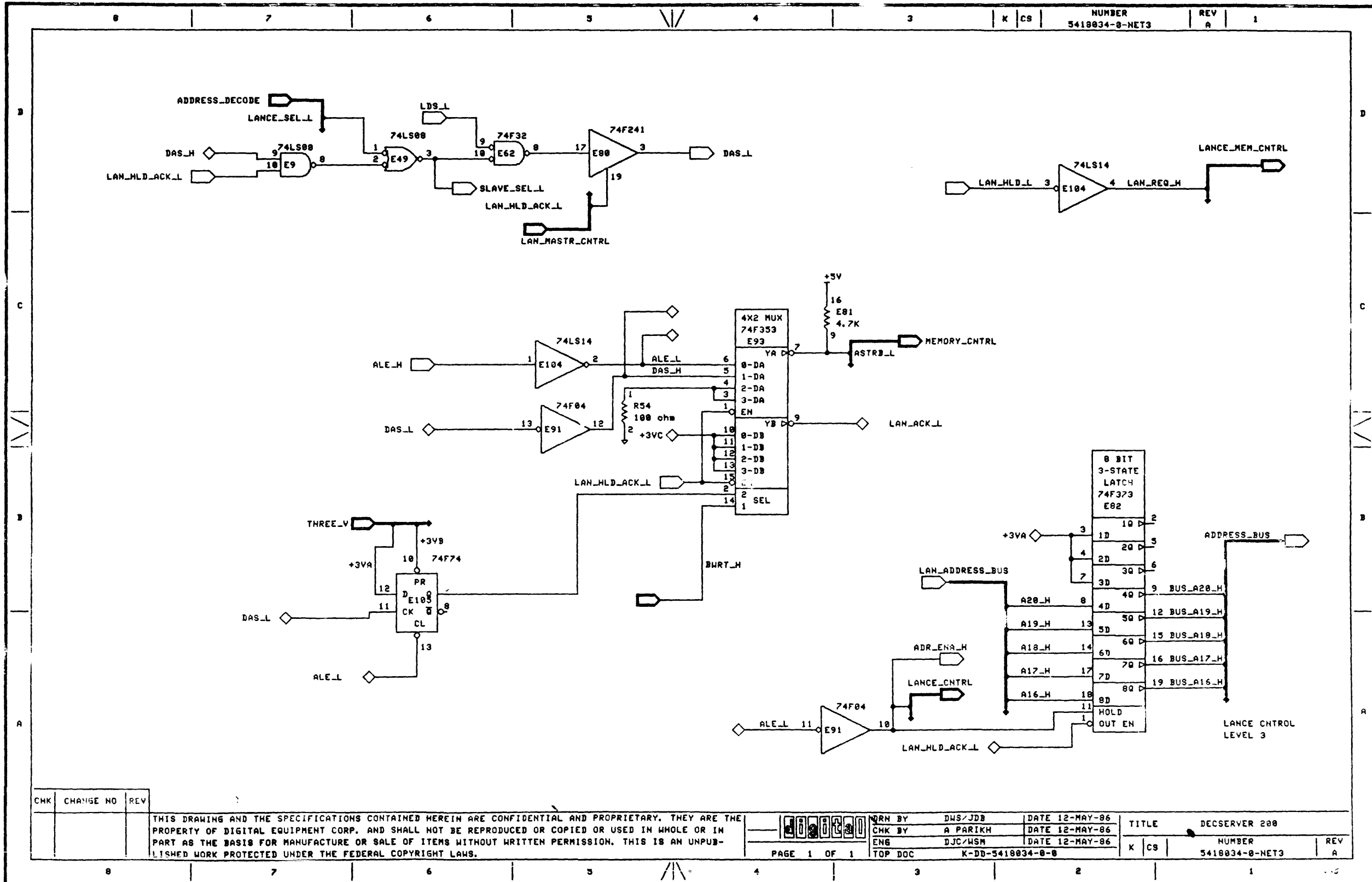


CHK	CHANGE NO	REV

THIS DRAWING AND THE SPECIFICATIONS CONTAINED HEREIN ARE CONFIDENTIAL AND PROPRIETARY. THEY ARE THE PROPERTY OF DIGITAL EQUIPMENT CORP. AND SHALL NOT BE REPRODUCED OR COPIED OR USED IN WHOLE OR IN PART AS THE BASIS FOR MANUFACTURE OR SALE OF ITEMS WITHOUT WRITTEN PERMISSION. THIS IS AN UNPUBLISHED WORK PROTECTED UNDER THE FEDERAL COPYRIGHT LAWS.

DRN BY	DUS/JDB	DATE	12-MAY-86	TITLE	DECSERVER 200
CHK BY	A PARIKH	DATE	12-MAY-86	NUMBER	5418034-0-NET2
ENG	DJC/HSM	DATE	12-MAY-86	REV	A
PAGE 1 OF 1		TOP DOC		K CS	

23 MAY 86 10:24 USER:PROTEUS/WORKING/DECSERVER200/ETHERNET/LANCE E95.DRAW



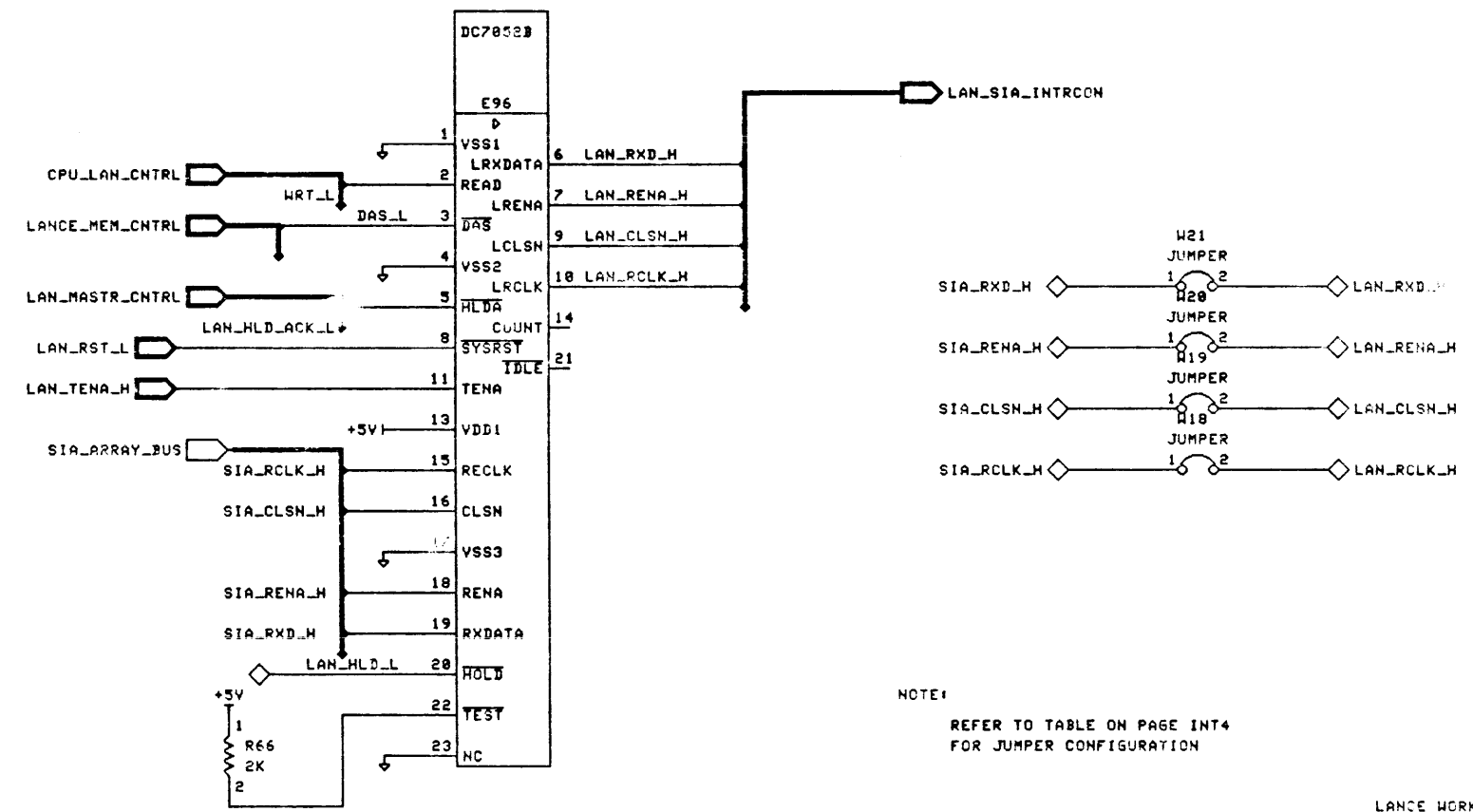
CHK	CHANGE NO	REV

THIS DRAWING AND THE SPECIFICATIONS CONTAINED HEREIN ARE CONFIDENTIAL AND PROPRIETARY. THEY ARE THE PROPERTY OF DIGITAL EQUIPMENT CORP. AND SHALL NOT BE REPRODUCED OR COPIED OR USED IN WHOLE OR IN PART AS THE BASIS FOR MANUFACTURE OR SALE OF ITEMS WITHOUT WRITTEN PERMISSION. THIS IS AN UNPUBLISHED WORK PROTECTED UNDER THE FEDERAL COPYRIGHT LAWS.

DRN BY	DWS/JDB	DATE	12-MAY-86	TITLE	DECserver 200
CHK BY	A PARIKH	DATE	12-MAY-86	NUMBER	5418034-0-NET3
ENG	DJC/WSM	DATE	12-MAY-86	REV	A
TOP DOC	K-DD-5418034-0-8				

PAGE 1 OF 1

23 MAY 86 10:25 USER:PROTEUS/WORKING/DECserver200/LANCE\_CNTRL.DRAW

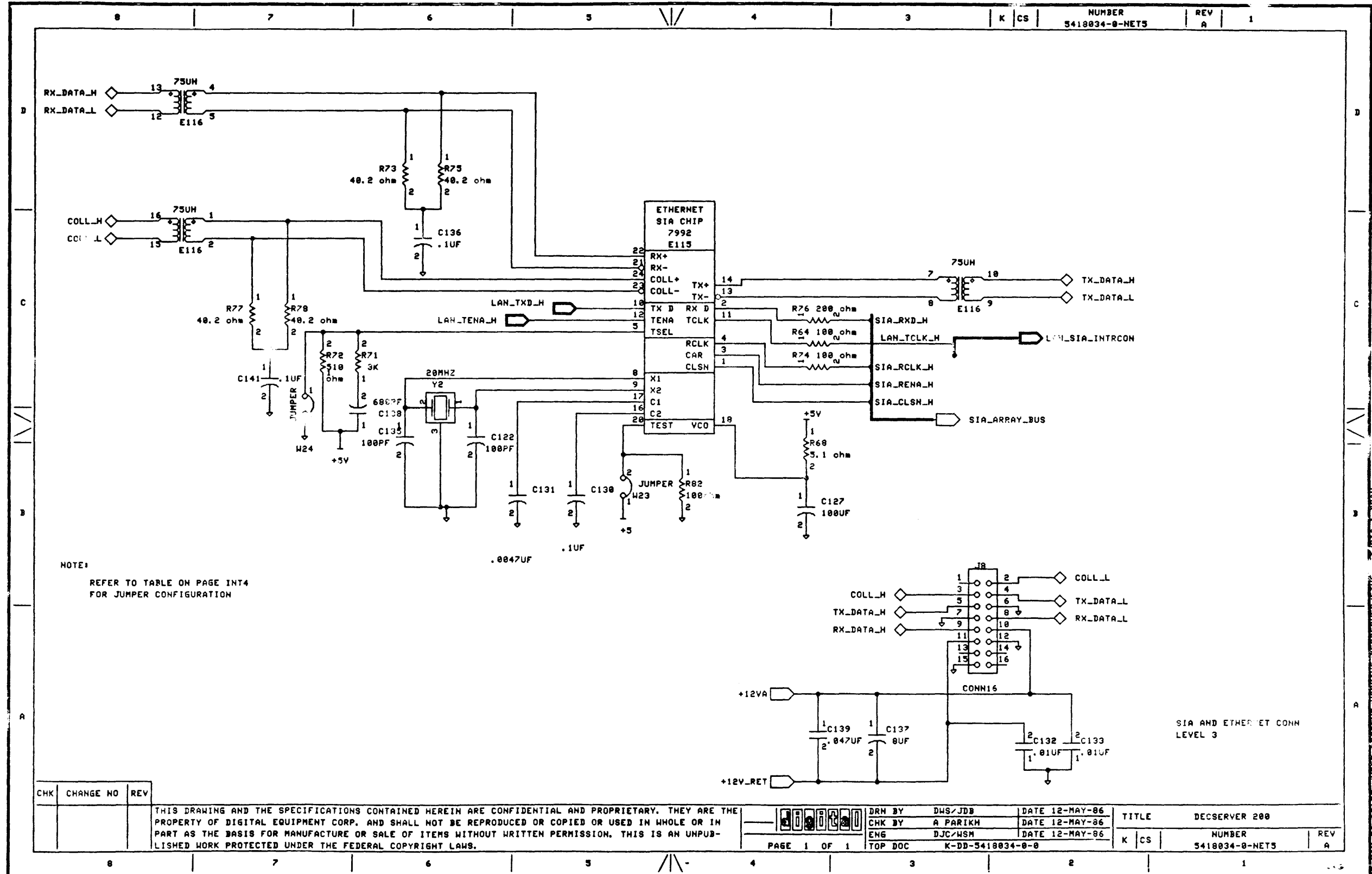


CHK	CHANGE NO	REV

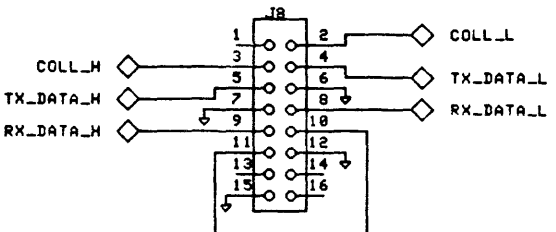
THIS DRAWING AND THE SPECIFICATIONS CONTAINED HEREIN ARE CONFIDENTIAL AND PROPRIETARY. THEY ARE THE PROPERTY OF DIGITAL EQUIPMENT CORP. AND SHALL NOT BE REPRODUCED OR COPIED OR USED IN WHOLE OR IN PART AS THE BASIS FOR MANUFACTURE OR SALE OF ITEMS WITHOUT WRITTEN PERMISSION. THIS IS AN UNPUBLISHED WORK PROTECTED UNDER THE FEDERAL COPYRIGHT LAWS.

DRN BY	DWS/JDB	DATE	12-MAY-86	TITLE	DECSERVER 200
CHK BY	A PARIKH	DATE	12-MAY-86	K CS	NUMBER
ENG	DJC/WSM	DATE	12-MAY-86	5418034-0-NET4	REV
TOP DOC	K-DD-5418034-0-0			A	

23 MAY 86 18:32 7USER/PROTEUS:WORKING/DECSERVER/ETHERNET/SIA 4.DRAW



NOTE:  
REFER TO TABLE ON PAGE INT4  
FOR JUMPER CONFIGURATION



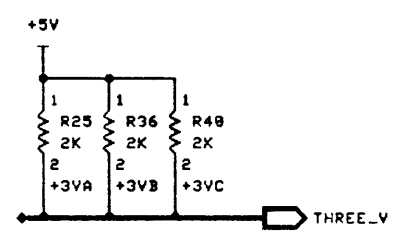
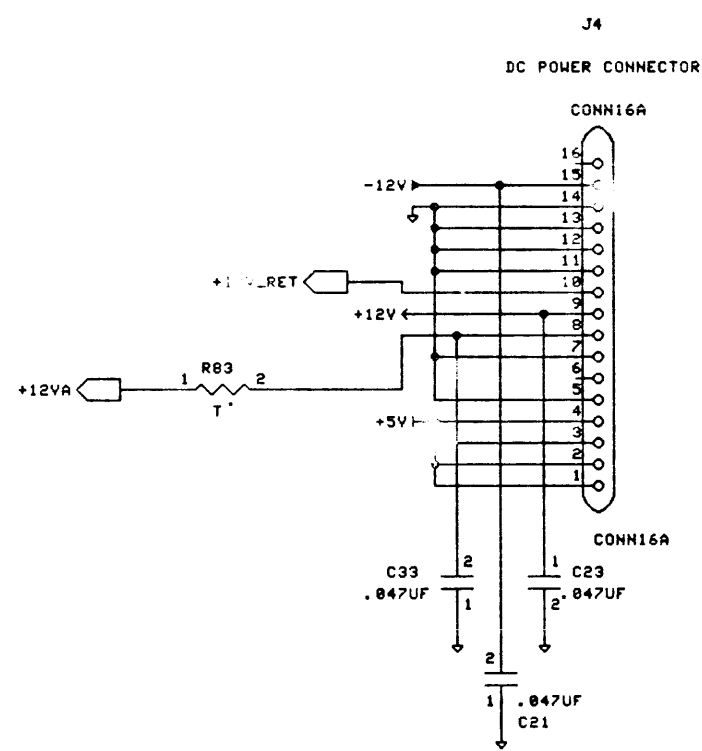
SIA AND ETHERNET CONN  
LEVEL 3

CHK	CHANGE NO	REV

THIS DRAWING AND THE SPECIFICATIONS CONTAINED HEREIN ARE CONFIDENTIAL AND PROPRIETARY. THEY ARE THE PROPERTY OF DIGITAL EQUIPMENT CORP. AND SHALL NOT BE REPRODUCED OR COPIED OR USED IN WHOLE OR IN PART AS THE BASIS FOR MANUFACTURE OR SALE OF ITEMS WITHOUT WRITTEN PERMISSION. THIS IS AN UNPUBLISHED WORK PROTECTED UNDER THE FEDERAL COPYRIGHT LAWS.

DRN BY	DWS/JDB	DATE	12-MAY-86	TITLE	DECSERVER 200
CHK BY	A PARIKH	DATE	12-MAY-86	NUMBER	5418034-0-NETS
ENG	DJC/WSM	DATE	12-MAY-86	REV	A
TOP DOC	K-DD-5418034-0-0				

23 MAY 86 10:38 USER:PROTEUS/WORKING/DECSERVER200



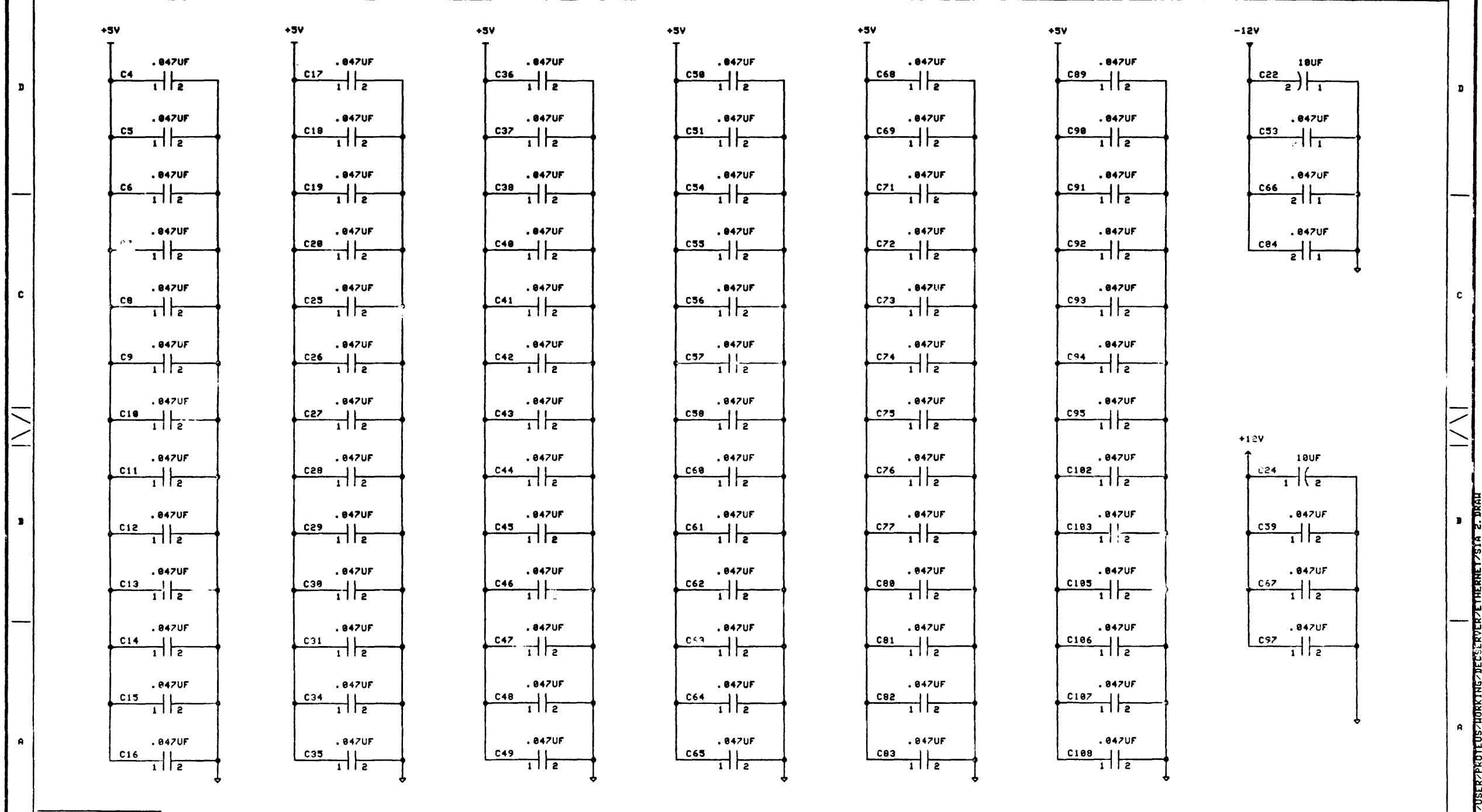
CHK	CHANGE NO	REV

THIS DRAWING AND THE SPECIFICATIONS CONTAINED HEREIN ARE CONFIDENTIAL AND PROPRIETARY. THEY ARE THE PROPERTY OF DIGITAL EQUIPMENT CORP. AND SHALL NOT BE REPRODUCED OR COPIED OR USED IN WHOLE OR IN PART AS THE BASIS FOR MANUFACTURE OR SALE OF ITEMS WITHOUT WRITTEN PERMISSION. THIS IS AN UNPUBLISHED WORK PROTECTED UNDER THE FEDERAL COPYRIGHT LAWS.

DRN BY	DWS/JDB	DATE	12-MAY-86
CHK BY	A PARIKH	DATE	12-MAY-86
ENG	DJC/MSM	DATE	12-MAY-86
TOP DOC	5418834-0-0		

TITLE	DECSERVER 200
NUMBER	5418834-0-PWR
REV	A

23 MAY 86 10:35 JUSEA/PROTEUS/WORKING/DECSERVER/ETHERNET/5418834-0-PWR

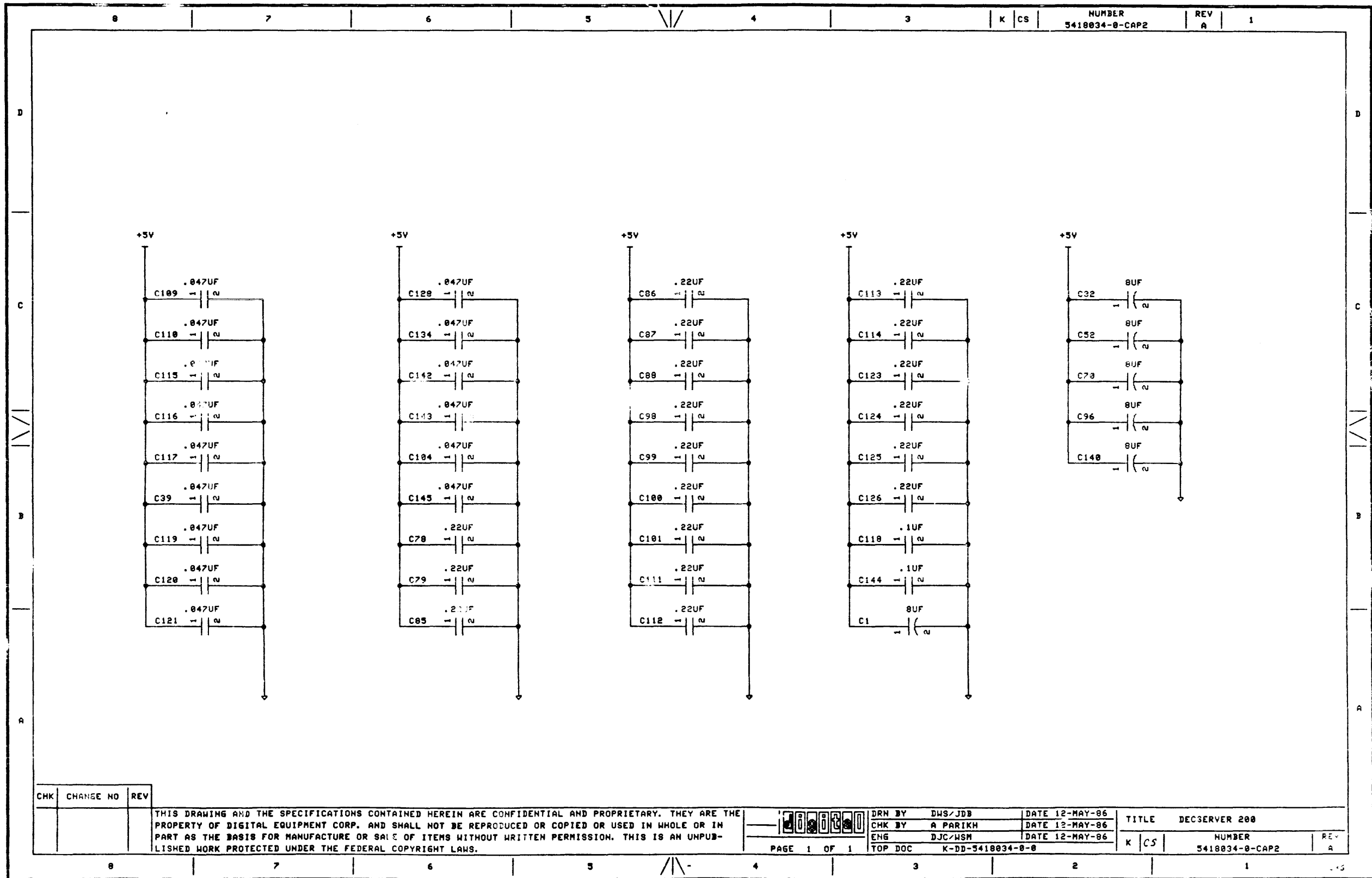


CHK	CHANGE NO	REV

THIS DRAWING AND THE SPECIFICATIONS CONTAINED HEREIN ARE CONFIDENTIAL AND PROPRIETARY. THEY ARE THE PROPERTY OF DIGITAL EQUIPMENT CORP. AND SHALL NOT BE REPRODUCED OR COPIED OR USED IN WHOLE OR IN PART AS THE BASIS FOR MANUFACTURE OR SALE OF ITEMS WITHOUT WRITTEN PERMISSION. THIS IS AN UNPUBLISHED WORK PROTECTED UNDER THE FEDERAL COPYRIGHT LAWS.

DRN BY	DWS/JDB	DATE	12-MAY-86	TITLE	DECSEVER 200
CHK BY	A PARIKH	DATE	12-MAY-86	NUMBER	5418834-0-CAP1
ENG	DJC/WSM	DATE	12-MAY-86	REV	A
PAGE 1 OF 1		TOP DOC		K CS	

MAY 86 10:42 USER:PROTEUS/WORKING/DECSEVER/ETHERNET/STA 2.DRAW

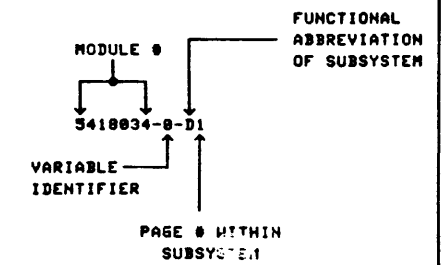


CHK	CHANGE NO	REV

THIS DRAWING AND THE SPECIFICATIONS CONTAINED HEREIN ARE CONFIDENTIAL AND PROPRIETARY. THEY ARE THE PROPERTY OF DIGITAL EQUIPMENT CORP. AND SHALL NOT BE REPRODUCED OR COPIED OR USED IN WHOLE OR IN PART AS THE BASIS FOR MANUFACTURE OR SALE OF ITEMS WITHOUT WRITTEN PERMISSION. THIS IS AN UNPUBLISHED WORK PROTECTED UNDER THE FEDERAL COPYRIGHT LAWS.

DRN BY	DWS/JDB	DATE	12-MAY-86	TITLE	DECSERVER 200
CHK BY	A PARIKH	DATE	12-MAY-86	NUMBER	5418034-0-CAP2
ENG	DJC/MSM	DATE	12-MAY-86	REV	A
TOP DOC	K-DD-5418034-0-0				

23 MAY 86 10:44 7056X/PROTEUS/WORKING/DECSERVER/ETHL.KNE/SIA 5.DRAW



CONNECTOR TYPE			DISCRIPTION
			1. USED WHEN A SIGNAL NEEDS TO BE SENT FROM ONE PART OF A PAGE TO ANOTHER WITHOUT THE USE OF A WIRE 2. IF THE SIGNAL HAS ALREADY BEEN BROUGHT ON TO THE PAGE BY ANOTHER CONNECTOR.
			1. FINGER PIN CONNECTOR.
			1. BRINGS A SINGLE SIGNAL FROM OR TO A HIGHER LEVEL DRAWING.
INPUT	OUTPUT	BI_DIRECTIONAL	
			1. BRINGS A GROUP OF SIGNALS THROUGH ONE BUS FROM OR TO A HIGHER LEVEL DRAWING.
INPUT	OUTPUT	BI_DIRECTIONAL	
			1. BRINGS A SINGLE SIGNAL FROM PAGE TO PAGE WITHIN THE SAME MODULE.
INPUT	OUTPUT	BI_DIRECTIONAL	
			1. BRINGS A GROUP OF SIGNALS THROUGH A BUS FROM PAGE TO PAGE WITHIN THE SAME MODULE.
INPUT	OUTPUT	BI_DIRECTIONAL	

CHK	CHANGE NO	REV

THIS DRAWING AND THE SPECIFICATIONS CONTAINED HEREIN ARE CONFIDENTIAL AND PROPRIETARY. THEY ARE THE PROPERTY OF DIGITAL EQUIPMENT CORP. AND SHALL NOT BE REPRODUCED OR COPIED OR USED IN WHOLE OR IN PART AS THE BASIS FOR MANUFACTURE OR SALE OF ITEMS WITHOUT WRITTEN PERMISSION. THIS IS AN UNPUBLISHED WORK PROTECTED UNDER THE FEDERAL COPYRIGHT LAWS.

DRN BY DWS/JDB	DATE 12-MAY-86	TITLE DECSERVER 200
CHK BY A PARI	DATE 12-MAY-86	NUMBER 5418034-0-D1
ENG DJC/NSH	DATE 12-MAY-86	REV A
PAGE 1 OF 1	TOP DOC K-DD-5418034-0-0	

23 MAY 86 10:49 USER:PROTEUS/WORKING/DECS.../SER CORR DRAN



8			7			6			5			4			3			K CS			NUMBER			REV			1					
																		5418034-0-D2			A											
NOTE: THIS IS ONE OF TWO PAGES WHICH DEFINES THE CONTENTS OF EACH BUNDLE USED IN THE PRINT SET FOR THE 5418034 MODULE																																
BUNDLE NAME												CONTENTS OF BUNDLE																				
ADDRESS_BBUS												A01_H, A02_H, A03_H, A04_H & A05_H																				
ADDRESS_BUS												BUS_A01_H ..... BUS_A20_H																				
ADDRESS_DECODE												DATA_ACK_L, PAL_STATE_2_L, DUART0_SEL_L, DUART1_SEL_L, DUART2_SEL_L, DUART3_SEL_L, MODEM_SEL_L, LANCE_SEL_L, ROM_SEL_L, ADR_PROM_SEL_L, BBUS_ENA_L, EEPROM_SEL_L, CONFIG_LAT_L & DECODE_ENA_L																				
BDATA_BUS												BBUS_D00_H ..... BBUS_D15_H																				
CD												CD0_L, CD1_L, CD2_L, CD3_L, CD4_L, CD5_L, CD6_L & CD7_L																				
CPU_LAN_CNTRL												UDS_L, LDS_L & WRT_L																				
CPU_MASTR_CNTRL												BR_L & BGACK_L																				
DATA_BUS												BUS_D00_H ..... BUS_D15_H																				
DIAG_BUS												SYNC_H & BIT1_H ..... BIT7_H																				
DSR												DSR0_L ..... DSR7_L																				
DSRS												DSRS0_L ..... DSR7_L																				
DTR												DTR0_L ..... DTR7_L																				
EIA_TIMER_INT												RXINT0_L ..... RXINT7_L, TXINT0_L ..... TXINT7_L, REFRESH_TIM_L, GENERAL_TIM_L & CTS_PROC_INTR_L																				
INTR_CNTRL												IPL0_L, IPL1_L & IPL2_L																				
LAN_ADDRESS_BUS												A16_H ..... A20_H																				
LAN_MASTR_CNTRL												LAN_HLD_ACK_L & LAN_HLD_ACK_H																				
LAN_SIA_INTRCON												LAN_TCLK_H, LAN_RENA_H, LAN_CLSN_H, LAN_RXD_H & LAN_RCLK_H																				
LANCE_CNTRL												LAN_ACK_L & ADR_ENA_H																				
LANCE_MEM_CNTRL												LANCE_INT_L, DAS_L, ALE_H, LAN_REQ_H & LAN_HLD_L																				
LED												POWER_LED_L, DIAG_LED_L, SOFT_LED_L & CARR_LED_L																				
MEM_ADDRESS_BUS												MA1_L ..... MA8_L																				
MEM_BANK_SEL												BANK0_SEL_L, BANK1_SEL_L, BANK0_WRT_L & BANK1_WRT_L																				
MEM_BANK_SEL1												BANK2_SEL_L, BANK3_SEL_L, BANK2_WRT_L & BANK3_WRT_L																				
MEMORY_CNTRL												BUDS_L, BLDS_L, BURT_L, ASTRB_L, BASTRB_L, BASTRB_H, BUDS_H, BLDS_H, INTR_ACK_L & B_ENA_L																				
MOD_IN												P_CTS0_L ..... P_CTS7_L, P_R10_L ..... P_R17_L, P_DSR_L ..... P_DSR7_L, P_SMI0_L ..... P_SMI7_L & P_CD0_L ..... P_CD7_L																				
MOD_OUT												P_RTS0_L ..... P_RTS7_L, P_DTR0_L ..... P_DTR7_L, P_DSRS0_L ..... P_DSRS7_L & ZVREF_H																				
MOD_PROC_INTR												DSR_PROC_INTR_L, CD_PROC_INTR_L, RI_PROC_INTR_L & SMI_PROC_INTR_L																				
MODEM_IN												P_R10_L ..... P_R17_L, P_SMI0_L ..... P_SMI7_L, P_CD0_L ..... P_CD7_L & P_CTS0_L ..... P_CTS7_L																				
MODEM_OUT												P_DSRS0_L ..... P_DSRS7_L, P_DTR0_L ..... P_DTR7_L & P_RTS0_L ..... P_RTS7_L																				
CHK			CHANGE NO			REV			THIS DRAWING AND THE SPECIFICATIONS CONTAINED HEREIN ARE CONFIDENTIAL AND PROPRIETARY. THEY ARE THE PROPERTY OF DIGITAL EQUIPMENT CORP. AND SHALL NOT BE REPRODUCED OR COPIED IN WHOLE OR IN PART AS THE BASIS FOR MANUFACTURE OR SALE OF ITEMS WITHOUT WRITTEN PERMISSION. THIS IS AN UNPUBLISHED WORK PROTECTED UNDER THE FEDERAL COPYRIGHT LAWS.																							
												DRM BY			DWS/JDB			DATE			12-MAY-86			TITLE			DECSERVER 200					
												CHK BY			A PARIKH			DATE			12-MAY-86			K CS			NUMBER			REV		
												ENG			DJC/NSM			DATE			12-MAY-86			5418034-0-D2			A					
												PAGE 1 OF 1			TOP DOC			K-DD-5418034-0-0														

23 MAY 86 10:51 / USER:PROTEUS/WORKING/DEC. / P: CONTENTS.C FILE

NOTE: CONTINUATION OF FIRST PAGE WHICH  
DEFINES THE CONTENTS OF EACH  
BUNDLE USED IN THE PRINT SET  
FOR THE 5418034 MODULE

BUNDLE NAME	CONTENTS OF BUNDLE
PARITY_CNTRL	EEPROM_WRT_H, SET_LBT_PAR_L, SET_HBT_PAR_L & PAR_DIS_L
RAM_CNTRL	HBT_RAS_L, HBT_CAS_L, LBT_RAS_L, LBT_CAS_L & RAM_SEL_L
RCVDATA	RX0_L ..... RX7_L
RESET	CLR_L, WARM_CLR_L, WARM_START_L, WARM_CLR_H & EEPROM_CLR_L
RESET_CNTRL	RESET_DIS_H, WARM_STRT_CLR_H, RAM_ENA_L, TST_MOD_H & POWER_FAIL_L
RI	RI0_L ..... RI7_L
RTS	RTS0_L ..... RTS7_L
RXD	RXD0_L ..... RXD7_L
SIA_ARRAY_BUS	SIA_RXD_H, SIA_RCLK_H, SIA_RENA_H & SIA_CLSN_H
SMI	SMI0_L ..... SKI7_L
SYS_CLKS	DUART_CLK_H, CPU_CLK_H, CPU_CLK_L & TIMER_CLK_H
THREE_V	+3VA, +3VB & +3VC
TXD	TXD0_L ..... TXD7_L
XMTDATA	TX0_L ..... TX7_L

CHK	CHANGE NO	REV

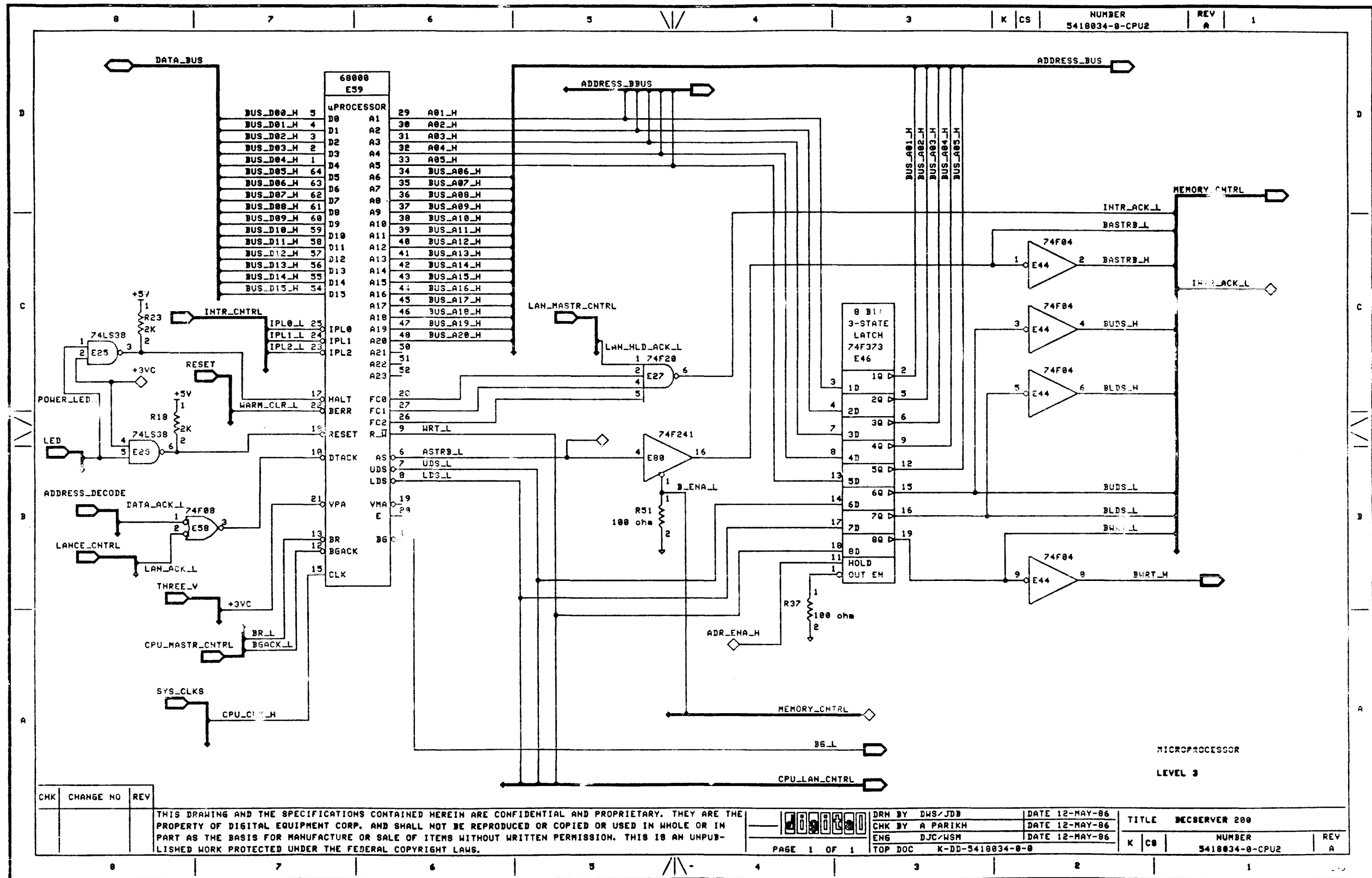
THIS DRAWING AND THE SPECIFICATIONS CONTAINED HEREIN ARE CONFIDENTIAL AND PROPRIETARY. THEY ARE THE PROPERTY OF DIGITAL EQUIPMENT CORP. AND SHALL NOT BE REPRODUCED OR COPIED OR USED IN WHOLE OR IN PART AS THE BASIS FOR MANUFACTURE OR SALE OF ITEMS WITHOUT WRITTEN PERMISSION. THIS IS AN UNPUBLISHED WORK PROTECTED UNDER THE FEDERAL COPYRIGHT LAWS.

PAGE 1 OF 1

DRN BY	DWS/JDB	DATE	12-MAY-86
CHK BY	A PARIKH	DATE	12-MAY-86
ENG	DJC/WSM	DATE	12-MAY-86
TOP DOC	K-DD-5418034-0-0		

TITLE	DECSEVER 200
NUMBER	5418034-0-D3
REV	A

23 MAY 86 10:53 ER/PROTEUS/BUCKING/DECSEVER CONTENTS.FIL

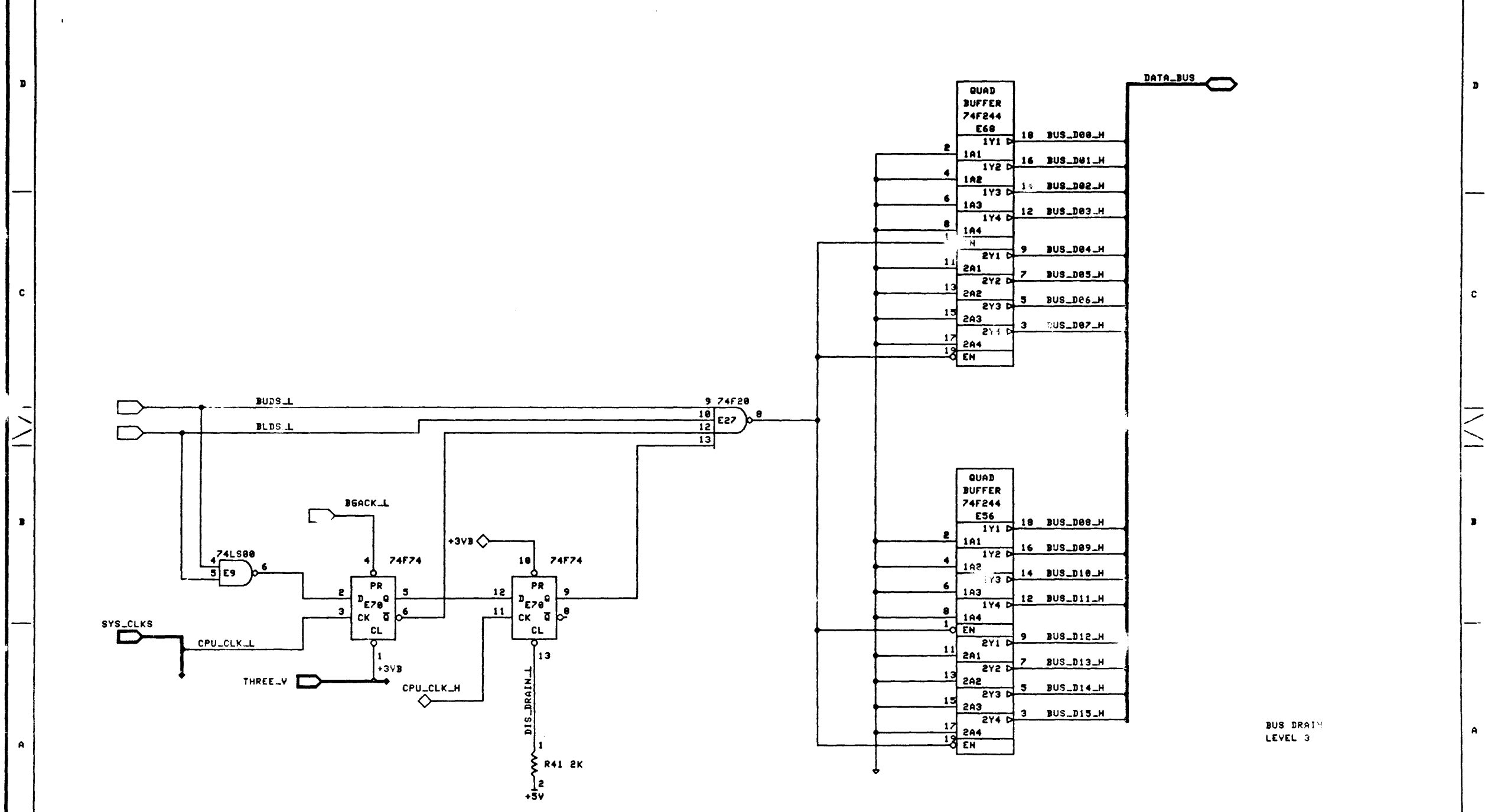


CHK	CHANGE NO	REV

THIS DRAWING AND THE SPECIFICATIONS CONTAINED HEREIN ARE CONFIDENTIAL AND PROPRIETARY. THEY ARE THE PROPERTY OF DIGITAL EQUIPMENT CORP. AND SHALL NOT BE REPRODUCED OR COPIED OR USED IN WHOLE OR IN PART AS THE BASIS FOR MANUFACTURE OR SALE OF ITEMS WITHOUT WRITTEN PERMISSION. THIS IS AN UNPUBLISHED WORK PROTECTED UNDER THE FEDERAL COPYRIGHT LAWS.

DRN BY DWS/JDB	DATE 12-MAY-86	TITLE DEC SERVER 200
CHK BY A PARIKH	DATE 12-MAY-86	NUMBER 5418034-0-CPU2
ENG DJC/WSH	DATE 12-MAY-86	REV A
TOP DOC K-DD-5418034-0-0		

21 MAY 86 15:26 USER:PROTEUS WORKING:DEC SERVER 200 CPU 200 1.DRAW

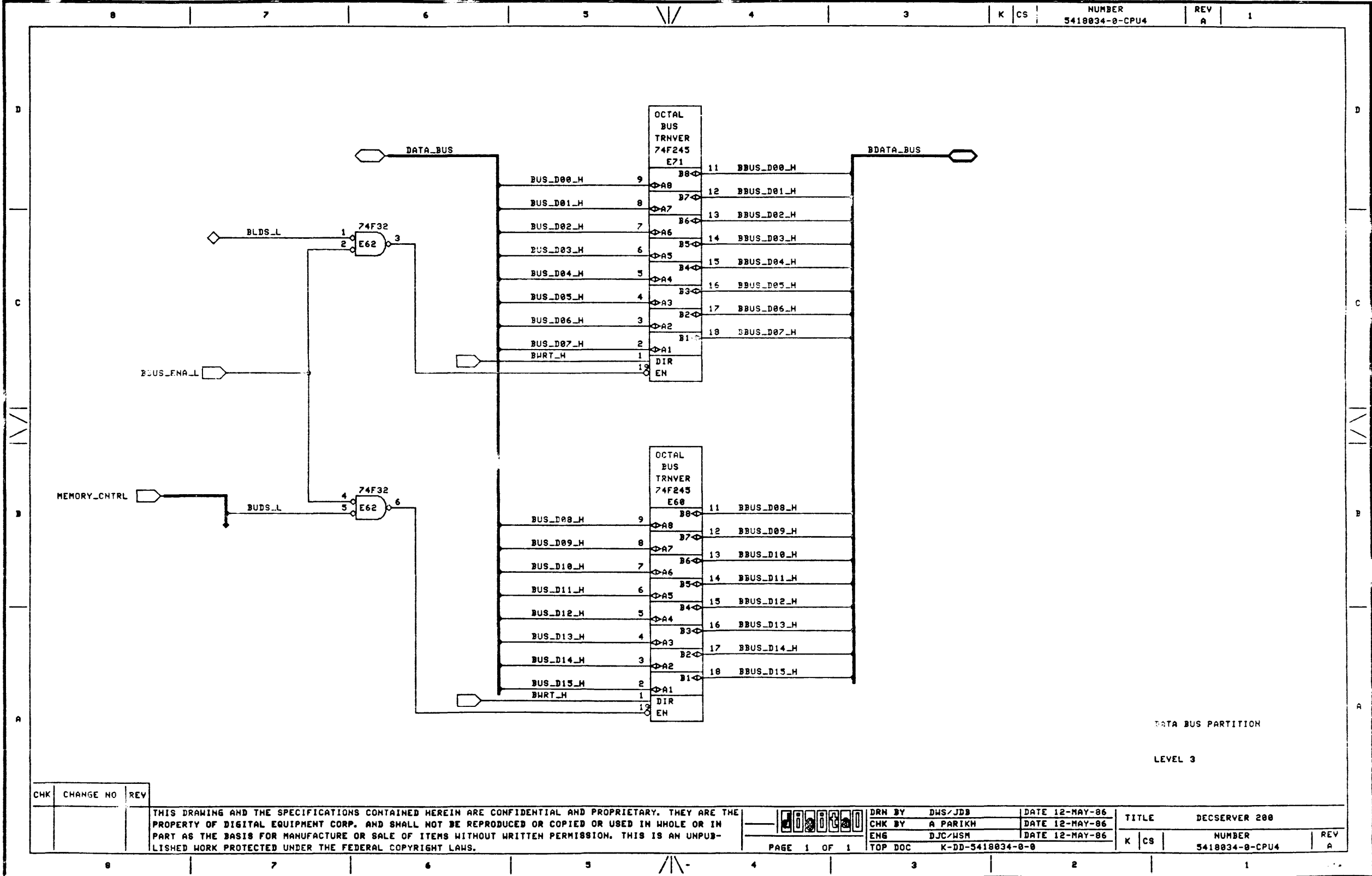


CHK	CHANGE NO	REV

THIS DRAWING AND THE SPECIFICATIONS CONTAINED HEREIN ARE CONFIDENTIAL AND PROPRIETARY. THEY ARE THE PROPERTY OF DIGITAL EQUIPMENT CORP. AND SHALL NOT BE REPRODUCED OR COPIED OR USED IN WHOLE OR IN PART AS THE BASIS FOR MANUFACTURE OR SALE OF ITEMS WITHOUT WRITTEN PERMISSION. THIS IS AN UNPUBLISHED WORK PROTECTED UNDER THE FEDERAL COPYRIGHT LAWS.

DRN BY	DHS/JDB	DATE	12-MAY-86	TITLE	DECSERVER 200
CHK BY	A PARIKH	DATE	12-MAY-86	NUMBER	5418034-0-CPU3
ENG	DJC/WSH	DATE	12-MAY-86	REV	A
TOP DOC	K-DD-5418034-0-0			K   CS	

CPU3 BUS DRIVER/PROC 200



DATA BUS PARTITION  
LEVEL 3

CHK	CHANGE NO	REV

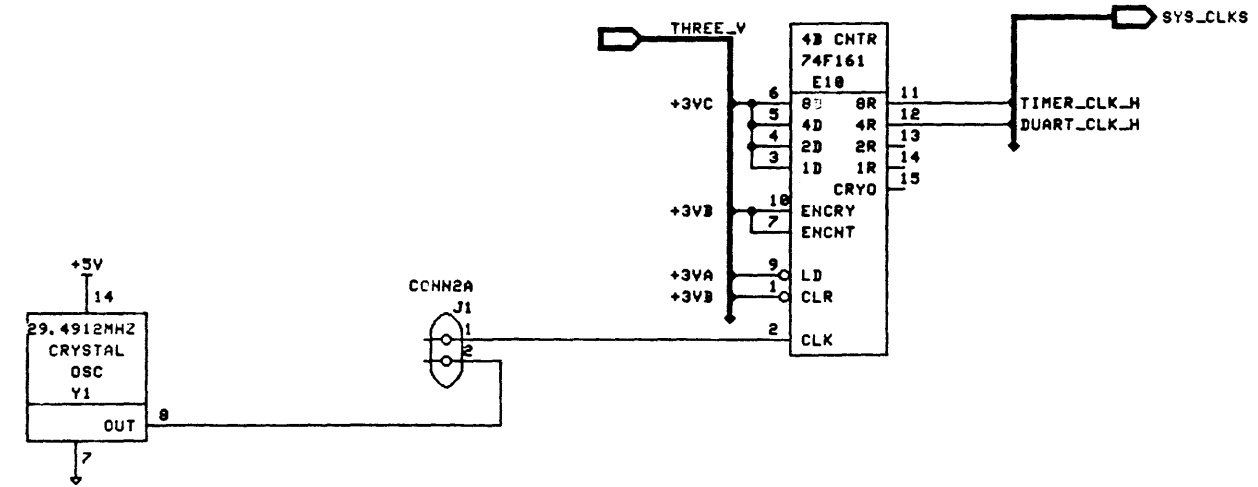
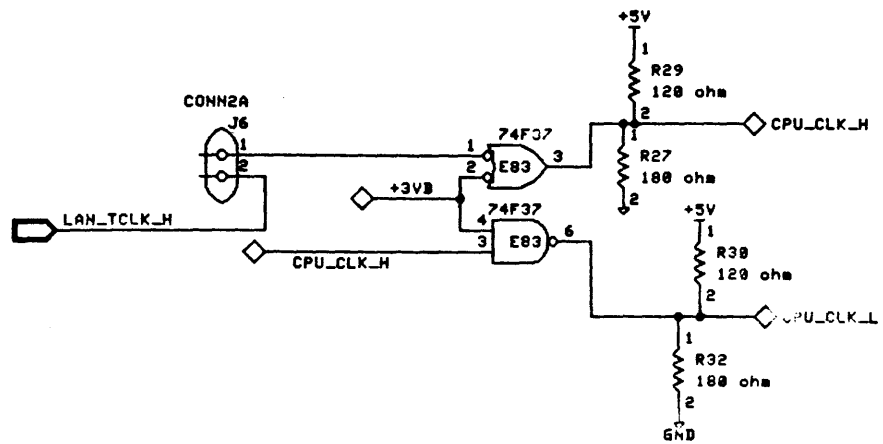
THIS DRAWING AND THE SPECIFICATIONS CONTAINED HEREIN ARE CONFIDENTIAL AND PROPRIETARY. THEY ARE THE PROPERTY OF DIGITAL EQUIPMENT CORP. AND SHALL NOT BE REPRODUCED OR COPIED OR USED IN WHOLE OR IN PART AS THE BASIS FOR MANUFACTURE OR SALE OF ITEMS WITHOUT WRITTEN PERMISSION. THIS IS AN UNPUBLISHED WORK PROTECTED UNDER THE FEDERAL COPYRIGHT LAWS.

DRN BY	DWS/JDB	DATE	12-MAY-86	TITLE	DECSERVER 200
CHK BY	A PARIKH	DATE	12-MAY-86	K	CS
ENG	DJC/WSM	DATE	12-MAY-86	NUMBER	5418034-0-CPU4
TOP DOC	K-DD-5418034-0-0	REV	A		

Z:\MAY 86 13:38 \USER\PROTEUS\IC\RTING\DECSERVER\CPU...S\SYSTEM\PROC 3.DRAW

CPU\_CLK\_H 18MHZ  
 CPU\_CLK\_L 18MHZ  
 TIMER\_CLK\_H 1.84MHZ  
 DUART\_CLK\_H 3.68MHZ

NOTE:  
 COMPONENT 12-14314-00  
 IS INSERTED ON J1 &  
 J6 AFTER FF333 TESTING



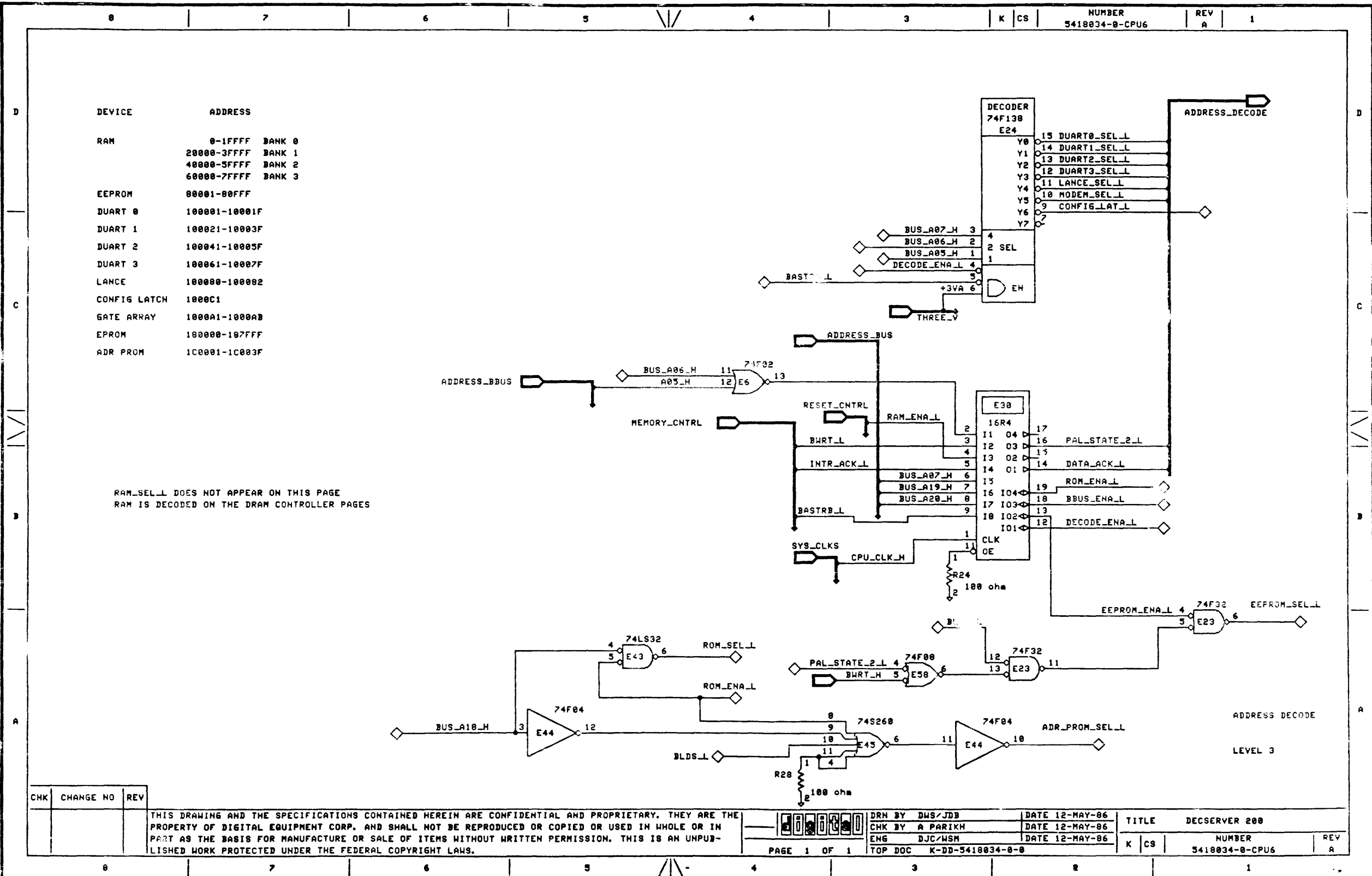
SYSTEM CLOCKS  
 LEVEL 3

CHK	CHANGE NO	REV

THIS DRAWING AND THE SPECIFICATIONS CONTAINED HEREIN ARE CONFIDENTIAL AND PROPRIETARY. THEY ARE THE PROPERTY OF DIGITAL EQUIPMENT CORP. AND SHALL NOT BE REPRODUCED OR COPIED OR USED IN WHOLE OR IN PART AS THE BASIS FOR MANUFACTURE OR SALE OF ITEMS WITHOUT WRITTEN PERMISSION. THIS IS AN UNPUBLISHED WORK PROTECTED UNDER THE FEDERAL COPYRIGHT LAWS.

DRN BY	DWS/JDB	DATE	12-MAY-86	TITLE	DECSERVER 200
CHK BY	A PARIKH	DATE	12-MAY-86	NUMBER	5418834-8-CPUS
ENG	DJC/MSM	DATE	12-MAY-86	REV	A
TOP DOC	K-DD-5418834-8-8				

21 MAY 86 15:32 USER:PROTEUS/ADR/KING/DECS.../CPU/SUBSYS/CLOCKS 1.DRAW



DEVICE	ADDRESS
RAM	0-1FFF BANK 0 20000-3FFFF BANK 1 40000-5FFFF BANK 2 60000-7FFFF BANK 3
EEPROM	80001-80FFF
DUART 0	100001-10001F
DUART 1	100021-10003F
DUART 2	100041-10005F
DUART 3	100061-10007F
LANCE	100080-100082
CONFIG LATCH	1000C1
GATE ARRAY	1000A1-1000AB
EPR0M	180000-187FFF
ADR PROM	1C0001-1C003F

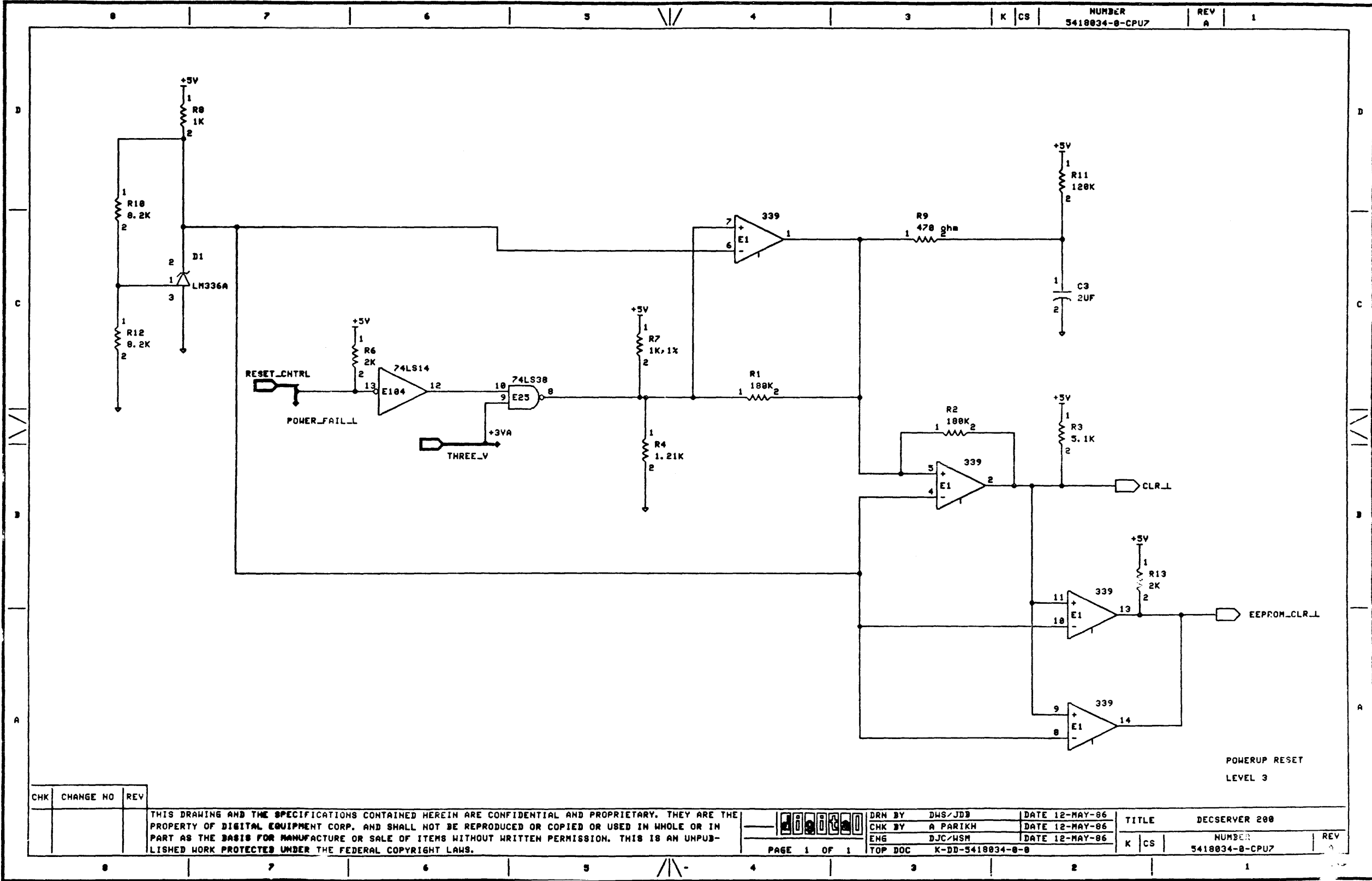
RAM\_SEL\_L DOES NOT APPEAR ON THIS PAGE  
RAM IS DECODED ON THE DRAM CONTROLLER PAGES

CHK	CHANGE NO	REV

THIS DRAWING AND THE SPECIFICATIONS CONTAINED HEREIN ARE CONFIDENTIAL AND PROPRIETARY. THEY ARE THE PROPERTY OF DIGITAL EQUIPMENT CORP. AND SHALL NOT BE REPRODUCED OR COPIED OR USED IN WHOLE OR IN PART AS THE BASIS FOR MANUFACTURE OR SALE OF ITEMS WITHOUT WRITTEN PERMISSION. THIS IS AN UNPUBLISHED WORK PROTECTED UNDER THE FEDERAL COPYRIGHT LAWS.

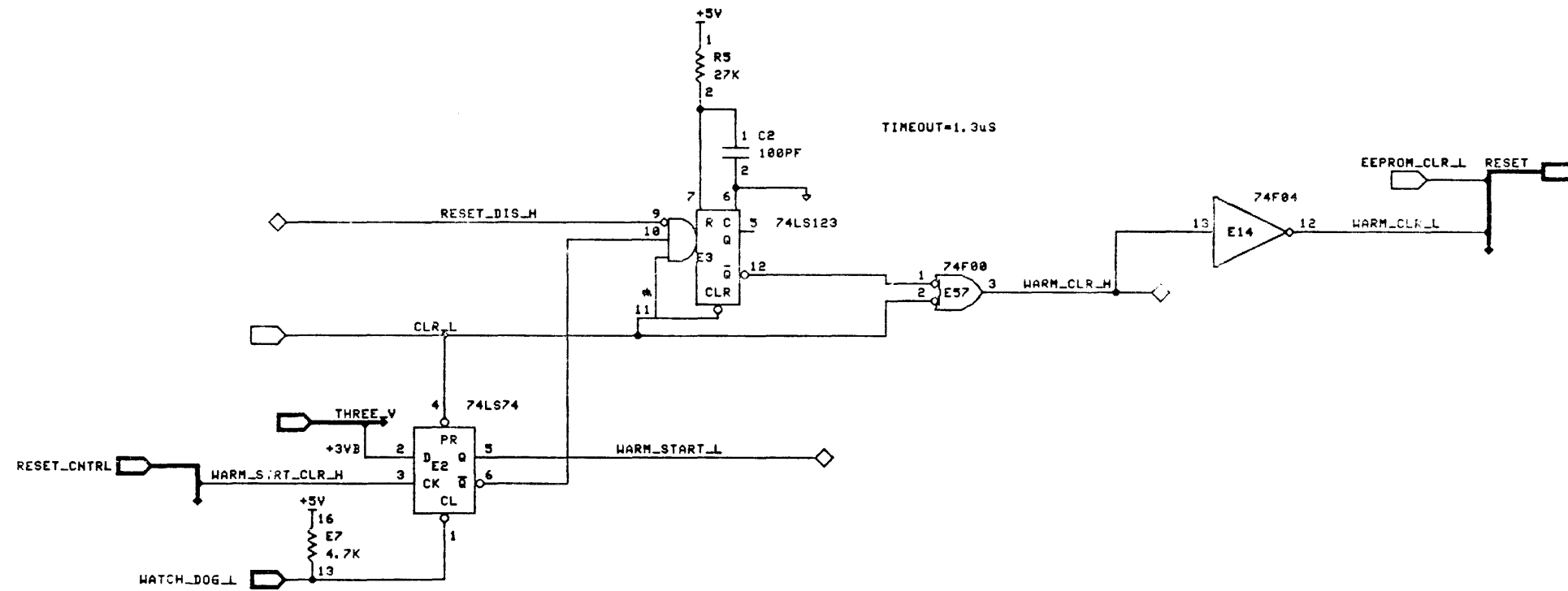
DRN BY DWS/JDB	DATE 12-MAY-86	TITLE DECserver 200
CHK BY A PARIKH	DATE 12-MAY-86	NUMBER 5418034-0-CPU6
ENG DJC/MSH	DATE 12-MAY-86	REV A
PAGE 1 OF 1 TOP DOC K-DD-5418034-0-0		

E1 MAY 86 13134 70SER/PROTETS/PLK/TKING/DECSEVER/CPU6/SC55/ADD/DECODE L3.DRAW



21 MAY 86 15:36 USER/PROTUS/WORKING/DEC/SERVER/CPU\_SUBSYS/POWER\_UP 1.DRAW





WARM START RESET  
LEVEL 3

CHK	CHAR	NO	REV

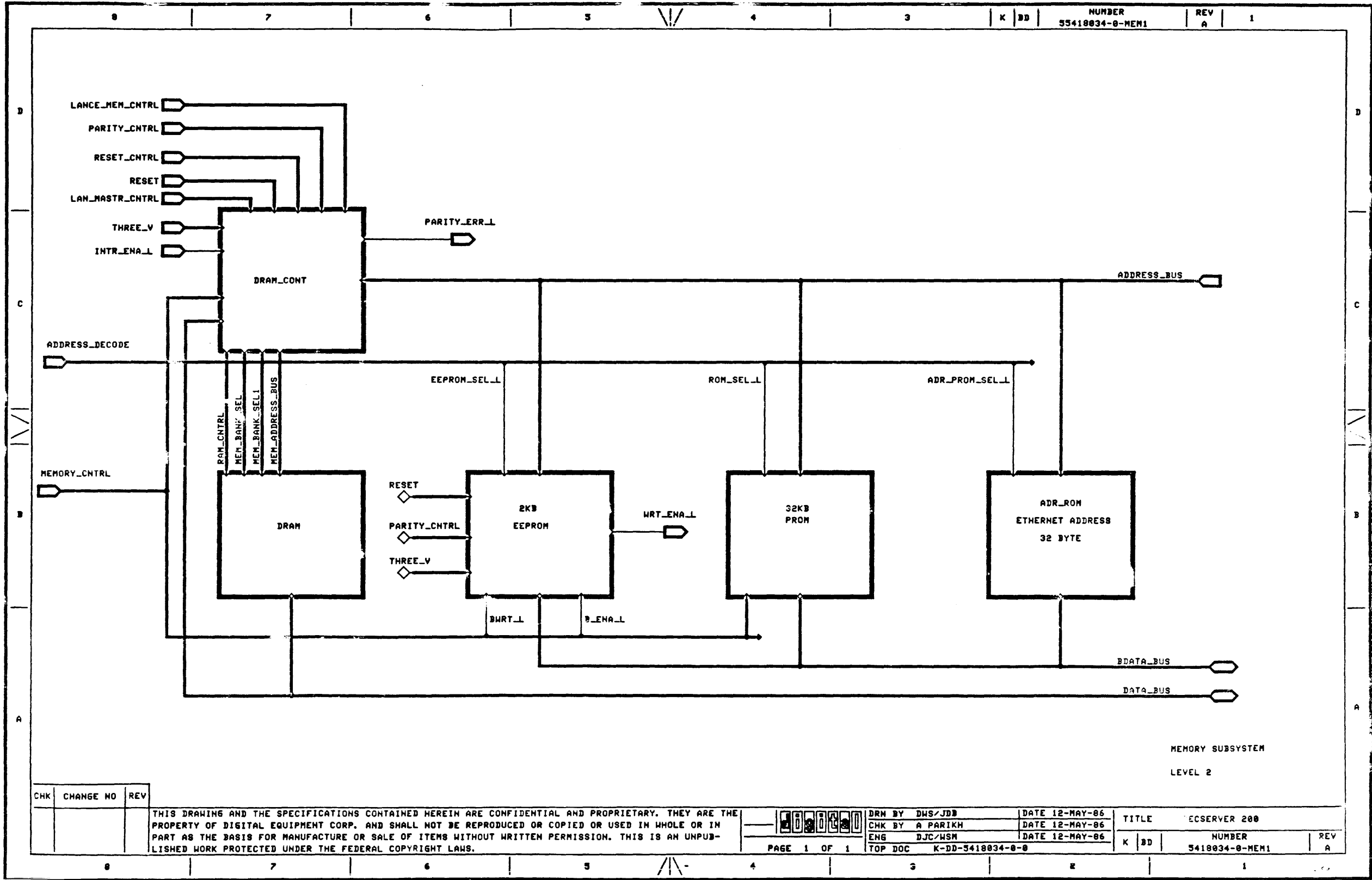
THIS DRAWING AND THE SPECIFICATIONS CONTAINED HEREIN ARE CONFIDENTIAL AND PROPRIETARY. THEY ARE THE PROPERTY OF DIGITAL EQUIPMENT CORP. AND SHALL NOT BE REPRODUCED OR COPIED OR USED IN WHOLE OR IN PART AS THE BASIS FOR MANUFACTURE OR SALE OF ITEMS WITHOUT WRITTEN PERMISSION. THIS IS AN UNPUBLISHED WORK PROTECTED UNDER THE FEDERAL COPYRIGHT LAWS.

PAGE 1 OF 1

DRN BY	DWS/JDB	DATE	12-MAY-86
CHK BY	A PARIKH	DATE	12-MAY-86
ENG	DJC/WSM	DATE	12-MAY-86
TOP DOC	K-DD-5418834-0-0		

TITLE	DECSERVER 200
NUMBER	5418834-0-CPU8
REV	A

21 86 15139 7USER/PROTEUS/HORKING/DECSERVER/CPU-SUBSYS/POP 2

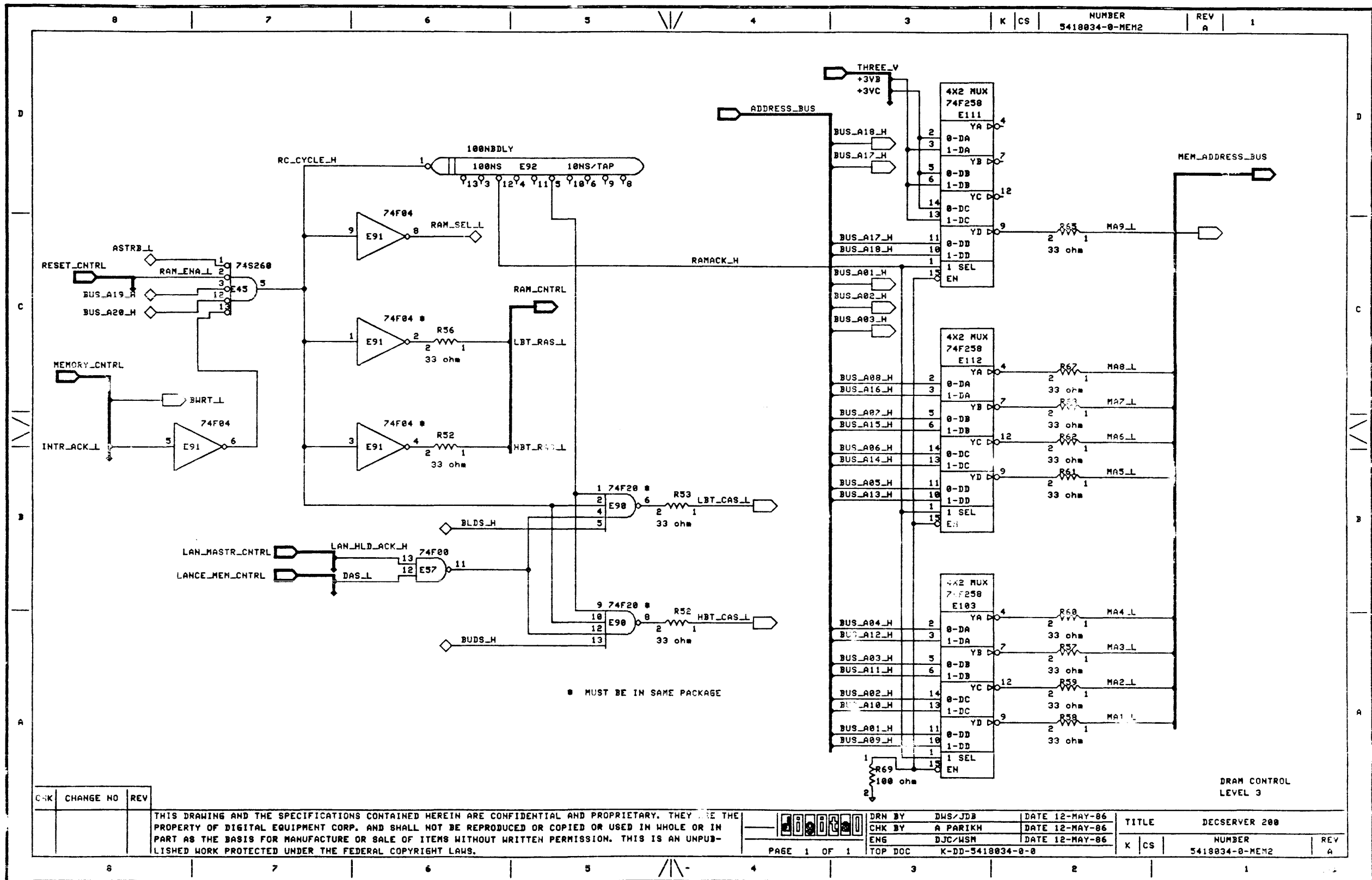


CHK	CHANGE NO	REV

THIS DRAWING AND THE SPECIFICATIONS CONTAINED HEREIN ARE CONFIDENTIAL AND PROPRIETARY. THEY ARE THE PROPERTY OF DIGITAL EQUIPMENT CORP. AND SHALL NOT BE REPRODUCED OR COPIED OR USED IN WHOLE OR IN PART AS THE BASIS FOR MANUFACTURE OR SALE OF ITEMS WITHOUT WRITTEN PERMISSION. THIS IS AN UNPUBLISHED WORK PROTECTED UNDER THE FEDERAL COPYRIGHT LAWS.

DRN BY DHS/JDB	DATE 12-MAY-86	TITLE ECSEVER 200
CHK BY A PARIKH	DATE 12-MAY-86	NUMBER 5418034-0-MEM1
ENG DJC/WSM	DATE 12-MAY-86	REV A
TOP DOC K-DD-5418034-0-0		

22 MAY 86 09:53 705C87/PK07/US700KX/MS/DECSEVER/HEM-SUBSYS 1.DRAM

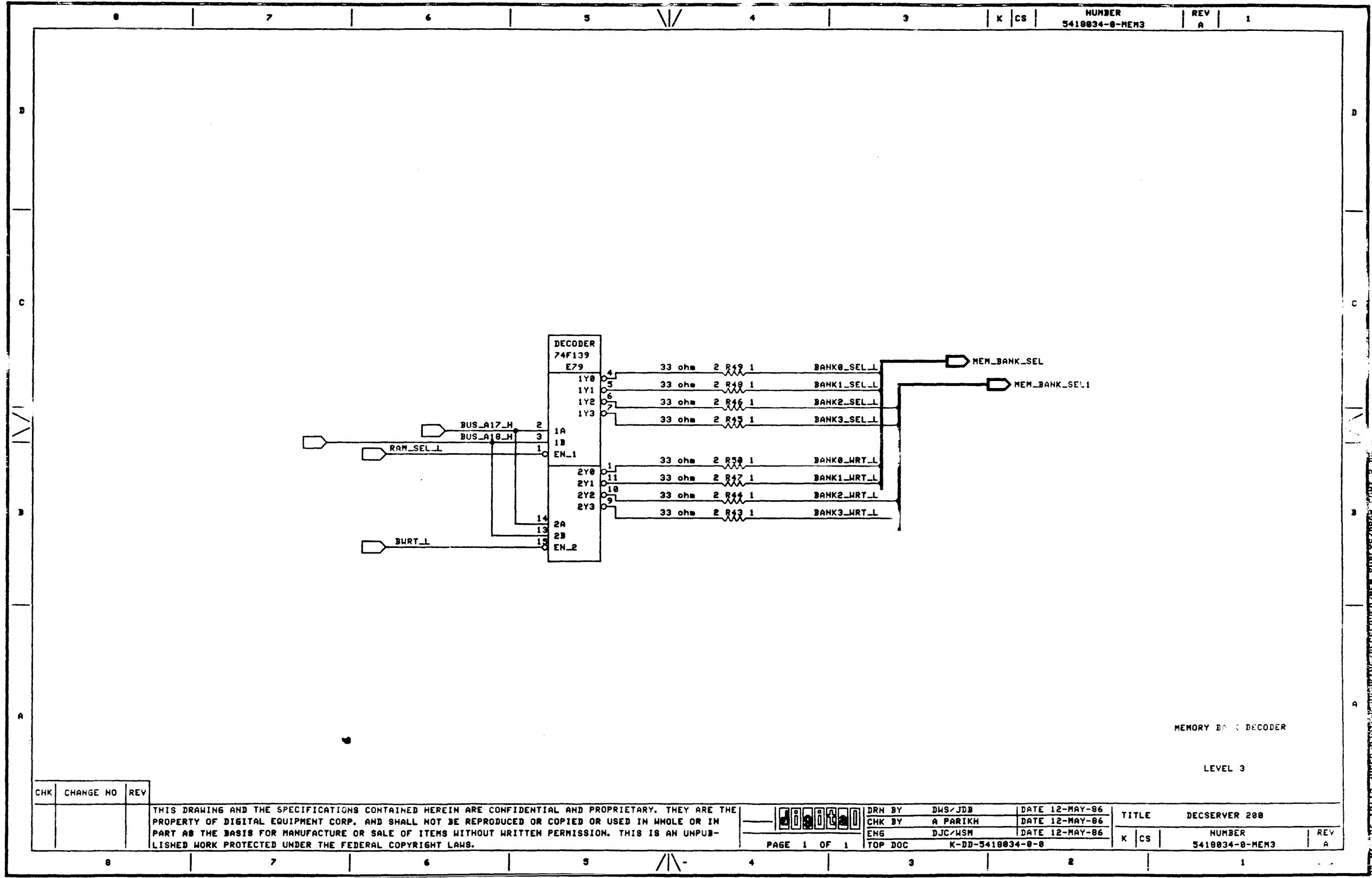


CHK	CHANGE NO	REV

THIS DRAWING AND THE SPECIFICATIONS CONTAINED HEREIN ARE CONFIDENTIAL AND PROPRIETARY. THEY ARE THE PROPERTY OF DIGITAL EQUIPMENT CORP. AND SHALL NOT BE REPRODUCED OR COPIED OR USED IN WHOLE OR IN PART AS THE BASIS FOR MANUFACTURE OR SALE OF ITEMS WITHOUT WRITTEN PERMISSION. THIS IS AN UNPUBLISHED WORK PROTECTED UNDER THE FEDERAL COPYRIGHT LAWS.

DRN BY	DWS/JDB	DATE	12-MAY-86	TITLE	DEC SERVER 200
CHK BY	A PARIKH	DATE	12-MAY-86	NUMBER	5418034-0-MEM2
ENG	DJC/MSH	DATE	12-MAY-86	REV	A
TOP DOC	K-DD-5418034-0-8				

22 MAY 86 10:10 USER: JTEUS/MORNING/DEC SERVER/MEM SUB SYS DRAM CONT 3.DRAM



MEMORY BANK DECODER

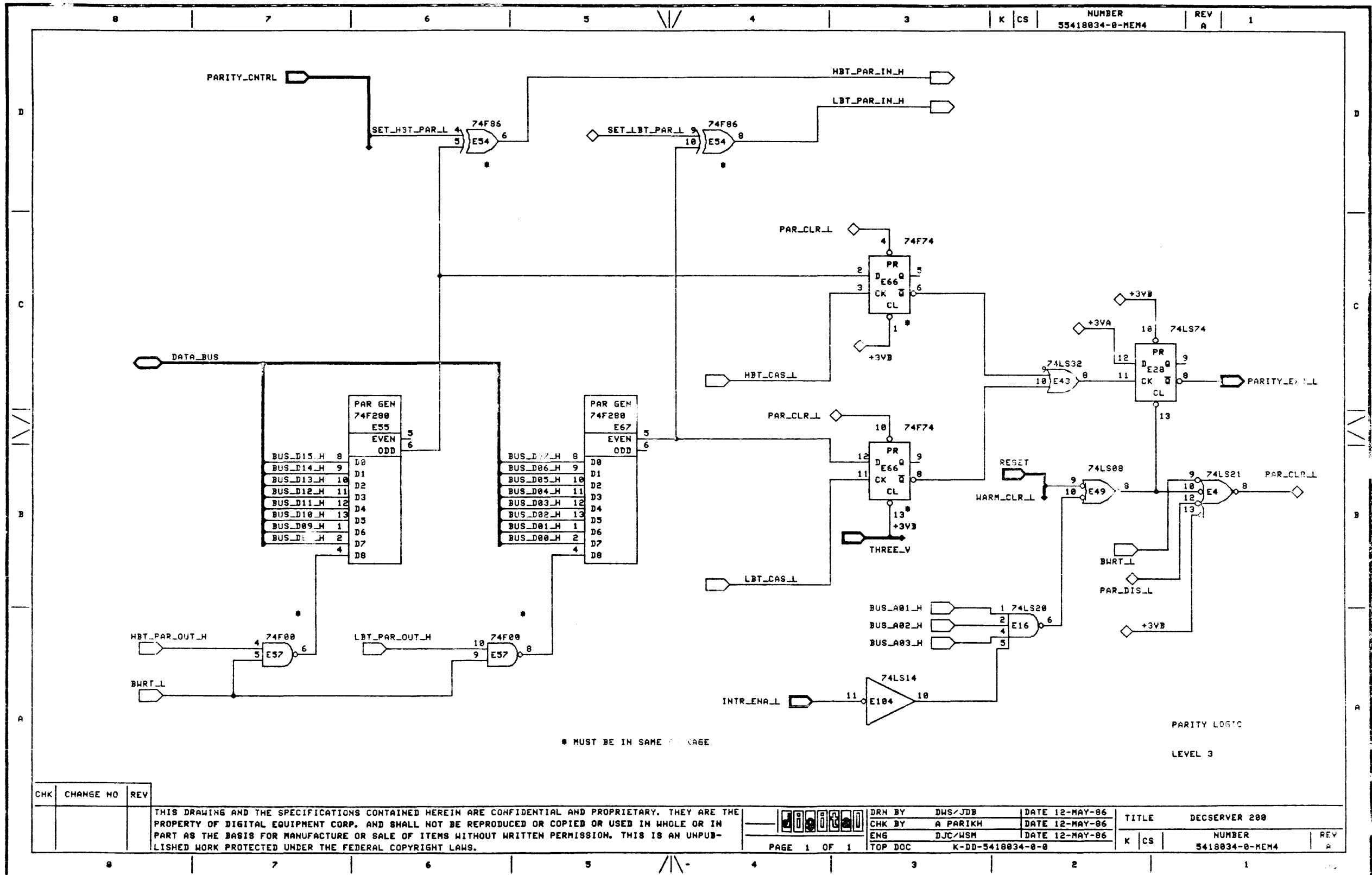
LEVEL 3

CHK	CHANGE NO	REV

THIS DRAWING AND THE SPECIFICATIONS CONTAINED HEREIN ARE CONFIDENTIAL AND PROPRIETARY. THEY ARE THE PROPERTY OF DIGITAL EQUIPMENT CORP. AND SHALL NOT BE REPRODUCED OR COPIED OR USED IN WHOLE OR IN PART AS THE BASIS FOR MANUFACTURE OR SALE OF ITEMS WITHOUT WRITTEN PERMISSION. THIS IS AN UNPUBLISHED WORK PROTECTED UNDER THE FEDERAL COPYRIGHT LAWS.

DRN BY	DWS/JDB	DATE	12-MAY-86	TITLE	DECSERVER 200
CHK BY	A PARIKH	DATE	12-MAY-86	NUMBER	5418834-8-MEM3
ENG	DJC/WSM	DATE	12-MAY-86	REV	A
PAGE 1 OF 1		TOP DOC	K-DD-5418834-8-8	K CS	

22 MAY 86 1012 70SER7POTLUS7HUKKING7DECSERVER2MEM\_S01Y8/DRAM\_CORT 2. DR...

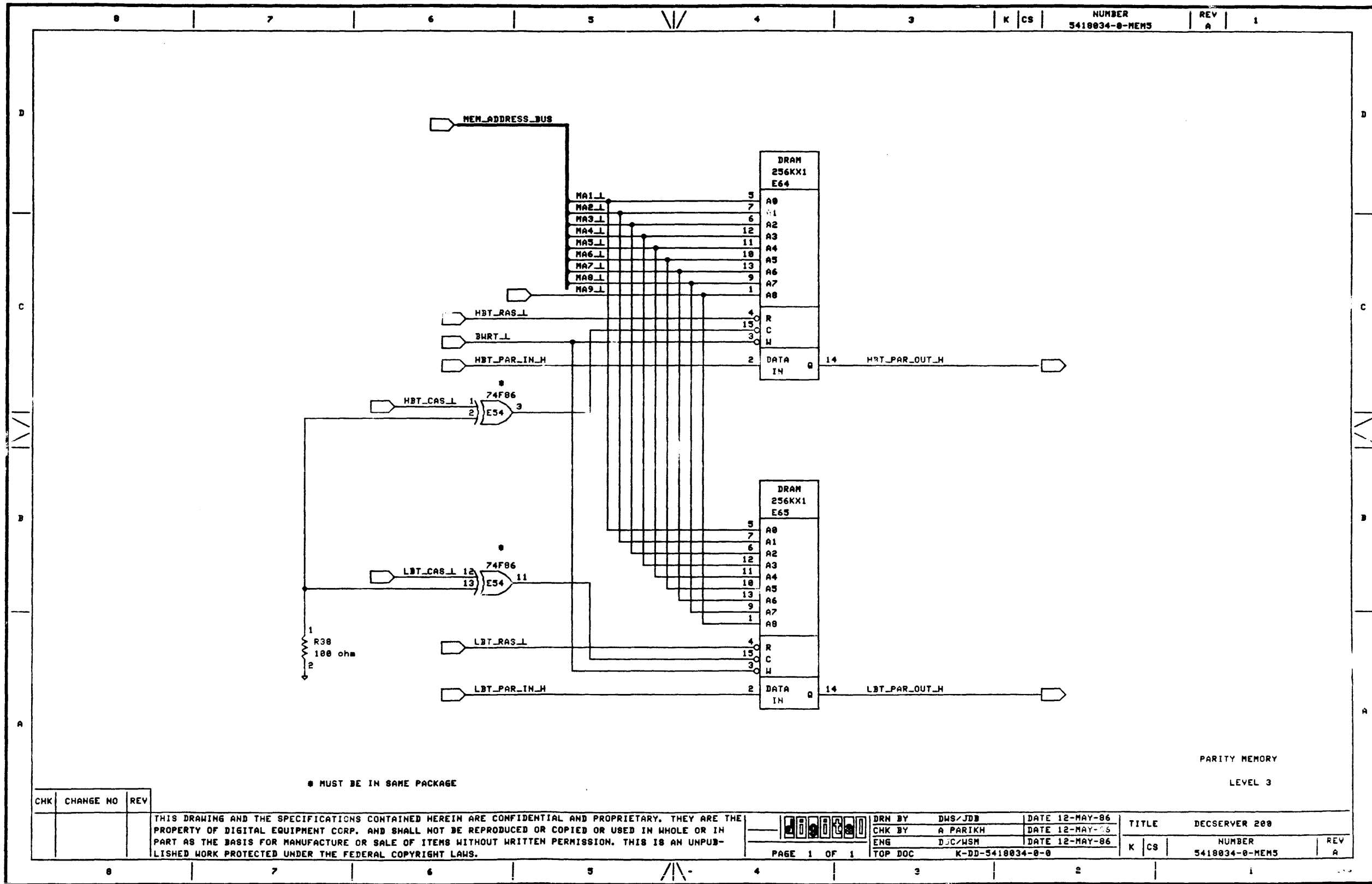


CHK	CHANGE NO	REV

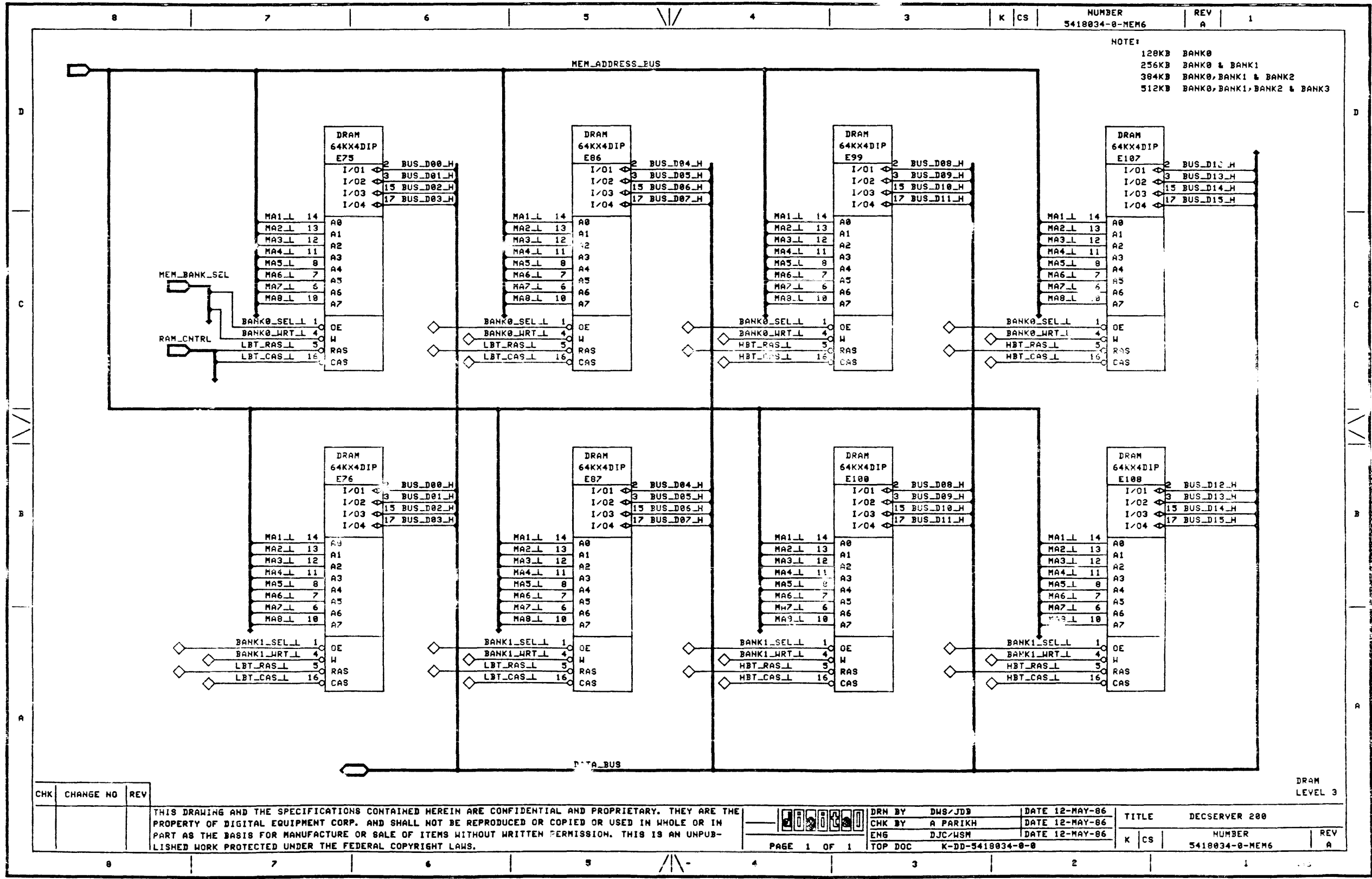
THIS DRAWING AND THE SPECIFICATIONS CONTAINED HEREIN ARE CONFIDENTIAL AND PROPRIETARY. THEY ARE THE PROPERTY OF DIGITAL EQUIPMENT CORP. AND SHALL NOT BE REPRODUCED OR COPIED OR USED IN WHOLE OR IN PART AS THE BASIS FOR MANUFACTURE OR SALE OF ITEMS WITHOUT WRITTEN PERMISSION. THIS IS AN UNPUBLISHED WORK PROTECTED UNDER THE FEDERAL COPYRIGHT LAWS.

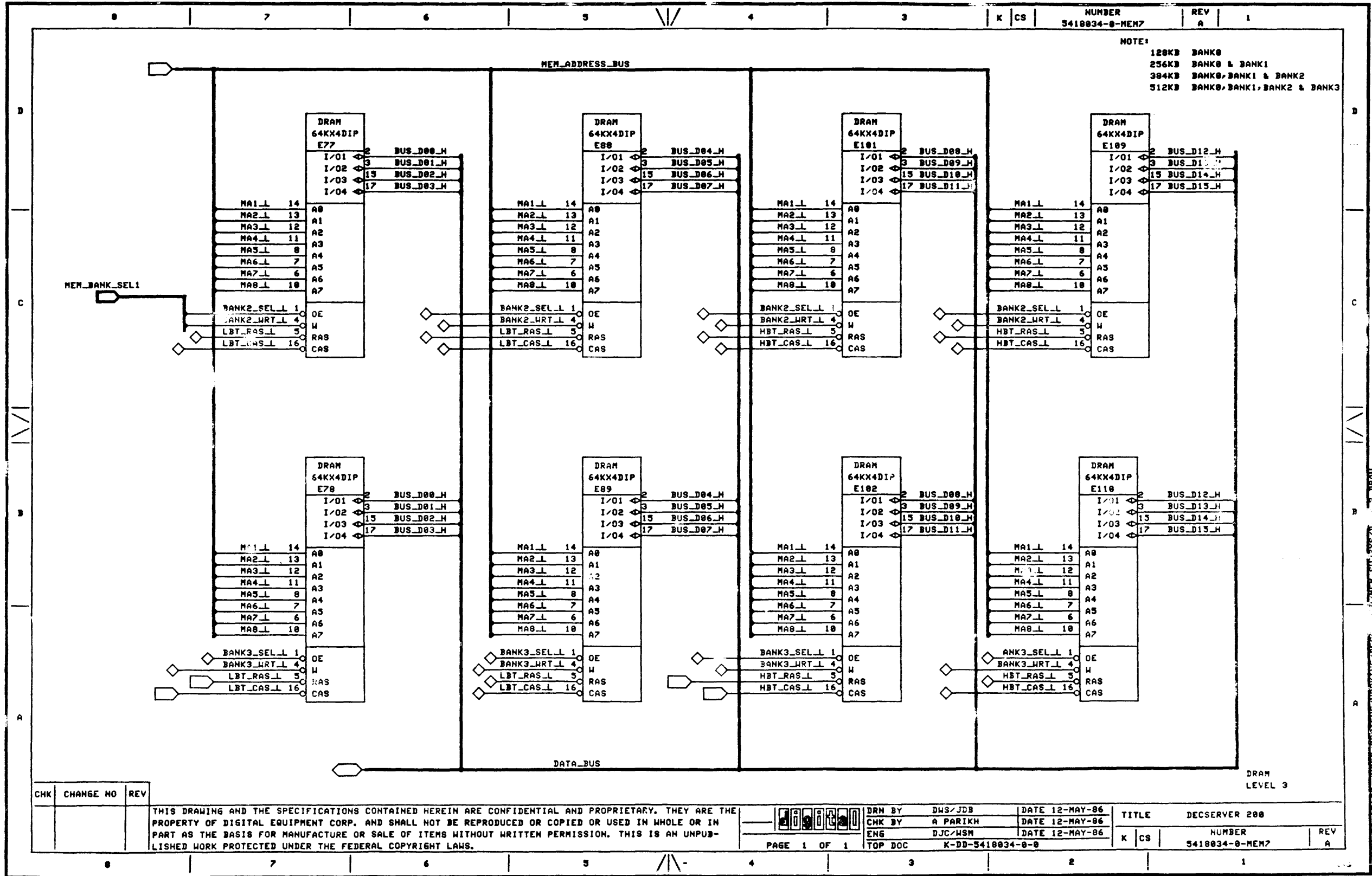
DRN BY	DWS/JDB	DATE	12-MAY-86	TITLE	DECSERVER 200
CHK BY	A PARIKH	DATE	12-MAY-86	NUMBER	5418034-0-MEM4
ENG	DJC/HSM	DATE	12-MAY-86	REV	A
PAGE	1 OF 1	TOP DOC	K-DD-5418034-0-0		

22 MAY 86 10:16 USER: ROTRUS/WORKING/DE/LEAVE/NEW/50/SYS/DRAM/CONT



22 MAY 86 10:57 USER:K0YEU5/HORKING/DECS...VER/MEM\_SUBSYS...RAM-CONT 4, DRAM





NOTE:  
 128KB BANK0  
 256KB BANK0 & BANK1  
 384KB BANK0, BANK1 & BANK2  
 512KB BANK0, BANK1, BANK2 & BANK3

CHK	CHANGE NO	REV

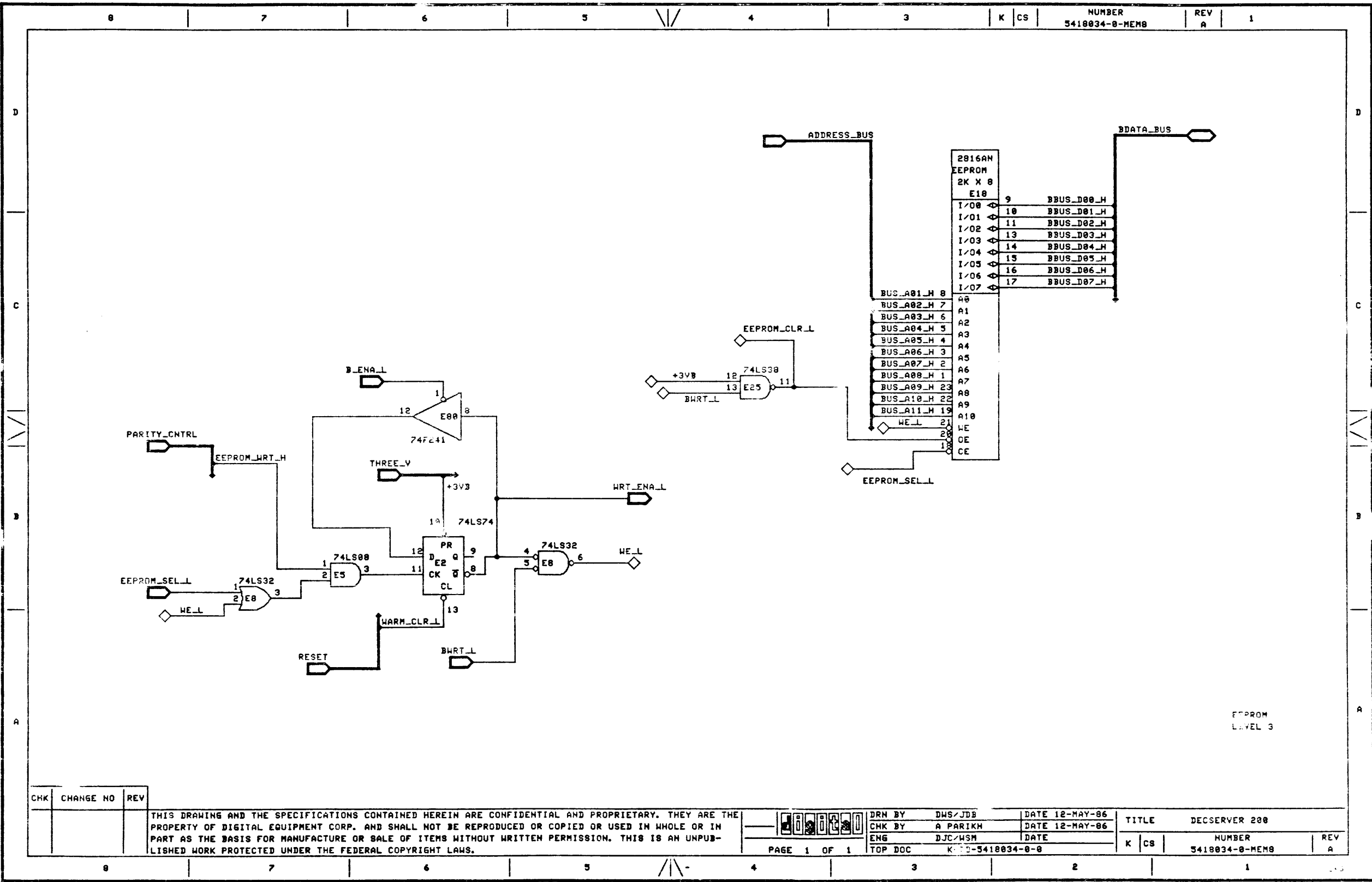
THIS DRAWING AND THE SPECIFICATIONS CONTAINED HEREIN ARE CONFIDENTIAL AND PROPRIETARY. THEY ARE THE PROPERTY OF DIGITAL EQUIPMENT CORP. AND SHALL NOT BE REPRODUCED OR COPIED OR USED IN WHOLE OR IN PART AS THE BASIS FOR MANUFACTURE OR SALE OF ITEMS WITHOUT WRITTEN PERMISSION. THIS IS AN UNPUBLISHED WORK PROTECTED UNDER THE FEDERAL COPYRIGHT LAWS.

DRN BY DHS/JDB DATE 12-MAY-86  
 CHK BY A PARIKH DATE 12-MAY-86  
 ENG DJC/MSM DATE 12-MAY-86

TITLE DECSERVER 200  
 NUMBER 5418034-0-MEM7  
 REV A

22 MAY 86 10:22 USER:PROTEUS/WORKING/DECS...K7MEM-S015570...E-DRAM





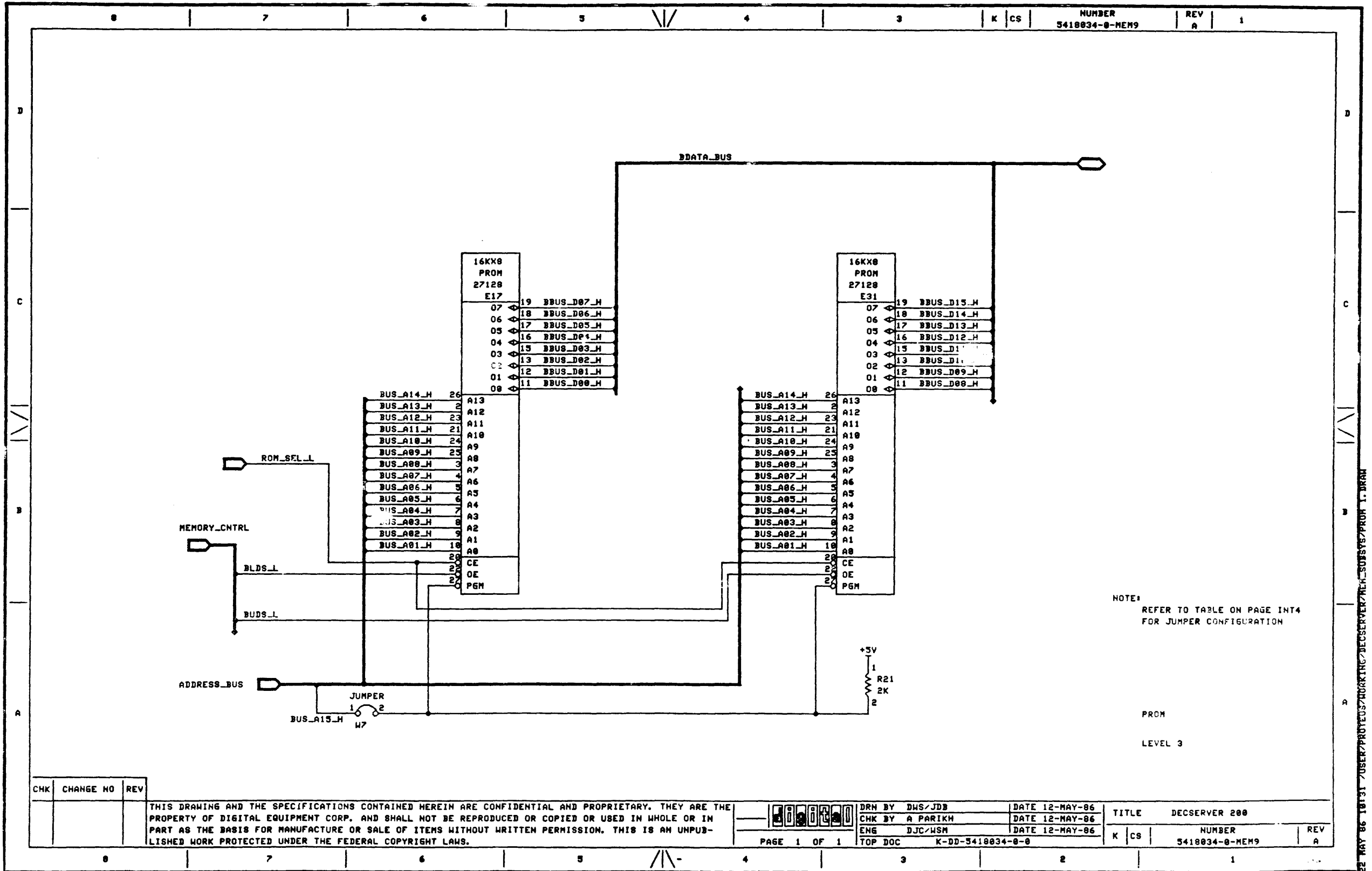
EEPROM  
LEVEL 3

CHK	CHANGE NO	REV

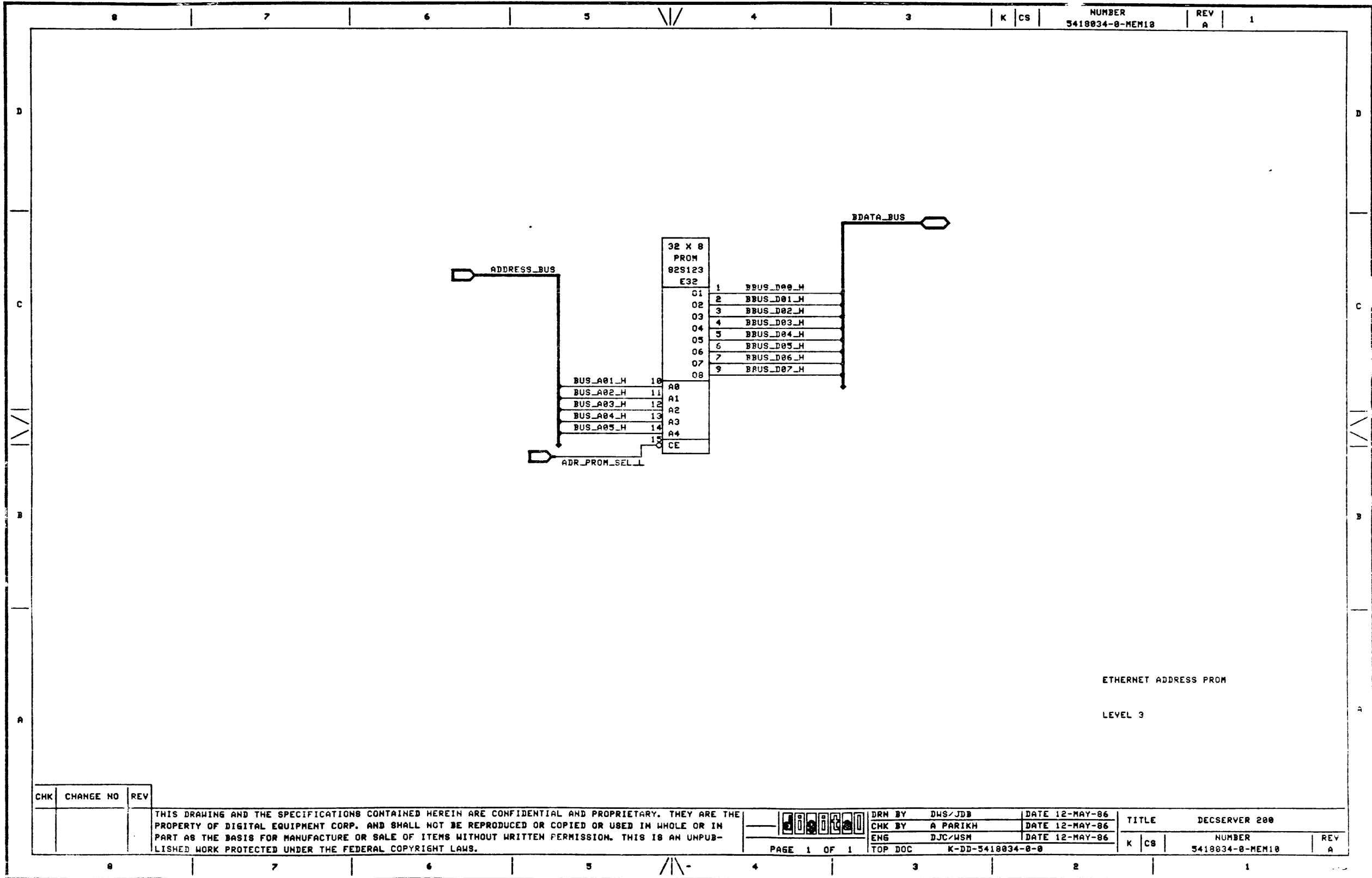
THIS DRAWING AND THE SPECIFICATIONS CONTAINED HEREIN ARE CONFIDENTIAL AND PROPRIETARY. THEY ARE THE PROPERTY OF DIGITAL EQUIPMENT CORP. AND SHALL NOT BE REPRODUCED OR COPIED OR USED IN WHOLE OR IN PART AS THE BASIS FOR MANUFACTURE OR SALE OF ITEMS WITHOUT WRITTEN PERMISSION. THIS IS AN UNPUBLISHED WORK PROTECTED UNDER THE FEDERAL COPYRIGHT LAWS.

DRM BY	DWS/JDB	DATE	12-MAY-86	TITLE	DECSERVER 200
CHK BY	A PARIKH	DATE	12-MAY-86		
ENG	DJC/WSM	DATE			
TOP DOC	K 5418034-0-0				

22 MAY 86 10:53 ZUSEN77PROTEUS/HORRING7-DECSERVER200-LEVEL3.SUBSYS: /DRM: I. DRAM



22 MAY 86 10:31 USER:PROTEUS/WORKING/DECSERVER/LEVEL3/SUBS/5/PROM 1.DRAW



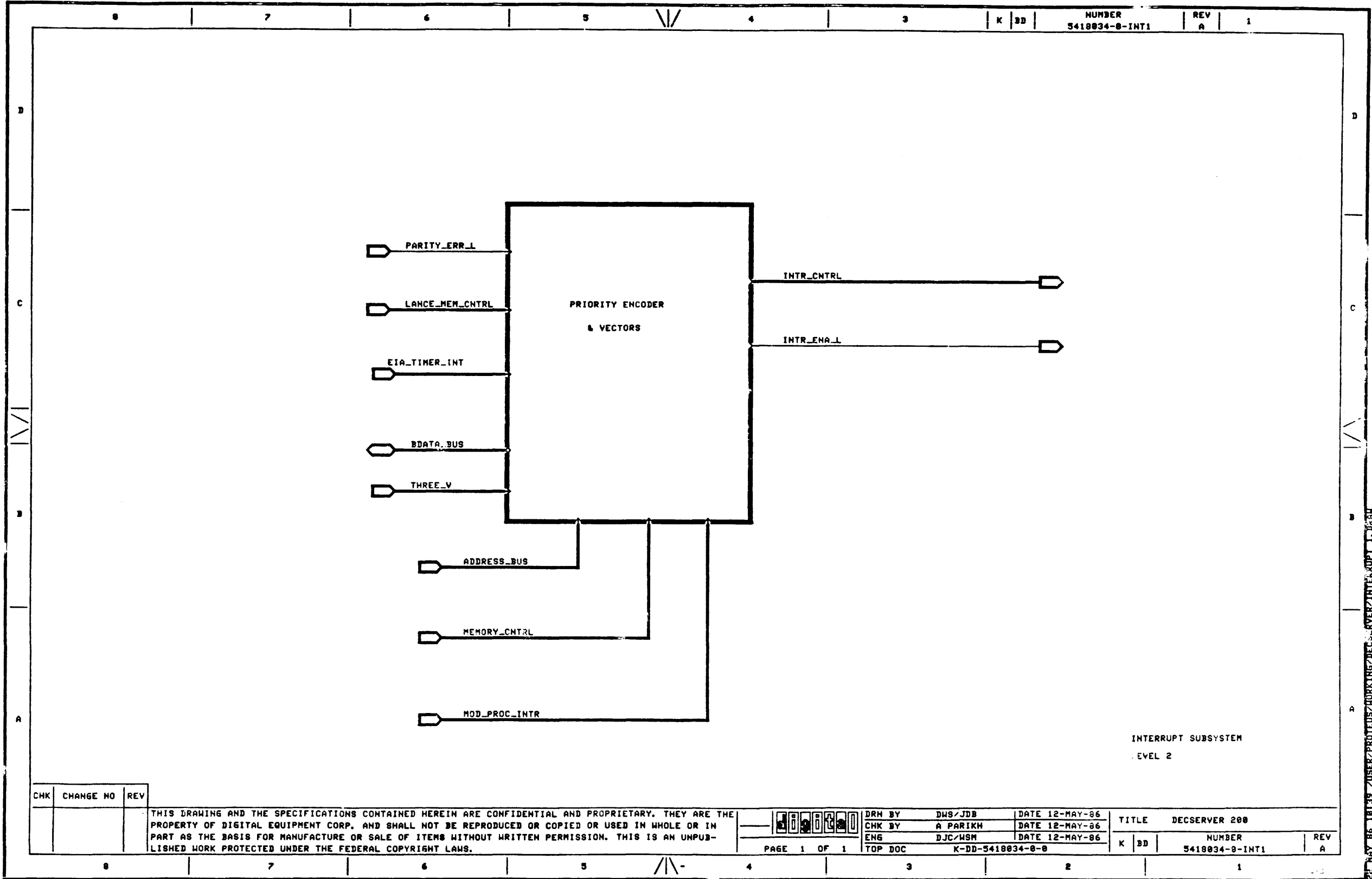
ETHERNET ADDRESS PROM  
LEVEL 3

CHK	CHANGE NO	REV

THIS DRAWING AND THE SPECIFICATIONS CONTAINED HEREIN ARE CONFIDENTIAL AND PROPRIETARY. THEY ARE THE PROPERTY OF DIGITAL EQUIPMENT CORP. AND SHALL NOT BE REPRODUCED OR COPIED OR USED IN WHOLE OR IN PART AS THE BASIS FOR MANUFACTURE OR SALE OF ITEMS WITHOUT WRITTEN PERMISSION. THIS IS AN UNPUBLISHED WORK PROTECTED UNDER THE FEDERAL COPYRIGHT LAWS.

DRN BY	DWS/JDB	DATE	12-MAY-86	TITLE	DECSERVER 200
CHK BY	A PARIKH	DATE	12-MAY-86	NUMBER	5418034-0-MEM10
ENG	DJC/HSM	DATE	12-MAY-86	REV	A
TOP DOC	K-DD-5418034-0-0				

Z:\MAY 86 10:15:07 USER:PROTECTOR\WORKING\DECSERVER\HEP\SUBSYS\ADR\_PROM\_1.DRAW

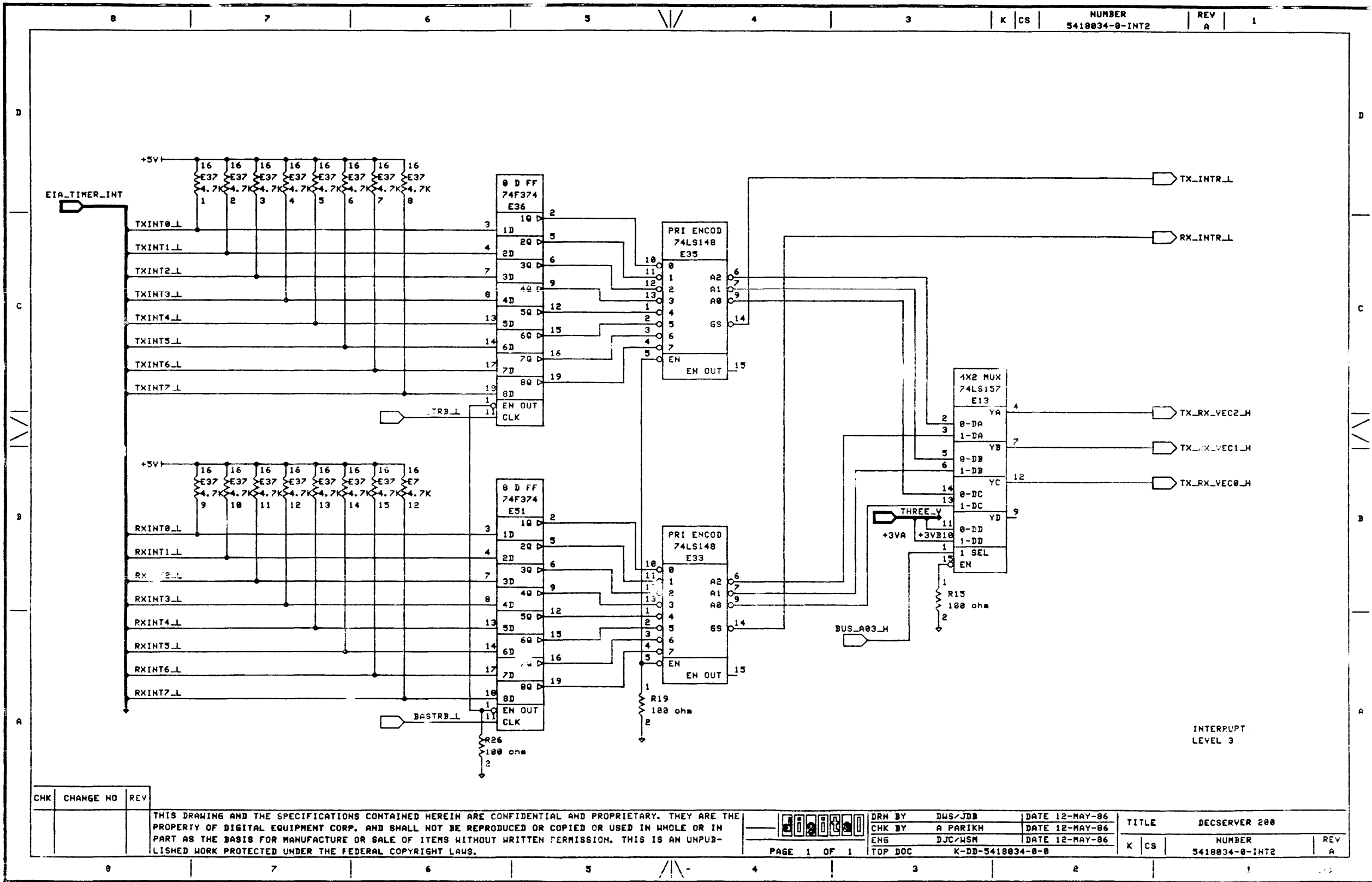


CHK	CHANGE NO	REV

THIS DRAWING AND THE SPECIFICATIONS CONTAINED HEREIN ARE CONFIDENTIAL AND PROPRIETARY. THEY ARE THE PROPERTY OF DIGITAL EQUIPMENT CORP. AND SHALL NOT BE REPRODUCED OR COPIED OR USED IN WHOLE OR IN PART AS THE BASIS FOR MANUFACTURE OR SALE OF ITEMS WITHOUT WRITTEN PERMISSION. THIS IS AN UNPUBLISHED WORK PROTECTED UNDER THE FEDERAL COPYRIGHT LAWS.

DRW BY	DWS/JDB	DATE	12-MAY-86	TITLE	DECSERVER 200
CHK BY	A PARIKH	DATE	12-MAY-86	NUMBER	5418834-8-INT1
ENG	DJC/WSM	DATE	12-MAY-86	REV	A
PAGE 1 OF 1		TOP DOC		K DD	

21F MAY 86 18139 7056K/PROTEUS/HORKING/DECSERVER/INTERRUPT I:DRW

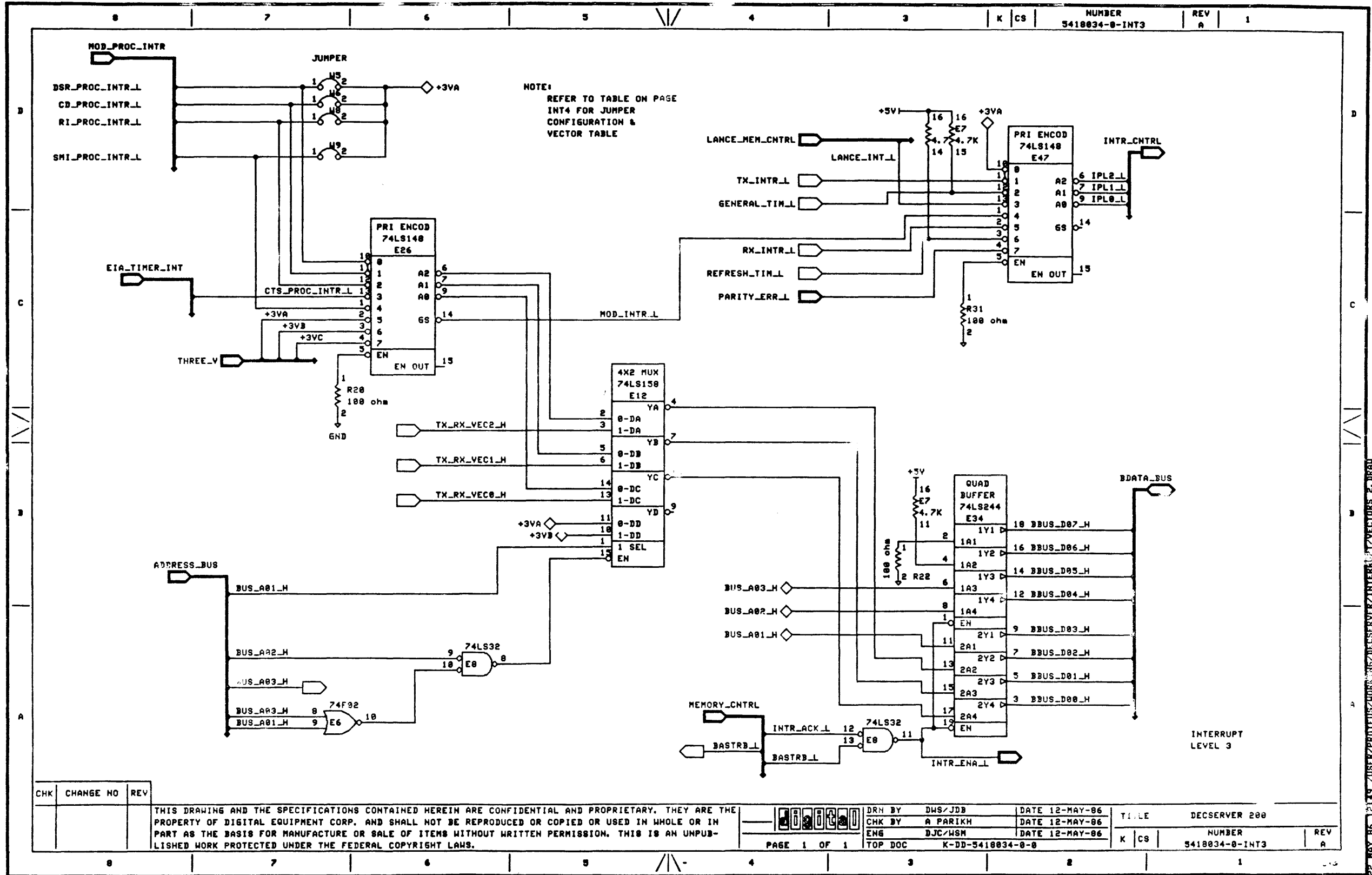


CHK	CHANGE NO	REV

THIS DRAWING AND THE SPECIFICATIONS CONTAINED HEREIN ARE CONFIDENTIAL AND PROPRIETARY. THEY ARE THE PROPERTY OF DIGITAL EQUIPMENT CORP. AND SHALL NOT BE REPRODUCED OR COPIED OR USED IN WHOLE OR IN PART AS THE BASIS FOR MANUFACTURE OR SALE OF ITEMS WITHOUT WRITTEN PERMISSION. THIS IS AN UNPUBLISHED WORK PROTECTED UNDER THE FEDERAL COPYRIGHT LAWS.

DRN BY	DWS/JDB	DATE	12-MAY-86	TITLE	DECSERVER 200
CHK BY	A PARIKH	DATE	12-MAY-86	NUMBER	5418034-0-INT2
ENG	DJC/HSM	DATE	12-MAY-86	REV	A
TOP DOC	K-DD-5418034-0-0				

22 MAY 86 10:42 70SER/PROTEUS/HOKING/DECSERVER/INTERRUPT VECTORS 1.DR.A



22 MAY 86 12:49 / USER/PROTEUS/HORR/N6/DECSERVER/INTERRUPT/VECTORS 2.DRAW

COMPONENT CONFIGURATIONS

COMPONENT IN	COMPONENT OUT	FUNCTION	PRODUCT
	W1, W2, E77, E78, E88, E89, E101, E102, E109, E110	256KB DRAM	ANY
W2	E78, E89, E102, E110, W1	384KB DRAM	ANY
W1	W2	512KB DRAM	ANY
W4		ROUTER	DSRVC-AA DSRVC-AB
	W4	SERVER	DSRVB-AA DSRVB-AB DSRVB-BA DSRVB-BB
E52, E53, E72, E73, E74, E84, E85, E97, E98, J7, D2-D5, C146, C147, R34, R39, R42, R80, R81	W3, W5, W6, W8-W17, W22	RS232 INTERFACE	DSRVB-AA DSRVB-AB
W3, W5, W6, W8-W17, W22	E52, E53, E72, E73, E74, E84, E85, E97, E98, J7, D2-D5, C146, C147, R34, R39, R42, R80, R81	DEC 423 INTERFACE	DSRVB-BA DSRVB-BB
W7	R21	32Kx8 EPROM	ANY
R21	W7	16Kx8 EPROM	ANY
W18-W21, W23	E96, R82	NO LANCE HARDWARE WORKAROUNDS	ANY
R82, E96	W18-W21, W23	LANCE HARDWARE WORKAROUNDS	ANY
W24		FULL STEP	ANY
	W24	HALF STEP	ANY

INTERRUPT VECTORS

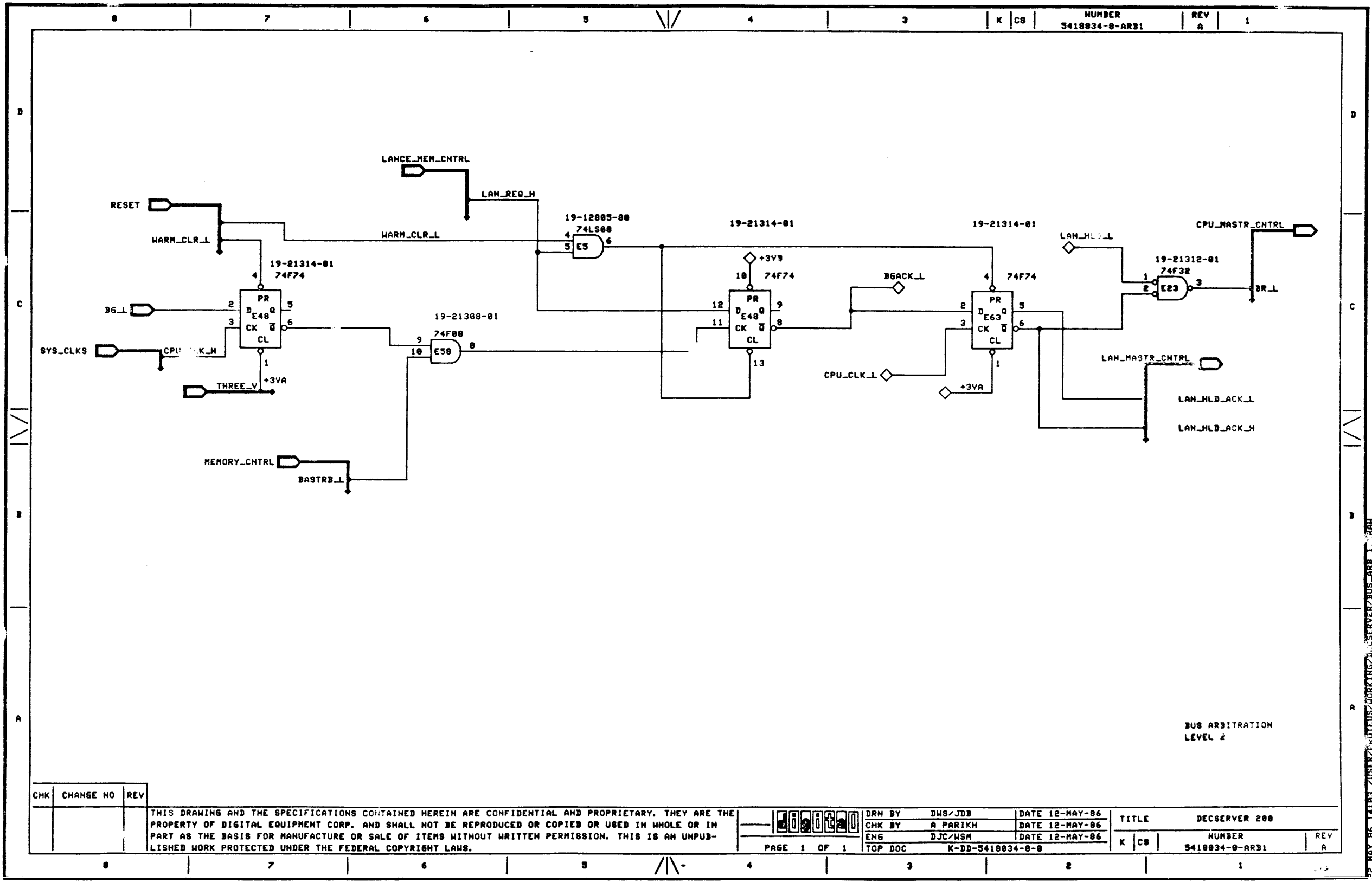
DEVICE	INTERRUPT VECTOR	68000 VECTOR
TXINT0	48	120
TXINT1	49	124
TXINT2	4A	128
TXINT3	4B	12C
TXINT4	4C	130
TXINT5	4D	134
TXINT6	4E	138
TXINT7	4F	13C
GENERAL_TIM	57	15C
LANCE_INT	5F	17C
DSR_PROC_INT	60	180
CD_PROC_INT	61	184
RI_PROC_INT	62	188
CTS_PROC_INT	63	18C
SMI_PROC_INT	64	190
RXINT0	68	1A0
RXINT1	69	1A4
RXINT2	6A	1A8
RXINT3	6B	1AC
RXINT4	6C	1B0
RXINT5	6D	1B4
RXINT6	6E	1B8
RXINT7	6F	1BC
REFRESH_TIM	77	1DC
PARITY_ERR	7F	1FC

CHK	CHANGE NO	REV

THIS DRAWING AND THE SPECIFICATIONS CONTAINED HEREIN ARE CONFIDENTIAL AND PROPRIETARY. THEY ARE THE PROPERTY OF DIGITAL EQUIPMENT CORP. AND SHALL NOT BE REPRODUCED OR COPIED OR USED IN WHOLE OR IN PART AS THE BASIS FOR MANUFACTURE OR SALE OF ITEMS WITHOUT WRITTEN PERMISSION. THIS IS AN UNPUBLISHED WORK PROTECTED UNDER THE FEDERAL COPYRIGHT LAWS.

DRN BY	DWS/JDB	DATE	12-MAY-86	TITLE	DECSERVER 200
CHK BY	A PARIKH	DATE	12-MAY-86	NUMBER	5418034-0-INT4
ENG	DJC/WSH	DATE	12-MAY-86	REV	A
PAGE 1 OF 1		TOP DOC		K-DD-5418045-0-0	

30 MAY 86 1417 USER PROTE... WORKING DECSERVER TABLE DRAH



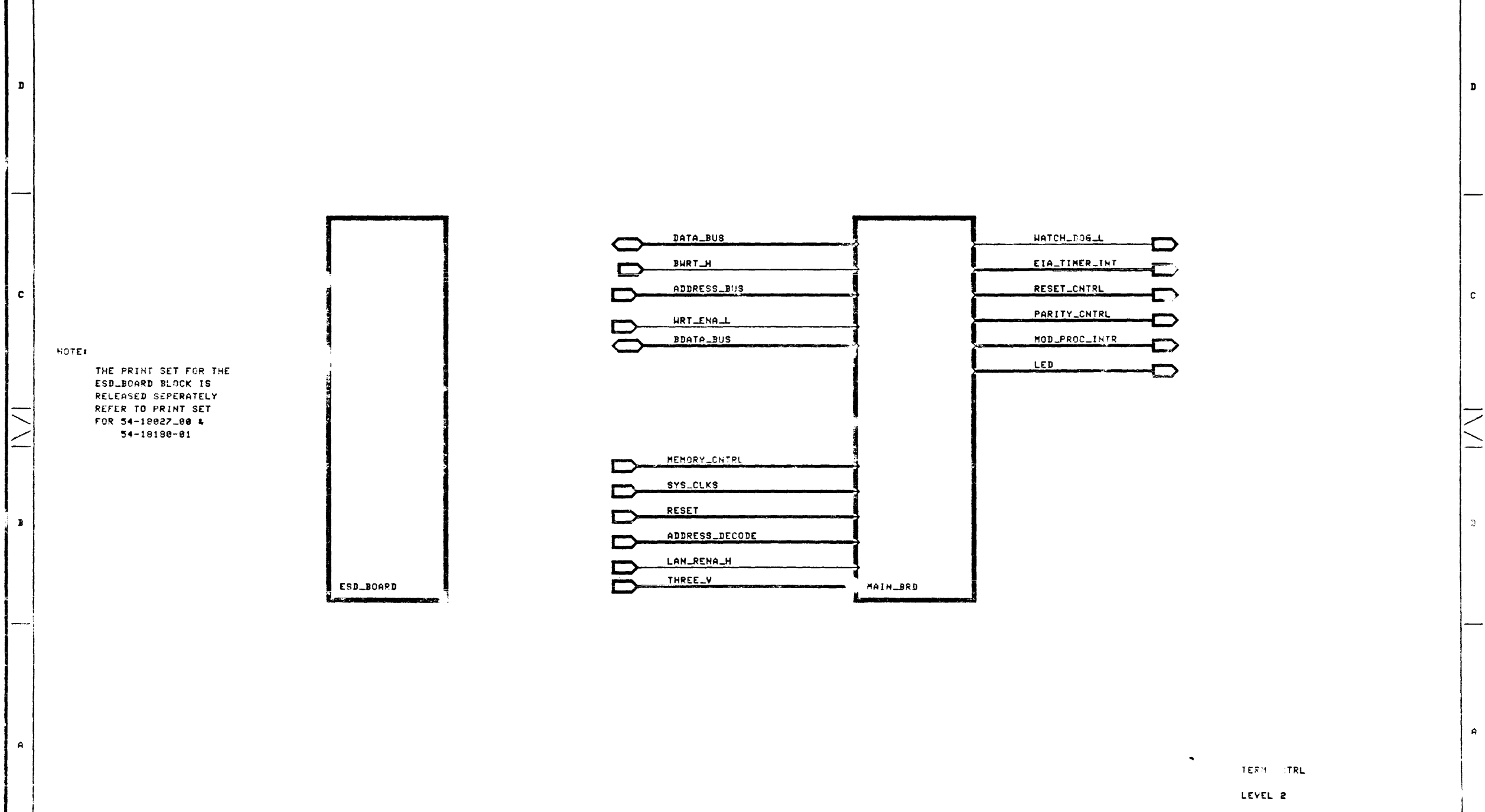
CHK	CHANGE NO	REV

THIS DRAWING AND THE SPECIFICATIONS CONTAINED HEREIN ARE CONFIDENTIAL AND PROPRIETARY. THEY ARE THE PROPERTY OF DIGITAL EQUIPMENT CORP. AND SHALL NOT BE REPRODUCED OR COPIED OR USED IN WHOLE OR IN PART AS THE BASIS FOR MANUFACTURE OR SALE OF ITEMS WITHOUT WRITTEN PERMISSION. THIS IS AN UNPUBLISHED WORK PROTECTED UNDER THE FEDERAL COPYRIGHT LAWS.

DRN BY	DWS/JDB	DATE	12-MAY-86	TITLE	DECSERVER 200
CHK BY	A PARIKH	DATE	12-MAY-86	NUMBER	5418834-0-AR31
ENG	DJC/WSH	DATE	12-MAY-86	REV	A
PAGE 1 OF 1		TOP DOC		K-DD-5418834-0-0	

12 MAY 86 14103 70SER70R0TEUS/WORKING70L0SERVER/2000-ARB 1. RAH





NOTE:  
 THE PRINT SET FOR THE  
 ESD\_BOARD BLOCK IS  
 RELEASED SEPERATELY  
 REFER TO PRINT SET  
 FOR 54-18827-00 &  
 54-18180-01

TERM CNTRL  
 LEVEL 2

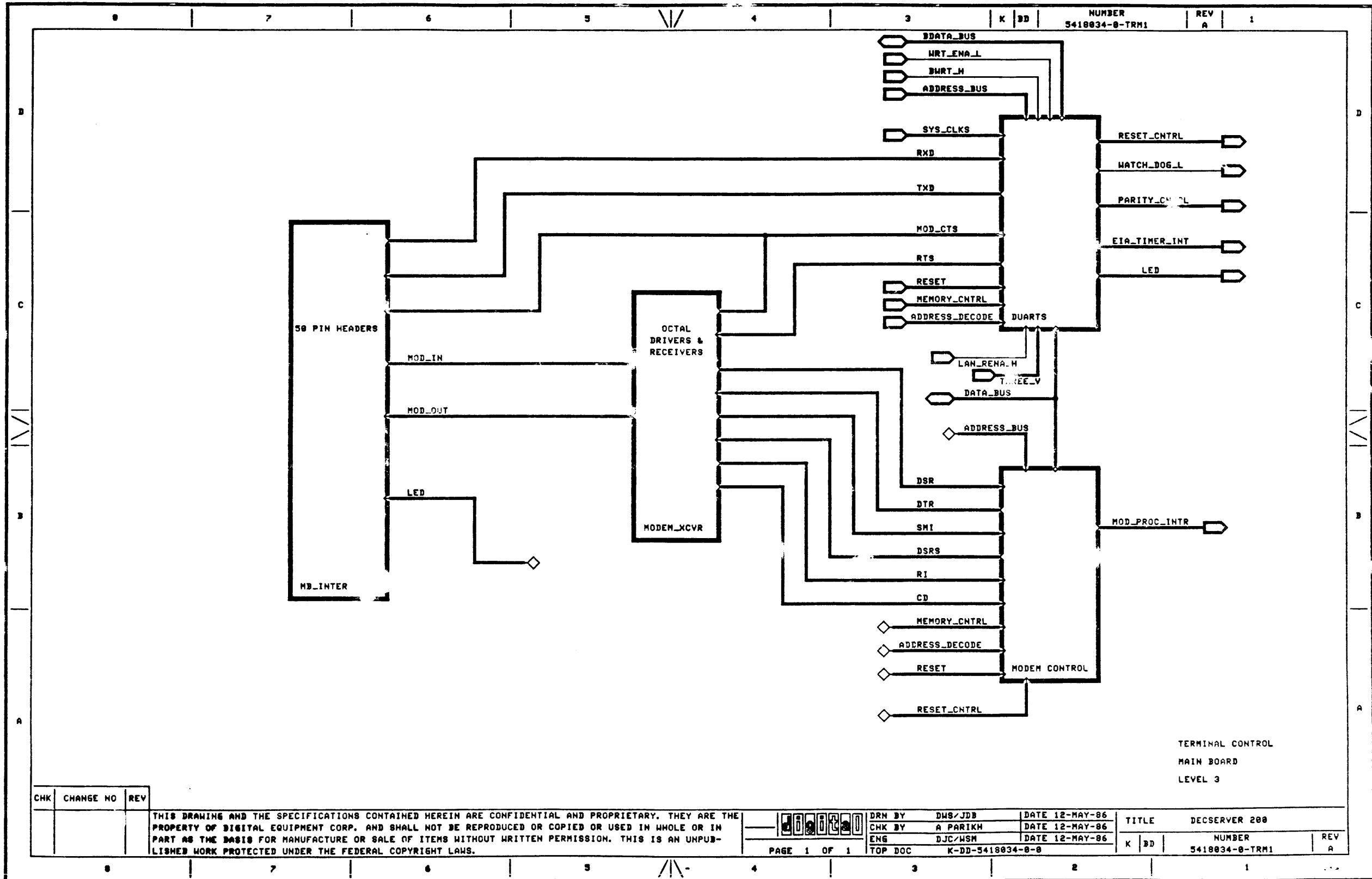
CHK	CHANGE NO	REV

THIS DRAWING AND THE SPECIFICATIONS CONTAINED HEREIN ARE CONFIDENTIAL AND PROPRIETARY. THEY ARE THE PROPERTY OF DIGITAL EQUIPMENT CORP. AND SHALL NOT BE REPRODUCED OR COPIED OR USED IN WHOLE OR IN PART AS THE BASIS FOR MANUFACTURE OR SALE OF ITEMS WITHOUT WRITTEN PERMISSION. THIS IS AN UNPUBLISHED WORK PROTECTED UNDER THE FEDERAL COPYRIGHT LAWS.

DRN BY DWS/JDB DATE 12-MAY-86  
 CHK BY A PARIKH DATE 12-MAY-86  
 ENG DJC/WSM DATE 12-MAY-86  
 PAGE 1 OF 1 TOP DOC K-DD-5418834-8-0

TITLE DECSERVER 200  
 NUMBER 5418834-8-34  
 REV A

22 MAY 86 14185 705827431 KING/DECSERVER200 TITLE 1, DRN



NUMBER 5418034-0-TRM1 REV A 1

CHK	CHANGE NO	REV

THIS DRAWING AND THE SPECIFICATIONS CONTAINED HEREIN ARE CONFIDENTIAL AND PROPRIETARY. THEY ARE THE PROPERTY OF DIGITAL EQUIPMENT CORP. AND SHALL NOT BE REPRODUCED OR COPIED OR USED IN WHOLE OR IN PART AS THE BASIS FOR MANUFACTURE OR SALE OF ITEMS WITHOUT WRITTEN PERMISSION. THIS IS AN UNPUBLISHED WORK PROTECTED UNDER THE FEDERAL COPYRIGHT LAWS.

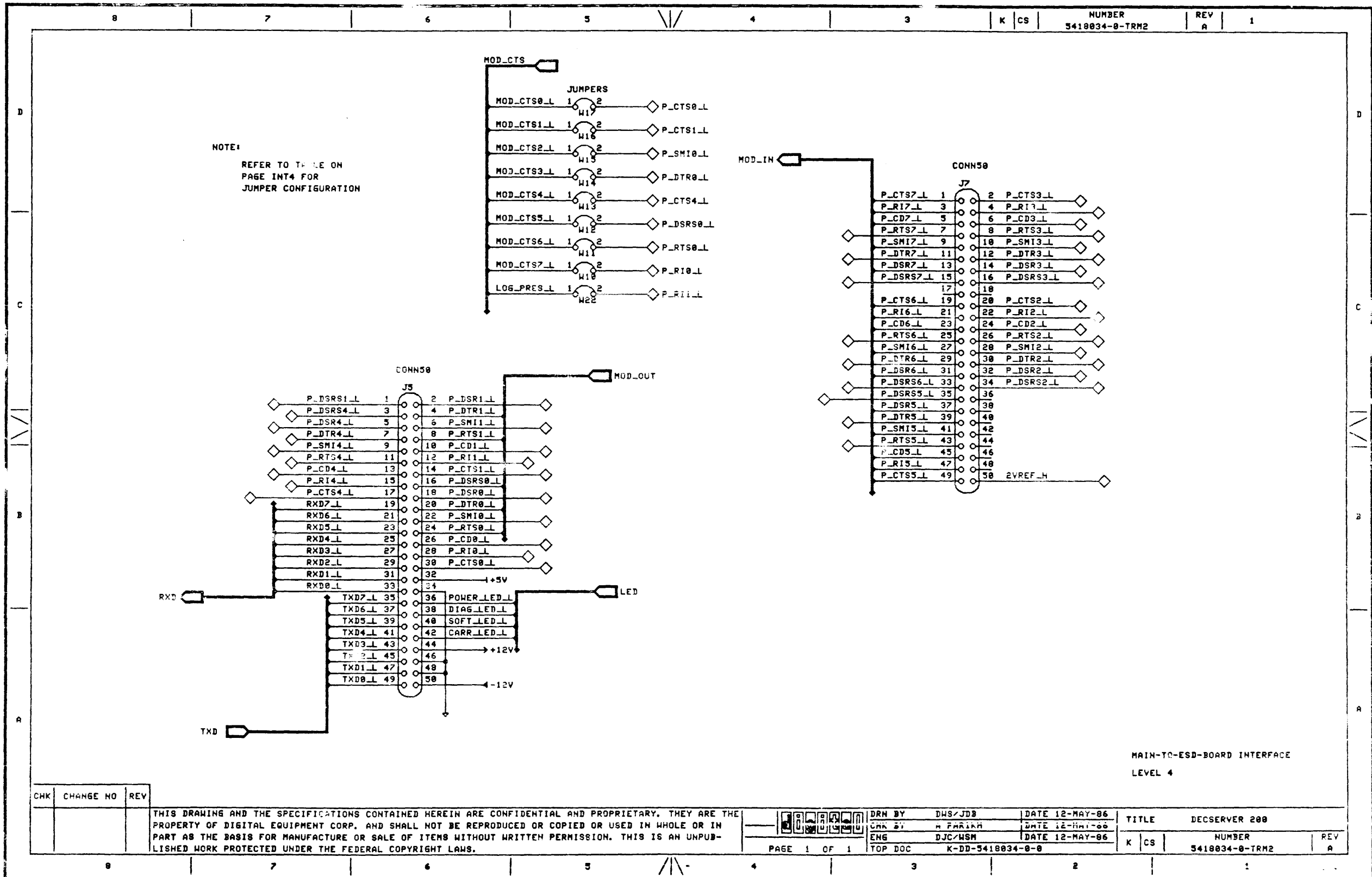
PAGE 1 OF 1

DRN BY DWS/JDB DATE 12-MAY-86  
 CHK BY A PARIKH DATE 12-MAY-86  
 ENG DJC/WSH DATE 12-MAY-86  
 TOP DOC K-DD-5418034-0-0

TITLE DECSERVER 200  
 NUMBER 5418034-0-TRM1 REV A

TERMINAL CONTROL  
 MAIN BOARD  
 LEVEL 3

22 MAY 86 14:07 USER:PROTEUS/WORKING/DECSERVER/TERMINAL/MAIN-BOARD 1.DRAW



NOTE:  
REFER TO TABLE ON  
PAGE INT4 FOR  
JUMPER CONFIGURATION

MAIN-TO-ESD-BOARD INTERFACE  
LEVEL 4

CHK	CHANGE NO	REV

THIS DRAWING AND THE SPECIFICATIONS CONTAINED HEREIN ARE CONFIDENTIAL AND PROPRIETARY. THEY ARE THE PROPERTY OF DIGITAL EQUIPMENT CORP. AND SHALL NOT BE REPRODUCED OR COPIED OR USED IN WHOLE OR IN PART AS THE BASIS FOR MANUFACTURE OR SALE OF ITEMS WITHOUT WRITTEN PERMISSION. THIS IS AN UNPUBLISHED WORK PROTECTED UNDER THE FEDERAL COPYRIGHT LAWS.

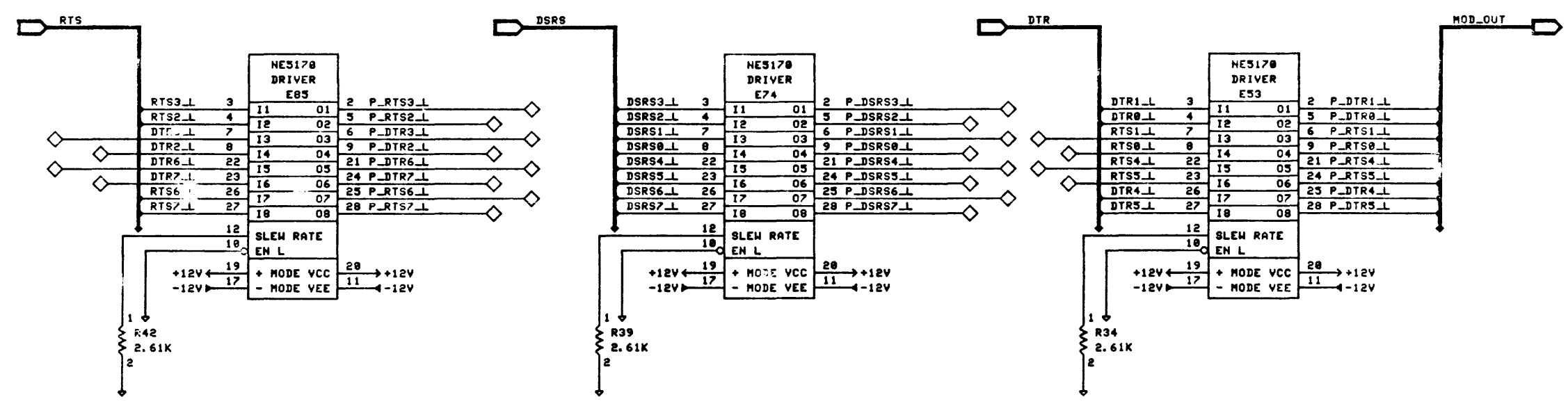
PAGE 1 OF 1  
TOP DOC

DRN BY	DWS/JDB	DATE	12-MAY-86
CHK BY	H FARAH	DATE	12-MAY-86
ENG	DJC/MSM	DATE	12-MAY-86
K CS		NUMBER 5418834-0-TRM2	

TITLE	DECSERVER 200
REV	A

22 MAY 86 11:11 USER:PROTEUS/WORKING/DECSERVER200/INT4/MAIN-BOARD/INTER 4.DRAW

NOTE:  
REFER TO TABLE ON PAGE INT4  
FOR PART CONFIGURATION



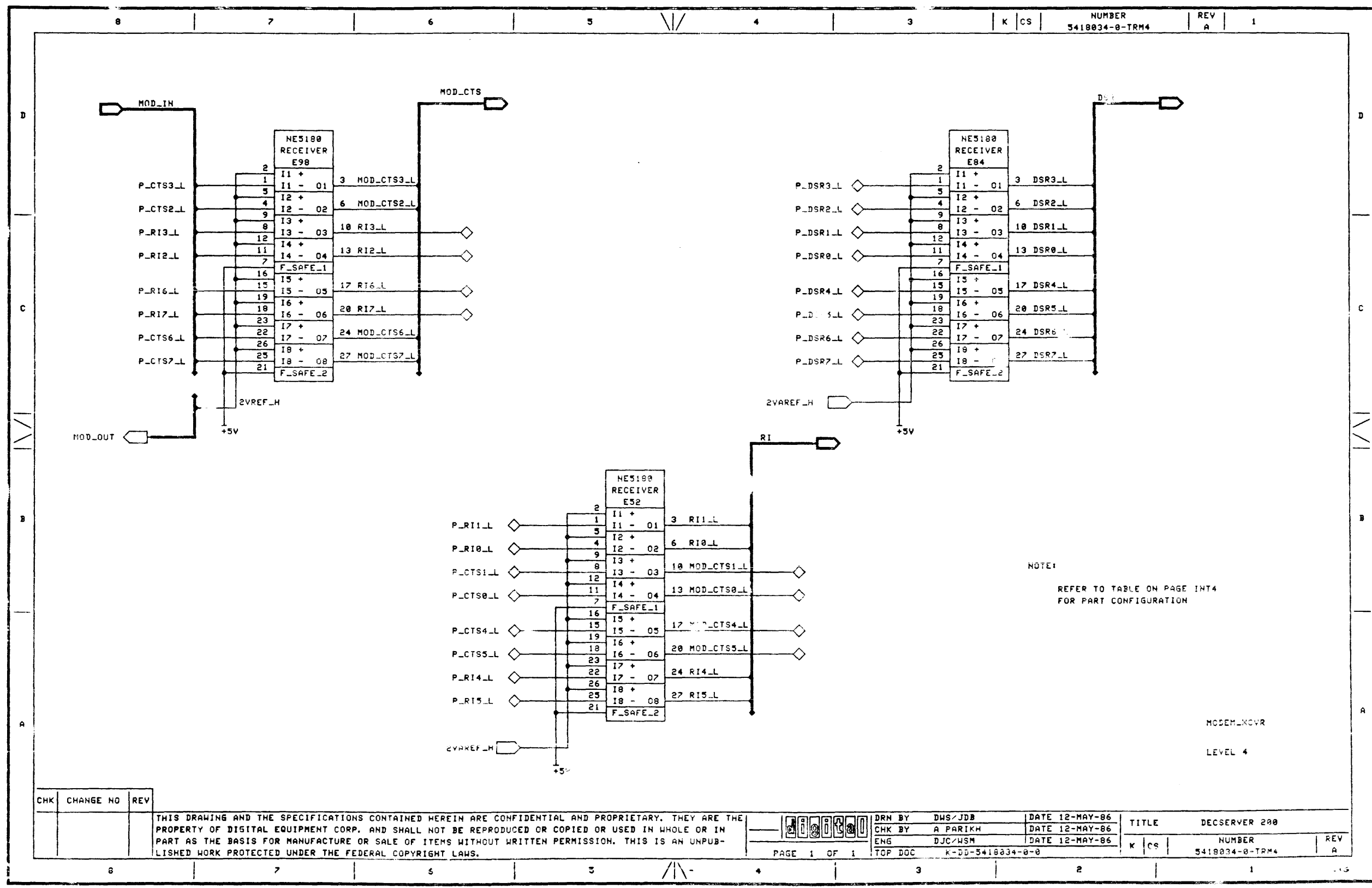
MODEM\_XCVR  
LEVEL 4

CHK	CHANGE NO	REV

THIS DRAWING AND THE SPECIFICATIONS CONTAINED HEREIN ARE CONFIDENTIAL AND PROPRIETARY. THEY ARE THE PROPERTY OF DIGITAL EQUIPMENT CORP. AND SHALL NOT BE REPRODUCED OR COPIED OR USED IN WHOLE OR IN PART AS THE BASIS FOR MANUFACTURE OR SALE OF ITEMS WITHOUT WRITTEN PERMISSION. THIS IS AN UNPUBLISHED WORK PROTECTED UNDER THE FEDERAL COPYRIGHT LAWS.

DRN BY	DWS/JDB	DATE	12-MAY-86	TITLE	DECSERVER 200
CHK BY	M FRAIKH	DATE	12-MAY-86	NUMBER	5418034-0-TRM3
ENG	DJC/WSM	DATE	12-MAY-86	REV	A
PAGE	1 OF 1	TOP DOC	K-DD-5418034-0-0		

12 MAY 86 14:15 USER:PROTEUS/WORKING/DECSERVER/TERM21/PL/MAIN.DRIVR  
 EXC:1.1.DRAN



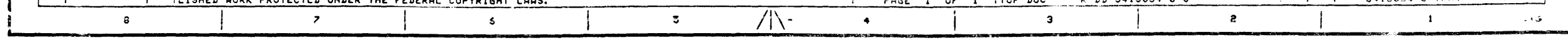
NOTE:  
REFER TO TABLE ON PAGE INT4  
FOR PART CONFIGURATION

MODEM\_KOVR  
LEVEL 4

CHK	CHANGE NO	REV

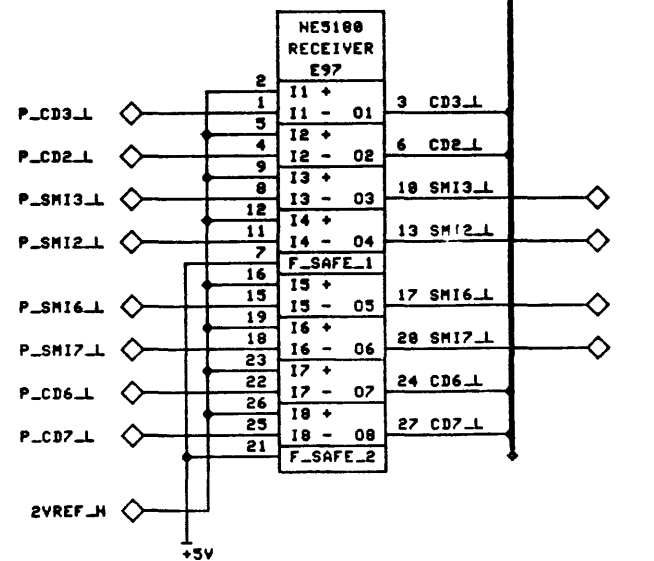
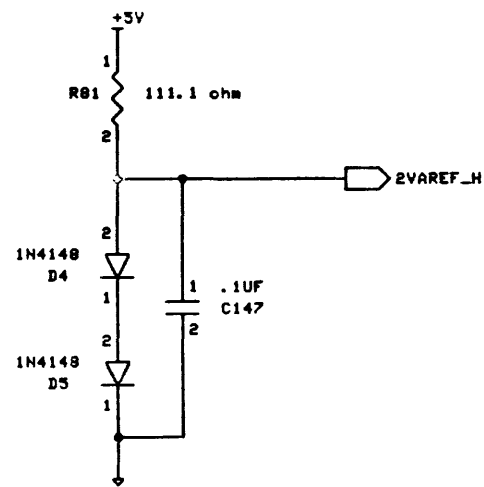
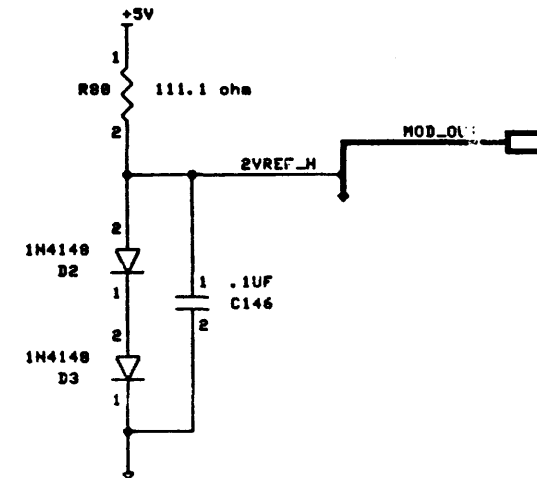
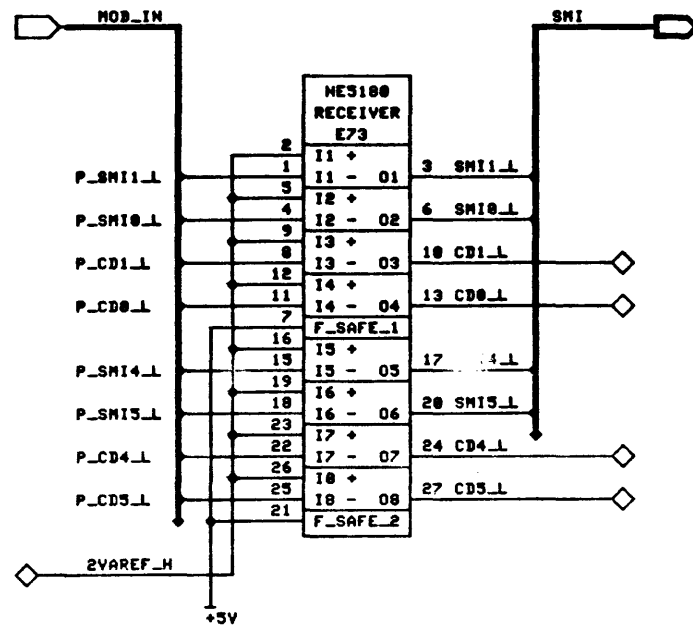
THIS DRAWING AND THE SPECIFICATIONS CONTAINED HEREIN ARE CONFIDENTIAL AND PROPRIETARY. THEY ARE THE PROPERTY OF DIGITAL EQUIPMENT CORP. AND SHALL NOT BE REPRODUCED OR COPIED OR USED IN WHOLE OR IN PART AS THE BASIS FOR MANUFACTURE OR SALE OF ITEMS WITHOUT WRITTEN PERMISSION. THIS IS AN UNPUBLISHED WORK PROTECTED UNDER THE FEDERAL COPYRIGHT LAWS.

DRN BY	DWS/JDB	DATE	12-MAY-86	TITLE	DECSERVER 200
CHK BY	A PARIKH	DATE	12-MAY-86	NUMBER	5418034-8-TRM4
ENG	DJC/WSM	DATE	12-MAY-86	REV	A
TGF DOC		K-DD-5418034-8-0		K   CS	



22 MAY 86 15:10 JUSEK:PROTEUS/HOI:KTNG/DECSERVER/TERM\_CNTR/\_MAIN\_DR07/MODEM\_KOVR\_2.DRAW

NOTE:  
REFER TO TABLE ON PAGE INT4  
FOR PART CONFIGURATION



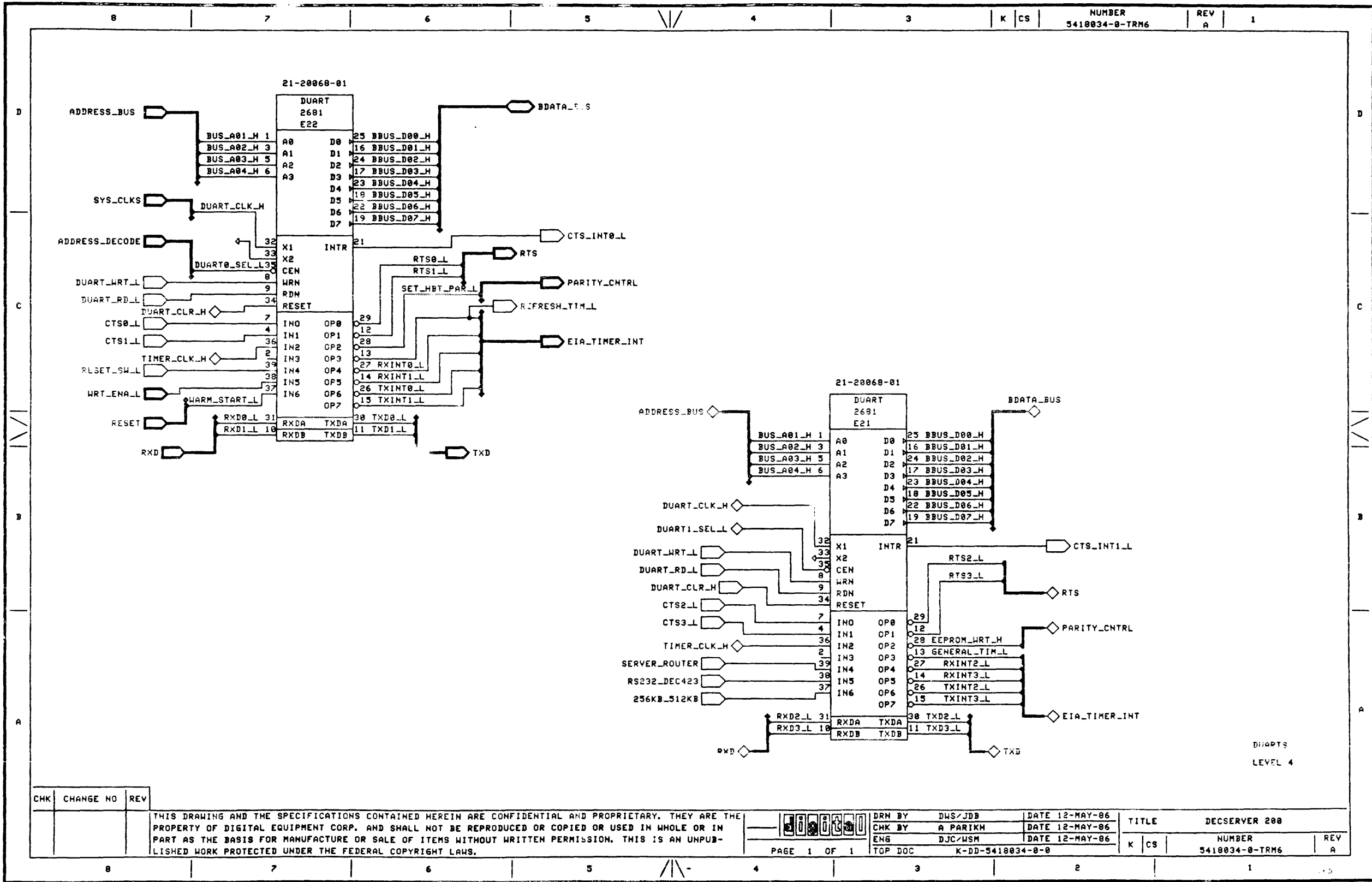
MODEM\_XCVR  
LEVEL 4

CHK	CHANGE NO	REV

THIS DRAWING AND THE SPECIFICATIONS CONTAINED HEREIN ARE CONFIDENTIAL AND PROPRIETARY. THEY ARE THE PROPERTY OF DIGITAL EQUIPMENT CORP. AND SHALL NOT BE REPRODUCED OR COPIED OR USED IN WHOLE OR IN PART AS THE BASIS FOR MANUFACTURE OR SALE OF ITEMS WITHOUT WRITTEN PERMISSION. THIS IS AN UNPUBLISHED WORK PROTECTED UNDER THE FEDERAL COPYRIGHT LAWS.

DRN BY DHS/JDB DATE 12-MAY-86  
CHK BY A PARIKH DATE 12-MAY-86  
ENG DJC/MSM DATE 12-MAY-86  
TOP DOC K-DD-5418834-0-0

TITLE DECSERVER 200  
NUMBER 5418834-0-TRM5  
REV A



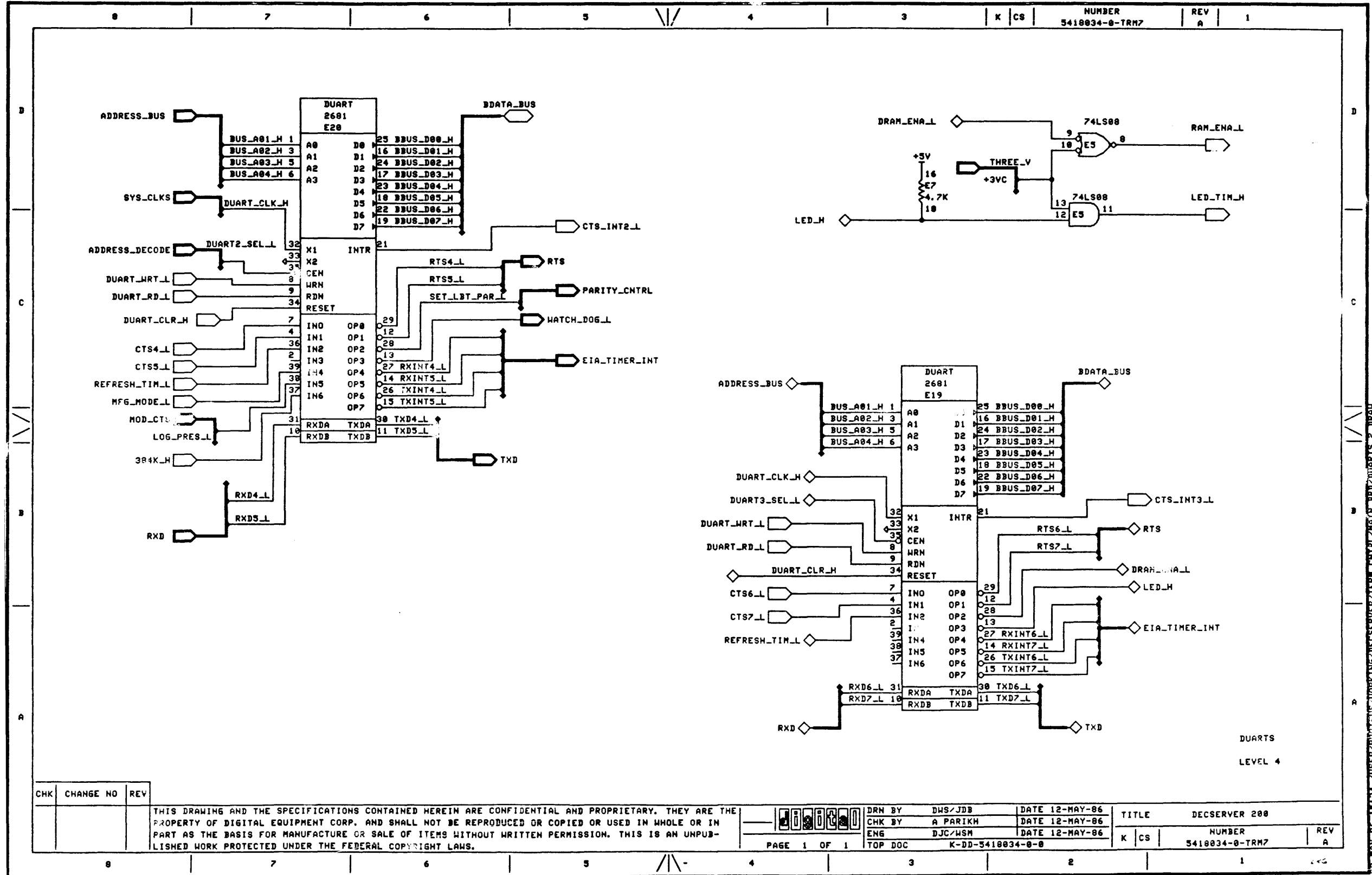
CHK	CHANGE NO	REV

THIS DRAWING AND THE SPECIFICATIONS CONTAINED HEREIN ARE CONFIDENTIAL AND PROPRIETARY. THEY ARE THE PROPERTY OF DIGITAL EQUIPMENT CORP. AND SHALL NOT BE REPRODUCED OR COPIED OR USED IN WHOLE OR IN PART AS THE BASIS FOR MANUFACTURE OR SALE OF ITEMS WITHOUT WRITTEN PERMISSION. THIS IS AN UNPUBLISHED WORK PROTECTED UNDER THE FEDERAL COPYRIGHT LAWS.

DRN BY	DWS/JDB	DATE	12-MAY-86
CHK BY	A PARIKH	DATE	12-MAY-86
ENG	DJC/WSM	DATE	12-MAY-86
TOP DOC	K-DD-5418034-0-0		

TITLE	DEC SERVER 200
NUMBER	5418034-0-TRM6
REV	A

22 MAY 86 15:22 - USER/PROTEL - WORKING/DEC SERVER/TERM\_CNTRL/MAIN\_BOARD/DUARTS 1. DRAM



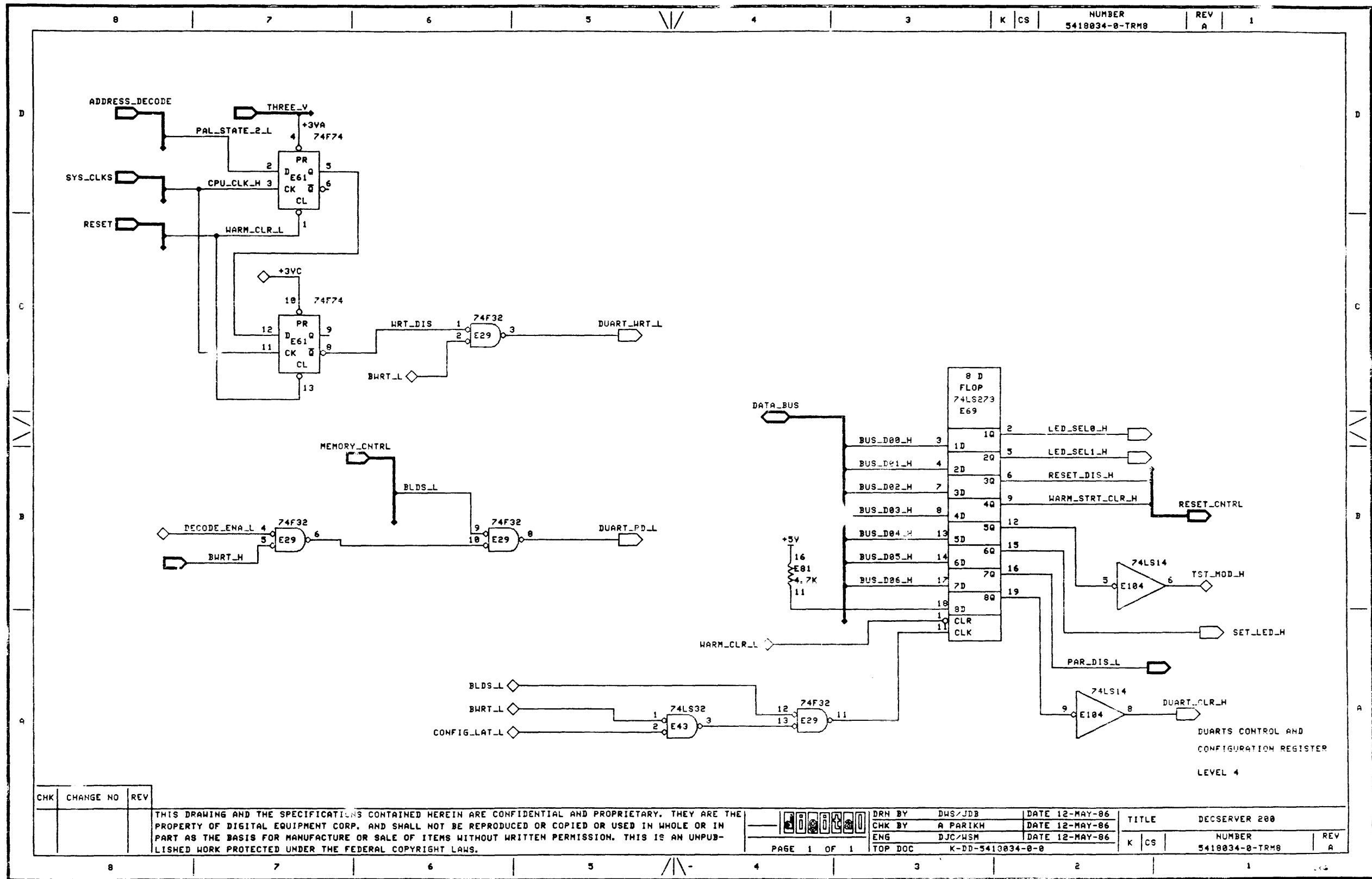
CHK	CHANGE NO	REV

THIS DRAWING AND THE SPECIFICATIONS CONTAINED HEREIN ARE CONFIDENTIAL AND PROPRIETARY. THEY ARE THE PROPERTY OF DIGITAL EQUIPMENT CORP. AND SHALL NOT BE REPRODUCED OR COPIED OR USED IN WHOLE OR IN PART AS THE BASIS FOR MANUFACTURE OR SALE OF ITEMS WITHOUT WRITTEN PERMISSION. THIS IS AN UNPUBLISHED WORK PROTECTED UNDER THE FEDERAL COPYRIGHT LAWS.

DRN BY	DWS/JDB	DATE	12-MAY-86	TITLE	DECSERVER 200
CHK BY	A PARIKH	DATE	12-MAY-86	NUMBER	5418034-0-TRM7
ENG	DJC/WSM	DATE	12-MAY-86	REV	A
PAGE 1 OF 1		TOP DOC	K-DD-5418034-0-0		

Z:\MAY 86 15124 70SERV\PROTEUS\WORKING\DECSEVER\TERM\_CNTRL\RA\IN\DRD\DUARTS 2.DRAW



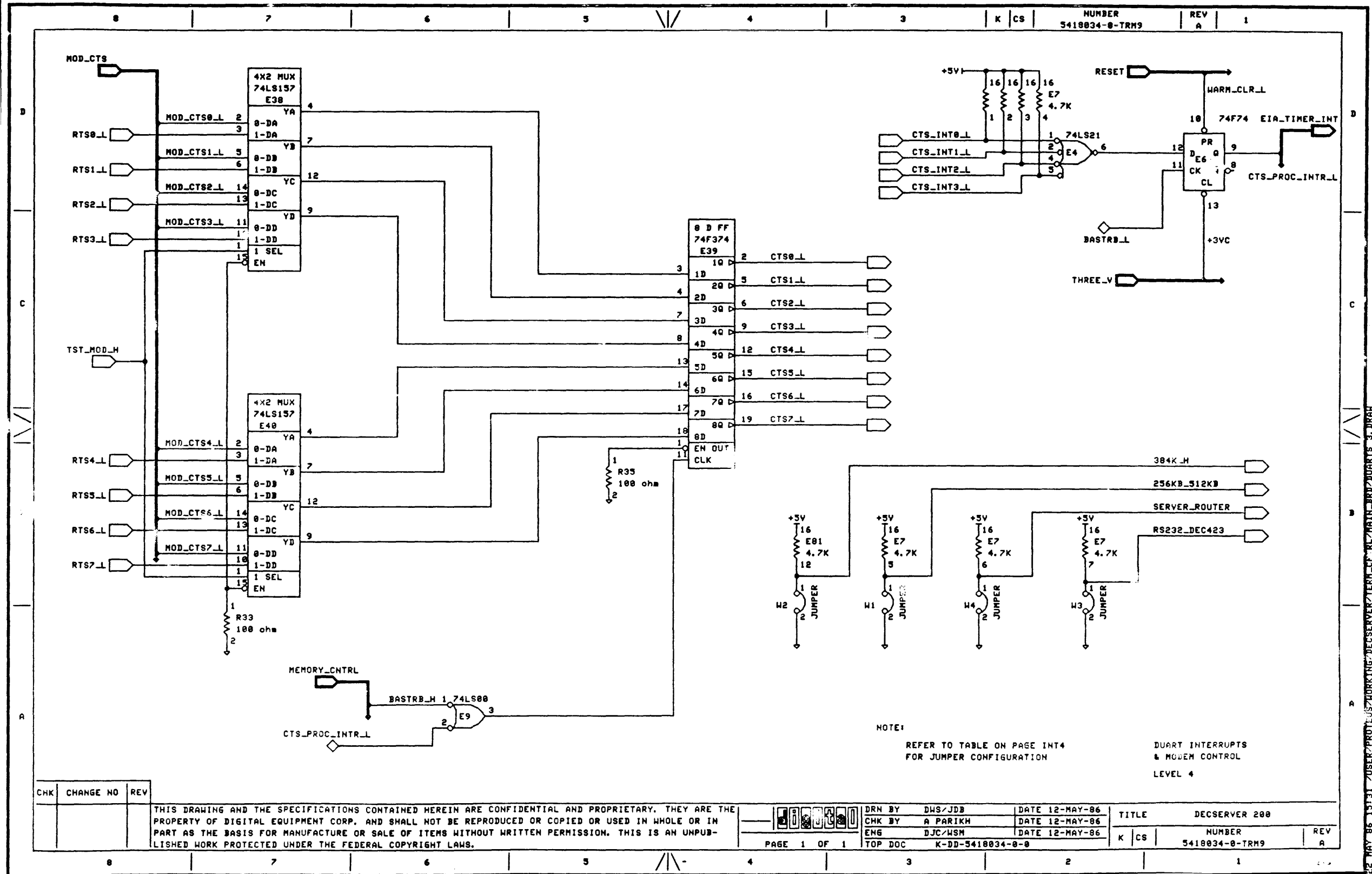


CHK	CHANGE NO	REV

THIS DRAWING AND THE SPECIFICATIONS CONTAINED HEREIN ARE CONFIDENTIAL AND PROPRIETARY. THEY ARE THE PROPERTY OF DIGITAL EQUIPMENT CORP. AND SHALL NOT BE REPRODUCED OR COPIED OR USED IN WHOLE OR IN PART AS THE BASIS FOR MANUFACTURE OR SALE OF ITEMS WITHOUT WRITTEN PERMISSION. THIS IS AN UNPUBLISHED WORK PROTECTED UNDER THE FEDERAL COPYRIGHT LAWS.

DRN BY	DWS/JDB	DATE	12-MAY-86	TITLE	DECSERVER 200
CHK BY	A PARIKH	DATE	12-MAY-86	NUMBER	5418034-0-TRM8
ENG	DJC/HSM	DATE	12-MAY-86	REV	A
TOP DOC	K-DD-5418034-0-0				

22 MAY 86 13:28 USER:PROTEUS/WORKING/DCSERVER/TERM\_CNTRL/MAIN:BRD/DUARTS\_5.DRAW



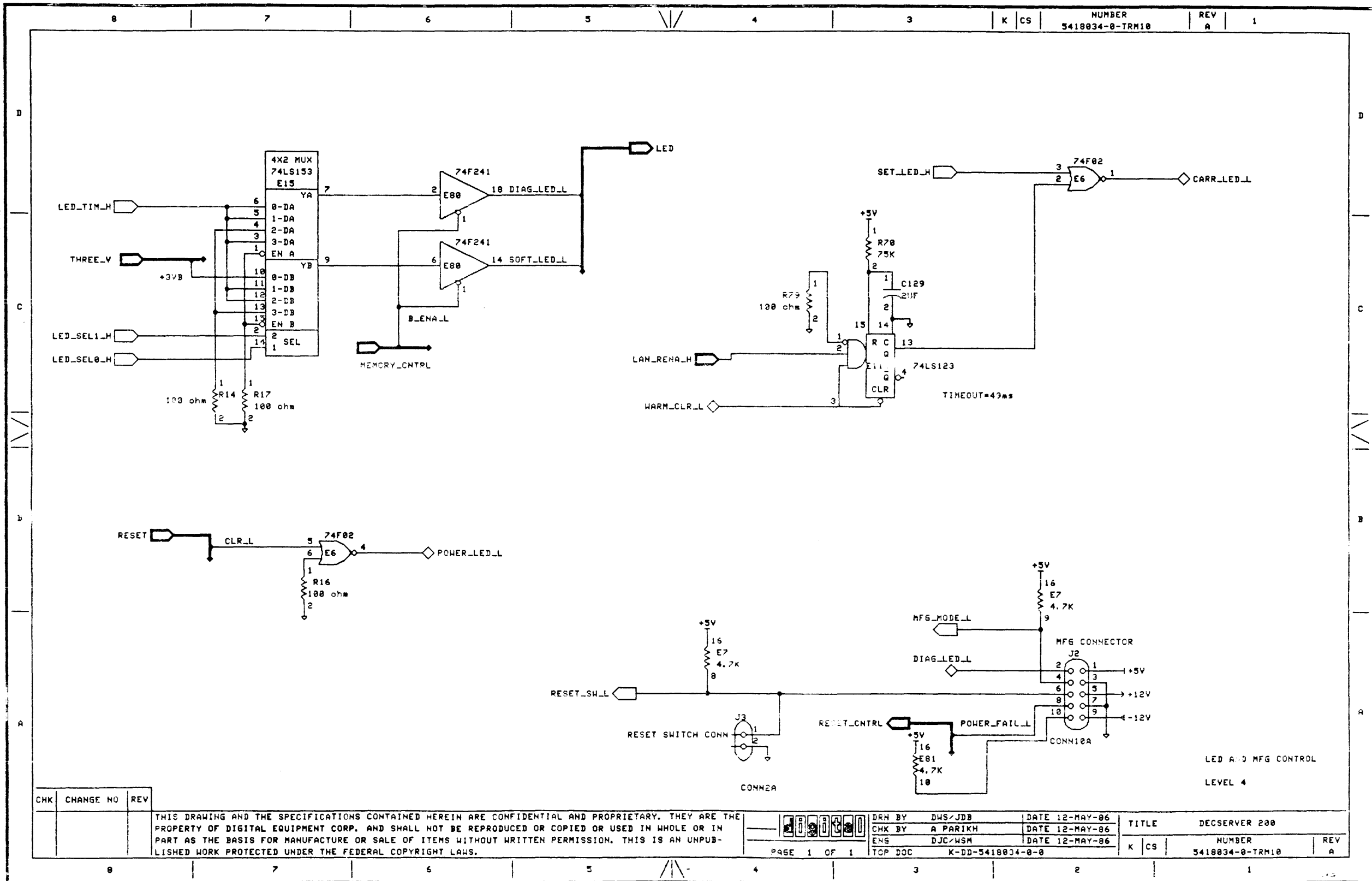
CHK	CHANGE NO	REV

THIS DRAWING AND THE SPECIFICATIONS CONTAINED HEREIN ARE CONFIDENTIAL AND PROPRIETARY. THEY ARE THE PROPERTY OF DIGITAL EQUIPMENT CORP. AND SHALL NOT BE REPRODUCED OR COPIED OR USED IN WHOLE OR IN PART AS THE BASIS FOR MANUFACTURE OR SALE OF ITEMS WITHOUT WRITTEN PERMISSION. THIS IS AN UNPUBLISHED WORK PROTECTED UNDER THE FEDERAL COPYRIGHT LAWS.

DRN BY	DWS/JDB	DATE	12-MAY-86	TITLE	DECSERVER 200
CHK BY	A PARIKH	DATE	12-MAY-86	NUMBER	5418034-0-TRM9
ENG	BJC/WSH	DATE	12-MAY-86	REV	A
TOP DOC	K-DD-5418034-0-0				

NOTE:  
REFER TO TABLE ON PAGE INT4 FOR JUMPER CONFIGURATION  
DUART INTERRUPTS & MODEM CONTROL  
LEVEL 4

E:\2 MAY 86 15:31 \USER\PROTEUS\WORKING\DECSERVER\TERM\CP\K\MAIN\BRD\DUARTS 3.DRAW



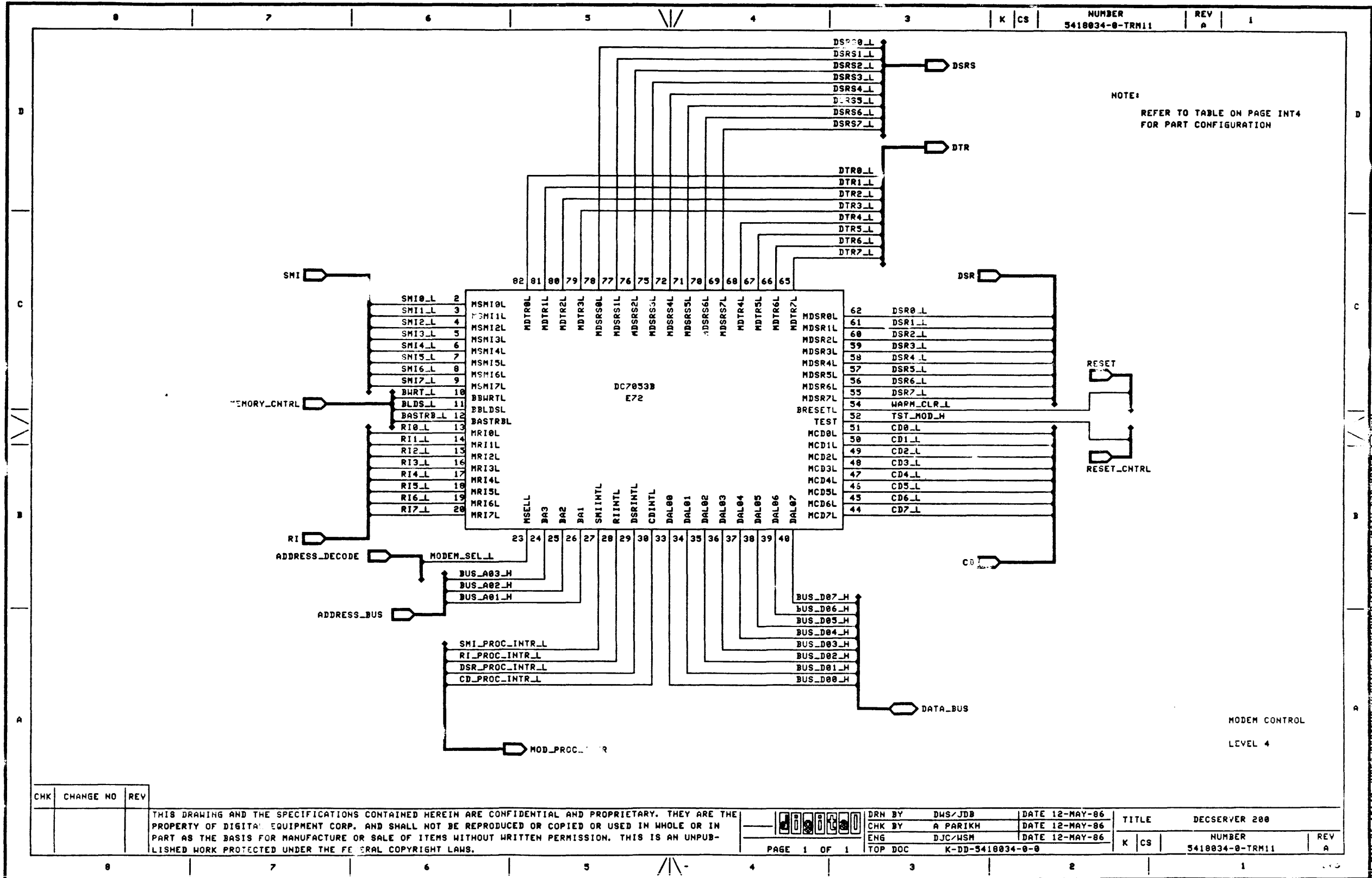
CHK	CHANGE NO	REV

THIS DRAWING AND THE SPECIFICATIONS CONTAINED HEREIN ARE CONFIDENTIAL AND PROPRIETARY. THEY ARE THE PROPERTY OF DIGITAL EQUIPMENT CORP. AND SHALL NOT BE REPRODUCED OR COPIED OR USED IN WHOLE OR IN PART AS THE BASIS FOR MANUFACTURE OR SALE OF ITEMS WITHOUT WRITTEN PERMISSION. THIS IS AN UNPUBLISHED WORK PROTECTED UNDER THE FEDERAL COPYRIGHT LAWS.

DRN BY	DWS/JDB	DATE	12-MAY-86
CHK BY	A PARIKH	DATE	12-MAY-86
ENG	DJC/WSM	DATE	12-MAY-86
TOP DOC	K-DD-5418034-0-0		

TITLE	DEC SERVER 200
NUMBER	5418034-0-TRM10
REV	A

22 MAY 86 15:35 USER:PROTEUS/WORKING/DEC SERVER 200/CTRL/MAIN/LED/CONTROLS 4.DRAW



CHK	CHANGE NO	REV

THIS DRAWING AND THE SPECIFICATIONS CONTAINED HEREIN ARE CONFIDENTIAL AND PROPRIETARY. THEY ARE THE PROPERTY OF DIGITAL EQUIPMENT CORP. AND SHALL NOT BE REPRODUCED OR COPIED OR USED IN WHOLE OR IN PART AS THE BASIS FOR MANUFACTURE OR SALE OF ITEMS WITHOUT WRITTEN PERMISSION. THIS IS AN UNPUBLISHED WORK PROTECTED UNDER THE FEDERAL COPYRIGHT LAWS.

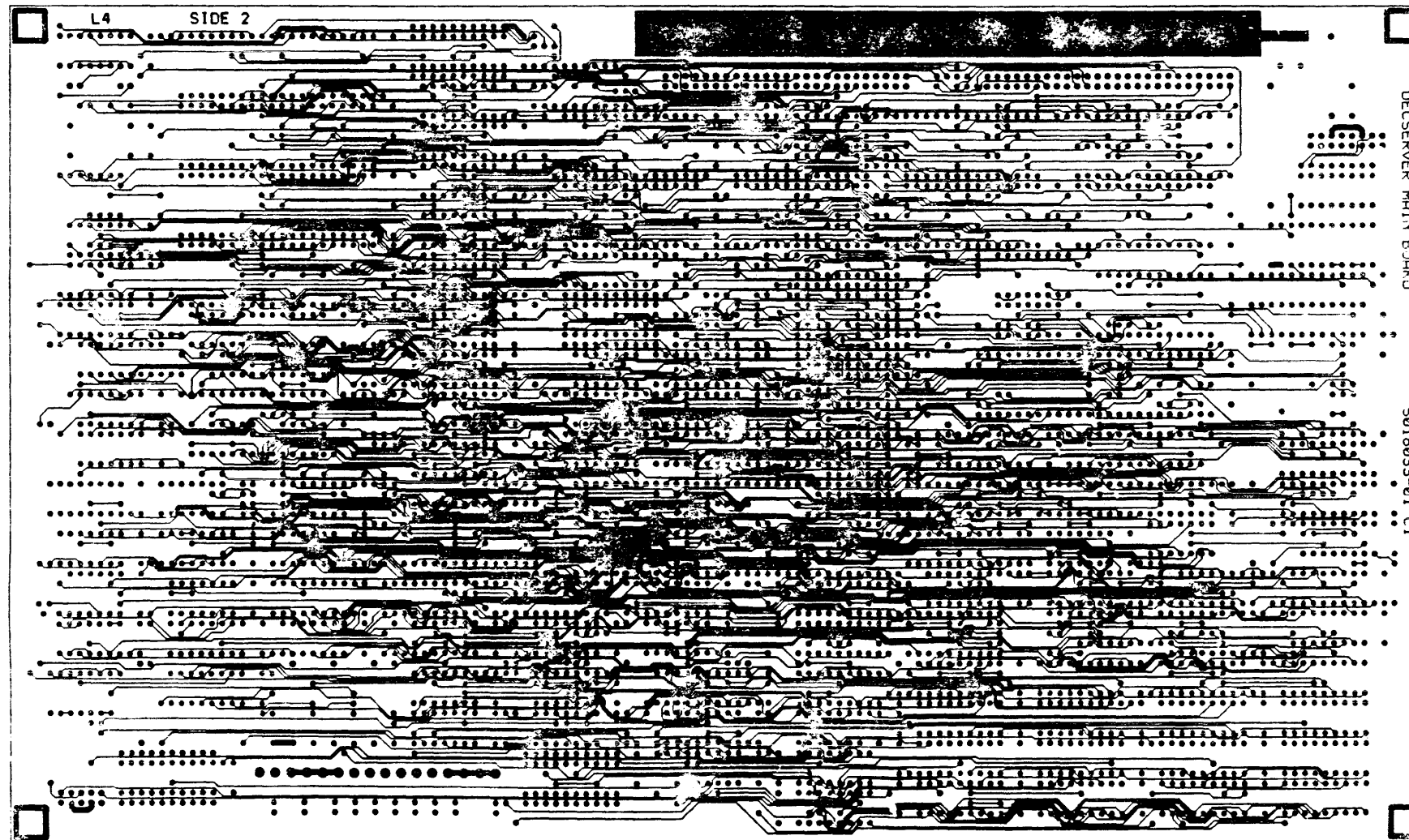
DRN BY	DWS/JDB	DATE	12-MAY-86	TITLE	DECSERVER 200
CHK BY	A PARIKH	DATE	12-MAY-86	NUMBER	5418034-0-TRM11
ENG	DJC/MSM	DATE	12-MAY-86	REV	A
TOP DOC	K-DD-5418034-0-0				

21 MAY 86 15:42 USER:PROTEUS/WORKING/DECSERVER/TERM\_CNTRL/MATH\_BRO/MODEM\_CNTRL

100%  
100%  
100%

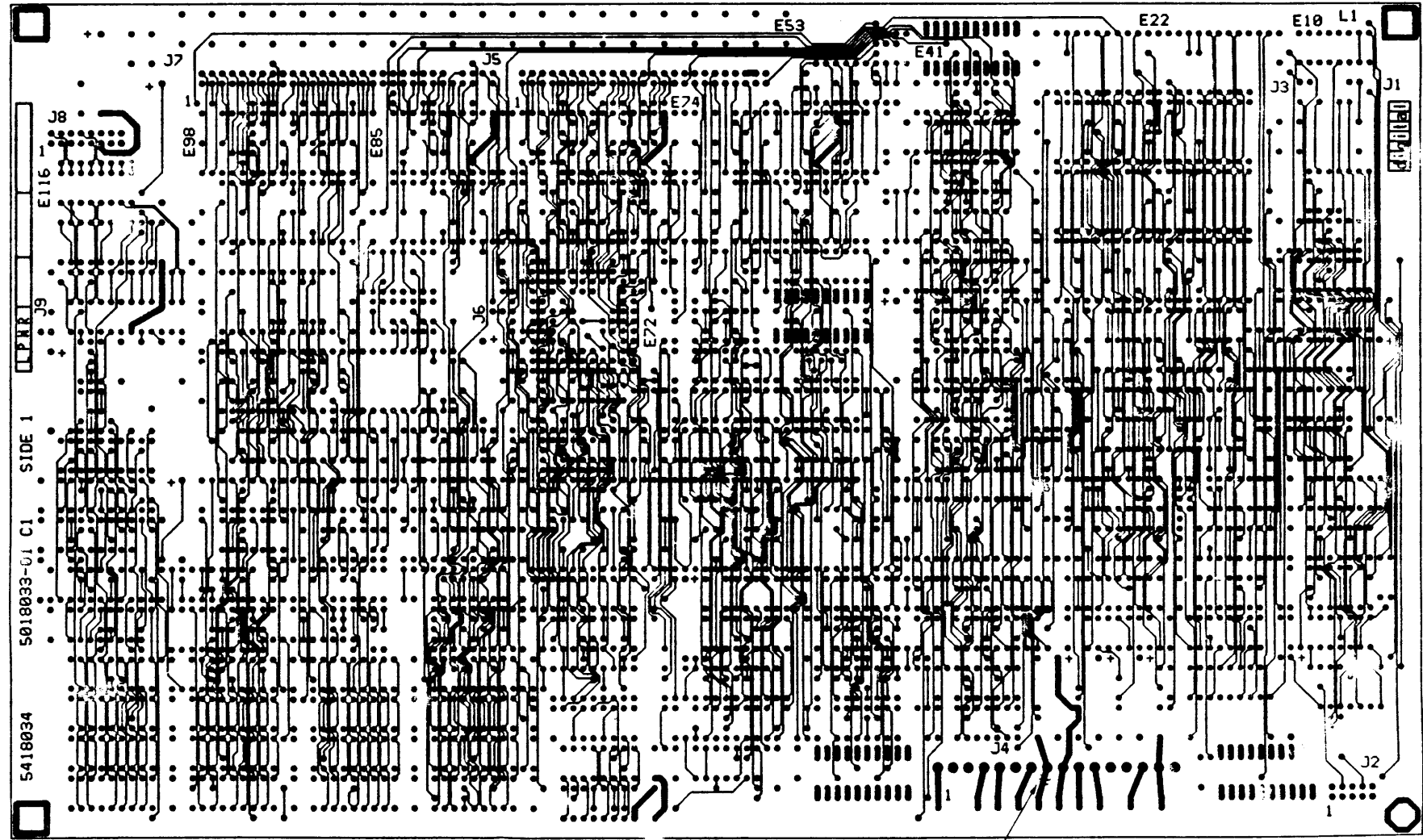
J  
H  
F  
E  
D  
C  
B  
A

J  
H  
F  
E  
D  
C  
B  
A



DATE: 29-APR-1986 18:38:14

A B C D E F H I J



CHK	DRAWN BY	ENGINEER	CHANGE NO	DATE	REV	CHK	DRAWN BY	ENGINEER	CHANGE NO	DATE	REV

DRAWN	DATE	TITLE	DOCUMENT NUMBER
CHECKED	DATE	digital	
DES DNG	DATE	ETCH CUT BOARD	
REP DNG	DATE		
WFO DNG	DATE		

0-1

THIS DRAWING AND THE SPECIFICATIONS CONTAINED HEREIN ARE CONFIDENTIAL AND PROPRIETARY. THEY ARE THE PROPERTY OF DIGITAL EQUIPMENT CORPORATION AND SHALL NOT BE REPRODUCED OR COPIED OR USED IN WHOLE OR IN PART AS THE BASIS FOR THE MANUFACTURE OR SALE OF ITEMS WITHOUT WRITTEN PERMISSION. THIS IS AN UNPUBLISHED WORK PROTECTED UNDER THE FEDERAL COPYRIGHT LAWS, 1976.

DEC 508033-0-0

REWORK INSTRUCTIONS  
 ETCH CUTS - SIDE 1  
 0-1 AT J4-8

REVISION HISTORY		
REV.	ECO NUMBER	DATE

TITLE  
 ETCH CUT DRAWING

SIZE CODE	DOCUMENT NUMBER	REV
DEC	508033-0-0	3
SCALE	SHEET 1 OF 1	

