

"THE MATERIAL HEREIN IS FOR INFORMATION PURPOSES ONLY AND IS SUBJECT TO CHANGE WITHOUT NOTICE. DIGITAL EQUIPMENT CORPORATION ASSUMES NO RESPONSIBILITY FOR ANY ERRORS WHICH MAY APPEAR HEREIN."

# FIELD MAINTENANCE PRINT SET

"THIS DRAWING AND SPECIFICATIONS, HEREIN, ARE THE PROPERTY OF DIGITAL EQUIPMENT CORPORATION AND SHALL NOT BE REPRODUCED OR COPIED OR USED IN WHOLE OR IN PART AS THE BASIS FOR THE MANUFACTURE OR SALE OF ITEMS WITHOUT WRITTEN PERMISSION. COPYRIGHT © 1977 DIGITAL EQUIPMENT CORPORATION."

## TABLE OF CONTENTS

FIELD MAINTENANCE PRINT SET  
RL01 DISK DRIVE ASSEMBLY  
RL01 SYSTEM CABLING

B-TC-RL01-0-1  
E-UA-RL01-0-0 (Sheets 1,2 & 3 Only)  
D-IC-RL01-0-3 (Sheet 2 Only)

POWER PANEL ASSEMBLY

D-AD-7012130-0-0

READ/WRITE BOARD

D-UA-5413536-0-0 (Sheet 1 only)  
B-PL-5413536-0-0  
D-CS-5413536-0-1

FRONT PANEL

D-UA-5411846-0-0 (Sheet 1 only)  
B-PL-5411846-0-0  
D-CS-5411846-0-1

AC SERVO

D-UA-5411848-0-0 (Sheet 1 only)  
K-PL-5411848-0-DBP  
D-CS-5411848-0-1

DC SERVO AND POWER BOARD

D-UA-5413534-0-0 (Sheet 1 only)  
K-PL-5413534-0-DBP  
D-CS-5413534-0-1

DRIVE LOGIC

D-UA-5414025-0-0 (Sheet 1 only)  
K-PL-5414025-0-DBP  
D-CS-5414025-0-1

UNIT VARIATIONS  
COVERED BY THIS  
PRINT SET

RL01-A

RL01/RL02

Field Maintenance  
Print Set

Digital Equipment  
Corporation

PRINT SET NO.  
MP00347

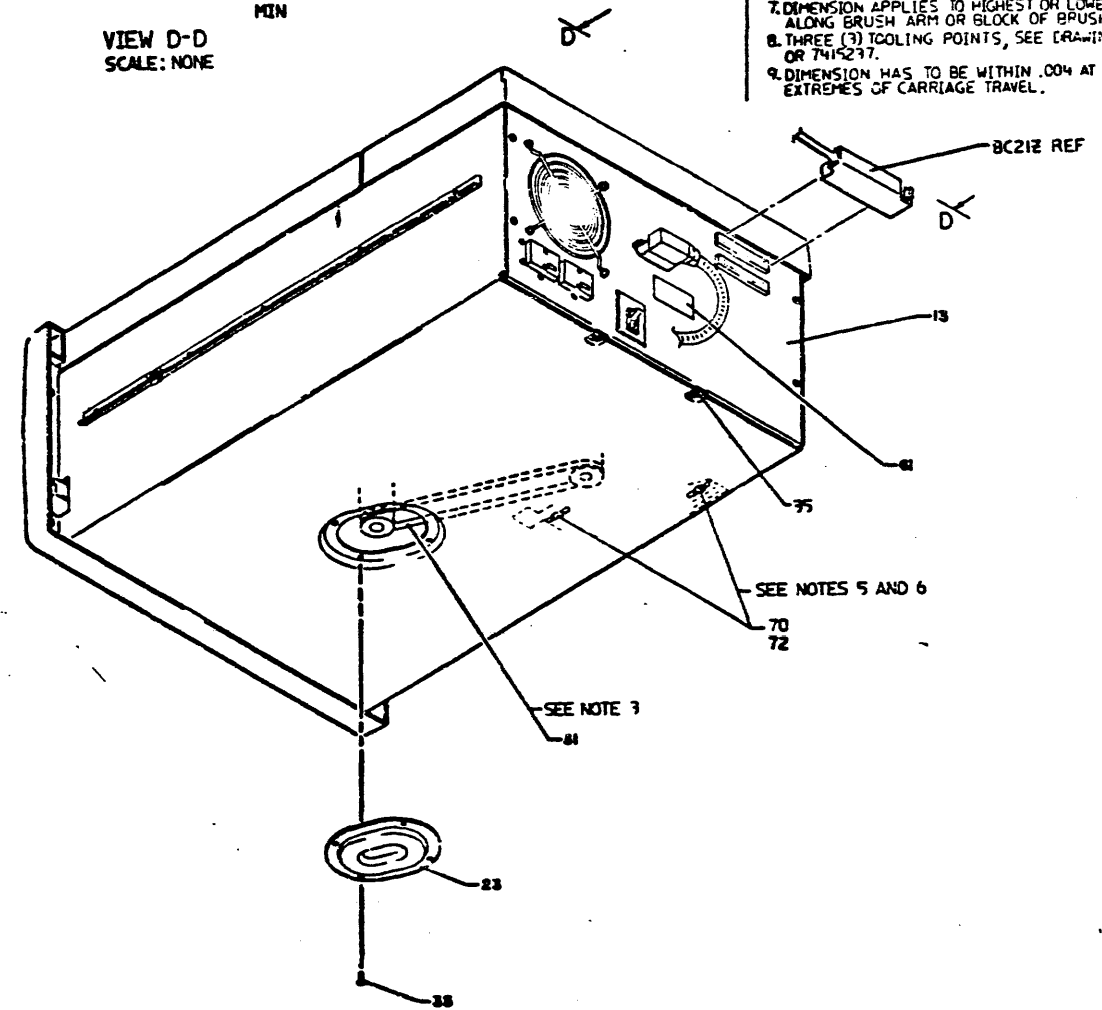
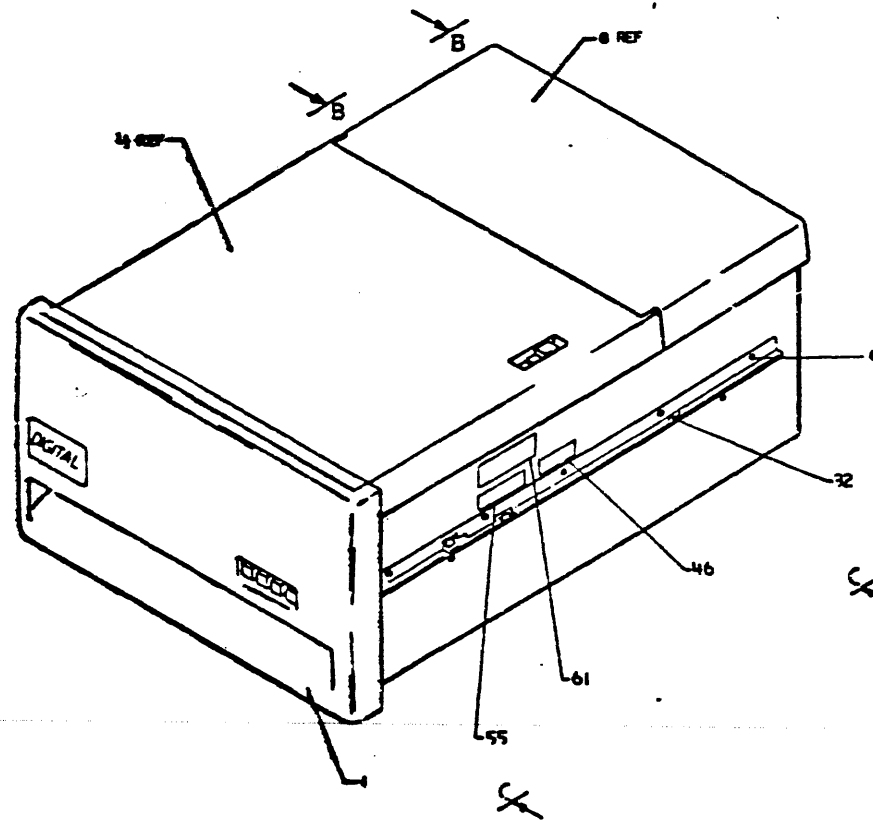
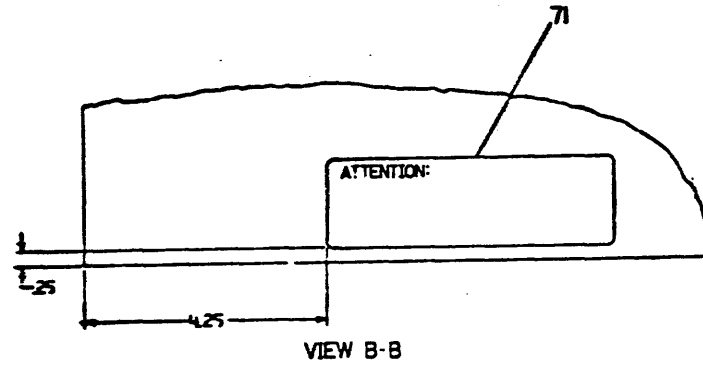
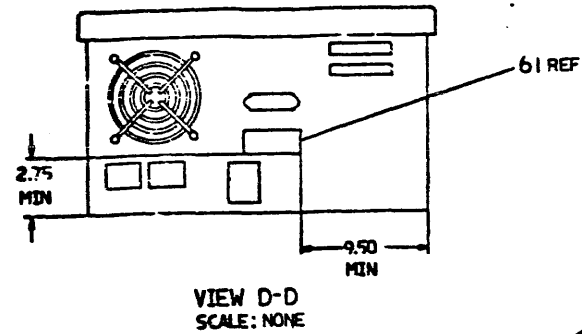
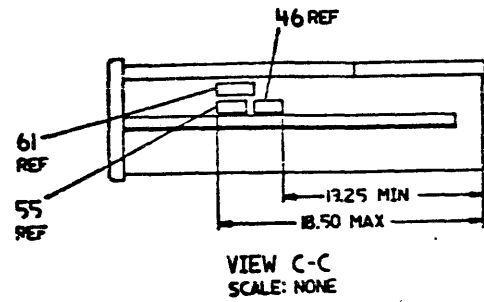
REVISIONS		CHG. NO.	REV	USED ON OPTION/MODEL				DRN.	DATE	TITLE: RL01 DISK DRIVE			
DATE	W.C.M. 26 JUL 79	REDRAWN # PER ECO RL01-CX036 M. BROWN	D					G. SCHNEIDER	20-OCT-77	digital			
	RPM 11 OCT 79	RL01- CX039 M. ZARICH	E					CHK'D	DATE				
	RPM 22 OCT 79	RL01- CX040 M. ZARICH	F					G. RICHENBERG	20-OCT-77	TITLE: RL01 DISK DRIVE			
								PROJ. ENG.	DATE				
								P. ARNOLD	20-OCT-77	SIZE	CODE	NUMBER	REV.
								FIELD SERV.	DATE	B	TC	RL01-0-1	F
								J. REED	21-OCT-77	DIST.			

SHEET 1 OF 1

SIZE CODE B | TC | NUMBER RL01-0-1 | REV. F



THIS DRAWING AND INFORMATION HEREON ARE UNCLASSIFIED EXCEPT WHERE SHOWN OTHERWISE. DATE 08-14-01 BY 60322 UC/MLP/STP



- NOTES:**
1. LOWER HEAD (ITEM 65) SHALL BE POSITIONED REARWARDS AGAINST PIN IN CARRIAGE
  2. ALL SCREWS TO BE TIGHTENED AS FOLLOWS:  
 4-40 SCREW, TORQUE 3.5 ± 0.5 IN LBS  
 8-32 : : : 3.0 ± 1.0 :  
 8-32 : : : 10.0 ± 1.0 :  
 10-32 : : : 18.0 ± 2.0 :
  3. DRIVE BELT TENSION 10.0 ± 1.0 LBS
  4. 4-40 HEAD MTG BOLTS TO BE TIGHTENED TO 5.0 ± 0.5 IN LBS.
  5. TORQUE 8-32 SELF TAPPING HARDWARE (ITEM 70) TO 16-18 IN-LBS.
  6. BLOWER HOUSING SECURING HARDWARE TO BE REMOVED BEFORE OPERATING UNIT.
  7. DIMENSION APPLIES TO HIGHEST OR LOWEST POINT ALONG BRUSH ARM OR BLOCK OF BRUSH.
  8. THREE (3) TOOLING POINTS, SEE DRAWING 7416846 OR 7415237.
  9. DIMENSION HAS TO BE WITHIN .004 AT BOTH EXTREMES OF CARRIAGE TRAVEL.

**CAUTION: OFF-SHEET PARTS LIST EXISTS. SEE K-PL-RL01-8-DWP (21720).**

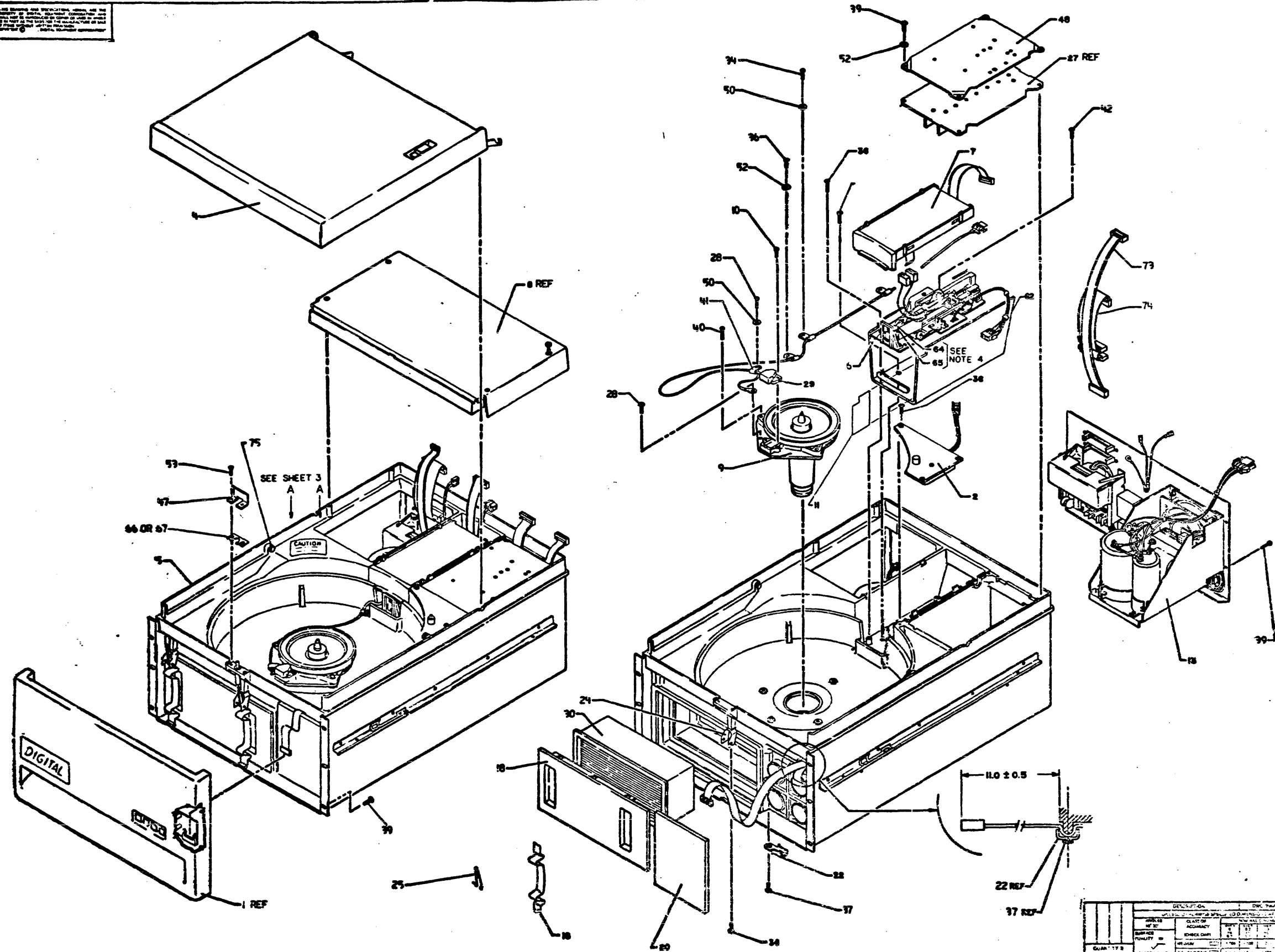
REV	DESCRIPTION	DATE	BY	CHKD
A	ISSUED			
B	REVISED			
C	REVISED			
D	REVISED			
E	REVISED			
F	REVISED			
G	REVISED			
H	REVISED			
I	REVISED			
J	REVISED			
K	REVISED			
L	REVISED			
M	REVISED			
N	REVISED			
O	REVISED			
P	REVISED			
Q	REVISED			
R	REVISED			
S	REVISED			
T	REVISED			
U	REVISED			
V	REVISED			
W	REVISED			
X	REVISED			
Y	REVISED			
Z	REVISED			
AA	REVISED			
AB	REVISED			
AC	REVISED			
AD	REVISED			
AE	REVISED			

REV	DESCRIPTION	DATE	BY	CHKD
1	ISSUED			
2	REVISED			
3	REVISED			
4	REVISED			
5	REVISED			
6	REVISED			
7	REVISED			
8	REVISED			
9	REVISED			
10	REVISED			

QUANTITY 3

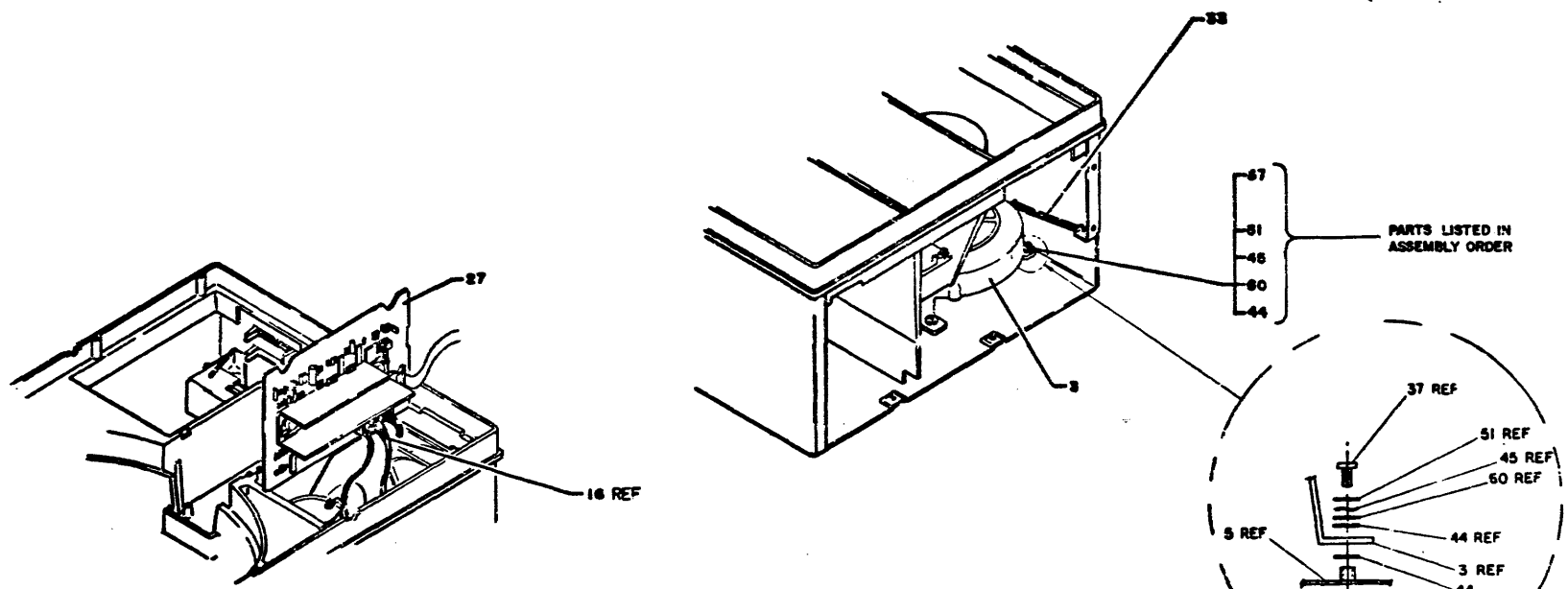
DATE 01-0-0

ALL DIMENSIONS UNLESS OTHERWISE SPECIFIED ARE IN INCHES. DIMENSIONS IN PARENTHESES ARE IN MILLIMETERS. DIMENSIONS IN PARENTHESES ARE TO BE USED ONLY IN CASE OF DISCREPANCY BETWEEN INCH AND MILLIMETER DIMENSIONS. DIMENSIONS ARE TO UNLESS OTHERWISE SPECIFIED.

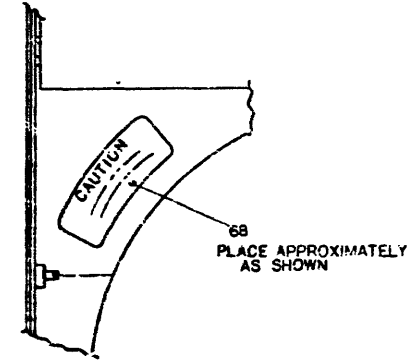
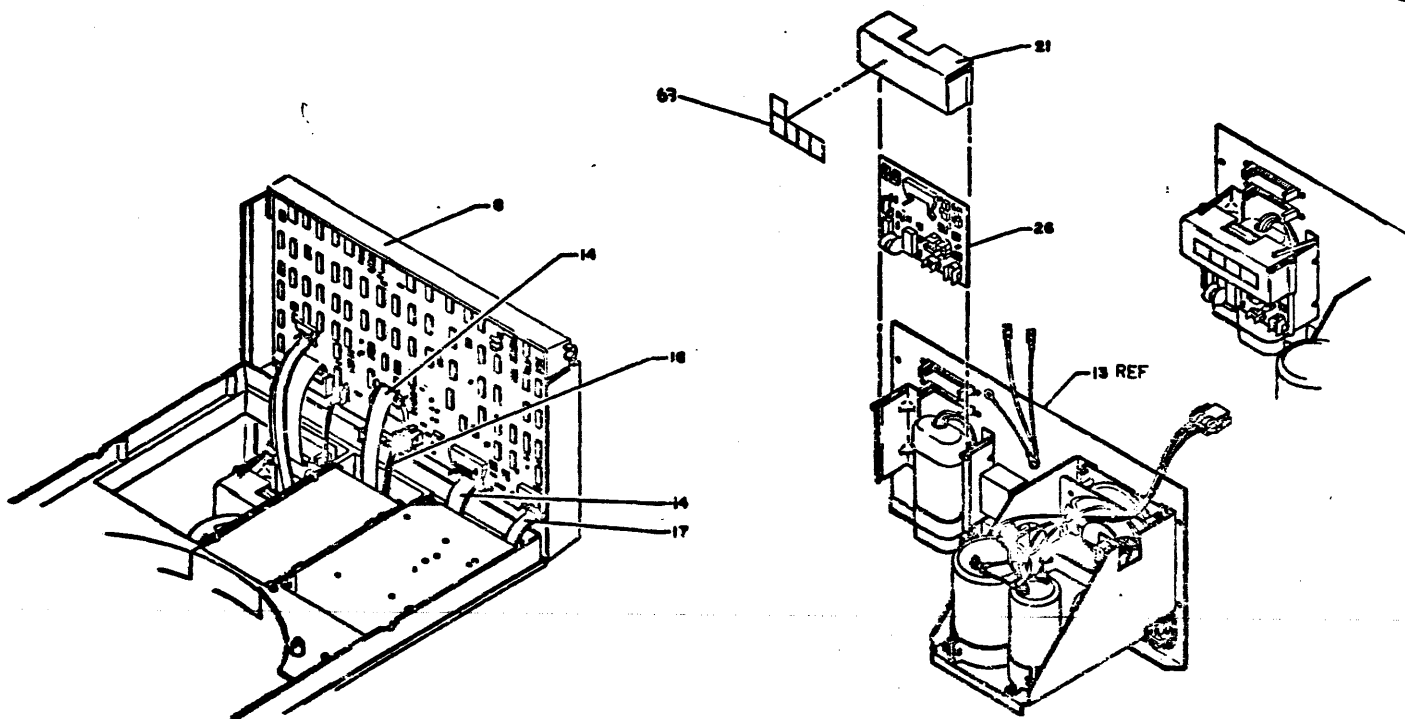
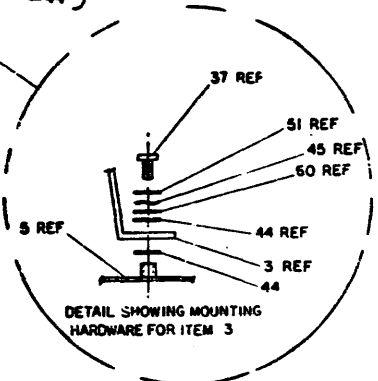


REVISIONS		DESCRIPTION		CHK	DATE	BY
1						
2						
3						
4						
5						
6						
7						
8						
9						
10						
11						
12						
13						
14						
15						
16						
17						
18						
19						
20						
21						
22						
23						
24						
25						
26						
27						
28						
29						
30						
31						
32						
33						
34						
35						
36						
37						
38						
39						
40						
41						
42						
43						
44						
45						
46						
47						
48						
49						
50						
51						
52						
53						
54						
55						
56						
57						
58						
59						
60						
61						
62						
63						
64						
65						
66						
67						
68						
69						
70						
71						
72						
73						
74						
75						
76						
77						
78						
79						
80						
81						
82						
83						
84						
85						
86						
87						
88						
89						
90						
91						
92						
93						
94						
95						
96						
97						
98						
99						
100						

THIS DRAWING AND SPECIFICATIONS, HEREIN, ARE THE PROPERTY OF THE UNITED STATES GOVERNMENT AND ARE TO BE REPRODUCED OR TRANSMITTED IN ANY FORM OR BY ANY MEANS, ELECTRONIC OR MECHANICAL, INCLUDING PHOTOCOPYING, RECORDING, OR BY ANY INFORMATION STORAGE AND RETRIEVAL SYSTEM, WITHOUT PERMISSION IN WRITING FROM THE DIRECTOR, ARMY RESEARCH OFFICE-DURHAM.



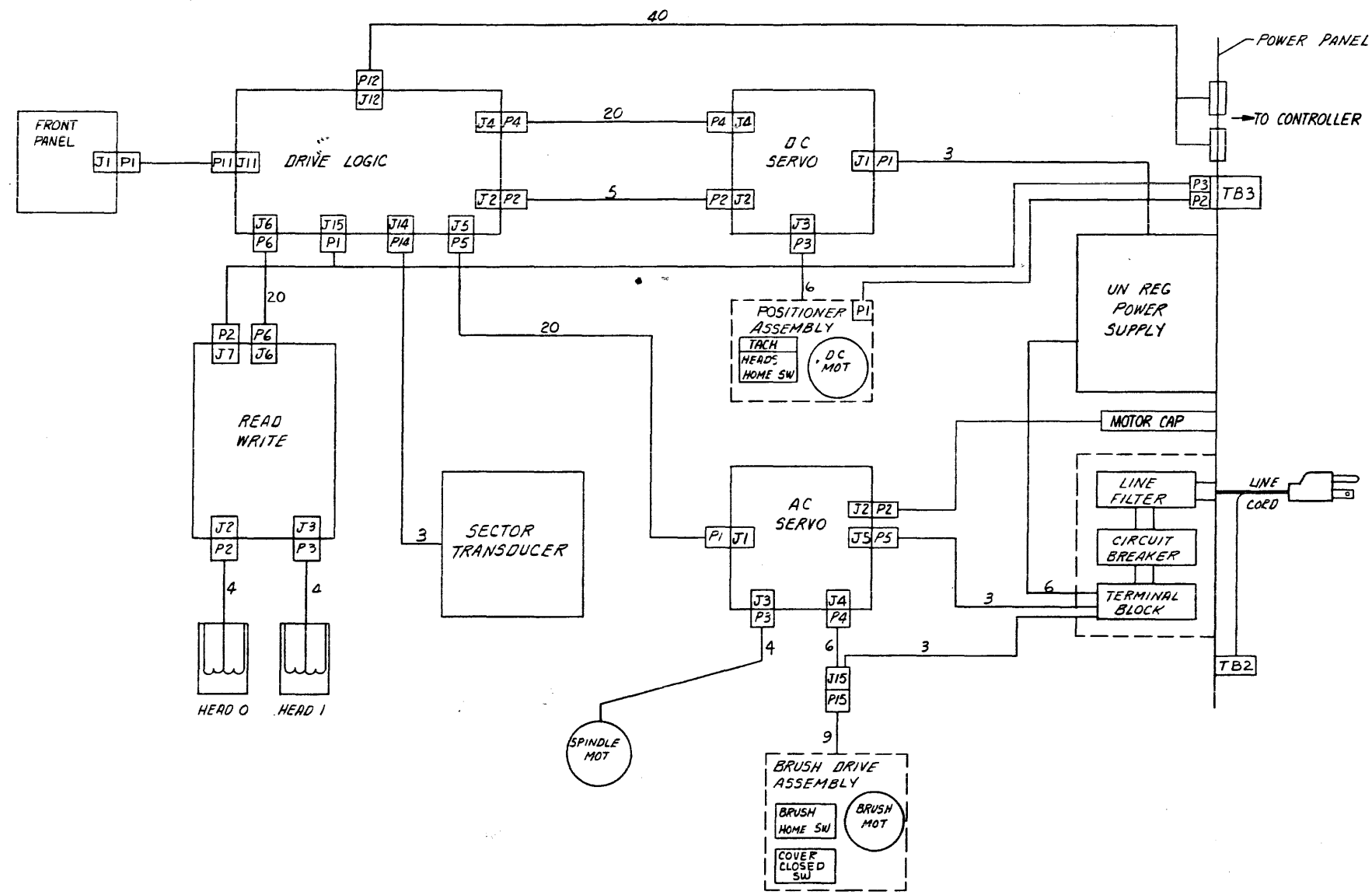
PARTS LISTED IN ASSEMBLY ORDER



VIEW A-A

REV	DATE	BY	CHKD	APP'D	DESCRIPTION
1					
2					
3					
4					
5					
6					
7					
8					
9					
10					
11					
12					
13					
14					
15					
16					
17					
18					
19					
20					
21					
22					
23					
24					
25					
26					
27					
28					
29					
30					
31					
32					
33					
34					
35					
36					
37					
38					
39					
40					
41					
42					
43					
44					
45					
46					
47					
48					
49					
50					
51					
52					
53					
54					
55					
56					
57					
58					
59					
60					
61					
62					
63					
64					
65					
66					
67					
68					
69					
70					
71					
72					
73					
74					
75					
76					
77					
78					
79					
80					
81					
82					
83					
84					
85					
86					
87					
88					
89					
90					
91					
92					
93					
94					
95					
96					
97					
98					
99					
100					

"THIS DRAWING AND SPECIFICATIONS HEREIN ARE THE PROPERTY OF DIGITAL EQUIPMENT CORPORATION AND SHALL NOT BE REPRODUCED OR COPIED OR USED IN WHOLE OR IN PART AS THE BASIS FOR THE MANUFACTURE OR SALE OF ITEMS WITHOUT WRITTEN PERMISSION. COPYRIGHT © 1978, DIGITAL EQUIPMENT CORPORATION"



REV.	
CHANGE NO.	
CHK	

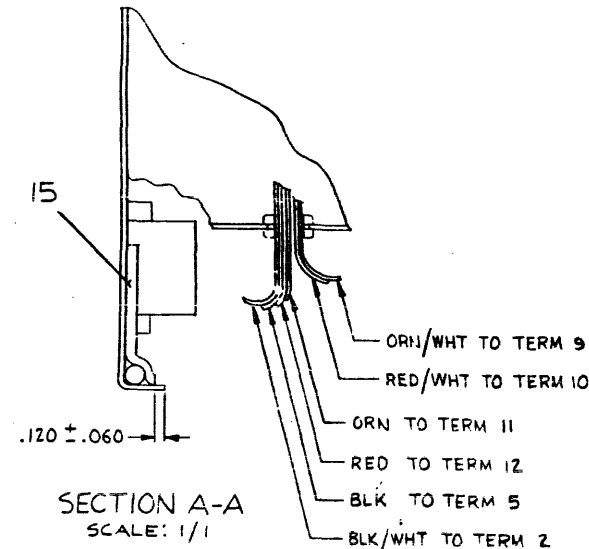
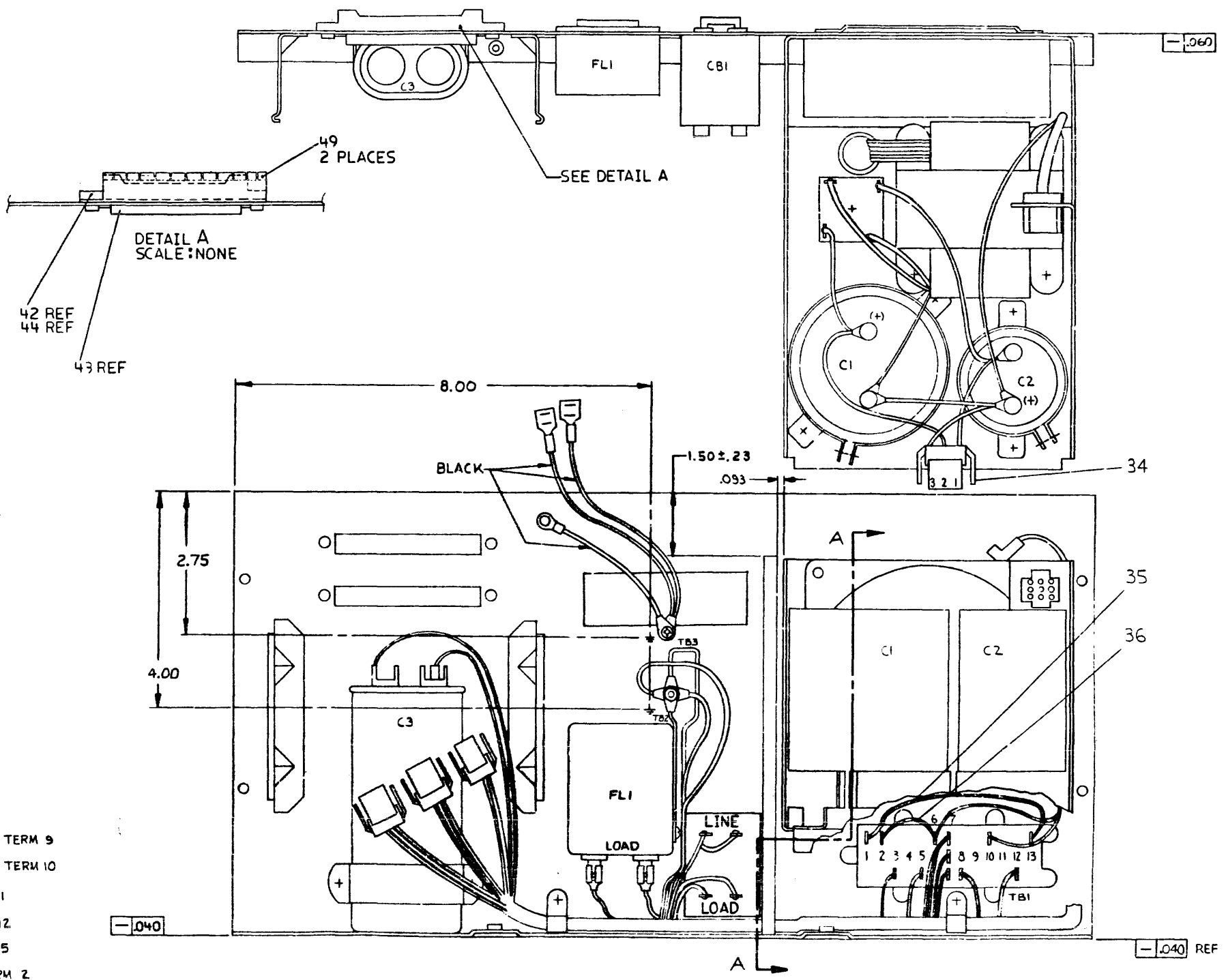
DESCRIPTION		DWG./PART NO.	ITEM NO.
UNLESS OTHERWISE SPECIFIED DIMENSIONS ARE IN INCHES			
ANGLES 30° 30'	CLASS OF ACCURACY	NOMINAL DIMENSION RANGE INCHES	
SURFACE QUALITY IN	CHECK ONE:	OVER 0 TO 0.2	OVER 0.2 TO 1.2
MICROINCHES	MEDIUM	OVER 1.2 TO 4.0	OVER 4.0 TO 12.0
	PREFERRED	OVER 12.0 TO 40.0	OVER 40.0 TO 80.0
THIRD ANGLE PROJECTION	DRN. <i>[Signature]</i> 9-27-77	FIRST USED ON	RL01
REMOVE BURRS AND BREAK SHARP CORNERS	CHK'D <i>[Signature]</i> 10/11/77	TITLE	RL01 SYSTEM CABLING
DO NOT SCALE DWG	PROJ. ENG. <i>[Signature]</i> 9-27-77	SIZE CODE	D I C
MATERIAL	PROD. <i>[Signature]</i> 10/11/77	NUMBER	RL01-0-3
FINISH	NEXT HIGHER ASSY.	REV.	D
	B-DD-RL01-0	SHEET	2 OF 2
	SCALE	DIST.	



THIS DRAWING AND SPECIFICATIONS HEREIN ARE THE PROPERTY OF DIGITAL EQUIPMENT CORPORATION AND SHALL NOT BE REPRODUCED OR COPIED OR USED IN WHOLE OR IN PART AS THE BASIS FOR THE MANUFACTURE OR SALE OF ITEMS WITHOUT WRITTEN PERMISSION. COPYRIGHT © 1978 DIGITAL EQUIPMENT CORPORATION

NOTES:

1. INPUT VOLTAGE 50 OR 60 HZ  
90-105, 100-128 VAC  
180-210, 200-256 VAC
2. OUTPUT VOLTAGE  $\pm 11.5$  VDC MIN AT MIN POINT OF THE RIPPLE. 18 VDC MAX AT HIGH LINE. (MAX OF 25 VDC AT HIGH LINE NO LOAD).
3. OUTPUT CURRENT: POSITIVE OUTPUT  
2.5 AMP CONTINUOUS  
3.5 AMP PULSE "25 MS"  
NEGATIVE OUTPUT  
.25 AMP CONTINUOUS  
3.5 AMP PULSE "25 MS"  
PULSE CURRENT ON ALTERNATE OUTPUT AT A 65 MS OUT CYCLE.
4. OUTPUT RIPPLE AT 110 VOLTS  
A. NO LOAD 100 MV P/P  
B. +2.5 A 600 MV P/P  
-.25 A 300 MV P/P  
C. +2.5 A 600 MV P/P  
-3.75 A 1.5V DURING PULSE
5. HIGH POT TEST PER UL 478  
CONNECT BOTH AC LEADS TO THE POSITIVE TERMINAL OF THE SUPPLY AND GRN WIRE GROUND TO THE NEGATIVE TERMINAL OF THE SUPPLY. CLOSE CIRCUIT BREAKER AND INCREASE VOLTAGE TO 1750 VDC, ANY CURRENT INDICATES FAILURE.

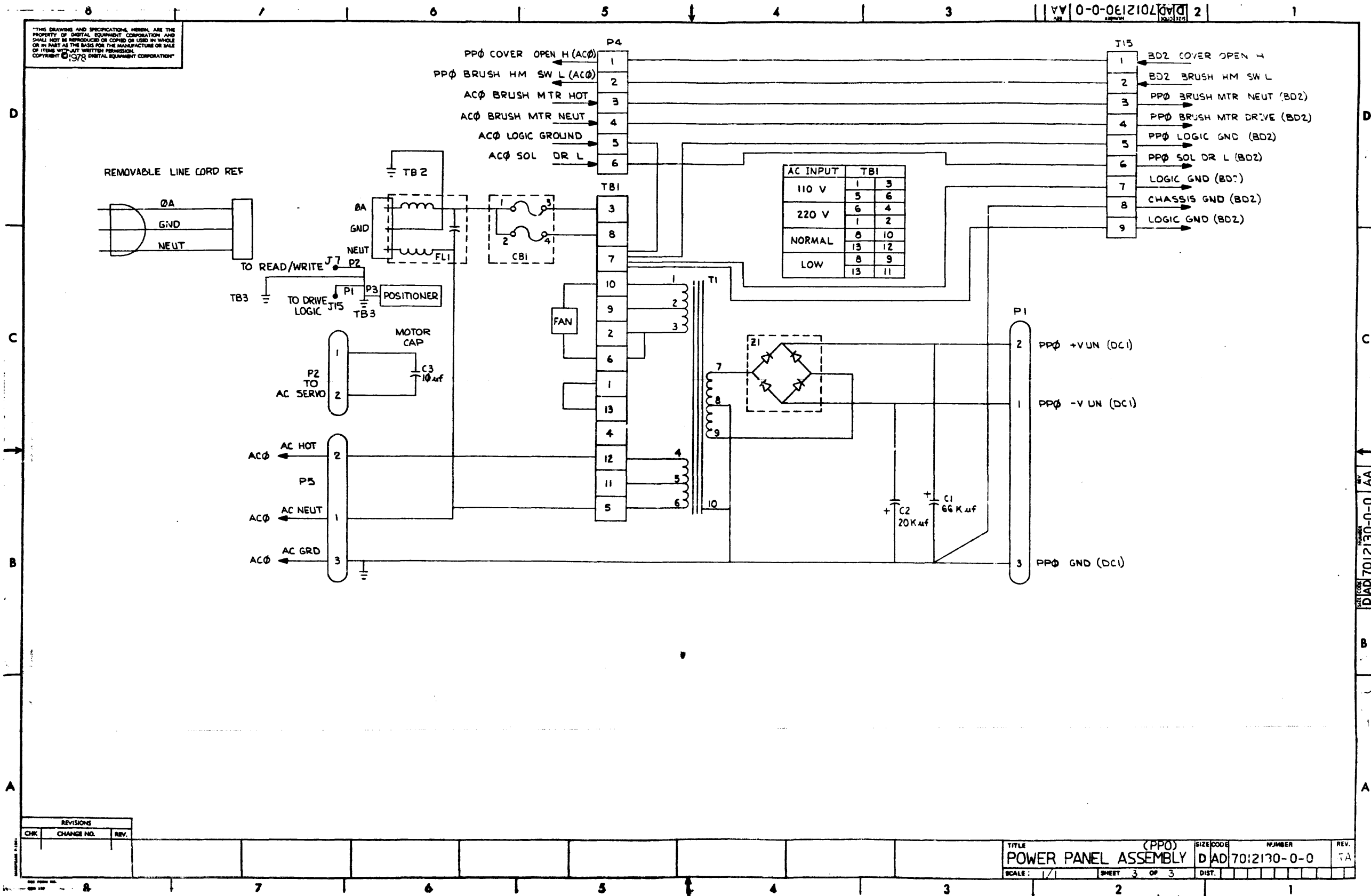


DAD-7012130-0-0 SHT 2

REVISIONS		
CHK	CHANGE NO.	REV.



THIS DRAWING AND SPECIFICATIONS HEREIN ARE THE PROPERTY OF DIGITAL EQUIPMENT CORPORATION AND SHALL NOT BE REPRODUCED OR COPIED OR USED IN WHOLE OR IN PART AS THE BASIS FOR THE MANUFACTURE OR SALE OF ITEMS WITHOUT WRITTEN PERMISSION. COPYRIGHT © 1978 DIGITAL EQUIPMENT CORPORATION



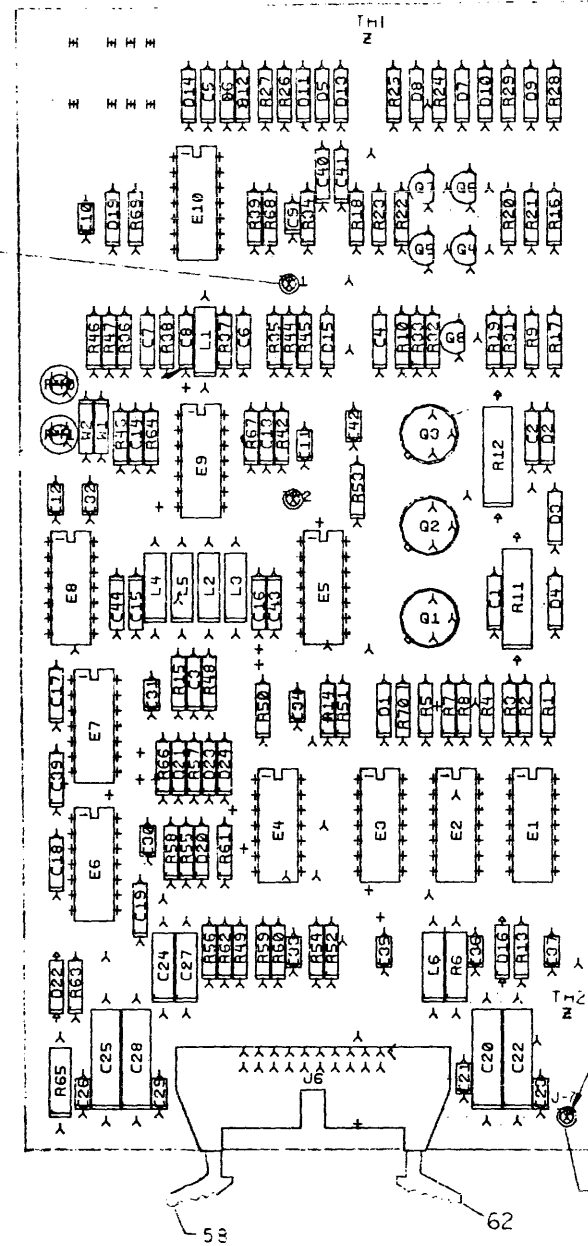
REVISIONS		
CHK	CHANGE NO.	REV.

TITLE	(PPØ)	SIZE CODE	NUMBER	REV.
POWER PANEL ASSEMBLY	DAD 7012130-0-0			
SCALE: 1/1	SHEET 3 OF 3	DIST.		

D-AD-7012130-0-0  
SMT 3

THIS DRAWING AND SPECIFICATIONS, WHETHER AND THE PROPERTY OF DIGITAL EQUIPMENT CORPORATION AND SHALL NOT BE REPRODUCED OR COPIED IN WHOLE OR IN PART OR THE BASIS FOR THE MANUFACTURE OR SALE OF ITEMS WITHOUT WRITING PERMISSION. DIGITAL EQUIPMENT CORPORATION

COMPONENT SIDE VIEW



MIN. P.C. 60  
MAX. P.C. 100  
SIDE VIEW

2 P.C. 65  
1-1  
1-3

4.5  
7.5  
1.5  
P.C.



NOTES:


CHANGE NO	REV
5413536	B
BY: M. ZARICH	
DATE: 11/1/77	

ETCH REV. B
P.C. DESIGN DATA BASE REV. BL

SIGNATURES	DATE	digital
DRN. <i>L. P.</i>	9/21/77	
CHK. D. <i>L. P.</i>	11/3/77	TITLE RL02
ENG. <i>B. Naguib</i>	8/24/77	READ/WRITE BOARD
PROD. ENG. <i>M. Dev.</i>	7/1/77	SIZE CODE NUMBER
SCALE 2/1		D UA 5413536-0-0
SHT. 1 OF 2		REV
NEXT HIGHER ASSY. B-00-5413536-0		B

LINE	ITEM	DOCUMENT NUMBER	PART NUMBER	DESCRIPTION	QTY	PER VARIATION	REFERENCE DESIGNATOR
1	1	D-MD-5013535-0-0	5013535-00	ETCHED CIRCUIT BD	1		
2	2		1001610-00	.01 MFD 50V +80-20% Z5U CER	17		C9-C12, C21, C23, C26, C29-C37, C42
3	3		1005306-00	6.8MFD 35V 10% S.TANT	4		C20, C22, C25, C28
4	4		1013466-14	82.0 MMF 50V 5% CER	2		C16, C43
5	5		1013466-06	100.0 MMF 50V 5% CER	1		C8
6	6		1013466-05	56.0 MMF 50V 5% CER	1		C5
7	7		1013466-07	220.0 MMF 50V 5% CER	5		C1, C2, C4, C17, C39
8	8		1013466-09	1000.0 MMF 50V 10% X7R CER	1		C18
9	9		1013466-11	.22 MFD 50V +80-20% Z5U CER	2		C24, C27
10	10		1013466-15	1200.0 MMF 50V 10% CER	3		C19, C40, C41
11	11		1109943-00	1N 4733A VZ= 5.1 5% 1W Y	2		D16, D22
12	12		1113953-00	1N 5523D VZ= 5.1 1%	1		D1
13	13		1100122-00	1N 748A VZ= 3.9 5%	1		D19
14	14		1111577-00	1N 4454 TR= 4NS PIV= 50 S	11		D5-D10, D15, D20, D21, D23, D24
15	15		1300250-00	150.0 .25 W 5.0 % CC	1		R5
16	16		1300229-00	100.0 .25 W 5.0 % CC	5		R39, R52, R54, R59, R69
17	17		1300232-00	100.0 1.0 W 5.0 % CC	2		R11, R12
18	18		1300247-00	120.0 .25 W 5.0 % CC	1		R56
19	19		1300365-00	1.0 K .25 W 5.0 % CC	8		R13, R14, R35, R36, R48, R49, R66, R70
20	20		1300444-00	3.90 K .25 W 5.0 % CC	1		R46
21	21		1300447-00	4.70 K .25 W 5.0 % CC	3		R9, R10, R32
22	22		1301775-00	820.0 .25 W 5.0 % CC	1		R31
23	23		1301317-00	10.0 .25 W 5.0 % CC	1		R63
24	24		1302612-00	1.78 K .25 W 1.0 % RN55D-F10	2		R50, R51
25	25		1300195-00	33.0 .50 W 5.0 % CC	2		R6, R65
26	26		1304725-00	300.0 .25 W 1.0 % RN55D-F10	1		R62
27	27		1312930-00	5.10 K .25 W 5.0 % CC	2		R55, R58
28	28		1301424-00	680.0 .25 W 5.0 % CC	4		R16, R18, R21, R23
29	29		1302391-00	20.0 K .25 W 5.0 % CC	1		R60
30	30		1300426-00	2.70 K .25 W 5.0 % CC	1		R33

```

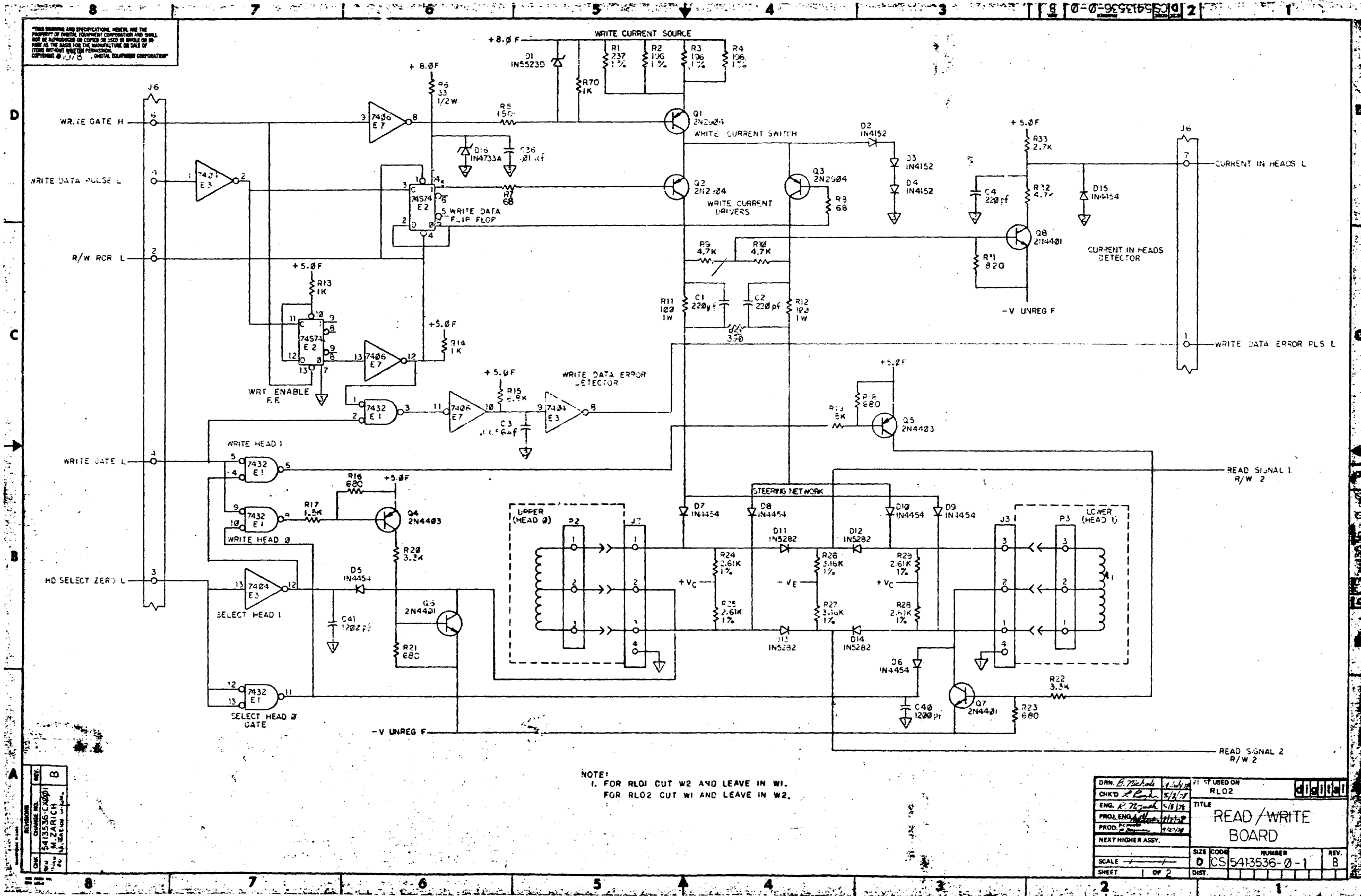
*****
REVISION HISTORY      BASIC PART NO: 5413536
*****
ENG! ECO NUMBER      REV SECTION A OF A      DRN: JERRY BEST      DATE: 14-AUG-78      D I G I T A L
--- INIT              A SECTION VARIATION INDEX  CHK'D: L. ROOHR      DATE: 14-AUG-78      TITLE PARTS LIST
MZ 5413536-CX001     B [A] 00      DES.ENG: B. NOGUCHI  DATE: 14-AUG-78      READ/WRITE BOARD
                                                                [B]
                                                                [C]
                                                                [D]
                                                                [E]
                                                                [F]
                                                                [H]
                                                                [J]
                                                                [K]
                                                                [L]
                                                                [M]
                                                                [N]
RESP.ENG.: B. NOGUCHI  DATE: 14-AUG-78      DOCUMENT NUMBER
                                                                SIZE CODE NUMBER REV
MFG.ENG.: P. CHURCH   DATE: 14-AUG-78      K PL 5413536-0-DBP B
ASSEMBLY NUMBER:      TOP DOCUMENT NUMBER: FILE NAME: EDIT #
D-UA-5413536-0-0     # B-DD-RL02-0       Z1091B.PLS          8
*****
"THIS DRAWING AND SPECIFICATIONS HEREIN, ARE THE PROPERTY OF DIGITAL EQUIPMENT CORPORATION AND SHALL NOT BE REPRODUCED
OR COPIED OR USED IN WHOLE OR IN PART AS THE BASIS FOR THE MANUFACTURE OR SALE OF ITEMS WITHOUT WRITTEN PERMISSION.
COPYRIGHT (C) 1981. DIGITAL EQUIPMENT CORPORATION "
*****

```

LINE	ITEM	DOCUMENT NUMBER	PART NUMBER	DESCRIPTION	QTY	PER VARIATION	REFERENCE DESIGNATOR
					00		
31	31		1302956-00	196.0 .25 W 1.0 % RN55D-F10	3		R2, R3, R4
32	32		1300439-00	3.30 K .25 W 5.0 % CC	2		R20, R22
33	33		1305143-00	825.0 .25 W 1.0 % RN55D-F10	2		R44, R45
34	34		1303303-00	2.61 K .25 W 1.0 % RN55D-F10	4		R24, R25, R28, R29
35	35		1302645-00	1.10 K .25 W 1.0 % RN55D-F10	1		R61
36	36		1301477-00	82.0 .25 W 5.0 % CC	1		R68
37	37		1301322-00	180.0 .25 W 5.0 % CC	2		R37, R38
38	38		1313469-00	240.0 .25 W 5.0 % CC	1		R34
39	39		1303045-00	3.16 K .25 W 1.0 % RN55D-F10	2		R26, R27
40	40		1501913-00	2N 2904A PNP 600MW SI 60 40 Y	3		Q1-Q3
41	41		1513489-00	2N 4401 NPN 350MW SI 40 20	3		Q6-Q8
42	42		1513490-00	2N 4403 PNP 350MW SI-40 30	2		Q4, Q5
43	43		1210001-00	HEAT SINK BLACK	3		
44	44		9007201-00	TRANSIPADS #10253	3		
45	45		9008268-00	COMPOUND, THERMAL JOINT	A/R		
46	46		1611257-01	CHOKE(CERAMIC BEAD)AXIAL LEAD, ON	1		L6
47	47		1613898-01	33.0 UH INDUCTOR	4		L2-L5
48	48		1613898-02	39.0 UH INDUCTOR	1		L1
49	49		1910268-00	DEC 75107B RECEIVER, LINE, DUAL,	1		E8
50	50		1909686-00	7404 INVERTER GATE-HEX 1I	1		E3
51	51		1910544-00	74574 FF-D DUAL, EDGE TRIGG	1		E2
52	52		1910644-00	733 DIFFERENTIAL AMP, WID	2		E9, E10
53	53		1910741-00	7406 INVERTER GATE-HEX 1I	1		E7
54	54		1911521-00	7432 OR GATE-QUAD 2IN, PO	1		E1
55	55		1910268-01	DEC 75107B-01 RECEIVER, LINE, DUA	2		E5, E4
56	56		1910725-00	75108B RECEIVER, LINE, DUAL,	1		E6
57	57		1209941-06	HEADER.100 20POS RT ANGLE	1		J6
58	58		1209941-03	HEADER RT ANGLE LEFT L	1		
59	59		1209941-04	HEADER RT ANGLE, RIGHT	1		
60	60		1210385-01	PIN 1POS WIRE WRAP	8		
61	61		9007791-00	TERM PCB 2POS SOLDER, TURRET	2		TP1, TP2
62	62		1303067-00	422.0 .25 W 1.0 % RN55D-F10	2		R42, R43
63	63		1300219-00	68.0 .25 W 5.0 % CC	4		R7, R8, R47, R57
64	64		1301423-00	6.80 K .25 W 5.0 % CC	3		R15, R64, R67
65	65		1300391-00	1.50 K .25 W 5.0 % CC	2		R17, R19
66	66		1114117-00	1N 4152 PIV=40 I=75	3		D2-D4
67	67		1113003-00	1N 5282 PIV=55 I=500M D035	4		D11-D14
68	68		1015573-01	5600.0 MMF 50V 5% CER	5		C3, C6, C7, C13, C14
69	69		1304857-00	237.0 .25 W 1.0 % RN55D-F10	1		R1
70	70		1300309-00	390.0 .25 W 5.0 % CC	1		R53
71	71		1013466-17	150.0 MMF 50V 5% CER	2		C15, C44
72	72		1309150-07	2.0 K .50 W10.0 % POT	2		R40, R41
73	73		9009185-00	JUMPER, WIRE, INSULATED, BLACK B	2		W1, W2
74	74		1217377-00	TERM QUICK 1POS TAB PC MNT	1		J7

D	I	G	I	T	A	L	TITLE	SECTION A OF A	SIZE	CODE	DOCUMENT NUMBER	REV
							READ/WRITE BOARD		K	PL	5413536-0-DBP	B

THIS DRAWING AND SPECIFICATIONS HEREIN ARE THE PROPERTY OF DIGITAL EQUIPMENT CORPORATION AND SHALL NOT BE REPRODUCED OR COPIED OR USED IN WHOLE OR IN PART AS THE BASIS FOR THE MANUFACTURE OR SALE OF ITEMS WITHOUT WRITTEN PERMISSION. COPYRIGHT © 1970 DIGITAL EQUIPMENT CORPORATION

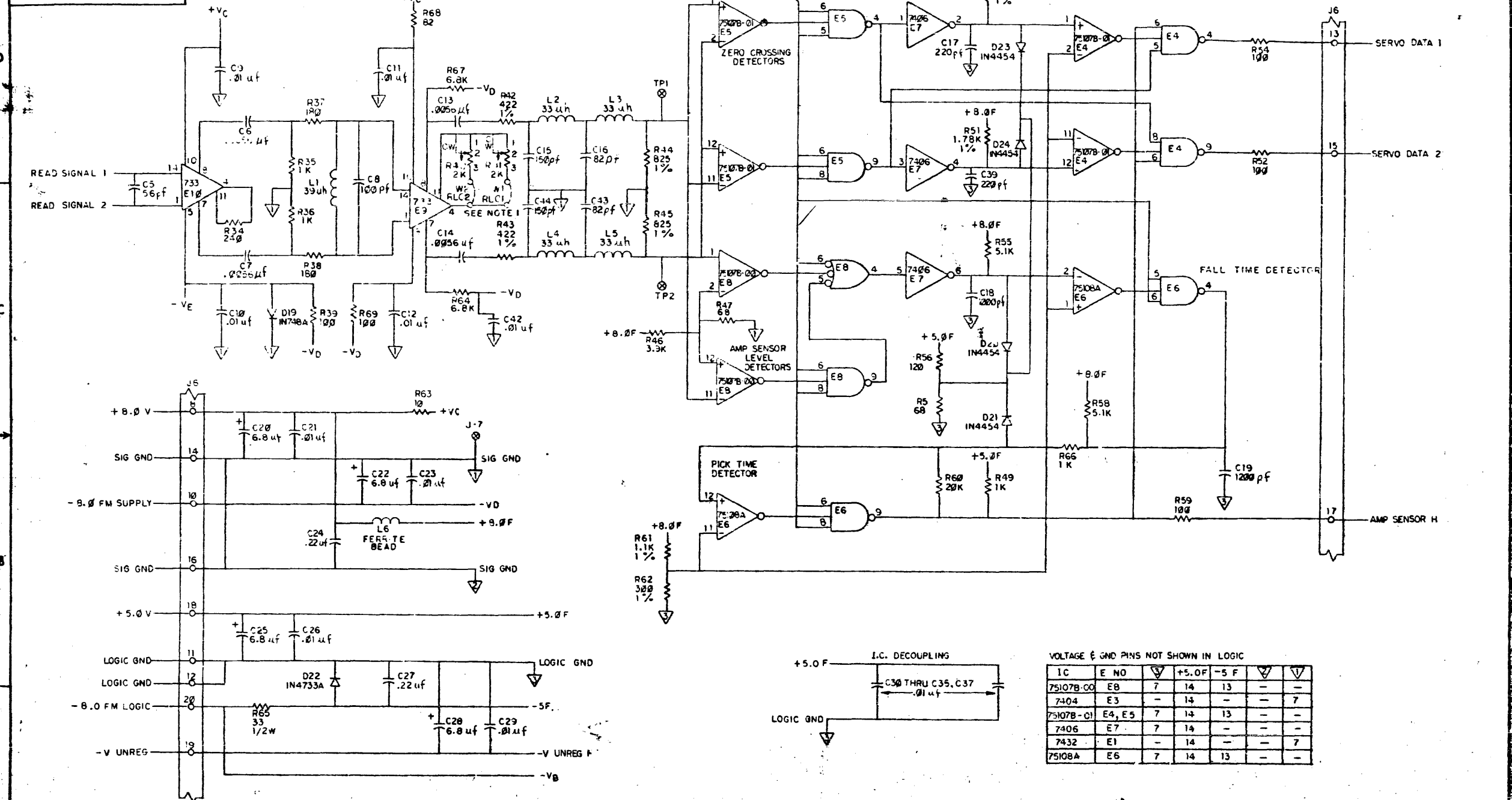


NOTE:  
 1. FOR RLO1 CUT W2 AND LEAVE IN W1.  
 FOR RLO2 CUT W1 AND LEAVE IN W2.

REV.	B
DATE	
BY	
CHKD	
APP'D	
DESIGNED BY	
DRAWN BY	
CHECKED BY	
APPROVED BY	
DATE	

DRN. B. Nichols	4/1/70	PI USED ON	RLO2
CHK'D R. R. R.	5/16/70	TITLE	READ/WRITE BOARD
ENGR. P. Z...	5/16/70	NUMBER	D CS 5413536-0-1
PROL. ENG. ...		REV.	B
PROD. ...		SIZE CODE	D
NEXT HIGHER ASSY.		SHEET	1 OF 2
		DIST.	

THIS DRAWING AND SPECIFICATIONS HEREIN ARE THE PROPERTY OF DIGITAL EQUIPMENT CORPORATION AND SHALL NOT BE REPRODUCED OR COPIED OR USED IN WHOLE OR IN PART AS THE BASIS FOR THE MANUFACTURE OR SALE OF ITEMS WITHOUT WRITTEN PERMISSION. COPYRIGHT © 1971 DIGITAL EQUIPMENT CORPORATION



VOLTAGE & GND PINS NOT SHOWN IN LOGIC

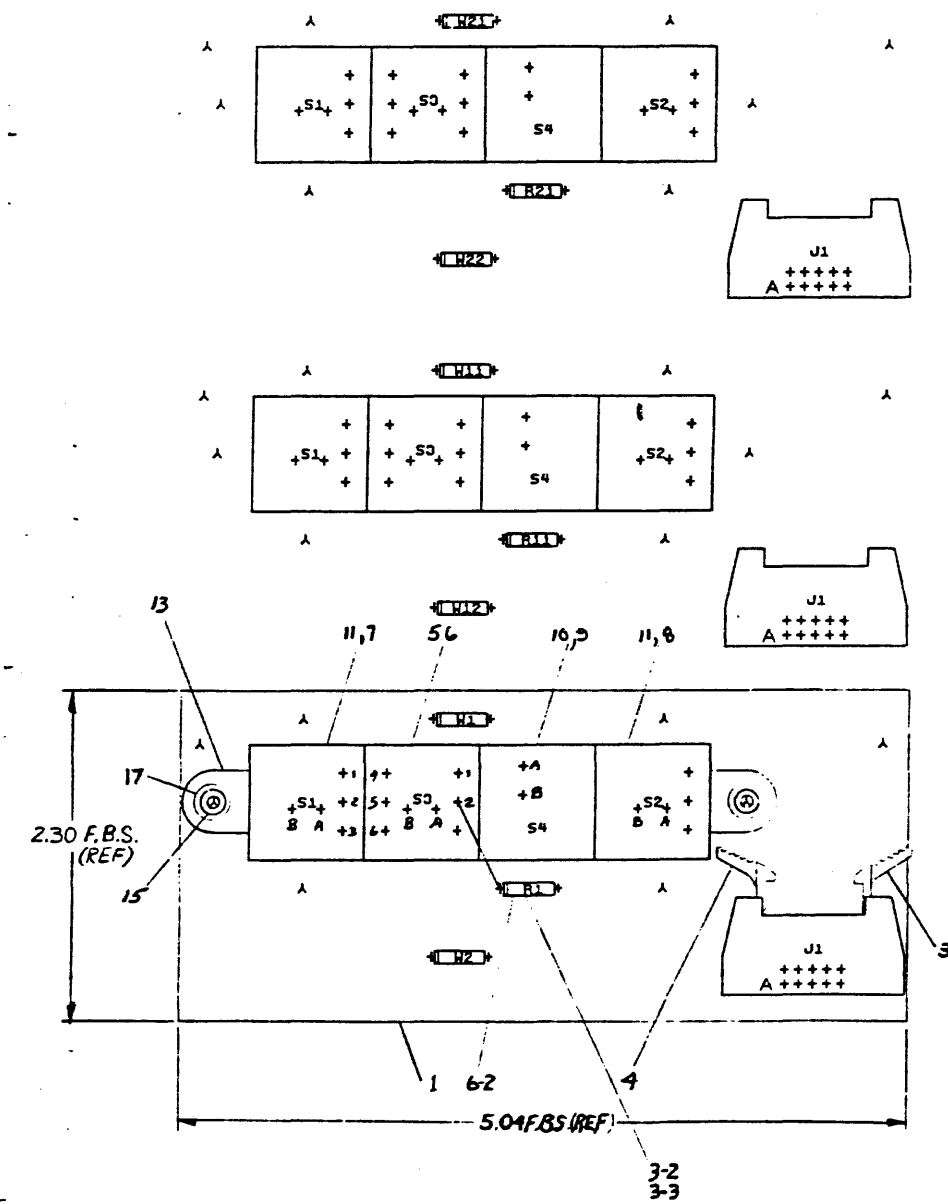
IC	E NO	+5.0V	-5.0V		
75107B-01	E8	7	14	13	-
7404	E3	-	14	-	7
75107B-01	E4, E5	7	14	13	-
7406	E7	7	14	-	-
7432	E1	-	14	-	7
75108A	E6	7	14	13	-

REVISIONS

CHK	CHANGE NO.	REV.

THIS DRAWING AND INFORMATION HEREON ARE THE PROPERTY OF THE UNITED STATES GOVERNMENT AND ARE TO BE REPRODUCED IN WHOLE OR IN PART IN ANY FORM OR BY ANY MEANS WITHOUT PERMISSION IN WRITING FROM THE DIRECTOR, ARMY ELECTRONIC CENTER, FORT MONMOUTH, NEW JERSEY 08401.

COMPONENT SIDE VIEW



**NOTES:**  
 1. ALL MANUFACTURING INFORMATION - DATE CODE  
 CIRCUIT SCHEMATIC REV. QUALITY CONTROL STANDS  
 ETC. ARE TO BE STAMPED ON ETCH SIDE (SIDE 2) OF  
 MODULE.

CHANGE NO	REV	DESCRIPTION	DATE
1	H	...	...
2	J	...	...
3	K	...	...

ETCH REV. D	DESIGN DATA BASE REV. 3
-------------	-------------------------

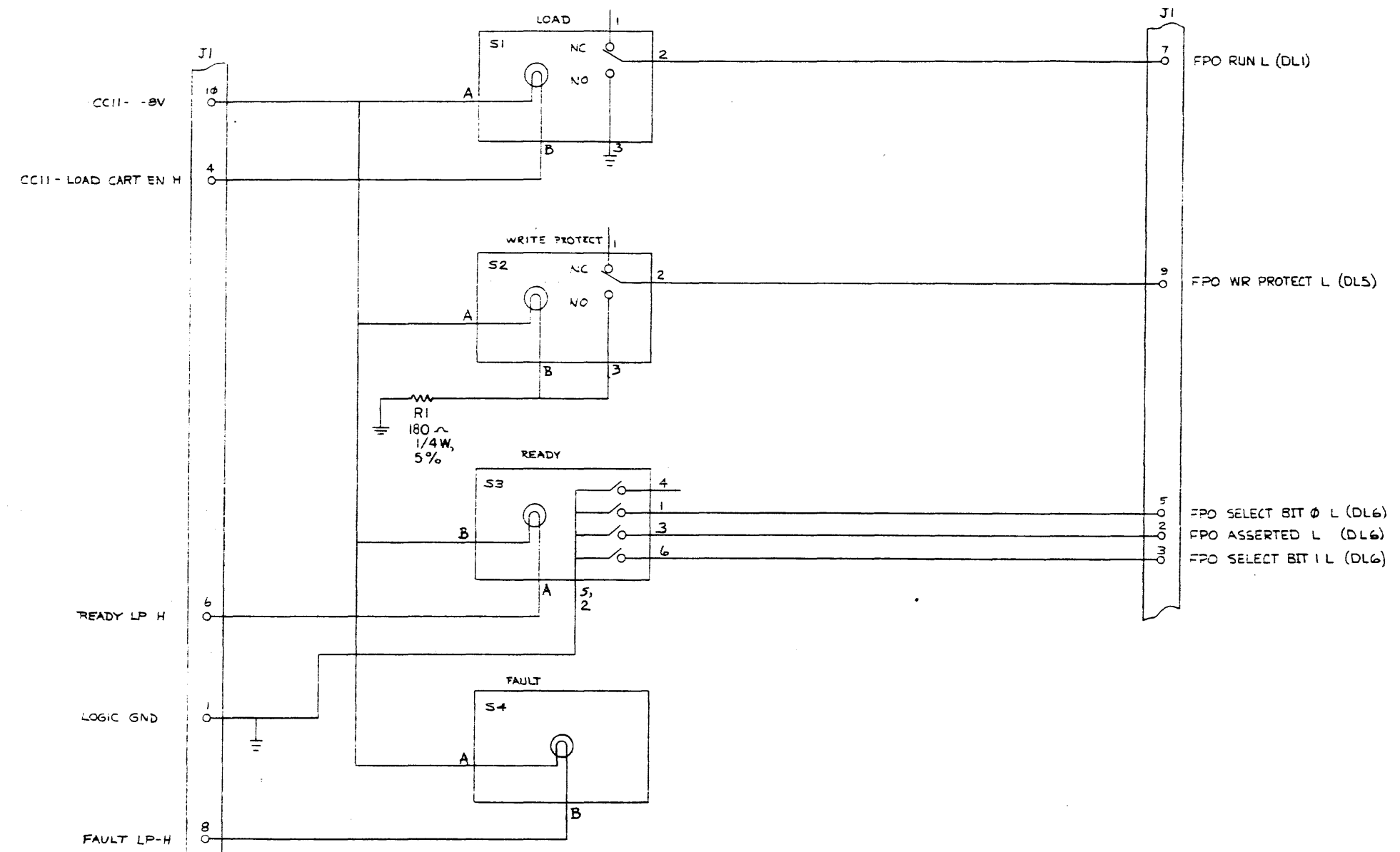
SIGNATURES		DATE	digital
DRN. M. ...	...	11/76	
CHK. D. ...	...	1/77	TITLE
ENC.	...	...	FRONT PANEL
PROJ. ENG. ...	...	3/77	SIZE/CODE
PROD.	...	...	NUMBER
SCALE 2/1	...	...	D 1UA 541846-0-0 K
SHT. 1 OF 2	...	...	REV
NEXT HIGHER ASSY. P. DD-S-411646-0			MS#

LINE	ITEM	DOCUMENT NUMBER	PART NUMBER	DESCRIPTION	QTY	PER VARIATION	REFERENCE DESIGNATOR
1	1	D-MD-5011845-0-0	5011845-00	54-11846 ETCH CRKT BRD	1		
2	2		1209941-05	HEADER.100 10POS RT ANGLE	1		J1
3	3		1209941-04	HEADER RT ANGLE,RIGHT	1		
4	4		1209941-03	HEADER RT ANGLE LEFT L	1		
5	5		1212690-02	SW,PB 1P RK06 UNIT SELECT	1		S3
6	6		1212691-00	SW,PP CAP "0/READY" FOR 12-1	1		
7	7		1212714-05	SW,PB CAP,YEL/BLK,"LOAD"	1		
8	8		1212714-01	SW,PB CAP,YEL/BLK,"WRITE PROT"	1		
9	9		1212714-02	SW,PB CAP,RED/BLK,"FAULT"	1		
10	10		1212715-02	INDICATOR,DISPLAY PANEL,W/14V LA	1		S4
11	11		1212717-05	SW,PB 1P 3A W/14V LAMP	2		S1,S2
12	12		1212716-01	LAMP,WEDGE,14V	1		
13	13		1213188-01	MOUNTING BRACKET,SWITCH	1		
14	14		1301322-00	180.0 .25 W 5.0 % CC	1		R1
15	15		9006732-00	EYELET,ROLL FLANGE .1210DX .219	2		
16	16		9107560-01	WIRE,BUSS,22AWG	2		W1,W2
17	17		9006655-00	WASHER,FLAT,.312 O.D. X .125 I	2		

REVISION HISTORY		BASIC PART NO: 5411846		DRN: S. MARLOW		DATE: 7-APR-76		D I G I T A L	
ENG!	ECO NUMBER	REV	SECTION A OF A	CHK'D:	P. BURNELL	DATE:	10-JAN-77	TITLE	PARTS LIST
MZ	5411846-CX005	J	SECTION.VARIATION INDEX					FRONT PANEL	
			[A] 00	DES.ENG:	G. REICHENBERG	DATE:	7-MAR-77	DOCUMENT NUMBER	
			[B]	RESP.ENG.:	G. REICHENBERG	DATE:	7-MAR-77	SIZE!CODE! NUMBER	REV
			[C]	MFG.ENG.:	L. KIRK	DATE:	9-MAR-77	K PL 5411846-0-DBP	J
			[D]	ASSEMBLY NUMBER:	D-UA-5411846-0-0	TOP DOCUMENT NUMBER:	# B-DD-5411846-0	FILE NAME:	EDIT #
			[E]					Z1580J.PLS	3
			[F]	"THIS DRAWING AND SPECIFICATIONS HEREIN, ARE THE PROPERTY OF DIGITAL EQUIPMENT CORPORATION AND SHALL NOT BE REPRODUCED OR COPIED OR USED IN WHOLE OR IN PART AS THE BASIS FOR THE MANUFACTURE OR SALE OF ITEMS WITHOUT WRITTEN PERMISSION. COPYRIGHT (C) 1981. DIGITAL EQUIPMENT CORPORATION"					
			[G]						
			[H]						
			[I]						
			[J]						
			[K]						
			[L]						
			[M]						
			[N]						



THIS DRAWING AND SPECIFICATIONS HEREIN ARE THE PROPERTY OF DIGITAL EQUIPMENT CORPORATION AND SHALL NOT BE REPRODUCED OR COPIED OR USED IN WHOLE OR IN PART AS THE BASIS FOR THE MANUFACTURE OR SALE OF ITEMS WITHOUT WRITTEN PERMISSION. COPYRIGHT © 1976, DIGITAL EQUIPMENT CORPORATION.



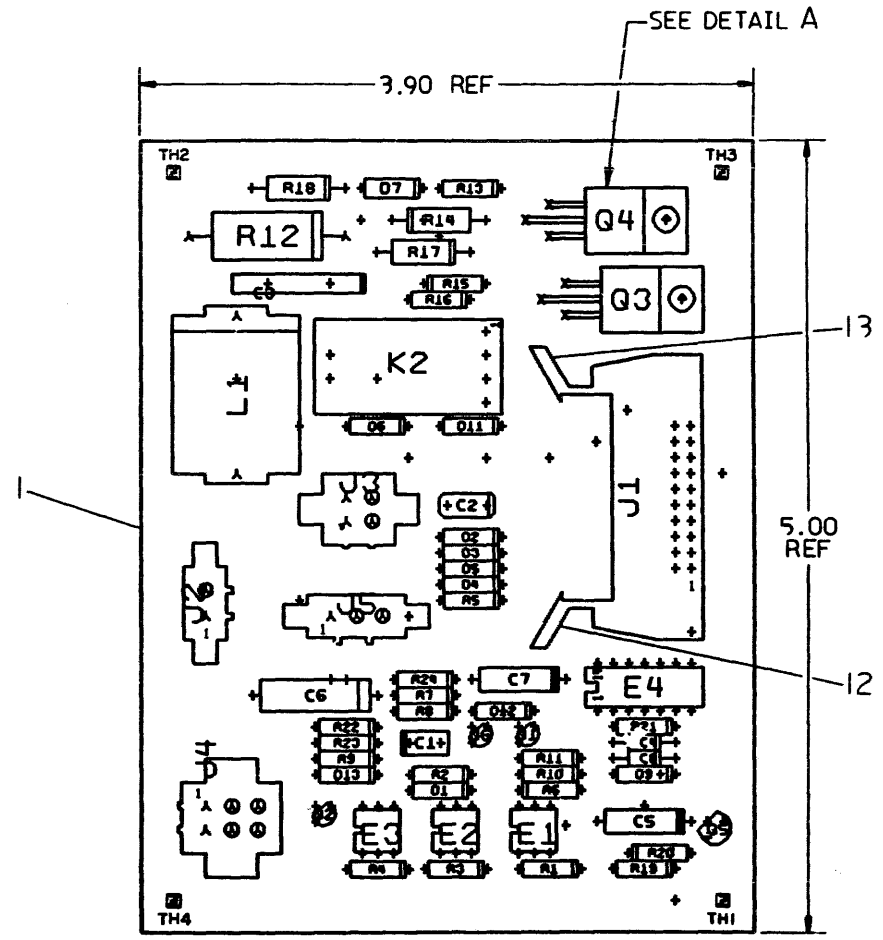
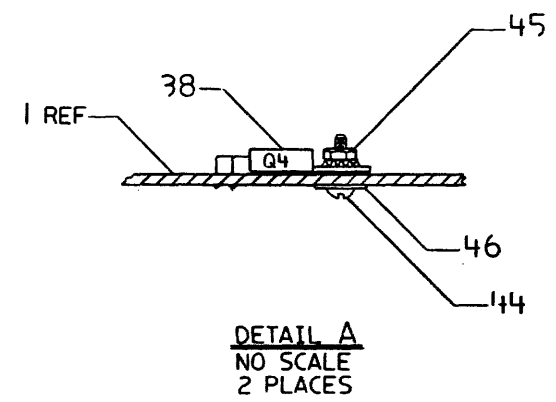
NOTE:  
1. ALL LAMPS ARE GE-73 TYPE

REV.	CHG	NO.	DATE	BY	CHKD	DATE
1	1	5411846-0-001	1-2-77	G. REICHENBERG		
2	1	5411846-0-002	1-2-77	G. REICHENBERG		
3	1	5411846-0-003	1-2-77	M. ZARICH		
4	1	5411846-0-004	1-2-77	M. ZARICH		
5	1	5411846-0-005	1-2-77	M. ZARICH		
6	1	5411846-0-006	1-2-77	M. ZARICH		
7	1	5411846-0-007	1-2-77	M. ZARICH		
8	1	5411846-0-008	1-2-77	M. ZARICH		

DRN. <i>Handwritten</i>	FIRST USED ON	digital
CHK'D <i>Handwritten</i>		
ENG. <i>Handwritten</i>	TITLE	FRONT PANEL
PROJ. ENG. <i>Handwritten</i>		
NEXT HIGHER ASSY.	SIZE CODE	NUMBER
SCALE	D	CS 5411846-0-1
SHEET 1 OF 1	DIST.	REV. K

THIS DRAWING AND SPECIFICATIONS, HEREIN, ARE THE PROPERTY OF DIGITAL EQUIPMENT CORPORATION AND SHALL NOT BE REPRODUCED OR COPIED OR USED IN WHOLE OR IN PART - 3 THE BASIS FOR THE CONSTRUCTION OR SALE OF ITEMS WITHOUT WRITTEN PERMISSION. DIGITAL EQUIPMENT CORPORATION ©1983

COMPONENT SIDE VIEW



NOTES:  
 \_\_\_\_\_  
 \_\_\_\_\_  
 \_\_\_\_\_  
 \_\_\_\_\_  
 \_\_\_\_\_

CHANGE NO. REV	H	J
425 541848-0		
425 541848-1		
425 541848-2		
425 541848-3		
425 541848-4		
425 541848-5		
425 541848-6		
425 541848-7		
425 541848-8		
425 541848-9		
425 541848-10		
425 541848-11		
425 541848-12		
425 541848-13		
425 541848-14		
425 541848-15		
425 541848-16		
425 541848-17		
425 541848-18		
425 541848-19		
425 541848-20		

ETCH REV. H1-P6

SIGNATURES	DATE	digital
DRN. Eric Boring	8 July 83	
CHK'D. [Signature]	15 Aug 83	TITLE AC SERVO
MECH. ENG. [Signature]	25 Aug 83	
PROJ. ENG. [Signature]	25 Aug 83	SIZE CODE NUMBER REV 0 UA 541848-0-0 J
PROD. [Signature]	17 Sep 83	
SCALE: 2/1	SHT. 1 OF 1	NEXT HIGHER REV. B-DD-541848-0



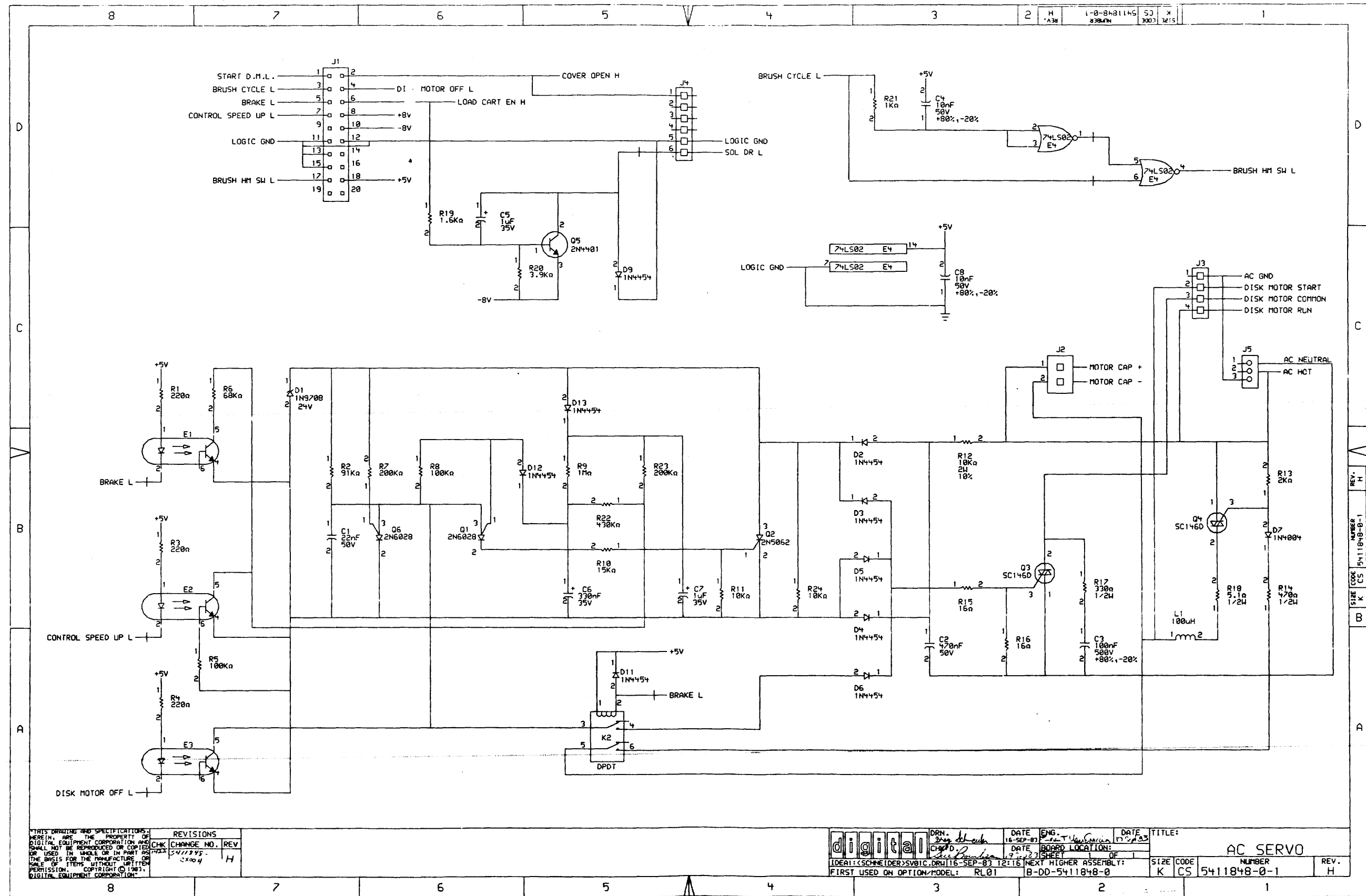
AUTOMATED BY PRTLST.3P(44)

PARTS LIST

SHEET A2 OF A2

LINE	ITEM	TOP DOCUMENT	PART NUMBER	MIN REV	DESCRIPTION	VARIATION REVISION LEVEL:	QTY	PER VARIATION	REFERENCE DESIGNATOR
							00		
							H1		
31	31		1303176-00		1.60 K .25 W 5.0 %	CF	1		R19
32	32		1309595-00		1.0 M .25 W 5.0 %	CF	1		R9
33	33		1311220-00		5.10 .50 W 5.0 %	CF	1		R18
34	34		1312927-00		16.0 .25 W 5.0 %	CF	2		R15,R16
35	35		1314516-00		200.0 K .25 W 5.0 %	CF	2		R7,R23
36	36		1314649-00		430.0 K .25 W 5.0 %	CF	1		R22
37	37		1314650-00		91.0 K .25 W 5.0 %	CF	1		R2
38	38		1510070-00		TRIAC PIV= 400 IO= 8.00A		2		Q3,Q4
39	39		1510727-01		OPTO COUPLED ISOLATOR		3		E1-E3
40	40		1510877-00		2N 6028 UJT 300MW R67B		2		Q1,Q6
41	41		1513489-00		2N 4401 NPN 350MW SI 40 20		1		Q5
42	42		1619881-01		100.0 UH 10% 3A		1		L1
43	43		1912801-00		LS02 NOR-GATE-QUAD 2IN		1		E4
44	44		9006010-01		SCREW,MACH PAN PHIL 4-		2		
45	45		9006557-00		NUT,HEX EXT TOOTH LCKWSHR 4-40		2		
46	46		9006655-00		WASHER,FLAT SST		2		

D	I	G	I	T	A	L	TITLE	AC SERVO	SECTION A OF A	SIZE	CODE	DOCUMENT NUMBER	REV
										K	PL	5411848-0-DBP	J



THIS DRAWING AND SPECIFICATIONS HEREIN ARE THE PROPERTY OF DIGITAL EQUIPMENT CORPORATION AND SHALL NOT BE REPRODUCED OR COPIED OR USED IN WHOLE OR IN PART AS THE BASIS FOR THE MANUFACTURE OR SALE OF ITEMS WITHOUT WRITTEN PERMISSION. COPYRIGHT © 1983, DIGITAL EQUIPMENT CORPORATION.

REVISIONS	
CHK	CHANGE NO. REV
5411848-1	H

DRN. <i>Greg DeLoach</i>	DATE 16-SEP-83	ENG. <i>T. J. ...</i>	DATE 17-SEP-83	TITLE: AC SERVO
CHK'D. <i>...</i>	DATE 7-10-83	BOARD LOCATION: DF	SHEET 3	SIZE CODE K CS
IDEAL: (SCHNEIDER) SV81C.DRW116-SEP-83 12:16	NEXT HIGHER ASSEMBLY:	NUMBER B-DD-5411848-0	REV. H	
FIRST USED ON OPTION MODEL: RL01				



LINE	ITEM	DOCUMENT NUMBER	PART NUMBER	DESCRIPTION	QTY PER VARIATION	REFERENCE DESIGNATOR
					00	
1	1	D-MD-5013533-0-0	5013533-00	ETCHED CIRCUIT BOARD	1	
2	2		1013466-08	680.0 MMF 50V 10% X7R CER	1	C12
3	3		1016009-00	2200.0 MMF 50V 5% CER	1	C7
4	4		1001610-00	.01 MFD 50V +80-20% Z5U CER	4	C1,C9,C10,C15
5	5		1002630-00	.015 MFD 100V 10% MYLR	1	C8
6	6		1013466-11	.22 MFD 50V +80-20% Z5U CER	4	C3,C5,C11,C16
7	7		1005306-00	*** THIS ITEM IS NOT USED ***	-	
8	8		1000076-00	*** THIS ITEM IS NOT USED ***	-	
9	9		1309422-00	5.10 .25 W 5.0% CC	1	R58
10	10		1312929-00	62.0 .25 W 5.0% CC	2	R3,R23
11	11		1311523-00	110.0 .25 W 5.0% CC	1	R22
12	12		1300247-00	120.0 .25 W 5.0% CC	1	R13
13	13		1300271-00	220.0 .25 W 5.0% CC	1	R59
14	14		1301425-00	300.0 .25 W 5.0% CC	1	R55
15	15		1303178-00	620.0 .25 W 5.0% CC	1	R6
16	16		1300365-00	1.0 K .25 W 5.0% CC	5	R1,R7,R39,R44,R57
17	17		1300391-00	1.50 K .25 W 5.0% CC	1	R5
18	18		1302388-00	2.0 K .25 W 5.0% CC	2	R31,R43
19	19		1300426-00	2.70 K .25 W 5.0% CC	2	R46,R47
20	20		1302389-00	4.30 K .25 W 5.0% CC	1	R53
21	21		1300447-00	4.70 K .25 W 5.0% CC	10	R10-R12,R14,R15,R19,R20,R24,R49,
						CONT R68
22	22		1303179-00	8.20 K .25 W 5.0% CC	3	R9,R16,R17
23	23		1300488-00	12.0 K .25 W 5.0% CC	4	R25,R26,R45,R56
24	24		1305346-00	27.0 K .25 W 5.0% CC	1	R21
25	25		1305131-00	*** THIS ITEM IS NOT USED ***	-	
26	26		1312923-00	2.10 K .25 W 1.0% RN55D-F10	1	R41
27	27		1305114-00	3.48 K .25 W 1.0% RN55D-F10	1	R34
28	28		1314763-00	4.12 K .25 W 1.0% RN55D-F10	1	R36
29	29		1303312-00	10.0 K .25 W 1.0% RN55D-F10	3	R28,R29,R62

REVISION HISTORY		BASIC PART NO: 5413534		DRN:	JERRY BEST	DATE:	26-JUL-78	DIGITAL			
ENG	ECO NUMBER	REV	SECTION A OF A	CHK'D:	JERRY BEST	DATE:	26-JUL-78	PARTS LIST			
---	INIT	A	SECTION VARIATION INDEX	CHK'D:	JERRY BEST	DATE:	26-JUL-78	D.C. SERVO AND POWER SUPPLY			
BN	5413534-CZ001	B	[A] 00	DES.ENG:	R. NOGUCHI	DATE:		DOCUMENT NUMBER			
MZ	5413534-CX003	C	[B]	RESP.ENG.:	R. NOGUCHI	DATE:	26-JUL-78	SIZE	CODE	NUMBER	REV
MZ	5413534-CX004	D	[C]	MFG.ENG.:	P. CHURCH	DATE:		K	PL	5413534-0-DBP	E
SM	5413534-CX05A	E	[D]	ASSEMBLY NUMBER:		TOP DOCUMENT NUMBER:		FILE NAME:		EDIT #	
SM	2/1/82		[E]	D-UA-5413534-0-0		RL02		Z0494E.PLS		22	
			[F]								
			[G]								
			[H]								
			[I]								
			[J]								
			[K]								
			[L]								
			[M]								
			[N]								

"THIS DRAWING AND SPECIFICATIONS HEREIN, ARE THE PROPERTY OF DIGITAL EQUIPMENT CORPORATION AND SHALL NOT BE REPRODUCED OR COPIED OR USED IN WHOLE OR IN PART AS THE BASIS FOR THE MANUFACTURE OR SALE OF ITEMS WITHOUT WRITTEN PERMISSION. COPYRIGHT (C) 1982. DIGITAL EQUIPMENT CORPORATION"

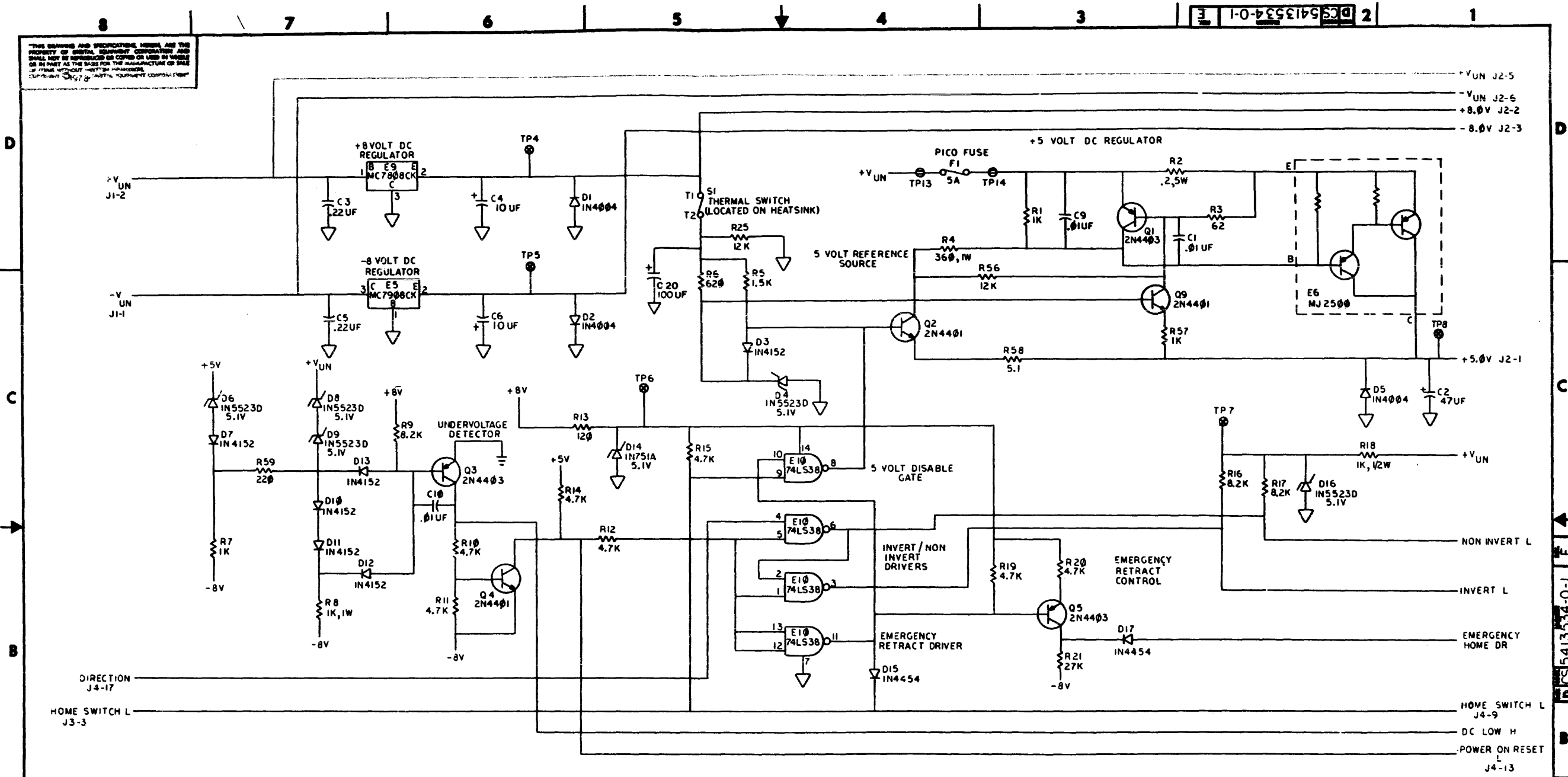
LINE ITEM	DOCUMENT NUMBER	PART NUMBER	DESCRIPTION	QTY	PER VARIATION	REFERENCE DESIGNATOR
				00		
30	30	1312924-00	10.70 K .25 W 1.0 Z RN55D-F10	1		R32
31	31	1309412-00	18.20 K .25 W 1.0 Z RN55D-F10	1		R33
32	32	1315436-00	52.30 K .25 W 1.0 Z RN55D-F10	1		R54
33	33	1304843-00	243.0 K .25 W 1.0 Z RN55D-F10	1		R72
34	34	1315437-00	237.0 K .25 W 1.0 Z RN55D-F10	1		R38
35	35	1302378-00	51.0 .50 W 5.0 Z CC	1		R51
36	36	1300364-00	1.0 K .50 W 5.0 Z CC	2		R18,R48
37	37	1314068-00	360.0 1.0 W 5.0 Z CC	1		R4
38	38	1300368-00	1.0 K 1.0 W 5.0 Z CC	1		R8
39	39	1301494-00	200.0 2.0 W 5.0 Z CC	1		R50
40	40	1313358-00	.20 5.0 W 3.0 Z WW	2		R2,R52
41	41	1105796-00	1N 4004 PIV=400 I= 1A D041 SP	3		D1,D2,D5
42	42	1113953-00	1N 5523D VZ= 5.1 1Z	8		D4,D6,D8,D9,D16,D18,D21,D22
43	43	1109990-00	1N 757A VZ= 9.1 5Z .40W P	2		D23,D24
44	44	1110994-00	1N 751A VZ= 5.1 5Z .40W	1		D14
45	45	1114117-00	1N 4152 PIV=40 I=75	6		D3,D7,D10,D11,D12,D13
46	46	1111577-00	1N 4454 TR= 4NS PIV= 50 S	6		D15,D17,D20,D25-D27
47	47	1513698-00	TRIAC@200V,I>14A	1		D19
48	48	9009597-00	INSULATOR, THERMA-FILM	1		
49	49	1513489-00	2N 4401 NPN 350MW SI 40 20	4		Q2,Q4,Q8,Q9
50	50	1513490-00	2N 4403 PNP 350MW SI-40 30	6		Q1,Q3,Q5-Q7,Q11
51	51	1511282-00	MJ2500 PNP 150WC SI 60 5 1K 5A	2		E4,E6
52	52	1511349-00	TIP 640 (OR MJ3000) NPN DARLINGT	1		E3
53	53	1911706-00	5012 ANALOG SWITCH,4CHNL	1		E8
54	54	1912818-00	LS38 NAND BUFFER-QUAD 2IN	1		E10
55	55	1912107-01	324ANOP AMP,QUAD	1		E7
56	56	1913695-00	7808 VOLT REG,FIX +8V	1		E9
57	57	1913694-00	7908 VOLT REG,FIX -8V	1		E5
58	58	9008419-00	WASHER, FLAT, THERMAFILM .002THK	5		
59	59	7418595-00	HEATSINK ASSEMBLY	1		
60	60	9008033-01	SCREW,PAN,PHIL 4-40X 9/16 SS	11		
61	61	9006557-00	NUT,KEP 4-40X 1/4 AF	11		
62	62	9006655-00	WASHER, FLAT, .312 O.D. X .125 I	11		
63	63	9008268-00	COMPOUND, THERMAL JOINT	A/R		
64	64	1210824-00	THERMOSTAT,0@215,C@15@,SPST,NORM	1		S1
65	65	9008185-00	NUT,KEP 6-32X 1/4 AF	1		
66	66	9006653-00	WASHER, FLAT, .375 O.D. X .156 I	1		
67	67	1205747-00	FUSE, SUB-MINI, 5.000A, 125V, A	1		F1
68	68	9006735-00	EYELET, FUNNEL FLANGE, .059 OD X	6		TP13-TP18
69	69	9007791-00	TERM PCB 2POS SOLDER,TURRET	13		TP0-TP12
70	70	1213922-01	HEADER 3POS	1		J1
71	71	1213922-04	HEADER 6POS	1		J2
72	72	1213900-00	CONN,RCPT 6POS	1		J3
73	73	1209941-06	HEADER,100 20POS RT ANGLE	1		J4
74	74	1209941-04	HEADER RT ANGLE,RIGHT	1		
75	75	1209941-03	HEADER RT ANGLE LEFT L	1		
76	76	1705324-00	4.99 K .25 W 1.0 Z RN55D-F10	2		R37,R30
77	77	1300250-00	150.0 .25 W 5.0 Z CC	1		R42

! D ! I ! G ! I ! T ! A ! L !	! TITLE	! SECTION A OF A	! SIZE ! CODE !	! DOCUMENT NUMBER	! REV !
! ! ! ! ! ! ! !	D.C. SERVO AND POWER SUPPLY	! ! ! ! ! ! ! !	! K ! PL !	5413534-0-DBP	! E !
! ! ! ! ! ! ! !	! ! ! ! ! ! ! !	! ! ! ! ! ! ! !	! ! ! ! ! ! ! !	! ! ! ! ! ! ! !	! ! ! ! ! ! ! !





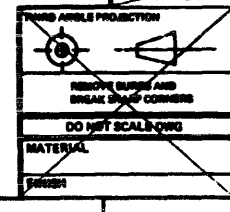
THIS DRAWING AND SPECIFICATIONS HEREIN ARE THE PROPERTY OF SPECTRA ELECTRONIC CORPORATION AND SHALL NOT BE REPRODUCED OR COPIED OR USED IN WHOLE OR IN PART AS THE BASIS FOR THE MANUFACTURE OF THIS OR OTHER EQUIPMENT WITHOUT THE WRITTEN PERMISSION OF SPECTRA ELECTRONIC CORPORATION.



- NOTES:
1. ALL RESISTORS TO BE 1/4W, 5%; UNLESS OTHERWISE SPECIFIED.
  2. ~~E1 AND E2 ARE SPARES~~
  3. VALUE OF R60 OR R61 WILL BE DETERMINED IN TESTING.
  4. INSTALL W1 AND W2 FOR RL01 ON SIDE 2. INSTALL W2 ONLY FOR RL02 ON SIDE 2.

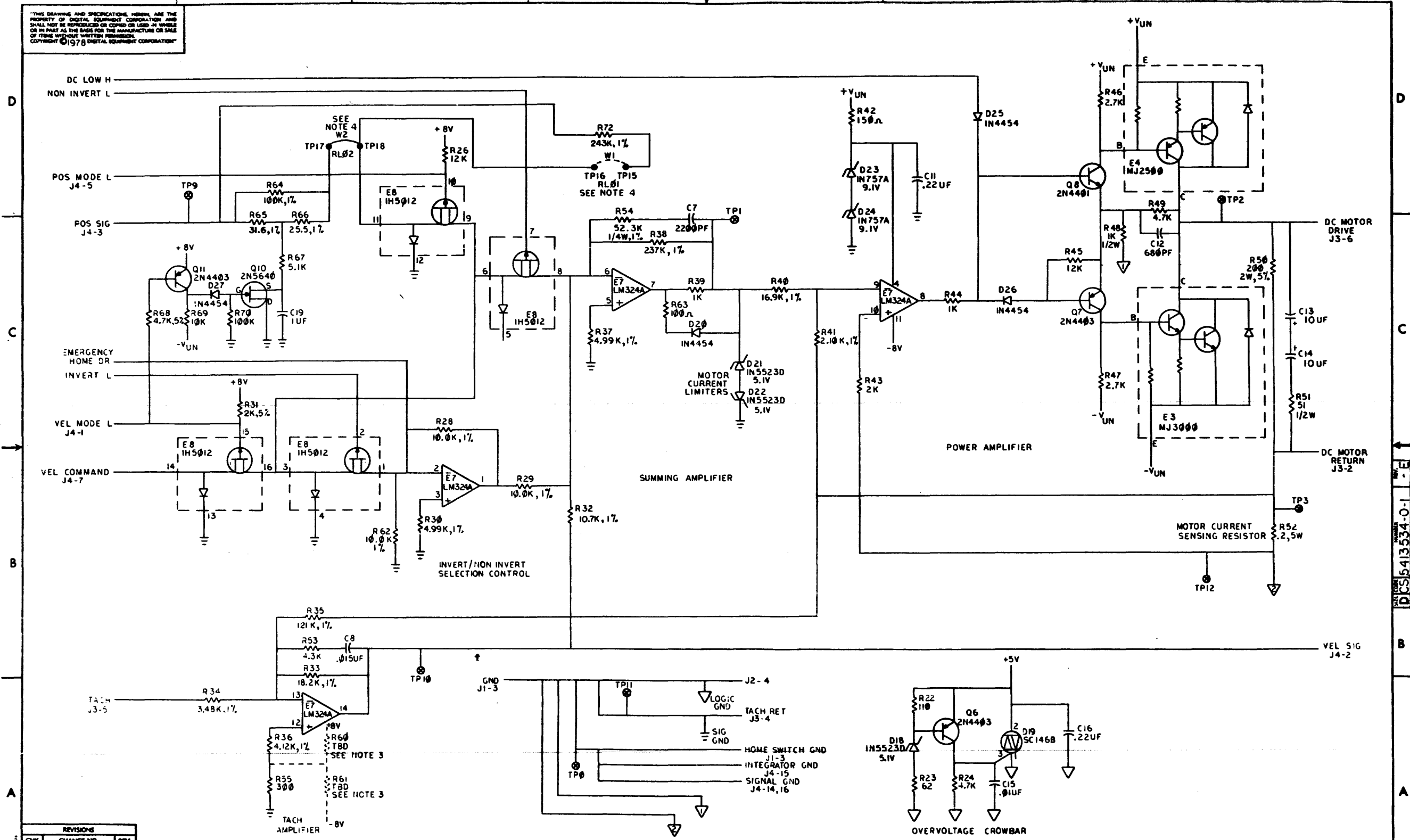
REV.	DATE	BY	CHKD	DESCRIPTION
1	08/17/61	M. ZARICH	M. ZARICH	DC SERVO AND POWER SUPPLY
2	09/17/61	M. ZARICH	M. ZARICH	REVISED TO ADD HOME SWITCH L J4-9
3	01/17/62	M. ZARICH	M. ZARICH	REVISED TO ADD POWER ON RESET L J4-13

DESCRIPTION	DWG./PART NO.	ITEM NO.
UNLESS OTHERWISE SPECIFIED DIMENSIONS ARE IN INCHES		
ANGLES	CLASS OF FINISH	NOMINAL DIMENSION RANGE INCHES
1/2°	ASSEMBLY	0.001 - 0.005
1°	PRECISION	0.005 - 0.010
2°	PRECISION	0.010 - 0.020
3°	PRECISION	0.020 - 0.050
4°	PRECISION	0.050 - 0.100
5°	PRECISION	0.100 - 0.200
6°	PRECISION	0.200 - 0.500
7°	PRECISION	0.500 - 1.000
8°	PRECISION	1.000 - 2.000
9°	PRECISION	2.000 - 5.000
10°	PRECISION	5.000 - 10.000
11°	PRECISION	10.000 - 20.000
12°	PRECISION	20.000 - 50.000
13°	PRECISION	50.000 - 100.000
14°	PRECISION	100.000 - 200.000
15°	PRECISION	200.000 - 500.000
16°	PRECISION	500.000 - 1000.000
17°	PRECISION	1000.000 - 2000.000
18°	PRECISION	2000.000 - 5000.000
19°	PRECISION	5000.000 - 10000.000
20°	PRECISION	10000.000 - 20000.000
21°	PRECISION	20000.000 - 50000.000
22°	PRECISION	50000.000 - 100000.000
23°	PRECISION	100000.000 - 200000.000
24°	PRECISION	200000.000 - 500000.000
25°	PRECISION	500000.000 - 1000000.000
26°	PRECISION	1000000.000 - 2000000.000
27°	PRECISION	2000000.000 - 5000000.000
28°	PRECISION	5000000.000 - 10000000.000
29°	PRECISION	10000000.000 - 20000000.000
30°	PRECISION	20000000.000 - 50000000.000
31°	PRECISION	50000000.000 - 100000000.000
32°	PRECISION	100000000.000 - 200000000.000
33°	PRECISION	200000000.000 - 500000000.000
34°	PRECISION	500000000.000 - 1000000000.000
35°	PRECISION	1000000000.000 - 2000000000.000
36°	PRECISION	2000000000.000 - 5000000000.000
37°	PRECISION	5000000000.000 - 10000000000.000
38°	PRECISION	10000000000.000 - 20000000000.000
39°	PRECISION	20000000000.000 - 50000000000.000
40°	PRECISION	50000000000.000 - 100000000000.000
41°	PRECISION	100000000000.000 - 200000000000.000
42°	PRECISION	200000000000.000 - 500000000000.000
43°	PRECISION	500000000000.000 - 1000000000000.000
44°	PRECISION	1000000000000.000 - 2000000000000.000
45°	PRECISION	2000000000000.000 - 5000000000000.000
46°	PRECISION	5000000000000.000 - 10000000000000.000
47°	PRECISION	10000000000000.000 - 20000000000000.000
48°	PRECISION	20000000000000.000 - 50000000000000.000
49°	PRECISION	50000000000000.000 - 100000000000000.000
50°	PRECISION	100000000000000.000 - 200000000000000.000
51°	PRECISION	200000000000000.000 - 500000000000000.000
52°	PRECISION	500000000000000.000 - 1000000000000000.000
53°	PRECISION	1000000000000000.000 - 2000000000000000.000
54°	PRECISION	2000000000000000.000 - 5000000000000000.000
55°	PRECISION	5000000000000000.000 - 10000000000000000.000
56°	PRECISION	10000000000000000.000 - 20000000000000000.000
57°	PRECISION	20000000000000000.000 - 50000000000000000.000
58°	PRECISION	50000000000000000.000 - 100000000000000000.000
59°	PRECISION	100000000000000000.000 - 200000000000000000.000
60°	PRECISION	200000000000000000.000 - 500000000000000000.000
61°	PRECISION	500000000000000000.000 - 1000000000000000000.000
62°	PRECISION	1000000000000000000.000 - 2000000000000000000.000
63°	PRECISION	2000000000000000000.000 - 5000000000000000000.000
64°	PRECISION	5000000000000000000.000 - 10000000000000000000.000
65°	PRECISION	10000000000000000000.000 - 20000000000000000000.000
66°	PRECISION	20000000000000000000.000 - 50000000000000000000.000
67°	PRECISION	50000000000000000000.000 - 100000000000000000000.000
68°	PRECISION	100000000000000000000.000 - 200000000000000000000.000
69°	PRECISION	200000000000000000000.000 - 500000000000000000000.000
70°	PRECISION	500000000000000000000.000 - 1000000000000000000000.000
71°	PRECISION	1000000000000000000000.000 - 2000000000000000000000.000
72°	PRECISION	2000000000000000000000.000 - 5000000000000000000000.000
73°	PRECISION	5000000000000000000000.000 - 10000000000000000000000.000
74°	PRECISION	10000000000000000000000.000 - 20000000000000000000000.000
75°	PRECISION	20000000000000000000000.000 - 50000000000000000000000.000
76°	PRECISION	50000000000000000000000.000 - 100000000000000000000000.000
77°	PRECISION	100000000000000000000000.000 - 200000000000000000000000.000
78°	PRECISION	200000000000000000000000.000 - 500000000000000000000000.000
79°	PRECISION	500000000000000000000000.000 - 1000000000000000000000000.000
80°	PRECISION	1000000000000000000000000.000 - 2000000000000000000000000.000
81°	PRECISION	2000000000000000000000000.000 - 5000000000000000000000000.000
82°	PRECISION	5000000000000000000000000.000 - 10000000000000000000000000.000
83°	PRECISION	10000000000000000000000000.000 - 20000000000000000000000000.000
84°	PRECISION	20000000000000000000000000.000 - 50000000000000000000000000.000
85°	PRECISION	50000000000000000000000000.000 - 100000000000000000000000000.000
86°	PRECISION	100000000000000000000000000.000 - 200000000000000000000000000.000
87°	PRECISION	200000000000000000000000000.000 - 500000000000000000000000000.000
88°	PRECISION	500000000000000000000000000.000 - 1000000000000000000000000000.000
89°	PRECISION	1000000000000000000000000000.000 - 2000000000000000000000000000.000
90°	PRECISION	2000000000000000000000000000.000 - 5000000000000000000000000000.000
91°	PRECISION	5000000000000000000000000000.000 - 10000000000000000000000000000.000
92°	PRECISION	10000000000000000000000000000.000 - 20000000000000000000000000000.000
93°	PRECISION	20000000000000000000000000000.000 - 50000000000000000000000000000.000
94°	PRECISION	50000000000000000000000000000.000 - 100000000000000000000000000000.000
95°	PRECISION	100000000000000000000000000000.000 - 200000000000000000000000000000.000
96°	PRECISION	200000000000000000000000000000.000 - 500000000000000000000000000000.000
97°	PRECISION	500000000000000000000000000000.000 - 1000000000000000000000000000000.000
98°	PRECISION	1000000000000000000000000000000.000 - 2000000000000000000000000000000.000
99°	PRECISION	2000000000000000000000000000000.000 - 5000000000000000000000000000000.000
100°	PRECISION	5000000000000000000000000000000.000 - 10000000000000000000000000000000.000



DRN. R. NICHOLS	01/17/62	FIRST USED ON	010000
CHK'D		TITLE	DC SERVO AND POWER SUPPLY
ENGR. J. T. GIBSON		SIZE	D
PROL. ENGR. J. T. GIBSON		CODE	CS5413534-0-1
PROD. J. T. GIBSON	01/17/62	NUMBER	1
DO NOT SCALE DIMS	NEXT HIGHER ASSY.	SCALE	
MATERIAL	D-UA-5413534-0-0	REV.	E
FINISH	SHEET 1 OF 2	DIST.	

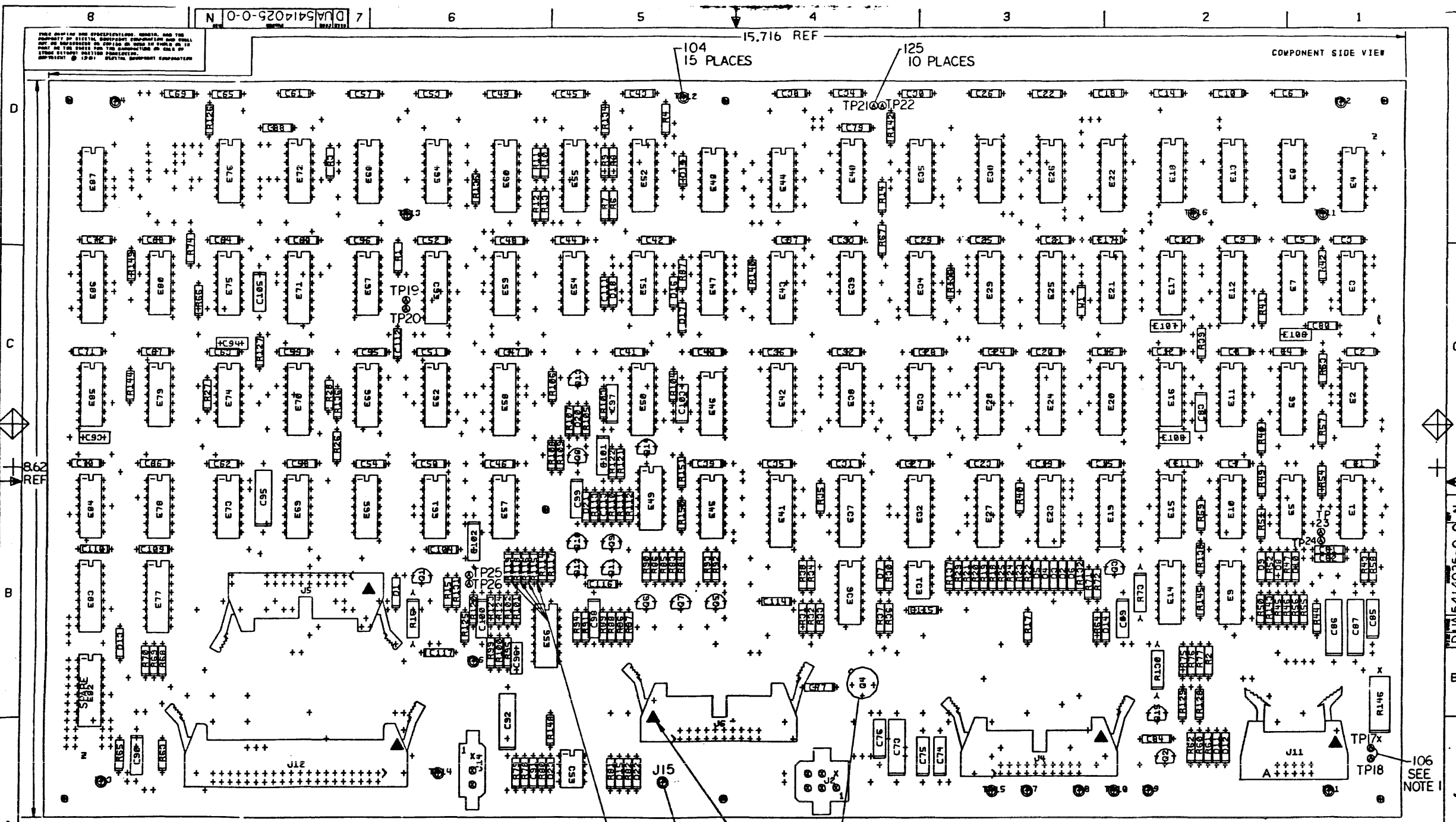
THIS DRAWING AND SPECIFICATIONS HEREIN ARE THE PROPERTY OF DIGITAL EQUIPMENT CORPORATION AND SHALL NOT BE REPRODUCED OR USED IN WHOLE OR IN PART AS THE BASIS FOR THE MANUFACTURE OR SALE OF ITEMS WITHOUT WRITTEN PERMISSION. COPYRIGHT © 1978 DIGITAL EQUIPMENT CORPORATION



REVISIONS		
CHK	CHANGE NO.	REV.

TITLE	DC SERVO AND POWER SUPPLY	SIZE CODE	D	NUMBER	5413534-0-1	REV.	E
SCALE		SHEET	2	OF 2			

THIS DRAWING IS THE PROPERTY OF THE COMPANY AND IS NOT TO BE REPRODUCED OR TRANSMITTED IN ANY FORM OR BY ANY MEANS, ELECTRONIC OR MECHANICAL, INCLUDING PHOTOCOPYING, RECORDING, OR BY ANY INFORMATION STORAGE AND RETRIEVAL SYSTEM. WITHOUT THE WRITTEN PERMISSION OF THE COMPANY.



NOTES:  
 1. INSTALL ITEM 106 AFTER TEST (BETWEEN TP17 & TP18 ONLY).  
 2. VALUE OF ITEM 2 TO BE DETERMINED AT NEXT HIGHER ASSEMBLY.  
 3. STAMP ORIENTATION TRIANGLES ON CONNECTORS AS SHOWN WITH INDELIBLE RED INK.

STEP	Y	RXIS	STEP	TIMES
REPEAT	X	RXIS	STEP	TIMES

CHG	NO	REV	DATE	BY	REASON
76	1	REVISED & REWORKED	10/25/76	RM	MANDRACIA
77	1	REVISED & REWORKED	10/25/76	RM	MANDRACIA
78	1	REVISED & REWORKED	10/25/76	RM	MANDRACIA

SEE NOTE 2  
 109  
 SEE NOTE 3  
 103

ETCH REV. E-P2
----------------

SIGNATURES		DATE
DRN. <i>[Signature]</i>		10/25/76
CHK'D. <i>[Signature]</i>		10/25/76
MECH. ENG. <i>[Signature]</i>		10/25/76
PROJ. ENG. <i>[Signature]</i>		10/25/76
PROD. <i>[Signature]</i>		10/25/76
SCALE 2/1		
SHT. 1 OF 1		
NEXT HIGHER ASSY. B-DD-5414025-0		

digital		
TITLE DRIVE LOGIC		
SIZE CODE	NUMBER	REV
D	UA 5414025-0-0	N

DRAWING NUMBER

DRAWING NUMBER

DUA 5414025-0-0

DUA 5414025-0-0

DUA 5414025-0-0 N

101

1 WO# 291-061E

LINE	ITEM	DOCUMENT NUMBER	PART NUMBER	DESCRIPTION	QTY	PPR VARIATION	REFERENCE DESIGNATOR
					00		
1	1	D-MD-5014024-0-0	5014024-00	DRILL AND ETCH BRD	1		
2	2	F45		RESISTOR, FINAL TEST, 1/4W, 1%	4		R115, R116, R118, R119
3	3		1000023-00	330.0 MWF 100V 5%200PPM MICA	4		C93, C106-C108
4	4		1000024-00	470.0 MWF 100V 5%200PPM MICA	1		C94
5	5		1000064-00	3.9MFD 10V 10% S.TANT	1		C85
6	6		1000076-00	39 MFD 10V 10% S.TANT	1		C86
7	7		1001610-00	.01 MFD 50V +80-20% Z5U CER	79		C1-C6, C8-C39, C40-C45, C47-C49, CONT. C51-C53, C55-C58, C70, C71, C77, CONT. C79-C82, C84, C88, C104, C113-C117: C92, C97
8	8		1001776-00	1 MFD 35V 10% S.TANT	2		C87
9	9		1004812-00	15 MFD 20V 10% S.TANT	1		C101
10	10		1013466-16	.010 MFD 50V 10% X7R CER	1		C96
11	11		1010978-32	.047 MFD 50V 10% CER	1		C91
12	12		1013466-07	220.0 MWF 50V 5% CER	1		C89, C90
13	13		1013466-08	680.0 MWF 50V 10% X7R CER	2		C83
14	14		1013466-09	1000.0 MWF 50V 10% X7R CER	1		C98, C103, C105
15	15		1013466-10	3300.0 MWF 50V 5% CER	3		C99, C102
16	16		1013466-11	.22 MFD 50V +.0-20% Z5U CER	2		D1, D7-D20, D22, D23
17	17		1111577-00	1N 4454 TR= 4NS PIV= 50 S	17		D21
18	18		1113953-00	1N 5523D VZ= 5.1 1%	1		D2-D6
19	19		1114117-00	1N 4152 PIV=40 I=75	5		
20	20		1209941-02	*** THIS ITEM IS NOT USED ***	-		
21	21		1209941-03	PCB, HEADER LATCH	1		
22	22		1209941-04	PCB, HEADER LATCH	1		
23	23		1209941-05	PCB, HEADER 10PIN(2X10).100CC 90D	1		J11
24	24		1209941-06	*** THIS ITEM IS NOT USED ***	-		
25	25		1210385-01	*** THIS ITEM IS NOT USED ***	-		
26	26		1213922-02	CONN, P+S 03PDS(1X03).165CC	1		J14
27	27		1213922-04	CONN, P+S 06PDS(2X03).165CC	1		J2
28	28		1300229-00	100.0 .25 x 5.0 % CF	6		R48, R133-R136, R151

REVISION HISTORY			BASIC PART NO: 5414025										
ENGR	ECO NUMBER	IRREV	SECTION A OF A	IDRN:	ART SIN#	DATE: 18-APR-79	ID	I	G	I	T	A	L
			SECTION VARIATION INDEX	CHK'D:	P. KENDRICK	DATE: 18-APR-79	TITLE PARTS LIST						
MB	15414025-CX001	1A	[CA] 00	DES.ENG:	MIKE BROWN	DATE: 18-APR-79	DRIVE LOGIC						
MB	15414025-CX002	1B	[CB]	RESP.ENG.:	MIKE BROWN	DATE: 18-APR-79	DOCUMENT NUMBER						
MB	15414025-CX003	1C	[CC]	MPG.ENG.:	D. LICK	DATE: 18-APR-79	SIZE	CODE	NUMBER	REV			
MB	15414025-CX005	1E	[CD]	ASSEMBLY NUMBER:			K	PL	5414025-0-DBP	K			
MB	15414025-CX010A	1F	[CE]	TOP DOCUMENT NUMBER:							FILE NAME:	EDIT #	
MB	15414025-CX014	1H	[CF]	#	B-DD-5414025-0						Z0496K.PLS	34	
MB	15414025-CX016	1J	[CH]										
MB	15414025-CX017	1K	[CJ]										
			[CK]										
			[CL]										
			[CM]										
			[CN]										

*MB*  
*21 Oct 79*

"THIS DRAWING AND SPECIFICATIONS HEREIN, ARE THE PROPERTY OF DIGITAL EQUIPMENT CORPORATION AND SHALL NOT BE REPRODUCED OR COPIED OR USED IN WHOLE OR IN PART AS THE BASIS FOR THE MANUFACTURE OR SALE OF ITEMS WITHOUT WRITTEN PERMISSION. COPYRIGHT (C) 1982. DIGITAL EQUIPMENT CORPORATION"

LINE	ITEM	DOCUMENT NUMBER	PART NUMBER	DESCRIPTION	QTY	PER VARIATION	REFERENCE DESIGNATOR
					00		
29	29		1300271-00	220.0 .25 W 5.0 % CF	4		R3,R14,R41,R143
30	30		1300315-00	470.0 .50 W 5.0 % CF	3		R15,R73,R130
31	31		1300316-00	470.0 .25 W 5.0 % CF	4		R1,R2,R79,R142
32	32		1300365-00	1.0 K .25 W 5.0 % CF	15	CONT	R15,R39,R40,R42,R47,R52,R54,R56, R61,R72,R74,R101,R106,R129,R140 R134
33	33		1300411-00	2.0 K .25 W 1.0 % RN55D-F10	1		R93,R124,R126
34	34		1300439-00	3.30 K .25 W 5.0 % CF	3		R4,R6-R13,R26-R28,R34,R35,R38, R43,R44,R49,R53,R57,R58,R75-R78,
35	35		1300447-00	4.70 K .25 W 5.0 % CF	36	CONT	R80,R82,R92,R102,R105,R123,R125, R127,R138,R145,R148
36	36		1300479-00	10.0 K .25 W 5.0 % CF	3		R17,R70,R107
37	37		1302388-00	2.0 K .25 W 5.0 % CF	14	CONT	R18-R21,R45,R50,R66,R67,R71,R87, R122,R128,R131,R149
38	38		1302391-00	20.0 K .25 W 5.0 % CF	1		R59
39	39		1302394-00	30.0 K .25 W 5.0 % CF	1		R95
40	40		1302398-00	470.0 K .25 W 5.0 % CF	1		R55
41	41		1302466-00	100.0 K .25 W 5.0 % CF	1		R121
42	42		1302514-00	39.0 K .25 W 5.0 % CF	1		R91
43	43		1302666-00	10.0 M .25 W 5.0 % CF	1		R94
44	44		1302871-00	1.21 K .25 W 1.0 % RN55D-F10	1		R08
45	45		1303044-00	100.0 K .25 W 1.0 % RN55D-F10	1		R25
46	46		1303047-00	464.0 .25 W 1.0 % RN55D-F10	5		R64,R65,R83,R85,R113
47	47		1303114-00	1.0 K .25 W 1.0 % RN55D-F10	2		R89,R150
48	48		1303312-00	10.0 K .25 W 1.0 % RN55D-F10	6		R29,R30,R31,R36,R60,R63
49	49		1304693-00	*** THIS ITEM IS NOT USED ***	-		
50	50		1304841-00	75.0 K .25 W 5.0 % CF	1		R81
51	51		1304862-00	*** THIS ITEM IS NOT USED ***	-		
52	52		1304870-00	6.31 K .25 W 1.0 % RN55D-F10	1		R33
53	53		1305124-00	287.0 .25 W 1.0 % RN55D-F10	2		R84,R86
54	54		1305265-00	39.20 K .25 W 1.0 % RN55D-F10	1		R24
55	55		1305337-00	3.65 K .25 W 1.0 % RN55D-F10	2		R96,R99
56	56		1305405-00	24.90 K .25 W 1.0 % RN55D-F10	1		R23
57	57		1309595-00	1.0 M .25 W 5.0 % CF	3		R46,R51,R132
58	58		1310632-00	2.37 K .25 W 1.0 % RN55D-F10	2		R109,R110
59	59		1317303-00	301.0 .25 W 1.0 % RN55D-F10	2		R97,R100
60	60		1312929-00	*** THIS ITEM IS NOT USED ***	-		
61	61		1312930-00	5.10 K .25 W 5.0 % CF	3		R68,R69,R137
62	62		1312989-00	17.80 K .25 W 1.0 % RN55D-F10	3		R22,R103,R104
63	63		1313589-00	1.40 K .25 W 1.0 % RN55D-F10	1		R90
64	64		1313846-00	2.26 K .25 W 1.0 % RN55D-F10	1		R32
65	65		1314041-00	3.01 K .25 W 1.0 % RN55D-F10	1		R37
66	66		1314491-00	*** THIS ITEM IS NOT USED ***	-		
67	67		1513489-00	2N 4401 NPN 350MW SI 40 20	3		Q7,Q10,Q12
68	68		1513490-00	2N 4403 PNP 350MW SI-40 30	10		Q1-Q3,Q5,Q6,Q8,Q9,Q11,Q13,Q15
69	69		1513697-00	2N 5640 FET N CHNWL	1		Q14
70	70		1909928-00	7416 INVERTER GATE-HEX 11	4		E9,E10,E68,E85
71	71		1910046-00	7442 DECODER-1 OF 10,BCD	1		E55

D	I	G	I	T	A	L	TITLE	SECTION A	OF	A	SIZE	CODE	DOCUMENT NUMBER	REV
							DRIVE LOGIC						5414025-0-DBP	K

LINE	ITEM	DOCUMENT NUMBER	PART NUMBER	DESCRIPTION	QTY PER VARIATION 00	REFERENCE DESIGNATOR
72	72		1910268-00	DEC 751078 RECEIVER,LINE,DUAL,	4	E57,E61,E65,E87
73	73		1910298-00	741 OP AMP GEN PURP. COM	1	E31
74	74		1910363-00	7496 SHIFT REG.,5BIT	1	E63
75	75		1910536-00	74S10 NAND GATE-TRIPLE 3IN	1	C45
76	76		1910655-00	74157 MUX 2 TO 1 QUAD	2	E23,E24
77	77		1911341-00	75113 DRIVER,LINE,DUAL,MA	3	E77,E83,E86
78	78		1912107-01	324ANDP AMP,QUAD	1	E49
79	79		1912108-00	339 VOLT CMPRTR,QUAD	3	E5,E36,E56
80	80		1912541-00	79M05 VOLT REG,FIX -5V	1	Q4
81	81		1912697-00	LS174 PF-D HEX W/CLEAR	2	E37,E41
82	82		1912799-00	LS00 NAND-GATE-QUAD 2IN,P	4	E7,E15,E44,E67
83	83		1912801-00	LS02 NOR-GATE-QUAD 2IN	4	E1,E30,E39,E54
84	84		1912803-00	LS04 INVERTER GATE,HEX	2	E79,E80
85	85		1912805-00	LS08 AND GATE-QUAD 2IN,PO	6	E13,E34,E38,E69,E72,E76
86	86		1912807-00	LS10 NAND GATE-TRIPLE 3IN	1	E18
87	87		1912810-00	LS20 NAND GATE-DUAL 4IN	1	E2
88	88		1912813-00	LS27 NOR GATE-TRIPLE 3IN	1	E73
89	89		1912815-00	LS32 OR GATE-QUAD 2IN,POS	4	E17,E35,E59,E84
90	90		1912824-00	LS74 PF-D DUAL,EDGE TRIGG	8	E3,E11,E16,E26,E42,E46,E62,E75
91	91		1912829-00	LS86 X-OR GATE-QUAD 2IN	3	E51,E66,E78
92	92		1912837-00	LS123 ONE SHOT-DUAL,RETRIG	1	E50
93	93		1912854-00	LS193 COUNTER,SYNCHR,4BIT,	3	E27,E28,E43
94	94		1912855-00	LS195 SHIFT REG.,4BIT PARA	5	E19-E22,E25
95	95		1912857-00	LS197 COUNTER,BINARY,PRESET	4	E4,E8,E13,E74
96	96		1912864-00	LS279 LATCH,QUAD-S-R	6	E6,E12,E29,E33,E58,E71
97	97		1913411-00	LS14 INVERTER GATE-HEX SC	2	E40,E48
98	98		1914156-00	LM 393 VGLT.COMPARATOR DUAL	1	E53
99	99		23368A2-00	A2-02,A2-04	1	E52
100	100		23371A2-00	A2-02,A2-04	1	E60
101	101		23444A2-00	A2-02,A2-04	1	E70
102	102		23445A2-00	A2-02,A2-04	1	E32
103	103		9007201-00	PAD,MOUNTING,COMPONENT	1	
104	104		9007791-00	TERM PCB 2POS SOLDER,TURRET	15	TP1-TP4,TP6-TP16
105	105		9009185-00	JUMPER, WIRE, INSULATED, BLACK B	1	W1
106	106		9105740-55	WIRE(WRAP) 30AWG KYNAR UL14	A/R	
107	107		1012784-00	.047 MFD 50V +80-20% CER	10	C7,C46,C50,C54,C69,C72,C109, CONT. C110,C111,C112
108	108		1911324-00	7414 INVERTER,HEX 1IN SCH	1	E64
109	109		1217377-00	TERM,TAB .205TAB CRIMP	1	J15
110	110		1005334-00	*** THIS ITEM IS NOT USED ***	-	
111	111		1305608-00	*** THIS ITEM IS NOT USED ***	-	
112	112		1303067-00	422.0 .25 W 1.0 % RN55D-F10	1	R108
113	113		1311465-00	43.0 .25 W 5.0 % CF	2	R111,R112
114	114		1018440-00	4700.0 MMF 50V 1% CER	1	C100
115	115		1016549-00	47 MFD 10V +50-10% AL EL	2	C73,C95
116	116		1017472-00	10 MFD 35V +50-10% AL EL	3	C74,C75,C76
117	117		1300309-00	390.0 .25 W 5.0 % CF	1	R62
118	118		1305126-00	619.0 .25 W 1.0 % RN55D-F10	1	R114

D	I	G	I	T	A	L	TITLE	SECTION A OF A	SIZE	CODE	DOCUMENT NUMBER	REV
							DRIVE LOGIC		K	PL	5413025-0-DBP	K

ACTOMATED BY FRTLST.3H(20)

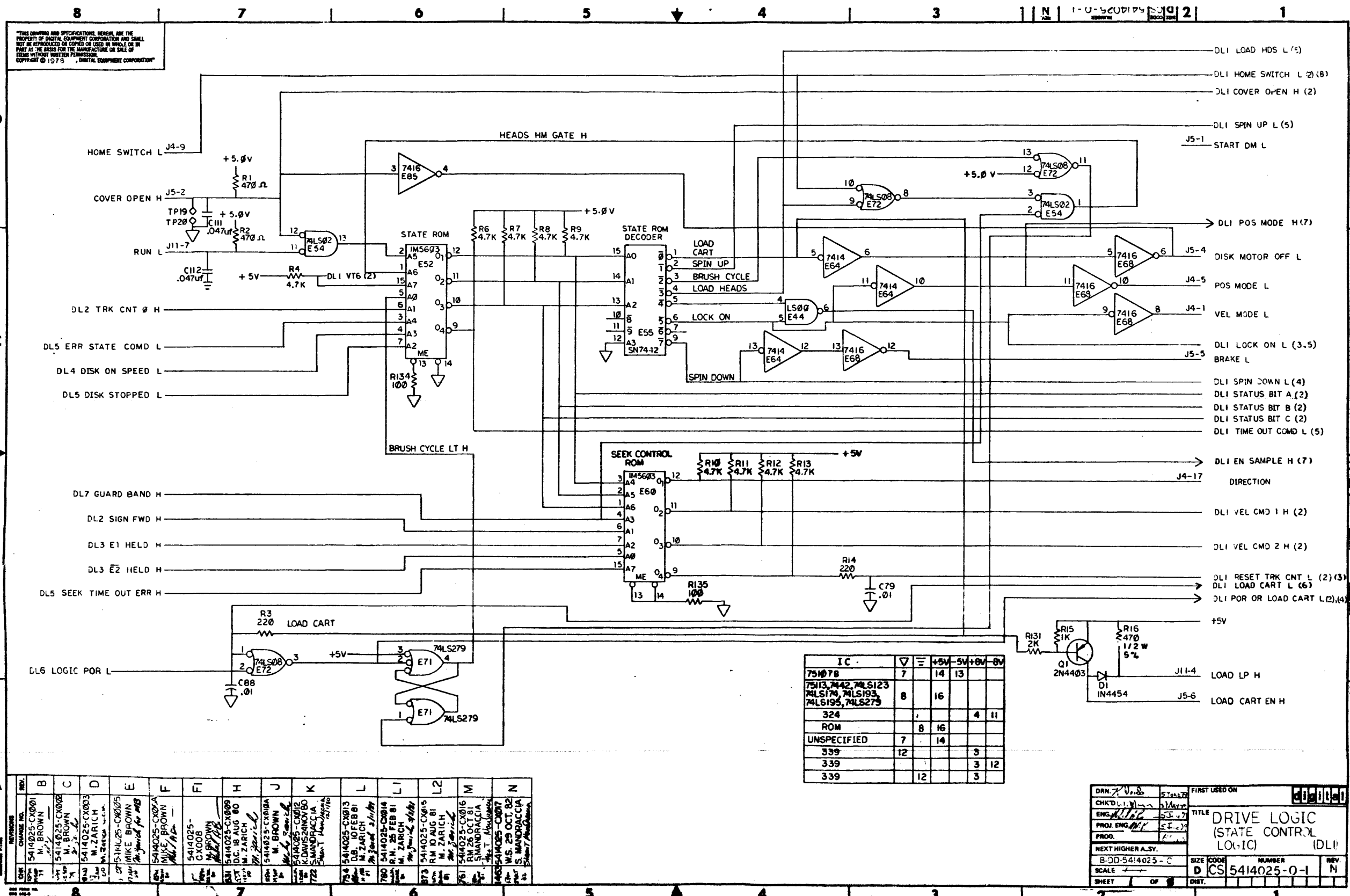
P A R T S L I S T

SHEET A4 OF A4

LINE ITEM	DOCUMENT NUMBER	PART NUMBER	DESCRIPTION	QTY PER VARIATION 00	REFERENCE DESIGNATOR
119	119	1309417-00	27.40 K .25 W 1.0 & RN55D-F10	1	R120
120	120	1313155-00	604.0 .25 W 1.0 & RN55D-F10	1	R117
121	121	1910544-00	74S74 FP-D DUAL,EDGE TRIGG	1	E47
122	122	1216832-02	PCB,HEADER 40POS(2X20).100CC 90D	1	J12
123	123	1216837-00	PCB,HEADER 20POS(2X10).100CC 90D	3	J4,J5,J6
124	124	1305653-00	22.0 1.0 W10.0 & CC	1	R146
125	125	9009149-01	PIN,STAKING 0.235 HX0.345LG SQUA	10	TP17-TP26

DIGITIZER										TITLE		DRIVE LOGIC		SECTION A OF A		SIZE/ CODE		DOCUMENT NUMBER		REV	
																K PL		5414025-0-DBP		K	





THIS DRAWING AND SPECIFICATIONS HEREAFTER ARE THE PROPERTY OF DIGITAL EQUIPMENT CORPORATION AND SHALL NOT BE REPRODUCED OR COPIED OR USED IN WHOLE OR IN PART AS THE BASIS FOR THE MANUFACTURE OR SALE OF ITEMS WITHOUT WRITTEN PERMISSION. DIGITAL EQUIPMENT CORPORATION © 1975

IC	Q	W	+5V	-5V	+0V	-0V
75107B	7	14	13			
75113, 7442, 74LS123	8	16				
74LS174, 74LS193, 74LS195, 74LS279				4	11	
324						
ROM	8	16				
UNSPECIFIED	7	14				
339	12			3		
339				3	12	
339		12		3		

REV.	DATE	BY	CHKD.	APP.	DESCRIPTION
1	5/14/025-CX001	M. BROWN			INITIALS
2	5/14/025-CX002	M. BROWN			INITIALS
3	5/14/025-CX003	M. BROWN			INITIALS
4	5/14/025-CX004	M. ZARICH			INITIALS
5	5/14/025-CX005	M. BROWN			INITIALS
6	5/14/025-CX006	M. BROWN			INITIALS
7	5/14/025-CX007	M. BROWN			INITIALS
8	5/14/025-CX008	M. BROWN			INITIALS
9	5/14/025-CX009	M. ZARICH			INITIALS
10	5/14/025-CX010	M. ZARICH			INITIALS
11	5/14/025-CX011	M. BROWN			INITIALS
12	5/14/025-CX012	M. ZARICH			INITIALS
13	5/14/025-CX013	M. ZARICH			INITIALS
14	5/14/025-CX014	M. ZARICH			INITIALS
15	5/14/025-CX015	M. ZARICH			INITIALS
16	5/14/025-CX016	M. ZARICH			INITIALS
17	5/14/025-CX017	M. ZARICH			INITIALS
18	5/14/025-CX018	M. ZARICH			INITIALS
19	5/14/025-CX019	M. ZARICH			INITIALS
20	5/14/025-CX020	M. ZARICH			INITIALS

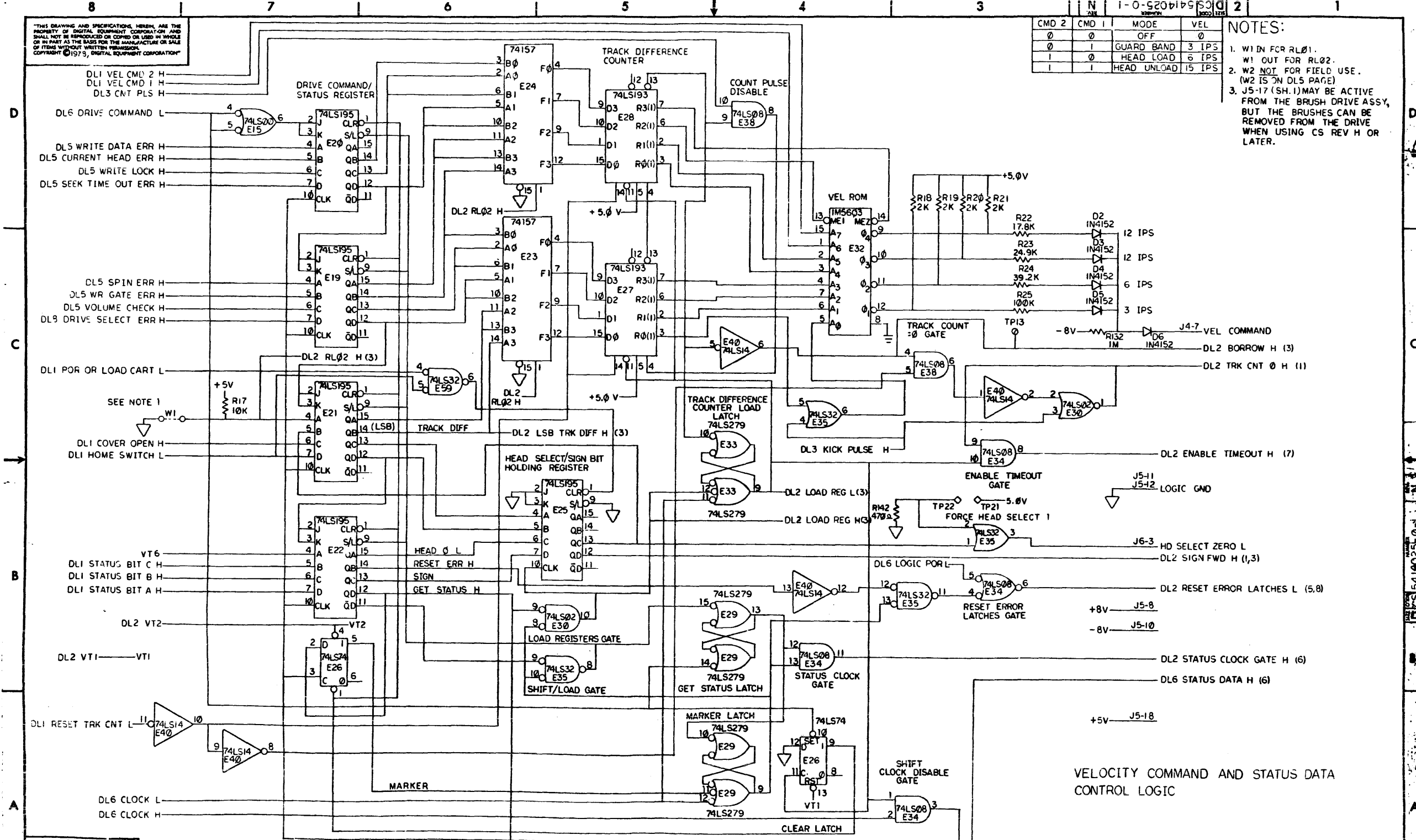
DRN. V. S.	5/14/025	FIRST USED ON	
CHKD. L. J. W.	5/14/025	TITLE	DRIVE LOGIC (STATE CONTROL LOGIC) (DLI)
ENG. M. B.	5/14/025	PROJ. ENG.	
PROJ. ENG. M. B.	5/14/025	PROJ. NO.	
SCALE		SIZE	D CS
SHEET	1 OF 8	NUMBER	5414025-0-1
		REV.	N

D-C-5414025-B-1 1 OF 8 R102

THIS DRAWING AND SPECIFICATIONS HEREIN ARE THE PROPERTY OF DIGITAL EQUIPMENT CORPORATION AND SHALL NOT BE REPRODUCED OR COPIED OR USED IN WHOLE OR IN PART AS THE BASIS FOR THE MANUFACTURE OR SALE OF ITEMS WITHOUT WRITTEN PERMISSION. COPYRIGHT © 1979, DIGITAL EQUIPMENT CORPORATION

CMD 2	CMD 1	MODE	VEL
0	0	OFF	0
0	1	GUARD BAND	3 IPS
1	0	HEAD LOAD	6 IPS
1	1	HEAD UNLOAD	15 IPS

NOTES:  
 1. W1 IN FOR RL01.  
 W1 OUT FOR RL02.  
 2. W2 NOT FOR FIELD USE.  
 (W2 IS ON DL5 PAGE)  
 3. J5-17 (SH.1) MAY BE ACTIVE FROM THE BRUSH DRIVE ASSY, BUT THE BRUSHES CAN BE REMOVED FROM THE DRIVE WHEN USING CS REV H OR LATER.

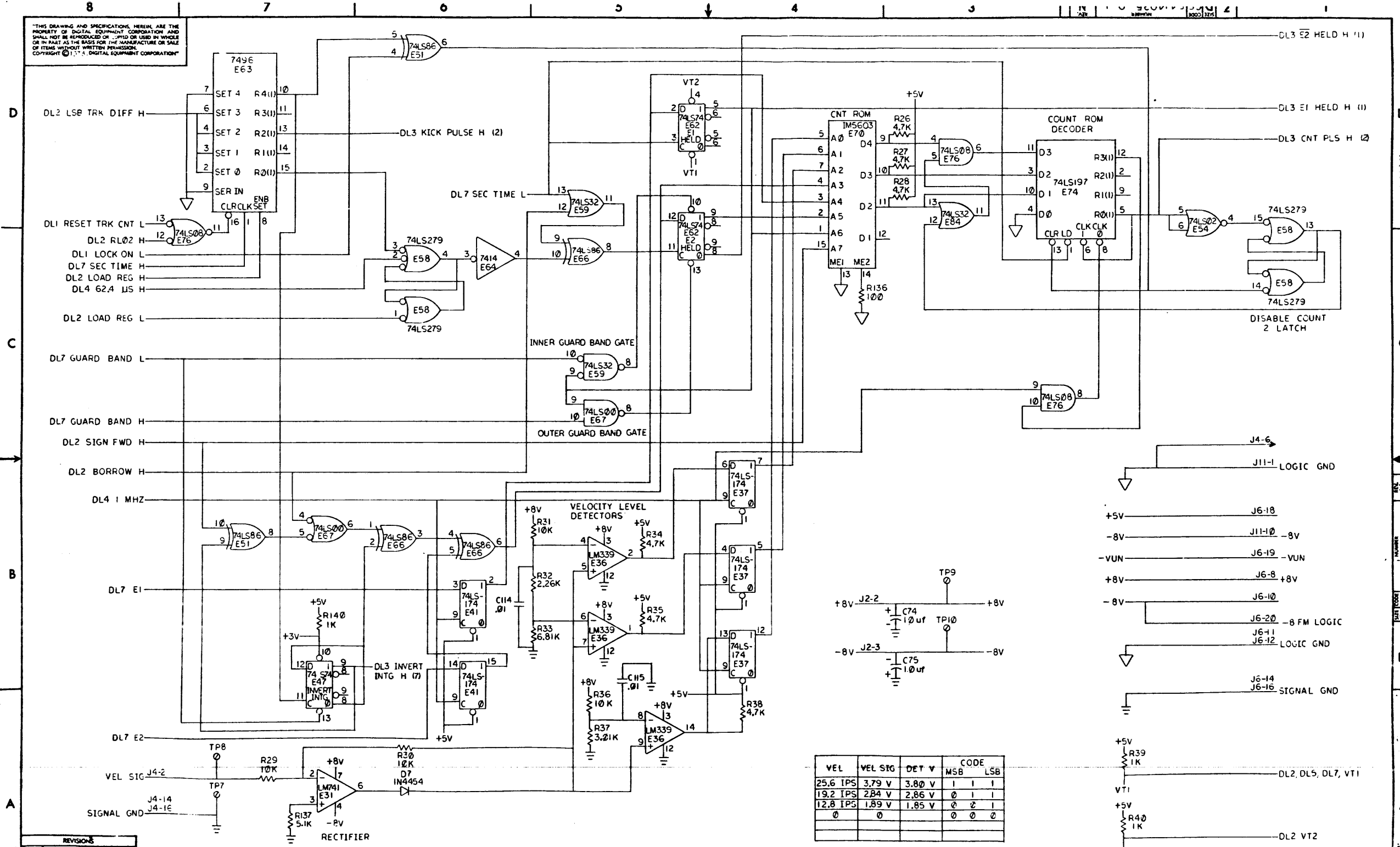


D-LS-5414025-0-1 2 OF 8 RL02

CHK	CHANGE N°	REV.

TITLE	DRIVE LOGIC (DL2)	SIZE CODE	D	NUMBER	5414025-0-1	REV.	N
SCALE	1:1	SHEET	2	OF	8	DIST.	

THIS DRAWING AND SPECIFICATIONS HEREIN ARE THE PROPERTY OF DIGITAL EQUIPMENT CORPORATION AND SHALL NOT BE REPRODUCED OR COPIED OR USED IN WHOLE OR IN PART AS THE BASIS FOR THE MANUFACTURE OR SALE OF ITEMS WITHOUT WRITTEN PERMISSION. COPYRIGHT © 1974, DIGITAL EQUIPMENT CORPORATION



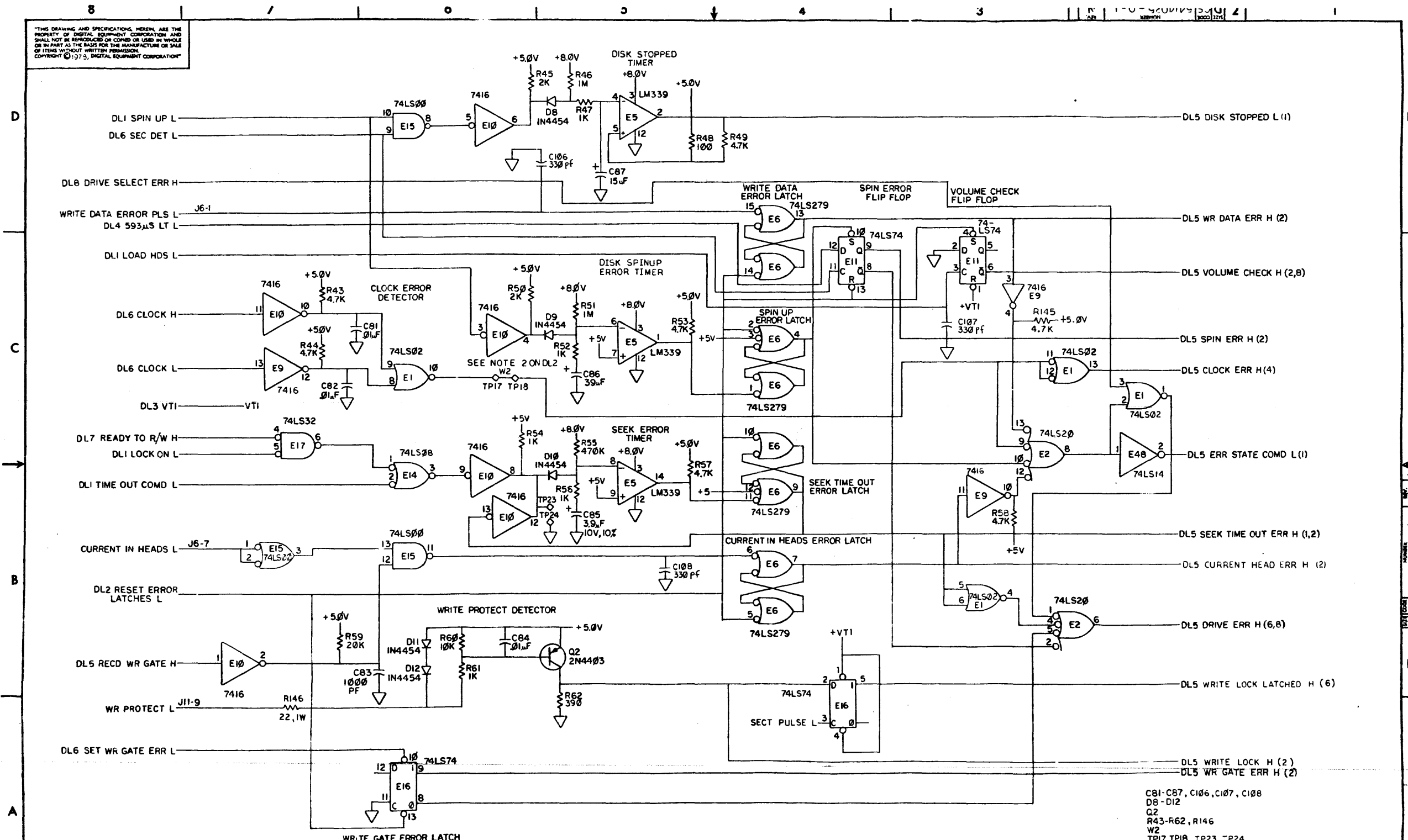
REVISIONS		
CHK	CHANGE NO.	REV.

TITLE DRIVE LOGIC (DL3)  
 SCALE → SHEET 3 OF 3  
 NUMBER DCS 5414025 - 0 - 1  
 REV. N

D-C5-5414025 - 0 - 1 3 OF 3 R102



THIS DRAWING AND SPECIFICATIONS HEREIN ARE THE PROPERTY OF DIGITAL EQUIPMENT CORPORATION AND SHALL NOT BE REPRODUCED OR COPIED OR USED IN WHOLE OR IN PART AS THE BASIS FOR THE MANUFACTURE OR SALE OF ITEMS WITHOUT WRITTEN PERMISSION. COPYRIGHT © 1973, DIGITAL EQUIPMENT CORPORATION



C81-C87, C106, C107, C108  
 D8-D12  
 Q2  
 R43-R62, R146  
 W2  
 TP17, TP18, TP23, TP24

REVISIONS		
CHK	CHANGE NO.	REV.

TITLE	DRIVE LOGIC (ERROR LOGIC) (DL5)	SIZE CODE	D CS	NUMBER	5414023-0-1	REV.	N
SCALE		SHEET	5	OF	8	DIST.	

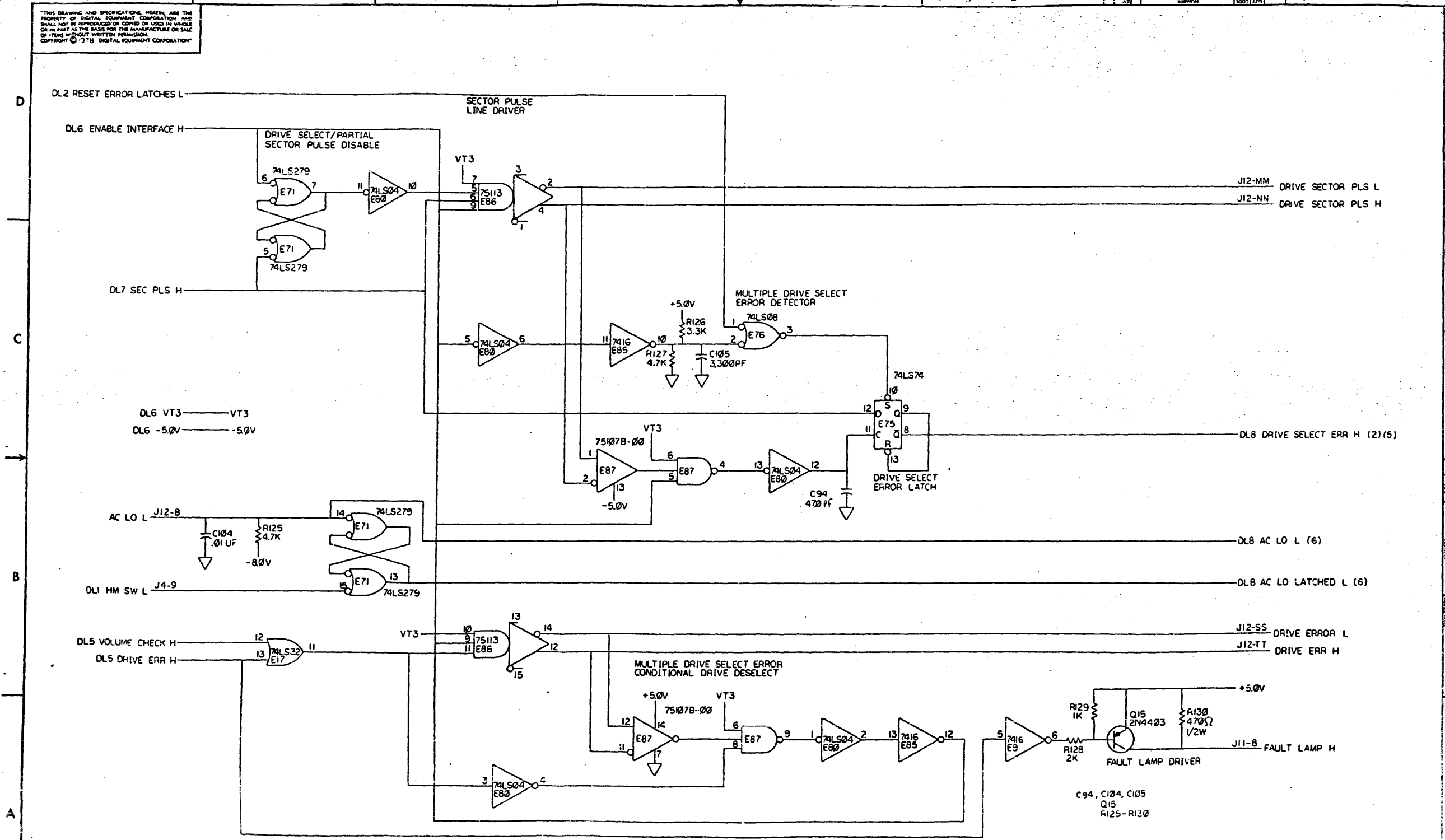
D-LS-5414023-B-1 5 OF 8 R102  
 1-0-520194  
 DCS 5414023-0-1





THIS DRAWING AND SPECIFICATIONS HEREIN ARE THE PROPERTY OF DIGITAL EQUIPMENT CORPORATION AND SHALL NOT BE REPRODUCED OR COPIED OR USED IN WHOLE OR IN PART AS THE BASIS FOR THE MANUFACTURE OR SALE OF ITEMS WITHOUT WRITTEN PERMISSION. COPYRIGHT © 1978 DIGITAL EQUIPMENT CORPORATION

1-0-201915 [D]CS 5414025-0-1 2



REVISIONS		
CHK	CHANGE NO	D.Y.

TITLE	SIZE CODE	NUMBER	REV.
DRIVE LOGIC (DL8)	D CS 5414025-0-1	8 OF 8	N
SCALE	SHEET	DIST.	

D-CS-5414025-0-1 8 OF 8 R102