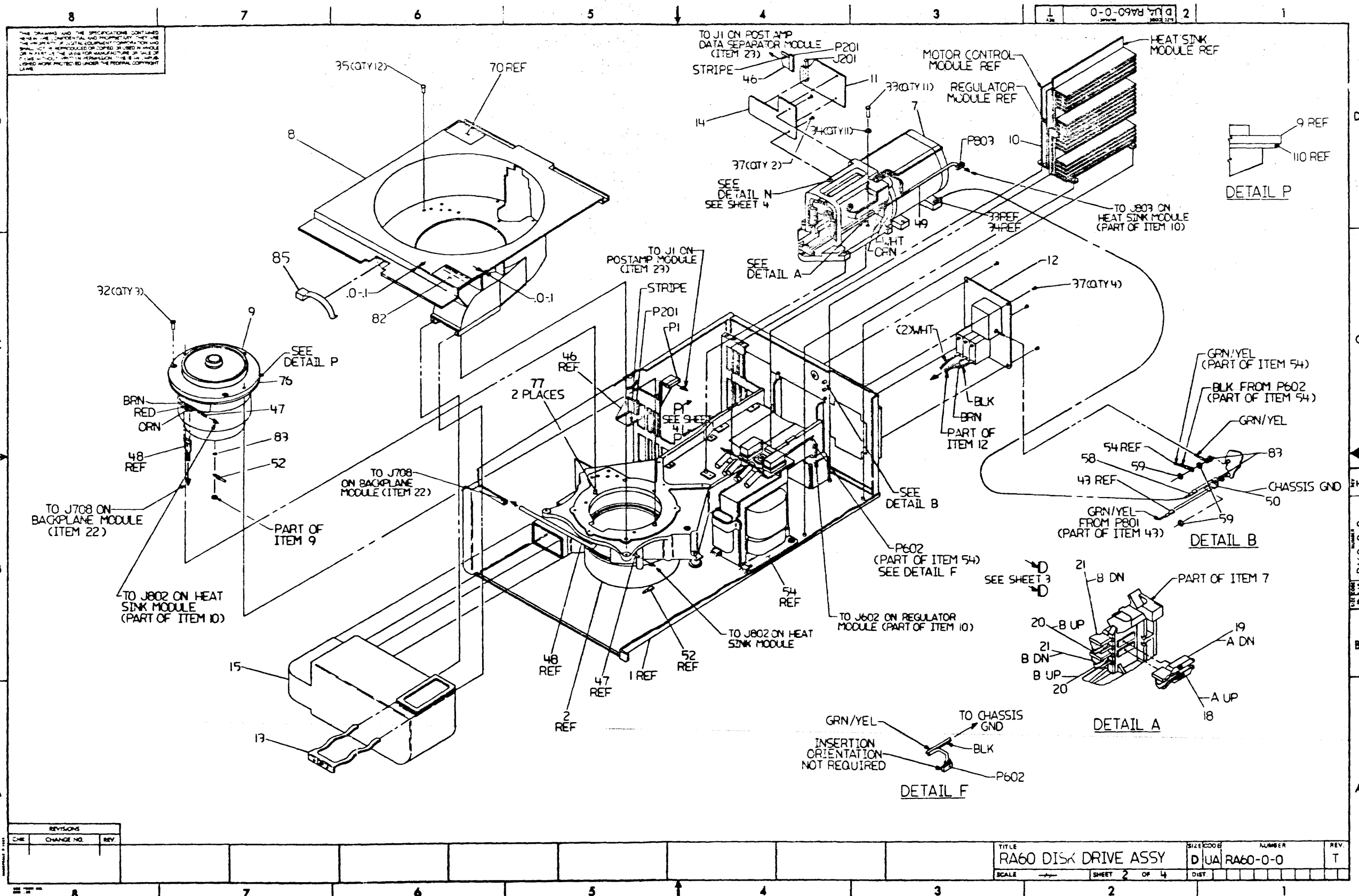


"THIS DRAWING AND SPECIFICATIONS, HEREIN, ARE THE PROPERTY OF DIGITAL EQUIPMENT CORPORATION AND SHALL NOT BE REPRODUCED OR COPIED OR USED IN WHOLE OR IN PART AS THE BASIS FOR THE MANUFACTURE OR SALE OF ITEMS WITHOUT WRITTEN PERMISSION. 1982
 COPYRIGHT © DIGITAL EQUIPMENT CORPORATION"

DRAWING NUMBER	DESCRIPTION
D-AD-7018474-0-0	POWER MODULE ASSEMBLY
K-PL-7018474-0-DBP	POWER MODULE ASSEMBLY
D-AD-7018476-0-0	CAPACITOR/RECTIFIER ASSEMBLY
K-PL-7018476-0-DBP	CAPACITOR/RECTIFIER ASSEMBLY
D-IA-7018477-0-0	TRANSFORMER ASSEMBLY
K-PL-7018477-0-DBP	TRANSFORMER ASSEMBLY



THE DIMENSIONS AND THE SPECIFICATIONS CONTAINED HEREIN ARE CONFIDENTIAL AND PROPRIETARY. THEY ARE THE PROPERTY OF DIGITAL EQUIPMENT CORPORATION AND SHALL NOT BE REPRODUCED OR COPIED IN WHOLE OR IN PART IN ANY MANNER FOR MANUFACTURE OR SALE OF ITEMS WITHOUT WRITTEN PERMISSION. THIS DRAWING IS UNCLASSIFIED WORK PROTECTED UNDER THE FEDERAL COPYRIGHT LAWS.

1 0-0-0 RA60-0-0 2

REVISIONS		
CHG	CHANGE NO.	REV.

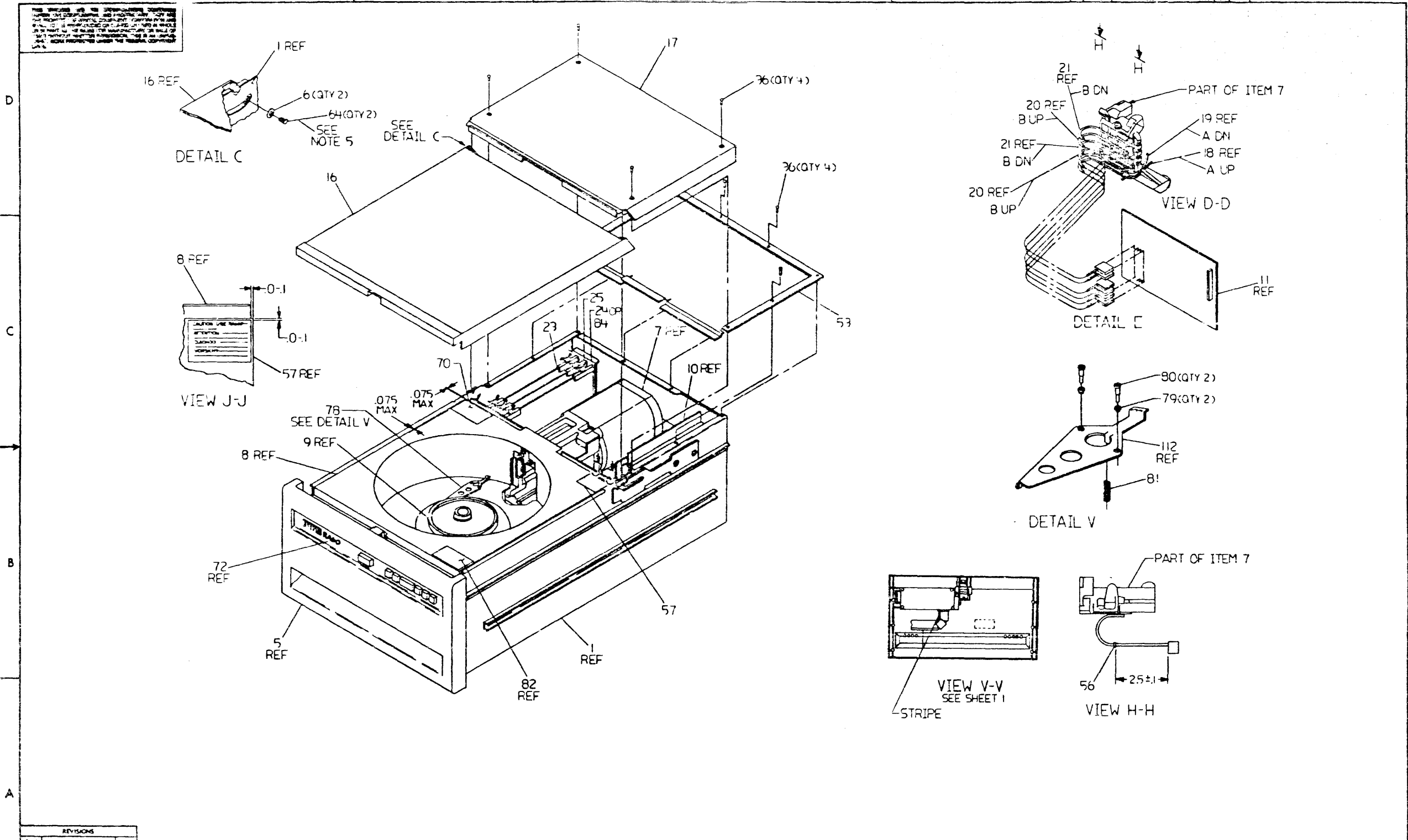
TITLE	RA60 DISK DRIVE ASSY	SIZE	E00 B	NUMBER	D U A RA60-0-0	REV.	T
SCALE		SHEET	2 OF 4	DIST			

DMR RA60-0-0
 DRAWING NUMBER
 0-0-0 RA60-0-0

2004
 DIGITAL

8 7 6 5 4 3 2 1

THIS DRAWING IS THE PROPERTY OF THE UNITED STATES GOVERNMENT AND IS TO BE REPRODUCED IN WHOLE OR IN PART BY ANY PERSON OR ORGANIZATION WITHOUT PERMISSION OF THE UNITED STATES GOVERNMENT. IT IS TO BE REPRODUCED IN WHOLE OR IN PART BY ANY PERSON OR ORGANIZATION WITHOUT PERMISSION OF THE UNITED STATES GOVERNMENT. IT IS TO BE REPRODUCED IN WHOLE OR IN PART BY ANY PERSON OR ORGANIZATION WITHOUT PERMISSION OF THE UNITED STATES GOVERNMENT.



REVISIONS		
CHK	CHANGE NO	REV

TITLE	RA60 DISK DRIVE ASSY	SIZE CODE	D UA	NUMBER	RA60-0-0	REV	T
SCALE		SHEET	3	OF	4	DIST.	

8 7 6 5 4 3 2 1

RA60-0-0
 DISK DRIVE ASSY
 RA60-0-0



LINE ITEM	TOP DOCUMENT	PART NUMBER	MIN REV	DESCRIPTION	QTY PER VARIATION
1	1	D-AD-7018471-0-0	7018471-01	CHASSIS ASSEMBLY	1
2	2	E-AD-7018450-0-0	7018450-01	DECK ASSEMBLY	1
3	3	D-AD-7018476-0-0	7018476-01	CAPACITOR/RECTIFIER ASSEMBLY	1
4	4		9006662-00	WASHER,FLAT SST	2
5	5	D-AD-7018470-0-0	7018470-01	BEZEL ASSEMBLY	1
6	6		1219711-01	WASHER,SHOULDER NYLON	2
7	7	D-AD-7018452-0-0	7018452-01	POSITIONER ASSEMBLY	1
8	8	D-IA-7018480-0-0	7018480-01	DISK WELL ASSEMBLY	1
9	9	D-IA-7017740-0-0	7017740-01	SPINDLE ASSEMBLY	1
10	10	D-AD-7018474-0-0	7018474-01	POWER MODULE ASSEMBLY	1
11	11	B-DD-5415268-0-0	5415268-01	PREAMP MODULE	1
12	12	D-AD-7018473-0-0	7018473-01	SWITCH PLATE ASSEMBLY	1
13	13	C-MD-7425340-0-0	7425340-01	CLAMP, FILTER	1
14	14	D-IA-7425455-0-0	7425455-01	PLATE,CARD SUPPORT	1
15	15	E-IA-7017742-0-0	7017742-01	AIR FILTER ASSEMBLY	1
16	16	D-IA-7018472-0-0	7018472-01	FRONT COVER ASSEMBLY	1
17	17	D-MD-7425334-0-0	7425334-01	COVER,REAR	1
18	18	A-SP-7018461-0-1	7018461-01	RA60 DATA HEAD (A-UP)	1
19	19	A-SP-7018461-0-1	7018461-02	RA60 DATA HEAD (A-DOWN)	1
20	20	A-SP-7018461-0-1	7018461-03	RA60 DATA HEAD (B-UP)	2
21	21	A-SP-7018461-0-1	7018461-04	RA60 DATA HEAD (B-DOWN)	2
22	22	B-DD-5415278-0-0	5415278-01	BACKPLANE MODULE	1
23	23	B-DD-5415264-0-0	5415264-01	POST AMP/DATA SEPARATOR MODULE	1
24	24	B-DD-5415266-0-0	5415266-01	DRIVE LOGIC MODULE	REF
25	25	B-DD-5415270-0-0	5415270-01	I/O MODULE	1
26	26		9006373-03	SCREW,CAP SOC HEX 1/4-	2
27	27		9006376-03	SCREW,CAP SOC HEX 1/4-	2
28	28	SEE NOTE 1	9010302-01	WASHER,SNUB STEEL	A/R
29	29		9007797-00	WASHER,HELICAL SPLIT SST	3
30	30		9008071-00	WASHER,FLAT SST	3

REVISION HISTORY			BASIC PART NO: RA60		DRN:	M. NORVELL	DATE: 23 SEP 82	DIGITAL			
ENG:	ECO NUMBER	REV	SECTION A OF A		CHK'D:	D. MILLER	DATE: 23 SEP 82	TITLE PARTS LIST			
DC	RA60-CX22A	R	SECTION,VARIATION INDEX		CHK'D:	D. MILLER <td>DATE: 23 SEP 82</td> <td colspan="3">RA60 DISK DRIVE ASSY</td>	DATE: 23 SEP 82	RA60 DISK DRIVE ASSY			
DC	RA60-CX023	S	[A]00								
DC	RA60-CX025	T	[B]		DES.ENG:	R. THELLEN	DATE: 23 SEP 82	DOCUMENT NUMBER			
			[C]		SIZE CODE NUMBER REV						
			[D]		RESP.ENG.:	B. MILLER	DATE: 23 SEP 82	K	PL	RA60-0-DBP	T
			[E]		MFG.ENG.:	K. GUENZEL	DATE: 23 SEP 82	RELEASE DATE: 12-JUL-85			
			[F]		ASSEMBLY NUMBER: TOP DOCUMENT NUMBER: FILE NAME: EDIT #						
					D-UA-RA60-0-0		B-DD-RA60-0-0		Z2924T.PLS		11

THIS DRAWING AND THE SPECIFICATIONS CONTAINED HEREIN ARE CONFIDENTIAL AND PROPRIETARY. THEY ARE THE PROPERTY OF DIGITAL EQUIPMENT CORPORATION AND SHALL NOT BE REPRODUCED OR COPIED OR USED IN WHOLE OR IN PART AS THE BASIS FOR THE MANUFACTURE OR SALE OF ITEMS WITHOUT WRITTEN PERMISSION. THIS IS AN UNPUBLISHED WORK PROTECTED UNDER THE FEDERAL COPYRIGHT LAWS.

AUTOMATED BY PRTLST,SR(55)

PARTS LIST

SHEET A3 OF A3

LINE	ITEM	TOP DOCUMENT	PART NUMBER	MIN REV	DESCRIPTION	QTY PER VARIATION
					VARIATION REVISION LEVEL:	S2
79	79		9009951-01		BUSHING, SNAP-IN NYLON .251IDX	2
80	80		9010001-01		SCREW, LD SOC 10-	2
81	81		1222088-01		SPR. COMPRESSION .3600DX .750	1
82	82		3621996-01		LABEL, CAUTION, SPINDOWN	1
83	83		9007649-00		WASHER, LOCK EXTERNAL STEEL	3
84	84	B-ID-5415266-0-0	5415266-02		DRIVE LOGIC/DAUGHTER BOARD	REF
85	85	K-RI-7432012-0-DBU	7432012-01		RELEASE, COVER CATCH	1

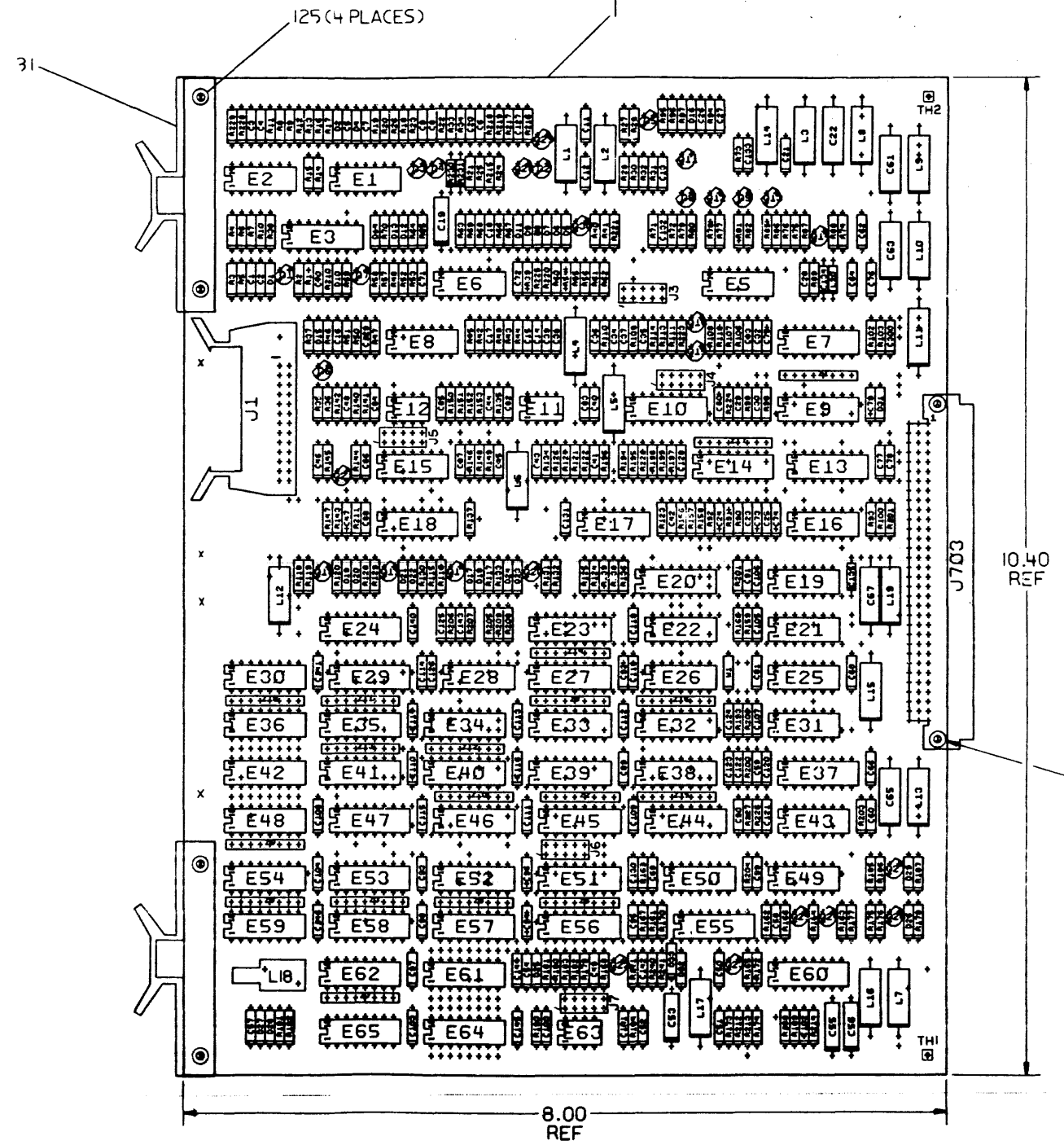
86 NOTE: 1. ITEM 28 (QTY 4) IS ONLY REQUIRED FOR USE WITH DECK ASSEMBLY
 87 NOTE: - (7018450-01) THAT USES THE SAND CAST DECKPLATE (7425036-02)

D	I	G	I	T	A	L	TITLE	SECTION A OF A	SIZE	CODE	DOCUMENT NUMBER	REV
							RA60 DISK DRIVE ASSY				RA60-0-DBP	T
									K	PL		

THIS DRAWING AND SPECIFICATIONS HEREIN ARE THE PROPERTY OF DIGITAL EQUIPMENT CORPORATION AND SHALL NOT BE REPRODUCED OR COPIED OR USED IN WHOLE OR IN PART AS THE BASIS FOR THE MANUFACTURE OR SALE OF ITEMS WITHOUT WRITTEN PERMISSION.
 COPYRIGHT © 1983 DIGITAL EQUIPMENT CORPORATION

DUA 5415264-0-0 2 1

COMPONENT SIDE VIEW



NOTES: 1. EYELET FLANGE MUST BE INSERTED FROM COMPONENT SIDE OF CONNECTOR.
 2. E36, E42, E59, E61, E64, C144 - C146, R141 ARE SPARES.

STEP 0 + Y AXIS 0 STEP 0 TIMES 2ACS
 REPEAT + X AXIS 8.0 STEP 1 TIMES

CHK/CHANGE NO	REV	E	F
2176 5415264-0			
CX004			
JR.11A1G83			
B-RUBME			
5005415264-0			
CX005			
JR. 3FE804			
11/11/83			

ETCH REV. CI-P2

SIGNATURES		DATE	digital
DRN. Eric Jensen		21 Jan 83	
CHK'D. [Signature]		17 Aug 83	TITLE POST AMP/ DATA SEPARATOR
MECH. ENG. [Signature]		12 Aug 83	
PROJ. ENG. [Signature]		13 Aug 83	
PROD. [Signature]		19 Aug 83	
SCALE: 1.5/1	SIZE CODE	NUMBER	REV
SHT. 1 OF 1	D UA	5415264-0-0	F
NEXT HIGHER ASSY. 8-00-5415264-0			

DUA 5415264-0-0 F

LINE	ITEM	TOP DOCUMENT	PART NUMBER	MIN REV	DESCRIPTION	VARIATION REVISION LEVEL:	QTY PER VARIATION	REFERENCE DESIGNATOR
1	1	D-MD-5015263-0-0	5015263-01		DRILL AND ETCH BRD		1	
2	2		1001610-00		.01 MFD 50V +80-20% Z5U CER		69	C16,C18,C21,C23,C24,C26,C42,C47, CONT C54,C62,C64,C66,C68-C70,C73-C81, CONT C88-C99,C102-C126,C128-C131, CONT C135,C140,C141,C142
3	3		1012784-00		.047 MFD 50V +80-20% CER		21	C3-C7,C20,C27,C34,C35,C49,C58, CONT C71,C72,C82-C87,C100,C101
4	4		1013466-01		10.0 MMF 50V 5% CER		2	C44,C300
5	5		1013466-03		27.0 MMF 50V 5% CER		1	C50
6	6		1013466-05		56.0 MMF 50V 5% CER		1	C12
7	7		1013466-06		100.0 MMF 50V 5% CER		2	C25,C127
8	8		1013466-07		220.0 MMF 50V 5% CER		1	C51
9	9		1013466-09		1000.0 MMF 50V 10% X7R CER		1	C57
10	10		1013466-14		82.0 MMF 50V 5% CER		3	C52,C132,C133
11	11		1013466-15		1200.0 MMF 50V 10% CER		2	C9,C17
12	12		1013466-16		.010 MFD 50V 10% X7R CER		8	C1,C2,C14,C15,C29,C30,C36,C37
13	13		1013466-22		.1 MFD 50V +80-20% Z5U CER		3	C8,C13,C28
14	14		1013466-23		22.0 MMF 50V 5% CER		1	C134
15	15		1013466-28		1000.0 MMF 50V 5% CER		3	C32,C33,C60
16	16		1013466-31		15.0 MMF 50V 5% CER		1	C11
17	17		1013466-35		8200.0 MMF 50V 5% NPO CER		1	C19
18	18		1013466-36		1000.0 MMF 50V 2% NPO CER		3	C45,C46,C48
19	19		1013466-39		150.0 MMF 50V 2% NPO CER		2	C38,C40
20	20		1013466-40		270.0 MMF 50V 5% NPO CER		1	C43
21	21		1013466-41		390.0 MMF 50V 5% NPO CER		1	C59
22	22		1013466-42		4700.0 MMF 50V 2% NPO CER		3	C53,C55,C56
23	23		1017472-00		10 MFD 35V +50-10% AL EL		5	C22,C61,C63,C65,C67
24	24		1103441-00		VZ= 8.2 5% 400 MW 1N756A		7	D1,D10,D15,D18,D20,D22,D24
25	25		1105508-00		VZ= 6.2 5% 400 MW 1N823		1	D16
26	26		1109991-00		VZ= 6.8 5% 400 MW 1N754A		1	D2

REVISION HISTORY		BASIC PART NO: 5415264		DRN:	SUE BOURBEAU	DATE: 04-AUG-82	DIGITAL		
ENG	ECO NUMBER	REV	SECTION A OF A	CHK'D:	RON MICHAUD	DATE: 04-AUG-82	TITLE PARTS LIST		
---	INITIAL	A	SECTION VARIATION INDEX	CHK'D:	RON MICHAUD	DATE: 04-AUG-82	POST AMP/DATA SEPARATOR		
BR	5415264-CX001	B	[A] 01	DES.ENG:	BOB RUBKE	DATE: 04-AUG-82	DOCUMENT NUMBER		
BR	5415264-CX003	C	[B]	RESP.ENG.:	BOB RUBKE	DATE: 04-AUG-82	SIZE	CODE	NUMBER
BR	5415264-CX004	D	[C]	MFG.ENG.:	JOHN PAPA	DATE: 04-AUG-82	K	PL	5415264-0-DBF
MK	5415264-CX005	E	[D]				RELEASE DATE: 03-FEB-84		
			[E]						
			[F]						
			[G]						
			[H]						
			[I]						
			[J]						
			[K]						
			[L]						
			[M]						
			[N]						
				ASSEMBLY NUMBER:	D-UA-5415264-0-0		TOP DOCUMENT NUMBER:	#B-DD-5415264-0	
						FILE NAME:	Z2149E.PLS		EDIT #
									38

"THIS DRAWING AND THE SPECIFICATIONS CONTAINED HEREIN ARE CONFIDENTIAL AND PROPRIETARY. THEY ARE THE PROPERTY OF DIGITAL EQUIPMENT CORPORATION AND SHALL NOT BE REPRODUCED OR COPIED OR USED IN WHOLE OR IN PART AS THE BASIS FOR THE MANUFACTURE OR SALE OF ITEMS WITHOUT WRITTEN PERMISSION. THIS IS AN UNPUBLISHED WORK PROTECTED UNDER THE FEDERAL COPYRIGHT LAWS."

LINE	ITEM	TOP DOCUMENT	PART NUMBER	MIN REV	DESCRIPTION	QTY	PER VARIATION	REFERENCE DESIGNATOR
					VARIATION REVISION LEVEL:	01		
						F1		
27	27		1110994-00		VZ= 5.1 5% 400 MW 1N751A	5		D4,D13,D25,D26,D29
28	28		1113003-00		PIV= 55 IO=200 MA - 4NS 1N5282	14		D5-D9,D12,D14,D17,D19,D21,D23, CONT D31,D32,D33
29	29		1113953-00		VZ= 5.1 1% 400 MW 1N5523D	1		D11
30	30		1116824-01		VARACTOR PIV= 30 IO=400.MW	2		D27,D28
31	31		9008337-05		HANDLE, FLIP CHIP, BLUE	2		
32	32		1216832-01		PCB,HEADER 26POS(2X13).100CC 90D	1		J1
33	33		1216862-02		PCB,HEADER 10PIN(2X07).100CC STR	5		J3-J7
34	34		1219047-02		CONNECTOR,SOCKET, RA,64 POSITION	1		J703
35	35		1303313-00		12.10 K .25 W 1.0 % RN55D-F10	1		R213
36	36		1302411-00		511.0 .25 W 1.0 % RN55D-F10	6		R23,R71,R88,R137,R220,R224
37	37		1317494-00		22.10 K .25 W 1.0 % RN55D-F10	1		R203
38	38		1302612-00		1.78 K .25 W 1.0 % RN55D-F10	4		R52,R90,R240,R241
39	39		1302858-00		100.0 .25 W 1.0 % RN55D-F10	38		R2,R7,R10,R24,R29,R36,R42,R45, CONT R58,R74,R78,R79,R81,R85,R95, CONT R100,R101,R108,R112,R116,R119, CONT R121,R122,R129,R132,R144,R161, CONT R162,R163,R169,R171,R173,R176, CONT R186,R207,R209,R215,R216
40	40		1302871-00		1.21 K .25 W 1.0 % RN55D-F10	1		R65
41	41		1302872-00		681.0 .25 W 1.0 % RN55D-F10	2		R77,R86
42	42		1302873-00		261.0 .25 W 1.0 % RN55D-F10	1		R87
43	43		1302874-00		147.0 .25 W 1.0 % RN55D-F10	1		R97
44	44		1302875-00		82.50 .25 W 1.0 % RN55D-F10	6		R194,R195,R197,R198,R222,R223
45	45		1302941-00		14.70 K .25 W 1.0 % RN55D-F10	4		R8,R11-R13
46	46		1302955-00		750.0 .25 W 1.0 % RN55D-F10	3		R94,R109,R110
47	47		1302956-00		196.0 .25 W 1.0 % RN55D-F10	7		R22,R89,R98,R99,R159,R160,R190
48	48		1303037-00		90.90 .25 W 1.0 % RN55D-F10	2		R3,R5
49	49		1303045-00		3.16 K .25 W 1.0 % RN55D-F10	12		R30-R32,R55,R68,R106,R107,R170, CONT R172,R175,R185,R212
50	50		1303047-00		464.0 .25 W 1.0 % RN55D-F10	3		R16,R17,R166
51	51		1303067-00		422.0 .25 W 1.0 % RN55D-F10	6		R21,R25,R28,R168,R174,R217
52	52		1303114-00		1.0 K .25 W 1.0 % RN55D-F10	28		R18,R26,R40,R43,R44,R66,R67,R75, CONT R76,R126,R138,R139,R148,R149, CONT R156-R158,R177,R180,R181,R200, CONT R201,R204,R206,R208,R210,R211, CONT R214
53	53		1303155-00		21.50 K .25 W 1.0 % RN55D-F10	7		R53,R54,R60,R150-R153
54	54		1303311-00		46.40 K .25 W 1.0 % RN55D-F10	1		R179
55	55		1303312-00		10.0 K .25 W 1.0 % RN55D-F10	4		R41,R48,R63,R135
56	56		1304693-00		562.0 .25 W 1.0 % RN55D-F10	2		R19,R20
57	57		1304854-00		5.11 K .25 W 1.0 % RN55D-F10	13		R14,R15,R39,R50,R51,R124,R125, CONT R127,R178,R187,R221,R228,R229
58	58		1304862-00		1.62 K .25 W 1.0 % RN55D-F10	1		R27
59	59		1304863-00		316.0 .25 W 1.0 % RN55D-F10	7		R96,R102,R103,R182,R184,R188, CONT R189
60	60		1305108-00		1.47 K .25 W 1.0 % RN55D-F10	10		R1,R4,R6,R35,R49,R57,R115,R118, CONT R128,R131

! D	! I	! G	! I	! T	! A	! L	! TITLE	! SECTION A	! OF A	! SIZE	! CODE	! DOCUMENT NUMBER	! REV
!	!	!	!	!	!	!	! POST AMP/DATA SEPARATOR	!	!	! K	! PL	! 5415264-0-DBP	! E

LINE ITEM	TOP DOCUMENT	PART NUMBER	MIN REV	DESCRIPTION	VARIATION	REVISION LEVEL	QTY PER VARIATION	REFERENCE DESIGNATOR
							01 F1	
61	61	1305123-00		215.0	.25 W 1.0 %	RN55D-F10	4	R72,R91,R92,R183
62	62	1305126-00		619.0	.25 W 1.0 %	RN55D-F10	2	R191,R192
63	63	1305143-00		825.0	.25 W 1.0 %	RN55D-F10	2	R218,R219
64	64	1305255-00		121.0 K	.25 W 1.0 %	RN55D-F10	1	R225
65	65	1305337-00		3.65 K	.25 W 1.0 %	RN55D-F10	1	R205
66	66	1305419-00		31.60 K	.25 W 1.0 %	RN55D-F10	1	R47
67	67	1310630-00		1.33 K	.25 W 1.0 %	RN55D-F10	5	R113,R114,R145-R147
68	68	1311422-00		178.0	.25 W 1.0 %	RN55D-F10	4	R80,R82,R142,R143
69	69	1311594-00		30.10 K	.25 W 1.0 %	RN55D-F10	1	R46
70	70	1311653-00		2.15 K	.25 W 1.0 %	RN55D-F10	10	R9,R37,R38,R56,R59,R69,R117, CONT R120,R130,R133
71	71	1312480-00		1.54 K	.25 W 1.0 %	RN55D-F10	2	R165,R167
72	72	1312921-00		649.0	.25 W 1.0 %	RN55D-F10	1	R111
73	73	1313583-00		150.0	.25 W 1.0 %	RN55D-F10	3	R73,R196,R199
74	74	1313592-00		4.87 K	.25 W 1.0 %	RN55D-F10	7	R61,R62,R93,R123,R202,R226,R227
75	75	1313776-00		806.0	.25 W 1.0 %	RN55D-F10	4	R33,R34,R230,R231
76	76	1313841-00		23.20 K	.25 W 1.0 %	RN55D-F10	1	R193
77	77	1314187-00		6.19 K	.25 W 1.0 %	RN55D-F10	2	R136,R164
78	78	1314387-00		3.90 M	.25 W 5.0 %	CF	1	R64
79	79	1314988-00		6.65 K	.25 W 1.0 %	RN55D-F10	1	R134
80	80	1316254-00		R NETWORK	7-470	2.0 % 8PIN	18	Z1-Z18
81	81	1317398-00		4.22 K	.25 W 1.0 %	RN55D-F10	1	R70
82	82	1509524-00		2N 3904	NPN 310MW SI 40 40 M		23	Q1-Q9,Q11,Q15-Q21,Q25-Q30
83	83	1509525-00		2N 3906	PNP 310MW SI 40100 Y		4	Q12,Q13,Q14,Q24
84	84	1517998-00		3127	NPN 425MW ARRAY 16PIN		1	E55
85	85	1519472-01		2N 4209	PNP 300MW 15V@50MA		2	Q22,Q23
86	86	1602472-00		4.7 UH		#1025-36	1	L2
87	87	1610662-00		100.0 UH	10% 165MA	#DD1 00	1	L6
88	88	1611257-01		CHOKE (CERAMIC BEAD)	AXIAL LEAD,ON		1	L13
89	89	1612946-04		6.8 UH	10% Q MIN=52@7.9MHZ		1	L1
90	90	1612946-06		8.2 UH	2% Q MIN=55@7.9MHZ		2	L4,L5
91	91	1612946-10		3.3 UH	10% Q MIN=45@2.5MHZ		1	L20
92	92	1619014-01		DELAY=	20NS,10TAPS		1	E22
93	93	1619035-02		.15UH	VARIABLE		1	L18
94	94	1619259-01		1.0 UH	10%		2	L12,L19
95	95	1619259-02		3.3 UH	10%		8	L7-L11,L14-L16
96	96	1619259-03		15.0 UH	10%		1	L3
97	97	1619259-04		22.0 UH	10%		1	L17
98	98	1620077-01		DELAY=	50NS,10TAPS		1	E5
99	99	1910268-00		DEC 75107B	RECEIVER,LINE,DUAL,		2	E16,E28
100	100	1910644-00		733	DIFFERENTIAL AMP,WID		1	E1
101	101	1910735-02		318	OP AMP		3	E11,E12,E63
102	102	1910741-00		7406	INVERTER GATE-HEX 1I		3	E25,E49,E50
103	103	1911398-00		10101	OR/NOR GATE,4-2IN		1	E54
104	104	1911399-00		10102	NOR GATE,QUAD 2IN		1	E14
105	105	1911401-00		10104	AND GATE,QUAD 2IN		2	E33,E39
106	106	1911402-00		10105	OR/NOR GATE,2-3-2		4	E30,E46,E51,E57
107	107	1911403-00		10106	NOR GATE,4-3-3		1	E34

D	I	G	I	T	A	L	TITLE	SECTION A OF A	SIZE	CODE	DOCUMENT NUMBER	REV
							POST AMP/DATA SEPARATOR		K	PL	5415264-0-DBP	E

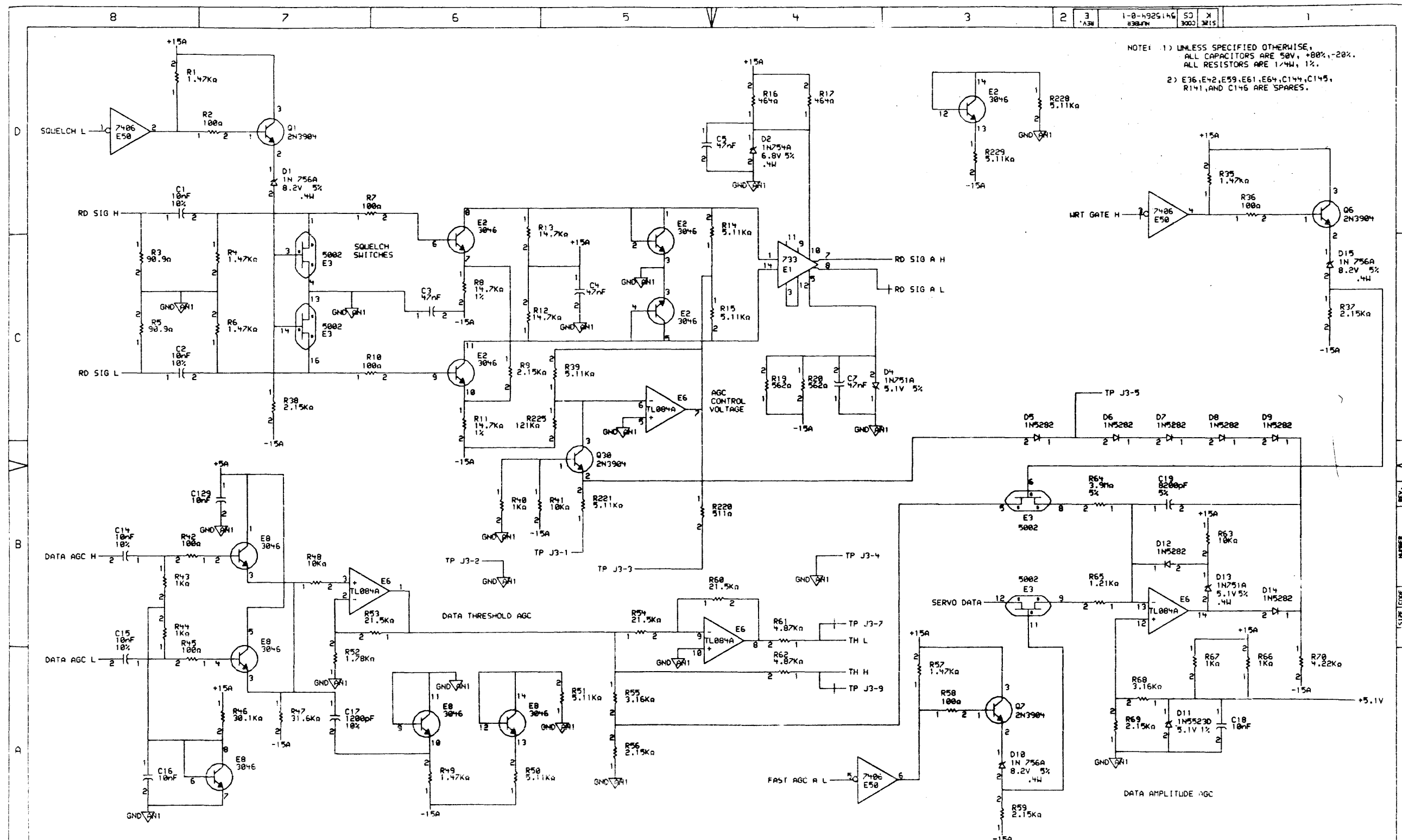
AUTOMATED BY PRTLST.3P(44)

PARTS LIST

SHEET A4 OF A4

LINE ITEM	TOP DOCUMENT	PART NUMBER	MIN REV	DESCRIPTION	QTY	PER VARIATION	REFERENCE DESIGNATOR
				VARIATION REVISION LEVEL:	01		
					F1		
108	108	1911404-00		10107 XOR/NOR GATE,3-2IN	1		E58
109	109	1911414-00		10124 TTL TO ECL TRNSLTR	1		E38
110	110	1911416-00		10131 DUAL D MSTR/SL.FF	11		E9,E23,E24,E27,E32,E44,E45,E48,
						CONT	E53,E56,E62
111	111	1911419-00		10164 8 LINE MUX	1		E20
112	112	1911420-00		10174 DUAL 4 TO 1 MUX	2		E40,E47
113	113	1911501-00		10141 SHIFT REG,4BIT,UNIVS	2		E29,E35
114	114	1912803-00		LS04 INVERTER GATE,HEX	2		E21,E26
115	115	1912805-00		LS08 AND GATE-QUAD 2IN,PO	2		E19,E31
116	116	1912824-00		LS74 FF-D DUAL,EDGE TRIGG	1		E43
117	117	1912837-00		LS123 ONE SHOT-DUAL,RETRIG	1		E37
118	118	1913017-00		3046 XSISTOR ARRAY,3 ISOL	3		E2,E8,E17
119	119	1913220-00		10216 RECEIVER,TRIPLE LINE	1		E65
120	120	1914485-01	TL	084ACNOP AMP,QUAD JFET	2		E6,E15
121	121	1915186-00	AM	687DL VOLT.COMPARATOR,DUA	2		F7,E13
122	122	1918203-00		10116 LINE RECIEVER,TRIPLE	1		E10
123	123	1918535-00	MC	10135 DUAL MSTR/SLAVE JK 16	2		E41,E52
124	124	2118743-00		5002N FET ANALOG SW,QUAD D	3		E3,E18,E60
125	125	9006732-00		EYELET,ROLLED 0.1210DX0.219	4		
126	126	9009185-00		JUMPER, WIRE, INSULATED, BLACK B	1		W1
127	127	9105740-55		*** THIS ITEM IS NOT USED ***	-		
128	128	9107256-11		*** THIS ITEM IS NOT USED ***	-		
129	129	1013466-13		39.0 MMF 50V 5% CER	2		C39,C41
130	130	1313846-00		2.26 K .25 W 1.0 % RN55D-F10	1		R140
131	131	9107255-00		*** THIS ITEM IS NOT USED ***	-		
132	132	1013466-43		.01 MFD 50V 5% X7R CER	1		C143
133	133	9010489-01		RIVET SEMI-TUBE OVAL .099DI	2		

! D I G I T A L !	! TITLE !	! SECTION A OF A !	! SIZE !	! CODE !	! DOCUMENT NUMBER !	! REV !
	POST AMP/DATA SEPARATOR		K	PL	5415264-0-DBP	E



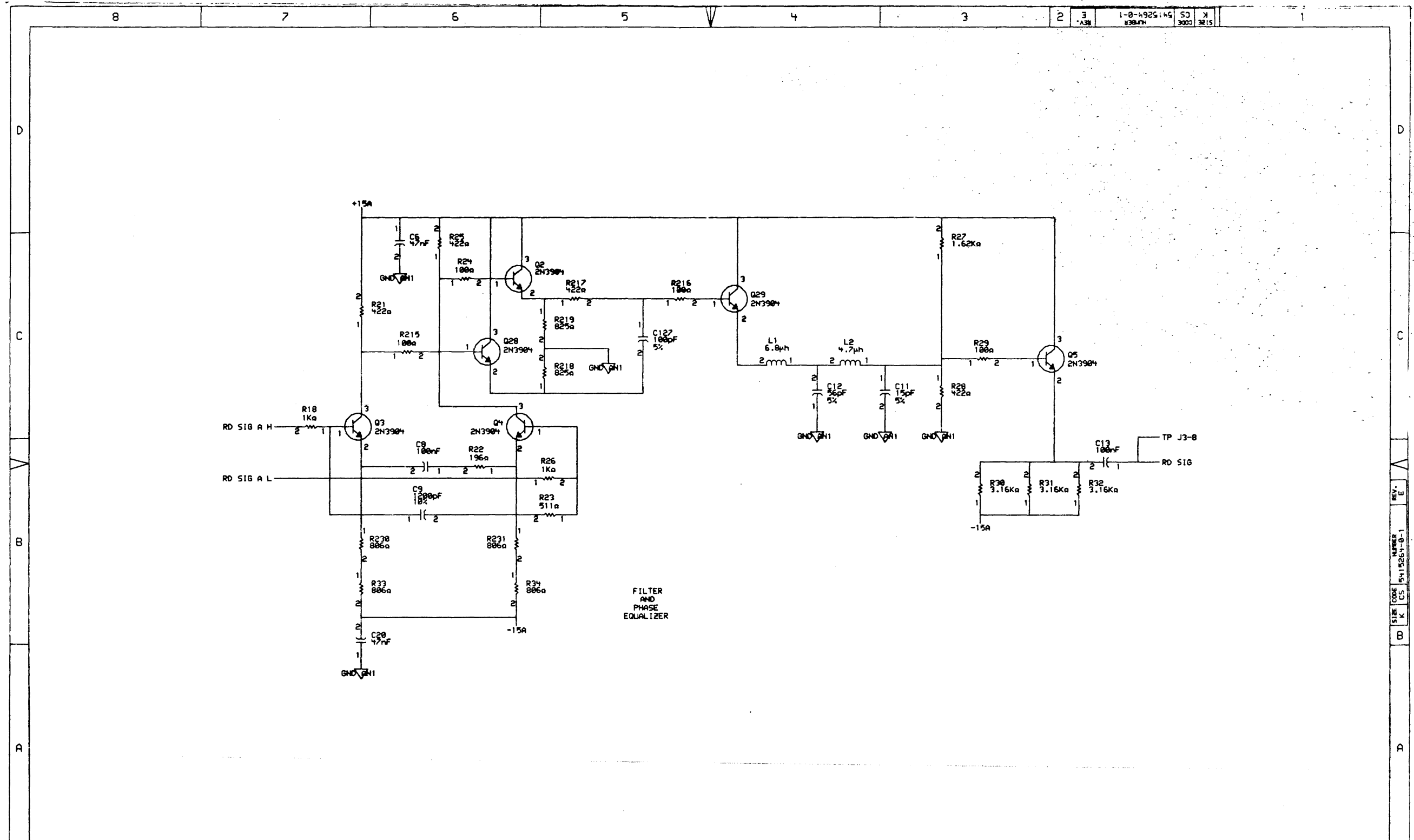
NOTE: 1) UNLESS SPECIFIED OTHERWISE,
ALL CAPACITORS ARE 50V, +80%, -20%.
ALL RESISTORS ARE 1/4W, 1%.

2) E36, E42, E59, E61, E64, C144, C145,
R141, AND C146 ARE SPARES.

REV.	NO.	DESCRIPTION
E	1	REVISED

REV.	NO.	DESCRIPTION
E	1	REVISED

DRN	11-AUG-83	ENG	DATE	TITLE:	POST AMP/DATA SEPARATOR
CHK'D.	DATE	BOARD LOCATION:		NUMBER	5415264-0-1
IDEAL: (SCHEMATIC) DRAWING 11-AUG-83 09:31	NEXT HIGHER ASSEMBLY:	SIZE	CODE	REV.	E
FIRST USED ON OPTION MODEL:	RA60	B-DD-5415264-0	K CS		

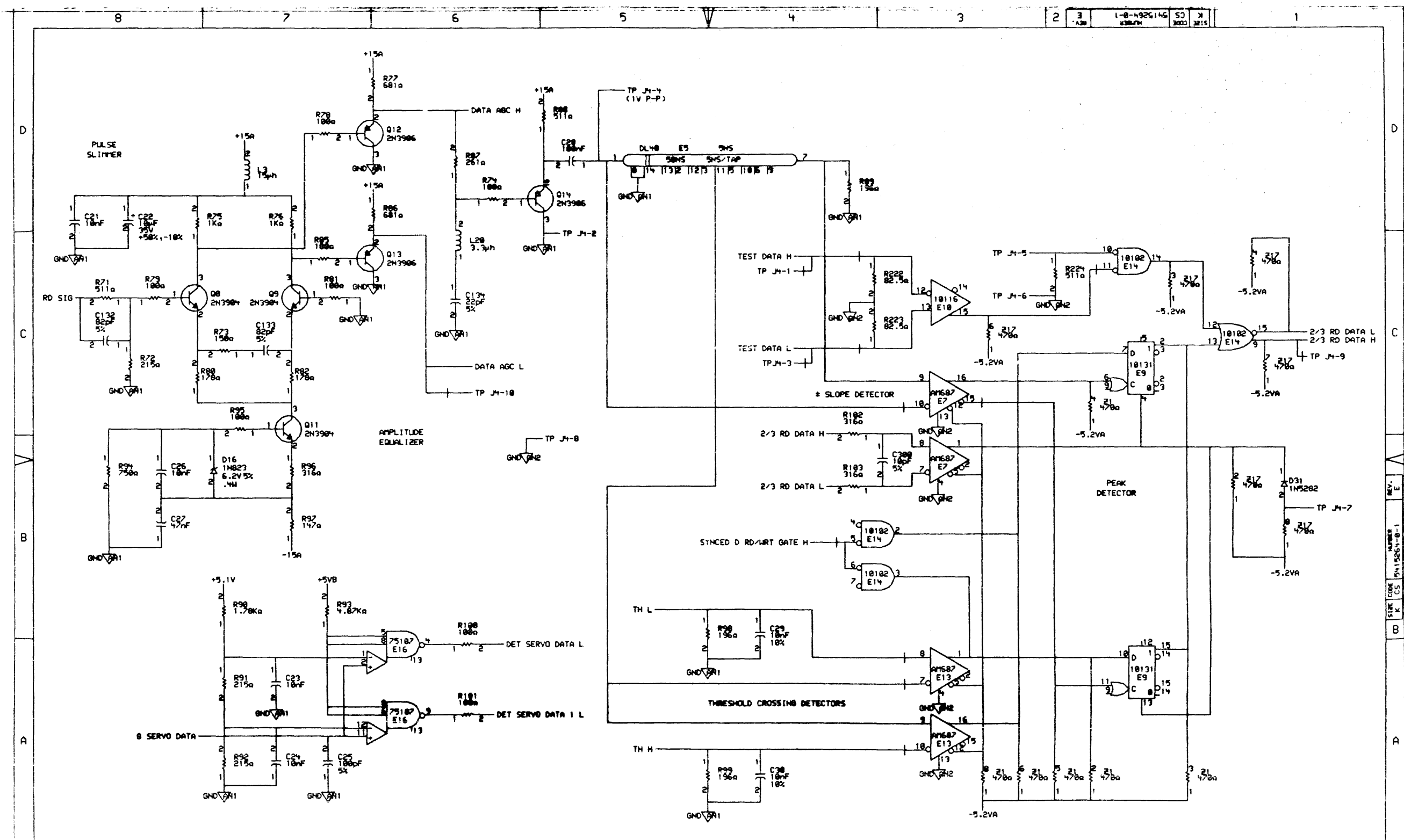


THIS DRAWING AND SPECIFICATIONS ARE THE PROPERTY OF DIGITAL EQUIPMENT CORPORATION AND SHALL BE KEPT IN CONFIDENTIALITY. NO PART OF THIS DRAWING OR SPECIFICATIONS IS TO BE REPRODUCED OR TRANSMITTED IN ANY FORM OR BY ANY MEANS, ELECTRONIC OR MECHANICAL, INCLUDING PHOTOCOPYING, RECORDING, OR BY ANY INFORMATION STORAGE AND RETRIEVAL SYSTEM, WITHOUT WRITTEN PERMISSION OF DIGITAL EQUIPMENT CORPORATION.

REVISIONS	
CHK	CHANGE NO. REV

--	--	--	--	--	--	--	--	--	--

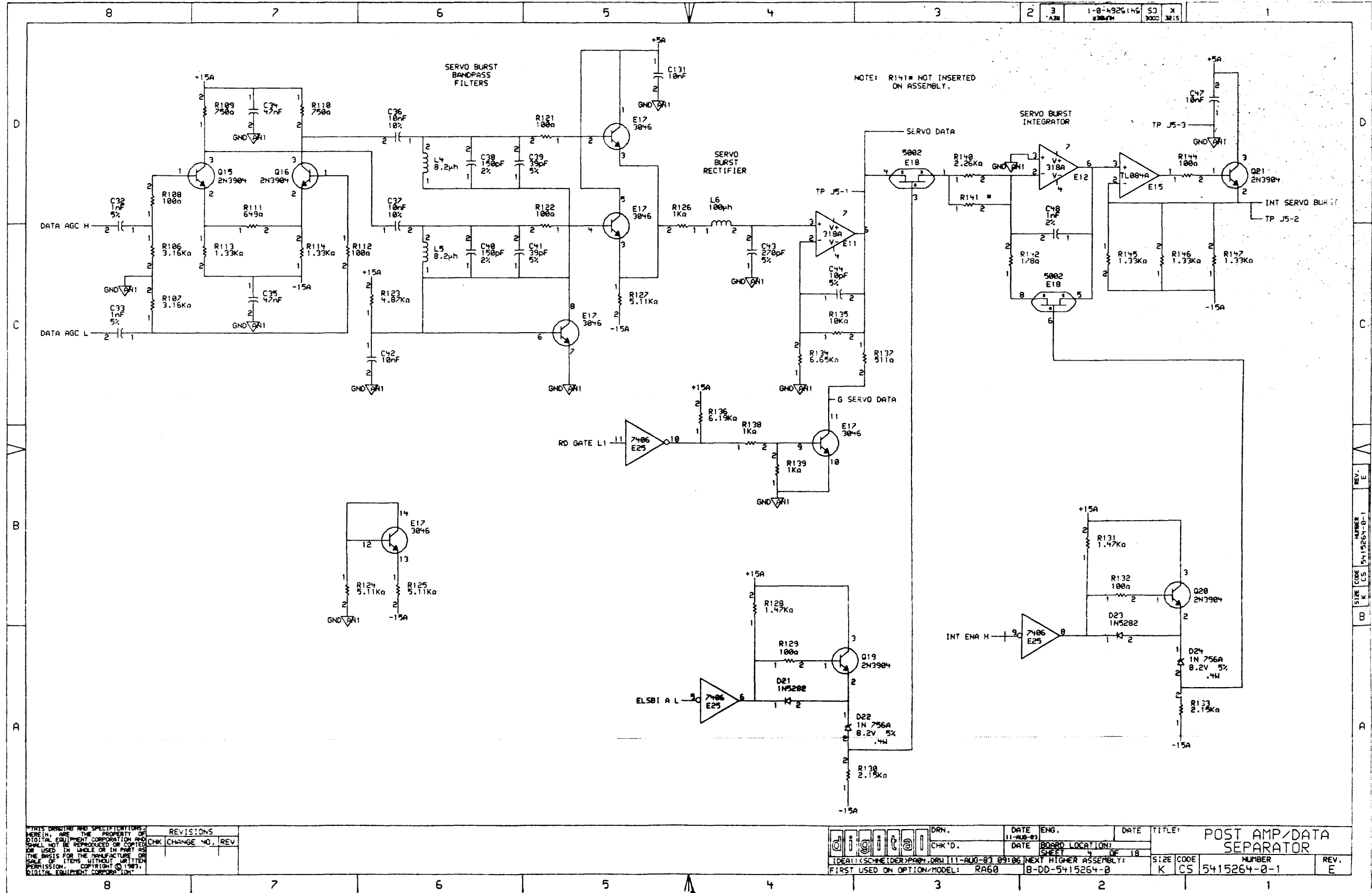
	DRN.	DATE	ENG.	DATE	TITLE
	CHK'D.	DATE			POST AMP/DATA SEPARATOR
IDEAL: SCHNEIDER, PAGE 00111-AUG-83 09182 NEXT HIGHER ASSEMBLY: RAG0 FIRST USED ON OPTION MODEL: B-DD-5415264-0		SIZE CODE K CS 5415264-0-1		NUMBER 1 REV. E	



WHILE DRAWING AND SPECIFICATIONS
HEREIN, ARE THE PROPERTY OF
DIGITAL EQUIPMENT CORPORATION AND
SHALL NOT BE REPRODUCED OR COPIED
OR USED IN WHOLE OR IN PART
ON THE BASIS FOR THE MANUFACTURE
OR SALE OF ITEMS WITHOUT WRITTEN
PERMISSION. COPYRIGHT © 1969,
DIGITAL EQUIPMENT CORPORATION.

REVISIONS	
CHK	CHANGE NO. REV

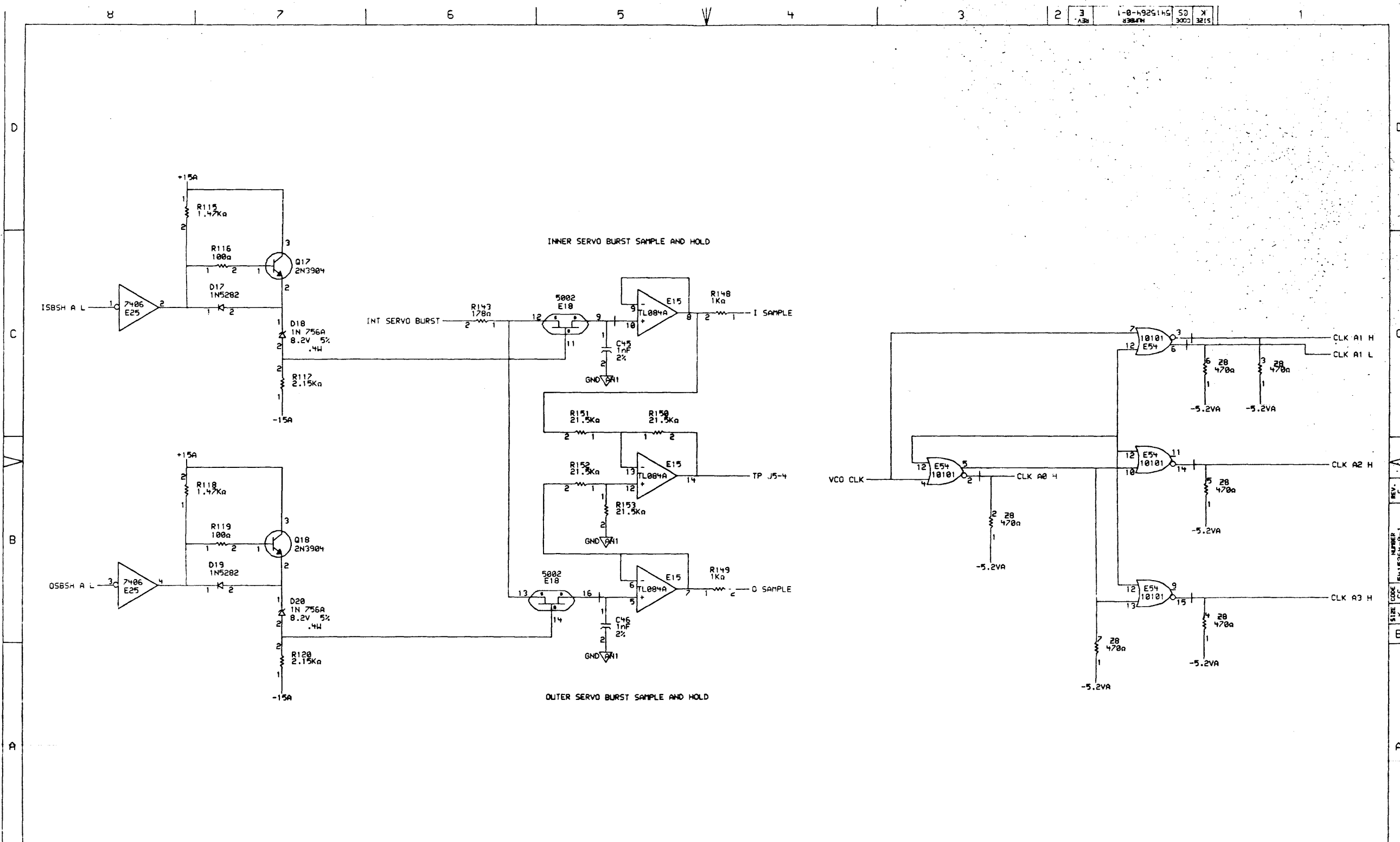
	DRN.	DATE	ENG.	DATE	TITLE:
	CHK'D.	DATE	LOCN LOCATION	DATE	POST AMP/DATA SEPARATOR
IDEALSCHE (OR) PARTS DRAWING - ALL RIGHTS RESERVED FIRST USED ON OPTION MODEL: RA68		NEXT HIGHER ASSEMBLY: B-DD-5415264-0		SIZE CODE K CS	NUMBER 5415264-0-1
				REV.	E



THIS DRAWING AND SPECIFICATIONS HEREIN ARE THE PROPERTY OF DIGITAL EQUIPMENT CORPORATION AND SHALL NOT BE REPRODUCED OR COPIED OR USED IN WHOLE OR IN PART AS THE BASIS FOR THE MANUFACTURE OR SALE OF ITEMS WITHOUT WRITTEN PERMISSION. COPYRIGHT © 1981, DIGITAL EQUIPMENT CORPORATION.

REV.	CHG.	NO.	REV.

	DRN.	DATE	ENG.	DATE	TITLE:
	CHK'D.	11-28-81			POST AMP/DATA SEPARATOR
IDEAL: (SCHNEIDER) PPN.DRN 111-AUG-81 89:06		NEXT HIGHER ASSEMBLY:		SIZE	CODE
FIRST USED ON OPTION/MODEL: RA60		B-DD-5415264-B		K	CS
				NUMBER	REV.
				5415264-0-1	E

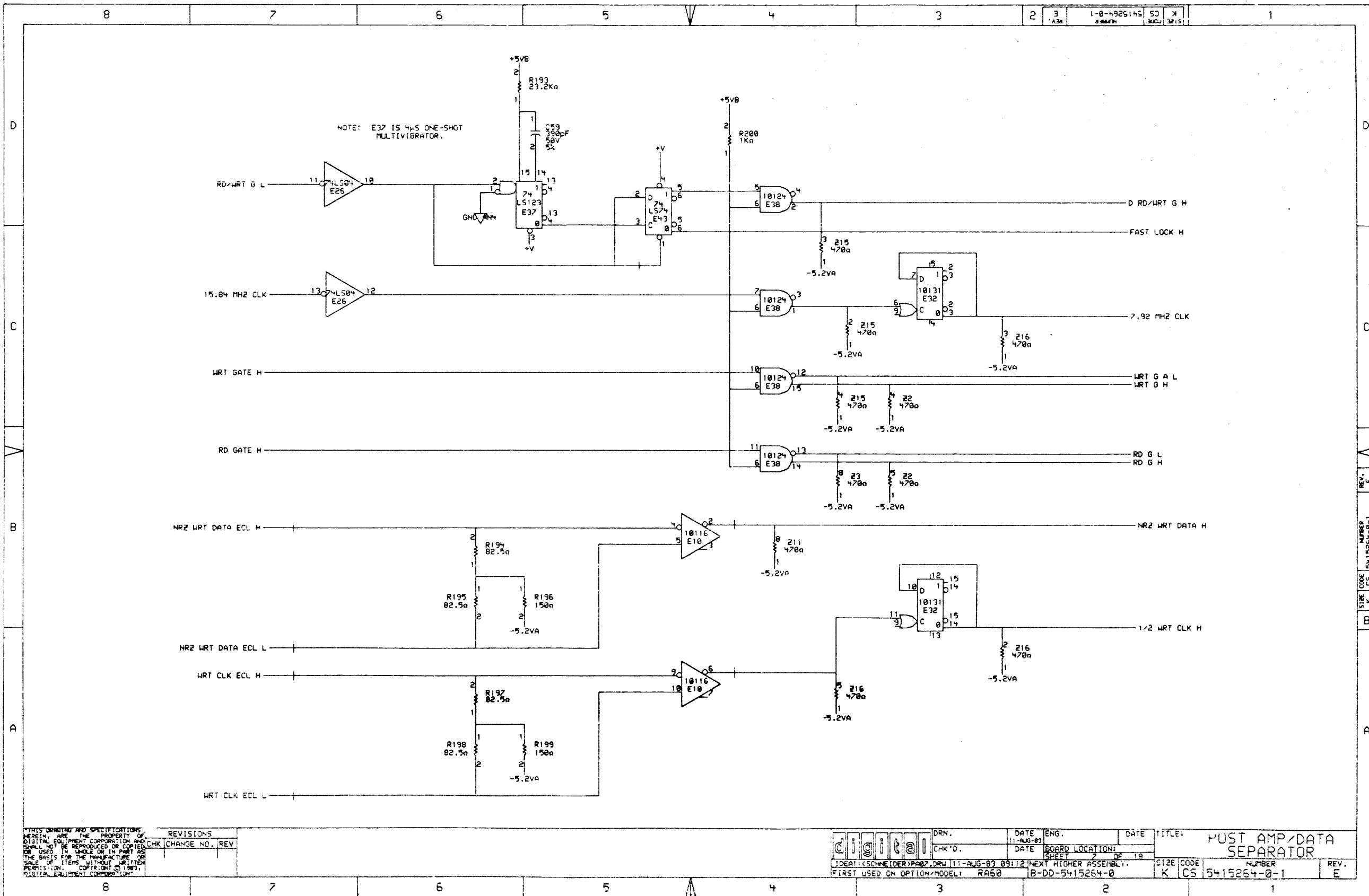


THIS DRAWING AND SPECIFICATIONS ARE THE PROPERTY OF DIGITAL EQUIPMENT CORPORATION AND SHALL NOT BE REPRODUCED OR COPIED OR USED IN WHOLE OR IN PART AS THE BASIS FOR THE MANUFACTURE OR REPAIR OF ANY EQUIPMENT WITHOUT WRITTEN PERMISSION. COPYRIGHT © 1981, DIGITAL EQUIPMENT CORPORATION.

REVISIONS	
CHK	CHANGE NO. REV

	DRN.	DATE	ENG.	DATE	TITLE:
	CHK'D.	11-AUG-83			POST AMP/DATA SEPARATOR
IDEAL: <SCHNEIDER>P806.DWG		NEXT HIGHER ASSEMBLY:		SIZE CODE	NUMBER
FIRST USED ON OPTION/MODEL: RA60		B-DD-5415264-0		K CS	5415264-0-1
					REV. E

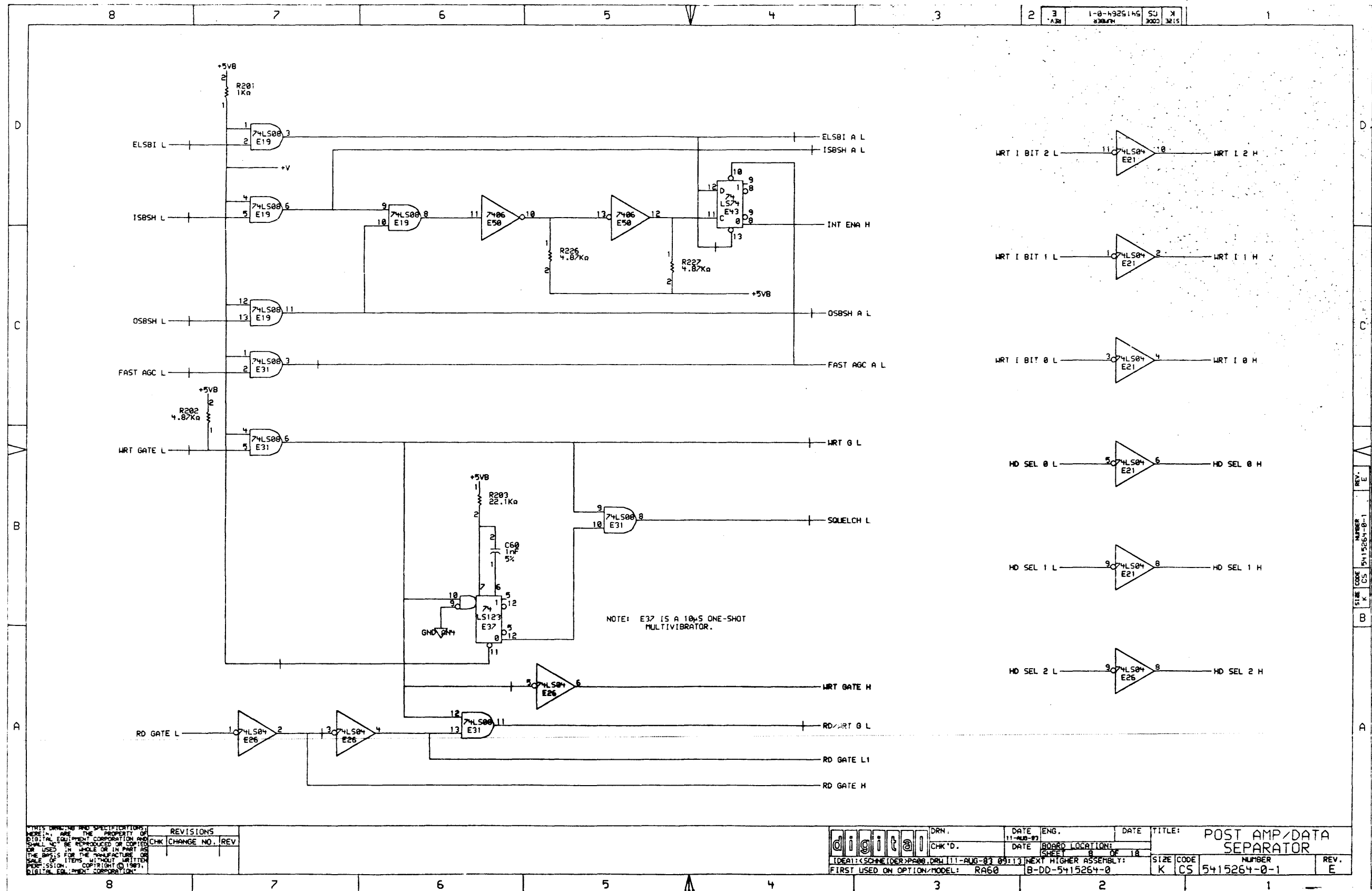
REV. E
NUMBER 15415264-0-1
SIZE K CS



THIS DRAWING AND SPECIFICATIONS ARE THE PROPERTY OF DIGITAL EQUIPMENT CORPORATION AND SHALL NOT BE REPRODUCED OR COPIED OR USED IN WHOLE OR IN PART AS THE BASIS FOR THE MANUFACTURE OR SALE OF ITEMS WITHOUT WRITTEN PERMISSION. COPYRIGHT © 1981, DIGITAL EQUIPMENT CORPORATION.

REVISIONS	CHK	CHANGE NO.	REV

	DRN.	DATE	ENG.	DATE	TITLE
	CHK'D.	11-20-83			POST AMP/DATA SEPARATOR
IDEAL: (SCHNEIDER)PROZ.DRW 11-AUG-83 09:12 NEXT HIGHER ASSEMBLY.		BOARD LOCATION:		SHEET 2 OF 1A	
FIRST USED ON OPTION/MODEL: RA60		B-DD-5415264-0		SIZE CODE	NUMBER
				K CS	5415264-0-1
					REV. E

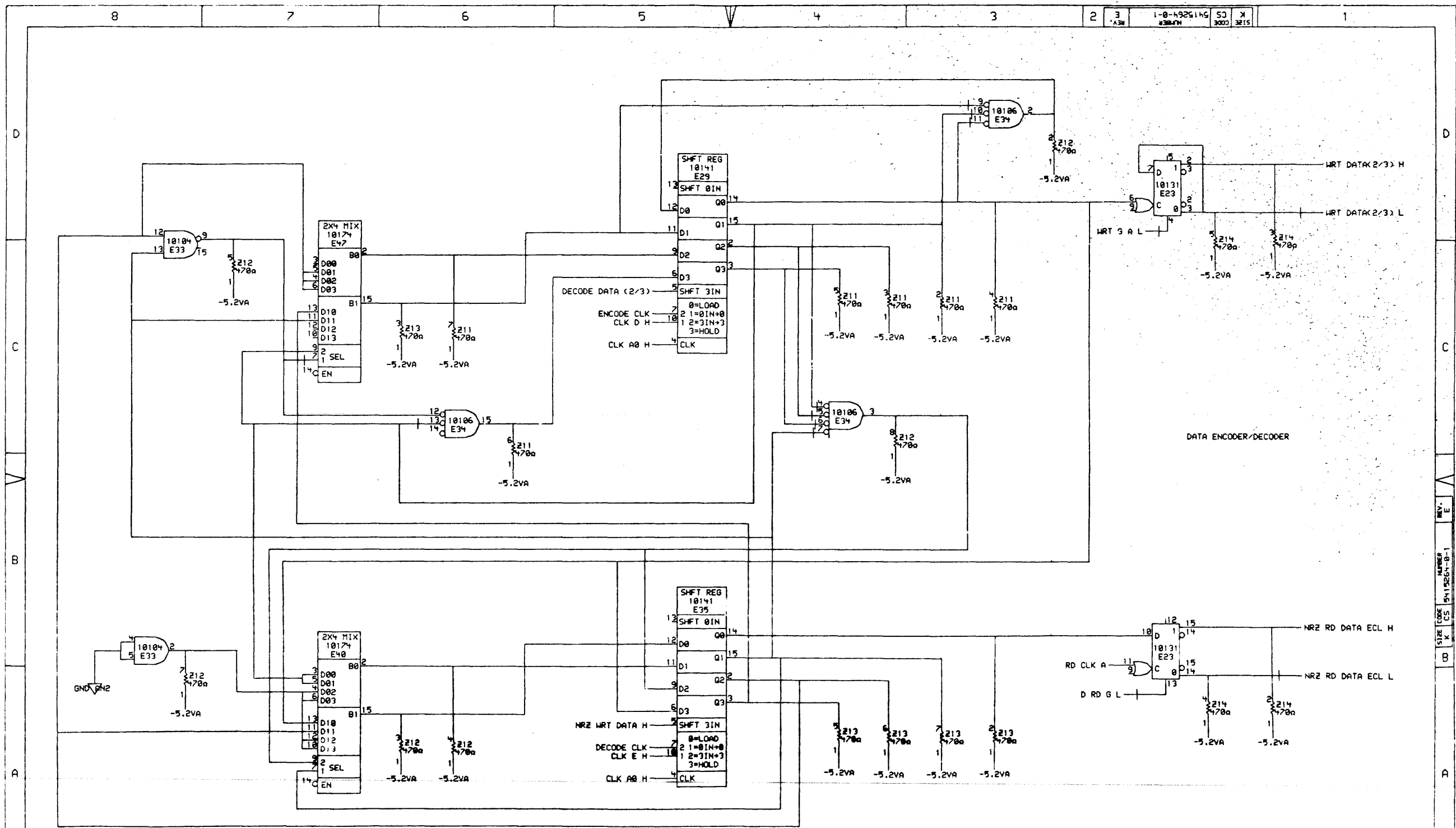


THIS DRAWING AND SPECIFICATIONS ARE THE PROPERTY OF DIGITAL EQUIPMENT CORPORATION AND SHALL NOT BE REPRODUCED OR COPIED OR USED IN WHOLE OR IN PART AS THE BASIS FOR THE MANUFACTURE OR SALE OF ITEMS WITHOUT WRITTEN PERMISSION. COPYRIGHT © 1987, DIGITAL EQUIPMENT CORPORATION.

REVISIONS	
CHK	CHANGE NO. REV

digital	DRN:	DATE:	ENG.:	DATE:	TITLE:
	CHK'D:	DATE:	BOARD LOCATION:	SHEET:	OF 18
IDEAL: (SCHNEIDER) P888.DRW (11-AUG-83 09:13)		NEXT HIGHER ASSEMBLY:		SIZE CODE:	NUMBER:
FIRST USED ON OPTION/MODEL: RA60		B-DD-5415264-0		K CS	5415264-0-1
					REV.:
					E

REV. E
NUMBER 5415264-0-1
SIZE CODE K CS

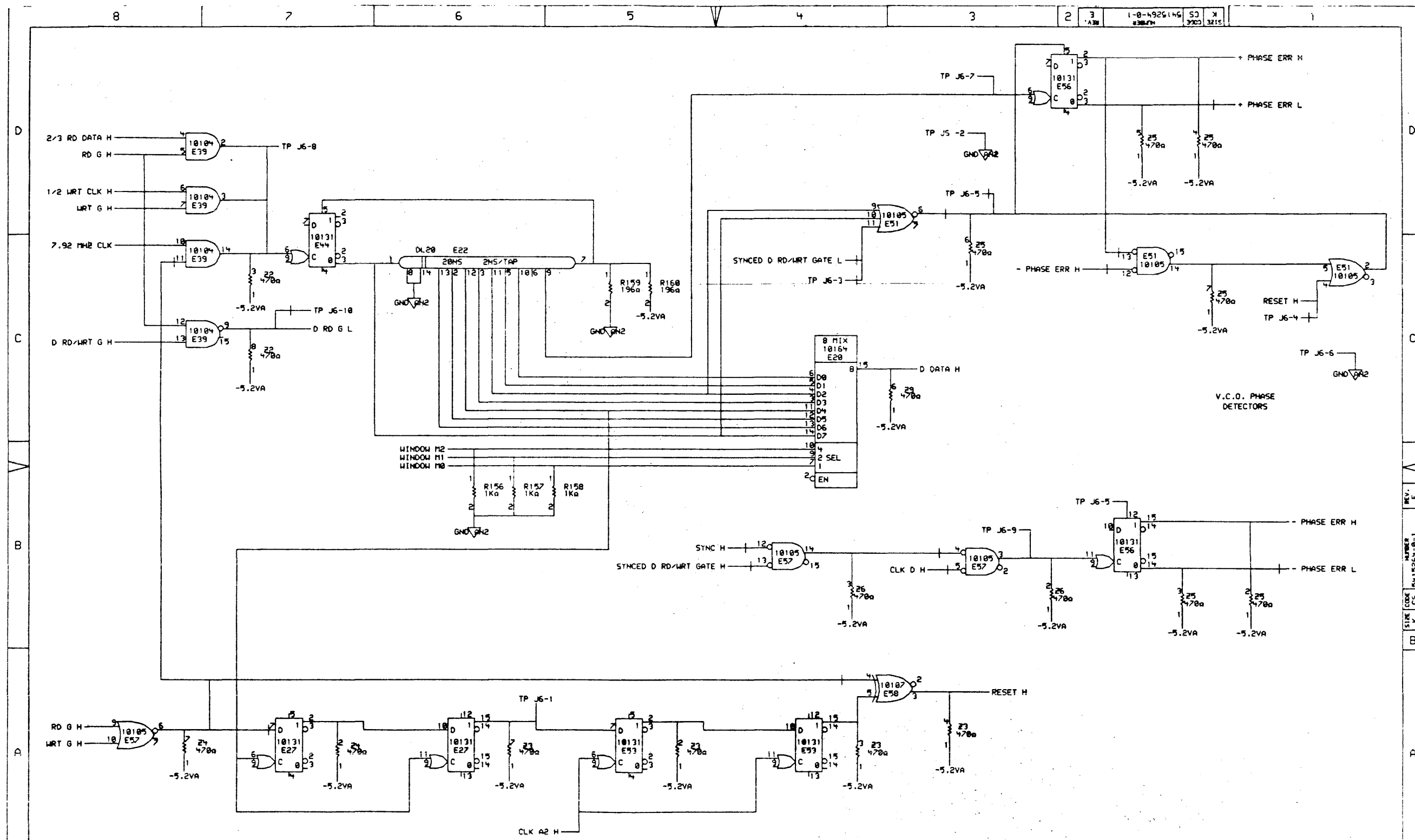


THIS DRAWING AND SPECIFICATIONS ARE THE PROPERTY OF DIGITAL EQUIPMENT CORPORATION AND SHALL NOT BE REPRODUCED OR COPIED OR USED IN WHOLE OR IN PART AS THE BASIS FOR THE MANUFACTURE OR SALE OF ITEMS WITHOUT WRITTEN PERMISSION. COPYRIGHT © 1983. DIGITAL EQUIPMENT CORPORATION

REVISIONS
CHK CHANGE NO. REV

digital	DRN.	DATE	ENG.	DATE	TITLE:
	CHK'D.	DATE	BOBBO LOCATION:		POST AMP/DATA SEPARATOR
IDEAL: (SCHN:DEB)PR18.DRW (11-AUG-83 09:16 NEXT HIGHER ASSEMBLY:		SHEET 18 OF 18		SIZE CODE	NUMBER
FIRST USED ON OPTION/MODEL: RA60		B-DD-5415264-0		K CS	5415264-0-1
				REV.	E

REV. E
NUMBER 5415264-0-1
SIZE CODE K CS



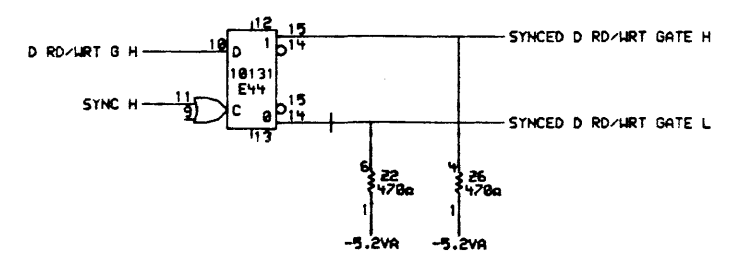
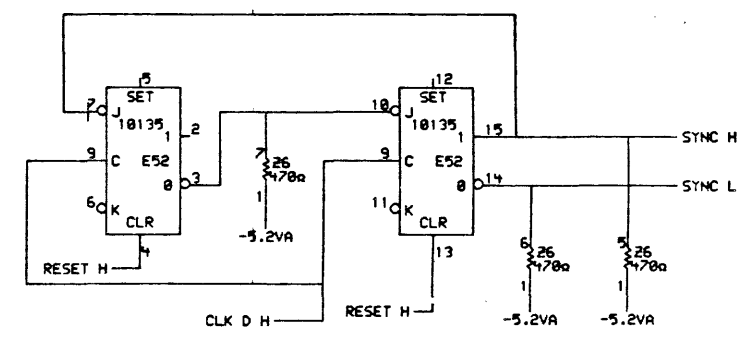
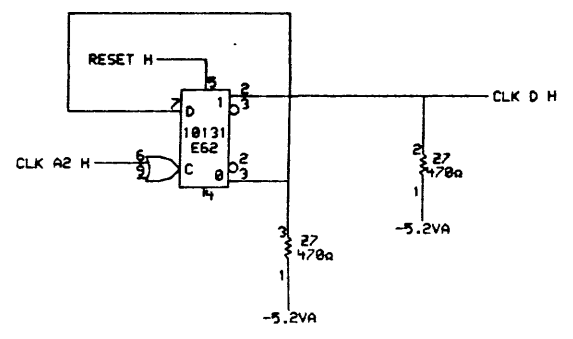
THIS DRAWING AND SPECIFICATIONS ARE THE PROPERTY OF DIGITAL EQUIPMENT CORPORATION AND SHALL NOT BE REPRODUCED OR COPIED OR USED IN WHOLE OR IN PART AS THE BASIS FOR THE MANUFACTURE OR SALE OF ITEMS WITHOUT WRITTEN PERMISSION. COPYRIGHT © 1971, DIGITAL EQUIPMENT CORPORATION.

REV.	CHG.	CHANGE NO.	REV.

REVISIONS	DATE	ENG.	DATE	REV.

digital DRN. 11-AUG-83 09:18 FIRST USED ON OPTION/MODEL: RA60	DATE 11-AUG-83 DATE 11-AUG-83 SHEET 11 OF 18	ENG. BOARD LOCATION: SCEPT 11	TITLE: POST AMP/DATA SEPARATOR NUMBER: 5415264-0-1 REV.: E
	IDEAL: SCHEIDER/PAT1 NEXT HIGHER ASSEMBLY: B-DD-5415264-B	SIZE CODE K CS NUMBER 5415264-0-1	REV. E

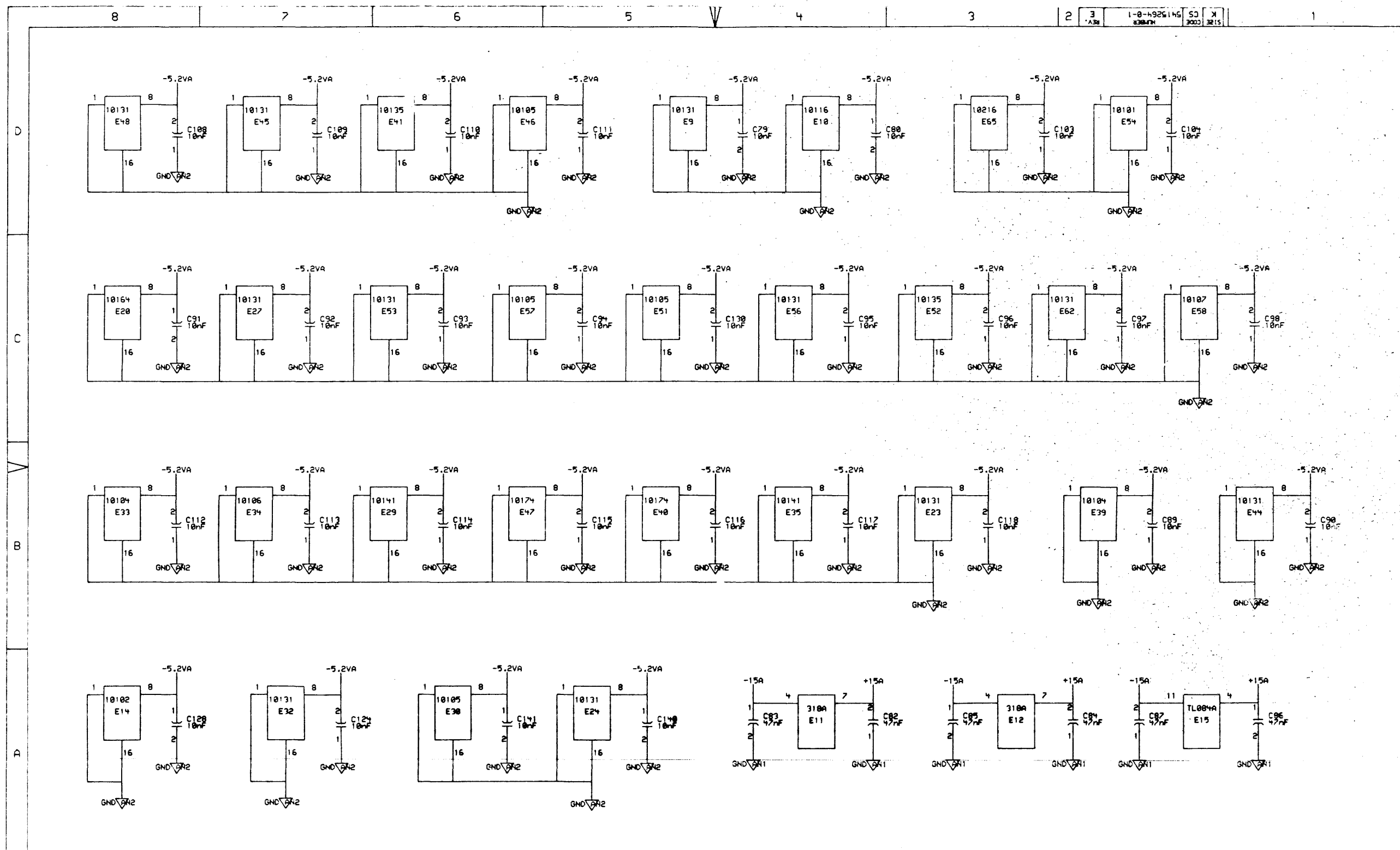
REV. E
 NUMBER 5415264-0-1
 SIZE CODE K CS
 B



THIS DRAWING AND SPECIFICATIONS ARE THE PROPERTY OF THE COMPANY AND ARE TO BE KEPT IN CONFIDENTIALITY. NO PART OF THIS DRAWING OR SPECIFICATIONS IS TO BE REPRODUCED OR COPIED IN ANY MANNER WITHOUT THE WRITTEN PERMISSION OF THE COMPANY.

REVISIONS	
CHK	CHANGE NO. REV

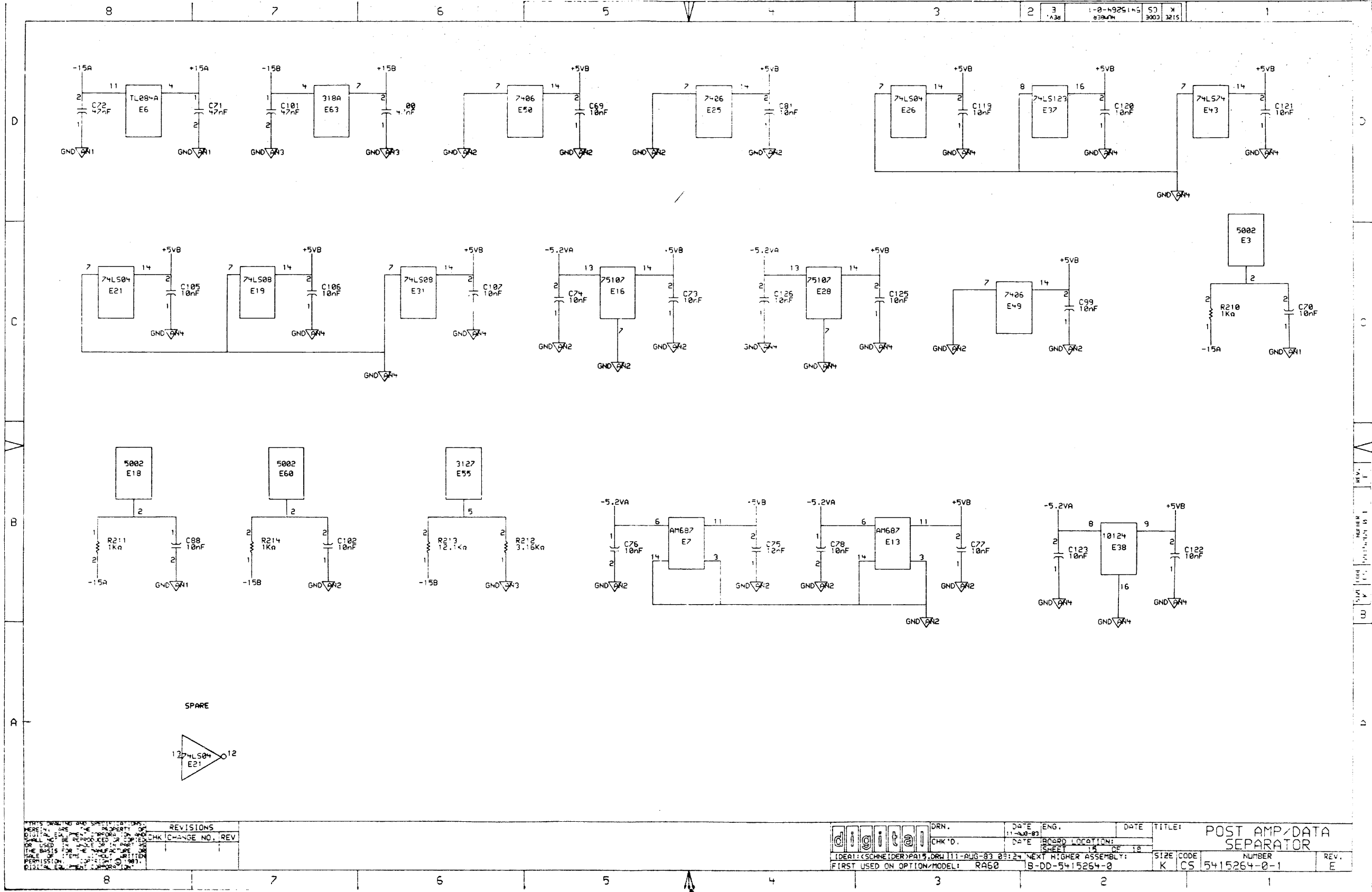
digital	DRN.	DATE	ENG.	DATE	TITLE
	CHK'D.	DATE			POST AMP/DATA SEPARATOR
FIRST USED ON OPTION/MODEL: RA68		NEXT HIGHER ASSEMBLY: B-DD-5415264-0		SIZE	CODE
				K	CS
				NUMBER	REV.
				5415264-0-1	E



REVISIONS
 CHK CHANGE NO. REV

digital	DRN.	DATE	ENG.	DATE	TITLE:
	CHK'D.	DATE	BOARD LOCATION:	SHEET	OF 18
IDEAL: (SCHNEIDER) PA14, DRAW 111-AUG-83 09:23		NEXT HIGHER ASSEMBLY:		SIZE	CODE
FIRST USED ON OPTION MODEL: RA60		B-DD-5415264-0		K	CS
				NUMBER	REV.
				5415264-0-1	E

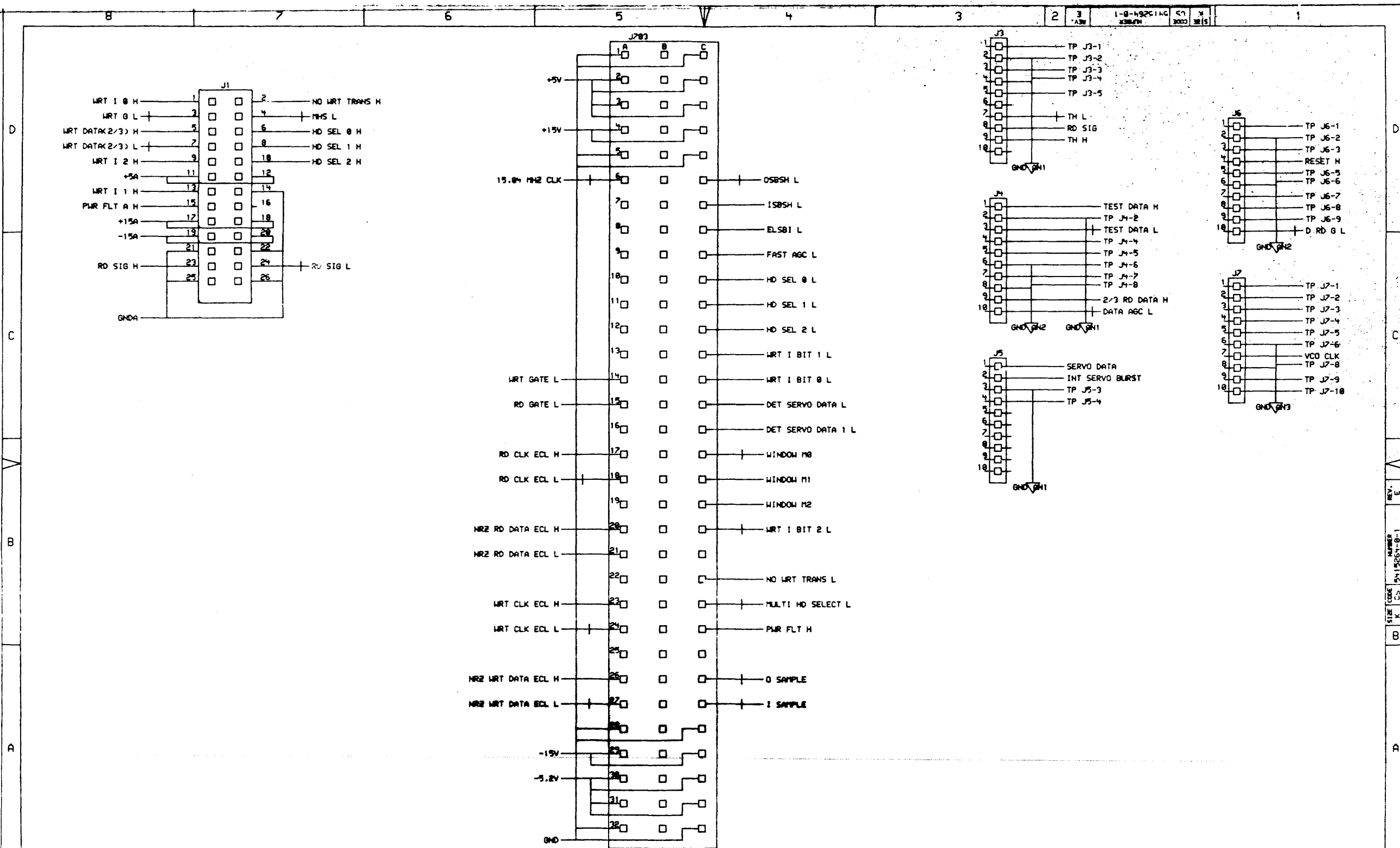
REV. 1
 5415264-0-1



REVISIONS	
CHK	CHANGE NO. REV

digital	DRN.	DATE	ENG.	DATE	TITLE:			
	CHK'D.	DATE	BOARD LOCATION:	SHEET	OF 18			
FIRST USED ON OPTION/MODEL: RA60					SIZE	CODE	NUMBER	REV.
					K	CS	5415264-0-1	E

POST AMP/DATA SEPARATOR

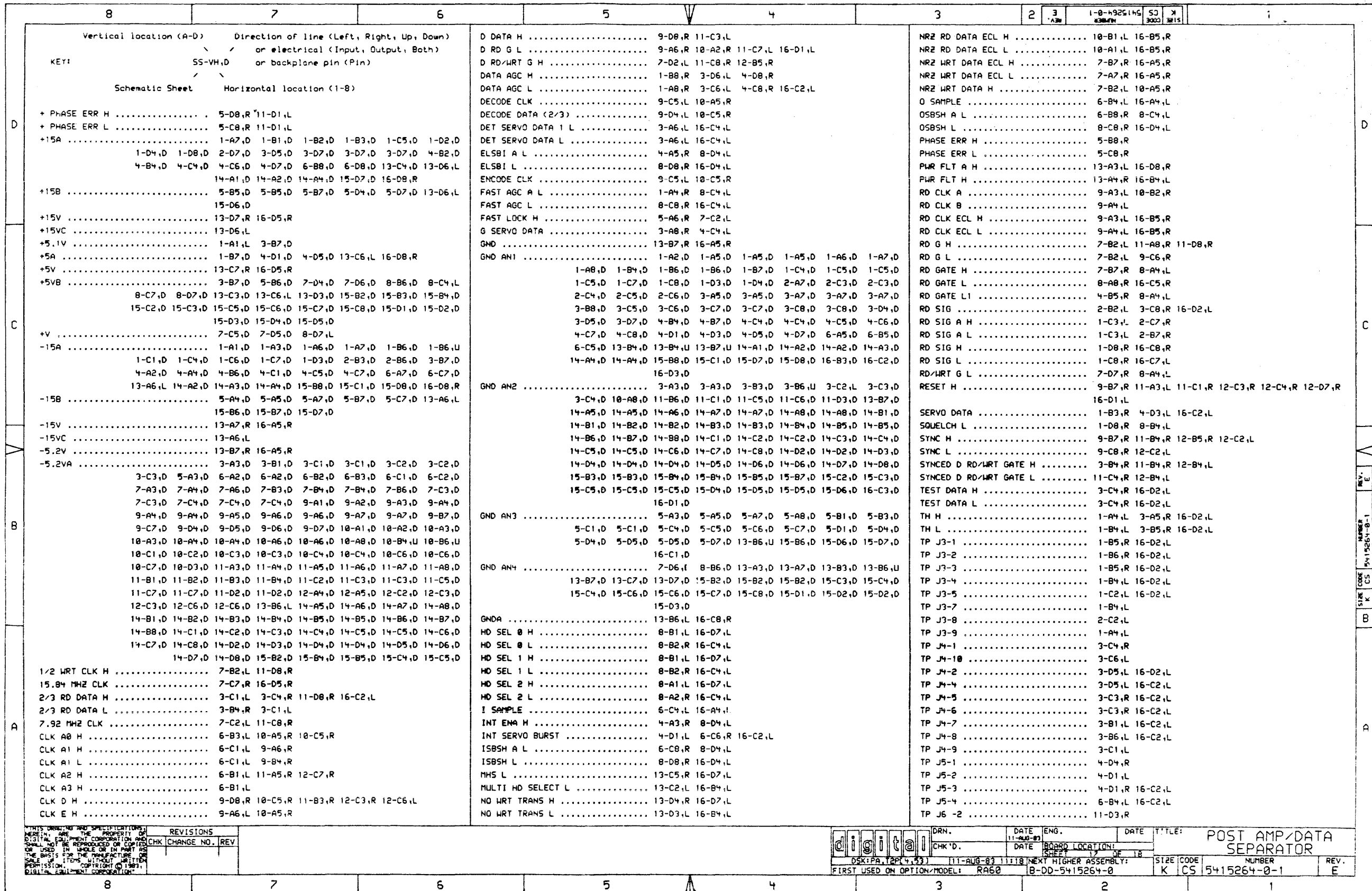


THIS DRAWING AND SPECIFICATIONS ARE THE PROPERTY OF DIGITAL EQUIPMENT CORPORATION AND SHALL NOT BE REPRODUCED OR COPIED IN ANY MANNER WITHOUT THE WRITTEN PERMISSION OF DIGITAL EQUIPMENT CORPORATION.

REV.	DATE	ENG.	DATE	CHK'D.	DATE

REV.	DATE	ENG.	DATE	CHK'D.	DATE

digital DRN. DATE 11-18-83 ENG. DATE 11-18-83
 BOARD LOCATION: SHEET 1A OF 18
 TITLE: POST AMP/DATA SEPARATOR
 FIRST USED ON OPTION/MODEL: RA60 B-00-5415264-0
 SIZE CODE: K CS NUMBER: 5415264-0-1 REV. E



Vertical location (A-D) Direction of line (Left, Right, Up, Down) or electrical (Input, Output, Both)
 KEY: SS-VH,D or backplane pin (Pin)

Schematic Sheet Horizontal location (1-8)

+ PHASE ERR H	5-D8,R	11-D1,L
+ PHASE ERR L	5-C8,R	11-D1,L
+15A	1-A7,D	1-B1,D
	1-D4,D	1-D8,D
	2-D7,D	3-D5,D
	3-D7,D	3-D7,D
	3-D7,D	3-D7,D
	4-B4,D	4-C4,D
	4-C6,D	4-D7,D
	6-B8,D	6-D8,D
	13-C4,D	13-D6,L
+15B	14-A1,D	14-A2,D
	14-A4,D	15-D7,D
	16-D8,R	
	5-B5,D	5-B5,D
	5-B7,D	5-D4,D
	5-D7,D	13-D6,L
	15-D6,D	
+15V	13-D7,R	16-D5,R
+15VC	13-D6,L	
+5.1V	1-A1,L	3-B7,D
+5A	1-B7,D	4-D1,D
	4-D5,D	13-C6,L
	16-D8,R	
+5V	13-C7,R	16-D5,R
+5VB	3-B7,D	5-B6,D
	7-D4,D	7-D6,D
	8-B6,D	8-C4,L
	8-C7,D	8-D7,D
	13-C3,D	13-C6,L
	13-D3,D	15-B2,D
	15-B3,D	15-B4,D
	15-C2,D	15-C3,D
	15-C5,D	15-C6,D
	15-C7,D	15-C8,D
	15-D1,D	15-D2,D
	15-D3,D	15-D4,D
	15-D5,D	
+V	7-C5,D	7-D5,D
	8-D7,L	
-15A	1-A1,D	1-A3,D
	1-A6,D	1-A7,D
	1-B6,D	1-B6,U
	1-C1,D	1-C4,D
	1-C6,D	1-C7,D
	1-D3,D	2-B3,D
	2-B6,D	3-B7,D
	4-A2,D	4-A4,D
	4-B6,D	4-C1,D
	4-C5,D	4-C7,D
	6-A7,D	6-C7,D
	13-A6,L	14-A2,D
	14-A3,D	14-A4,D
	15-B8,D	15-C1,D
	15-D8,D	16-D8,R
-15B	5-A4,D	5-A5,D
	5-A7,D	5-B7,D
	5-C7,D	13-A6,L
	15-B6,D	15-B7,D
	15-D7,D	
-15V	13-A7,R	16-A5,R
-15VC	13-A6,L	
-5.2V	13-B7,R	16-A5,R
-5.2VA	3-A3,D	3-B1,D
	3-C1,D	3-C1,D
	3-C2,D	3-C2,D
	3-C2,D	3-C2,D
	3-C3,D	5-A3,D
	6-A2,D	6-A2,D
	6-B2,D	6-B3,D
	6-C1,D	6-C2,D
	7-A3,D	7-A4,D
	7-A6,D	7-B3,D
	7-B4,D	7-B4,D
	7-B6,D	7-C3,D
	7-C3,D	7-C4,D
	7-C4,D	7-C4,D
	9-A1,D	9-A2,D
	9-A3,D	9-A4,D
	9-A4,D	9-A4,D
	9-A5,D	9-A6,D
	9-A6,D	9-A7,D
	9-A7,D	9-A7,D
	9-B7,D	
	9-C7,D	9-D4,D
	9-D5,D	9-D6,D
	9-D7,D	10-A1,D
	10-A2,D	10-A3,D
	10-A3,D	10-A4,D
	10-A4,D	10-A6,D
	10-A6,D	10-A8,D
	10-B4,U	10-B6,U
	10-C1,D	10-C2,D
	10-C3,D	10-C3,D
	10-C4,D	10-C4,D
	10-C6,D	10-C6,D
	10-C7,D	10-D3,D
	11-A3,D	11-A4,D
	11-A5,D	11-A6,D
	11-A7,D	11-A8,D
	11-B1,D	11-B2,D
	11-B3,D	11-B4,D
	11-C2,D	11-C3,D
	11-C3,D	11-C3,D
	11-C5,D	
	11-C7,D	11-D2,D
	11-D2,D	11-D2,D
	12-A4,D	12-A5,D
	12-C2,D	12-C3,D
	12-C3,D	12-C6,D
	12-C6,D	13-B6,L
	14-A5,D	14-A6,D
	14-A7,D	14-A8,D
	14-B1,D	14-B2,D
	14-B3,D	14-B4,D
	14-B5,D	14-B5,D
	14-B6,D	14-B7,D
	14-B8,D	14-C1,D
	14-C2,D	14-C3,D
	14-C4,D	14-C5,D
	14-C5,D	14-C6,D
	14-C7,D	14-C8,D
	14-D2,D	14-D3,D
	14-D4,D	14-D4,D
	14-D5,D	14-D6,D
	14-D7,D	14-D8,D
	15-B2,D	15-B4,D
	15-B5,D	15-C4,D
	15-C5,D	
1/2 WRT CLK H	7-B2,L	11-D8,R
15.84 MHZ CLK	7-C7,R	16-D5,R
2/3 RD DATA H	3-C1,L	3-C4,R
2/3 RD DATA L	3-B4,R	3-C1,L
7.92 MHZ CLK	7-C2,L	11-C8,R
CLK A0 H	6-B3,L	10-A5,R
CLK A1 H	6-C1,L	9-A6,R
CLK A1 L	6-C1,L	9-B4,R
CLK A2 H	6-B1,L	11-A5,R
CLK A3 H	6-B1,L	
CLK D H	9-D8,R	10-C5,R
CLK E H	9-A6,L	10-A5,R

D DATA H	9-D8,R	11-C3,L
D RD G L	9-A6,R	10-A2,R
	11-C7,L	16-D1,L
D RD/WRT G H	7-D2,L	11-C8,R
	12-B5,R	
DATA AGC H	1-B8,R	3-D6,L
	4-D8,R	
DATA AGC L	1-A8,R	3-C6,L
	4-C8,R	16-C2,L
DECODE CLK	9-C5,L	10-A5,R
DECODE DATA (2/3)	9-D4,L	10-C5,R
DET SERVO DATA 1 L	3-A6,L	16-C4,L
DET SERVO DATA L	3-A6,L	16-C4,L
ELSB1 A L	4-A5,R	8-D4,L
ELSB1 L	8-D8,R	16-D4,L
ENCODE CLK	9-C5,L	10-C5,R
FAST AGC A L	1-A4,R	8-C4,L
FAST AGC L	8-C8,R	16-C4,L
FAST LOCK H	5-A6,R	7-C2,L
G SERVO DATA	3-A8,R	4-C4,L
GND	13-B7,R	16-A5,R
GND AN1	1-A2,D	1-A5,D
	1-A5,D	1-A5,D
	1-A6,D	1-A7,D
	1-B4,D	1-B6,D
	1-B6,D	1-B6,D
	1-B7,D	1-C4,D
	1-C5,D	1-C5,D
	1-C7,D	1-C8,D
	1-D3,D	1-D4,D
	2-A7,D	2-C3,D
	2-C3,D	2-C3,D
	2-C4,D	2-C5,D
	2-C6,D	3-A5,D
	3-A5,D	3-A7,D
	3-A7,D	3-A7,D
	3-B8,D	3-C5,D
	3-C6,D	3-C7,D
	3-C7,D	3-C8,D
	3-C8,D	3-D4,D
	3-D5,D	3-D7,D
	4-B4,D	4-B7,D
	4-C4,D	4-C4,D
	4-C5,D	4-C6,D
	4-C7,D	4-C8,D
	4-D1,D	4-D3,D
	4-D5,D	4-D7,D
	6-A5,D	6-B5,D
	6-C5,D	13-B4,D
	13-B4,U	13-B4,U
	14-A1,D	14-A2,D
	14-A2,D	14-A3,D
	14-A4,D	14-A4,D
	15-B8,D	15-C1,D
	15-D7,D	15-D8,D
	16-B3,D	16-C2,D
	16-D3,D	
GND AN2	3-A3,D	3-A3,D
	3-B6,U	3-C2,L
	3-C3,D	
	3-C4,D	10-A8,D
	11-B6,D	11-C1,D
	11-C5,D	11-C6,D
	11-D3,D	13-B7,D
	14-A5,D	14-A5,D
	14-A6,D	14-A7,D
	14-A7,D	14-A8,D
	14-A8,D	14-B1,D
	14-B1,D	14-B2,D
	14-B2,D	14-B3,D
	14-B3,D	14-B4,D
	14-B4,D	14-B5,D
	14-B5,D	14-B6,D
	14-B6,D	14-B7,D
	14-C5,D	14-C6,D
	14-C6,D	14-C7,D
	14-C7,D	14-C8,D
	14-D2,D	14-D2,D
	14-D3,D	14-D3,D
	14-D4,D	14-D4,D
	14-D5,D	14-D6,D
	14-D6,D	14-D7,D
	14-D7,D	14-D8,D
	15-B3,D	15-B3,D
	15-B4,D	15-B4,D
	15-B5,D	15-B7,D
	15-C2,D	15-C3,D
	15-C5,D	15-C5,D
	15-D4,D	15-D5,D
	15-D5,D	15-D5,D
	15-D6,D	16-C3,D
	16-D1,D	
GND AN3	5-A3,D	5-A5,D
	5-A7,D	5-A8,D
	5-B1,D	5-B3,D
	5-C1,D	5-C1,D
	5-C4,D	5-C5,D
	5-C6,D	5-C7,D
	5-D1,D	5-D4,D
	5-D4,D	5-D5,D
	5-D5,D	5-D7,D
	13-B6,U	15-B6,D
	15-D6,D	15-D7,D
	16-C1,D	
GND AN4	7-D6,L	8-B6,D
	13-A3,D	13-A7,D
	13-B3,D	13-B6,U
	13-B7,D	13-C7,D
	13-D7,D	15-B2,D
	15-B2,D	15-B2,D
	15-C3,D	15-C4,D
	15-C4,D	15-C6,D
	15-C6,D	15-C7,D
	15-C8,D	15-D1,D
	15-D2,D	15-D2,D
	15-D3,D	
GND A	13-B6,L	16-C8,R
HD SEL 0 H	8-B1,L	16-D7,L
HD SEL 0 L	8-B2,R	16-C4,L
HD SEL 1 H	8-B1,L	16-D7,L
HD SEL 1 L	8-B2,R	16-C4,L
HD SEL 2 H	8-A1,L	16-D7,L
HD SEL 2 L	8-A2,R	16-C4,L
I SAMPLE	6-C4,L	16-A4,L
INT ENA H	4-A3,R	8-D4,L
INT SERVO BURST	4-D1,L	6-C6,R
ISBSH A L	6-C8,R	8-D4,L
ISBSH L	8-D8,R	16-D4,L
MHS L	13-C5,R	16-D7,L
MULTI HD SELECT L	13-C2,L	16-B4,L
NO WRT TRANS H	13-D4,R	16-D7,L
NO WRT TRANS L	13-D3,L	16-B4,L

NRZ RD DATA ECL H	10-B1,L	16-B5,R
NRZ RD DATA ECL L	10-A1,L	16-B5,R
NRZ WRT DATA ECL H	7-B7,R	16-A5,R
NRZ WRT DATA ECL L	7-A7,R	16-A5,R
NRZ WRT DATA H	7-B2,L	10-A5,R
O SAMPLE	6-B4,L	16-A4,L
OSBSH A L	6-B8,R	8-C4,L
OSBSH L	8-C8,R	16-D4,L
PHASE ERR H	5-B8,R	
PHASE ERR L	5-C8,R	
PWR FLT A H	13-A3,L	16-D8,R
PWR FLT H	13-A4,R	16-B4,L
RD CLK A	9-A3,L	10-B2,R
RD CLK B	9-A4,L	
RD CLK ECL H	9-A3,L	16-B5,R
RD CLK ECL L	9-A4,L	16-B5,R
RD G H	7-B2,L	11-A8,R
RD G L	7-B2,L	9-C6,R
RD GATE H	7-B7,R	8-A4,L
RD GATE L	8-A8,R	16-C5,R
RD GATE L1	4-B5,R	8-A4,L
RD SIG	2-B2,L	3-C8,R
RD SIG A H	1-C3,L	2-C7,R
RD SIG A L	1-C3,L	2-B7,R
RD SIG H	1-D8,R	16-C8,R
RD SIG L	1-C8,R	16-C7,L
RD/WRT G L	7-D7,R	8-A4,L
RESET H	9-B7,R	11-A3,L
	11-C1,R	12-C3,R
	12-C4,R	12-D7,R
	16-D1,L	
SERVO DATA	1-B3,R	4-D3,L
16-C2,L		
SQUELCH L	1-D8,R	8-B4,L
SYNC H	9-B7,R	11-B4,R
12-B5,R	12-C2,L	
SYNC L	9-C8,R	12-C2,L
SYNCED D RD/WRT GATE H	3-B4,R	11-B4,R
12-B4,L		
SYNCED D RD/WRT GATE L	11-C4,R	12-B4,L
TEST DATA H	3-C4,R	16-D2,L
TEST DATA L	3-C4,R	16-D2,L
TH H	1-A4,L	3-A5,R
16-D2,L		
TH L	1-B4,L	3-B5,R
16-D2,L		
TP J3-1	1-B5,R	16-D2,L
TP J3-2	1-B6,R	16-D2,L
TP J3-3	1-B5,R	16-D2,L
TP J3-4	1-B4,L	16-D2,L
TP J3-5	1-C2,L	16-D2,L
TP J3-7	1-B4,L	
TP J3-8	2-C2,L	
TP J3-9	1-A4,L	
TP J4-1	3-C4,R	
TP J4-10	3-C6,L	
TP J4-2	3-D5,L	16-D2,L
TP J4-4	3-D5,L	16-C2,L
TP J4-5	3-C3,R	16-C2,L
TP J4-6	3-C3,R	16-C2,L
TP J4-7	3-B1,L	16-C2,L
TP J4-8	3-B6,L	16-C2,L
TP J4-9	3-C1,L	
TP J5-1	4-D4,R	
TP J5-2	4-D1,L	
TP J5-3	4-D1,R	16-C2,L
TP J5-4	6-B4,L	16-C2,L
TP J6-2	11-D3,R	

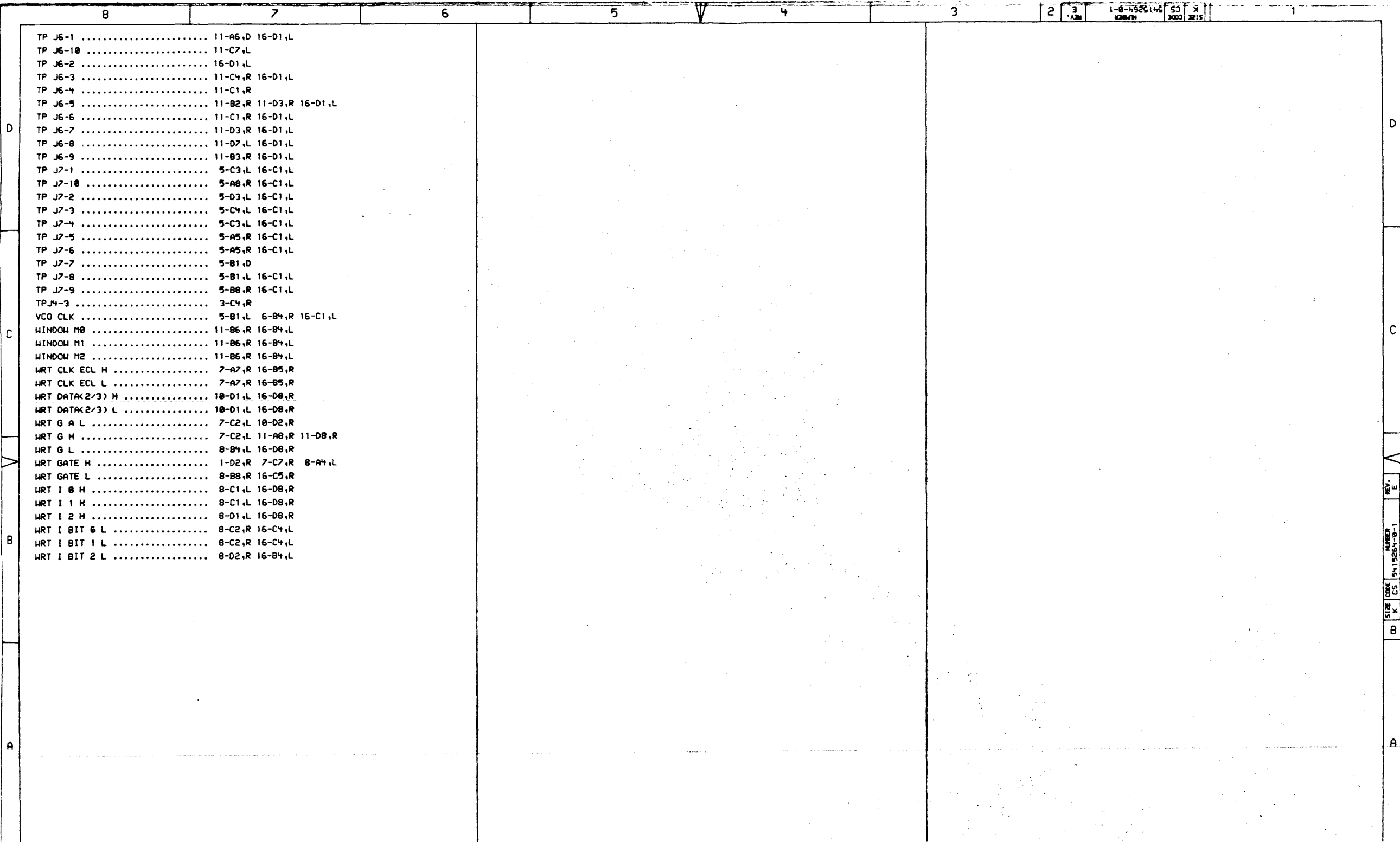
REVISIONS	CHK	CHANGE NO.	REV

digit@l DRN. DATE 11-AUG-83 ENG. DATE TITLE: POST AMP/DATA SEPARATOR

CHK'D. DATE BOARD LOCATION: SHEET 7 OF 18

OSK1PA IAP 4.33 111-AUG-83 11:18 NEXT HIGHER ASSEMBLY: SIZE CODE NUMBER REV. E

FIRST USED ON OPTION/MODE



THIS DRAWING AND SPECIFICATIONS ARE THE PROPERTY OF DIGITAL EQUIPMENT CORPORATION. IT SHALL NOT BE REPRODUCED OR COPIED IN ANY MANNER OR IN WHOLE OR IN PART WITHOUT THE WRITTEN PERMISSION OF DIGITAL EQUIPMENT CORPORATION.

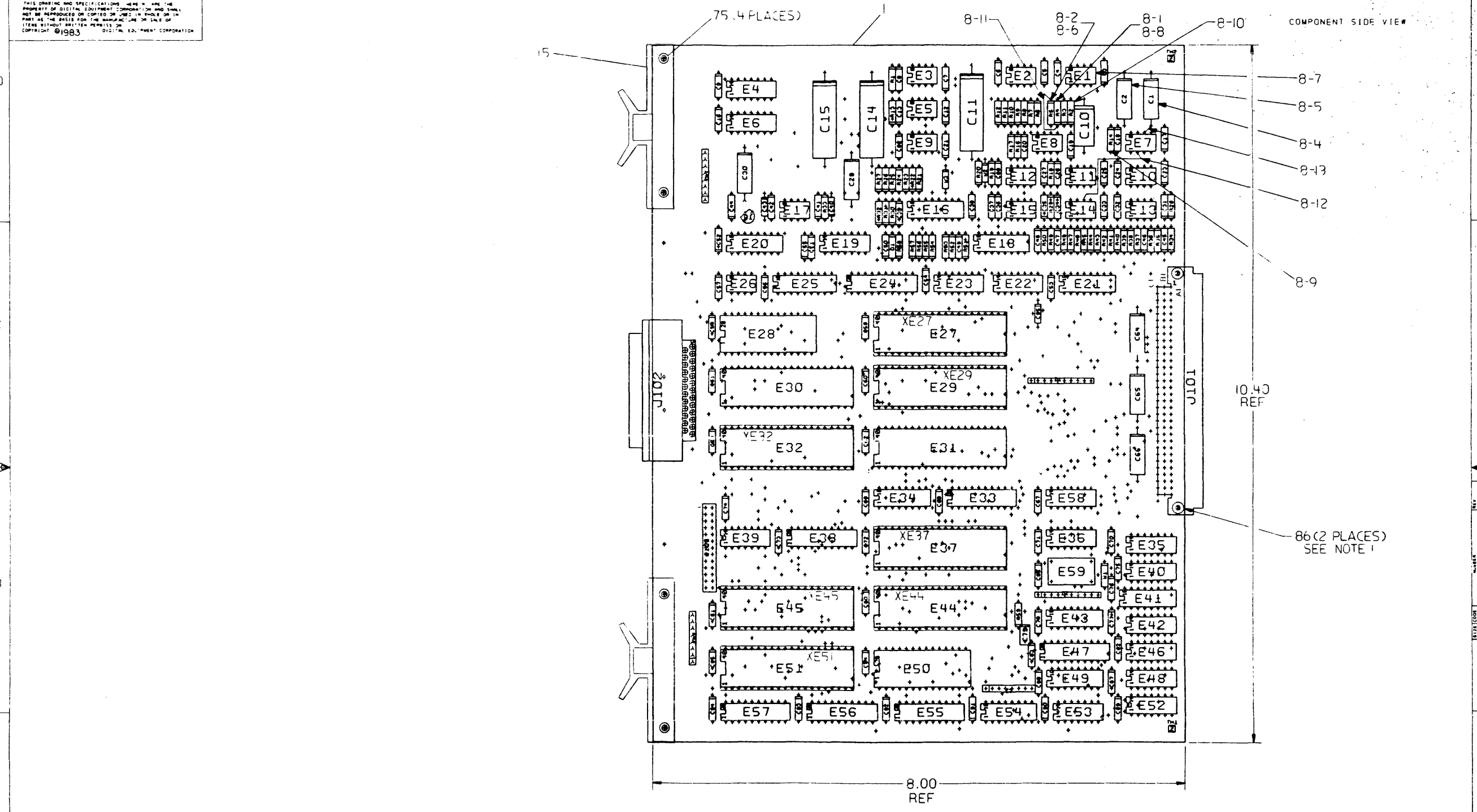
REVISIONS	
CHK	CHANGE NO. REV.

DIGITAL	DRN.	DATE	ENG.	DATE	TITLE
	CHK'D.	DATE	BOARD LOCATION		POST AMP/DATA SEPARATOR
FIRST USED ON OPTION/MODEL: RA60		NEXT HIGHER ASSEMBLY: B-DD-5415264-0		SIZE CODE	NUMBER
				K CS	5415264-0-1
					REV. E

SIZE CODE NUMBER REV.
 K CS 5415264-0-1 E

THIS DRAWING AND SPECIFICATIONS ARE THE PROPERTY OF DIGITAL EQUIPMENT CORPORATION AND SHALL NOT BE REPRODUCED OR COPIED IN WHOLE OR IN PART AS THE BASIS FOR THE MANUFACTURE OR SALE OF ITEMS WITHOUT WRITTEN PERMISSION OF DIGITAL EQUIPMENT CORPORATION ©1983

0-0-9925145 2



COMPONENT SIDE VIEW

86 (2 PLACES) SEE NOTE 1

NOTES: 1. EYELET FLANGE MUST BE INSERTED FROM COMPONENT SIDE OF CONNECTOR.
2. C40, C43, R28, E7 ARE UNUSED.

CHK	CHANGE NO	REV	DATE	BY	REASON
H					
J					
K					
L					

STEP E + Y AXIS STEP TIMES 24.0
REPEAT + X AXIS STEP TIMES

ETCH REV. CI-PI

SIGNATURES		DATE
DRN. Eric Zimm		27.11.83
CHK D.		
MECH. ENC.		
PROJ. ENC.		
PROD.		
SCALE 1.5/1	TITLE RA60 DRIVE LOGIC	
SHT 1 OF 2	SIZE CODE 0	NUMBER UA 5415266-0-01 L
NEXT HIGHER ASSY. B-DD-54 5266-0		

DUA 5415266-0-0

1 of 1

8 7 6 5 4 3 2 1

0-0-3925145 3000 C

ECO 5415266-CX008

COMPONENT DELETES: (SIDE 1)

- 8-1 DELETE R4 (1305324-00)
- 8-2 DELETE R5 (1305324-00)

COMPONENT ADDS: (SIDE 1)

- 8-4 ADD C1 (1023548-01)
- 8-5 ADD C2 (1023548-01)
- 8-6 ADD R5 (1303312-00)
- 8-7 ADD E1 (1910298-00)
- 8-8 ADD R4 (1318341-16)
- 8-9 ADD R14 (1316443-00)
- 8-10 ADD R2 (1310631-00)

WIRE ADDS: (SIDE 1)

- 8-11 ADD WIRE FROM LEFT SIDE OF R4 TO RIGHT SIDE OF R5
- 8-12 ADD WIRE FROM E7, PIN 2 TO E14, PIN 6
- 8-13 ADD WIRE FROM E7, PIN 6 TO LEFT SIDE OF C1

PART MARKING

- 8-14 AFTER ALL REWORK HAS BEEN COMPLETED MARK MODULE PART REV K1

D C B A

D C B A

REV. L
NUMBER 5415266-0-0
SIZE CODE UA

DUA 5415266-0-0 282

THIS DRAWING AND SPECIFICATIONS ARE THE PROPERTY OF DIGITAL EQUIPMENT CORPORATION AND SHALL NOT BE REPRODUCED OR COPIED OR USED IN WHOLE OR IN PART AS THE BASIS FOR THE MANUFACTURE OR SALE OF ITEMS WITHOUT WRITTEN PERMISSION. COPYRIGHT © 1984 DIGITAL EQUIPMENT CORPORATION

REVISIONS		
CHK	CHANGE NO.	REV

digital	DRN.	DATE	ENG.	DATE	TITLE: RA60 DRIVE LOGIC
	CHK'D.	DATE	BOARD LOCATION:	SHEET 2 OF 2	
DSK: 15266.TRP(4,24) 129-JUL-81 11:12		NEXT HIGHER ASSEMBLY:		SIZE CODE	NUMBER
FIRST USED ON OPTION/MODEL: RA60		B-DD-5415266-0		D UA	5415266-0-0
					REV. L

8 7 6 5 4 3 2 1

LINE ITEM	TOP DOCUMENT	PART NUMBER	MIN REV	DESCRIPTION	QTY PER VARIATION		REFERENCE DESIGNATOR
					01 L1	02 L1	
1	B-DD-5015265-0	5015265-01	C	DRILL AND ETCH BRD	1	1	
2		1000037-00		.22 MFD 100V 10% MYLR	3	3	C11,C14,C15
3		1001610-00		.01 MFD 50V +80-20% Z5U CER	41	41	C9,C16,C51-C54,C57-C63,C67-C78, C80-C94,C95
4		1023859-01		.056 MFD 50V 2% M.POLYCARB	2	2	CONT C1,C2
5		1005507-00		1 MFD 100V +50-10% AL EL	1	1	C30
6		1010031-04		.33 MFD 50V 10% M.POLYCARB	1	1	C10
7		1010274-02		1 MFD 50V +80-20% CER	1	1	C79
8		1012784-00	CR	.047 MFD 50V +80-20% CER	36	36	C3-C8,C12,C13,C17-C28,C31-C39, CONT C41,C42,C48-C50,C55,C56
9		1013466-06		100.0 MMF 50V 5% CER	3	3	C45-C47
10		1013466-22		.1 MFD 50V +80-20% Z5U CER	1	1	C44
11		1017472-00		10 MFD 35V +75-10% AL EL	4	4	C29,C64-C66
12		1105871-00		VZ= 5.15 1% 250 MW	1	1	D1
13		1216598-00		PCB,HEADER 08PIN(1X08),100CC STR	2	2	TP1,TP2
14		1212965-03		*** THIS ITEM IS NOT USED ***	-	-	
15		9008337-08		HANDLE, FLIP CHIP GRAY #937	2	2	
16		1215006-08		SKT,IC 40PIN DIP TIN SOLD	7	7	CONT XE27,XE29,XE32,XE37,XE44,XE45, XE51
17		1219047-01		CONN .100 96SKT	1	1	J101
18		1214460-00		CONN,D SUB 25PIN ASSY RT ANGLE P	1	1	J102
19		1300439-00		3.30 K .25 W 5.0 % CF	1	1	R3
20		1300365-00		1.0 K .25 W 5.0 % CF	1	1	R30
21		1300417-00		2.20 K .25 W 5.0 % CF	1	1	R16
22		1301422-00		7.50 K .25 W 5.0 % CF	1	1	R13
23		1301775-00		820.0 .25 W 5.0 % CF	1	1	R31
24		1302389-00		4.30 K .25 W 5.0 % CF	1	1	R7
25		1302466-00		*** THIS ITEM IS NOT USED ***	-	-	
26		1303114-00		1.0 K .25 W 1.0 % RN55D-F10	5	5	R17,R26,R27,R38,R43
27		1303312-00		10.0 K .25 W 1.0 % RN55D-F10	18	18	R29,R32,R34-R37,R40-R42,R44,R46,

REVISION HISTORY		BASIC PART NO: 5415266		DRN:	SUE BOURBEAU	DATE:	12-JUL-82	D I G I T A L			
ENG	ECO NUMBER	REV	SECTION A OF A	CHK'D:	RON MICHAUD	DATE:	12-JUL-82	TITLE PARTS LIST			
INITIAL		A	SECTION.VARIATION INDEX	DES.ENG:	GARRY GRAY	DATE:	12-JUL-82	DOCUMENT NUMBER			
GG	5415266-CX002	B	[A] 01,02	RESP.ENG.:	GARRY GRAY	DATE:	12-JUL-82	SIZE	CODE	NUMBER	REV
GG	5415266-CX003	C	[B]	MFG.ENG.:	JOHN PAPA	DATE:	12-JUL-82	K	PL	5415266-0-DBP	M
GG	5415266-CX004	D	[C]	ASSEMBLY NUMBER:		TOP DOCUMENT NUMBER:		FILE NAME:		EDIT #	
CT	5415266-CX005	E	[D]	ID-UA-5415266-0-0		B-DD-5415266-0-0		Z2150M.PLS		10	
GG	5415266-CX006	F	[E]	RELEASE DATE: 28-MAR-85							
MK	5415266-CX007	H	[F]								
SM	5415266-CX008	J	[G]								
AM	5415266-CX009	K	[H]								
SM	5415266-CX010	L	[I]								
ER	5415266-CX011	M	[J]								
			[K]								
			[L]								
			[M]								
			[N]								

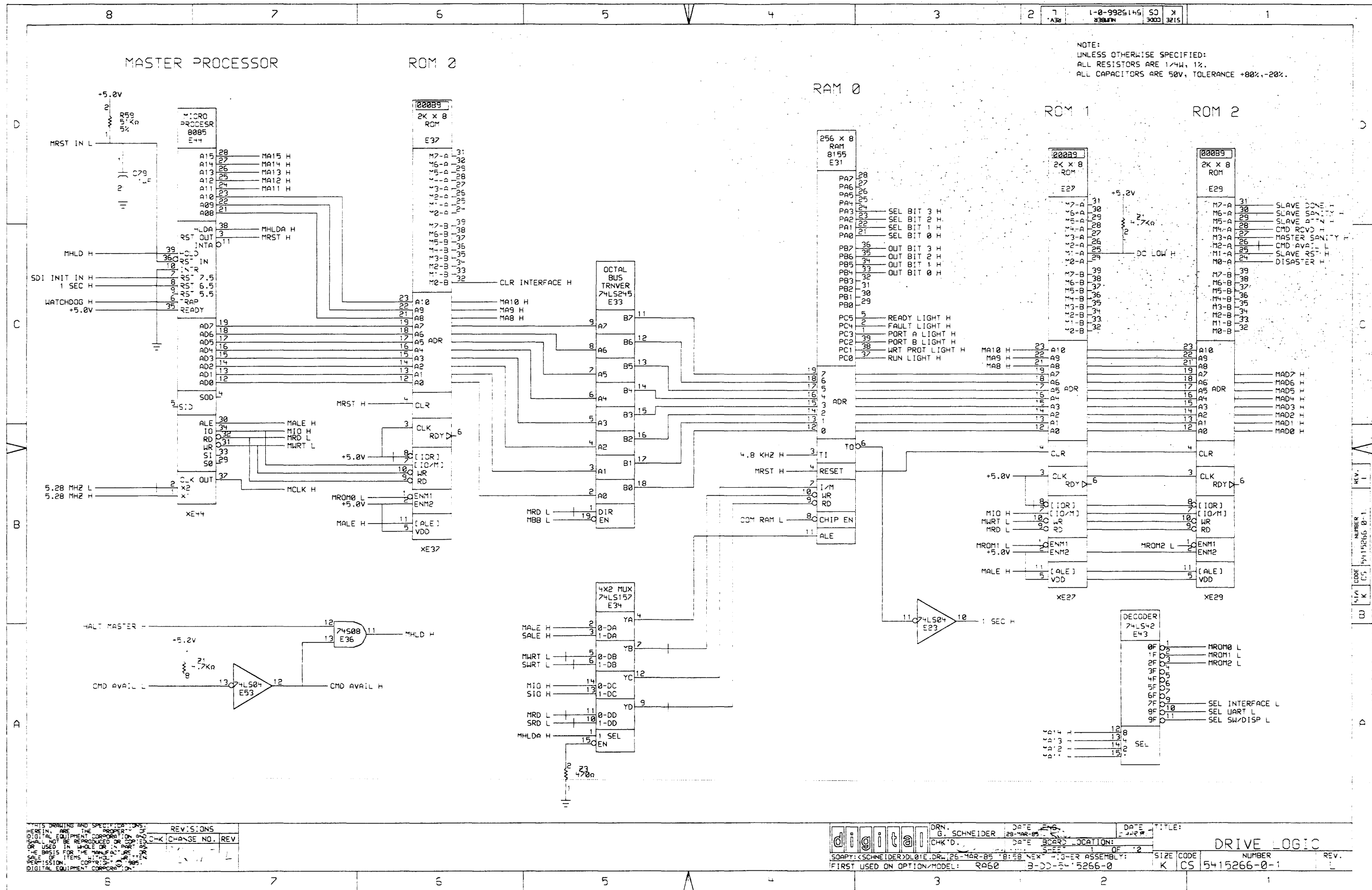
"THIS DRAWING AND THE SPECIFICATIONS CONTAINED HEREIN ARE CONFIDENTIAL AND PROPRIETARY. THEY ARE THE PROPERTY OF DIGITAL EQUIPMENT CORPORATION AND SHALL NOT BE REPRODUCED OR COPIED OR USED IN WHOLE OR IN PART AS THE BASIS FOR THE MANUFACTURE OR SALE OF ITEMS WITHOUT WRITTEN PERMISSION. THIS IS AN UNPUBLISHED WORK PROTECTED UNDER THE FEDERAL COPYRIGHT LAWS."

LINE	ITEM	TOP DOCUMENT	PART NUMBER	MIN REV	DESCRIPTION	QTY PER VARIATION		REFERENCE DESIGNATOR
						01	02	
					VARIATION REVISION LEVEL:	L1	L1	
								CONT R49,R50,R53-R55,R58,R5
28	28		1303313-00		12.10 K .25 W 1.0 % RN55D-F10	1	1	R12
29	29		1304839-00		51.0 K .25 W 5.0 % CF	1	1	R59
30	30		1304854-00		5.11 K .25 W 1.0 % RN55D-F10	2	2	R45,R10
31	31		1304855-00		*** THIS ITEM IS NOT USED ***	-	-	
32	32		1304856-00		4.64 K .25 W 1.0 % RN55D-F10	1	1	R52
33	33		1304866-00		2.0 K .25 W 1.0 % RN55D-F10	1	1	R23
34	34		1305324-00		4.99 K .25 W 1.0 % RN55D-F10	1	1	R9
35	35		1305374-00		*** THIS ITEM IS NOT USED ***	-	-	
36	36		1309595-00		1.0 M .25 W 5.0 % CF	1	1	R6
37	37		1312626-00		2.49 K .25 W 1.0 % RN55D-F10	2	2	R24,R33
38	38		1312930-00		5.10 K .25 W 5.0 % CF	8	8	R19-R22,R39,R47,R56,R57
39	39		1313155-00		604.0 .25 W 1.0 % RN55D-F10	1	1	R11
40	40		1313592-00		4.87 K .25 W 1.0 % RN55D-F10	1	1	R51
41	41		1313599-00		36.50 K .25 W 1.0 % RN55D-F10	1	1	R1
42	42		1314988-00		6.65 K .25 W 1.0 % RN55D-F10	2	2	R8,R18
43	43		1314990-00		158.0 K .25 W 1.0 % RN55D-F10	2	2	R25,R48
44	44		1316254-00		R NETWORK 7-470 2.0 % 8PIN	1	1	Z3
45	45		1316254-01		R NETWORK 7-4.7K 2.0 % 8PIN	2	2	Z1,Z2
46	46		1811660-38		OSCILLATOR, XTAL 15.8400 MHZ	1	1	E59
47	47		1909929-00		7417 BUFFER GATE-HEX 1INP	1	1	E22
48	48		1910298-00		741 OP AMP GEN PURP. COM	9	9	E2-E3,E5,E10,E11,E13,E14,E17,E1
49	49		1910544-00		74S74 FF-D DUAL,EDGE TRIGG	1	1	E52
50	50		1912850-00		LS164 SHIFT REG. 8BIT SERI	2	2	E39,E58
51	51		1912389-00		74S08 AND GATE-QUAD 2IN,PO	1	1	E36
52	52		1912803-00		LS04 INVERTER GATE,HEX	4	4	E19,E23,E35,E53
53	53		1912816-00		LS32 OR GATE-QUAD 2IN,POS	2	2	E40,E46
54	54		1912819-00		LS42 DECODER,BCD-DECIMAL	1	1	E43
55	55		1912824-00		LS74 FF-D DUAL,EDGE TRIGG	2	2	E4,E48
56	56		1912847-00		LS157 MUX 1 OF 2(QUAD)	2	2	E34,E49
57	57		1912849-00		LS161 COUNTER,SYNCHR,4BIT	1	1	E54
58	58		1914451-00		LS393 COUNTER,BINARY,4BIT	1	1	E42
59	59		1915125-00		3691 DRIVER,QUAD,EIA RS-	1	1	E20
60	60		1915218-00		LS245 TRANSCEIVER,BUS,OCTA	2	2	E33,E38
61	61		1915234-00		LS390 COUNTER,DECADE,DUAL,	1	1	E41
62	62		1915416-00		9637 RECEIVER,DUAL,RS-42	1	1	E26
63	63		1919023-01		DAC,COMPANDING	1	1	E25
64	64		1919420-01		OP AMP,JFET INPUT	4	4	E8,E9,E12,E15
65	65		1919421-01		79L05 VOLT REG -5V	1	1	Q1
66	66		2113107-01		P 8251A PUSART COMM. INTERFA	1	1	E28
67	67		2114963-00		UP,8-BIT NMOS	2	2	E44,E51
68	68		2114964-00		RAM 2048 MOSJ-STATIC	2	2	E30,E31
69	69		2119304-01		0804 ADC,8-BIT DIFFERENTIA	1	1	E24
70	70		2119305-01		201 SWITCH,ANALOG,QUAD	2	2	E16,E18
71	71		23343A1-00	A1-04		1	1	E21
72	72		23049B9-00	B9-01,B9-02	ROM	1	-	E27
73	73		23081C6-00	C6-01		1	1	E50
74	74		23108K5-00	K5-01	PAL,LOGIC	1	1	E47

D	I	G	I	T	A	L	TITLE	DRIVE LOGIC	SECTION A	OF A	SIZE	CODE	DOCUMENT NUMBER	REV
											K	PL	5415266-0-DBP	M

LINE ITEM	TOP DOCUMENT	PART NUMBER	MIN REV	DESCRIPTION	QTY PER VARIATION		REFERENCE DESIGNATOR
					01	02	
				VARIATION REVISION LEVEL:	L1	L1	
75	75	9006732-00		EYELET,ROLLED 0.1210DX0.219	4	4	
76	76	9009185-00		JUMPER, WIRE, INSULATED, BLACK B	3	3	W1-W3
77	77	9105740-55		*** THIS ITEM IS NOT USED ***	-	-	
78	78	1912820-00		LS51 A-0-I GATE 2-WIDE 2I	1	1	E6
79	79	23050B9-00		B9-01,B9-02 ROM	1	-	E29
80	80	23096B9-00		B9-01,B9-02 ROM	1	-	E32
81	81	23048B9-00		B9-01,B9-02 ROM	1	-	E37
82	82	23097B9-00		B9-01,B9-02 ROM	1	-	E45
83	83	23022K5-00		K5-01	1	1	E55
84	84	23110K5-00		K5-01 PAL,LOGIC	1	1	E56
85	85	23023K5-00		K5-01	1	1	E57
86	86	9010489-01		RIVET SEMI-TUBE OVAL .099DI	2	2	
87	87	1318341-16		243.0 .25 W 1.0 % RN550-F10	1	1	R4
88	88	1316443-00		45.30 K .25 W 1.0 % RN55D-F10	1	1	R14
89	89	1310631-00		2.21 K .25 W 1.0 % RN55D-F10	1	1	R2
90	90	5417487-01		DRIVE LOGIC DAUGHTER BOARD	-	1	

D	I	G	I	T	A	L	TITLE	SECTION A OF A	SIZE	CODE	DOCUMENT NUMBER	REV
							DRIVE LOGIC		K	PL	5415266-0-DBF	M

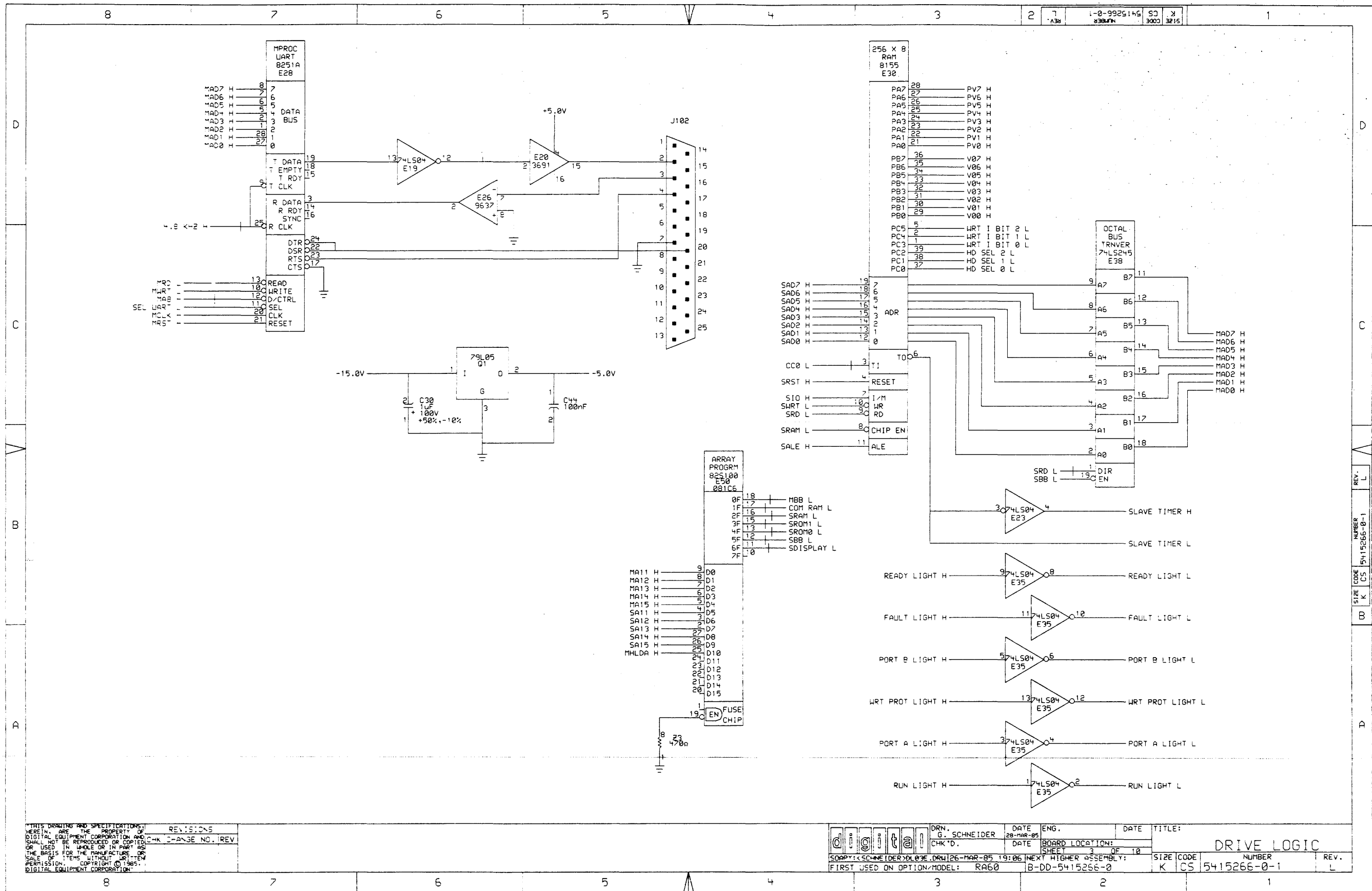


NOTE:
UNLESS OTHERWISE SPECIFIED:
ALL RESISTORS ARE 1/4W, 1%.
ALL CAPACITORS ARE 50V, TOLERANCE +80%, -20%.

REVISIONS
CHECK CHANGE NO. REV

digital DRN. G. SCHNEIDER DATE 2-28-83
CHK'D DATE 3-2-83 LOCATION: 1 OF 2
SOA: (SCHNEIDER) DLOE.DR. 25-MAR-83 B:BB NEX 1-3-ER ASSEMBLY: SIZE CODE NUMBER REV.
FIRST USED ON OPTION/MODEL: RAG0 B-22-24-5266-0 K CS 5415266-0-1

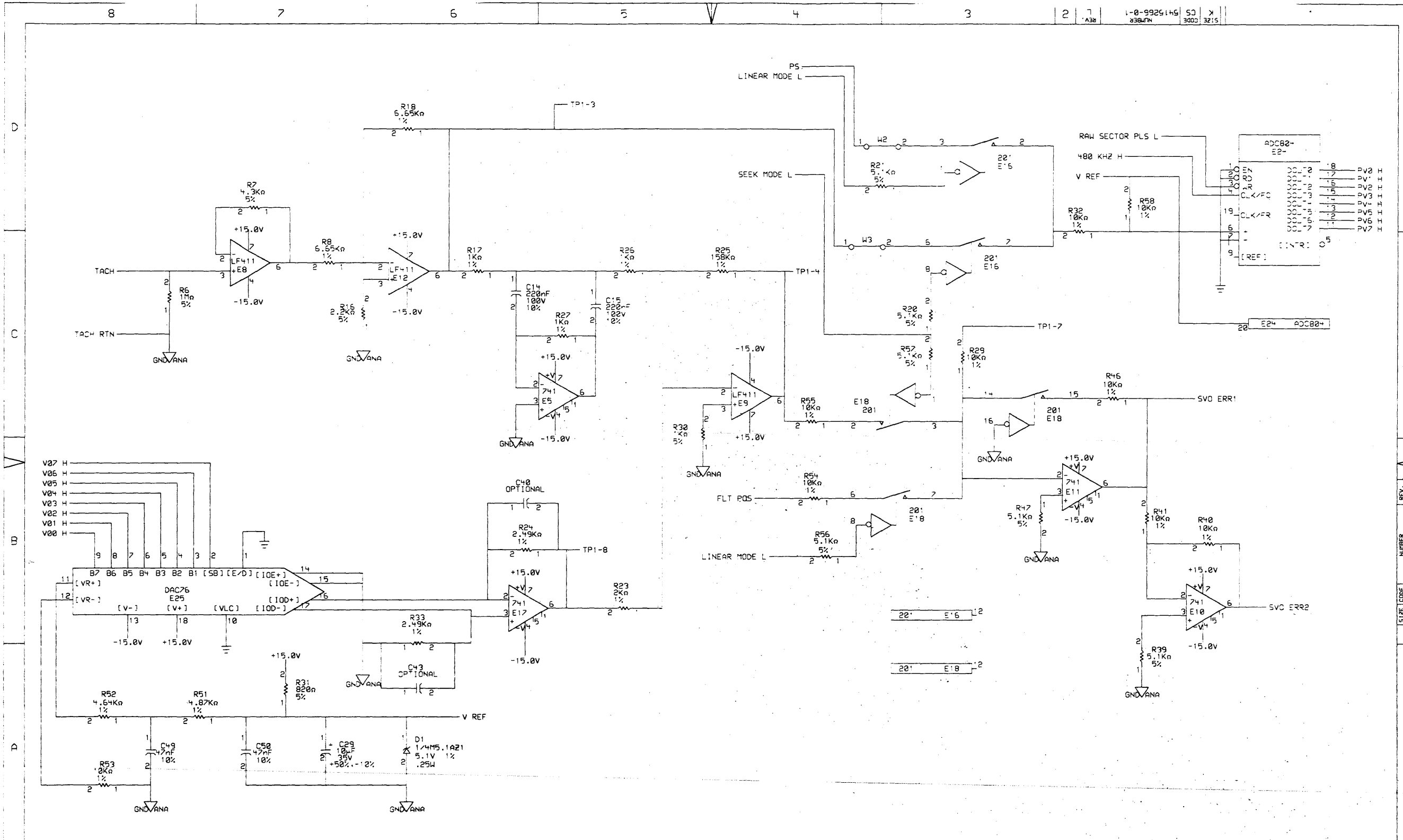
REV. 1
NUMBER 5415266-0-1
CODE CS



THIS DRAWING AND SPECIFICATIONS ARE THE PROPERTY OF DIGITAL EQUIPMENT CORPORATION AND SHALL NOT BE REPRODUCED OR COPIED OR USED IN WHOLE OR IN PART AS THE BASIS FOR THE MANUFACTURE OR SALE OF ITEMS WITHOUT WRITTEN PERMISSION. COPYRIGHT © 1985, DIGITAL EQUIPMENT CORPORATION.

REV. NO.	DESCRIPTION
1	INITIAL ISSUE

DRN. G. SCHNEIDER	DATE 28-MAR-85	ENG.	DATE	TITLE: DRIVE LOGIC
CHK'D.	DATE	BOARD LOCATION:	SHEET 3 OF 10	SIZE CODE K CS
COPY: SCHNEIDER/DL03E.DRW/26-MAR-85 19:06	NEXT HIGHER ASSEMBLY:	SIZE CODE K CS	NUMBER 5415266-0-1	REV. L
FIRST USED ON OPTION/MODEL: RA60	B-DD-5415266-0			

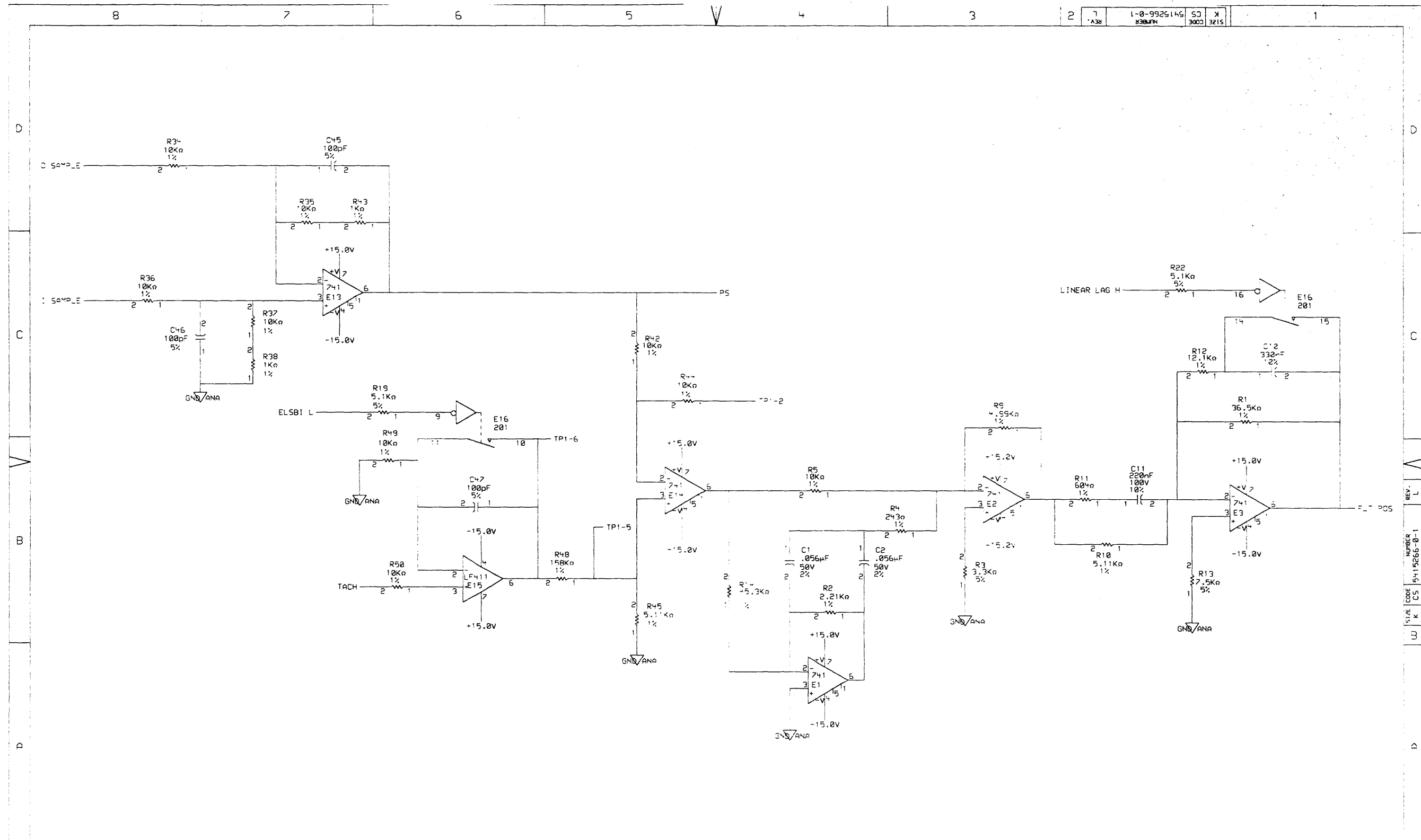


REV. L
NUMBER 5415266-0-1
SIZE CODE CS
K CS 5415266-0-1

THIS DRAWING AND SPECIFICATIONS ARE THE PROPERTY OF DIGITAL EQUIPMENT CORPORATION AND SHALL NOT BE REPRODUCED OR COPIED OR USED IN ANY MANNER OR IN PART AS THE BASIS FOR THE MANUFACTURE OR SALE OF ITEMS WITHOUT WRITTEN PERMISSION. COPYRIGHT © 1989, DIGITAL EQUIPMENT CORPORATION.

REVISIONS		
CHK	CHANGE NO.	REV

DRN. SCHNEIDER	DATE 28-MAR-85	ENG.	DATE	TITLE: DRIVE LOGIC
CHK'D.	DATE	BOARD LOCATION: SHEET 5 OF 12		
COPY: (SCHNEIDER) DISE.DRAW.26-MAR-85 19:12 NEXT HIGHER ASSEMBLY: RA60		SIZE CODE K CS 5415266-0-	NUMBER	REV. L
FIRST USED ON OPT: ON MODEL: B-DD-5415266-0				

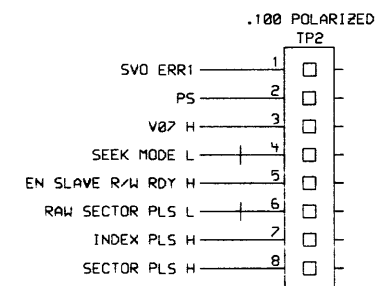
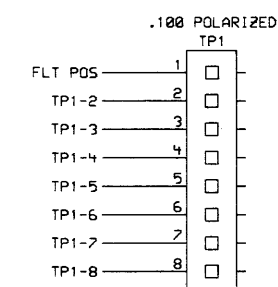
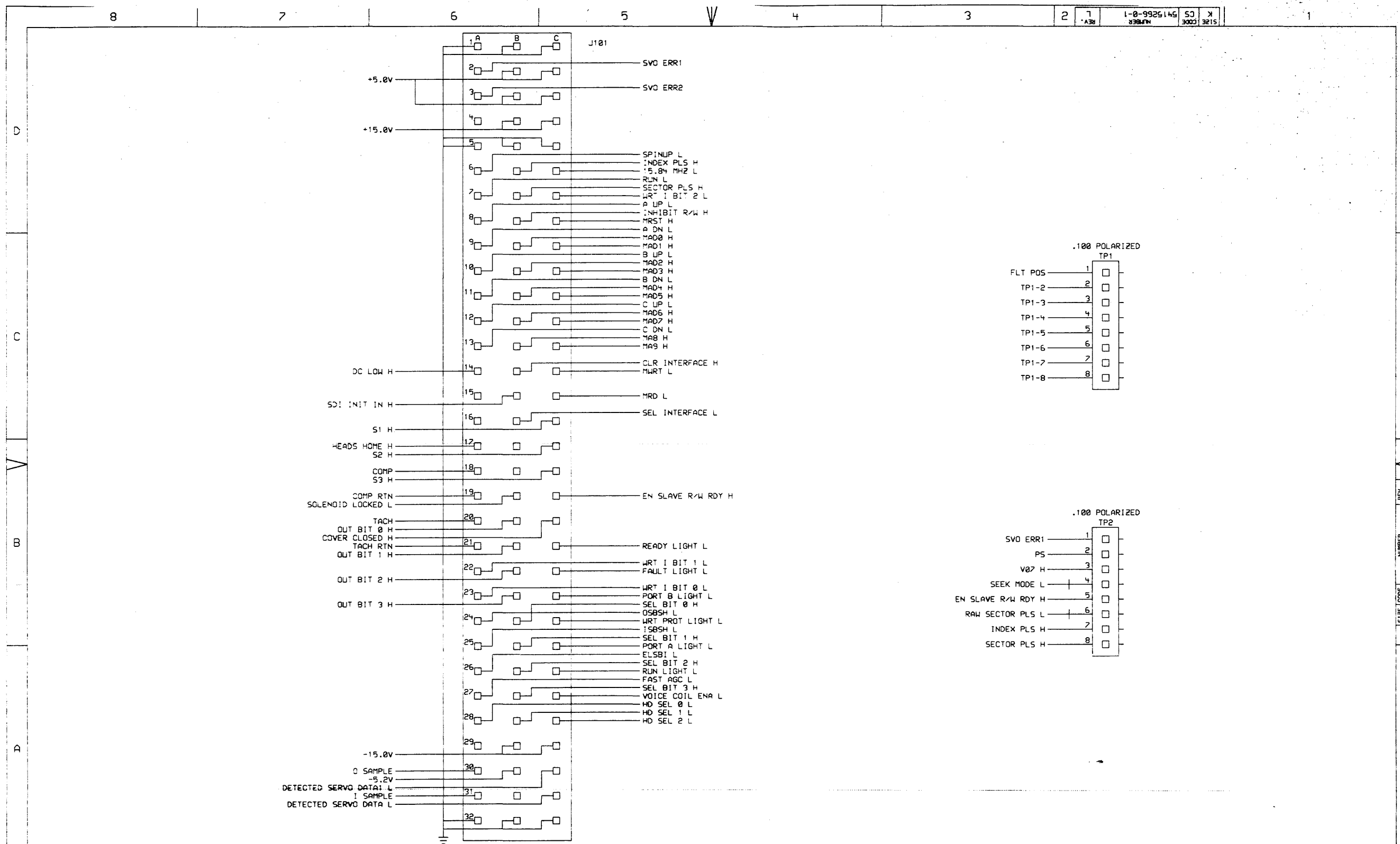


REVISIONS

CHK	CHANGE NO.	REV

DATE	ENG.	DATE	TITLE:
28-10-95	S. SCHNEIDER		DRIVE LOGIC
DATE	BOARD LOCATION:	SHEET	OF 10
		6	10
FIRST USED ON OPTION MODEL: PAS2		B-DD-5415266-0	

SIZE	CODE	NUMBER	REV.
K	CS	5-15266-0-1	L

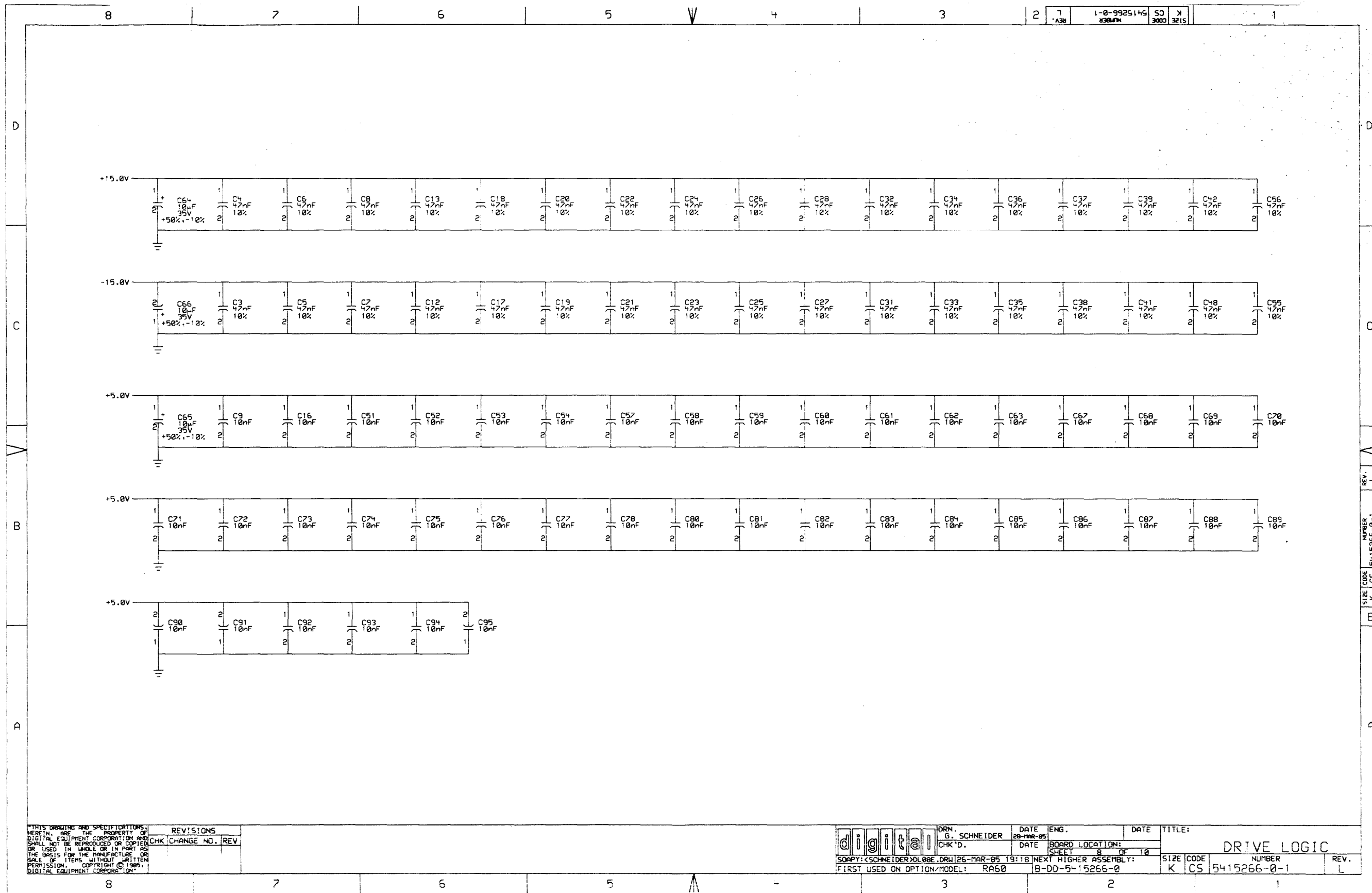


THIS DRAWING AND SPECIFICATIONS ARE THE PROPERTY OF DIGITAL EQUIPMENT CORPORATION AND SHALL NOT BE REPRODUCED OR COPIED OR USED IN WHOLE OR IN PART AS THE BASIS FOR THE MANUFACTURE OR SALE OF ITEMS WITHOUT WRITTEN PERMISSION. COPYRIGHT © 1985, DIGITAL EQUIPMENT CORPORATION.

CHK	CHANGE NO.	REV

	DRAWN BY: G. SCHNEIDER	DATE: 28-MAR-85	ENG.	DATE	TITLE: DRIVE LOGIC
	CHK'D.	DATE	BOARD LOCATION: SHEET 7 OF 10		
COPY: (SCHNEIDER) DL 02E.DRW 26-MAR-85 19:17			NEXT HIGHER ASSEMBLY: B-DD-5415266-0		SIZE: K
FIRST USED ON OPTION/MODEL: RA60			CODE: CS	NUMBER: 5415266-0-1	REV: L

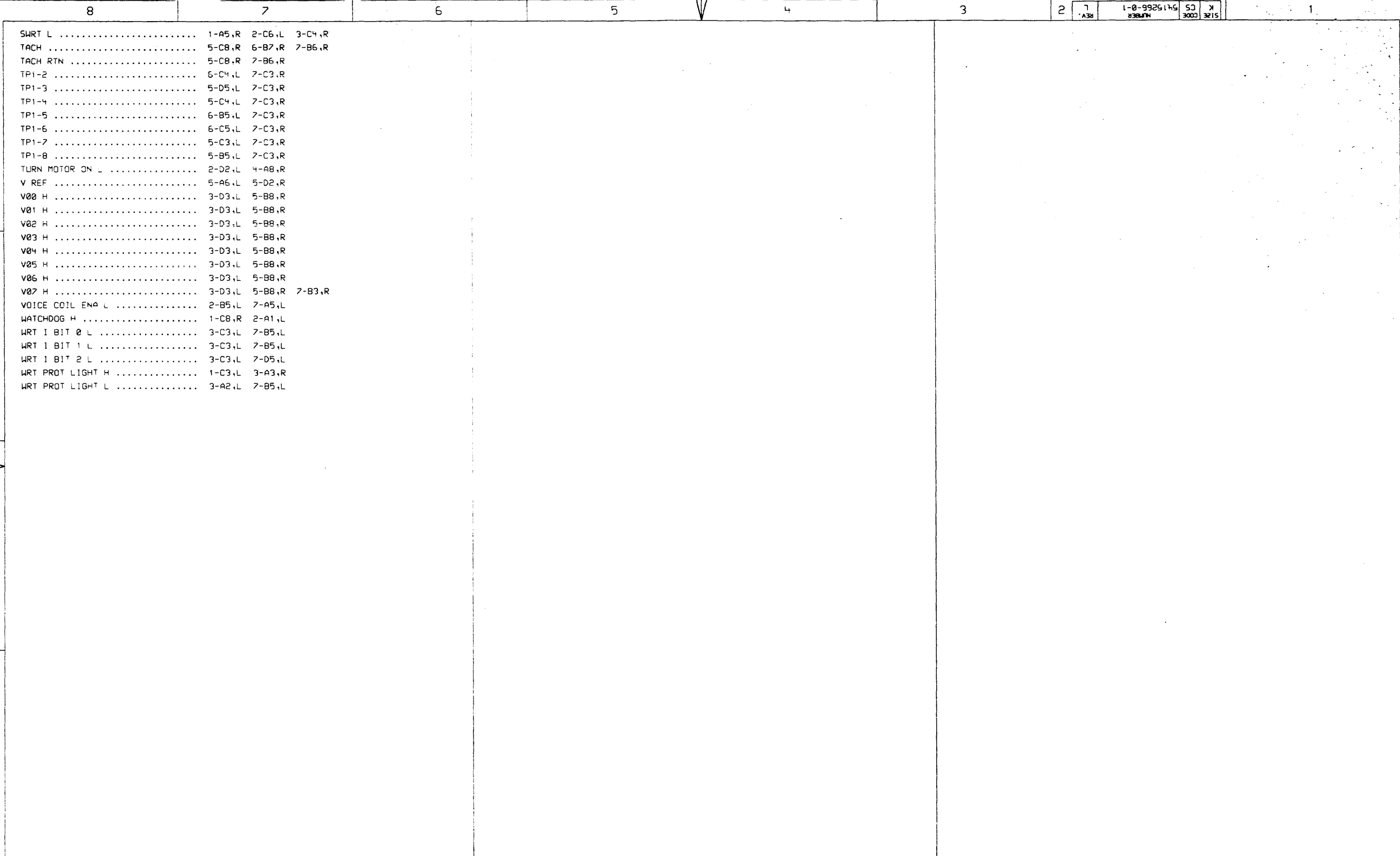
REV. L
NUMBER 5415266-0-1
SIZE CODE CS K B



REVISIONS	
CHK	CHANGE NO. REV.

digital	DRN. G. SCHNEIDER	DATE 28-MAR-85	ENG.	DATE	TITLE: DRIVE LOGIC
	CHK'D.	DATE	BOARD LOCATION: SHEET 8 OF 10	SIZE CODE K CS	NUMBER 5415266-0-1
COPY: <SCHNEIDER>DL06.DRW 26-MAR-85 19:18			NEXT HIGHER ASSEMBLY: B-DD-5415266-0		REV. L
FIRST USED ON OPTION/MODEL: RA60					

REV. L
NUMBER 5415266-0-1
SIZE CODE K CS



SWRT L 1-A5,R 2-C6,L 3-C4,R
 TACH 5-C8,R 6-B7,R 7-B6,R
 TACH RTN 5-C8,R 7-B6,R
 TP1-2 6-C4,L 7-C3,R
 TP1-3 5-D5,L 7-C3,R
 TP1-4 5-C4,L 7-C3,R
 TP1-5 6-B5,L 7-C3,R
 TP1-6 6-C5,L 7-C3,R
 TP1-7 5-C3,L 7-C3,R
 TP1-8 5-B5,L 7-C3,R
 TURN MOTOR ON L 2-D2,L 4-A8,R
 V REF 5-A6,L 5-D2,R
 V00 H 3-D3,L 5-B8,R
 V01 H 3-D3,L 5-B8,R
 V02 H 3-D3,L 5-B8,R
 V03 H 3-D3,L 5-B8,R
 V04 H 3-D3,L 5-B8,R
 V05 H 3-D3,L 5-B8,R
 V06 H 3-D3,L 5-B8,R
 V07 H 3-D3,L 5-B8,R 7-B3,R
 VOICE COIL ENA L 2-B5,L 7-A5,L
 WATCHDOG H 1-C8,R 2-A1,L
 WRT 1 BIT 0 L 3-C3,L 7-B5,L
 WRT 1 BIT 1 L 3-C3,L 7-B5,L
 WRT 1 BIT 2 L 3-C3,L 7-D5,L
 WRT PROT LIGHT H 1-C3,L 3-A3,R
 WRT PROT LIGHT L 3-A2,L 7-B5,L

THIS DRAWING AND SPECIFICATIONS ARE THE PROPERTY OF DIGITAL EQUIPMENT CORPORATION AND SHALL NOT BE REPRODUCED OR COPIED OR USED IN WHOLE OR IN PART AS THE BASIS FOR THE MANUFACTURE OR SALE OF ITEMS WITHOUT THE WRITTEN PERMISSION OF DIGITAL EQUIPMENT CORPORATION.

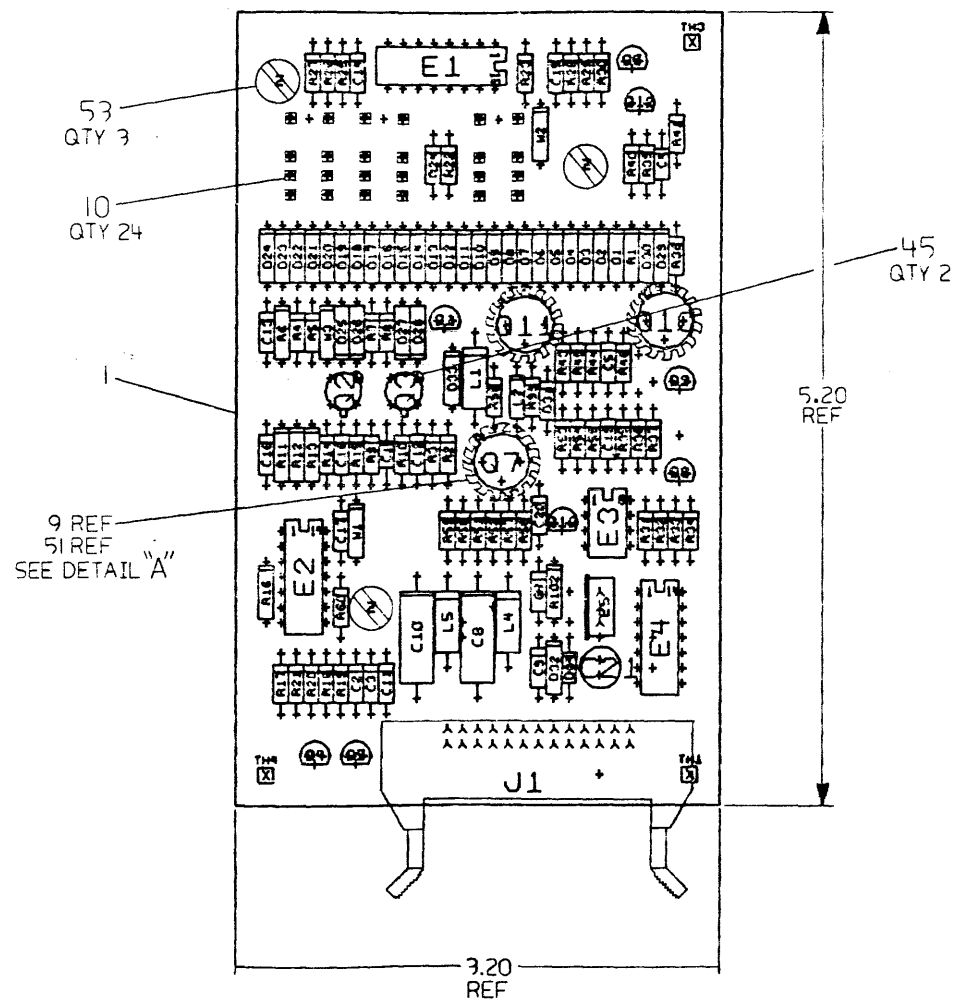
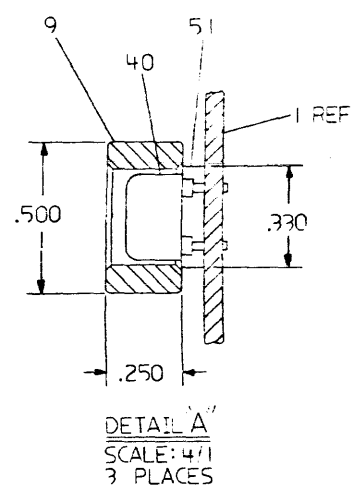
REVISIONS	
CHK	CHANGE NO. REV

digital	DRN. G. SCHNEIDER	DATE 28-MAR-85	ENG.	DATE	TITLE: DRIVE LOGIC
	CHK'D.	DATE	BOARD LOCATION:	SHEET 10 OF 10	
DSK: DLE.T2P(4,243)		28-MAR-85 13:45	NEXT HIGHER ASSEMBLY:		SIZE CODE NUMBER REV.
FIRST USED ON OPTION/MODEL: RAG0		3-DD-54'5266-0	K	CS	5415266-0-1 L

REV. L
 NUMBER 5415266-0-1
 CODE CS
 SIZE K
 CD

THIS DRAWING AND SPECIFICATIONS HEREAFTER ARE THE PROPERTY OF DIGITAL EQUIPMENT CORPORATION AND SHALL NOT BE REPRODUCED OR COPIED OR USED IN ANY MANNER WITHOUT THE WRITTEN PERMISSION OF THE MANUFACTURER OR SALE OF DIGITAL EQUIPMENT CORPORATION.

COMPONENT SIDE VIEW



NOTES: 1, W2 AND W3 ARE NOT TO BE INSTALLED.

STEP E → Y AXIS 5.20 STEP 1 TIMES 2AC14
REPEAT → X AXIS 3.20 STEP 4 TIMES

CHK	CHANGE	NO	REV	DATE	BY	APP

ETCH REV. F1-P1

SIGNATURES	DATE
DRN. <i>[Signature]</i>	2/25/74
CHK. <i>[Signature]</i>	2/27/74
MECH. ENG. <i>[Signature]</i>	2/27/74
PROJ. ENG. <i>[Signature]</i>	2/27/74
PROD. <i>[Signature]</i>	2/27/74

digital	
TITLE READ/WRITE PREAMP	
SCALE 2/1	SIZE CODE 0
SHT. 1 OF 1	NUMBER 5415268-0-C
NEXT HIGHER ASSY. 3-00-5415268-0-0	

DUA 5415268-0-0

161

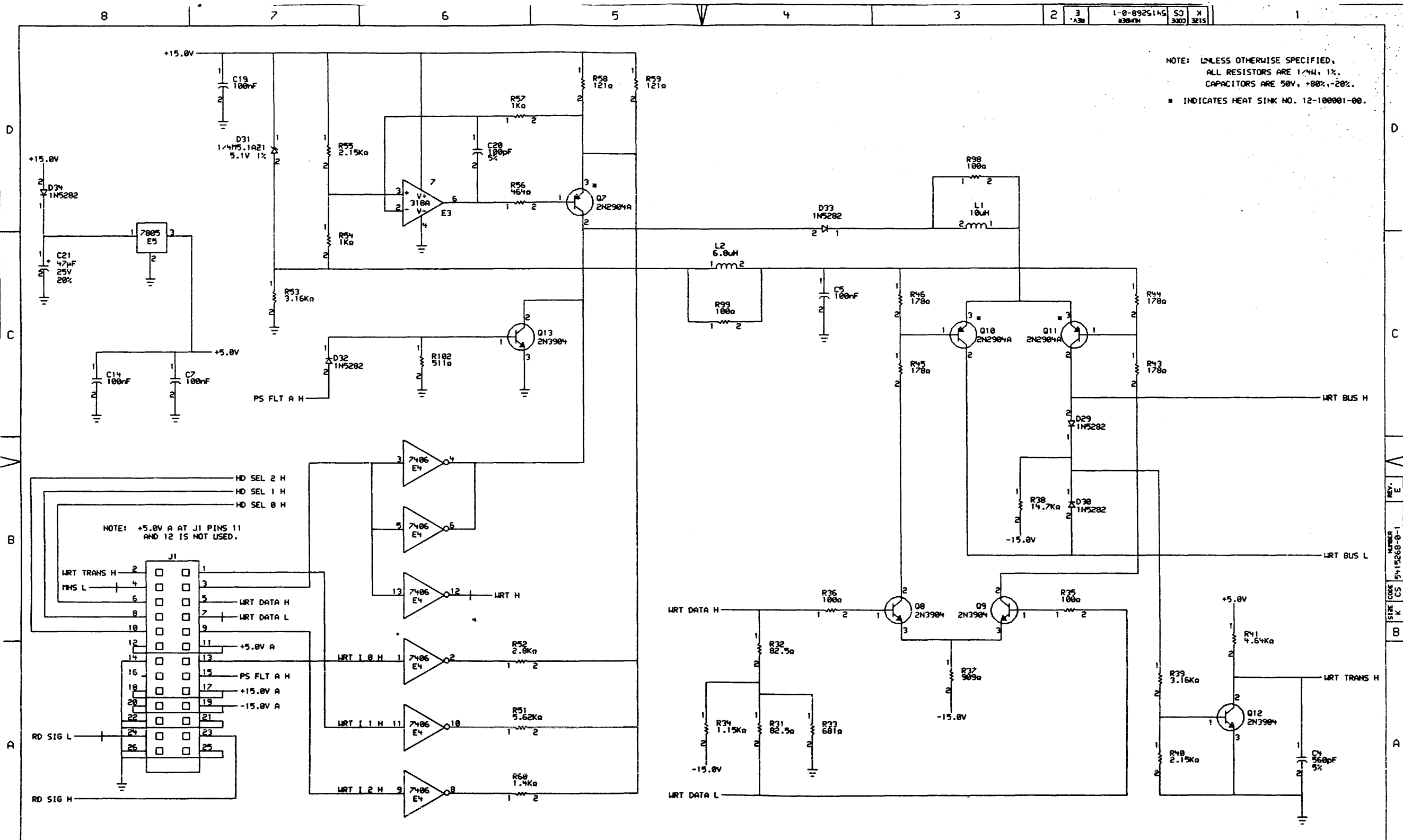
AUTOMATED BY PRTLST.3P(44)

PARTS LIST

SHEET A2 OF A2

LINE	ITEM	TOP DOCUMENT	PART NUMBER	MIN REV	DESCRIPTION	QTY	PER VARIATION	REFERENCE DESIGNATOR
					VARIATION REVISION LEVEL:	01		
						E2		
31	31		1305145-00		2.80 K .25 W 1.0 Z RN55D-F10	1		R52
32	32		1305322-00		7.50 K .25 W 1.0 Z RN55D-F10	1		R6
33	33		1309413-00		3.83 K .25 W/1.0 Z RN55D-F10	2		R7,R8
34	34		1311422-00		178.0 .25 W 1.0 Z RN55D-F10	4		R43,R44,R45,R46
35	35		1311653-00		2.15 K .25 W 1.0 Z RN55D-F10	2		R40,R55
36	36		1312545-00		2.32 K .25 W 1.0 Z RN55D-F10	2		R4,R5
37	37		1313589-00		1.40 K .25 W 1.0 Z RN55D-F10	1		R60
38	38		1314549-00		1.15 K .25 W 1.0 Z RN55D-F10	1		R34
39	39		1316836-00		*** THIS ITEM IS NOT USED ***	-		
40	40		1501913-00		2N 2904A PNP 600MW SI 60 40 Y	3		Q7,Q10,Q11
41	41		1509524-00		2N 3904 NPN 310MW SI 40 40 M	4		Q8,Q9,Q12,Q13
42	42		1509525-00		2N 3906 PNP 310MW SI 40100 Y	4		Q1,Q4,Q5,Q6
43	43		1516055-00		2N 5031 NPN 200MW 20MA	2		Q2,Q3
44	44		1612946-04		6.8 UH 10% Q MIN=52@7.9MHZ	1		L2
45	45		1613367-01		BEAD,SHIELDING,FERRITE	2		
46	46		1613898-00		10.0 UH INDUCTOR	3		L1,L4,L5
47	47		1919580-01		LS145 DECODER,BCD/DECIMAL	1		E1
48	48		1910644-00		733 DIFFERENTIAL AMP,WID	1		E2
49	49		1910735-02		318 OP AMP	1		E3
50	50		1910741-00		7406 INVERTER GATE-HEX 1I	1		E4
51	51		9007201-00		PAD,MOUNTING,COMPONENT	3		
52	52		9008268-00		COMPOUND, THERMAL JOINT	A/R		
53	53		1221271-02		FASTENER ASSY,CAPTIVE 6-32	3		
54	54		9009185-00		JUMPER, WIRE, INSULATED, BLACK B	1		W1
55	55		1018000-40	A	47 MFD 25V 20% AL EL	1		C21
56	56		1912536-01	H	7805 VOLT REG,FIX +5V	1		E5

D	I	G	I	T	A	L	TITLE	SECTION A OF A	SIZE	CODE	DOCUMENT NUMBER	REV
							READ/WRITE PREAMP		K	PL	5415268-0-DBP	F

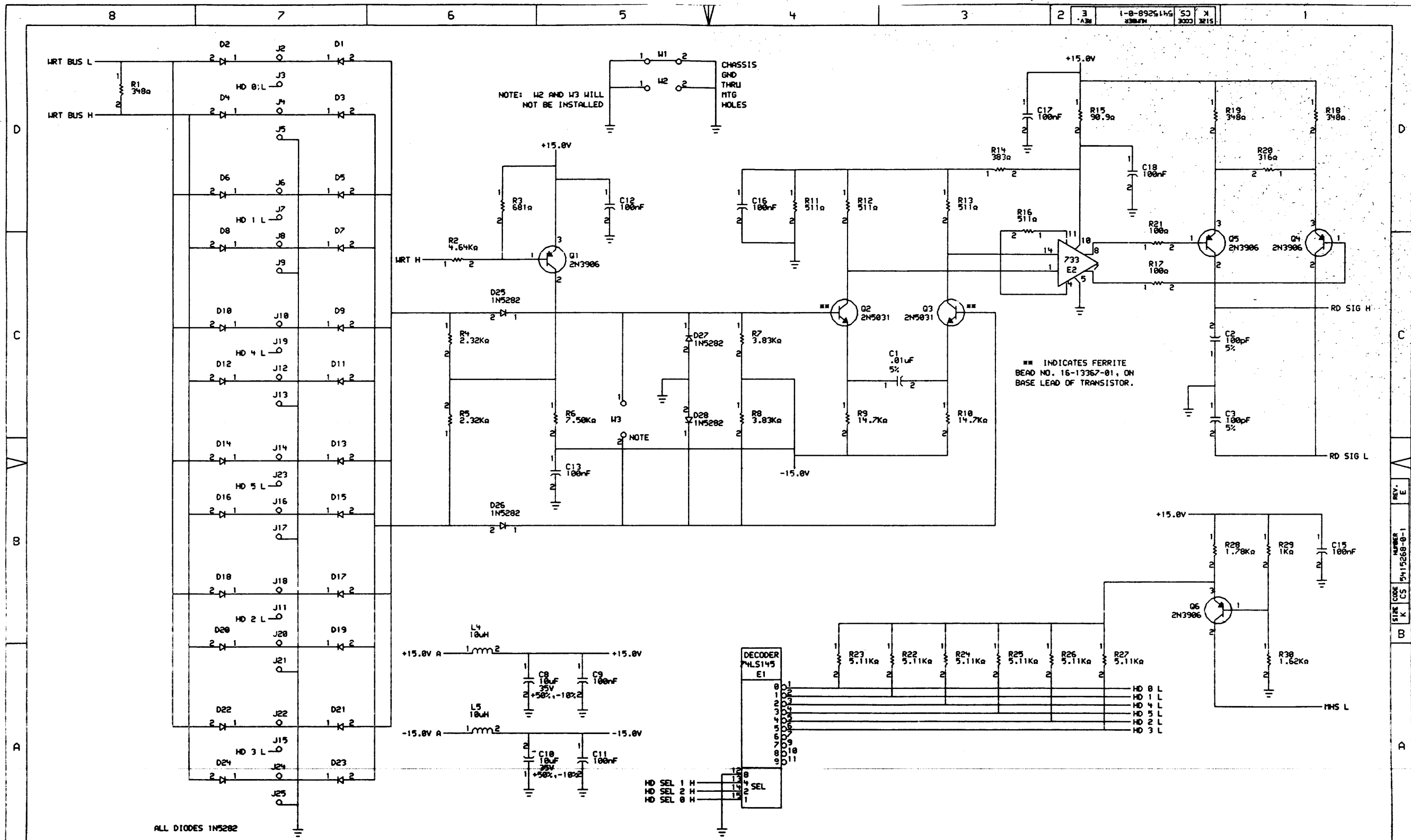


NOTE: UNLESS OTHERWISE SPECIFIED,
ALL RESISTORS ARE 1/4W, 1%.
CAPACITORS ARE 50V, +80%, -20%.
* INDICATES HEAT SINK NO. 12-100001-00.

NOTE: +5.0V A AT J1 PINS 11
AND 12 IS NOT USED.

REV.	CHANGE NO.	DESCRIPTION
E	5415268-1	REVISED

DRN. G. SCHNEIDER	DATE EN63	REV. 2	DATE 11-18-63	TITLE: READ/WRITE PREAMP
CHK'D BY [Signature]	DATE 11-18-63	REV. 2	DATE 11-18-63	NUMBER 5415268-0-1
ADAPT: (SCHNEIDER) PARIA, DUBUIN, JUN-64 BY 89-18 NEXT HIGHER ASSEMBLY:				SIZE CODE K CS
FIRST USED ON OPTION/MODEL: RA60				REV. E



ALL DIODES 1N5282

THIS DESIGN AND SPECIFICATIONS ARE THE PROPERTY OF DIGITAL EQUIPMENT CORPORATION AND SHALL NOT BE REPRODUCED OR COPIED OR USED IN WHOLE OR IN PART AS THE BASIS FOR THE MANUFACTURE OR SALE OF ITEMS WITHOUT WRITTEN PERMISSION. COPYRIGHT © 1974, DIGITAL EQUIPMENT CORPORATION.

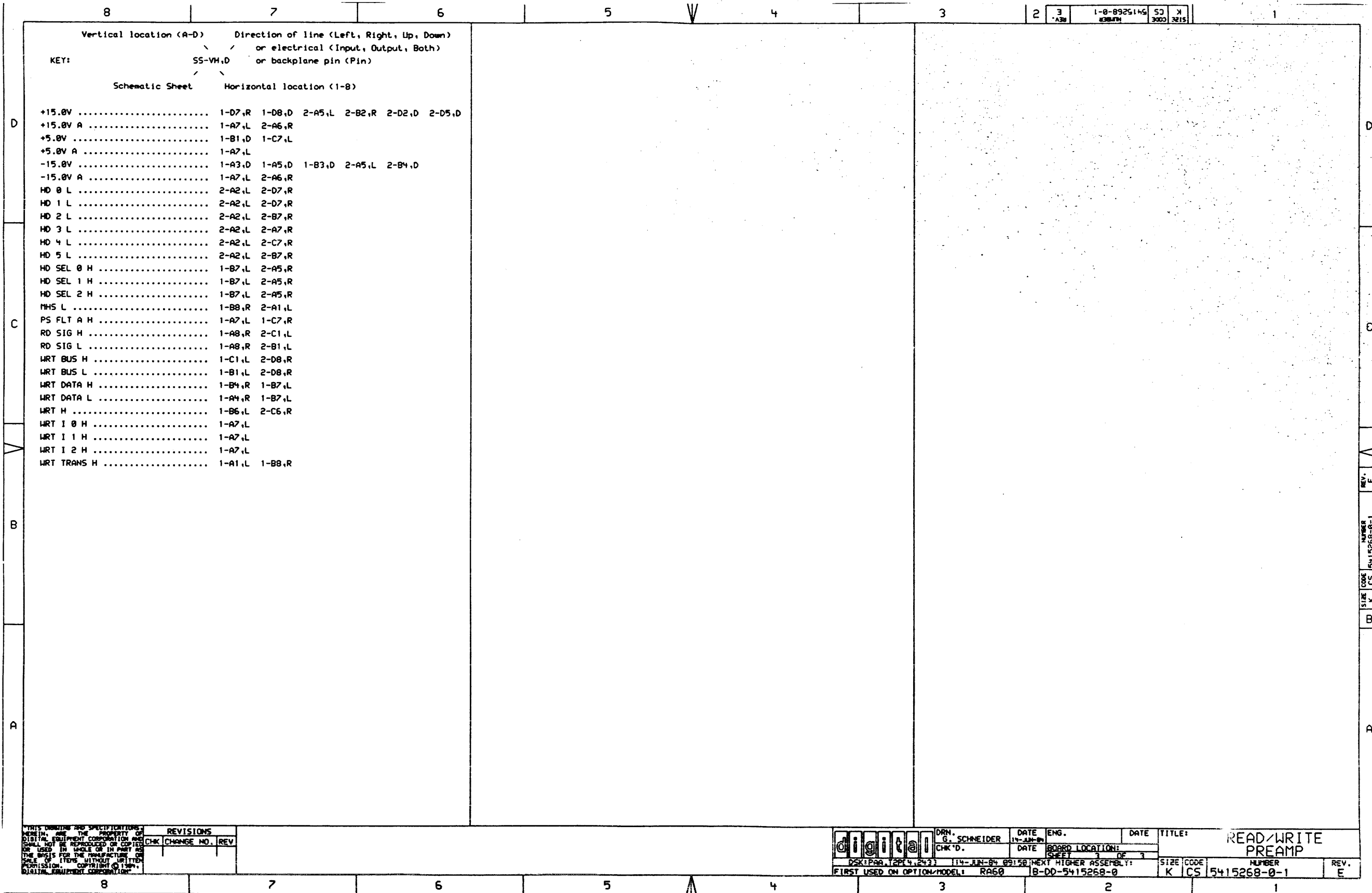
REVISIONS	
CHK	CHANGE NO. REV

digital
 COPY: (SCHNEIDER) PAPER, 09/11/74 JUN 84 09116 NEXT HIGHER ASSEMBLY:
 FIRST USED ON OPTION/MODEL: RA60

DESIGNED BY: S. SCHNEIDER	DATE: 11-28-73	ENG.	DATE:	TITLE:
CHECKED BY: S. SCHNEIDER	DATE: 01-24-74	BOARD LOCATION:	DE: 3	READ/WRITE PREAMP
SIZE CODE: K CS		NUMBER: 5415268-0-1		REV. E

REV. E
 SIZE CODE NUMBER
 K CS 5415268-0-1

8 7 6 5 4 3 2 1



Vertical location (A-D) Direction of line (Left, Right, Up, Down)
 or electrical (Input, Output, Both)
 or backplane pin (Pin)

KEY:

SS-VH,D

Schematic Sheet

Horizontal location (1-8)

- +15.0V 1-D7,R 1-D8,D 2-A5,L 2-B2,R 2-D2,D 2-D5,D
- +15.0V A 1-A7,L 2-A6,R
- +5.0V 1-B1,D 1-C7,L
- +5.0V A 1-A7,L
- 15.0V 1-A3,D 1-A5,D 1-B3,D 2-A5,L 2-B4,D
- 15.0V A 1-A7,L 2-A6,R
- HD 0 L 2-A2,L 2-D7,R
- HD 1 L 2-A2,L 2-D7,R
- HD 2 L 2-A2,L 2-B7,R
- HD 3 L 2-A2,L 2-A7,R
- HD 4 L 2-A2,L 2-C7,R
- HD 5 L 2-A2,L 2-B7,R
- HD SEL 0 H 1-B7,L 2-A5,R
- HD SEL 1 H 1-B7,L 2-A5,R
- HD SEL 2 H 1-B7,L 2-A5,R
- MHS L 1-B8,R 2-A1,L
- PS FLT A H 1-A7,L 1-C7,R
- RD SIG H 1-A8,R 2-C1,L
- RD SIG L 1-A8,R 2-B1,L
- WRT BUS H 1-C1,L 2-D8,R
- WRT BUS L 1-B1,L 2-D8,R
- WRT DATA H 1-B4,R 1-B7,L
- WRT DATA L 1-A4,R 1-B7,L
- WRT H 1-B6,L 2-C6,R
- WRT I 0 H 1-A7,L
- WRT I 1 H 1-A7,L
- WRT I 2 H 1-A7,L
- WRT TRANS H 1-A1,L 1-B8,R

THIS DRAWING AND SPECIFICATIONS
 HEREIN ARE THE PROPERTY OF
 DIGITAL EQUIPMENT CORPORATION AND
 SHALL NOT BE REPRODUCED OR COPIED
 OR USED IN WHOLE OR IN PART AS
 THE BASIS FOR THE MANUFACTURE OR
 SALE OF ITEMS WITHOUT WRITTEN
 PERMISSION. COPYRIGHT © 1974,
 DIGITAL EQUIPMENT CORPORATION

REVISIONS	
CHK	CHANGE NO. REV

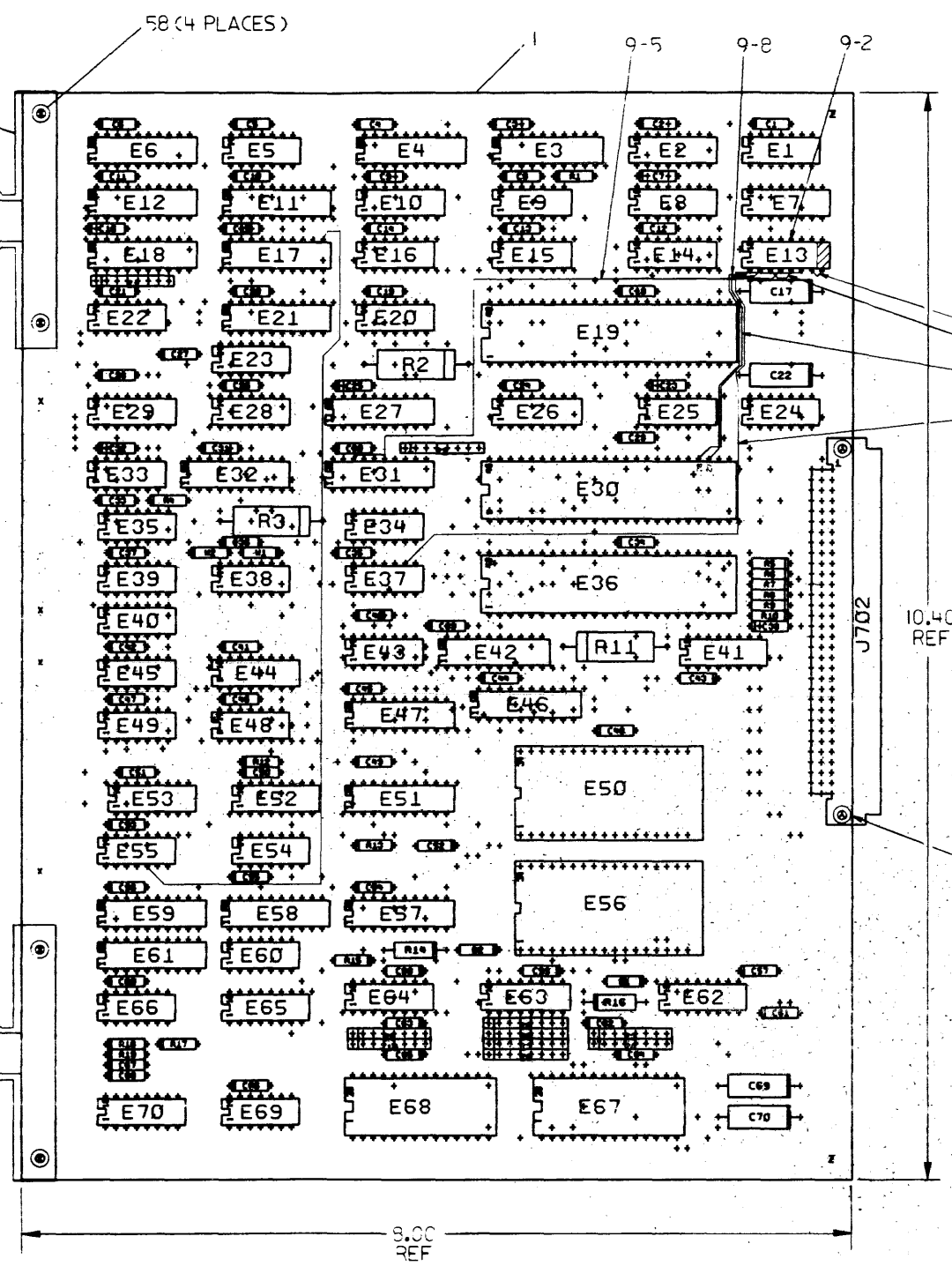
digital	DRN. G. SCHNEIDER	DATE 14-JUN-74	ENG.	DATE	TITLE: READ/WRITE PREAMP
	CHK'D.	DATE	BOARD LOCATION: SHEET 3 OF 3		
DSK:PAR,12P4,242		14-JUN-74 09:58	NEXT HIGHER ASSEMBLY:		SIZE CODE NUMBER
FIRST USED ON OPTION/MODEL: RA60		B-DD-5415268-0		K CS	5415268-0-1
					REV. E

REV. E
NUMBER 5415268-0-1
SIZE CODE K CS

THIS DRAWING AND SPECIFICATIONS, HEREIN, ARE THE PROPERTY OF DIGITAL EQUIPMENT CORPORATION AND SHALL NOT BE REPRODUCED OR COPIED OR USED IN WHOLE OR IN PART AS THE BASIS FOR THE MANUFACTURE OR SALE OF ITEMS WITHOUT WRITTEN PERMISSION.
 COPYRIGHT © 1963 DIGITAL EQUIPMENT CORPORATION

W C-0-022515 V7 C 2 1

COMPONENT SIDE VIEW



NOTES: 1. EYELET FLANGE MUST BE INSERTED FROM COMPONENT SIDE OF CONNECTOR.
 2. C57, C58, R3, R11, E7, E30, E36, E61, E65, Z4, Z6, Z8, Z9, W2 ARE UNUSED.

STEP E	↑ Y AXIS	STEP L	TIMES 2/2C
REPEAT	→ X AXIS	B.C	STEP L

CHK	CHANGE	NO	REV	
2196	5415270		L	
	CKGG7			
	2196			
	G. GRAY			
	2201		J	
	5415270			
	CKX003			
	J.R. INOVA			
	G. GRAY			
	5005		K	
	5415270			
	CKX010			
	J.R. INOVA			
	G. GRAY			
	5081		L	
	5415270			
	CKX013			
	W. HARDER			
	5125		M	
	5415270			
	CKX014			
	J.R. INOVA			
	G. GRAY			

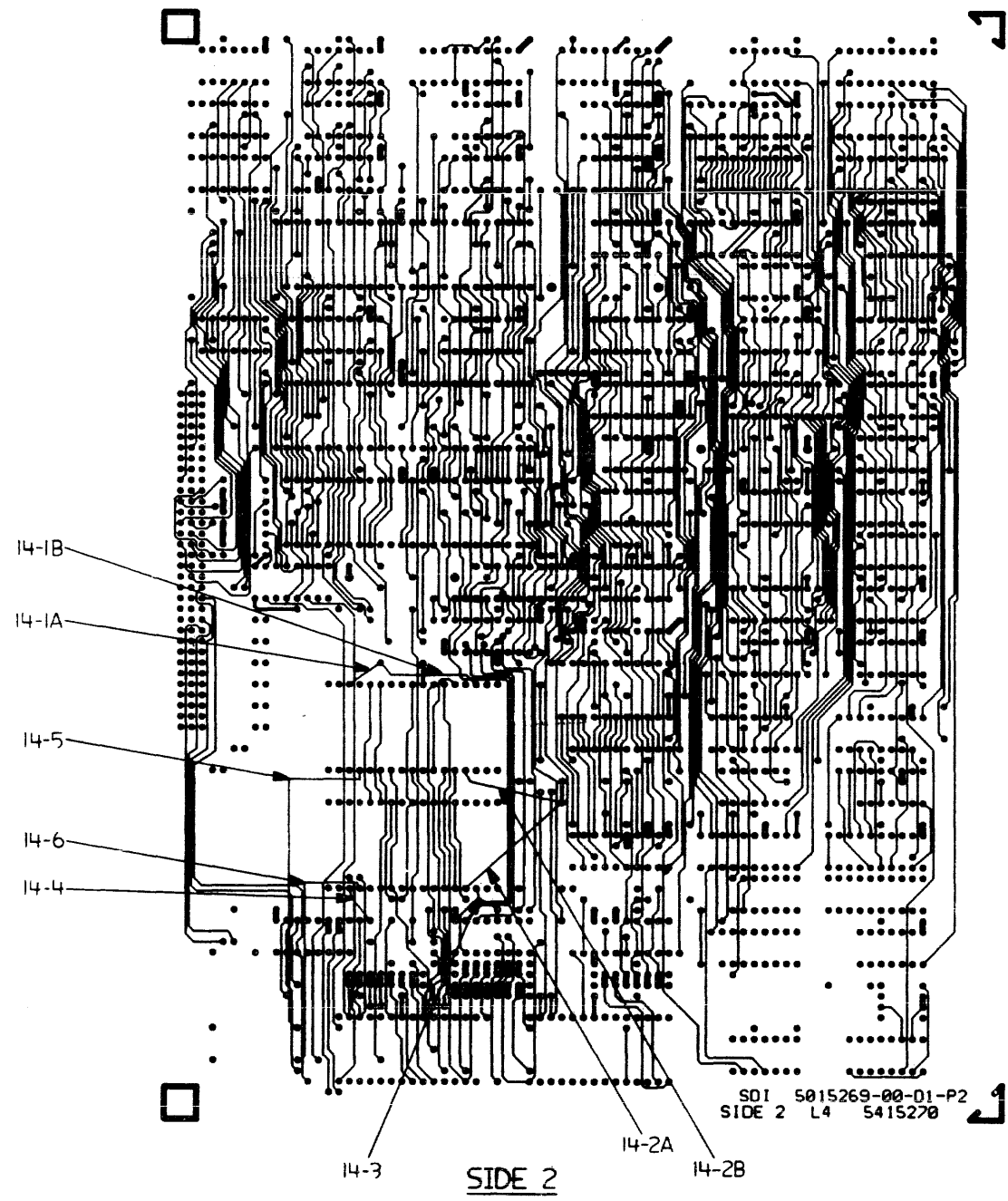
ETCH REV.	0 - P2
-----------	--------

SIGNATURES	DATE
DRN. <i>[Signature]</i>	11-23
CHK'D. <i>[Signature]</i>	11-23
MECH. ENG. <i>[Signature]</i>	11-23
PROJ. ENG. <i>[Signature]</i>	11-23
PROD. <i>[Signature]</i>	11-23
SCALE 1:1	
SHT. 1 OF 3	
NEXT HIGHER ASSY. B-00-5415270-0-0	

digital
 TITLE: SDI INTERFACE
 SIZE: CODE NUMBER
 D UA 5415270-0-0 M
 1 MS#2905000

DUA 5415270-0-0 M

THIS DRAWING AND SPECIFICATIONS HEREIN ARE THE PROPERTY OF DIGITAL EQUIPMENT CORPORATION AND SHALL NOT BE REPRODUCED OR COPIED OR USED IN WHOLE OR IN PART AS THE BASIS FOR THE MANUFACTURE OR SALE OF ITEMS WITHOUT WRITTEN PERMISSION. COPYRIGHT © 1966 DIGITAL EQUIPMENT CORPORATION.



SDI 5015269-00-01-P2
SIDE 2 L4 5415270

SIDE 2

REVISIONS		
CHK	CHANGE NO	REV

TITLE	SDI INTERFACE	SIZE/CODE	D U A 5415270-0-0	REV.	M
SCALE	---	SHEET	2 OF 3	DIST	

5415270-CX029

COMPONENT ADDS: (SIDE 1)

9-2 ADD E13 (1912815-20)

WIRE ADDS: (SIDE 1)

- 9-3 ADD WIRE FROM E13 PIN 2 TO E30 PIN 28
- 9-4 ADD WIRE FROM E13 PIN 6 TO E37 PIN 9
- 9-5 ADD WIRE FROM E13 PIN 4 TO E31 PIN 18
- 9-6 ADD WIRE FROM E13 PIN 7 TO 1ST PTH BELOW E13 PIN 7
- 9-7 ADD WIRE FROM E13 PIN 3 TO E13 PIN 5
- 9-8 ADD WIRE FROM E13 PIN 1 TO E30 PIN 27

PART MARKING

9-9 AFTER COMPLETING REWORK MARK MODULE PART REV "N1"

5415270-CX013

WIRE ADDS: (SIDE 1)

13-1 ADD WIRE FROM E55 PIN 5 TO E17 PIN 11

5415270-CX014

NOTES:

- 1. ALL WIRE ADDS ARE ON SIDE TWO OF THE MODULE AND SHOULD FOLLOW THE PLACEMENT AS CLOSE AS POSSIBLE TO THE DRAWING.

2. A. MATCHING OF HYBRID VENDOR TYPES WILL BE DONE IN REWORK, ONLY IF THE COMPONENT NEEDS REPLACEMENT, OR GENERIC -20 PART NUMBER IS IN LOCATION E50 OR E55. AFTER REPLACEMENT OF EITHER E50 OR E55 THEY SHOULD BOTH HAVE THE SAME VENDOR TYPE EITHER HYTEK -20 OR CAG -20 PART NUMBER.

B. THE HYBRIDS AT E50 AND E55 SHALL BE MATCHED ON ALL NEW BUILD MODULES. (GENERIC -20 HYBRIDS ARE NOT ACCEPTABLE FOR NEW BUILD MODULES) ONLY CAG -20 OR HYTEK -20 REV 2+ ARE ACCEPTABLE.

3. REVISIONS L1, L2 AND M1, SHALL BE REWORKED TO THESE INSTRUCTIONS AND LABELED N1.

4. IT WILL ONLY BE NECESSARY TO INCORPORATE THE REWORK FOR THE M1 REVISION IF E17 HAS PART # 2319-J5-20.

WIRE ADDS: (SIDE 2)

14-1

- A) ADD WIRE FROM C48 PIN 2 TO E50 PIN 20
- B) ADD WIRE FROM C48 PIN 2 TO E30 PIN 32

14-2

- A) ADD WIRE FROM C52 PIN 1 TO E50 PIN 4
- B) ADD WIRE FROM C52 PIN 1 TO E56 PIN 4

14-3 ADD WIRE FROM C58 PIN 2 TO E56 PIN 3

14-4 ADD WIRE FROM D1 PIN 1 TO E56 PIN 15

14-5 ADD WIRE FROM C69 PIN 2 TO E50 PIN 14

14-6 ADD WIRE FROM C72 PIN 2 TO E56 PIN 14

PART MARKING

14-7 AFTER ABOVE REWORK MARK MODULE PART REV "N1"

REVISIONS	
CHK	CHANGE NO. REV

DATE	ENG.	DATE	TITLE:
14-MAR-85			SDI INTERFACE
DATE	BOARD LOCATION:	SHEET	OF
DSK: 5270.12P14.24	14-MAR-85 12:21	NEXT HIGHER ASSEMBLY:	SIZE CODE
FIRST USED ON OPTION/MODEL: RA60			NUMBER
			5415270-0-0
			REV. M

DATE	ENG.	DATE	TITLE:
14-MAR-85			SDI INTERFACE
DATE	BOARD LOCATION:	SHEET	OF
DSK: 5270.12P14.24	14-MAR-85 12:21	NEXT HIGHER ASSEMBLY:	SIZE CODE
FIRST USED ON OPTION/MODEL: RA60			NUMBER
			5415270-0-0
			REV. M

REV. M
NUMBER 5415270-0-0
SIZE CODE D UR

LINE ITEM	TOP DOCUMENT	PART NUMBER	MIN REV	DESCRIPTION	QTY PER VARIATION	REFERENCE DESIGNATOR
				VARIATION REVISION LEVEL:	01	
					M1	
1	1	B-DD-5015269-0	5015269-01	D DRILL AND ETCH BOARD	1	
2	2		1001610-00	.01 MFD 50V +80-20% Z5U CER	63	CONT C1-C16,C18-C21,C23-C56,C59-C66,C68
3	3		1013466-14	82.0 MMF 50V 5% CER	1	C67
4	4		1017472-00	10 MFD 35V +75-10% AL EL	4	C17,C22,C69,C70
5	5		1104860-00	VZ= 3.3 5% 400 MW 1N746A	1	D1
6	6		1105275-00	PIV= 60 IO=300 MA -15NS	1	D2
7	7		9008337-02	HANDLE, FLIP CHIP, RED	2	
8	8		1219047-01	CONN .100 96SKT	1	J702
9	9		1300250-00	150.0 .25 W 5.0 % CF	2	R5,R8
10	10		1300365-00	1.0 K .25 W 5.0 % CF	7	R1,R4,R12,R13,R15,R17,R18
11	11		1301477-00	82.0 .25 W 5.0 % CF	4	R6,R7,R9,R10
12	12		1302253-00	27.0 .50 W 5.0 % CF	1	R16
13	13		1302514-00	39.0 K .25 W 5.0 % CF	1	R19
14	14		1309995-00	56.0 .50 W 5.0 % CF	1	R14
15	15		1316254-00	R NETWORK 7-470 2.0 % 8PIN	6	Z1,Z2,Z3,Z5,Z7,Z10
16	16		1318881-00	10.0 1.0 W 1.0 % RN70D-F10	1	R2
17	17		1910532-00	74S00 NAND GATE-QUAD 2IN	1	E45
18	18		1910534-00	74S04 INVERTER GATE-HEX 1I	2	E24,E60
19	19		1910544-00	74S74 FF-D DUAL,EDGE TRIGG	2	E1,E15
20	20		1910544-01	74S74-60GG-D DUAL,EDGE TRIG	1	E35
21	21		1910950-00	74S74 FF-D DUAL (-45 VERSI	1	E5
22	22		1911414-00	10124 TTL TO ECL TRNSLTR	2	E63,E64
23	23		1911415-00	10125 ECL TO TTL TRNSLTR	2	E41,E62
24	24		1911712-00	74S51 AND-OR GATE-INVERT D	1	E25
25	25		1911983-00	74S133 NAND GATE-POSITIVE 1	1	E29
26	26		1912096-00	DEC 74S86 XOR GATE,QUAD 2IN	1	E54
27	27		1912388-00	74S02 NOR GATE-QUAD 2IN,PO	2	E28,E43
28	28		1912389-00	A 74S08 AND GATE-QUAD 2IN,PO	1	E37
29	29		1912799-00	LS00 NAND-GATE-QUAD 2IN,P	2	E38,E49

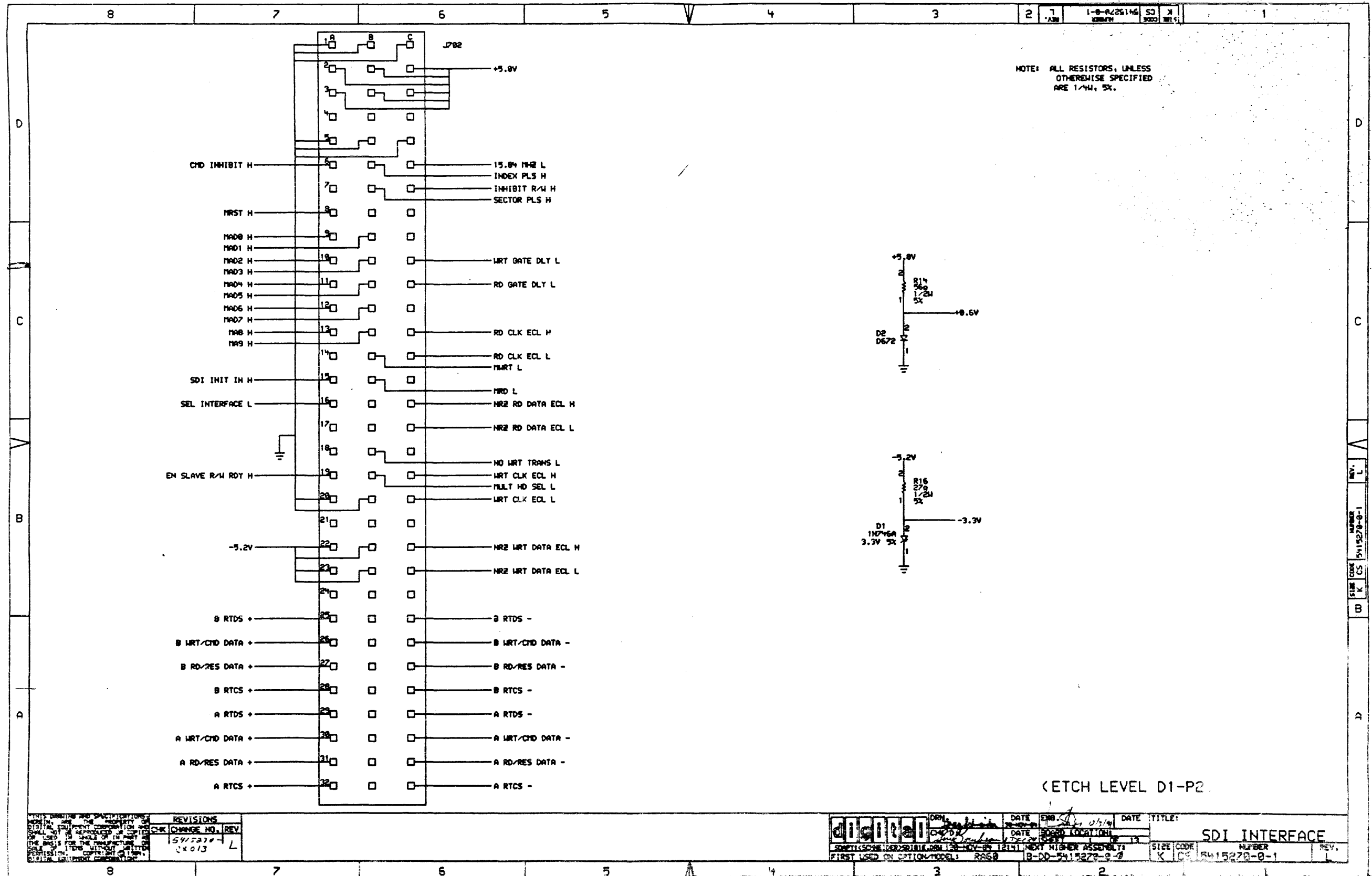
REVISION HISTORY		BASIC PART NO: 5415270		DRN:	SHERI LEHMAN	DATE:	22-JUN-83	D I G I T A L			
ENG!	ECO NUMBER	REV	SECTION A OF A	CHK'D:	SUE BOURBEAU	DATE:	22-JUN-83	TITLE PARTS LIST			
GG	5415270-CX007	F	SECTION.VARIATION INDEX					SDI INTERFACE			
GG	5415270-CX009	H	[A] 01								
GG	5415270-CX009	H	[B]								
MK	5415270-CX010	J	[C]	DES.ENG:	GARRY GRAY	DATE:	22-JUN-83	DOCUMENT NUMBER			
SM	5415270-CX011	K	[D]					SIZE!	CODE!	NUMBER	REV
PR	5415270-CX012	L	[E]								
RC	5415270-CX013	M	[F]	RESP.ENG.:	GARRY GRAY	DATE:	22-JUN-83	K	PL	5415270-0-DBP	M
			[H]								
			[J]								
			[K]	MFG.ENG.:	JOHN PAPA	DATE:		RELEASE DATE: 01-DEC-84			
			[L]								
			[M]	ASSEMBLY NUMBER:		TOP DOCUMENT NUMBER:		FILE NAME:		EDIT #:	
			[N]	D-UA-5415270-0-0		B-DD-5415270-0-0		Z2152M.PLS		15	

"THIS DRAWING AND THE SPECIFICATIONS CONTAINED HEREIN ARE CONFIDENTIAL AND PROPRIETARY. THEY ARE THE PROPERTY OF DIGITAL EQUIPMENT CORPORATION AND SHALL NOT BE REPRODUCED OR COPIED OR USED IN WHOLE OR IN PART AS THE BASIS FOR THE MANUFACTURE OR SALE OF ITEMS WITHOUT WRITTEN PERMISSION. THIS IS AN UNPUBLISHED WORK PROTECTED UNDER THE FEDERAL COPYRIGHT LAWS."

PARTS LIST

LINE ITEM	TOP DOCUMENT	PART NUMBER	MIN REV	DESCRIPTION	QTY	PER VARIATION	REFERENCE DESIGNATOR
				VARIATION REVISION LEVEL:	01		
					M1		
30	30	1912803-00		LS04 INVERTER GATE,HEX	4		E9,E20,E22,E39
31	31	1912805-00		LS08 AND GATE-QUAD 2IN,PO	1		E33
32	32	1912808-00		LS11 AND GATE-TRIPLE 3IN	1		E16
33	33	1912815-00		LS30 NAND GATE-SINGLE 8IN	1		E48
34	34	1912816-00		LS32 OR GATE-QUAD 2IN,POS	2		E34,E13
35	35	1912824-00		LS74 FF-D DUAL,EDGE TRIGG	2		E55,E69
36	36	1912837-00		LS123 ONE SHOT-DUAL,RETRIG	1		E70
37	37	1912846-00		LS155 DECODER,2 OF 4(DUAL)	1		E26
38	38	1912848-00		LS158 MUX 1 OF 2 (QUAD)	1		E10
39	39	1912849-00		LS161 COUNTER,SYNCHR,4BIT	2		E2,E8
40	40	1912850-00		LS164 SHIFT REG. 8BIT SERI	2		E23,E40
41	41	1912853-00		LS175 FF-D QUAD	1		E14
42	42	1912857-00		LS197 COUNTER,BINARY,PRESET	1		E66
43	43	1912864-00		LS279 LATCH,QUAD-S-R	2		E44,E52
44	44	1912868-00		LS299 SHIFT REG. 8-BIT UNI	4		E3,E4,E58,E59
45	45	1912872-00		LS377 FF-D 8BIT W/ENABLE	2		E32,E42
46	46	1914084-00		74S299 SHIFT REG.,8BIT RIGH	4		E11,E12,E18,E57
47	47	1915193-00		LS244 DRIVER,LINE,OCTAL,T	2		E46,E47
48	48	1915218-00		LS245 TRANSCEIVER,BUS,OCT	1		E51
49	49	1915219-01	C	LS373 FF-D,OCTAL,TRI-STATE	1		E21
50	50	1918073-00		DC 703 400 GATE ARRAY	1		E19
51	51	1918747-00		SDI ENCODER/DECODER,	2		E67,E68
52	52	1918748-01		SDI/STI RECEIVER/DRI	2		E50,E56
53	53	23019K5-00		K5-01	1		E31
54	54	23020K5-00		K5-01	1		E27
55	55	23099K5-00		K5-01	1		E6
56	56	23194J5-00		J5-01 PAL,LOGIC	1		E17
57	57	23342A1-00		A1-07	1		E53
58	58	9006732-00		EYELET,ROLLED 0.1210DX0.219	4		
59	59	9009185-00		JUMPER, WIRE, INSULATED, BLACK B	1		W1
60	60	9010489-01	A	RIVET SEMI-TUBE OVAL .099DI	2		

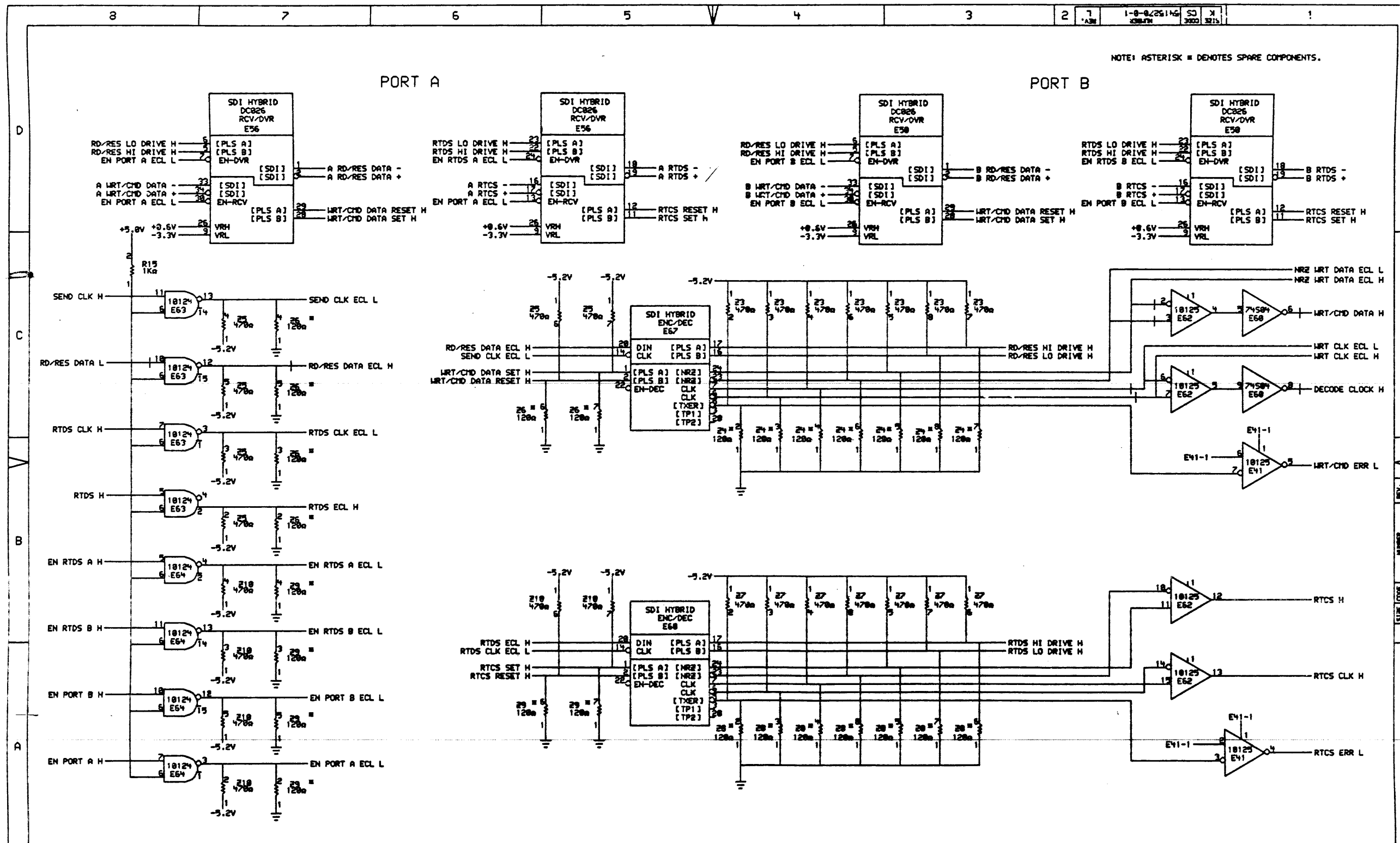
D	I	G	I	T	A	L	TITLE	SDI INTERFACE	SECTION A	OF A	SIZE	CODE	DOCUMENT NUMBER	REV
											K	PL	5415270-0-DBP	M



REV	DATE	BY	CHK	CHANGE NO.
L	5/15/70			2013

DATE	ENG	DATE	TITLE:
DATE	DATE	DATE	SDI INTERFACE
DATE	DATE	DATE	REV. L
DATE	DATE	DATE	NUMBER 5415270-0-1
DATE	DATE	DATE	SIZE CODE K CS

REV. L
NUMBER 5415270-0-1
CODE CS
SIZE K



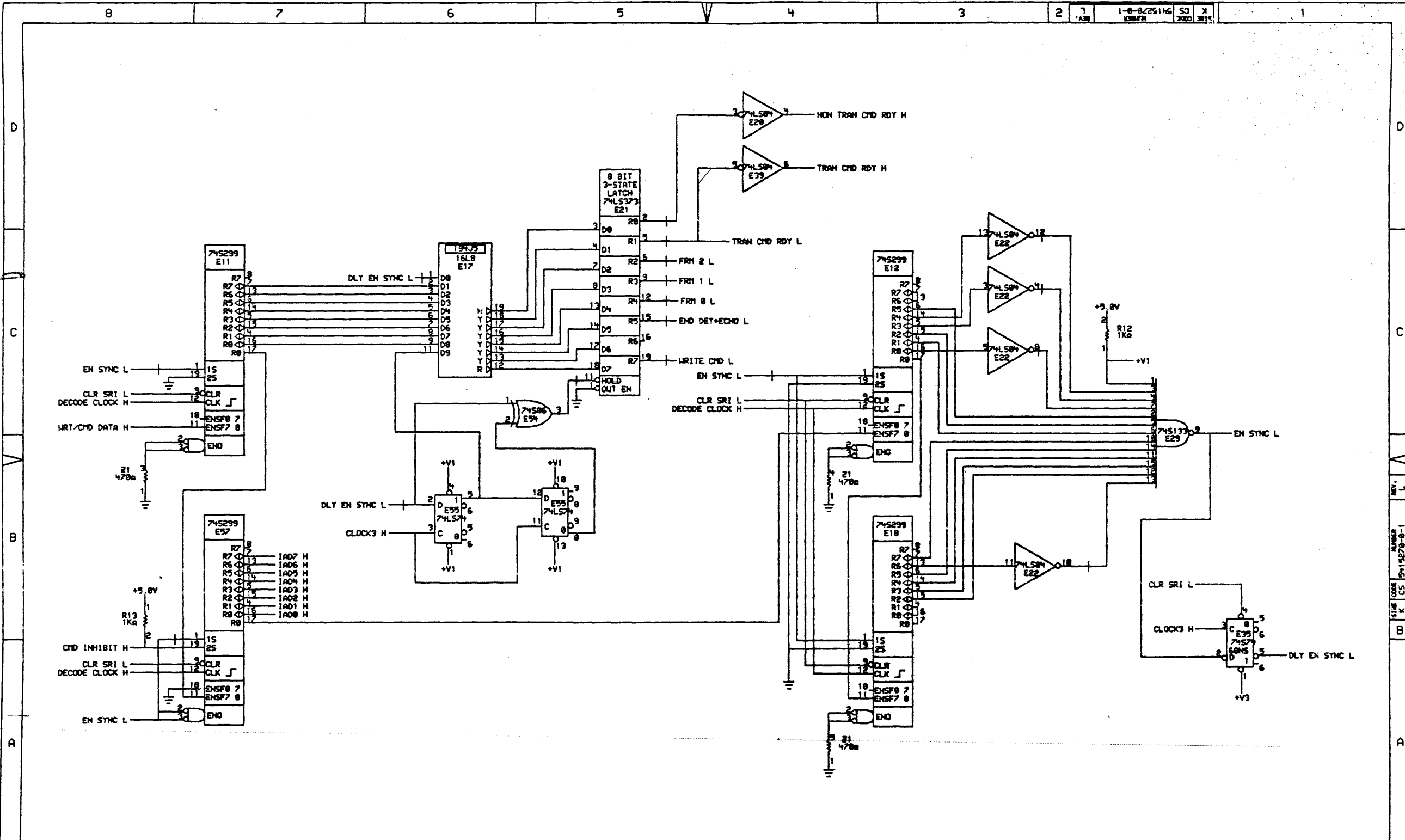
NOTE: ASTERISK = DENOTES SPARE COMPONENTS.

THIS DRAWING AND SPECIFICATIONS ARE THE PROPERTY OF DIGITAL EQUIPMENT CORPORATION AND SHALL NOT BE REPRODUCED OR COPIED IN WHOLE OR IN PART WITHOUT THE WRITTEN PERMISSION OF DIGITAL EQUIPMENT CORPORATION.

REVISIONS	
CHK	CHANGE NO. REV

	DATE	DATE	DATE	TITLE
	CHK'D.	DATE	DATE	LOCATION
SDI INTERFACE FIRST USED ON OPTION MODEL: R660				SIZE CODE NUMBER REV. K CS 5415270-0-1 L

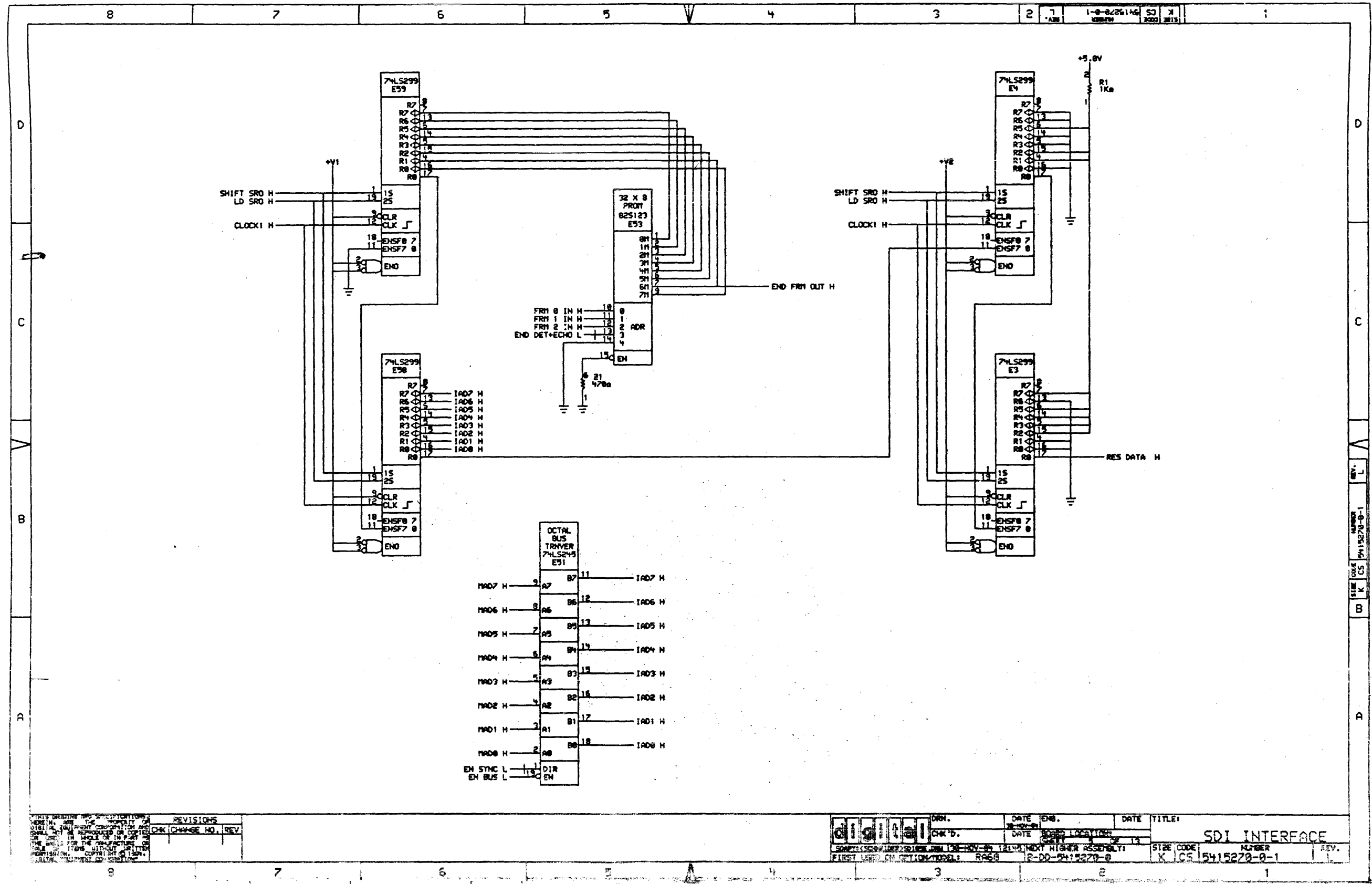
REV. L
NUMBER 5415270-0-1
DATE 11/27/80



THIS DRAWING AND SPECIFICATIONS ARE THE PROPERTY OF DIGITAL EQUIPMENT CORPORATION AND SHALL NOT BE REPRODUCED OR TRANSMITTED IN ANY FORM OR BY ANY MEANS WITHOUT THE WRITTEN PERMISSION OF DIGITAL EQUIPMENT CORPORATION.

REVISIONS	
CHK	CHANGE NO. / REV

DESIGNED BY	DATE	ENG.	DATE	TITLE
CHECK'D BY	DATE	BOARD LOCATION		SDI INTERFACE
FIRST USED ON OPTION/MODEL	RAG0	B-00-7415270-0		
SIZE	CODE	NUMBER	REV.	
K	CS	5415270-0-1	L	



OCTAL BUS TRAYVER
74LS245
E51

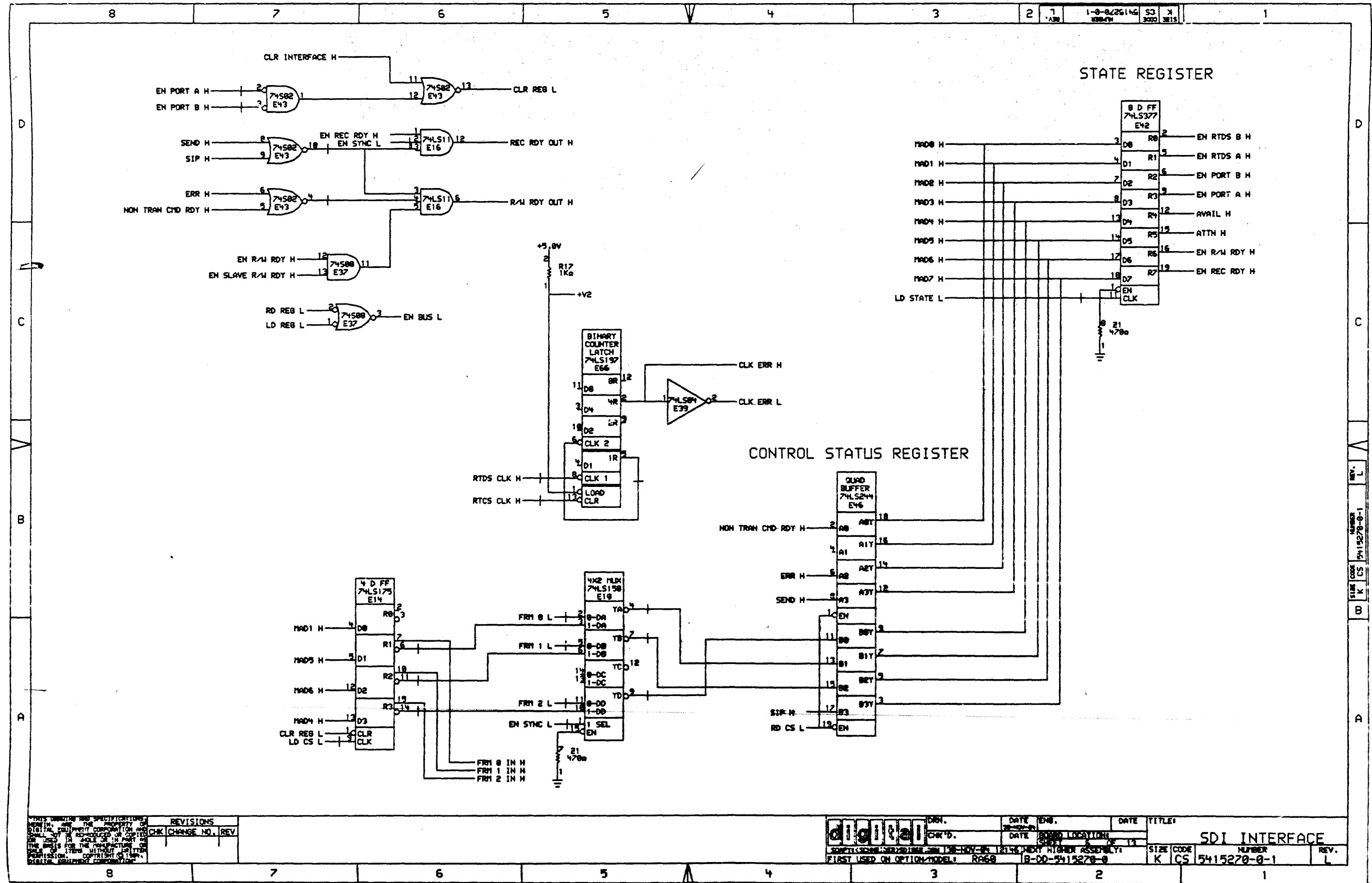
IAD7 H	A7	B7	11	IAD7 H
IAD6 H	A6	B6	12	IAD6 H
IAD5 H	A5	B5	13	IAD5 H
IAD4 H	A4	B4	14	IAD4 H
IAD3 H	A3	B3	15	IAD3 H
IAD2 H	A2	B2	16	IAD2 H
IAD1 H	A1	B1	17	IAD1 H
IAD0 H	A0	B0	18	IAD0 H
EN SYNC L	DIR			
EN BUS L	EN			

REVISIONS

CHK	CHANGE NO.	REV.

digital	DRN.	DATE	ENR.	DATE	TITLE
	CHK'D.	DATE	DRG. LOCATION		
SOURCE CONTROL: SDIEN.DWG. 138 NOV-84 1214 NEXT HIGHER ASSY: 11		FIRST USED ON: RTION/10041 R460		2-00-2415270-0	SIZE CODE NUMBER REV.
				K CS	5415270-0-1

REV. L
PART NUMBER 5415270-0-1
SITE CODE K CS
D

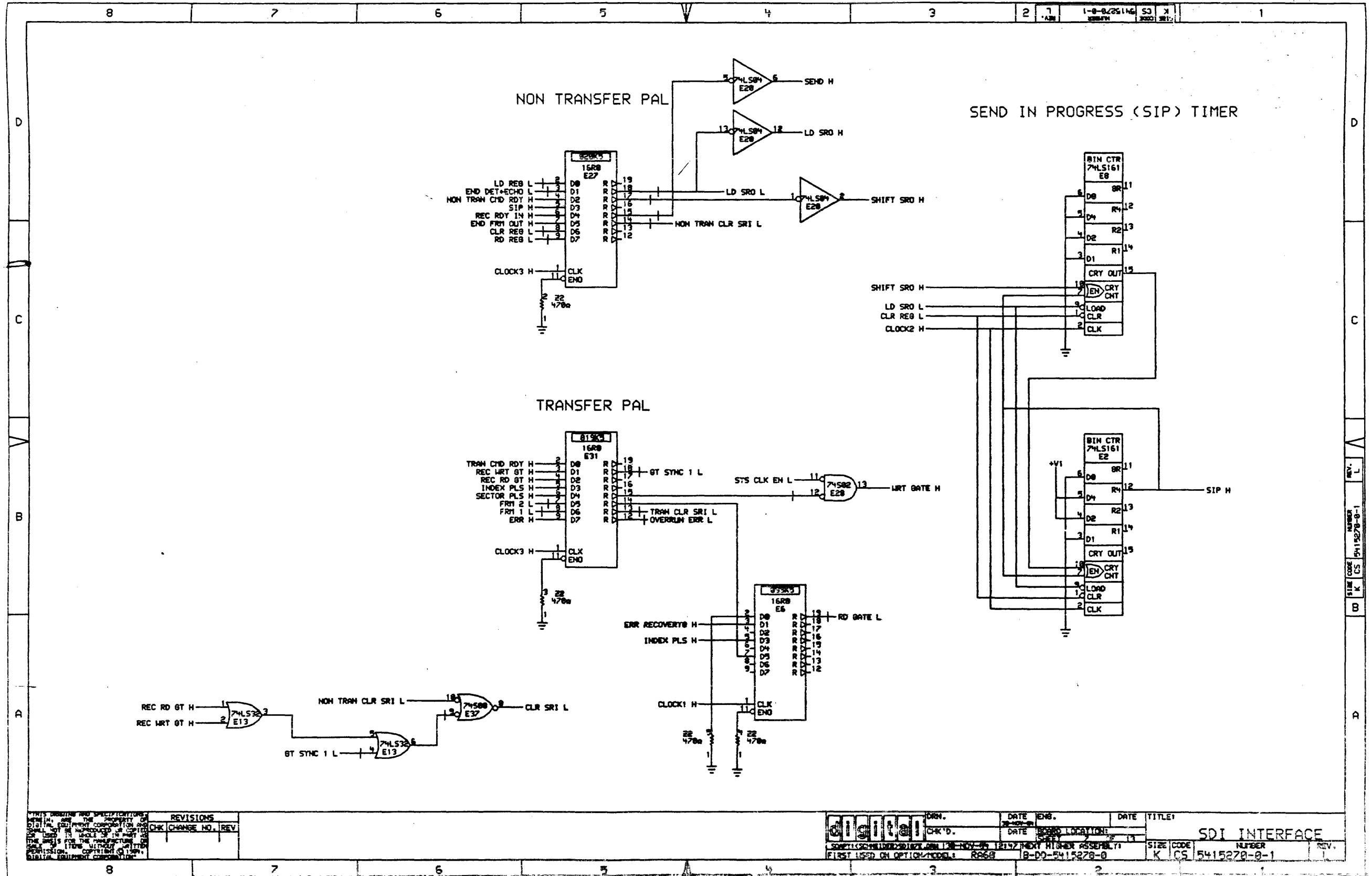


THIS DESIGN AND SPECIFICATIONS ARE THE PROPERTY OF DIGITAL EQUIPMENT CORPORATION AND SHALL BE KEPT IN CONFIDENTIALITY. NO PART OF THIS DESIGN OR SPECIFICATIONS SHALL BE REPRODUCED OR TRANSMITTED IN ANY FORM OR BY ANY MEANS WITHOUT THE WRITTEN PERMISSION OF DIGITAL EQUIPMENT CORPORATION.

REVISIONS	
CHK	CHANGE NO. REV.

	DESIGNER	DATE	ENGR.	DATE	TITLE
	CHK'D.	DATE	DATE		
FIRST USED ON OPTION MODEL: RAS60					SIZE CODE: K CS
NUMBER: 5415270-0-1					REV.: L

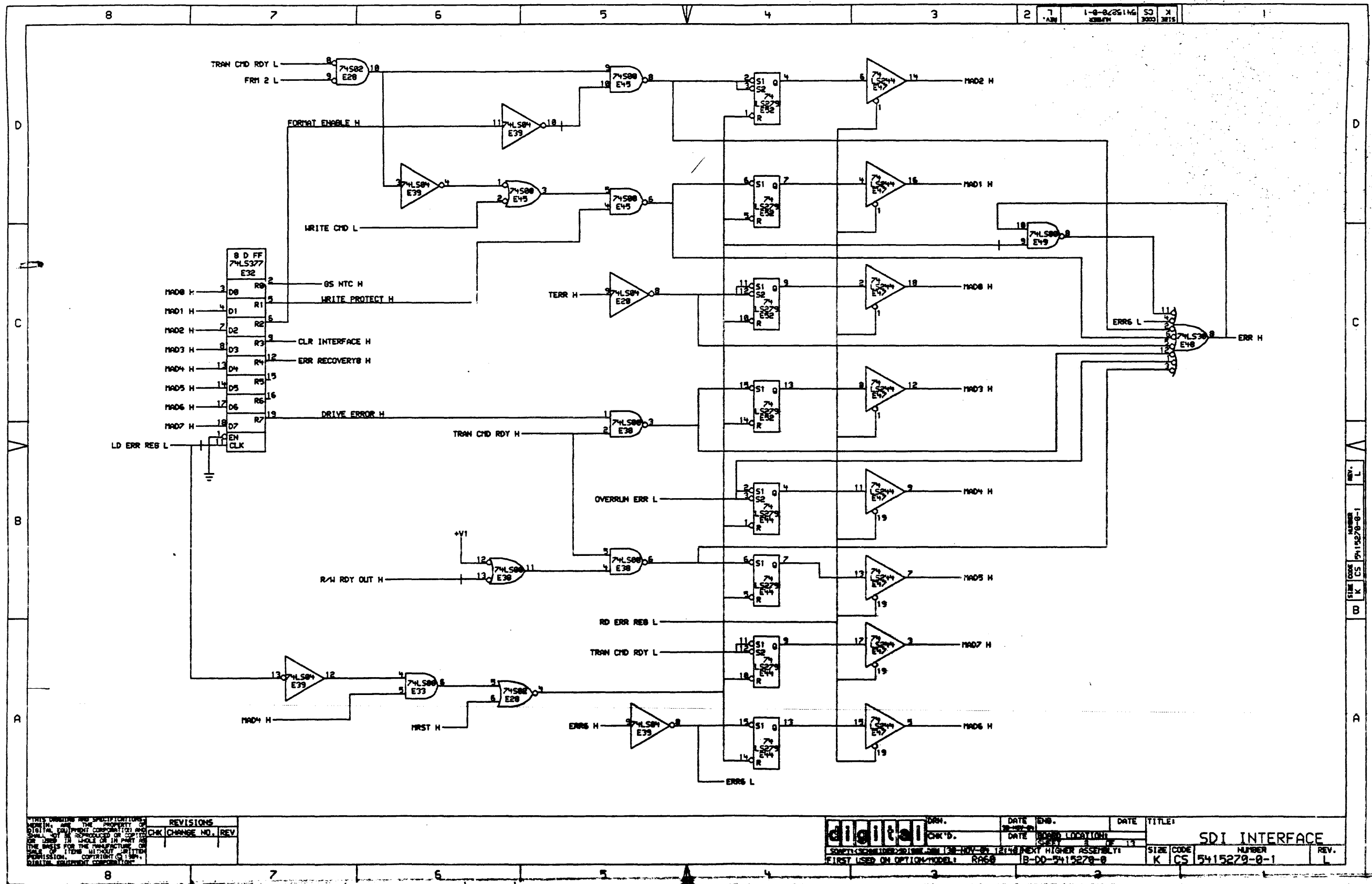
REV. L
 NUMBER 5415270-0-1
 DATE 12-15-78



THIS DRAWING AND SPECIFICATIONS ARE THE PROPERTY OF DIGITAL EQUIPMENT CORPORATION AND SHALL NOT BE REPRODUCED OR COPIED IN ANY MANNER WITHOUT THE WRITTEN PERMISSION OF DIGITAL EQUIPMENT CORPORATION.

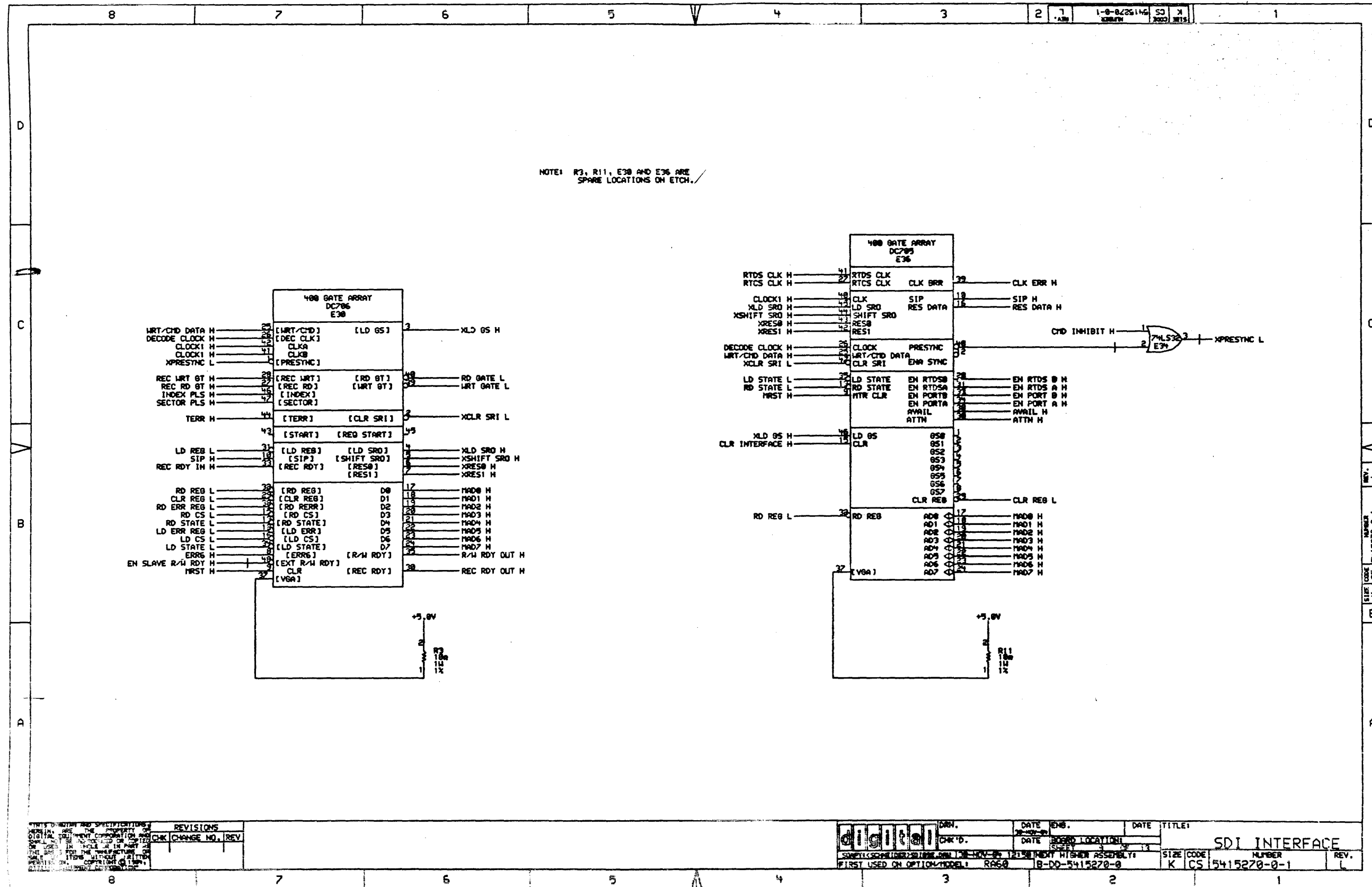
REVISIONS	
CHK	CHANGE NO. REV.

DESIGNER	DATE	ENGR.	DATE	TITLE
CHK'D.	DATE	ISSUED LOCATION		
SDI INTERFACE				
SIZE	CODE	NUMBER	REV.	
K	C5	5415270-0-1	1	



REV. NO.	DATE	BY	CHK	CHANGE NO.	REV.

		DATE: 11-18-78 DATE: 11-18-78 DATE: 11-18-78 DATE: 11-18-78	TITLE: SDI INTERFACE
SIZE CODE: K CS 5415279-0-1	NUMBER: 13	FIRST USED ON OPTICAL MODEL: R666	REV. L



THIS DRAWING AND SPECIFICATIONS ARE THE PROPERTY OF DIGITAL EQUIPMENT CORPORATION AND ARE TO BE USED ONLY FOR THE PARTS LISTED THEREON. NO PART OF THIS DRAWING IS TO BE REPRODUCED OR TRANSMITTED IN ANY FORM OR BY ANY MEANS, ELECTRONIC OR MECHANICAL, INCLUDING PHOTOCOPYING, RECORDING, OR BY ANY INFORMATION STORAGE AND RETRIEVAL SYSTEM.

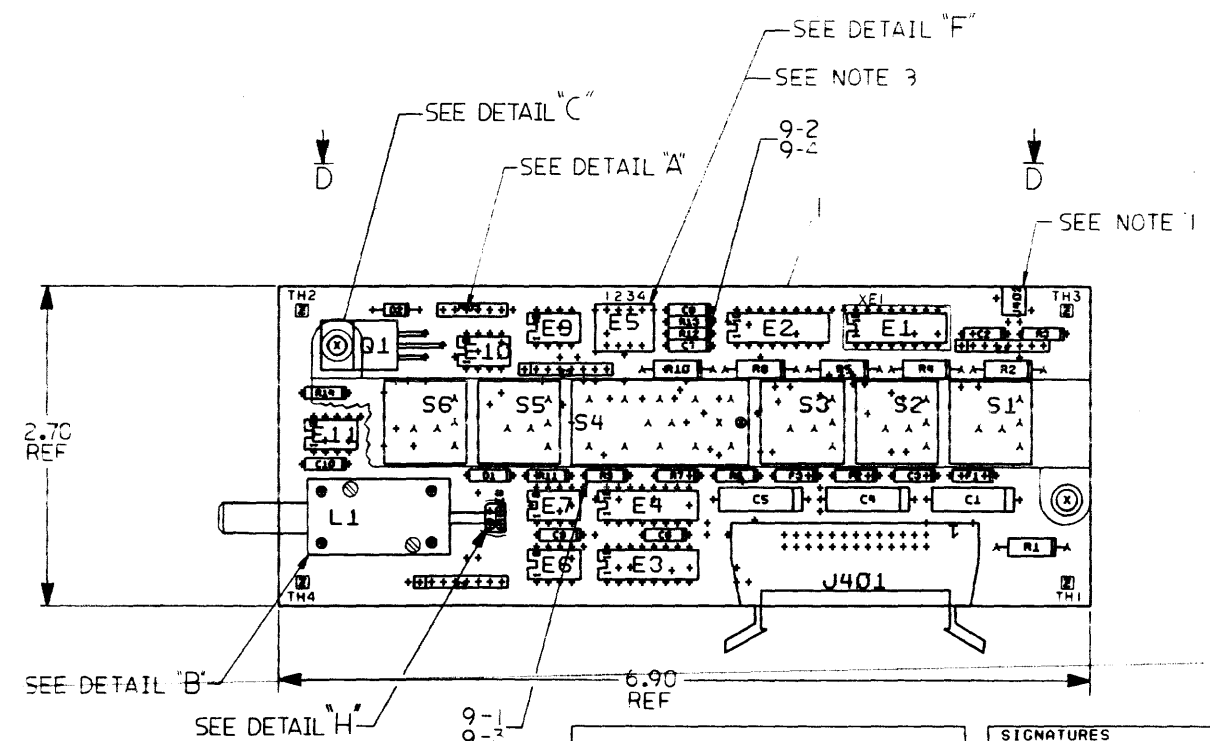
REV.	DATE	BY	CHK	CHANGE NO.	REV.

DRN.	DATE ENG.	DATE	TITLE
CHK'D.	DATE	BOARD LOCATION	SDI INTERFACE
FIRST USED ON OPTION/MODEL: RAG0		B-DD-5415270-0	SIZE CODE NUMBER REV. K CS 5415270-0-1 L

8 7 6 5 4 3 2 1

THIS DRAWING AND SPECIFICATIONS HEREIN ARE THE PROPERTY OF DIGITAL EQUIPMENT CORPORATION AND SHALL NOT BE REPRODUCED OR COPIED OR USED IN WHOLE OR IN PART AS THE BASIS FOR THE MANUFACTURE OR SALE OF ITEMS WITHOUT WRITTEN PERMISSION. COPYRIGHT © 1964 DIGITAL EQUIPMENT CORPORATION

COMPONENT SIDE VIEW



NOTES: 1. J402 IS OPTIONAL AND NOT INSTALLED.
 2. CEMENT SADDLE TO SOLENOID FRAME WITH ITEM: 44, ADHESIVE AND ITEM: 45, ACTIVATOR.
 3. HARDWARE REV. TO BE SET TO REV. 1 PER DETAIL "F".

STEP E + Y AXIS 2.70 STEP 2 TIMES 2AC73
 REPEAT + X AXIS 6.90 STEP 1 TIMES

CHK	CHANGE NO	REV	F	I	J
5415272					
CX007					
WM26JUN84					
A. MILLER					
5415272					
CX009					
WMGARR85					
A. MILLER					
5415272					
CX010					
MAY86					
A. MILLER					
5415272					
CX011					
MAY86					
A. MILLER					

ETCH REV. E1-P2

SIGNATURES		DATE	TITLE
DRN.		27 Feb 64	digital
CHK'D			
MECH. ENC.			
PROJ. ENC.			
PROD.			
SCALE 1.5/1			
SHT. 1 OF 3			
NEXT HIGHER ASSY. B-DD-5415272-0-0			

DWA 5415272-0-0

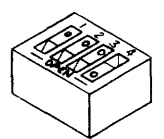
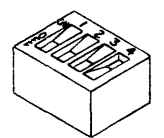
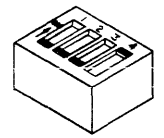
1 of 3

8 7 6 5 4 3 2 1 MS#290504E

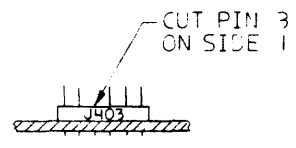
10-0-222914570 d 2

"THIS DRAWING AND SPECIFICATIONS HEREIN ARE THE PROPERTY OF DIGITAL EQUIPMENT CORPORATION AND SHALL NOT BE REPRODUCED OR COPIED OR USED IN WHOLE OR IN PART AS THE BASIS FOR THE MANUFACTURE OR SALE OF ITEMS WITHOUT WRITTEN PERMISSION. COPYRIGHT © 1964 DIGITAL EQUIPMENT CORPORATION"

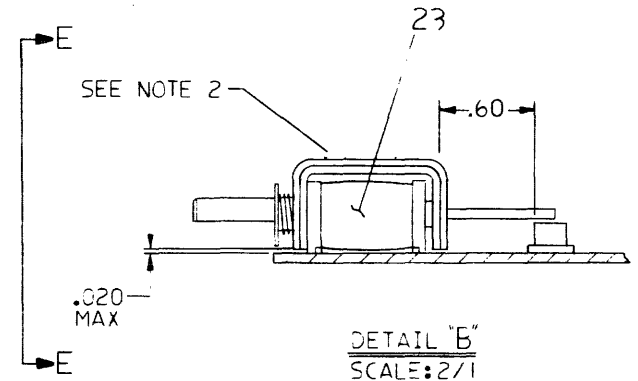
HARDWARE REV 1 INDICATED BY FOLLOWING SWITCH POSITIONS.



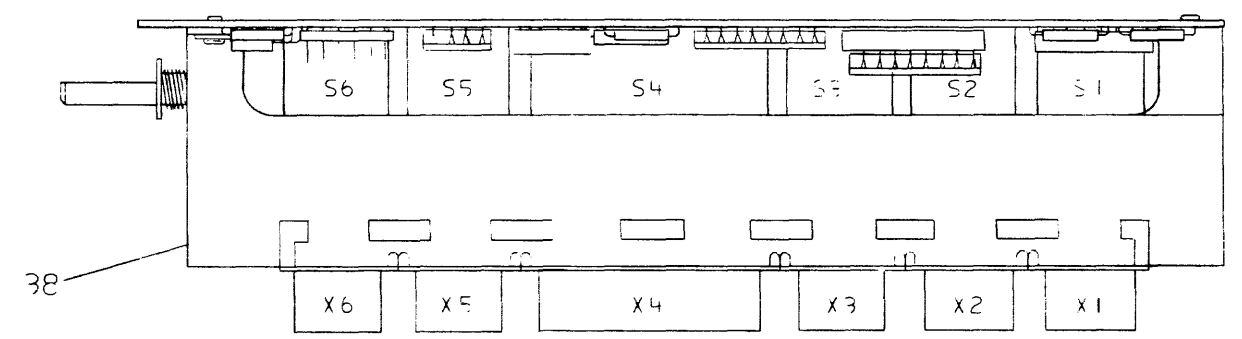
DETAIL "F"
NO SCALE



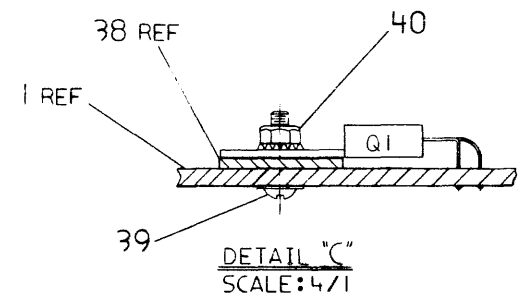
DETAIL "A"
SCALE: 2/1



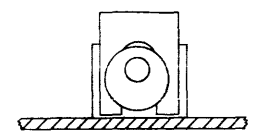
DETAIL "B"
SCALE: 2/1



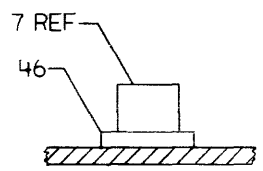
VIEW D-D
SCALE: 2/1



DETAIL "C"
SCALE: 4/1



VIEW E-E
SCALE 2/1



DETAIL "H"
SCALE: 4/1

REVISIONS		
CHK	CHANGE NO	REV.

TITLE	FRONT PANEL	SIZE CODE	D UA	NUMBER	5415272-0-0	REV.	J
SCALE	---	SHEET	2	OF	3	DIST	

D UA 5415272-0-0 J

DUA 5415272-0-0

2 of 2

8 7 6 5 4 3 2 1
 SIZE CODE D LA 5415272-0-0
 REV. J

D D

C C

B B

A A

ECO 5415272-CX009

COMPONENT DELETES

9-1 R9 (1317404-00)

9-2 R12 (1317404-00)

COMPONENT ADDS

9-3 R9 (1318341-23)

9-4 R12 (1302872-00)

9-5 SOLENOID SADDLE (7432036-01)

PART MARKING

9-6 AFTER ABOVE REWORK MARK MODULE PART REV H1

DWA 5415272-0-0

3 of 3

THIS DRAWING AND SPECIFICATIONS
 HEREIN ARE THE PROPERTY OF
 DIGITAL EQUIPMENT CORPORATION AND
 SHALL NOT BE REPRODUCED OR COPIED
 OR USED IN WHOLE OR IN PART AS
 THE BASIS FOR THE MANUFACTURE OR
 SALE OF ITEMS WITHOUT WRITTEN
 PERMISSION. COPYRIGHT © 1987
 DIGITAL EQUIPMENT CORPORATION

REVISIONS		
CHK	CHANGE NO.	REV

digital	DRN.	DATE	ENG.	DATE	TITLE: FRONT PANEL
	CHK'D.	12-APR-85			
DSK: 15272.T2P(4,24)		12-APR-85 13:40	BOARD LOCATION: SHEET 3 OF 3		
FIRST USED ON OPTION/MODEL: RA60		B-DD-5415272-0-0	SIZE CODE	NUMBER	REV. J
			D LA	5415272-0-0	

8 7 6 5 4 3 2 1

LINE	ITEM	TOP DOCUMENT	PART NUMBER	MIN REV	DESCRIPTION	QTY PER VARIATION		REFERENCE DESIGNATOR
						O1	H2	
1	1	B-DD-5015271-0	5015271-01	E	DRILL AND ETCH BOARD	1		
2	2		1000079-00		47 MFD 20V 20% S.TANT	1		C5
3	3		1001610-00		.01 MFD 50V +80-20% Z5U CER	7		C2,C3,C6,C7,C8,C9,C10
4	4		1017472-00		10 MFD 35V +75-10% AL EL	2		C1,C4
5	5		1105796-00		PIV= 400 IO= 1.00A 1N4004 DO-41	1		D1
6	6		1114974-00		VZ= 11.0 5% 1 W 1N4741A	1		D2
7	7		1122949-01		SENSOR,REFLECTIVE OBJECT	1		E8
8	8		1211164-00		SW,DIP 4POS/1PST 5VDC100MA F	1		E5
9	9		1211751-00		FUSE, SUB-MINI, 2.000A, 125V, A	3		F1,F2,F3
10	10		1212714-00		CAP,PB SW YELLO/BLK *RUN ST	1		X6
11	11		1212714-01		CAP,PB SW YELLO/BLK *WRITE	1		X3
12	12		1212714-02		CAP,PB SW RED/BLK *FAULT*	1		X5
13	13		1212714-03		CAP,PB SW WHITE/BLK *A*	1		X2
14	14		1212714-04		CAP,PB SW WHITE/BLK *B*	1		X1
15	15		1212716-00		LAMP,WEDGE,6.3V,.2A,.4MSCP,T1-3/	6		I1,I2,I3,I4,I5,I6
16	16		1212717-01		SW,PB 1PDT ALT 2A	4		S1,S2,S3,S6
17	17		1212717-06		SW,PB,LT 1PDT MOM 2A	1		S5
18	18		1215006-02		SKT,IC 16PIN DIP TIN SOLD	1		XE1
19	19		1215901-03		PCB,HEADER 06PIN(1X05).100CC STR	1		J403
20	20		1216832-01		PCB,HEADER 26POS(2X13).100CC 90D	1		J401
21	21		1218198-00		SW,ENCODER 256 CODES 10M	1		S4
22	22		1218199-00		LENS,ENCODER SW	1		X4
23	23		1223194-01		SOLENOID,COVER LOCK	1		L1
24	24		1300228-00		100.0 .50 W 5.0 % CF	6		R1,R2,R4,R5,R8,R10
25	25		1300316-00		470.0 .25 W 5.0 % CF	1		R6
26	26		1300365-00		1.0 K .25 W 5.0 % CF	2		R3,R14
27	27		1311523-00		110.0 .25 W 5.0 % CF	2		R11,R13
28	28		1312928-00		51.0 .25 W 5.0 % CF	1		R7
29	29		1316254-02		R NETWORK 7-1.0K 2.0 % 8PIN	3		Z1,Z2,Z3
30	30		1317404-00		*** THIS ITEM IS NOT USED ***	-		

REVISION HISTORY		BASIC PART NO: 5415272		DRN: JERRI JASON		DATE: 12-APR-84		DIGITAL	
ENG	ECD NUMBER	REV	SECTION A OF A	CHK'D:	SUE BOURBEAU	DATE:	12-APR-84	TITLE	PARTS LIST
AM	5415272-CX007	H	SECTION VARIATION INDEX	CHK'D:	SUE BOURBEAU	DATE:	12-APR-84	FRONT PANEL	
AM	5415272-CX009	J	[A] 01						
AM	5415272-CX010	K	[B]						
			[C]	DES.ENG:	AL MILLER	DATE:	12-APR-84	DOCUMENT NUMBER	
			[D]					SIZE	CODE
			[E]					NUMBER	REV
			[F]	RESP.ENG.:	AL MILLER	DATE:	12-APR-84	K	PL
			[G]					5415272-0-DBP	K
			[H]						
			[I]						
			[J]	MFG.ENG.:	JOHN PAPA	DATE:	12-APR-84	RELEASE DATE:	28-MAY-85
			[K]						
			[L]						
			[M]	ASSEMBLY NUMBER:		TOP DOCUMENT NUMBER:		FILE NAME:	EDIT #
			[N]	D-UA-5415272-0-0		B-DD-5415272-0-0		Z2153K.PLS	12

"THIS DRAWING AND THE SPECIFICATIONS CONTAINED HEREIN ARE CONFIDENTIAL AND PROPRIETARY. THEY ARE THE PROPERTY OF DIGITAL EQUIPMENT CORPORATION AND SHALL NOT BE REPRODUCED OR COPIED OR USED IN WHOLE OR IN PART AS THE BASIS FOR THE MANUFACTURE OR SALE OF ITEMS WITHOUT WRITTEN PERMISSION. THIS IS AN UNPUBLISHED WORK PROTECTED UNDER THE FEDERAL COPYRIGHT LAWS."

AUTOMATED BY PRSUD.2B(4)

PARTS LIST

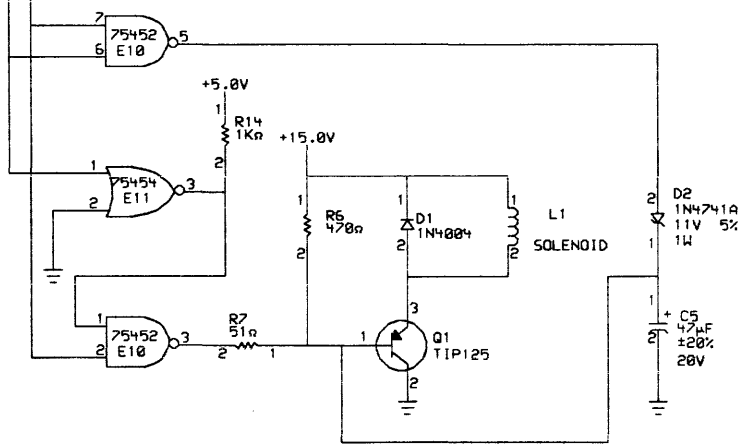
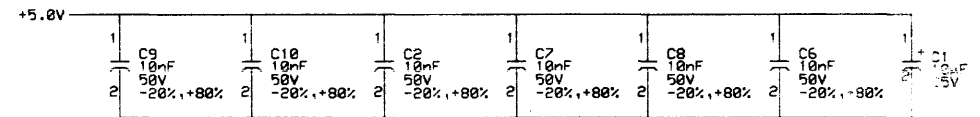
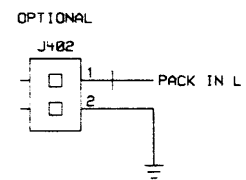
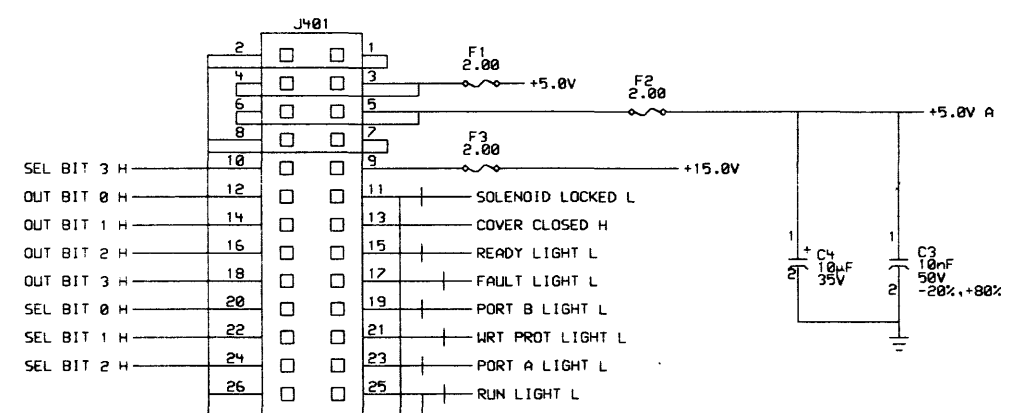
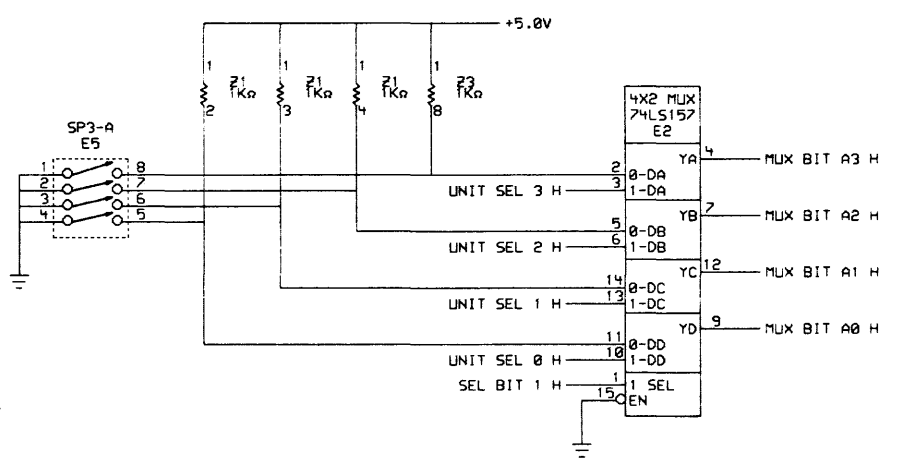
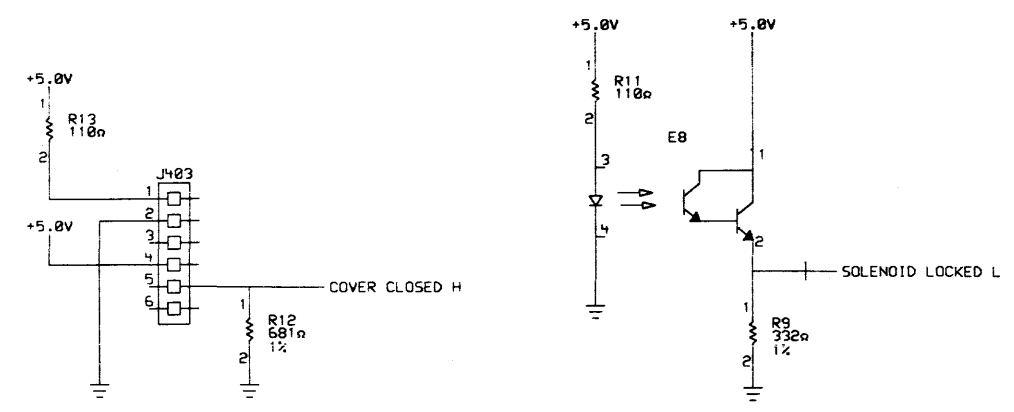
SHEET A2 OF A2

LINE	ITEM	TOP DOCUMENT	PART NUMBER	MIN REV	DESCRIPTION	QTY PER VARIATION		REFERENCE DESIGNATOR
						01	H2	
31	31		1514509-00		TIP 125 PNP 65W SI 60 500 8A	1		Q1
32	32		1910406-00		75451 DRIVER,PERIPH,DUAL,	3		E6,E7,E9
33	33		1910645-00		75452 DRIVER,PERIPH,DUAL,	1		E10
34	34		1912646-00		LS253 MUX 1 OF 4 (DUAL)	2		E3,E4
35	35		1912847-00		LS157 MUX 1 OF 2(QUAD)	1		E2
36	36		1914432-00		75454 DRIVER,PERIPH,DUAL,	1		E11
37	37	SEE NOTE 1	23A1 -07		32X 8 , TTL, PROM,TRI STA,	1		E1
38	38		7425953-01		BRACKET,SWITCH RETAINER	1		
39	39		9006010-01		SCREW,MACH PAN PHIL 4-	2		
40	40		9006557-00		NUT,HEX EXT TOOTH LCKWSHR 4-40	2		
41	41		1318341-23		332.0 .25 W 1.0 % RN550-F10	1		R9
42	42		1302872-00		681.0 .25 W 1.0 % RN55D-F1	1		R12
43	43		7432036-01		SADDLE FOR SOLENOID	1		
44	44		4901578-01		ADHESIVE,CYANOACRYLATE,MODIFIED	A/R		
45	45		4901401-00		ADHESIVE,ACCELERATOR	A/R		
46	46		9006707-00		WASHER,FLAT NYLON	1		

47 NOTE: 1. BLANK PROM WILL NOT WORK. THIS PROM MUST BE PROGRAMMED AND CONTAIN
 48 NOTE: THE SERIAL NUMBER OF THE SPECIFIC DRIVE.

D	I	G	I	T	A	L	TITLE	SECTION A OF A	SIZE	CODE	DOCUMENT NUMBER	REV
							FRONT PANEL		K	PL	5415272-0-DBP	K

NOTE: ALL RESISTORS, UNLESS OTHERWISE SPECIFIED ARE 1/4W, 5%. ALL CAPACITORS, UNLESS OTHERWISE SPECIFIED ARE +50%, -10%.

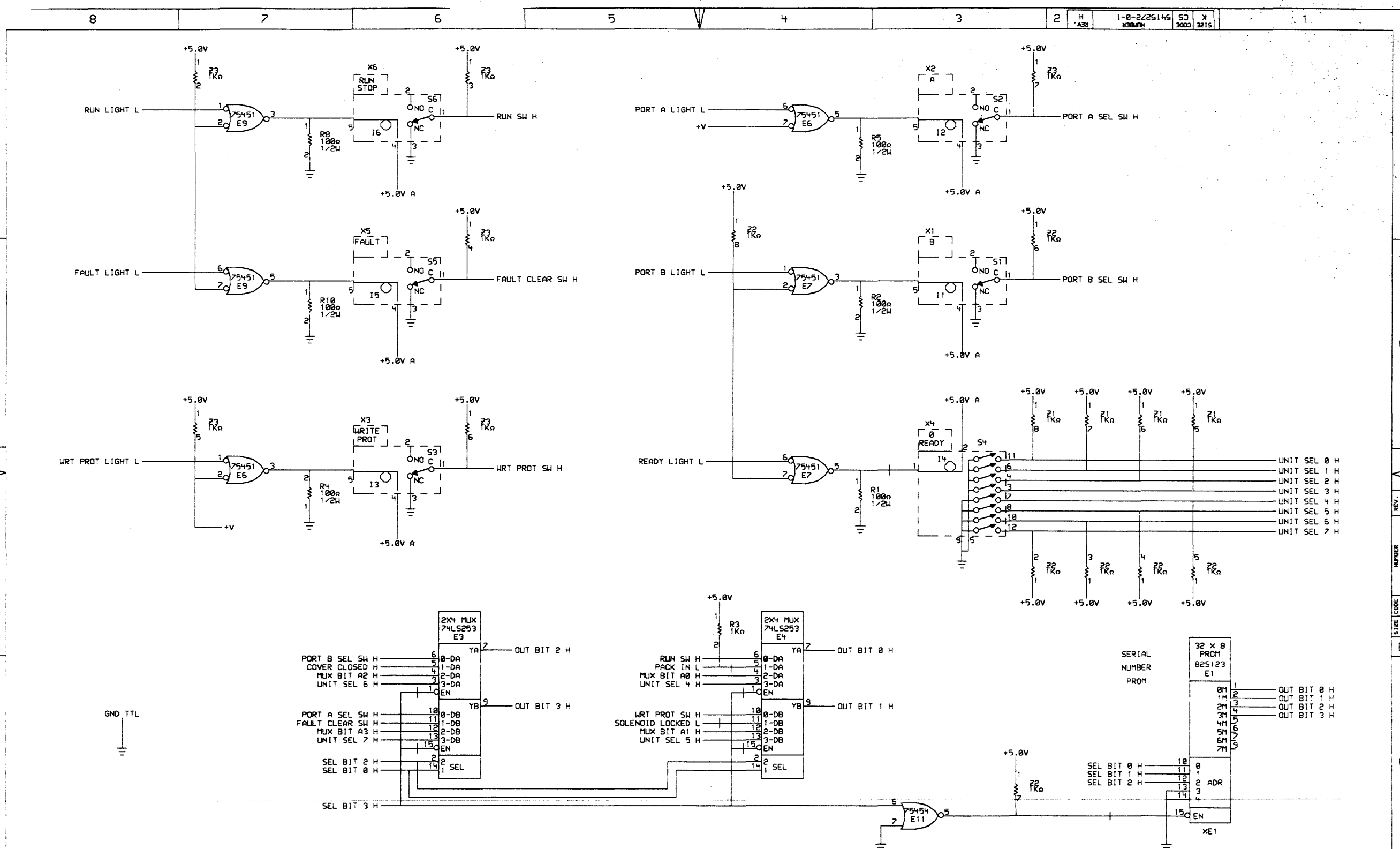


THIS DRAWING AND SPECIFICATIONS ARE THE PROPERTY OF DIGITAL EQUIPMENT CORPORATION AND SHALL NOT BE REPRODUCED OR COPIED OR USED IN WHOLE OR IN PART AS THE BASIS FOR THE MANUFACTURE OR SALE OF ITEMS WITHOUT WRITTEN PERMISSION FROM DIGITAL EQUIPMENT CORPORATION.

REVISIONS	
CHK	CHANGE NO. REV
	1 12/15/72 - 1 H
	2 12/15/72 - 1 H

	DRN. G. SCHNEIDER	DATE 08-APR-85	ENG. 11/85	DATE	TITLE: FRONT PANEL
	CHK'D. [Signature]	DATE 12-APR-85	BOARD LOCATION: 1 OF 3	SIZE CODE K	NUMBER 5415272-0-1
COPY: K SCHNEIDER/FB1.DRW 08-APR-85 07:31 NEXT HIGHER ASSEMBLY: 8-DD-5415272-0					REV. H

REV. H
 NUMBER 5415272-0-1
 SIZE CODE CS
 K



THIS DRAWING AND SPECIFICATIONS HEREIN ARE THE PROPERTY OF DIGITAL EQUIPMENT CORPORATION AND SHALL NOT BE REPRODUCED OR COPIED OR USED IN WHOLE OR IN PART AS THE BASIS FOR THE MANUFACTURE OR SALE OF ITEMS WITHOUT WRITTEN PERMISSION. COPYRIGHT © 1985, DIGITAL EQUIPMENT CORPORATION.

REV.	CHANGE NO.	REV.

REV.	CHANGE NO.	REV.

digital DRN. G. SCHNEIDER CHK'D.	DATE 08-APR-85	ENG.	DATE	TITLE:
	DATE	BOARD LOCATION:	SHEET 2 OF 3	FRONT PANEL
COPY: SCHNEIDER:FP02.DRW 08-APR-85 07:33 NEXT HIGHER ASSEMBLY:		SIZE CODE	NUMBER	REV.
FIRST USED ON OPTION MODEL: RAG0		K CS	5415272-0-1	H

H 1-0-2225145 CS K 3003 3215
 REV. H
 NUMBER 5415272-0-1
 SIZE CODE CS
 K

Vertical location (A-D) Direction of line (Left, Right, Up, Down) or electrical (Input, Output, Both) or backplane pin (Pin)
 KEY: SS-VH,D

Schematic Sheet Horizontal location (1-8)

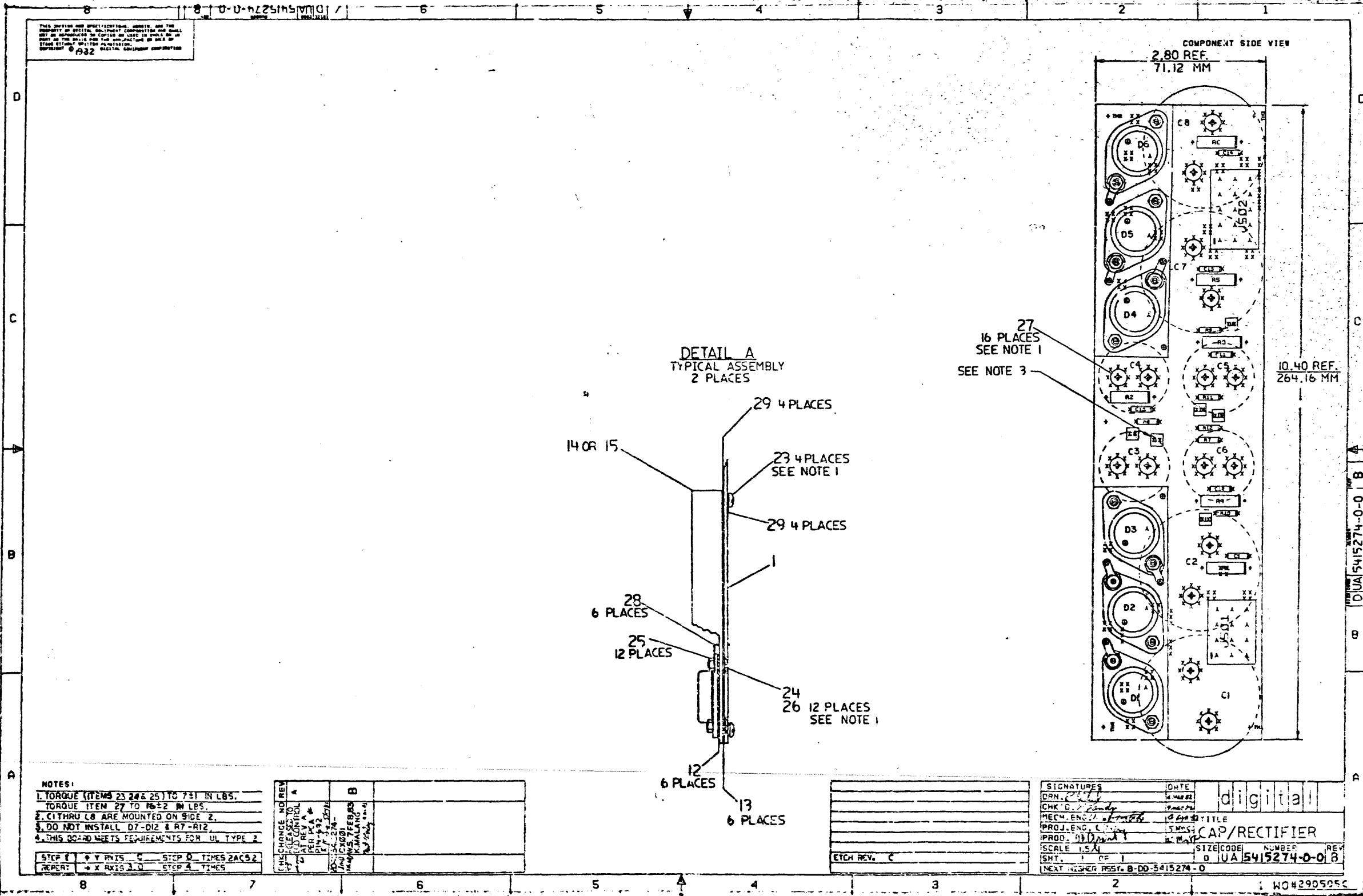
D	+15.0V	1-A2,D	1-C2,L				
	+5.0V	1-A2,D	1-A6,R	1-C3,L	1-C7,L	1-D3,D	1-D4,D
	1-D5,D	1-D5,D	2-A3,D	2-B2,D	2-B2,D	2-B2,D	2-B3,D
	2-C2,D	2-C2,D	2-C2,D	2-C3,D	2-C6,D	2-C7,D	2-D3,D
			2-D4,D	2-D6,D	2-D6,D	2-D7,D	
	+5.0V A	1-C1,L	2-B6,D	2-C3,D	2-C3,D	2-C6,D	2-D3,D
			2-D6,D				
	+V	2-B7,L	2-D4,R				
	COVER CLOSED H	1-B3,L	1-D4,L	2-A6,R			
	FAULT CLEAR SW H	2-A6,R	2-C6,L				
	FAULT LIGHT L	1-B3,L	2-C8,R				
	GND TTL	2-A8,D					
	MUX BIT A0 H	1-B6,L	2-A4,R				
	MUX BIT A1 H	1-C6,L	2-A4,R				
	MUX BIT A2 H	1-C6,L	2-A6,R				
	MUX BIT A3 H	1-C6,L	2-A6,R				
C	OUT BIT 0 H	1-B4,R	2-A1,L	2-B4,L			
	OUT BIT 1 H	1-B4,R	2-A1,L	2-A4,L			
	OUT BIT 2 H	1-B4,R	2-A1,L	2-B6,L			
	OUT BIT 3 H	1-B4,R	2-A1,L	2-A6,L			
	PACK IN L	1-B7,L	2-A4,R				
	PORT A LIGHT L	1-B3,L	2-D4,R				
	PORT A SEL SW H	2-A6,R	2-D2,L				
	PORT B LIGHT L	1-B3,L	2-C4,R				
	PORT B SEL SW H	2-A6,R	2-C2,L				
	READY LIGHT L	1-B3,L	2-B4,R				
	RUN LIGHT L	1-B3,L	2-D8,R				
	RUN SW H	2-A4,R	2-D6,L				
	SEL BIT 0 H	1-B4,R	2-A2,R	2-A6,R			
	SEL BIT 1 H	1-B4,R	1-B7,R	2-A2,R			
	SEL BIT 2 H	1-B4,R	2-A2,R	2-A6,R			
	SEL BIT 3 H	1-C4,R	2-A6,R				
B	SOLENOID LOCKED L	1-B3,L	1-D3,L	2-A4,R			
	UNIT SEL 0 H	1-B7,R	2-B1,L				
	UNIT SEL 1 H	1-B7,R	2-B1,L				
	UNIT SEL 2 H	1-C7,R	2-B1,L				
	UNIT SEL 3 H	1-C7,R	2-B1,L				
	UNIT SEL 4 H	2-A4,R	2-B1,L				
	UNIT SEL 5 H	2-A4,R	2-B1,L				
	UNIT SEL 6 H	2-A6,R	2-B1,L				
	UNIT SEL 7 H	2-A6,R	2-B1,L				
	WRT PROT LIGHT L	1-B3,L	2-B8,R				
	WRT PROT SW H	2-A4,R	2-B6,L				

D
C
B
A

REVISIONS	
CHK	CHANGE NO. REV

digit	DRN. G. SCHNEIDER	DATE 08-APR-85	ENG.	DATE	TITLE: FRONT PANEL
	CHK'D.	DATE	BOARD LOCATION:	SHEET 3 OF 3	
DSK:FP.12PL4.2431		08-APR-85 08:30	NEXT HIGHER ASSEMBLY:	SIZE CODE K CS	NUMBER 5415272-0-1
FIRST USED ON OPTION/MODEL: RA60			B-DD-5415272-0		REV. H

THIS DRAWING AND SPECIFICATIONS, HEREIN, ARE THE PROPERTY OF DIGITAL EQUIPMENT CORPORATION AND SHALL NOT BE REPRODUCED OR COPIED IN ANY MANNER OR PART THEREOF WITHOUT THE WRITTEN PERMISSION OF DIGITAL EQUIPMENT CORPORATION
 © 1982 DIGITAL EQUIPMENT CORPORATION



NOTES:
 1. TORQUE (ITEMS 23, 24 & 25) TO 7±1 IN LBS.
 TORQUE ITEM 27 TO 16±2 IN LBS.
 2. CITHRU C6 ARE MOUNTED ON SIDE 2.
 3. DO NOT INSTALL D7-D12 & R7-R12.
 4. THIS BOARD MEETS REQUIREMENTS FOR UL TYPE 2

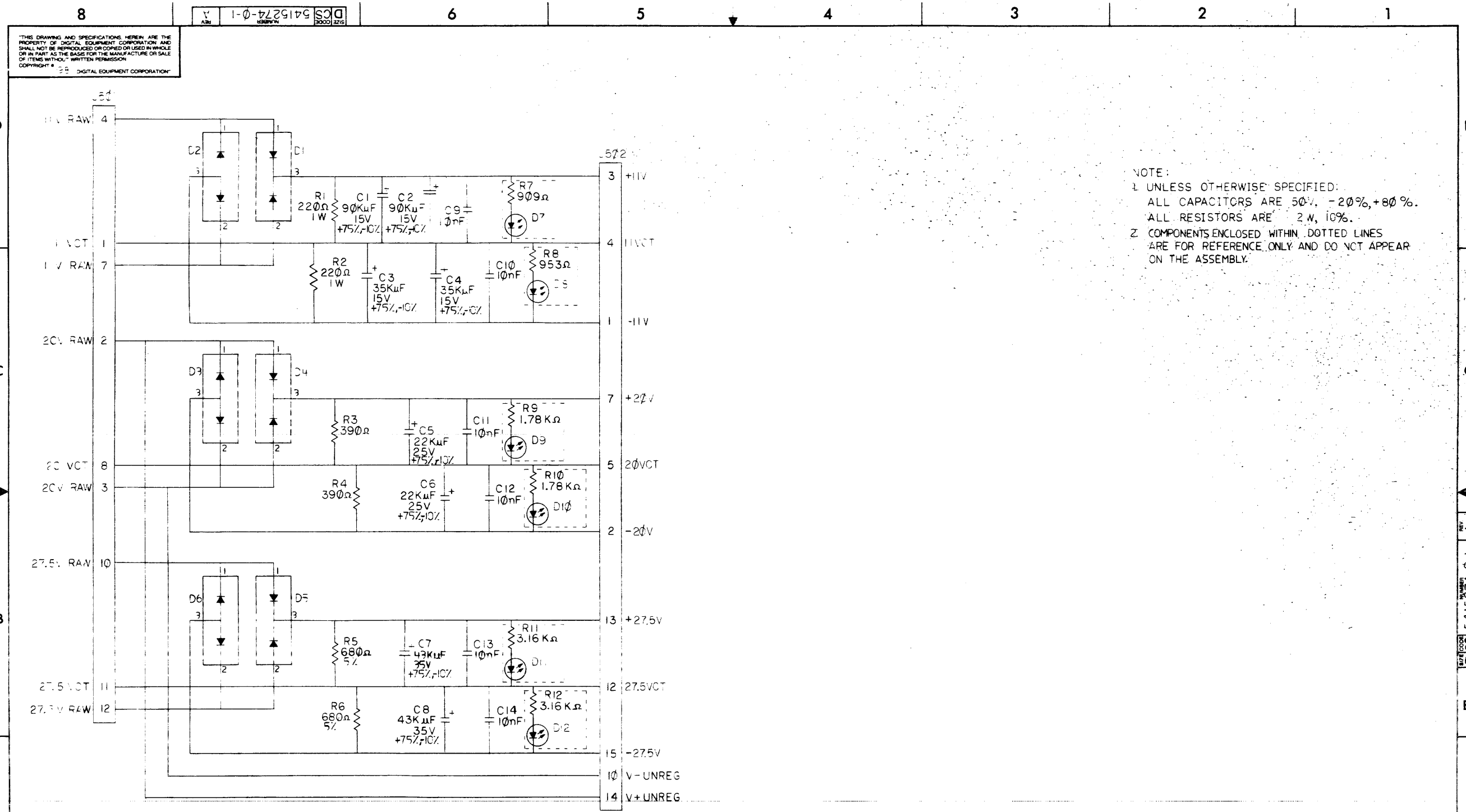
STEP E	+ Y AXIS	C	STEP D	TIMES 2AC52
REPEAT	+ X AXIS	D	STEP A	TIMES

DATE	CHANGE NO.	REV.	A	B

ETCH REV. C

SIGNATURES	DATE	digital
DRN: [Signature]	6 MAR 82	
CNK: [Signature]		
MECH. ENG. [Signature]		
PROJ. ENG. [Signature]		TITLE
PROD. [Signature]		CAP/RECTIFIER
SCALE 1:1		SIZE CODE
SHT. 1 OF 1		NUMBER
NEXT NUMBER REV. B-00-5415274-0		0 U A 5415274-0-0 B

DRAWING NUMBER: 0 U A 5415274-0-0 B
 DRAWING NUMBER: 0 U A 5415274-0-0 B
 DRAWING NUMBER: 0 U A 5415274-0-0 B
 101



THIS DRAWING AND SPECIFICATIONS HEREIN ARE THE PROPERTY OF DIGITAL EQUIPMENT CORPORATION AND SHALL NOT BE REPRODUCED OR COPIED OR USED IN WHOLE OR IN PART AS THE BASIS FOR THE MANUFACTURE OR SALE OF ITEMS WITHOUT WRITTEN PERMISSION. COPYRIGHT © DIGITAL EQUIPMENT CORPORATION.

NOTE:
 1 UNLESS OTHERWISE SPECIFIED:
 ALL CAPACITORS ARE 50%, -20%, +80%.
 ALL RESISTORS ARE 2W, 10%.
 2 COMPONENTS ENCLOSED WITHIN DOTTED LINES ARE FOR REFERENCE ONLY AND DO NOT APPEAR ON THE ASSEMBLY.

DATE	ECO NUMBER	REV
		1

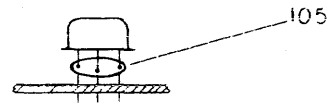
RELEASED TO FOR CONTROL BY RDA

REVISION HISTORY

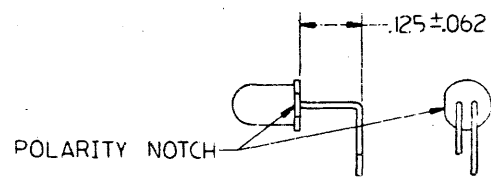
DRN	A. Halliwell	DATE	30 SEP 81	TITLE	digital
CHKD	A. Randy	DATE	29 Feb 82		
DES. ENG.		DATE			CAP/RECTIFIER
REP. ENG.		DATE			
MFG. ENG.		DATE			
NEXT ORDER DOC.	B-DD-5415274-0	SCALE		DOCUMENT NUMBER	D CS 5415274-0-1

THIS DRAWING AND SPECIFICATIONS HEREIN ARE THE PROPERTY OF DIGITAL EQUIPMENT CORPORATION AND SHALL NOT BE REPRODUCED OR COPIED OR USED IN WHOLE OR IN PART AS THE BASIS FOR THE MANUFACTURE OR SALE OF ITEMS WITHOUT WRITTEN PERMISSION.
 COPYRIGHT © 1983 DIGITAL EQUIPMENT CORPORATION

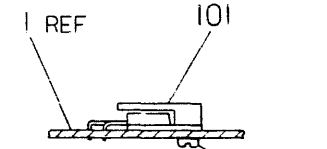
COMPONENT SIDE VIEW



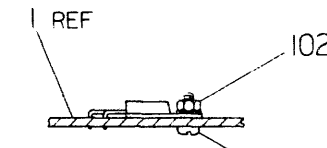
DETAIL "D"
8 PLACES



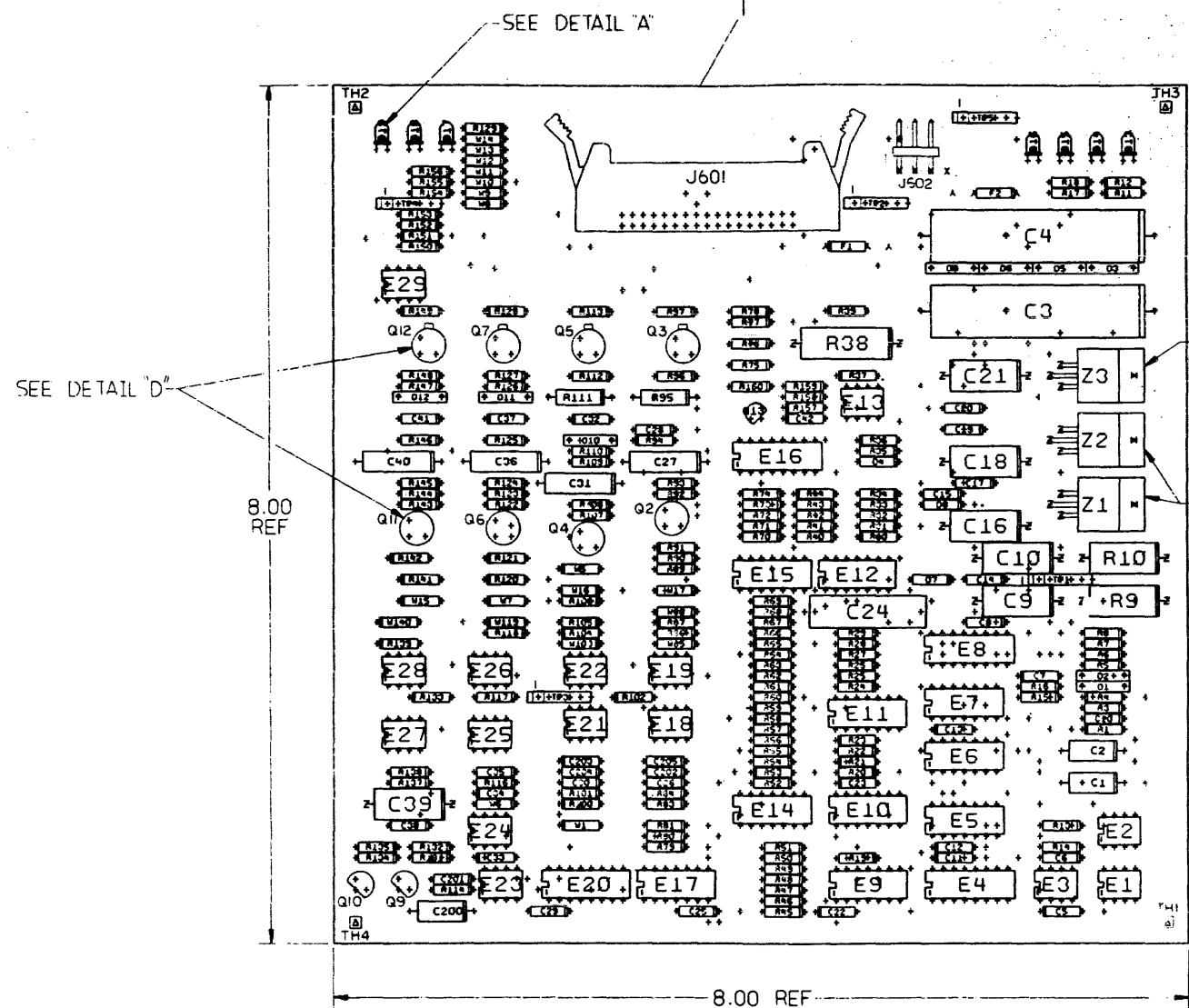
DETAIL "A"
7 PLACES
NO SCALE



DETAIL "B"
2 PLACES



DETAIL "C"
1 PLACE



NOTES: 1. THE FOLLOWING ARE SPARES: E16, R93, R107, R123, R144, W9-W14, C28, C32, C37-C39, C41.

STEP E → Y AXIS 0 STEP 0 TIMES 2ACS
 REPEAT → X AXIS 8.0 STEP 1 TIMES

CHG	NO	REV	DATE	BY	CHK	APP
D						
E						

ETCH REV. E-P3

SIGNATURES	DATE	15 MAR 83
DRAWN: Eric Sommadossi		
CHK'D:		
MECH. ENG.:		
PROJ. ENG.:		
PROD.:		
SCALE: 1.5/1	SIZE CODE	NUMBER
SHT. 1 OF 1	0	UA 5415276-0-0
NEXT HIGHER ASSY: 8-DD-5415276-0-0		

REGULATOR

1 MS# 290506E

LINE	ITEM	TOP DOCUMENT	PART NUMBER	MIN REV	DESCRIPTION	QTY	PER VARIATION	REFERENCE DESIGNATOR
					VARIATION REVISION LEVEL:	01		
						D3		
1	1	B-DD-5015275-0	5015275-01		DRILL AND ETCH	1		
2	2		1001610-00		.01 MFD 50V +80-20% Z5U CER	20		C5,C6,C7,C8,C11,C12,C13,C22,C23, C25,C29,C33,C34,C35,C42,C201, C202,C203,C204,C205
3	3		1002630-00		.015 MFD 100V 10% MYLR	4		CONT CONT C27,C31,C36,C40
4	4		1010031-03		.22 MFD 50V 10% M.POLYCARB	3		C1,C2,C200
5	5		1010031-07		1 MFD 50V 10% M.POLYCARB	1		C24
6	6		1011849-01		600 MFD 25V +75-10% AL EL	2		C3,C4
7	7		1012084-01		8 MFD 25V +75-10% AL EL	5		C9,C10,C16,C18,C21
8	8		1012784-00		.047 MFD 50V +80-20% CER	5		C14,C15,C17,C19,C20
9	9		1013466-22		.1 MFD 50V +80-20% Z5U CER	2		C26,C30
10	10		1105796-00		PIV= 400 IO= 1.00A 1N4004 DO-41	9		D1,D2,D3,D5,D6,D9,D10,D11,D12
11	11		1105871-00		VZ= 5.15 1% 250 MW	1		D8
12	12		1105871-01		VZ= 3.0 1% 250 MW	1		D7
13	13		1110864-00		LED 2MCD@10MA	2		D17,D18
14	14		1113003-00		PIV= 55 IO=200 MA - 4NS 1N5282	2		D4,D20
15	15		1114384-00		LED 105MW 35MA GREEN	5		D13,D14,D15,D16,D19
16	16		1205747-00		FUSE, SUB-MINI, 5.000A, 125V, A	2		F1,F2
17	17		1212204-10		PCB HEADER 03PIN(1X03).156CC 90D	1		J602
18	18		1215901-07		PCB,HEADER 06PIN(1X06).100CC STR	5		TP1,TP2,TP3,TP4,TP5
19	19		1216832-06		PCB,HEADER 34POS(2X17).100CC 90D	1		J601
20	20		1319471-01		10.0 2.0 W 5.0 % M.OXIDE	1		R38
21	21		1300202-00		47.0 .25 W 5.0 % CF	2		R126,R148
22	22		1300229-00		100.0 .25 W 5.0 % CF	4		R90,R106,R121,R142
23	23		1300295-00		330.0 .25 W 5.0 % CF	2		R96,R112
24	24		1300316-00		470.0 .25 W 5.0 % CF	3		R3,R127,R147
25	25		1300365-00		1.0 K .25 W 5.0 % CF	6		R1,R15,R16,R79,R129,R160
26	26		1300391-00		1.50 K .25 W 5.0 % CF	3		R4,R52,R70
27	27		1300398-00		1.80 K .25 W 5.0 % CF	3		R102,R117,R133
28	28		1300426-00		2.70 K .25 W 5.0 % CF	1		R86

REVISION HISTORY			BASIC PART NO: 5415276			DRN: SHERI LEHMAN			DATE: 24-MAR-83			DIGITAL		
ENG	ECO NUMBER	REV	SECTION A OF A			CHK'D: SUE BOURBEAU			DATE: 24-MAR-83			TITLE PARTS LIST		
			SECTION.VARIATION INDEX			DES.ENG: KEITH MALANG			DATE: 24-MAR-83			DOCUMENT NUMBER		
KM	5415276-CX003	D	[A] 01			RESP.ENG.: KEITH MALANG <td colspan="3">DATE: 24-MAR-83</td> <td colspan="3">K PL 5415276-0-DBP H</td>			DATE: 24-MAR-83			K PL 5415276-0-DBP H		
AM	5415276-CX004	E	[B]			MFG.ENG.: C FONG <td colspan="3">DATE: 24-MAR-83</td> <td colspan="3">RELEASE DATE: 18-MAY-85</td>			DATE: 24-MAR-83			RELEASE DATE: 18-MAY-85		
CW	5415276-CX005	F	[C]			ASSEMBLY NUMBER:			TOP DOCUMENT NUMBER:			FILE NAME: Z2155H.PLS		
PR	5415276-CX006	H	[D]			D-UA-5415276-0-0			B-DD-5415276-0-0			EDIT # 5		
			[E]											
			[F]											
			[G]											
			[H]											
			[I]											
			[J]											
			[K]											
			[L]											
			[M]											
			[N]											

*SMS
Shelton*

"THIS DRAWING AND THE SPECIFICATIONS CONTAINED HEREIN ARE CONFIDENTIAL AND PROPRIETARY. THEY ARE THE PROPERTY OF DIGITAL EQUIPMENT CORPORATION AND SHALL NOT BE REPRODUCED OR COPIED OR USED IN WHOLE OR IN PART AS THE BASIS FOR THE MANUFACTURE OR SALE OF ITEMS WITHOUT WRITTEN PERMISSION. THIS IS AN UNPUBLISHED WORK PROTECTED UNDER THE FEDERAL COPYRIGHT LAWS."

LINE ITEM	TOP DOCUMENT	PART NUMBER	MIN REV	DESCRIPTION	VARIATION	REVISION LEVEL	QTY	PER VARIATION	REFERENCE DESIGNATOR
							01		
							D3		
29	29	1300439-00		3.30 K	.25 W 5.0 %	CF	2		R65,R71
30	30	1300488-00		12.0 K	.25 W 5.0 %	CF	1		R19
31	31	1301320-00		1.20 K	.25 W 5.0 %	CF	1		R36
32	32	1301421-00		15.0	.25 W 5.0 %	CF	1		R97
33	33	1301425-00		300.0	.25 W 5.0 %	CF	6		R92,R109,R122,R128,R143,R149
34	34	1301695-00		47.0	.50 W 5.0 %	CF	2		R95,R111
35	35	1301972-00		270.0	.25 W 5.0 %	CF	2		R155,R156
36	36	1302377-00		39.0	.25 W 5.0 %	CF	1		R113
37	37	1302389-00		4.30 K	.25 W 5.0 %	CF	1		R132
38	38	1302391-00		20.0 K	.25 W 5.0 %	CF	1		R114
39	39	1319470-30		820.0	1.0 W 5.0 %	M.OXIDE	1		R9
40	40	1303064-00		75.0	.25 W 1.0 %	RN55D-F10	3		R108,R124,R145
41	41	1303114-00		1.0 K	.25 W 1.0 %	RN55D-F10	4		R94,R110,R125,R146
42	42	1303312-00		10.0 K	.25 W 1.0 %	RN55D-F10	10		R5,R73,R76,R84,R100,R135,R150,
								CONT	R151,R152,R153
43	43	1303313-00		12.10 K	.25 W 1.0 %	RN55D-F10	2		R120,R141
44	44	1317797-00		5.23 K	.25 W 1.0 %	RN55D-F10	1		R105
45	45	1304866-00		2.0 K	.25 W 1.0 %	RN55D-F10	14		R40,R41,R42,R43,R50,R51,R58,R59,
								CONT	R60,R61,R62,R63,R118,R139
46	46	1305114-00		3.48 K	.25 W 1.0 %	RN55D-F10	1		R78
47	47	1305127-00		4.0 K	.25 W 1.0 %	RN55D-F10	1		R87
48	48	1305265-00		39.20 K	.25 W 1.0 %	RN55D-F10	1		R157
49	49	1305324-00		4.99 K	.25 W 1.0 %	RN55D-F10	3		R72,R116,R137
50	50	1307414-00		9.76 K	.25 W 1.0 %	RN55D-F10	2		R35,R39
51	51	1310630-00		1.33 K	.25 W 1.0 %	RN55D-F10	1		R34
52	52	1310636-00		82.50 K	.25 W 1.0 %	RN55D-F10	3		R13,R14,R80
53	53	1311422-00		178.0	.25 W 1.0 %	RN55D-F10	5		R11,R12,R17,R18,R154
54	54	1312480-00		1.54 K	.25 W 1.0 %	RN55D-F10	1		R37
55	55	1312626-00		2.49 K	.25 W 1.0 %	RN55D-F10	2		R104,R138
56	56	1312922-00		536.0	.25 W 1.0 %	RN55D-F10	1		R131
57	57	1312923-00		2.10 K	.25 W 1.0 %	RN55D-F10	1		R6
58	58	1312924-00		10.70 K	.25 W 1.0 %	RN55D-F10	1		R75
59	59	1313341-00		5.36 K	.25 W 1.0 %	RN55D-F10	1		R66
60	60	1313584-00		158.0	.25 W 1.0 %	RN55D-F10	1		R134
61	61	1313591-00		1.65 K	.25 W 1.0 %	RN55D-F10	1		R44
62	62	1313596-00		20.0 K	.25 W 1.0 %	RN55D-F10	2		R28,R30
63	63	1313752-00		15.0 K	.25 W 1.0 %	RN55D-F10	2		R83,R101
64	64	1313775-00		80.60 K	.25 W 1.0 %	RN55D-F10	5		R20,R22,R46,R48,R158
65	65	1313842-00		48.70 K	.25 W 1.0 %	RN55D-F10	1		R31
66	66	1313843-00		107.0 K	.25 W 1.0 %	RN55D-F10	4		R24,R26,R53,R56
67	67	1313844-00		221.0 K	.25 W 1.0 %	RN55D-F10	1		R81
68	68	1313918-00		9.10 K	.25 W 5.0 %	CF	1		R159
69	69	1314120-00		78.70 K	.25 W 1.0 %	RN55D-F10	2		R33,R69
70	70	1314187-00		6.19 K	.25 W 1.0 %	RN55D-F10	4		R25,R27,R54,R55
71	71	1314397-00		9.53 K	.25 W 1.0 %	RN55D-F10	1		R74
72	72	1314551-00		442.0	.25 W 1.0 %	RN55D-F10	1		R91
73	73	1319470-17		160.0	1.0 W 5.0 %	M.OXIDE	1		R10
74	74	1315096-00		1.87 K	.25 W 1.0 %	RN55D-F10	1		R57

D	I	G	I	T	A	L	TITLE	SECTION A	OF A	SIZE	CODE	DOCUMENT NUMBER	REV
							REGULATOR			K	PL	5415276-0-DBP	H

AUTOMATED BY PRSUD.2B(4)

PARTS LIST

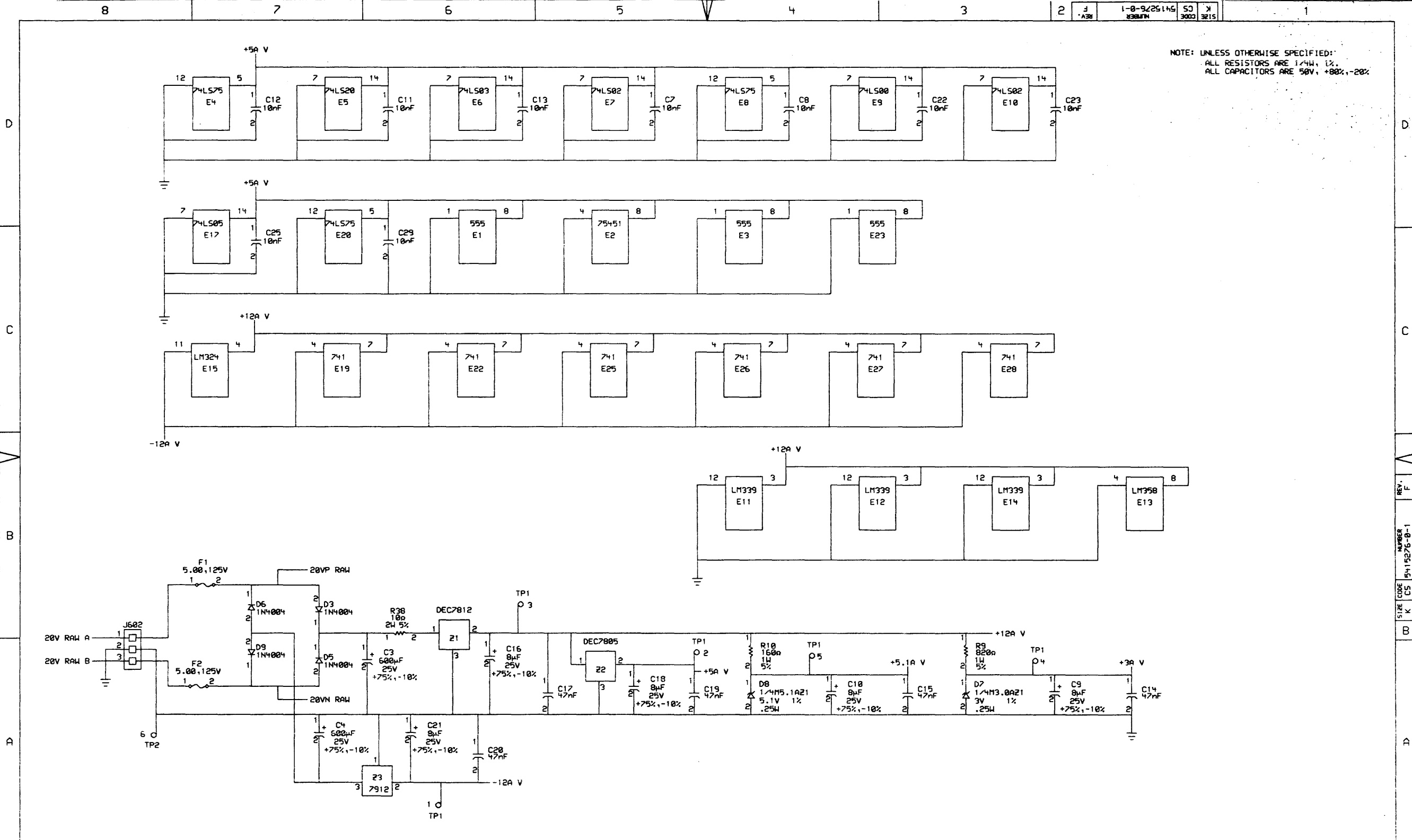
SHEET A3 OF A3

LINE	ITEM	TOP DOCUMENT	PART NUMBER	MIN REV	DESCRIPTION	QTY	PER VARIATION	REFERENCE DESIGNATOR
					VARIATION REVISION LEVEL:	01		
						D3		
75	75		1316842-00		6.34 K .25 W 1.0 % RN55D-F10	1		R29
76	76		1316843-00		13.70 K .25 W 1.0 % RN55D-F10	2		R32,R68
77	77		1317399-00		6.49 K .25 W 1.0 % RN55D-F10	4		R21,R23,R47,R49
78	78		1317406-00		2.43 K .25 W 1.0 % RN55D-F10	2		R7,R45
79	79		1318150-12		8.06 K .25 W 1.0 % RN55D-F10	5		R8,R64,R67,R77,R89
80	80		1501881-00		DEC2219 NPN 3WC SI 30100	4		Q3,Q4,Q6,Q12
81	81		1501913-00		2N 2904A PNP 600MW SI 60 40 Y	4		Q2,Q5,Q7,Q11
82	82		1509525-00		2N 3906 PNP 310MW SI 40100 Y	1		Q9
83	83		1513489-00		2N 4401 NPN 350MW SI 40 20	2		Q10,Q13
84	84		1910298-00		741 OP AMP GEN PURP. COM	7		E19,E22,E25,E26,E27,E28,E29
85	85		1910406-00		75451 DRIVER,PERIPH,DUAL,	1		E2
86	86		1911944-00		555CN TIMER,FUNCT.BLOCK	3		E1,E3,E23
87	87		1912048-06		DEC 7812 VOLT REG,FIX +12V	1		Z1
88	88		1912107-00		324 OP AMP,QUAD	1		E15
89	89		1912108-00		339 VOLT CMPRTR,QUAD	3		E11,E12,E14
90	90		1912536-01		7805 VOLT REG,FIX +5V	1		Z2
91	91		1912649-00		LS75 LATCH 4BIT,BISTABLE	3		E4,E8,E20
92	92		1912799-00		LS00 NAND-GATE-QUAD 2IN,P	1		E9
93	93		1912801-00		LS02 NOR-GATE-QUAD 2IN	2		E7,E10
94	94		1912802-00		LS03 NAND-GATE-QUAD 2IN,P	1		E6
95	95		1912804-00		LS05 INVERTER GATE-HEX 1I	1		E17
96	96		1912810-00		LS20 NAND GATE-DUAL 4IN	1		E5
97	97		1914517-01		7912 VOLT REG,FIX -12V	1		Z3
98	98		1915881-01		3423 PROTECTOR,OVERVOLTAGE	2		E18,E21
99	99		1916758-00		PRECISION REFERENCE	1		E24
100	100		1917908-00		LM 358N OP AMP DUAL LOW POWE	1		E13
101	101		7414765-00		CR HEATSINK	2		
102	102		9006557-00		A NUT,HEX EXT TOOTH LCKWSHR 4-40	1		
103	103		9009185-00		JUMPER, WIRE, INSULATED, BLACK B	13		W1,W5,W6,W7,W8,W15,W16,W17,W85,
							CONT	W88,W103,W119,W140
104	104		9009546-00		A SCREW,SEMS PAN PHIL 4-	3		
105	105		9007201-00		PAD,MOUNTING,COMPONENT	8		

D	I	G	I	T	A	L	TITLE	SECTION A	OF A	SIZE	CODE	DOCUMENT NUMBER	REV
							REGULATOR			K	PL	5415276-0-DBP	H

REV. 1-8-85
 NUMBER 5415276-0-1
 SIZE K CS 3000 3215

NOTE: UNLESS OTHERWISE SPECIFIED:
 ALL RESISTORS ARE 1/4W, 1%.
 ALL CAPACITORS ARE 50V, +80%, -20%.

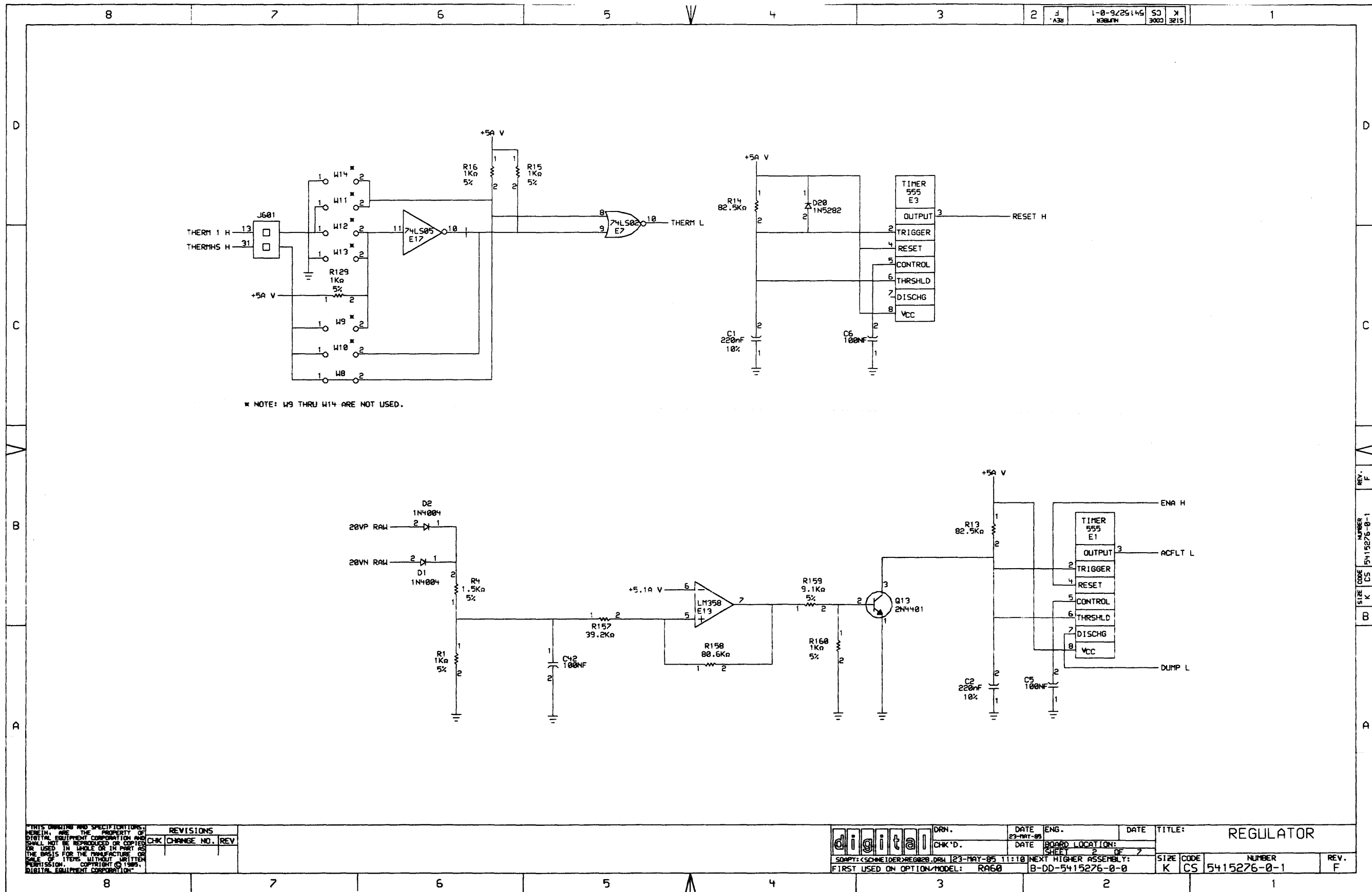


THIS DRAWING AND SPECIFICATIONS HEREIN ARE THE PROPERTY OF DIGITAL EQUIPMENT CORPORATION AND SHALL NOT BE REPRODUCED OR COPIED OR USED IN WHOLE OR IN PART AS THE BASIS FOR THE MANUFACTURE OR SALE OF ITEMS WITHOUT WRITTEN PERMISSION. COPYRIGHT © 1985, DIGITAL EQUIPMENT CORPORATION.

REV.	CHG.	NO.	REV.
1	5415276-0-1	1	F

digital	DRN	DATE	ENG.	DATE	TITLE:
	CHK'D	23-MAY-85	W. H. Wood	23-MAY-85	REGULATOR
	DATE	BOARD LOCATION:			
FIRST USED ON OPTION/MODEL:		NEXT HIGHER ASSEMBLY:		SIZE	CODE
RAG0		B-DD-5415276-0-0		K	CS
				NUMBER	REV.
				5415276-0-1	F

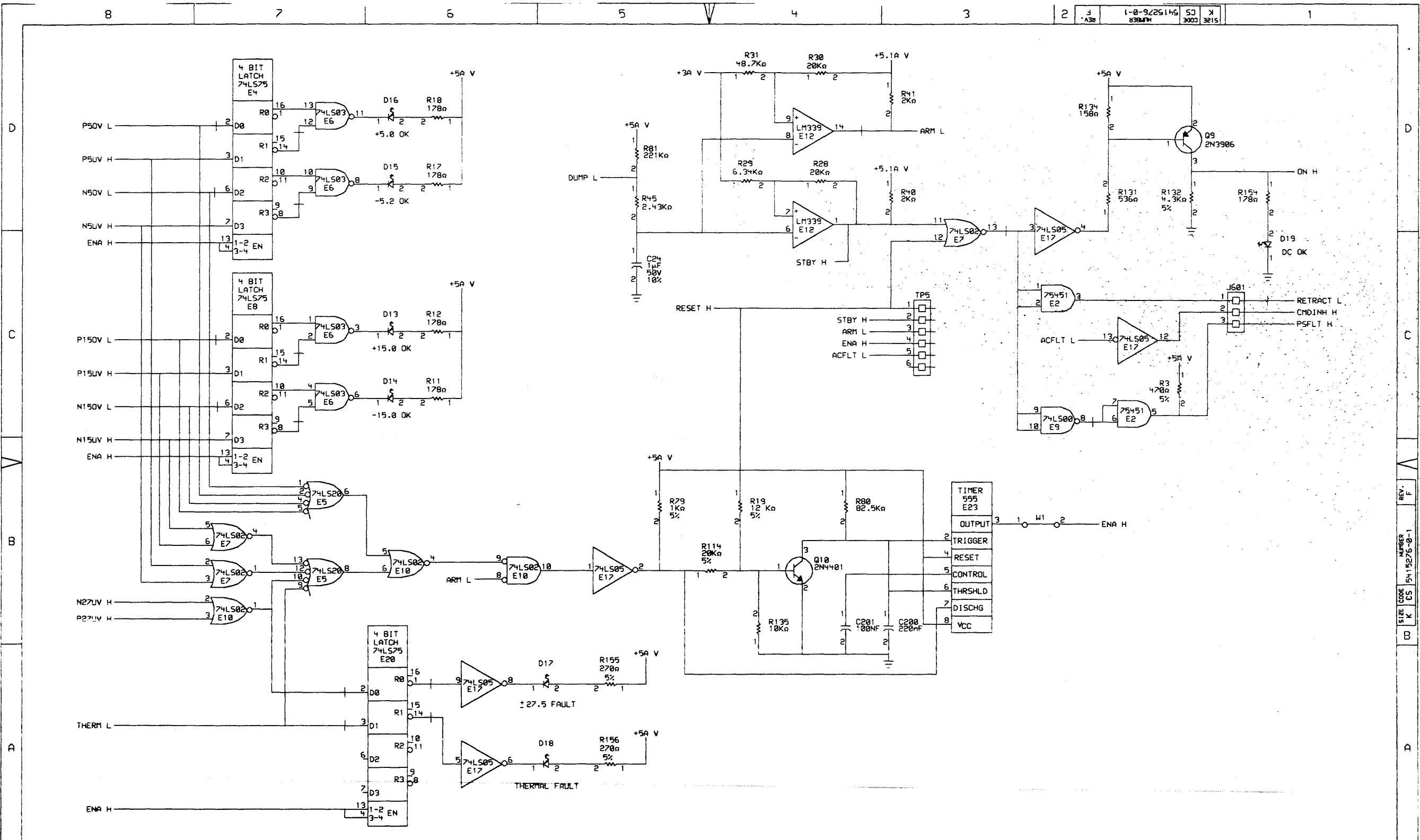
REV. F
 NUMBER 5415276-0-1
 SIZE K CS 3000 3215



THIS DRAWING AND SPECIFICATIONS
 HEREIN ARE THE PROPERTY OF
 DIGITAL EQUIPMENT CORPORATION AND
 SHALL NOT BE REPRODUCED OR COPIED
 OR USED IN WHOLE OR IN PART AS
 THE BASIS FOR THE MANUFACTURE OR
 SALE OF ITEMS WITHOUT WRITTEN
 PERMISSION. COPYRIGHT © 1982,
 DIGITAL EQUIPMENT CORPORATION

REVISIONS	CHK	CHANGE NO.	REV

	DRN.	DATE	ENG.	DATE	TITLE:
	CHK'D.	23-MAY-85			REGULATOR
SOUPY:CSCHNEIDER:REG28.DRW [23-MAY-85 11:18]		NEXT HIGHER ASSEMBLY:		SHEET 2 OF 7	BOARD LOCATION:
FIRST USED ON OPTION/MODEL: RAG0		B-DD-5415276-0-0		SIZE CODE K CS	NUMBER 5415276-0-1
					REV. F

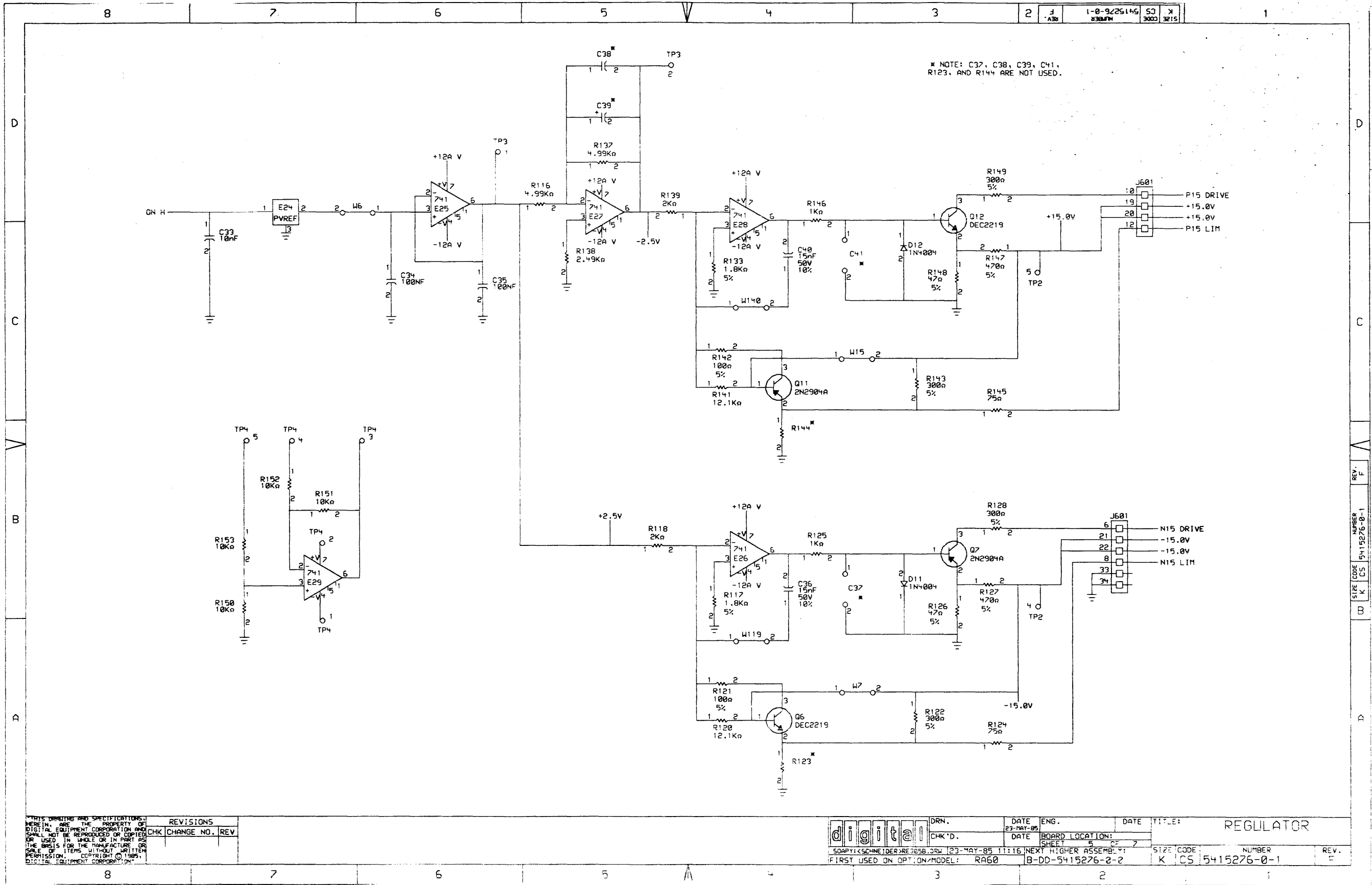


THIS DRAWING AND SPECIFICATIONS HEREIN ARE THE PROPERTY OF DIGITAL EQUIPMENT CORPORATION AND SHALL NOT BE REPRODUCED OR COPIED OR USED IN WHOLE OR IN PART AS THE BASIS FOR THE MANUFACTURE OR SALE OF ITEMS WITHOUT WRITTEN PERMISSION. COPYRIGHT © 1985, DIGITAL EQUIPMENT CORPORATION.

REV.	CHG	CHANGE NO.	REV

	DRN.	DATE	ENG.	DATE	TITLE:
	CHK'D.	23-MAY-85			REGULATOR
BOARD LOCATION:		SHEET 4 OF 7		SIZE	CODE
NEXT HIGHER ASSEMBLY:		B-DD-5415276-0-0		K	CS
FIRST USED ON OPTION/MODEL:		RAG0		NUMBER	REV.
50MPY:(SCHNEIDER)REG08B.DRW 123-MAY-85 11:13		B-DD-5415276-0-0		5415276-0-1	F

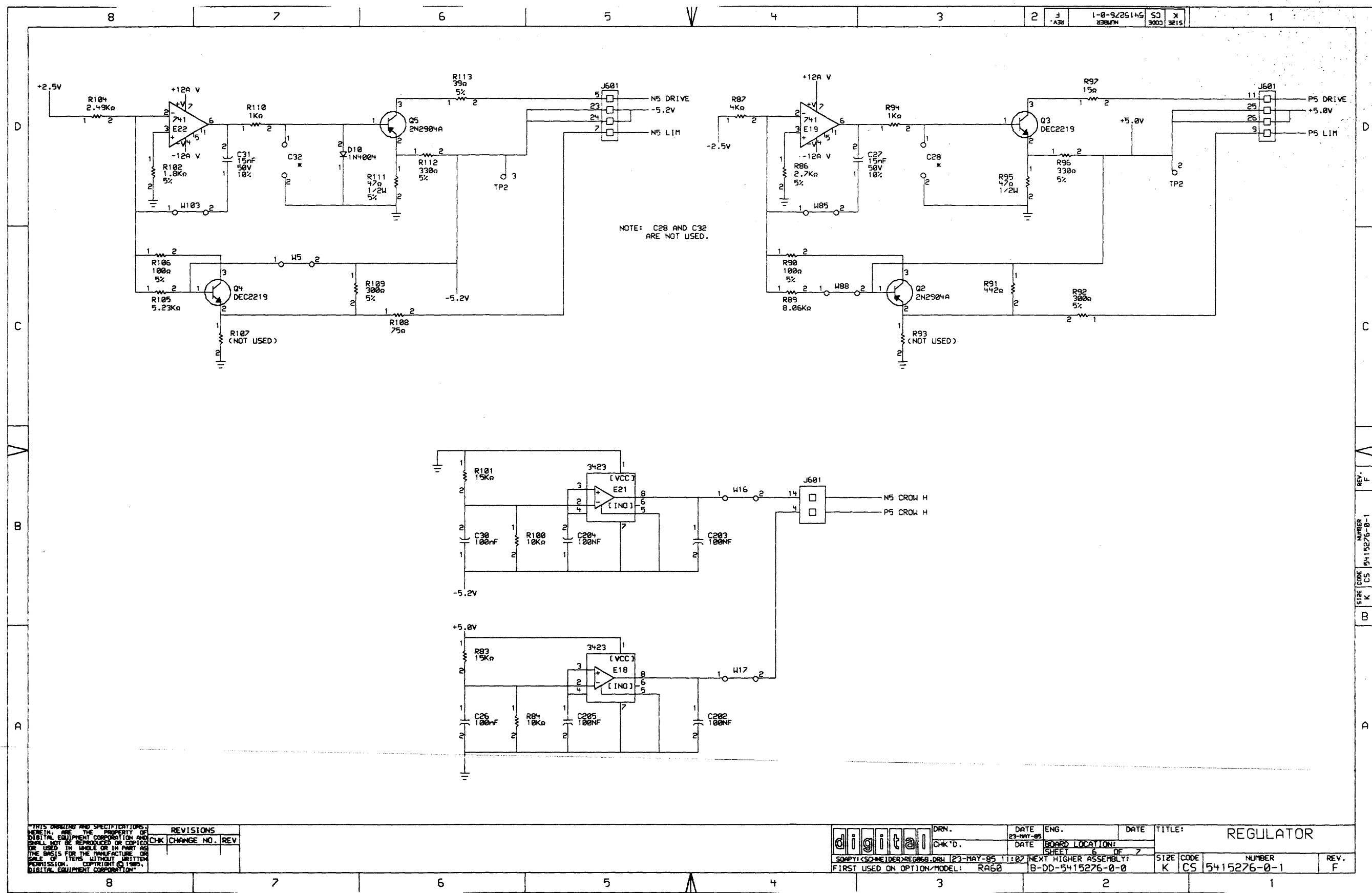
REV. F
 NUMBER 15415276-0-1
 SIZE CODE CS
 BOARD



THIS DRAWING AND SPECIFICATIONS ARE THE PROPERTY OF DIGITAL EQUIPMENT CORPORATION AND SHALL NOT BE REPRODUCED OR COPIED OR USED IN WHOLE OR IN PART AS THE BASIS FOR THE MANUFACTURE OR SALE OF ITEMS WITHOUT WRITTEN PERMISSION. COPYRIGHT © 1984, DIGITAL EQUIPMENT CORPORATION.

REVISIONS	
CHK	CHANGE NO. REV

digital	DRN.	DATE	ENG.	DATE	TITLE:
	CHK'D.	23-MAY-85			REGULATOR
SOAPPY:\SCHNEIDER\RES\85B.DRW [23-MAY-85 11:16] NEXT HIGHER ASSEMBLY:		BOARD LOCATION:		SHEET	7
FIRST USED ON OPT: ON/MODEL: RA60		B-DD-5415276-2-2		SIZE CODE	NUMBER
				K CS	5415276-0-1
				REV.	F



THIS DRAWING AND SPECIFICATIONS, HEREIN, ARE THE PROPERTY OF DIGITAL EQUIPMENT CORPORATION AND SHALL NOT BE REPRODUCED OR COPIED OR USED IN WHOLE OR IN PART AS THE BASIS FOR THE MANUFACTURE OR SALE OF ITEMS WITHOUT WRITTEN PERMISSION. COPYRIGHT © 1985, DIGITAL EQUIPMENT CORPORATION.

REVISIONS	
CHK	CHANGE NO. REV

digital	DRN.	DATE	ENG.	DATE	TITLE:
	CHK'D.	23-MAY-85			REGULATOR
SOPHY: <SCHNEIDER>REG068.DRW		23-MAY-85 11:07	NEXT HIGHER ASSEMBLY:		SIZE CODE
FIRST USED ON OPTION/MODEL: RA60		B-DD-5415276-0-0	SHEET 6 OF 7		NUMBER
					K CS 5415276-0-1
					REV. F

8

7

6

5

4

3

2

1

REV. F 1-0-9225145 CS K 3002 3215

Vertical location (A-D) Direction of line (Left, Right, Up, Down) or electrical (Input, Output, Both) or backplane pin (Pin)

KEY: Schematic Sheet Horizontal location (1-8)

+12A V	1-B3,L	1-B4,D	1-C7,D	5-B4,D	5-D4,D	5-D5,D
	5-D6,D	6-D4,D	6-D8,D			
+15.0V	3-C7,R	5-D2,D	5-D2,L			
+2.5V	5-B5,D	6-D8,D				
+27.5V	3-A7,R					
+3A V	1-A2,D	3-D4,D	4-D5,R			
+5.0V	3-D7,R	6-A6,D	6-D1,L	6-D2,D		
+5.1A V	1-A3,D	2-B5,R	3-D2,D	4-D3,D	4-D3,D	
+5A V	1-A5,L	1-D7,D	1-D7,D	2-B3,D	2-C7,R	2-D4,D
	2-D6,D	4-A5,D	4-A5,D	4-B5,D	4-C2,D	4-C6,D
	4-D6,D					
-12A V	1-A6,L	1-B8,U	5-B4,D	5-C4,D	5-C5,D	5-C6,D
	6-D4,D	6-D8,D				
-15.0V	3-B7,R	5-A3,D	5-B2,L	5-B2,L		
-2.5V	5-C5,D	6-D4,D				
-27.5V	3-A7,R					
-5.2V	3-C7,R	6-B6,D	6-C6,D	6-D5,L		
20V RAW A	1-A8,R					
20V RAW B	1-A8,R					
20V RAW	1-A7,L	2-B6,R				
20VP RAW	1-B7,L	2-B6,R				
ACFLT L	2-B2,L	4-C2,R	4-C4,R			
ARM L	4-B6,R	4-C4,R	4-D3,L			
CHDIRH H	4-C1,L					
DUMP L	2-A2,L	4-D5,R				
ENA H	2-B2,L	4-A8,R	4-B2,L	4-B8,R	4-C4,R	4-C8,R
N15 DRIVE	5-B2,L					
N15 LIM	5-B2,L					
N150V L	3-B2,L	4-C8,R				
N15UV H	3-B2,L	4-C8,R				
N27UV H	3-A2,L	4-B8,R				
N5 CROW H	6-B3,L					
N5 DRIVE	6-D5,L					
N5 LIM	6-D5,L					
N50V L	3-C2,L	4-D8,R				
N5UV H	3-C2,L	4-D8,R				
ON H	4-D1,L	5-D8,R				
P15 DRIVE	5-D2,L					
P15 LIM	5-C2,L					
P150V L	3-C2,L	4-C8,R				
P15UV H	3-B2,L	4-C8,R				
P27UV H	3-A2,L	4-B8,R				
P5 CROW H	6-B3,L					
P5 DRIVE	6-D1,L					
P5 LIM	6-D1,L					
P50V L	3-D2,L	4-D8,R				
P5UV H	3-D2,L	4-D8,R				
PSFLT H	4-C1,L					
RESET H	2-D3,L	4-C4,R				
RETRACT L	4-C1,L					
STBY H	4-C4,R	4-C4,R				
THERM 1 H	2-C7,R					
THERM L	2-D5,L	4-A8,R				
THERMHS H	2-C7,R					

THIS DRAWING AND SPECIFICATIONS ARE THE PROPERTY OF DIGITAL EQUIPMENT CORPORATION AND SHALL NOT BE REPRODUCED OR COPIED OR USED IN WHOLE OR IN PART AS THE BASIS FOR THE MANUFACTURE OR SALE OF ITEMS WITHOUT WRITTEN PERMISSION. COPYRIGHT © 1985, DIGITAL EQUIPMENT CORPORATION.

CHK	CHANGE NO.	REV

digital	DRN.	DATE	ENG.	DATE	TITLE:
	CHK'D.	23-MAY-85			REGULATOR
DSK:REG.12PL4,243		23-MAY-85 11:45	NEXT HIGHER ASSEMBLY:	SIZE	CODE
FIRST USED ON OPTION/MODEL: RA60		1B-DD-5415276-0-0		K	CS
				NUMBER	REV.
				5415276-0-1	F

REV. F
NUMBER 5415276-0-1
SIZE CODE CS
K

8

7

6

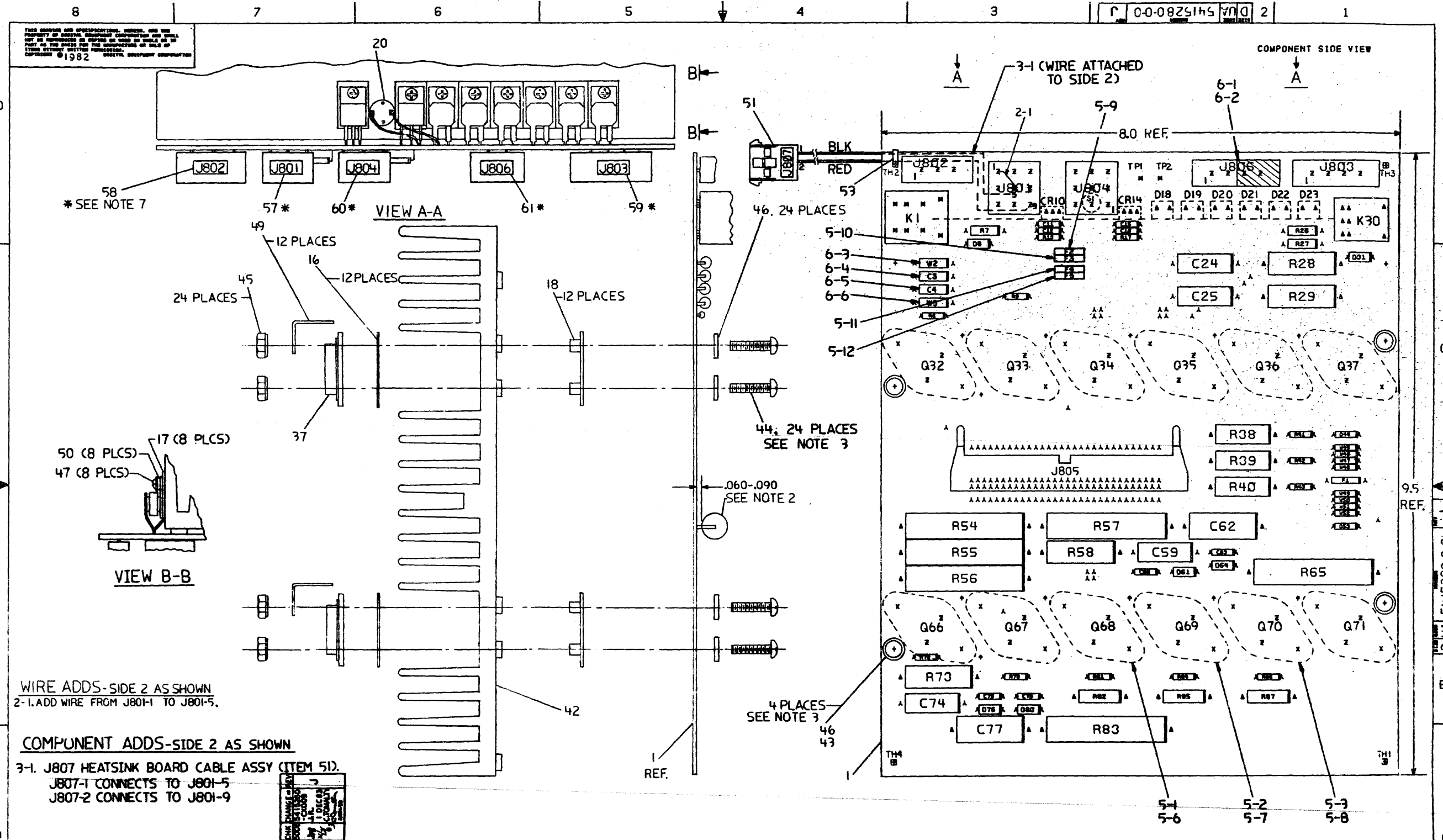
5

4

3

2

1



THIS DRAWING AND SPECIFICATIONS HEREBY ARE THE PROPERTY OF GENERAL ELECTRIC COMPANY AND SHALL NOT BE REPRODUCED OR TRANSMITTED IN ANY FORM OR BY ANY MEANS, ELECTRONIC OR MECHANICAL, INCLUDING PHOTOCOPYING, RECORDING, OR BY ANY INFORMATION STORAGE AND RETRIEVAL SYSTEM, WITHOUT THE WRITTEN PERMISSION OF GENERAL ELECTRIC COMPANY. ©1982

* SEE NOTE 7

WIRE ADDS-SIDE 2 AS SHOWN
2-1. ADD WIRE FROM J801-1 TO J801-5.

COMPONENT ADDS-SIDE 2 AS SHOWN
3-1. J807 HEATSINK BOARD CABLE ASSY (ITEM 51).
J807-1 CONNECTS TO J801-5
J807-2 CONNECTS TO J801-9

CHANGE NO.	REVISION	DATE	BY	CHK'D.
1	INITIAL	7-22-72		
2	REVISED	7-22-72		
3	REVISED	7-22-72		
4	REVISED	7-22-72		
5	REVISED	7-22-72		
6	REVISED	7-22-72		
7	REVISED	7-22-72		
8	REVISED	7-22-72		
9	REVISED	7-22-72		
10	REVISED	7-22-72		

NO.	DESCRIPTION	QTY	UNIT	REMARKS
1	RESISTOR	100	PCS	
2	RESISTOR	100	PCS	
3	RESISTOR	100	PCS	
4	RESISTOR	100	PCS	
5	RESISTOR	100	PCS	
6	RESISTOR	100	PCS	
7	RESISTOR	100	PCS	
8	RESISTOR	100	PCS	
9	RESISTOR	100	PCS	
10	RESISTOR	100	PCS	

NOTES: 1. DASHED LINES INDICATE COMPONENTS MOUNTED ON SIDE 2.
2. ELEVATE WIRE FROM OFF BOARD-TYPICAL 13 PLACES (R29, R29, R33-R40, R54-R59, R65, R73, R83)
3. TORQUE ITEMS 43, 44 TO 7 ± 1 IN-LBS
TORQUE ITEM 47 TO 4.5 ± .5 IN-LBS.
4. THIS BOARD MUST MEET ALL REQUIREMENTS FOR TYPE 2
STEP E → Y AXES 0 STEP 2 TIMES 2ACS
REPEAT → X AXES 30 STEP 1 TIMES

NOTES: 5. SPARES-W46, W48, W49, W51, R26, R27.
6. COMPONENTS MOUNTED ON SIDE 1 SHALL HAVE THEIR LEADS PROTRUDE FROM SIDE 2 AT LEAST .015" BUT NOT MORE THAN .060"
7. LOCATE LABELS APPROXIMATELY AS SHOWN.

ETCH REV. D-P1

SIGNATURES	DATE	TITLE
DRM. [Signature]	7-22-72	digital
CHK'D. [Signature]	7-22-72	
MECH. ENG. [Signature]		
PROJ. ENG. [Signature]		
PROD. [Signature]		
SCALE 1/5		
SHT. 1 OF 2		
NEXT HIGHER DOC. 8-DD-5415280-0		

8

0-0-0825145 M1Q

6

5

4

3

2

1

THIS DRAWING AND SPECIFICATIONS HEREIN ARE THE PROPERTY OF DIGITAL EQUIPMENT CORPORATION AND SHALL NOT BE REPRODUCED OR COPIED OR USED IN WHOLE OR IN PART AS THE BASIS FOR THE MANUFACTURE OR SALE OF ITEMS WITHOUT WRITTEN PERMISSION.
COPYRIGHT © 1983 DIGITAL EQUIPMENT CORPORATION

D

ECO 5415280-CX005

COMPONENT DELETES: SIDE 1

- 5-1. DELETE Q68, (1519271-01).
- 5-2. DELETE Q69, (1519271-01).
- 5-3. DELETE Q70, (1519271-01).

COMPONENT ADDS: SIDE 1

- 5-6. ADD Q68, (1521421-01).
- 5-7. ADD Q69, (1521421-01).
- 5-8. ADD Q70, (1521421-01).
- 5-9. ADD F2, (1210929-09).
- 5-10. ADD F3, (1210929-09).
- 5-11. ADD F4, (1210929-09).
- 5-12. ADD F5, (1210929-09).
- 5-13. AFTER COMPLETING ALL REWORK STEPS, MARK THE MODULE C/S REV "D".

C

ECO 5415280-CX006

COMPONENT DELETES: SIDE 1

- 6-1. DELETE J806, (1212297-01).

COMPONENT ADDS: SIDE 1

- 6-2. ADD J806, (1212297-00).
- 6-3. ADD W2, (9009185-00).
- 6-4. ADD C3, (1005784-00).
- 6-5. ADD C4, (1005784-00).
- 6-6. ADD W5, (9009185-00).

B

MODULE MARKING:

- 6-7. AFTER COMPLETING ALL REWORK STEPS, MARK THE MODULE PART REV "E1".

A

D

C

B

A

DUA 5415280-0-0 J

REVISION HISTORY		
DATE	ECO NUMBER	REV.

TITLE			DOCUMENT NUMBER		
HEATSINK BOARD			REV. / CORR.	NUMBER	REV.
			DUA	5415280-0-0	J
SCALE			SHEET 2 OF 2		

8

7

6

5

4

3

2

1

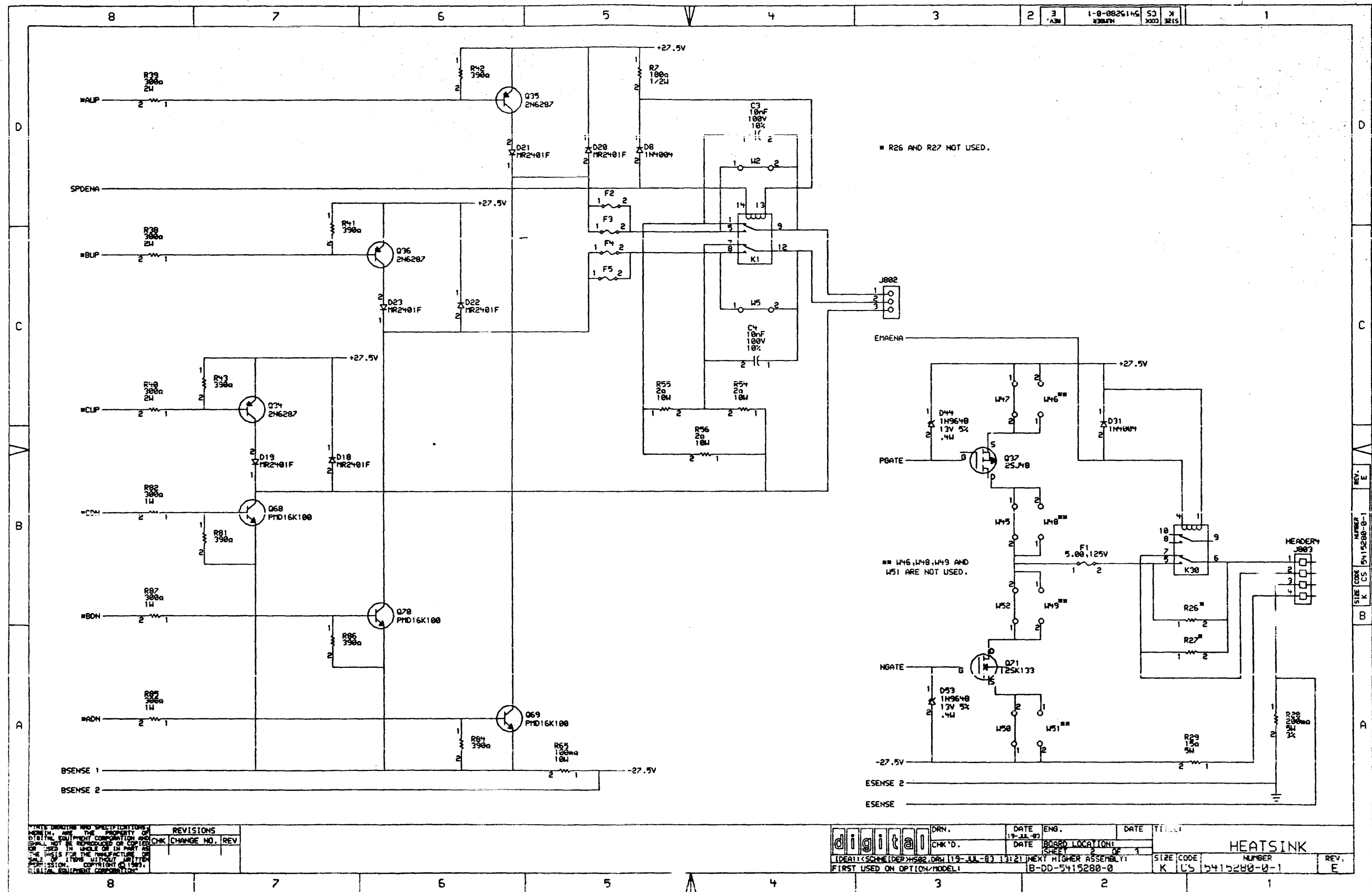
LINE ITEM	TOP DOCUMENT	PART NUMBER	REV	DESCRIPTION	QTY PER VARIATION		REFERENCE DESIGNATOR
					01	H1	
1	D-MD-5015279-0-0	5015279-00		REPLACED BY 5015279-01	1		
2		1020446-10		47 MFD 50V 20% AL EL	2		C24,C25
3		1001610-00		.01 MFD 50V +80-20% Z5U CER	4		C60,C63,C75,C79
4		1002839-00		20 MFD 50V +75-10% AL EL	2		C59,C74
5		1009433-00		190 MFD 12V +75-10% AL EL	2		C62,C77
6		1013466-22		.1 MFD 50V +80-20% Z5U CER	4		C11,C12,C15,C16
7		1105796-00		PIV= 400 IO= 1.00A 1N4004 DO-41	6		D8,D31,D61,D64,D76,D80
8		1109988-00		VZ= 13.0 5% 400 MW 1N964B	2		D44,D53
9		1117061-00		THYRISTOR, VDRM= 25 MC	2		CR10,CR14
10		1119311-01		RECT. ASSY PIV= 100 IO=24.00	6		D18,D19,D20,D21,D22,D23
11		1205747-00		FUSE, SUB-MINI, 5.000A, 125V, A	1		F1
12		1212297-01		MATE-N-LOK 04PIN(1X04),250CC HDR	1		J803
13		1212297-02		MATE-N-LOK 09PIN(2X05),250CC HDR	1		J801
14		1212297-03		MATE-N-LOK 03PIN(1X03),250CC HDR	1		J802
15		1212297-16		MATE-N-LOK 09PIN(1X09),250CC HDR	1		J804
16		1213071-02		INSULATOR,RUBBER SILICONE SM	12		
17		1213071-06		INSULATOR,RUBBER SILICONE	8		
18		1215580-00		INSULATOR,MOLDED	12		
19		1216832-04		PCB,HEADER 60POS(2X30),100CC 90D	1		J805
20		1216869-01	A	THERMOSTAT,87 C	1		S1
21		1219379-01		RLY,G.P., 24V COIL,DPDT, 5A	1		K30
22		1219382-01		RLY,G.P., 24V COIL,DPDT,10A	1		K1
23		1300197-00		33.0 .25 W 5.0 % CF	1		R72
24		1300260-00		180.0 .50 W 5.0 % CF	1		R7
25		1300292-00		300.0 1.0 W 5.0 % CC	3		R82,R85,R87
26		1300309-00		390.0 .25 W 5.0 % CF	6		R41,R42,R43,R81,R84,R86
27		1301317-00		10.0 .25 W 5.0 % CF	2		R13,R17
28		1301477-00		82.0 .25 W 5.0 % CF	2		R9,R78
29		1309855-00		300.0 2.0 W 5.0 % CC	3		R38,R39,R40
30		1311465-00		43.0 .25 W 5.0 % CF	1		R6

REVISION HISTORY		BASIC PART NO: 5415280		DRN:	SUE BOURBEAU	DATE: 17-AUG-82	D I G I T A L		
ENG	ECD NUMBER	REV	SECTION A OF A	CHK'D:	RON MICHAUD	DATE: 17-AUG-82	TITLE PARTS LIST		
	5415280-CX002	B	SECTION VARIATION INDEX				HEATSINK		
CT	5415280-CX003	C	[A] 01						
CT	5415280-CX005	D	[B]						
CT	5415280-CX006	E	[C]	DES.ENG:	CRAIG TOMALTY	DATE: 17-AUG-82	DOCUMENT NUMBER		
CT	5415280-CX007	F	[D]				SIZE	CODE	NUMBER
WH	5415280-CX009	H	[E]						REV
			[F]	RESP.ENG.:	CRAIG TOMALTY	DATE: 17-AUG-82	K	PL	5415280-0-DBP
			[G]						
			[H]						
			[I]	MFG.ENG.:	JOHN PAPA	DATE: 17-AUG-82	RELEASE DATE:		
			[J]						
			[K]						
			[L]						
			[M]	ASSEMBLY NUMBER:		TOP DOCUMENT NUMBER:	FILE NAME:	EDIT #	
			[N]	D-UA-5415280-0-0		#B-DD-5415280-0	Z2189H.PLS	6	

"THIS DRAWING AND THE SPECIFICATIONS CONTAINED HEREIN ARE CONFIDENTIAL AND PROPRIETARY. THEY ARE THE PROPERTY OF DIGITAL EQUIPMENT CORPORATION AND SHALL NOT BE REPRODUCED OR COPIED OR USED IN WHOLE OR IN PART AS THE BASIS FOR THE MANUFACTURE OR SALE OF ITEMS WITHOUT WRITTEN PERMISSION. THIS IS AN UNPUBLISHED WORK PROTECTED UNDER THE FEDERAL COPYRIGHT LAWS."

LINE	ITEM	TOP DOCUMENT	PART NUMBER	MIN REV	DESCRIPTION	QTY	PER VARIATION	REFERENCE DESIGNATOR
						01		
						H1		
31	31		1313358-00		.20 5.0 W 3.0 % WW	3		R28,R58,R73
32	32		1319309-01		.10 10.0 W 5.0 % WW	3		R57,R65,R83
33	33		1319309-03		2.0 10.0 W 5.0 % WW	3		R54,R55,R56
34	34		1319378-01		15.0 5.0 W 5.0 % WW	1		R29
35	35		1516120-02		2N 6285 PNP 60V 20A	1		Q32
36	36		1511282-00		MJ2500 PNP 150WC SI 60 5 1K 5A	1		Q67
37	37		1511349-00		TIP 640 (OR MJ3000) NPN DARLINGT	2		Q33,Q66
38	38		1521421-01	A	NPN 100V 20A TO-3	3		Q68,Q69,Q70
39	39		1519272-01		2N 6287 PNP 100V 20A	3		Q34,Q35,Q36
40	40		1520230-01		2SK 133 FET 120V 7A N CHNNL TO	1		Q71
41	41		1520231-01		2SJ 48 FET 120V 7A P CHNNL TO	1		Q37
42	42		7019068-01		HEAT SINK ASSEMBLY	1		
43	43		9006023-01		SCREW,MACH PAN PHIL 6-	4		
44	44		9006025-01		SCREW,MACH PAN PHIL 6-	24		
45	45		9006560-00		NUT,HEX EXT TOOTH LCKWSHR 6-32	24		
46	46		9006656-00		WASHER,FLAT STEEL	28		
47	47		9008301-01		SCREW,MACH PAN PHIL 4-	8		
48	48		9009185-00		JUMPER, WIRE, INSULATED, BLACK 8	6		W45,W47,W50,W52,W2,W5
49	49		9009676-00		TERM,SOLDER BARRIER STR	12		
50	50		9009785-00		INSULATOR, SHOULDER	8		
51	51	D-IA-7020192-0-0	7020192-01		HEATSINK BOARD CABLE ASSEMBLY	1		
52	52		9107360-00		WIRE, 18AWG(19/30)IPVC 150V	A/R		
53	53		9010190-00		TIE,CABLE BUNDL.DIA - 5/8"MAX	1		
54	54		1210929-09	K	FUSE, SUB-MINI, 7.000A, 125V,AXI	4		F2,F3,F4,F5
55	55		1212297-00	M	MATE-N-LOK 02PIN(1X02).250CC HDR	1		J806
56	56		1005784-00	CR	.01 MFD 100V 200V 10% MYL	2		C3,C4
57	57		3616923-36	A	LABEL,J801	1		
58	58		3616923-37	A	LABELS,J8-02	1		
59	59		3616923-38	A	LABELS,J803	1		
60	60		3616923-39	A	LABELS,J804	1		
61	61		3616923-33	A	LABEL,REFERENCE DESIGNATOR,J806	1		

D	I	G	I	T	A	L	TITLE	SECTION A OF A	SIZE	CODE	DOCUMENT NUMBER	REV
							HEATSINK		K	PL	5415280-0-DBP	H



THIS DRAWING AND SPECIFICATIONS ARE THE PROPERTY OF DIGITAL EQUIPMENT CORPORATION AND SHALL NOT BE REPRODUCED OR COPIED IN ANY MANNER OR BY ANY MEANS WITHOUT THE WRITTEN PERMISSION OF DIGITAL EQUIPMENT CORPORATION.

REVISIONS	
CHK	CHANGE NO. REV

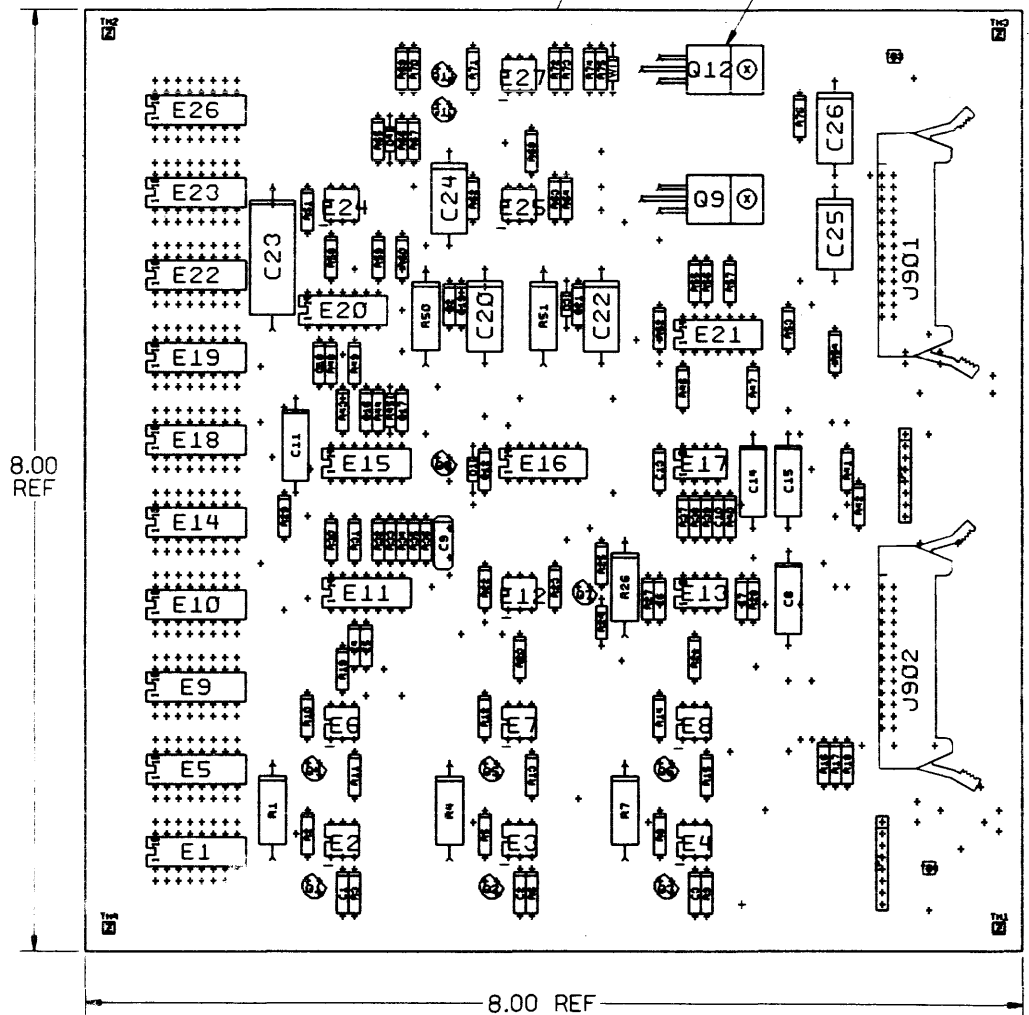
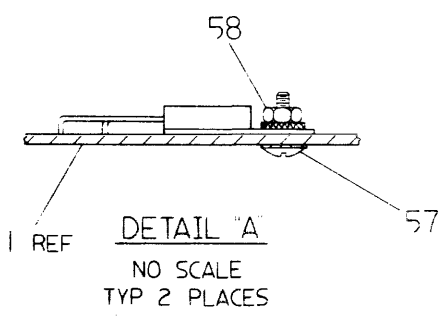
digital	DRAWN	DATE	ENG.	DATE	TITLE
	CHK'D	DATE	BOARD LOCATION	SHEET	OF
IDEAL SOURCE: DER#582, DRAW 119-JUL-83 13:21 NEXT HIGHER ASSEMBLY:					SIZE CODE
FIRST USED ON OPTION/MODEL:					NUMBER
1B-DD-5415280-0					REV.
K CS 15415280-0-1					E

HEATSINK

8	7	6	5	4	3	2	1																								
Vertical location (A-D) Direction of line (Left, Right, Up, Down) or electrical (Input, Output, Both) KEY: SS-VH,D or backplane pin (Pin)																															
Schematic Sheet Horizontal location (1-8)																															
D	#ADN 1-B3,L 2-A8,R #AUP 1-C3,L 2-D8,R #BDN 1-B3,L 2-B8,R #BUP 1-C5,R 2-C8,R #CDN 1-C3,L 2-B8,R #CUP 1-C3,L 2-C8,R +11.0V 1-B2,R 1-D7,L +15.0V 1-B5,R 1-C2,R 1-D1,L +20.0V 1-A2,R 1-C1,L +27.5V 1-A3,R 1-B3,L 2-C2,L 2-C7,L 2-D5,L 2-D6,L +5.0V 1-A5,R 1-C2,R 1-C5,L -11.0V 1-A7,L 1-B2,R -15.0V 1-B5,R 1-C2,R 1-D3,L -20.0V 1-A2,R 1-C3,L -27.5V 1-A3,R 1-B3,L 2-A3,R 2-A5,L -5.2V 1-A5,L 1-A5,R 1-C2,R							D																							
C	ACFLT L 1-B3,L BSENSE 1 1-C5,R 2-A8,R BSENSE 2 1-B3,L 2-A8,R EMAENA 1-B3,L 2-C3,R ESENSE 1 1-B5,R 2-A3,R ESENSE 2 1-B5,R 2-A3,R N1SDRIVE 1-B3,L 1-D5,R N1SLIM 1-B3,L 1-D5,R N5CROW H 1-A3,L 1-AA,R N5DRIVE 1-B5,R 1-B8,R N5LIM 1-B5,R 1-B8,R NGATE 1-B5,R 2-A3,R P1SDRIVE 1-B3,L 1-D3,R P1SLIM 1-B3,L 1-D3,R P5CROW H 1-B3,L 1-B8,R							C																							
B	P5DRIVE 1-B5,R 1-D6,R P5LIM 1-B5,R 1-C8,R PGATE 1-C5,R 2-B3,R PSFLT H 1-B5,R RETRACT L 1-B5,R SPDENA 1-B3,L 2-D8,R THERM 1 H 1-B3,L							B																							
A								A																							
<table border="1" style="width:100%; border-collapse: collapse;"> <tr> <td style="width:15%; font-size: small;"> THIS DRAWING AND SPECIFICATIONS HEREBY ARE THE PROPERTY OF DIGITAL EQUIPMENT CORPORATION AND SHALL NOT BE REPRODUCED OR COPIED IN WHOLE OR IN PART WITHOUT THE WRITTEN PERMIT OF THE MANUFACTURER. DATE: 11/19/73 </td> <td style="width:15%; font-size: small;"> REVISIONS CHK. CHANGE NO. REV. </td> <td style="width:15%;"></td> <td style="width:15%;"></td> <td style="width:15%;"></td> <td style="width:15%;"></td> <td style="width:15%;"></td> <td style="width:15%;"></td> </tr> </table>								THIS DRAWING AND SPECIFICATIONS HEREBY ARE THE PROPERTY OF DIGITAL EQUIPMENT CORPORATION AND SHALL NOT BE REPRODUCED OR COPIED IN WHOLE OR IN PART WITHOUT THE WRITTEN PERMIT OF THE MANUFACTURER. DATE: 11/19/73	REVISIONS CHK. CHANGE NO. REV.																						
THIS DRAWING AND SPECIFICATIONS HEREBY ARE THE PROPERTY OF DIGITAL EQUIPMENT CORPORATION AND SHALL NOT BE REPRODUCED OR COPIED IN WHOLE OR IN PART WITHOUT THE WRITTEN PERMIT OF THE MANUFACTURER. DATE: 11/19/73	REVISIONS CHK. CHANGE NO. REV.																														
<table border="1" style="width:100%; border-collapse: collapse;"> <tr> <td style="width:15%; text-align:center;">digital</td> <td style="width:15%; font-size: x-small;"> DRN. DATE ENB. DATE TITLE 19-JUL-73 CHK'D. DATE B-000 LOCATION SHEET 1 OF 3 </td> <td style="width:15%; text-align:center;"> HEATSINK </td> <td style="width:15%; font-size: x-small;"> SIZE CODE NUMBER REV. K CS 5415200-0-1 E </td> <td style="width:15%;"></td> <td style="width:15%;"></td> <td style="width:15%;"></td> <td style="width:15%;"></td> </tr> <tr> <td colspan="2" style="font-size: x-small;"> DSKING: 12PK 4.73 19-JUL-73 15:36 NEXT HIGHER ASSEMBLY: </td> <td style="font-size: x-small;"> B-DD-5415200-0 </td> <td colspan="5"></td> </tr> <tr> <td colspan="8" style="font-size: x-small;"> FIRST USED ON OPTION MODEL: </td> </tr> </table>								digital	DRN. DATE ENB. DATE TITLE 19-JUL-73 CHK'D. DATE B-000 LOCATION SHEET 1 OF 3	HEATSINK	SIZE CODE NUMBER REV. K CS 5415200-0-1 E					DSKING: 12PK 4.73 19-JUL-73 15:36 NEXT HIGHER ASSEMBLY:		B-DD-5415200-0						FIRST USED ON OPTION MODEL:							
digital	DRN. DATE ENB. DATE TITLE 19-JUL-73 CHK'D. DATE B-000 LOCATION SHEET 1 OF 3	HEATSINK	SIZE CODE NUMBER REV. K CS 5415200-0-1 E																												
DSKING: 12PK 4.73 19-JUL-73 15:36 NEXT HIGHER ASSEMBLY:		B-DD-5415200-0																													
FIRST USED ON OPTION MODEL:																															
8	7	6	5	4	3	2	1																								

COMPONENT SIDE VIEW

THIS DRAWING AND SPECIFICATIONS HEREBY ARE THE PROPERTY OF DIGITAL EQUIPMENT CORPORATION AND SHALL NOT BE REPRODUCED OR COPIED OR USED IN WHOLE OR IN PART AS THE BASIS FOR THE MANUFACTURE OR SALE OF ITEMS WITHOUT WRITTEN PERMISSION.
 COPYRIGHT © 1983 DIGITAL EQUIPMENT CORPORATION



NOTES: 1. THE FOLLOWING ARE SPARES: E1, E5, E9, E10, E14, E18, E19, E22, E23, E26, R65-R70, R72, D4, Q10, Q11.

CHK/CHANGE NO./REV	DATE	BY	REASON
2127	5415282-0000	D	
2164	5415282-	E	
	CA004		
	31.8 JUL 83		
	10/01		

STEP	AXIS	Q	TIMES
STEP 0	Y AXIS	0	TIMES 2ACS
REPEAT	X AXIS	0	STEP 1 TIMES

ETCH REV. D-P3

SIGNATURES	DATE	TITLE
DRN. Eric Jensen	1 MAR 83	digital
CHK. D. LaBouvier	22 APR 83	
MECH. ENG. C. Jensen	2 MAY 83	
PROJ. ENG. C. Jensen	2 MAY 83	
PROD. C. Jensen	2 MAY 83	
SCALE: 1.5/1	SIZE/CODE	NUMBER
SHT. 1 OF 1	D UA	5415282-0-0
NEXT HIGHER ASSY. B-DD-5415282-0	REV	E

LINE	ITEM	TOP DOCUMENT	PART NUMBER	MIN REV	DESCRIPTION	QTY	PER VARIATION	REFERENCE DESIGNATOR
						01		
						D1		
1	1	B-DD-5015281-0	5015281-01	D	DRILL AND ETCH	1		
2	2		1000042-00		1000.0 MMF 100V 5%200PPM MICA	1		C9
3	3		1001610-00		.01 MFD 50V +80-20% Z5U CER	10		C4,C5,C6,C7,C12,C16,C17,C18,C19,
							CONT	C21
4	4		1002629-00		.15 MFD 100V 10% MYLR	1		C23
5	5		1005784-00		.01 MFD 100V 200V 10% MYL	4		C8,C11,C14,C15
6	6		1012084-01		8 MFD 25V +75-10% AL EL	5		C20,C22,C24,C25,C26
7	7		1012784-00		.047 MFD 50V +80-20% CER	2		C10,C13
8	8		1013466-08		680.0 MMF 50V 10% X7R CER	3		C1,C2,C3
9	9		1105648-01		VZ= 15.0 5% 1 W 1N4744A	1		D3
10	10		1105871-00		VZ= 5.15 1% 250 MW	1		D2
11	11		1113003-00		PIV= 55 IO=200 MA - 4NS 1N5282	1		D1
12	12		1210385-01		PCB HEADER PIN	2		TP3,TP4
13	13		1216598-00		PCB,HEADER 08PIN(1X08).100CC STR	2		TP1,TP2
14	14		1216832-01		PCB,HEADER 26POS(2X13).100CC 90D	2		J901,J902
15	15		1300229-00		100.0 .25 W 5.0 % CF	4		R53,R55,R56,R57
16	16		1300295-00		330.0 .25 W 5.0 % CF	10		R2,R5,R8,R10,R12,R14,R22,R61,
							CONT	R62,R71
17	17		1320602-37	A	240.0 2.0 W 5.0 % M.OXIDE	1		R51
18	18		1300447-00		*** THIS ITEM IS NOT USED ***	-		
19	19		1300479-00		10.0 K .25 W 5.0 % CF	8		R16,R17,R18,R32,R41,R42,R54,R76
20	20		1300496-00		*** THIS ITEM IS NOT USED ***	-		
21	21		1300525-00		59.0 K .25 W 1.0 % RN55D-F10	1		R52
22	22		1301808-00		*** THIS ITEM IS NOT USED ***	-		
23	23		1303114-00		1.0 K .25 W 1.0 % RN55D-F10	12		R11,R13,R15,R25,R28,R36,R37,R40,
							CONT	R64,R73,R74,R75
24	24		1304866-00		2.0 K .25 W 1.0 % RN55D-F10	2		R31,R63
25	25		1304867-00		7.0 K .25 W 1.0 % RN55D-F10	2		R27,R44
26	26		1305143-00		825.0 .25 W 1.0 % RN55D-F10	1		R43
27	27		1305325-00		8.25 K .25 W 1.0 % RN55D-F10	1		R33

REVISION HISTORY			BASIC PART NO: 5415282				
ENG	ECD NUMBER	REV	SECTION A OF A	DRN:	SHERI LEHMAN	DATE: 29-APR-83	D I G I T A L
CT	5415282-CX003	D	SECTION VARIATION INDEX	CHK'D:	SUE BOURBEAU	DATE: 29-APR-83	TITLE PARTS LIST
CT	5415282-CX004	E	[A] 01				MOTOR CONTROL
			[B]	DES.ENG:	CRAIG TOMALTY	DATE: 29-APR-83	DOCUMENT NUMBER
			[C]				SIZE CODE NUMBER REV
			[D]	RESP.ENG.:	CRAIG TOMALTY	DATE: 29-APR-83	K PL 5415282-0-DBP E
			[E]				
			[F]	MFG.ENG.:	C. FONG	DATE: 29-APR-83	RELEASE DATE:
			[G]				
			[H]	ASSEMBLY NUMBER:		TOP DOCUMENT NUMBER:	FILE NAME: CREDIT
			[I]	D-UA-5415282-0-0		B-DD-5415282-0	Z2190E.PLS 3
			[J]				

THIS DRAWING AND THE SPECIFICATIONS CONTAINED HEREIN ARE CONFIDENTIAL AND PROPRIETARY. THEY ARE THE PROPERTY OF DIGITAL EQUIPMENT CORPORATION AND SHALL NOT BE REPRODUCED OR COPIED OR USED IN WHOLE OR IN PART AS THE BASIS FOR THE MANUFACTURE OR SALE OF ITEMS WITHOUT WRITTEN PERMISSION. THIS IS AN UNPUBLISHED WORK PROTECTED UNDER THE FEDERAL COPYRIGHT LAWS.

AUTOMATED BY PRISUD.2B(4)

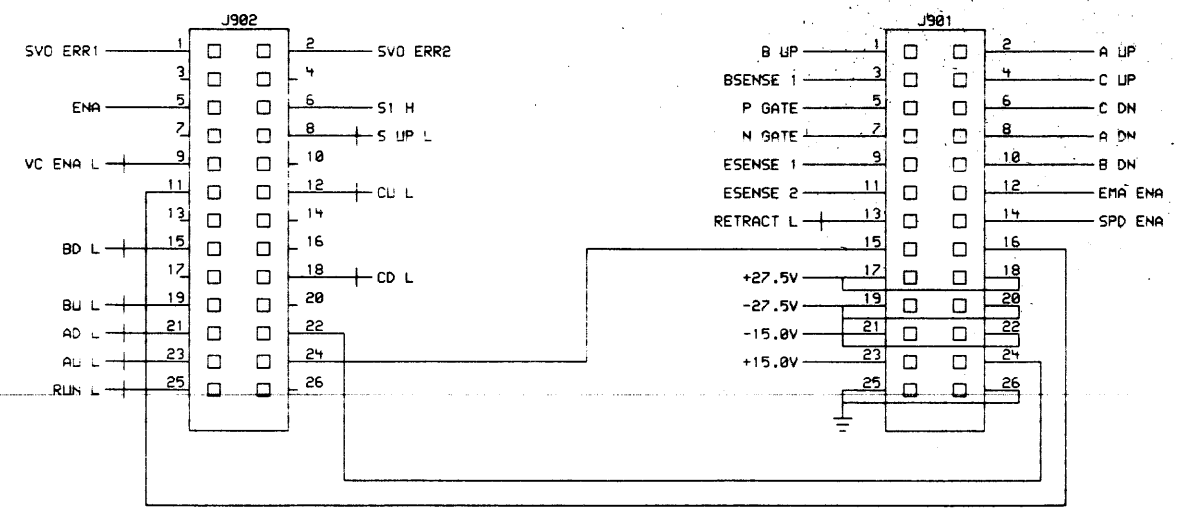
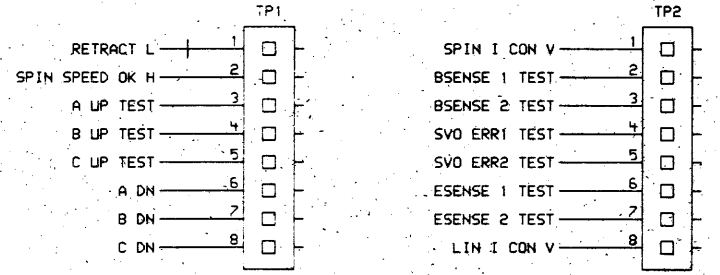
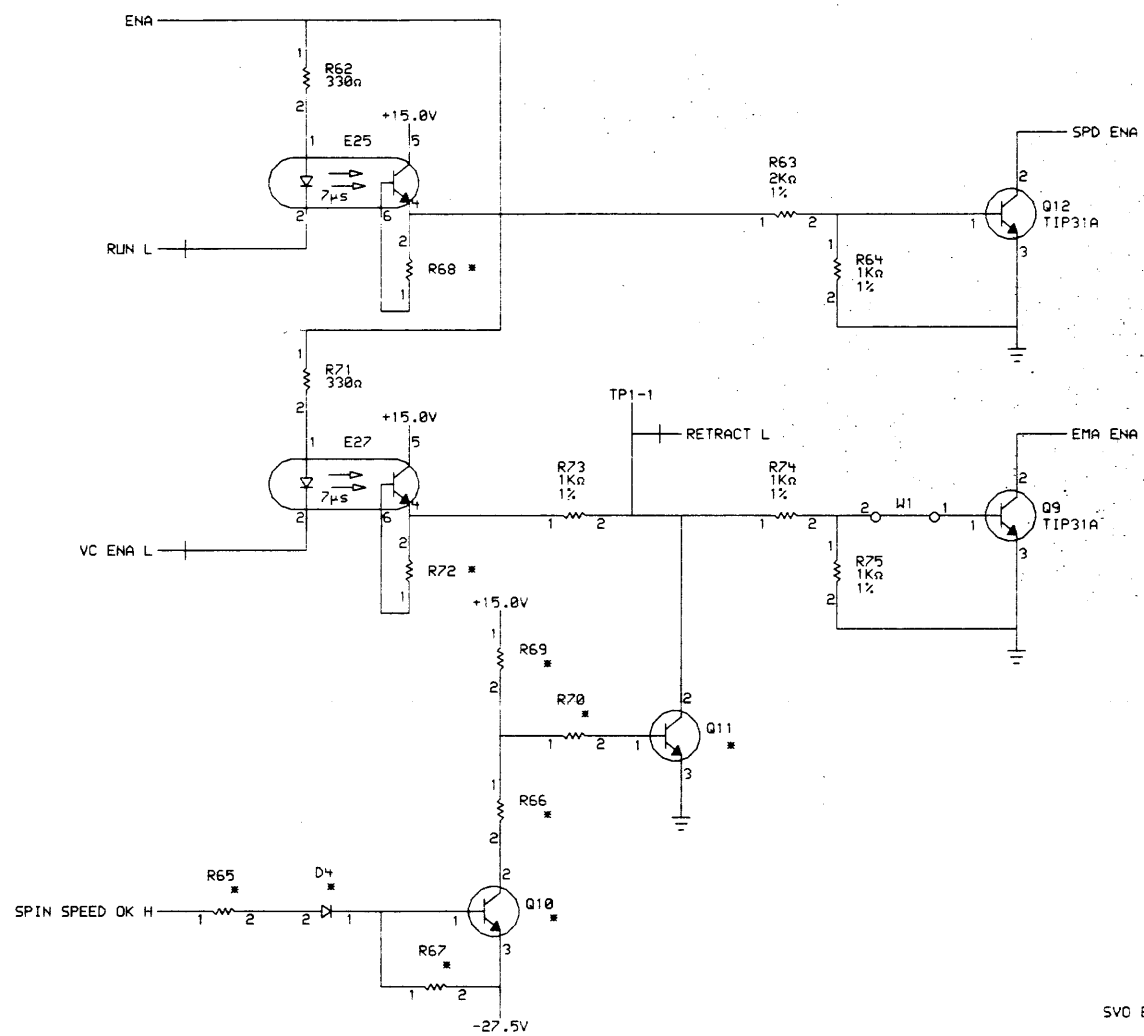
PARTS LIST

SHEET A2 OF A2

LINE	ITEM	TOP DOCUMENT	PART NUMBER	MIN REV	DESCRIPTION	QTY PER VARIATION	REFERENCE DESIGNATOR
						01 D1	
28	28		1305420-00		33.20 K .25 W 1.0 % RN55D-F10	1	R60
29	29		1319470-29	A	750.0 1.0 W 5.0 % M.OXIDE	1	R50
30	30		1310632-00		2.37 K .25 W 1.0 % RN55D-F10	1	R35
31	31		1311594-00		30.10 K .25 W 1.0 % RN55D-F10	2	R38,R39
32	32		1312930-00		5.10 K .25 W 5.0 % CF	6	R3,R6,R9,R23,R30,R58
33	33		1313343-00		28.70 K .25 W 1.0 % RN55D-F10	2	R46,R47
34	34		1313347-00		220.0 1.0 W 5.0 % CC	4	R1,R4,R7,R26
35	35		1313476-00		51.10 K .25 W 1.0 % RN55D-F10	1	R48
36	36		1313590-00		1.50 K .25 W 1.0 % RN55D-F10	4	R19,R20,R21,R34
37	37		1313794-00		787.0 .25 W 1.0 % RN55D-F10	1	R59
38	38		1313918-00		*** THIS ITEM IS NOT USED ***	-	
39	39		1315435-00		25.50 K .25 W 1.0 % RN55D-F10	1	R49
40	40		1302645-00	A	1.10 K .25 W 1.0 % RN55D-F10	1	R45
41	41		1317183-00		3.61 K .25 W 1.0 % RN55D-F10	1	R29
42	42		1317398-00		4.22 K .25 W 1.0 % RN55D-F10	1	R24
43	43		1509524-00		*** THIS ITEM IS NOT USED ***	-	
44	44		1509525-00		2N 3906 PNP 310MW SI 40100 Y	1	Q7
45	45		1510705-00		*** THIS ITEM IS NOT USED ***	-	
46	46		1510727-01		OPTO COUPLED ISOLATOR	4	E12,E24,E25,E27
47	47		1513489-00		2N 4401 NPN 350MW SI 40 20	7	Q1,Q2,Q3,Q4,Q5,Q6,Q8
48	48		1519270-01		TIP 31A NPN 50V 3A	2	Q9,Q12
49	49		1910298-00		741 OP AMP GEN PURP. COM	1	E17
50	50		1911944-00		555CN TIMER,FUNCT.BLOCK	1	E13
51	51		1912107-00		324 OP AMP,QUAD	1	E15
52	52		1912108-00		339 VOLT CMPRTR,QUAD	1	E11
53	53		1912824-00		LS74 FF-D DUAL,EDGE TRIGG	1	E16
54	54		1919312-01		6501 NPN/PNP TRANSISTOR A	1	E21
55	55		1919313-01		OPTICAL COUPLER 6PIN DIP	6	E2,E3,E4,E6,E7,E8
56	56		1921531-01		2917 CONVERTER,FREQ. TO V	1	E20
57	57		9006010-01		CR SCREW,MACH PAN PHIL 4-	2	
58	58		9006557-00		CR NUT,HEX EXT TOOTH LCKWSHR 4-40	2	
59	59		9009185-00	B	JUMPER, WIRE, INSULATED, BLACK B	1	W1

D	I	G	I	T	A	L	TITLE	SECTION A OF A	SIZE	CODE	DOCUMENT NUMBER	REV
							MOTOR CONTROL		K	PL	5415282-0-DBP	E

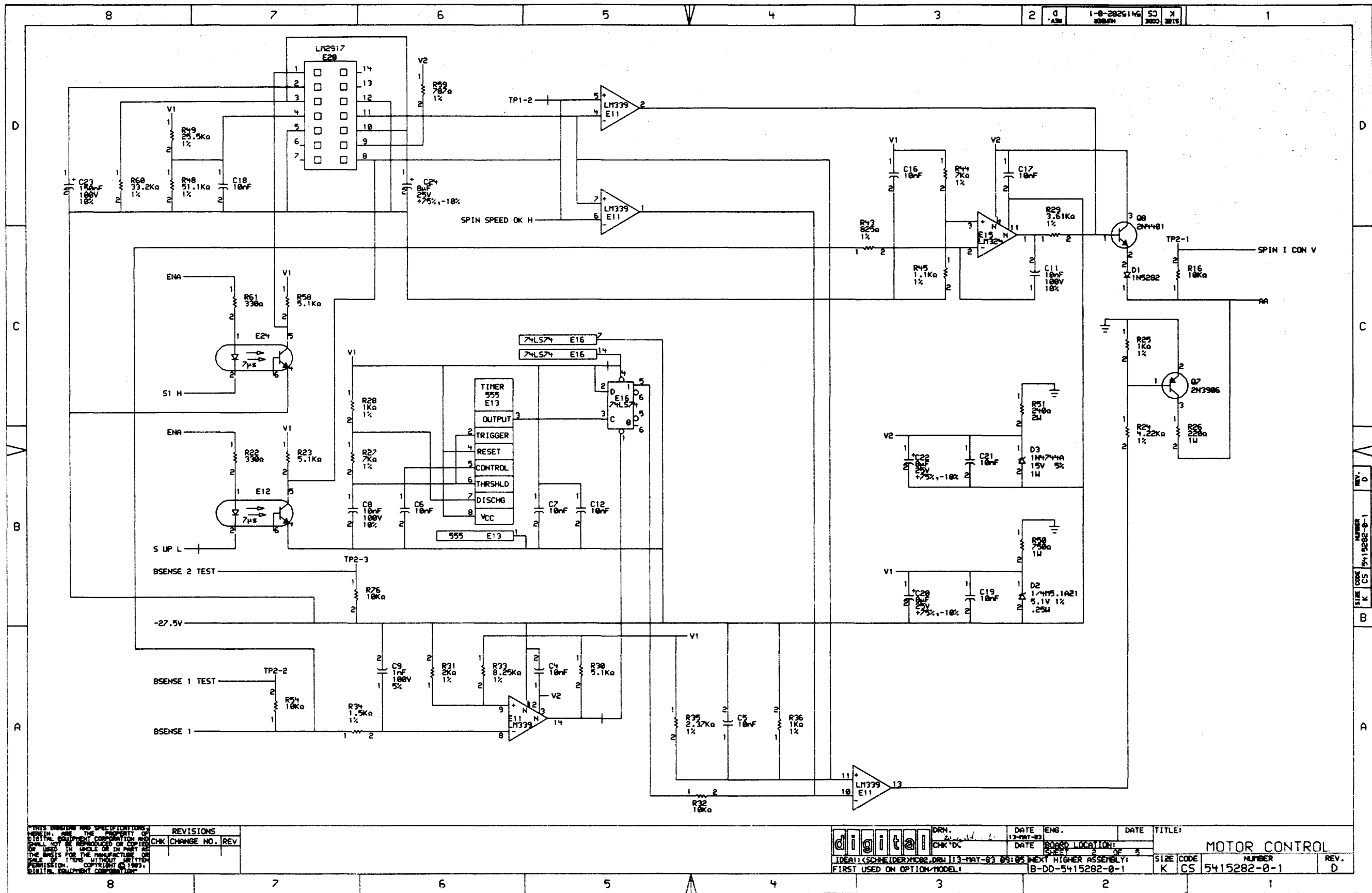
NOTE: 1) UNLESS OTHERWISE SPECIFIED:
 ALL CAPACITORS ARE 50V, +80%, -20%.
 ALL RESISTORS ARE 1/4W, 5%.
 2) ASTERISK * DENOTES COMPONENTS
 NOT USED.



THIS DRAWING AND SPECIFICATIONS ARE THE PROPERTY OF DIGITAL EQUIPMENT CORPORATION AND SHALL NOT BE REPRODUCED OR COPIED IN WHOLE OR IN PART ON THE BASIS FOR THE MANUFACTURE OR SALE OF ITEMS WITHOUT WRITTEN PERMISSION. COPYRIGHT © 1983, DIGITAL EQUIPMENT CORPORATION.

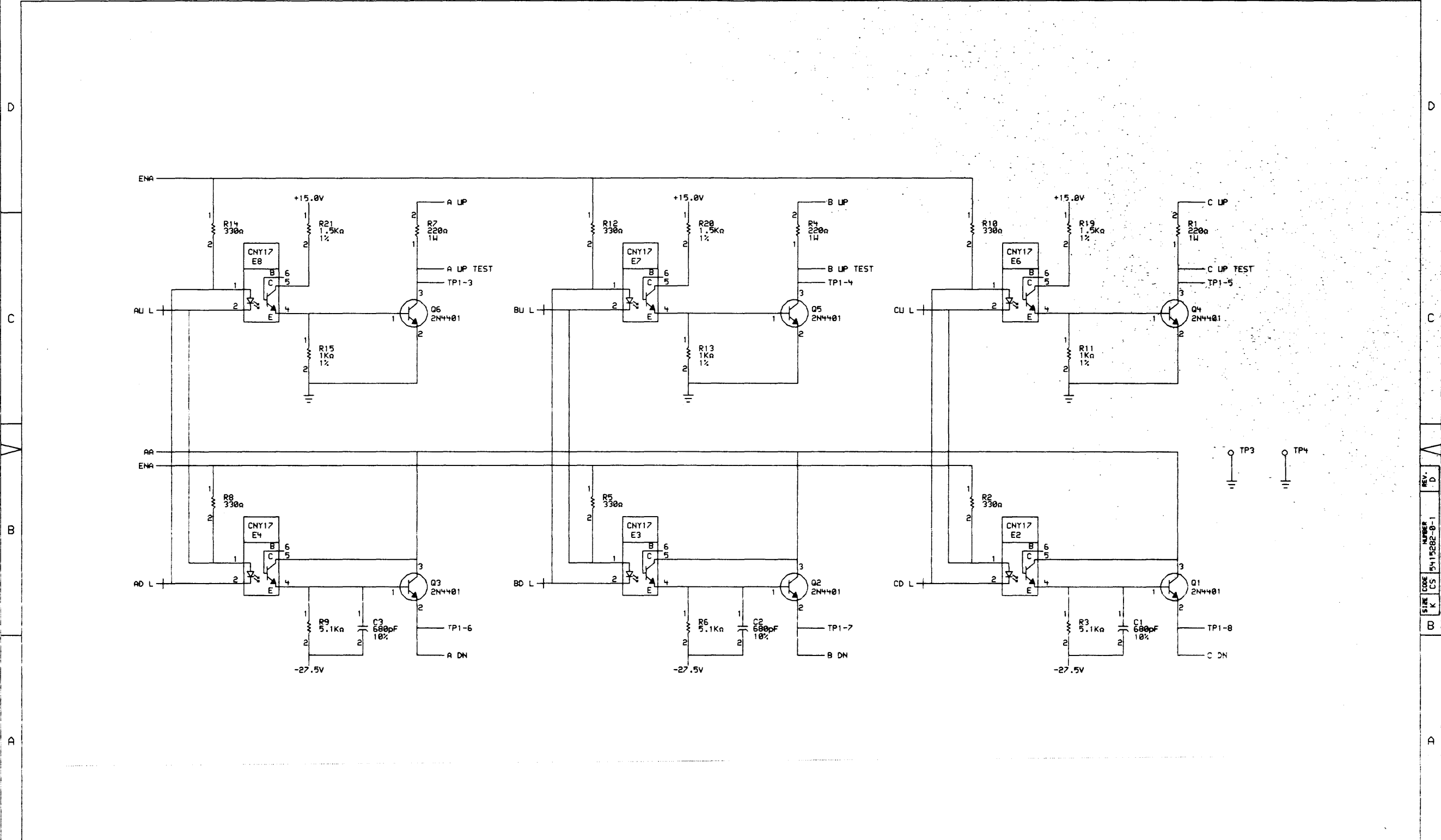
REVISIONS	
CHK	CHANGE NO. REV
2127	5415282-C0003 W.S. 29 APR 83 C. TOMALTY
	D

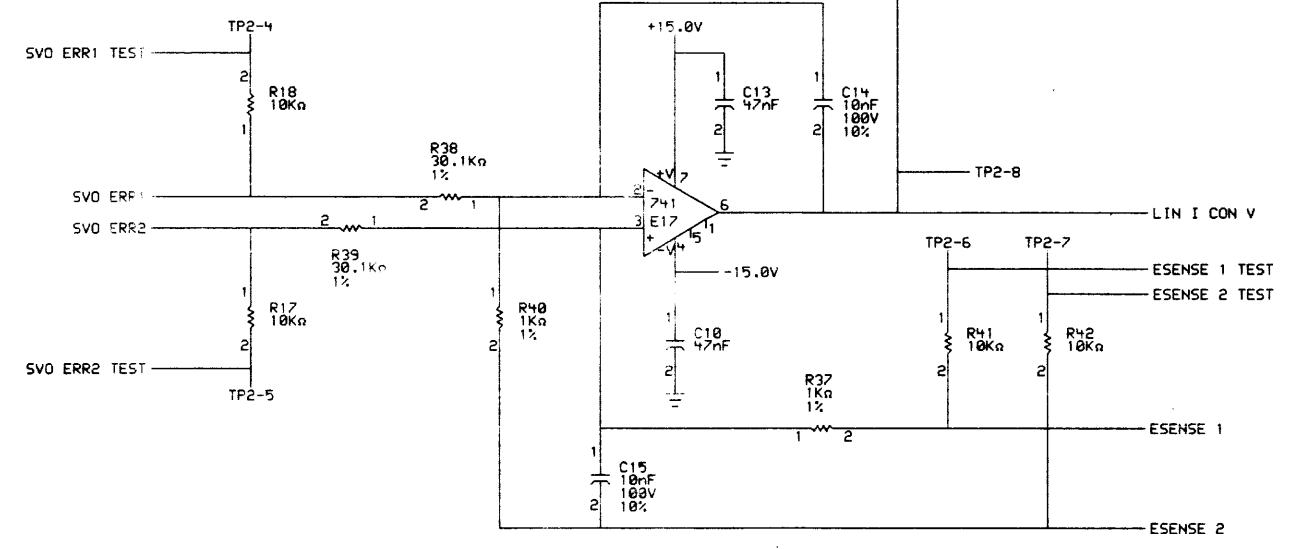
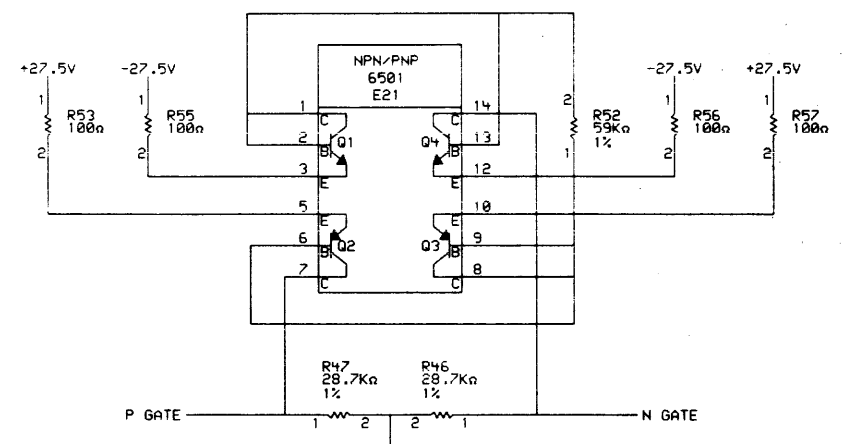
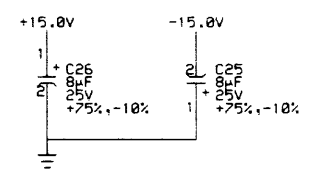
digital	DRN.	DATE	ENG.	DATE	TITLE:
	DATE	DATE	DATE	DATE	MOTOR CONTROL
FIRST USED ON OPTION/MODEL: RAG0					SIZE CODE NUMBER REV
					K CS 5415282-0-1 D



REVISIONS	
CHK	CHANGE NO. REV

digital	DRW. DATE 13-MAY-83	ENG. DATE	TITLE: MOTOR CONTROL
CHK'DC	DATE	BOSSO LOCATION: 2 OF 5	NUMBER 5415282-0-1
FIRST USED ON OPTION MODEL: B-DD-5415282-0-1		NEXT HIGHER ASSEMBLY:	REV. D





THIS DRAWING AND SPECIFICATIONS ARE THE PROPERTY OF DIGITAL EQUIPMENT CORPORATION AND SHALL NOT BE REPRODUCED OR COPIED OR USED IN WHOLE OR IN PART AS THE BASIS FOR THE MANUFACTURE OR SALE OF ITEMS WITHOUT WRITTEN PERMISSION. COPYRIGHT © 1989, DIGITAL EQUIPMENT CORPORATION.

REVISIONS	
CHK	CHANGE NO. REV

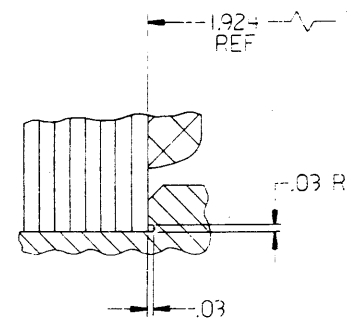
digital	DRN.	DATE	ENG.	DATE	TITLE:
	CHK'D.	29-APR-93			MOTOR CONTROL
PS: SCHNEIDER.MCM.DRW [29-APR-93 08:07] NEXT HIGHER ASSEMBLY:		SHEET 4 OF 5		SIZE CODE	NUMBER
FIRST USED ON OPTION/MODEL:		B-DD-5415282-0-1		K CS	5415282-0-1
					REV. D

8 7 6 5 4 3 2 1

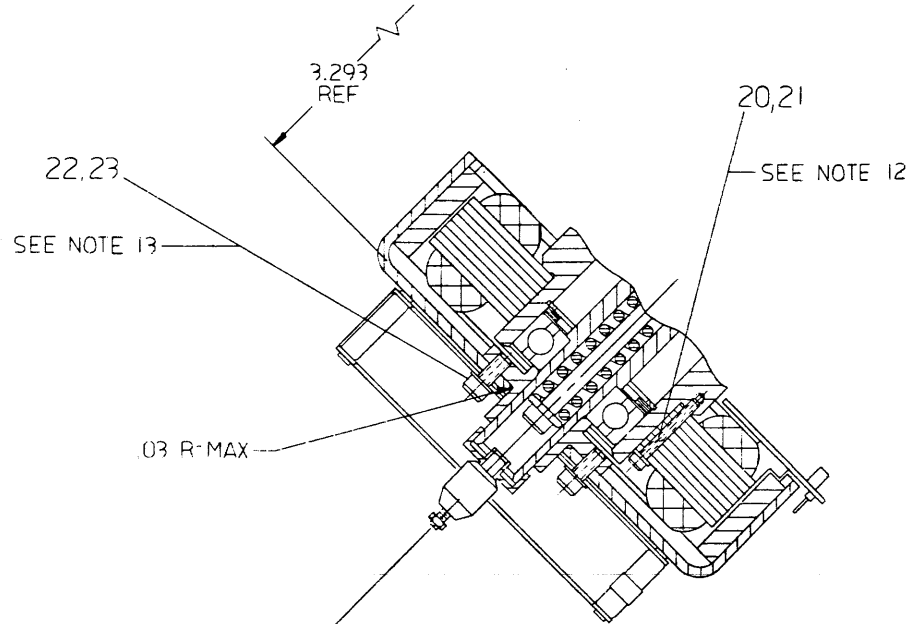
0-0-0-7740-0-0
 7740 3000 3215

THIS DRAWING AND SPECIFICATIONS HEREIN ARE THE PROPERTY OF DIGITAL EQUIPMENT CORPORATION AND SHALL NOT BE REPRODUCED OR COPIED OR USED IN WHOLE OR IN PART AS THE BASIS FOR THE MANUFACTURE OR SALE OF ITEMS WITHOUT WRITTEN PERMISSION. COPYRIGHT © 1981, DIGITAL EQUIPMENT CORPORATION.

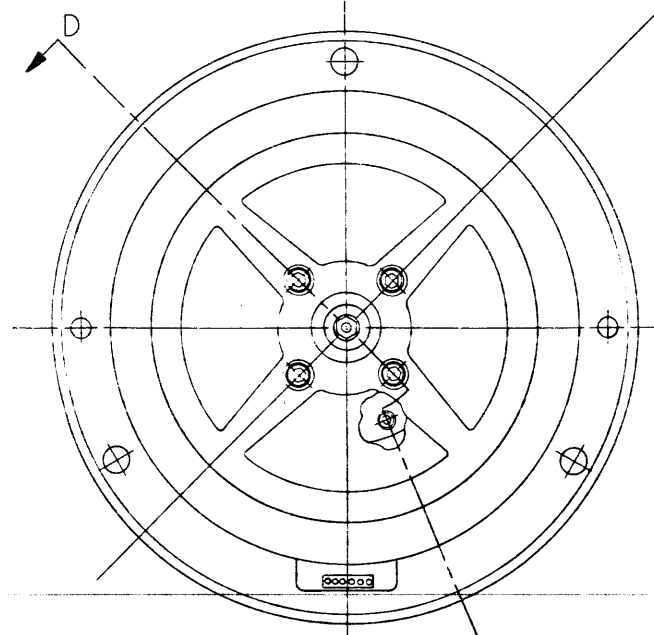
- NOTES:
15. PART SHALL BE ADEQUATELY PACKAGED TO PREVENT DAMAGE IN SHIPPING AND HANDLING PER VENDOR SPECIFICATION.
 16. ASSEMBLIES TO HAVE SERIAL NO., PART NO., REV LETTER AND VENDOR IDENTIFICATION NO. MARKED IN CONTRASTING COLOR, IN AREA SHOWN.
 17. APPLY LUBRICANT (ITEM 36) TO I.D. OF SPINDLE SHAFT (ITEM 2) WHERE IT CONTACTS SPRING (ITEM 7).
 18. APPLY LUBRICANT (ITEM 37) TO 3/8-24 THREAD OF LOCKSHAFT ASSEMBLY (ITEM 3).
 19. DIAMETER AND RUNOUT APPLIES TO PACK LOCATOR (ITEM 5) ONLY.
 20. FERROMAGNETIC EXCLUSION SEAL (ITEM 15) TO BE FILLED WITH 65 ul OF MAGNETIC FLUID (ITEM 34).



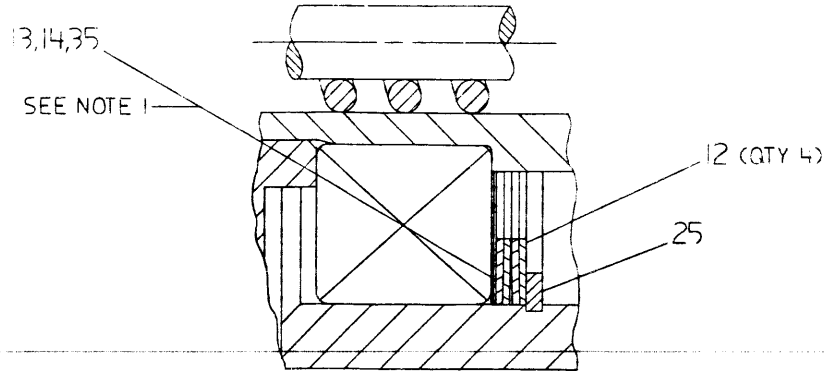
DETAIL D
SCALE: 2/1



SECTION D-D
SCALE: 1/1



VIEW C-C
SCALE: 1/1



DETAIL B
SCALE: 4/1

REVISION HISTORY		
DATE	ECO NUMBER	REV.

TITLE
SPINDLE ASSY

DOCUMENT NUMBER		
SIZE CODE	NUMBER	REV.
DIA	7017740-0-0	D
SCALE	1/1	SHEET 2 OF 2

DWG 137A

8 7 6 5 4 3 2 1

REV D
 DIA 7017740-0-0
 SIZE CODE

LINE	ITEM	TOP DOCUMENT	PART NUMBER	MIN REV	DESCRIPTION	QTY	PER VARIATION
					VARIATION REVISION LEVEL:	01	D1
1	1	D-MD-7424332-0-0	7424332-02		HOUSING SPINDLE(MACHINING)	1	
2	2	D-MD-7424333-0-0	7424333-01		SHAFT,SPINDLE	1	
3	3	C-IA-7017741-0-0	7017741-01		LOCKSHAFT ASSEMBLY	1	
4	4		1218656-00		SCREW,SHLD HEX SOC	10-	
5	5	D-MD-7424336-0-0	7424336-01		LOCATOR,PACK	1	
6	6	D-MD-7424337-0-0	7424337-01		HUB,ROTOR	1	
7	7	C-MD-7424338-0-0	7424338-01		SPRING,LOCKSHAFT	1	
8	8	C-MD-7424339-0-0	7424339-01		SPRING,RETAINER	1	
9	9		1218204-02		GROUNDING ASSY	1	
10	10	D-MD-7424341-0-0	7424341-01		WHEEL,BLOWER	1	
11	11	C-MD-7425422-0-0	7425422-01		SPINDLE CAP/RECP	1	
12	12		1217704-00		SPRING,DISK 1.8300DX .059	4	
13	13		1218892-01		SHIM,BRASS/SS 0.003THK	A/R	
14	14		1218892-02		SHIM,BRASS/SS 0.007THK	A/R	
15	15		1217705-00		SEAL,FERROMETIC EXCLUSION	1	
16	16		9000044-09		SCREW,SET CUP SOC 1/4-20X 3/8	A/R	
17	17		1217706-01		BEARING,BALL SHIELD 2.04720D	1	
18	18		1217706-00		BEARING,BALL SHIELD 1.85040D	1	
19	19	D-IA-1217709-0-0	1217709-00		MOTOR,BRUSHLESS 48VDC	1	
20	20		9006334-08		SCREW,CAP SOC HEX	6-	
21	21		9009882-00		WASHER,LOCK INTERNAL SST	3	
22	22		9006349-08		SCREW,CAP SOC HEX	10-	
23	23		9009896-00		WASHER,LOCK INTERNAL SST	4	
24	24		9006021-01		SCREW,MACH PAN PHIL	6-	
25	25		9010249-00		RING,RETAINER INTERNAL FOR 1.850	1	
26	26		9007722-10		SCREW,SET CUP HEX 1/4-20X 1/4	A/R	
27	27	D-MD-7424343-0-0	7424343-01		WASHER,LOCKSHAFT	2	
28	28		1217711-00		CLIP,BALANCING .113G	A/R	
29	29		1217711-01		CLIP,BALANCING .227G	A/R	
30	30		1217711-02		CLIP,BALANCING .340G	A/R	

REVISION HISTORY			BASIC PART NO: 7017740			
ENG	ECO NUMBER	REV	SECTION A OF A	DRN: I. DILGER	DATE: 01-FEB-81	D I G I T A L
BM	INITIAL RELEASE	A	SECTION.VARIATION INDEX	CHK'D: D. MILLER	DATE: 25-JUN-82	TITLE PARTS LIST
BM	RA60-CX012	B	[A]01			SPINDLE ASSY
KC	RA60-CX013	C		DES.ENG: B. MILLER	DATE: 25-JUN-82	DOCUMENT NUMBER
MK	RA60-CX019	D	[B]			SIZE!CODE! NUMBER ! REV
			[C]	RESP.ENG.: B. MILLER	DATE: 25-JUN-82	K ! PL ! 7017740-0-DBP ! D
			[D]			
			[E]	MFG.ENG.: K. WOOLF	DATE: 25-JUN-82	RELEASE DATE: 04-MAY-84
			[F]	ASSEMBLY NUMBER:	TOP DOCUMENT NUMBER:	FILE NAME: ! EDIT #!
				D-IA-7017740-0-0	D-IA-7017740-0-0	Z2145D.PLS ! 13 !

"THIS DRAWING AND THE SPECIFICATIONS CONTAINED HEREIN ARE CONFIDENTIAL AND PROPRIETARY. THEY ARE THE PROPERTY OF DIGITAL EQUIPMENT CORPORATION AND SHALL NOT BE REPRODUCED OR COPIED OR USED IN WHOLE OR IN PART AS THE BASIS FOR THE MANUFACTURE OR SALE OF ITEMS WITHOUT WRITTEN PERMISSION. THIS IS AN UNPUBLISHED WORK PROTECTED UNDER THE FEDERAL COPYRIGHT LAWS."

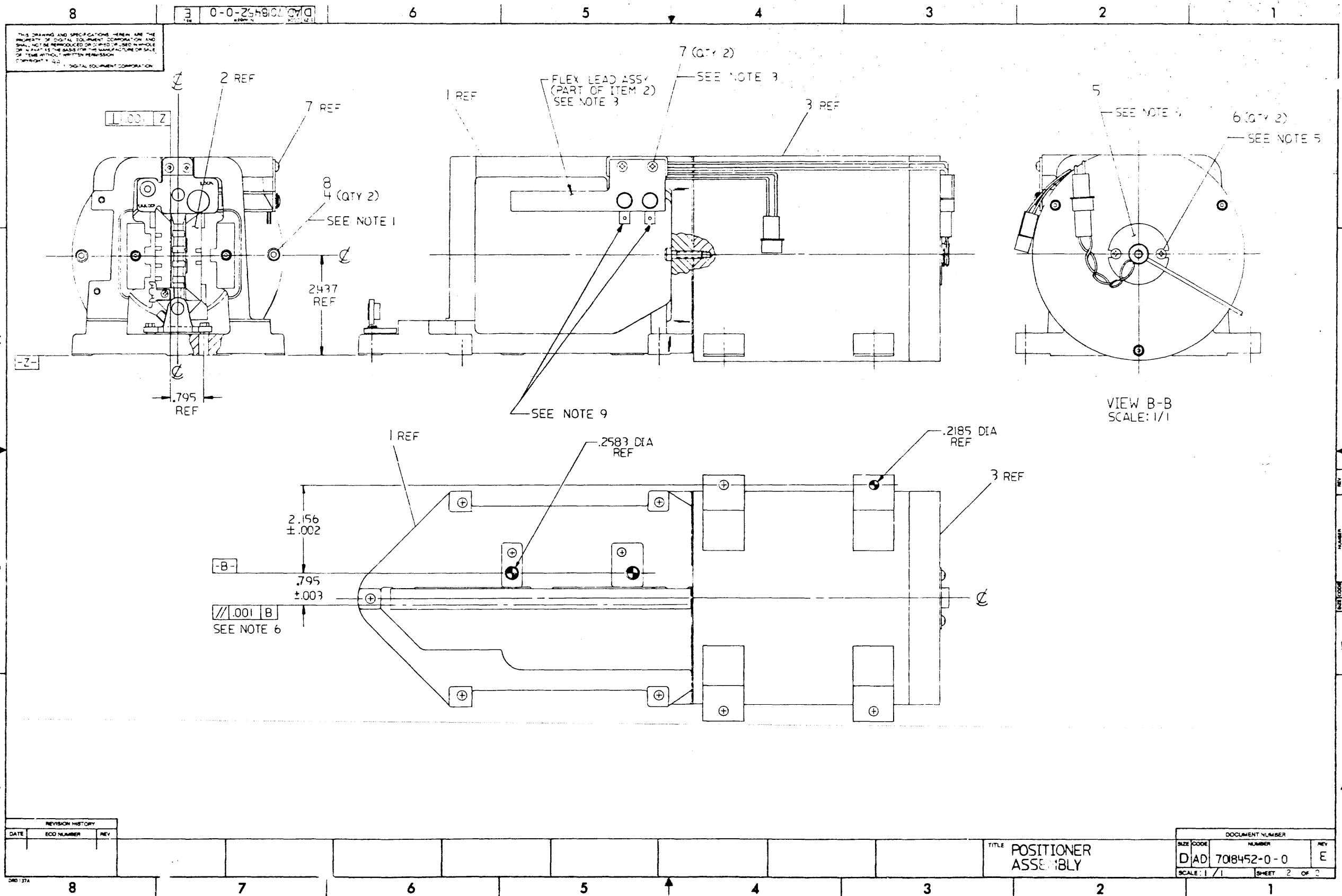
AUTOMATED BY PRTLST.3P(44)

P A R T S L I S T

SHEET A2 OF A2

LINE	ITEM	TOP DOCUMENT	PART NUMBER	MIN REV	DESCRIPTION	QTY PER VARIATION
					VARIATION REVISION LEVEL:	D1
31	31		1217711-03		CLIP,BALANCING .454G	A/R
32	32		4901093-00		ADHESIVE, ANAEROBIC, RESIN BASE	A/R
33	33		4901410-00		GREASE,HIGH TEMPERATURE	A/R
34	34		4901387-00		FERRO FLUID	A/R
35	35		1218892-03		SHIM,BRASS/SS 0.010THK	A/R
36	36		4901564-01		LUBRICATING COMPOUND ANTI-SIEZE	A/R
37	37		4901147-00		LUBRICANT, MOLYBDENUM DISULFIDE,	A/R
38	38	C-MD-7427118-0-0	7427118-01		CAP,SPINDLE PROTECTION	1

D	I	G	I	T	A	L	TITLE	SECTION A	OF A	SIZE	CODE	DOCUMENT NUMBER	REV
							SPINDLE ASSY			K	PL	7017740-0-DBP	D



THIS DRAWING AND SPECIFICATIONS HEREAFTER ARE THE PROPERTY OF DIGITAL EQUIPMENT CORPORATION AND SHALL NOT BE REPRODUCED OR TRANSMITTED IN ANY FORM OR BY ANY MEANS, ELECTRONIC OR MECHANICAL, INCLUDING PHOTOCOPYING, RECORDING, OR BY ANY INFORMATION STORAGE AND RETRIEVAL SYSTEM, WITHOUT WRITTEN PERMISSION OF DIGITAL EQUIPMENT CORPORATION.

REVISION HISTORY		
DATE	ECO NUMBER	REV

TITLE		DOCUMENT NUMBER	
POSITIONER ASSEMBLY		NUMBER	REV
		D AD 7018452-0-0	E
SCALE: 1/1	SHEET 2 OF 2		

DAD 7018452-0-0

2 of 2

LINE	ITEM	TOP DOCUMENT	FART NUMBER	MIN REV	DESCRIPTION	VARIATION REVISION LEVEL:	QTY PER VARIATION
1	1		7018453-01		CAGE ASSEMBLY		1
2	2	D-AD-7018336-0-0	7018336-01		CARRIAGE ASSEMBLY		1
3	3	D-IA-7017736-0-0	7017736-02		MAGNET HOUSING ASSEMBLY		1
4	4		9006349-08		SCREW,CAP SGC HEX	10-	2
5	5		1218260-01		VELOCITY TRANSDUCER COIL ASSY		1
6	6		9006020-01		SCREW,MACH PAN PHIL	6-	2
7	7		9006021-01		SCREW,MACH PAN PHIL	6-	2
8	8		9009536-00		GLYPTOL, RED	A/R	
9	9	K-MD-7428337-0-DBU	7428337-01	A	RETAINER,CARRIAGE		1
10	10	D-AD-7018332-0-0	7018332-01		HOME SWITCH ASSEMBLY		1
11	11		9008032-01		SCREW,MACH PAN PHIL	4-	2
12	12		9008473-04	A	LABEL,PLAIN,WHITE .90 X 1.5L		1

REVISION HISTORY			BASIC PART NO: 7018452			
ENG	ECO NUMBER	REV	SECTION A OF A	DRN: B. NICHOLS	DATE: 27-FEB-81	D I G I T A L
RW	INITIAL RELEASE	A	SECTION.VARIATION INDEX	CHK'D: D. MILLER	DATE: 02-JUN-82	TITLE PARTS LIST POSITIONER ASSEMBLY
KC	RA60-CX004	B	[A]01			
RW	RA60-CX14C	C		DES.ENG: R. WOLSKI	DATE: 02-JUN-82	DOCUMENT NUMBER
AM	7018452-CX001	D	[B]			SIZE CODE NUMBER REV
DC	7018452-CX002	E	[C]	RESP.ENG.: B. MILLER	DATE: 02-JUN-82	K PL 7018452-0-DBP E
			[D]			
			[E]	MFG.ENG.: K. WOOLF	DATE: 02-JUN-82	RELEASE DATE: 25-JUN-85
			[F]	ASSEMBLY NUMBER:	TOP DOCUMENT NUMBER:	FILE NAME: EDIT #
				D-AD-7018452-0-0	D-AD-7018452-0-0	Z1767E.PLS 16

Handwritten:
RPM
25 JUN 85
R
27 JUN 85

"THIS DRAWING AND THE SPECIFICATIONS CONTAINED HEREIN ARE CONFIDENTIAL AND PROPRIETARY. THEY ARE THE PROPERTY OF DIGITAL EQUIPMENT CORPORATION AND SHALL NOT BE REPRODUCED OR COPIED OR USED IN WHOLE OR IN PART AS THE BASIS FOR THE MANUFACTURE OR SALE OF ITEMS WITHOUT WRITTEN PERMISSION. THIS IS AN UNPUBLISHED WORK PROTECTED UNDER THE FEDERAL COPYRIGHT LAWS."

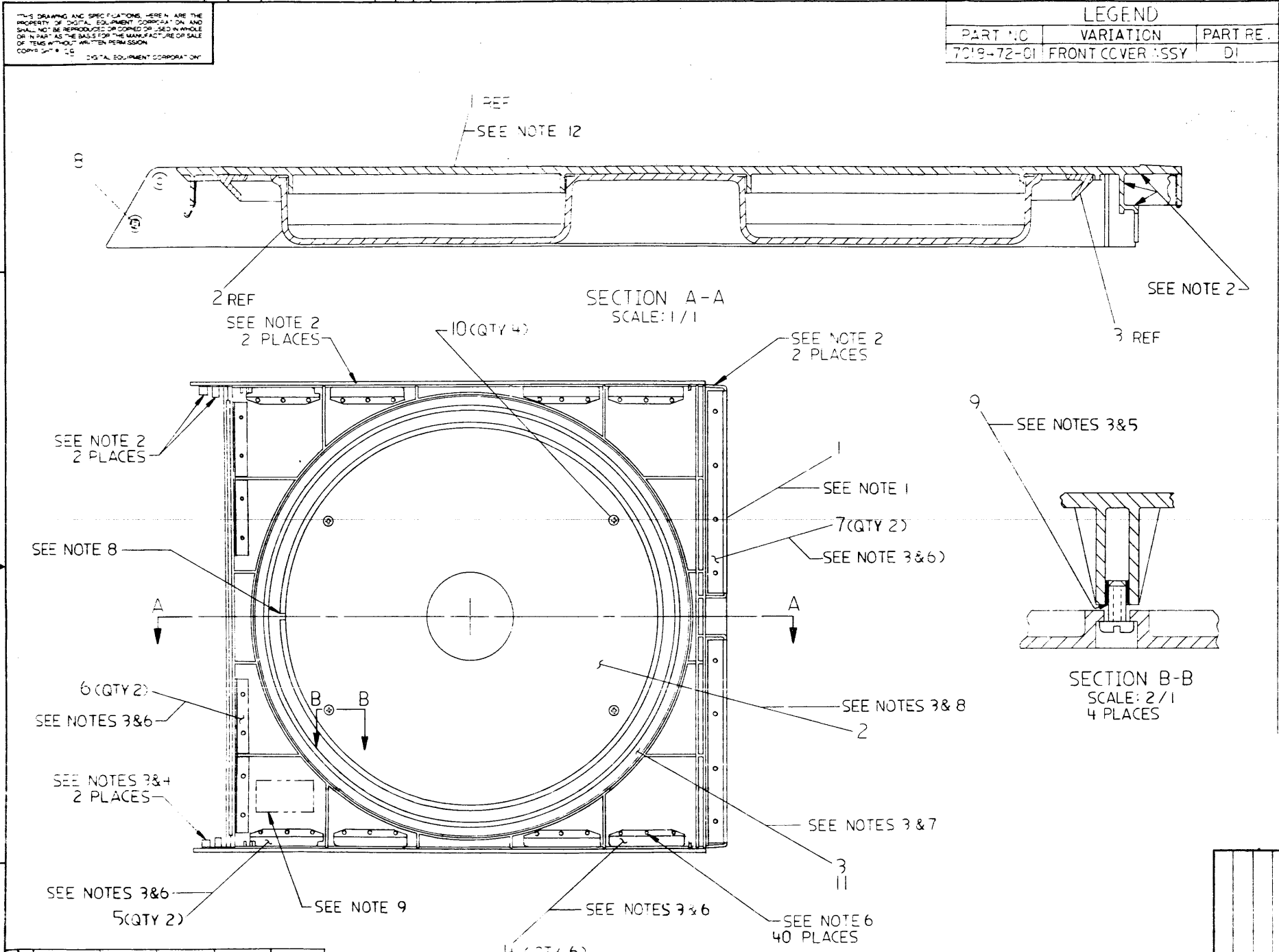
THIS DRAWING AND SPECIFICATIONS HEREIN ARE THE PROPERTY OF DIGITAL EQUIPMENT CORPORATION AND SHALL NOT BE REPRODUCED OR COPIED OR USED IN WHOLE OR IN PART AS THE BASIS FOR THE MANUFACTURE OF SALE OF THIS DRAWING WITHOUT WRITTEN PERMISSION OF DIGITAL EQUIPMENT CORPORATION.

LEGEND		
PART NO.	VARIATION	PART RE.
7018-72-01	FRONT COVER ASSY	DI

- NOTES:
- ALL INSIDE SURFACES OR FRONT COVER (ITEM 1) (WALLS, RIBS, ETC) TO BE ION PLATED WITH 410 S.S./CU/410 S.S. (ENDUREX PROCESS OR EQUIVALENT). COATING TO BE 4KA°-8KA° THICK PER LAYER. RESISTIVITY TO BE LESS THAN .5 OHMS PER SQUARE BETWEEN RIBS, 1 OHM PER SQUARE, AND 2 OHMS POINT TO POINT. COATING ADHESION MUST MEET PHYSICAL TEST REQUIREMENTS IN DEC STD 092 (ADHESION - TAPE TEST METHOD). NO LOOSE OR FLAKING PARTICLES PERMISSIBLE. AFTER CONDUCTIVE COATING, MASK AROUND THE .093 DIA STAKES (40 PLACES) AS SHOWN IN DETAILS C, D, E AND FOUR .325 DIA BOSSES. TOLERANCE ON MASK DIMENSIONS ±.040". PAINT INSIDE SURFACE OF COVER PER DEC STANDARD 092-A113-068 WITH POLANE 'T' PAINT. FILM THICKNESS .001-.004 FINISHED COATING (METAL PLATING AND PAINT) MUST PASS THE PHYSICAL TEST REQUIREMENTS OF DEC STD 092 (ADHESION - CROSS HATCH TEST METHOD).
 - SURFACES NOTED TO BE MASKED, NO OVERSPRAY FROM PROCESS INDICATED IN NOTE 1. (CONDUCTIVE COATING) IS PERMISSIBLE.
 - FRONT COVER INSERTS (ITEMS 8 & 9), GROUNDING STRAPS (ITEMS 4 THRU 7), GASKET (ITEM 3), AND CAP (ITEM 2) TO BE ADDED AFTER COATING.
 - AFTER COATING, ULTRASONICALLY INSTALL INSERTS, (ITEM 8), A DISTANCE FLUSH TO .015 ABOVE TOP OF BOSS. MINIMUM PULL OUT STRENGTH TO BE 320 LBS. MINIMUM TORQUE OUT STRENGTH TO BE 30 IN-LBS.
 - AFTER COATING, ULTRASONICALLY INSTALL INSERTS (ITEM 9), A DISTANCE FLUSH TO .015 ABOVE TOP OF BOSS. MINIMUM PULL OUT STRENGTH TO BE 540 LBS. MINIMUM TORQUE OUT STRENGTH TO BE 40 IN-LBS.
- (NOTES CONTINUED ON SHEET 2)

CAUTION: OFF SHEET PARTS LIST EXIST:
SEE K-PL-7018472-0-DBP (Z2209).

TOP DOC: B-DD-RA60-0-0

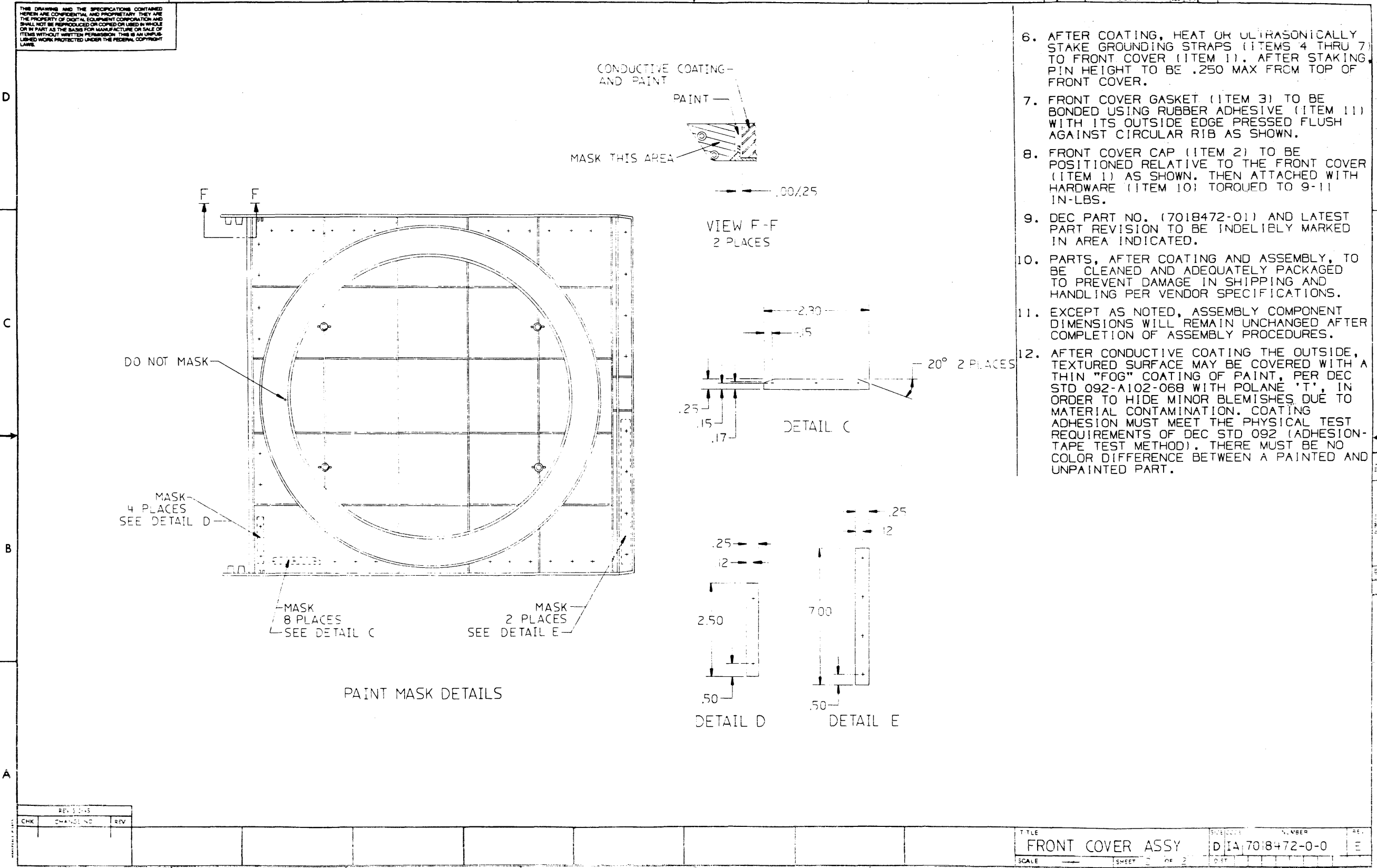


DATE	REVISION HISTORY	ECO NUMBER	REV	REV	REV
	RELEASE TO ECO CONTROL PLH P.L.A. PIN 922 R.B.	A			
2034	7018472-CX001 R. MILES 15 NOV, 82	B			
2150	7018472-CX002 R. MILES 19 JUL, 82	C			
2230	7018472-CX003 M. KALTENBACH AP 9 FEB 84	D			
2269	7018472-CX044 D. CHAMBERLAIN 27 NOV 84	E			

DESCRIPTION		DRAWING NO.	PART NO.	ITEM NO.
UNLESS OTHERWISE SPECIFIED DIMENSIONS ARE IN INCHES AND THE FOLLOWING TOLERANCES APPLY (PER DEC STD 114)				
INCHES TOLERANCES	ANGLES ±0°30'	APPLICABLE DIMENSION RANGE (CHECK ONE)	DIMENSION RANGE IN INCHES	
			OVER	OVER
XX ± .02	SURFACE QUALITY	☐	TO	TO
XXX ± .005			TO	TO
QUANTITY & VARIATION	MICROINCHES	☐	± .004	± .008
THIRD ANGLE PROJECTION	DATE	DATE	TITLE	
DO NOT SCALE DRAWING	DATE	DATE	FRONT COVER ASSY	
REMOVE BURRS AND BREAK SHARP CORNERS	DATE	DATE	DOCUMENT NUMBER	
MATERIAL SEE PARTS LIST	DATE	DATE	SIZE	NUMBER
FINISH	DATE	DATE	DI	7018472-0-0
	DATE	DATE	SCALE	2 SHEET

THIS DRAWING AND THE SPECIFICATIONS CONTAINED HEREIN ARE CONFIDENTIAL AND PROPRIETARY. THEY ARE THE PROPERTY OF DIGITAL EQUIPMENT CORPORATION AND SHALL NOT BE REPRODUCED OR COPIED OR USED IN WHOLE OR IN PART AS THE BASIS FOR MANUFACTURE OR SALE OF ITEMS WITHOUT WRITTEN PERMISSION. THIS IS AN UNPUBLISHED WORK PROTECTED UNDER THE FEDERAL COPYRIGHT LAWS.

REV 3 0-0-2148102 V1 2



6. AFTER COATING, HEAT OR ULTRASONICALLY STAKE GROUNDING STRAPS (ITEMS 4 THRU 7) TO FRONT COVER (ITEM 1). AFTER STAKING PIN HEIGHT TO BE .250 MAX FROM TOP OF FRONT COVER.
7. FRONT COVER GASKET (ITEM 3) TO BE BONDED USING RUBBER ADHESIVE (ITEM 11) WITH ITS OUTSIDE EDGE PRESSED FLUSH AGAINST CIRCULAR RIB AS SHOWN.
8. FRONT COVER CAP (ITEM 2) TO BE POSITIONED RELATIVE TO THE FRONT COVER (ITEM 1) AS SHOWN. THEN ATTACHED WITH HARDWARE (ITEM 10) TORQUED TO 9-11 IN-LBS.
9. DEC PART NO. (7018472-01) AND LATEST PART REVISION TO BE INDELIBLY MARKED IN AREA INDICATED.
10. PARTS, AFTER COATING AND ASSEMBLY, TO BE CLEANED AND ADEQUATELY PACKAGED TO PREVENT DAMAGE IN SHIPPING AND HANDLING PER VENDOR SPECIFICATIONS.
11. EXCEPT AS NOTED, ASSEMBLY COMPONENT DIMENSIONS WILL REMAIN UNCHANGED AFTER COMPLETION OF ASSEMBLY PROCEDURES.
12. AFTER CONDUCTIVE COATING THE OUTSIDE, TEXTURED SURFACE MAY BE COVERED WITH A THIN "FOG" COATING OF PAINT, PER DEC STD 092-A102-068 WITH POLANE 'T', IN ORDER TO HIDE MINOR BLEMISHES DUE TO MATERIAL CONTAMINATION. COATING ADHESION MUST MEET THE PHYSICAL TEST REQUIREMENTS OF DEC STD 092 (ADHESION-TAPE TEST METHOD). THERE MUST BE NO COLOR DIFFERENCE BETWEEN A PAINTED AND UNPAINTED PART.

PAINT MASK DETAILS

REV	DATE	BY	CHK	CHANGING NO	REV

TITLE FRONT COVER ASSY
 SCALE SHEET 2 OF 2
 NUMBER D IA 7018472-0-0
 REV E

AUTOMATED BY PRTLST.4Q(47)

PARTS LIST

SHEET A1 OF A1

LINE ITEM	TOP DOCUMENT	PART NUMBER	MIN REV	DESCRIPTION	VARIATION REVISION LEVEL:	QTY PER VARIATION
1	1	D-MD-7425335-0-0	7425335-01	COVER,FRONT		1
2	2	D-MD-7425460-0-0	7425460-01	CAP,FRONT COVER		1
3	3	C-MD-7425430-0-0	7425430-01	GASKET,FRONT COVER		1
4	4	C-MD-7425461-0-0	7425461-02	STRAP,GROUND,FRONT SIDE		6
5	5	C-MD-7425461-0-0	7425461-01	GROUND STRAP, REAR SIDE		2
6	6	C-MD-7427331-0-0	7427331-01	STRAP,REAR GROUND		2
7	7	C-MD-7427332-0-0	7427332-01	STRAP, FRONT GROUND		2
8	8		9009940-00	INSERT,THREAD		2
9	9		9009940-01	INSERT,THREAD		4
10	10		9006037-01	SCREW,MACH PAN PHIL	8-	4
11	11		4901181-00	ADHESIVE,RUBBER		A/R

REVISION HISTORY			BASIC PART NO: 7018472		DRN:	R. BARNUM	DATE: 21-SEP-82	D I G I T A L		
ENG	ECO NUMBER	REV	SECTION A OF A	CHK'D:	D. MILLER	DATE: 21-SEP-82	TITLE PARTS LIST			
RM	INITIAL REL	A	SECTION.VARIATION INDEX	DES.ENG:	B. MILES <td>DATE: 21-SEP-82 <td colspan="4">DOCUMENT NUMBER</td> </td>	DATE: 21-SEP-82 <td colspan="4">DOCUMENT NUMBER</td>	DOCUMENT NUMBER			
RM	7018472-CX001	B	[A]01	RESP.ENG.:	B. MILLER <td>DATE: 21-SEP-82</td> <td>SIZE</td> <td>CODE</td> <td>NUMBER</td> <td>REV</td>	DATE: 21-SEP-82	SIZE	CODE	NUMBER	REV
RM	7018472-CX002	C	[B]	MFG.ENG.:	D. ALEXANDER <td>DATE: 21-SEP-82</td> <td>K</td> <td>PL</td> <td>7018472-0-DBP</td> <td>E</td>	DATE: 21-SEP-82	K	PL	7018472-0-DBP	E
MK	7018472-CX003	D	[C]	ASSEMBLY NUMBER:						
DC	7018472-CX04A	E	[D]	TOP DOCUMENT NUMBER:						
			[E]	B-DD-RA60-0-0						
			[F]	FILE NAME:						
				EDIT #						

Handwritten:
 12/21/84
 14
 [Signature]

"THIS DRAWING AND THE SPECIFICATIONS CONTAINED HEREIN ARE CONFIDENTIAL AND PROPRIETARY. THEY ARE THE PROPERTY OF DIGITAL EQUIPMENT CORPORATION AND SHALL NOT BE REPRODUCED OR COPIED OR USED IN WHOLE OR IN PART AS THE BASIS FOR THE MANUFACTURE OR SALE OF ITEMS WITHOUT WRITTEN PERMISSION. THIS IS AN UNPUBLISHED WORK PROTECTED UNDER THE FEDERAL COPYRIGHT LAWS."

8

0-0-HZ8101DAD 7018474-0-0

6

5

4

3

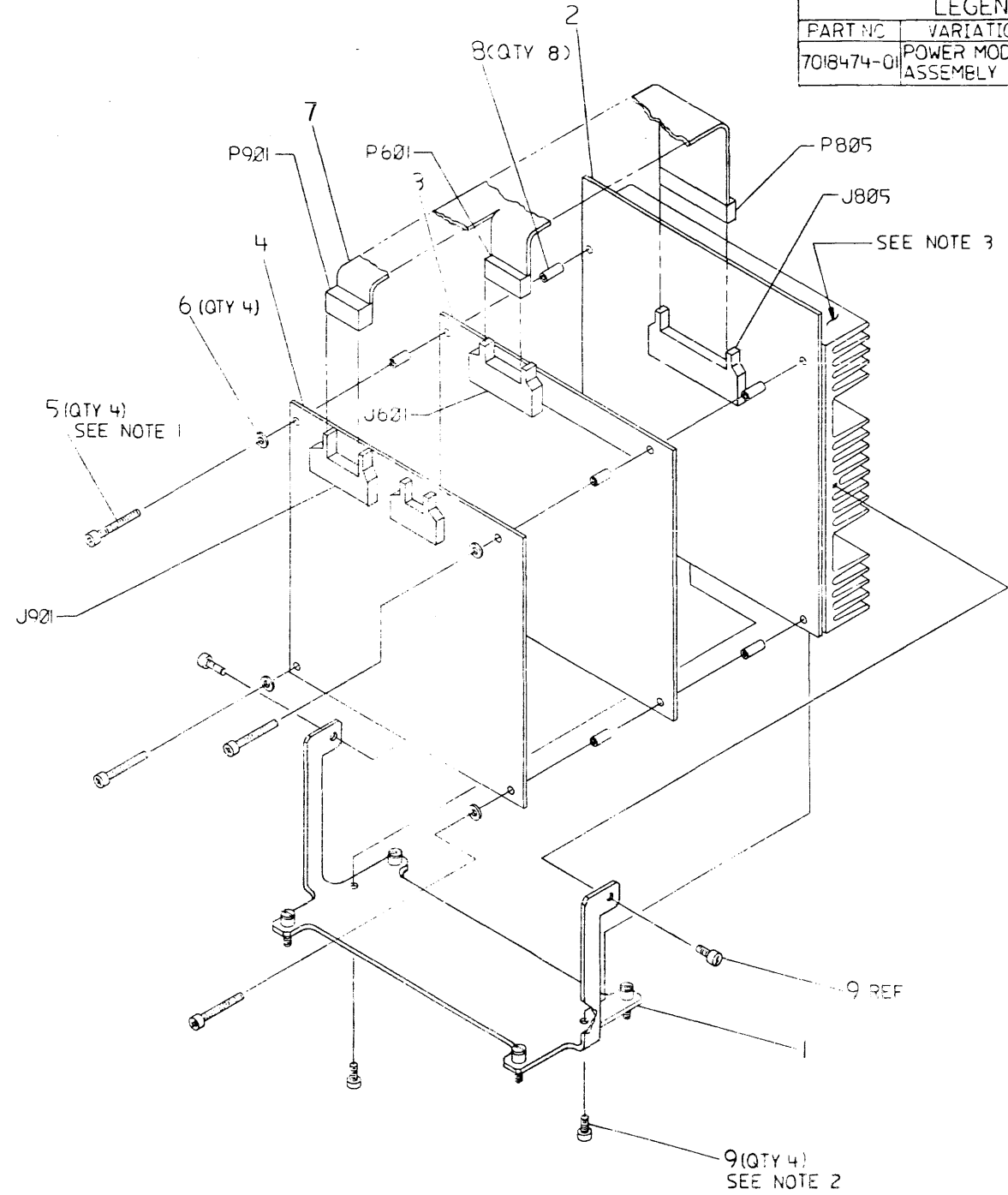
2

1

THIS DRAWING AND SPECIFICATIONS HEREIN ARE THE PROPERTY OF DIGITAL EQUIPMENT CORPORATION AND SHALL NOT BE REPRODUCED OR COPIED OR USED IN WHOLE OR IN PART AS THE BASIS FOR THE MANUFACTURE OR SALE OF ITEMS WITHOUT WRITTEN PERMISSION. COPYRIGHT © 1961 DIGITAL EQUIPMENT CORPORATION.

PART NO	VARIATION	PART REV
7018474-01	POWER MODULE ASSEMBLY	A2

- NOTES:
- TORQUE SCREWS (ITEM 5) TO 7±1 IN-LBS.
 - TORQUE SCRFWS (ITEM 9) TO 13±1 IN-LBS.
 - DEC PART NO. (7018474-01), AND LATEST REVISION TO BE INDELIBLY MARKED ON SURFACE INDICATED. CHARACTERS TO BE .25 HIGH MAX.
 - ASSEMBLY TO BE ADEQUATELY PACKAGED TO PREVENT DAMAGE IN SHIPPING AND HANDLING PER VENDOR SPECIFICATION.
 - REV B DRAWING DOES NOT EXIST AND WILL NEVER BE FILMED. REV B IS BEING SKIPPED IN ORDER TO MAINTAIN REV AGREEMENT WITH K-PL-7018474-0-DBP.



DATE	ECO NUMBER	REV	REV
		A	
		B	
		C	A2

REVISION HISTORY

RELEASE TO ECO CONTROL FOR FCA III. REN

7018474-CX0V2 SEE NOTE 5

7018474-CX002 CB 24 AUG 64 D. CHAMBERLAIN P. 27.14

TOP DOC: B-DD-RA50-0-0
 CAUTION: OFF SHEET PARTS LIST EXISTS.
 SEE K-PL-7018474-0-DBP (22212)

DESCRIPTION	DRAWING NO	PART NO	ITEM NO.
UNLESS OTHERWISE SPECIFIED DIMENSIONS ARE IN INCHES AND THE FOLLOWING TOLERANCES APPLY (PER DEC STD 114)			
INCHES TOLERANCES	ANGLES ± 0° 30'	APPLICABLE DIMENSION RANGE (CHECK ONE)	
		OVER TO	OVER TO
X ± .1	SURFACE QUALITY	0.2 TO 1.2	1.2 TO 4.0
XX ± .02		4.0 TO 12.0	12.0 TO 40.0
XXX ± .005	✓	0.2 TO 1.2	1.2 TO 4.0
QUANTITY & VARIATION	MICRO-INCHES	4.0 TO 12.0	12.0 TO 40.0
		12.0 TO 40.0	40.0 TO 80.0
		1.004 ± .008	1.012 ± .018
THIRD ANGLE PROJECTION	DATE 1/14/61	TITLE digital	
DO NOT SCALE DRAWING	DATE 26 Dec 62	POWER MODULE ASSEMBLY	
REMOVE BURRS AND BREAK SHARP CORNERS	DATE 1/15/62	DOCUMENT NUMBER	
MATERIAL	DATE 2/4/62	L AD 7018474-0-0	
SEE PARTS LIST	DATE 2/32	SCALE 1/2"	
FINISH	DATE	SHEET 1 OF 1	

8

7

6

5

4

3

2

1

A

C

D

A

C

D

B

C

REV

C

NUMBER

DAD 7018474-0-0

SIZE CODE

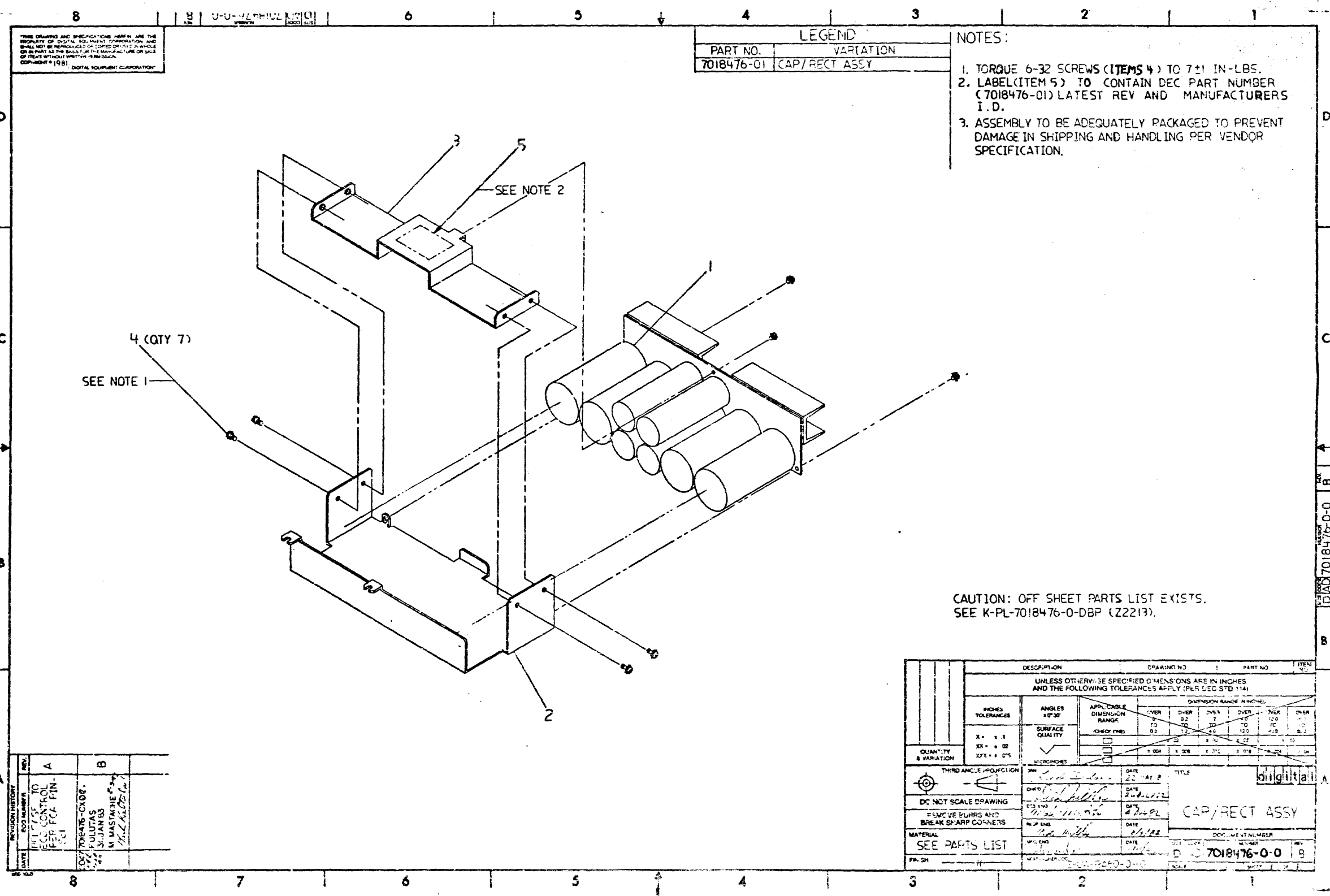
DAD 7018474-0-0

LINE	ITEM	TOP DOCUMENT	PART NUMBER	MIN REV	DESCRIPTION	QTY PER VARIATION
1	1	D-IA-7425454-0-0	7425454-01		CHASSIS,POWER MODULE	1
2	2	D-UA-5415280-0-0	5415280-01		HEAT SINK/POWER BOARD	1
3	3	D-UA-5415276-0-0	5415276-01		REGULATOR BOARD	1
4	4	D-UA-5415282-0-0	5415282-01		MOTOR CONTROL	1
5	5		9006031-01		*** THIS ITEM IS NOT USED ***	-
6	6		9007849-01		SCREW,MACH PAN PHIL 6-	4
7	7	D-IA-7019048-0-0	7019048-01		POWER MODULE INTERCONNECT CABLE	1
8	8		9006971-00		SPACER,CLEAR HOLE RND PHEN 6	8
9	9		9010174-01		SCREW,SEMS PAN PHIL 8-	4

REVISION HISTORY			BASIC PART NO: 7018474		
ENG	ECO NUMBER	REV	SECTION A OF A	DRN: D. COFFEY	DATE: 19-MAY-81
MM	INITIAL RELEASE	A	SECTION VARIATION INDEX	CHK'D: D. MILLER	DATE: 26-JUL-82
BM	7018474-CX001	B	[A]01		
DC	7018474-CX002	C	[B]	DES.ENG: M. MASTACHE	DATE: 26-JUL-82
			[C]	RESP.ENG.: B. MILLER	DATE: 26-JUL-82
			[D]		
			[E]	MFG.ENG.: K. WOOLF	DATE: 26-JUL-82
			[F]	ASSEMBLY NUMBER:	TOP DOCUMENT NUMBER:
				D-AD-7018474-0-0	#B-DD-RA60-0
					FILE NAME: Z2212C.PLS
					EDIT #: 18

RPM
24 Aug
8-27-84

"THIS DRAWING AND THE SPECIFICATIONS CONTAINED HEREIN ARE CONFIDENTIAL AND PROPRIETARY. THEY ARE THE PROPERTY OF DIGITAL EQUIPMENT CORPORATION AND SHALL NOT BE REPRODUCED OR COPIED OR USED IN WHOLE OR IN PART AS THE BASIS FOR THE MANUFACTURE OR SALE OF ITEMS WITHOUT WRITTEN PERMISSION. THIS IS AN UNPUBLISHED WORK PROTECTED UNDER THE FEDERAL COPYRIGHT LAWS."



THIS DRAWING AND SPECIFICATIONS HERIN ARE THE PROPERTY OF DIGITAL EQUIPMENT CORPORATION AND SHALL NOT BE REPRODUCED OR COPIED OR IN ANY MANNER OR BY ANY MEANS AS THE BASIS FOR THE MANUFACTURE OR SALE OF ITEMS WITHOUT WRITTEN PERMISSION OF DIGITAL EQUIPMENT CORPORATION.

LEGEND	
PART NO.	VARIATION
7018476-01	CAP/RECT ASSY

- NOTES:
1. TORQUE 6-32 SCREWS (ITEMS 4) TO 7±1 IN.-LBS.
 2. LABEL (ITEM 5) TO CONTAIN DEC PART NUMBER (7018476-01) LATEST REV AND MANUFACTURERS I. D.
 3. ASSEMBLY TO BE ADEQUATELY PACKAGED TO PREVENT DAMAGE IN SHIPPING AND HANDLING PER VENDOR SPECIFICATION.

CAUTION: OFF SHEET PARTS LIST EXISTS. SEE K-PL-7018476-0-DBP (22213).

REV.	DESCRIPTION
A	REVISED TO DEC CONTROL PER FCA PIN-501
B	7018476-01 02 P. JULIAN 83 M. MASTAKNE 83 1/14/83

DESCRIPTION	DRAWING NO.	PART NO.	ITEM NO.		
UNLESS OTHERWISE SPECIFIED DIMENSIONS ARE IN INCHES AND THE FOLLOWING TOLERANCES APPLY (PER DEC STD 114)					
INCHES TOLERANCES	ANGLES ± 30°	APPLICABLE DIMENSION RANGE			
		OVER	OVER	OVER	OVER
XX ± 0.1	SURFACE QUALITY	0.2	0.2	0.2	0.2
XX ± 0.05		0.2	0.2	0.2	0.2
QUANTITY & VARIATION	MICROINCHES	0.004	0.008	0.012	0.016
		0.004	0.008	0.012	0.016
THIRD ANGLE PROJECTION	DATE	TITLE			
DC NOT SCALE DRAWING	DATE	CAP/RECT ASSY			
REMOVE BURRS AND BREAK SHARP CORNERS	DATE				
MATERIAL	DATE				
SEE PARTS LIST	DATE				
FR. SH.	DATE	DOCUMENT NUMBER			
		D-0 7018476-0-0			

D AD 7013976 SH 1 of 1

AUTOMATED BY PRTLST,4G(47)

PARTS LIST

SHEET A1 OF A1

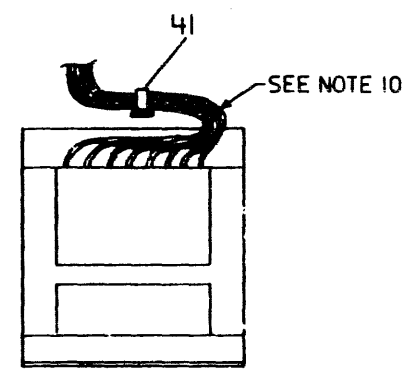
LINE ITEM	DOCUMENT NUMBER	PART NUMBER	DESCRIPTION	QUANTITY PER VARIATION
1	D-UA-5415274-0-0	5415274-01	RA60 CAP/RECTIFIER	1
2	D-IA-7425440-0-0	7425440-01	CHASSIS,CAPACITOR	1
3	C-IA-7425441-0-0	7425441-01	STRAP,CHASSIS	1
4		9010174-00	SCREW,SEMS PAN PHIL 6-	7
5	A-SP-9009255-0-0	9009255-00	LABEL, POWER SUPPLY, 2-15/16 L	1

REVISION HISTORY			BASIC PART NO: 7018476			DIGITAL		
ENG	ECO NUMBER	REV	SECTION A OF A	DRN:	L. DILGER	DATE:	26-MAY-81	
IRT	INITIAL REL	A	SECTION, VARIATION INDEX	CHK'D:	D. MILLER	DATE:	26-JUL-81	TITLE
IMM	7018476-CX001	B	[A] 01					PARTS LIST
			[B]	DES.ENG.:	M. MASTACHE	DATE:	26-JUL-81	CAP/RECT ASSY
			[C]					DOCUMENT NUMBER
			[D]	RESP.ENG.:	B. MILLER	DATE:	26-JUL-81	SIZE:CODE: NUMBER
			[E]					REV
			[F]	MFG.ENG.:	K. WOOLF	DATE:	26-JUL-81	K PL 7018476-0-DBP B
				ASSEMBLY NUMBER:		TOP DOCUMENT NUMBER:		FILE NAME:
				D-AD-7018476-0-0		05-DD-RA60-0		Z22133.PLS
								EDIT #
								6

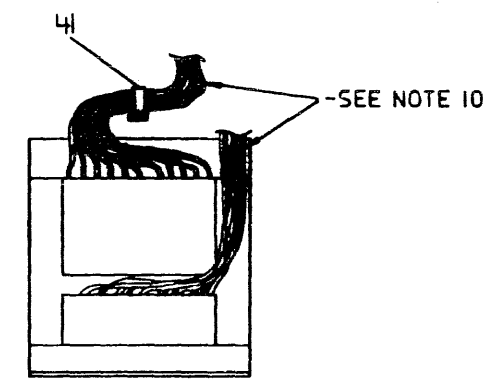
*THIS DRAWING AND SPECIFICATIONS HEREIN, ARE THE PROPERTY OF DIGITAL EQUIPMENT CORPORATION AND SHALL NOT BE REPRODUCED OR COPIED OR USED IN WHOLE OR IN PART AS THE BASIS FOR THE MANUFACTURE OR SALE OF ITEMS WITHOUT WRITTEN PERMISSION.
 COPYRIGHT (C) 1983. DIGITAL EQUIPMENT CORPORATION *

THIS DRAWING AND SPECIFICATIONS ARE THE PROPERTY OF DIGITAL EQUIPMENT CORPORATION AND SHALL NOT BE REPRODUCED OR COPIED OR USED IN WHOLE OR IN PART AS THE BASIS FOR THE MANUFACTURE OR SALE OF ITEMS WITHOUT WRITTEN PERMISSION.
COPYRIGHT © 1982 DIGITAL EQUIPMENT CORPORATION.

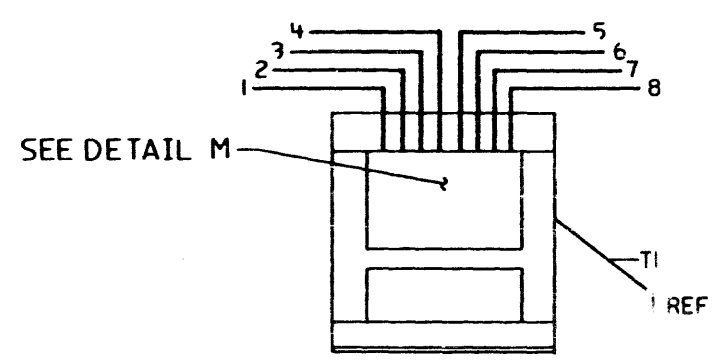
DIA 7018477-0-0
H



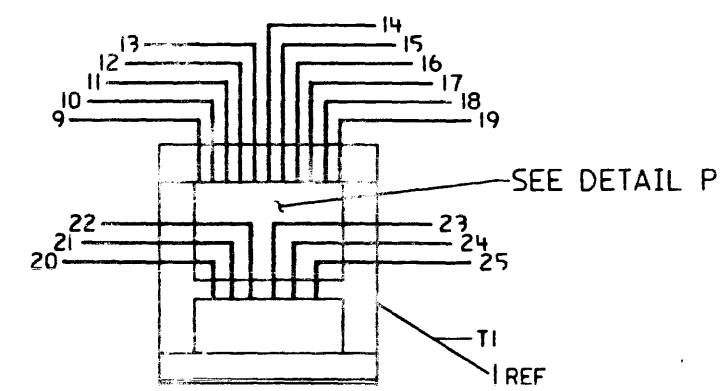
DETAIL M
SCALE: 1/2



DETAIL P
SCALE: 1/2



VIEW D-D
SCALE: 1/2



VIEW E-E
SCALE: 1/2

REVISION HISTORY		
DATE	ECO NUMBER	REV

TITLE: TRANSFORMER ASSY
 DOCUMENT NUMBER: DIA 7018477-0-0
 SCALE NOTED: SHEET 3 OF 5

8
H 0-0-77018477-0-0
DIA 7018477-0-0
THIS DRAWING AND SPECIFICATIONS HEREIN ARE THE PROPERTY OF DIGITAL EQUIPMENT CORPORATION AND SHALL NOT BE REPRODUCED OR COPIED IN WHOLE OR IN PART AS THE BASIS FOR THE MANUFACTURE OR SALE OF ITEMS WITHOUT WRITTEN PERMISSION
COPYRIGHT © 1982 DIGITAL EQUIPMENT CORPORATION

WIRE TABLE										
ITEM NO	DESCRIPTION		FROM			TO			LENGTH/ITEM	PRECUT LENGTH
	AWG	COLOR	CONN	STRIP	TERM	CONN	STRIP	TERM		
1	14	YEL/BLK	T1-1	++	++	J3-7	.19	39	+/	5.25
1	14	YEL/WHT	T1-2	++	++	J3-9	.19	39	+/	5.25
1	18	RED	T1-3	++	++	C1-1	.25	34	4.0/20	6.75
23	14	RED	J3-14	.19	18	C1-2	.25	22		7.25
1	18	RED/YEL	T1-4	++	++	J3-13	.19	18	1.0/20	5.25
1	18	RED/WHT	T1-5	↑	↑	J3-15	↑	18		5.25
1	14	YEL/WHT	T1-6	↑	↑	J3-12	↑	39	+/	5.25
1	14	YEL/BLK	T1-7	↑	↑	J3-10	↑	39	+/	5.25
1	14	YEL	T1-8	↑	↑	P501-11	↑	40	8.0/43	16.25
1	14	ORN/BLK	T1-9	↑	↑	J2-3	↑	39	+/	5.25
1	14	ORN	T1-10	↑	↑	P501-1	↑	40	+/	14.75
1	18	BLU	T1-18	↑	↑	P501-8	↑	19	+/	17.25
1	14	ORN/WHT	T1-11	↑	↑	J2-1	↑	39		5.25
1	18	BLU/BLK	T1-12	↑	↑	J2-6	↑	18		5.25
1	18	BLU/WHT	T1-14	↑	↑	J2-4	↑	18	+/	5.25
1	18	BLU/WHT	T1-15	↑	↑	J2-7	↑	18	+/	5.25
1	18	BLU/BLK	T1-16	↑	↑	J2-9	↑	18	+/	5.25
1	14	ORN/WHT	T1-17	↑	↑	J2-10	↑	39	+/	5.25
1	14	ORN/BLK	T1-19	↑	↑	J2-12	↑	39	+/	5.25
1	18	BLK/WHT	T1-20	↑	↑	J2-13	↑	18		9.25
1	18	BLK/YEL	T1-21	↓	↓	J2-15	↓	18	6.5/44	8.75
1	18	BLK	T1-22	++	++	J1-1	.19	19	1.0/43	3.75
1	18	BLK	T1-22	++	++	J1-1	.19	19	+/	3.75
28	18	BLK	J2-14	.19	18	S1-2	.19	7.21	+/	2.5
1	18	BRN/WHT	T1-25	++	++	J3-3	.19	18		9.75
1	18	BRN/YEL	T1-24	++	++	J3-1	.19	18	7.5/44	9.25
1	18	BRN	T1-23	++	++	J1-3	.19	19		8.25
30	18	BRN	S1-2A	.19	7.21	J1-4	.19	19		3.0
30	18	BRN	J3-2	.19	18	S1-1	.19	21.7	+/	2.7
28	18	BLK	J1-2	.19	19	S1-1A	.19	21.7	+/	2.7
1	18	GRN/YEL	T1-13	++	++	↑	.19	35	+/	18.0
17	18	BLK	P602-2	++	++	↑	.19		+/	++

WIRE TABLE										
ITEM NO.	DESCRIPTION		FROM			TO			LENGTH/ITEM	PRECUT LENGTH
	AWG	COLOR	CONN	STRIP	TERM	CONN	STRIP	TERM		
24	14	ORN	J2-2	.19	18	CB4-2	.25	22	4.0/20	6.0
25	14	BLU	J2-5	.19	18	CB5-2	↑	31	+/	6.0
17	18	BLU/YEL	P602-3	++	++	↑	↑	↑	+/	+/
24	14	ORN	J2-11	.19	18	CB1-2	↑	22	4.0/20	8.0
25	14	BLU	J2-8	.19	18	CB2-2	↑	31	+/	6.6
17	18	BLU/YEL	P602-1	++	++	↑	↑	↑	+/	+/
26	14	YEL	J3-8	.19	18	CB3-2	↓	22	4.0/20	7.0
26	14	YEL	J3-11	↑	18	CB6-2	.25	22	+/	7.25
28	18	BLK	S1-18	↑	21.7	S1-2B	.19	21.7	+/	2.25
29	14	WHT	P2-2	↑	19	P2-3	↑	19		2.5±.2
1	18	↑	P2-5	↑	↑	P2-6	↑	↑		
1	18	↑	P2-8	↑	↑	P2-9	↑	↑		
1	18	↑	P2-11	↑	↑	P2-12	↑	↑		
29	18	WHT	P2-14	↑	↑	P2-15	↑	↑	+/	+/
23	18	RED	P3-1	↑	↑	P3-2	↑	↑		
1	18	↑	P3-4	↑	↑	P3-5	↑	↑		
1	18	↑	P3-7	↑	↑	P3-8	↑	↑		
1	18	↑	P3-10	↑	↑	P3-11	↑	↑		
23	14	RED	P3-13	.19	19	P3-14	.19	19		2.5±.2
16	14	BLU	P501-2	++	++	CB2-1	.25	22		
1	18	BLU	P501-3	++	++	CB5-1	↑	↑	+/	+/
1	18	ORN	P501-7	++	++	CB4-1	↑	↑		
1	18	ORN	P501-4	++	++	CB1-1	↑	↑		
1	18	YEL	P501-12	++	++	CB3-1	↓	↓		
16	14	YEL	P501-10	++	++	CB6-1	.25	22		

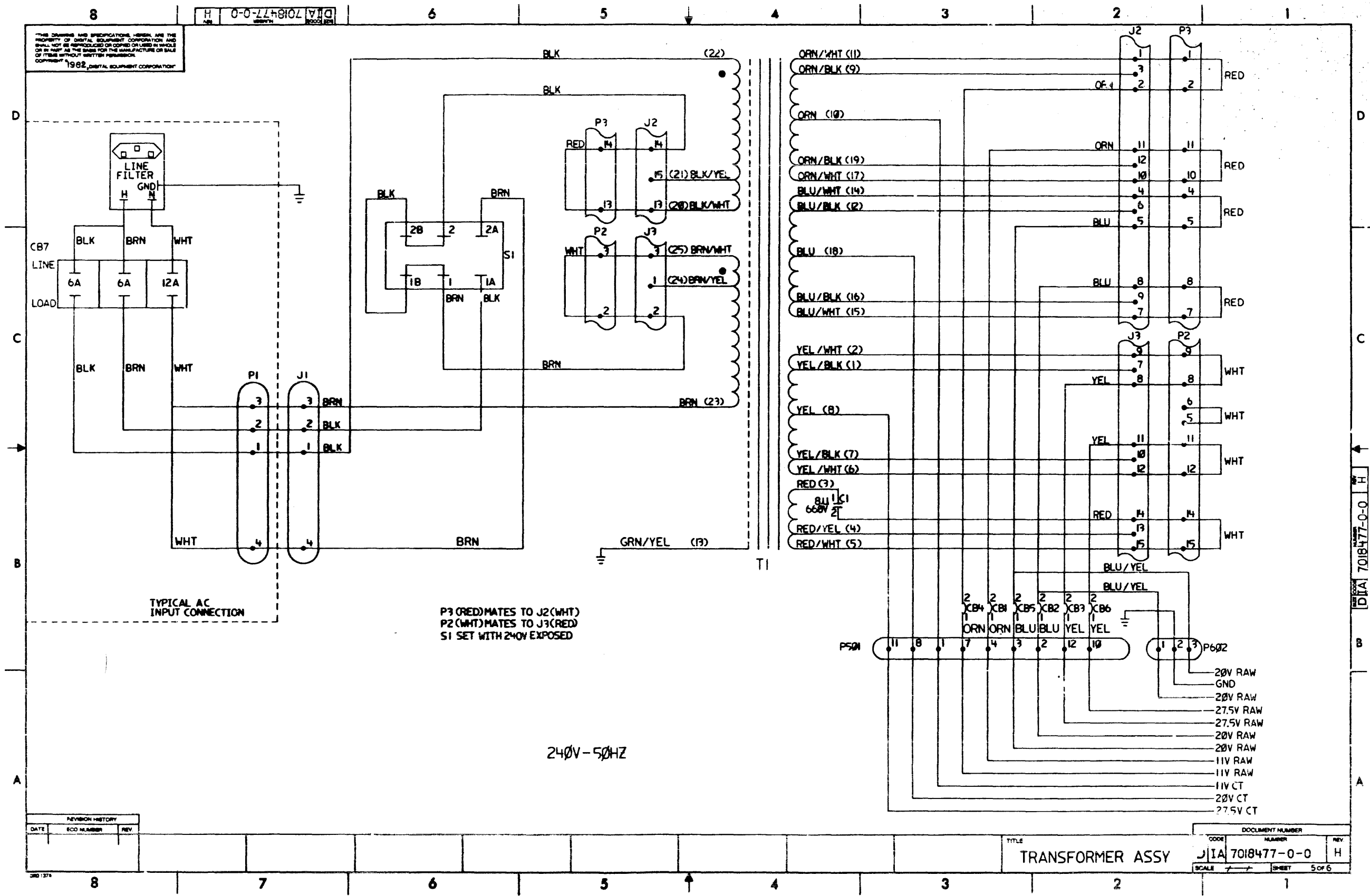
- NOTES: (CONTINUED FROM SHEET D)
- 5.A. CABLE TIE (ITEM 27) TO BE USED TO KEEP MATE-N-LOCK HOUSINGS (ITEMS 14 & 15) ATTACHED. INSTALL CABLE TIE (ITEM 27) AFTER MATE-N-LOCK HOUSINGS (ITEMS 14 & 15) ARE INSERTED INTO THEIR RESPECTIVE MATING HOUSINGS (ITEMS 10 & 11).
 - 5.B. MATE-N-LOCK HOUSINGS (ITEMS 14 AND 15) MAY BE SUPPLIED DISCONNECTED FROM THE MAIN ASSEMBLY AND PACKAGED IN THE SAME BOX AS THE ASSEMBLY.
 6. UNLESS OTHERWISE SPECIFIED:
 - A. PARTS TO CONFORM TO DEC STD 116 & 022.
 7. ALL WIRE SHOULD BE DRESSED TO PREVENT CONTACT WITH SUPPORT BRACKETS.
 8. ALL WIRES TERMINATED WITH TERM, QUICK (ITEM 21) SHALL HAVE SHRINK TUBING (ITEM 7), LENGTH 1", APPLIED SO THAT TERMINAL IS COMPLETELY COVERED AND SHRINK IS FLUSH WITH METAL END OF TERMINAL.
 9. PUSH LOCK RING (PART OF ITEMS 36 & 37) FLUSH AGAINST CONNECTOR PLATE (ITEM 12).
 10. ROUTE WIRES (T1, 20-25) ALONG TRANSFORMER CORE AS INDICATED.

REVISION HISTORY		
DATE	ECO NUMBER	REV

TITLE		DOCUMENT NUMBER	
TRANSFORMER ASSY		IA	7018477-0-0
SCALE	SHEET	REV	REV
+/	4 OF 6	H	H

DIA 7018477-0-0

THIS DRAWING AND SPECIFICATIONS HEREIN ARE THE PROPERTY OF DIGITAL EQUIPMENT CORPORATION AND SHALL NOT BE REPRODUCED OR COPIED OR USED IN WHOLE OR IN PART AS THE BASIS FOR THE MANUFACTURE OR SALE OF ITEMS WITHOUT WRITTEN PERMISSION. COPYRIGHT © 1962, DIGITAL EQUIPMENT CORPORATION.



REVISION HISTORY		
DATE	ECO NUMBER	REV

DOCUMENT NUMBER		
CODE	NUMBER	REV
JIA	7018477-0-0	H
SCALE	1:1	SHEET 5 OF 6

TITLE
TRANSFORMER ASSY

LINE	ITEM	TOP DOCUMENT	PART NUMBER	MIN REV	DESCRIPTION	QTY PER VARIATION		REFERENCE DESIGNATOR
						01	D2	
1	1		1619076-01		XFMRF 90-128/60HZ 180-256/50HZ	1		T1
2	2		1019077-01		8 MFD 660VAC 6% PAPER/OIL	1		C1
3	3		1213683-01		BOOT,CAPACITOR,RUBBER,H0LES IN S	1		
4	4		9010174-00		SCREW,SEMS PAN PHIL 6-	3		
5	5		9006024-01		SCREW,MACH PAN PHIL 6-	1		
6	6		9006560-00		NUT,HEX EXT TOOTH LCKWSHR 6-32	2		
7	7		9107255-00		TUBING,SHRINK .125ID EXP	A/R		
8	8		1213156-01		BRACKET,CAPACITOR,WRAP-AROUND	1		
9	9		1212168-02		MATE-N-LOK 04POS(1X04).250CC HSG	1		J1
10	10		1212168-06		MATE-N-LOK 15POS(3X05).250CC HSG	1		J2
11	11		1212168-09		MATE-N-LOK 15POS(3X05).250CC HSG	1		J3
12	12		1216901-03		SW,SLIDE 2PDT 6A	1		S1
13	13	D-MD-7426553-0-0	7426553-01		PLATE, CONNECTOR	1		
14	14		1212167-05		MATE-N-LOK 15SKT(3X05).250CC HSG	1		P2
15	15		1212167-10		MATE-N-LOK 15SKT(3X05).250CC HSG	1		P3
16	16	D-IA-7019085-0-0	7019085-01		RAW VOLTAGE HARNESS	1		P501
17	17	D-IA-7019067-0-0	7019067-01		STAY ALIVE HARNESS	1		P602
18	18		1213807-01		MATE-N-LOK 01PIN 20-14AWG .0820D	19		
19	19		1212170-00		MATE-N-LOK 01SKT 20-14AWG .0850D	25		
20	20		9107253-00		TUBING,SHRINK .250ID EXP	A/R		
21	21		1223741-01		TERM,QUICK .032TAB 22-18AWG	6		
22	22		9007969-00		TERM,QUICK .300TAB CRIMP 14-1	11		
23	23		9107787-22		WIRE, 14AWG19/.0147IPVC 300V1	A/R		
24	24		9107787-33		WIRE, 14AWG19/.0147IPVC 300V1	A/R		
25	25		9107787-66		WIRE, 14AWG19/.0147IPVC 300V1	A/R		
26	26		9107787-44		WIRE, 14AWG19/.0147IPVC 300V1	A/R		
27	27		9007032-00		TIE,CABLE BUNDL.DIA 0-1-3/4"=101	A/R		
28	28		9107786-00		WIRE, 18AWG(19/30)IPVC 300V1	A/R		
29	29		9107787-99		WIRE, 14AWG19/.0147IPVC 300V1	A/R		
30	30		9107786-11		WIRE, 18AWG(19/30)IPVC 300V1	A/R		

REVISION HISTORY			BASIC PART NO: 7018477		DRN:	M. BELL	DATE: 10-FEB-82	DIGITAL		
ENG	ECO NUMBER	REV	SECTION A OF A		CHK'D:	D. MILLER	DATE: 10-AUG-82	TITLE PARTS LIST		
RT	INITIAL REL	A	SECTION VARIATION INDEX		CHK'D:	D. MILLER <td>DATE: 10-AUG-82</td> <td colspan="3">TRANSFORMER ASSY</td>	DATE: 10-AUG-82	TRANSFORMER ASSY		
RT	7018477-CX001	B	[A] 01							
MM	RA60-CX002	C	[B]							
KH	7018477-CX003	D	[C]		DES.ENG:	R.E. THELLEN	DATE: 10-AUG-82	DOCUMENT NUMBER		
DC	7018477-CX005	E	[D]					SIZE	CODE	NUMBER
DC	7018477-CX005	F	[E]							REV
CW	7018477-CX006	H	[F]		RESP.ENG.:	B. MILLER	DATE: 10-AUG-82	K	PL	7018477-0-DBP
			[G]							H
			[J]							
			[K]		MFG.ENG.:	K. WOLFE	DATE: 10-AUG-82	RELEASE DATE: 15-JUL-85		
			[L]							
			[M]		ASSEMBLY NUMBER:		TOP DOCUMENT NUMBER:	FILE NAME:	EDIT #	
			[N]		D-IA-7018477-0-0		B-DD-RA60-0-0-0	Z2218H.PLS	24	

"THIS DRAWING AND THE SPECIFICATIONS CONTAINED HEREIN ARE CONFIDENTIAL AND PROPRIETARY. THEY ARE THE PROPERTY OF DIGITAL EQUIPMENT CORPORATION AND SHALL NOT BE REPRODUCED OR COPIED OR USED IN WHOLE OR IN PART AS THE BASIS FOR THE MANUFACTURE OR SALE OF ITEMS WITHOUT WRITTEN PERMISSION. THIS IS AN UNPUBLISHED WORK PROTECTED UNDER THE FEDERAL COPYRIGHT LAWS."

AUTOMATED BY FRTLST.3P(44)

PARTS LIST

SHEET A2 OF A2

LINE	ITEM	TOP DOCUMENT	PART NUMBER	MIN REV	DESCRIPTION	QTY PER VARIATION		REFERENCE DESIGNATOR
						01	D2	
31	31		9007920-00		TERM QUICK .300TAB CRIMP 12-1	2		
32	32		9007085-00		CLAMP,CABLE,SCREW MTD. 1/2 "	1		
33	33		9010089-00		SCREW,THD RL,PAN PHIL F/METAL	2		
34	34		9007970-00		TERM,QUICK .300TAB CRIMP 18-2	1		
35	35		9007926-01		TERM,RING #10STUD CRIMP 10-1	1		
36	36		1217476-01		CKT BKR 6.0 A 240V 1P THERMAL	2		
37	37		1217476-02		CKT BKR 15.0 A 240V 1P THERMAL	4		
38	38	SEE NOTE 1	9107250-00		TUBING,SHRINK .750ID EXP	A/R		
39	39		1213807-02		MATE-N-LOK 01PIN 20-14AWG .0820D	8		
40	40		1212170-02		MATE-N-LOK 01SKT 20-14AWG .0850D	2		
41	41		9007031-00	B	TIE,CABLE BUNDL.DIA 0- 3/4"=101	A/R		
42	42		9107254-00		TUBING,SHRINK .187ID EXP	A/R		
43	43		9107252-00		TUBING,SHRINK .375ID EXP	A/R		
44	44		9006022-01		SCREW,MACH PAN PHIL 6-	1		

45 NOTE: NOTE 1. QUANTITY FOR ITEM 38 (9107250-00) IS 5.0 INCHES.

46 NOTE: NOTE 2. * REV E PARTS LIST DOES NOT EXIST AND WILL NEVER BE FILMED.

! D I G I T A L !	! TITLE !	! SECTION A OF A !	! SIZE !	! CODE !	! DOCUMENT NUMBER !	! REV !
	TRANSFORMER ASSY		K	PL	7018477-0-DBP	H