

---

**CONTROL DATA®  
COMPUTER SYSTEMS  
CORDWOOD MODULES**

**MODULES K-U**

---

**Volume 2 of 3**

**PRINTED CIRCUIT MANUAL**

New features, as well as changes, deletions, and additions to information in this manual, are indicated by bars in the margins or by a dot near the page number if the entire page is affected. A bar by the page number indicates pagination rather than content has changed.

| <b>RECORD of REVISIONS</b> |  |
|----------------------------|--|
| <b>REVISION</b>            | <b>NOTES</b>   |
| A thru F                   | Affects Volumes 1 and 2 only (60042900).   |
| G                          | 6600 Information and Circuit Module Schematics added as Volume 3.  |
| H                          | Vol. 3, addition of revised Record of Revisions. Replace the following revised pages: 6600-4, (5-7-65) 6600-5, 6600-8, 6600-14, and add new pages 6600-15, 6600-16 and schematics MK and AC. |
| J (10-1-65)                | Change Order CA11567. Major revision to this manual obsoleting all previous editions.  |
| K                          | Publication Change Order CA13034. Title changed to Printed Circuit Manual Cordwood Modules.  |
| (3-15-66)                  | Vol. 1, A-J; Vol. 2, K-U; Vol. 3, V-Z. Introduction revised. Printed circuit card information added and reorganized. This printing obsoletes all previous editions.                          |
| L (9-9-66)                 | Engineering Change Order 13534. Modules XL01 thru XL10 revised.  |
| M                          | Field Change Order 13812. Module Z07 revised.  |
| N (9-9-66)                 | Engineering Change Order 13441. Modules V17 and V43 revised.   |
| P (9-9-66)                 | Publications Change Order 14574. To incorporate corrections and additions.   |
| R (11-22-66)               | Publications Change Order 15171. To incorporate corrections and additions.   |
| S (3-2-67)                 | Publications Change Order 15937. To incorporate corrections and additions.   |
| T (5-12-67)                | Publications Change Order 16432. To incorporate corrections and additions.   |
| U (7-21-67)                | Publications Change Order 16938. To incorporate corrections and additions.   |
| V (3-13-68)                | Publications Change Order 17486. To incorporate corrections and additions.   |
| W (3-13-68)                | Publications Change Order 18211. To incorporate corrections and additions.   |
| Y (3-13-68)                | Publications Change Order 18883. To incorporate corrections and additions.   |
| Z                          | Engineering Change Order 21455, publications change only. The following cordwood modules (1-20-69) are added to the manual: AU, DP, DQ, FO, FZ, LX, QX, SN, SP, SQ, ST, SU, SW, SX, YA, Z99. |
| AA                         | Engineering Change Order 24619, document change only.  |
| (5-5-70)                   |  |
| AB                         | Engineering Change Order 25341, publications change only. To incorporate corrections and (5-5-70) additions.   |
| AC                         | Engineering Change Order 26839. No change to this manual.  |
| (11-15-71)                 |  |
| AD                         | Field Change Order 26792. RDZ and REN Modules added.   |
| (11-15-71)                 |  |
| AE                         | Field Change Order 26611. REJ Module added. Also to incorporate corrections and additions.   |
| (11-15-71)                 |  |
| AF                         | Engineering Change Order 30954. Pages LX, RCT, TCW, RDS, REM, REX, V17, ZO, ZR, ZS, ZT, (4-10-72) are revised.   |
| AG                         | Manual revised; includes Engineering Change Order 30804. RFM module is added.  |
| (9-8-72)                   |  |
| AH                         | Engineering Change Order 30429. No change to this manual.  |
| (9-8-72)                   |  |
| AJ                         | Manual revised; includes Engineering Change Order 32225. CM is revised. RCM, RCX, REY, (9-8-72) REZ, Z45 are added.  |

FORM CA230 REV. 1-67

**REVISION LETTERS I, O, Q AND X ARE NOT USED**

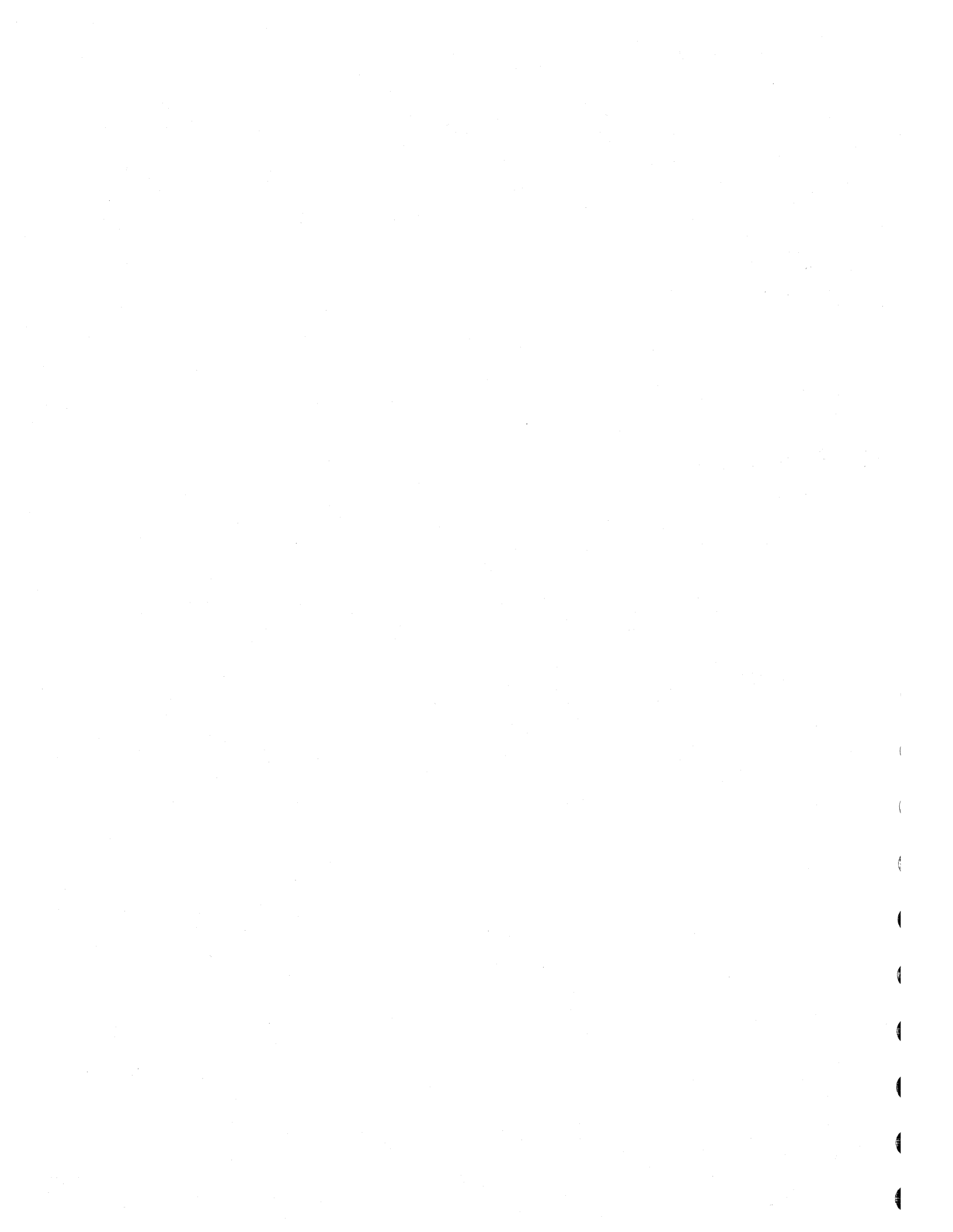
Address comments concerning this manual to:

Control Data Corporation  
 Publications and Graphics Division  
 4201 North Lexington Avenue  
 St. Paul, Minnesota 55112

or use Comment Sheet in the back of this manual.

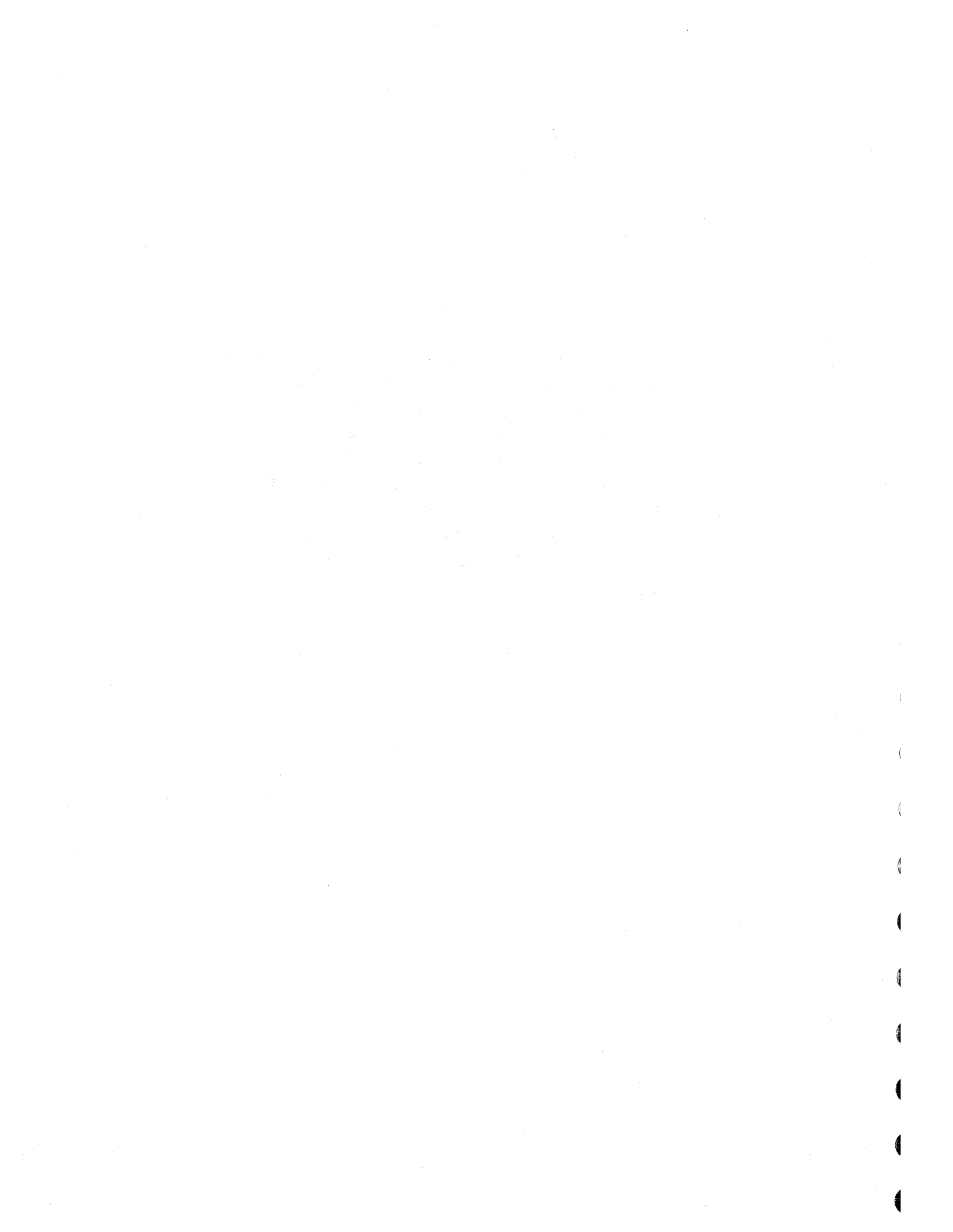
Pub No. 60042700  
 © 1965, 1966, 1967, 1968, 1969, 1970, 1971, 1972, 1973, 1974, 1975, 1976  
 by Control Data Corporation  
 Printed in United States of America





## PREFACE

The logic schematic diagrams of cordwood modules are entered into these volumes in alpha-numeric sequence. The logic schematic pages in these volumes are updated when the LS page of the engineering document (number at top of each logic schematic) is changed by revision. The revision letter of the engineering document shown at the top of each schematic is not changed in this manual when only parts list pages of the document are revised.



## GENERAL CONTENTS

|                 |  |            |
|-----------------|--|------------|
| <b>Volume 1</b> | <b>Cordwood Module Logic Schematic Numbers and Revision Levels</b> | <b>vii</b> |
|                 | <b>Introduction</b>  | <b>1</b>   |
|                 | <b>Cordwood Module Schematics, A-J</b>                             |            |
| <b>Volume 2</b> | <b>Cordwood Module Logic Schematic Numbers and Revision Levels</b> | <b>vii</b> |
|                 | <b>Cordwood Module Schematics, K-U</b>                             |            |
| <b>Volume 3</b> | <b>Cordwood Module Logic Schematic Numbers and Revision Levels</b> | <b>vii</b> |
|                 | <b>Cordwood Module Schematics, V-Z</b>                             |            |



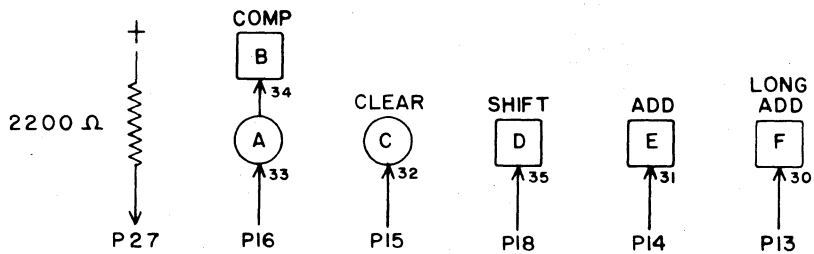
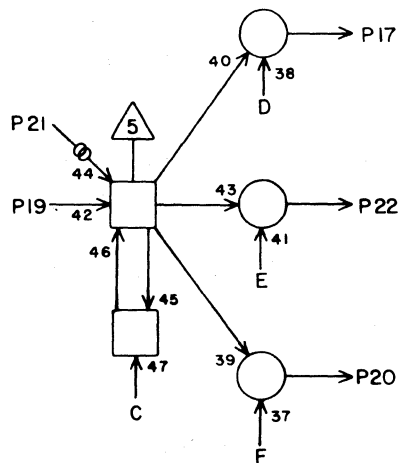
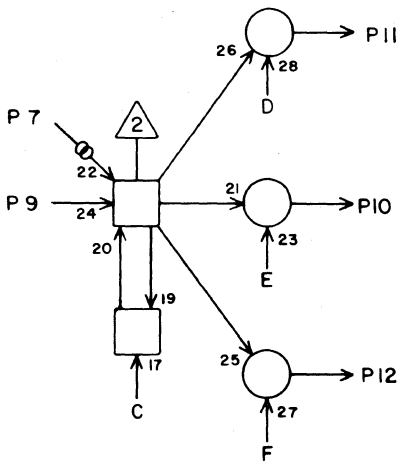
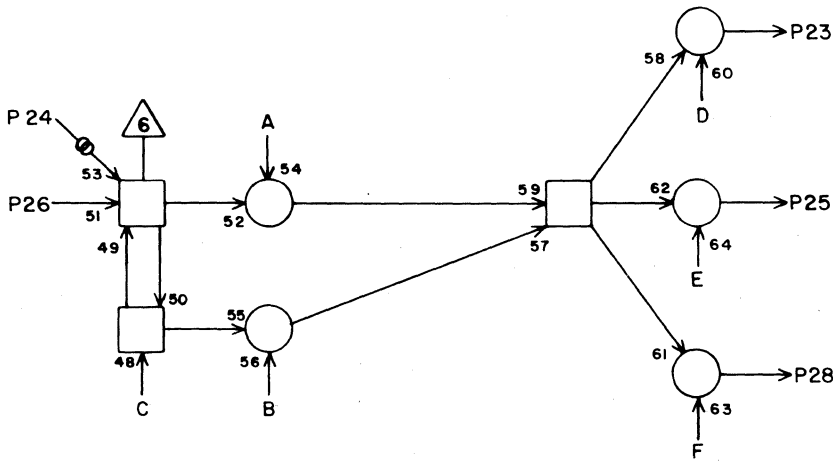
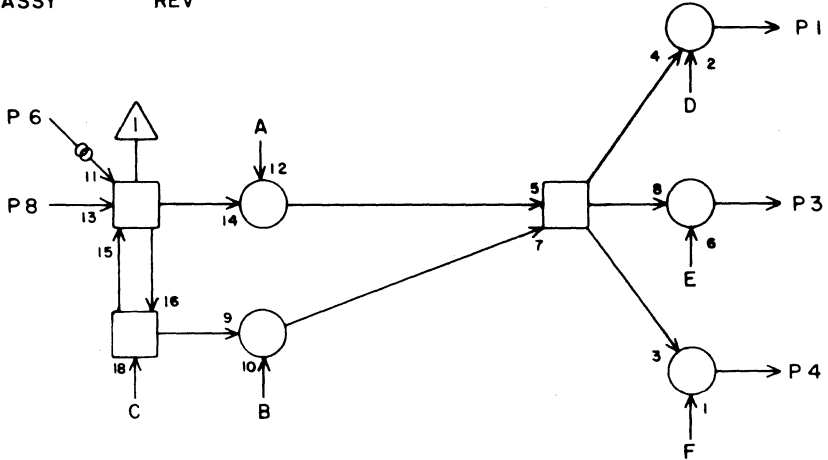


LS 63052400  
ASSY

**E**  
REV

KA

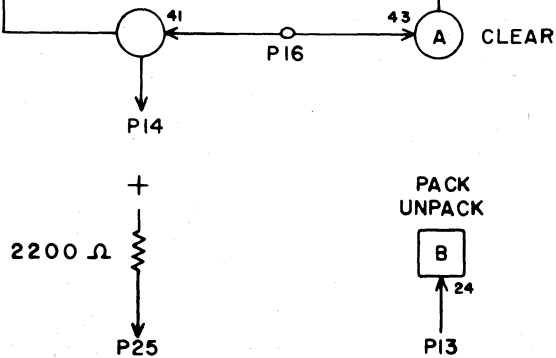
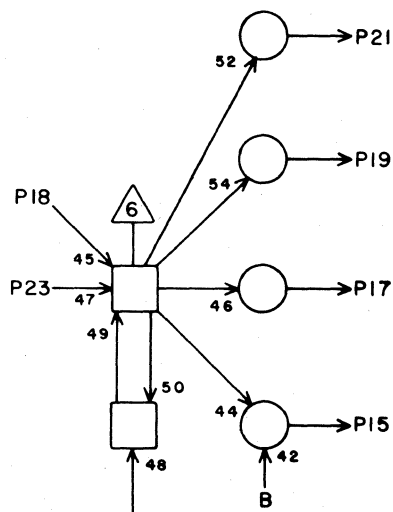
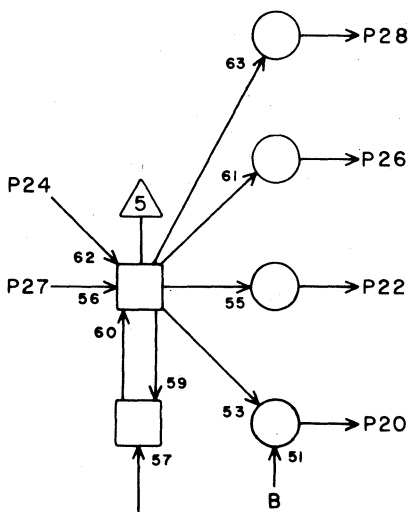
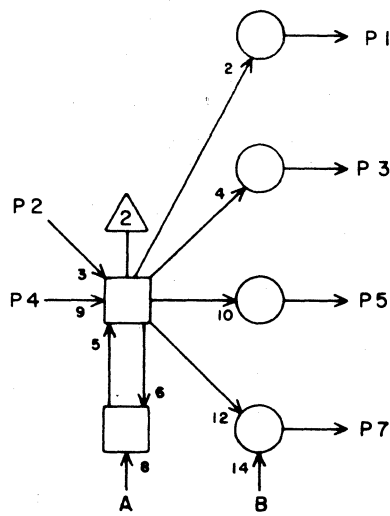
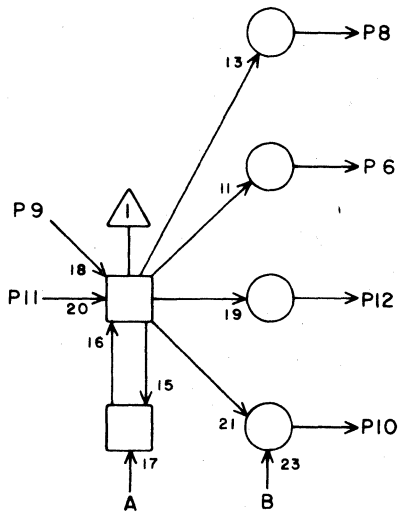
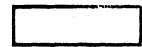
[ ]



|    |  |  |  |
|----|--|--|--|
| 1  |  |  |  |
| 2  |  |  |  |
| 3  |  |  |  |
| 4  |  |  |  |
| 5  |  |  |  |
| 6  |  |  |  |
| 7  |  |  |  |
| 8  |  |  |  |
| 9  |  |  |  |
| 10 |  |  |  |
| 11 |  |  |  |
| 12 |  |  |  |
| 13 |  |  |  |
| 14 |  |  |  |
| 15 |  |  |  |
| 16 |  |  |  |
| 17 |  |  |  |
| 18 |  |  |  |
| 19 |  |  |  |
| 20 |  |  |  |
| 21 |  |  |  |
| 22 |  |  |  |
| 23 |  |  |  |
| 24 |  |  |  |
| 25 |  |  |  |
| 26 |  |  |  |
| 27 |  |  |  |
| 28 |  |  |  |

JACK PIN LG

CIRCUIT SPECIFICATION 11827600  
60042700 Rev J



|    |  |  |  |
|----|--|--|--|
| 1  |  |  |  |
| 2  |  |  |  |
| 3  |  |  |  |
| 4  |  |  |  |
| 5  |  |  |  |
| 6  |  |  |  |
| 7  |  |  |  |
| 8  |  |  |  |
| 9  |  |  |  |
| 10 |  |  |  |
| 11 |  |  |  |
| 12 |  |  |  |
| 13 |  |  |  |
| 14 |  |  |  |
| 15 |  |  |  |
| 16 |  |  |  |
| 17 |  |  |  |
| 18 |  |  |  |
| 19 |  |  |  |
| 20 |  |  |  |
| 21 |  |  |  |
| 22 |  |  |  |
| 23 |  |  |  |
| 24 |  |  |  |
| 25 |  |  |  |
| 26 |  |  |  |
| 27 |  |  |  |
| 28 |  |  |  |

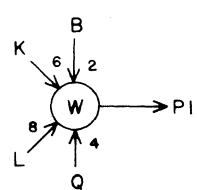
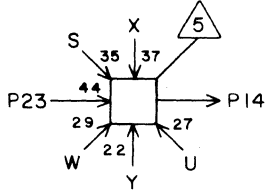
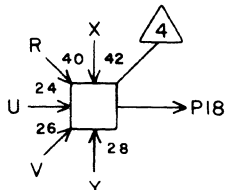
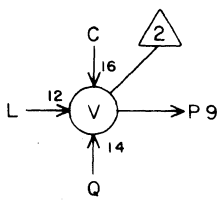
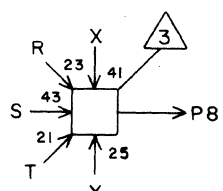
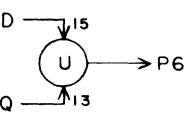
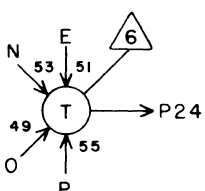
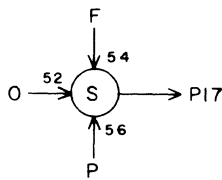
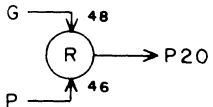
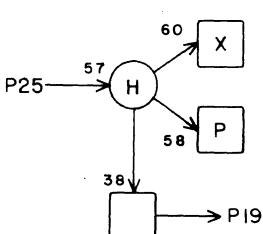
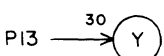
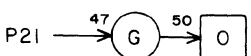
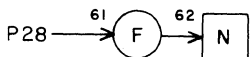
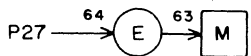
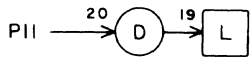
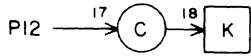
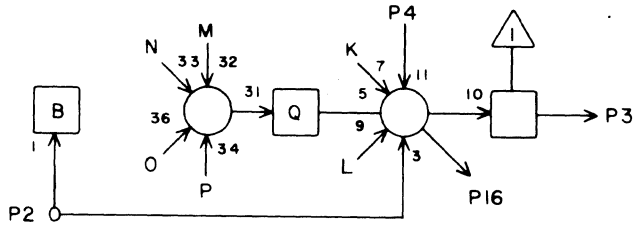
JACK PIN LG

LS 63052600  
ASSY

C  
REV

KC

[ ]



|    |  |  |  |
|----|--|--|--|
| 1  |  |  |  |
| 2  |  |  |  |
| 3  |  |  |  |
| 4  |  |  |  |
| 5  |  |  |  |
| 6  |  |  |  |
| 7  |  |  |  |
| 8  |  |  |  |
| 9  |  |  |  |
| 10 |  |  |  |
| 11 |  |  |  |
| 12 |  |  |  |
| 13 |  |  |  |
| 14 |  |  |  |
| 15 |  |  |  |
| 16 |  |  |  |
| 17 |  |  |  |
| 18 |  |  |  |
| 19 |  |  |  |
| 20 |  |  |  |
| 21 |  |  |  |
| 22 |  |  |  |
| 23 |  |  |  |
| 24 |  |  |  |
| 25 |  |  |  |
| 26 |  |  |  |
| 27 |  |  |  |
| 28 |  |  |  |

JACK PIN LG

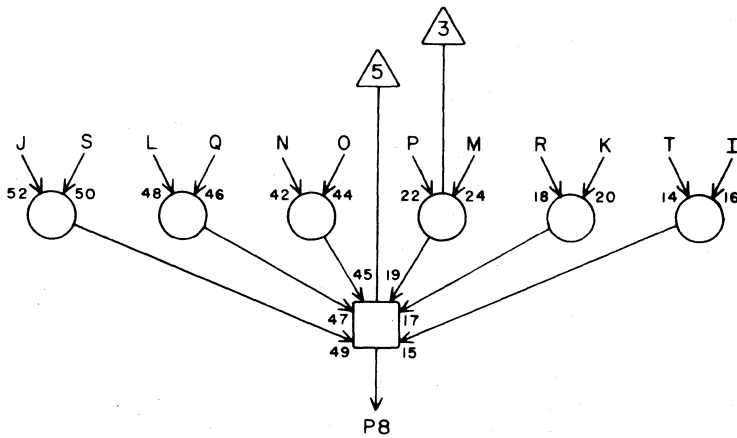
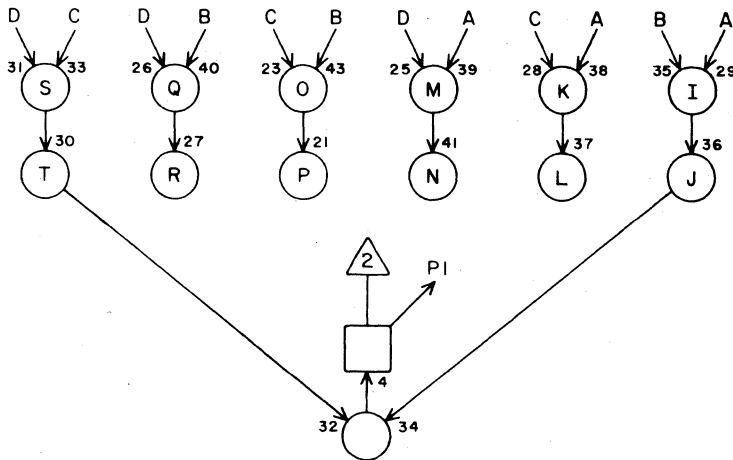
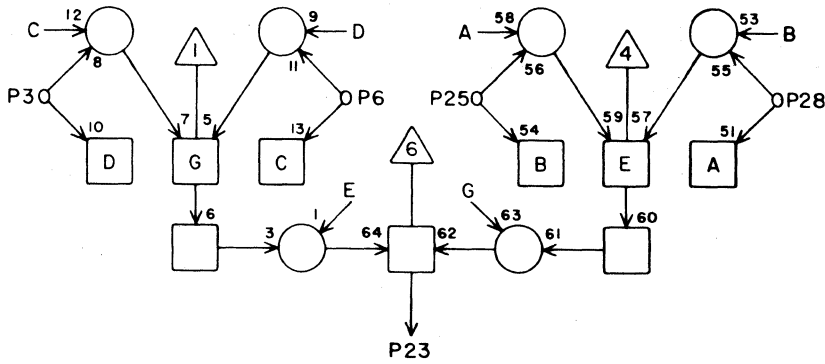
CIRCUIT SPECIFICATION 11827600  
60042700 Rev J

LS 63052700  
ASSY

C  
REV

KD

[ ]



|    |  |  |
|----|--|--|
| 1  |  |  |
| 2  |  |  |
| 3  |  |  |
| 4  |  |  |
| 5  |  |  |
| 6  |  |  |
| 7  |  |  |
| 8  |  |  |
| 9  |  |  |
| 10 |  |  |
| 11 |  |  |
| 12 |  |  |
| 13 |  |  |
| 14 |  |  |
| 15 |  |  |
| 16 |  |  |
| 17 |  |  |
| 18 |  |  |
| 19 |  |  |
| 20 |  |  |
| 21 |  |  |
| 22 |  |  |
| 23 |  |  |
| 24 |  |  |
| 25 |  |  |
| 26 |  |  |
| 27 |  |  |
| 28 |  |  |

JACK PIN LG

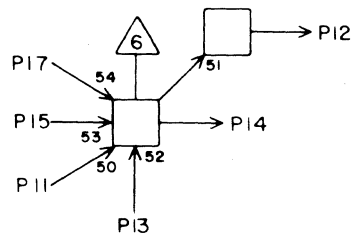
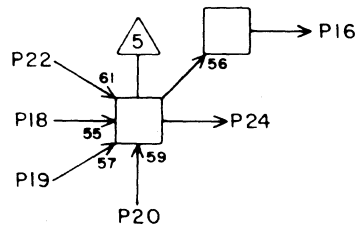
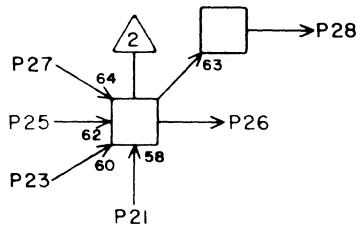
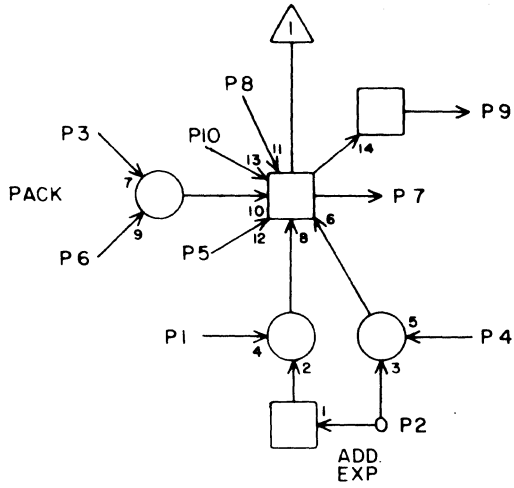
CIRCUIT SPECIFICATION 11827600  
60042700 Rev J

LS 63052800  
ASSY

**E**  
REV

KE

[ ]



|    |  |  |  |
|----|--|--|--|
| 1  |  |  |  |
| 2  |  |  |  |
| 3  |  |  |  |
| 4  |  |  |  |
| 5  |  |  |  |
| 6  |  |  |  |
| 7  |  |  |  |
| 8  |  |  |  |
| 9  |  |  |  |
| 10 |  |  |  |
| 11 |  |  |  |
| 12 |  |  |  |
| 13 |  |  |  |
| 14 |  |  |  |
| 15 |  |  |  |
| 16 |  |  |  |
| 17 |  |  |  |
| 18 |  |  |  |
| 19 |  |  |  |
| 20 |  |  |  |
| 21 |  |  |  |
| 22 |  |  |  |
| 23 |  |  |  |
| 24 |  |  |  |
| 25 |  |  |  |
| 26 |  |  |  |
| 27 |  |  |  |
| 28 |  |  |  |

JACK PIN LG

CIRCUIT SPECIFICATION 11827600

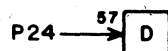
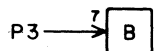
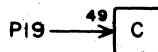
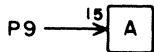
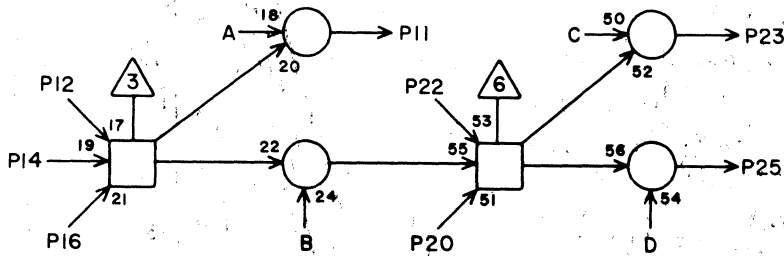
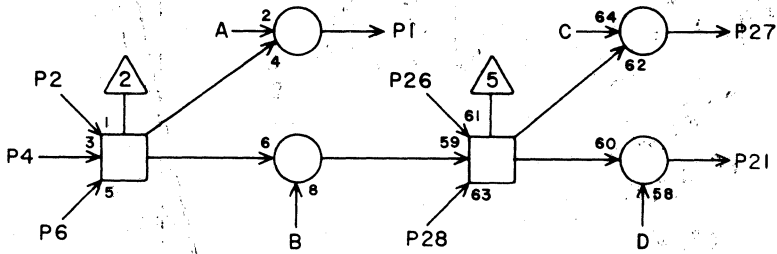
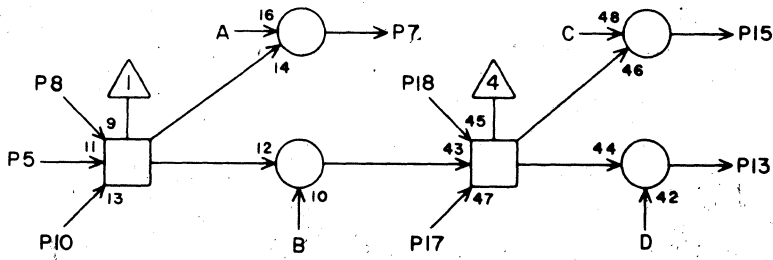
60042700 Rev. J

LS 63052900  
ASSY

**C**  
REV

KF

[ ]

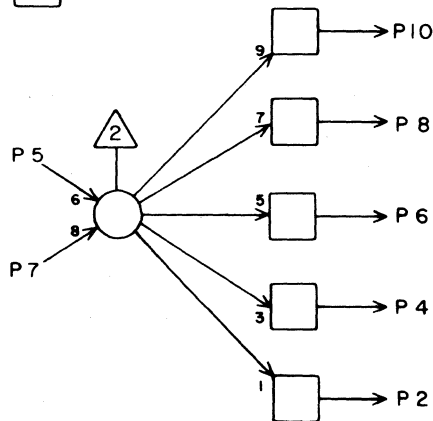
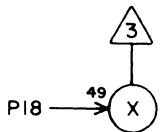
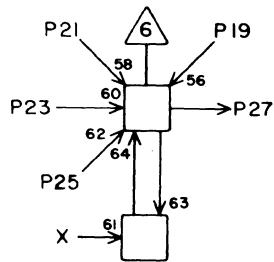
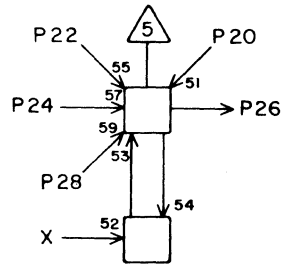
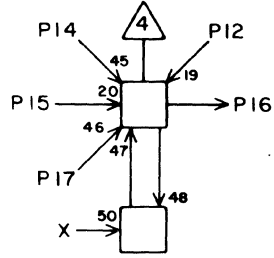
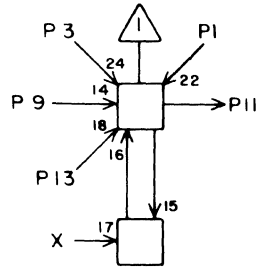


|    |  |  |  |
|----|--|--|--|
| 1  |  |  |  |
| 2  |  |  |  |
| 3  |  |  |  |
| 4  |  |  |  |
| 5  |  |  |  |
| 6  |  |  |  |
| 7  |  |  |  |
| 8  |  |  |  |
| 9  |  |  |  |
| 10 |  |  |  |
| 11 |  |  |  |
| 12 |  |  |  |
| 13 |  |  |  |
| 14 |  |  |  |
| 15 |  |  |  |
| 16 |  |  |  |
| 17 |  |  |  |
| 18 |  |  |  |
| 19 |  |  |  |
| 20 |  |  |  |
| 21 |  |  |  |
| 22 |  |  |  |
| 23 |  |  |  |
| 24 |  |  |  |
| 25 |  |  |  |
| 26 |  |  |  |
| 27 |  |  |  |
| 28 |  |  |  |

JACK PIN LG

CIRCUIT SPECIFICATION 11827600

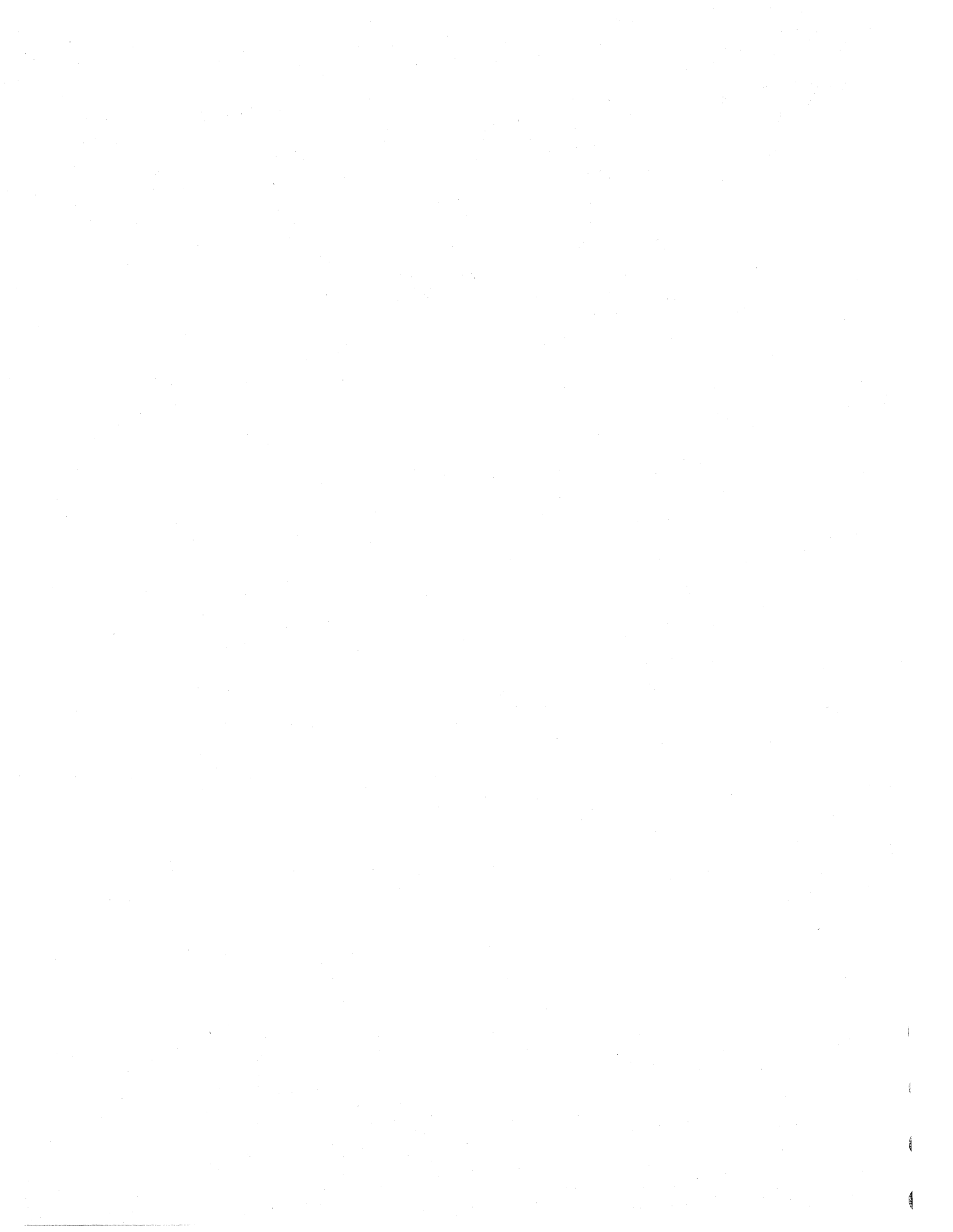
60042700 Rev. J



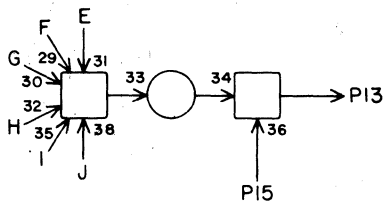
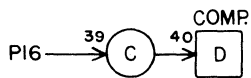
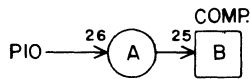
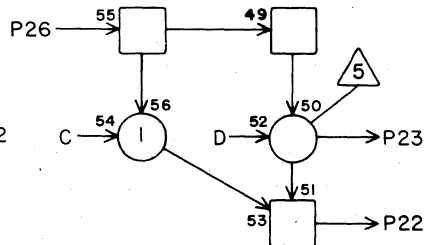
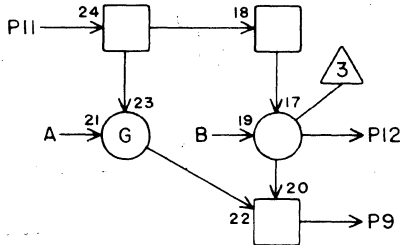
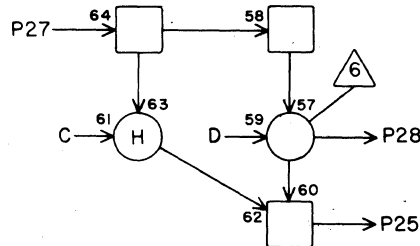
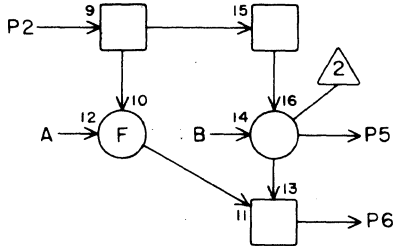
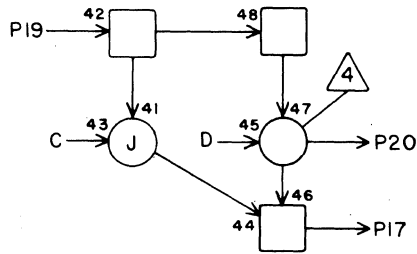
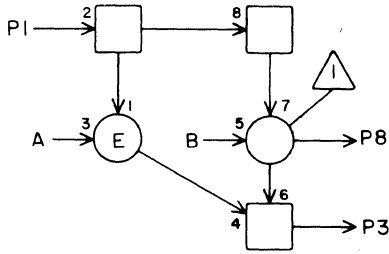
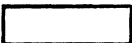
|    |  |  |  |
|----|--|--|--|
| 1  |  |  |  |
| 2  |  |  |  |
| 3  |  |  |  |
| 4  |  |  |  |
| 5  |  |  |  |
| 6  |  |  |  |
| 7  |  |  |  |
| 8  |  |  |  |
| 9  |  |  |  |
| 10 |  |  |  |
| 11 |  |  |  |
| 12 |  |  |  |
| 13 |  |  |  |
| 14 |  |  |  |
| 15 |  |  |  |
| 16 |  |  |  |
| 17 |  |  |  |
| 18 |  |  |  |
| 19 |  |  |  |
| 20 |  |  |  |
| 21 |  |  |  |
| 22 |  |  |  |
| 23 |  |  |  |
| 24 |  |  |  |
| 25 |  |  |  |
| 26 |  |  |  |
| 27 |  |  |  |
| 28 |  |  |  |

JACK PIN LG

CIRCUIT SPECIFICATION 11827600







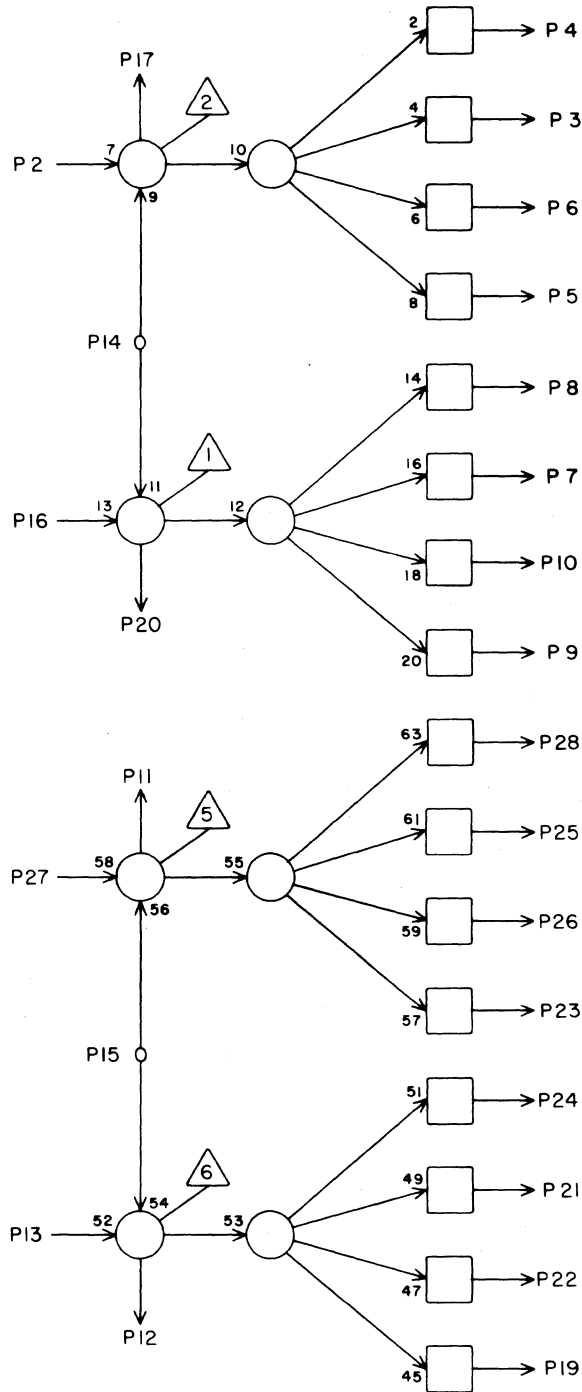
|    |  |  |  |
|----|--|--|--|
| 1  |  |  |  |
| 2  |  |  |  |
| 3  |  |  |  |
| 4  |  |  |  |
| 5  |  |  |  |
| 6  |  |  |  |
| 7  |  |  |  |
| 8  |  |  |  |
| 9  |  |  |  |
| 10 |  |  |  |
| 11 |  |  |  |
| 12 |  |  |  |
| 13 |  |  |  |
| 14 |  |  |  |
| 15 |  |  |  |
| 16 |  |  |  |
| 17 |  |  |  |
| 18 |  |  |  |
| 19 |  |  |  |
| 20 |  |  |  |
| 21 |  |  |  |
| 22 |  |  |  |
| 23 |  |  |  |
| 24 |  |  |  |
| 25 |  |  |  |
| 26 |  |  |  |
| 27 |  |  |  |
| 28 |  |  |  |

JACK PIN LG

CIRCUIT SPECIFICATION 11827600

60042700 Rev. K

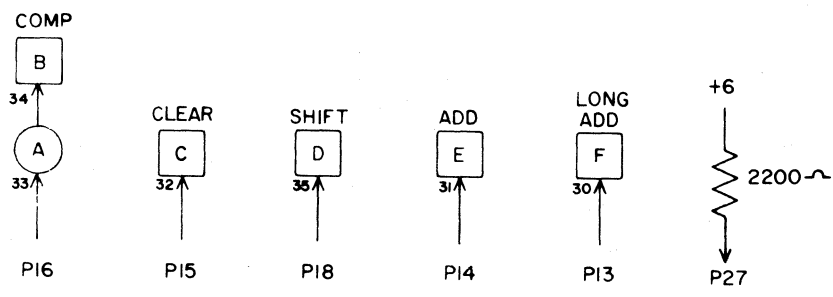
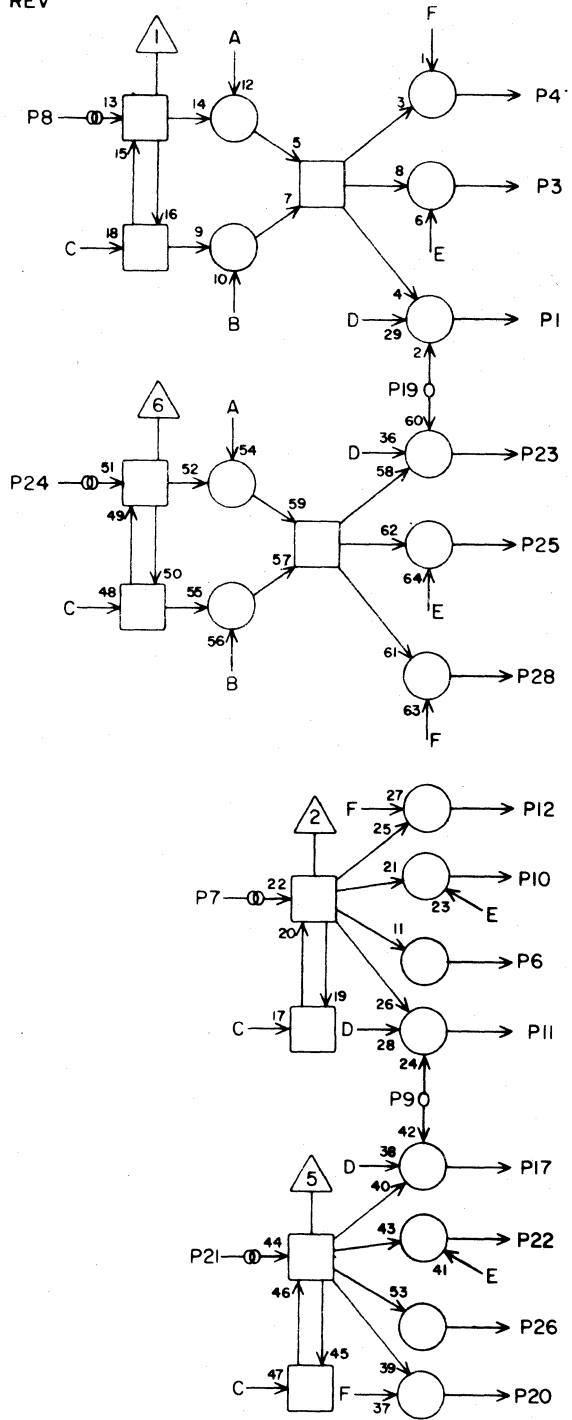




|    |  |  |  |
|----|--|--|--|
| 1  |  |  |  |
| 2  |  |  |  |
| 3  |  |  |  |
| 4  |  |  |  |
| 5  |  |  |  |
| 6  |  |  |  |
| 7  |  |  |  |
| 8  |  |  |  |
| 9  |  |  |  |
| 10 |  |  |  |
| 11 |  |  |  |
| 12 |  |  |  |
| 13 |  |  |  |
| 14 |  |  |  |
| 15 |  |  |  |
| 16 |  |  |  |
| 17 |  |  |  |
| 18 |  |  |  |
| 19 |  |  |  |
| 20 |  |  |  |
| 21 |  |  |  |
| 22 |  |  |  |
| 23 |  |  |  |
| 24 |  |  |  |
| 25 |  |  |  |
| 26 |  |  |  |
| 27 |  |  |  |
| 28 |  |  |  |

JACK PIN LG

CIRCUIT SPECIFICATION 11827600



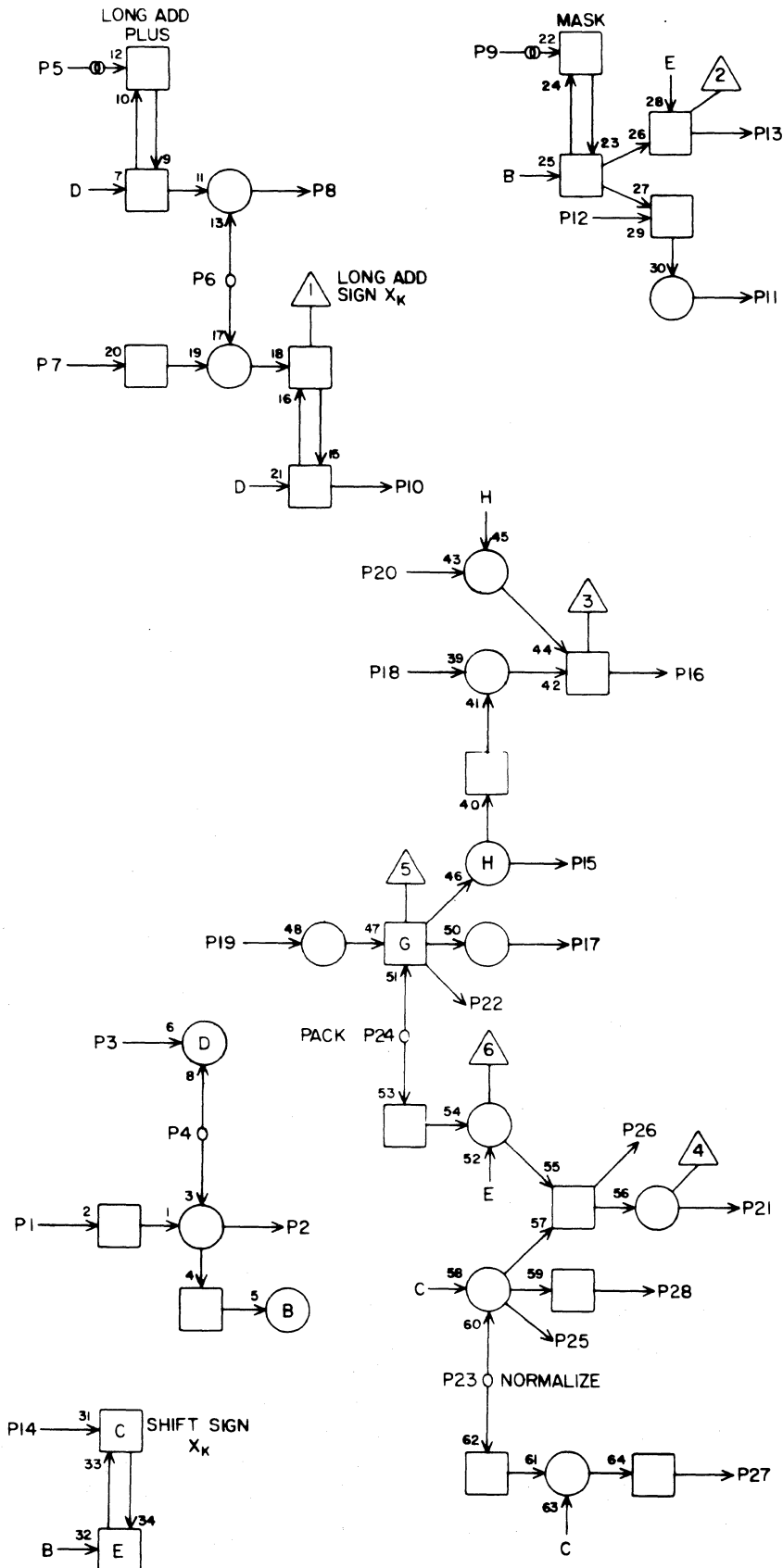
|    |  |  |  |
|----|--|--|--|
| 1  |  |  |  |
| 2  |  |  |  |
| 3  |  |  |  |
| 4  |  |  |  |
| 5  |  |  |  |
| 6  |  |  |  |
| 7  |  |  |  |
| 8  |  |  |  |
| 9  |  |  |  |
| 10 |  |  |  |
| 11 |  |  |  |
| 12 |  |  |  |
| 13 |  |  |  |
| 14 |  |  |  |
| 15 |  |  |  |
| 16 |  |  |  |
| 17 |  |  |  |
| 18 |  |  |  |
| 19 |  |  |  |
| 20 |  |  |  |
| 21 |  |  |  |
| 22 |  |  |  |
| 23 |  |  |  |
| 24 |  |  |  |
| 25 |  |  |  |
| 26 |  |  |  |
| 27 |  |  |  |
| 28 |  |  |  |

JACK PIN LG  
CIRCUIT SPECIFICATION 11827600  
60042700 Rev. J

LS 63066700  
ASSY

**E**  
REV

KN



|    |  |  |
|----|--|--|
| 1  |  |  |
| 2  |  |  |
| 3  |  |  |
| 4  |  |  |
| 5  |  |  |
| 6  |  |  |
| 7  |  |  |
| 8  |  |  |
| 9  |  |  |
| 10 |  |  |
| 11 |  |  |
| 12 |  |  |
| 13 |  |  |
| 14 |  |  |
| 15 |  |  |
| 16 |  |  |
| 17 |  |  |
| 18 |  |  |
| 19 |  |  |
| 20 |  |  |
| 21 |  |  |
| 22 |  |  |
| 23 |  |  |
| 24 |  |  |
| 25 |  |  |
| 26 |  |  |
| 27 |  |  |
| 28 |  |  |

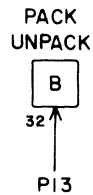
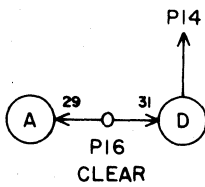
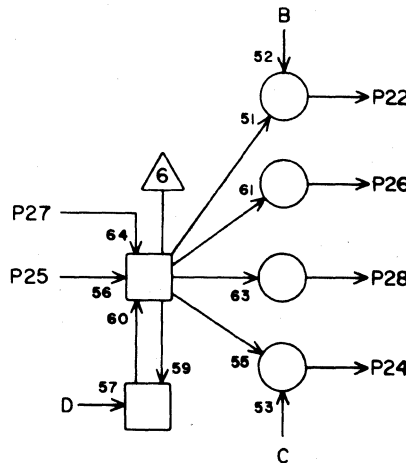
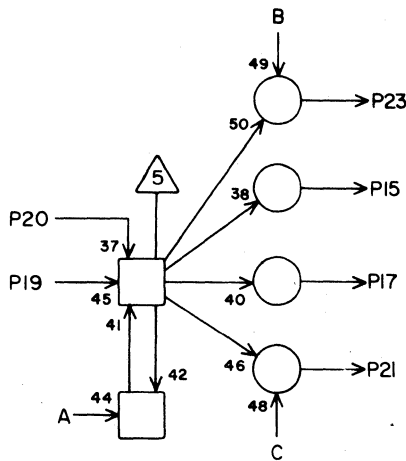
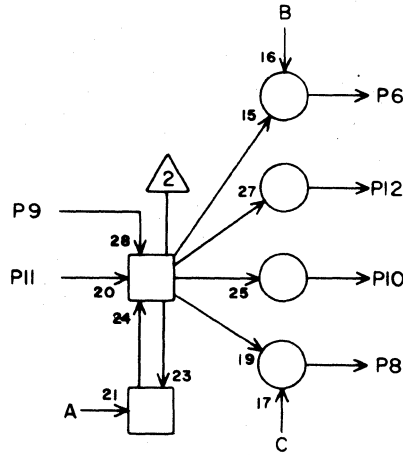
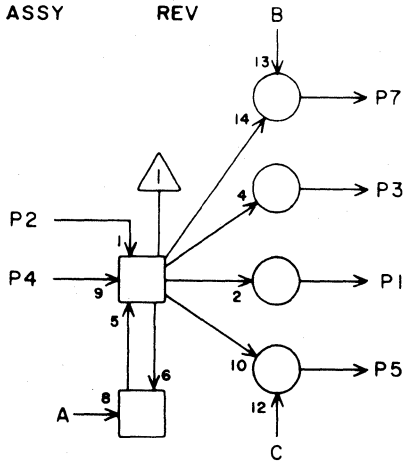
JACK PIN LG

CIRCUIT SPECIFICATION 11827600  
60042700 Rev. J

LS 63053400  
ASSY

REV

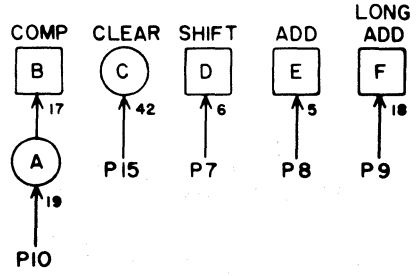
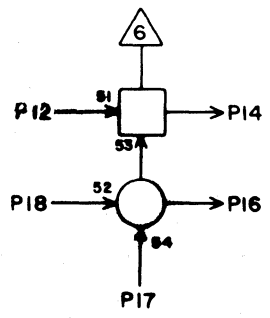
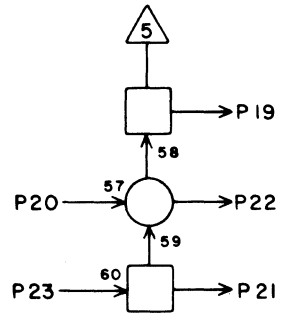
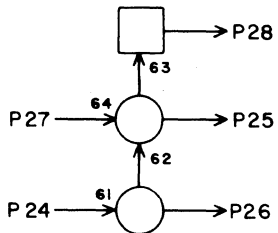
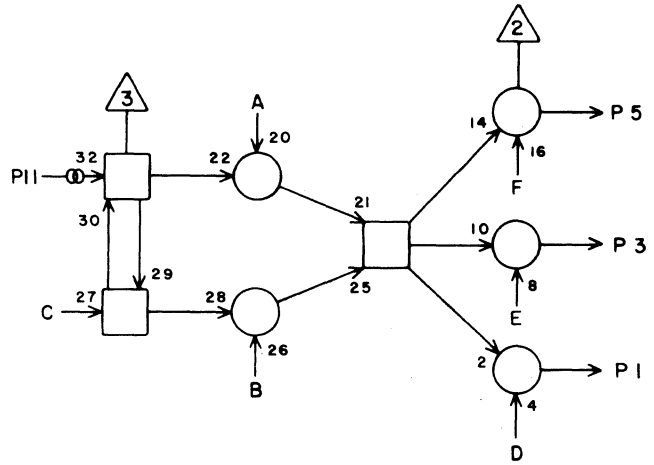
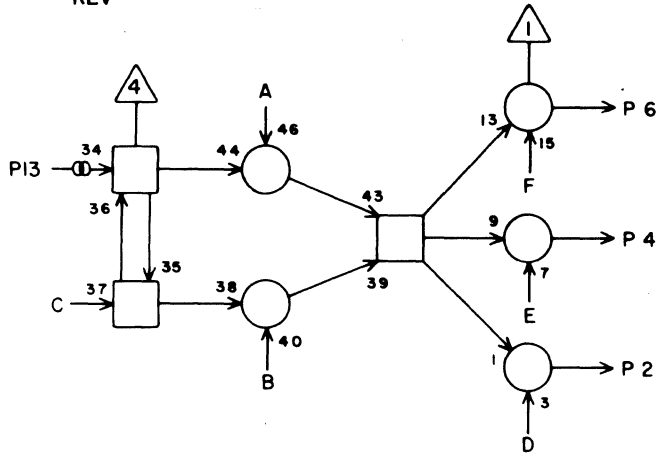
KO



|    |  |  |  |
|----|--|--|--|
| 1  |  |  |  |
| 2  |  |  |  |
| 3  |  |  |  |
| 4  |  |  |  |
| 5  |  |  |  |
| 6  |  |  |  |
| 7  |  |  |  |
| 8  |  |  |  |
| 9  |  |  |  |
| 10 |  |  |  |
| 11 |  |  |  |
| 12 |  |  |  |
| 13 |  |  |  |
| 14 |  |  |  |
| 15 |  |  |  |
| 16 |  |  |  |
| 17 |  |  |  |
| 18 |  |  |  |
| 19 |  |  |  |
| 20 |  |  |  |
| 21 |  |  |  |
| 22 |  |  |  |
| 23 |  |  |  |
| 24 |  |  |  |
| 25 |  |  |  |
| 26 |  |  |  |
| 27 |  |  |  |
| 28 |  |  |  |

JACK PIN LG  
CIRCUIT SPECIFICATION 11827600

60042700 Rev. J



|    |  |  |  |
|----|--|--|--|
| 1  |  |  |  |
| 2  |  |  |  |
| 3  |  |  |  |
| 4  |  |  |  |
| 5  |  |  |  |
| 6  |  |  |  |
| 7  |  |  |  |
| 8  |  |  |  |
| 9  |  |  |  |
| 10 |  |  |  |
| 11 |  |  |  |
| 12 |  |  |  |
| 13 |  |  |  |
| 14 |  |  |  |
| 15 |  |  |  |
| 16 |  |  |  |
| 17 |  |  |  |
| 18 |  |  |  |
| 19 |  |  |  |
| 20 |  |  |  |
| 21 |  |  |  |
| 22 |  |  |  |
| 23 |  |  |  |
| 24 |  |  |  |
| 25 |  |  |  |
| 26 |  |  |  |
| 27 |  |  |  |
| 28 |  |  |  |

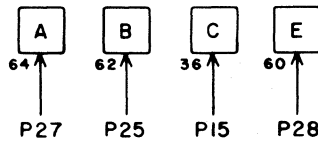
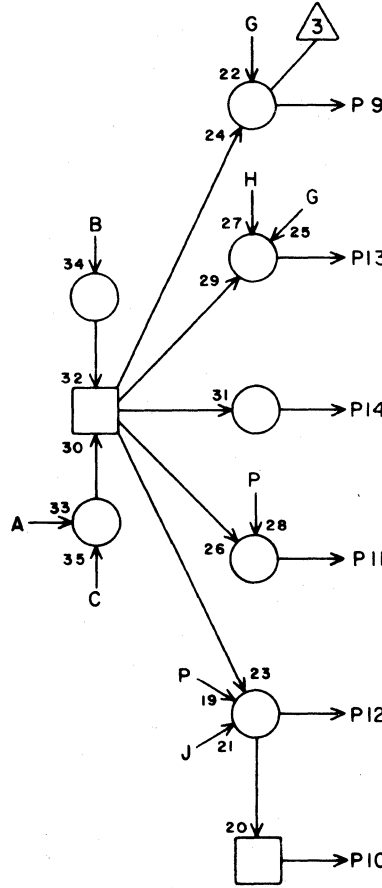
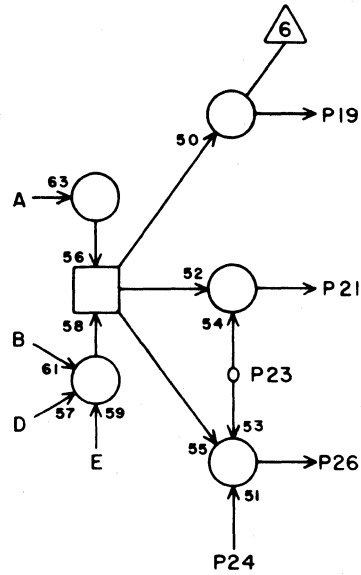
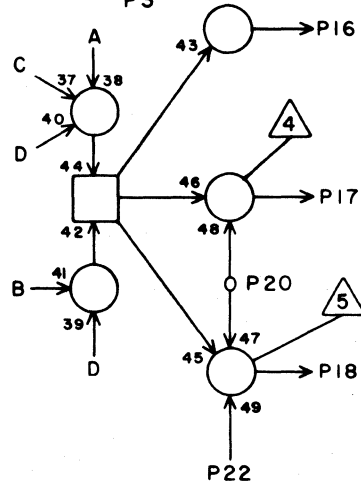
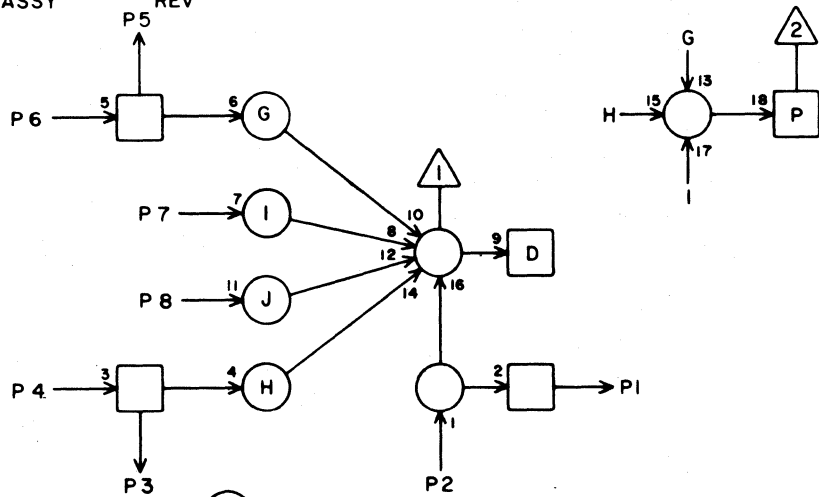
JACK PIN LG

CIRCUIT SPECIFICATION 11827600

LS 63053600  
ASSY

REV

KQ



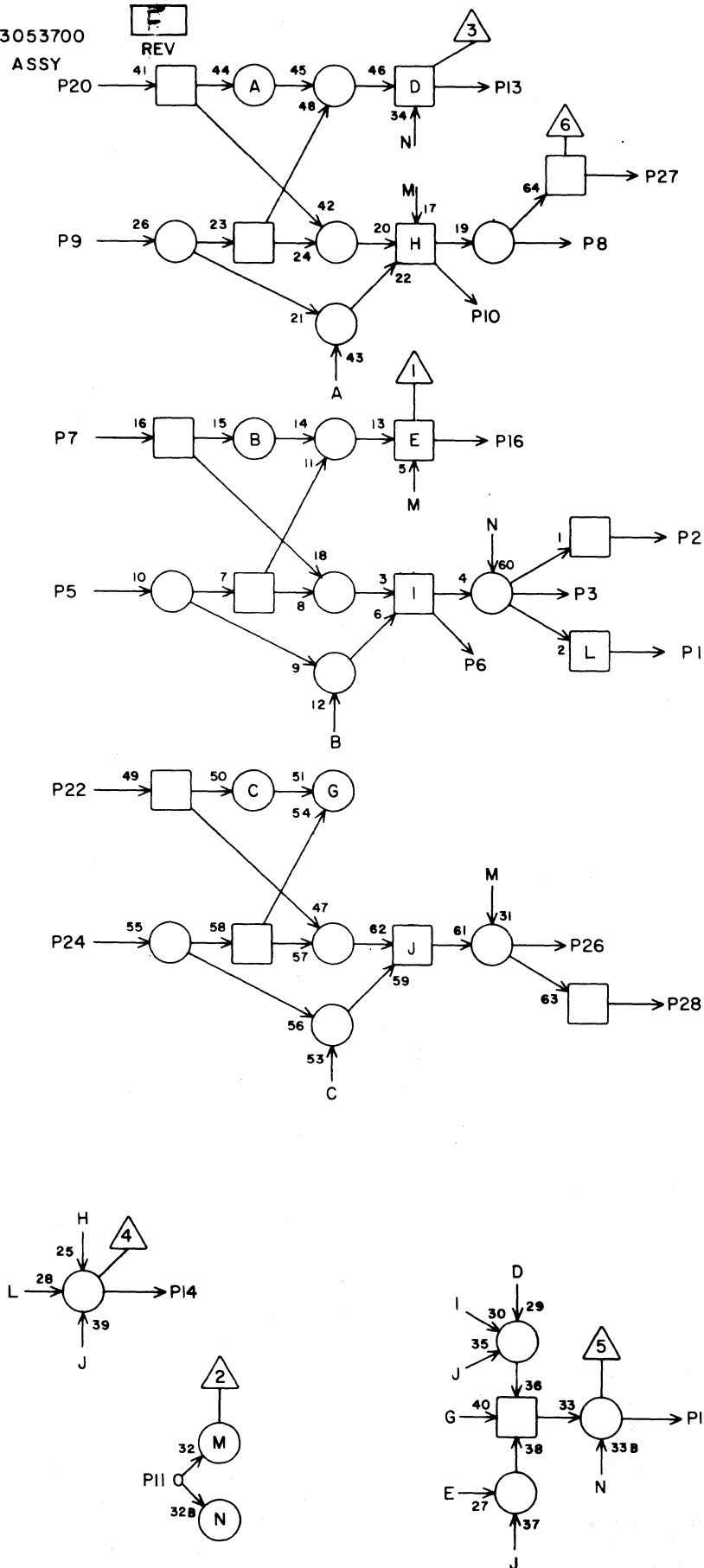
|    |  |  |  |
|----|--|--|--|
| 1  |  |  |  |
| 2  |  |  |  |
| 3  |  |  |  |
| 4  |  |  |  |
| 5  |  |  |  |
| 6  |  |  |  |
| 7  |  |  |  |
| 8  |  |  |  |
| 9  |  |  |  |
| 10 |  |  |  |
| 11 |  |  |  |
| 12 |  |  |  |
| 13 |  |  |  |
| 14 |  |  |  |
| 15 |  |  |  |
| 16 |  |  |  |
| 17 |  |  |  |
| 18 |  |  |  |
| 19 |  |  |  |
| 20 |  |  |  |
| 21 |  |  |  |
| 22 |  |  |  |
| 23 |  |  |  |
| 24 |  |  |  |
| 25 |  |  |  |
| 26 |  |  |  |
| 27 |  |  |  |
| 28 |  |  |  |

JACK PIN LG  
CIRCUIT SPECIFICATION 11827600

60042700 Rev. J



LS 63053700  
ASSY



KR

|    |  |  |  |
|----|--|--|--|
| 1  |  |  |  |
| 2  |  |  |  |
| 3  |  |  |  |
| 4  |  |  |  |
| 5  |  |  |  |
| 6  |  |  |  |
| 7  |  |  |  |
| 8  |  |  |  |
| 9  |  |  |  |
| 10 |  |  |  |
| 11 |  |  |  |
| 12 |  |  |  |
| 13 |  |  |  |
| 14 |  |  |  |
| 15 |  |  |  |
| 16 |  |  |  |
| 17 |  |  |  |
| 18 |  |  |  |
| 19 |  |  |  |
| 20 |  |  |  |
| 21 |  |  |  |
| 22 |  |  |  |
| 23 |  |  |  |
| 24 |  |  |  |
| 25 |  |  |  |
| 26 |  |  |  |
| 27 |  |  |  |
| 28 |  |  |  |

JACK PIN LG  
CIRCUIT SPECIFICATION 11827600

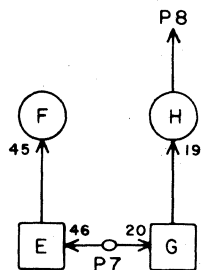
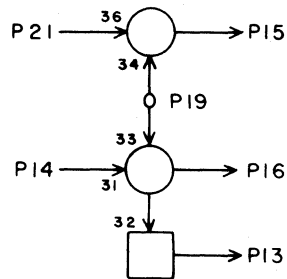
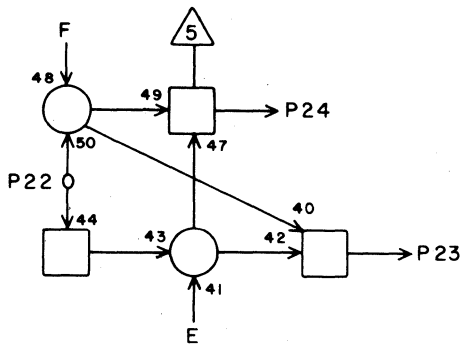
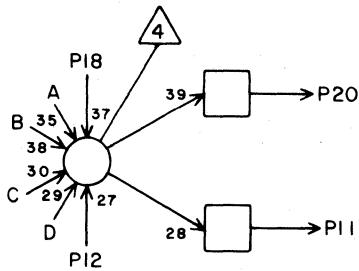
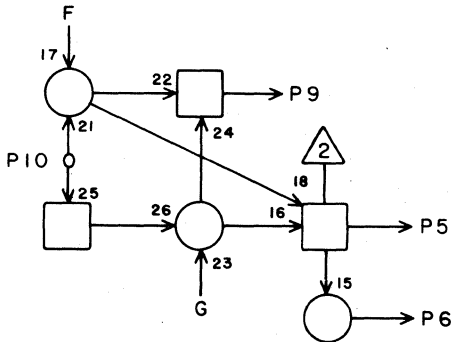
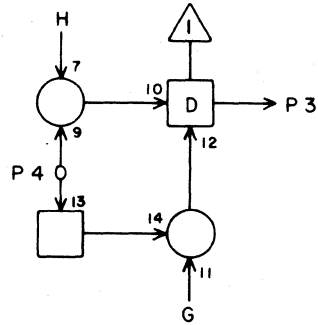
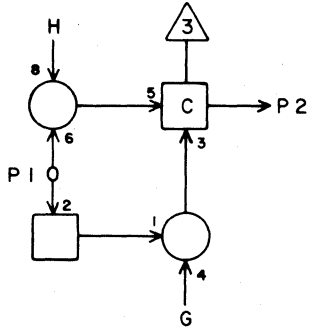
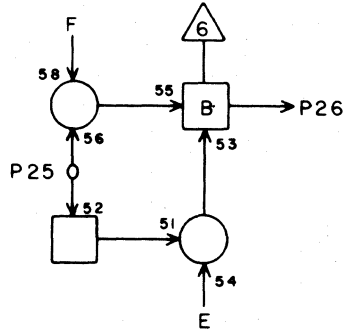
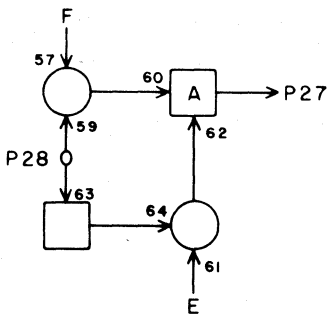
60042700 Rev. J

LS 63053800  
ASSY

**C**  
REV

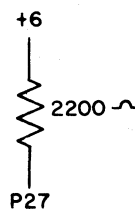
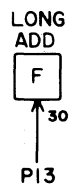
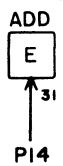
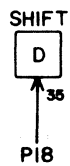
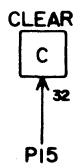
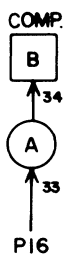
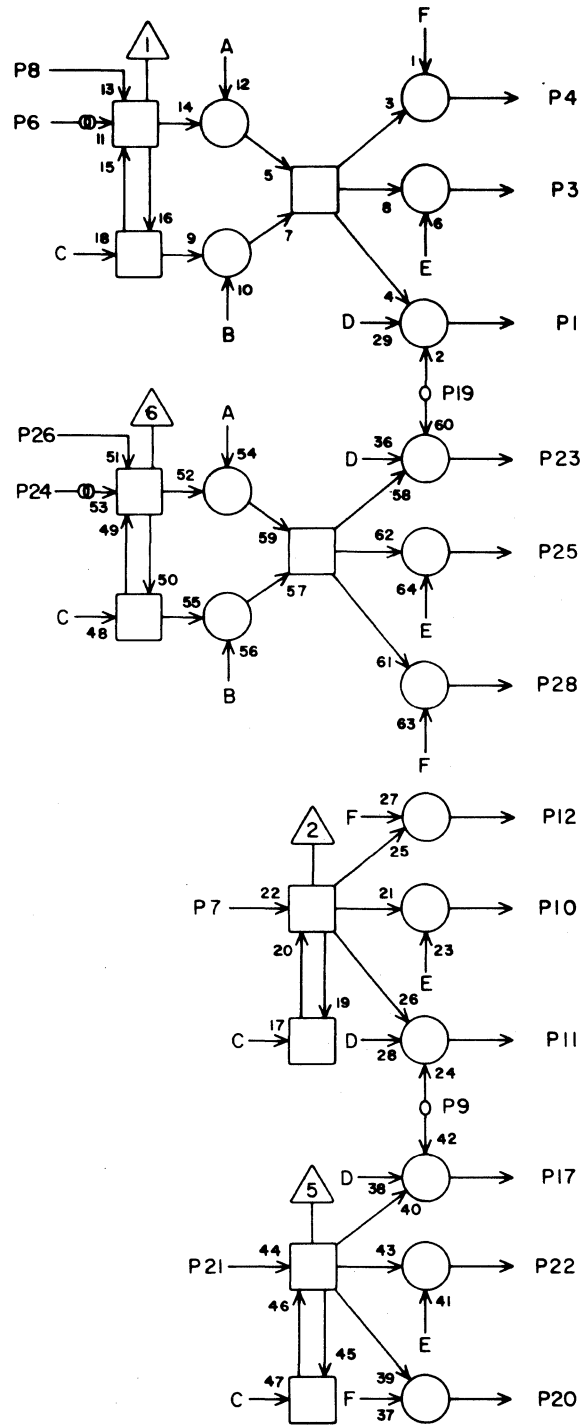
KS

[ ]



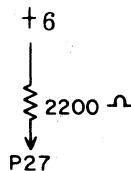
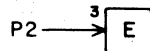
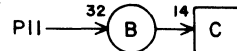
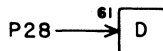
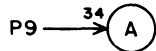
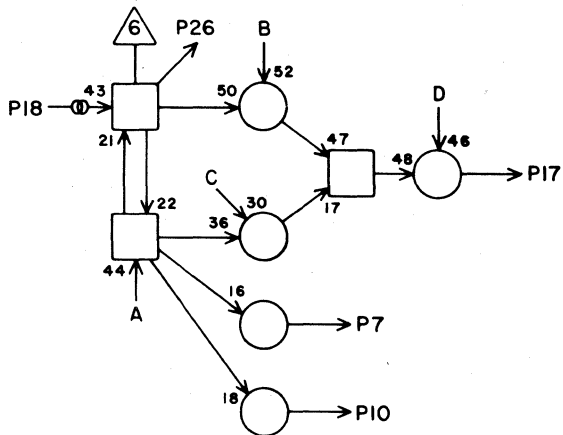
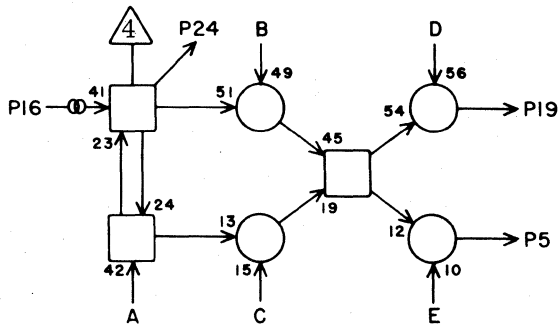
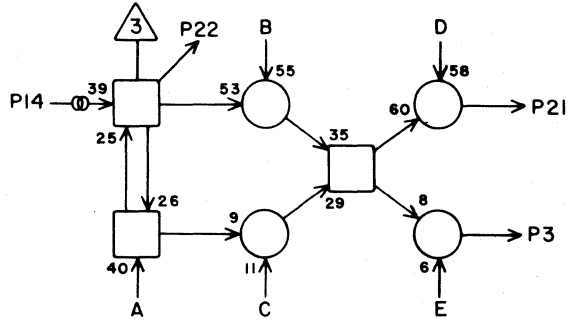
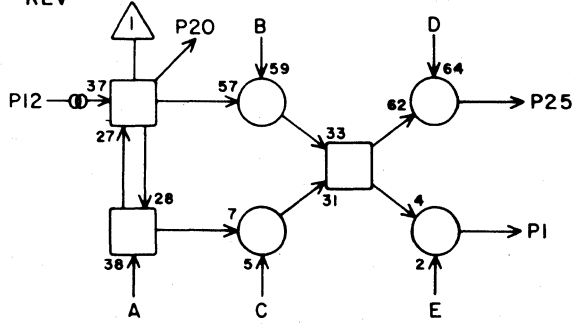
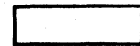
|    |  |  |  |
|----|--|--|--|
| 1  |  |  |  |
| 2  |  |  |  |
| 3  |  |  |  |
| 4  |  |  |  |
| 5  |  |  |  |
| 6  |  |  |  |
| 7  |  |  |  |
| 8  |  |  |  |
| 9  |  |  |  |
| 10 |  |  |  |
| 11 |  |  |  |
| 12 |  |  |  |
| 13 |  |  |  |
| 14 |  |  |  |
| 15 |  |  |  |
| 16 |  |  |  |
| 17 |  |  |  |
| 18 |  |  |  |
| 19 |  |  |  |
| 20 |  |  |  |
| 21 |  |  |  |
| 22 |  |  |  |
| 23 |  |  |  |
| 24 |  |  |  |
| 25 |  |  |  |
| 26 |  |  |  |
| 27 |  |  |  |
| 28 |  |  |  |

JACK PIN LG  
CIRCUIT SPECIFICATION I1827600



|    |  |  |  |
|----|--|--|--|
| 1  |  |  |  |
| 2  |  |  |  |
| 3  |  |  |  |
| 4  |  |  |  |
| 5  |  |  |  |
| 6  |  |  |  |
| 7  |  |  |  |
| 8  |  |  |  |
| 9  |  |  |  |
| 10 |  |  |  |
| 11 |  |  |  |
| 12 |  |  |  |
| 13 |  |  |  |
| 14 |  |  |  |
| 15 |  |  |  |
| 16 |  |  |  |
| 17 |  |  |  |
| 18 |  |  |  |
| 19 |  |  |  |
| 20 |  |  |  |
| 21 |  |  |  |
| 22 |  |  |  |
| 23 |  |  |  |
| 24 |  |  |  |
| 25 |  |  |  |
| 26 |  |  |  |
| 27 |  |  |  |
| 28 |  |  |  |

JACK PIN LG  
CIRCUIT SPECIFICATION 11827600



|    |  |  |  |
|----|--|--|--|
| 1  |  |  |  |
| 2  |  |  |  |
| 3  |  |  |  |
| 4  |  |  |  |
| 5  |  |  |  |
| 6  |  |  |  |
| 7  |  |  |  |
| 8  |  |  |  |
| 9  |  |  |  |
| 10 |  |  |  |
| 11 |  |  |  |
| 12 |  |  |  |
| 13 |  |  |  |
| 14 |  |  |  |
| 15 |  |  |  |
| 16 |  |  |  |
| 17 |  |  |  |
| 18 |  |  |  |
| 19 |  |  |  |
| 20 |  |  |  |
| 21 |  |  |  |
| 22 |  |  |  |
| 23 |  |  |  |
| 24 |  |  |  |
| 25 |  |  |  |
| 26 |  |  |  |
| 27 |  |  |  |
| 28 |  |  |  |

JACK PIN LG

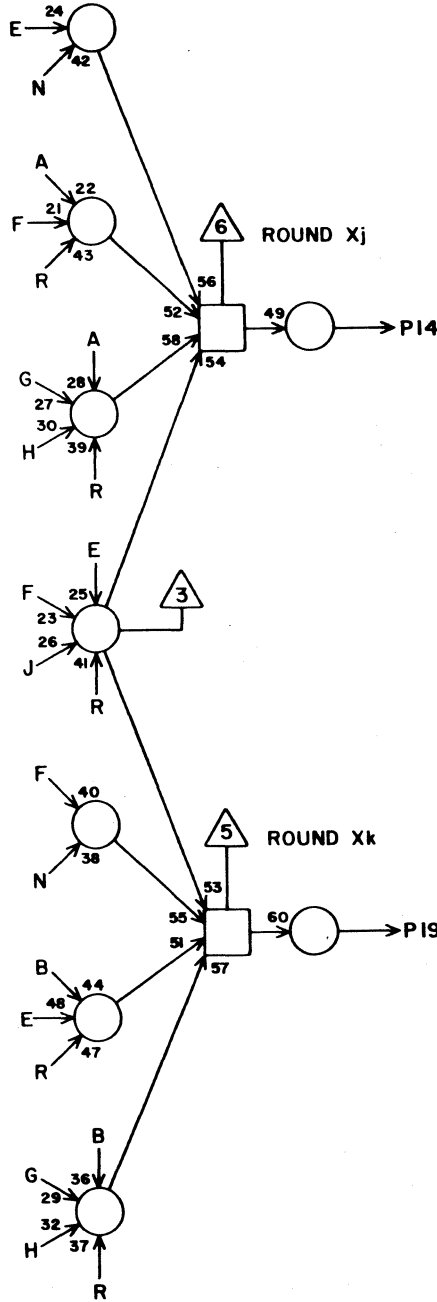
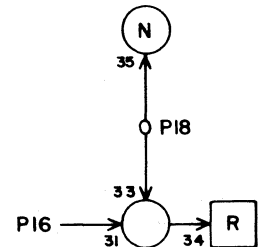
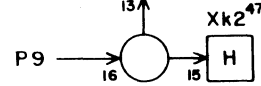
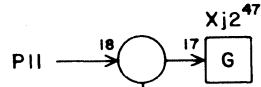
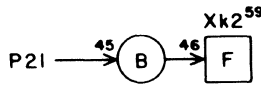
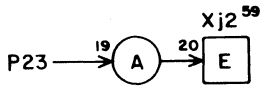
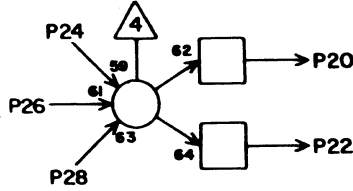
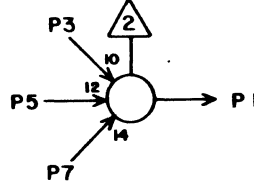
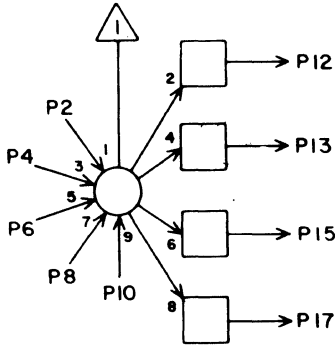
CIRCUIT SPECIFICATION 11827600

60042700 Rev. AP

LS 6306 9100  
ASSY

C  
REV

KV



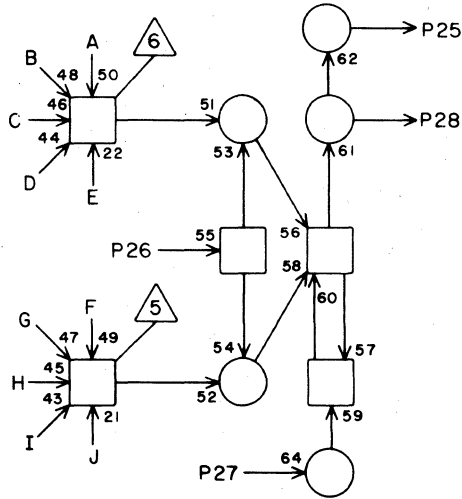
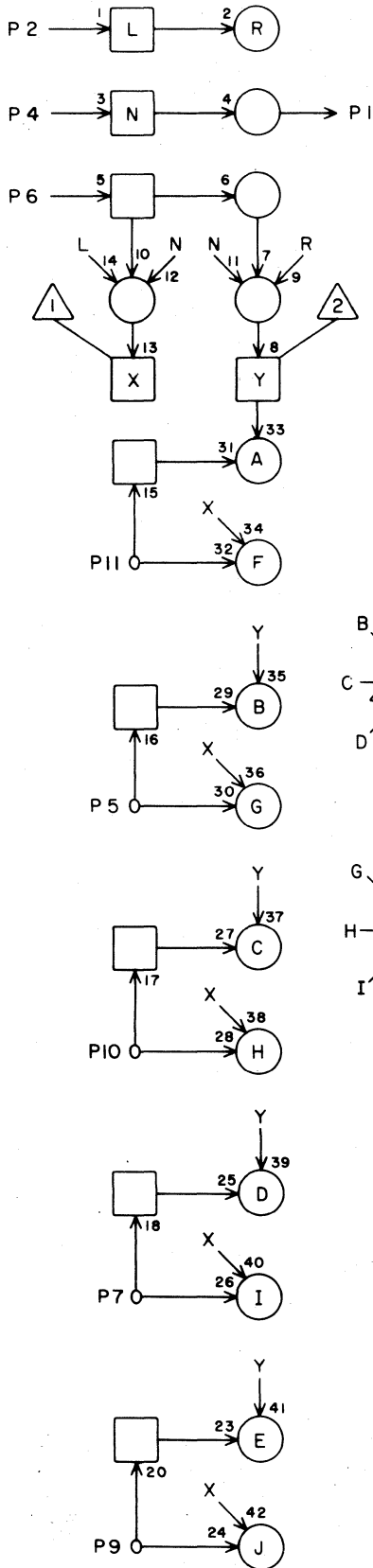
|    |  |  |  |
|----|--|--|--|
| 1  |  |  |  |
| 2  |  |  |  |
| 3  |  |  |  |
| 4  |  |  |  |
| 5  |  |  |  |
| 6  |  |  |  |
| 7  |  |  |  |
| 8  |  |  |  |
| 9  |  |  |  |
| 10 |  |  |  |
| 11 |  |  |  |
| 12 |  |  |  |
| 13 |  |  |  |
| 14 |  |  |  |
| 15 |  |  |  |
| 16 |  |  |  |
| 17 |  |  |  |
| 18 |  |  |  |
| 19 |  |  |  |
| 20 |  |  |  |
| 21 |  |  |  |
| 22 |  |  |  |
| 23 |  |  |  |
| 24 |  |  |  |
| 25 |  |  |  |
| 26 |  |  |  |
| 27 |  |  |  |
| 28 |  |  |  |

JACK PIN LG  
CIRCUIT SPECIFICATION 11827600

60042700 Rev. P

LS 63069000 [D] REV

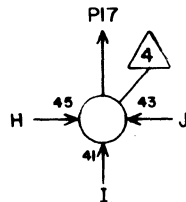
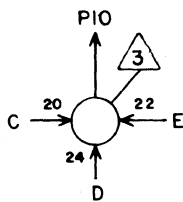
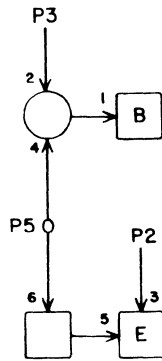
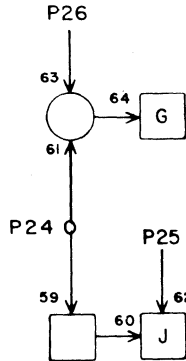
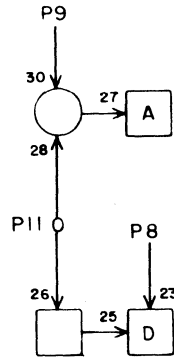
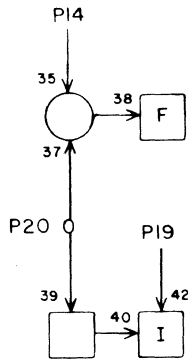
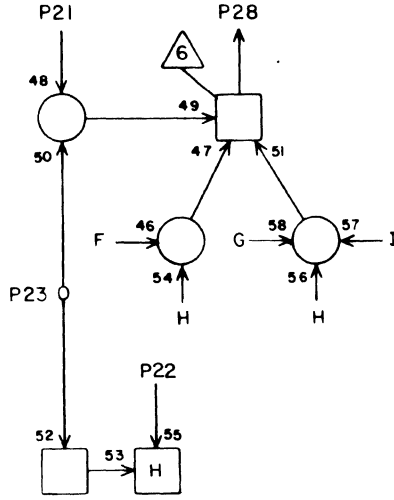
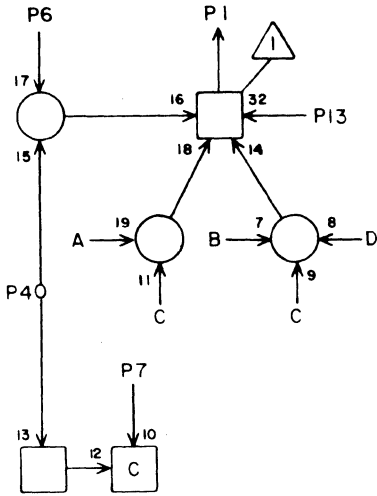
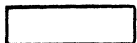
KW



|    |  |  |  |
|----|--|--|--|
| 1  |  |  |  |
| 2  |  |  |  |
| 3  |  |  |  |
| 4  |  |  |  |
| 5  |  |  |  |
| 6  |  |  |  |
| 7  |  |  |  |
| 8  |  |  |  |
| 9  |  |  |  |
| 10 |  |  |  |
| 11 |  |  |  |
| 12 |  |  |  |
| 13 |  |  |  |
| 14 |  |  |  |
| 15 |  |  |  |
| 16 |  |  |  |
| 17 |  |  |  |
| 18 |  |  |  |
| 19 |  |  |  |
| 20 |  |  |  |
| 21 |  |  |  |
| 22 |  |  |  |
| 23 |  |  |  |
| 24 |  |  |  |
| 25 |  |  |  |
| 26 |  |  |  |
| 27 |  |  |  |
| 28 |  |  |  |

JACK PIN LG

CIRCUIT SPECIFICATION 11827600  
60042700 Rev. J

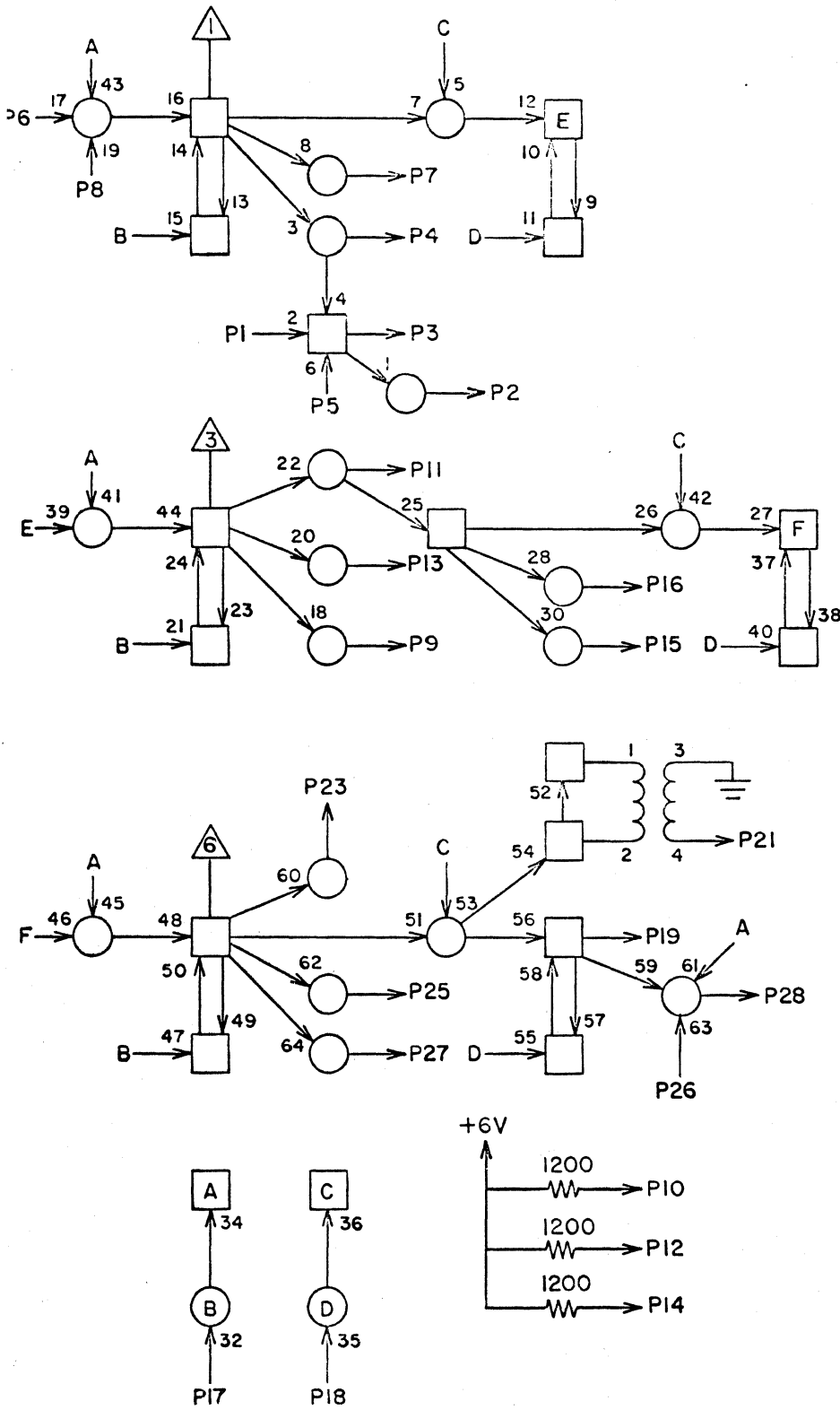


|    |  |  |  |
|----|--|--|--|
| 1  |  |  |  |
| 2  |  |  |  |
| 3  |  |  |  |
| 4  |  |  |  |
| 5  |  |  |  |
| 6  |  |  |  |
| 7  |  |  |  |
| 8  |  |  |  |
| 9  |  |  |  |
| 10 |  |  |  |
| 11 |  |  |  |
| 12 |  |  |  |
| 13 |  |  |  |
| 14 |  |  |  |
| 15 |  |  |  |
| 16 |  |  |  |
| 17 |  |  |  |
| 18 |  |  |  |
| 19 |  |  |  |
| 20 |  |  |  |
| 21 |  |  |  |
| 22 |  |  |  |
| 23 |  |  |  |
| 24 |  |  |  |
| 25 |  |  |  |
| 26 |  |  |  |
| 27 |  |  |  |
| 28 |  |  |  |

JACK PIN LG  
CIRCUIT SPECIFICATION 11827600

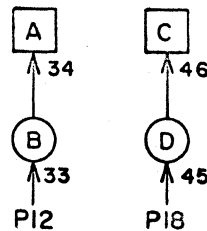
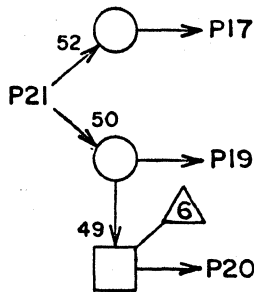
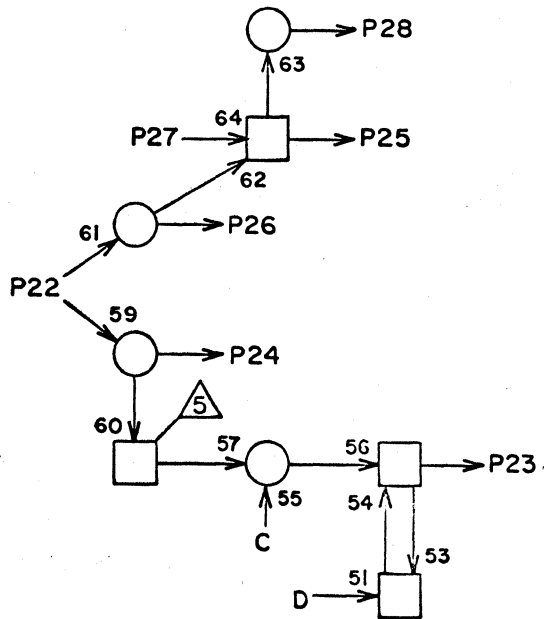
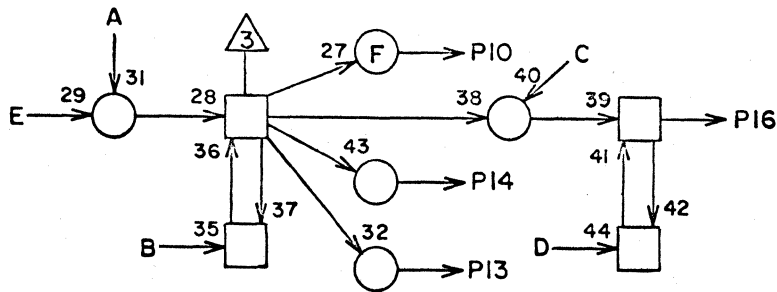
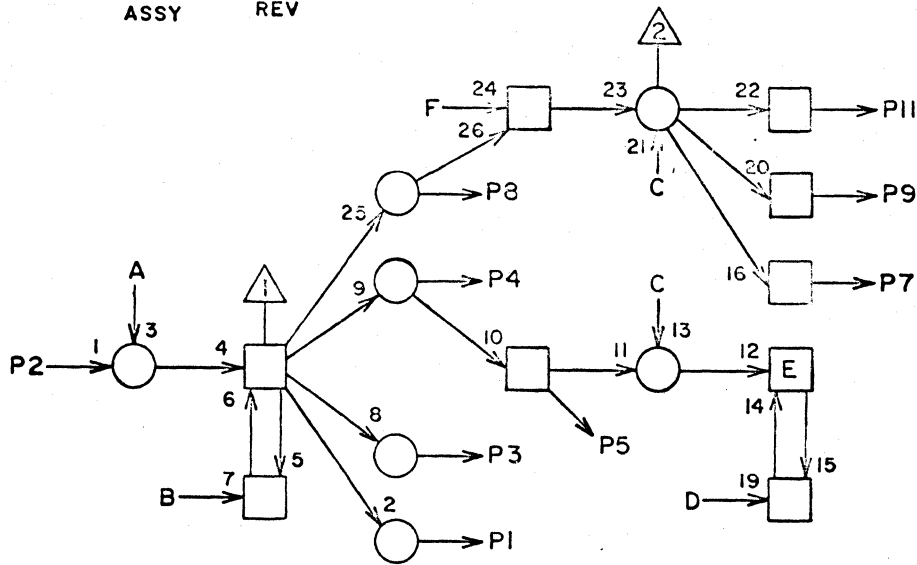






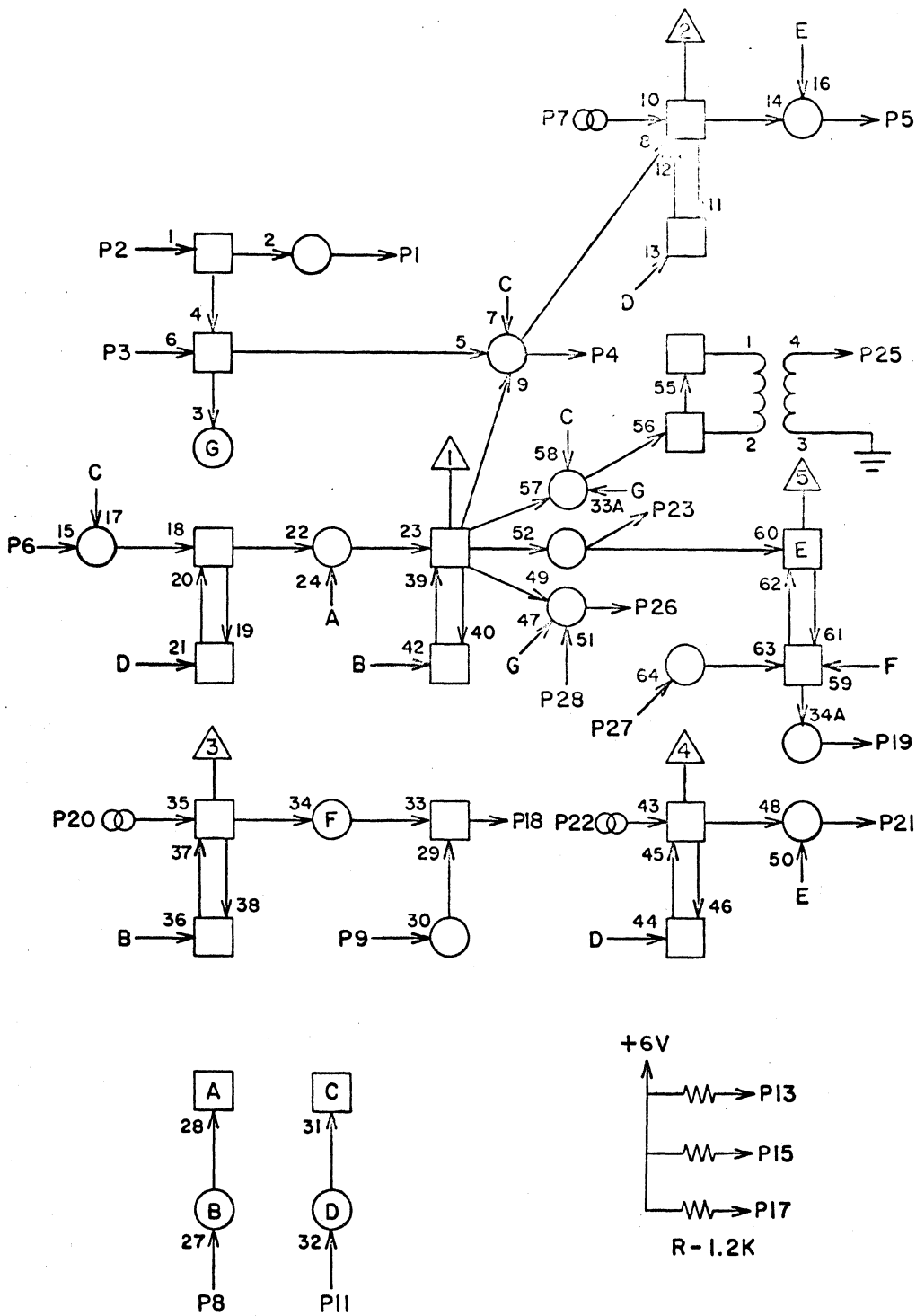
|    |  |  |  |
|----|--|--|--|
| 1  |  |  |  |
| 2  |  |  |  |
| 3  |  |  |  |
| 4  |  |  |  |
| 5  |  |  |  |
| 6  |  |  |  |
| 7  |  |  |  |
| 8  |  |  |  |
| 9  |  |  |  |
| 10 |  |  |  |
| 11 |  |  |  |
| 12 |  |  |  |
| 13 |  |  |  |
| 14 |  |  |  |
| 15 |  |  |  |
| 16 |  |  |  |
| 17 |  |  |  |
| 18 |  |  |  |
| 19 |  |  |  |
| 20 |  |  |  |
| 21 |  |  |  |
| 22 |  |  |  |
| 23 |  |  |  |
| 24 |  |  |  |
| 25 |  |  |  |
| 26 |  |  |  |
| 27 |  |  |  |
| 28 |  |  |  |

JACK PIN LG



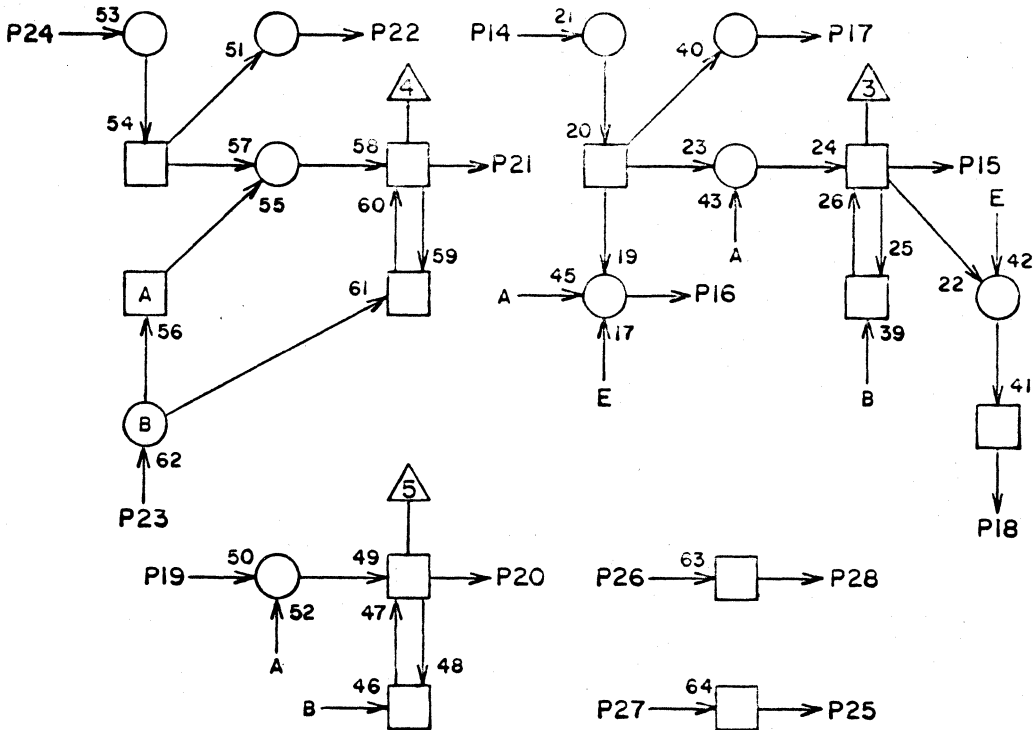
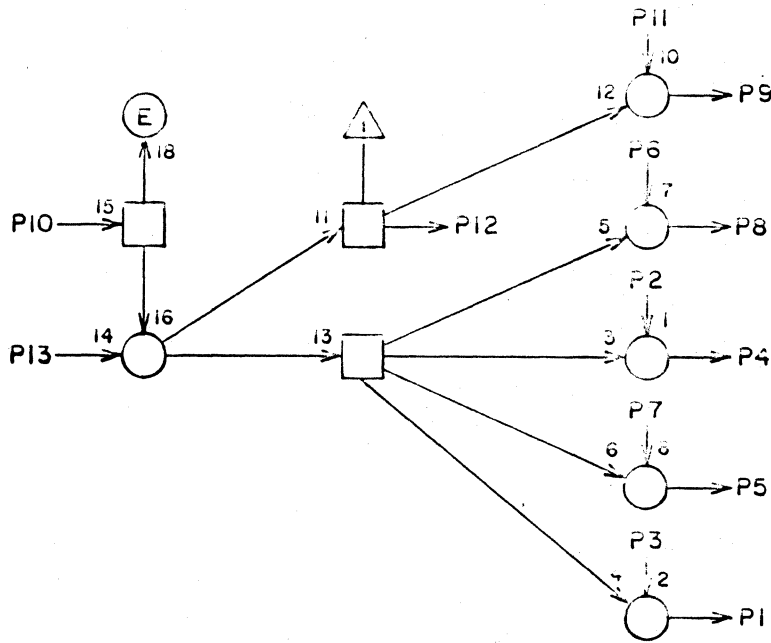
|    |  |  |
|----|--|--|
| 1  |  |  |
| 2  |  |  |
| 3  |  |  |
| 4  |  |  |
| 5  |  |  |
| 6  |  |  |
| 7  |  |  |
| 8  |  |  |
| 9  |  |  |
| 10 |  |  |
| 11 |  |  |
| 12 |  |  |
| 13 |  |  |
| 14 |  |  |
| 15 |  |  |
| 16 |  |  |
| 17 |  |  |
| 18 |  |  |
| 19 |  |  |
| 20 |  |  |
| 21 |  |  |
| 22 |  |  |
| 23 |  |  |
| 24 |  |  |
| 25 |  |  |
| 26 |  |  |
| 27 |  |  |
| 28 |  |  |

JACK PIN LG



|    |  |  |
|----|--|--|
| 1  |  |  |
| 2  |  |  |
| 3  |  |  |
| 4  |  |  |
| 5  |  |  |
| 6  |  |  |
| 7  |  |  |
| 8  |  |  |
| 9  |  |  |
| 10 |  |  |
| 11 |  |  |
| 12 |  |  |
| 13 |  |  |
| 14 |  |  |
| 15 |  |  |
| 16 |  |  |
| 17 |  |  |
| 18 |  |  |
| 19 |  |  |
| 20 |  |  |
| 21 |  |  |
| 22 |  |  |
| 23 |  |  |
| 24 |  |  |
| 25 |  |  |
| 26 |  |  |
| 27 |  |  |
| 28 |  |  |

JACK PIN LG



|    |  |  |  |
|----|--|--|--|
| 1  |  |  |  |
| 2  |  |  |  |
| 3  |  |  |  |
| 4  |  |  |  |
| 5  |  |  |  |
| 6  |  |  |  |
| 7  |  |  |  |
| 8  |  |  |  |
| 9  |  |  |  |
| 10 |  |  |  |
| 11 |  |  |  |
| 12 |  |  |  |
| 13 |  |  |  |
| 14 |  |  |  |
| 15 |  |  |  |
| 16 |  |  |  |
| 17 |  |  |  |
| 18 |  |  |  |
| 19 |  |  |  |
| 20 |  |  |  |
| 21 |  |  |  |
| 22 |  |  |  |
| 23 |  |  |  |
| 24 |  |  |  |
| 25 |  |  |  |
| 26 |  |  |  |
| 27 |  |  |  |
| 28 |  |  |  |

JACK PIN LG

CIRCUIT SPECIFICATION 11827600

60042700 Rev. F





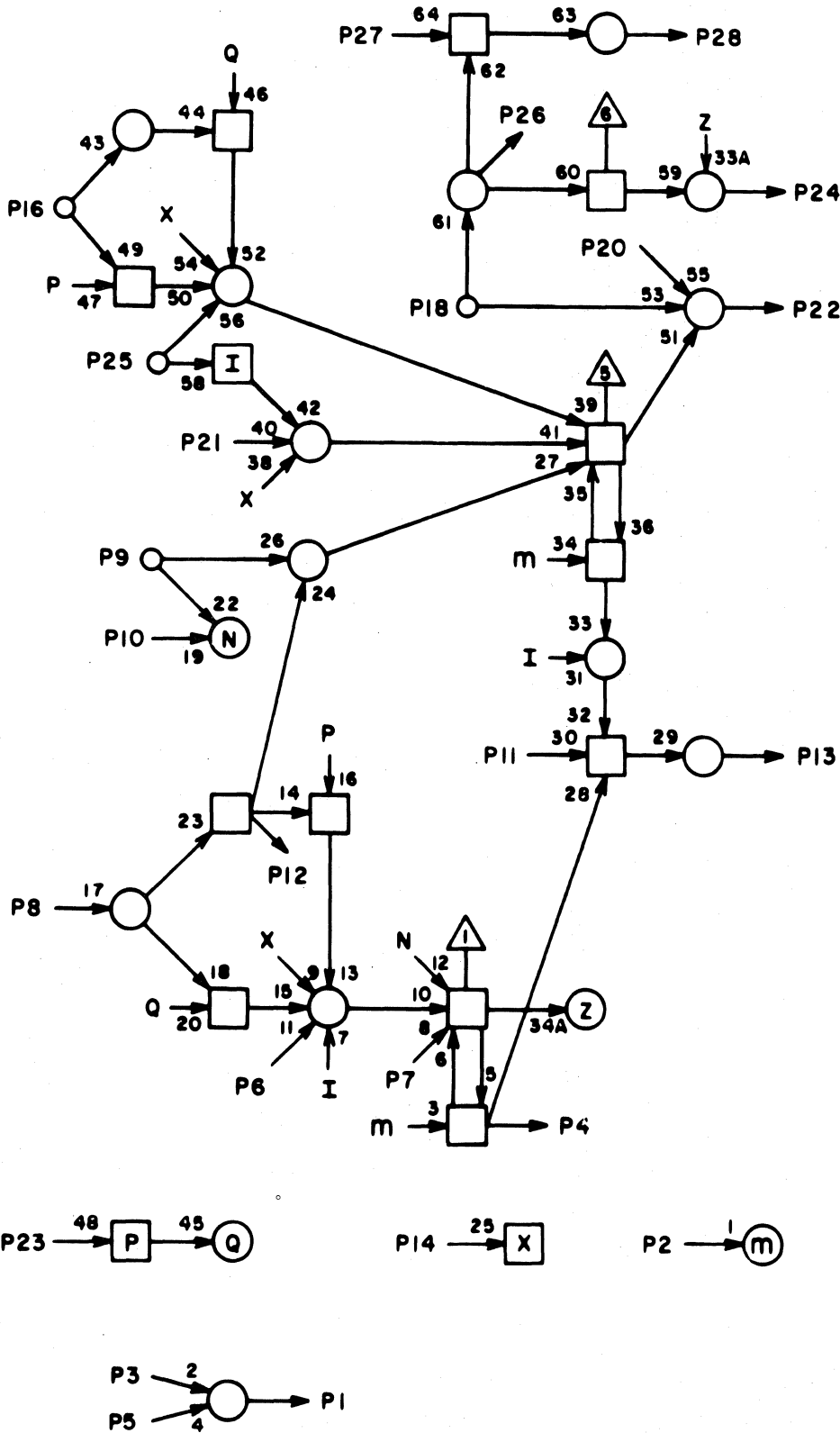


LS 18200100  
ASSY

**B**  
REV

LH

[ ]



|    |  |  |  |
|----|--|--|--|
| 1  |  |  |  |
| 2  |  |  |  |
| 3  |  |  |  |
| 4  |  |  |  |
| 5  |  |  |  |
| 6  |  |  |  |
| 7  |  |  |  |
| 8  |  |  |  |
| 9  |  |  |  |
| 10 |  |  |  |
| 11 |  |  |  |
| 12 |  |  |  |
| 13 |  |  |  |
| 14 |  |  |  |
| 15 |  |  |  |
| 16 |  |  |  |
| 17 |  |  |  |
| 18 |  |  |  |
| 19 |  |  |  |
| 20 |  |  |  |
| 21 |  |  |  |
| 22 |  |  |  |
| 23 |  |  |  |
| 24 |  |  |  |
| 25 |  |  |  |
| 26 |  |  |  |
| 27 |  |  |  |
| 28 |  |  |  |

JACK PIN LG

SEE CIRCUIT  
SPECIFICATION 11827600  
60042700 Rev. P

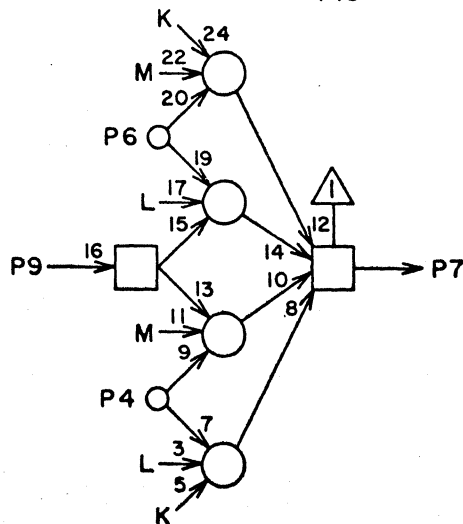
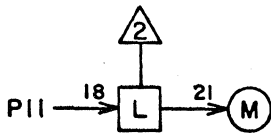
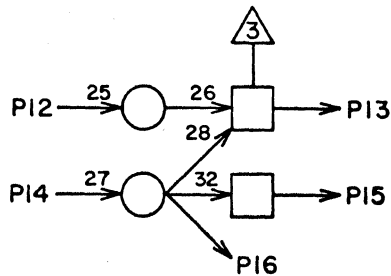
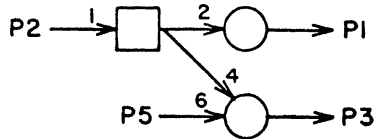
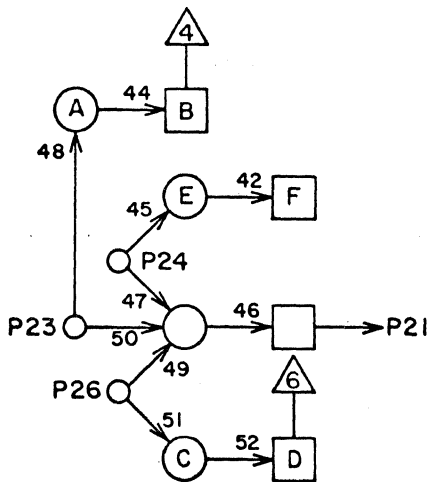
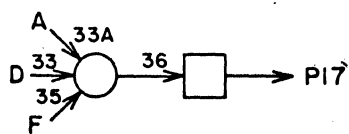
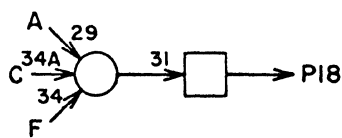
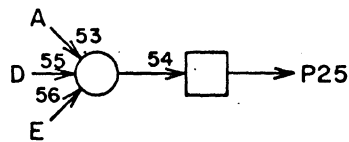
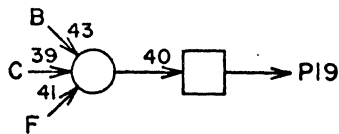
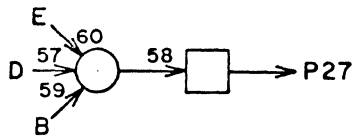
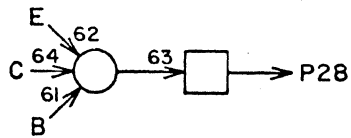


LS 18200300

C  
REV

ASSY

LI



|    |  |  |  |
|----|--|--|--|
| 1  |  |  |  |
| 2  |  |  |  |
| 3  |  |  |  |
| 4  |  |  |  |
| 5  |  |  |  |
| 6  |  |  |  |
| 7  |  |  |  |
| 8  |  |  |  |
| 9  |  |  |  |
| 10 |  |  |  |
| 11 |  |  |  |
| 12 |  |  |  |
| 13 |  |  |  |
| 14 |  |  |  |
| 15 |  |  |  |
| 16 |  |  |  |
| 17 |  |  |  |
| 18 |  |  |  |
| 19 |  |  |  |
| 20 |  |  |  |
| 21 |  |  |  |
| 22 |  |  |  |
| 23 |  |  |  |
| 24 |  |  |  |
| 25 |  |  |  |
| 26 |  |  |  |
| 27 |  |  |  |
| 28 |  |  |  |

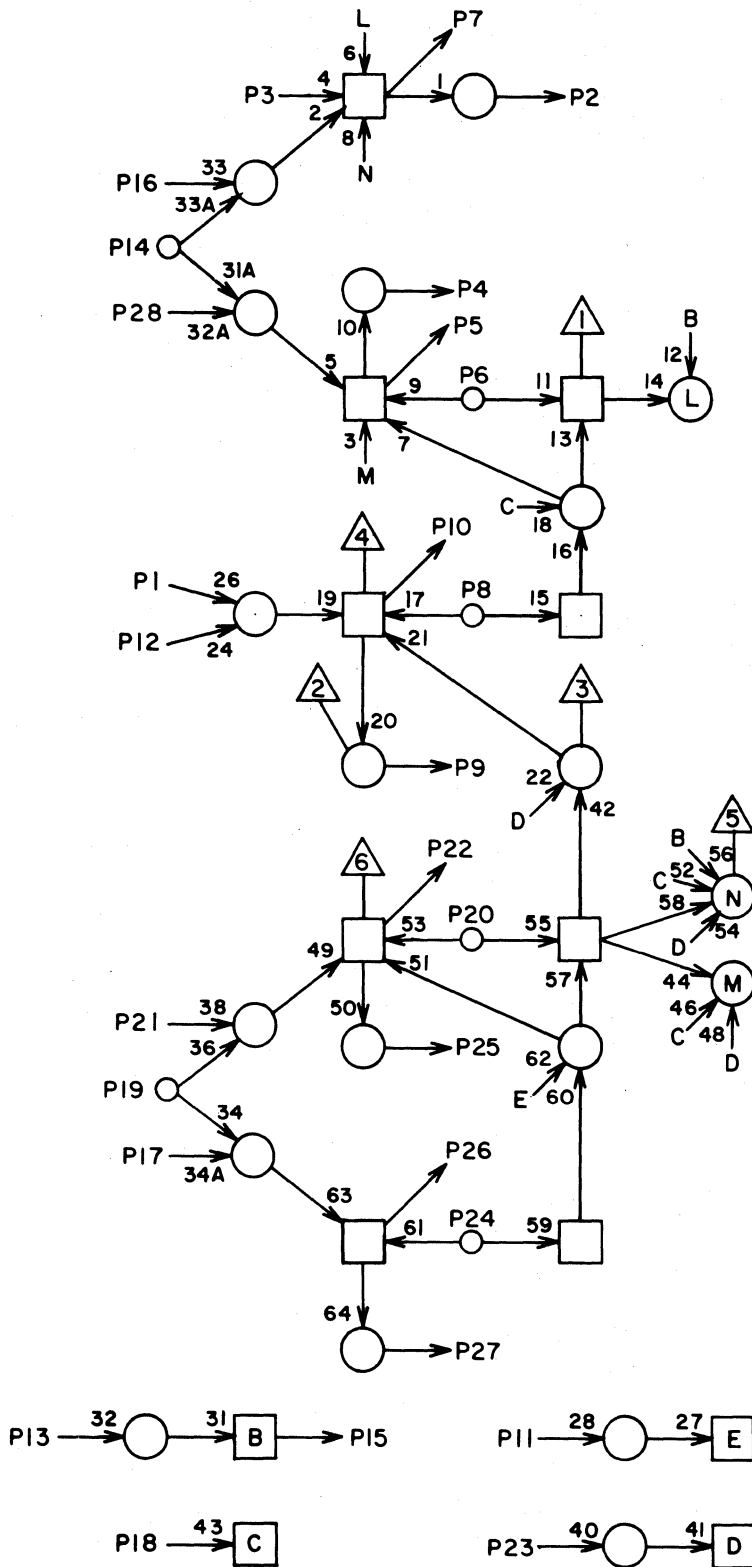
JACK PIN LG

CIRCUIT SPECIFICATION  
11827600  
60042700 Rev. P

LS 18200500  
ASSY

**B**  
REV

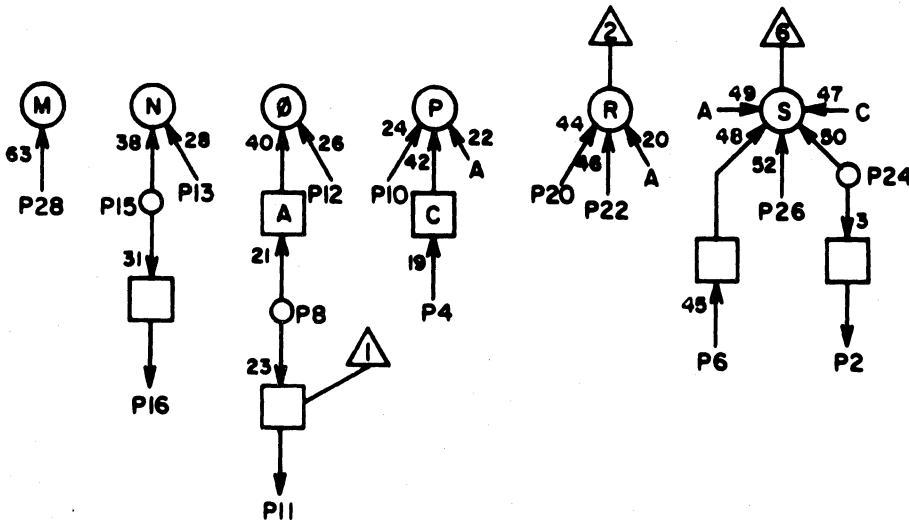
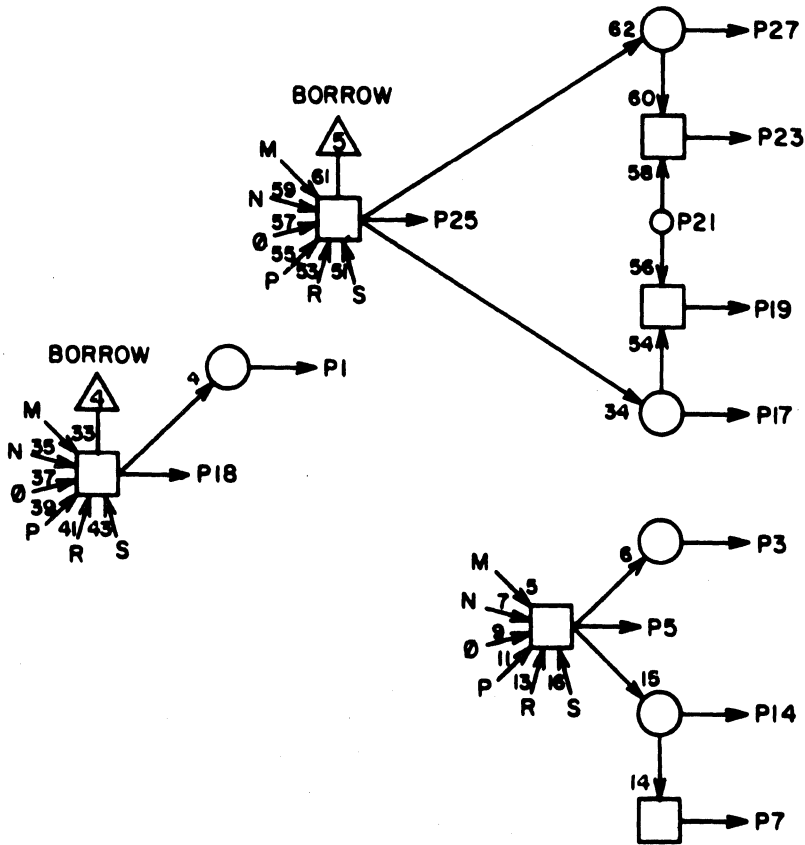
LJ



|    |  |  |  |
|----|--|--|--|
| 1  |  |  |  |
| 2  |  |  |  |
| 3  |  |  |  |
| 4  |  |  |  |
| 5  |  |  |  |
| 6  |  |  |  |
| 7  |  |  |  |
| 8  |  |  |  |
| 9  |  |  |  |
| 10 |  |  |  |
| 11 |  |  |  |
| 12 |  |  |  |
| 13 |  |  |  |
| 14 |  |  |  |
| 15 |  |  |  |
| 16 |  |  |  |
| 17 |  |  |  |
| 18 |  |  |  |
| 19 |  |  |  |
| 20 |  |  |  |
| 21 |  |  |  |
| 22 |  |  |  |
| 23 |  |  |  |
| 24 |  |  |  |
| 25 |  |  |  |
| 26 |  |  |  |
| 27 |  |  |  |
| 28 |  |  |  |

JACK PIN LG

SEE CIRCUIT  
SPECIFICATION 11827600

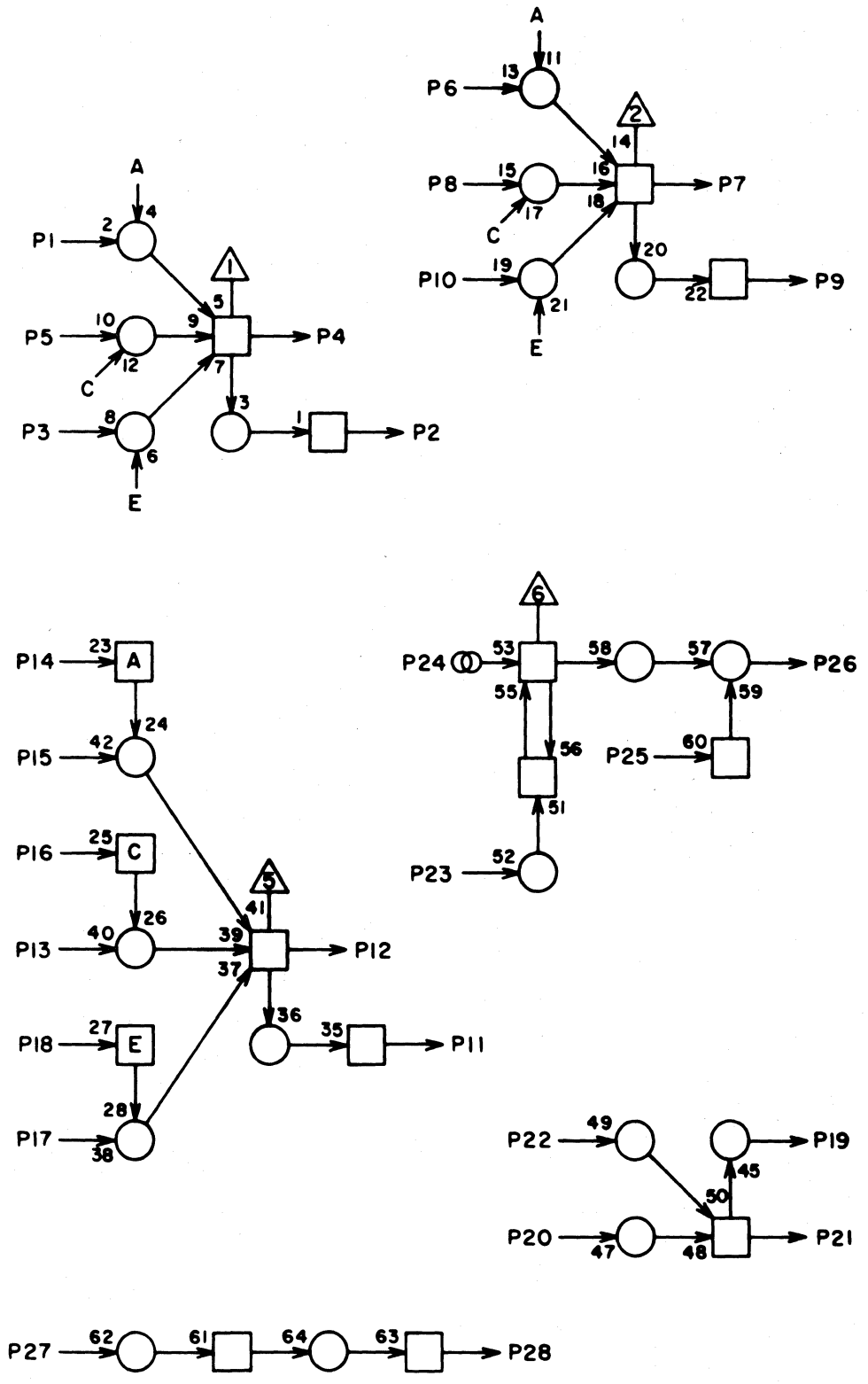
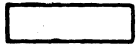


|    |  |  |  |
|----|--|--|--|
| 1  |  |  |  |
| 2  |  |  |  |
| 3  |  |  |  |
| 4  |  |  |  |
| 5  |  |  |  |
| 6  |  |  |  |
| 7  |  |  |  |
| 8  |  |  |  |
| 9  |  |  |  |
| 10 |  |  |  |
| 11 |  |  |  |
| 12 |  |  |  |
| 13 |  |  |  |
| 14 |  |  |  |
| 15 |  |  |  |
| 16 |  |  |  |
| 17 |  |  |  |
| 18 |  |  |  |
| 19 |  |  |  |
| 20 |  |  |  |
| 21 |  |  |  |
| 22 |  |  |  |
| 23 |  |  |  |
| 24 |  |  |  |
| 25 |  |  |  |
| 26 |  |  |  |
| 27 |  |  |  |
| 28 |  |  |  |

JACK PIN LG

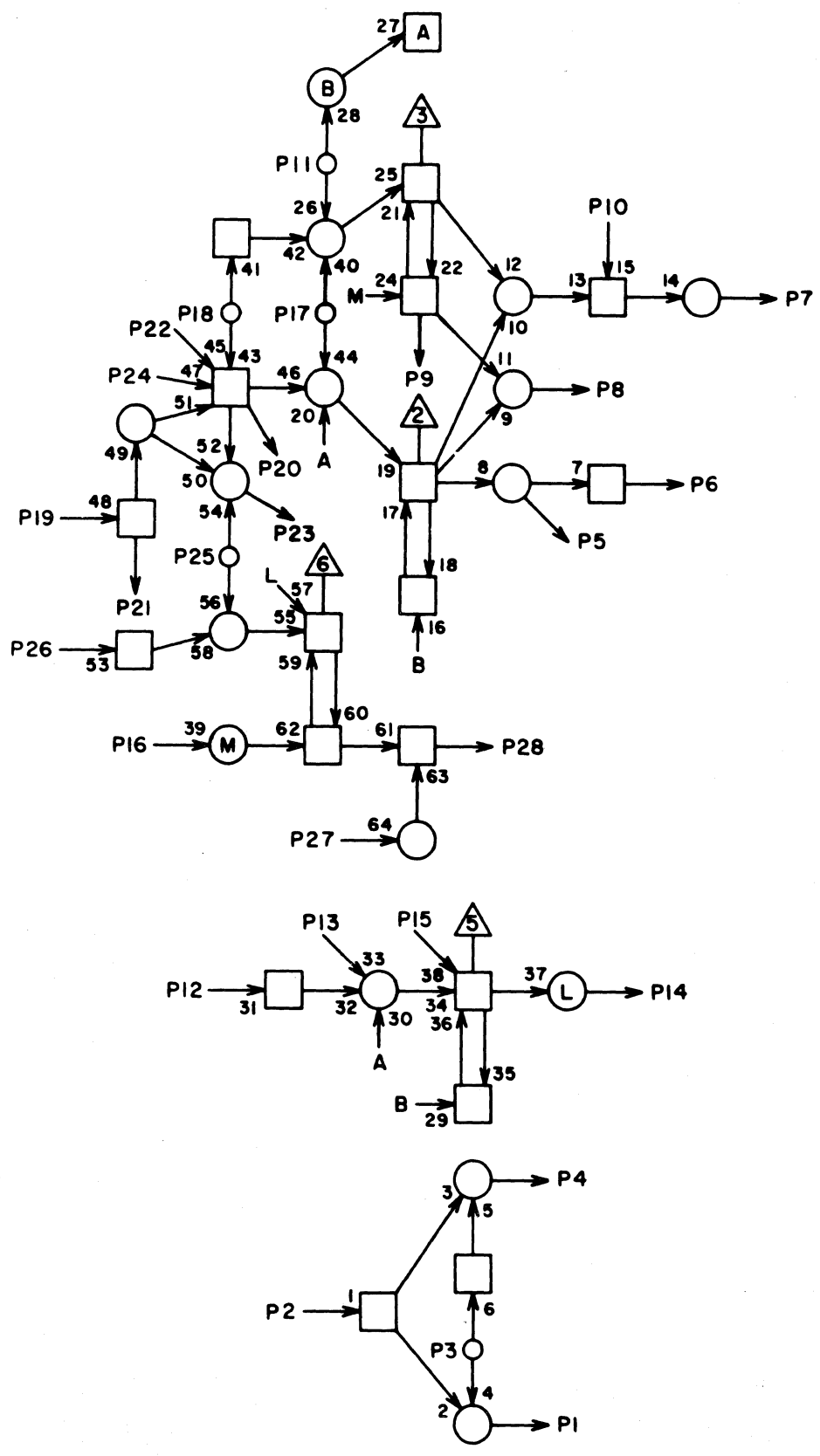
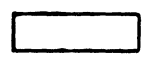
SEE CIRCUIT  
SPECIFICATION 11827600

60042700 Rev. P



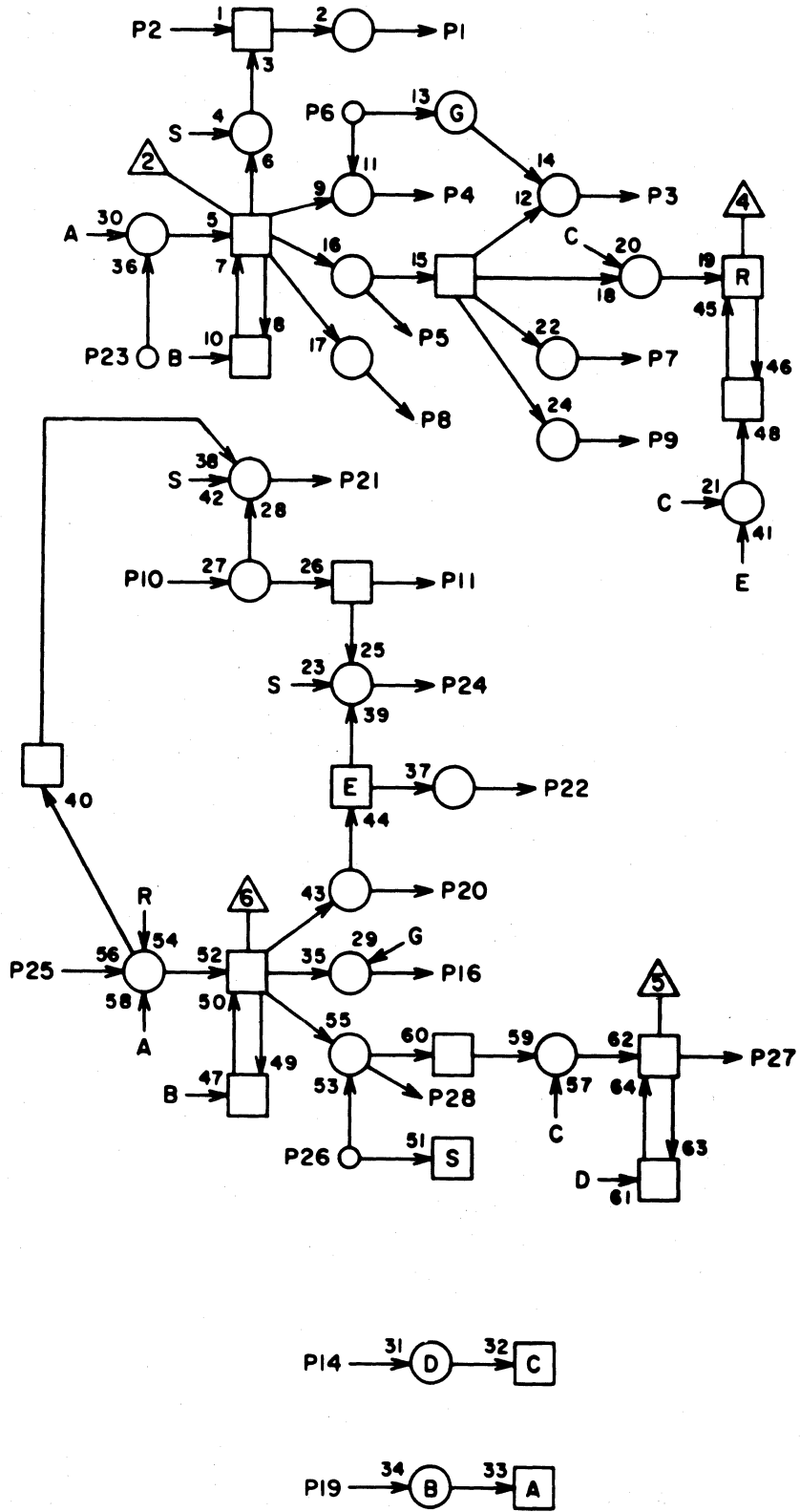
|    |  |  |  |
|----|--|--|--|
| 1  |  |  |  |
| 2  |  |  |  |
| 3  |  |  |  |
| 4  |  |  |  |
| 5  |  |  |  |
| 6  |  |  |  |
| 7  |  |  |  |
| 8  |  |  |  |
| 9  |  |  |  |
| 10 |  |  |  |
| 11 |  |  |  |
| 12 |  |  |  |
| 13 |  |  |  |
| 14 |  |  |  |
| 15 |  |  |  |
| 16 |  |  |  |
| 17 |  |  |  |
| 18 |  |  |  |
| 19 |  |  |  |
| 20 |  |  |  |
| 21 |  |  |  |
| 22 |  |  |  |
| 23 |  |  |  |
| 24 |  |  |  |
| 25 |  |  |  |
| 26 |  |  |  |
| 27 |  |  |  |
| 28 |  |  |  |

JACK PIN LG  
 SEE CIRCUIT SPECIFICATION  
 11827600  
 60042700 Rev. P



|    |  |  |  |
|----|--|--|--|
| 1  |  |  |  |
| 2  |  |  |  |
| 3  |  |  |  |
| 4  |  |  |  |
| 5  |  |  |  |
| 6  |  |  |  |
| 7  |  |  |  |
| 8  |  |  |  |
| 9  |  |  |  |
| 10 |  |  |  |
| 11 |  |  |  |
| 12 |  |  |  |
| 13 |  |  |  |
| 14 |  |  |  |
| 15 |  |  |  |
| 16 |  |  |  |
| 17 |  |  |  |
| 18 |  |  |  |
| 19 |  |  |  |
| 20 |  |  |  |
| 21 |  |  |  |
| 22 |  |  |  |
| 23 |  |  |  |
| 24 |  |  |  |
| 25 |  |  |  |
| 26 |  |  |  |
| 27 |  |  |  |
| 28 |  |  |  |

JACK PIN LG  
 SEE CIRCUIT SPECIFICATION  
 11827600



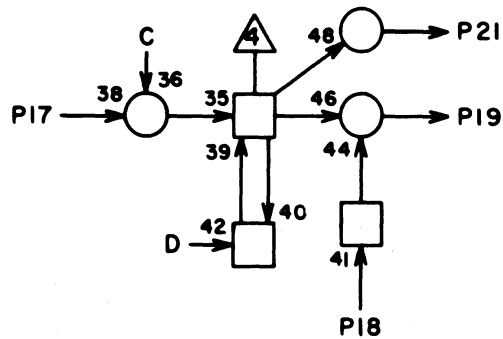
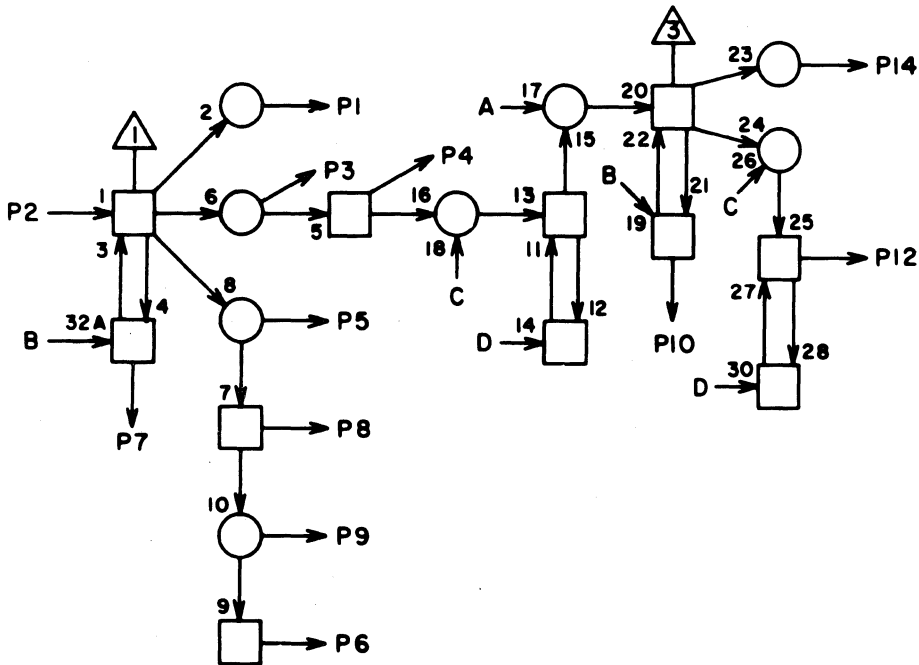
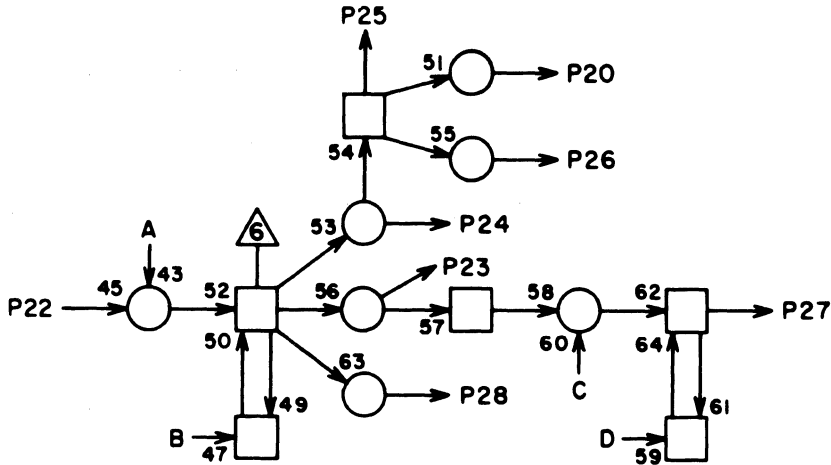
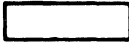
|    |  |  |  |
|----|--|--|--|
| 1  |  |  |  |
| 2  |  |  |  |
| 3  |  |  |  |
| 4  |  |  |  |
| 5  |  |  |  |
| 6  |  |  |  |
| 7  |  |  |  |
| 8  |  |  |  |
| 9  |  |  |  |
| 10 |  |  |  |
| 11 |  |  |  |
| 12 |  |  |  |
| 13 |  |  |  |
| 14 |  |  |  |
| 15 |  |  |  |
| 16 |  |  |  |
| 17 |  |  |  |
| 18 |  |  |  |
| 19 |  |  |  |
| 20 |  |  |  |
| 21 |  |  |  |
| 22 |  |  |  |
| 23 |  |  |  |
| 24 |  |  |  |
| 25 |  |  |  |
| 26 |  |  |  |
| 27 |  |  |  |
| 28 |  |  |  |

JACK    PIN    LG  
 SEE CIRCUIT SPECIFICATION  
 11827600

LS18318100  
ASSY

**E**  
REV

LO



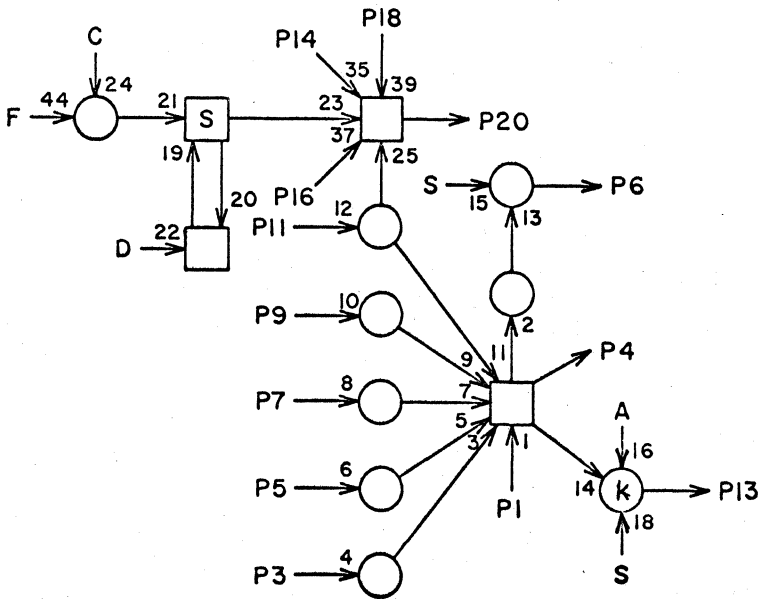
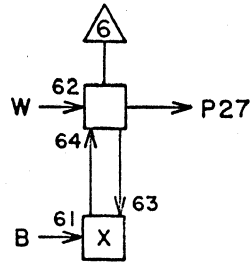
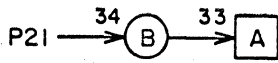
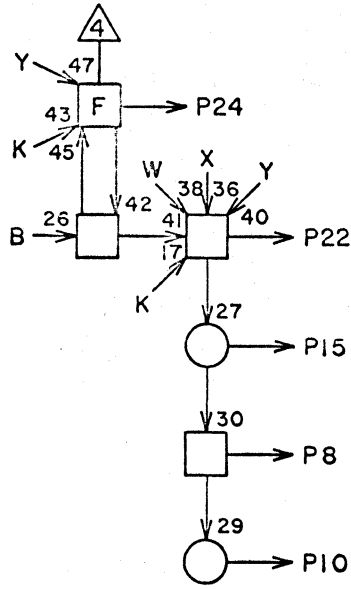
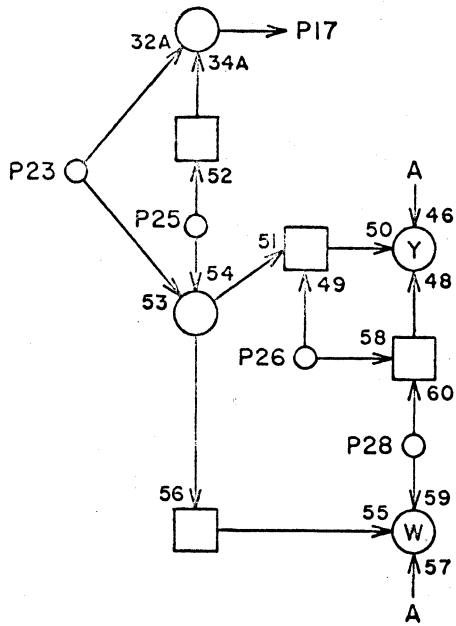
|    |  |  |  |
|----|--|--|--|
| 1  |  |  |  |
| 2  |  |  |  |
| 3  |  |  |  |
| 4  |  |  |  |
| 5  |  |  |  |
| 6  |  |  |  |
| 7  |  |  |  |
| 8  |  |  |  |
| 9  |  |  |  |
| 10 |  |  |  |
| 11 |  |  |  |
| 12 |  |  |  |
| 13 |  |  |  |
| 14 |  |  |  |
| 15 |  |  |  |
| 16 |  |  |  |
| 17 |  |  |  |
| 18 |  |  |  |
| 19 |  |  |  |
| 20 |  |  |  |
| 21 |  |  |  |
| 22 |  |  |  |
| 23 |  |  |  |
| 24 |  |  |  |
| 25 |  |  |  |
| 26 |  |  |  |
| 27 |  |  |  |
| 28 |  |  |  |

JACK PIN LG  
SEE CIRCUIT SPECIFICATION  
11827600  
60042700 Rev. P

LS 18318300  
ASSY

**B**  
REV

LP



|    |  |  |  |
|----|--|--|--|
| 1  |  |  |  |
| 2  |  |  |  |
| 3  |  |  |  |
| 4  |  |  |  |
| 5  |  |  |  |
| 6  |  |  |  |
| 7  |  |  |  |
| 8  |  |  |  |
| 9  |  |  |  |
| 10 |  |  |  |
| 11 |  |  |  |
| 12 |  |  |  |
| 13 |  |  |  |
| 14 |  |  |  |
| 15 |  |  |  |
| 16 |  |  |  |
| 17 |  |  |  |
| 18 |  |  |  |
| 19 |  |  |  |
| 20 |  |  |  |
| 21 |  |  |  |
| 22 |  |  |  |
| 23 |  |  |  |
| 24 |  |  |  |
| 25 |  |  |  |
| 26 |  |  |  |
| 27 |  |  |  |
| 28 |  |  |  |

JACK PIN LG  
SEE CIRCUIT SPECIFICATION  
11827600

60042700 Rev. P

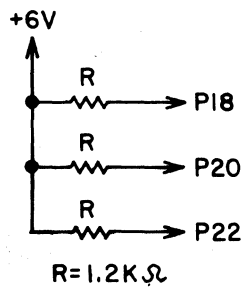
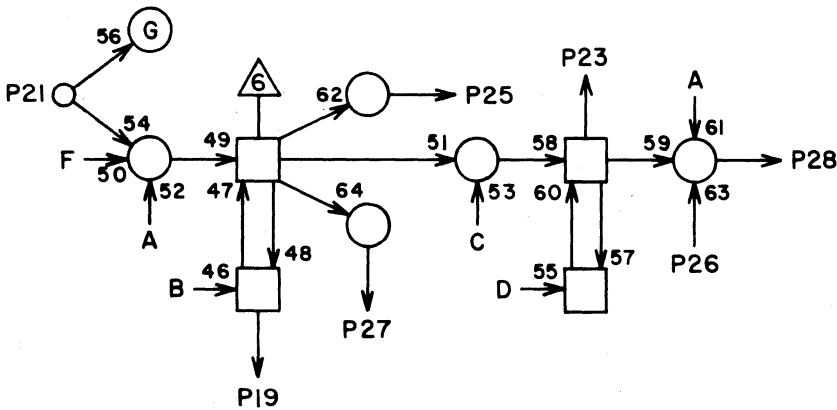
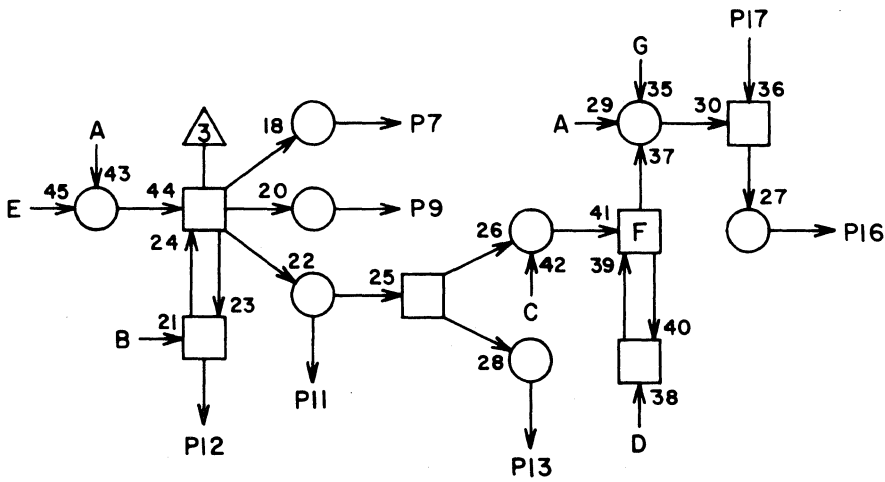
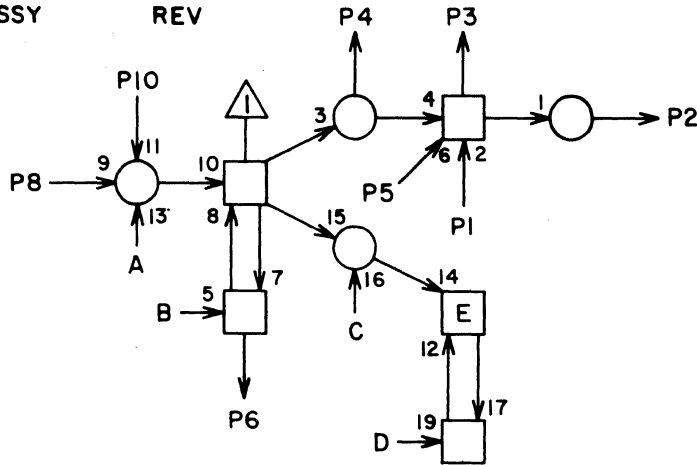


LS 18350100  
ASSY

**B**  
REV

LQ

[ ]



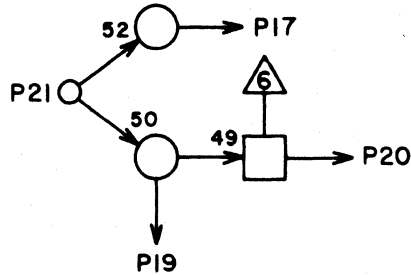
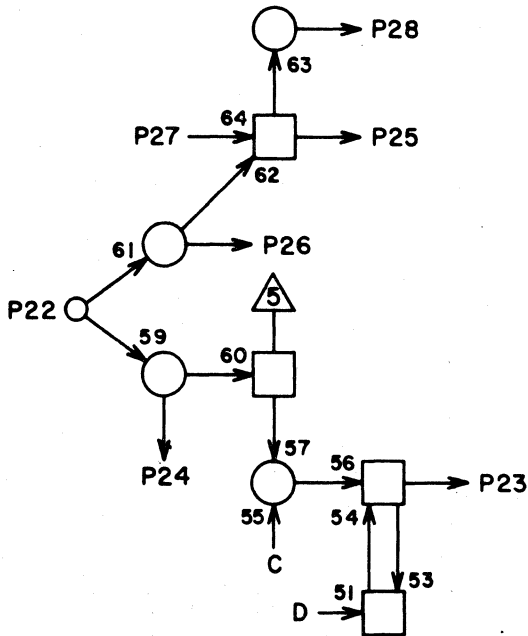
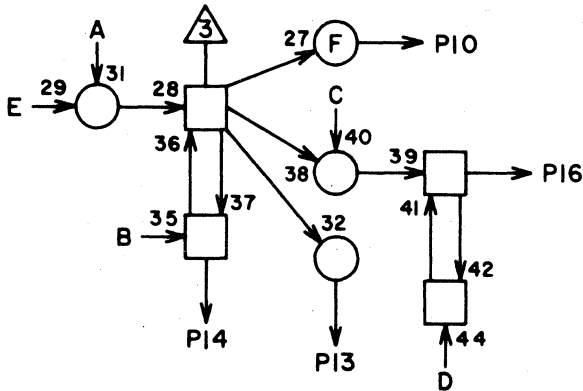
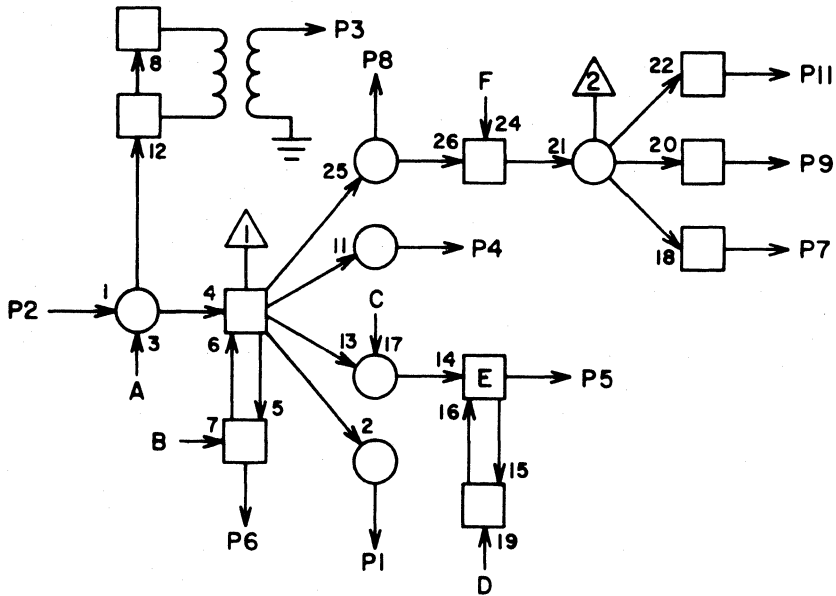
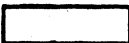
|    |  |  |  |
|----|--|--|--|
| 1  |  |  |  |
| 2  |  |  |  |
| 3  |  |  |  |
| 4  |  |  |  |
| 5  |  |  |  |
| 6  |  |  |  |
| 7  |  |  |  |
| 8  |  |  |  |
| 9  |  |  |  |
| 10 |  |  |  |
| 11 |  |  |  |
| 12 |  |  |  |
| 13 |  |  |  |
| 14 |  |  |  |
| 15 |  |  |  |
| 16 |  |  |  |
| 17 |  |  |  |
| 18 |  |  |  |
| 19 |  |  |  |
| 20 |  |  |  |
| 21 |  |  |  |
| 22 |  |  |  |
| 23 |  |  |  |
| 24 |  |  |  |
| 25 |  |  |  |
| 26 |  |  |  |
| 27 |  |  |  |
| 28 |  |  |  |

JACK PIN LG  
SEE CIRCUIT SPECIFICATION  
11827600  
60042700 Rev. R

LS 18350300  
ASSY

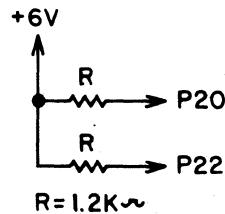
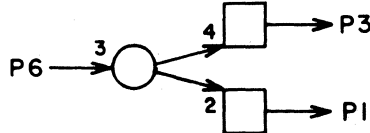
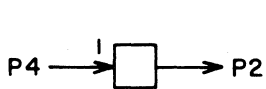
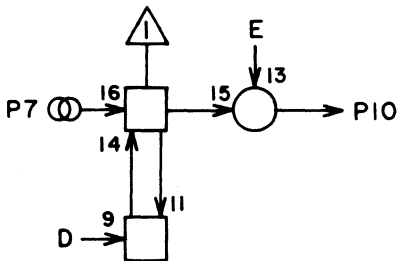
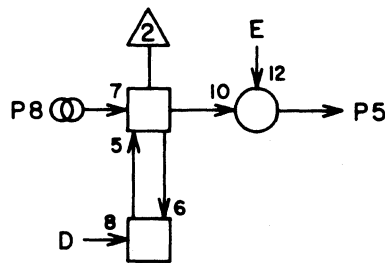
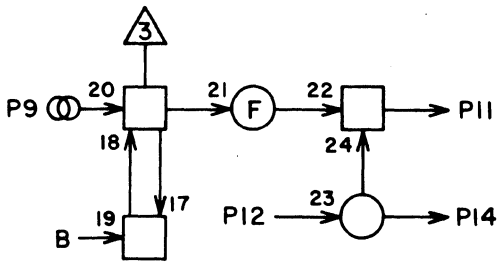
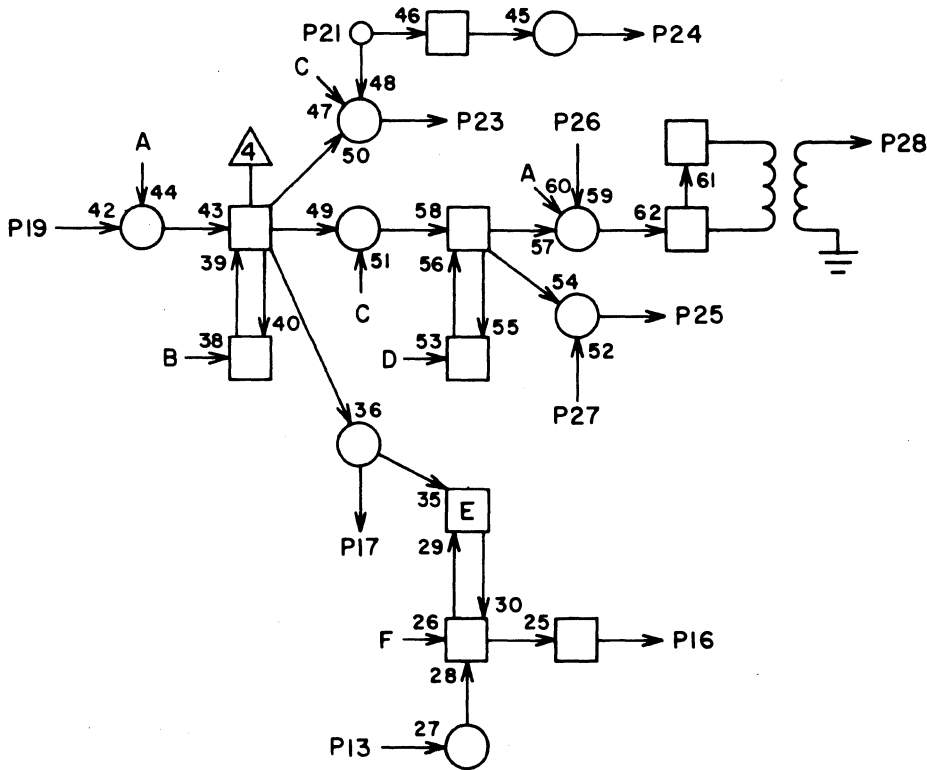
**D**  
REV

LR



|    |  |  |  |
|----|--|--|--|
| 1  |  |  |  |
| 2  |  |  |  |
| 3  |  |  |  |
| 4  |  |  |  |
| 5  |  |  |  |
| 6  |  |  |  |
| 7  |  |  |  |
| 8  |  |  |  |
| 9  |  |  |  |
| 10 |  |  |  |
| 11 |  |  |  |
| 12 |  |  |  |
| 13 |  |  |  |
| 14 |  |  |  |
| 15 |  |  |  |
| 16 |  |  |  |
| 17 |  |  |  |
| 18 |  |  |  |
| 19 |  |  |  |
| 20 |  |  |  |
| 21 |  |  |  |
| 22 |  |  |  |
| 23 |  |  |  |
| 24 |  |  |  |
| 25 |  |  |  |
| 26 |  |  |  |
| 27 |  |  |  |
| 28 |  |  |  |

JACK PIN LG  
SEE CIRCUIT SPECIFICATION  
11827600  
60042700 Rev. R



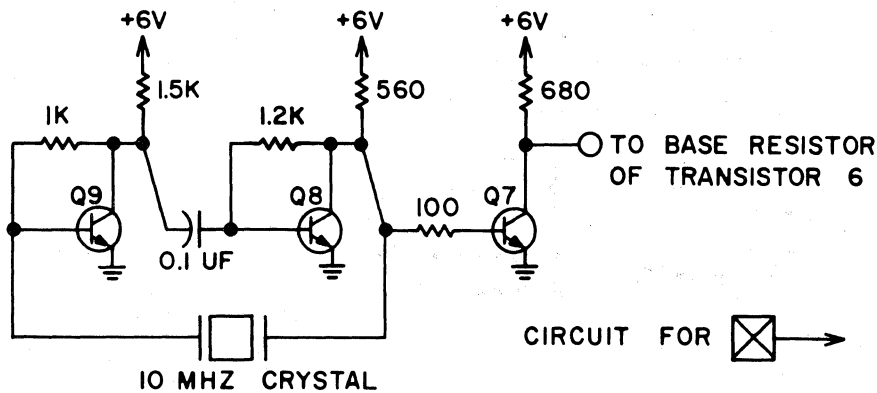
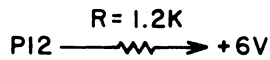
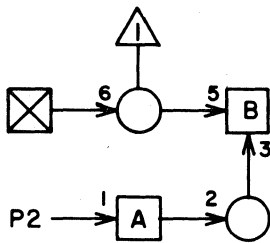
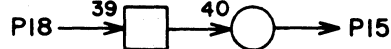
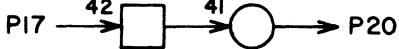
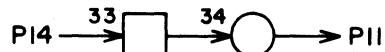
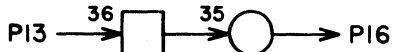
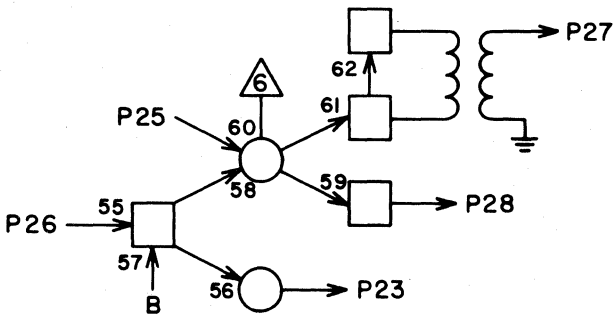
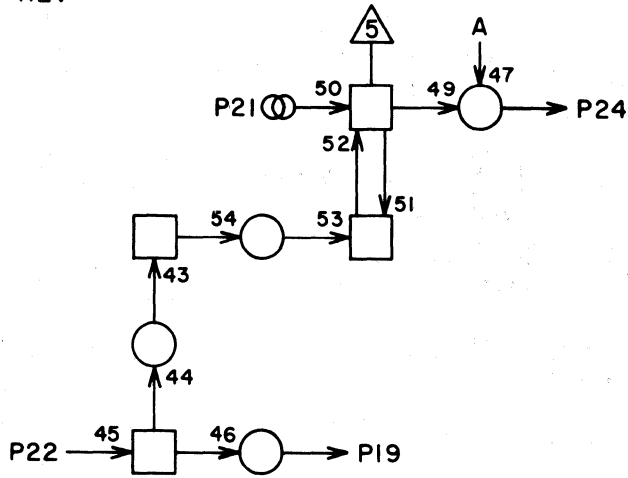
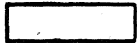
|    |  |  |  |
|----|--|--|--|
| 1  |  |  |  |
| 2  |  |  |  |
| 3  |  |  |  |
| 4  |  |  |  |
| 5  |  |  |  |
| 6  |  |  |  |
| 7  |  |  |  |
| 8  |  |  |  |
| 9  |  |  |  |
| 10 |  |  |  |
| 11 |  |  |  |
| 12 |  |  |  |
| 13 |  |  |  |
| 14 |  |  |  |
| 15 |  |  |  |
| 16 |  |  |  |
| 17 |  |  |  |
| 18 |  |  |  |
| 19 |  |  |  |
| 20 |  |  |  |
| 21 |  |  |  |
| 22 |  |  |  |
| 23 |  |  |  |
| 24 |  |  |  |
| 25 |  |  |  |
| 26 |  |  |  |
| 27 |  |  |  |
| 28 |  |  |  |

JACK PIN LG  
 SEE CIRCUIT SPECIFICATION  
 11827600  
 60042700 Rev. R

LS 18381100  
ASSY

**B**  
REV

LT



|    |  |  |  |
|----|--|--|--|
| 1  |  |  |  |
| 2  |  |  |  |
| 3  |  |  |  |
| 4  |  |  |  |
| 5  |  |  |  |
| 6  |  |  |  |
| 7  |  |  |  |
| 8  |  |  |  |
| 9  |  |  |  |
| 10 |  |  |  |
| 11 |  |  |  |
| 12 |  |  |  |
| 13 |  |  |  |
| 14 |  |  |  |
| 15 |  |  |  |
| 16 |  |  |  |
| 17 |  |  |  |
| 18 |  |  |  |
| 19 |  |  |  |
| 20 |  |  |  |
| 21 |  |  |  |
| 22 |  |  |  |
| 23 |  |  |  |
| 24 |  |  |  |
| 25 |  |  |  |
| 26 |  |  |  |
| 27 |  |  |  |
| 28 |  |  |  |

JACK PIN LG  
SEE CIRCUIT SPECIFICATION  
11827600

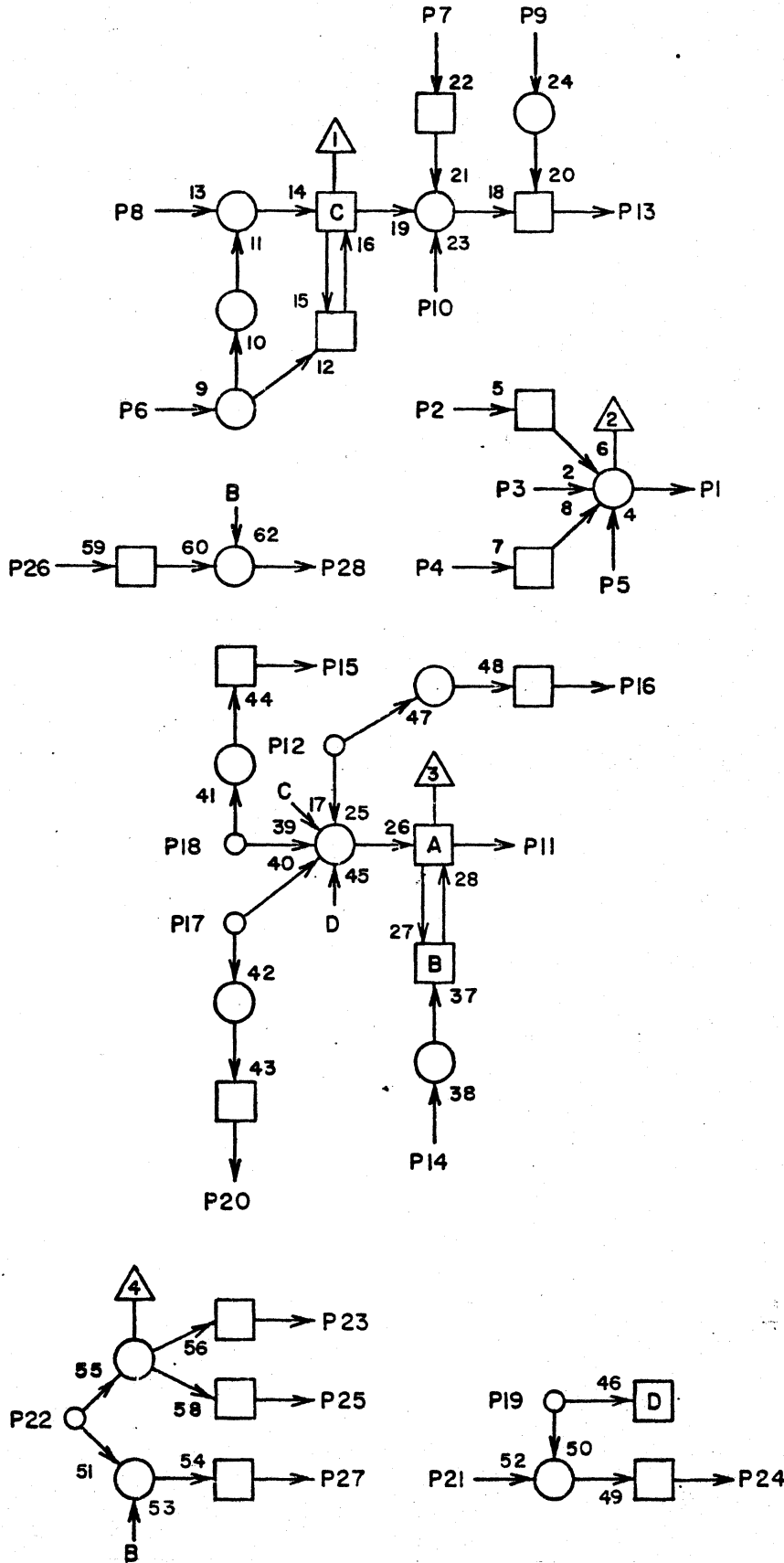
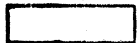
60042700 Rev. R



LS 18677600  
ASSY

**B**  
REV

LV



|    |  |  |
|----|--|--|
| 1  |  |  |
| 2  |  |  |
| 3  |  |  |
| 4  |  |  |
| 5  |  |  |
| 6  |  |  |
| 7  |  |  |
| 8  |  |  |
| 9  |  |  |
| 10 |  |  |
| 11 |  |  |
| 12 |  |  |
| 13 |  |  |
| 14 |  |  |
| 15 |  |  |
| 16 |  |  |
| 17 |  |  |
| 18 |  |  |
| 19 |  |  |
| 20 |  |  |
| 21 |  |  |
| 22 |  |  |
| 23 |  |  |
| 24 |  |  |
| 25 |  |  |
| 26 |  |  |
| 27 |  |  |
| 28 |  |  |

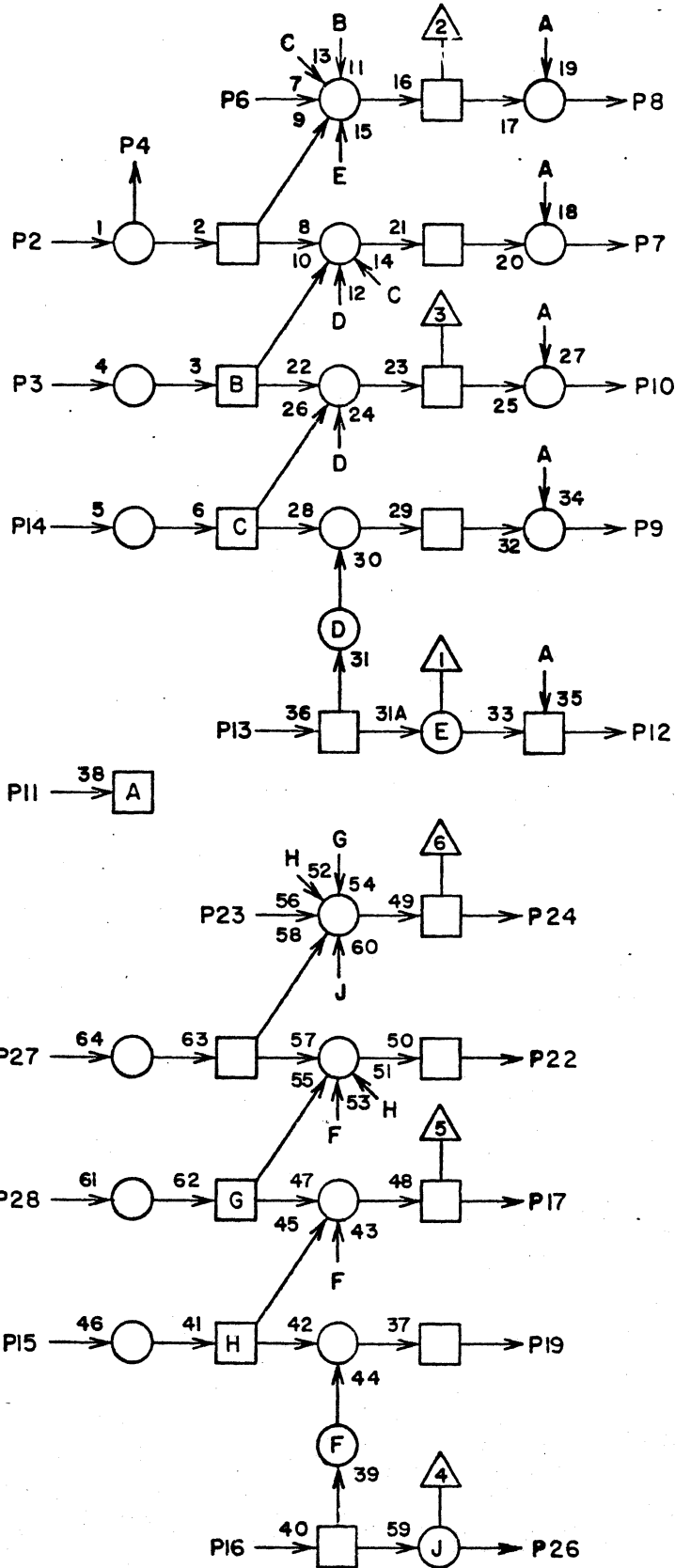
JACK PIN LG

SEE CIRCUIT SPECIFICATION  
11827600

60042700 Rev. Y

LS 18677500 B  
 ASSY REV

LW



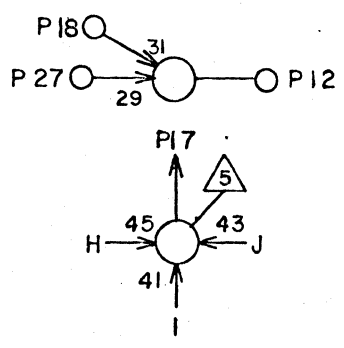
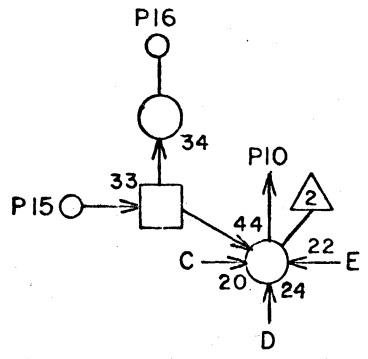
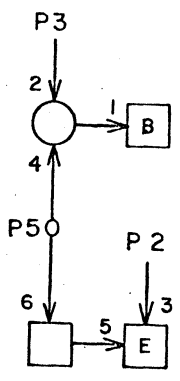
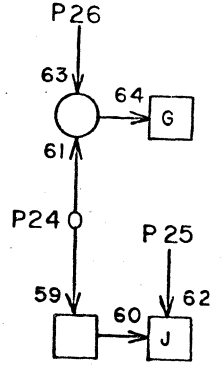
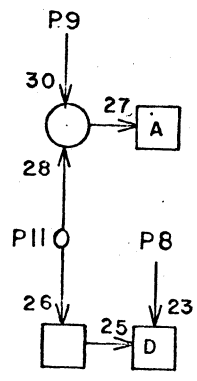
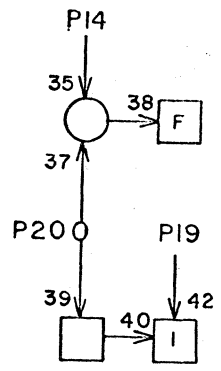
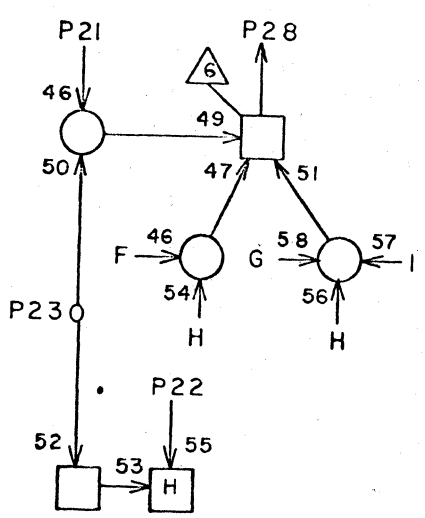
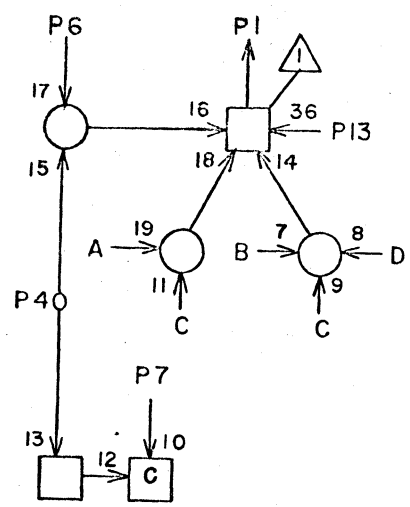
|    |  |  |  |
|----|--|--|--|
| 1  |  |  |  |
| 2  |  |  |  |
| 3  |  |  |  |
| 4  |  |  |  |
| 5  |  |  |  |
| 6  |  |  |  |
| 7  |  |  |  |
| 8  |  |  |  |
| 9  |  |  |  |
| 10 |  |  |  |
| 11 |  |  |  |
| 12 |  |  |  |
| 13 |  |  |  |
| 14 |  |  |  |
| 15 |  |  |  |
| 16 |  |  |  |
| 17 |  |  |  |
| 18 |  |  |  |
| 19 |  |  |  |
| 20 |  |  |  |
| 21 |  |  |  |
| 22 |  |  |  |
| 23 |  |  |  |
| 24 |  |  |  |
| 25 |  |  |  |
| 26 |  |  |  |
| 27 |  |  |  |
| 28 |  |  |  |

JACK PIN LG  
 SEE CIRCUIT SPECIFICATION  
 11827600

60042700 Rev. Y

LS 52530200 **A**  
 ASSY REV

LX



|    |  |  |  |
|----|--|--|--|
| 1  |  |  |  |
| 2  |  |  |  |
| 3  |  |  |  |
| 4  |  |  |  |
| 5  |  |  |  |
| 6  |  |  |  |
| 7  |  |  |  |
| 8  |  |  |  |
| 9  |  |  |  |
| 10 |  |  |  |
| 11 |  |  |  |
| 12 |  |  |  |
| 13 |  |  |  |
| 14 |  |  |  |
| 15 |  |  |  |
| 16 |  |  |  |
| 17 |  |  |  |
| 18 |  |  |  |
| 19 |  |  |  |
| 20 |  |  |  |
| 21 |  |  |  |
| 22 |  |  |  |
| 23 |  |  |  |
| 24 |  |  |  |
| 25 |  |  |  |
| 26 |  |  |  |
| 27 |  |  |  |
| 28 |  |  |  |

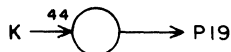
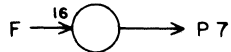
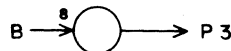
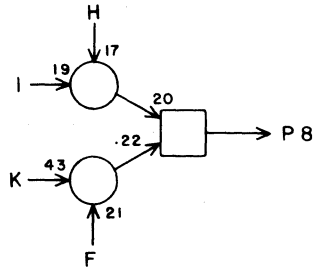
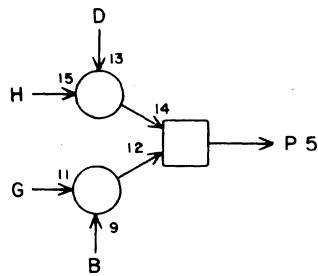
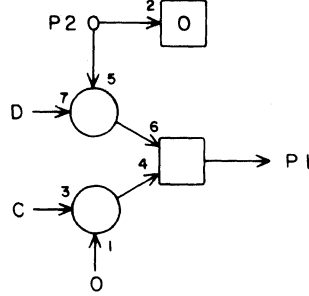
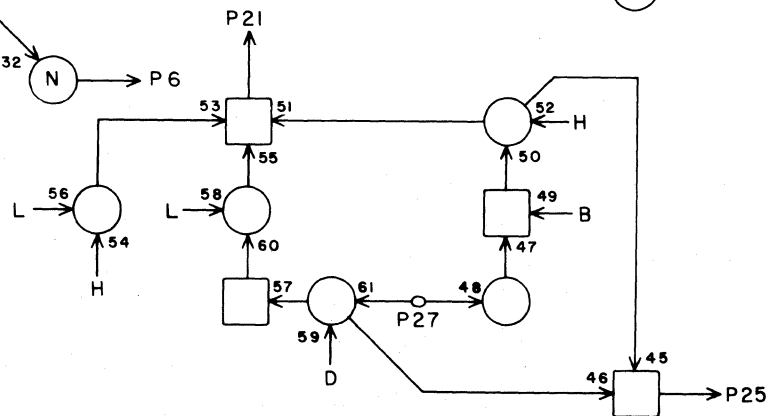
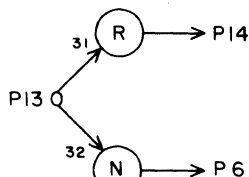
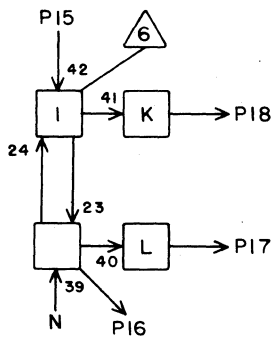
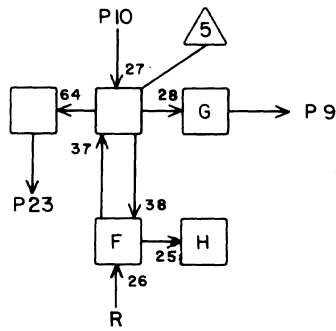
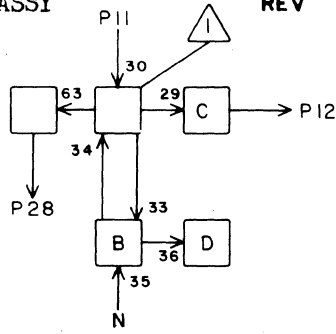
JACK PIN LG  
 SEE CIRCUIT SPECIFICATION  
 11827600  
 60042700 Rev Z



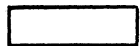
LS 63054.000

ASSY

**E**  
REV



MA



|    |  |  |  |
|----|--|--|--|
| 1  |  |  |  |
| 2  |  |  |  |
| 3  |  |  |  |
| 4  |  |  |  |
| 5  |  |  |  |
| 6  |  |  |  |
| 7  |  |  |  |
| 8  |  |  |  |
| 9  |  |  |  |
| 10 |  |  |  |
| 11 |  |  |  |
| 12 |  |  |  |
| 13 |  |  |  |
| 14 |  |  |  |
| 15 |  |  |  |
| 16 |  |  |  |
| 17 |  |  |  |
| 18 |  |  |  |
| 19 |  |  |  |
| 20 |  |  |  |
| 21 |  |  |  |
| 22 |  |  |  |
| 23 |  |  |  |
| 24 |  |  |  |
| 25 |  |  |  |
| 26 |  |  |  |
| 27 |  |  |  |
| 28 |  |  |  |

JACK PIN LG

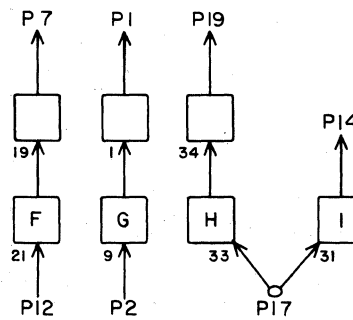
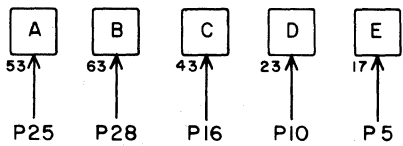
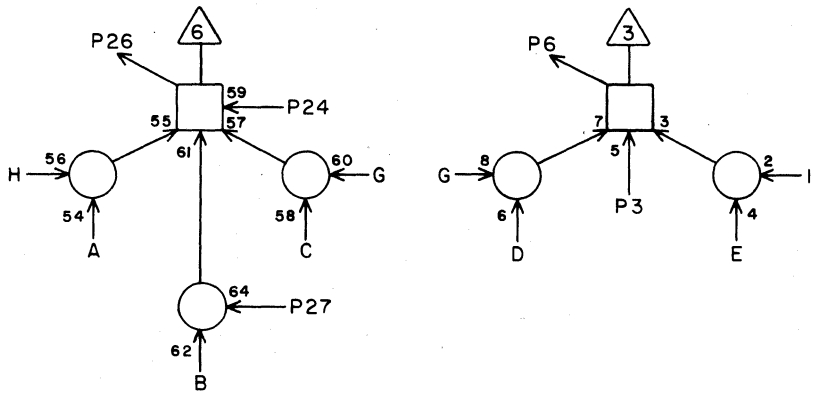
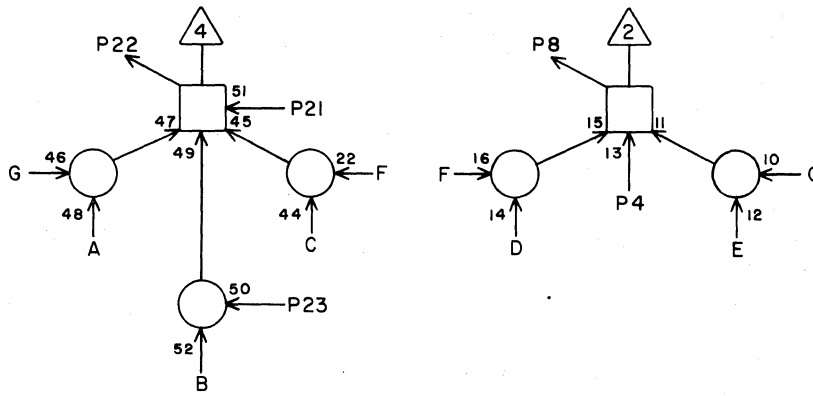
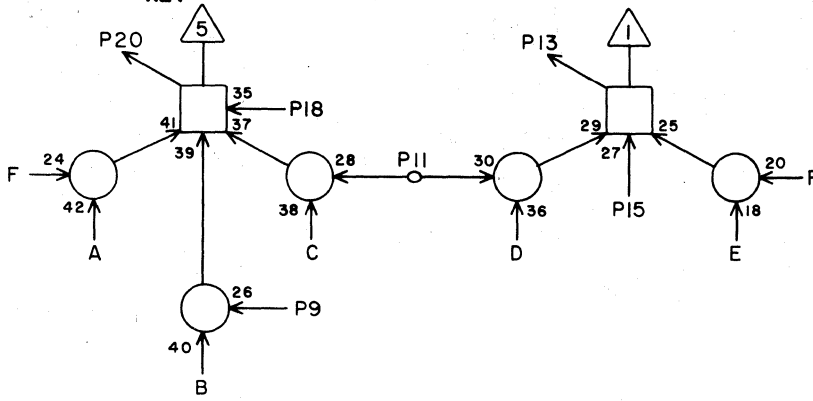
CIRCUIT SPECIFICATION 11827600

60042700 Rev. J

LS 63054100  
ASSY

**H**  
REV

MB

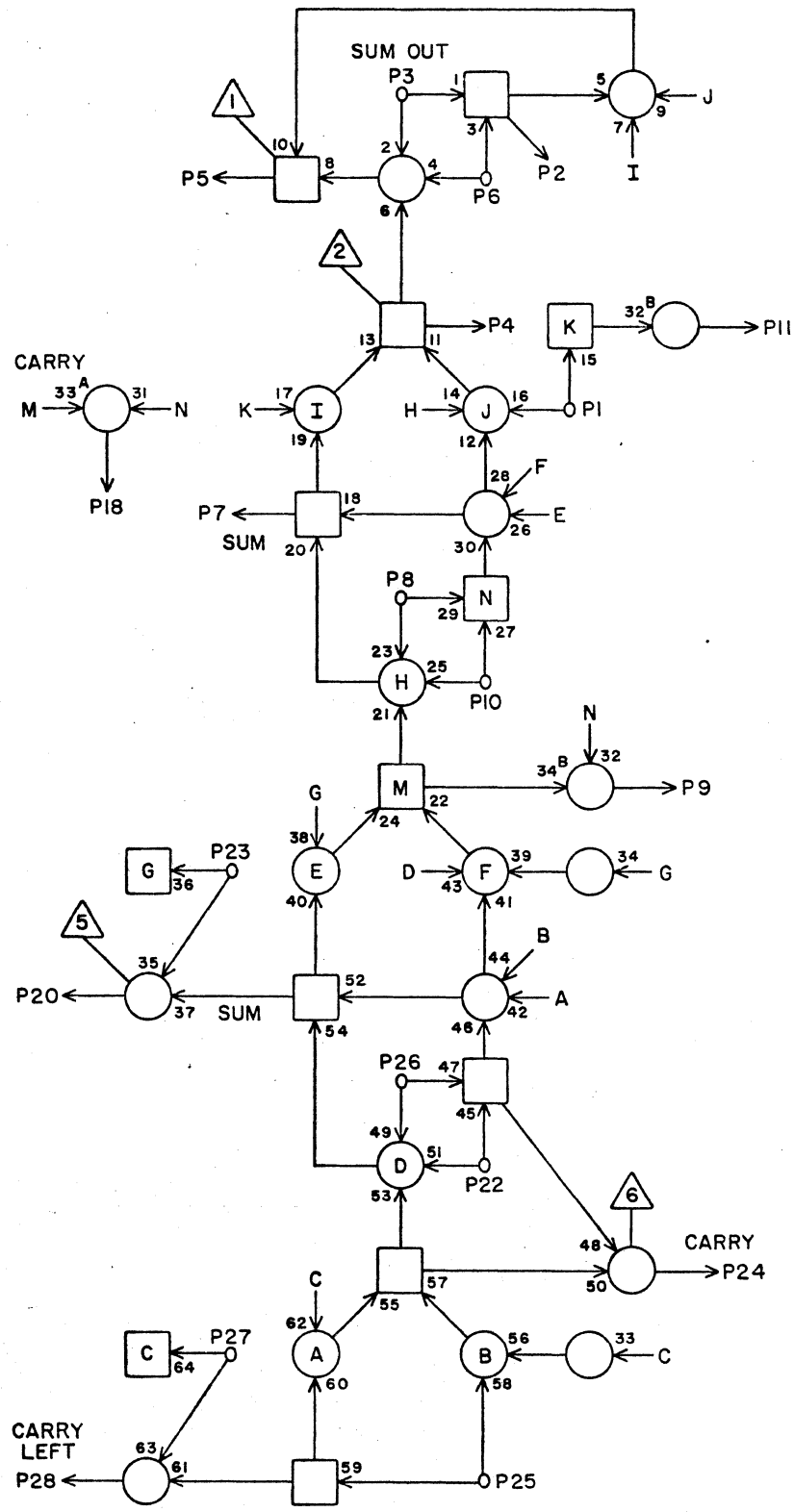


|    |  |  |  |
|----|--|--|--|
| 1  |  |  |  |
| 2  |  |  |  |
| 3  |  |  |  |
| 4  |  |  |  |
| 5  |  |  |  |
| 6  |  |  |  |
| 7  |  |  |  |
| 8  |  |  |  |
| 9  |  |  |  |
| 10 |  |  |  |
| 11 |  |  |  |
| 12 |  |  |  |
| 13 |  |  |  |
| 14 |  |  |  |
| 15 |  |  |  |
| 16 |  |  |  |
| 17 |  |  |  |
| 18 |  |  |  |
| 19 |  |  |  |
| 20 |  |  |  |
| 21 |  |  |  |
| 22 |  |  |  |
| 23 |  |  |  |
| 24 |  |  |  |
| 25 |  |  |  |
| 26 |  |  |  |
| 27 |  |  |  |
| 28 |  |  |  |

JACK PIN LG

CIRCUIT SPECIFICATION 11827600

60042700 Rev. K



|    |  |  |  |
|----|--|--|--|
| 1  |  |  |  |
| 2  |  |  |  |
| 3  |  |  |  |
| 4  |  |  |  |
| 5  |  |  |  |
| 6  |  |  |  |
| 7  |  |  |  |
| 8  |  |  |  |
| 9  |  |  |  |
| 10 |  |  |  |
| 11 |  |  |  |
| 12 |  |  |  |
| 13 |  |  |  |
| 14 |  |  |  |
| 15 |  |  |  |
| 16 |  |  |  |
| 17 |  |  |  |
| 18 |  |  |  |
| 19 |  |  |  |
| 20 |  |  |  |
| 21 |  |  |  |
| 22 |  |  |  |
| 23 |  |  |  |
| 24 |  |  |  |
| 25 |  |  |  |
| 26 |  |  |  |
| 27 |  |  |  |
| 28 |  |  |  |

JACK PIN LG

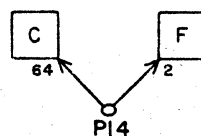
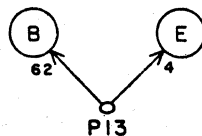
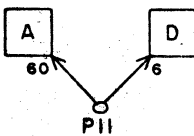
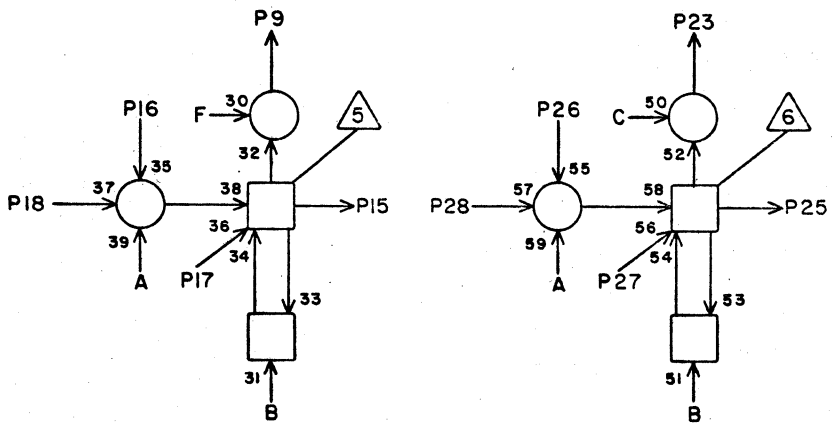
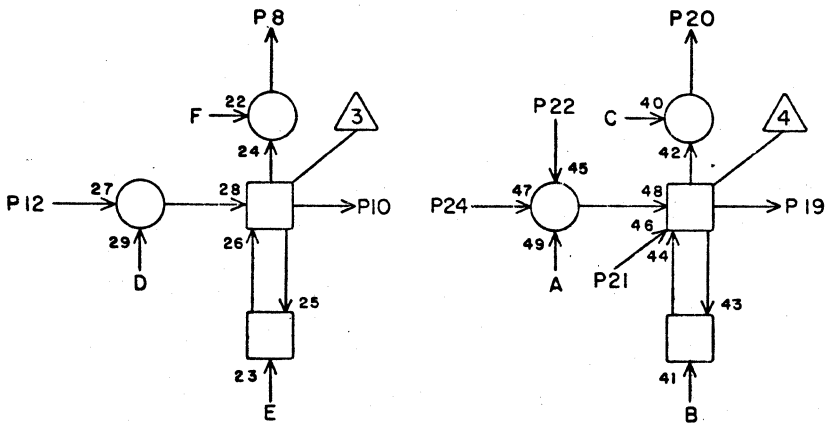
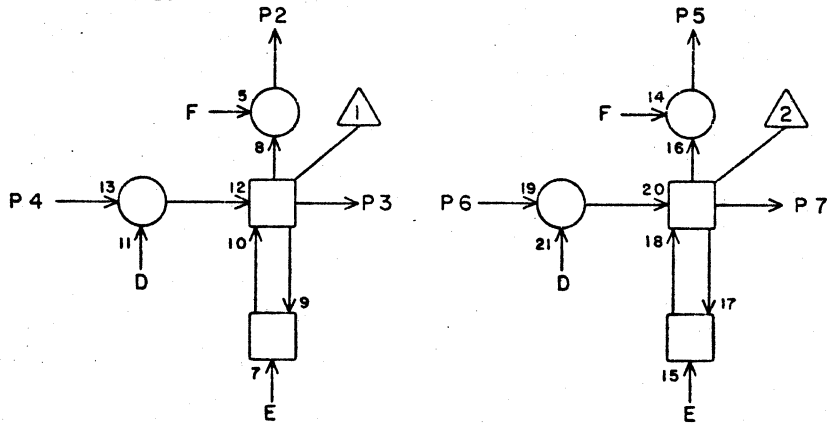
CIRCUIT SPECIFICATION 11827600

60042700 Rev J

LS 63054300  
ASSY



MD



|    |  |  |  |
|----|--|--|--|
| 1  |  |  |  |
| 2  |  |  |  |
| 3  |  |  |  |
| 4  |  |  |  |
| 5  |  |  |  |
| 6  |  |  |  |
| 7  |  |  |  |
| 8  |  |  |  |
| 9  |  |  |  |
| 10 |  |  |  |
| 11 |  |  |  |
| 12 |  |  |  |
| 13 |  |  |  |
| 14 |  |  |  |
| 15 |  |  |  |
| 16 |  |  |  |
| 17 |  |  |  |
| 18 |  |  |  |
| 19 |  |  |  |
| 20 |  |  |  |
| 21 |  |  |  |
| 22 |  |  |  |
| 23 |  |  |  |
| 24 |  |  |  |
| 25 |  |  |  |
| 26 |  |  |  |
| 27 |  |  |  |
| 28 |  |  |  |

JACK PIN LG

CIRCUIT SPECIFICATION 11827600

60042700 Rev J

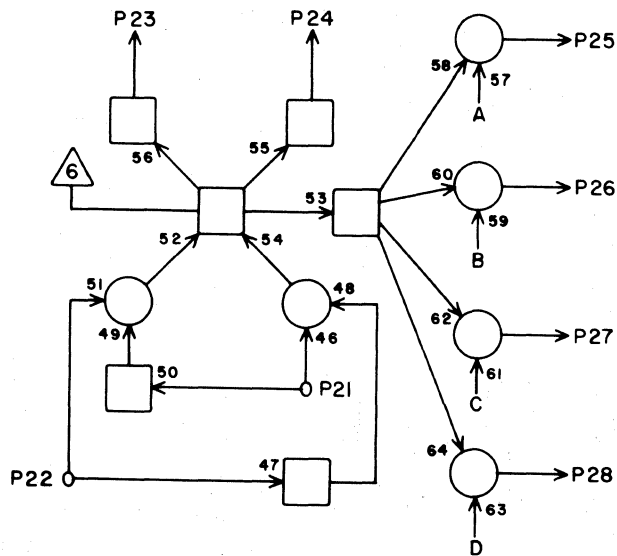
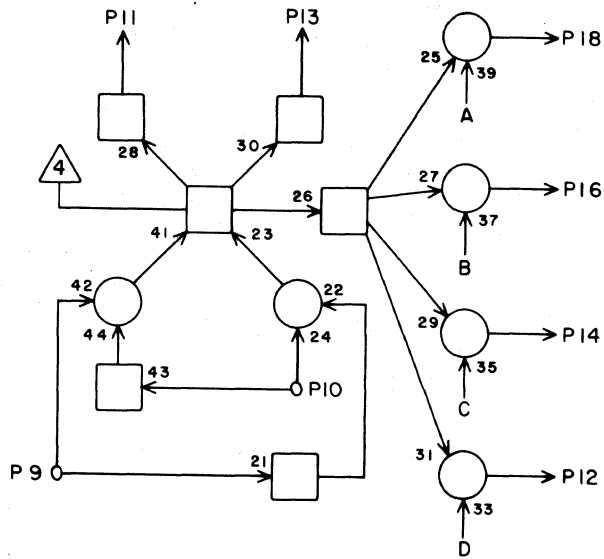
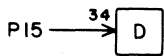
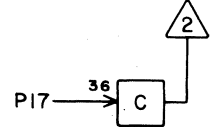
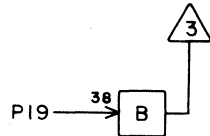
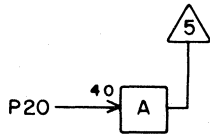
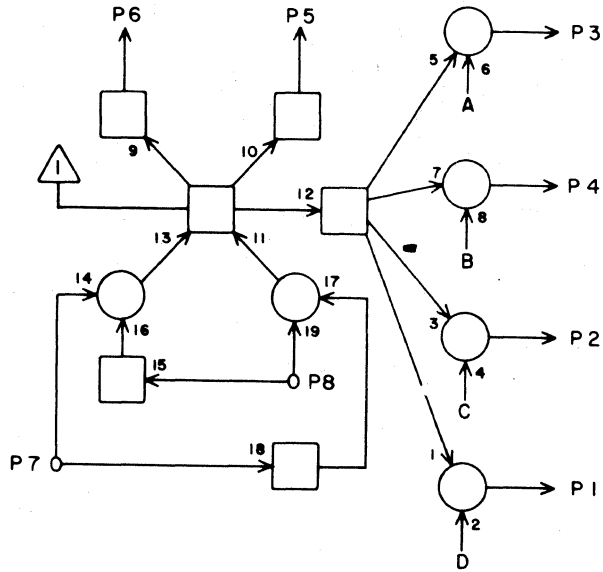


LS 63054500  
ASSY

**F**  
REV

MF

[ ]



|    |  |  |  |
|----|--|--|--|
| 1  |  |  |  |
| 2  |  |  |  |
| 3  |  |  |  |
| 4  |  |  |  |
| 5  |  |  |  |
| 6  |  |  |  |
| 7  |  |  |  |
| 8  |  |  |  |
| 9  |  |  |  |
| 10 |  |  |  |
| 11 |  |  |  |
| 12 |  |  |  |
| 13 |  |  |  |
| 14 |  |  |  |
| 15 |  |  |  |
| 16 |  |  |  |
| 17 |  |  |  |
| 18 |  |  |  |
| 19 |  |  |  |
| 20 |  |  |  |
| 21 |  |  |  |
| 22 |  |  |  |
| 23 |  |  |  |
| 24 |  |  |  |
| 25 |  |  |  |
| 26 |  |  |  |
| 27 |  |  |  |
| 28 |  |  |  |

JACK PIN LG

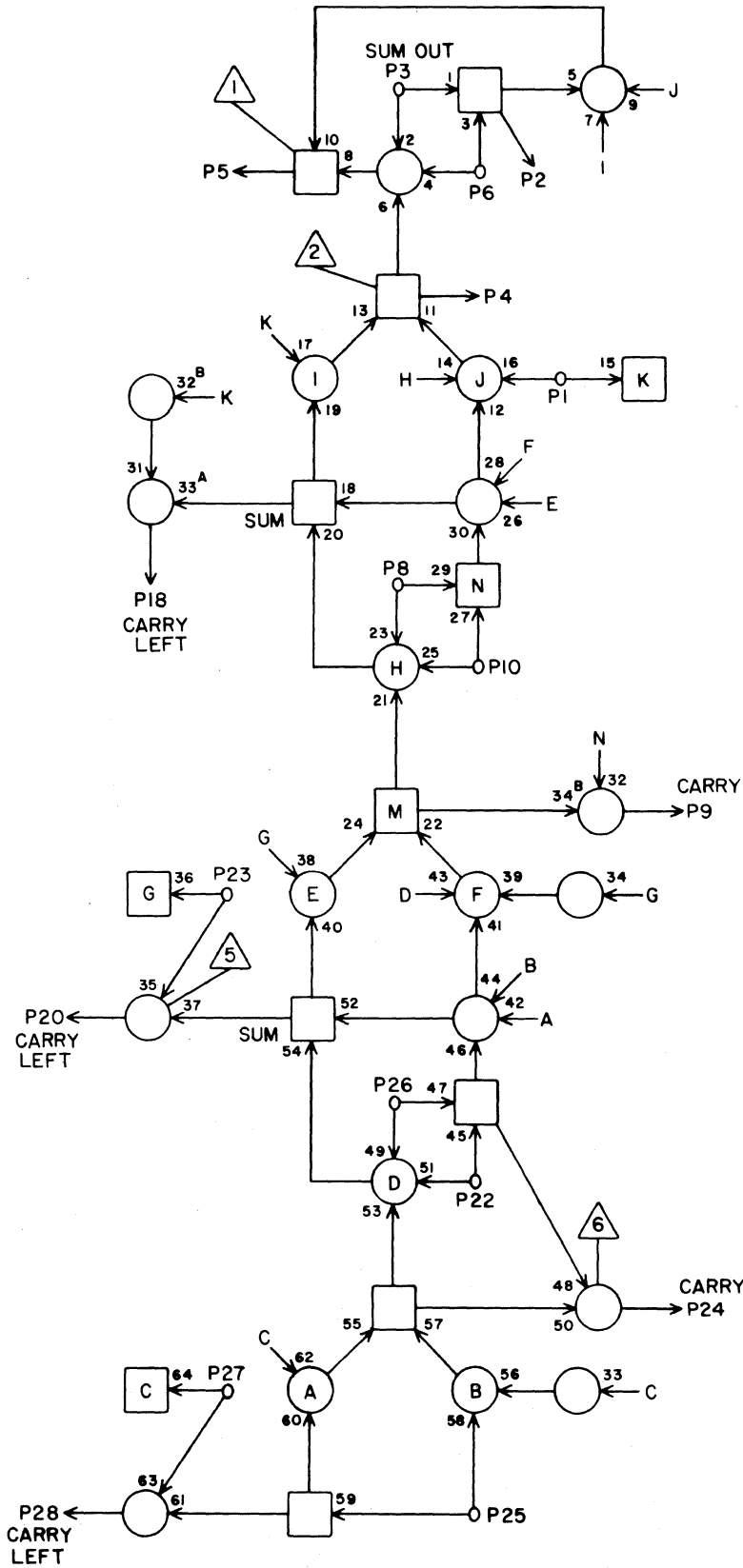
CIRCUIT SPECIFICATION I1827600

60042700 Rev. J

LS 63054600  
ASSY

**D**  
REV

MG



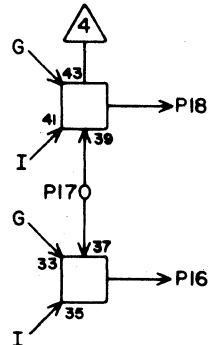
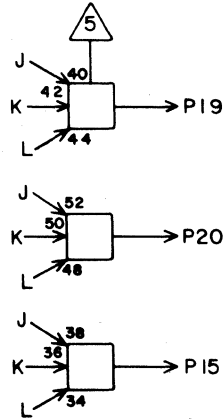
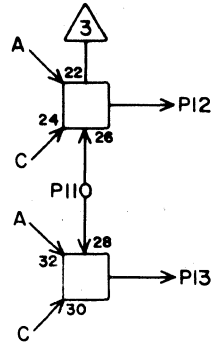
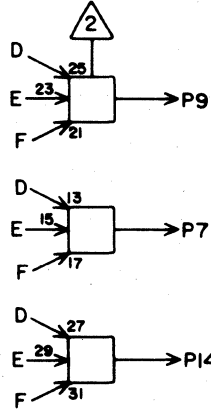
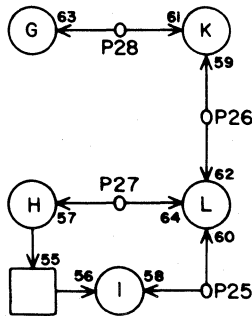
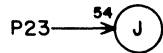
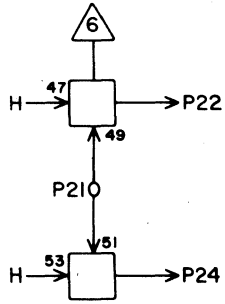
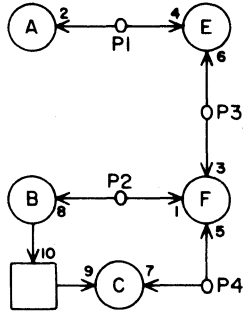
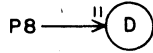
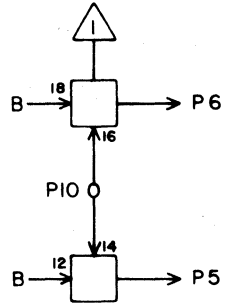
|    |  |  |  |
|----|--|--|--|
| 1  |  |  |  |
| 2  |  |  |  |
| 3  |  |  |  |
| 4  |  |  |  |
| 5  |  |  |  |
| 6  |  |  |  |
| 7  |  |  |  |
| 8  |  |  |  |
| 9  |  |  |  |
| 10 |  |  |  |
| 11 |  |  |  |
| 12 |  |  |  |
| 13 |  |  |  |
| 14 |  |  |  |
| 15 |  |  |  |
| 16 |  |  |  |
| 17 |  |  |  |
| 18 |  |  |  |
| 19 |  |  |  |
| 20 |  |  |  |
| 21 |  |  |  |
| 22 |  |  |  |
| 23 |  |  |  |
| 24 |  |  |  |
| 25 |  |  |  |
| 26 |  |  |  |
| 27 |  |  |  |
| 28 |  |  |  |

JACK PIN LG

CIRCUIT SPECIFICATION 11827600  
60042700 Rev. J

LS 63054700  
ASSY

**F**  
REV



MH

[Empty box]

|    |  |  |  |
|----|--|--|--|
| 1  |  |  |  |
| 2  |  |  |  |
| 3  |  |  |  |
| 4  |  |  |  |
| 5  |  |  |  |
| 6  |  |  |  |
| 7  |  |  |  |
| 8  |  |  |  |
| 9  |  |  |  |
| 10 |  |  |  |
| 11 |  |  |  |
| 12 |  |  |  |
| 13 |  |  |  |
| 14 |  |  |  |
| 15 |  |  |  |
| 16 |  |  |  |
| 17 |  |  |  |
| 18 |  |  |  |
| 19 |  |  |  |
| 20 |  |  |  |
| 21 |  |  |  |
| 22 |  |  |  |
| 23 |  |  |  |
| 24 |  |  |  |
| 25 |  |  |  |
| 26 |  |  |  |
| 27 |  |  |  |
| 28 |  |  |  |

JACK PIN LG  
CIRCUIT SPECIFICATION 11827600

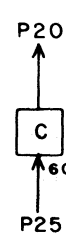
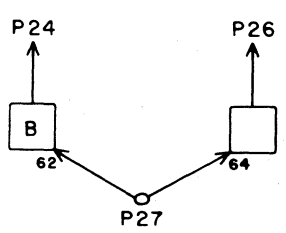
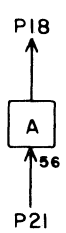
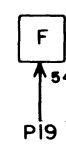
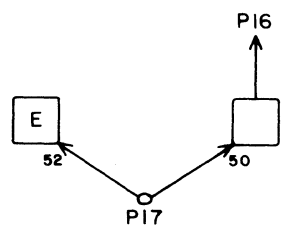
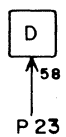
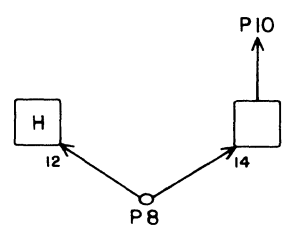
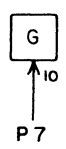
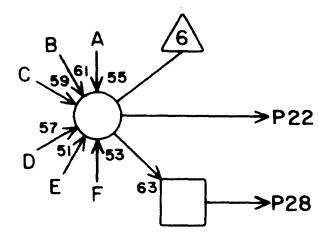
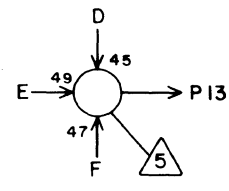
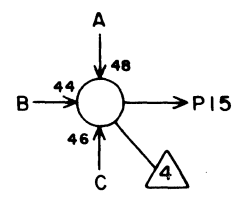
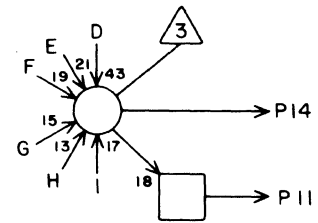
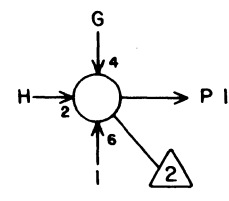
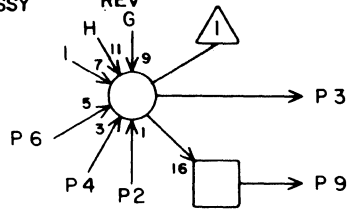
60042700 Rev. J



LS 63054800  
ASSY

C  
REV

MI



|    |  |  |  |
|----|--|--|--|
| 1  |  |  |  |
| 2  |  |  |  |
| 3  |  |  |  |
| 4  |  |  |  |
| 5  |  |  |  |
| 6  |  |  |  |
| 7  |  |  |  |
| 8  |  |  |  |
| 9  |  |  |  |
| 10 |  |  |  |
| 11 |  |  |  |
| 12 |  |  |  |
| 13 |  |  |  |
| 14 |  |  |  |
| 15 |  |  |  |
| 16 |  |  |  |
| 17 |  |  |  |
| 18 |  |  |  |
| 19 |  |  |  |
| 20 |  |  |  |
| 21 |  |  |  |
| 22 |  |  |  |
| 23 |  |  |  |
| 24 |  |  |  |
| 25 |  |  |  |
| 26 |  |  |  |
| 27 |  |  |  |
| 28 |  |  |  |

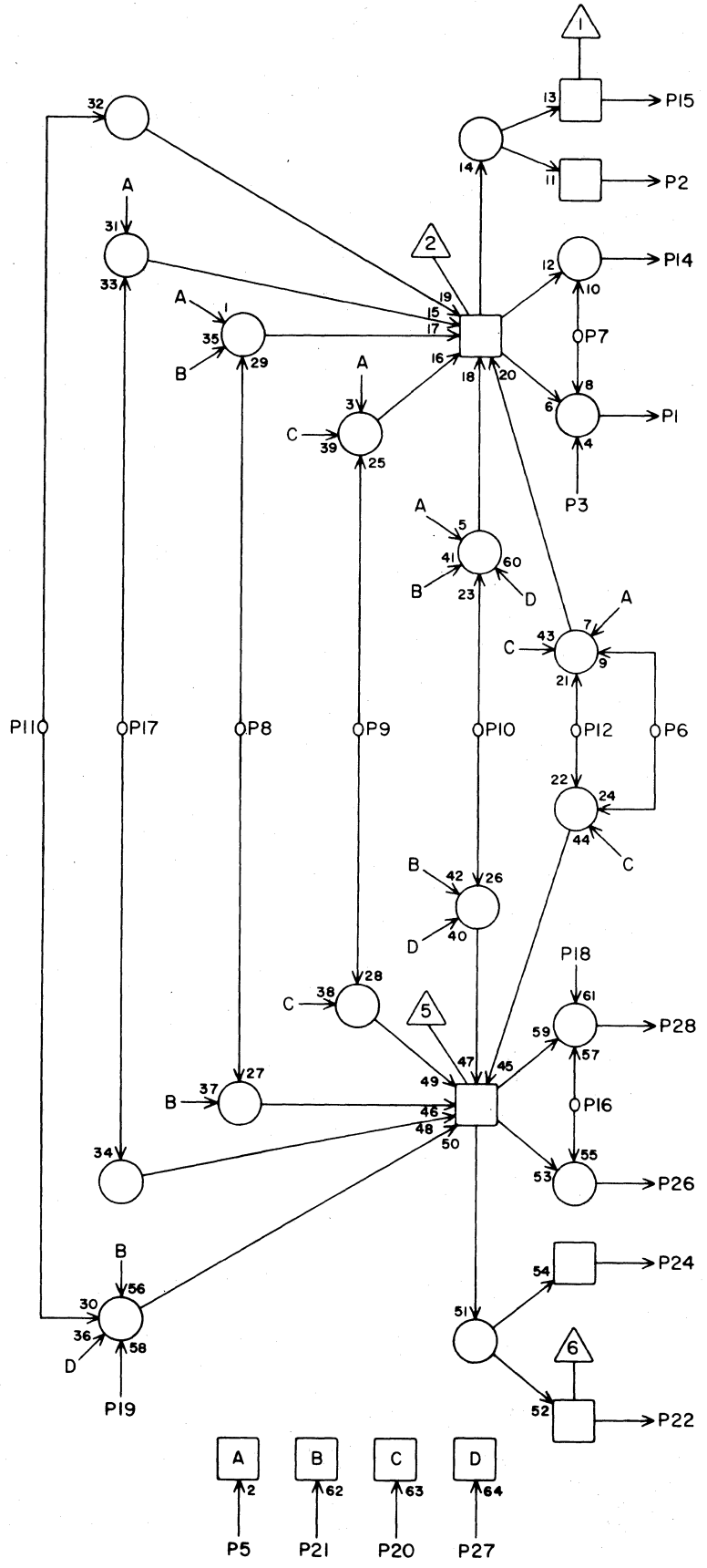
JACK PIN LG  
CIRCUIT SPECIFICATION 11827600

60042700 Rev. J

LS 63054900  
ASSY

**E**  
REV

MJ



|    |  |  |  |
|----|--|--|--|
| 1  |  |  |  |
| 2  |  |  |  |
| 3  |  |  |  |
| 4  |  |  |  |
| 5  |  |  |  |
| 6  |  |  |  |
| 7  |  |  |  |
| 8  |  |  |  |
| 9  |  |  |  |
| 10 |  |  |  |
| 11 |  |  |  |
| 12 |  |  |  |
| 13 |  |  |  |
| 14 |  |  |  |
| 15 |  |  |  |
| 16 |  |  |  |
| 17 |  |  |  |
| 18 |  |  |  |
| 19 |  |  |  |
| 20 |  |  |  |
| 21 |  |  |  |
| 22 |  |  |  |
| 23 |  |  |  |
| 24 |  |  |  |
| 25 |  |  |  |
| 26 |  |  |  |
| 27 |  |  |  |
| 28 |  |  |  |

JACK PIN LG

CIRCUIT SPECIFICATION 11827600  
60042700 Rev. J

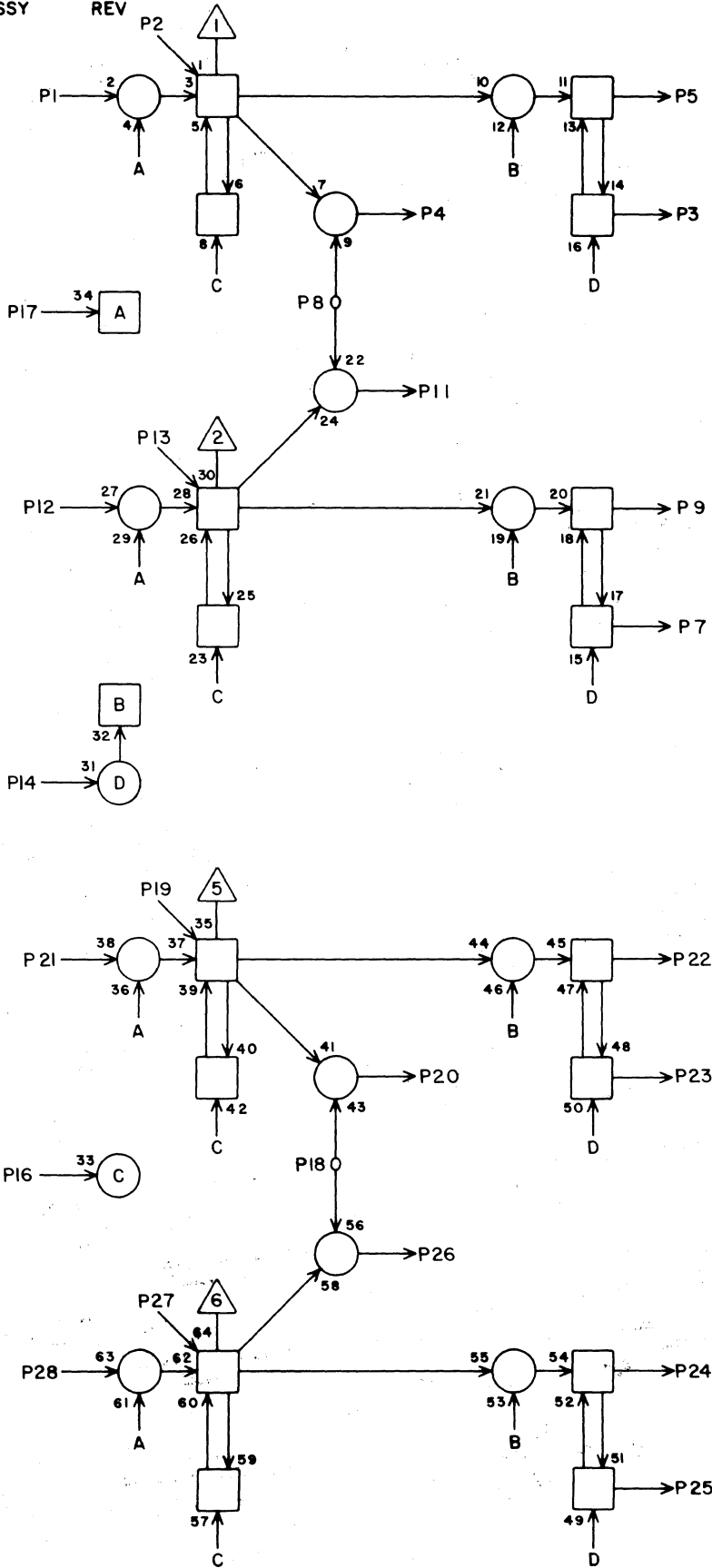
LS 63055000

**D**  
REV

ASSY

MK

[ ]

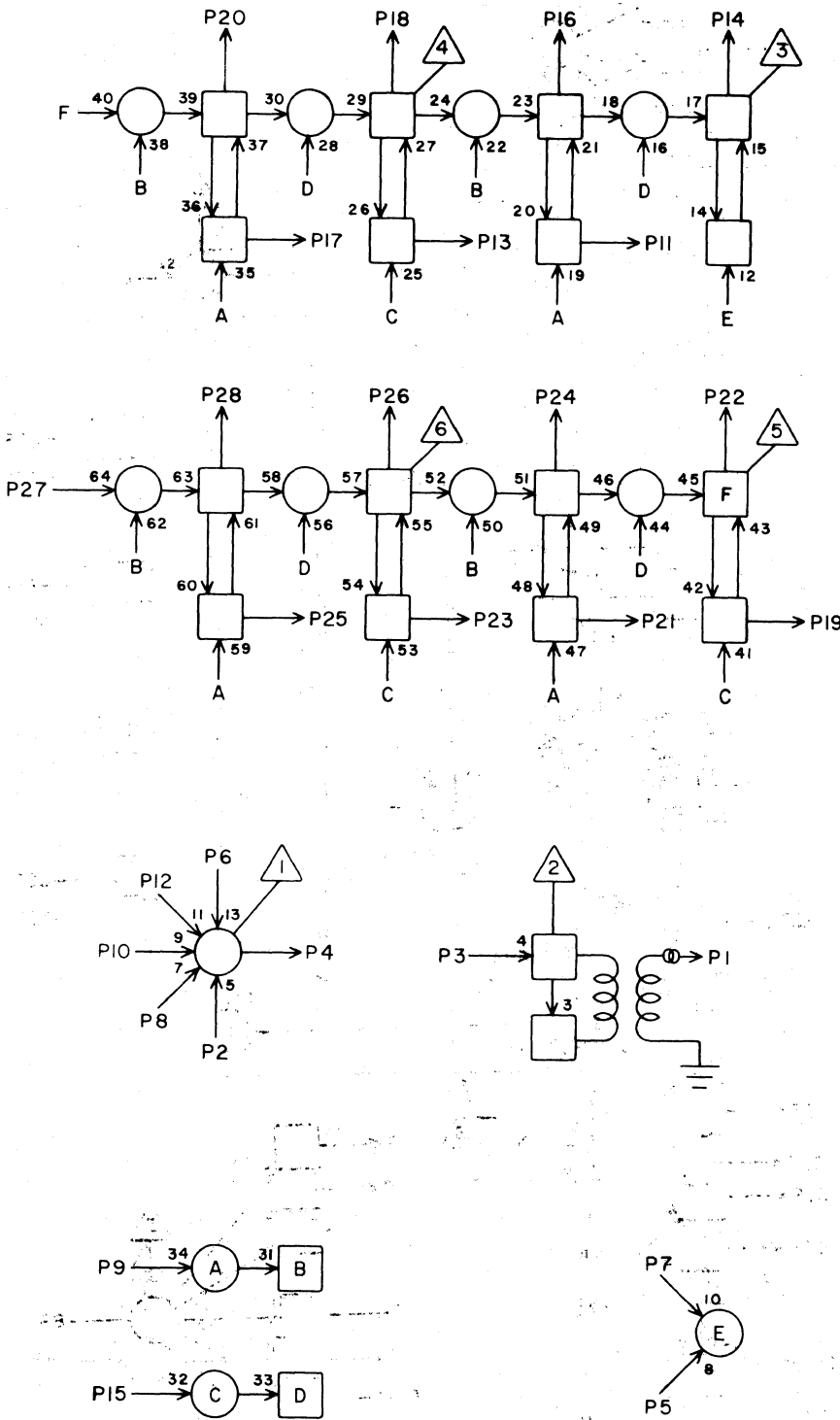


|    |  |  |  |
|----|--|--|--|
| 1  |  |  |  |
| 2  |  |  |  |
| 3  |  |  |  |
| 4  |  |  |  |
| 5  |  |  |  |
| 6  |  |  |  |
| 7  |  |  |  |
| 8  |  |  |  |
| 9  |  |  |  |
| 10 |  |  |  |
| 11 |  |  |  |
| 12 |  |  |  |
| 13 |  |  |  |
| 14 |  |  |  |
| 15 |  |  |  |
| 16 |  |  |  |
| 17 |  |  |  |
| 18 |  |  |  |
| 19 |  |  |  |
| 20 |  |  |  |
| 21 |  |  |  |
| 22 |  |  |  |
| 23 |  |  |  |
| 24 |  |  |  |
| 25 |  |  |  |
| 26 |  |  |  |
| 27 |  |  |  |
| 28 |  |  |  |

JACK PIN LG

CIRCUIT SPECIFICATION 11827600

60042700 Rev. AE

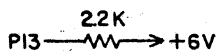
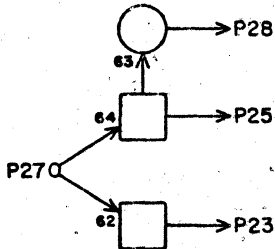
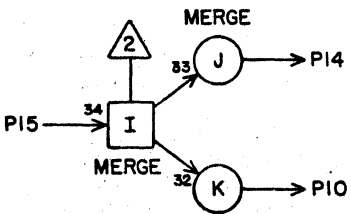
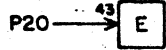
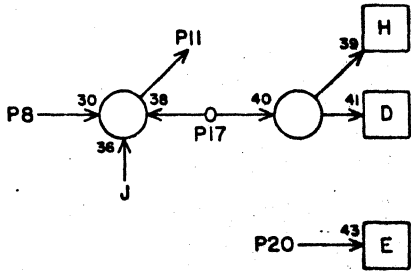
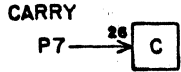
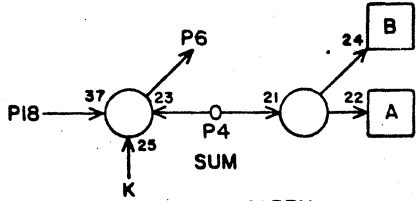
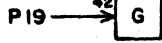
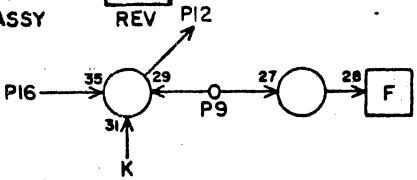


|    |  |  |
|----|--|--|
| 1  |  |  |
| 2  |  |  |
| 3  |  |  |
| 4  |  |  |
| 5  |  |  |
| 6  |  |  |
| 7  |  |  |
| 8  |  |  |
| 9  |  |  |
| 10 |  |  |
| 11 |  |  |
| 12 |  |  |
| 13 |  |  |
| 14 |  |  |
| 15 |  |  |
| 16 |  |  |
| 17 |  |  |
| 18 |  |  |
| 19 |  |  |
| 20 |  |  |
| 21 |  |  |
| 22 |  |  |
| 23 |  |  |
| 24 |  |  |
| 25 |  |  |
| 26 |  |  |
| 27 |  |  |
| 28 |  |  |

JACK PIN LG  
 CIRCUIT SPECIFICATION 11827600

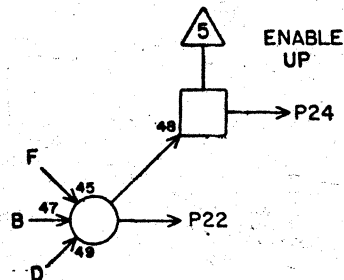
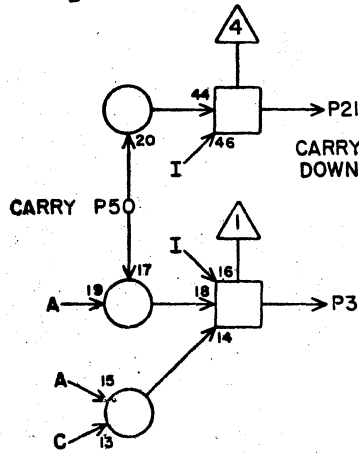
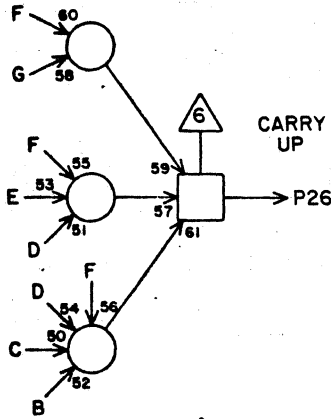
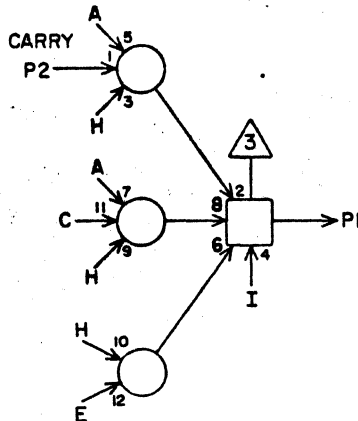
LS 63055200  
ASSY

**F**  
REV



MM

[ ]



|    |  |  |  |
|----|--|--|--|
| 1  |  |  |  |
| 2  |  |  |  |
| 3  |  |  |  |
| 4  |  |  |  |
| 5  |  |  |  |
| 6  |  |  |  |
| 7  |  |  |  |
| 8  |  |  |  |
| 9  |  |  |  |
| 10 |  |  |  |
| 11 |  |  |  |
| 12 |  |  |  |
| 13 |  |  |  |
| 14 |  |  |  |
| 15 |  |  |  |
| 16 |  |  |  |
| 17 |  |  |  |
| 18 |  |  |  |
| 19 |  |  |  |
| 20 |  |  |  |
| 21 |  |  |  |
| 22 |  |  |  |
| 23 |  |  |  |
| 24 |  |  |  |
| 25 |  |  |  |
| 26 |  |  |  |
| 27 |  |  |  |
| 28 |  |  |  |

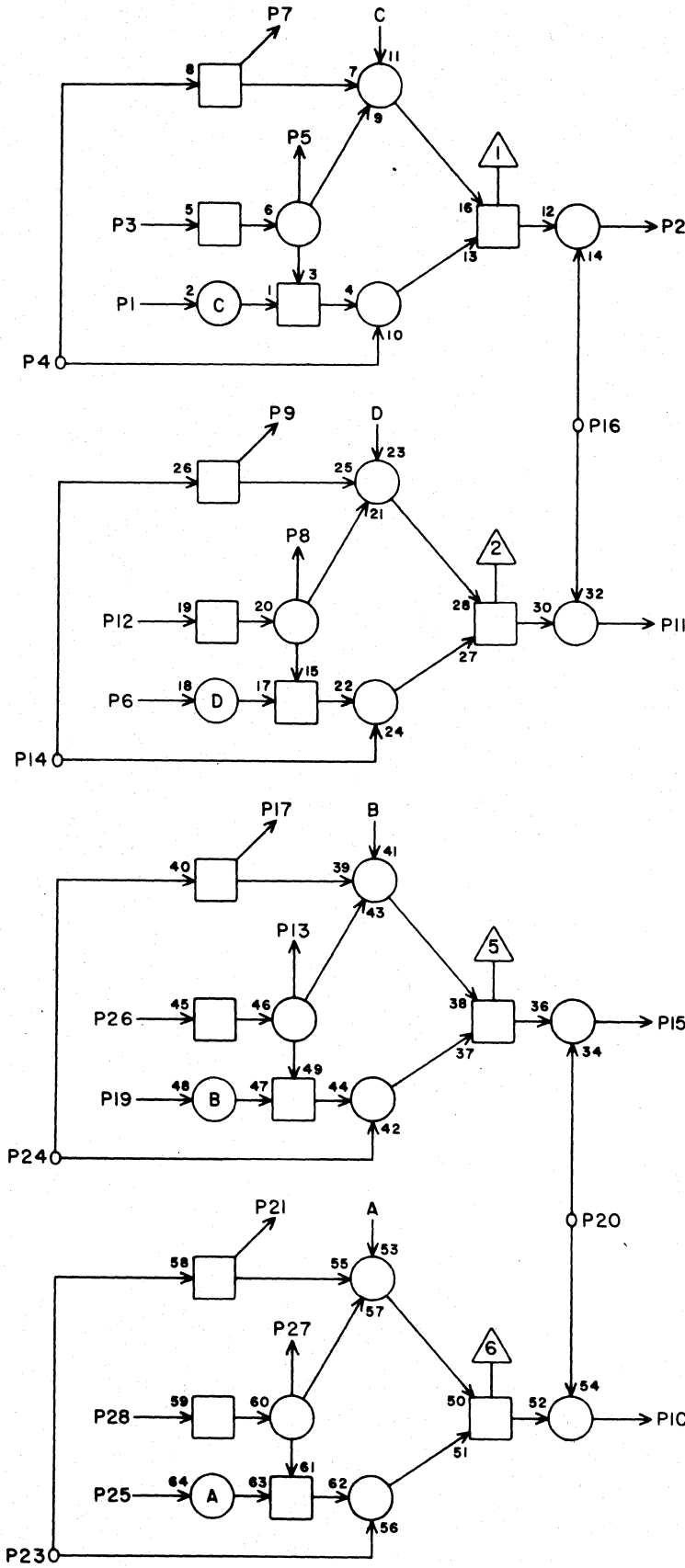
JACK PIN LG

LS 63055300  
ASSY

**D**  
REV

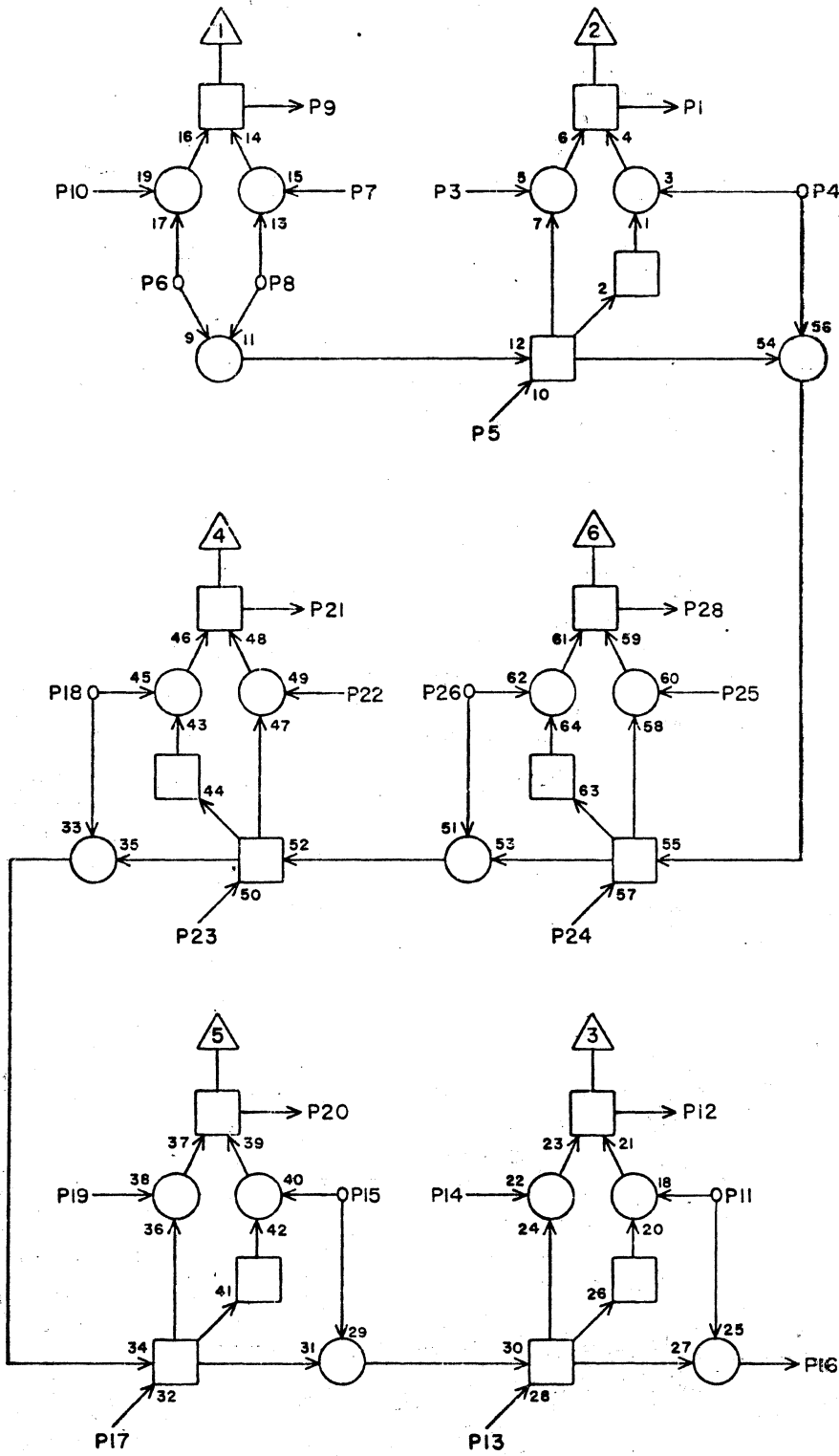
MN

[ ]



|    |  |  |
|----|--|--|
| 1  |  |  |
| 2  |  |  |
| 3  |  |  |
| 4  |  |  |
| 5  |  |  |
| 6  |  |  |
| 7  |  |  |
| 8  |  |  |
| 9  |  |  |
| 10 |  |  |
| 11 |  |  |
| 12 |  |  |
| 13 |  |  |
| 14 |  |  |
| 15 |  |  |
| 16 |  |  |
| 17 |  |  |
| 18 |  |  |
| 19 |  |  |
| 20 |  |  |
| 21 |  |  |
| 22 |  |  |
| 23 |  |  |
| 24 |  |  |
| 25 |  |  |
| 26 |  |  |
| 27 |  |  |
| 28 |  |  |

JACK PIN LG  
CIRCUIT SPECIFICATION 11827600  
60042700 Rev. J



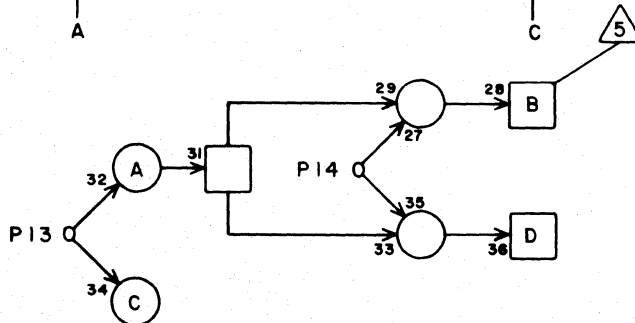
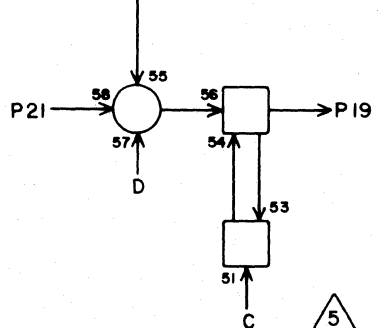
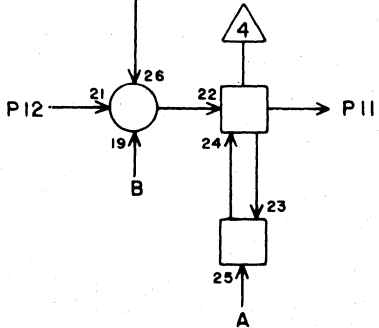
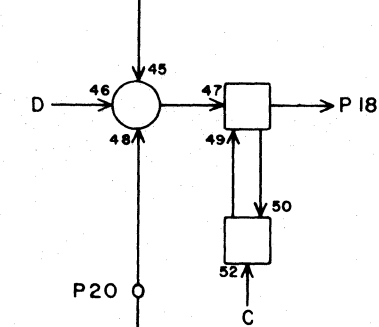
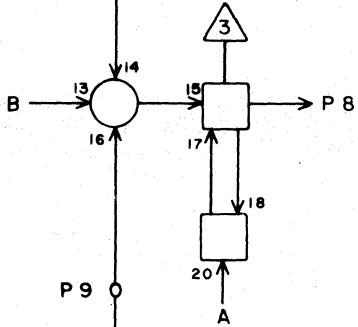
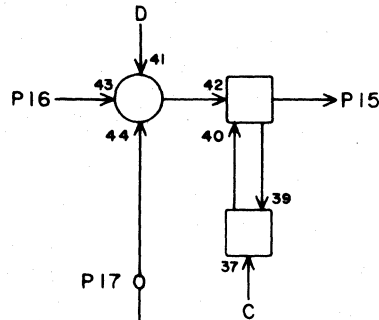
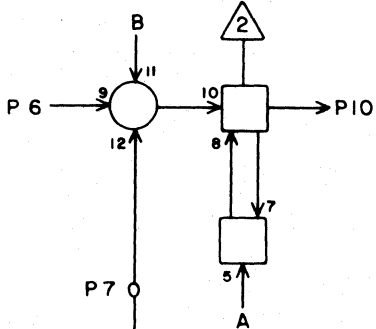
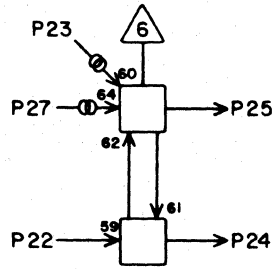
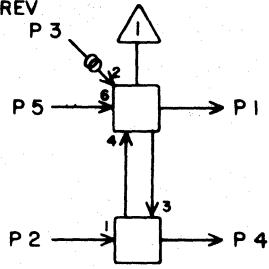
|    |  |  |  |
|----|--|--|--|
| 1  |  |  |  |
| 2  |  |  |  |
| 3  |  |  |  |
| 4  |  |  |  |
| 5  |  |  |  |
| 6  |  |  |  |
| 7  |  |  |  |
| 8  |  |  |  |
| 9  |  |  |  |
| 10 |  |  |  |
| 11 |  |  |  |
| 12 |  |  |  |
| 13 |  |  |  |
| 14 |  |  |  |
| 15 |  |  |  |
| 16 |  |  |  |
| 17 |  |  |  |
| 18 |  |  |  |
| 19 |  |  |  |
| 20 |  |  |  |
| 21 |  |  |  |
| 22 |  |  |  |
| 23 |  |  |  |
| 24 |  |  |  |
| 25 |  |  |  |
| 26 |  |  |  |
| 27 |  |  |  |
| 28 |  |  |  |

JACK PIN LG

LS 6305500  
ASSY



MP



|    |  |  |  |
|----|--|--|--|
| 1  |  |  |  |
| 2  |  |  |  |
| 3  |  |  |  |
| 4  |  |  |  |
| 5  |  |  |  |
| 6  |  |  |  |
| 7  |  |  |  |
| 8  |  |  |  |
| 9  |  |  |  |
| 10 |  |  |  |
| 11 |  |  |  |
| 12 |  |  |  |
| 13 |  |  |  |
| 14 |  |  |  |
| 15 |  |  |  |
| 16 |  |  |  |
| 17 |  |  |  |
| 18 |  |  |  |
| 19 |  |  |  |
| 20 |  |  |  |
| 21 |  |  |  |
| 22 |  |  |  |
| 23 |  |  |  |
| 24 |  |  |  |
| 25 |  |  |  |
| 26 |  |  |  |
| 27 |  |  |  |
| 28 |  |  |  |

JACK PIN LG

CIRCUIT SPECIFICATION 11827600

60042700 Rev. J

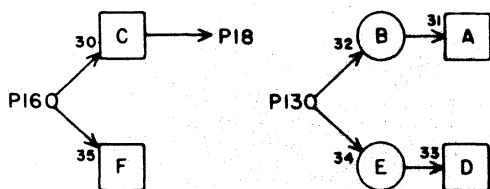
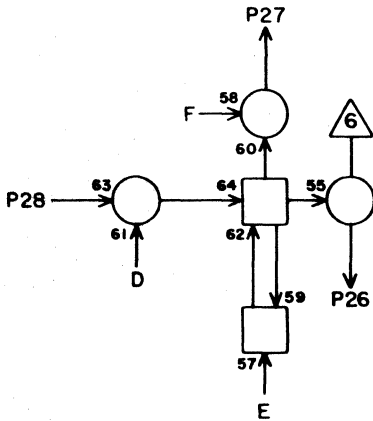
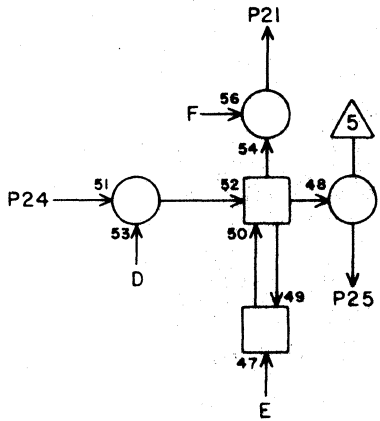
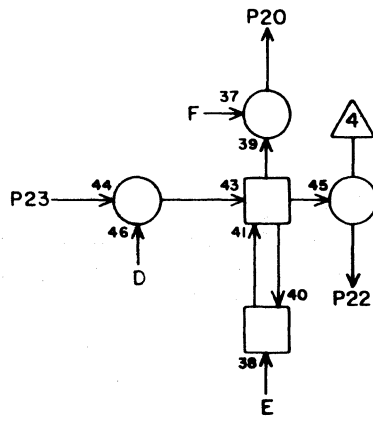
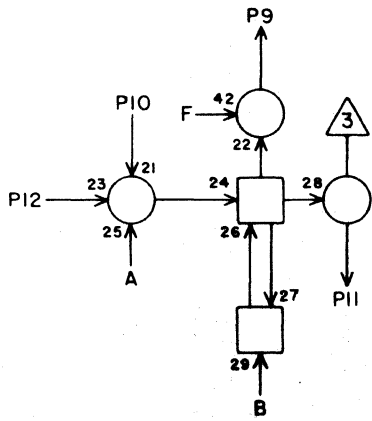
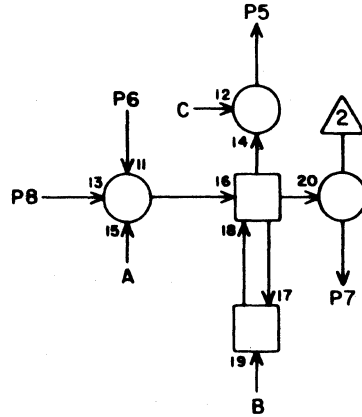
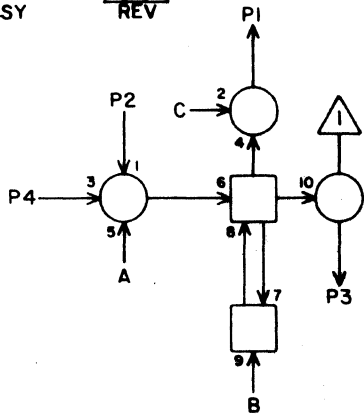


LS 63055600  
ASSY

**F**  
REV

MQ

[ ]



|    |  |  |  |
|----|--|--|--|
| 1  |  |  |  |
| 2  |  |  |  |
| 3  |  |  |  |
| 4  |  |  |  |
| 5  |  |  |  |
| 6  |  |  |  |
| 7  |  |  |  |
| 8  |  |  |  |
| 9  |  |  |  |
| 10 |  |  |  |
| 11 |  |  |  |
| 12 |  |  |  |
| 13 |  |  |  |
| 14 |  |  |  |
| 15 |  |  |  |
| 16 |  |  |  |
| 17 |  |  |  |
| 18 |  |  |  |
| 19 |  |  |  |
| 20 |  |  |  |
| 21 |  |  |  |
| 22 |  |  |  |
| 23 |  |  |  |
| 24 |  |  |  |
| 25 |  |  |  |
| 26 |  |  |  |
| 27 |  |  |  |
| 28 |  |  |  |

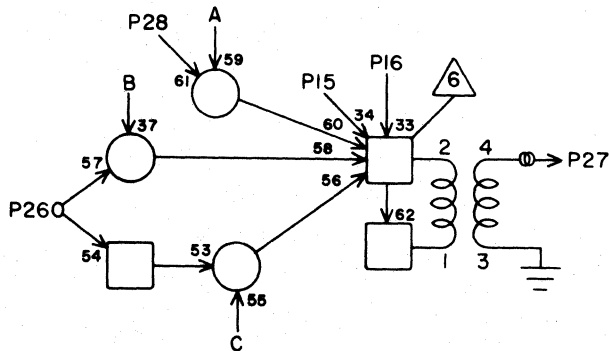
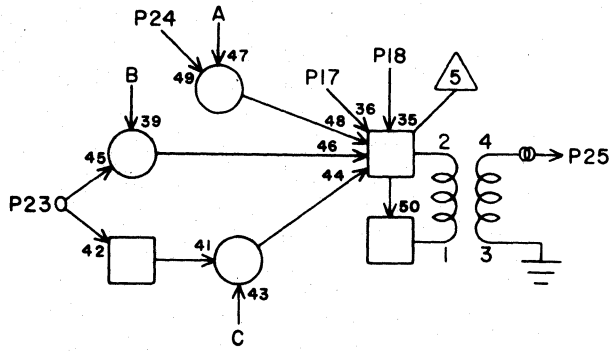
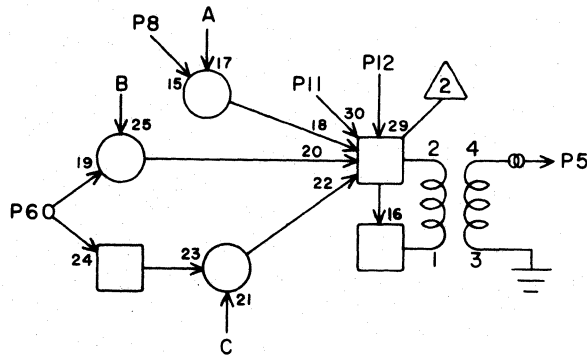
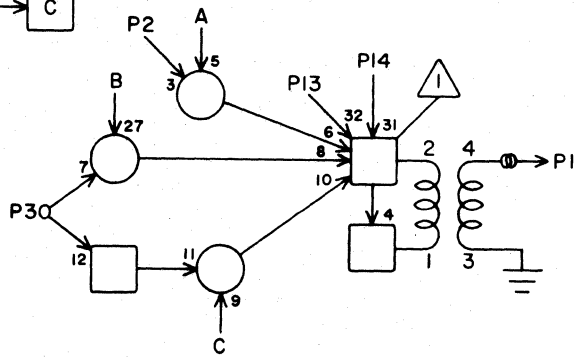
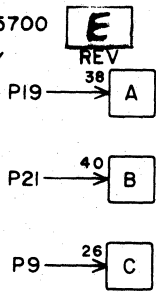
JACK PIN LG

CIRCUIT SPECIFICATION 11827600

60042700 Rev. J

LS 63055700

ASSY



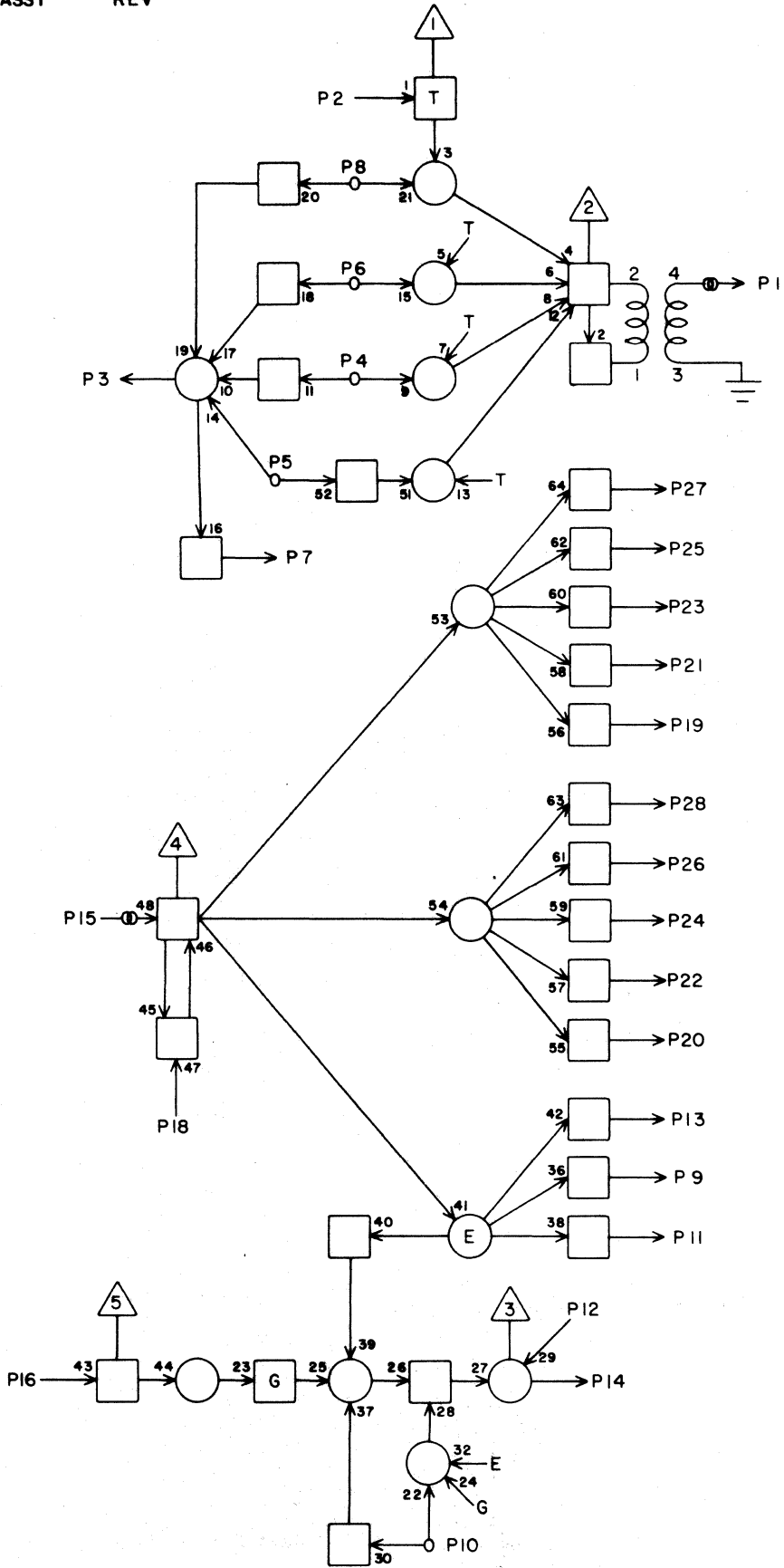
MR

|    |  |  |  |
|----|--|--|--|
| 1  |  |  |  |
| 2  |  |  |  |
| 3  |  |  |  |
| 4  |  |  |  |
| 5  |  |  |  |
| 6  |  |  |  |
| 7  |  |  |  |
| 8  |  |  |  |
| 9  |  |  |  |
| 10 |  |  |  |
| 11 |  |  |  |
| 12 |  |  |  |
| 13 |  |  |  |
| 14 |  |  |  |
| 15 |  |  |  |
| 16 |  |  |  |
| 17 |  |  |  |
| 18 |  |  |  |
| 19 |  |  |  |
| 20 |  |  |  |
| 21 |  |  |  |
| 22 |  |  |  |
| 23 |  |  |  |
| 24 |  |  |  |
| 25 |  |  |  |
| 26 |  |  |  |
| 27 |  |  |  |
| 28 |  |  |  |

JACK PIN LG

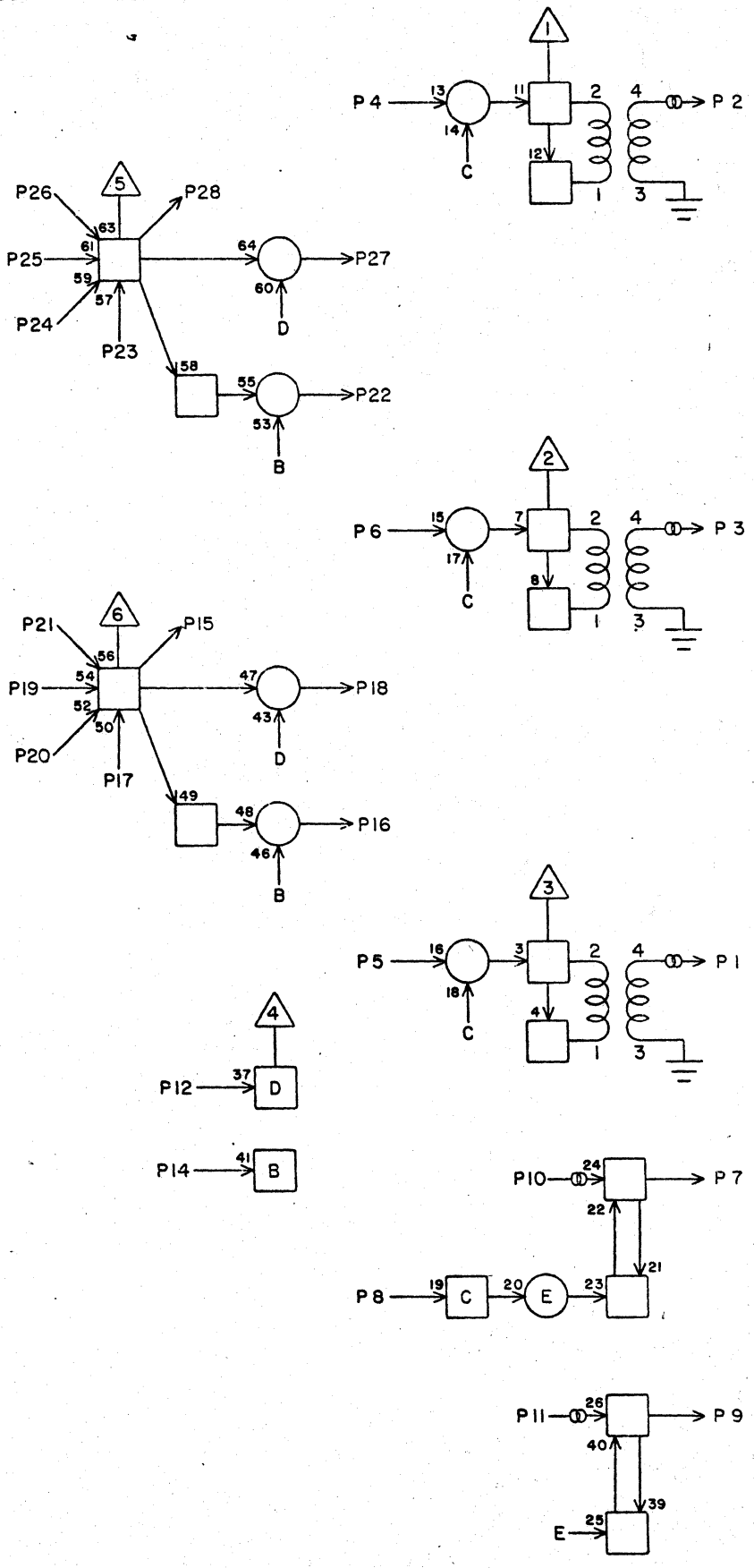
CIRCUIT SPECIFICATION I1827600

60042700 Rev. P



|    |  |  |
|----|--|--|
| 1  |  |  |
| 2  |  |  |
| 3  |  |  |
| 4  |  |  |
| 5  |  |  |
| 6  |  |  |
| 7  |  |  |
| 8  |  |  |
| 9  |  |  |
| 10 |  |  |
| 11 |  |  |
| 12 |  |  |
| 13 |  |  |
| 14 |  |  |
| 15 |  |  |
| 16 |  |  |
| 17 |  |  |
| 18 |  |  |
| 19 |  |  |
| 20 |  |  |
| 21 |  |  |
| 22 |  |  |
| 23 |  |  |
| 24 |  |  |
| 25 |  |  |
| 26 |  |  |
| 27 |  |  |
| 28 |  |  |

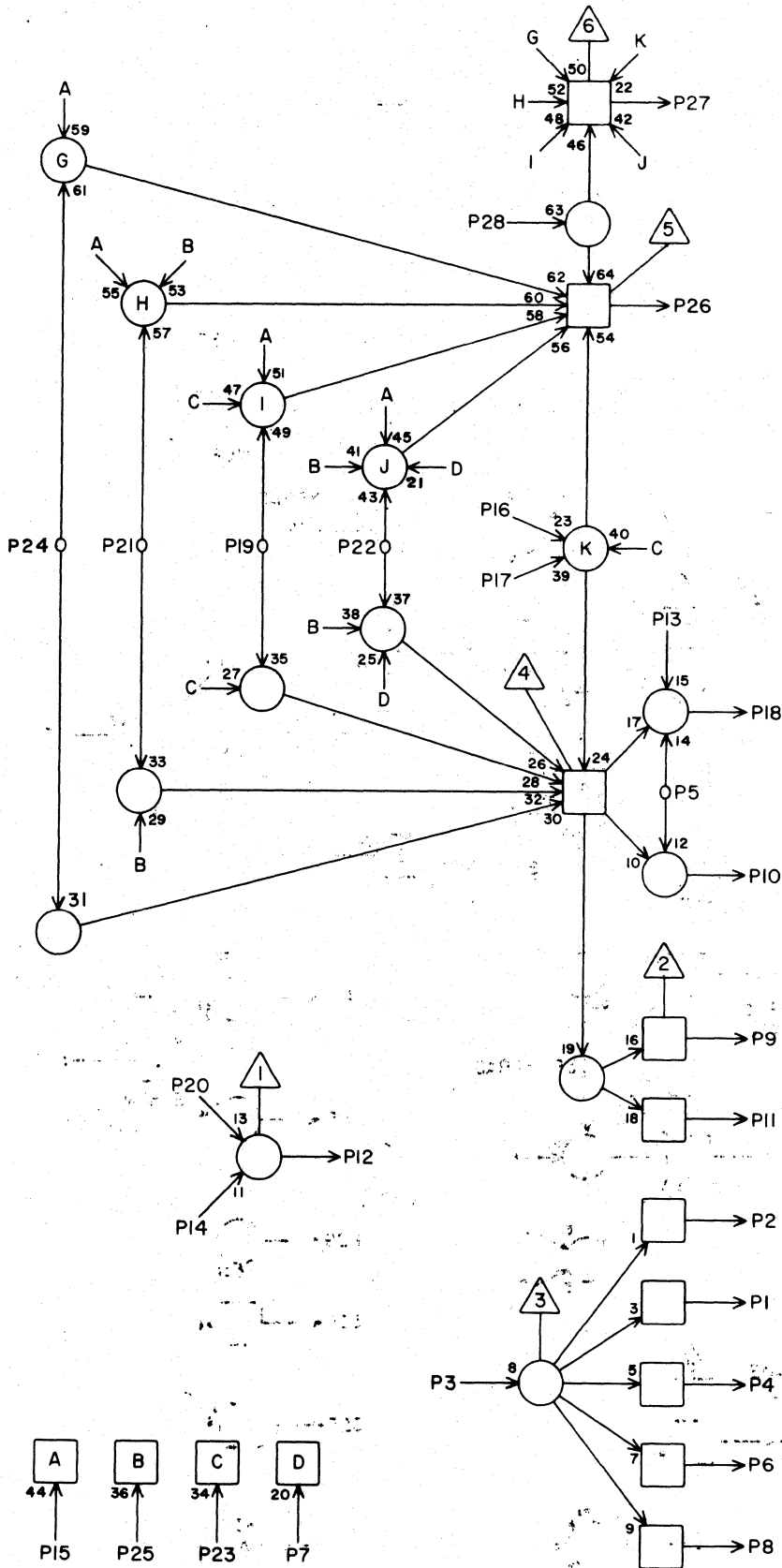
JACK PIN LG  
 CIRCUIT SPECIFICATION 11827600



|    |  |  |  |
|----|--|--|--|
| 1  |  |  |  |
| 2  |  |  |  |
| 3  |  |  |  |
| 4  |  |  |  |
| 5  |  |  |  |
| 6  |  |  |  |
| 7  |  |  |  |
| 8  |  |  |  |
| 9  |  |  |  |
| 10 |  |  |  |
| 11 |  |  |  |
| 12 |  |  |  |
| 13 |  |  |  |
| 14 |  |  |  |
| 15 |  |  |  |
| 16 |  |  |  |
| 17 |  |  |  |
| 18 |  |  |  |
| 19 |  |  |  |
| 20 |  |  |  |
| 21 |  |  |  |
| 22 |  |  |  |
| 23 |  |  |  |
| 24 |  |  |  |
| 25 |  |  |  |
| 26 |  |  |  |
| 27 |  |  |  |
| 28 |  |  |  |

JACK PIN LG



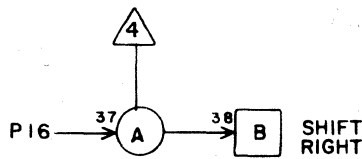
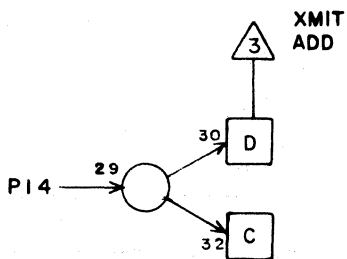
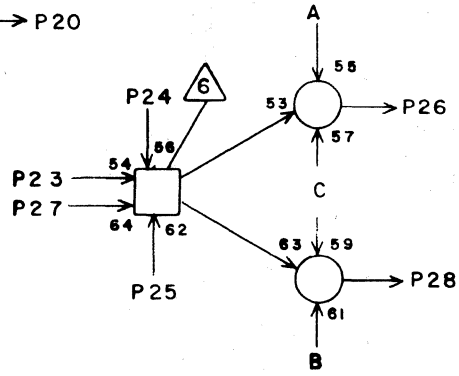
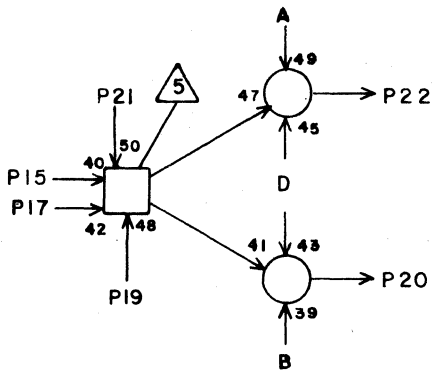
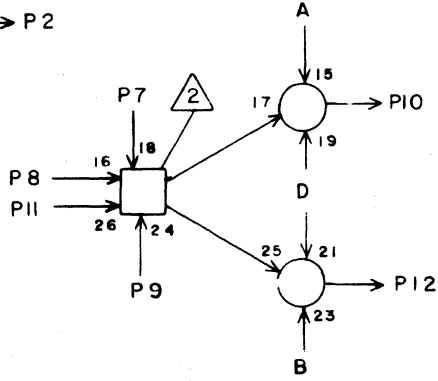
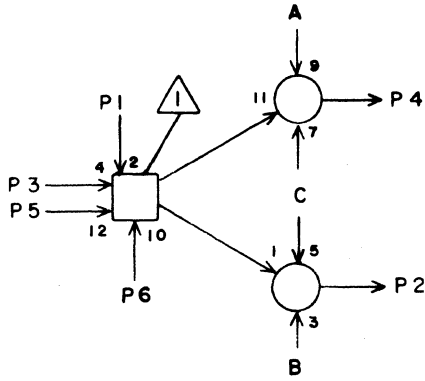


|    |  |  |  |
|----|--|--|--|
| 1  |  |  |  |
| 2  |  |  |  |
| 3  |  |  |  |
| 4  |  |  |  |
| 5  |  |  |  |
| 6  |  |  |  |
| 7  |  |  |  |
| 8  |  |  |  |
| 9  |  |  |  |
| 10 |  |  |  |
| 11 |  |  |  |
| 12 |  |  |  |
| 13 |  |  |  |
| 14 |  |  |  |
| 15 |  |  |  |
| 16 |  |  |  |
| 17 |  |  |  |
| 18 |  |  |  |
| 19 |  |  |  |
| 20 |  |  |  |
| 21 |  |  |  |
| 22 |  |  |  |
| 23 |  |  |  |
| 24 |  |  |  |
| 25 |  |  |  |
| 26 |  |  |  |
| 27 |  |  |  |
| 28 |  |  |  |







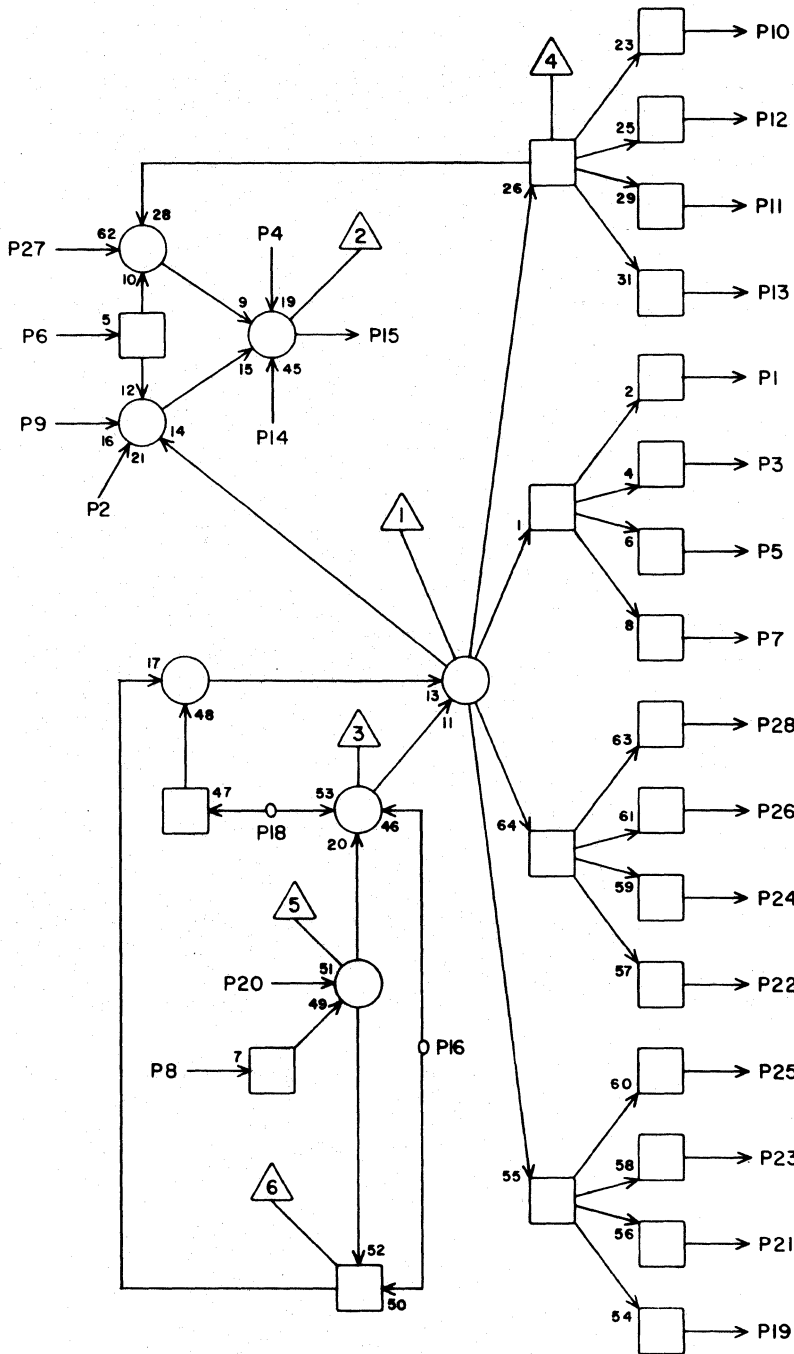


|    |  |  |
|----|--|--|
| 1  |  |  |
| 2  |  |  |
| 3  |  |  |
| 4  |  |  |
| 5  |  |  |
| 6  |  |  |
| 7  |  |  |
| 8  |  |  |
| 9  |  |  |
| 10 |  |  |
| 11 |  |  |
| 12 |  |  |
| 13 |  |  |
| 14 |  |  |
| 15 |  |  |
| 16 |  |  |
| 17 |  |  |
| 18 |  |  |
| 19 |  |  |
| 20 |  |  |
| 21 |  |  |
| 22 |  |  |
| 23 |  |  |
| 24 |  |  |
| 25 |  |  |
| 26 |  |  |
| 27 |  |  |
| 28 |  |  |

JACK PIN LG

CIRCUIT SPECIFICATION 11827600

60042700 Rev. J



|    |  |  |  |
|----|--|--|--|
| 1  |  |  |  |
| 2  |  |  |  |
| 3  |  |  |  |
| 4  |  |  |  |
| 5  |  |  |  |
| 6  |  |  |  |
| 7  |  |  |  |
| 8  |  |  |  |
| 9  |  |  |  |
| 10 |  |  |  |
| 11 |  |  |  |
| 12 |  |  |  |
| 13 |  |  |  |
| 14 |  |  |  |
| 15 |  |  |  |
| 16 |  |  |  |
| 17 |  |  |  |
| 18 |  |  |  |
| 19 |  |  |  |
| 20 |  |  |  |
| 21 |  |  |  |
| 22 |  |  |  |
| 23 |  |  |  |
| 24 |  |  |  |
| 25 |  |  |  |
| 26 |  |  |  |
| 27 |  |  |  |
| 28 |  |  |  |

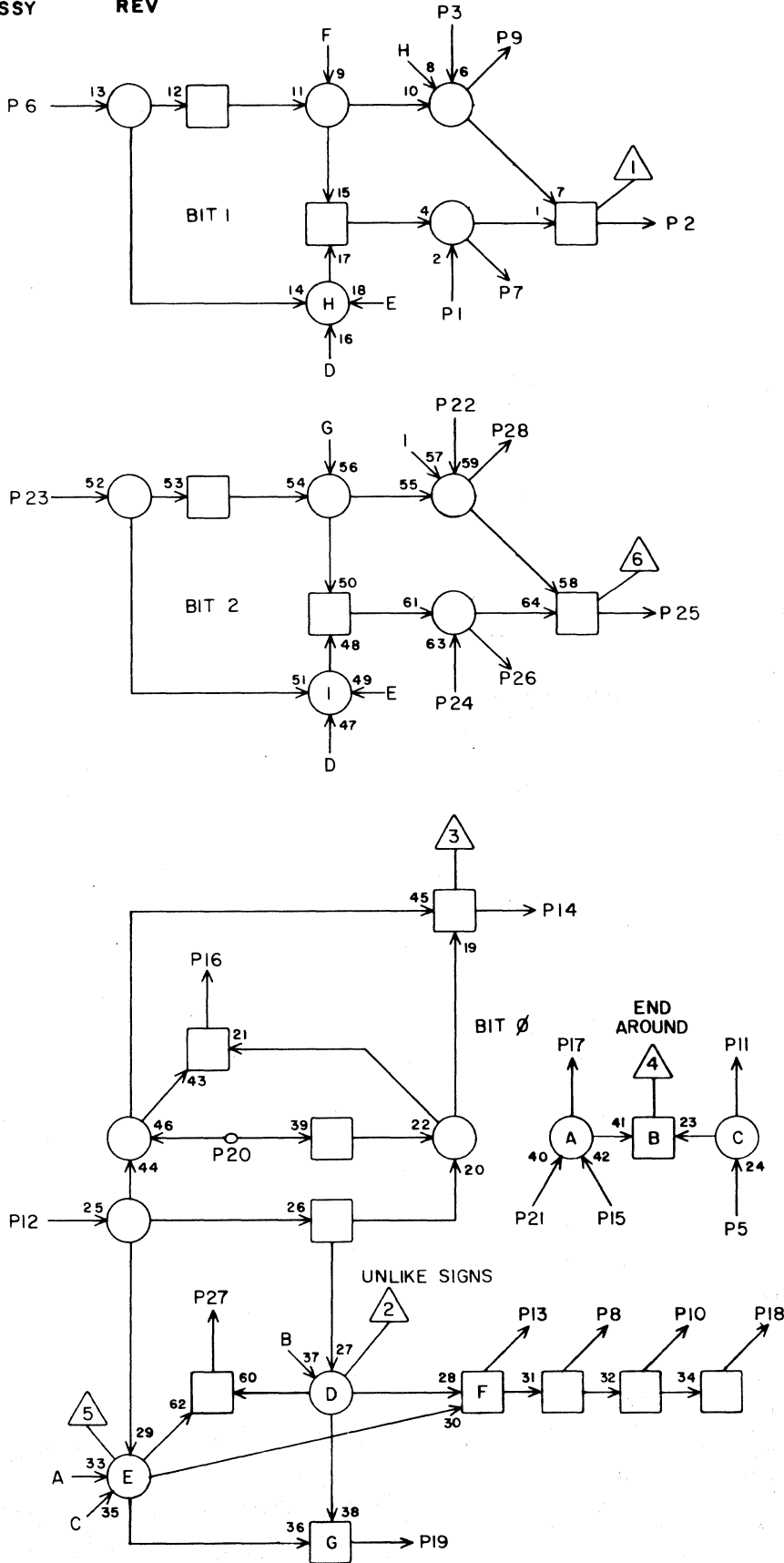
JACK PIN LG  
CIRCUIT SPECIFICATION 11827600

LS 63056500

**C**  
REV

NC

ASSY

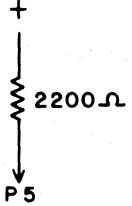
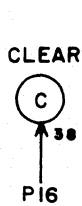
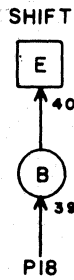
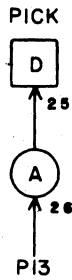
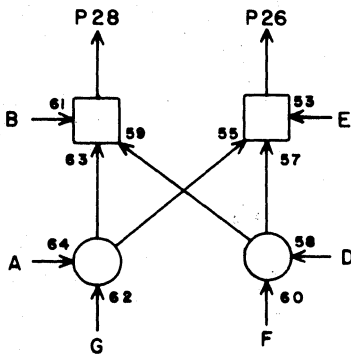
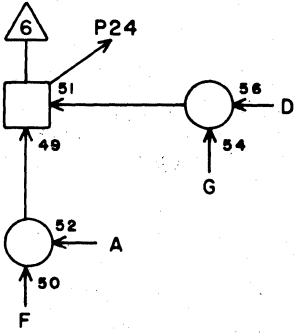
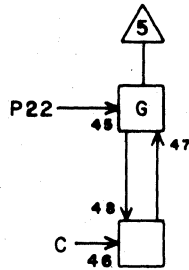
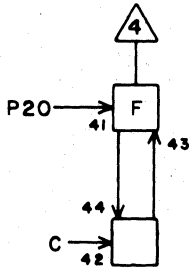
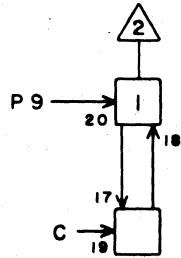
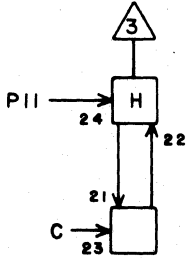
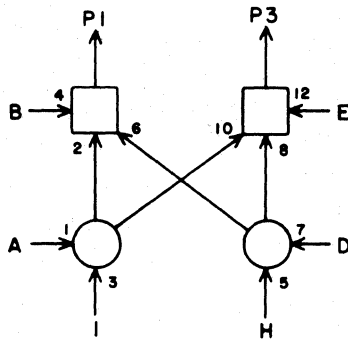
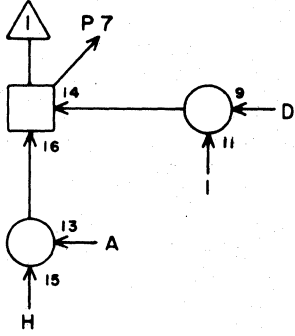


|    |  |  |  |
|----|--|--|--|
| 1  |  |  |  |
| 2  |  |  |  |
| 3  |  |  |  |
| 4  |  |  |  |
| 5  |  |  |  |
| 6  |  |  |  |
| 7  |  |  |  |
| 8  |  |  |  |
| 9  |  |  |  |
| 10 |  |  |  |
| 11 |  |  |  |
| 12 |  |  |  |
| 13 |  |  |  |
| 14 |  |  |  |
| 15 |  |  |  |
| 16 |  |  |  |
| 17 |  |  |  |
| 18 |  |  |  |
| 19 |  |  |  |
| 20 |  |  |  |
| 21 |  |  |  |
| 22 |  |  |  |
| 23 |  |  |  |
| 24 |  |  |  |
| 25 |  |  |  |
| 26 |  |  |  |
| 27 |  |  |  |
| 28 |  |  |  |

JACK PIN LG

CIRCUIT SPECIFICATION 11827600  
60042700 Rev. J

ASSY



|    |  |  |  |
|----|--|--|--|
| 1  |  |  |  |
| 2  |  |  |  |
| 3  |  |  |  |
| 4  |  |  |  |
| 5  |  |  |  |
| 6  |  |  |  |
| 7  |  |  |  |
| 8  |  |  |  |
| 9  |  |  |  |
| 10 |  |  |  |
| 11 |  |  |  |
| 12 |  |  |  |
| 13 |  |  |  |
| 14 |  |  |  |
| 15 |  |  |  |
| 16 |  |  |  |
| 17 |  |  |  |
| 18 |  |  |  |
| 19 |  |  |  |
| 20 |  |  |  |
| 21 |  |  |  |
| 22 |  |  |  |
| 23 |  |  |  |
| 24 |  |  |  |
| 25 |  |  |  |
| 26 |  |  |  |
| 27 |  |  |  |
| 28 |  |  |  |

JACK PIN LG

CIRCUIT SPECIFICATION 11827600

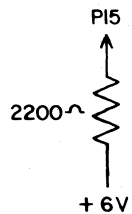
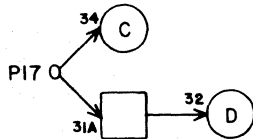
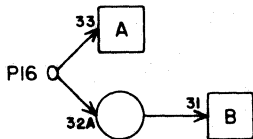
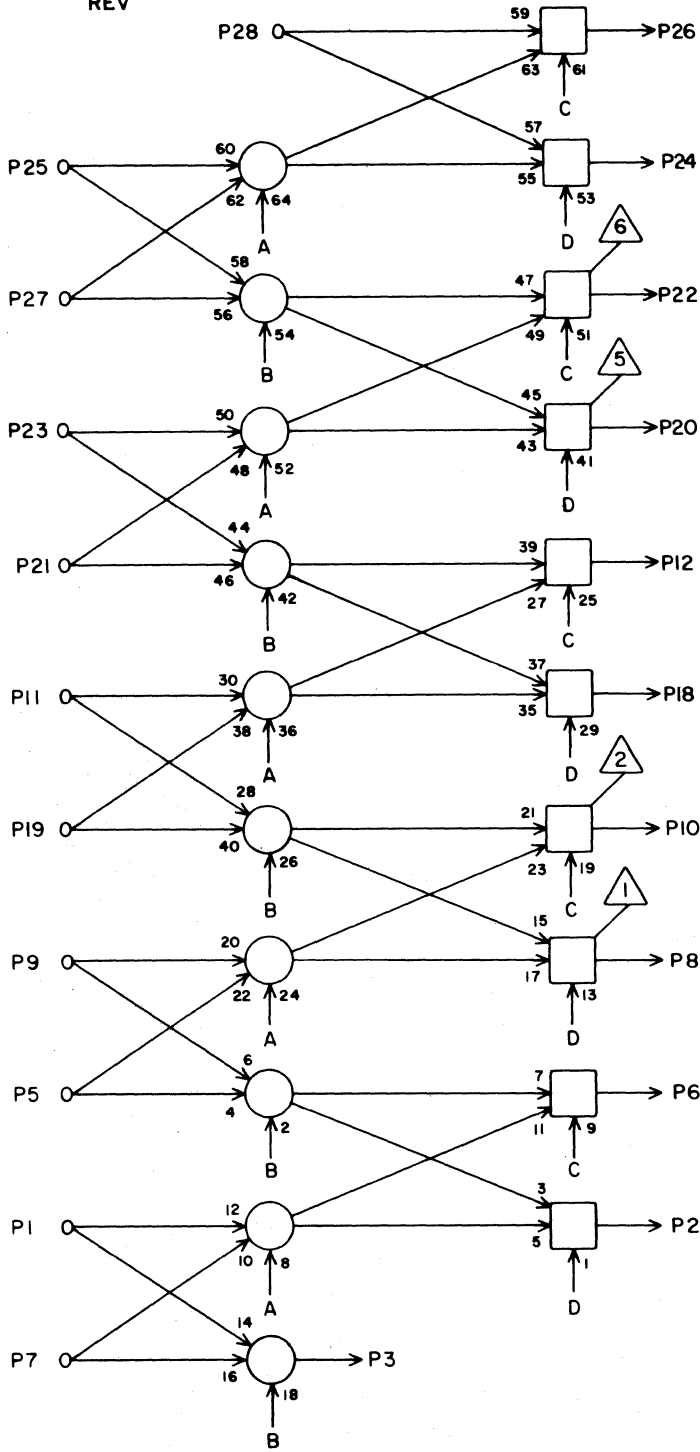
60042700 Rev. K

LS 63056700  
ASSY

**C**  
REV

NE

[ ]

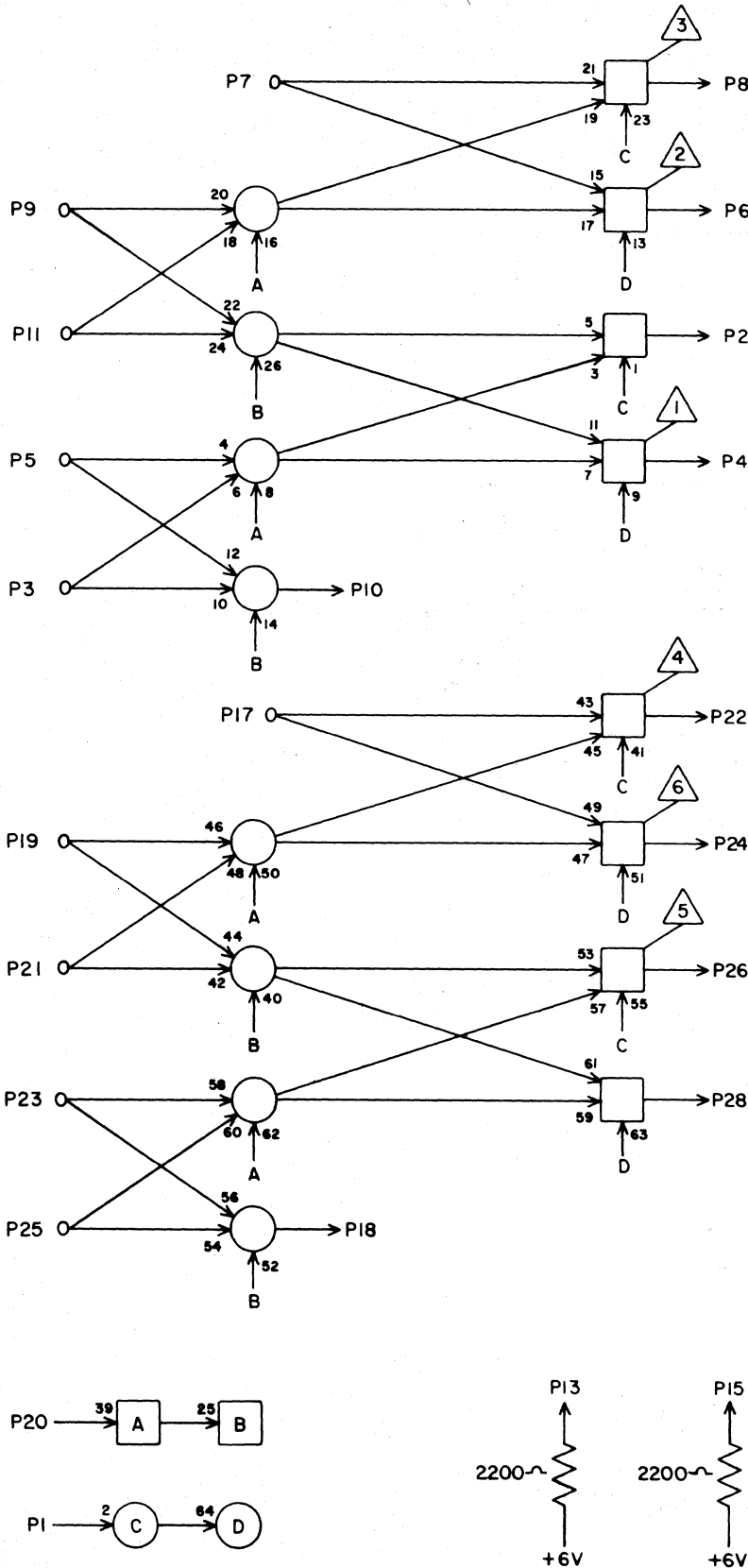


|    |  |  |  |
|----|--|--|--|
| 1  |  |  |  |
| 2  |  |  |  |
| 3  |  |  |  |
| 4  |  |  |  |
| 5  |  |  |  |
| 6  |  |  |  |
| 7  |  |  |  |
| 8  |  |  |  |
| 9  |  |  |  |
| 10 |  |  |  |
| 11 |  |  |  |
| 12 |  |  |  |
| 13 |  |  |  |
| 14 |  |  |  |
| 15 |  |  |  |
| 16 |  |  |  |
| 17 |  |  |  |
| 18 |  |  |  |
| 19 |  |  |  |
| 20 |  |  |  |
| 21 |  |  |  |
| 22 |  |  |  |
| 23 |  |  |  |
| 24 |  |  |  |
| 25 |  |  |  |
| 26 |  |  |  |
| 27 |  |  |  |
| 28 |  |  |  |

JACK PIN LG

CIRCUIT SPECIFICATION 11827600

60042700 Rev J



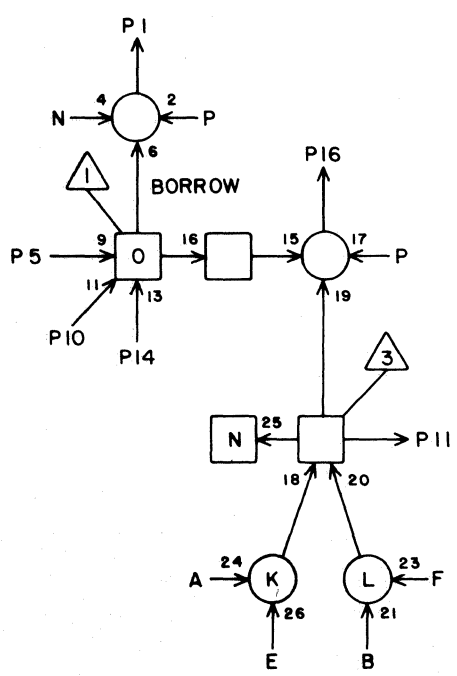
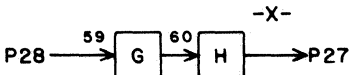
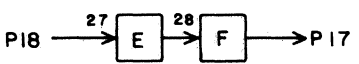
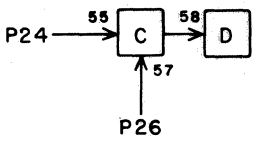
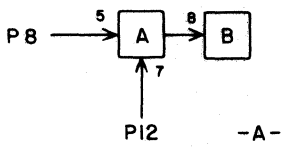
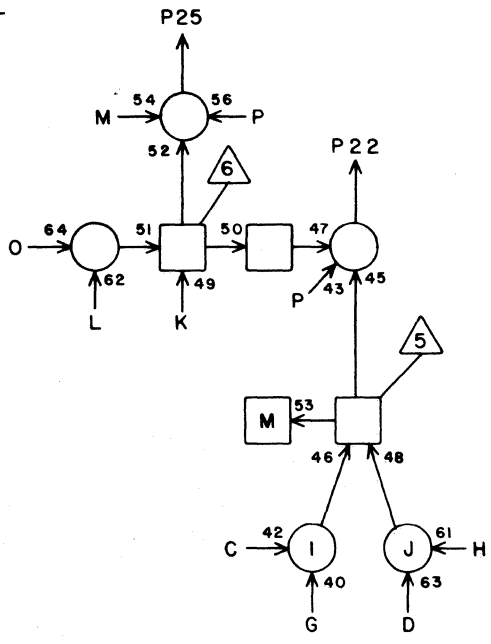
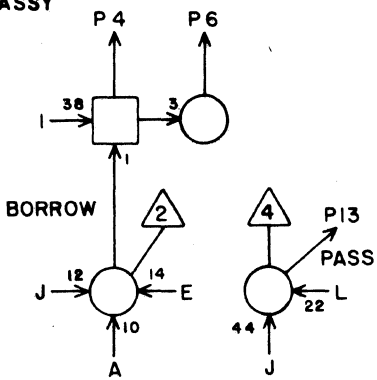
|    |  |  |  |
|----|--|--|--|
| 1  |  |  |  |
| 2  |  |  |  |
| 3  |  |  |  |
| 4  |  |  |  |
| 5  |  |  |  |
| 6  |  |  |  |
| 7  |  |  |  |
| 8  |  |  |  |
| 9  |  |  |  |
| 10 |  |  |  |
| 11 |  |  |  |
| 12 |  |  |  |
| 13 |  |  |  |
| 14 |  |  |  |
| 15 |  |  |  |
| 16 |  |  |  |
| 17 |  |  |  |
| 18 |  |  |  |
| 19 |  |  |  |
| 20 |  |  |  |
| 21 |  |  |  |
| 22 |  |  |  |
| 23 |  |  |  |
| 24 |  |  |  |
| 25 |  |  |  |
| 26 |  |  |  |
| 27 |  |  |  |
| 28 |  |  |  |

LS 63056900  
ASSY

**F**  
REV

NG

[ ]



|    |  |  |  |
|----|--|--|--|
| 1  |  |  |  |
| 2  |  |  |  |
| 3  |  |  |  |
| 4  |  |  |  |
| 5  |  |  |  |
| 6  |  |  |  |
| 7  |  |  |  |
| 8  |  |  |  |
| 9  |  |  |  |
| 10 |  |  |  |
| 11 |  |  |  |
| 12 |  |  |  |
| 13 |  |  |  |
| 14 |  |  |  |
| 15 |  |  |  |
| 16 |  |  |  |
| 17 |  |  |  |
| 18 |  |  |  |
| 19 |  |  |  |
| 20 |  |  |  |
| 21 |  |  |  |
| 22 |  |  |  |
| 23 |  |  |  |
| 24 |  |  |  |
| 25 |  |  |  |
| 26 |  |  |  |
| 27 |  |  |  |
| 28 |  |  |  |

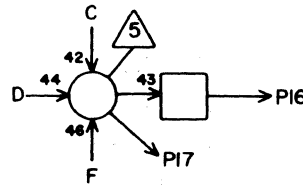
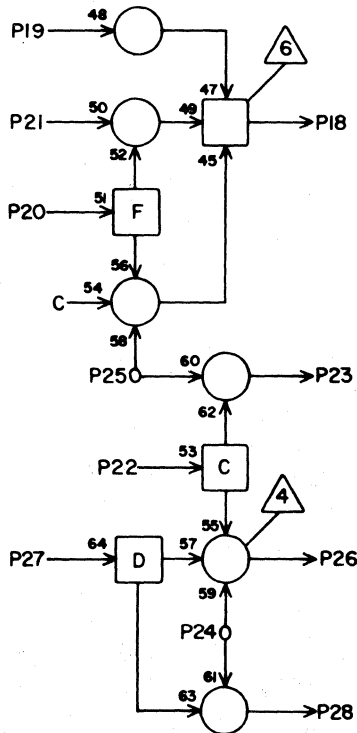
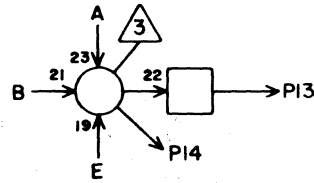
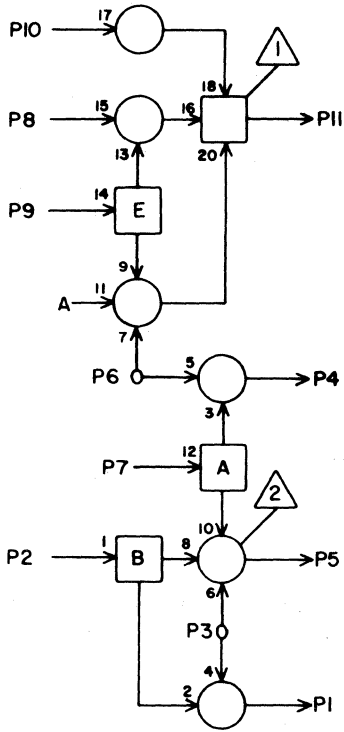
JACK PIN LG

CIRCUIT SPECIFICATION 11827600  
60042700 Rev P

LS 63057000  
ASSY

REV

NH



|    |  |  |  |
|----|--|--|--|
| 1  |  |  |  |
| 2  |  |  |  |
| 3  |  |  |  |
| 4  |  |  |  |
| 5  |  |  |  |
| 6  |  |  |  |
| 7  |  |  |  |
| 8  |  |  |  |
| 9  |  |  |  |
| 10 |  |  |  |
| 11 |  |  |  |
| 12 |  |  |  |
| 13 |  |  |  |
| 14 |  |  |  |
| 15 |  |  |  |
| 16 |  |  |  |
| 17 |  |  |  |
| 18 |  |  |  |
| 19 |  |  |  |
| 20 |  |  |  |
| 21 |  |  |  |
| 22 |  |  |  |
| 23 |  |  |  |
| 24 |  |  |  |
| 25 |  |  |  |
| 26 |  |  |  |
| 27 |  |  |  |
| 28 |  |  |  |

JACK PIN LG

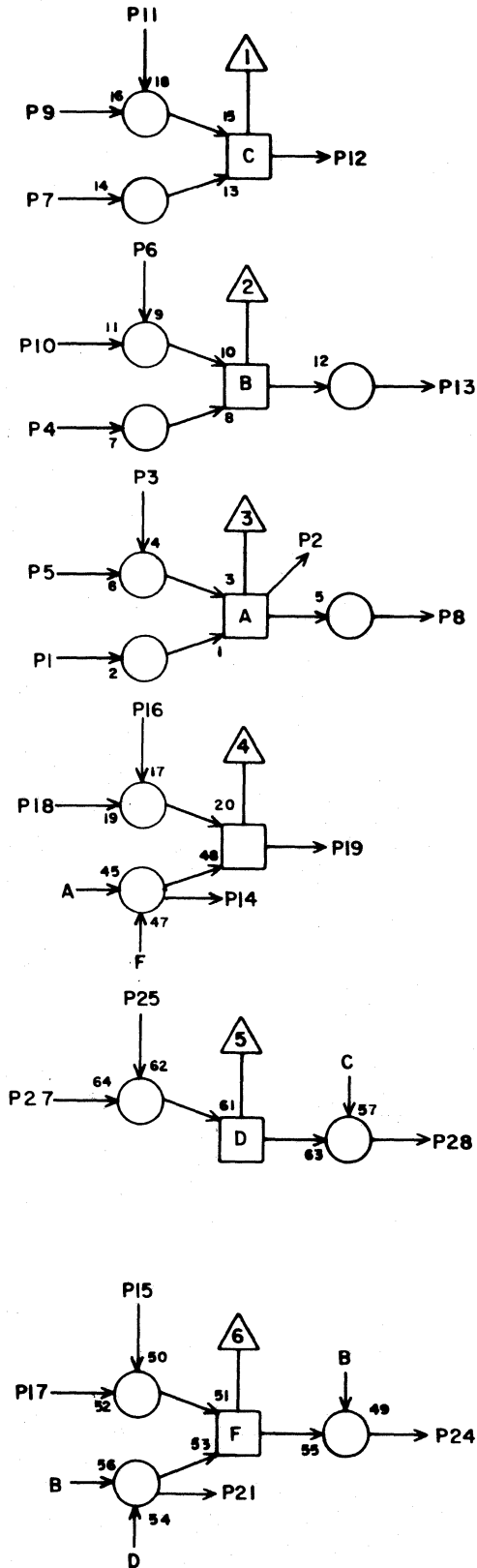
CIRCUIT SPECIFICATION 11827600  
60042700 Rev J



LS 63057100  
ASSY

**D**  
REV

NI



|    |  |  |  |
|----|--|--|--|
| 1  |  |  |  |
| 2  |  |  |  |
| 3  |  |  |  |
| 4  |  |  |  |
| 5  |  |  |  |
| 6  |  |  |  |
| 7  |  |  |  |
| 8  |  |  |  |
| 9  |  |  |  |
| 10 |  |  |  |
| 11 |  |  |  |
| 12 |  |  |  |
| 13 |  |  |  |
| 14 |  |  |  |
| 15 |  |  |  |
| 16 |  |  |  |
| 17 |  |  |  |
| 18 |  |  |  |
| 19 |  |  |  |
| 20 |  |  |  |
| 21 |  |  |  |
| 22 |  |  |  |
| 23 |  |  |  |
| 24 |  |  |  |
| 25 |  |  |  |
| 26 |  |  |  |
| 27 |  |  |  |
| 28 |  |  |  |

JACK PIN LG

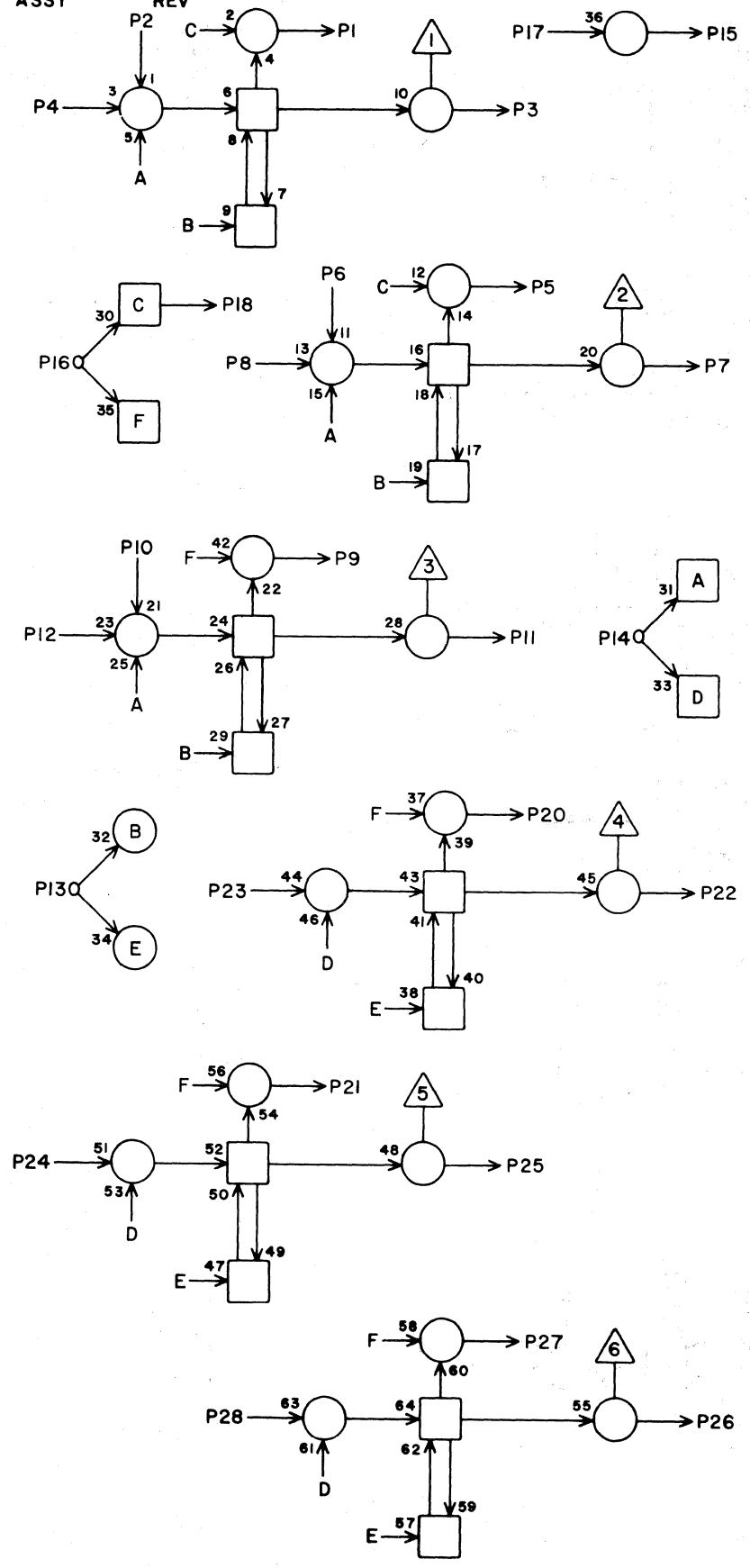
CIRCUIT SPECIFICATION 11827600

60042700 Rev. P

LS 63057200  
ASSY

**D**  
REV

NJ



|    |  |  |  |
|----|--|--|--|
| 1  |  |  |  |
| 2  |  |  |  |
| 3  |  |  |  |
| 4  |  |  |  |
| 5  |  |  |  |
| 6  |  |  |  |
| 7  |  |  |  |
| 8  |  |  |  |
| 9  |  |  |  |
| 10 |  |  |  |
| 11 |  |  |  |
| 12 |  |  |  |
| 13 |  |  |  |
| 14 |  |  |  |
| 15 |  |  |  |
| 16 |  |  |  |
| 17 |  |  |  |
| 18 |  |  |  |
| 19 |  |  |  |
| 20 |  |  |  |
| 21 |  |  |  |
| 22 |  |  |  |
| 23 |  |  |  |
| 24 |  |  |  |
| 25 |  |  |  |
| 26 |  |  |  |
| 27 |  |  |  |
| 28 |  |  |  |

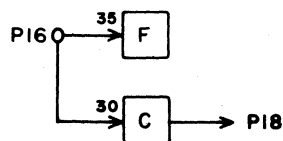
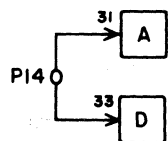
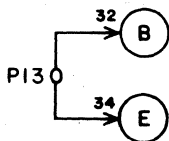
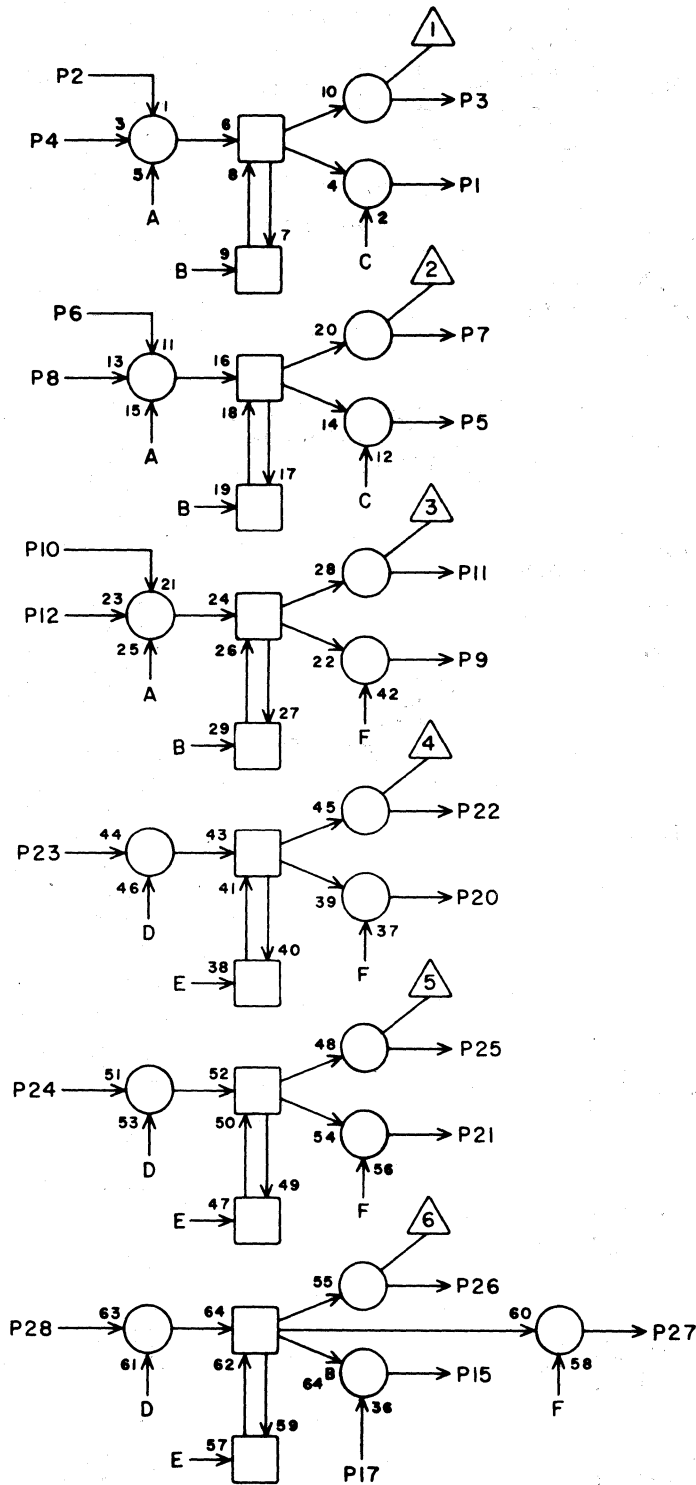
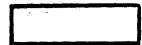
JACK PIN LG  
CIRCUIT SPECIFICATION 11827600  
60042700 Rev. J



LS 63057400  
ASSY

**F**  
REV

NL



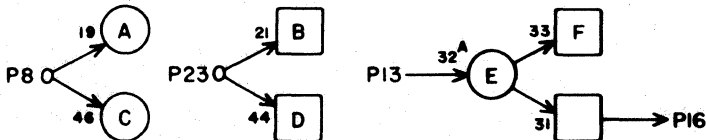
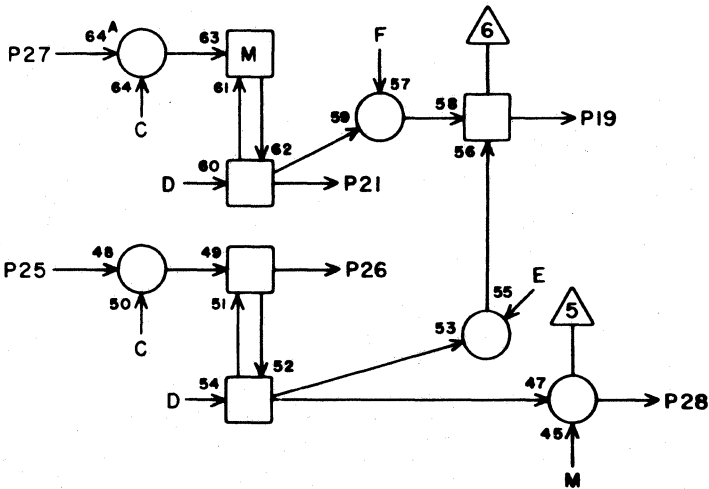
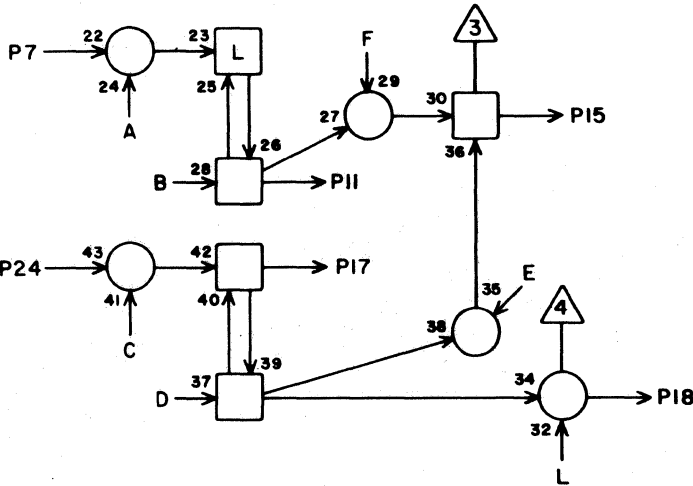
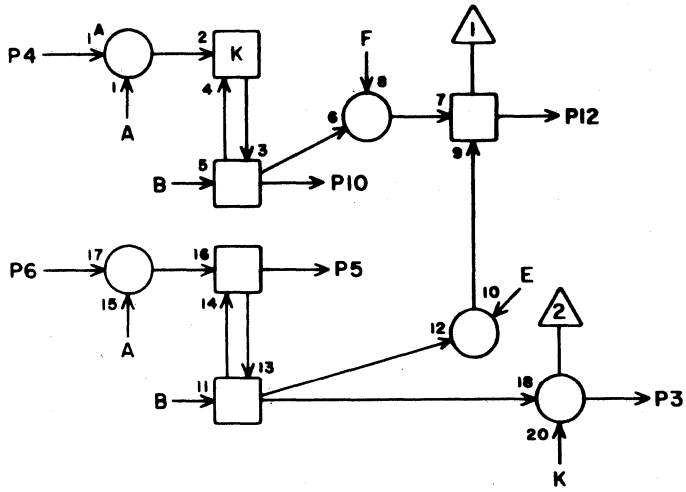
|    |  |  |  |
|----|--|--|--|
| 1  |  |  |  |
| 2  |  |  |  |
| 3  |  |  |  |
| 4  |  |  |  |
| 5  |  |  |  |
| 6  |  |  |  |
| 7  |  |  |  |
| 8  |  |  |  |
| 9  |  |  |  |
| 10 |  |  |  |
| 11 |  |  |  |
| 12 |  |  |  |
| 13 |  |  |  |
| 14 |  |  |  |
| 15 |  |  |  |
| 16 |  |  |  |
| 17 |  |  |  |
| 18 |  |  |  |
| 19 |  |  |  |
| 20 |  |  |  |
| 21 |  |  |  |
| 22 |  |  |  |
| 23 |  |  |  |
| 24 |  |  |  |
| 25 |  |  |  |
| 26 |  |  |  |
| 27 |  |  |  |
| 28 |  |  |  |

JACK PIN LG  
CIRCUIT SPECIFICATION 11827600

LS 63057500  
ASSY

**F**  
REV

NM



|    |  |  |  |
|----|--|--|--|
| 1  |  |  |  |
| 2  |  |  |  |
| 3  |  |  |  |
| 4  |  |  |  |
| 5  |  |  |  |
| 6  |  |  |  |
| 7  |  |  |  |
| 8  |  |  |  |
| 9  |  |  |  |
| 10 |  |  |  |
| 11 |  |  |  |
| 12 |  |  |  |
| 13 |  |  |  |
| 14 |  |  |  |
| 15 |  |  |  |
| 16 |  |  |  |
| 17 |  |  |  |
| 18 |  |  |  |
| 19 |  |  |  |
| 20 |  |  |  |
| 21 |  |  |  |
| 22 |  |  |  |
| 23 |  |  |  |
| 24 |  |  |  |
| 25 |  |  |  |
| 26 |  |  |  |
| 27 |  |  |  |
| 28 |  |  |  |

JACK PIN LG  
CIRCUIT SPECIFICATION 11827600

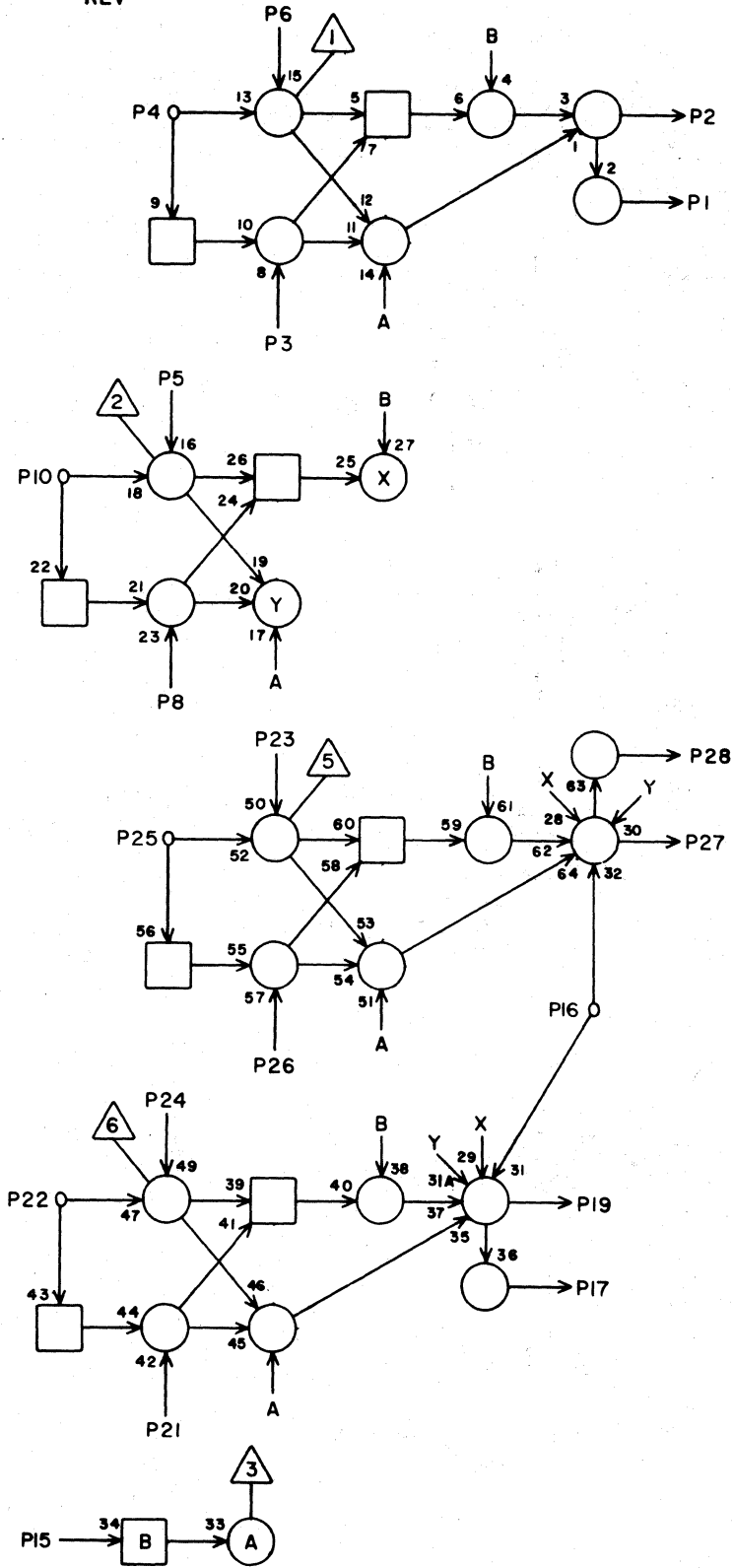
60042700 Rev. P

LS 6306900  
ASSY

**D**  
REV

NN

[ ]

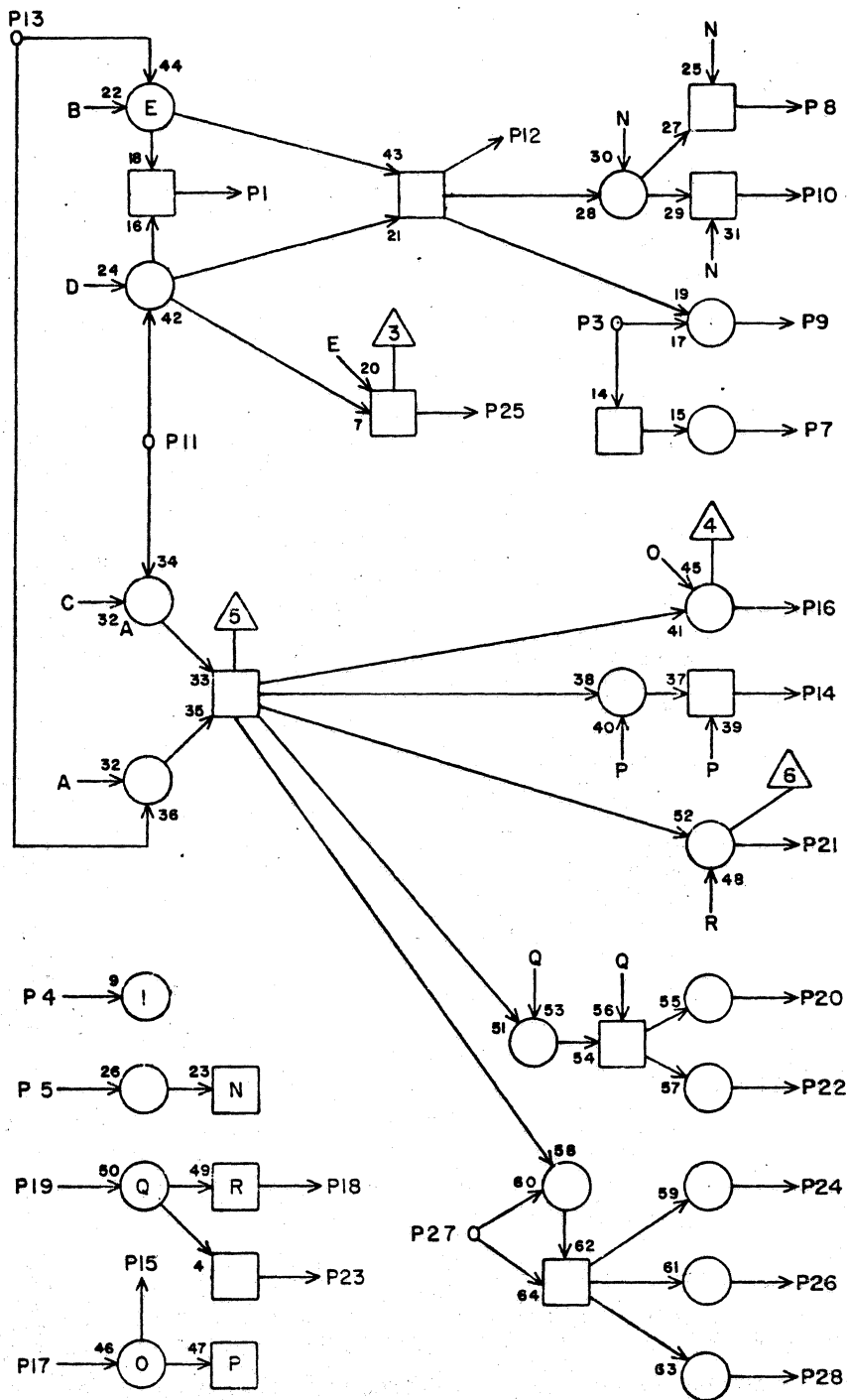
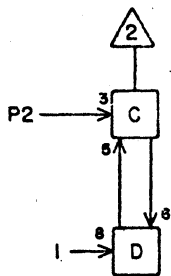
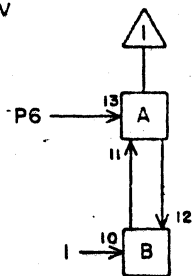


|    |  |  |  |
|----|--|--|--|
| 1  |  |  |  |
| 2  |  |  |  |
| 3  |  |  |  |
| 4  |  |  |  |
| 5  |  |  |  |
| 6  |  |  |  |
| 7  |  |  |  |
| 8  |  |  |  |
| 9  |  |  |  |
| 10 |  |  |  |
| 11 |  |  |  |
| 12 |  |  |  |
| 13 |  |  |  |
| 14 |  |  |  |
| 15 |  |  |  |
| 16 |  |  |  |
| 17 |  |  |  |
| 18 |  |  |  |
| 19 |  |  |  |
| 20 |  |  |  |
| 21 |  |  |  |
| 22 |  |  |  |
| 23 |  |  |  |
| 24 |  |  |  |
| 25 |  |  |  |
| 26 |  |  |  |
| 27 |  |  |  |
| 28 |  |  |  |

JACK PIN LG

CIRCUIT SPECIFICATION 11827600

60042700 Rev. P



|    |  |  |  |
|----|--|--|--|
| 1  |  |  |  |
| 2  |  |  |  |
| 3  |  |  |  |
| 4  |  |  |  |
| 5  |  |  |  |
| 6  |  |  |  |
| 7  |  |  |  |
| 8  |  |  |  |
| 9  |  |  |  |
| 10 |  |  |  |
| 11 |  |  |  |
| 12 |  |  |  |
| 13 |  |  |  |
| 14 |  |  |  |
| 15 |  |  |  |
| 16 |  |  |  |
| 17 |  |  |  |
| 18 |  |  |  |
| 19 |  |  |  |
| 20 |  |  |  |
| 21 |  |  |  |
| 22 |  |  |  |
| 23 |  |  |  |
| 24 |  |  |  |
| 25 |  |  |  |
| 26 |  |  |  |
| 27 |  |  |  |
| 28 |  |  |  |

JACK PIN LG

CIRCUIT SPECIFICATION 11827600

60042700 Rev J

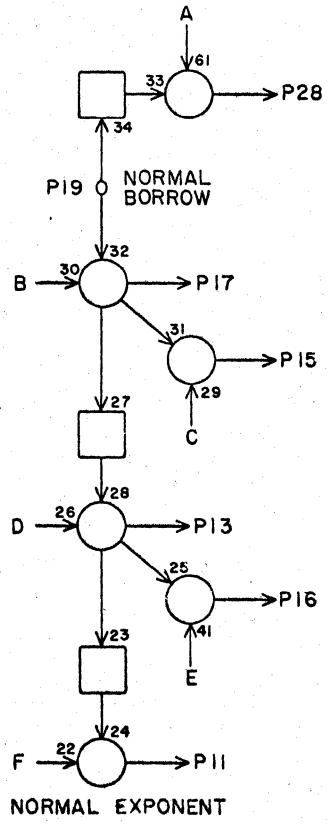
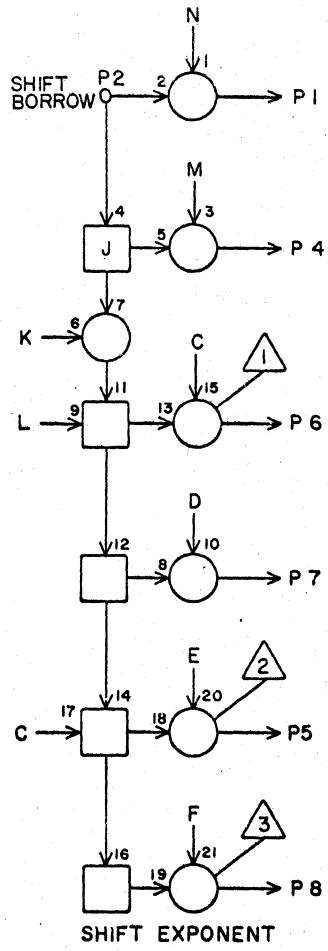
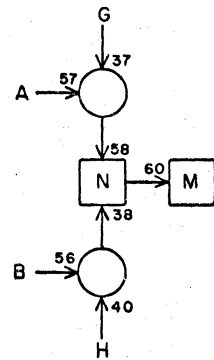
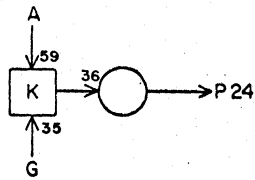
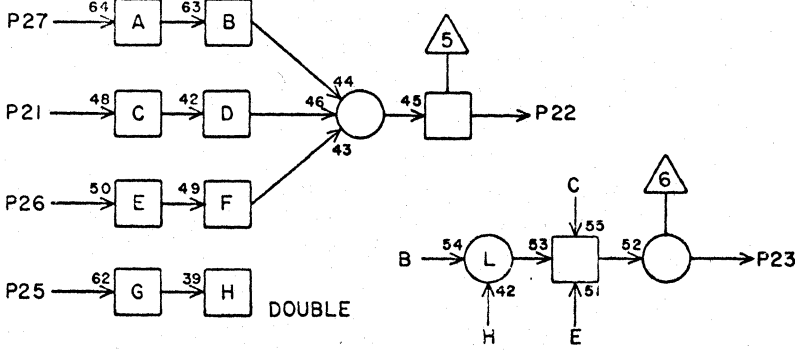
LS 63067100

**E**  
REV

ASSY

NP

[ ]



|    |  |  |  |
|----|--|--|--|
| 1  |  |  |  |
| 2  |  |  |  |
| 3  |  |  |  |
| 4  |  |  |  |
| 5  |  |  |  |
| 6  |  |  |  |
| 7  |  |  |  |
| 8  |  |  |  |
| 9  |  |  |  |
| 10 |  |  |  |
| 11 |  |  |  |
| 12 |  |  |  |
| 13 |  |  |  |
| 14 |  |  |  |
| 15 |  |  |  |
| 16 |  |  |  |
| 17 |  |  |  |
| 18 |  |  |  |
| 19 |  |  |  |
| 20 |  |  |  |
| 21 |  |  |  |
| 22 |  |  |  |
| 23 |  |  |  |
| 24 |  |  |  |
| 25 |  |  |  |
| 26 |  |  |  |
| 27 |  |  |  |
| 28 |  |  |  |

JACK PIN LG

CIRCUIT SPECIFICATION 11827600

60042700 Rev. P

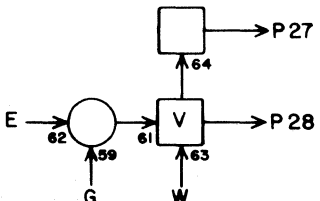
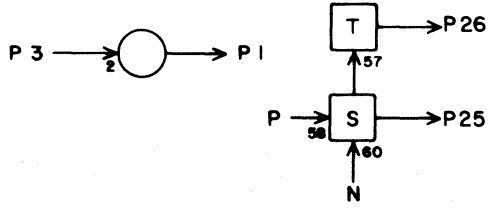
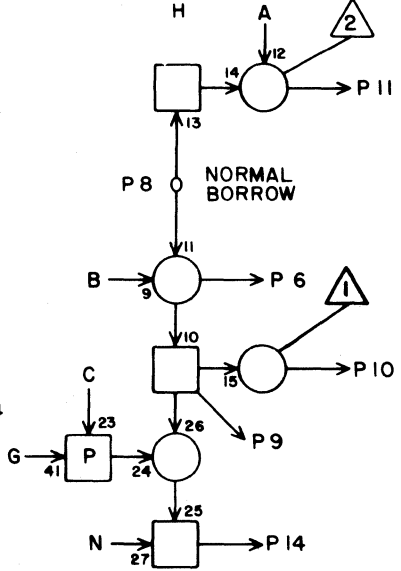
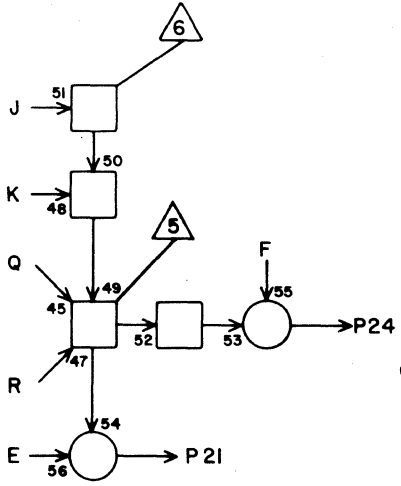
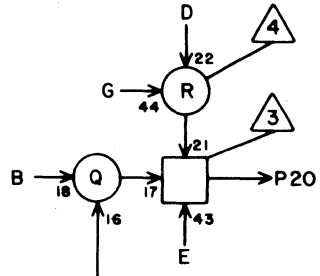
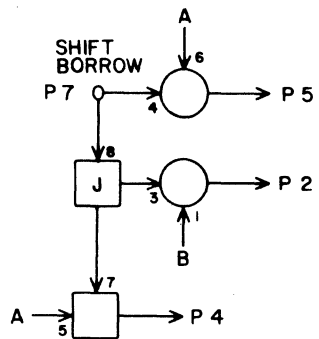
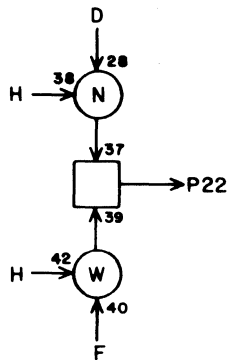
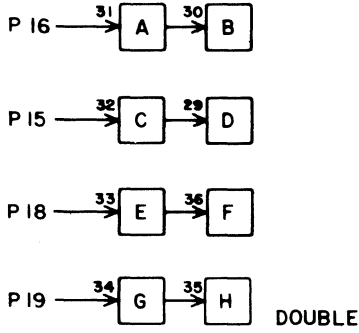


LS 63067200



ASSY

NQ



|    |  |  |  |
|----|--|--|--|
| 1  |  |  |  |
| 2  |  |  |  |
| 3  |  |  |  |
| 4  |  |  |  |
| 5  |  |  |  |
| 6  |  |  |  |
| 7  |  |  |  |
| 8  |  |  |  |
| 9  |  |  |  |
| 10 |  |  |  |
| 11 |  |  |  |
| 12 |  |  |  |
| 13 |  |  |  |
| 14 |  |  |  |
| 15 |  |  |  |
| 16 |  |  |  |
| 17 |  |  |  |
| 18 |  |  |  |
| 19 |  |  |  |
| 20 |  |  |  |
| 21 |  |  |  |
| 22 |  |  |  |
| 23 |  |  |  |
| 24 |  |  |  |
| 25 |  |  |  |
| 26 |  |  |  |
| 27 |  |  |  |
| 28 |  |  |  |

JACK PIN LG

CIRCUIT SPECIFICATION 11827600

LS 63067300

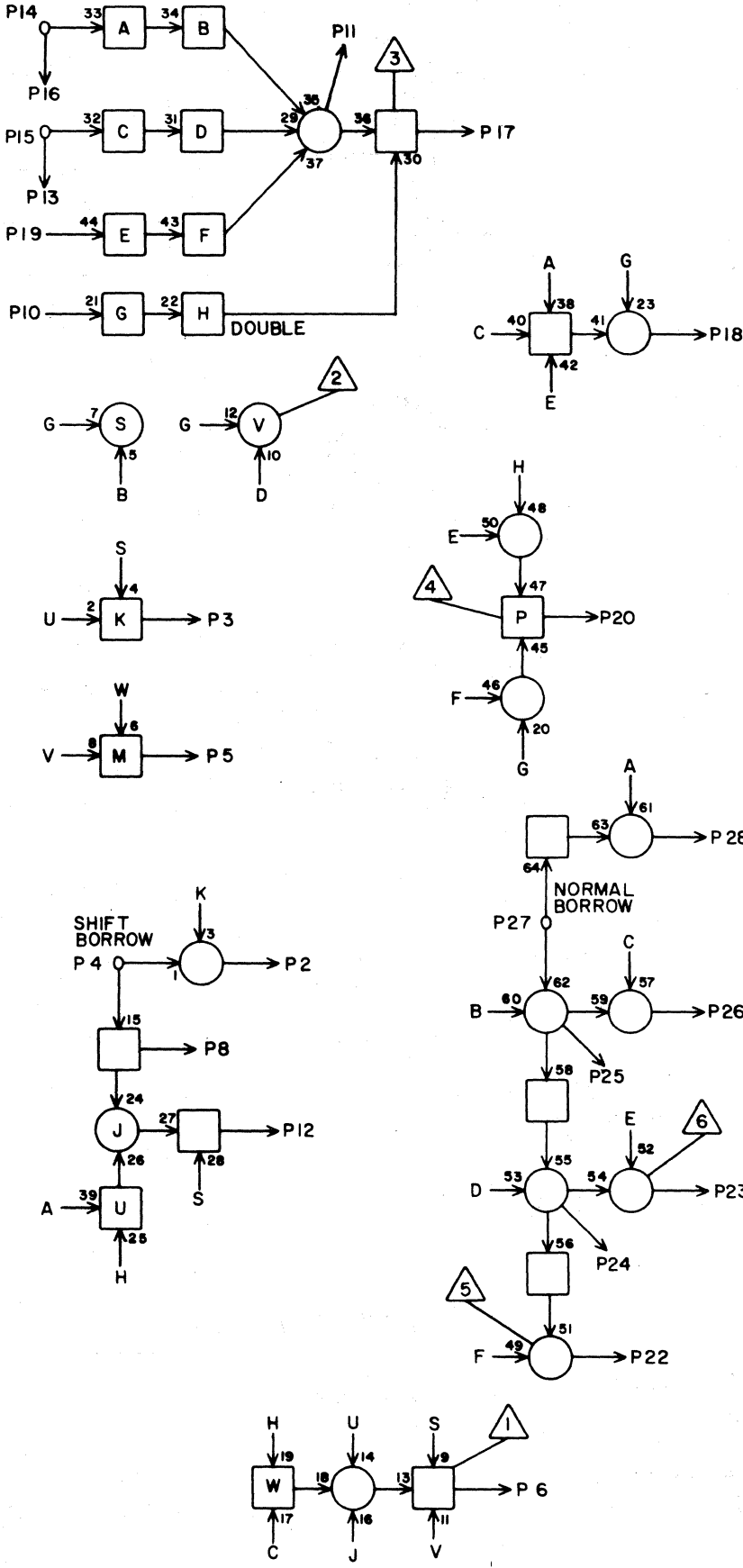
**D**

ASSY

REV

NR

[ ]

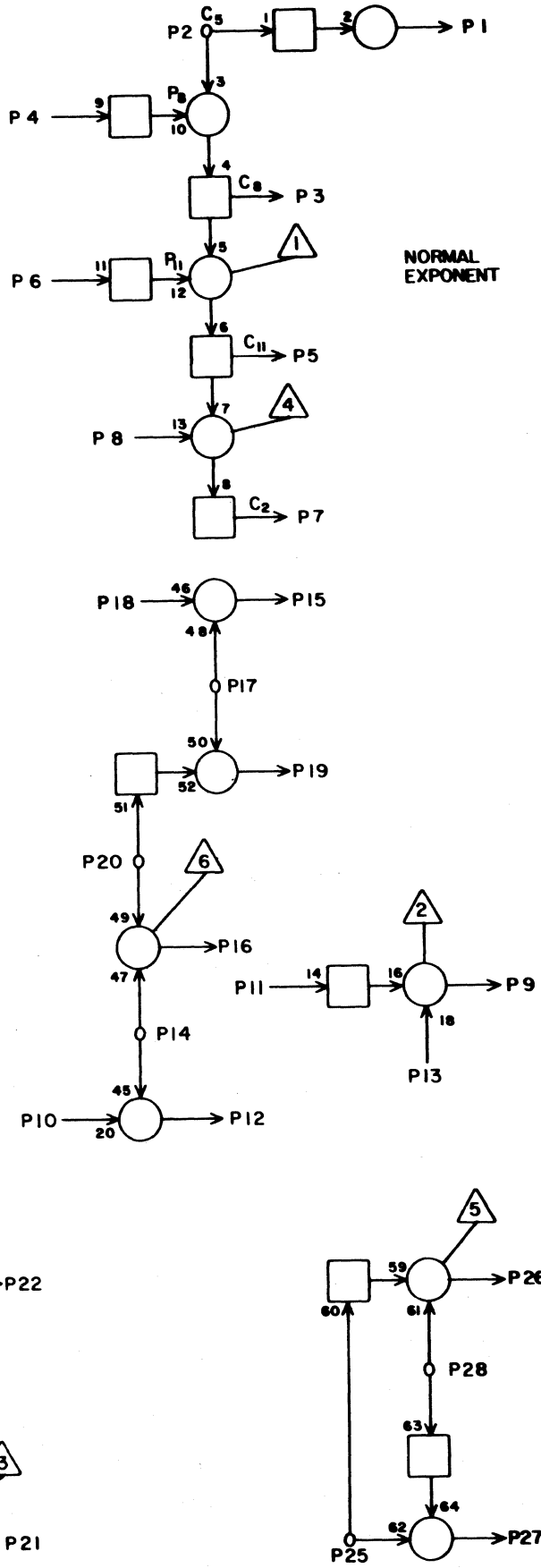


|    |  |  |  |
|----|--|--|--|
| 1  |  |  |  |
| 2  |  |  |  |
| 3  |  |  |  |
| 4  |  |  |  |
| 5  |  |  |  |
| 6  |  |  |  |
| 7  |  |  |  |
| 8  |  |  |  |
| 9  |  |  |  |
| 10 |  |  |  |
| 11 |  |  |  |
| 12 |  |  |  |
| 13 |  |  |  |
| 14 |  |  |  |
| 15 |  |  |  |
| 16 |  |  |  |
| 17 |  |  |  |
| 18 |  |  |  |
| 19 |  |  |  |
| 20 |  |  |  |
| 21 |  |  |  |
| 22 |  |  |  |
| 23 |  |  |  |
| 24 |  |  |  |
| 25 |  |  |  |
| 26 |  |  |  |
| 27 |  |  |  |
| 28 |  |  |  |

JACK PIN LG

CIRCUIT SPECIFICATION 11827600

60042700 Rev. P



|    |  |  |  |
|----|--|--|--|
| 1  |  |  |  |
| 2  |  |  |  |
| 3  |  |  |  |
| 4  |  |  |  |
| 5  |  |  |  |
| 6  |  |  |  |
| 7  |  |  |  |
| 8  |  |  |  |
| 9  |  |  |  |
| 10 |  |  |  |
| 11 |  |  |  |
| 12 |  |  |  |
| 13 |  |  |  |
| 14 |  |  |  |
| 15 |  |  |  |
| 16 |  |  |  |
| 17 |  |  |  |
| 18 |  |  |  |
| 19 |  |  |  |
| 20 |  |  |  |
| 21 |  |  |  |
| 22 |  |  |  |
| 23 |  |  |  |
| 24 |  |  |  |
| 25 |  |  |  |
| 26 |  |  |  |
| 27 |  |  |  |
| 28 |  |  |  |

JACK PIN LG

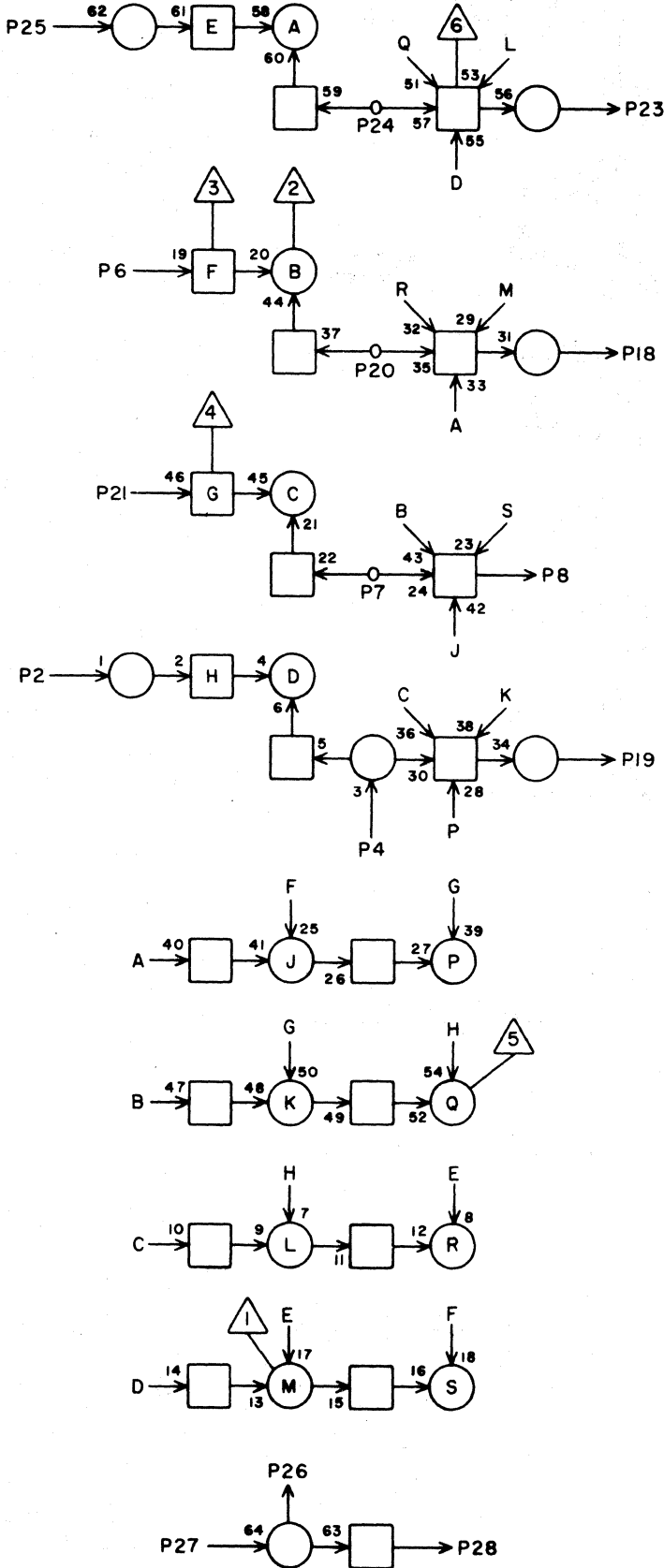
CIRCUIT SPECIFICATION 11827600

60042700 Rev.

LS 63067500  
ASSY

**E**  
REV

NT



|    |  |  |  |
|----|--|--|--|
| 1  |  |  |  |
| 2  |  |  |  |
| 3  |  |  |  |
| 4  |  |  |  |
| 5  |  |  |  |
| 6  |  |  |  |
| 7  |  |  |  |
| 8  |  |  |  |
| 9  |  |  |  |
| 10 |  |  |  |
| 11 |  |  |  |
| 12 |  |  |  |
| 13 |  |  |  |
| 14 |  |  |  |
| 15 |  |  |  |
| 16 |  |  |  |
| 17 |  |  |  |
| 18 |  |  |  |
| 19 |  |  |  |
| 20 |  |  |  |
| 21 |  |  |  |
| 22 |  |  |  |
| 23 |  |  |  |
| 24 |  |  |  |
| 25 |  |  |  |
| 26 |  |  |  |
| 27 |  |  |  |
| 28 |  |  |  |

JACK PIN LG  
CIRCUIT SPECIFICATION 11827600

60042700 Rev. P

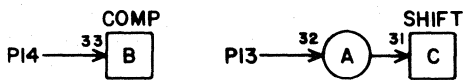
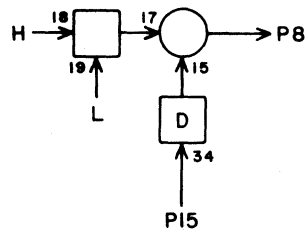
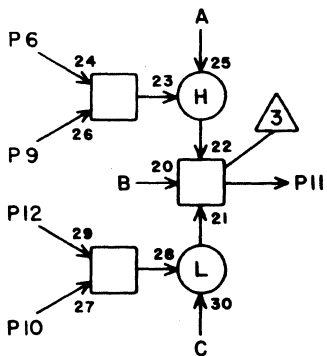
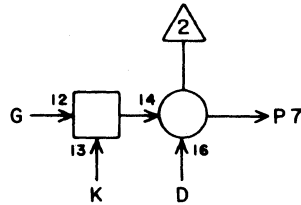
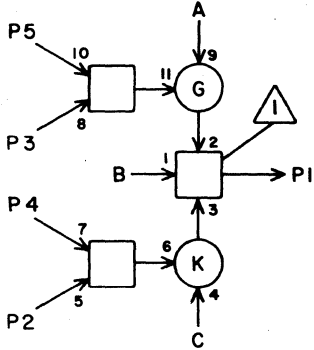
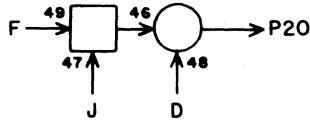
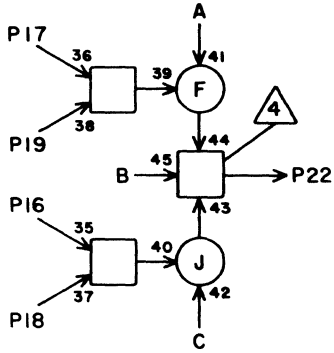
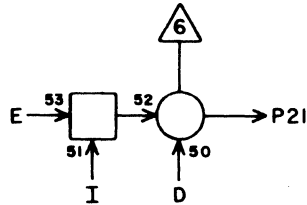
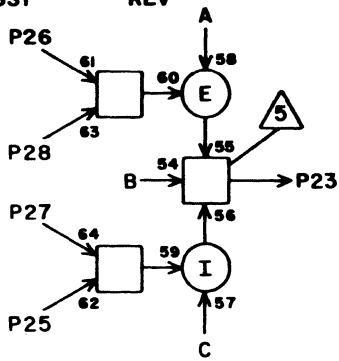
LS 63067600

ASSY



REV

NU



|    |  |  |  |
|----|--|--|--|
| 1  |  |  |  |
| 2  |  |  |  |
| 3  |  |  |  |
| 4  |  |  |  |
| 5  |  |  |  |
| 6  |  |  |  |
| 7  |  |  |  |
| 8  |  |  |  |
| 9  |  |  |  |
| 10 |  |  |  |
| 11 |  |  |  |
| 12 |  |  |  |
| 13 |  |  |  |
| 14 |  |  |  |
| 15 |  |  |  |
| 16 |  |  |  |
| 17 |  |  |  |
| 18 |  |  |  |
| 19 |  |  |  |
| 20 |  |  |  |
| 21 |  |  |  |
| 22 |  |  |  |
| 23 |  |  |  |
| 24 |  |  |  |
| 25 |  |  |  |
| 26 |  |  |  |
| 27 |  |  |  |
| 28 |  |  |  |

JACK PIN LG  
CIRCUIT SPECIFICATION 11827600

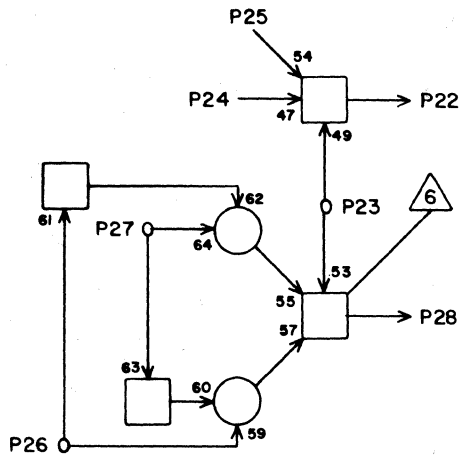
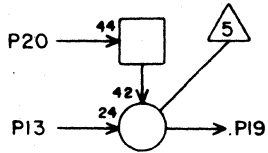
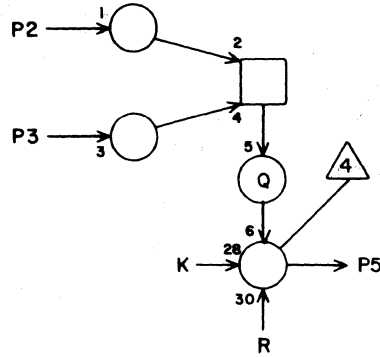
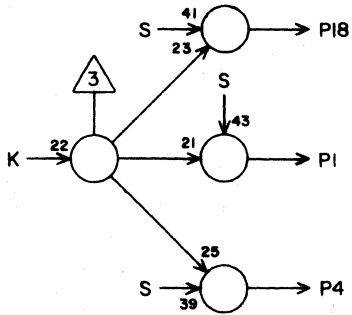
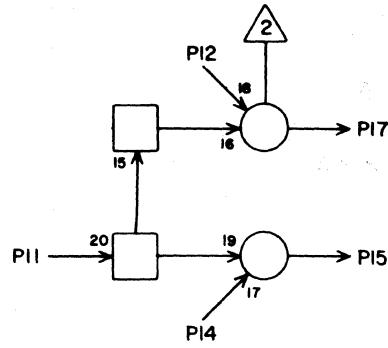
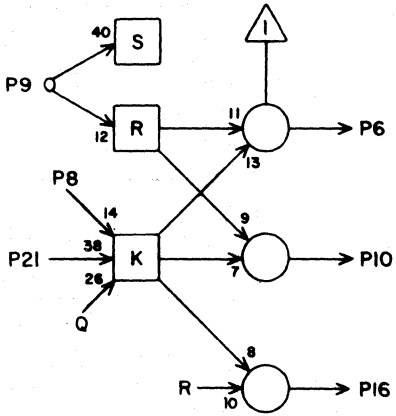
60042700 Rev. J

LS 63067700  
ASSY

**F**  
REV

NV

[ ]



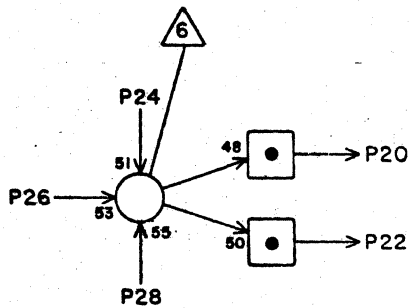
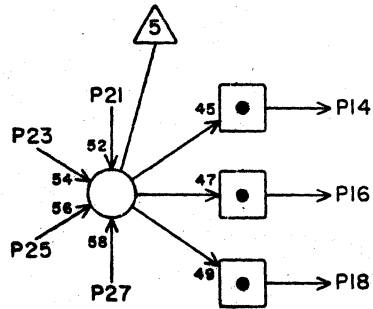
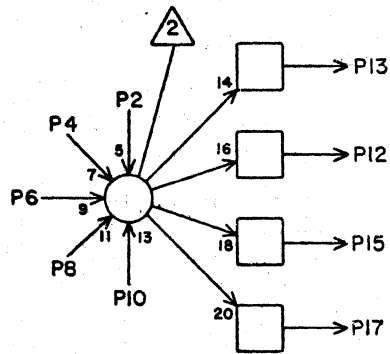
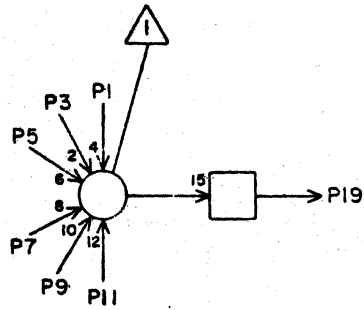
|    |  |  |  |
|----|--|--|--|
| 1  |  |  |  |
| 2  |  |  |  |
| 3  |  |  |  |
| 4  |  |  |  |
| 5  |  |  |  |
| 6  |  |  |  |
| 7  |  |  |  |
| 8  |  |  |  |
| 9  |  |  |  |
| 10 |  |  |  |
| 11 |  |  |  |
| 12 |  |  |  |
| 13 |  |  |  |
| 14 |  |  |  |
| 15 |  |  |  |
| 16 |  |  |  |
| 17 |  |  |  |
| 18 |  |  |  |
| 19 |  |  |  |
| 20 |  |  |  |
| 21 |  |  |  |
| 22 |  |  |  |
| 23 |  |  |  |
| 24 |  |  |  |
| 25 |  |  |  |
| 26 |  |  |  |
| 27 |  |  |  |
| 28 |  |  |  |


JACK PIN LG

CIRCUIT SPECIFICATION 11827600

60042700 Rev. J





 = NO RESISTOR DIODE

|    |  |  |  |
|----|--|--|--|
| 1  |  |  |  |
| 2  |  |  |  |
| 3  |  |  |  |
| 4  |  |  |  |
| 5  |  |  |  |
| 6  |  |  |  |
| 7  |  |  |  |
| 8  |  |  |  |
| 9  |  |  |  |
| 10 |  |  |  |
| 11 |  |  |  |
| 12 |  |  |  |
| 13 |  |  |  |
| 14 |  |  |  |
| 15 |  |  |  |
| 16 |  |  |  |
| 17 |  |  |  |
| 18 |  |  |  |
| 19 |  |  |  |
| 20 |  |  |  |
| 21 |  |  |  |
| 22 |  |  |  |
| 23 |  |  |  |
| 24 |  |  |  |
| 25 |  |  |  |
| 26 |  |  |  |
| 27 |  |  |  |
| 28 |  |  |  |

JACK PIN LG

CIRCUIT SPECIFICATION 11827600

60042700 Rev J

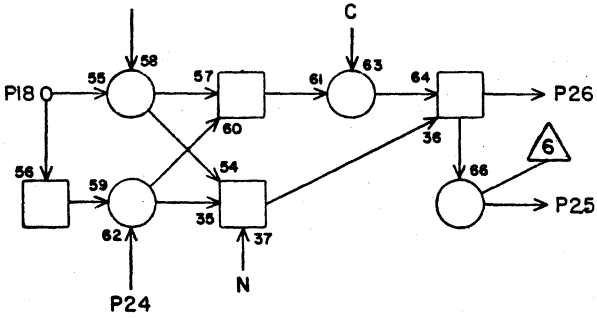
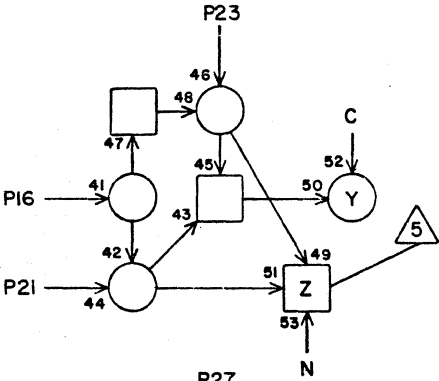
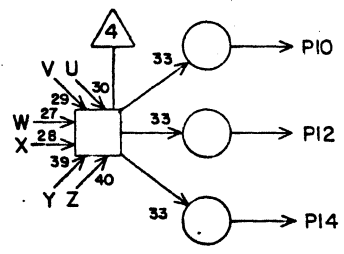
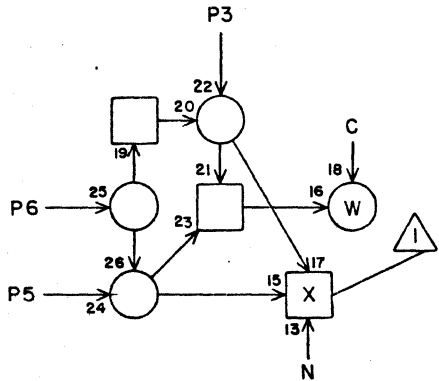
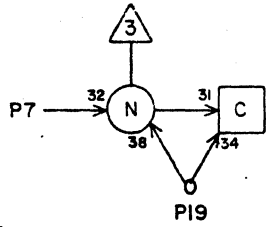
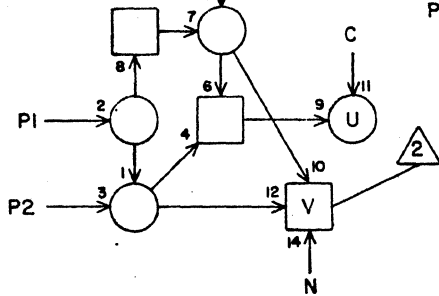


.S 63068000  
ASSY

D

REV  
P4

NY



|    |  |  |  |
|----|--|--|--|
| 1  |  |  |  |
| 2  |  |  |  |
| 3  |  |  |  |
| 4  |  |  |  |
| 5  |  |  |  |
| 6  |  |  |  |
| 7  |  |  |  |
| 8  |  |  |  |
| 9  |  |  |  |
| 10 |  |  |  |
| 11 |  |  |  |
| 12 |  |  |  |
| 13 |  |  |  |
| 14 |  |  |  |
| 15 |  |  |  |
| 16 |  |  |  |
| 17 |  |  |  |
| 18 |  |  |  |
| 19 |  |  |  |
| 20 |  |  |  |
| 21 |  |  |  |
| 22 |  |  |  |
| 23 |  |  |  |
| 24 |  |  |  |
| 25 |  |  |  |
| 26 |  |  |  |
| 27 |  |  |  |
| 28 |  |  |  |

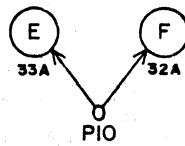
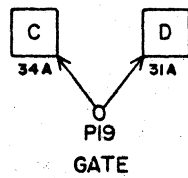
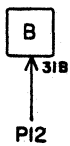
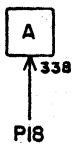
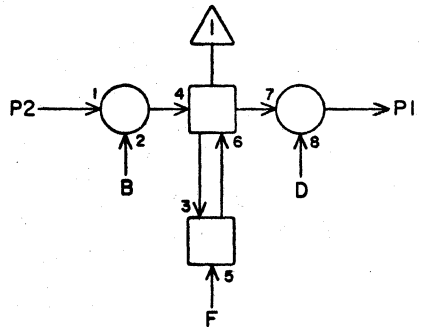
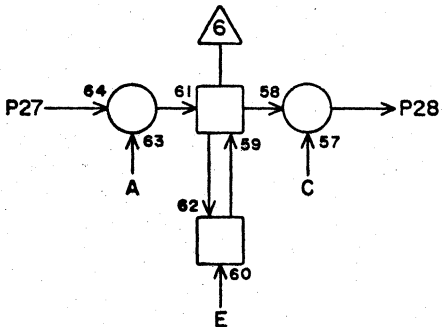
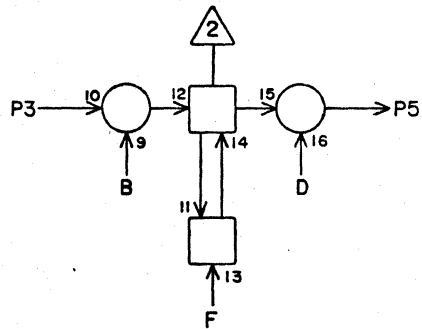
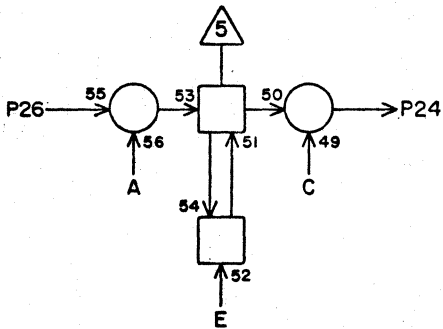
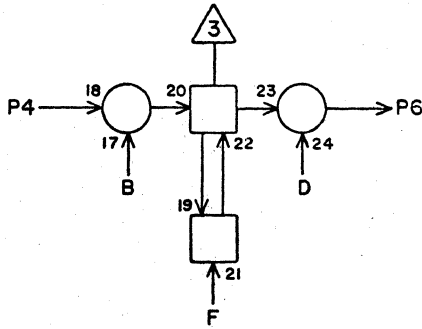
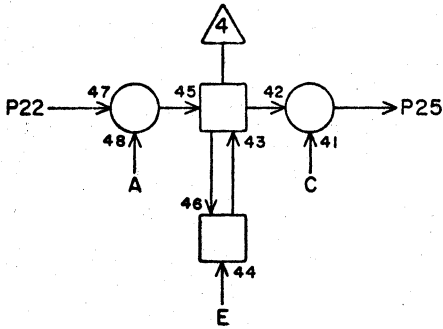
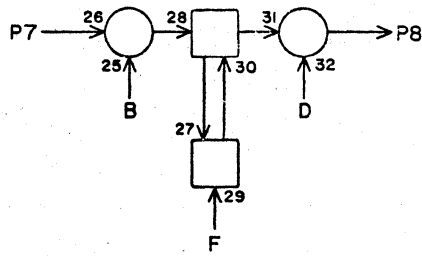
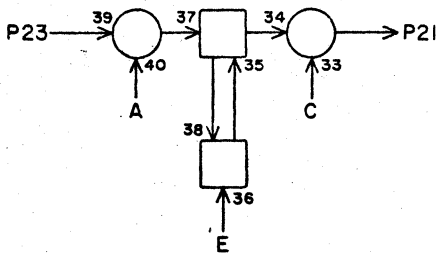
JACK PIN LG

LS 63068100  
ASSY

**B**  
REV

NZ

[ ]



|    |  |  |  |
|----|--|--|--|
| 1  |  |  |  |
| 2  |  |  |  |
| 3  |  |  |  |
| 4  |  |  |  |
| 5  |  |  |  |
| 6  |  |  |  |
| 7  |  |  |  |
| 8  |  |  |  |
| 9  |  |  |  |
| 10 |  |  |  |
| 11 |  |  |  |
| 12 |  |  |  |
| 13 |  |  |  |
| 14 |  |  |  |
| 15 |  |  |  |
| 16 |  |  |  |
| 17 |  |  |  |
| 18 |  |  |  |
| 19 |  |  |  |
| 20 |  |  |  |
| 21 |  |  |  |
| 22 |  |  |  |
| 23 |  |  |  |
| 24 |  |  |  |
| 25 |  |  |  |
| 26 |  |  |  |
| 27 |  |  |  |
| 28 |  |  |  |

JACK PIN LG

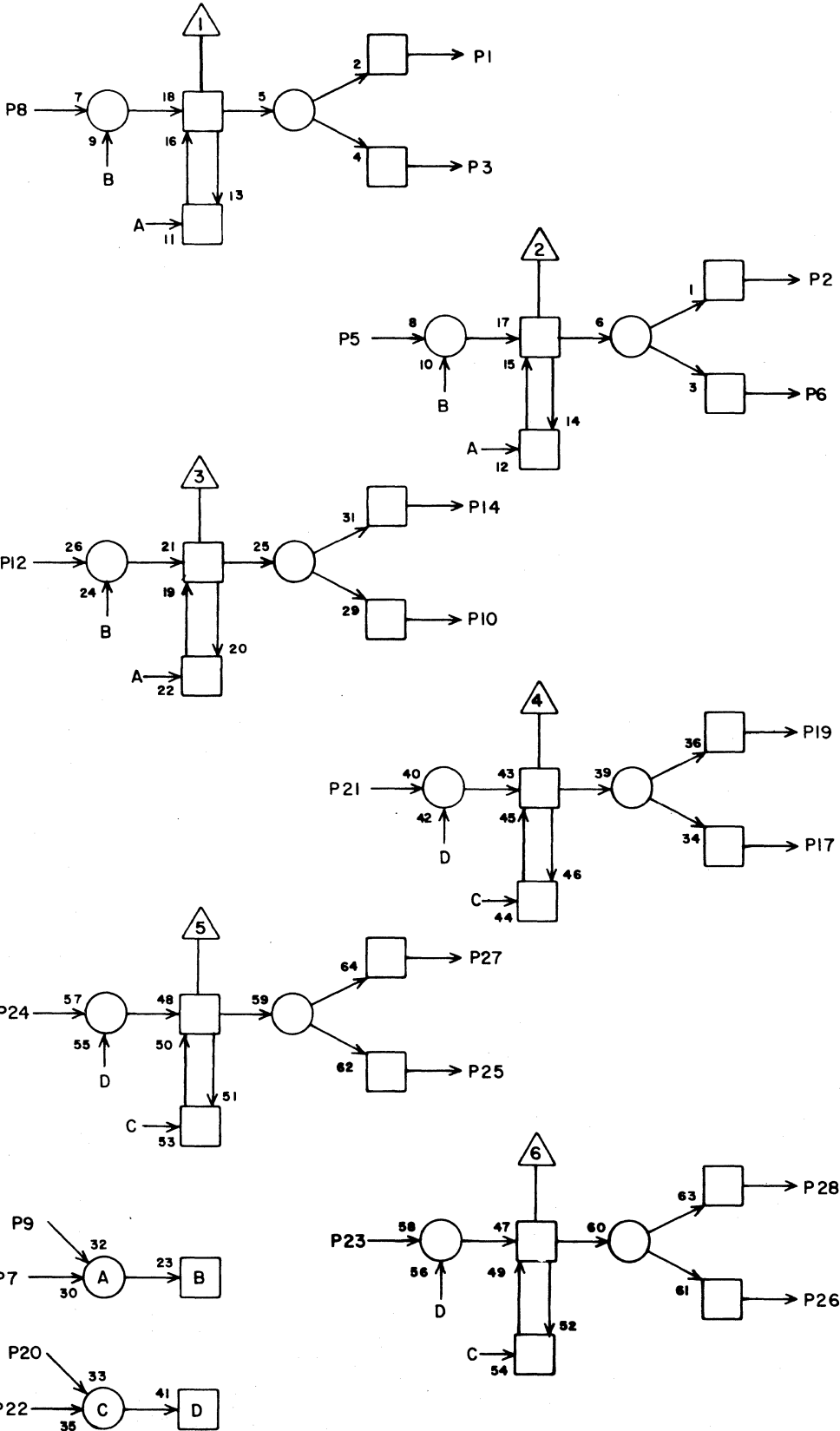
CIRCUIT SPECIFICATION 11827600

60042700 Rev J

LS 63057600  
ASSY

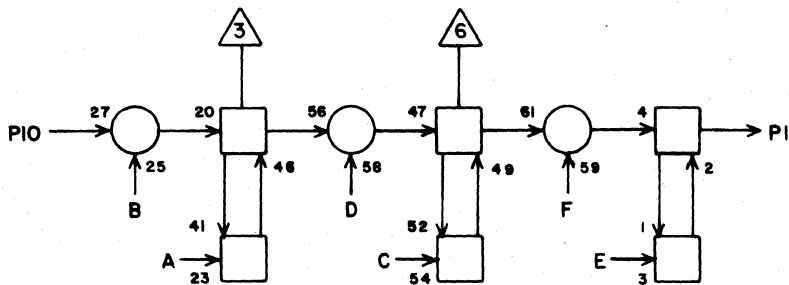
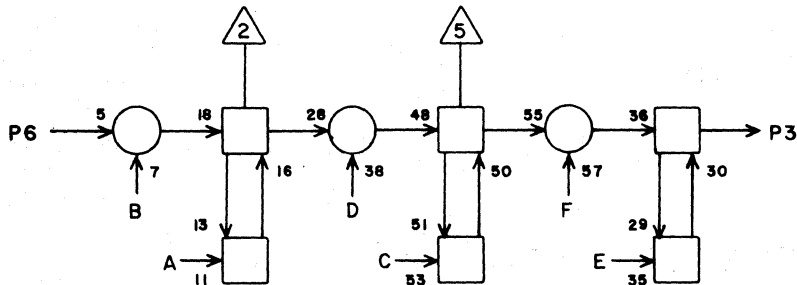
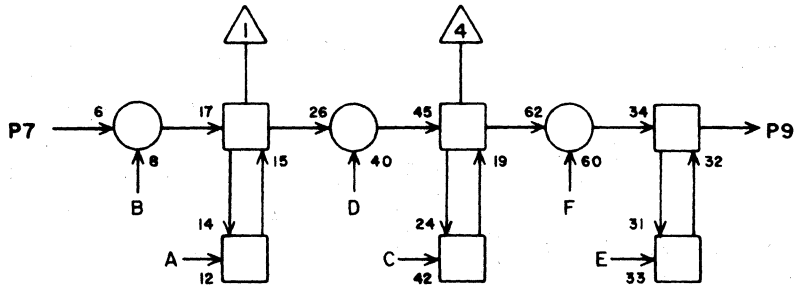
**D**  
REV

PA



|    |  |  |  |
|----|--|--|--|
| 1  |  |  |  |
| 2  |  |  |  |
| 3  |  |  |  |
| 4  |  |  |  |
| 5  |  |  |  |
| 6  |  |  |  |
| 7  |  |  |  |
| 8  |  |  |  |
| 9  |  |  |  |
| 10 |  |  |  |
| 11 |  |  |  |
| 12 |  |  |  |
| 13 |  |  |  |
| 14 |  |  |  |
| 15 |  |  |  |
| 16 |  |  |  |
| 17 |  |  |  |
| 18 |  |  |  |
| 19 |  |  |  |
| 20 |  |  |  |
| 21 |  |  |  |
| 22 |  |  |  |
| 23 |  |  |  |
| 24 |  |  |  |
| 25 |  |  |  |
| 26 |  |  |  |
| 27 |  |  |  |
| 28 |  |  |  |

JACK PIN LG  
CIRCUIT SPECIFICATION 11827600

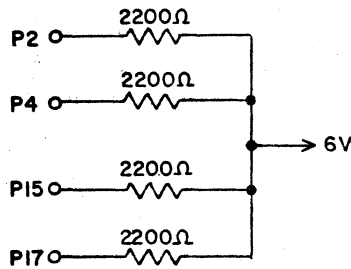
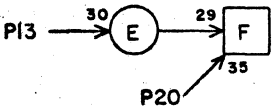
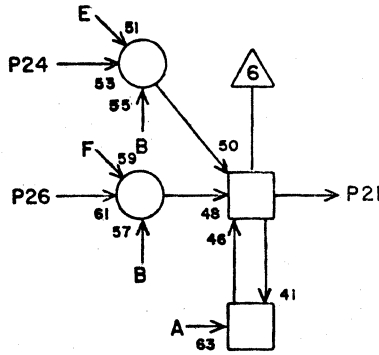
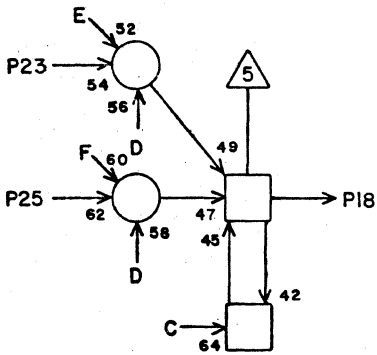
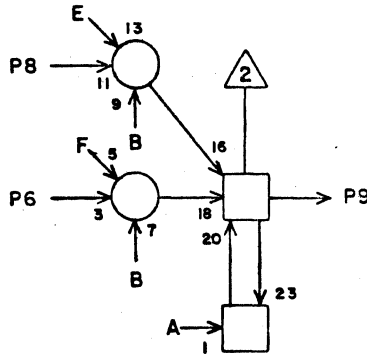
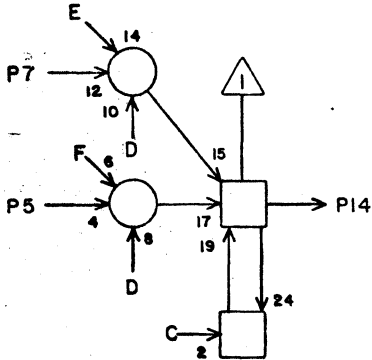


|    |  |  |  |
|----|--|--|--|
| 1  |  |  |  |
| 2  |  |  |  |
| 3  |  |  |  |
| 4  |  |  |  |
| 5  |  |  |  |
| 6  |  |  |  |
| 7  |  |  |  |
| 8  |  |  |  |
| 9  |  |  |  |
| 10 |  |  |  |
| 11 |  |  |  |
| 12 |  |  |  |
| 13 |  |  |  |
| 14 |  |  |  |
| 15 |  |  |  |
| 16 |  |  |  |
| 17 |  |  |  |
| 18 |  |  |  |
| 19 |  |  |  |
| 20 |  |  |  |
| 21 |  |  |  |
| 22 |  |  |  |
| 23 |  |  |  |
| 24 |  |  |  |
| 25 |  |  |  |
| 26 |  |  |  |
| 27 |  |  |  |
| 28 |  |  |  |

JACK PIN LG

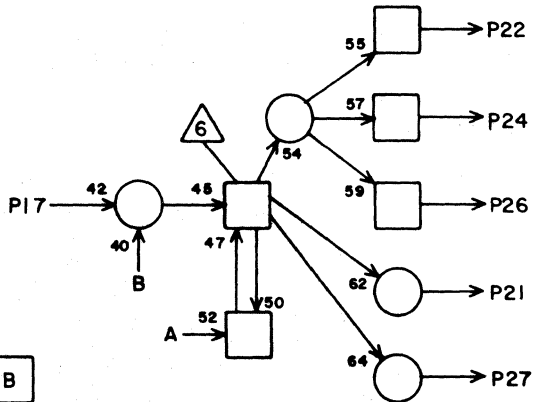
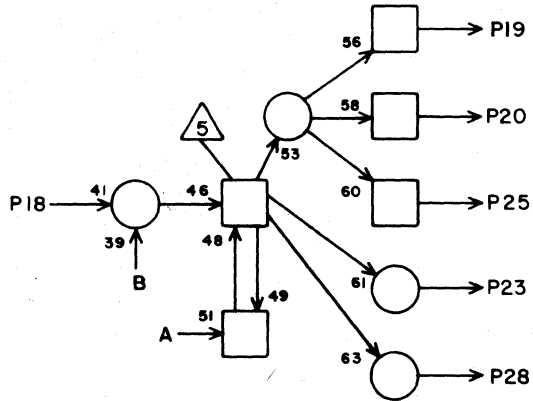
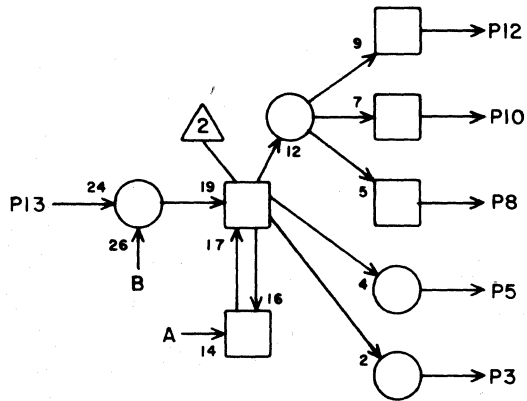
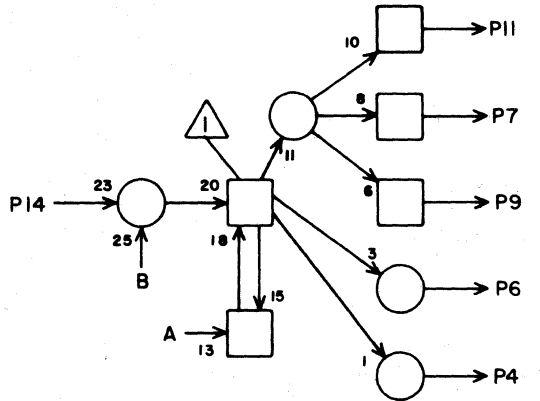
CIRCUIT SPECIFICATION 11827600

60042700 Rev. J



|    |  |  |  |
|----|--|--|--|
| 1  |  |  |  |
| 2  |  |  |  |
| 3  |  |  |  |
| 4  |  |  |  |
| 5  |  |  |  |
| 6  |  |  |  |
| 7  |  |  |  |
| 8  |  |  |  |
| 9  |  |  |  |
| 10 |  |  |  |
| 11 |  |  |  |
| 12 |  |  |  |
| 13 |  |  |  |
| 14 |  |  |  |
| 15 |  |  |  |
| 16 |  |  |  |
| 17 |  |  |  |
| 18 |  |  |  |
| 19 |  |  |  |
| 20 |  |  |  |
| 21 |  |  |  |
| 22 |  |  |  |
| 23 |  |  |  |
| 24 |  |  |  |
| 25 |  |  |  |
| 26 |  |  |  |
| 27 |  |  |  |
| 28 |  |  |  |

JACK PIN LG

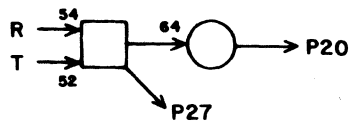
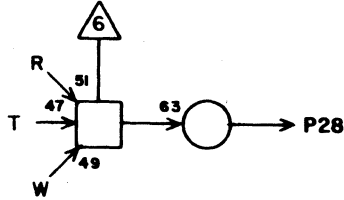
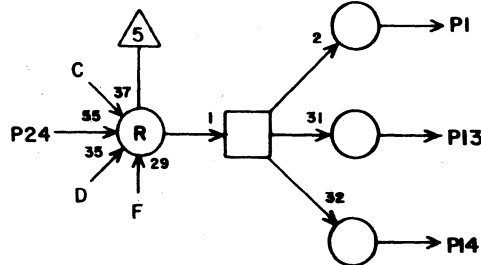
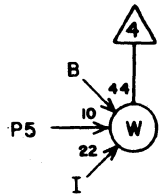
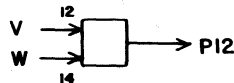
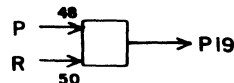
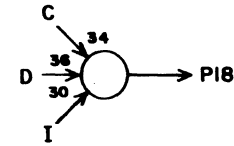
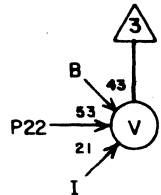
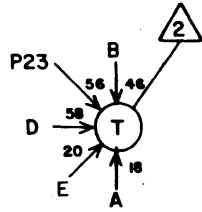
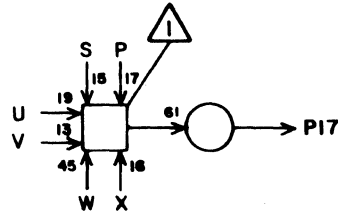
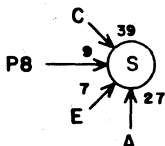
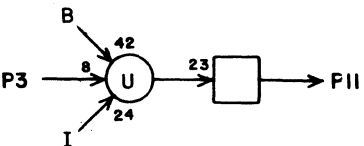
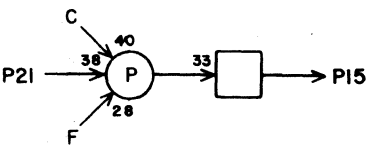
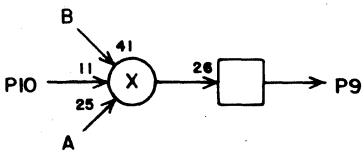
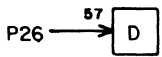
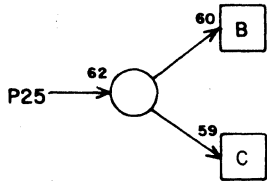
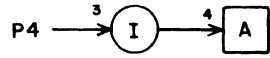


|    |  |  |  |
|----|--|--|--|
| 1  |  |  |  |
| 2  |  |  |  |
| 3  |  |  |  |
| 4  |  |  |  |
| 5  |  |  |  |
| 6  |  |  |  |
| 7  |  |  |  |
| 8  |  |  |  |
| 9  |  |  |  |
| 10 |  |  |  |
| 11 |  |  |  |
| 12 |  |  |  |
| 13 |  |  |  |
| 14 |  |  |  |
| 15 |  |  |  |
| 16 |  |  |  |
| 17 |  |  |  |
| 18 |  |  |  |
| 19 |  |  |  |
| 20 |  |  |  |
| 21 |  |  |  |
| 22 |  |  |  |
| 23 |  |  |  |
| 24 |  |  |  |
| 25 |  |  |  |
| 26 |  |  |  |
| 27 |  |  |  |
| 28 |  |  |  |

JACK PIN LG  
CIRCUIT SPECIFICATION 11827600

LS 63058000  
 ASSY **E**  
 REV

PE

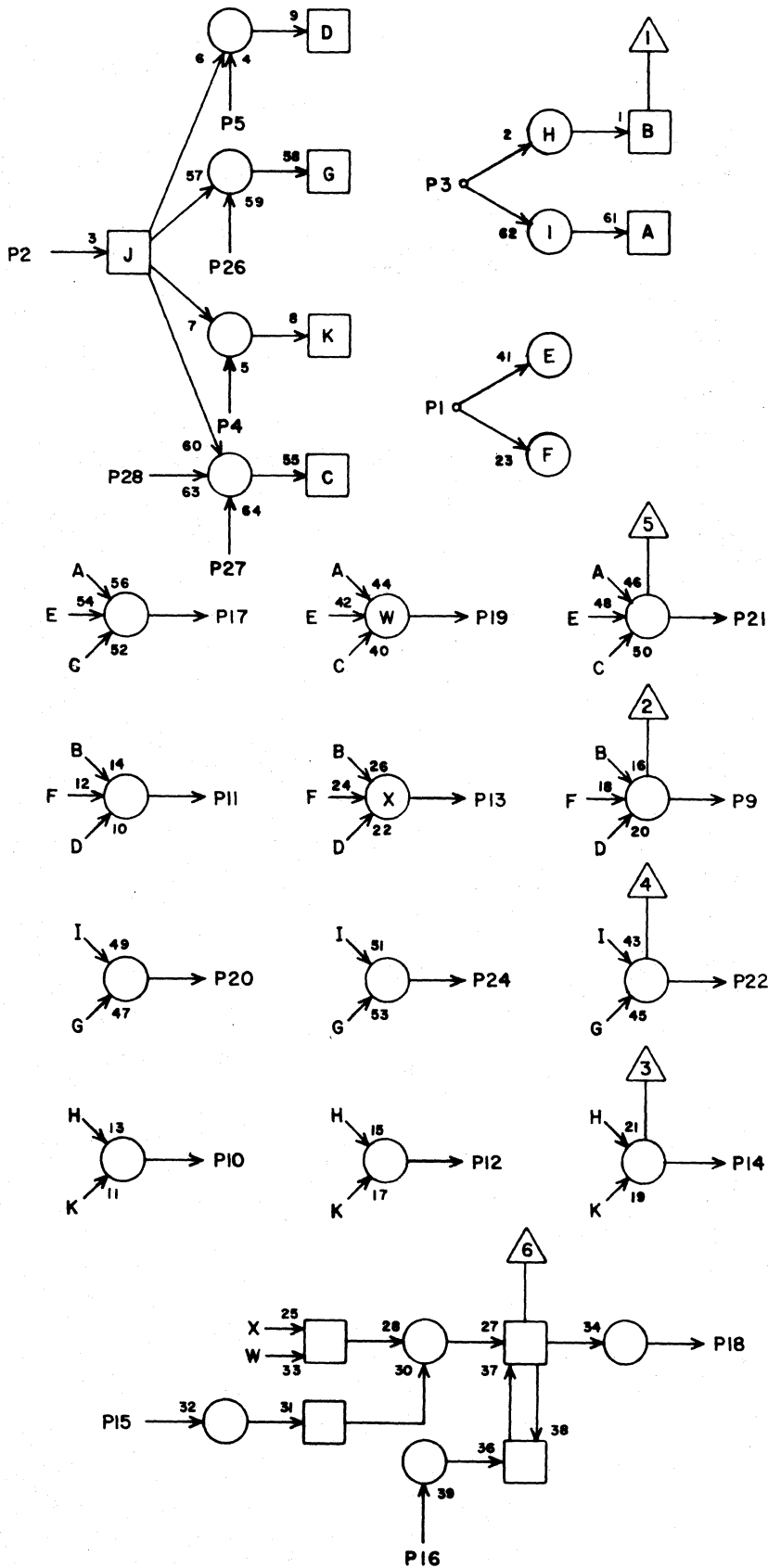


|    |  |  |  |
|----|--|--|--|
| 1  |  |  |  |
| 2  |  |  |  |
| 3  |  |  |  |
| 4  |  |  |  |
| 5  |  |  |  |
| 6  |  |  |  |
| 7  |  |  |  |
| 8  |  |  |  |
| 9  |  |  |  |
| 10 |  |  |  |
| 11 |  |  |  |
| 12 |  |  |  |
| 13 |  |  |  |
| 14 |  |  |  |
| 15 |  |  |  |
| 16 |  |  |  |
| 17 |  |  |  |
| 18 |  |  |  |
| 19 |  |  |  |
| 20 |  |  |  |
| 21 |  |  |  |
| 22 |  |  |  |
| 23 |  |  |  |
| 24 |  |  |  |
| 25 |  |  |  |
| 26 |  |  |  |
| 27 |  |  |  |
| 28 |  |  |  |

JACK PIN LG

CIRCUIT SPECIFICATION 11827600

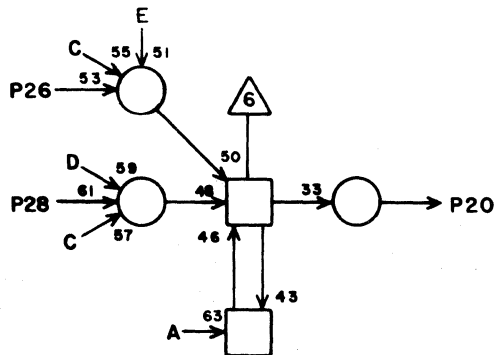
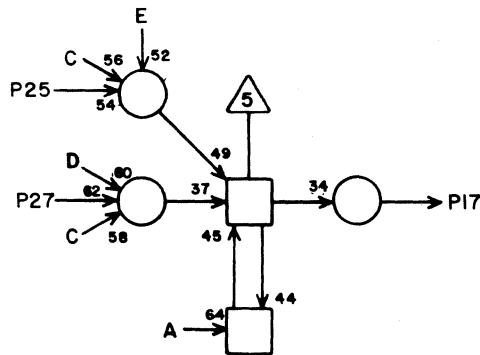
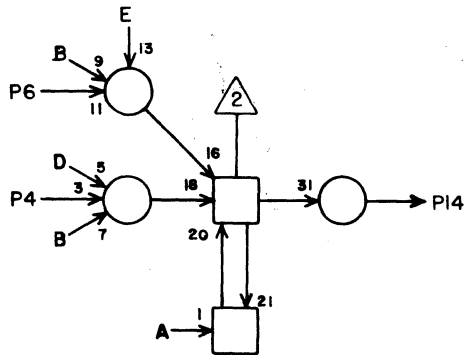
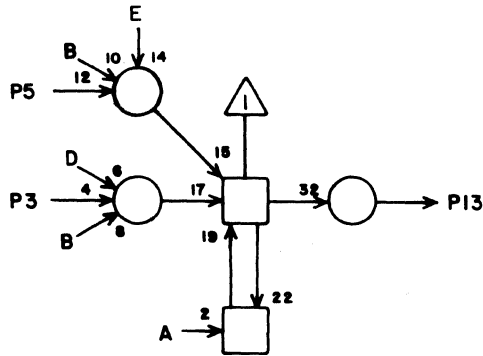
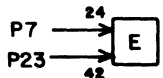
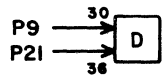
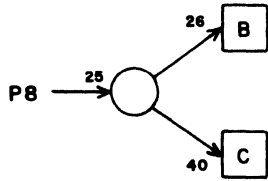
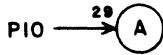
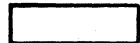
60042700 Rev. J



|    |  |  |  |
|----|--|--|--|
| 1  |  |  |  |
| 2  |  |  |  |
| 3  |  |  |  |
| 4  |  |  |  |
| 5  |  |  |  |
| 6  |  |  |  |
| 7  |  |  |  |
| 8  |  |  |  |
| 9  |  |  |  |
| 10 |  |  |  |
| 11 |  |  |  |
| 12 |  |  |  |
| 13 |  |  |  |
| 14 |  |  |  |
| 15 |  |  |  |
| 16 |  |  |  |
| 17 |  |  |  |
| 18 |  |  |  |
| 19 |  |  |  |
| 20 |  |  |  |
| 21 |  |  |  |
| 22 |  |  |  |
| 23 |  |  |  |
| 24 |  |  |  |
| 25 |  |  |  |
| 26 |  |  |  |
| 27 |  |  |  |
| 28 |  |  |  |

JACK PIN LG  
CIRCUIT SPECIFICATION 11827600



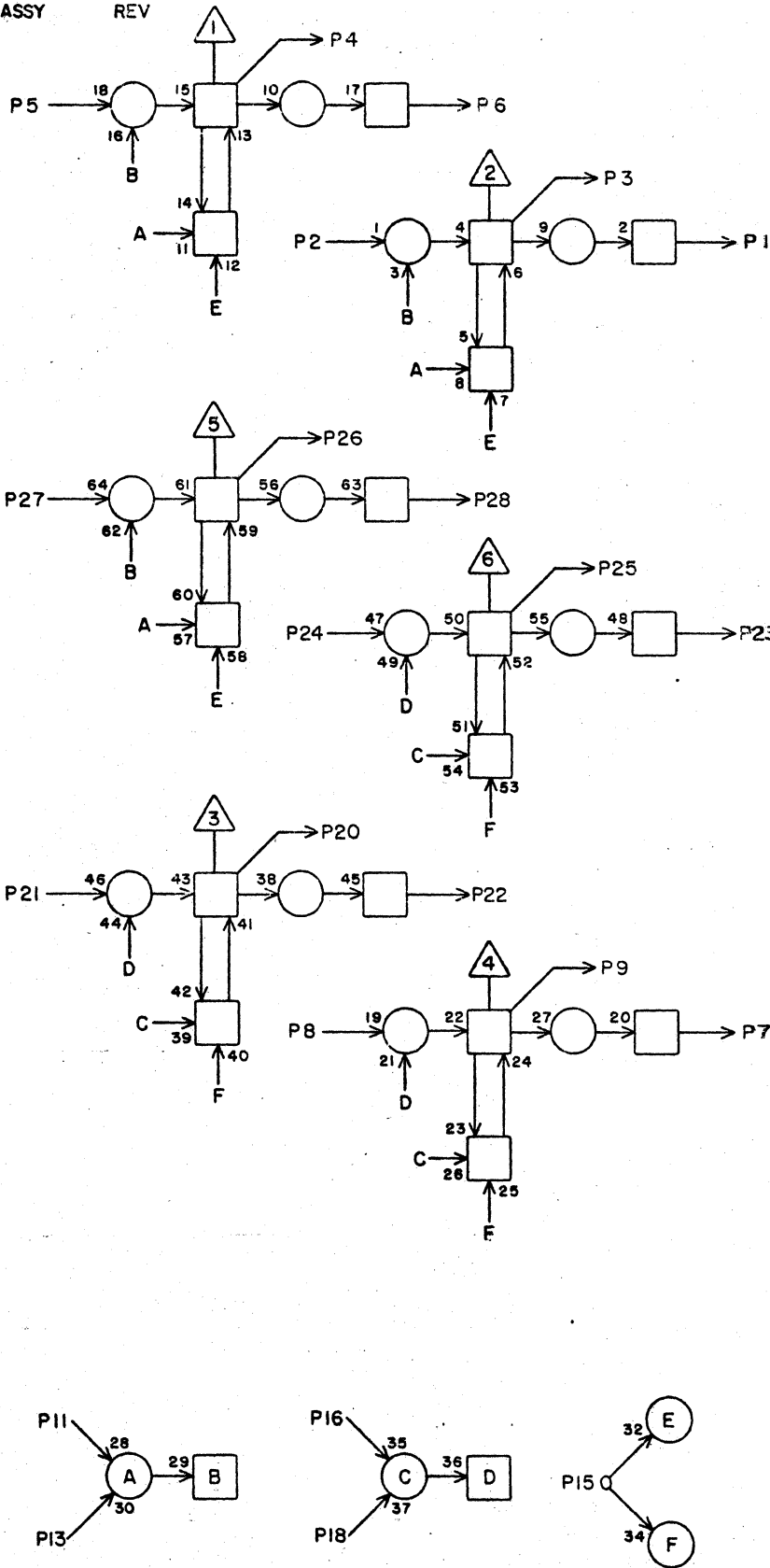


|    |  |  |  |
|----|--|--|--|
| 1  |  |  |  |
| 2  |  |  |  |
| 3  |  |  |  |
| 4  |  |  |  |
| 5  |  |  |  |
| 6  |  |  |  |
| 7  |  |  |  |
| 8  |  |  |  |
| 9  |  |  |  |
| 10 |  |  |  |
| 11 |  |  |  |
| 12 |  |  |  |
| 13 |  |  |  |
| 14 |  |  |  |
| 15 |  |  |  |
| 16 |  |  |  |
| 17 |  |  |  |
| 18 |  |  |  |
| 19 |  |  |  |
| 20 |  |  |  |
| 21 |  |  |  |
| 22 |  |  |  |
| 23 |  |  |  |
| 24 |  |  |  |
| 25 |  |  |  |
| 26 |  |  |  |
| 27 |  |  |  |
| 28 |  |  |  |

JACK PIN LG

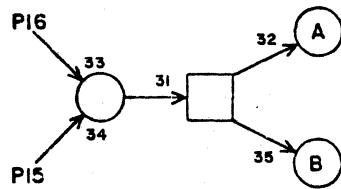
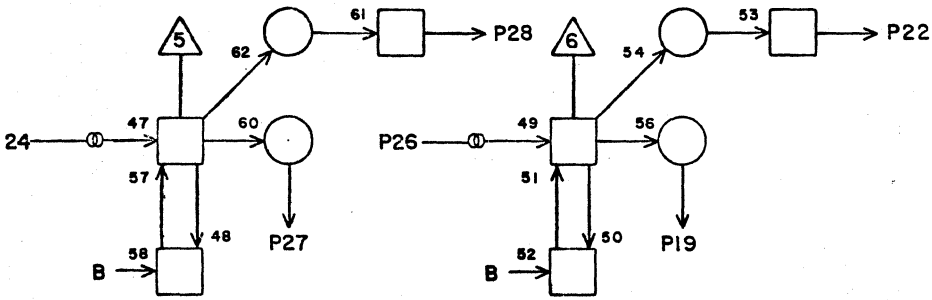
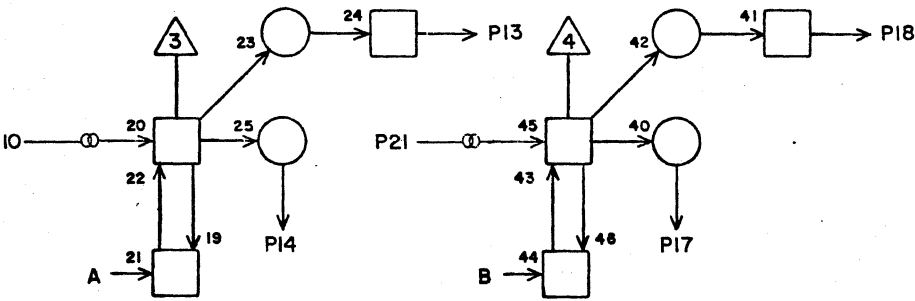
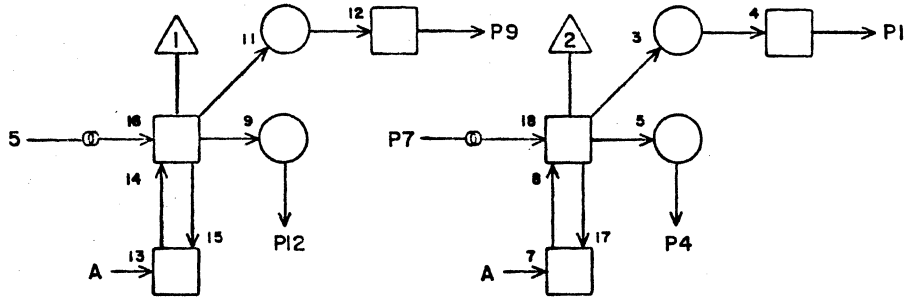
CIRCUIT SPECIFICATION 11827600

ASSY



|    |  |  |  |
|----|--|--|--|
| 1  |  |  |  |
| 2  |  |  |  |
| 3  |  |  |  |
| 4  |  |  |  |
| 5  |  |  |  |
| 6  |  |  |  |
| 7  |  |  |  |
| 8  |  |  |  |
| 9  |  |  |  |
| 10 |  |  |  |
| 11 |  |  |  |
| 12 |  |  |  |
| 13 |  |  |  |
| 14 |  |  |  |
| 15 |  |  |  |
| 16 |  |  |  |
| 17 |  |  |  |
| 18 |  |  |  |
| 19 |  |  |  |
| 20 |  |  |  |
| 21 |  |  |  |
| 22 |  |  |  |
| 23 |  |  |  |
| 24 |  |  |  |
| 25 |  |  |  |
| 26 |  |  |  |
| 27 |  |  |  |
| 28 |  |  |  |

JACK PIN LG



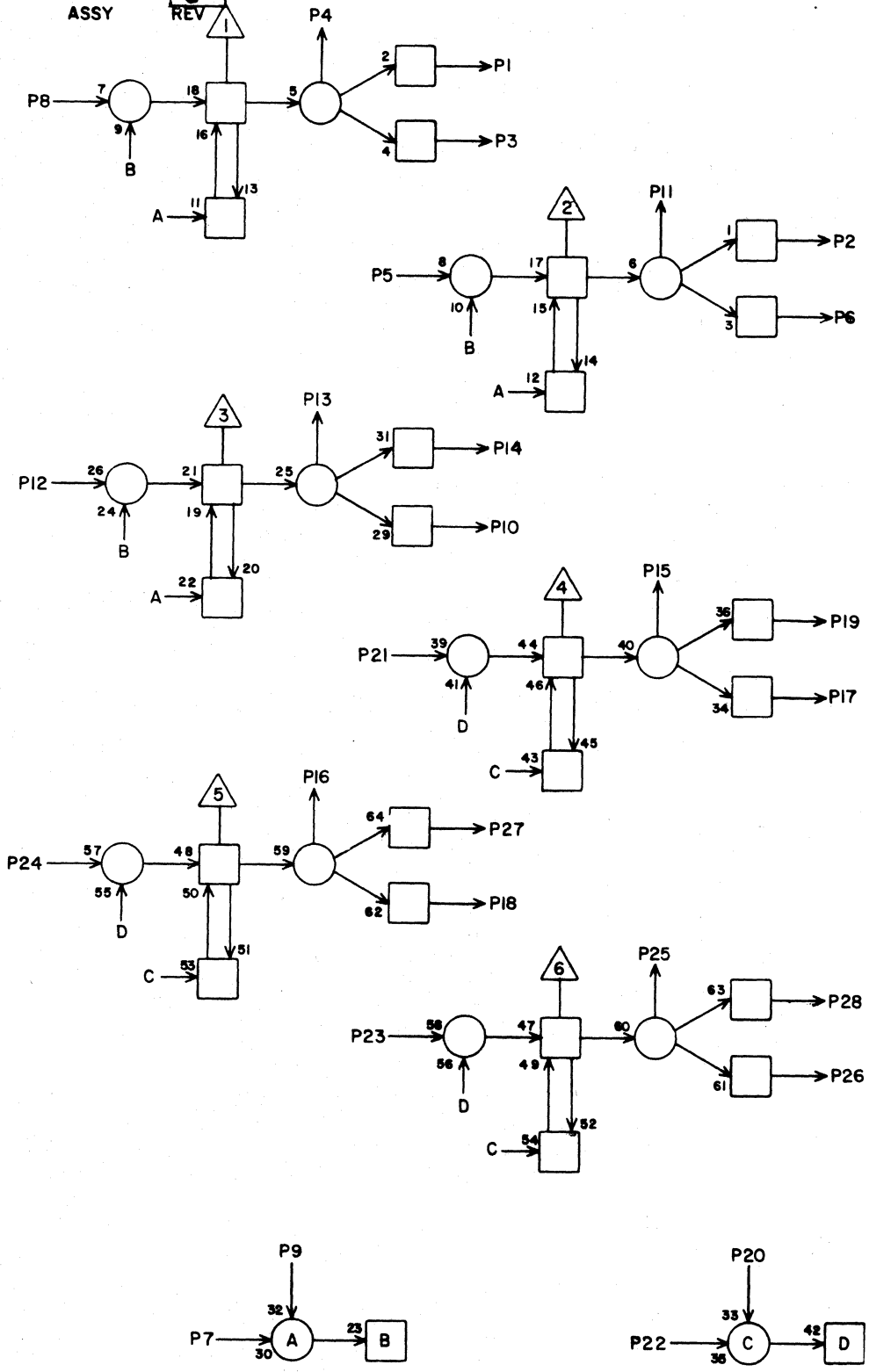
|    |  |  |  |
|----|--|--|--|
| 1  |  |  |  |
| 2  |  |  |  |
| 3  |  |  |  |
| 4  |  |  |  |
| 5  |  |  |  |
| 6  |  |  |  |
| 7  |  |  |  |
| 8  |  |  |  |
| 9  |  |  |  |
| 10 |  |  |  |
| 11 |  |  |  |
| 12 |  |  |  |
| 13 |  |  |  |
| 14 |  |  |  |
| 15 |  |  |  |
| 16 |  |  |  |
| 17 |  |  |  |
| 18 |  |  |  |
| 19 |  |  |  |
| 20 |  |  |  |
| 21 |  |  |  |
| 22 |  |  |  |
| 23 |  |  |  |
| 24 |  |  |  |
| 25 |  |  |  |
| 26 |  |  |  |
| 27 |  |  |  |
| 28 |  |  |  |

JACK PIN LG

LS 63058400  
ASSY

**J**  
REV

PJ

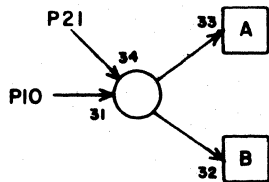
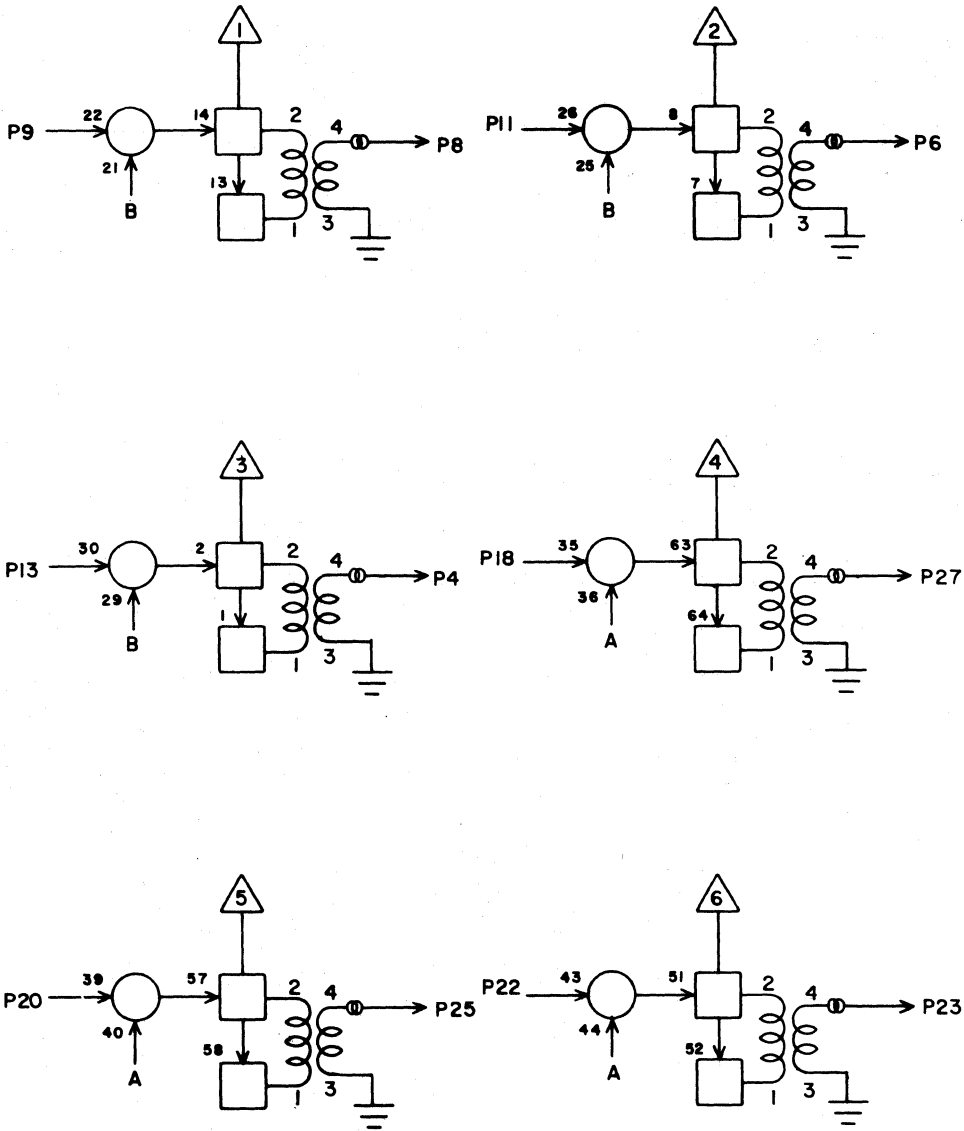


|    |  |  |  |
|----|--|--|--|
| 1  |  |  |  |
| 2  |  |  |  |
| 3  |  |  |  |
| 4  |  |  |  |
| 5  |  |  |  |
| 6  |  |  |  |
| 7  |  |  |  |
| 8  |  |  |  |
| 9  |  |  |  |
| 10 |  |  |  |
| 11 |  |  |  |
| 12 |  |  |  |
| 13 |  |  |  |
| 14 |  |  |  |
| 15 |  |  |  |
| 16 |  |  |  |
| 17 |  |  |  |
| 18 |  |  |  |
| 19 |  |  |  |
| 20 |  |  |  |
| 21 |  |  |  |
| 22 |  |  |  |
| 23 |  |  |  |
| 24 |  |  |  |
| 25 |  |  |  |
| 26 |  |  |  |
| 27 |  |  |  |
| 28 |  |  |  |

JACK PIN LG

CIRCUIT SPECIFICATION 11827600  
60042700 Rev. J





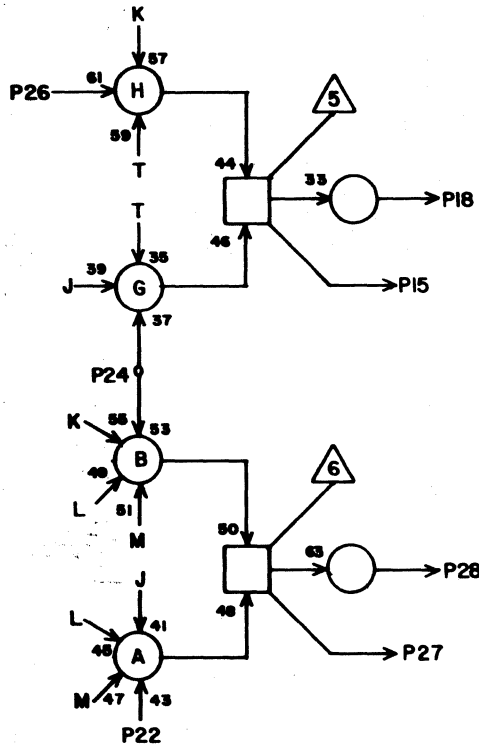
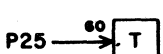
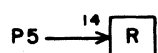
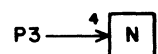
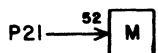
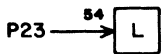
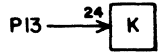
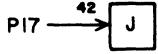
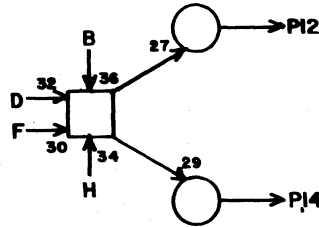
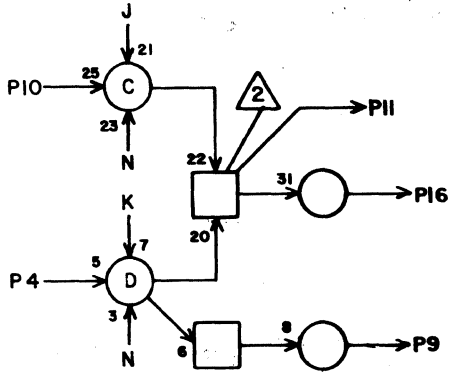
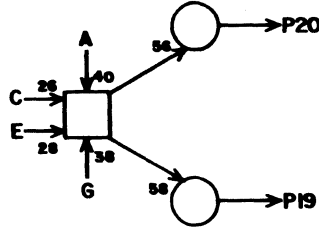
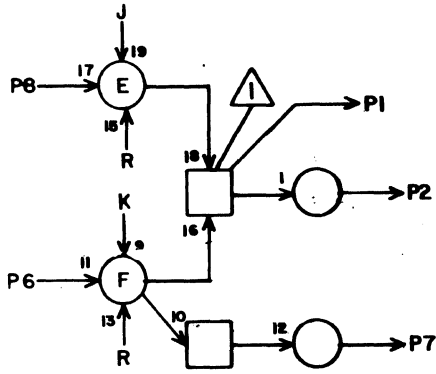
|    |  |  |  |
|----|--|--|--|
| 1  |  |  |  |
| 2  |  |  |  |
| 3  |  |  |  |
| 4  |  |  |  |
| 5  |  |  |  |
| 6  |  |  |  |
| 7  |  |  |  |
| 8  |  |  |  |
| 9  |  |  |  |
| 10 |  |  |  |
| 11 |  |  |  |
| 12 |  |  |  |
| 13 |  |  |  |
| 14 |  |  |  |
| 15 |  |  |  |
| 16 |  |  |  |
| 17 |  |  |  |
| 18 |  |  |  |
| 19 |  |  |  |
| 20 |  |  |  |
| 21 |  |  |  |
| 22 |  |  |  |
| 23 |  |  |  |
| 24 |  |  |  |
| 25 |  |  |  |
| 26 |  |  |  |
| 27 |  |  |  |
| 28 |  |  |  |

JACK PIN LG

CIRCUIT SPECIFICATION 11827600

LS 63058700  
ASSY

**D**  
REV



PM

|    |  |  |  |
|----|--|--|--|
| 1  |  |  |  |
| 2  |  |  |  |
| 3  |  |  |  |
| 4  |  |  |  |
| 5  |  |  |  |
| 6  |  |  |  |
| 7  |  |  |  |
| 8  |  |  |  |
| 9  |  |  |  |
| 10 |  |  |  |
| 11 |  |  |  |
| 12 |  |  |  |
| 13 |  |  |  |
| 14 |  |  |  |
| 15 |  |  |  |
| 16 |  |  |  |
| 17 |  |  |  |
| 18 |  |  |  |
| 19 |  |  |  |
| 20 |  |  |  |
| 21 |  |  |  |
| 22 |  |  |  |
| 23 |  |  |  |
| 24 |  |  |  |
| 25 |  |  |  |
| 26 |  |  |  |
| 27 |  |  |  |
| 28 |  |  |  |

JACK PIN LG

CIRCUIT SPECIFICATION 11827600

60042700 Rev. J

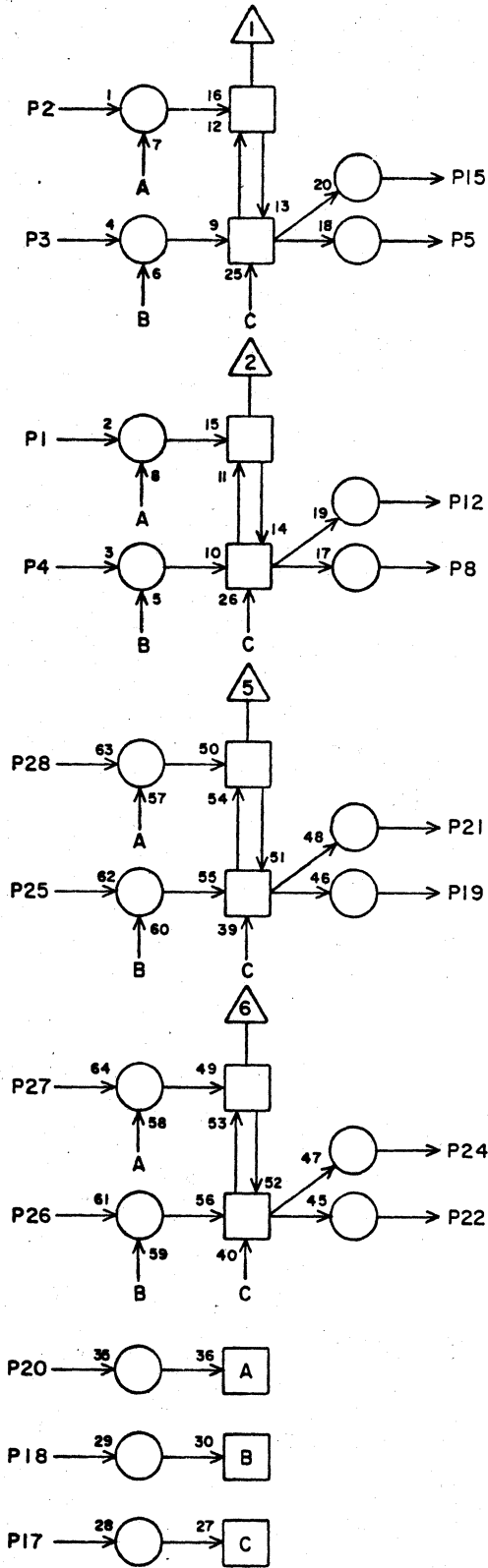
LS 63058800

H  
REV

PN

[ ]

ASSY



|    |  |  |  |
|----|--|--|--|
| 1  |  |  |  |
| 2  |  |  |  |
| 3  |  |  |  |
| 4  |  |  |  |
| 5  |  |  |  |
| 6  |  |  |  |
| 7  |  |  |  |
| 8  |  |  |  |
| 9  |  |  |  |
| 10 |  |  |  |
| 11 |  |  |  |
| 12 |  |  |  |
| 13 |  |  |  |
| 14 |  |  |  |
| 15 |  |  |  |
| 16 |  |  |  |
| 17 |  |  |  |
| 18 |  |  |  |
| 19 |  |  |  |
| 20 |  |  |  |
| 21 |  |  |  |
| 22 |  |  |  |
| 23 |  |  |  |
| 24 |  |  |  |
| 25 |  |  |  |
| 26 |  |  |  |
| 27 |  |  |  |
| 28 |  |  |  |

JACK PIN LG

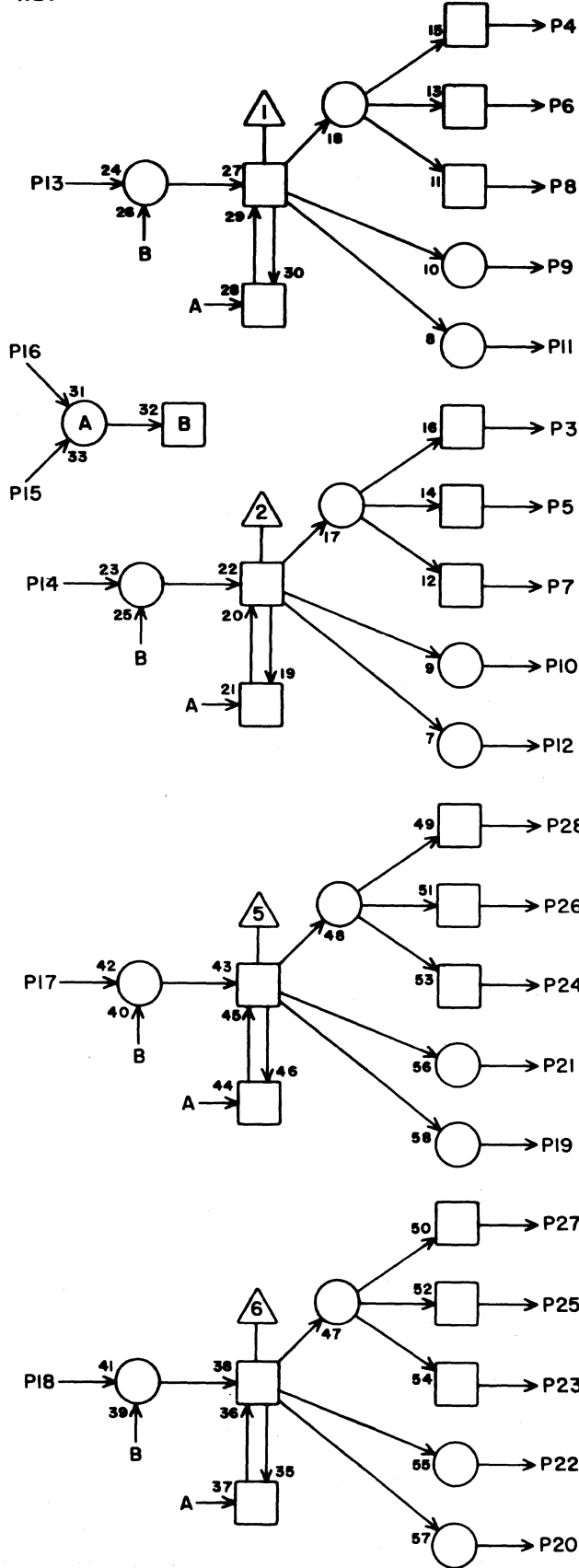
CIRCUIT SPECIFICATION 11827600

60042700 Rev J



LS 63058900  
ASSY

**G**  
REV



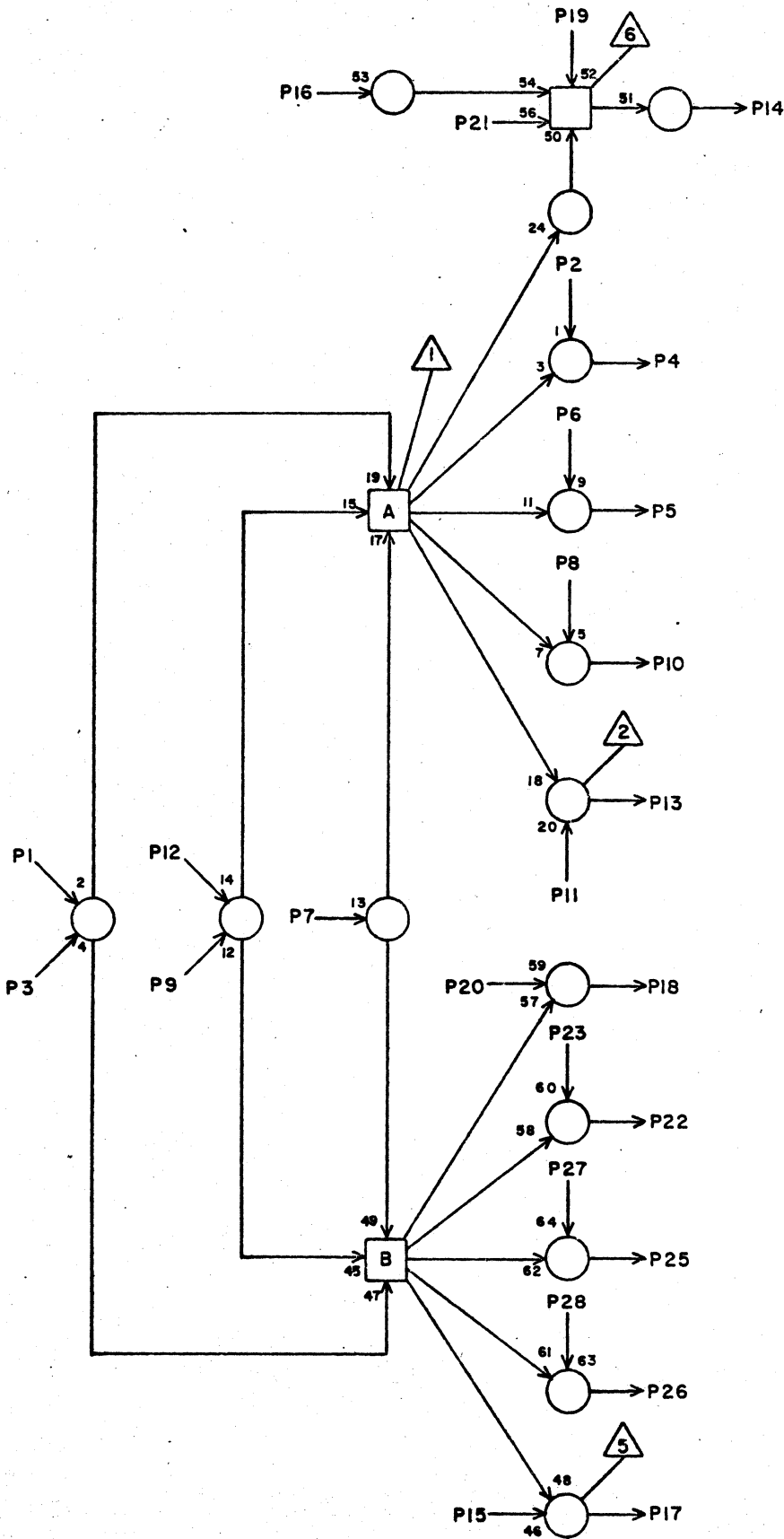
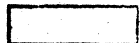
PO

|    |  |  |  |
|----|--|--|--|
| 1  |  |  |  |
| 2  |  |  |  |
| 3  |  |  |  |
| 4  |  |  |  |
| 5  |  |  |  |
| 6  |  |  |  |
| 7  |  |  |  |
| 8  |  |  |  |
| 9  |  |  |  |
| 10 |  |  |  |
| 11 |  |  |  |
| 12 |  |  |  |
| 13 |  |  |  |
| 14 |  |  |  |
| 15 |  |  |  |
| 16 |  |  |  |
| 17 |  |  |  |
| 18 |  |  |  |
| 19 |  |  |  |
| 20 |  |  |  |
| 21 |  |  |  |
| 22 |  |  |  |
| 23 |  |  |  |
| 24 |  |  |  |
| 25 |  |  |  |
| 26 |  |  |  |
| 27 |  |  |  |
| 28 |  |  |  |

JACK PIN LG

CIRCUIT SPECIFICATION 11827600

60042700 Rev. P



|    |  |  |  |
|----|--|--|--|
| 1  |  |  |  |
| 2  |  |  |  |
| 3  |  |  |  |
| 4  |  |  |  |
| 5  |  |  |  |
| 6  |  |  |  |
| 7  |  |  |  |
| 8  |  |  |  |
| 9  |  |  |  |
| 10 |  |  |  |
| 11 |  |  |  |
| 12 |  |  |  |
| 13 |  |  |  |
| 14 |  |  |  |
| 15 |  |  |  |
| 16 |  |  |  |
| 17 |  |  |  |
| 18 |  |  |  |
| 19 |  |  |  |
| 20 |  |  |  |
| 21 |  |  |  |
| 22 |  |  |  |
| 23 |  |  |  |
| 24 |  |  |  |
| 25 |  |  |  |
| 26 |  |  |  |
| 27 |  |  |  |
| 28 |  |  |  |

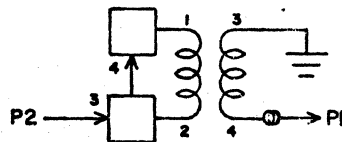
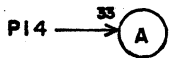
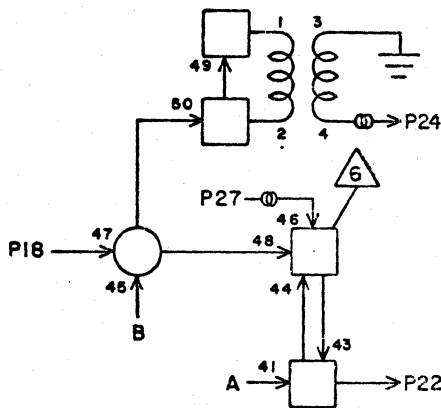
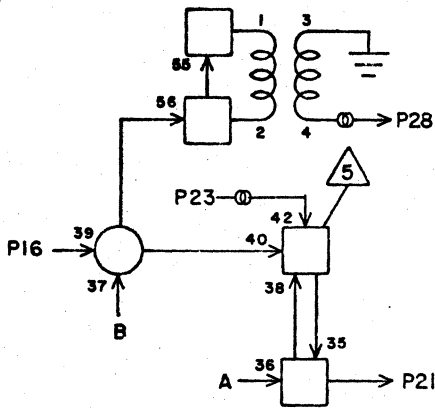
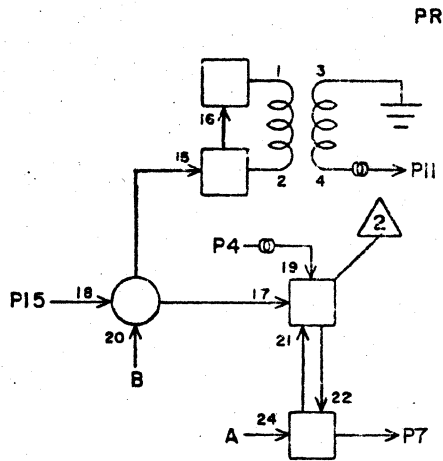
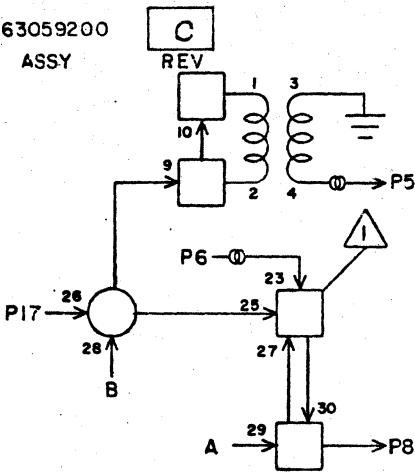
JACK PIN LG

CIRCUIT SPECIFICATION 11827600

60042700 Rev J



LS 63059200  
ASSY



|    |  |  |  |
|----|--|--|--|
| 1  |  |  |  |
| 2  |  |  |  |
| 3  |  |  |  |
| 4  |  |  |  |
| 5  |  |  |  |
| 6  |  |  |  |
| 7  |  |  |  |
| 8  |  |  |  |
| 9  |  |  |  |
| 10 |  |  |  |
| 11 |  |  |  |
| 12 |  |  |  |
| 13 |  |  |  |
| 14 |  |  |  |
| 15 |  |  |  |
| 16 |  |  |  |
| 17 |  |  |  |
| 18 |  |  |  |
| 19 |  |  |  |
| 20 |  |  |  |
| 21 |  |  |  |
| 22 |  |  |  |
| 23 |  |  |  |
| 24 |  |  |  |
| 25 |  |  |  |
| 26 |  |  |  |
| 27 |  |  |  |
| 28 |  |  |  |

JACK PIN LG

CIRCUIT SPECIFICATION 11827600

60042700 Rev J

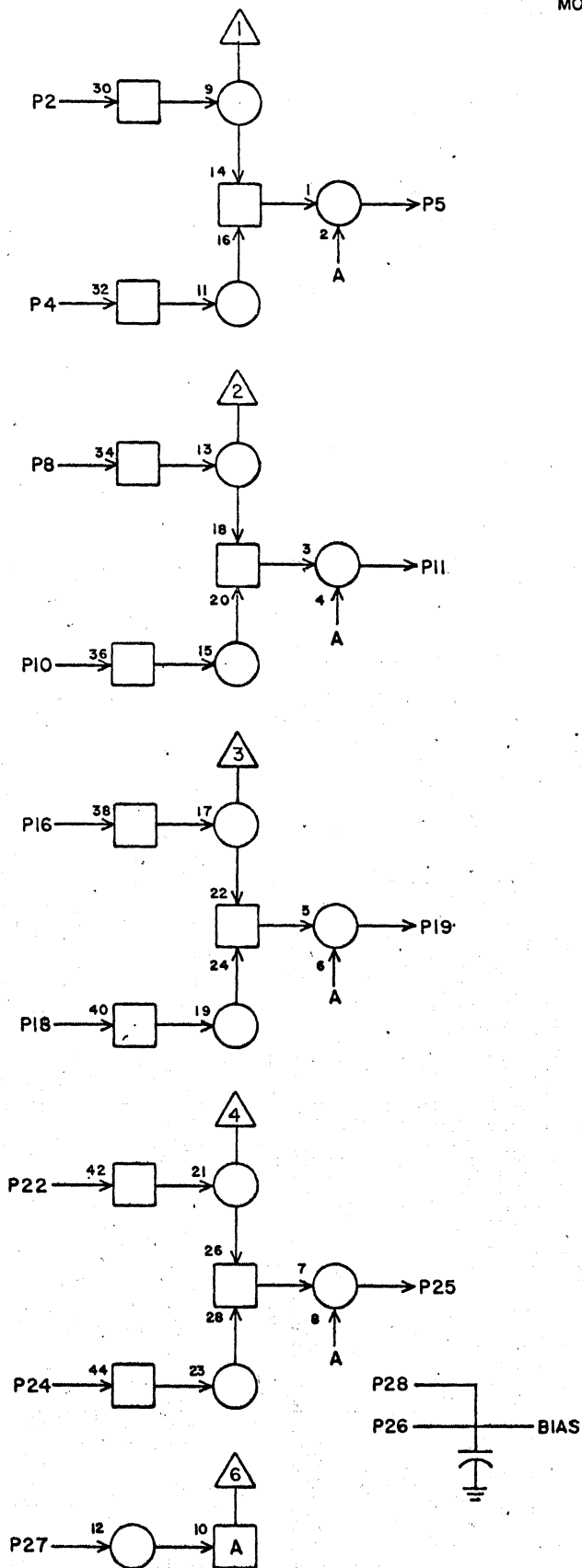




LS 63059300  
ASSY

**K**  
REV

PS  
SPECIAL  
MODULE



|    |  |  |  |
|----|--|--|--|
| 1  |  |  |  |
| 2  |  |  |  |
| 3  |  |  |  |
| 4  |  |  |  |
| 5  |  |  |  |
| 6  |  |  |  |
| 7  |  |  |  |
| 8  |  |  |  |
| 9  |  |  |  |
| 10 |  |  |  |
| 11 |  |  |  |
| 12 |  |  |  |
| 13 |  |  |  |
| 14 |  |  |  |
| 15 |  |  |  |
| 16 |  |  |  |
| 17 |  |  |  |
| 18 |  |  |  |
| 19 |  |  |  |
| 20 |  |  |  |
| 21 |  |  |  |
| 22 |  |  |  |
| 23 |  |  |  |
| 24 |  |  |  |
| 25 |  |  |  |
| 26 |  |  |  |
| 27 |  |  |  |
| 28 |  |  |  |

JACK PIN LG

CIRCUIT SPECIFICATION

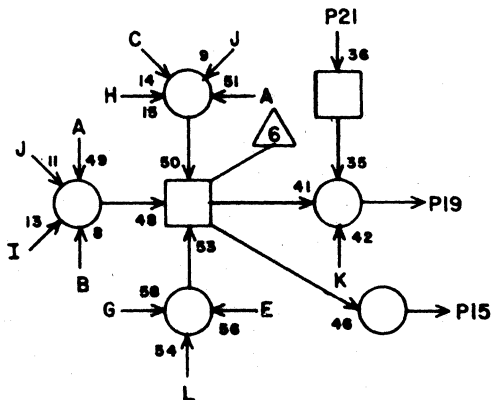
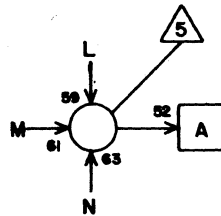
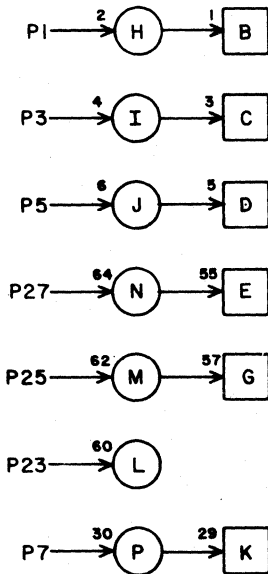
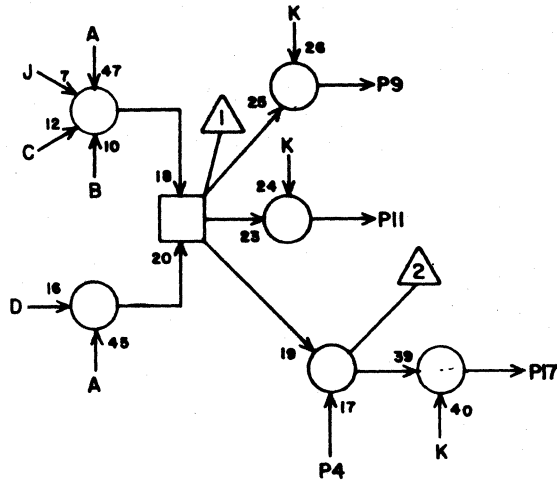
60042700 Rev. P

LS 63059400  
ASSY

**D**  
REV

PT

[ ]



|    |  |  |  |
|----|--|--|--|
| 1  |  |  |  |
| 2  |  |  |  |
| 3  |  |  |  |
| 4  |  |  |  |
| 5  |  |  |  |
| 6  |  |  |  |
| 7  |  |  |  |
| 8  |  |  |  |
| 9  |  |  |  |
| 10 |  |  |  |
| 11 |  |  |  |
| 12 |  |  |  |
| 13 |  |  |  |
| 14 |  |  |  |
| 15 |  |  |  |
| 16 |  |  |  |
| 17 |  |  |  |
| 18 |  |  |  |
| 19 |  |  |  |
| 20 |  |  |  |
| 21 |  |  |  |
| 22 |  |  |  |
| 23 |  |  |  |
| 24 |  |  |  |
| 25 |  |  |  |
| 26 |  |  |  |
| 27 |  |  |  |
| 28 |  |  |  |

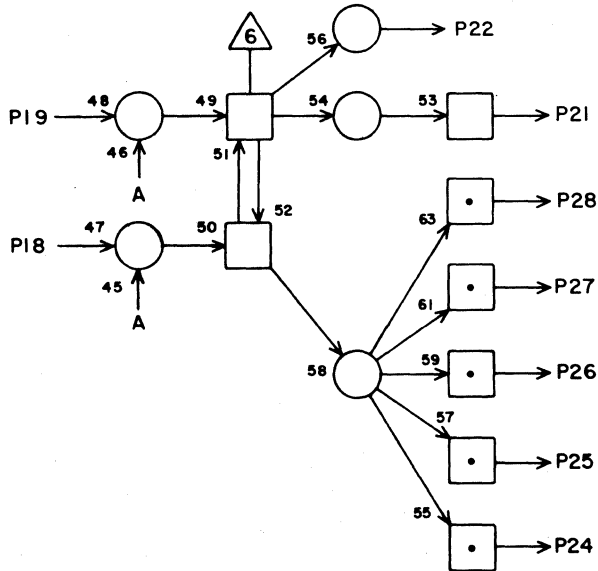
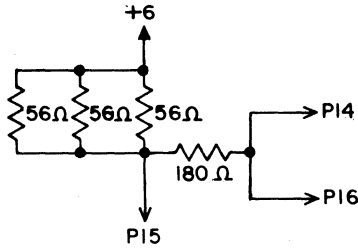
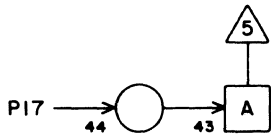
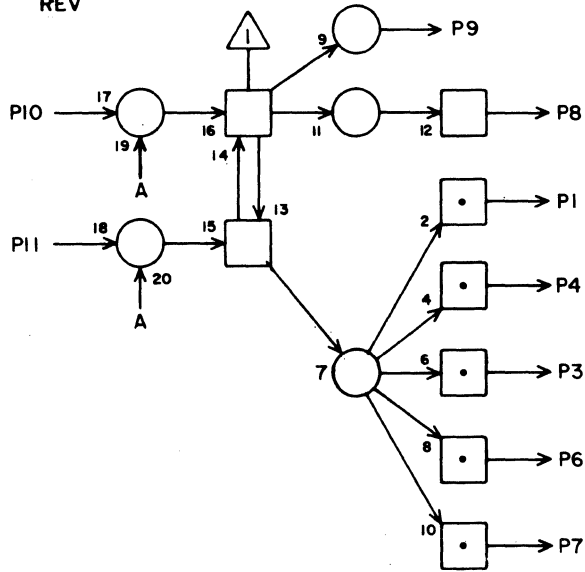
JACK PIN LG  
CIRCUIT SPECIFICATION 11827600



LS 63059500  
ASSY



PU  
SPECIAL  
MODULE



□ = NO RESISTOR-DIODE  
ON OUTPUT

|    |  |  |  |
|----|--|--|--|
| 1  |  |  |  |
| 2  |  |  |  |
| 3  |  |  |  |
| 4  |  |  |  |
| 5  |  |  |  |
| 6  |  |  |  |
| 7  |  |  |  |
| 8  |  |  |  |
| 9  |  |  |  |
| 10 |  |  |  |
| 11 |  |  |  |
| 12 |  |  |  |
| 13 |  |  |  |
| 14 |  |  |  |
| 15 |  |  |  |
| 16 |  |  |  |
| 17 |  |  |  |
| 18 |  |  |  |
| 19 |  |  |  |
| 20 |  |  |  |
| 21 |  |  |  |
| 22 |  |  |  |
| 23 |  |  |  |
| 24 |  |  |  |
| 25 |  |  |  |
| 26 |  |  |  |
| 27 |  |  |  |
| 28 |  |  |  |

JACK PIN LG

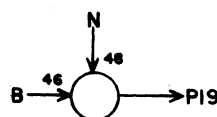
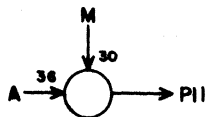
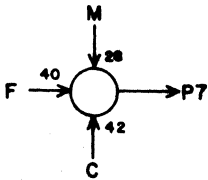
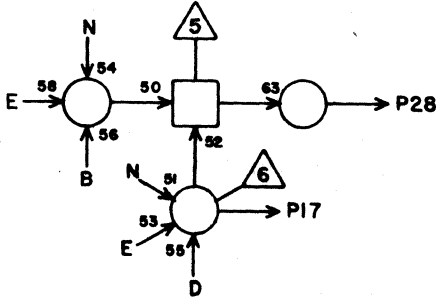
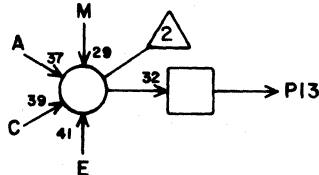
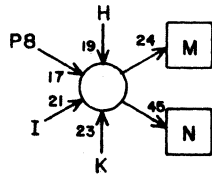
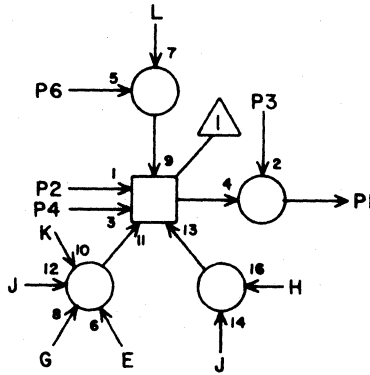
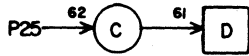
CIRCUIT SPECIFICATION 11827600

60042700 Rev. J

LS 63059600

ASSY

**E**  
REV



PV

**E**

|    |  |  |  |
|----|--|--|--|
| 1  |  |  |  |
| 2  |  |  |  |
| 3  |  |  |  |
| 4  |  |  |  |
| 5  |  |  |  |
| 6  |  |  |  |
| 7  |  |  |  |
| 8  |  |  |  |
| 9  |  |  |  |
| 10 |  |  |  |
| 11 |  |  |  |
| 12 |  |  |  |
| 13 |  |  |  |
| 14 |  |  |  |
| 15 |  |  |  |
| 16 |  |  |  |
| 17 |  |  |  |
| 18 |  |  |  |
| 19 |  |  |  |
| 20 |  |  |  |
| 21 |  |  |  |
| 22 |  |  |  |
| 23 |  |  |  |
| 24 |  |  |  |
| 25 |  |  |  |
| 26 |  |  |  |
| 27 |  |  |  |
| 28 |  |  |  |

JACK PIN LG

CIRCUIT SPECIFICATION 11827600

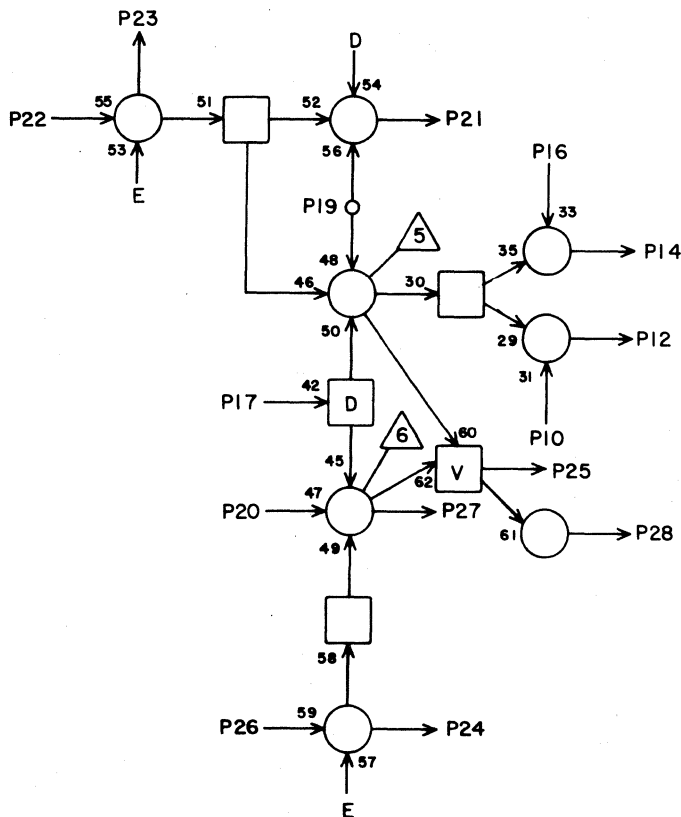
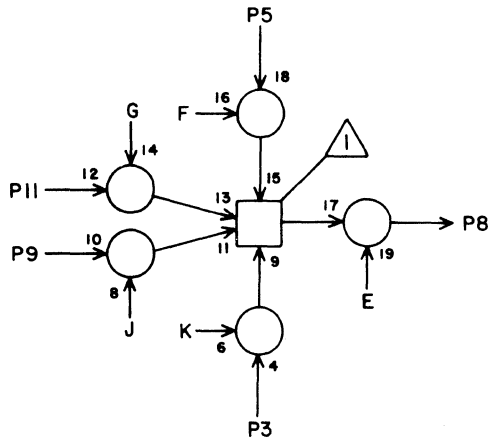
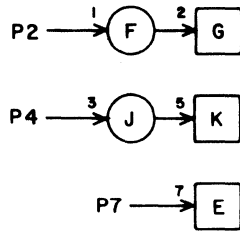
60042700 Rev. J

LS 63059700  
ASSY

**C**  
REV

PW

[ ]



|    |  |  |  |
|----|--|--|--|
| 1  |  |  |  |
| 2  |  |  |  |
| 3  |  |  |  |
| 4  |  |  |  |
| 5  |  |  |  |
| 6  |  |  |  |
| 7  |  |  |  |
| 8  |  |  |  |
| 9  |  |  |  |
| 10 |  |  |  |
| 11 |  |  |  |
| 12 |  |  |  |
| 13 |  |  |  |
| 14 |  |  |  |
| 15 |  |  |  |
| 16 |  |  |  |
| 17 |  |  |  |
| 18 |  |  |  |
| 19 |  |  |  |
| 20 |  |  |  |
| 21 |  |  |  |
| 22 |  |  |  |
| 23 |  |  |  |
| 24 |  |  |  |
| 25 |  |  |  |
| 26 |  |  |  |
| 27 |  |  |  |
| 28 |  |  |  |

JACK PIN LG

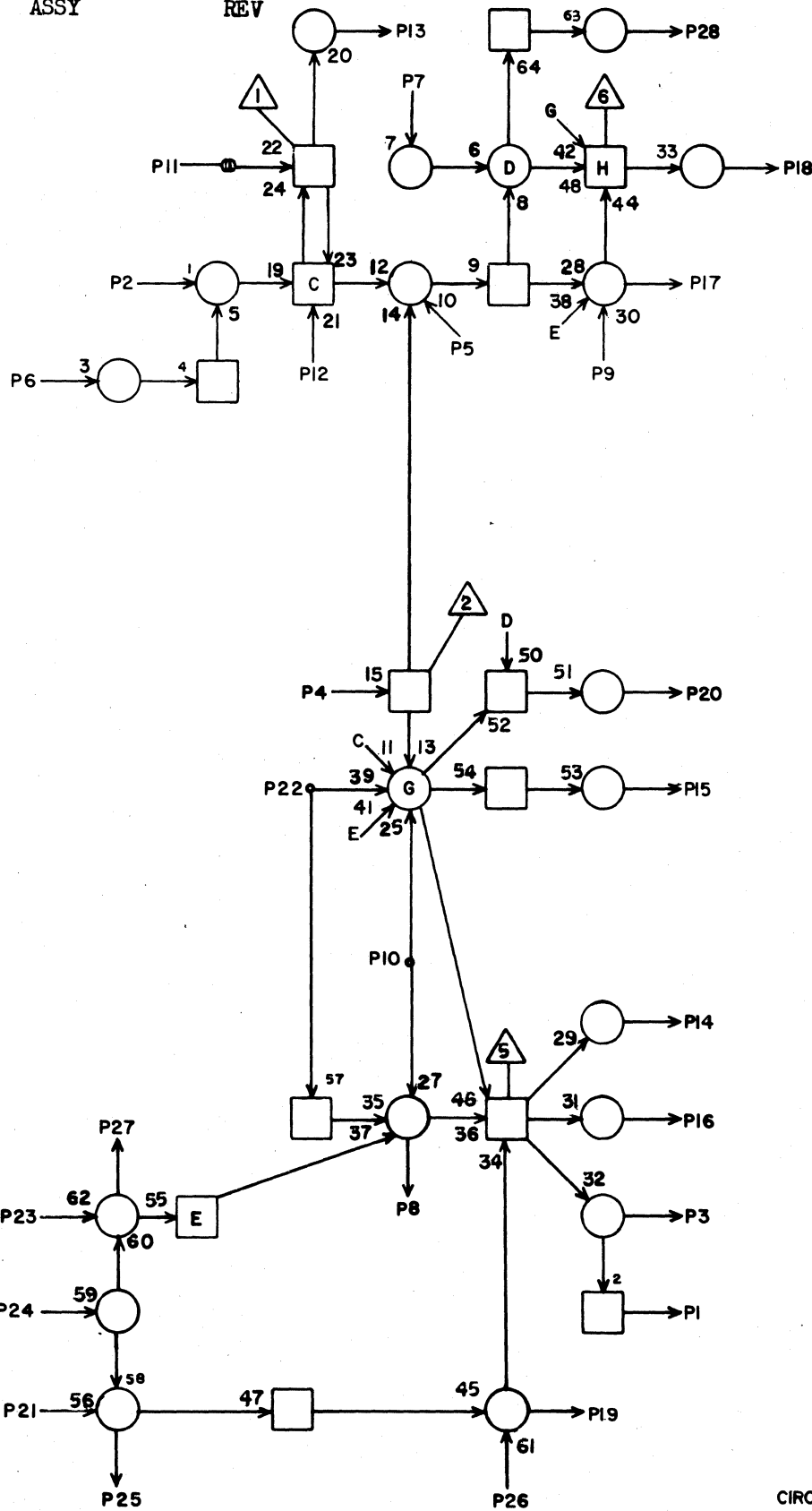
CIRCUIT SPECIFICATION 11827600

60042700 Rev. J

LS 63059800  
 ASSY

**E**  
 REV

PX



|    |  |  |  |
|----|--|--|--|
| 1  |  |  |  |
| 2  |  |  |  |
| 3  |  |  |  |
| 4  |  |  |  |
| 5  |  |  |  |
| 6  |  |  |  |
| 7  |  |  |  |
| 8  |  |  |  |
| 9  |  |  |  |
| 10 |  |  |  |
| 11 |  |  |  |
| 12 |  |  |  |
| 13 |  |  |  |
| 14 |  |  |  |
| 15 |  |  |  |
| 16 |  |  |  |
| 17 |  |  |  |
| 18 |  |  |  |
| 19 |  |  |  |
| 20 |  |  |  |
| 21 |  |  |  |
| 22 |  |  |  |
| 23 |  |  |  |
| 24 |  |  |  |
| 25 |  |  |  |
| 26 |  |  |  |
| 27 |  |  |  |
| 28 |  |  |  |

JACK PIN LG

CIRCUIT SPECIFICATION 11827600

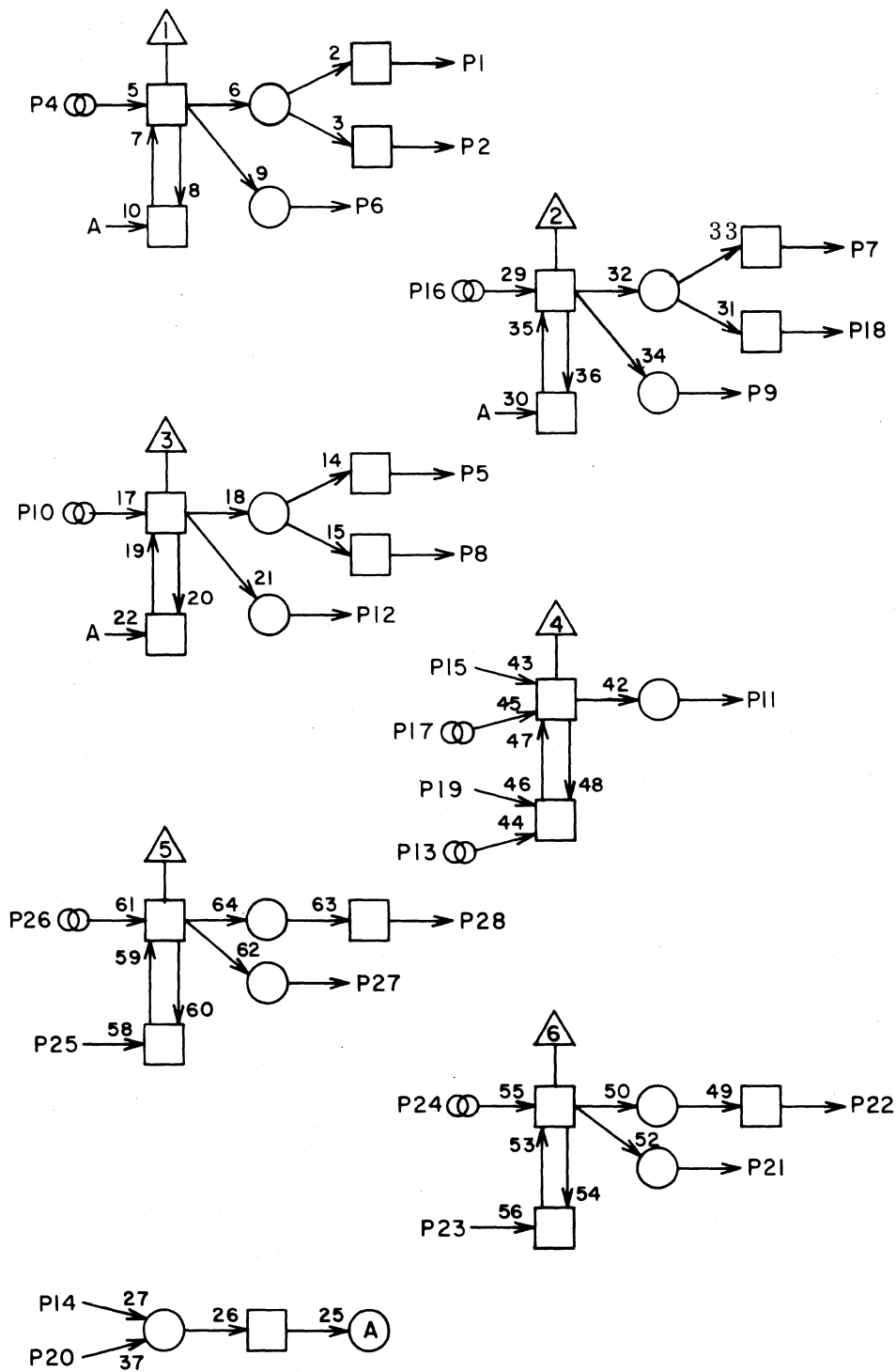
60042700 Rev AB

LS 18058300  
ASSY

**D**  
REV

PY

[ ]



|    |  |  |  |
|----|--|--|--|
| 1  |  |  |  |
| 2  |  |  |  |
| 3  |  |  |  |
| 4  |  |  |  |
| 5  |  |  |  |
| 6  |  |  |  |
| 7  |  |  |  |
| 8  |  |  |  |
| 9  |  |  |  |
| 10 |  |  |  |
| 11 |  |  |  |
| 12 |  |  |  |
| 13 |  |  |  |
| 14 |  |  |  |
| 15 |  |  |  |
| 16 |  |  |  |
| 17 |  |  |  |
| 18 |  |  |  |
| 19 |  |  |  |
| 20 |  |  |  |
| 21 |  |  |  |
| 22 |  |  |  |
| 23 |  |  |  |
| 24 |  |  |  |
| 25 |  |  |  |
| 26 |  |  |  |
| 27 |  |  |  |
| 28 |  |  |  |

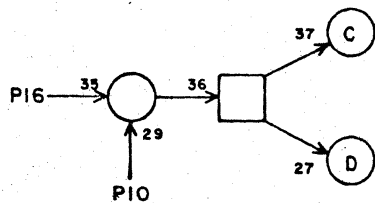
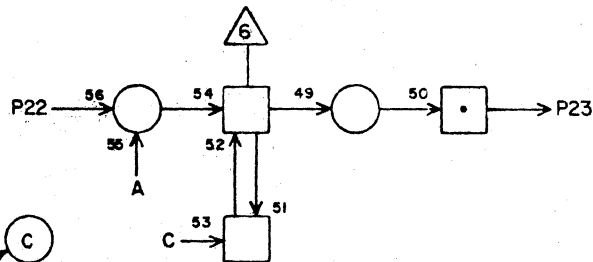
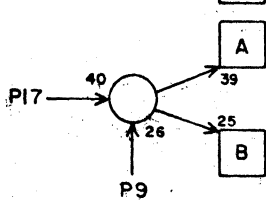
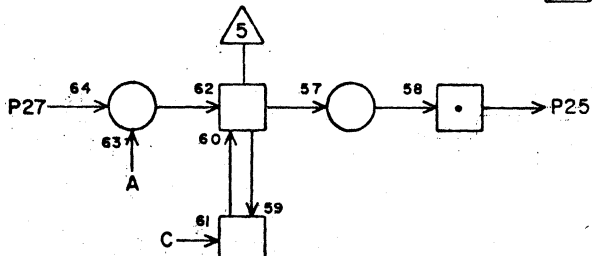
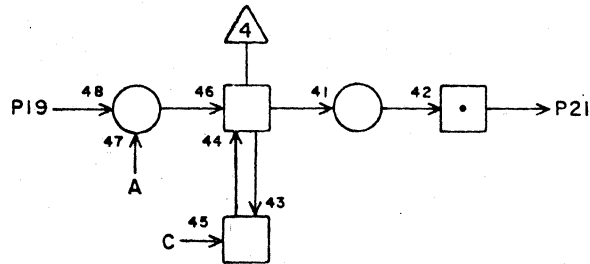
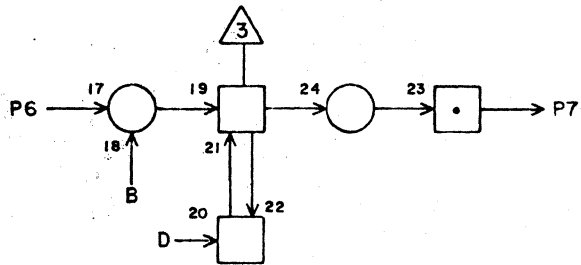
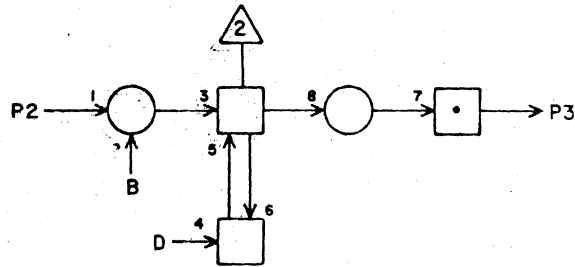
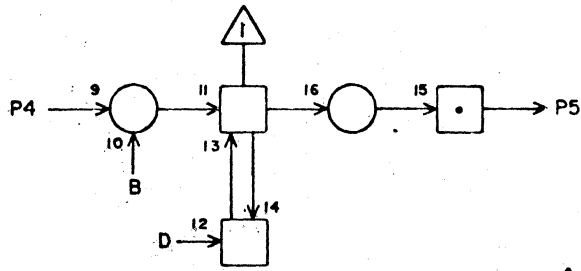
JACK PIN LG


60042700 Rev AP  
CIRCUIT SPECIFICATION  
11827600

LS 63059900  
ASSY

**F**  
REV

PZ  
SPECIAL  
MODULE



 = NO RESISTOR-DIODE  
ON OUTPUT

|    |  |  |  |
|----|--|--|--|
| 1  |  |  |  |
| 2  |  |  |  |
| 3  |  |  |  |
| 4  |  |  |  |
| 5  |  |  |  |
| 6  |  |  |  |
| 7  |  |  |  |
| 8  |  |  |  |
| 9  |  |  |  |
| 10 |  |  |  |
| 11 |  |  |  |
| 12 |  |  |  |
| 13 |  |  |  |
| 14 |  |  |  |
| 15 |  |  |  |
| 16 |  |  |  |
| 17 |  |  |  |
| 18 |  |  |  |
| 19 |  |  |  |
| 20 |  |  |  |
| 21 |  |  |  |
| 22 |  |  |  |
| 23 |  |  |  |
| 24 |  |  |  |
| 25 |  |  |  |
| 26 |  |  |  |
| 27 |  |  |  |
| 28 |  |  |  |

JACK PIN LG

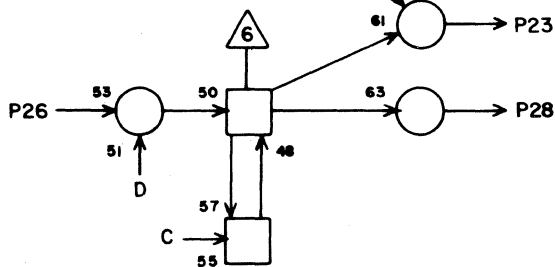
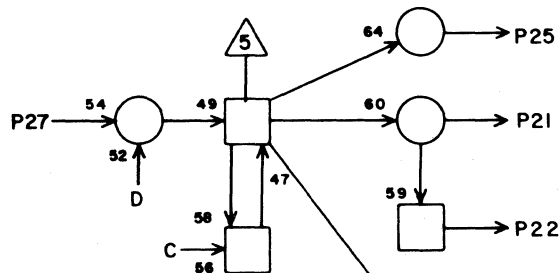
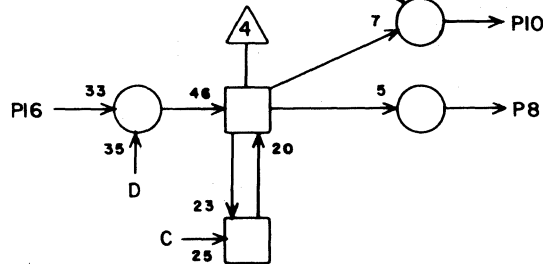
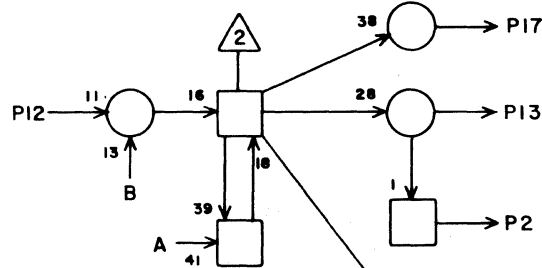
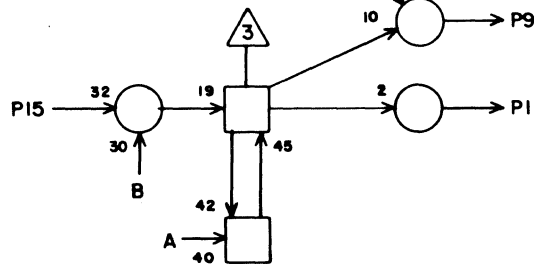
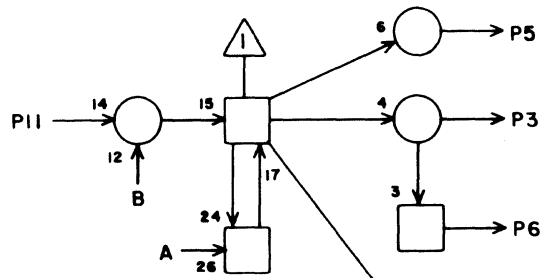
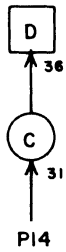
CIRCUIT SPECIFICATION 11827600

60042700 Rev. J

LS 6306000  
ASSY

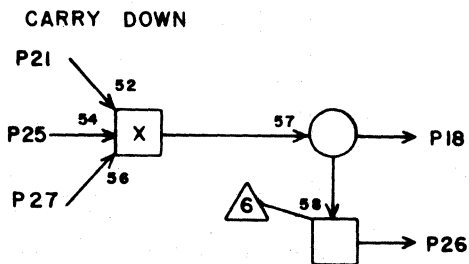
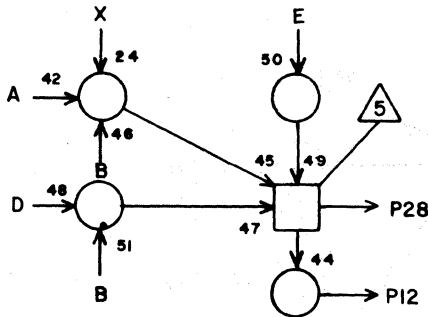
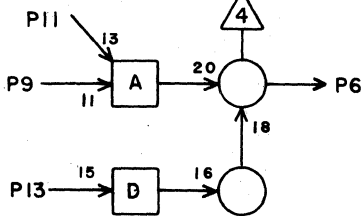
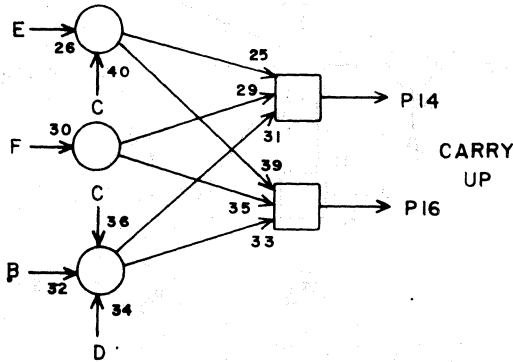
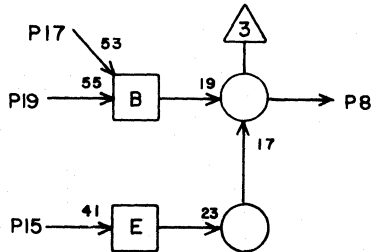
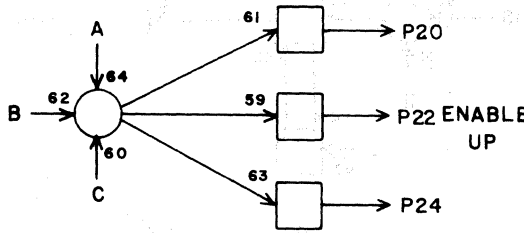
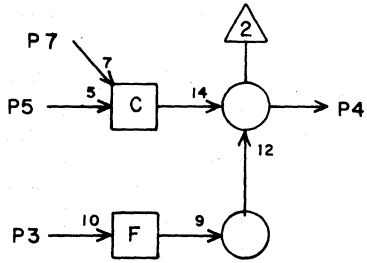
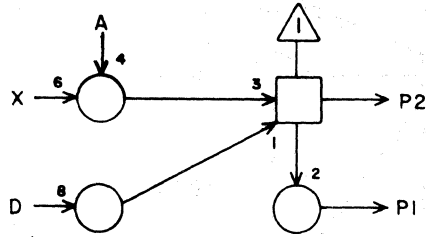
**C**  
REV

QA



|    |  |  |  |
|----|--|--|--|
| 1  |  |  |  |
| 2  |  |  |  |
| 3  |  |  |  |
| 4  |  |  |  |
| 5  |  |  |  |
| 6  |  |  |  |
| 7  |  |  |  |
| 8  |  |  |  |
| 9  |  |  |  |
| 10 |  |  |  |
| 11 |  |  |  |
| 12 |  |  |  |
| 13 |  |  |  |
| 14 |  |  |  |
| 15 |  |  |  |
| 16 |  |  |  |
| 17 |  |  |  |
| 18 |  |  |  |
| 19 |  |  |  |
| 20 |  |  |  |
| 21 |  |  |  |
| 22 |  |  |  |
| 23 |  |  |  |
| 24 |  |  |  |
| 25 |  |  |  |
| 26 |  |  |  |
| 27 |  |  |  |
| 28 |  |  |  |

JACK PIN LG  
CIRCUIT SPECIFICATION 11827600  
60042700 Rev. J



|    |  |  |
|----|--|--|
| 1  |  |  |
| 2  |  |  |
| 3  |  |  |
| 4  |  |  |
| 5  |  |  |
| 6  |  |  |
| 7  |  |  |
| 8  |  |  |
| 9  |  |  |
| 10 |  |  |
| 11 |  |  |
| 12 |  |  |
| 13 |  |  |
| 14 |  |  |
| 15 |  |  |
| 16 |  |  |
| 17 |  |  |
| 18 |  |  |
| 19 |  |  |
| 20 |  |  |
| 21 |  |  |
| 22 |  |  |
| 23 |  |  |
| 24 |  |  |
| 25 |  |  |
| 26 |  |  |
| 27 |  |  |
| 28 |  |  |

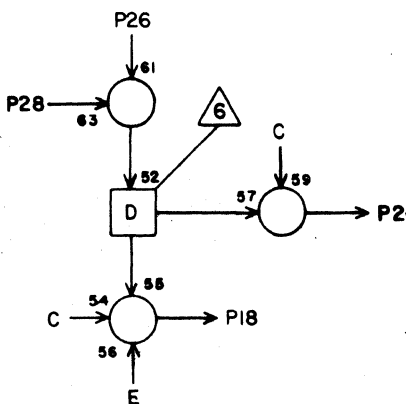
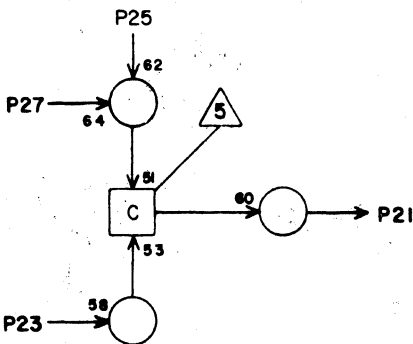
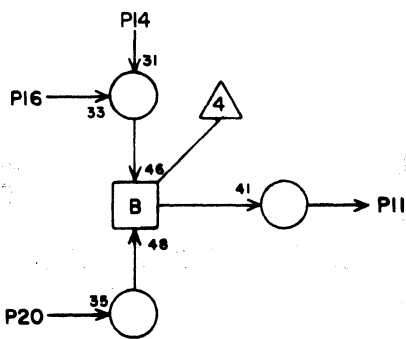
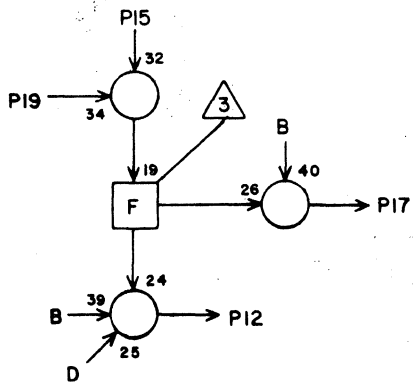
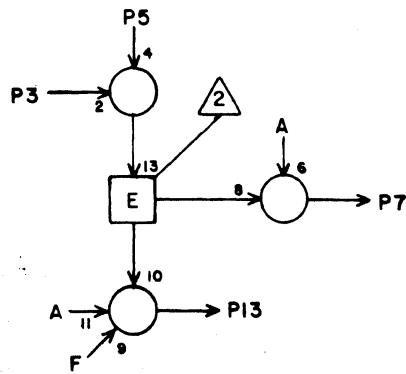
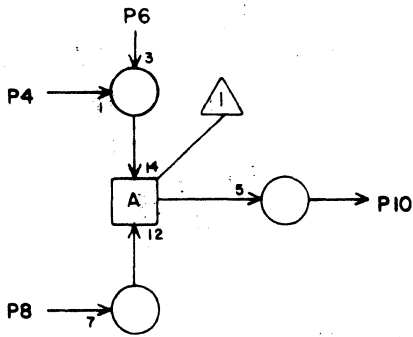
JACK PIN LG  
CIRCUIT SPECIFICATION 11827600



LS 63060200

C

ASSY



QC

|    |  |  |  |
|----|--|--|--|
| 1  |  |  |  |
| 2  |  |  |  |
| 3  |  |  |  |
| 4  |  |  |  |
| 5  |  |  |  |
| 6  |  |  |  |
| 7  |  |  |  |
| 8  |  |  |  |
| 9  |  |  |  |
| 10 |  |  |  |
| 11 |  |  |  |
| 12 |  |  |  |
| 13 |  |  |  |
| 14 |  |  |  |
| 15 |  |  |  |
| 16 |  |  |  |
| 17 |  |  |  |
| 18 |  |  |  |
| 19 |  |  |  |
| 20 |  |  |  |
| 21 |  |  |  |
| 22 |  |  |  |
| 23 |  |  |  |
| 24 |  |  |  |
| 25 |  |  |  |
| 26 |  |  |  |
| 27 |  |  |  |
| 28 |  |  |  |

JACK PIN LG

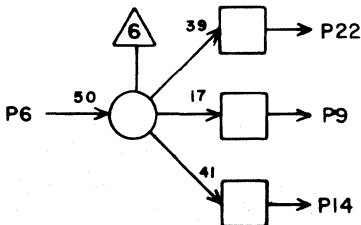
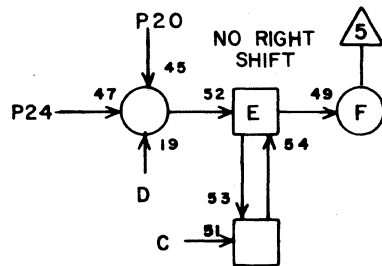
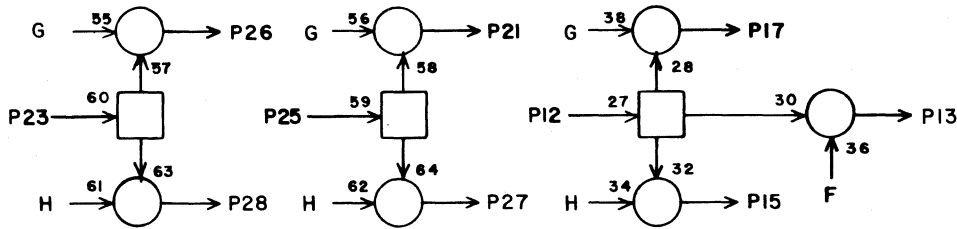
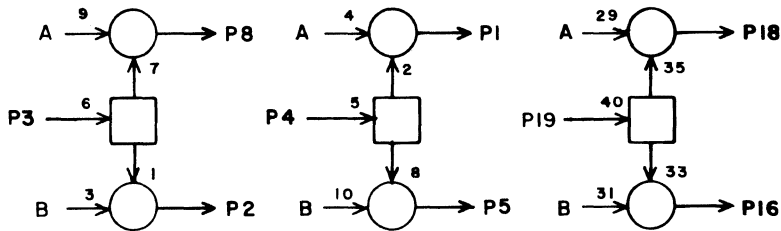
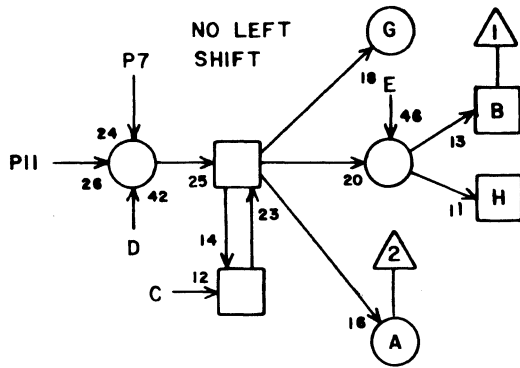


LS 63060400  
ASSY

**E**  
REV

QE

[ ]

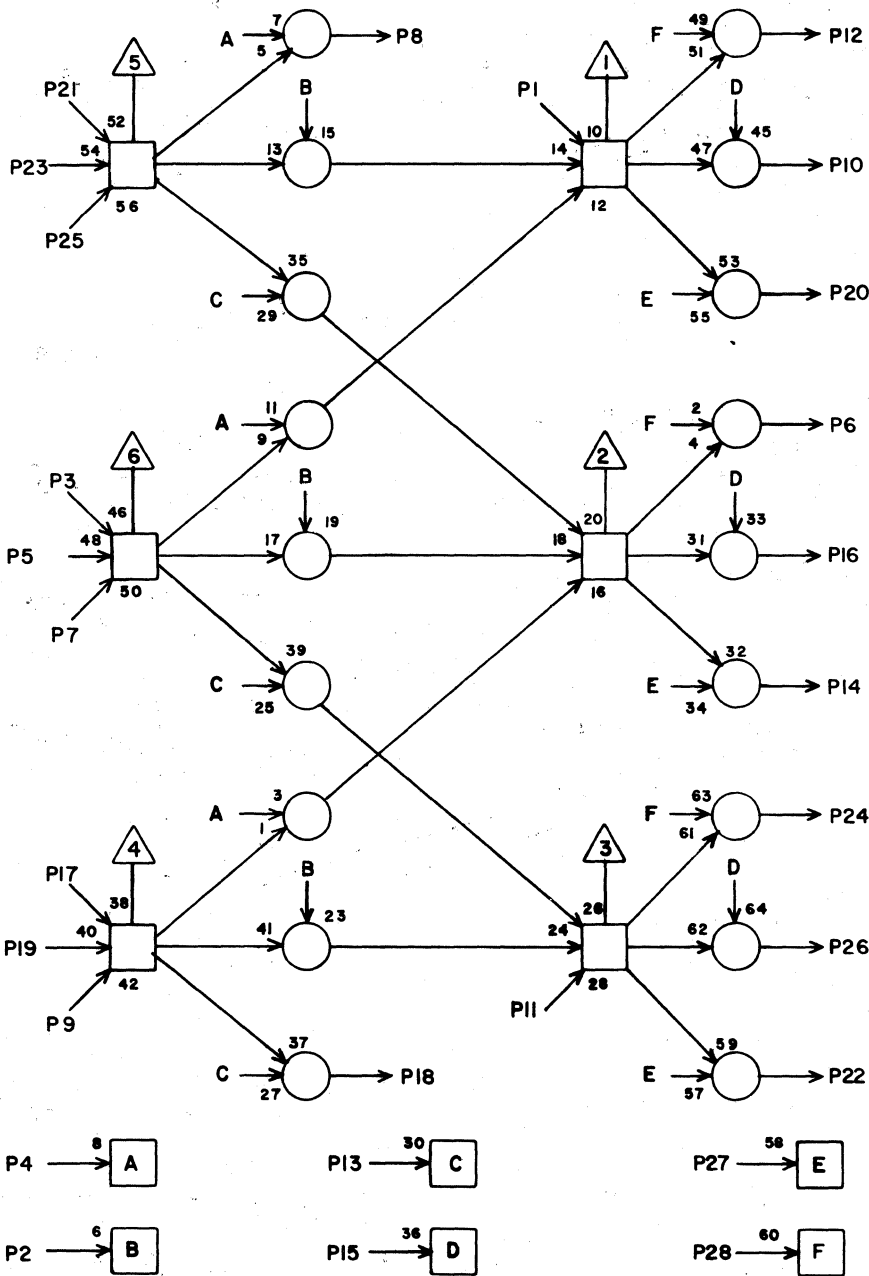


|    |  |  |  |
|----|--|--|--|
| 1  |  |  |  |
| 2  |  |  |  |
| 3  |  |  |  |
| 4  |  |  |  |
| 5  |  |  |  |
| 6  |  |  |  |
| 7  |  |  |  |
| 8  |  |  |  |
| 9  |  |  |  |
| 10 |  |  |  |
| 11 |  |  |  |
| 12 |  |  |  |
| 13 |  |  |  |
| 14 |  |  |  |
| 15 |  |  |  |
| 16 |  |  |  |
| 17 |  |  |  |
| 18 |  |  |  |
| 19 |  |  |  |
| 20 |  |  |  |
| 21 |  |  |  |
| 22 |  |  |  |
| 23 |  |  |  |
| 24 |  |  |  |
| 25 |  |  |  |
| 26 |  |  |  |
| 27 |  |  |  |
| 28 |  |  |  |

JACK PIN LG

CIRCUIT SPECIFICATION 11827600

60042700 Rev. P

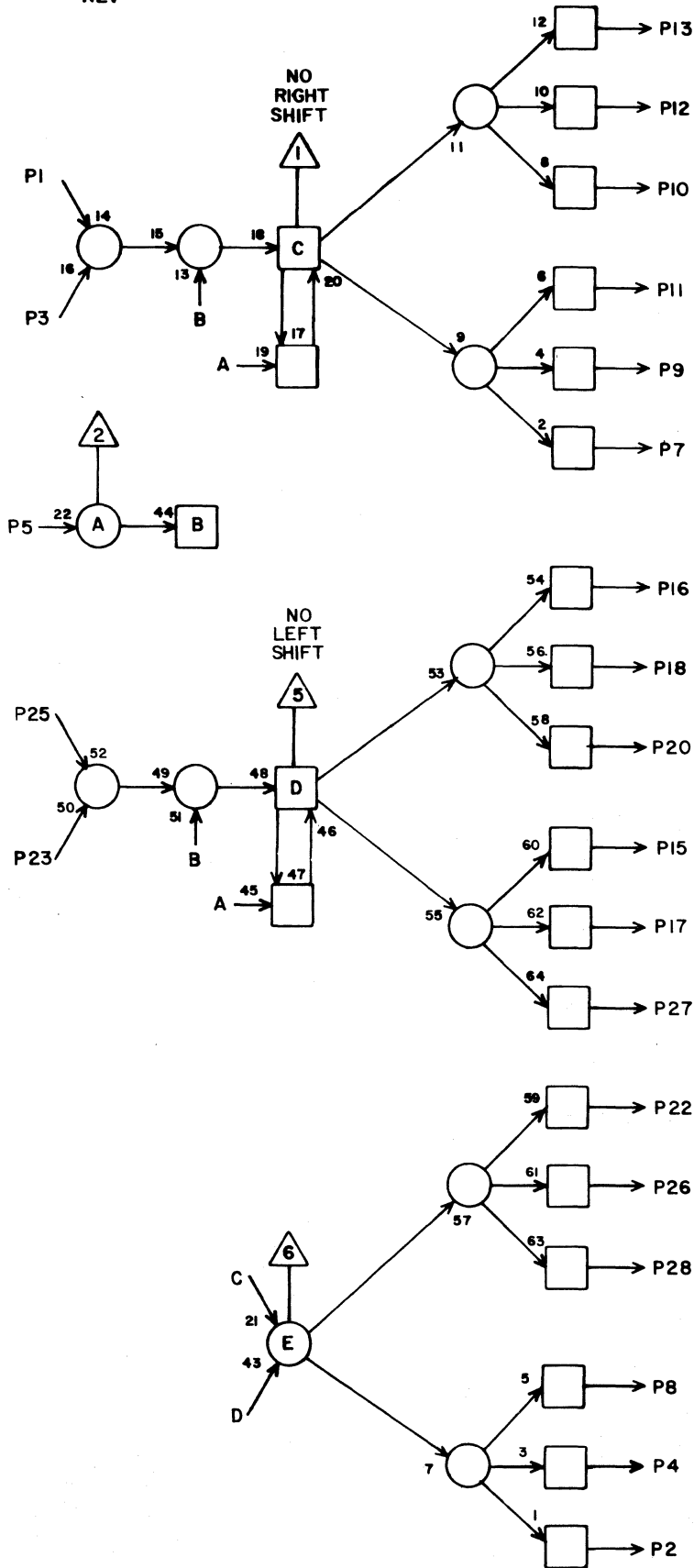


|    |  |  |  |
|----|--|--|--|
| 1  |  |  |  |
| 2  |  |  |  |
| 3  |  |  |  |
| 4  |  |  |  |
| 5  |  |  |  |
| 6  |  |  |  |
| 7  |  |  |  |
| 8  |  |  |  |
| 9  |  |  |  |
| 10 |  |  |  |
| 11 |  |  |  |
| 12 |  |  |  |
| 13 |  |  |  |
| 14 |  |  |  |
| 15 |  |  |  |
| 16 |  |  |  |
| 17 |  |  |  |
| 18 |  |  |  |
| 19 |  |  |  |
| 20 |  |  |  |
| 21 |  |  |  |
| 22 |  |  |  |
| 23 |  |  |  |
| 24 |  |  |  |
| 25 |  |  |  |
| 26 |  |  |  |
| 27 |  |  |  |
| 28 |  |  |  |

JACK PIN LG

CIRCUIT SPECIFICATION 11827600

60042700 Rev. J

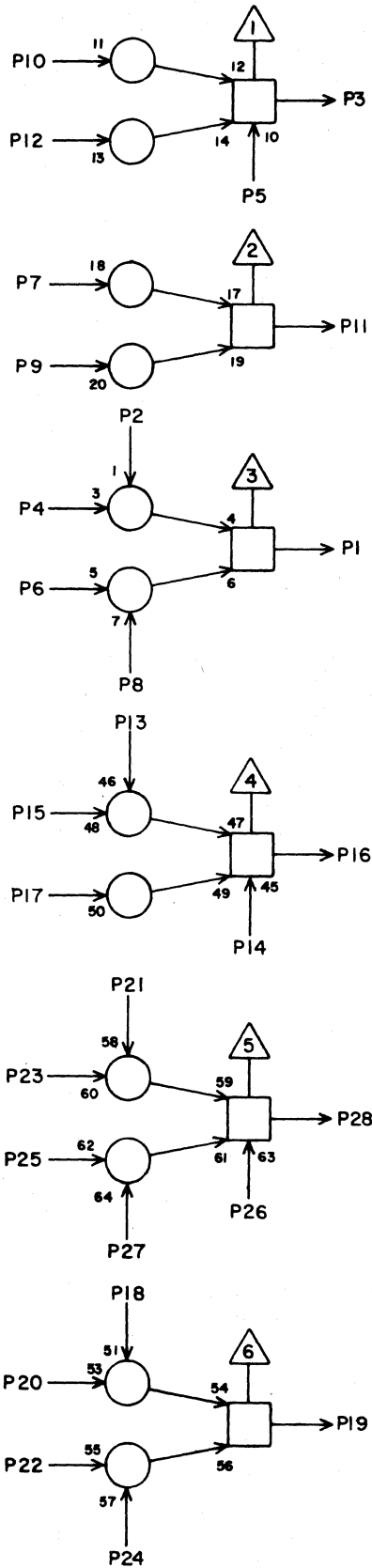
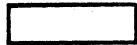


|    |  |  |  |
|----|--|--|--|
| 1  |  |  |  |
| 2  |  |  |  |
| 3  |  |  |  |
| 4  |  |  |  |
| 5  |  |  |  |
| 6  |  |  |  |
| 7  |  |  |  |
| 8  |  |  |  |
| 9  |  |  |  |
| 10 |  |  |  |
| 11 |  |  |  |
| 12 |  |  |  |
| 13 |  |  |  |
| 14 |  |  |  |
| 15 |  |  |  |
| 16 |  |  |  |
| 17 |  |  |  |
| 18 |  |  |  |
| 19 |  |  |  |
| 20 |  |  |  |
| 21 |  |  |  |
| 22 |  |  |  |
| 23 |  |  |  |
| 24 |  |  |  |
| 25 |  |  |  |
| 26 |  |  |  |
| 27 |  |  |  |
| 28 |  |  |  |

JACK PIN LG

CIRCUIT SPECIFICATION 11827600

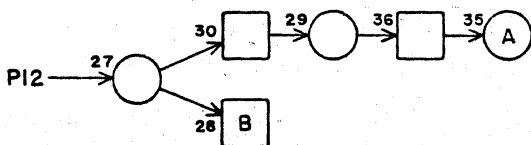
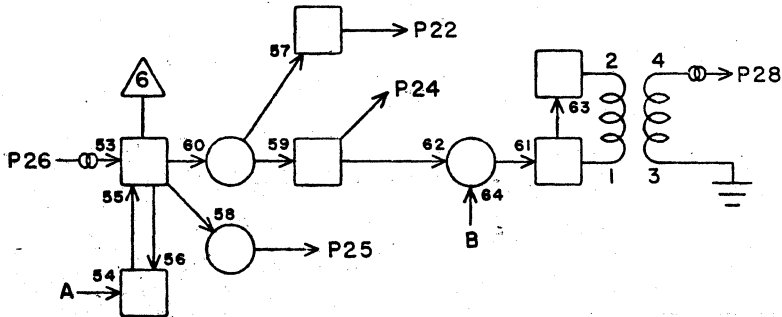
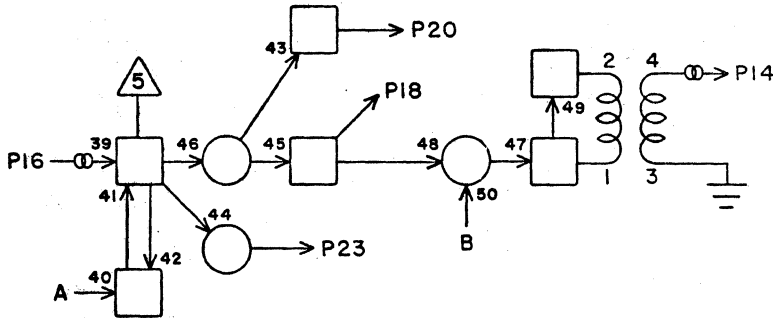
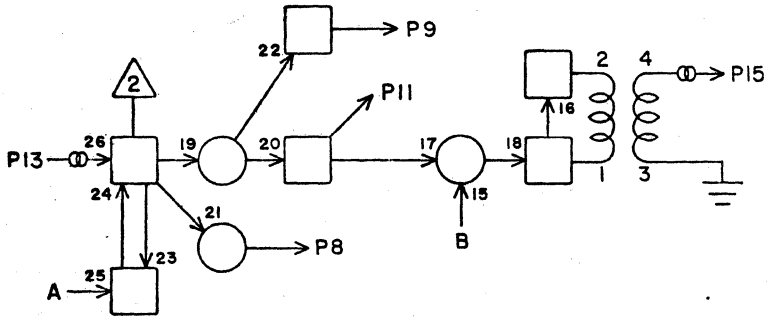
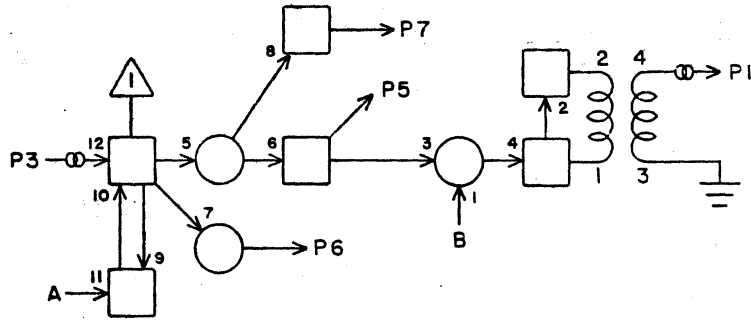
60042700 Rev. J



|    |  |  |  |
|----|--|--|--|
| 1  |  |  |  |
| 2  |  |  |  |
| 3  |  |  |  |
| 4  |  |  |  |
| 5  |  |  |  |
| 6  |  |  |  |
| 7  |  |  |  |
| 8  |  |  |  |
| 9  |  |  |  |
| 10 |  |  |  |
| 11 |  |  |  |
| 12 |  |  |  |
| 13 |  |  |  |
| 14 |  |  |  |
| 15 |  |  |  |
| 16 |  |  |  |
| 17 |  |  |  |
| 18 |  |  |  |
| 19 |  |  |  |
| 20 |  |  |  |
| 21 |  |  |  |
| 22 |  |  |  |
| 23 |  |  |  |
| 24 |  |  |  |
| 25 |  |  |  |
| 26 |  |  |  |
| 27 |  |  |  |
| 28 |  |  |  |

JACK PIN LG

CIRCUIT SPECIFICATION 11827600



|    |  |  |  |
|----|--|--|--|
| 1  |  |  |  |
| 2  |  |  |  |
| 3  |  |  |  |
| 4  |  |  |  |
| 5  |  |  |  |
| 6  |  |  |  |
| 7  |  |  |  |
| 8  |  |  |  |
| 9  |  |  |  |
| 10 |  |  |  |
| 11 |  |  |  |
| 12 |  |  |  |
| 13 |  |  |  |
| 14 |  |  |  |
| 15 |  |  |  |
| 16 |  |  |  |
| 17 |  |  |  |
| 18 |  |  |  |
| 19 |  |  |  |
| 20 |  |  |  |
| 21 |  |  |  |
| 22 |  |  |  |
| 23 |  |  |  |
| 24 |  |  |  |
| 25 |  |  |  |
| 26 |  |  |  |
| 27 |  |  |  |
| 28 |  |  |  |

JACK PIN LG

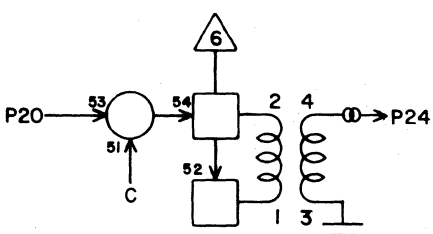
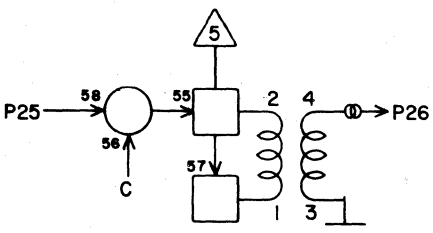
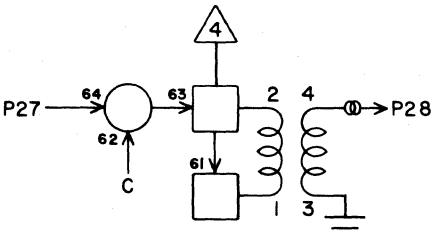
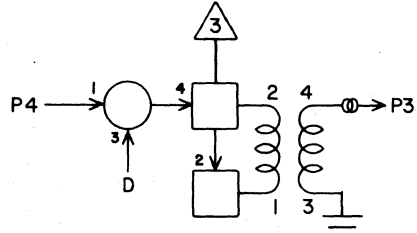
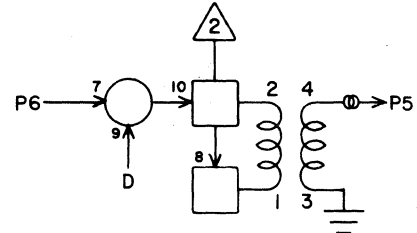
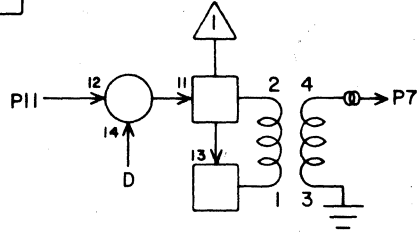
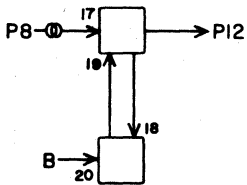
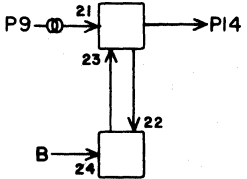
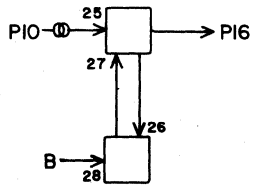
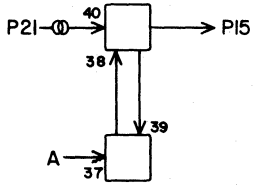
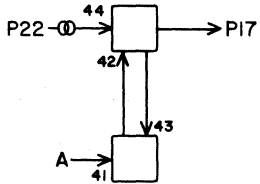
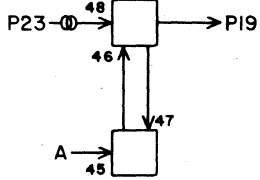
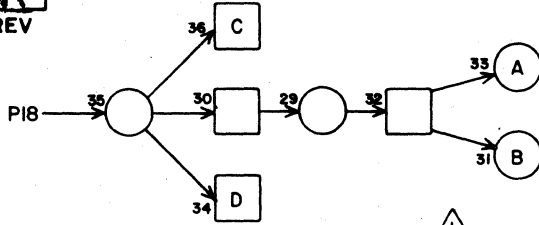
CIRCUIT SPECIFICATION 11827600

60042700 Rev J

LS 63060900  
ASSY

**K**  
REV

QJ



|    |  |  |  |
|----|--|--|--|
| 1  |  |  |  |
| 2  |  |  |  |
| 3  |  |  |  |
| 4  |  |  |  |
| 5  |  |  |  |
| 6  |  |  |  |
| 7  |  |  |  |
| 8  |  |  |  |
| 9  |  |  |  |
| 10 |  |  |  |
| 11 |  |  |  |
| 12 |  |  |  |
| 13 |  |  |  |
| 14 |  |  |  |
| 15 |  |  |  |
| 16 |  |  |  |
| 17 |  |  |  |
| 18 |  |  |  |
| 19 |  |  |  |
| 20 |  |  |  |
| 21 |  |  |  |
| 22 |  |  |  |
| 23 |  |  |  |
| 24 |  |  |  |
| 25 |  |  |  |
| 26 |  |  |  |
| 27 |  |  |  |
| 28 |  |  |  |

JACK PIN LG  
CIRCUIT SPECIFICATION 11827600

60042700 Rev. P

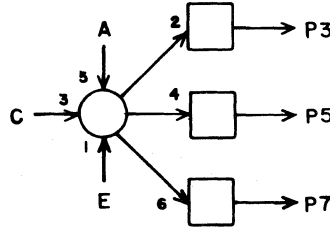
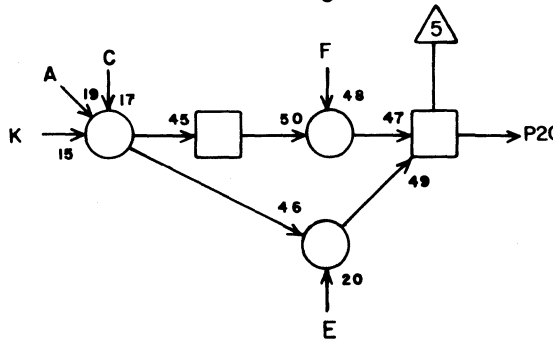
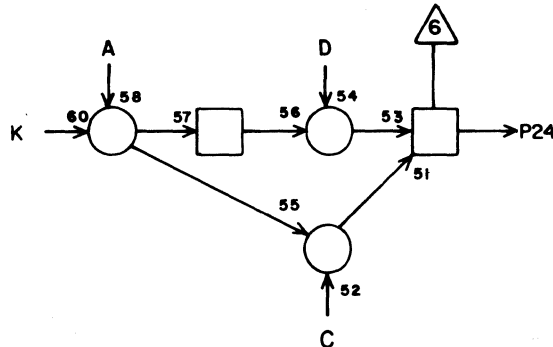
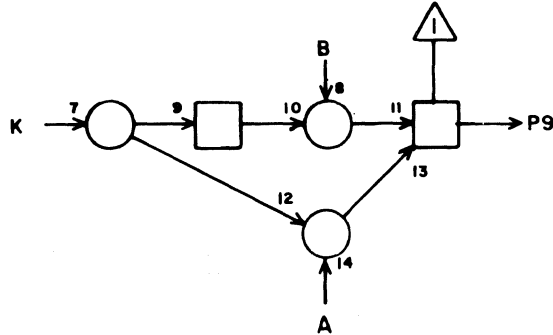
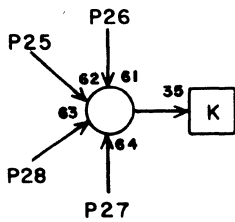
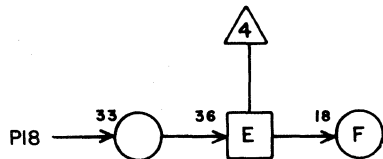
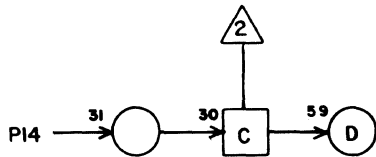
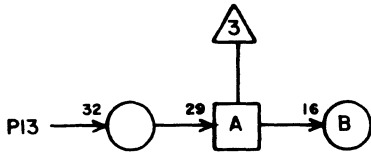


LS 63061000  
ASSY

**E**  
REV

QK

[ ]



|    |  |  |  |
|----|--|--|--|
| 1  |  |  |  |
| 2  |  |  |  |
| 3  |  |  |  |
| 4  |  |  |  |
| 5  |  |  |  |
| 6  |  |  |  |
| 7  |  |  |  |
| 8  |  |  |  |
| 9  |  |  |  |
| 10 |  |  |  |
| 11 |  |  |  |
| 12 |  |  |  |
| 13 |  |  |  |
| 14 |  |  |  |
| 15 |  |  |  |
| 16 |  |  |  |
| 17 |  |  |  |
| 18 |  |  |  |
| 19 |  |  |  |
| 20 |  |  |  |
| 21 |  |  |  |
| 22 |  |  |  |
| 23 |  |  |  |
| 24 |  |  |  |
| 25 |  |  |  |
| 26 |  |  |  |
| 27 |  |  |  |
| 28 |  |  |  |

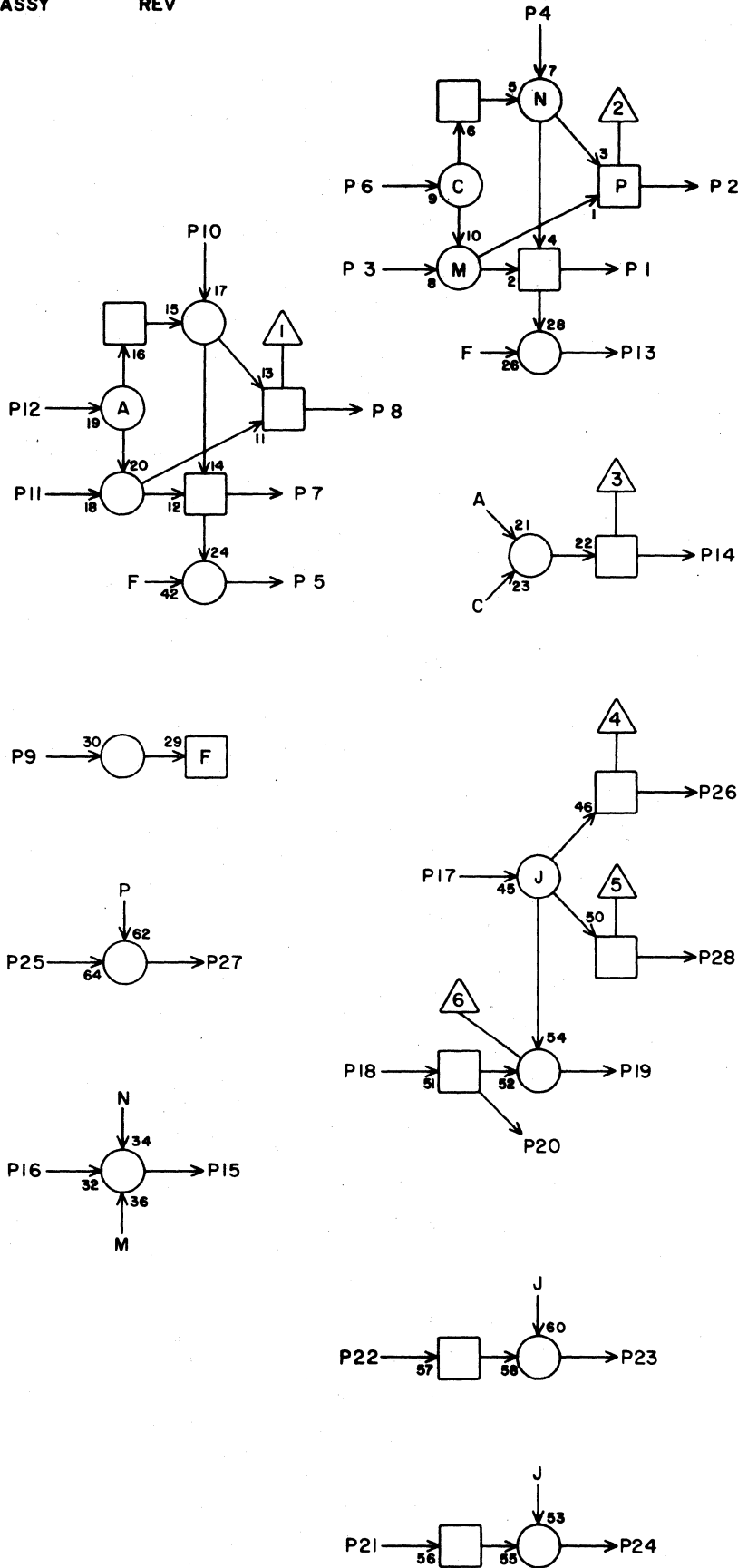
JACK PIN LG  
CIRCUIT SPECIFICATION 11827600

60042700 Rev. P

LS 63065900  
ASSY

**D**  
REV

QL



|    |  |  |  |
|----|--|--|--|
| 1  |  |  |  |
| 2  |  |  |  |
| 3  |  |  |  |
| 4  |  |  |  |
| 5  |  |  |  |
| 6  |  |  |  |
| 7  |  |  |  |
| 8  |  |  |  |
| 9  |  |  |  |
| 10 |  |  |  |
| 11 |  |  |  |
| 12 |  |  |  |
| 13 |  |  |  |
| 14 |  |  |  |
| 15 |  |  |  |
| 16 |  |  |  |
| 17 |  |  |  |
| 18 |  |  |  |
| 19 |  |  |  |
| 20 |  |  |  |
| 21 |  |  |  |
| 22 |  |  |  |
| 23 |  |  |  |
| 24 |  |  |  |
| 25 |  |  |  |
| 26 |  |  |  |
| 27 |  |  |  |
| 28 |  |  |  |

JACK PIN LG  
CIRCUIT SPECIFICATION 11827600

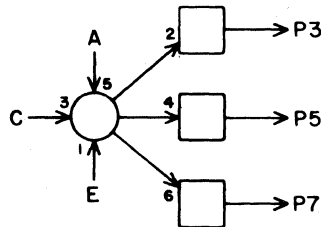
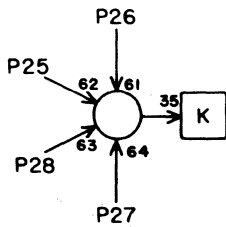
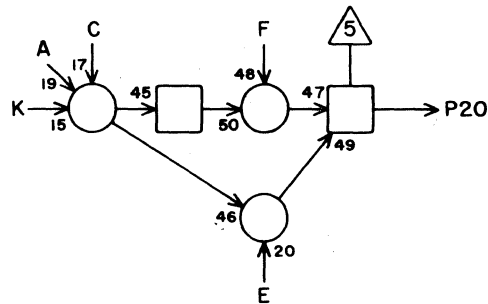
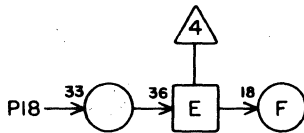
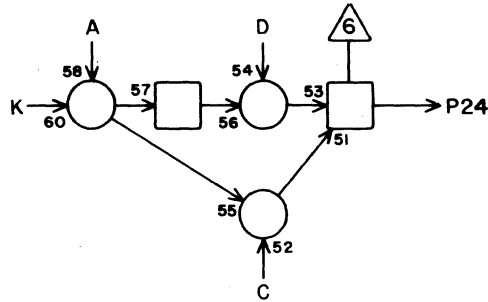
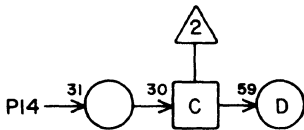
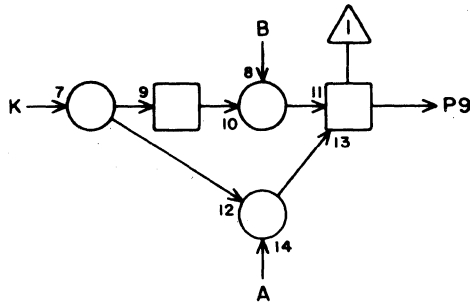
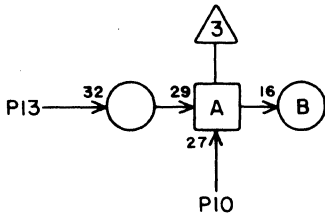
60042700 Rev. J

LS 63068200  
ASSY

**D**  
REV

QM

[ ]



|    |  |  |  |
|----|--|--|--|
| 1  |  |  |  |
| 2  |  |  |  |
| 3  |  |  |  |
| 4  |  |  |  |
| 5  |  |  |  |
| 6  |  |  |  |
| 7  |  |  |  |
| 8  |  |  |  |
| 9  |  |  |  |
| 10 |  |  |  |
| 11 |  |  |  |
| 12 |  |  |  |
| 13 |  |  |  |
| 14 |  |  |  |
| 15 |  |  |  |
| 16 |  |  |  |
| 17 |  |  |  |
| 18 |  |  |  |
| 19 |  |  |  |
| 20 |  |  |  |
| 21 |  |  |  |
| 22 |  |  |  |
| 23 |  |  |  |
| 24 |  |  |  |
| 25 |  |  |  |
| 26 |  |  |  |
| 27 |  |  |  |
| 28 |  |  |  |

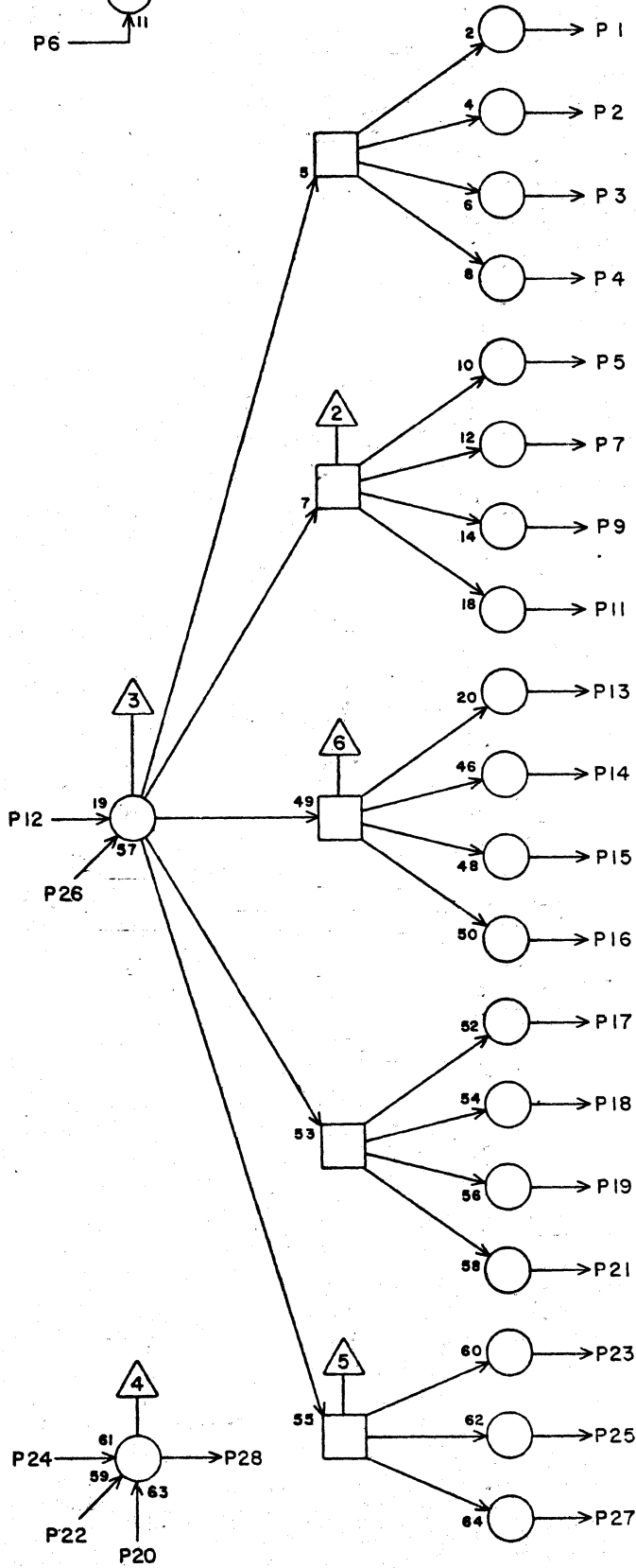
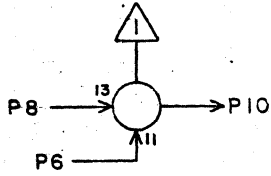
JACK PIN LG

CIRCUIT SPECIFICATION 11827600

60042700 Rev. J

LS 63068300  
ASSY

C  
REV



QN

[Empty box]

|    |  |  |  |
|----|--|--|--|
| 1  |  |  |  |
| 2  |  |  |  |
| 3  |  |  |  |
| 4  |  |  |  |
| 5  |  |  |  |
| 6  |  |  |  |
| 7  |  |  |  |
| 8  |  |  |  |
| 9  |  |  |  |
| 10 |  |  |  |
| 11 |  |  |  |
| 12 |  |  |  |
| 13 |  |  |  |
| 14 |  |  |  |
| 15 |  |  |  |
| 16 |  |  |  |
| 17 |  |  |  |
| 18 |  |  |  |
| 19 |  |  |  |
| 20 |  |  |  |
| 21 |  |  |  |
| 22 |  |  |  |
| 23 |  |  |  |
| 24 |  |  |  |
| 25 |  |  |  |
| 26 |  |  |  |
| 27 |  |  |  |
| 28 |  |  |  |

JACK PIN LG

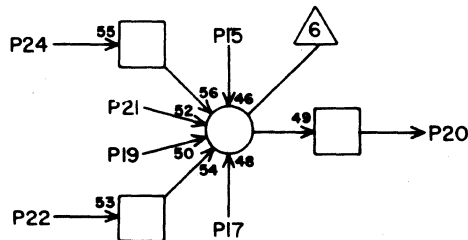
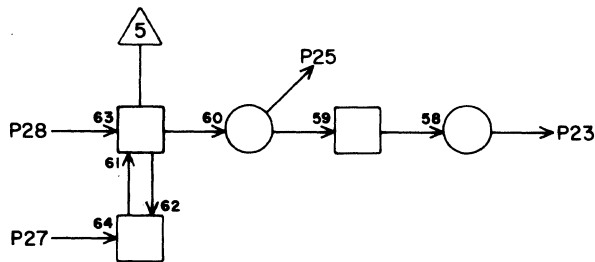
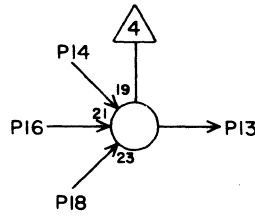
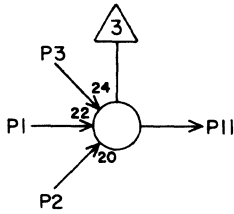
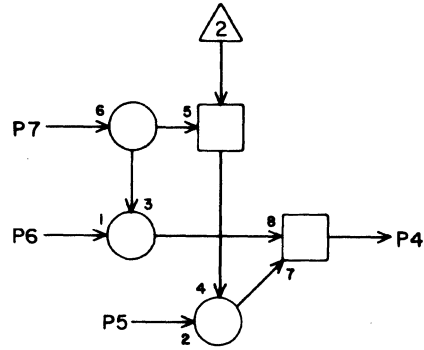
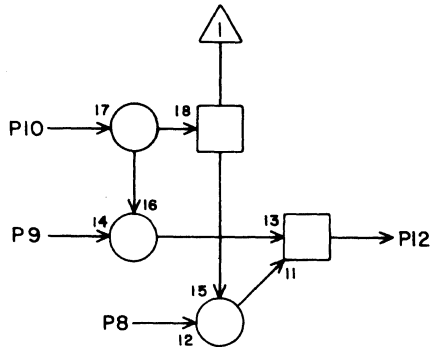
CIRCUIT SPECIFICATION 11827600

60042700 Rev J

LS 63068700  
ASSY

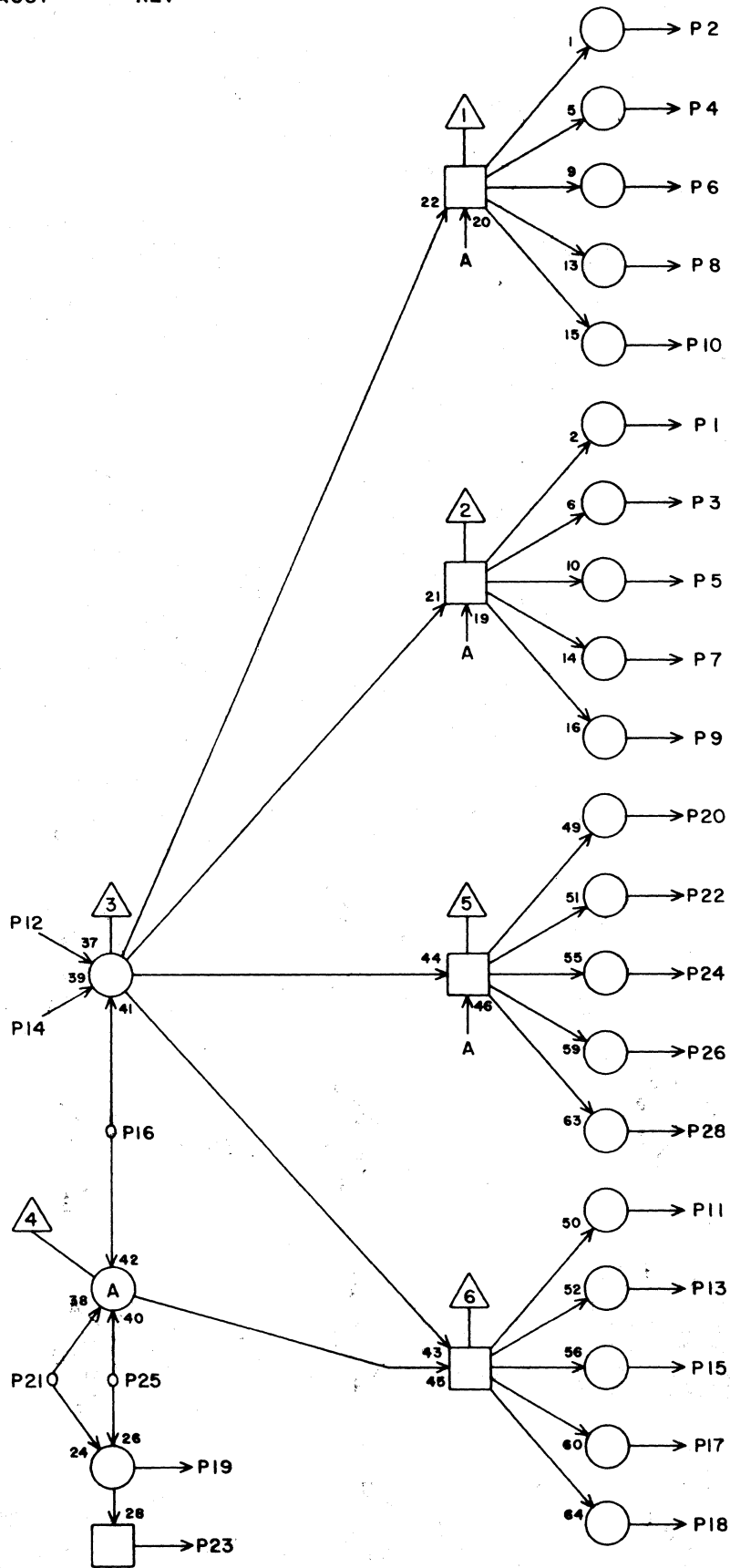
**D**  
REV

Q0



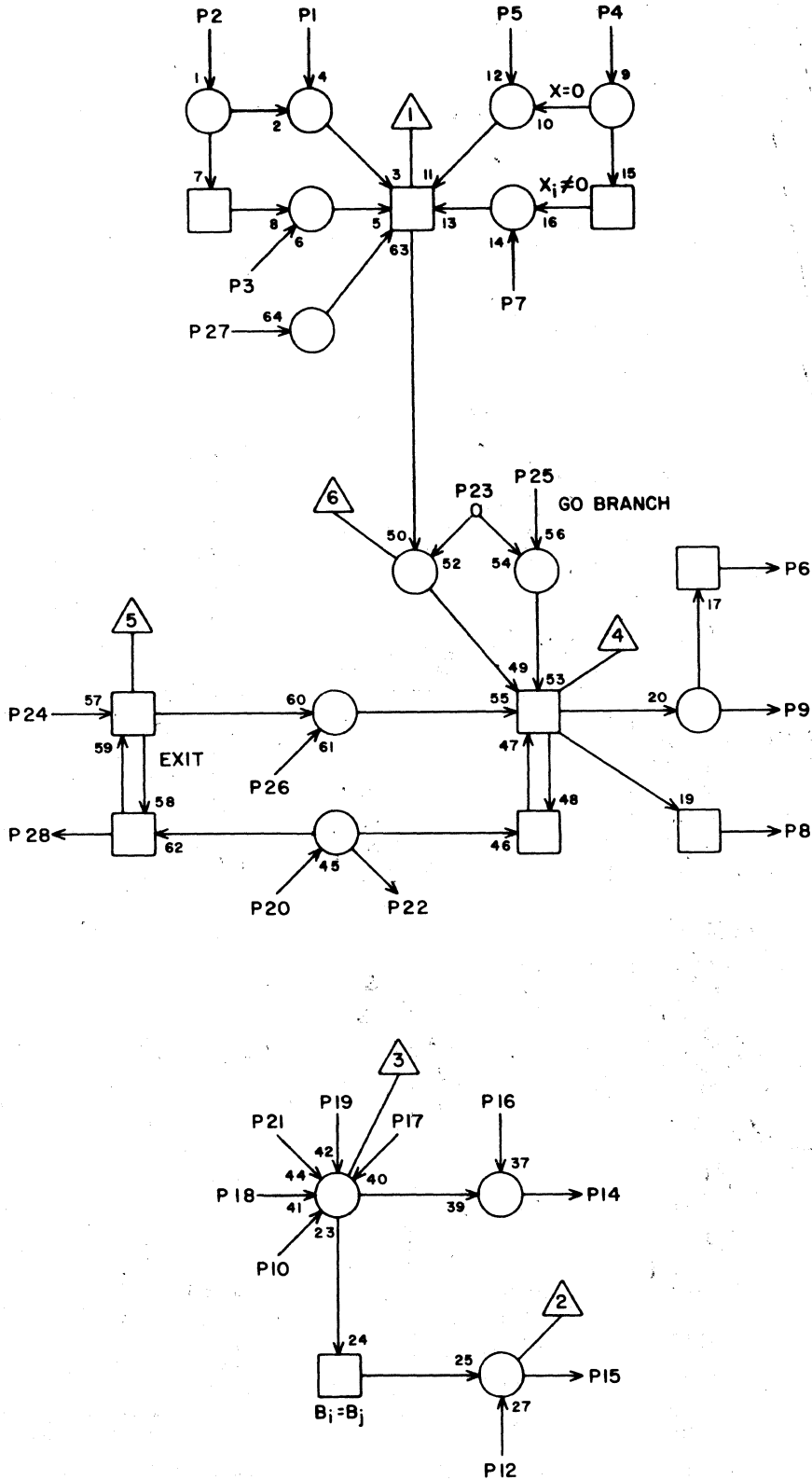
|    |  |  |  |
|----|--|--|--|
| 1  |  |  |  |
| 2  |  |  |  |
| 3  |  |  |  |
| 4  |  |  |  |
| 5  |  |  |  |
| 6  |  |  |  |
| 7  |  |  |  |
| 8  |  |  |  |
| 9  |  |  |  |
| 10 |  |  |  |
| 11 |  |  |  |
| 12 |  |  |  |
| 13 |  |  |  |
| 14 |  |  |  |
| 15 |  |  |  |
| 16 |  |  |  |
| 17 |  |  |  |
| 18 |  |  |  |
| 19 |  |  |  |
| 20 |  |  |  |
| 21 |  |  |  |
| 22 |  |  |  |
| 23 |  |  |  |
| 24 |  |  |  |
| 25 |  |  |  |
| 26 |  |  |  |
| 27 |  |  |  |
| 28 |  |  |  |

JACK PIN LG  
CIRCUIT SPECIFICATION I1827600  
600427000 Rev. J



|    |  |  |  |
|----|--|--|--|
| 1  |  |  |  |
| 2  |  |  |  |
| 3  |  |  |  |
| 4  |  |  |  |
| 5  |  |  |  |
| 6  |  |  |  |
| 7  |  |  |  |
| 8  |  |  |  |
| 9  |  |  |  |
| 10 |  |  |  |
| 11 |  |  |  |
| 12 |  |  |  |
| 13 |  |  |  |
| 14 |  |  |  |
| 15 |  |  |  |
| 16 |  |  |  |
| 17 |  |  |  |
| 18 |  |  |  |
| 19 |  |  |  |
| 20 |  |  |  |
| 21 |  |  |  |
| 22 |  |  |  |
| 23 |  |  |  |
| 24 |  |  |  |
| 25 |  |  |  |
| 26 |  |  |  |
| 27 |  |  |  |
| 28 |  |  |  |

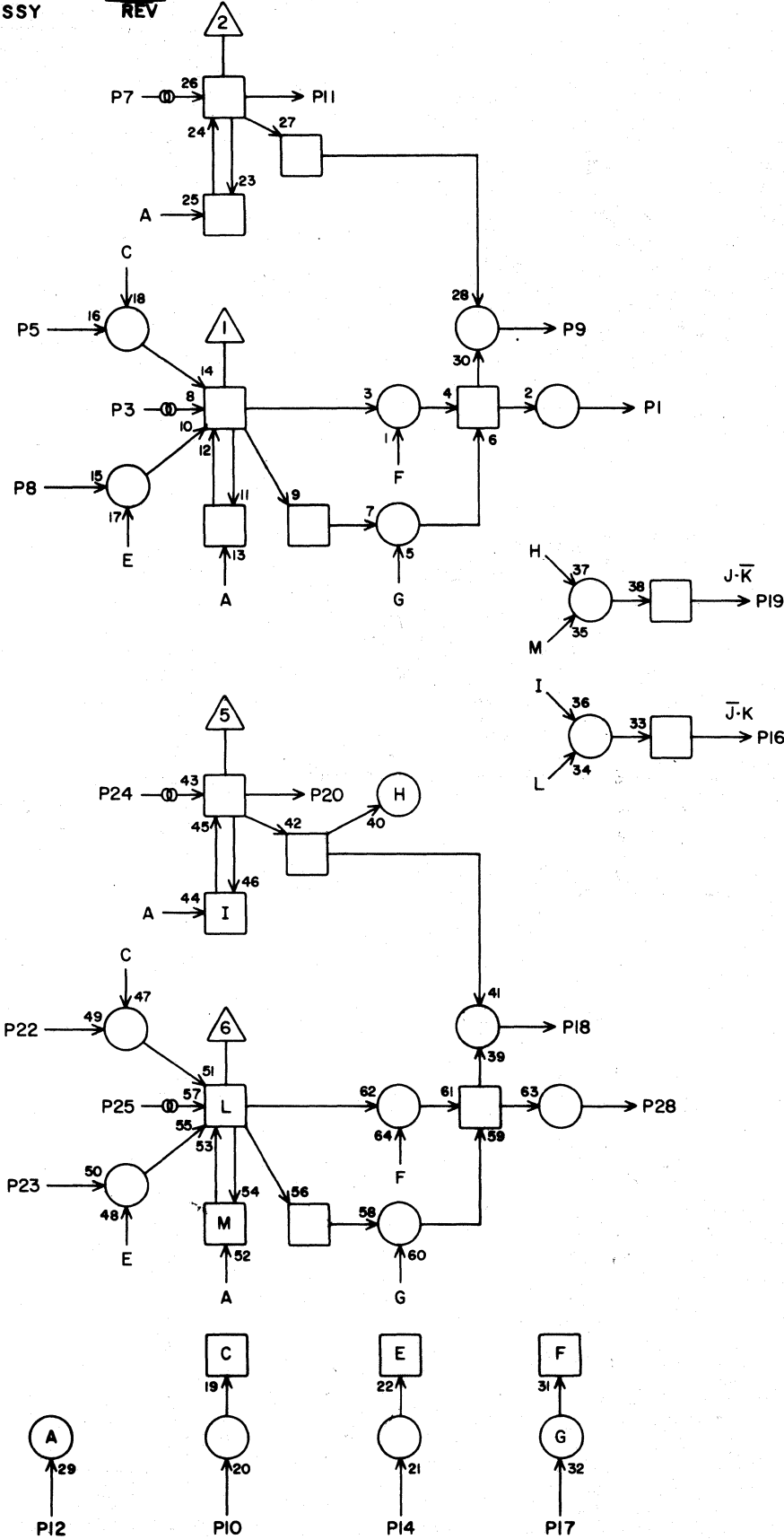
JACK PIN LG  
CIRCUIT SPECIFICATION 11827600



|    |  |  |  |
|----|--|--|--|
| 1  |  |  |  |
| 2  |  |  |  |
| 3  |  |  |  |
| 4  |  |  |  |
| 5  |  |  |  |
| 6  |  |  |  |
| 7  |  |  |  |
| 8  |  |  |  |
| 9  |  |  |  |
| 10 |  |  |  |
| 11 |  |  |  |
| 12 |  |  |  |
| 13 |  |  |  |
| 14 |  |  |  |
| 15 |  |  |  |
| 16 |  |  |  |
| 17 |  |  |  |
| 18 |  |  |  |
| 19 |  |  |  |
| 20 |  |  |  |
| 21 |  |  |  |
| 22 |  |  |  |
| 23 |  |  |  |
| 24 |  |  |  |
| 25 |  |  |  |
| 26 |  |  |  |
| 27 |  |  |  |
| 28 |  |  |  |

JACK PIN LG

CIRCUIT SPECIFICATION 11827600



|    |  |  |  |
|----|--|--|--|
| 1  |  |  |  |
| 2  |  |  |  |
| 3  |  |  |  |
| 4  |  |  |  |
| 5  |  |  |  |
| 6  |  |  |  |
| 7  |  |  |  |
| 8  |  |  |  |
| 9  |  |  |  |
| 10 |  |  |  |
| 11 |  |  |  |
| 12 |  |  |  |
| 13 |  |  |  |
| 14 |  |  |  |
| 15 |  |  |  |
| 16 |  |  |  |
| 17 |  |  |  |
| 18 |  |  |  |
| 19 |  |  |  |
| 20 |  |  |  |
| 21 |  |  |  |
| 22 |  |  |  |
| 23 |  |  |  |
| 24 |  |  |  |
| 25 |  |  |  |
| 26 |  |  |  |
| 27 |  |  |  |
| 28 |  |  |  |

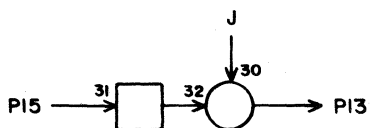
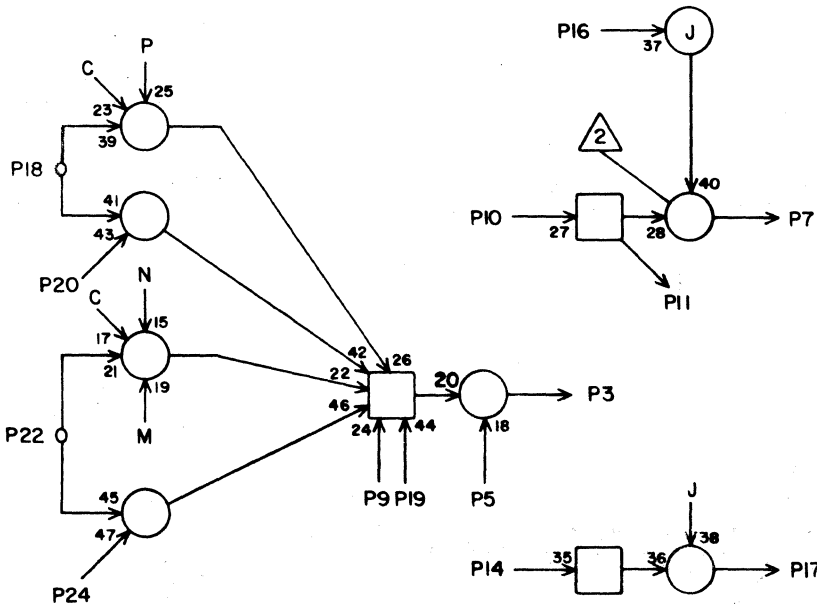
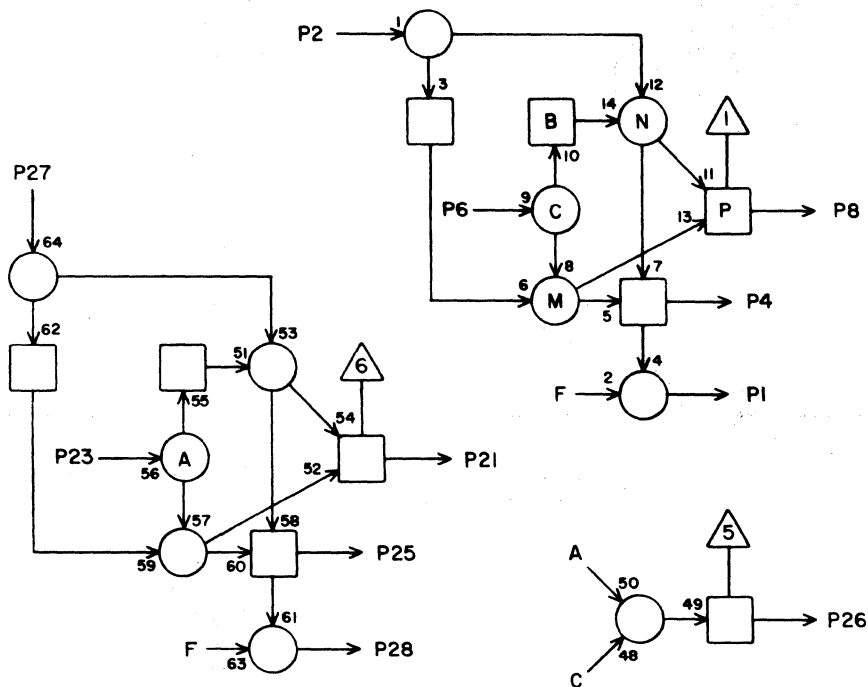
JACK PIN LG  
CIRCUIT SPECIFICATION 11827600  
60042700 Rev P



LS63069500  
ASSY

**E**  
REV

QS



|    |  |  |  |
|----|--|--|--|
| 1  |  |  |  |
| 2  |  |  |  |
| 3  |  |  |  |
| 4  |  |  |  |
| 5  |  |  |  |
| 6  |  |  |  |
| 7  |  |  |  |
| 8  |  |  |  |
| 9  |  |  |  |
| 10 |  |  |  |
| 11 |  |  |  |
| 12 |  |  |  |
| 13 |  |  |  |
| 14 |  |  |  |
| 15 |  |  |  |
| 16 |  |  |  |
| 17 |  |  |  |
| 18 |  |  |  |
| 19 |  |  |  |
| 20 |  |  |  |
| 21 |  |  |  |
| 22 |  |  |  |
| 23 |  |  |  |
| 24 |  |  |  |
| 25 |  |  |  |
| 26 |  |  |  |
| 27 |  |  |  |
| 28 |  |  |  |

JACK PIN LG  
CIRCUIT SPECIFICATION 11827600

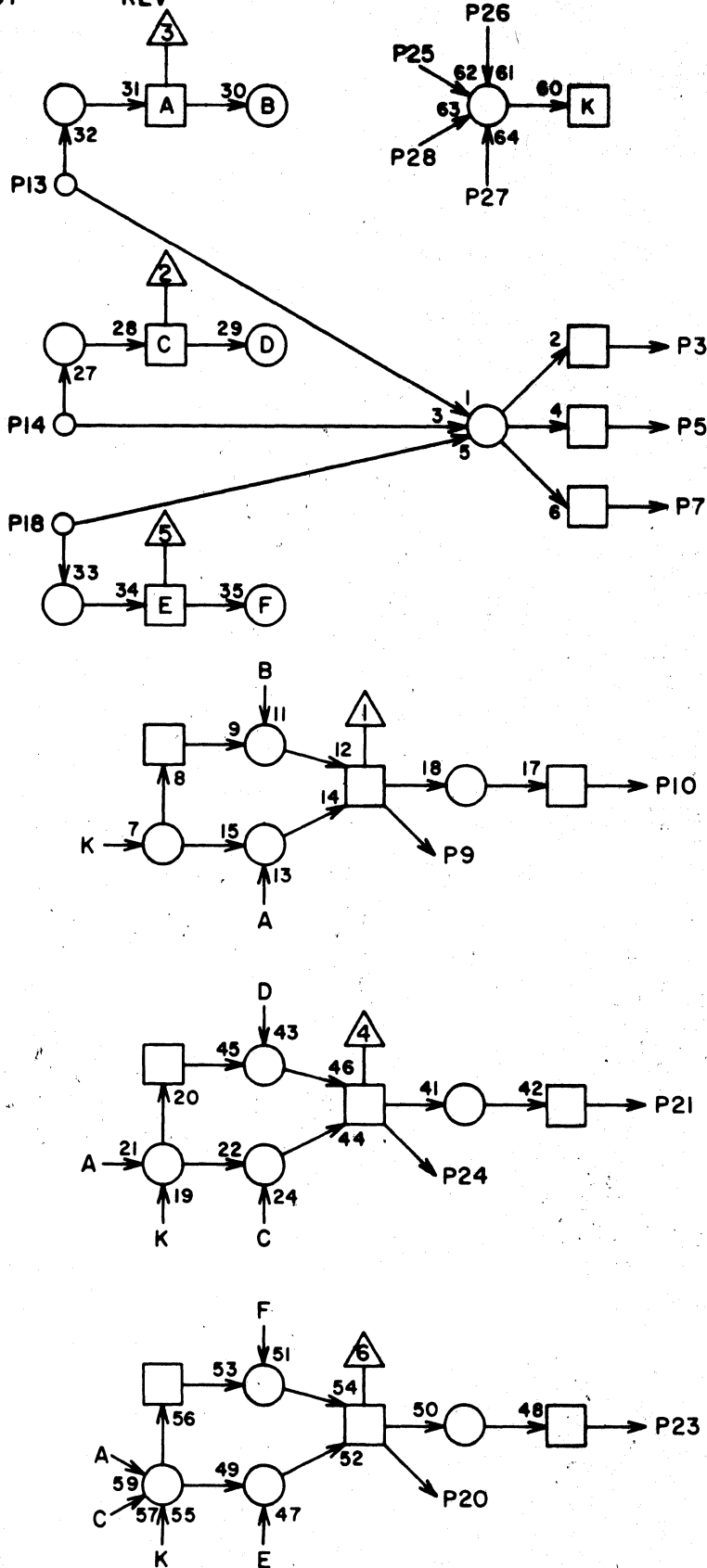
60042700 Rev P

LS 18232700  
ASSY

C  
REV

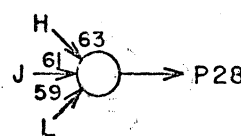
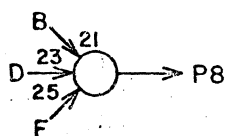
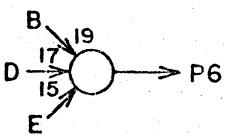
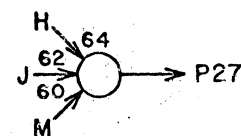
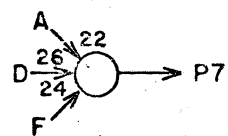
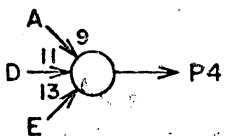
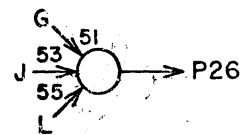
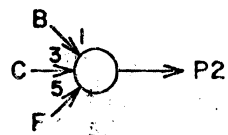
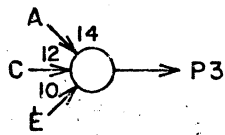
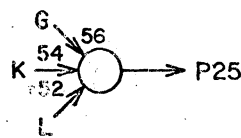
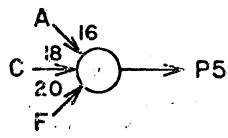
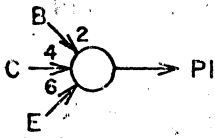
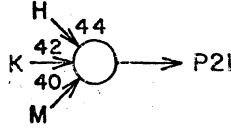
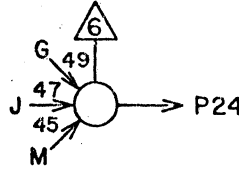
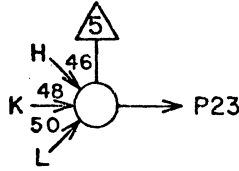
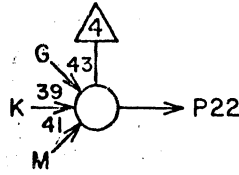
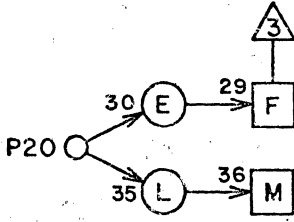
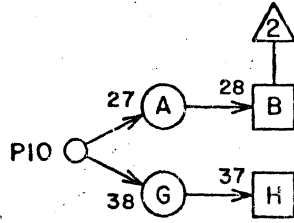
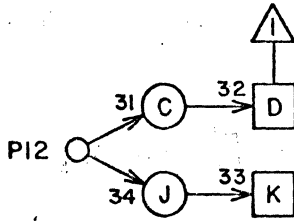
QT

[ ]



|    |  |  |  |
|----|--|--|--|
| 1  |  |  |  |
| 2  |  |  |  |
| 3  |  |  |  |
| 4  |  |  |  |
| 5  |  |  |  |
| 6  |  |  |  |
| 7  |  |  |  |
| 8  |  |  |  |
| 9  |  |  |  |
| 10 |  |  |  |
| 11 |  |  |  |
| 12 |  |  |  |
| 13 |  |  |  |
| 14 |  |  |  |
| 15 |  |  |  |
| 16 |  |  |  |
| 17 |  |  |  |
| 18 |  |  |  |
| 19 |  |  |  |
| 20 |  |  |  |
| 21 |  |  |  |
| 22 |  |  |  |
| 23 |  |  |  |
| 24 |  |  |  |
| 25 |  |  |  |
| 26 |  |  |  |
| 27 |  |  |  |
| 28 |  |  |  |

JACK PIN LG  
SEE CIRCUIT SPECIFICATION  
11827600  
60042700 Rev. J

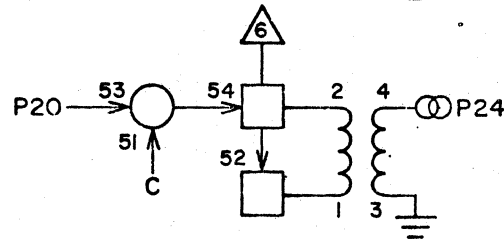
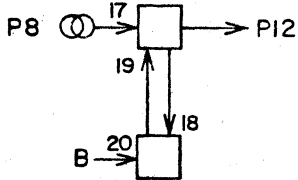
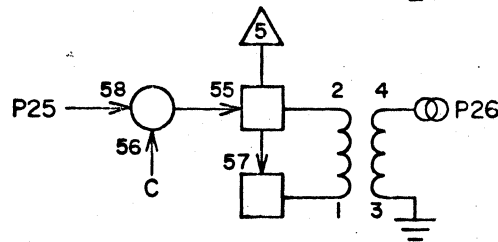
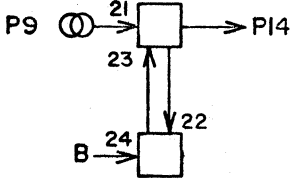
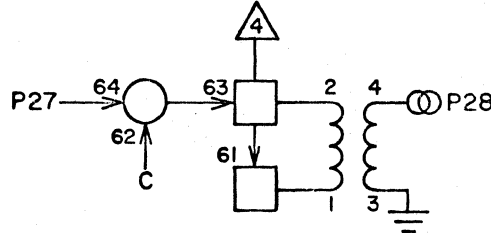
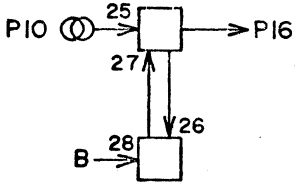
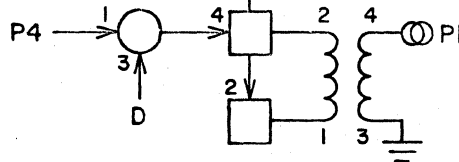
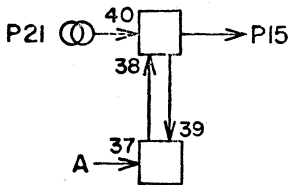
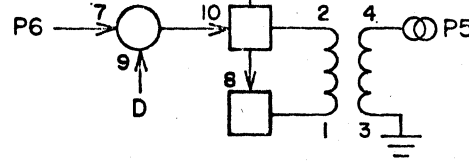
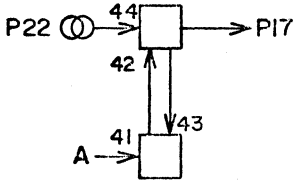
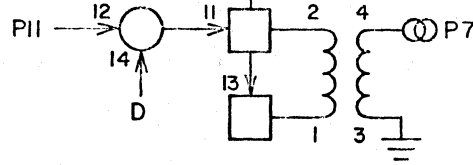
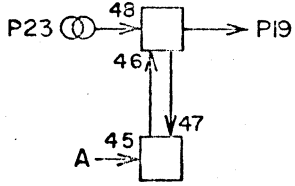
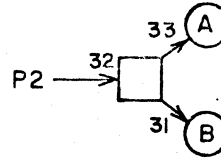
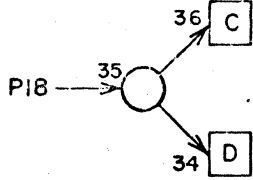


|    |  |  |  |
|----|--|--|--|
| 1  |  |  |  |
| 2  |  |  |  |
| 3  |  |  |  |
| 4  |  |  |  |
| 5  |  |  |  |
| 6  |  |  |  |
| 7  |  |  |  |
| 8  |  |  |  |
| 9  |  |  |  |
| 10 |  |  |  |
| 11 |  |  |  |
| 12 |  |  |  |
| 13 |  |  |  |
| 14 |  |  |  |
| 15 |  |  |  |
| 16 |  |  |  |
| 17 |  |  |  |
| 18 |  |  |  |
| 19 |  |  |  |
| 20 |  |  |  |
| 21 |  |  |  |
| 22 |  |  |  |
| 23 |  |  |  |
| 24 |  |  |  |
| 25 |  |  |  |
| 26 |  |  |  |
| 27 |  |  |  |
| 28 |  |  |  |

JACK PIN LG  
SEE CIRCUIT SPECIFICATION  
11827600

LS 18549200 B  
 ASSY REV

QV



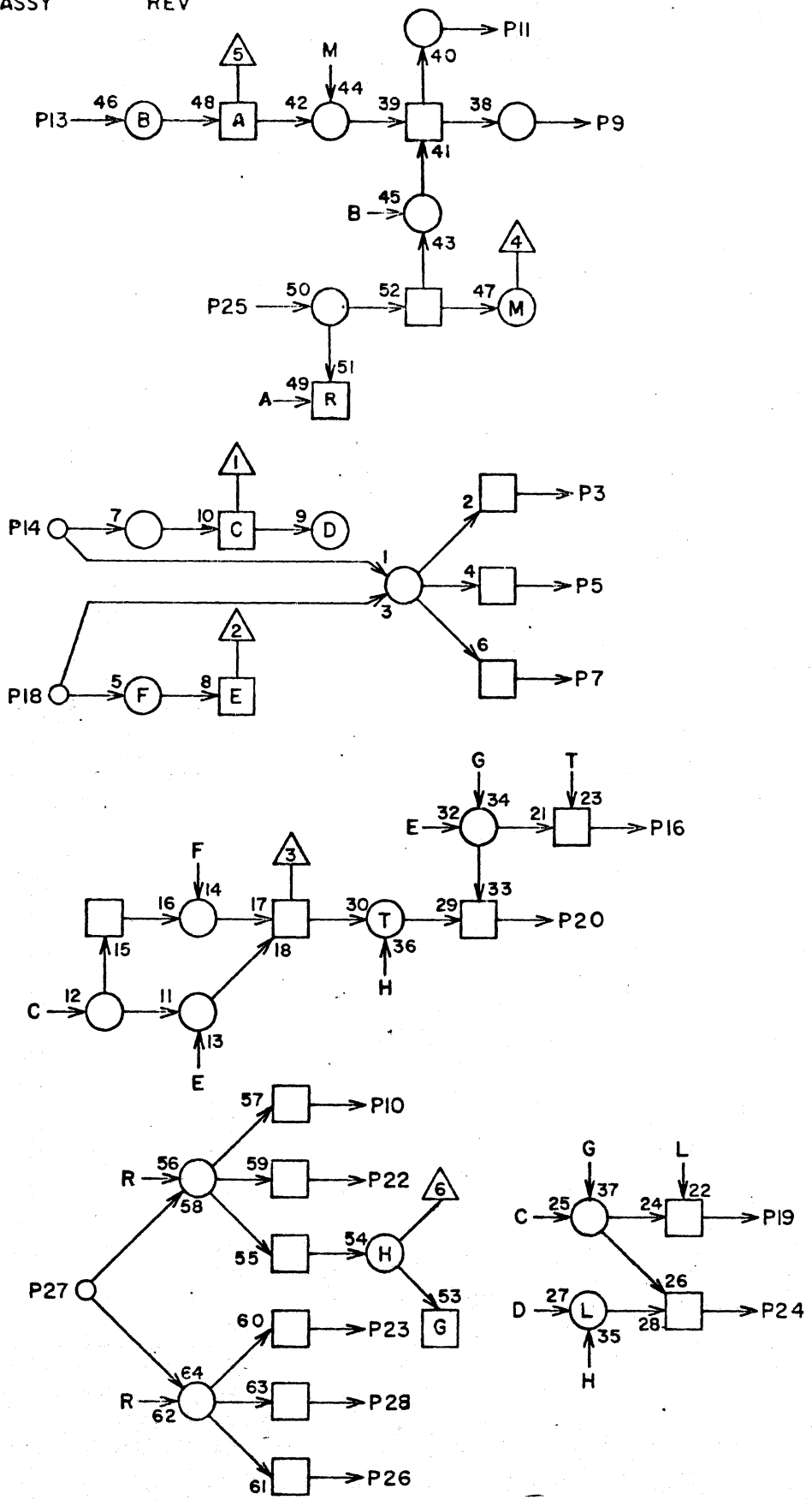
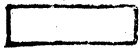
|    |  |  |  |
|----|--|--|--|
| 1  |  |  |  |
| 2  |  |  |  |
| 3  |  |  |  |
| 4  |  |  |  |
| 5  |  |  |  |
| 6  |  |  |  |
| 7  |  |  |  |
| 8  |  |  |  |
| 9  |  |  |  |
| 10 |  |  |  |
| 11 |  |  |  |
| 12 |  |  |  |
| 13 |  |  |  |
| 14 |  |  |  |
| 15 |  |  |  |
| 16 |  |  |  |
| 17 |  |  |  |
| 18 |  |  |  |
| 19 |  |  |  |
| 20 |  |  |  |
| 21 |  |  |  |
| 22 |  |  |  |
| 23 |  |  |  |
| 24 |  |  |  |
| 25 |  |  |  |
| 26 |  |  |  |
| 27 |  |  |  |
| 28 |  |  |  |

JACK PIN LG  
 SEE CIRCUIT SPECIFICATION  
 11827600

60042700 Rev Y

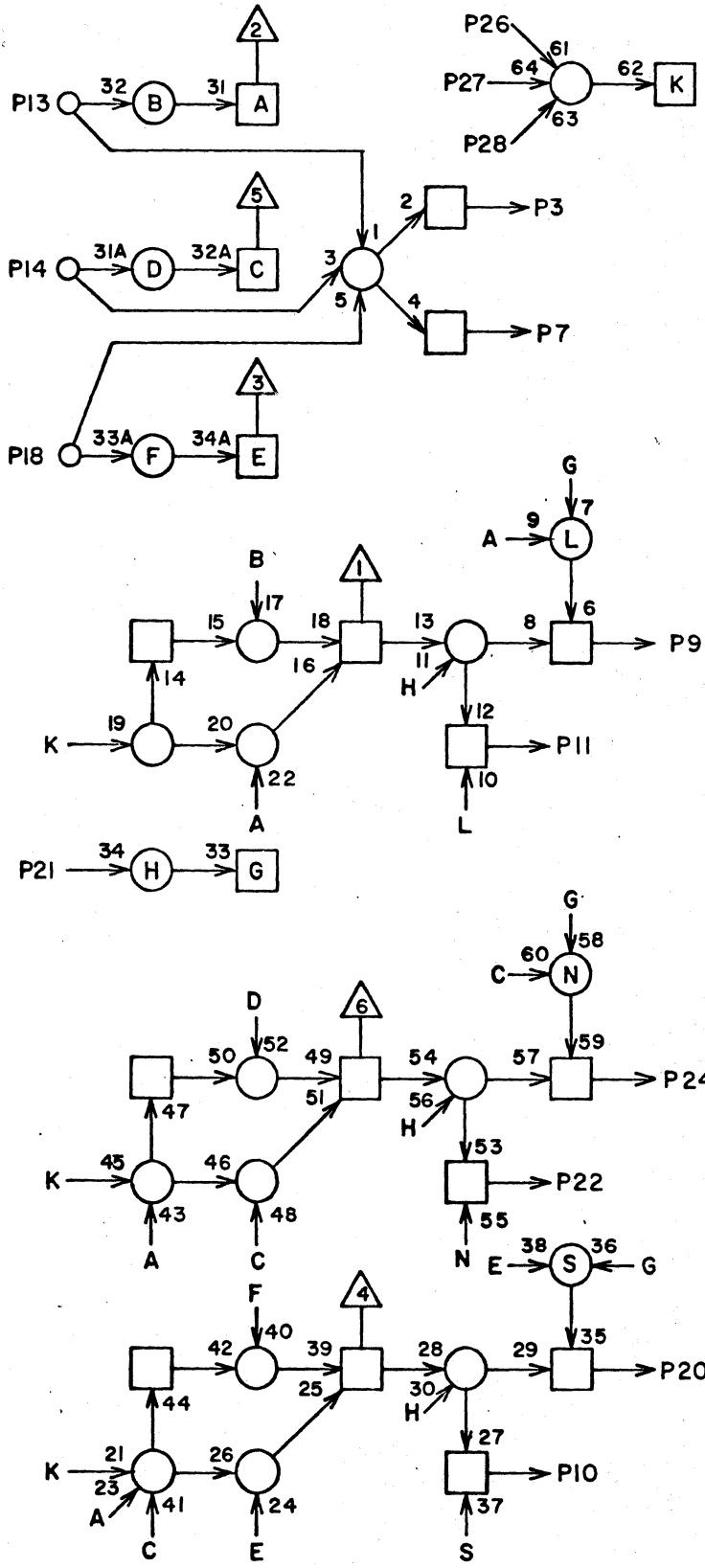
LS 18549400 A  
 ASSY REV

QW



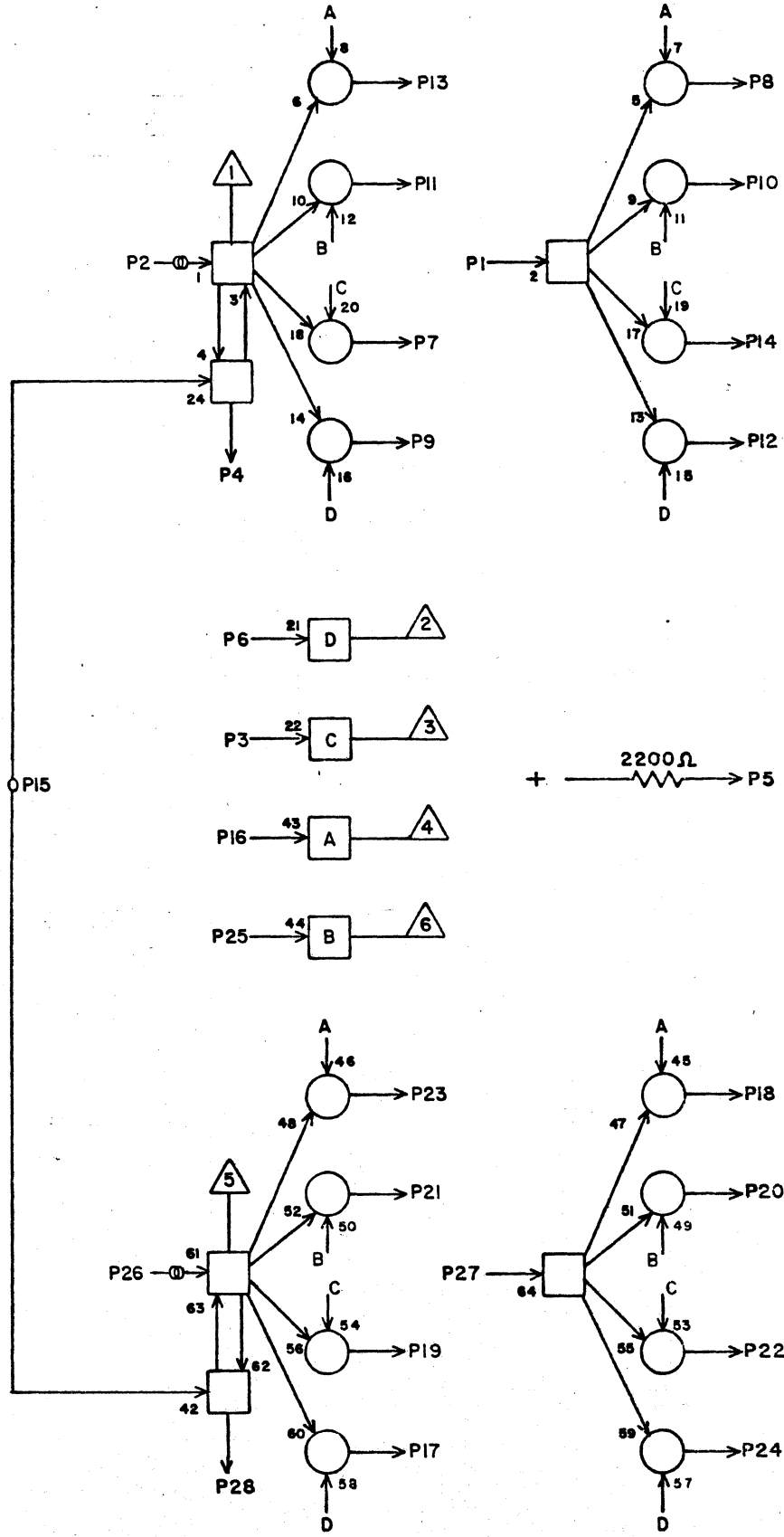
|    |  |  |  |
|----|--|--|--|
| 1  |  |  |  |
| 2  |  |  |  |
| 3  |  |  |  |
| 4  |  |  |  |
| 5  |  |  |  |
| 6  |  |  |  |
| 7  |  |  |  |
| 8  |  |  |  |
| 9  |  |  |  |
| 10 |  |  |  |
| 11 |  |  |  |
| 12 |  |  |  |
| 13 |  |  |  |
| 14 |  |  |  |
| 15 |  |  |  |
| 16 |  |  |  |
| 17 |  |  |  |
| 18 |  |  |  |
| 19 |  |  |  |
| 20 |  |  |  |
| 21 |  |  |  |
| 22 |  |  |  |
| 23 |  |  |  |
| 24 |  |  |  |
| 25 |  |  |  |
| 26 |  |  |  |
| 27 |  |  |  |
| 28 |  |  |  |

JACK PIN LG  
 SEE CIRCUIT SPECIFICATION  
 11827600  
 60042700 Rev. Y



|    |  |  |  |
|----|--|--|--|
| 1  |  |  |  |
| 2  |  |  |  |
| 3  |  |  |  |
| 4  |  |  |  |
| 5  |  |  |  |
| 6  |  |  |  |
| 7  |  |  |  |
| 8  |  |  |  |
| 9  |  |  |  |
| 10 |  |  |  |
| 11 |  |  |  |
| 12 |  |  |  |
| 13 |  |  |  |
| 14 |  |  |  |
| 15 |  |  |  |
| 16 |  |  |  |
| 17 |  |  |  |
| 18 |  |  |  |
| 19 |  |  |  |
| 20 |  |  |  |
| 21 |  |  |  |
| 22 |  |  |  |
| 23 |  |  |  |
| 24 |  |  |  |
| 25 |  |  |  |
| 26 |  |  |  |
| 27 |  |  |  |
| 28 |  |  |  |

JACK PIN LG  
 SEE CIRCUIT SPECIFICATION  
 11827600  
 60042700 Rev Z

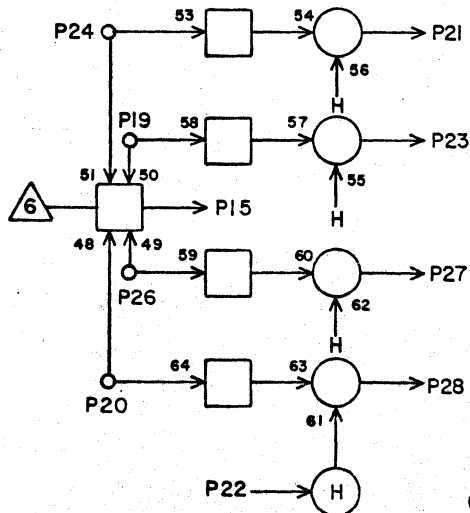
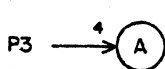
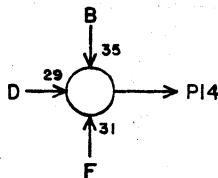
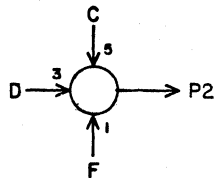
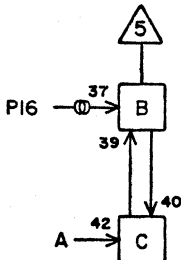
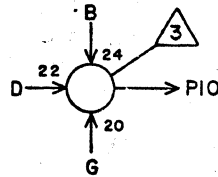
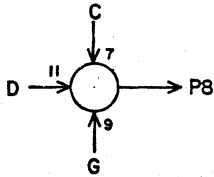
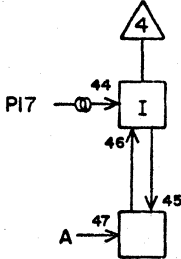
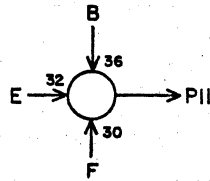
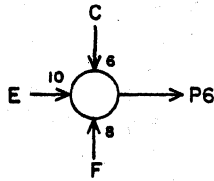
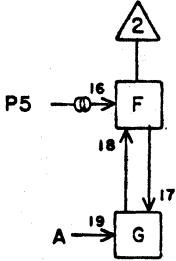
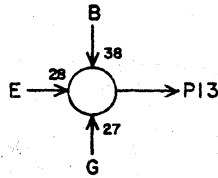
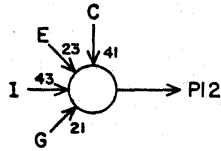
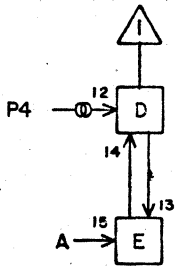


|    |  |  |  |
|----|--|--|--|
| 1  |  |  |  |
| 2  |  |  |  |
| 3  |  |  |  |
| 4  |  |  |  |
| 5  |  |  |  |
| 6  |  |  |  |
| 7  |  |  |  |
| 8  |  |  |  |
| 9  |  |  |  |
| 10 |  |  |  |
| 11 |  |  |  |
| 12 |  |  |  |
| 13 |  |  |  |
| 14 |  |  |  |
| 15 |  |  |  |
| 16 |  |  |  |
| 17 |  |  |  |
| 18 |  |  |  |
| 19 |  |  |  |
| 20 |  |  |  |
| 21 |  |  |  |
| 22 |  |  |  |
| 23 |  |  |  |
| 24 |  |  |  |
| 25 |  |  |  |
| 26 |  |  |  |
| 27 |  |  |  |
| 28 |  |  |  |

JACK PIN LG

CIRCUIT SPECIFICATION 11827600

60042700 Rev. J



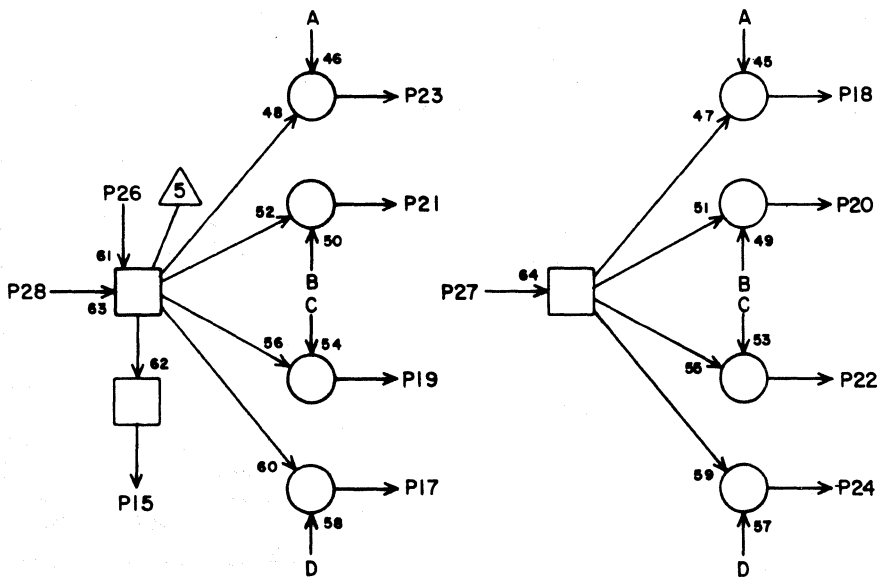
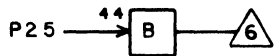
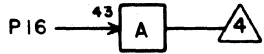
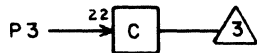
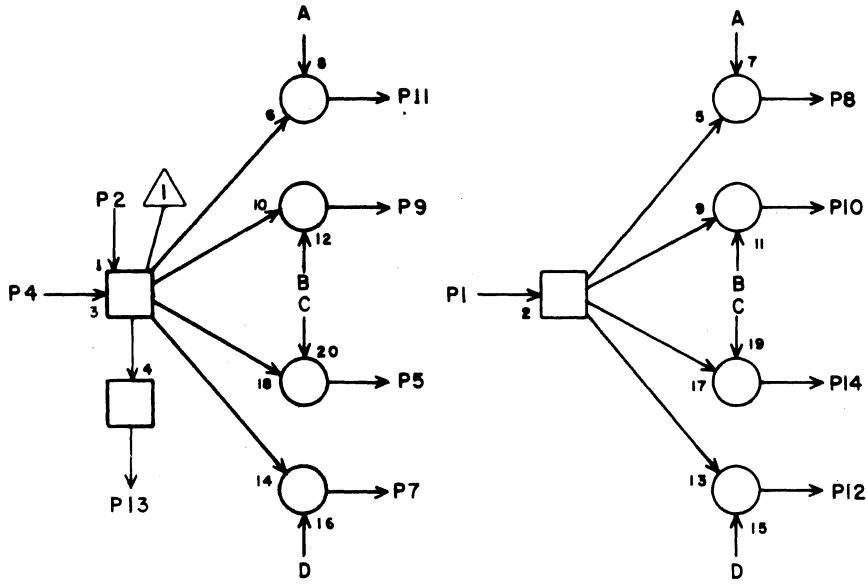
|    |  |  |  |
|----|--|--|--|
| 1  |  |  |  |
| 2  |  |  |  |
| 3  |  |  |  |
| 4  |  |  |  |
| 5  |  |  |  |
| 6  |  |  |  |
| 7  |  |  |  |
| 8  |  |  |  |
| 9  |  |  |  |
| 10 |  |  |  |
| 11 |  |  |  |
| 12 |  |  |  |
| 13 |  |  |  |
| 14 |  |  |  |
| 15 |  |  |  |
| 16 |  |  |  |
| 17 |  |  |  |
| 18 |  |  |  |
| 19 |  |  |  |
| 20 |  |  |  |
| 21 |  |  |  |
| 22 |  |  |  |
| 23 |  |  |  |
| 24 |  |  |  |
| 25 |  |  |  |
| 26 |  |  |  |
| 27 |  |  |  |
| 28 |  |  |  |

JACK PIN LG

CIRCUIT SPECIFICATION 11827600

60042700 Rev. J





RC

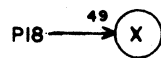
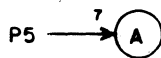
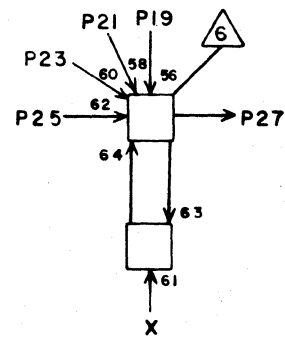
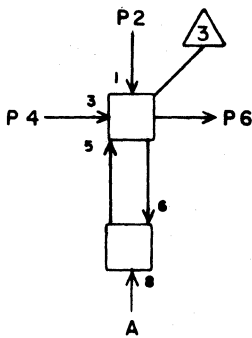
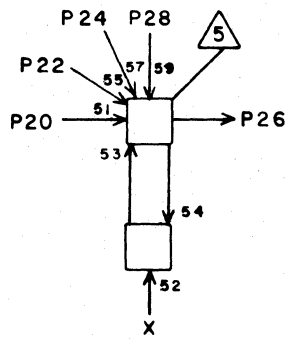
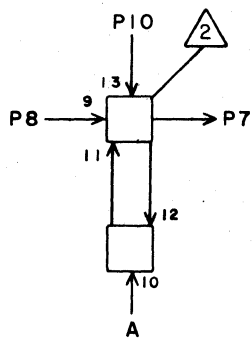
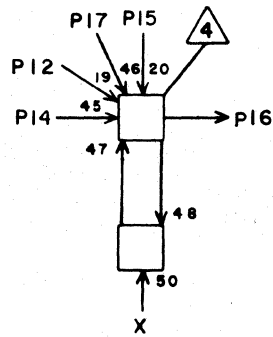
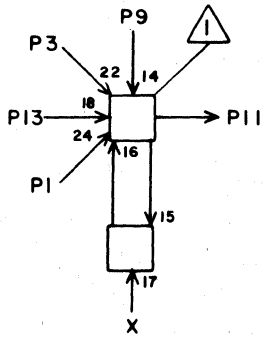
|    |  |  |  |
|----|--|--|--|
| 1  |  |  |  |
| 2  |  |  |  |
| 3  |  |  |  |
| 4  |  |  |  |
| 5  |  |  |  |
| 6  |  |  |  |
| 7  |  |  |  |
| 8  |  |  |  |
| 9  |  |  |  |
| 10 |  |  |  |
| 11 |  |  |  |
| 12 |  |  |  |
| 13 |  |  |  |
| 14 |  |  |  |
| 15 |  |  |  |
| 16 |  |  |  |
| 17 |  |  |  |
| 18 |  |  |  |
| 19 |  |  |  |
| 20 |  |  |  |
| 21 |  |  |  |
| 22 |  |  |  |
| 23 |  |  |  |
| 24 |  |  |  |
| 25 |  |  |  |
| 26 |  |  |  |
| 27 |  |  |  |
| 28 |  |  |  |

JACK PIN LG

LS 63061400  
ASSY

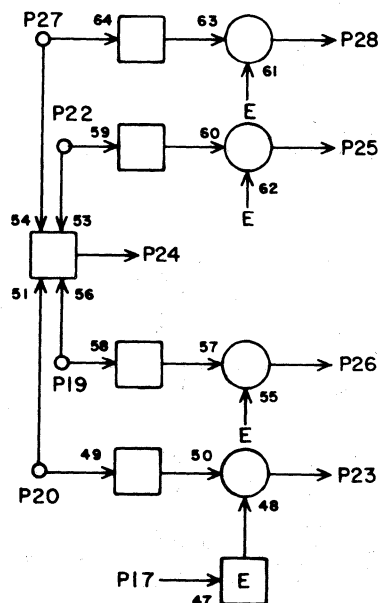
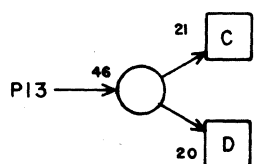
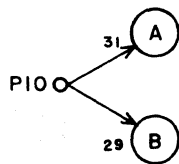
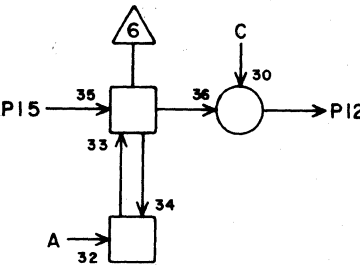
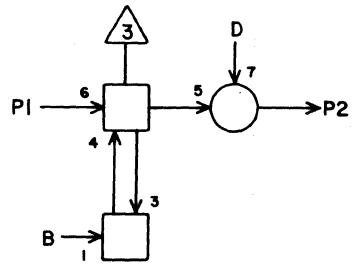
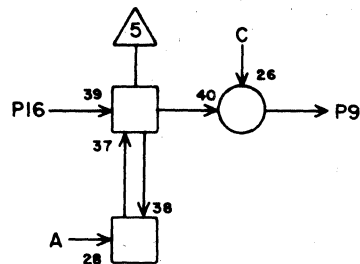
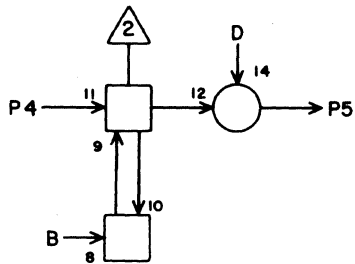
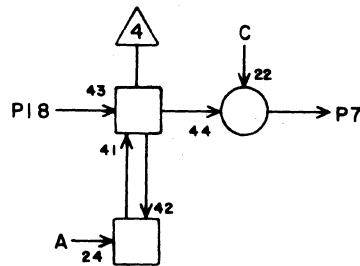
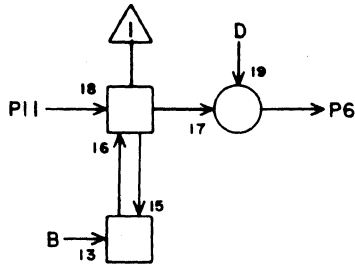
**C**  
REV

RD



|    |  |  |  |
|----|--|--|--|
| 1  |  |  |  |
| 2  |  |  |  |
| 3  |  |  |  |
| 4  |  |  |  |
| 5  |  |  |  |
| 6  |  |  |  |
| 7  |  |  |  |
| 8  |  |  |  |
| 9  |  |  |  |
| 10 |  |  |  |
| 11 |  |  |  |
| 12 |  |  |  |
| 13 |  |  |  |
| 14 |  |  |  |
| 15 |  |  |  |
| 16 |  |  |  |
| 17 |  |  |  |
| 18 |  |  |  |
| 19 |  |  |  |
| 20 |  |  |  |
| 21 |  |  |  |
| 22 |  |  |  |
| 23 |  |  |  |
| 24 |  |  |  |
| 25 |  |  |  |
| 26 |  |  |  |
| 27 |  |  |  |
| 28 |  |  |  |

JACK PIN LG  
CIRCUIT SPECIFICATION 11827600  
60042700 Rev J



|    |  |  |  |
|----|--|--|--|
| 1  |  |  |  |
| 2  |  |  |  |
| 3  |  |  |  |
| 4  |  |  |  |
| 5  |  |  |  |
| 6  |  |  |  |
| 7  |  |  |  |
| 8  |  |  |  |
| 9  |  |  |  |
| 10 |  |  |  |
| 11 |  |  |  |
| 12 |  |  |  |
| 13 |  |  |  |
| 14 |  |  |  |
| 15 |  |  |  |
| 16 |  |  |  |
| 17 |  |  |  |
| 18 |  |  |  |
| 19 |  |  |  |
| 20 |  |  |  |
| 21 |  |  |  |
| 22 |  |  |  |
| 23 |  |  |  |
| 24 |  |  |  |
| 25 |  |  |  |
| 26 |  |  |  |
| 27 |  |  |  |
| 28 |  |  |  |

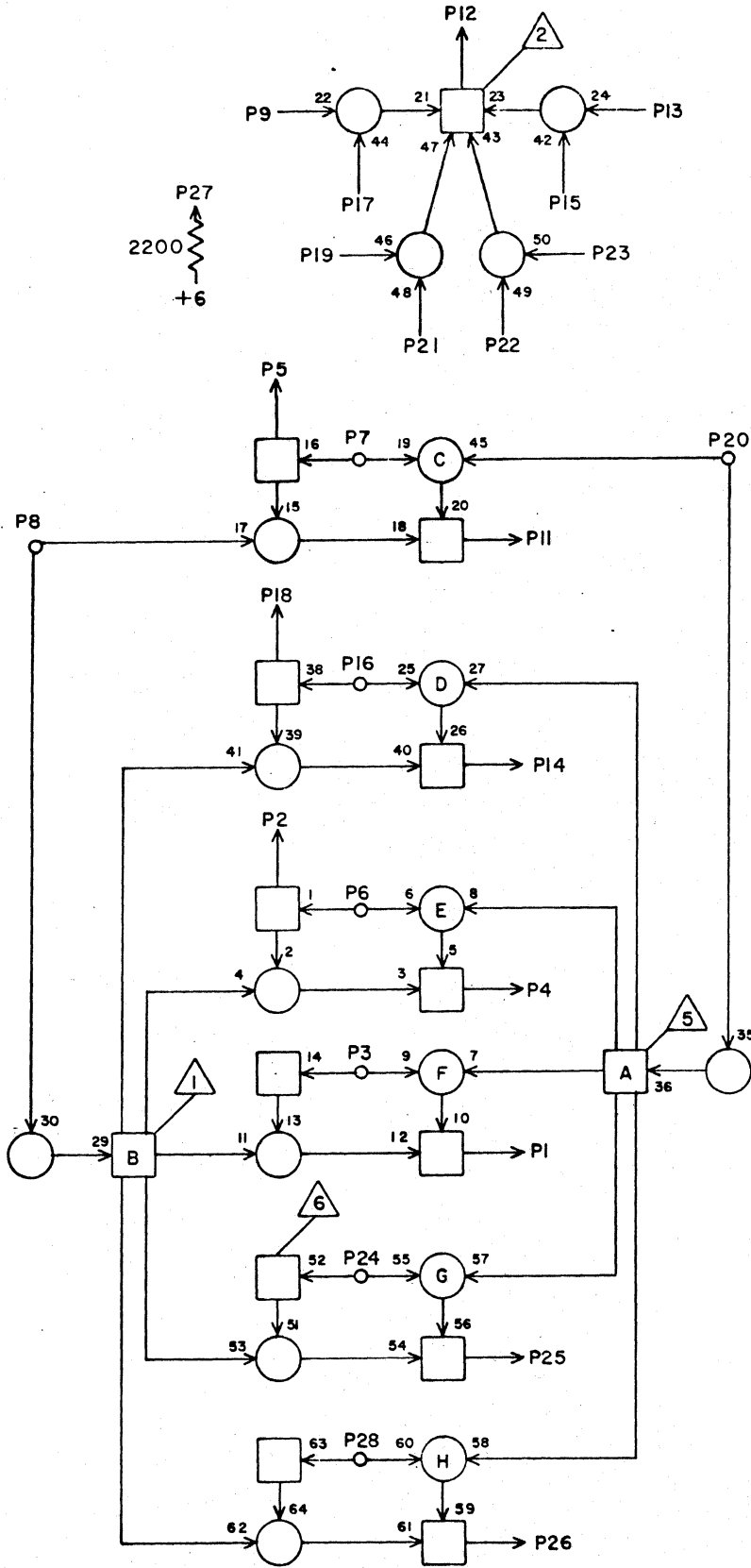
JACK PIN LG  
CIRCUIT SPECIFICATION 11827600

LS 63061600

ASSY

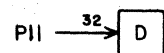
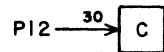
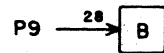
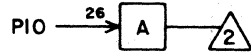
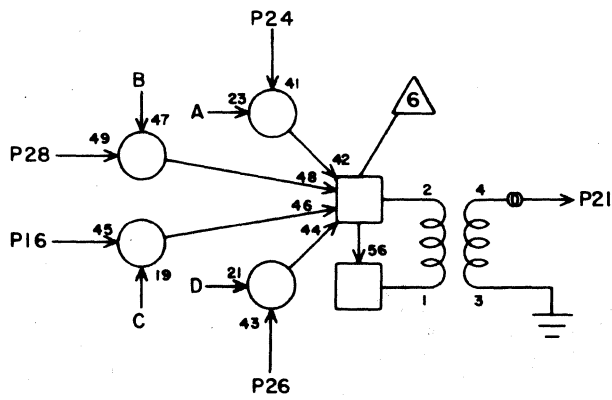
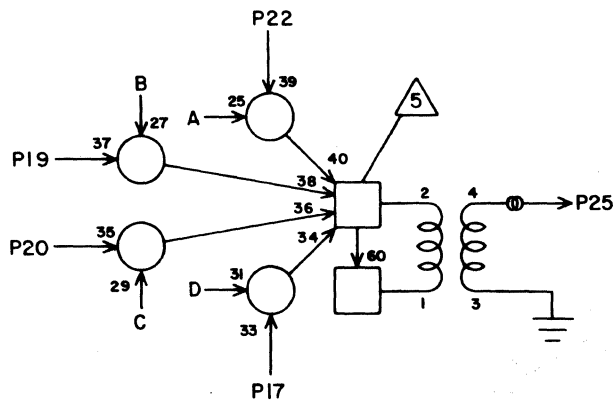
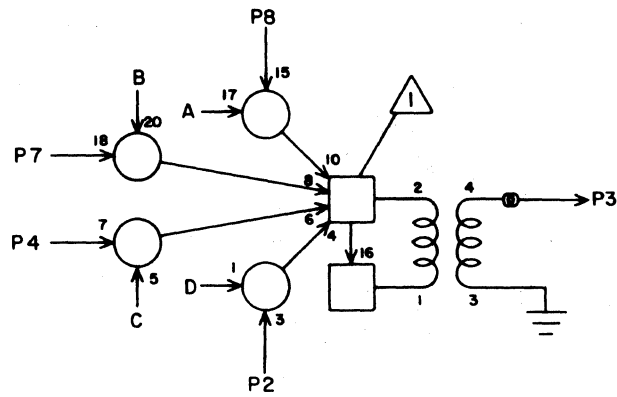
D  
REV

RF



|    |  |  |  |
|----|--|--|--|
| 1  |  |  |  |
| 2  |  |  |  |
| 3  |  |  |  |
| 4  |  |  |  |
| 5  |  |  |  |
| 6  |  |  |  |
| 7  |  |  |  |
| 8  |  |  |  |
| 9  |  |  |  |
| 10 |  |  |  |
| 11 |  |  |  |
| 12 |  |  |  |
| 13 |  |  |  |
| 14 |  |  |  |
| 15 |  |  |  |
| 16 |  |  |  |
| 17 |  |  |  |
| 18 |  |  |  |
| 19 |  |  |  |
| 20 |  |  |  |
| 21 |  |  |  |
| 22 |  |  |  |
| 23 |  |  |  |
| 24 |  |  |  |
| 25 |  |  |  |
| 26 |  |  |  |
| 27 |  |  |  |
| 28 |  |  |  |

JACK PIN LG  
 CIRCUIT SPECIFICATION 11827600  
 60042700 Rev. J

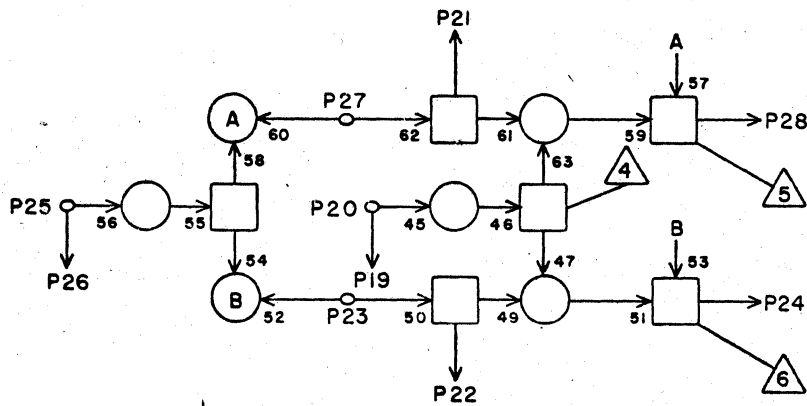
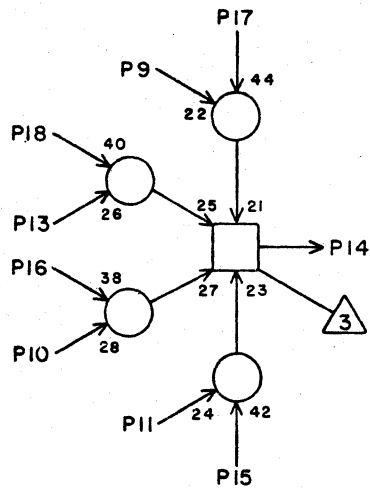
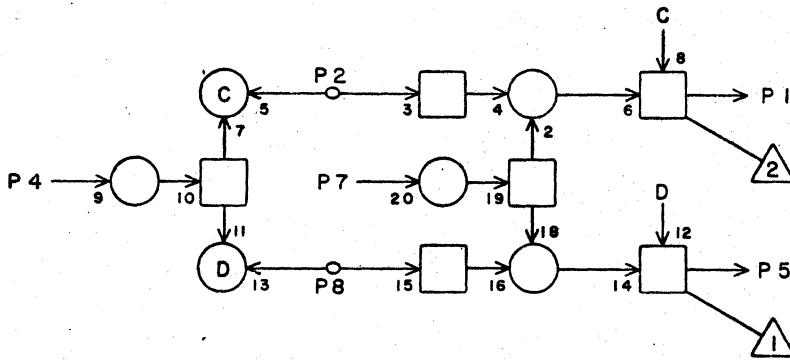


|    |  |  |  |
|----|--|--|--|
| 1  |  |  |  |
| 2  |  |  |  |
| 3  |  |  |  |
| 4  |  |  |  |
| 5  |  |  |  |
| 6  |  |  |  |
| 7  |  |  |  |
| 8  |  |  |  |
| 9  |  |  |  |
| 10 |  |  |  |
| 11 |  |  |  |
| 12 |  |  |  |
| 13 |  |  |  |
| 14 |  |  |  |
| 15 |  |  |  |
| 16 |  |  |  |
| 17 |  |  |  |
| 18 |  |  |  |
| 19 |  |  |  |
| 20 |  |  |  |
| 21 |  |  |  |
| 22 |  |  |  |
| 23 |  |  |  |
| 24 |  |  |  |
| 25 |  |  |  |
| 26 |  |  |  |
| 27 |  |  |  |
| 28 |  |  |  |

JACK PIN LG

CIRCUIT SPECIFICATION 11827600

60042700 Rev. J

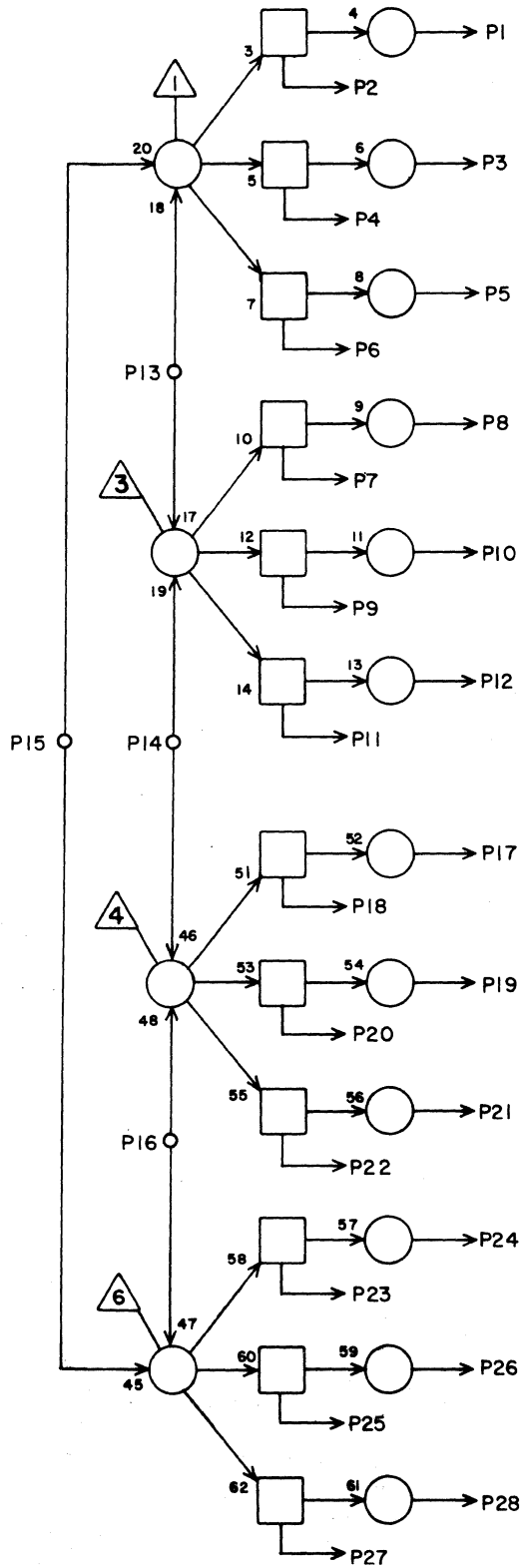
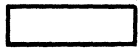


|    |  |  |  |
|----|--|--|--|
| 1  |  |  |  |
| 2  |  |  |  |
| 3  |  |  |  |
| 4  |  |  |  |
| 5  |  |  |  |
| 6  |  |  |  |
| 7  |  |  |  |
| 8  |  |  |  |
| 9  |  |  |  |
| 10 |  |  |  |
| 11 |  |  |  |
| 12 |  |  |  |
| 13 |  |  |  |
| 14 |  |  |  |
| 15 |  |  |  |
| 16 |  |  |  |
| 17 |  |  |  |
| 18 |  |  |  |
| 19 |  |  |  |
| 20 |  |  |  |
| 21 |  |  |  |
| 22 |  |  |  |
| 23 |  |  |  |
| 24 |  |  |  |
| 25 |  |  |  |
| 26 |  |  |  |
| 27 |  |  |  |
| 28 |  |  |  |

JACK PIN LG

CIRCUIT SPECIFICATION 11827600

60042700 Rev J



|    |  |  |  |
|----|--|--|--|
| 1  |  |  |  |
| 2  |  |  |  |
| 3  |  |  |  |
| 4  |  |  |  |
| 5  |  |  |  |
| 6  |  |  |  |
| 7  |  |  |  |
| 8  |  |  |  |
| 9  |  |  |  |
| 10 |  |  |  |
| 11 |  |  |  |
| 12 |  |  |  |
| 13 |  |  |  |
| 14 |  |  |  |
| 15 |  |  |  |
| 16 |  |  |  |
| 17 |  |  |  |
| 18 |  |  |  |
| 19 |  |  |  |
| 20 |  |  |  |
| 21 |  |  |  |
| 22 |  |  |  |
| 23 |  |  |  |
| 24 |  |  |  |
| 25 |  |  |  |
| 26 |  |  |  |
| 27 |  |  |  |
| 28 |  |  |  |

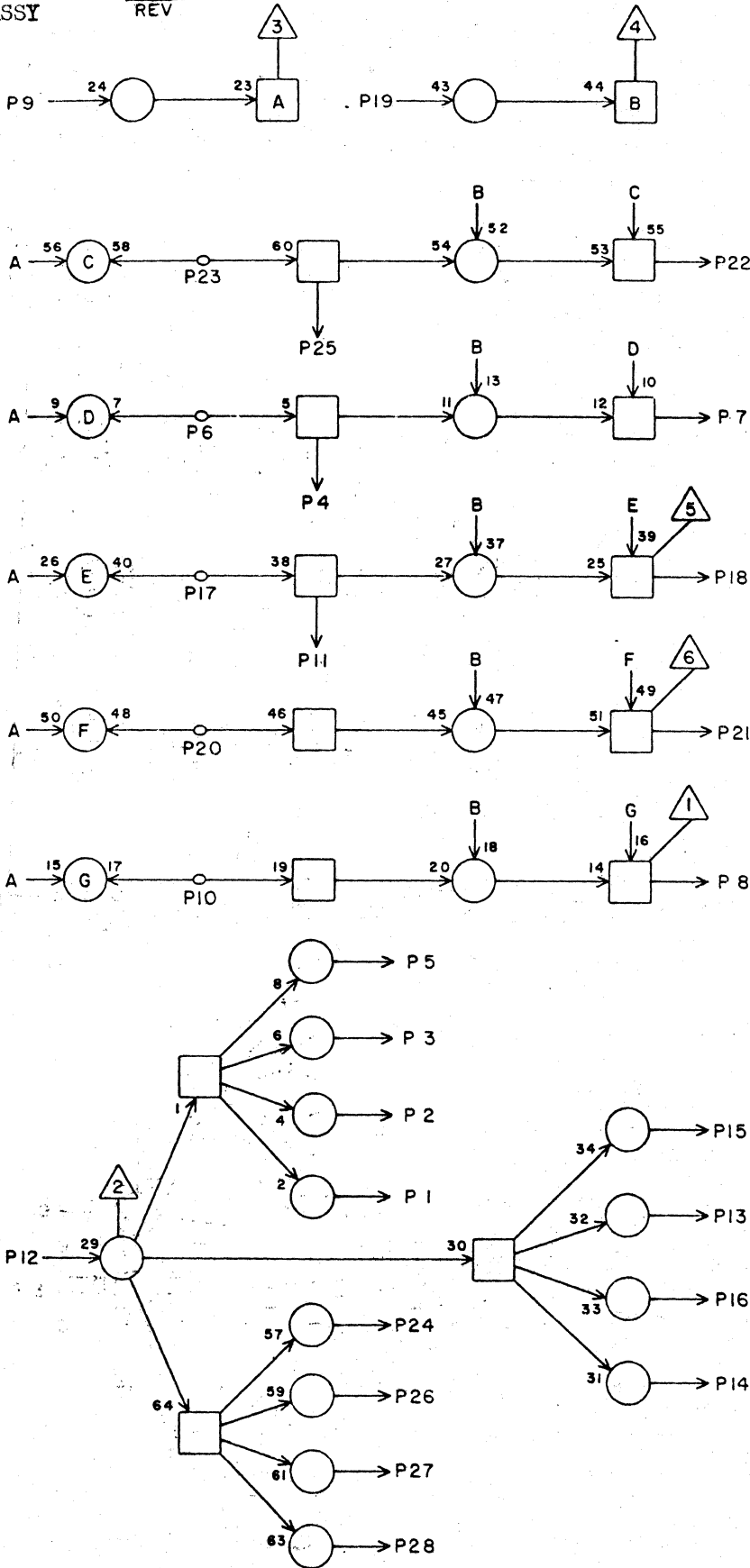
JACK PIN LG

LS 63062000

F  
REV

ASSY

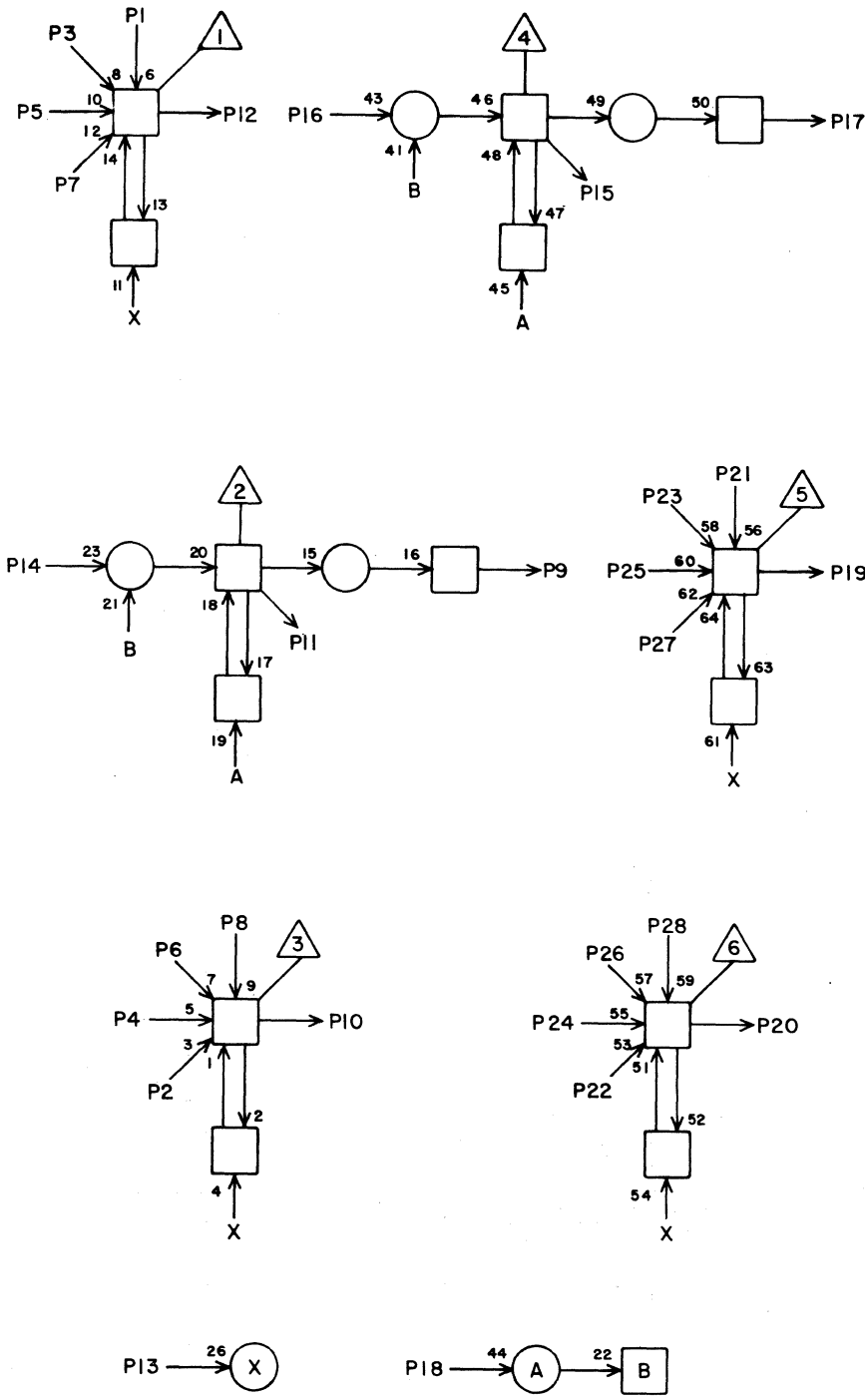
RJ



|    |  |  |
|----|--|--|
| 1  |  |  |
| 2  |  |  |
| 3  |  |  |
| 4  |  |  |
| 5  |  |  |
| 6  |  |  |
| 7  |  |  |
| 8  |  |  |
| 9  |  |  |
| 10 |  |  |
| 11 |  |  |
| 12 |  |  |
| 13 |  |  |
| 14 |  |  |
| 15 |  |  |
| 16 |  |  |
| 17 |  |  |
| 18 |  |  |
| 19 |  |  |
| 20 |  |  |
| 21 |  |  |
| 22 |  |  |
| 23 |  |  |
| 24 |  |  |
| 25 |  |  |
| 26 |  |  |
| 27 |  |  |
| 28 |  |  |

JACK PIN LG  
CIRCUIT SPECIFICATION 11827600  
60042700 Rev. J



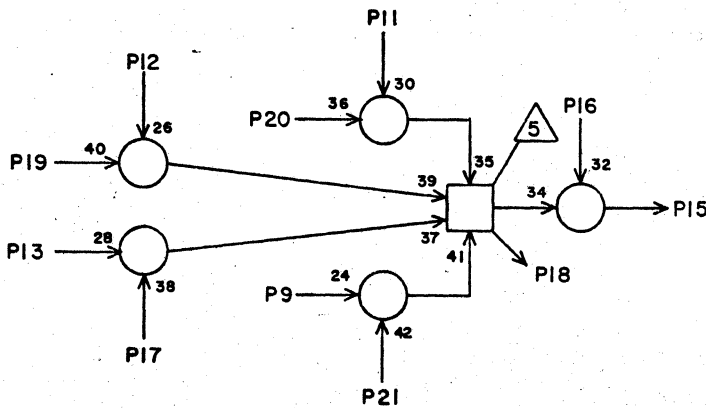
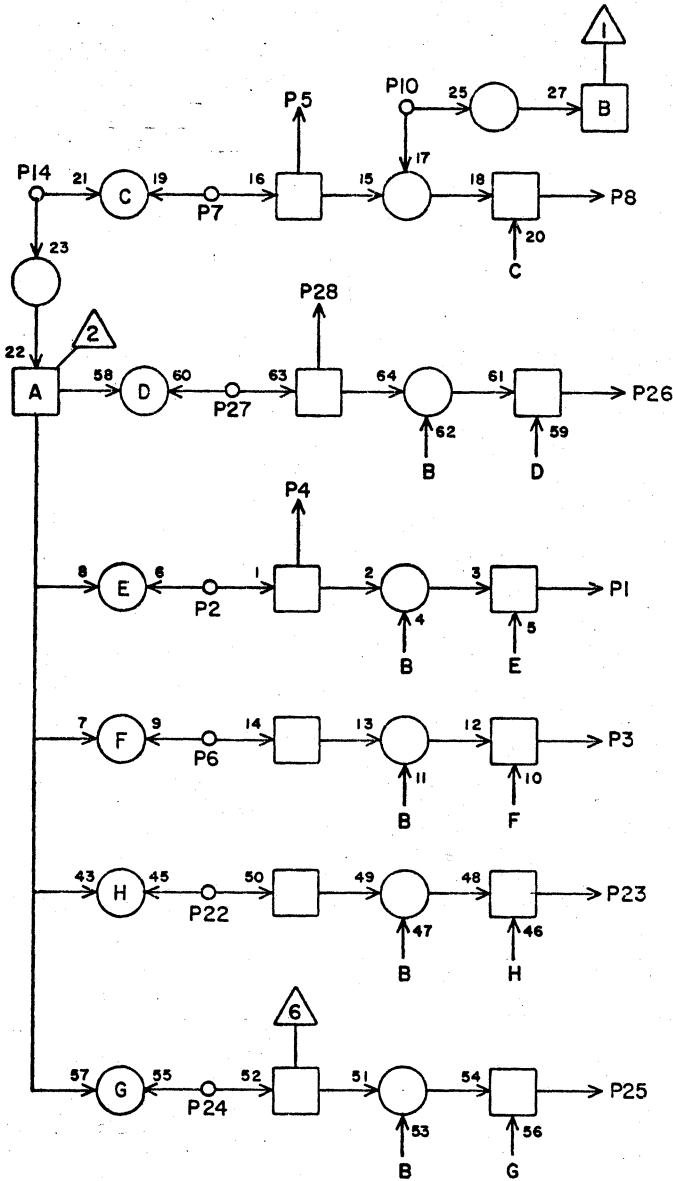


|    |  |  |  |
|----|--|--|--|
| 1  |  |  |  |
| 2  |  |  |  |
| 3  |  |  |  |
| 4  |  |  |  |
| 5  |  |  |  |
| 6  |  |  |  |
| 7  |  |  |  |
| 8  |  |  |  |
| 9  |  |  |  |
| 10 |  |  |  |
| 11 |  |  |  |
| 12 |  |  |  |
| 13 |  |  |  |
| 14 |  |  |  |
| 15 |  |  |  |
| 16 |  |  |  |
| 17 |  |  |  |
| 18 |  |  |  |
| 19 |  |  |  |
| 20 |  |  |  |
| 21 |  |  |  |
| 22 |  |  |  |
| 23 |  |  |  |
| 24 |  |  |  |
| 25 |  |  |  |
| 26 |  |  |  |
| 27 |  |  |  |
| 28 |  |  |  |

JACK PIN LG

CIRCUIT SPECIFICATION 11827600

60042700 Rev. J



|    |  |  |  |
|----|--|--|--|
| 1  |  |  |  |
| 2  |  |  |  |
| 3  |  |  |  |
| 4  |  |  |  |
| 5  |  |  |  |
| 6  |  |  |  |
| 7  |  |  |  |
| 8  |  |  |  |
| 9  |  |  |  |
| 10 |  |  |  |
| 11 |  |  |  |
| 12 |  |  |  |
| 13 |  |  |  |
| 14 |  |  |  |
| 15 |  |  |  |
| 16 |  |  |  |
| 17 |  |  |  |
| 18 |  |  |  |
| 19 |  |  |  |
| 20 |  |  |  |
| 21 |  |  |  |
| 22 |  |  |  |
| 23 |  |  |  |
| 24 |  |  |  |
| 25 |  |  |  |
| 26 |  |  |  |
| 27 |  |  |  |
| 28 |  |  |  |

JACK PIN LG

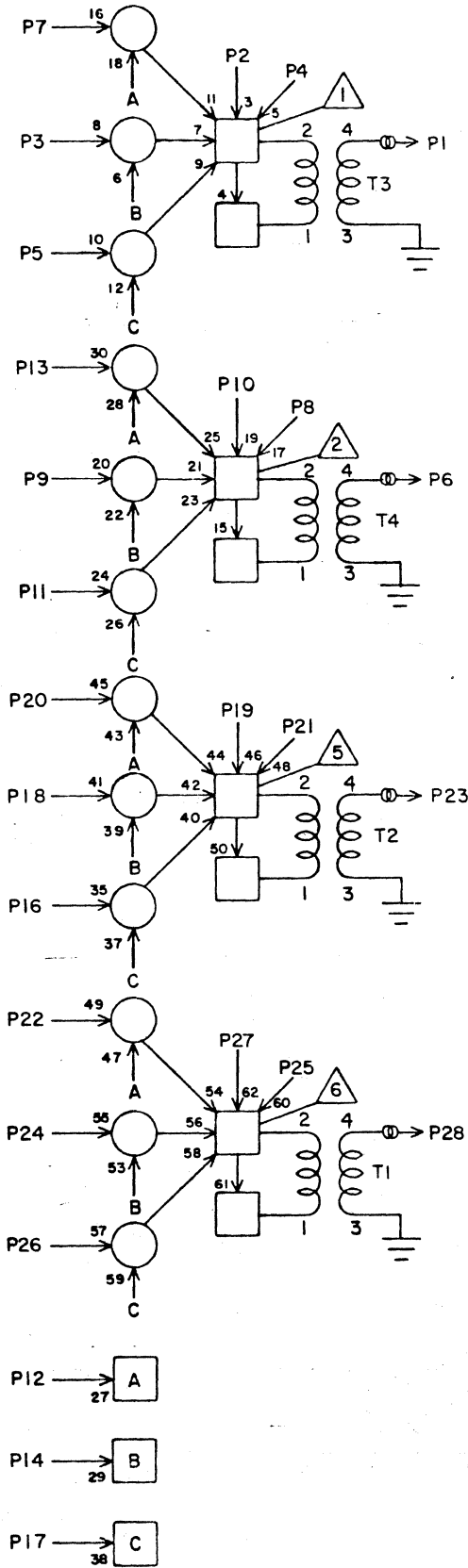
CIRCUIT SPECIFICATION 11827600

60042700 Rev J

LS 63062300  
ASSY

**C**  
REV

RM

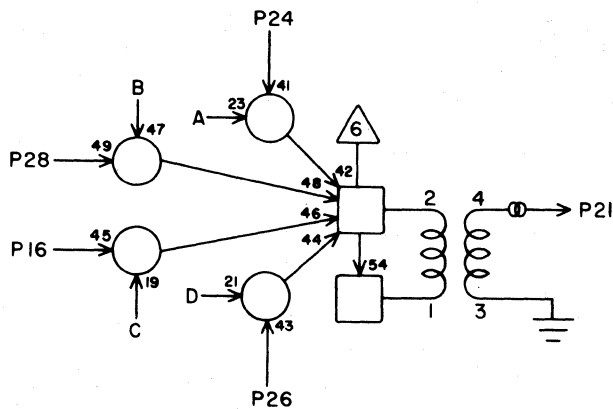
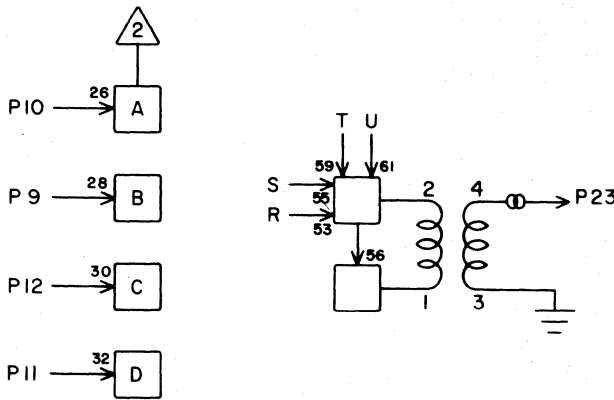
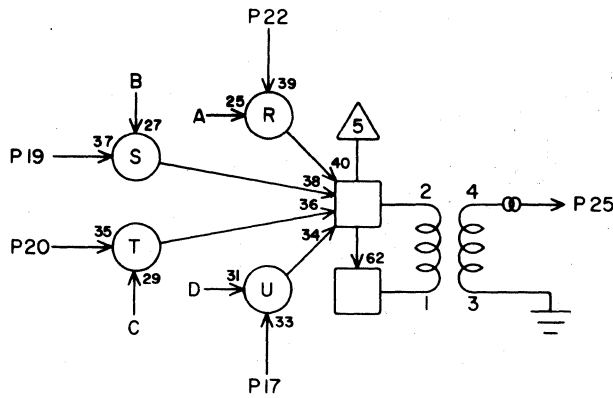
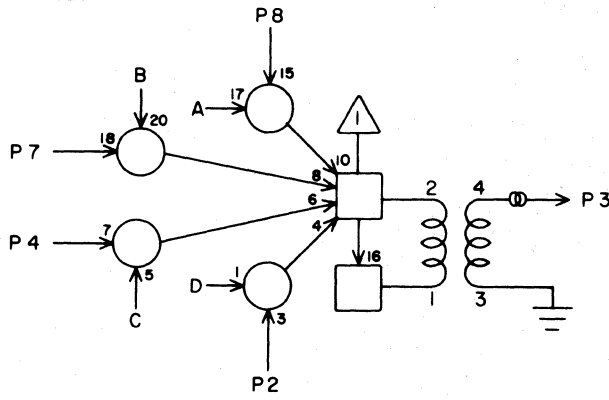


|    |  |  |  |
|----|--|--|--|
| 1  |  |  |  |
| 2  |  |  |  |
| 3  |  |  |  |
| 4  |  |  |  |
| 5  |  |  |  |
| 6  |  |  |  |
| 7  |  |  |  |
| 8  |  |  |  |
| 9  |  |  |  |
| 10 |  |  |  |
| 11 |  |  |  |
| 12 |  |  |  |
| 13 |  |  |  |
| 14 |  |  |  |
| 15 |  |  |  |
| 16 |  |  |  |
| 17 |  |  |  |
| 18 |  |  |  |
| 19 |  |  |  |
| 20 |  |  |  |
| 21 |  |  |  |
| 22 |  |  |  |
| 23 |  |  |  |
| 24 |  |  |  |
| 25 |  |  |  |
| 26 |  |  |  |
| 27 |  |  |  |
| 28 |  |  |  |

JACK PIN LG

CIRCUIT SPECIFICATION 11827600

60042700 Rev. J

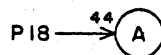
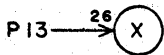
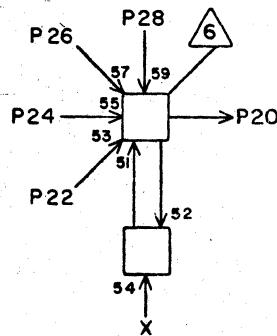
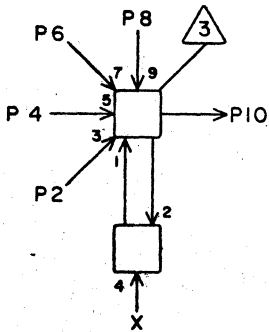
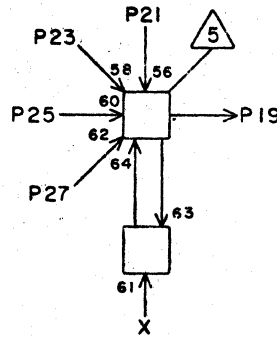
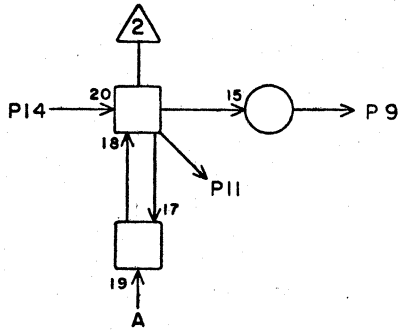
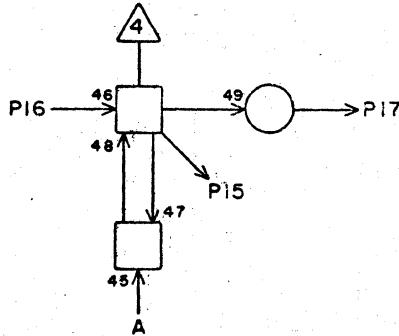
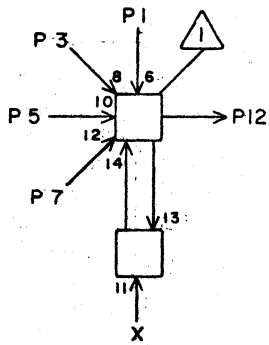


|    |  |  |  |
|----|--|--|--|
| 1  |  |  |  |
| 2  |  |  |  |
| 3  |  |  |  |
| 4  |  |  |  |
| 5  |  |  |  |
| 6  |  |  |  |
| 7  |  |  |  |
| 8  |  |  |  |
| 9  |  |  |  |
| 10 |  |  |  |
| 11 |  |  |  |
| 12 |  |  |  |
| 13 |  |  |  |
| 14 |  |  |  |
| 15 |  |  |  |
| 16 |  |  |  |
| 17 |  |  |  |
| 18 |  |  |  |
| 19 |  |  |  |
| 20 |  |  |  |
| 21 |  |  |  |
| 22 |  |  |  |
| 23 |  |  |  |
| 24 |  |  |  |
| 25 |  |  |  |
| 26 |  |  |  |
| 27 |  |  |  |
| 28 |  |  |  |

JACK PIN LG

CIRCUIT SPECIFICATION 11827600





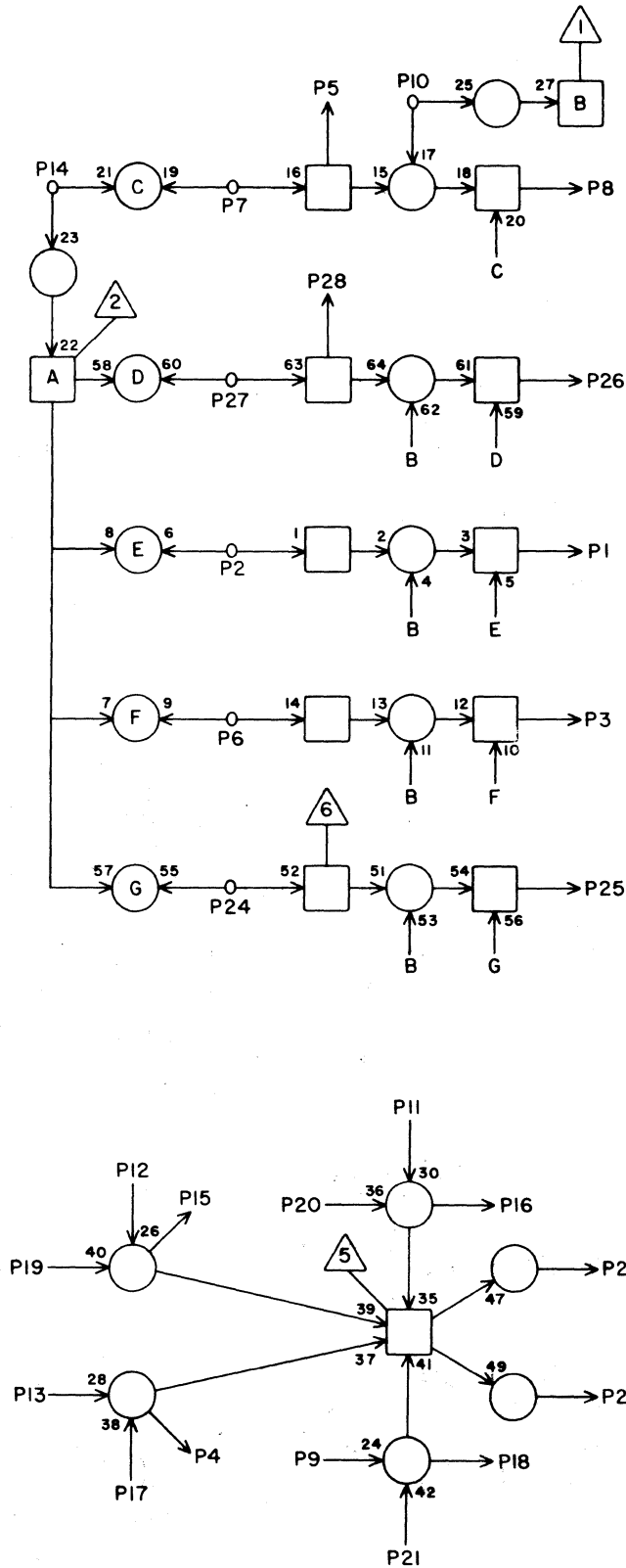
|    |  |  |  |
|----|--|--|--|
| 1  |  |  |  |
| 2  |  |  |  |
| 3  |  |  |  |
| 4  |  |  |  |
| 5  |  |  |  |
| 6  |  |  |  |
| 7  |  |  |  |
| 8  |  |  |  |
| 9  |  |  |  |
| 10 |  |  |  |
| 11 |  |  |  |
| 12 |  |  |  |
| 13 |  |  |  |
| 14 |  |  |  |
| 15 |  |  |  |
| 16 |  |  |  |
| 17 |  |  |  |
| 18 |  |  |  |
| 19 |  |  |  |
| 20 |  |  |  |
| 21 |  |  |  |
| 22 |  |  |  |
| 23 |  |  |  |
| 24 |  |  |  |
| 25 |  |  |  |
| 26 |  |  |  |
| 27 |  |  |  |
| 28 |  |  |  |

JACK PIN LG

LS 63066300  
ASSY

C  
REV

RQ



|    |  |  |  |
|----|--|--|--|
| 1  |  |  |  |
| 2  |  |  |  |
| 3  |  |  |  |
| 4  |  |  |  |
| 5  |  |  |  |
| 6  |  |  |  |
| 7  |  |  |  |
| 8  |  |  |  |
| 9  |  |  |  |
| 10 |  |  |  |
| 11 |  |  |  |
| 12 |  |  |  |
| 13 |  |  |  |
| 14 |  |  |  |
| 15 |  |  |  |
| 16 |  |  |  |
| 17 |  |  |  |
| 18 |  |  |  |
| 19 |  |  |  |
| 20 |  |  |  |
| 21 |  |  |  |
| 22 |  |  |  |
| 23 |  |  |  |
| 24 |  |  |  |
| 25 |  |  |  |
| 26 |  |  |  |
| 27 |  |  |  |
| 28 |  |  |  |

JACK PIN LG

CIRCUIT SPECIFICATION 11827600  
60042700 Rev J



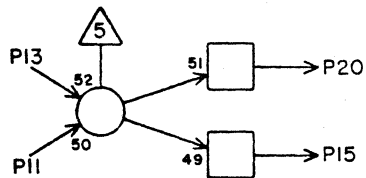
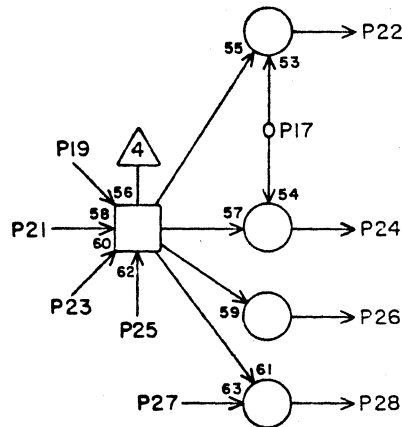
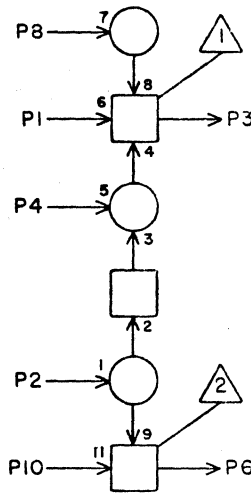
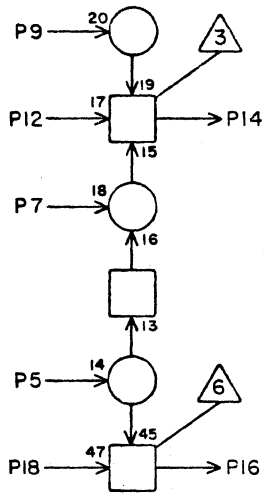


LS 63066400



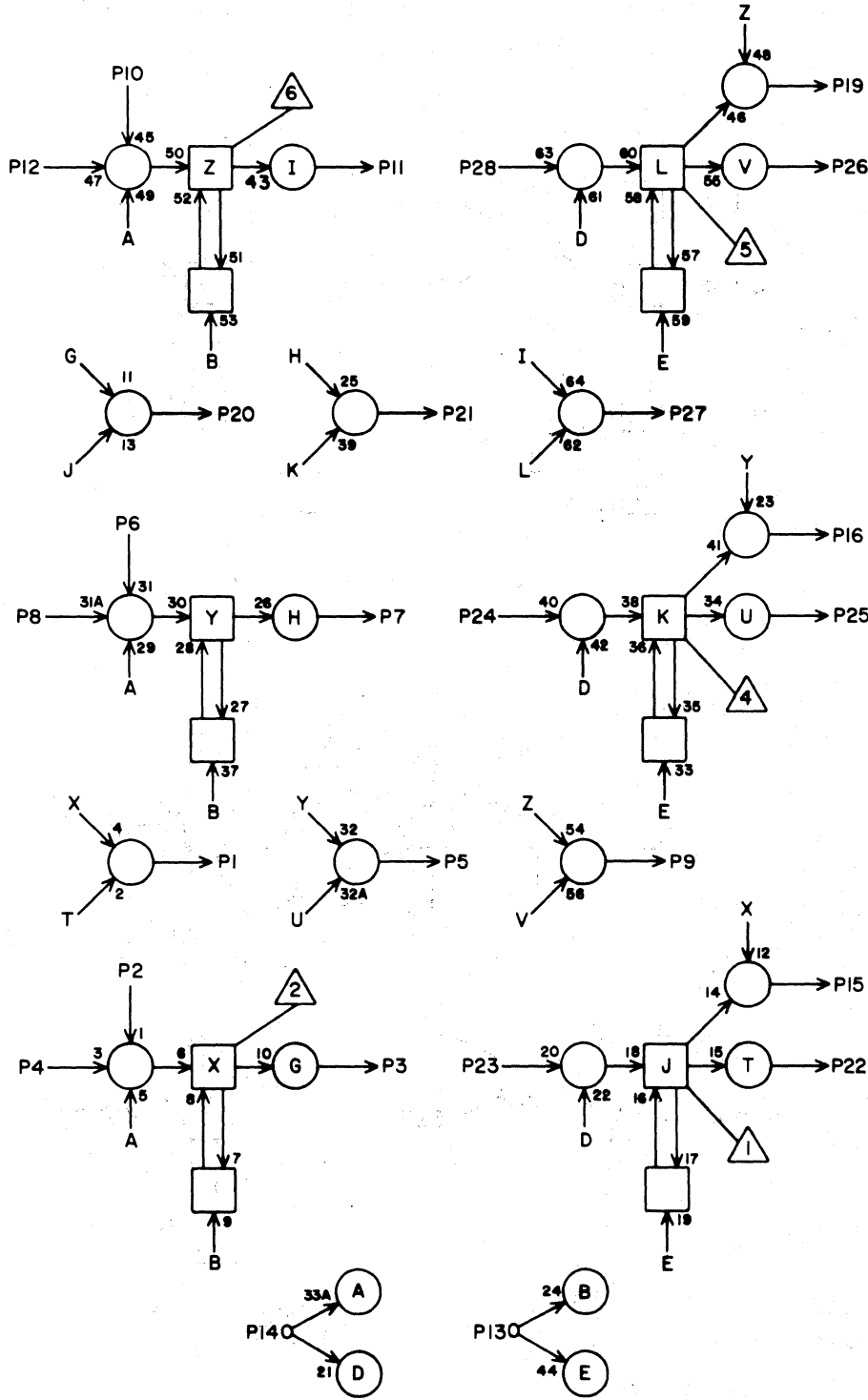
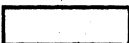
ASSY

RS



|    |  |  |  |
|----|--|--|--|
| 1  |  |  |  |
| 2  |  |  |  |
| 3  |  |  |  |
| 4  |  |  |  |
| 5  |  |  |  |
| 6  |  |  |  |
| 7  |  |  |  |
| 8  |  |  |  |
| 9  |  |  |  |
| 10 |  |  |  |
| 11 |  |  |  |
| 12 |  |  |  |
| 13 |  |  |  |
| 14 |  |  |  |
| 15 |  |  |  |
| 16 |  |  |  |
| 17 |  |  |  |
| 18 |  |  |  |
| 19 |  |  |  |
| 20 |  |  |  |
| 21 |  |  |  |
| 22 |  |  |  |
| 23 |  |  |  |
| 24 |  |  |  |
| 25 |  |  |  |
| 26 |  |  |  |
| 27 |  |  |  |
| 28 |  |  |  |

JACK PIN LG



|    |  |  |  |
|----|--|--|--|
| 1  |  |  |  |
| 2  |  |  |  |
| 3  |  |  |  |
| 4  |  |  |  |
| 5  |  |  |  |
| 6  |  |  |  |
| 7  |  |  |  |
| 8  |  |  |  |
| 9  |  |  |  |
| 10 |  |  |  |
| 11 |  |  |  |
| 12 |  |  |  |
| 13 |  |  |  |
| 14 |  |  |  |
| 15 |  |  |  |
| 16 |  |  |  |
| 17 |  |  |  |
| 18 |  |  |  |
| 19 |  |  |  |
| 20 |  |  |  |
| 21 |  |  |  |
| 22 |  |  |  |
| 23 |  |  |  |
| 24 |  |  |  |
| 25 |  |  |  |
| 26 |  |  |  |
| 27 |  |  |  |
| 28 |  |  |  |

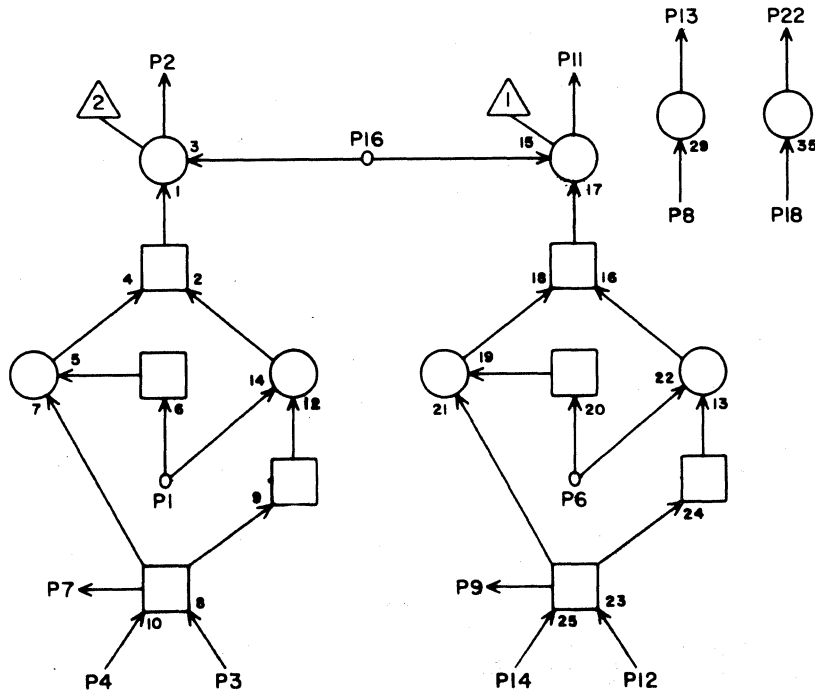
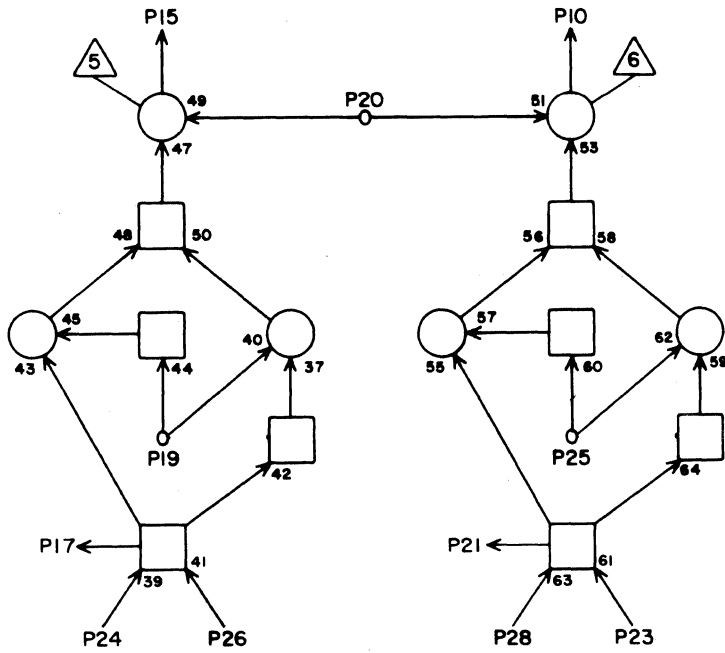
JACK PIN LG

LS 63069700  
ASSY

**B**  
REV

RU

[ ]



|    |  |  |  |
|----|--|--|--|
| 1  |  |  |  |
| 2  |  |  |  |
| 3  |  |  |  |
| 4  |  |  |  |
| 5  |  |  |  |
| 6  |  |  |  |
| 7  |  |  |  |
| 8  |  |  |  |
| 9  |  |  |  |
| 10 |  |  |  |
| 11 |  |  |  |
| 12 |  |  |  |
| 13 |  |  |  |
| 14 |  |  |  |
| 15 |  |  |  |
| 16 |  |  |  |
| 17 |  |  |  |
| 18 |  |  |  |
| 19 |  |  |  |
| 20 |  |  |  |
| 21 |  |  |  |
| 22 |  |  |  |
| 23 |  |  |  |
| 24 |  |  |  |
| 25 |  |  |  |
| 26 |  |  |  |
| 27 |  |  |  |
| 28 |  |  |  |

JACK PIN LG

CIRCUIT SPECIFICATION 11827600

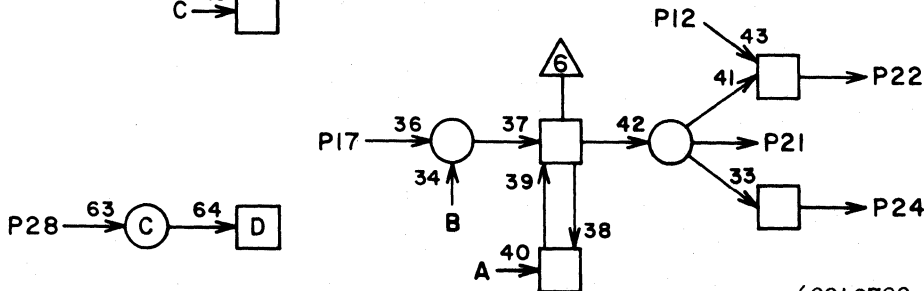
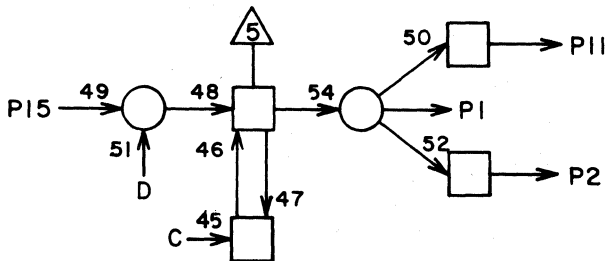
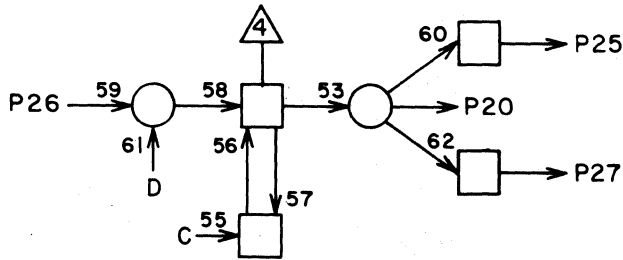
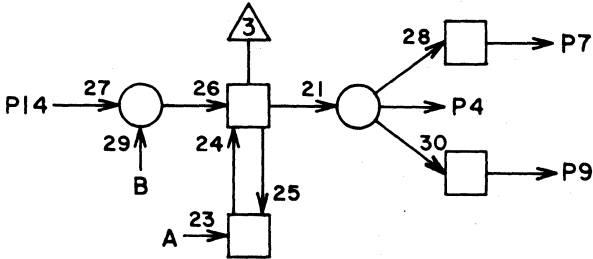
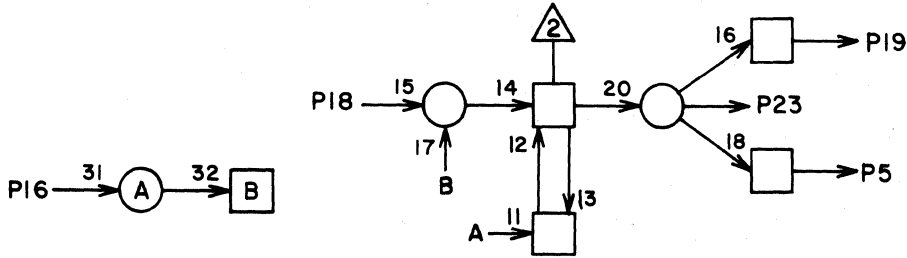
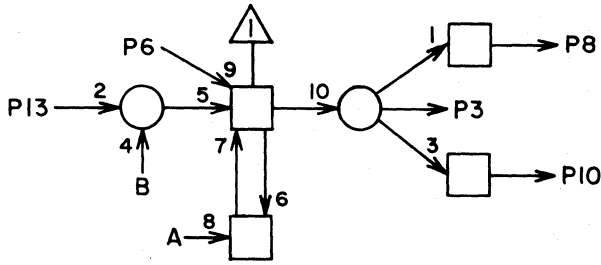
60042700 Rev. K

LS 18058500  
ASSY

**B**  
REV

RV

[ ]



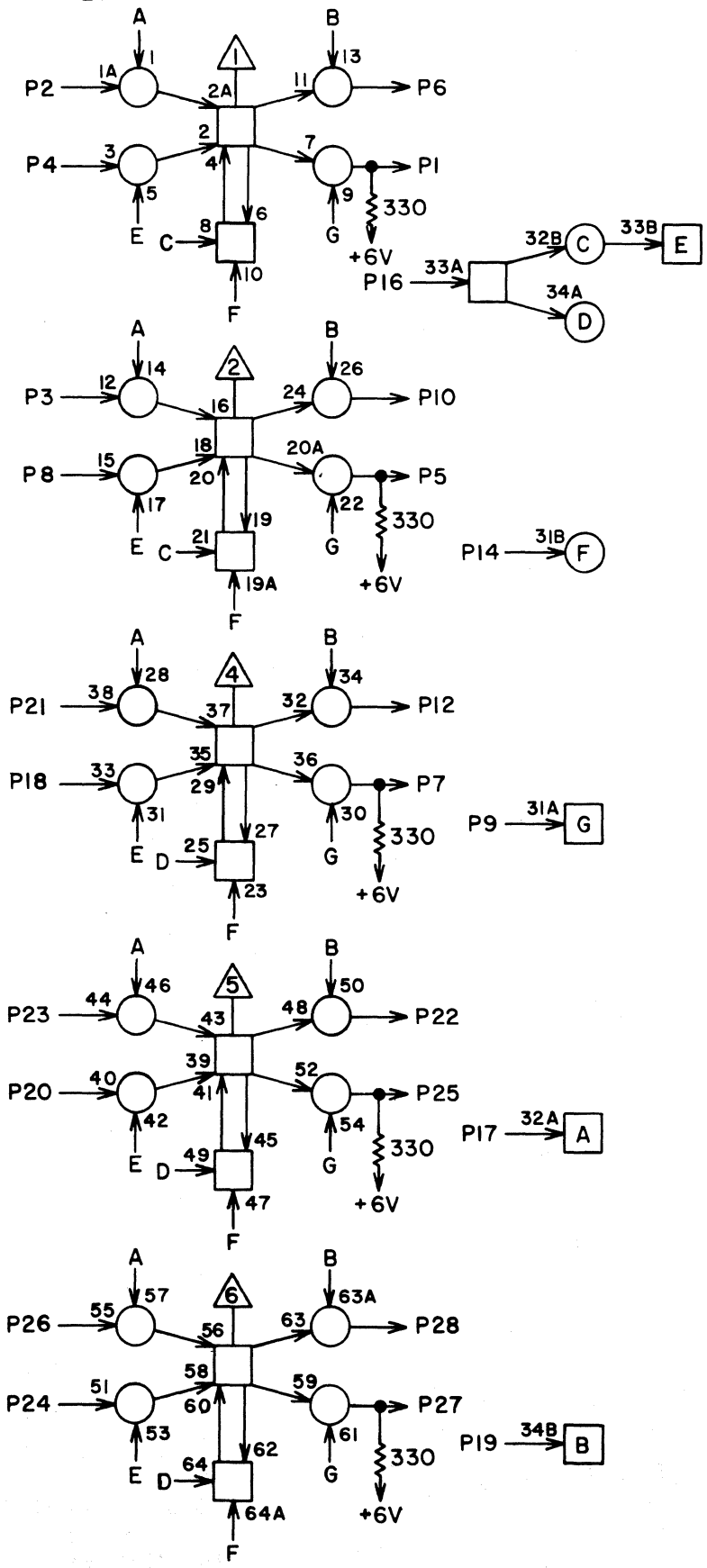
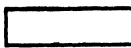
|    |  |  |  |
|----|--|--|--|
| 1  |  |  |  |
| 2  |  |  |  |
| 3  |  |  |  |
| 4  |  |  |  |
| 5  |  |  |  |
| 6  |  |  |  |
| 7  |  |  |  |
| 8  |  |  |  |
| 9  |  |  |  |
| 10 |  |  |  |
| 11 |  |  |  |
| 12 |  |  |  |
| 13 |  |  |  |
| 14 |  |  |  |
| 15 |  |  |  |
| 16 |  |  |  |
| 17 |  |  |  |
| 18 |  |  |  |
| 19 |  |  |  |
| 20 |  |  |  |
| 21 |  |  |  |
| 22 |  |  |  |
| 23 |  |  |  |
| 24 |  |  |  |
| 25 |  |  |  |
| 26 |  |  |  |
| 27 |  |  |  |
| 28 |  |  |  |

JACK PIN LG

CIRCUIT SPECIFICATION

11827600

60042700 Rev AB



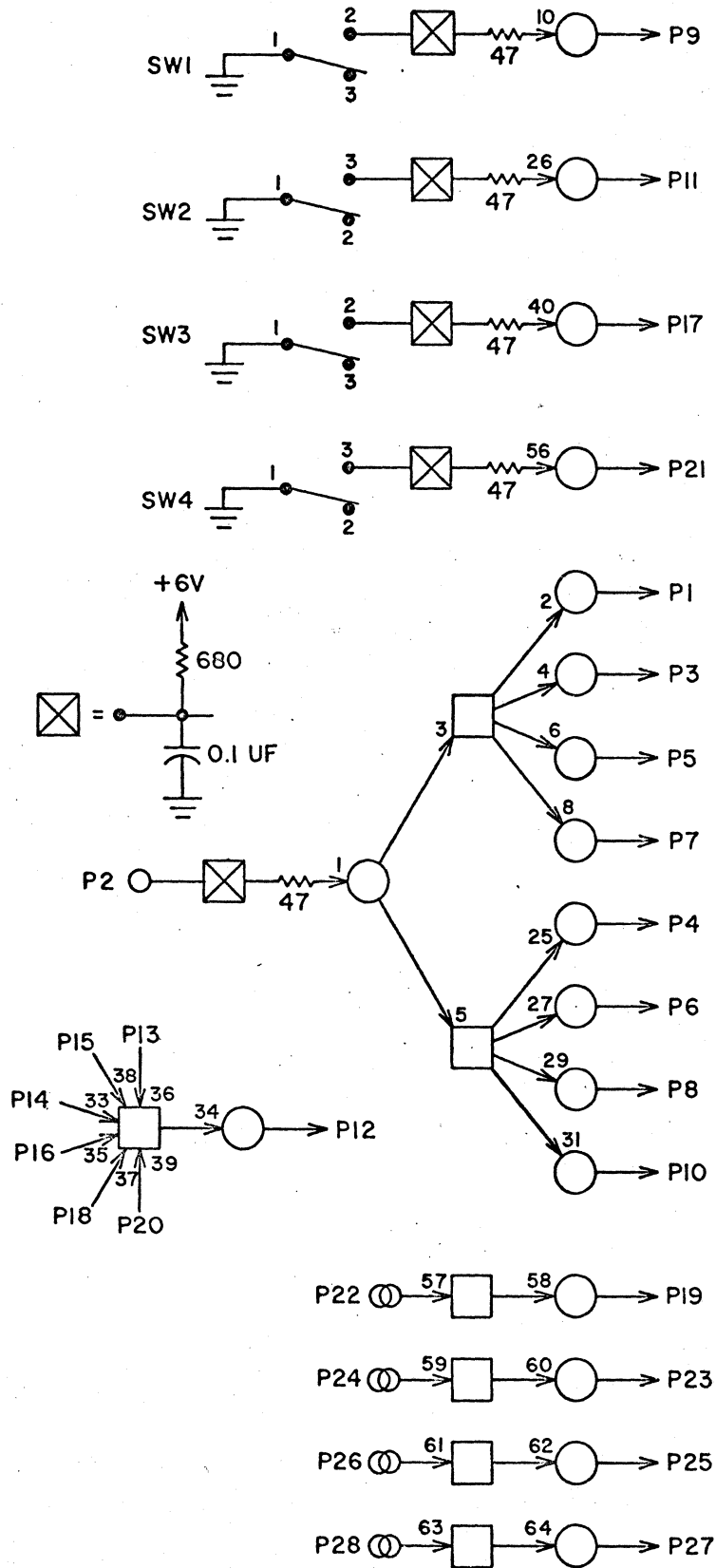
|    |  |  |  |
|----|--|--|--|
| 1  |  |  |  |
| 2  |  |  |  |
| 3  |  |  |  |
| 4  |  |  |  |
| 5  |  |  |  |
| 6  |  |  |  |
| 7  |  |  |  |
| 8  |  |  |  |
| 9  |  |  |  |
| 10 |  |  |  |
| 11 |  |  |  |
| 12 |  |  |  |
| 13 |  |  |  |
| 14 |  |  |  |
| 15 |  |  |  |
| 16 |  |  |  |
| 17 |  |  |  |
| 18 |  |  |  |
| 19 |  |  |  |
| 20 |  |  |  |
| 21 |  |  |  |
| 22 |  |  |  |
| 23 |  |  |  |
| 24 |  |  |  |
| 25 |  |  |  |
| 26 |  |  |  |
| 27 |  |  |  |
| 28 |  |  |  |

JACK PIN LG  
 SEE CIRCUIT SPECIFICATION  
 11827600

LS 18574100  
ASSY

**B**  
REV

RX



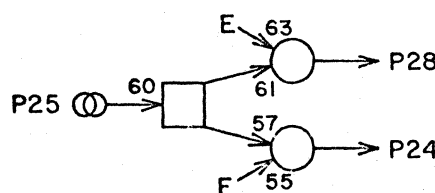
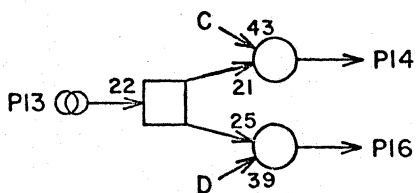
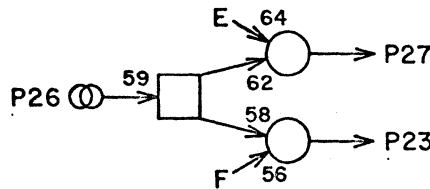
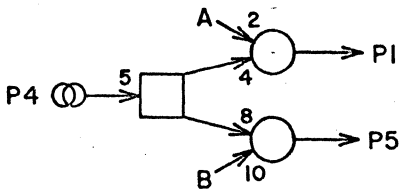
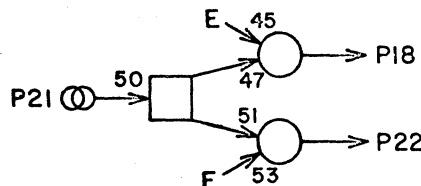
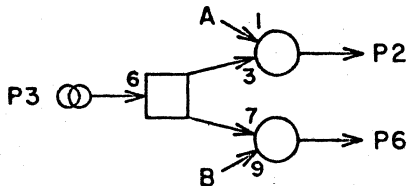
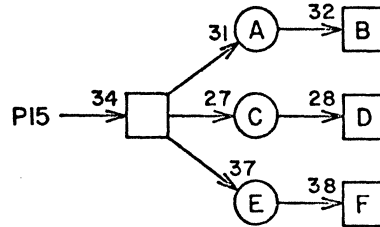
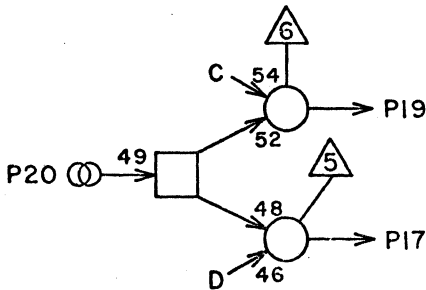
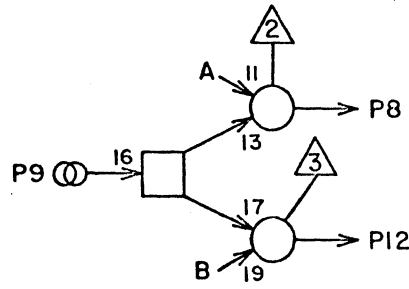
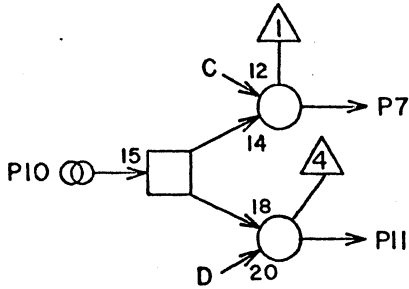
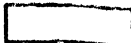
|    |  |  |  |
|----|--|--|--|
| 1  |  |  |  |
| 2  |  |  |  |
| 3  |  |  |  |
| 4  |  |  |  |
| 5  |  |  |  |
| 6  |  |  |  |
| 7  |  |  |  |
| 8  |  |  |  |
| 9  |  |  |  |
| 10 |  |  |  |
| 11 |  |  |  |
| 12 |  |  |  |
| 13 |  |  |  |
| 14 |  |  |  |
| 15 |  |  |  |
| 16 |  |  |  |
| 17 |  |  |  |
| 18 |  |  |  |
| 19 |  |  |  |
| 20 |  |  |  |
| 21 |  |  |  |
| 22 |  |  |  |
| 23 |  |  |  |
| 24 |  |  |  |
| 25 |  |  |  |
| 26 |  |  |  |
| 27 |  |  |  |
| 28 |  |  |  |

JACK PIN LG  
SEE CIRCUIT SPECIFICATION  
11827600  
60042700 Rev. U

LS 18572900  
ASSY

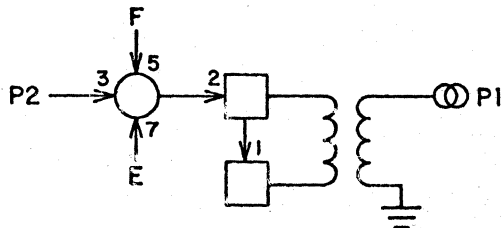
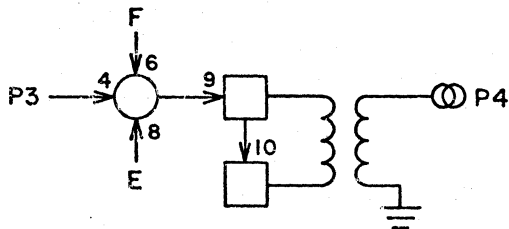
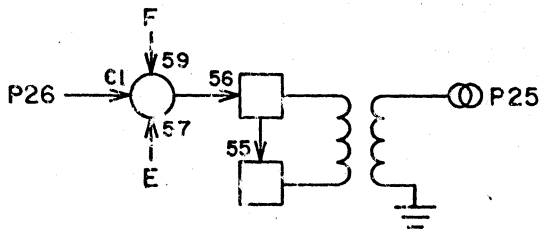
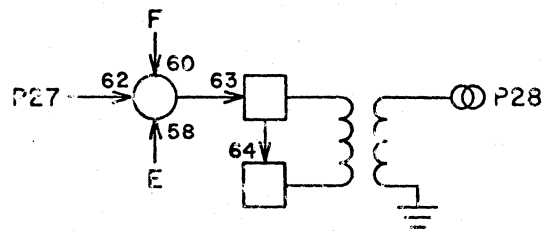
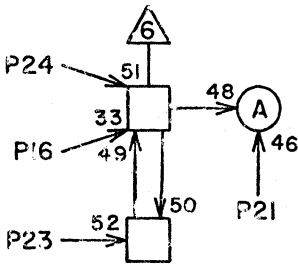
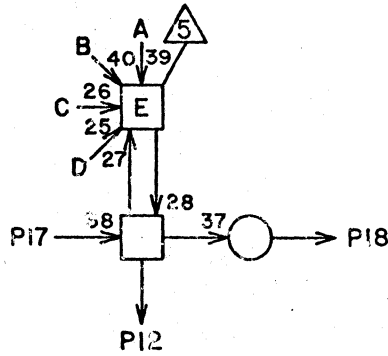
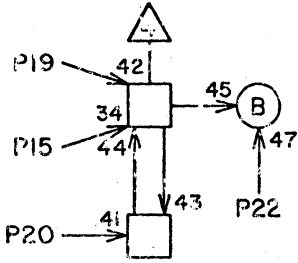
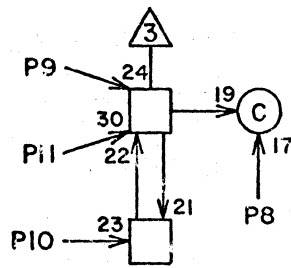
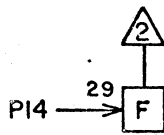
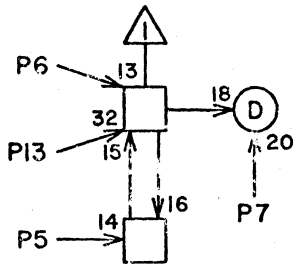
**A**  
REV

RY



|    |  |  |  |
|----|--|--|--|
| 1  |  |  |  |
| 2  |  |  |  |
| 3  |  |  |  |
| 4  |  |  |  |
| 5  |  |  |  |
| 6  |  |  |  |
| 7  |  |  |  |
| 8  |  |  |  |
| 9  |  |  |  |
| 10 |  |  |  |
| 11 |  |  |  |
| 12 |  |  |  |
| 13 |  |  |  |
| 14 |  |  |  |
| 15 |  |  |  |
| 16 |  |  |  |
| 17 |  |  |  |
| 18 |  |  |  |
| 19 |  |  |  |
| 20 |  |  |  |
| 21 |  |  |  |
| 22 |  |  |  |
| 23 |  |  |  |
| 24 |  |  |  |
| 25 |  |  |  |
| 26 |  |  |  |
| 27 |  |  |  |
| 28 |  |  |  |

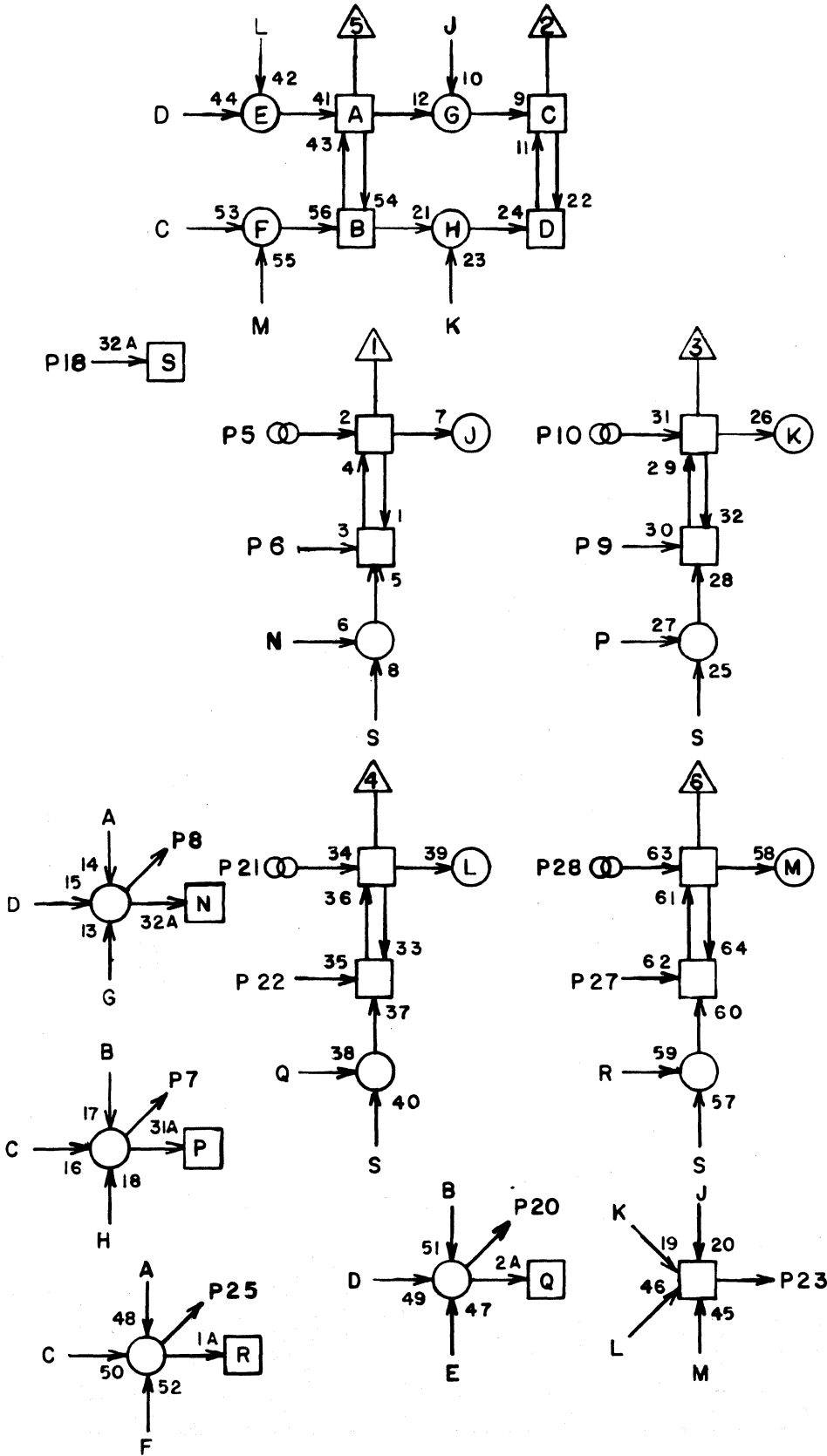
JACK PIN LG  
SEE CIRCUIT SPECIFICATION  
11827600  
60042700 Rev. U



|    |  |  |  |
|----|--|--|--|
| 1  |  |  |  |
| 2  |  |  |  |
| 3  |  |  |  |
| 4  |  |  |  |
| 5  |  |  |  |
| 6  |  |  |  |
| 7  |  |  |  |
| 8  |  |  |  |
| 9  |  |  |  |
| 10 |  |  |  |
| 11 |  |  |  |
| 12 |  |  |  |
| 13 |  |  |  |
| 14 |  |  |  |
| 15 |  |  |  |
| 16 |  |  |  |
| 17 |  |  |  |
| 18 |  |  |  |
| 19 |  |  |  |
| 20 |  |  |  |
| 21 |  |  |  |
| 22 |  |  |  |
| 23 |  |  |  |
| 24 |  |  |  |
| 25 |  |  |  |
| 26 |  |  |  |
| 27 |  |  |  |
| 28 |  |  |  |

JACK PIN LG  
SEE CIRCUIT SPECIFICATION  
11827600  
60042700 Rev. U





|    |  |  |  |
|----|--|--|--|
| 1  |  |  |  |
| 2  |  |  |  |
| 3  |  |  |  |
| 4  |  |  |  |
| 5  |  |  |  |
| 6  |  |  |  |
| 7  |  |  |  |
| 8  |  |  |  |
| 9  |  |  |  |
| 10 |  |  |  |
| 11 |  |  |  |
| 12 |  |  |  |
| 13 |  |  |  |
| 14 |  |  |  |
| 15 |  |  |  |
| 16 |  |  |  |
| 17 |  |  |  |
| 18 |  |  |  |
| 19 |  |  |  |
| 20 |  |  |  |
| 21 |  |  |  |
| 22 |  |  |  |
| 23 |  |  |  |
| 24 |  |  |  |
| 25 |  |  |  |
| 26 |  |  |  |
| 27 |  |  |  |
| 28 |  |  |  |

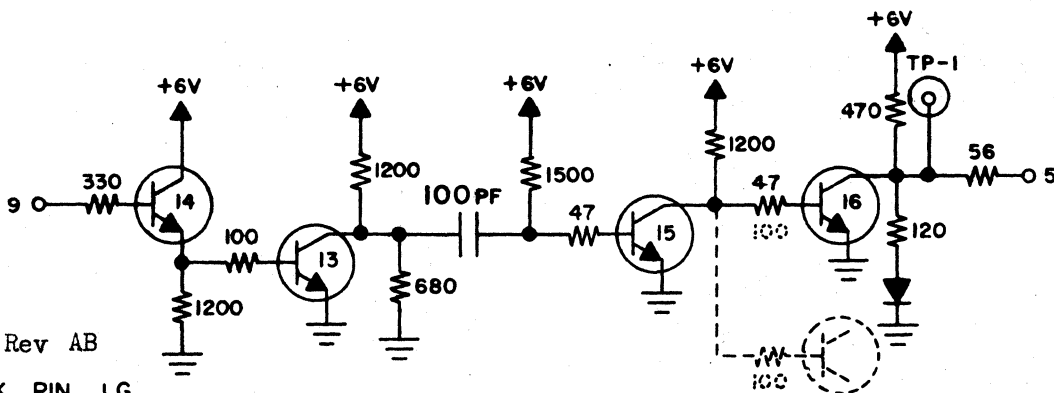
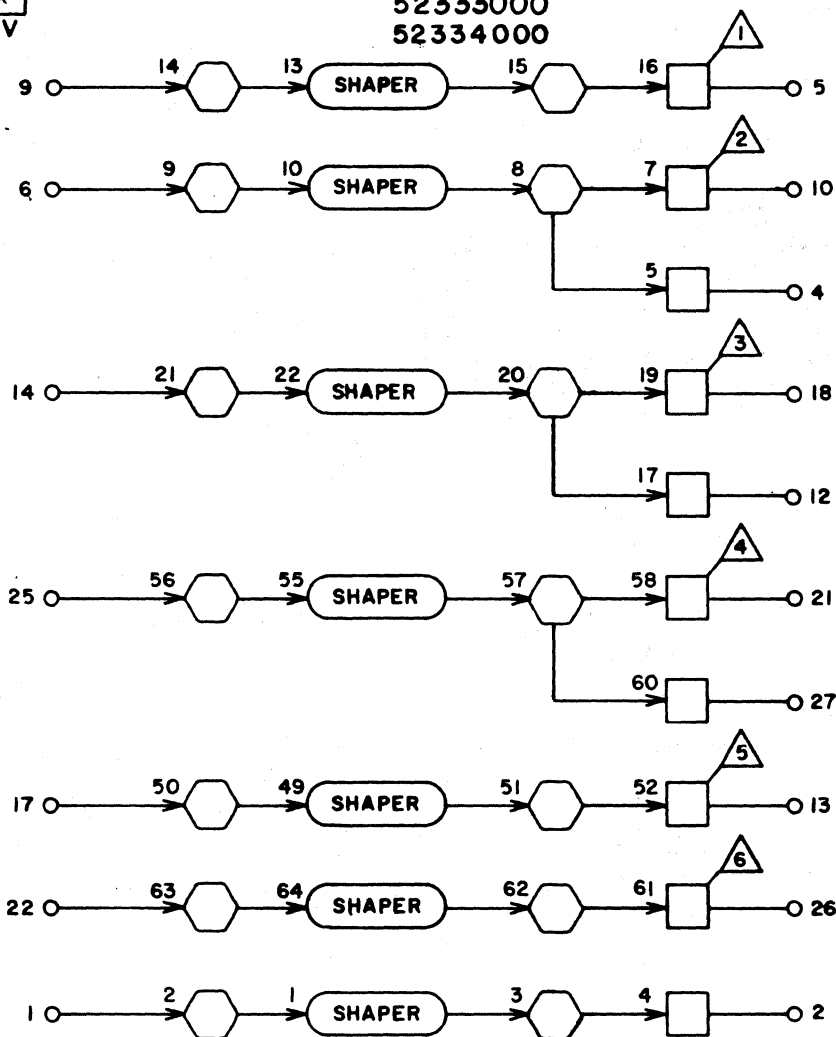
JACK PIN LG  
 SEE CIRCUIT SPECIFICATION  
 11827600  
 60042700 Rev AB

LS52953600

△  
REV

CIRCUIT SPECIFICATION 52000008  
52333000  
52334000

JACK RCE



60042700 Rev AB

PIN JACK PIN LG

|   |  |  |  |
|---|--|--|--|
| 1 |  |  |  |
| 2 |  |  |  |
| 3 |  |  |  |
| 4 |  |  |  |
| 5 |  |  |  |
| 6 |  |  |  |
| 7 |  |  |  |

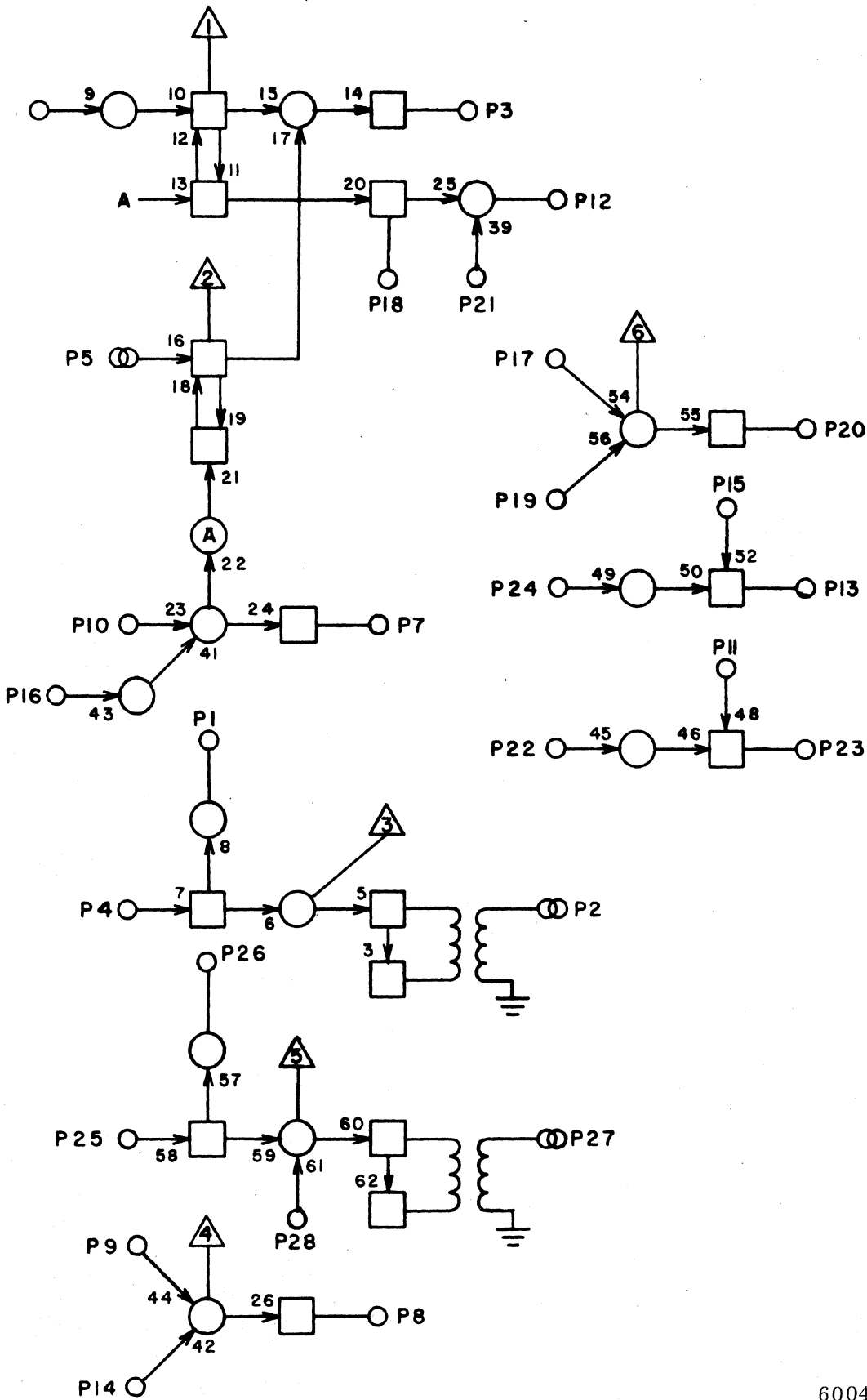
|    |  |  |  |
|----|--|--|--|
| 8  |  |  |  |
| 9  |  |  |  |
| 10 |  |  |  |
| 11 |  |  |  |
| 12 |  |  |  |
| 13 |  |  |  |
| 14 |  |  |  |

|    |  |  |  |
|----|--|--|--|
| 15 |  |  |  |
| 16 |  |  |  |
| 17 |  |  |  |
| 18 |  |  |  |
| 19 |  |  |  |
| 20 |  |  |  |
| 21 |  |  |  |

|    |  |  |  |
|----|--|--|--|
| 22 |  |  |  |
| 23 |  |  |  |
| 24 |  |  |  |
| 25 |  |  |  |
| 26 |  |  |  |
| 27 |  |  |  |
| 28 |  |  |  |

LS 52949000 **A**  
 ASSY REV

RCG



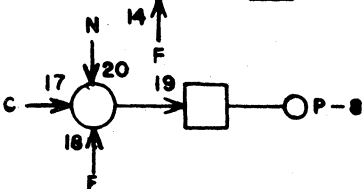
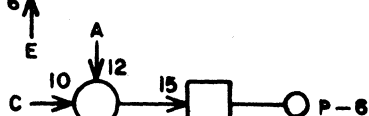
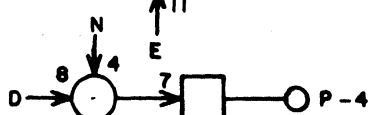
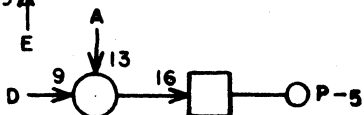
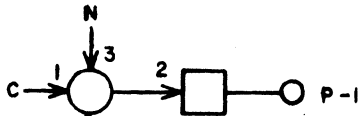
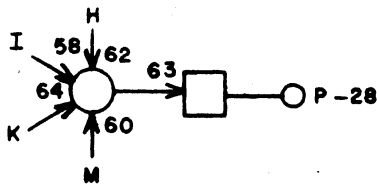
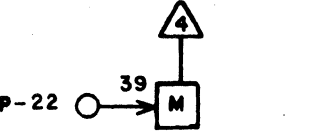
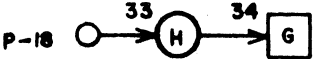
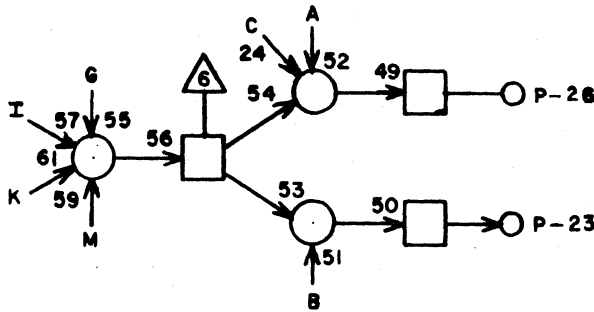
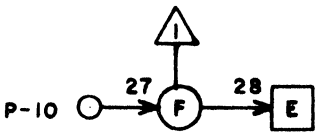
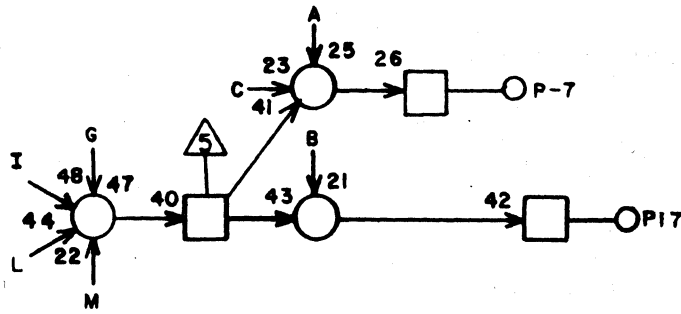
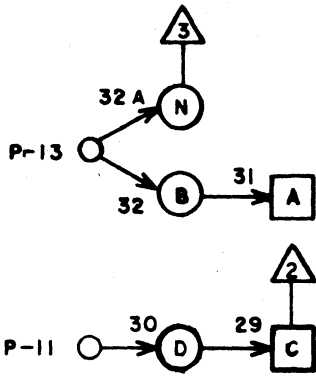
|    |  |  |  |
|----|--|--|--|
| 1  |  |  |  |
| 2  |  |  |  |
| 3  |  |  |  |
| 4  |  |  |  |
| 5  |  |  |  |
| 6  |  |  |  |
| 7  |  |  |  |
| 8  |  |  |  |
| 9  |  |  |  |
| 10 |  |  |  |
| 11 |  |  |  |
| 12 |  |  |  |
| 13 |  |  |  |
| 14 |  |  |  |
| 15 |  |  |  |
| 16 |  |  |  |
| 17 |  |  |  |
| 18 |  |  |  |
| 19 |  |  |  |
| 20 |  |  |  |
| 21 |  |  |  |
| 22 |  |  |  |
| 23 |  |  |  |
| 24 |  |  |  |
| 25 |  |  |  |
| 26 |  |  |  |
| 27 |  |  |  |
| 28 |  |  |  |

JACK PIN LG  
 SEE CIRCUIT SPECIFICATION  
 11827600

52942900  
LS  
ASSY

**B**  
REV

RCH



|    |  |  |  |
|----|--|--|--|
| 1  |  |  |  |
| 2  |  |  |  |
| 3  |  |  |  |
| 4  |  |  |  |
| 5  |  |  |  |
| 6  |  |  |  |
| 7  |  |  |  |
| 8  |  |  |  |
| 9  |  |  |  |
| 10 |  |  |  |
| 11 |  |  |  |
| 12 |  |  |  |
| 13 |  |  |  |
| 14 |  |  |  |
| 15 |  |  |  |
| 16 |  |  |  |
| 17 |  |  |  |
| 18 |  |  |  |
| 19 |  |  |  |
| 20 |  |  |  |
| 21 |  |  |  |
| 22 |  |  |  |
| 23 |  |  |  |
| 24 |  |  |  |
| 25 |  |  |  |
| 26 |  |  |  |
| 27 |  |  |  |
| 28 |  |  |  |

JACK PIN LG  
SEE CIRCUIT SPECIFICATION  
11827600



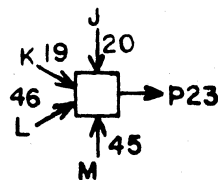
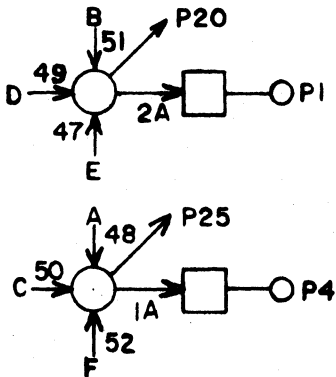
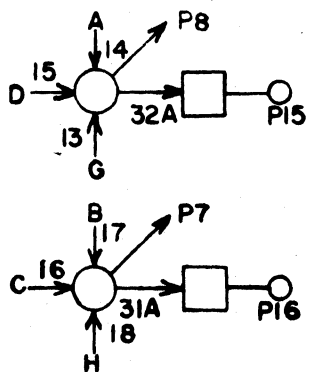
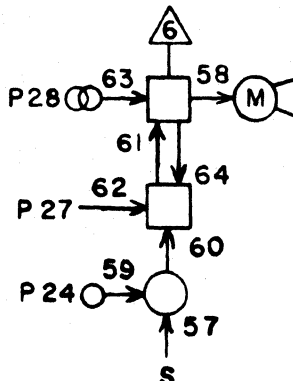
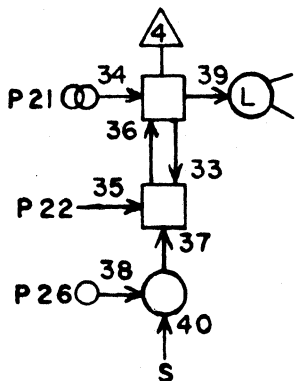
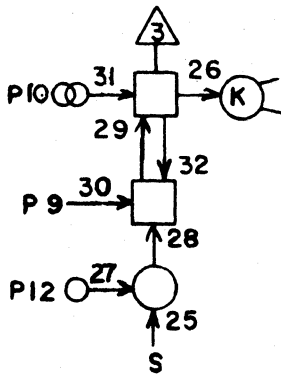
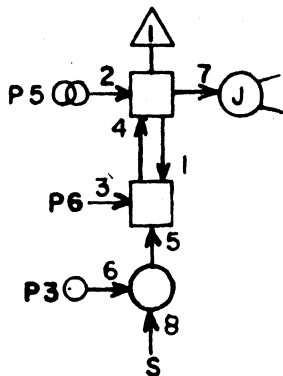
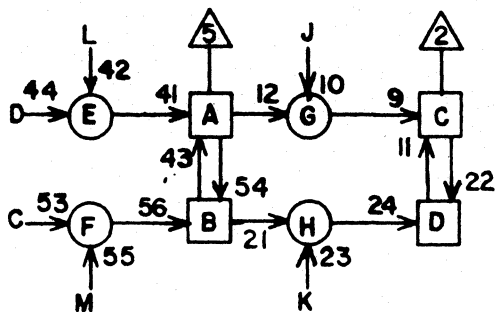
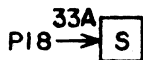
LS52697300

A

ASSY RCJ

REV

RCJ

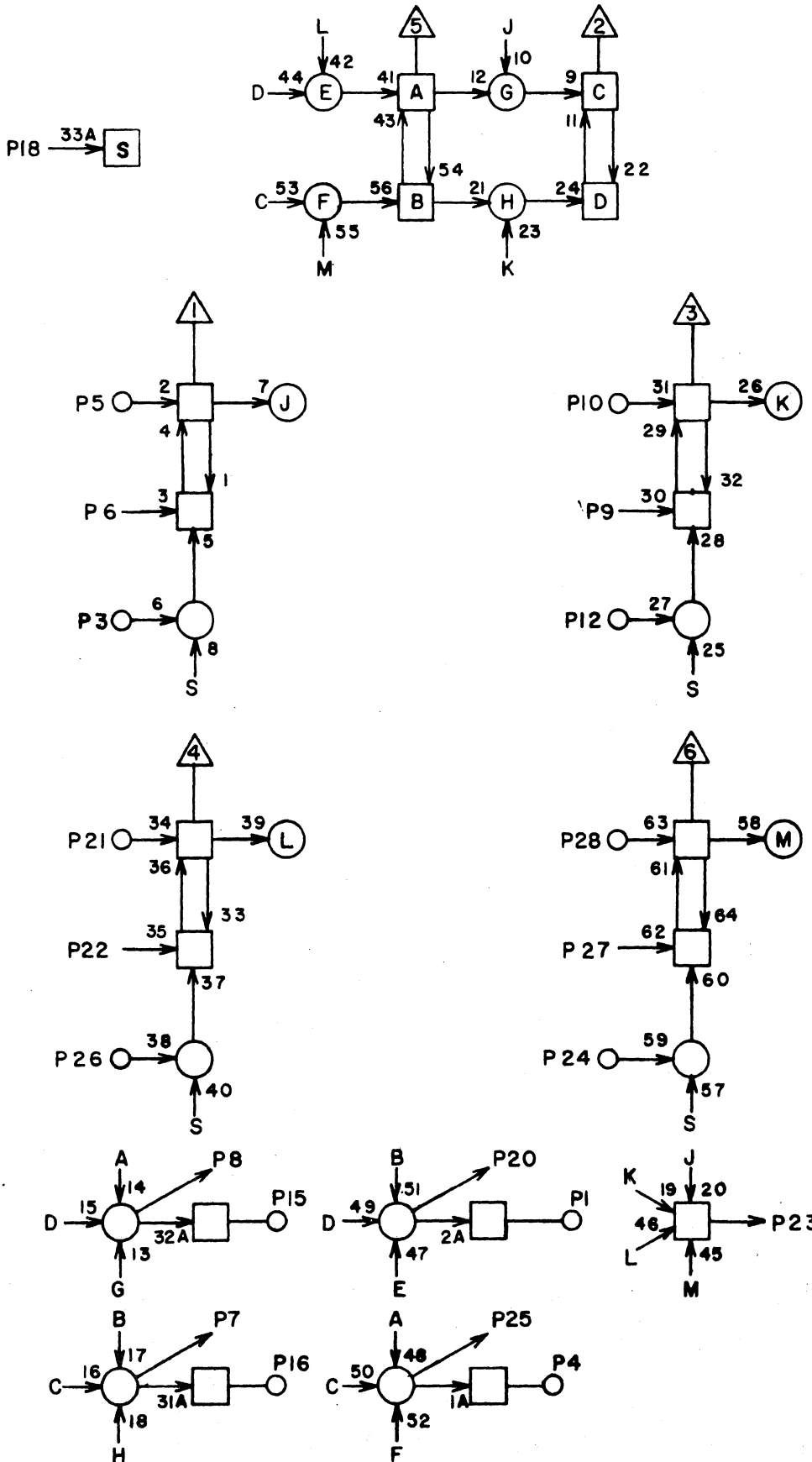


|    |  |  |  |
|----|--|--|--|
| 1  |  |  |  |
| 2  |  |  |  |
| 3  |  |  |  |
| 4  |  |  |  |
| 5  |  |  |  |
| 6  |  |  |  |
| 7  |  |  |  |
| 8  |  |  |  |
| 9  |  |  |  |
| 10 |  |  |  |
| 11 |  |  |  |
| 12 |  |  |  |
| 13 |  |  |  |
| 14 |  |  |  |
| 15 |  |  |  |
| 16 |  |  |  |
| 17 |  |  |  |
| 18 |  |  |  |
| 19 |  |  |  |
| 20 |  |  |  |
| 21 |  |  |  |
| 22 |  |  |  |
| 23 |  |  |  |
| 24 |  |  |  |
| 25 |  |  |  |
| 26 |  |  |  |
| 27 |  |  |  |
| 28 |  |  |  |

JACK PIN LG  
SEE CIRCUIT SPECIFICATION  
11827600

LS 52698400 **A**  
 ASSY REV

RCK



|    |  |  |  |
|----|--|--|--|
| 1  |  |  |  |
| 2  |  |  |  |
| 3  |  |  |  |
| 4  |  |  |  |
| 5  |  |  |  |
| 6  |  |  |  |
| 7  |  |  |  |
| 8  |  |  |  |
| 9  |  |  |  |
| 10 |  |  |  |
| 11 |  |  |  |
| 12 |  |  |  |
| 13 |  |  |  |
| 14 |  |  |  |
| 15 |  |  |  |
| 16 |  |  |  |
| 17 |  |  |  |
| 18 |  |  |  |
| 19 |  |  |  |
| 20 |  |  |  |
| 21 |  |  |  |
| 22 |  |  |  |
| 23 |  |  |  |
| 24 |  |  |  |
| 25 |  |  |  |
| 26 |  |  |  |
| 27 |  |  |  |
| 28 |  |  |  |

JACK PIN LG  
 SEE CIRCUIT SPECIFICATION  
 11827600







LS53054300

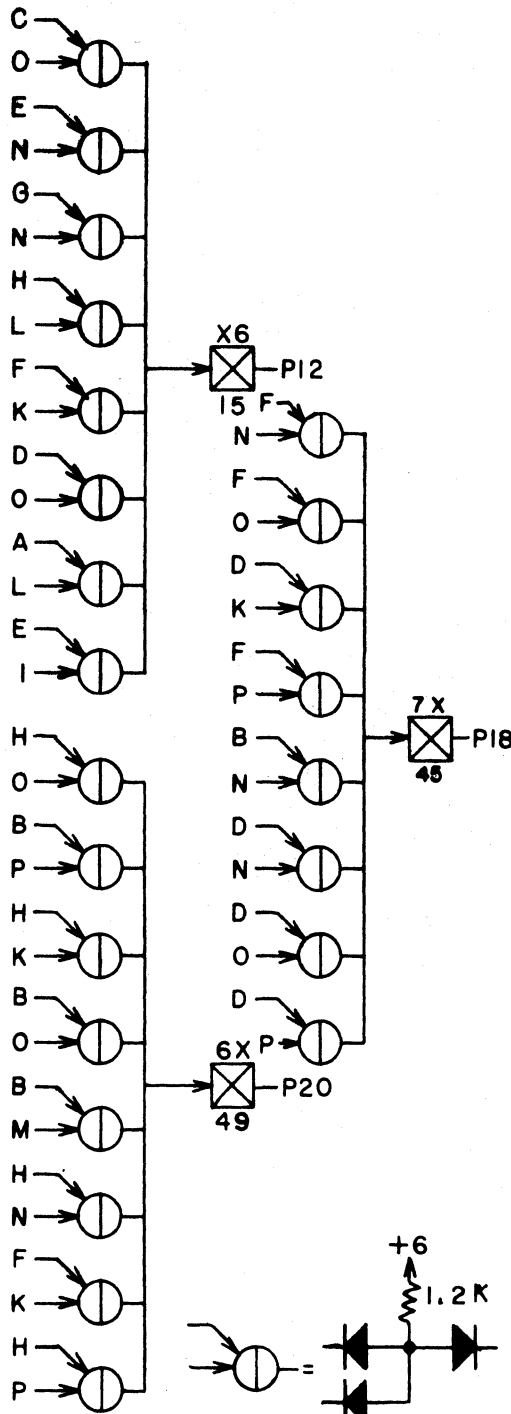
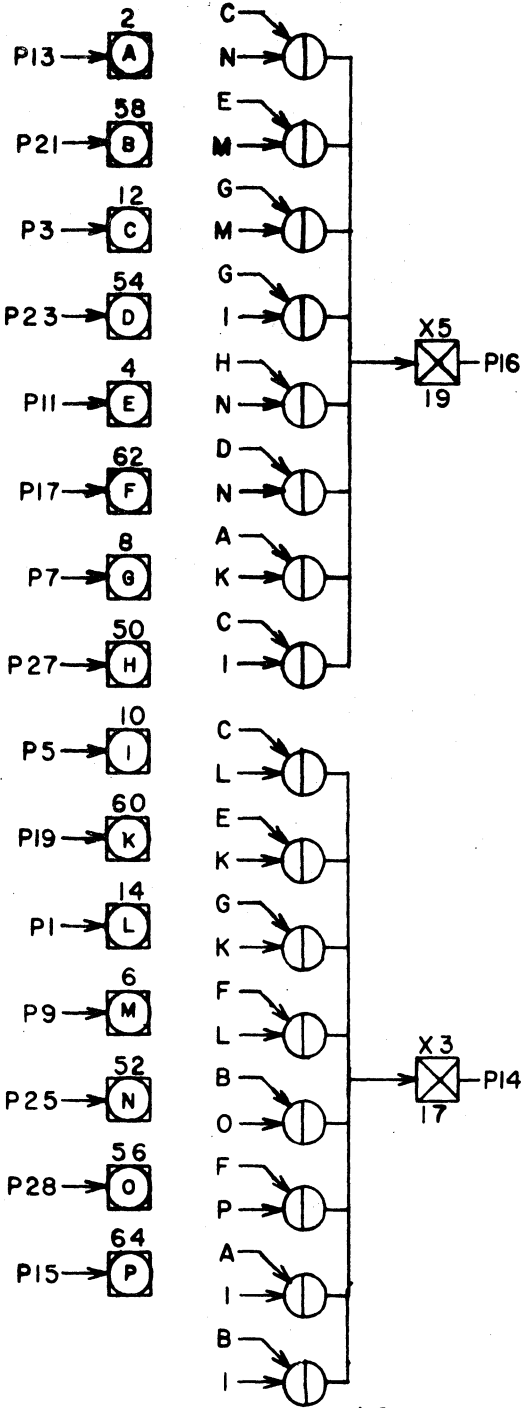
**A**

ASSY

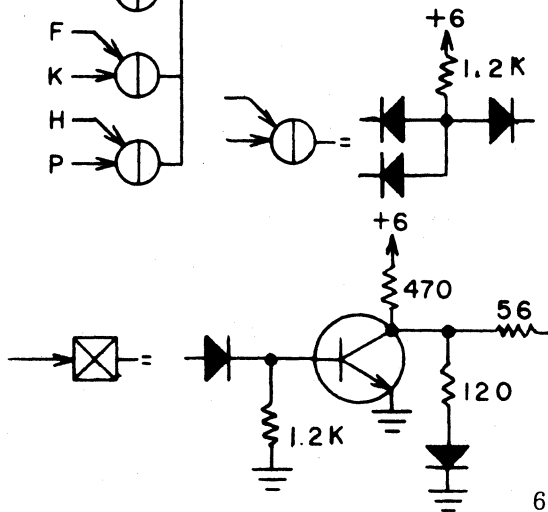
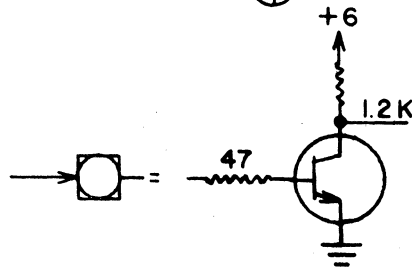
REV

RCN

[ ]



|    |  |  |  |
|----|--|--|--|
| 1  |  |  |  |
| 2  |  |  |  |
| 3  |  |  |  |
| 4  |  |  |  |
| 5  |  |  |  |
| 6  |  |  |  |
| 7  |  |  |  |
| 8  |  |  |  |
| 9  |  |  |  |
| 10 |  |  |  |
| 11 |  |  |  |
| 12 |  |  |  |
| 13 |  |  |  |
| 14 |  |  |  |
| 15 |  |  |  |
| 16 |  |  |  |
| 17 |  |  |  |
| 18 |  |  |  |
| 19 |  |  |  |
| 20 |  |  |  |
| 21 |  |  |  |
| 22 |  |  |  |
| 23 |  |  |  |
| 24 |  |  |  |
| 25 |  |  |  |
| 26 |  |  |  |
| 27 |  |  |  |
| 28 |  |  |  |

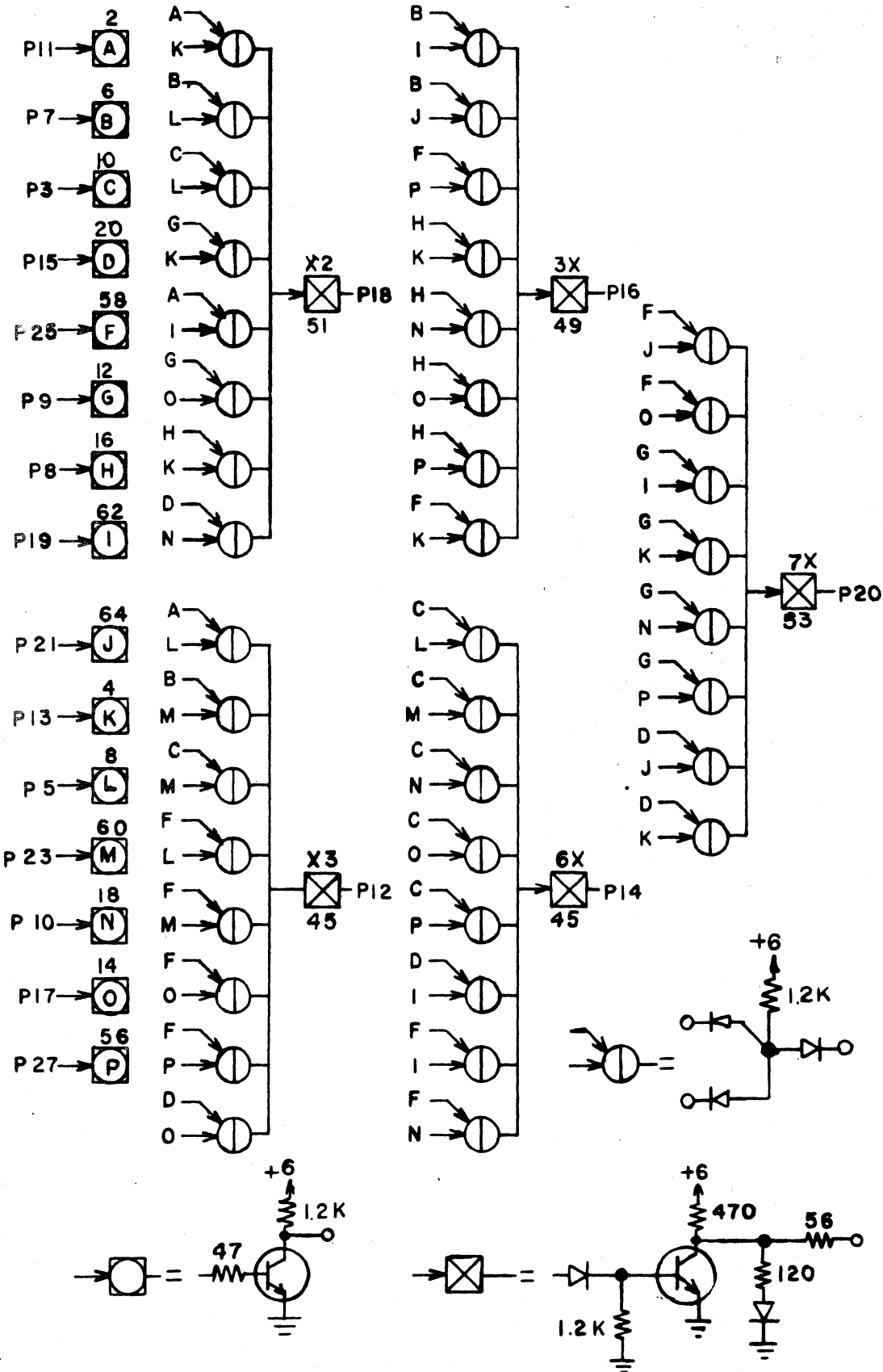


JACK PIN LG  
SEE CIRCUIT SPECIFICATION  
52302100

60042700 Rev AE

LS53054200 **A**  
 ASSY RCO REV

RCO



|    |  |  |
|----|--|--|
| 1  |  |  |
| 2  |  |  |
| 3  |  |  |
| 4  |  |  |
| 5  |  |  |
| 6  |  |  |
| 7  |  |  |
| 8  |  |  |
| 9  |  |  |
| 10 |  |  |
| 11 |  |  |
| 12 |  |  |
| 13 |  |  |
| 14 |  |  |
| 15 |  |  |
| 16 |  |  |
| 17 |  |  |
| 18 |  |  |
| 19 |  |  |
| 20 |  |  |
| 21 |  |  |
| 22 |  |  |
| 23 |  |  |
| 24 |  |  |
| 25 |  |  |
| 26 |  |  |
| 27 |  |  |
| 28 |  |  |

JACK PIN LG  
 SEE CIRCUIT SPECIFICATION  
 52302100

60042700 Rev AE

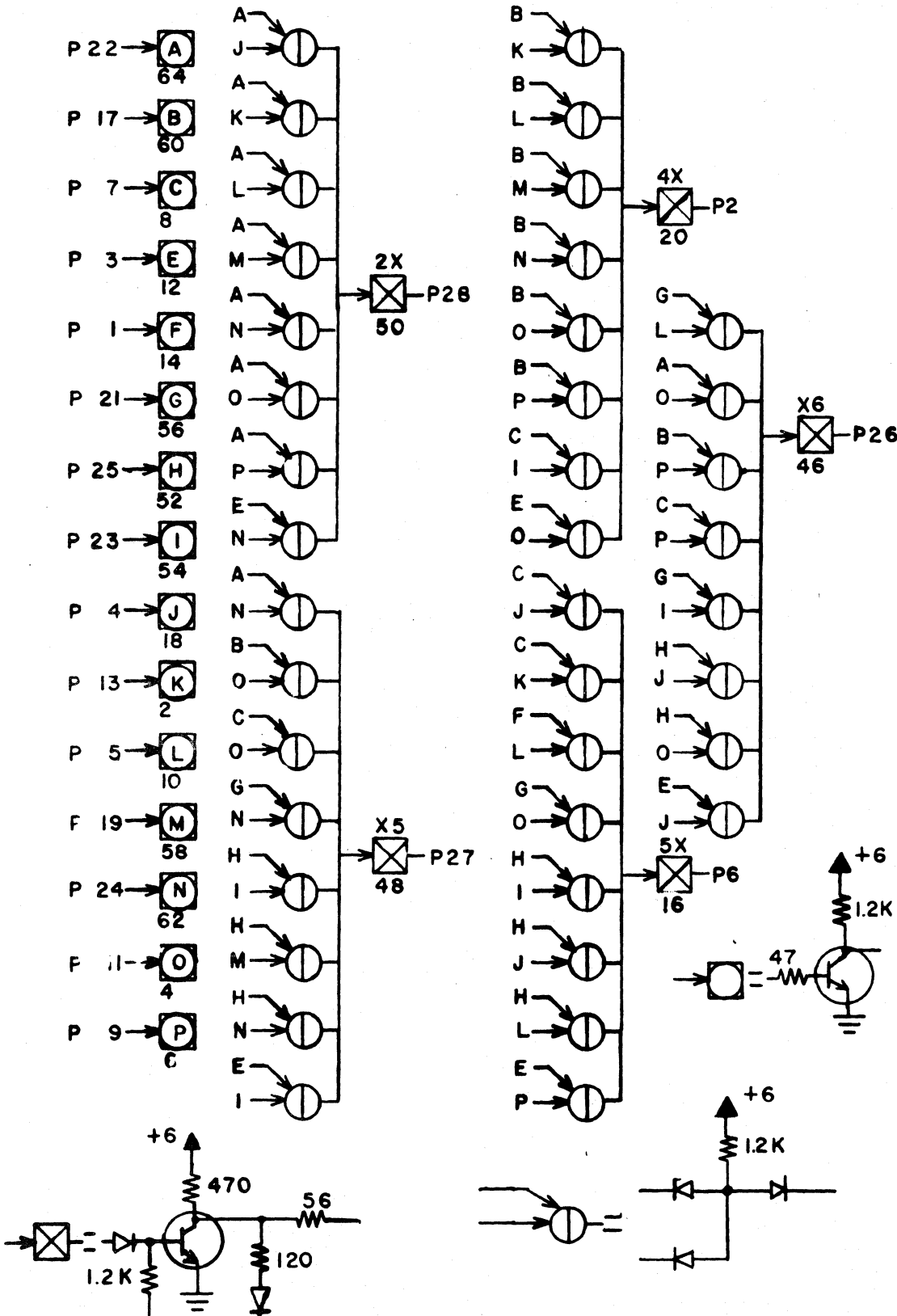




LS53054400  
 ASSY RCP

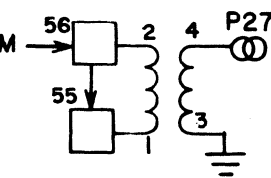
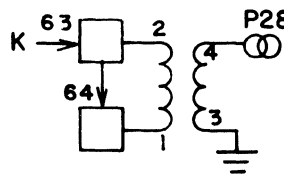
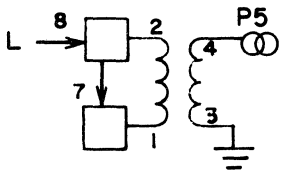
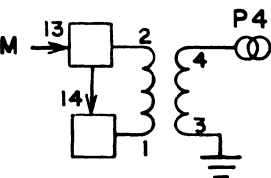
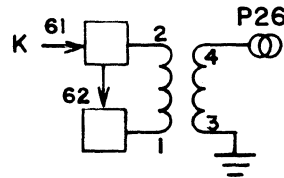
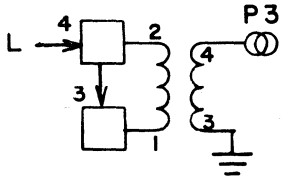
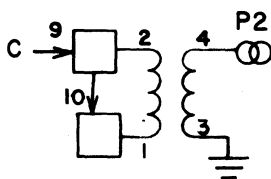
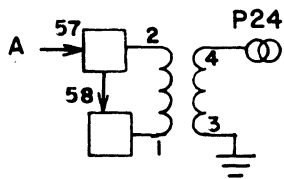
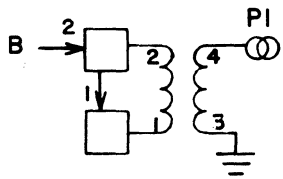
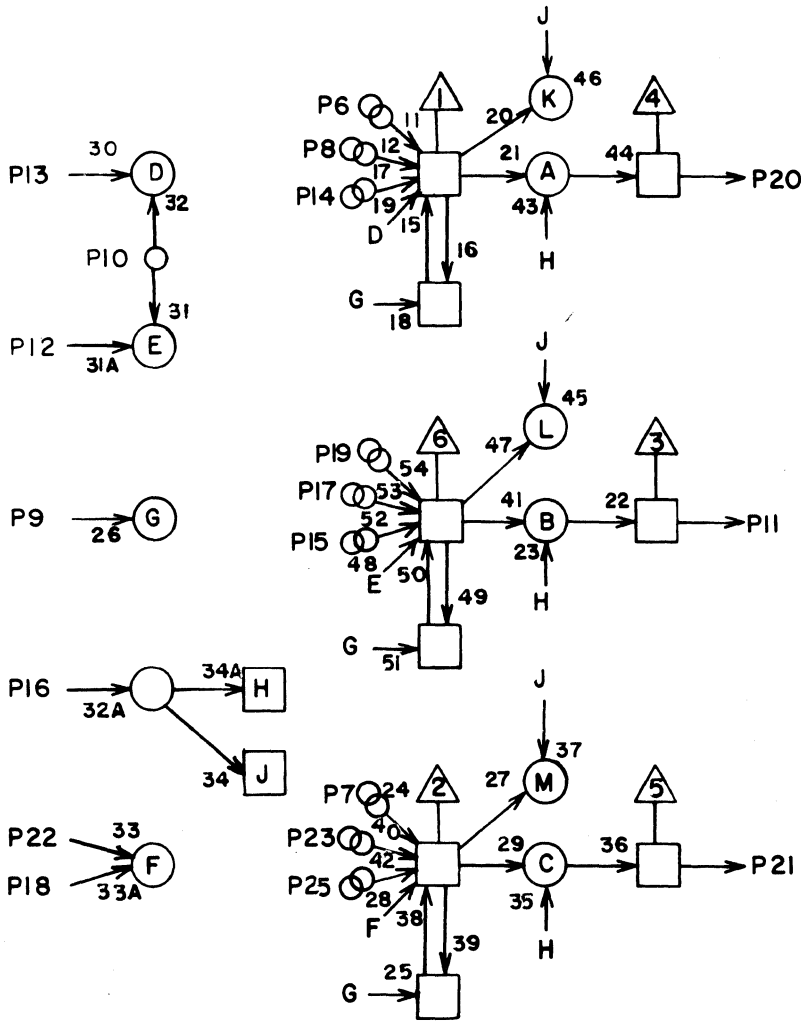
**A**  
 REV

RCP



|    |  |  |  |
|----|--|--|--|
| 1  |  |  |  |
| 2  |  |  |  |
| 3  |  |  |  |
| 4  |  |  |  |
| 5  |  |  |  |
| 6  |  |  |  |
| 7  |  |  |  |
| 8  |  |  |  |
| 9  |  |  |  |
| 10 |  |  |  |
| 11 |  |  |  |
| 12 |  |  |  |
| 13 |  |  |  |
| 14 |  |  |  |
| 15 |  |  |  |
| 16 |  |  |  |
| 17 |  |  |  |
| 18 |  |  |  |
| 19 |  |  |  |
| 20 |  |  |  |
| 21 |  |  |  |
| 22 |  |  |  |
| 23 |  |  |  |
| 24 |  |  |  |
| 25 |  |  |  |
| 26 |  |  |  |
| 27 |  |  |  |
| 28 |  |  |  |

JACK PIN LG  
 SEE CIRCUIT SPECIFICATION  
 52302100  
 60042700 Rev AE



|    |  |  |
|----|--|--|
| 1  |  |  |
| 2  |  |  |
| 3  |  |  |
| 4  |  |  |
| 5  |  |  |
| 6  |  |  |
| 7  |  |  |
| 8  |  |  |
| 9  |  |  |
| 10 |  |  |
| 11 |  |  |
| 12 |  |  |
| 13 |  |  |
| 14 |  |  |
| 15 |  |  |
| 16 |  |  |
| 17 |  |  |
| 18 |  |  |
| 19 |  |  |
| 20 |  |  |
| 21 |  |  |
| 22 |  |  |
| 23 |  |  |
| 24 |  |  |
| 25 |  |  |
| 26 |  |  |
| 27 |  |  |
| 28 |  |  |

JACK PIN LG  
 SEE CIRCUIT SPECIFICATION  
 11827600





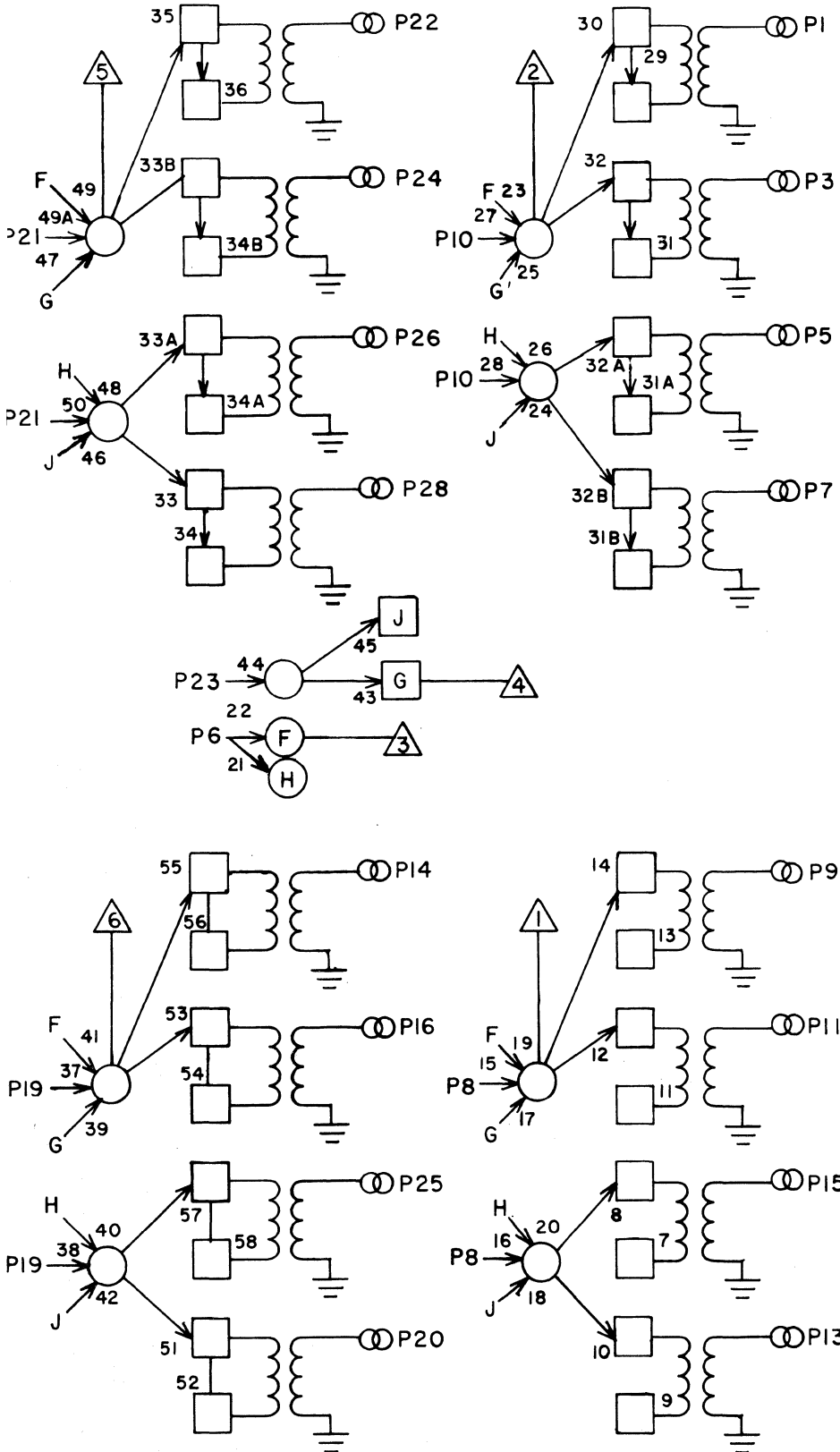
A

LS 52842200 REV

ASSY

RCS

[ ]



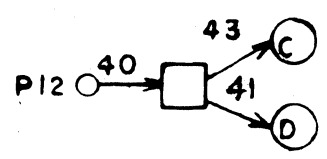
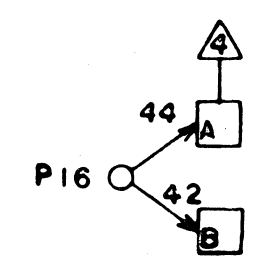
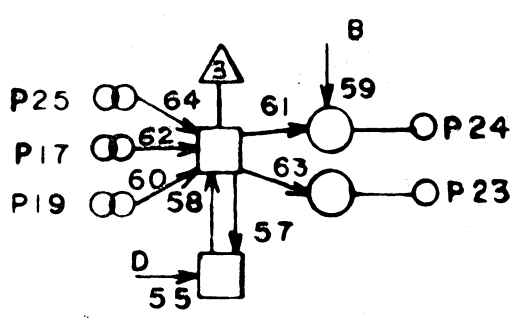
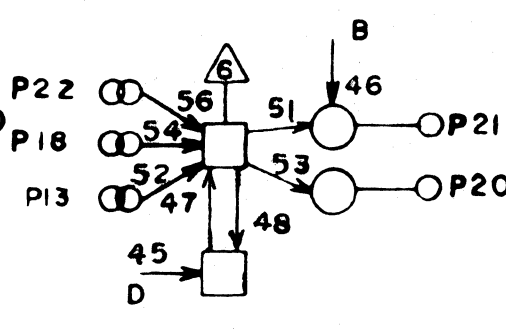
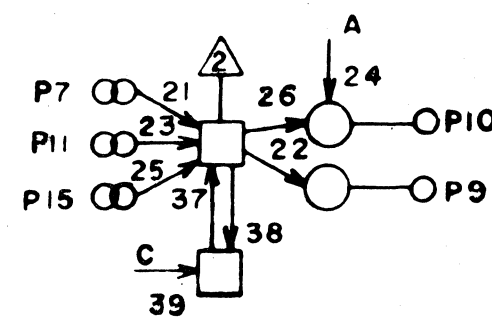
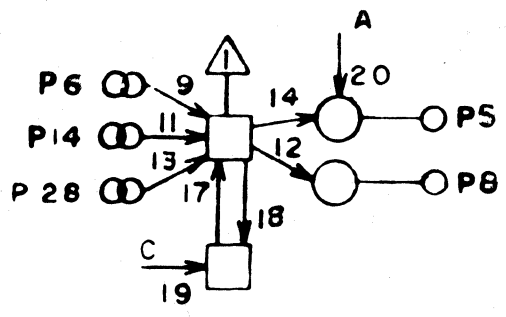
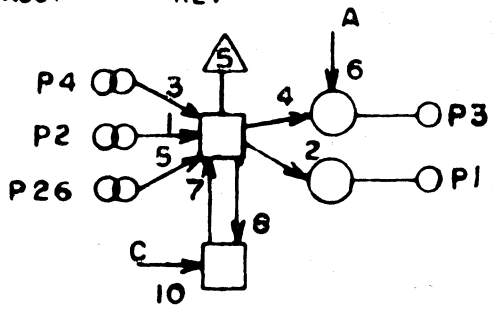
|    |  |  |  |
|----|--|--|--|
| 1  |  |  |  |
| 2  |  |  |  |
| 3  |  |  |  |
| 4  |  |  |  |
| 5  |  |  |  |
| 6  |  |  |  |
| 7  |  |  |  |
| 8  |  |  |  |
| 9  |  |  |  |
| 10 |  |  |  |
| 11 |  |  |  |
| 12 |  |  |  |
| 13 |  |  |  |
| 14 |  |  |  |
| 15 |  |  |  |
| 16 |  |  |  |
| 17 |  |  |  |
| 18 |  |  |  |
| 19 |  |  |  |
| 20 |  |  |  |
| 21 |  |  |  |
| 22 |  |  |  |
| 23 |  |  |  |
| 24 |  |  |  |
| 25 |  |  |  |
| 26 |  |  |  |
| 27 |  |  |  |
| 28 |  |  |  |

JACK PIN LG  
 SEE CIRCUIT SPECIFICATION  
 11827600

60042700 Rev AB

LS52858600 **D**  
 ASSY REV

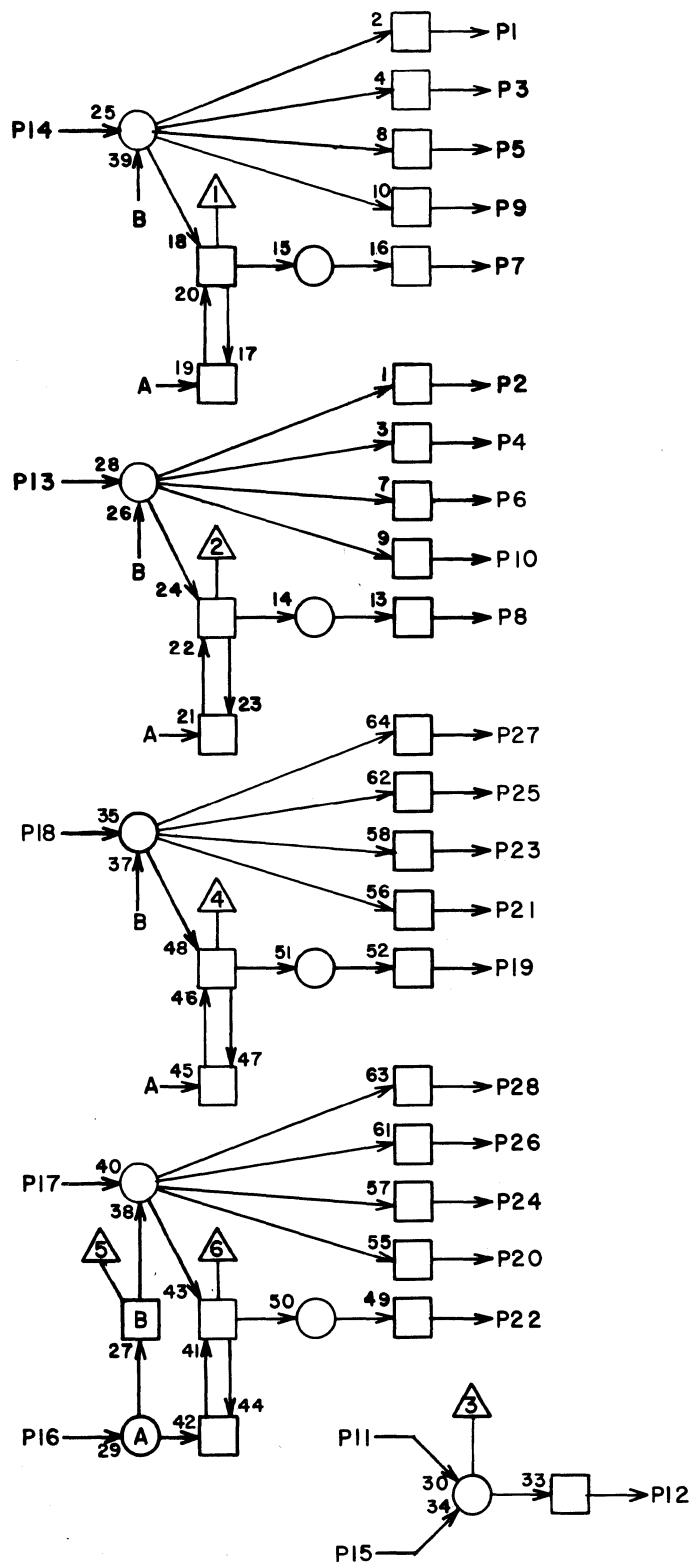
RCT



|    |  |  |  |
|----|--|--|--|
| 1  |  |  |  |
| 2  |  |  |  |
| 3  |  |  |  |
| 4  |  |  |  |
| 5  |  |  |  |
| 6  |  |  |  |
| 7  |  |  |  |
| 8  |  |  |  |
| 9  |  |  |  |
| 10 |  |  |  |
| 11 |  |  |  |
| 12 |  |  |  |
| 13 |  |  |  |
| 14 |  |  |  |
| 15 |  |  |  |
| 16 |  |  |  |
| 17 |  |  |  |
| 18 |  |  |  |
| 19 |  |  |  |
| 20 |  |  |  |
| 21 |  |  |  |
| 22 |  |  |  |
| 23 |  |  |  |
| 24 |  |  |  |
| 25 |  |  |  |
| 26 |  |  |  |
| 27 |  |  |  |
| 28 |  |  |  |

JACK PIN LG  
 SEE CIRCUIT SPECIFICATION  
 11827600

LS52858500 C  
 ASSY REV



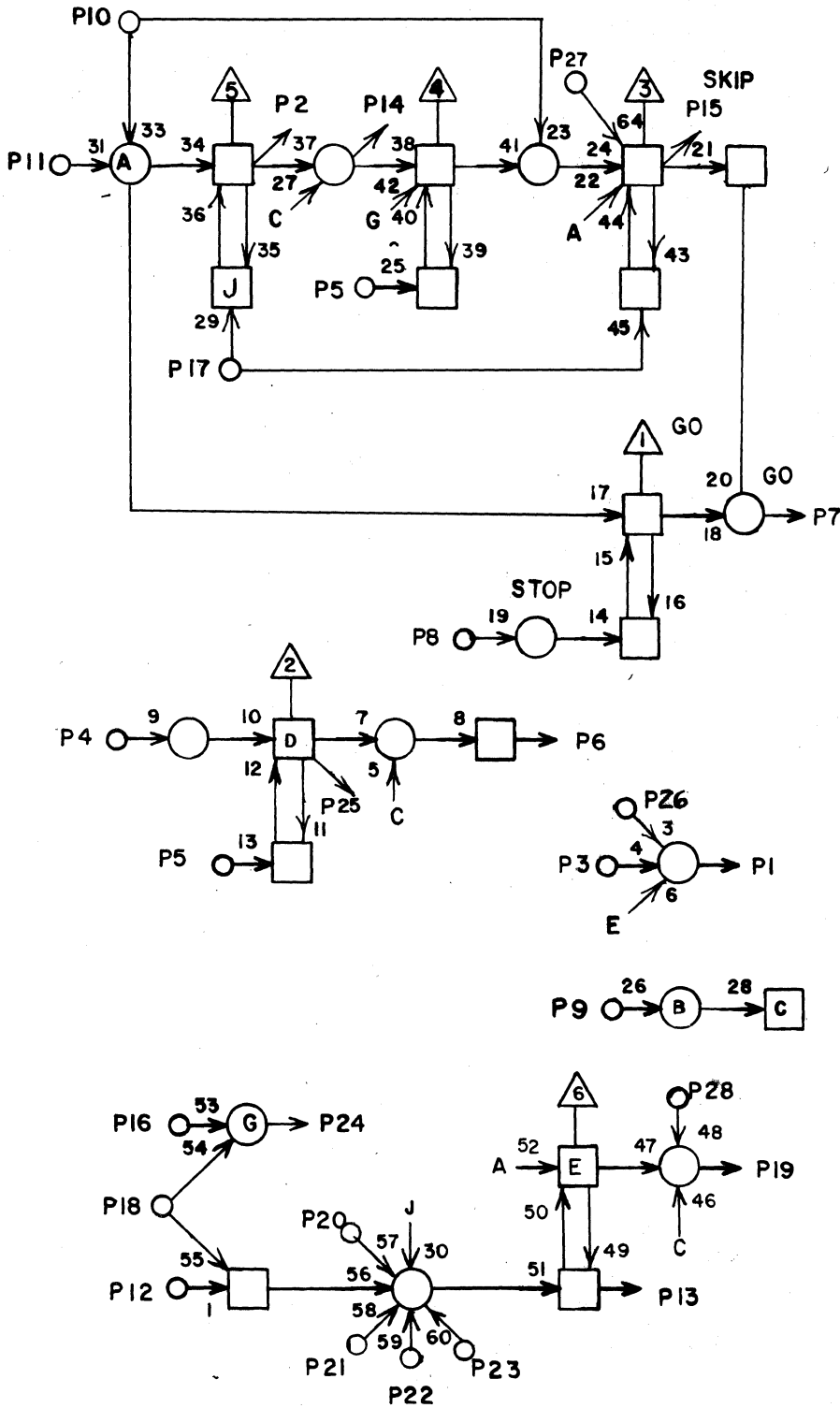
RCU

|    |  |  |  |
|----|--|--|--|
| 1  |  |  |  |
| 2  |  |  |  |
| 3  |  |  |  |
| 4  |  |  |  |
| 5  |  |  |  |
| 6  |  |  |  |
| 7  |  |  |  |
| 8  |  |  |  |
| 9  |  |  |  |
| 10 |  |  |  |
| 11 |  |  |  |
| 12 |  |  |  |
| 13 |  |  |  |
| 14 |  |  |  |
| 15 |  |  |  |
| 16 |  |  |  |
| 17 |  |  |  |
| 18 |  |  |  |
| 19 |  |  |  |
| 20 |  |  |  |
| 21 |  |  |  |
| 22 |  |  |  |
| 23 |  |  |  |
| 24 |  |  |  |
| 25 |  |  |  |
| 26 |  |  |  |
| 27 |  |  |  |
| 28 |  |  |  |

JACK PIN LG  
 SEE CIRCUIT SPECIFICATION  
 11827600

LS 52734700 D  
 ASSY REV

RCV



|    |  |  |
|----|--|--|
| 1  |  |  |
| 2  |  |  |
| 3  |  |  |
| 4  |  |  |
| 5  |  |  |
| 6  |  |  |
| 7  |  |  |
| 8  |  |  |
| 9  |  |  |
| 10 |  |  |
| 11 |  |  |
| 12 |  |  |
| 13 |  |  |
| 14 |  |  |
| 15 |  |  |
| 16 |  |  |
| 17 |  |  |
| 18 |  |  |
| 19 |  |  |
| 20 |  |  |
| 21 |  |  |
| 22 |  |  |
| 23 |  |  |
| 24 |  |  |
| 25 |  |  |
| 26 |  |  |
| 27 |  |  |
| 28 |  |  |

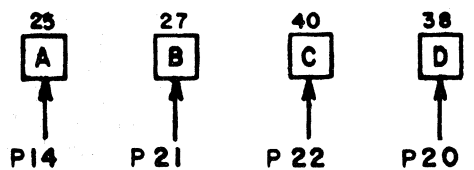
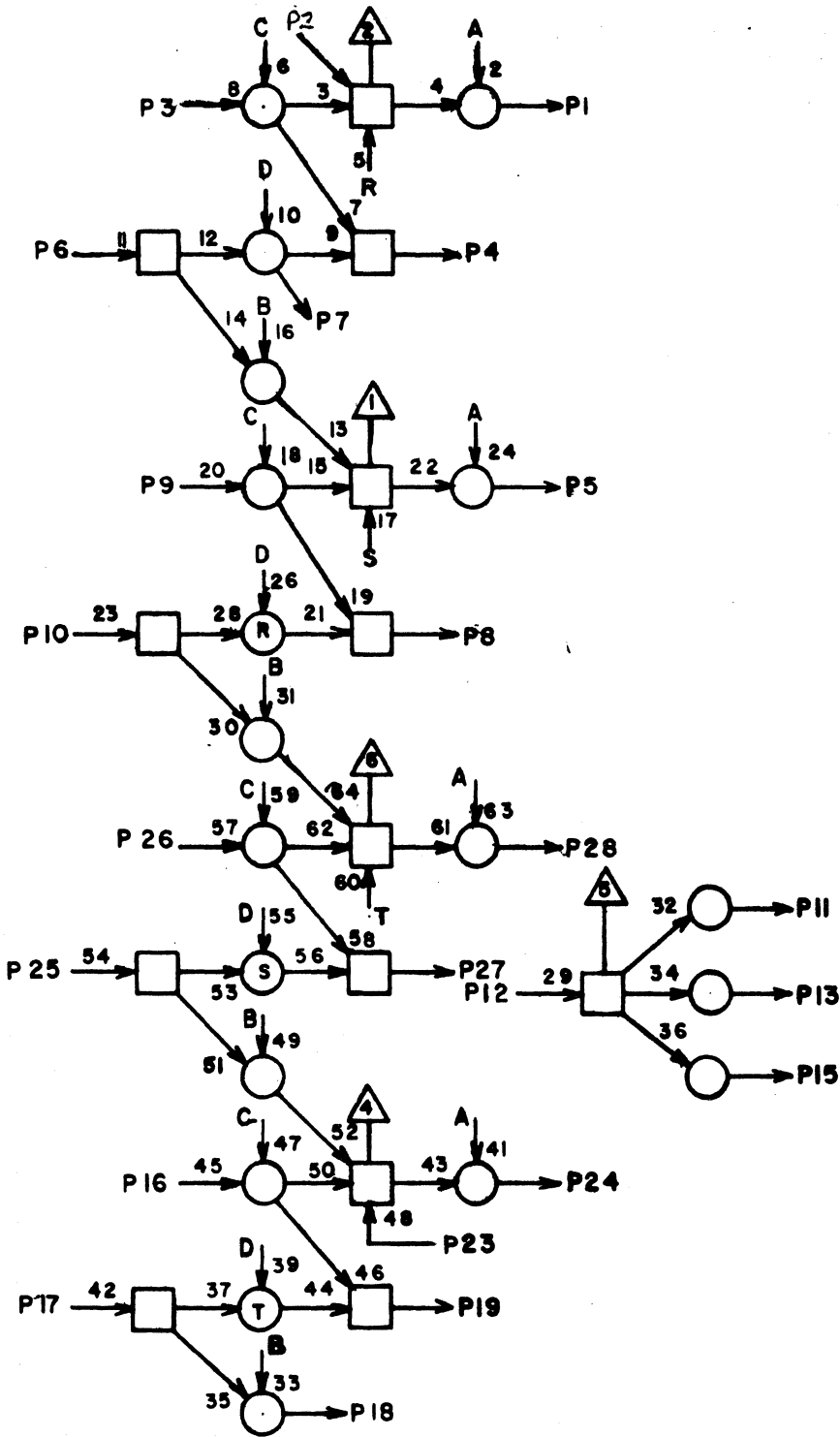
JACK PIN LG  
 SEE CIRCUIT SPECIFICATION  
 11827600  
 60042700 Rev. AY

LS82884400  
ASSY

**B**  
REV

RCW

[ ]



|    |  |  |  |
|----|--|--|--|
| 1  |  |  |  |
| 2  |  |  |  |
| 3  |  |  |  |
| 4  |  |  |  |
| 5  |  |  |  |
| 6  |  |  |  |
| 7  |  |  |  |
| 8  |  |  |  |
| 9  |  |  |  |
| 10 |  |  |  |
| 11 |  |  |  |
| 12 |  |  |  |
| 13 |  |  |  |
| 14 |  |  |  |
| 15 |  |  |  |
| 16 |  |  |  |
| 17 |  |  |  |
| 18 |  |  |  |
| 19 |  |  |  |
| 20 |  |  |  |
| 21 |  |  |  |
| 22 |  |  |  |
| 23 |  |  |  |
| 24 |  |  |  |
| 25 |  |  |  |
| 26 |  |  |  |
| 27 |  |  |  |
| 28 |  |  |  |

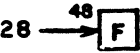
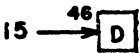
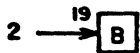
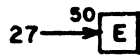
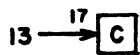
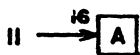
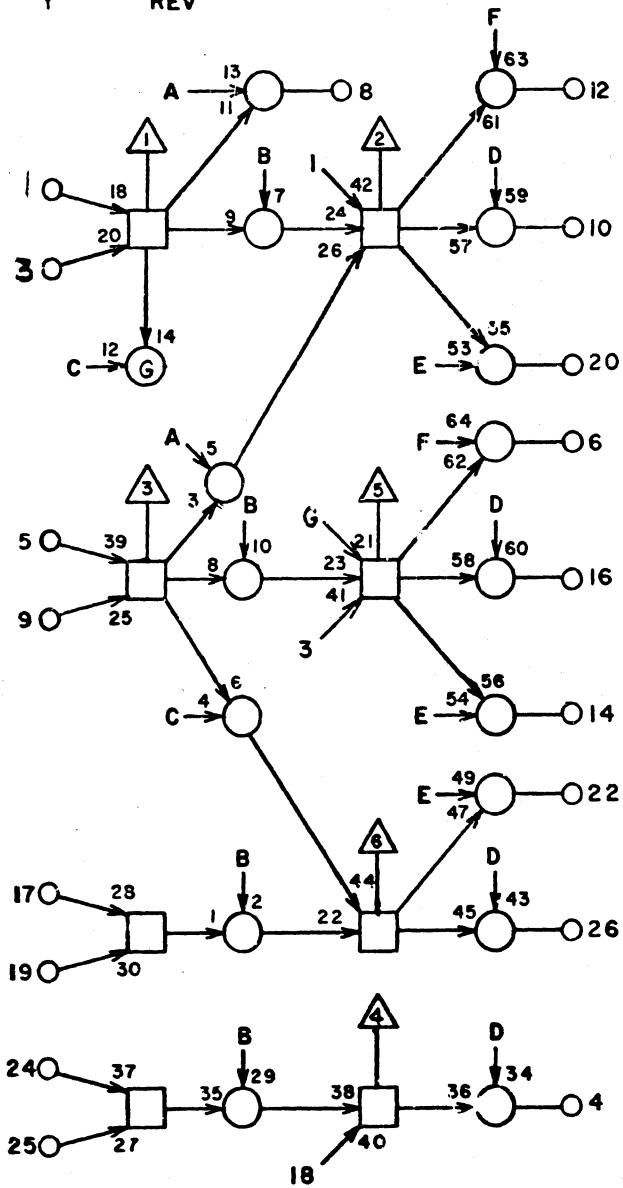
JACK PIN LG  
SEE CIRCUIT SPECIFICATION  
11827600  
60042700 Rev AF

2884500

A

Y REV

RCX



|    |  |  |  |
|----|--|--|--|
| 1  |  |  |  |
| 2  |  |  |  |
| 3  |  |  |  |
| 4  |  |  |  |
| 5  |  |  |  |
| 6  |  |  |  |
| 7  |  |  |  |
| 8  |  |  |  |
| 9  |  |  |  |
| 10 |  |  |  |
| 11 |  |  |  |
| 12 |  |  |  |
| 13 |  |  |  |
| 14 |  |  |  |
| 15 |  |  |  |
| 16 |  |  |  |
| 17 |  |  |  |
| 18 |  |  |  |
| 19 |  |  |  |
| 20 |  |  |  |
| 21 |  |  |  |
| 22 |  |  |  |
| 23 |  |  |  |
| 24 |  |  |  |
| 25 |  |  |  |
| 26 |  |  |  |
| 27 |  |  |  |
| 28 |  |  |  |

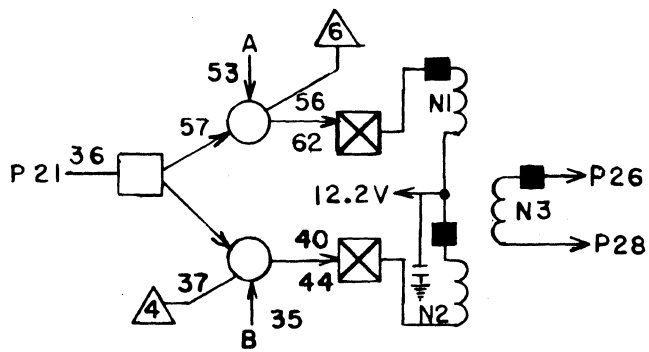
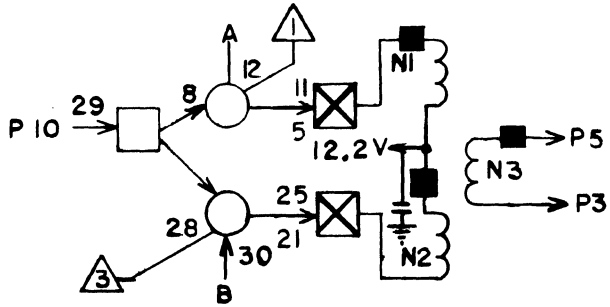
JACK PIN LG  
SEE CIRCUIT SPECIFICATION  
11827600

60042700 Rev AJ

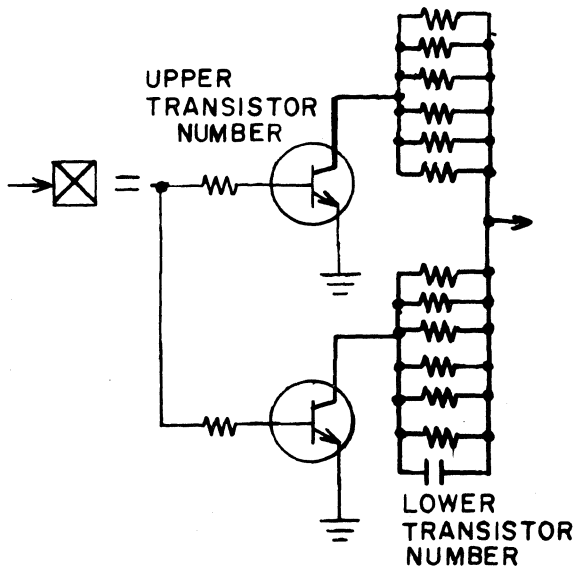
LS 52884000  
ASSY

C  
REV

RCZ



+12 PIN 27 4  
+ 6 PIN 30 1



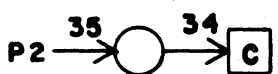
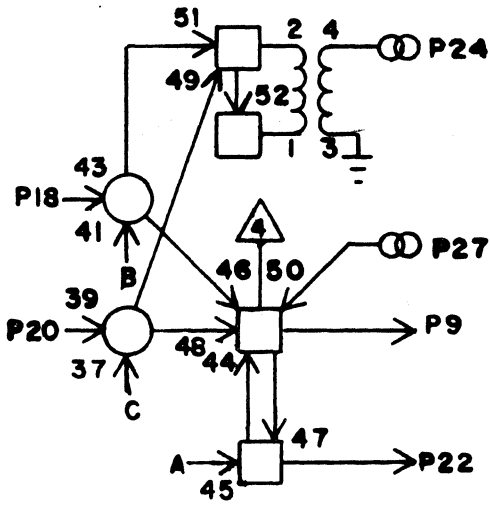
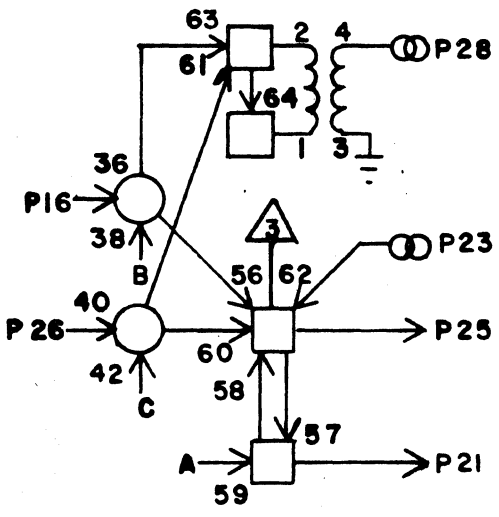
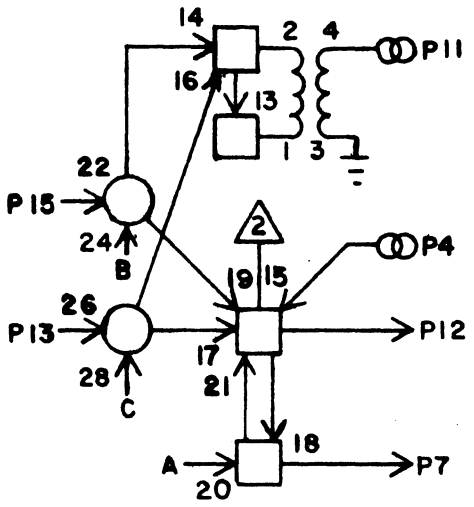
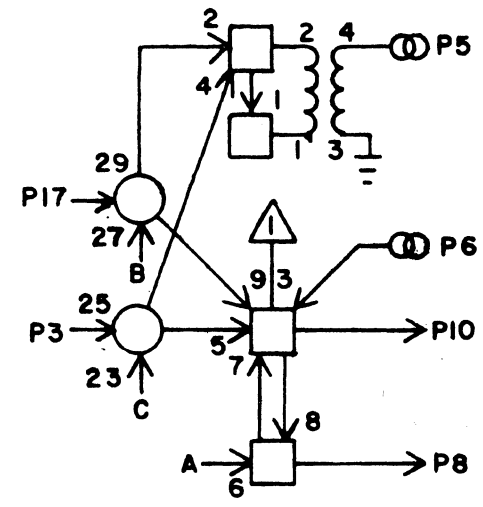
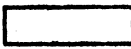
P20 → 33 → A  
P12 → 31 → B

|    |  |  |
|----|--|--|
| 1  |  |  |
| 2  |  |  |
| 3  |  |  |
| 4  |  |  |
| 5  |  |  |
| 6  |  |  |
| 7  |  |  |
| 8  |  |  |
| 9  |  |  |
| 10 |  |  |
| 11 |  |  |
| 12 |  |  |
| 13 |  |  |
| 14 |  |  |
| 15 |  |  |
| 16 |  |  |
| 17 |  |  |
| 18 |  |  |
| 19 |  |  |
| 20 |  |  |
| 21 |  |  |
| 22 |  |  |
| 23 |  |  |
| 24 |  |  |
| 25 |  |  |
| 26 |  |  |
| 27 |  |  |
| 28 |  |  |

JACK PIN LG  
SEE CIRCUIT SPECIFICATION  
11827600







|    |  |  |  |
|----|--|--|--|
| 1  |  |  |  |
| 2  |  |  |  |
| 3  |  |  |  |
| 4  |  |  |  |
| 5  |  |  |  |
| 6  |  |  |  |
| 7  |  |  |  |
| 8  |  |  |  |
| 9  |  |  |  |
| 10 |  |  |  |
| 11 |  |  |  |
| 12 |  |  |  |
| 13 |  |  |  |
| 14 |  |  |  |
| 15 |  |  |  |
| 16 |  |  |  |
| 17 |  |  |  |
| 18 |  |  |  |
| 19 |  |  |  |
| 20 |  |  |  |
| 21 |  |  |  |
| 22 |  |  |  |
| 23 |  |  |  |
| 24 |  |  |  |
| 25 |  |  |  |
| 26 |  |  |  |
| 27 |  |  |  |
| 28 |  |  |  |

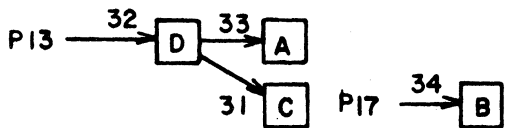
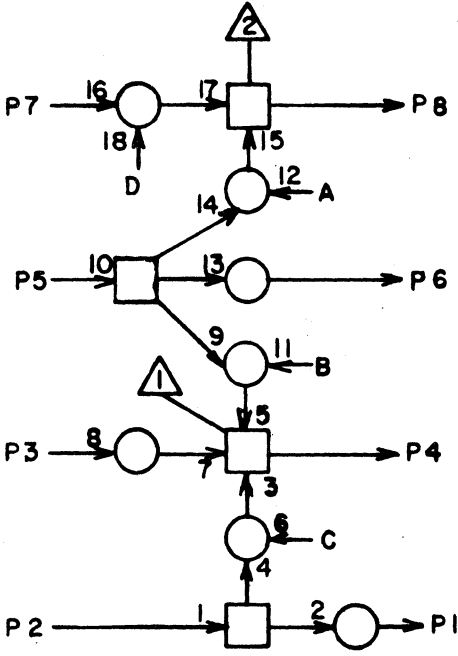
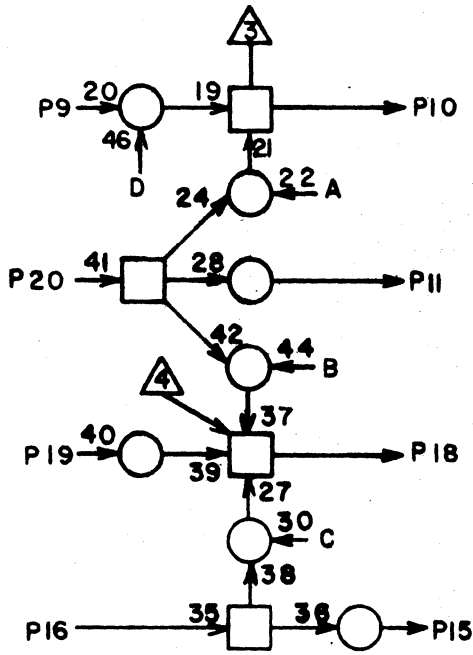
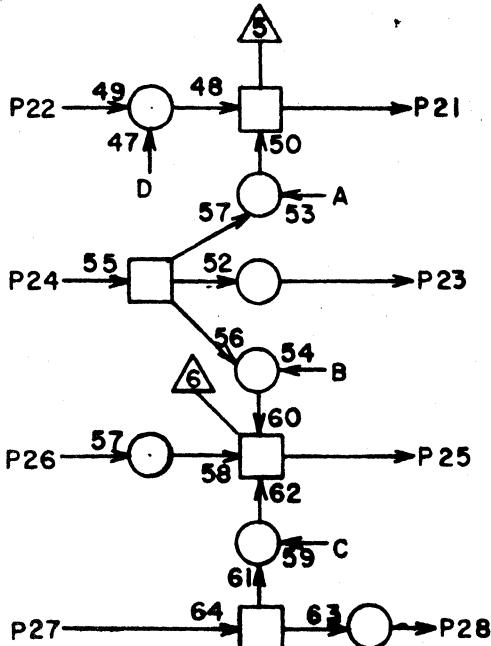
JACK PIN LG  
 SEE CIRCUIT SPECIFICATION  
 11827600  
 60042700 Rev AE

LS52956700

A

ASSY REV

RDD



|    |  |  |  |
|----|--|--|--|
| 1  |  |  |  |
| 2  |  |  |  |
| 3  |  |  |  |
| 4  |  |  |  |
| 5  |  |  |  |
| 6  |  |  |  |
| 7  |  |  |  |
| 8  |  |  |  |
| 9  |  |  |  |
| 10 |  |  |  |
| 11 |  |  |  |
| 12 |  |  |  |
| 13 |  |  |  |
| 14 |  |  |  |
| 15 |  |  |  |
| 16 |  |  |  |
| 17 |  |  |  |
| 18 |  |  |  |
| 19 |  |  |  |
| 20 |  |  |  |
| 21 |  |  |  |
| 22 |  |  |  |
| 23 |  |  |  |
| 24 |  |  |  |
| 25 |  |  |  |
| 26 |  |  |  |
| 27 |  |  |  |
| 28 |  |  |  |

JACK PIN LG  
 SEE CIRCUIT SPECIFICATION  
 11827600  
 6004270 Rev AE









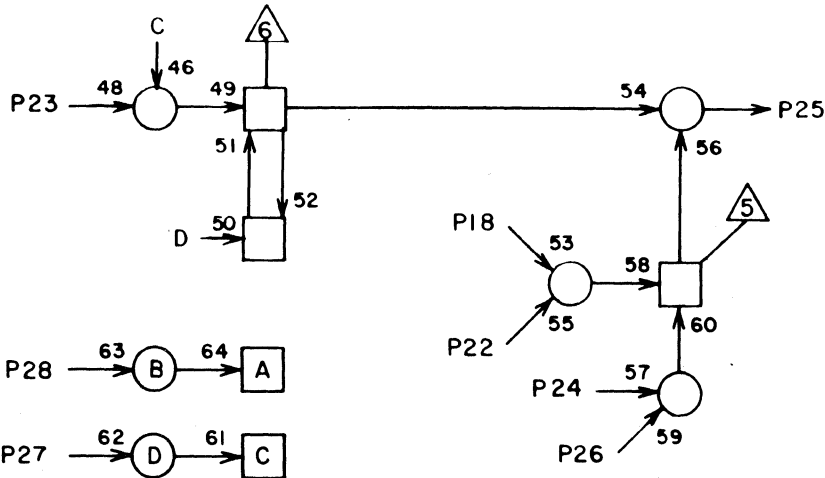
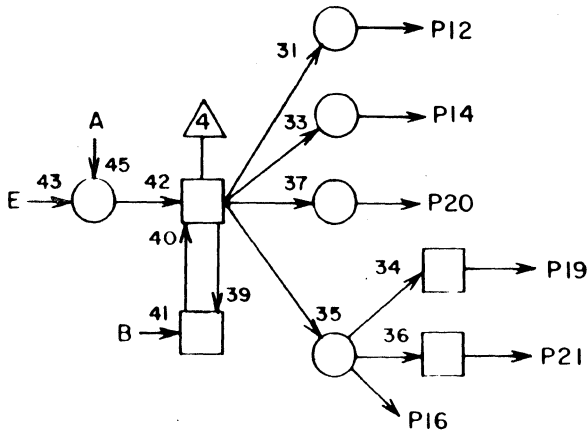
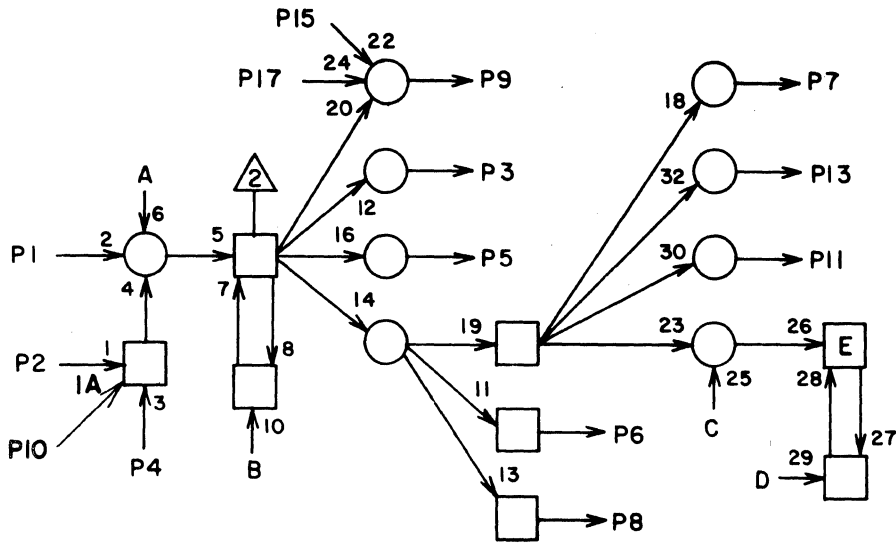
LS 53042600

A

ASSY

REV

RDM



|    |  |  |  |
|----|--|--|--|
| 1  |  |  |  |
| 2  |  |  |  |
| 3  |  |  |  |
| 4  |  |  |  |
| 5  |  |  |  |
| 6  |  |  |  |
| 7  |  |  |  |
| 8  |  |  |  |
| 9  |  |  |  |
| 10 |  |  |  |
| 11 |  |  |  |
| 12 |  |  |  |
| 13 |  |  |  |
| 14 |  |  |  |
| 15 |  |  |  |
| 16 |  |  |  |
| 17 |  |  |  |
| 18 |  |  |  |
| 19 |  |  |  |
| 20 |  |  |  |
| 21 |  |  |  |
| 22 |  |  |  |
| 23 |  |  |  |
| 24 |  |  |  |
| 25 |  |  |  |
| 26 |  |  |  |
| 27 |  |  |  |
| 28 |  |  |  |

JACK PIN LG

CIRCUIT SPECIFICATION

11827600

60042700 Rev AE



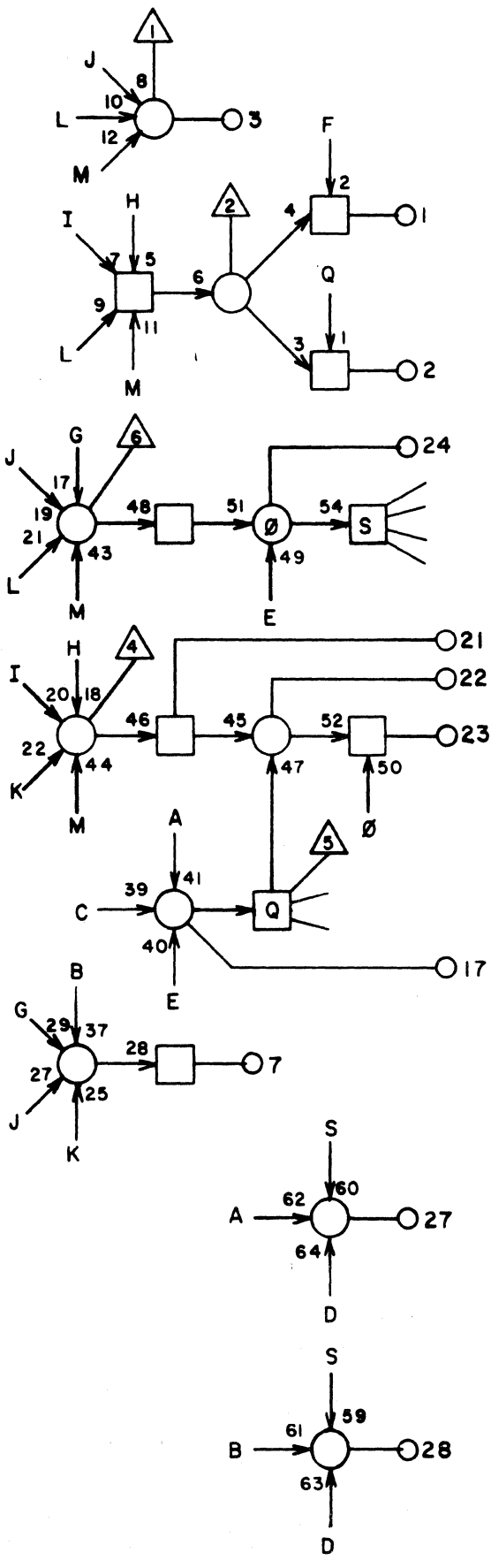
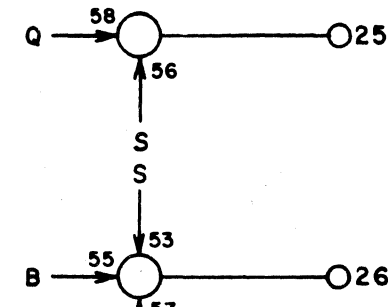
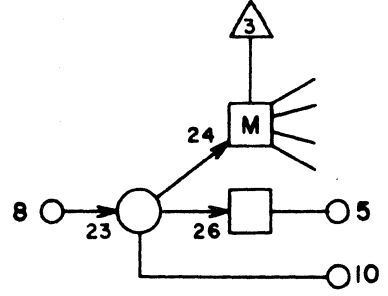
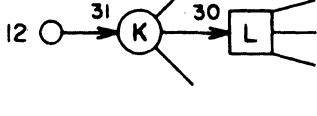
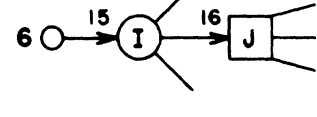
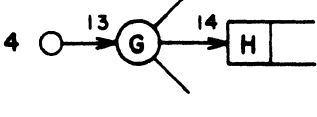
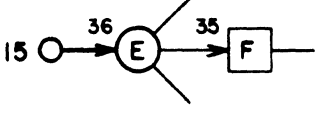
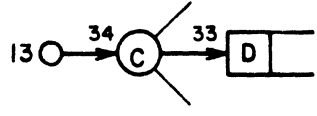
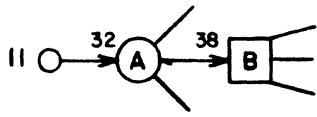


LS 53063000  
ASSY

**A**  
REV

RDQ

[ ]

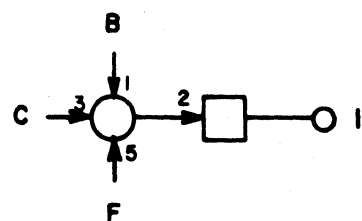
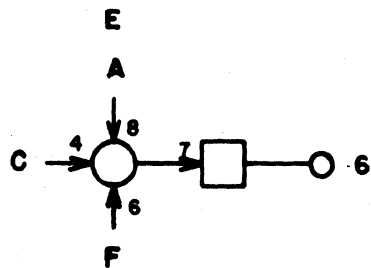
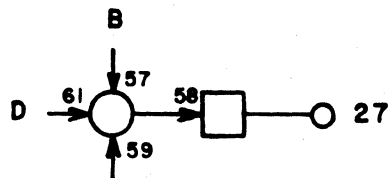
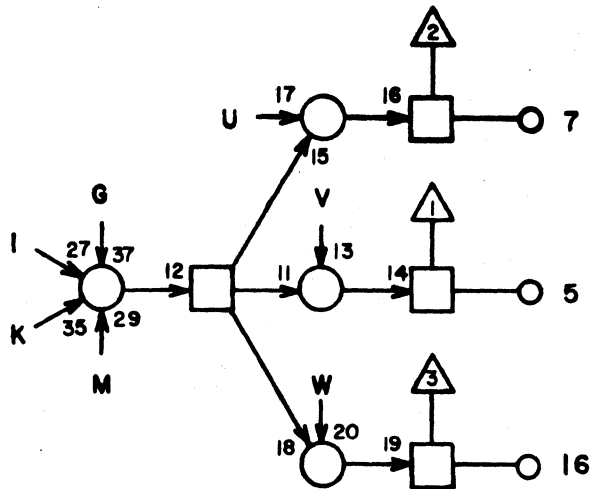
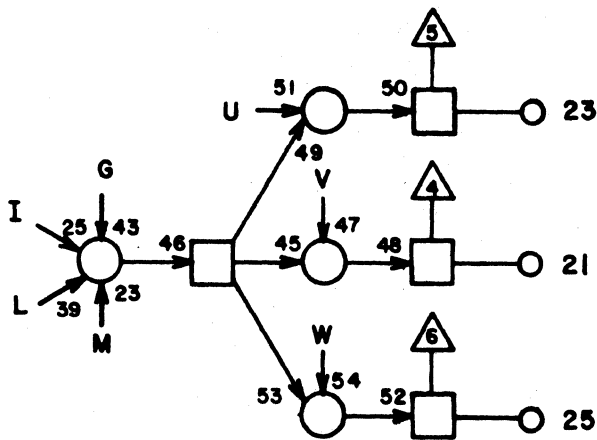
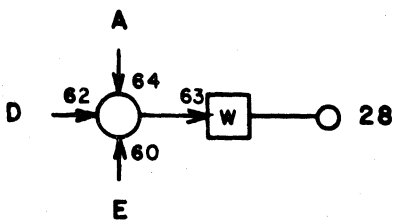
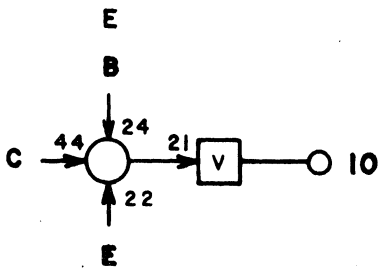
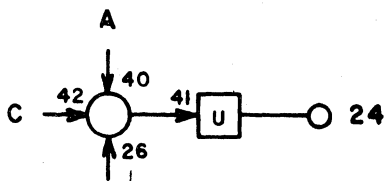
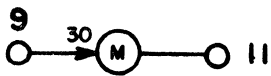
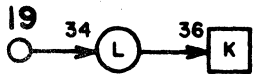
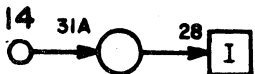
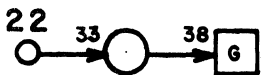
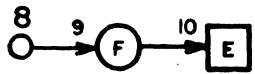
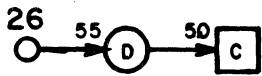
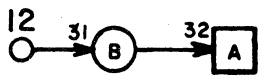


|    |  |  |  |
|----|--|--|--|
| 1  |  |  |  |
| 2  |  |  |  |
| 3  |  |  |  |
| 4  |  |  |  |
| 5  |  |  |  |
| 6  |  |  |  |
| 7  |  |  |  |
| 8  |  |  |  |
| 9  |  |  |  |
| 10 |  |  |  |
| 11 |  |  |  |
| 12 |  |  |  |
| 13 |  |  |  |
| 14 |  |  |  |
| 15 |  |  |  |
| 16 |  |  |  |
| 17 |  |  |  |
| 18 |  |  |  |
| 19 |  |  |  |
| 20 |  |  |  |
| 21 |  |  |  |
| 22 |  |  |  |
| 23 |  |  |  |
| 24 |  |  |  |
| 25 |  |  |  |
| 26 |  |  |  |
| 27 |  |  |  |
| 28 |  |  |  |

JACK PIN LG  
SEE CIRCUIT SPECIFICATION  
11827600  
60042700 Rev AE

LS 53063100  
ASSY

**A**  
REV



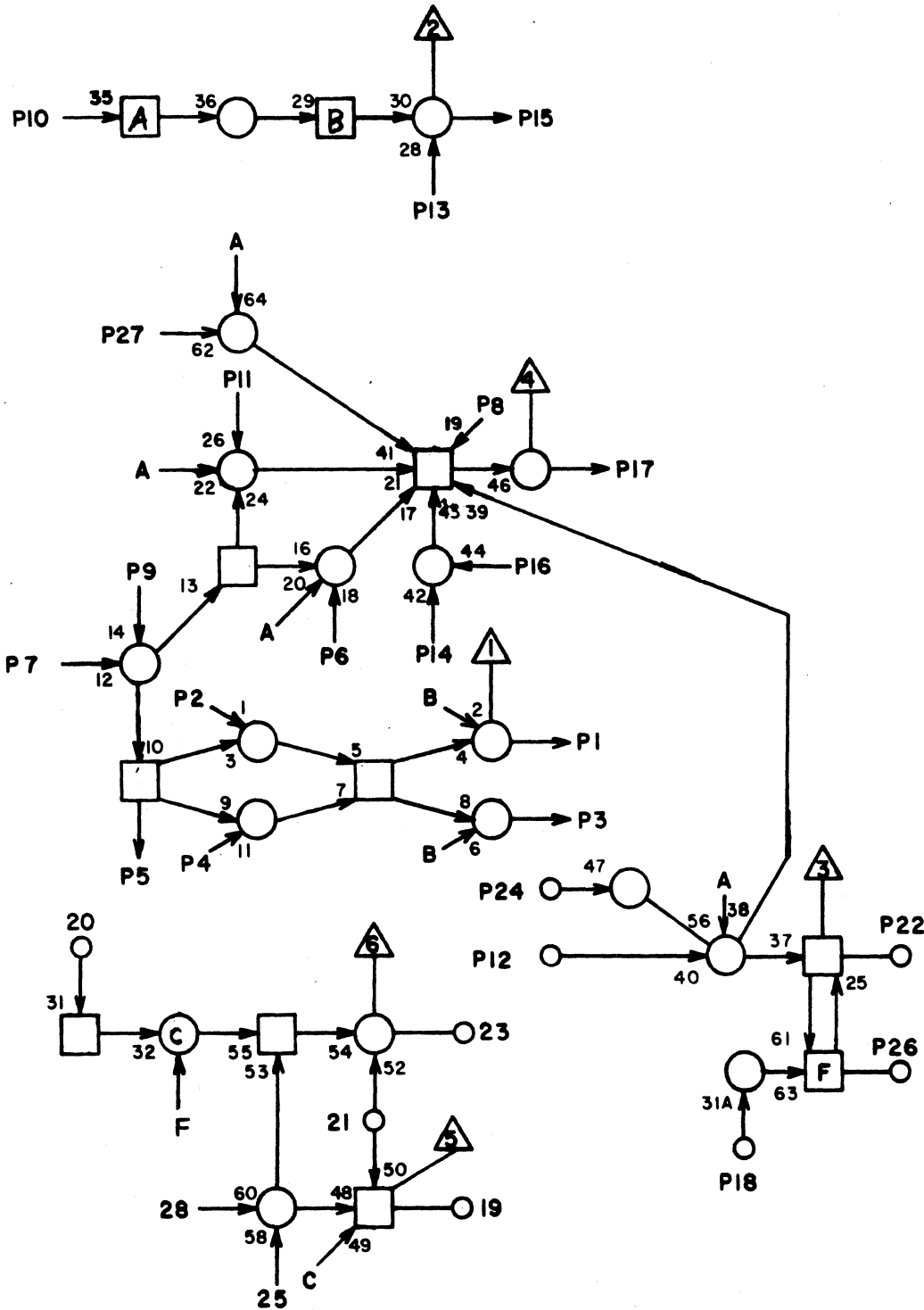
RDR

|    |  |  |  |
|----|--|--|--|
| 1  |  |  |  |
| 2  |  |  |  |
| 3  |  |  |  |
| 4  |  |  |  |
| 5  |  |  |  |
| 6  |  |  |  |
| 7  |  |  |  |
| 8  |  |  |  |
| 9  |  |  |  |
| 10 |  |  |  |
| 11 |  |  |  |
| 12 |  |  |  |
| 13 |  |  |  |
| 14 |  |  |  |
| 15 |  |  |  |
| 16 |  |  |  |
| 17 |  |  |  |
| 18 |  |  |  |
| 19 |  |  |  |
| 20 |  |  |  |
| 21 |  |  |  |
| 22 |  |  |  |
| 23 |  |  |  |
| 24 |  |  |  |
| 25 |  |  |  |
| 26 |  |  |  |
| 27 |  |  |  |
| 28 |  |  |  |

JACK PIN LG  
SEE CIRCUIT SPECIFICATION  
11827600  
60042700 Rev AE

LS 53064800 **B**  
 ASSY REV

RDS



|    |  |  |  |
|----|--|--|--|
| 1  |  |  |  |
| 2  |  |  |  |
| 3  |  |  |  |
| 4  |  |  |  |
| 5  |  |  |  |
| 6  |  |  |  |
| 7  |  |  |  |
| 8  |  |  |  |
| 9  |  |  |  |
| 10 |  |  |  |
| 11 |  |  |  |
| 12 |  |  |  |
| 13 |  |  |  |
| 14 |  |  |  |
| 15 |  |  |  |
| 16 |  |  |  |
| 17 |  |  |  |
| 18 |  |  |  |
| 19 |  |  |  |
| 20 |  |  |  |
| 21 |  |  |  |
| 22 |  |  |  |
| 23 |  |  |  |
| 24 |  |  |  |
| 25 |  |  |  |
| 26 |  |  |  |
| 27 |  |  |  |
| 28 |  |  |  |

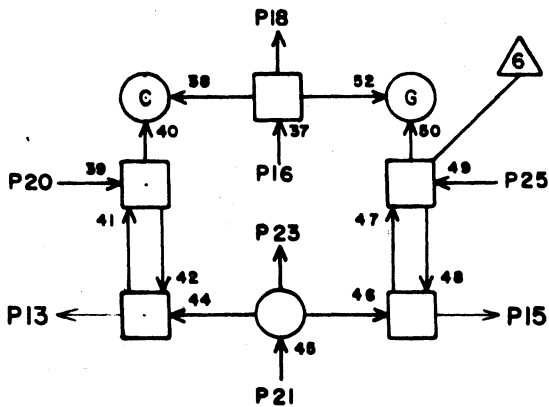
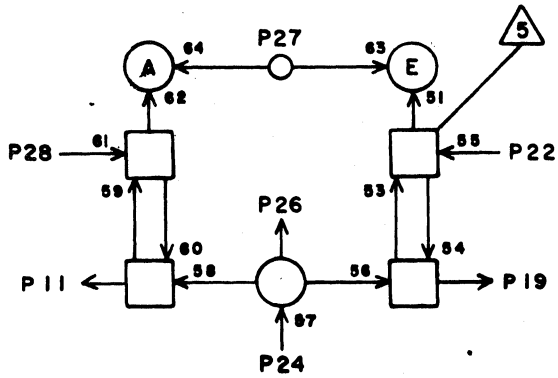
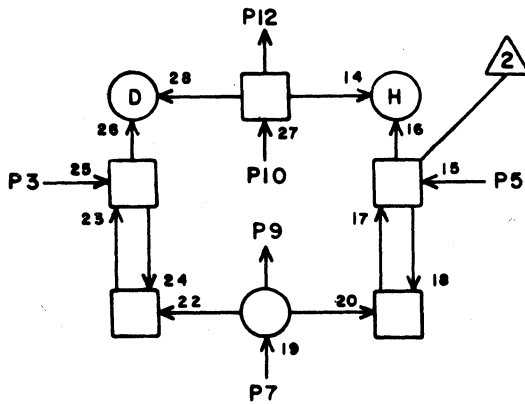
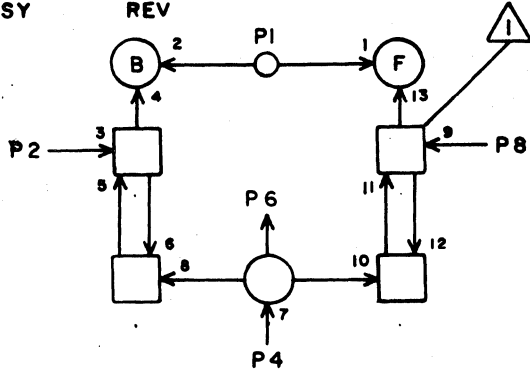
JACK PIN LG

SEE CIRCUIT SPECIFICATION  
 11827600

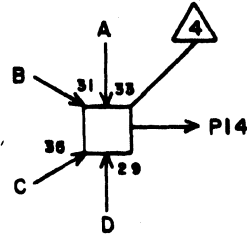
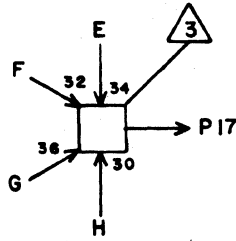
60042700 Rev AF

LS 53065000  
ASSY

REV



RDT

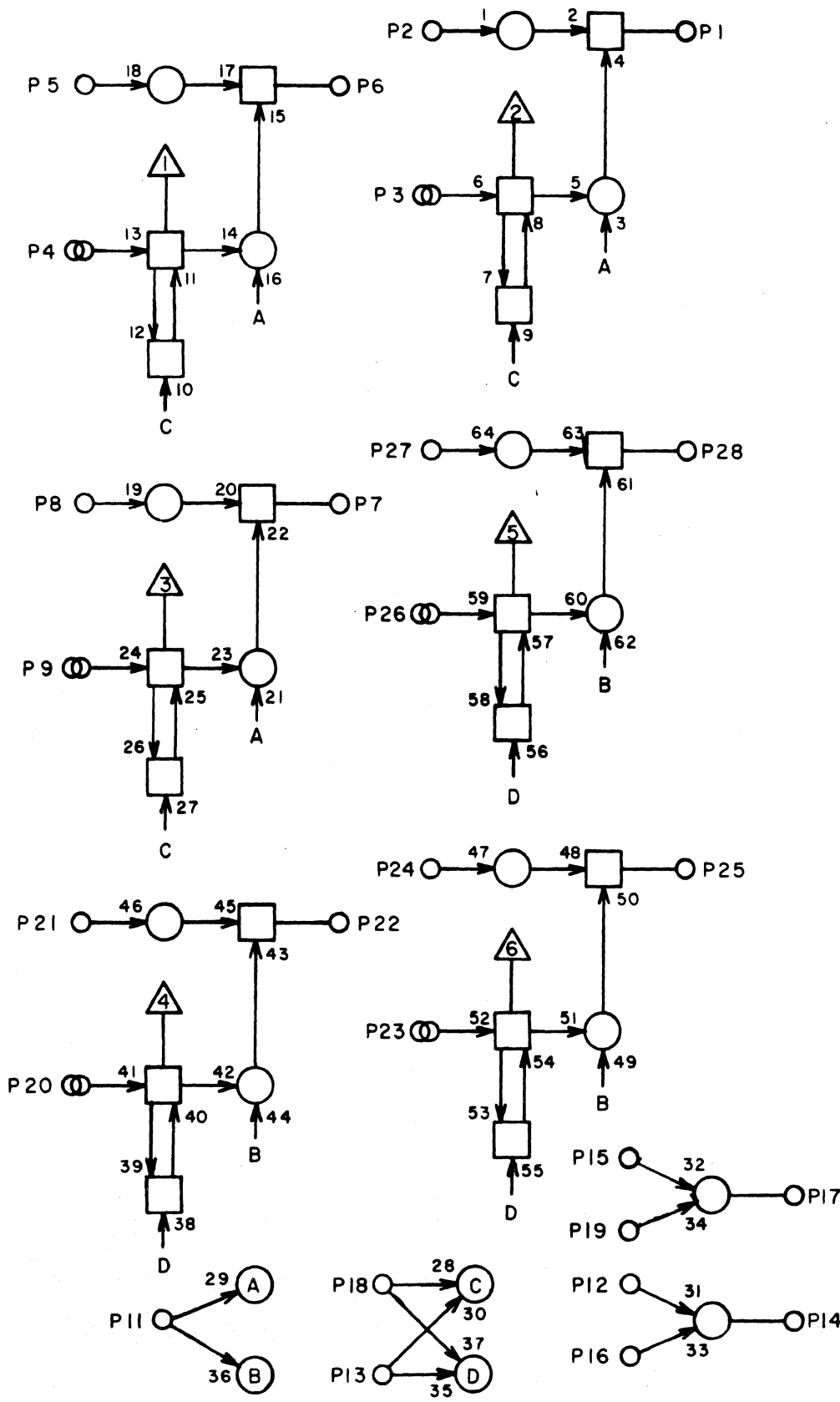


|    |  |  |  |
|----|--|--|--|
| 1  |  |  |  |
| 2  |  |  |  |
| 3  |  |  |  |
| 4  |  |  |  |
| 5  |  |  |  |
| 6  |  |  |  |
| 7  |  |  |  |
| 8  |  |  |  |
| 9  |  |  |  |
| 10 |  |  |  |
| 11 |  |  |  |
| 12 |  |  |  |
| 13 |  |  |  |
| 14 |  |  |  |
| 15 |  |  |  |
| 16 |  |  |  |
| 17 |  |  |  |
| 18 |  |  |  |
| 19 |  |  |  |
| 20 |  |  |  |
| 21 |  |  |  |
| 22 |  |  |  |
| 23 |  |  |  |
| 24 |  |  |  |
| 25 |  |  |  |
| 26 |  |  |  |
| 27 |  |  |  |
| 28 |  |  |  |

JACK PIN LG

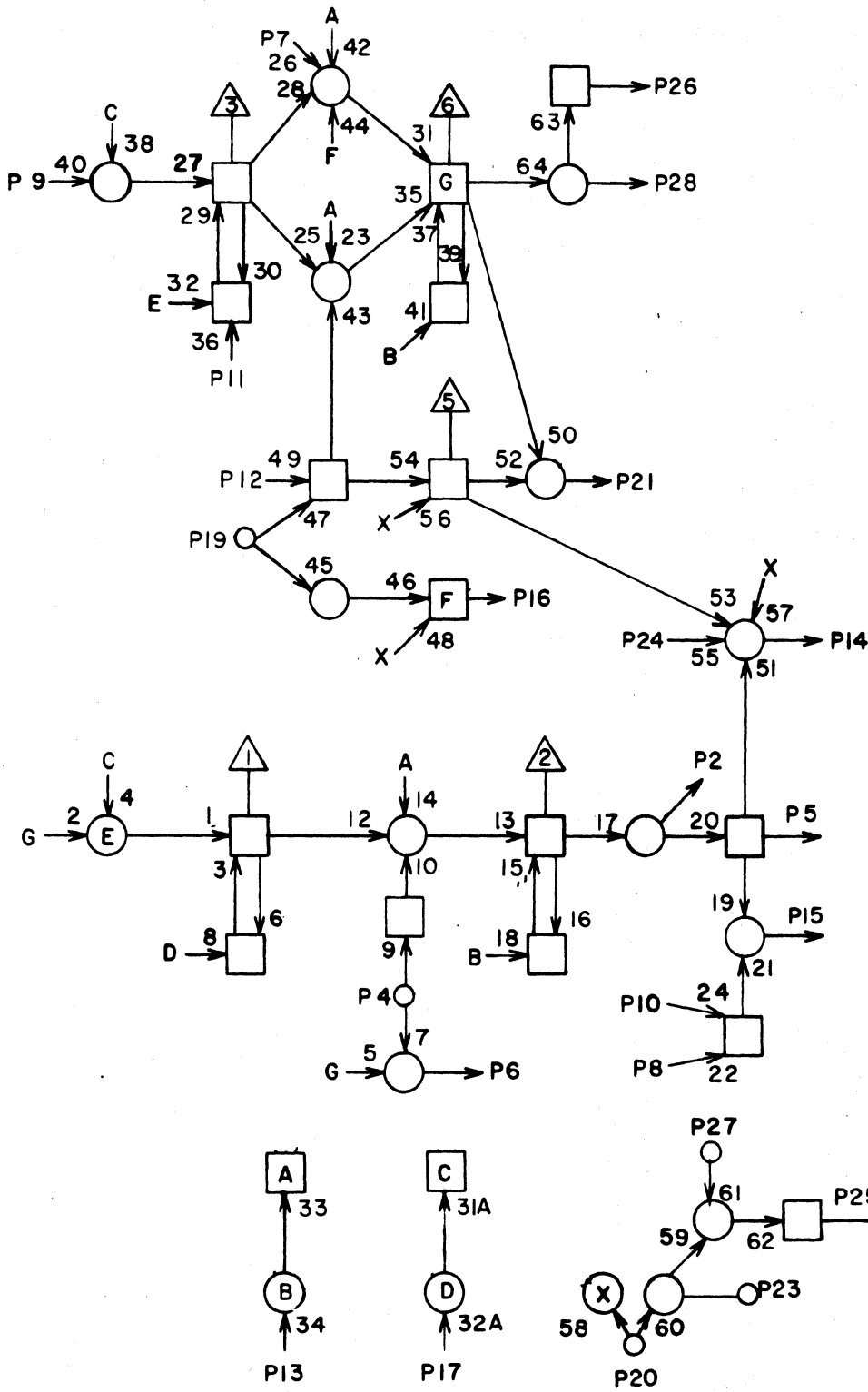
LS53065200 **A**  
 ASSY REV

RDU



|    |  |  |  |
|----|--|--|--|
| 1  |  |  |  |
| 2  |  |  |  |
| 3  |  |  |  |
| 4  |  |  |  |
| 5  |  |  |  |
| 6  |  |  |  |
| 7  |  |  |  |
| 8  |  |  |  |
| 9  |  |  |  |
| 10 |  |  |  |
| 11 |  |  |  |
| 12 |  |  |  |
| 13 |  |  |  |
| 14 |  |  |  |
| 15 |  |  |  |
| 16 |  |  |  |
| 17 |  |  |  |
| 18 |  |  |  |
| 19 |  |  |  |
| 20 |  |  |  |
| 21 |  |  |  |
| 22 |  |  |  |
| 23 |  |  |  |
| 24 |  |  |  |
| 25 |  |  |  |
| 26 |  |  |  |
| 27 |  |  |  |
| 28 |  |  |  |

JACK PIN LG  
 SEE CIRCUIT SPECIFICATION  
 11827600  
 60042700 Rev AE



|    |  |  |  |
|----|--|--|--|
| 1  |  |  |  |
| 2  |  |  |  |
| 3  |  |  |  |
| 4  |  |  |  |
| 5  |  |  |  |
| 6  |  |  |  |
| 7  |  |  |  |
| 8  |  |  |  |
| 9  |  |  |  |
| 10 |  |  |  |
| 11 |  |  |  |
| 12 |  |  |  |
| 13 |  |  |  |
| 14 |  |  |  |
| 15 |  |  |  |
| 16 |  |  |  |
| 17 |  |  |  |
| 18 |  |  |  |
| 19 |  |  |  |
| 20 |  |  |  |
| 21 |  |  |  |
| 22 |  |  |  |
| 23 |  |  |  |
| 24 |  |  |  |
| 25 |  |  |  |
| 26 |  |  |  |
| 27 |  |  |  |
| 28 |  |  |  |

JACK PIN LG

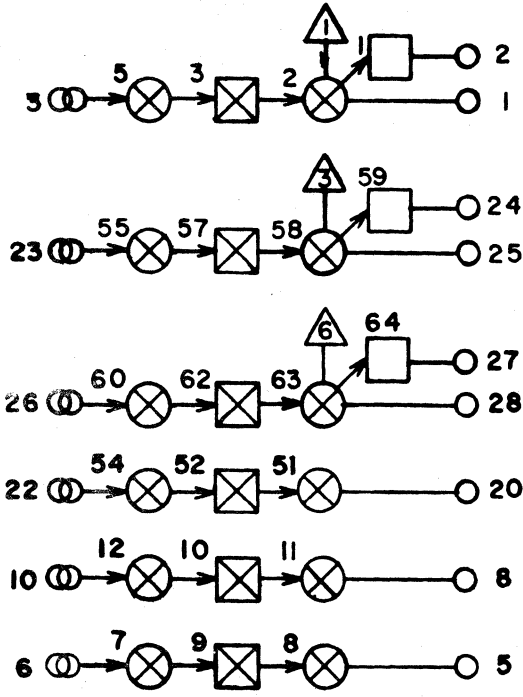
SEE CIRCUIT SPECIFICATION  
11827600

60042700 Rev AE



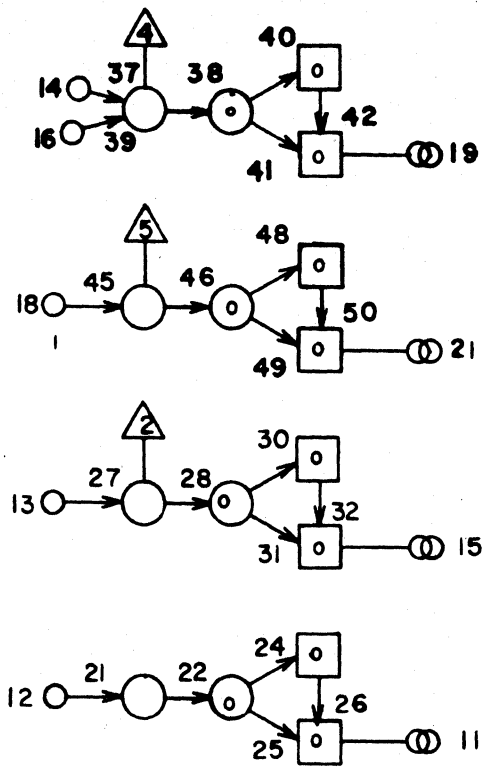
LS52640600 **B**  
 ASSY REV

RECEIVERS



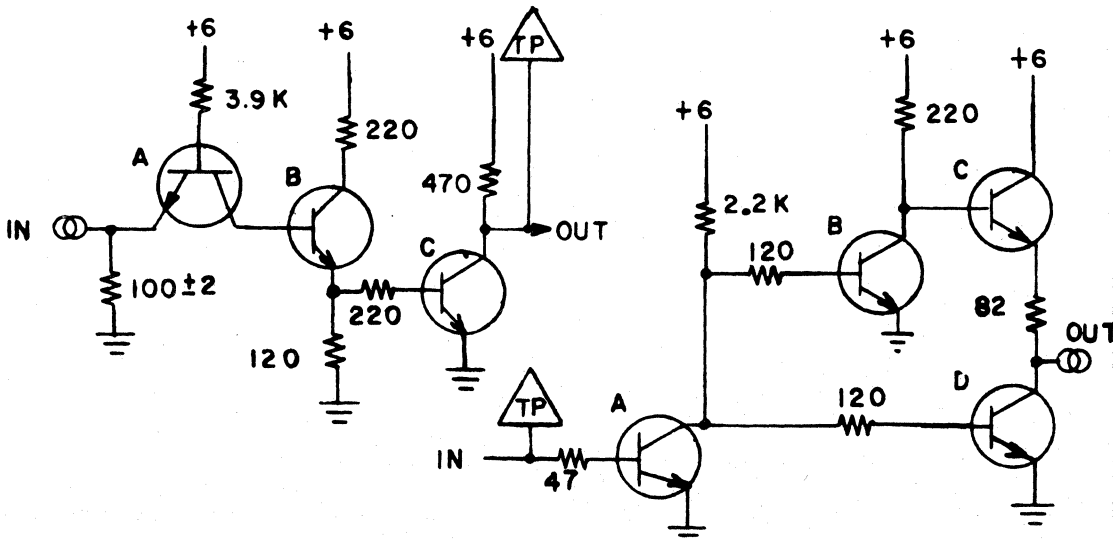
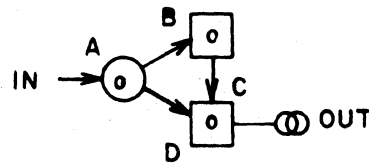
DRIVERS

RDX



CIRCUIT FOR: IN → A → B → C → OUT

CIRCUIT FOR:

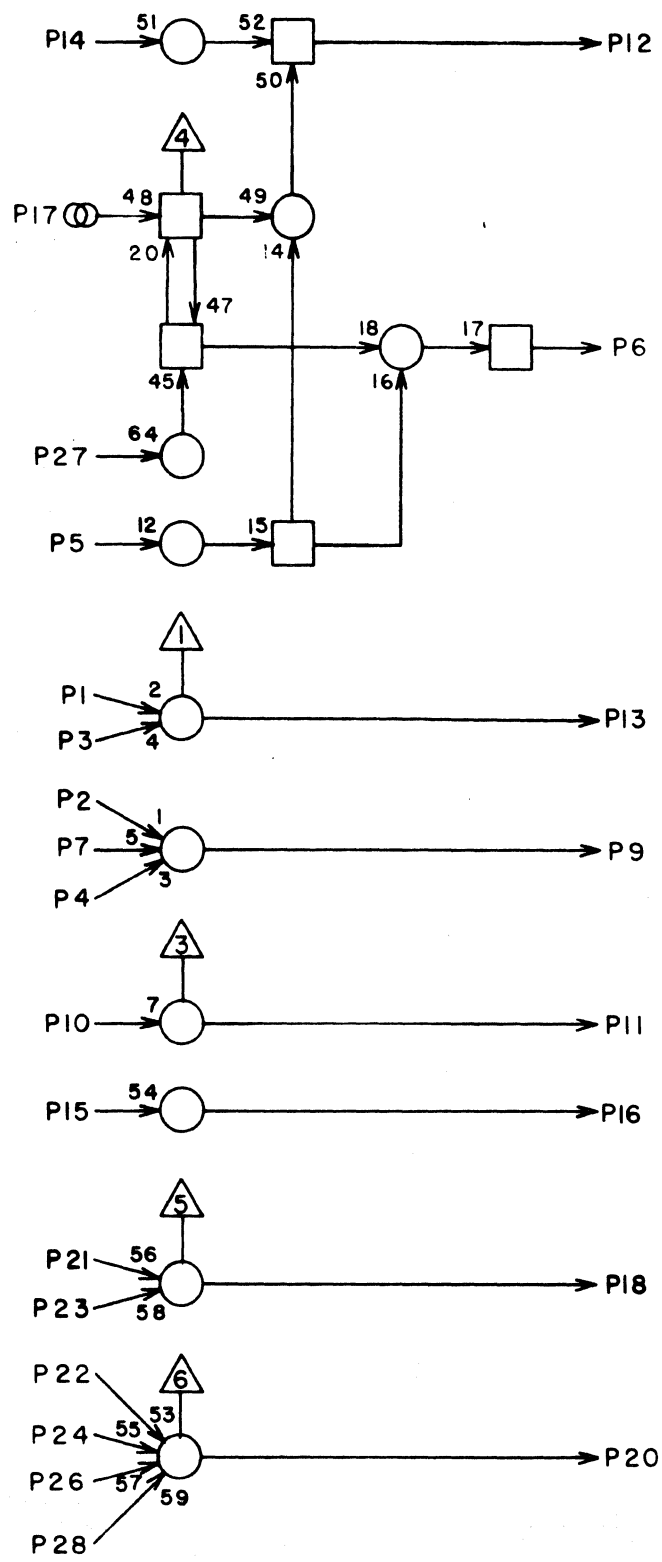


|    |  |  |  |
|----|--|--|--|
| 1  |  |  |  |
| 2  |  |  |  |
| 3  |  |  |  |
| 4  |  |  |  |
| 5  |  |  |  |
| 6  |  |  |  |
| 7  |  |  |  |
| 8  |  |  |  |
| 9  |  |  |  |
| 10 |  |  |  |
| 11 |  |  |  |
| 12 |  |  |  |
| 13 |  |  |  |
| 14 |  |  |  |
| 15 |  |  |  |
| 16 |  |  |  |
| 17 |  |  |  |
| 18 |  |  |  |
| 19 |  |  |  |
| 20 |  |  |  |
| 21 |  |  |  |
| 22 |  |  |  |
| 23 |  |  |  |
| 24 |  |  |  |
| 25 |  |  |  |
| 26 |  |  |  |
| 27 |  |  |  |
| 28 |  |  |  |

JACK PIN LG  
 SEE CIRCUIT SPECIFICATION  
 11827600  
 60042700 Rev AE



RDY

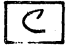


|    |  |  |  |
|----|--|--|--|
| 1  |  |  |  |
| 2  |  |  |  |
| 3  |  |  |  |
| 4  |  |  |  |
| 5  |  |  |  |
| 6  |  |  |  |
| 7  |  |  |  |
| 8  |  |  |  |
| 9  |  |  |  |
| 10 |  |  |  |
| 11 |  |  |  |
| 12 |  |  |  |
| 13 |  |  |  |
| 14 |  |  |  |
| 15 |  |  |  |
| 16 |  |  |  |
| 17 |  |  |  |
| 18 |  |  |  |
| 19 |  |  |  |
| 20 |  |  |  |
| 21 |  |  |  |
| 22 |  |  |  |
| 23 |  |  |  |
| 24 |  |  |  |
| 25 |  |  |  |
| 26 |  |  |  |
| 27 |  |  |  |
| 28 |  |  |  |

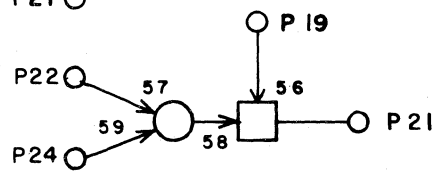
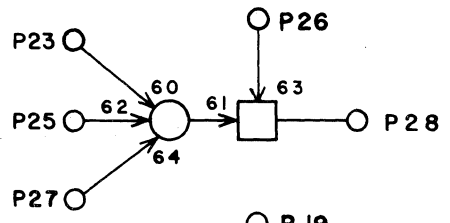
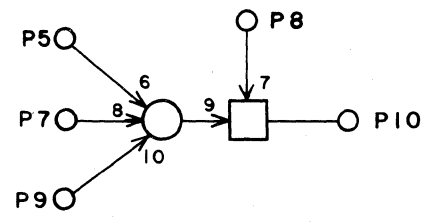
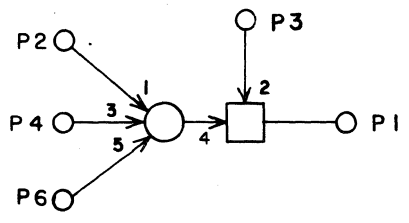
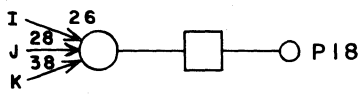
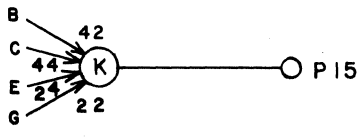
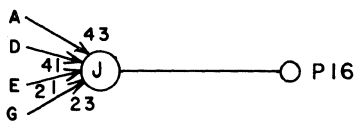
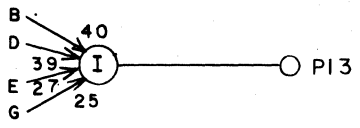
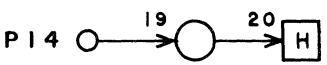
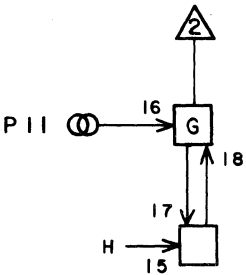
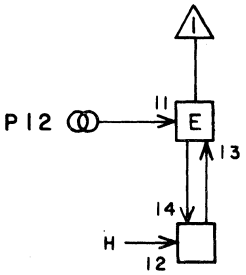
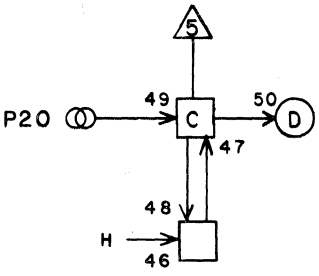
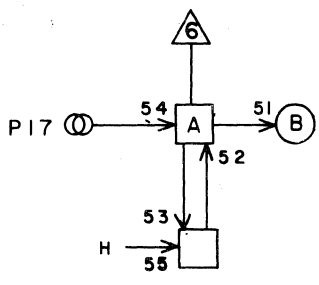
JACK PIN LG  
 SEE CIRCUIT SPECIFICATION  
 11827600  
 60042700 Rev AE





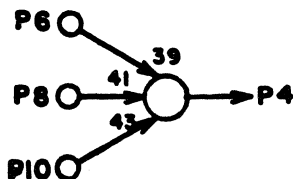
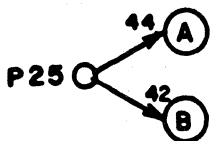
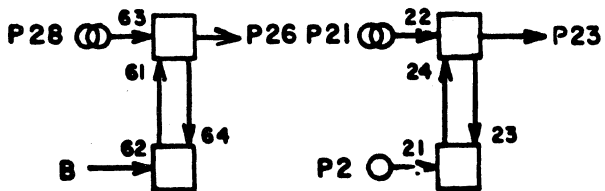
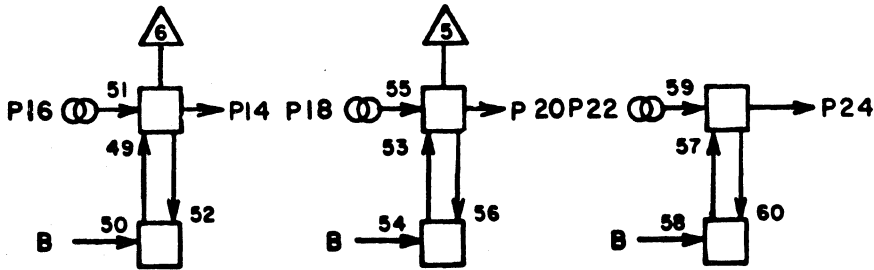
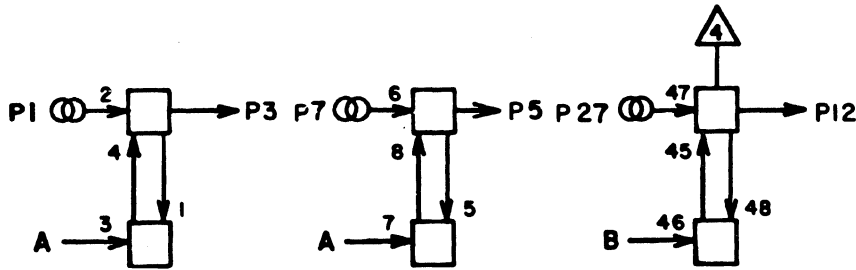
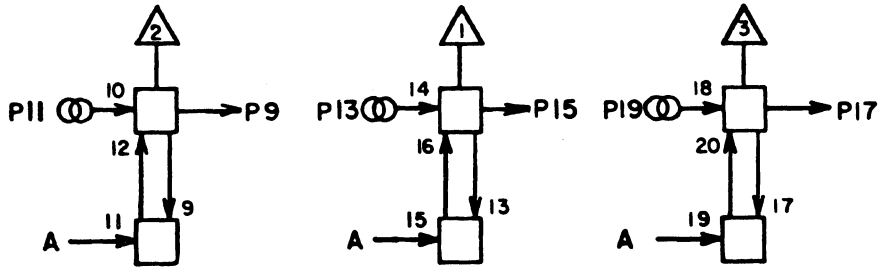
LS 18263500   
 ASSY REV

RED



|    |  |  |  |
|----|--|--|--|
| 1  |  |  |  |
| 2  |  |  |  |
| 3  |  |  |  |
| 4  |  |  |  |
| 5  |  |  |  |
| 6  |  |  |  |
| 7  |  |  |  |
| 8  |  |  |  |
| 9  |  |  |  |
| 10 |  |  |  |
| 11 |  |  |  |
| 12 |  |  |  |
| 13 |  |  |  |
| 14 |  |  |  |
| 15 |  |  |  |
| 16 |  |  |  |
| 17 |  |  |  |
| 18 |  |  |  |
| 19 |  |  |  |
| 20 |  |  |  |
| 21 |  |  |  |
| 22 |  |  |  |
| 23 |  |  |  |
| 24 |  |  |  |
| 25 |  |  |  |
| 26 |  |  |  |
| 27 |  |  |  |
| 28 |  |  |  |

JACK PIN LG  
 SEE CIRCUIT SPECIFICATION  
 11827600

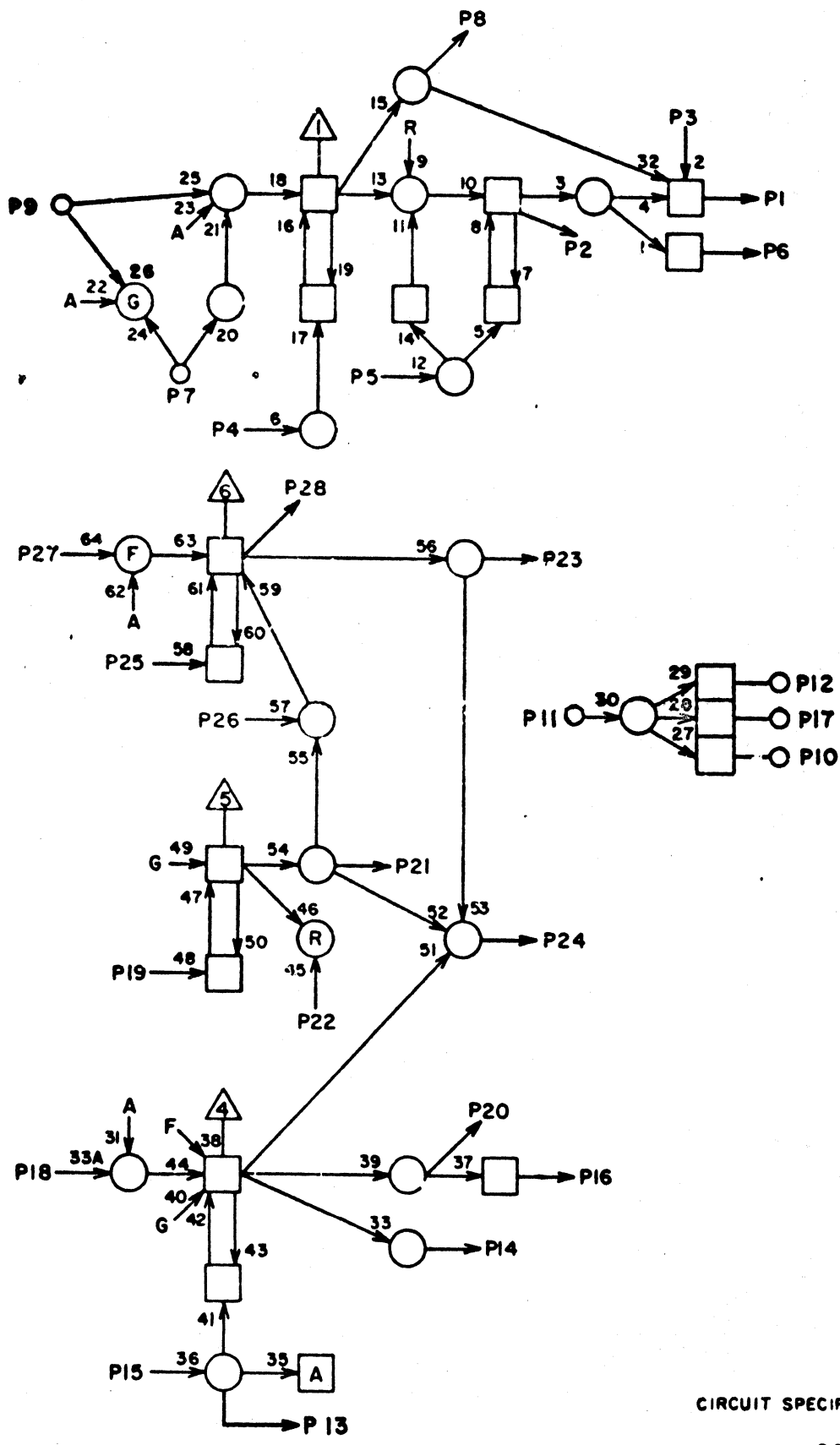


|    |  |  |  |
|----|--|--|--|
| 1  |  |  |  |
| 2  |  |  |  |
| 3  |  |  |  |
| 4  |  |  |  |
| 5  |  |  |  |
| 6  |  |  |  |
| 7  |  |  |  |
| 8  |  |  |  |
| 9  |  |  |  |
| 10 |  |  |  |
| 11 |  |  |  |
| 12 |  |  |  |
| 13 |  |  |  |
| 14 |  |  |  |
| 15 |  |  |  |
| 16 |  |  |  |
| 17 |  |  |  |
| 18 |  |  |  |
| 19 |  |  |  |
| 20 |  |  |  |
| 21 |  |  |  |
| 22 |  |  |  |
| 23 |  |  |  |
| 24 |  |  |  |
| 25 |  |  |  |
| 26 |  |  |  |
| 27 |  |  |  |
| 28 |  |  |  |

JACK PIN LC  
SEE CIRCUIT SPECIFICATION  
11827600

LS 53379000 D  
 ASSY REV

REF



|    |  |  |  |
|----|--|--|--|
| 1  |  |  |  |
| 2  |  |  |  |
| 3  |  |  |  |
| 4  |  |  |  |
| 5  |  |  |  |
| 6  |  |  |  |
| 7  |  |  |  |
| 8  |  |  |  |
| 9  |  |  |  |
| 10 |  |  |  |
| 11 |  |  |  |
| 12 |  |  |  |
| 13 |  |  |  |
| 14 |  |  |  |
| 15 |  |  |  |
| 16 |  |  |  |
| 17 |  |  |  |
| 18 |  |  |  |
| 19 |  |  |  |
| 20 |  |  |  |
| 21 |  |  |  |
| 22 |  |  |  |
| 23 |  |  |  |
| 24 |  |  |  |
| 25 |  |  |  |
| 26 |  |  |  |
| 27 |  |  |  |
| 28 |  |  |  |

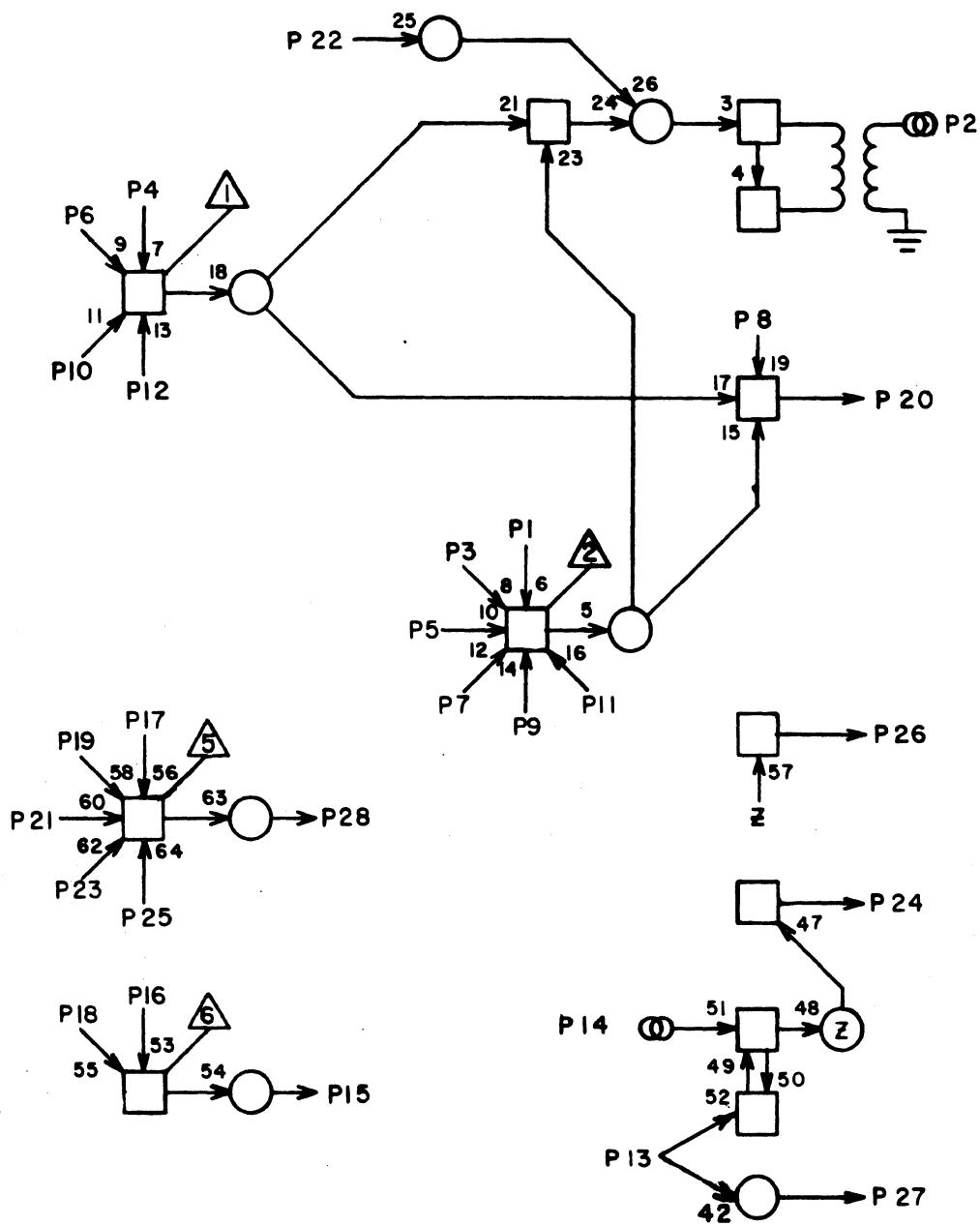
JACK PIN LG

CIRCUIT SPECIFICATION 11827600

60042700 Rev. AL

50

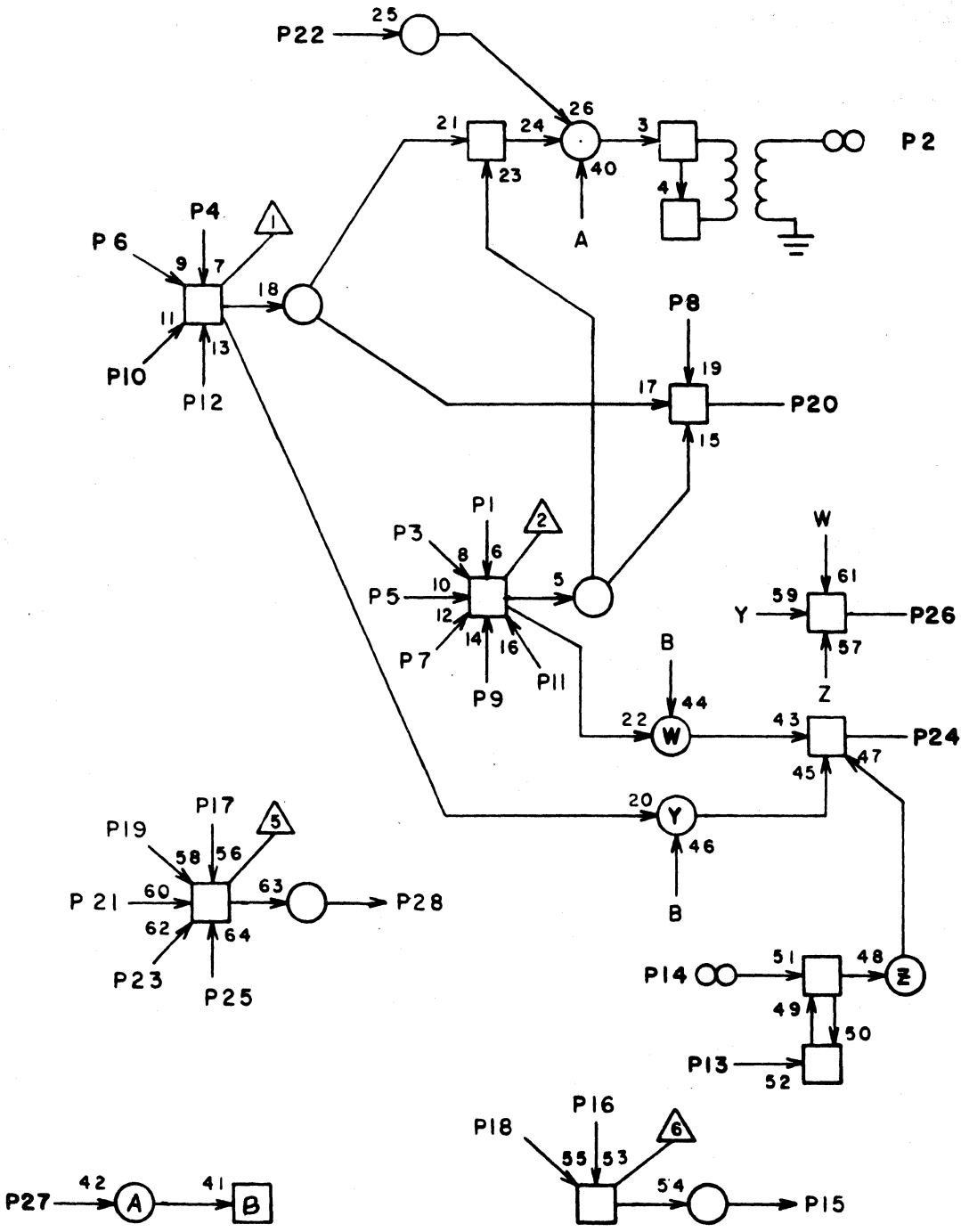
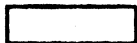
LS 53379200 **A**  
 ASSY REV



REG

|    |  |  |  |
|----|--|--|--|
| 1  |  |  |  |
| 2  |  |  |  |
| 3  |  |  |  |
| 4  |  |  |  |
| 5  |  |  |  |
| 6  |  |  |  |
| 7  |  |  |  |
| 8  |  |  |  |
| 9  |  |  |  |
| 10 |  |  |  |
| 11 |  |  |  |
| 12 |  |  |  |
| 13 |  |  |  |
| 14 |  |  |  |
| 15 |  |  |  |
| 16 |  |  |  |
| 17 |  |  |  |
| 18 |  |  |  |
| 19 |  |  |  |
| 20 |  |  |  |
| 21 |  |  |  |
| 22 |  |  |  |
| 23 |  |  |  |
| 24 |  |  |  |
| 25 |  |  |  |
| 26 |  |  |  |
| 27 |  |  |  |
| 28 |  |  |  |

JACK PIN LG  
 SEE CIRCUIT SPECIFICATION  
 11827600  
 60042700 Rev AE



|    |  |  |  |
|----|--|--|--|
| 1  |  |  |  |
| 2  |  |  |  |
| 3  |  |  |  |
| 4  |  |  |  |
| 5  |  |  |  |
| 6  |  |  |  |
| 7  |  |  |  |
| 8  |  |  |  |
| 9  |  |  |  |
| 10 |  |  |  |
| 11 |  |  |  |
| 12 |  |  |  |
| 13 |  |  |  |
| 14 |  |  |  |
| 15 |  |  |  |
| 16 |  |  |  |
| 17 |  |  |  |
| 18 |  |  |  |
| 19 |  |  |  |
| 20 |  |  |  |
| 21 |  |  |  |
| 22 |  |  |  |
| 23 |  |  |  |
| 24 |  |  |  |
| 25 |  |  |  |
| 26 |  |  |  |
| 27 |  |  |  |
| 28 |  |  |  |

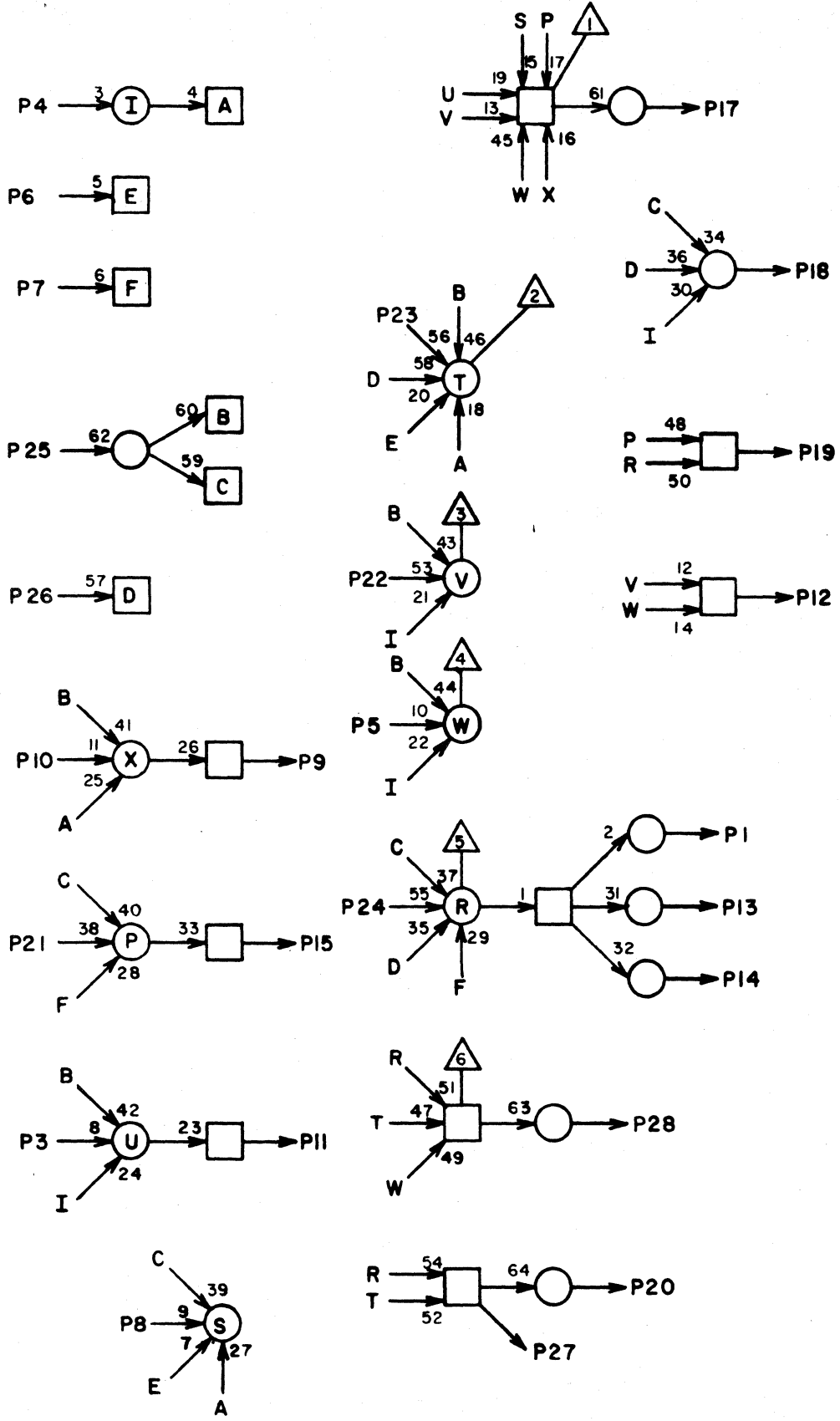
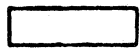
JACK PIN LG  
 SEE CIRCUIT SPECIFICATION  
 11827600  
 60042700 Rev AF





LS 53380900 A  
 ASSY REV

REJ

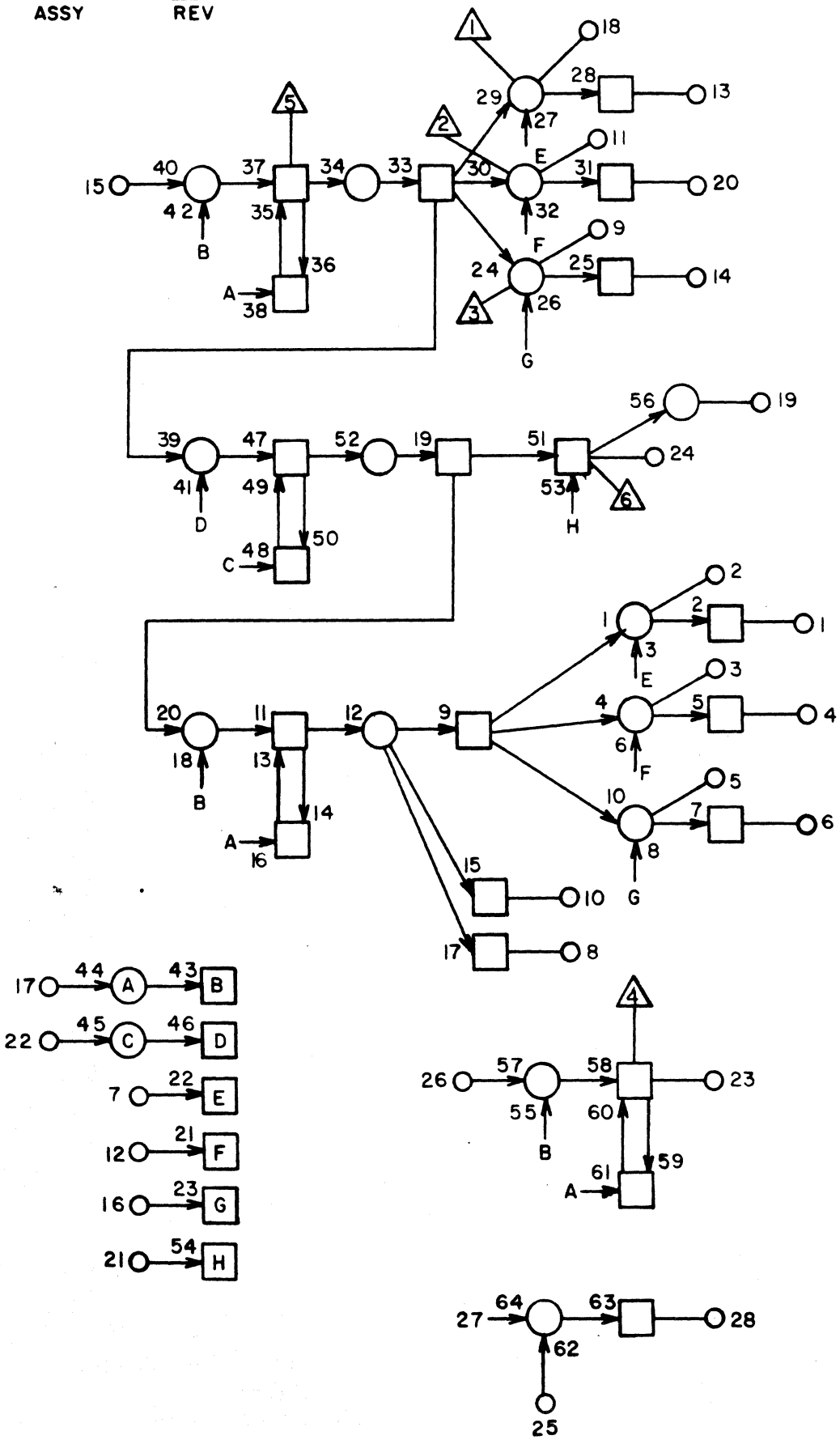
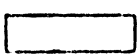


|    |  |  |  |
|----|--|--|--|
| 1  |  |  |  |
| 2  |  |  |  |
| 3  |  |  |  |
| 4  |  |  |  |
| 5  |  |  |  |
| 6  |  |  |  |
| 7  |  |  |  |
| 8  |  |  |  |
| 9  |  |  |  |
| 10 |  |  |  |
| 11 |  |  |  |
| 12 |  |  |  |
| 13 |  |  |  |
| 14 |  |  |  |
| 15 |  |  |  |
| 16 |  |  |  |
| 17 |  |  |  |
| 18 |  |  |  |
| 19 |  |  |  |
| 20 |  |  |  |
| 21 |  |  |  |
| 22 |  |  |  |
| 23 |  |  |  |
| 24 |  |  |  |
| 25 |  |  |  |
| 26 |  |  |  |
| 27 |  |  |  |
| 28 |  |  |  |

JACK PIN LG  
 SEE CIRCUIT SPECIFICATION  
 11827600  
 60042700 Rev AE

LS 53496300 A  
 ASSY REV

REK



|    |  |  |  |
|----|--|--|--|
| 1  |  |  |  |
| 2  |  |  |  |
| 3  |  |  |  |
| 4  |  |  |  |
| 5  |  |  |  |
| 6  |  |  |  |
| 7  |  |  |  |
| 8  |  |  |  |
| 9  |  |  |  |
| 10 |  |  |  |
| 11 |  |  |  |
| 12 |  |  |  |
| 13 |  |  |  |
| 14 |  |  |  |
| 15 |  |  |  |
| 16 |  |  |  |
| 17 |  |  |  |
| 18 |  |  |  |
| 19 |  |  |  |
| 20 |  |  |  |
| 21 |  |  |  |
| 22 |  |  |  |
| 23 |  |  |  |
| 24 |  |  |  |
| 25 |  |  |  |
| 26 |  |  |  |
| 27 |  |  |  |
| 28 |  |  |  |

JACK PIN LG  
 SEE CIRCUIT SPECIFICATION  
 11827600  
 60042700 Rev AE

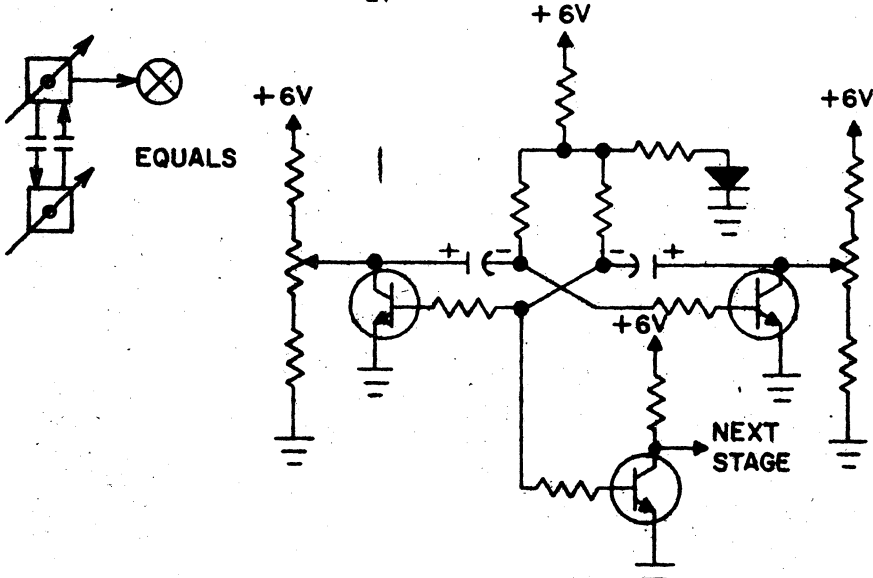
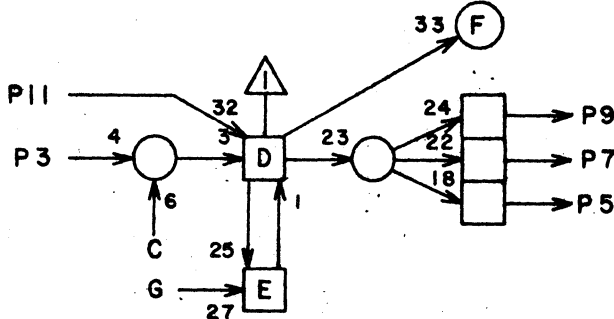
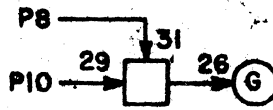
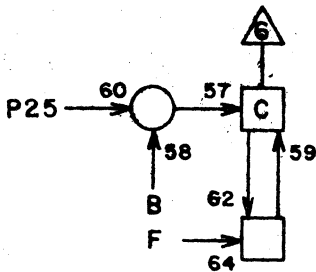
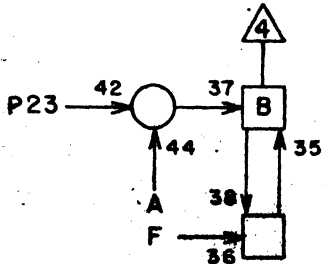
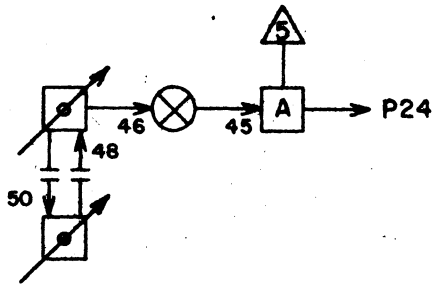
LS53505100



REL

ASSY

REV



|    |  |  |
|----|--|--|
| 1  |  |  |
| 2  |  |  |
| 3  |  |  |
| 4  |  |  |
| 5  |  |  |
| 6  |  |  |
| 7  |  |  |
| 8  |  |  |
| 9  |  |  |
| 10 |  |  |
| 11 |  |  |
| 12 |  |  |
| 13 |  |  |
| 14 |  |  |
| 15 |  |  |
| 16 |  |  |
| 17 |  |  |
| 18 |  |  |
| 19 |  |  |
| 20 |  |  |
| 21 |  |  |
| 22 |  |  |
| 23 |  |  |
| 24 |  |  |
| 25 |  |  |
| 26 |  |  |
| 27 |  |  |
| 28 |  |  |

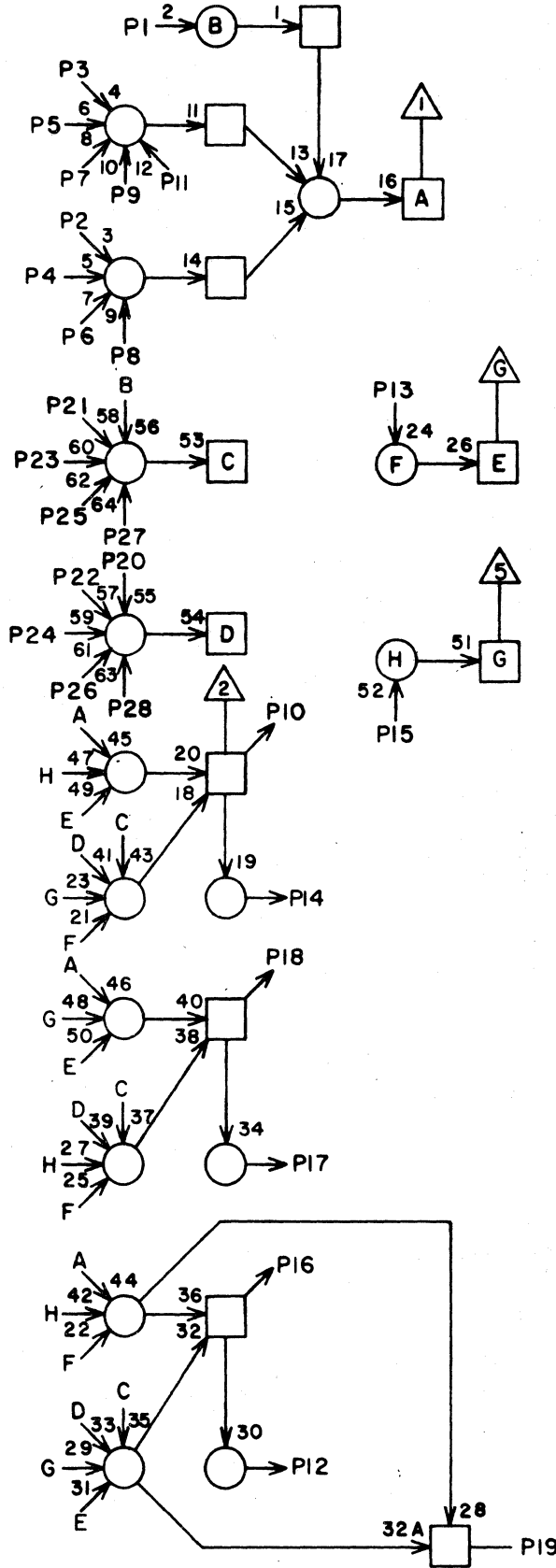
JACK PIN LG

CIRCUIT SPECIFICATION

11827600

60042700 Rev AE

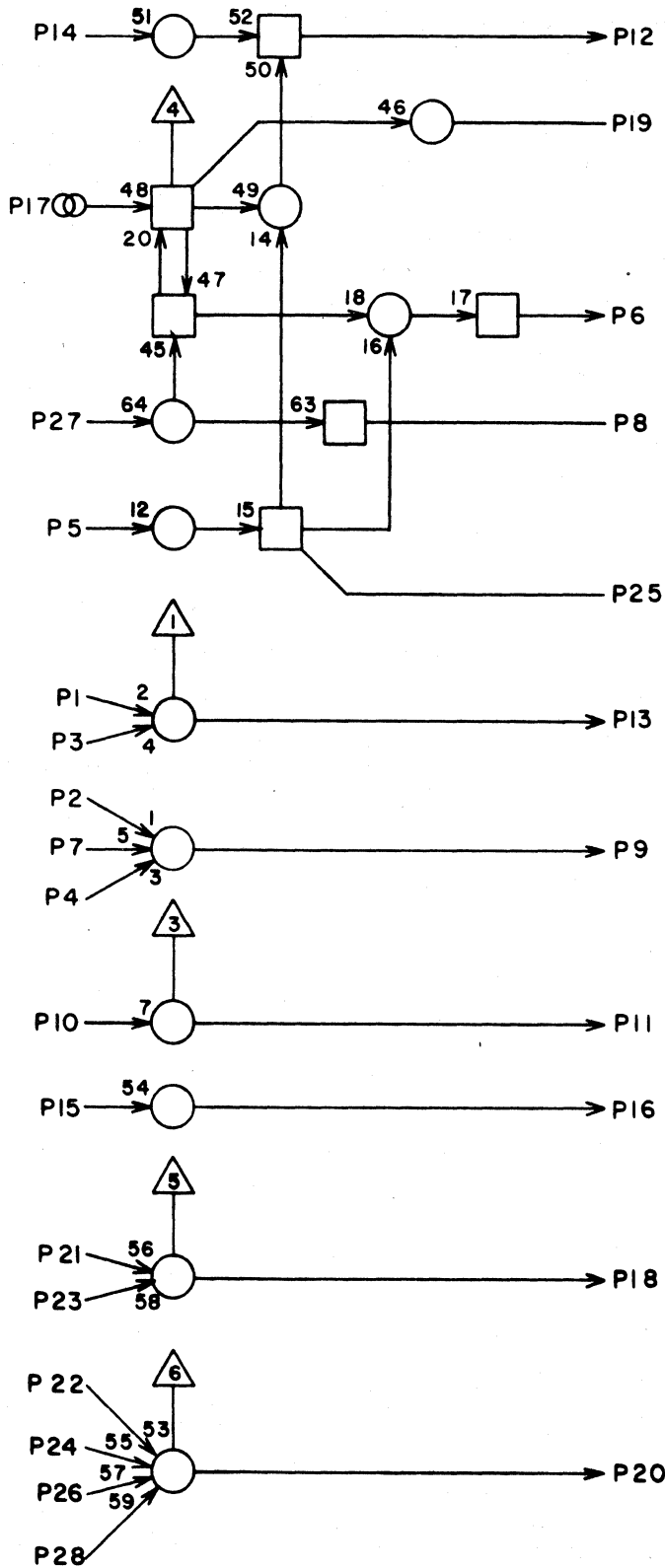




|    |  |  |  |
|----|--|--|--|
| 1  |  |  |  |
| 2  |  |  |  |
| 3  |  |  |  |
| 4  |  |  |  |
| 5  |  |  |  |
| 6  |  |  |  |
| 7  |  |  |  |
| 8  |  |  |  |
| 9  |  |  |  |
| 10 |  |  |  |
| 11 |  |  |  |
| 12 |  |  |  |
| 13 |  |  |  |
| 14 |  |  |  |
| 15 |  |  |  |
| 16 |  |  |  |
| 17 |  |  |  |
| 18 |  |  |  |
| 19 |  |  |  |
| 20 |  |  |  |
| 21 |  |  |  |
| 22 |  |  |  |
| 23 |  |  |  |
| 24 |  |  |  |
| 25 |  |  |  |
| 26 |  |  |  |
| 27 |  |  |  |
| 28 |  |  |  |

JACK PIN LG  
SEE CIRCUIT SPECIFICATION  
11827600  
60042700 Rev AD



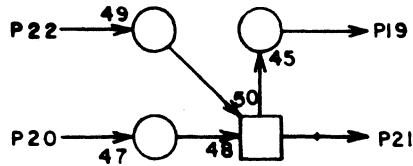
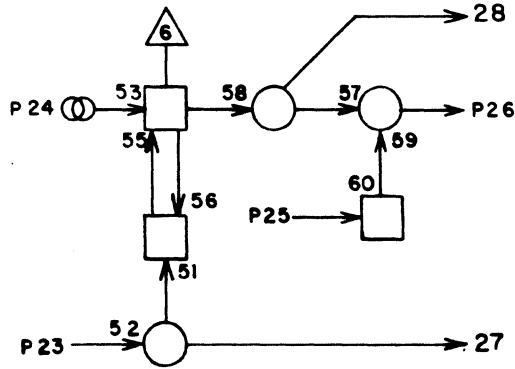
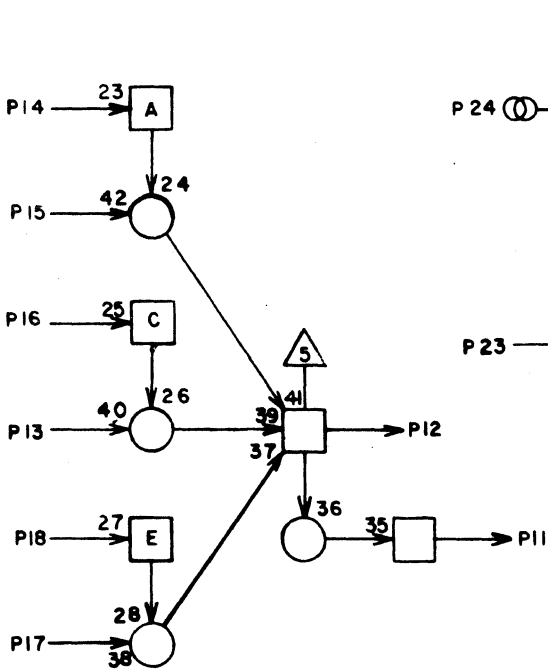
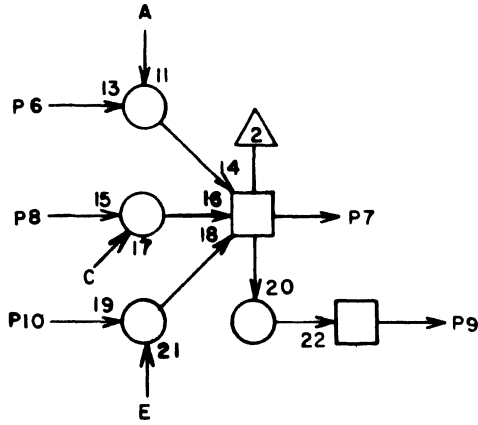
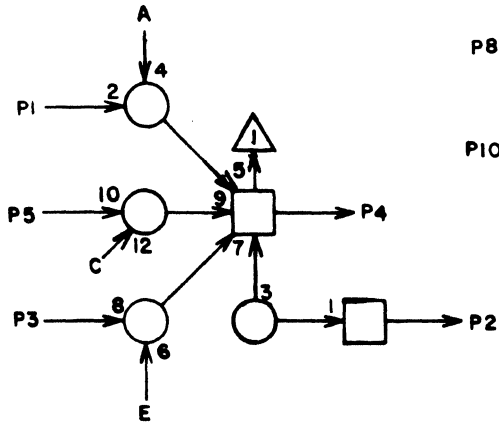
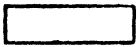


|    |  |  |  |
|----|--|--|--|
| 1  |  |  |  |
| 2  |  |  |  |
| 3  |  |  |  |
| 4  |  |  |  |
| 5  |  |  |  |
| 6  |  |  |  |
| 7  |  |  |  |
| 8  |  |  |  |
| 9  |  |  |  |
| 10 |  |  |  |
| 11 |  |  |  |
| 12 |  |  |  |
| 13 |  |  |  |
| 14 |  |  |  |
| 15 |  |  |  |
| 16 |  |  |  |
| 17 |  |  |  |
| 18 |  |  |  |
| 19 |  |  |  |
| 20 |  |  |  |
| 21 |  |  |  |
| 22 |  |  |  |
| 23 |  |  |  |
| 24 |  |  |  |
| 25 |  |  |  |
| 26 |  |  |  |
| 27 |  |  |  |
| 28 |  |  |  |

JACK PIN LG  
 SEE CIRCUIT SPECIFICATION  
 11827600



REQ



|    |  |  |  |
|----|--|--|--|
| 1  |  |  |  |
| 2  |  |  |  |
| 3  |  |  |  |
| 4  |  |  |  |
| 5  |  |  |  |
| 6  |  |  |  |
| 7  |  |  |  |
| 8  |  |  |  |
| 9  |  |  |  |
| 10 |  |  |  |
| 11 |  |  |  |
| 12 |  |  |  |
| 13 |  |  |  |
| 14 |  |  |  |
| 15 |  |  |  |
| 16 |  |  |  |
| 17 |  |  |  |
| 18 |  |  |  |
| 19 |  |  |  |
| 20 |  |  |  |
| 21 |  |  |  |
| 22 |  |  |  |
| 23 |  |  |  |
| 24 |  |  |  |
| 25 |  |  |  |
| 26 |  |  |  |
| 27 |  |  |  |
| 28 |  |  |  |

JACK PIN LG  
 SEE CIRCUIT SPECIFICATION  
 11827600  
 60042700 Rev AE

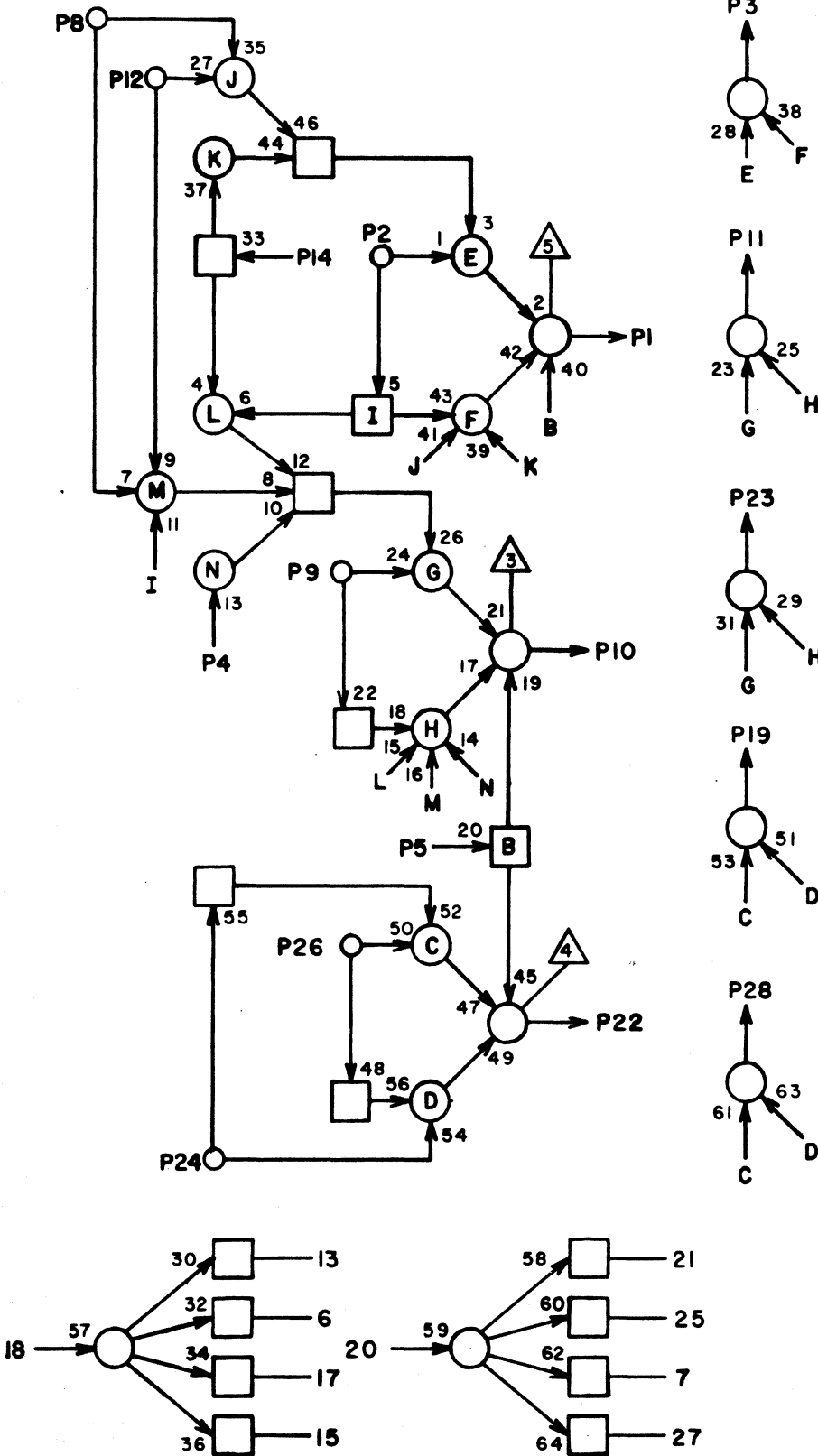


LS 53633700  
ASSY

A  
REV

RES

[ ]

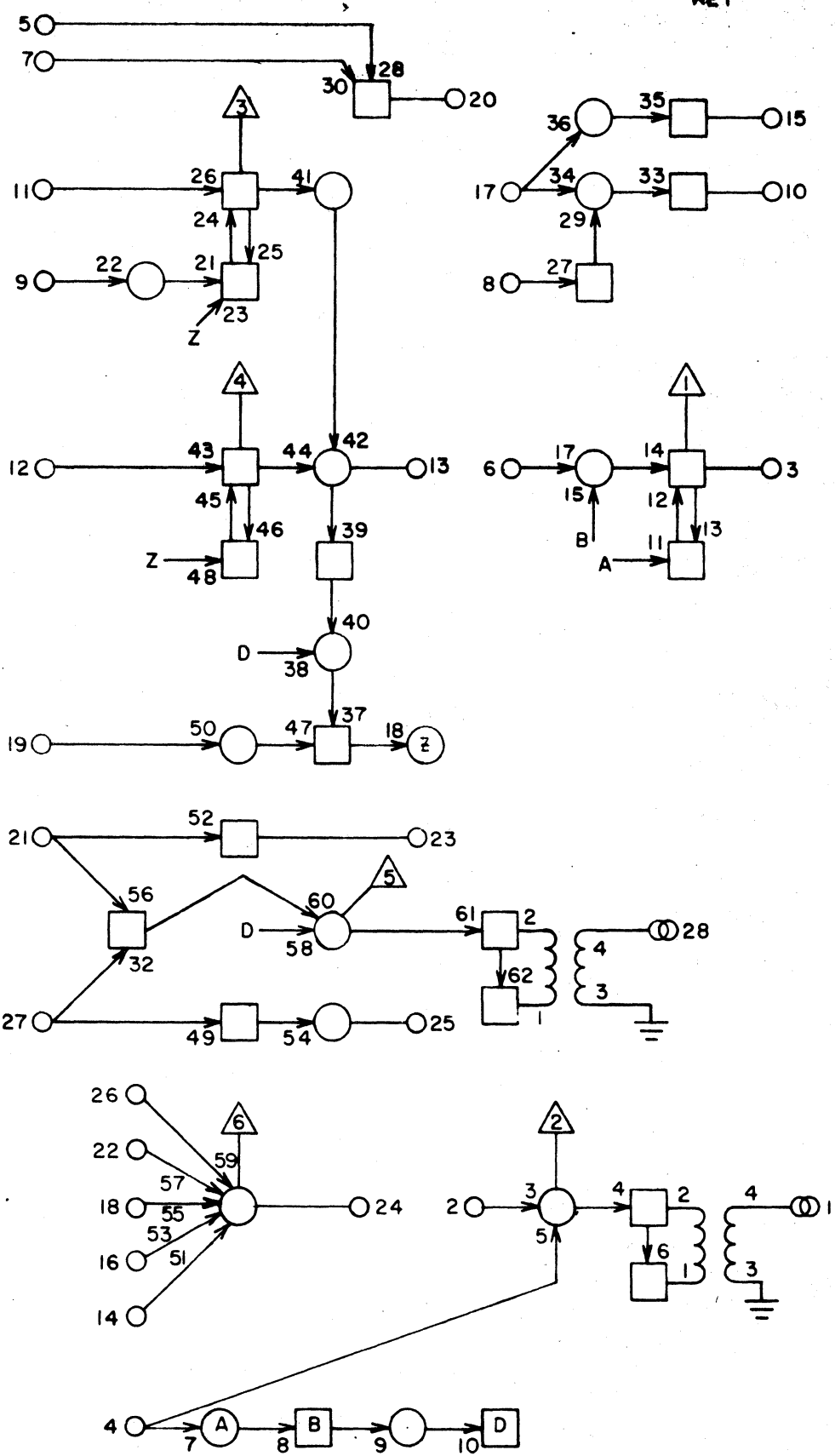


|    |  |  |  |
|----|--|--|--|
| 1  |  |  |  |
| 2  |  |  |  |
| 3  |  |  |  |
| 4  |  |  |  |
| 5  |  |  |  |
| 6  |  |  |  |
| 7  |  |  |  |
| 8  |  |  |  |
| 9  |  |  |  |
| 10 |  |  |  |
| 11 |  |  |  |
| 12 |  |  |  |
| 13 |  |  |  |
| 14 |  |  |  |
| 15 |  |  |  |
| 16 |  |  |  |
| 17 |  |  |  |
| 18 |  |  |  |
| 19 |  |  |  |
| 20 |  |  |  |
| 21 |  |  |  |
| 22 |  |  |  |
| 23 |  |  |  |
| 24 |  |  |  |
| 25 |  |  |  |
| 26 |  |  |  |
| 27 |  |  |  |
| 28 |  |  |  |

JACK PIN LG  
SEE CIRCUIT SPECIFICATION  
11827600  
60042700 Rev AE

LS 53640400 **A**  
 ASSY REV

RET



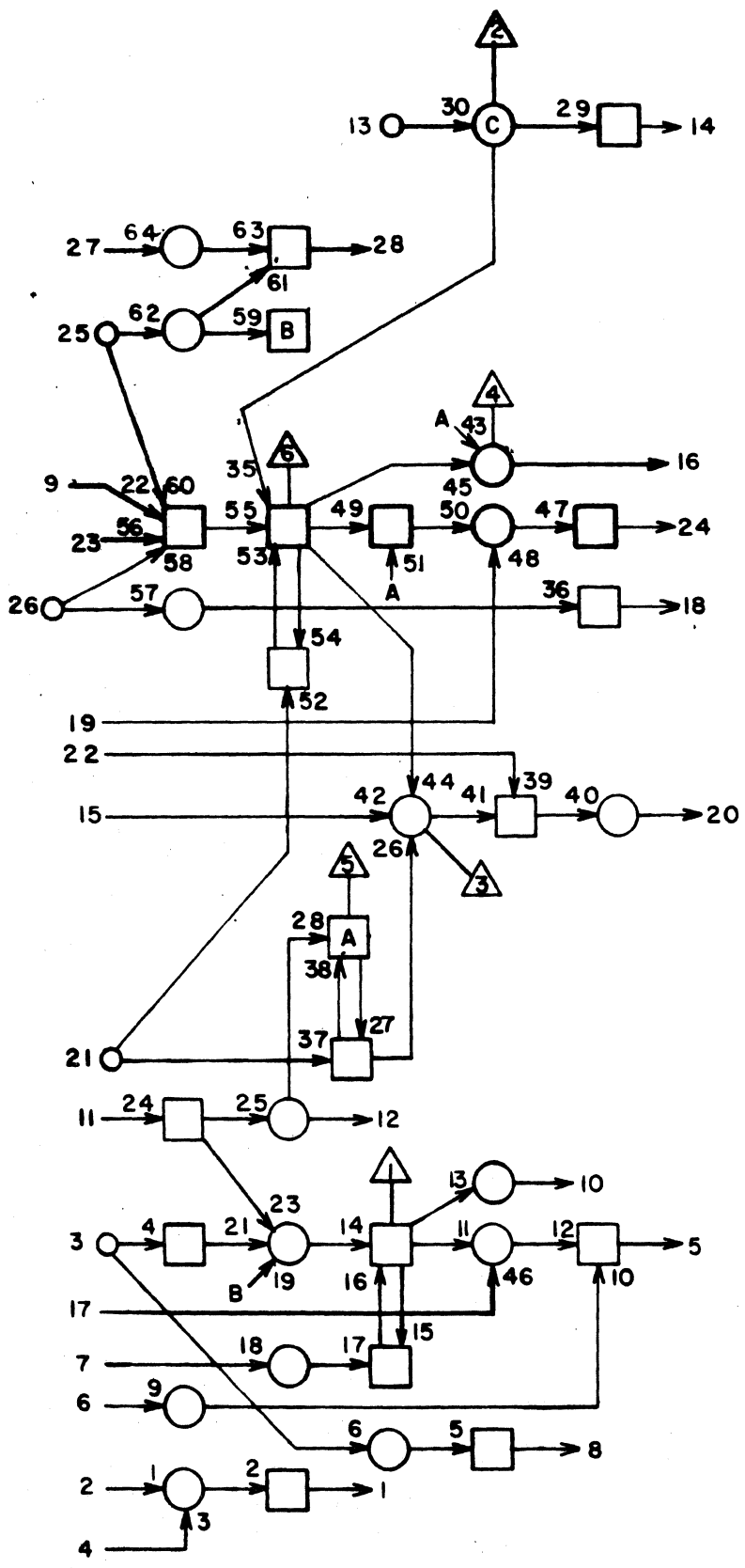
|    |  |  |
|----|--|--|
| 1  |  |  |
| 2  |  |  |
| 3  |  |  |
| 4  |  |  |
| 5  |  |  |
| 6  |  |  |
| 7  |  |  |
| 8  |  |  |
| 9  |  |  |
| 10 |  |  |
| 11 |  |  |
| 12 |  |  |
| 13 |  |  |
| 14 |  |  |
| 15 |  |  |
| 16 |  |  |
| 17 |  |  |
| 18 |  |  |
| 19 |  |  |
| 20 |  |  |
| 21 |  |  |
| 22 |  |  |
| 23 |  |  |
| 24 |  |  |
| 25 |  |  |
| 26 |  |  |
| 27 |  |  |
| 28 |  |  |

JACK PIN LG  
 SEE CIRCUIT SPECIFICATION  
 I1827600  
 60042700 Rev AE

LS53458000 **A**  
 ASSY REV

REU

[ ]



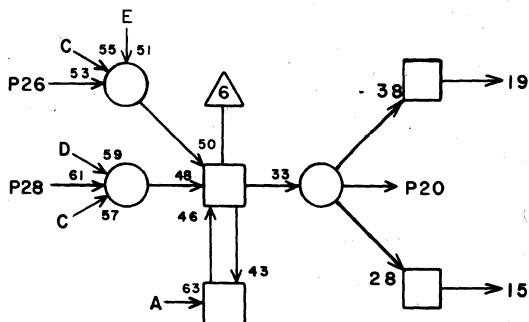
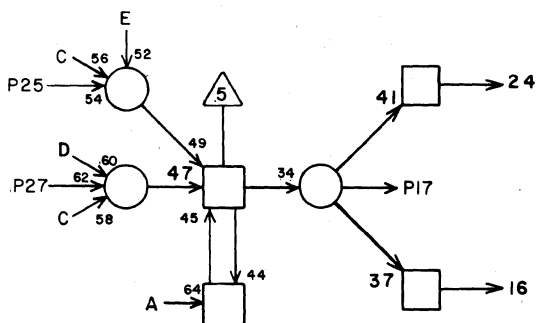
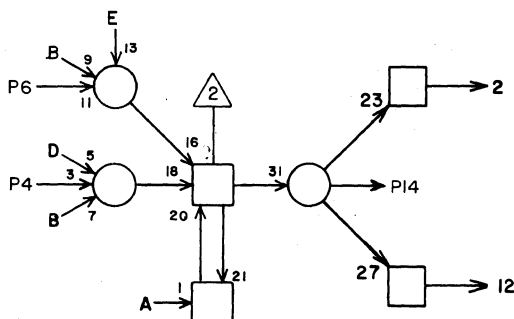
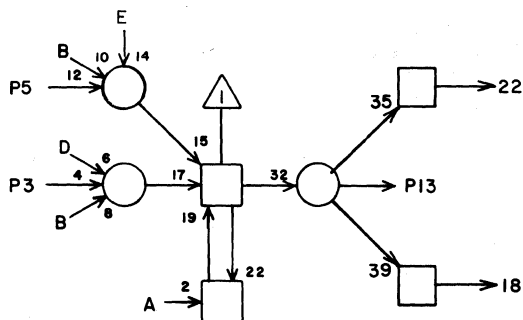
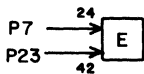
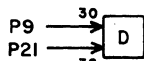
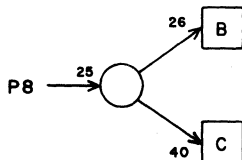
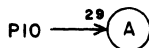
|    |  |  |  |
|----|--|--|--|
| 1  |  |  |  |
| 2  |  |  |  |
| 3  |  |  |  |
| 4  |  |  |  |
| 5  |  |  |  |
| 6  |  |  |  |
| 7  |  |  |  |
| 8  |  |  |  |
| 9  |  |  |  |
| 10 |  |  |  |
| 11 |  |  |  |
| 12 |  |  |  |
| 13 |  |  |  |
| 14 |  |  |  |
| 15 |  |  |  |
| 16 |  |  |  |
| 17 |  |  |  |
| 18 |  |  |  |
| 19 |  |  |  |
| 20 |  |  |  |
| 21 |  |  |  |
| 22 |  |  |  |
| 23 |  |  |  |
| 24 |  |  |  |
| 25 |  |  |  |
| 26 |  |  |  |
| 27 |  |  |  |
| 28 |  |  |  |

JACK PIN LG  
 SEE CIRCUIT SPECIFICATION  
 11827600  
 60042700 Rev AE

LS 53659300  
ASSY

REV **B**

REV



|    |  |  |  |
|----|--|--|--|
| 1  |  |  |  |
| 2  |  |  |  |
| 3  |  |  |  |
| 4  |  |  |  |
| 5  |  |  |  |
| 6  |  |  |  |
| 7  |  |  |  |
| 8  |  |  |  |
| 9  |  |  |  |
| 10 |  |  |  |
| 11 |  |  |  |
| 12 |  |  |  |
| 13 |  |  |  |
| 14 |  |  |  |
| 15 |  |  |  |
| 16 |  |  |  |
| 17 |  |  |  |
| 18 |  |  |  |
| 19 |  |  |  |
| 20 |  |  |  |
| 21 |  |  |  |
| 22 |  |  |  |
| 23 |  |  |  |
| 24 |  |  |  |
| 25 |  |  |  |
| 26 |  |  |  |
| 27 |  |  |  |
| 28 |  |  |  |

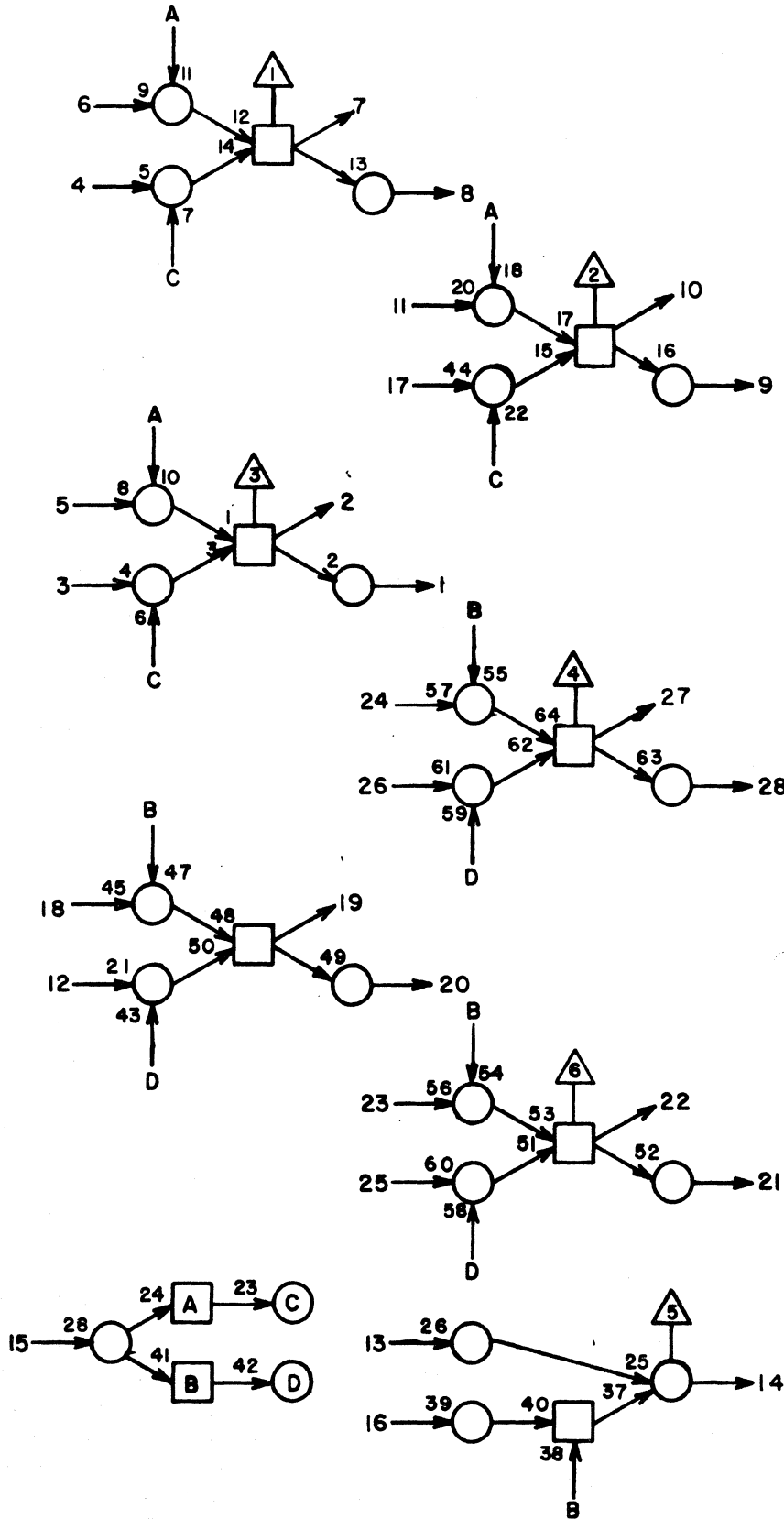
JACK PIN LG

CIRCUIT SPECIFICATION 11827600

LS53694600  
ASSY

**A**  
REV

REW



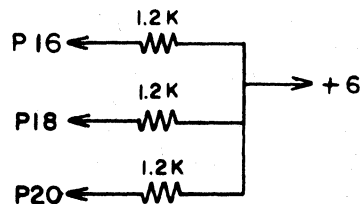
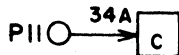
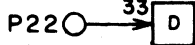
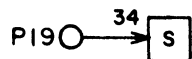
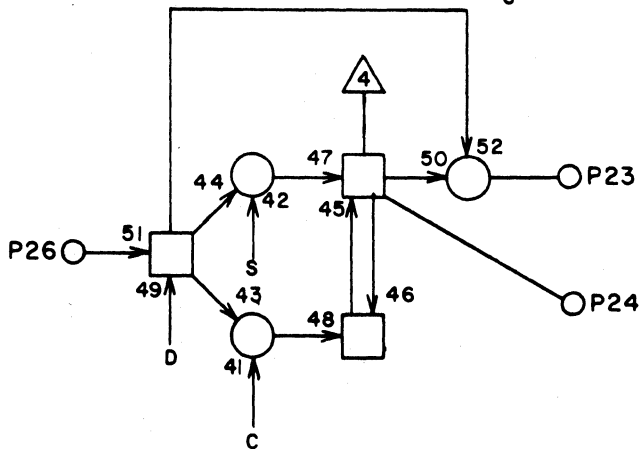
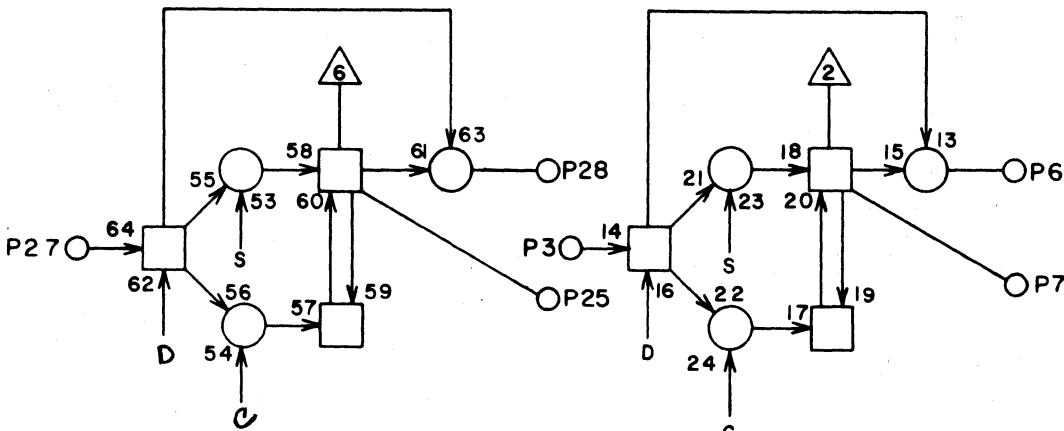
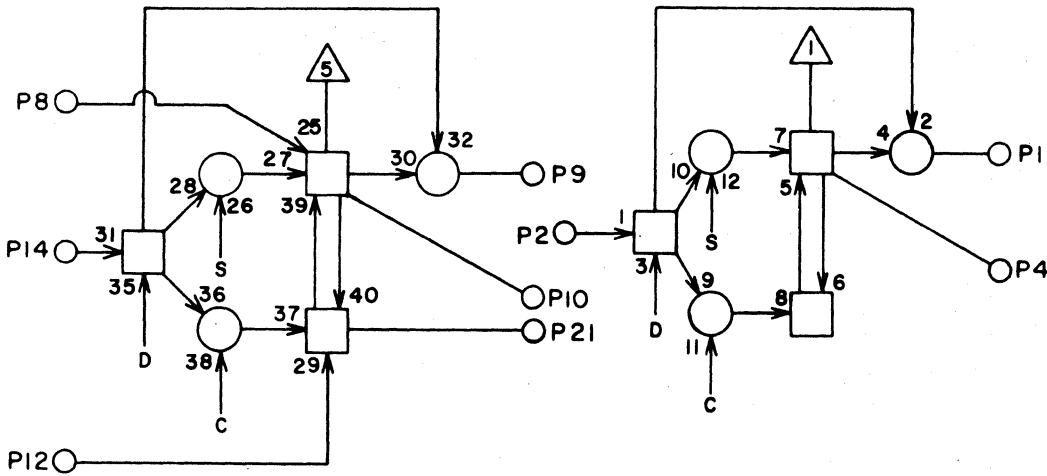
|    |  |  |  |
|----|--|--|--|
| 1  |  |  |  |
| 2  |  |  |  |
| 3  |  |  |  |
| 4  |  |  |  |
| 5  |  |  |  |
| 6  |  |  |  |
| 7  |  |  |  |
| 8  |  |  |  |
| 9  |  |  |  |
| 10 |  |  |  |
| 11 |  |  |  |
| 12 |  |  |  |
| 13 |  |  |  |
| 14 |  |  |  |
| 15 |  |  |  |
| 16 |  |  |  |
| 17 |  |  |  |
| 18 |  |  |  |
| 19 |  |  |  |
| 20 |  |  |  |
| 21 |  |  |  |
| 22 |  |  |  |
| 23 |  |  |  |
| 24 |  |  |  |
| 25 |  |  |  |
| 26 |  |  |  |
| 27 |  |  |  |
| 28 |  |  |  |

JACK PIN LG  
SEE CIRCUIT SPECIFICATION  
11827600  
60042700 Rev AE

LS53707700  
ASSY

**B**  
REV

REX



|    |  |  |  |
|----|--|--|--|
| 1  |  |  |  |
| 2  |  |  |  |
| 3  |  |  |  |
| 4  |  |  |  |
| 5  |  |  |  |
| 6  |  |  |  |
| 7  |  |  |  |
| 8  |  |  |  |
| 9  |  |  |  |
| 10 |  |  |  |
| 11 |  |  |  |
| 12 |  |  |  |
| 13 |  |  |  |
| 14 |  |  |  |
| 15 |  |  |  |
| 16 |  |  |  |
| 17 |  |  |  |
| 18 |  |  |  |
| 19 |  |  |  |
| 20 |  |  |  |
| 21 |  |  |  |
| 22 |  |  |  |
| 23 |  |  |  |
| 24 |  |  |  |
| 25 |  |  |  |
| 26 |  |  |  |
| 27 |  |  |  |
| 28 |  |  |  |

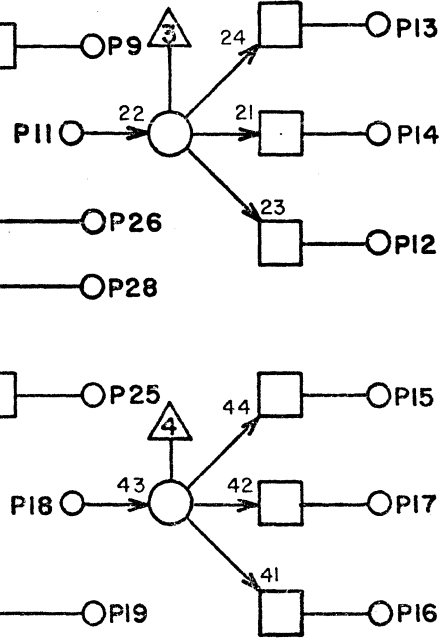
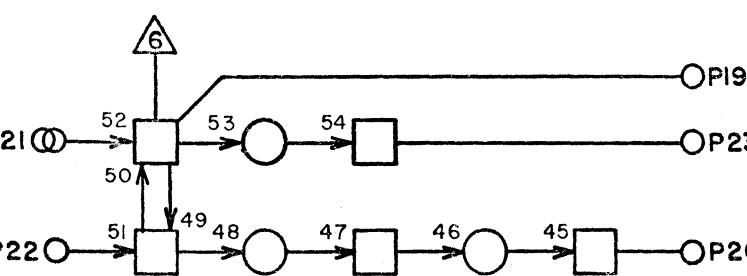
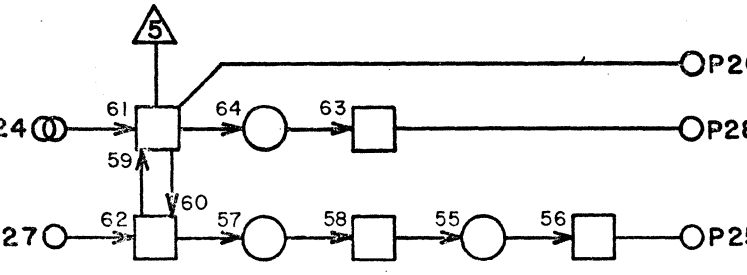
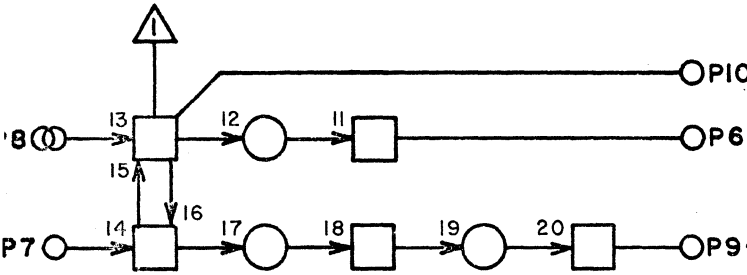
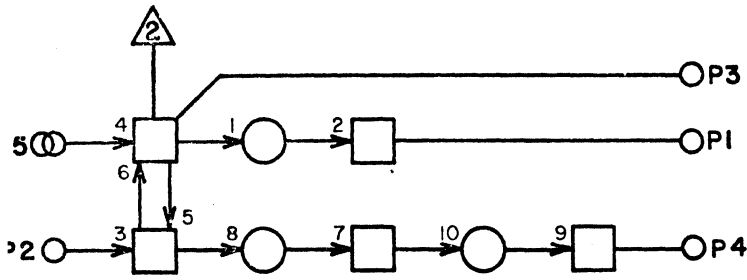
JACK PIN LG  
SEE CIRCUIT SPECIFICATION  
11827600  
60042700 Rev AF



LS5383800  
ASSY

B  
REV

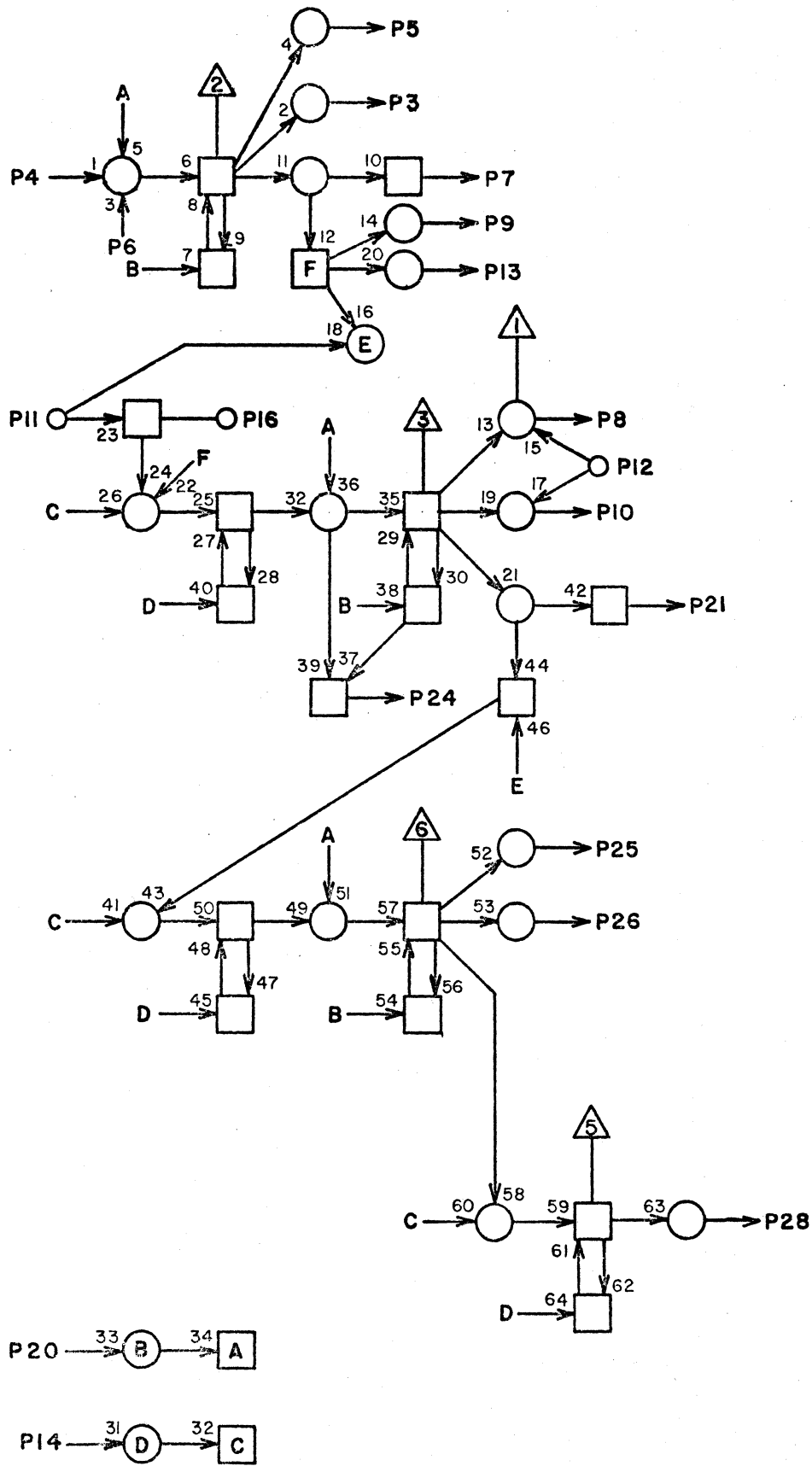
REY



|    |  |  |  |
|----|--|--|--|
| 1  |  |  |  |
| 2  |  |  |  |
| 3  |  |  |  |
| 4  |  |  |  |
| 5  |  |  |  |
| 6  |  |  |  |
| 7  |  |  |  |
| 8  |  |  |  |
| 9  |  |  |  |
| 10 |  |  |  |
| 11 |  |  |  |
| 12 |  |  |  |
| 13 |  |  |  |
| 14 |  |  |  |
| 15 |  |  |  |
| 16 |  |  |  |
| 17 |  |  |  |
| 18 |  |  |  |
| 19 |  |  |  |
| 20 |  |  |  |
| 21 |  |  |  |
| 22 |  |  |  |
| 23 |  |  |  |
| 24 |  |  |  |
| 25 |  |  |  |
| 26 |  |  |  |
| 27 |  |  |  |
| 28 |  |  |  |

JACK PIN LG  
SEE CIRCUIT SPECIFICATION  
11827600  
60042700 Rev AJ

69



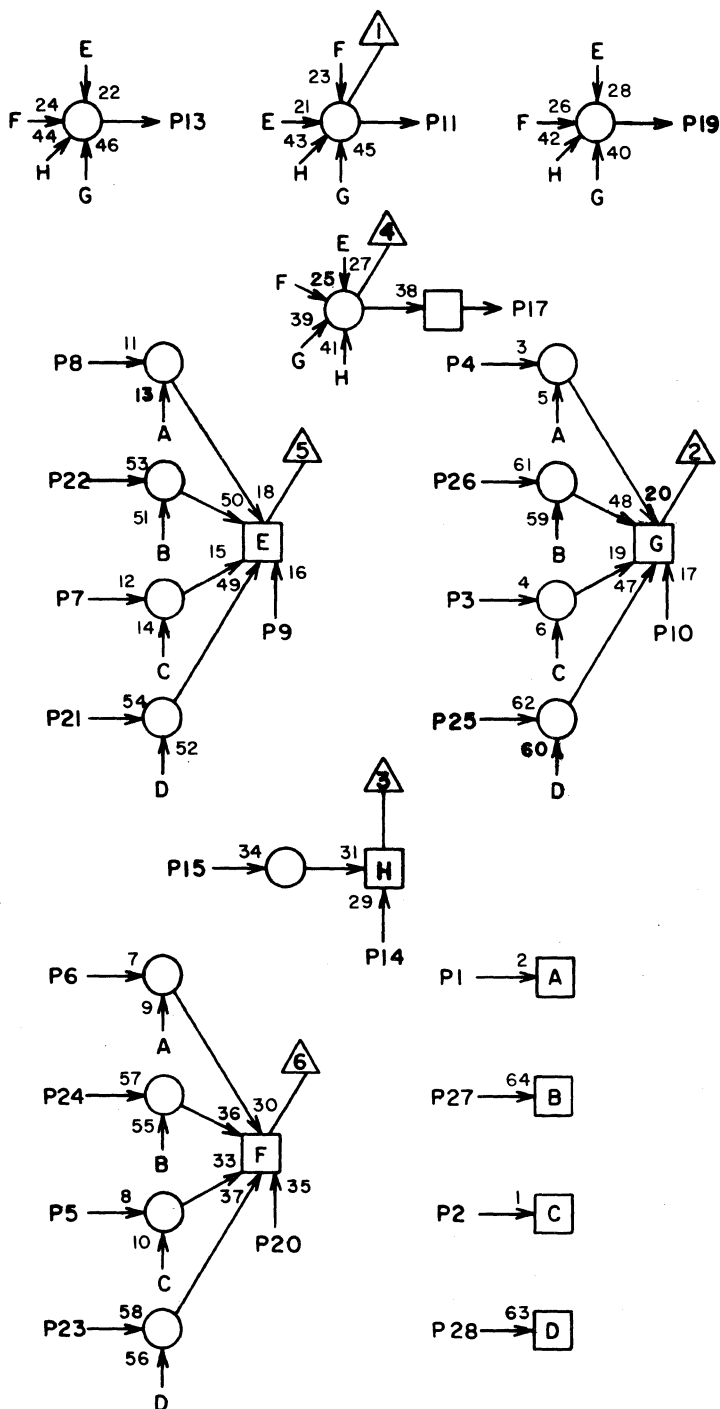
|    |  |  |  |
|----|--|--|--|
| 1  |  |  |  |
| 2  |  |  |  |
| 3  |  |  |  |
| 4  |  |  |  |
| 5  |  |  |  |
| 6  |  |  |  |
| 7  |  |  |  |
| 8  |  |  |  |
| 9  |  |  |  |
| 10 |  |  |  |
| 11 |  |  |  |
| 12 |  |  |  |
| 13 |  |  |  |
| 14 |  |  |  |
| 15 |  |  |  |
| 16 |  |  |  |
| 17 |  |  |  |
| 18 |  |  |  |
| 19 |  |  |  |
| 20 |  |  |  |
| 21 |  |  |  |
| 22 |  |  |  |
| 23 |  |  |  |
| 24 |  |  |  |
| 25 |  |  |  |
| 26 |  |  |  |
| 27 |  |  |  |
| 28 |  |  |  |

JACK PIN LG  
 SEE CIRCUIT SPECIFICATION  
 11827600  
 60042700 Rev AJ

LS10283800  
ASSY

**C**  
REV

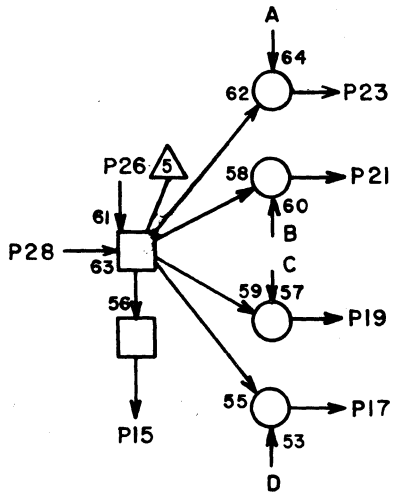
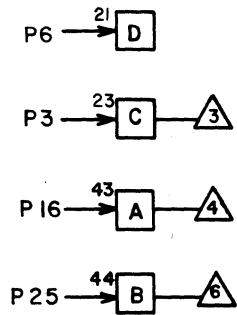
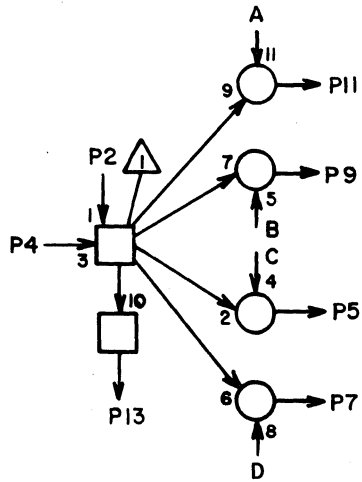
RFG



|    |  |  |  |
|----|--|--|--|
| 1  |  |  |  |
| 2  |  |  |  |
| 3  |  |  |  |
| 4  |  |  |  |
| 5  |  |  |  |
| 6  |  |  |  |
| 7  |  |  |  |
| 8  |  |  |  |
| 9  |  |  |  |
| 10 |  |  |  |
| 11 |  |  |  |
| 12 |  |  |  |
| 13 |  |  |  |
| 14 |  |  |  |
| 15 |  |  |  |
| 16 |  |  |  |
| 17 |  |  |  |
| 18 |  |  |  |
| 19 |  |  |  |
| 20 |  |  |  |
| 21 |  |  |  |
| 22 |  |  |  |
| 23 |  |  |  |
| 24 |  |  |  |
| 25 |  |  |  |
| 26 |  |  |  |
| 27 |  |  |  |
| 28 |  |  |  |

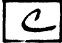
JACK PIN LG  
SEE CIRCUIT SPECIFICATION  
11827600

RFH

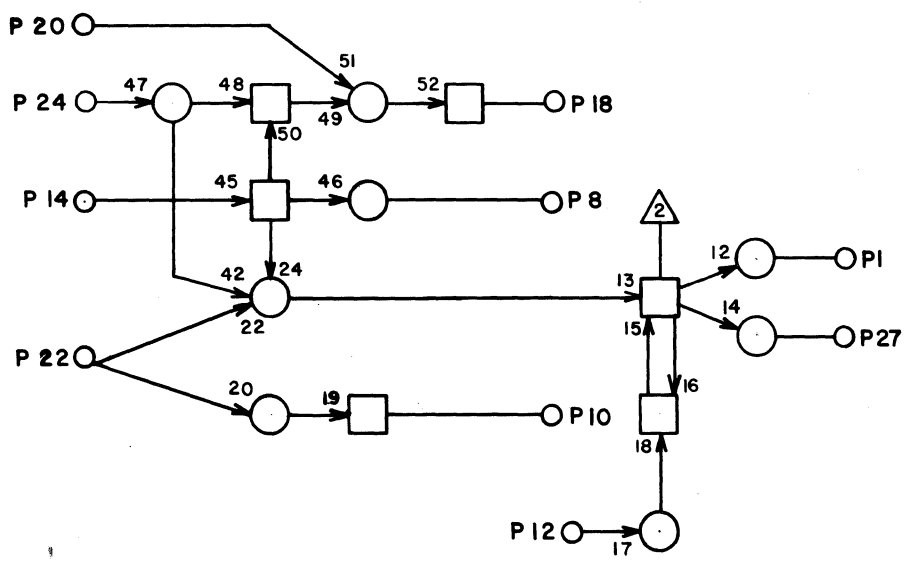


|    |  |  |  |
|----|--|--|--|
| 1  |  |  |  |
| 2  |  |  |  |
| 3  |  |  |  |
| 4  |  |  |  |
| 5  |  |  |  |
| 6  |  |  |  |
| 7  |  |  |  |
| 8  |  |  |  |
| 9  |  |  |  |
| 10 |  |  |  |
| 11 |  |  |  |
| 12 |  |  |  |
| 13 |  |  |  |
| 14 |  |  |  |
| 15 |  |  |  |
| 16 |  |  |  |
| 17 |  |  |  |
| 18 |  |  |  |
| 19 |  |  |  |
| 20 |  |  |  |
| 21 |  |  |  |
| 22 |  |  |  |
| 23 |  |  |  |
| 24 |  |  |  |
| 25 |  |  |  |
| 26 |  |  |  |
| 27 |  |  |  |
| 28 |  |  |  |

JACK PIN LG  
 SEE CIRCUIT SPECIFICATION  
 11827600

LS 10285900   
 ASSY REV  
 SHEET 2 OF 2

RFH

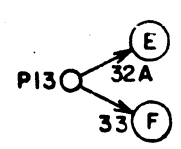
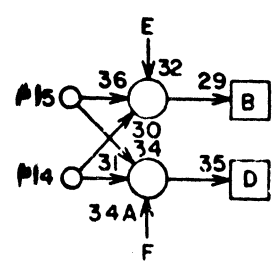
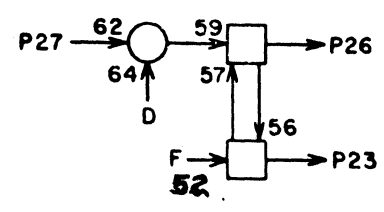
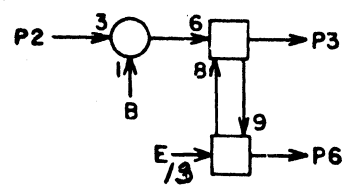
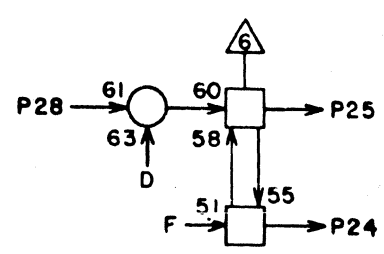
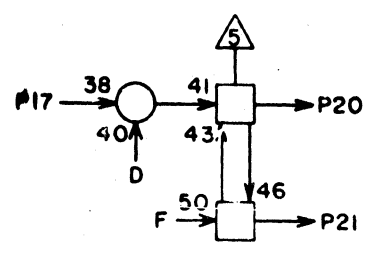
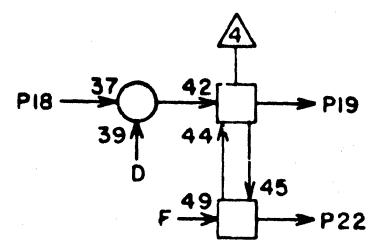
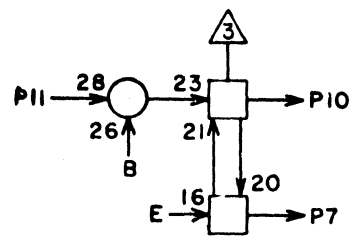
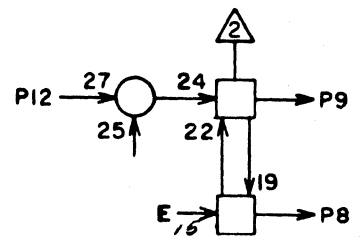
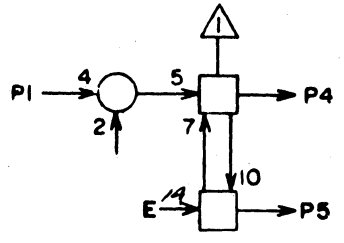


|    |  |  |  |
|----|--|--|--|
| 1  |  |  |  |
| 2  |  |  |  |
| 3  |  |  |  |
| 4  |  |  |  |
| 5  |  |  |  |
| 6  |  |  |  |
| 7  |  |  |  |
| 8  |  |  |  |
| 9  |  |  |  |
| 10 |  |  |  |
| 11 |  |  |  |
| 12 |  |  |  |
| 13 |  |  |  |
| 14 |  |  |  |
| 15 |  |  |  |
| 16 |  |  |  |
| 17 |  |  |  |
| 18 |  |  |  |
| 19 |  |  |  |
| 20 |  |  |  |
| 21 |  |  |  |
| 22 |  |  |  |
| 23 |  |  |  |
| 24 |  |  |  |
| 25 |  |  |  |
| 26 |  |  |  |
| 27 |  |  |  |
| 28 |  |  |  |

JACK PIN LG  
 SEE CIRCUIT SPECIFICATION  
 11827600

LS 10298600 A  
 ASSY REV

RFM



|    |  |  |  |
|----|--|--|--|
| 1  |  |  |  |
| 2  |  |  |  |
| 3  |  |  |  |
| 4  |  |  |  |
| 5  |  |  |  |
| 6  |  |  |  |
| 7  |  |  |  |
| 8  |  |  |  |
| 9  |  |  |  |
| 10 |  |  |  |
| 11 |  |  |  |
| 12 |  |  |  |
| 13 |  |  |  |
| 14 |  |  |  |
| 15 |  |  |  |
| 16 |  |  |  |
| 17 |  |  |  |
| 18 |  |  |  |
| 19 |  |  |  |
| 20 |  |  |  |
| 21 |  |  |  |
| 22 |  |  |  |
| 23 |  |  |  |
| 24 |  |  |  |
| 25 |  |  |  |
| 26 |  |  |  |
| 27 |  |  |  |
| 28 |  |  |  |

page 6 (last)

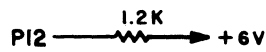
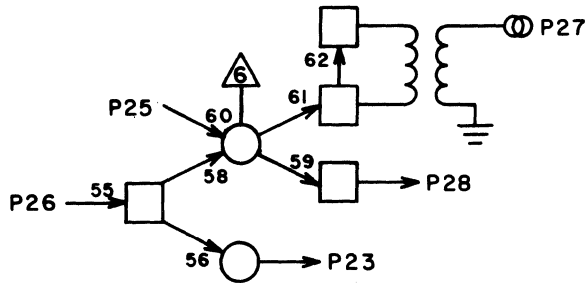
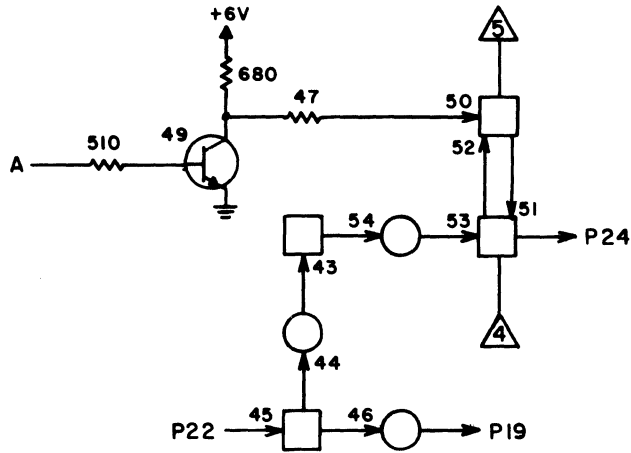
FCO CA 30804

JACK PIN LG  
 SEE CIRCUIT SPECIFICATION  
 11827600

LS 21946100  
 ASSY  
 SHT 1



RFV

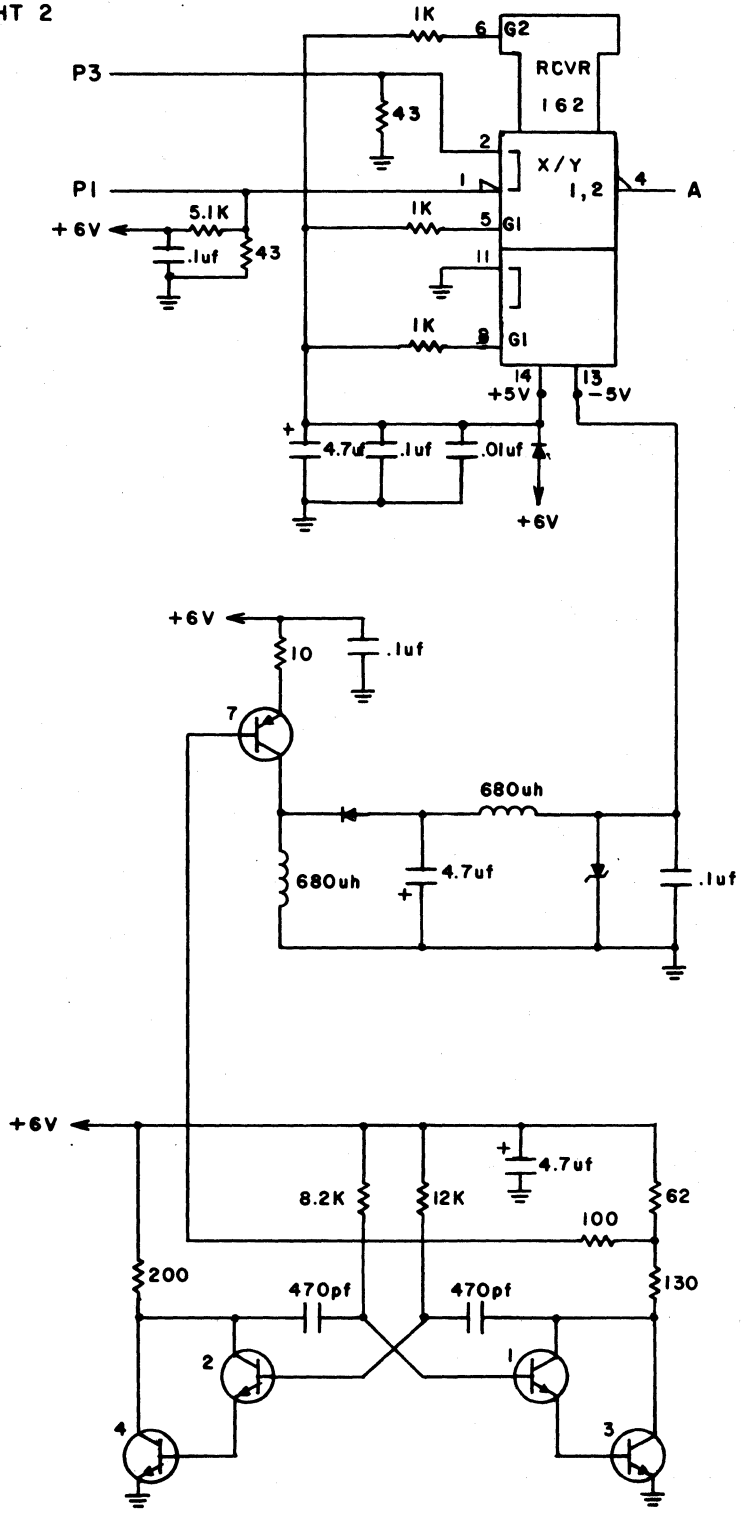


|    |  |  |  |
|----|--|--|--|
| 1  |  |  |  |
| 2  |  |  |  |
| 3  |  |  |  |
| 4  |  |  |  |
| 5  |  |  |  |
| 6  |  |  |  |
| 7  |  |  |  |
| 8  |  |  |  |
| 9  |  |  |  |
| 10 |  |  |  |
| 11 |  |  |  |
| 12 |  |  |  |
| 13 |  |  |  |
| 14 |  |  |  |
| 15 |  |  |  |
| 16 |  |  |  |
| 17 |  |  |  |
| 18 |  |  |  |
| 19 |  |  |  |
| 20 |  |  |  |
| 21 |  |  |  |
| 22 |  |  |  |
| 23 |  |  |  |
| 24 |  |  |  |
| 25 |  |  |  |
| 26 |  |  |  |
| 27 |  |  |  |
| 28 |  |  |  |

JACK PIN LG  
 SEE CIRCUIT SPECIFICATION  
 11827600

LS 21946100 C  
 ASSY REV  
 SHT 2

RFV



|    |  |  |  |
|----|--|--|--|
| 1  |  |  |  |
| 2  |  |  |  |
| 3  |  |  |  |
| 4  |  |  |  |
| 5  |  |  |  |
| 6  |  |  |  |
| 7  |  |  |  |
| 8  |  |  |  |
| 9  |  |  |  |
| 10 |  |  |  |
| 11 |  |  |  |
| 12 |  |  |  |
| 13 |  |  |  |
| 14 |  |  |  |
| 15 |  |  |  |
| 16 |  |  |  |
| 17 |  |  |  |
| 18 |  |  |  |
| 19 |  |  |  |
| 20 |  |  |  |
| 21 |  |  |  |
| 22 |  |  |  |
| 23 |  |  |  |
| 24 |  |  |  |
| 25 |  |  |  |
| 26 |  |  |  |
| 27 |  |  |  |
| 28 |  |  |  |

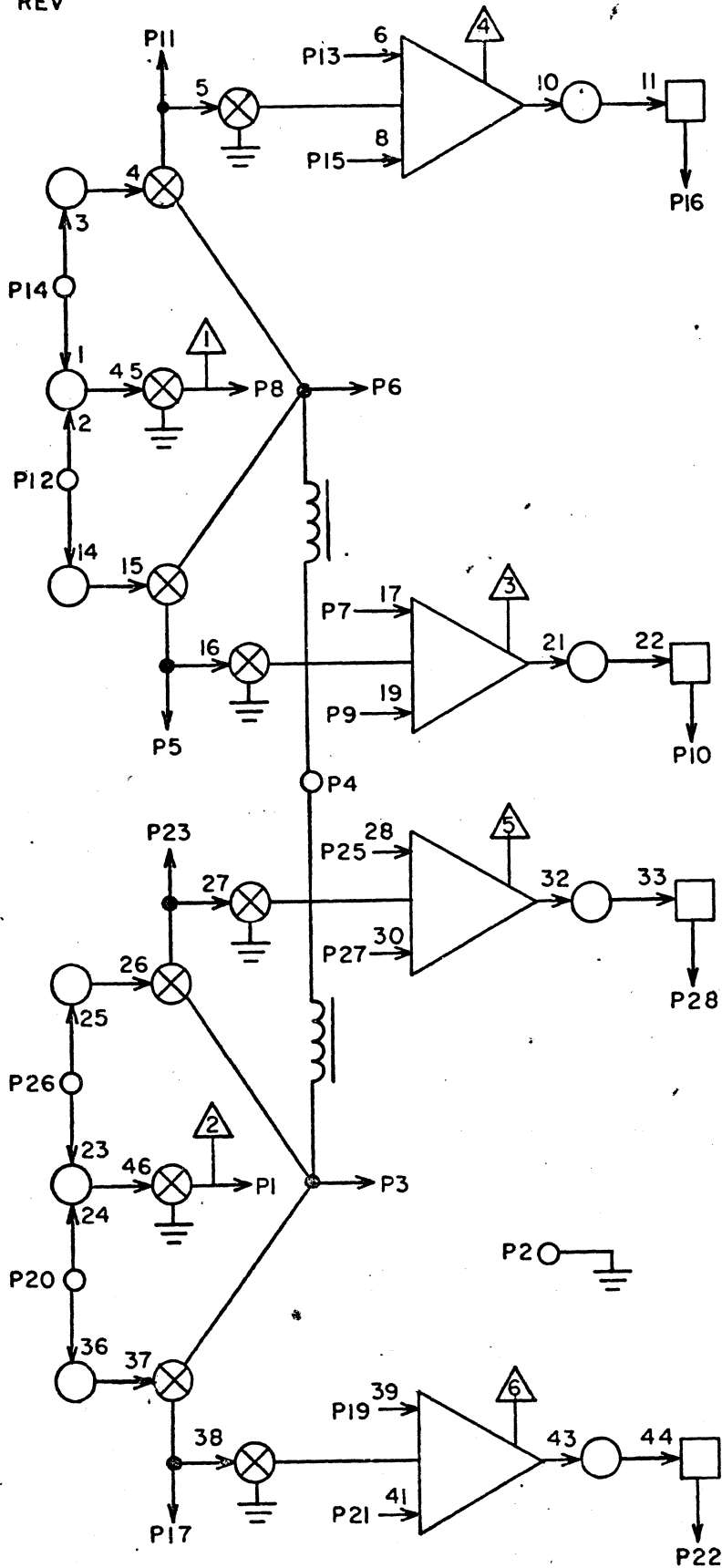
JACK PIN LG  
 SEE CIRCUIT SPECIFICATION  
 11827600



LS22107000  
ASSY

A  
REV

RFY



|    |  |  |  |
|----|--|--|--|
| 1  |  |  |  |
| 2  |  |  |  |
| 3  |  |  |  |
| 4  |  |  |  |
| 5  |  |  |  |
| 6  |  |  |  |
| 7  |  |  |  |
| 8  |  |  |  |
| 9  |  |  |  |
| 10 |  |  |  |
| 11 |  |  |  |
| 12 |  |  |  |
| 13 |  |  |  |
| 14 |  |  |  |
| 15 |  |  |  |
| 16 |  |  |  |
| 17 |  |  |  |
| 18 |  |  |  |
| 19 |  |  |  |
| 20 |  |  |  |
| 21 |  |  |  |
| 22 |  |  |  |
| 23 |  |  |  |
| 24 |  |  |  |
| 25 |  |  |  |
| 26 |  |  |  |
| 27 |  |  |  |
| 28 |  |  |  |

JACK PIN LG  
SEE CIRCUIT SPECIFICATION  
11827600

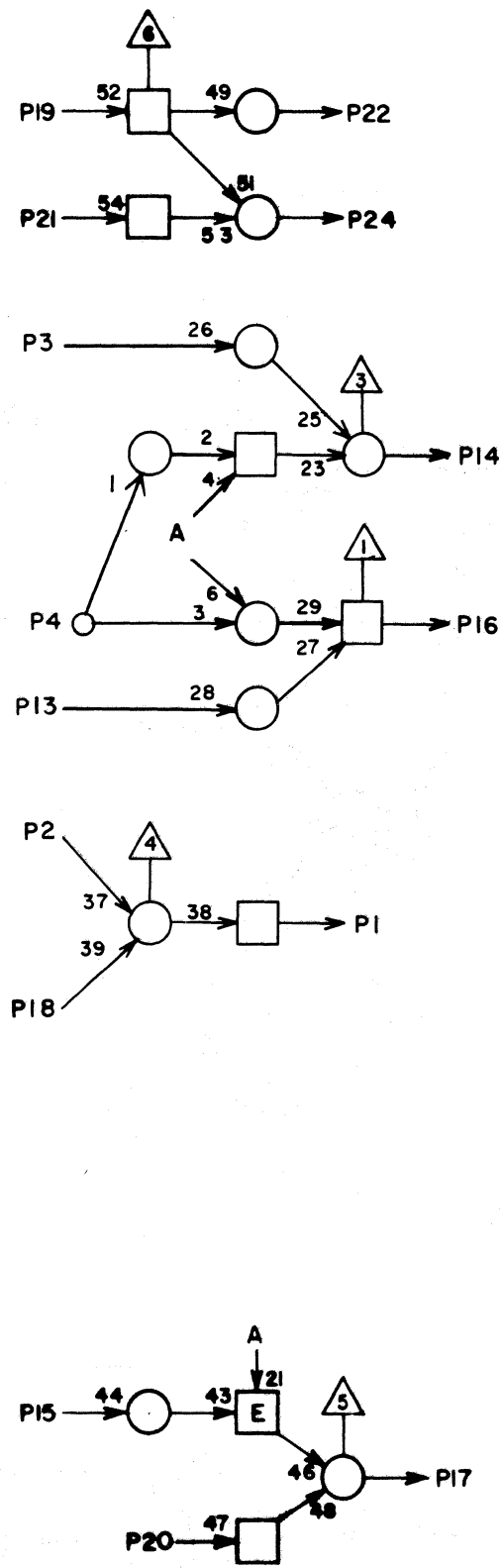
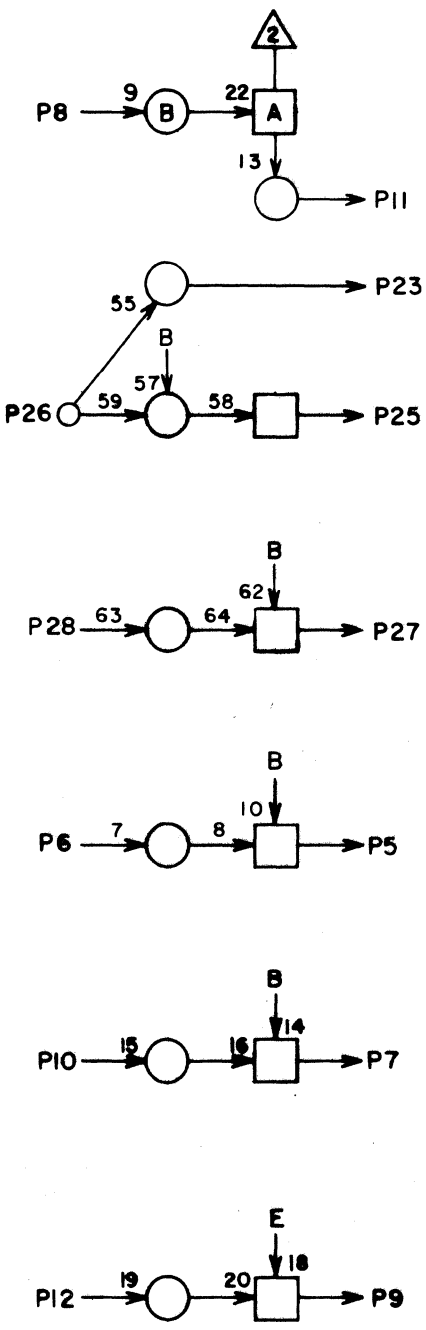
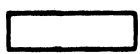
60042700 Rev. AK

6 P  
7 M  
21



LS 22736800 **B**  
 ASSY REV

RGJ



|    |  |  |  |
|----|--|--|--|
| 1  |  |  |  |
| 2  |  |  |  |
| 3  |  |  |  |
| 4  |  |  |  |
| 5  |  |  |  |
| 6  |  |  |  |
| 7  |  |  |  |
| 8  |  |  |  |
| 9  |  |  |  |
| 10 |  |  |  |
| 11 |  |  |  |
| 12 |  |  |  |
| 13 |  |  |  |
| 14 |  |  |  |
| 15 |  |  |  |
| 16 |  |  |  |
| 17 |  |  |  |
| 18 |  |  |  |
| 19 |  |  |  |
| 20 |  |  |  |
| 21 |  |  |  |
| 22 |  |  |  |
| 23 |  |  |  |
| 24 |  |  |  |
| 25 |  |  |  |
| 26 |  |  |  |
| 27 |  |  |  |
| 28 |  |  |  |

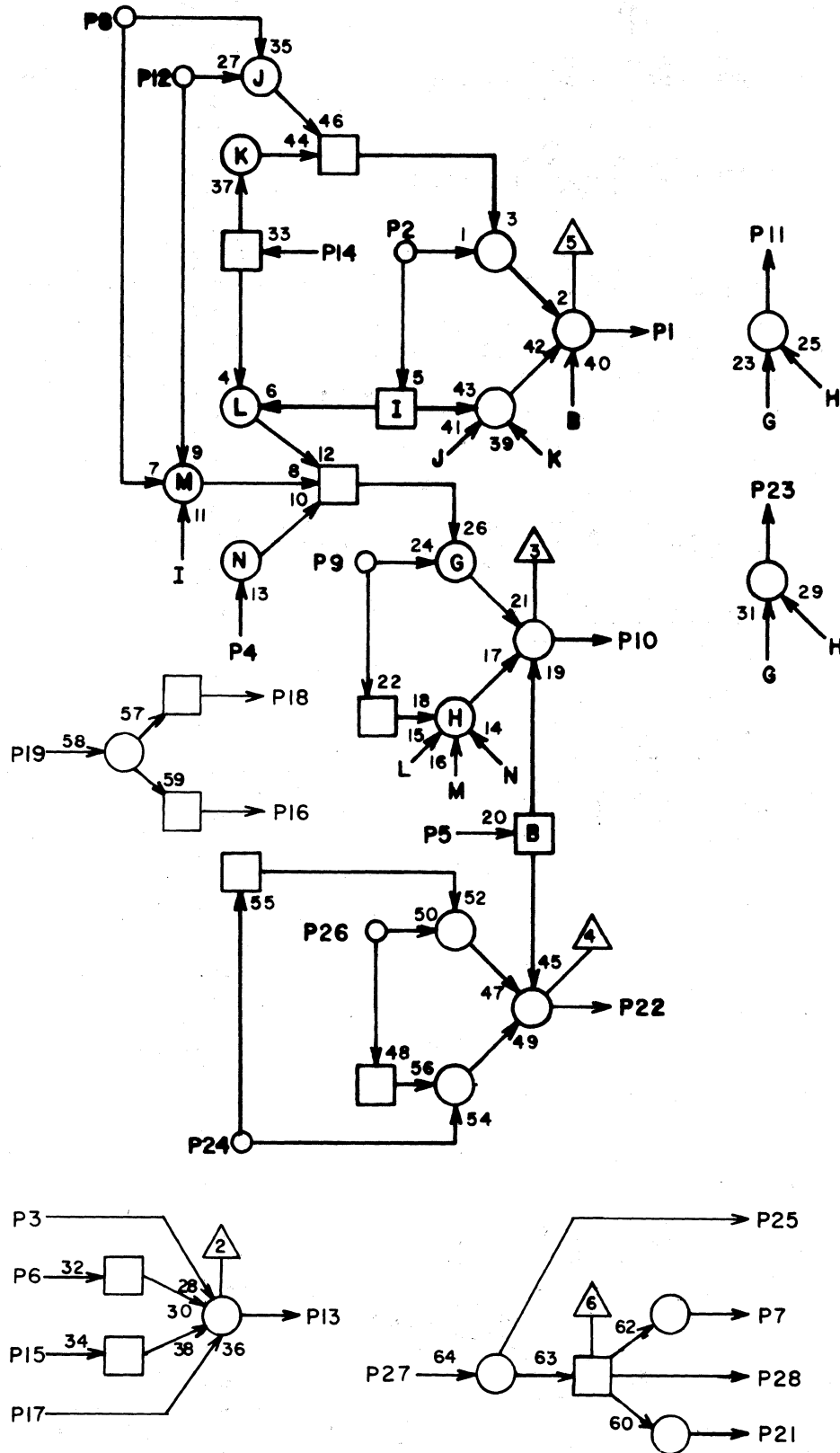
JACK PIN LG  
 SEE CIRCUIT SPECIFICATION  
 11827800

LS 22737000

**B**  
REV

ASSY

RGK

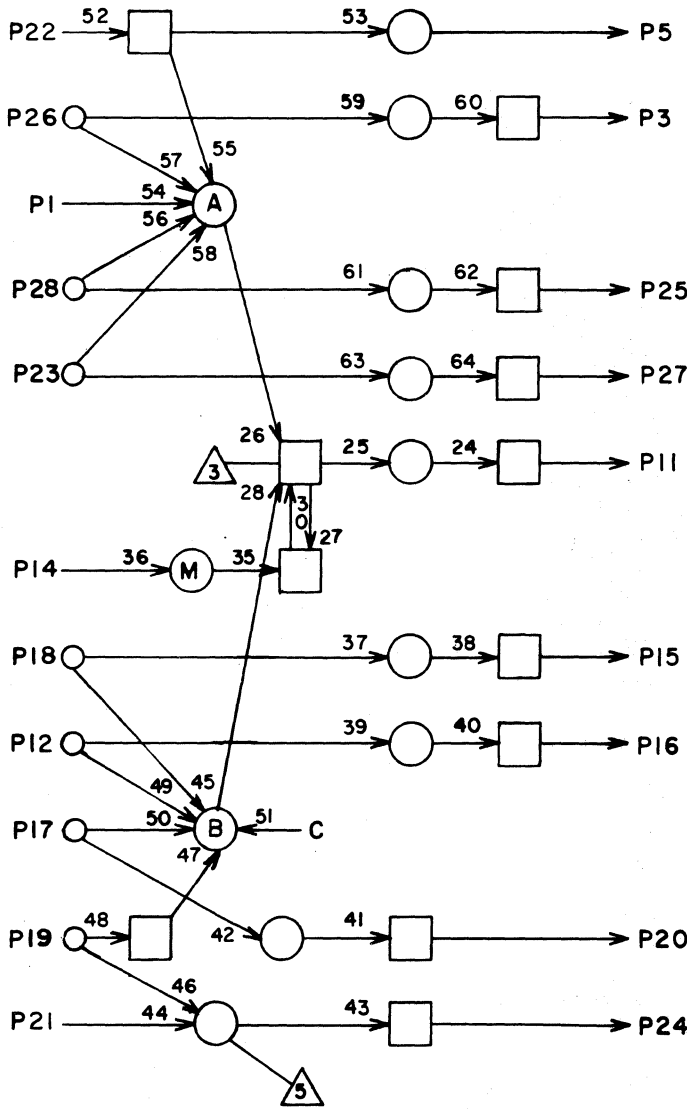
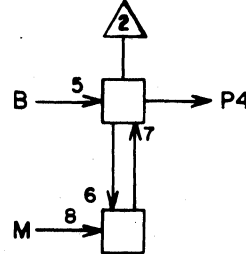
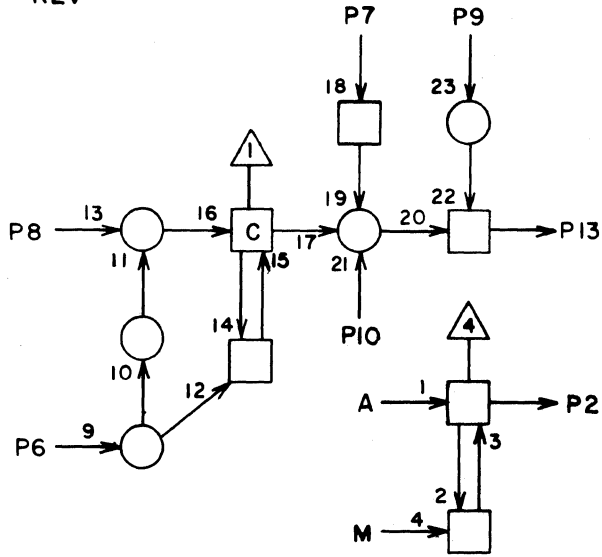


|    |  |  |  |
|----|--|--|--|
| 1  |  |  |  |
| 2  |  |  |  |
| 3  |  |  |  |
| 4  |  |  |  |
| 5  |  |  |  |
| 6  |  |  |  |
| 7  |  |  |  |
| 8  |  |  |  |
| 9  |  |  |  |
| 10 |  |  |  |
| 11 |  |  |  |
| 12 |  |  |  |
| 13 |  |  |  |
| 14 |  |  |  |
| 15 |  |  |  |
| 16 |  |  |  |
| 17 |  |  |  |
| 18 |  |  |  |
| 19 |  |  |  |
| 20 |  |  |  |
| 21 |  |  |  |
| 22 |  |  |  |
| 23 |  |  |  |
| 24 |  |  |  |
| 25 |  |  |  |
| 26 |  |  |  |
| 27 |  |  |  |
| 28 |  |  |  |

JACK PIN LG  
SEE CIRCUIT SPECIFICATION  
11827600

60042700 Rev. BA

LS 22737200 **B**  
 ASSY REV

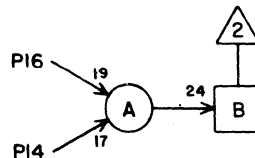
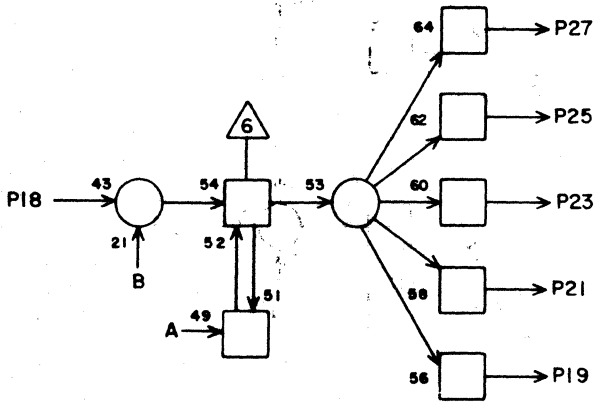
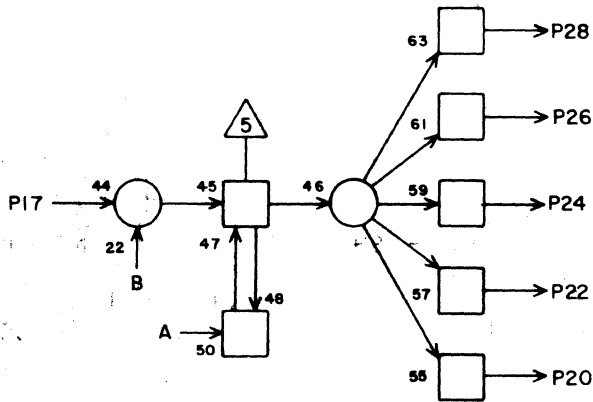
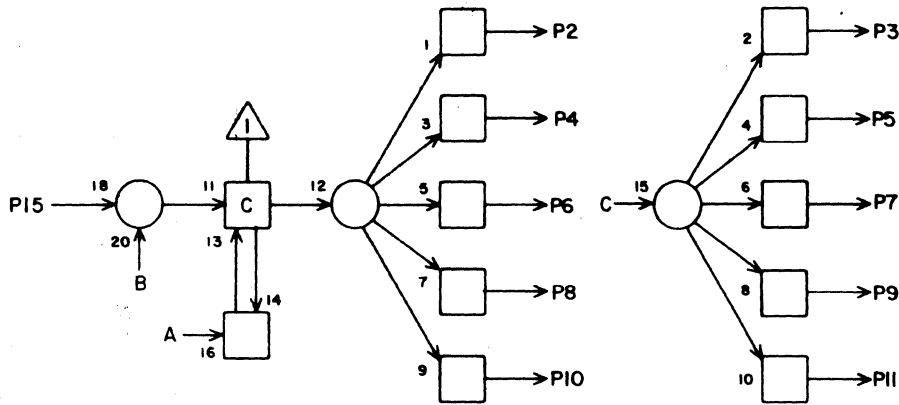


RGL

|    |  |  |  |
|----|--|--|--|
| 1  |  |  |  |
| 2  |  |  |  |
| 3  |  |  |  |
| 4  |  |  |  |
| 5  |  |  |  |
| 6  |  |  |  |
| 7  |  |  |  |
| 8  |  |  |  |
| 9  |  |  |  |
| 10 |  |  |  |
| 11 |  |  |  |
| 12 |  |  |  |
| 13 |  |  |  |
| 14 |  |  |  |
| 15 |  |  |  |
| 16 |  |  |  |
| 17 |  |  |  |
| 18 |  |  |  |
| 19 |  |  |  |
| 20 |  |  |  |
| 21 |  |  |  |
| 22 |  |  |  |
| 23 |  |  |  |
| 24 |  |  |  |
| 25 |  |  |  |
| 26 |  |  |  |
| 27 |  |  |  |
| 28 |  |  |  |

JACK PIN LG  
 SEE CIRCUIT SPECIFICATION  
 11827600

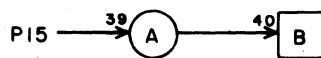
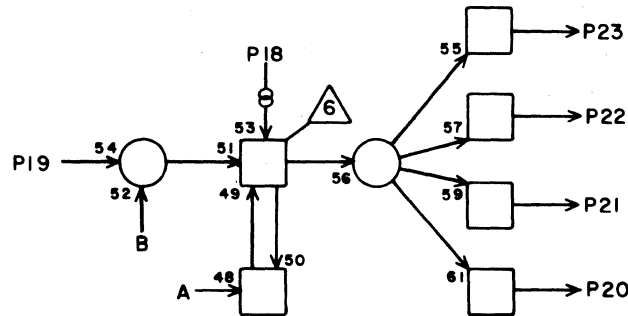
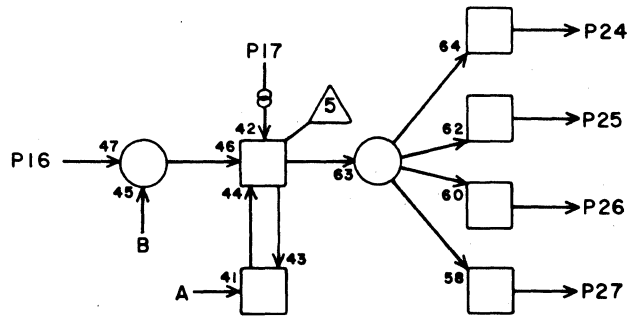
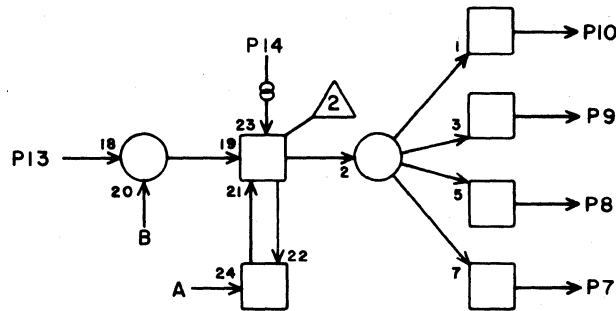
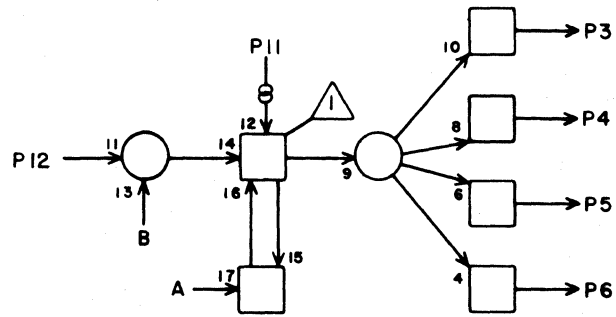




|    |  |  |  |
|----|--|--|--|
| 1  |  |  |  |
| 2  |  |  |  |
| 3  |  |  |  |
| 4  |  |  |  |
| 5  |  |  |  |
| 6  |  |  |  |
| 7  |  |  |  |
| 8  |  |  |  |
| 9  |  |  |  |
| 10 |  |  |  |
| 11 |  |  |  |
| 12 |  |  |  |
| 13 |  |  |  |
| 14 |  |  |  |
| 15 |  |  |  |
| 16 |  |  |  |
| 17 |  |  |  |
| 18 |  |  |  |
| 19 |  |  |  |
| 20 |  |  |  |
| 21 |  |  |  |
| 22 |  |  |  |
| 23 |  |  |  |
| 24 |  |  |  |
| 25 |  |  |  |
| 26 |  |  |  |
| 27 |  |  |  |
| 28 |  |  |  |

JACK PIN LG

CIRCUIT SPECIFICATION 11827600



|    |  |  |  |
|----|--|--|--|
| 1  |  |  |  |
| 2  |  |  |  |
| 3  |  |  |  |
| 4  |  |  |  |
| 5  |  |  |  |
| 6  |  |  |  |
| 7  |  |  |  |
| 8  |  |  |  |
| 9  |  |  |  |
| 10 |  |  |  |
| 11 |  |  |  |
| 12 |  |  |  |
| 13 |  |  |  |
| 14 |  |  |  |
| 15 |  |  |  |
| 16 |  |  |  |
| 17 |  |  |  |
| 18 |  |  |  |
| 19 |  |  |  |
| 20 |  |  |  |
| 21 |  |  |  |
| 22 |  |  |  |
| 23 |  |  |  |
| 24 |  |  |  |
| 25 |  |  |  |
| 26 |  |  |  |
| 27 |  |  |  |
| 28 |  |  |  |

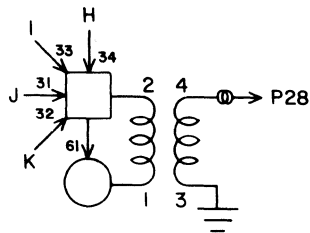
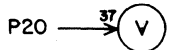
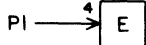
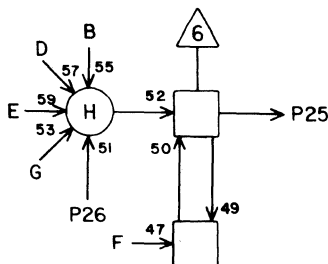
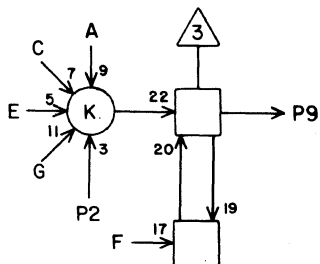
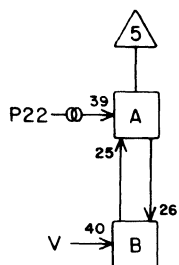
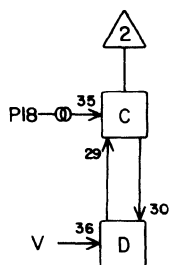
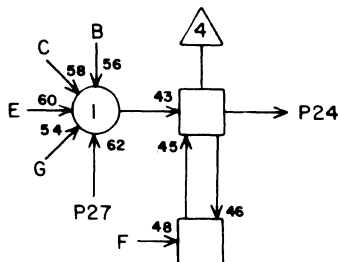
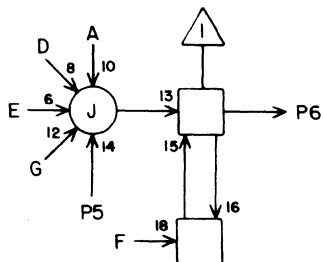
JACK PIN LG  
CIRCUIT SPECIFICATION 11827600



LS 63062800  
ASSY

**F**  
REV

SC



|    |  |  |  |
|----|--|--|--|
| 1  |  |  |  |
| 2  |  |  |  |
| 3  |  |  |  |
| 4  |  |  |  |
| 5  |  |  |  |
| 6  |  |  |  |
| 7  |  |  |  |
| 8  |  |  |  |
| 9  |  |  |  |
| 10 |  |  |  |
| 11 |  |  |  |
| 12 |  |  |  |
| 13 |  |  |  |
| 14 |  |  |  |
| 15 |  |  |  |
| 16 |  |  |  |
| 17 |  |  |  |
| 18 |  |  |  |
| 19 |  |  |  |
| 20 |  |  |  |
| 21 |  |  |  |
| 22 |  |  |  |
| 23 |  |  |  |
| 24 |  |  |  |
| 25 |  |  |  |
| 26 |  |  |  |
| 27 |  |  |  |
| 28 |  |  |  |

JACK PIN LG

CIRCUIT SPECIFICATION 11827600

60042700 Rev. J

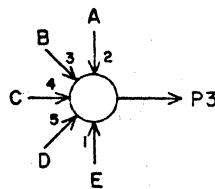
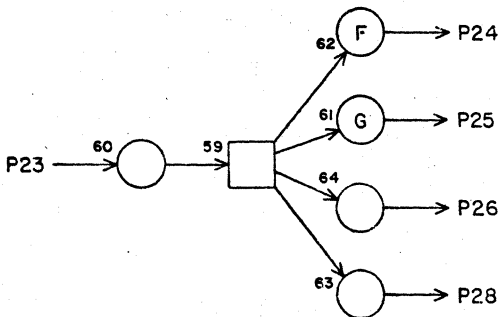
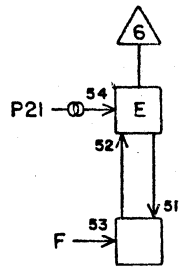
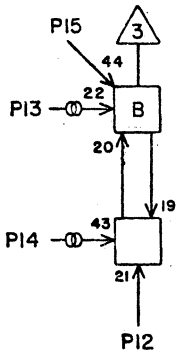
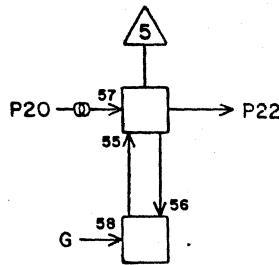
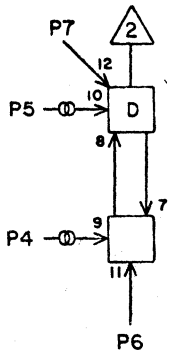
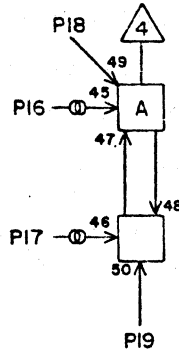
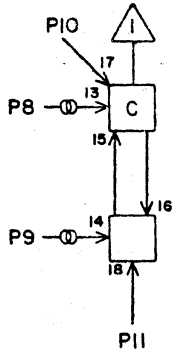
LS 63062900

ASSY

D  
REV

SD

[Empty box]



|    |  |  |  |
|----|--|--|--|
| 1  |  |  |  |
| 2  |  |  |  |
| 3  |  |  |  |
| 4  |  |  |  |
| 5  |  |  |  |
| 6  |  |  |  |
| 7  |  |  |  |
| 8  |  |  |  |
| 9  |  |  |  |
| 10 |  |  |  |
| 11 |  |  |  |
| 12 |  |  |  |
| 13 |  |  |  |
| 14 |  |  |  |
| 15 |  |  |  |
| 16 |  |  |  |
| 17 |  |  |  |
| 18 |  |  |  |
| 19 |  |  |  |
| 20 |  |  |  |
| 21 |  |  |  |
| 22 |  |  |  |
| 23 |  |  |  |
| 24 |  |  |  |
| 25 |  |  |  |
| 26 |  |  |  |
| 27 |  |  |  |
| 28 |  |  |  |

JACK PIN LG

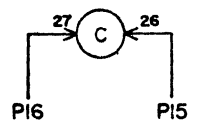
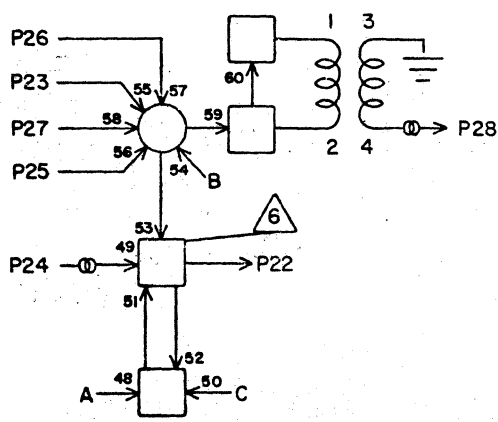
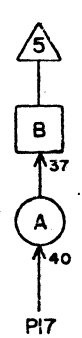
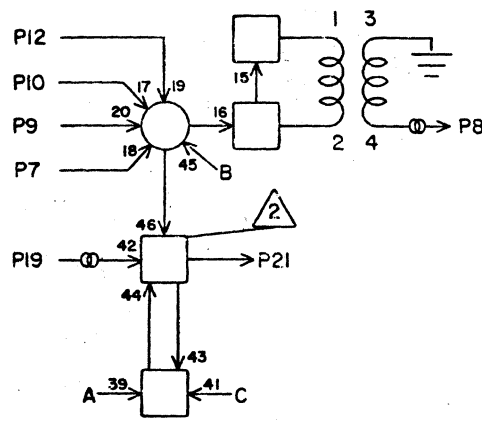
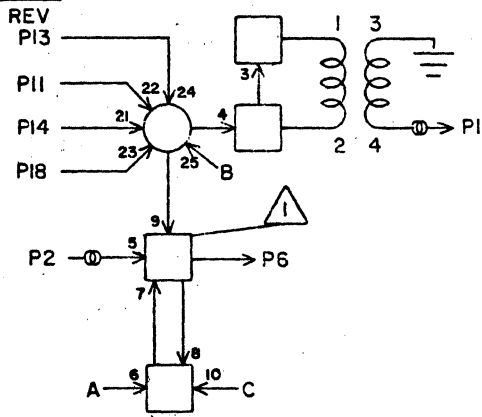
CIRCUIT SPECIFICATION 11827600

60042700 Rev J

LS 63063000  
ASSY

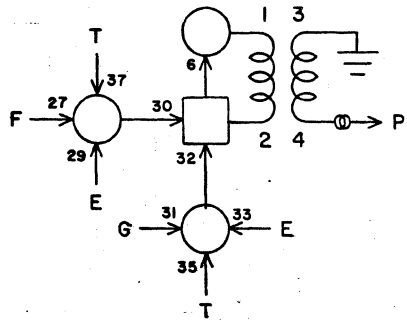
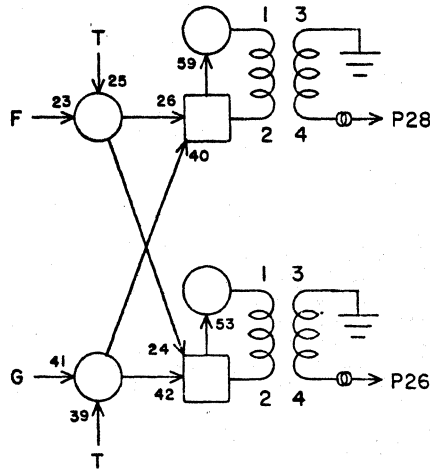
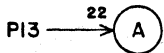
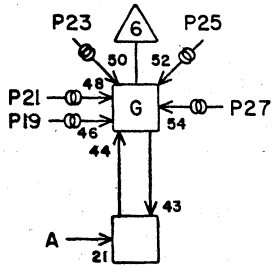
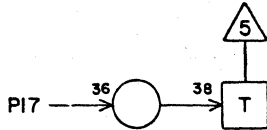
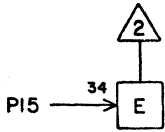
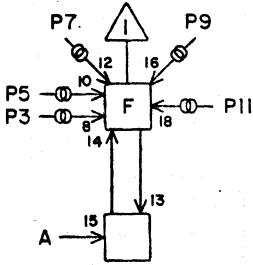
**E**

SE



|    |  |  |  |
|----|--|--|--|
| 1  |  |  |  |
| 2  |  |  |  |
| 3  |  |  |  |
| 4  |  |  |  |
| 5  |  |  |  |
| 6  |  |  |  |
| 7  |  |  |  |
| 8  |  |  |  |
| 9  |  |  |  |
| 10 |  |  |  |
| 11 |  |  |  |
| 12 |  |  |  |
| 13 |  |  |  |
| 14 |  |  |  |
| 15 |  |  |  |
| 16 |  |  |  |
| 17 |  |  |  |
| 18 |  |  |  |
| 19 |  |  |  |
| 20 |  |  |  |
| 21 |  |  |  |
| 22 |  |  |  |
| 23 |  |  |  |
| 24 |  |  |  |
| 25 |  |  |  |
| 26 |  |  |  |
| 27 |  |  |  |
| 28 |  |  |  |

JACK PIN LG

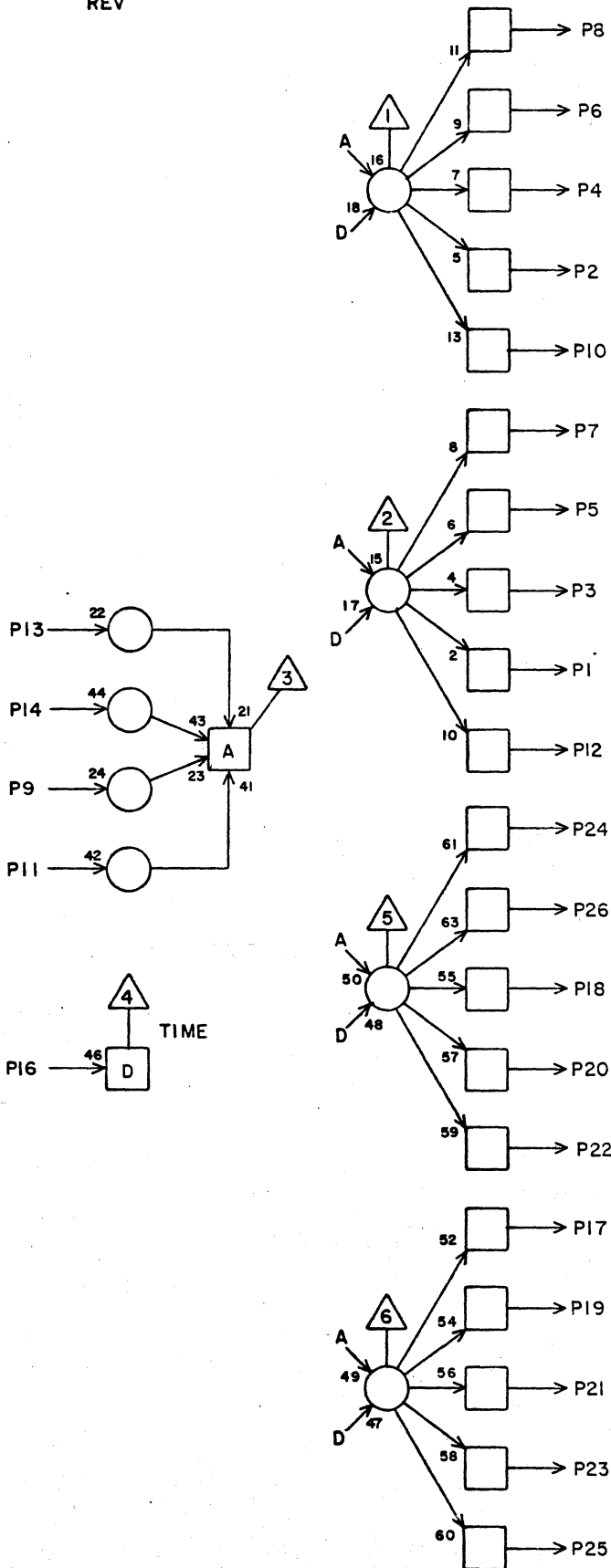
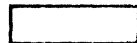


|    |  |  |  |
|----|--|--|--|
| 1  |  |  |  |
| 2  |  |  |  |
| 3  |  |  |  |
| 4  |  |  |  |
| 5  |  |  |  |
| 6  |  |  |  |
| 7  |  |  |  |
| 8  |  |  |  |
| 9  |  |  |  |
| 10 |  |  |  |
| 11 |  |  |  |
| 12 |  |  |  |
| 13 |  |  |  |
| 14 |  |  |  |
| 15 |  |  |  |
| 16 |  |  |  |
| 17 |  |  |  |
| 18 |  |  |  |
| 19 |  |  |  |
| 20 |  |  |  |
| 21 |  |  |  |
| 22 |  |  |  |
| 23 |  |  |  |
| 24 |  |  |  |
| 25 |  |  |  |
| 26 |  |  |  |
| 27 |  |  |  |
| 28 |  |  |  |

JACK PIN LG

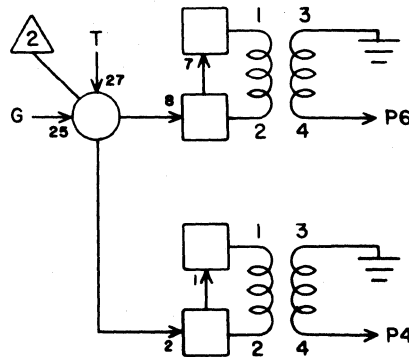
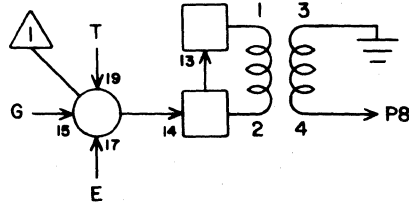
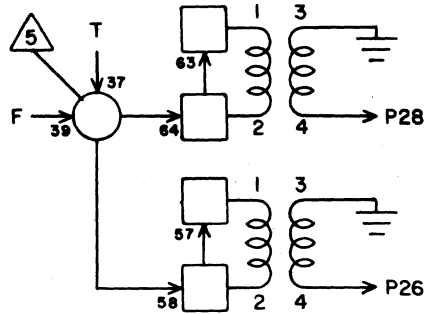
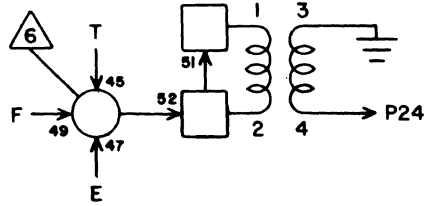
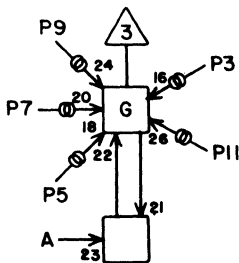
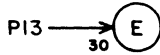
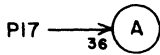
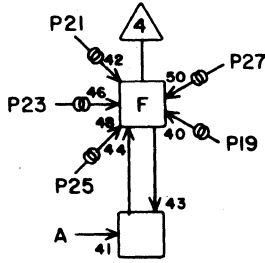
CIRCUIT SPECIFICATION 11827600

60042700 Rev J



|    |  |  |  |
|----|--|--|--|
| 1  |  |  |  |
| 2  |  |  |  |
| 3  |  |  |  |
| 4  |  |  |  |
| 5  |  |  |  |
| 6  |  |  |  |
| 7  |  |  |  |
| 8  |  |  |  |
| 9  |  |  |  |
| 10 |  |  |  |
| 11 |  |  |  |
| 12 |  |  |  |
| 13 |  |  |  |
| 14 |  |  |  |
| 15 |  |  |  |
| 16 |  |  |  |
| 17 |  |  |  |
| 18 |  |  |  |
| 19 |  |  |  |
| 20 |  |  |  |
| 21 |  |  |  |
| 22 |  |  |  |
| 23 |  |  |  |
| 24 |  |  |  |
| 25 |  |  |  |
| 26 |  |  |  |
| 27 |  |  |  |
| 28 |  |  |  |

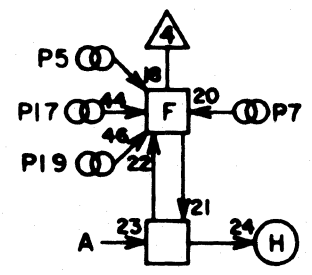
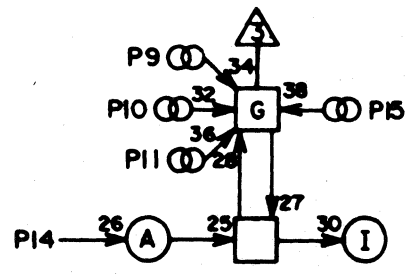
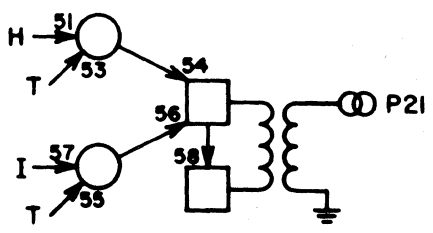
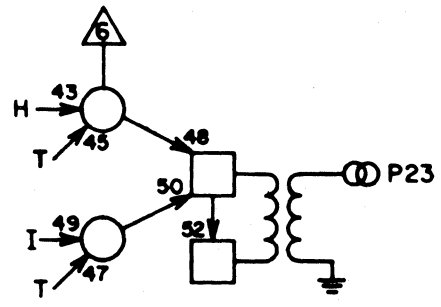
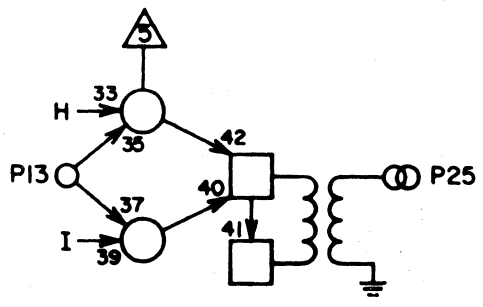
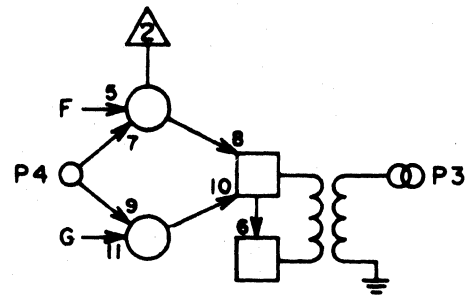
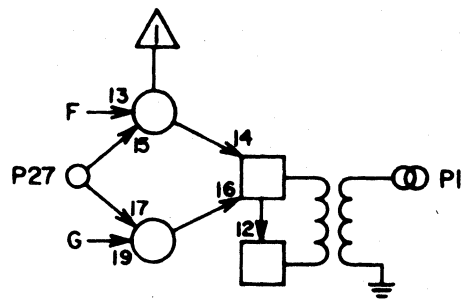
JACK PIN LG



|    |  |  |  |
|----|--|--|--|
| 1  |  |  |  |
| 2  |  |  |  |
| 3  |  |  |  |
| 4  |  |  |  |
| 5  |  |  |  |
| 6  |  |  |  |
| 7  |  |  |  |
| 8  |  |  |  |
| 9  |  |  |  |
| 10 |  |  |  |
| 11 |  |  |  |
| 12 |  |  |  |
| 13 |  |  |  |
| 14 |  |  |  |
| 15 |  |  |  |
| 16 |  |  |  |
| 17 |  |  |  |
| 18 |  |  |  |
| 19 |  |  |  |
| 20 |  |  |  |
| 21 |  |  |  |
| 22 |  |  |  |
| 23 |  |  |  |
| 24 |  |  |  |
| 25 |  |  |  |
| 26 |  |  |  |
| 27 |  |  |  |
| 28 |  |  |  |

JACK PIN LG  
CIRCUIT SPECIFICATION 11827600





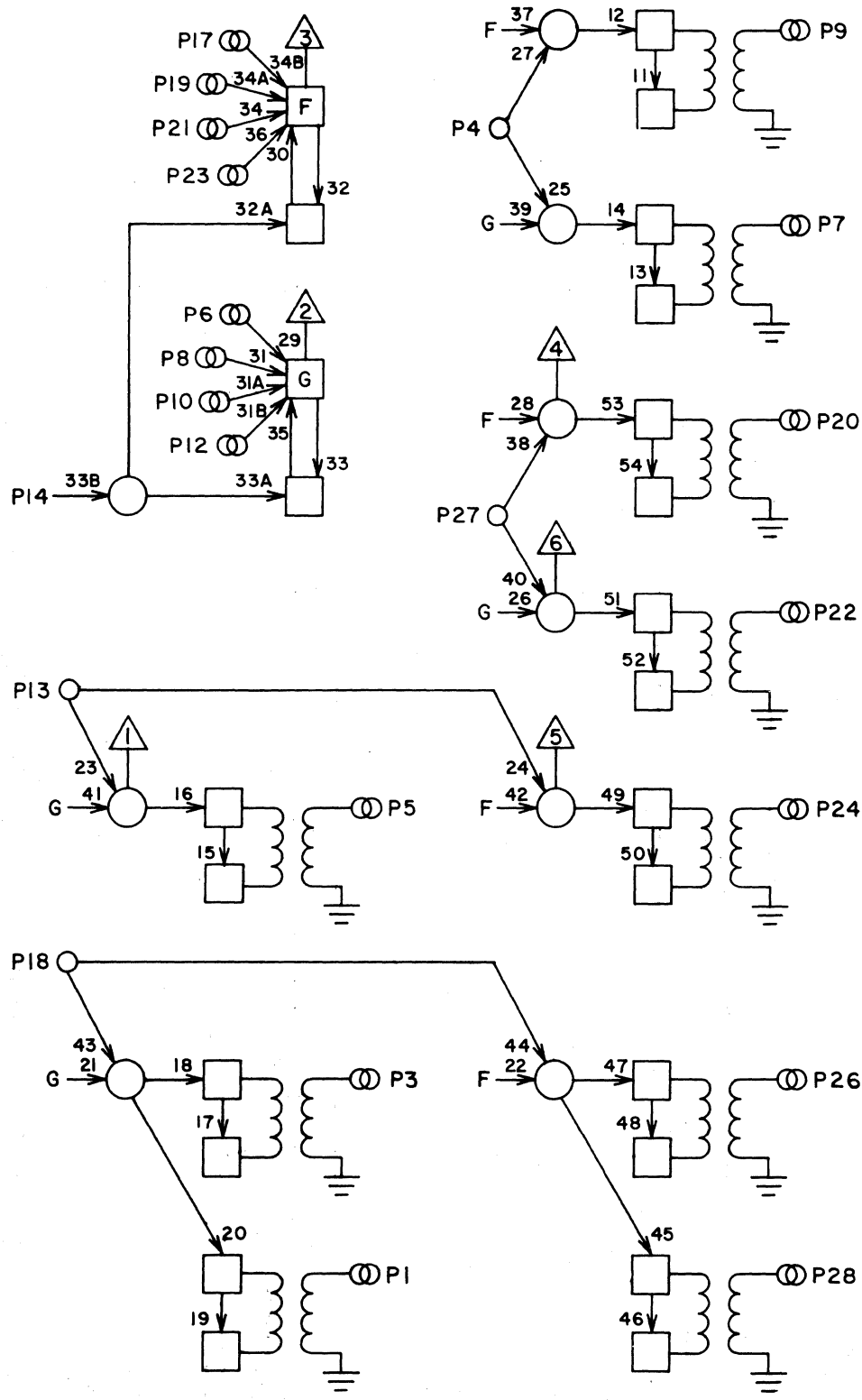
| 1  |  |  |  |
|----|--|--|--|
| 2  |  |  |  |
| 3  |  |  |  |
| 4  |  |  |  |
| 5  |  |  |  |
| 6  |  |  |  |
| 7  |  |  |  |
| 8  |  |  |  |
| 9  |  |  |  |
| 10 |  |  |  |
| 11 |  |  |  |
| 12 |  |  |  |
| 13 |  |  |  |
| 14 |  |  |  |
| 15 |  |  |  |
| 16 |  |  |  |
| 17 |  |  |  |
| 18 |  |  |  |
| 19 |  |  |  |
| 20 |  |  |  |
| 21 |  |  |  |
| 22 |  |  |  |
| 23 |  |  |  |
| 24 |  |  |  |
| 25 |  |  |  |
| 26 |  |  |  |
| 27 |  |  |  |
| 28 |  |  |  |

JACK PIN LG  
 SEE CIRCUIT SPECIFICATION  
 11827600  
 60042700 Rev. P



LS 18058900 B  
 ASSY REV

SK

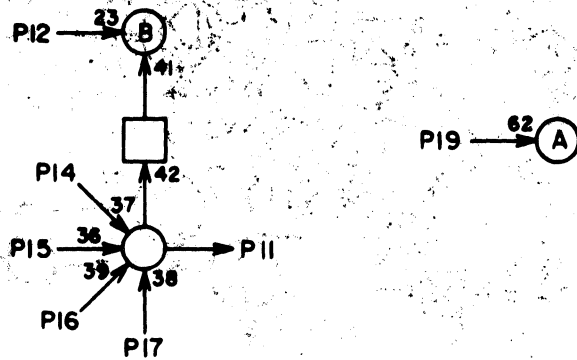
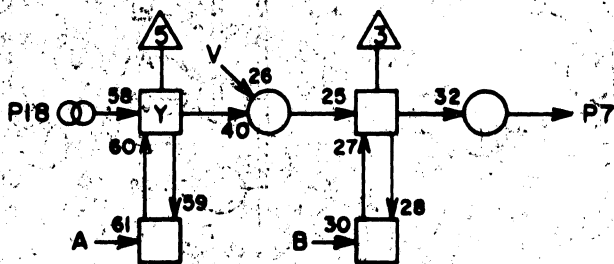
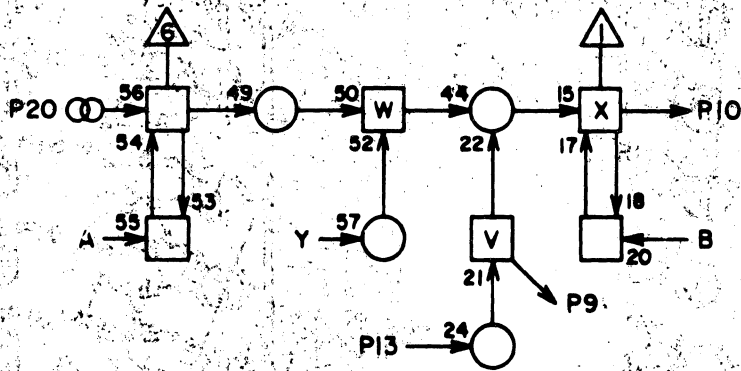
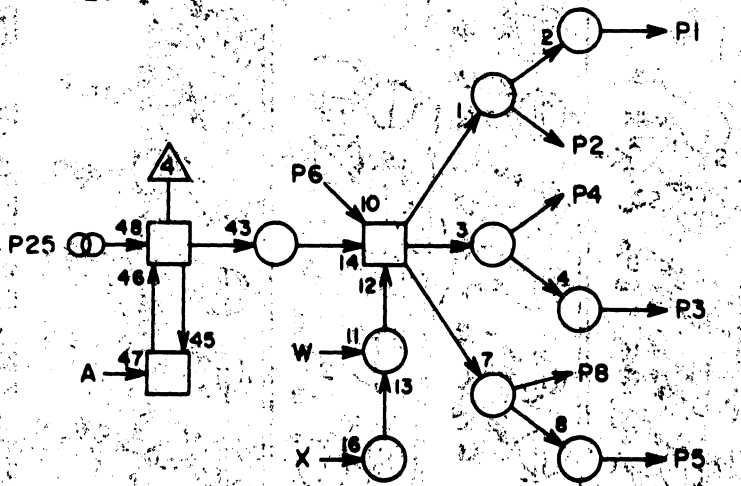


|    |  |  |  |
|----|--|--|--|
| 1  |  |  |  |
| 2  |  |  |  |
| 3  |  |  |  |
| 4  |  |  |  |
| 5  |  |  |  |
| 6  |  |  |  |
| 7  |  |  |  |
| 8  |  |  |  |
| 9  |  |  |  |
| 10 |  |  |  |
| 11 |  |  |  |
| 12 |  |  |  |
| 13 |  |  |  |
| 14 |  |  |  |
| 15 |  |  |  |
| 16 |  |  |  |
| 17 |  |  |  |
| 18 |  |  |  |
| 19 |  |  |  |
| 20 |  |  |  |
| 21 |  |  |  |
| 22 |  |  |  |
| 23 |  |  |  |
| 24 |  |  |  |
| 25 |  |  |  |
| 26 |  |  |  |
| 27 |  |  |  |
| 28 |  |  |  |

JACK PIN LG

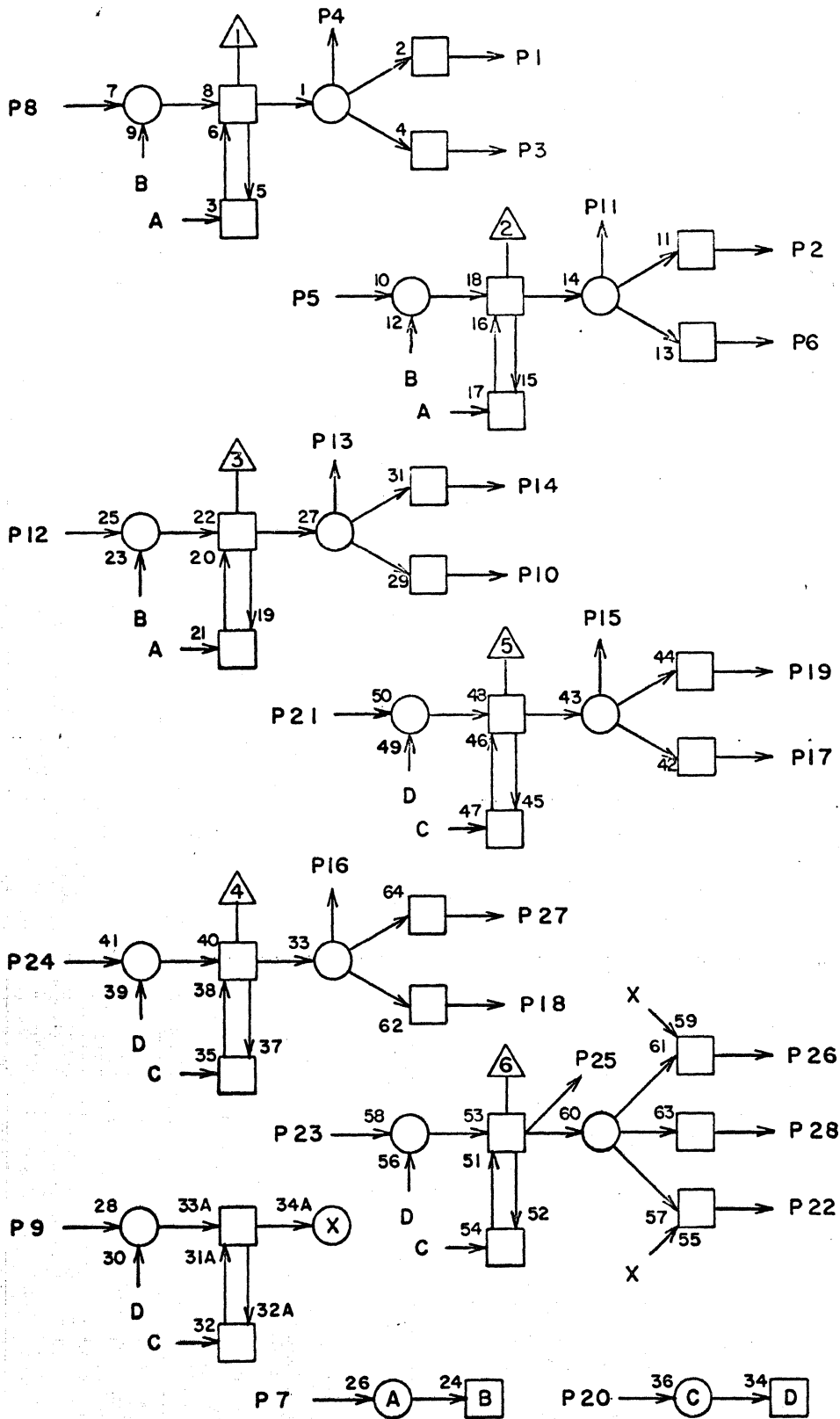
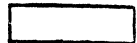
LS18059100  
 ASSY REV

SL



|    |  |  |  |
|----|--|--|--|
| 1  |  |  |  |
| 2  |  |  |  |
| 3  |  |  |  |
| 4  |  |  |  |
| 5  |  |  |  |
| 6  |  |  |  |
| 7  |  |  |  |
| 8  |  |  |  |
| 9  |  |  |  |
| 10 |  |  |  |
| 11 |  |  |  |
| 12 |  |  |  |
| 13 |  |  |  |
| 14 |  |  |  |
| 15 |  |  |  |
| 16 |  |  |  |
| 17 |  |  |  |
| 18 |  |  |  |
| 19 |  |  |  |
| 20 |  |  |  |
| 21 |  |  |  |
| 22 |  |  |  |
| 23 |  |  |  |
| 24 |  |  |  |
| 25 |  |  |  |
| 26 |  |  |  |
| 27 |  |  |  |
| 28 |  |  |  |

JACK PIN LG  
 SEE CIRCUIT SPECIFICATION  
 11827600  
 60042700 Rev. P



|    |  |  |  |
|----|--|--|--|
| 1  |  |  |  |
| 2  |  |  |  |
| 3  |  |  |  |
| 4  |  |  |  |
| 5  |  |  |  |
| 6  |  |  |  |
| 7  |  |  |  |
| 8  |  |  |  |
| 9  |  |  |  |
| 10 |  |  |  |
| 11 |  |  |  |
| 12 |  |  |  |
| 13 |  |  |  |
| 14 |  |  |  |
| 15 |  |  |  |
| 16 |  |  |  |
| 17 |  |  |  |
| 18 |  |  |  |
| 19 |  |  |  |
| 20 |  |  |  |
| 21 |  |  |  |
| 22 |  |  |  |
| 23 |  |  |  |
| 24 |  |  |  |
| 25 |  |  |  |
| 26 |  |  |  |
| 27 |  |  |  |
| 28 |  |  |  |

JACK PIN LG  
SEE CIRCUIT SPECIFICATION  
11827600  
60042700 Rev. P

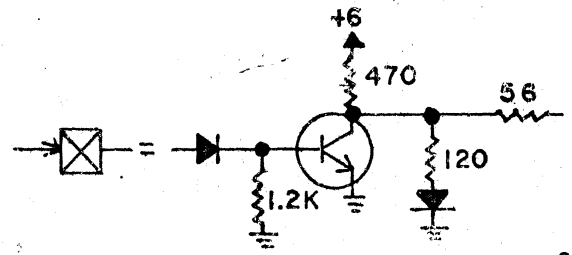
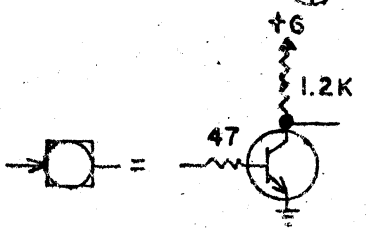
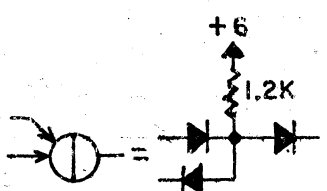
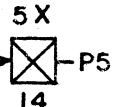
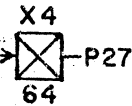
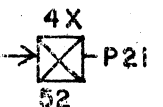
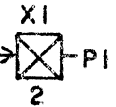
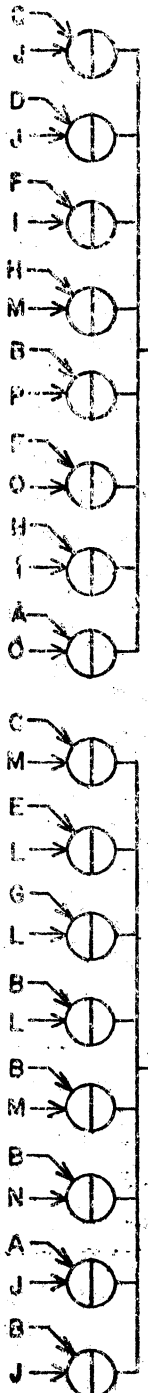
L318995700  
ASSY

**A**  
REV

SN

[ ]

- P20 → 57 → A
- P26 → 51 → B
- P22 → 59 → C
- P6 → 3 → D
- P28 → 63 → E
- P10 → 8 → F
- P12 → 7 → G
- P14 → 11 → H
- P16 → 53 → I
- P18 → 55 → J
- P4 → 13 → L
- P7 → 15 → M
- P24 → 61 → N
- P8 → 5 → O
- P2 → 1 → P



|    |  |  |  |
|----|--|--|--|
| 1  |  |  |  |
| 2  |  |  |  |
| 3  |  |  |  |
| 4  |  |  |  |
| 5  |  |  |  |
| 6  |  |  |  |
| 7  |  |  |  |
| 8  |  |  |  |
| 9  |  |  |  |
| 10 |  |  |  |
| 11 |  |  |  |
| 12 |  |  |  |
| 13 |  |  |  |
| 14 |  |  |  |
| 15 |  |  |  |
| 16 |  |  |  |
| 17 |  |  |  |
| 18 |  |  |  |
| 19 |  |  |  |
| 20 |  |  |  |
| 21 |  |  |  |
| 22 |  |  |  |
| 23 |  |  |  |
| 24 |  |  |  |
| 25 |  |  |  |
| 26 |  |  |  |
| 27 |  |  |  |
| 28 |  |  |  |

JACK PIN LG  
SEE CIRCUIT SPECIFICATION  
52302100

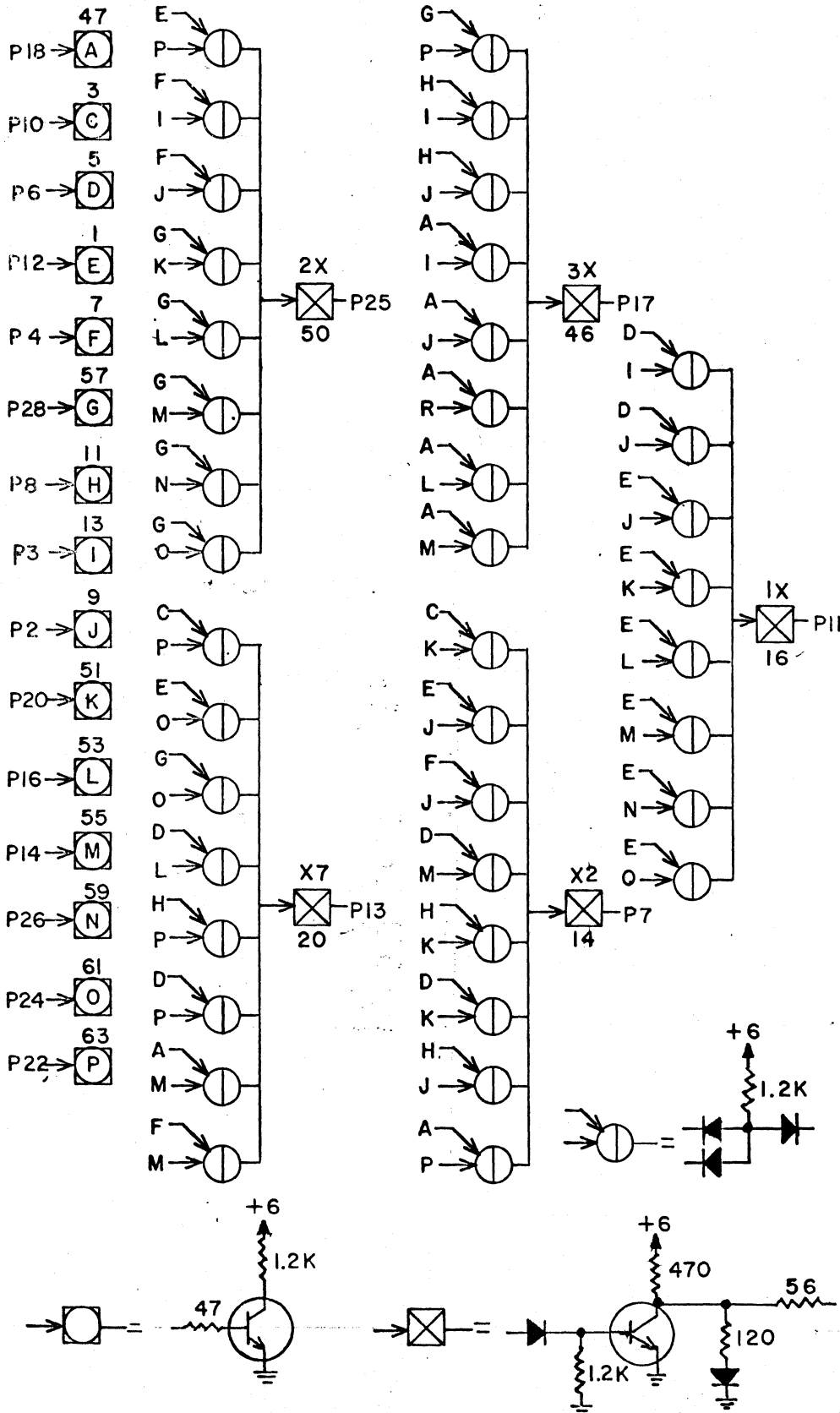
60042700 Rev Z



LS 18995300  
ASSY

**A**  
REV

SP



|    |  |  |  |
|----|--|--|--|
| 1  |  |  |  |
| 2  |  |  |  |
| 3  |  |  |  |
| 4  |  |  |  |
| 5  |  |  |  |
| 6  |  |  |  |
| 7  |  |  |  |
| 8  |  |  |  |
| 9  |  |  |  |
| 10 |  |  |  |
| 11 |  |  |  |
| 12 |  |  |  |
| 13 |  |  |  |
| 14 |  |  |  |
| 15 |  |  |  |
| 16 |  |  |  |
| 17 |  |  |  |
| 18 |  |  |  |
| 19 |  |  |  |
| 20 |  |  |  |
| 21 |  |  |  |
| 22 |  |  |  |
| 23 |  |  |  |
| 24 |  |  |  |
| 25 |  |  |  |
| 26 |  |  |  |
| 27 |  |  |  |
| 28 |  |  |  |

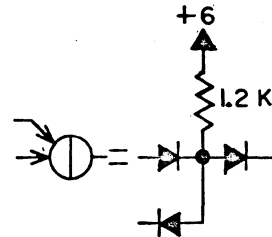
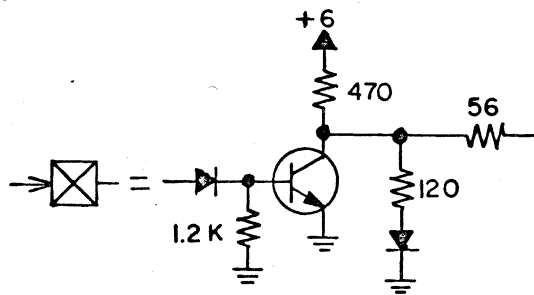
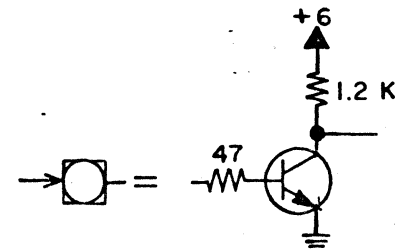
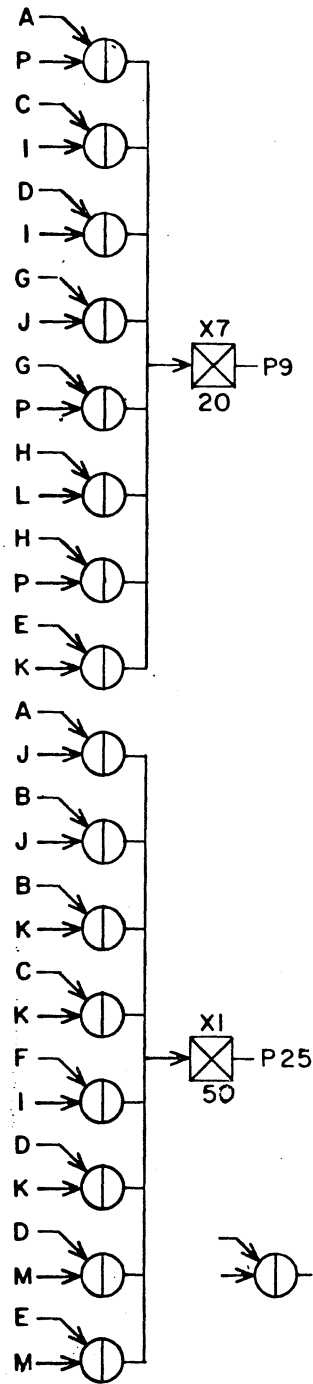
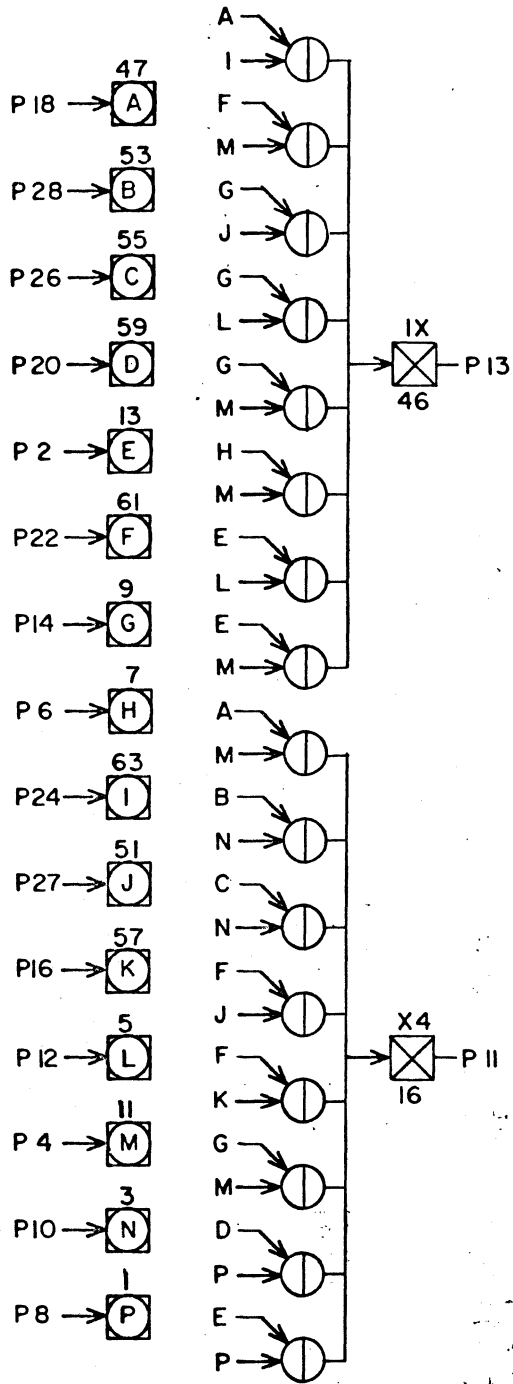
JACK PIN LG  
SEE CIRCUIT SPECIFICATION  
52302100

60042700 Rev Z

LS 1895200  
ASSY

**A**  
REV

SQ

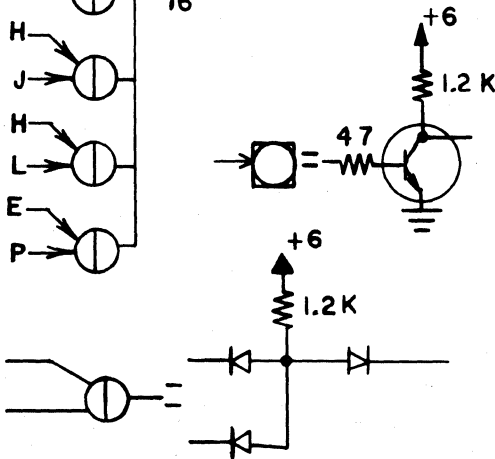
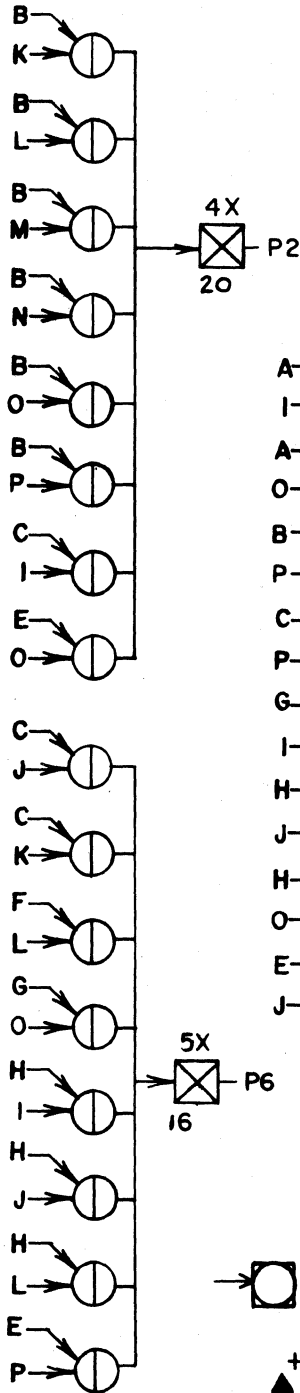
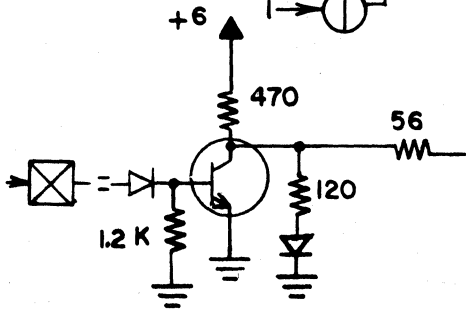
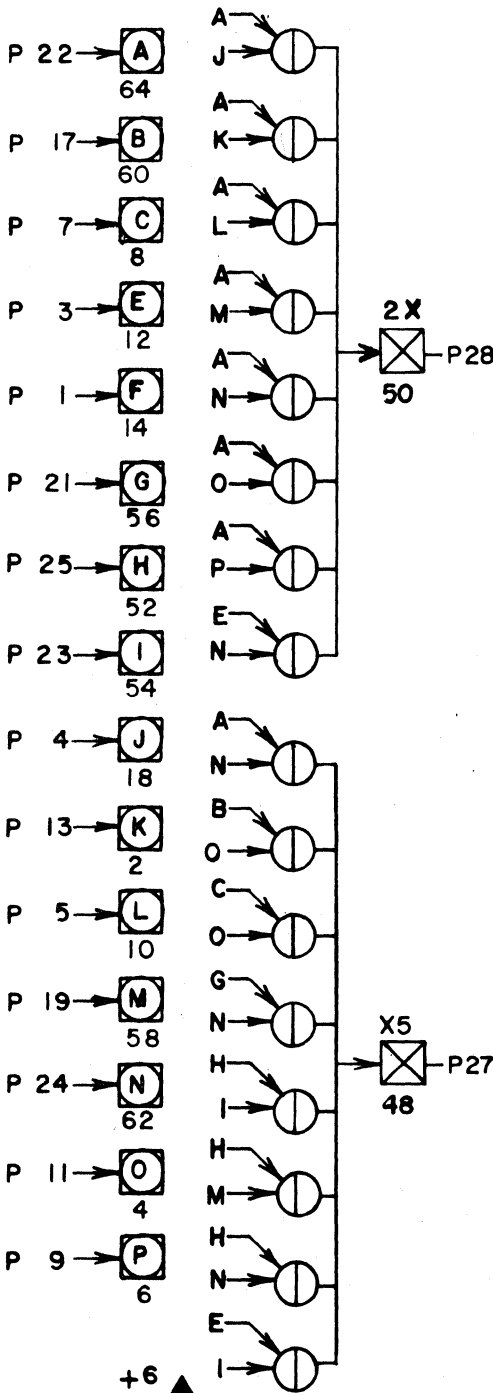


|    |  |  |  |
|----|--|--|--|
| 1  |  |  |  |
| 2  |  |  |  |
| 3  |  |  |  |
| 4  |  |  |  |
| 5  |  |  |  |
| 6  |  |  |  |
| 7  |  |  |  |
| 8  |  |  |  |
| 9  |  |  |  |
| 10 |  |  |  |
| 11 |  |  |  |
| 12 |  |  |  |
| 13 |  |  |  |
| 14 |  |  |  |
| 15 |  |  |  |
| 16 |  |  |  |
| 17 |  |  |  |
| 18 |  |  |  |
| 19 |  |  |  |
| 20 |  |  |  |
| 21 |  |  |  |
| 22 |  |  |  |
| 23 |  |  |  |
| 24 |  |  |  |
| 25 |  |  |  |
| 26 |  |  |  |
| 27 |  |  |  |
| 28 |  |  |  |

JACK PIN LG  
SEE CIRCUIT SPECIFICATION  
52302100  
60042700 Rev Z

LS 18995100 **B**  
 ASSY REV

SR

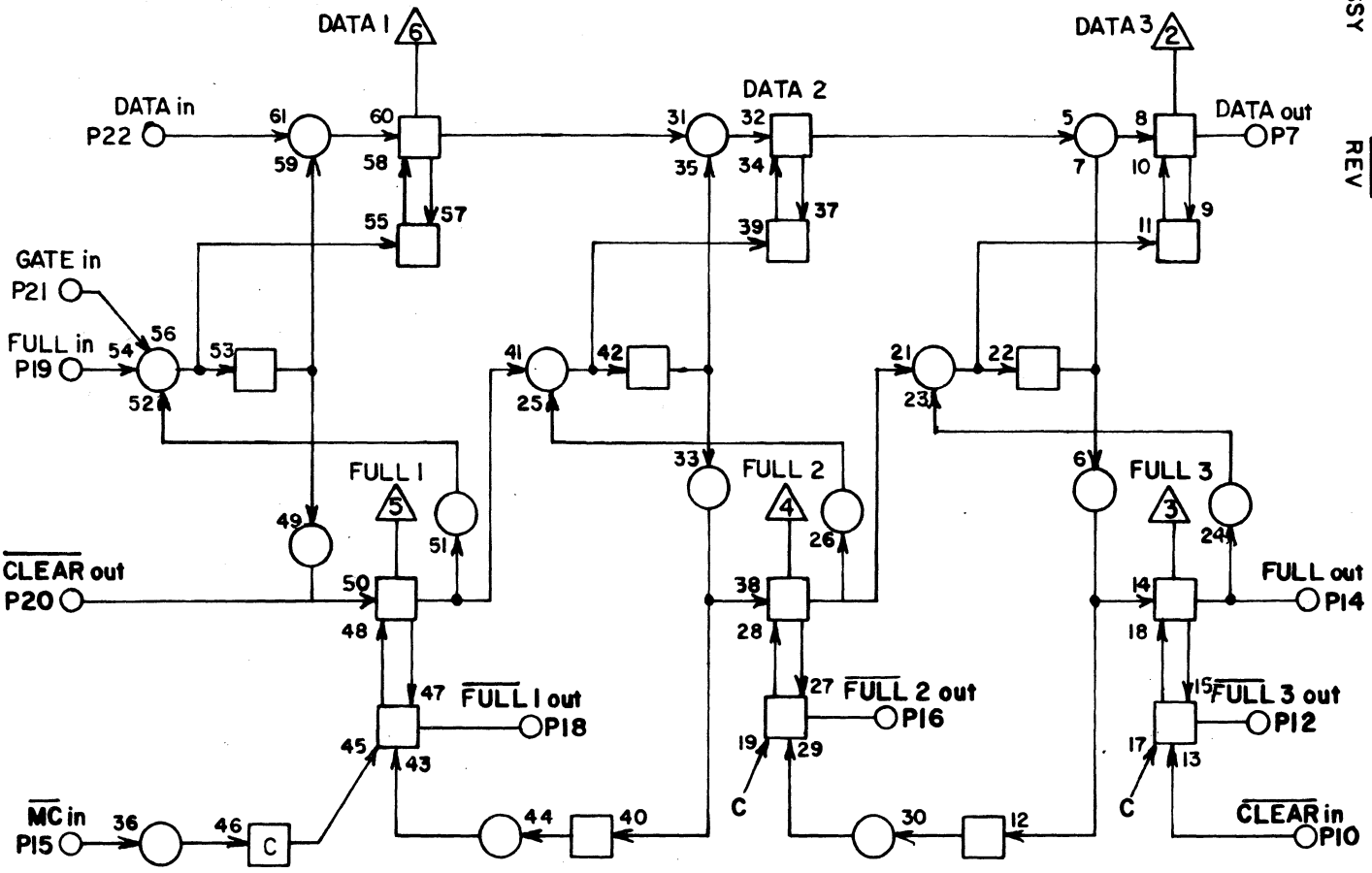


60042700 Rev AB

|    |  |  |  |
|----|--|--|--|
| 1  |  |  |  |
| 2  |  |  |  |
| 3  |  |  |  |
| 4  |  |  |  |
| 5  |  |  |  |
| 6  |  |  |  |
| 7  |  |  |  |
| 8  |  |  |  |
| 9  |  |  |  |
| 10 |  |  |  |
| 11 |  |  |  |
| 12 |  |  |  |
| 13 |  |  |  |
| 14 |  |  |  |
| 15 |  |  |  |
| 16 |  |  |  |
| 17 |  |  |  |
| 18 |  |  |  |
| 19 |  |  |  |
| 20 |  |  |  |
| 21 |  |  |  |
| 22 |  |  |  |
| 23 |  |  |  |
| 24 |  |  |  |
| 25 |  |  |  |
| 26 |  |  |  |
| 27 |  |  |  |
| 28 |  |  |  |

JACK PIN LG  
 SEE CIRCUIT SPECIFICATION  
 52302100





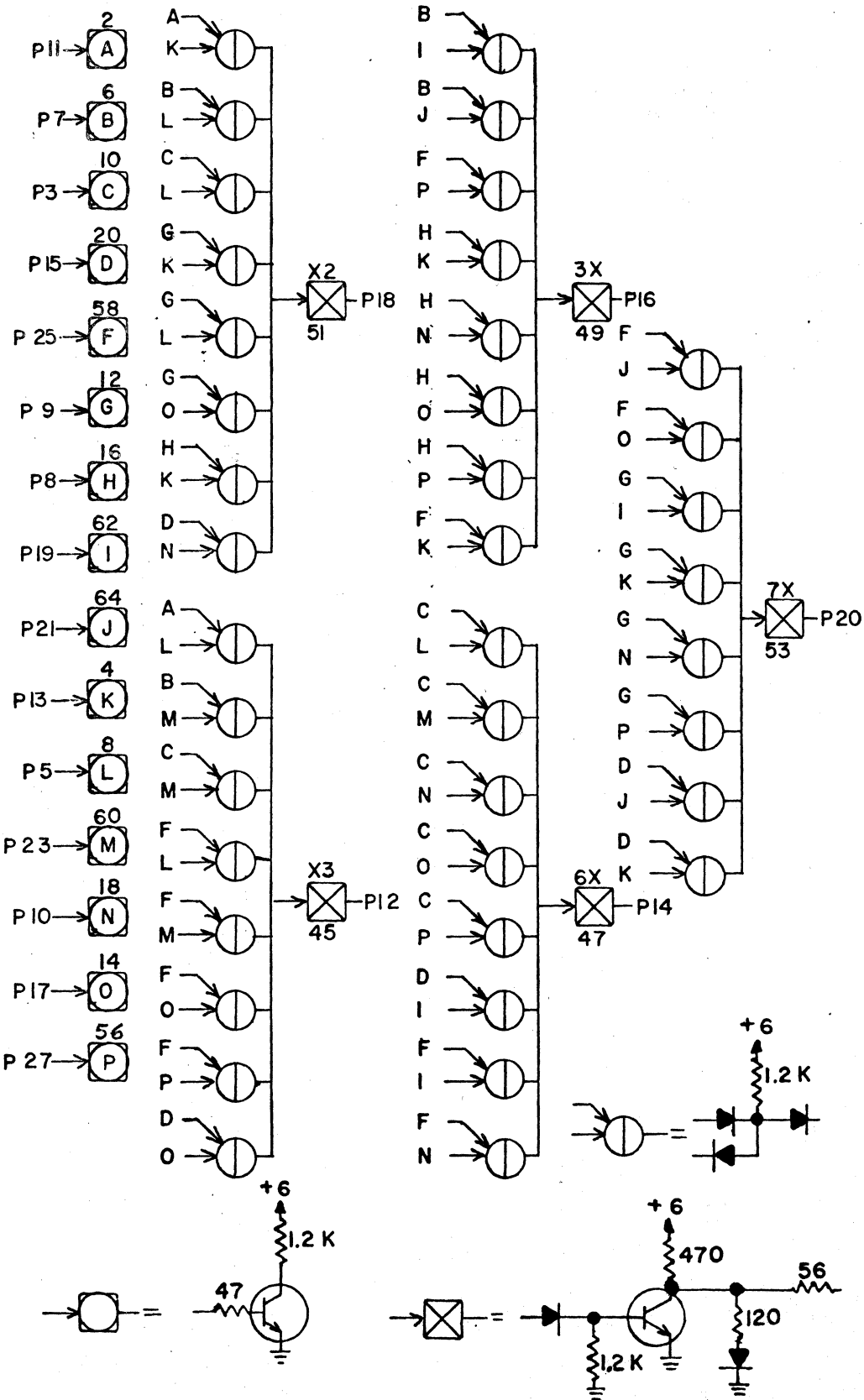
| JACK | PIN | LG |
|------|-----|----|
| 28   |     |    |
| 27   |     |    |
| 26   |     |    |
| 25   |     |    |
| 24   |     |    |
| 23   |     |    |
| 22   |     |    |
| 21   |     |    |
| 20   |     |    |
| 19   |     |    |
| 18   |     |    |
| 17   |     |    |
| 16   |     |    |
| 15   |     |    |
| 14   |     |    |
| 13   |     |    |
| 12   |     |    |
| 11   |     |    |
| 10   |     |    |
| 9    |     |    |
| 8    |     |    |
| 7    |     |    |
| 6    |     |    |
| 5    |     |    |
| 4    |     |    |
| 3    |     |    |
| 2    |     |    |
| 1    |     |    |

LEADING OR TRAILING EDGE PULSE

60042700 Rev AB

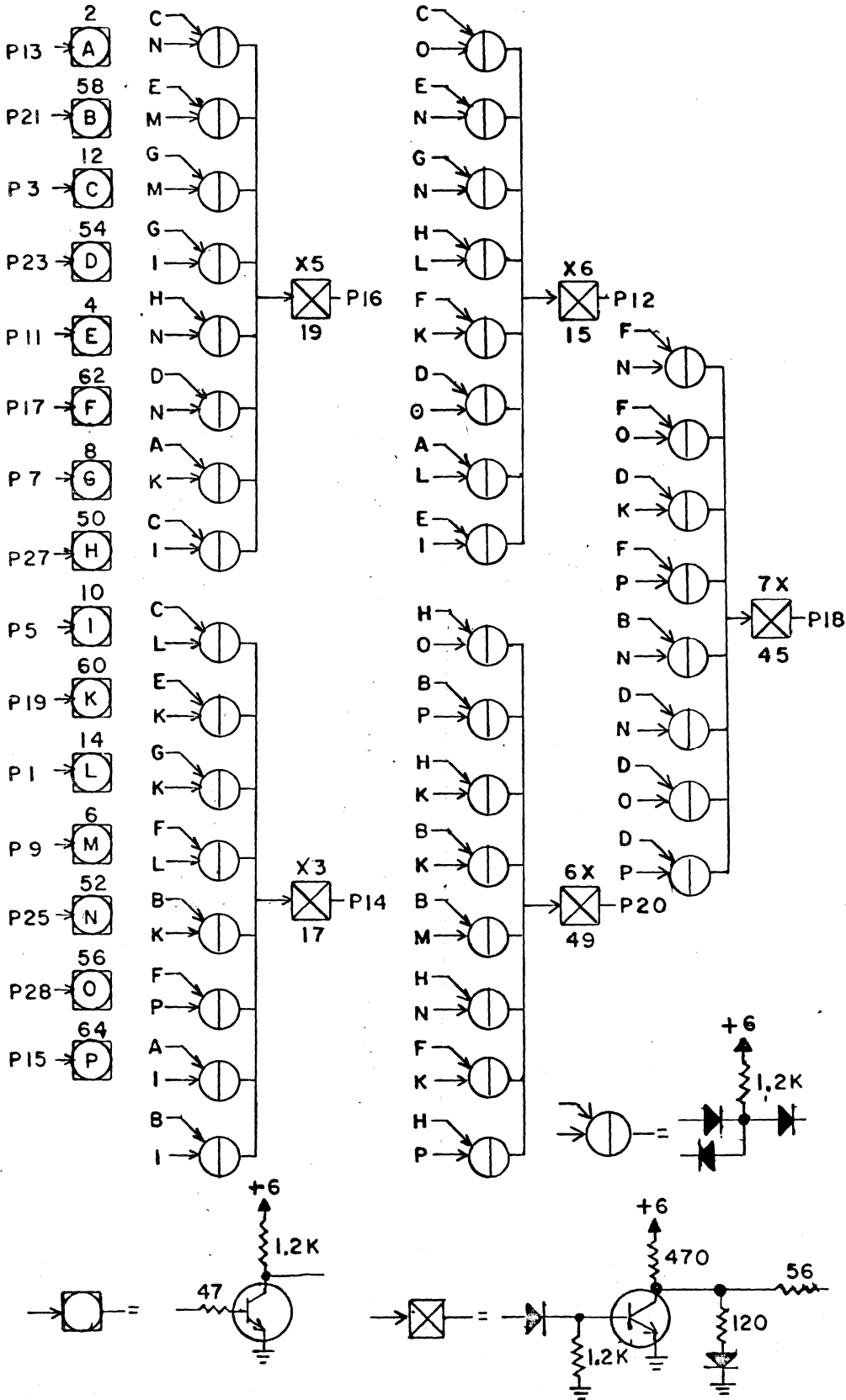
SEE CIRCUIT SPECIFICATION  
 11827600

ST



|    |  |  |  |
|----|--|--|--|
| 1  |  |  |  |
| 2  |  |  |  |
| 3  |  |  |  |
| 4  |  |  |  |
| 5  |  |  |  |
| 6  |  |  |  |
| 7  |  |  |  |
| 8  |  |  |  |
| 9  |  |  |  |
| 10 |  |  |  |
| 11 |  |  |  |
| 12 |  |  |  |
| 13 |  |  |  |
| 14 |  |  |  |
| 15 |  |  |  |
| 16 |  |  |  |
| 17 |  |  |  |
| 18 |  |  |  |
| 19 |  |  |  |
| 20 |  |  |  |
| 21 |  |  |  |
| 22 |  |  |  |
| 23 |  |  |  |
| 24 |  |  |  |
| 25 |  |  |  |
| 26 |  |  |  |
| 27 |  |  |  |
| 28 |  |  |  |

JACK PIN LG  
 SEE CIRCUIT SPECIFICATION  
 52302100



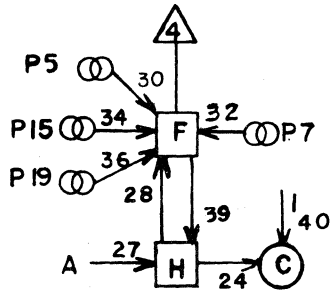
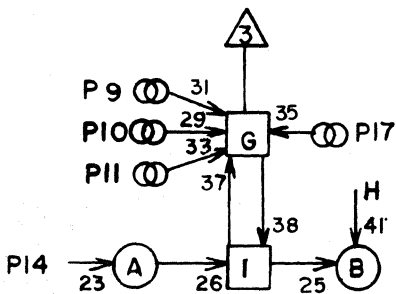
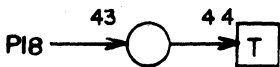
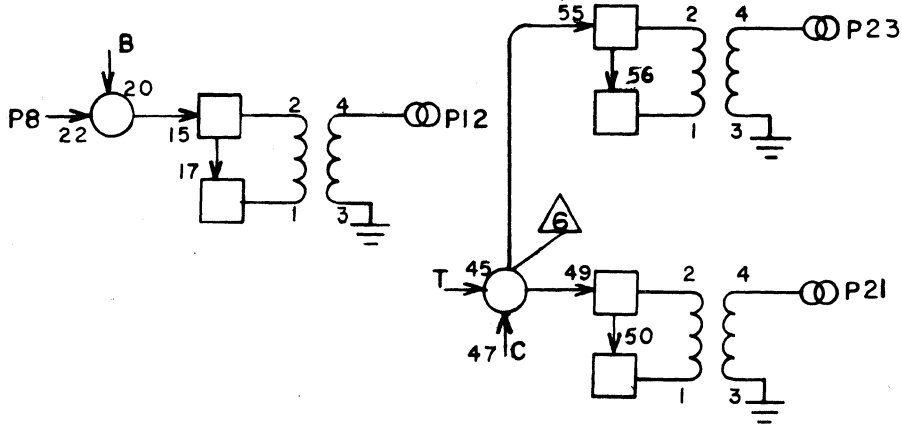
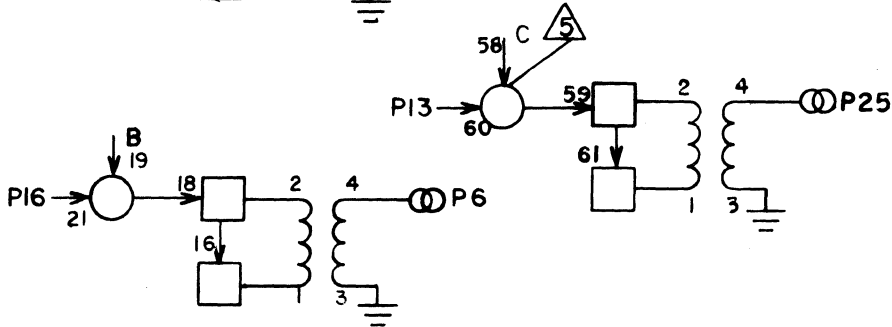
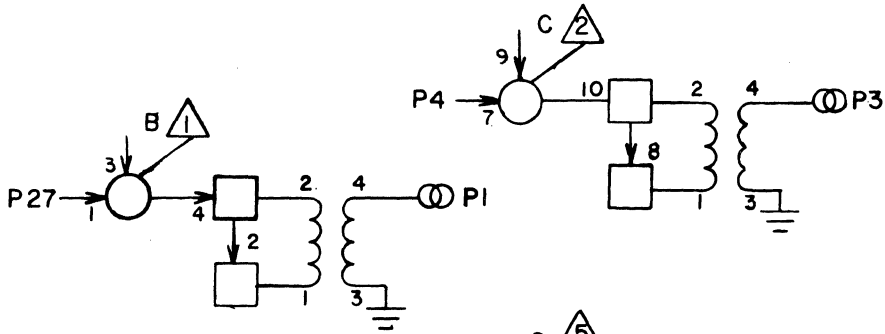
|    |  |  |  |
|----|--|--|--|
| 1  |  |  |  |
| 2  |  |  |  |
| 3  |  |  |  |
| 4  |  |  |  |
| 5  |  |  |  |
| 6  |  |  |  |
| 7  |  |  |  |
| 8  |  |  |  |
| 9  |  |  |  |
| 10 |  |  |  |
| 11 |  |  |  |
| 12 |  |  |  |
| 13 |  |  |  |
| 14 |  |  |  |
| 15 |  |  |  |
| 16 |  |  |  |
| 17 |  |  |  |
| 18 |  |  |  |
| 19 |  |  |  |
| 20 |  |  |  |
| 21 |  |  |  |
| 22 |  |  |  |
| 23 |  |  |  |
| 24 |  |  |  |
| 25 |  |  |  |
| 26 |  |  |  |
| 27 |  |  |  |
| 28 |  |  |  |

JACK PIN LG  
 SEE CIRCUIT SPECIFICATION  
 52302100  
 60042700 Rev Z



LS23234900 **C**  
 ASSY REV

SW



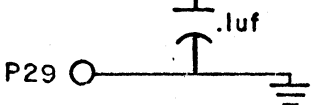
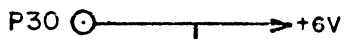
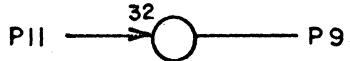
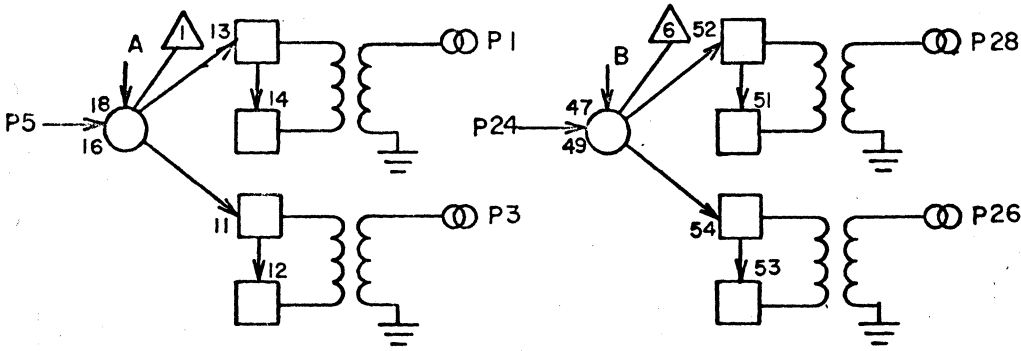
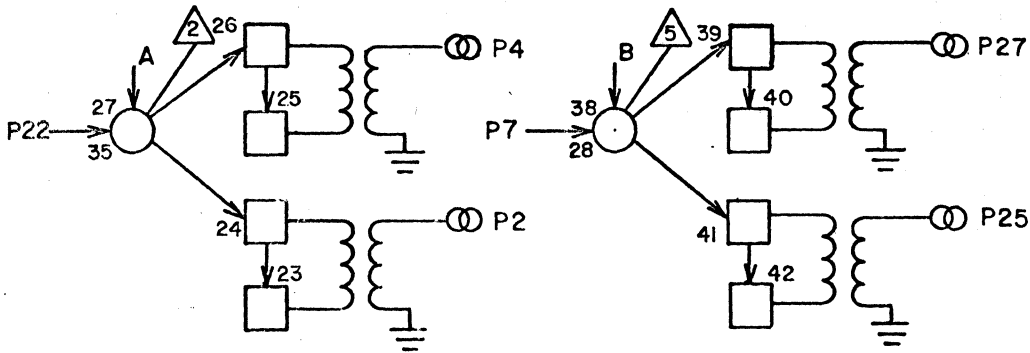
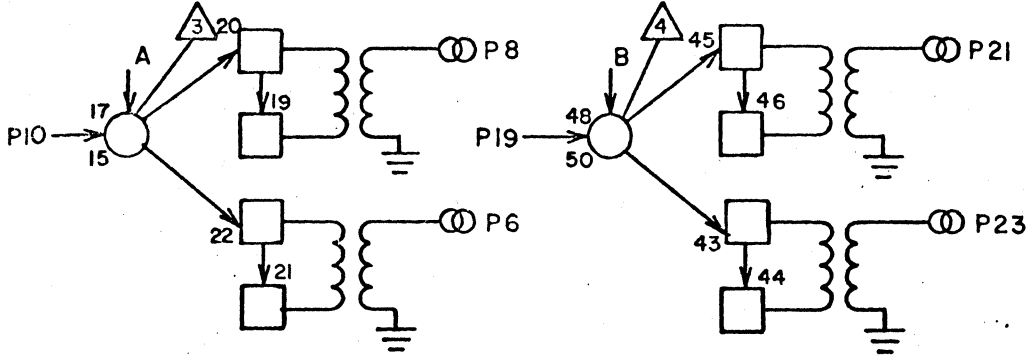
|    |  |  |  |
|----|--|--|--|
| 1  |  |  |  |
| 2  |  |  |  |
| 3  |  |  |  |
| 4  |  |  |  |
| 5  |  |  |  |
| 6  |  |  |  |
| 7  |  |  |  |
| 8  |  |  |  |
| 9  |  |  |  |
| 10 |  |  |  |
| 11 |  |  |  |
| 12 |  |  |  |
| 13 |  |  |  |
| 14 |  |  |  |
| 15 |  |  |  |
| 16 |  |  |  |
| 17 |  |  |  |
| 18 |  |  |  |
| 19 |  |  |  |
| 20 |  |  |  |
| 21 |  |  |  |
| 22 |  |  |  |
| 23 |  |  |  |
| 24 |  |  |  |
| 25 |  |  |  |
| 26 |  |  |  |
| 27 |  |  |  |
| 28 |  |  |  |

JACK PIN LG  
 SEE CIRCUIT SPECIFICATION  
 11827600

LS 52506-100  
ASSY



SX

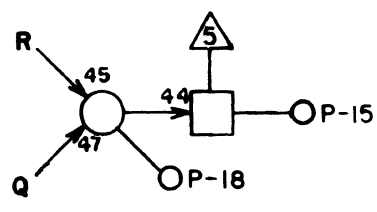
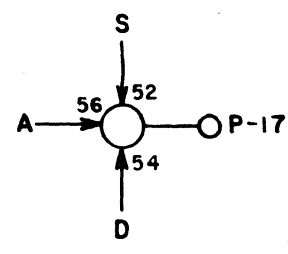
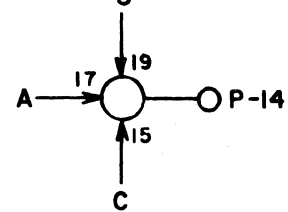
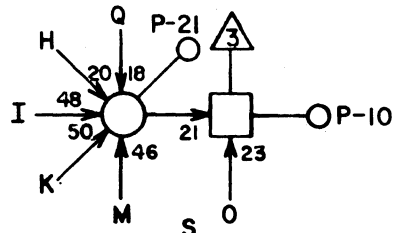
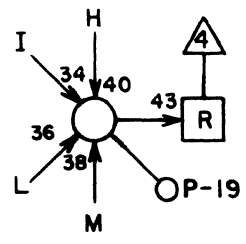
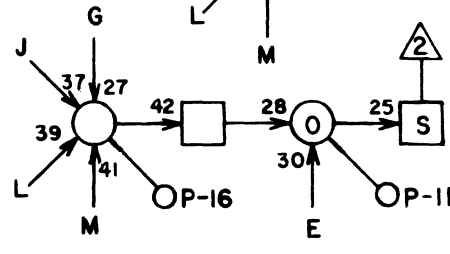
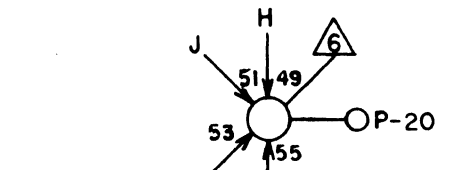
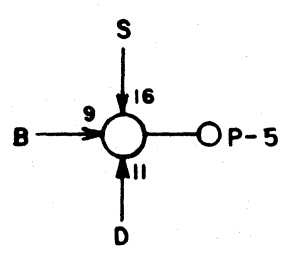
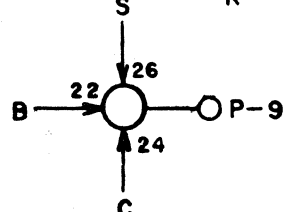
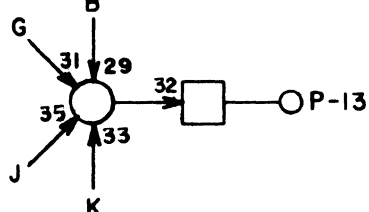
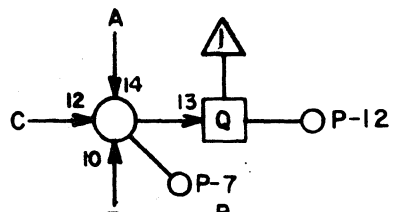
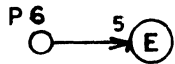
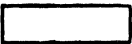


|    |  |  |  |
|----|--|--|--|
|    |  |  |  |
| 1  |  |  |  |
| 2  |  |  |  |
| 3  |  |  |  |
| 4  |  |  |  |
| 5  |  |  |  |
| 6  |  |  |  |
| 7  |  |  |  |
| 8  |  |  |  |
| 9  |  |  |  |
| 10 |  |  |  |
| 11 |  |  |  |
| 12 |  |  |  |
| 13 |  |  |  |
| 14 |  |  |  |
| 15 |  |  |  |
| 16 |  |  |  |
| 17 |  |  |  |
| 18 |  |  |  |
| 19 |  |  |  |
| 20 |  |  |  |
| 21 |  |  |  |
| 22 |  |  |  |
| 23 |  |  |  |
| 24 |  |  |  |
| 25 |  |  |  |
| 26 |  |  |  |
| 27 |  |  |  |
| 28 |  |  |  |

JACK PIN LG  
SEE CIRCUIT SPECIFICATION  
11827600

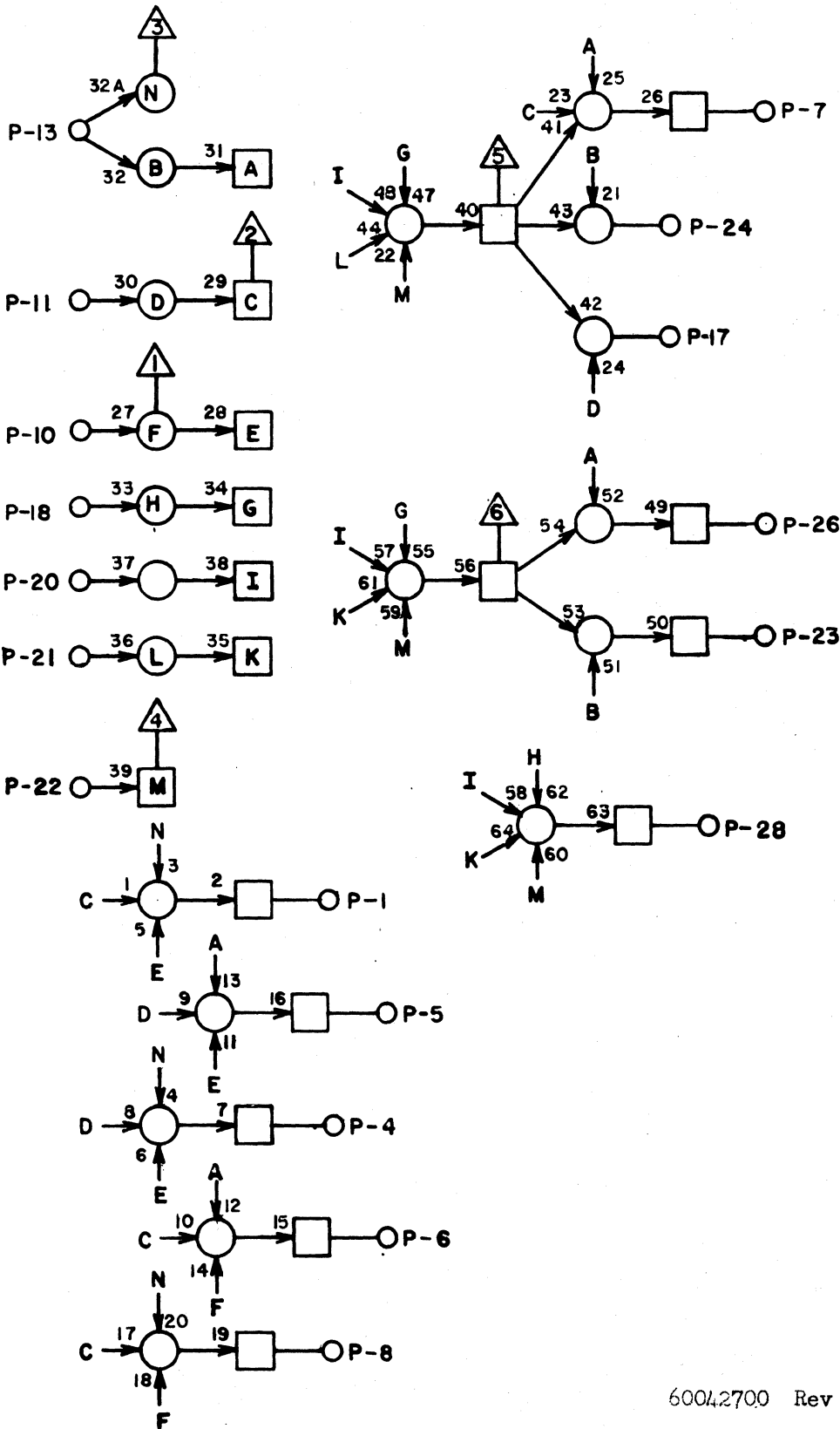
LS 52694900 **B**  
 ASSY REV

SY



|    |  |  |  |
|----|--|--|--|
| 1  |  |  |  |
| 2  |  |  |  |
| 3  |  |  |  |
| 4  |  |  |  |
| 5  |  |  |  |
| 6  |  |  |  |
| 7  |  |  |  |
| 8  |  |  |  |
| 9  |  |  |  |
| 10 |  |  |  |
| 11 |  |  |  |
| 12 |  |  |  |
| 13 |  |  |  |
| 14 |  |  |  |
| 15 |  |  |  |
| 16 |  |  |  |
| 17 |  |  |  |
| 18 |  |  |  |
| 19 |  |  |  |
| 20 |  |  |  |
| 21 |  |  |  |
| 22 |  |  |  |
| 23 |  |  |  |
| 24 |  |  |  |
| 25 |  |  |  |
| 26 |  |  |  |
| 27 |  |  |  |
| 28 |  |  |  |

JACK PIN LG  
 SEE CIRCUIT SPECIFICATION  
 11827600



|    |  |  |  |
|----|--|--|--|
| 1  |  |  |  |
| 2  |  |  |  |
| 3  |  |  |  |
| 4  |  |  |  |
| 5  |  |  |  |
| 6  |  |  |  |
| 7  |  |  |  |
| 8  |  |  |  |
| 9  |  |  |  |
| 10 |  |  |  |
| 11 |  |  |  |
| 12 |  |  |  |
| 13 |  |  |  |
| 14 |  |  |  |
| 15 |  |  |  |
| 16 |  |  |  |
| 17 |  |  |  |
| 18 |  |  |  |
| 19 |  |  |  |
| 20 |  |  |  |
| 21 |  |  |  |
| 22 |  |  |  |
| 23 |  |  |  |
| 24 |  |  |  |
| 25 |  |  |  |
| 26 |  |  |  |
| 27 |  |  |  |
| 28 |  |  |  |

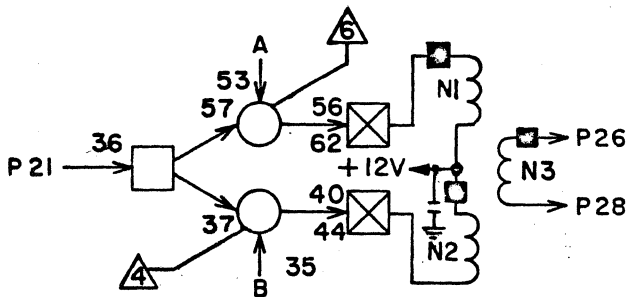
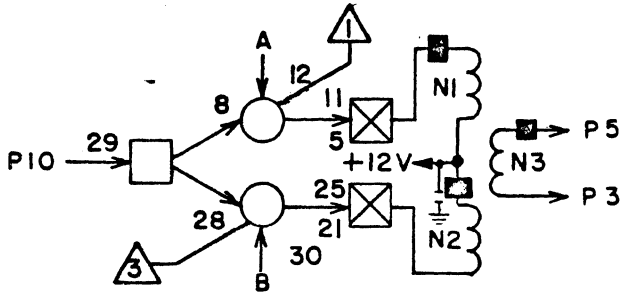
JACK PIN LG  
 SEE CIRCUIT SPECIFICATION  
 11827600



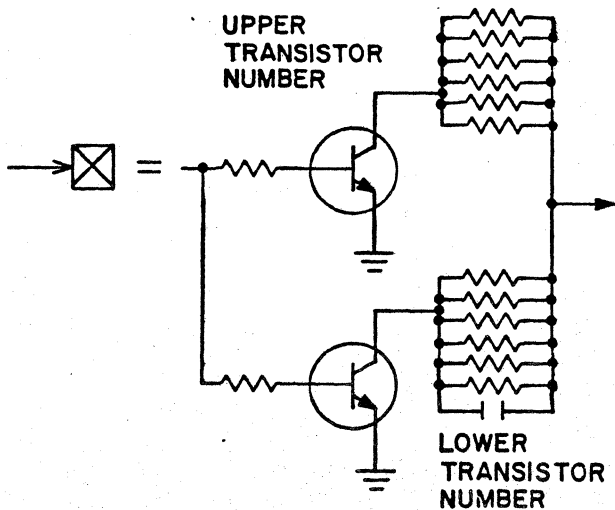
LS 38685900  
ASSY

**H**  
REV

SSC



+ 12 PIN 27, 4  
+ 6 PIN 30, 1



P20 → **33** **A**

P12 → **31** **B**

|    |  |  |  |
|----|--|--|--|
| 1  |  |  |  |
| 2  |  |  |  |
| 3  |  |  |  |
| 4  |  |  |  |
| 5  |  |  |  |
| 6  |  |  |  |
| 7  |  |  |  |
| 8  |  |  |  |
| 9  |  |  |  |
| 10 |  |  |  |
| 11 |  |  |  |
| 12 |  |  |  |
| 13 |  |  |  |
| 14 |  |  |  |
| 15 |  |  |  |
| 16 |  |  |  |
| 17 |  |  |  |
| 18 |  |  |  |
| 19 |  |  |  |
| 20 |  |  |  |
| 21 |  |  |  |
| 22 |  |  |  |
| 23 |  |  |  |
| 24 |  |  |  |
| 25 |  |  |  |
| 26 |  |  |  |
| 27 |  |  |  |
| 28 |  |  |  |

JACK PIN LG  
CIRCUIT SPECIFICATION  
**11827600**

60042700 Rev Y

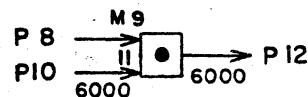
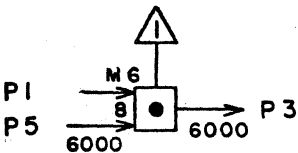
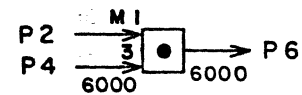
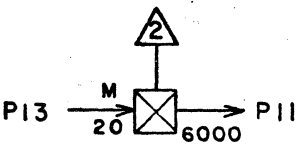
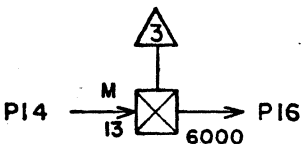
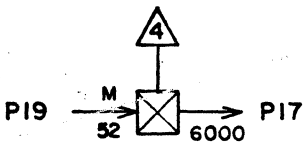
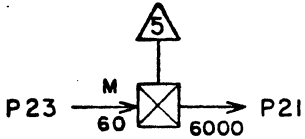
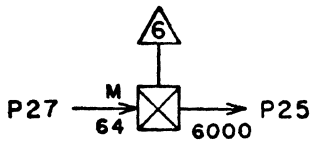


LS 38684800  
ASSY

**E**  
REV

SSE

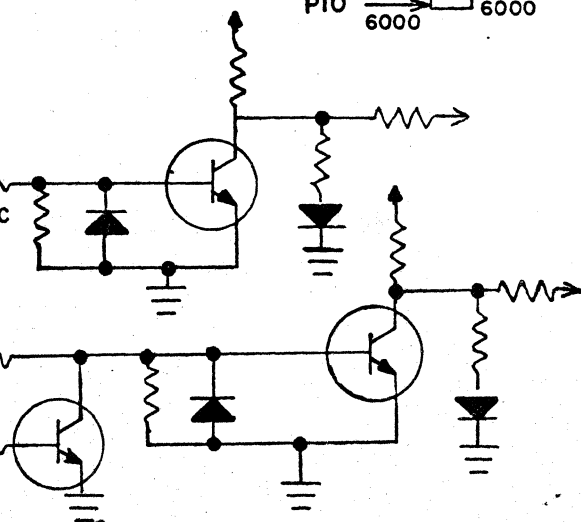
[ ]



= M  
EIA RS232 INPUT SPEC

= M  
EIA RS232 INPUT SPEC  
6000

6600 LOGIC INPUT



|    |  |  |  |
|----|--|--|--|
| 1  |  |  |  |
| 2  |  |  |  |
| 3  |  |  |  |
| 4  |  |  |  |
| 5  |  |  |  |
| 6  |  |  |  |
| 7  |  |  |  |
| 8  |  |  |  |
| 9  |  |  |  |
| 10 |  |  |  |
| 11 |  |  |  |
| 12 |  |  |  |
| 13 |  |  |  |
| 14 |  |  |  |
| 15 |  |  |  |
| 16 |  |  |  |
| 17 |  |  |  |
| 18 |  |  |  |
| 19 |  |  |  |
| 20 |  |  |  |
| 21 |  |  |  |
| 22 |  |  |  |
| 23 |  |  |  |
| 24 |  |  |  |
| 25 |  |  |  |
| 26 |  |  |  |
| 27 |  |  |  |
| 28 |  |  |  |

JACK PIN LG

CIRCUIT SPECIFICATION

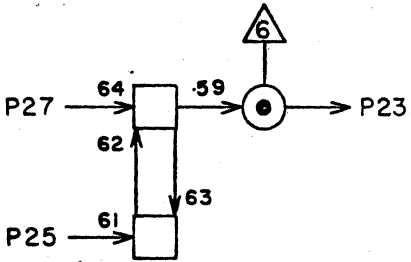
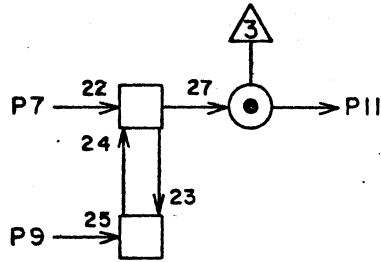
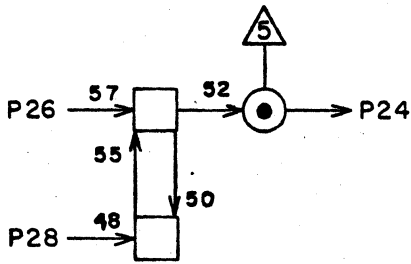
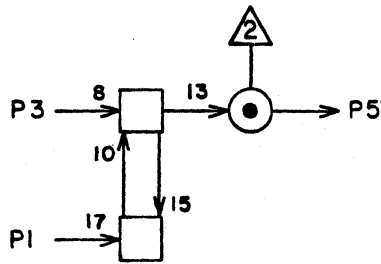
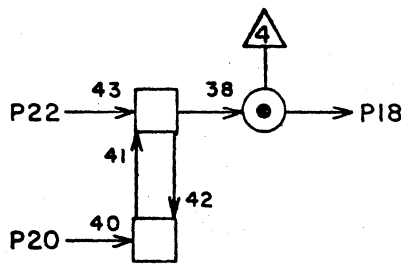
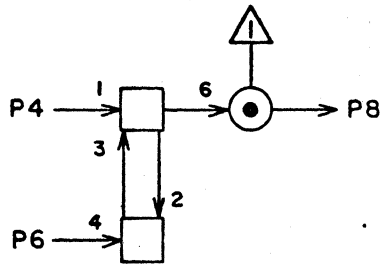
11827600

60042700 Rev. Y

LS 38689100  
ASSY

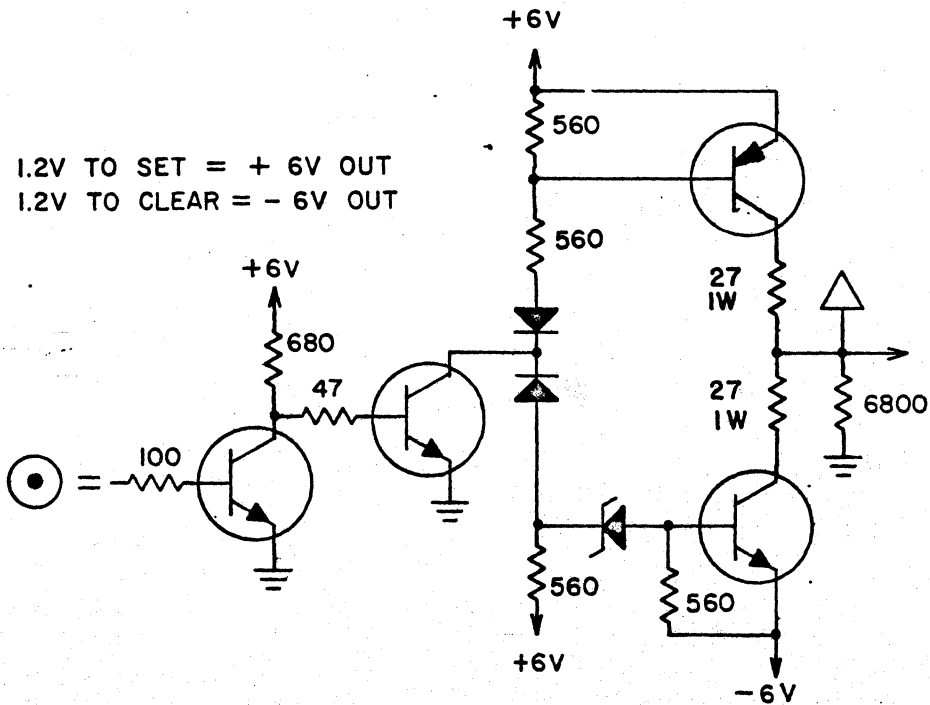
**H**  
REV

SSF



|    |  |  |  |
|----|--|--|--|
| 1  |  |  |  |
| 2  |  |  |  |
| 3  |  |  |  |
| 4  |  |  |  |
| 5  |  |  |  |
| 6  |  |  |  |
| 7  |  |  |  |
| 8  |  |  |  |
| 9  |  |  |  |
| 10 |  |  |  |
| 11 |  |  |  |
| 12 |  |  |  |
| 13 |  |  |  |
| 14 |  |  |  |
| 15 |  |  |  |
| 16 |  |  |  |
| 17 |  |  |  |
| 18 |  |  |  |
| 19 |  |  |  |
| 20 |  |  |  |
| 21 |  |  |  |
| 22 |  |  |  |
| 23 |  |  |  |
| 24 |  |  |  |
| 25 |  |  |  |
| 26 |  |  |  |
| 27 |  |  |  |
| 28 |  |  |  |

1.2V TO SET = + 6V OUT  
1.2V TO CLEAR = - 6V OUT

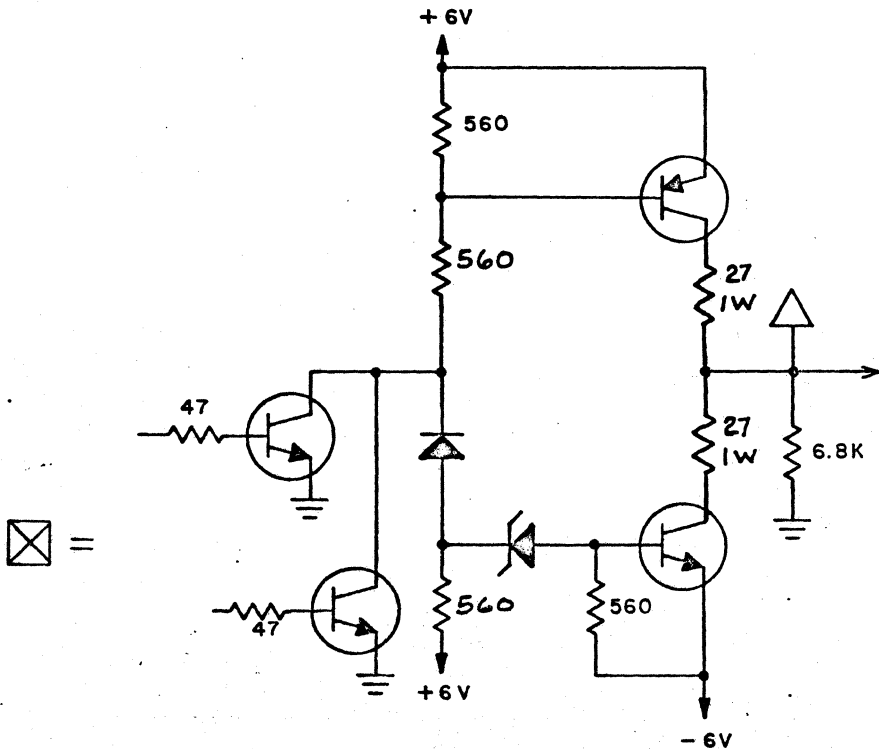
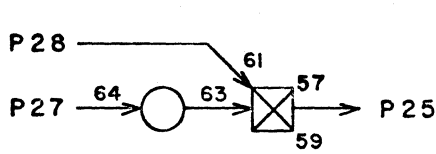
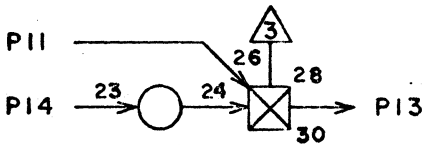
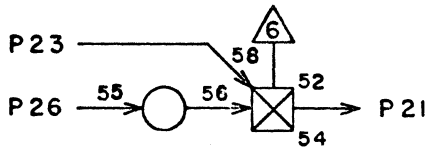
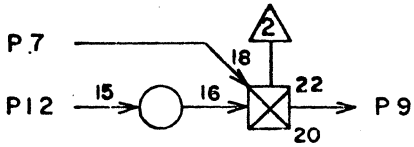
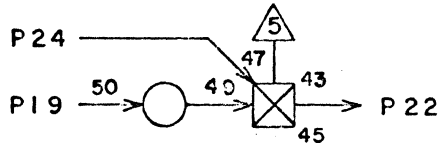
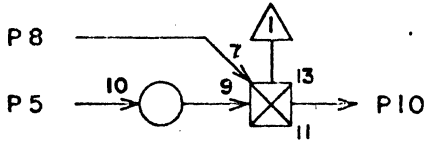
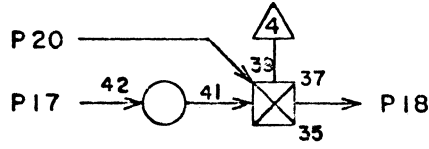
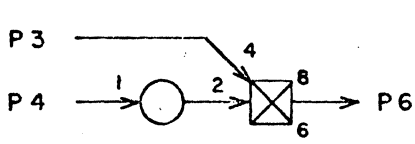
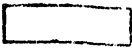


JACK PIN LG  
SEE CIRCUIT SPECIFICATION  
60042700 Rev. Y  
11827600

S 38689300  
ASSY

F  
REV

SSI

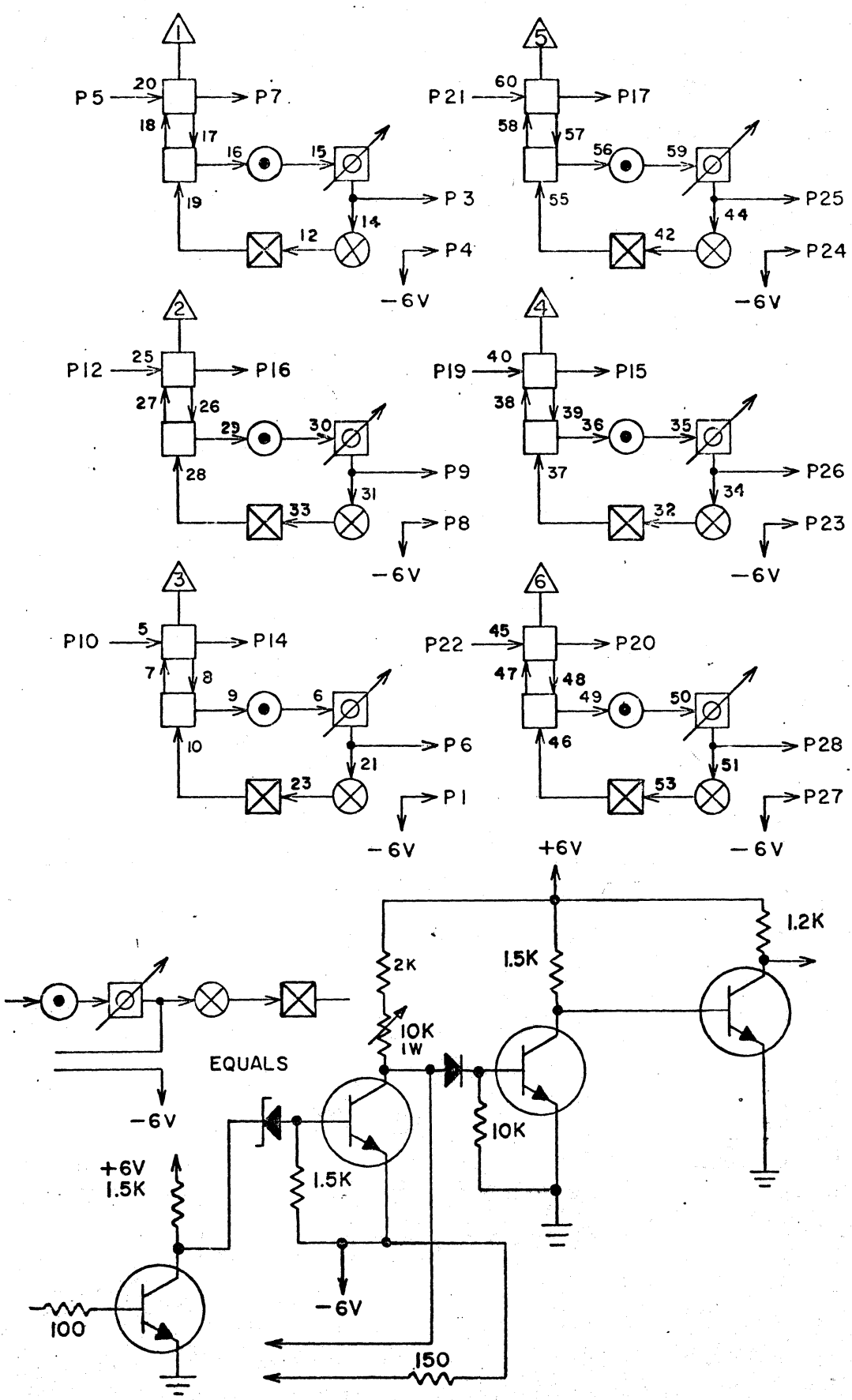
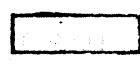


|    |  |  |  |
|----|--|--|--|
| 1  |  |  |  |
| 2  |  |  |  |
| 3  |  |  |  |
| 4  |  |  |  |
| 5  |  |  |  |
| 6  |  |  |  |
| 7  |  |  |  |
| 8  |  |  |  |
| 9  |  |  |  |
| 10 |  |  |  |
| 11 |  |  |  |
| 12 |  |  |  |
| 13 |  |  |  |
| 14 |  |  |  |
| 15 |  |  |  |
| 16 |  |  |  |
| 17 |  |  |  |
| 18 |  |  |  |
| 19 |  |  |  |
| 20 |  |  |  |
| 21 |  |  |  |
| 22 |  |  |  |
| 23 |  |  |  |
| 24 |  |  |  |
| 25 |  |  |  |
| 26 |  |  |  |
| 27 |  |  |  |
| 28 |  |  |  |

JACK PIN LG  
CIRCUIT SPECIFICATION  
11827600  
60042700 Rev. Y

LS 38689500 **E**  
 ASSY REV

SSJ



|    |  |  |  |
|----|--|--|--|
| 1  |  |  |  |
| 2  |  |  |  |
| 3  |  |  |  |
| 4  |  |  |  |
| 5  |  |  |  |
| 6  |  |  |  |
| 7  |  |  |  |
| 8  |  |  |  |
| 9  |  |  |  |
| 10 |  |  |  |
| 11 |  |  |  |
| 12 |  |  |  |
| 13 |  |  |  |
| 14 |  |  |  |
| 15 |  |  |  |
| 16 |  |  |  |
| 17 |  |  |  |
| 18 |  |  |  |
| 19 |  |  |  |
| 20 |  |  |  |
| 21 |  |  |  |
| 22 |  |  |  |
| 23 |  |  |  |
| 24 |  |  |  |
| 25 |  |  |  |
| 26 |  |  |  |
| 27 |  |  |  |
| 28 |  |  |  |

JACK PIN LG  
 SEE CIRCUIT SPECIFICATION  
 11827600  
 60042700 Rev. Y

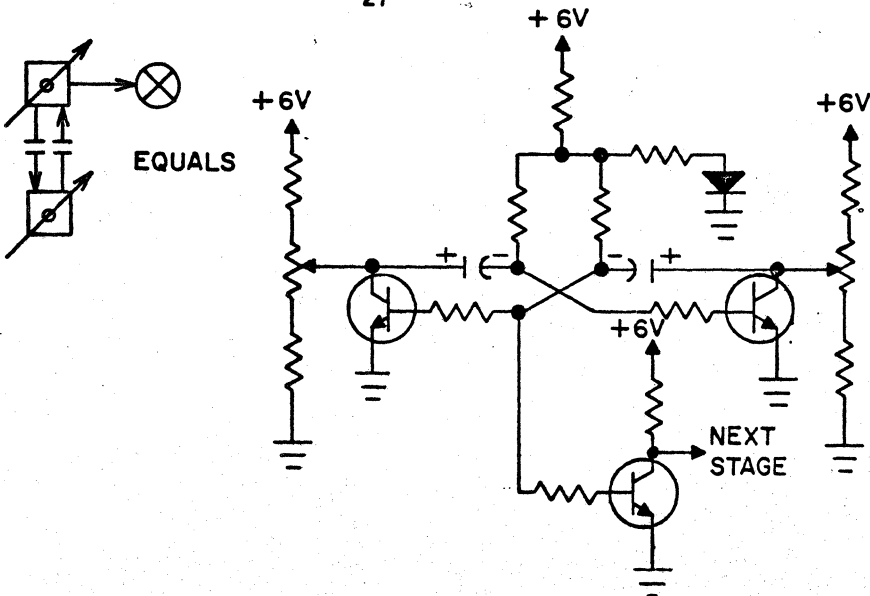
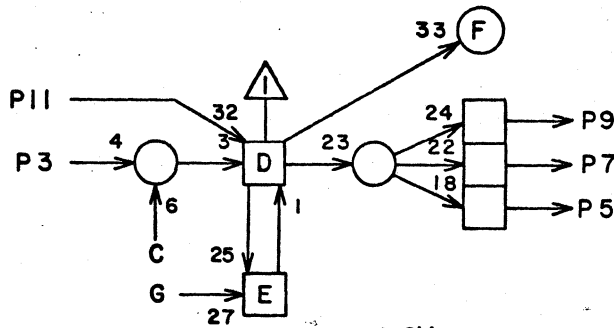
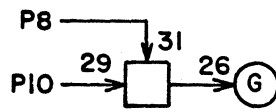
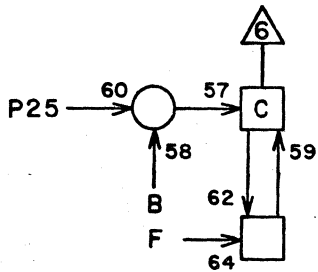
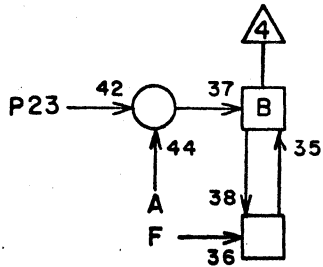
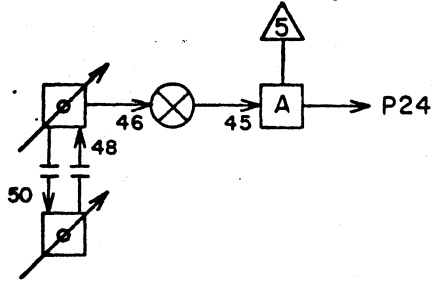


LS 44511200  
ASSY

**G**  
REV

SSL

[ ]

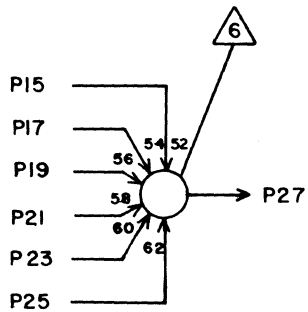
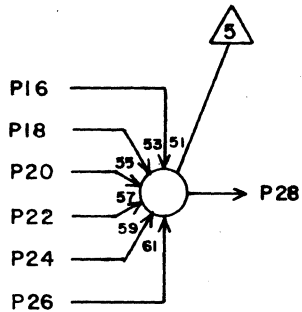
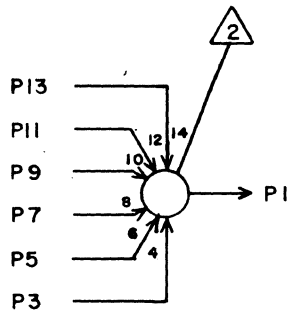
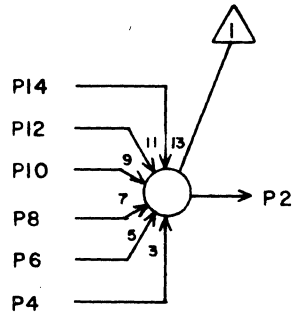


|    |  |  |  |
|----|--|--|--|
| 1  |  |  |  |
| 2  |  |  |  |
| 3  |  |  |  |
| 4  |  |  |  |
| 5  |  |  |  |
| 6  |  |  |  |
| 7  |  |  |  |
| 8  |  |  |  |
| 9  |  |  |  |
| 10 |  |  |  |
| 11 |  |  |  |
| 12 |  |  |  |
| 13 |  |  |  |
| 14 |  |  |  |
| 15 |  |  |  |
| 16 |  |  |  |
| 17 |  |  |  |
| 18 |  |  |  |
| 19 |  |  |  |
| 20 |  |  |  |
| 21 |  |  |  |
| 22 |  |  |  |
| 23 |  |  |  |
| 24 |  |  |  |
| 25 |  |  |  |
| 26 |  |  |  |
| 27 |  |  |  |
| 28 |  |  |  |

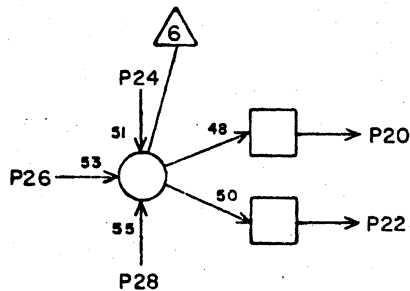
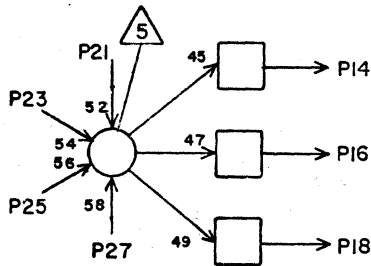
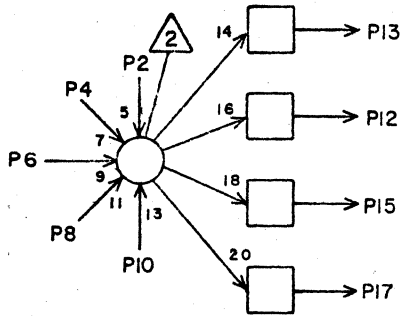
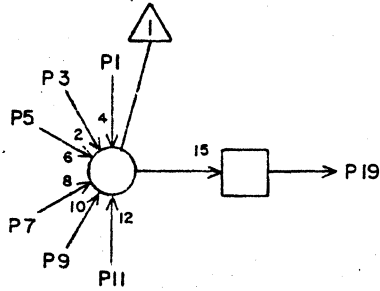
JACK PIN LG  
CIRCUIT SPECIFICATION  
11827600

60042700 Rev Y





|    |  |  |  |
|----|--|--|--|
| 1  |  |  |  |
| 2  |  |  |  |
| 3  |  |  |  |
| 4  |  |  |  |
| 5  |  |  |  |
| 6  |  |  |  |
| 7  |  |  |  |
| 8  |  |  |  |
| 9  |  |  |  |
| 10 |  |  |  |
| 11 |  |  |  |
| 12 |  |  |  |
| 13 |  |  |  |
| 14 |  |  |  |
| 15 |  |  |  |
| 16 |  |  |  |
| 17 |  |  |  |
| 18 |  |  |  |
| 19 |  |  |  |
| 20 |  |  |  |
| 21 |  |  |  |
| 22 |  |  |  |
| 23 |  |  |  |
| 24 |  |  |  |
| 25 |  |  |  |
| 26 |  |  |  |
| 27 |  |  |  |
| 28 |  |  |  |



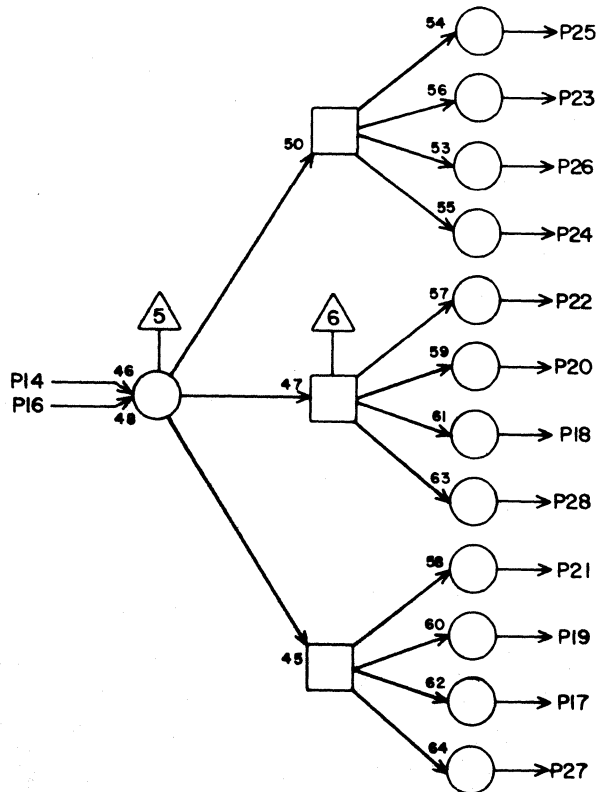
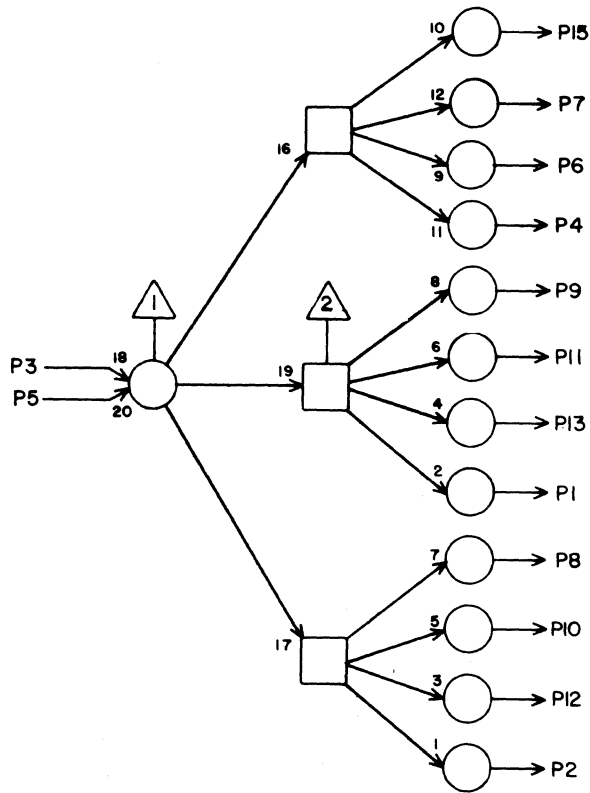
|    |  |  |  |
|----|--|--|--|
| 1  |  |  |  |
| 2  |  |  |  |
| 3  |  |  |  |
| 4  |  |  |  |
| 5  |  |  |  |
| 6  |  |  |  |
| 7  |  |  |  |
| 8  |  |  |  |
| 9  |  |  |  |
| 10 |  |  |  |
| 11 |  |  |  |
| 12 |  |  |  |
| 13 |  |  |  |
| 14 |  |  |  |
| 15 |  |  |  |
| 16 |  |  |  |
| 17 |  |  |  |
| 18 |  |  |  |
| 19 |  |  |  |
| 20 |  |  |  |
| 21 |  |  |  |
| 22 |  |  |  |
| 23 |  |  |  |
| 24 |  |  |  |
| 25 |  |  |  |
| 26 |  |  |  |
| 27 |  |  |  |
| 28 |  |  |  |

JACK. PIN LG

LS 63063500  
ASSY

**E**  
REV

TC



|    |  |  |  |
|----|--|--|--|
| 1  |  |  |  |
| 2  |  |  |  |
| 3  |  |  |  |
| 4  |  |  |  |
| 5  |  |  |  |
| 6  |  |  |  |
| 7  |  |  |  |
| 8  |  |  |  |
| 9  |  |  |  |
| 10 |  |  |  |
| 11 |  |  |  |
| 12 |  |  |  |
| 13 |  |  |  |
| 14 |  |  |  |
| 15 |  |  |  |
| 16 |  |  |  |
| 17 |  |  |  |
| 18 |  |  |  |
| 19 |  |  |  |
| 20 |  |  |  |
| 21 |  |  |  |
| 22 |  |  |  |
| 23 |  |  |  |
| 24 |  |  |  |
| 25 |  |  |  |
| 26 |  |  |  |
| 27 |  |  |  |
| 28 |  |  |  |

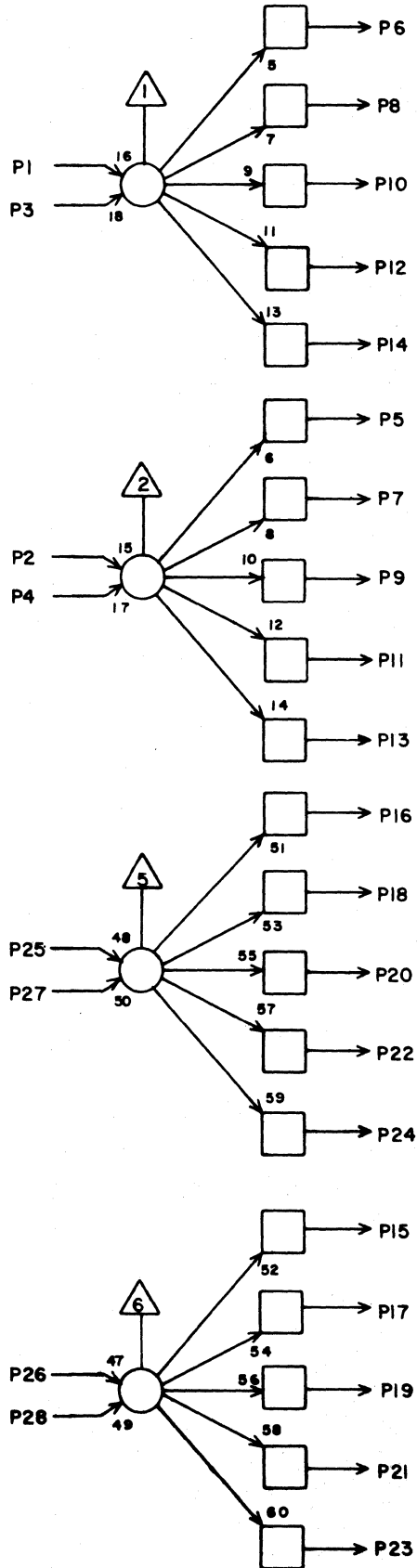
JACK PIN LG

CIRCUIT SPECIFICATION 11827600  
60042700 Rev. J

LS 63063600  
ASSY

**E**  
REV

TD



|    |  |  |  |
|----|--|--|--|
| 1  |  |  |  |
| 2  |  |  |  |
| 3  |  |  |  |
| 4  |  |  |  |
| 5  |  |  |  |
| 6  |  |  |  |
| 7  |  |  |  |
| 8  |  |  |  |
| 9  |  |  |  |
| 10 |  |  |  |
| 11 |  |  |  |
| 12 |  |  |  |
| 13 |  |  |  |
| 14 |  |  |  |
| 15 |  |  |  |
| 16 |  |  |  |
| 17 |  |  |  |
| 18 |  |  |  |
| 19 |  |  |  |
| 20 |  |  |  |
| 21 |  |  |  |
| 22 |  |  |  |
| 23 |  |  |  |
| 24 |  |  |  |
| 25 |  |  |  |
| 26 |  |  |  |
| 27 |  |  |  |
| 28 |  |  |  |

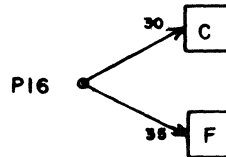
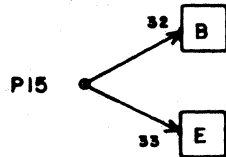
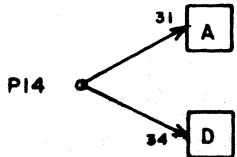
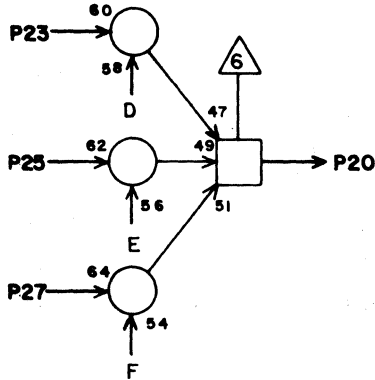
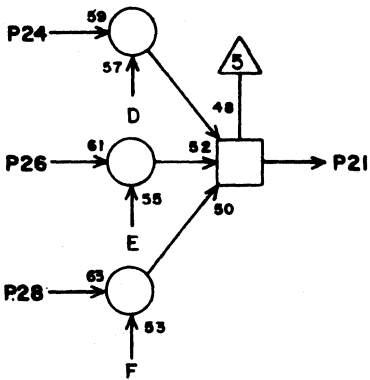
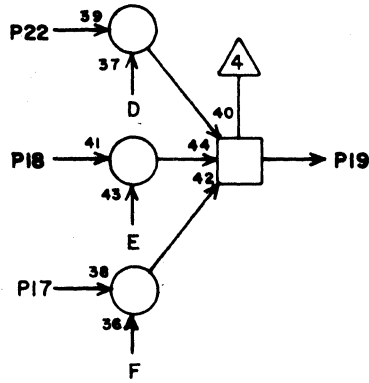
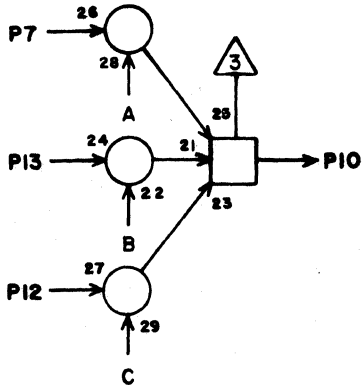
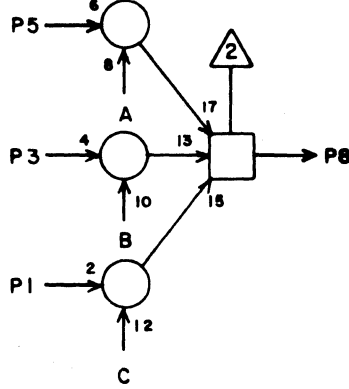
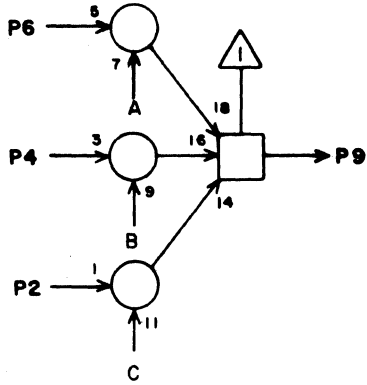
JACK PIN LG

CIRCUIT SPECIFICATION 11827600  
60042700 Rev. J

LS 63063700  
ASSY



TE



|    |  |  |  |
|----|--|--|--|
| 1  |  |  |  |
| 2  |  |  |  |
| 3  |  |  |  |
| 4  |  |  |  |
| 5  |  |  |  |
| 6  |  |  |  |
| 7  |  |  |  |
| 8  |  |  |  |
| 9  |  |  |  |
| 10 |  |  |  |
| 11 |  |  |  |
| 12 |  |  |  |
| 13 |  |  |  |
| 14 |  |  |  |
| 15 |  |  |  |
| 16 |  |  |  |
| 17 |  |  |  |
| 18 |  |  |  |
| 19 |  |  |  |
| 20 |  |  |  |
| 21 |  |  |  |
| 22 |  |  |  |
| 23 |  |  |  |
| 24 |  |  |  |
| 25 |  |  |  |
| 26 |  |  |  |
| 27 |  |  |  |
| 28 |  |  |  |

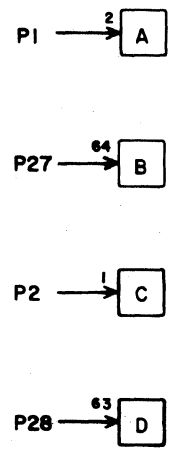
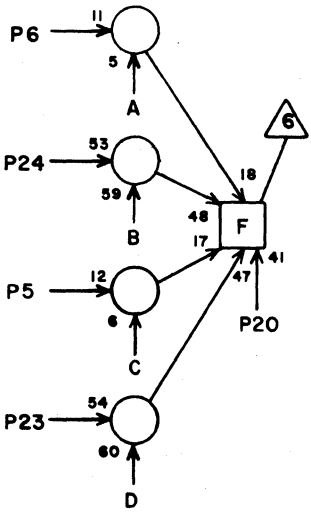
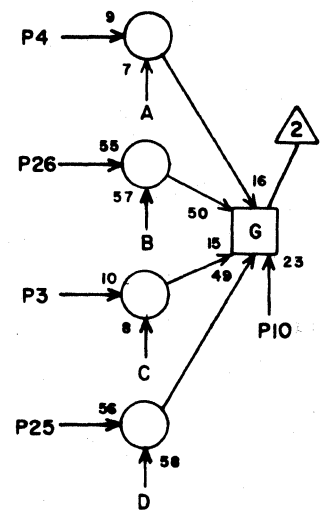
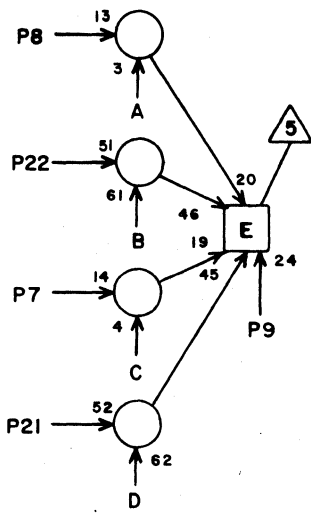
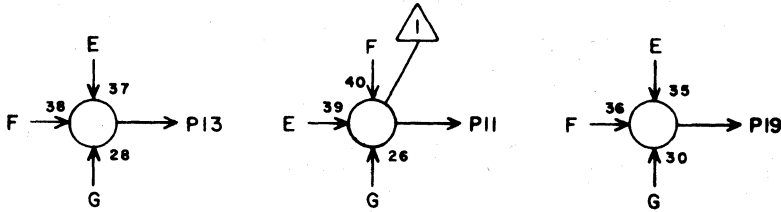
JACK PIN LG

CIRCUIT SPECIFICATION 11827600  
60042700 Rev. J

LS 63063800  
ASSY



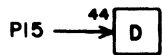
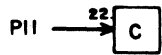
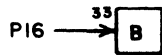
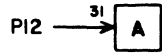
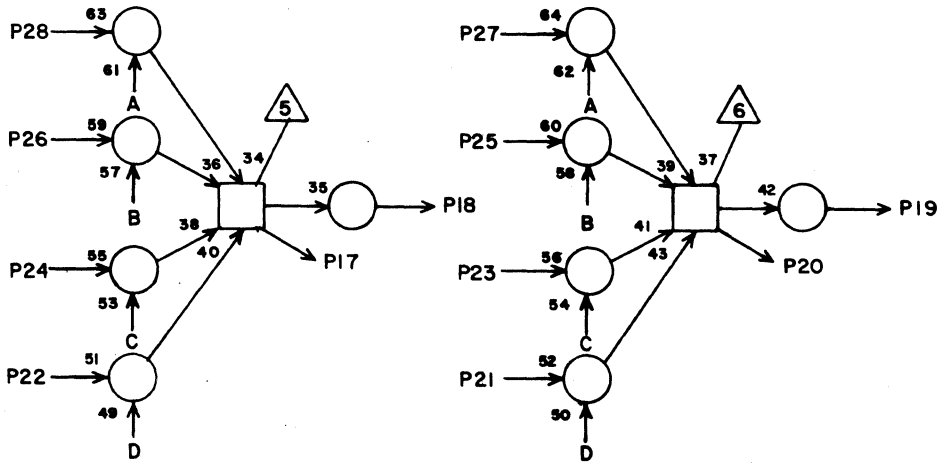
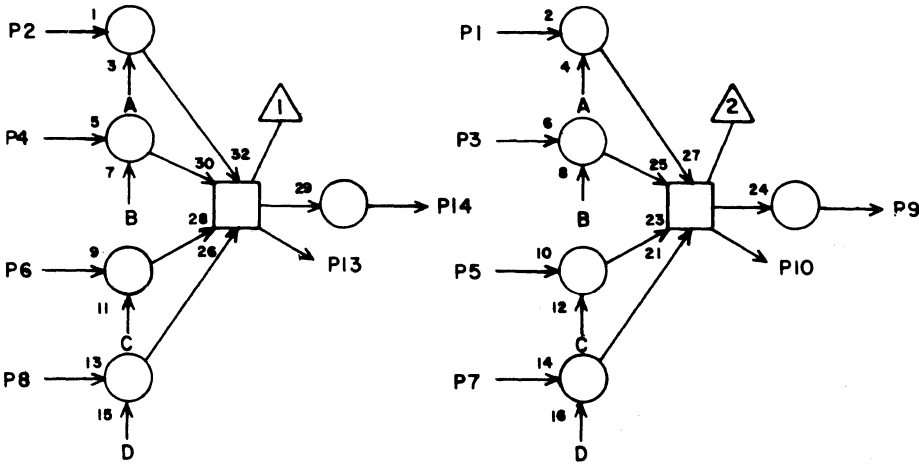
TF



|    |  |  |  |
|----|--|--|--|
| 1  |  |  |  |
| 2  |  |  |  |
| 3  |  |  |  |
| 4  |  |  |  |
| 5  |  |  |  |
| 6  |  |  |  |
| 7  |  |  |  |
| 8  |  |  |  |
| 9  |  |  |  |
| 10 |  |  |  |
| 11 |  |  |  |
| 12 |  |  |  |
| 13 |  |  |  |
| 14 |  |  |  |
| 15 |  |  |  |
| 16 |  |  |  |
| 17 |  |  |  |
| 18 |  |  |  |
| 19 |  |  |  |
| 20 |  |  |  |
| 21 |  |  |  |
| 22 |  |  |  |
| 23 |  |  |  |
| 24 |  |  |  |
| 25 |  |  |  |
| 26 |  |  |  |
| 27 |  |  |  |
| 28 |  |  |  |

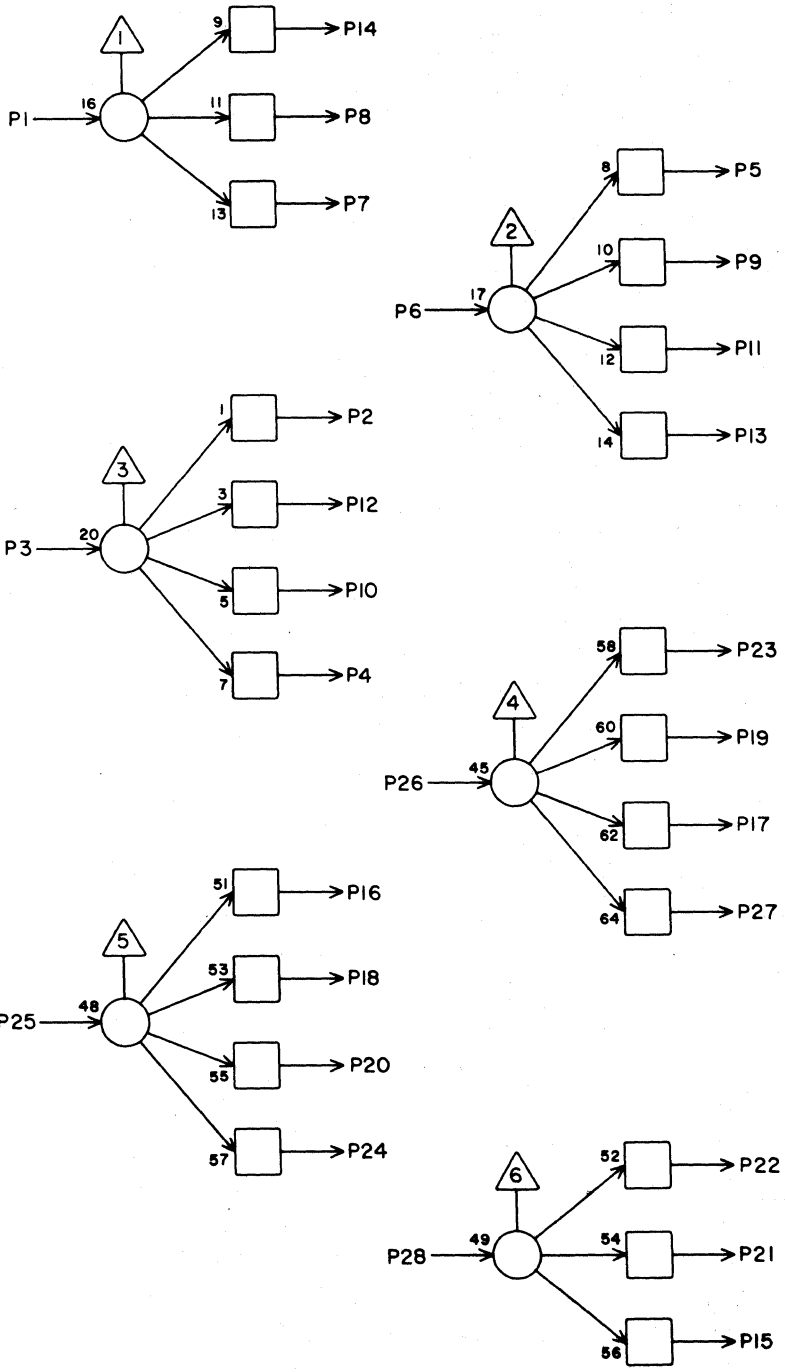
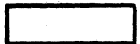
JACK PIN LG  
CIRCUIT SPECIFICATION 11827600

60042700 Rev. J



|    |  |  |  |
|----|--|--|--|
| 1  |  |  |  |
| 2  |  |  |  |
| 3  |  |  |  |
| 4  |  |  |  |
| 5  |  |  |  |
| 6  |  |  |  |
| 7  |  |  |  |
| 8  |  |  |  |
| 9  |  |  |  |
| 10 |  |  |  |
| 11 |  |  |  |
| 12 |  |  |  |
| 13 |  |  |  |
| 14 |  |  |  |
| 15 |  |  |  |
| 16 |  |  |  |
| 17 |  |  |  |
| 18 |  |  |  |
| 19 |  |  |  |
| 20 |  |  |  |
| 21 |  |  |  |
| 22 |  |  |  |
| 23 |  |  |  |
| 24 |  |  |  |
| 25 |  |  |  |
| 26 |  |  |  |
| 27 |  |  |  |
| 28 |  |  |  |

JACK PIN LG  
CIRCUIT SPECIFICATION 11827600



|    |  |  |  |
|----|--|--|--|
| 1  |  |  |  |
| 2  |  |  |  |
| 3  |  |  |  |
| 4  |  |  |  |
| 5  |  |  |  |
| 6  |  |  |  |
| 7  |  |  |  |
| 8  |  |  |  |
| 9  |  |  |  |
| 10 |  |  |  |
| 11 |  |  |  |
| 12 |  |  |  |
| 13 |  |  |  |
| 14 |  |  |  |
| 15 |  |  |  |
| 16 |  |  |  |
| 17 |  |  |  |
| 18 |  |  |  |
| 19 |  |  |  |
| 20 |  |  |  |
| 21 |  |  |  |
| 22 |  |  |  |
| 23 |  |  |  |
| 24 |  |  |  |
| 25 |  |  |  |
| 26 |  |  |  |
| 27 |  |  |  |
| 28 |  |  |  |

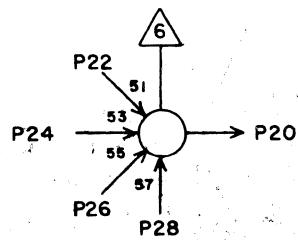
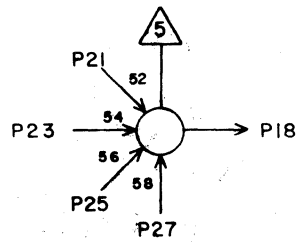
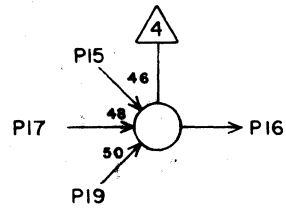
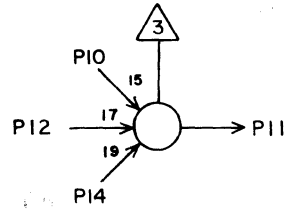
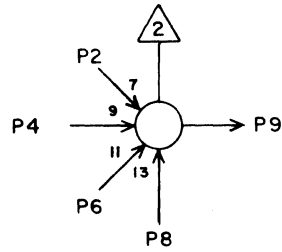
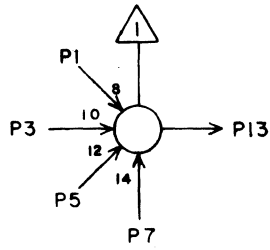
JACK PIN LG



LS 63064100  
ASSY

D  
REV

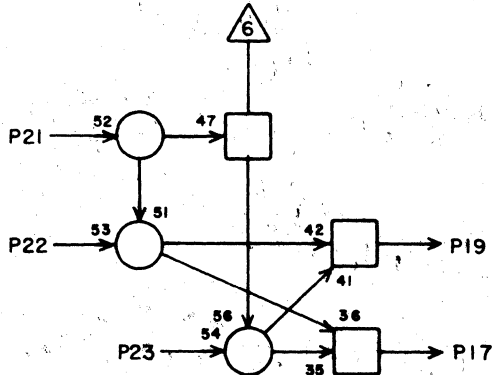
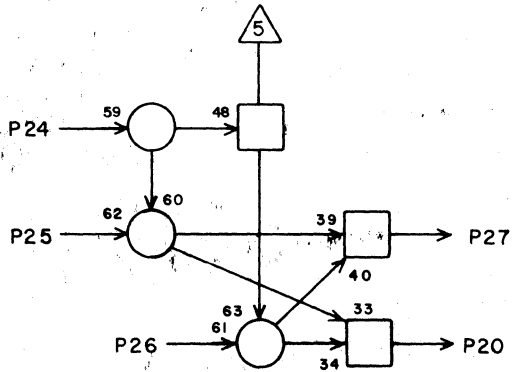
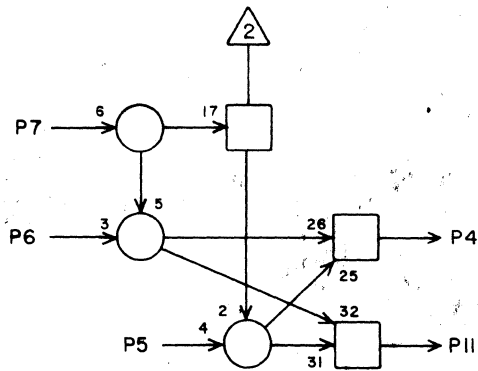
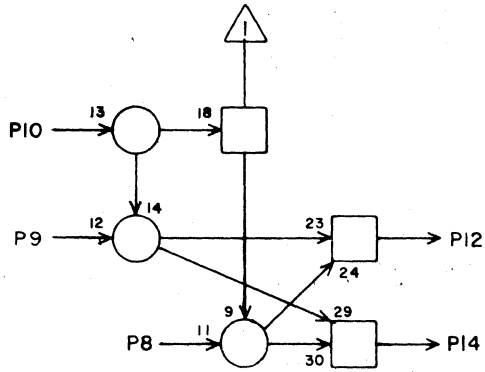
TI



|    |  |  |  |
|----|--|--|--|
| 1  |  |  |  |
| 2  |  |  |  |
| 3  |  |  |  |
| 4  |  |  |  |
| 5  |  |  |  |
| 6  |  |  |  |
| 7  |  |  |  |
| 8  |  |  |  |
| 9  |  |  |  |
| 10 |  |  |  |
| 11 |  |  |  |
| 12 |  |  |  |
| 13 |  |  |  |
| 14 |  |  |  |
| 15 |  |  |  |
| 16 |  |  |  |
| 17 |  |  |  |
| 18 |  |  |  |
| 19 |  |  |  |
| 20 |  |  |  |
| 21 |  |  |  |
| 22 |  |  |  |
| 23 |  |  |  |
| 24 |  |  |  |
| 25 |  |  |  |
| 26 |  |  |  |
| 27 |  |  |  |
| 28 |  |  |  |

JACK PIN LG

CIRCUIT SPECIFICATION 11827600  
60042700 Rev. J

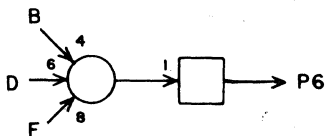
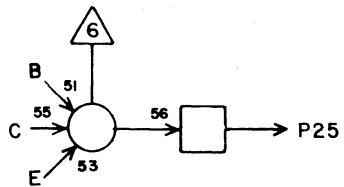
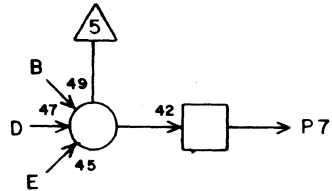
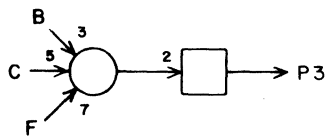
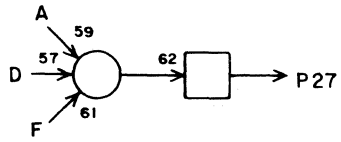
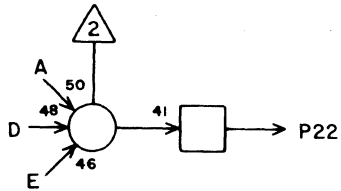
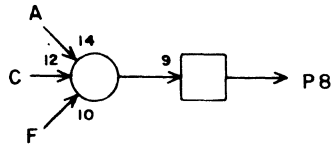
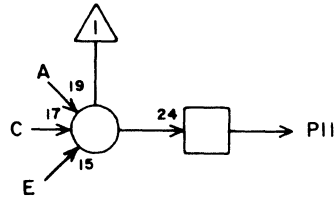


|    |  |  |  |
|----|--|--|--|
| 1  |  |  |  |
| 2  |  |  |  |
| 3  |  |  |  |
| 4  |  |  |  |
| 5  |  |  |  |
| 6  |  |  |  |
| 7  |  |  |  |
| 8  |  |  |  |
| 9  |  |  |  |
| 10 |  |  |  |
| 11 |  |  |  |
| 12 |  |  |  |
| 13 |  |  |  |
| 14 |  |  |  |
| 15 |  |  |  |
| 16 |  |  |  |
| 17 |  |  |  |
| 18 |  |  |  |
| 19 |  |  |  |
| 20 |  |  |  |
| 21 |  |  |  |
| 22 |  |  |  |
| 23 |  |  |  |
| 24 |  |  |  |
| 25 |  |  |  |
| 26 |  |  |  |
| 27 |  |  |  |
| 28 |  |  |  |

LS 63064300  
ASSY

**D**  
REV

TK



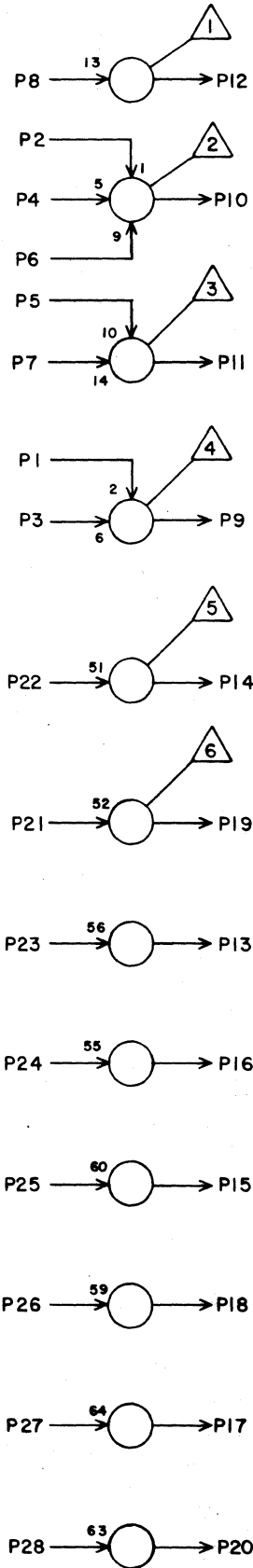
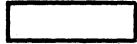
|    |  |  |  |
|----|--|--|--|
| 1  |  |  |  |
| 2  |  |  |  |
| 3  |  |  |  |
| 4  |  |  |  |
| 5  |  |  |  |
| 6  |  |  |  |
| 7  |  |  |  |
| 8  |  |  |  |
| 9  |  |  |  |
| 10 |  |  |  |
| 11 |  |  |  |
| 12 |  |  |  |
| 13 |  |  |  |
| 14 |  |  |  |
| 15 |  |  |  |
| 16 |  |  |  |
| 17 |  |  |  |
| 18 |  |  |  |
| 19 |  |  |  |
| 20 |  |  |  |
| 21 |  |  |  |
| 22 |  |  |  |
| 23 |  |  |  |
| 24 |  |  |  |
| 25 |  |  |  |
| 26 |  |  |  |
| 27 |  |  |  |
| 28 |  |  |  |

JACK PIN LG  
CIRCUIT SPECIFICATION 11827600  
60042700 Rev. J

LS 63064400  
ASSY

**D**  
REV

TL

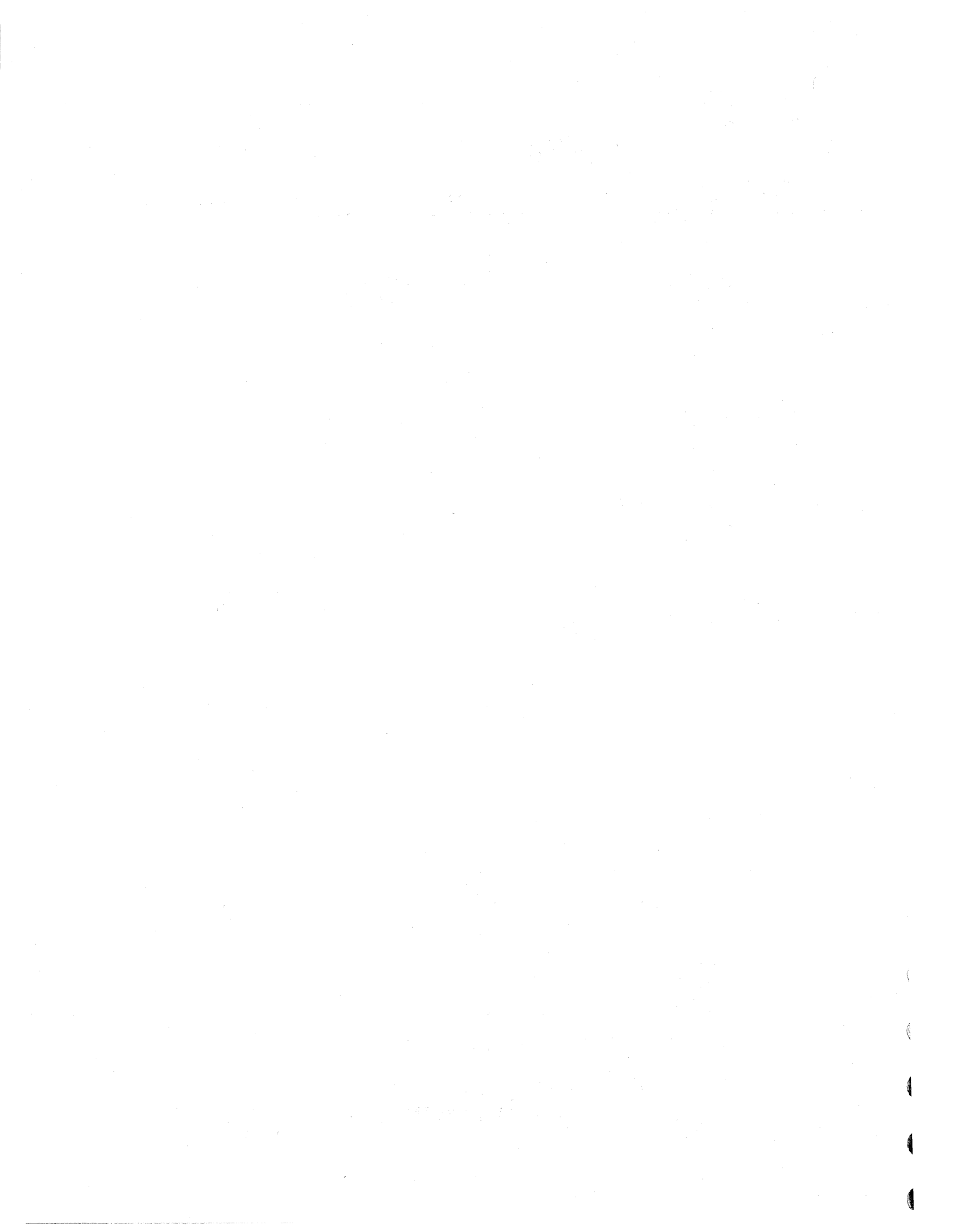


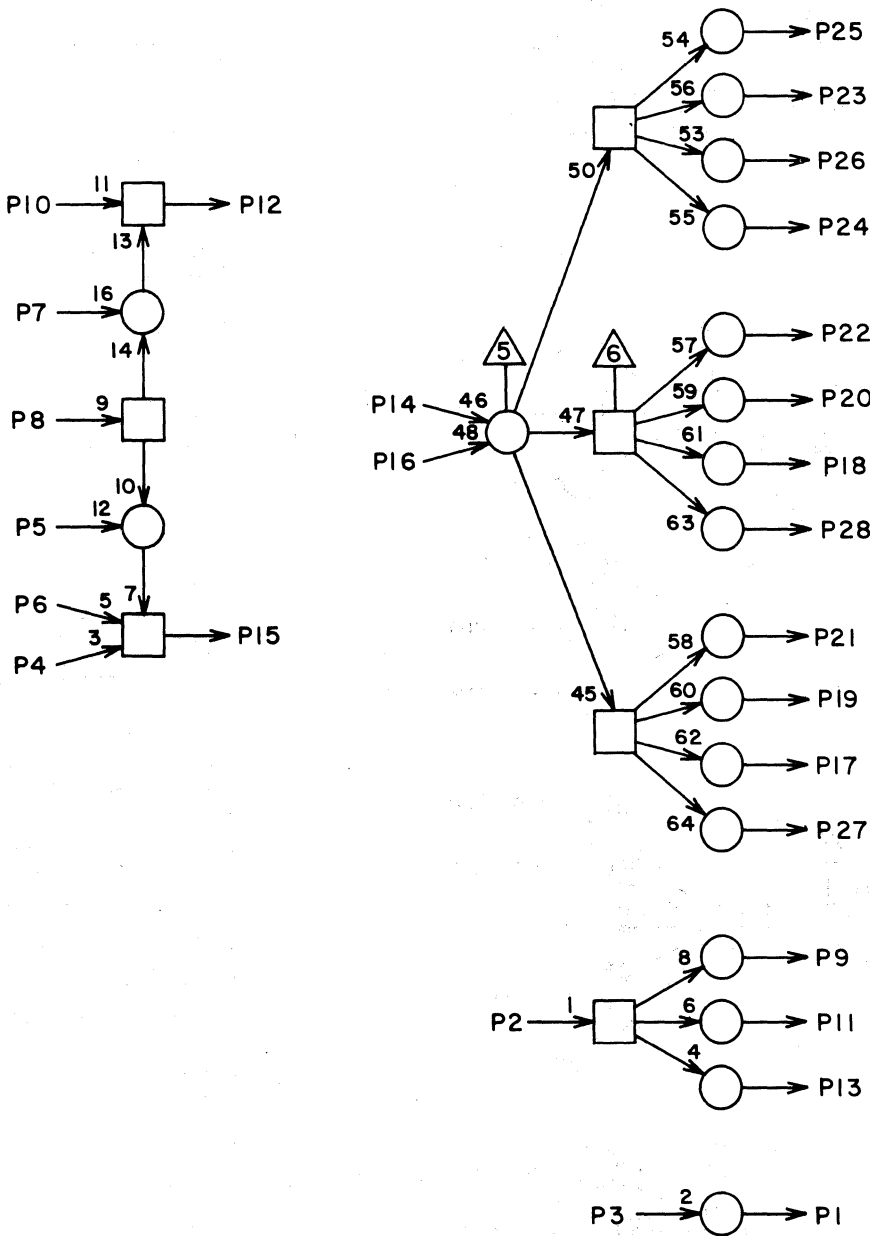
|    |  |  |  |
|----|--|--|--|
| 1  |  |  |  |
| 2  |  |  |  |
| 3  |  |  |  |
| 4  |  |  |  |
| 5  |  |  |  |
| 6  |  |  |  |
| 7  |  |  |  |
| 8  |  |  |  |
| 9  |  |  |  |
| 10 |  |  |  |
| 11 |  |  |  |
| 12 |  |  |  |
| 13 |  |  |  |
| 14 |  |  |  |
| 15 |  |  |  |
| 16 |  |  |  |
| 17 |  |  |  |
| 18 |  |  |  |
| 19 |  |  |  |
| 20 |  |  |  |
| 21 |  |  |  |
| 22 |  |  |  |
| 23 |  |  |  |
| 24 |  |  |  |
| 25 |  |  |  |
| 26 |  |  |  |
| 27 |  |  |  |
| 28 |  |  |  |

JACK PIN LG

CIRCUIT SPECIFICATION 11827600  
60042700 Rev. J



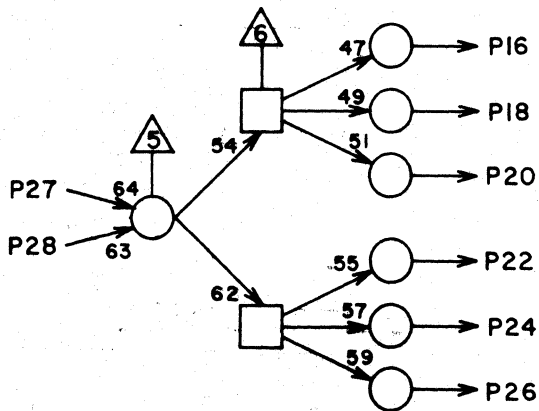
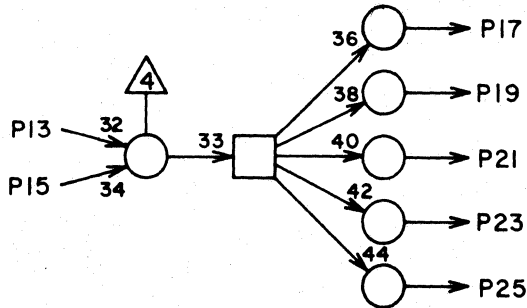
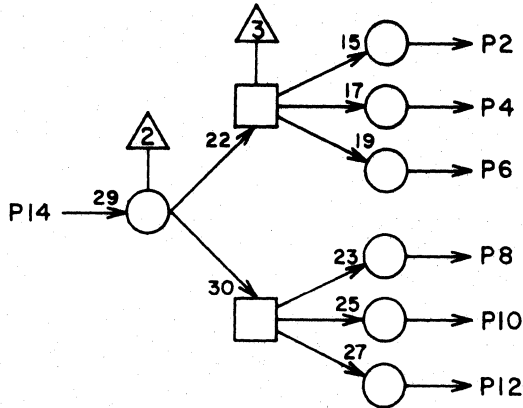
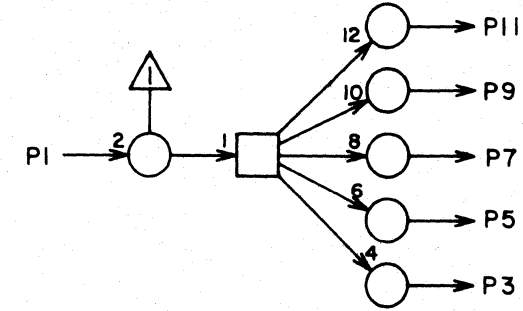




|    |  |  |  |
|----|--|--|--|
| 1  |  |  |  |
| 2  |  |  |  |
| 3  |  |  |  |
| 4  |  |  |  |
| 5  |  |  |  |
| 6  |  |  |  |
| 7  |  |  |  |
| 8  |  |  |  |
| 9  |  |  |  |
| 10 |  |  |  |
| 11 |  |  |  |
| 12 |  |  |  |
| 13 |  |  |  |
| 14 |  |  |  |
| 15 |  |  |  |
| 16 |  |  |  |
| 17 |  |  |  |
| 18 |  |  |  |
| 19 |  |  |  |
| 20 |  |  |  |
| 21 |  |  |  |
| 22 |  |  |  |
| 23 |  |  |  |
| 24 |  |  |  |
| 25 |  |  |  |
| 26 |  |  |  |
| 27 |  |  |  |
| 28 |  |  |  |

JACK PIN LG

CIRCUIT SPECIFICATION 11827600



|    |  |  |  |
|----|--|--|--|
| 1  |  |  |  |
| 2  |  |  |  |
| 3  |  |  |  |
| 4  |  |  |  |
| 5  |  |  |  |
| 6  |  |  |  |
| 7  |  |  |  |
| 8  |  |  |  |
| 9  |  |  |  |
| 10 |  |  |  |
| 11 |  |  |  |
| 12 |  |  |  |
| 13 |  |  |  |
| 14 |  |  |  |
| 15 |  |  |  |
| 16 |  |  |  |
| 17 |  |  |  |
| 18 |  |  |  |
| 19 |  |  |  |
| 20 |  |  |  |
| 21 |  |  |  |
| 22 |  |  |  |
| 23 |  |  |  |
| 24 |  |  |  |
| 25 |  |  |  |
| 26 |  |  |  |
| 27 |  |  |  |
| 28 |  |  |  |

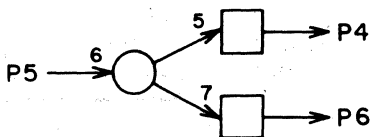
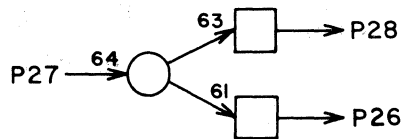
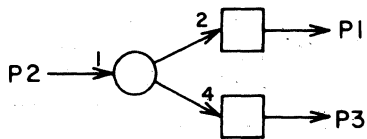
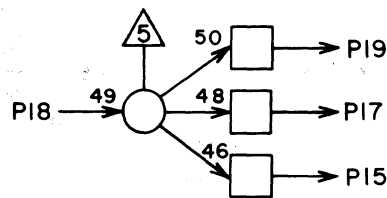
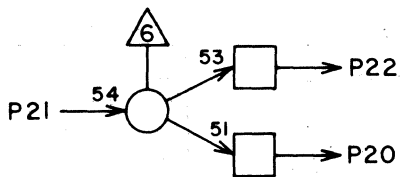
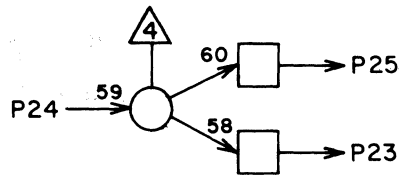
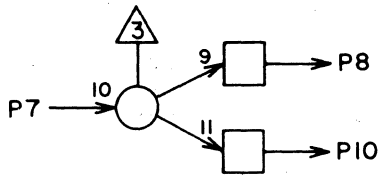
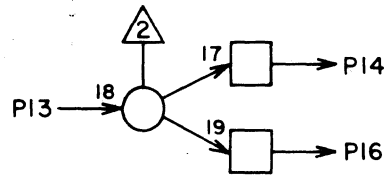
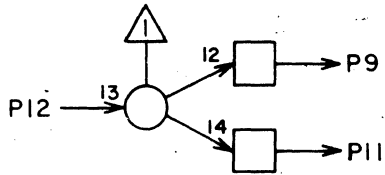
JACK PIN LG



LS 18060100  
ASSY

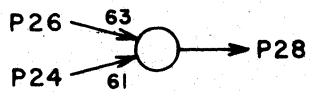
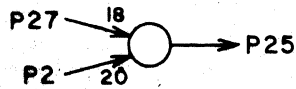
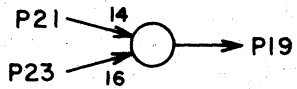
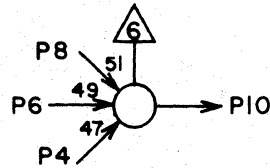
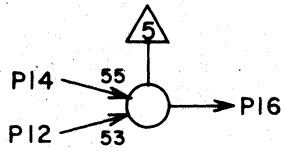
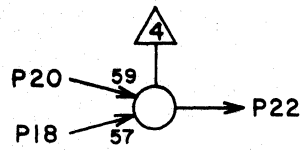
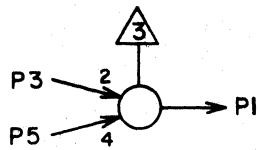
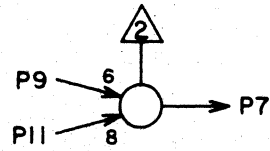
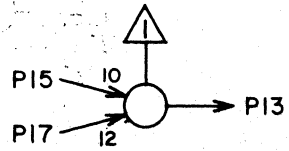
**B**  
REV.

TQ



|    |  |  |  |
|----|--|--|--|
| 1  |  |  |  |
| 2  |  |  |  |
| 3  |  |  |  |
| 4  |  |  |  |
| 5  |  |  |  |
| 6  |  |  |  |
| 7  |  |  |  |
| 8  |  |  |  |
| 9  |  |  |  |
| 10 |  |  |  |
| 11 |  |  |  |
| 12 |  |  |  |
| 13 |  |  |  |
| 14 |  |  |  |
| 15 |  |  |  |
| 16 |  |  |  |
| 17 |  |  |  |
| 18 |  |  |  |
| 19 |  |  |  |
| 20 |  |  |  |
| 21 |  |  |  |
| 22 |  |  |  |
| 23 |  |  |  |
| 24 |  |  |  |
| 25 |  |  |  |
| 26 |  |  |  |
| 27 |  |  |  |
| 28 |  |  |  |

JACK PIN LG



|    |  |  |  |
|----|--|--|--|
| 1  |  |  |  |
| 2  |  |  |  |
| 3  |  |  |  |
| 4  |  |  |  |
| 5  |  |  |  |
| 6  |  |  |  |
| 7  |  |  |  |
| 8  |  |  |  |
| 9  |  |  |  |
| 10 |  |  |  |
| 11 |  |  |  |
| 12 |  |  |  |
| 13 |  |  |  |
| 14 |  |  |  |
| 15 |  |  |  |
| 16 |  |  |  |
| 17 |  |  |  |
| 18 |  |  |  |
| 19 |  |  |  |
| 20 |  |  |  |
| 21 |  |  |  |
| 22 |  |  |  |
| 23 |  |  |  |
| 24 |  |  |  |
| 25 |  |  |  |
| 26 |  |  |  |
| 27 |  |  |  |
| 28 |  |  |  |

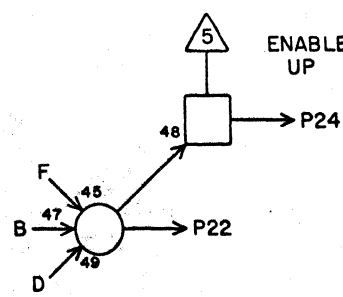
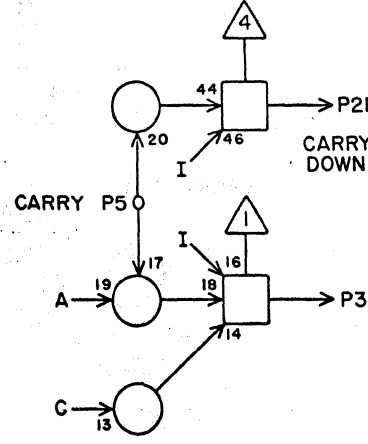
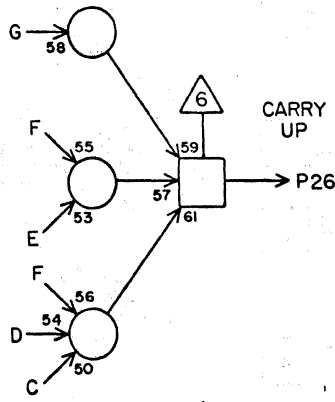
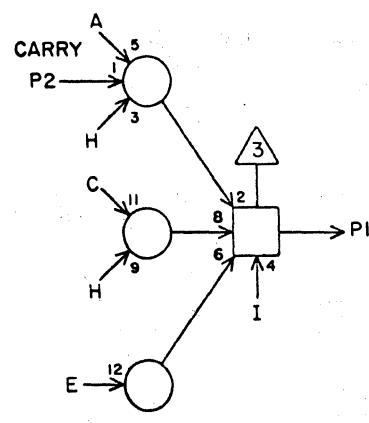
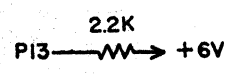
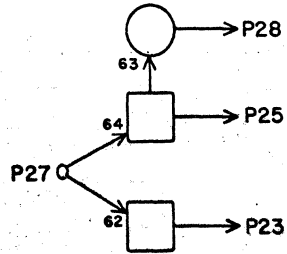
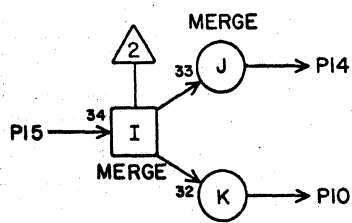
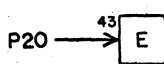
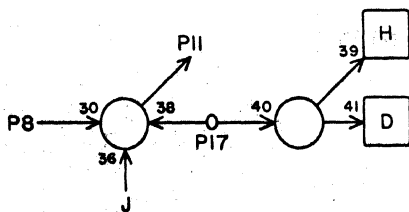
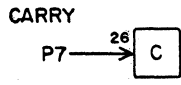
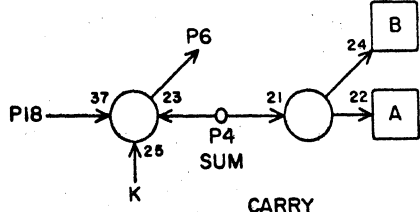
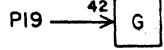
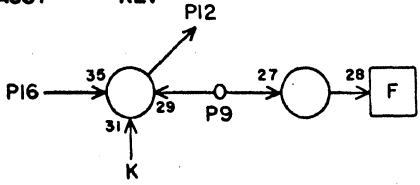
JACK PIN LG

LS 63069900  
ASSY

**B**  
REV

TS

[ ]

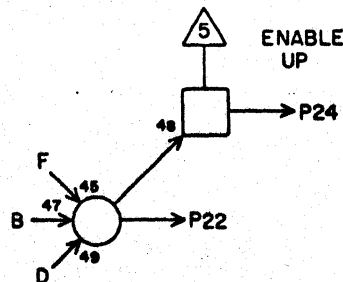
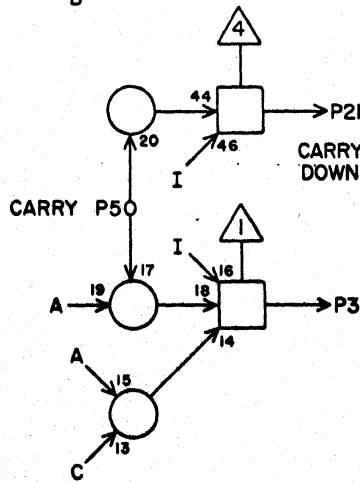
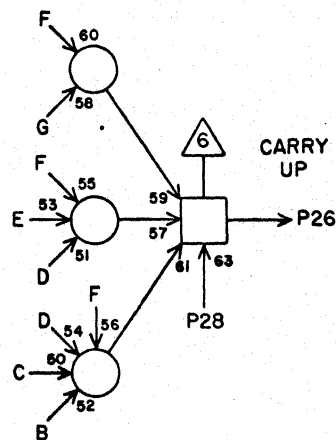
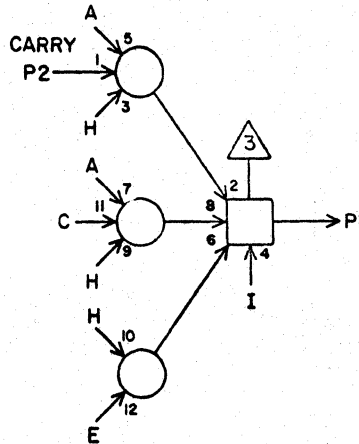
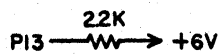
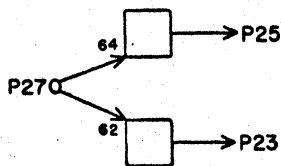
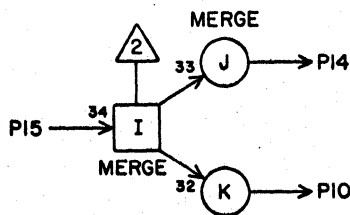
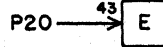
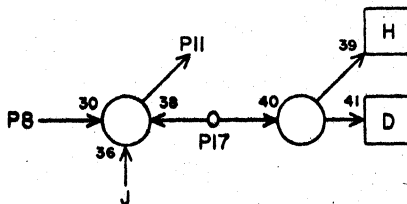
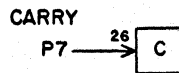
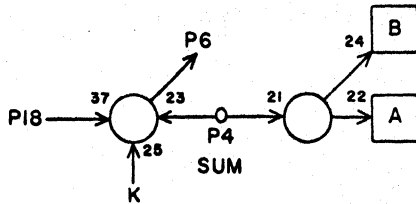
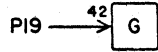
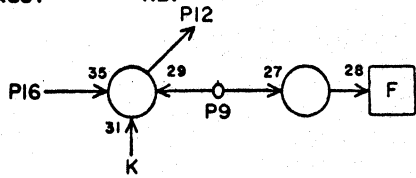


|    |  |  |  |
|----|--|--|--|
| 1  |  |  |  |
| 2  |  |  |  |
| 3  |  |  |  |
| 4  |  |  |  |
| 5  |  |  |  |
| 6  |  |  |  |
| 7  |  |  |  |
| 8  |  |  |  |
| 9  |  |  |  |
| 10 |  |  |  |
| 11 |  |  |  |
| 12 |  |  |  |
| 13 |  |  |  |
| 14 |  |  |  |
| 15 |  |  |  |
| 16 |  |  |  |
| 17 |  |  |  |
| 18 |  |  |  |
| 19 |  |  |  |
| 20 |  |  |  |
| 21 |  |  |  |
| 22 |  |  |  |
| 23 |  |  |  |
| 24 |  |  |  |
| 25 |  |  |  |
| 26 |  |  |  |
| 27 |  |  |  |
| 28 |  |  |  |

JACK PIN LG

CIRCUIT SPECIFICATION 11827600  
60042700 Rev. P

11042



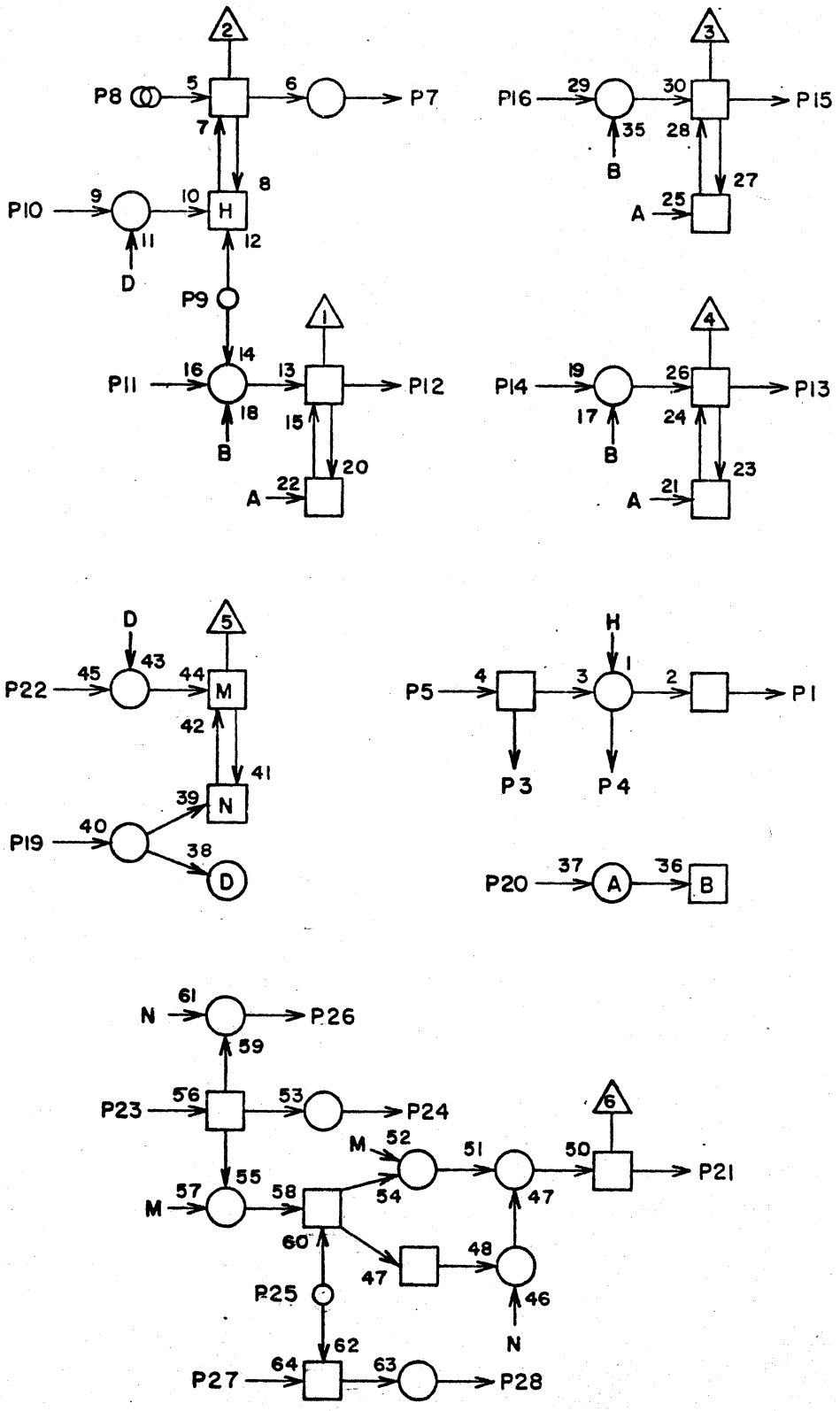
|    |  |  |  |
|----|--|--|--|
| 1  |  |  |  |
| 2  |  |  |  |
| 3  |  |  |  |
| 4  |  |  |  |
| 5  |  |  |  |
| 6  |  |  |  |
| 7  |  |  |  |
| 8  |  |  |  |
| 9  |  |  |  |
| 10 |  |  |  |
| 11 |  |  |  |
| 12 |  |  |  |
| 13 |  |  |  |
| 14 |  |  |  |
| 15 |  |  |  |
| 16 |  |  |  |
| 17 |  |  |  |
| 18 |  |  |  |
| 19 |  |  |  |
| 20 |  |  |  |
| 21 |  |  |  |
| 22 |  |  |  |
| 23 |  |  |  |
| 24 |  |  |  |
| 25 |  |  |  |
| 26 |  |  |  |
| 27 |  |  |  |
| 28 |  |  |  |

JACK PIN LG



LS 18677800 B  
 ASSY REV

TV



|    |  |  |  |
|----|--|--|--|
| 1  |  |  |  |
| 2  |  |  |  |
| 3  |  |  |  |
| 4  |  |  |  |
| 5  |  |  |  |
| 6  |  |  |  |
| 7  |  |  |  |
| 8  |  |  |  |
| 9  |  |  |  |
| 10 |  |  |  |
| 11 |  |  |  |
| 12 |  |  |  |
| 13 |  |  |  |
| 14 |  |  |  |
| 15 |  |  |  |
| 16 |  |  |  |
| 17 |  |  |  |
| 18 |  |  |  |
| 19 |  |  |  |
| 20 |  |  |  |
| 21 |  |  |  |
| 22 |  |  |  |
| 23 |  |  |  |
| 24 |  |  |  |
| 25 |  |  |  |
| 26 |  |  |  |
| 27 |  |  |  |
| 28 |  |  |  |

JACK PIN LG

SEE CIRCUIT SPECIFICATION

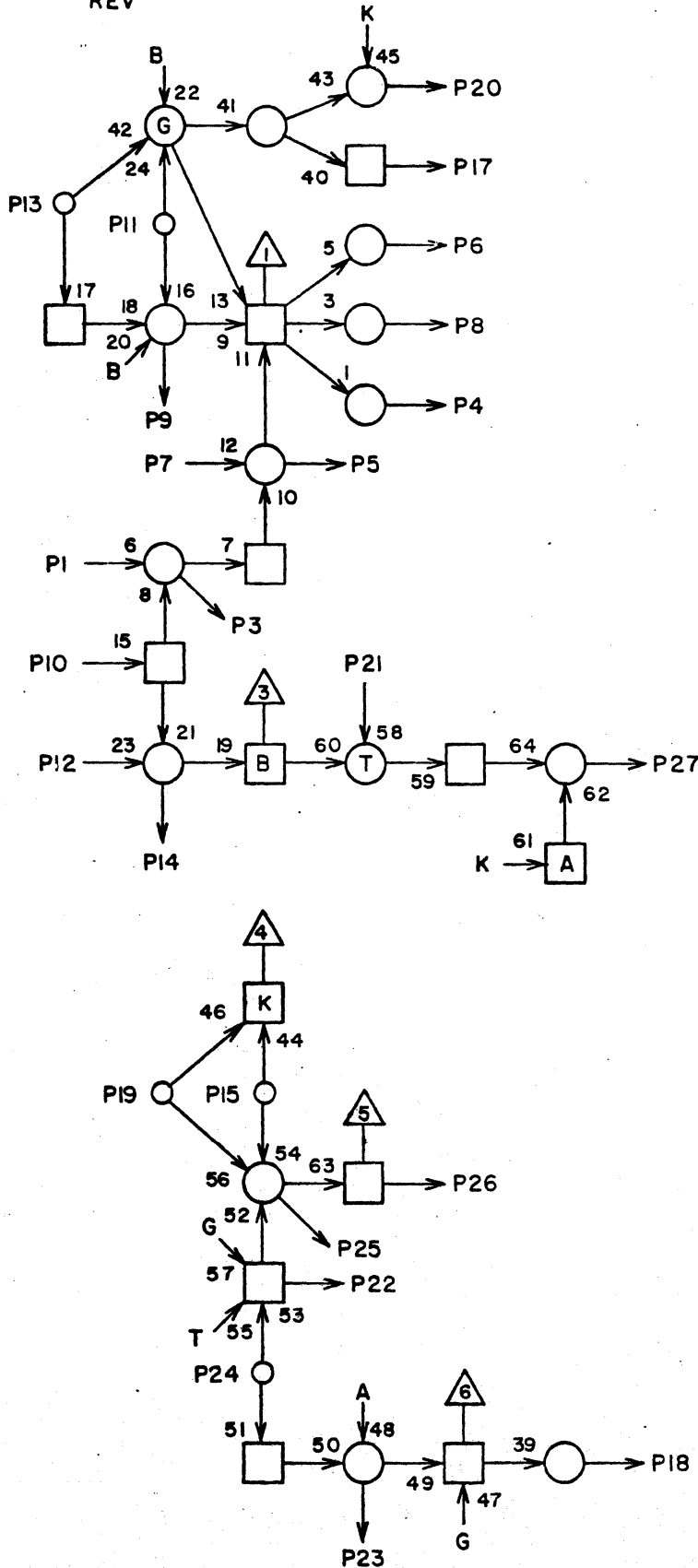
11827600

60042700 Rev. Y

60042700 Rev. Y

LS 18678000 **B**  
 ASSY REV

TW



|    |  |  |  |
|----|--|--|--|
| 1  |  |  |  |
| 2  |  |  |  |
| 3  |  |  |  |
| 4  |  |  |  |
| 5  |  |  |  |
| 6  |  |  |  |
| 7  |  |  |  |
| 8  |  |  |  |
| 9  |  |  |  |
| 10 |  |  |  |
| 11 |  |  |  |
| 12 |  |  |  |
| 13 |  |  |  |
| 14 |  |  |  |
| 15 |  |  |  |
| 16 |  |  |  |
| 17 |  |  |  |
| 18 |  |  |  |
| 19 |  |  |  |
| 20 |  |  |  |
| 21 |  |  |  |
| 22 |  |  |  |
| 23 |  |  |  |
| 24 |  |  |  |
| 25 |  |  |  |
| 26 |  |  |  |
| 27 |  |  |  |
| 28 |  |  |  |

JACK PIN LG  
 SEE CIRCUIT SPECIFICATION  
 11827600  
 60042700 Rev. Y



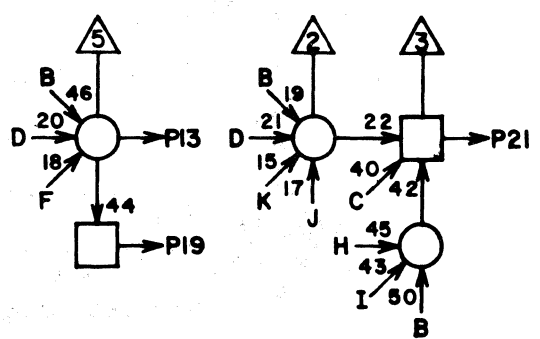
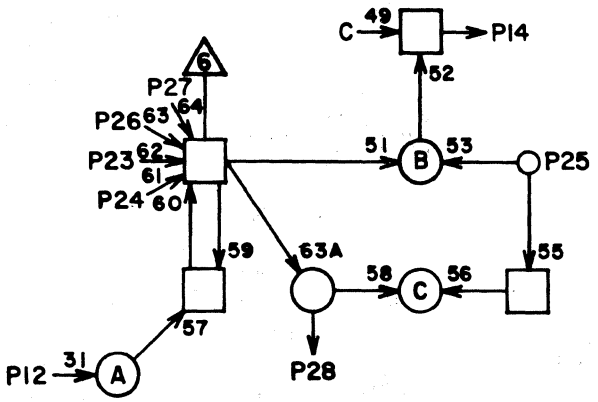
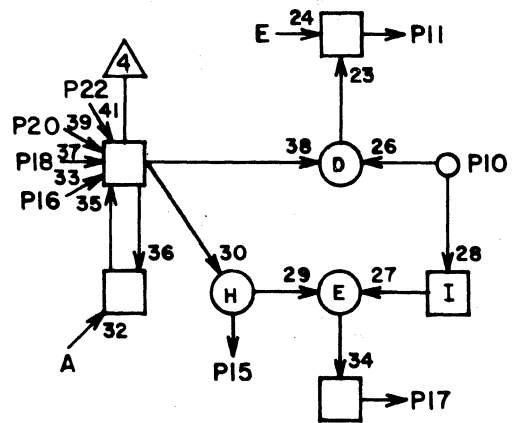
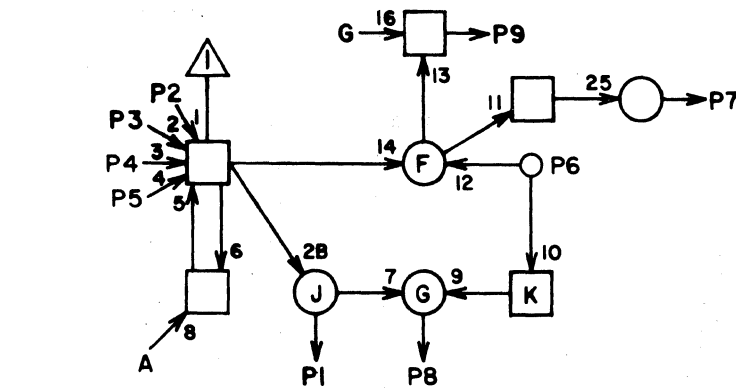


LSI7657800  
ASSY

**B**  
REV

UA

[ ]



|    |  |  |  |
|----|--|--|--|
| 1  |  |  |  |
| 2  |  |  |  |
| 3  |  |  |  |
| 4  |  |  |  |
| 5  |  |  |  |
| 6  |  |  |  |
| 7  |  |  |  |
| 8  |  |  |  |
| 9  |  |  |  |
| 10 |  |  |  |
| 11 |  |  |  |
| 12 |  |  |  |
| 13 |  |  |  |
| 14 |  |  |  |
| 15 |  |  |  |
| 16 |  |  |  |
| 17 |  |  |  |
| 18 |  |  |  |
| 19 |  |  |  |
| 20 |  |  |  |
| 21 |  |  |  |
| 22 |  |  |  |
| 23 |  |  |  |
| 24 |  |  |  |
| 25 |  |  |  |
| 26 |  |  |  |
| 27 |  |  |  |
| 28 |  |  |  |

JACK PIN LG

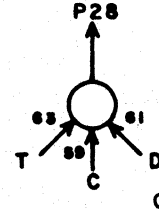
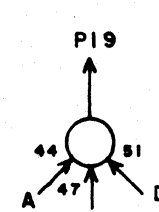
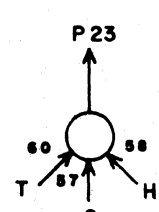
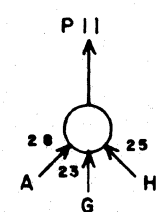
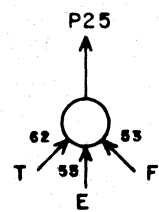
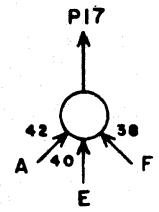
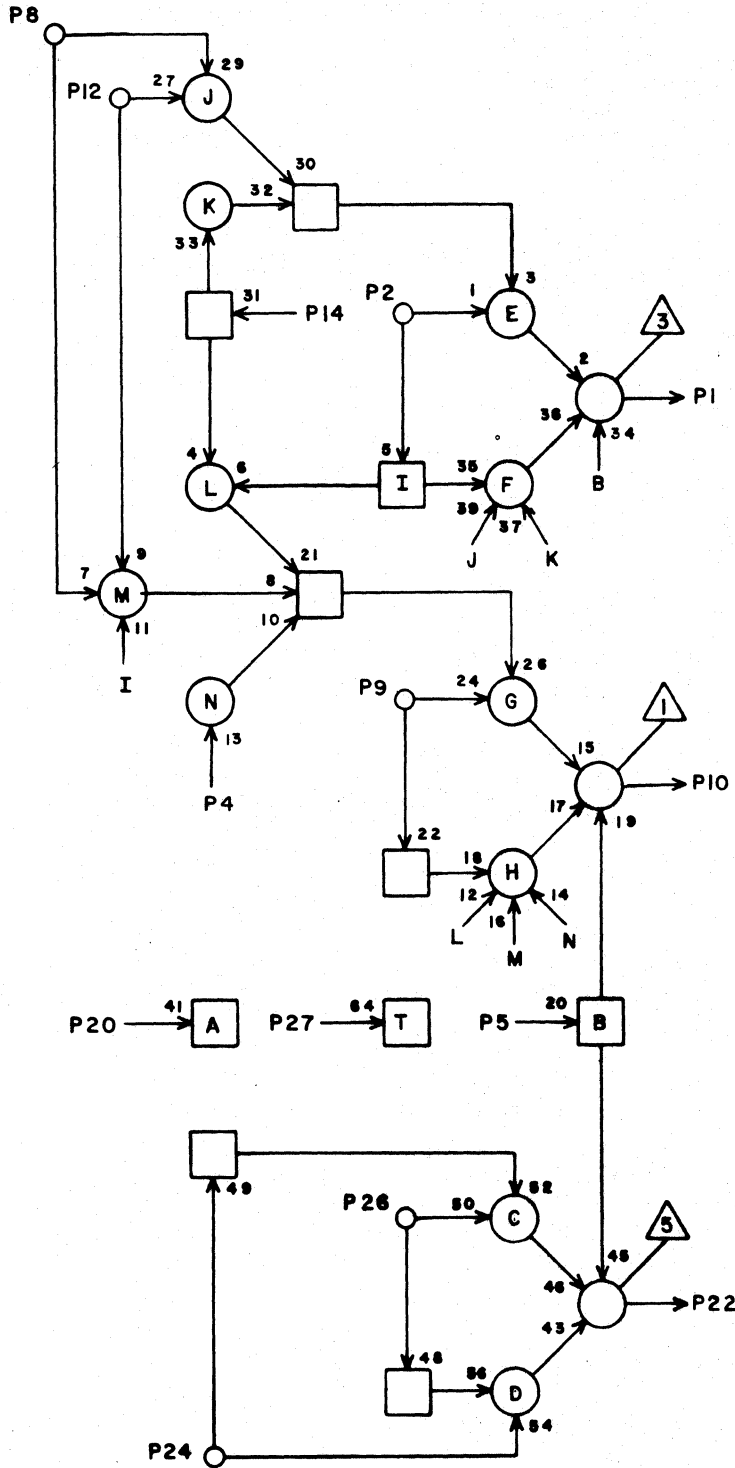
60042700 Rev. K

CIRCUIT SPECIFICATION 11827600

LSI7658000  
ASSY

**E**  
REV

UB



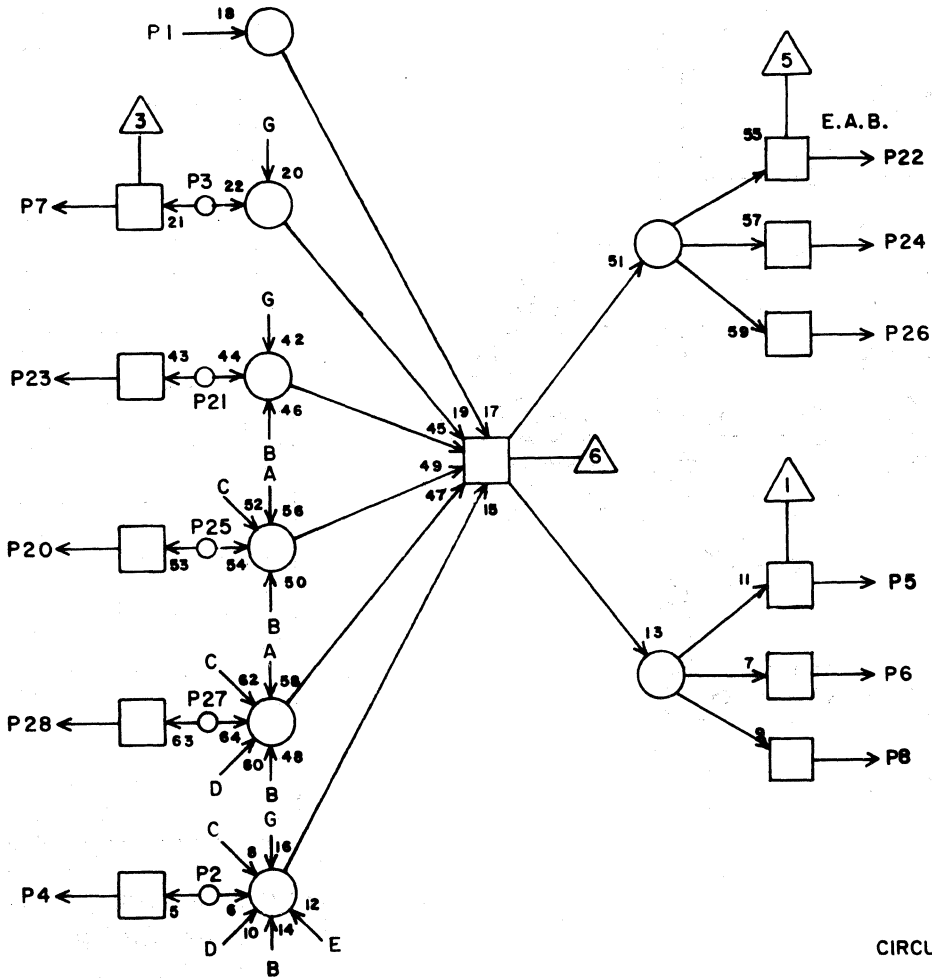
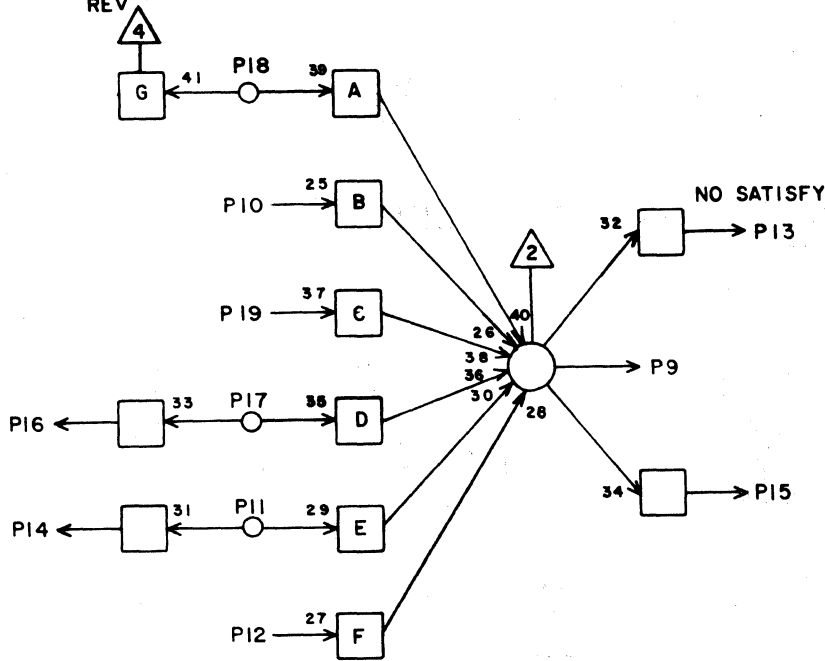
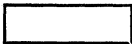
|    |  |  |  |
|----|--|--|--|
| 1  |  |  |  |
| 2  |  |  |  |
| 3  |  |  |  |
| 4  |  |  |  |
| 5  |  |  |  |
| 6  |  |  |  |
| 7  |  |  |  |
| 8  |  |  |  |
| 9  |  |  |  |
| 10 |  |  |  |
| 11 |  |  |  |
| 12 |  |  |  |
| 13 |  |  |  |
| 14 |  |  |  |
| 15 |  |  |  |
| 16 |  |  |  |
| 17 |  |  |  |
| 18 |  |  |  |
| 19 |  |  |  |
| 20 |  |  |  |
| 21 |  |  |  |
| 22 |  |  |  |
| 23 |  |  |  |
| 24 |  |  |  |
| 25 |  |  |  |
| 26 |  |  |  |
| 27 |  |  |  |
| 28 |  |  |  |

JACK PIN LG  
CIRCUIT SPECIFICATION  
60042700 Rev. P

LSI7658200  
ASSY

**A**  
REV

UC



|    |  |  |  |
|----|--|--|--|
| 1  |  |  |  |
| 2  |  |  |  |
| 3  |  |  |  |
| 4  |  |  |  |
| 5  |  |  |  |
| 6  |  |  |  |
| 7  |  |  |  |
| 8  |  |  |  |
| 9  |  |  |  |
| 10 |  |  |  |
| 11 |  |  |  |
| 12 |  |  |  |
| 13 |  |  |  |
| 14 |  |  |  |
| 15 |  |  |  |
| 16 |  |  |  |
| 17 |  |  |  |
| 18 |  |  |  |
| 19 |  |  |  |
| 20 |  |  |  |
| 21 |  |  |  |
| 22 |  |  |  |
| 23 |  |  |  |
| 24 |  |  |  |
| 25 |  |  |  |
| 26 |  |  |  |
| 27 |  |  |  |
| 28 |  |  |  |

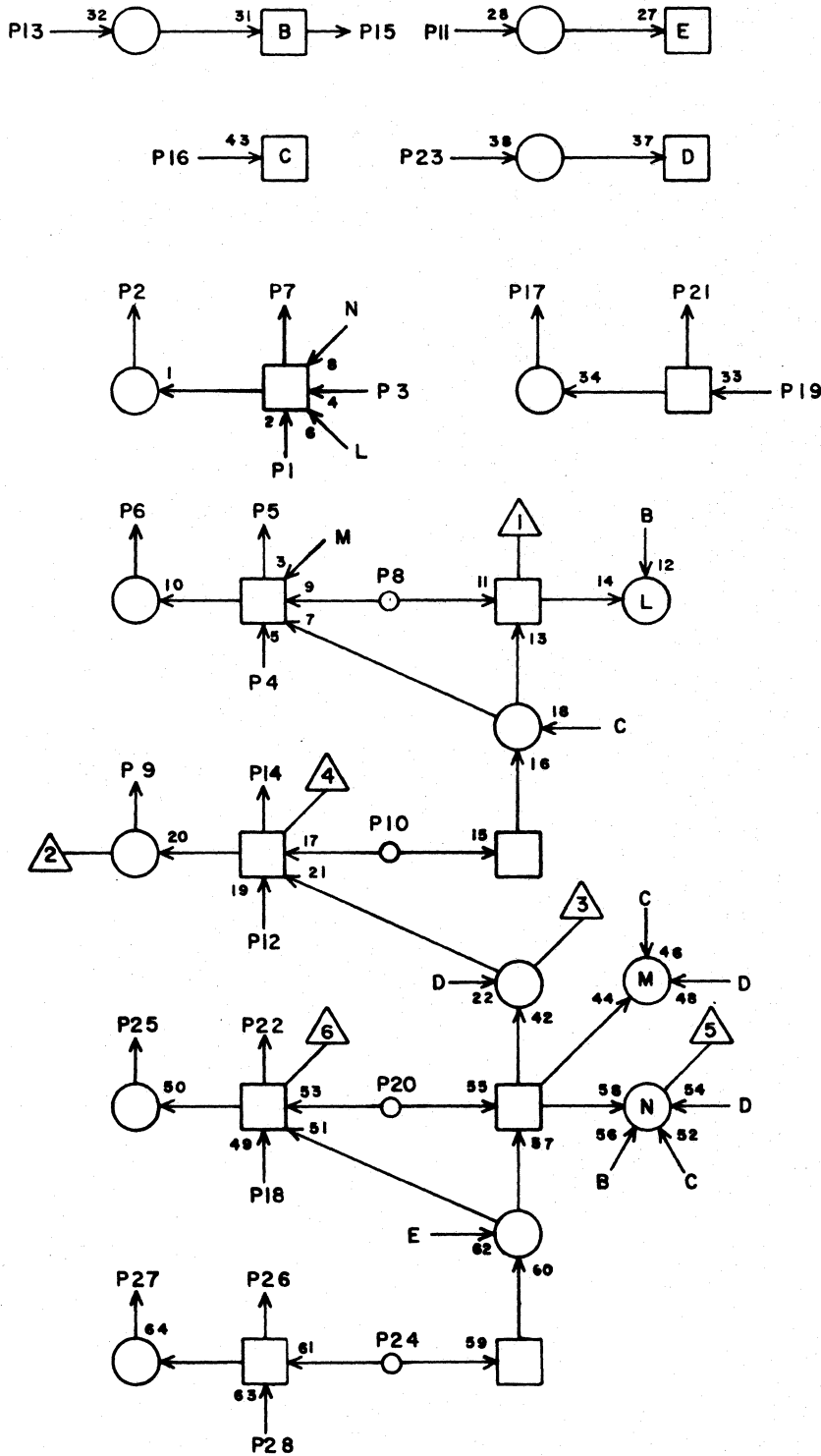
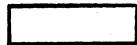
JACK PIN LG  
60042700 Rev. K

CIRCUIT SPECIFICATION 11827600

LSI7658400  
ASSY

**C**  
REV

UD



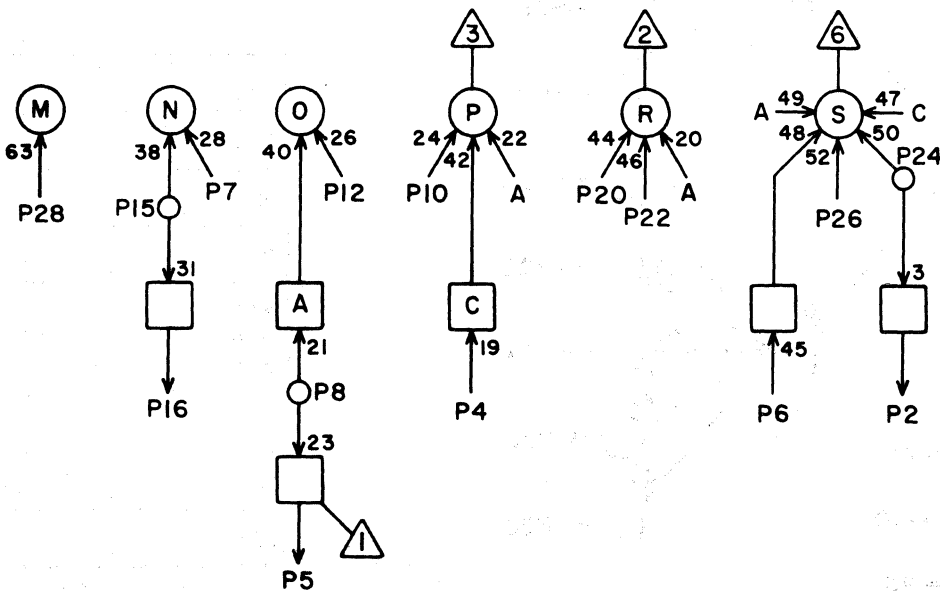
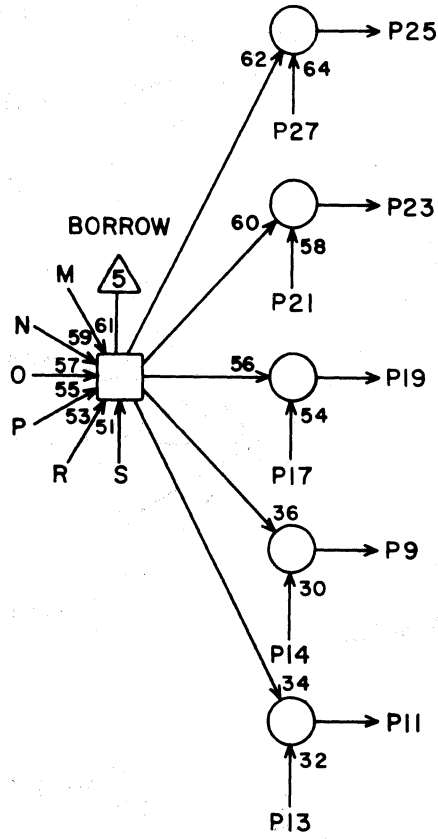
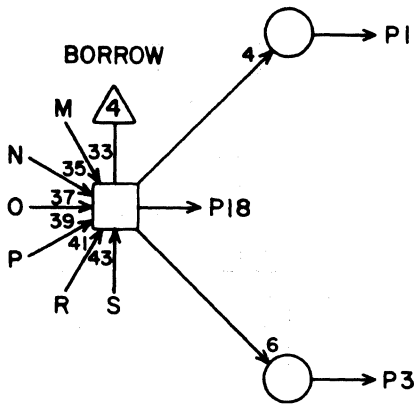
|    |  |  |  |
|----|--|--|--|
| 1  |  |  |  |
| 2  |  |  |  |
| 3  |  |  |  |
| 4  |  |  |  |
| 5  |  |  |  |
| 6  |  |  |  |
| 7  |  |  |  |
| 8  |  |  |  |
| 9  |  |  |  |
| 10 |  |  |  |
| 11 |  |  |  |
| 12 |  |  |  |
| 13 |  |  |  |
| 14 |  |  |  |
| 15 |  |  |  |
| 16 |  |  |  |
| 17 |  |  |  |
| 18 |  |  |  |
| 19 |  |  |  |
| 20 |  |  |  |
| 21 |  |  |  |
| 22 |  |  |  |
| 23 |  |  |  |
| 24 |  |  |  |
| 25 |  |  |  |
| 26 |  |  |  |
| 27 |  |  |  |
| 28 |  |  |  |

JACK PIN LG  
CIRCUIT SPECIFICATION 11827600  
60042700 Rev. J

LS 17658600  
ASSY

**A**  
REV

UE



|    |  |  |  |
|----|--|--|--|
| 1  |  |  |  |
| 2  |  |  |  |
| 3  |  |  |  |
| 4  |  |  |  |
| 5  |  |  |  |
| 6  |  |  |  |
| 7  |  |  |  |
| 8  |  |  |  |
| 9  |  |  |  |
| 10 |  |  |  |
| 11 |  |  |  |
| 12 |  |  |  |
| 13 |  |  |  |
| 14 |  |  |  |
| 15 |  |  |  |
| 16 |  |  |  |
| 17 |  |  |  |
| 18 |  |  |  |
| 19 |  |  |  |
| 20 |  |  |  |
| 21 |  |  |  |
| 22 |  |  |  |
| 23 |  |  |  |
| 24 |  |  |  |
| 25 |  |  |  |
| 26 |  |  |  |
| 27 |  |  |  |
| 28 |  |  |  |

60042700 Rev. K

JACK PIN LG

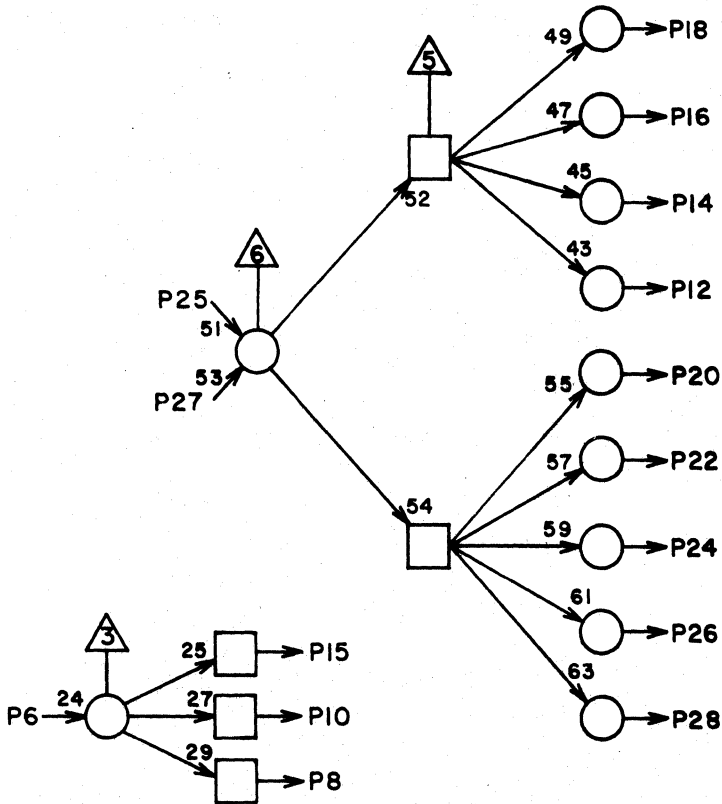
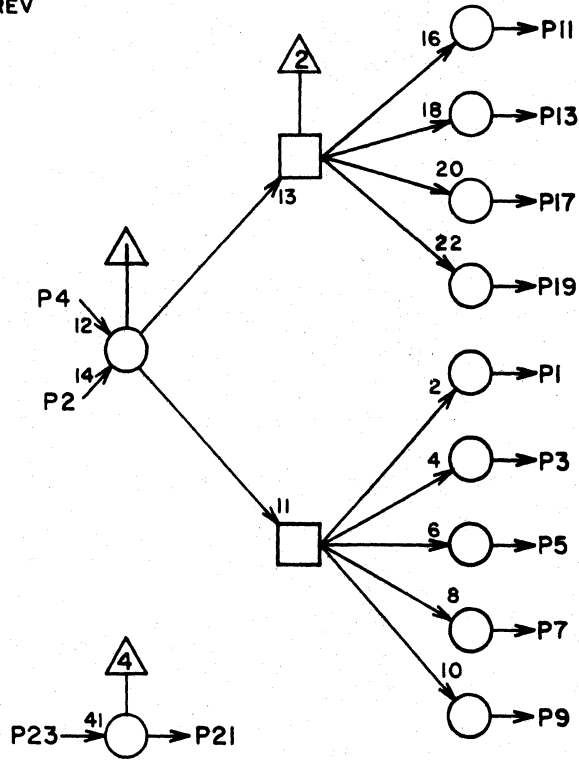
CIRCUIT SPECIFICATION 11827600

LSI7822900  
ASSY

**B**  
REV

UF

[ ]



|    |  |  |  |
|----|--|--|--|
| 1  |  |  |  |
| 2  |  |  |  |
| 3  |  |  |  |
| 4  |  |  |  |
| 5  |  |  |  |
| 6  |  |  |  |
| 7  |  |  |  |
| 8  |  |  |  |
| 9  |  |  |  |
| 10 |  |  |  |
| 11 |  |  |  |
| 12 |  |  |  |
| 13 |  |  |  |
| 14 |  |  |  |
| 15 |  |  |  |
| 16 |  |  |  |
| 17 |  |  |  |
| 18 |  |  |  |
| 19 |  |  |  |
| 20 |  |  |  |
| 21 |  |  |  |
| 22 |  |  |  |
| 23 |  |  |  |
| 24 |  |  |  |
| 25 |  |  |  |
| 26 |  |  |  |
| 27 |  |  |  |
| 28 |  |  |  |

JACK PIN LG

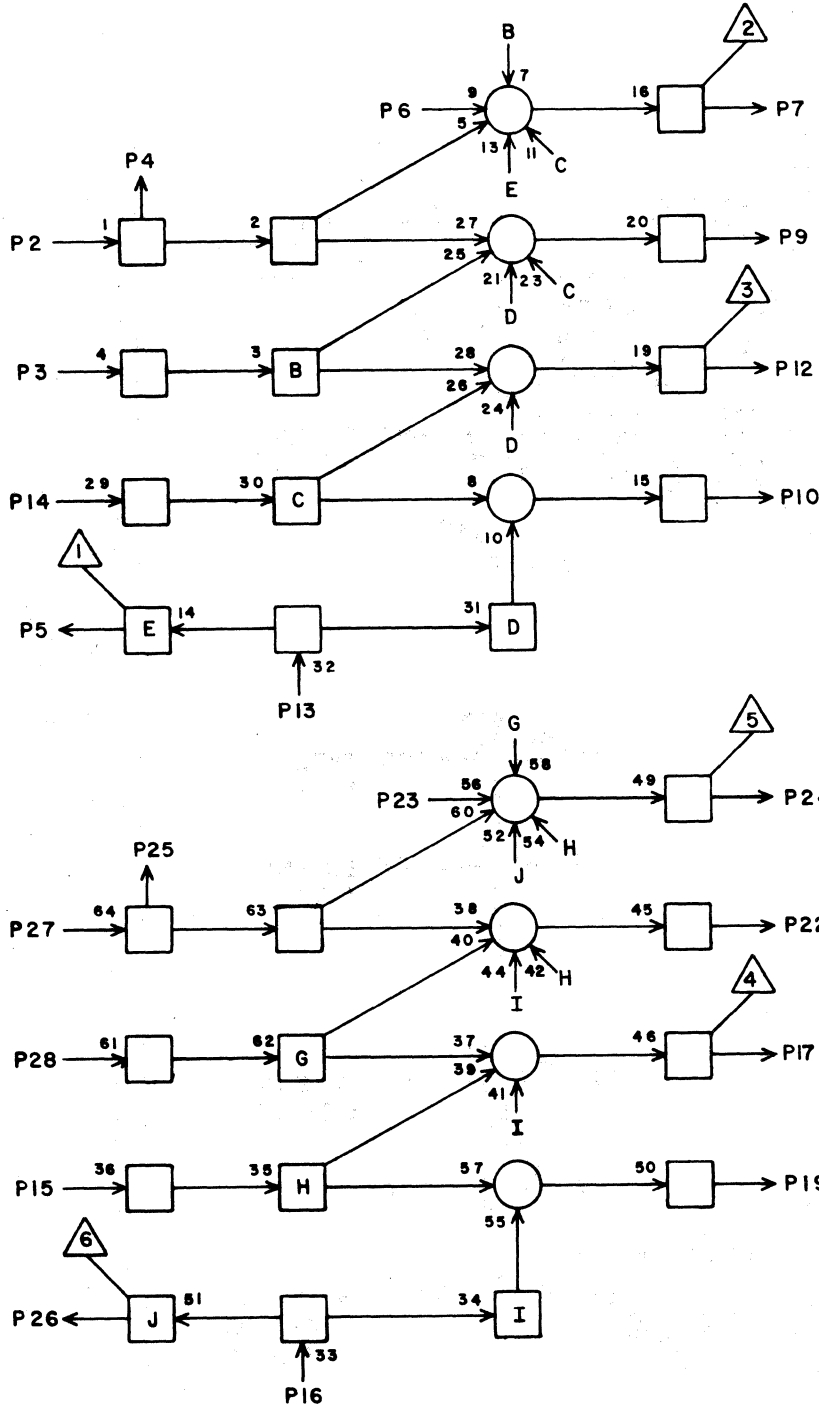
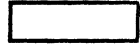
60042700 Rev. K

CIRCUIT SPECIFICATION 11827600

LSI7658800  
ASSY

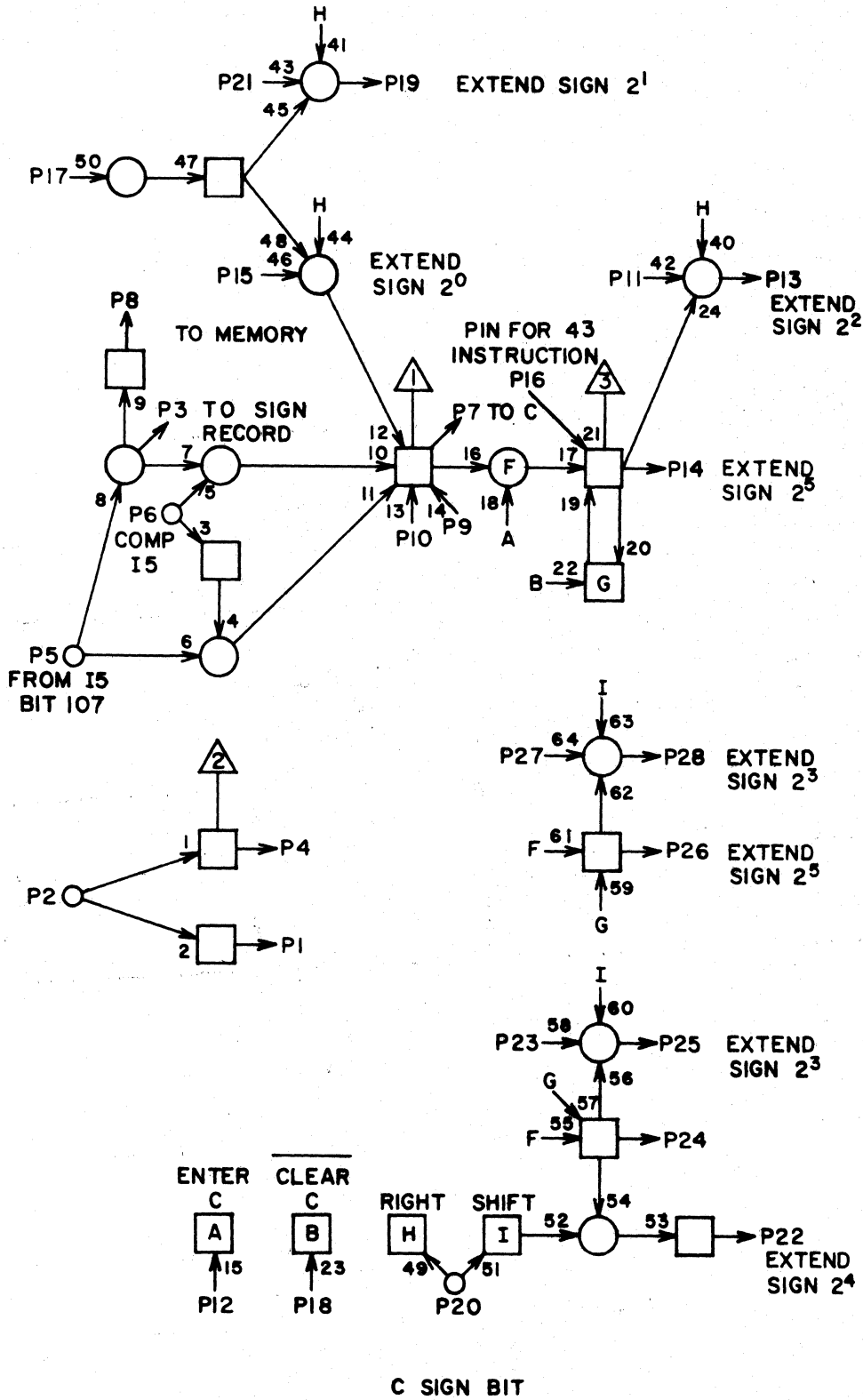
A  
REV

UG



|    |  |  |  |
|----|--|--|--|
| 1  |  |  |  |
| 2  |  |  |  |
| 3  |  |  |  |
| 4  |  |  |  |
| 5  |  |  |  |
| 6  |  |  |  |
| 7  |  |  |  |
| 8  |  |  |  |
| 9  |  |  |  |
| 10 |  |  |  |
| 11 |  |  |  |
| 12 |  |  |  |
| 13 |  |  |  |
| 14 |  |  |  |
| 15 |  |  |  |
| 16 |  |  |  |
| 17 |  |  |  |
| 18 |  |  |  |
| 19 |  |  |  |
| 20 |  |  |  |
| 21 |  |  |  |
| 22 |  |  |  |
| 23 |  |  |  |
| 24 |  |  |  |
| 25 |  |  |  |
| 26 |  |  |  |
| 27 |  |  |  |
| 28 |  |  |  |

JACK PIN LG



|    |  |  |  |
|----|--|--|--|
| 1  |  |  |  |
| 2  |  |  |  |
| 3  |  |  |  |
| 4  |  |  |  |
| 5  |  |  |  |
| 6  |  |  |  |
| 7  |  |  |  |
| 8  |  |  |  |
| 9  |  |  |  |
| 10 |  |  |  |
| 11 |  |  |  |
| 12 |  |  |  |
| 13 |  |  |  |
| 14 |  |  |  |
| 15 |  |  |  |
| 16 |  |  |  |
| 17 |  |  |  |
| 18 |  |  |  |
| 19 |  |  |  |
| 20 |  |  |  |
| 21 |  |  |  |
| 22 |  |  |  |
| 23 |  |  |  |
| 24 |  |  |  |
| 25 |  |  |  |
| 26 |  |  |  |
| 27 |  |  |  |
| 28 |  |  |  |

JACK PIN LG  
60042700 Rev. K

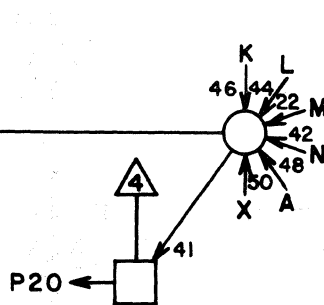
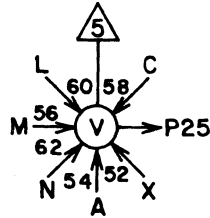
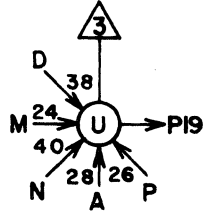
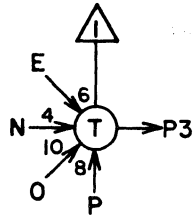
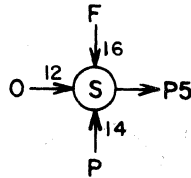
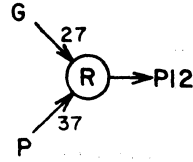
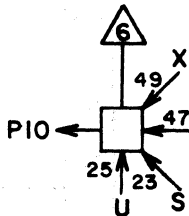
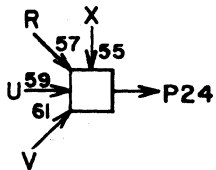
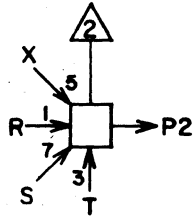
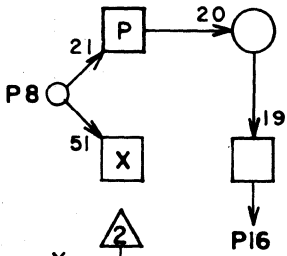
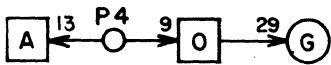


LSI7779200  
ASSY

A  
REV

UI

[ ]



|    |  |  |  |
|----|--|--|--|
| 1  |  |  |  |
| 2  |  |  |  |
| 3  |  |  |  |
| 4  |  |  |  |
| 5  |  |  |  |
| 6  |  |  |  |
| 7  |  |  |  |
| 8  |  |  |  |
| 9  |  |  |  |
| 10 |  |  |  |
| 11 |  |  |  |
| 12 |  |  |  |
| 13 |  |  |  |
| 14 |  |  |  |
| 15 |  |  |  |
| 16 |  |  |  |
| 17 |  |  |  |
| 18 |  |  |  |
| 19 |  |  |  |
| 20 |  |  |  |
| 21 |  |  |  |
| 22 |  |  |  |
| 23 |  |  |  |
| 24 |  |  |  |
| 25 |  |  |  |
| 26 |  |  |  |
| 27 |  |  |  |
| 28 |  |  |  |

JACK PIN LG

60042700 Rev. K

CIRCUIT SPECIFICATION I1827600

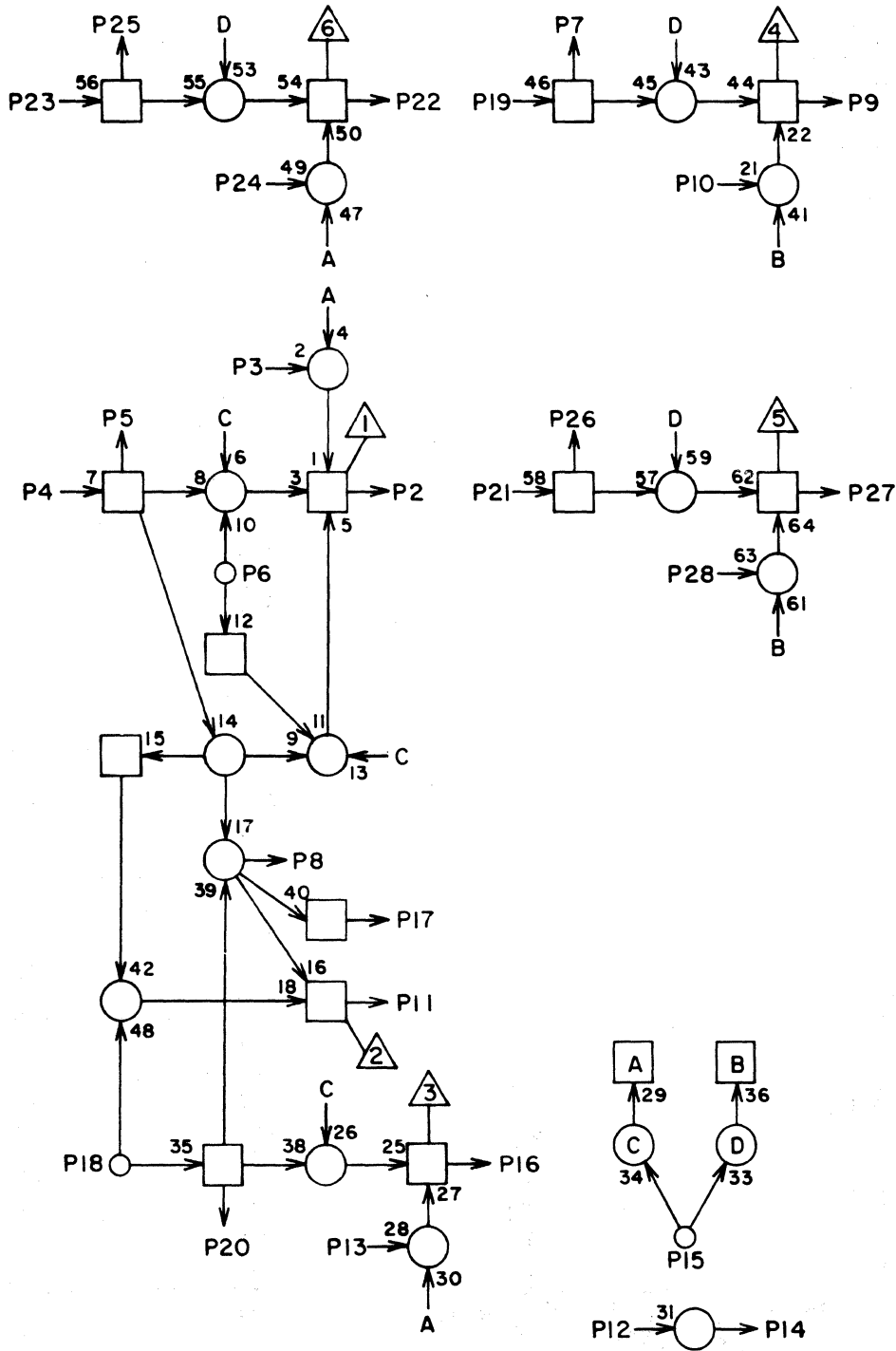
COEF = ZERO



LS 17823500  
ASSY

C  
REV

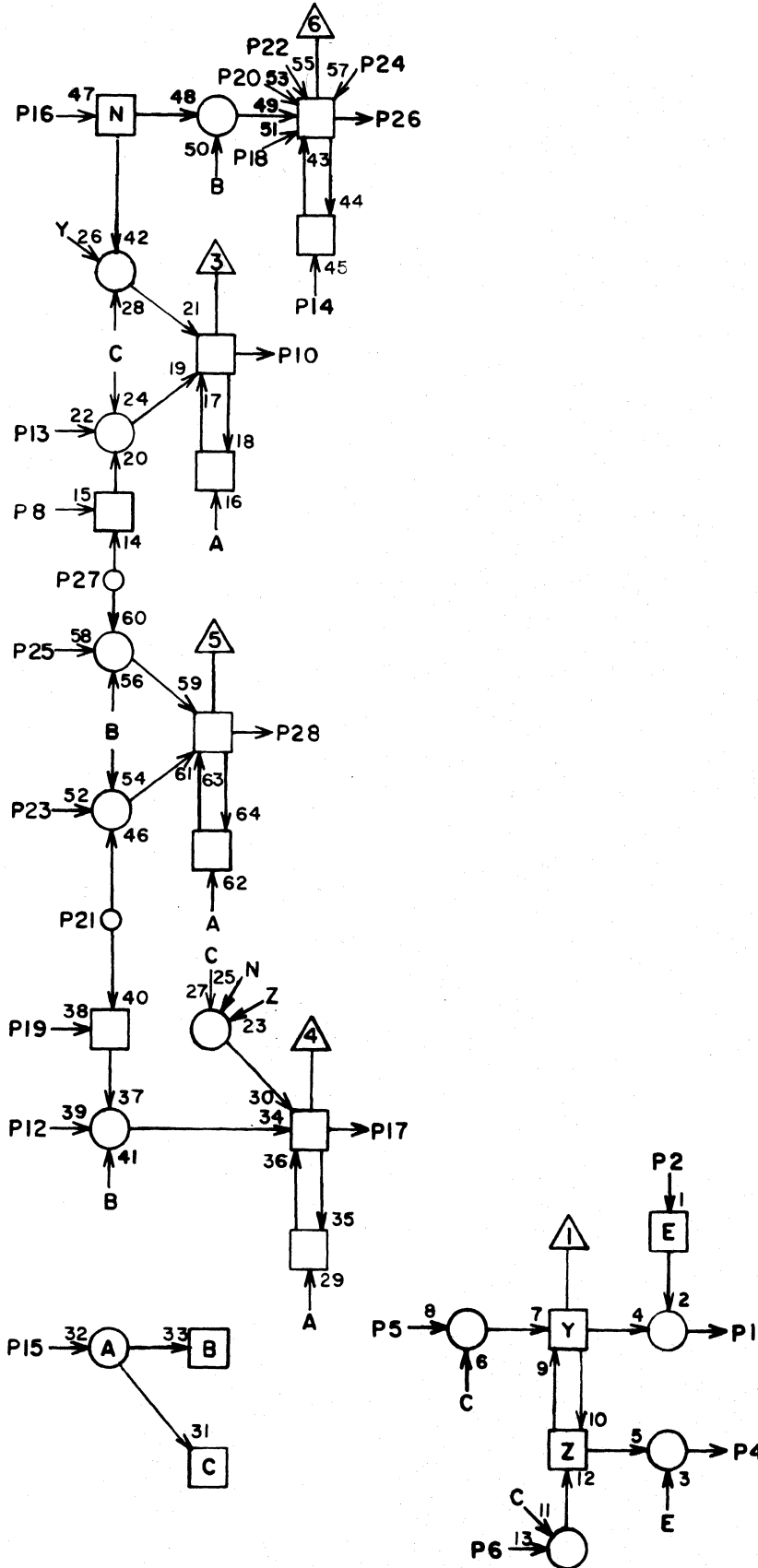
UK



|    |  |  |  |
|----|--|--|--|
| 1  |  |  |  |
| 2  |  |  |  |
| 3  |  |  |  |
| 4  |  |  |  |
| 5  |  |  |  |
| 6  |  |  |  |
| 7  |  |  |  |
| 8  |  |  |  |
| 9  |  |  |  |
| 10 |  |  |  |
| 11 |  |  |  |
| 12 |  |  |  |
| 13 |  |  |  |
| 14 |  |  |  |
| 15 |  |  |  |
| 16 |  |  |  |
| 17 |  |  |  |
| 18 |  |  |  |
| 19 |  |  |  |
| 20 |  |  |  |
| 21 |  |  |  |
| 22 |  |  |  |
| 23 |  |  |  |
| 24 |  |  |  |
| 25 |  |  |  |
| 26 |  |  |  |
| 27 |  |  |  |
| 28 |  |  |  |

JACK PIN LG

60042700 Rev. K  
CIRCUIT SPECIFICATION 11827600

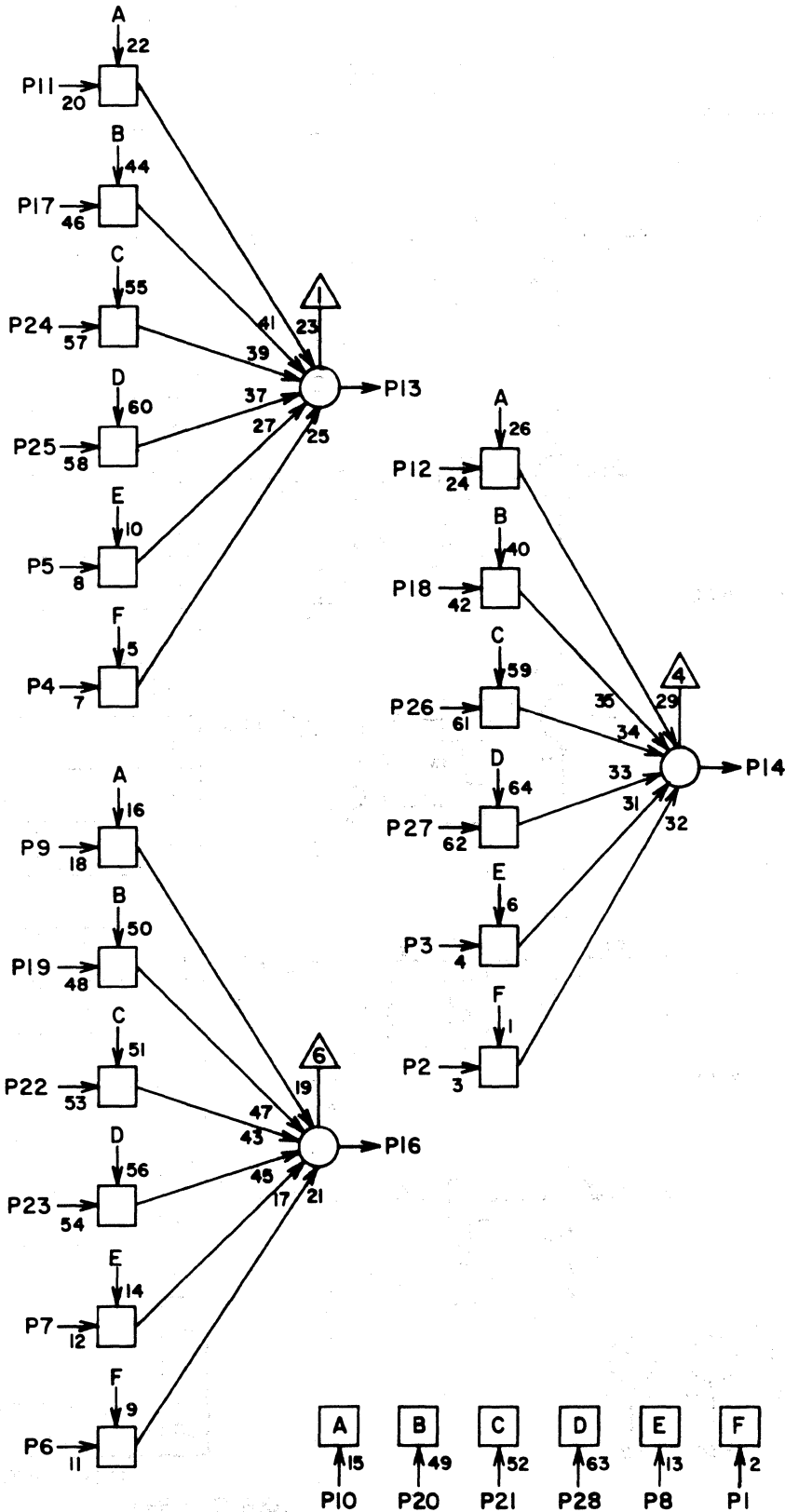


|    |  |  |  |
|----|--|--|--|
| 1  |  |  |  |
| 2  |  |  |  |
| 3  |  |  |  |
| 4  |  |  |  |
| 5  |  |  |  |
| 6  |  |  |  |
| 7  |  |  |  |
| 8  |  |  |  |
| 9  |  |  |  |
| 10 |  |  |  |
| 11 |  |  |  |
| 12 |  |  |  |
| 13 |  |  |  |
| 14 |  |  |  |
| 15 |  |  |  |
| 16 |  |  |  |
| 17 |  |  |  |
| 18 |  |  |  |
| 19 |  |  |  |
| 20 |  |  |  |
| 21 |  |  |  |
| 22 |  |  |  |
| 23 |  |  |  |
| 24 |  |  |  |
| 25 |  |  |  |
| 26 |  |  |  |
| 27 |  |  |  |
| 28 |  |  |  |

LSI7823900  
ASSY

**C**  
REV

UM

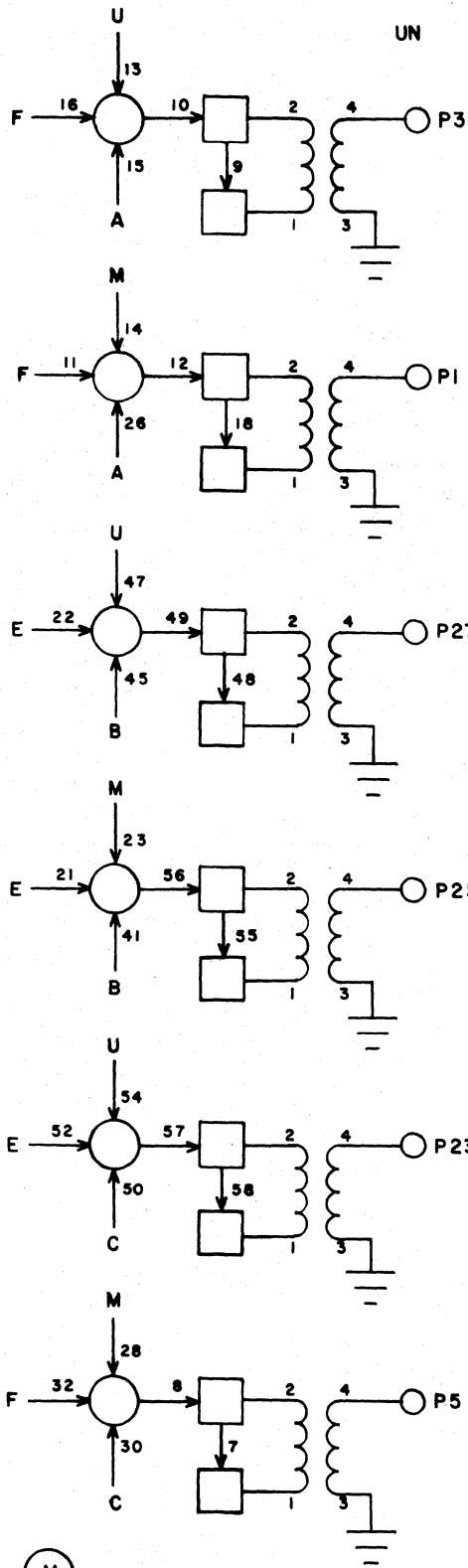
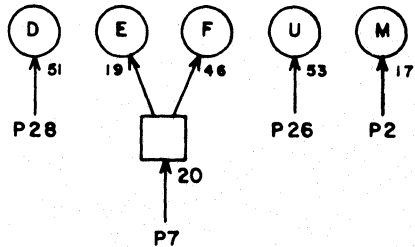
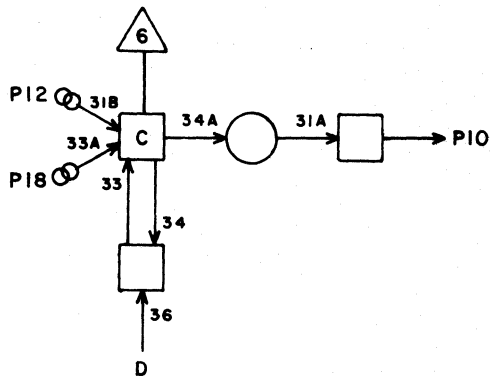
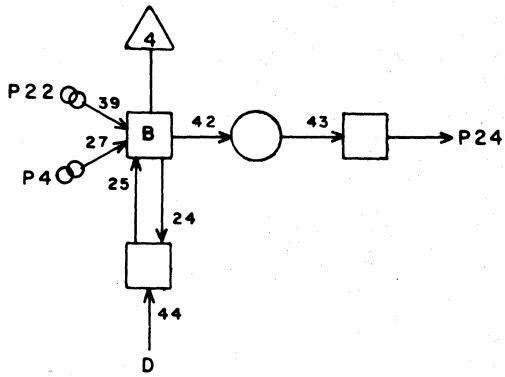
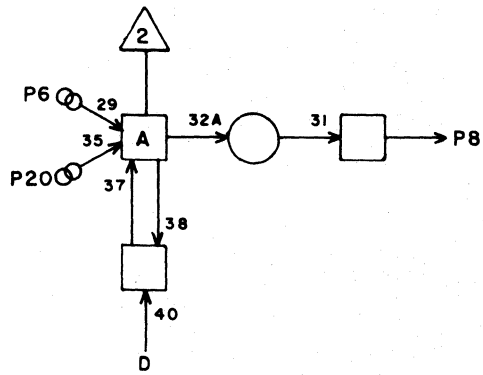


|    |  |  |  |
|----|--|--|--|
| 1  |  |  |  |
| 2  |  |  |  |
| 3  |  |  |  |
| 4  |  |  |  |
| 5  |  |  |  |
| 6  |  |  |  |
| 7  |  |  |  |
| 8  |  |  |  |
| 9  |  |  |  |
| 10 |  |  |  |
| 11 |  |  |  |
| 12 |  |  |  |
| 13 |  |  |  |
| 14 |  |  |  |
| 15 |  |  |  |
| 16 |  |  |  |
| 17 |  |  |  |
| 18 |  |  |  |
| 19 |  |  |  |
| 20 |  |  |  |
| 21 |  |  |  |
| 22 |  |  |  |
| 23 |  |  |  |
| 24 |  |  |  |
| 25 |  |  |  |
| 26 |  |  |  |
| 27 |  |  |  |
| 28 |  |  |  |

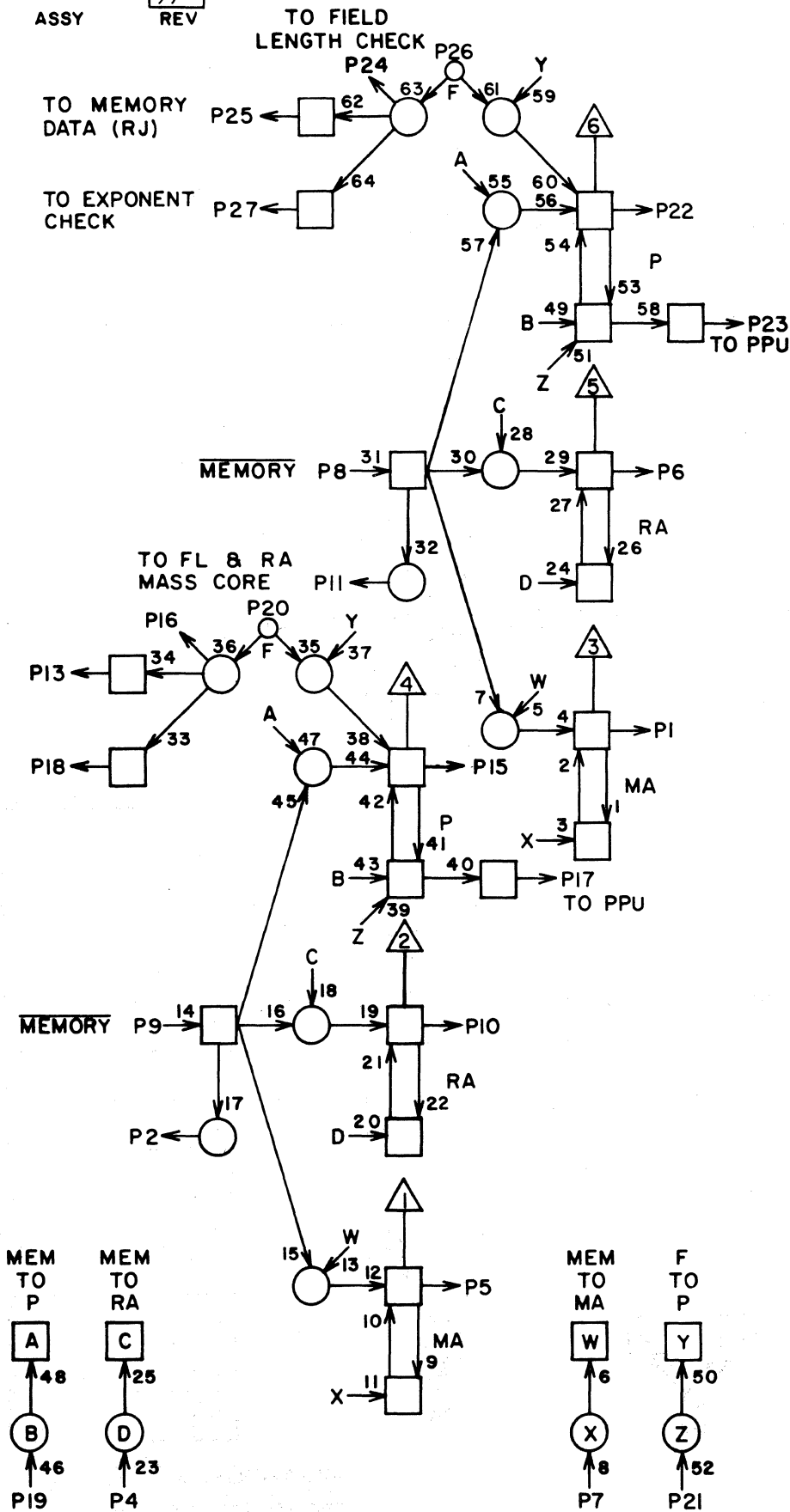
JACK PIN LG  
CIRCUIT SPECIFICATION  
11827600

LSI7811900  
ASSY

**D**  
REV



| JACK | PIN | LG |
|------|-----|----|
| 1    |     |    |
| 2    |     |    |
| 3    |     |    |
| 4    |     |    |
| 5    |     |    |
| 6    |     |    |
| 7    |     |    |
| 8    |     |    |
| 9    |     |    |
| 10   |     |    |
| 11   |     |    |
| 12   |     |    |
| 13   |     |    |
| 14   |     |    |
| 15   |     |    |
| 16   |     |    |
| 17   |     |    |
| 18   |     |    |
| 19   |     |    |
| 20   |     |    |
| 21   |     |    |
| 22   |     |    |
| 23   |     |    |
| 24   |     |    |
| 25   |     |    |
| 26   |     |    |
| 27   |     |    |
| 28   |     |    |



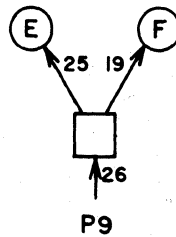
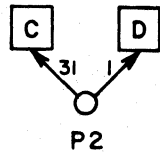
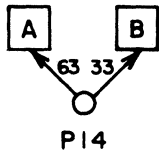
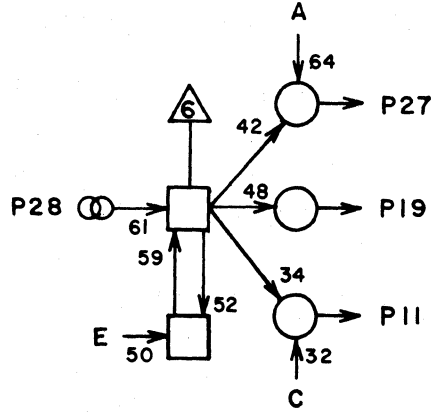
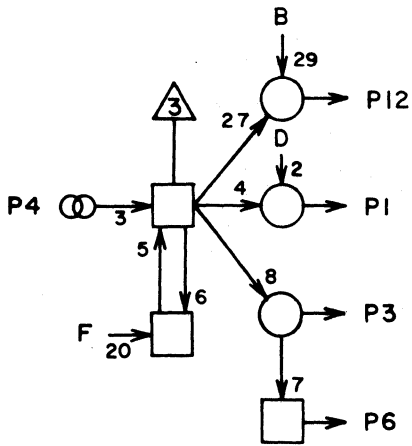
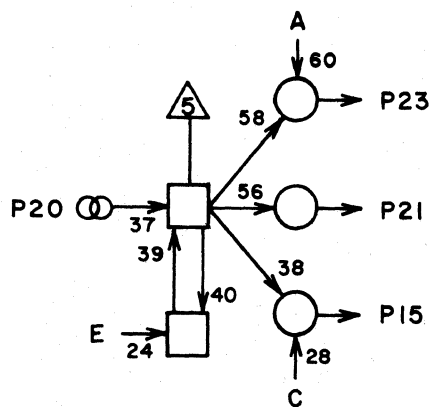
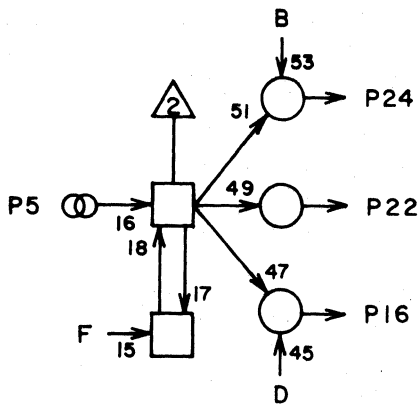
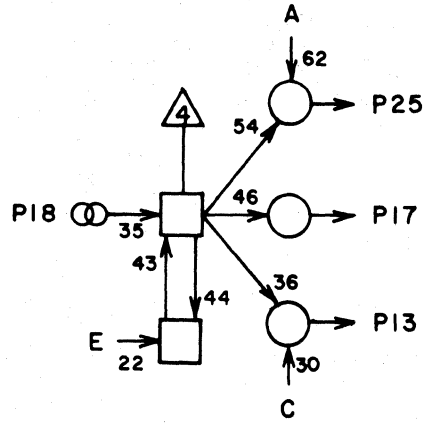
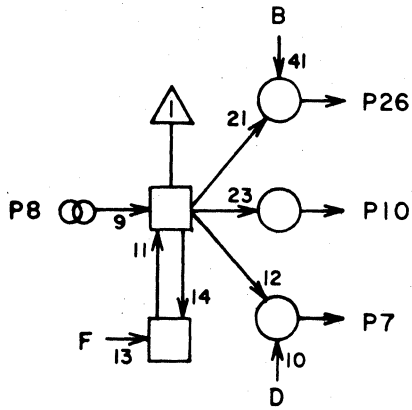
|    |  |  |  |
|----|--|--|--|
| 1  |  |  |  |
| 2  |  |  |  |
| 3  |  |  |  |
| 4  |  |  |  |
| 5  |  |  |  |
| 6  |  |  |  |
| 7  |  |  |  |
| 8  |  |  |  |
| 9  |  |  |  |
| 10 |  |  |  |
| 11 |  |  |  |
| 12 |  |  |  |
| 13 |  |  |  |
| 14 |  |  |  |
| 15 |  |  |  |
| 16 |  |  |  |
| 17 |  |  |  |
| 18 |  |  |  |
| 19 |  |  |  |
| 20 |  |  |  |
| 21 |  |  |  |
| 22 |  |  |  |
| 23 |  |  |  |
| 24 |  |  |  |
| 25 |  |  |  |
| 26 |  |  |  |
| 27 |  |  |  |
| 28 |  |  |  |

JACK PIN LG

LS17824300  
ASSY

A  
REV

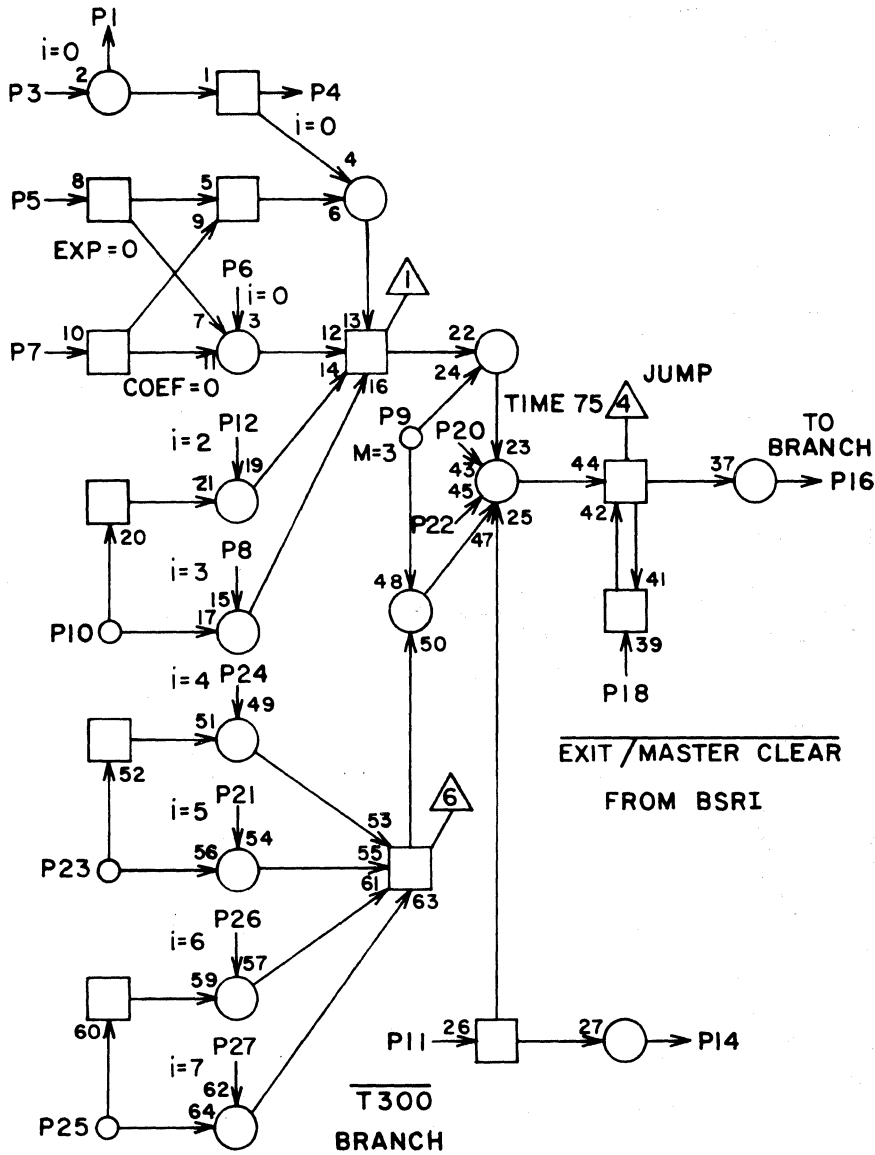
UP



|    |  |  |  |
|----|--|--|--|
| 1  |  |  |  |
| 2  |  |  |  |
| 3  |  |  |  |
| 4  |  |  |  |
| 5  |  |  |  |
| 6  |  |  |  |
| 7  |  |  |  |
| 8  |  |  |  |
| 9  |  |  |  |
| 10 |  |  |  |
| 11 |  |  |  |
| 12 |  |  |  |
| 13 |  |  |  |
| 14 |  |  |  |
| 15 |  |  |  |
| 16 |  |  |  |
| 17 |  |  |  |
| 18 |  |  |  |
| 19 |  |  |  |
| 20 |  |  |  |
| 21 |  |  |  |
| 22 |  |  |  |
| 23 |  |  |  |
| 24 |  |  |  |
| 25 |  |  |  |
| 26 |  |  |  |
| 27 |  |  |  |
| 28 |  |  |  |

60042700 Rev. K  
CIRCUIT SPECIFICATION 11827600





|    |  |  |  |
|----|--|--|--|
| 1  |  |  |  |
| 2  |  |  |  |
| 3  |  |  |  |
| 4  |  |  |  |
| 5  |  |  |  |
| 6  |  |  |  |
| 7  |  |  |  |
| 8  |  |  |  |
| 9  |  |  |  |
| 10 |  |  |  |
| 11 |  |  |  |
| 12 |  |  |  |
| 13 |  |  |  |
| 14 |  |  |  |
| 15 |  |  |  |
| 16 |  |  |  |
| 17 |  |  |  |
| 18 |  |  |  |
| 19 |  |  |  |
| 20 |  |  |  |
| 21 |  |  |  |
| 22 |  |  |  |
| 23 |  |  |  |
| 24 |  |  |  |
| 25 |  |  |  |
| 26 |  |  |  |
| 27 |  |  |  |
| 28 |  |  |  |

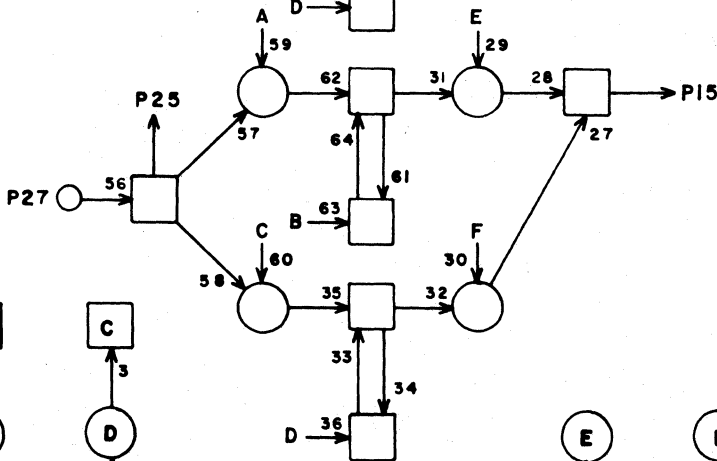
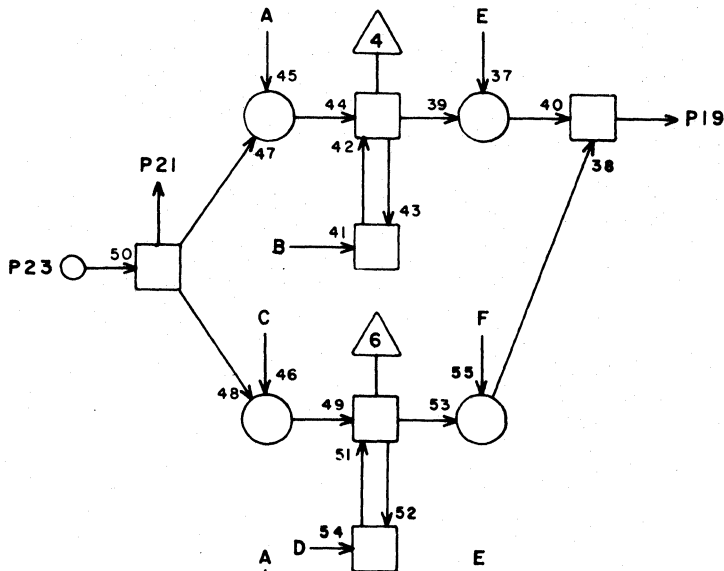
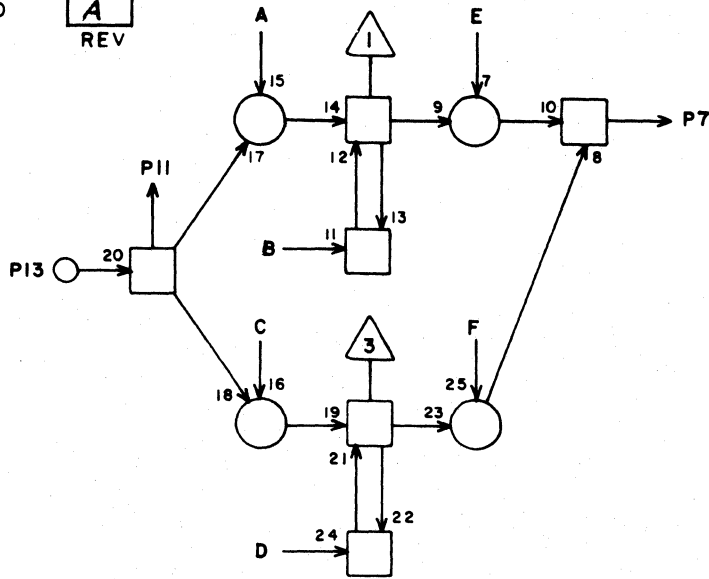
JACK PIN LG

LSI7812100  
ASSY

**A**  
REV

UR

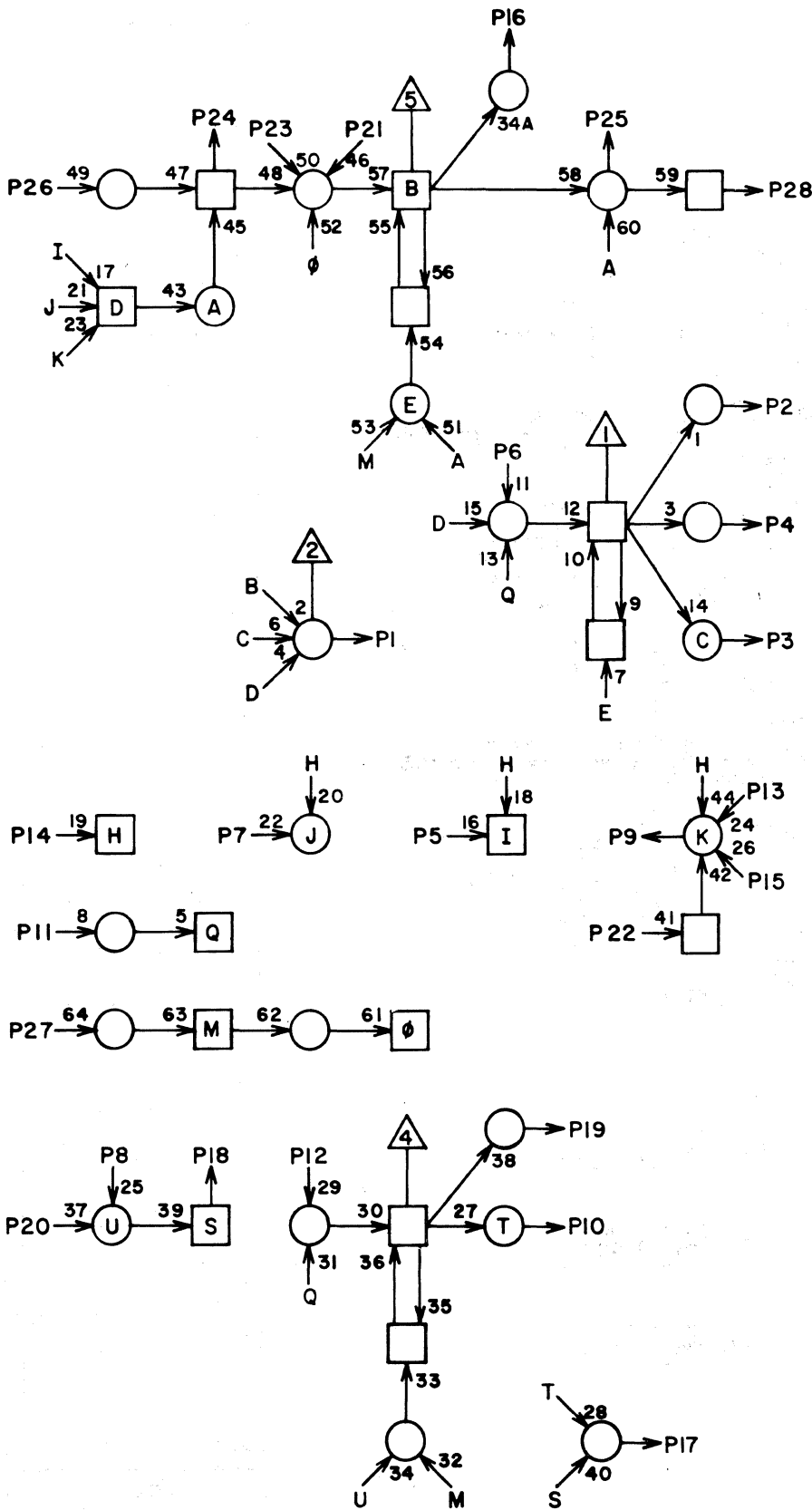
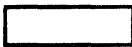
[ ]



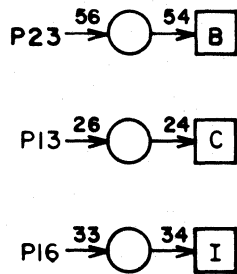
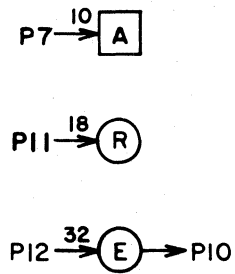
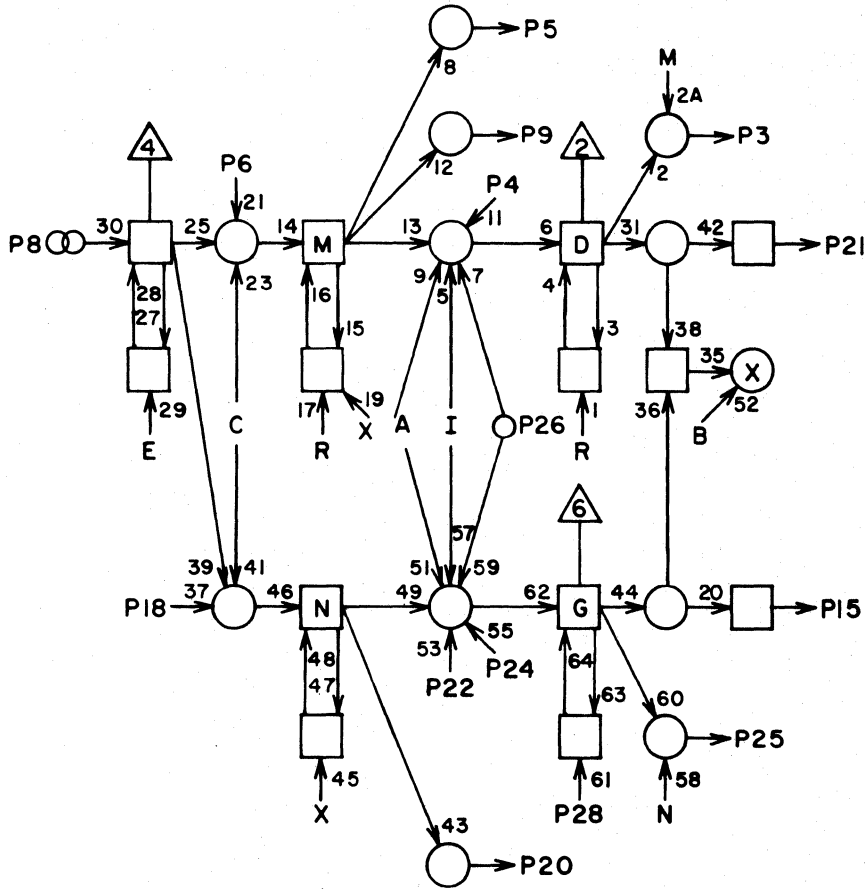
|    |  |  |  |
|----|--|--|--|
| 1  |  |  |  |
| 2  |  |  |  |
| 3  |  |  |  |
| 4  |  |  |  |
| 5  |  |  |  |
| 6  |  |  |  |
| 7  |  |  |  |
| 8  |  |  |  |
| 9  |  |  |  |
| 10 |  |  |  |
| 11 |  |  |  |
| 12 |  |  |  |
| 13 |  |  |  |
| 14 |  |  |  |
| 15 |  |  |  |
| 16 |  |  |  |
| 17 |  |  |  |
| 18 |  |  |  |
| 19 |  |  |  |
| 20 |  |  |  |
| 21 |  |  |  |
| 22 |  |  |  |
| 23 |  |  |  |
| 24 |  |  |  |
| 25 |  |  |  |
| 26 |  |  |  |
| 27 |  |  |  |
| 28 |  |  |  |

JACK PIN LG

60042700 Rev. K  
CIRCUIT SPECIFICATION 11827600



|    |  |  |  |
|----|--|--|--|
| 1  |  |  |  |
| 2  |  |  |  |
| 3  |  |  |  |
| 4  |  |  |  |
| 5  |  |  |  |
| 6  |  |  |  |
| 7  |  |  |  |
| 8  |  |  |  |
| 9  |  |  |  |
| 10 |  |  |  |
| 11 |  |  |  |
| 12 |  |  |  |
| 13 |  |  |  |
| 14 |  |  |  |
| 15 |  |  |  |
| 16 |  |  |  |
| 17 |  |  |  |
| 18 |  |  |  |
| 19 |  |  |  |
| 20 |  |  |  |
| 21 |  |  |  |
| 22 |  |  |  |
| 23 |  |  |  |
| 24 |  |  |  |
| 25 |  |  |  |
| 26 |  |  |  |
| 27 |  |  |  |
| 28 |  |  |  |



|    |  |  |  |
|----|--|--|--|
| 1  |  |  |  |
| 2  |  |  |  |
| 3  |  |  |  |
| 4  |  |  |  |
| 5  |  |  |  |
| 6  |  |  |  |
| 7  |  |  |  |
| 8  |  |  |  |
| 9  |  |  |  |
| 10 |  |  |  |
| 11 |  |  |  |
| 12 |  |  |  |
| 13 |  |  |  |
| 14 |  |  |  |
| 15 |  |  |  |
| 16 |  |  |  |
| 17 |  |  |  |
| 18 |  |  |  |
| 19 |  |  |  |
| 20 |  |  |  |
| 21 |  |  |  |
| 22 |  |  |  |
| 23 |  |  |  |
| 24 |  |  |  |
| 25 |  |  |  |
| 26 |  |  |  |
| 27 |  |  |  |
| 28 |  |  |  |

JACK PIN LG

60042700 Rev. K

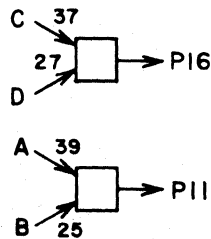
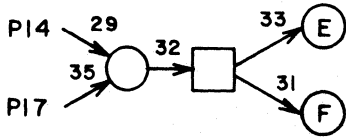
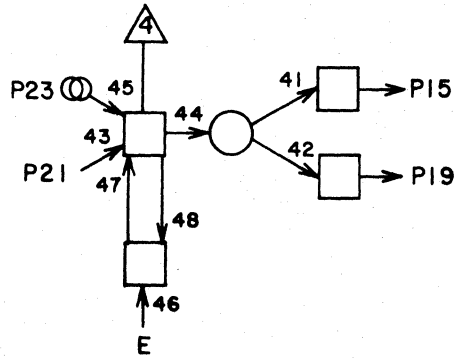
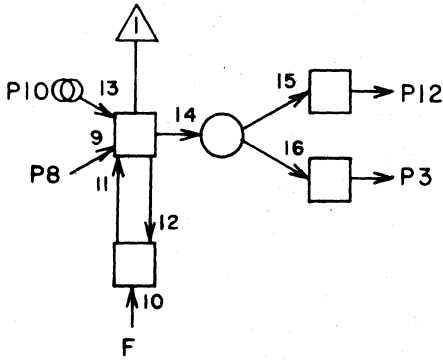
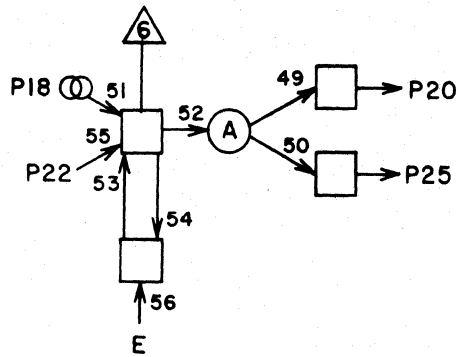
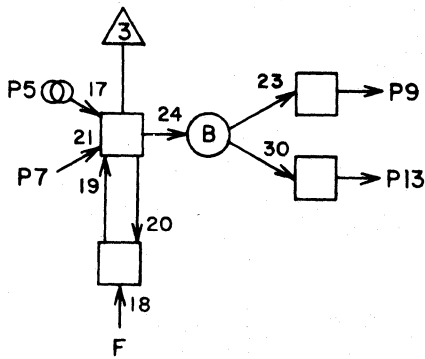
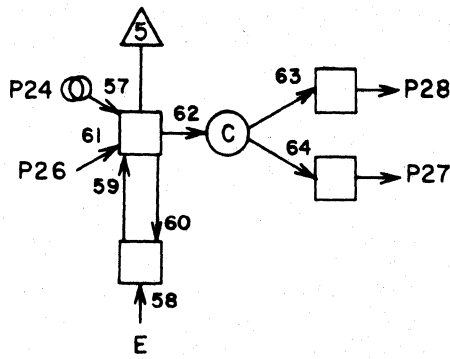
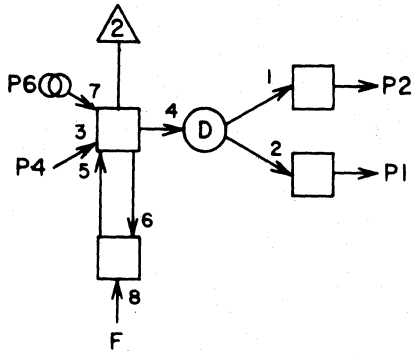
CIRCUIT SPECIFICATION 11827600



LS17825300  
ASSY

**B**  
REV

UV



|    |  |  |  |
|----|--|--|--|
| 1  |  |  |  |
| 2  |  |  |  |
| 3  |  |  |  |
| 4  |  |  |  |
| 5  |  |  |  |
| 6  |  |  |  |
| 7  |  |  |  |
| 8  |  |  |  |
| 9  |  |  |  |
| 10 |  |  |  |
| 11 |  |  |  |
| 12 |  |  |  |
| 13 |  |  |  |
| 14 |  |  |  |
| 15 |  |  |  |
| 16 |  |  |  |
| 17 |  |  |  |
| 18 |  |  |  |
| 19 |  |  |  |
| 20 |  |  |  |
| 21 |  |  |  |
| 22 |  |  |  |
| 23 |  |  |  |
| 24 |  |  |  |
| 25 |  |  |  |
| 26 |  |  |  |
| 27 |  |  |  |
| 28 |  |  |  |

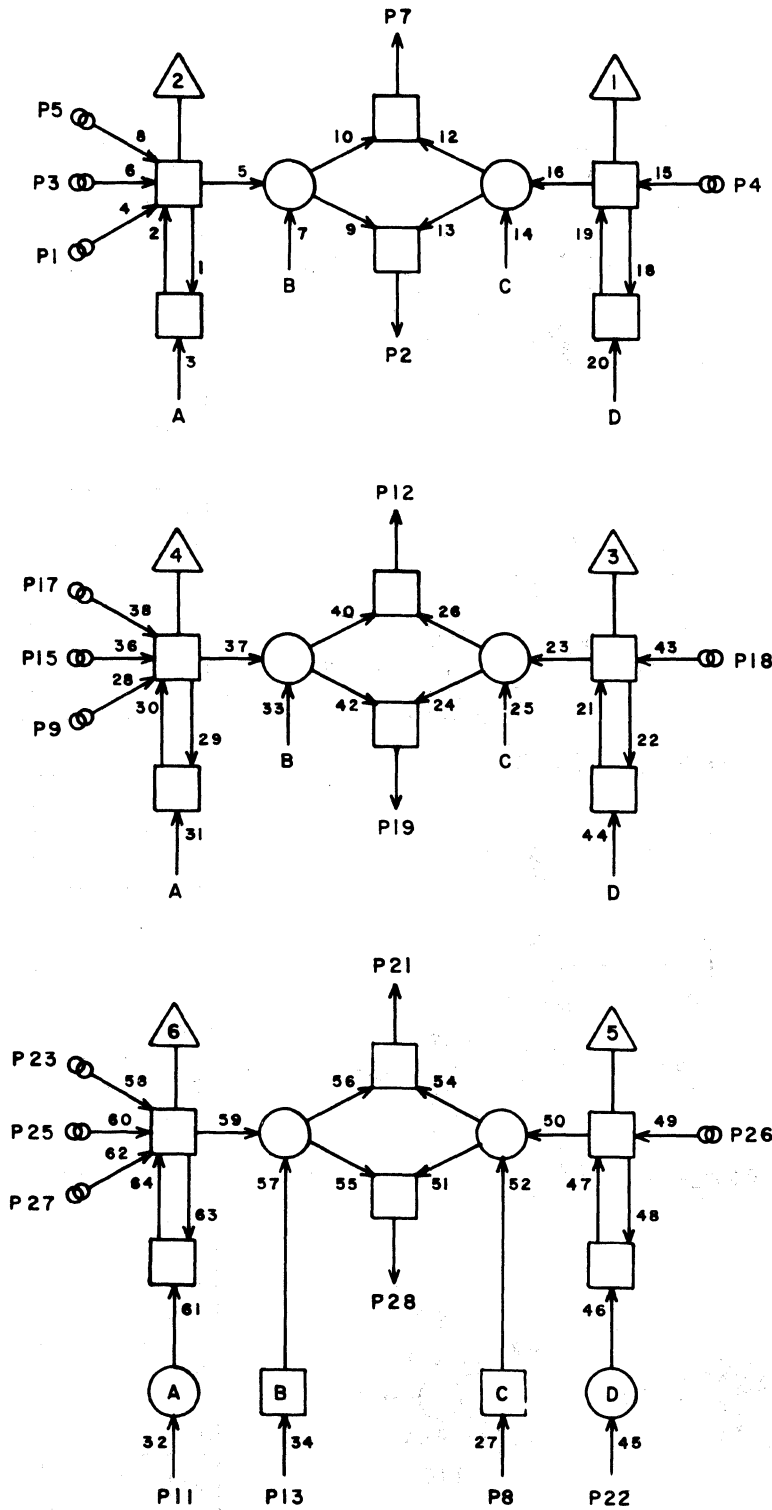
60042700 Rev. K JACK PIN LG  
CIRCUIT SPECIFICATIONS

11827600

LSI7812300  
ASSY

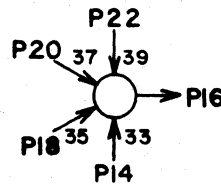
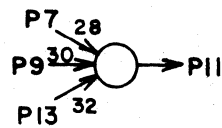
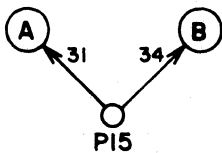
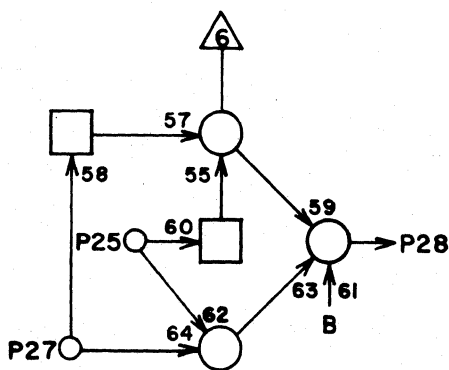
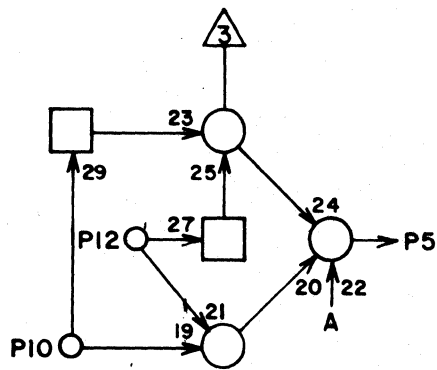
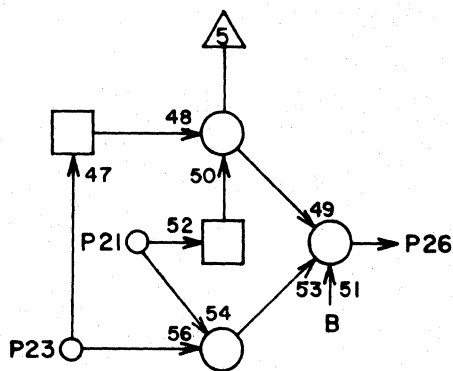
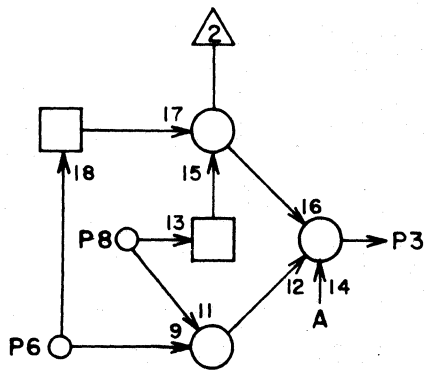
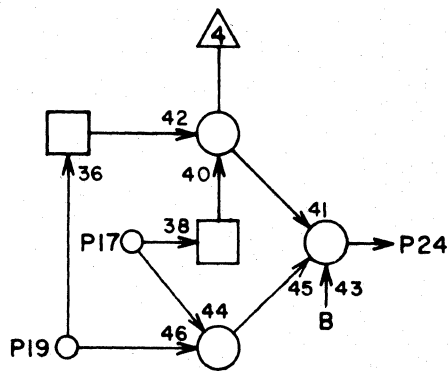
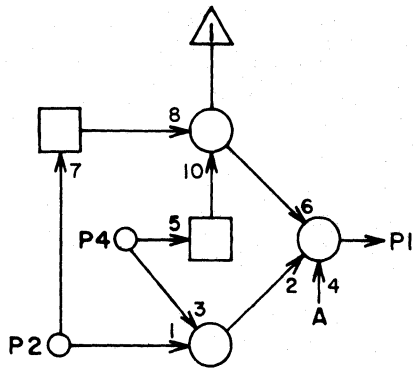
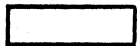
C  
REV

UW



|    |  |  |  |
|----|--|--|--|
| 1  |  |  |  |
| 2  |  |  |  |
| 3  |  |  |  |
| 4  |  |  |  |
| 5  |  |  |  |
| 6  |  |  |  |
| 7  |  |  |  |
| 8  |  |  |  |
| 9  |  |  |  |
| 10 |  |  |  |
| 11 |  |  |  |
| 12 |  |  |  |
| 13 |  |  |  |
| 14 |  |  |  |
| 15 |  |  |  |
| 16 |  |  |  |
| 17 |  |  |  |
| 18 |  |  |  |
| 19 |  |  |  |
| 20 |  |  |  |
| 21 |  |  |  |
| 22 |  |  |  |
| 23 |  |  |  |
| 24 |  |  |  |
| 25 |  |  |  |
| 26 |  |  |  |
| 27 |  |  |  |
| 28 |  |  |  |

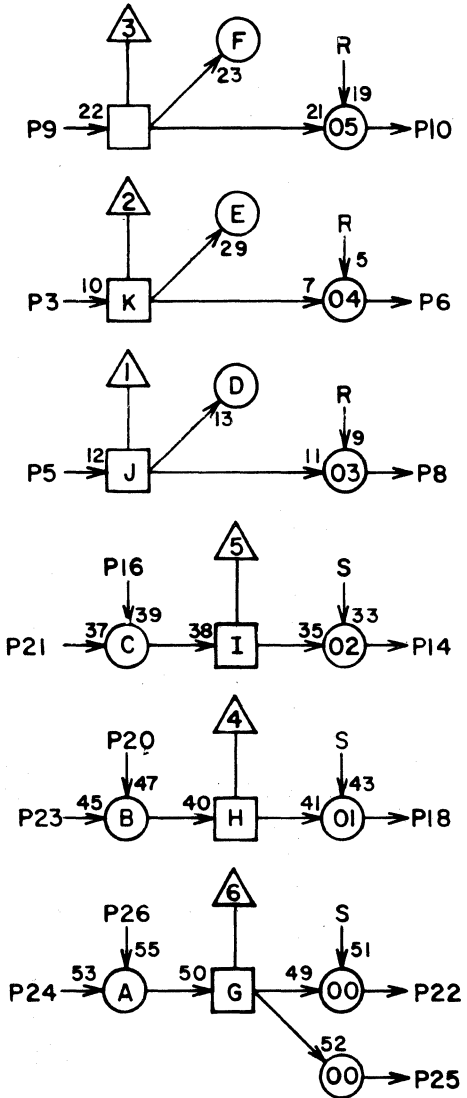
JACK PIN LG



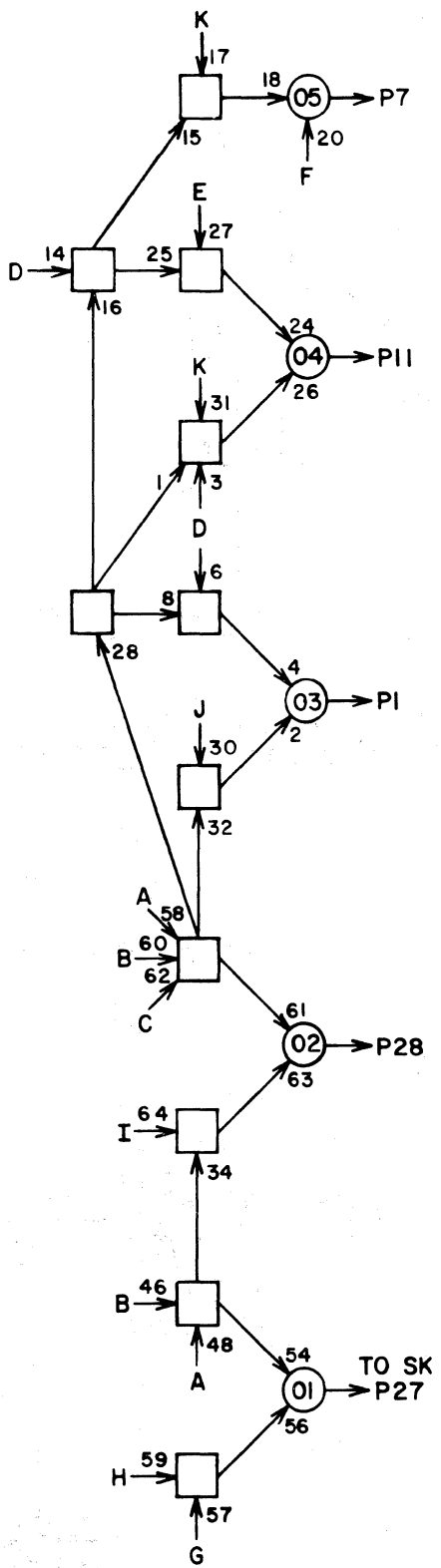
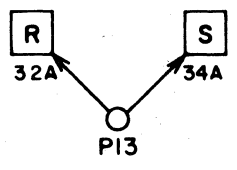
|    |  |  |  |
|----|--|--|--|
| 1  |  |  |  |
| 2  |  |  |  |
| 3  |  |  |  |
| 4  |  |  |  |
| 5  |  |  |  |
| 6  |  |  |  |
| 7  |  |  |  |
| 8  |  |  |  |
| 9  |  |  |  |
| 10 |  |  |  |
| 11 |  |  |  |
| 12 |  |  |  |
| 13 |  |  |  |
| 14 |  |  |  |
| 15 |  |  |  |
| 16 |  |  |  |
| 17 |  |  |  |
| 18 |  |  |  |
| 19 |  |  |  |
| 20 |  |  |  |
| 21 |  |  |  |
| 22 |  |  |  |
| 23 |  |  |  |
| 24 |  |  |  |
| 25 |  |  |  |
| 26 |  |  |  |
| 27 |  |  |  |
| 28 |  |  |  |

JACK PIN LG





NORMALIZE  
COUNT TO  
F REGISTER



|    |  |  |  |
|----|--|--|--|
| 1  |  |  |  |
| 2  |  |  |  |
| 3  |  |  |  |
| 4  |  |  |  |
| 5  |  |  |  |
| 6  |  |  |  |
| 7  |  |  |  |
| 8  |  |  |  |
| 9  |  |  |  |
| 10 |  |  |  |
| 11 |  |  |  |
| 12 |  |  |  |
| 13 |  |  |  |
| 14 |  |  |  |
| 15 |  |  |  |
| 16 |  |  |  |
| 17 |  |  |  |
| 18 |  |  |  |
| 19 |  |  |  |
| 20 |  |  |  |
| 21 |  |  |  |
| 22 |  |  |  |
| 23 |  |  |  |
| 24 |  |  |  |
| 25 |  |  |  |
| 26 |  |  |  |
| 27 |  |  |  |
| 28 |  |  |  |

JACK PIN LG

CIRCUIT SPECIFICATION 11827600



**COMMENT SHEET**

MANUAL TITLE CDC Cordwood Modules Volume 2  
Printed Circuit Manual

PUBLICATION NO. 60042700 REVISION BB

**FROM:** NAME: \_\_\_\_\_  
BUSINESS  
ADDRESS: \_\_\_\_\_

CUT ALONG LINE

PRINTED IN U.S.A.

AA3419 REV. 7/75

**NO POSTAGE STAMP NECESSARY IF MAILED IN U. S. A.**

FOLD ON DOTTED LINES AND STAPLE

STAPLE

STAPLE

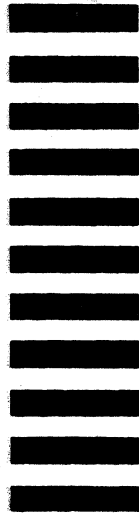
FOLD

FOLD

FIRST CLASS  
PERMIT NO. 8241  
MINNEAPOLIS, MINN.

**BUSINESS REPLY MAIL**  
NO POSTAGE STAMP NECESSARY IF MAILED IN U.S.A.

POSTAGE WILL BE PAID BY  
**CONTROL DATA CORPORATION**  
Publications and Graphics Division  
ARH219  
4201 North Lexington Avenue  
Saint Paul, Minnesota 55112



CUT ALONG LINE

FOLD

FOLD