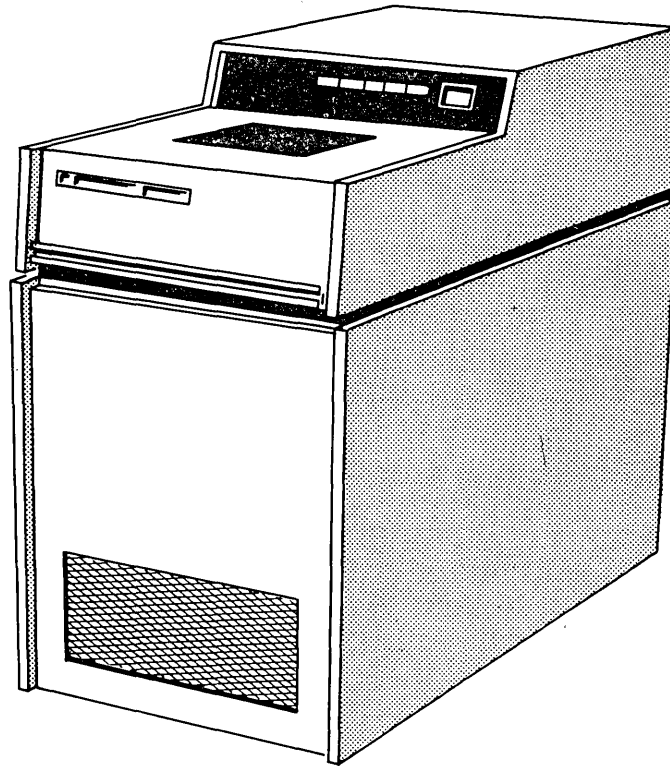


CONTROL DATA
CORPORATION

**CONTROL DATA®
BR 3D4 DISK STORAGE UNIT**



PARTS LIST MANUAL

PREFACE

This manual has been prepared for customer engineers and other technical personnel directly involved with maintaining the disk storage unit (drive).

Manuals applicable to the CONTROL DATA® Disk Storage Unit, (equipment number BR3D4) are as follows:

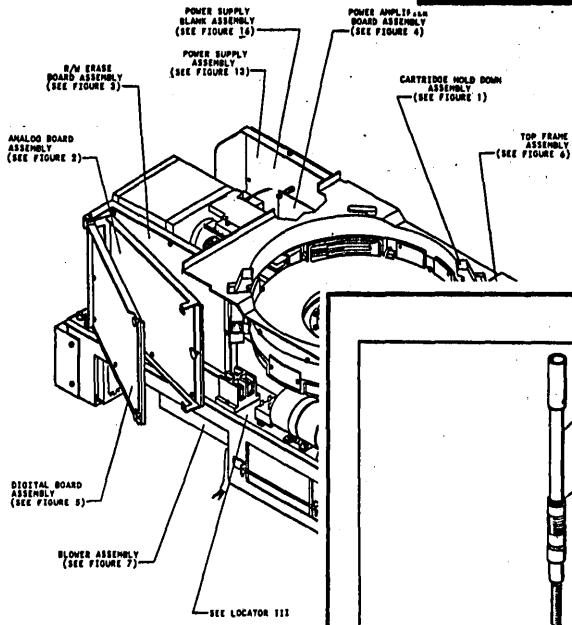
Publication No.	Title
83313100	Maintenance
83313200	Reference
83313300	Parts Data

LOCATOR II

CARTRIDGE DISK DRIVE

1 **LOCATOR**
SELECT ASSEMBLY, LOCATE
FIGURE NUMBER TO FIND
ILLUSTRATION AND PARTS
LIST.

INTRODUCTION



LOCATOR I

2 **ILLUSTRATION**
LOCATE PART AND ITS CORRESPONDING
INDEX NUMBER. ILLUSTRATIONS ARE
REPRESENTATIVE OF THE ITEMS THEY
DEPICT.

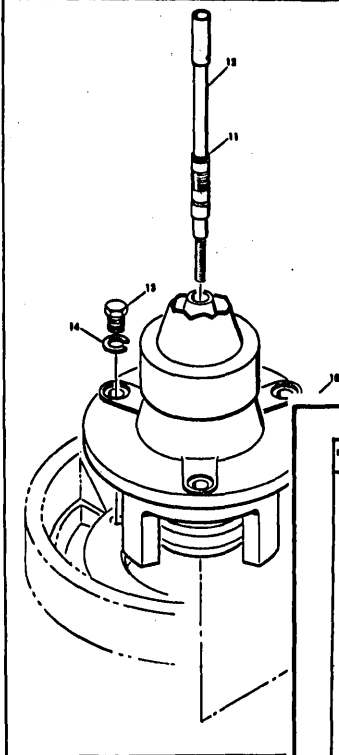
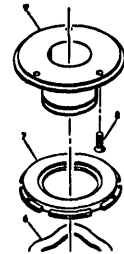


FIGURE 8. SPINDLE AN



INDEX NO.	PART NUMBER	DESCRIPTION
	70914000	SPINDLE AND LOCKSHAFT ASSEMBLY
	70914001	SPINDLE AND LOCKSHAFT ASSEMBLY
1	70914002	SPINDLE AND LOCKSHAFT ASSEMBLY
2	70914200	SLEEVE, SPINDLE GROUND
3	70918000	SLEEVE, SPINDLE GROUND
4	70918000	WASHER, LOCK, SPRING, 1/4
5	70924100	LOWER LOCKSHAFT ASSEMBLY
6	80940007	NUT, HEXAGON, 10-32
7	70923200	LOCKSHAFT
8	80323244	RING, RETAINING
9	80323248	RING, RETAINING
10	70918000	WASHER, RETAINING
11	70914200	WASHER, SPRING, MODIFIED
12	70918000	PLATE, FRICTION, SPINDLE LOCK
13	10125701	SCREW, MACHINE, FLAT HEAD, PHILLIPS, 10-32 x 1
14	70914200	FRICTION PLATE HUB ASSEMBLY
	70914200	PLATE, FRICTION
	70914200	HUB
10	70709000	SPINDLE ASSEMBLY
10	70719000	SPINDLE ASSEMBLY
11	80232112	RING, RETAINING
12	70914100	LOCKSHAFT ASSEMBLY
12	81226232	NUT, WASHING, HEXAGON CAP HEAD, 3/8 x 1
14	10125808	WASHER, LOCK, SPRING, 3/8

3 **PARTS LIST**
LOCATE INDEX NUMBER
FOR PART NUMBER, ITEM
DESCRIPTION, ETC.

SC 08 AND ABOVE
 PH 70914201, 02
 PH 70914200

300A

FIGURE 8. SPINDLE ASSEMBLY (PAGE 2)

INTRODUCTION

PROVIDES CROSS REFERENCE BETWEEN THE PARTS LISTS AND THE ASSOCIATED FIGURE.

CONTAINS NOMENCLATURE OF PARTS. IT ALSO SHOWS THE RELATIONSHIP OF PARTS TO ASSEMBLIES BY MEANS OF INDENTATION. AN INDENTED ITEM IS PART OF THE FIRST PREVIOUS ASSEMBLY WHICH IS INDENTED TO A LESSER DEGREE.

THE APPLICATION OF AN ASSEMBLY OR PIECE PART IS REFLECTED IN THIS COLUMN. SC=SERIES CODE. SN=SERIAL NUMBER. PN=PART NUMBER.

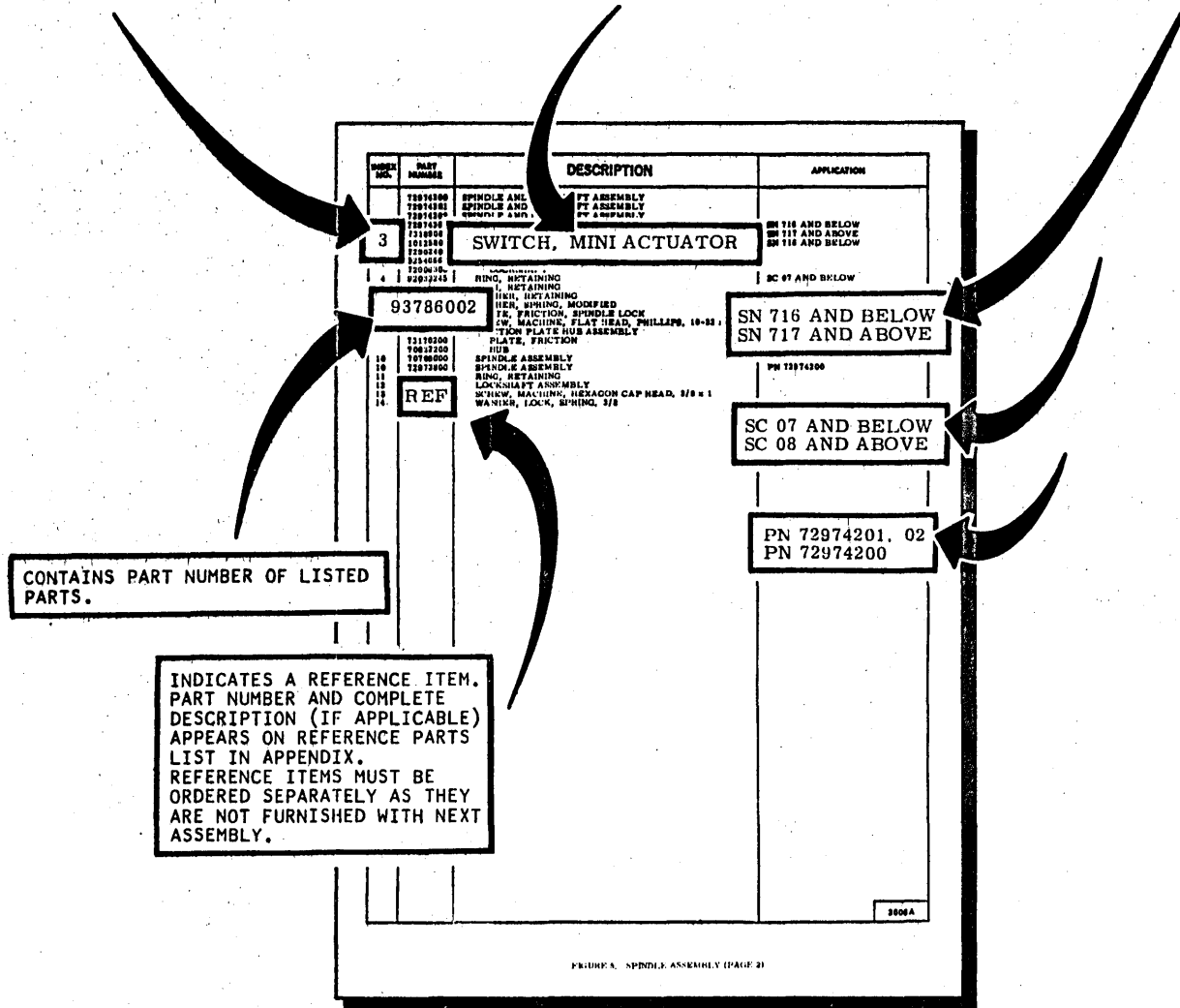
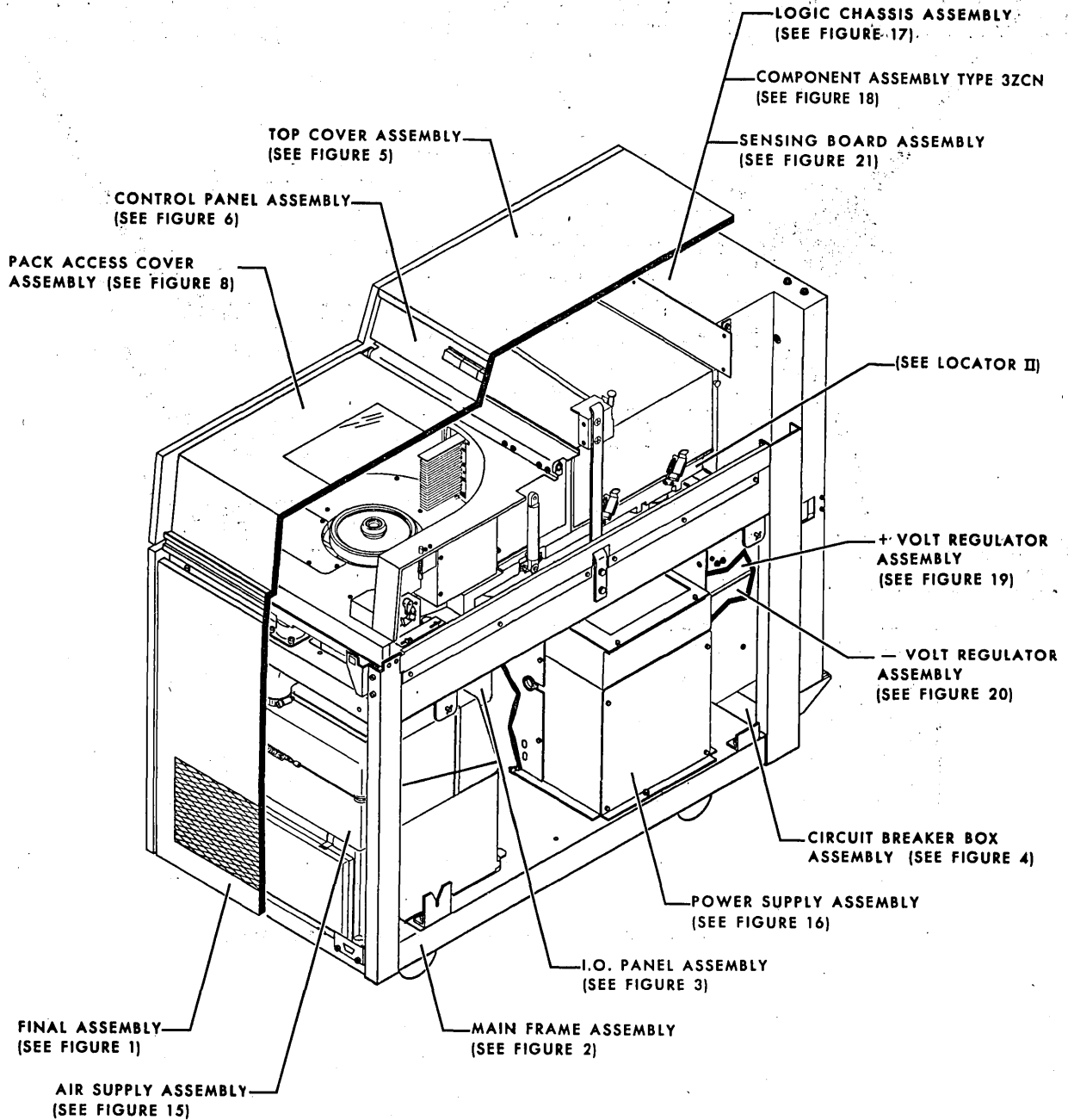
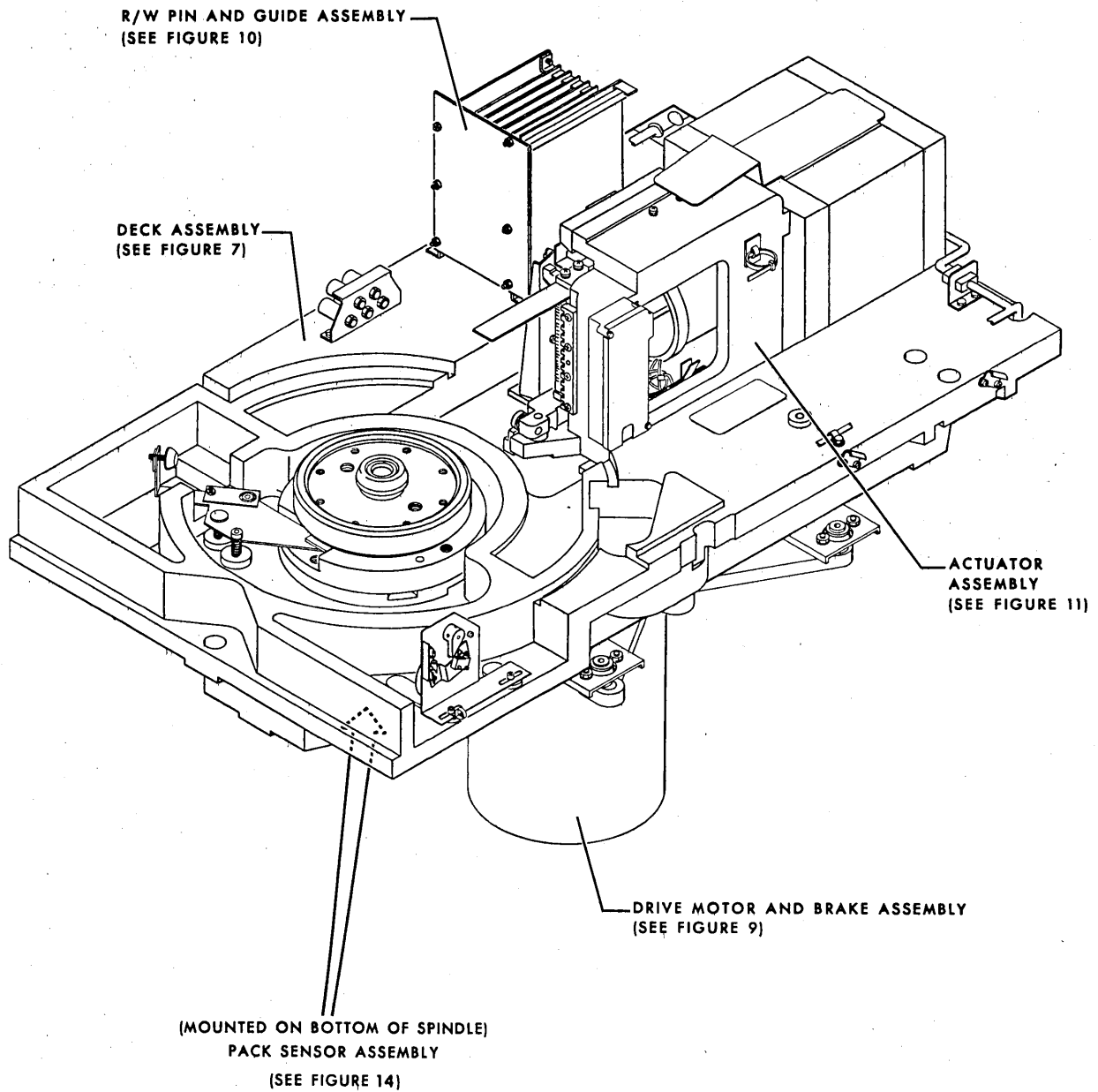


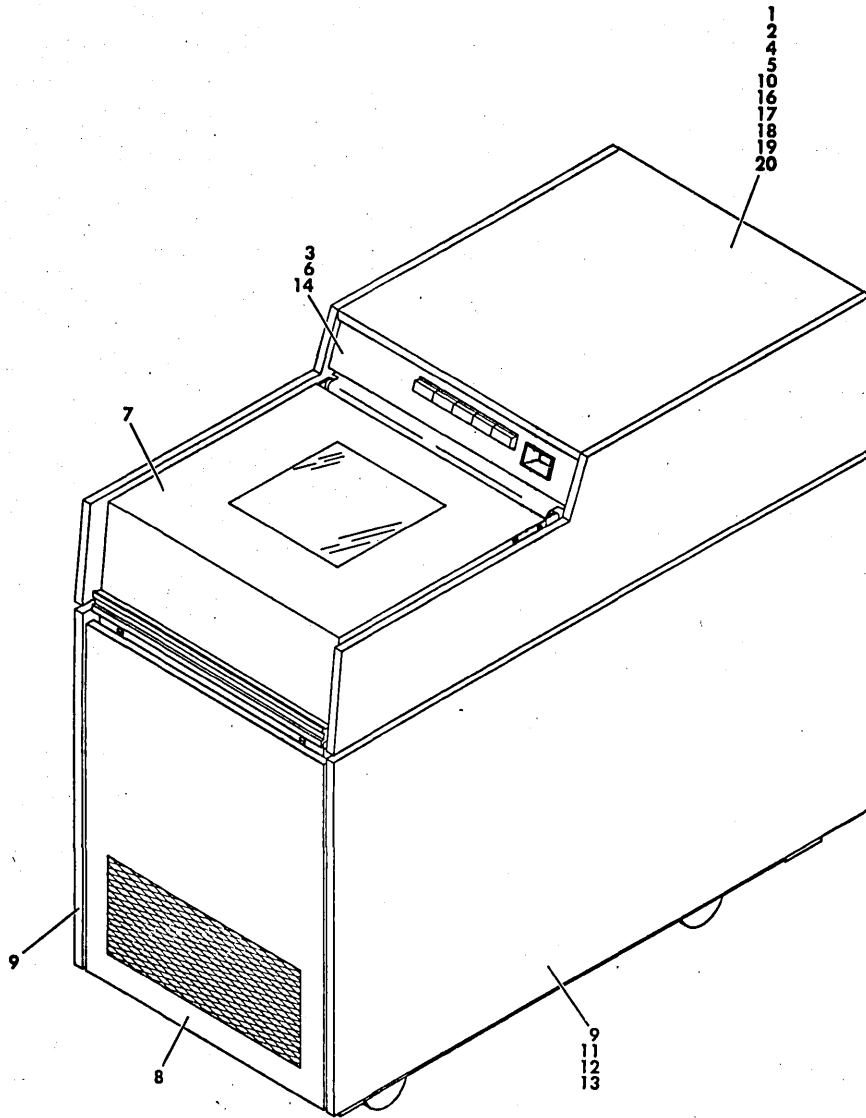
FIGURE A. SPINDLE ASSEMBLY (PAGE 2)

LOCATOR I



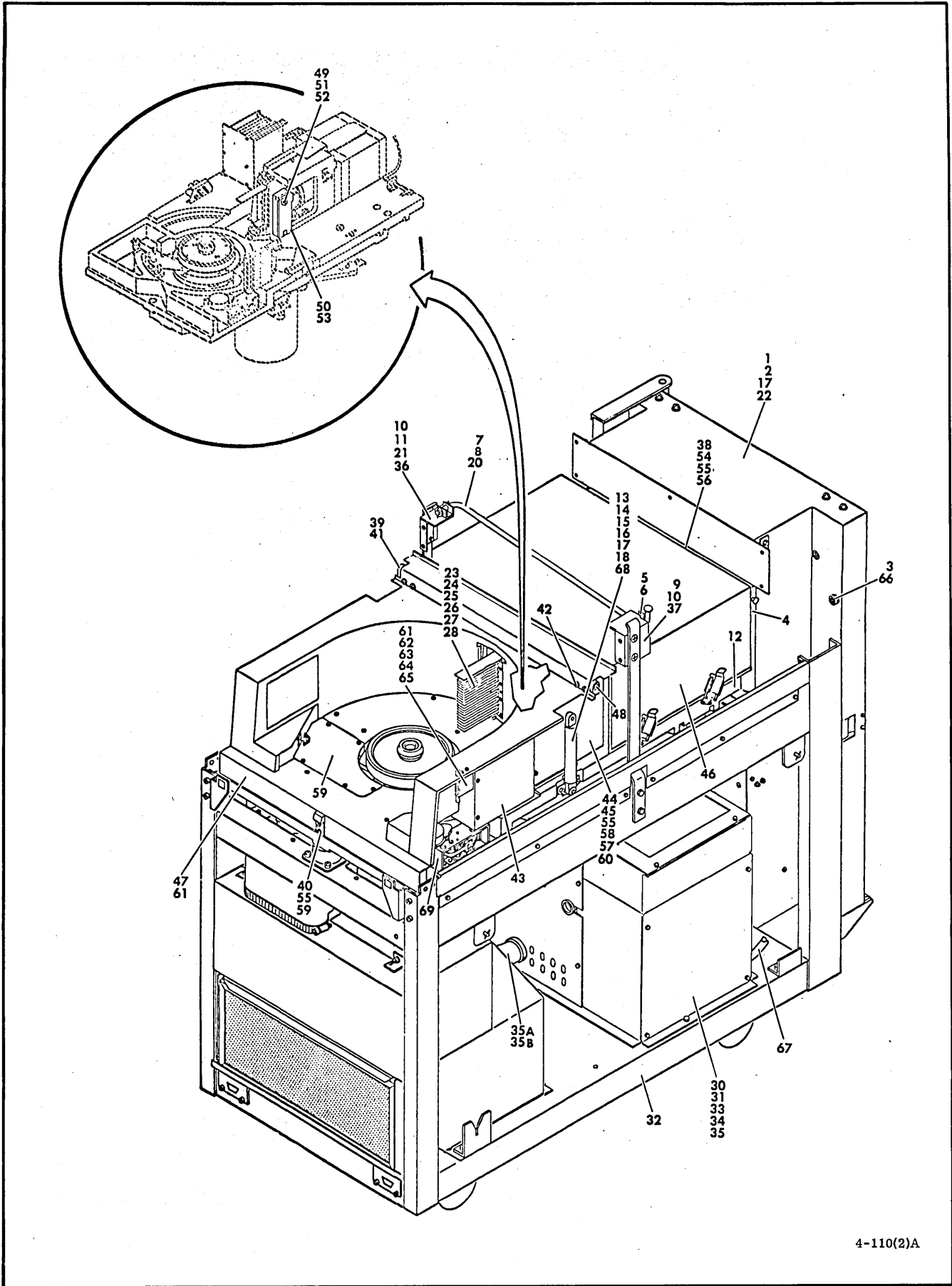
LOCATOR II





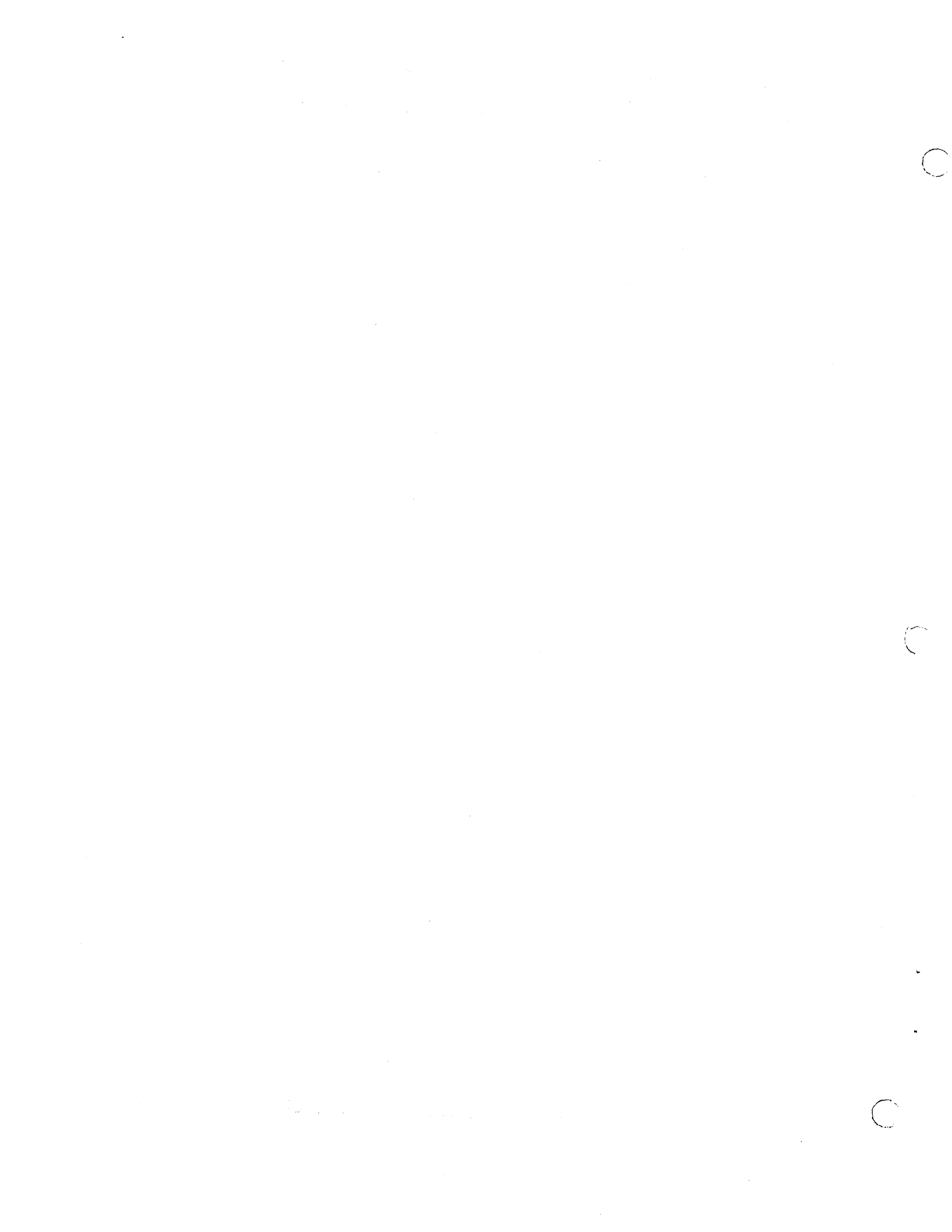
4-104(1) A

INDEX NO.	PART NUMBER	DESCRIPTION	APPLICATION
	752100xx	FINAL ASSEMBLY	
1		TOP COVER ASSEMBLY (SEE FIGURE 5)	
2	10125607	WASHER, FLAT, 10	
3	10126403	WASHER, LOCK, EXTERNAL TOOTH, 10	
4	10125108	NUT, HEX, 10-32	
5	10127144	SCREW, MACHINE, PAN HEAD, PHILLIPS, 10-32 x 5/8	
6	10127141	SCREW, MACHINE, PAN HEAD, PHILLIPS, 10-32 x 5/16	
7		PACK ACCESS COVER ASSEMBLY (SEE FIGURE 8)	
8	73671009	FRONT PANEL ASSEMBLY	
	75029953	PANEL, FRONT	
	92628323	TAPE, FOAM	
	75045200	HOOK, PANEL	
	93592458	SCREW, MACHINE, HEX HEAD, STP, 10-24 x 3/8	
	92633015	BUMPER, GROMMET TYPE	
	93573006	STUD ASSEMBLY	
	93572001	RING,	
	93571003	GROMMET	
	75031900	PANEL, ACOUSTICAL	
	94276602	TAPE, FOAM	
	94281405	CABLE, GROUND	
	10126403	WASHER, LOCK, EXTERNAL TOOTH, 10	
9	75036008	SIDE PANEL ASSEMBLY, LEFT AND RIGHT	
	75007555	PANEL, SIDE	
	75040409	PANEL, FOAM, ACOUSTICAL	
	40029800	BRACKET, RECEPTACLE	
	94303500	RECEPTACLE, CLIP-IN	
	93592428	SCREW, TPG, 10-32 x 3/8	
	75194501	BRACKET, SUPPORT	
	75194500	BRACKET, SUPPORT	
	75040408	PANEL, FOAM, ACOUSTICAL	
	10127120	SCREW, MACHINE, PAN HEAD, PHILLIPS, 8-32 x 1/4	
	10126403	WASHER, LOCK, EXTERNAL TOOTH, 10	
10	72818101	PLATE, NUT	
11	10126500	SCREW, MACHINE, HEX HEAD, PLAIN, 1/4-20 x 1/2	
12	10126404	WASHER, LOCK, EXTERNAL TOOTH, 1/4	
13	10125301	NUT, HEXAGON, 1/4-20	
14		CONTROL PANEL ASSEMBLY (SEE FIGURE 6)	
15	17901516	SCREW, MACHINE, HEX HEAD, PLAIN, STP, 8-32 x 3/8	
16	72959300	LABEL, FIELD CHANGE ORDER	
17	73229609	LABEL, COMMON TEST POINT	
18	24547508	PLATE, WARNING	
19	94060004	CHANNEL, RUBBER	
20	75040411	PANEL, FOAM, ACOUSTICAL	

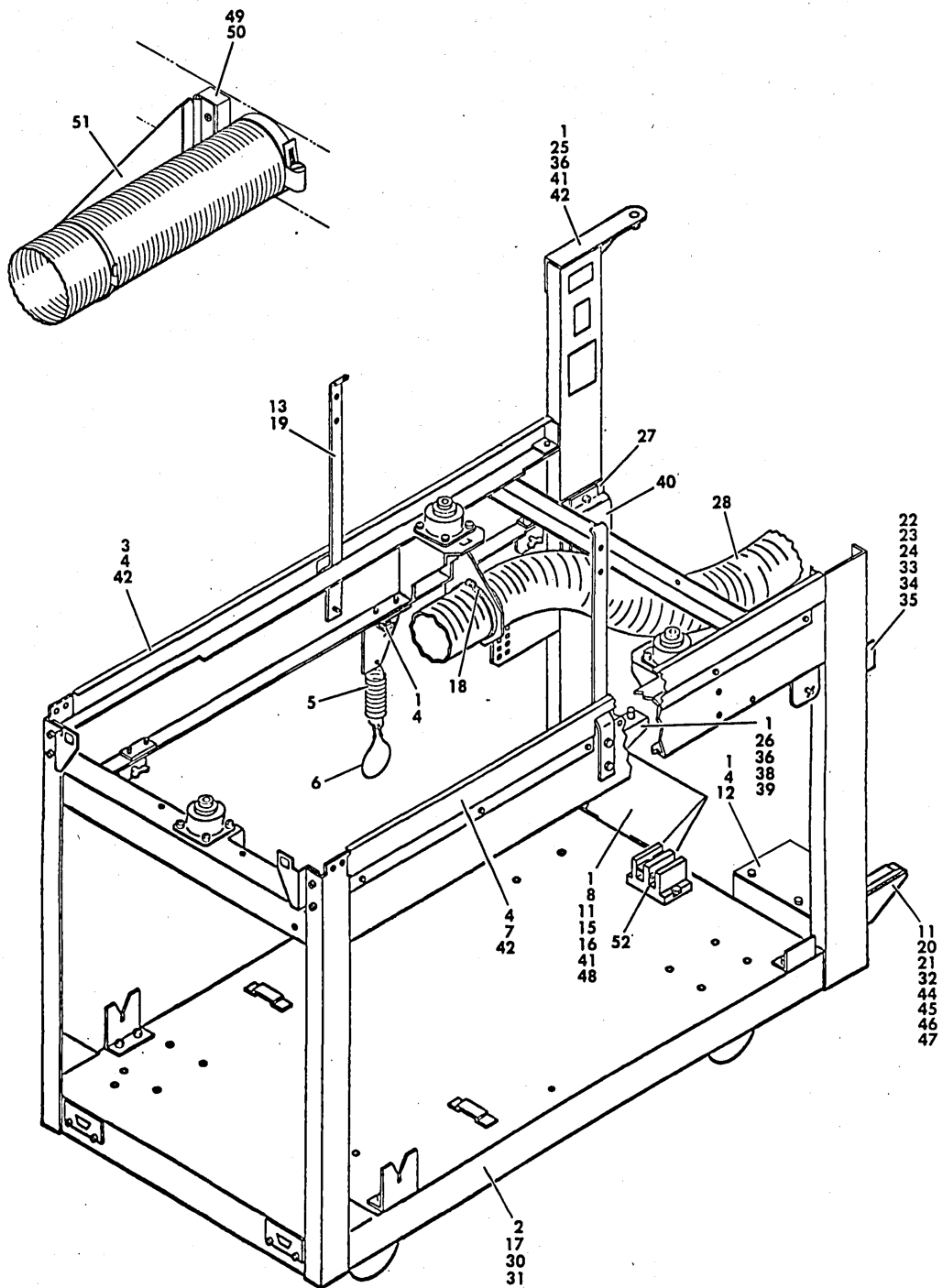


4-110(2)A

INDEX NO.	PART NUMBER	DESCRIPTION	APPLICATION
1		FINAL ASSEMBLY	
2		LOGIC CHASSIS ASSEMBLY (SEE FIGURE 17)	
	75003510	LOGIC CHASSIS REAR COVER ASSEMBLY	
	75026253	COVER, REAR, LOGIC CHASSIS	
	92633005	BUMPER, RUBBER	
	94355601	FASTENER, QUARTER TURN	
	94355600	FASTENER, QUARTER TURN	
	10127120	SCREW, MACHINE, PAN HEAD, PHILLIPS, 8-32 x 1/4	
	10126402	WASHER, LOCK, EXTERNAL TOOTH, 8	
	94281432	CABLE, GROUND	
3	10125108	NUT, HEXAGON, 10-32	
4	75032803	CARD COVER ASSEMBLY	
	75028300	COVER, CARD	
	93784102	FASTENER, PUSH-PULL, BLACK	
	94281473	CABLE, GROUND	
	10125804	WASHER, SPRING LOCK, 8	
	10125106	NUT, HEXAGON, 8-32	
	10127121	SCREW, MACHINE, PAN HEAD, PHILLIPS, 8-32 x 5/16	
	93783102	FASTENER, PUSH-PULL, BLACK	
5	75022600	CLIP, ROD	
6	93994000	RIVET, OPEN END, POP TYPE	
7	75030000	ROD, SUPPORT, TOP COVER	
8	92649009	PIN, COTTER, 1/16 x 1/2 x 6	
9	92953329	SCREW, MACHINE, FLAT HEAD, PHILLIPS, 1/4-20 x 5/8	
10	75029500	PLATE, NUT, CONTROL PANEL	
11	93592238	SCREW, HEX HEAD, STP, 10-24 x 3/8	
12		MAIN DECK ASSEMBLY (SEE FIGURE 7)	
13	94354901	SPRING, GAS	
14	92033221	RING, RETAINING	
15	73229002	STUD	
16	76374200	BRACKET, SPRING, BOTTOM	
17	10127141	SCREW, MACHINE, PAN HEAD, PHILLIPS, 10-32 x 5/16	
18	94217702	NUT, SELF-LOCKING	
19		NOT APPLICABLE	
20	10125609	WASHER, FLAT, 5/16	
21	93592240	SCREW, MACHINE, WASHER HEAD, 10-24 x 1/2	
22	93150119	CABLE, GROUND	
23	75211300	HEAD ARM COMPLEMENT	
24	70590600	HEAD ARM ASSEMBLY	
25	70590601	HEAD ARM ASSEMBLY	
26	70590602	HEAD ARM ASSEMBLY	
27	70590603	HEAD ARM ASSEMBLY	
28	76466200	PLATE, CLAMP, CABLE	
29	93840013	TRIM, SAFETY	
30	75214614	FRAME AND POWER SUPPLY ASSEMBLY	60 HZ
30	75214615	FRAME AND POWER SUPPLY ASSEMBLY	50 HZ
31		POWER SUPPLY ASSEMBLY (SEE FIGURE 16)	
32		FRAME ASSEMBLY (SEE FIGURE 2)	
33	10126500	SCREW, MACHINE, HEX HEAD, PLAIN, 1/4-20 x 1/2	
34	10126404	WASHER, LOCK, EXTERNAL TOOTH, 1/4	
35	10125608	WASHER, FLAT, 1/4	
35A	94311619	HOSE, FLEXIBLE	
35B	94279412	BUTTON, PLUG	
36	76381700	BRACKET, CONTROL PANEL, LEFT HAND	
37	76538300	BRACKET, CONTROL PANEL, RIGHT HAND	
38	75085100	PANEL, DECK, SEAL, REAR	
39	75024300	BLOCK, HINGE	
40	75080100	CATCH, COVER PACK	
41	93715024	BEARING, NEEDLE	
42	93187314	SCREW, MACHINE, HEX SOCKET, BUTTON HEAD	
43	94276600	TAPE, FOAM	
44	76470701	PANEL, SHROUD, SIDE	
45	76470700	PANEL, SHROUD, SIDE, OPPOSITE	
46	73627701	DECK COVER ASSEMBLY	
	75213500	COVER, DECK	
	94356900	LATCH, SPRING	
	95037600	GASKET, RUBBER	
47	76405700	PACK SHROUD ASSEMBLY	
48	75041200	BLOCK, HINGE	
49		SERVO PREAMP ASSEMBLY (SEE FIGURE 12)	
50	73479900	COVER, PREAMPLIFIER	
51	73479800	HOUSING, PREAMPLIFIER	
52	93115247	SCREW, MACHINE, HEX SOCKET, CAP HEAD, 6-32 x 5/8	
53	93592082	SCREW, HEXAGON, WASHER HEAD, 4-40 x 1/4	
54	93590164	SCREW, MACHINE, PAN HEAD, PHILLIPS, 6-32 x 1/2	
55	10125605	WASHER, PLAIN, 6	
56	93590162	SCREW, MACHINE, 6-32 x 3/8	
57	10126401	WASHER, LOCK, EXTERNAL TOOTH, 6	
58	10127112	SCREW, MACHINE, PAN HEAD, 6-32 x 5/16	
59	10127114	SCREW, MACHINE, PAN HEAD, PHILLIPS, 6-32 x 1/2	
60	10127111	SCREW, MACHINE, PAN HEAD, 6-32 x 1/4	
61	92723196	SCREW, BUTTON HEAD, 6-32 x 1/4	

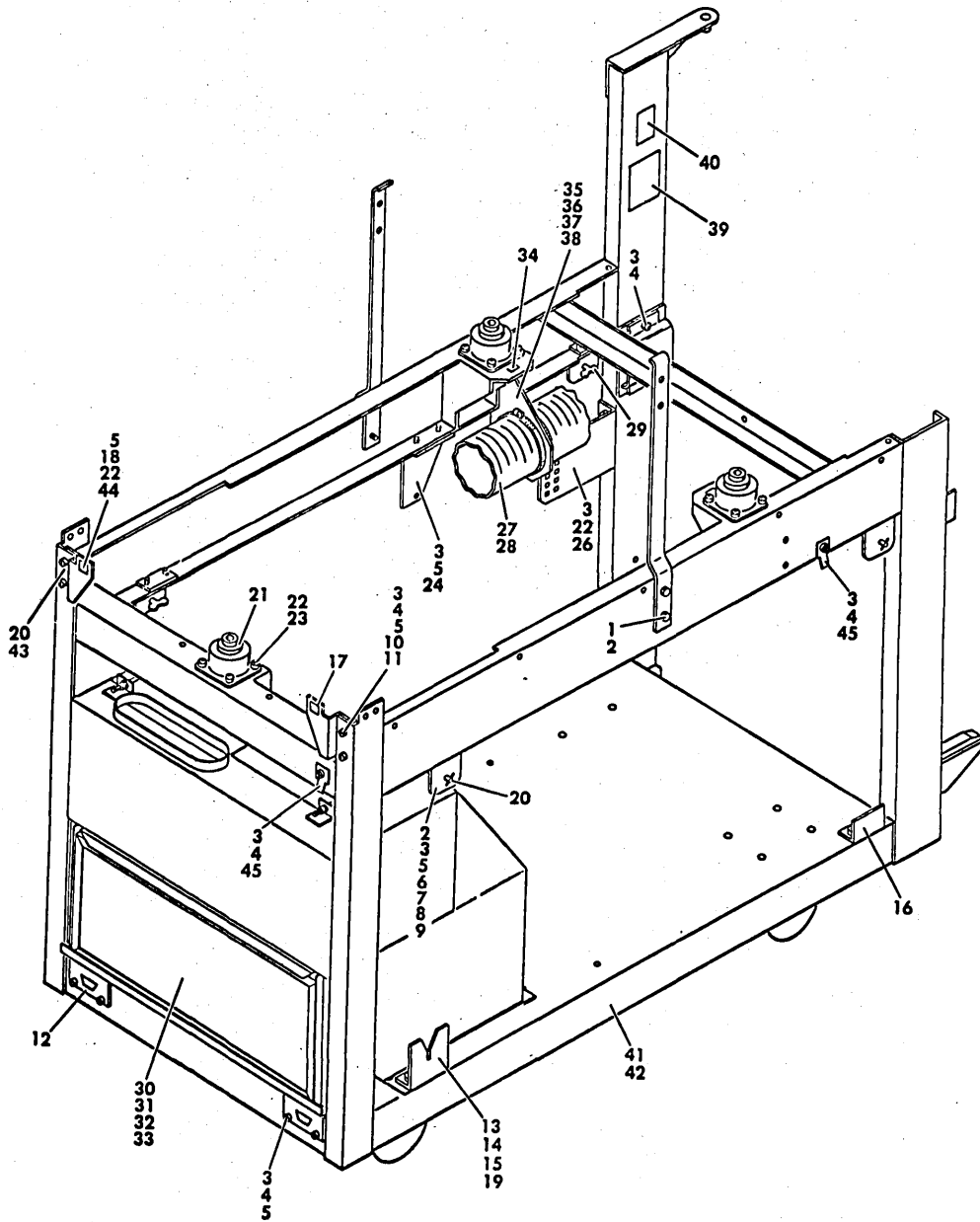


INDEX NO.	PART NUMBER	DESCRIPTION	APPLICATION
62	10126103	INTERNAL LOCK WASHER, 6	
63	93560001	SWITCH, INTERLOCK	
64	93154109	TUBING, HEAT SHRINKABLE	
65	93342098	SCREW, NYLON, 4-40 x 3/8	
66	94193401	BUMPER, RUBBER	
67	70734110	CABLE ASSEMBLY, W1	50 HZ
67	70734109	CABLE ASSEMBLY, W1	60 HZ
68	93564001	WASHER, NYLON	
69	94276600	TAPE, FOAM	



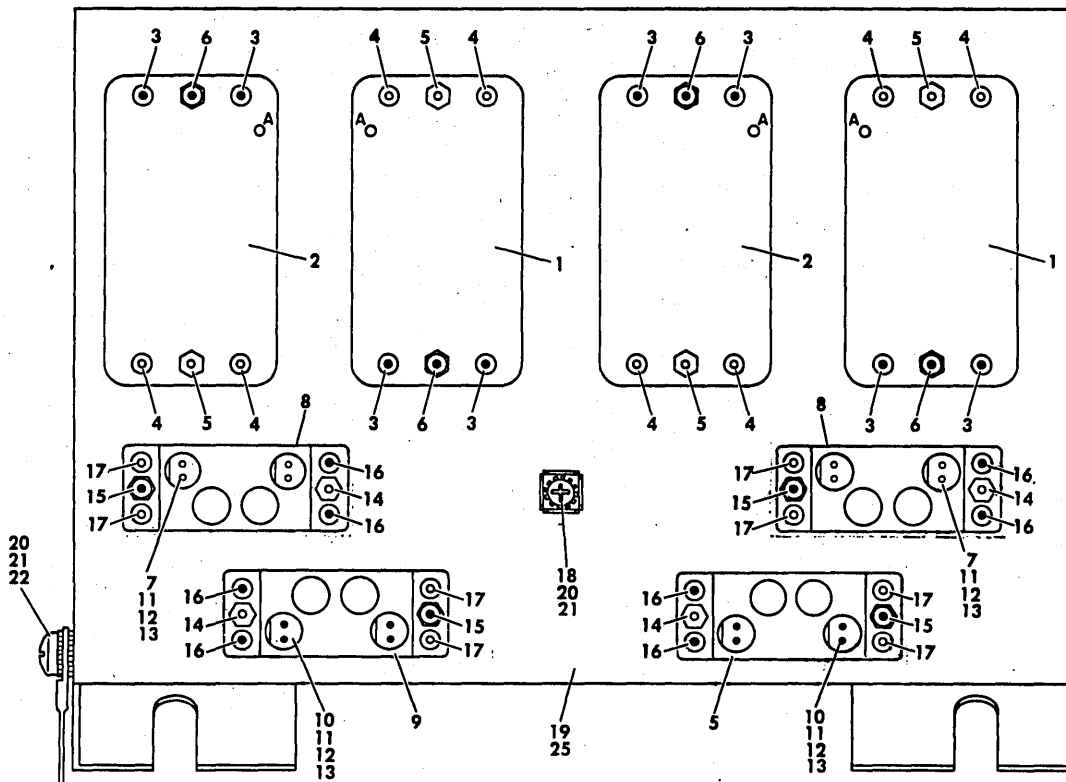
4-112(3)A

INDEX NO.	PART NUMBER	DESCRIPTION	APPLICATION
		FINAL ASSEMBLY	
1	10126403	WASHER, LOCK, EXTERNAL TOOTH, 10	
2	93697020	LEVELER	
3	76436500	BELTLINE, SIDE, LEFT	
4	93592428	SCREW, MACHINE, HEX HEAD, PLAIN, 10-32 x 3/8	
5	94204269	SPRING, EXTENSION	
6	73559903	CABLE, BRAKE ACTUATOR	
7	76436600	BELTLINE, SIDE, RIGHT	
8		I.O. PANEL ASSEMBLY (SEE FIGURE 3)	
9		NOT APPLICABLE	
10		NOT APPLICABLE	
11	10125607	WASHER, FLAT, 10	
12		CIRCUIT BREAKER BOX (SEE FIGURE 4)	
13	10126502	SCREW, MACHINE, HEX HEAD, 1/4-20 x 3/4	
14	10127141	SCREW, MACHINE, PAN HEAD, PHILLIPS, 10-32 x 5/16	
15	10125031	SCREW, MACHINE, HEX HEAD, 8-32 x 5/8	
16	94277406	STRAP, CABLE TIE	
17	76385700	CLAMP, SHIPPING	
18	94275213	CLAMP, HOSE	
19	76373000	BAR, MOUNTING, CONTROL PANEL	
20	75084600	SUPPORT, LOGIC FRAME	
21	72822800	BLOCK, SUPPORT	
22	76398400	PLATE, NUT, KEEPER	
23	76398300	CATCH, KEEPER	
24	75027500	KEEPER, BRACKET, MOUNTING	
25	75024900	HINGE, PIVOT, UPPER	
26	75024800	HINGE, PIVOT, LOWER	
27	75028100	PLATE, GUIDE, CABLE	
28	94311607	HOSE, FLEXIBLE	
29		NOT APPLICABLE	
30	94206904	CABLE, NYLON	
31	94277503	BASE, MOUNTING	
32	10127130	SCREW, MACHINE, PAN HEAD, 10-24 x 5/16	
33	10125605	WASHER, FLAT, 6	
34	10126401	WASHER, LOCK, EXTERNAL TOOTH, 6	
35	10127114	SCREW, MACHINE, PAN HEAD, PHILLIPS, 6-32 x 1/2	
36	10125061	SCREW, MACHINE, HEX HEAD, 10-32 x 3/8	
37		NOT APPLICABLE	
38	10126501	SCREW, MACHINE, HEX HEAD, PLAIN, 1/4-20 x 5/8	
39	10125806	WASHER, LOCK, SPRING, 1/4	
40	75028000	SHROUD, CABLE GUIDE	
41	70738306	INSULATOR, MOTOR MOUNT	
42	94193202	CHANNEL, RUBBER	
43		NOT APPLICABLE	
44	10126105	WASHER, LOCK, INTERNAL TOOTH, 10	
45	10126245	SCREW, SOCKET HEAD, CAP, 10-32 x 5/8	
46	10126500	SCREW, MACHINE, HEX HEAD, 1/4-20 x 1/2	
47	10125301	NUT, HEXAGON, 1/4-20	
48	75022301	ISOLATOR, I/O PANEL	
49	75195200	BLOCK, HINGE MOUNTING	
50	10127127	SCREW, PAN HEAD, MACHINE, 8-32 x 1	
51	76400300	HINGE, HOSE SUPPORT	
	10126402	WASHER, EXTERNAL TOOTH, LOCK, 8	
	94224669	LABEL, INFORMATION	
52	75081603	FINAL GROUNDING ASSEMBLY	
	53714400	TERMINAL BLOCK, GROUNDING	
	10126403	WASHER, LOCK, EXTERNAL TOOTH, 10	
	94297000	CABLE, GROUND	
	94297009	CABLE, GROUND	
	93592202	SCREW, MACHINE, HEX HEAD, 8-32 x 1/2	



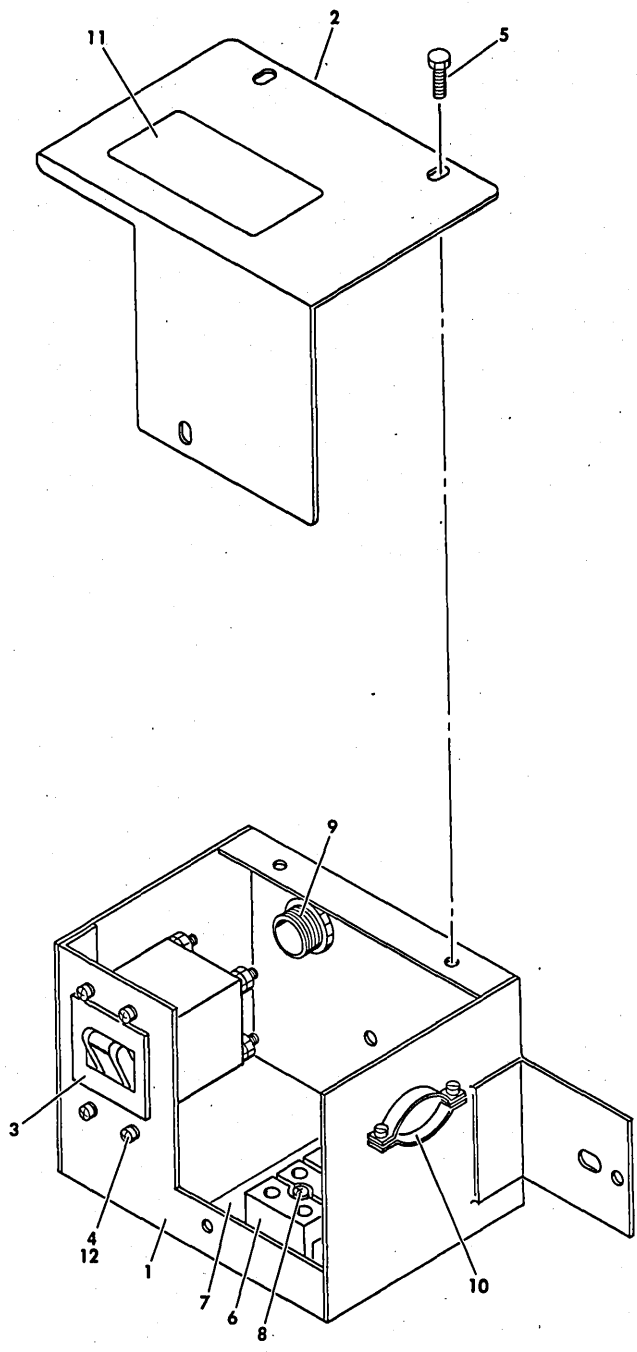
4-211A

INDEX NO.	PART NUMBER	DESCRIPTION	APPLICATION
	750968xx	MAIN FRAME ASSEMBLY	
1		NOT APPLICABLE	
2	10125062	SCREW, MACHINE, HEX HEAD, 10-32 x 1/2	
3	10126403	WASHER, LOCK, EXTERNAL TOOTH, 10	
4	10127142	SCREW, MACHINE, PAN HEAD, PHILLIPS, 10-32 x 3/8	
5	10125607	WASHER, FLAT, 10	
6	40029500	BRACKET, STUD	
7	93571002	GROMMET	
8	93572001	RING, SNAP	
9	75031800	PLATE, NUT, SIDE PANEL	
10	10125108	NUT, HEX, 10-32	
11	75030200	PLATE, NUT, FRONT PANEL	
12	76378200	PLATE, FRONT PANEL	
13	10126501	SCREW, MACHINE, HEX HEAD, PLAIN, 1/4-20 x 5/8	
14	10125608	WASHER, FLAT, 1/4	
15	10125806	WASHER, LOCK, SPRING, 1/4	
16	75007300	BRACKET, REAR PANEL	
17	75029300	BRACKET, FRONT PANEL	
18	94303500	RECEPTACLE, CLIP-IN	
19	75007400	BRACKET, SIDE PANEL	
20	93573004	STUD BRACKET	
21	94245302	ISOLATOR, VIBRATION	
22	10127143	SCREW, MACHINE, PAN HEAD, PHILLIPS, 10-32 x 1/2	
23	75040500	PLATE, NUT, FRAME	
24	75040600	BRACKET, MOUNTING, SPRING	
25		NOT APPLICABLE	
26	75030500	ANGLE, CABLE CLAMP	
27	94359400	HOSE, AIR, FLEXIBLE	
28	94275213	CLAMP, HOSE	
29	93573007	STUD ASSEMBLY	
30		AIR SUPPLY ASSEMBLY (SEE FIGURE 15)	
31	10126513	SCREW, MACHINE, HEX HEAD, PLAIN, 5/16-18 x 1/2	
32	10125609	WASHER, PLAIN, 5/16	
33	10126405	WASHER, LOCK, EXTERNAL TOOTH, 5/16	
34	93602322	NUT, HEX, 1/4-20	
35	75007000	SUPPORT, AIR HOSE	
36	10127123	SCREW, MACHINE, PAN HEAD, PHILLIPS, 8-32 x 1/2	
37	10125106	NUT, HEX, 8-32	
38	10126402	WASHER, LOCK, EXTERNAL TOOTH, 8	
39	15001200	PLATE, IDENTIFICATION, CABINET	
40	15101800	PLATE, IDENTIFICATION	
41	94241014	CLIP, CABLE	
42	76401300	FRAME, MAIN	
43	75029301	BRACKET, FRONT PANEL	
44	10126105	WASHER, LOCK, INTERNAL TOOTH, 10	
45	94274140	TERMINAL, QUICK CONNECT	



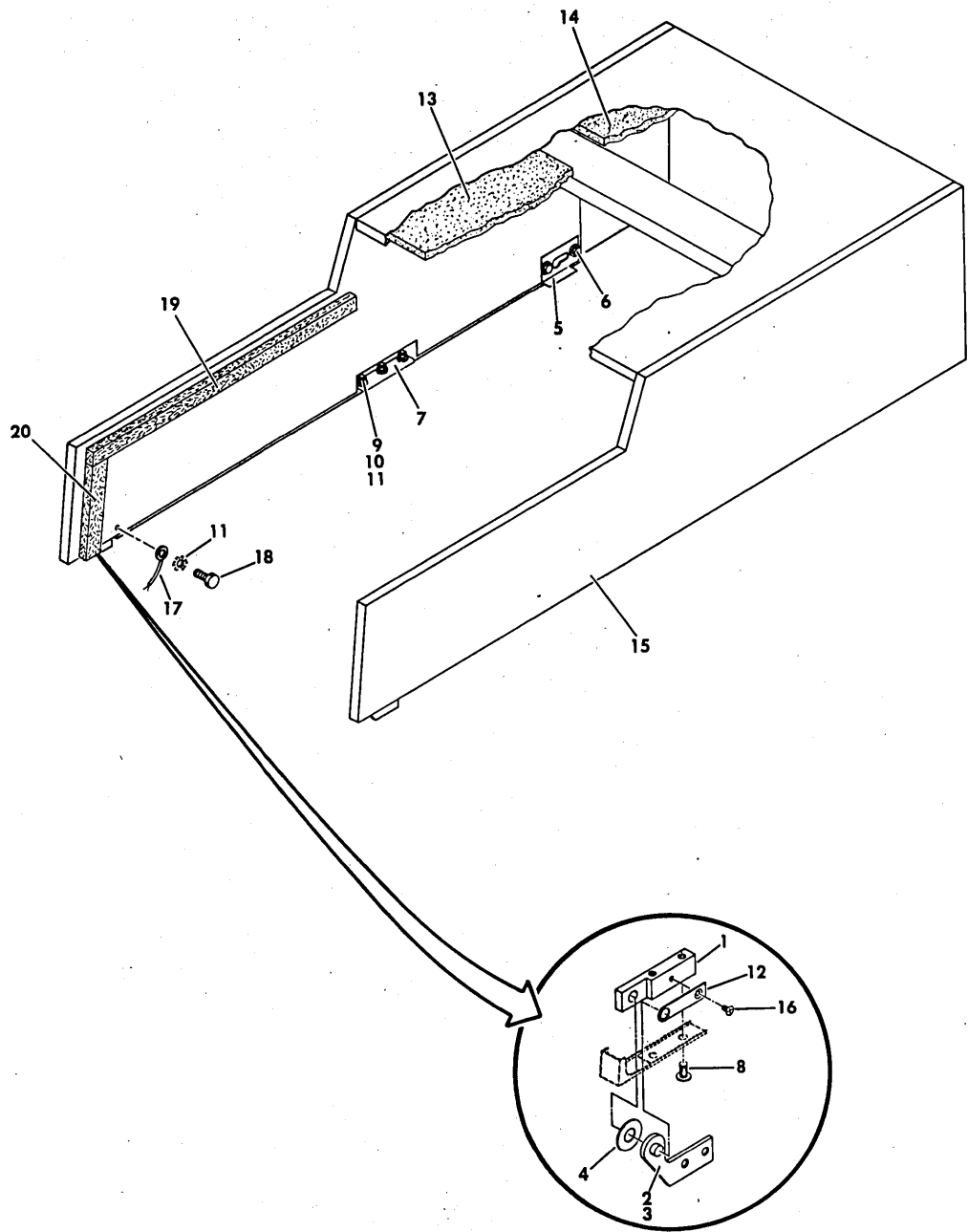
4-310B

INDEX NO.	PART NUMBER	DESCRIPTION	APPLICATION
	76472902	I/O PANEL ASSEMBLY	
	76518302	I/O "A" CABLE ASSEMBLY	
1	93642012	CONNECTOR, BLOCK	
2	93642013	CONNECTOR, BLOCK	
3	93642005	CONNECTOR, CORNER GUIDE SOCKET	
4	93642004	CONNECTOR, CORNER GUIDE PIN	
5	93642006	CONNECTOR, JACKSCREW	
6	93642007	CONNECTOR, JACKSCREW	
	76521200	I/O "B" CABLE ASSEMBLY	
7	94355805	PIN	
8	94362200	CONNECTOR, COAX	
9	94362201	CONNECTOR, COAX	
10	94355804	SOCKET	
11	94355808	CONNECTOR, COAX	
12	94355809	CONNECTOR, COAX	
13	94355810	CONNECTOR, COAX	
14	93642006	CONNECTOR, JACKSCREW	
15	93642007	CONNECTOR, JACKSCREW	
16	93643005	CONNECTOR, CORNER GUIDE SOCKET	
17	93643004	CONNECTOR, CORNER GUIDE PIN	
18	10127113	SCREW, PAN HEAD, MACHINE 6-32 x 3/8	
19	76472800	PANEL, I/O	
20	94274116	TERMINAL, QUICK CONNECT	
21	10126401	WASHERS, EXTERNAL TOOTH, LOCK, 6	
22	10127131	SCREW, PAN HEAD, MACHINE, 10-24 x 3/8	
23	94297000	CABLE, GROUND, FLAT	
24	10126403	WASHER, EXTERNAL TOOTH, LOCK, 10	
25	94208500	LABEL	



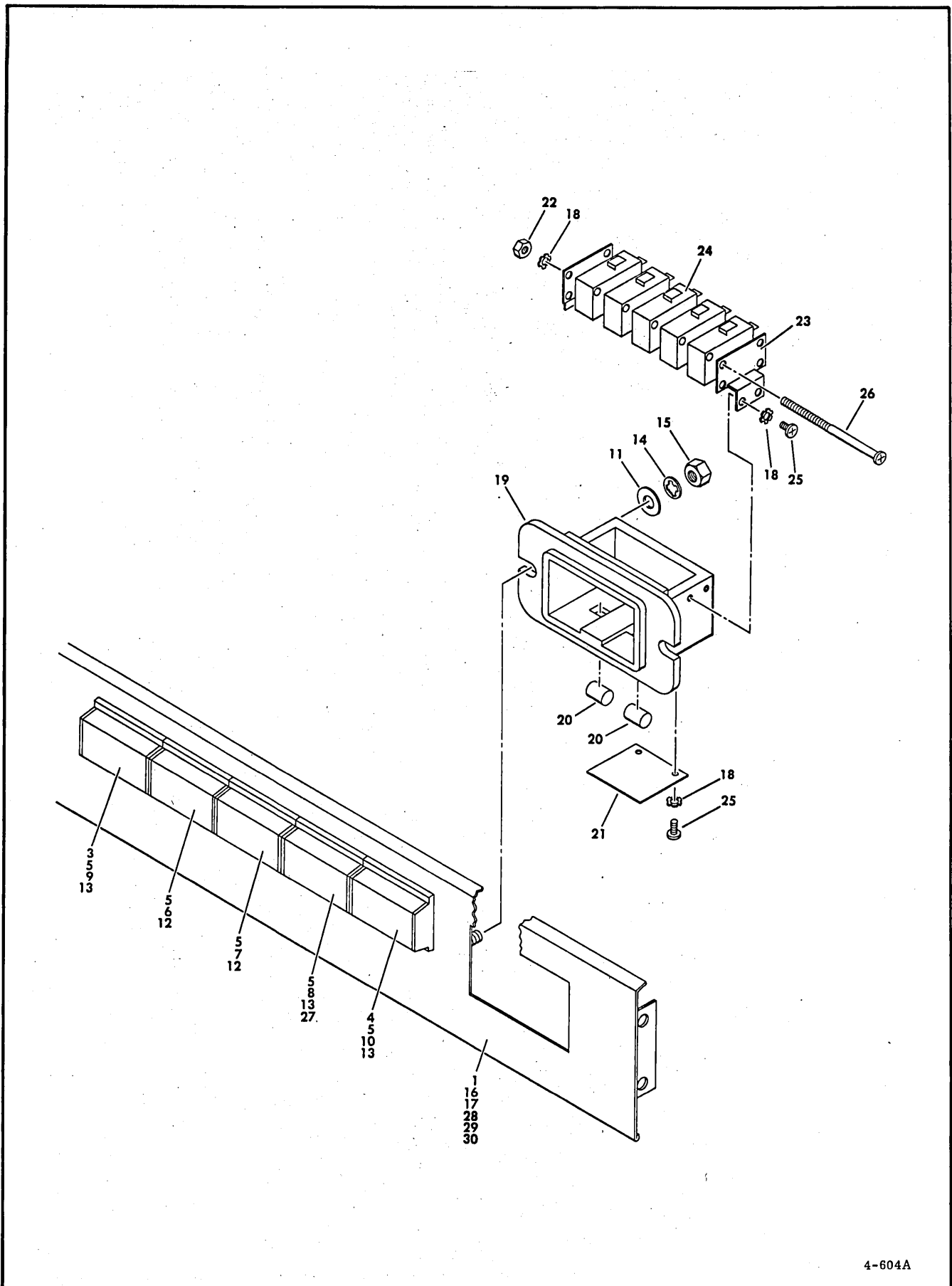
4-404A

INDEX NO.	PART NUMBER	DESCRIPTION	APPLICATION
	75032916	CIRCUIT BREAKER BOX ASSEMBLY	60 HZ
	75032915	CIRCUIT BREAKER BOX ASSEMBLY	50 HZ
1	76059400	BOX, CIRCUIT BREAKER	
2	76058700	COVER, BOX, CIRCUIT BREAKER	
3	94245211	CIRCUIT BREAKER, LONG DELAY	
4	10127111	SCREW, MACHINE, PAN HEAD, PHILLIPS, 6-32 x 1/4	
5	93592196	SCREW, MACHINE, HEX HEAD, STP, 8-32 x 1/4	
6	18946007	TERMINAL BLOCK	
7	75032100	PLATE, TERMINAL MARKING	
8	94208666	SCREW, MACHINE, PAN HEAD, PHILLIPS, 8-32 x 1-1/4	
9	92801001	CLAMP, CABLE	
10	92801002	CLAMP, CABLE	
11	46068603	PLATE, WARNING	
12	10126103	WASHER, LOCK, INTERNAL TOOTH, 6	
	75043900	CIRCUIT BREAKER BOX HARNESS ASSEMBLY	



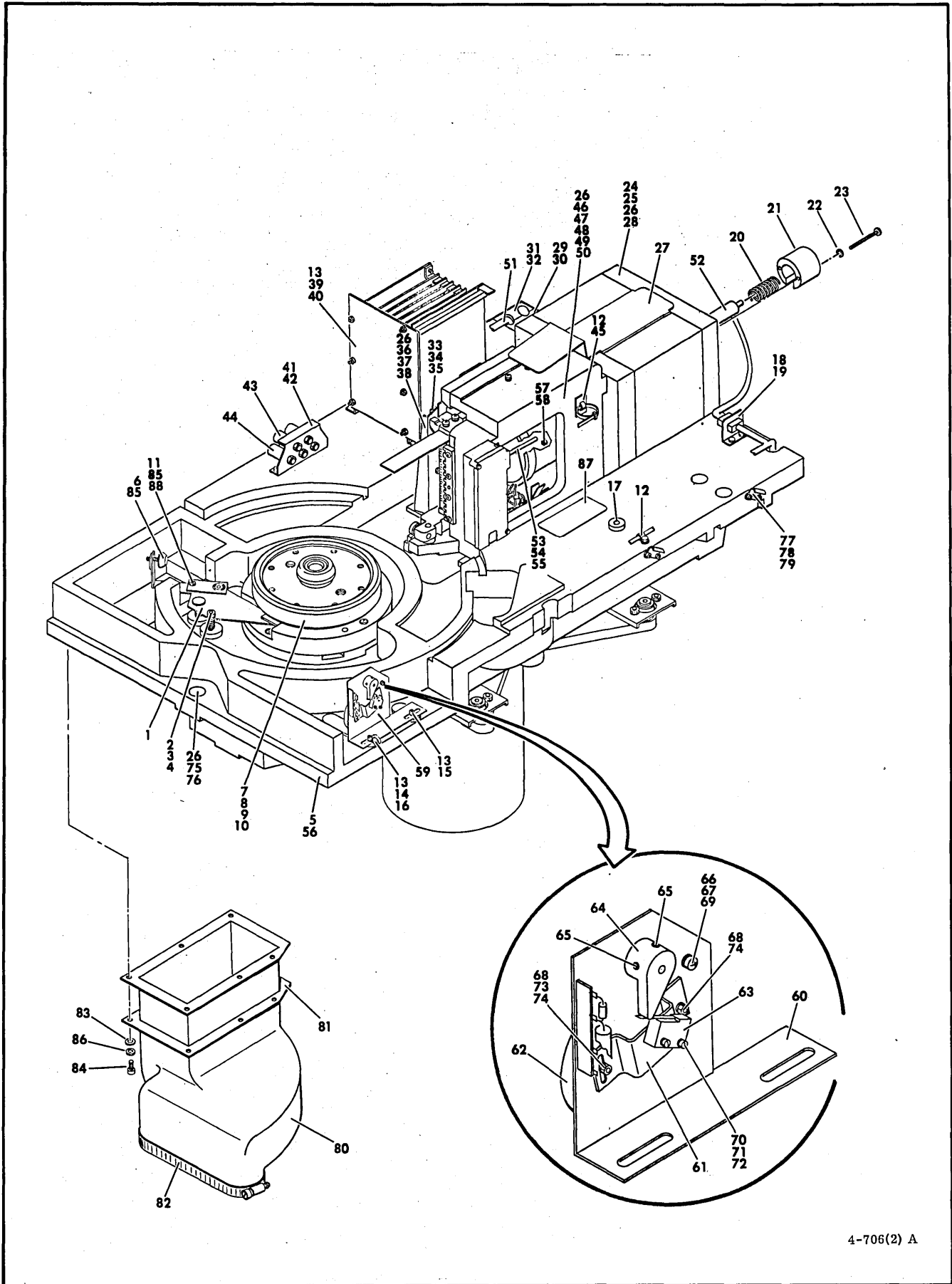
4-504B

INDEX NO.	PART NUMBER	DESCRIPTION	APPLICATION
	75003208	TOP COVER ASSEMBLY	
1	76533100	BASE, HINGE, TOP COVER	
2	76372900	SHAFT, HINGE BEARING	
3	76533401	HINGE, TOP COVER, LEFT	
	76533400	HINGE, TOP COVER, RIGHT	
4	93564028	WASHER, NYLON	
5	73628300	PLATE, SUPPORT ROD	
6	93994011	RIVETS, POP TYPE	
7	75026900	GUIDE, TOP COVER	
8	93187314	SCREW, MACHINE, BUTTON HEAD, SOCKET, 10-32 x 3/8	
9	10125108	NUT, HEXAGON, 10-32	
10	10125607	WASHER, FLAT, 10	
11	10126403	WASHER, LOCK, EXTERNAL TOOTH, 10	
12	76533300	PLATE, WEAR	
13	75040425	PANEL, ACOUSTICAL	
14	75040413	PANEL, ACOUSTICAL	
15	75008754	COVER, TOP	
16	10125711	SCREW, FLAT HEAD, PHILLIPS, 6-32 x 3/16	
17	94281431	CABLE, GROUND	
18	10127142	SCREW, MACHINE, PAN HEAD, PHILLIPS, 10-32 x 3/8	
19	75040411	FOAM, STRIP	
20	75040410	FOAM, STRIP	



4-604A

INDEX NO.	PART NUMBER	DESCRIPTION	APPLICATION
	75025809	CONTROL PANEL ASSEMBLY	
1	76381556	PANEL, CONTROL	
2		NOT APPLICABLE	
3	92335005	SWITCH, SUBMINIATURE	
4	92335003	SWITCH, SUBMINIATURE	
5	92629003	LAMP, INDICATOR	
6	93600001	LENS, STANDARD	
7	93562131	LENS, MAINTENANCE	
8	94015436	LENS, LETTERED	
9	93562048	LENS, START	
10	93562296	LENS, LETTERED	
11	10125607	WASHER, FLAT, 10	
12	44440102	SWITCH, INDICATOR	
13	44440101	SWITCH, ACTUATOR	
14	10126105	WASHER, LOCK, INTERNAL TOOTH, 10	
15	10125108	NUT, HEXAGON, 10-32	
16	94208500	LABEL	
17	94277406	STRAP, CABLE TIE	
18	10126400	WASHER, LOCK, EXTERNAL TOOTH, 4	
19	73584600	SOCKET, LOGIC	
20	76398500	ROLLER, DETENT	
21	73228300	SPRING, DETENT	
22	10125103	NUT, HEXAGON, MACHINE SCREW, 4-40	
23	73228700	BRACKET, SWITCH MOUNTING	
24	93984000	SWITCH, MINIATURE	
25	10127101	SCREW, MACHINE, PAN HEAD, PHILLIPS, 4-40 x 3/16	
26	92742106	SCREW, MACHINE, PAN HEAD, PHILLIPS, 4-40 x 2-1/4	
27	92335007	SWITCH, SUBMINIATURE	
28	76505300	HARNESS ASSEMBLY, W8	
29	94277503	BASE, MOUNTING	
30	94277416	STRAP, CABLE TIE	



4-706(2) A

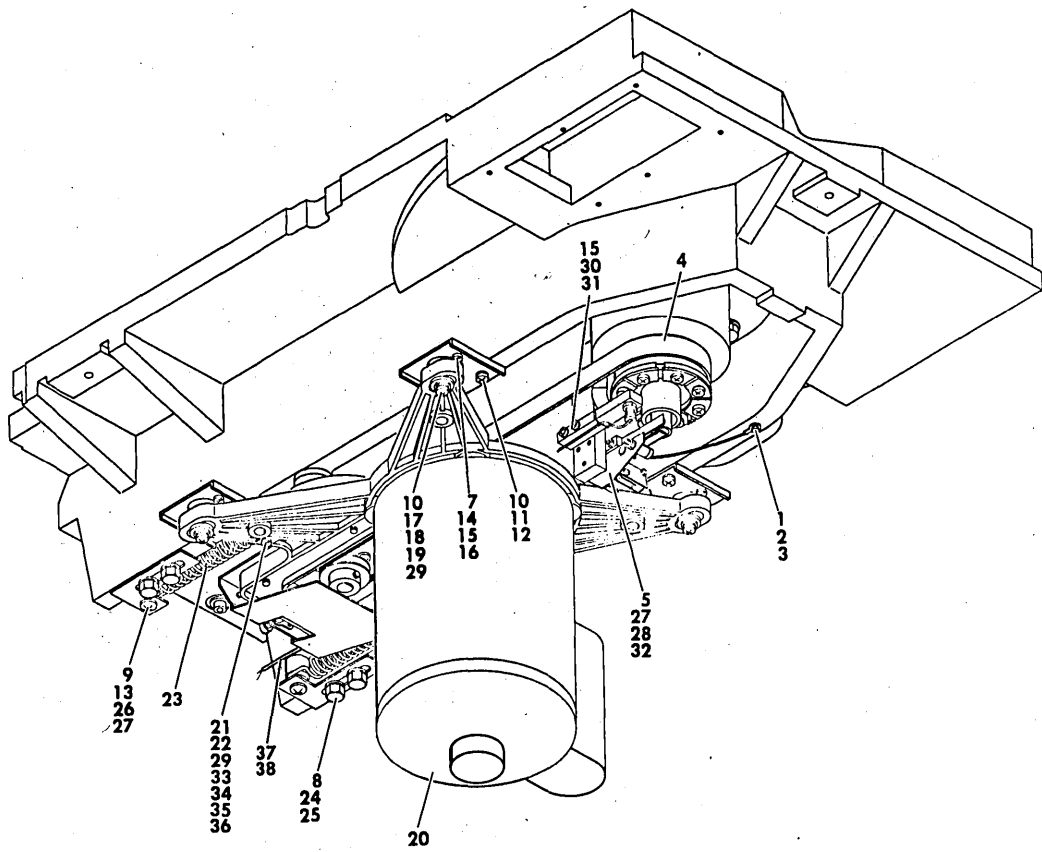
INDEX NO.	PART NUMBER	DESCRIPTION	APPLICATION
	75211614	MAIN DECK ASSEMBLY	60 HZ
	75211615	MAIN DECK ASSEMBLY	50 HZ
1	76405000	PLATE, BRAKE	
2	93707004	SCREW, MACHINE, HEX SOCKET, 1/4 x 3/4	
3	94356902	SRPING COMPRESSION	
4	92373005	NYLINER, SNAP-IN	
5	76038300	DECK	
6	75006600	BUTTON, BRAKE	
7	73586002	SPINDLE ASSEMBLY	
	76373800	LOCKSHAFT SPINDLE	
	92038801	RING, RETAINING	
8	10126633	SCREW, MACHINE, PLAIN, HEX HEAD, 3/8-16 x 1-3/4	
9	10125808	WASHER, LOCK SPRING, 3/8	
10	10125610	WASHER, FLAT, 3/8	
11	93073250	SCREW, SET SOCKET HEAD, 8-32 x 1/2	
12	94277400	STRAP, CABLE TIE	
13	10125607	WASHER, FLAT, 10	
14	10126245	SCREW, MACHINE, HEX SOCKET, CAP HEAD, 10-32 x 5/8	
15	10126244	SCREW, MACHINE, HEX SOCKET, CAP HEAD, 10-32 x 1/2	
16	94277406	STRAP, CABLE TIE	
17	72837700	BUSHING INSULATOR	
18	72823900	BRACKET, CONNECTOR 3 PIN	
19	93592196	SCREW, HEX HEAD, STP, 8-32 x 1/4	
20	94206431	SPRING, COMPRESSION	
21	70726001	CAP, END TRANSDUCER	
22	10126104	WASHER, LOCK, INTERNAL TOOTH, 8	
23	10127353	SCREW, MACHINE, PAN HEAD, PHILLIPS, 8-32 x 1-1/4	
24	76472700	MAGNET ASSEMBLY	
25	93115374	SCREW, MACHINE, HEX SOCKET, CAP HEAD, 2-20 x 1/4	
26	10125608	WASHER, FLAT, 1/4	
27	46484000	COVER, MAGNET	
28	95027403	TAPE, FOAM	
29	93532207	PIN, ROLL	
30	72826001	BLOCK, CLAMP, HARNESS, RIGHT	
31	72825900	BLOCK, CLAMP, HARNESS, LEFT	
32	17901508	SCREW, MACHINE, PAN HEAD, PHILLIPS, STP, 6-32 x 1/4	
33	10126213	SCREW, MACHINE, HEX SOCKET, CAP HEAD, 4-40 x 3/8	
34	10125801	WASHER, LOCK, SPRING, 4	
35	73566400	CLAMP, CABLE HEAD	
36	10126253	SCREW, MACHINE, HEX SOCKET, CAP HEAD, 1/4	
37	93530081	PIN, ROLL	
38	73632100	BRACKET, MOUNTING, HEAD CLAMP	
39	10127142	SCREW, MACHINE, PAN HEAD, PHILLIPS, 10-32 x 3/8	
40		R/W PIN AND GUIDE ASSEMBLY (SEE FIGURE 10)	
41	10126243	SCREW, MACHINE, HEX SOCKET, CAP HEAD, 10-32 x 3/8	
42	72837500	BRACKET, MOUNTING, CAPACITOR	
43	94348300	FILTER, RF	
44	94348203	CAPACITOR, FEED-THRU	
45	94277503	BASE, MOUNTING	
46		ACTUATOR ASSEMBLY (SEE FIGURE 11)	
47	94047033	WASHER, SPECIAL	
48	10126256	SCREW, MACHINE, HEX SOCKET HEAD, 1/4-20 x 3/4	
49	10125806	WASHER, SPRING, LOCK, 1/4	
50	10126260	SCREW, MACHINE, HEX SOCKET HEAD, 1/4-20 x 1-1/2	
51	76032100	DECK HARNESS ASSEMBLY	
52	73618900	TRANSDUCER AND CONNECTOR ASSEMBLY	
	76501000	TRANSDUCER ROD ASSEMBLY	
53	70729304	ROD, EXTENSION	
54	72835800	STOP, SHIM	
55	94047048	WASHER, SPECIAL	
56	94368700	LABLE	
57	10126234	SCREW, MACHINE, HEX SOCKET, CAP HEAD, 10-24 x 1/2	
58	10126105	WASHER, LOCK, INTERNAL TOOTH, 10	
59	76043100	TIMING MOTOR ASSEMBLY	60 HZ
59	76043101	TIMING MOTOR ASSEMBLY	50 HZ
60	76043200	BRACKET - TIMING MOTOR	
61	72847401	BRACKET - MOUNTING SWITCH	
62	73488504	BRUSH MOTOR ASSEMBLY	60 HZ
62	73488505	BRUSH MOTOR ASSEMBLY	50 HZ
63	36159804	SWITCH, PIVOT LEVER, INTEGRAL	

C

C

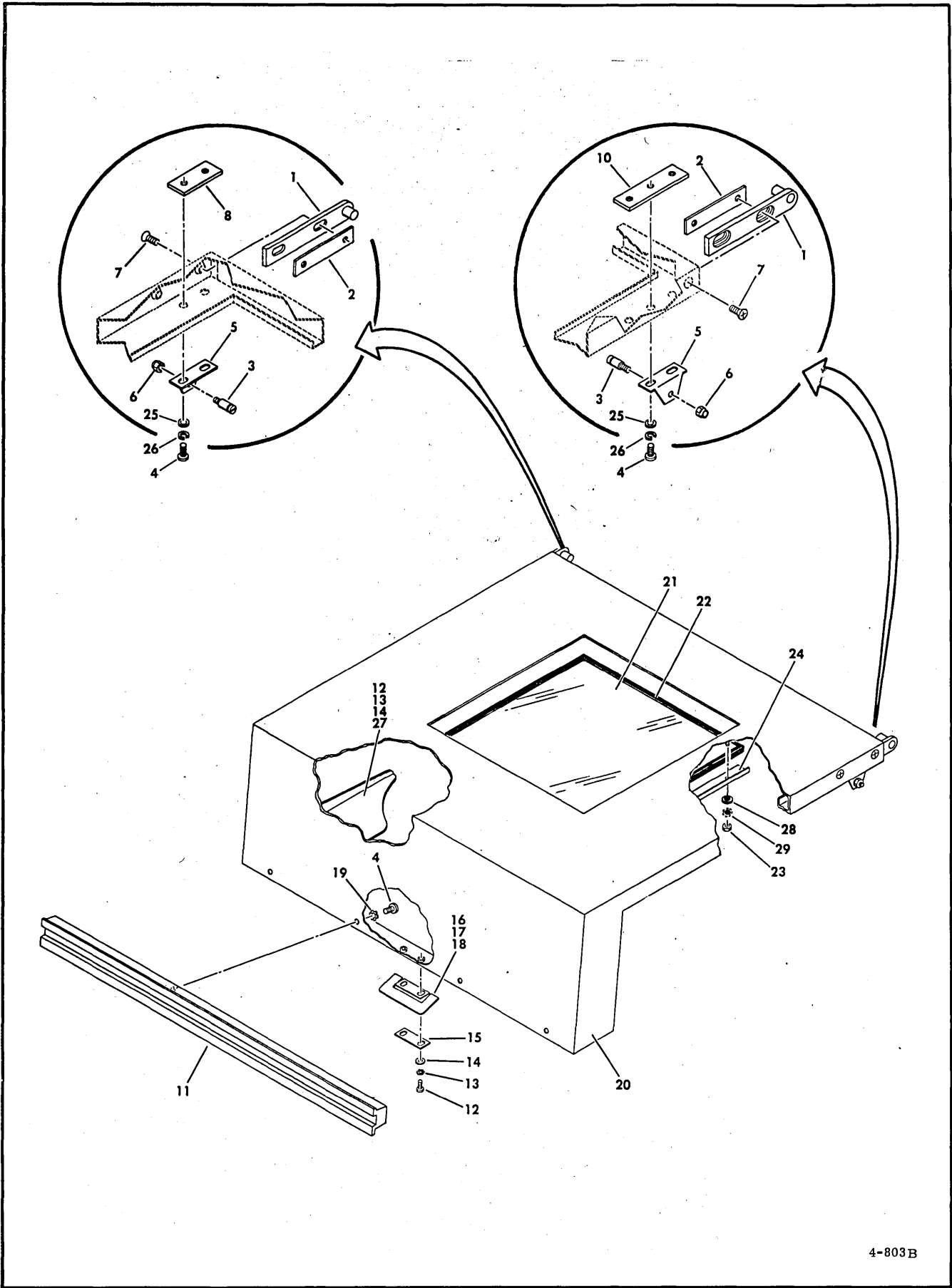
C

INDEX NO.	PART NUMBER	DESCRIPTION	APPLICATION
64	76043300	CAM - TIMING MOTOR	
65	93071246	SCREW - SET, SOCKET HEX, 6-32 x 1/4	
66	10127112	SCREW, PANHEAD, MACHINE, 6-32 x 5/16	
67	10126103	WASHER, INT. TOOTH LOCK, 6	
68	10126101	WASHER, INT. TOOTH LOCK, 4	
69	10125101	NUT - HEX, MACHINE SCREW, 6-32	
70	10127314	SCREW, PAN HEAD, MACHINE, 2-56 x 1/2	
71	10126100	WASHER, INT. TOOTH LOCK, 2	
72	10125602	WASHER, PLAIN, 2	
73	10125603	WASHER, PLAIN, 4	
74	10125103	NUT, HEX, MACHINE SCREW, 4-40	
75	10126504	SCREW, MACHINE, HEX HEAD, 1/4-20 x 1	
76	10125806	WASHER, LOCK, SPRING, 1/4	
77	94356902	CATCH SPRING	
78	10127112	SCREW, MACHINE, PAN HEAD, 6-32 x 5/16	
79	10126401	WASHER, EXT. TOOTH LOCK, 6	
80	73676800	BOOT, AIR INLET	
81	75023500	PLATE, BOOT SUPPORT	
82	94275221	CLAMP, HOSE	
83	10125605	WASHER, FLAT, 6	
84	10126218	SCREW, HEX SOCKET, CAP HEAD, 6-32 x 3/8	
85	10125105	NUT, HEX, 6-32	
86	10126103	WASHER, LOCK, INT. TOOTH, 6	
87	94224674	LABEL, INFORMATION	
88	73604600	BRACKET, BRAKE ADJUSTMENT	



4-707(3)B

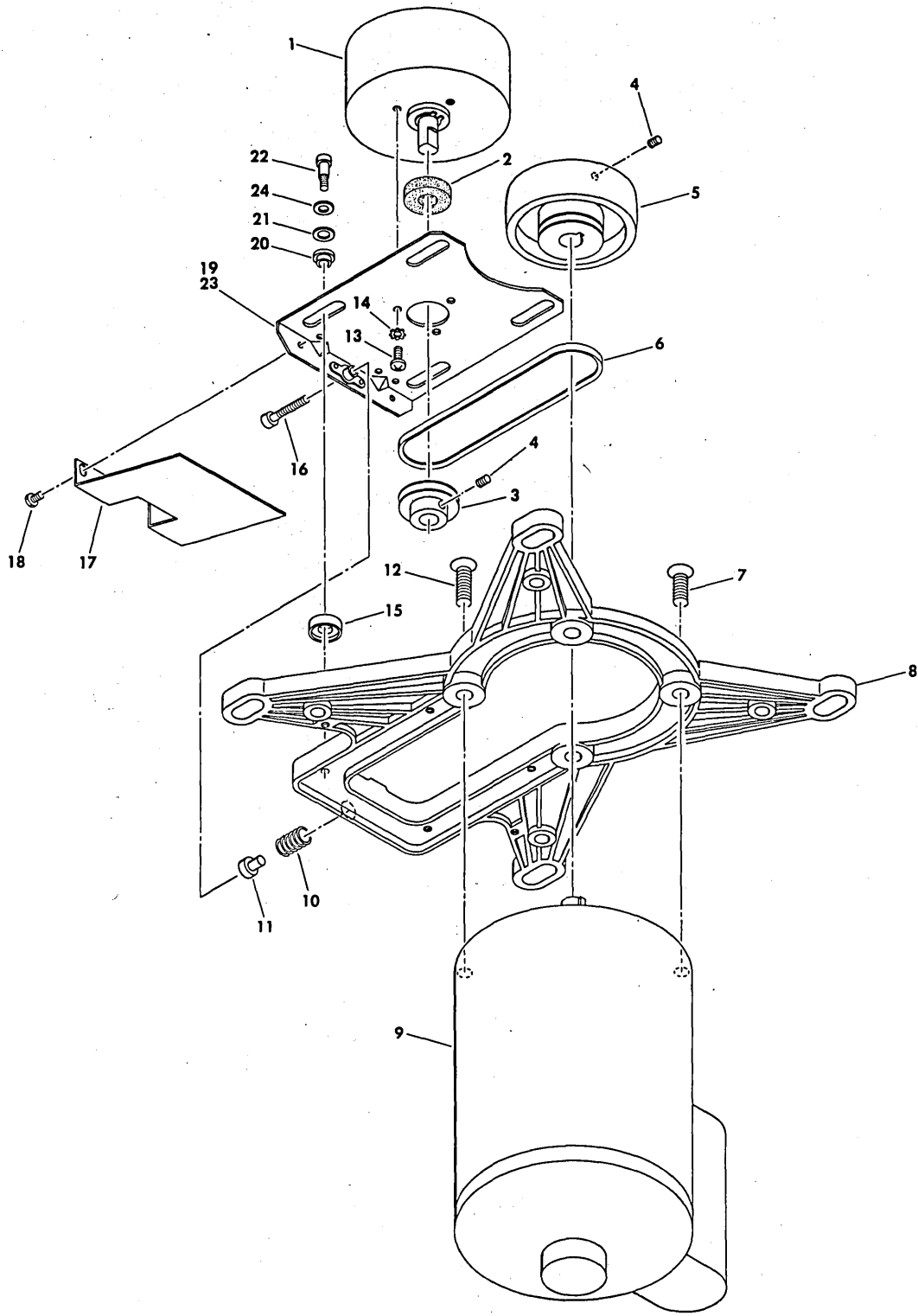
INDEX NO.	PART NUMBER	DESCRIPTION	APPLICATION
		MAIN DECK ASSEMBLY	
1	94281419	CABLE, GROUND	
2	93592196	SCREW, MACHINE, HEX HEAD, PLAIN, STP, 8-32 x 1/4	
3	10126104	WASHER, LOCK, INTERNAL TOOTH, 8	
4	92314087	BELT, DRIVE, FLAT	60 HZ
4	92314093	BELT, DRIVE, FLAT	50 HZ
5		PACK SENSOR ASSY (SEE FIGURE 14)	
6		NOT APPLICABLE	
7	10127348	SCREW, MACHINE, PAN HEAD, SLOTTED, 8-32 x 1/2	
8	10125608	WASHER, FLAT, 1/4	
9	72806501	STAND-OFF SPRING	
10	10125805	WASHER, LOCK, SPRING, 10	
11	10127380	SCREW, MACHINE, PAN HEAD, PHILLIPS, 10-32 x 1/2	
12	76376200	BRACKET, SHOCK MOUNT	
13	10127159	SCREW, MACHINE, PAN HEAD, PHILLIPS, 1/4-20 x 1-1/2	
14	10125106	NUT, HEXAGON, 8-32	
15	10126402	WASHER, LOCK, EXTERNAL TOOTH, 8	
16	94243003	MOUNT, SHOCK	
17	73671300	INSULATOR, MOTOR MOUNTING	
18	10125066	SCREW, MACHINE, HEX HEAD, 10-32 x 1	
19	75174300	WASHER, BACKING	
20		DRIVE MOTOR AND BRAKE ASSEMBLY (SEE FIGURE 9)	
21	72806500	SPRING, STANDOFF	
22	10127142	SCREW, MACHINE, PAN HEAD, PHILLIPS, 10-32 x 3/8	
23	40024201	SPRING, IDLER	
24	75093400	BRACKET, MOUNTING, SPRING	
25	10126500	SCREW, MACHINE, HEX HEAD, PLAIN, 1/4-20 x 1/2	
26	92071004	NUT, HEX, 1/4-20	
27	10125806	WASHER, LOCK, SPRING, 1/4	
28	76395500	SPEED SENSOR ASSEMBLY	
29	75174200	WASHER, SLIDE	
30	10125606	WASHER, PLAIN, 8	
31	10126229	SCREW, HEXAGON, SOCKET HEAD, CAP, 8-32 x 7/8	
32	10126258	SCREW, MACHINE, SOCKET HEAD, 1/4-20 x 1	
	94224674	LABEL, INFORMATION	
33	10125607	WASHER, FLAT, 10	
34	10127387	SCREW, MACHINE, PAN HEAD, 10-32 x 1-3/4	
35	10125108	NUT, HEX, 10-32	
36	10126403	WASHER, LOCK EXTERNAL TOOTH, 10	
37	93592200	SCREW, TPG, HEX, 8-32 x 3/8	
38	94369513	CABLE, GROUND	



4-803B

INDEX NO.	PART NUMBER	DESCRIPTION	APPLICATION
	76027609	PACK ACCESS COVER ASSEMBLY	
1	75052100	HINGE, PACK COVER	
2	75030100	PLATE, NUT, LOCKING	
3	73229004	STUD	
4	10127143	SCREW, MACHINE, PAN HEAD, PHILLIPS, 10-32 x 1/2	
5	76400200	BRACKET, GAS SPRING	
6	92071005	NUT, SELF LOCKING	
7	10126023	SCREW, MACHINE, HEX HEAD, SOCKET, 10-32 x 1/2	
8	75023200	PLATE, NUT, PACK ACCESS	
9		NOT APPLICABLE	
10	75052300	PLATE, NUT, PACK ACCESS	
11	75029401	HANDLE, COVER, PACK ACCESS	
12	10127113	SCREW, MACHINE, PAN HEAD, PHILLIPS, 6-32 x 3/8	
13	10126401	WASHER, LOCK, EXTERNAL TOOTH, 6	
14	10125605	WASHER, FLAT, 6	
15	76375400	PLATE, LATCH	
16	92032020	RIVET, OPEN END, POP TYPE	
17	73631400	LATCH, PACK ACCESS COVER	
18	73631500	SPRING, COVER LATCH	
19	10126403	WASHER, LOCK, EXTERNAL TOOTH, 8	
20	76471553	COVER, PACK ACCESS	
21	94260015	GLASS, WINDOW, BRONZE	
22	94073000	EXTRUSION, RUBBER	
23	10125106	NUT, HEX, 8-32	
24	76470900	CLAMP, WINDOW	
25	93210009	WASHER, FLAT, 10	
26	10125805	WASHER, SPRING LOCK, 10	
27	75215700	DEFLECTOR, AIR PACK	
	76051700	NAME PLATE	
28	10125606	WASHER, PLAIN, 8	
29	10126402	WASHER, EXTERNAL, TOOTH LOCK, 8	
	76533902	STRIP, DECORATIVE	



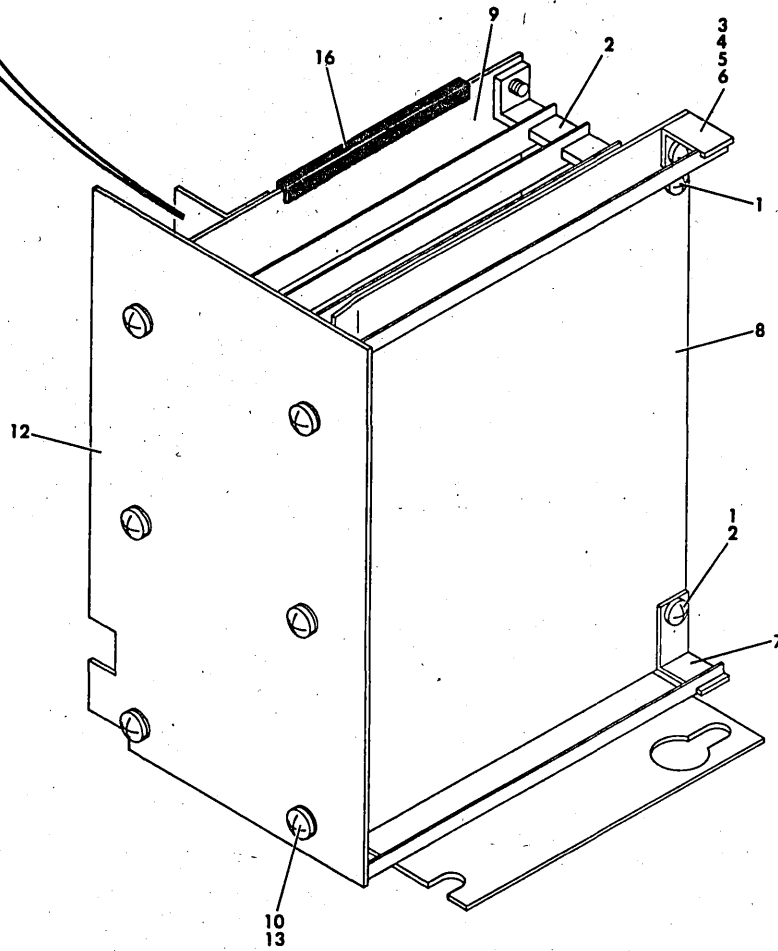
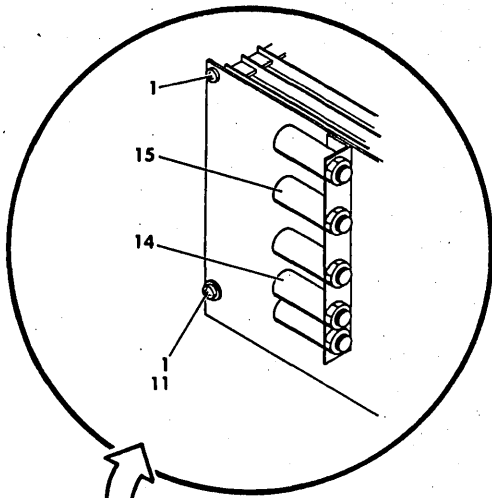


4-902

INDEX NO.	PART NUMBER	DESCRIPTION	APPLICATION
1	764047xx 75094800 94259401 93948004 93942005	DRIVE MOTOR AND BRAKE ASSEMBLY BRAKE ASSEMBLY BRAKE, HYSTERESIS CONNECTOR, PLUG, 2 PIN CONTACT, PIN	
2	76521500	WASHER, FLET	
3	94311115	PULLEY, V-BELT	
4	94363660	SCREW, SET, SELF-LOCKING, 1/4-20 x 3/8	
5	72806903	PULLEY, DRIVE MOTOR	60 HZ, NOTE 1
5	76050800	PULLEY, DRIVE MOTOR	60 HZ, NOTE 2
5	72806904	PULLEY, DRIVE MOTOR	50 HZ, NOTE 1
5	76050801	PULLEY, DRIVE MOTOR	50 HZ, NOTE 2
6	94311006	BELT, V, SPECIAL	
7	10126058	SCREW, MACHINE, HEX, SOCKET, FLAT HEAD, 3/8-16 x 1-1/4	
8	76404500	BRACKET, MOTOR MOUNTING	
9	72801105	DRIVE MOTOR ASSEMBLY	60 HZ
9	72801106	DRIVE MOTOR ASSEMBLY	50 HZ
	76044200	MOTOR, DRIVE	60 HZ
	76044300	MOTOR, DRIVE	50 HZ
	93541018	RING, TERMINAL	
	93948001	CONNECTOR, PIN HOUSING	
	93942006	PIN, CONTACT	
	93592158	SCREW, MACHINE, HEX HEAD, PLAIN, STP, 6-32 x 1/4	
	92801001	CLAMP, CABLE	
	94277400	STRAP, CABLE TIE	
10	93297007	SPRING COMPRESSION	
11	76052400	SLEEVE, COMPRESSION SPRING	
12	10126503	SCREW, HEX, SOCKET HEAD, 1-1/43 x 8-16	
13	10127143	SCREW, PAN HEAD, MACHINE, 10-32 x 1/2	
14	10126403	WASHER, LOCK, EXTERNAL TOOTH, 10	
15	76052800	WASHER, CAP FRICTION	
16	92805326	SCREW, MACHINE, HEX SOCKET, CAP HEAD, 1/4-28 x 1-1/4	
17	75198700	COVER, PULLEY	
18	93592196	SCREW, HEX HEAD, STP, 8-32 x 1/4	
19	76052500	PLATE - MOUNTING, BRAKE	
20	76052900	STANDOFF - FRICTION	
21	94047061	WASHER, SPECIAL	
22	92541062	SCREW, SHOULDER	
23	94368700	LABEL	
24	95311502	WASHER, CURVED	

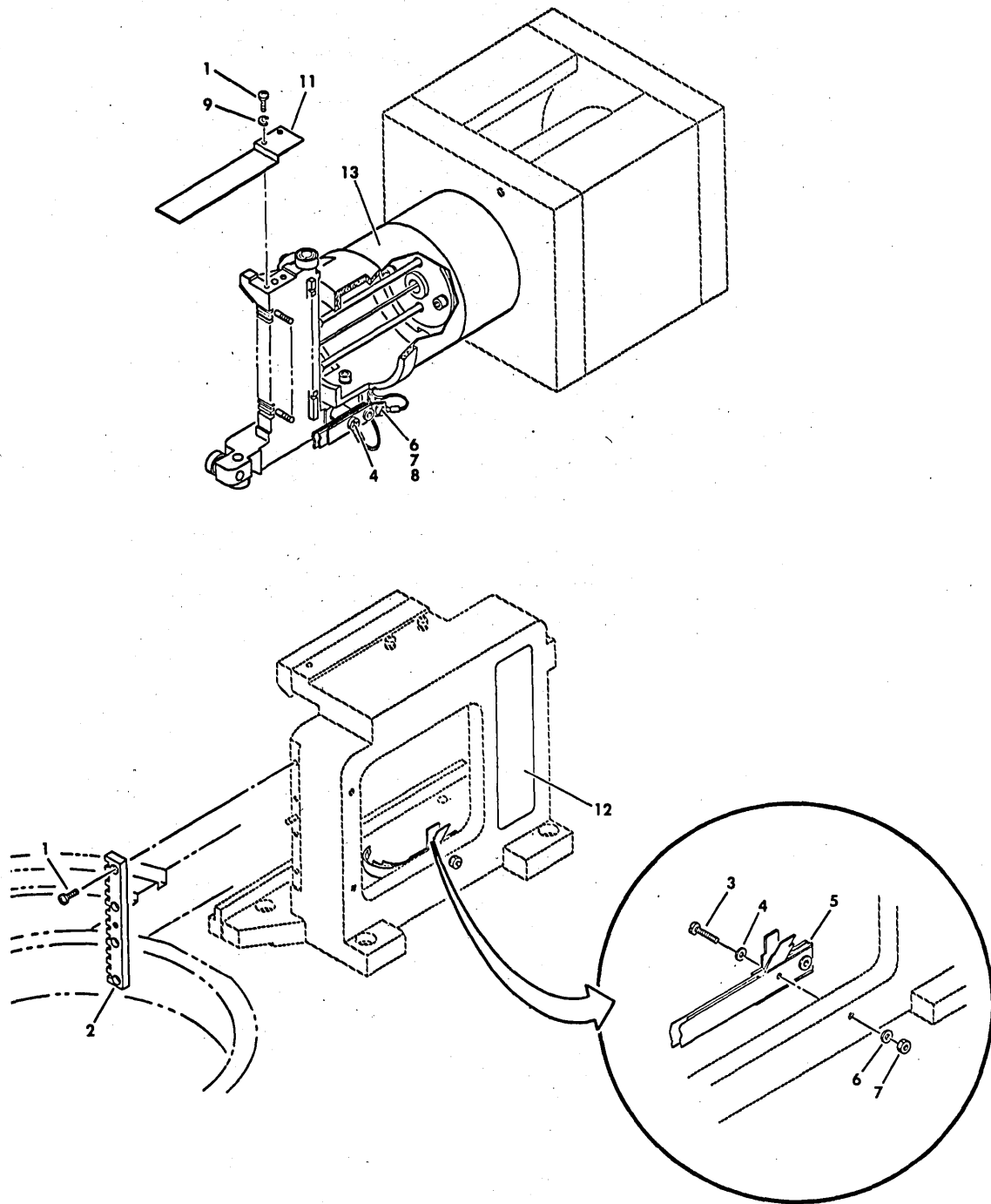
NOTES:

1. S/C 08 WITH PE35479, S/C 09 & ABOVE.
2. S/C 07 WITH PE35408.



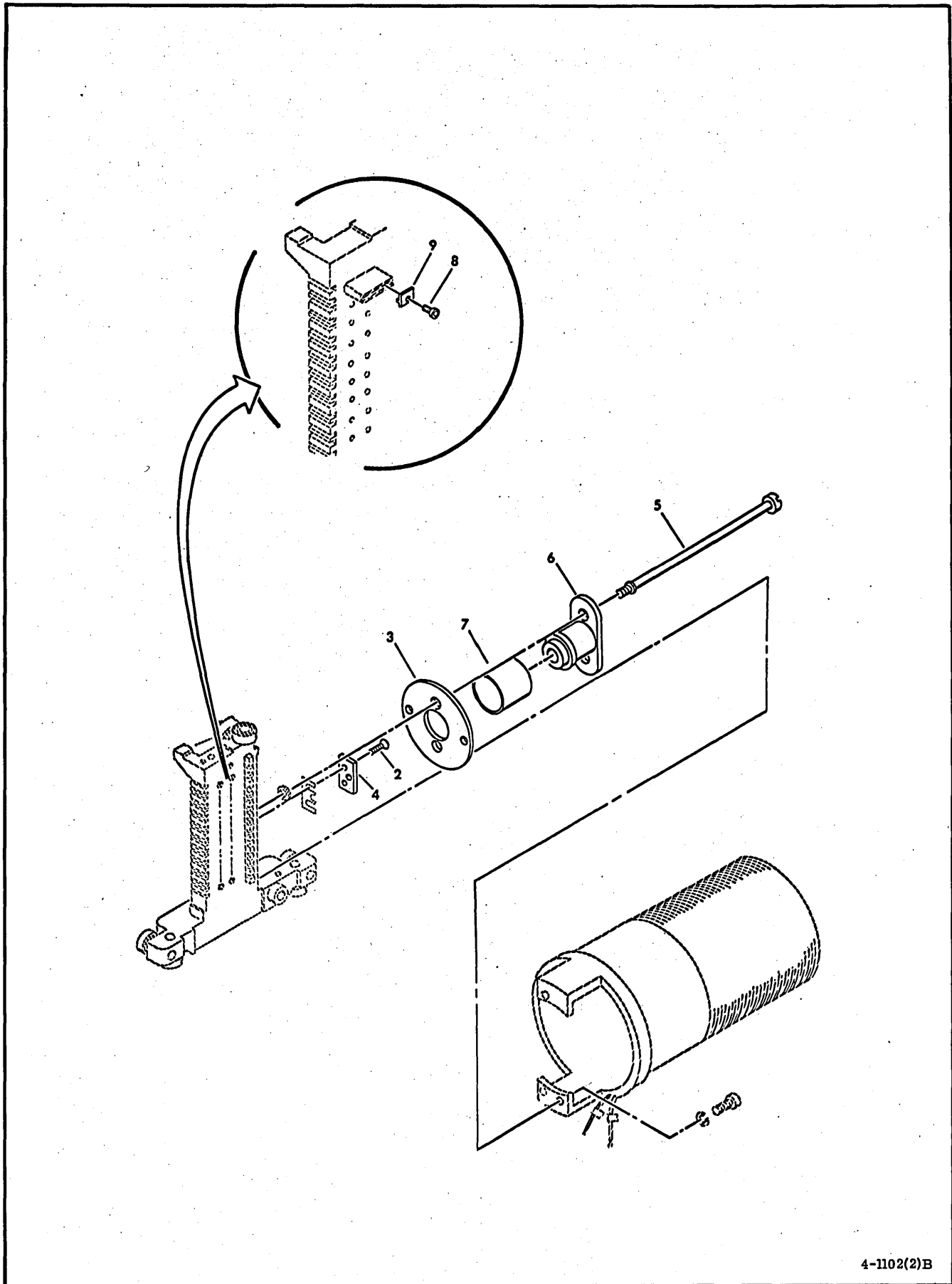
4-1002A

INDEX NO.	PART NUMBER	DESCRIPTION	APPLICATION
1	76028301	READ/WRITE PIN AND GUIDE ASSEMBLY	
2	17901508	SCREW, MACHINE, PAN HEAD, PHILLIPS, 6-32 x 1/4	
3	72807403	GUIDE, CARD	
4	10127111	SCREW, MACHINE, PAN HEAD, PHILLIPS, 6-32 x 1/4	
5	10126401	WASHER, LOCK, EXTERNAL TOOTH, 6	
6	10125105	NUT, HEXAGON, 6-32	
7	72807703	RAIL, GUIDE	
8	72807702	RAIL, GUIDE	
9	76028100	BRACKET, CARD GUIDE, LEFT	
10	76028200	BRACKET, CARD GUIDE, RIGHT	
11	17901516	SCREW, SELF TAPPING, 8-32 x 3/8	
12	10125605	WASHER, FLAT, 6	
13	75215300	WIRE WRAP PANEL ASSEMBLY	
14	10126104	WASHER, LOCK, INTERNAL TOOTH, 8	
15	94348203	CAPACITOR, FEED-THRU	
16	94348300	FILTER, R. F.	
	94060003	CHANNEL, RUBBER	



4-1102(1)B

INDEX NO.	PART NUMBER	DESCRIPTION	APPLICATION
	76034200	ACTUATOR ASSEMBLY	
1	10126218	SCREW, MACHINE, CAP HEAD, HEX SOCKET, 6-32 x 3/8	
2	75212300	CAM, HEAD	
3	94350502	SCREW, INSULATED	
4	93564032	WASHER, NYLON	
5	72847100	CONDUCTOR, FLEXIBLE	
6	10126103	WASHER, LOCK, INTERNAL TOOTH, 6	
7	10125105	NUT, HEX, 6-32	
8	10127332	SCREW, MACHINE, PAN HEAD, SLOTTED, 6-32 x 1/4	
9	10125803	WASHER, LOCK, SPRING, 6	
10	10125605	WASHER, FLAT, 6	
11	73240901	SHIELD, HEAD	
12	94224672	LABEL, HEAD LOCATION INFORMATION	
	94277503	BASE MOUNTING	
	94224671	LABEL, INFORMATION	
13	75217000	VOICE COIL	
<p>NOTE: ONLY THOSE PARTS LISTED ARE FIELD REPLACEABLE. IF IT BECOMES NECESSARY TO REPLACE PARTS OTHER THAN THOSE LISTED, REPLACEMENT OF THE ENTIRE ACTUATOR ASSEMBLY IS REQUIRED.</p>			
<p>*WHEN ORDERING AN ACTUATOR ASSEMBLY FOR REPLACEMENT, ALSO ORDER ONE SHIM ASSORTMENT P/N 75039400, FOR EACH ACTUATOR ASSEMBLY BEING REPLACED.</p>			



4-1102(2)B

INDEX NO.	PART NUMBER	DESCRIPTION	APPLICATION
1		ACTUATOR ASSEMBLY	
2	10126006	NOT APPLICABLE	
3	70725900	SCREW, MACHINE, FLAT HEAD, HEX SOCKET, 6-32 x 3/8	
4	72825100	PLATE, STOP	
5	70728903	SHIM, STOP CARRIAGE	
6	72835400	ROD, STOP	
7	72815100	STOP, CARRIAGE	
8	92817096	SPACER, STOP, CARRIAGE	
9	73228200	SCREW, MACHINE, CAP HEAD, HEX SOCKET, 4-40 x 1/4	
		PLATE, ARM CLAMP	
		<p>NOTE: ONLY THOSE PARTS LISTED ARE FIELD REPLACEABLE.</p> <p>IF IT BECOMES NECESSARY TO REPLACE PARTS OTHER THAN THOSE LISTED, REPLACEMENT OF THE ENTIRE ACTUATOR ASSEMBLY IS REQUIRED.</p>	

C

C

C

FIGURE 12

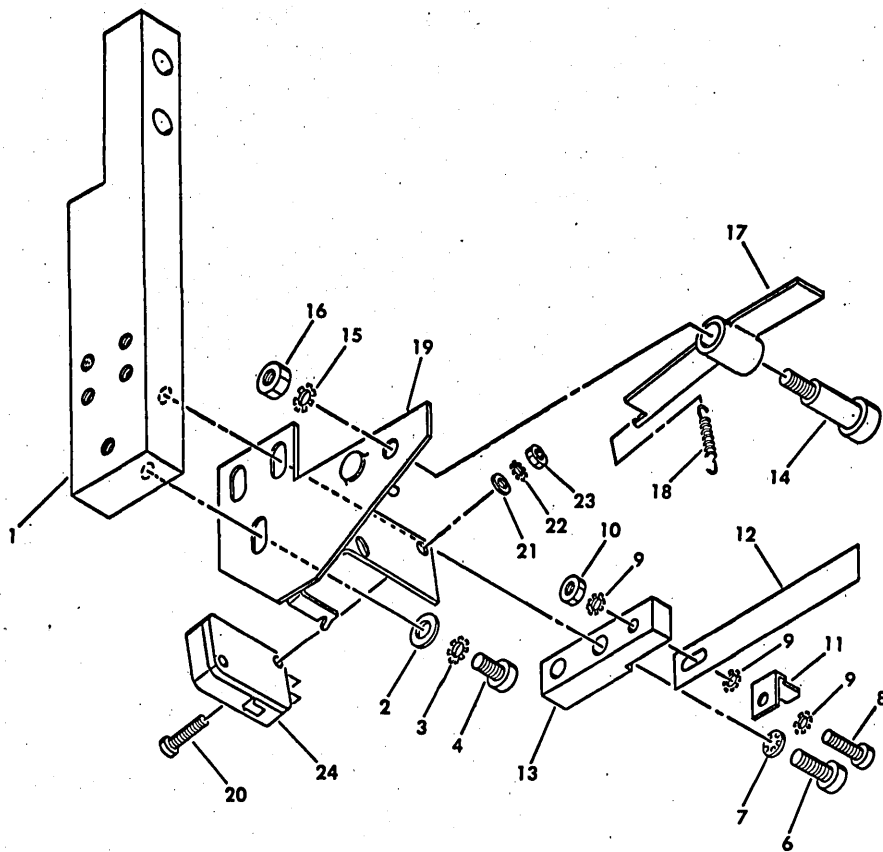
NOT APPLICABLE

C

C

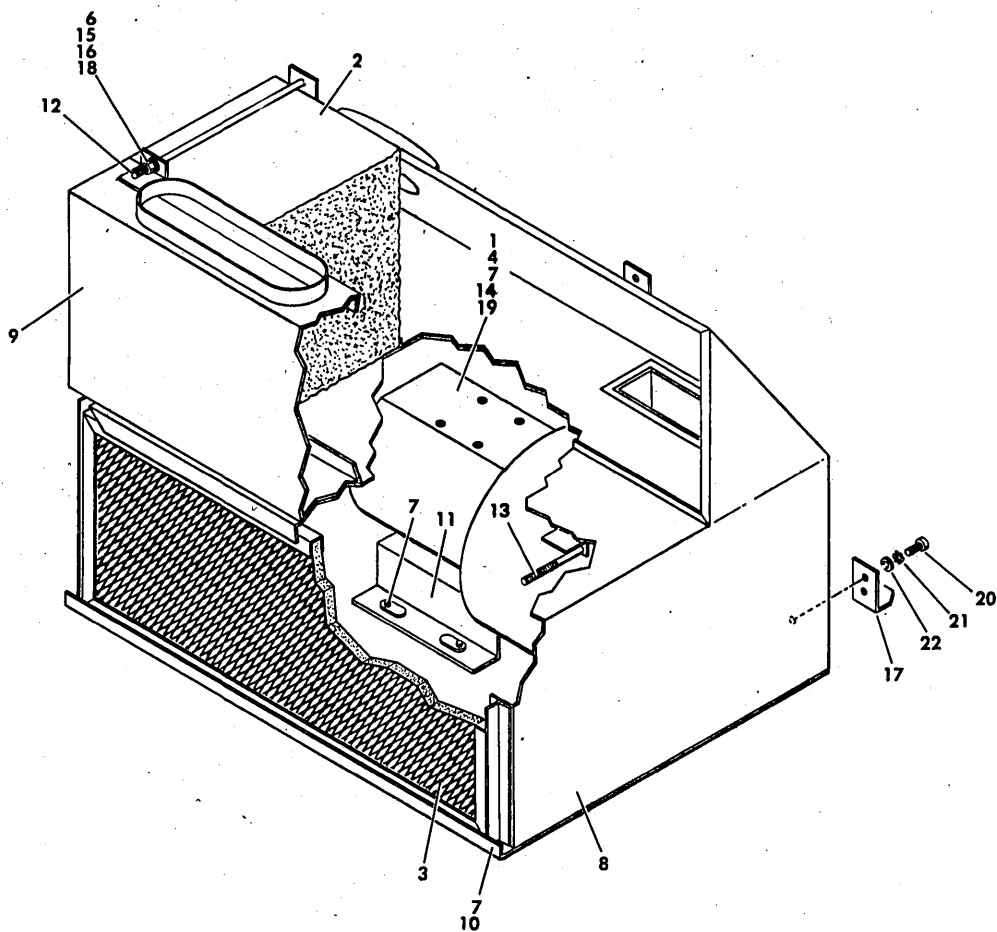
FIGURE 13

NOT APPLICABLE



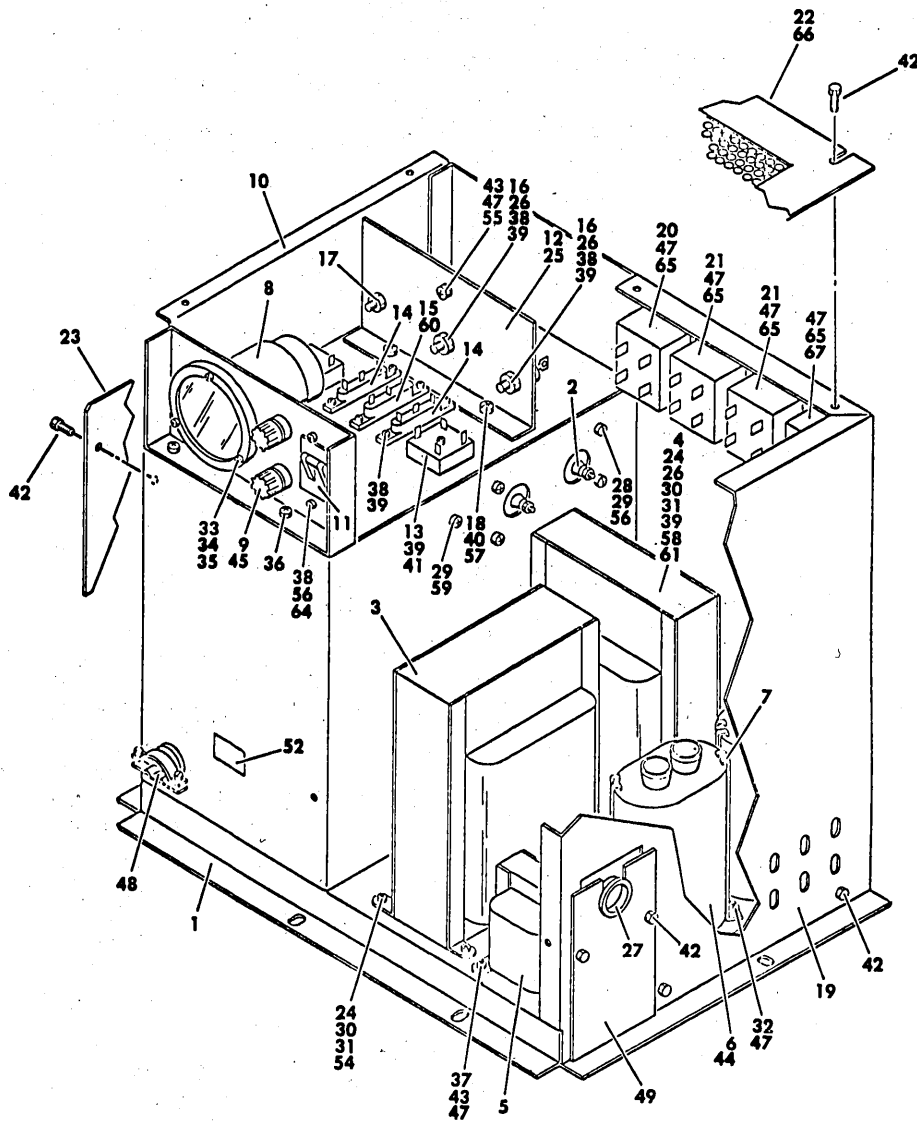
4-1403A

INDEX NO.	PART NUMBER	DESCRIPTION	APPLICATION
	73586100	PACK SENSOR ASSEMBLY	
1	73586600	MOUNT-SWITCH	
2	10125606	WASHER, PLAIN, 8	
3	10126402	WASHER, LOCK, EXTERNAL TOOTH, 8	
4	10127122	SCREW, MACHINE, PAN HEAD, 8-32 x 3/8	
5		NOT APPLICABLE	
6	10127124	SCREW, MACHINE, PAN HEAD, 8-32 x 5/8	
7	10126104	WASHER, LOCK, INTERNAL TOOTH, 8	
8	10127336	SCREW, MACHINE, PAN HEAD, 6-32 x 5/8	
9	10126401	WASHER, LOCK, EXTERNAL TOOTH, 6	
10	10125105	NUT, MACHINE, HEXAGON, 6-32	
11	94274107	TERMINAL, QUICK CONNECT	
12	40054700	SPRING, STATIC GROUND	
13	73478500	BRACKET, MOUNTING, CONTACT	
14	93707002	SCREW, SOCKET HEAD, 1/4-20 x 1/2	
15	10126403	WASHER, LOCK, EXTERNAL TOOTH, 10	
16	10125107	NUT, MACHINE, HEXAGON, 10-24	
17	73587200	ARM-ACTUATOR	
18	73225300	SPRING-EXTENSION	
19	73587300	PLATE, MOUNTING	
20	10127106	SCREW, MACHINE, PAN HEAD, 4-40 x 5/8	
21	10125603	WASHER, PLAIN, 4	
22	10126400	WASHER, LOCK, EXTERNAL TOOTH, 4	
23	10125103	NUT, MACHINE, HEXAGON, 4-40	
24	93786012	SWITCH, MINI-INTEGRAL ACTUATOR	



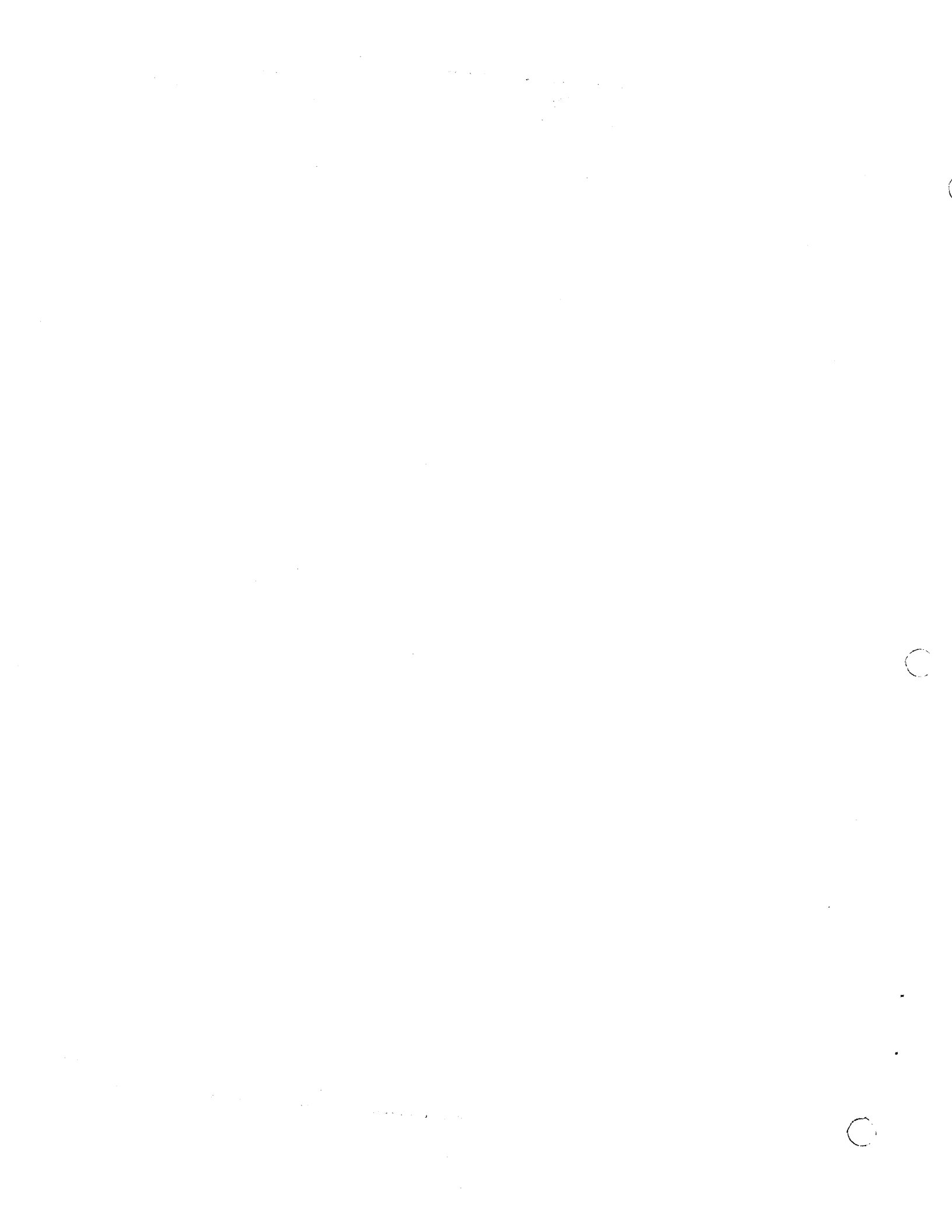
4-1500B

INDEX NO.	PART NUMBER	DESCRIPTION	APPLICATION
	75024206	AIR SUPPLY ASSEMBLY	
1	75025200	BLOWER MOTOR ASSEMBLY	
2	94358000	FILTER	
3	00815447	FILTER, ALUMINUM	
4	92541002	SCREW, MACHINE, SHOULDER, 1/4-20	
5	10125713	SCREW, MACHINE, FLAT HEAD, PHILLIPS, 6-32 x 5/16	
6	10125107	NUT, HEXAGON, 10-24	
7	10125609	WASHER, FLAT, 5/16	
8	75094900	PLENUM, BLOWER	
9	75086900	PLENUM, OUTPUT	
10	76377400	COVER, BLOWER	
11	76377500	BRACKET, BLOWER	
12	40091800	ROD, CLAMP	
13	40091802	ROD, CLAMP	
14	94359600	MOUNT, SHOCK, RUBBER	
15	10125805	WASHER, LOCK, SPRING, 10	
16	10125608	WASHER, FLAT, 1/4	
17	75007100	BRACKET, PLENUM	
18	10125107	NUT, HEXAGON, 10-24	
19	94359601	MOUNT, SHOCK, RUBBER	
20	10127122	SCREW, MACHINE, PAN HEAD, PHILLIPS, 8-32 x 3/8	
21	10126402	WASHER, LOCK, EXTERNAL TOOTH, 8	
22	10125606	WASHER, FLAT, 8	

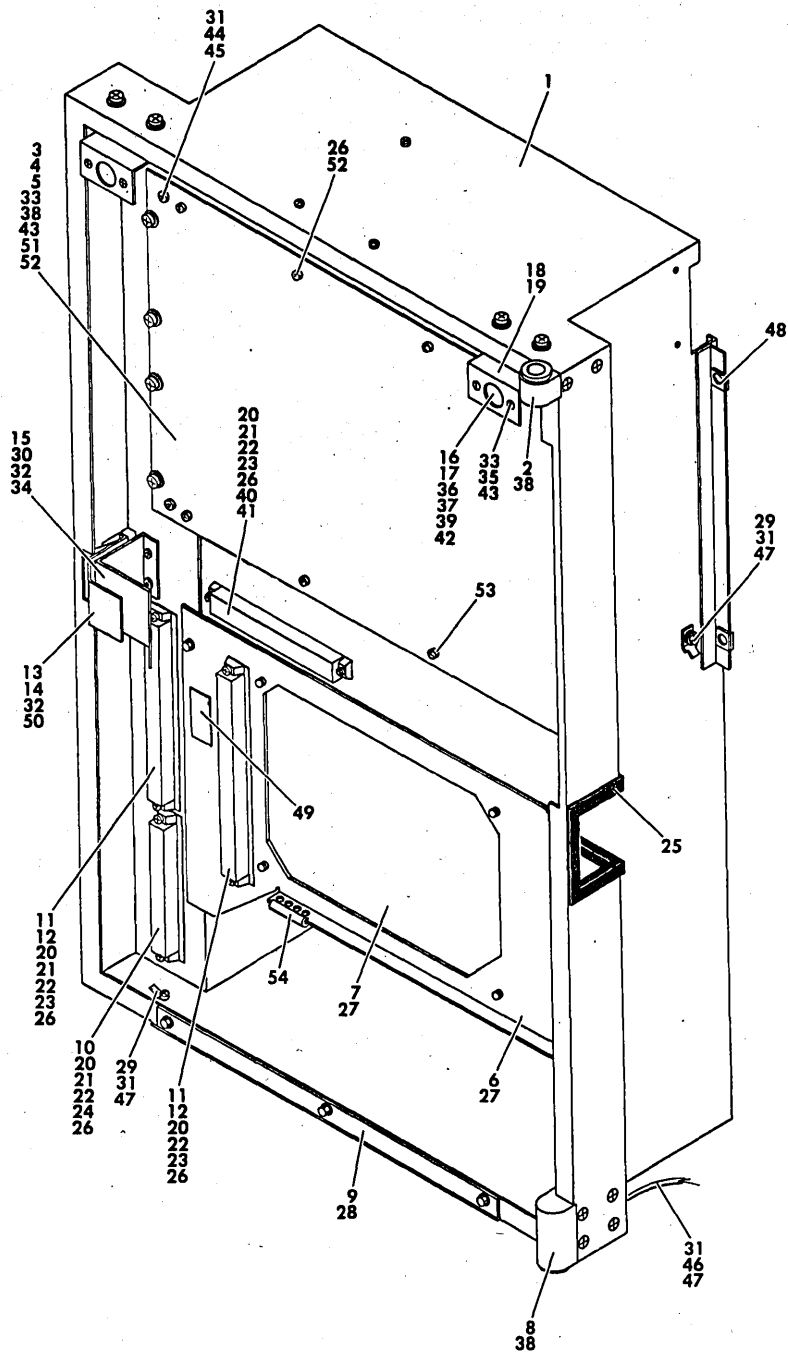


4-1607A

INDEX NO.	PART NUMBER	DESCRIPTION	APPLICATION
1	760280xx	POWER SUPPLY ASSEMBLY	
2	73670000	BASE, POWER SUPPLY	
3	94246001	FILTER, RFI	
3	47376400	TRANSFORMER	60 HZ
3	47376500	TRANSFORMER	50 HZ
4	47396100	TRANSFORMER	60 HZ
4	47396200	TRANSFORMER	50 HZ
5	47317900	TRANSFORMER ASSEMBLY	
6	95686701	CAPACITOR, 660 VAC	
7	95641708	CLAMP, CAPACITOR	
8	94313808	METER, HOUR	60 HZ
8	94313809	METER, HOUR	50 HZ
9	94310102	EXTRACTOR, FUSE	
10	75092500	COVER, COMPONENT MOUNTING	
11	94245215	CIRCUIT BREAKER, LONG DELAY	
12	73628200	BRACKET, RECTIFIER	
13	95582001	BLOCK, RECTIFIER	
14	95583504	BLOCK, RECTIFIER	
15	95583505	BLOCK, RECTIFIER	
16	95654205	RECTIFIER, SILICON, 40 AMP	
17	95642602	RECTIFIER, SILICON, 12 AMP	
18	95655200	NUT, PUSH ON	
19	76026500	PANEL, SIDE, POWER SUPPLY	
20	94371301	SWITCH, SOLID STATE, 15 AMPS	
21	94371302	SWITCH, SOLID STATE, 30 AMPS	
22	75026600	COVER, POWER SUPPLY	
23	75041400	COVER, FILTER BOX	
24	10125608	WASHER, FLAT, 1/4	
25	75026400	INSULATOR BRACKET	
26	10125105	NUT, HEXAGON, 6-32	
27	94305530	BUSHING, SNAP	
28	10127130	SCREW, MACHINE, PAN HEAD, PHILLIPS, 10-24 x 5/16	
29	10126403	WASHER, LOCK, EXTERNAL TOOTH, 10	
30	10127155	SCREW, MACHINE, PAN HEAD, PHILLIPS, 1/4-20 x 3/4	
31	10125806	WASHER, LOCK, SPRING, 1/4	
32	10127127	SCREW, MACHINE, PAN HEAD, PHILLIPS, 8-32 x 1	
33	10127105	SCREW, MACHINE, PAN HEAD, PHILLIPS, 4-40 x 1/2	
34	10126101	WASHER, LOCK, INTERNAL TOOTH, 4	
35	10125103	NUT, HEXAGON, 4-40	
36	17901516	SCREW, MACHINE, PAN HEAD, PHILLIPS, STP, 8-32 x 3/8	
37	10125606	WASHER, FLAT, 8	
38	10127112	SCREW, MACHINE, PAN HEAD, PHILLIPS, 6-32 x 5/16	
39	10126401	WASHER, LOCK, EXTERNAL TOOTH, 6	
40	95655543	SCREW, MACHINE, PAN HEAD, PHILLIPS, 10-16 x 1/2	
41	17901512	SCREW, SELF TPG, 6-32 x 3/4	
42	93592158	SCREW, MACHINE, HEX HEAD, PLAIN, 6-32 x 1/4	
43	10127124	SCREW, MACHINE, PAN HEAD, PHILLIPS, 8-32 x 5/8	
44	95582501	BOOT, DOUBLE ENTRANCE	
45	93419314	FUSE, SLOW-BLOW, 3/8 AMP, 250 VOLT	
46	76477500	A. C. HARNESS ASSEMBLY	
	93541012	TERMINAL, RING	
	93541018	TERMINAL, RING	
	95643216	CONNECTOR, QUICK CONNECT	
	95643226	CONNECTOR, QUICK CONNECT	
	95643217	CONNECTOR, QUICK CONNECT	
	93943002	SOCKET, CONTACT	
	93947006	CONNECTOR, SOCKET HOUSING	
	93947001	CONNECTOR, SOCKET HOUSING	
	94130000	RECEPTACLE, SLIDE-ON	
	93541016	TERMINAL, RING	
	93541028	TERMINAL, RING	

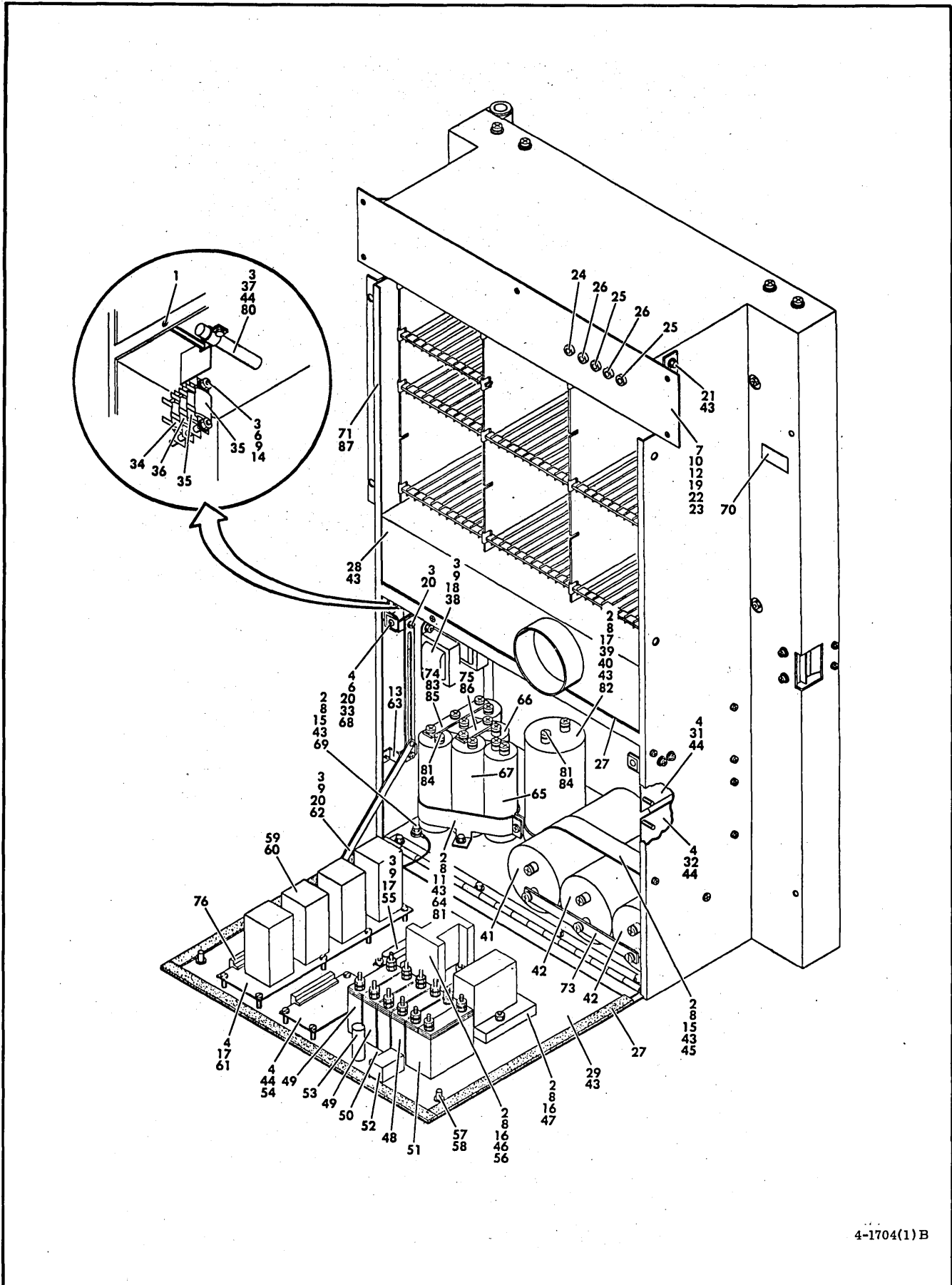


INDEX NO.	PART NUMBER	DESCRIPTION	APPLICATION
		POWER SUPPLY ASSEMBLY (CONT'D)	
47	10126402	WASHER, LOCK, EXTERNAL TOOTH, 8	
48	92801001	CLAMP, CABLE	
49	75032200	COVER, CABLE	
50	94277406	STRAP, CABLE TIE	
51	17901524	SCREW, MACHINE, PAN HEAD, PHILLIPS, STP, 10-32 x 1/2	
52	94208500	LABEL	
53	46068603	PLATE, WARNING	
54	93602321	NUT, SELF-MOUNTING, 1/4-20	
55	10125106	NUT, HEXAGON, 8-32	
56	10126105	WASHER, LOCK, INTERNAL TOOTH, 10	
57	94347101	WASHER, SHOULDER	
58	10125605	WASHER, FLAT, 6	
59	10127132	SCREW, MACHINE, PAN HEAD, 10-24 x 1/2	
60	17901509	SCREW, SELF TPG, 6-32 x 3/8	
61	94208301	SCREW, CAP	
62	94245211	CIRCUIT BREAKER, LONG DELAY	
63	10127111	SCREW, MACHINE, PAN HEAD, 6-32 x 1/4	
64	10126103	WASHER, LOCK, INTERNAL TOOTH, 6	
65	10127122	SCREW, MACHINE, PAN HEAD, PHILLIPS, 8-32 x 3/8	
66	93592196	SCREW, MACHINE, SELF TPG, 8-32 x 3/8	
67	94376500	SWITCH, SOLID STATE	



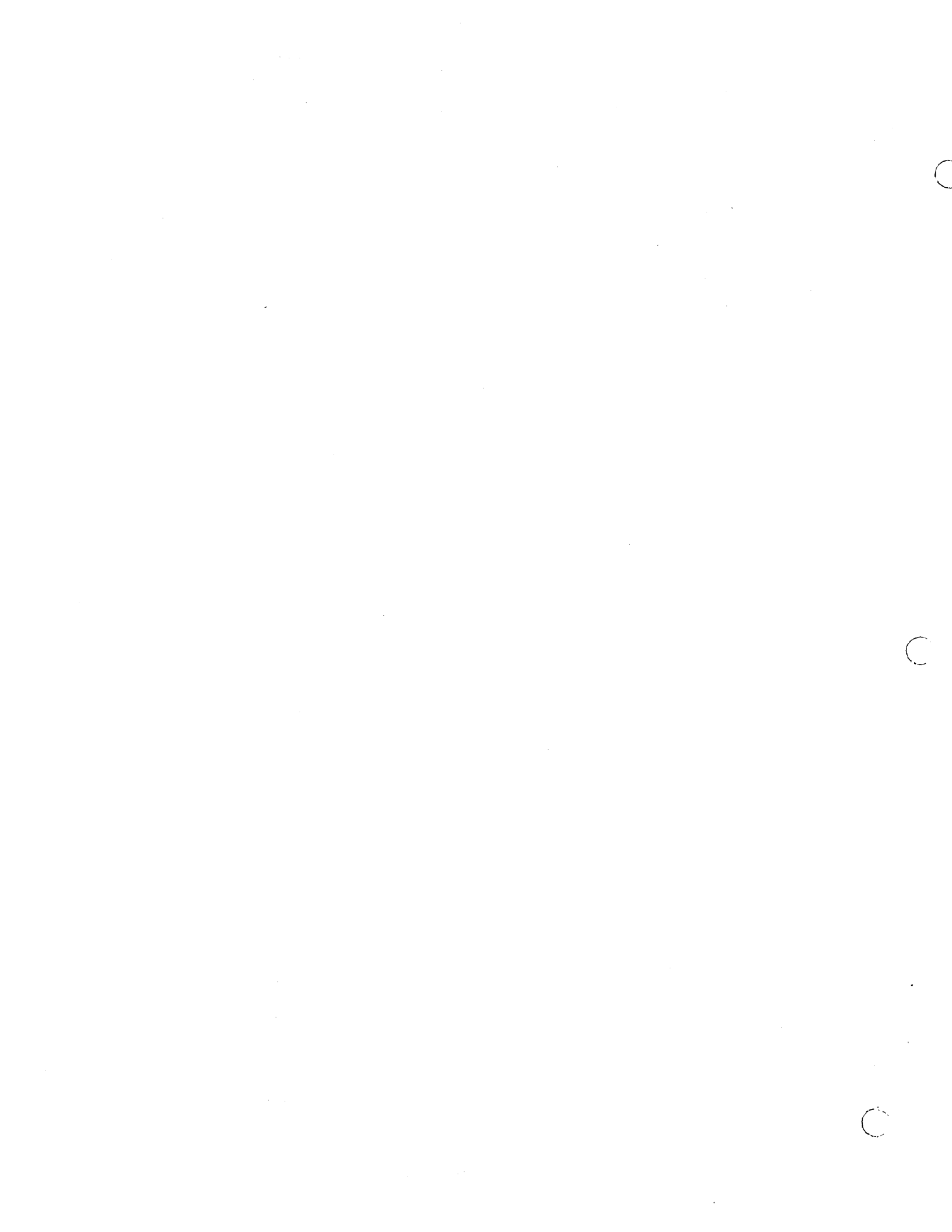
4-1709(2) B

INDEX NO.	PART NUMBER	DESCRIPTION	APPLICATION
1	752104xx	LOGIC CHASSIS ASSEMBLY	
2	76406100	FRAME, LOGIC CHASSIS	
3	75024600	HINGE, LOGIC CHASSIS	
	752108xx	PANEL AND GUIDE ASSEMBLY	
	752147xx	WIRE WRAP ASSEMBLY	
	46491100	PANEL, PERPENDICULAR	
	46490200	RAIL, GUIDE	
	46490201	RAIL, GUIDE	
	94309003	CLIP, U TYPE	
	17901515	SCREW, THD ROLL, PAN HEAD, PHILLIPS, 8-32 x 1/4	
	94208500	LABEL, INFORMATION	
4	75028901	INSULATOR, BACK PANEL	
5	75028900	INSULATOR, BACK PANEL	
6	76465100	PANEL, BACK, DC	
7		COMPONENT ASSEMBLY, TYPE 3ZCN (SEE FIGURE 18)	
8	75024700	HINGE, LOGIC CHASSIS, LOWER	
9	75025900	CATCH, BOTTOM	
10	94274440	MARKER, STRIP	
11	94272341	BLOCK, TERMINAL, SINGLE SCREW	
12	94274446	MARKER, STRIP	
13	75032700	LATCH AND SPRING ASSEMBLY	
	75027800	CATCH, LATCH	
	76411800	SPRING, LATCH, FLAT	
	93994003	RIVET, POP	
14	75027400	BLOCK, PIVOT, LATCH	
15	75027600	PLATE, BACKUP	
16	94355603	FASTENER, QUARTER TURN	
17	94355602	FASTENER, QUARTER TURN	
18	75026100	PLATE, NUT	
19	75026000	BRACKET, FASTENER, MOUNTING	
20	94274116	TERMINAL, QUICK CONNECT	
21	94274110	TERMINAL, QUICK CONNECT	
22	94274113	TERMINAL, QUICK CONNECT	
23	93047002	JUMPER, BARRIER STRIP	
24	94272335	BLOCK, TERMINAL, SINGLE SCREW	
25	94237705	TRIM, SAFETY, BLACK	
26	17901517	SCREW, THD ROLL, PAN HEAD, PHILLIPS, 8-32 x 5/8	
27	93592196	SCREW, HEX WASHER HEAD, SELF TAPPING, 8-32 x 1/4	
28	93592158	SCREW, HEX WASHER HEAD, SELF TAPPING, 6-32 x 1/4	
29	94274105	TERMINAL, QUICK CONNECT	
30	10127111	SCREW, MACHINE, PAN HEAD, PHILLIPS, 6-32 x 1/4	
31	10126402	WASHER, LOCK, EXTERNAL TOOTH, 8	
32	10126103	WASHER, LOCK, INTERNAL TOOTH, 6	
33	10126403	WASHER, LOCK, EXTERNAL TOOTH, 10	
34	10125605	WASHER, FLAT, 6	
35	10127143	SCREW, MACHINE, PAN HEAD, PHILLIPS, 10-32 x 1/2	
36	10125903	SCREW, MACHINE, FLAT HEAD, PHILLIPS, 4-40 x 3/8	
37	10126400	WASHER, LOCK, EXTERNAL TOOTH, 4	
38	10127142	SCREW, MACHINE, PAN HEAD, PHILLIPS, 10-32 x 3/8	
39	10125103	NUT, HEXAGON, 4-40	
40	94272336	BLOCK, TERMINAL, SINGLE SCREW	
41	94274441	MARKER, STRIP	
42	10125603	WASHER, FLAT, 4	
43	10125607	WASHER, FLAT, 10	
44	10127123	SCREW, MACHINE, PAN HEAD, PHILLIPS, 8-32 x 1/2	
45	10125106	NUT, HEXAGON, 8-32	
46	94281435	CABLE, GROUND	
47	10127122	SCREW, MACHINE, PAN HEAD, PHILLIPS, 8-32 x 3/8	
48	94317800	RECEPTACLE, CLIP-ON	
49	46068600	PLATE, WARNING	
50	10127112	SCREW, MACHINE, PAN HEAD, PHILLIPS, 6-32 x 5/16	
51	10127144	SCREW, MACHINE, PAN HEAD, PHILLIPS, 10-32 x 5/8	
52	94277406	STRAP, CABLE TIE	
53	17901516	SCREW, THD ROLL, PAN HEAD, PHILLIPS, 8-32 x 3/8	
54	94060003	CHANNEL, RUBBER	

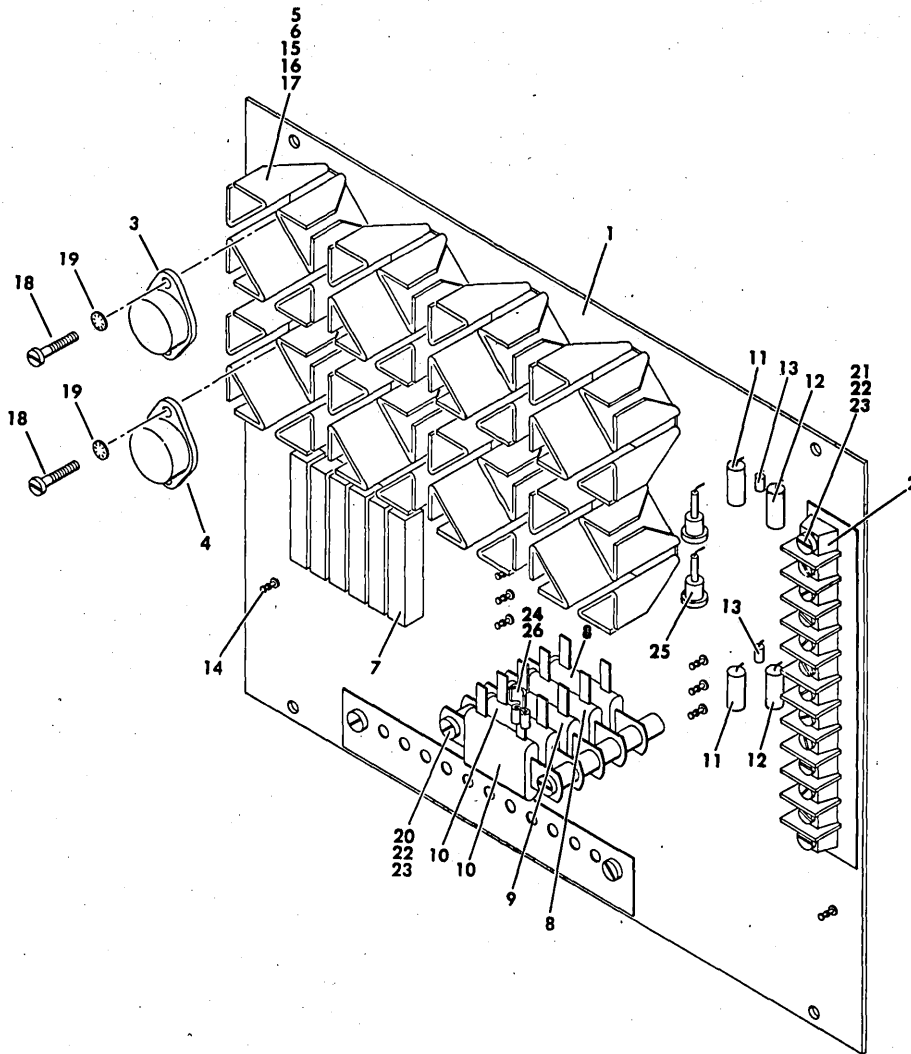


4-1704(1)B

INDEX NO.	PART NUMBER	DESCRIPTION	APPLICATION
		LOGIC CHASSIS ASSEMBLY	
1	10125711	SCREW, MACHINE, FLAT HEAD, PHILLIPS, 6-32 x 3/16	
2	10126402	WASHER, LOCK, EXTERNAL TOOTH, 8	
3	10126401	WASHER, LOCK, EXTERNAL TOOTH, 6	
4	10126103	WASHER, LOCK, INTERNAL TOOTH, 6	
5	10125108	NUT, HEXAGON, 10-32	
6	10125605	WASHER, FLAT, 6	
7	10125603	WASHER, FLAT, 4	
8	10125106	NUT, HEXAGON, 8-32	
9	10125105	NUT, HEXAGON, 6-32	
10	10125103	NUT, HEXAGON, 4-40	
11	10127122	SCREW, MACHINE, PAN HEAD, PHILLIPS, 8-32 x 3/8	
12	10126400	WASHER, LOCK, EXTERNAL TOOTH, 4	
13	10125711	SCREW, MACHINE, FLAT HEAD, PHILLIPS, 6-32 x 3/16	
14	95662251	SCREW, MACHINE, ROUND HEAD, SLOTTED, 10-32 x 2-1/4	
15	10127121	SCREW, MACHINE, PAN HEAD, PHILLIPS, 6-32 x 5/16	
16	10127124	SCREW, MACHINE, PAN HEAD, PHILLIPS, 6-32 x 5/8	
17	10127113	SCREW, MACHINE, PAN HEAD, PHILLIPS, 6-32 x 3/8	
18	10125713	SCREW, MACHINE, FLAT HEAD, PHILLIPS, 6-32 x 5/16	
19	10125703	SCREW, MACHINE, FLAT HEAD, PHILLIPS, 4-4 x 5/16	
20	10127112	SCREW, MACHINE, PAN HEAD, PHILLIPS, 6-32 x 5/16	
21	75055900	BRACKET, PANEL	
22	75199800	TEST POINT PANEL ASSEMBLY	
23	75199700	PANEL, TEST POINT	
24	93672001	JACK, BANANA, BLACK	
25	93672005	JACK, BANANA, BLUE	
26	93672003	JACK, BANANA, RED	
	94245607	CONTACT, SOCKET	
27	94001000	TAPE, FOAM	
28	73673000	PLENUM, AIR, LOGIC	
29	76465100	PANEL, DC	
30		NOT APPLICABLE	
31		COMPONENT ASSY, VOLTAGE REGULATOR (+) (SEE FIGURE 19)	
32		COMPONENT ASSEMBLY, VOLTAGE REGULATOR (-) (SEE FIGURE 20)	
33	75025100	BRACKET, RECEPTACLE MOUNTING	
34	95667412	RESISTOR, POWER, 30 W, 50 OHM	
35	95667415	RESISTOR, POWER, 30 W, 150 OHM	
36	95667417	RESISTOR, POWER, 30 W, 250 OHM	
37	94248601	SWITCH, AIR FLOW	
38	47120500	INDUCTOR, 1 AMP, 6 M. H.	
39	95661312	CAPACITOR, 15 VOLT	
40	92691011	CLAMP, CAPACITOR MOUNTING	
41	95642415	CAPACITOR, 25 VOLT	
42	95578105	CAPACITOR, 50 VOLT	
43	93592196	SCREW, MACHINE, HEX HEAD, STP, 8-32 x 1/4	
44	10127111	SCREW, MACHINE, PAN HEAD, PHILLIPS, 6-32 x 1/4	
45	75027900	CLAMP, CAPACITOR	
46	36099501	RELAY, POWER	
47	94260900	RELAY, POWER	
48	92696041	CIRCUIT BREAKER, 2 AMP, 50 VOLT	
49	92696047	CIRCUIT BREAKER, 7 AMP, 50 VOLT	
50	92696021	CIRCUIT BREAKER, 15 AMP, 50 VOLT	
51	94268303	CIRCUIT BREAKER, 2 AMP, 50 VOLT	
52	92509013	SWITCH, TOGGLE	
53	94039102	LIGHT, INDICATOR, 24 VOLT	
54		SENSING BOARD ASSEMBLY (SEE FIGURE 21)	
55	95583503	BLOCK, RECTIFIER, 15 AMP	
56	45595601	RECTIFIER, SILICON	
57	94317708	FASTENER, OVAL, FLUSH STUD	
58	94317900	RETAINER, SPLIT RING	
59	94294106	RELAY, TELEPHONE	
60	94294104	RELAY, TELEPHONE	
61	73645100	COMPONENT ASSEMBLY, RELAY	
	73645000	BOARD, RELAY, BLANK	
	93114214	STANDOFF, TAPPED POST	
	94245801	SOCKET, RELAY, TELEPHONE	
	93935000	RECTIFIER, SILICON	
	92512150	RESISTOR, FIXED, 1/4 W, 47 OHM	
	92496239	CAPACITOR, 100 VOLT, 0.01 UF	
	10127333	SCREW, MACHINE, PAN HEAD, SLOTTED, 6-32 x 5/16	
62	94309900	SUPPORT, FALL	
63	75025000	BRACKET, FALL STOP MOUNTING	
64	75025300	CLAMP, CAPACITOR	
65	95645600	CAPACITOR, 40 VOLT, 55 UF	
66	95661308	CAPACITOR, 15 VOLT	
67	95642401	CAPACITOR, 25 VOLT	
68	94317800	RECEPTACLE, CLIP-ON	

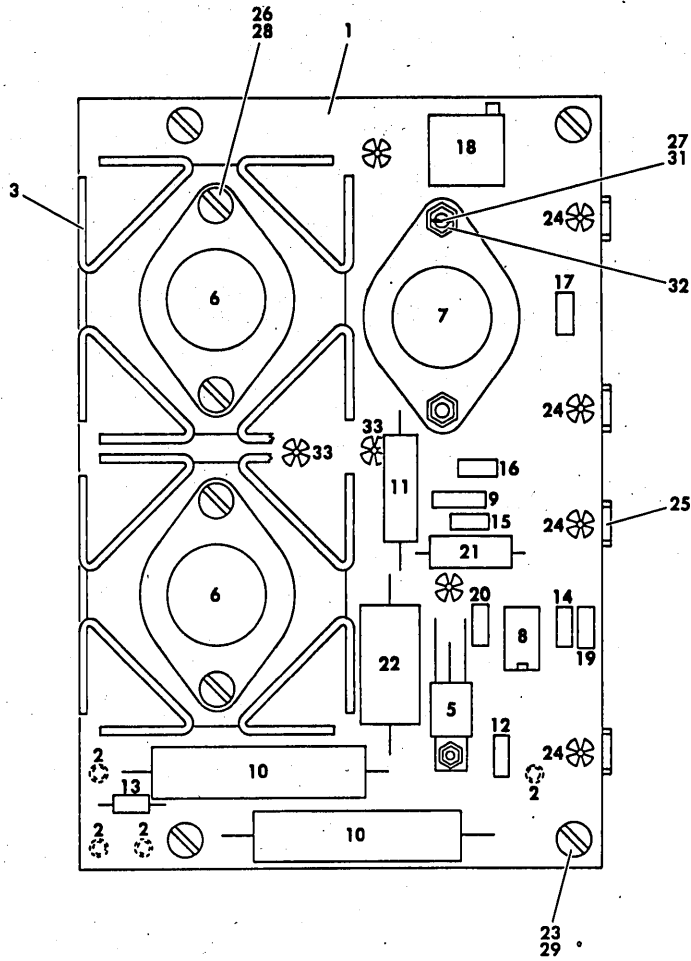


INDEX NO.	PART NUMBER	DESCRIPTION	APPLICATION
69	94281474	CABLE, GROUND	
70	94208500	LABEL	
71	94281435	CABLE, GROUND	
72		NOT APPLICABLE	
73	47316301	BAR, BUS, 3 TERM	
74	47316501	BAR, BUS, 3 TERM	
75	75041700	BAR, BUS, 2 TERM	
76	76505700	LOGIC HARNESS ASSEMBLY	
	93541012	TERMINAL, RING	
	93541023	TERMINAL, RING	
	93541010	TERMINAL, RING	
	93541016	TERMINAL, RING	
	94245606	CONTACT, SOCKET	
	94245601	CONTACT, SOCKET	
	95643216	CONNECTOR, QUICK CONNECT	
	95643217	CONNECTOR, QUICK CONNECT	
	95643212	CONNECTOR, QUICK CONNECT	
	93747082	RECEPTACLE, SLIDE-ON	
	94245607	CONTACT, SOCKET	
	94261807	BODY, CABLE CONNECTOR	
	95643227	CONNECTOR, QUICK CONNECT	
	95643225	CONNECTOR, QUICK CONNECT	
	93541018	TERMINAL, RING	
	53227403	CLIP, LOW FORCE	
77	93592158	SCREW, MACHINE, HEX HEAD, STP, 6-32 x 1/4	
78	93592196	SCREW, MACHINE, HEX HEAD, STP, 8-32 x 1/4	
79		NOT APPLICABLE	
80	93114328	STANDOFF, TAPPED POST, HEXAGON	
81	10127141	SCREW, MACHINE, PAN HEAD, PHILLIPS, 10-32 x 1/4	
82	10127142	SCREW, MACHINE, PAN HEAD, PHILLIPS, 10-32 x 3/8	
83	10127144	SCREW, MACHINE, PAN HEAD, PHILLIPS, 10-32 x 5/8	
84	93109238	SPACER, STANDOFF	
	24547501	LABEL, HIGH VOLTAGE	
	46068600	LABEL, HIGH VOLTAGE	
85	10127146	SCREW, MACHINE, PAN HEAD, SLOTTED, 10-32 x 7/8	
86	93109240	SPACER, STANDOFF	
87	10125804	WASHER, SPRING LOCK, 8	
	94277400	STRAP, CABLE TIE	



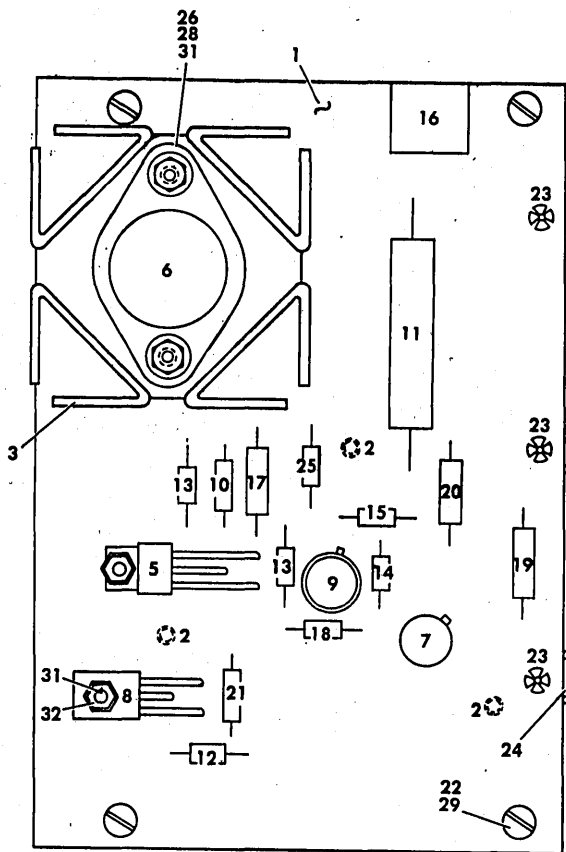
4-1800B

INDEX NO.	PART NUMBER	DESCRIPTION	APPLICATION
	75183600	COMPONENT ASSEMBLY	
1	75183500	BOARD, POST WIRE WRAP	
2	95591206	TERMINAL STRIP, QUICK CONNECT	
3	50221601	TRANSISTOR, POWER	
4	50221701	TRANSISTOR, POWER	
5	94261000	HEAT SINK, TRANSISTOR	
6	94346300	SOCKET, POWER TRANSISTOR	
7	92825007	RESISTOR, FIXED	
8	94237013	RESISTOR, POWER, 30W, 5 OHM	
9	94237019	RESISTOR, POWER, 30W, 250 OHM	
10	94237011	RESISTOR, POWER, 30W, 0.5 OHM	
11	92512867	RESISTOR, FIXED, 2W, 100 OHM	
12	92512879	RESISTOR, FIXED, 2W, 470 OHM	
13	92115037	DIODE, ZENER	
14	92498004	TERMINAL, SWAGER	
15	10127314	SCREW, MACHINE, PAN HEAD, SLOTTED, 2-56 x 1/2	
16	10125102	NUT, HEXAGON, 2-56	
17	10126100	WASHER, LOCK, INTERNAL TOOTH, 2	
18	10127337	SCREW, MACHINE, PAN HEAD, PHILLIPS, 6-32 x 3/4	
19	10126103	WASHER, LOCK, INTERNAL TOOTH, 6	
20	10127359	SCREW, MACHINE, PAN HEAD, SLOTTED, 8-32 x 2-3/4	
21	10127350	SCREW, MACHINE, PAN HEAD, SLOTTED, 8-32 x 3/4	
22	10125106	NUT, HEXAGON, 8-32	
23	10126104	WASHER, LOCK, INTERNAL TOOTH, 8	
24	95643227	CONNECTOR, QUICK CONNECT	
25	93542001	RECTIFIER, GERMANIUM	
26	95643226	CONNECTOR, QUICK CONNECT	



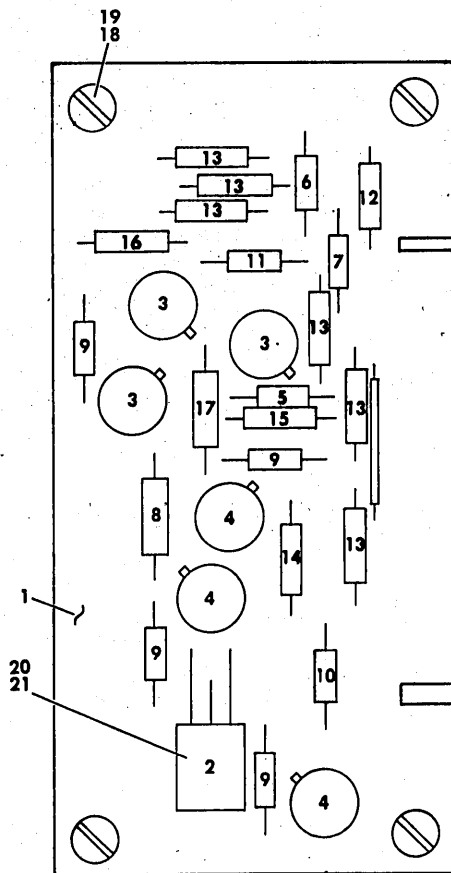
4-1900D

INDEX NO.	PART NUMBER	DESCRIPTION	APPLICATION
	75179800	VOLTAGE REGULATOR ASSEMBLY (+)	
1	93483700	BOARD, BLANK	
2	92498021	TERMINAL, SWAGER	
3	94261000	HEAT SINK, TRANSISTOR	
4		NOT APPLICABLE	
5	94262016	TRIAC, BI-DIRECTIONAL	
6	50221301	TRANSISTOR, SILICON	
7	50221401	TRANSISTOR, SILICON	
8	95596100	VOLTAGE REGULATOR, INTEGRATED CIRCUIT	
9	50240107	DIODE, ZENER, .4W, 5.6 VOLT	
10	92825001	RESISTOR, FIXED, 7W, .1 OHM	
11	92512913	RESISTOR, FIXED, 2W, 33 OHM	
12	92512151	RESISTOR, FIXED, 1/4W, 56 OHM	
13	92512248	RESISTOR, FIXED, 1/4W, 68 OHM	
14	92512157	RESISTOR, FIXED, 1/4W, 470 OHM	
15	92512160	RESISTOR, FIXED, 1/4W, 2.2K OHM	
16	92512256	RESISTOR, FIXED, 1/4W, 1.8K OHM	
17	92512259	RESISTOR, FIXED, 1/4W, 5.6K OHM	
18	92617031	POTENTIOMETER, 2K OHM	
19	92496143	CAPACITOR, 560 UF, 200 VOLT	
20	92496147	CAPACITOR, 1200 UF, 200 VOLT	
21	92427039	CAPACITOR, 68 UF, 35 VOLT	
22	92427133	CAPACITOR, 100 UF, 15 VOLT	
23	93114214	STANDOFF, TAPPED POST	
24	93903018	EYELET, ROLLED FLANGE	
25	94274143	TERMINAL, QUICK CONNECT	
26	95510026	NUT, HEX, MACHINE, SCREW	
27	10125605	WASHER, PLAIN, FLAT, 6	
28	10126103	WASHER, INTERNAL TOOTH, LOCK, 6	
29	10127332	SCREW, MACHINE, PAN HEAD, SLOTTED, 6-32 x 1/4	
30	10127337	SCREW, MACHINE, PAN HEAD, SLOTTED, 6-32 x 3/4	
31	93640012	STUD, SELF CLINCHING	
32	92583002	NUT, LOCK	
33	92030013	EYELET	



4-2000C

INDEX NO.	PART NUMBER	DESCRIPTION	APPLICATION
	75184100	VOLTAGE REGULATOR ASSEMBLY (-)	
1	73579200	BOARD, BLANK	
2	92498021	TERMINAL, SWAGER	
3	94261000	HEAT SINK, TRANSISTOR	
4		NOT APPLICABLE	
5	94262016	TRIAC, BI-DIRECTIONAL	
6	50221301	TRANSISTOR, SILICON	
7	50210610	TRANSISTOR, SILICON	
8	50221001	TRANSISTOR, SILICON	
9	95592050	VOLTAGE REGULATOR, INTEGRATED CIRCUIT	
10	50240107	DIODE, ZENER, .4W, 5.6 VOLT	
11	95334004	RESISTOR, FIXED, 7W, 10 OHM	
12	92512248	RESISTOR, FIXED, 1/4W, 68 OHM	
13	92512160	RESISTOR, FIXED, 1/4W, 2.2K OHM	
14	92512256	RESISTOR, FIXED, 1/4W, 1.8K OHM	
15	92512259	RESISTOR, FIXED, 1/4W, 5.6K OHM	
16	92617031	POTENTIOMETER, 2K OHM	
17	92427039	CAPACITOR, 68 UF, 35 VOLT	
18	92512245	RESISTOR, FIXED, 1/4W, 27 OHM	
19	92427087	CAPACITOR, 4.7 UF, 50 VOLT'	
20	92427089	CAPACITOR, 22 UF, 15 VOLT	
21	24505225	CAPACITOR	
22	93114214	STANDOFF, TAPPED POST	
23	93903018	EYELET, ROLLED FLANGE	
24	94274107	TERMINAL, QUICK CONNECT	
25	92512255	RESISTOR, FIXED, 1/4W, 1.5K OHM	
26		NOT APPLICABLE	
27		NOT APPLICABLE	
28		NOT APPLICABLE	
29	10127332	SCREW, MACHINE, PAN HEAD, SLOTTED, 6-32 x 1/4	
30	10127335	SCREW, MACHINE, PAN HEAD, SLOTTED, 6-32 x 1/2	
31	93640012	STUD, SELF CLINCHING	
32	92583002	NUT, LOCK	



4-2100A

INDEX NO.	PART NUMBER	DESCRIPTION	APPLICATION
	73515600	SENSING BOARD ASSEMBLY	
1	73489600	BOARD, WIRE WRAP	
2	50221001	TRANSISTOR, 60V	
3	50210811	TRANSISTOR, 40V	
4	50210610	TRANSISTOR, 25V	
5	92512156	RESISTOR, FIXED, 270 OHM, 1/4W	
6	92512249	RESISTOR, FIXED, 180 OHM, 1/4W	
7	92512165	RESISTOR, FIXED, 22K OHM, 1/4W	
8	92512831	RESISTOR, FIXED, 1.8K OHM, 1/4W	
9	92512253	RESISTOR, FIXED, 680 OHM, 1/4W	
10	92512160	RESISTOR, FIXED, 2.2K OHM, 1/4W	
11	92512261	RESISTOR, FIXED, 15K OHM, 1/4W	
12	50240117	DIODE, SILICON, 16 OHM, 15 VOLT	
13	92115021	DIODE, SILICON, 10 OHM, 30 VOLT	
14	93935000	RECTIFIER, SILICON	
15	50240110	DIODE, SILICON, ZENER	
16	50240102	DIODE, SILICON, 24 OHM, 3.6 VOLT	
17	92512829	RESISTOR, FIXED, 1.5K OHM, 1/2W	
18	93114214	STANDOFF, TAPPED POST	
19	10127332	SCREW, MACHINE, PANHEAD, SLOTTED, 6-32 x 1/4	
20	92583002	NUT, LOCK	
21	93640011	STUD, SELF CLINCHING	

4-2100A

C

C

C

CARD COMPLEMENT

L O C A T I O N	LOGIC CARD TYPE	PART NUMBER	REMARKS	L O C A T I O N	LOGIC CARD TYPE	PART NUMBER	REMARKS
A1				B10	AEJV	54213302	
A2	BSAV	54150103		C1	ARVV	54148101	
A3				C2	3TWW	54168100	
A4	BSAV	54150103		C3	3TWW	54168100	
A5				C4			
A6	3PBV	54120501		C5			
A7	AWMV	54194501		C6			
A8	AWMV	54194501		C7	2GVV	54237700	
A9	1WMV	54194500		C8	3GYV	54238901	
A10	1WMV	54194500		C9			
A11	CFUV	54227304		C10			
A12	4GLV	54234101		C11			
A13	4GKV	54233701		C12	2GXV	54238500	
A14	3FTV	54226900		C13	3GJV	54233300	
A15				C14	2GWW	54238100	
A16	4FJV	54223305		C15	3GJV	54233300	
A17	4FMV	54224502		C16	3GUV	54237301	
A18	2GZV	54239300		C17	AGTV	54236902	
A19	2WWV	54198100		C18	3GSV	54236502	
A20				C19	2WWV	54198100	
A21	4FRV	54226110		C20	2WWV	54198100	
A22	1FWV	54228100		C21	2GNV	54234900	
A23	FWZV	54199310		C22	2GNV	54234900	
A24	AQZV	54139301		C23	2GPV	54235300	
A25	4FVV	54227702		C24			
A26	BMRV	54296103		C25			
A27	AMSV	54296502		C26			
A28	4MZV	54299301		C27			
A29				C28			
A30				C29			
B1				C30			
B2							
B3				E0	BZPN	72829610	
B4				E1	JFPV	54225312	
B5				E2	LATV	54096900	
B6				E3	BLFV	54224105	
B7				E4	4FNV	54224903	
B8	OWAV	54190100		E5			
B9	AWMV	54194501		E6			
					SERVO PREAMP ASSEMBLY	73485304	

KØR-0537



COMMENT SHEET

PLEASE COMPLETE ITEMS 1 THRU 11

From

(1) NAME
(2) DEPARTMENT OR ATTENTION OF
(3) STREET ADDRESS
(4) CITY AND STATE

Manual Information

(From Revision Record)

(5) MANUAL TITLE	
(6) PUBLICATION NO.	(7) REVISION
(8) FCO'S INCORPORATED INTO MANUAL	

Equipment Information

(From Equipment Nameplate & FCO Log)

(9) EQUIPMENT NO. AND DESCRIPTION
(10) SERIES CODE
(11) FCO'S INCORPORATED INTO EQUIPMENT

Comments

This form is not intended to be used as an order blank. Your evaluation of this manual will be welcomed by Control Data Corporation. Any errors, suggested additions or deletions, or general comments may be made above. Please include references to figure number, assembly number and design configuration level.

CUT ALONG LINE

PRINTED IN U.S.A.

NO POSTAGE STAMP NECESSARY IF MAILED IN U. S. A.

FOLD ON DOTTED LINES AND STAPLE

STAPLE

STAPLE

FOLD

FOLD

FIRST CLASS
PERMIT NO. 8241
MINNEAPOLIS, MINN.

BUSINESS REPLY MAIL
NO POSTAGE STAMP NECESSARY IF MAILED IN U.S.A.



CUT ALONG LINE

POSTAGE WILL BE PAID BY
CONTROL DATA CORPORATION
Technical Publications Department
7801 Computer Avenue
Minneapolis MN 55435

FOLD

FOLD





▶▶ CUT OUT FOR USE AS LOOSE-LEAF BINDER TITLE TAB

CONTROL DATA
CORPORATION

8100 34th AVE. SO., MINNEAPOLIS, MINN. 55440