

**CONTROL DATA® 6600 Computer System**  
**CHASSIS TABS**

Pub. No. 63019800  
March, 1965

Printed in the United States of America

# RECORD OF REVISIONS

REVISION	NOTES
Rev. A	



1 A1

STORAGE  
MODULE

FUNCTION	PIN
Address	
S <sup>0</sup>	22
S <sup>1</sup>	20
S <sup>2</sup>	8
S <sup>3</sup>	10
S <sup>8</sup>	12
S <sup>9</sup>	14
S <sup>10</sup>	18
S <sup>11</sup>	16
Store	
Z <sup>2</sup>	6
Z <sup>3</sup>	26
Z <sup>6</sup>	28
Z <sup>7</sup>	4
Z <sup>10</sup>	30
Z <sup>11</sup>	2
Read	
Z <sup>0</sup>	1
Z <sup>0</sup>	3
Z <sup>1</sup>	27
Z <sup>1</sup>	29
Z <sup>4</sup>	5
Z <sup>4</sup>	7
Z <sup>5</sup>	23
Z <sup>5</sup>	25
Z <sup>8</sup>	19
Z <sup>8</sup>	21
Z <sup>9</sup>	9
Z <sup>9</sup>	11
Inhibit	
S <sup>11</sup>	24
Power	
+5 To Inhibit	13
+5 To Inhibit	17
Ground	15

1	C3	2	11
2	C7	23	13
3	C3	4	11
4	C7	3	13
5	C4	2	11
6	C6	7	13
7	C4	4	11
8	C1	10	11
9	C5	8	11
10	C1	17	11
11	C5	10	11
12	C2	10	9
13	CB2		
14	C2	17	11
15	A1	X	
16	C2	28	11
17	CB3		
18	C2	27	11
19	C5	2	11
20	C1	2	9
21	C5	4	11
22	C1	1	9
23	C4	8	9
24	C2	26	11
25	C4	10	9
26	C6	21	11
27	C3	8	9
28	C7	5	11
29	C3	10	9
30	C7	25	13

JACK PIN LG

1 A8

FUNCTION	PIN
Address	
S <sup>4</sup>	7
S <sup>5</sup>	9
S <sup>6</sup>	13
S <sup>7</sup>	11
Store	
Z <sup>0</sup>	29
Z <sup>1</sup>	5
Z <sup>4</sup>	27
Z <sup>5</sup>	1
Z <sup>8</sup>	3
Z <sup>9</sup>	25
Read	
Z <sup>2</sup>	28
Z <sup>2</sup>	30
Z <sup>3</sup>	2
Z <sup>3</sup>	4
Z <sup>6</sup>	6
Z <sup>6</sup>	8
Z <sup>7</sup>	24
Z <sup>7</sup>	26
Z <sup>10</sup>	10
Z <sup>10</sup>	12
Z <sup>11</sup>	20
Z <sup>11</sup>	22
Inhibit	
S <sup>4</sup>	15
S <sup>5</sup>	17
S <sup>10</sup>	19
Control	
Read Enable	23
Write Enable	21
Power	
+8 To Drive	18
+6 To Drive	14
Ground	16

1	C6	25	13
2	C3	22	13
3	C7	7	11
4	C3	24	11
5	C6	3	11
6	C4	16	J <sub>1</sub>
7	C1	27	15
8	C4	18	11
9	C1	28	15
10	C5	16	11
11	C2	2	11
12	C5	18	11
13	C2	1	11
14	+6 BUS		
15	C1	25	13
16	A8	X	2
17	C1	26	15
18	CB1		
19	C2	25	13
20	C5	22	11
21	G9	24	25
22	C5	24	11
23	G9	1	23
24	C4	22	11
25	C7	21	9
26	C4	24	11
27	C6	25	11
28	C3	16	11
29	C6	5	9
30	C3	18	11

JACK PIN LG

63019800 Rev. A

1A10

STORAGE  
MODULE

FUNCTION	PIN
Address	
S <sup>0</sup>	22
S <sup>1</sup>	20
S <sup>2</sup>	8
S <sup>3</sup>	10
S <sup>8</sup>	12
S <sup>9</sup>	14
S <sup>10</sup>	18
S <sup>11</sup>	16
Store	
Z <sup>2</sup>	6
Z <sup>3</sup>	26
Z <sup>6</sup>	28
Z <sup>7</sup>	4
Z <sup>10</sup>	30
Z <sup>11</sup>	2
Read	
Z <sup>0</sup>	1
Z <sup>0</sup>	3
Z <sup>1</sup>	27
Z <sup>1</sup>	29
Z <sup>4</sup>	5
Z <sup>4</sup>	7
Z <sup>5</sup>	23
Z <sup>5</sup>	25
Z <sup>8</sup>	19
Z <sup>8</sup>	21
Z <sup>9</sup>	9
Z <sup>9</sup>	11
Inhibit	
S <sup>11</sup>	24
Power	
+5 To Inhibit	13
+5 To Inhibit	17
Ground	15

1	C10	2	11
2	C14	23	13
3	C10	4	11
4	C14	3	13
5	C11	2	11
6	C13	7	11
7	C11	4	11
8	C8	10	11
9	C12	8	11
10	C8	17	11
11	C12	10	11
12	C9	10	9
13	CB2		
14	C9	17	11
15	A10	X	2
16	C9	28	11
17	CB3		
18	C9	27	11
19	C12	2	9
20	C8	2	9
21	C12	4	9
22	C8	1	9
23	C11	8	9
24	C9	26	11
25	C11	10	9
26	C13	21	11
27	C10	8	9
28	C14	5	11
29	C10	10	9
30	C14	25	11

JACK PIN LG

1A16

FUNCTION	PIN
Address	
S <sup>4</sup>	7
S <sup>5</sup>	9
S <sup>6</sup>	13
S <sup>7</sup>	11
Store	
Z <sup>0</sup>	29
Z <sup>1</sup>	5
Z <sup>4</sup>	27
Z <sup>5</sup>	1
Z <sup>8</sup>	3
Z <sup>9</sup>	25
Read	
Z <sup>2</sup>	28
Z <sup>2</sup>	30
Z <sup>3</sup>	2
Z <sup>3</sup>	4
Z <sup>6</sup>	6
Z <sup>6</sup>	8
Z <sup>7</sup>	24
Z <sup>7</sup>	26
Z <sup>10</sup>	10
Z <sup>10</sup>	12
Z <sup>11</sup>	20
Z <sup>11</sup>	22
Inhibit	
S <sup>4</sup>	15
S <sup>5</sup>	17
S <sup>10</sup>	19
Control	
Read Enable	23
Write Enable	21
Power	
+8 To Drive	18
+6 To Drive	14
Ground	16

1	C15	23	13
2	C10	22	13
3	C14	7	11
4	C10	24	13
5	C13	3	11
6	C11	16	13
7	C8	27	15
8	C11	18	13
9	C8	28	15
10	C12	16	13
11	C9	2	13
12	C12	18	13
13	C9	1	13
14	+6 BUS		
15	C8	25	15
16	A16	X	2
17	C8	26	15
18	CB1		
19	C9	25	15
20	C12	22	13
21	G11	24	25
22	C12	24	13
23	G11	1	23
24	C11	22	13
25	C14	21	11
26	C11	24	13
27	C13	25	11
28	C10	16	13
29	C13	5	11
30	C10	18	13

JACK PIN LG

63019800 Rev. A

1 A18

STORAGE  
MODULE

FUNCTION PIN  
Address  
S<sup>0</sup> 22  
S<sup>1</sup> 20  
S<sup>2</sup> 8  
S<sup>3</sup> 10  
S<sup>4</sup> 12  
S<sup>5</sup> 14  
S<sup>6</sup> 18  
S<sup>7</sup> 16  
Store  
Z<sup>2</sup> 6  
Z<sup>3</sup> 26  
Z<sup>6</sup> 28  
Z<sup>7</sup> 4  
Z<sup>10</sup> 30  
Z<sup>11</sup> 2  
Read  
Z<sup>0</sup> 1  
Z<sup>9</sup> 3  
Z<sup>1</sup> 27  
Z<sup>1</sup> 29  
Z<sup>4</sup> 5  
Z<sup>5</sup> 7  
Z<sup>5</sup> 23  
Z<sup>5</sup> 25  
Z<sup>8</sup> 19  
Z<sup>8</sup> 21  
Z<sup>9</sup> 9  
Z<sup>9</sup> 11  
Inhibit  
S<sup>11</sup> 24  
Power  
+5 To Inhibit 13  
+5 To Inhibit 17  
Ground 15

1	C22	2	11
2	C26	23	15
3	C22	4	11
4	C26	3	13
5	C23	2	11
6	C25	7	13
7	C23	4	11
8	C20	10	11
9	C24	8	13
10	C20	17	11
11	C24	10	13
12	C21	10	11
13	CB2		
14	C21	17	11
15	A18	X	2
16	C21	28	13
17	CB3		
18	C21	27	13
19	C24	2	11
20	C20	2	9
21	C24	4	11
22	C20	1	9
23	C23	8	11
24	C21	26	11
25	C23	10	11
26	C25	21	13
27	C22	8	11
28	C26	5	13
29	C22	10	11
30	C26	25	13

JACK PIN LG

1 A25

FUNCTION PIN  
Address  
S<sup>4</sup> 7  
S<sup>5</sup> 9  
S<sup>6</sup> 13  
S<sup>7</sup> 11  
Store  
Z<sup>0</sup> 29  
Z<sup>1</sup> 5  
Z<sup>4</sup> 27  
Z<sup>5</sup> 1  
Z<sup>8</sup> 3  
Z<sup>9</sup> 25  
Read  
Z<sup>2</sup> 28  
Z<sup>2</sup> 30  
Z<sup>3</sup> 2  
Z<sup>3</sup> 4  
Z<sup>6</sup> 6  
Z<sup>6</sup> 8  
Z<sup>7</sup> 24  
Z<sup>7</sup> 26  
Z<sup>10</sup> 10  
Z<sup>10</sup> 12  
Z<sup>11</sup> 20  
Z<sup>11</sup> 22  
Inhibit  
S<sup>4</sup> 15  
S<sup>5</sup> 17  
S<sup>10</sup> 19  
Control  
Read Enable 23  
Write Enable 21  
Power  
+8 To Drive 18  
+6 To Drive 14  
Ground 16

1	C25	23	13
2	C22	22	13
3	C26	7	11
4	C22	24	13
5	C25	3	11
6	C23	16	11
7	C20	27	13
8	C23	18	11
9	C20	28	13
10	C24	16	11
11	C21	2	11
12	C24	18	11
13	C21	1	11
14	+6 BUS		
15	C20	25	13
16	A25	X	2
17	C20	26	13
18	CB1		
19	C21	25	13
20	C24	22	11
21	G13	24	27
22	C24	24	11
23	G13	1	25
24	C23	22	11
25	C26	21	11
26	C23	24	11
27	C25	25	11
28	C22	16	11
29	C25	5	9
30	C22	18	11

JACK PIN LG

63019800 Rev. A

1A26

STORAGE  
MODULE

FUNCTION PIN  
Address  
S<sup>0</sup> 22  
S<sup>1</sup> 20  
S<sup>2</sup> 8  
S<sup>3</sup> 10  
S<sup>4</sup> 12  
S<sup>5</sup> 14  
S<sup>10</sup> 18  
S<sup>11</sup> 16  
Store  
Z<sup>2</sup> 6  
Z<sup>3</sup> 26  
Z<sup>6</sup> 28  
Z<sup>7</sup> 4  
Z<sup>10</sup> 30  
Z<sup>11</sup> 2  
Read  
Z<sup>0</sup> 1  
Z<sup>9</sup> 3  
Z<sup>1</sup> 27  
Z<sup>1</sup> 29  
Z<sup>4</sup> 5  
Z<sup>5</sup> 7  
Z<sup>5</sup> 23  
Z<sup>5</sup> 25  
Z<sup>8</sup> 19  
Z<sup>8</sup> 21  
Z<sup>9</sup> 9  
Z<sup>9</sup> 11  
Inhibit  
S<sup>11</sup> 24  
Power  
+5 To Inhibit 13  
+5 To Inhibit 17  
Ground 15

1	C31	2	11
2	C35	23	15
3	C31	4	11
4	C35	3	15
5	C32	2	11
6	C34	7	13
7	C32	4	11
8	C29	10	11
9	C33	8	13
10	C29	17	11
11	C33	10	13
12	C30	10	11
13	CB2		
14	C30	17	11
15	A26	X	2
16	C30	28	13
17	CB3		
18	C30	27	13
19	C33	2	11
20	C29	2	9
21	C33	4	11
22	C29	1	9
23	C32	8	11
24	C30	26	11
25	C32	10	11
26	C34	21	13
27	C31	8	11
28	C35	5	13
29	C31	10	11
30	C35	25	15

JACK PIN LG

1A33

FUNCTION PIN  
Address  
S<sup>4</sup> 7  
S<sup>5</sup> 9  
S<sup>6</sup> 13  
S<sup>7</sup> 11  
Store  
Z<sup>0</sup> 29  
Z<sup>1</sup> 5  
Z<sup>4</sup> 27  
Z<sup>5</sup> 1  
Z<sup>8</sup> 3  
Z<sup>9</sup> 25  
Read  
Z<sup>2</sup> 28  
Z<sup>2</sup> 30  
Z<sup>3</sup> 2  
Z<sup>3</sup> 4  
Z<sup>6</sup> 6  
Z<sup>6</sup> 8  
Z<sup>7</sup> 24  
Z<sup>7</sup> 26  
Z<sup>10</sup> 10  
Z<sup>10</sup> 12  
Z<sup>11</sup> 20  
Z<sup>11</sup> 22  
Inhibit  
S<sup>4</sup> 15  
S<sup>5</sup> 17  
S<sup>10</sup> 19  
Control  
Read Enable 23  
Write Enable 21  
Power  
+8 To Drive 18  
+6 To Drive 14  
Ground 16

1	C34	23	13
2	C31	22	13
3	C35	7	11
4	C31	24	13
5	C34	3	7
6	C32	16	11
7	C29	27	13
8	C32	18	11
9	C29	28	13
10	C33	16	11
11	C30	2	11
12	C33	18	11
13	C30	1	11
14	+6 BUS		
15	C29	25	13
16	A33	X	2
17	C29	26	13
18	CB1		
19	C30	25	13
20	C33	22	11
21	G10	3	31
22	C33	24	11
23	G10	25	33
24	C32	22	9
25	C35	21	11
26	C32	24	9
27	C34	25	11
28	C31	16	9
29	C34	5	9
30	C31	18	9

JACK PIN LG

63019800 Rev. A

1 A35

STORAGE  
MODULE

FUNCTION	PIN
Address	
S <sup>0</sup>	22 ✓
S <sup>1</sup>	20 ✓
S <sup>2</sup>	8 ✓
S <sup>3</sup>	10 ✓
S <sup>8</sup>	12 ✓
S <sup>9</sup>	14 ✓
S <sup>10</sup>	18 ✓
S <sup>11</sup>	16 ✓
Store	
Z <sup>2</sup>	6 ✓
Z <sup>3</sup>	26 ✓
Z <sup>6</sup>	28 ✓
Z <sup>7</sup>	4 ✓
Z <sup>10</sup>	30 ✓
Z <sup>11</sup>	2 ✓
Read	
Z <sup>0</sup>	1 ✓
Z <sup>0</sup>	3 ✓
Z <sup>1</sup>	27 ✓
Z <sup>1</sup>	29 ✓
Z <sup>4</sup>	5 ✓
Z <sup>4</sup>	7 ✓
Z <sup>5</sup>	23 ✓
Z <sup>5</sup>	25 ✓
Z <sup>8</sup>	19 ✓
Z <sup>8</sup>	21 ✓
Z <sup>9</sup>	9 ✓
Z <sup>9</sup>	11 ✓
Inhibit	
S <sup>11</sup>	24 ✓
Power	
+5 To Inhibit	13 ✓
+5 To Inhibit	17 ✓
Ground	15 ✓

1	C38	P2	11
2	C42	23	15
3	C38	P4	11
4	C42	3	13
5	C39	2	11
6	C41	7	13
7	C39	4	11
8	C36	10	11
9	C40	8	11
10	C36	17	11
11	C40	10	11
12	C37	14	11
13	CB2		
14	C37	17	11
15	A35	X	2
16	C37	28	13
17	CB3		
18	C37	27	13
19	C40	2	11
20	C36	2	7
21	C40	4	11
22	C36	1	7
23	C39	8	9
24	C37	26	11
25	C39	10	9
26	C41	21	13
27	C38	8	9
28	C42	5	13
29	C38	10	9
30	C42	25	13

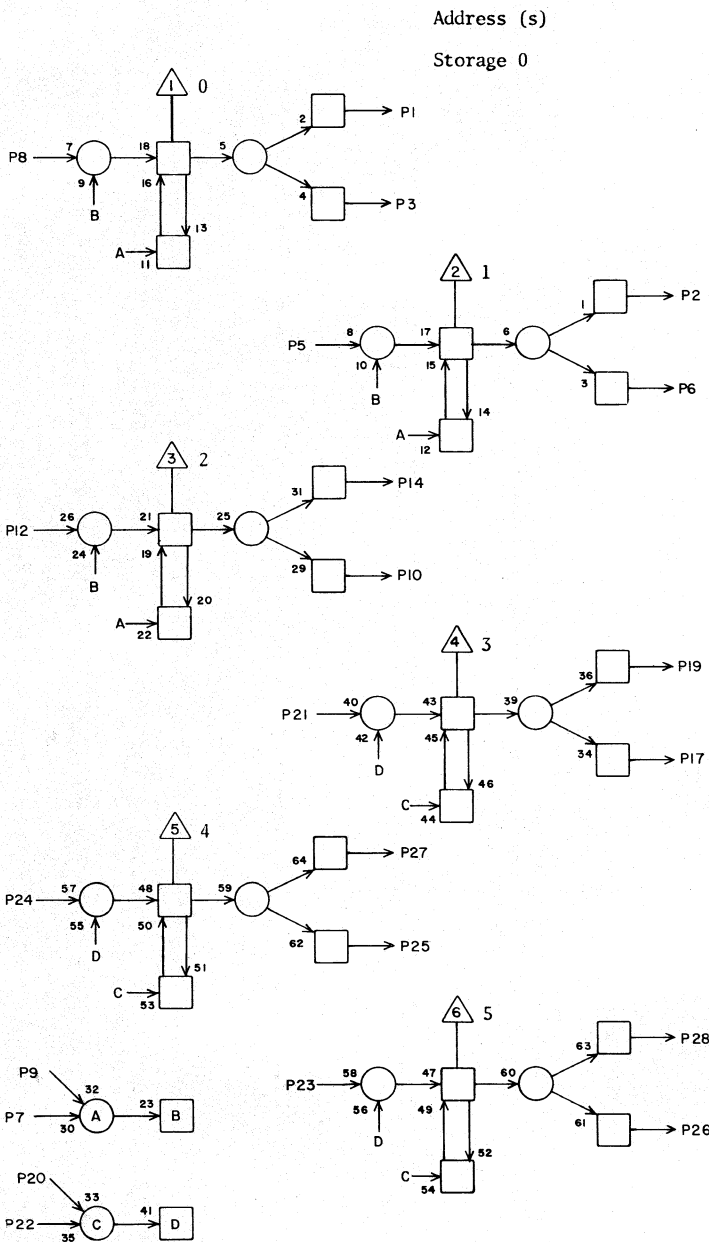
JACK PIN LG

1 A42

FUNCTION	PIN
Address	
S <sup>4</sup>	7
S <sup>5</sup>	9
S <sup>6</sup>	13
S <sup>7</sup>	11
Store	
Z <sup>0</sup>	29
Z <sup>1</sup>	5
Z <sup>4</sup>	27
Z <sup>5</sup>	1
Z <sup>8</sup>	3
Z <sup>9</sup>	25
Read	
Z <sup>2</sup>	28
Z <sup>2</sup>	30
Z <sup>3</sup>	2
Z <sup>3</sup>	4
Z <sup>6</sup>	6
Z <sup>6</sup>	8
Z <sup>7</sup>	24
Z <sup>7</sup>	26
Z <sup>10</sup>	10
Z <sup>10</sup>	12
Z <sup>11</sup>	20
Z <sup>11</sup>	22
Inhibit	
S <sup>4</sup>	15
S <sup>5</sup>	17
S <sup>10</sup>	19
Control	
Read Enable	23
Write Enable	21
Power	
+8 To Drive	18
+6 To Drive	14
Ground	16

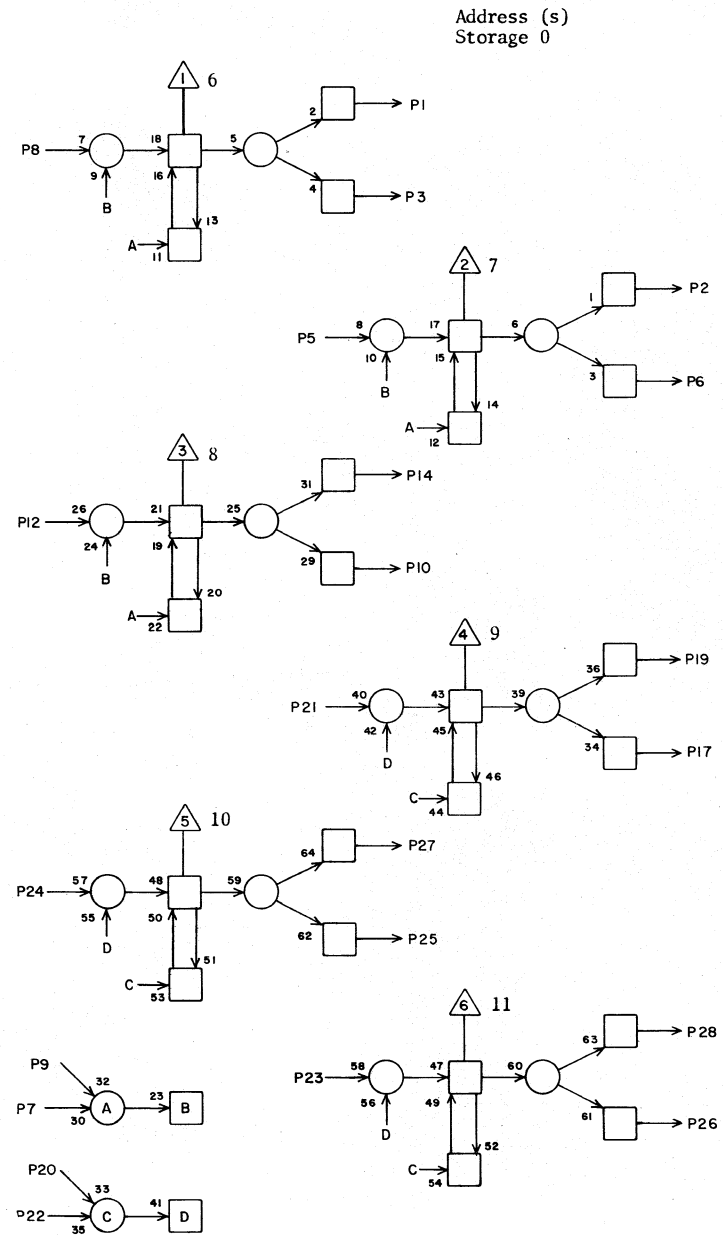
1	C41	23	13
2	C38	22	13
3	C42	7	11
4	C38	24	13
5	C41	3	11
6	C39	16	13
7	C36	27	15
8	C39	18	13
9	C36	28	15
10	C40	16	11
11	C37	2	11
12	C40	18	11
13	C37	1	11
14	+6 BUS		
15	C36	25	13
16	A42	X	2
17	C36	26	15
18	CB1		
19	C37	25	13
20	C40	22	13
21	G12	3	37
22	C40	24	13
23	G12	25	41
24	C39	22	11
25	C42	21	9
26	C39	24	11
27	C41	25	11
28	C38	16	11
29	C41	5	7
30	C38	18	11

JACK PIN LG



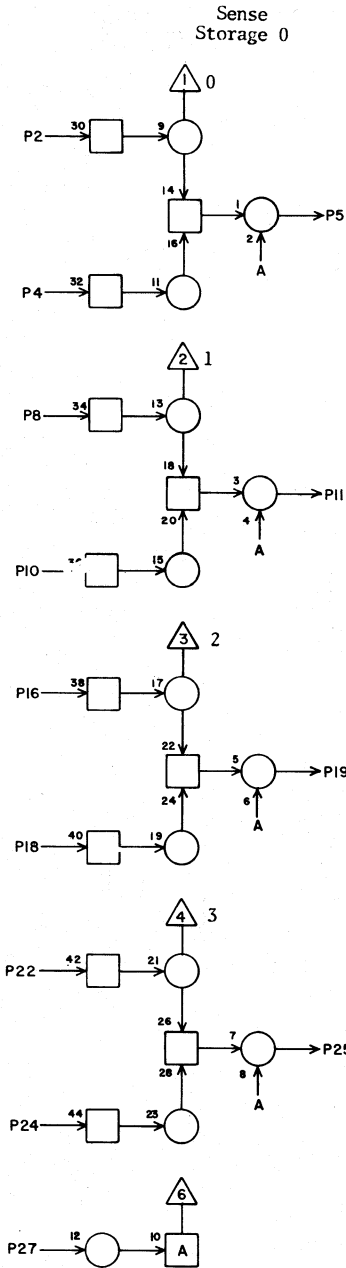
PA		IC1	
1	A1	22	9
2	A1	20	9
3			
4			
5	H15	17	27
6			
7	C15	1	17
8	H15	1	27
9	C16	1	17
10	A1	8	11
11			
12	H16	1	27
13			
14			
15			
16			
17	A1	10	11
18			
19			
20	C15	2	17
21	H16	17	27
22	C16	2	17
23	H17	17	27
24	H17	1	27
25	A8	15	13
26	A8	17	13
27	A8	7	15
28	A8	9	15
JACK		PIN	LG

63019800 Rev. A



PA		IC2	
1	A8	13	11
2	A8	11	11
3			
4			
5	H18	17	27
6			
7	C15	4	17
8	H18	1	27
9	C16	4	17
10	A1	12	9
11			
12	H19	1	27
13			
14			
15			
16			
17	A1	14	11
18			
19			
20	C15	6	17
21	H19	17	27
22	C16	6	17
23	H20	17	27
24	H20	1	27
25	A8	19	13
26	A1	24	11
27	A1	18	11
28	A1	16	11
JACK		PIN	LG

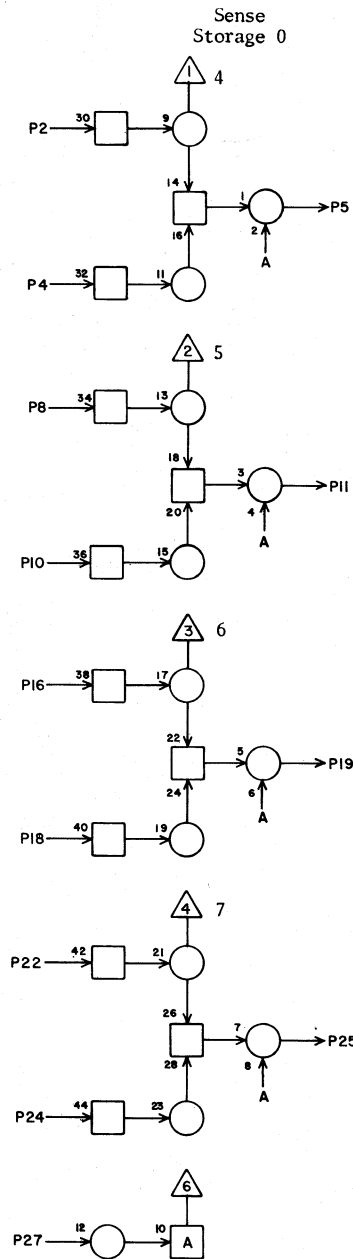
63019800 Rev. A



PS		IC3	
1			
2	A1	1	11
3			
4	A1	3	11
5	C17	4	17
6			
7			
8	A1	27	9
9			
10	A1	29	9
11	C17	3	17
12			
13			
14			
15			
16	A8	28	11
17			
18	A8	30	11
19	C17	16	17
20			
21			
22	A8	2	11
23			
24	A8	4	11
25	C17	15	15
26	G9	15	21
27	C28	21	27
28	C4	26	3

JACK PIN LG

63019800 Rev. A

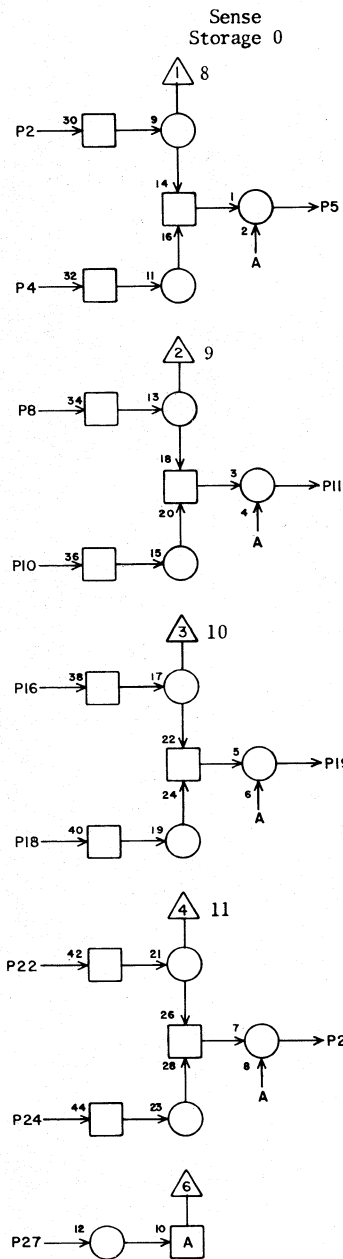


PS		IC4	
1			
2	A1	5	11
3			
4	A1	7	11
5	C18	4	17
6			
7			
8	A1	23	9
9			
10	A1	25	9
11	C18	3	17
12			
13			
14			
15			
16	A8	6	11
17			
18	A8	8	11
19	C18	16	17
20			
21			
22	A8	24	11
23			
24	A8	26	11
25	C18	15	17
26	C3	28	3
27	C28	20	25
28	C5	26	3

JACK PIN LG

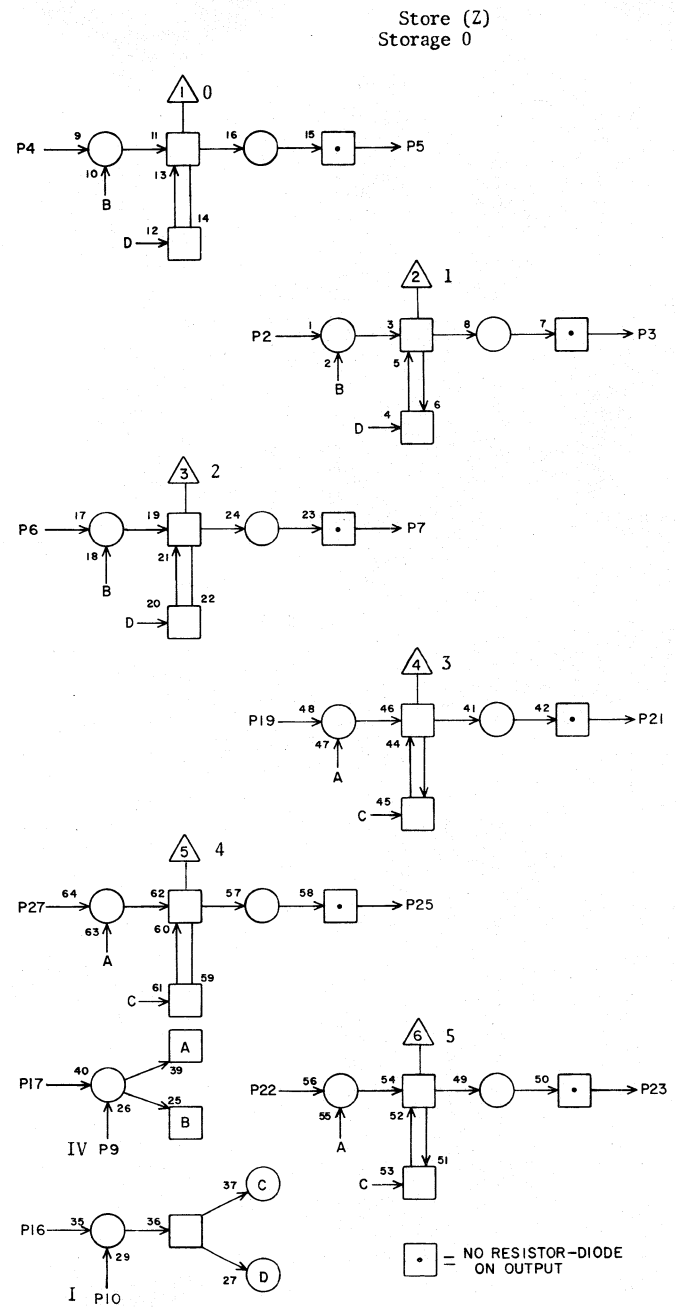
63019800 Rev. A





PS		IC5	
JACK	PIN	LG	
1			
2	A1	19	11
3			
4	A1	21	11
5	C19	4	17
6			
7			
8	A1	9	11
9			
10	A1	11	11
11	C19	3	17
12			
13			
14			
15			
16	A8	10	11
17			
18	A8	12	11
19	C19	16	17
20			
21			
22	A8	20	11
23			
24	A8	22	11
25	C19	15	17
26	C4	28	3
27	C28	19	25
28	C10	26	9

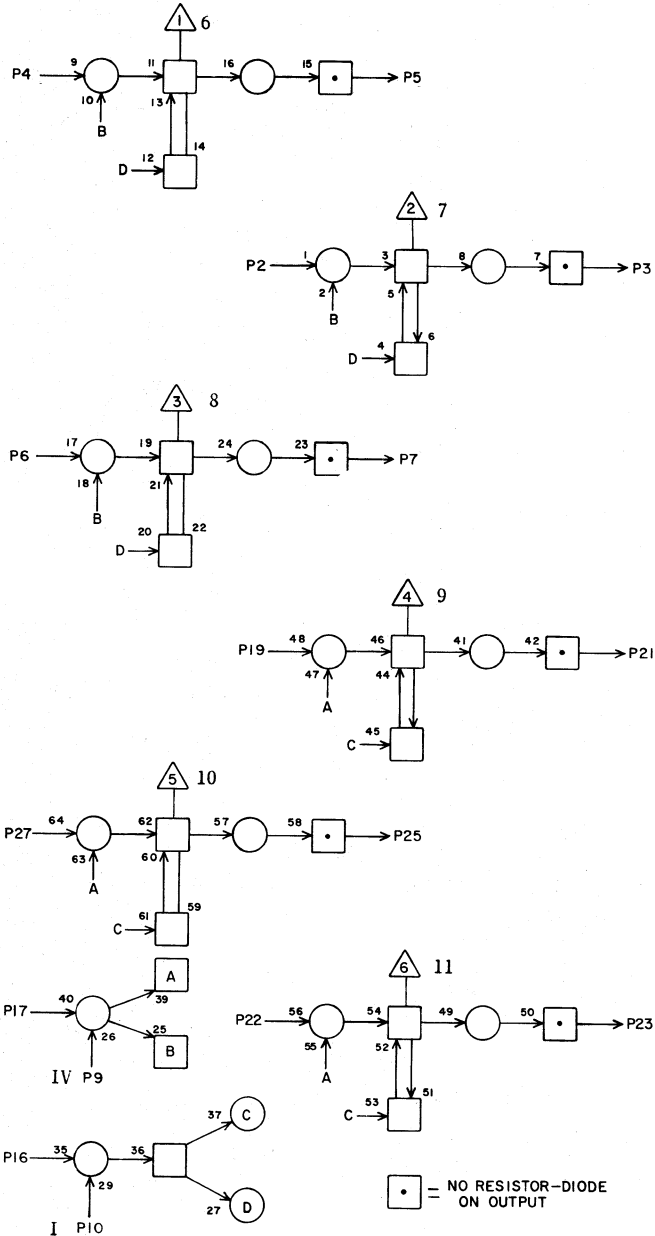
63019800 Rev. A



SPECIAL MODULE PZ		IC6	
JACK	PIN	LG	
1			
2	G21	17	25
3	A8	5	11
4	G21	1	25
5	A8	29	9
6	G22	1	25
7	A1	6	13
8			
9	C27	1	23
10	F15	7	19
11			
12			
13			
14			
15			
16	G30	17	27
17	G17	17	23
18			
19	G22	17	25
20			
21	A1	26	11
22	G23	17	25
23	A8	1	13
24			
25	A8	27	11
26			
27	G23	1	25
28			

63019800 Rev. A

Store (Z)  
Storage 0



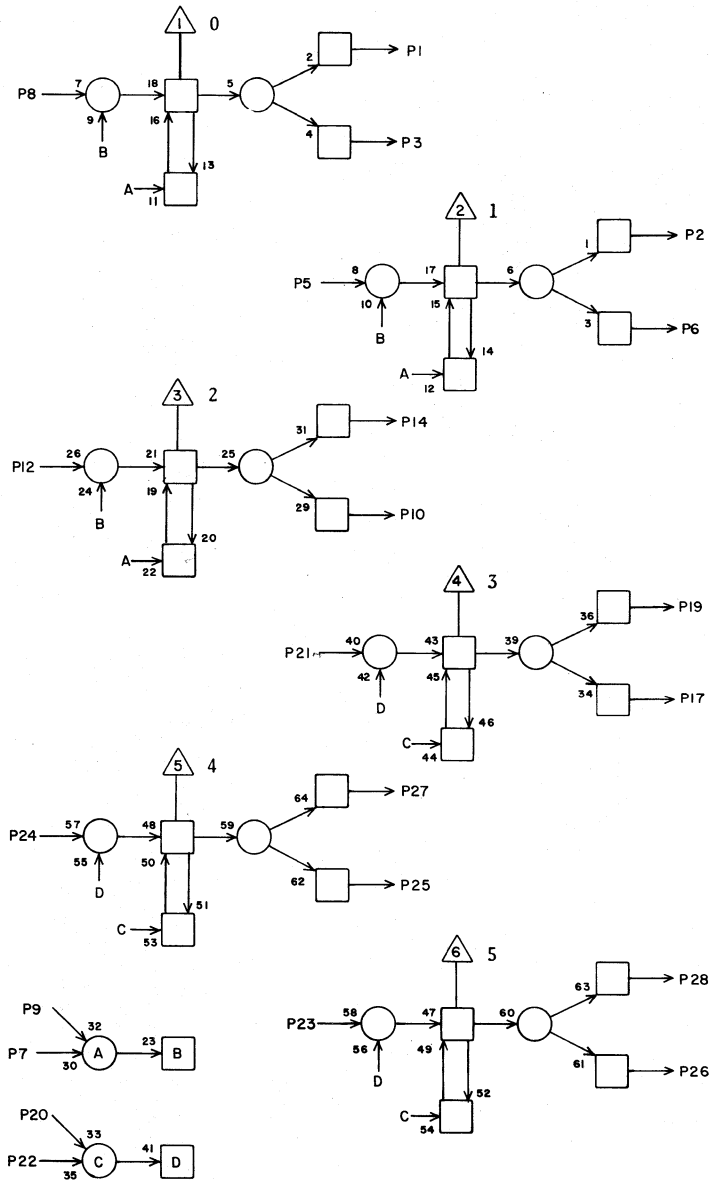
SPECIAL MODULE PZ 1C7

1			
2	G24	17	27
3	A1	4	13
4	G24	1	25
5	A1	28	11
6	G25	1	25
7	A8	3	11
8			
9	C27	2	23
10	F15	9	17
11			
12			
13			
14			
15			
16	G30	18	29
17	G17	18	23
18			
19	G25	17	27
20			
21	A8	25	9
22	G26	17	27
23	A1	2	13
24			
25	A1	30	13
26			
27	G26	1	27
28			

JACK PIN LG

63019800 Rev. A

Address (S)  
Storage 2



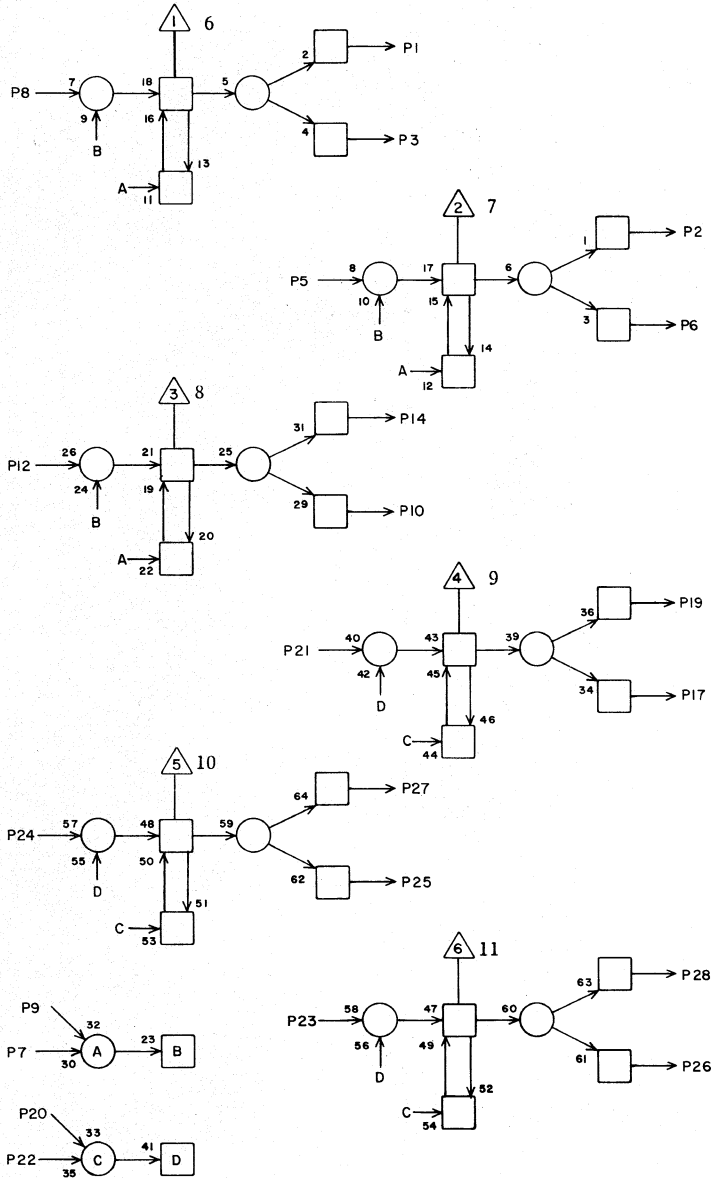
PA 1C8

1	A10	22	9
2	A10	20	9
3			
4			
5	H15	19	25
6			
7	C16	9	13
8	H15	4	23
9	C28	1	23
10	A10	8	11
11			
12	H16	4	23
13			
14			
15			
16			
17	A10	10	11
18			
19			
20	C16	10	13
21	H16	19	25
22	C28	2	23
23	H17	19	25
24	H17	4	23
25	A16	15	15
26	A16	17	15
27	A16	7	15
28	A16	9	15

JACK PIN LG

63019800 Rev. A

Address (S)  
Storage 2



PA

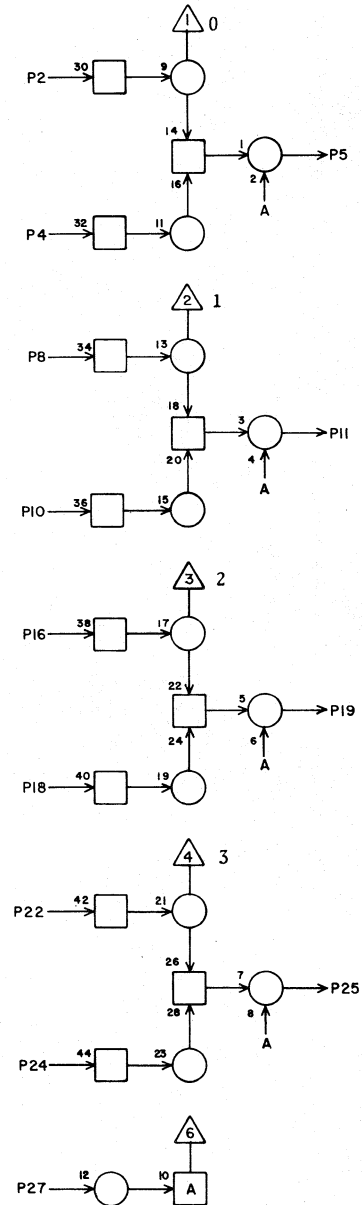
1C9

1	A16	13	13
2	A16	11	13
3			
4			
5	H18	19	25
6			
7	C16	11	11
8	H18	4	23
9	C28	4	21
10	A10	12	9
11			
12	H19	4	25
13			
14			
15			
16			
17	A10	14	11
18			
19			
20	C16	12	11
21	H19	19	25
22	C28	6	21
23	H20	19	25
24	H20	4	25
25	A16	19	15
26	A10	24	11
27	A10	18	11
28	A10	16	11

JACK PIN LG

63019800 Rev. A

Sense  
Storage 2



PS

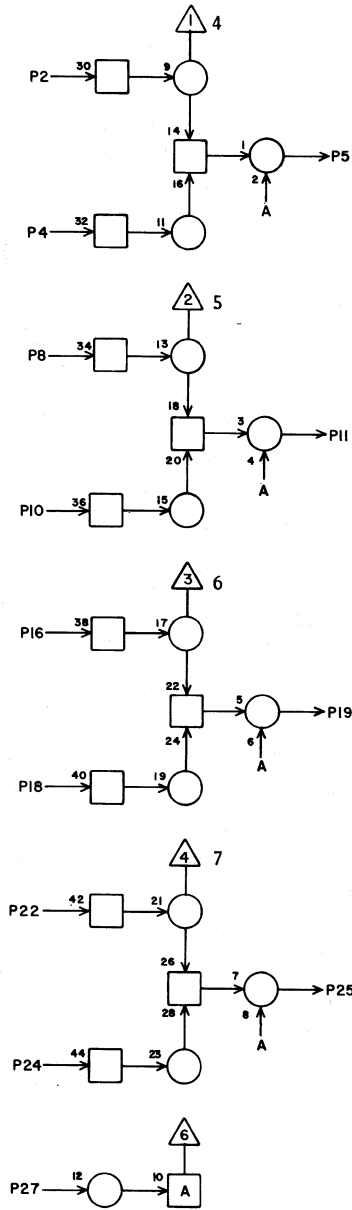
1C10

1			
2	A10	1	11
3			
4	A10	3	11
5	C17	6	11
6			
7			
8	A10	27	9
9			
10	A10	29	9
11	C17	5	11
12			
13			
14			
15			
16	A16	28	13
17			
18	A16	30	13
19	C17	24	11
20			
21			
22	A16	2	13
23			
24	A16	4	13
25	C17	23	11
26	C5	28	9
27	G17	19	21
28	C11	26	3

JACK PIN LG

63019800 Rev. A

Sense Storage 2



PS

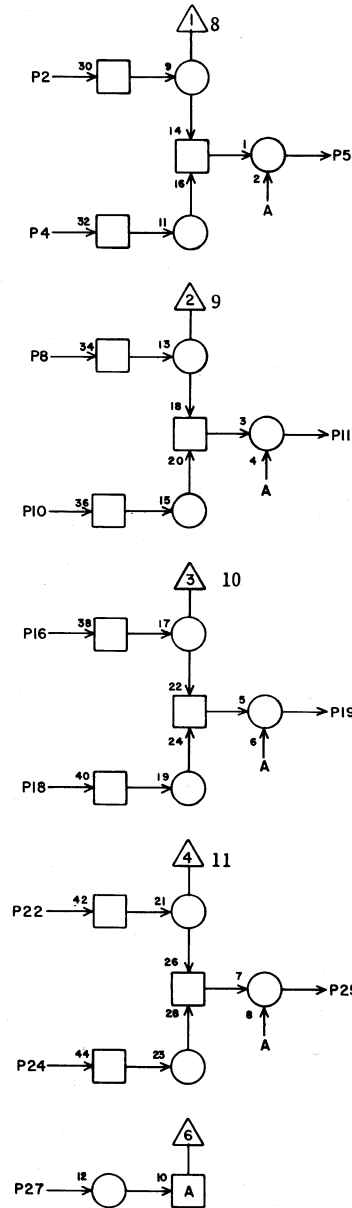
1C11

1			
2	A10	5	11
3			
4	A10	7	11
5	C18	6	11
6			
7			
8	A10	23	9
9			
10	A10	25	9
11	C18	5	11
12			
13			
14			
15			
16	A16	6	13
17			
18	A16	8	13
19	C18	24	11
20			
21			
22	A16	24	13
23			
24	A16	26	13
25	C18	23	11
26	C10	28	3
27	G17	20	21
28	C12	26	5

JACK PIN LG

63019800 Rev. A

Sense Storage 2



PS

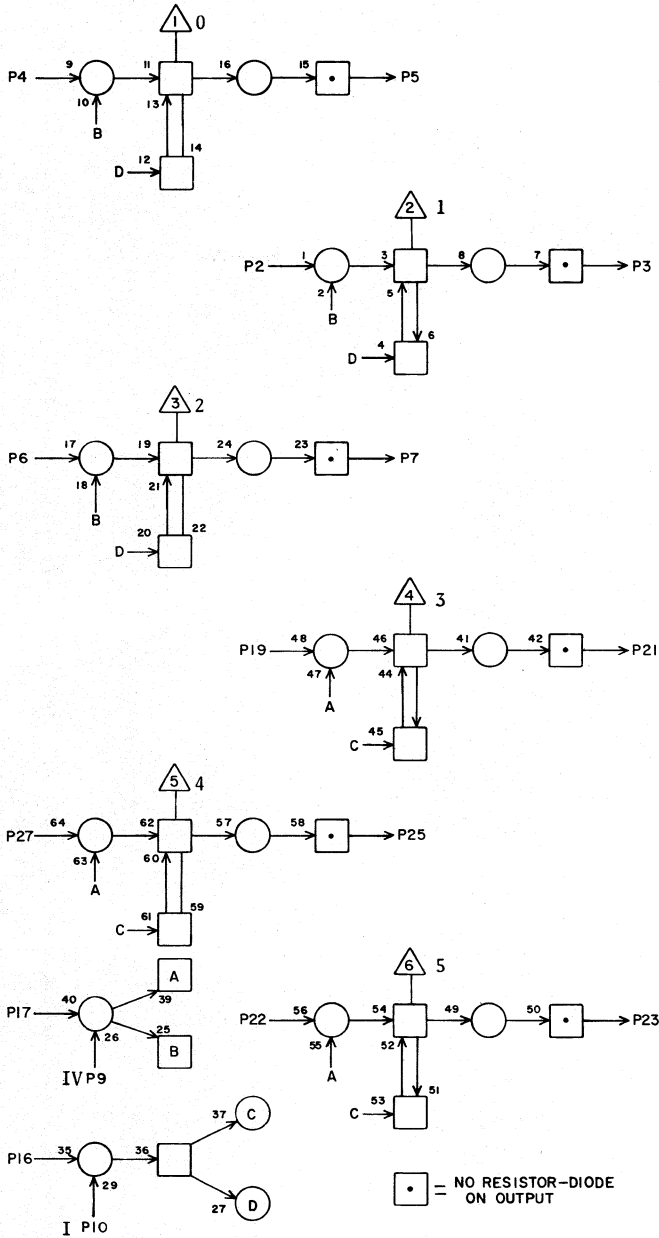
1C12

1			
2	A10	19	9
3			
4	A10	21	9
5	C19	6	11
6			
7			
8	A10	9	11
9			
10	A10	11	11
11	C19	5	11
12			
13			
14			
15			
16	A16	10	13
17			
18	A16	12	13
19	C19	24	11
20			
21			
22	A16	20	13
23			
24	A16	22	13
25	C19	23	11
26	C11	28	3
27	G17	21	21
28	C22	26	13

JACK PIN LG

63019800 Rev. A

Store (Z)  
Storage 2

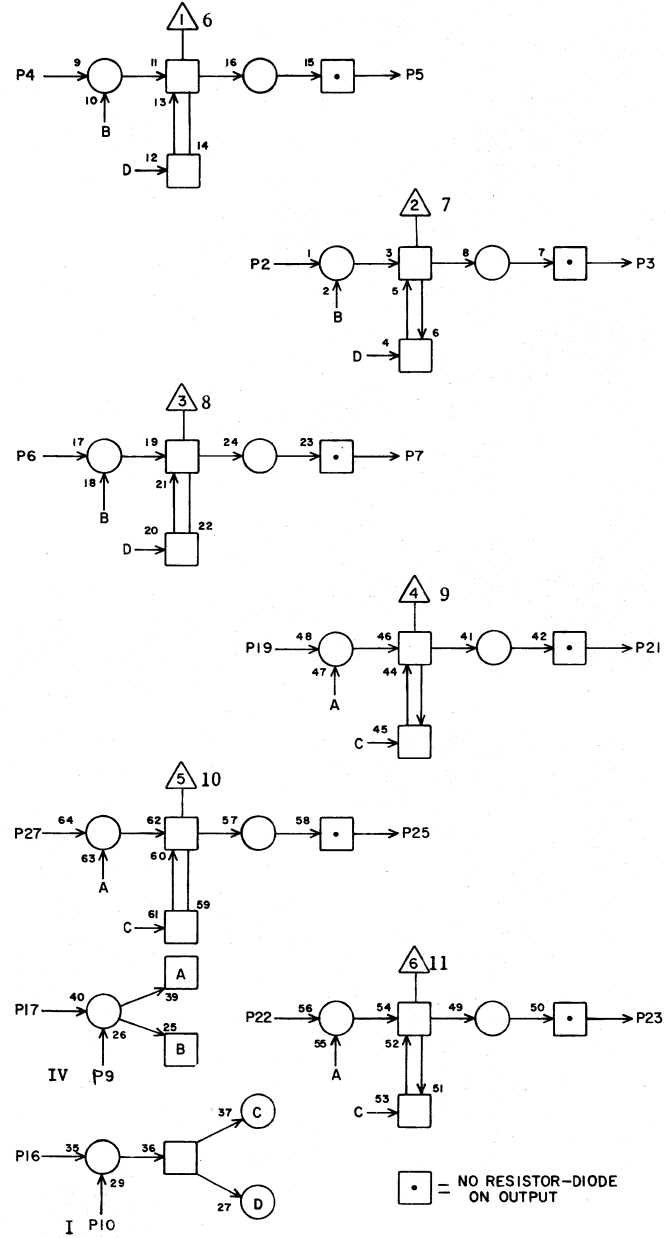


SPECIAL MODULE P2 1C13

1			
2	G21	19	21
3	A16	5	11
4	G21	4	21
5	A16	29	11
6	G22	4	21
7	A10	6	11
8			
9	C27	7	17
10	F15	1	15
11			
12			
13			
14			
15			
16	C15	21	7
17	G29	17	25
18			
19	G22	19	21
20			
21	A10	26	11
22	G23	19	23
23	A16	1	13
24			
25	A16	27	11
26			
27	G23	4	21
28			

JACK PIN LG  
63019800 Rev. A

Store (Z)  
Storage 2

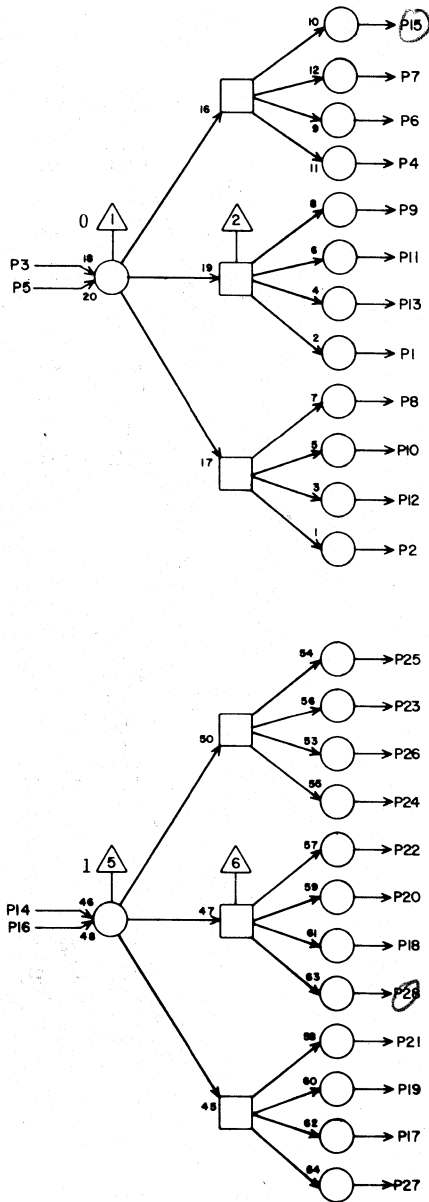


SPECIAL MODULE P2 1C14

1			
2	G24	19	23
3	A10	4	13
4	G24	4	21
5	A10	28	11
6	G25	4	21
7	A16	3	11
8			
9	C27	8	17
10	F15	6	15
11			
12			
13			
14			
15			
16	C15	22	3
17	G29	18	25
18			
19	G25	19	23
20			
21	A16	25	11
22	G26	19	23
23	A10	2	13
24			
25	A10	30	11
26			
27	G26	4	23
28			

JACK PIN LG  
63019800 Rev. A

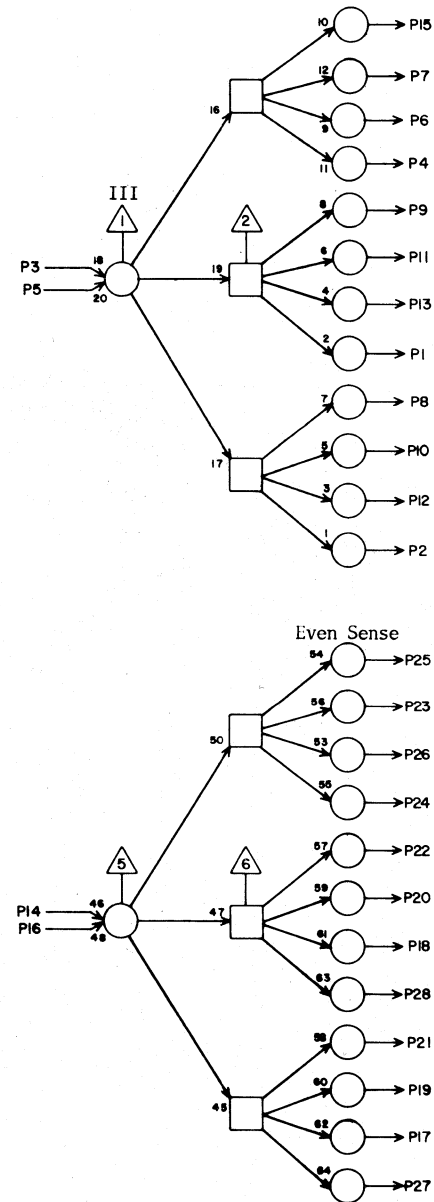
Storage Sequence Slaves



TC		1C15	
1	C1	7	17
2	C1	20	17
3	G1	6	23
4	C2	7	17
5	C15	X	2
6	C2	20	17
7	F6	10	17
8	F7	10	17
9	F21	9	17
10	F22	9	17
11	F25	27	19
12	<b>F26</b>	27	21
13	F27	27	21
14	G1	3	23
15			
16	C15	X	2
17	F1	7	21
18	F1	20	21
19	F2	7	21
20	F2	20	21
21	C13	16	7
22	C14	16	3
23	C34	9	21
24	C35	9	23
25	C38	27	25
26	C39	27	25
27	C40	27	27
28			

JACK    PIN    LG

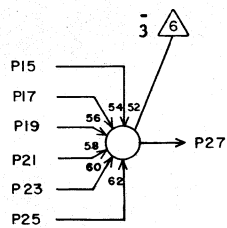
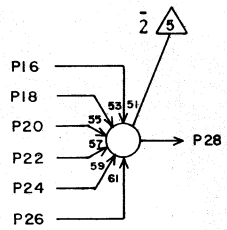
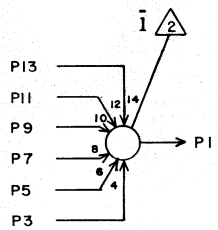
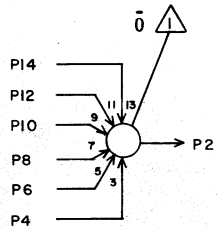
Clock



TC		1C16	
1	C1	9	17
2	C1	22	17
3	H4	1	25
4	C2	9	17
5	C16	X	2
6	C2	22	17
7	F37	15	42
8	F38	15	42
9	C8	7	13
10	C8	20	13
11	C9	7	11
12	C9	20	11
13	F39	15	42
14	G3	23	23
15			
16	C16	X	2
17	C17	14	3
18	C17	13	3
19	C17	26	3
20	C17	25	3
21	C18	14	5
22	C18	13	5
23	C18	26	5
24	C18	25	5
25	C19	14	7
26	C19	13	7
27	C19	26	7
28	C19	25	7

JACK    PIN    LG

Even Sense Merge



TA

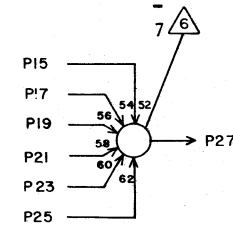
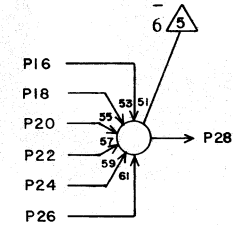
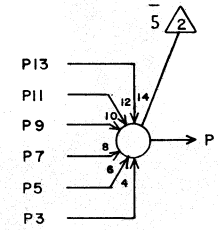
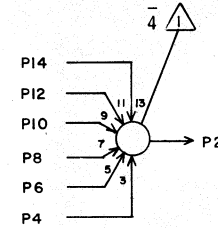
1 C17

1	G18	2	19
2	G18	1	19
3	C3	11	17
4	C3	5	17
5	C10	11	11
6	C10	5	11
7	C22	11	11
8	C22	5	11
9	C31	11	19
10	C31	5	19
11	C38	11	23
12	C38	5	23
13	C16	18	3
14	C16	17	3
15	C3	25	15
16	C3	19	17
17	C38	25	23
18	C38	19	23
19	C31	25	19
20	C31	19	19
21	C22	25	11
22	C22	19	11
23	C10	25	11
24	C10	19	11
25	C16	20	3
26	C16	19	3
27	G18	15	19
28	G18	10	19

JACK PIN LG

63019800 Rev. A

Even Sense Merge



TA

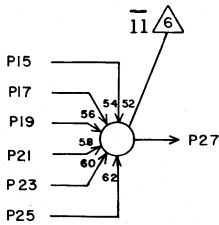
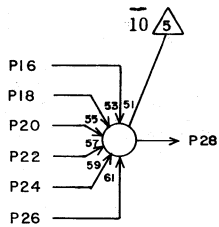
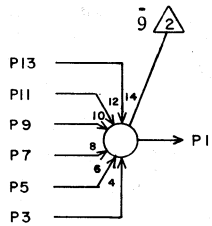
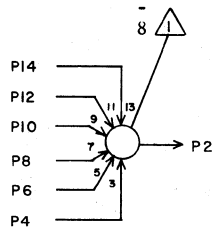
1 C18

1	G18	22	19
2	G18	21	19
3	C4	11	17
4	C4	5	17
5	C11	11	11
6	C11	5	11
7	C23	11	9
8	C23	5	9
9	C32	11	17
10	C32	5	17
11	C39	11	23
12	C39	5	23
13	C16	22	5
14	C16	21	5
15	C4	25	17
16	C4	19	17
17	C39	25	23
18	C39	19	23
19	C32	25	17
20	C32	19	17
21	C23	25	9
22	C23	19	9
23	C11	25	11
24	C11	19	11
25	C16	24	5
26	C16	23	5
27	G19	2	19
28	G19	1	19

JACK PIN LG

63019800 Rev. A

Even Sense Merge



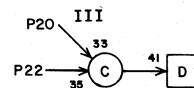
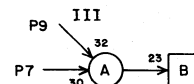
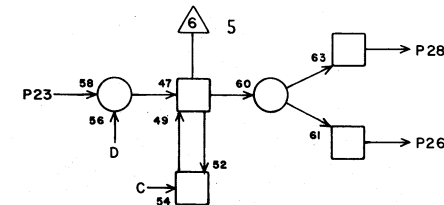
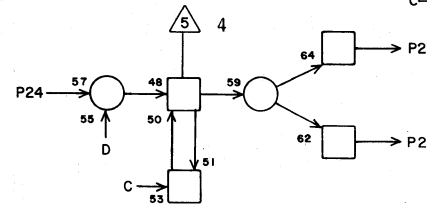
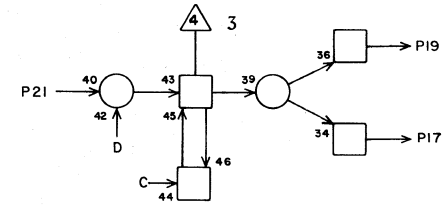
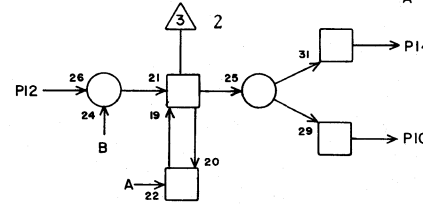
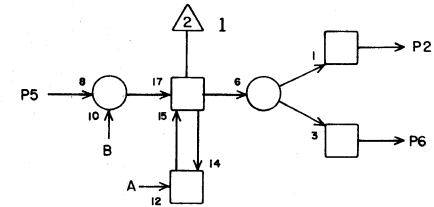
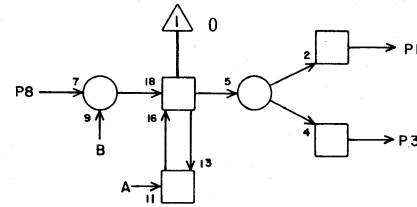
TA 1C19

1	G19	15	19
2	G19	10	19
3	C5	11	17
4	C5	5	17
5	C12	11	11
6	C12	5	11
7	C24	11	9
8	C24	5	9
9	C33	11	17
10	C33	5	17
11	C40	11	23
12	C40	5	23
13	C16	26	7
14	C16	25	7
15	C5	25	17
16	C5	19	17
17	C40	25	23
18	C40	19	23
19	C33	25	17
20	C33	19	17
21	C24	25	9
22	C24	19	9
23	C12	25	11
24	C12	19	11
25	C16	28	7
26	C16	27	7
27	G19	22	19
28	G19	21	19

JACK PIN LG

63019800 Rev. A

Address (S)  
Storage 4



PA 1C20

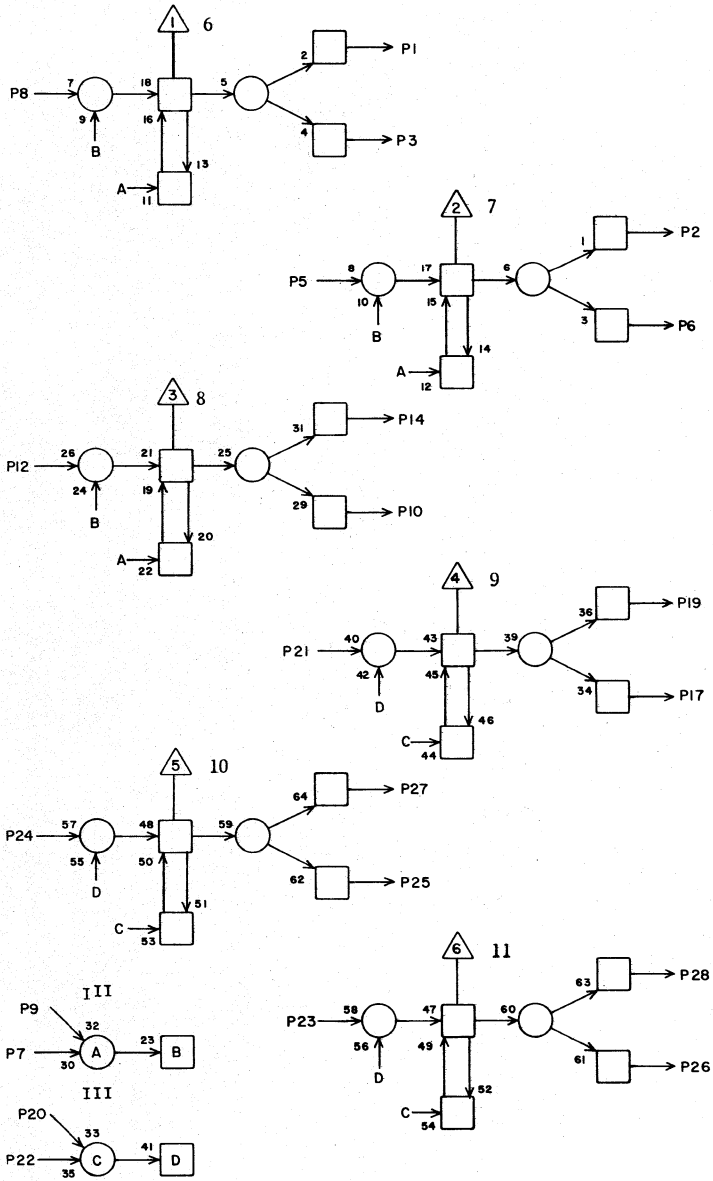
1	A18	22	9
2	A18	20	9
3			
4			
5	H15	21	25
6			
7	C27	21	11
8	H15	7	23
9	G17	8	19
10	A18	8	11
11			
12	H16	7	23
13			
14			
15			
16			
17	A18	10	11
18			
19			
20	C27	22	11
21	H16	21	23
22	G17	9	19
23	H17	21	23
24	H17	7	23
25	A25	15	13
26	A25	17	13
27	A25	7	13
28	A25	9	13

JACK PIN LG

63019800 Rev. A



Address (S)  
Storage 4



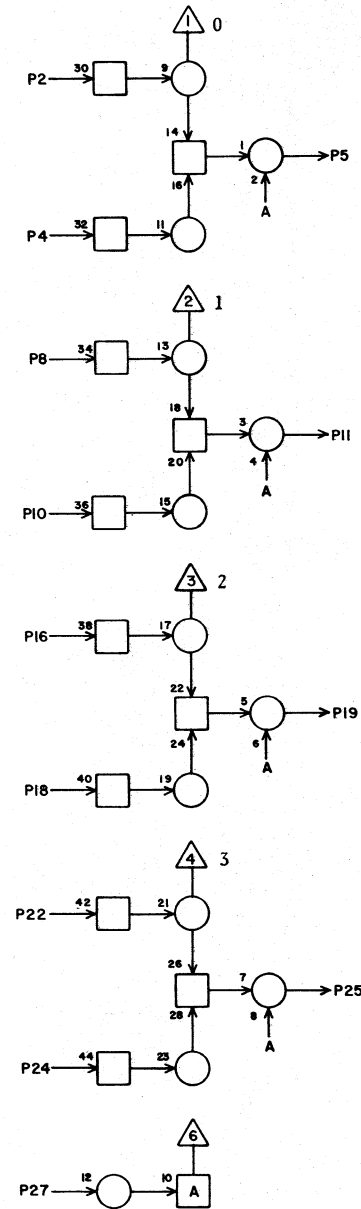
PA 1C21

1	A25	13	11
2	A25	11	11
3			
4			
5	H18	21	23
6			
7	C27	23	11
8	H18	7	23
9	G17	10	19
10	A18	12	11
11			
12	H19	7	23
13			
14			
15			
16			
17	A18	14	11
18			
19			
20	C27	24	11
21	H19	21	23
22	G17	11	19
23	H20	21	23
24	H20	7	23
25	A25	19	13
26	A18	24	11
27	A18	18	13
28	A18	16	13

JACK PIN LG

63019800 Rev. A

Sense  
Storage 4



PS

1C22

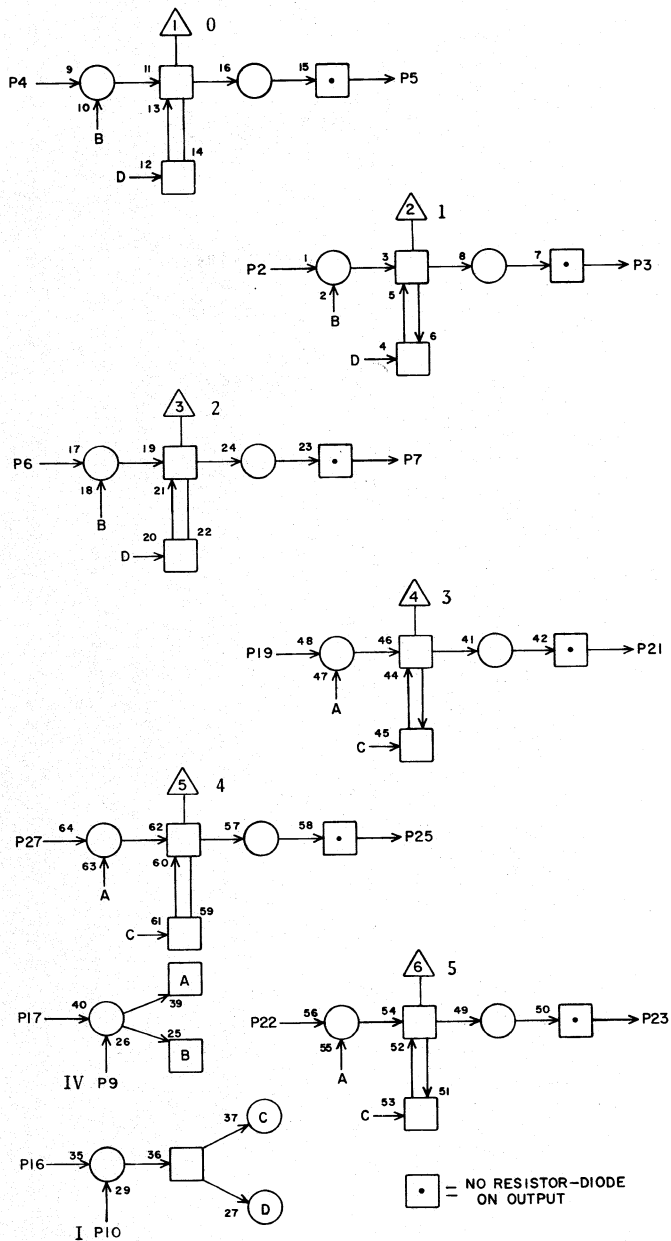
1			
2	A18	1	11
3			
4	A18	3	11
5	C17	8	11
6			
7			
8	A18	27	11
9			
10	A18	29	11
11	C17	7	11
12			
13			
14			
15			
16	A25	28	11
17			
18	A25	30	11
19	C17	22	11
20			
21			
22	A25	2	13
23			
24	A25	4	13
25	C17	21	11
26	C12	28	13
27	G29	19	21
28	C23	26	3

JACK PIN LG

63019800 Rev. A



Store (Z)  
Storage 4

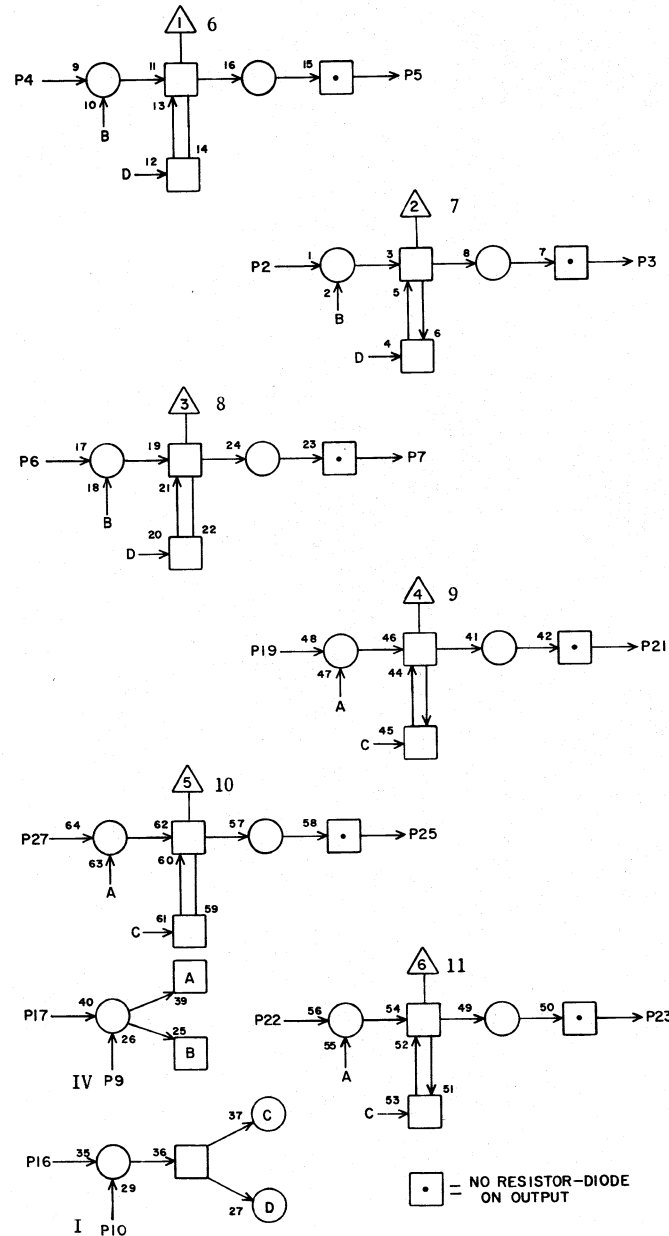


SPECIAL MODULE PZ 1C25

1			
2	G21	21	19
3	A25	5	11
4	G21	7	19
5	A25	29	9
6	G22	7	19
7	A18	6	13
8			
9	C27	9	7
10	G20	4	19
11			
12			
13			
14			
15			
16	C28	26	9
17	G30	19	21
18			
19	G22	21	19
20			
21	A18	26	13
22	G23	21	19
23	A25	1	13
24			
25	A25	27	11
26			
27	G23	7	19
28			

JACK PIN LG  
63019800 Rev. A

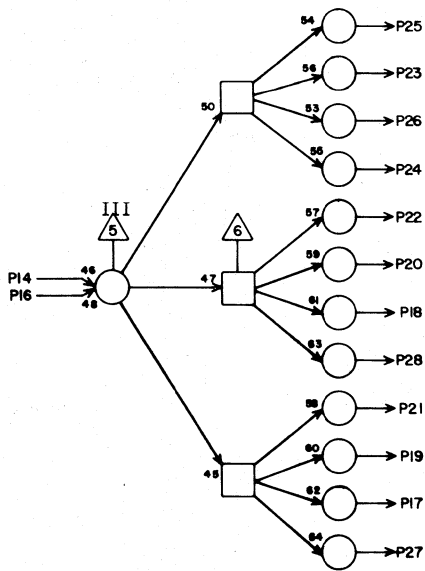
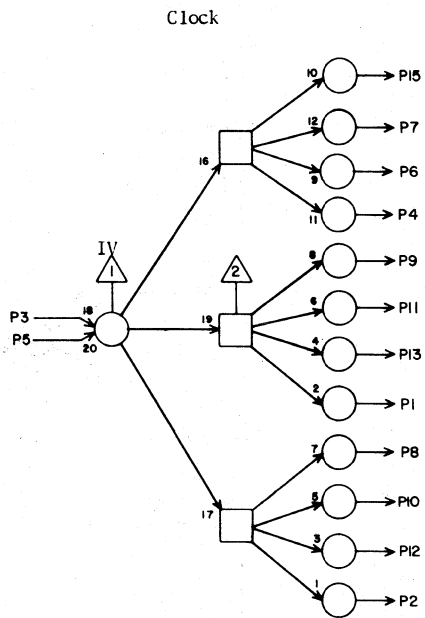
Store (Z)  
Storage 4



SPECIAL MODULE PZ 1C26

1			
2	G24	21	19
3	A18	4	13
4	G24	7	19
5	A18	28	13
6	G25	7	19
7	A25	3	11
8			
9	C27	10	3
10	G20	6	19
11			
12			
13			
14			
15			
16	C28	27	7
17	G30	20	19
18			
19	G25	21	19
20			
21	A25	25	11
22	G26	21	19
23	A18	2	15
24			
25	A18	30	13
26			
27	G26	7	19
28			

JACK PIN LG  
63019800 Rev. A



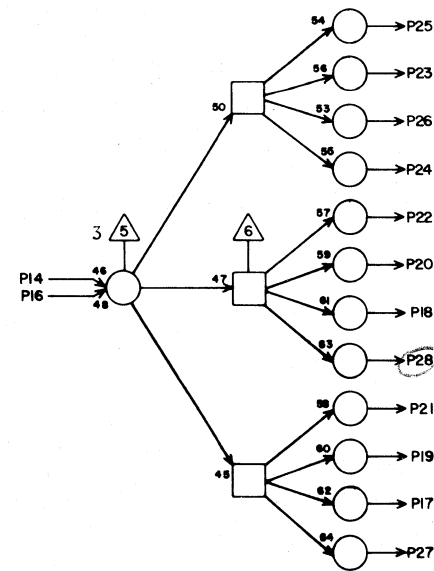
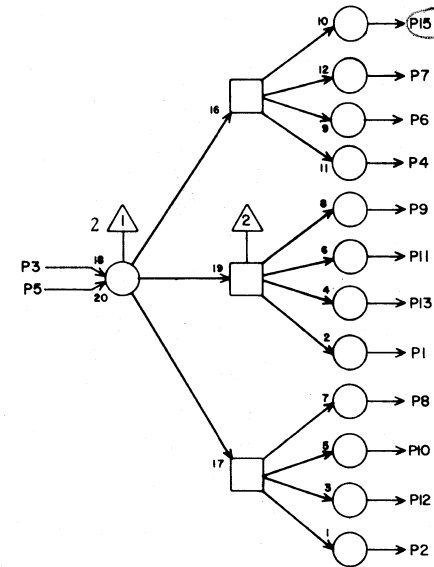
TC 1C27

1	C6	9	23
2	C7	9	23
3	H5	11	31
4	C34	17	11
5	C27	X	2
6	C35	17	11
7	C13	9	17
8	C14	9	17
9	C25	9	7
10	C26	9	3
11	C41	17	17
12	C42	17	17
13			
14	H4	2	31
15			
16	C27	X	2
17	C29	7	7
18	C29	20	7
19	C30	7	7
20	C30	20	7
21	C20	7	11
22	C20	20	11
23	C21	7	11
24	C21	20	11
25	C36	9	13
26	C36	22	13
27	C37	9	13
28	C37	22	13

JACK PIN LG

63019800 Rev. A

STORAGE SEQUENCE SLAVES



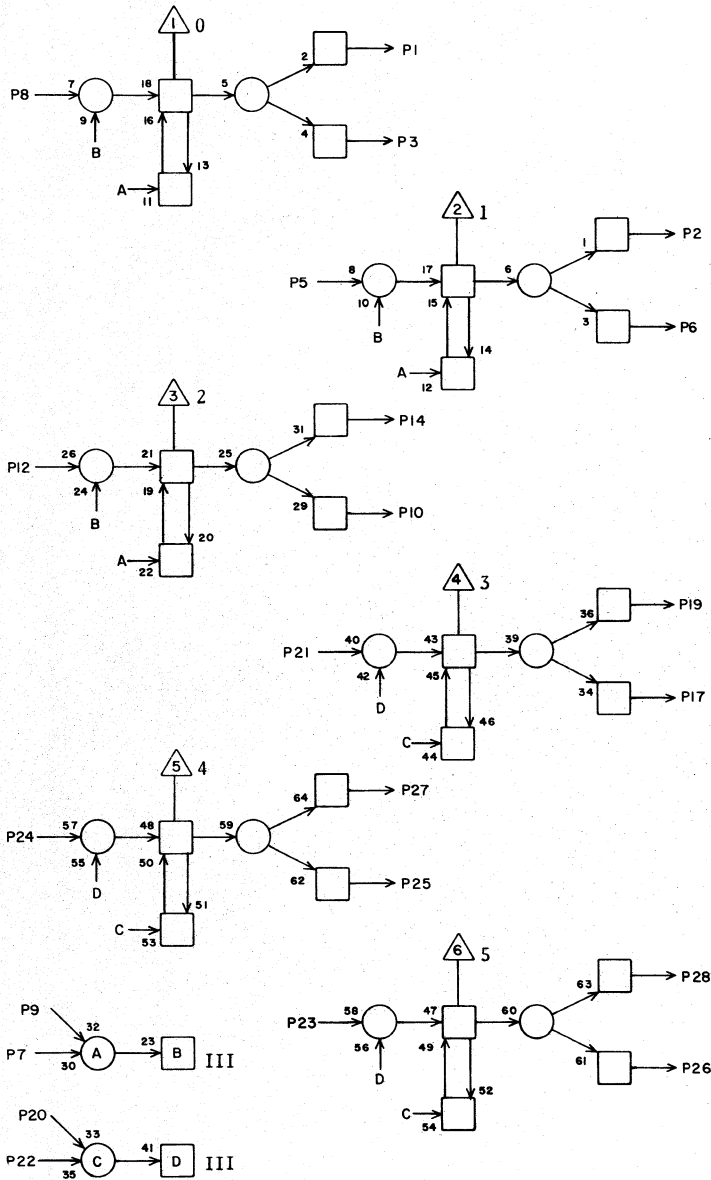
TC 1C28

1	C8	9	23
2	C8	22	23
3	G1	23	31
4	C9	9	21
5	C28	X	2
6	C9	22	21
7	F13	10	21
8	F14	10	21
9	F32	27	17
10	F33	27	17
11	F34	27	17
12	F28	9	15
13	F29	9	15
14	G1	21	31
15			
16	C28	X	2
17	C41	9	17
18	C42	9	17
19	C5	27	25
20	C4	27	25
21	C3	27	27
22	F8	7	25
23	F8	20	25
24	F9	7	23
25	F9	20	25
26	C25	16	9
27	C26	16	7
28			

JACK PIN LG

63019800 Rev. A

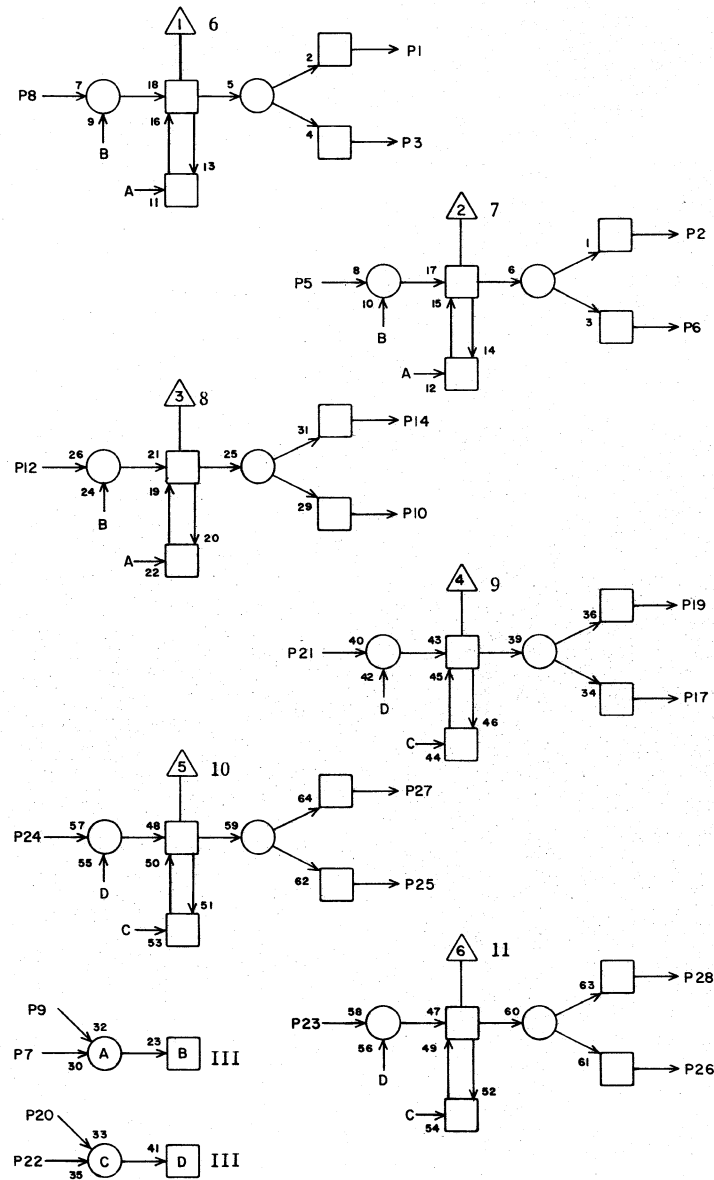
Address (S)  
Storage 6



PA		1C29	
1	A26	22	9
2	A26	20	9
3			
4			
5	H15	23	27
6			
7	C27	17	7
8	H15	9	25
9	G29	8	19
10	A26	8	11
11			
12	H16	9	25
13			
14			
15			
16			
17	A26	10	11
18			
19			
20	C27	18	7
21	H16	23	27
22	G29	9	19
23	H17	23	27
24	H17	9	25
25	A33	15	13
26	A33	17	13
27	A33	7	13
28	A33	9	13
JACK		PIN LG	

63019800 Rev. A

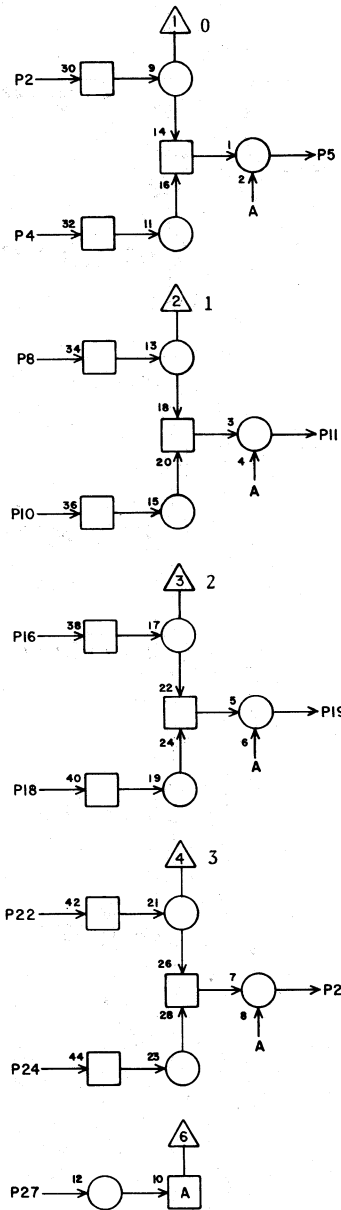
Address (S)  
Storage 6



PA		1C30	
1	A33	13	11
2	A33	11	11
3			
4			
5	H18	23	23
6			
7	C27	19	7
8	H18	9	25
9	G29	10	19
10	A26	12	11
11			
12	H19	9	25
13			
14			
15			
16			
17	A26	14	11
18			
19			
20	C27	20	7
21	H19	23	25
22	G29	11	19
23	H20	23	25
24	H20	9	25
25	A33	19	13
26	A26	24	11
27	A26	18	13
28	A26	16	13
JACK		PIN LG	

63019800 Rev. A

Sense Storage 6



PS

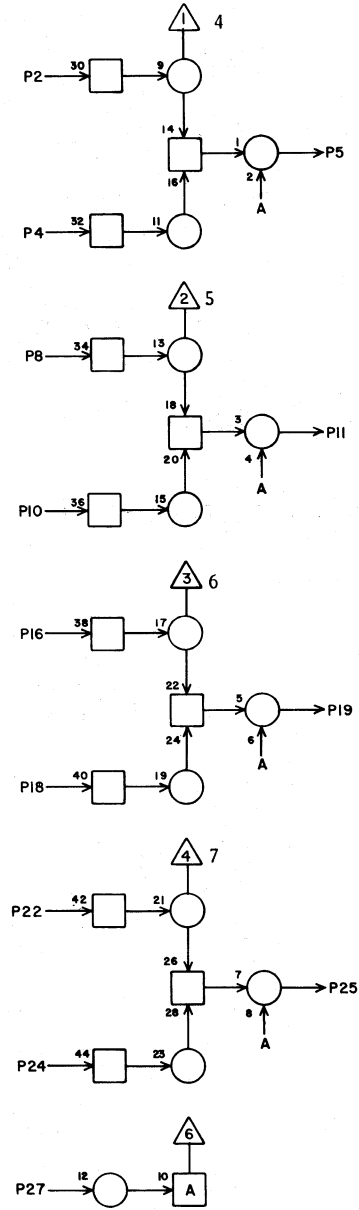
1C31

1			
2	A26	1	11
3			
4	A26	3	11
5	C17	10	19
6			
7			
8	A26	27	11
9			
10	A26	29	11
11	C17	9	19
12			
13			
14			
15			
16	A33	28	9
17			
18	A33	30	9
19	C17	20	19
20			
21			
22	A33	2	13
23			
24	A33	4	13
25	C17	19	19
26	C24	28	11
27	G30	21	19
28	C32	26	3

JACK PIN LG

63019800 Rev. A

Sense Storage 6



PS

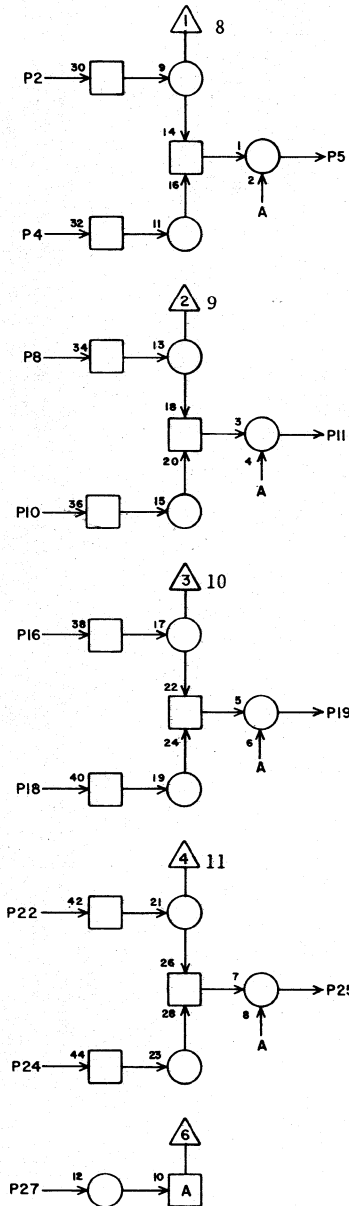
1C32

1			
2	A26	5	11
3			
4	A26	7	11
5	C18	10	17
6			
7			
8	A26	23	11
9			
10	A26	25	11
11	C18	9	17
12			
13			
14			
15			
16	A33	6	11
17			
18	A33	8	11
19	C18	20	17
20			
21			
22	A33	24	9
23			
24	A33	26	9
25	C18	19	17
26	C31	28	3
27	G30	22	19
28	C33	26	3

JACK PIN LG

63019800 Rev. A

Sense  
Storage 6



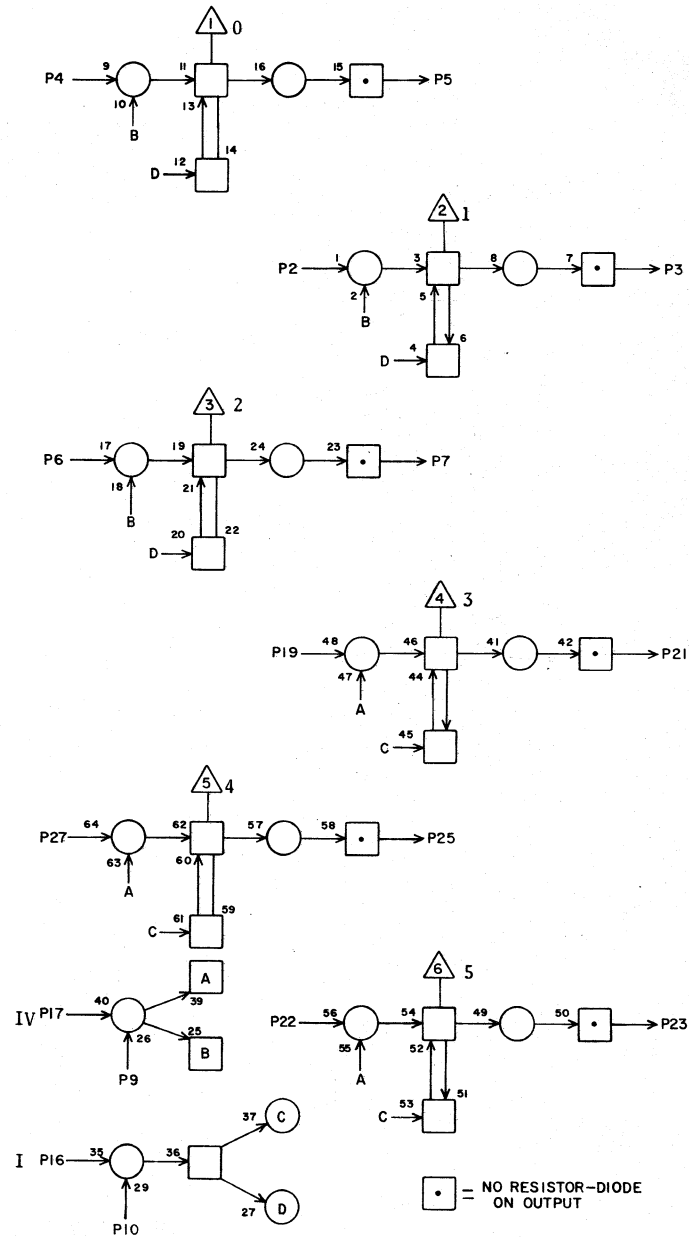
PS

1C33

1			
2	A26	19	11
3			
4	A26	21	11
5	C19	10	17
6			
7			
8	A26	9	13
9			
10	A26	11	13
11	C19	9	17
12			
13			
14			
15			
16	A33	10	11
17			
18	A33	12	11
19	C19	20	17
20			
21			
22	A33	20	11
23			
24	A33	22	11
25	C19	19	17
26	C32	28	3
27	G30	23	21
28	C38	26	9

JACK PIN LG  
63019800 Rev. A

Store (Z)  
Storage 6



□ = NO RESISTOR-DIODE  
ON OUTPUT

SPECIAL  
MODULE PZ

1C34

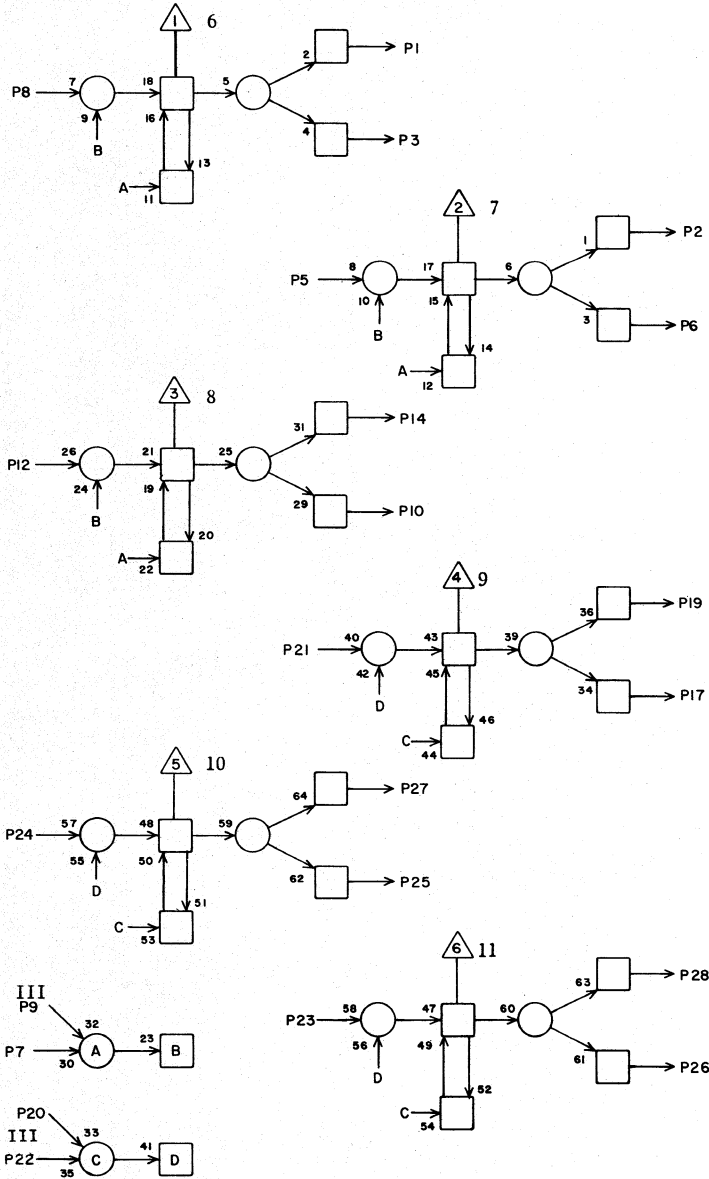
1			
2	G21	23	23
3	A33	5	7
4	G21	9	23
5	A33	29	9
6	G22	9	23
7	A26	6	13
8			
9	C15	23	21
10	G17	26	25
11			
12			
13			
14			
15			
16	G20	7	23
17	C27	4	11
18			
19	G22	23	23
20			
21	A26	26	13
22	G23	23	23
23	A33	1	13
24			
25	A33	27	11
26			
27	G23	9	23
28			

JACK PIN LG  
63019800 Rev. A





Address (S)  
Storage 8



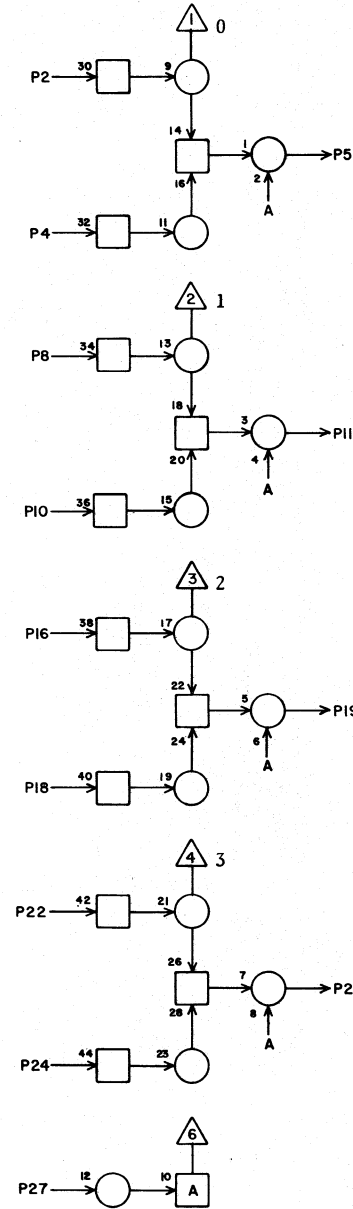
PA 1C37

1	A42	13	11
2	A42	11	11
3			
4			
5	H18	24	29
6			
7	G30	10	19
8	H18	10	29
9	C27	27	13
10	A35	12	11
11			
12	H19	10	27
13			
14			
15			
16			
17	A35	14	11
18			
19			
20	G30	11	21
21	H19	24	29
22	C27	28	13
23	H20	24	29
24	H20	10	29
25	A42	19	13
26	A35	24	11
27	A35	18	13
28	A35	16	13

JACK PIN LG

63019800 Rev. A

Sense  
Storage 8



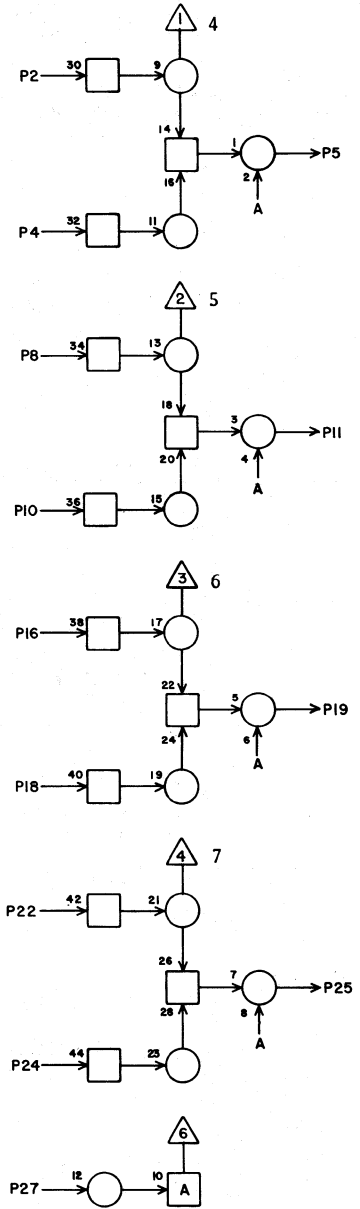
PS 1C38

1			
2	A35	1	11
3			
4	A35	3	11
5	C17	12	23
6			
7			
8	A35	27	9
9			
10	A35	29	9
11	C17	11	23
12			
13			
14			
15			
16	A42	28	11
17			
18	A42	30	11
19	C17	18	23
20			
21			
22	A42	2	13
23			
24	A42	4	13
25	C17	17	23
26	C33	28	9
27	C15	25	25
28	C39	26	3

JACK PIN LG

63019800 Rev. A

Sense Storage 8



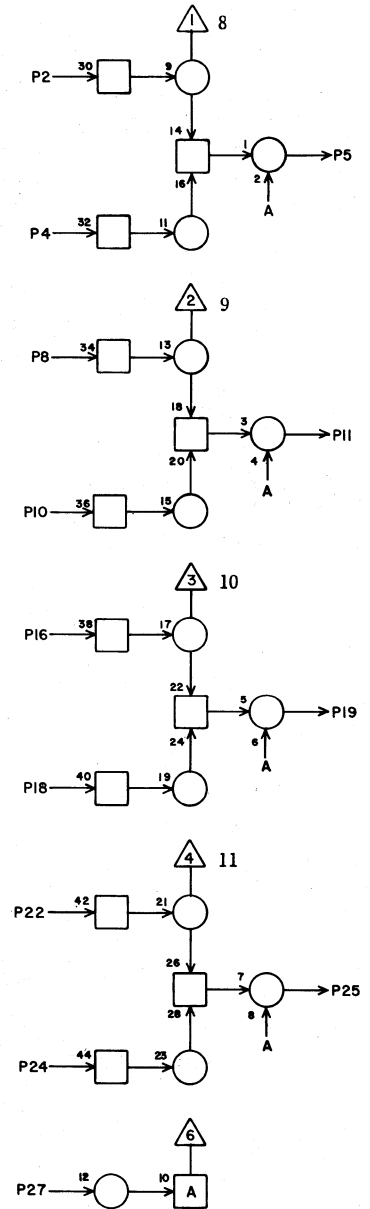
PS 1C39

1			
2	A35	5	11
3			
4	A35	7	11
5	C18	12	23
6			
7			
8	A35	23	9
9			
10	A35	25	9
11	C18	11	23
12			
13			
14			
15			
16	A42	6	13
17			
18	A42	8	13
19	C18	18	23
20			
21			
22	A42	24	11
23			
24	A42	26	11
25	C18	17	23
26	C38	28	3
27	C15	26	25
28	C40	26	3

JACK PIN LG

63019800 Rev. A

Sense Storage 8



PS 1C40

1			
2	A35	19	11
3			
4	A35	21	11
5	C19	12	23
6			
7			
8	A35	9	11
9			
10	A35	11	11
11	C19	11	23
12			
13			
14			
15			
16	A42	10	11
17			
18	A42	12	11
19	C19	18	23
20			
21			
22	A42	20	13
23			
24	A42	22	13
25	C19	17	23
26	C39	28	
27	C15	27	27
28			

JACK PIN LG

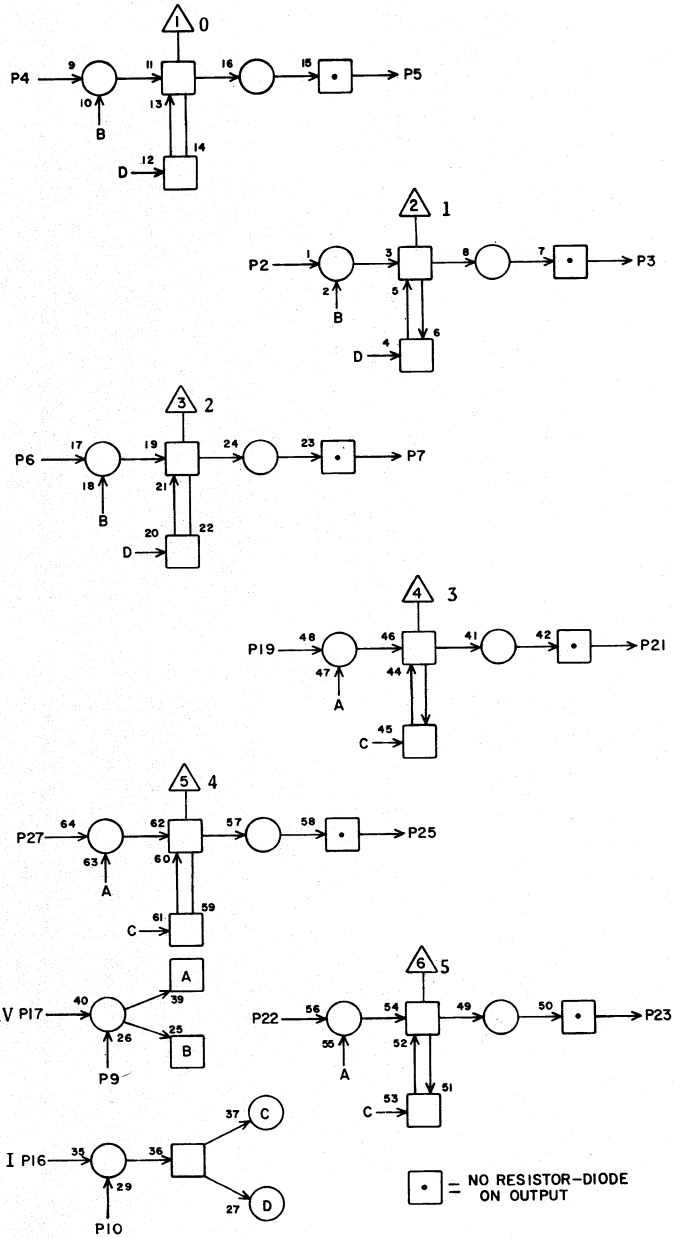
63019800 Rev. A

Store (Z)  
Storage 8

SPECIAL MODULE PZ IC41

1			
2	G21	24	27
3	A42	5	11
4	G21	10	27
5	A42	29	7
6	G22	10	27
7	A35	6	13
8			
9	C28	17	17
10	G29	22	23
11			
12			
13			
14			
15			
16	G20	9	27
17	C27	11	17
18			
19	G22	24	27
20			
21	A35	26	13
22	G23	24	27
23	A42	1	13
24			
25	A42	27	11
26			
27	G23	10	25
28			

JACK PIN LG  
63019800 Rev. A

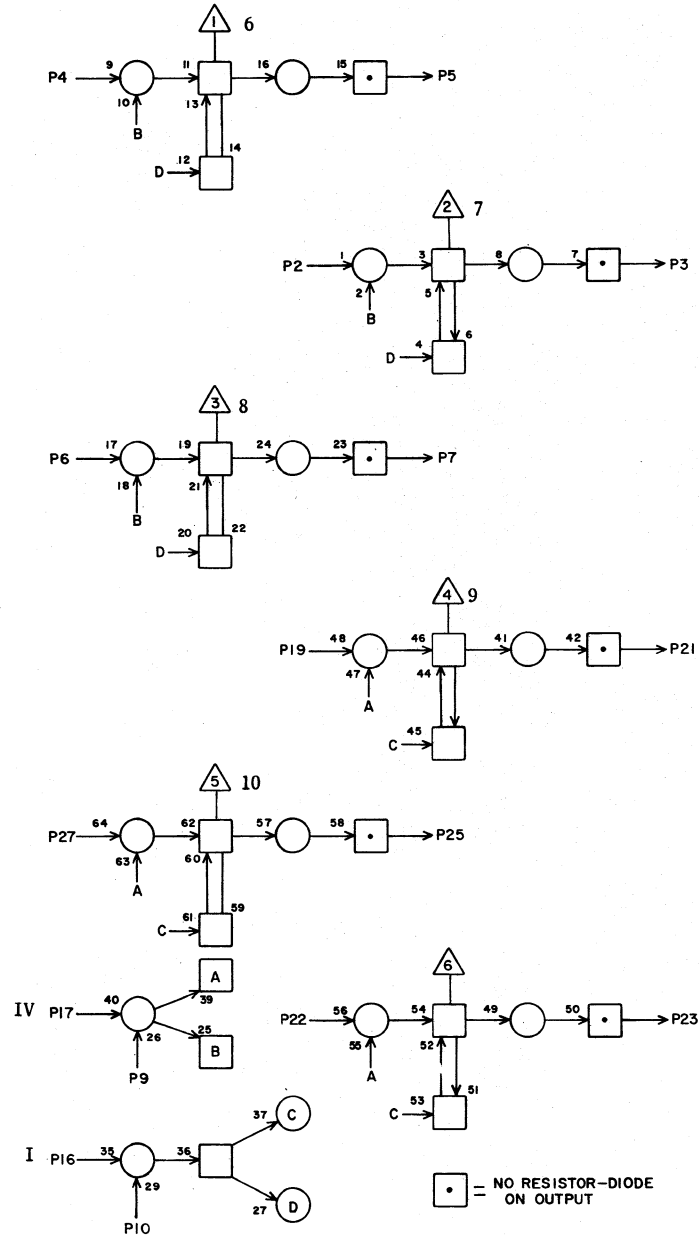


Store (Z)  
Storage 8

SPECIAL MODULE PZ IC42

1			
2	G24	24	27
3	A35	4	13
4	G24	10	25
5	A35	28	13
6	G25	10	25
7	A42	3	11
8			
9	C28	18	17
10	G29	23	23
11			
12			
13			
14			
15			
16	G20	10	27
17	C27	12	17
18			
19	G25	24	25
20			
21	A42	25	9
22	G26	24	25
23	A35	2	15
24			
25	A35	30	13
26			
27	G26	10	25
28			

JACK PIN LG  
63019800 Rev. A



**1D1**

**STORAGE MODULE 1**

JACK	PIN	LG
1	F3	2 9
2	F7	23 15
3	F3	4 9
4	F7	3 13
5	F4	2 9
6	F6	7 11
7	F4	4 9
8	F1	10 9
9	F5	8 11
10	F1	17 11
11	F5	10 11
12	F2	10 11
13	CB2	
14	F2	17 11
15	D1	X 2
16	F2	28 11
17	CB3	
18	F2	27 11
19	F5	2 9
20	F1	2 9
21	F5	4 9
22	F1	1 9
23	F4	8 11
24	F2	26 11
25	F4	10 11
26	F6	21 13
27	F3	8 11
28	F7	5 13
29	F3	10 11
30	F7	25 13

FUNCTION	PIN
Address	
S <sup>0</sup>	22
S <sup>1</sup>	20
S <sup>2</sup>	8
S <sup>3</sup>	10
S <sup>4</sup>	12
S <sup>5</sup>	14
S <sup>10</sup>	18
S <sup>11</sup>	16
Store	
Z <sup>2</sup>	6
Z <sup>3</sup>	26
Z <sup>4</sup>	28
Z <sup>7</sup>	4
Z <sup>10</sup>	30
Z <sup>11</sup>	2
Read	
Z <sup>0</sup>	1
Z <sup>1</sup>	3
Z <sup>1</sup>	27
Z <sup>2</sup>	29
Z <sup>4</sup>	5
Z <sup>5</sup>	7
Z <sup>5</sup>	23
Z <sup>8</sup>	19
Z <sup>9</sup>	21
Z <sup>9</sup>	9
Z <sup>9</sup>	11
Inhibit	
S <sup>11</sup>	24
Power	
+5 To Inhibit	13
+5 To Inhibit	17
Ground	15

**1D8**

JACK	PIN	LG
1	F6	23 11
2	F3	22 13
3	F7	7 9
4	F3	24 13
5	F6	3 9
6	F4	16 11
7	F1	27 13
8	F4	18 11
9	F1	28 13
10	F5	16 11
11	F2	2 11
12	F5	18 11
13	F2	1 11
14	+6 BUS	
15	F1	25 13
16	D8	X 2
17	F1	26 13
18	CB1	
19	F2	25 13
20	F5	22 11
21	G10	24 15
22	F5	24 11
23	G10	1 13
24	F4	22 11
25	F7	21 11
26	F4	24 11
27	F6	25 11
28	F3	16 11
29	F6	5 9
30	F3	18 11

FUNCTION	PIN
Address	
S <sup>4</sup>	7
S <sup>5</sup>	9
S <sup>6</sup>	13
S <sup>7</sup>	11
Store	
Z <sup>0</sup>	29
Z <sup>1</sup>	5
Z <sup>4</sup>	27
Z <sup>5</sup>	1
Z <sup>8</sup>	3
Z <sup>9</sup>	25
Read	
Z <sup>2</sup>	28
Z <sup>3</sup>	30
Z <sup>3</sup>	2
Z <sup>3</sup>	4
Z <sup>6</sup>	6
Z <sup>6</sup>	8
Z <sup>6</sup>	24
Z <sup>7</sup>	26
Z <sup>10</sup>	10
Z <sup>10</sup>	12
Z <sup>11</sup>	20
Z <sup>11</sup>	22
Inhibit	
S <sup>4</sup>	15
S <sup>5</sup>	17
S <sup>10</sup>	19
Control	
Read Enable	23
Write Enable	21
Power	
+8 To Drive	18
+6 To Drive	14
Ground	16

**1D10**

**STORAGE MODULE 3**

JACK	PIN	LG
1	F10	2 9
2	F14	23 13
3	F10	4 9
4	F14	3 11
5	F11	2 9
6	F13	7 11
7	F11	4 9
8	F8	10 9
9	F12	8 11
10	F8	17 11
11	F12	10 11
12	F9	10 9
13	CB2	
14	F9	17 11
15	D10	X 2
16	F9	28 11
17	CB3	
18	F9	27 11
19	F12	2 9
20	F8	2 9
21	F12	4 9
22	F8	1 9
23	F11	8 9
24	F9	26 11
25	F11	10 9
26	F13	21 11
27	F10	8 9
28	F14	5 4
29	F10	10 9
30	F14	25 13

FUNCTION	PIN
Address	
S <sup>0</sup>	22
S <sup>1</sup>	20
S <sup>3</sup>	8
S <sup>3</sup>	10
S <sup>8</sup>	12
S <sup>8</sup>	14
S <sup>10</sup>	18
S <sup>11</sup>	16
Store	
Z <sup>2</sup>	6
Z <sup>3</sup>	26
Z <sup>3</sup>	28
Z <sup>7</sup>	4
Z <sup>10</sup>	30
Z <sup>11</sup>	2
Read	
Z <sup>0</sup>	1
Z <sup>0</sup>	3
Z <sup>1</sup>	27
Z <sup>1</sup>	29
Z <sup>4</sup>	5
Z <sup>4</sup>	7
Z <sup>5</sup>	23
Z <sup>5</sup>	25
Z <sup>8</sup>	19
Z <sup>8</sup>	21
Z <sup>9</sup>	9
Z <sup>9</sup>	11
Inhibit	
S <sup>11</sup>	24
Power	
+5 To Inhibit	13
+5 To Inhibit	17
Ground	15

**1D16**

JACK	PIN	LG
1	F13	23 11
2	F10	22 13
3	F14	7 9
4	F10	24 13
5	F13	3 11
6	F11	16 13
7	F8	27 15
8	F11	18 13
9	F8	28 15
10	F12	16 11
11	F9	2 13
12	F12	18 11
13	F9	1 13
14	+6 Bus	
15	F8	25 15
16	D16	X 2
17	F8	26 15
18	CB1	
19	F9	25 13
20	F12	22 13
21	G12	24 15
22	F12	24 13
23	G12	1 13
24	F11	22 13
25	F14	21 11
26	F11	24 13
27	F13	25 13
28	F10	16 13
29	F13	5 11
30	F10	18 13

FUNCTION	PIN
Address	
S <sup>4</sup>	7
S <sup>5</sup>	9
S <sup>6</sup>	13
S <sup>7</sup>	11
Store	
Z <sup>0</sup>	29
Z <sup>1</sup>	5
Z <sup>4</sup>	27
Z <sup>5</sup>	1
Z <sup>8</sup>	3
Z <sup>9</sup>	25
Read	
Z <sup>2</sup>	28
Z <sup>2</sup>	30
Z <sup>3</sup>	2
Z <sup>3</sup>	4
Z <sup>6</sup>	6
Z <sup>6</sup>	8
Z <sup>6</sup>	24
Z <sup>7</sup>	26
Z <sup>10</sup>	10
Z <sup>10</sup>	12
Z <sup>11</sup>	20
Z <sup>11</sup>	22
Inhibit	
S <sup>4</sup>	15
S <sup>5</sup>	17
S <sup>10</sup>	19
Control	
Read Enable	23
Write Enable	21
Power	
+8 To Drive	18
+6 To Drive	14
Ground	16

1 D18  
STORAGE  
MODULE 5

FUNCTION	PIN
Address	
S <sup>0</sup>	22
S <sup>1</sup>	20
S <sup>2</sup>	8
S <sup>3</sup>	10
S <sup>8</sup>	12
S <sup>9</sup>	14
S <sup>10</sup>	18
S <sup>11</sup>	16
Store	
Z <sup>2</sup>	6
Z <sup>3</sup>	26
Z <sup>6</sup>	28
Z <sup>7</sup>	4
Z <sup>10</sup>	30
Z <sup>11</sup>	2
Read	
Z <sup>0</sup>	1
Z <sup>1</sup>	3
Z <sup>1</sup>	27
Z <sup>1</sup>	29
Z <sup>4</sup>	5
Z <sup>5</sup>	7
Z <sup>5</sup>	23
Z <sup>5</sup>	25
Z <sup>8</sup>	19
Z <sup>8</sup>	21
Z <sup>9</sup>	9
Z <sup>9</sup>	11
Inhibit	
S <sup>11</sup>	24
Power	
+5 To Inhibit	13
+5 To Inhibit	17
Ground	15

JACK	PIN	LG
1	F18	2 9
2	F22	23 13
3	F18	4 9
4	F22	3 11
5	F19	2 9
6	F21	7 11
7	F19	4 9
8	F16	10 11
9	F20	8 9
10	F16	17 11
11	F20	10 9
12	F17	10 9
13	CB2	
14	F17	17 11
15	D18	X 2
16	F17	28 11
17	CB3	
18	F17	27 11
19	F20	2 9
20	F16	2 9
21	F20	4 9
22	F16	1 9
23	F19	8 9
24	F17	26 11
25	F19	10 9
26	F21	21 11
27	F18	8 9
28	F22	5 11
29	F18	10 9
30	F22	25 13

1 D25

FUNCTION	PIN
Address	
S <sup>4</sup>	7
S <sup>9</sup>	9
S <sup>6</sup>	13
S <sup>7</sup>	11
Store	
Z <sup>0</sup>	29
Z <sup>1</sup>	5
Z <sup>4</sup>	27
Z <sup>9</sup>	1
Z <sup>8</sup>	3
Z <sup>9</sup>	25
Read	
Z <sup>2</sup>	28
Z <sup>2</sup>	30
Z <sup>3</sup>	2
Z <sup>3</sup>	4
Z <sup>4</sup>	6
Z <sup>4</sup>	8
Z <sup>6</sup>	24
Z <sup>7</sup>	26
Z <sup>10</sup>	10
Z <sup>10</sup>	12
Z <sup>11</sup>	20
Z <sup>11</sup>	22
Inhibit	
S <sup>4</sup>	15
S <sup>5</sup>	17
S <sup>10</sup>	19
Control	
Read Enable	23
Write Enable	21
Power	
+8 To Drive	18
+6 To Drive	14
Ground	16

JACK	PIN	LG
1	F21	23 13
2	F18	22 13
3	F22	7 11
4	F18	24 13
5	F21	3 11
6	F19	16 11
7	F16	27 15
8	F19	18 11
9	F16	28 15
10	F20	16 11
11	F17	2 13
12	F20	18 11
13	F17	1 13
14	+6 BUS	
15	F16	25 15
16	D25	X 2
17	F16	26 15
18	CB1	
19	F17	25 15
20	F20	22 13
21	G9	3 21
22	F20	24 13
23	G9	25 21
24	F19	22 13
25	F22	21 11
26	F19	24 13
27	F21	25 13
28	F18	16 13
29	F21	5 11
30	F18	18 13

63019800 Rev. A

1 D26  
STORAGE  
MODULE 7

FUNCTION	PIN
Address	
S <sup>0</sup>	22
S <sup>1</sup>	20
S <sup>2</sup>	8
S <sup>3</sup>	10
S <sup>8</sup>	12
S <sup>9</sup>	14
S <sup>10</sup>	18
S <sup>11</sup>	16
Store	
Z <sup>2</sup>	6
Z <sup>3</sup>	26
Z <sup>6</sup>	28
Z <sup>7</sup>	4
Z <sup>10</sup>	30
Z <sup>11</sup>	2
Read	
Z <sup>0</sup>	1
Z <sup>0</sup>	3
Z <sup>1</sup>	27
Z <sup>1</sup>	29
Z <sup>4</sup>	5
Z <sup>4</sup>	7
Z <sup>5</sup>	23
Z <sup>5</sup>	25
Z <sup>8</sup>	19
Z <sup>8</sup>	21
Z <sup>9</sup>	9
Z <sup>9</sup>	11
Inhibit	
S <sup>11</sup>	24
Power	
+5 To Inhibit	13
+5 To Inhibit	17
Ground	15

JACK	PIN	LG
1	F25	2 9
2	F29	23 11
3	F25	4 9
4	F29	3 9
5	F26	2 9
6	F28	7 9
7	F26	4 9
8	F23	10 11
9	F27	8 9
10	F23	17 11
11	F27	10 9
12	F24	10 11
13	CB2	
14	F24	17 11
15	D26	X 2
16	F24	28 11
17	CB3	
18	F24	27 11
19	F27	2 9
20	F23	2 9
21	F27	4 9
22	F23	1 9
23	F26	8 9
24	F24	26 11
25	F26	10 9
26	F28	21 11
27	F25	8 9
28	F29	5 9
29	F25	10 9
30	F29	25 11

1 D33

FUNCTION	PIN
Address	
S <sup>4</sup>	7
S <sup>5</sup>	9
S <sup>6</sup>	13
S <sup>7</sup>	11
Store	
Z <sup>0</sup>	29
Z <sup>1</sup>	5
Z <sup>4</sup>	27
Z <sup>5</sup>	1
Z <sup>8</sup>	3
Z <sup>9</sup>	25
Read	
Z <sup>2</sup>	28
Z <sup>2</sup>	30
Z <sup>3</sup>	2
Z <sup>3</sup>	4
Z <sup>6</sup>	6
Z <sup>6</sup>	8
Z <sup>7</sup>	24
Z <sup>10</sup>	26
Z <sup>10</sup>	10
Z <sup>10</sup>	12
Z <sup>11</sup>	20
Z <sup>11</sup>	22
Inhibit	
S <sup>4</sup>	15
S <sup>5</sup>	17
S <sup>10</sup>	19
Control	
Read Enable	23
Write Enable	21
Power	
+8 To Drive	18
+6 To Drive	14
Ground	16

JACK	PIN	LG
1	F28	23 13
2	F25	22 15
3	F29	7 11
4	F25	24 15
5	F28	3 11
6	F26	16 13
7	F23	27 15
8	F26	18 13
9	F23	28 15
10	F27	16 15
11	F24	2 13
12	F27	18 13
13	F24	1 13
14	+6 BUS	
15	F23	25 15
16	D33	X 2
17	F23	26 15
18	CB1	
19	F24	25 13
20	F27	22 13
21	G11	3 25
22	F27	24 13
23	G11	25 25
24	F26	22 13
25	F29	21 13
26	F26	24 15
27	F28	25 13
28	F25	16 13
29	F28	5 11
30	F25	18 13

63019800 Rev. A

1 D35

STORAGE  
MODULE 9

FUNCTION	PIN
Address	
S <sup>0</sup>	22
S <sup>1</sup>	20
S <sup>2</sup>	8
S <sup>3</sup>	10
S <sup>8</sup>	12
S <sup>9</sup>	14
S <sup>10</sup>	18
S <sup>11</sup>	16
Store	
Z <sup>2</sup>	6
Z <sup>3</sup>	26
Z <sup>6</sup>	28
Z <sup>7</sup>	4
Z <sup>10</sup>	30
Z <sup>11</sup>	2
Read	
D <sup>0</sup>	1
D <sup>1</sup>	3
D <sup>2</sup>	27
D <sup>3</sup>	29
D <sup>4</sup>	5
D <sup>5</sup>	7
D <sup>6</sup>	23
D <sup>8</sup>	25
D <sup>9</sup>	19
D <sup>10</sup>	21
D <sup>11</sup>	9
Inhibit	
S <sup>11</sup>	24
Power	
+5 To Inhibit	13
+5 To Inhibit	17
Ground	15

1	F32	2	9
2	F36	23	11
3	F32	4	9
4	F36	3	9
5	F33	2	9
6	F35	7	9
7	F33	4	9
8	F30	10	9
9	F34	8	9
10	F30	17	11
11	F34	10	9
12	F31	10	11
13	Cb2		
14	F31	17	11
15	D35	X	2
16	F31	28	13
17	Cb3		
18	F31	27	13
19	F34	2	9
20	F30	2	11
21	F34	4	9
22	F30	1	11
23	F33	8	9
24	F31	26	13
25	F33	10	9
26	F35	21	11
27	F32	8	9
28	F36	5	9
29	F32	10	9
30	F36	25	11

JACK PIN LG

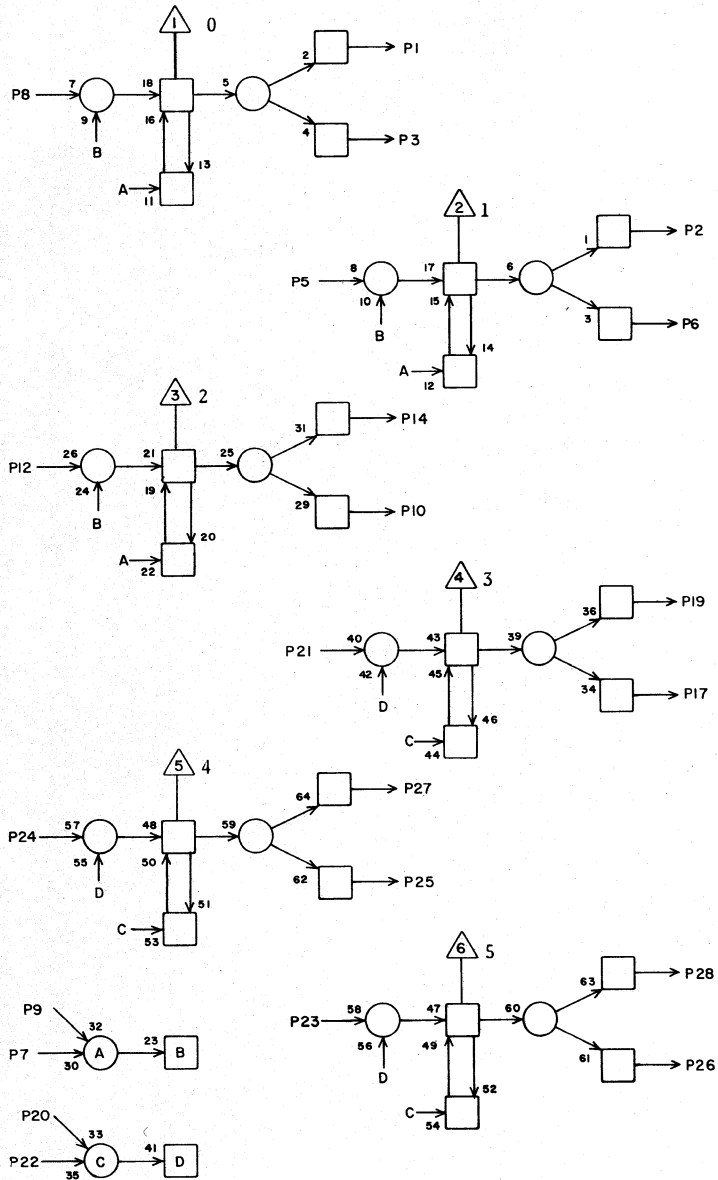
1 D42

FUNCTION	PIN
Address	
S <sup>4</sup>	7
S <sup>5</sup>	9
S <sup>6</sup>	13
S <sup>7</sup>	11
Store	
Z <sup>0</sup>	29
Z <sup>1</sup>	5
Z <sup>4</sup>	27
Z <sup>5</sup>	1
Z <sup>8</sup>	3
Z <sup>9</sup>	25
Read	
D <sup>2</sup>	28
D <sup>2</sup>	30
D <sup>3</sup>	2
D <sup>3</sup>	4
D <sup>6</sup>	6
D <sup>6</sup>	8
D <sup>7</sup>	24
D <sup>7</sup>	26
D <sup>10</sup>	10
D <sup>11</sup>	12
D <sup>11</sup>	20
D <sup>11</sup>	22
Inhibit	
S <sup>4</sup>	15
S <sup>6</sup>	17
S <sup>10</sup>	19
Control	
Read Enable	23
Write Enable	21
Power	
+8 To Drive	18
+6 To Drive	14
Ground	16

1	F35	23	15
2	F32	22	15
3	F36	7	13
4	F32	24	15
5	F35	3	13
6	F33	16	15
7	F30	27	17
8	F35	18	15
9	F30	28	17
10	F34	16	13
11	F31	2	15
12	F34	18	13
13	F31	1	15
14	+6 BUS		
15	F30	25	17
16	D42	X	2
17	F30	26	17
18	Cb1		
19	F31	25	17
20	F34	22	13
21	G13	3	31
22	F34	24	13
23	G13	25	31
24	F33	22	15
25	F36	21	13
26	F33	24	15
27	F35	25	13
28	F32	16	15
29	F35	5	13
30	F32	18	15

JACK PIN LG

Address (S)  
Storage 1



PA

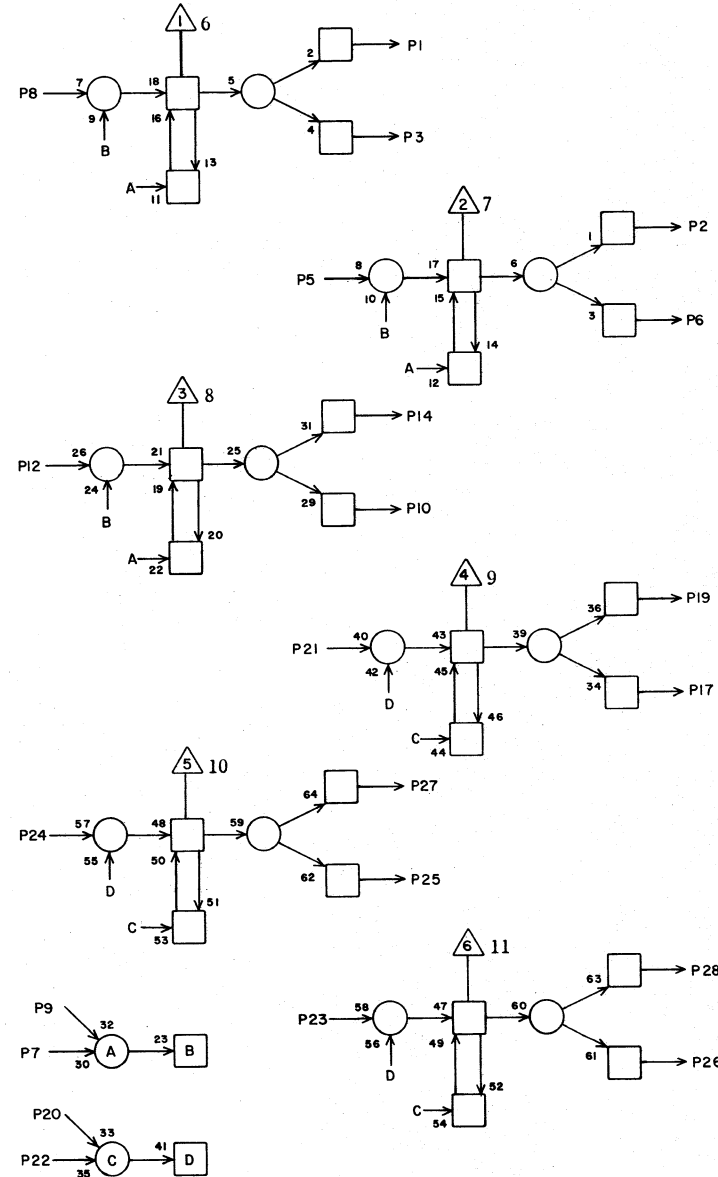
1F1

1	D1	22	9
2	D1	20	9
3			
4			
5	H15	18	19
6			
7	C15	17	21
8	H15	2	19
9	G8	20	13
10	D1	8	9
11			
12	H16	2	19
13			
14			
15			
16			
17	D1	10	11
18			
19			
20	C15	18	21
21	H16	18	19
22	G8	21	13
23	H17	18	21
24	H17	2	19
25	D8	15	13
26	D8	17	13
27	D8	7	13
28	D8	9	13

JACK PIN LG

63019800 Rev. A

Address (S)  
Storage 1



PA

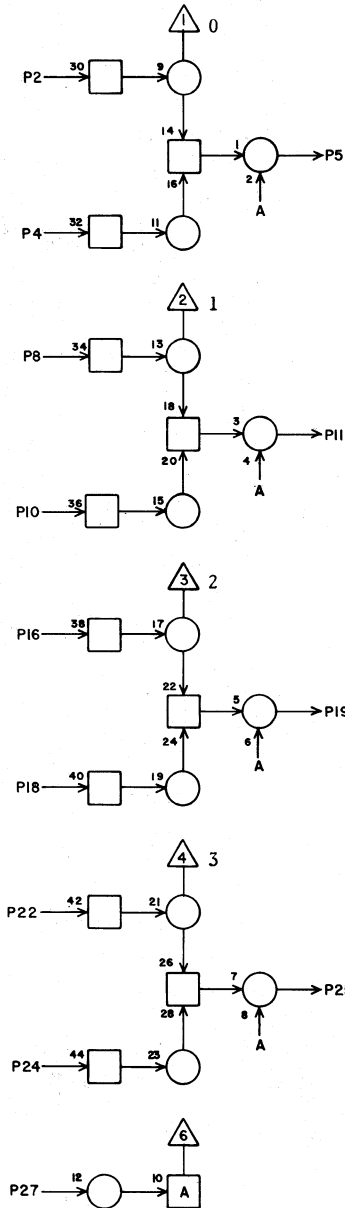
1F2

1	D8	13	11
2	D8	11	11
3			
4			
5	H18	18	21
6			
7	C15	19	21
8	H18	2	19
9	G8	22	11
10	D1	12	11
11			
12	H19	2	21
13			
14			
15			
16			
17	D1	14	11
18			
19			
20	C15	20	21
21	H19	18	21
22	G8	23	13
23	H20	18	23
24	H20	2	21
25	D8	19	13
26	D1	24	11
27	D1	18	11
28	D1	16	11

JACK PIN LG

63019800 Rev. A

Sense Storage 1



PS

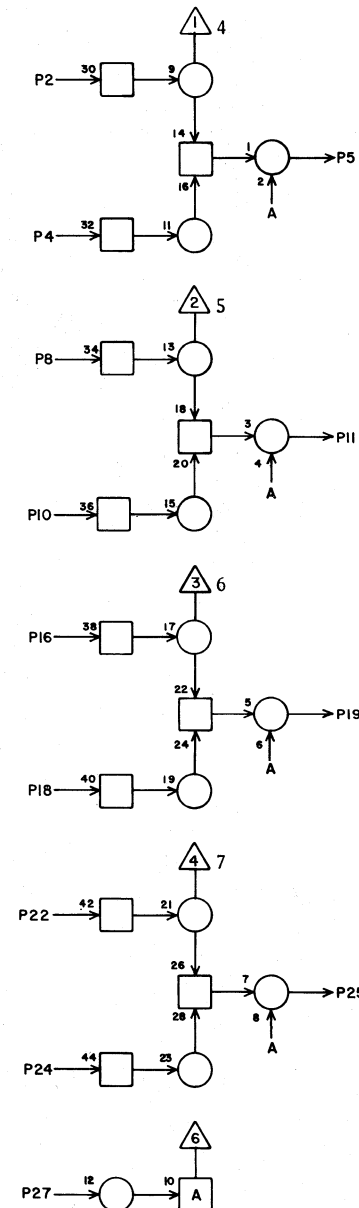
1F3

1			
2	D1	1	9
3			
4	D1	3	9
5	G14	4	15
6			
7			
8	D1	27	11
9			
10	D1	29	11
11	G14	3	15
12			
13			
14			
15			
16	D8	28	11
17			
18	D8	30	11
19	G14	16	15
20			
21			
22	D8	2	13
23			
24	D8	4	13
25	G14	15	15
26	G10	15	13
27	G17	1	17
28	F4	26	3

JACK PIN LG

63019800 Rev. A

Sense Storage 1



PS

1F4

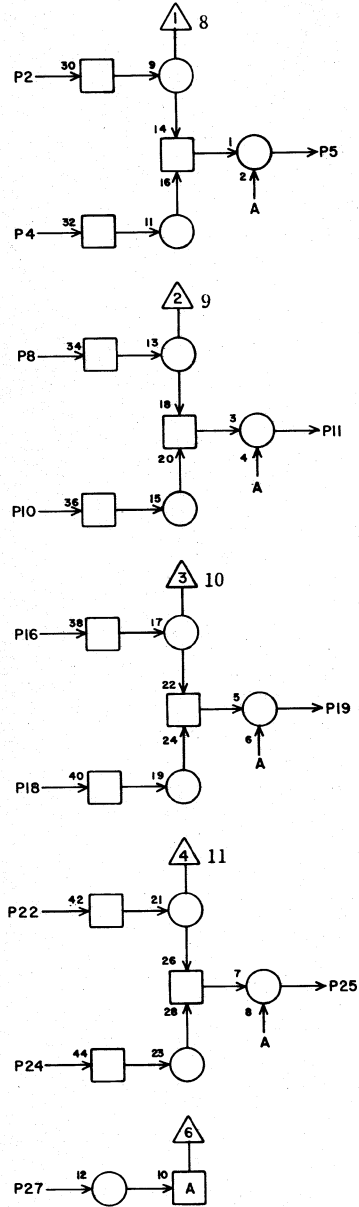
1			
2	D1	5	9
3			
4	D1	7	9
5	G15	4	15
6			
7			
8	D1	23	11
9			
10	D1	25	11
11	G15	3	15
12			
13			
14			
15			
16	D8	6	11
17			
18	D8	8	11
19	G15	16	15
20			
21			
22	D8	24	11
23			
24	D8	26	11
25	G15	15	15
26	F3	28	3
27	G17	2	17
28	F5	26	3

JACK PIN LG

63019800 Rev. A



Sense  
Storage 1

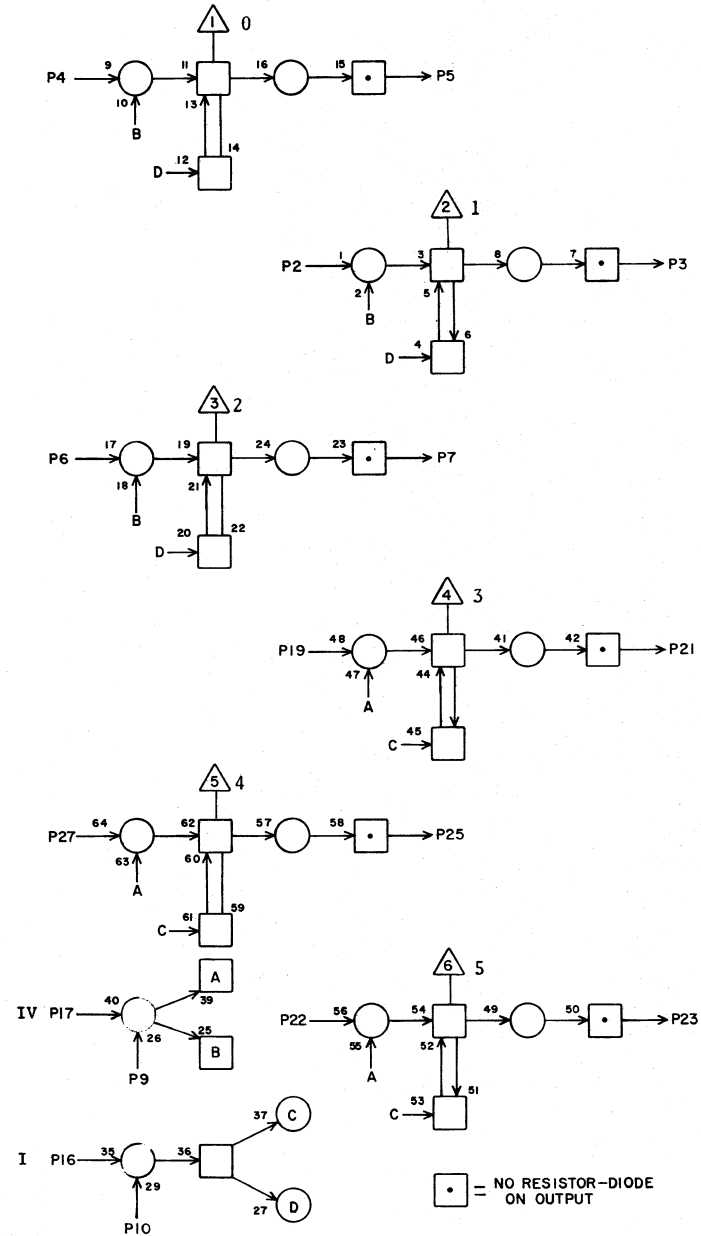


PS 1F5

1			
2	D1	19	9
3			
4	D1	21	9
5	G16	4	15
6			
7			
8	D1	9	11
9			
10	D1	11	11
11	G16	3	15
12			
13			
14			
15			
16	D8	10	11
17			
18	D8	12	11
19	G16	16	15
20			
21			
22	D8	20	11
23			
24	D8	22	11
25	G16	15	15
26	F4	28	3
27	G17	4	17
28	F10	26	9

JACK PIN LG  
63019800 Rev. A

Store (Z)  
Storage 1



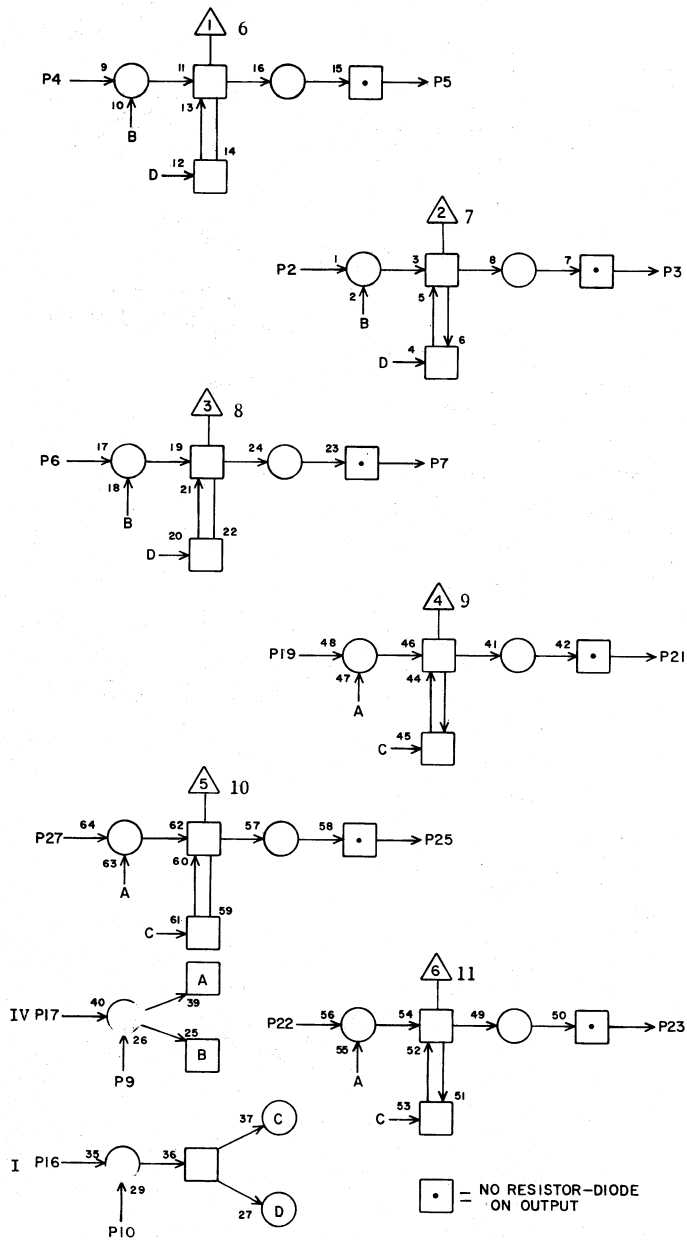
• = NO RESISTOR-DIODE  
ON OUTPUT

SPECIAL  
MODULE PZ 1F6

1			
2	G21	18	19
3	D8	5	9
4	G21	2	19
5	D8	29	9
6	G22	2	19
7	D1	6	11
8			
9	G29	1	25
10	C15	7	17
11			
12			
13			
14			
15			
16	G8	9	7
17	G20	17	17
18			
19	G22	18	19
20			
21	D1	26	13
22	G23	18	21
23	D8	1	11
24			
25	D8	27	11
26			
27	G23	2	19
28			

JACK PIN LG  
63019800 Rev. A

Store (Z)  
Storage 1

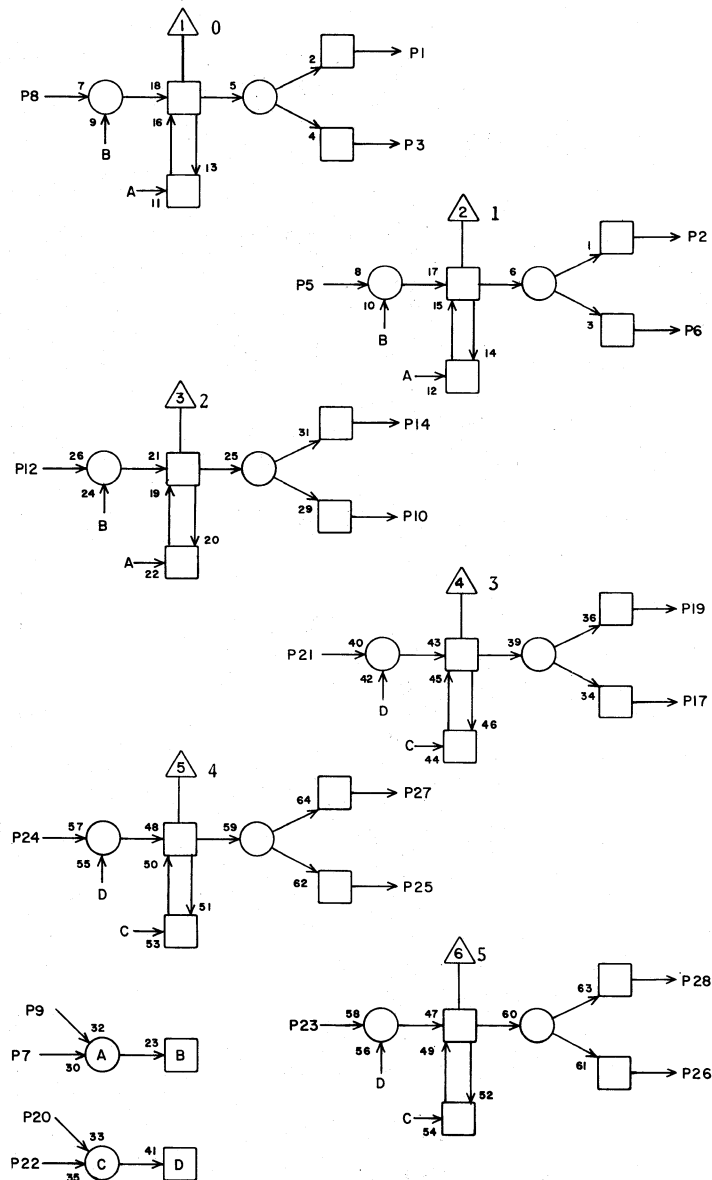


SPECIAL MODULE P2 1F7

1			
2	G24	18	19
3	D1	4	13
4	G24	2	19
5	D1	28	13
6	G25	2	21
7	D8	3	9
8			
9	G29	2	23
10	C15	8	17
11			
12			
13			
14			
15			
16	G8	10	7
17	G20	18	17
18			
19	G25	18	21
20			
21	D8	25	11
22	G26	18	21
23	D1	2	15
24			
25	D1	30	13
26			
27	G26	2	21
28			

JACK PIN LG  
63019800 Rev. A

Address (S)  
Storage 3

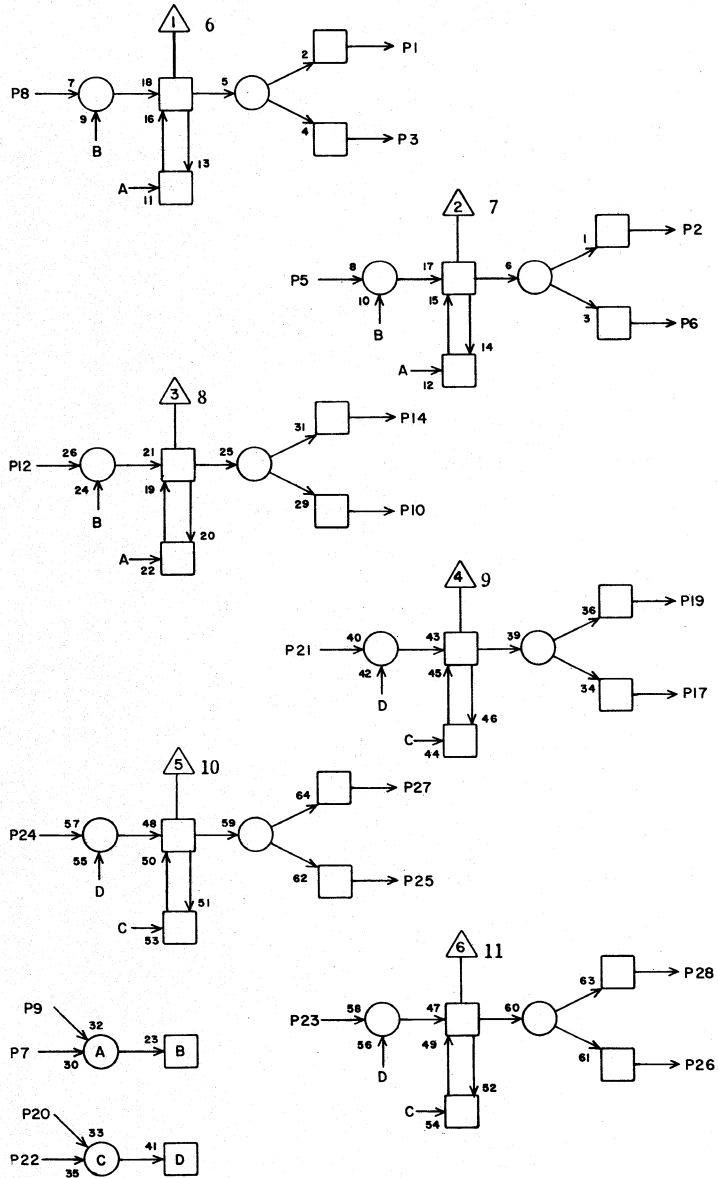


PA 1F8

1	D10	22	9
2	D10	20	9
3			
4			
5	H15	20	15
6			
7	C28	22	25
8	H15	6	15
9	G8	24	9
10	D10	8	9
11			
12	H16	6	15
13			
14			
15			
16			
17	D10	10	11
18			
19			
20	C28	23	25
21	H16	20	15
22	G8	25	9
23	H17	20	15
24	H17	6	15
25	D16	15	15
26	D16	17	15
27	D16	7	15
28	D16	9	15

JACK PIN LG  
63019800 Rev. A

Address (S)  
Storage 3



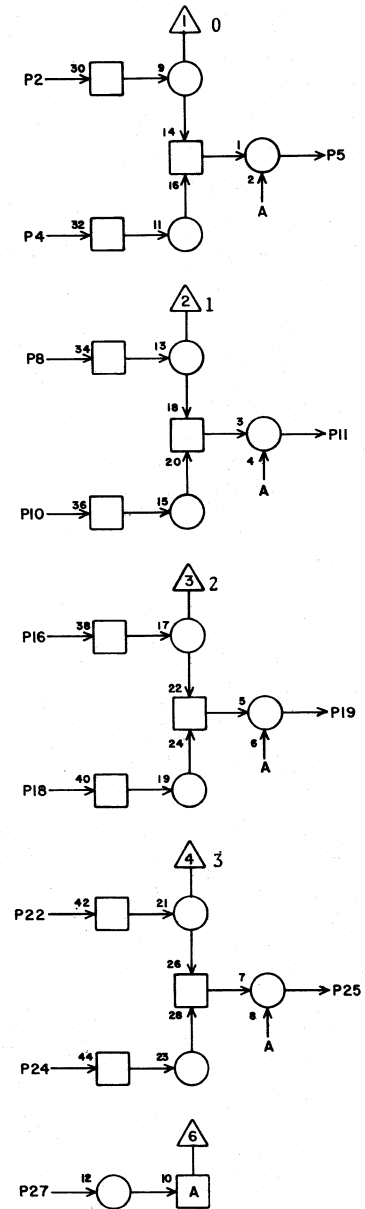
PA 1 F9

1	D16	13	13
2	D16	11	13
3			
4			
5	H18	20	15
6			
7	C28	24	23
8	H18	6	15
9	G8	26	9
10	D10	12	9
11			
12	H19	6	15
13			
14			
15			
16			
17	D10	14	11
18			
19			
20	C28	25	25
21	H19	20	17
22	G8	27	9
23	H20	20	17
24	H20	6	17
25	D16	19	13
26	D10	24	11
27	D10	18	11
28	D10	16	11

JACK PIN LG

63019800 Rev. A

Sense  
Storage 3

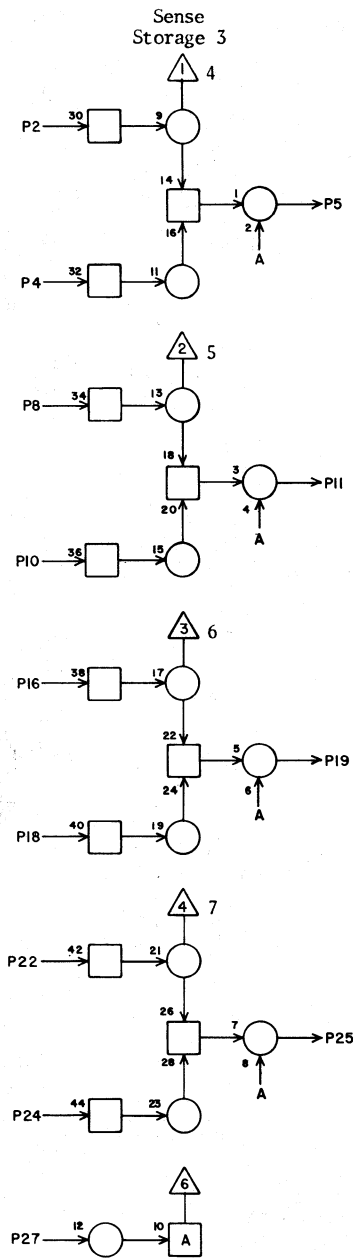


PS 1 F10

1			
2	D10	1	9
3			
4	D10	3	9
5	G14	6	9
6			
7			
8	D10	27	9
9			
10	D10	29	9
11	G14	5	9
12			
13			
14			
15			
16	D16	28	13
17			
18	D16	30	13
19	G14	24	11
20			
21			
22	D16	2	13
23			
24	D16	4	13
25	G14	23	11
26	F5	28	9
27	G29	4	21
28	F11	26	3

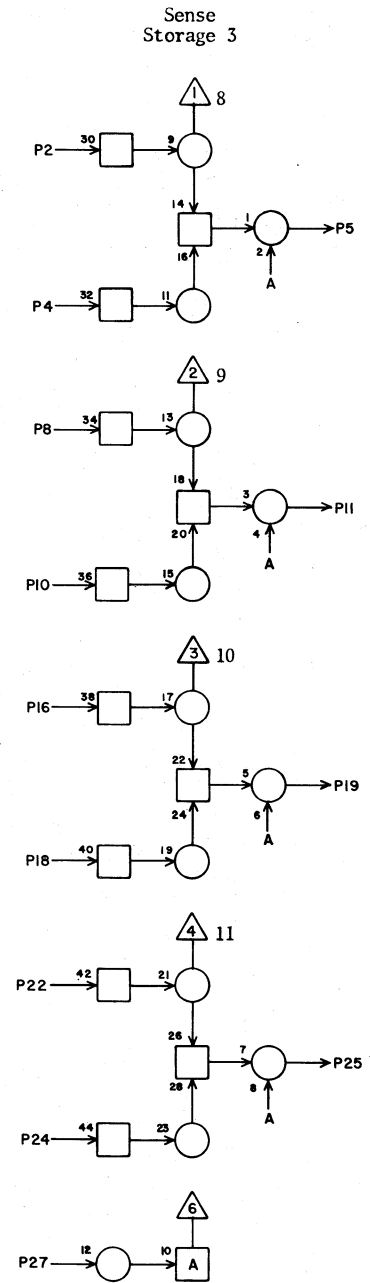
JACK PIN LG

63019800 Rev. A



PS		1 F11	
JACK	PIN	LG	
1			
2	D10	5	9
3			
4	D10	7	9
5	G15	6	9
6			
7			
8	D10	23	9
9			
10	D10	25	9
11	G15	5	9
12			
13			
14			
15			
16	D16	6	13
17			
18	D16	8	13
19	G15	24	11
20			
21			
22	D16	24	13
23			
24	D16	26	13
25	G15	23	11
26	F10	28	3
27	G29	6	21
28	F12	26	3

63019800 Rev. A



PS		1 F12	
JACK	PIN	LG	
1			
2	D10	19	9
3			
4	D10	21	9
5	G16	6	9
6			
7			
8	D10	9	11
9			
10	D10	11	11
11	G16	5	9
12			
13			
14			
15			
16	D16	10	11
17			
18	D16	12	11
19	G16	24	11
20			
21			
22	D16	20	13
23			
24	D16	22	13
25	G16	23	11
26	F11	28	3
27	G29	7	19
28	F18	26	11

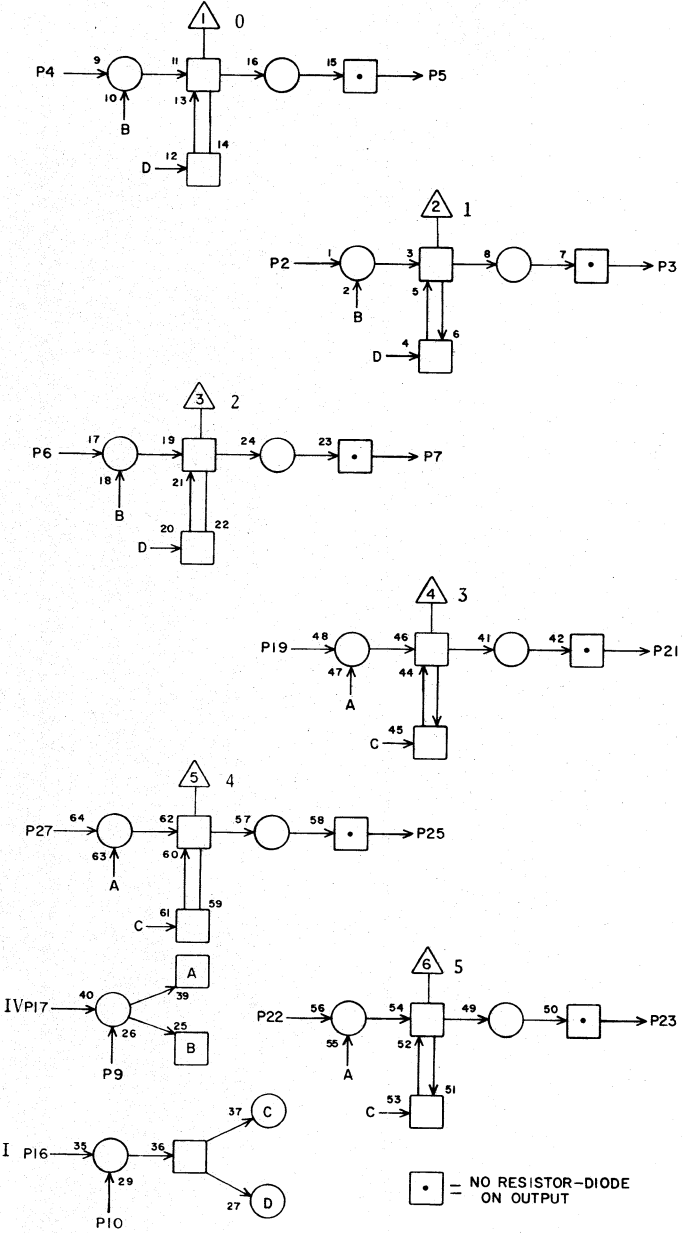
63019800 Rev. A

Store (Z)  
Storage 3

SPECIAL MODULE PZ 1F13

1			
2	G21	20	13
3	D16	5	11
4	G21	6	13
5	D16	29	11
6	G22	6	13
7	D10	6	11
8			
9	G30	1	19
10	C28	7	21
11			
12			
13			
14			
15			
16	G20	1	11
17	G20	19	13
18			
19	G22	20	13
20			
21	D10	26	11
22	G23	20	15
23	D16	1	11
24			
25	D16	27	13
26			
27	G23	6	15
28			

63019800 Rev. A

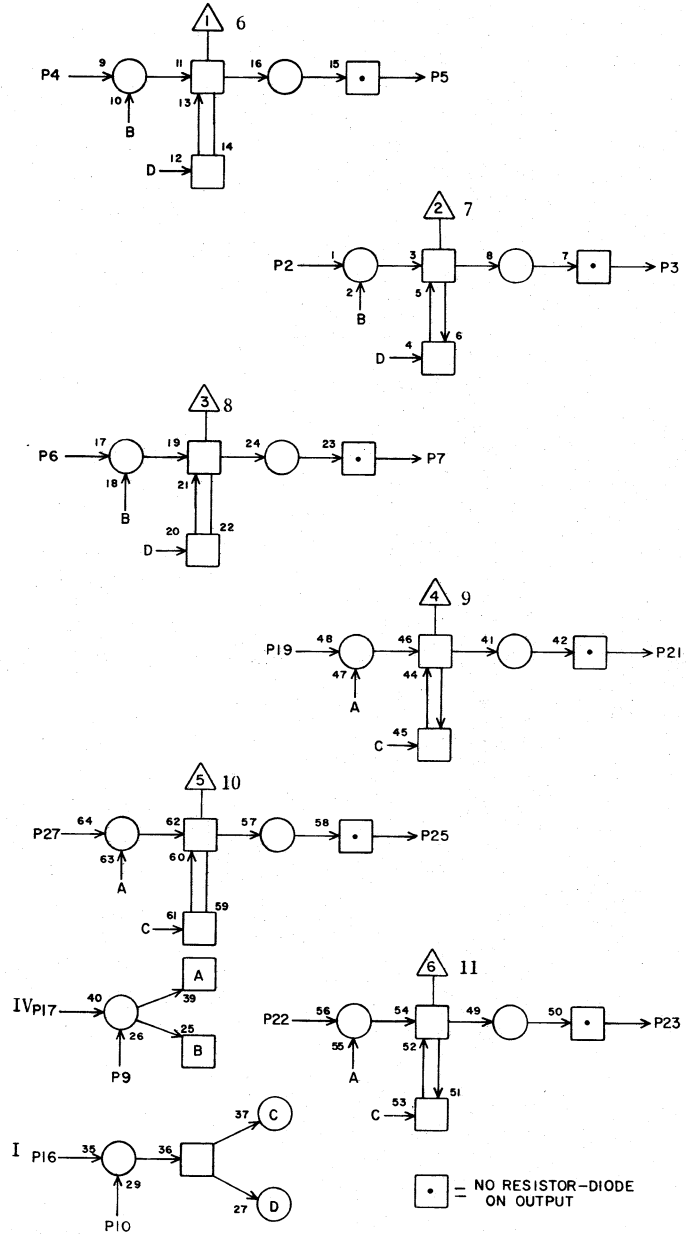


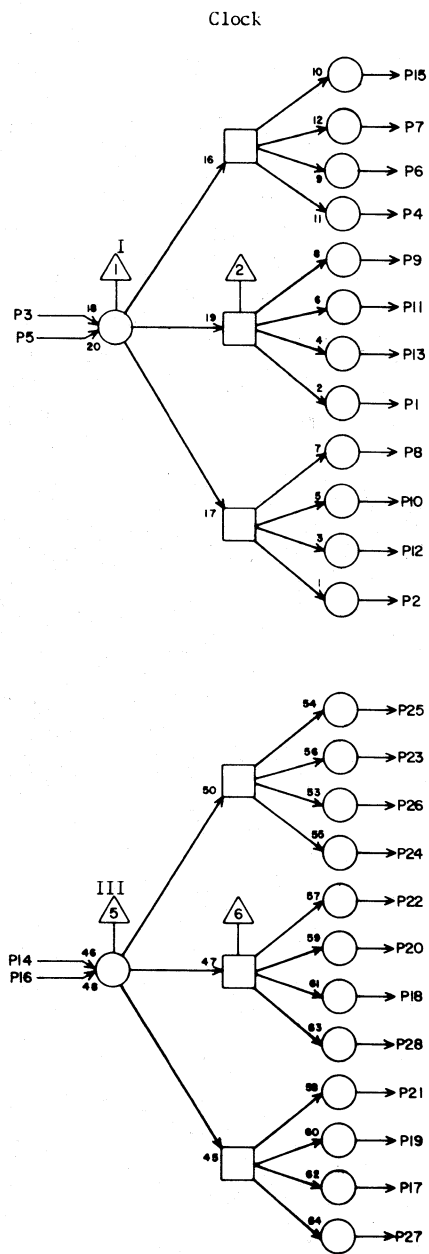
Store (Z)  
Storage 3

SPECIAL MODULE PZ 1F14

1			
2	G24	20	15
3	D10	4	11
4	G24	6	15
5	D10	28	11
6	G25	6	15
7	D16	3	9
8			
9	G30	2	19
10	C28	8	21
11			
12			
13			
14			
15			
16	G20	2	11
17	G20	20	11
18			
19	G25	20	15
20			
21	D16	25	11
22	G26	20	17
23	D10	2	13
24			
25	D10	30	13
26			
27	G26	6	15
28			

63019800 Rev. A

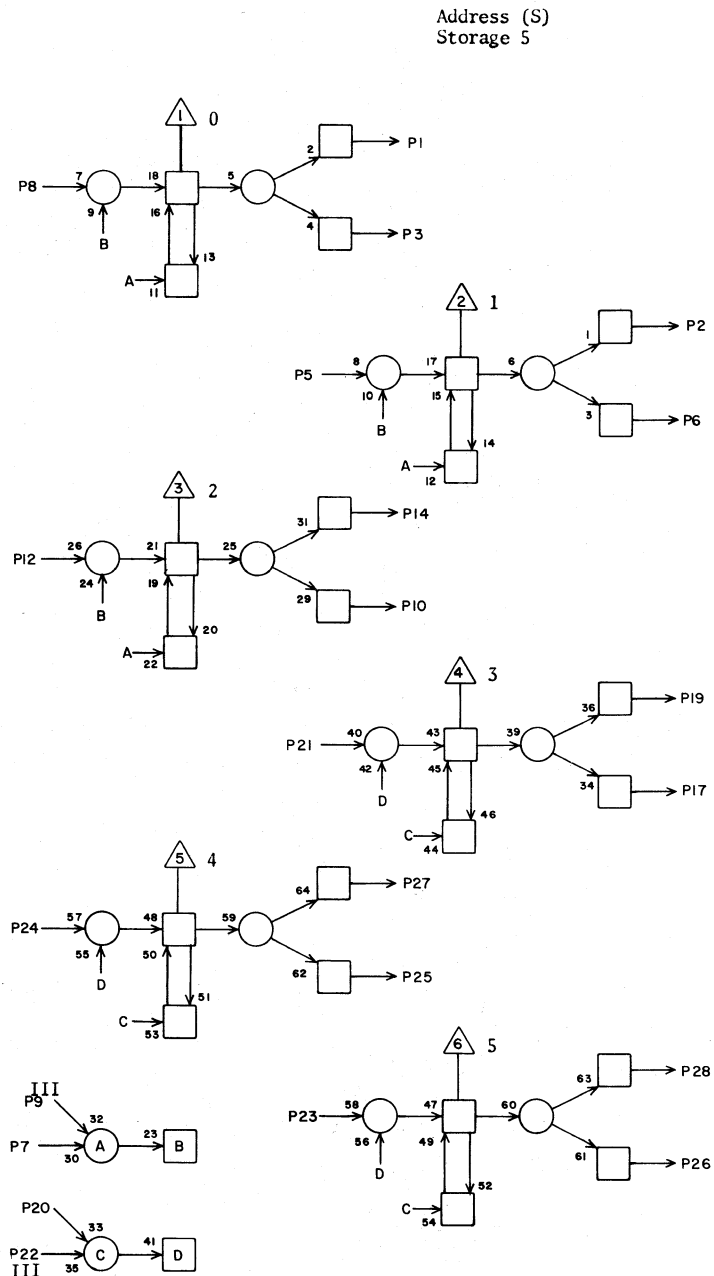




TC

1 F15			
JACK	PIN	LG	
1	C13	10	15
2	G9	17	11
3	H3	11	17
4	G10	17	11
5	F15	X	2
6	C14	10	15
7	C6	10	19
8	F21	16	11
9	C7	10	17
10	F22	16	11
11	G11	17	9
12	G12	17	9
13	G13	17	9
14	H4	11	17
15			
16	F15	X	2
17	F16	9	3
18	F16	22	3
19	F17	9	5
20	F17	22	5
21	F23	9	11
22	F23	22	11
23	F24	9	13
24	F24	22	13
25	F30	9	17
26	F30	22	17
27	F31	9	17
28	F31	22	17

63019800 Rev. A

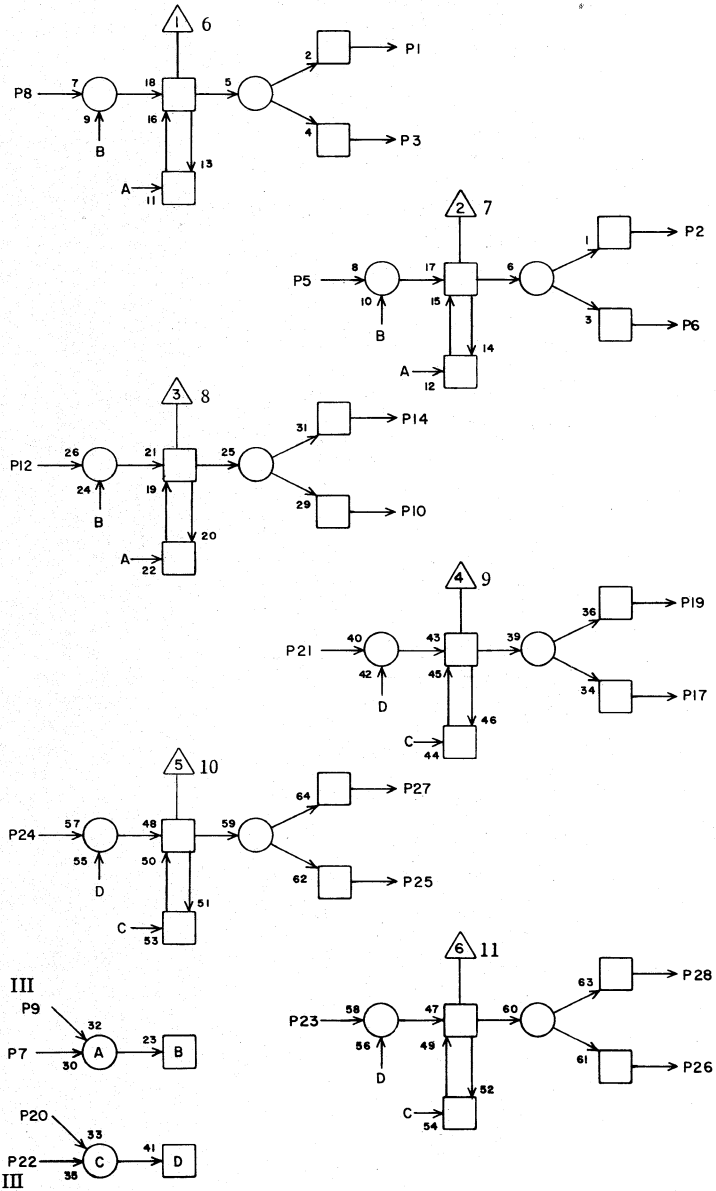


PA

1 F16			
JACK	PIN	LG	
1	D18	22	9
2	D18	20	9
3			
4			
5	H15	22	13
6			
7	G17	22	9
8	H15	8	9
9	F15	17	3
10	D18	8	11
11			
12	H16	8	11
13			
14			
15			
16			
17	D18	10	11
18			
19			
20	G17	23	9
21	H16	22	13
22	F15	18	3
23	H17	22	13
24	H17	8	11
25	D25	15	15
26	D25	17	15
27	D25	7	15
28	D25	9	15

63019800 Rev. A

Address (S)  
Storage 5



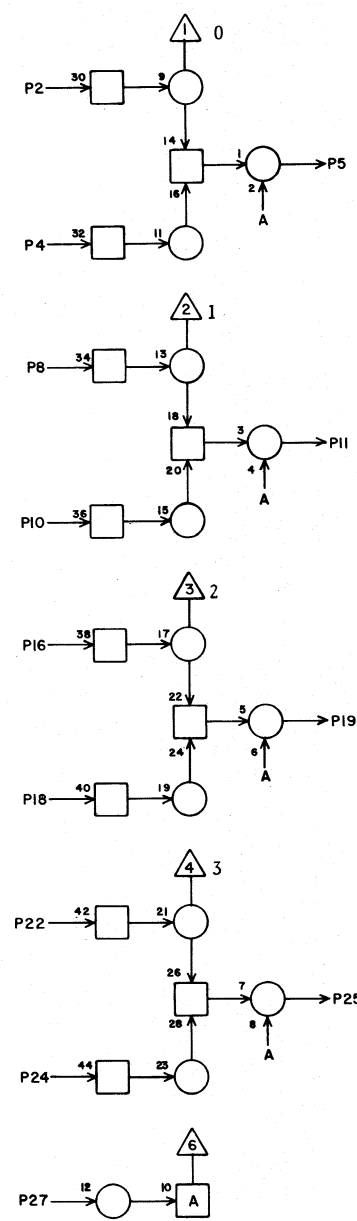
PA 1F17

1	D25	13	13
2	D25	11	13
3			
4			
5	H18	22	13
6			
7	G17	24	9
8	H18	8	11
9	F15	19	5
10	D18	12	9
11			
12	H19	8	11
13			
14			
15			
16			
17	D18	14	11
18			
19			
20	G17	25	9
21	H19	22	13
22	F15	20	5
23	H20	22	13
24	H20	8	13
25	D25	19	15
26	D18	24	11
27	D18	18	11
28	D18	16	11

JACK PIN LG

63019800 Rev. A

Sense  
Storage 5



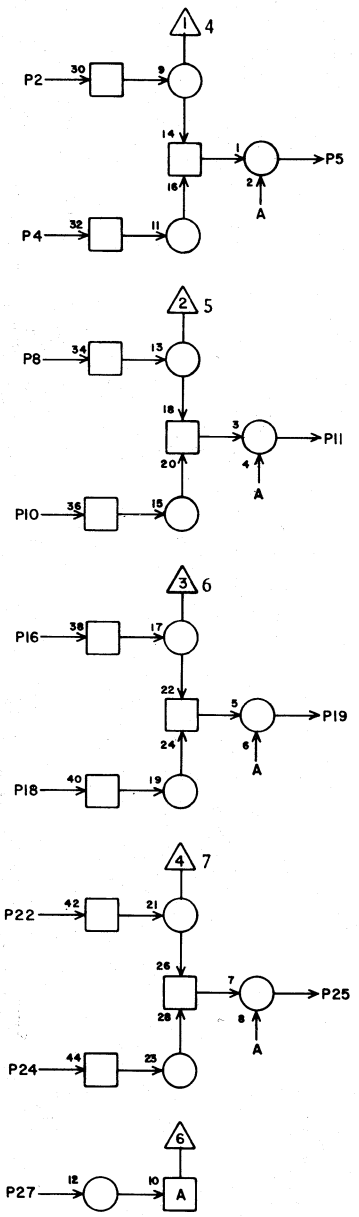
PS 1F18

1			
2	D18	1	9
3			
4	D18	3	9
5	G14	8	9
6			
7			
8	D18	27	9
9			
10	D18	29	9
11	G14	7	9
12			
13			
14			
15			
16	D25	28	13
17			
18	D25	30	13
19	G14	22	11
20			
21			
22	D25	2	13
23			
24	D25	4	13
25	G14	21	11
26	F12	28	11
27	G30	4	15
28	F19	26	3

JACK PIN LG

63019800 Rev. A

Sense Storage 5



PS

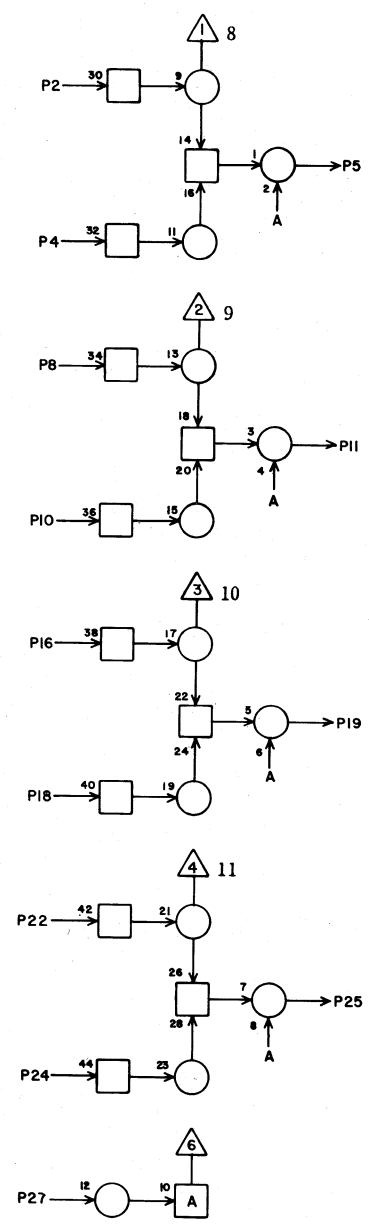
1 F19

1			
2	D18	5	9
3			
4	D18	7	9
5	G15	8	9
6			
7			
8	D18	23	9
9			
10	D18	25	9
11	G15	7	9
12			
13			
14			
15			
16	D25	6	11
17			
18	D25	8	11
19	G15	22	9
20			
21			
22	D25	24	13
23			
24	D25	26	13
25	G15	21	9
26	F18	28	3
27	G30	6	15
28	F20	26	3

JACK PIN LG

63019800 Rev. A

Sense Storage 5



PS

1 F20

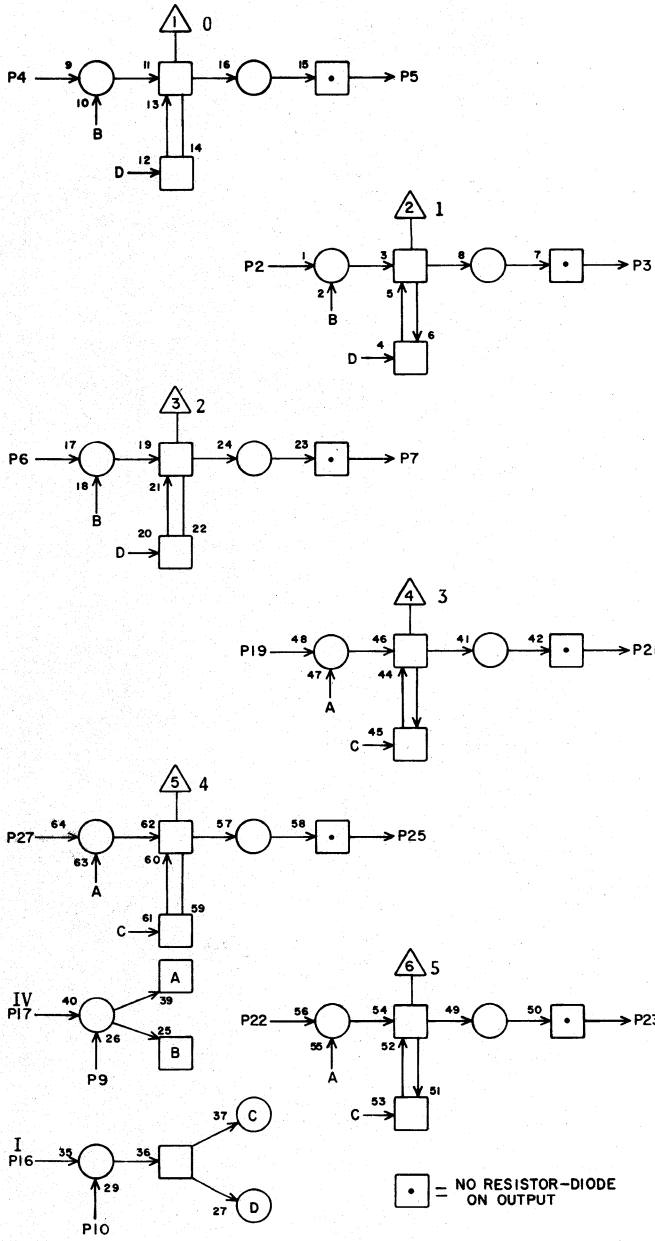
1			
2	D18	19	9
3			
4	D18	21	9
5	G16	8	9
6			
7			
8	D18	9	9
9			
10	D18	11	9
11	G16	7	9
12			
13			
14			
15			
16	D25	10	11
17			
18	D25	12	11
19	G16	22	9
20			
21			
22	D25	20	13
23			
24	D25	22	13
25	G16	21	9
26	F19	28	3
27	G30	7	13
28	F25	26	9

JACK PIN LG

63019800 Rev. A



Store (Z)  
Storage 5

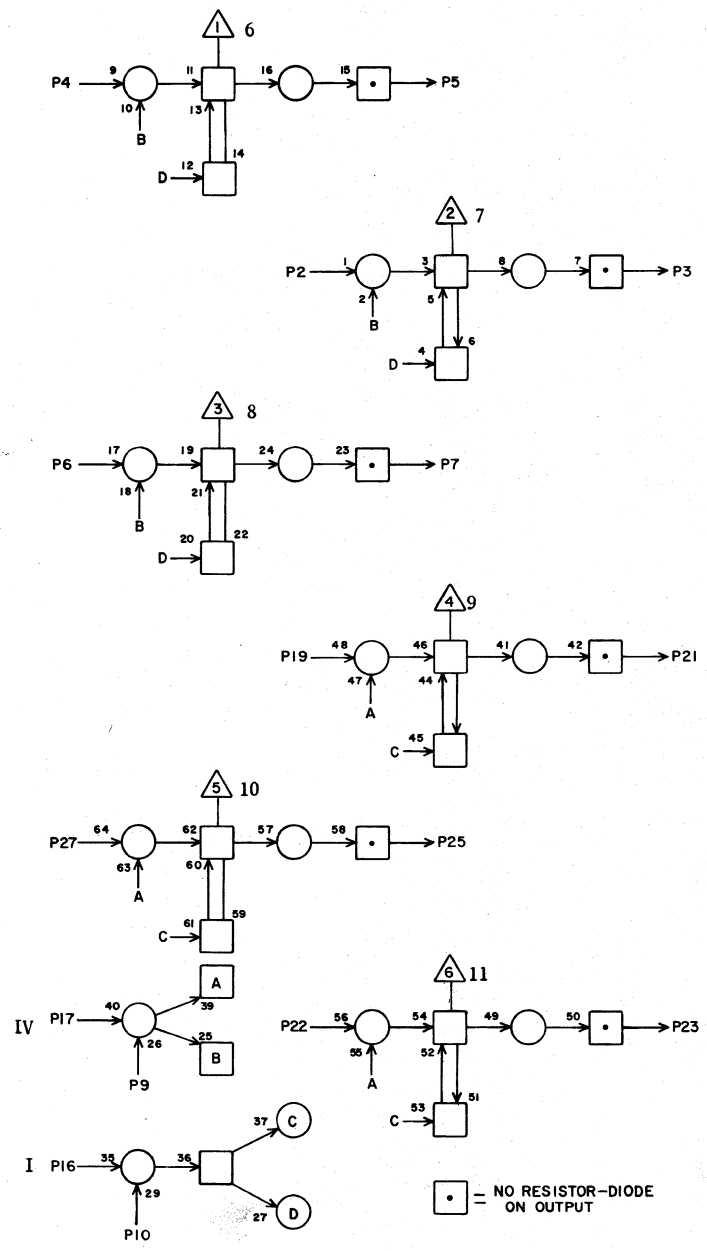


SPECIAL MODULE PZ 1F21

1			
2	G21	22	9
3	D25	5	11
4	G21	8	7
5	D25	29	11
6	G22	8	9
7	D18	6	11
8			
9	C15	9	17
10	G17	6	9
11			
12			
13			
14			
15			
16	F15	8	11
17	G20	21	9
18			
19	G22	22	9
20			
21	D18	26	11
22	G23	22	7
23	D25	1	13
24			
25	D25	27	13
26			
27	G23	8	7
28			

JACK PIN LG  
63019800 Rev. A

Store (Z)  
Storage 5

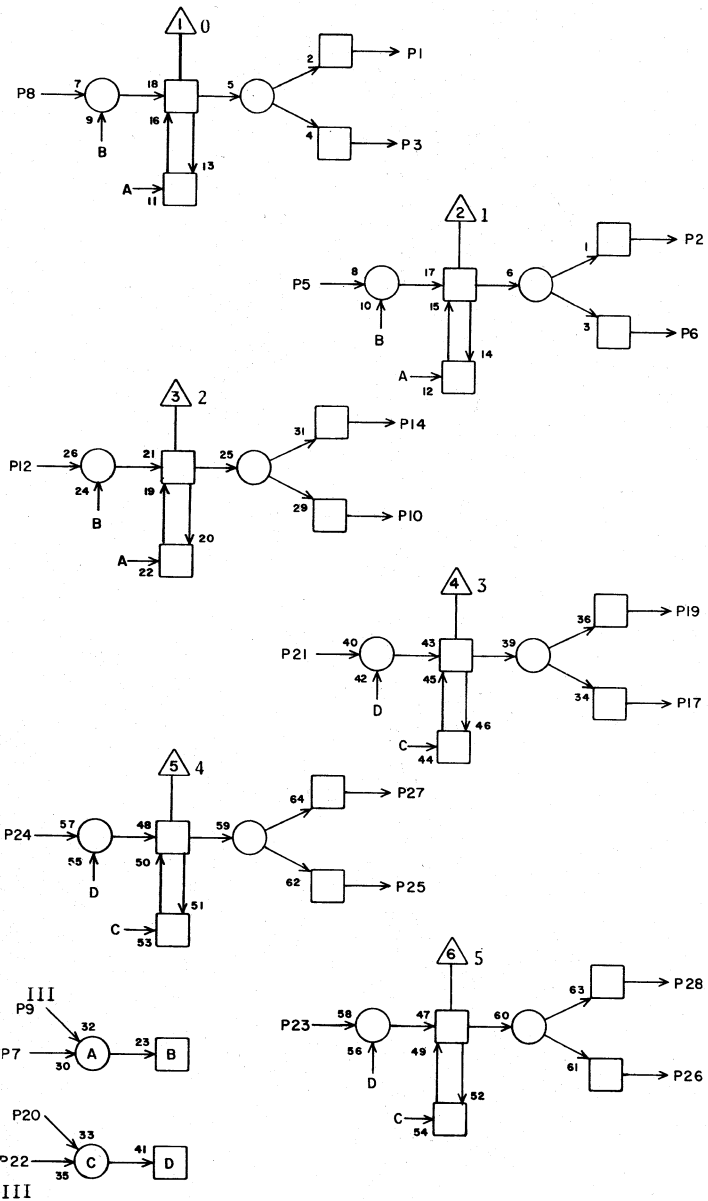


SPECIAL MODULE PZ 1F22

1			
2	G24	22	9
3	D18	4	11
4	G24	8	7
5	D18	28	11
6	G25	8	9
7	D25	3	11
8			
9	C15	10	17
10	G17	7	9
11			
12			
13			
14			
15			
16	F15	10	11
17	G20	22	9
18			
19	G25	22	9
20			
21	D25	25	11
22	G26	22	11
23	D18	2	13
24			
25	D18	30	13
26			
27	G26	8	9
28			

JACK PIN LG  
63019800 Rev. A

Address (S)  
Storage 7



PA

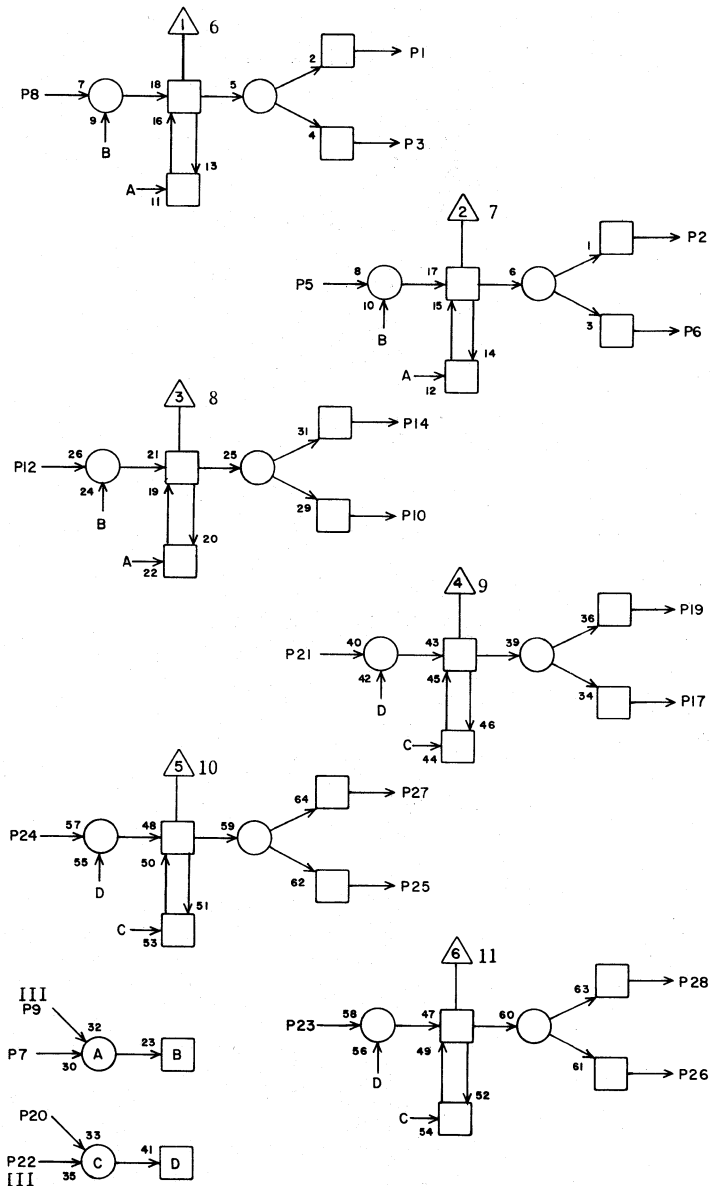
1F23

1	D26	22	9
2	D26	20	9
3			
4			
5	H15	25	15
6			
7	G29	24	11
8	H15	11	15
9	F15	21	11
10	D26	8	11
11			
12	H16	11	15
13			
14			
15			
16			
17	D26	10	11
18			
19			
20	G29	25	11
21	H16	25	15
22	F15	22	11
23	H17	25	15
24	H17	11	13
25	D33	15	15
26	D33	17	15
27	D33	7	15
28	D33	9	15

JACK PIN LG

63019800 Rev. A

Address (S)  
Storage 7



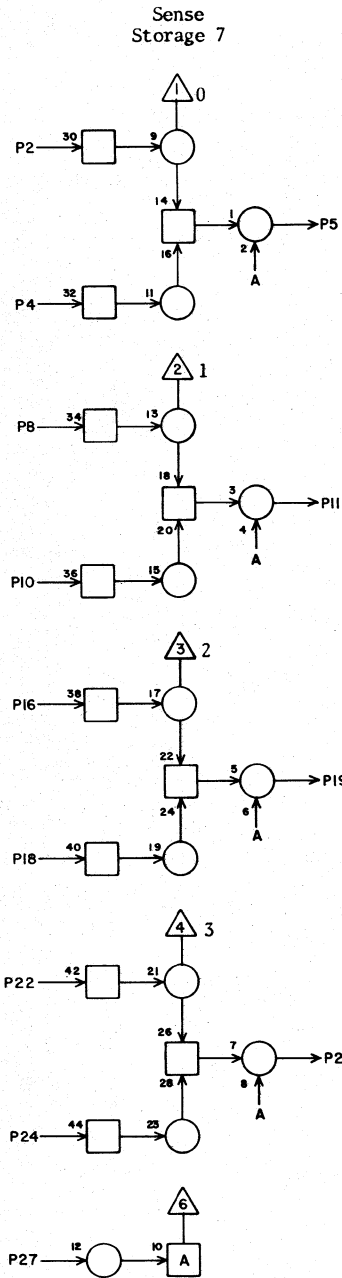
PA

1F24

1	D33	13	13
2	D33	11	13
3			
4			
5	H18	25	15
6			
7	G29	26	11
8	H18	11	15
9	F15	23	13
10	D26	12	11
11			
12	H19	11	13
13			
14			
15			
16			
17	D26	14	11
18			
19			
20	G29	27	11
21	H19	25	13
22	F15	24	13
23	H20	25	13
24	H20	11	13
25	D33	19	13
26	D26	24	11
27	D26	18	11
28	D26	16	11

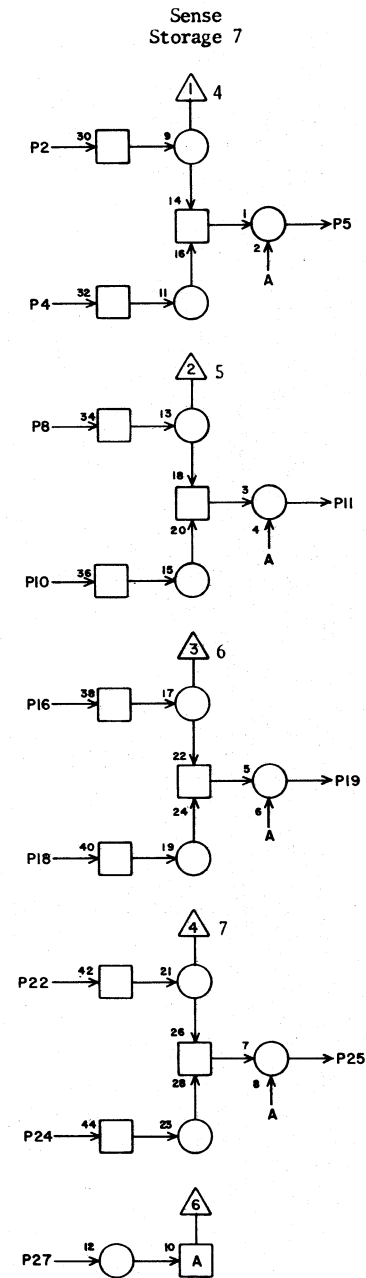
JACK PIN LG

63019800 Rev. A



PS		1 F25	
1			
2	D26	1	9
3			
4	D26	3	9
5	G14	10	15
6			
7			
8	D26	27	9
9			
10	D26	29	9
11	G14	9	15
12			
13			
14			
15			
16	D33	28	13
17			
18	D33	30	13
19	G14	20	15
20			
21			
22	D33	2	15
23			
24	D33	4	15
25	G14	19	15
26	F20	28	9
27	C15	11	19
28	F26	26	3

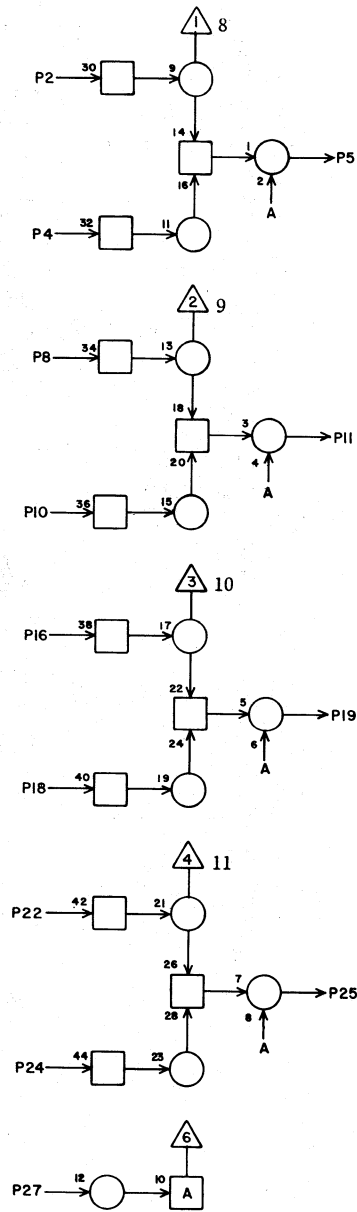
JACK PIN LG  
63019800 Rev. A



PS		1 F26	
1			
2	D26	5	9
3			
4	D26	7	9
5	G15	10	15
6			
7			
8	D26	23	9
9			
10	D26	25	9
11	G15	9	15
12			
13			
14			
15			
16	D33	6	13
17			
18	D33	8	13
19	G15	20	15
20			
21			
22	D33	24	13
23			
24	D33	26	13
25	G15	19	15
26	F25	28	3
27	C15	12	21
28	F27	26	3

JACK PIN LG  
63019800 Rev. A

Sense  
Storage 7

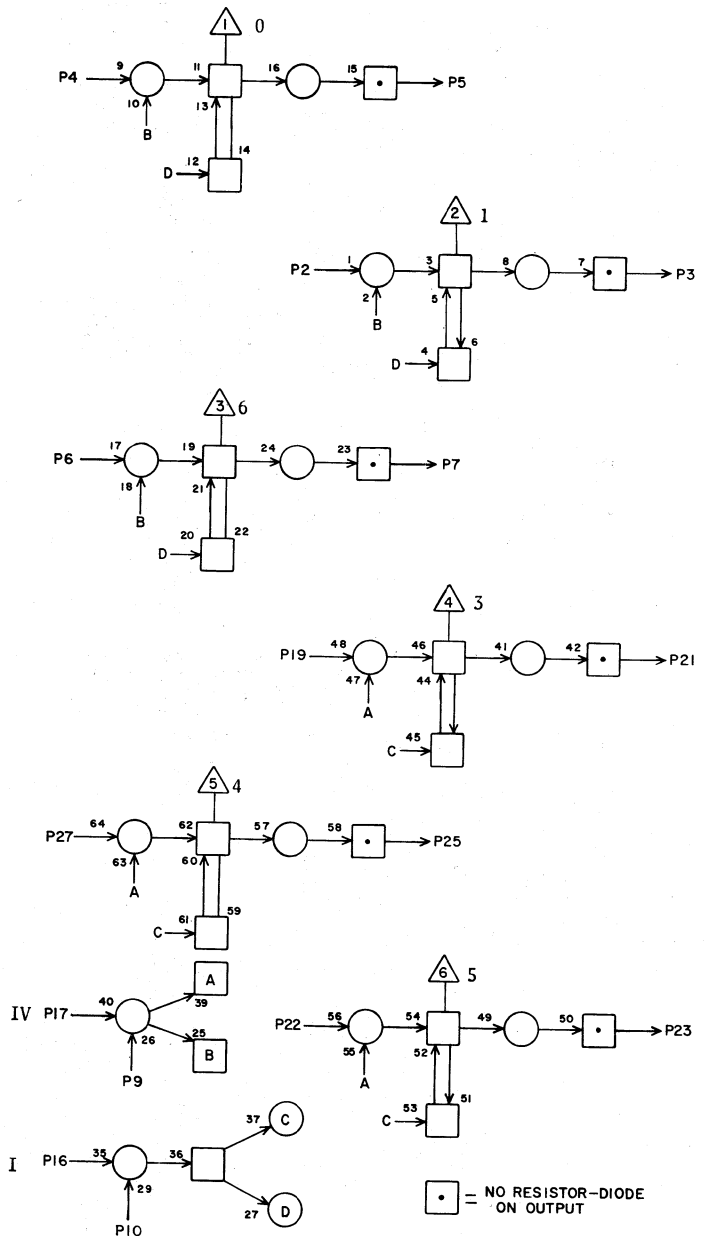


PS 1F27

JACK	PIN	LG
1		
2	D26	19 9
3		
4	D26	21 9
5	G16	10 15
6		
7		
8	D26	9 9
9		
10	D26	11 9
11	G16	9 15
12		
13		
14		
15		
16	D33	10 13
17		
18	D33	12 13
19	G16	20 15
20		
21		
22	D33	20 13
23		
24	D33	22 13
25	G16	19 15
26	F26	28 3
27	C15	13 21
28	F32	26 9

63019800 Rev. A

Store (Z)  
Storage 7



SPECIAL MODULE PZ 1F28

JACK	PIN	LG
1		
2	G21	25 13
3	D33	5 11
4	G21	11 11
5	D33	29 11
6	G22	11 11
7	D26	6 9
8		
9	C28	12 15
10	G29	12 7
11		
12		
13		
14		
15		
16	G20	11 13
17	G20	23 13
18		
19	G22	25 11
20		
21	D26	26 11
22	G23	25 11
23	D33	1 13
24		
25	D33	27 13
26		
27	G23	11 9
28		

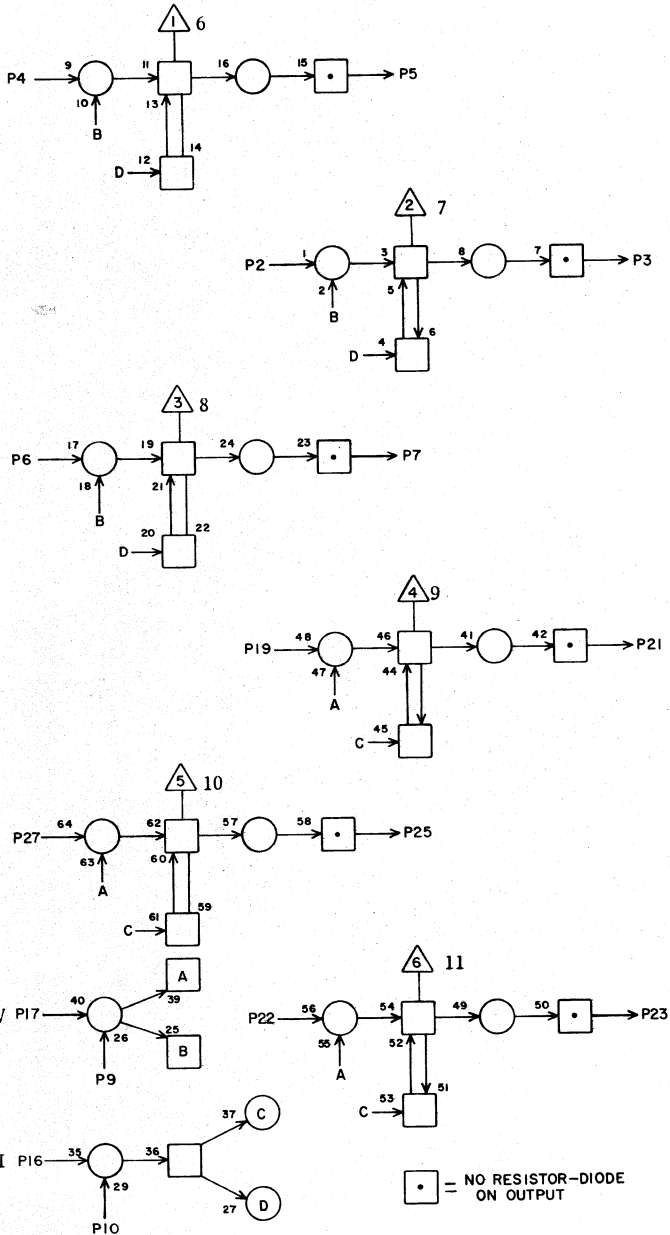
63019800 Rev. A

Store (Z)  
Storage 7

SPECIAL MODULE PZ 1F29

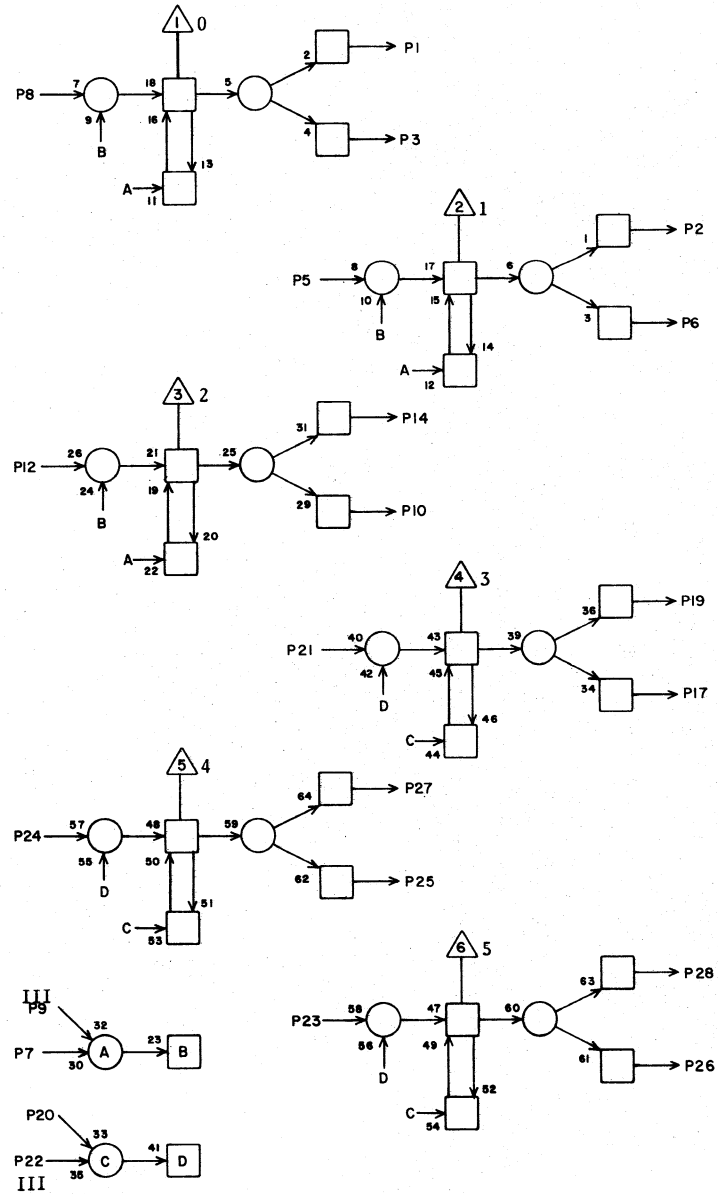
Address (S)  
Storage 9

PA 1F30



JACK	PIN	LG
1		
2	G24	25 11
3	D26	4 9
4	G24	11 11
5	D26	28 9
6	G25	11 9
7	D33	3 11
8		
9	C28	13 15
10	G29	13 7
11		
12		
13		
14		
15		
16	G20	12 13
17	G20	24 13
18		
19	G25	25 11
20		
21	D33	25 13
22	G26	25 9
23	D26	2 11
24		
25	D26	30 11
26		
27	G26	11 7
28		

JACK PIN LG  
63019800 Rev. A



JACK	PIN	LG
1	D35	22 11
2	D35	20 11
3		
4		
5	H15	26 19
6		
7	G30	24 9
8	H15	12 19
9	F15	25 17
10	D35	8 9
11		
12	H16	12 19
13		
14		
15		
16		
17	D35	10 11
18		
19		
20	G30	25 7
21	H16	26 19
22	F15	26 17
23	H17	26 19
24	H17	12 17
25	D42	15 17
26	D42	17 17
27	D42	7 17
28	D42	9 17

JACK PIN LG  
63019800 Rev. A

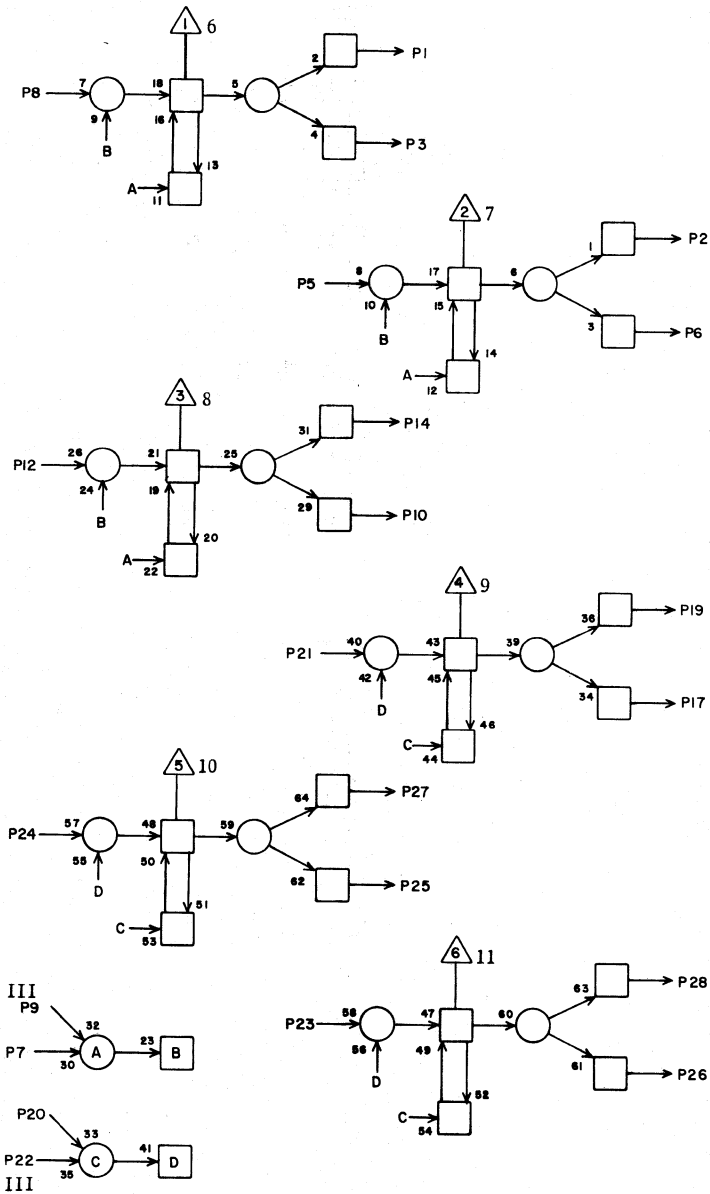
Address (S)  
Storage 9

PA 1 F31

1	D42	13	15
2	D42	11	15
3			
4			
5	H18	26	19
6			
7	G30	26	9
8	H18	12	17
9	F15	27	17
10	D35	12	11
11			
12	H19	12	17
13			
14			
15			
16			
17	D35	14	11
18			
19			
20	G30	27	7
21	H19	26	17
22	F15	28	17
23	H20	26	17
24	H20	12	17
25	D42	19	17
26	D35	24	13
27	D35	18	13
28	D35	16	13

JACK PIN LG

63019800 Rev. A



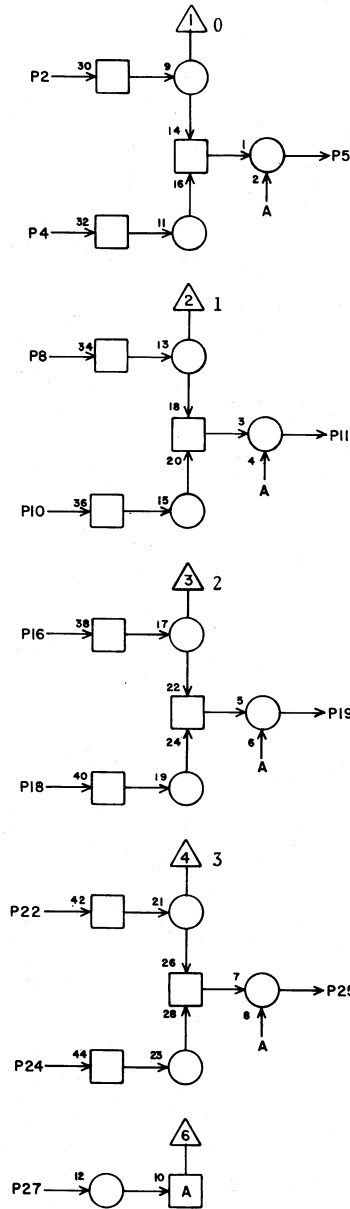
Sense  
Storage 9

PS 1 F32

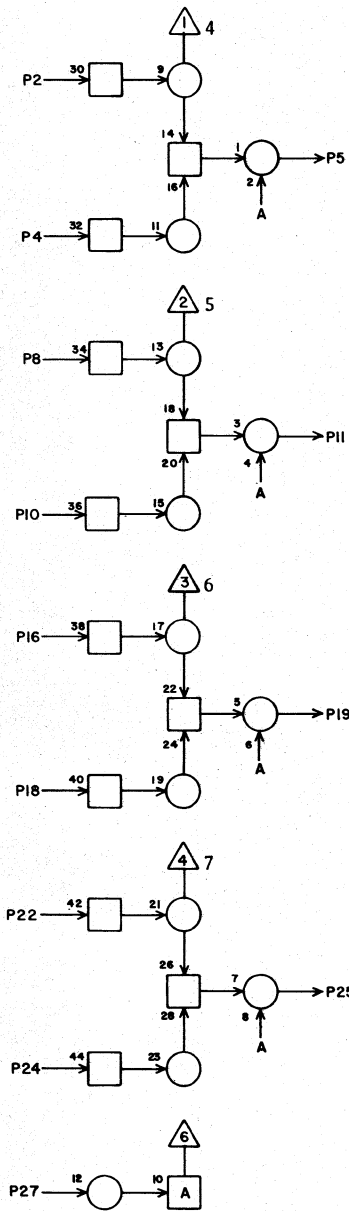
1			
2	D35	1	9
3			
4	D35	3	9
5	G14	12	21
6			
7			
8	D35	27	9
9			
10	D35	29	9
11	G14	11	21
12			
13			
14			
15			
16	D42	28	15
17			
18	D42	30	15
19	G14	18	21
20			
21			
22	D42	2	15
23			
24	D42	4	15
25	G14	17	21
26	F27	28	9
27	C28	9	17
28	F33	26	3

JACK PIN LG

63019800 Rev. A



Sense Storage 9



PS

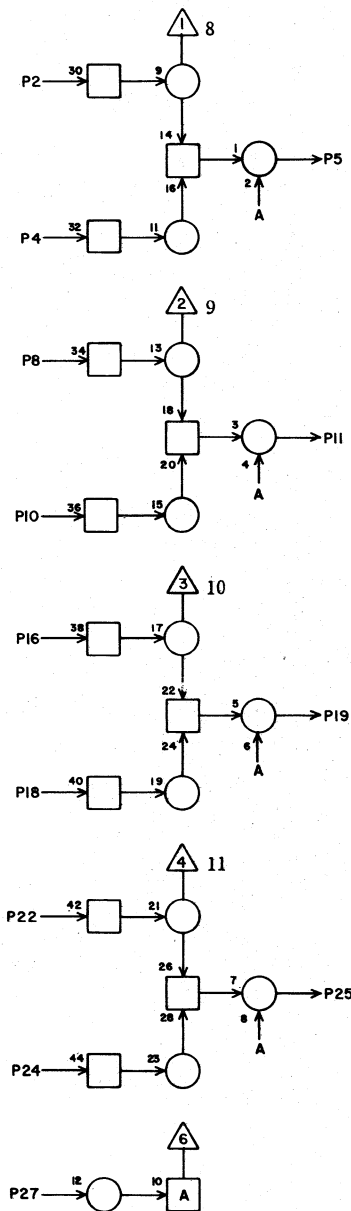
1F33

1			
2	D35	5	9
3			
4	D35	7	9
5	G15	12	21
6			
7			
8	D35	23	9
9			
10	D35	25	9
11	G15	11	21
12			
13			
14			
15			
16	D42	6	15
17			
18	D42	8	15
19	G15	18	21
20			
21			
22	D42	24	15
23			
24	D42	26	15
25	G15	17	21
26	F32	28	3
27	C28	10	17
28	F34	26	3

JACK PIN LG

63019800 Rev. A

Sense Storage 9



PS

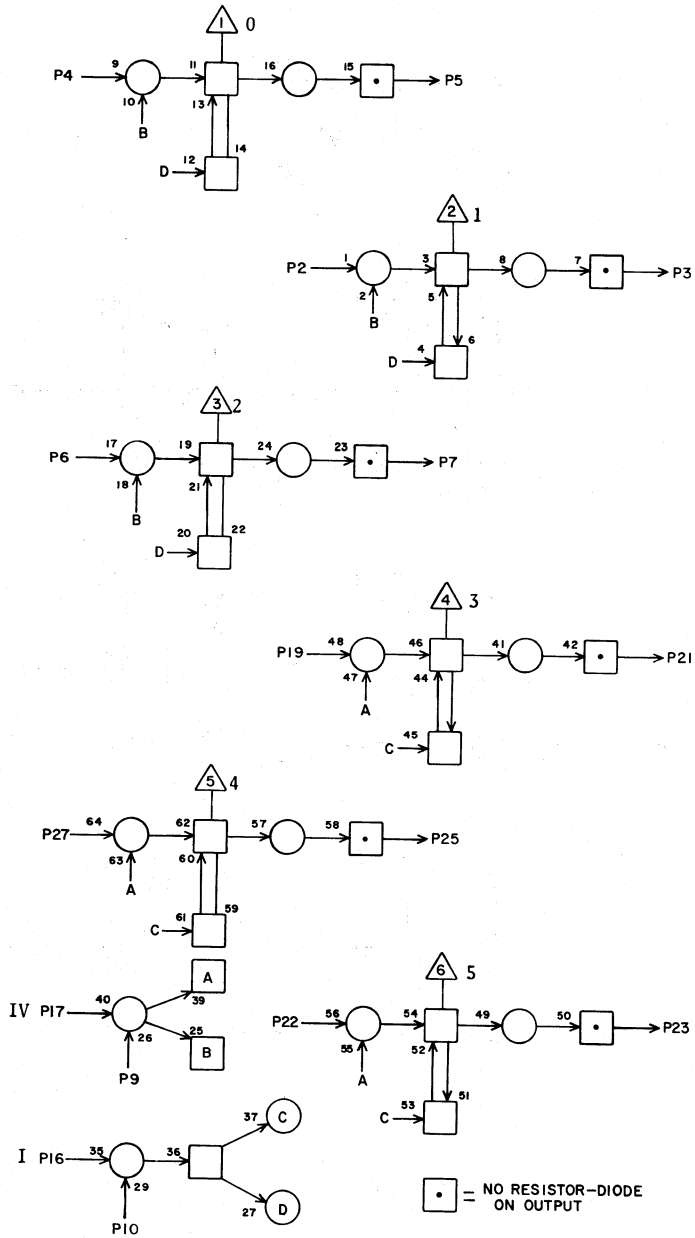
1F34

1			
2	D35	19	9
3			
4	D35	21	9
5	G16	12	21
6			
7			
8	D35	9	9
9			
10	D35	11	9
11	G16	11	21
12			
13			
14			
15			
16	D42	10	13
17			
18	D42	12	13
19	G16	18	21
20			
21			
22	D42	20	13
23			
24	D42	22	13
25	G16	17	21
26	F33	28	3
27	C28	11	17
28			

JACK PIN LG

63019800 Rev. A

Store (Z)  
Storage 9



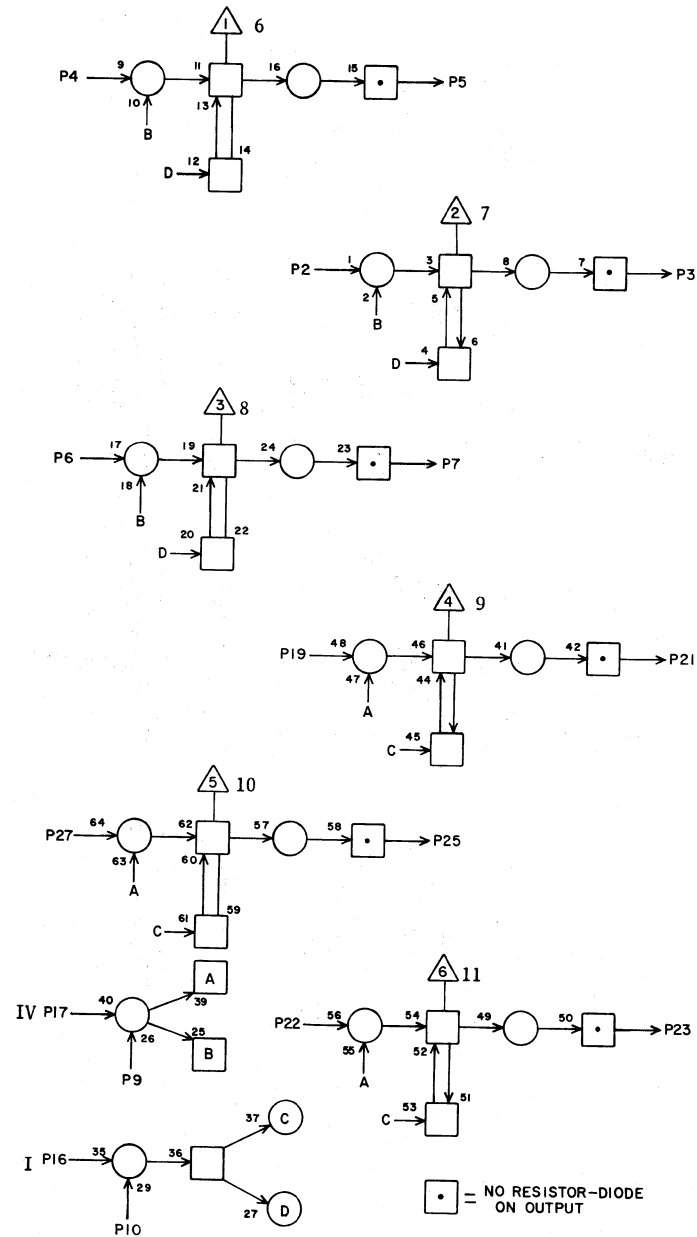
SPECIAL MODULE PZ 1F35

1			
2	G21	26	17
3	D42	5	13
4	G21	12	17
5	D42	29	13
6	G22	12	17
7	D35	6	9
8			
9	G17	12	21
10	G30	12	9
11			
12			
13			
14			
15			
16	G20	13	17
17	G20	25	19
18			
19	G22	26	17
20			
21	D35	26	11
22	G23	26	15
23	D42	1	13
24			
25	D42	27	13
26			
27	G23	12	15
28			

JACK PIN LG

63019800 Rev. A

Store (Z)  
Storage 9



SPECIAL MODULE PZ 1F36

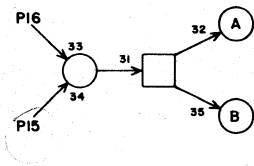
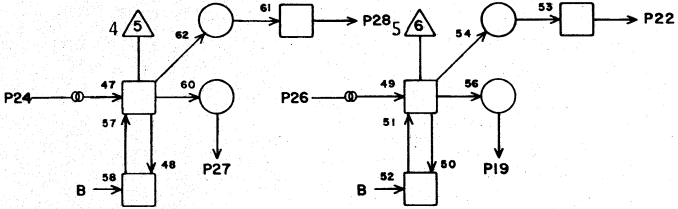
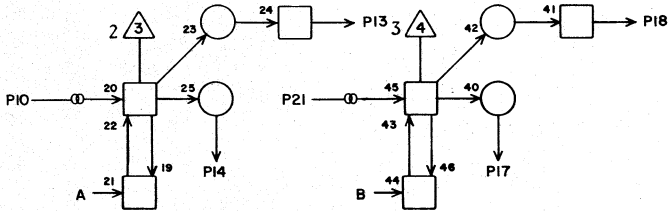
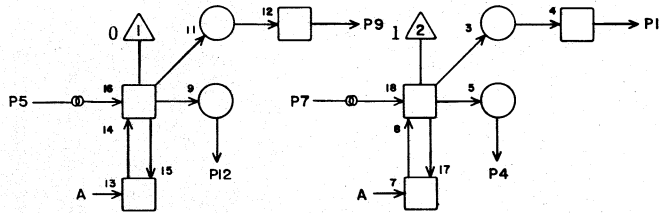
1			
2	G24	26	15
3	D35	4	9
4	G24	12	15
5	D35	28	9
6	G25	12	15
7	D42	3	13
8			
9	G17	13	21
10	G30	13	11
11			
12			
13			
14			
15			
16	G20	15	19
17	G20	26	19
18			
19	G25	26	15
20			
21	D42	25	13
22	G26	26	15
23	D35	2	11
24			
25	D35	30	11
26			
27	G26	12	13
28			

JACK PIN LG

63019800 Rev. A



Central Program Monitor



PI

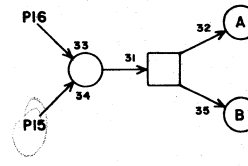
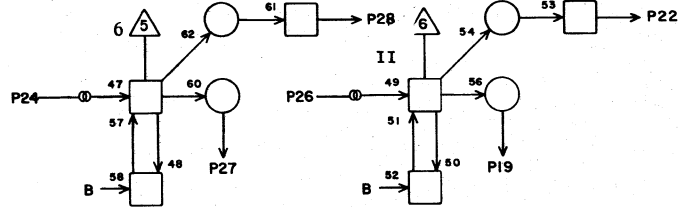
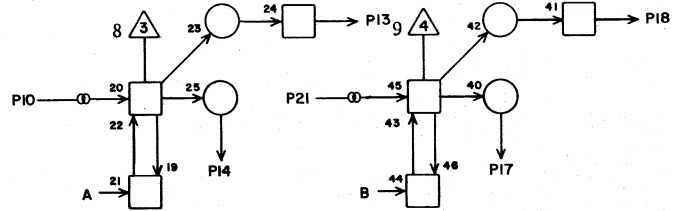
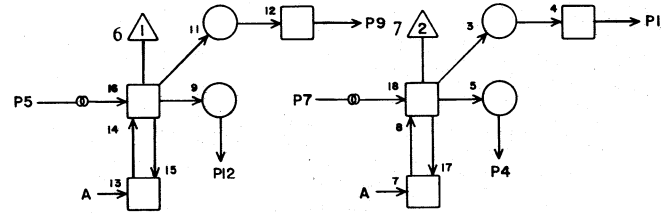
1F37

1			
2			
3			
4	K16	1	29
5	W02	90	
6			
7	W02	91	
8			
9			
10	W02	92	
11			
12	K16	2	29
13			
14	K16	28	31
15	C16	7	42
16	F37	X	2
17	K16	27	31
18			
19	K17	1	29
20			
21	W02	93	
22			
23			
24	W02	94	
25			
26	W02	95	
27	K17	2	29
28			

JACK PIN LG

63019800 Rev. A

Central Program Monitor



PI

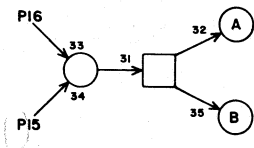
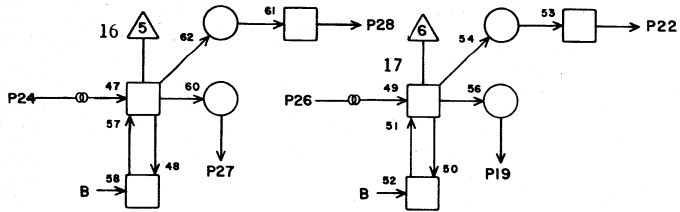
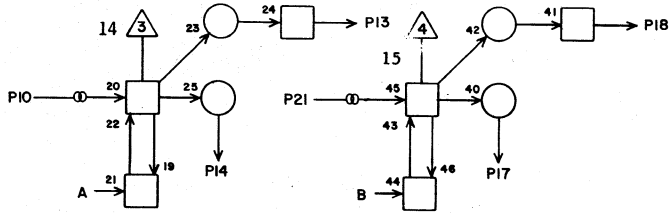
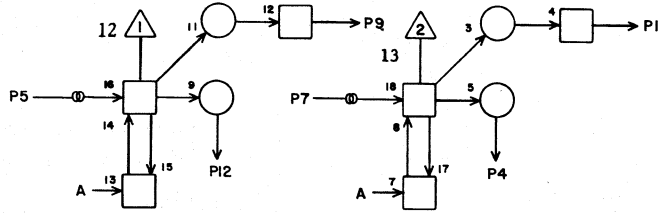
1F38

1			
2			
3			
4	K17	27	31
5	W02	96	
6			
7	W02	97	
8			
9			
10	W02	98	
11			
12	K17	28	31
13			
14	K18	2	29
15	C16	8	42
16	F38	X	2
17	K18	1	29
18			
19	K18	27	31
20			
21	W02	99	
22			
23			
24	W02	900	
25			
26	W02	901	
27	K18	28	31
28			

JACK PIN LG

63019800 Rev. A

Central Program Monitor



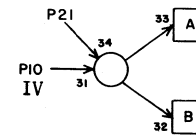
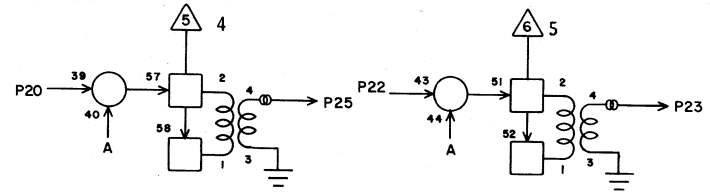
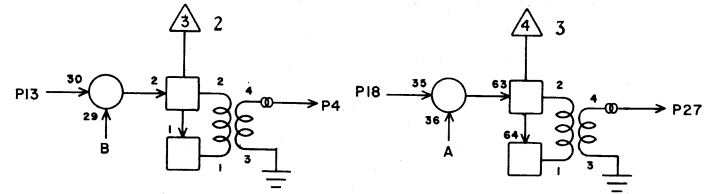
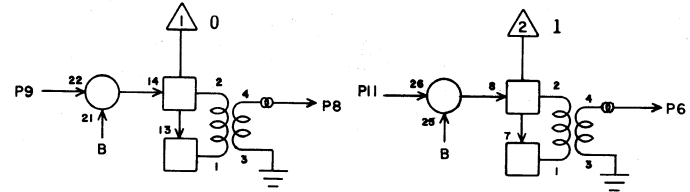
PI 1F39

1			
2			
3			
4	K19	5	29
5	W02	902	
6			
7	W02	903	
8			
9			
10	W02	904	
11			
12	K19	6	29
13			
14	K19	7	29
15	C16	13	42
16	F39	X	2
17	K19	22	29
18			
19	K19	23	29
20			
21	W02	905	
22			
23			
24	W02	906	
25			
26	W02	907	
27	K19	24	29
28			

JACK PIN LG

63019800 Rev. A

Central Address



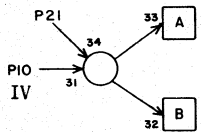
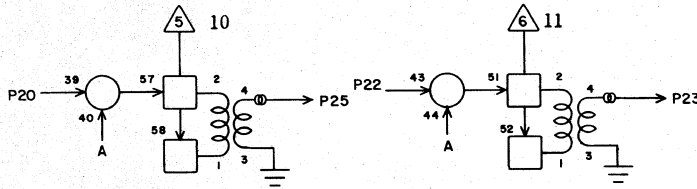
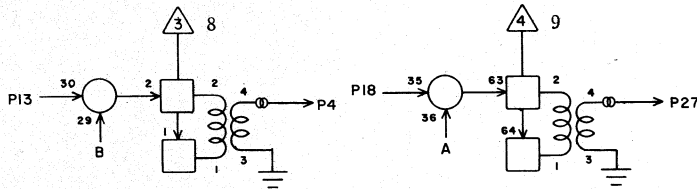
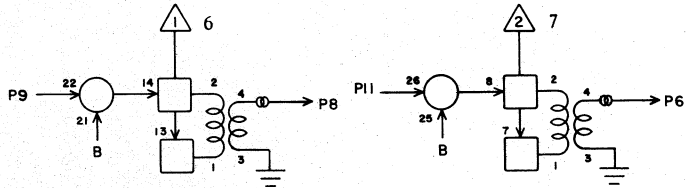
PL 1 F40

1			
2			
3			
4	W03	903	
5			
6	W03	902	
7			
8	W03	901	
9	N1	9	47
10	G31	22	13
11	N1	10	47
12			
13	N1	25	49
14			
15			
16			
17			
18	N1	26	49
19			
20	N2	9	47
21	F40	X	2
22	N2	10	47
23	W03	906	
24			
25	W03	905	
26			
27	W03	904	
28			

JACK PIN LG

63019800 Rev. A

Central Address



PL

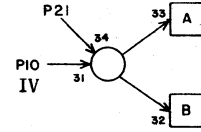
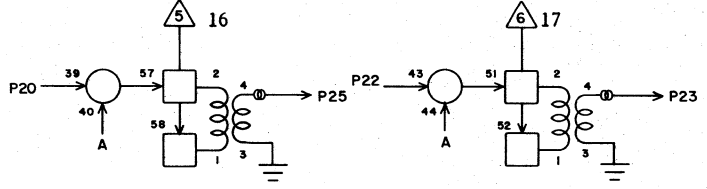
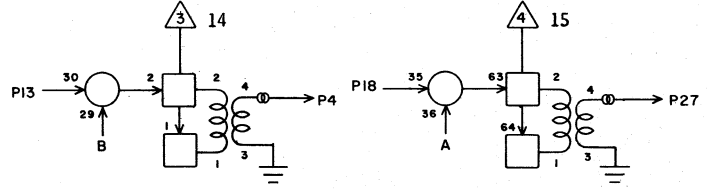
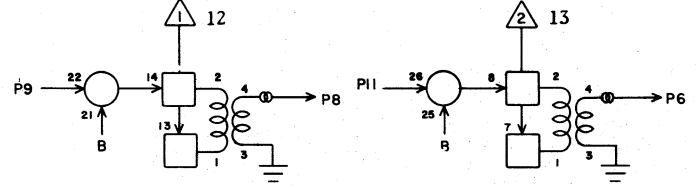
1 F41

1			
2			
3			
4	W03	900	
5			
6	W03	908	
7			
8	W03	907	
9	N2	25	47
10	G31	23	15
11	N2	26	47
12			
13	N3	9	47
14			
15			
16			
17			
18	N3	10	47
19			
20	N3	25	47
21	F41	X	2
22	N3	26	47
23	W03	93	
24			
25	W03	92	
26			
27	W03	91	
28			

JACK PIN LG

63019800 Rev. A

Central Address



PL

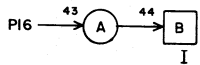
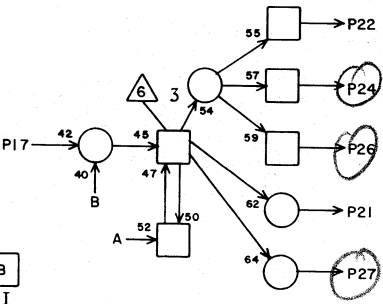
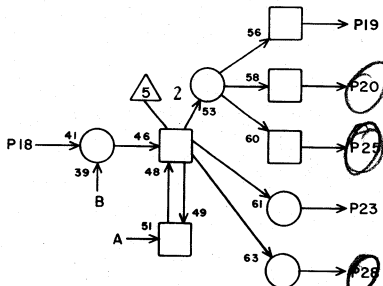
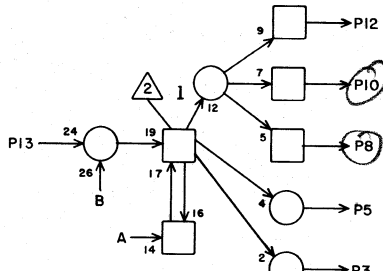
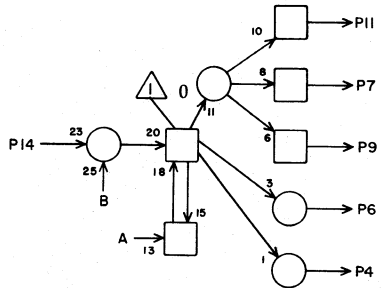
1 F42

1			
2			
3			
4	W03	96	
5			
6	W03	95	
7			
8	W03	94	
9	N4	9	47
10	G31	24	15
11	N4	10	47
12			
13	N4	25	47
14			
15			
16			
17			
18	N4	26	47
19			
20	N5	9	45
21	F42	X	2
22	N5	10	45
23	W03	99	
24			
25	W03	98	
26			
27	W03	97	
28			

JACK PIN LG

63019800 Rev. A

Storage Sequence Control

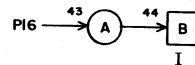
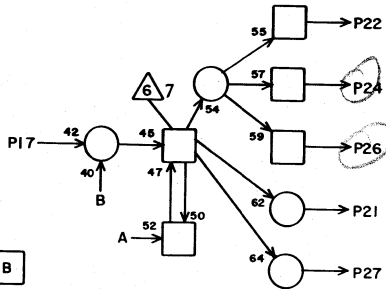
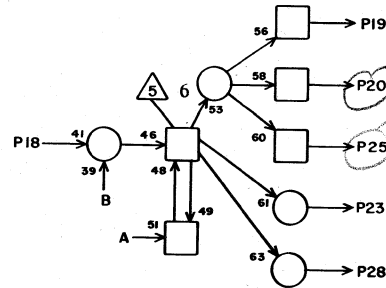
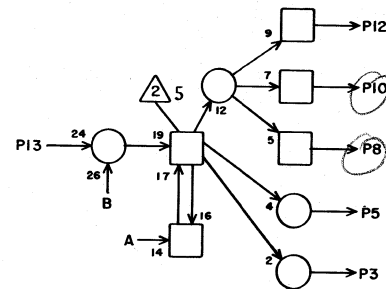
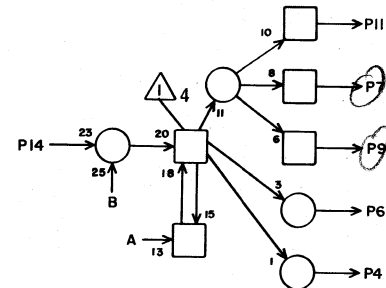


PD 1G1

JACK	PIN	LG
1		
2		
3	C15	14 23
4	I14	22 19
5	I14	24 19
6	C15	3 23
7	G7	24 9
8		
9	034	14 47
10		
11	G4	14 7
12	G4	13 7
13	G4	11 7
14	G7	14 9
15		
16	G8	1 11
17	G4	19 7
18	G4	12 7
19	G4	18 7
20		
21	C28	14 31
22	G4	17 7
23	C28	3 31
24		
25		
26		
27		
28		

JACK PIN LG  
63019800 Rev. A

Storage Sequence Control

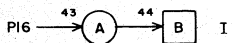
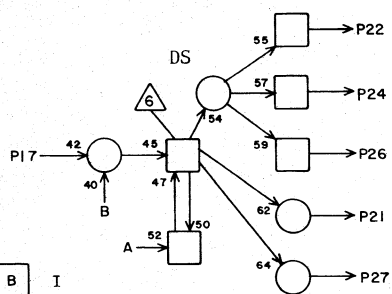
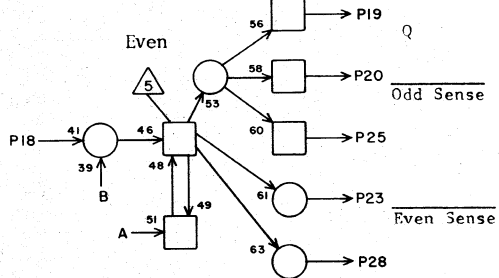
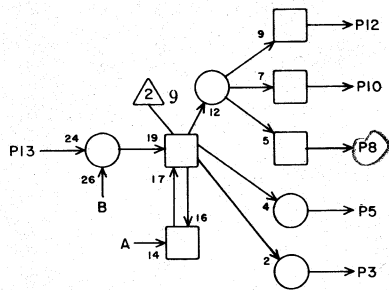
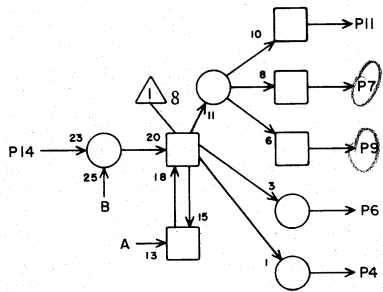


PD 1G2

JACK	PIN	LG
1		
2		
3	I14	7 17
4	I14	5 17
5	G17	14 17
6	G17	3 17
7		
8		
9		
10		
11	G5	14 7
12	G5	13 7
13	G5	11 7
14	G4	22 7
15		
16	G8	2 11
17	G5	19 7
18	G5	12 7
19	G5	18 7
20		
21	G29	14 27
22	G5	17 7
23	G29	3 27
24		
25		
26		
27	I14	6 17
28	I14	8 17

JACK PIN LG  
63019800 Rev. A

Storage Sequence Control



PD

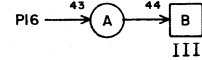
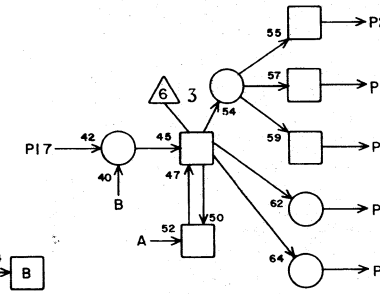
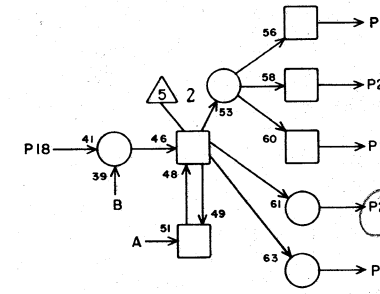
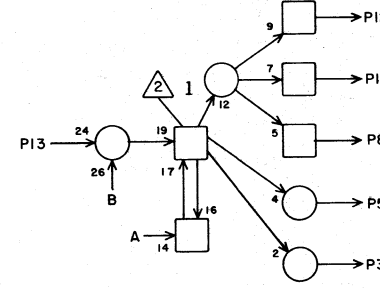
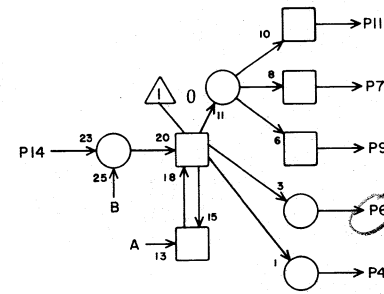
I1G3

PD	JACK	PIN	LG
1			
2			
3	G30	14	27
4	I16	3	17
5	I16	26	19
6	G30	3	27
7			
8			
9			
10	I16	6	17
11	G6	14	7
12	G6	13	7
13	G6	11	7
14	G5	22	7
15			
16	G8	4	9
17	G6	19	7
18	G7	13	7
19	R19	5	45
20	H14	3	15
21	R15	3	43
22	G7	26	7
23	C16	14	23
24	N29	3	39
25			
26	N29	14	39
27	R7	13	47
28			

JACK PIN LG

63019800 Rev. A

Storage Sequence Control



PD

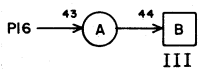
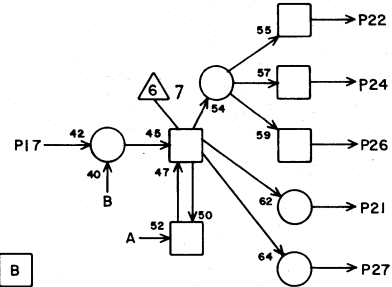
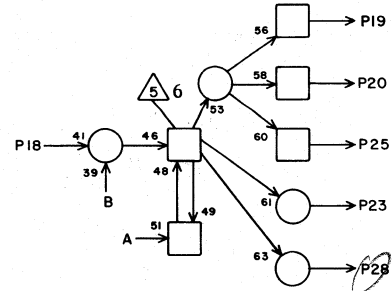
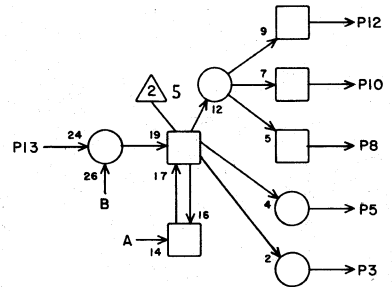
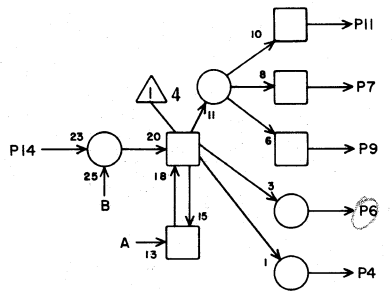
I1G4

PD	JACK	PIN	LG
1			
2			
3	G7	3	7
4	G7	1	7
5	G7	2	7
6			
7	G9	10	7
8	G11	18	11
9	G10	18	11
10	G10	10	11
11	G1	13	7
12	G1	18	7
13	G1	12	7
14	G1	11	7
15			
16	G8	17	7
17	G1	22	7
18	G1	19	7
19	G1	17	7
20	G11	10	11
21	G7	4	7
22	G2	14	7
23			
24	G12	10	13
25	G12	18	13
26	G13	18	13
27	G7	7	7
28	G7	5	7

JACK PIN LG

63019800 Rev. A

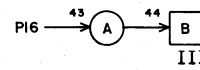
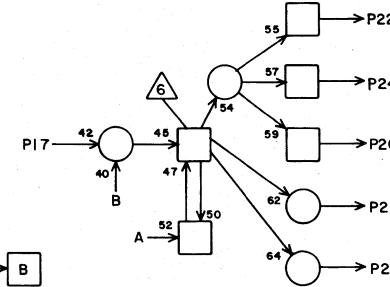
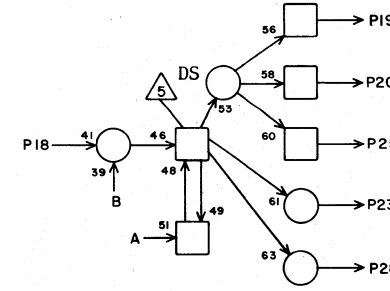
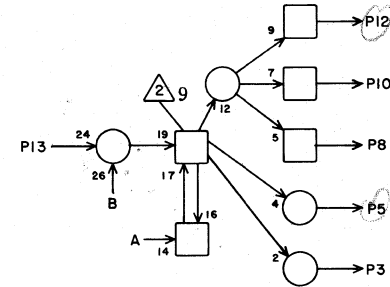
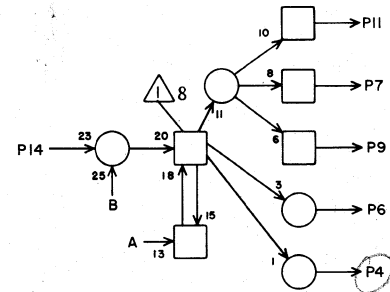
Storage Sequence Control



PD	1G5		
JACK	PIN	LG	
1			
2			
3	G7	11	7
4	G7	9	7
5	G7	6	7
6			
7	G13	10	13
8	G10	11	9
9	G9	11	7
10	G9	19	7
11	G2	13	7
12	G2	18	7
13	G2	12	7
14	G2	11	7
15			
16	G8	18	7
17	G2	22	7
18	G2	19	7
19	G2	17	7
20	G10	19	9
21	G7	23	7
22	G3	14	5
23	G7	21	7
24	G11	19	9
25	G11	11	9
26	G12	11	11
27	G7	8	7
28			

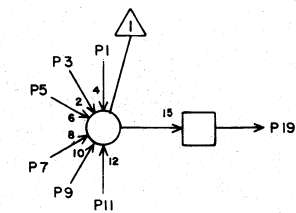
63019800 Rev. A

Storage Sequence Control

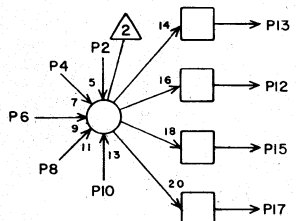


PD	1G6		
JACK	PIN	LG	
1			
2			
3	G7	10	5
4			
5			
6	G7	25	5
7	G12	19	9
8	G9	18	7
9	G13	11	11
10	G13	19	11
11	G3	13	7
12			
13	G3	12	7
14	G3	11	7
15			
16	G8	19	5
17			
18	I15	19	15
19	G3	17	7
20			
21			
22			
23			
24			
25			
26			
27			
28			

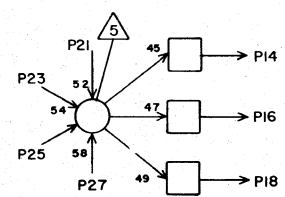
63019800 Rev. A



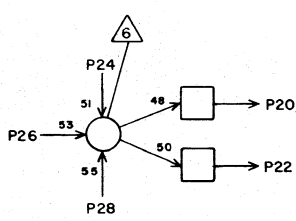
SSC 000



SSC Reset



MC



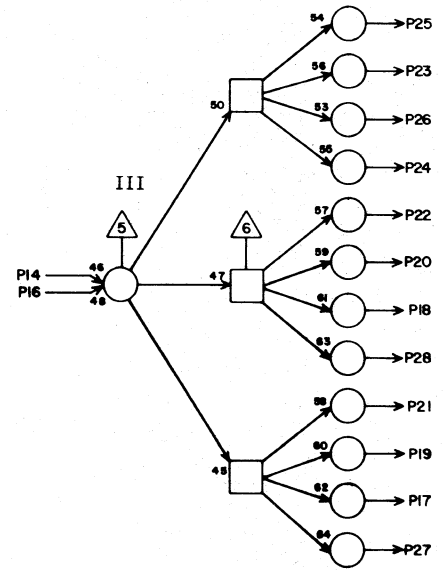
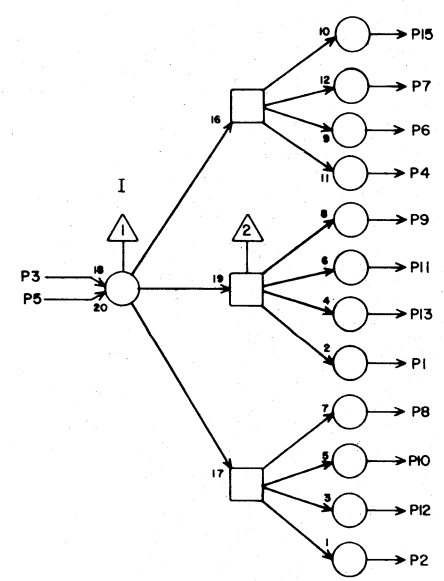
TB 1 G7

1	G4	4	7
2	G4	5	7
3	G4	3	7
4	G4	21	7
5	G4	28	7
6	G5	5	7
7	G4	27	7
8	G5	27	7
9	G5	4	7
10	G6	3	7
11	G5	3	7
12			
13	G3	18	7
14	G1	14	9
15			
16			
17			
18			
19	G7	27	3
20	033	16	41
21	G5	23	7
22	I30	22	25
23	G5	21	7
24	G1	7	9
25	G6	6	5
26	G3	22	7
27	G7	19	3
28	G7	X	2

JACK PIN LG

63019800 Rev. A

Clock



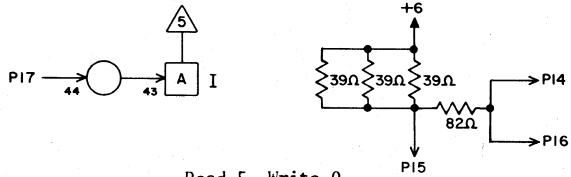
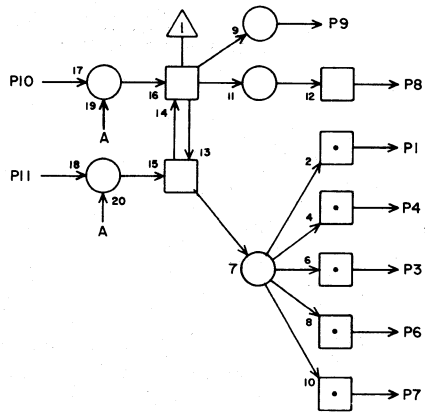
TC 1G8

1	G1	16	11
2	G2	16	7
3	H3	15	11
4	G3	16	9
5	G8	X	2
6	H11	16	9
7	H12	16	9
8	H13	16	11
9	F6	16	7
10	F7	16	7
11	J20	8	19
12	J21	8	19
13	J22	8	19
14	H4	15	11
15			
16	G8	X	2
17	G4	16	7
18	G5	16	7
19	G6	16	7
20	F1	9	13
21	F1	22	13
22	F2	9	11
23	F2	22	13
24	F8	9	9
25	F8	22	9
26	F9	9	9
27	F9	22	9
28			

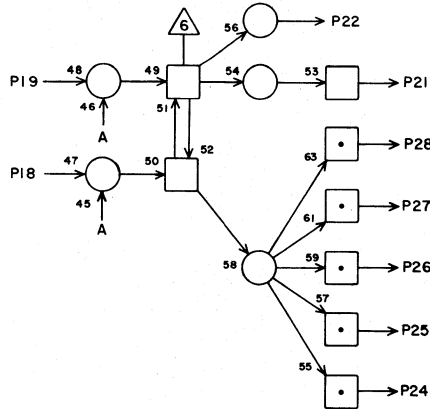
JACK PIN LG

63019800 Rev. A

Read 0 Write 5



Read 5 Write 0



□ = NO RESISTOR-DIODE ON OUTPUT

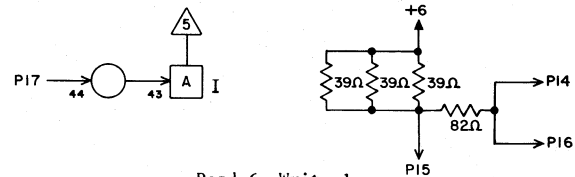
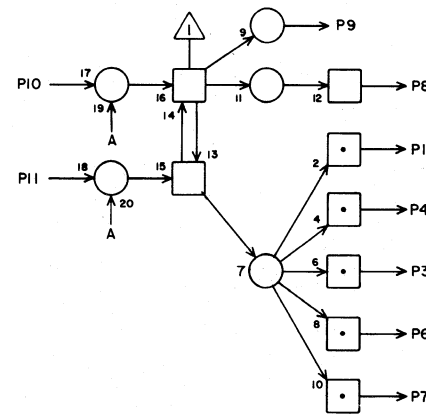
SPECIAL MODULE PU 1G9

JACK	PIN	LG
1	A8	23
2		
3	D25	21
4		
5		
6		
7		
8		
9		
10	G4	7
11	G5	9
12		
13		
14		
15	C3	26
16	G10	14
17	F15	2
18	G6	8
19	G5	10
20		
21		
22		
23		
24	A8	21
25	D25	23
26		
27		
28		

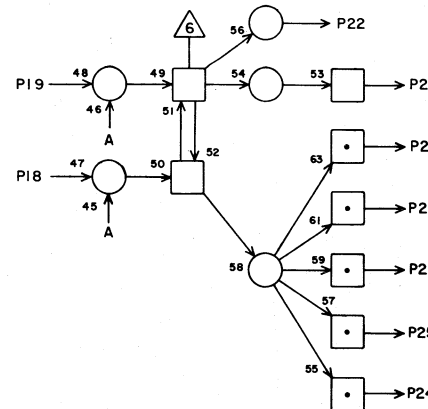
JACK PIN LG

63019800 Rev. A

Read 1 Write 6



Read 6 Write 1



□ = NO RESISTOR-DIODE ON OUTPUT

SPECIAL MODULE PU 1G10

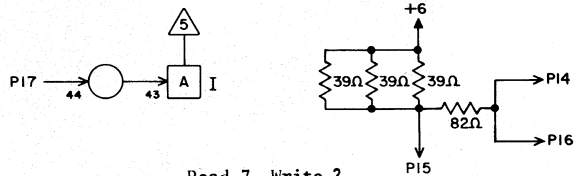
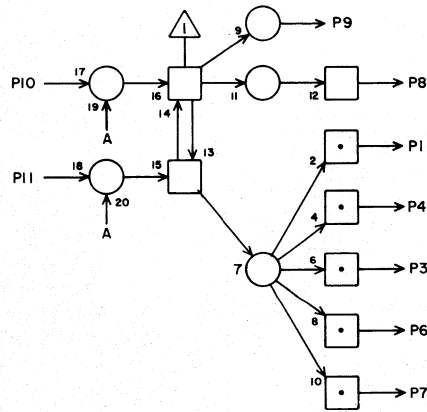
JACK	PIN	LG
1	D8	23
2		
3	A33	21
4		
5		
6		
7		
8		
9		
10	G4	10
11	G5	8
12		
13		
14	G9	16
15	F3	26
16	IV	97
17	F15	4
18	G4	9
19	G5	20
20		
21		
22		
23		
24	D8	21
25	A33	23
26		
27		
28		

JACK PIN LG

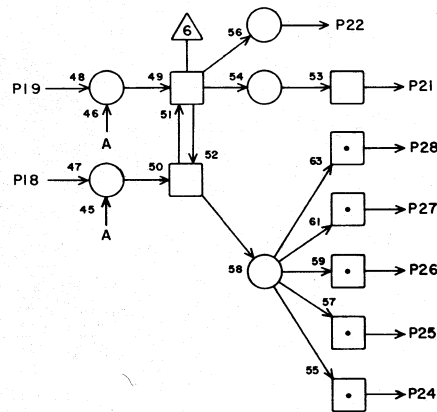
63019800 Rev. A



Read 2 Write 7



Read 7 Write 2



□ = NO RESISTOR-DIODE ON OUTPUT

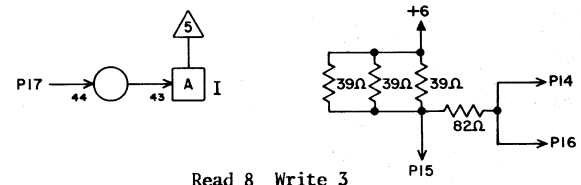
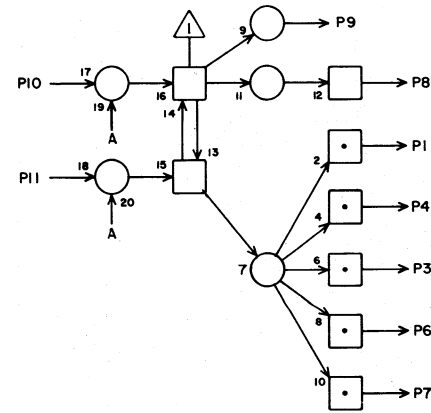
SPECIAL MODULE PU 1G11

1	A16	23	23
2			
3	D33	21	25
4			
5			
6			
7			
8			
9			
10	G4	20	11
11	G5	25	9
12			
13			
14			
15			
16			
17	F15	11	9
18	G4	8	11
19	G5	24	9
20			
21			
22			
23			
24	A16	21	23
25	D33	23	25
26			
27			
28			

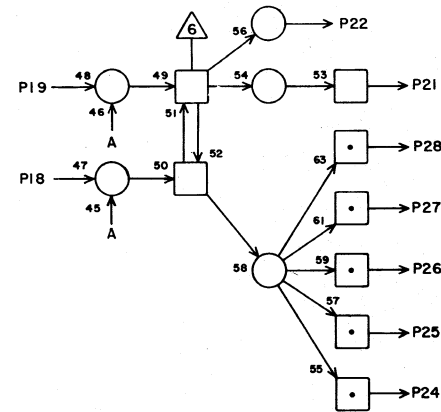
JACK PIN LG

63019800 Rev. A

Read 3 Write 8



Read 8 Write 3



□ = NO RESISTOR-DIODE ON OUTPUT

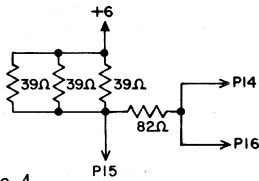
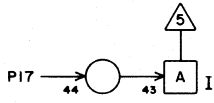
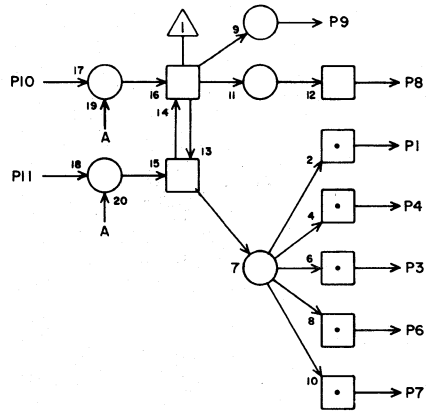
SPECIAL MODULE PU 1G12

1	D16	23	13
2			
3	A42	21	37
4			
5			
6			
7			
8			
9			
10	G4	24	13
11	G5	26	13
12			
13			
14			
15			
16			
17	F15	12	9
18	G4	25	13
19	G6	7	9
20			
21			
22			
23			
24	D16	21	15
25	A42	23	37
26			
27			
28			

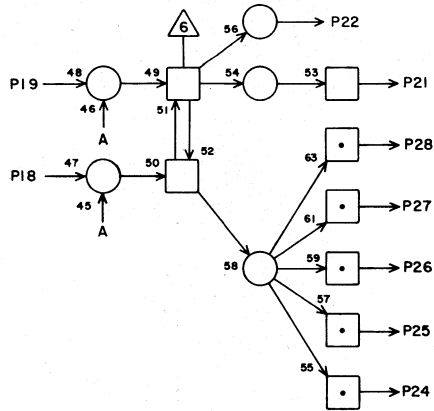
JACK PIN LG

63019800 Rev. A

Read 4 Write 9



Read 9 Write 4



□ = NO RESISTOR-DIODE ON OUTPUT  
○ = DIODE ON OUTPUT

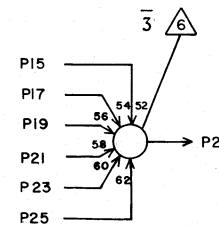
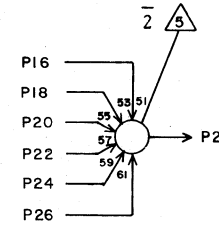
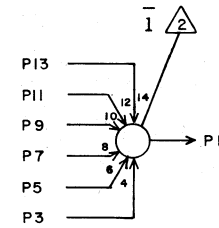
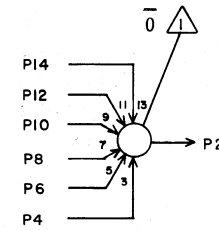
SPECIAL MODULE PU 1G13

1	A25	23	25
2			
3	D42	21	31
4			
5			
6			
7			
8			
9			
10	G5	7	13
11	G6	9	13
12			
13			
14			
15			
16			
17	F15	13	9
18	G4	26	13
19	G6	10	13
20			
21			
22			
23			
24	A25	21	27
25	D42	23	31
26			
27			
28			

JACK PIN LG

63019800 Rev. A

Odd Sense Merge



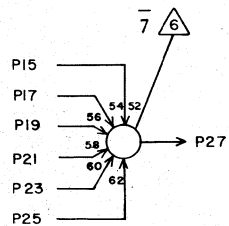
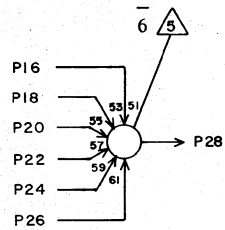
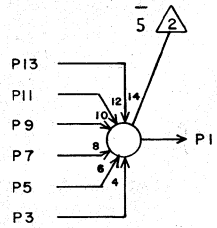
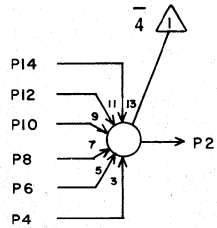
TA 1G14

1	G18	4	7
2	G18	3	7
3	F3	11	15
4	F3	5	15
5	F10	11	9
6	F10	5	9
7	F18	11	9
8	F18	5	9
9	F25	11	15
10	F25	5	15
11	F32	11	21
12	F32	5	21
13	H14	2	7
14	H14	1	7
15	F3	25	15
16	F3	19	15
17	F32	25	21
18	F32	19	21
19	F25	25	15
20	F25	19	15
21	F18	25	11
22	F18	19	11
23	F10	25	11
24	F10	19	11
25	H14	6	7
26	H14	4	7
27	G18	17	7
28	G18	12	7

JACK PIN LG

63019800 Rev. A

Odd Sense Merge



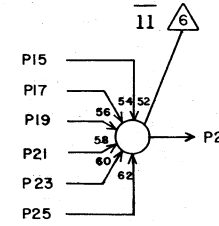
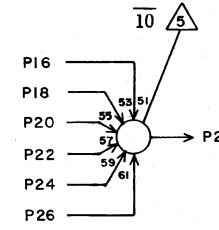
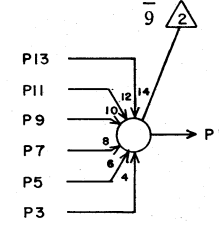
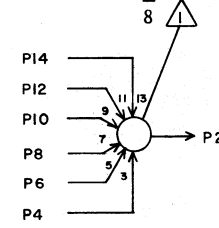
TA 1G15

1	G18	24	7
2	G18	23	7
3	F4	11	15
4	F4	5	15
5	F11	11	9
6	F11	5	9
7	F19	11	9
8	F19	5	9
9	F26	11	15
10	F26	5	15
11	F33	11	21
12	F33	5	21
13	H14	8	7
14	H14	7	7
15	F4	25	15
16	F4	19	15
17	F33	25	21
18	F33	19	21
19	F26	25	15
20	F26	19	15
21	F19	25	9
22	F19	19	9
23	F11	25	11
24	F11	19	11
25	H14	10	7
26	H14	9	7
27	G19	4	7
28	G19	3	7

JACK PIN LG

63019800 Rev. A

Odd Sense Merge



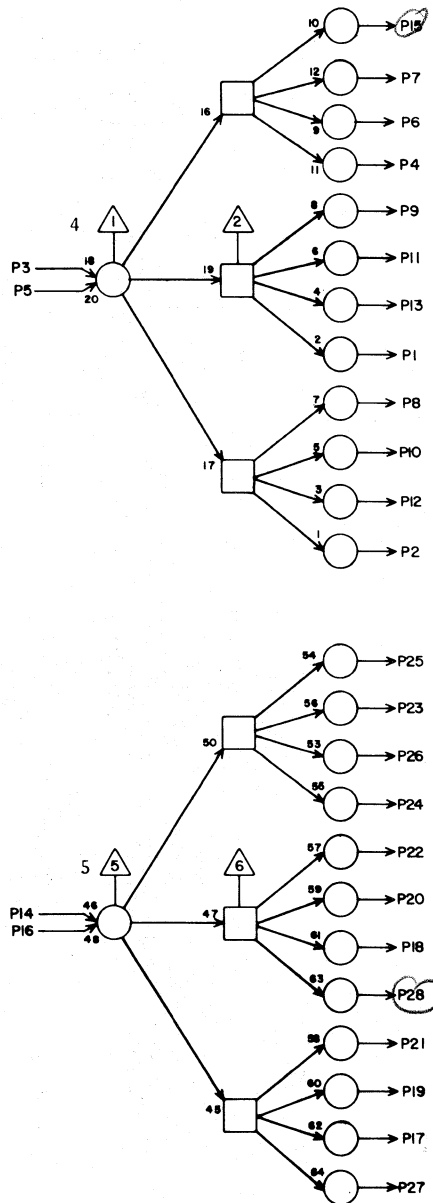
TA 1G16

1	G19	17	7
2	G19	12	7
3	F5	11	15
4	F5	5	15
5	F12	11	9
6	F12	5	9
7	F20	11	9
8	F20	5	9
9	F27	11	15
10	F27	5	15
11	F34	11	21
12	F34	5	21
13	H14	12	9
14	H14	11	9
15	F5	25	15
16	F5	19	15
17	F34	25	21
18	F34	19	21
19	F27	25	15
20	F27	19	15
21	F20	25	9
22	F20	19	9
23	F12	25	11
24	F12	19	11
25	H14	15	7
26	H14	13	7
27	G19	24	7
28	G19	23	7

JACK PIN LG

63019800 Rev. A

Storage Sequence Slaves



TC

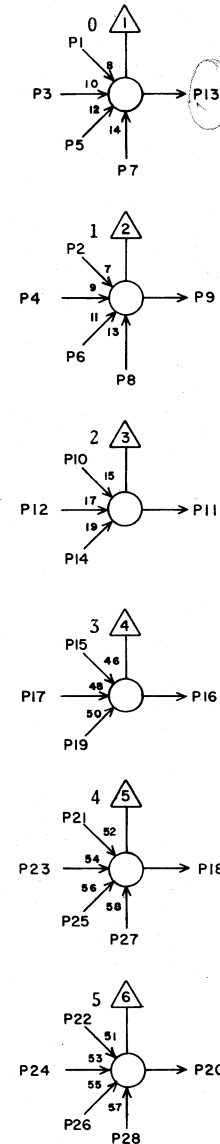
1G17

1	F5	27	17
2	F4	27	17
3	G2	6	17
4	F5	27	17
5	G17	X	2
6	F21	10	9
7	F22	10	9
8	C20	9	19
9	C20	22	19
10	C21	9	19
11	C21	22	19
12	F35	9	21
13	F36	9	21
14	G2	5	17
15			
16	G17	X	2
17	C6	17	23
18	C7	17	23
19	C10	27	21
20	C11	27	21
21	C12	27	21
22	F16	7	9
23	F16	20	9
24	F17	7	9
25	F17	20	9
26	C34	10	25
27	C35	10	27
28			

JACK PIN LG

63019800 Rev. A

Sense Merge



TI

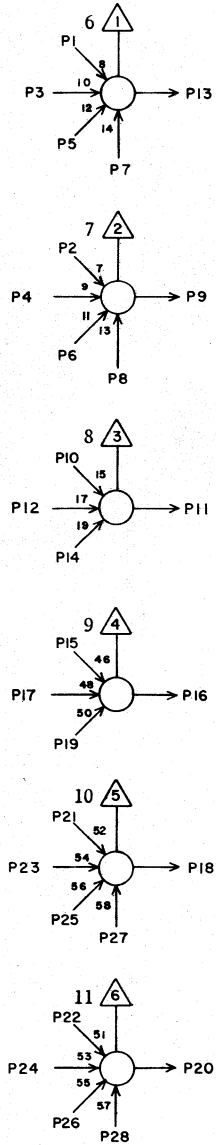
1G18

1	C17	2	19
2	C17	1	19
3	G14	2	7
4	G14	1	7
5	G18	X	2
6	G18	X	2
7	G18	X	2
8	G18	X	2
9	I20	13	13
10	C17	28	19
11	I20	18	13
12	G14	28	7
13	I20	14	13
14	G18	X	2
15	C17	27	19
16	I20	17	13
17	G14	27	7
18	I21	14	13
19	G18	X	2
20	I21	13	13
21	C18	2	19
22	C18	1	19
23	G15	2	7
24	G15	1	7
25	G18	X	2
26	G18	X	2
27	G18	X	2
28	G18	X	2

JACK PIN LG

63019800 Rev. A

Sense Merge



TI

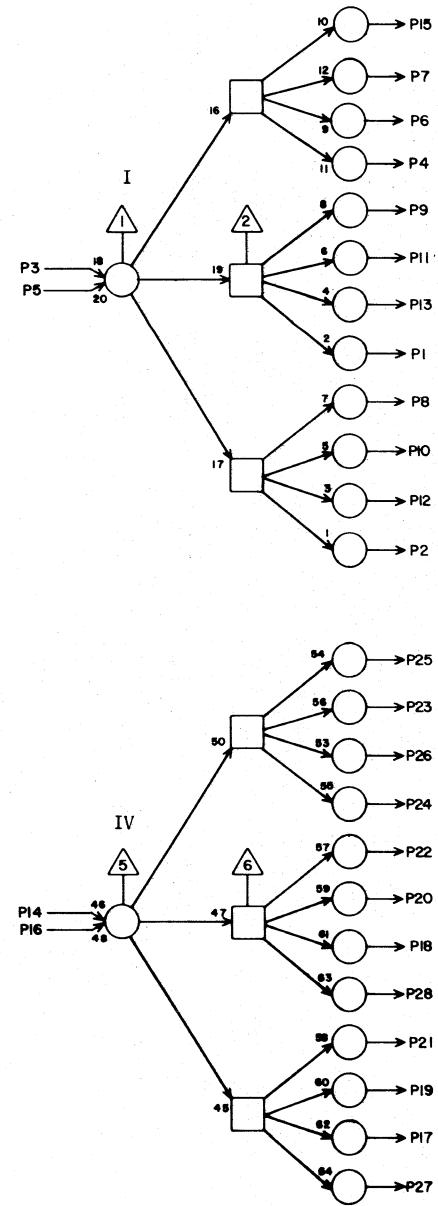
1 G19

1	C18	28	19
2	C18	27	19
3	G15	28	7
4	G15	27	7
5	G19	X	2
6	G19	X	2
7	G19	X	2
8	G19	X	2
9	I21	17	13
10	C19	2	19
11	I22	14	13
12	G16	2	7
13	I21	18	13
14	G19	X	2
15	C19	1	19
16	I22	13	13
17	G16	1	7
18	I22	18	13
19	G19	X	2
20	I22	17	13
21	C19	28	19
22	C19	27	19
23	G16	28	7
24	G16	27	7
25	G19	X	2
26	G19	X	2
27	G19	X	2
28	G19	X	2

JACK PIN LG

63019800 Rev. A

Clock



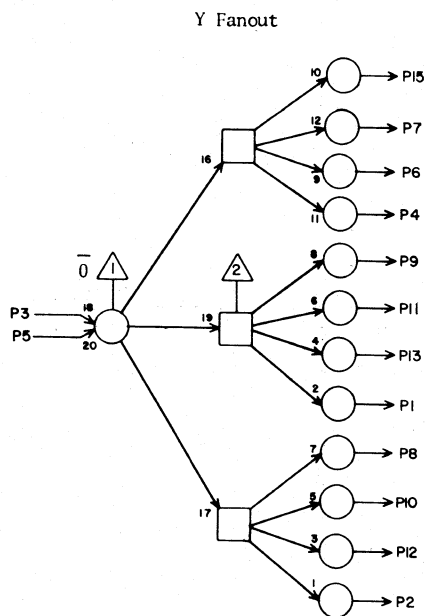
TC

1 G20

1	F13	16	13
2	F14	16	11
3	H3	1	19
4	C25	10	19
5	G20	X	2
6	C26	10	19
7	C34	16	23
8	C35	16	23
9	C41	16	27
10	C42	16	27
11	F28	16	13
12	F29	16	13
13	F35	16	17
14	H5	12	17
15	F36	16	17
16	G20	X	2
17	F6	17	17
18	F7	17	17
19	F13	17	13
20	F14	17	11
21	F21	17	9
22	F22	17	9
23	F28	17	13
24	F29	17	13
25	F35	17	19
26	F36	17	19
27			
28			

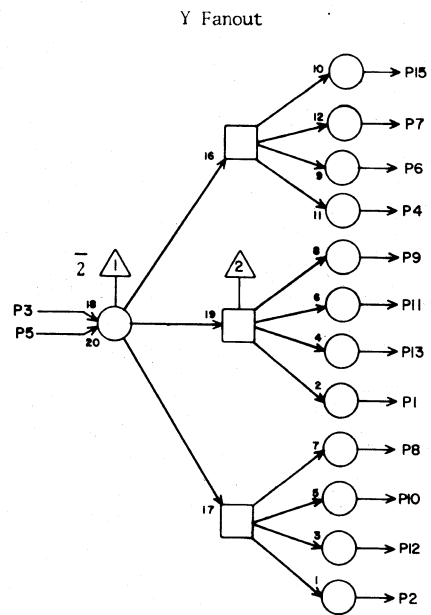
JACK PIN LG

63019800 Rev. A



TC			
1G21			
JACK	PIN	LG	
1	C6	4	25
2	F6	4	19
3	G27	1	9
4	C13	4	23
5	G21	X	2
6	F13	4	13
7	C25	4	21
8	F21	4	7
9	C34	4	23
10	C41	4	27
11	F28	4	13
12	F35	4	17
13			
14	G27	2	9
15			
16	G21	X	2
17	C6	2	25
18	F6	2	19
19	C13	2	23
20	F13	2	13
21	C25	2	21
22	F21	2	9
23	C34	2	23
24	C41	2	29
25	F28	2	13
26	F35	2	17
27			
28			

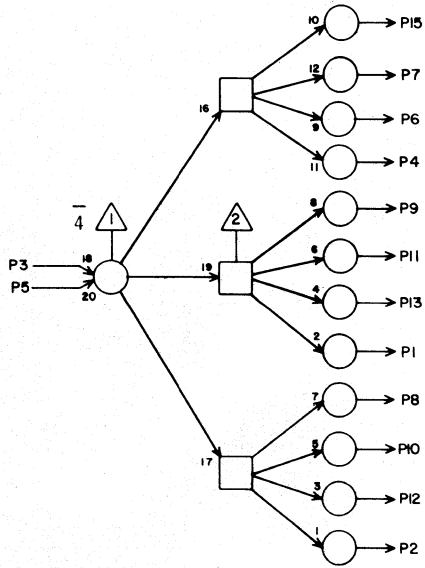
63019800 Rev. A



TC			
1G22			
JACK	PIN	LG	
1	C6	6	25
2	F6	6	19
3	G27	14	9
4	C13	6	23
5	G22	X	2
6	F13	6	13
7	C25	6	21
8	F21	6	9
9	C34	6	23
10	C41	6	27
11	F28	6	11
12	F35	6	17
13			
14	G27	19	9
15			
16	G22	X	2
17	C6	19	25
18	F6	19	19
19	C13	19	21
20	F13	19	13
21	C25	19	19
22	F21	19	7
23	C34	19	21
24	C41	19	25
25	F28	19	11
26	F35	19	17
27			
28			

63019800 Rev. A

Y Fanout



TC

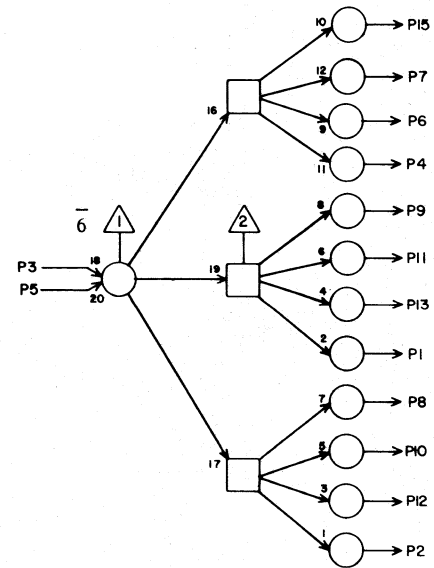
1G23

1	C6	27	25
2	F6	27	19
3	G27	27	7
4	C13	27	21
5	G23	X	2
6	F13	27	13
7	C25	27	19
8	F21	27	7
9	C34	27	21
10	C41	27	25
11	F28	27	9
12	F35	27	15
13			
14	G27	28	7
15			
16	G23	X	2
17	C6	22	25
18	F6	22	19
19	C13	22	21
20	F13	22	15
21	C25	22	19
22	F21	22	7
23	C34	22	21
24	C41	22	27
25	F28	22	11
26	F35	22	15
27			
28			

JACK PIN LG

63019800 Rev. A

Y Fanout



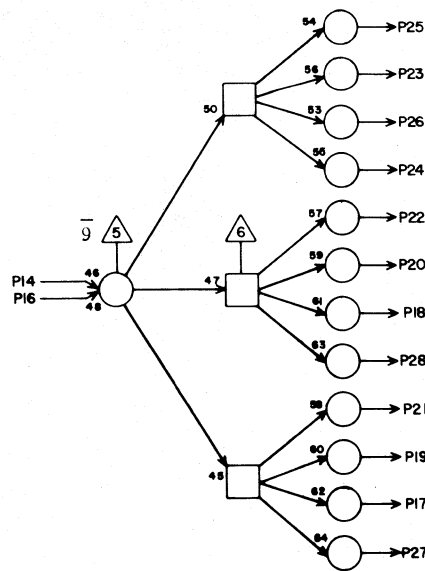
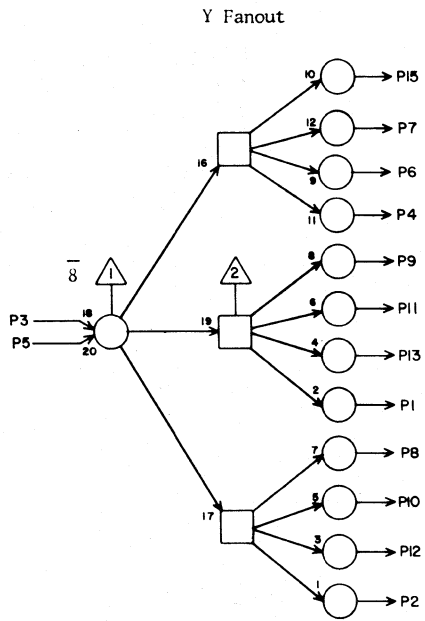
TC

1G24

1	C7	4	25
2	F7	4	19
3	G28	1	7
4	C14	4	23
5	G24	X	2
6	F14	4	15
7	C26	4	19
8	F22	4	7
9	C35	4	23
10	C42	4	25
11	F29	4	11
12	F36	4	15
13			
14	G28	2	7
15			
16	G24	X	2
17	C7	2	25
18	F7	2	19
19	C14	2	
20	F14	2	23
21	C26	2	19
22	F22	2	9
23	C35	2	23
24	C42	2	25
25	F29	2	11
26	F36	2	15
27			
28			

JACK PIN LG

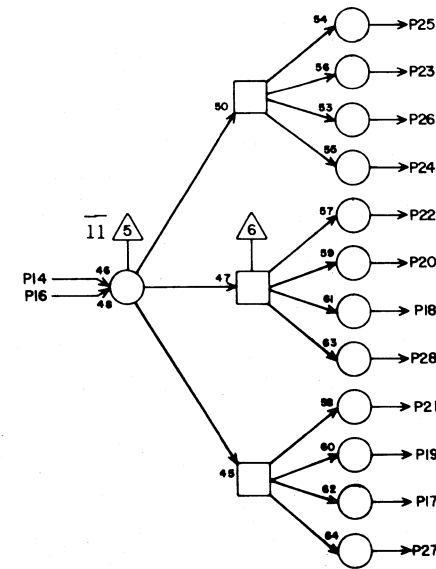
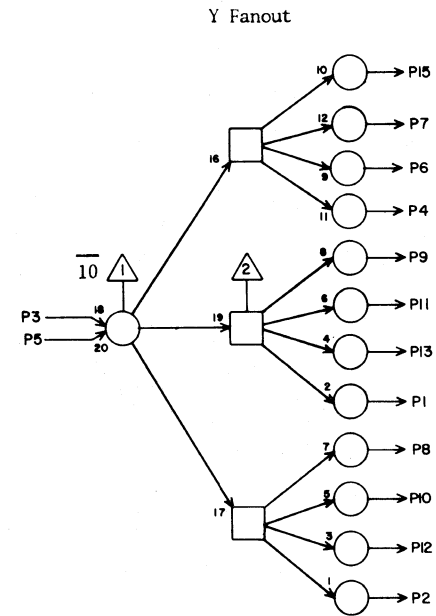
63019800 Rev. A



TC 1G25

1	C7	6	27
2	F7	6	21
3	G28	14	7
4	C14	6	23
5	G25	X	2
6	F14	6	15
7	C26	6	19
8	F22	6	9
9	C35	6	21
10	C42	6	25
11	F29	6	9
12	F36	6	15
13			
14	G28	19	7
15			
16	G25	X	2
17	C7	19	25
18	F7	19	21
19	C14	19	23
20	F14	19	15
21	C26	19	19
22	F22	19	9
23	C35	19	21
24	C42	19	25
25	F29	19	11
26	F36	19	15
27			
28			

JACK PIN LG



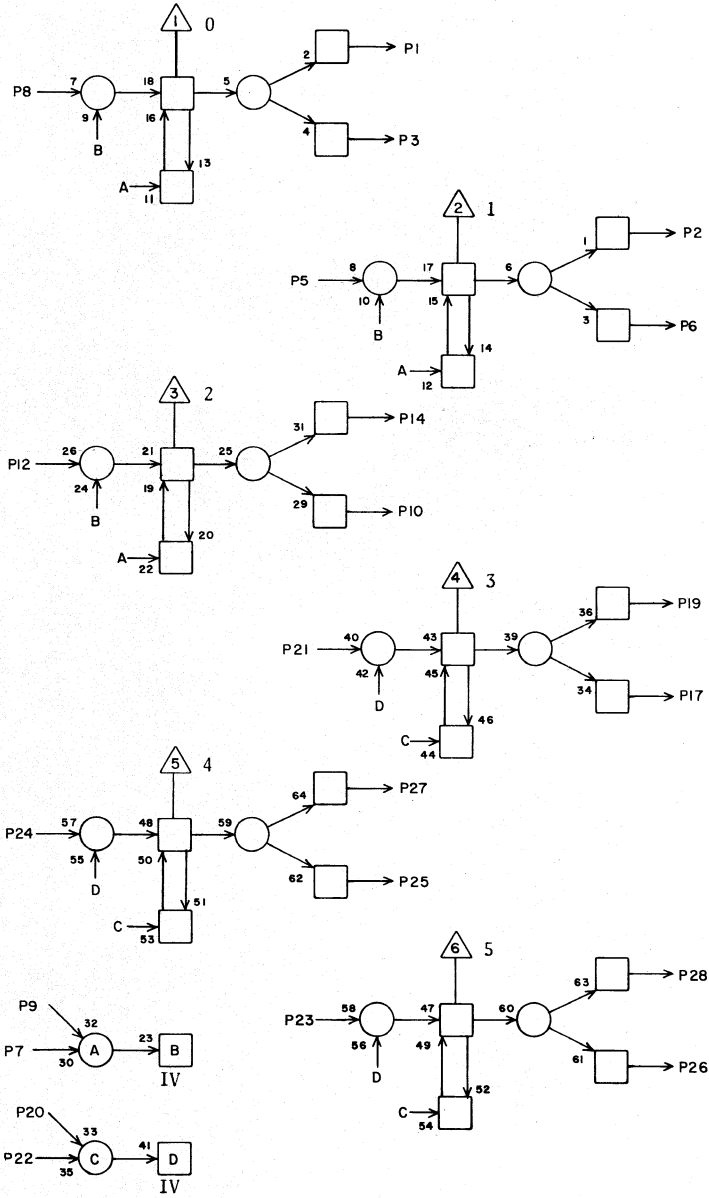
TC 1G26

1	C7	27	25
2	F7	27	21
3	G28	27	5
4	C14	27	23
5	G26	X	2
6	F14	27	15
7	C26	27	19
8	F22	27	11
9	C35	27	21
10	C42	27	25
11	F29	27	7
12	F36	27	15
13			
14	G28	28	5
15			
16	G26	X	2
17	C7	22	27
18	F7	22	23
19	C14	22	23
20	F14	22	23
21	C26	22	19
22	F22	22	11
23	C35	22	21
24	C42	22	25
25	F29	22	9
26	F36	22	21
27			
28			

JACK PIN LG



Y Register (Store)



PA

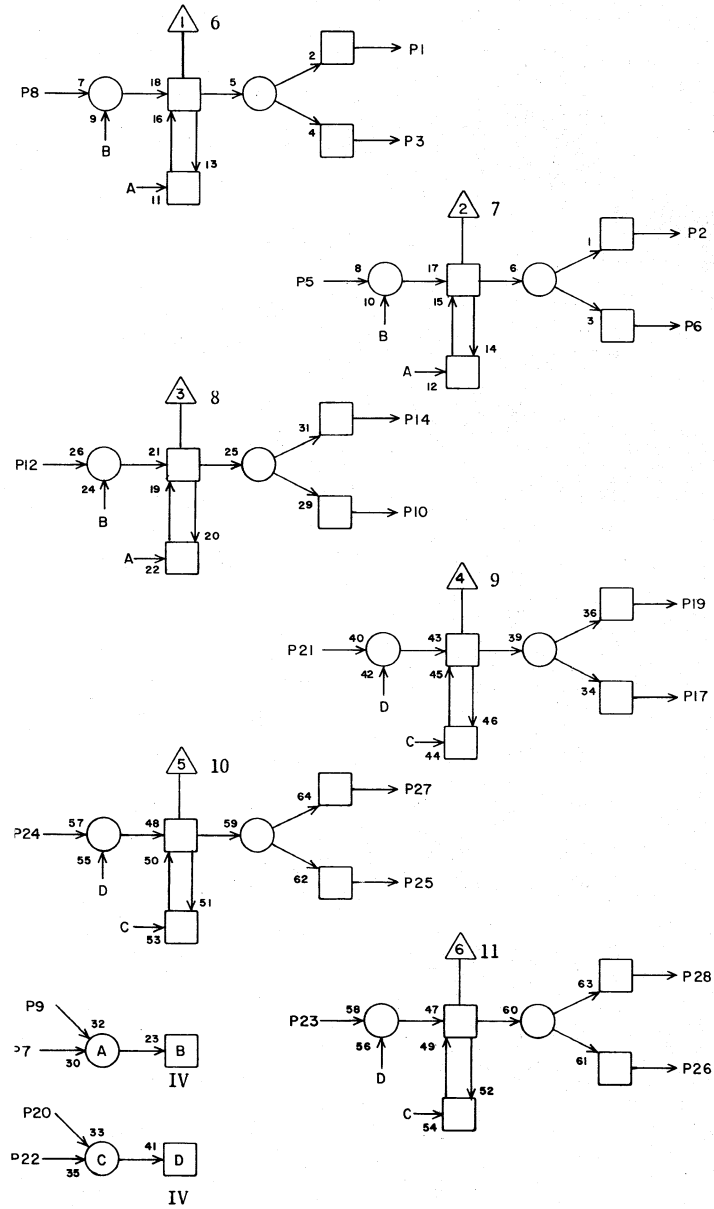
1 G27

1	G21	3	9
2	G21	14	9
3			
4			
5	H21	10	11
6			
7	G31	17	7
8	H21	13	11
9	G27	X	2
10			
11			
12	H21	17	11
13			
14	G22	3	9
15			
16			
17			
18			
19	G22	14	9
20	G31	18	7
21	H21	20	13
22	G27	X	2
23	H22	10	11
24	H22	13	11
25			
26			
27	G23	3	7
28	G23	14	7

JACK PIN LG

63019800 Rev. A

Y Register (Store)



PA

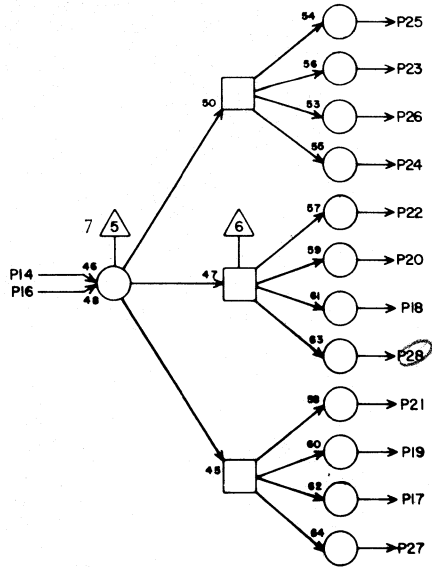
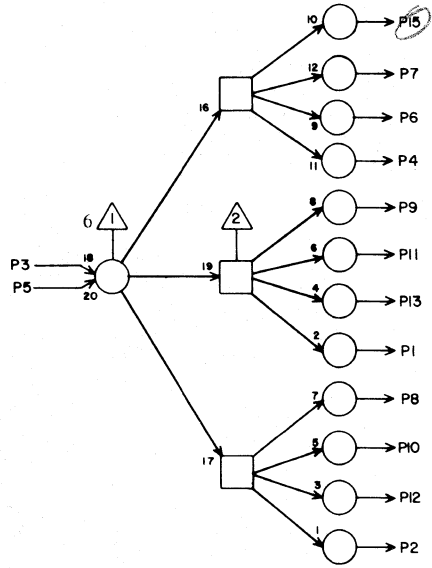
1G28

1	G24	3	7
2	G24	14	7
3	N13	2	31
4			
5	H22	20	11
6	N13	1	31
7	G31	19	7
8	H22	17	11
9	G28	X	2
10	N13	12	33
11			
12	H23	13	11
13			
14	G25	3	7
15			
16			
17	N13	17	33
18			
19	G25	14	7
20	G31	20	7
21	H23	10	11
22	G28	X	2
23	H23	20	11
24	H23	17	11
25	N13	28	33
26	N13	27	33
27	G26	3	7
28	G26	14	7

JACK PIN LG

63019800 Rev. A

Storage Sequence Slaves



TC

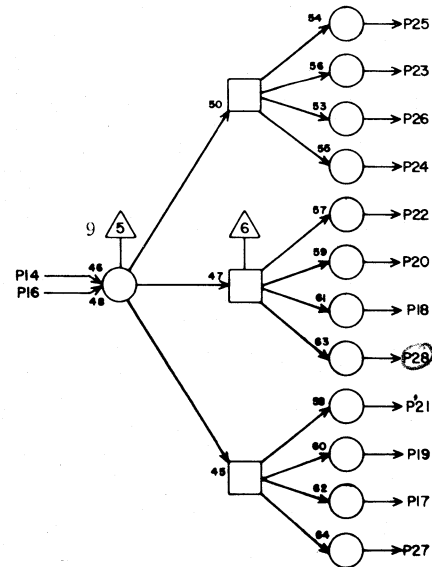
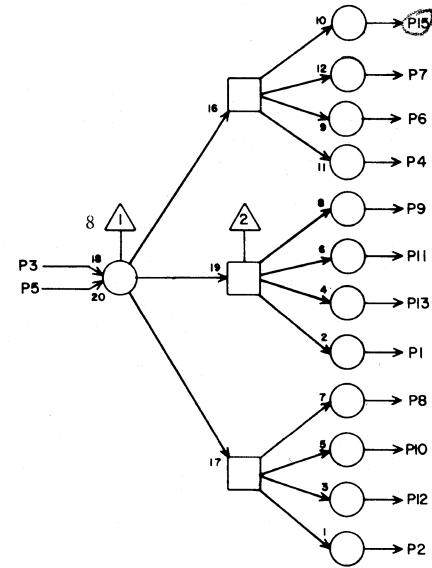
1G29

1	F6	9	25
2	F7	9	25
3	G2	23	29
4	F10	27	21
5	G29	X	2
6	F11	27	21
7	F12	27	19
8	C29	9	19
9	C29	22	19
10	C30	9	19
11	C30	22	19
12	F28	10	7
13	F29	10	7
14	G2	21	29
15			
16	G29	X	2
17	C15	17	25
18	C14	17	25
19	C22	27	21
20	C23	27	21
21	C24	27	19
22	C41	10	23
23	C42	10	23
24	F23	7	13
25	F23	20	11
26	F24	7	11
27	F24	20	11
28			

JACK PIN LG

63019800 Rev. A

Storage Sequence Slaves



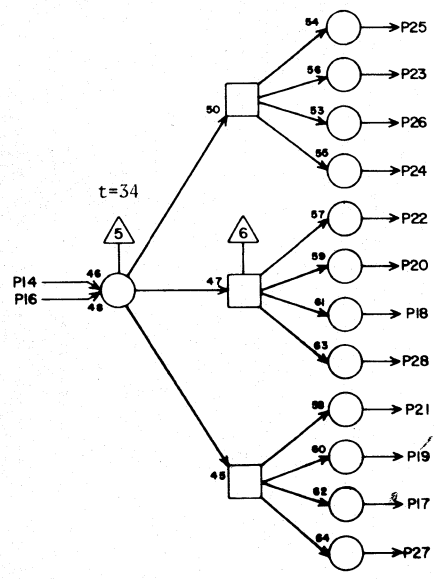
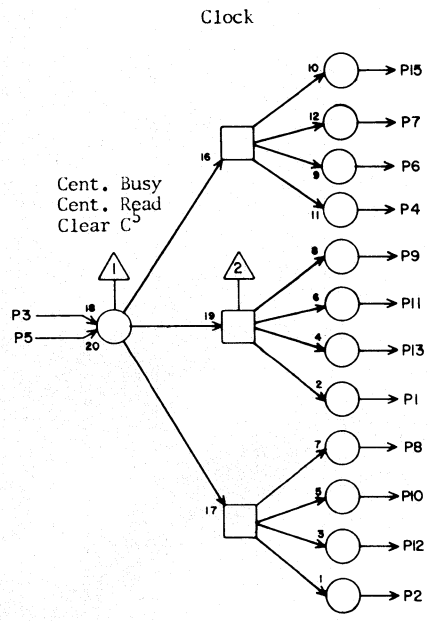
TC

1G30

1	F13	9	21
2	F14	9	19
3	G3	6	29
4	F18	27	17
5	G30	X	2
6	F19	27	15
7	F20	27	15
8	C36	7	21
9	C36	20	19
10	C37	7	21
11	C37	20	19
12	F35	10	9
13	F36	10	11
14	G3	3	29
15			
16	G30	X	2
17	C6	16	31
18	C7	16	29
19	C25	17	19
20	C26	17	19
21	C31	27	19
22	C32	27	19
23	C33	27	19
24	F30	7	9
25	F30	20	7
26	F31	7	9
27	F31	20	7
28			

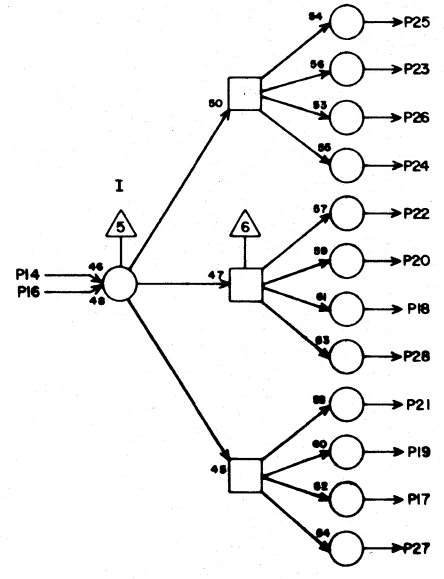
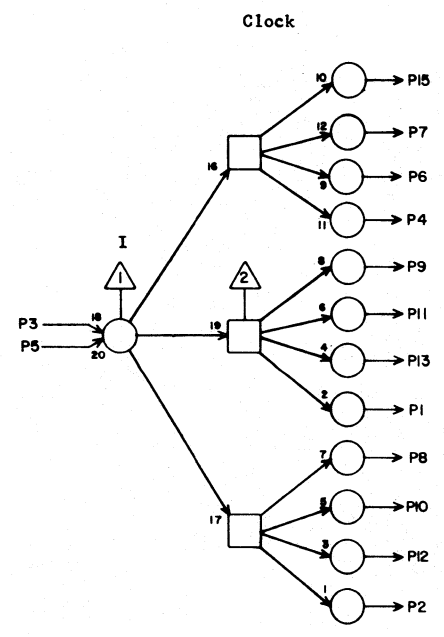
JACK PIN LG

63019800 Rev. A



TC		1G31	
1	G33	16	7
2	G34	16	7
3	I25	18	15
4	G35	16	9
5	G31	X	2
6	G36	16	9
7	G37	16	9
8	G38	16	11
9	G39	16	11
10	G40	16	13
11	G41	16	13
12	G42	16	13
13	I29	25	13
14	H4	17	29
15	I30	18	13
16	G31	X	2
17	G27	7	7
18	G27	20	7
19	G28	7	7
20	G28	20	7
21	I29	6	84
22	F40	10	13
23	F41	10	15
24	F42	10	15
25			
26			
27			
28			

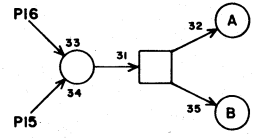
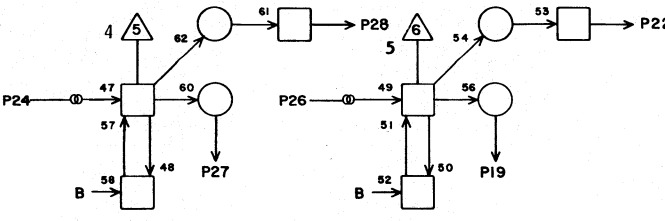
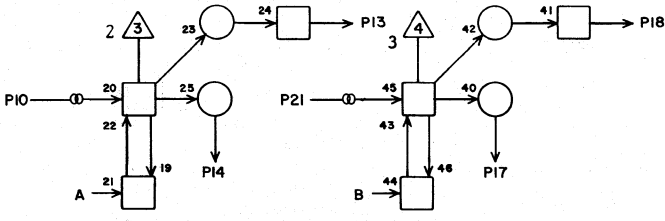
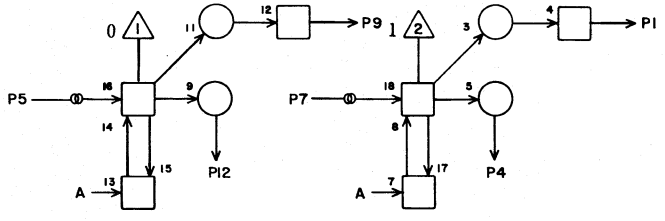
63019800 Rev. A



TC		1G32	
1			
2			
3	H3	10	29
4			
5	G32	X	2
6			
7			
8			
9			
10			
11			
12			
13			
14	H3	9	29
15			
16	G32	X	2
17	G33	15	5
18	G34	15	7
19	G35	15	7
20	G36	15	7
21	G37	15	9
22	G38	15	9
23	G39	15	11
24	G40	15	11
25	G41	15	13
26	G42	15	13
27			
28			

63019800 Rev. A

C<sup>5</sup>



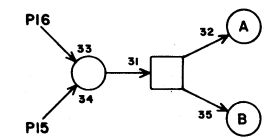
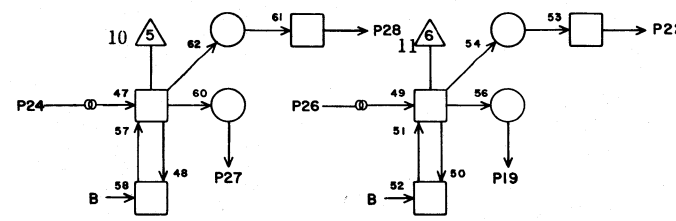
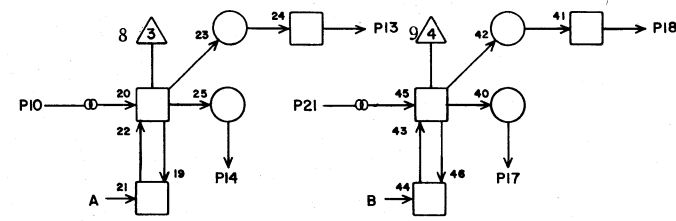
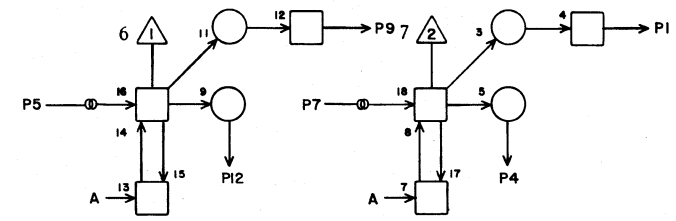
PI 1G33

1	H35	5	7
2			
3			
4			
5	W04	90	
6			
7	W04	91	
8			
9	H35	8	7
10	W04	92	
11			
12			
13	H35	12	9
14			
15	G32	17	5
16	G31	1	7
17			
18	H35	21	9
19			
20			
21	W04	93	
22	H35	23	9
23			
24	W04	94	
25			
26	W04	95	
27			
28	H35	24	9

JACK PIN LG

63019800 Rev. A

C<sup>5</sup>



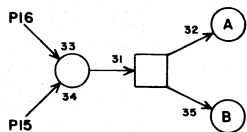
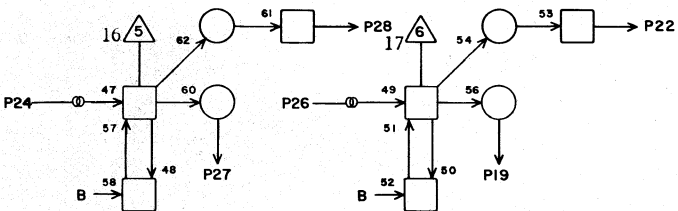
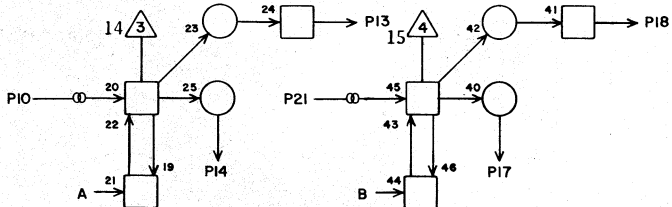
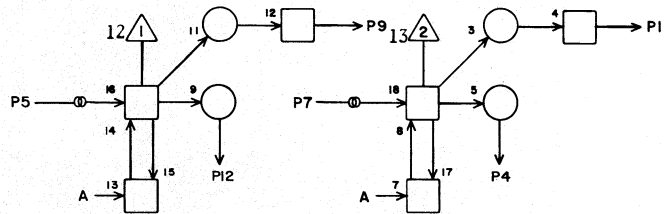
PI 1G34

1	H36	5	7
2			
3			
4			
5	W04	96	
6			
7	W04	97	
8			
9	H36	8	7
10	W04	98	
11			
12			
13	H36	12	9
14			
15	G32	18	7
16	G31	2	7
17			
18	H36	21	9
19			
20			
21	W04	99	
22	H36	23	9
23			
24	W04	900	
25			
26	W04	901	
27			
28	H36	24	9

JACK PIN LG

63019800 Rev. A

C<sup>5</sup>



PI

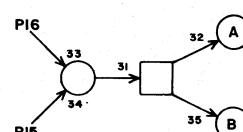
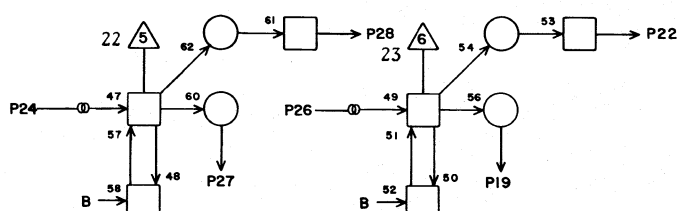
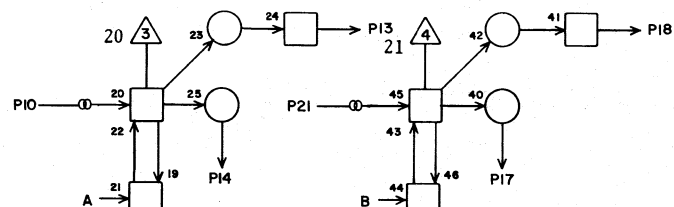
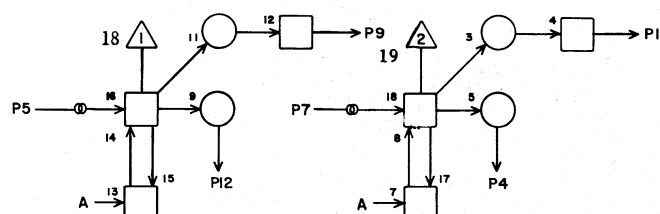
1G35

1	H37	5	7
2			
3			
4			
5	W04	902	
6			
7	W04	903	
8			
9	H37	8	7
10	W04	904	
11			
12			
13	H37	12	9
14			
15	G32	19	7
16	G31	4	9
17			
18	H37	21	9
19			
20			
21	W05	90	
22	H37	23	9
23			
24	W05	91	
25			
26	W05	92	
27			
28	H37	24	9

JACK PIN LG

63019800 Rev. A

C<sup>5</sup>



PI

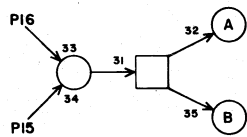
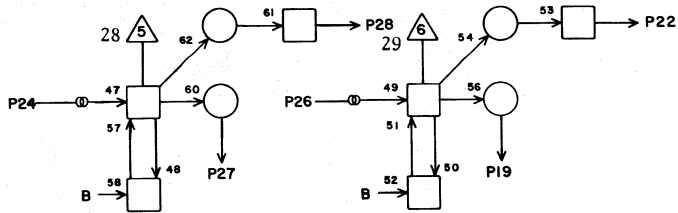
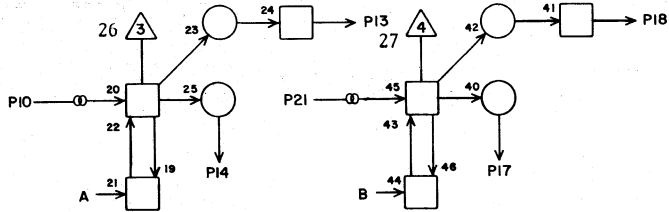
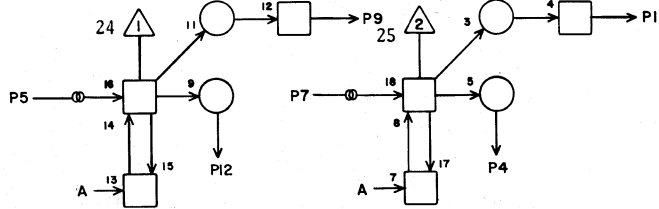
1G36

1	H38	5	7
2			
3			
4			
5	W05	93	
6			
7	W05	94	
8			
9	H38	8	7
10	W05	95	
11			
12			
13	H38	12	9
14			
15	G32	20	7
16	G31	6	9
17			
18	H38	21	9
19			
20			
21	W05	96	
22	H38	23	9
23			
24	W05	97	
25			
26	W05	98	
27			
28	H38	24	9

JACK PIN LG

63019800 Rev. A

C5



PI

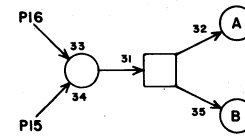
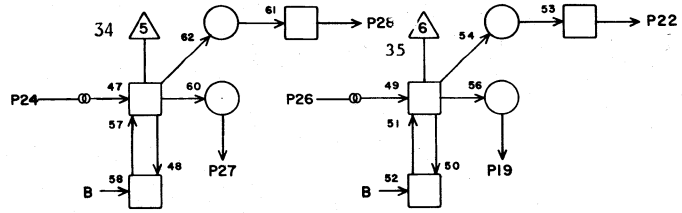
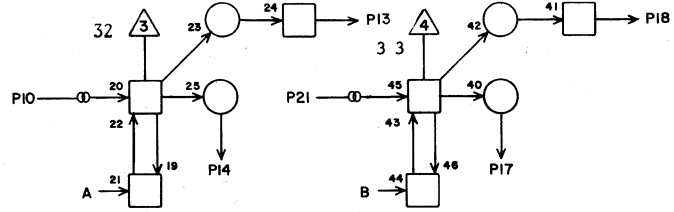
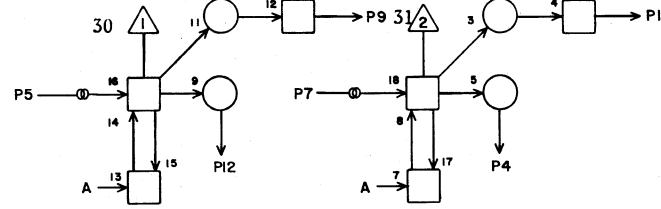
1G37

1	H39	5	7
2			
3			
4			
5	W05	99	
6			
7	W05	900	
8			
9	H39	8	7
10	W05	901	
11			
12			
13	H39	12	9
14			
15	G32	21	9
16	G31	7	9
17			
18	H39	21	9
19			
20			
21	W05	902	
22	H39	23	9
23			
24	W05	903	
25			
26	W05	904	
27			
28	H39	24	9

JACK PIN LG

63019800 Rev. A

C5



PI

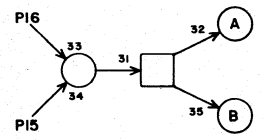
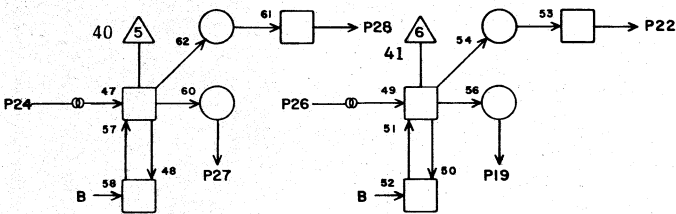
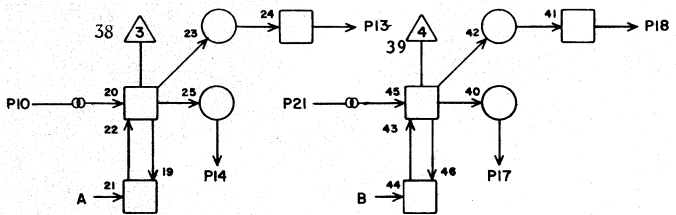
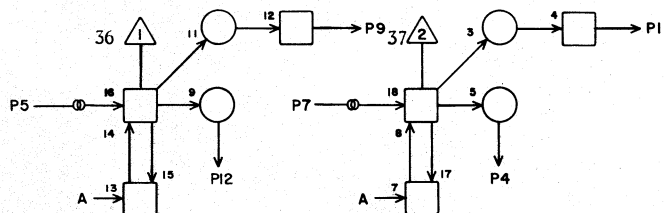
1G38

1	H40	5	7
2			
3			
4			
5	W06	900	
6			
7	W06	901	
8			
9	H40	8	7
10	W06	902	
11			
12			
13	H40	12	9
14			
15	G32	22	9
16	G31	8	11
17			
18	H40	21	9
19			
20			
21	W06	903	
22	H40	23	9
23			
24	W06	904	
25			
26	W061	905	
27			
28	H40	24	9

JACK PIN LG

63019800 Rev. A

C<sup>5</sup>



PI

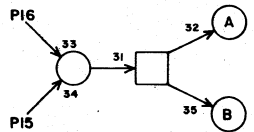
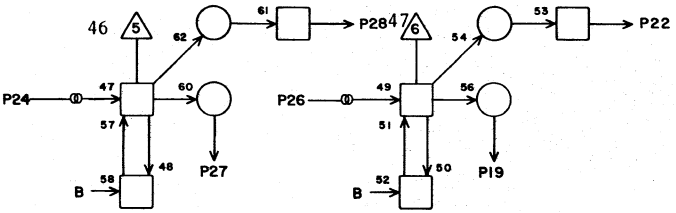
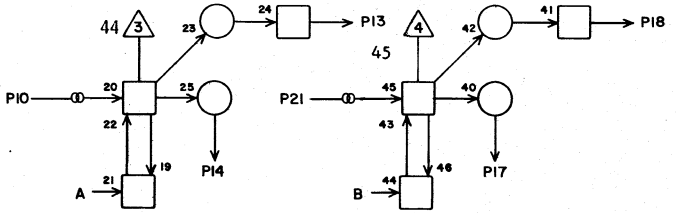
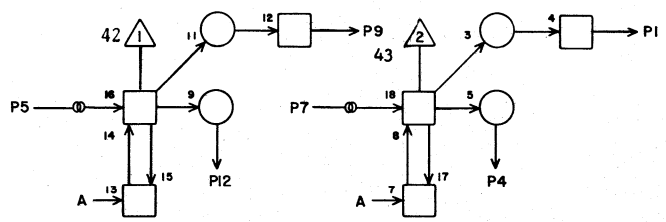
1G39

1	H41	5	7
2			
3			
4			
5	W06	906	
6			
7	W06	907	
8			
9	H41	8	7
10	W06	90	
11			
12			
13	H41	12	7
14			
15	G32	23	11
16	G31	9	13
17			
18	H41	21	9
19			
20			
21	W06	91	
22	H41	23	9
23			
24	W06	92	
25			
26	W06	93	
27			
28	H41	24	9

JACK PIN LG

63019800 Rev. A

C<sup>5</sup>



PI

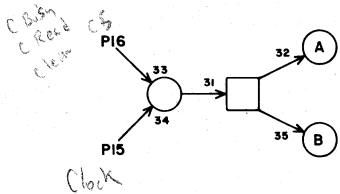
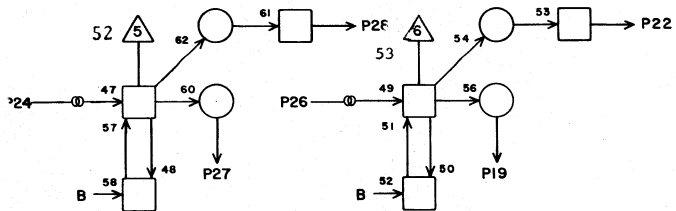
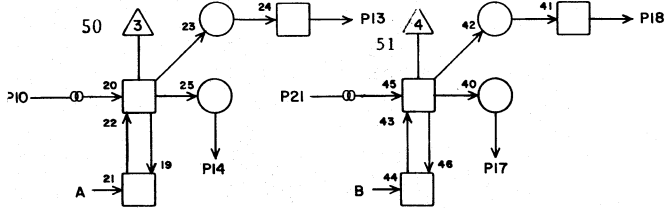
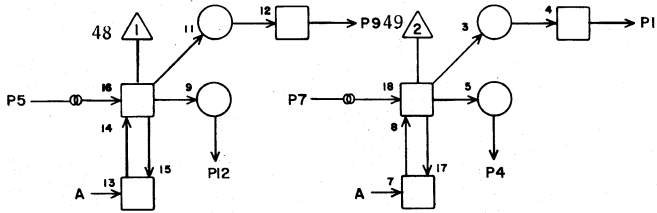
1G40

1	H42	5	7
2			
3			
4			
5	W06	94	
6			
7	W06	95	
8			
9	H42	8	7
10	W06	96	
11			
12			
13	H42	12	7
14			
15	G32	24	11
16	G31	10	13
17			
18	H42	21	9
19			
20			
21	W07	900	
22	H42	23	9
23			
24	W07	901	
25			
26	W07	902	
27			
28	H42	24	9

JACK PIN LG

63019800 Rev. A

C5



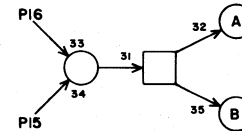
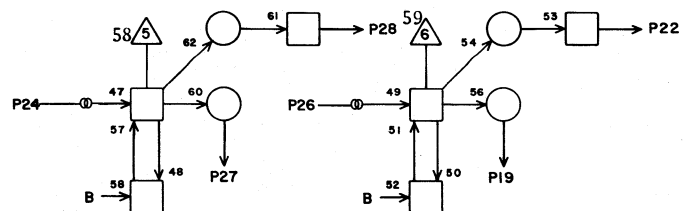
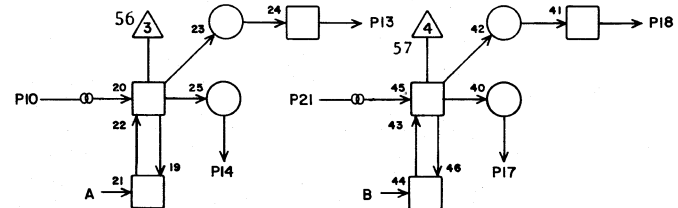
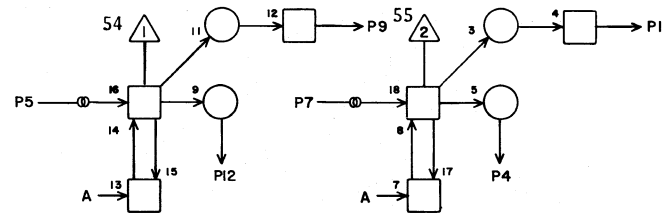
PI 1G41

1	H24	1	19
2			
3			
4			
5	W07	903	
6			
7	W07	904	
8			
9	H24	2	19
10	W07	905	
11			
12			
13	H24	12	19
14			
15	G32	25	13
16	G31	11	13
17			
18	H24	17	19
19			
20			
21	W07	96	
22	H24	27	21
23			
24	W07	907	
25			
26	W07	90	
27			
28	H24	28	21

JACK PIN LG

63019800 Rev. A

C5



PI 1G42

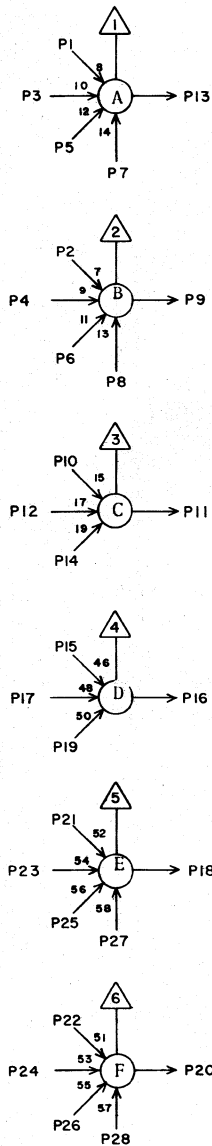
1	H25	1	19
2			
3			
4			
5	W07	91	
6			
7	W07	92	
8			
9	H25	2	19
10	W07	93	
11			
12			
13	H25	12	19
14			
15	G32	26	13
16	G31	12	15
17			
18	H25	17	19
19			
20			
21	W07	94	
22	H25	27	21
23			
24	W07	95	
25			
26	W07	96	
27			
28	H25	28	21

JACK PIN LG

63019800 Rev. A



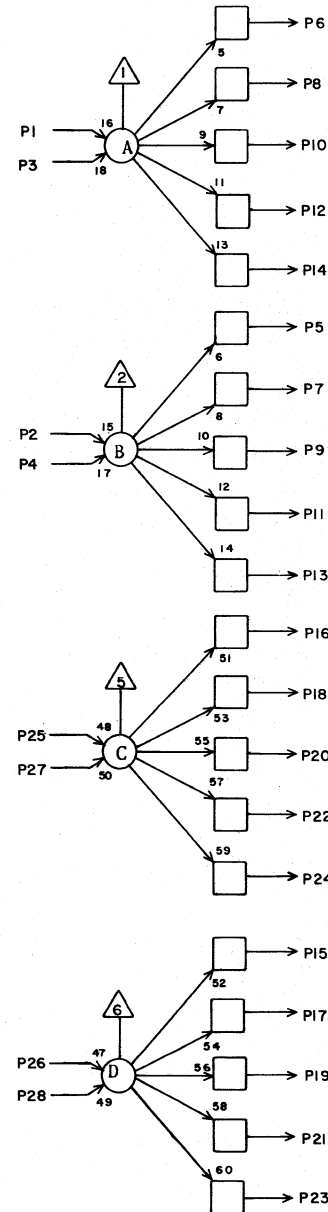
Clock Oscillator



TI		IH1	
JACK	PIN	LG	
1	H2	6	3
2	H2	5	3
3	H1	X	2
4	H1	X	2
5	H1	X	2
6	H1	X	2
7	H1	X	2
8	H1	X	2
9	H3	16	5
10	H2	16	3
11	H4	5	7
12	H1	X	2
13	H3	5	5
14	H1	X	2
15	H2	15	3
16	H4	16	7
17	H1	X	2
18	H2	1	5
19	H1	X	2
20	H5	5	7
21	H2	9	5
22	H2	23	3
23	H1	X	2
24	H1	X	2
25	H1	X	2
26	H1	X	2
27	H1	X	2
28	H1	X	2

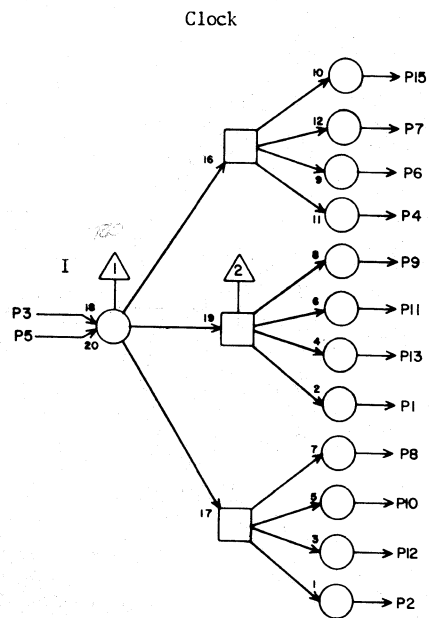
63019800 Rev. A

Clock Oscillator



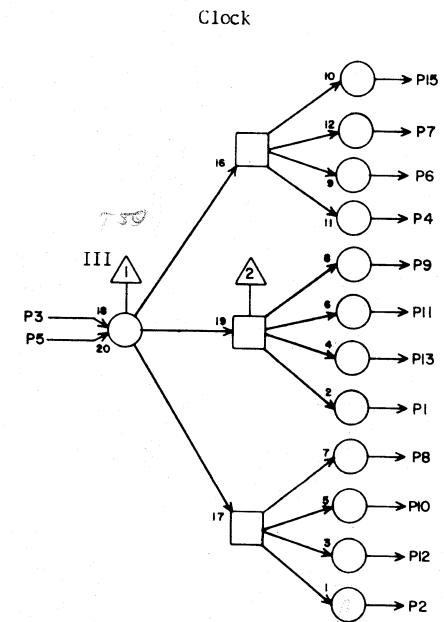
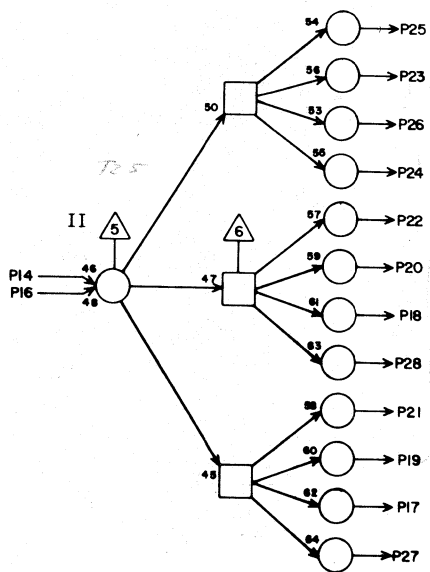
TD		IH2	
JACK	PIN	LG	
1	H1	18	5
2	H2	8	3
3	H2	X	2
4	H2	X	2
5	H1	2	3
6	H1	1	3
7	H2	25	5
8	H2	2	3
9	H1	21	5
10			
11	H3	14	3
12	H3	3	5
13			
14			
15	H1	15	3
16	H1	10	3
17	H4	14	5
18	H2	26	3
19	H5	3	7
20	H4	3	5
21	I16	28	19
22			
23	H1	22	3
24			
25	H2	7	5
26	H2	18	3
27	H2	X	2
28	H2	X	2

63019800 Rev. A



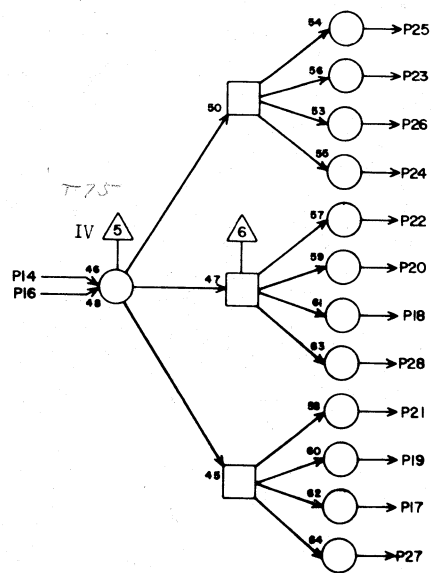
TC 1 H3

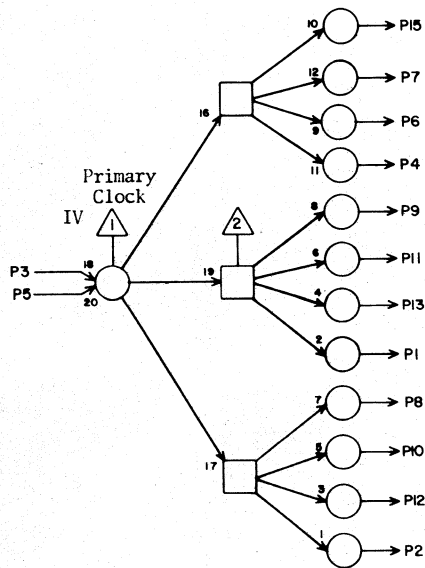
JACK	PIN	LG
1	G20	3 21
2	P7	3 33
3	H2	12 5
4	Q21	3 39
5	H1	13 5
6	P14	3 33
7	O21	3 33
8	N14	3 27
9	G32	14 31
10	G32	3 31
11	F15	3 19
12		
13		
14	H2	11 3
15	G8	3 13
16	H1	9 5
17	Q7	3 35
18	R16	3 41
19	Q26	3 41
20	P21	3 35
21	N6	14 27
22		
23		
24		
25		
26		
27		
28		



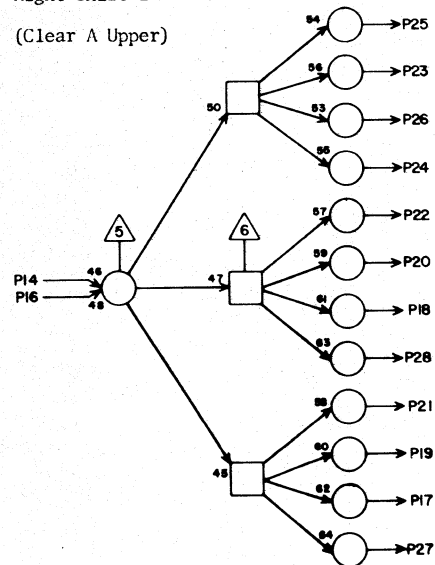
TC 1 H4

JACK	PIN	LG
1	C16	3 27
2	C27	14 31
3	H2	20 5
4	Q7	14 35
5	H1	11 7
6	R16	14 39
7	Q21	14 39
8	O7	3 31
9	P14	14 33
10	O21	14 33
11	F15	14 17
12		
13		
14	H2	17 5
15	G8	14 11
16	H1	16 7
17	G31	14 27
18	P7	14 33
19	Q26	14 41
20	O7	14 29
21	P21	14 35
22	N6	3 25
23	N14	14 27
24	L5	3 19
25	L5	14 19
26	L32	14 31
27	K32	14 31
28	J15	14 17





Right Shift 24  
(Clear A Upper)

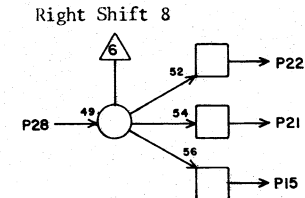
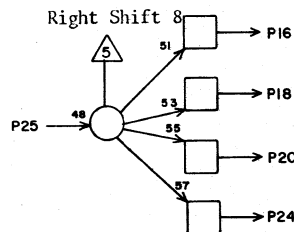
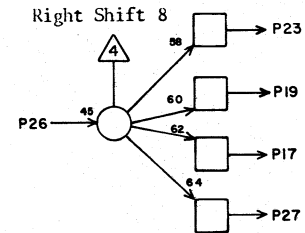
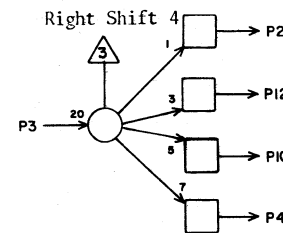
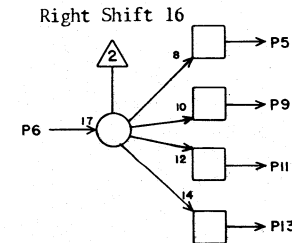
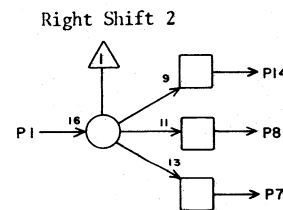


TC 1H5

1	K32	3	29
2	J32	14	29
3	H2	19	7
4	I32	3	27
5	H1	20	9
6	I32	14	27
7	H14	14	9
8	H32	3	27
9	H32	14	27
10			
11	C27	3	31
12	G20	14	17
13			
14	L17	21	23
15			
16	H5	X	2
17	I1	9	9
18	I2	25	9
19	I2	7	9
20	I2	9	9
21	I3	25	9
22	I3	7	7
23	I3	9	7
24	I4	25	9
25	I4	7	7
26	I4	9	7
27	I5	25	9
28	I5	7	7

JACK PIN LG

63019800 Rev. A



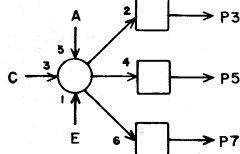
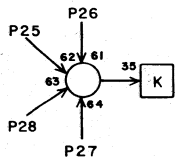
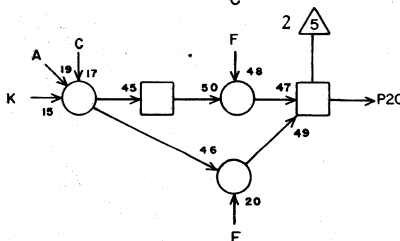
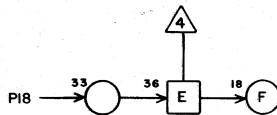
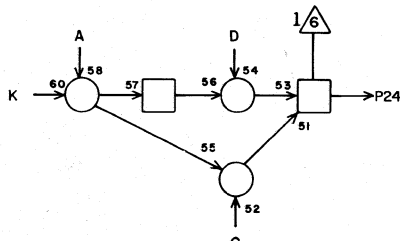
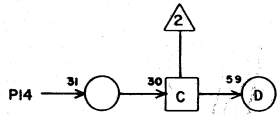
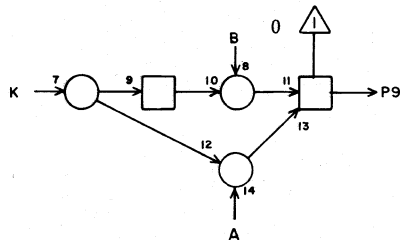
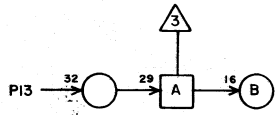
TH 1H6

1	I8	7	7
2	J6	9	11
3	L18	19	23
4	J6	7	11
5	I9	24	11
6	I14	16	13
7	J6	4	11
8	J3	11	13
9	I10	24	11
10	J3	9	13
11	I11	24	11
12	J3	7	11
13	L17	17	23
14	J6	11	13
15	J6	28	13
16	K15	7	17
17	K13	7	17
18	K15	24	19
19	K13	24	17
20	K14	7	17
21	H6	25	3
22	H6	26	3
23	K12	7	15
24	K14	24	19
25	H6	21	3
26	H6	22	3
27	K12	24	17
28	J8	7	15

JACK PIN LG

63019800 Rev. A

Real Time Clock

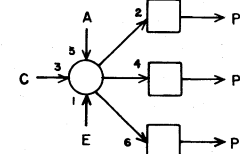
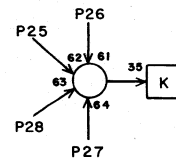
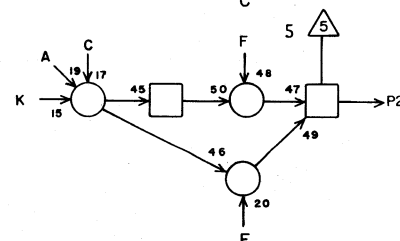
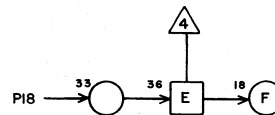
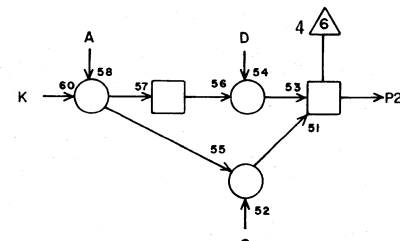
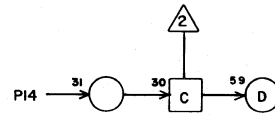
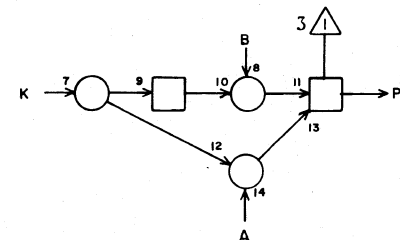
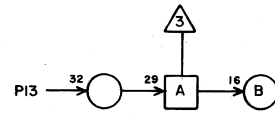


**QK** 1H7

1			
2			
3	H8	26	5
4			
5	H9	26	7
6			
7	H10	26	7
8			
9	H11	14	9
10			
11			
12			
13	H11	11	9
14	H11	12	9
15			
16			
17			
18	H11	19	9
19			
20	H11	18	9
21			
22			
23			
24	H11	13	9
25	I16	5	13
26	H7	X	2
27	H7	X	2
28	H7	X	2

JACK    PIN    LG

Real Time Clock

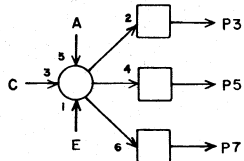
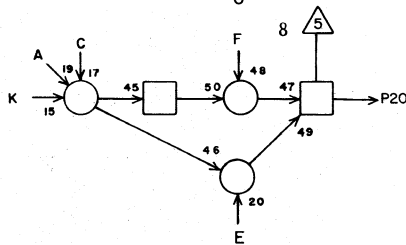
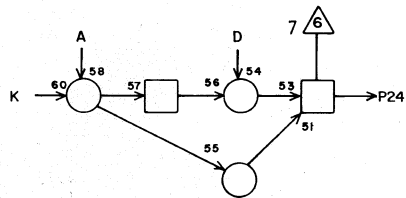
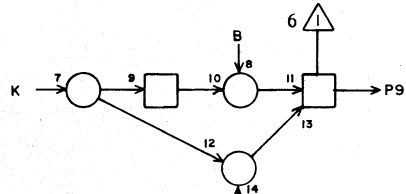
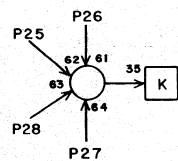
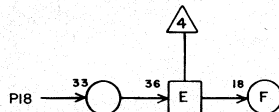
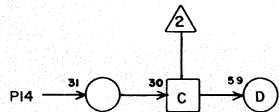
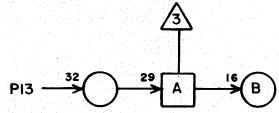


**QK** 1H8

1			
2			
3	H9	27	5
4			
5	H10	27	5
6			
7			
8			
9	H11	17	7
10			
11			
12			
13	H11	22	7
14	H12	11	9
15			
16			
17			
18	H12	12	9
19			
20	H12	13	9
21			
22			
23			
24	H12	14	9
25	I16	9	13
26	H7	3	5
27	H8	X	2
28	H8	X	2

JACK    PIN    LG

Real Time Clock



QK

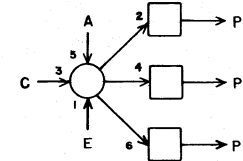
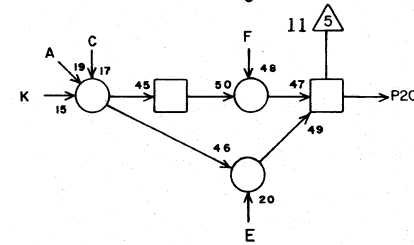
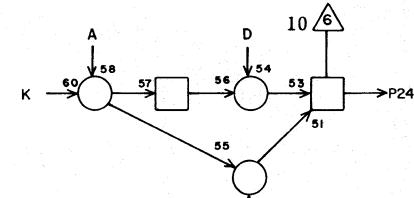
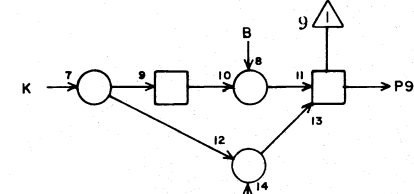
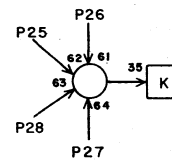
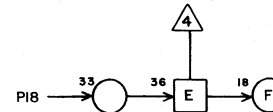
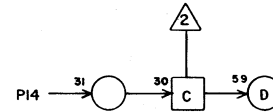
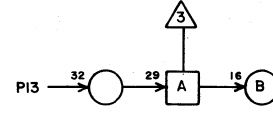
1 H9

1			
2			
3	H10	28	5
4			
5			
6			
7			
8			
9	H12	18	7
10			
11			
12			
13	H12	19	7
14	H12	22	7
15			
16			
17			
18	H13	11	7
19			
20	H13	14	7
21			
22			
23			
24	H12	17	7
25	I16	11	11
26	H7	5	7
27	H8	3	5
28	H9	X	2

JACK PIN LG

63019800 Rev. A

Real Time Clock



QK

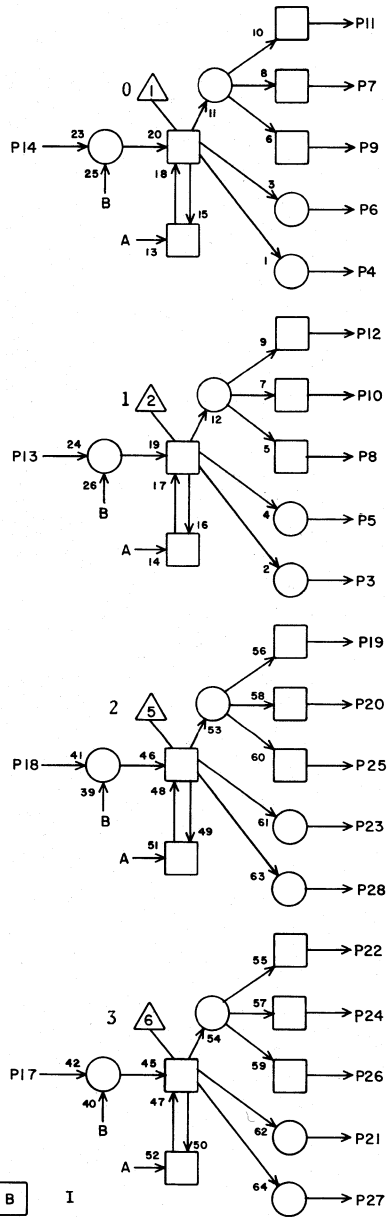
1 H10

1			
2			
3			
4			
5			
6			
7			
8			
9	H13	13	7
10			
11			
12			
13	H13	12	7
14	H13	19	7
15			
16			
17			
18	H13	22	7
19			
20	H13	17	7
21			
22			
23			
24	H13	18	7
25	I16	13	11
26	H7	7	7
27	H8	5	5
28	H9	3	5

JACK PIN LG

63019800 Rev. A

Real Time Clock



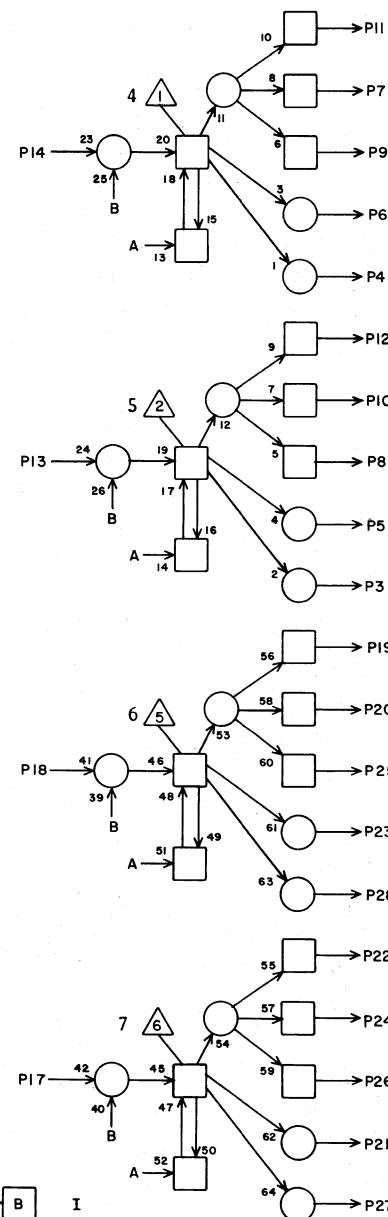
PD 1H11

1			
2			
3	M29	7	27
4	M29	8	27
5			
6			
7	J16	1	13
8			
9			
10	J16	3	13
11	H7	13	9
12	H7	14	9
13	H7	24	9
14	H7	9	9
15			
16	G8	6	9
17	H8	9	7
18	H7	20	9
19	H7	18	9
20	J16	5	13
21			
22	H8	13	7
23	M29	22	29
24	J16	7	13
25			
26			
27	M29	21	29
28			

JACK PIN LG

63019800 Rev. A

Real Time Clock



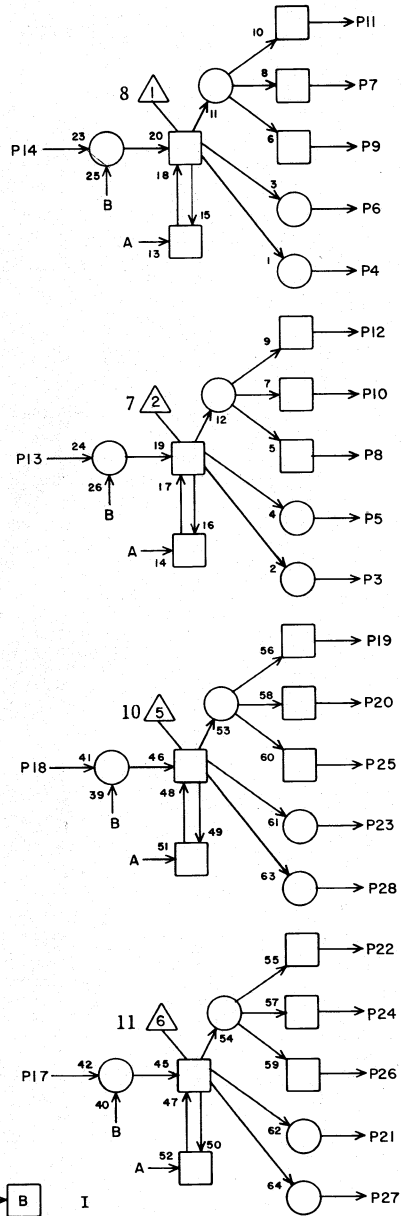
PD 1H12

1			
2			
3	M30	7	27
4	M30	8	27
5			
6			
7			
8			
9	J16	9	13
10	I15	3	7
11	H8	14	9
12	H8	18	9
13	H8	20	9
14	H8	24	9
15			
16	G8	7	9
17	H9	24	7
18	H9	9	7
19	H9	13	7
20	I15	5	7
21			
22	H9	14	7
23	M30	22	29
24	I15	7	7
25			
26			
27	M30	21	29
28			

JACK PIN LG

63019800 Rev. A

Real Time Clock



PD

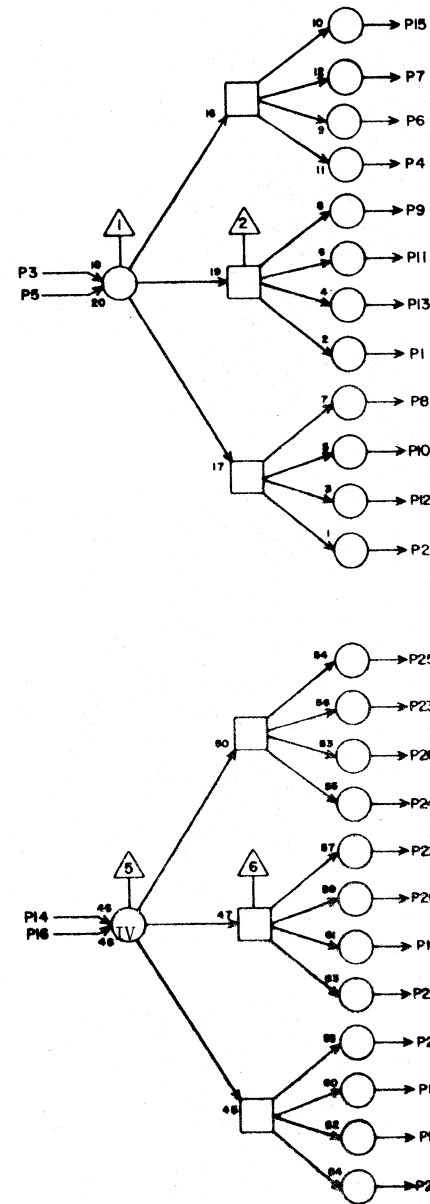
1 H13

1			
2			
3	M31	7	27
4	M31	8	27
5			
6			
7			
8	I15	2	9
9	I15	9	9
10			
11	H9	18	7
12	H10	13	7
13	H10	9	7
14	H9	20	7
15			
16	G8	8	11
17	H10	20	7
18	H10	24	7
19	H10	14	7
20			
21			
22	H10	18	7
23	M31	22	29
24			
25	I15	4	
26	I15	6	
27	M31	21	29
28			

JACK PIN LG

63019800 Rev. A

Odd Sense



TC

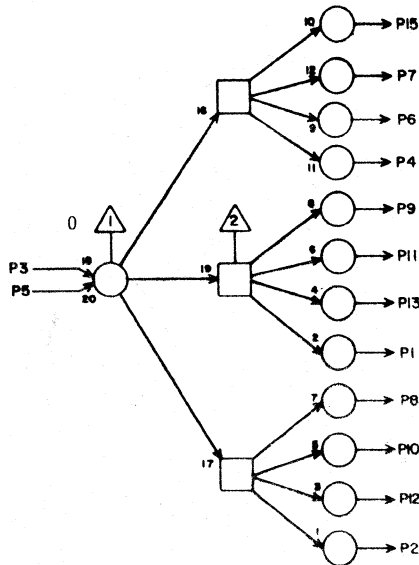
1 H14

1	G14	14	7
2	G14	13	7
3	G3	20	15
4	G14	26	7
5	H14	X	
6	G14	25	7
7	G15	14	7
8	G15	13	7
9	G15	26	7
10	G15	25	7
11	G16	14	9
12	G16	13	9
13	G16	26	7
14	H5	7	13
15	G16	25	7
16	H14	X	2
17	J20	10	13
18	J21	10	13
19	J22	10	15
20			
21			
22			
23			
24			
25			
26			
27			
28			

JACK PIN LG

63019800 Rev. A

G Fanout



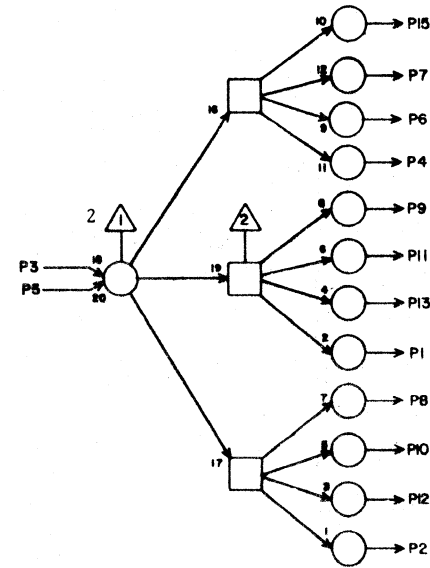
TC

1H15

1	C1	8	27
2	F1	8	19
3	J20	13	13
4	C8	8	25
5	H15	X	2
6	F8	8	15
7	C20	8	23
8	F16	8	9
9	C29	8	27
10	C36	8	31
11	F23	8	13
12	F30	8	19
13			
14	J20	14	15
15			
16	H15	X	2
17	C1	5	25
18	F1	5	19
19	C8	5	25
20	F8	5	15
21	C20	5	25
22	F16	5	13
23	C29	5	27
24	C36	5	31
25	F23	5	15
26	F30	5	19
27			
28			

JACK PIN LG

G Fanout



TC

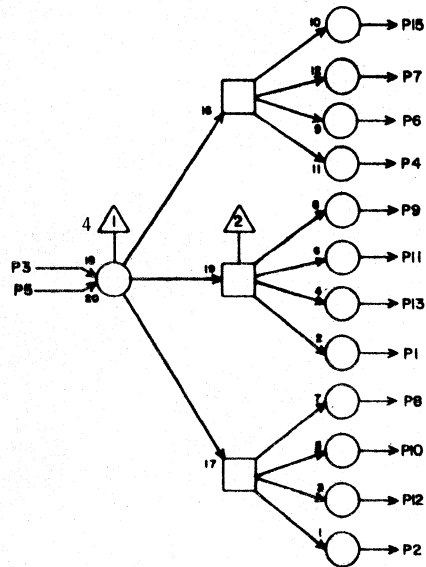
1H16

1	C1	12	27
2	F1	12	19
3	J20	17	13
4	C8	12	23
5	H16	X	2
6	F8	12	15
7	C20	12	23
8	F16	12	13
9	C29	12	27
10	C36	12	31
11	F23	12	13
12	F30	12	19
13			
14	J20	20	13
15			
16	H16	X	2
17	C1	21	25
18	F1	21	19
19	C8	21	27
20	F8	21	15
21	C20	21	23
22	F16	21	11
23	C29	21	29
24	C36	21	31
25	F23	21	13
26	F30	21	17
27			
28			

JACK PIN LG



G Fanout



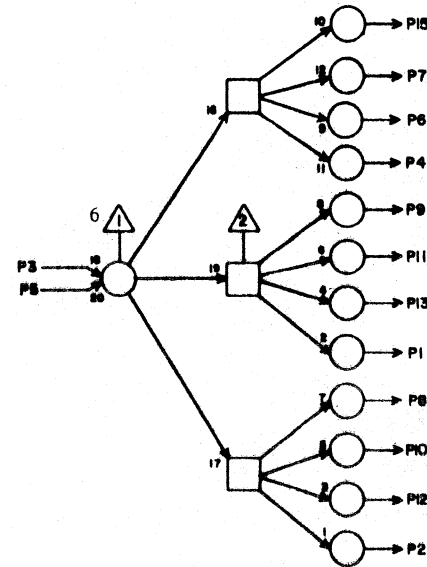
TC

1H17

1	C1	24	27
2	F1	24	19
3	J21	13	13
4	C8	24	23
5	H17	X	2
6	F8	24	15
7	C20	24	23
8	F16	24	11
9	C29	24	25
10	C36	24	29
11	F23	24	13
12	F30	24	17
13			
14	J21	14	13
15			
16	H17	X	2
17	C1	23	27
18	F1	23	19
19	C8	23	23
20	F8	23	15
21	C20	23	23
22	F16	23	13
23	C29	23	25
24	C36	23	27
25	F23	23	13
26	F30	23	17
27			
28			

JACK PIN LG

G Fanout



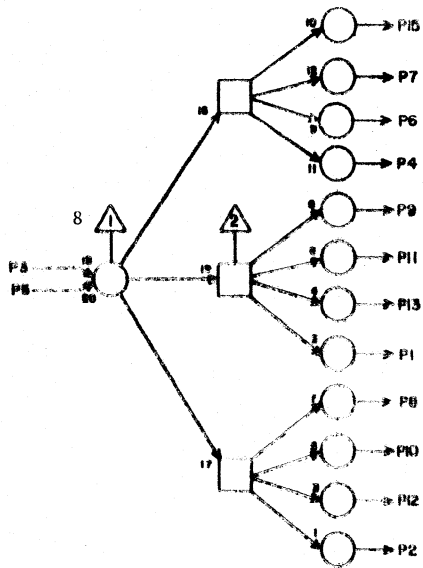
TC

1H18

1	C2	8	29
2	F2	8	21
3	J21	17	13
4	C9	8	25
5	H18	X	2
6	F9	8	17
7	C21	8	23
8	F17	8	13
9	C30	8	25
10	C37	8	29
11	F24	8	15
12	F31	8	19
13			
14	J21	20	13
15			
16	H18	X	2
17	C2	5	27
18	F2	5	21
19	C9	5	25
20	F9	5	15
21	C21	5	23
22	F17	5	13
23	C30	5	27
24	C37	5	29
25	F24	5	15
26	F31	5	17
27			
28			

JACK PIN LG

G Fanout

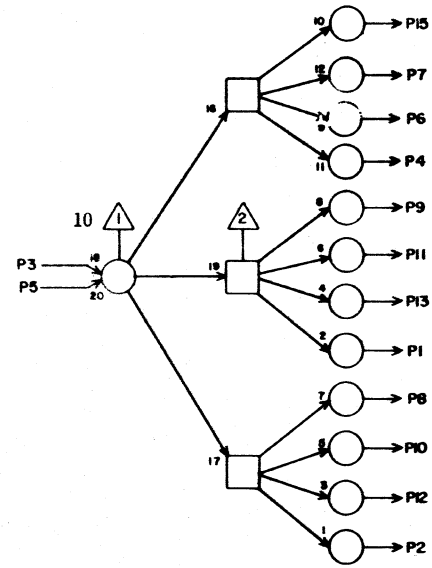


TC

H19

JACK	PIN	LG
1	C2	12 27
2	F2	12 21
3	J22	13 13
4	C9	12 25
5	H19	X 2
6	F9	12 17
7	C21	12 23
8	F17	12 13
9	C30	12 25
10	C37	12 29
11	F24	12 13
12	F31	12 17
13		
14	J22	14 15
15		
16	H19	X 2
17	C2	21 27
18	F2	21 21
19	C9	21 25
20	F9	21 17
21	C21	21 23
22	F17	21 13
23	C30	21 25
24	C37	21 29
25	F24	21 13
26	F31	21 17
27		
28		

G Fanout

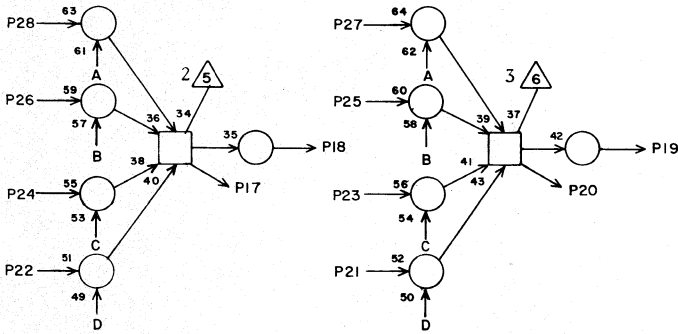
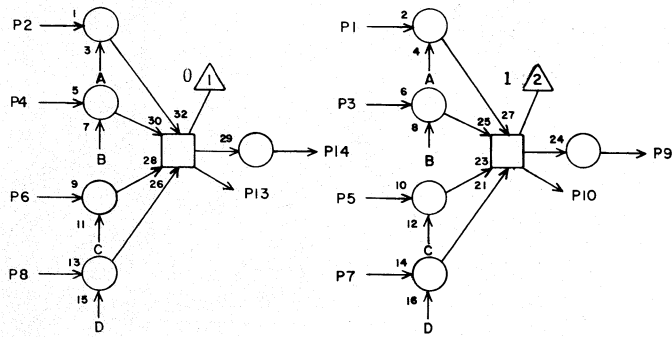


TC

H20

JACK	PIN	LG
1	C2	24 27
2	F2	24 21
3	J22	17 13
4	C9	24 25
5	H20	X 2
6	F9	24 17
7	C21	24 24
8	F17	24 13
9	C30	24 25
10	C37	24 27
11	F24	24 13
12	F31	24 17
13		
14	J22	20 13
15		
16	H20	X 2
17	C2	23 27
18	F2	23 21
19	C9	23 29
20	F9	23 19
21	C21	23 25
22	F17	23 15
23	C30	23 23
24	C37	23 27
25	F24	23 13
26	F31	23 15
27		
28		

Inputs To Y



- PI2  $\xrightarrow{31}$  A R to Y
- PI6  $\xrightarrow{33}$  B Fd to Y
- PI1  $\xrightarrow{22}$  C ON (A, P, C<sup>5</sup>)
- PI5  $\xrightarrow{44}$  D ON (C<sup>1</sup> - C<sup>4</sup>)

TG

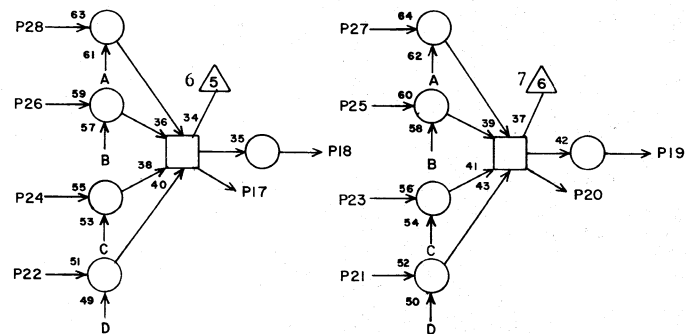
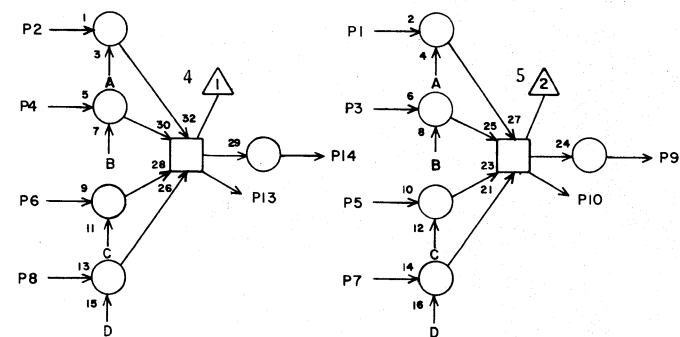
1 H21

1	M29	9	23
2	M29	14	23
3	I19	5	7
4	I19	14	9
5	H24	8	7
6	H24	9	7
7	H26	10	9
8	H26	13	9
9			
10	G27	5	11
11	J15	9	13
12	N27	1	25
13	G27	8	11
14			
15	J15	13	15
16	J17	22	13
17	G27	12	11
18			
19			
20	G27	21	11
21	H26	20	9
22	H26	17	9
23	H24	19	7
24	H24	10	7
25	I19	22	9
26	I19	2	7
27	M29	19	23
28	M29	18	23

JACK PIN LG

63019800 Rev. A

Inputs To Y



- PI2  $\xrightarrow{31}$  A R to Y
- PI6  $\xrightarrow{33}$  B Fd to Y
- PI1  $\xrightarrow{22}$  C ON (A, P, C<sup>5</sup>)
- PI5  $\xrightarrow{44}$  D ON (C<sup>1</sup> - C<sup>4</sup>)

TG

1 H22

1	M30	9	25
2	M30	14	25
3	I19	23	9
4	I19	16	9
5	H24	20	7
6	H24	21	7
7	H27	10	9
8	H27	13	9
9			
10	G27	23	11
11	J15	12	15
12	N27	13	27
13	G27	24	11
14			
15	J15	15	15
16	J17	21	13
17	G28	8	11
18			
19			
20	G28	5	11
21	H27	20	9
22	H27	17	9
23	H25	8	7
24	H25	9	7
25	I24	11	7
26	I24	7	7
27	M30	19	25
28	M30	18	25

JACK PIN LG

63019800 Rev. A

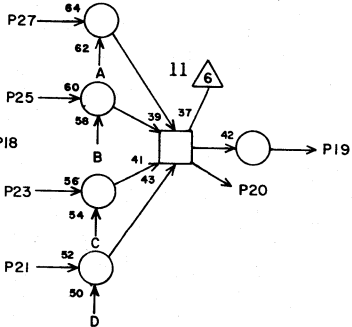
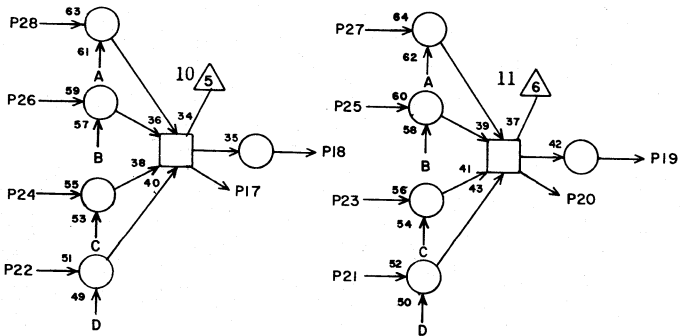
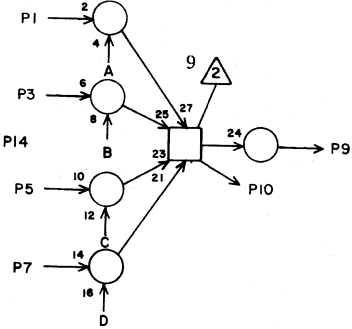
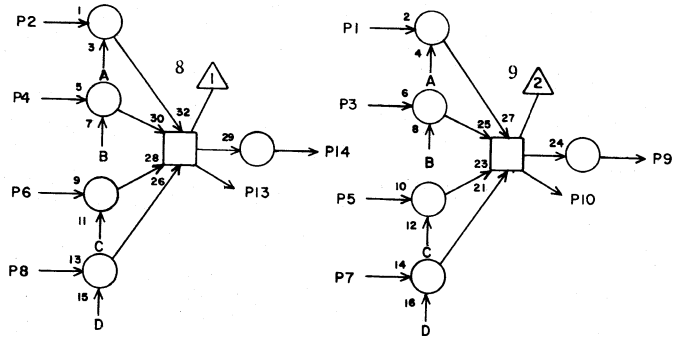
Inputs To Y

TG

1 H23

JACK	PIN	LG
1	M31	9 23
2	M31	14 23
3	I24	17 9
4	I24	10 7
5	H25	19 7
6	H25	10 7
7	H28	10 9
8	H28	13 9
9		
10	G28	21 11
11	J15	10 15
12	N27	14 27
13	G28	12 11
14		
15	J15	11 15
16	J17	15 15
17	G28	24 11
18		
19		
20	G28	23 11
21	H28	20 9
22	H28	17 9
23	H25	20 7
24	H25	21 7
25	I23	27 7
26	I24	20 7
27	M31	19 23
28	M31	18 23

63019800 Rev. A



- PI2 → 31 [A] R to Y
- PI6 → 33 [B] Fd to Y
- PI11 → 22 [C] ON (A, P, C5)
- PI15 → 44 [D] ON (C1 - C4)

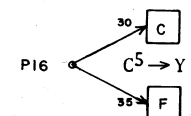
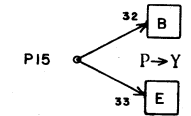
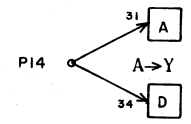
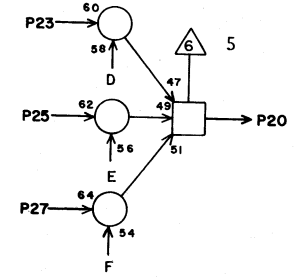
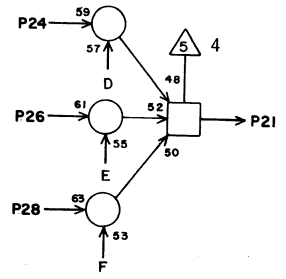
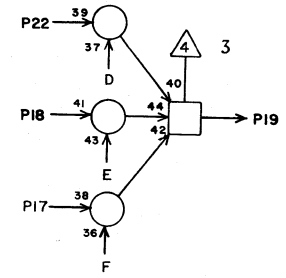
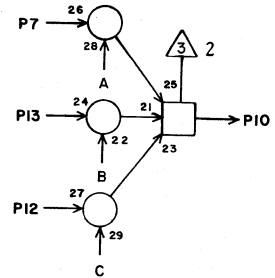
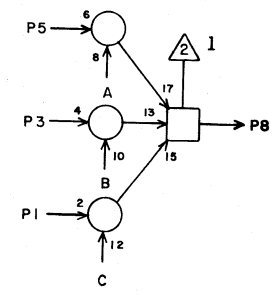
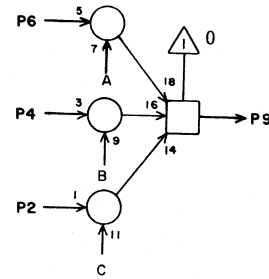
To Y Input

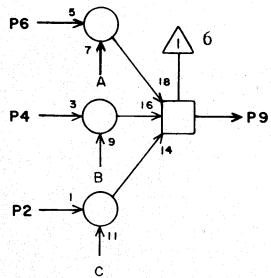
TE

1H24

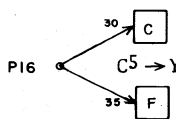
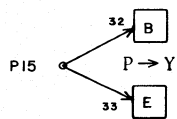
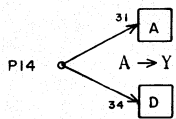
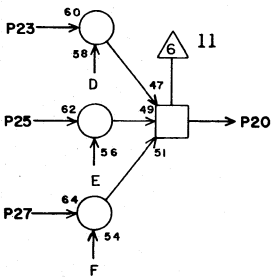
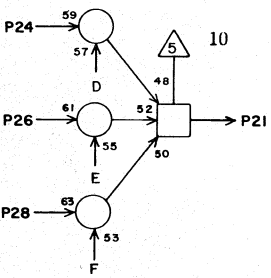
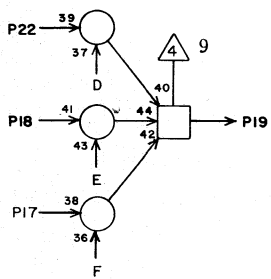
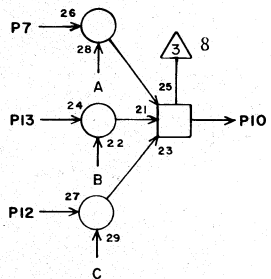
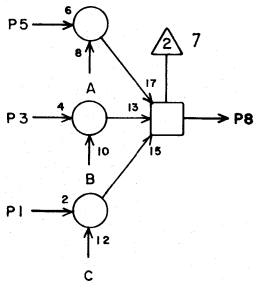
JACK	PIN	LG
1	G41	1 19
2	G41	9 19
3	N18	10 27
4	N18	7 27
5	N1	12 33
6	N1	11 33
7	N1	19 33
8	H21	5 7
9	H21	6 7
10	H21	24 7
11		
12	G41	13 19
13	N18	20 27
14	L22	4 19
15	K29	17 17
16	H31	14 11
17	G41	18 19
18	N18	24 27
19	H21	23 7
20	H22	5 7
21	H22	6 7
22	N1	22 33
23	N2	12 33
24	N2	11 33
25	N19	10 27
26	N19	7 27
27	G41	22 19
28	G41	28 19

63019800 Rev. A





To Y Input



TE

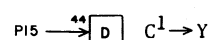
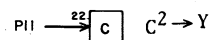
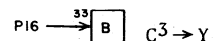
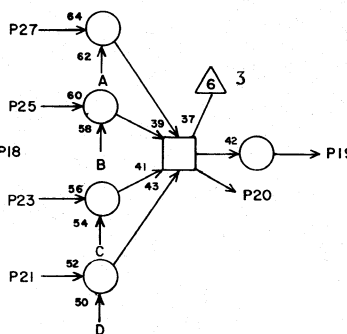
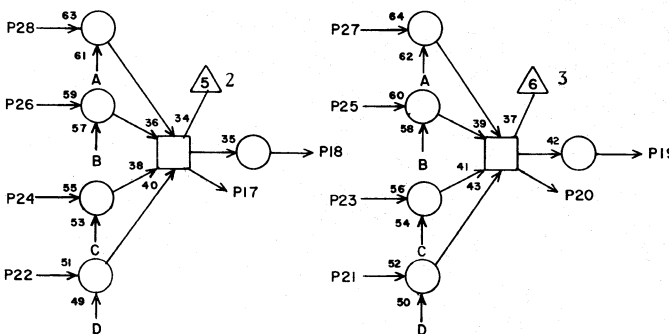
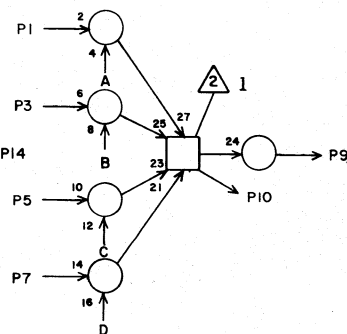
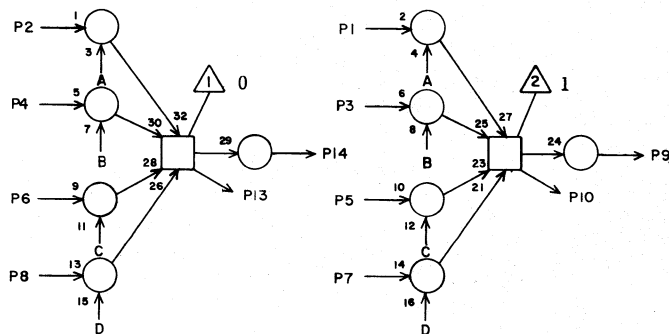
1H25

1	G42	1	19
2	G42	9	19
3	N19	24	27
4	N19	20	27
5	N2	22	35
6	N2	19	35
7	N5	11	33
8	H22	23	7
9	H22	24	7
10	H23	6	7
11			
12	G42	13	19
13	N20	7	27
14	L22	2	21
15	K29	15	17
16	H31	8	9
17	G42	18	19
18	N20	10	27
19	H23	5	7
20	H23	23	7
21	H23	24	7
22	N3	12	33
23	N3	22	33
24	N3	19	33
25	N20	24	27
26	N20	20	27
27	G42	22	19
28	G42	28	19

JACK PIN LG

63019800 Rev. A

To Y Input



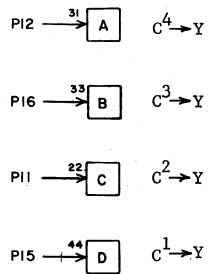
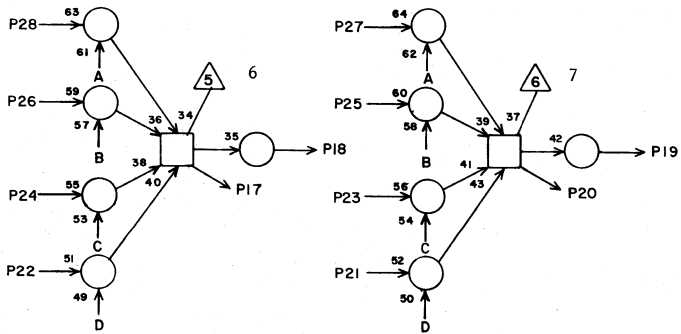
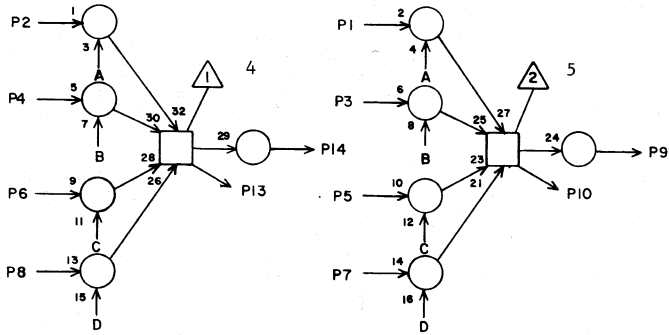
TG

1H26

1	H41	2	17
2	H41	1	17
3	I41	2	17
4	I41	1	17
5	I35	2	13
6	I35	1	13
7	H33	2	11
8	H33	1	11
9			
10	H21	7	9
11	L25	2	19
12	I31	14	11
13	H21	8	11
14			
15	I25	14	9
16	H30	14	9
17	H21	22	9
18			
19			
20	H21	21	9
21	H33	19	11
22	H33	14	11
23	I35	19	13
24	I35	14	13
25	I41	19	17
26	I41	14	17
27	H41	19	17
28	H41	14	17

JACK PIN LG

63019800 Rev. A



TG

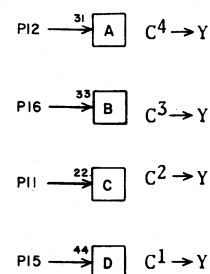
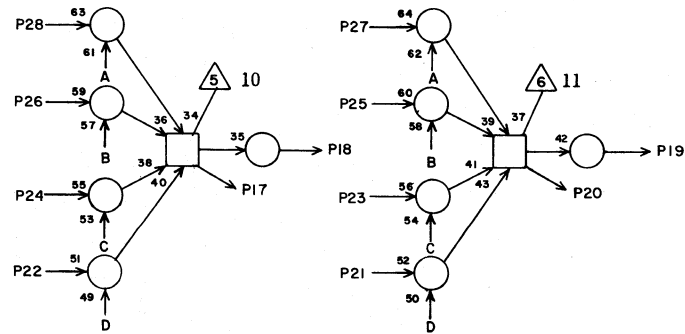
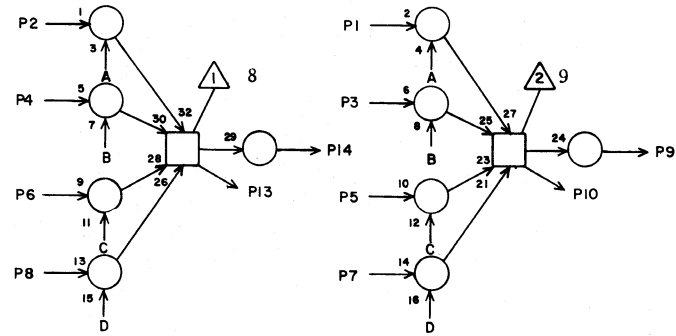
1H27

1	H41	28	17
2	H41	27	17
3	I41	28	17
4	I41	27	17
5	I35	28	13
6	I35	27	13
7	H33	28	11
8	H33	27	11
9			
10	H22	7	9
11	L25	4	19
12	I31	8	9
13	H22	8	9
14			
15	I25	16	9
16	H30	-8	7
17	H22	22	9
18			
19			
20	H22	21	9
21	H34	2	11
22	H34	1	11
23	I36	2	13
24	I36	1	13
25	I42	2	17
26	I42	1	17
27	H42	2	17
28	H42	1	17

JACK PIN LG

63019800 Rev. A

To Y Input



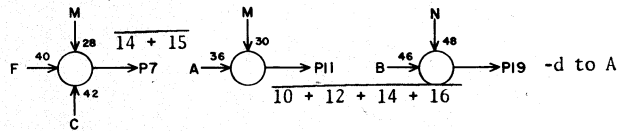
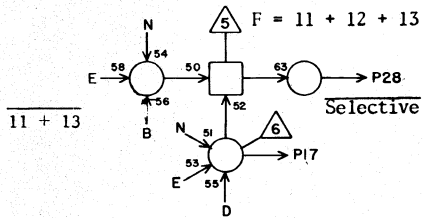
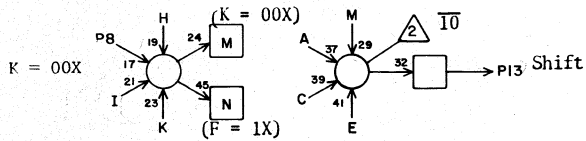
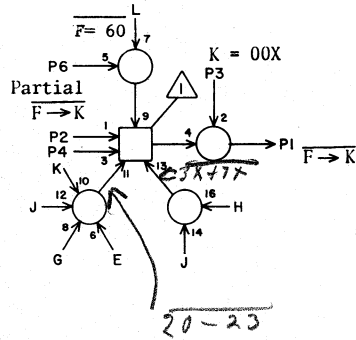
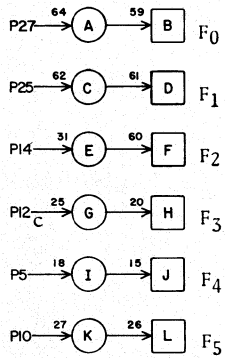
TG

1H28

1	H42	19	17
2	H42	14	17
3	I42	19	17
4	I42	14	17
5	I36	19	13
6	I36	14	13
7	H34	19	11
8	H34	14	11
9			
10	H23	7	9
11	L25	10	19
12	I31	7	9
13	H23	8	9
14			
15	I25	3	7
16	H30	7	7
17	H23	22	9
18			
19			
20	H23	21	9
21	H34	28	11
22	H34	27	11
23	I36	28	13
24	I36	27	13
25	I42	28	17
26	I42	27	17
27	H42	28	17
28	H42	27	17

JACK PIN LG

63019800 Rev. A



PV

1H29

1	L17	13	21
2	I25	28	11
3	M21	11	25
4	J24	15	15
5	I23	16	13
6	J17	14	19
7	I27	9	9
8	M21	10	25
9			
10	I22	24	13
11	J23	1	15
12	I22	8	13
13	N11	23	33
14	I23	21	13
15			
16	W07	97	
17	L26	24	21
18	W06	97	
19	K27	26	17
20	W04	905	
21			
22	W05	907	
23			
24			
25	I23	4	13
26			
27	I23	13	13
28	L27	14	19

JACK PIN LG

63019800 Rev. A

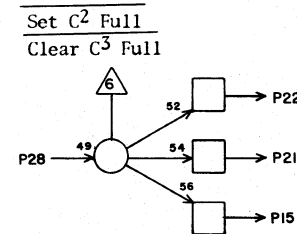
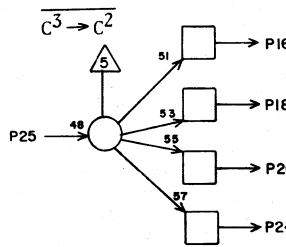
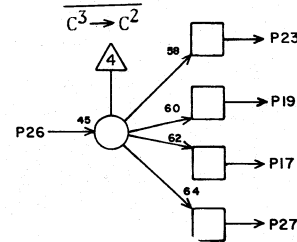
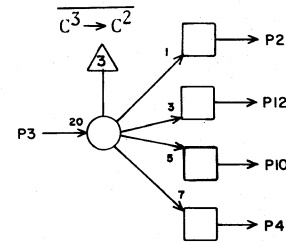
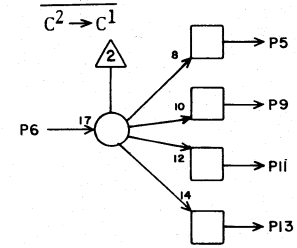
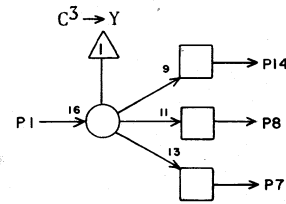
TH

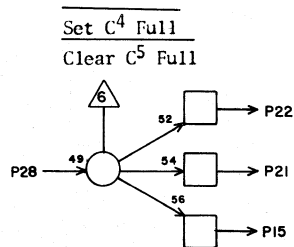
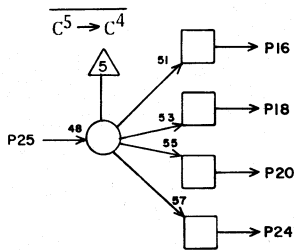
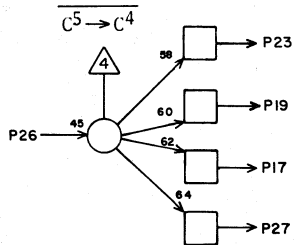
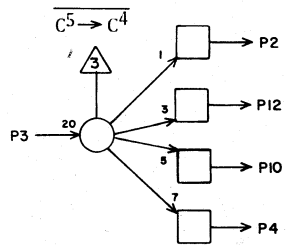
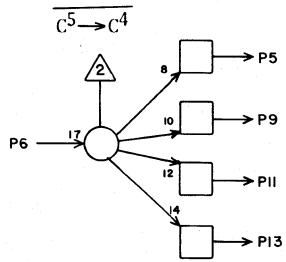
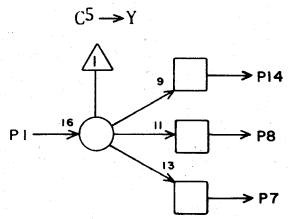
1H30

1	L29	2	19
2	I33	9	9
3	H30	18	5
4	I34	22	9
5	H33	9	7
6	L25	5	19
7	H28	16	7
8	H27	16	7
9	H33	22	7
10	I34	9	9
11	H34	9	7
12	I33	22	9
13	H34	22	7
14	H26	16	9
15	J29	25	13
16	H30	28	5
17	I36	9	11
18	H30	3	5
19	I35	22	11
20	H30	26	3
21	J29	1	11
22			
23	I35	9	11
24			
25	L29	1	19
26	H30	20	3
27	I36	22	11
28	H30	16	5

JACK PIN LG

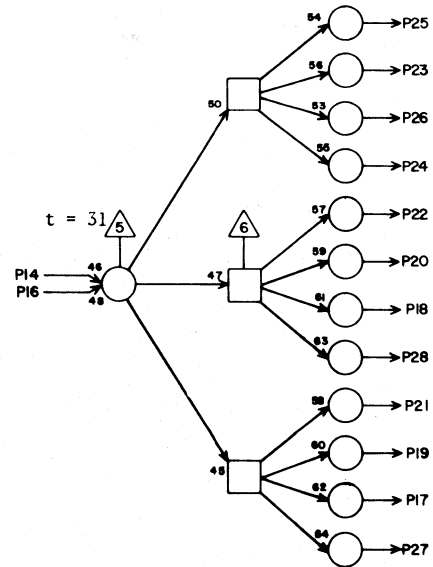
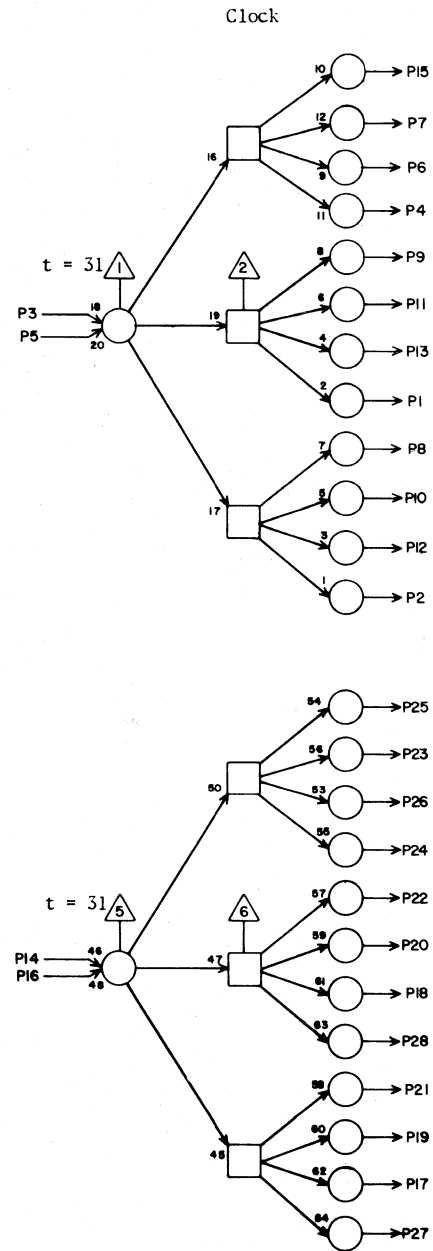
63019800 Rev. A





TH		1 H31	
JACK	PIN	LG	
1	L29	28	21
2	H37	9	9
3	K29	22	17
4	H38	22	9
5	H35	9	7
6	K29	20	17
7			
8	H25	16	9
9	H35	22	7
10	H38	9	9
11	H36	9	9
12	H37	22	9
13	H36	22	9
14	H24	16	11
15			
16	H41	9	13
17	H40	9	13
18	H41	22	13
19	H39	22	11
20	H42	9	13
21	I25	2	11
22	J29	27	13
23	H39	9	11
24	H42	22	13
25	K29	18	17
26	<b>K29</b>	<b>24</b>	<b>17</b>
27	H40	22	13
28	K29	16	17

63019800 Rev. A



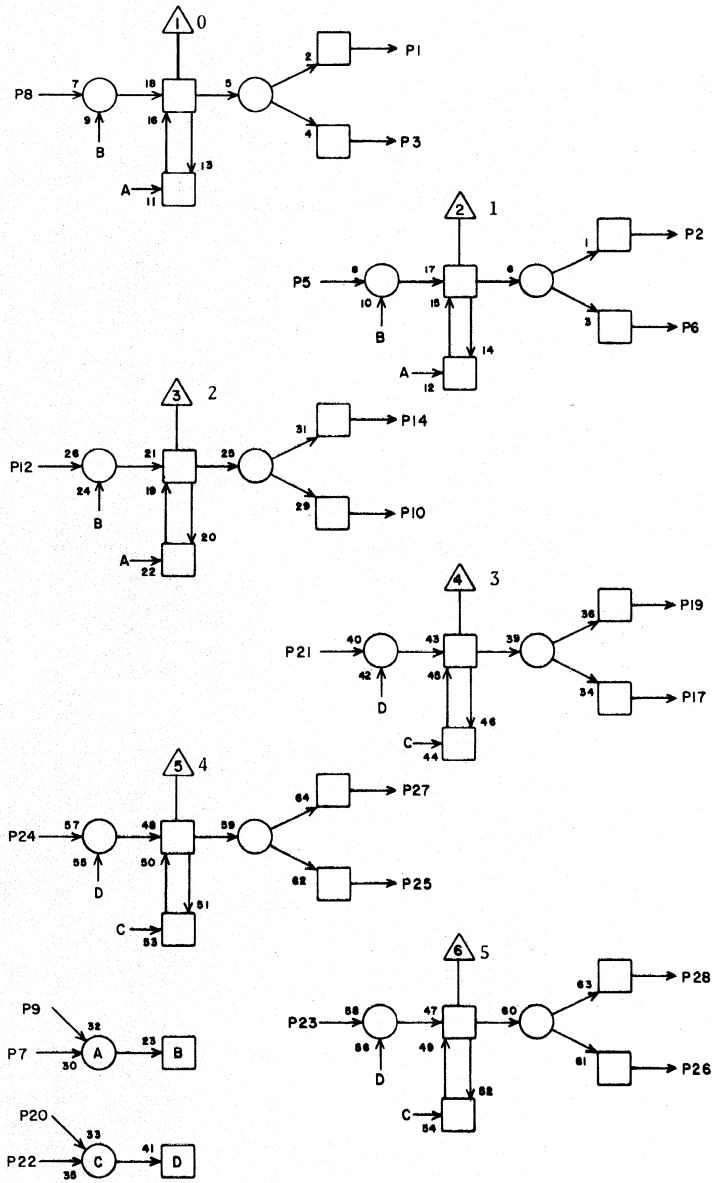
TC		1 H32	
JACK	PIN	LG	
1	H33	7	3
2	H33	20	5
3	H5	8	27
4	H34	7	7
5	H32	X	2
6	H34	20	7
7	H35	7	7
8	H35	20	7
9	H36	7	9
10	H36	20	9
11	H37	7	9
12	H37	20	9
13	H38	7	11
14	H5	9	27
15	H38	20	11
16	H32	X	2
17	I25	6	11
18			
19	I30	10	96
20			
21	H39	7	11
22	H39	20	11
23	H40	7	13
24	H40	20	13
25	H41	7	13
26	H41	20	13
27	H42	7	13
28	H42	20	13

63019800 Rev. A



Central Read

C1



PA

1H33

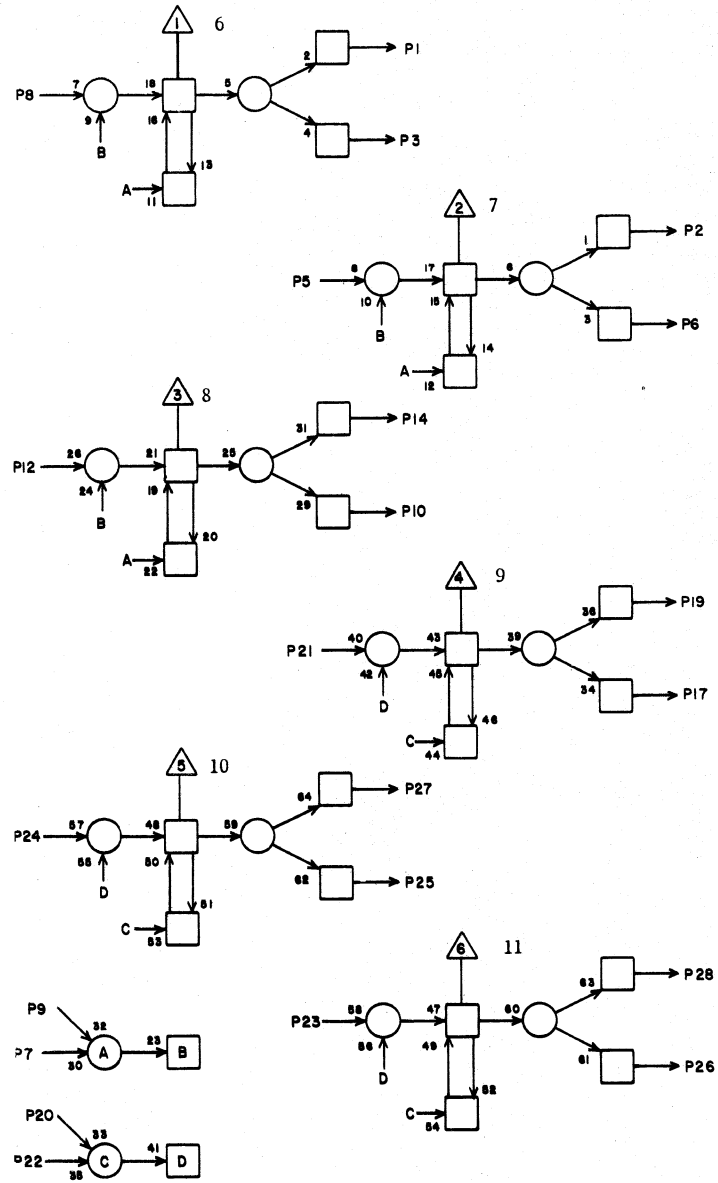
1	H26	8	11
2	H26	7	11
3			
4			
5	I33	2	7
6			
7	H32	1	5
8	I33	1	7
9	H30	5	7
10			
11			
12	I33	14	7
13			
14	H26	22	11
15			
16			
17			
18			
19	H26	21	11
20	H32	2	5
21	I33	19	9
22	H30	9	7
23	I33	28	9
24	I33	27	9
25			
26			
27	H27	8	11
28	H27	7	11

JACK PIN LG

63019800 Rev. A

Central Read

C1



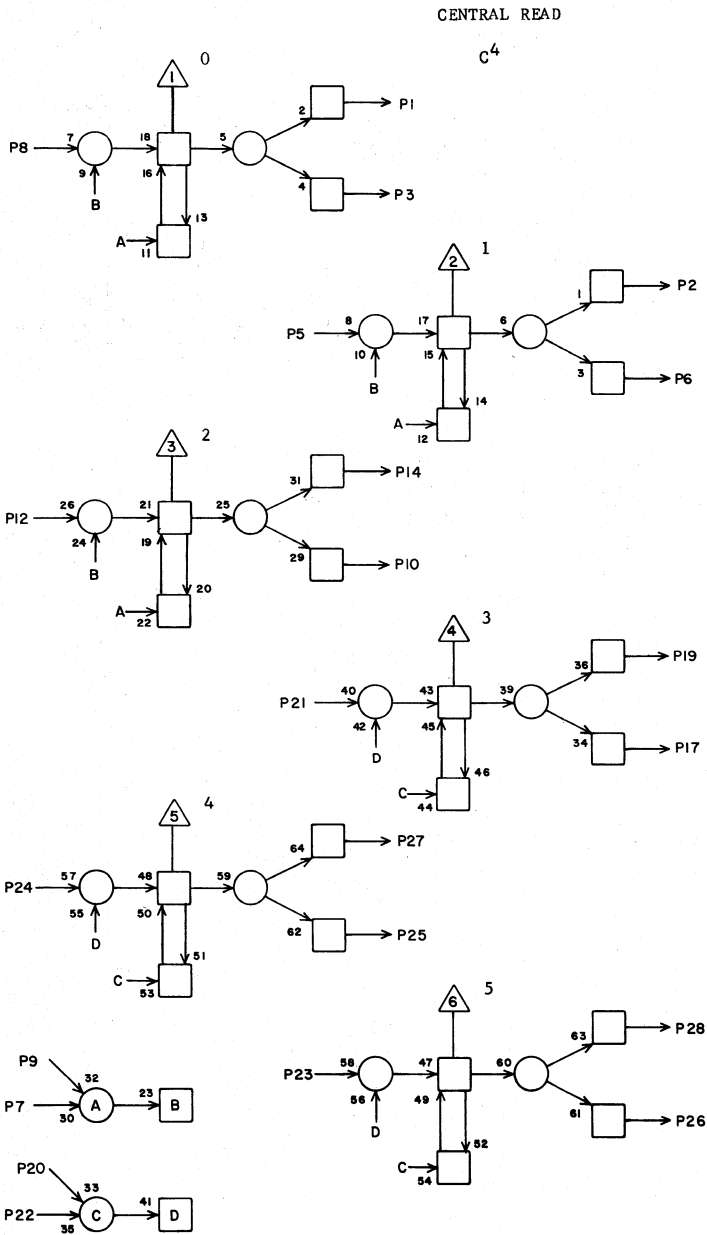
PA

1H34

1	H27	22	11
2	H27	21	11
3			
4			
5	I34	2	7
6			
7	H32	4	7
8	I34	1	7
9	H30	11	7
10			
11			
12	I34	14	9
13			
14	H28	8	11
15			
16			
17			
18			
19	H28	7	11
20	H32	6	7
21	I34	19	9
22	H30	13	7
23	I34	28	9
24	I34	27	9
25			
26			
27	H28	22	11
28	H28	21	11

JACK PIN LG

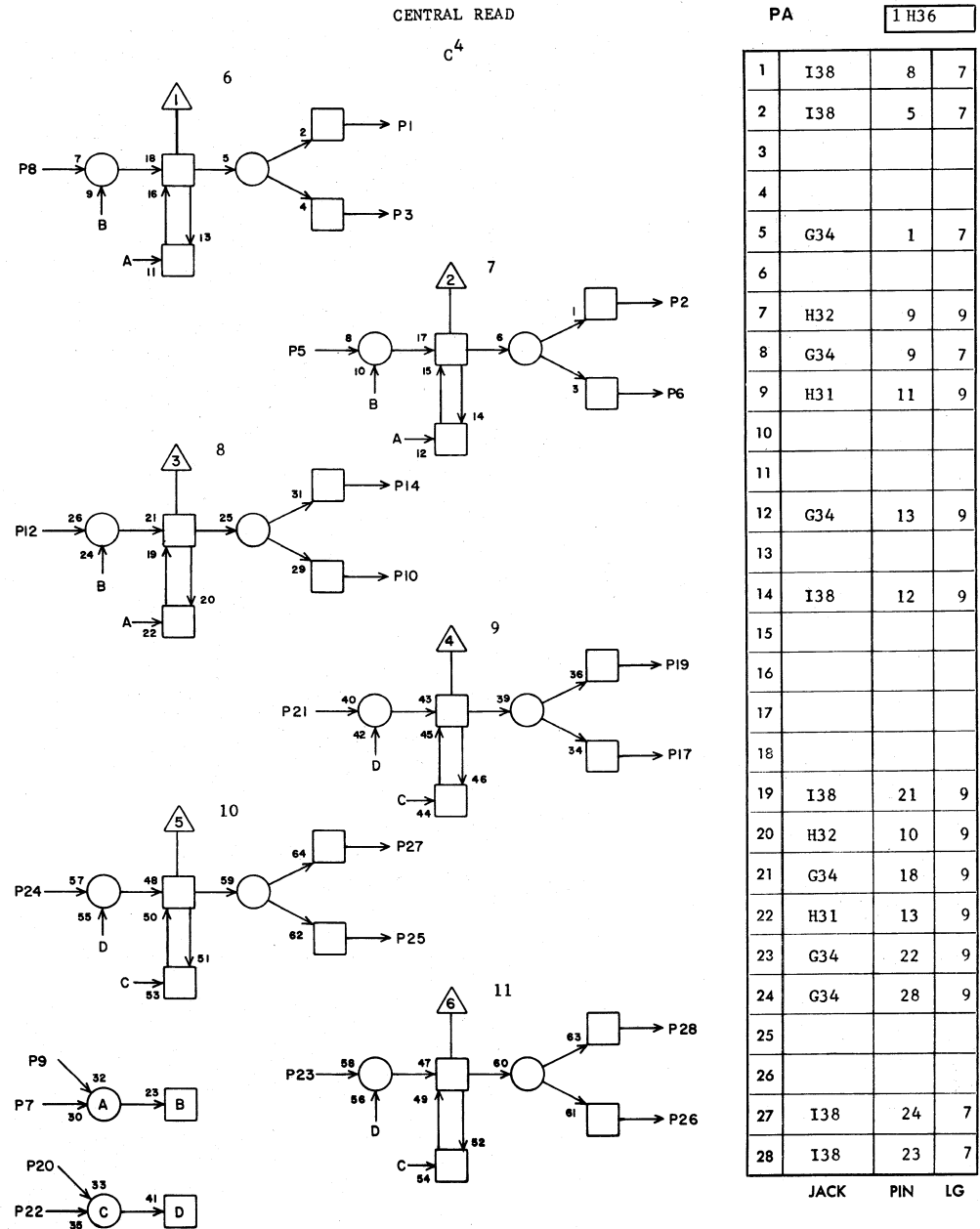
63019800 Rev. A



PA		1H35	
1	I37	8	7
2	I37	5	7
3			
4			
5	G33	1	7
6			
7	H32	7	7
8	G33	9	7
9	H31	5	7
10	I37	12	7
11			
12	G33	13	9
13			
14			
15			
16			
17	I37	21	7
18			
19			
20	H32	8	7
21	G33	18	9
22	H31	9	7
23	G33	22	9
24	G33	28	9
25	I37	24	7
26	I37	23	7
27			
28			

JACK PIN LG

63019800 Rev. A



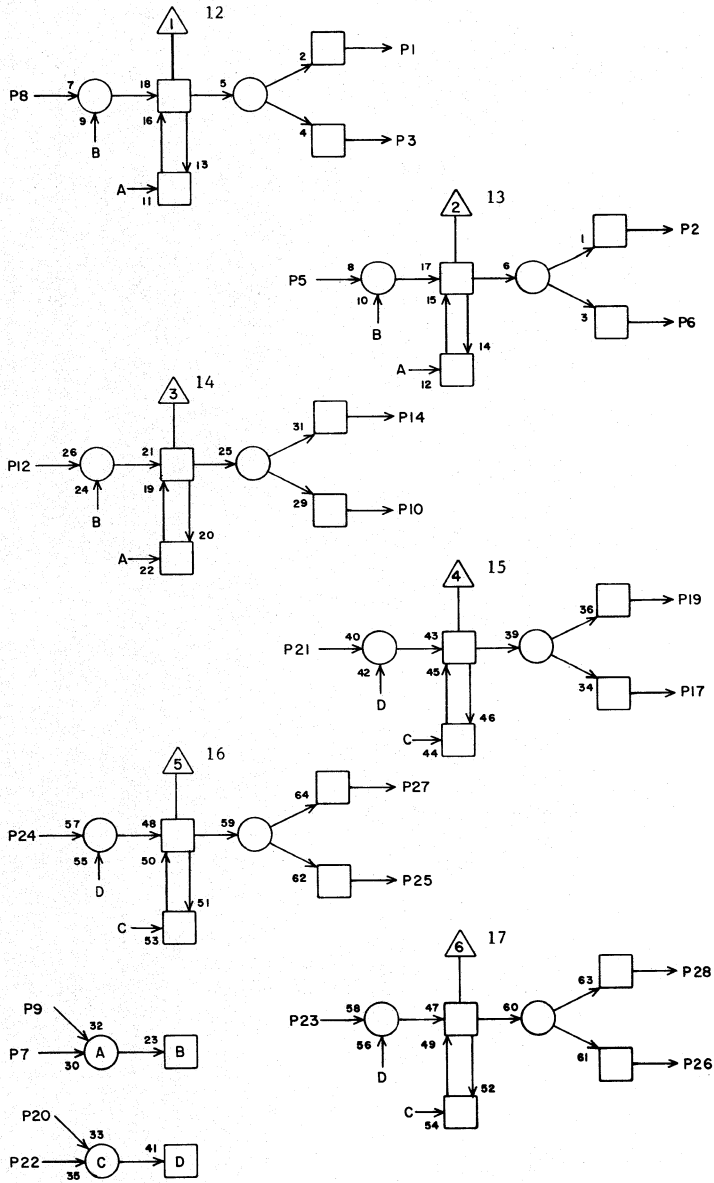
PA		1H36	
1	I38	8	7
2	I38	5	7
3			
4			
5	G34	1	7
6			
7	H32	9	9
8	G34	9	7
9	H31	11	9
10			
11			
12	G34	13	9
13			
14	I38	12	9
15			
16			
17			
18			
19	I38	21	9
20	H32	10	9
21	G34	18	9
22	H31	13	9
23	G34	22	9
24	G34	28	9
25			
26			
27	I38	24	7
28	I38	23	7

JACK PIN LG

63019800 Rev. A

CENTRAL READ

C<sup>4</sup>



PA

1 H37

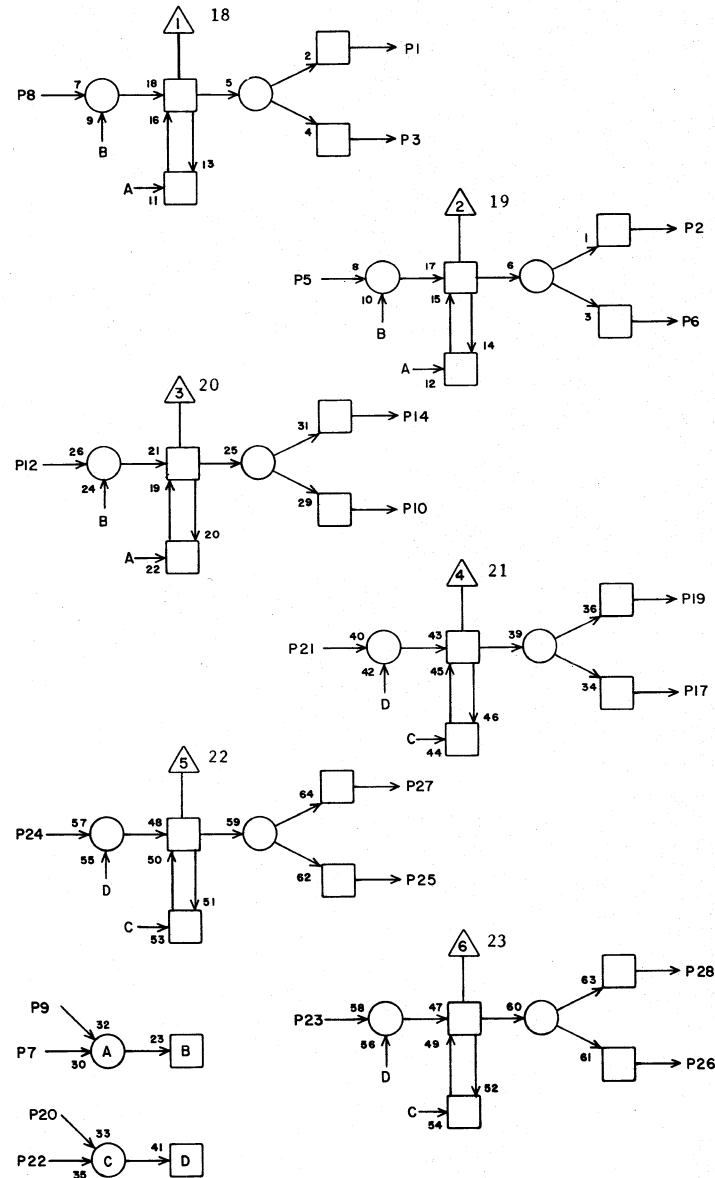
1	I39	8	7
2	I39	5	7
3			
4			
5	G35	1	7
6			
7	H32	11	9
8	G35	9	7
9	H31	2	9
10			
11			
12	G35	13	9
13			
14	I39	12	9
15			
16			
17			
18			
19	I39	21	9
20	H32	12	9
21	G35	18	9
22	H31	12	9
23	G35	22	9
24	G35	28	9
25			
26			
27	I39	24	7
28	I39	23	7

JACK PIN LG

63019800 Rev. A

CENTRAL READ

C<sup>4</sup>



PA

1 H38

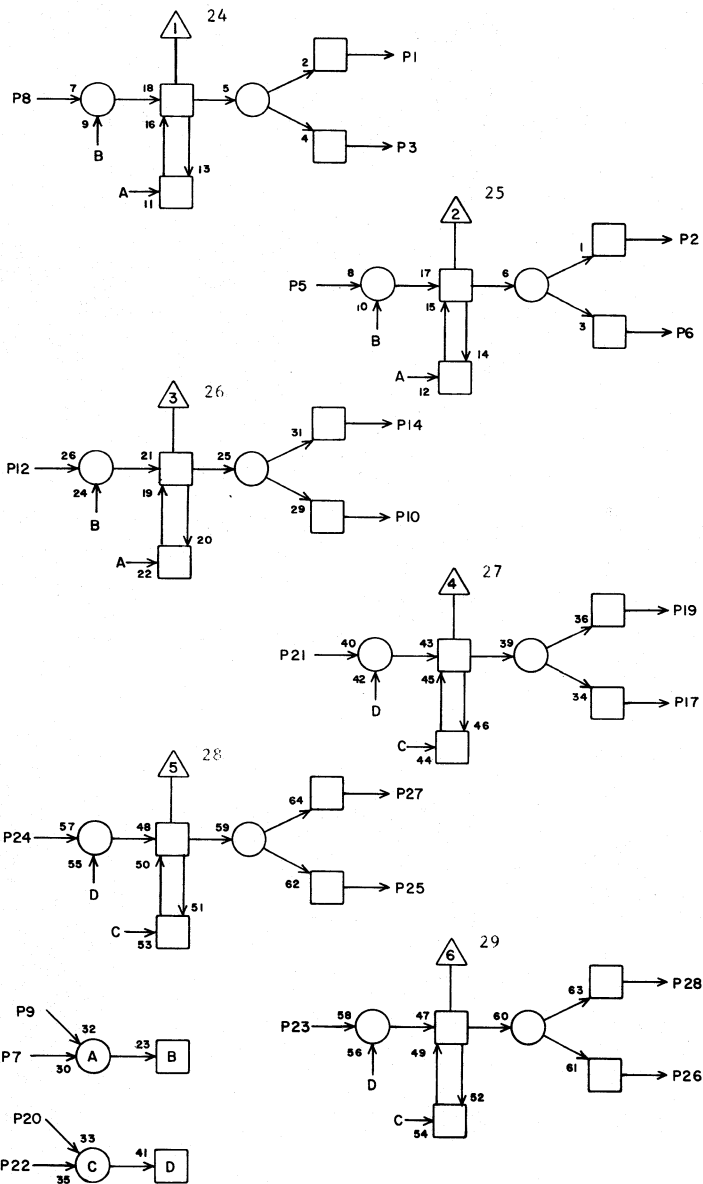
1	I40	8	7
2	I40	5	7
3			
4			
5	G36	1	7
6			
7	H32	13	11
8	G36	9	7
9	H31	10	9
10			
11			
12	G36	13	9
13			
14	I40	12	9
15			
16			
17			
18			
19	I40	21	9
20	H32	15	11
21	G36	18	9
22	H31	4	9
23	G36	22	9
24	G36	28	9
25			
26			
27	I40	24	9
28	I40	23	9

JACK PIN LG

63019800 Rev. A

CENTRAL READ

C<sup>4</sup>



PA

1H39

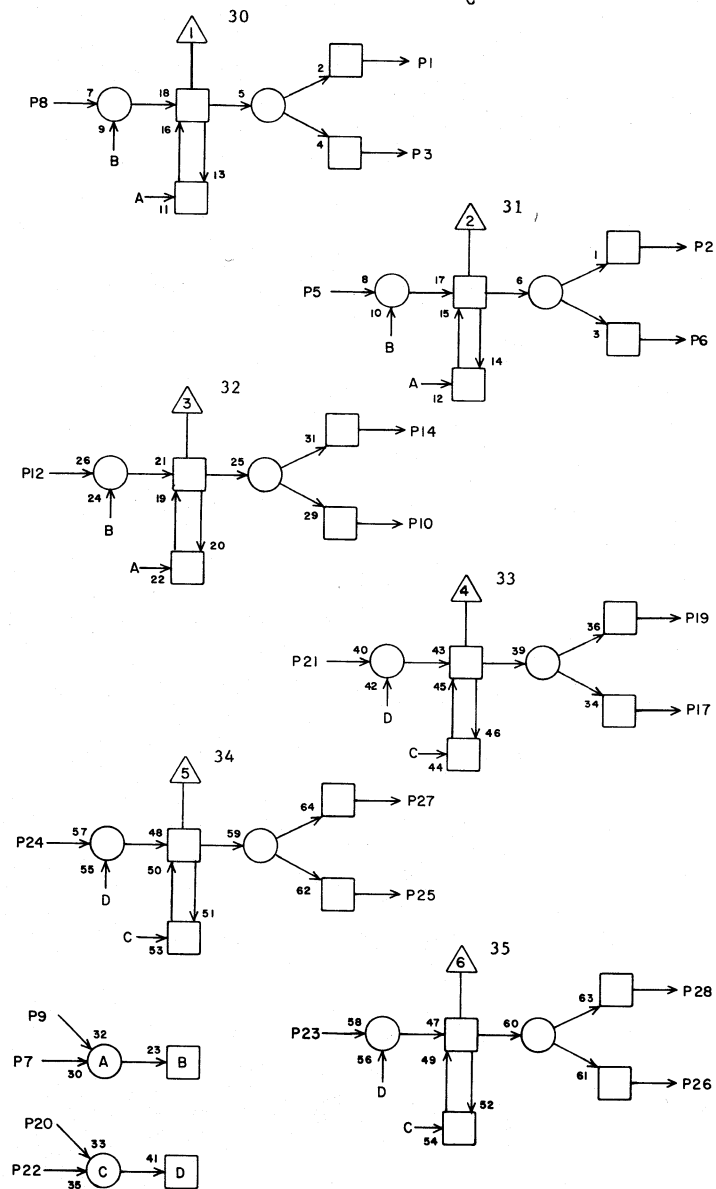
1	I41	8	7
2	I41	5	7
3			
4			
5	G37	1	7
6			
7	H32	21	11
8	G37	9	7
9	H31	23	11
10			
11			
12	G37	13	11
13			
14	I41	12	9
15			
16			
17			
18			
19	I41	21	9
20	H32	22	11
21	G37	18	11
22	H31	19	11
23	G37	22	11
24	G37	28	11
25			
26			
27	I41	24	9
28	I41	23	9

JACK PIN LG

63019800 Rev. A

CENTRAL READ

C<sup>4</sup>



PA

1H40

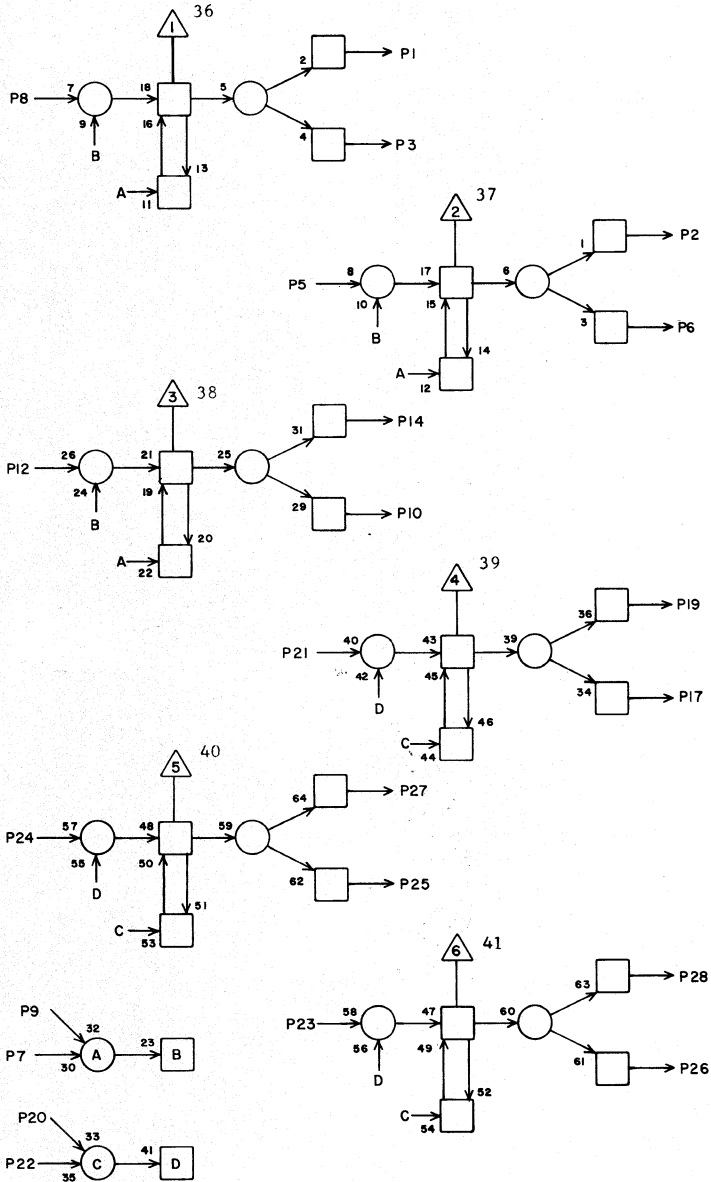
1	I42	8	7
2	I42	5	7
3			
4			
5	G38	1	7
6			
7	H32	23	13
8	G38	9	11
9	H31	17	13
10			
11			
12	G38	13	9
13			
14	I42	12	9
15			
16			
17			
18			
19	I42	21	9
20	H32	24	13
21	G38	18	9
22	H31	27	13
23	G38	22	9
24	G38	28	9
25			
26			
27	I42	24	9
28	I42	23	9

JACK PIN LG

63019800 Rev. A

CENTRAL READ

C<sup>4</sup>



PA

1 H41

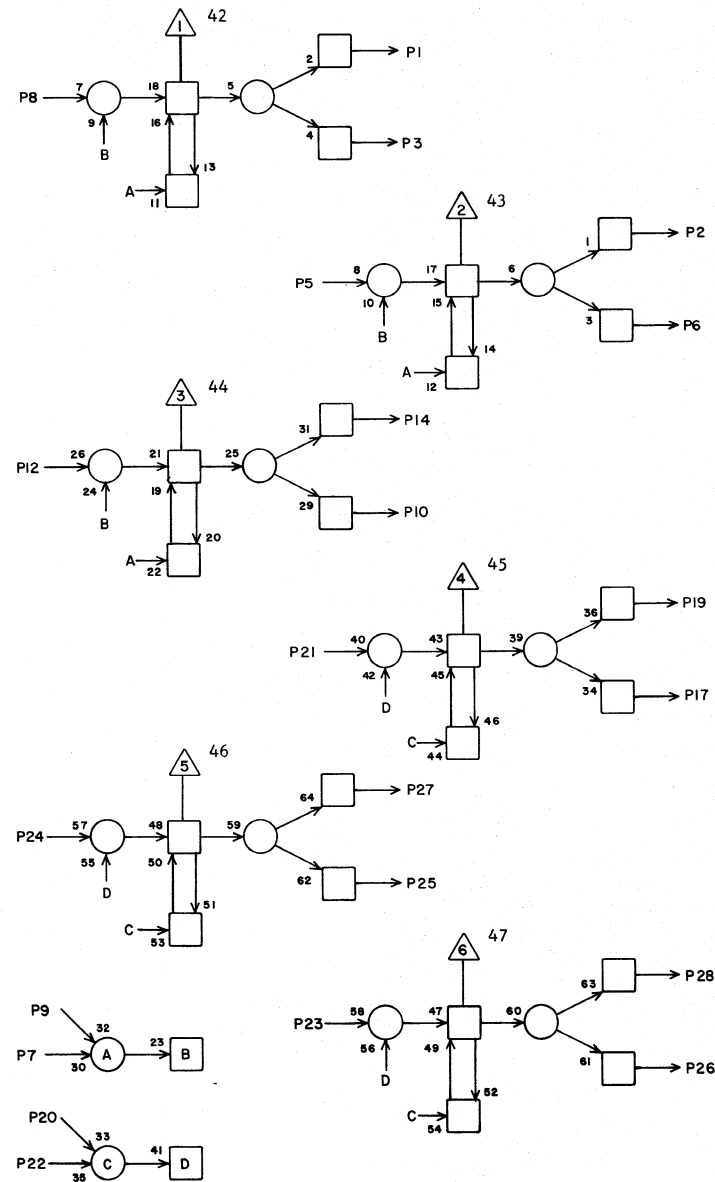
1	H26	2	19
2	H26	1	19
3			
4			
5	G39	1	7
6			
7	H32	25	13
8	G39	9	7
9	H31	16	13
10			
11			
12	G39	13	7
13			
14	H26	28	19
15			
16			
17			
18			
19	H26	27	19
20	H32	26	11
21	G39	18	9
22	H31	18	13
23	G39	22	9
24	G39	28	9
25			
26			
27	H27	2	17
28	H27	1	17

JACK PIN LG

63019800 Rev. A

CENTRAL READ

C<sup>4</sup>



PA

1 H42

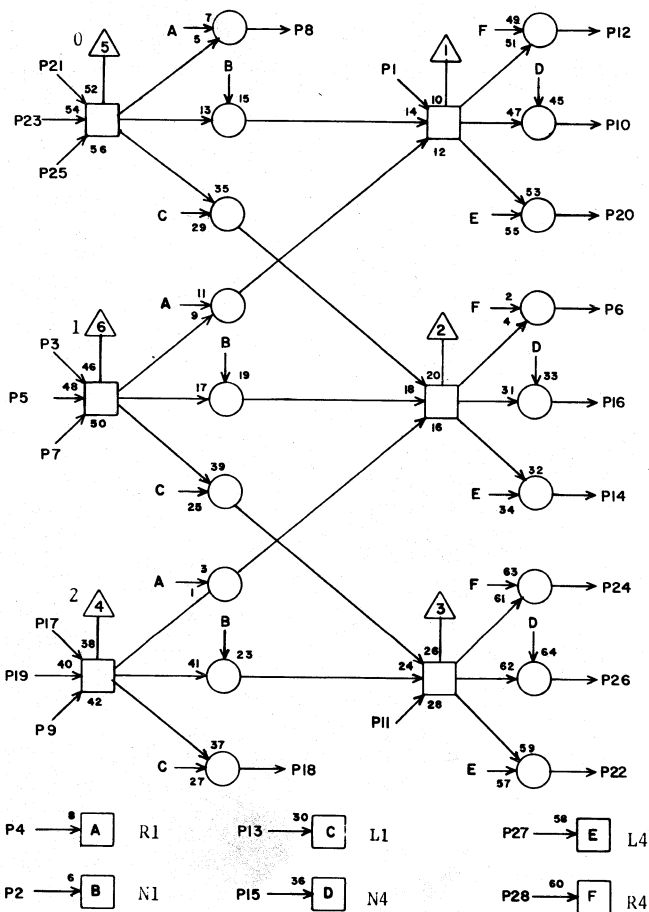
1	H27	28	19
2	H27	27	19
3			
4			
5	G40	1	7
6			
7	H32	27	15
8	G40	9	7
9	H31	20	15
10			
11			
12	G40	13	7
13			
14	H28	2	17
15			
16			
17			
18			
19	H28	1	17
20	H32	28	15
21	G40	18	9
22	H31	24	15
23	G40	22	9
24	G40	28	9
25			
26			
27	H28	28	17
28	H28	27	17

JACK PIN LG

63019800 Rev. A

Shift Network

Rank 1



QF

1I1

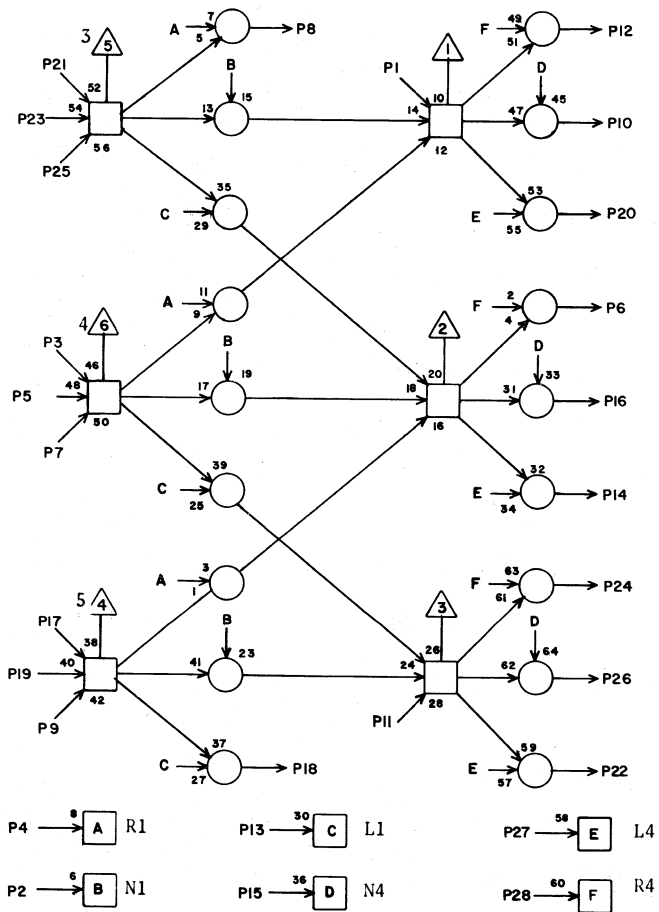
1	I6	18	9
2	I7	8	11
3	I9	1	13
4	I7	13	11
5	I10	2	13
6			
7	I11	13	15
8			
9	H5	17	9
10	J1	23	9
11	I2	8	5
12			
13	I7	16	11
14	J4	17	9
15	J7	8	11
16	J4	23	11
17	I10	1	13
18	I2	1	5
19	I11	2	15
20	J1	17	9
21	I11	8	15
22	J2	21	9
23	I9	2	13
24			
25	I10	13	13
26	J1	5	7
27	J7	16	11
28	J7	13	11

JACK PIN LG

63019800 Rev. A

Shift Network

Rank 1



QF

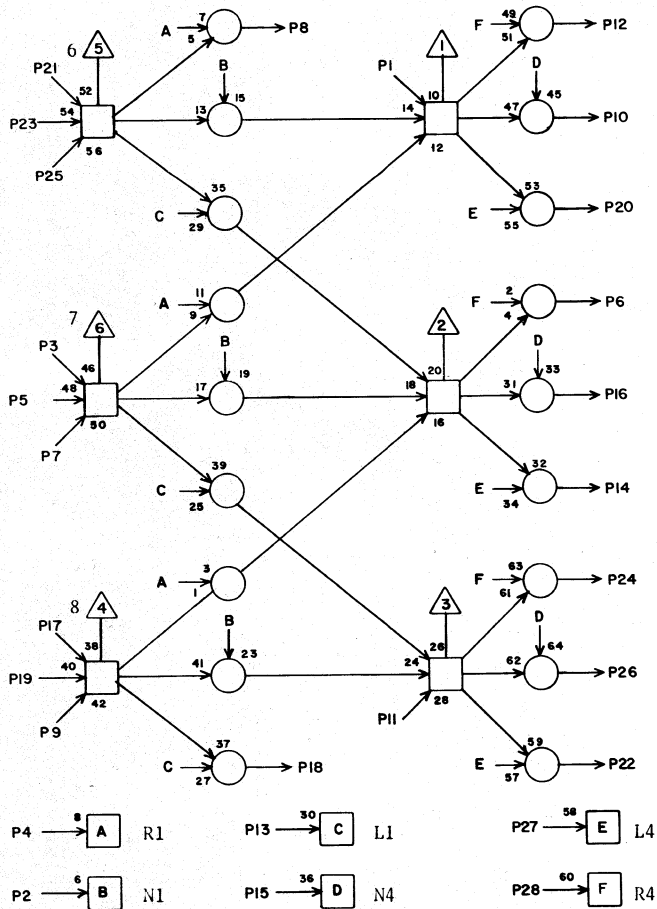
1I2

1	I1	18	5
2	I7	4	9
3	I9	18	11
4	I7	12	9
5	I10	5	13
6	J1	25	9
7	H5	19	9
8	I1	11	5
9	H5	20	9
10	J4	5	7
11	I3	8	3
12			
13	I7	18	9
14	J2	3	7
15	J7	4	9
16	J1	19	9
17	I10	18	13
18	I3	1	5
19	I11	5	13
20	J5	21	9
21	I11	1	13
22	J5	3	7
23	I9	5	11
24	J4	25	9
25	H5	18	9
26	J4	19	9
27	J7	18	11
28	J7	12	11

JACK PIN LG

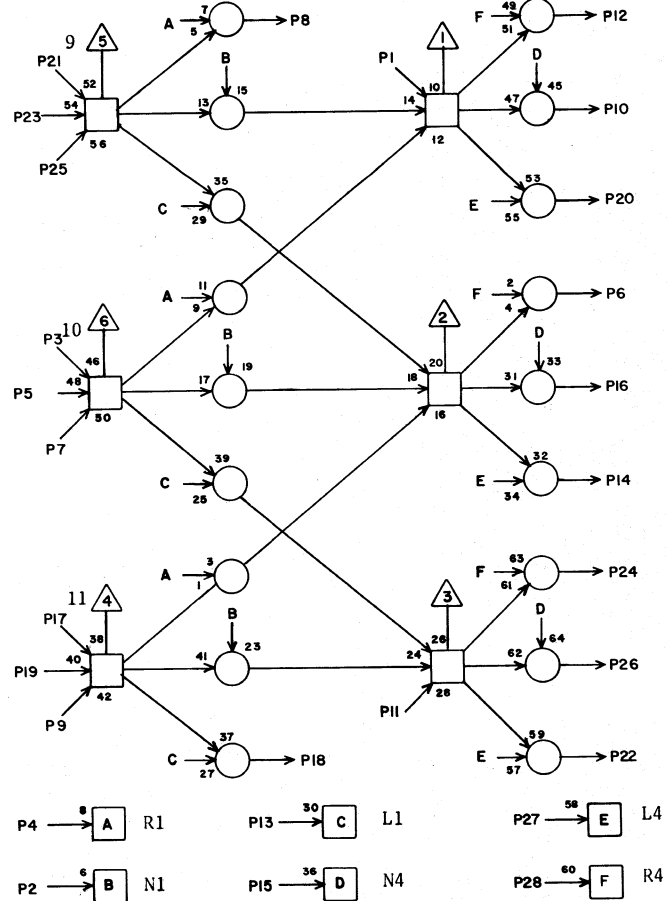
63019800 Rev. A

Shift Network  
Rank 1



QF		I13	
JACK	PIN	LG	
1	I2	18	5
2	I7	2	7
3	I9	26	11
4	I7	10	7
5	I10	16	11
6	J4	7	7
7	H5	22	7
8	I2	11	3
9	H5	23	7
10	J2	23	9
11	I4	8	3
12	J1	7	7
13	I7	20	7
14	J5	17	9
15	J7	2	9
16	J5	23	9
17	I10	26	11
18	I4	1	5
19	I11	16	11
20	J2	17	9
21	I11	18	11
22	J3	21	9
23	I9	16	11
24	J1	9	7
25	H5	21	9
26	J2	5	7
27	J7	20	9
28	J7	10	7

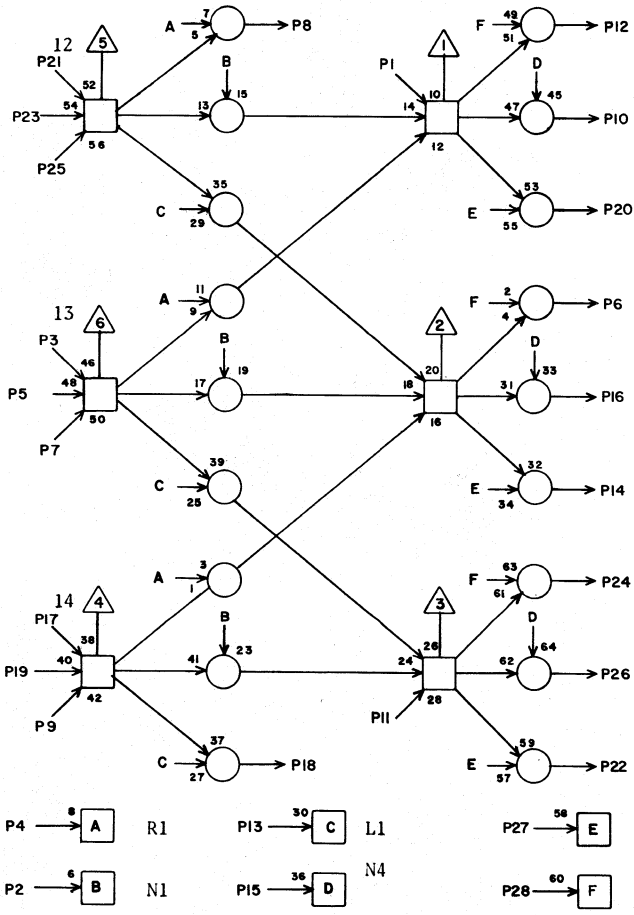
Shift Network  
Rank 1



QF		I14	
JACK	PIN	LG	
1	I3	18	5
2	I7	22	7
3	I9	21	9
4	I7	11	7
5	I10	28	9
6	J2	25	9
7	H5	25	7
8	I3	11	3
9	H5	26	7
10	J5	5	7
11	I5	8	3
12	J4	9	7
13	I7	15	7
14	J3	3	7
15	J7	22	9
16	J2	19	9
17	I10	21	9
18	I5	1	5
19	I11	28	11
20	J6	21	9
21	I11	26	11
22	J6	3	7
23	I9	28	9
24	J5	25	9
25	H5	24	9
26	J5	19	9
27	J7	15	9
28	J7	11	9

Shift Network

Rank 1



QF

1I5

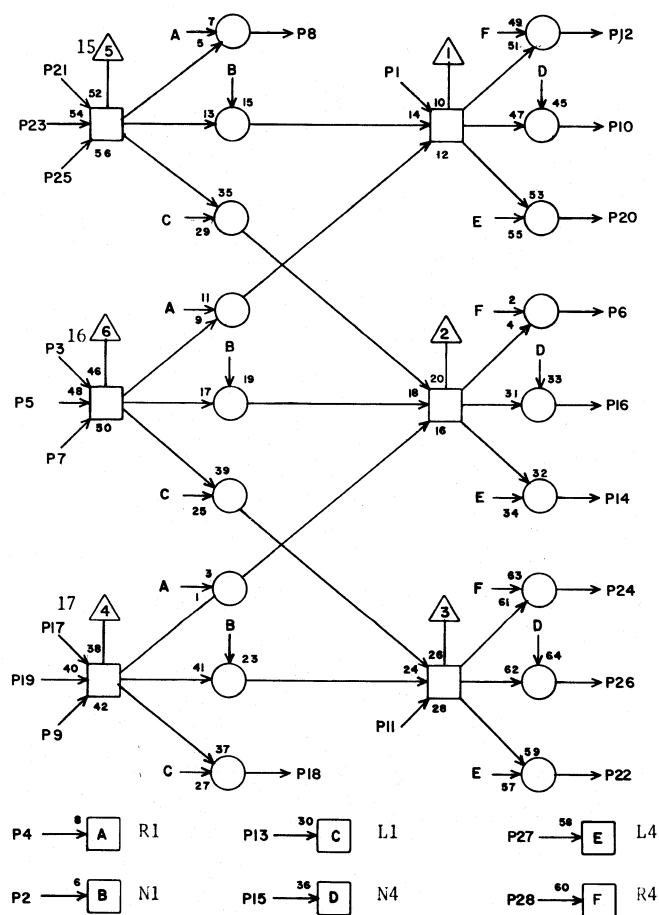
1	I4	18	5
2	I7	26	5
3	I9	17	9
4	I7	9	5
5	I10	27	9
6	J5	7	7
7	H5	28	7
8	I4	11	3
9	L18	20	21
10	J3	23	9
11	I6	8	3
12	J2	7	7
13	I7	17	5
14	J6	17	9
15	J7	26	9
16	J6	23	9
17	I10	17	9
18	I6	1	5
19	I11	27	11
20	J3	17	9
21	I11	21	11
22	J1	21	9
23	I9	27	9
24	J2	9	9
25	I15	27	9
26	J3	5	7
27	J7	17	9
28	J7	9	9

JACK PIN LG

63019800 Rev. A

Shift Network

Rank 1



QF

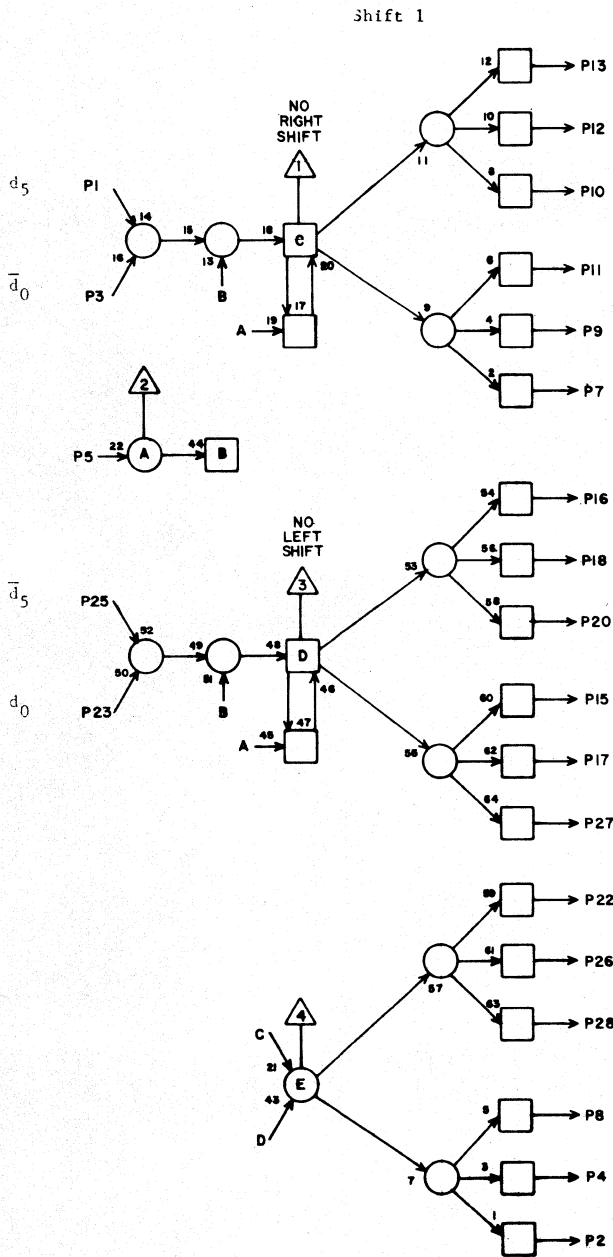
1I6

1	I5	18	5
2	I7	28	5
3	I9	8	7
4	I10	9	9
5	I10	15	9
6	J3	25	9
7	L17	22	19
8	I5	11	3
9	L17	24	19
10	J6	5	7
11	I10	14	9
12	J5	9	7
13	I7	27	5
14	J1	3	9
15	J7	28	9
16	J3	19	9
17	I10	8	9
18	I1	1	9
19	I11	15	9
20	J4	21	9
21	I11	17	9
22	J4	3	7
23	I9	15	7
24	J6	25	9
25	L18	27	21
26	J6	19	9
27	J7	27	9
28	L18	17	19

JACK PIN LG

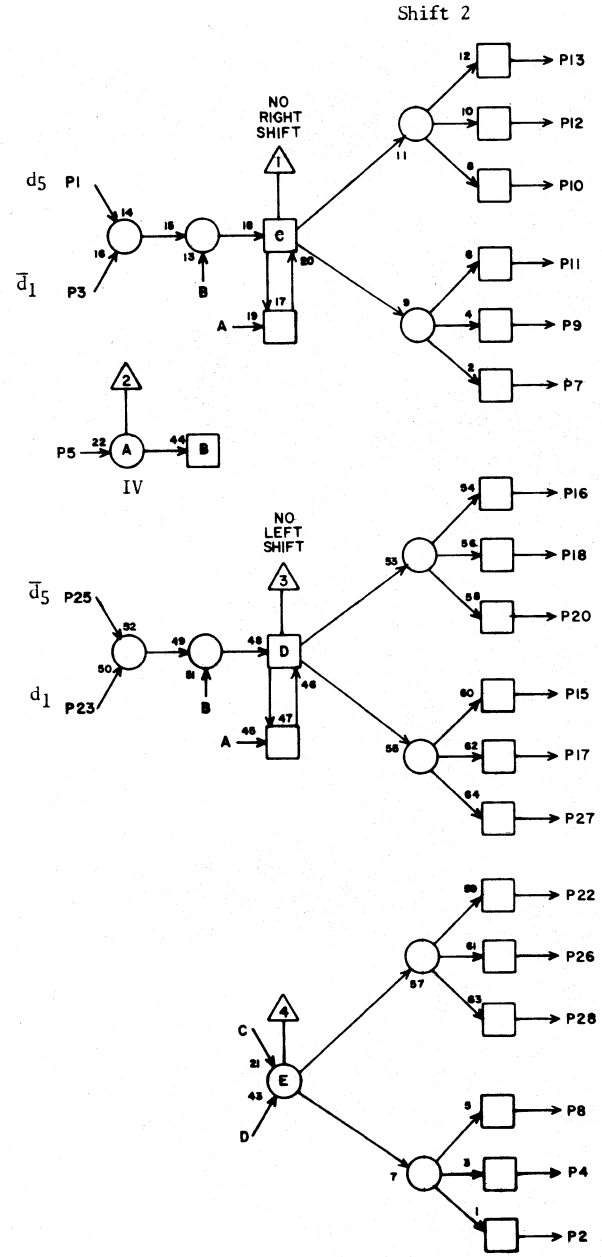
63019800 Rev. A





QG 1 I 7

JACK	PIN	LG
1	K8	15
2	I3	2
3	I17	4
4	I2	2
5	J15	24
6		
7	I10	6
8	I1	2
9	I5	4
10	I3	4
11	I4	4
12	I2	4
13	I1	4
14		
15	I4	13
16	I1	13
17	I5	13
18	I2	13
19		
20	I3	13
21		
22	I4	2
23	M13	13
24		
25	I11	22
26	I5	2
27	I6	13
28	I6	2



QG 1 I 8

JACK	PIN	LG
1	K8	16
2	J3	2
3	I17	27
4	J2	2
5	J15	25
6		
7	H6	1
8	J1	2
9	J5	4
10	J3	4
11	J4	4
12	J2	4
13	J1	4
14		
15	J4	13
16	J1	13
17	J5	13
18	J2	13
19		
20	J3	13
21		
22	J4	2
23	M13	4
24		
25	I11	14
26	J5	2
27	J6	13
28	J6	2

QE

119

1	I1	3	13
2	I1	23	13
3	K1	3	15
4	K2	3	15
5	I2	23	13
6	I14	11	11
7	I9	X	2
8	I6	3	7
9	I10	11	5
10	J15	26	13
11	I9	22	5
12	K6	3	13
13			
14	I11	11	5
15	I6	23	7
16	I3	23	11
17	I5	3	9
18	I2	3	11
19	K3	3	13
20	I9	X	2
21	I4	3	9
22	I9	11	5
23	K4	3	13
24	I6	5	11
25	K5	3	13
26	I3	3	11
27	I5	23	9
28	I4	23	9

JACK PIN LG

63019800 Rev. A

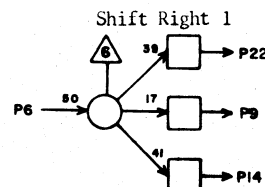
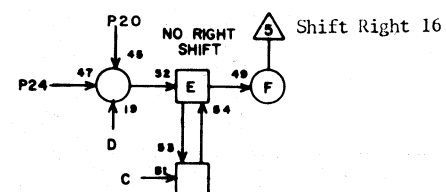
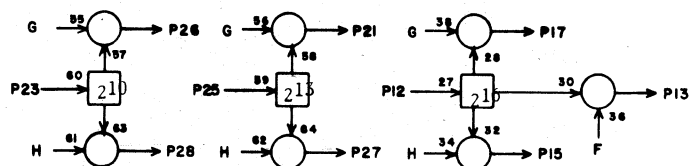
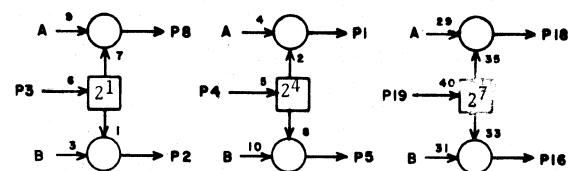
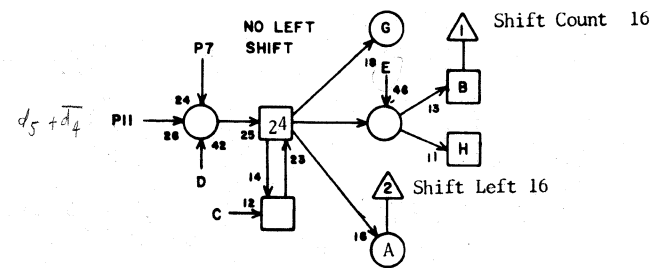
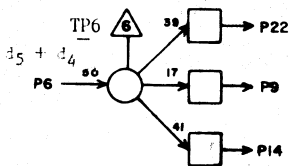
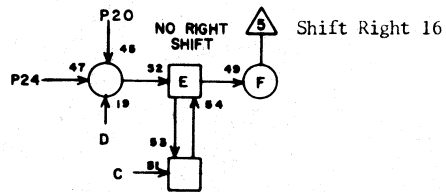
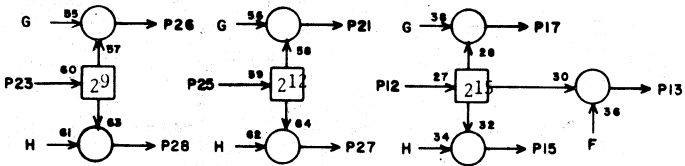
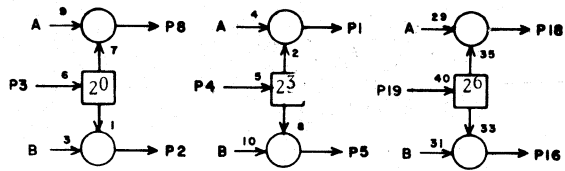
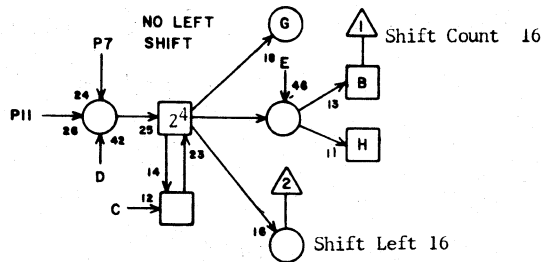
QE

1110

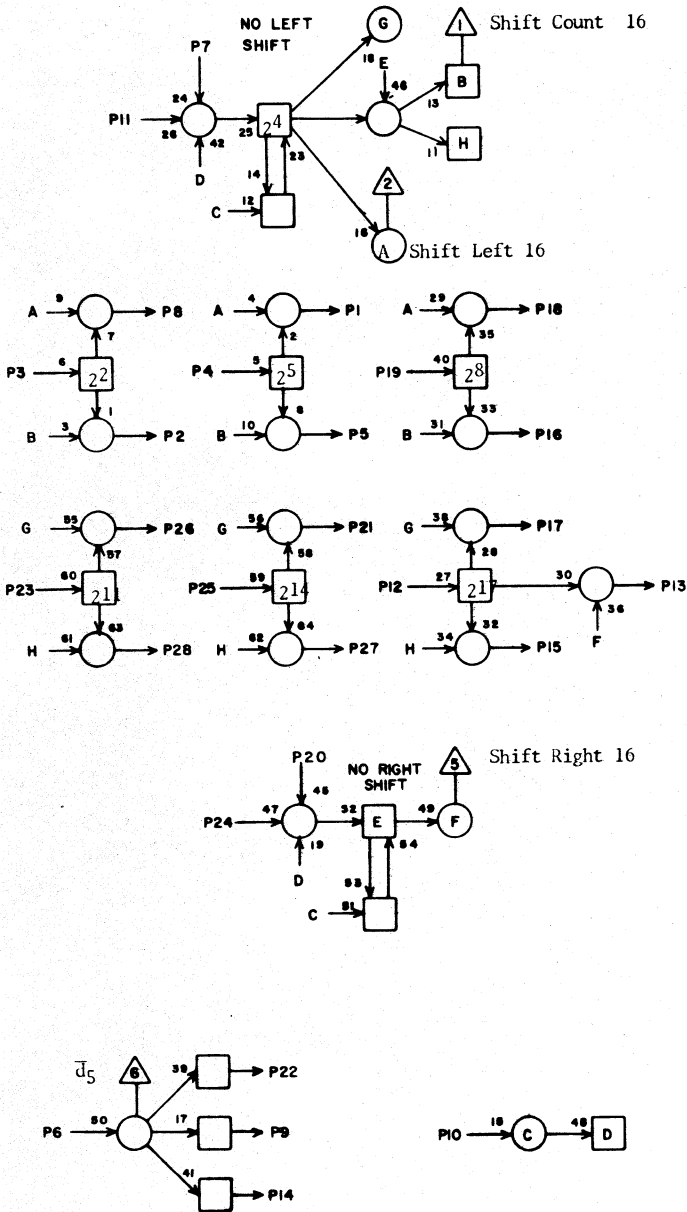
1	I1	17	13
2	I1	5	13
3	K1	13	15
4	K2	13	15
5	I2	5	13
6	I7	7	7
7	I10	X	2
8	I6	17	9
9	I6	4	9
10	J15	27	11
11	I9	9	5
12	K6	13	13
13	I1	25	13
14	I6	11	9
15	I6	5	9
16	I3	5	11
17	I5	17	9
18	I2	17	13
19	K3	13	15
20	I10	X	2
21	I4	17	9
22			
23	K4	13	15
24	I6	9	11
25	K5	13	15
26	I3	17	11
27	I5	5	9
28	I4	5	9

JACK PIN LG

63019800 Rev. A



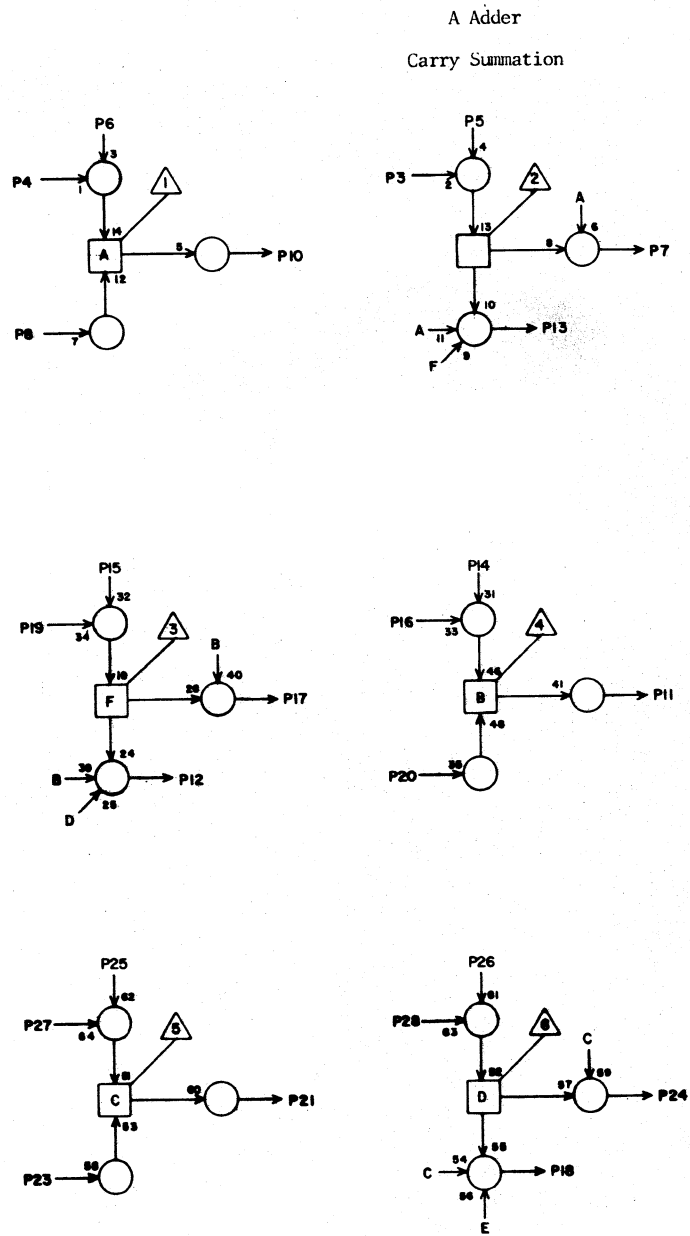
63019800 Rev. A



QE 1111

1	I2	21	13
2	I1	19	13
3	K1	21	17
4	K2	21	17
5	I2	19	13
6	I18	19	11
7	I11	X	2
8	I1	21	13
9			
10	J15	28	11
11	I9	14	5
12	K6	21	15
13	I1	7	13
14	I8	25	7
15	I6	19	9
16	I3	19	13
17	I6	21	9
18	I3	21	13
19	K3	21	15
20	I11	X	2
21	I5	21	9
22	I7	25	7
23	K4	21	15
24	H6	11	11
25	K5	21	15
26	I4	21	11
27	I5	19	9
28	I4	19	11
	JACK	PIN	LG

63019800 Rev. A

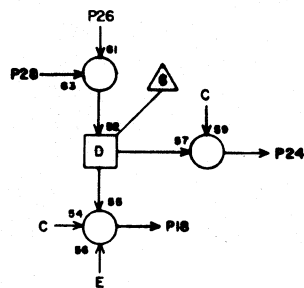
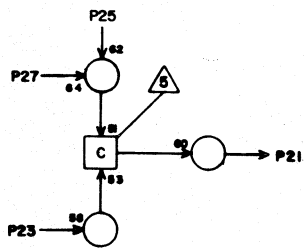
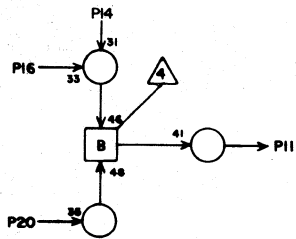
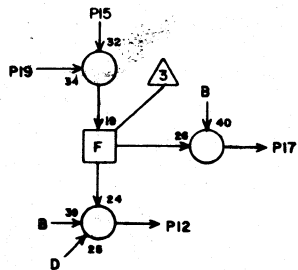
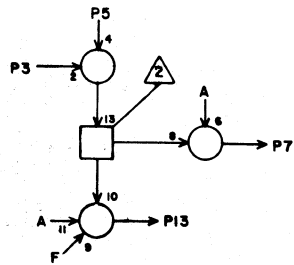
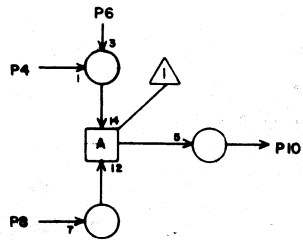


QC 1112

1			
2			
3	J11	22	9
4	J10	20	9
5	J12	22	9
6	J9	16	9
7	J13	25	9
8	J10	14	9
9			
10	J11	27	9
11	J13	27	9
12	J11	21	9
13	J9	21	9
14	J11	14	9
15	J13	22	9
16	J12	20	9
17	J9	25	9
18	J13	21	9
19	J14	22	9
20	J12	14	9
21	J9	27	9
22			
23	J14	14	9
24	J11	25	9
25	J13	14	9
26	J9	22	9
27	J14	20	9
28	J10	22	9
	JACK	PIN	LG

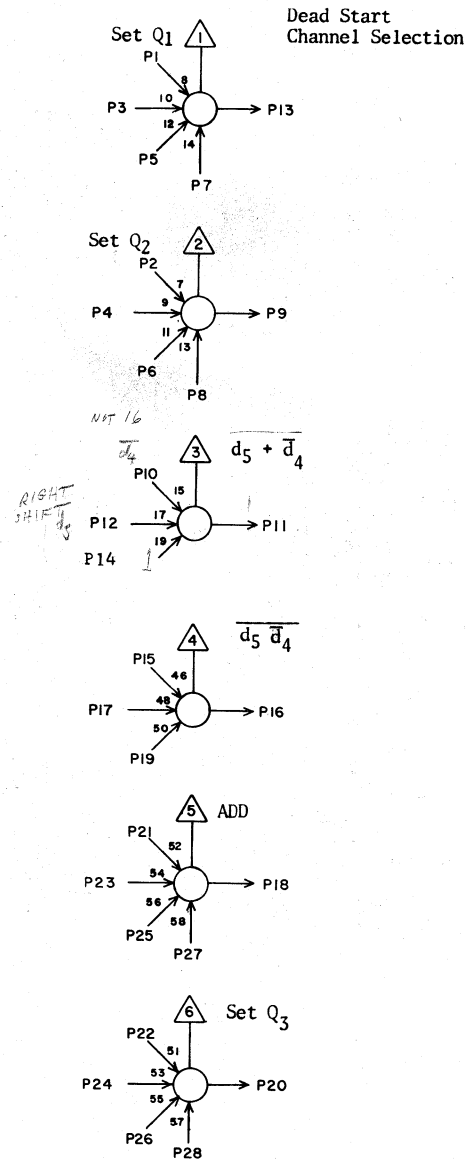
63019800 Rev. A

A Adder  
Carry Summation



QC		1113	
JACK	PIN	LG	
1			
2			
3	J12	24	9
4	J11	20	9
5	J13	24	9
6	J10	16	9
7	J14	25	9
8	J11	16	9
9			
10	J12	27	9
11	J14	27	9
12	J12	21	9
13	J10	21	9
14	J12	16	9
15	J14	24	9
16	J13	20	9
17	J10	25	9
18	J14	21	9
19	J9	24	9
20	J13	16	9
21	J10	27	9
22			
23	J9	14	9
24	J12	25	9
25	J14	16	9
26	J10	24	9
27	J9	20	9
28	J11	24	9

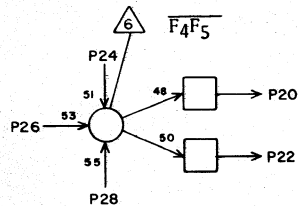
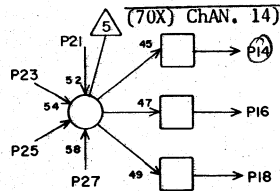
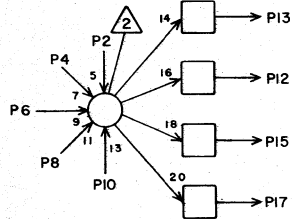
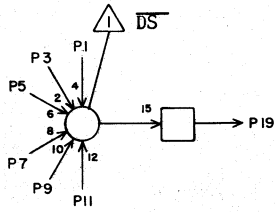
63019800 Rev. A



TI		1114	
JACK	PIN	LG	
1	I16	2	7
2	I16	19	7
3	I16	17	7
4	I16	4	7
5	G2	4	17
6	G2	27	17
7	G2	3	17
8	G2	28	17
9	R19	25	37
10	I19	24	9
11	I9	6	11
12	I18	27	7
13	R19	6	35
14	I14	X	2
15	I19	27	9
16	H6	6	13
17	I18	24	7
18	L15	3	15
19	I14	X	2
20	R19	26	37
21	L19	8	15
22	G1	4	17
23	I14	X	2
24	G1	5	17
25	I14	X	2
26	I14	X	2
27	I14	X	2
28	I14	X	2

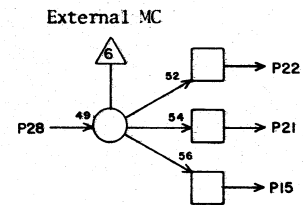
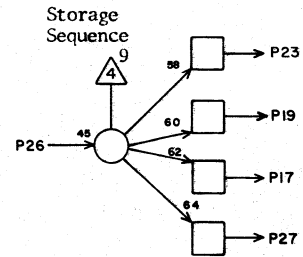
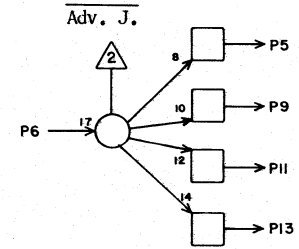
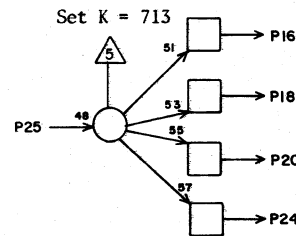
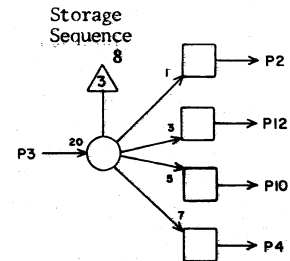
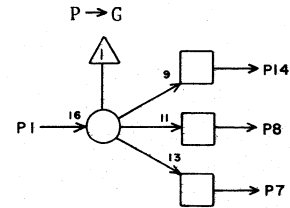
JACK PIN LG

63019800 Rev. A



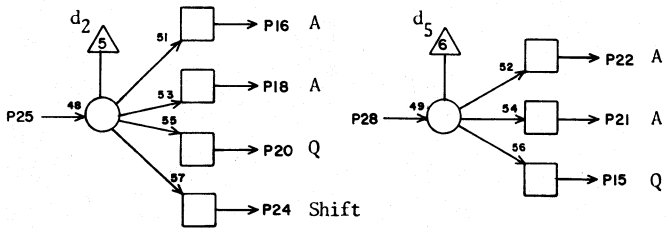
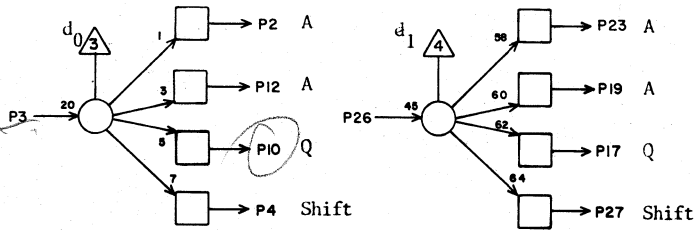
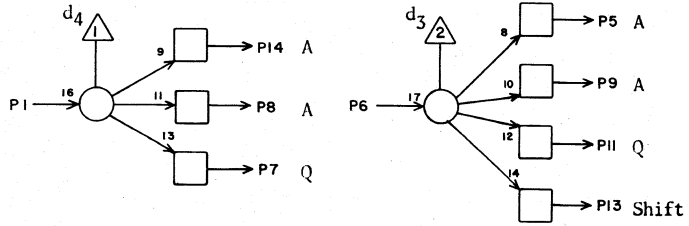
TB		1115	
JACK	PIN	LG	
1	J16	19	9
2	H13	8	9
3	H12	10	7
4	H13	25	9
5	H12	20	7
6	H13	26	9
7	H12	24	7
8	I15	X	2
9	H13	9	9
10	I15	X	2
11	I15	12	3
12	I15	11	3
13			
14	L19	12	15
15			
16			
17			
18			
19	G6	18	15
20	I27	4	15
21	M27	6	21
22			
23	M22	27	21
24	I22	25	11
25	R28	24	37
26	I22	26	11
27	I15	X	2
28	I15	X	2

63019800 Rev. A



TH		1116	
JACK	PIN	LG	
1	Q14	20	33
2	I14	1	7
3	G3	4	19
4	I14	4	7
5	H7	25	13
6	G3	10	19
7	J22	7	11
8	J21	7	9
9	H8	25	13
10			
11	H9	25	11
12			
13	H10	25	11
14	J20	7	9
15			
16			
17	I14	3	7
18			
19	I14	2	7
20	L24	19	17
21			
22	O33	14	31
23			
24	L24	4	17
25	I25	8	13
26	G3	5	19
27			
28	H2	21	17

63019800 Rev. A

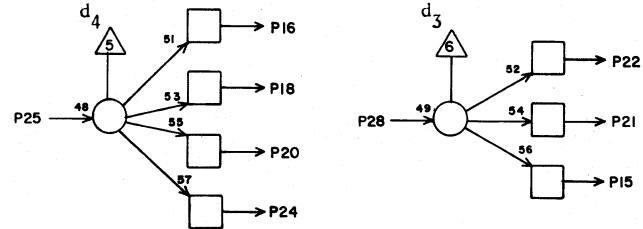
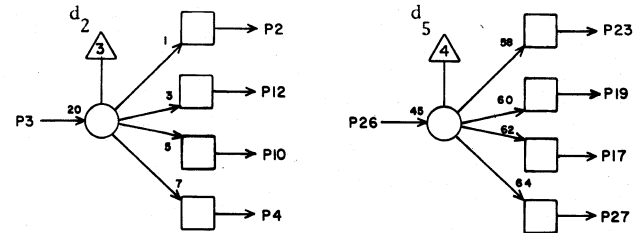
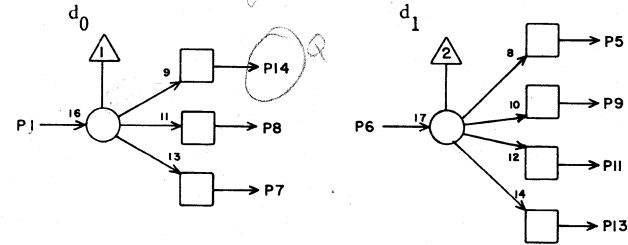


TH 1117

1	I18	16	5
2	K20	4	11
3	I18	14	5
4	I7	3	13
5	K20	18	13
6	I18	22	5
7	M8	26	23
8	K17	6	11
9	K16	23	13
10	M8	4	21
11	M8	18	21
12	K16	6	11
13	J8	3	13
14	K20	26	13
15	M8	25	23
16	K16	24	13
17	M8	3	21
18	K20	13	13
19	K20	3	11
20	M8	13	21
21	K17	5	11
22	K20	25	13
23	K16	5	11
24	J7	3	15
25	I18	2	5
26	I18	5	5
27	I8	3	13
28	I18	23	5

JACK PIN LG

63019800 Rev. A

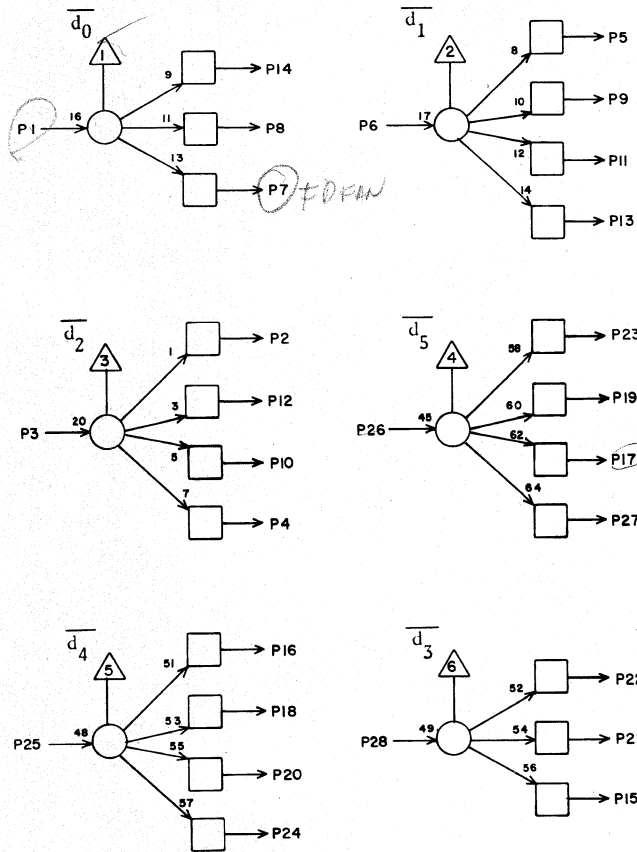


TH 1118

1	<del>I20</del> 6A	5	5
2	I17	25	5
3	I20	28	7
4			
5	I17	26	5
6	I20	3	7
7			
8			
9			
10			
11			
12			
13			
14	I17	3	5
15			
16	I17	1	5
17	K7	21	17
18			
19	I11	6	11
20			
21			
22	I17	6	5
23	I17	28	5
24	I14	17	7
25	I21	4	7
26	I21	3	7
27	I14	12	7
28	I20	27	7

JACK PIN LG

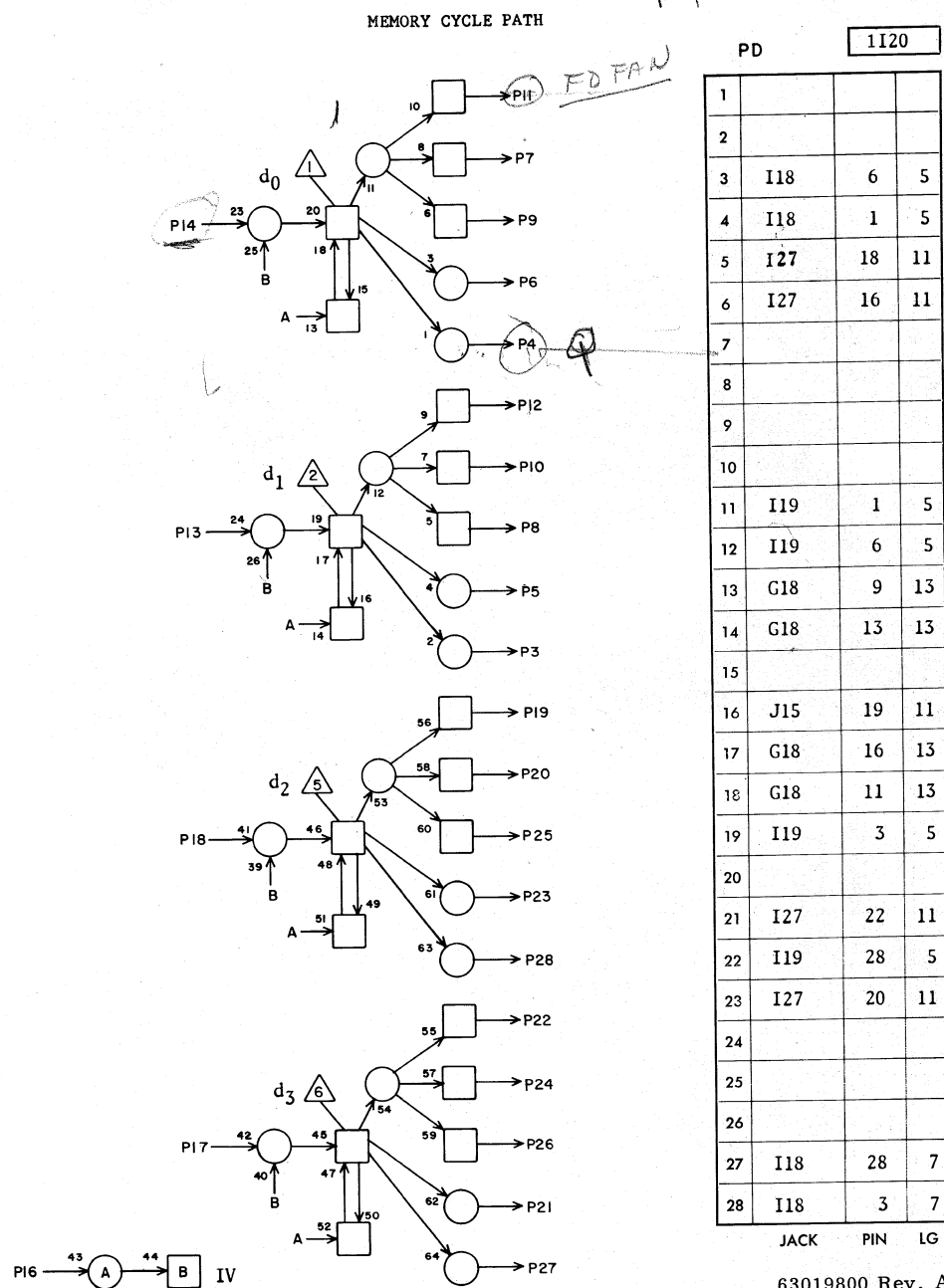
63019800 Rev. A



TM		1119	
JACK	PIN	LG	
1	I20	11	5
2	H21	26	7
3	I20	19	5
4			
5	H21	3	7
6	I20	12	5
7	M13	6	19
8	L31	26	21
9	L31	25	21
10	M13	26	21
11	M13	3	19
12	L31	2	19
13			
14	H21	4	9
15	M13	25	21
16	H22	4	9
17	M13	1	19
18	K31	26	17
19	K31	25	17
20	M13	28	21
21	L31	1	19
22	H21	25	9
23	H22	3	9
24	I14	10	9
25	I21	11	5
26	I21	10	5
27	I14	15	9
28	I20	22	5

JACK PIN LG

63019800 Rev. A

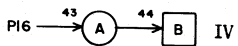
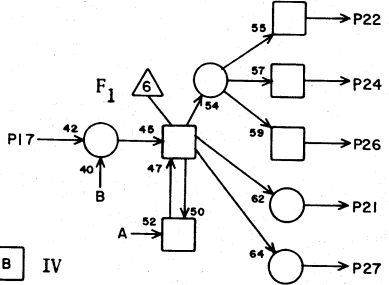
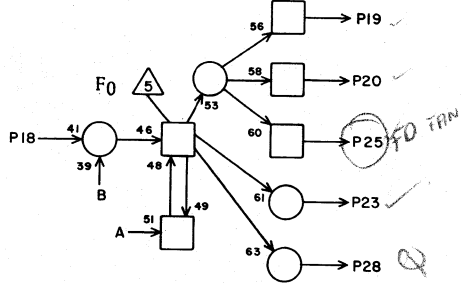
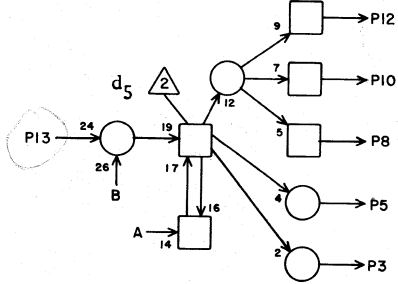
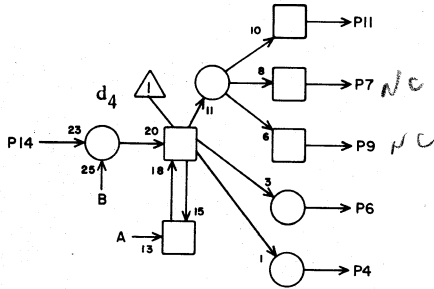


PD		1120	
JACK	PIN	LG	
1			
2			
3	I18	6	5
4	I18	1	5
5	I27	18	11
6	I27	16	11
7			
8			
9			
10			
11	I19	1	5
12	I19	6	5
13	G18	9	13
14	G18	13	13
15			
16	J15	19	11
17	G18	16	13
18	G18	11	13
19	I19	3	5
20			
21	I27	22	11
22	I19	28	5
23	I27	20	11
24			
25			
26			
27	I18	28	7
28	I18	3	7

JACK PIN LG

63019800 Rev. A

Memory Cycle Path



PD

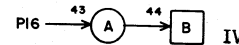
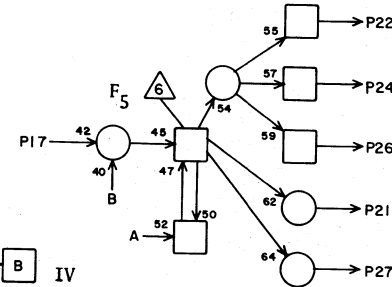
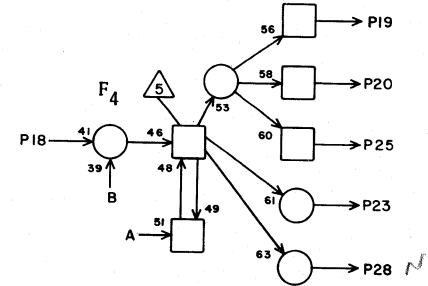
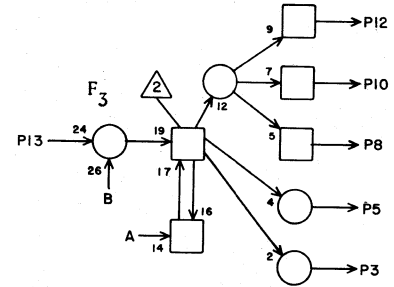
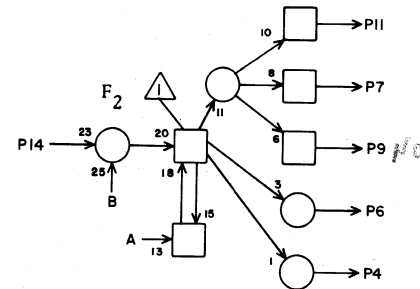
1 I21

1			
2			
3	I18	26	7
4	I18	25	7
5	I27	26	11
6	I27	24	11
7			
8	K8	21	19
9			
10	I19	26	5
11	I19	25	5
12	J24	4	9
13	G18	20	13
14	G18	18	13
15			
16	J15	20	11
17	G19	9	13
18	G19	13	13
19	I23	6	7
20	J24	1	7
21	I29	17	11
22	I23	3	7
23	I29	11	11
24	J24	3	7
25	I24	1	7
26	I24	6	7
27	J25	3	9
28	J25	6	9

JACK PIN LG

63019800 Rev. A

Memory Cycle Path



PD

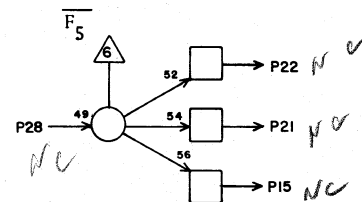
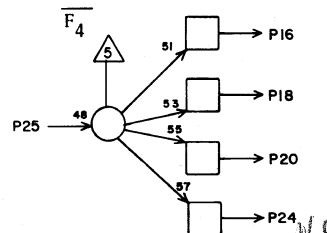
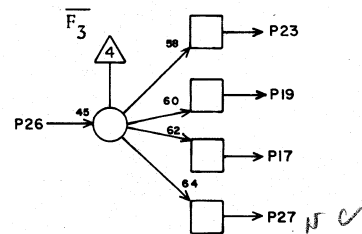
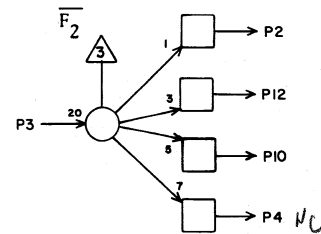
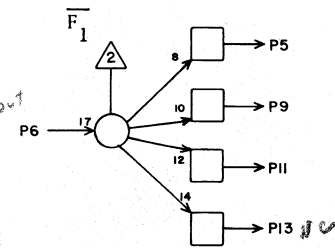
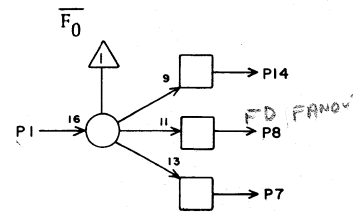
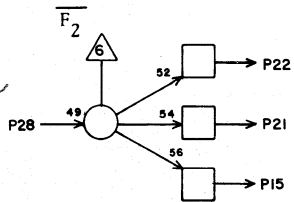
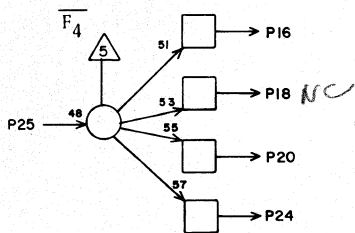
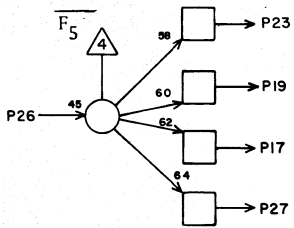
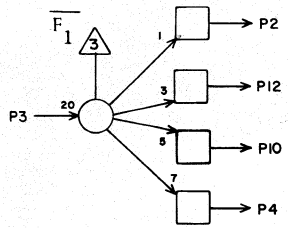
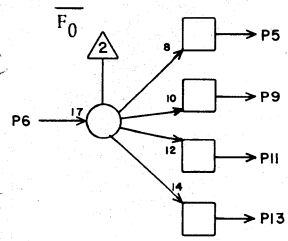
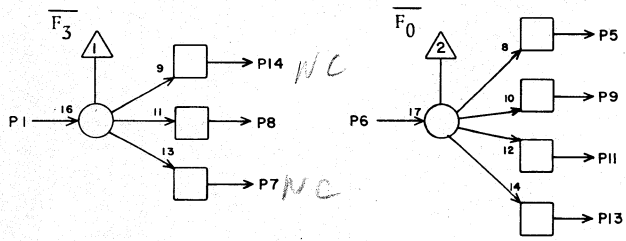
1 I22

1			
2			
3	J25	25	9
4	I29	19	11
5	I29	28	11
6	J25	26	9
7	I24	3	7
8	H29	12	11
9			
10	I24	26	7
11	I23	28	5
12	I23	1	5
13	G19	16	13
14	G19	11	13
15			
16	J15	21	13
17	G19	20	13
18	G19	18	13
19	I23	25	5
20	I24	25	5
21	J25	1	7
22	I23	26	5
23	J25	28	9
24	H29	10	13
25	I15	24	11
26	I15	26	11
27	I29	24	11
28			

JACK PIN LG

63019800 Rev. A





TH 1I23

1	I22	12	5
2	I26	24	7
3	I21	22	7
4	H29	25	11
5	I26	6	7
6	I21	19	7
7			
8	J24	27	9
9	I26	23	7
10	J27	3	9
11	J27	1	9
12	I26	25	7
13	H29	27	11
14			
15	J24	5	7
16	H29	5	11
17	J24	25	9
18			
19	M12	28	23
20	J24	23	9
21	H29	14	11
22	J27	10	9
23	J31	1	11
24	I29	26	11
25	I22	19	5
26	I22	22	5
27	H23	25	7
28	I22	11	5

JACK PIN LG

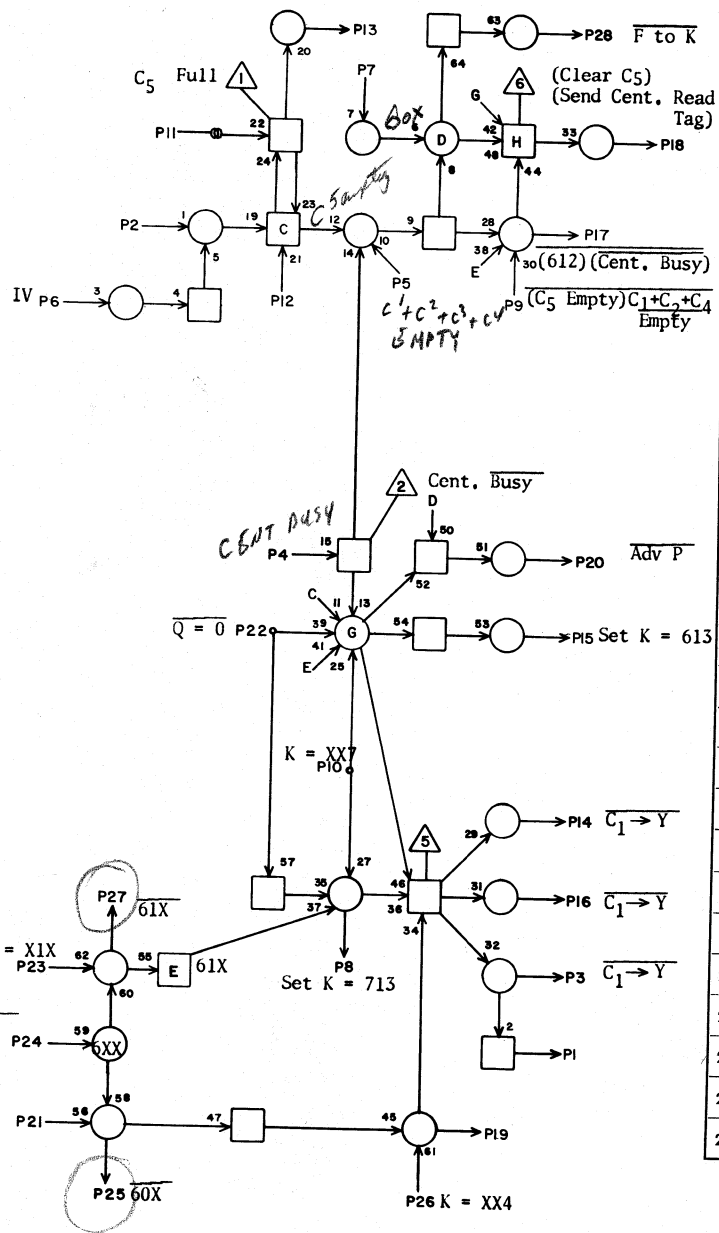
63019800 Rev. A

TH 1I24

1	I21	25	7
2	J31	26	11
3	I22	7	7
4			
5	K31	1	13
6	I21	26	7
7	H22	26	7
8	M12	1	21
9	M12	6	21
10	H23	4	7
11	H22	25	7
12	M12	3	21
13			
14	K31	2	13
15			
16	J31	2	11
17	H23	3	9
18	M12	25	23
19	M12	26	23
20	H23	26	7
21			
22			
23	J31	25	9
24			
25	I22	20	5
26	I22	10	7
27			
28			

JACK PIN LG

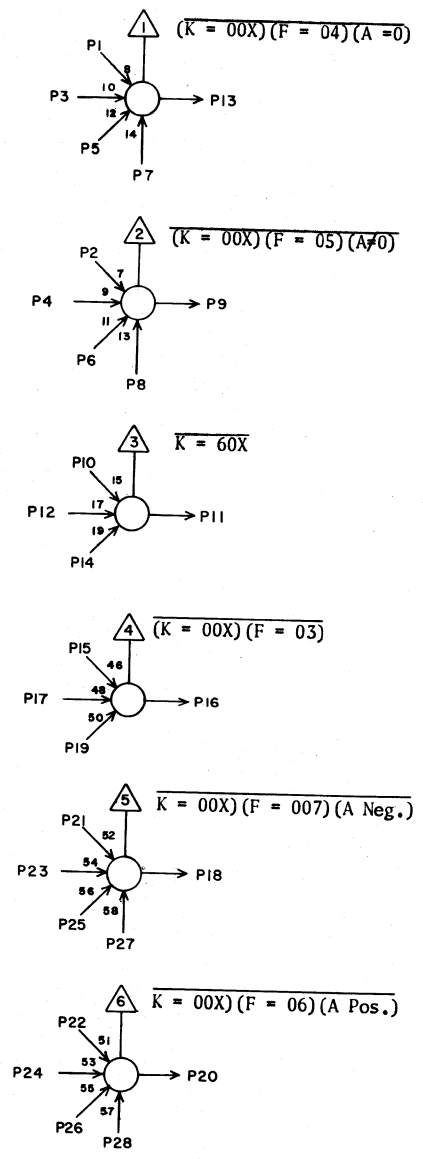
63019800 Rev. A



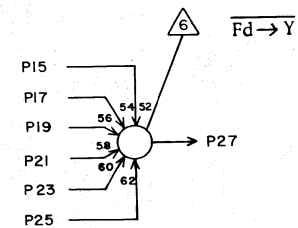
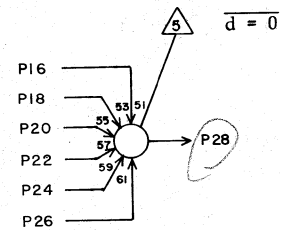
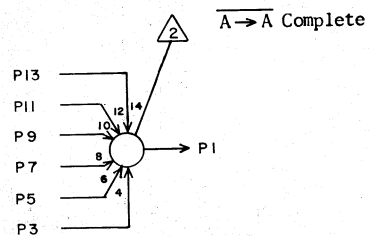
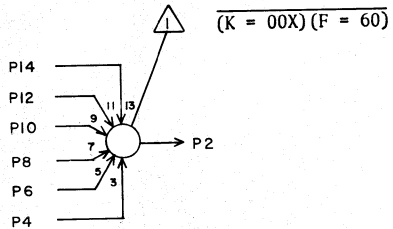
PX 1125

JACK	PIN	LG
1	J29	3 7
2	H31	21 11
3	H28	15 7
4	I29	27 7
5	L28	20 17
6	H32	17 11
7	J17	7 13
8	I16	25 13
9	M27	23 19
10	M15	22 23
11	W05	905
12	N29	21 23
13	L29	23 156"
14	H26	15 9
15	L24	17 15
16	H27	15 9
17	K23	3 11
18	G31	3 15
19	L20	9 17
20	J18	14 13
21	M16	11 21
22	P13	3 31
23	M16	8 23
24	M19	28 25
25	L29	17 17
26	M15	11 21
27	L29	13 17
28	H29	2 11

TI 1126



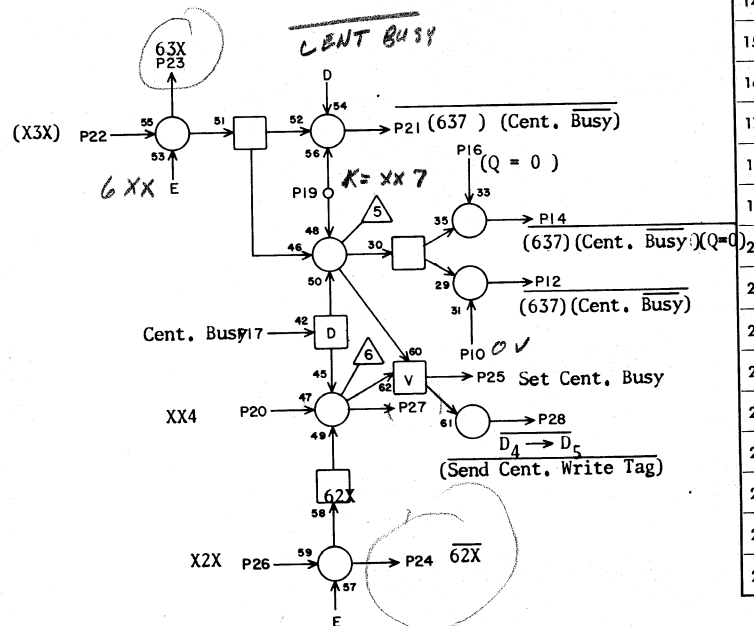
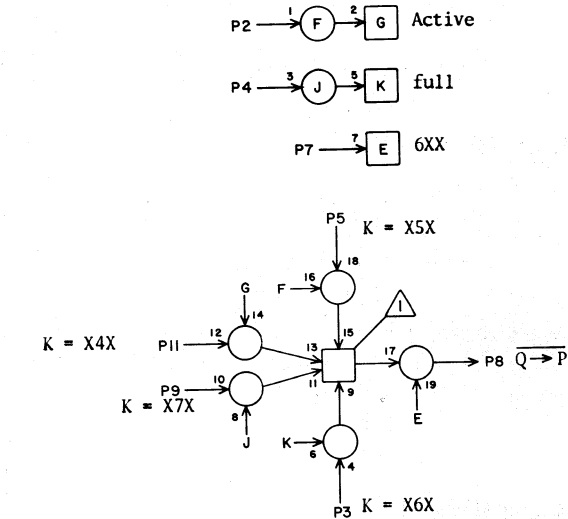
JACK	PIN	LG
1	J27	13 7
2	J27	12 7
3	J25	9 7
4	J25	2 7
5	J25	12 7
6	I23	5 7
7	P13	11 31
8	P13	6 31
9	J26	8 7
10	M24	7 19
11	I27	15 5
12	M22	20 19
13	J26	6 7
14	I26	X 2
15	J27	19 9
16	J26	2 7
17	M21	9 19
18	J26	4 7
19	I26	X 2
20	J26	10 7
21	J27	17 9
22	J27	15 9
23	I23	9 7
24	I23	2 7
25	I23	12 7
26	J25	11 7
27	N5	8 29
28	N5	3 29



TA		1 I27	
1	J17	6	15
2	J17	1	15
3	L21	18	17
4	I15	20	15
5	L21	4	17
6	M21	6	19
7	L20	12	17
8	J25	20	9
9	H29	7	9
10	J25	19	9
11	L21	27	17
12	J25	10	9
13	I29	14	7
14	J25	5	7
15	I26	11	5
16	I20	6	11
17	M28	13	19
18	I20	5	11
19	M28	11	19
20	I20	23	11
21	M24	21	19
22	I20	21	11
23	L22	10	17
24	I21	6	11
25	M21	24	21
26	I21	25	11
27	J17	28	15
28	J24	21	9

JACK PIN LG

63019800 Rev. A

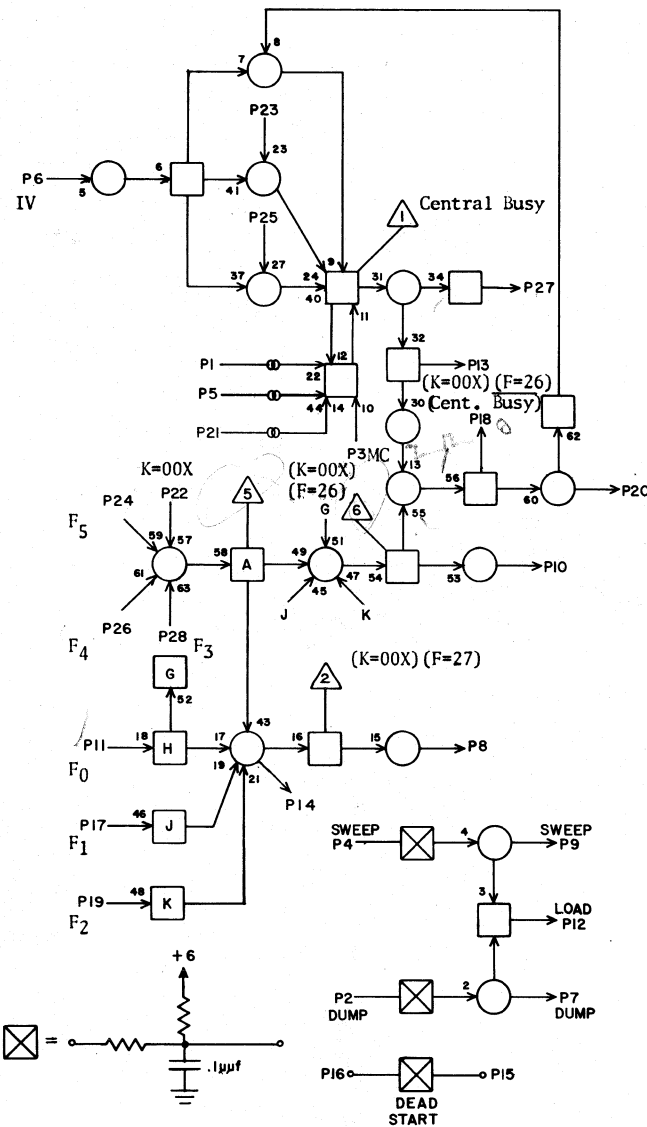


PW		1 I28	
1			
2	N31	13	23
3	M17	25	23
4	N30	13	23
5	M17	8	21
6			
7	M19	23	23
8	L28	6	15
9	M17	26	23
10	I28	X	2
11	M17	11	21
12	L24	15	13
13			
14	L24	2	13
15			
16	P13	12	33
17	J17	2	13
18			
19	M15	24	23
20	M15	7	23
21	J17	26	15
22	L22	18	17
23	L30	13	15
24	L30	17	15
25	I29	23	5
26	M22	11	19
27	L20	11	17
28	J32	3	7

JACK PIN LG

63019800 Rev. A

EXCHANGE JUMP AND CENTRAL REFERENCE CONTROL



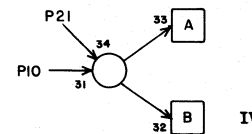
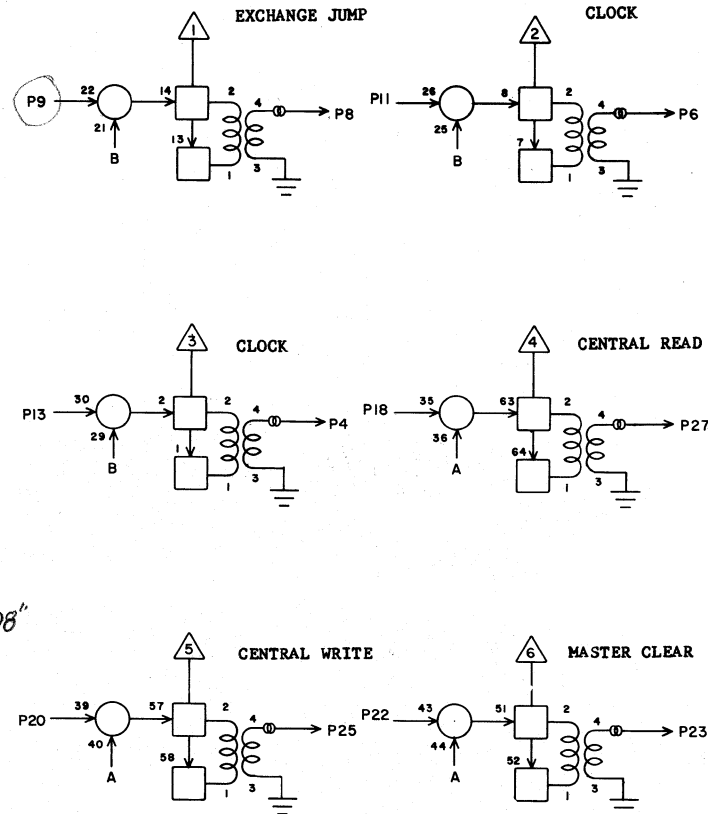
PQ 1 I29

1	W05	906	
2			
3	N29	19	23
4			
5	W12	900	
6	G31	21	13
7	Q29	25	33
8	J17	25	15
9	R18	14	39
10	L28	3	15
11	I21	23	11
12	R18	15	39
13	<del>I28</del>	<del>17</del>	<del>5</del>
14	I27	13	7
15	J16	11	15
16			
17	I21	21	11
18	J30	28	108
19	I22	4	11
20	J18	7	15
21	W08	905	
22	M21	13	21
23	I28	25	5
24	I22	27	11
25	G31	13	13
26	I23	24	11
27	I25	4	7
28	I22	5	11

JACK PIN LG

20 - J30 - 28

63019800 Rev. A



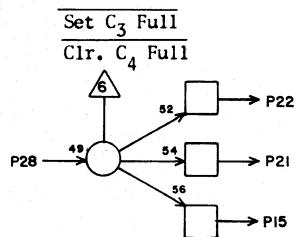
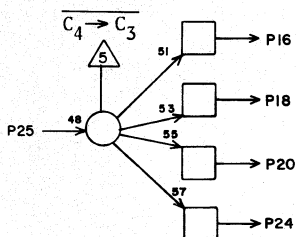
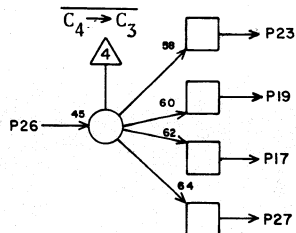
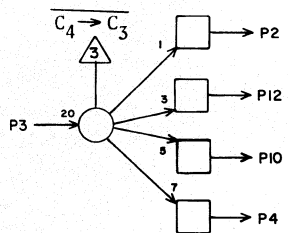
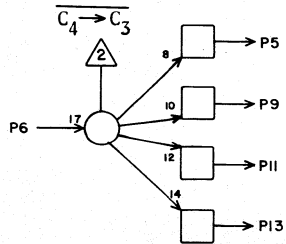
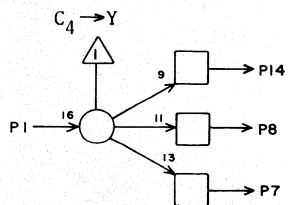
J30-22 → J18-7

PL 1 I30

1			
2			
3			
4	W12	902	
5			
6			
7			
8	W12	905	
9	J30	22	5
10	H32	19	96
11	I30	X	2
12			
13	I30	X	2
14			
15			
16			
17			
18	G31	15	13
19			
20	J32	15	9
21	I30	X	2
22	G 7	22	25
23	W12	901	
24			
25	W12	904	
26			
27	W12	903	
28			

JACK PIN LG

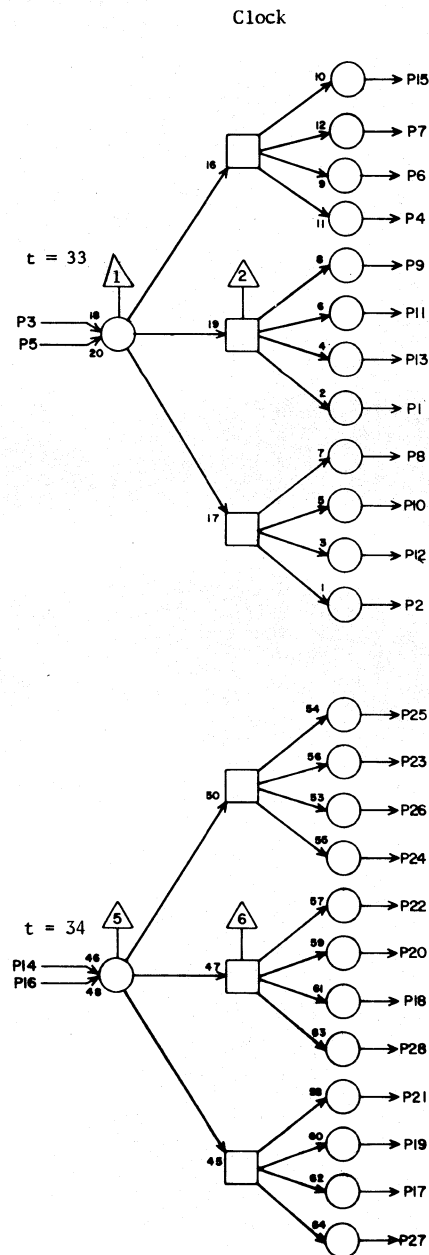
63019800 Rev. A



TM			
	1 I31		
1	L29	16	17
2	I39	9	11
3	I31	20	5
4	I40	22	11
5	I37	9	9
6	I31	18	5
7	H28	12	9
8	H27	12	9
9	I37	22	9
10	I40	9	11
11	I38	9	9
12	I39	22	9
13	I38	22	9
14	H26	12	11
15			
16	I31	28	5
17	I42	9	13
18	I31	6	5
19	I41	22	13
20	I31	3	5
21	J29	28	9
22	J29	26	9
23	I41	9	13
24	I31	26	5
25	L29	11	15
26	I31	24	15
27	I42	22	13
28	I31	16	5

JACK    PIN    LG

63019800 Rev. A



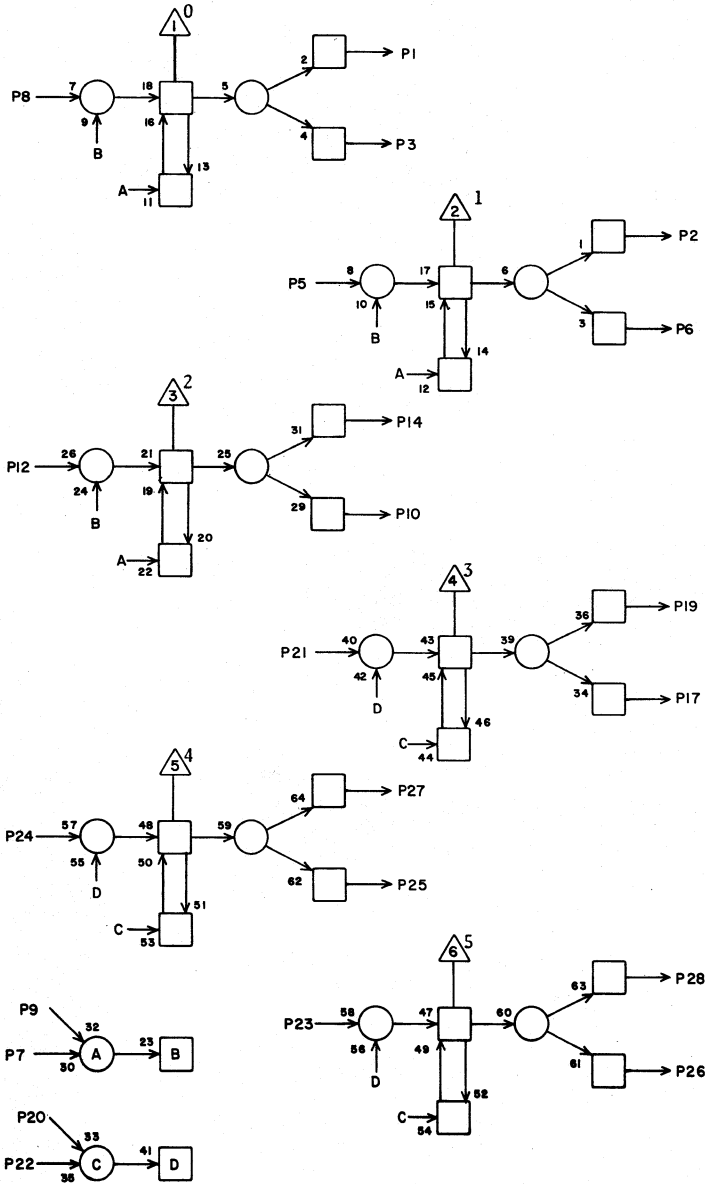
TC			
	1 I32		
1	I33	7	5
2	I33	20	5
3	H5	4	29
4	I34	7	7
5	I32	X	2
6	I34	20	7
7	I35	7	7
8	I35	20	7
9	I36	7	9
10	I36	20	9
11	I37	7	9
12	I37	20	9
13	I38	7	9
14	H5	6	29
15	I38	20	9
16	I32	X	2
17	J39	10	11
18	J40	10	13
19	J41	10	13
20	J42	10	13
21	I39	7	11
22	I39	20	11
23	I40	7	11
24	I40	20	11
25	I41	7	11
26	I41	20	11
27	I42	7	13
28	I42	20	13

JACK    PIN    LG

63019800 Rev. A

CENTRAL READ

C<sup>2</sup>



PA

1I33

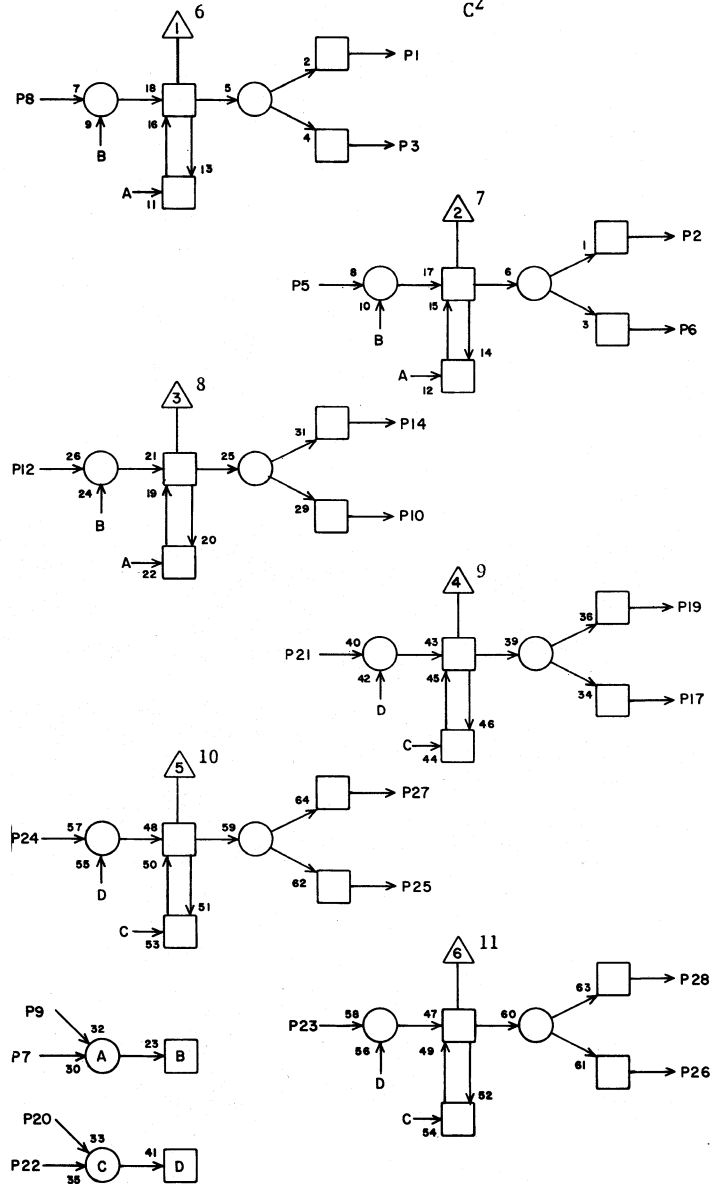
1	H33	8	7
2	H33	5	7
3			
4			
5	I37	2	7
6			
7	I32	1	5
8	I37	1	7
9	H30	2	9
10			
11			
12	I37	14	7
13			
14	H33	12	7
15			
16			
17			
18			
19	H33	21	9
20	I32	2	5
21	I37	19	7
22	H30	12	9
23	I37	28	9
24	I37	27	9
25			
26			
27	H33	24	9
28	H33	23	9

JACK PIN LG

63019800 Rev. A

CENTRAL READ

C<sup>2</sup>



PA

1I34

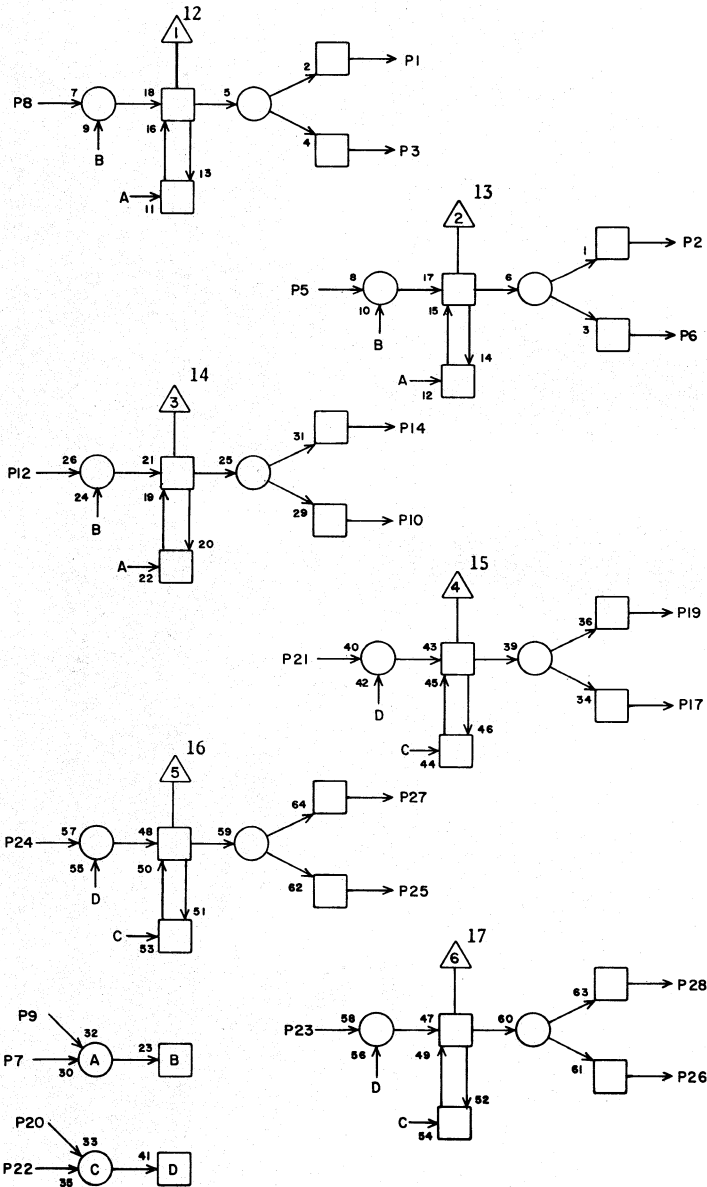
1	H34	8	7
2	H34	5	7
3			
4			
5	I38	2	7
6			
7	I32	4	7
8	I38	1	7
9	H30	10	9
10			
11			
12	I38	14	7
13			
14	H34	12	9
15			
16			
17			
18			
19	H34	21	9
20	I32	6	7
21	I38	19	7
22	H30	4	9
23	I38	28	7
24	I38	27	7
25			
26			
27	H34	24	9
28	H34	23	9

JACK PIN LG

63019800 Rev. A

CENTRAL READ

C<sup>2</sup>



PA

1I35

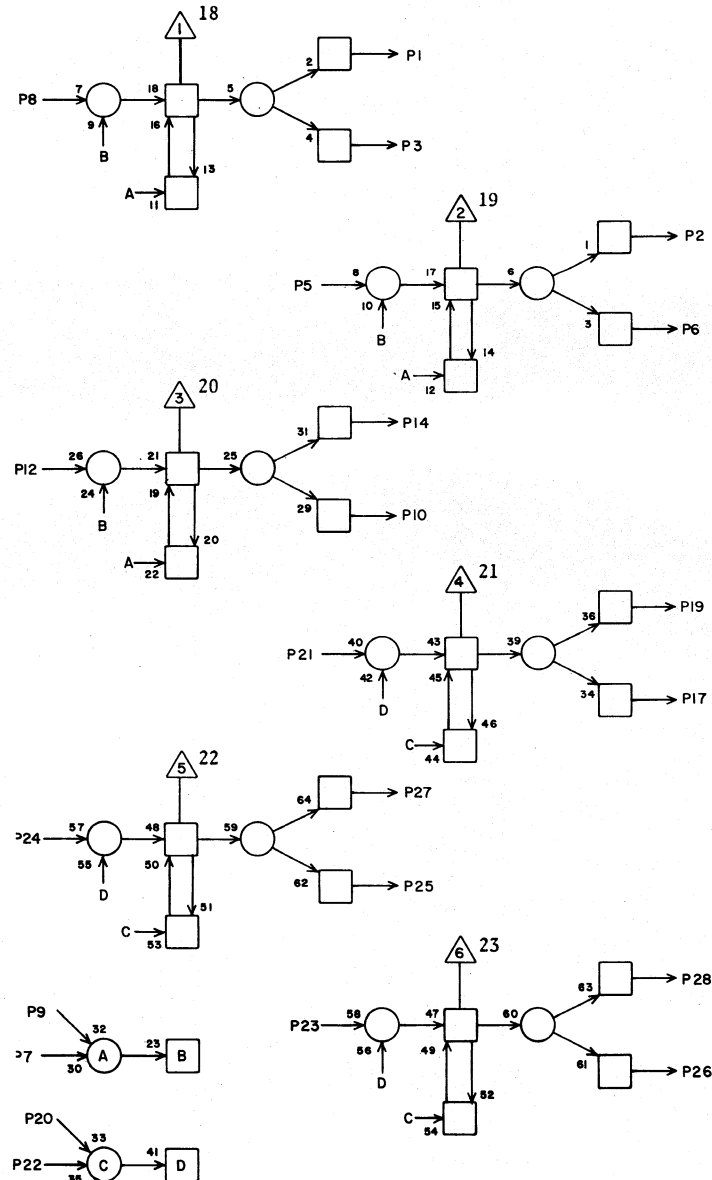
1	H26	6	15
2	H26	5	15
3			
4			
5	I39	2	7
6			
7	I32	7	7
8	I39	1	7
9	H30	23	11
10			
11			
12	I39	14	7
13			
14	H26	24	15
15			
16			
17			
18			
19	H26	23	15
20	I32	8	7
21	I39	19	7
22	H30	19	11
23	I39	28	7
24	I39	27	7
25			
26			
27	H27	6	13
28	H27	5	13

JACK PIN LG

63019800 Rev. A

CENTRAL READ

C<sup>2</sup>



PA

1I36

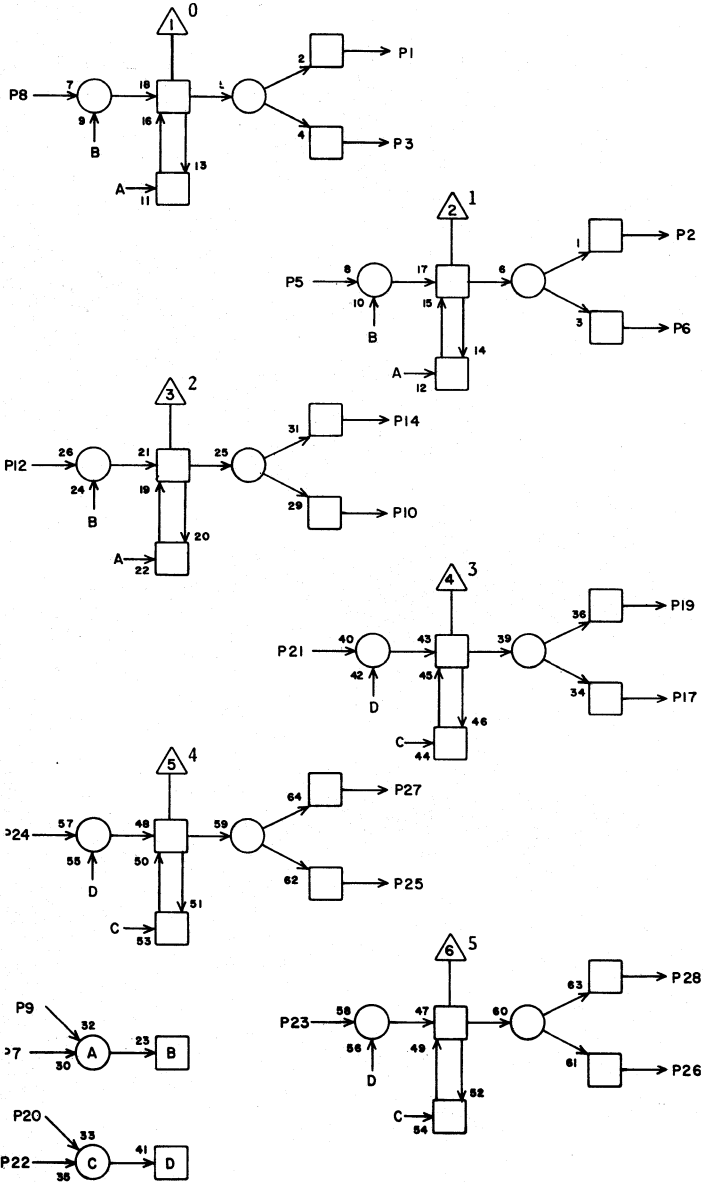
1	H27	24	13
2	H27	23	13
3			
4			
5	I40	2	7
6			
7	I32	9	9
8	I40	1	7
9	H30	17	11
10			
11			
12	I40	14	7
13			
14	H28	6	13
15			
16			
17			
18			
19	H28	5	13
20	I32	10	9
21	I40	19	7
22	H30	27	11
23	I40	28	7
24	I40	27	7
25			
26			
27	H28	24	13
28	H28	23	13

JACK PIN LG

63019800 Rev. A

CENTRAL READ

C<sup>3</sup>



PA

1 I37

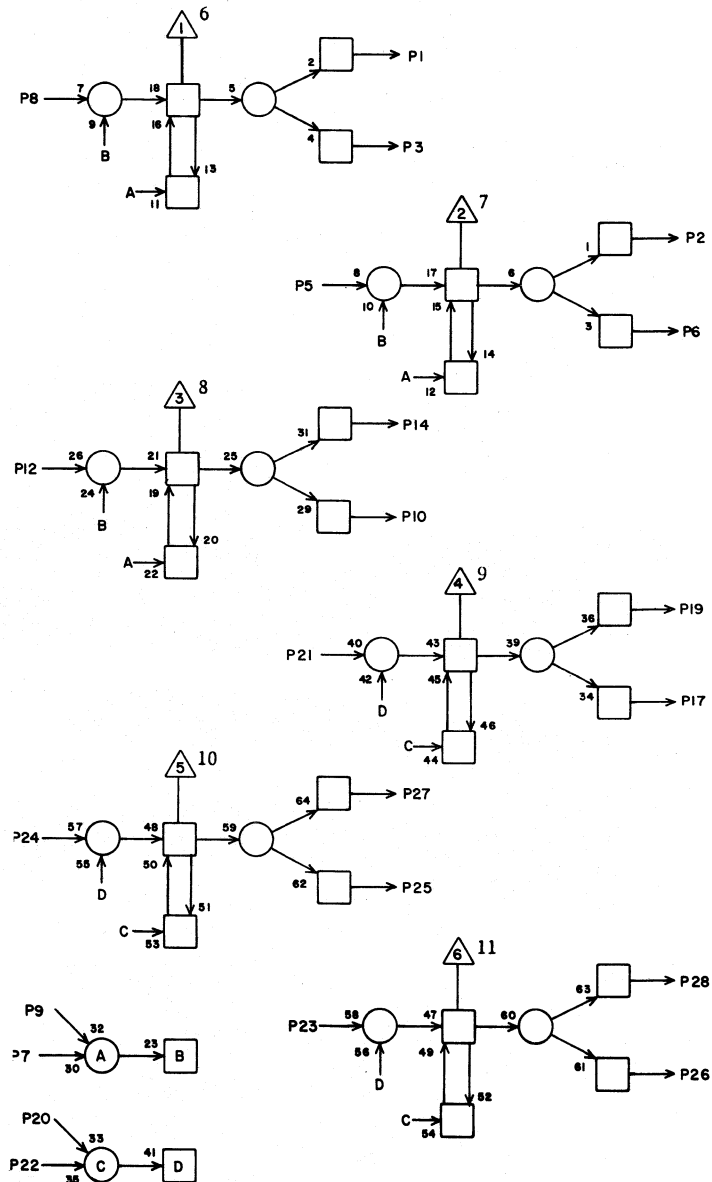
1	I33	8	7
2	I33	5	7
3			
4			
5	H35	2	7
6			
7	I32	11	9
8	H35	1	7
9	I31	5	9
10			
11			
12	H35	10	9
13			
14	I33	12	7
15			
16			
17			
18			
19	I33	21	7
20	I32	12	9
21	H35	17	7
22	I31	9	9
23	H35	26	7
24	H35	25	7
25			
26			
27	I33	24	9
28	I33	23	9

JACK PIN LG

63019800 Rev. A

CENTRAL READ

C<sup>3</sup>



PA

1 I38

1	I34	8	7
2	I34	5	7
3			
4			
5	H36	2	7
6			
7	I32	13	9
8	H36	1	7
9	I31	11	11
10			
11			
12	H36	14	9
13			
14	I34	12	7
15			
16			
17			
18			
19	I34	21	7
20	I32	15	9
21	H36	19	9
22	I31	13	11
23	H36	28	7
24	H36	27	7
25			
26			
27	I34	24	7
28	I34	23	7

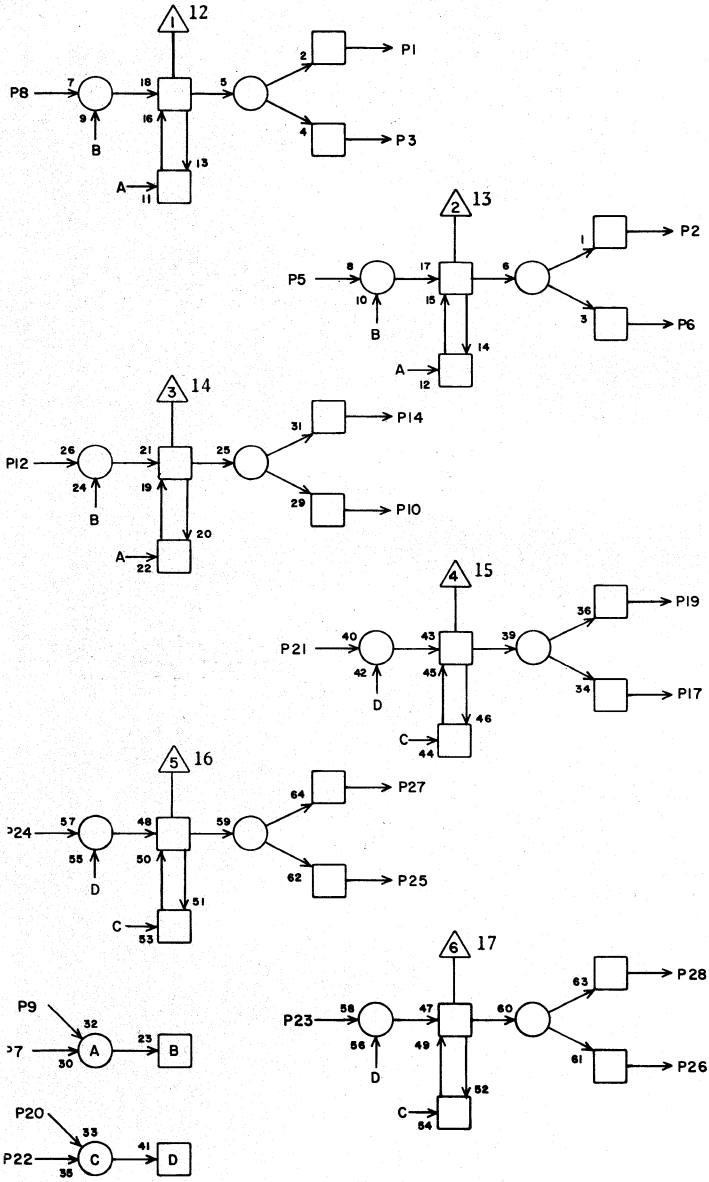
JACK PIN LG

63019800 Rev. A



CENTRAL READ

C<sup>3</sup>



PA

1 I39

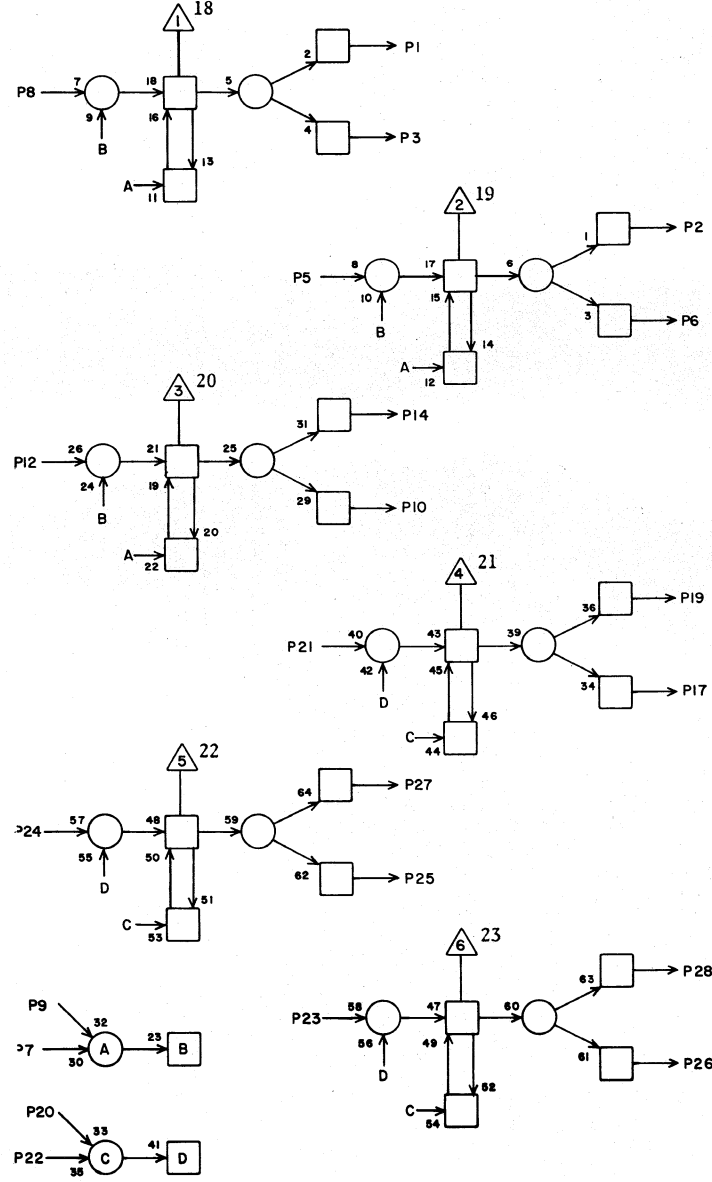
1	I35	8	7
2	I35	5	7
3			
4			
5	H37	2	7
6			
7	I32	21	11
8	H37	1	7
9	I31	2	11
10			
11			
12	H37	14	9
13			
14	I35	12	7
15			
16			
17			
18			
19	I35	21	7
20	I32	22	11
21	H37	19	9
22	I31	12	11
23	H37	28	7
24	H37	27	7
25			
26			
27	I36	24	7
28	I35	23	7

JACK PIN LG

63019800 Rev. A

CENTRAL READ

C<sup>3</sup>



PA

1 I40

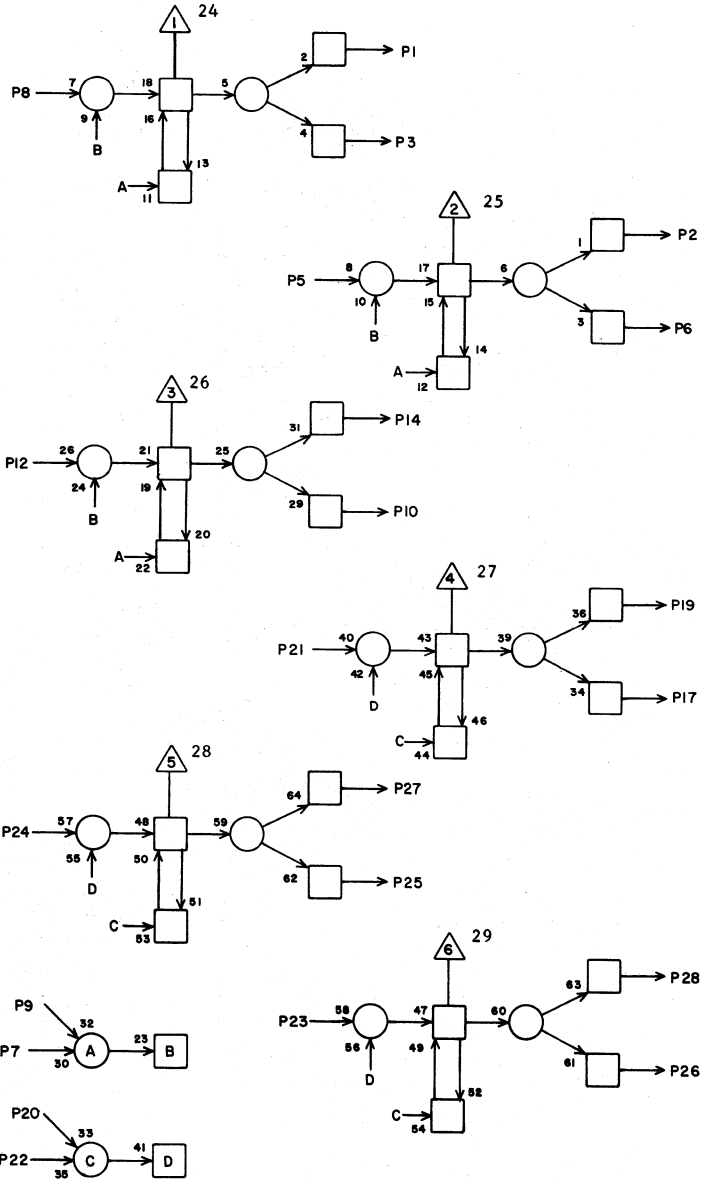
1	I36	8	7
2	I36	5	7
3			
4			
5	H38	2	7
6			
7	I32	23	13
8	H38	1	7
9	I31	10	13
10			
11			
12	H38	14	9
13			
14	I36	12	7
15			
16			
17			
18			
19	I36	21	7
20	I32	24	13
21	H38	19	9
22	I31	4	13
23	H38	28	9
24	H38	27	9
25			
26			
27	I36	24	7
28	I36	23	7

JACK PIN LG

63019800 Rev. A

CENTRAL READ

C<sup>3</sup>



PA

1I41

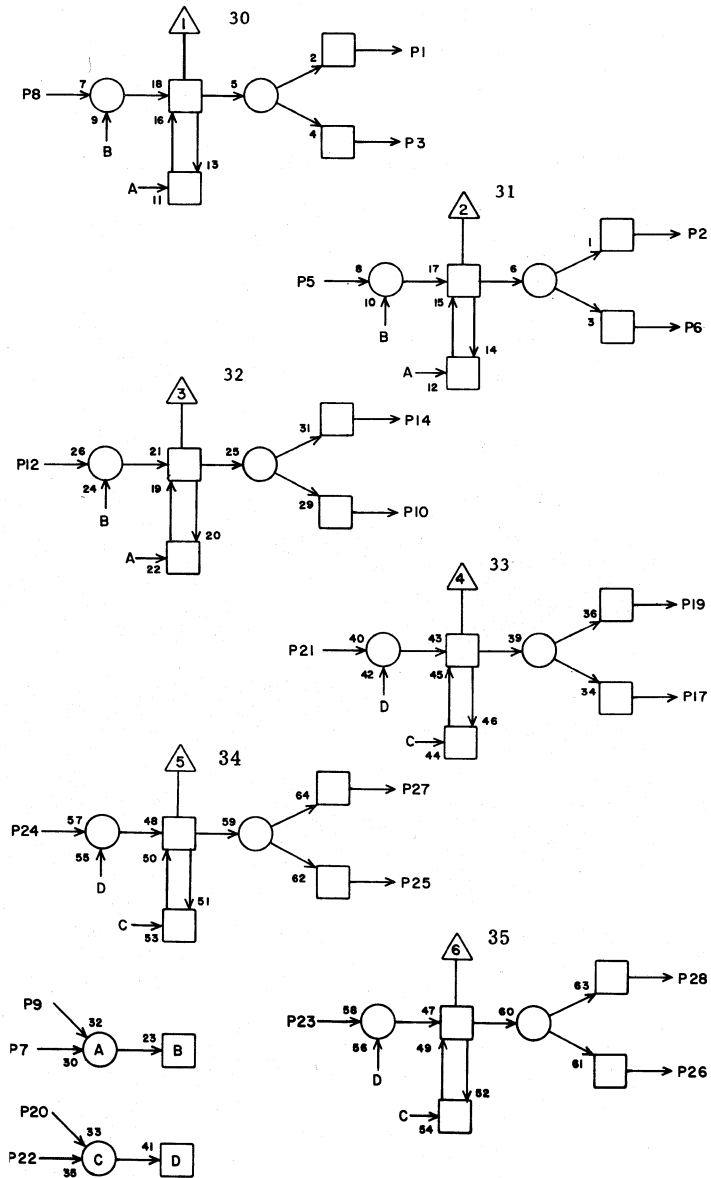
1	H26	4	19
2	H26	3	19
3			
4			
5	H39	2	7
6			
7	I32	25	11
8	H39	1	7
9	I31	23	15
10			
11			
12	H39	14	9
13			
14	H26	26	19
15			
16			
17			
18			
19	H26	25	19
20	I32	26	11
21	H39	19	9
22	I31	19	13
23	H39	28	9
24	H39	27	9
25			
26			
27	H27	4	17
28	H27	3	17

JACK PIN LG

63019800 Rev. A

CENTRAL READ

C<sup>3</sup>



PA

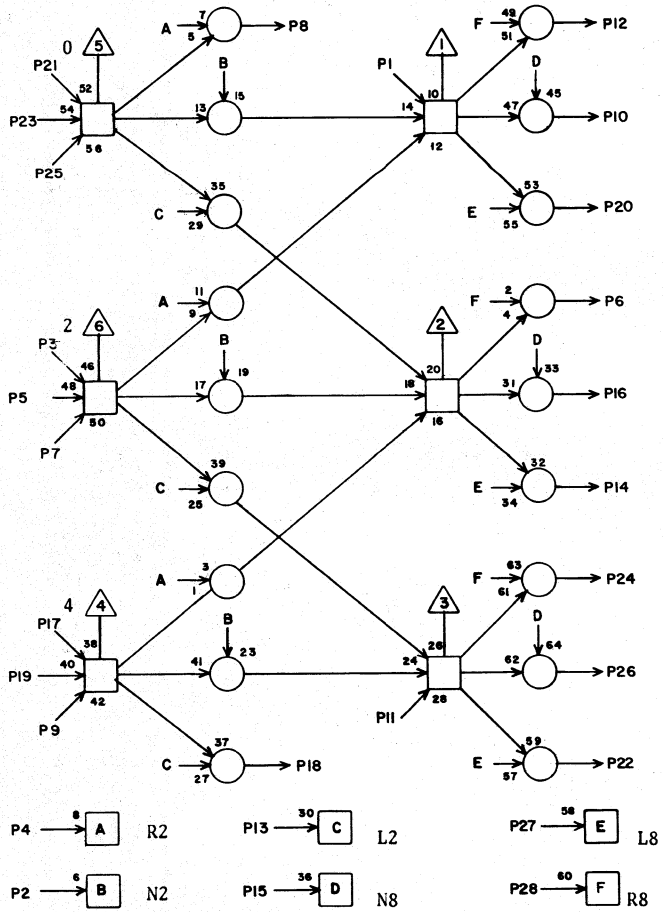
1I42

1	H27	26	19
2	H27	25	19
3			
4			
5	H40	2	7
6			
7	I32	27	13
8	H40	1	7
9	I31	17	15
10			
11			
12	H40	14	9
13			
14	H28	4	17
15			
16			
17			
18			
19	H28	3	17
20	I32	28	13
21	H40	19	9
22	I31	27	15
23	H40	28	9
24	H40	27	9
25			
26			
27	H28	26	17
28	H28	25	17

JACK PIN LG

63019800 Rev. A

Shift Network  
Rank 2



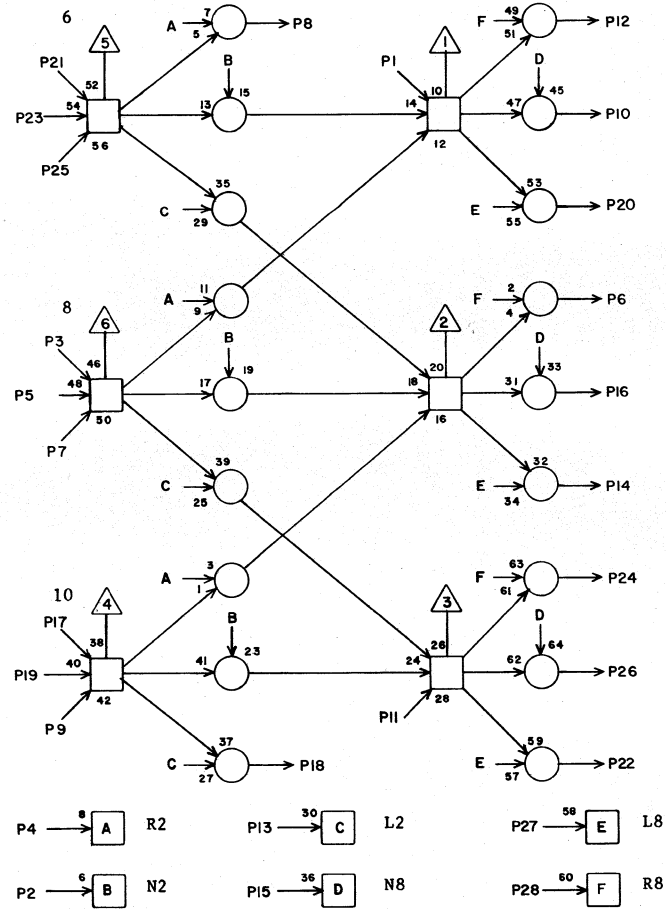
QF **1J1**

JACK	PIN	LG	
1	J3	18	7
2	I8	8	13
3	I6	14	11
4	I8	13	13
5	I1	26	7
6			
7	I3	12	7
8			
9	I3	24	7
10	K7	3	11
11	J2	8	3
12			
13	I8	16	13
14	K12	5	15
15	J8	8	11
16	K8	3	11
17	I1	20	9
18	J2	1	5
19	I2	16	9
20	K11	5	13
21	I5	22	9
22	K13	5	15
23	I1	10	9
24			
25	I2	6	9
26	K9	3	11
27	J8	16	11
28	J8	13	11

JACK PIN LG

63019800 Rev. A

Shift Network  
Rank 2



QF **1J2**

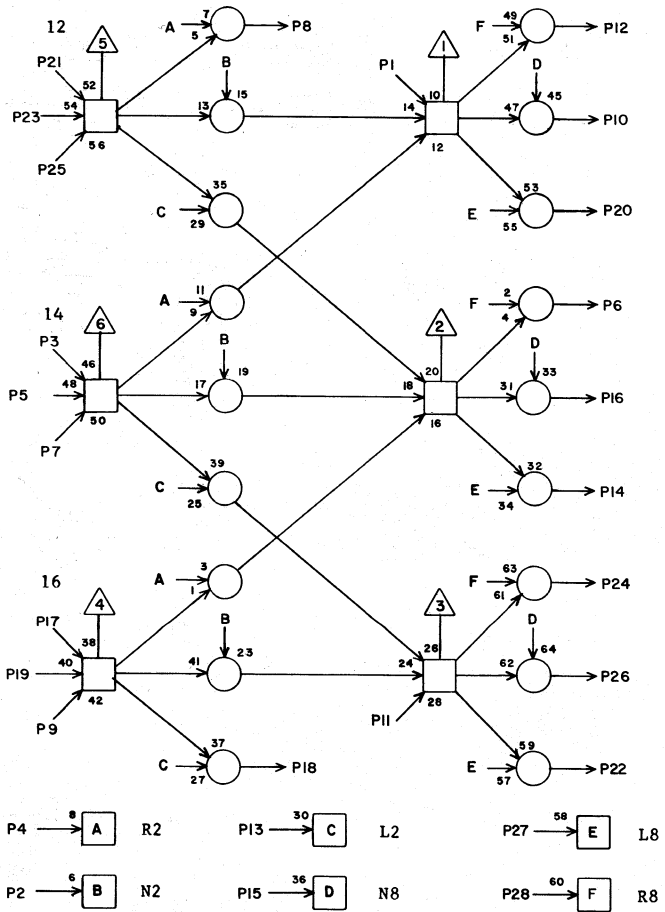
JACK	PIN	LG	
1	J1	18	5
2	I8	4	9
3	I2	14	7
4	I8	12	11
5	I3	26	7
6	K7	7	9
7	I5	12	7
8	J1	11	3
9	I5	24	9
10	K10	3	13
11	J3	8	3
12			
13	I8	18	11
14	K15	5	17
15	J8	4	9
16	K11	3	13
17	I3	20	9
18	J3	1	5
19	I4	16	9
20	K14	5	15
21	I1	22	9
22	K7	5	9
23	I3	10	9
24	K8	7	11
25	I4	6	9
26	K12	3	13
27	J8	18	9
28	J8	12	9

JACK PIN LG

63019800 Rev. A

Shift Network

Rank 2



QF

1J3

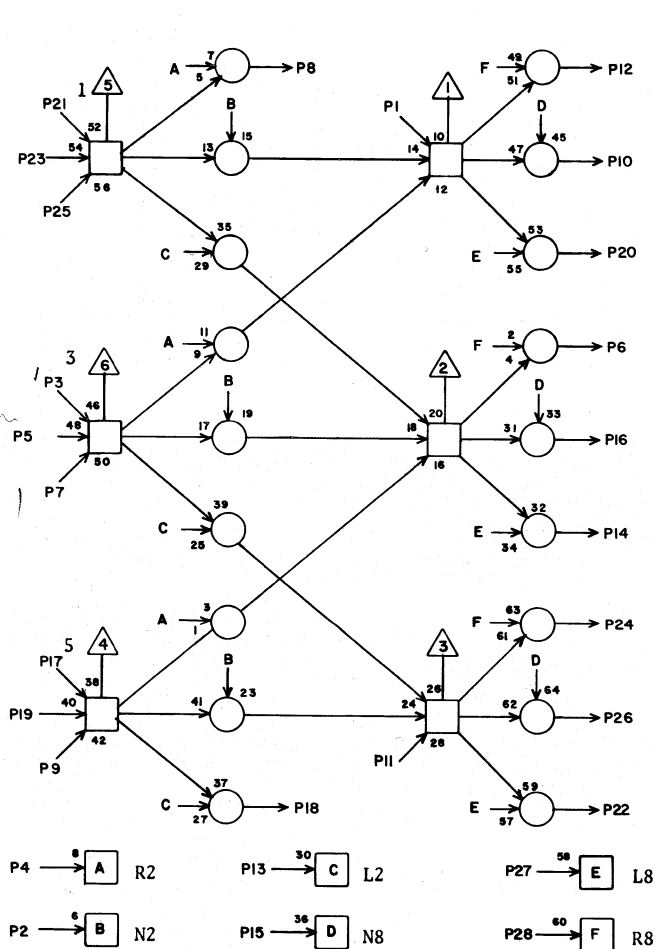
1	J2	18	5
2	I8	2	9
3	I4	14	7
4	I8	10	9
5	I5	26	7
6	K10	7	11
7	H6	12	13
8	J2	11	3
9	H6	10	13
10	K13	3	13
11	H6	8	13
12	K9	7	11
13	I8	20	11
14	K9	5	11
15	J8	2	9
16	K14	3	15
17	I5	20	9
18	J1	1	7
19	I6	16	9
20	K8	5	9
21	I3	22	9
22	K10	5	11
23	I5	10	9
24	K11	7	13
25	I6	6	9
26	K15	3	15
27	J8	20	9
28	J8	10	9

JACK PIN LG

63019800 Rev. A

Shift Network

Rank 2



QF

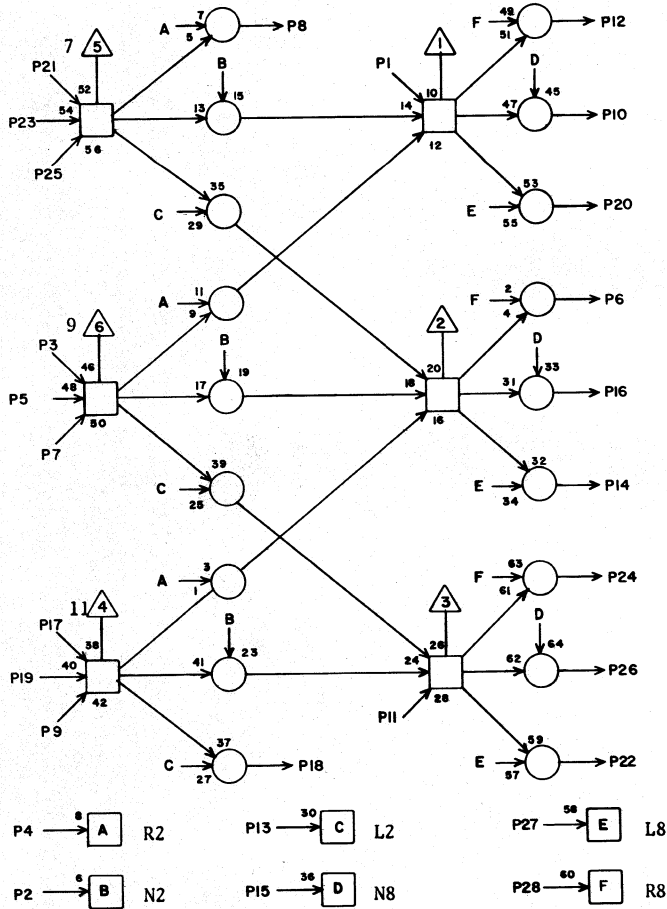
1J4

1	J6	18	7
2	I8	22	9
3	I6	22	7
4	I8	11	9
5	I2	10	7
6			
7	I3	6	7
8			
9	I4	12	7
10	K7	28	9
11	J5	8	3
12			
13	I8	15	9
14	K12	26	13
15	J8	22	7
16	K8	28	11
17	I1	14	9
18	J5	1	5
19	I2	26	9
20	K11	26	13
21	I6	20	9
22	K13	26	13
23	I1	16	11
24			
25	I2	24	9
26	K9	28	11
27	J8	15	7
28	J8	11	7

JACK PIN LG

63019800 Rev. A

Shift Network  
Rank 2



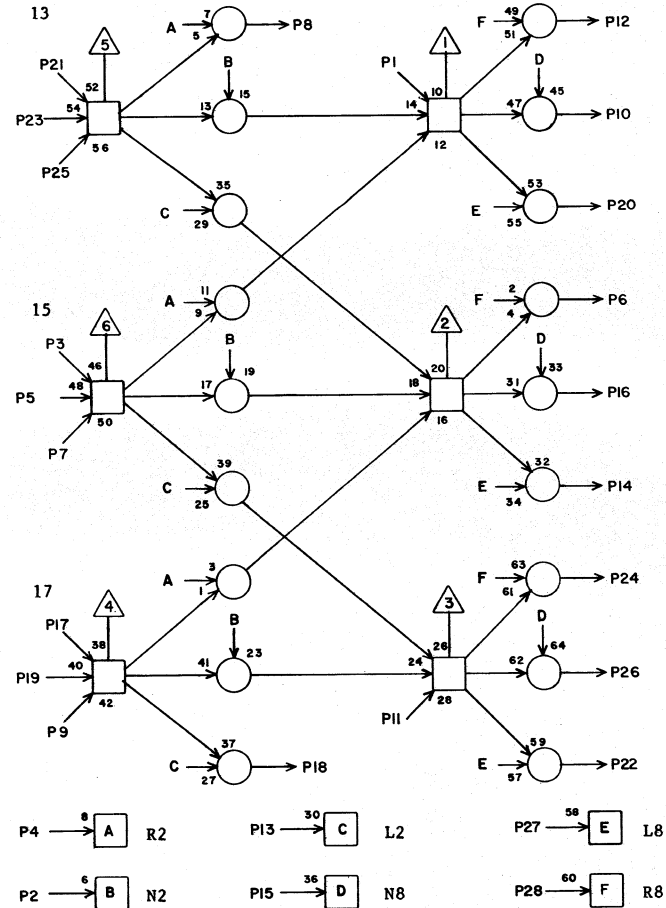
QF 1J5

1	J4	18	5
2	I8	26	9
3	I2	22	7
4	I8	9	9
5	I4	10	7
6	K7	24	9
7	I5	6	9
8	J4	11	3
9	I6	12	7
10	K10	28	11
11	J6	8	3
12			
13	I8	17	9
14	K15	26	15
15	J8	26	7
16	K11	28	11
17	I3	14	9
18	J6	1	5
19	I4	26	9
20	K14	26	13
21	I2	20	9
22	K7	26	9
23	I3	16	9
24	K8	24	9
25	I4	24	9
26	K12	28	13
27	J8	17	7
28	J8	9	7

JACK PIN LG

63019800 Rev. A

Shift Network  
Rank 2

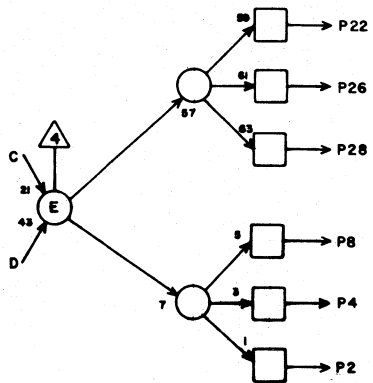
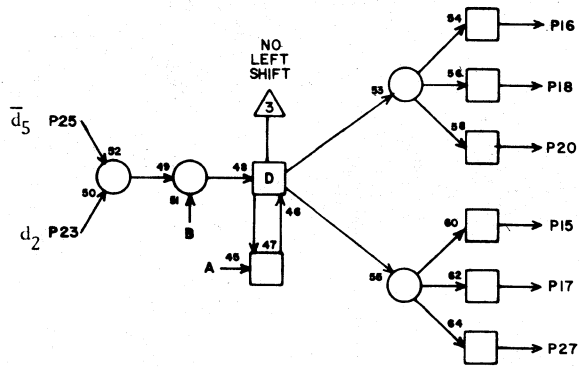
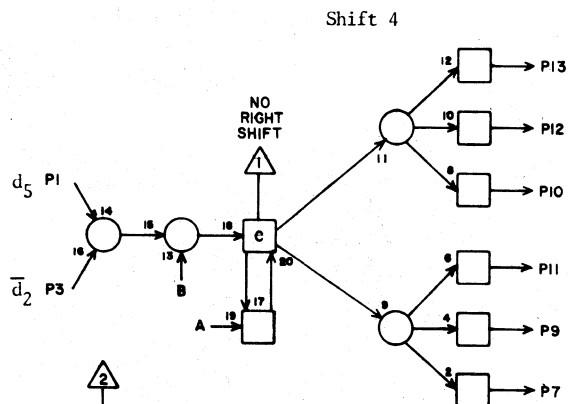


QF 1J6

1	J5	18	5
2	I8	28	9
3	I4	22	7
4	H6	7	13
5	I6	10	7
6	K10	24	11
7	H6	4	13
8	J5	11	3
9	H6	2	13
10	K13	28	13
11	H6	14	13
12	K9	24	9
13	I8	27	9
14	K9	26	9
15	J8	28	7
16	K14	28	13
17	I5	14	9
18	J4	1	7
19	I6	26	9
20	K8	26	9
21	I4	20	9
22	K10	26	11
23	I5	16	9
24	K11	24	11
25	I6	24	9
26	K15	28	13
27	J8	27	7
28	H6	15	13

JACK PIN LG

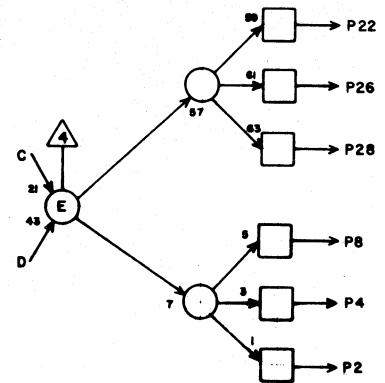
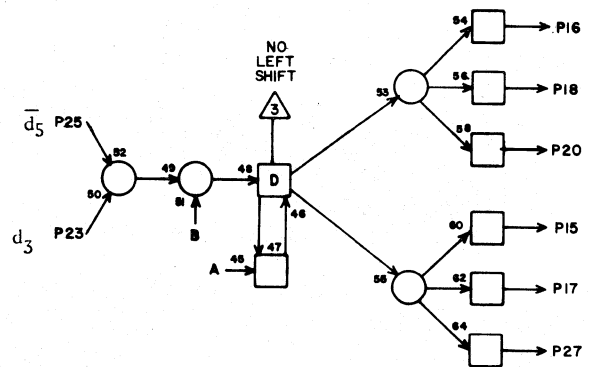
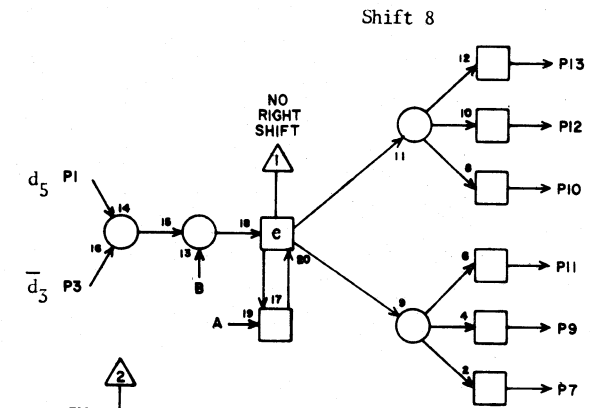
63019800 Rev. A



QG 1J7

1	K9	10	7
2	I3	15	9
3	I17	24	13
4	I2	15	9
5	L5	13	13
6			
7	L18	23	17
8	I1	15	11
9	I5	28	9
10	I3	28	7
11	I4	28	9
12	I2	28	11
13	I1	28	11
14			
15	I4	27	9
16	I1	27	11
17	I5	27	17
18	I2	27	11
19			
20	I3	27	9
21			
22	I4	15	9
23	M13	27	17
24			
25	K7	15	7
26	I5	15	9
27	I6	27	9
28	I6	15	9

JACK PIN LG

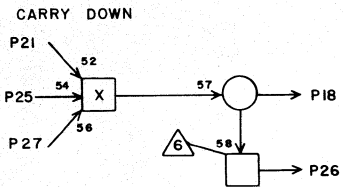
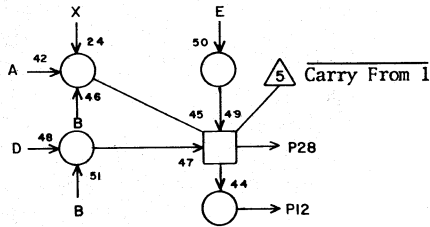
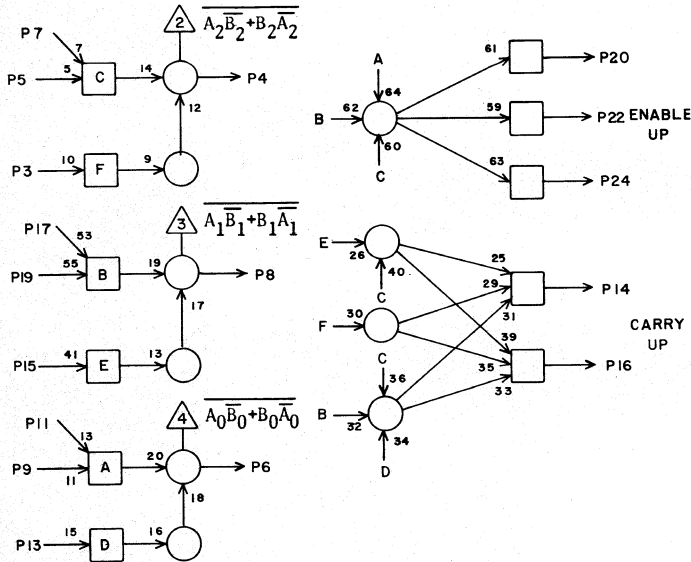
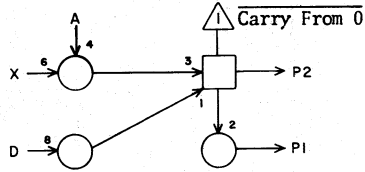


QG 1J8

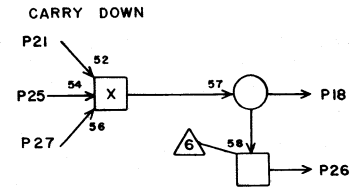
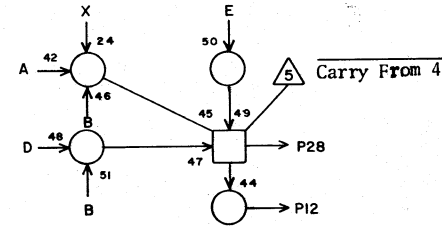
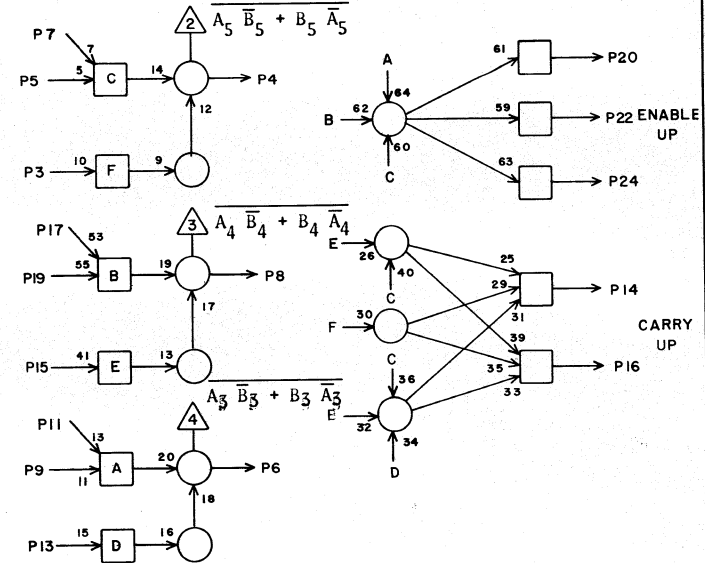
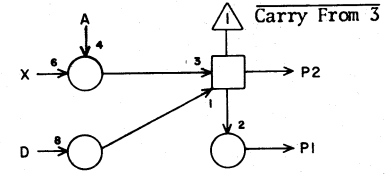
1	K9	15	7
2	J3	15	9
3	I17	13	13
4	J2	15	9
5	L5	15	9
6			
7	I16	28	11
8	J1	15	11
9	J5	28	7
10	J3	28	9
11	J4	28	7
12	J2	28	9
13	J1	28	11
14			
15	J4	27	7
16	J1	27	11
17	J5	27	7
18	J2	27	9
19			
20	J3	27	9
21			
22	J4	15	7
23	M13	24	17
24			
25	K7	16	9
26	J5	15	7
27	J6	27	7
28	J6	15	7

JACK PIN LG

A ADDER  
0-2



A Adder  
3-5



QB

1 J9

1	K7	25	9
2	K7	22	9
3	K1	23	13
4	K8	4	7
5	K1	28	13
6	K7	4	7
7	K1	25	13
8	K7	27	9
9	K1	1	13
10			
11	K1	5	13
12	K8	6	7
13	K1	9	13
14	I13	23	9
15	K1	10	13
16	I12	6	9
17	K1	17	13
18	K7	6	7
19	K1	8	13
20	I13	27	9
21	I12	13	9
22	I12	26	9
23			
24	I13	19	9
25	I12	17	9
26	K7	9	7
27	I12	21	9
28	K8	9	7

JACK PIN LG

63019800 Rev. A

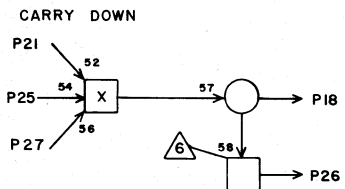
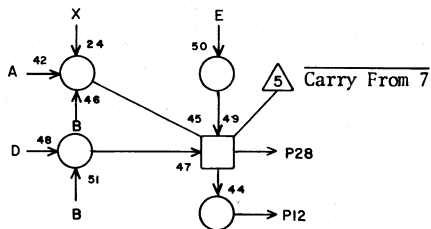
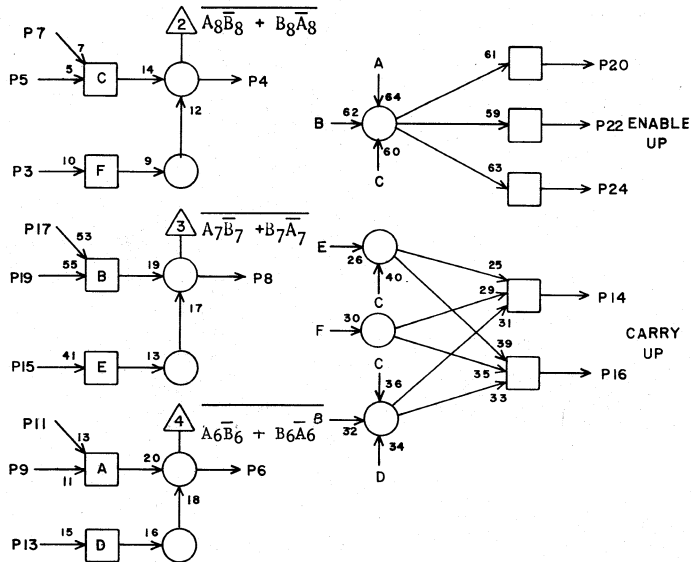
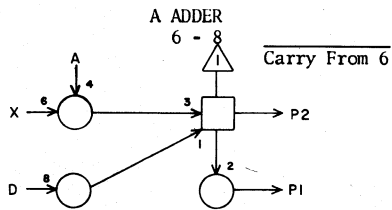
QB

1 J10

1	K9	6	7
2	K9	9	7
3	K2	23	13
4	K9	27	9
5	K2	28	13
6	K8	27	9
7	K2	25	13
8	K9	4	7
9	K2	1	13
10			
11	K2	5	13
12	K9	25	9
13	K2	9	13
14	I12	8	9
15	K2	10	13
16	I13	6	9
17	K2	17	13
18	K8	25	9
19	K2	8	13
20	I12	4	9
21	I13	13	9
22	I12	28	9
23			
24	I13	26	9
25	I13	17	9
26	K8	22	13
27	I13	21	9
28	K9	22	13

JACK PIN LG

63019800 Rev. A



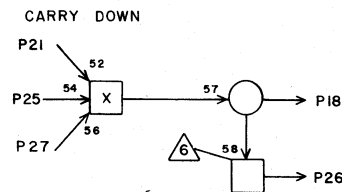
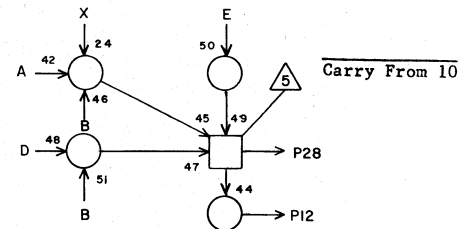
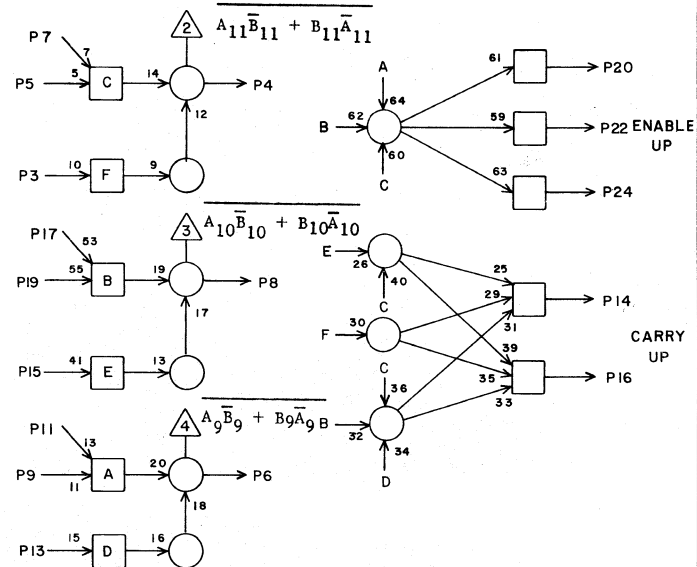
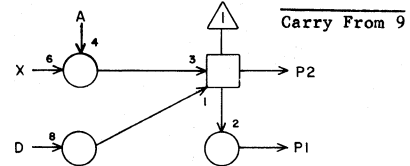
QB 1J11

1	K10	25	9
2	K10	22	9
3	K3	23	13
4	K11	4	7
5	K3	28	13
6	K10	4	7
7	K3	25	13
8	K10	27	9
9	K3	1	13
10			
11	K3	5	13
12	K11	6	7
13	K3	9	13
14	I12	14	9
15	K3	10	13
16	I13	8	9
17	K3	17	13
18	K10	6	7
19	K3	8	13
20	I13	4	9
21	I12	12	9
22	I12	3	9
23			
24	I13	28	9
25	I12	24	9
26	K10	9	7
27	I12	10	9
28	K11	9	7

JACK PIN LG

63019800 Rev. A

9 - 11  
A ADDER



QB 1J12

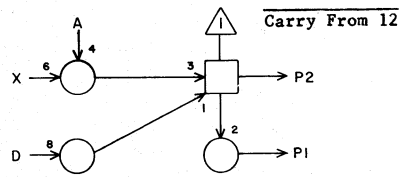
1	K12	6	7
2	K12	9	7
3	K4	23	13
4	K12	27	9
5	K4	28	13
6	K11	27	9
7	K4	25	13
8	K12	4	9
9	K4	1	13
10			
11	K4	5	13
12	K12	25	9
13	K4	9	13
14	I12	20	9
15	K4	10	13
16	I13	14	9
17	K4	17	13
18	K11	25	9
19	K4	8	13
20	I12	16	9
21	I13	12	9
22	I12	5	9
23			
24	I13	3	9
25	I13	24	9
26	K11	22	9
27	I13	10	9
28	K12	22	9

JACK PIN LG

63019800 Rev. A



A ADDER



QB

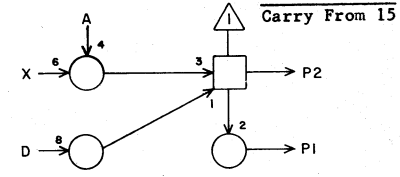
1J13

1	K13	25	9
2	K13	22	9
3	K5	23	13
4	K14	4	7
5	K5	28	13
6	K13	4	7
7	K5	25	13
8	K13	27	9
9	K5	1	13
10			
11	K5	5	13
12	K14	6	7
13	K5	9	13
14	I12	25	9
15	K5	10	13
16	I13	20	9
17	K5	17	13
18	K13	6	7
19	K5	8	13
20	I13	16	9
21	I12	18	9
22	I12	15	9
23			
24	I13	5	9
25	I12	7	9
26	K13	9	7
27	I12	11	9
28	K14	9	7

JACK PIN LG

63019800 Rev. A

A ADDER



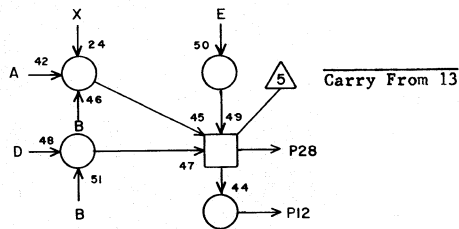
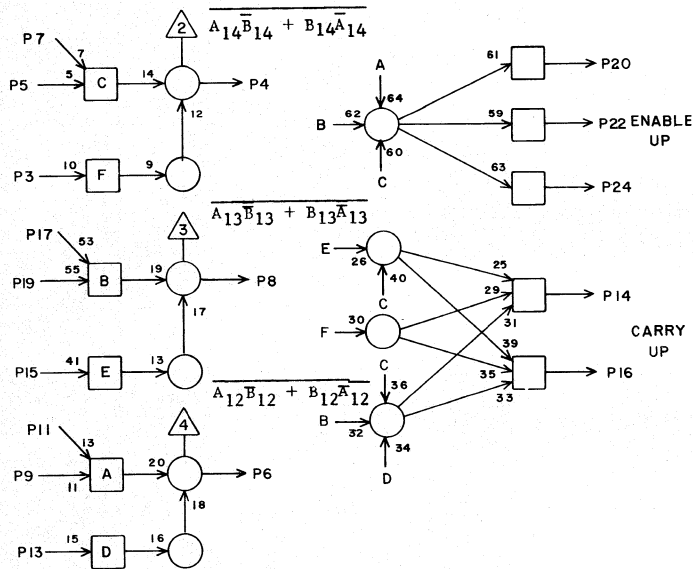
QB

1J14

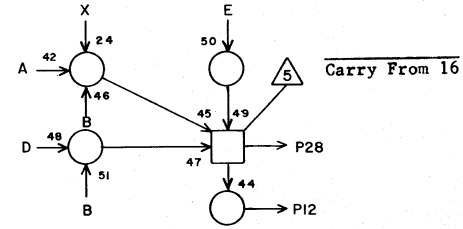
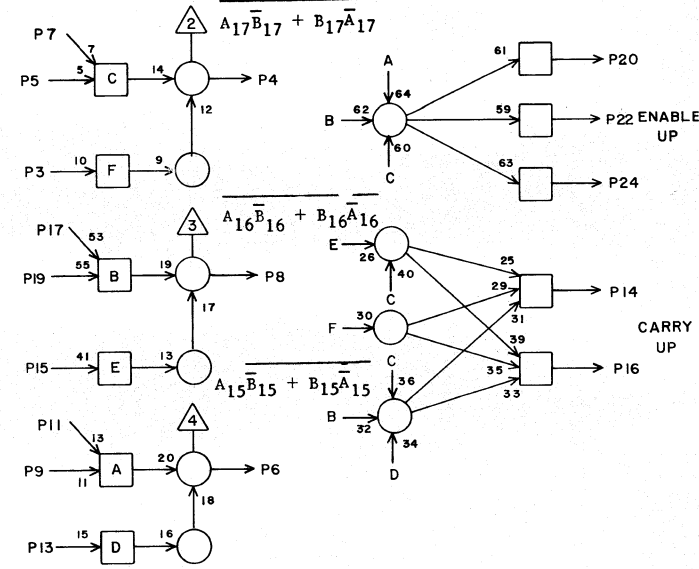
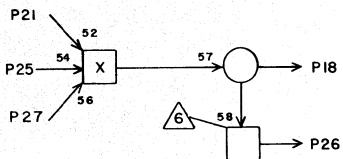
1	K15	6	7
2	K15	9	7
3	K6	23	9
4	K15	27	9
5	K6	28	9
6	K14	27	9
7	K6	25	9
8	K15	4	7
9	K6	1	13
10			
11	K6	5	13
12	K15	25	9
13	K6	9	13
14	I12	23	9
15	K6	10	13
16	I13	25	9
17	K6	17	9
18	K14	25	9
19	K6	8	13
20	I12	27	9
21	I13	18	9
22	I12	19	9
23			
24	I13	15	9
25	I13	7	9
26	K14	22	9
27	I13	11	9
28	K15	22	9

JACK PIN LG

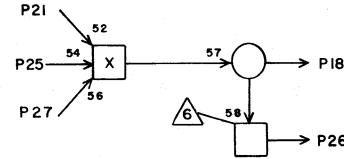
63019800 Rev. A

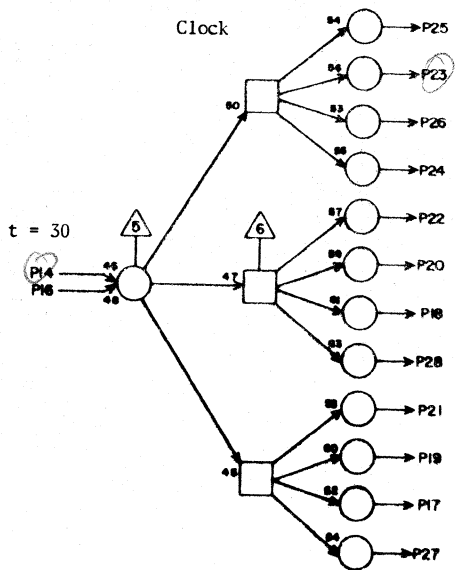
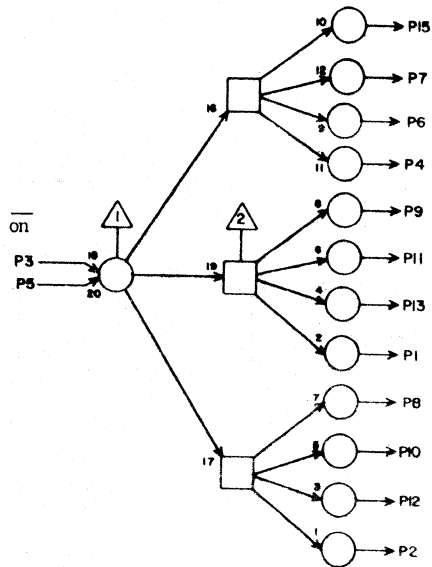


CARRY DOWN



CARRY DOWN





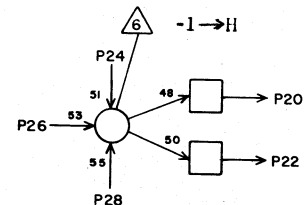
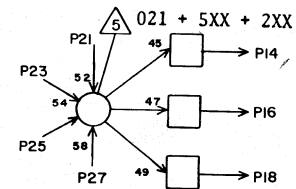
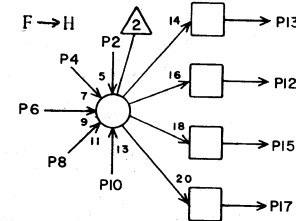
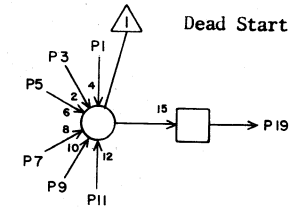
TC

1 J15

1	L19	14	13
2	L19	15	13
3	J15	X	2
4	L19	16	13
5	J15	X	2
6	N13	3	19
7	N13	4	19
8	N13	25	19
9	H21	11	13
10	H23	11	15
11	H23	15	15
12	H22	11	15
13	H21	15	15
14	H4	28	15
15	H22	15	15
16	J15	X	2
17	K25	20	15
18	K25	18	15
19	I20	16	11
20	I21	16	11
21	I22	16	11
22	J19	11	7
23	J19	22	7
24	I7	5	13
25	I8	5	11
26	I9	10	13
27	I10	10	11
28	I11	10	11

JACK PIN LG

63019800 Rev. A



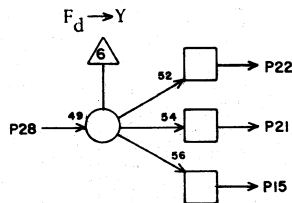
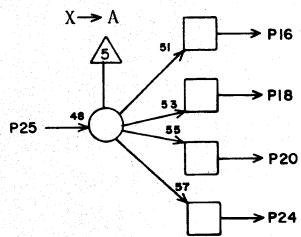
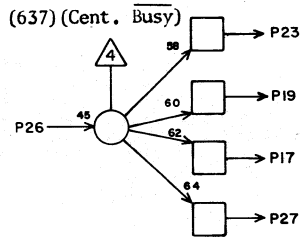
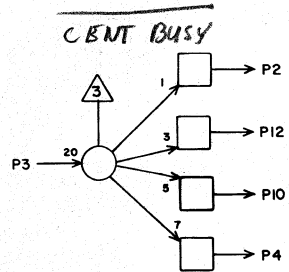
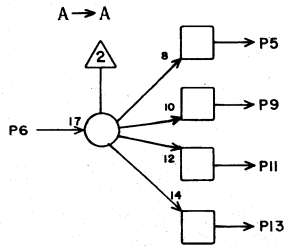
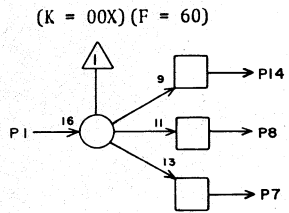
TB

1 J16

1	H11	7	13
2	K23	16	11
3	H11	10	13
4	J16	14	3
5	H11	20	13
6	K27	13	15
7	H11	24	13
8	M24	16	17
9	H12	9	13
10	K29	8	15
11	I29	15	17
12	M9	15	17
13			
14	J16	4	3
15			
16	J26	5	13
17			
18	J18	9	7
19	I15	1	9
20	M8	14	17
21	L28	11	17
22			
23	L28	16	17
24	L29	7	17
25	M18	28	17
26	L30	7	19
27	J16	X	2
28	J16	X	2

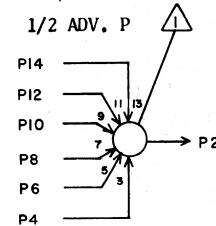
JACK PIN LG

63019800 Rev. A

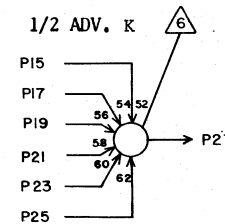
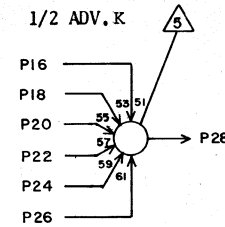
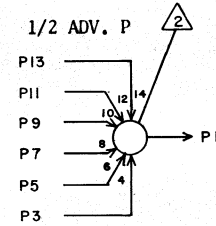


TM		1J17	
JACK	PIN	PIN	LG
1	I27	2	15
2	I28	17	13
3	I29	13	13
4			
5	K16	16	9
6	I27	1	15
7	I25	7	13
8	L28	5	13
9	K17	16	7
10			
11	K18	16	7
12			
13	K19	15	9
14	H29	6	17
15	H23	16	13
16	K16	12	7
17	K24	3	11
18	K17	12	7
19	K24	23	13
20	K18	12	7
21	H22	16	13
22	H21	16	13
23	L26	4	15
24	K19	14	9
25	I29	8	15
26	I28	21	15
27	J18	8	5
28	I27	27	13

63019800 Rev. A

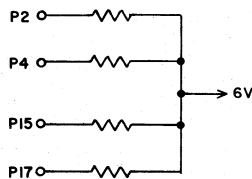
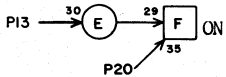
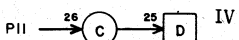
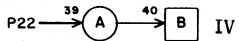
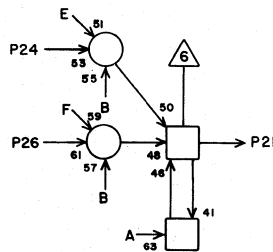
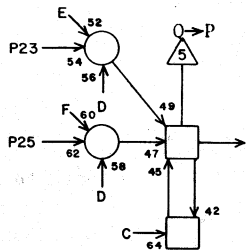
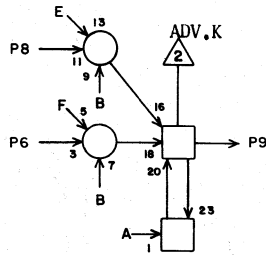
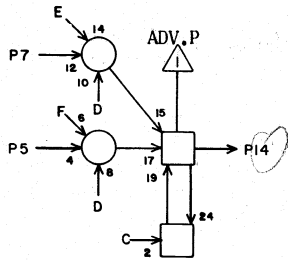


N C



TA		1J18	
JACK	PIN	PIN	LG
1	J19	5	3
2	J19	7	5
3	K28	13	13
4	J18	X	2
5	L28	13	15
6	N27	28	21
7	I29	20	15
8	J17	27	5
9	J16	18	7
10	L30	12	17
11	M24	18	17
12	L29	12	17
13	L22	21	13
14	I25	20	17
15	K27	17	13
16	L29	19	17
17	K29	12	15
18	L29	14	17
19	J26	22	11
20	L30	19	17
21	N27	18	21
22	L30	14	17
23	M24	15	17
24	M28	20	19
25	J27	20	13
26	K23	12	9
27	J19	6	5
28	J19	8	5

63019800 Rev. A

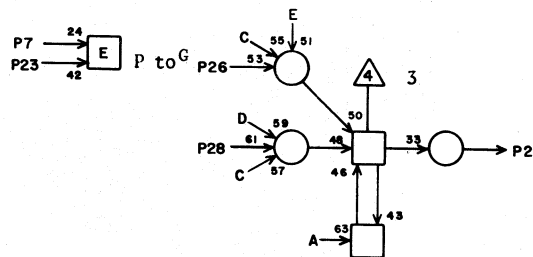
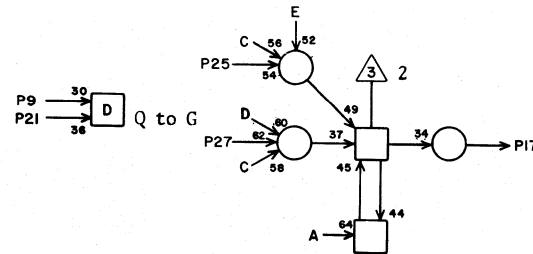
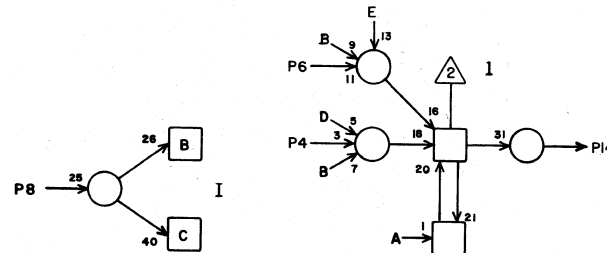
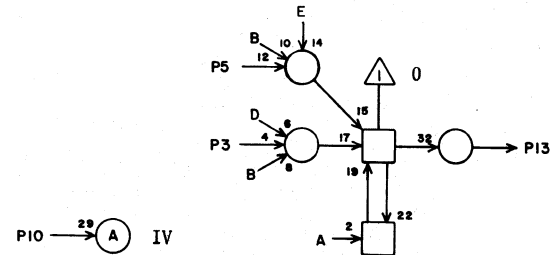


PC		1J19	
1			
2			
3			
4	J19	25	5
5	J18	1	3
6	J18	27	5
7	J18	2	5
8	J18	28	5
9	O11	25	25
10			
11	J15	22	7
12			
13	J19	15	3
14	L21	6	11
15	J19	13	3
16			
17	J19	20	3
18	L21	1	84 *
19			
20	J19	17	3
21			
22	J15	23	7
23	L28	9	15
24			
25	J19	4	5
26			
27			
28			
JACK	PIN	LG	

63019800 Rev. A

\* FCO 13958

Storage Address (G)

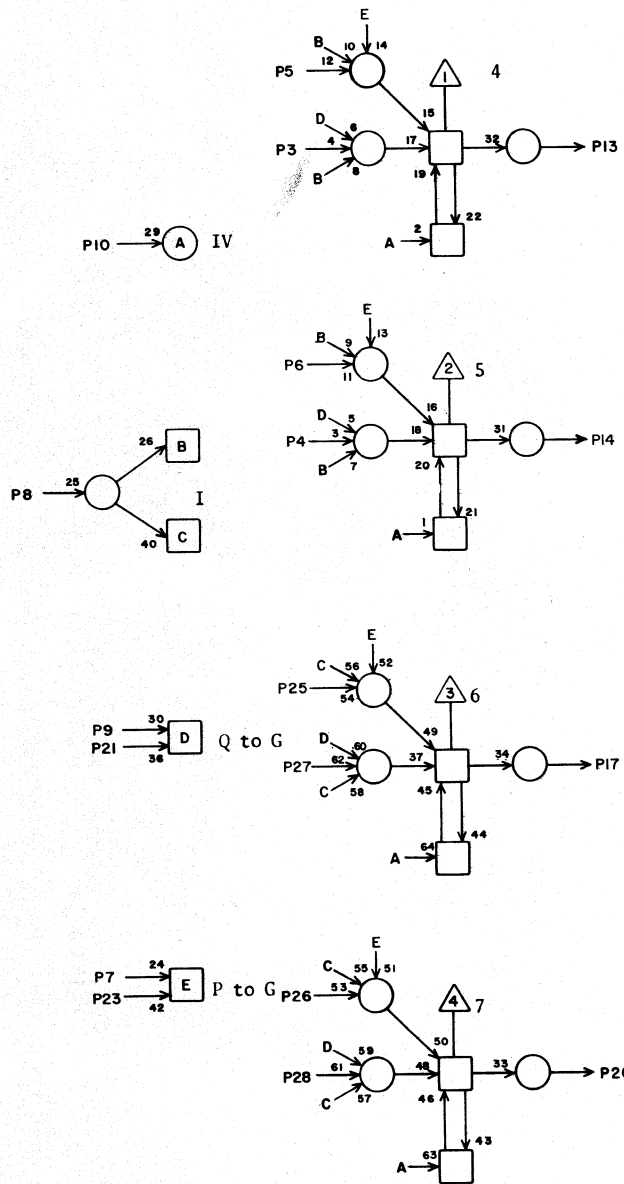


PG

PG		1J20	
1			
2			
3	P26	3	25
4	P26	6	27
5	P15	3	25
6	P15	6	25
7	I16	14	9
8	G8	11	17
9	Q11	12	31
10	H14	17	13
11			
12			
13	H15	3	13
14	H15	14	13
15			
16			
17	H16	3	13
18			
19			
20	H16	14	13
21	J20	X	2
22			
23	J20	X	2
24			
25	P15	10	27
26	P15	19	27
27	P26	10	27
28	P26	19	27
JACK	PIN	LG	

63019800 Rev. A

Storage Address (G)



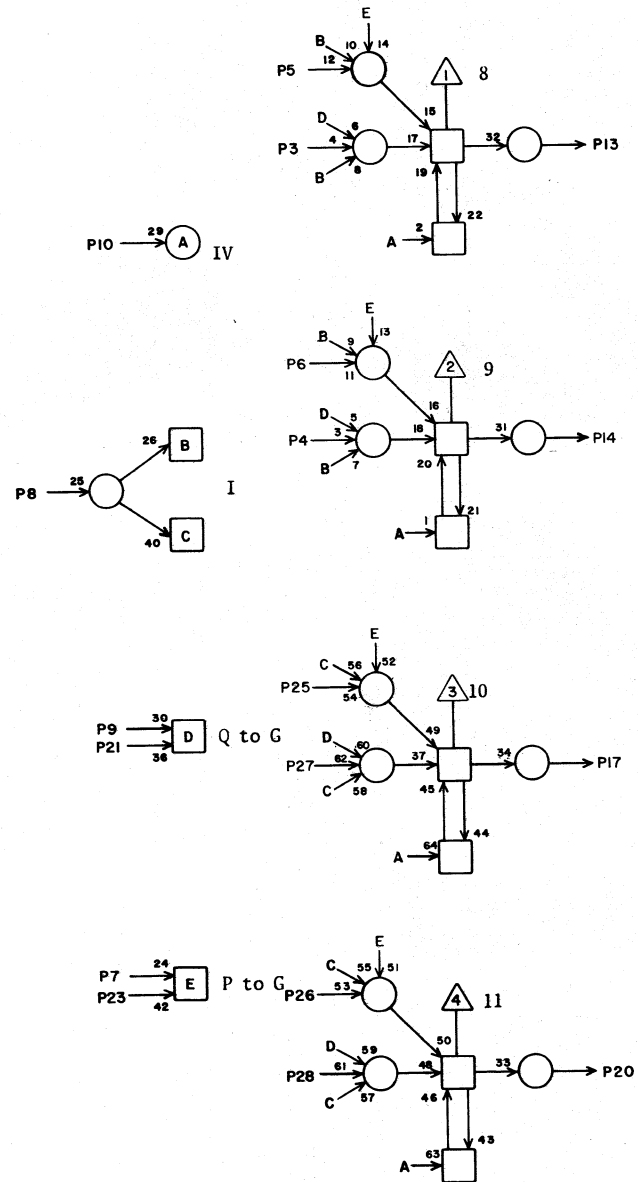
PG 1J21

1			
2			
3	P26	27	27
4	P26	28	27
5	P15	27	27
6	P15	28	27
7	I16	8	11
8	G8	12	21
9	Q11	15	31
10	H14	18	15
11			
12			
13	H17	3	13
14	H17	14	13
15			
16			
17	H18	3	13
18			
19			
20	H18	14	13
21	J21	X	2
22			
23	J21	X	2
24			
25	P16	3	25
26	P16	6	25
27	P27	3	25
28	P27	6	25

JACK PIN LG

63019800 Rev. A

Storage Address (G)



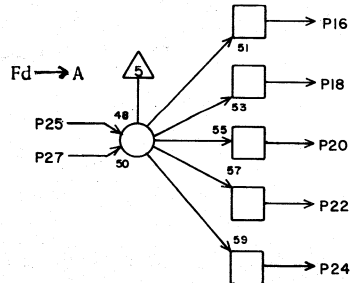
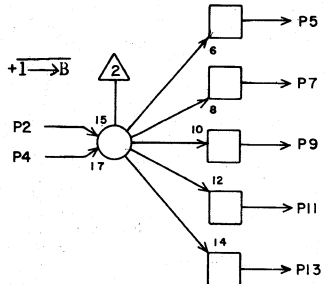
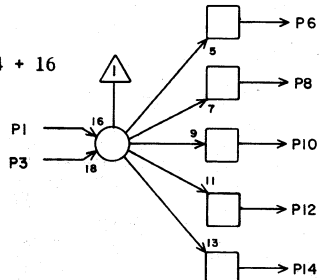
PG 1J22

1			
2			
3	P27	10	27
4	P27	19	27
5	P16	10	27
6	P16	19	27
7	I16	7	11
8	G8	13	21
9	Q11	17	31
10	H14	19	15
11			
12			
13	H19	3	13
14	H19	14	13
15			
16			
17	H20	3	13
18			
19			
20	H20	14	13
21	J22	X	2
22			
23	J22	X	2
24			
25	P16	27	27
26	P16	28	27
27	P27	27	27
28	P27	28	27

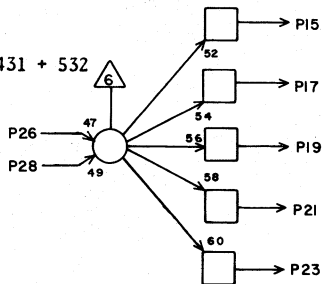
JACK PIN LG

63019800 Rev. A

$$10 + 12 + 14 + 16$$



$$23X + 33X + 431 + 532$$



T D

1 J23

1	H29	11	13
2	L26	9	11
3	J23	X	2
4	J23	X	2
5	K20	5	9
6	K24	5	7
7	K20	7	9
8	K24	25	9
9	K20	22	9
10	J27	21	7
11	K20	24	9
12			
13	K20	23	9
14			
15	K27	28	9
16	K16	11	13
17	L27	10	13
18	K17	11	11
19			
20	K18	11	11
21	K27	21	9
22	K24	26	9
23			
24			
25	L21	2	11
26	L23	4	11
27	L21	20	13
28	L20	22	13

JACK PIN LG

63019800 Rev. A

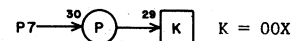
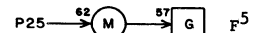
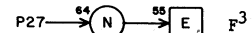
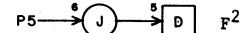
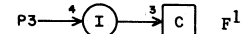
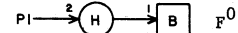
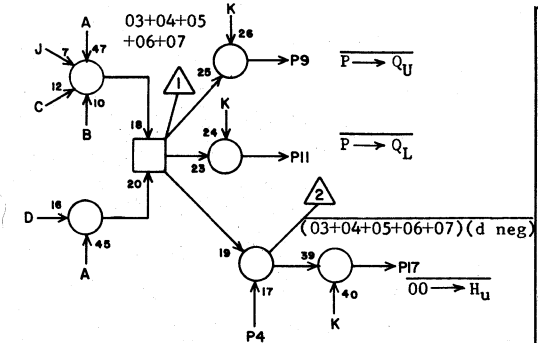
PT

1 J24

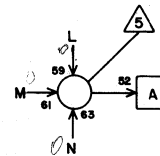
1	I21	20	7
2			
3	I21	24	7
4	I21	12	9
5	I23	15	7
6			
7	M21	12	15
8			
9	M11	15	21
10			
11	M10	15	21
12			
13			
14			
15	H29	4	13
16			
17	M9	14	21
18			
19	J27	24	7
20			
21	I27	28	9
22			
23	I23	20	9
24			
25	I23	17	9
26			
27	I23	8	9
28			

JACK PIN LG

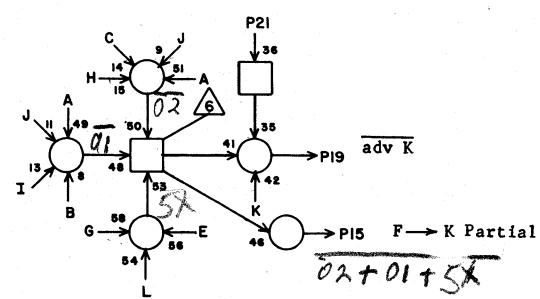
63019800 Rev. A

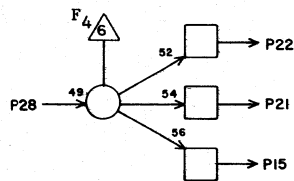
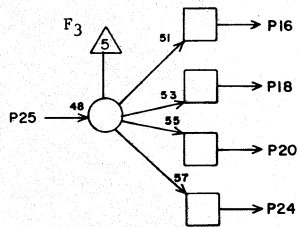
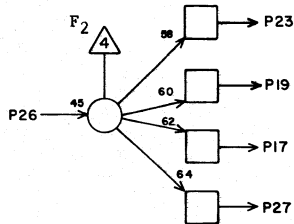
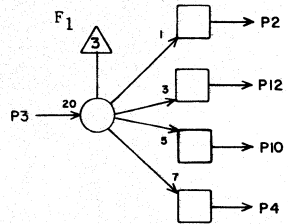
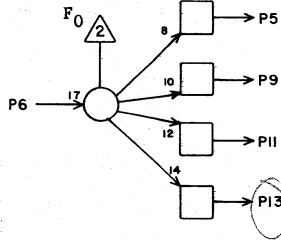
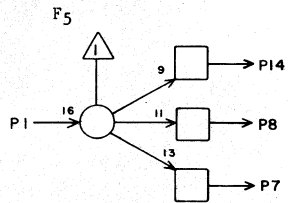


$$\overline{F} = 0X$$



$$\overline{d} = 0$$



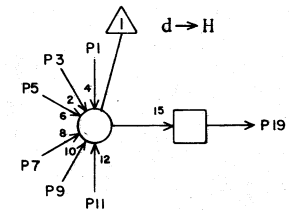


TM 1J25

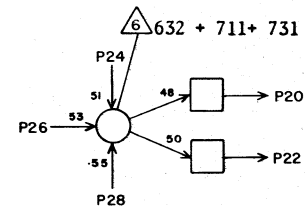
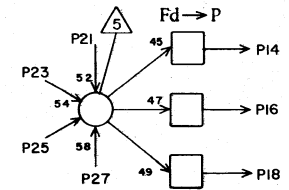
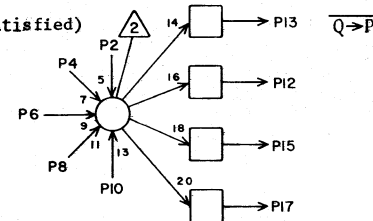
1	I22	21	7
2	I26	4	7
3	I21	27	9
4	K11	21	17
5	I27	14	7
6	I21	28	9
7	K15	21	15
8	J27	11	7
9	I26	3	7
10	I27	12	9
11	I26	26	7
12	I26	5	7
13	K10	21	19
14	J27	4	7
15	K14	21	15
16	J27	8	7
17			
18	J27	7	7
19	I27	10	9
20	I27	8	9
21	J27	9	7
22	J27	6	7
23	J27	5	7
24	K13	21	17
25	I22	3	9
26	I22	6	9
27	K12	21	17
28	I22	23	9

JACK PIN LG

63019800 Rev. A



(Jump)  
(Condition Satisfied)

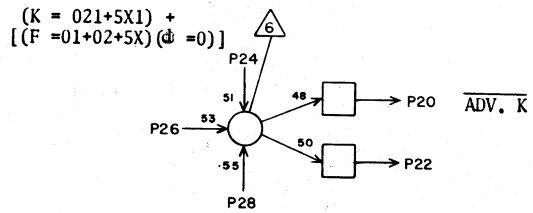
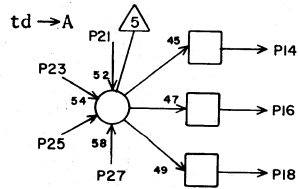
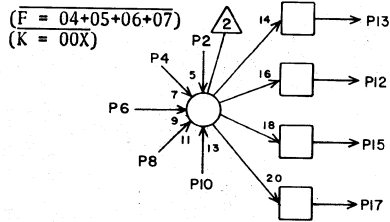
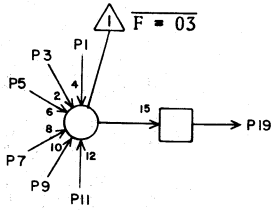


TB U26

1	K29	10	7
2	I26	16	7
3	K23	18	9
4	I26	18	7
5	J16	16	13
6	I26	13	7
7	M24	22	17
8	I26	9	7
9	K27	15	7
10	I26	20	7
11	L25	21	13
12			
13	L28	8	11
14	M1	13	29
15			
16	M2	13	29
17			
18	M3	13	27
19	M8	15	23
20	J26	23	3
21	L22	22	13
22	J18	19	13
23	J26	20	3
24	M28	9	15
25	K23	2	9
26	M28	18	17
27	J26	X	2
28	J26	X	2

JACK PIN LG

63019800 Rev. A

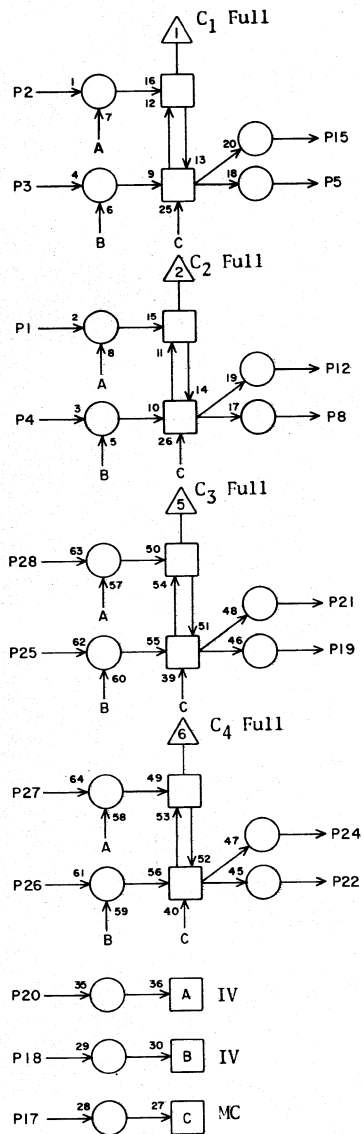


TB 1 J27

1	I23	11	11
2	M21	8	17
3	I23	10	11
4	J25	14	7
5	J25	23	7
6	J25	22	7
7	J25	18	7
8	J25	16	7
9	J25	21	7
10	I23	22	9
11	J25	8	7
12	I26	2	7
13	I26	1	7
14	K20	15	13
15	I26	22	9
16			
17	I26	21	9
18			
19	I26	15	9
20	J18	25	13
21	J23	10	7
22			
23	L20	18	15
24	J24	19	7
25	K23	8	9
26	N25	11	19
27	L21	19	15
28	N25	16	19

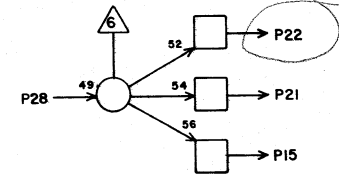
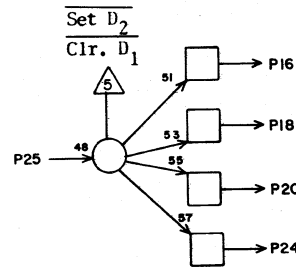
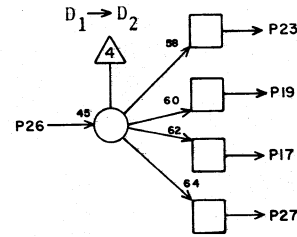
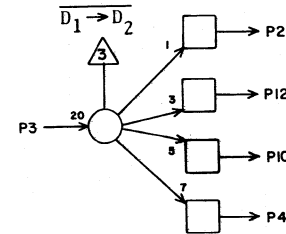
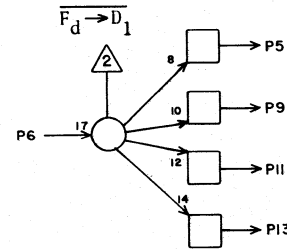
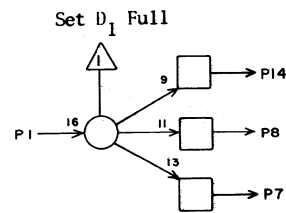
JACK PIN LG





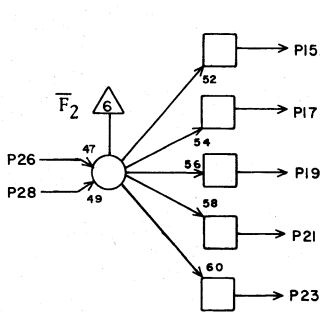
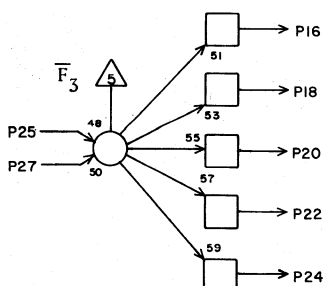
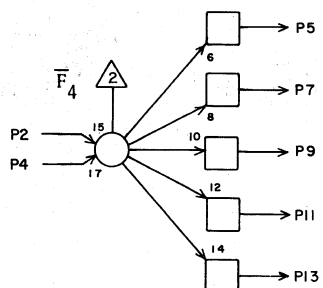
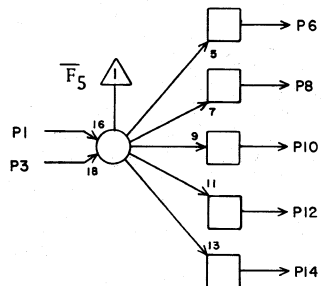
PN		1J29	
JACK	PIN		LG
1	H30	21	11
2	L25	9	13
3	I25	1	7
4	L25	11	13
5	L29	25	13
6			
7			
8	L29	5	11
9			
10			
11			
12	L28	26	13
13			
14			
15	L28	22	13
16			
17	N29	17	19
18	J32	18	7
19	L29	3	11
20	J32	17	7
21	L28	24	13
22	L29	21	13
23			
24	L28	28	13
25	H30	15	11
26	I31	22	9
27	H31	22	11
28	I31	21	9

63019800 Rev. A



TH		1J30	
JACK	PIN		LG
1	L30	27	13
2	L33	9	11
3	J30	16	5
4	L34	22	13
5	K33	9	7
6	J30	14	3
7			
8	K25	2	9
9	K33	22	9
10	L34	9	13
11	K34	9	9
12	L33	22	13
13	K34	22	9
14	J30	6	3
15			
16	J30	3	5
17	L36	9	13
18	J30	26	3
19	L35	22	13
20	K25	1	9
21			
22	I30	9	5
23	L35	9	13
24	K25	3	9
25	L30	11	11
26	J30	18	3
27	L36	22	13
28	I29	18	9

63019800 Rev. A



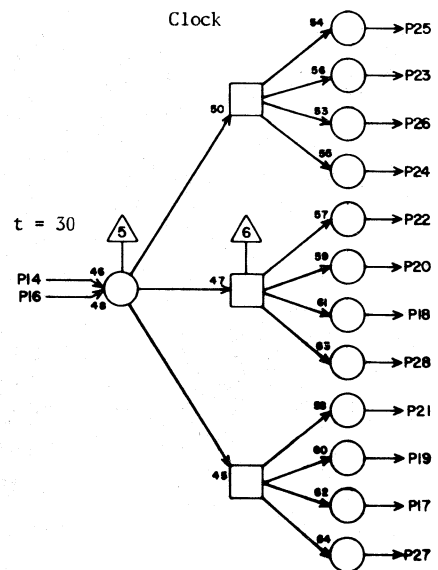
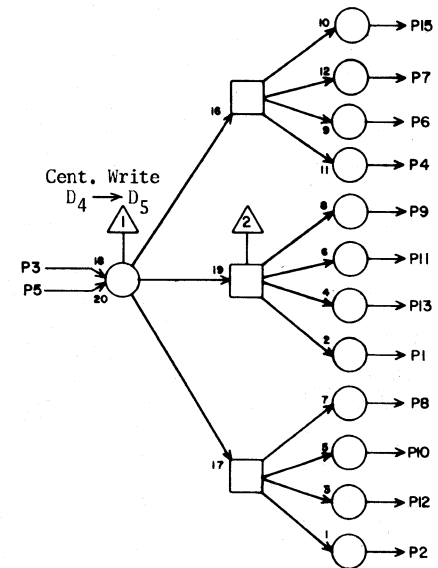
T D

1J31

1	I23	23	13
2	I24	16	13
3	J31	X	2
4	J31	X	2
5	K34	24	9
6	K34	23	9
7	L36	24	13
8	L36	23	13
9	L42	24	17
10	L42	23	17
11	K42	24	15
12	K42	23	15
13	J42	20	13
14	J42	22	13
15	K34	12	9
16	K34	21	9
17	L36	12	13
18	L36	21	13
19	L42	12	17
20	L42	21	17
21	K42	12	15
22	K42	21	5
23	J42	13	13
24	J42	18	13
25	I24	23	13
26	I24	2	13
27	J31	X	2
28	J31	X	2

JACK PIN LG

63019800 Rev. A



TC

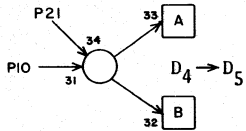
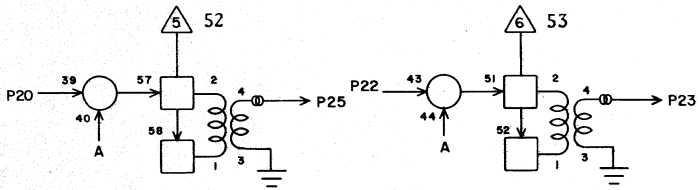
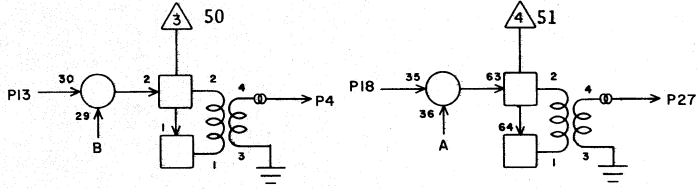
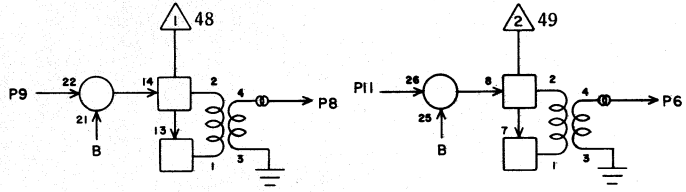
1J32

1	J33	21	5
2	J34	21	7
3	I28	28	7
4	J35	21	7
5	J32	X	2
6	J36	21	7
7	J37	21	9
8	J38	21	9
9	J39	21	9
10	J40	21	11
11	J41	21	11
12	K25	26	13
13	J42	21	13
14	H5	2	29
15	I30	20	9
16	J32	X	2
17	J29	20	7
18	J29	18	7
19	J33	10	5
20	J34	10	7
21	J35	10	7
22	J36	10	7
23	J37	10	9
24	J38	10	9
25	K41	7	11
26	K41	20	13
27	K42	7	13
28	K42	20	13

JACK PIN LG

63019800 Rev. A

D<sup>5</sup>

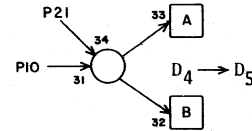
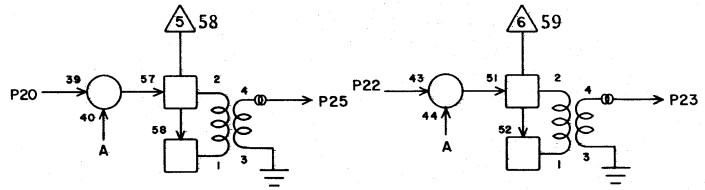
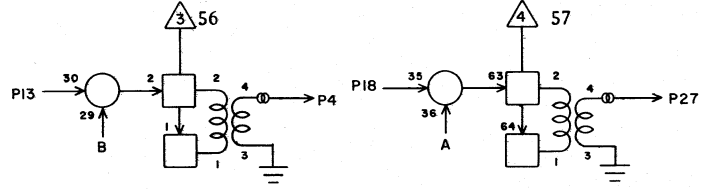
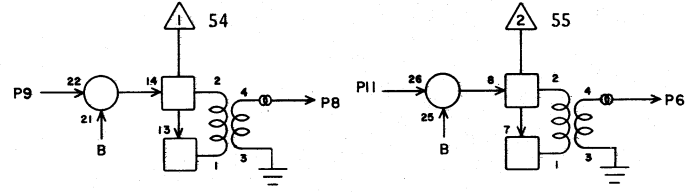


PL 1J33			
1			
2			
3			
4	W08	92	
5			
6	W08	91	
7			
8	W08	90	
9	K35	1	7
10	J32	19	5
11	K35	2	7
12			
13	K35	14	7
14			
15			
16			
17			
18	K35	19	7
19			
20	K35	27	9
21	J32	1	5
22	K35	28	9
23	W08	95	
24			
25	W08	94	
26			
27	W08	93	
28			

JACK PIN LG

63019800 Rev. A

D<sup>5</sup>

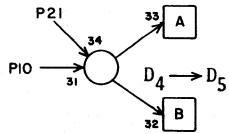
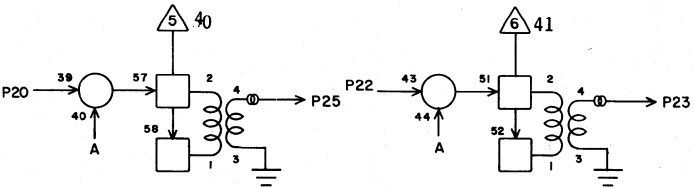
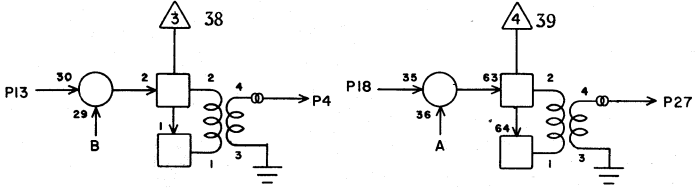
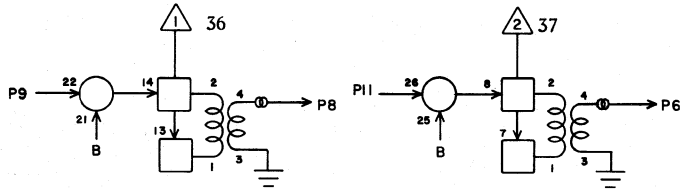


PL 1J34			
1			
2			
3			
4	W08	98	
5			
6	W08	97	
7			
8	W08	96	
9	K36	1	7
10	J32	20	7
11	K36	2	7
12			
13	K36	14	7
14			
15			
16			
17			
18	K36	19	9
19			
20	K36	27	9
21	J32	2	7
22	K36	28	9
23	W08	901	
24			
25	W08	900	
26			
27	W08	99	
28			

JACK PIN LG

63019800 Rev. A

D<sup>5</sup>



PL

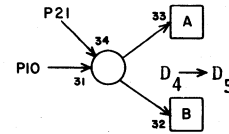
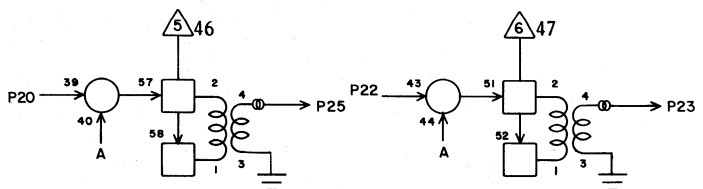
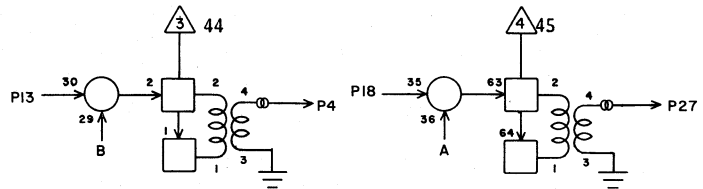
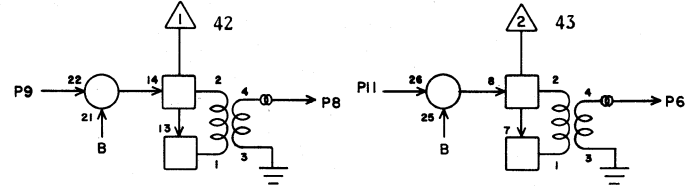
1J35

1			
2			
3			
4	W08	904	
5			
6	W08	903	
7			
8	W08	902	
9	K37	1	7
10	J32	21	7
11	K37	2	7
12			
13	K37	14	7
14			
15			
16			
17			
18	K37	19	9
19			
20	K37	27	9
21	J32	4	7
22	K37	28	9
23	W09	92	
24			
25	W09	91	
26			
27	W09	90	
28			

JACK PIN LG

63019800 Rev. A

D<sup>5</sup>



PL

1J36

1			
2			
3			
4	W09	95	
5			
6	W09	94	
7			
8	W09	93	
9	K38	1	7
10	J32	22	7
11	K38	2	7
12			
13	K38	14	7
14			
15			
16			
17			
18	K38	19	9
19			
20	K38	27	9
21	J32	6	7
22	K38	28	9
23	W09	98	
24			
25	W09	97	
26			
27	W09	96	
28			

JACK PIN LG

63019800 Rev. A

D<sup>5</sup>

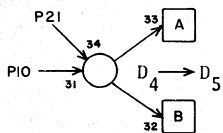
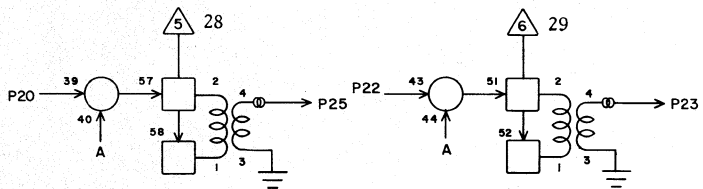
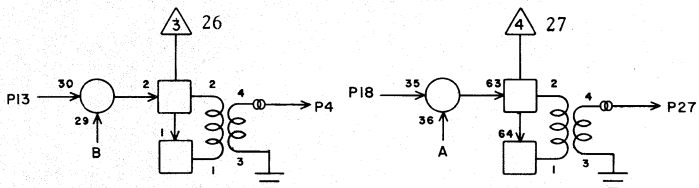
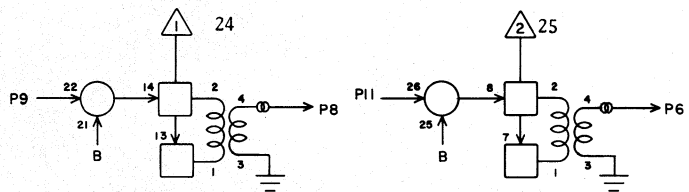
PL

1 J37

1			
2			
3			
4	W09	901	
5			
6	W09	900	
7			
8	W09	99	
9	K39	1	7
10	J32	23	9
11	K39	2	7
12			
13	K39	14	7
14			
15			
16			
17			
18	K39	19	9
19			
20	K39	27	9
21	J32	7	9
22	K39	28	9
23	W09	904	
24			
25	W09	903	
26			
27	W09	902	
28			

JACK PIN LG

63019800 Rev. A



D<sup>5</sup>

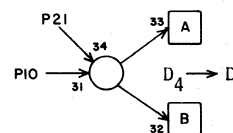
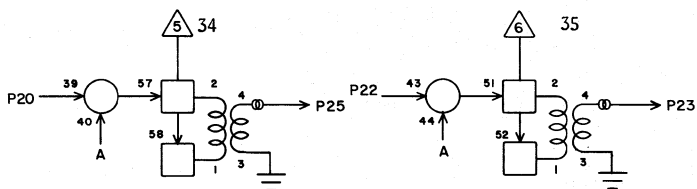
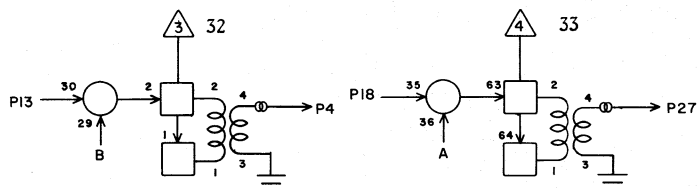
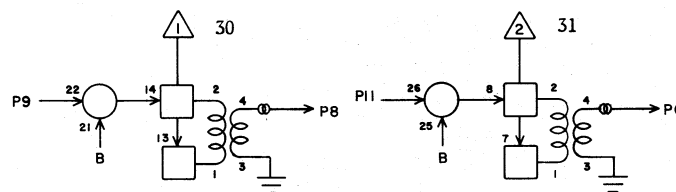
PL

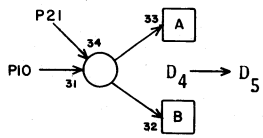
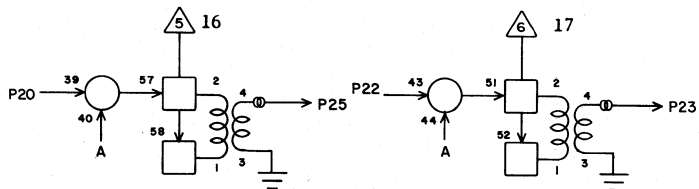
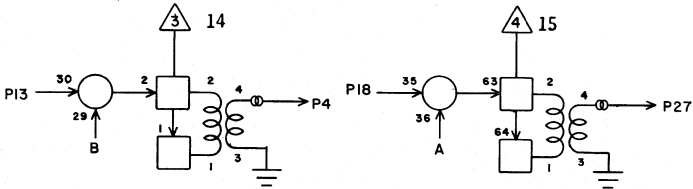
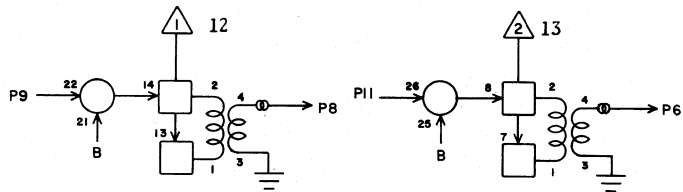
1 J38

1			
2			
3			
4	W10	92	
5			
6	W10	91	
7			
8	W10	90	
9	K40	1	7
10	J32	24	11
11	K40	2	7
12			
13	K40	14	9
14			
15			
16			
17			
18	K40	19	9
19			
20	K40	27	9
21	J32	8	11
22	K40	28	9
23	W10	95	
24			
25	W10	94	
26			
27	W10	93	
28			

JACK PIN LG

63019800 Rev. A





PL

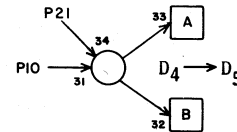
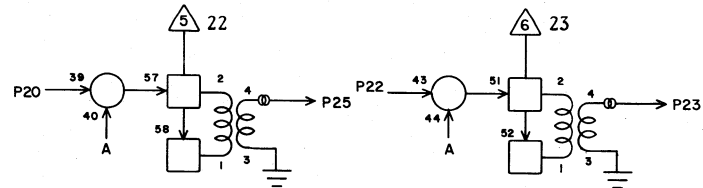
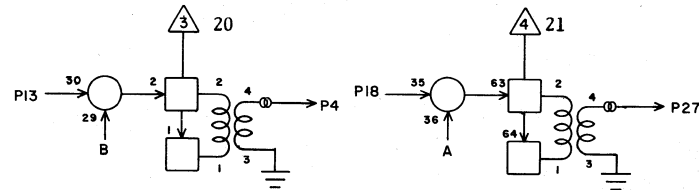
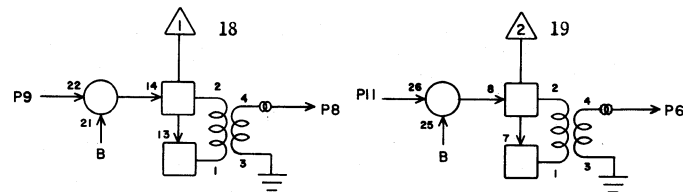
1J39

1			
2			
3			
4	W10	98	
5			
6	W10	97	
7			
8	W10	96	
9	K41	1	7
10	I32	17	13
11	K41	2	7
12			
13	K41	14	7
14			
15			
16			
17			
18	K41	19	9
19			
20	K41	27	9
21	J32	9	13
22	K41	28	9
23	W10	901	
24			
25	W10	900	
26			
27	W10	99	
28			

JACK PIN LG

63019800 Rev. A

D<sup>5</sup>



PL

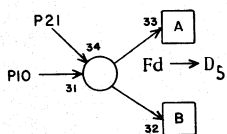
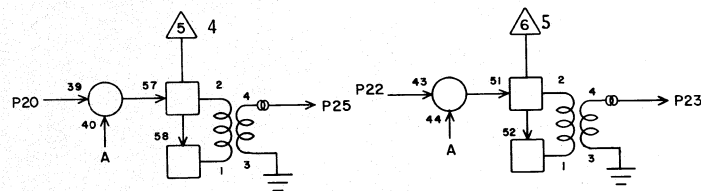
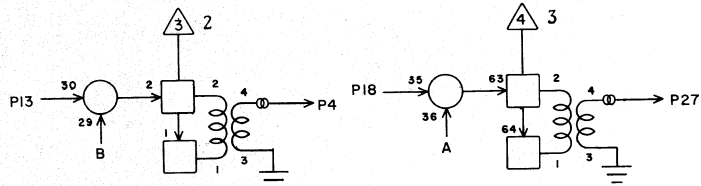
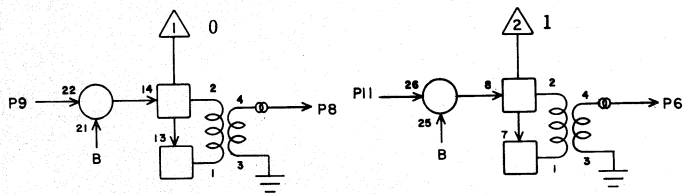
1J40

1			
2			
3			
4	W10	904	
5			
6	W10	903	
7			
8	W10	902	
9	K42	1	7
10	I32	18	13
11	K42	2	7
12			
13	K42	14	7
14			
15			
16			
17			
18	K42	19	9
19			
20	K42	27	9
21	J32	10	13
22	K42	28	9
23	W11	92	
24			
25	W11	91	
26			
27	W11	90	
28			

JACK PIN LG

63019800 Rev. A

D<sup>5</sup>



PL

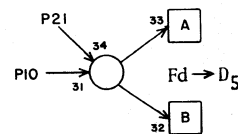
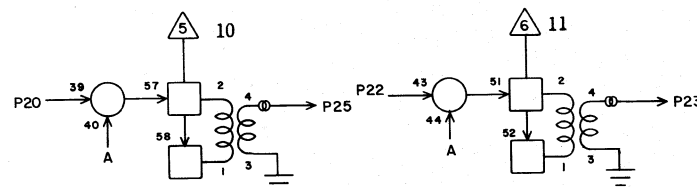
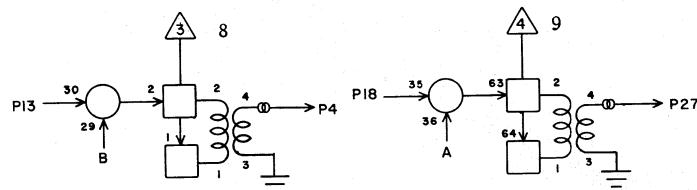
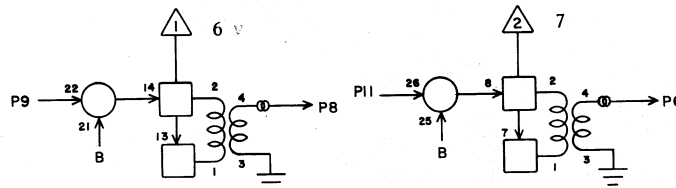
1J41

1			
2			
3			
4	W11	95	
5			
6	W11	94	
7			
8	W11	93	
9	L31	23	17
10	I32	19	13
11	L31	24	17
12			
13	L31	13	17
14			
15			
16			
17			
18	L31	14	17
19			
20	K31	23	15
21	J32	11	13
22	K31	24	15
23	W11	98	
24			
25	W11	97	
26			
27	W11	96	
28			

JACK PIN LG

63019800 Rev. A

D<sup>5</sup>



PL

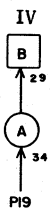
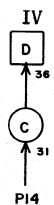
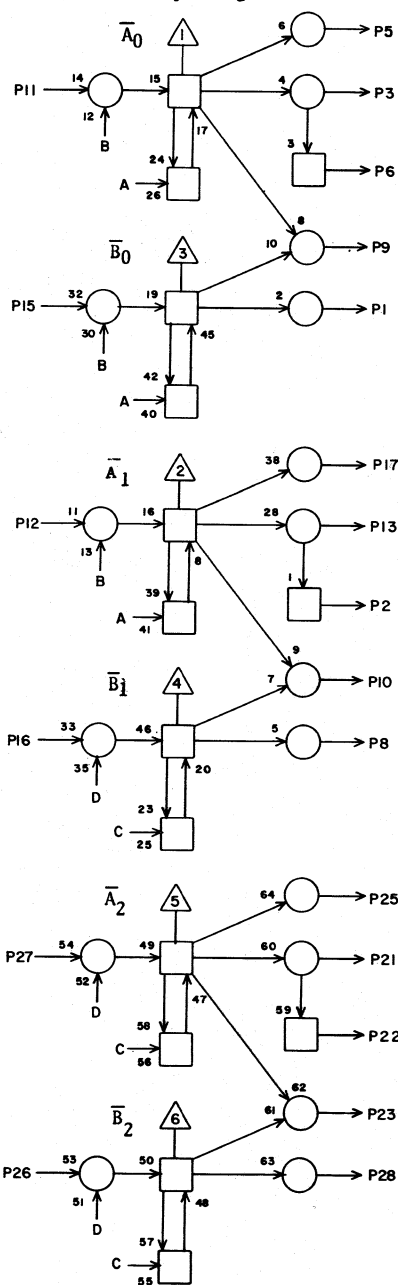
1J42

1			
2			
3			
4	W11	901	
5			
6	W11	900	
7			
8	W11	99	
9	K31	13	15
10	I32	20	13
11	K31	14	15
12			
13	J31	23	15
14			
15			
16			
17			
18	J31	24	15
19			
20	J31	13	15
21	J32	13	13
22	J31	14	15
23	W11	904	
24			
25	W11	903	
26			
27	W11	902	
28			

JACK PIN LG

63019800 Rev. A

A ADDER  
Input Registers



QA

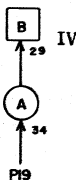
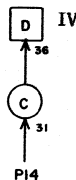
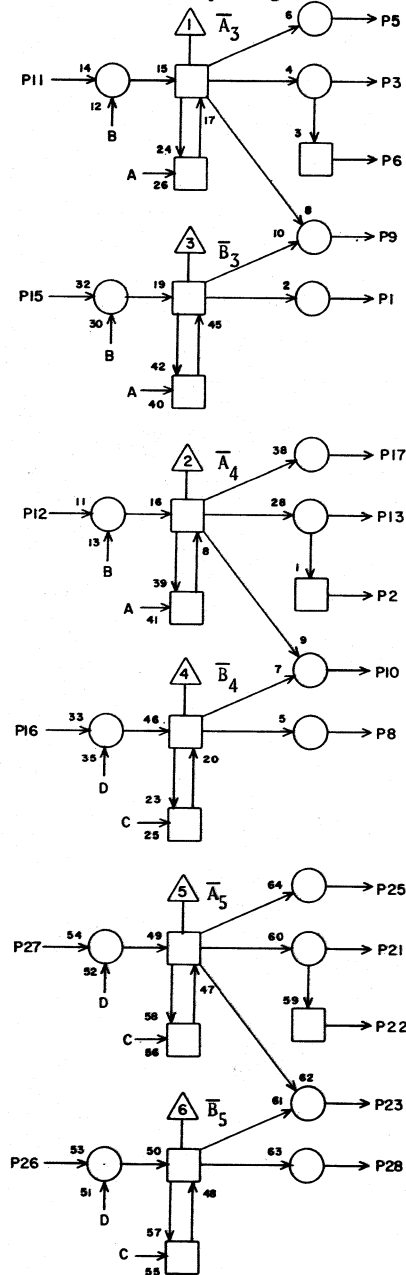
1K1

1	J9	9	13
2	K7	20	9
3	I9	3	15
4			
5	J9	11	13
6	K7	11	9
7			
8	J9	19	13
9	J9	13	13
10	J9	15	13
11	K16	13	17
12	K16	10	17
13	I10	3	17
14	L5	17	9
15	K20	9	21
16	K20	8	21
17	J9	17	13
18			
19	L5	18	9
20			
21	I11	3	17
22	K8	11	11
23	J9	3	13
24			
25	J9	7	13
26	K20	10	21
27	K16	17	17
28	J9	5	13

JACK PIN LG

63019800 Rev. A

Adder  
Input Registers



QA

1K2

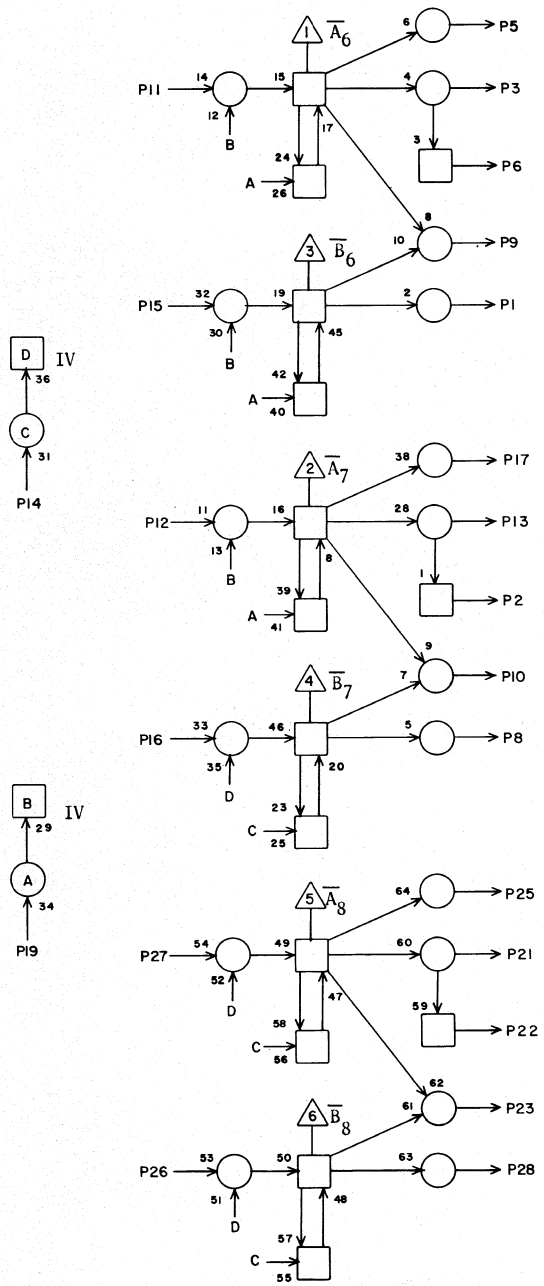
1	J10	9	13
2	K9	11	11
3	I9	4	15
4			
5	J10	11	13
6	K8	20	9
7			
8	J10	19	13
9	J10	13	13
10	J10	15	13
11	K16	20	17
12	K17	13	17
13	I10	4	15
14	L5	19	9
15	K20	19	19
16	K20	21	19
17	J10	17	13
18			
19	L5	20	9
20			
21	I11	4	15
22	K9	20	11
23	J10	3	13
24			
25	J10	7	13
26	K20	20	19
27	K17	10	17
28	J10	5	13

JACK PIN LG

63019800 Rev. A



A ADDER  
Input Registers



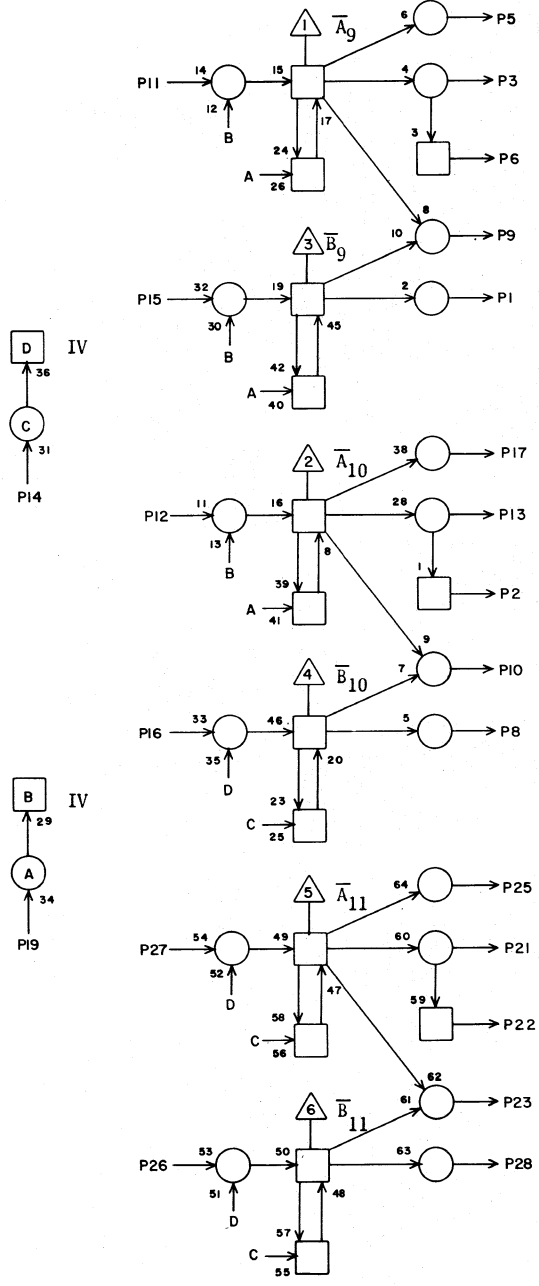
QA 1K3

1	J11	9	13
2	K10	20	11
3	I9	19	13
4			
5	J11	11	13
6	K10	11	11
7			
8	J11	19	13
9	J11	13	13
10	J11	15	13
11	K17	17	17
12	K17	20	17
13	I10	19	15
14	L5	21	9
15	K21	9	19
16	K21	8	19
17	J11	17	13
18			
19	L5	22	9
20			
21	I11	19	15
22	K11	11	11
23	J11	3	13
24			
25	J11	7	13
26	K21	10	19
27	K18	13	17
28	J11	5	13

JACK PIN LG

63019800 Rev. A

QA 1K4

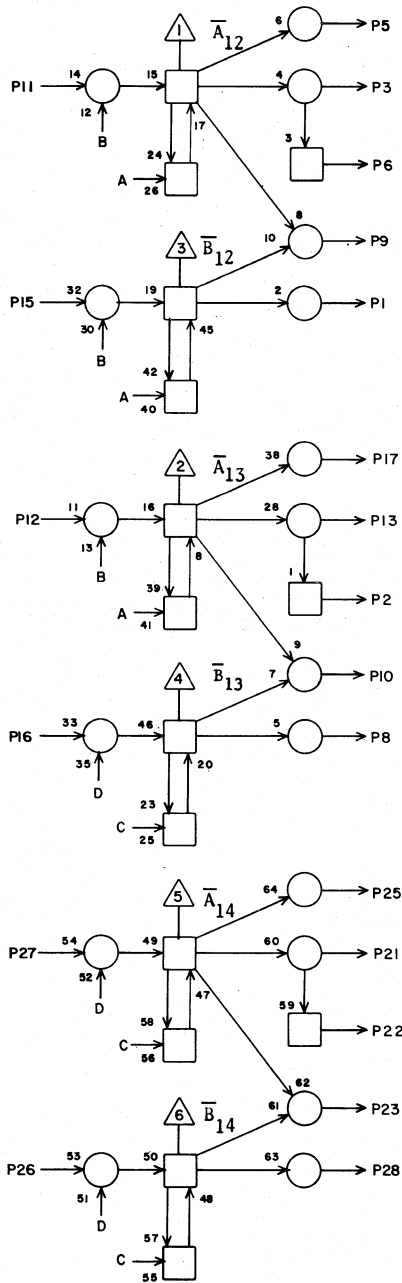


1	J12	9	13
2	K12	11	11
3	I9	23	13
4			
5	J12	11	13
6	K11	20	11
7			
8	J12	19	13
9	J12	13	13
10	J12	15	13
11	K18	10	17
12	K18	17	17
13	I10	23	13
14	L5	23	9
15	K21	19	19
16	K21	21	19
17	J12	17	13
18			
19	L5	24	9
20			
21	I11	23	13
22	K12	20	11
23	J12	3	13
24			
25	J12	7	13
26	K21	20	17
27	K18	20	17
28	J12	5	13

JACK PIN LG

63019800 Rev. A

Input Registers  
A ADDER

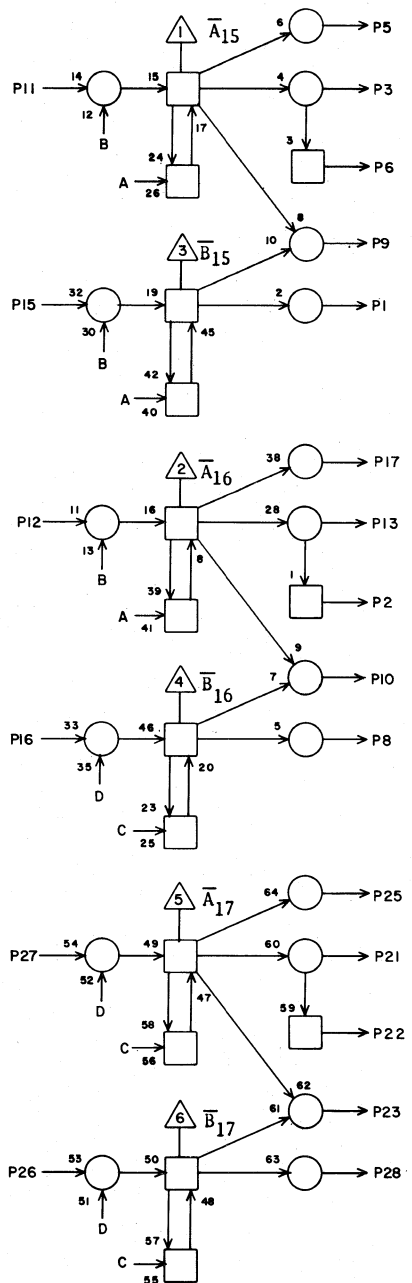


QA		1 K5	
1	J13	9	13
2	K13	20	11
3	I9	25	11
4			
5	J13	11	13
6	K13	11	11
7			
8	J13	19	13
9	J13	13	13
10	J13	15	13
11	K19	9	17
12	K19	8	17
13	I10	25	13
14	L5	25	7
15	K22	9	19
16	K22	8	19
17	J13	17	13
18			
19	L5	26	7
20			
21	I11	25	13
22	K14	11	13
23	J13	3	13
24			
25	J13	7	13
26	K22	10	17
27	K19	10	19
28	J13	5	13

JACK PIN LG

63019800 Rev. A

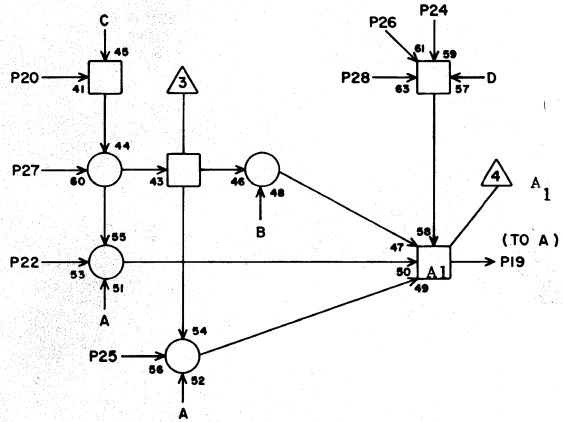
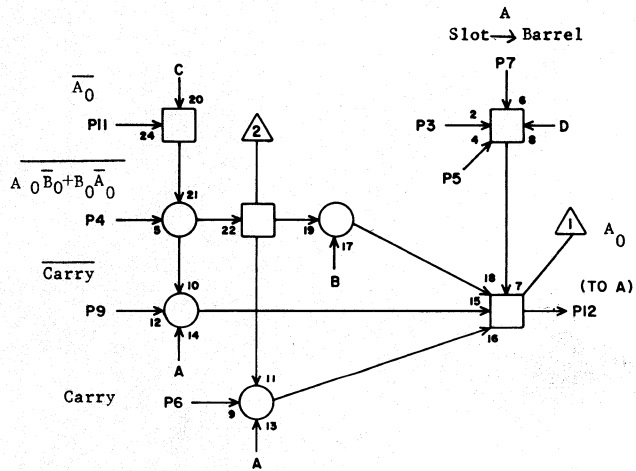
QA



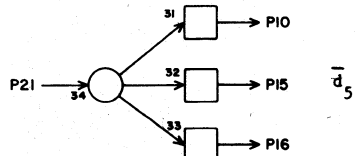
QA		1K6	
1	J14	9	13
2	K15	11	13
3	I9	12	13
4			
5	J14	11	13
6	K14	20	11
7			
8	J14	19	13
9	J14	13	13
10	J14	15	13
11	K19	19	17
12	K19	21	17
13	I10	12	13
14	L5	27	7
15	K22	19	19
16	K22	21	19
17	J14	17	9
18			
19	L5	28	7
20			
21	I11	12	13
22	K15	20	13
23	J14	3	13
24			
25	J14	7	13
26	K22	20	19
27	K19	20	17
28	J14	5	13

JACK PIN LG

63019800 Rev. A



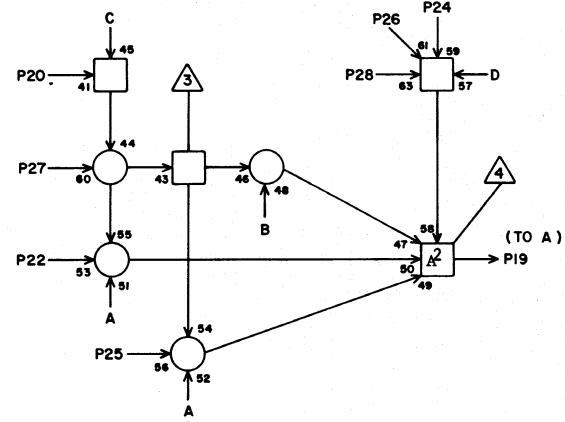
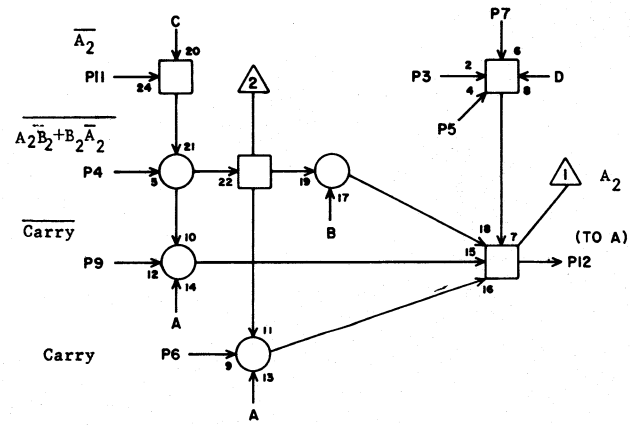
- P8 → 23 (A) ADD
- P18 → 39 (B) SELECTIVE
- P23 → 40 (C) LOGICAL PRODUCT
- P13 → 26 (D) SHIFT



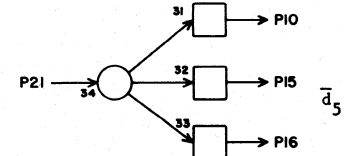
1 K7			
QD			
1			
2			
3	J1	10	11
4	J9	6	7
5	J2	22	9
6	J9	18	7
7	J2	6	9
8	L15	1	11
9	J9	26	7
10			
11	K1	6	9
12	O1	7	19
13	L16	17	13
14			
15	J7	25	7
16	J8	25	9
17			
18	L15	17	13
19	O1	6	19
20	K1	2	9
21	I18	17	17
22	J9	2	9
23	L16	1	13
24	J5	6	9
25	J9	1	9
26	J5	22	9
27	J9	8	9
28	J4	10	9

JACK    PIN    LG

63019800 Rev. A



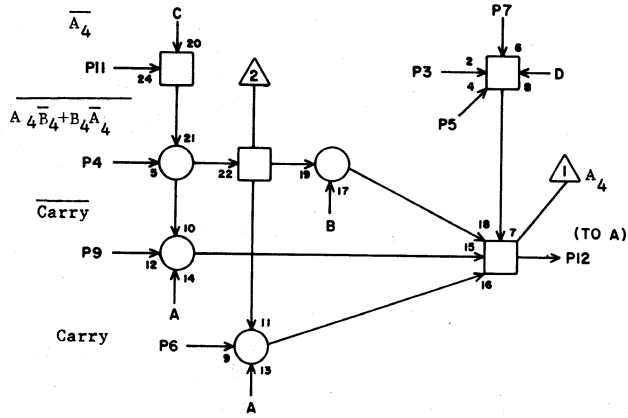
- P8 → 23 (A) ADD
- P18 → 39 (B) SELECTIVE
- P23 → 40 (C) LOGICAL PRODUCT
- P13 → 26 (D) SHIFT



1 K8			
QD			
1			
2			
3	J1	16	11
4	J9	4	7
5	J3	20	9
6	J9	12	7
7	J2	24	11
8	L15	2	11
9	J9	28	7
10	K9	21	5
11	K1	22	11
12	O1	10	19
13	L16	18	13
14			
15	I7	1	13
16	I8	1	13
17			
18	L15	18	11
19	O2	7	19
20	K2	6	9
21	I21	8	17
22	J10	26	13
23	L16	2	13
24	J5	24	9
25	J10	18	9
26	J6	20	9
27	J10	6	9
28	J4	16	9

JACK    PIN    LG

63019800 Rev. A

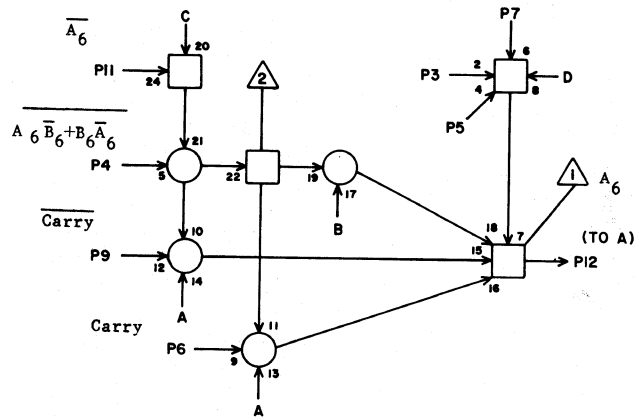


QD 1K9

JACK	PIN	LG
1		
2		
3	J1	26 13
4	J10	8 9
5	J3	14 11
6	J10	1 9
7	J3	12 11
8	L15	4 11
9	J10	2 9
10	J7	1 7
11	K2	2 11
12	O2	6 19
13	L16	19 11
14		
15	J8	1 9
16		
17		
18	L15	19 11
19	O2	10 19
20	K2	22 11
21	K8	10 5
22	J10	28 13
23	L16	4 11
24	J6	12 9
25	J10	12 9
26	J6	14 9
27	J10	4 9
28	J4	26 9

JACK PIN LG

63019800 Rev. A

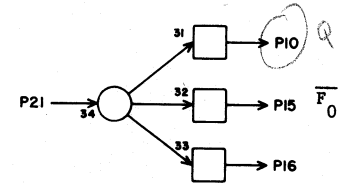
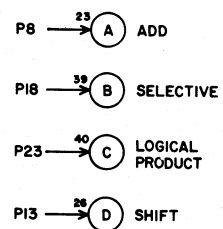
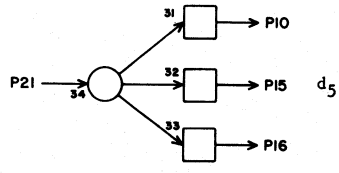
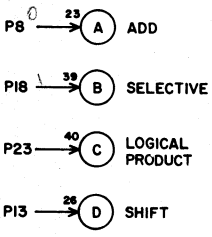
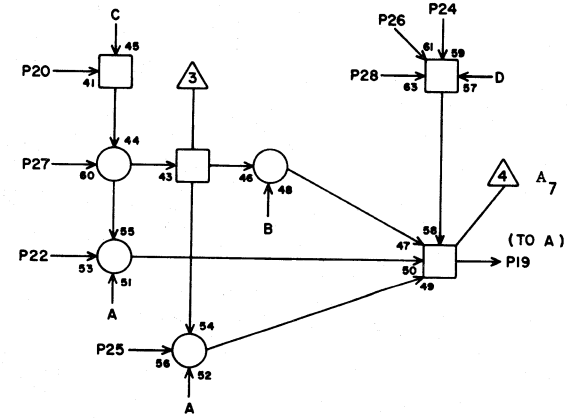
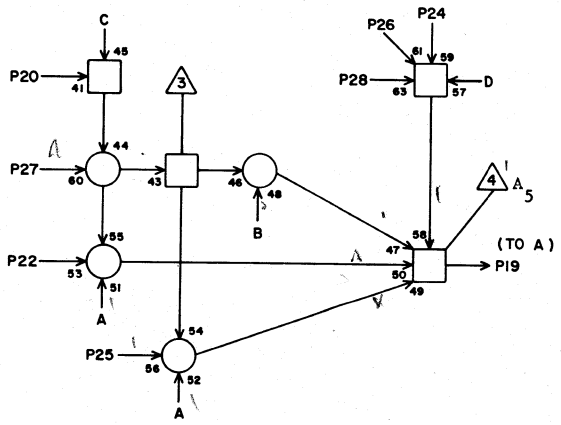


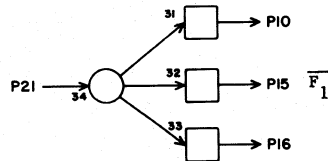
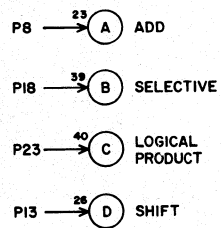
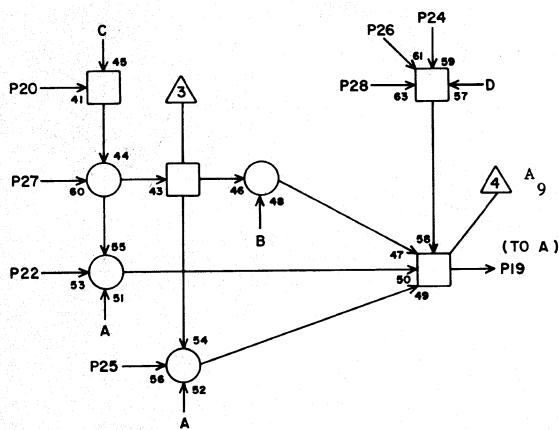
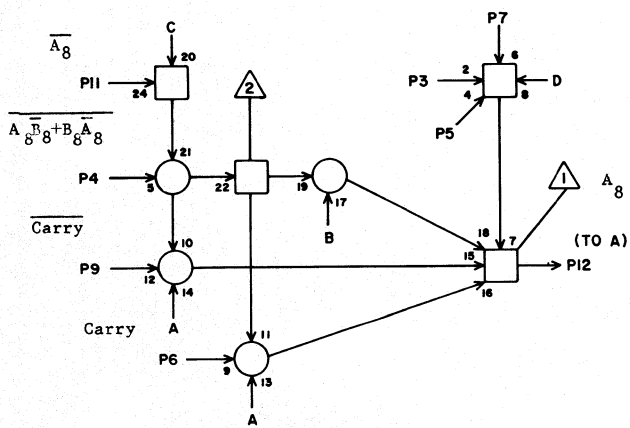
QD 1K10

JACK	PIN	LG
1		
2		
3	J2	10 13
4	J11	6 7
5	J3	22 11
6	J11	18 7
7	J3	6 11
8	L15	6 11
9	J11	26 7
10	M9	4 11
11	K3	6 11
12	O3	7 19
13	L16	20 11
14		
15	K21	4 15
16	K17	24 11
17		
18	L15	20 11
19	O3	6 19
20	K3	2 11
21	J25	13 17
22	J11	2 9
23	L16	6 11
24	J6	6 9
25	J11	1 9
26	J6	22 9
27	J11	8 9
28	J5	10 11

JACK PIN LG

63019800 Rev. A

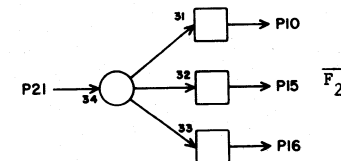
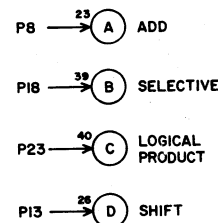
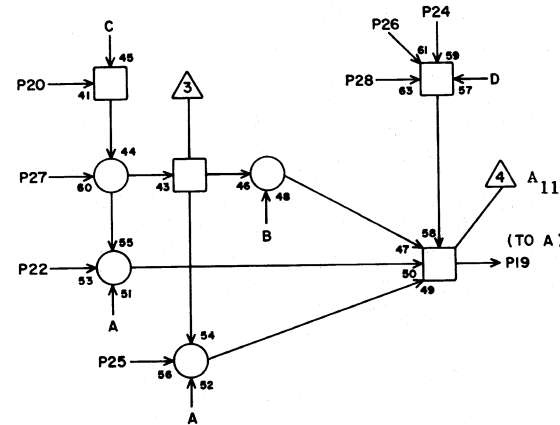
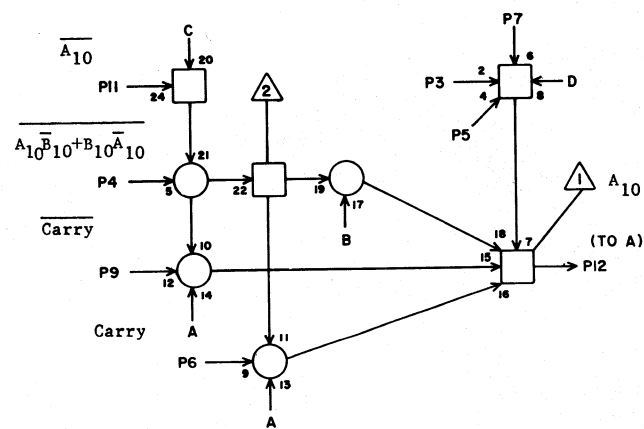




QD				1 K11
1				
2				
3	J2	16	13	
4	J11	4	7	
5	J1	20	13	
6	J11	12	7	
7	J3	24	11	
8	L15	7	11	
9	J11	28	7	
10	M9	3	11	
11	K3	22	11	
12	O3	10	19	
13	L16	21	11	
14				
15	K21	3	13	
16	K17	23	9	
17				
18	L15	21	11	
19	O4	7	19	
20	K4	6	11	
21	J25	4	17	
22	J12	26	9	
23	L16	7	11	
24	J6	24	11	
25	J12	18	9	
26	J4	20	11	
27	J12	6	9	
28	J5	16	11	

JACK PIN LG

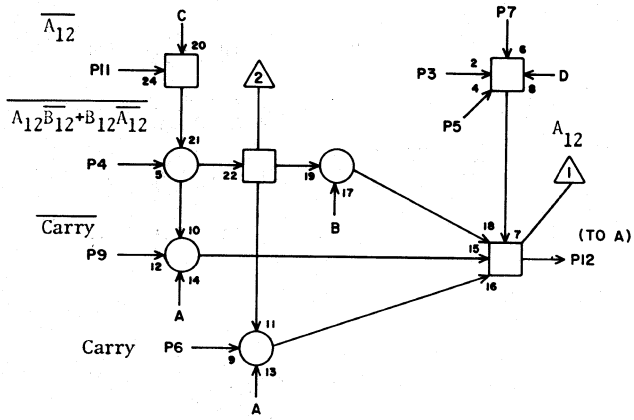
63019800 Rev. A



QD				1 K12
1				
2				
3	J2	26	13	
4	J12	8	9	
5	J1	14	15	
6	J12	1	7	
7	H6	23	15	
8	L15	8	9	
9	J12	2	7	
10	M9	13	11	
11	K4	2	11	
12	O4	6	19	
13	L16	22	9	
14				
15	K21	13	13	
16	K18	6	9	
17				
18	L15	22	11	
19	O4	10	19	
20	K4	22	11	
21	J25	27	17	
22	J12	28	9	
23	L16	8	9	
24	H6	27	15	
25	J12	12	9	
26	J4	14	13	
27	J12	4	9	
28	J5	26	11	

JACK PIN LG

63019800 Rev. A

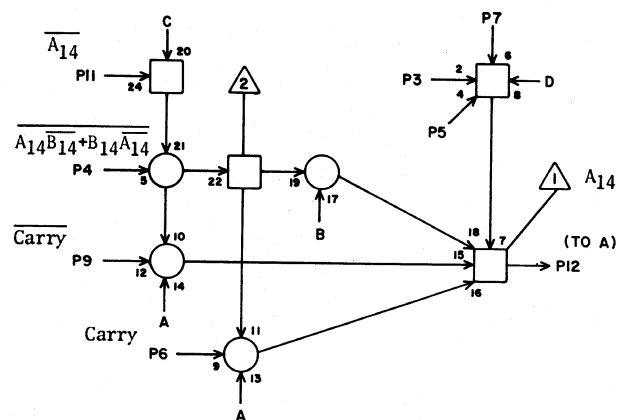


QD 1K13

QD	PIN	LG
1		
2		
3	J3	10 15
4	J13	6 7
5	J1	22 15
6	J13	18 7
7	H6	17 17
8	L15	9 9
9	J13	26 7
10	M9	18 13
11	K5	6 11
12	O5	7 19
13	L16	23 9
14		
15	K21	18 11
16	K18	5 9
17		
18	L15	23 9
19	O5	6 19
20	K5	2 11
21	J25	24 15
22	J13	2 4
23	L16	9 9
24	H6	19 17
25	J13	1 9
26	J4	22 13
27	J13	8 9
28	J6	10 11

JACK PIN LG

63019800 Rev. A

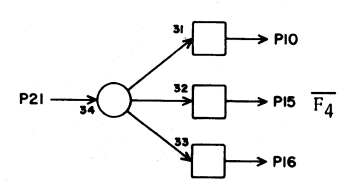
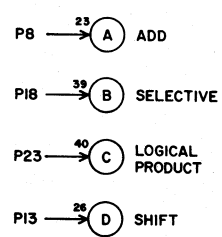
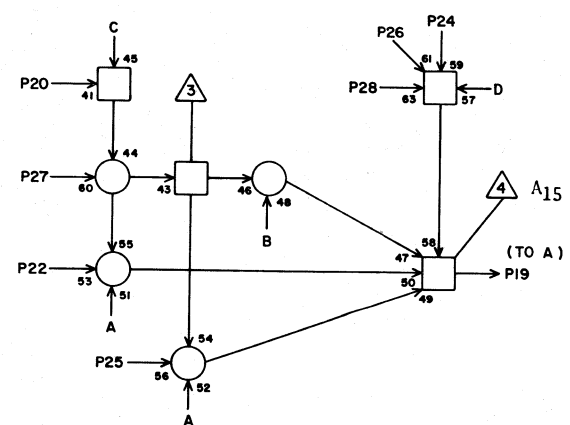
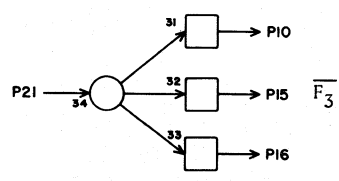
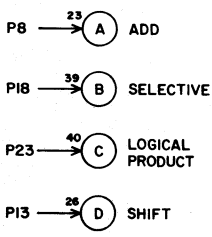
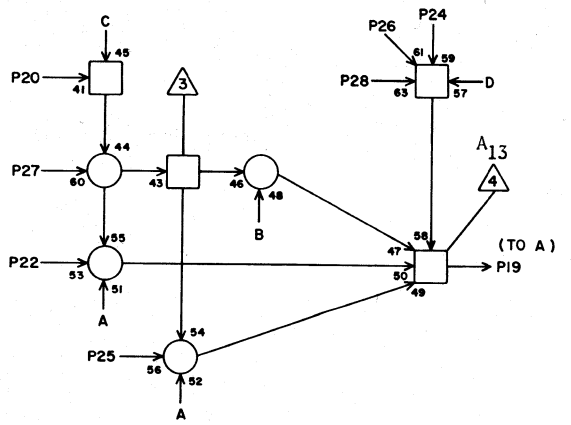


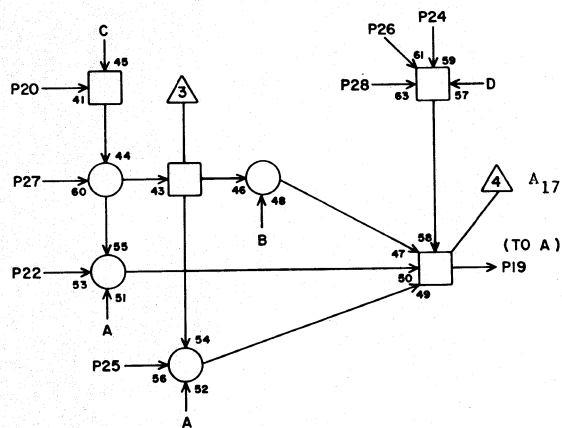
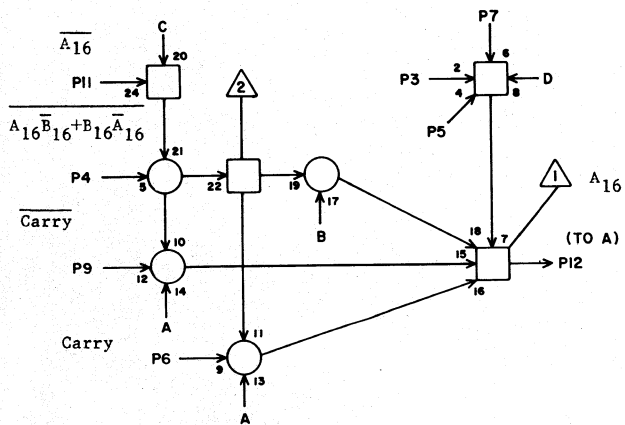
QD 1K14

QD	PIN	LG
1		
2		
3	J3	16 15
4	J13	4 7
5	J2	20 15
6	J13	12 7
7	H6	20 17
8	L15	10 9
9	J13	28 7
10	M9	26 13
11	K5	22 13
12	O5	10 21
13	L16	24 9
14		
15	K21	26 11
16	K18	24 7
17		
18	L15	24 9
19	O6	7 19
20	K6	6 11
21	J25	15 15
22	J14	26 9
23	L16	10 7
24	H6	24 17
25	J14	18 9
26	J5	20 13
27	J14	6 9
28	J6	16 13

JACK PIN LG

63019800 Rev. A



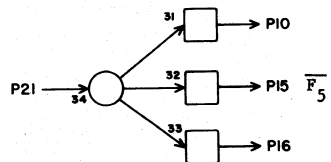


P8 → 23 (A) ADD

P18 → 39 (B) SELECTIVE

P23 → 40 (C) LOGICAL PRODUCT

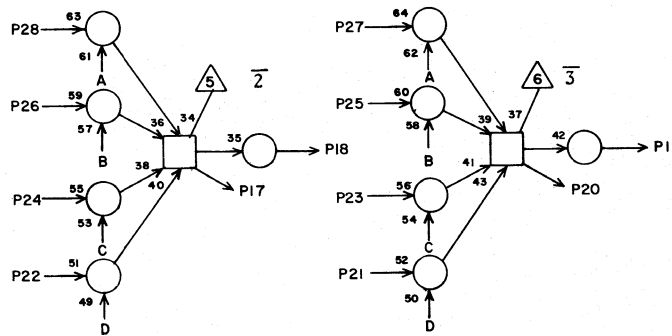
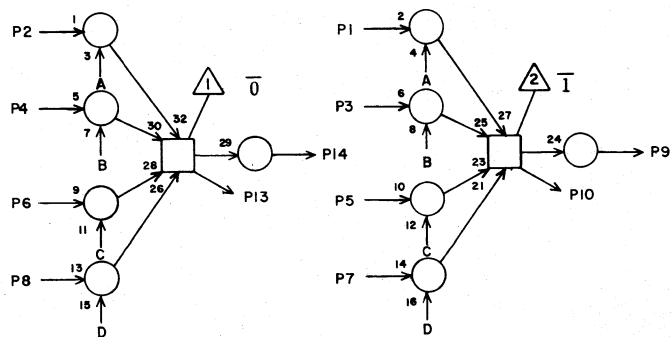
P13 → 26 (D) SHIFT



QD 1K15			
JACK	PIN	LG	
1			
2			
3	J3	26	15
4	J14	8	7
5	J2	14	17
6	J14	1	7
7	H6	16	17
8	L15	11	9
9	J14	2	7
10	M9	25	15
11	K6	2	13
12	O6	6	21
13	L16	25	9
14			
15	K21	25	9
16	K18	23	7
17			
18	L15	25	9
19	O6	10	21
20	K6	22	13
21	J25	7	15
22	J14	28	9
23	L16	11	7
24	H6	18	17
25	J14	12	9
26	J5	14	15
27	J14	4	9
28	J6	26	13

63019800 Rev. A

Inputs To A



P12 → 31 (A) X → A

P16 → 33 (B) A → A

P11 → 22 (C) Fd → A

P15 → 44 (D) R → A

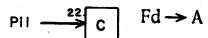
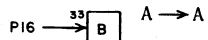
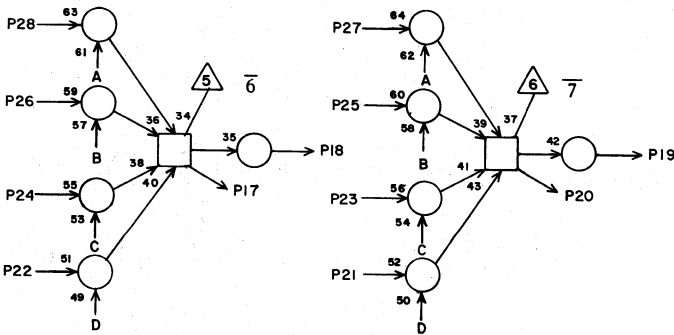
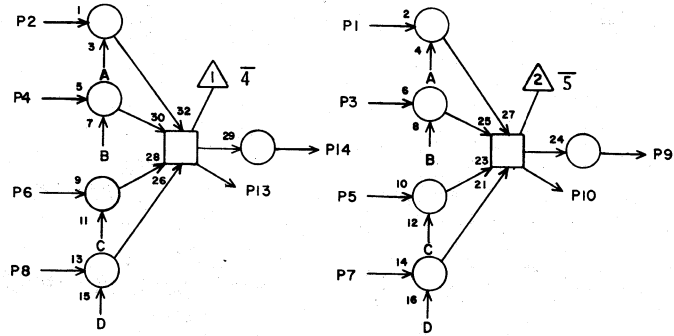
TG K16			
JACK	PIN	LG	
1	F37	4	31
2	F37	12	29
3	N1	3	19
4	N1	4	19
5	I17	23	11
6	I17	12	13
7	M29	10	17
8	M29	13	17
9			
10	K1	12	19
11	J23	16	11
12	J17	16	7
13	K1	11	19
14			
15	K29	5	15
16	J17	5	9
17	K1	27	19
18			
19			
20	K2	11	17
21	M29	20	17
22	M29	17	17
23	I17	9	13
24	I17	16	11
25	N1	27	23
26	N1	28	23
27	F37	17	29
28	F37	14	29

63019800 Rev. A

Inputs To A

TG

1 K17



1	F37	19	29
2	F37	27	29
3	N2	3	21
4	N2	4	21
5	I17	21	11
6	I17	8	13
7	M30	10	17
8	M30	13	17
9			
10	K2	27	17
11	J23	18	11
12	J17	18	7
13	K2	12	17
14			
15	K29	7	15
16	J17	9	7
17	K3	11	17
18			
19			
20	K3	12	17
21	M30	20	17
22	M30	17	17
23	K11	16	11
24	K10	16	11
25	N2	27	23
26	N2	28	23
27	F38	4	29
28	F38	12	29

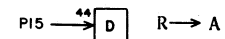
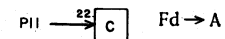
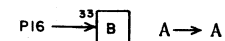
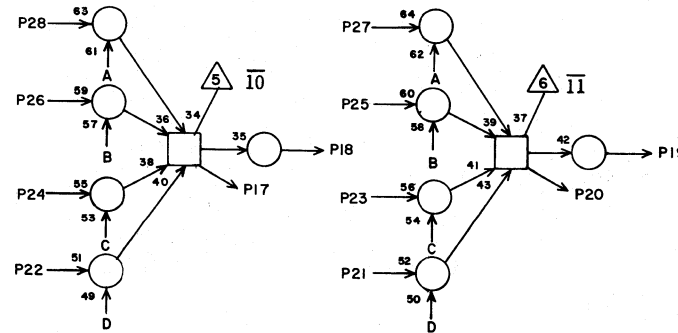
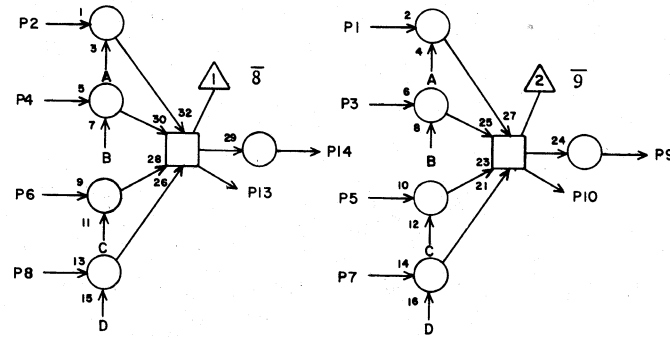
JACK PIN LG

63019800 Rev. A

Inputs To A

TG

1 K18



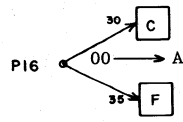
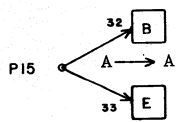
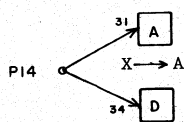
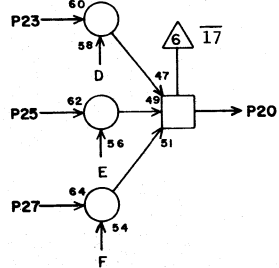
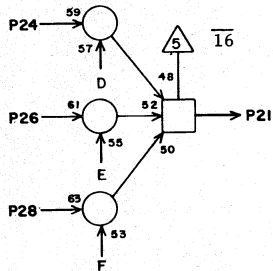
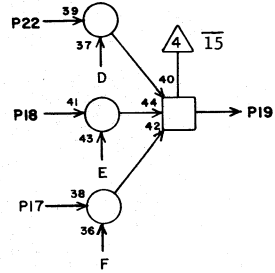
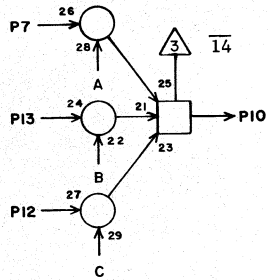
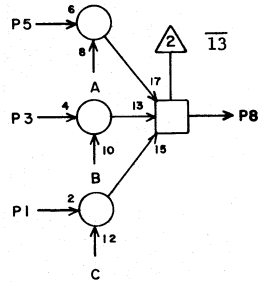
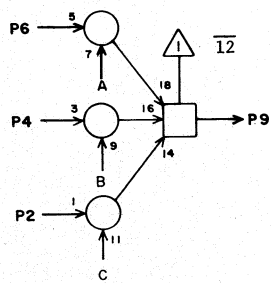
1	F38	17	29
2	F38	14	29
3	N3	3	21
4	N3	4	21
5	K13	16	9
6	K12	16	11
7	M31	10	17
8	M31	13	17
9			
10	K4	11	17
11	J23	20	11
12	J17	20	7
13	K3	27	17
14			
15	K29	9	13
16	J17	11	7
17	K4	12	17
18			
19			
20	K4	27	17
21	M31	20	17
22	M31	17	17
23	K15	16	7
24	K14	16	7
25	N3	27	23
26	N3	28	23
27	F38	19	29
28	F38	27	29

JACK PIN LG

63019800 Rev. A



Inputs to A



TE

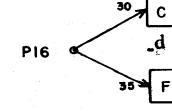
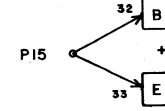
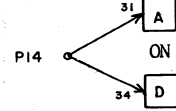
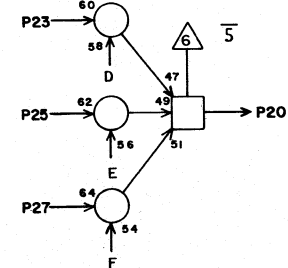
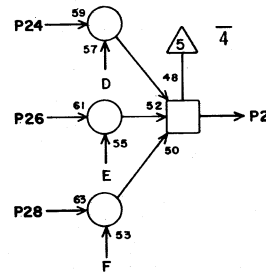
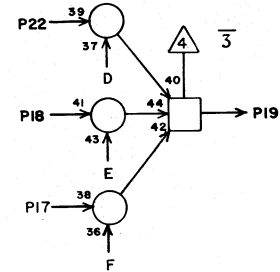
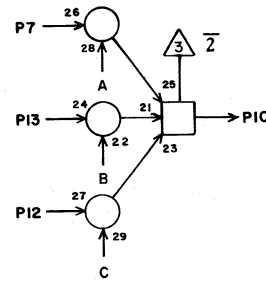
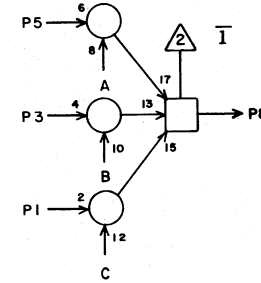
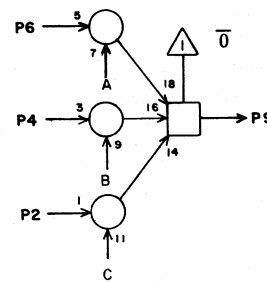
1K19

1	K19	X	2
2	K19	X	2
3	N4	3	21
4	N4	4	21
5	F39	4	29
6	F39	12	29
7	F39	14	29
8	K5	12	17
9	K5	11	17
10	K5	27	17
11			
12	K19	X	2
13	N4	23	23
14	J17	24	9
15	J17	13	9
16	K24	20	9
17	K19	X	2
18	N4	21	23
19	K6	11	17
20	K6	27	17
21	K6	12	17
22	F39	17	29
23	F39	19	29
24	F39	27	29
25	N5	5	21
26	N5	4	21
27	K19	X	2
28	K19	X	2

JACK PIN LG

63019800 Rev. A

Inputs To B



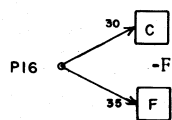
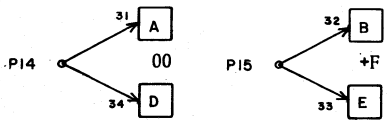
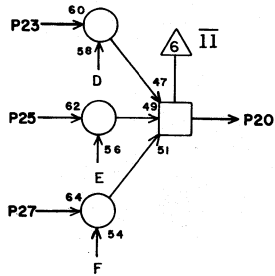
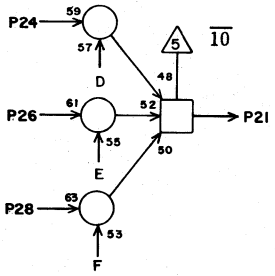
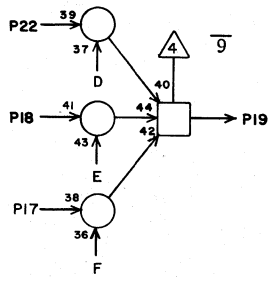
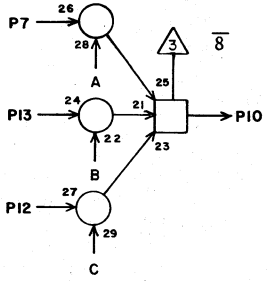
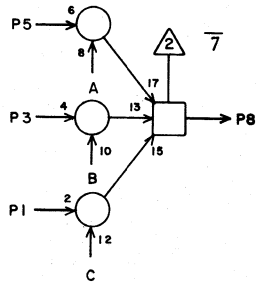
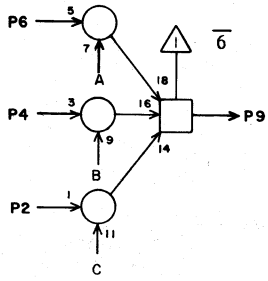
TE

1K20

1	M13	10	13
2	M13	9	13
3	I17	19	13
4	I17	2	13
5	J23	5	9
6	L26	13	11
7	J23	7	9
8	K1	16	21
9	K1	15	21
10	K1	26	21
11			
12	M13	17	15
13	I17	18	13
14	N17	2	15
15	J27	14	11
16	K27	20	11
17	M13	18	15
18	I17	5	13
19	K2	15	19
20	K2	26	19
21	K2	16	19
22	J23	9	9
23	J23	13	9
24	J23	11	9
25	I17	22	13
26	I17	14	13
27	M13	7	13
28	M13	21	15

JACK PIN LG

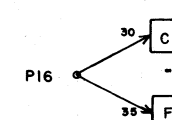
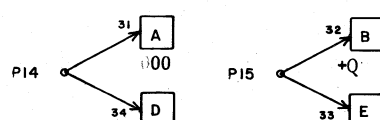
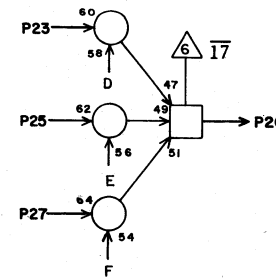
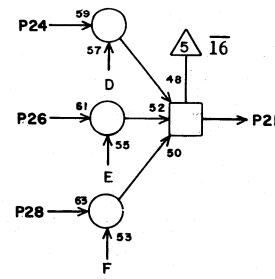
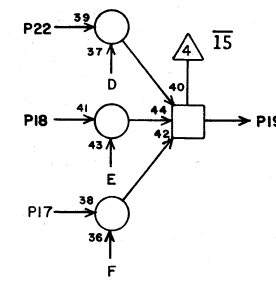
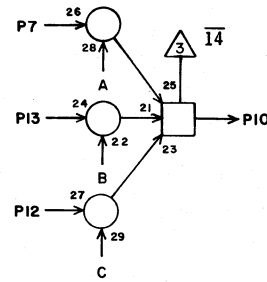
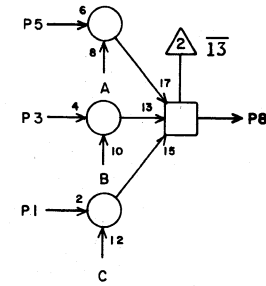
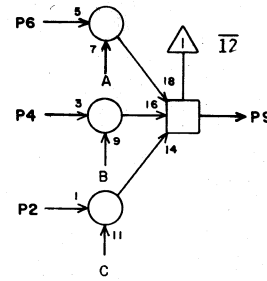
63019800 Rev. A



TE		1K21	
1	M12	9	15
2	M12	7	15
3	K11	15	13
4	K10	15	15
5	K21	X	2
6	K21	X	2
7	K21	X	2
8	K3	16	19
9	K3	15	19
10	K3	26	21
11			
12	M12	10	15
13	K12	15	13
14	K24	14	7
15	K27	19	11
16	K27	14	11
17	M12	17	15
18	K13	15	11
19	K4	15	19
20	K4	26	19
21	K4	16	19
22	K21	X	2
23	K21	X	2
24	K21	X	2
25	K15	15	9
26	K14	15	11
27	M12	21	15
28	M12	18	15
	JACK	PIN	LG

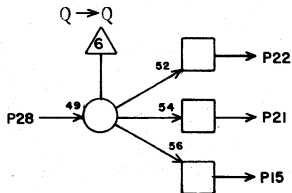
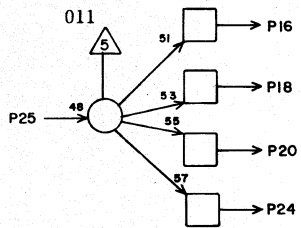
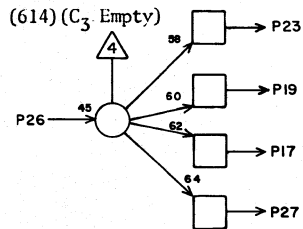
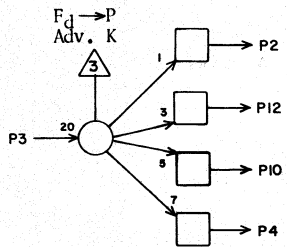
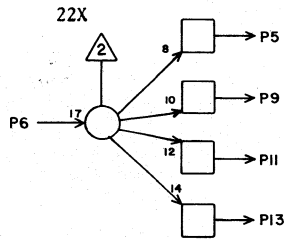
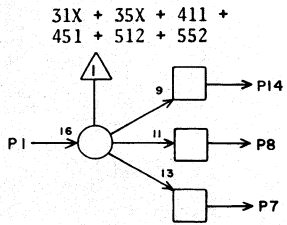
63019800 Rev. A

Inputs To B



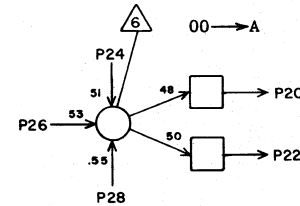
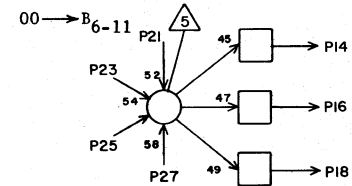
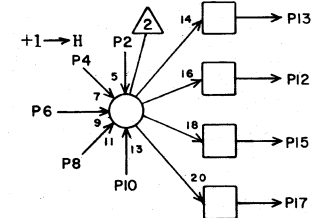
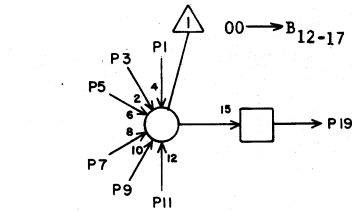
TE		1K22	
1	N22	8	15
2	N22	7	15
3	N22	3	15
4	N22	4	15
5	K22	X	2
6	K22	X	2
7	K22	X	2
8	K5	16	19
9	K5	15	19
10	K5	26	19
11			
12	N22	19	15
13	N22	28	17
14	K24	19	7
15	L20	14	9
16	L20	20	9
17	N22	22	15
18	N22	27	17
19	K6	15	19
20	K6	26	19
21	K6	16	19
22	K22	X	2
23	K22	X	2
24	K22	X	2
25	N23	3	15
26	N23	4	15
27	N23	8	15
28	N23	7	15
	JACK	PIN	LG

63019800 Rev. A



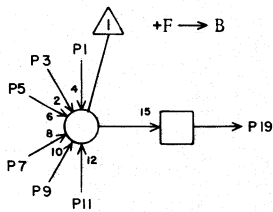
TH		1K23	
JACK	PIN	LG	
1	L23	13	9
2	J26	25	9
3	L25	17	11
4			
5	L20	25	11
6	L24	20	9
7			
8	J27	25	9
9	L26	22	9
10			
11	L27	12	11
12	J18	26	11
13			
14	K27	1	7
15			
16	J16	2	13
17	K24	27	5
18	J26	3	9
19	L26	6	9
20	L28	2	11
21	M11	14	17
22	M10	14	19
23	K24	7	5
24	L20	1	7
25	L27	20	9
26	L29	9	11
27			
28	L27	9	9

63019800 Rev. A

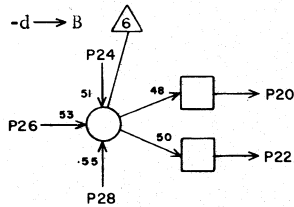
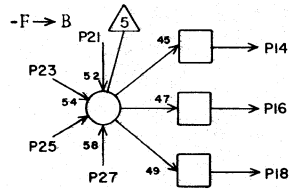
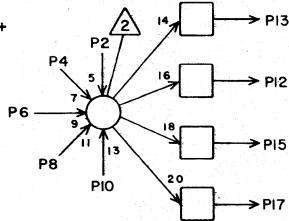


TB		1K24	
JACK	PIN	LG	
1	L23	18	9
2	L29	20	11
3	J17	17	13
4	L30	20	11
5	J23	6	7
6	M21	16	13
7	K23	23	5
8	K24	X	2
9	K24	X	2
10	K24	X	2
11	K24	X	2
12	M8	16	21
13	M9	16	19
14	K21	14	7
15			
16			
17			
18			
19	K22	14	7
20	K19	16	9
21	L21	12	9
22			
23	J17	19	13
24	K29	11	7
25	J23	8	9
26	J23	22	9
27	K23	17	5
28	K24	X	2

63019800 Rev. A



$$K = 010+020+610+630$$



TB

1K27

1	K23	14	9
2	K28	11	5
3	L21	23	13
4	K28	16	5
5	L20	16	13
6	K28	18	5
7	K27	X	2
8	K27	X	2
9	K27	X	2
10	K27	X	2
11	K27	X	2
12	L27	4	7
13	J16	6	15
14	K21	16	11
15	J26	9	7
16			
17	J18	15	13
18			
19	K21	15	11
20	K20	16	11
21	J23	21	9
22			
23	L22	14	11
24	L22	8	11
25	K27	X	2
26	H29	19	15
27	K27	X	2
28	J23	15	11

JACK PIN LG

63019800 Rev. A

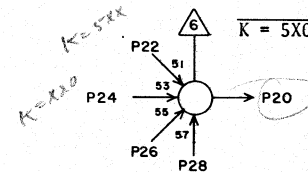
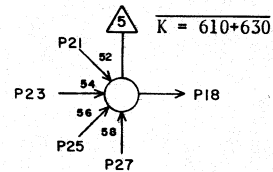
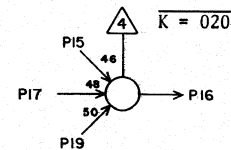
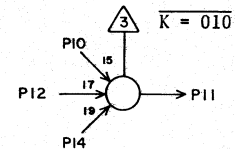
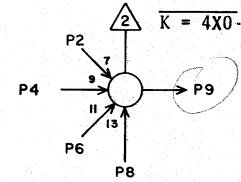
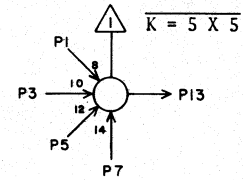
TI

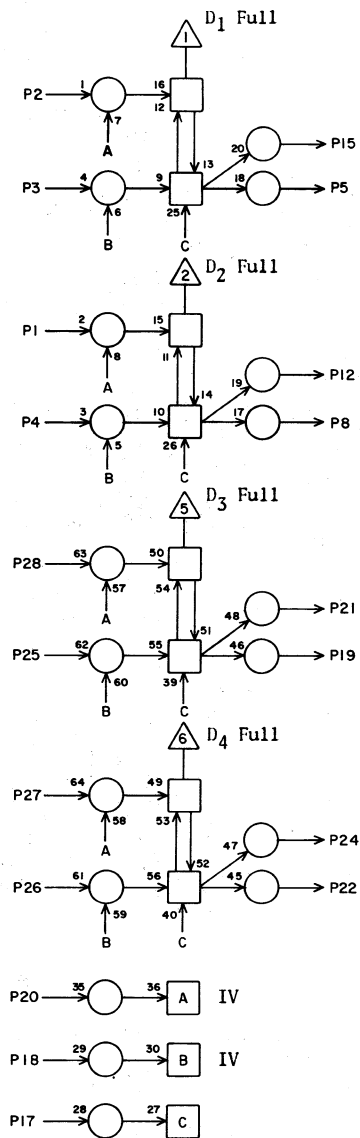
1K28

1	M20	2	15
2	M19	11	15
3	M15	8	17
4	M25	8	13
5	K28	X	2
6	K28	X	2
7	K28	X	2
8	K28	X	2
9	K29	1	3
10	M23	15	13
11	K27	2	5
12	L22	5	11
13	J18	3	5
14	M25	15	13
15	M23	7	13
16	K27	4	5
17	M22	4	13
18	K27	6	5
19	M25	7	13
20	K29	3	5
21	M24	5	13
22	M20	4	15
23	M23	23	15
24	M25	10	13
25	M25	6	13
26	K28	X	2
27	K28	X	2
28	K28	X	2

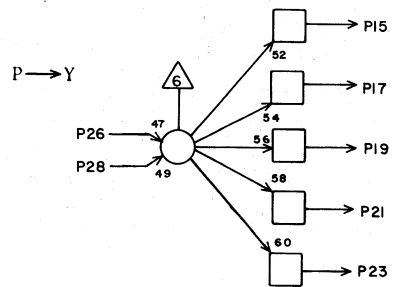
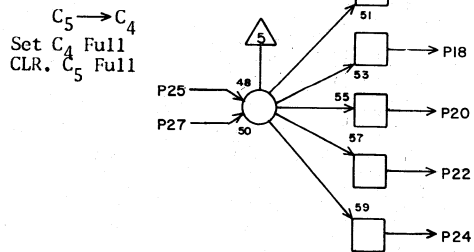
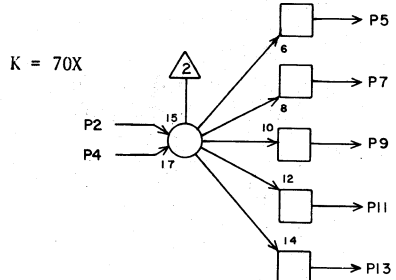
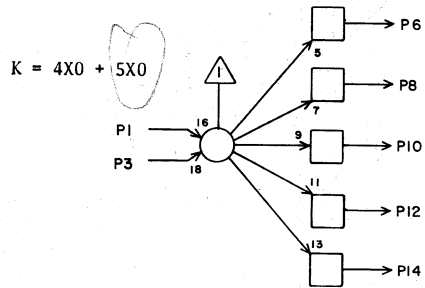
JACK PIN LG

63019800 Rev. A





PN		1 K25	
JACK	PIN	LG	
1	J30	20	9
2	J30	8	11
3	J30	24	9
4	K30	8	7
5	L30	21	11
6			
7			
8	L30	3	19
9			
10			
11			
12			
13			
14			
15			
16			
17	N29	18	17
18	J15	18	15
19	L30	5	11
20	J15	17	15
21			
22	L30	25	11
23			
24			
25	K30	21	7
26	J32	12	11
27	K30	22	7
28	K30	14	7

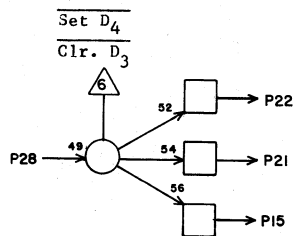
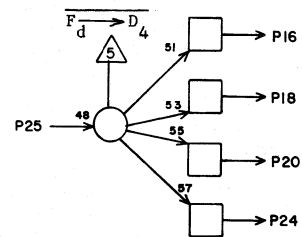
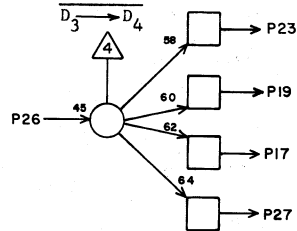
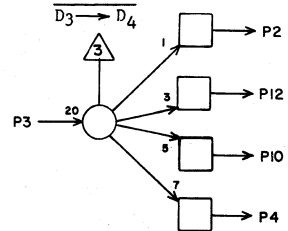
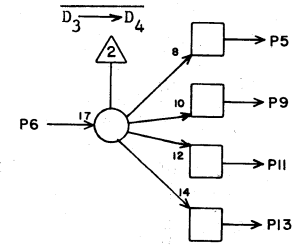
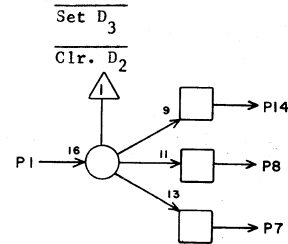


T D 1K29

1	K28	9	5
2	L27	13	9
3	K28	20	5
4	K29	X	2
5	K16	15	17
6	L27	2	9
7	K17	15	19
8	J16	10	17
9	K18	15	15
10	J26	1	11
11	K24	24	9
12	J18	17	15
13			
14			
15	H25	15	17
16	H31	28	15
17	H24	15	17
18	H31	25	15
19			
20	H31	6	17
21			
22	H31	3	17
23			
24	H31	26	15
25	L29	27	7
26	M21	22	13
27	K29	X	2
28	M24	17	13

JACK PIN LG

63019800 Rev. A

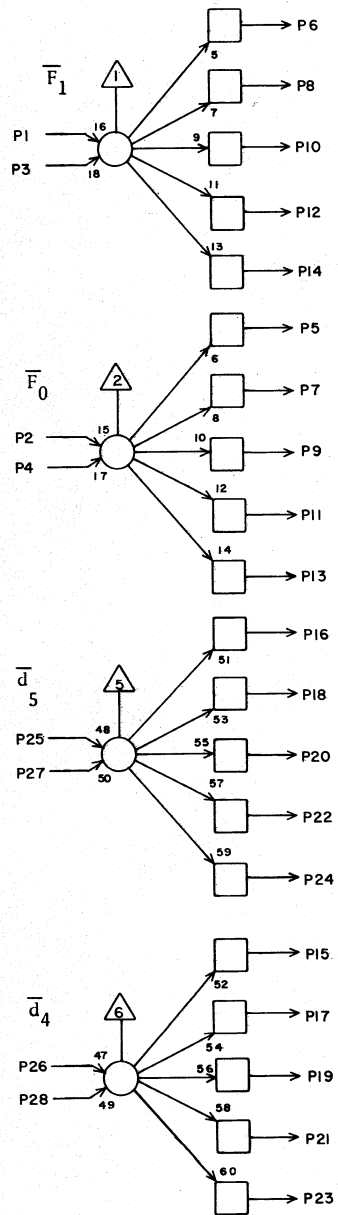


TH 1 K30

1	L30	1	9
2	K37	9	9
3	M21	21	17
4	K38	22	13
5	K35	9	9
6	M21	19	17
7			
8	K25	4	7
9	K35	22	9
10	K38	9	13
11	K36	9	11
12	K37	22	11
13	K36	22	11
14	K25	28	7
15			
16	K41	9	13
17	K40	9	13
18	K41	22	13
19	K39	22	11
20	K42	9	13
21	K25	25	7
22	K25	27	7
23	K39	9	11
24	K42	22	13
25	M21	17	15
26	M21	23	15
27	K40	22	13
28	M21	15	15

JACK PIN LG

63019800 Rev. A

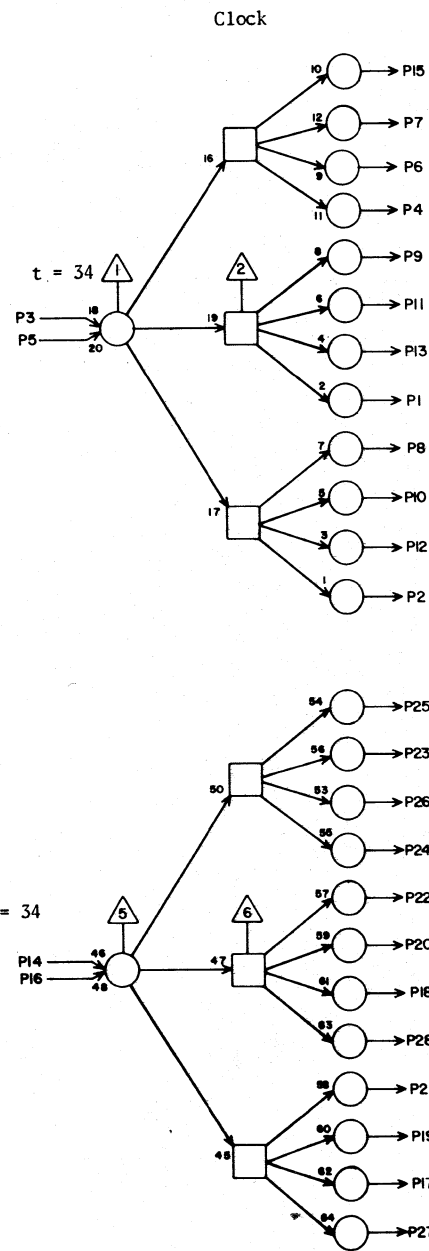


T D 1 K31

1	I24	5	15
2	I24	14	15
3	K31	X	2
4	K31	X	2
5	K34	8	7
6	K34	5	7
7	L36	8	9
8	L36	5	9
9	L42	8	13
10	L42	5	13
11	K42	8	13
12	K42	5	13
13	J42	9	15
14	J42	11	15
15	K33	24	7
16	K33	23	7
17	L35	24	9
18	L35	23	7
19	L41	24	13
20	L41	23	13
21	K41	24	15
22	K41	23	15
23	J41	20	13
24	J41	22	13
25	I19	19	17
26	I19	18	17
27	K31	X	2
28	K31	X	2

JACK    PIN    LG

63019800 Rev. A



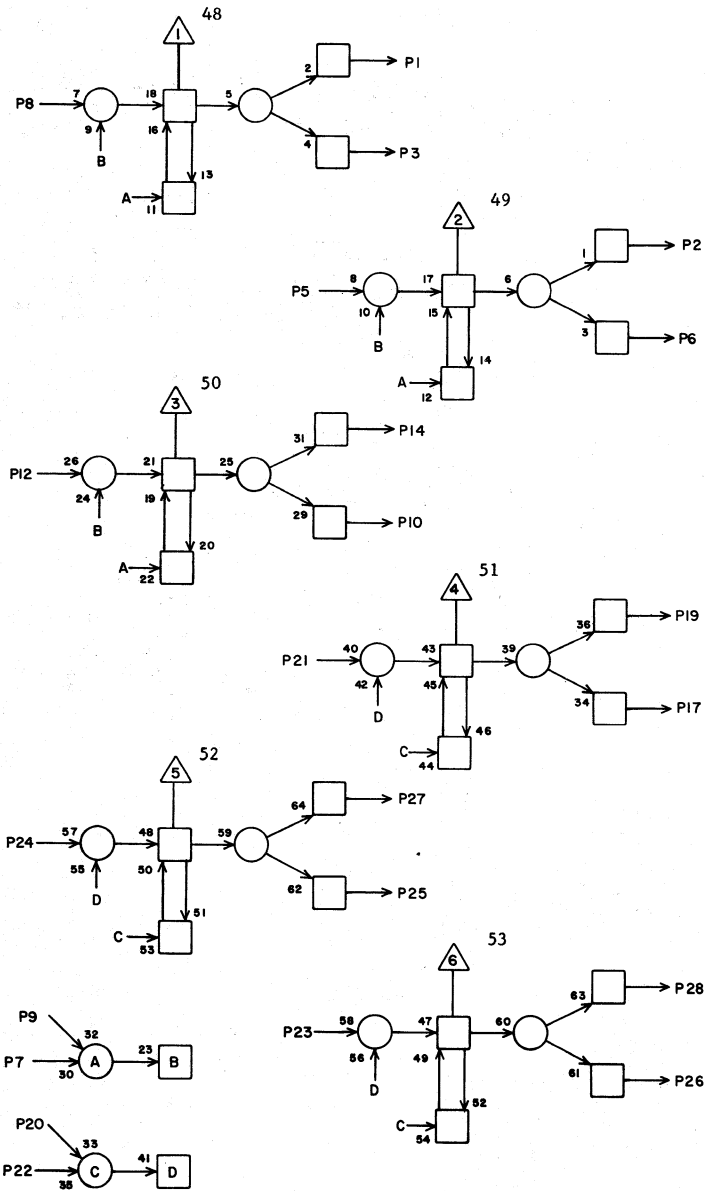
T C 1 K32

1	K35	7	7
2	K35	20	7
3	H5	1	31
4	K36	7	7
5	K32	X	2
6	K36	20	7
7	K37	7	9
8	K37	20	9
9	K38	7	9
10	K38	20	9
11	K39	7	9
12	K39	20	9
13	K40	7	11
14	H4	27	31
15	K40	20	11
16	K32	X	2
17	L33	7	7
18	L33	20	9
19	L34	7	9
20	L34	20	9
21	L35	7	9
22	L35	20	9
23	L36	7	9
24	L36	20	9
25	K33	7	5
26	K33	20	5
27	K34	7	7
28	K34	20	7

JACK    PIN    LG

63019800 Rev. A

D1



PA

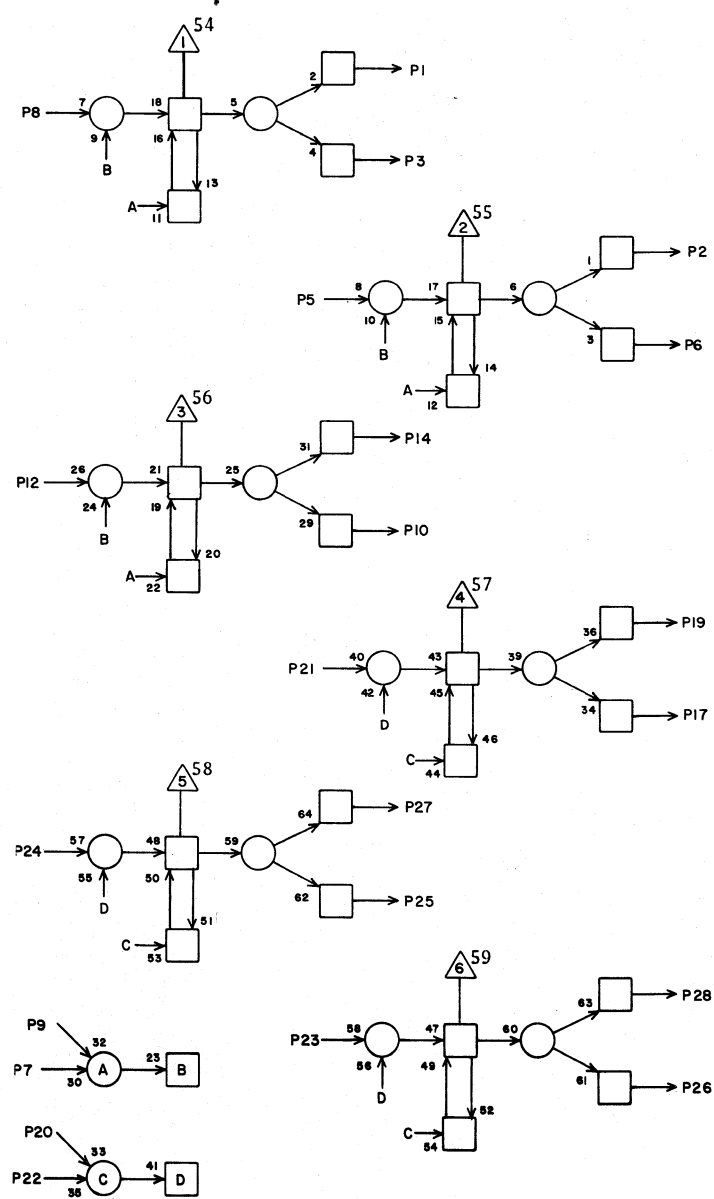
1K33

1	L33	8	9
2	L33	5	9
3			
4			
5	L31	16	9
6			
7	K32	25	5
8	L31	15	9
9	J30	5	7
10			
11			
12	L31	5	9
13			
14	L33	12	7
15			
16			
17			
18			
19	L33	21	7
20	K32	26	5
21	L31	6	9
22	J30	9	11
23	K31	16	7
24	K31	15	7
25			
26			
27	L33	24	7
28	L33	23	7

JACK PIN LG

63019800 Rev. A

D1



PA

1K34

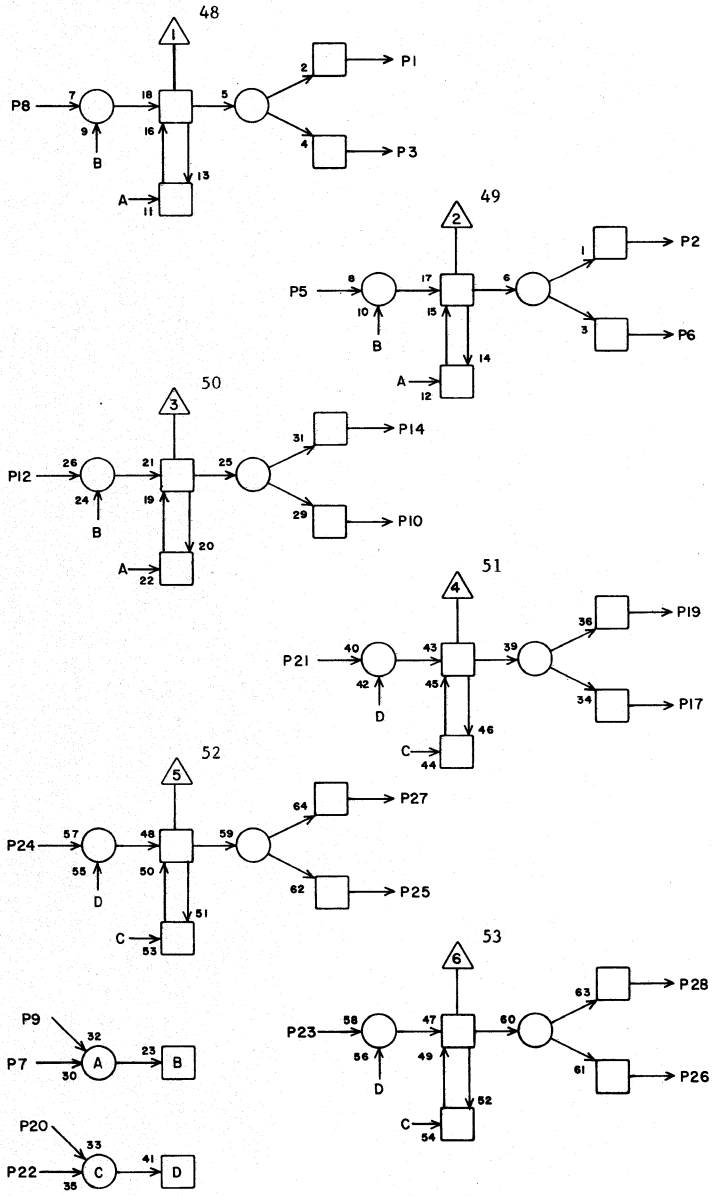
1	L34	8	9
2	L34	5	9
3			
4			
5	K31	6	7
6			
7	K32	27	7
8	K31	5	7
9	J30	11	11
10			
11			
12	J31	15	9
13			
14	L34	12	7
15			
16			
17			
18			
19	L34	21	7
20	K32	28	7
21	J31	16	9
22	J30	13	11
23	J31	6	9
24	J31	5	9
25			
26			
27	L34	24	9
28	L34	23	9

JACK PIN LG

63019800 Rev. A



D<sub>4</sub>



PA

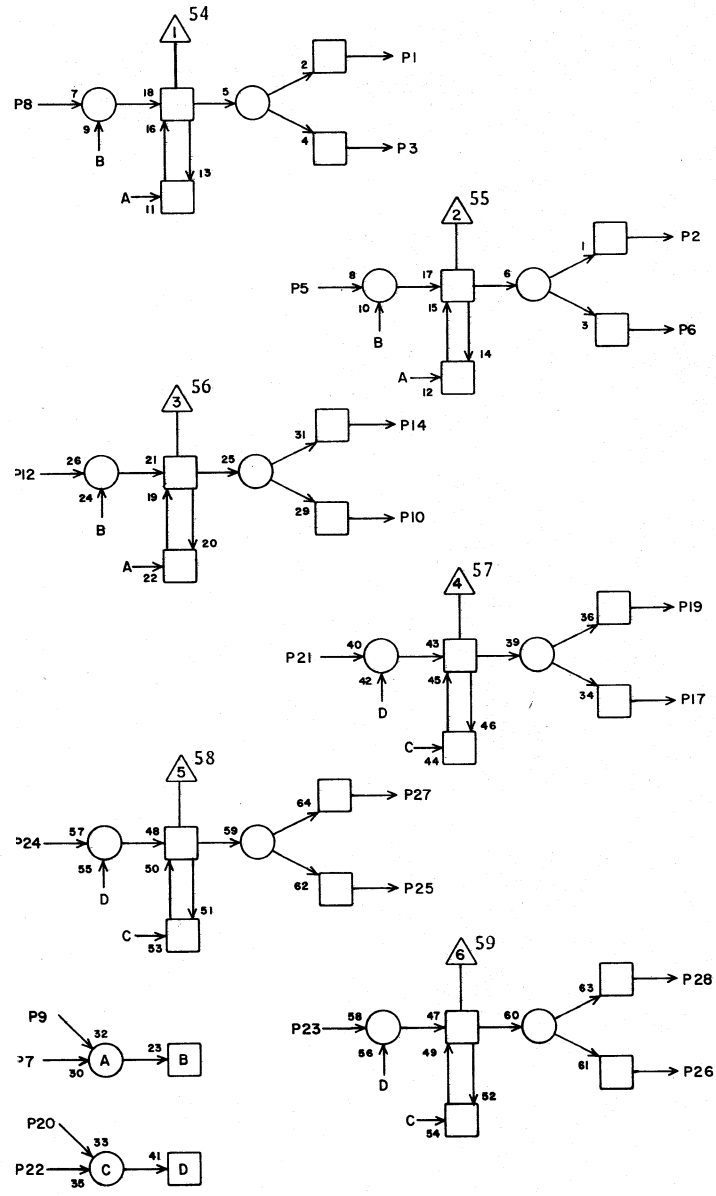
1K35

1	J33	9	7
2	J33	11	7
3			
4			
5	L37	2	9
6			
7	K32	1	7
8	L37	1	9
9	K30	5	9
10			
11			
12	L37	14	9
13			
14	J33	13	7
15			
16			
17			
18			
19	J33	18	7
20	K32	2	7
21	L37	19	9
22	K30	9	9
23	L37	28	9
24	L37	27	9
25			
26			
27	J33	20	9
28	J33	22	9

JACK PIN LG

63019800 Rev. A

D<sub>4</sub>



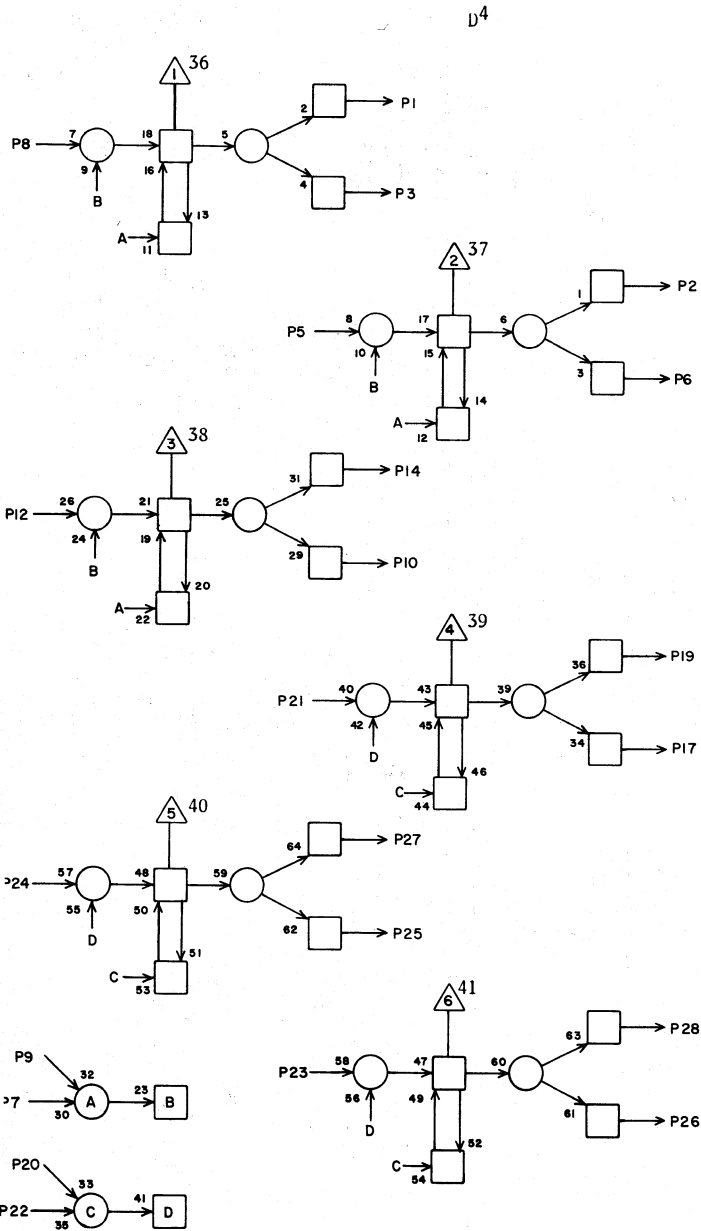
PA

1K36

1	J34	9	9
2	J34	11	9
3			
4			
5	L38	2	9
6			
7	K32	4	7
8	L38	1	9
9	K30	11	11
10			
11			
12	L38	14	9
13			
14	J34	13	9
15			
16			
17			
18			
19	J34	18	9
20	K32	6	7
21	L38	19	9
22	K30	13	11
23	L38	28	9
24	L38	27	9
25			
26			
27	J34	20	9
28	J34	22	9

JACK PIN LG

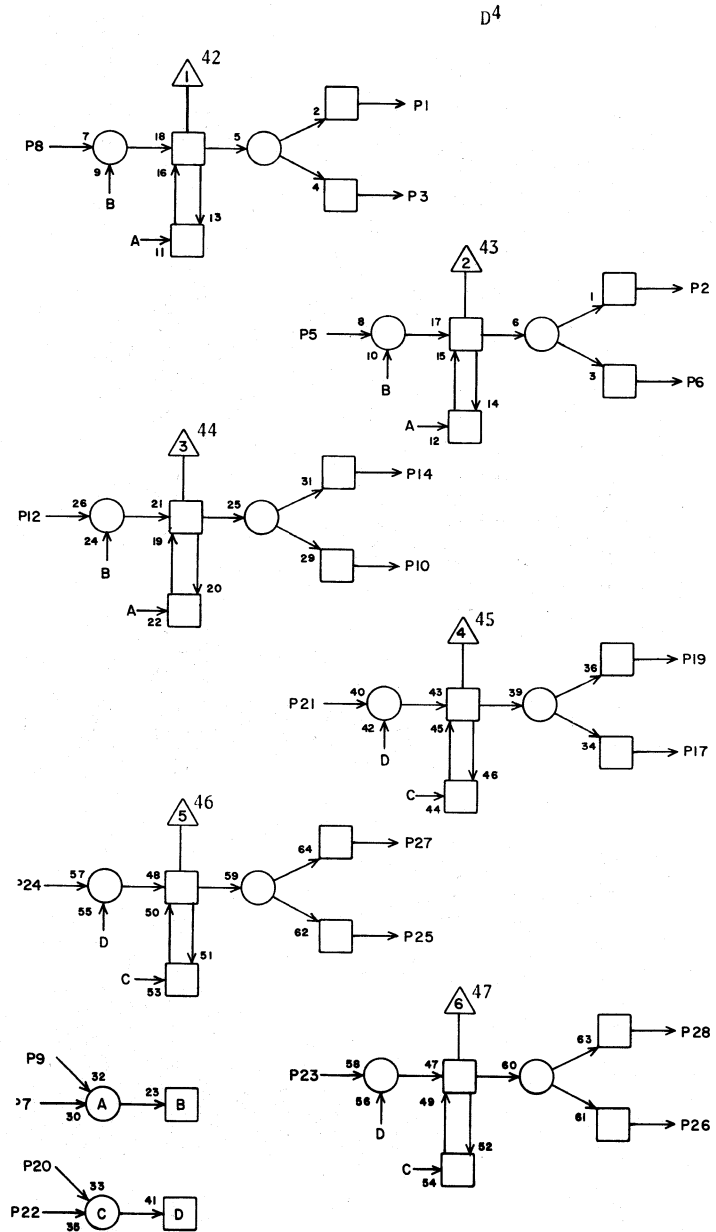
63019800 Rev. A



PA		1 K37	
1	J35	9	7
2	J35	11	7
3			
4			
5	L39	2	9
6			
7	K32	7	9
8	L39	1	9
9	K30	2	9
10			
11			
12	L39	14	9
13			
14	J35	13	7
15			
16			
17			
18			
19	J35	18	9
20	K32	8	9
21	L39	19	9
22	K30	12	11
23	L39	28	9
24	L39	27	9
25			
26			
27	J35	20	9
28	J35	22	9

JACK PIN LG

63019800 Rev. A

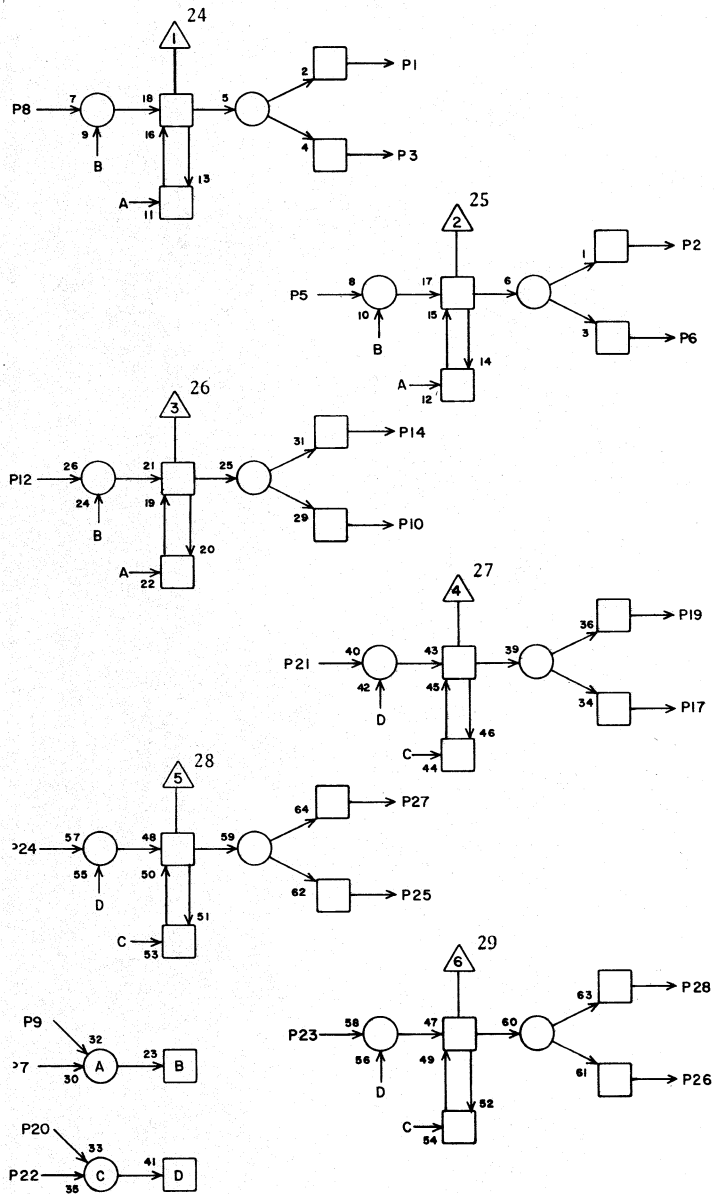


PA		1 K38	
1	J36	9	7
2	J36	11	7
3			
4			
5	L40	2	9
6			
7	K32	9	9
8	L40	1	9
9	K30	10	13
10			
11			
12	L40	14	9
13			
14	J36	13	7
15			
16			
17			
18			
19	J36	18	9
20	K32	10	9
21	L40	19	9
22	K30	4	13
23	L40	28	9
24	L40	27	9
25			
26			
27	J36	20	9
28	J36	22	9

JACK PIN LG

63019800 Rev. A

D<sup>4</sup>



PA

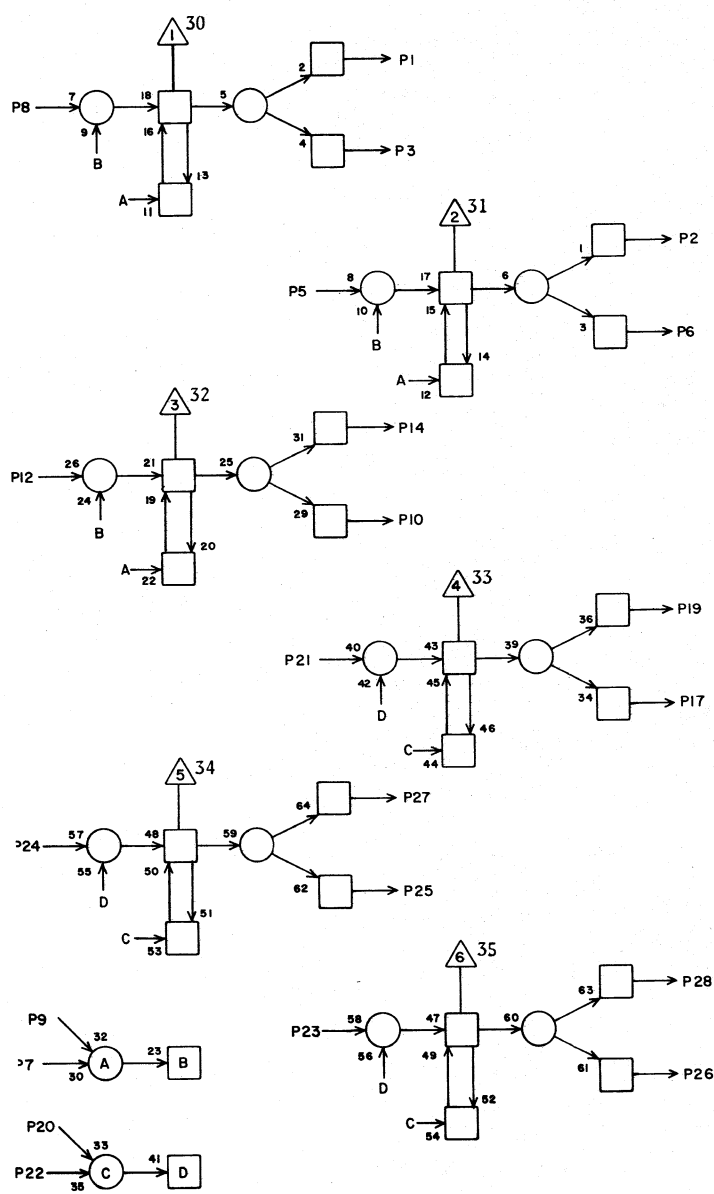
1K39

1	J37	9	9
2	J37	11	9
3			
4			
5	L41	2	9
6			
7	K32	11	9
8	L41	1	9
9	K30	23	13
10			
11			
12	L41	14	9
13			
14	J37	13	9
15			
16			
17			
18			
19	J37	18	9
20	K32	12	9
21	L41	19	9
22	K30	19	13
23	L41	28	9
24	L41	27	9
25			
26			
27	J37	20	9
28	J37	22	9

JACK PIN LG

63019800 Rev. A

D<sup>4</sup>



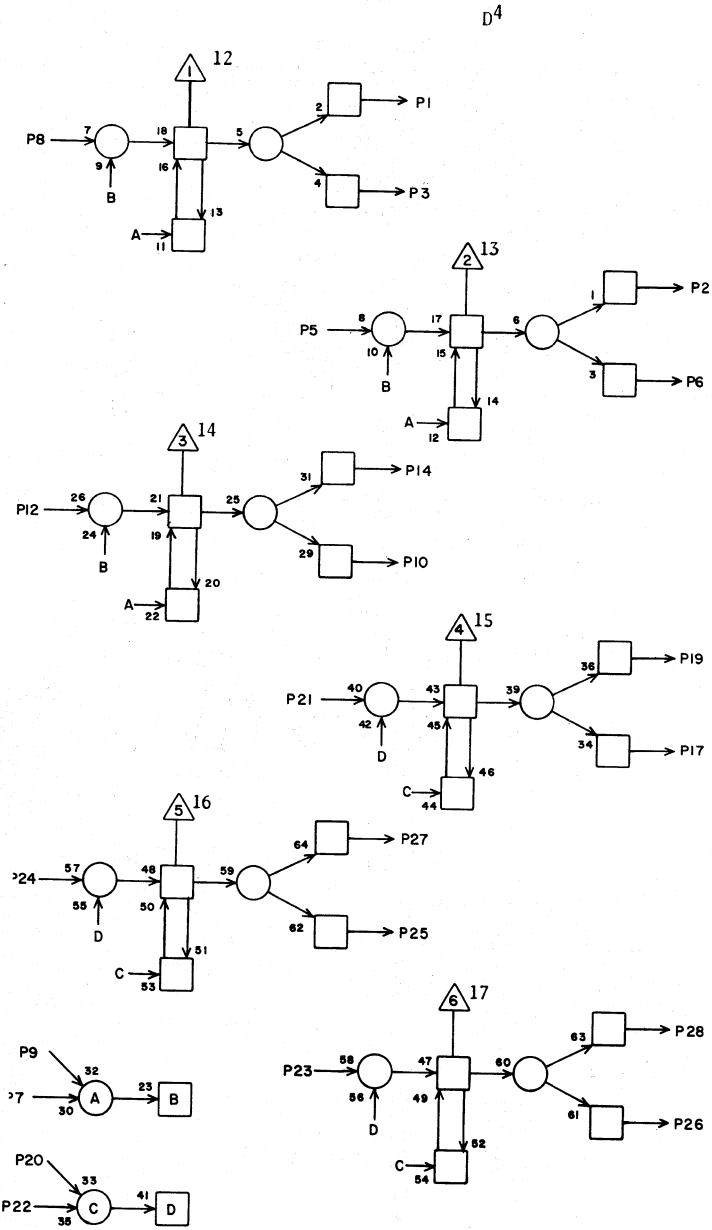
PA

1K40

1	J38	9	7
2	J38	11	7
3			
4			
5	L42	2	7
6			
7	K32	13	13
8	L42	1	7
9	K30	17	13
10			
11			
12	L42	14	7
13			
14	J38	13	9
15			
16			
17			
18			
19	J38	18	9
20	K32	15	13
21	L42	19	9
22	K30	27	13
23	L42	28	9
24	L42	27	9
25			
26			
27	J38	20	9
28	J38	22	9

JACK PIN LG

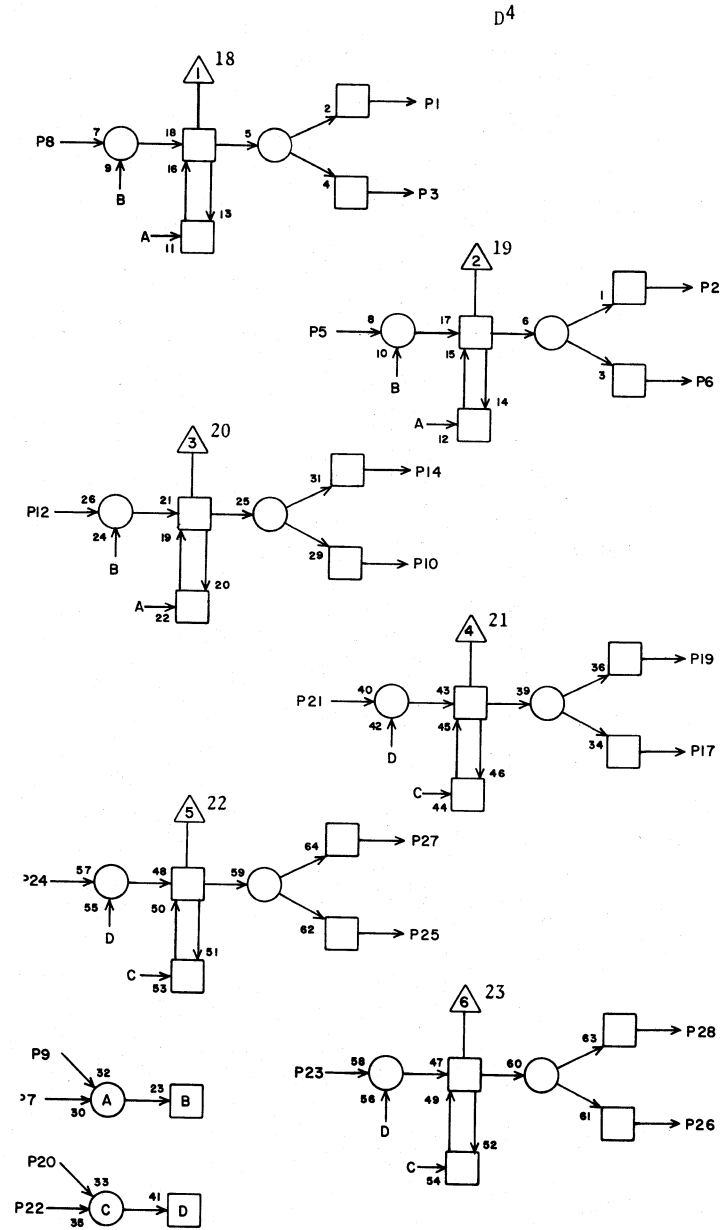
63019800 Rev. A



PA 1K41

1	J39	9	7
2	J39	11	7
3			
4			
5	L31	22	15
6			
7	J32	25	13
8	L31	21	15
9	K30	16	15
10			
11			
12	L31	11	15
13			
14	J39	13	7
15			
16			
17			
18			
19	J39	18	9
20	J32	26	13
21	L31	12	15
22	K30	18	15
23	K31	22	13
24	K31	21	13
25			
26			
27	J39	20	9
28	J39	22	9
	JACK	PIN	LG

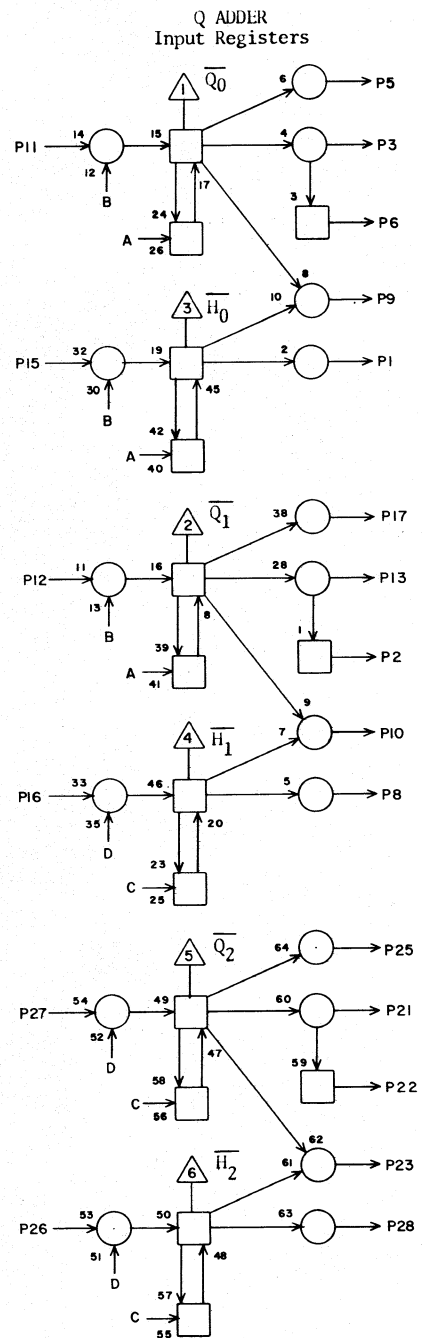
63019800 Rev. A



PA 1K42

1	J40	9	7
2	J40	11	7
3			
4			
5	K31	12	15
6			
7	J32	27	15
8	K31	11	15
9	K30	20	15
10			
11			
12	J31	21	15
13			
14	J40	13	7
15			
16			
17			
18			
19	J40	18	9
20	J32	28	15
21	J31	22	15
22	K30	24	15
23	J31	12	15
24	J31	11	15
25			
26			
27	J40	20	9
28	J40	22	9
	JACK	PIN	LG

63019800 Rev. A

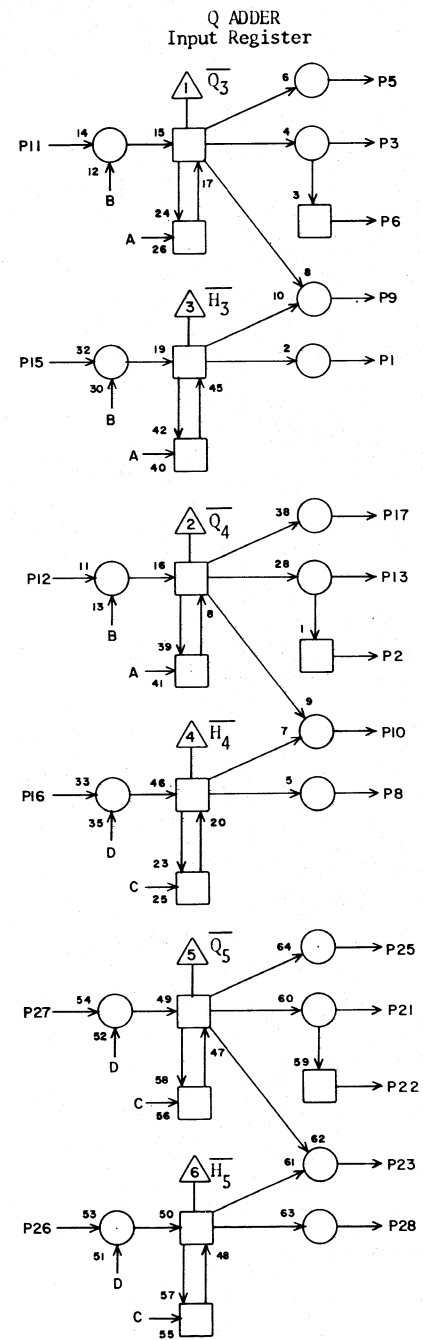


QA 1 L1

JACK	PIN	LG
1	L6	9
2		
3		
4		
5	L6	11
6		
7		
8	L6	19
9	L6	13
10	L6	15
11	M10	9
12	M10	8
13		
14	L5	1
15	M8	9
16	M8	8
17	L6	17
18		
19	L5	2
20		
21		
22		
23	L6	3
24		
25	L6	7
26	M8	10
27	M10	10
28	L6	5

JACK PIN LG

63019800 Rev. A

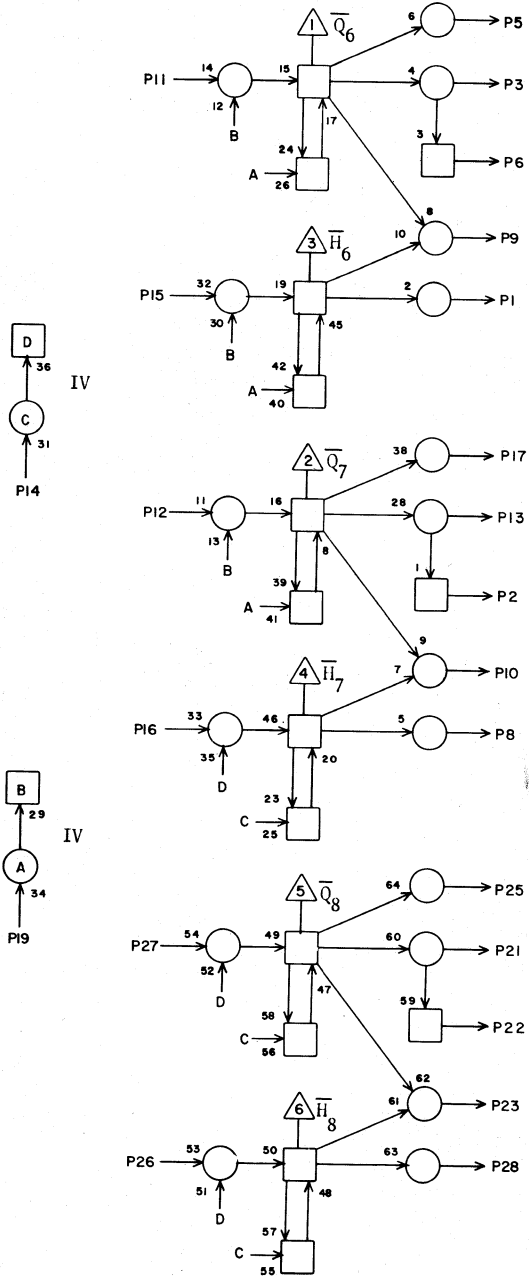


QA 1 L2

JACK	PIN	LG
1	L7	9
2		
3		
4		
5	L7	11
6		
7		
8	L7	19
9	L7	13
10	L7	15
11	M10	19
12	M10	21
13		
14	L5	4
15	M8	19
16	M8	21
17	L7	17
18		
19	L5	6
20		
21		
22		
23	L7	3
24		
25	L7	7
26	M8	20
27	M10	20
28	L7	5

JACK PIN LG

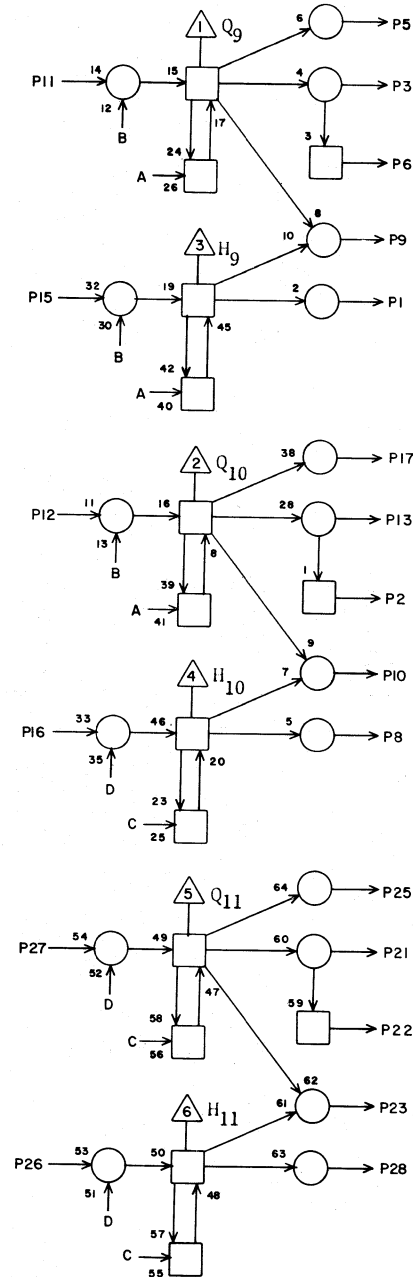
63019800 Rev. A



QA		1L3	
1	L8	9	9
2			
3			
4			
5	L8	11	9
6			
7			
8	L8	19	9
9	L8	13	9
10	L8	15	9
11	M11	9	13
12	M11	8	13
13			
14	L5	7	7
15	M9	9	11
16	M9	8	11
17	L8	17	9
18			
19	L5	8	7
20			
21			
22			
23	L8	3	9
24			
25	L8	7	9
26	M9	10	11
27	M11	10	13
28	L8	5	7

JACK PIN LG

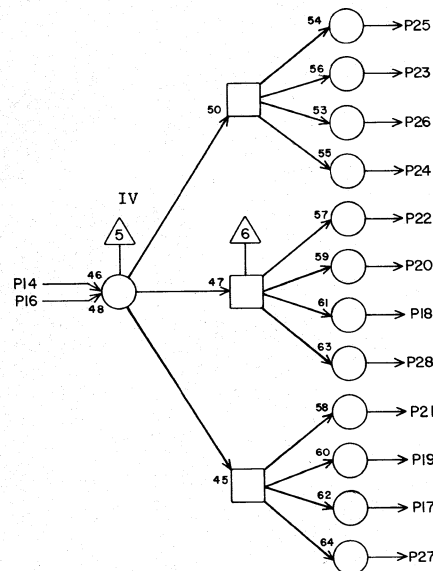
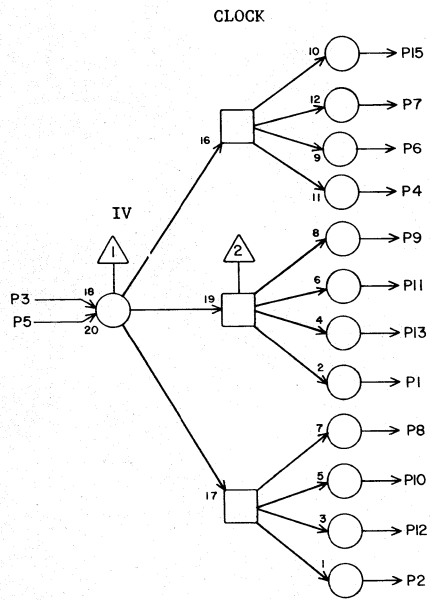
63019800 Rev. A



QA		1L4	
1	L9	9	9
2			
3			
4			
5	L9	11	9
6			
7			
8	L9	19	9
9	L9	13	9
10	L9	15	9
11	M11	19	11
12	M11	21	11
13			
14	L5	9	5
15	M9	19	11
16	M9	21	11
17	L9	17	9
18			
19	L5	10	5
20			
21			
22			
23	L9	3	9
24			
25	L9	7	9
26	M9	20	11
27	M11	20	11
28	L9	5	9

JACK PIN LG

63019800 Rev. A

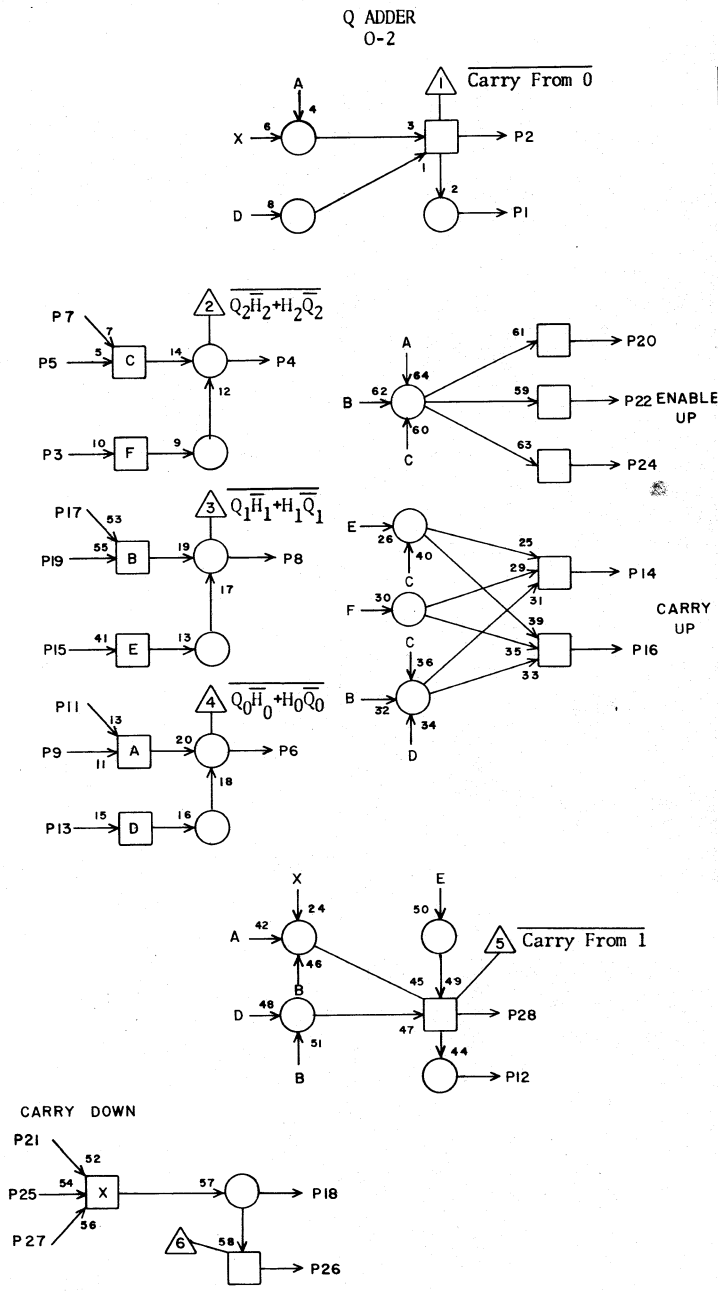


TC 1L5

1	L1	14	7
2	L1	19	7
3	H4	24	19
4	L2	14	7
5	L5	X	2
6	L2	19	7
7	L3	14	7
8	L3	19	7
9	L4	14	5
10	L4	19	5
11	N11	20	13
12	L17	16	15
13	J7	5	13
14	H4	25	19
15	J8	5	9
16	L5	X	2
17	K1	14	9
18	K1	19	9
19	K2	14	9
20	K2	19	9
21	K3	14	9
22	K3	19	9
23	K4	14	9
24	K4	19	9
25	K5	14	7
26	K5	19	7
27	K6	14	7
28	K6	19	7

JACK    PIN    LG

63019800 Rev. A



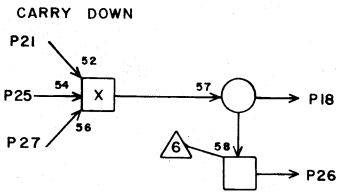
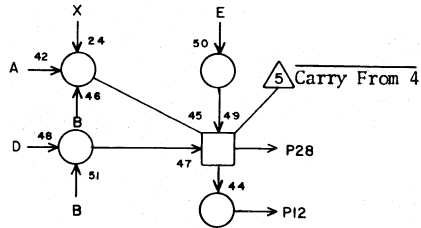
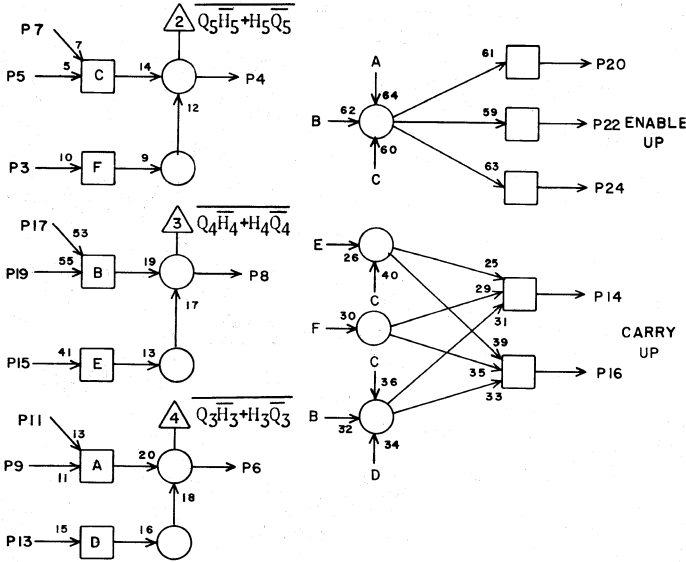
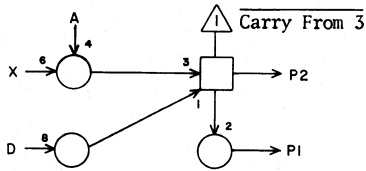
QB 1L6

1	L12	5	9
2	L12	6	9
3	L1	23	7
4	L12	24	9
5	L1	28	9
6	L12	10	9
7	L1	25	9
8	L12	7	9
9	L1	1	9
10			
11	L1	5	9
12	L12	26	9
13	L1	9	9
14	L10	6	7
15	L1	10	9
16	L11	23	9
17	L1	17	9
18	L12	8	9
19	L1	8	9
20	L10	26	7
21	L10	7	7
22	L11	27	9
23			
24	L11	5	9
25	L10	21	7
26	L12	9	9
27	L6	X	2
28	L12	25	9

JACK    PIN    LG

63019800 Rev. A

Q ADDER  
3-5



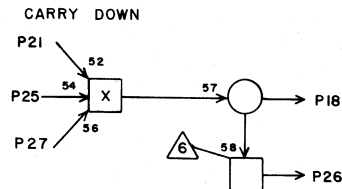
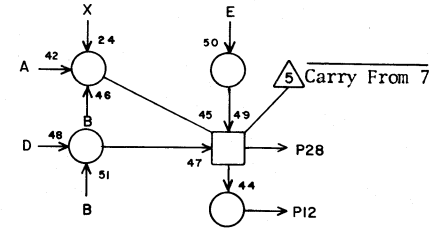
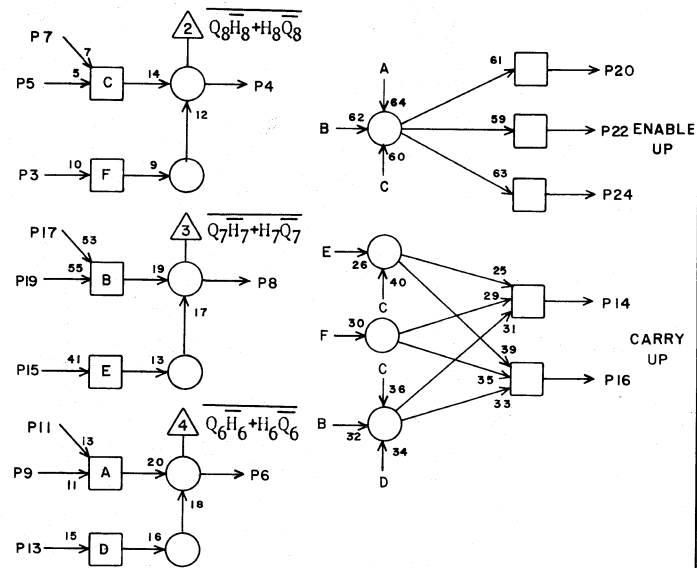
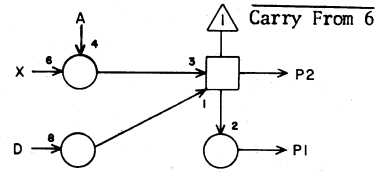
QB

1 L7

1	L13	8	9
2	L13	9	9
3	L2	23	9
4	L13	7	9
5	L2	28	9
6	L12	21	9
7	L2	25	9
8	L13	10	9
9	L2	1	9
10			
11	L2	5	9
12	L13	5	9
13	L2	9	9
14	L10	8	7
15	L2	10	9
16	L11	6	7
17	L2	17	9
18	L12	23	9
19	L2	8	9
20	L10	4	7
21	L11	7	7
22	L10	28	7
23			
24	L11	26	7
25	L11	21	7
26	L12	22	9
27	L7	X	2
28	L13	6	9

JACK PIN LG  
63019800 Rev. A

Q ADDER  
6-8



QB

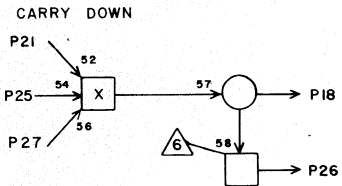
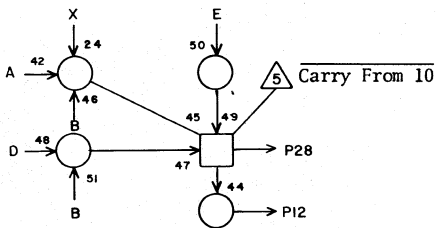
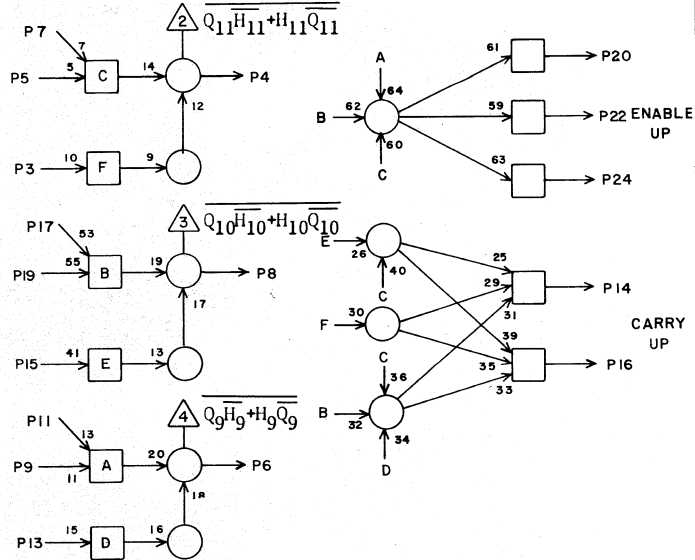
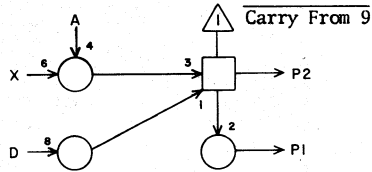
1 L8

1	L13	23	9
2	L13	22	9
3	L3	23	9
4	L14	10	9
5	L3	28	7
6	L13	24	9
7	L3	25	9
8	L13	21	9
9	L3	1	9
10			
11	L3	5	9
12	L14	8	9
13	L3	9	9
14	L10	25	7
15	L3	10	9
16	L11	8	7
17	L3	17	9
18	L13	26	9
19	L3	8	9
20	L10	3	7
21	L10	24	7
22	L11	4	7
23			
24	L11	28	7
25	L10	10	7
26	L13	25	9
27	L8	X	2
28	L14	9	9

JACK PIN LG  
63019800 Rev. A



Q ADDER  
9-11



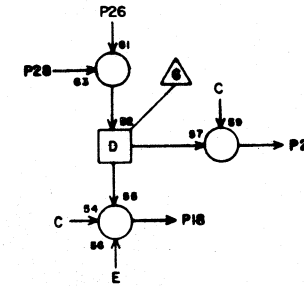
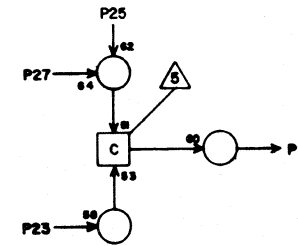
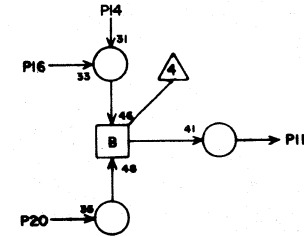
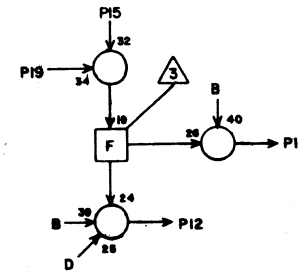
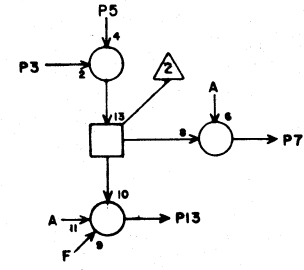
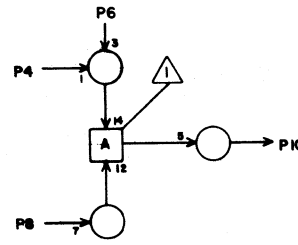
QB 1 L9

1	L14	26	9
2	L14	25	9
3	L4	23	9
4	L14	21	9
5	L4	28	9
6	L14	7	9
7	L4	25	9
8	L14	24	9
9	L4	1	9
10			
11	L4	5	9
12	L14	23	9
13	L4	9	9
14	L10	23	5
15	L4	10	9
16	L11	25	7
17	L4	17	9
18	L14	5	9
19	L4	8	9
20	L10	27	5
21	L11	24	7
22	L10	5	5
23			
24	L11	3	7
25	L11	10	7
26	L14	6	9
27	L9	X	2
28	L14	22	9

JACK PIN LG

63019800 Rev. A

Q ADDER  
Carry Summation

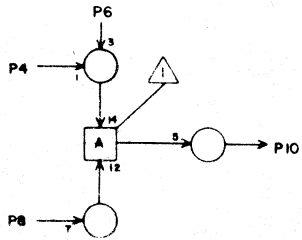


QC 1 L10

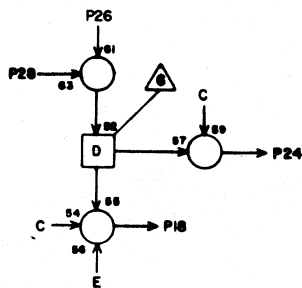
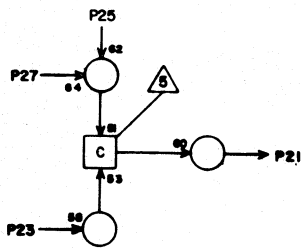
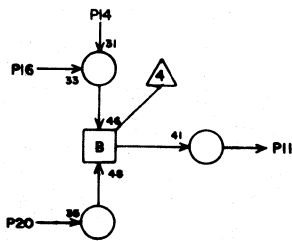
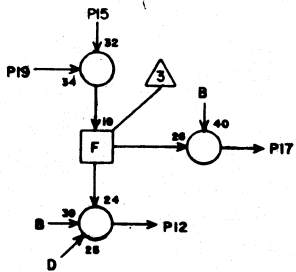
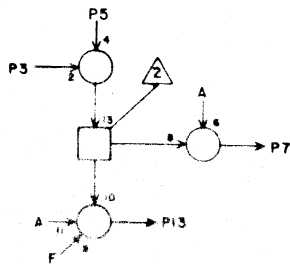
1			
2			
3	L8	20	7
4	L7	20	7
5	L9	22	5
6	L6	14	7
7	L6	21	7
8	L7	14	7
9			
10	L8	25	7
11			
12			
13			
14			
15			
16			
17			
18			
19			
20			
21	L6	25	7
22			
23	L9	14	5
24	L8	21	7
25	L8	14	7
26	L6	20	7
27	L9	20	5
28	L7	22	7

JACK PIN LG

63019800 Rev. A



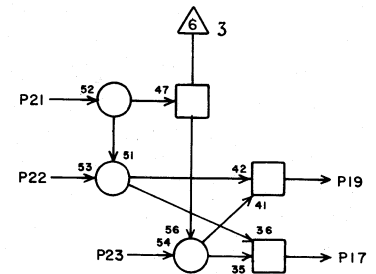
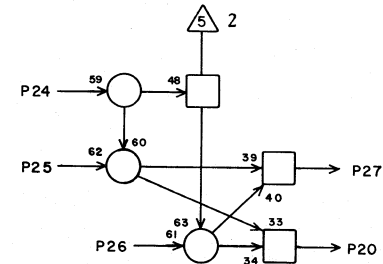
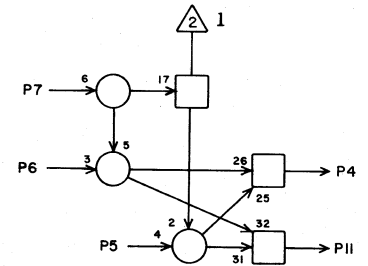
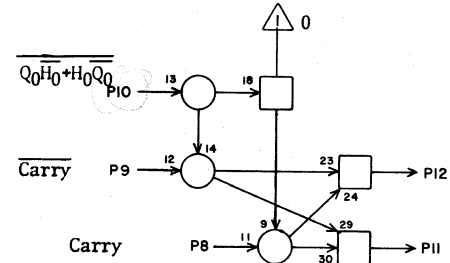
Q ADDER  
Carry Summation



QC		1L11	
1			
2			
3	L9	24	7
4	L8	22	7
5	L6	24	9
6	L7	16	7
7	L7	21	7
8	L8	16	7
9			
10	L9	25	7
11			
12			
13			
14			
15			
16			
17			
18			
19			
20			
21	L7	25	7
22			
23	L6	16	9
24	L9	21	7
25	L9	16	7
26	L7	24	7
27	L6	22	9
28	L8	24	7
	JACK	PIN	LG

63019800 Rev. A

Q ADDER  
Output Network

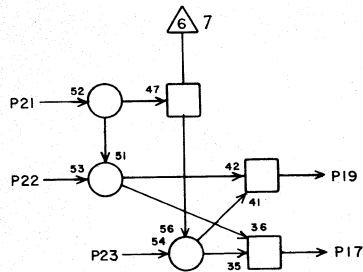
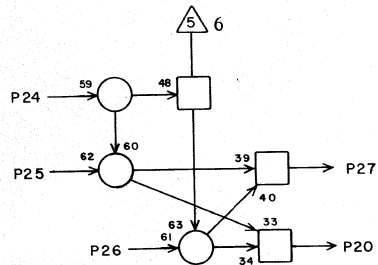
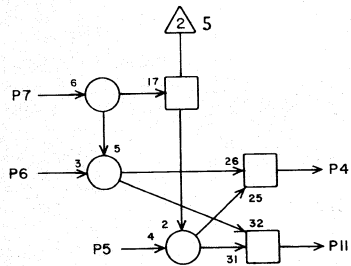
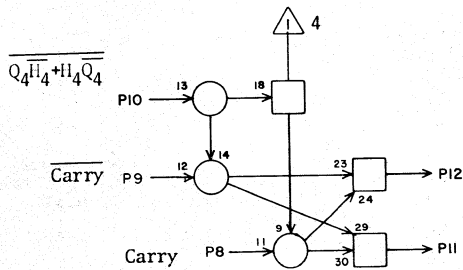


TJ

TJ		1L12	
1			
2			
3			
4	N15	6	11
5	L6	1	9
6	L6	2	9
7	L6	8	9
8	L6	18	9
9	L6	26	9
10	L6	6	9
11	P22	5	21
12	N15	5	11
13			
14	P22	8	21
15			
16			
17	P22	21	21
18			
19	N15	26	13
20	P22	12	21
21	L7	6	9
22	L7	26	9
23	L7	18	9
24	L6	4	9
25	L6	28	9
26	L6	12	9
27	N15	25	13
28			
	JACK	PIN	LG

63019800 Rev. A

Q ADDER  
Output Network

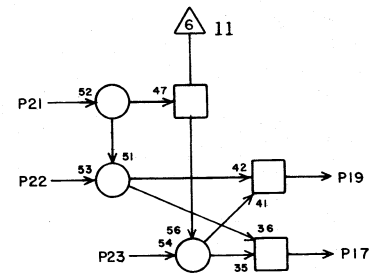
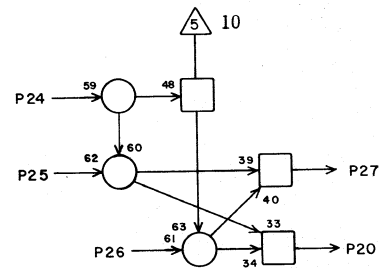
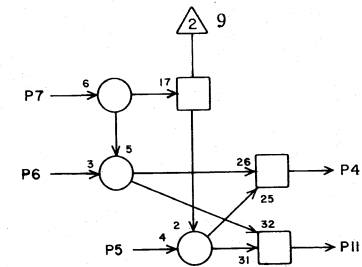
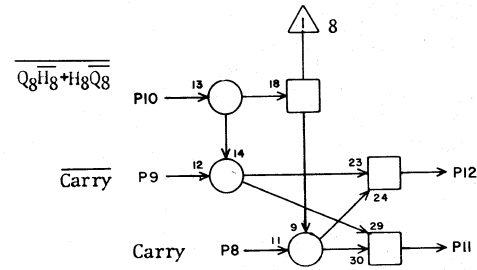


TJ 1L13

1			
2			
3			
4	N16	6	11
5	L7	12	9
6	L7	28	9
7	L7	4	9
8	L7	1	9
9	L7	2	9
10	L7	8	9
11	P22	23	21
12	N16	5	11
13			
14	P22	24	21
15			
16			
17	P23	5	21
18			
19	N16	26	13
20	P23	8	21
21	L8	8	9
22	L8	2	9
23	L8	1	9
24	L8	6	9
25	L8	26	9
26	L8	18	9
27	N16	25	13
28			

JACK PIN LG  
63019800 Rev. A

Q ADDER  
Output Network

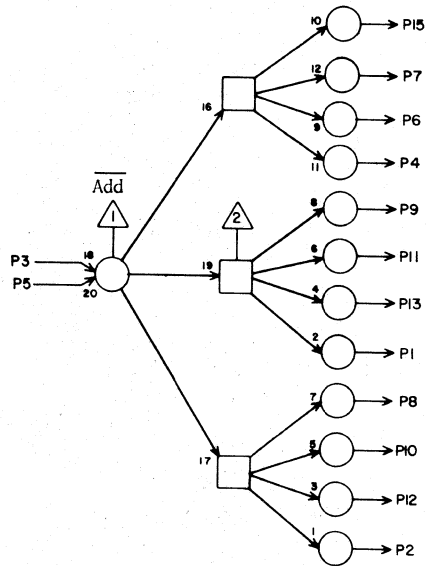


TJ 1L14

1			
2			
3			
4	N17	6	11
5	L9	18	9
6	L9	26	9
7	L9	6	9
8	L8	12	9
9	L8	28	9
10	L8	4	9
11	P23	21	21
12	N17	5	11
13			
14	P23	12	21
15			
16			
17	P23	23	21
18			
19	N17	26	13
20	P23	24	21
21	L9	4	9
22	L9	28	9
23	L9	12	9
24	L9	8	9
25	L9	2	9
26	L9	1	9
27	N17	25	21
28			

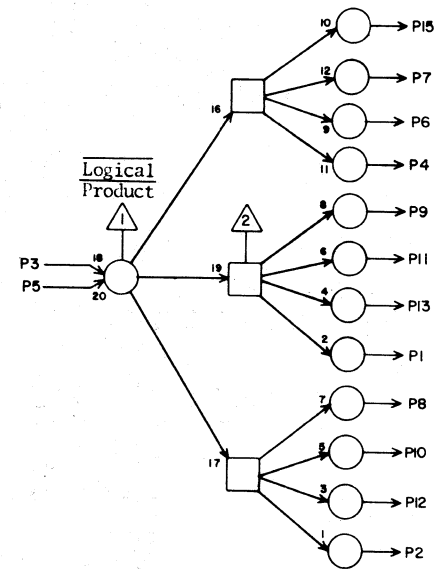
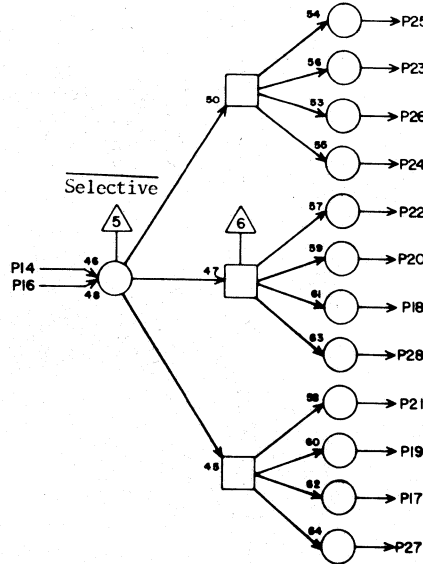
JACK PIN LG

63019800 Rev. A



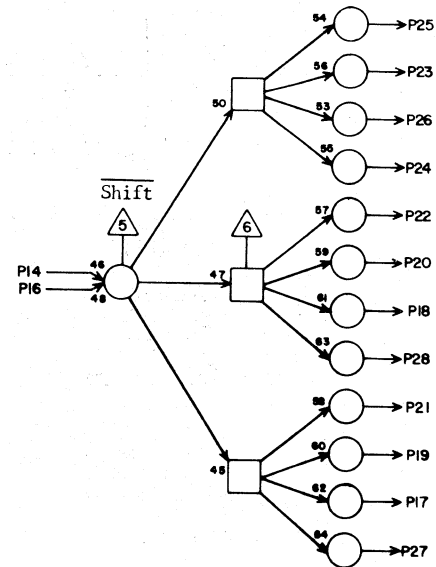
TC			
1L15			
1	K7	8	13
2	K8	8	13
3	I14	18	15
4	K9	8	11
5	L15	X	2
6	K10	8	11
7	K11	8	11
8	K12	8	9
9	K13	8	9
10	K14	8	9
11	K15	8	9
12			
13			
14	N11	27	13
15			
16	L15	X	2
17	K7	18	13
18	K8	18	13
19	K9	18	13
20	K10	18	11
21	K11	18	11
22	K12	18	11
23	K13	18	9
24	K14	18	9
25	K15	18	9
26			
27			
28			
	JACK	PIN	LG

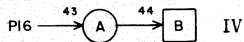
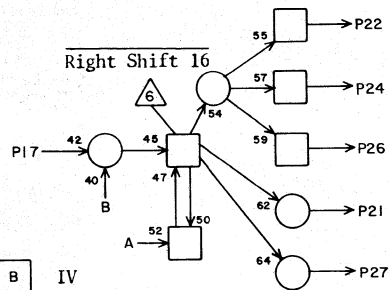
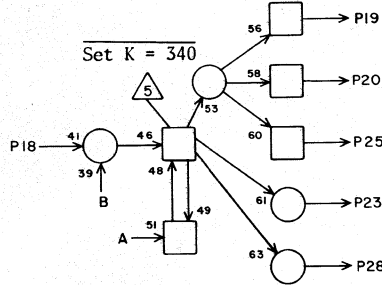
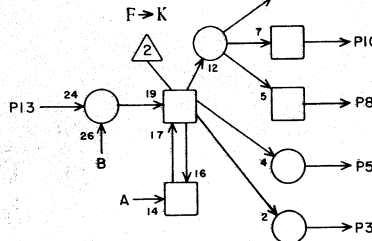
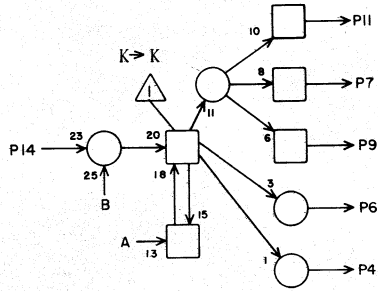
63019800 Rev. A



TC			
1L16			
1	K7	23	13
2	K8	23	13
3	N11	19	13
4	K9	23	11
5	L16	X	2
6	K10	23	11
7	K11	23	11
8	K12	23	9
9	K13	23	9
10	K14	23	7
11	K15	23	7
12			
13			
14	N11	28	15
15			
16	L16	X	2
17	K7	13	13
18	K8	13	13
19	K9	13	15
20	K10	13	11
21	K11	13	11
22	K12	13	9
23	K13	13	9
24	K14	13	9
25	K15	13	9
26			
27			
28			
	JACK	PIN	LG

63019800 Rev. A

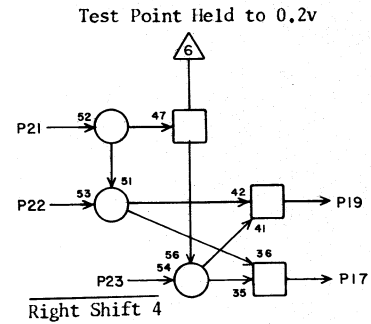
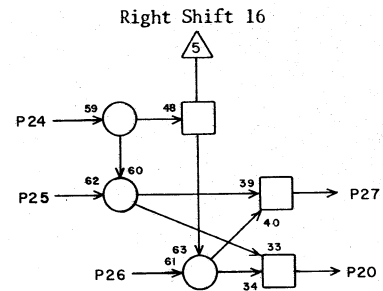
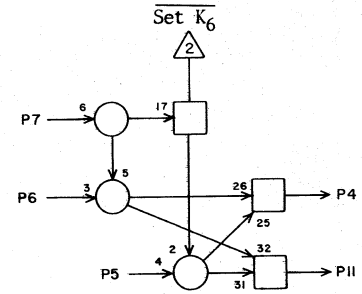
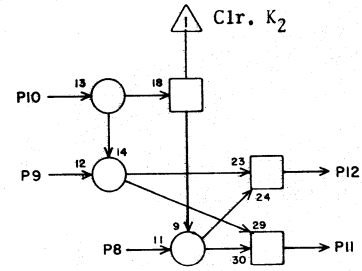




PD 1L17

1			
2			
3			
4	N12	14	13
5			
6	N13	14	13
7			
8	N13	16	13
9			
10			
11			
12			
13	H29	1	23
14	L23	14	9
15			
16	L5	12	15
17	H6	13	23
18	L23	17	9
19	N13	15	13
20			
21	H5	14	23
22	I6	7	19
23			
24	I6	9	19
25			
26			
27	L18	24	5
28			

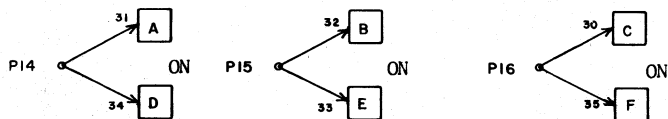
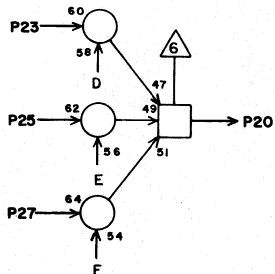
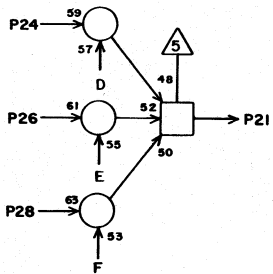
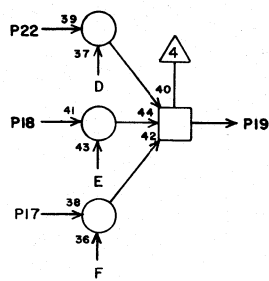
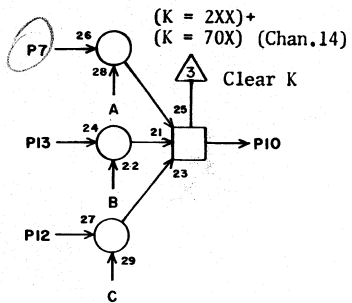
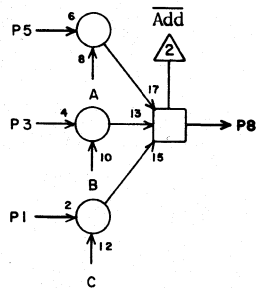
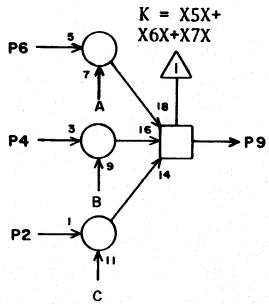
JACK PIN LG  
63019800 Rev. A



TJ 1L18

1			
2			
3			
4	N9	8	15
5	L18	X	2
6	P10	1	19
7	L24	9	9
8	N15	2	11
9	P8	14	21
10	L24	16	9
11			
12	N7	12	17
13			
14			
15			
16			
17	I6	28	19
18			
19	H6	3	23
20	I5	9	23
21	L18	X	2
22	L18	X	
23	J7	7	17
24	L17	27	5
25	L18	X	2
26	N17	4	11
27	I6	25	19
28			

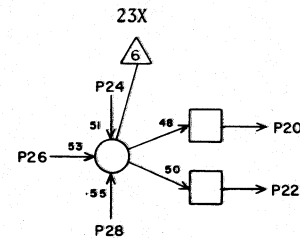
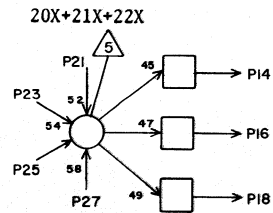
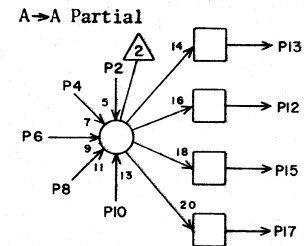
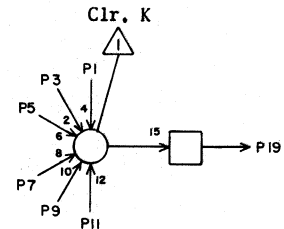
JACK PIN LG  
63019800 Rev. A



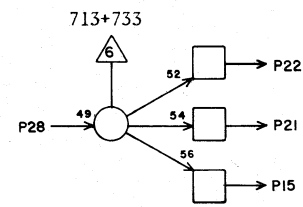
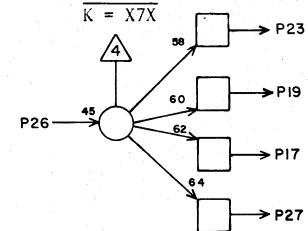
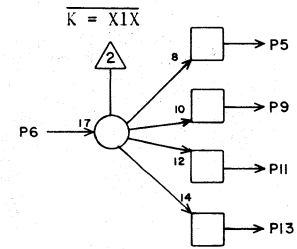
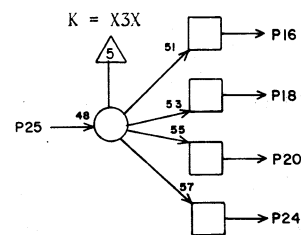
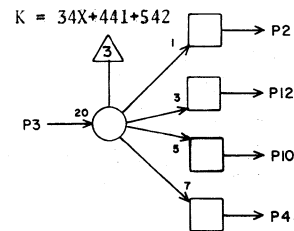
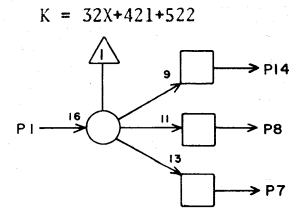
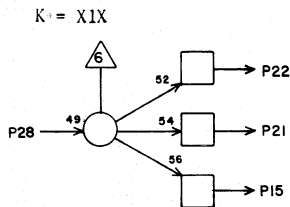
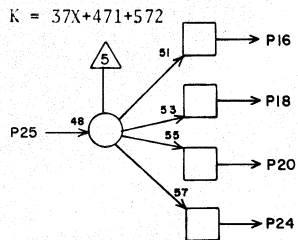
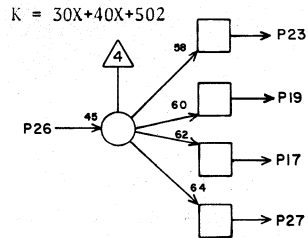
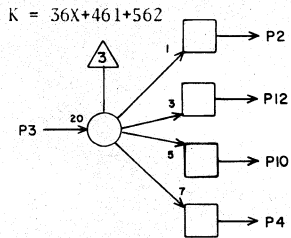
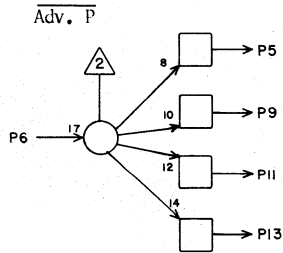
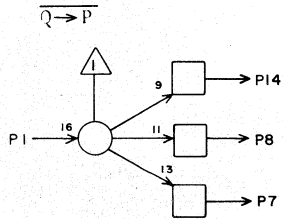
TE 1L19

JACK	PIN	LG
1	N11	26 15
2	M24	14 9
3	N11	25 25
4	L22	17 7
5	N11	17 15
6	M17	10 9
7	M18	19 9
8	I14	21 15
9	L23	15 7
10	L23	16 7
11		
12	I15	14 15
13	M18	20 9
14	J15	1 13
15	J15	2 13
16	J15	4 13
17		
18		
19		
20		
21		
22		
23		
24		
25		
26		
27		
28		

TB 1L20



JACK	PIN	LG
1	K23	24 7
2	L27	18 11
3	M21	20 9
4	L26	16 9
5	M24	24 9
6	L20	X 2
7	L22	15 7
8	L20	X 2
9	I25	19 17
10	L20	X 2
11	I28	27 17
12	I27	7 17
13		
14	K22	15 9
15		
16	K27	5 13
17		
18	J27	23 13
19	L23	21 7
20	K22	16 9
21	L24	11 9
22	J23	28 11
23	L24	13 7
24	L27	16 11
25	K23	5 9
26	L20	X 2
27	L20	X 2
28	L20	X 2

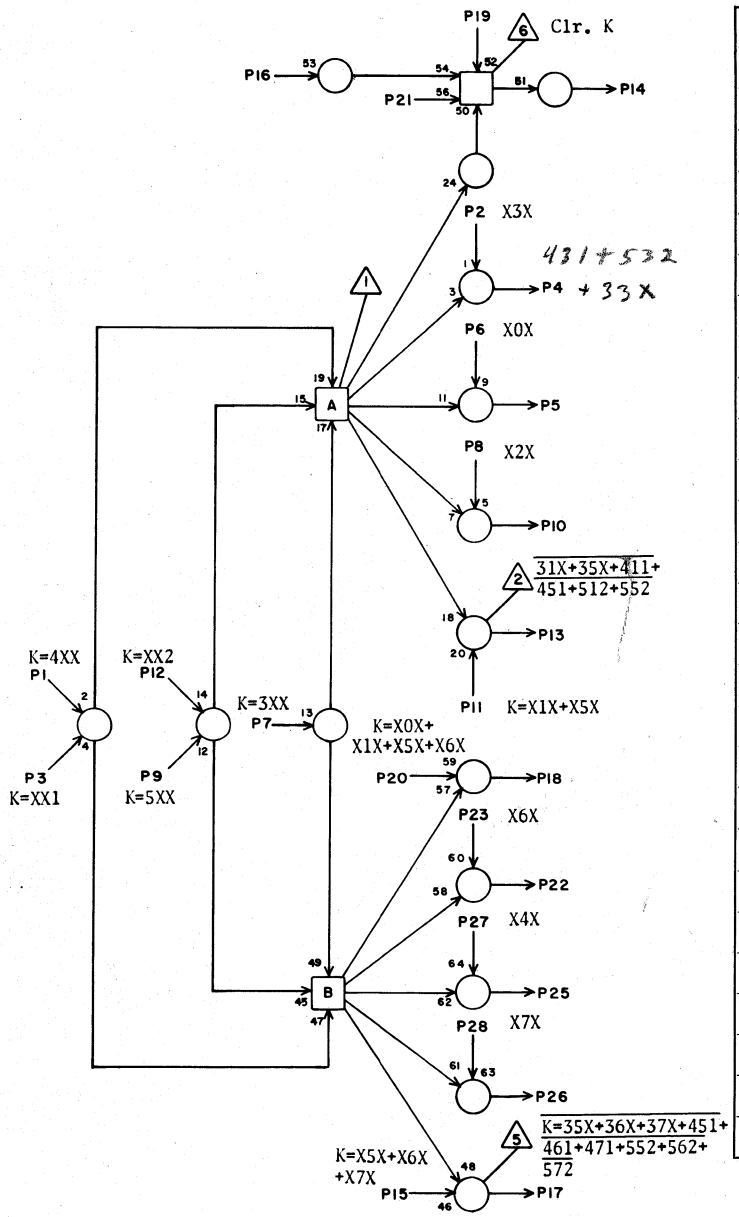


TH		1 L21	
1	J19	18	84*
2	J23	25	11
3	L23	22	7
4	I27	5	17
5	M4	25	19
6	J19	14	13
7	N17	13	13
8	N16	13	13
9	M5	25	19
10	L26	2	9
11	M6	25	19
12	K24	21	9
13	M7	25	17
14	N15	13	13
15	L24	23	7
16	L26	3	9
17			
18	I27	3	17
19	J27	27	13
20	J23	27	11
21			
22	L26	10	9
23	K27	3	15
24			
25	L23	26	7
26	L23	5	5
27	I27	11	11
28	M16	5	9

JACK PIN LG  
63019800 Rev. A  
FC03958

TH		1 L22	
1	L23	10	5
2	H25	14	19
3	L23	25	5
4	H24	14	19
5	K28	12	11
6	M16	12	11
7			
8	K27	24	9
9	N27	24	13
10	I27	23	15
11	M28	3	9
12			
13	M28	12	11
14	K27	23	9
15	L20	7	7
16	N28	28	15
17	L19	4	7
18	I28	22	15
19	N28	4	13
20	M28	4	9
21	J18	13	13
22	J26	21	13
23	N27	5	13
24	L27	17	9
25	M16	24	13
26	M17	24	9
27			
28	M28	16	11

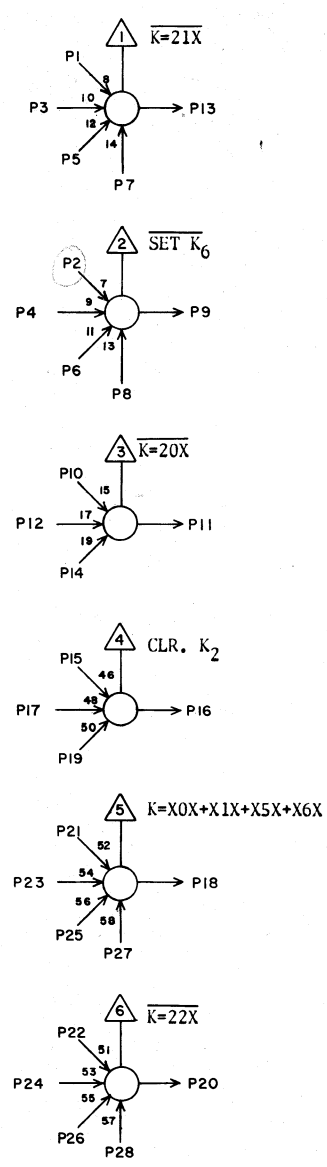
JACK PIN LG  
63019800 Rev. A



PP 1L23

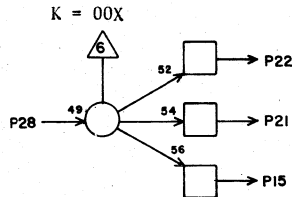
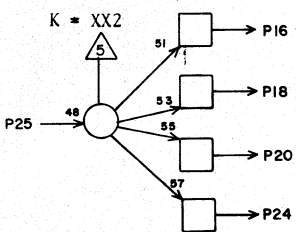
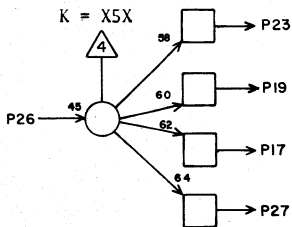
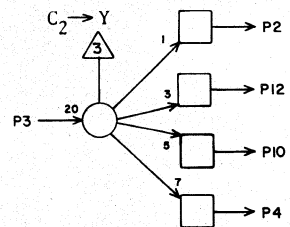
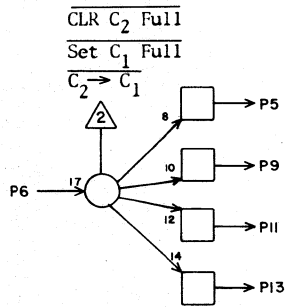
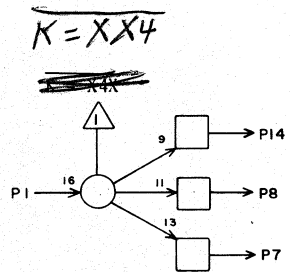
JACK	PIN	LG
1	M19	7 9
2	M16	22 13
3	M14	10 13
4	J23	26 11
5	L21	26 5
6	M22	26 13
7	M18	26 11
8	M16	19 13
9	M19	10 9
10	L22	1 5
11	L26	11 7
12	M14	20 13
13	K23	1 9
14	L17	14 9
15	L19	9 7
16	L19	10 7
17	L17	18 9
18	K24	1 9
19	N27	17 13
20	L24	18 5
21	L20	19 7
22	L21	3 7
23	M17	19 11
24		
25	L22	3 5
26	L21	25 7
27	M17	9 11
28	M17	22 11

TI 1L24



JACK	PIN	LG
1	M20	23 13
2	I28	14 15
3	M16	10 15
4	I16	24 17
5	L24	X 2
6	L24	X 2
7	L24	X 2
8	L24	X 2
9	L18	7 9
10	M20	25 9
11	L20	21 9
12	M22	24 9
13	L20	23 7
14	L24	X 2
15	I28	12 17
16	L18	10 9
17	I25	15 15
18	L23	20 5
19	I16	20 17
20	K23	6 9
21	M16	6 13
22	M20	24 9
23	L21	15 7
24	M22	15 7
25	L25	23 5
26	L24	X 2
27	M17	23 13
28	L24	X 2





TH

1 L25

1	M15	9	15
2	H26	11	19
3	L29	18	7
4	H27	11	19
5	H30	6	21
6	L29	15	7
7	L29	4	7
8	L30	4	9
9	J29	2	13
10	H28	11	19
11	J29	4	13
12			
13			
14			
15			
16	N27	26	13
17			
18	M28	7	7
19			
20			
21	J26	11	13
22	L27	6	7
23	L24	25	5
24			
25	M14	28	15
26	M17	5	13
27	L26	23	5
28	N25	18	13

JACK PIN LG

63019800 Rev. A

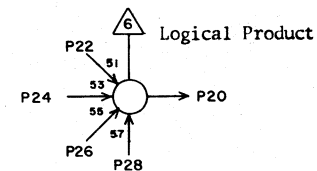
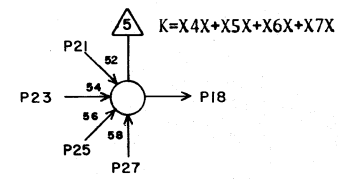
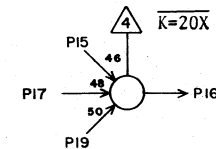
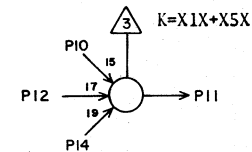
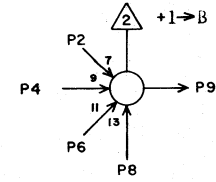
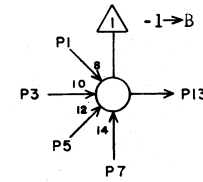
TI

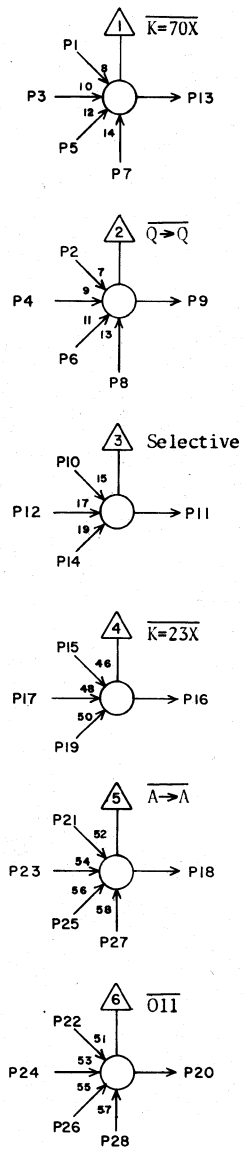
1 L26

1	N27	20	13
2	L21	10	9
3	L21	16	9
4	J17	23	15
5	L26	X	2
6	K23	19	9
7	L26	X	2
8	L26	X	2
9	J23	2	13
10	L21	22	9
11	L23	11	7
12	M17	3	13
13	K20	6	11
14	L26	X	2
15	M20	20	13
16	L20	4	11
17	M22	23	9
18	N25	24	13
19	L26	X	2
20	N11	21	19
21	M17	4	13
22	K23	9	7
23	L25	27	5
24	H29	17	19
25	M17	28	15
26	L26	X	2
27	M17	27	15
28	L26	X	2

JACK PIN LG

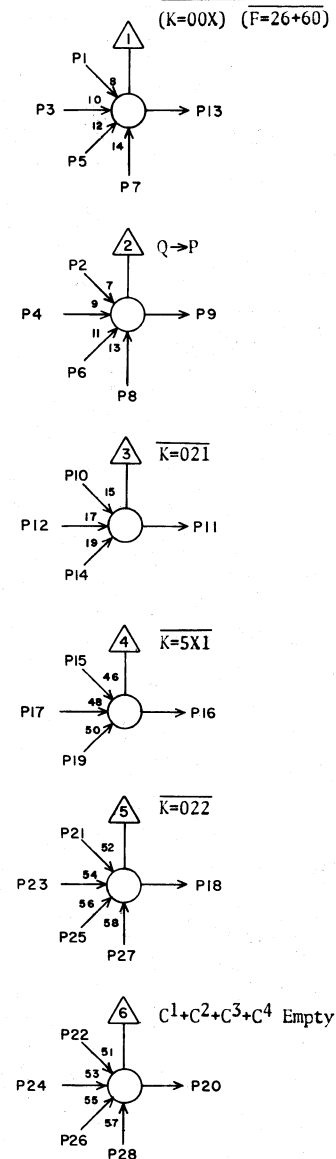
63019800 Rev. A





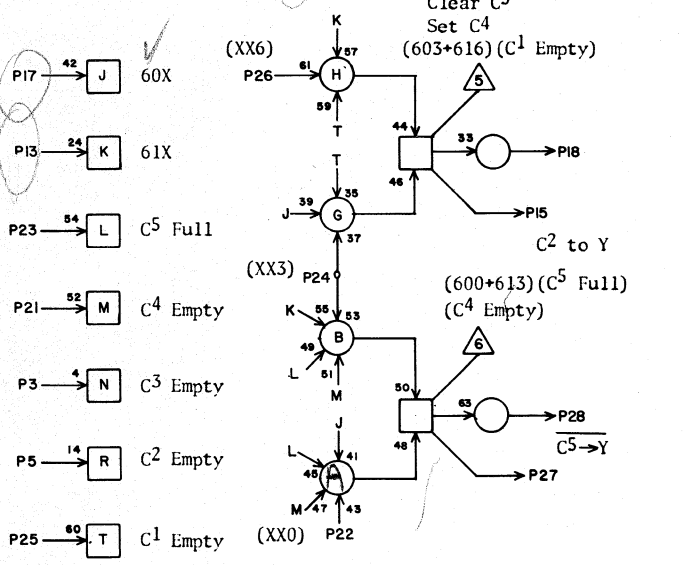
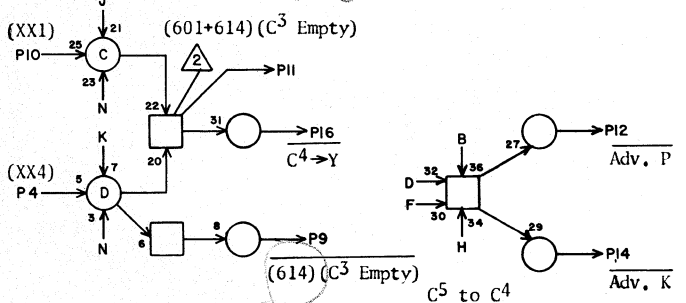
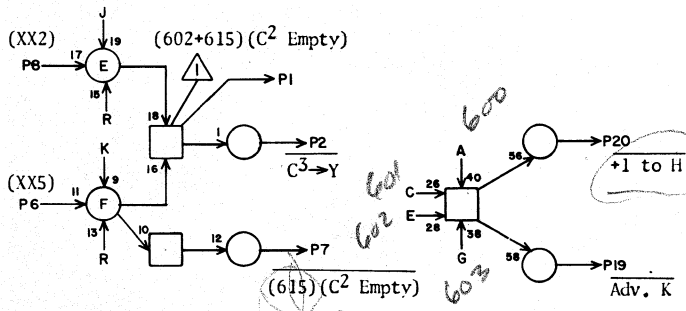
TI		1L27	
JACK	PIN	LG	
1	M19	22	13
2	K29	6	9
3	M22	25	11
4	K27	12	7
5	L27	X	2
6	L25	22	7
7	L27	X	2
8	M24	20	9
9	K23	28	9
10	J23	17	13
11	N11	24	21
12	K23	11	11
13	K29	2	9
14	H29	28	19
15	M20	18	13
16	L20	24	11
17	L22	24	9
18	L20	2	11
19	L27	X	2
20	K23	25	9
21	M27	1	7
22	M23	4	9
23	M22	28	9
24	M23	25	9
25	L27	X	2
26	M25	26	9
27	L27	X	2
28	L27	X	2

63019800 Rev. A



TI		1L28	
JACK	PIN	LG	
1	M21	7	13
2	K23	20	11
3	I29	10	15
4	M21	18	13
5	J17	8	17
6	I28	8	17
7	L28	X	2
8	J26	13	13
9	J19	23	15
10	M23	6	11
11	J16	21	17
12	M22	8	9
13	J18	5	17
14	M25	25	9
15	M20	1	13
16	J16	23	17
17	M25	23	9
18	M21	25	13
19	L28	X	2
20	I25	5	17
21	M23	11	9
22	J29	15	13
23	M22	10	9
24	J29	21	11
25	M14	25	17
26	J29	12	13
27	L28	X	2
28	J29	24	11

63019800 Rev. A



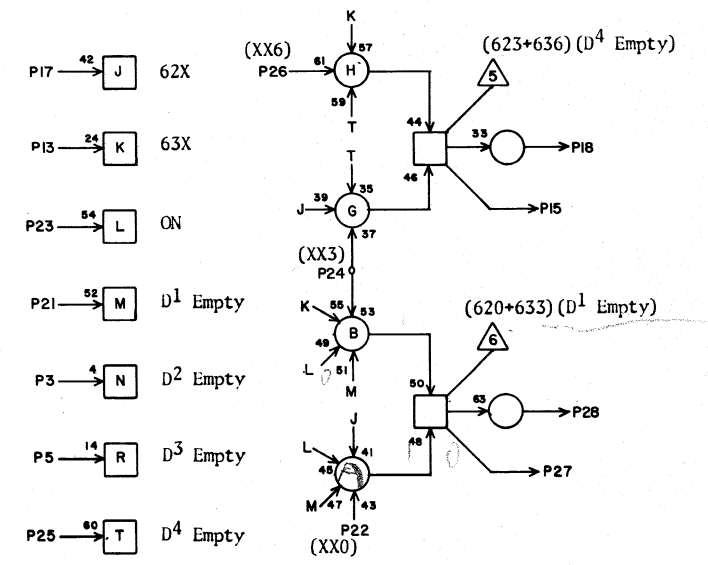
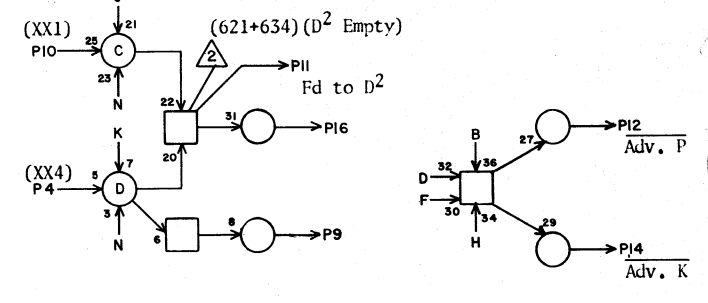
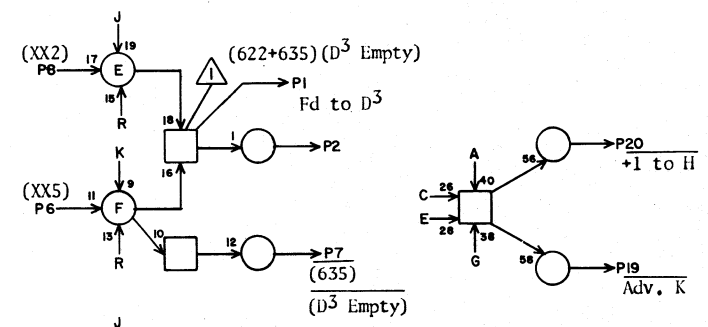
PM 1L29

1	H30	25	19
2	H30	1	21
3	J29	19	11
4	L25	7	9
5	J29	8	13
6	M15	10	17
7	J16	24	17
8	M27	24	9
9	K23	26	11
10	M25	21	9
11	I31	25	15
12	J18	12	17
13	I25	27	15
14	J18	18	17
15	L25	6	7
16	I31	1	17
17	I25	25	15
18	L25	3	7
19	J18	16	17
20	K24	2	11
21	J29	22	13
22	M25	11	9
23	I25	13	156"
24	M14	26	19
25	J29	5	13
26	M15	25	17
27	K29	25	7
28	H31	1	21

JACK    PIN    LG

63019800 Rev. A

CENTRAL WRITE



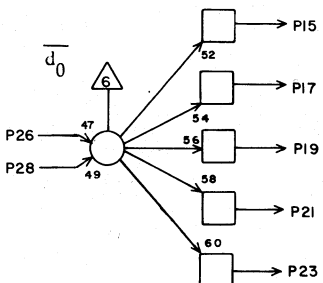
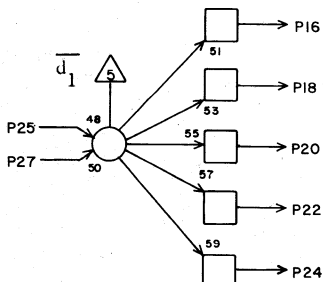
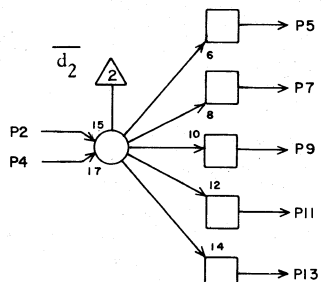
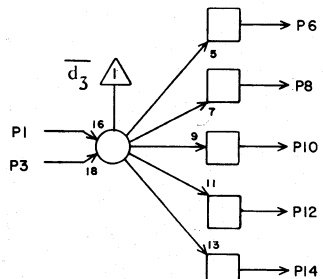
P17 → J 62X  
P15 → K 63X  
P23 → L ON  
P21 → M D<sup>1</sup> Empty  
P3 → N D<sup>2</sup> Empty  
P5 → R D<sup>3</sup> Empty  
P25 → T D<sup>4</sup> Empty

PM 1L30

1	K30	1	9
2	L32	3	7
3	K25	8	11
4	L25	8	9
5	K25	19	11
6	M15	12	19
7	J16	26	19
8	M27	22	9
9			
10	M25	24	9
11	J30	25	11
12	J18	10	17
13	I28	23	15
14	J18	22	17
15	M21	26	15
16			
17	I28	24	15
18			
19	J18	20	17
20	K24	4	13
21	K25	5	11
22	M25	13	9
23	N15	4	19
24	M14	22	19
25	K25	22	11
26	M15	19	19
27	J30	1	13
28			

JACK    PIN    LG

63019800 Rev. A

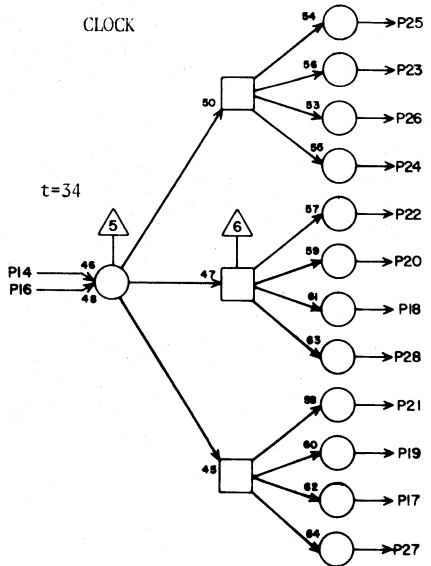
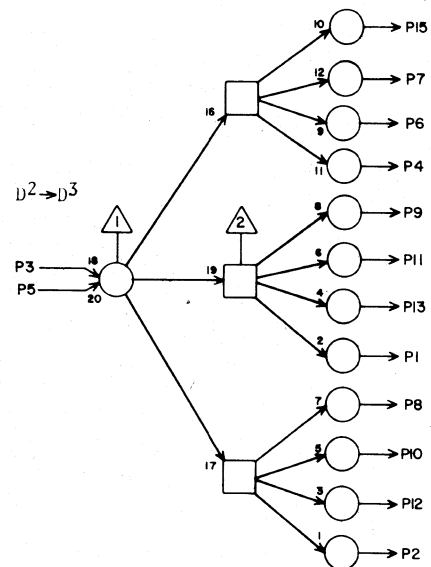


T D 1L31

1	I19	21	19
2	I19	12	19
3	L31	X	2
4	L31	X	2
5	K33	12	9
6	K33	21	9
7	L35	12	7
8	L35	21	7
9	L41	12	11
10	L41	21	11
11	K41	12	13
12	K41	21	13
13	J41	13	15
14	J41	18	15
15	K33	8	9
16	K33	5	9
17	L35	8	7
18	L35	5	7
19	L41	8	11
20	L41	5	11
21	K41	8	13
22	K41	5	13
23	J41	9	15
24	J41	11	15
25	I19	9	19
26	I19	8	19
27	L31	X	2
28	L31	X	2

JACK PIN LG

63019800 Rev. A

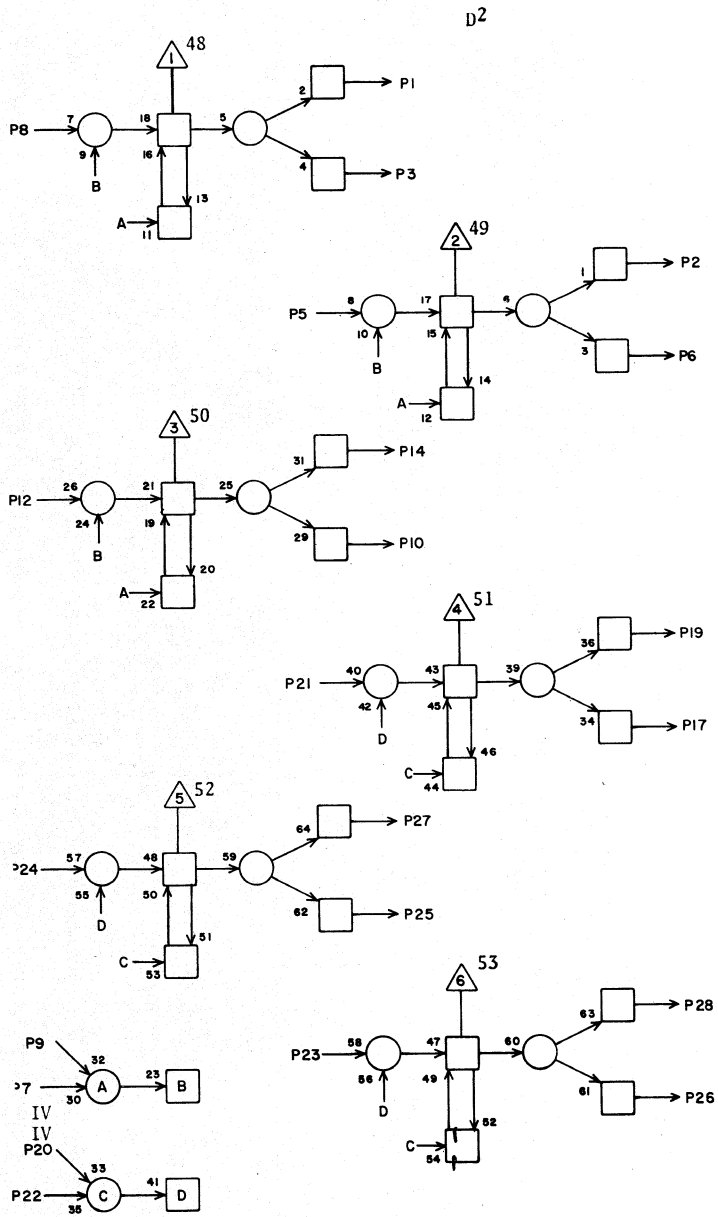


TC 1L32

1	L37	9	7
2	L37	22	7
3	L30	2	7
4	L38	9	9
5	L32	X	2
6	L38	22	9
7	L39	9	9
8	L39	22	9
9	L40	9	11
10	L40	22	11
11	L41	9	11
12	L41	22	15
13	L42	9	15
14	L4	26	31
15	L42	22	13
16	L32	X	2
17	L37	7	7
18	L37	20	7
19	L38	7	9
20	L38	20	9
21	L39	7	9
22	L39	20	9
23	L40	7	11
24	L40	20	11
25	L41	7	11
26	L41	20	15
27	L42	7	13
28	L42	20	15

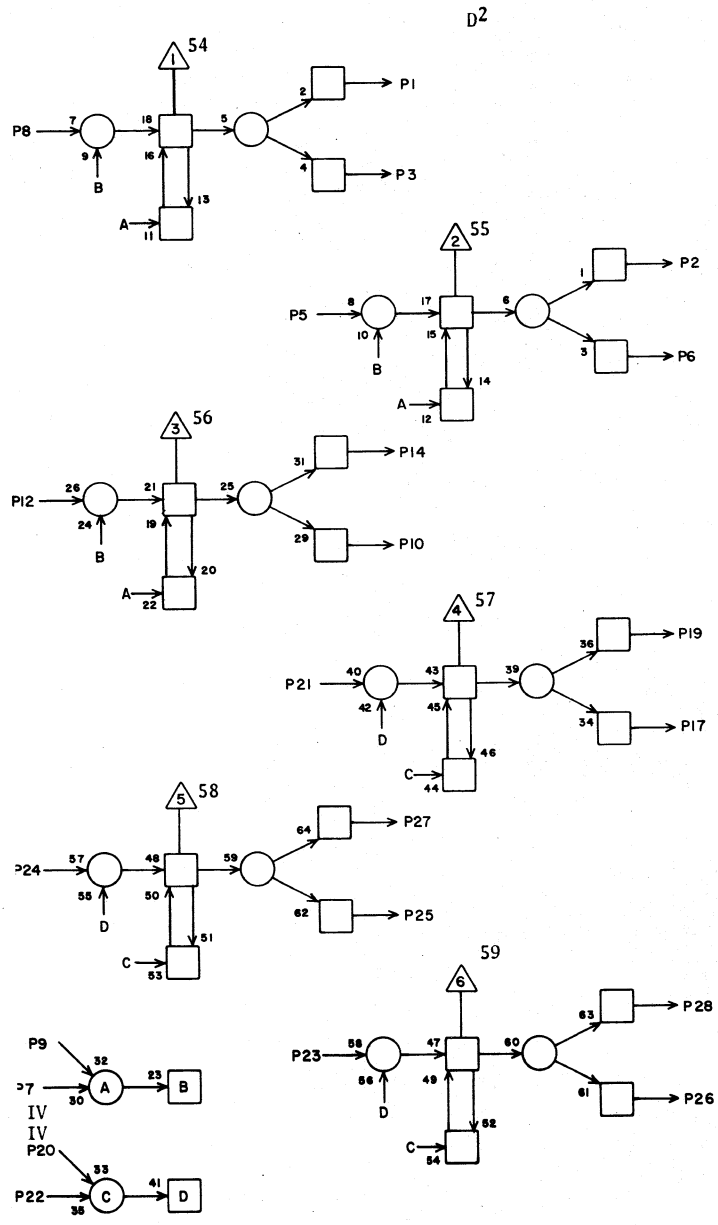
JACK PIN LG

63019800 Rev. A



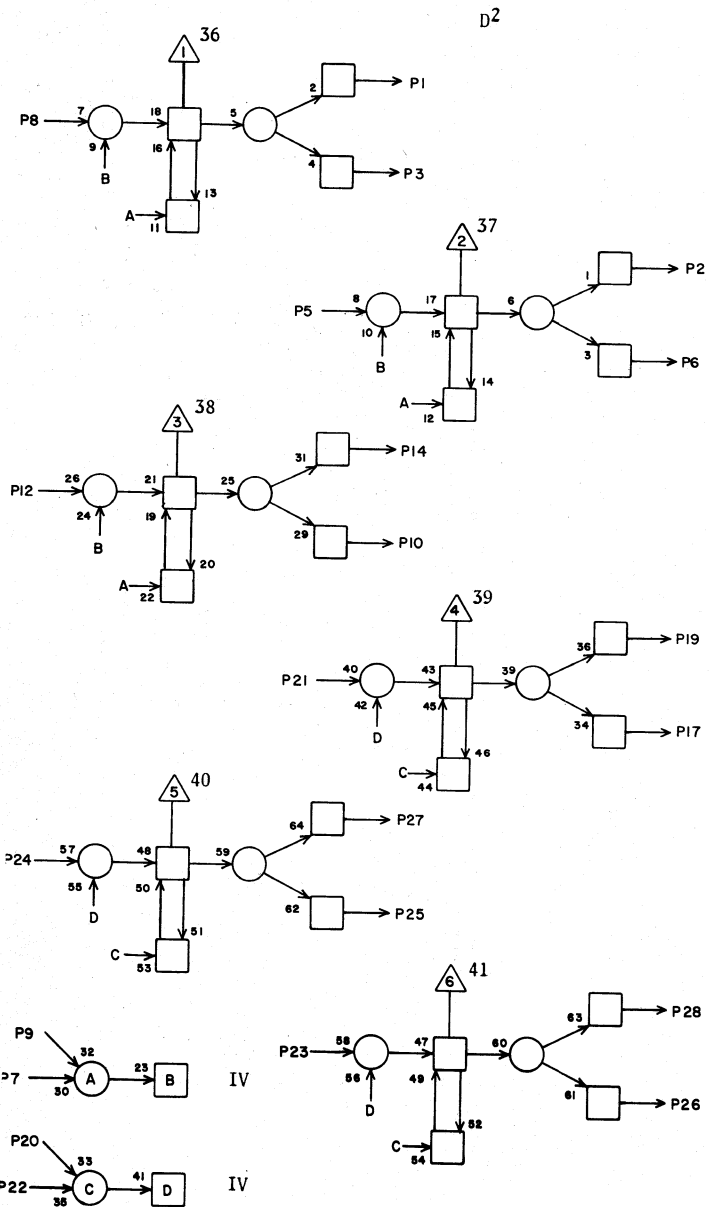
PA		1L33	
JACK	PIN	LG	
1	L37	8	7
2	L37	5	7
3			
4			
5	K33	2	9
6			
7	K32	17	7
8	K33	1	9
9	J30	2	13
10			
11			
12	K33	14	7
13			
14	L37	12	7
15			
16			
17			
18			
19	L37	21	7
20	K32	18	9
21	K33	19	7
22	J30	12	13
23	K33	28	7
24	K33	27	7
25			
26			
27	L37	24	7
28	L37	23	7

63019800 Rev. A



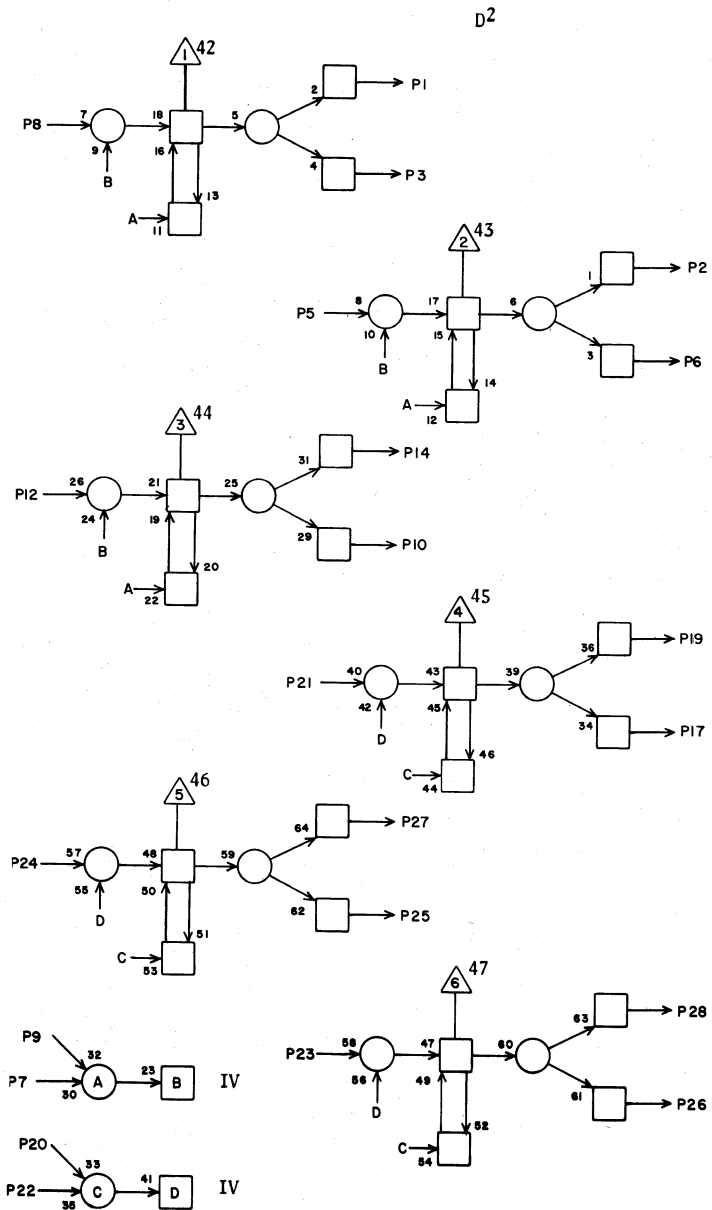
PA		1L34	
JACK	PIN	LG	
1	L38	8	7
2	L38	5	7
3			
4			
5	K34	2	9
6			
7	K32	19	9
8	K34	1	9
9	J30	10	13
10			
11			
12	K34	14	7
13			
14	L38	12	7
15			
16			
17			
18			
19	L38	21	7
20	K32	20	7
21	K34	19	7
22	J30	4	15
23	K34	28	7
24	K34	27	7
25			
26			
27	L38	24	7
28	L38	23	7

63019800 Rev. A



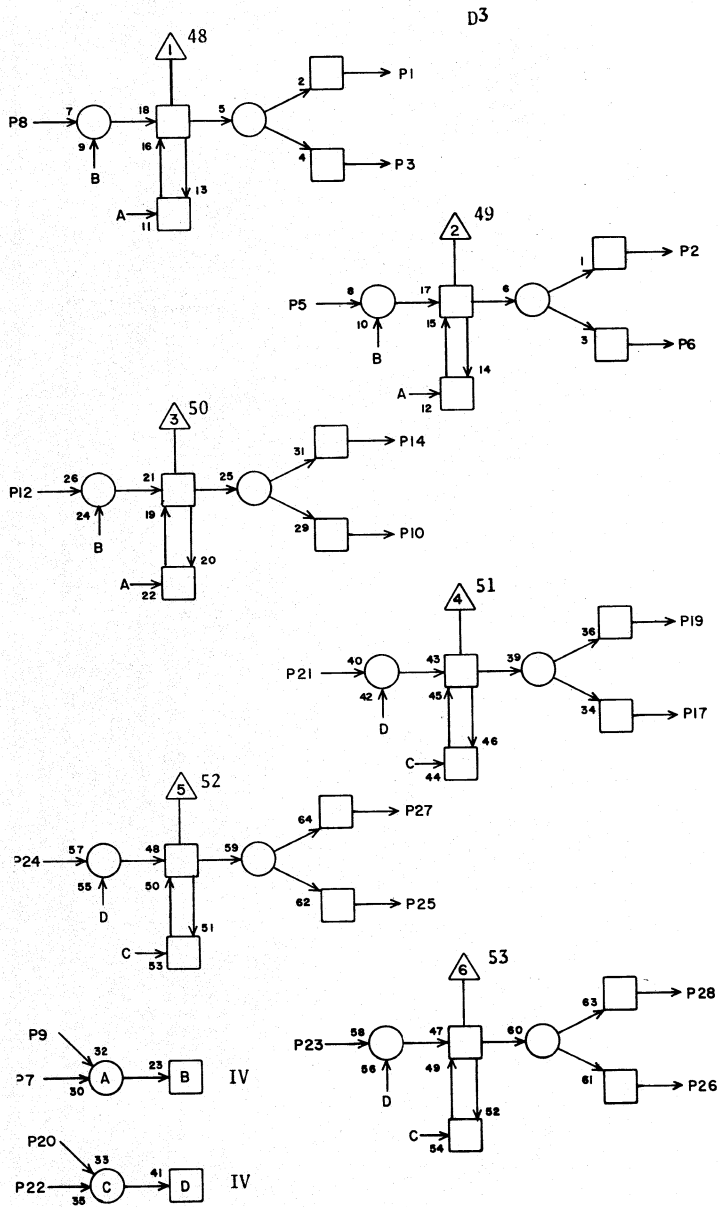
PA 1L35

1	L39	8	7
2	L39	5	7
3			
4			
5	L31	18	7
6			
7	K32	21	9
8	L31	17	7
9	J30	23	11
10			
11			
12	L31	7	7
13			
14	L39	12	7
15			
16			
17			
18			
19	L39	21	7
20	K32	22	9
21	L31	8	7
22	J30	19	11
23	K31	18	7
24	K31	17	9
25			
26			
27	L39	24	7
28	L39	23	7



PA 1L36

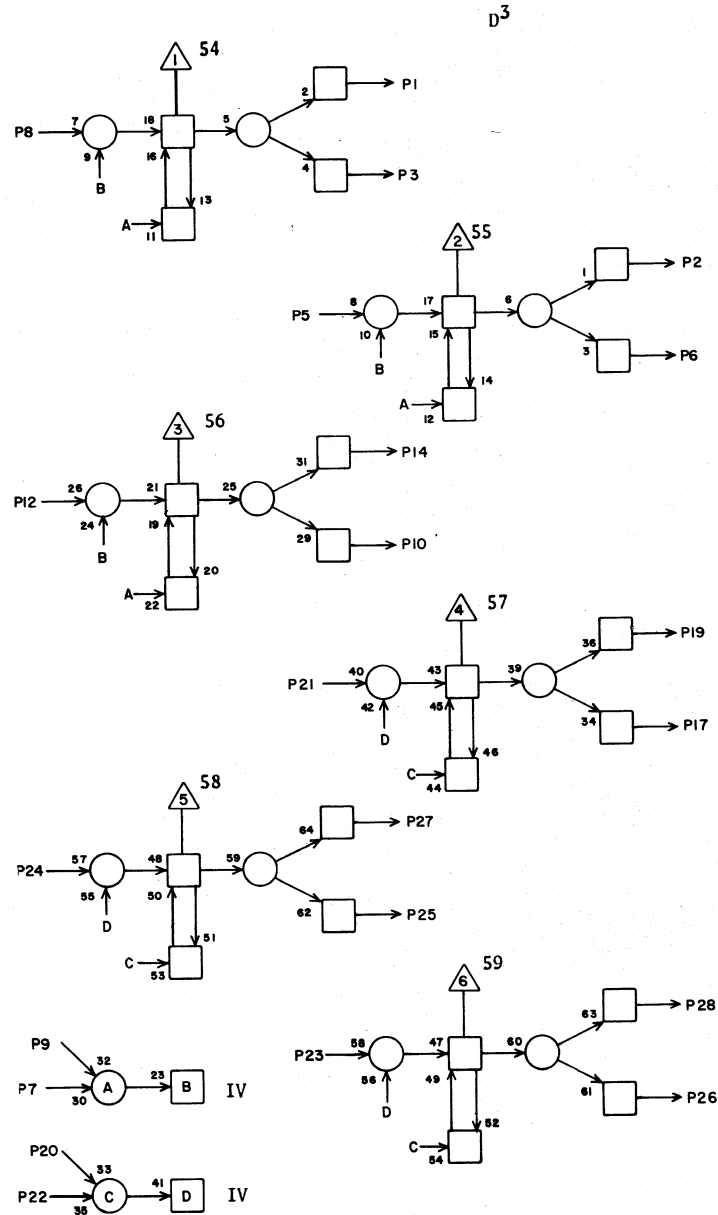
1	L40	8	7
2	L40	5	7
3			
4			
5	K31	8	9
6			
7	K32	23	9
8	K31	7	9
9	J30	17	15
10			
11			
12	J31	17	15
13			
14	L40	12	7
15			
16			
17			
18			
19	L40	21	7
20	K32	24	9
21	J31	18	15
22	J30	27	15
23	J31	8	15
24	J31	7	15
25			
26			
27	L40	24	7
28	L40	23	7



PA 1L37

1	K35	8	9
2	K35	5	9
3			
4			
5	L33	2	7
6			
7	L32	17	7
8	L33	1	7
9	L32	11	7
10			
11			
12	L33	14	7
13			
14	K35	12	9
15			
16			
17			
18			
19	K35	21	9
20	L32	18	7
21	L33	19	7
22	L32	2	9
23	L33	28	7
24	L33	27	7
25			
26			
27	K35	24	9
28	K35	23	9

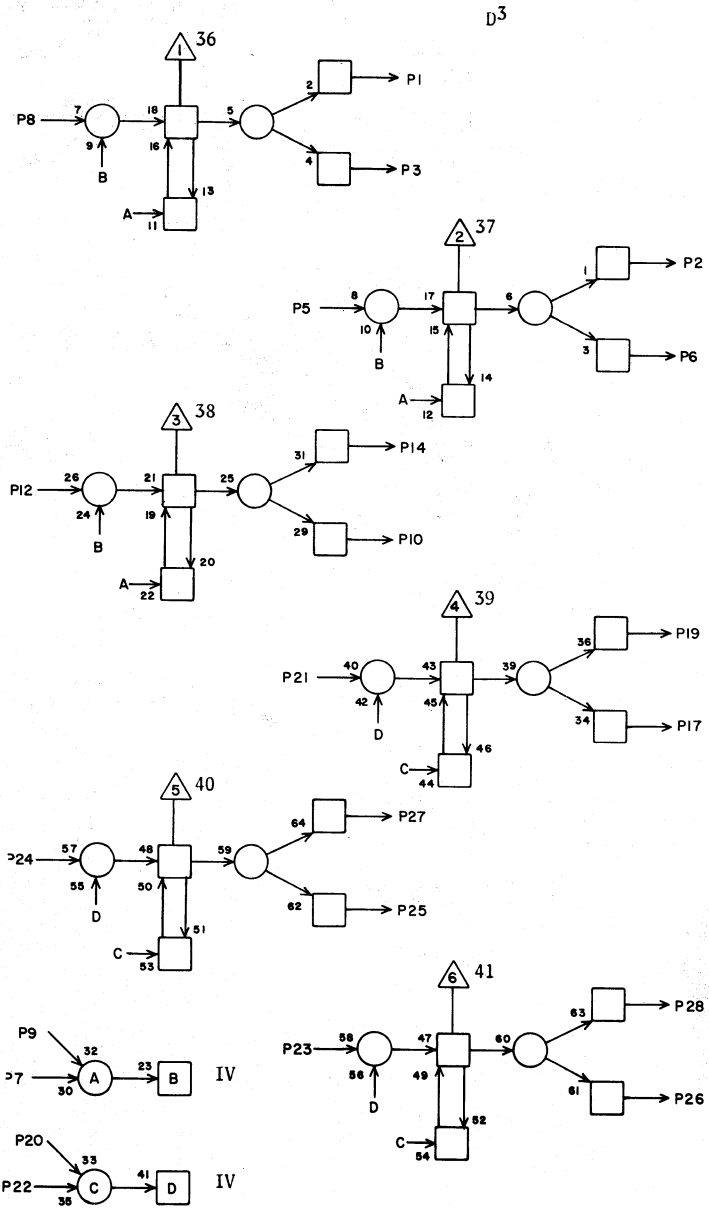
JACK PIN LG



PA 1L38

1	K36	8	9
2	K36	5	9
3			
4			
5	L34	2	7
6			
7	L32	19	9
8	L34	1	7
9	L32	4	9
10			
11			
12	L34	14	7
13			
14	K36	12	9
15			
16			
17			
18			
19	K36	21	9
20	L32	20	9
21	L34	19	7
22	L32	6	9
23	L34	28	7
24	L34	27	7
25			
26			
27	K36	24	9
28	K36	23	9

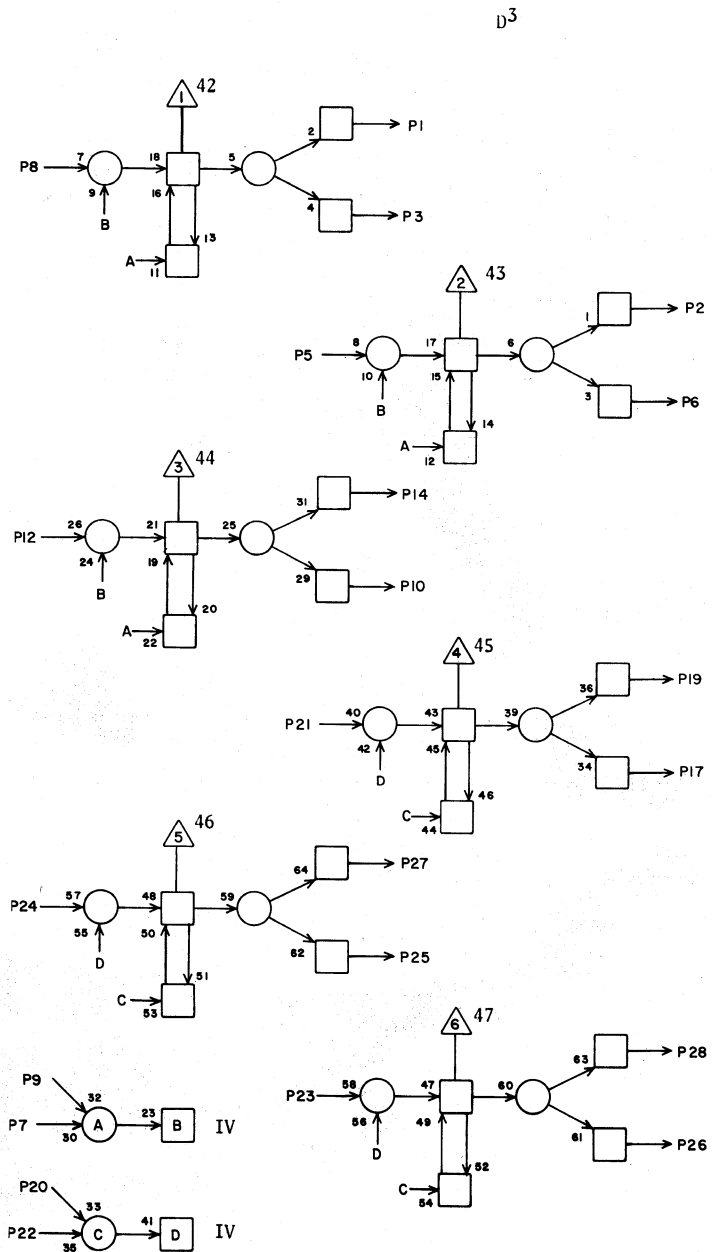
JACK PIN LG



PA		1L39	
1	K37	8	9
2	K37	5	9
3			
4			
5	L35	2	7
6			
7	L32	21	11
8	L35	1	7
9	L32	7	11
10			
11			
12	L35	14	7
13			
14	K37	12	9
15			
16			
17			
18			
19	K37	21	9
20	L32	22	11
21	L35	19	7
22	L32	8	11
23	L35	28	7
24	L35	27	7
25			
26			
27	K37	24	9
28	K37	23	9

JACK PIN LG

63019800 Rev. A

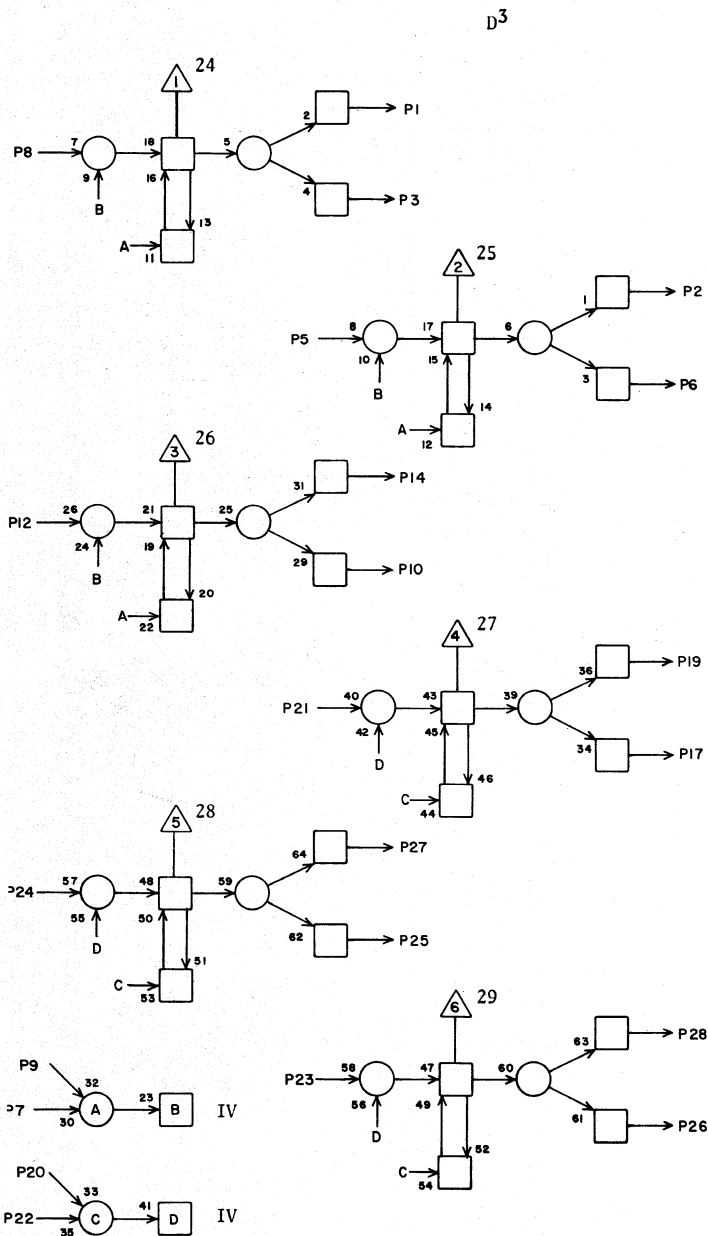


PA		1L40	
1	K38	8	9
2	K38	5	9
3			
4			
5	L36	2	7
6			
7	L32	23	13
8	L36	1	7
9	L32	9	13
10			
11			
12	L36	14	7
13			
14	K38	12	9
15			
16			
17			
18			
19	K38	21	9
20	L32	24	13
21	L36	19	7
22	L32	10	13
23	L36	28	7
24	L36	27	7
25			
26			
27	K38	24	9
28	K38	23	9

JACK PIN LG

63019800 Rev. A

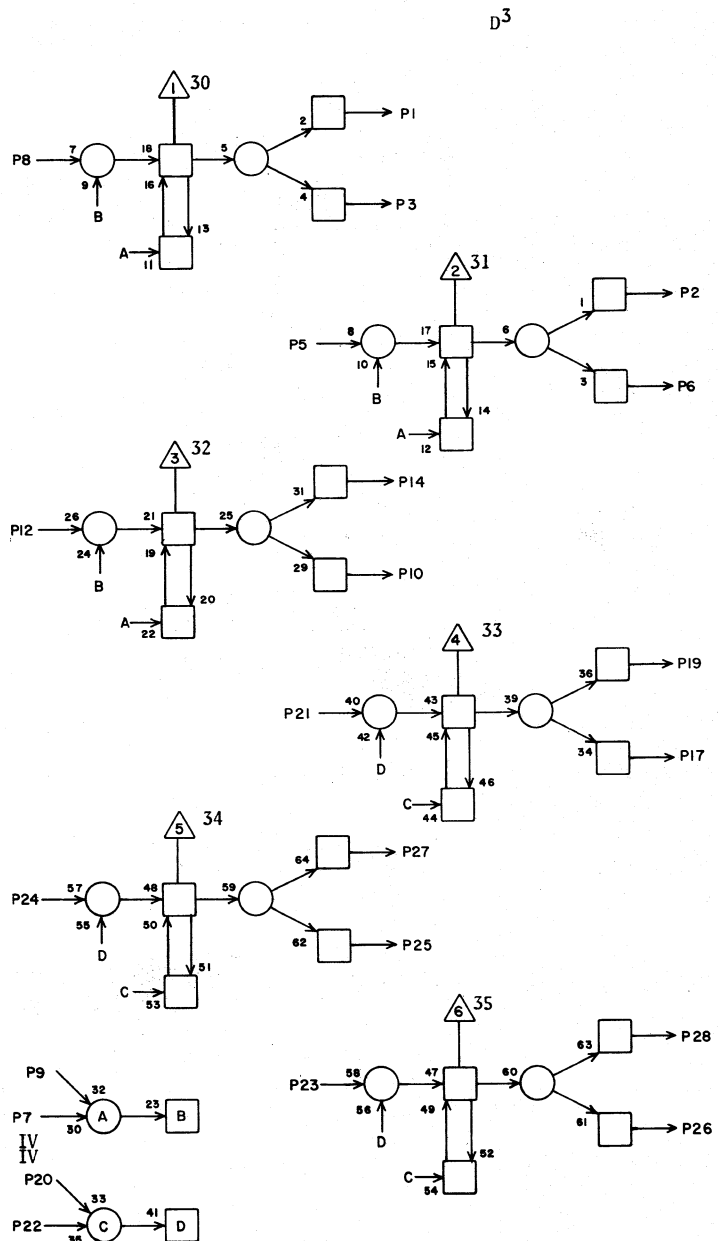




PA 1L41

1	K39	8	9
2	K39	5	9
3			
4			
5	L31	20	13
6			
7	L32	25	13
8	L31	19	13
9	L32	11	13
10			
11			
12	L31	9	13
13			
14	K39	12	9
15			
16			
17			
18			
19	K39	21	9
20	L32	26	13
21	L31	10	13
22	L32	12	13
23	K31	20	15
24	K31	19	19
25			
26			
27	K39	24	9
28	K39	23	9

63019800 Rev. A



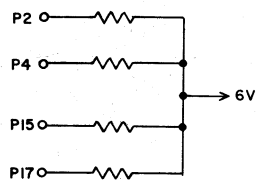
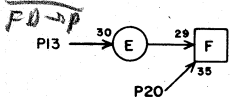
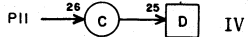
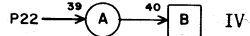
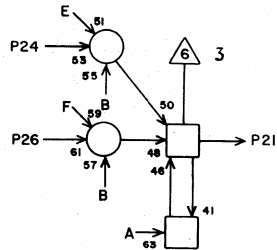
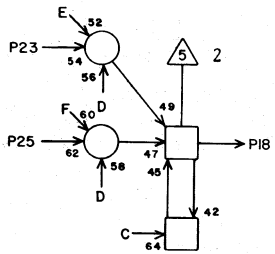
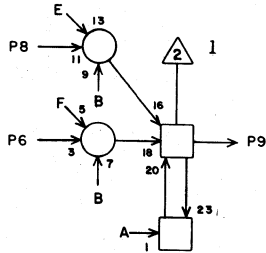
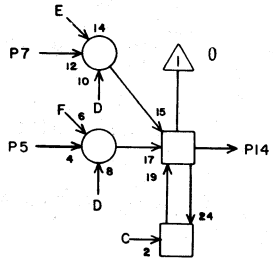
PA 1L42

1	K40	8	9
2	K40	5	9
3			
4			
5	K31	10	15
6			
7	L32	27	15
8	K31	9	15
9	L32	13	15
10			
11			
12	J31	19	17
13			
14	K40	12	9
15			
16			
17			
18			
19	K40	21	9
20	L32	28	15
21	J31	20	17
22	L32	15	15
23	J31	10	17
24	J31	9	17
25			
26			
27	K40	24	9
28	K40	23	9

63019800 Rev. A

PROGRAM ADDRESS (P)

PC 1 M1



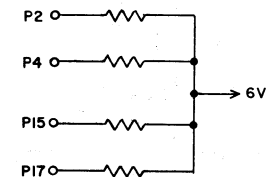
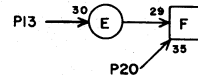
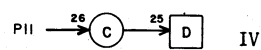
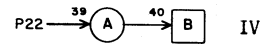
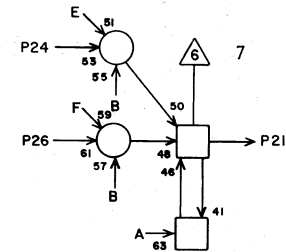
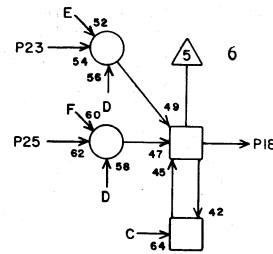
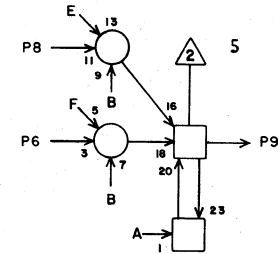
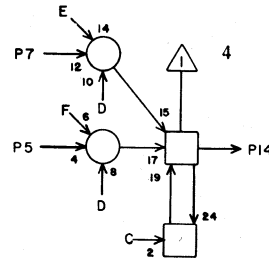
PC	JACK	PIN	LG
1			
2	M8	2	9
3			
4	M8	5	9
5	N18	11	19
6	N18	12	19
7	M13	5	15
8	M13	2	15
9	M4	14	7
10			
11	N6	1	9
12			
13	J26	14	29
14	M4	13	7
15	M8	7	9
16			
17	M8	22	9
18	M4	18	7
19			
20	M1	X	2
21	M5	13	7
22	N6	2	9
23	M13	23	15
24	M13	16	15
25	N18	19	19
26	N18	22	19
27			
28			

JACK PIN LG

63019800 Rev. A

PROGRAM ADDRESS (P)

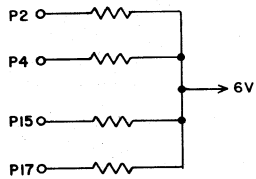
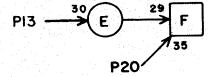
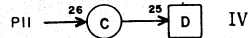
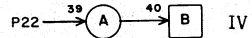
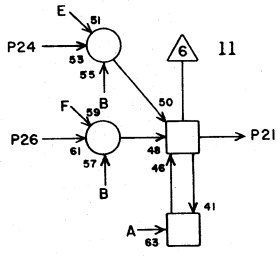
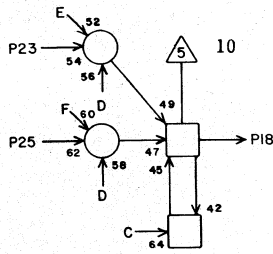
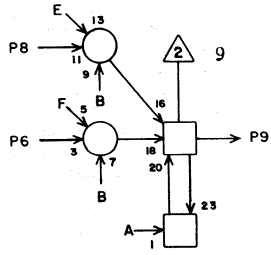
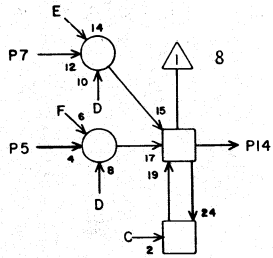
PC 1 M2



PC	JACK	PIN	LG
1			
2	M8	24	9
3			
4	M8	23	9
5	N19	11	19
6	N19	12	19
7	M13	22	15
8	M13	14	15
9	M5	18	7
10			
11	N6	4	9
12			
13	J26	16	27
14	M5	14	7
15			
16			
17			
18	M6	13	7
19			
20	M2	X	2
21	M6	14	7
22	N6	6	9
23	M12	14	15
24	M12	5	13
25	N19	19	19
26	N19	22	19
27			
28			

JACK PIN LG

63019800 Rev. A



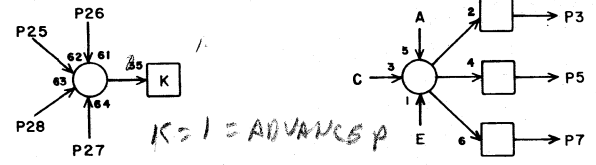
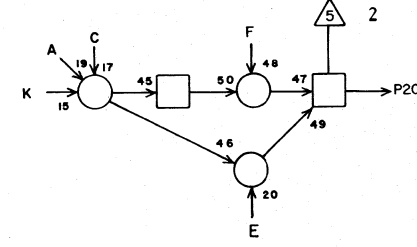
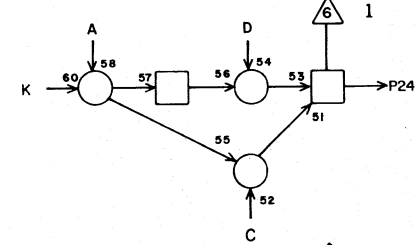
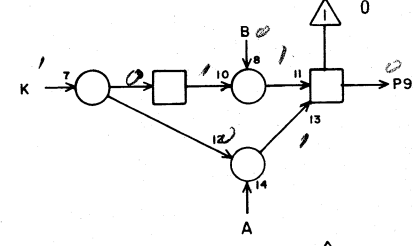
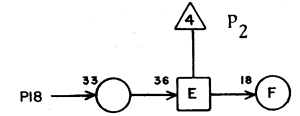
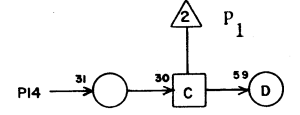
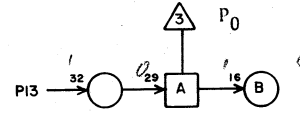
**PC** 1 M3

1			
2			
3			
4			
5	N20	11	19
6	N20	12	19
7	M12	2	13
8	M12	23	13
9	M7	13	7
10			
11	N6	7	9
12			
13	J26	18	27
14	M6	18	7
15			
16			
17			
18	M7	14	9
19			
20	M3	X	2
21	M7	18	9
22	N6	8	9
23	M12	16	13
24	M12	15	13
25	N20	19	19
26	N20	22	19
27			
28			

JACK    PIN    LG

63019800 Rev. A

**P INCREMENTOR**



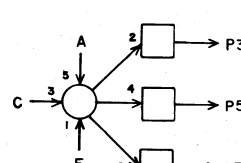
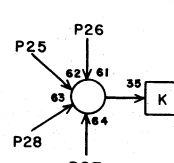
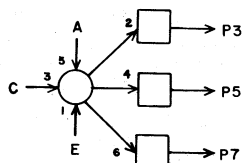
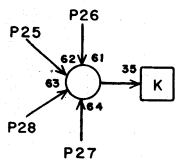
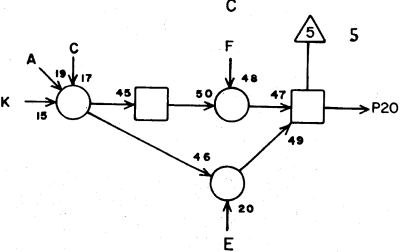
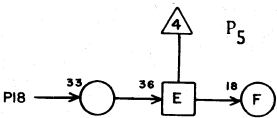
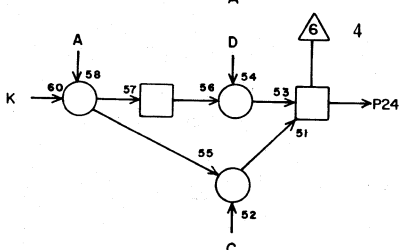
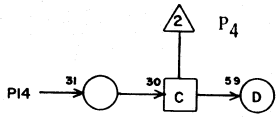
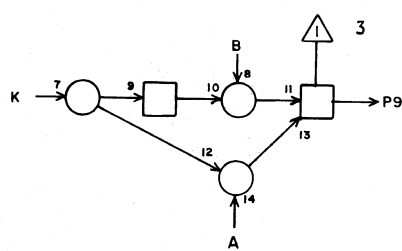
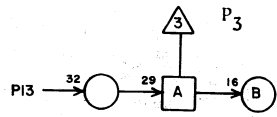
**QK** 1 M4

1			
2			
3	M5	26	5
4			
5	M6	26	7
6			
7	M7	26	7
8			
9	N15	7	15
10			
11			
12			
13	M1	14	7
14	M1	9	7
15			
16			
17			
18	M1	18	7
19			
20	N15	23	15
21			
22			
23			
24	N15	8	15
25	L21	5	19
26	M4	X	2
27	M4	X	2
28	M4	X	2

JACK    PIN    LG

63019800 Rev. A

P INCREMENTOR



QK

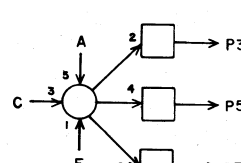
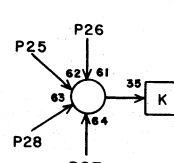
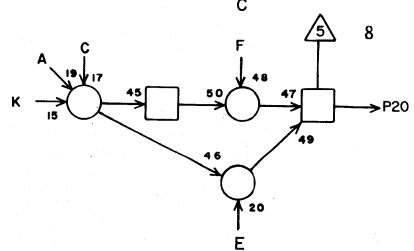
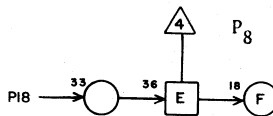
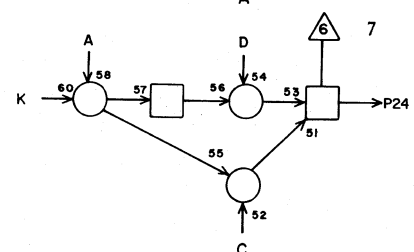
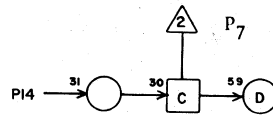
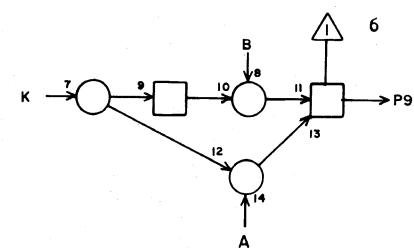
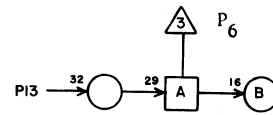
1M5

1			
2			
3			
4			
5	M6	27	5
6			
7	M7	27	7
8			
9	N15	24	15
10			
11			
12			
13	M1	21	7
14	M2	14	7
15			
16			
17			
18	M2	9	7
19			
20	N16	8	15
21			
22			
23			
24	N16	7	15
25	L21	9	19
26	M4	3	5
27	M5	X	2
28	M5	X	2

JACK PIN LG

63019800 Rev. A

P INCREMENTOR



QK

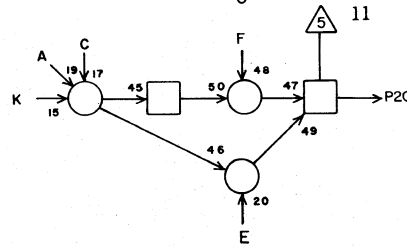
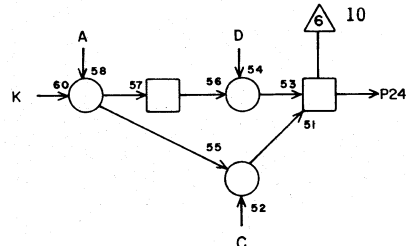
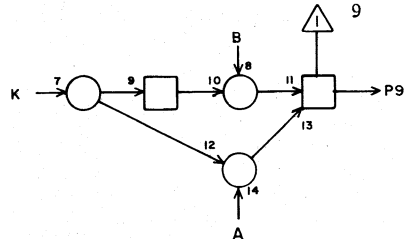
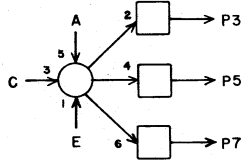
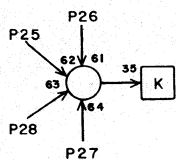
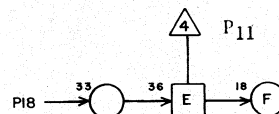
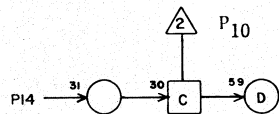
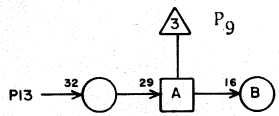
1M6

1			
2			
3			
4			
5			
6			
7	M7	28	5
8			
9	N16	23	15
10			
11			
12			
13	M2	18	7
14	M2	21	7
15			
16			
17			
18	M3	14	7
19			
20	N17	7	15
21			
22			
23			
24	N16	24	15
25	L21	11	17
26	M4	5	7
27	M5	5	5
28	M6	X	2

JACK PIN LG

63019800 Rev. A

P INCREMENTOR



QK

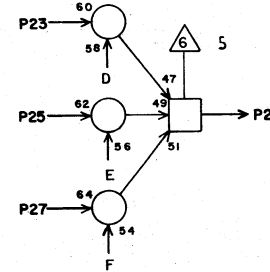
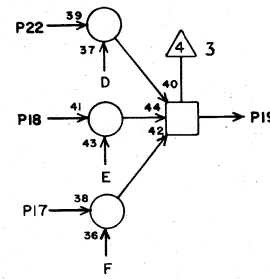
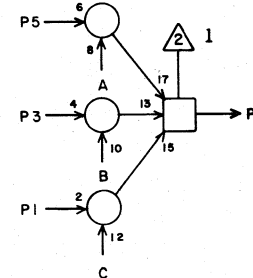
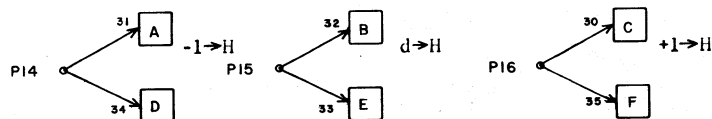
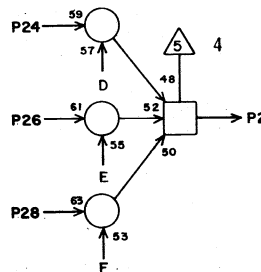
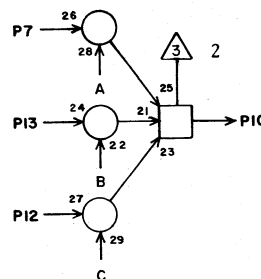
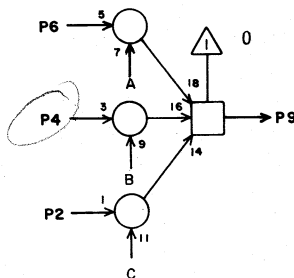
1 M7

1			
2			
3			
4			
5			
6			
7			
8			
9	N17	8	13
10			
11			
12			
13	M3	9	9
14	M3	18	9
15			
16			
17			
18	M3	21	9
19			
20	N17	24	13
21			
22			
23			
24	N17	23	13
25	L21	13	17
26	M4	7	7
27	M5	7	7
28	M6	7	5

JACK PIN LG

63019800 Rev. A

INPUTS TO H (2nd Q OPERAND)



TE

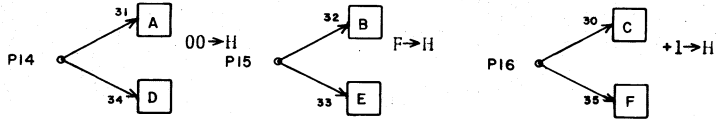
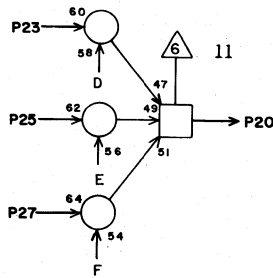
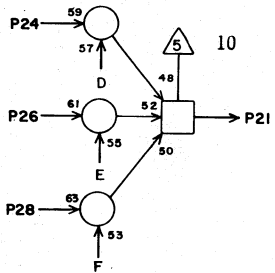
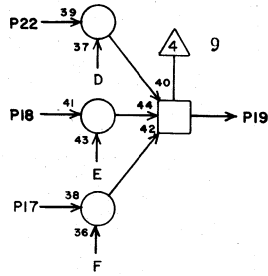
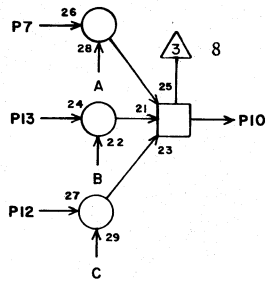
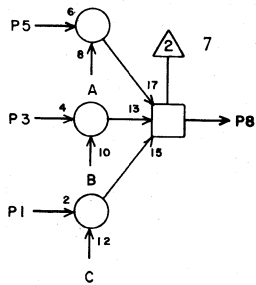
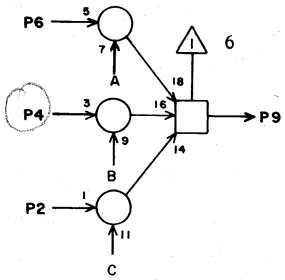
1 M8

1	M8	X	2
2	M1	2	9
3	I17	17	21
4	I17	10	21
5	M1	4	9
6	M8	X	2
7	M1	15	9
8	L1	16	11
9	L1	15	11
10	L1	26	11
11			
12	M8	X	2
13	I17	20	21
14	J16	20	17
15	J26	19	23
16	K24	12	19
17	M8	X	2
18	I17	11	21
19	L2	15	11
20	L2	26	11
21	L2	16	11
22	M1	17	9
23	M2	4	9
24	M2	2	9
25	I17	15	21
26	I17	7	21
27	M8	X	2
28	M8	X	2

JACK PIN LG

63019800 Rev. A

INPUTS TO H (2nd Q OPERAND)

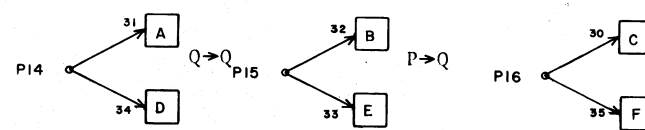
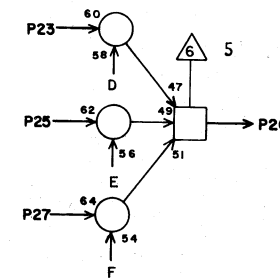
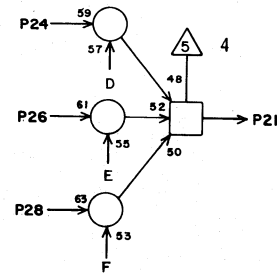
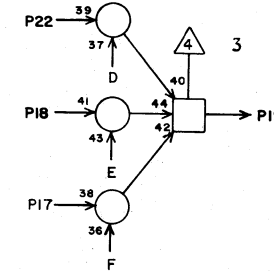
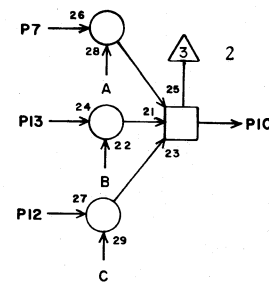
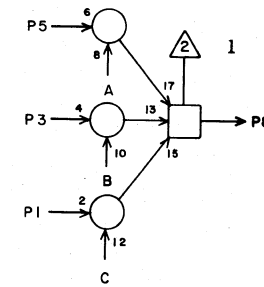
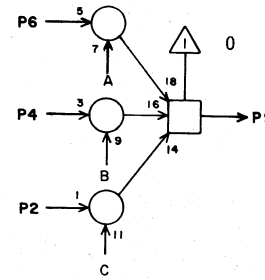


TE 1M9

1	M9	X	2
2	M9	X	2
3	K11	10	13
4	K10	10	13
5	M9	X	2
6	M9	X	2
7	M9	X	2
8	L3	16	11
9	L3	15	11
10	L3	26	11
11			
12	M9	X	2
13	K12	10	13
14	J24	17	21
15	J16	12	17
16	K24	13	19
17	M9	X	2
18	K13	10	13
19	L4	15	11
20	L4	26	11
21	L4	16	11
22	M9	X	2
23	M9	X	2
24	M9	X	2
25	K15	10	11
26	K14	10	11
27	M9	X	2
28	M9	X	2

JACK PIN LG  
63019800 Rev. A

INPUTS TO Q



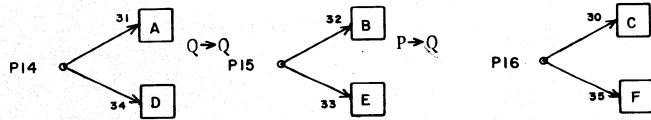
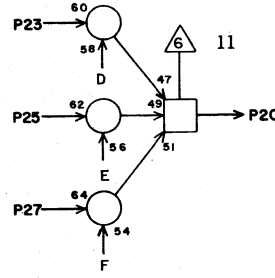
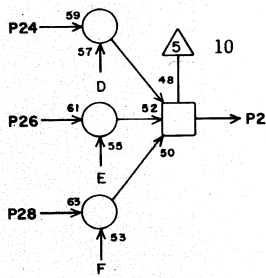
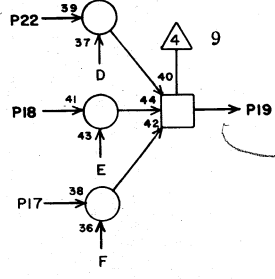
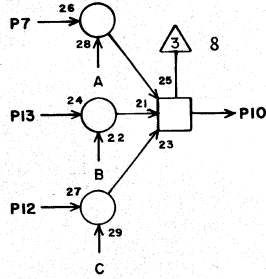
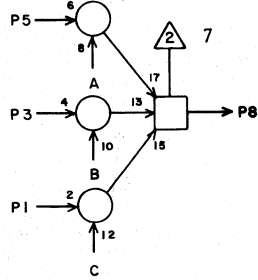
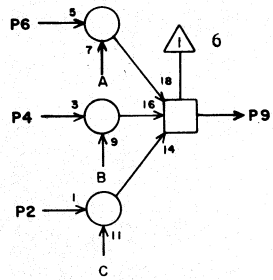
TE 1M10

1			
2			
3	N18	5	13
4	N18	6	13
5	N22	5	15
6	N22	6	15
7	N22	23	15
8	L1	12	13
9	L1	11	13
10	L1	27	13
11			
12			
13	N18	23	13
14	K23	22	17
15	J24	11	21
16	M10	X	
17			
18	N18	21	13
19	L2	11	13
20	L2	27	13
21	L2	12	13
22	N22	21	15
23	N23	5	15
24	N23	6	15
25	N19	5	13
26	N19	6	13
27			
28			

JACK PIN LG

63019800 Rev. A

INPUTS TO Q



TE

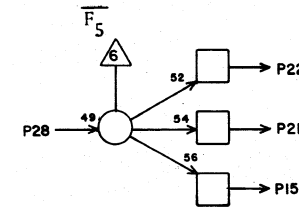
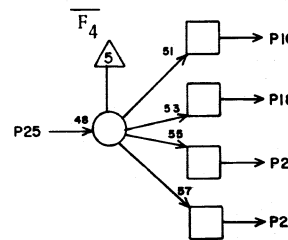
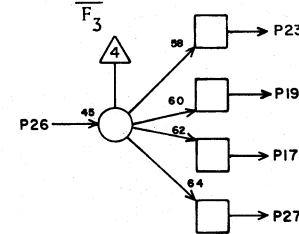
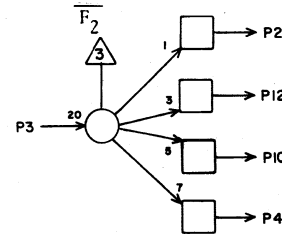
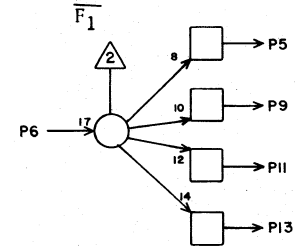
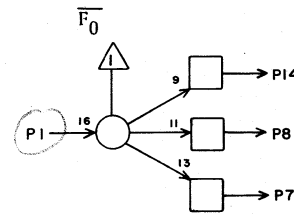
1 M11

1			
2			
3	N19	21	13
4	N19	23	13
5	N23	21	15
6	N23	23	15
7	N24	6	17
8	L3	12	13
9	L3	11	13
10	L3	27	13
11			
12			
13	N20	6	17
14	K23	21	17
15	J24	9	21
16	M11	X	
17			
18	N20	5	17
19	L4	11	11
20	L4	27	11
21	L4	12	11
22	N24	5	15
23	N24	21	15
24	N24	23	15
25	N20	21	13
26	N20	23	13
27			
28			

JACK PIN LG

63019800 Rev. A

F FANOUT



TH

1 M12

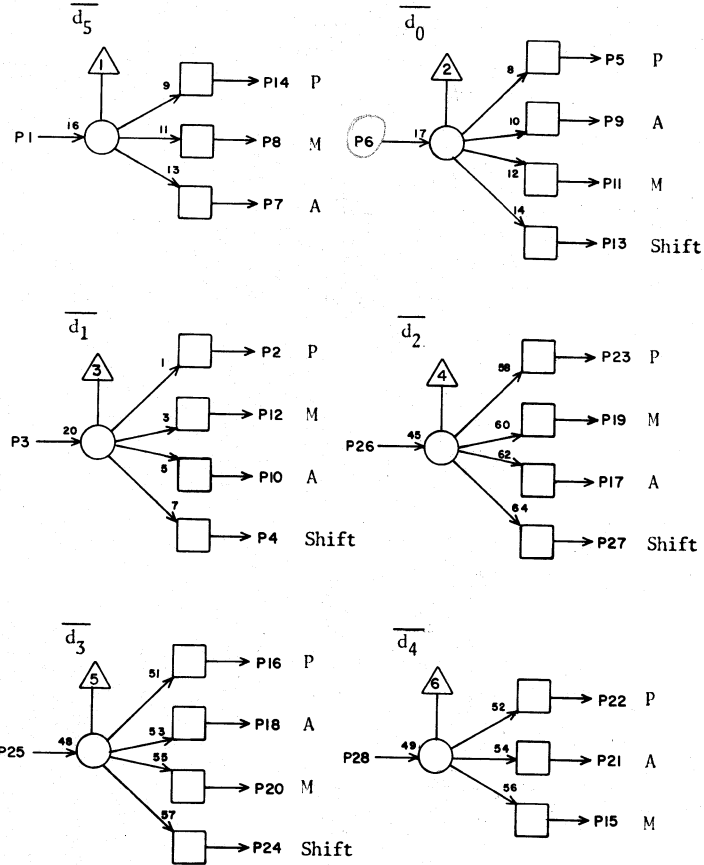
1	I24	8	23
2	M3	7	13
3	I24	12	23
4			
5	M2	24	13
6	I24	9	23
7	K21	2	15
8	O28	25	21
9	K21	1	15
10	K21	12	15
11	O28	26	21
12	O29	5	21
13			
14	M2	23	13
15	M3	24	13
16	M3	23	13
17	K21	17	15
18	K21	28	15
19			
20	O29	25	21
21	K21	27	15
22	O29	26	21
23	M3	8	13
24			
25	I24	18	23
26	I24	19	23
27	O29	6	19
28	I23	19	25

JACK PIN LG

63019800 Rev. A

d FANOUT

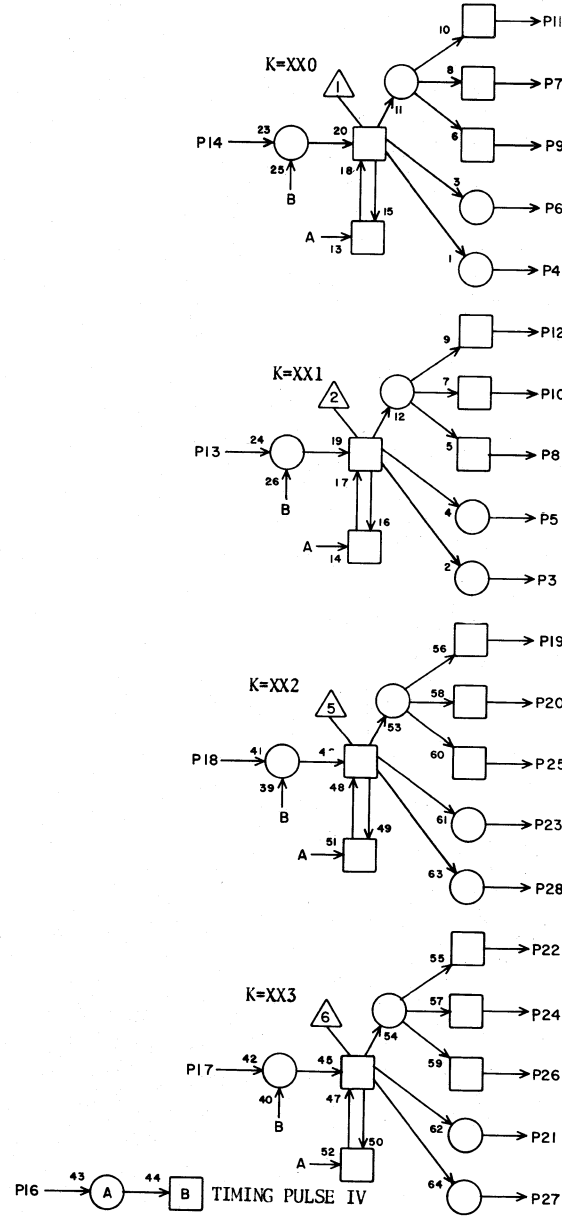
TH 1M13



	JACK	PIN	LG
1	I19	17	19
2	M1	8	15
3	I19	11	19
4	I8	23	23
5	M1	7	15
6	I19	7	19
7	K20	27	13
8	O28	6	19
9	K20	2	15
10	K20	1	15
11	O27	5	17
12	O27	6	17
13	I7	23	19
14	M2	8	15
15	O28	5	19
16	M1	24	15
17	K20	12	15
18	K20	17	15
19	O27	25	19
20	O27	26	19
21	K20	28	15
22	M2	7	15
23	M1	23	15
24	J8	23	15
25	I19	15	19
26	I19	10	19
27	J7	23	17
28	I19	20	19

63019800 Rev. A

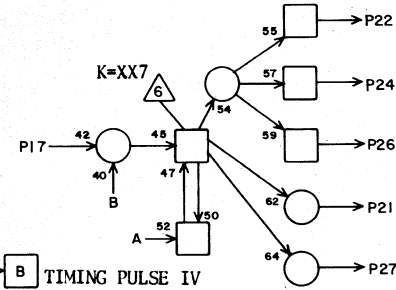
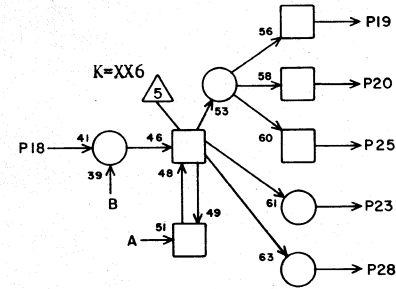
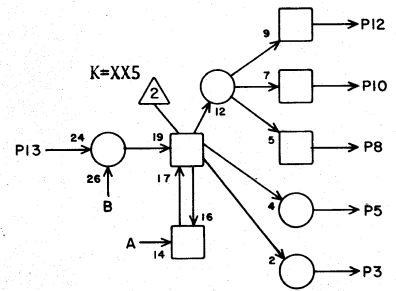
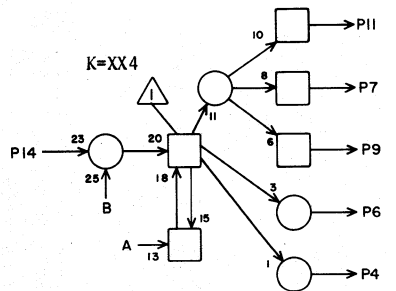
PD 1M14



	JACK	PIN	LG
1			
2			
3			
4	M28	5	17
5	M25	14	15
6	M25	3	15
7			
8			
9			
10	L23	3	13
11			
12			
13	O12	25	13
14	O12	11	13
15			
16	N14	17	7
17	O12	7	13
18	O12	22	13
19			
20	L23	12	13
21			
22	L30	24	19
23	M27	14	17
24	M28	19	17
25	L28	25	17
26	L29	24	17
27			
28	L25	25	15

63019800 Rev. A





P16 → 43 (A) → 44 (B) TIMING PULSE IV

PD

1M15

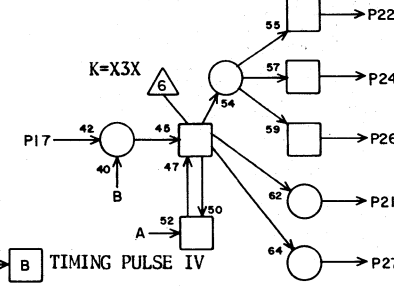
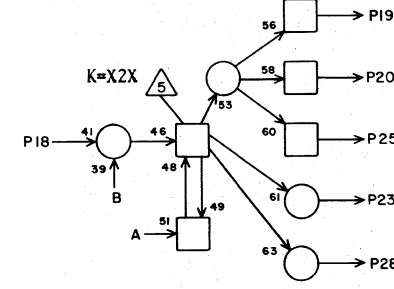
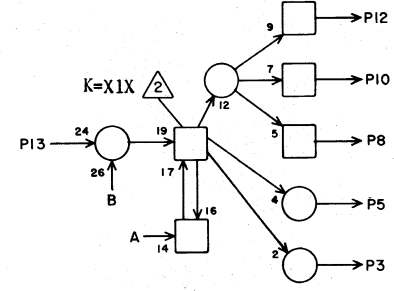
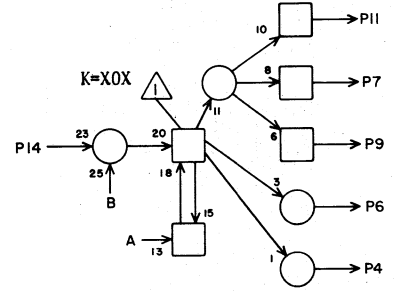
1			
2			
3			
4			
5			
6			
7	I28	20	23
8	K28	3	19
9	L25	1	15
10	L29	6	17
11	I25	26	21
12	L30	6	17
13	O12	3	11
14	O12	8	11
15			
16	N14	18	7
17	O12	6	11
18	O12	27	11
19	L30	26	17
20			
21			
22	I25	10	21
23			
24	I28	19	23
25	L29	26	17
26			
27			
28			

JACK PIN LG

63019800 Rev. A

PD

1M16

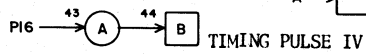
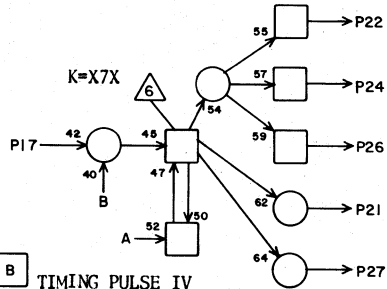
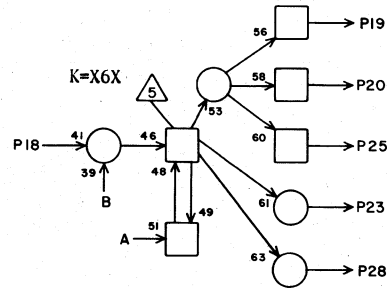
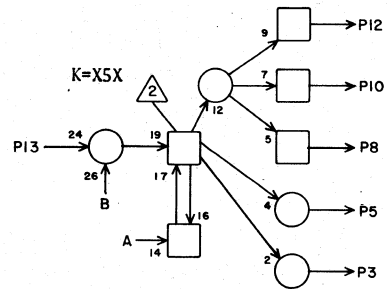
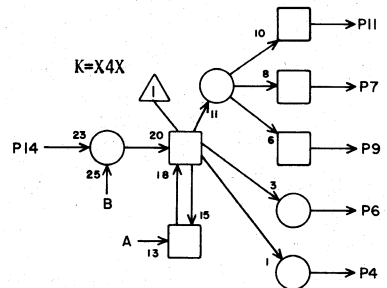


P16 → 43 (A) → 44 (B) TIMING PULSE IV

1			
2			
3	M23	14	11
4	M22	14	9
5	L21	28	9
6	L24	21	13
7	M21	1	9
8	I25	23	19
9	M21	2	9
10	L24	3	13
11	I25	21	11
12	L22	6	11
13	O13	25	13
14	O13	11	13
15			
16	N14	19	9
17	O13	7	13
18	O13	22	13
19	L23	8	13
20			
21	M23	16	11
22	L23	2	13
23			
24	L22	25	11
25			
26	N27	23	15
27			
28	M22	3	9

JACK PIN LG

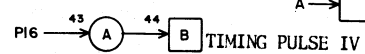
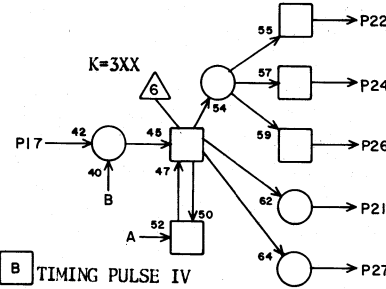
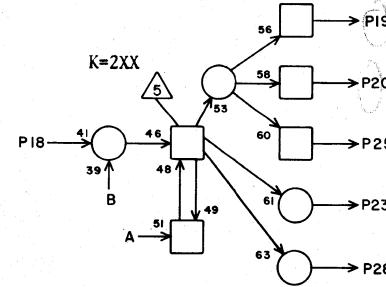
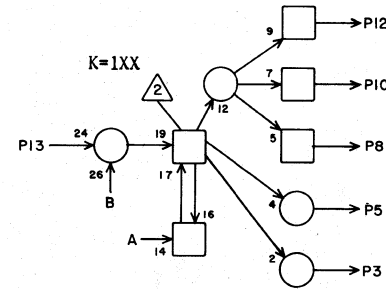
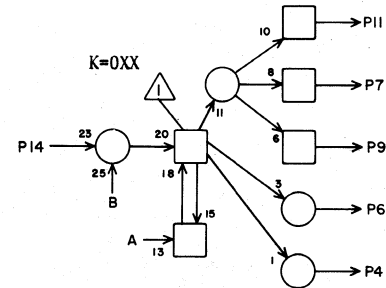
63019800 Rev. A



PD 1 M17

1			
2			
3	L26	12	13
4	L26	21	13
5	L25	26	13
6			
7	N27	3	13
8	I28	5	23
9	L23	27	11
10	L19	6	9
11	I28	11	23
12	N27	10	13
13	O13	3	11
14	O13	8	11
15			
16	N14	20	9
17	O13	6	11
18	O13	27	13
19	L23	23	11
20	M24	1	11
21			
22	L23	28	11
23	L24	27	11
24	L22	26	9
25	I28	3	23
26	I28	9	23
27	L26	27	13
28	L26	25	13

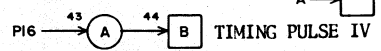
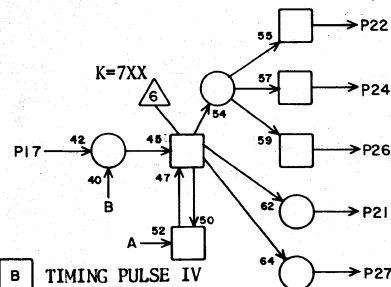
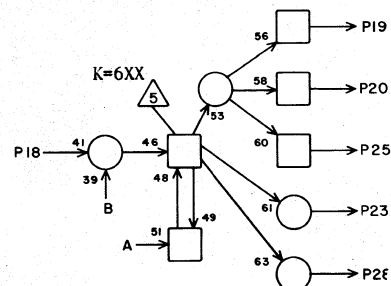
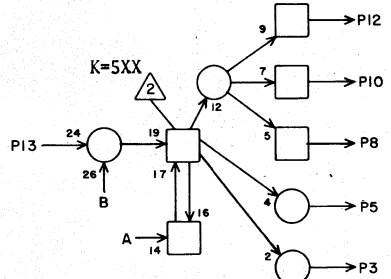
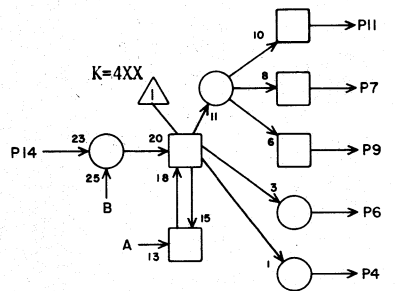
JACK PIN LG  
63019800 Rev. A



PD 1 M18

1			
2			
3			
4			
5			
6	M23	3	9
7	M21	4	7
8			
9			
10			
11	M21	3	7
12			
13	O14	25	13
14	O14	11	13
15			
16	N14	21	9
17	O14	7	13
18	O14	22	13
19	L19	7	9
20	L19	13	9
21			
22			
23	M20	14	7
24			
25			
26	L23	7	11
27			
28	J16	25	15

JACK PIN LG  
63019800 Rev. A



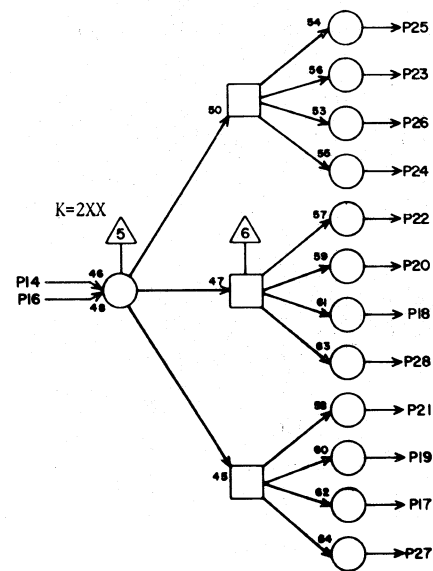
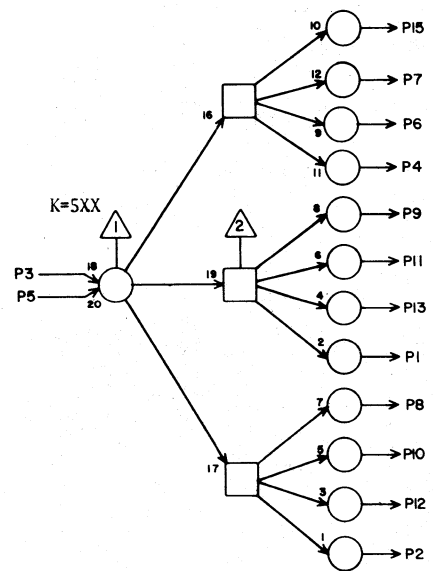
PD 1M19

1			
2			
3			
4			
5	M20	3	5
6			
7	L23	1	11
8			
9			
10	L23	9	11
11	K28	2	15
12			
13	O14	3	13
14	O14	8	13
15			
16	N14	22	11
17	O14	6	13
18	O14	27	15
19	N25	22	11
20	M24	2	9
21	M27	3	11
22	L27	1	13
23	I28	7	21
24	N27	25	13
25			
26			
27	N28	2	13
28	I25	24	19

JACK PIN LG

63019800 Rev. A

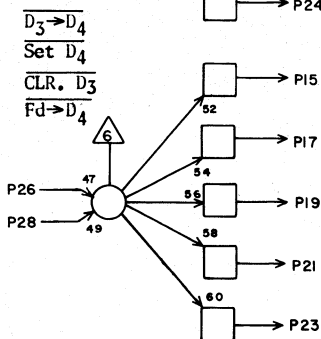
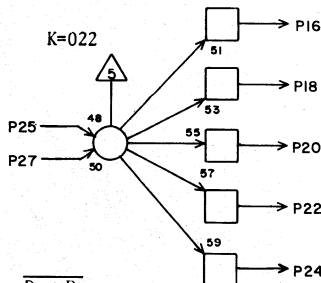
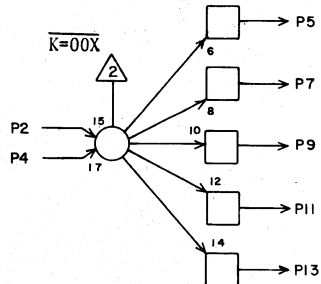
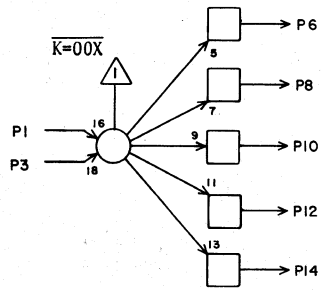
TC 1M20



1	L28	15	11
2	K28	1	15
3	M19	5	5
4	K28	22	13
5	M20	X	2
6	N25	15	9
7			
8			
9			
10			
11			
12			
13			
14	M18	23	7
15			
16	M20	X	2
17			
18	L27	15	11
19			
20	L26	15	11
21			
22			
23	L24	1	11
24	L24	22	9
25	L24	10	9
26			
27			
28			

JACK PIN LG

63019800 Rev. A



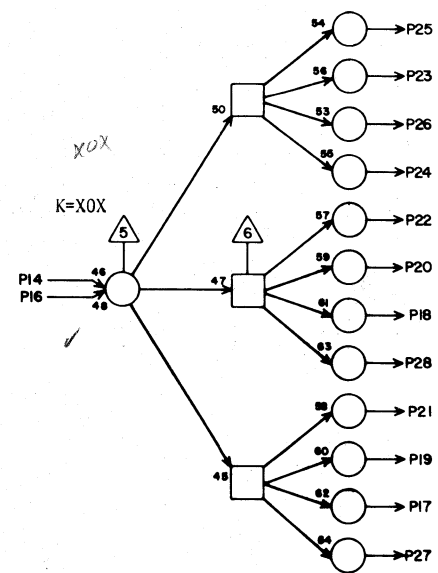
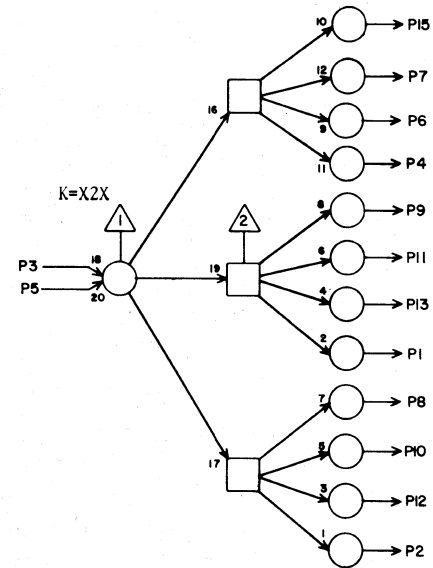
T D 1 M21

1	M16	7	9
2	M16	9	9
3	M18	11	7
4	M18	7	7
5			
6	I27	6	21
7	L28	1	13
8	J27	2	17
9	I26	17	19
10	H29	8	25
11	H29	3	25
12	J24	7	17
13	I29	22	19
14	N25	21	9
15	K30	28	15
16	K24	6	13
17	K30	25	15
18	L28	4	11
19	K30	6	15
20	L20	3	13
21	K30	3	15
22	K29	26	15
23	K30	26	15
24	I27	25	19
25	L28	18	11
26	L30	15	13
27	M21	X	2
28	M21	X	2

JACK PIN LG

63019800 Rev. A

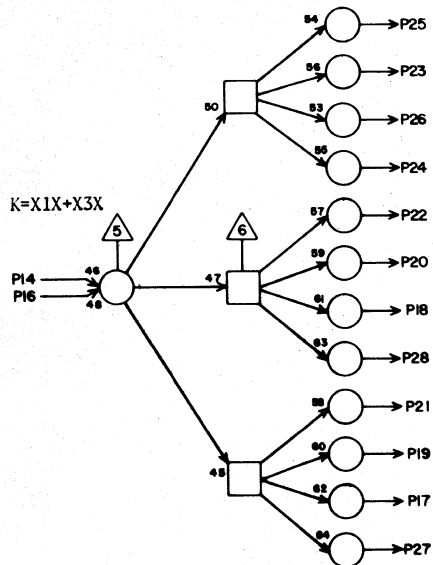
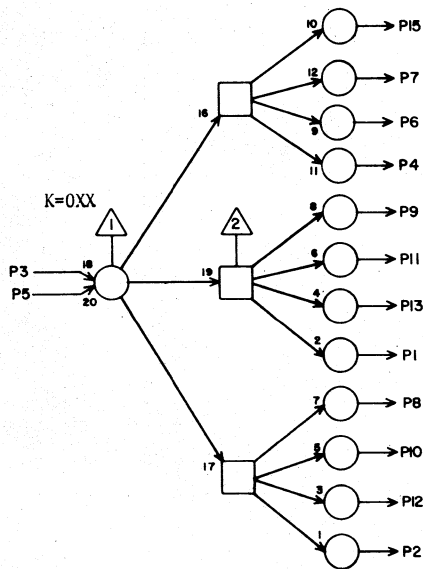
TC 1 M22



1			
2			
3	M16	28	11
4	K28	17	11
5	M22	X	2
6			
7	N27	8	9
8	L28	12	9
9	N25	12	9
10	L28	23	9
11	I28	26	19
12			
13	N28	5	9
14	M16	4	11
15	L24	24	17
16	M22	X	2
17			
18			
19			
20	I26	12	19
21			
22	N27	21	9
23	L26	17	9
24	L24	12	9
25	L27	3	11
26	L23	6	19
27	I15	23	19
28	L27	23	9

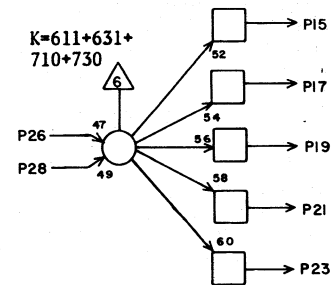
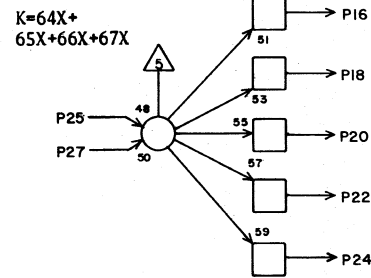
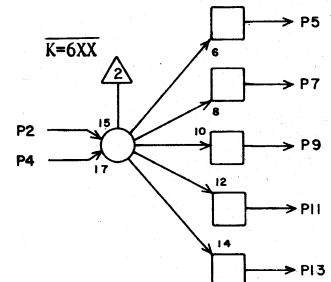
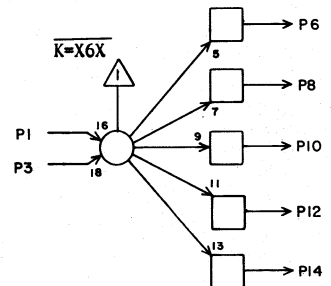
JACK PIN LG

63019800 Rev. A



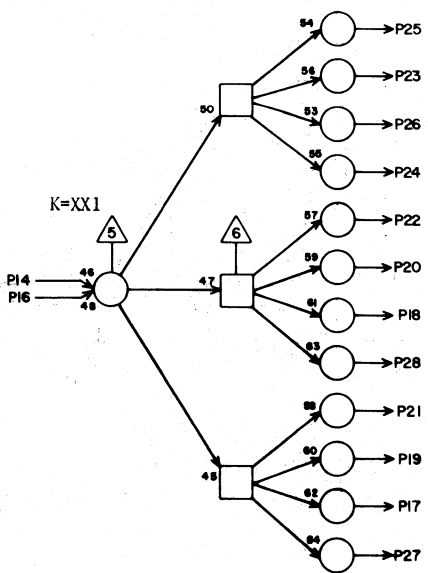
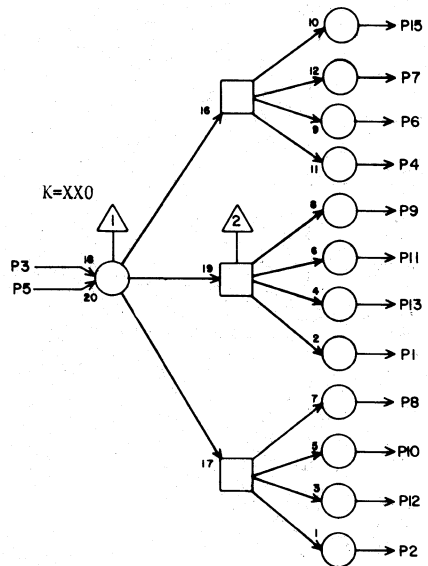
TC		1M23	
JACK	PIN	LG	
1			
2			
3	M18	6	9
4	L27	22	9
5	M23	X	2
6	L28	10	9
7	K28	15	13
8			
9	N25	10	7
10			
11	L28	21	9
12			
13			
14	M16	3	11
15	K28	10	13
16	M16	21	11
17			
18			
19			
20	N25	4	7
21			
22	N25	3	7
23	K28	23	13
24	M28	23	9
25	L27	24	9
26	M28	17	9
27			
28			

63019800 Rev. A



T D		1M24	
JACK	PIN	LG	
1	M17	20	11
2	M19	20	9
3	M24	X	2
4	M24	X	2
5	K28	21	13
6	N27	22	9
7	I26	10	19
8	N28	26	9
9	M28	2	7
10			
11	M28	1	7
12			
13	N25	1	7
14	L19	2	9
15	J18	23	17
16	J16	8	19
17	K29	28	13
18	J18	11	17
19			
20	L27	8	9
21	I27	21	19
22	J26	7	17
23			
24	L20	5	11
25	N25	20	7
26	N25	13	7
27	M24	X	2
28	N25	9	7

63019800 Rev. A

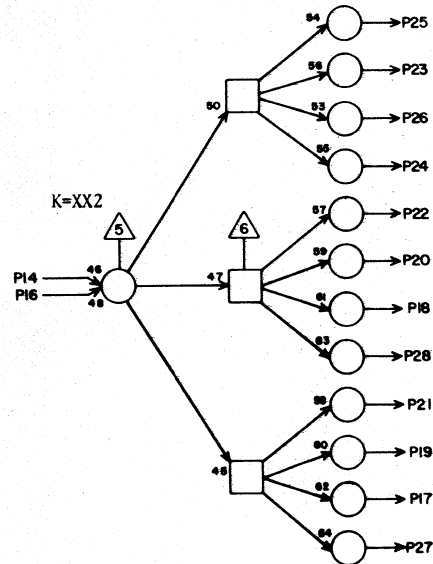
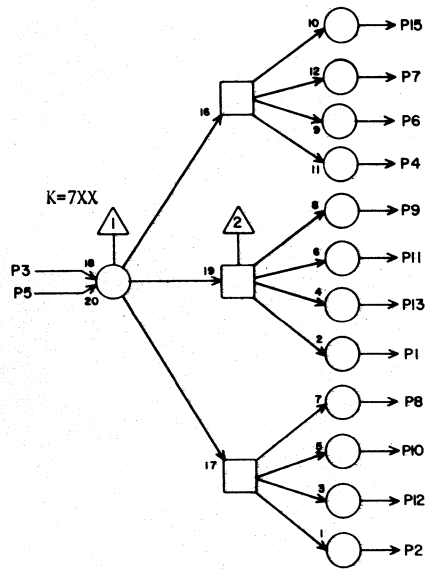


TC

1 M25

1			
2			
3	M14	6	15
4			
5	M25	X	2
6	K28	25	11
7	K28	19	11
8	K28	4	13
9	N25	6	7
10	K28	24	11
11	L29	22	9
12			
13	L30	22	9
14	M14	5	15
15	K28	14	13
16	M25	X	2
17			
18	N25	17	7
19			
20	N25	14	7
21	L29	10	9
22	M28	25	7
23	L28	17	9
24	L30	10	9
25	L28	14	9
26	L27	26	7
27			
28	N25	5	7

JACK PIN LG



TC

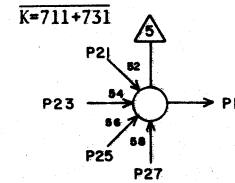
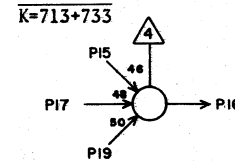
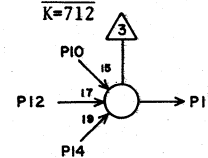
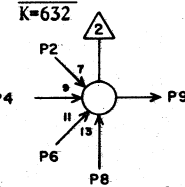
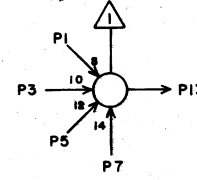
1M27

1	L27	21	7
2			
3	M19	21	13
4	M28	21	5
5	M27	X	2
6	I15	21	23
7	M28	15	5
8			
9	N25	2	7
10			
11	M28	10	5
12			
13			
14	M14	23	17
15			
16	M27	X	2
17			
18			
19			
20			
21	M28	14	5
22	L30	8	9
23	I25	9	19
24	L29	8	9
25	M28	6	5
26	N28	27	7
27			
28			

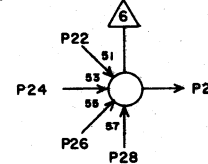
JACK PIN LG

63019800 Rev. A

$K=611+613+614+615+616+617$



(A=1) (712 FULL + 732 EMPTY ACTIVE)



TI

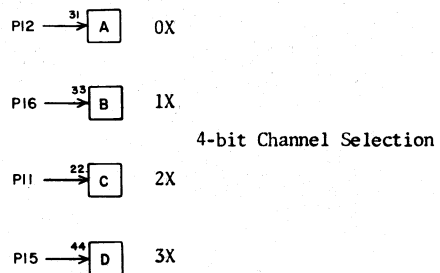
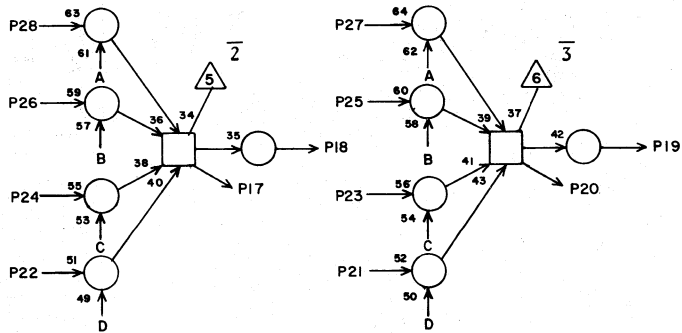
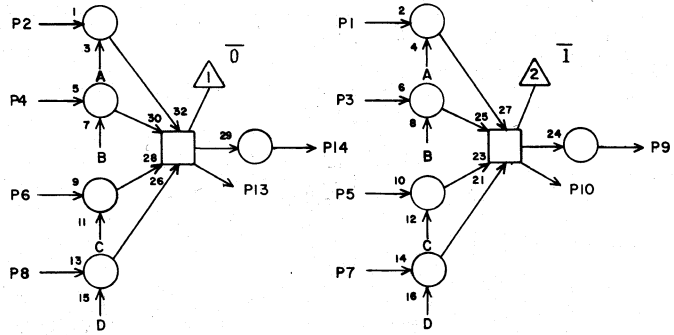
1M28

1	M24	11	7
2	M24	9	7
3	L22	11	11
4	L22	20	11
5	M14	4	17
6	M27	25	5
7	L25	18	7
8	M28	X	2
9	J26	24	15
10	M27	11	5
11	I27	19	23
12	L22	13	11
13	I27	17	23
14	M27	21	5
15	M27	7	5
16	L22	28	11
17	M23	26	9
18	J26	26	15
19	M14	24	17
20	J18	24	17
21	M27	4	5
22	P13	19	21
23	M23	24	9
24	N27	27	7
25	M25	22	7
26	M28	X	2
27	M28	X	2
28	M28	X	2

JACK PIN LG

63019800 Rev. A

CHANNEL DATA (2nd MERGE)



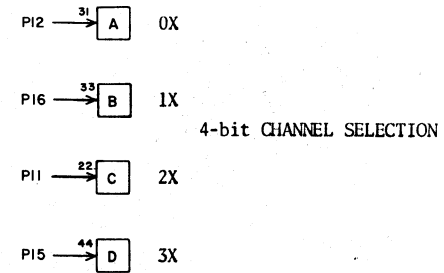
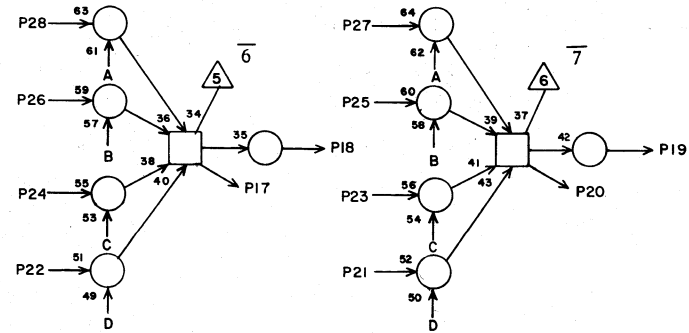
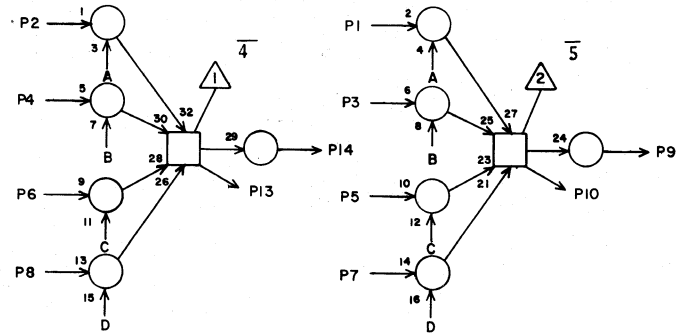
TG 1 M29

1	M32	10	7
2	M32	13	7
3	P29	10	15
4	P29	13	15
5	R32	10	23
6	R32	13	23
7	H11	3	29
8	H11	4	29
9	H21	1	25
10	K16	7	19
11	Q29	14	19
12	Q28	14	19
13	K16	8	19
14	H21	2	25
15	Q29	22	19
16	Q28	22	19
17	K16	22	17
18	H21	28	23
19	H21	27	23
20	K16	21	17
21	H11	27	27
22	H11	23	27
23	R32	20	23
24	R32	17	23
25	P29	20	17
26	P29	17	17
27	M32	20	7
28	M32	17	7

JACK PIN LG

63019800 Rev. A

CHANNEL DATA (2nd MERGE)



TG 1 M30

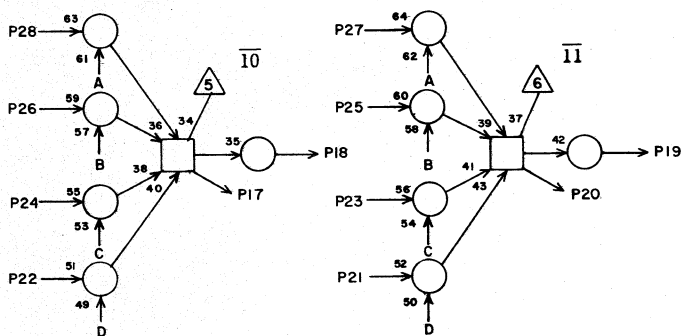
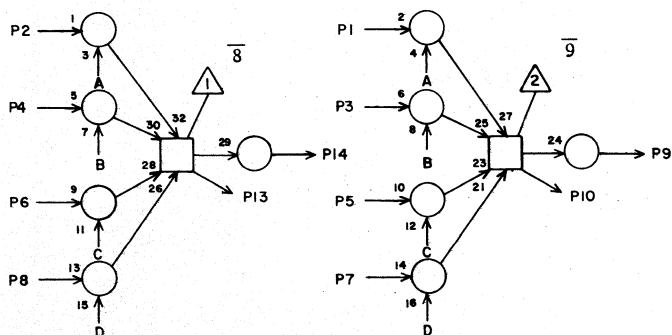
1	M33	10	7
2	M33	13	7
3	P30	10	15
4	P30	13	15
5	R33	10	17
6	R33	13	17
7	H12	3	29
8	H12	4	29
9	H22	1	25
10	K17	7	19
11	Q29	8	13
12	Q28	8	13
13	K17	8	19
14	H22	2	25
15	Q29	21	13
16	Q28	21	13
17	K17	22	19
18	H22	28	25
19	H22	27	25
20	K17	21	19
21	H12	27	27
22	H12	23	27
23	R33	20	23
24	R33	17	23
25	P30	20	23
26	P30	17	23
27	M33	20	7
28	M33	17	7

JACK PIN LG

63019800 Rev. A



CHANNEL DATA (2nd MERGE)



PI2 → A 0X

PI6 → B 1X

PI11 → C 2X

PI5 → D 3X

4-bit Channel Selection

TG

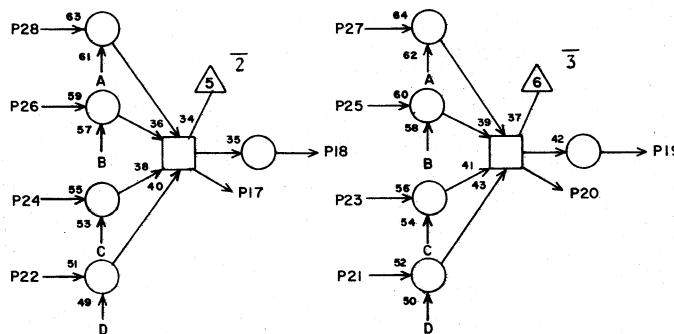
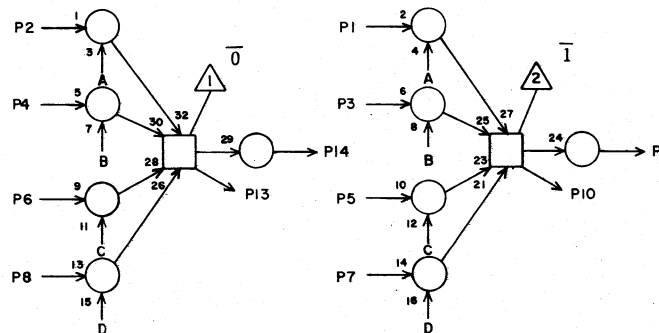
1 M31

1	M34	10	7
2	M34	13	7
3	P31	10	15
4	P31	13	15
5	R34	10	23
6	R34	13	23
7	H13	3	29
8	H13	4	29
9	H23	1	25
10	K18	7	19
11	Q29	7	19
12	Q28	7	19
13	K18	8	19
14	H23	2	25
15	Q29	15	19
16	Q28	15	19
17	K18	22	19
18	H23	28	19
19	H23	27	19
20	K18	21	19
21	H13	27	29
22	H13	23	29
23	R34	20	23
24	R34	17	23
25	P31	20	17
26	P31	17	17
27	M34	20	7
28	M34	17	7

JACK PIN LG

63019800 Rev. A

CHANNEL DATA (1st MERGE)



PI2 → A X0

PI6 → B X1

PI11 → C X2

PI5 → D X3

4-bit Channel Selection

TG

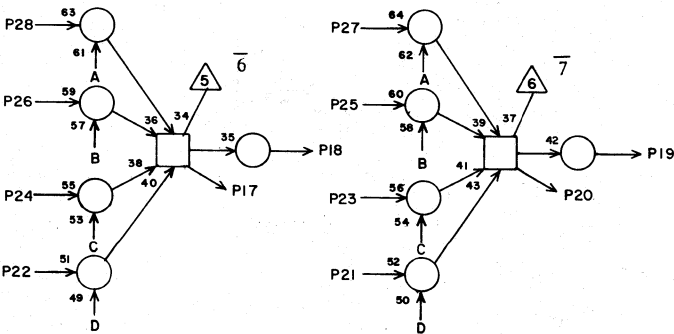
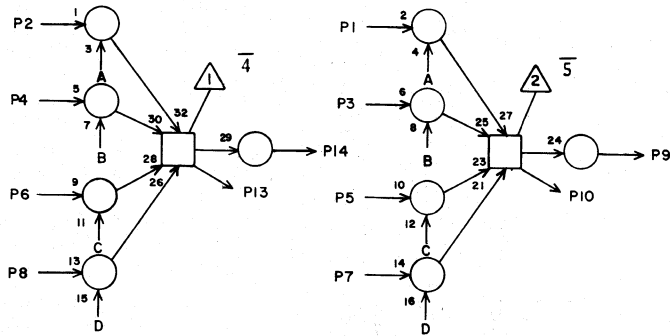
1 M32

1	M36	7	7
2	M36	8	7
3	M40	7	11
4	M40	8	11
5	N36	7	9
6	N36	8	9
7	N40	7	11
8	N40	8	11
9			
10	M29	1	7
11	Q31	1	17
12	Q30	1	17
13	M29	02	7
14			
15	Q31	17	19
16	Q30	17	19
17	M29	28	7
18			
19			
20	M29	27	7
21	N40	22	13
22	N40	21	13
23	N36	22	7
24	N36	21	7
25	M40	22	11
26	M40	21	11
27	M36	22	7
28	M36	21	7

JACK PIN LG

63019800 Rev. A

CHANNEL DATA (1st MERGE)



PI2 → **A** X0

PI6 → **B** X1

PI11 → **C** X2

PI5 → **D** X3

4-bit Channel Selection

TG

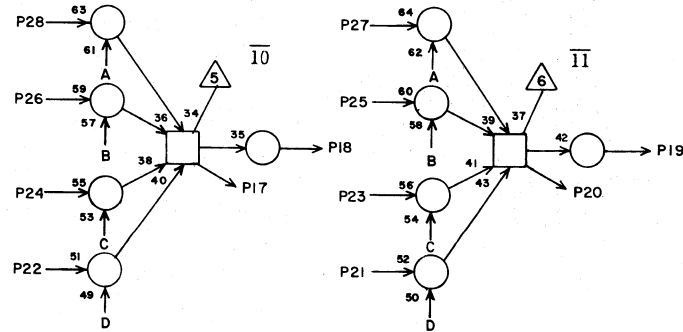
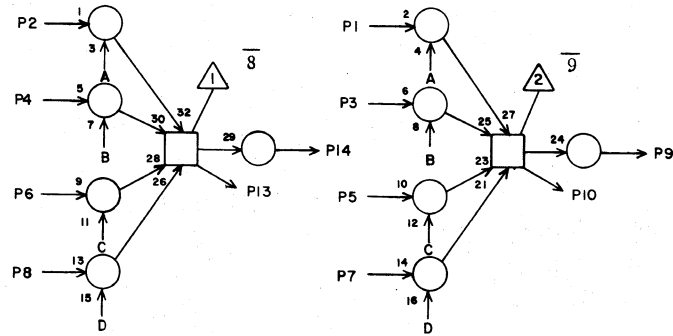
1M33

1	M37	7	7
2	M37	8	7
3	M41	7	11
4	M41	8	11
5	N37	7	9
6	N37	8	9
7	N41	7	13
8	N41	8	13
9			
10	M30	1	7
11	Q31	2	19
12	Q30	2	19
13	M30	2	7
14			
15	Q31	18	19
16	Q30	18	19
17	M30	28	7
18			
19			
20	M30	27	7
21	N41	22	13
22	N41	21	13
23	N37	22	9
24	N37	21	9
25	M41	22	11
26	M41	21	11
27	M37	22	7
28	M37	21	7

JACK PIN LG

63019800 Rev. A

CHANNEL DATA (1st MERGE)



PI2 → **A** X0

PI6 → **B** X1

PI11 → **C** X2

PI5 → **D** X3

4-bit Channel Selection

TG

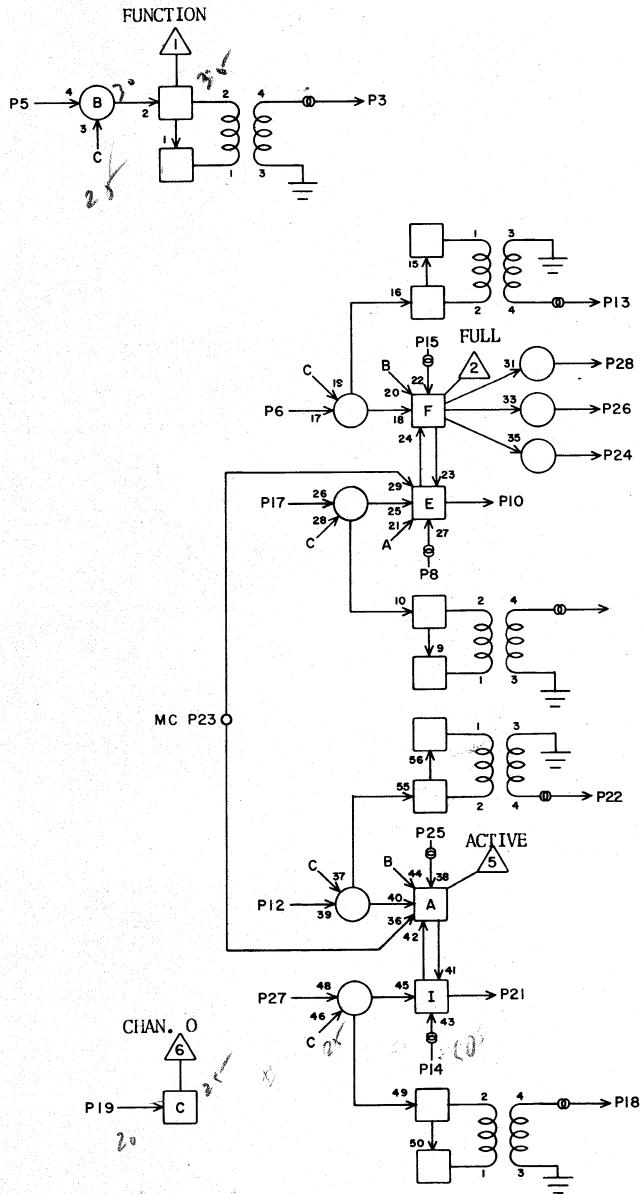
1M34

1	M38	7	7
2	M38	8	7
3	M42	7	11
4	M42	8	11
5	N38	7	9
6	N38	8	9
7	N42	7	7
8	N42	8	11
9			
10	M31	1	7
11	Q31	4	19
12	Q30	4	19
13	M31	2	7
14			
15	Q31	19	19
16	Q30	19	19
17	M31	28	7
18			
19			
20	M31	27	7
21	N42	22	13
22	N42	21	13
23	N38	22	9
24	N38	21	9
25	M42	22	11
26	M42	21	11
27	M38	22	7
28	M38	21	7

JACK PIN LG

63019800 Rev. A

CHANNEL O



PK

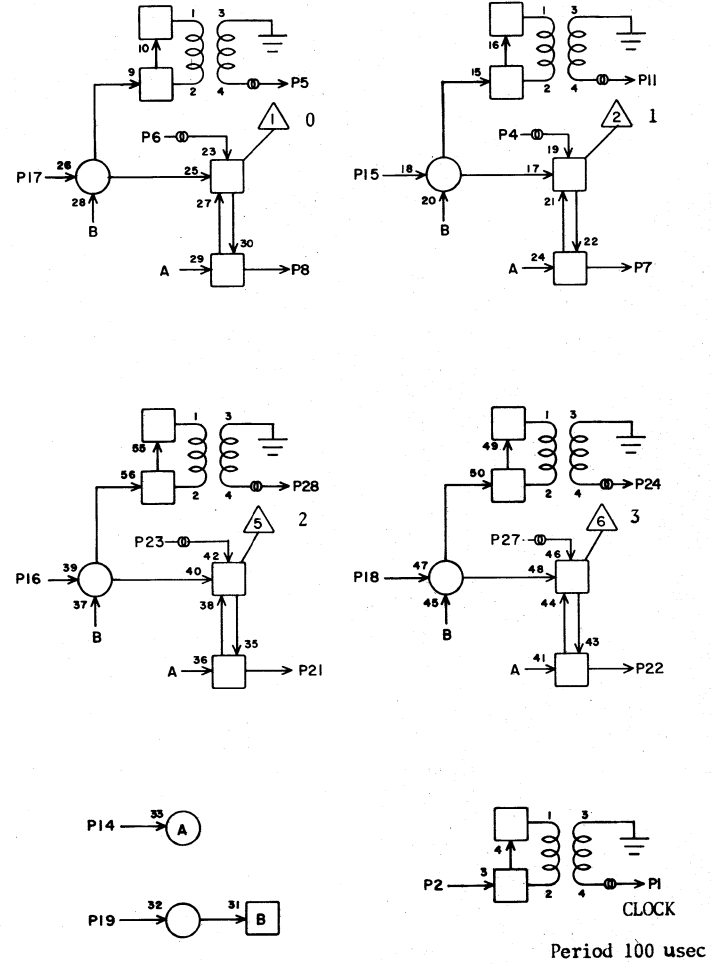
1M35

1			
2			
3	W14	906	
4			
5	O32	17	13
6	O33	1	11
7			
8	W13	905	
9	W14	905	
10	N30	8	11
11			
12	O31	1	13
13	W14	904	
14	W13	903	
15	W13	904	
16			
17	O32	1	11
18	W14	903	
19	Q32	4	19
20			
21	N31	8	9
22	W14	902	
23	Q12	20	29
24	M36	14	5
25	W13	902	
26	M37	14	5
27	O31	17	13
28	M38	14	7

JACK PIN LG

63019800 Rev. A

CHANNEL O



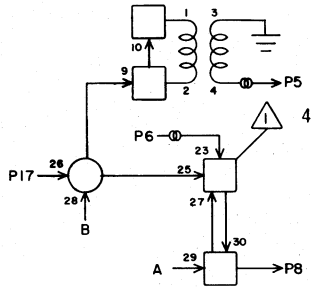
PR

1 M36

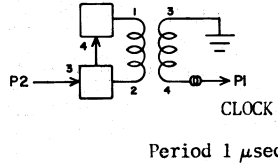
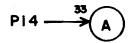
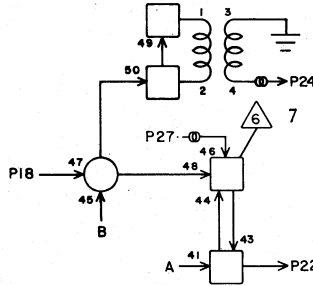
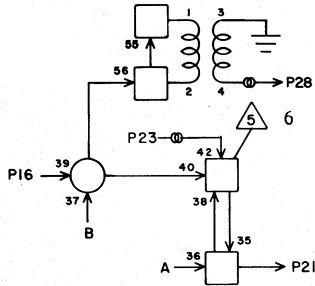
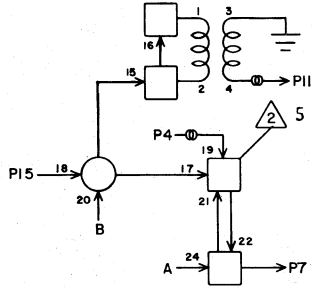
1	W13	906	
2	O34	15	13
3			
4	W13	91	
5	W14	90	
6	W13	90	
7	M32	1	7
8	M32	2	7
9			
10			
11	W14	91	
12			
13			
14	M35	24	5
15	N32	17	9
16	N33	1	9
17	N32	1	9
18	N33	17	9
19	Q32	7	19
20			
21	M32	28	7
22	M32	27	7
23	W13	92	
24	W14	93	
25			
26			
27	W13	93	
28	W14	92	

JACK PIN LG

63019800 Rev. A

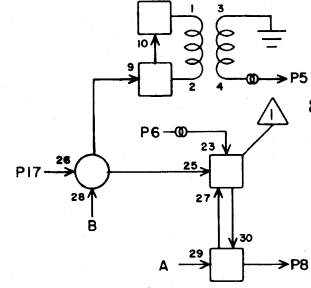


CHANNEL 0

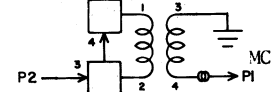
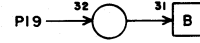
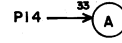
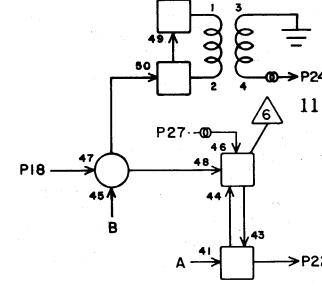
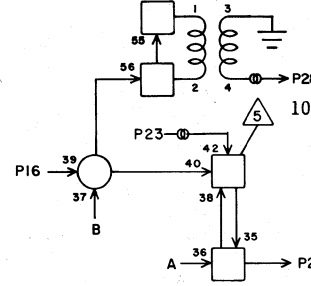
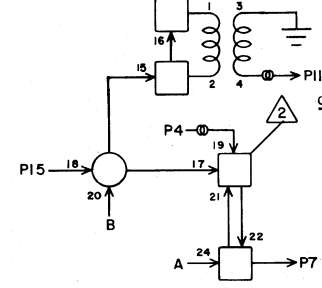


PR			
1 M37			
JACK	PIN	LG	
1	W13	907	
2	O34	25	13
3			
4	W13	95	
5	W14	94	
6	W13	94	
7	M33	1	7
8	M33	2	7
9			
10			
11	W14	95	
12			
13			
14	M35	26	5
15	N34	17	9
16	P32	1	15
17	N34	1	7
18	P32	17	17
19	Q32	9	19
20			
21	M33	28	7
22	M33	27	7
23	W13	96	
24	W14	97	
25			
26			
27	W13	97	
28	W14	96	

63019800 Rev. A



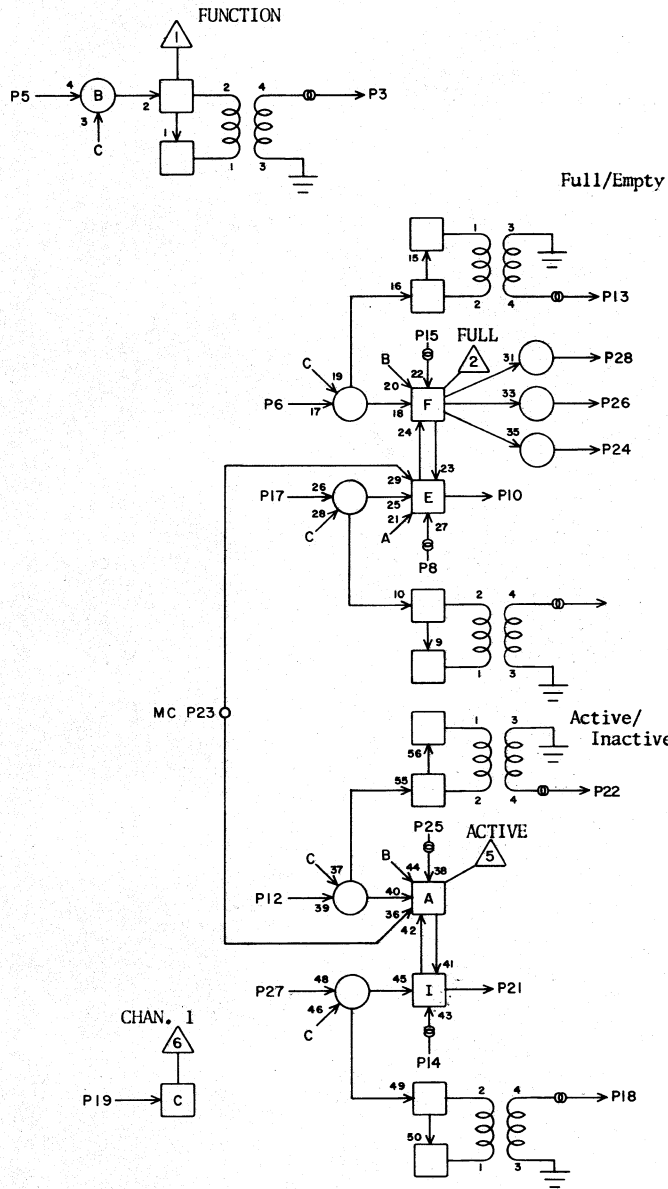
CHANNEL 0



PR			
1 M38			
JACK	PIN	LG	
1	W14	907	
2	O33	25	15
3			
4	W13	99	
5	W14	98	
6	W13	98	
7	M34	1	7
8	M34	2	7
9			
10			
11	W14	99	
12			
13			
14	M35	28	7
15	P33	17	17
16	P34	01	15
17	P33	1	15
18	P34	17	17
19	Q32	11	19
20			
21	M34	28	7
22	M34	27	7
23	W13	900	
24	W14	901	
25			
26			
27	W13	901	
28	W14	900	

63019800 Rev. A

CHANNEL 1



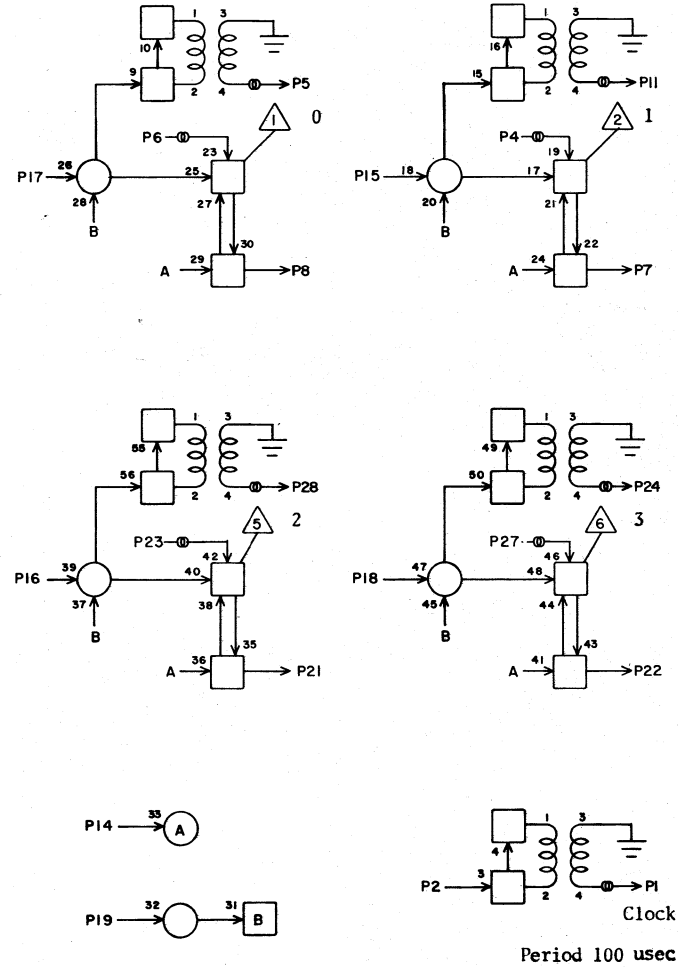
PK 1 M39

1			
2			
3	W16	906	
4			
5	O32	18	15
6	O33	2	13
7			
8	W15	905	
9	W16	905	
10	N30	22	15
11			
12	O31	2	15
13	W16	904	
14	W15	903	
15	W15	904	
16			
17	O32	2	15
18	W16	903	
19	Q32	3	21
20			
21	N31	22	13
22	W16	902	
23	N29	12	15
24	M40	14	5
25	W15	902	
26	M41	14	5
27	O31	18	15
28	M42	14	7

JACK PIN LG

63019800 Rev. A

CHANNEL 1

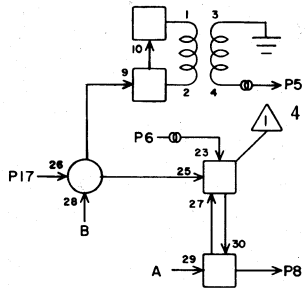


PR 1 M40

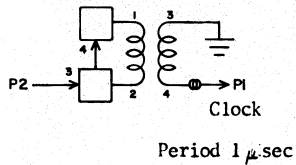
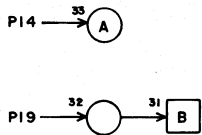
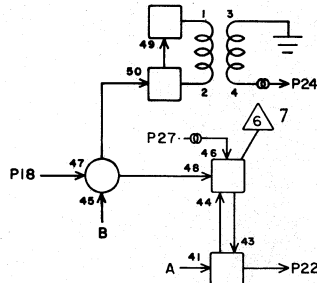
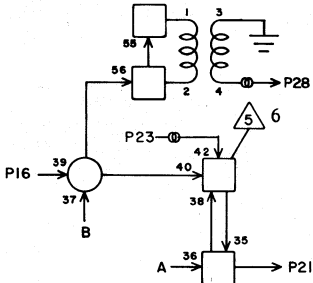
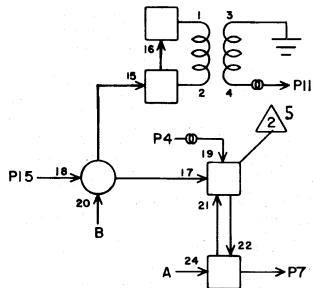
1	W15	906	
2	O34	12	13
3			
4	W15	91	
5	W16	90	
6	W15	90	
7	M32	3	13
8	M32	4	13
9			
10			
11	W16	91	
12			
13			
14	M39	24	5
15	N32	18	13
16	N33	2	13
17	N32	2	13
18	N33	18	13
19	Q32	8	21
20			
21	M32	26	13
22	M32	25	13
23	W15	92	
24	W16	93	
25			
26			
27	W15	93	
28	W16	92	

JACK PIN LG

63019800 Rev. A



CHANNEL 1



PR

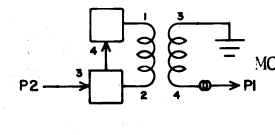
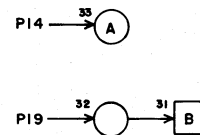
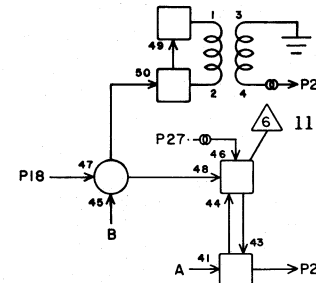
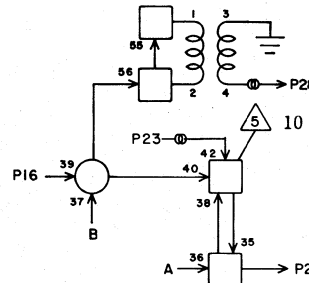
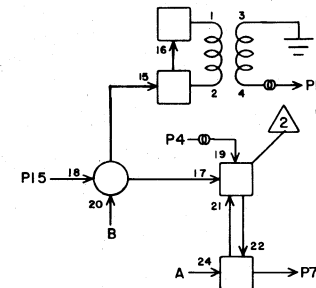
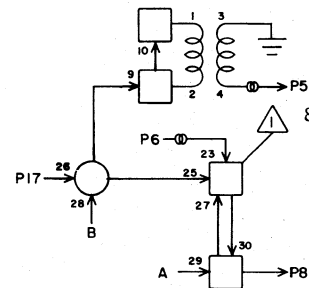
1 M41

1	W15	907	
2	O34	18	15
3			
4	W15	95	
5	W16	94	
6	W15	94	
7	M33	3	13
8	M33	4	13
9			
10			
11	W16	95	
12			
13			
14	M39	26	5
15	N34	18	13
16	P32	2	17
17	N34	2	9
18	P32	18	19
19	Q32	10	21
20			
21	M33	26	13
22	M33	25	13
23	W15	96	
24	W16	97	
25			
26			
27	W15	97	
28	W16	96	

JACK PIN LG

63019800 Rev. A

CHANNEL 1



PR

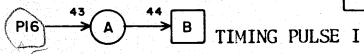
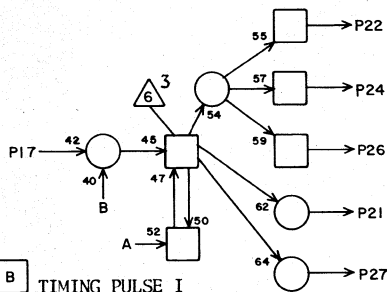
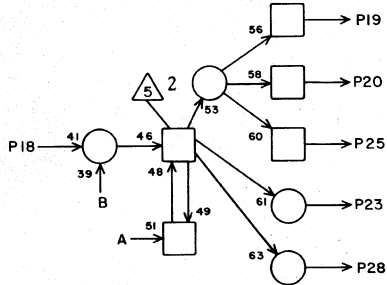
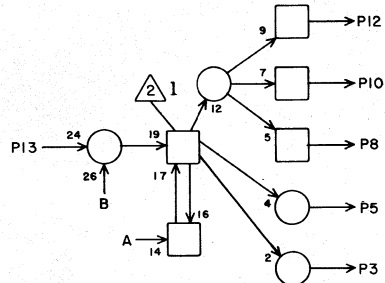
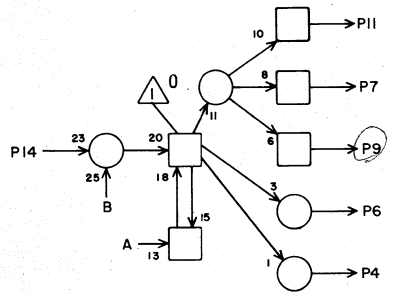
1 M42

1	W16	907	
2	O33	18	15
3			
4	W15	99	
5	W16	98	
6	W15	98	
7	M34	3	13
8	M34	4	13
9			
10			
11	W16	99	
12			
13			
14	M39	28	7
15	P33	18	19
16	P34	2	17
17	P33	2	17
18	P34	18	17
19	Q32	12	21
20			
21	M34	26	13
22	M34	25	13
23	W15	900	
24	W16	901	
25			
26			
27	W15	901	
28	W16	900	

JACK PIN LG

63019800 Rev. A

A IN BARREL (Stage 12)



PD

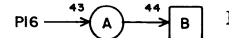
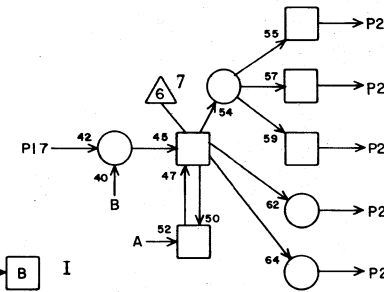
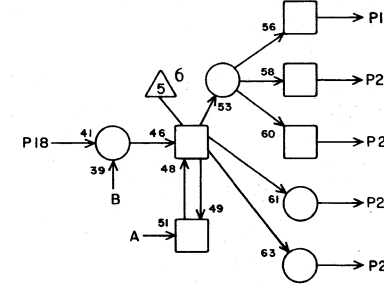
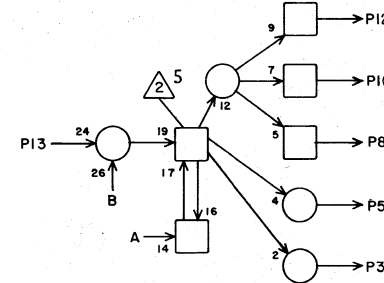
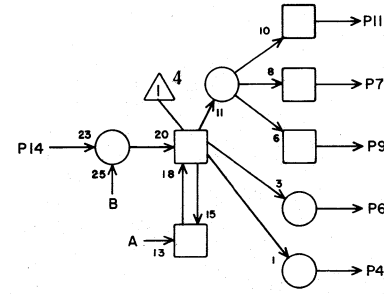
1 N1

1			
2			
3	K16	3	23
4	K16	4	23
5			
6			
7	O27	3	27
8	O27	4	27
9	F40	9	47
10	F40	11	47
11	H24	6	35
12	H24	5	35
13	R8	12	19
14	R8	11	19
15			
16	N14	1	15
17	R8	22	21
18	R8	19	21
19	H24	7	35
20	O27	27	27
21			
22	H24	22	33
23			
24	O27	28	27
25	F40	13	47
26	F40	18	47
27	K16	25	21
28	K16	26	21

JACK PIN LG

63019800 Rev. A

A



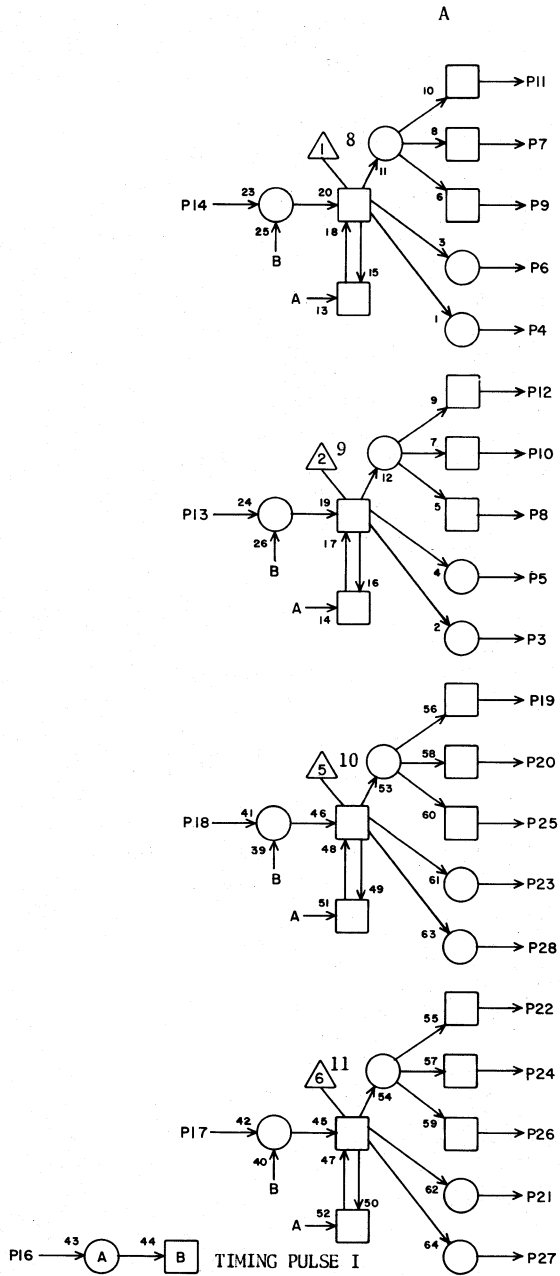
PD

1 N2

1			
2			
3	K17	3	23
4	K17	4	23
5			
6			
7	O28	3	27
8	O28	4	27
9	F40	20	47
10	F40	22	47
11	H24	24	33
12	H24	23	33
13	R9	12	19
14	R9	11	19
15			
16	N14	2	15
17	R9	22	21
18	R9	19	21
19	H25	6	35
20	O28	27	27
21			
22	H25	5	35
23			
24	O28	28	27
25	F41	9	47
26	F41	11	47
27	K17	25	21
28	K17	26	21

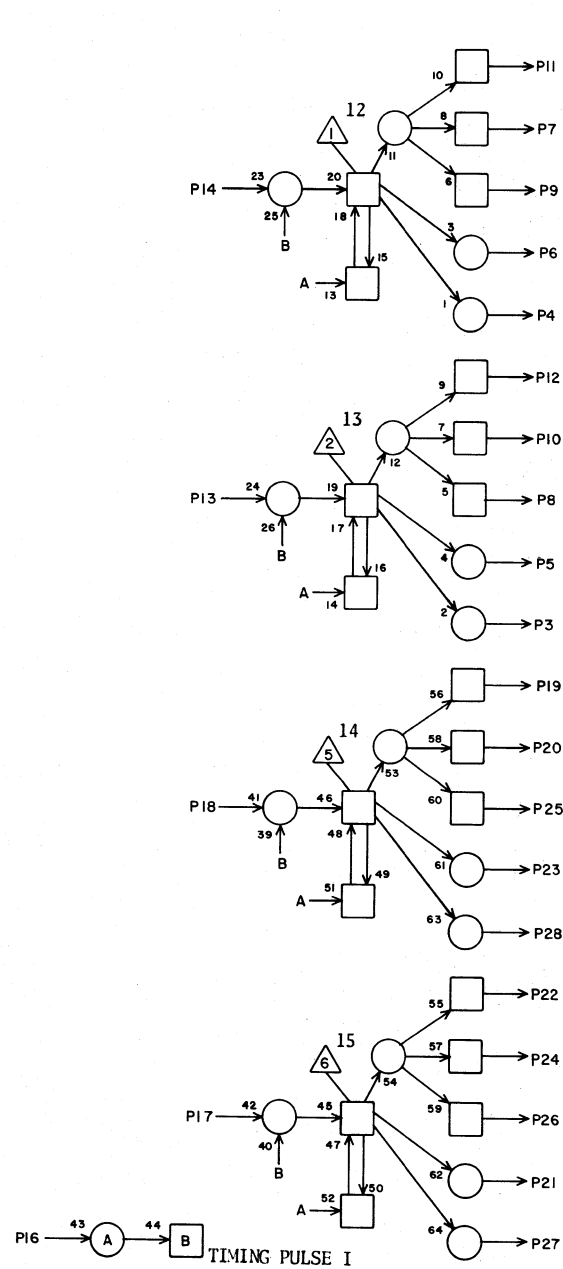
JACK PIN LG

63019800 Rev. A



PD		1 N3	
1			
2			
3	K18	3	23
4	K18	4	23
5			
6			
7	O29	3	27
8	O29	4	27
9	F41	13	47
10	F41	18	47
11	H25	7	33
12	H25	22	33
13	R10	12	19
14	R10	11	19
15			
16	N14	4	15
17	R10	22	21
18	R10	19	21
19	H25	24	33
20	O29	27	27
21			
22	H25	23	33
23			
24	O29	28	27
25	F41	20	47
26	F41	22	47
27	K18	25	21
28	K18	26	21

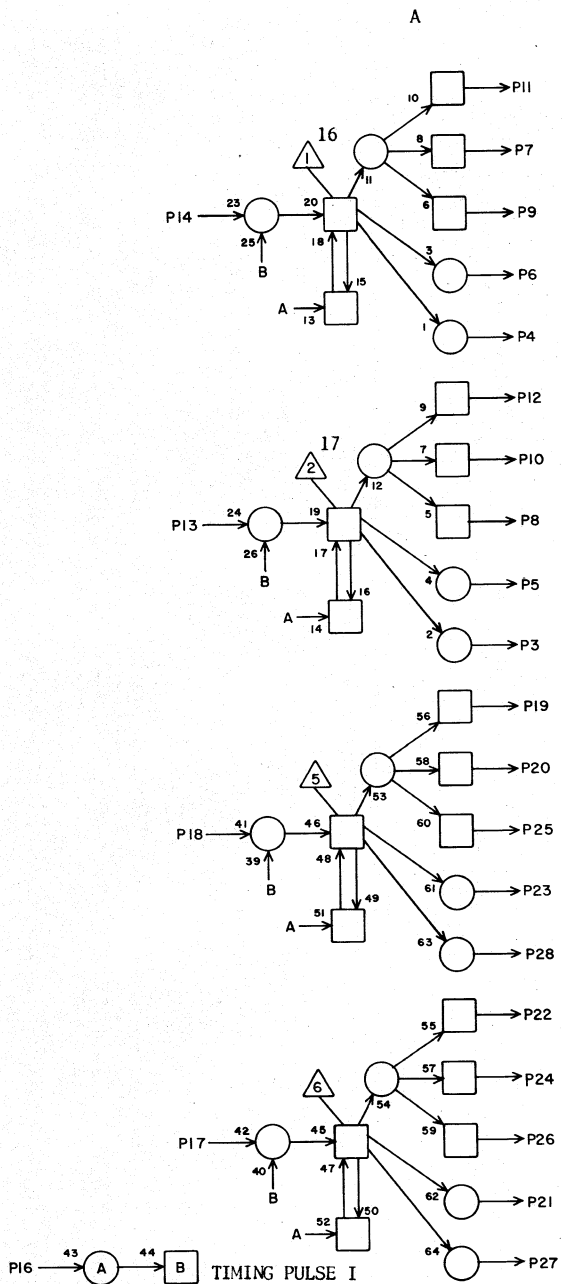
JACK PIN LG  
63019800 Rev. A



PD		1 N4	
1			
2			
3	K19	3	23
4	K19	4	23
5			
6			
7			
8			
9	F42	9	47
10	F42	11	47
11			
12			
13	R11	12	19
14	R11	11	19
15			
16	N14	6	13
17	R11	22	21
18	R11	19	21
19			
20			
21	K19	18	21
22			
23	K19	13	21
24			
25	F42	13	47
26	F42	18	47
27			
28			

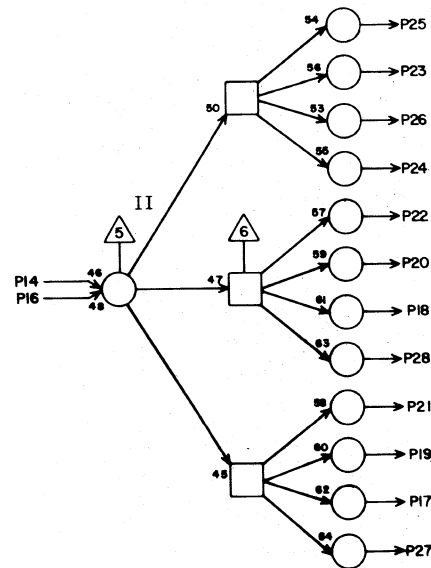
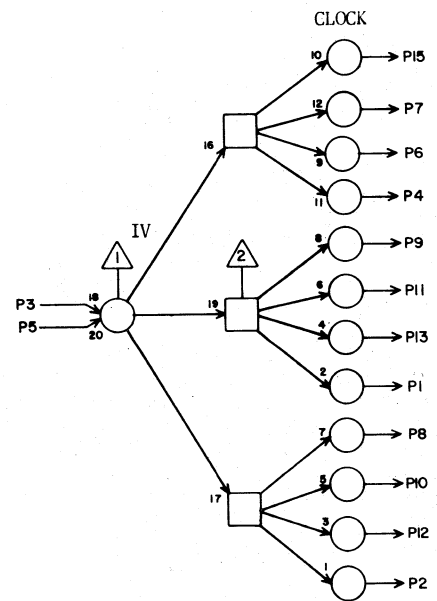
JACK PIN LG  
63019800 Rev. A





PD			
1 N5			
JACK	PIN	LG	
1			
2			
3	I26	28	29
4	K19	26	21
5	K19	25	21
6			
7			
8	I26	27	29
9	F42	20	47
10	F42	22	47
11			
12			
13	R12	12	19
14	R12	11	19
15			
16	N14	7	13
17			
18			
19			
20			
21			
22			
23			
24			
25			
26			
27			
28			

63019800 Rev. A

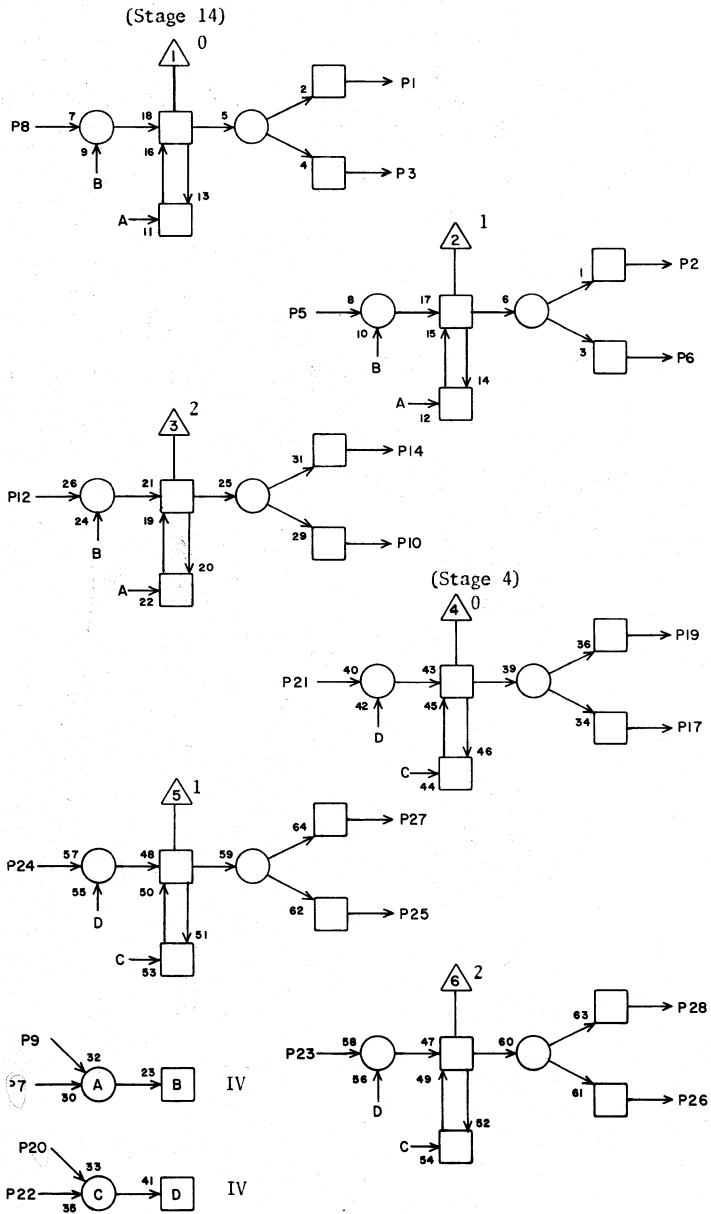


TC 1 N6

JACK	PIN	LG	
1	M1	11	9
2	M1	22	9
3	H4	22	25
4	M2	11	9
5	N6	X	2
6	M2	22	9
7	M3	11	9
8	M3	22	9
9	N7	7	5
10	N7	20	5
11	N8	7	7
12	N8	20	7
13	N9	7	7
14	H3	21	25
15	N9	20	7
16	N6	X	2
17	O1	27	11
18	O2	27	11
19	O3	27	9
20	O4	27	9
21	O5	27	9
22	O6	27	9
23	O8	22	7
24	O9	22	7
25	O10	22	9
26	N10	7	7
27	N10	20	7
28	N11	7	7

63019800 Rev. A

K IN BARREL



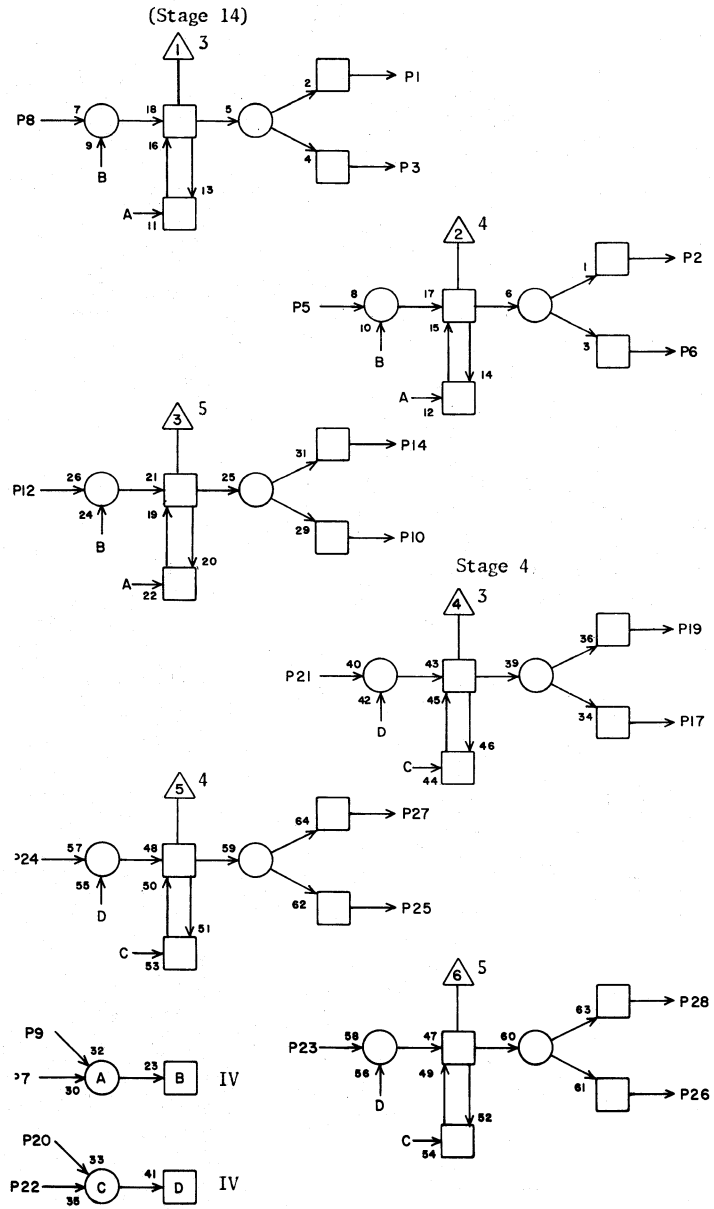
PA

1 N7

1	O11	13	9
2	O11	14	9
3			
4			
5	P8	2	11
6			
7	N6	9	5
8	P8	1	11
9	N7	X	2
10			
11			
12	L18	12	17
13			
14	O11	18	9
15			
16			
17			
18			
19	N10	8	7
20	N6	10	5
21	O8	9	7
22	N7	X	2
23	O8	1	7
24	O8	3	7
25			
26			
27	N10	5	7
28	N10	12	7

JACK PIN LG

K

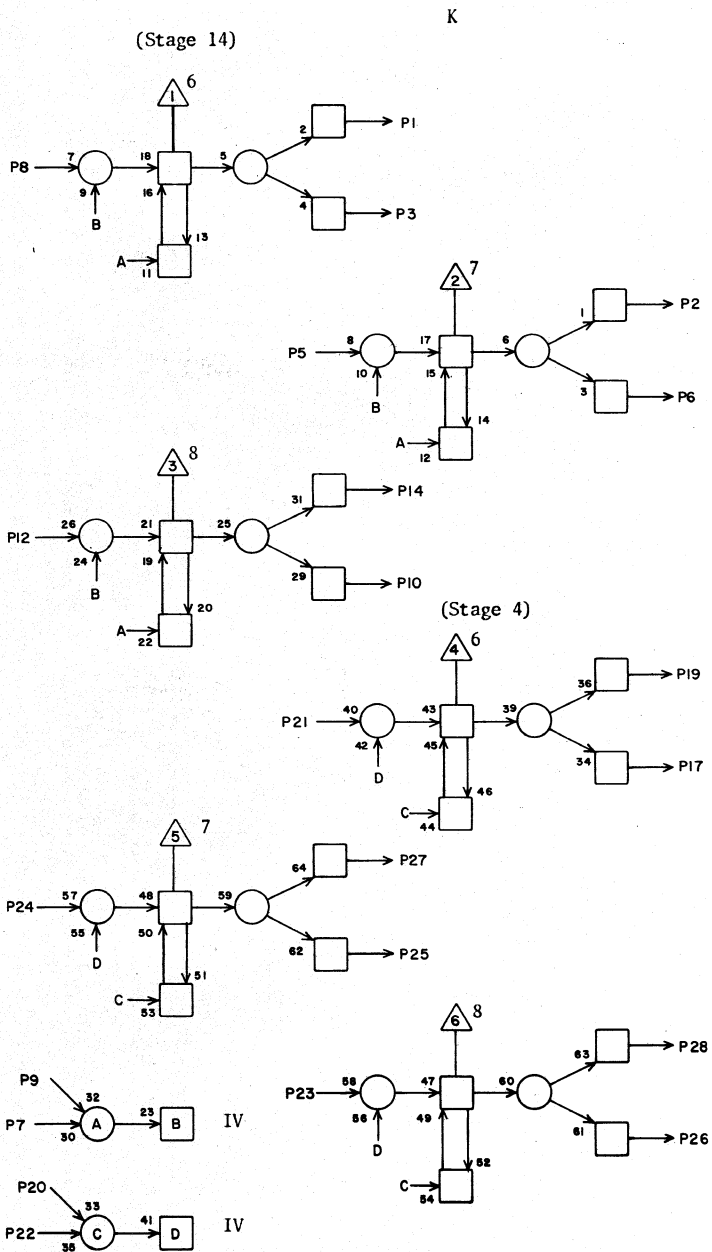


PA

1 N8

1	N13	6	7
2	N13	5	7
3			
4			
5	P9	2	11
6			
7	N6	11	7
8	P9	1	11
9	N8	X	2
10			
11			
12	P9	14	11
13			
14	N13	7	7
15			
16			
17			
18			
19	N10	21	7
20	N6	12	7
21	O9	9	7
22	N8	X	2
23	O9	1	7
24	O9	3	7
25			
26			
27	N10	24	7
28	N10	23	7

JACK PIN LG



K

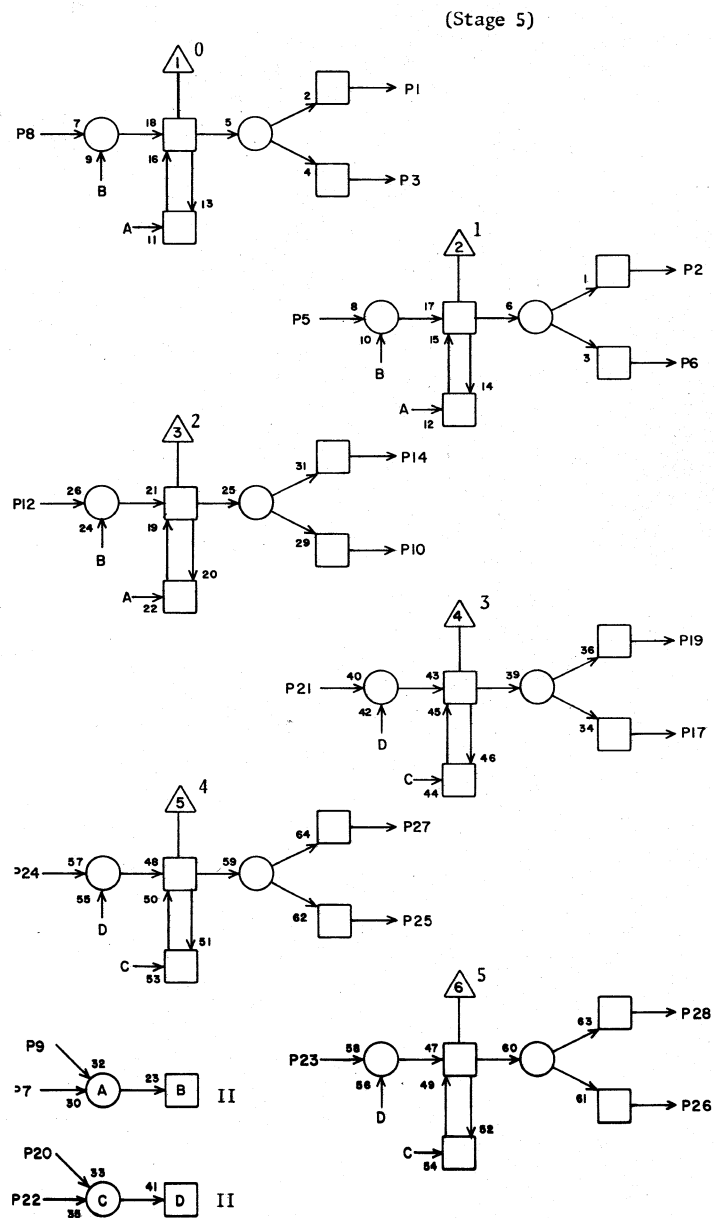
PA 1 N9

1	N13	22	7
2	N13	24	7
3			
4			
5	P10	2	11
6			
7	N6	13	7
8	L18	4	15
9	N9	X	2
10			
11			
12	P10	14	13
13			
14	N13	23	7
15			
16			
17			
18			
19	N11	8	7
20	N6	15	7
21	O10	9	7
22	N9	X	2
23	O10	1	7
24	O10	3	7
25			
26			
27	N11	5	7
28	N11	12	7

JACK PIN LG

63019800 Rev. A

K IN BARREL



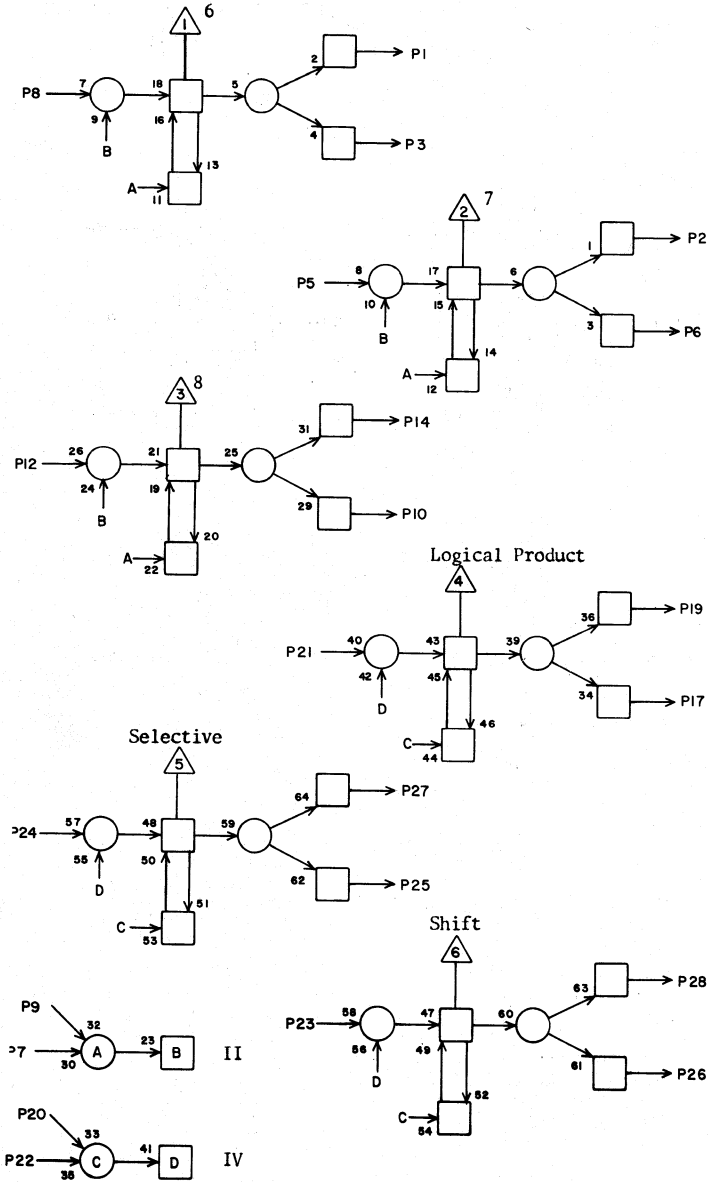
PA 1 N10

1	P11	14	13
2	P11	13	13
3			
4			
5	N7	27	7
6			
7	N6	26	7
8	N7	19	7
9	N10	X	2
10			
11			
12	N7	28	7
13			
14	P11	18	13
15			
16			
17			
18			
19	P11	17	13
20	N6	27	7
21	N8	19	7
22	N10	X	2
23	N8	28	7
24	N8	27	7
25			
26			
27	P12	14	13
28	P12	13	13

JACK PIN LG

63019800 Rev. A

K



PA

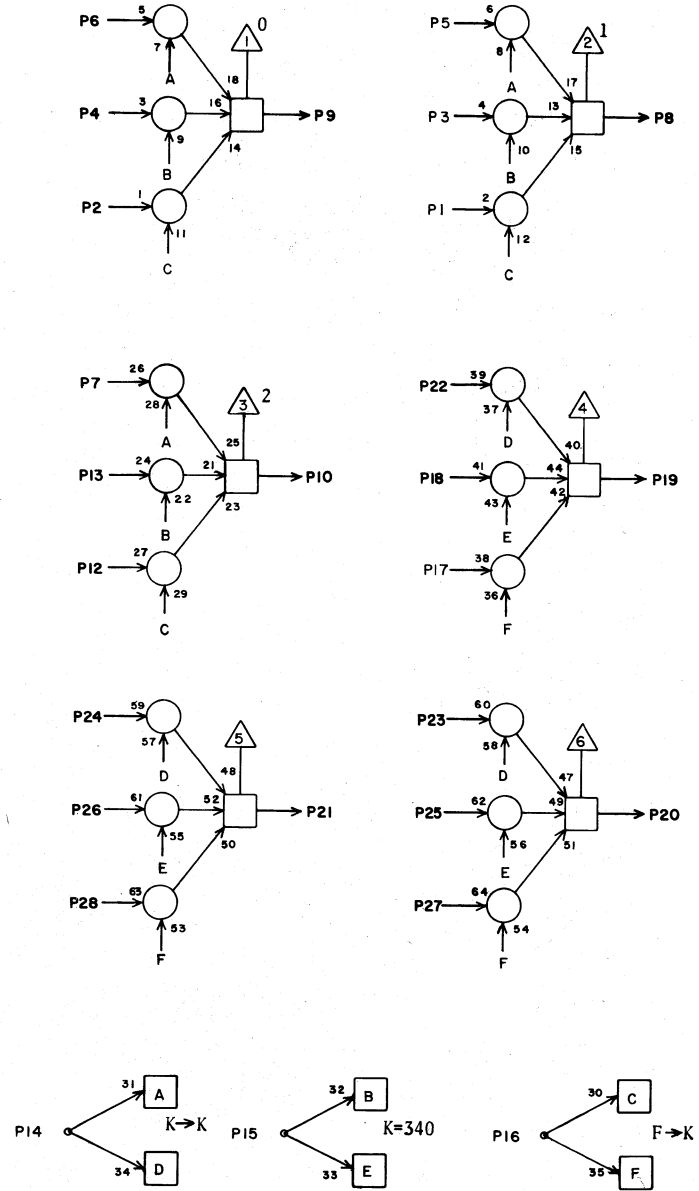
1 N11

1	P12	18	13
2	P12	17	13
3			
4			
5	N9	27	7
6			
7	N6	28	9
8	N9	19	7
9	N11	X	2
10			
11			
12	N9	28	7
13			
14	P13	17	13
15			
16			
17	L19	5	15
18			
19	L16	3	15
20	L5	11	13
21	L26	20	19
22	N11	X	2
23	H29	13	31
24	L27	11	19
25	L19	3	15
26	L19	1	15
27	L15	14	13
28	L16	14	13

JACK PIN LG

63019800 Rev. A

INPUTS TO K



TE

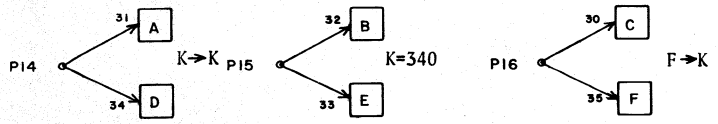
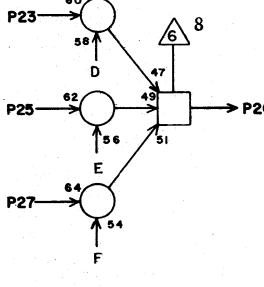
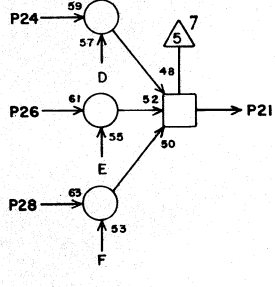
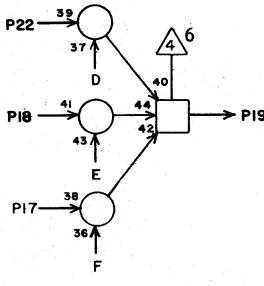
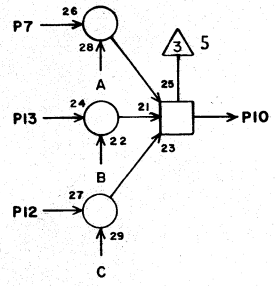
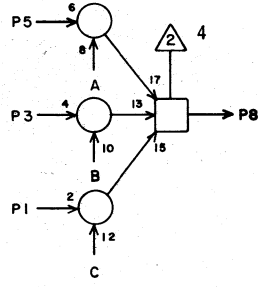
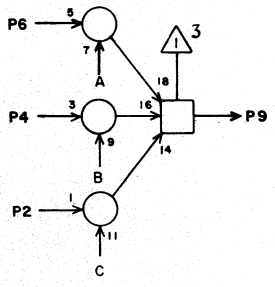
1 N12

1			
2			
3			
4			
5	O11	24	9
6	O11	9	7
7	O11	20	9
8	O8	6	9
9	O8	7	9
10	O8	10	9
11			
12			
13			
14	L17	4	15
15	N12	X	2
16	N12	X	2
17			
18			
19			
20			
21			
22			
23			
24			
25			
26			
27			
28			

JACK PIN LG

63019800 Rev. A

INPUTS TO K



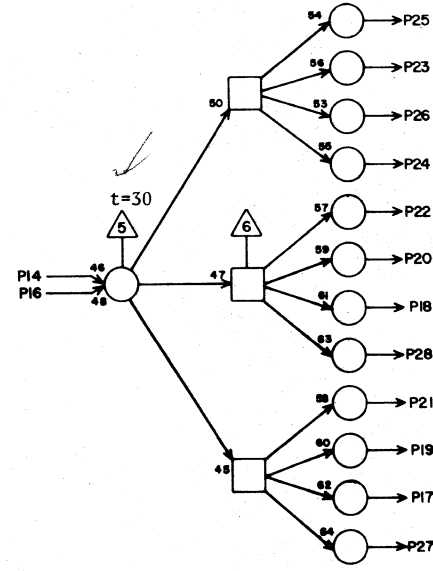
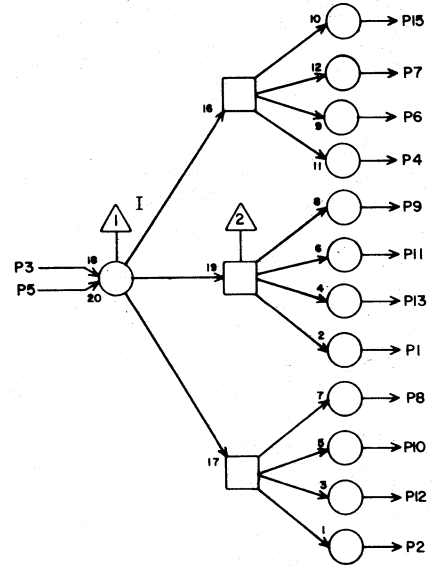
TE 1 N13

1	G28	6	33
2	G28	3	33
3	J15	6	19
4	J15	7	19
5	N8	2	7
6	N8	1	7
7	N8	14	7
8	O9	6	9
9	O9	7	9
10	O9	10	9
11			
12	G28	10	33
13	N13	X	2
14	L17	6	13
15	L17	19	13
16	L17	8	13
17	G28	17	33
18	N13	X	2
19	O10	7	9
20	O10	10	9
21	O10	6	9
22	N9	1	7
23	N9	14	7
24	N9	2	7
25	J15	8	19
26	N13	X	2
27	G28	26	33
28	G28	25	33

JACK PIN LG

63019800 Rev. A

CLOCK



TC 1 N14

1	N1	16	15
2	N2	16	15
3	H5	8	29
4	N3	16	13
5	N14	X	2
6	N4	16	13
7	N5	16	13
8	N18	16	7
9	N19	16	7
10	N20	16	9
11	N22	16	11
12	N23	16	13
13	N24	16	13
14	H4	23	27
15	N28	16	17
16	N14	X	2
17	M14	16	7
18	M15	16	7
19	M16	16	9
20	M17	16	9
21	M18	16	9
22	M19	16	11
23	N15	11	5
24	N15	22	5
25	N16	11	7
26	N16	22	7
27	N17	11	7
28	N17	22	7

JACK PIN LG

63019800 Rev. A

P IN BARREL  
(Stage 1)

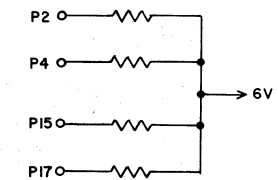
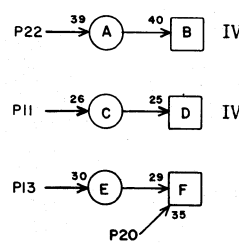
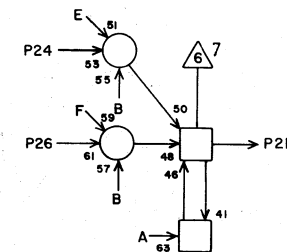
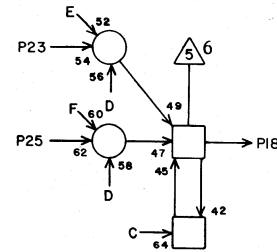
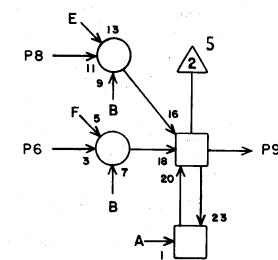
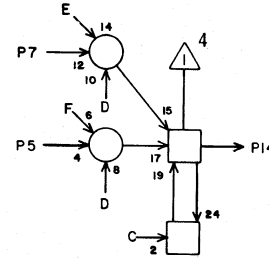
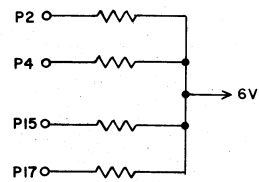
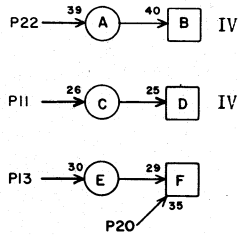
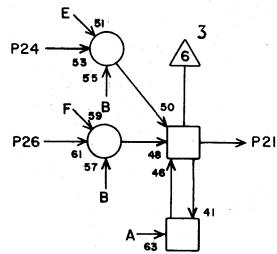
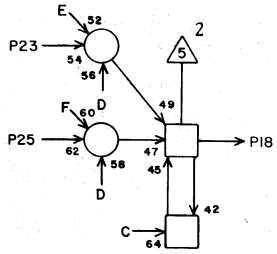
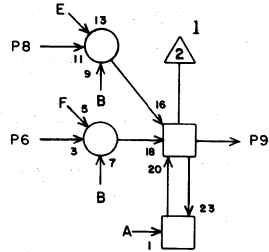
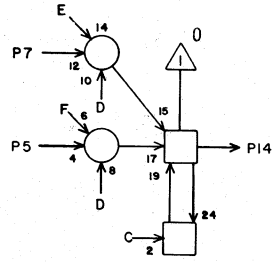
PC

1 N15

1			
2	L18	8	13
3			
4	L30	23	19
5	L12	12	13
6	L12	4	13
7	M4	9	15
8	M4	24	15
9	O17	6	7
10			
11	N14	23	5
12			
13	L21	14	13
14	O17	7	7
15			
16			
17			
18	O17	10	7
19			
20	N15	X	2
21	O18	7	7
22	N14	24	5
23	M4	20	15
24	M5	9	15
25	L12	27	11
26	L12	19	11
27			
28			

JACK PIN LG

63019800 Rev. A



P

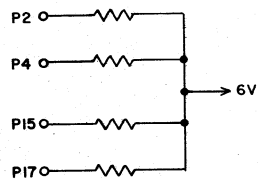
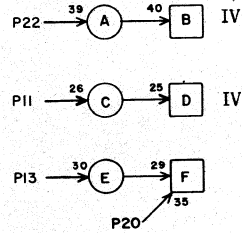
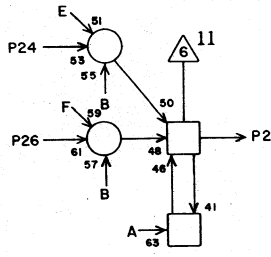
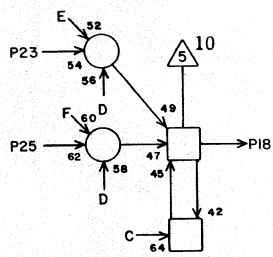
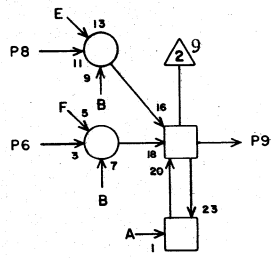
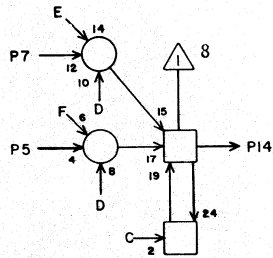
PC

1 N16

1			
2			
3			
4			
5	L13	12	13
6	L13	4	13
7	M5	24	15
8	M5	20	15
9	O18	10	7
10			
11	N14	25	7
12			
13	L21	8	13
14	O18	6	7
15			
16			
17			
18	O19	7	7
19			
20	N16	X	2
21	O19	6	7
22	N14	26	7
23	M6	9	13
24	M6	24	13
25	L13	27	13
26	L13	19	13
27			
28			

JACK PIN LG

63019800 Rev. A



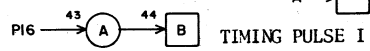
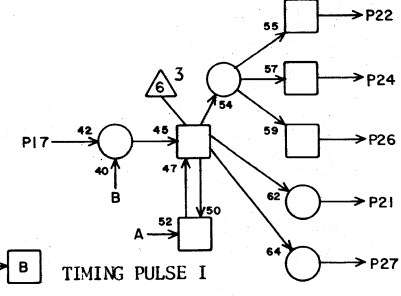
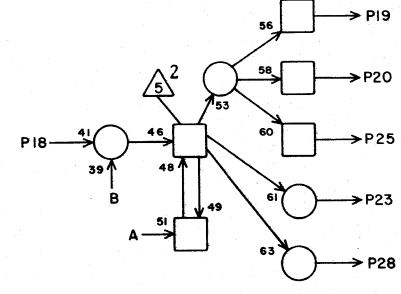
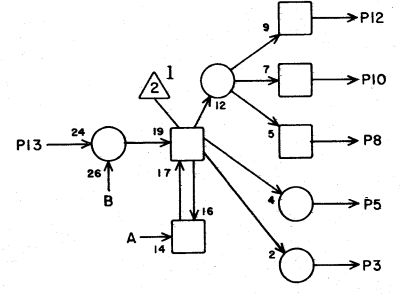
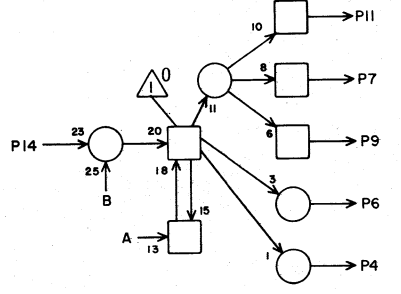
PC 1N17

1			
2	K20	14	15
3			
4	L18	26	11
5	L14	12	13
6	L14	4	13
7	M6	20	15
8	M7	9	15
9	O20	7	7
10			
11	N14	27	7
12			
13	L21	7	13
14	O19	10	7
15	O30	23	17
16			
17			
18	O20	6	7
19			
20	N17	X	2
21	O20	10	7
22	N14	28	7
23	M7	24	15
24	M7	20	15
25	L14	27	13
26	L14	19	13
27			
28			

JACK PIN LG

63019800 Rev. A

P IN BARREL (Stage 12)

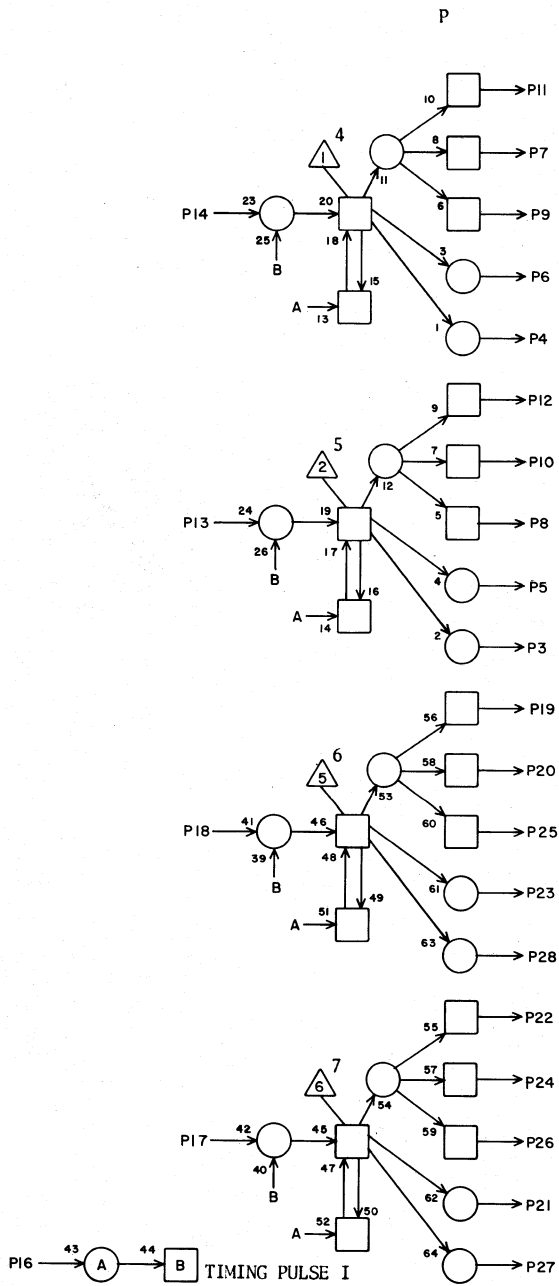


PD 1N18

1			
2			
3			
4			
5	M10	3	13
6	M10	4	13
7	H24	4	27
8			
9			
10	H24	3	27
11	M1	5	19
12	M1	6	19
13	Q16	2	15
14	Q16	1	15
15			
16	N14	8	7
17	Q16	17	15
18	Q16	14	15
19	M1	25	19
20	H24	13	27
21	M10	18	13
22	M1	26	19
23	M10	13	13
24	H24	18	27
25			
26			
27			
28			

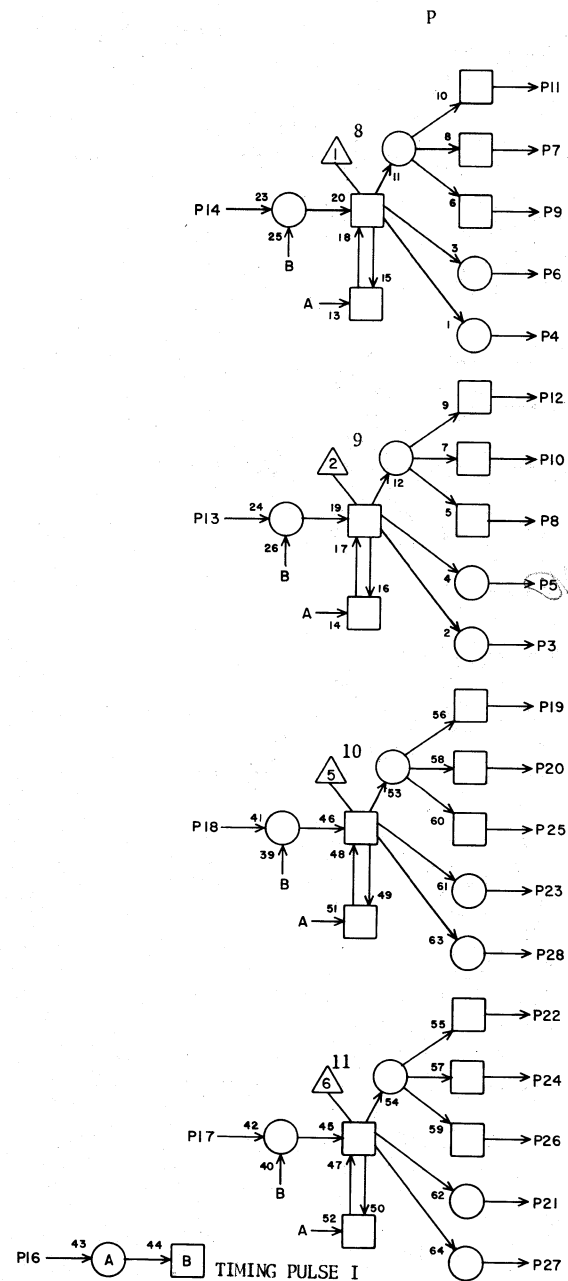
JACK PIN LG

63019800 Rev. A



PD		1 N19	
1			
2			
3			
4			
5	M10	25	13
6	M10	26	13
7	H24	26	27
8			
9			
10	H24	25	27
11	M2	5	19
12	M2	6	19
13	Q16	26	17
14	Q16	25	17
15			
16	N14	9	7
17	Q17	2	15
18	Q17	1	15
19	M2	25	19
20	H25	4	27
21	M11	3	13
22	M2	26	19
23	M11	4	13
24	H25	3	27
25			
26			
27			
28			

JACK PIN LG  
63019800 Rev. A

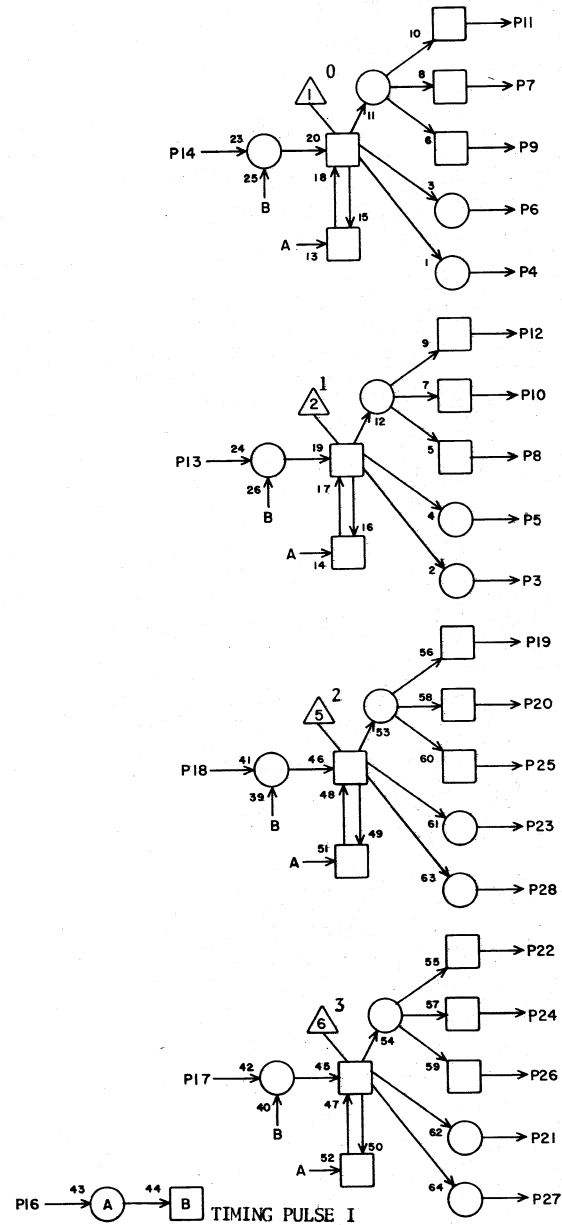


PD		1 N20	
1			
2			
3			
4			
5	M11	18	13
6	M11	13	13
7	H25	13	27
8			
9			
10	H25	18	27
11	M3	5	19
12	M3	6	19
13	Q17	17	17
14	Q17	14	17
15			
16	N14	10	9
17	Q17	26	17
18	Q17	25	17
19	M3	25	19
20	H25	26	27
21	M11	25	27
22	M3	26	19
23	M11	26	13
24	H25	25	27
25			
26			
27			
28			

JACK PIN LG  
63019800 Rev. A



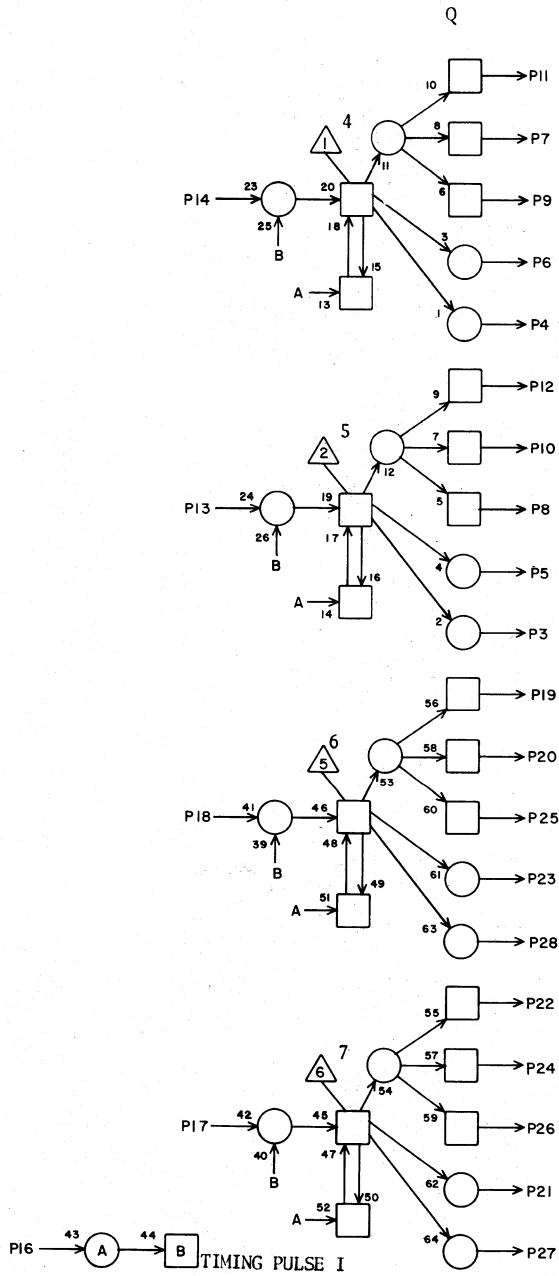
Q IN BARREL  
(Stage 12)



PD 1N22

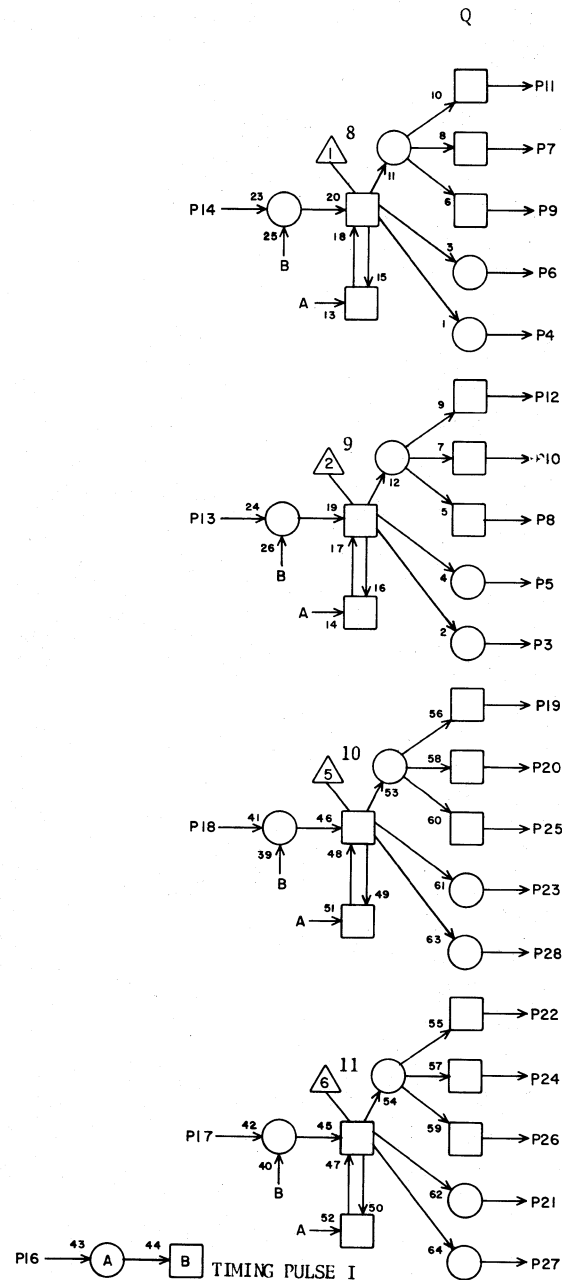
1			
2			
3	K22	3	17
4	K22	4	17
5	M10	5	17
6	M10	6	17
7	K22	2	17
8	K22	1	17
9			
10			
11			
12			
13	R22	12	19
14	R22	11	19
15			
16	N14	11	13
17	R22	22	19
18	R22	19	19
19	K22	12	17
20			
21	M10	22	17
22	K22	17	17
23	M10	7	17
24			
25			
26			
27	K22	18	17
28	K22	13	17

JACK PIN LG



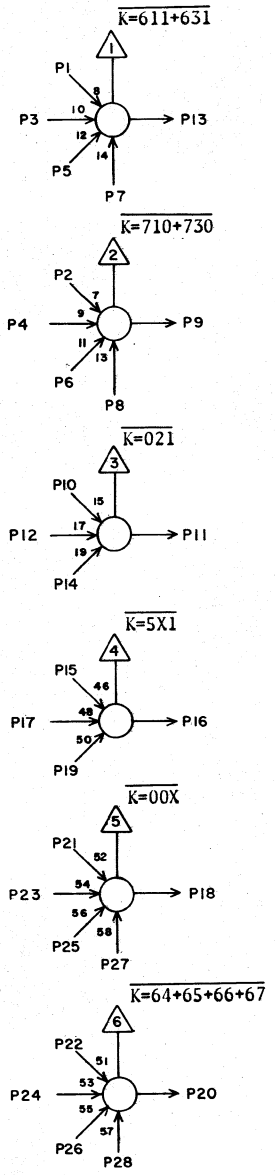
PD		1 N23	
1			
2			
3	K22	25	15
4	K22	26	15
5	M10	23	17
6	M10	24	17
7	K22	28	15
8	K22	27	17
9			
10			
11			
12			
13	R23	12	19
14	R23	11	19
15			
16	N14	12	13
17	R23	22	19
18	R23	19	19
19			
20			
21	M11	5	17
22			
23	M11	6	17
24			
25			
26			
27			
28			

JACK PIN LG  
63019800 Rev. A



PD		1 N24	
1			
2			
3			
4			
5	M11	22	17
6	M11	7	17
7			
8			
9			
10			
11			
12			
13	R24	12	19
14	R24	11	19
15			
16	N14	13	13
17	R24	22	19
18	R24	19	19
19			
20			
21	M11	23	17
22			
23	M11	24	13
24			
25			
26			
27			
28			

JACK PIN LG  
63019800 Rev. A

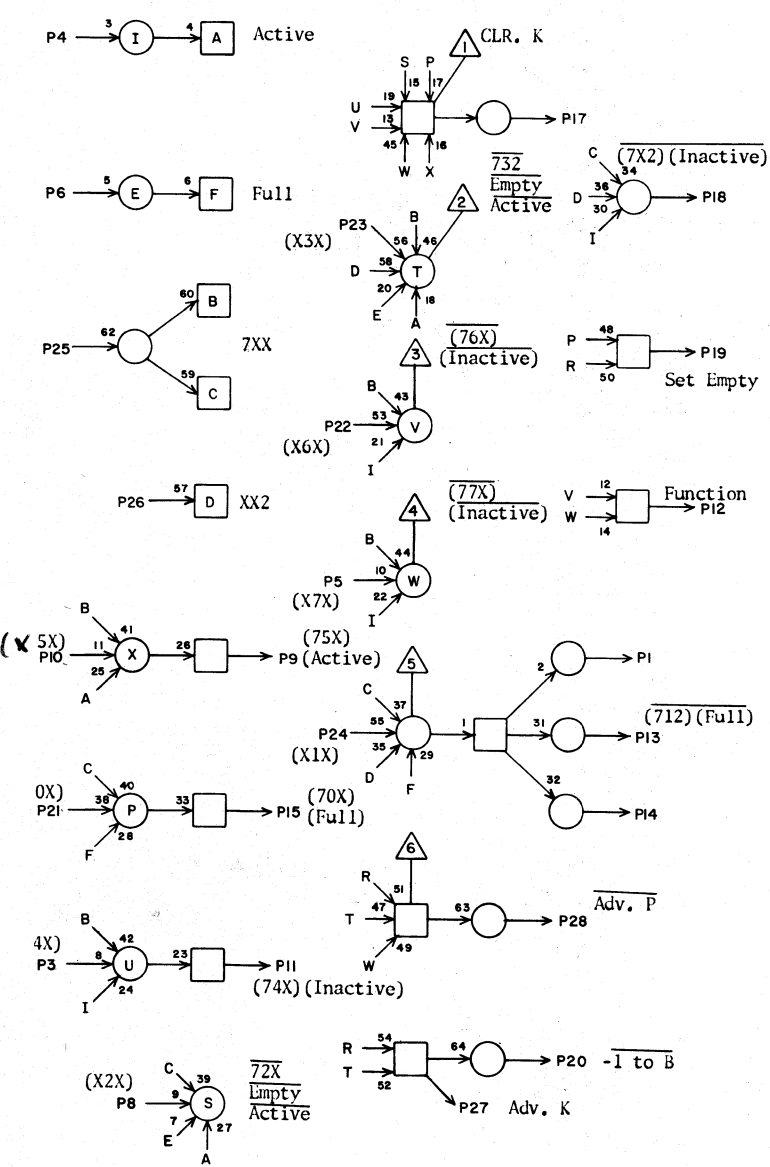


TI 1 N25

1	M24	13	7
2	M27	9	9
3	M23	22	7
4	M23	20	7
5	M25	28	7
6	M25	9	9
7	N25	X	2
8	N25	X	2
9	M24	28	7
10	M23	9	7
11	J27	26	19
12	M22	9	9
13	M24	26	7
14	M25	20	7
15	M20	6	9
16	J27	28	19
17	M25	18	7
18	L25	28	11
19	N25	X	2
20	M24	25	7
21	M21	14	9
22	M19	19	11
23	N25	X	2
24	L26	18	11
25	N25	X	2
26	N25	X	2
27	N25	X	2
28	N25	X	2

JACK PIN LG

INPUT TRANSLATIONS



PE

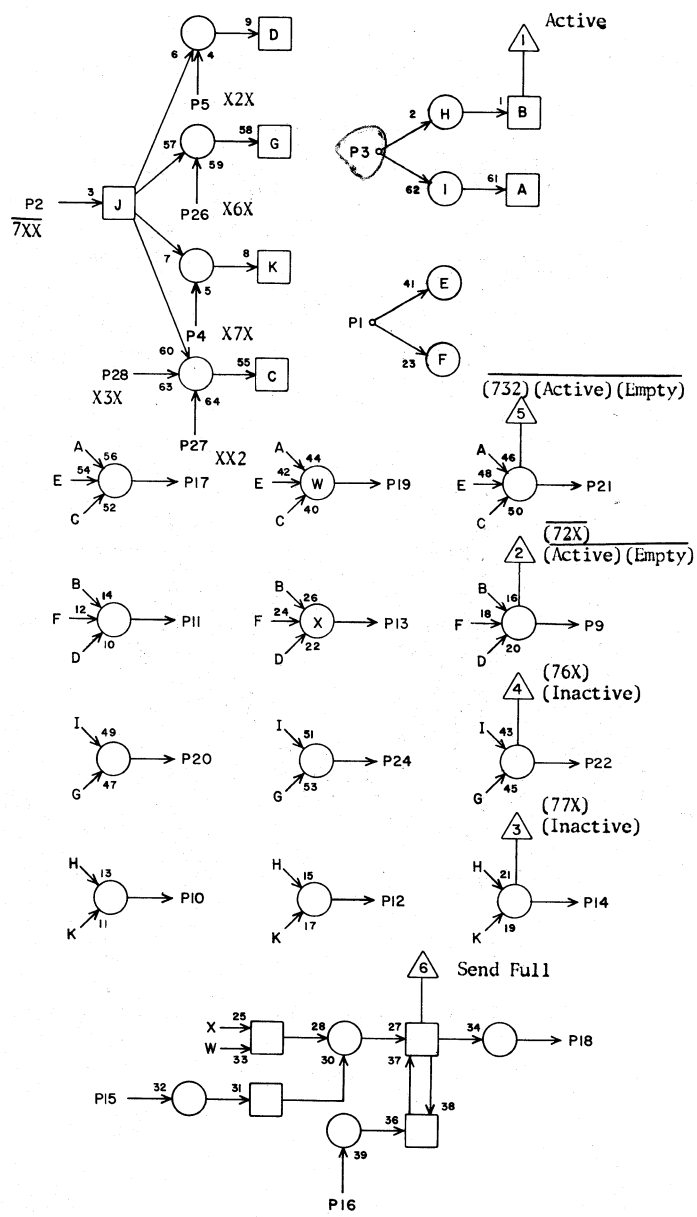
1 N27

1	H21	12	27
2			
3	M17	7	15
4	N31	11	7
5	L22	23	13
6	N30	11	7
7			
8	M22	7	11
9	O30	6	9
10	M17	12	15
11	O30	5	9
12	O30	26	9
13	H22	12	27
14	H23	12	27
15			
16			
17	L23	19	13
18	J18	21	21
19	O30	25	9
20	L26	1	13
21	M22	22	9
22	M24	6	9
23	M16	26	15
24	L22	9	13
25	M19	24	13
26	L25	16	13
27	M28	24	7
28	J18	6	21

JACK PIN LG

63019800 Rev. A

OUTPUT TRANSLATIONS



PF

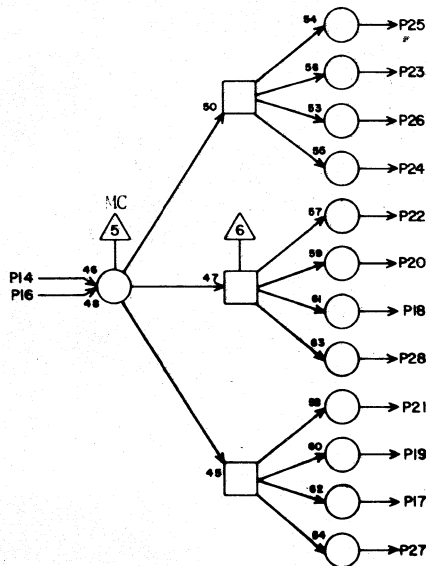
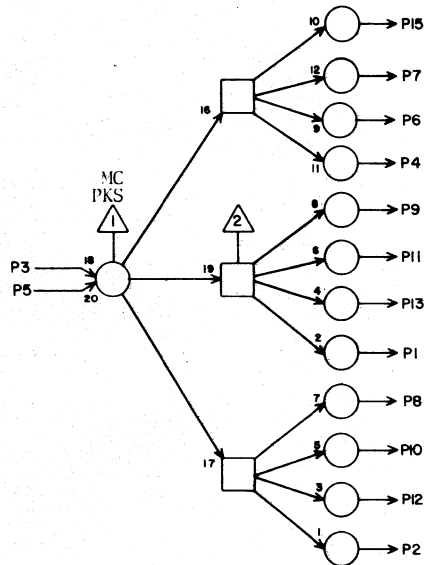
1 N28

1	N30	19	7
2	M19	27	13
3	N31	19	7
4	L22	19	13
5	M22	13	11
6	N28	7	3
7	N28	6	3
8	N28	23	5
9	O27	9	7
10	O27	23	9
11	O28	9	7
12	O28	23	9
13	O29	9	7
14	O29	23	9
15	O21	17	13
16	N14	15	17
17	O27	7	7
18	O33	3	9
19	O28	7	7
20	O27	21	7
21	O29	7	7
22	O28	21	7
23	N28	8	5
24	O29	21	7
25			
26	M24	8	9
27	M27	26	7
28	L22	16	13

JACK PIN LG

63019800 Rev. A

MASTER CLEAR



TC

1 N29

1	R39	23	21
2	N39	23	13
3	G3	24	39
4	P35	23	13
5	N29	X	2
6	O35	23	11
7	N35	23	9
8	<del>Q35</del>	<del>23</del>	<del>17</del>
9	O39	23	13
10	R35	23	19
11	<del>P39</del>	<del>23</del>	<del>15</del>
12	M39	23	13
13	Q39	23	19
14	G3	26	39
15	Q12	24	23
16	N29	X	2
17	J29	17	19
18	K25	17	17
19	I29	3	23
20			
21	I25	12	23
22			
23			
24			
25			
26			
27			
28			

JACK PIN LG

63019800 Rev. A

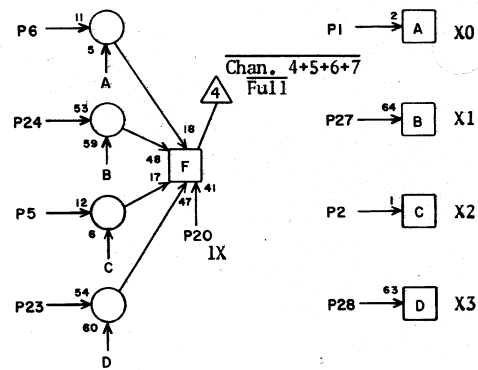
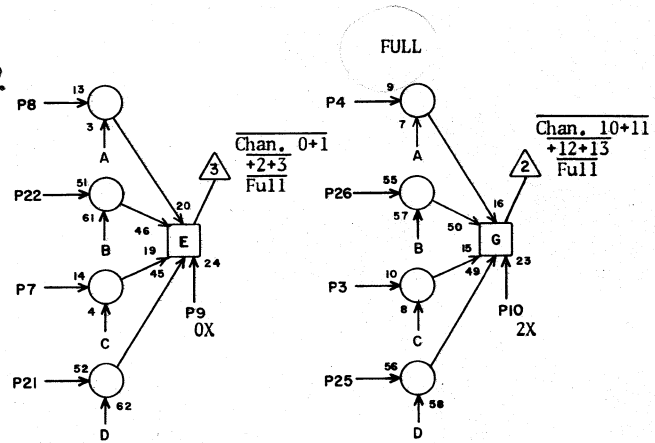
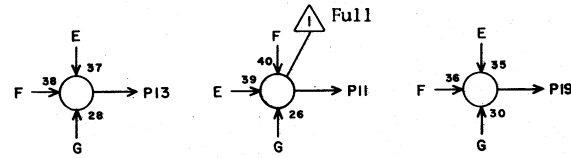
TF

1 N30

1	R27	4	19
2	R27	23	21
3	R35	10	19
4	Q35	10	15
5	P35	10	13
6	O35	10	9
7	N35	10	7
8	M35	10	11
9	R28	7	19
10	R28	20	19
11	N27	6	7
12			
13	I28	4	23
14			
15			
16			
17			
18			
19	N28	1	7
20	R28	10	19
21	N39	10	11
22	M39	10	13
23	P39	10	15
24	O39	10	13
25	R39	10	19
26	Q39	10	17
27	R27	3	19
28	R27	21	19

JACK PIN LG

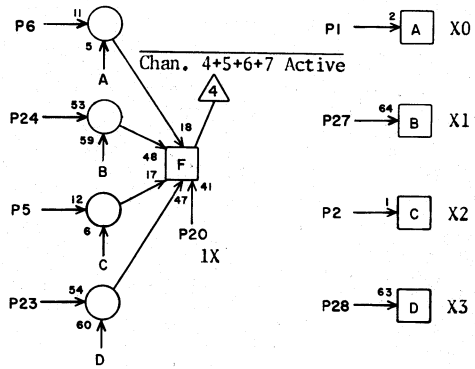
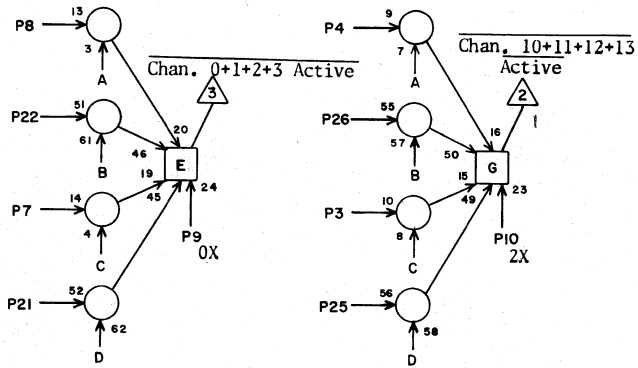
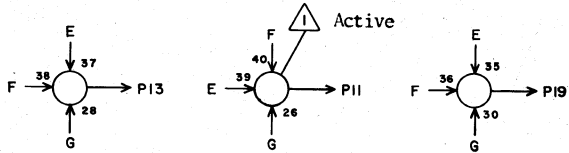
63019800 Rev. A



\* P15 22

\* FCO11576

ACTIVE



TF

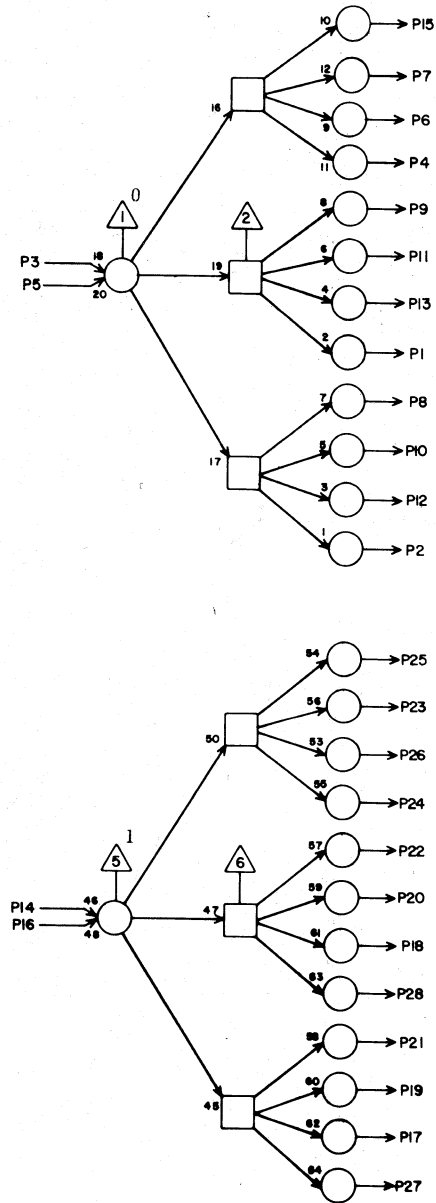
1 N31

1	R27	6	19
2	R27	28	21
3	R35	21	19
4	Q35	21	17
5	P35	21	13
6	O35	21	9
7	N35	21	7
8	M35	21	9
9	R28	9	19
10	R28	25	19
11	N27	4	7
12			
13	I28	2	25
14			
15			
16			
17			
18			
19	N28	3	7
20	R28	8	19
21	N39	21	11
22	M39	21	11
23	P39	21	15
24	O39	21	11
25	R39	21	21
26	Q39	21	17
27	R27	5	19
28	R27	27	19

JACK PIN LG

63019800 Rev. A

CHANNEL DATA FANOUT



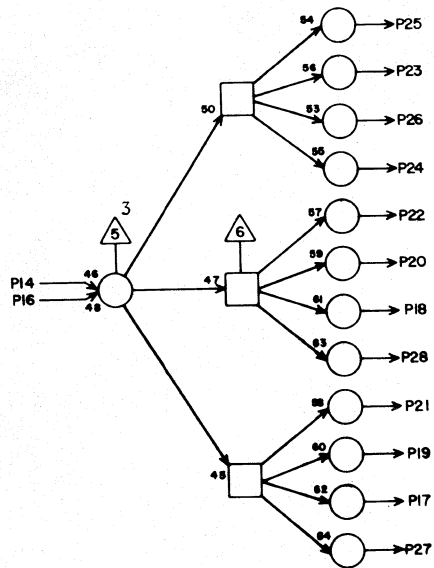
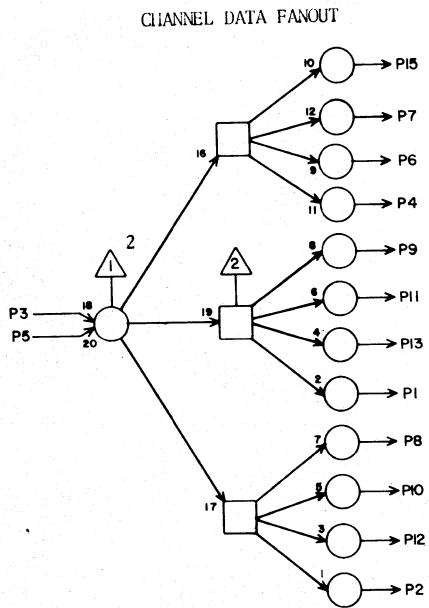
TC

1N32

1	M36	17	9
2	M40	17	11
3	O27	13	11
4	N36	17	7
5	N32	X	2
6	N40	17	11
7	O36	17	9
8	O40	17	11
9	P36	17	13
10	P40	17	15
11	Q36	17	17
12	Q40	17	17
13	R36	17	19
14	O27	14	11
15	R40	17	21
16	N32	X	2
17	M36	15	9
18	M40	15	11
19	N36	15	7
20	N40	15	11
21	O36	15	9
22	O40	15	11
23	P36	15	13
24	P40	15	15
25	Q36	15	15
26	Q40	15	17
27	R36	15	19
28	R40	15	19

JACK PIN LG

63019800 Rev. A

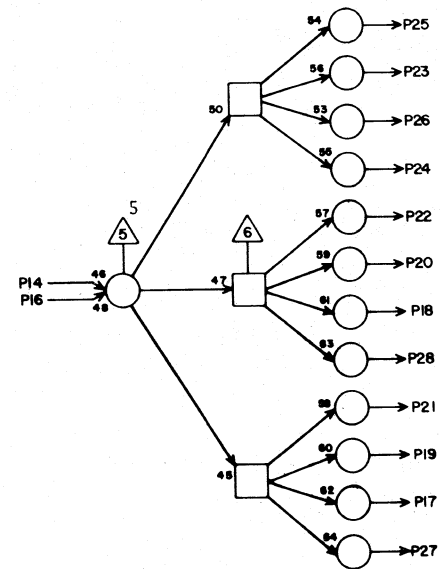
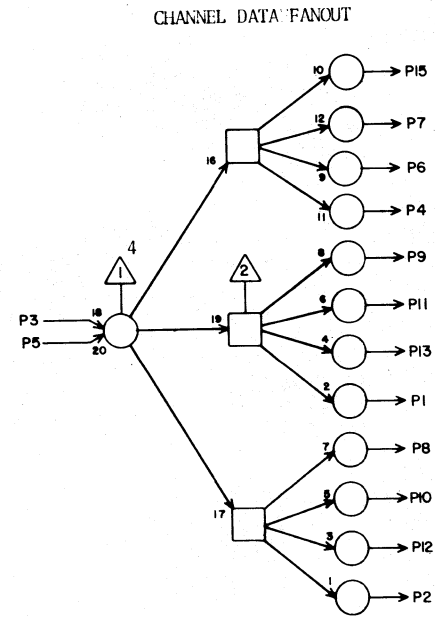


TC 1N33

1	M36	16	9
2	M40	16	11
3	O27	17	11
4	N36	16	7
5	N33	X	2
6	N40	16	9
7	O36	16	9
8	O40	16	11
9	P36	16	13
10	P40	16	15
11	Q36	16	15
12	Q40	16	17
13	R36	16	19
14	O27	20	13
15	R40	16	19
16	N33	X	2
17	M36	18	9
18	M40	18	11
19	N36	18	7
20	N40	18	9
21	O36	18	9
22	O40	18	11
23	P36	18	13
24	P40	18	15
25	Q36	18	15
26	Q40	18	17
27	R36	18	19
28	R40	18	19

JACK    PIN    LG

63019800 Rev. A



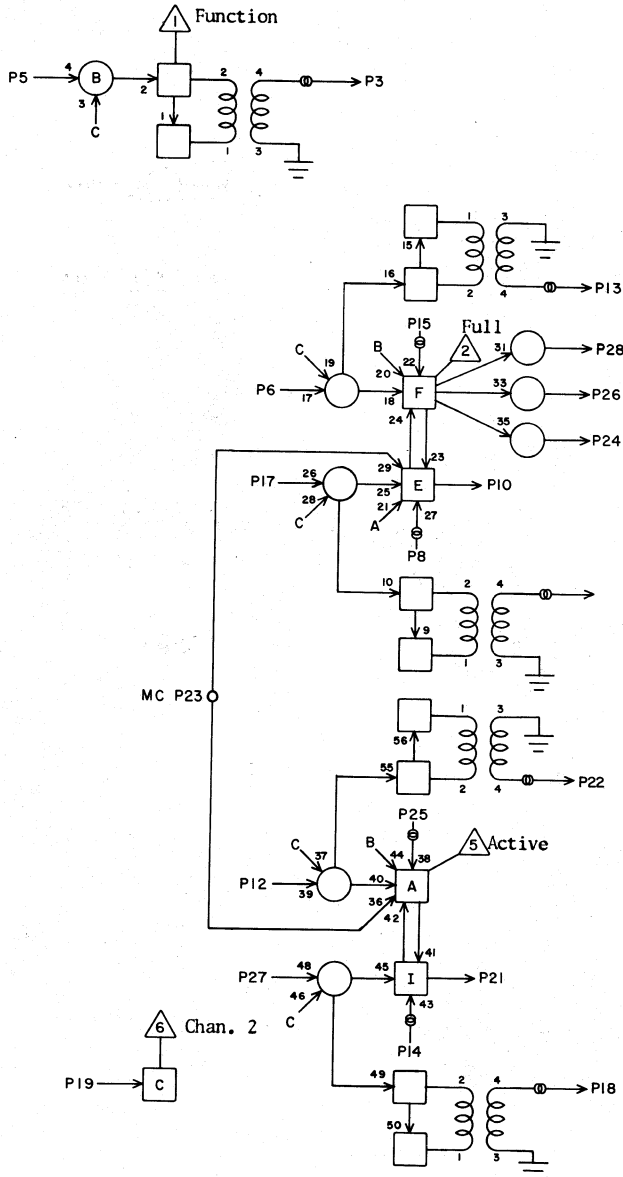
TC 1N34

1	M37	17	7
2	M41	17	9
3	O28	13	11
4	N37	17	7
5	N34	X	2
6	N41	17	11
7	O37	17	9
8	O41	17	11
9	P37	17	13
10	P41	17	13
11	Q37	17	15
12	Q41	17	17
13	R37	17	19
14	O28	14	11
15	R41	17	19
16	N34	X	2
17	M37	15	7
18	M41	15	9
19	N37	15	7
20	N41	15	11
21	O37	15	9
22	O41	15	11
23	P37	15	13
24	P41	15	13
25	Q37	15	15
26	Q41	15	17
27	R37	15	19
28	R41	15	19

JACK    PIN    LG

63019800 Rev. A

CHANNEL 2



PK

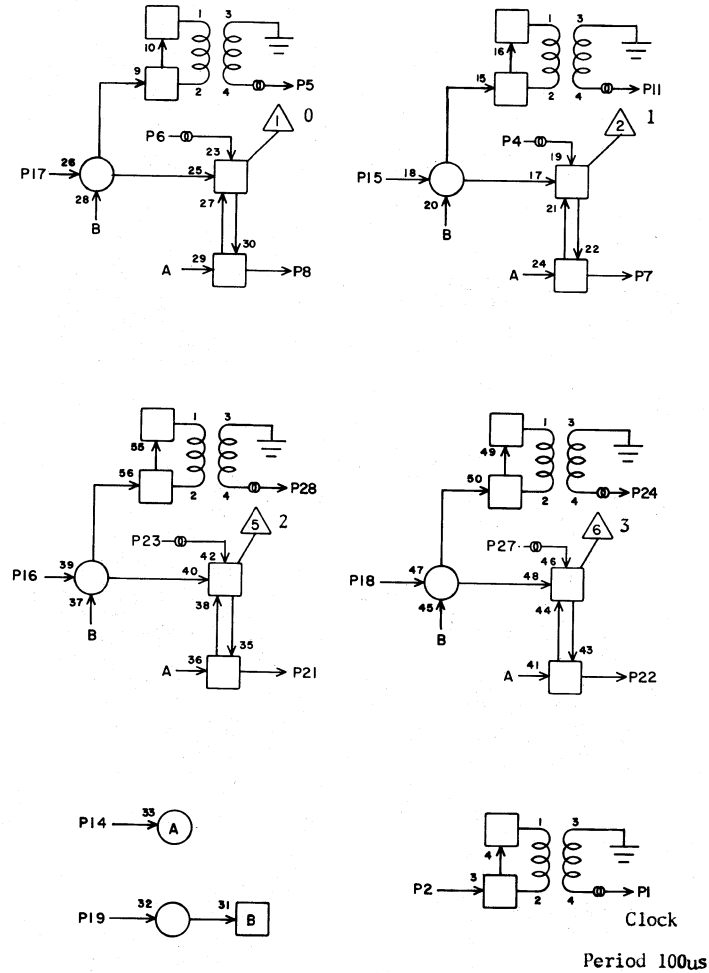
1N35

1			
2			
3	W18	906	
4			
5	O32	19	9
6	O33	4	7
7			
8	W17	905	
9	W18	905	
10	N30	7	7
11			
12	O31	4	9
13	W18	904	
14	W17	903	
15	W17	904	
16			
17	O32	4	9
18	W18	903	
19	Q32	28	17
20			
21	N31	7	7
22	W18	902	
23	N29	7	9
24	N36	14	5
25	W17	902	
26	N37	14	7
27	O31	19	9
28	N38	14	7

JACK PIN LG

63019800 Rev. A

CHANNEL 2



PR

1N36

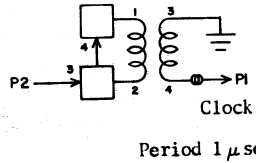
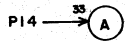
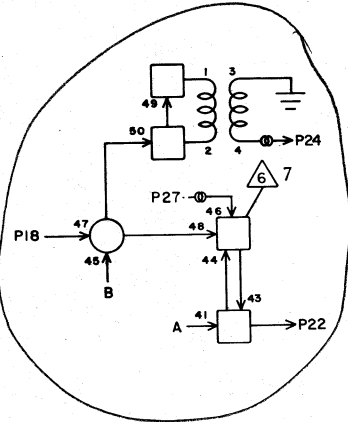
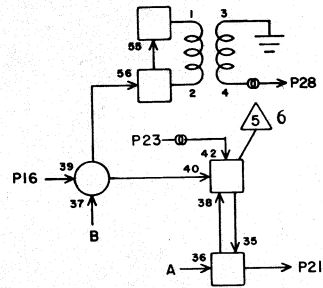
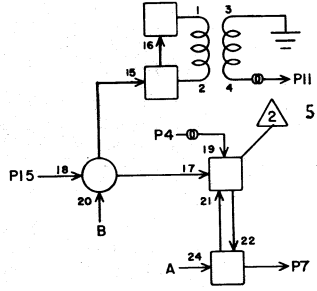
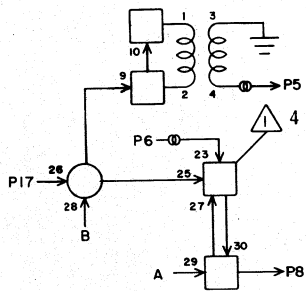
1	W17	906	
2	O34	7	9
3			
4	W17	91	
5	W18	90	
6	W17	90	
7	M32	5	11
8	M32	6	11
9			
10			
11	W18	91	
12			
13			
14	N35	24	5
15	N32	19	7
16	N33	4	7
17	N32	4	7
18	N33	19	7
19	Q32	19	17
20			
21	M32	24	7
22	M32	23	7
23	W17	92	
24	W18	93	
25			
26			
27	W17	93	
28	W18	92	

JACK PIN LG

63019800 Rev. A



CHANNEL 2



PR

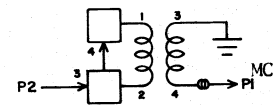
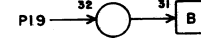
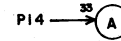
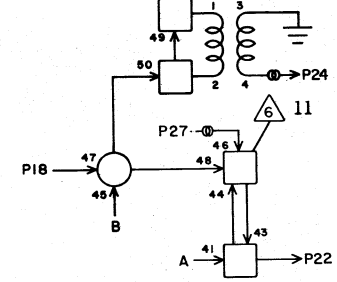
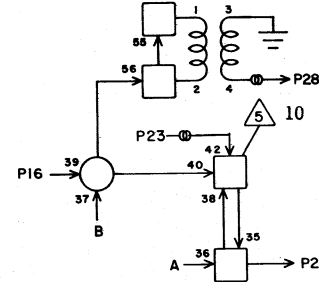
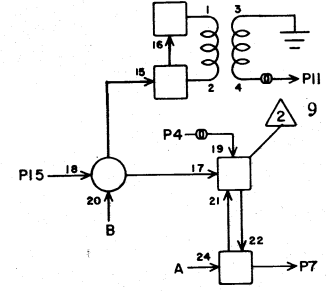
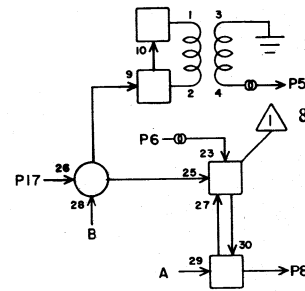
1 N37

1	W17	907	
2	O34	23	9
3			
4	W17	95	
5	W18	94	
6	W17	94	
7	M33	5	9
8	M33	6	9
9			
10			
11	W18	95	
12			
13			
14	N35	26	7
15	N34	19	7
16	P32	4	13
17	N34	4	7
18	P32	19	13
19	Q32	20	17
20			
21	M33	24	9
22	M33	23	9
23	W17	96	
24	W18	97	
25			
26			
27	W17	97	
28	W18	96	

JACK PIN LG

63019800 Rev. A

CHANNEL 2



PR

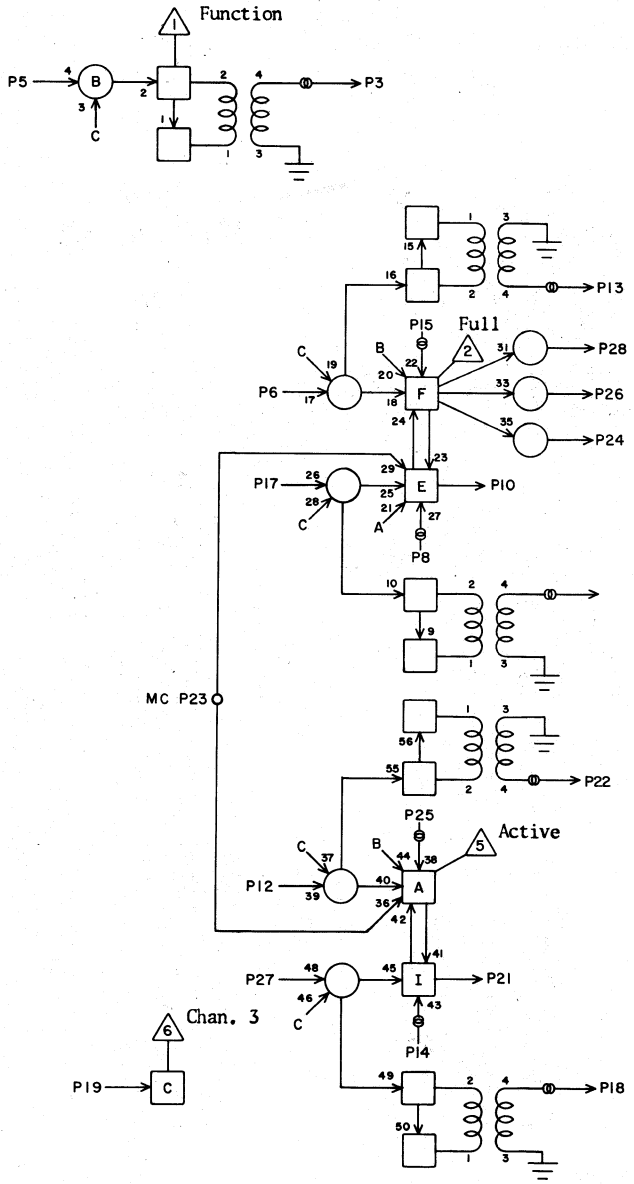
1 N38

1	W18	907	
2	O33	23	11
3			
4	W17	99	
5	W18	98	
6	W17	98	
7	M34	5	9
8	M34	6	9
9			
10			
11	W18	99	
12			
13			
14	N35	28	7
15	P33	19	15
16	P34	4	13
17	P33	4	13
18	P34	19	13
19	Q32	25	17
20			
21	M34	24	9
22	M34	23	9
23	W17	900	
24	W18	901	
25			
26			
27	W17	901	
28	W18	900	

JACK PIN LG

63019800 Rev. A

CHANNEL 3



PK

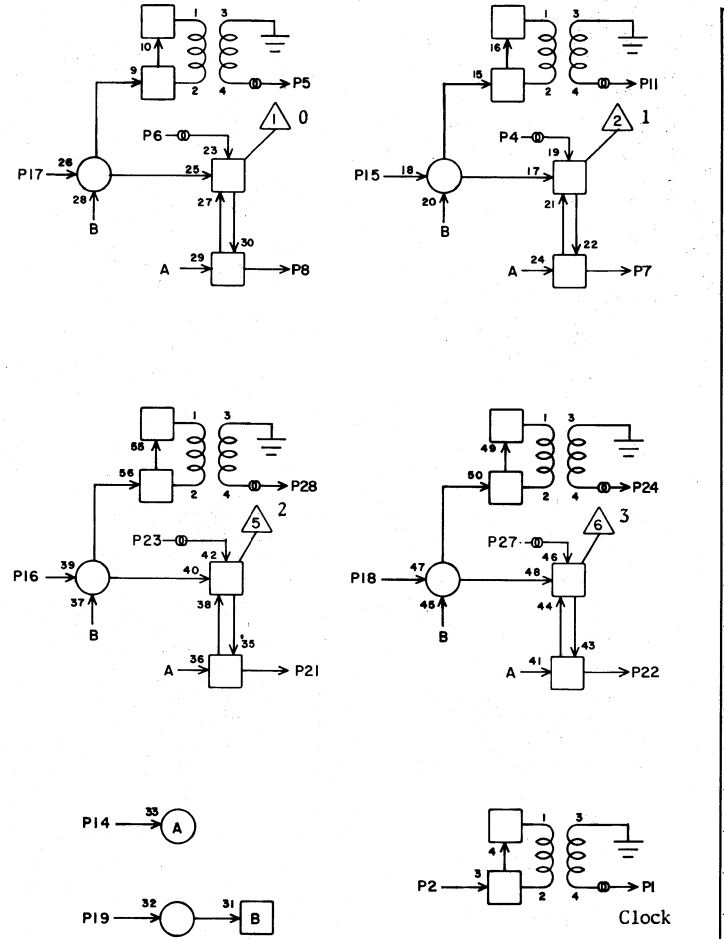
1N39

1			
2			
3	W20	906	
4			
5	O32	20	13
6	O33	6	11
7			
8	W19	905	
9	W20	905	
10	N30	21	13
11			
12	O31	6	13
13	W20	904	
14	W19	903	
15	W19	904	
16			
17	O32	6	13
18	W20	903	
19	Q32	27	19
20			
21	N31	21	13
22	W20	902	
23	N29	2	13
24	N40	14	5
25	W19	902	
26	N41	14	7
27	O31	20	13
28	N42	14	7

JACK PIN LG

63019800 Rev. A

CHANNEL 3



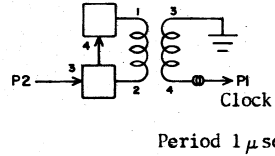
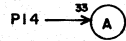
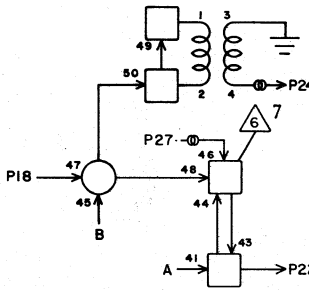
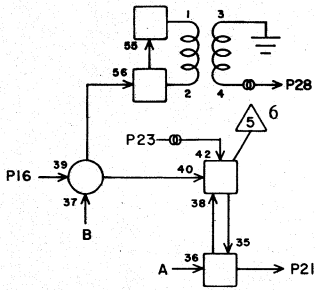
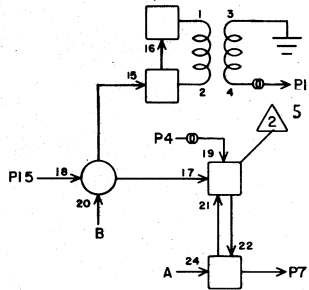
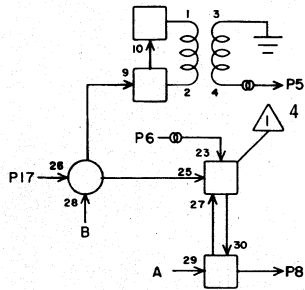
PR

1N40

1	W19	906	
2	O34	2	11
3			
4	W19	91	
5	W20	90	
6	W19	90	
7	M32	7	13
8	M32	8	13
9			
10			
11	W20	91	
12			
13			
14	N39	24	5
15	N32	20	13
16	N33	6	9
17	N32	6	13
18	N33	20	9
19	Q32	22	19
20			
21	M32	22	13
22	M32	21	
23	W19	92	
24	W20	93	
25			
26			
27	W19	93	
28	W20	92	

JACK PIN LG

63019800 Rev. A



PR

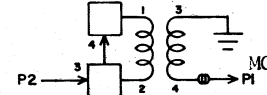
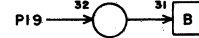
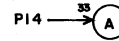
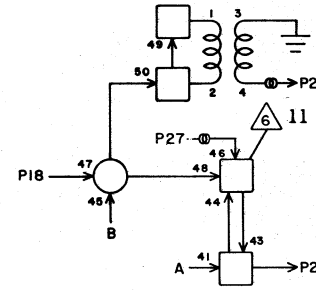
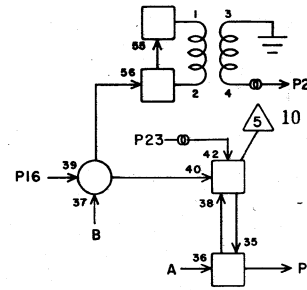
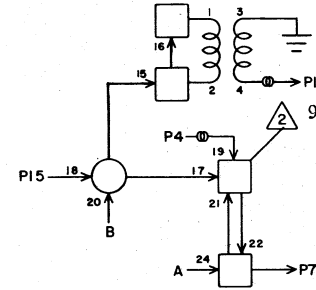
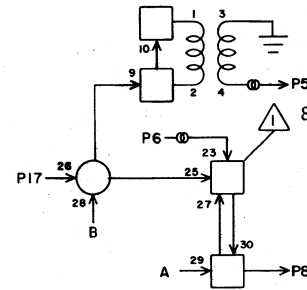
1 N41

1	W19	907		
2	O34	28	9	
3				
4	W19	95		
5	W20	94		
6	W19	94		
7	M33	7	13	
8	M33	8	13	
9				
10				
11	W20	95		
12				
13				
14	N39	26	7	
15	N34	20	11	
16	P32	6	15	
17	N34	6	11	
18	P32	20	17	
19	Q32	24	19	
20				
21	M33	22	13	
22	M33	21	13	
23	W19	96		
24	W20	97		
25				
26				
27	W19	97		
28	W20	96		

JACK PIN LG

63019800 Rev. A

CHANNEL 3



PR

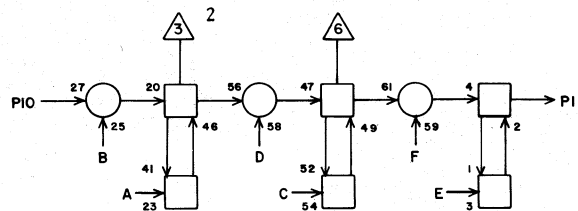
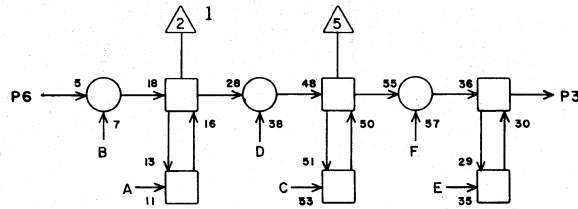
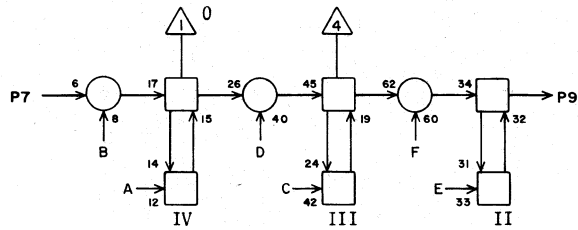
1 N42

1	W20	907		
2	O33	28	15	
3				
4	W19	99		
5	W20	98		
6	W19	98		
7	M34	7	7	
8	M34	8	13	
9				
10				
11	W20	99		
12				
13				
14	N39	28	7	
15	P33	20	17	
16	P34	6	15	
17	P33	6	15	
18	P34	20	17	
19	Q32	26	19	
20				
21	M34	22	13	
22	M34	21	13	
23	W19	900		
24	W20	901		
25				
26				
27	W19	901		
28	W20	900		

JACK PIN LG

63019800 Rev. A

A IN BARREL  
(Stages 1, 2, 3)



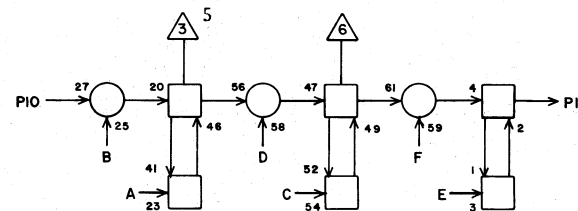
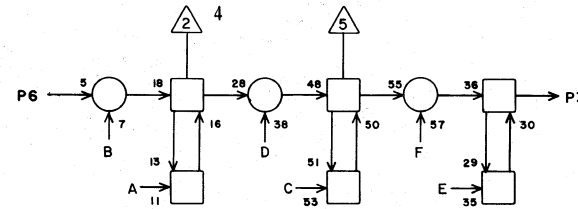
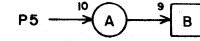
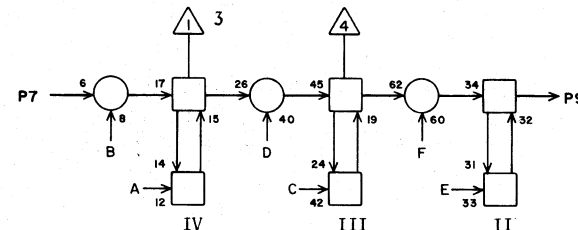
PB 101

1	P1	10	7
2			
3	P1	6	7
4			
5	O7	23	9
6	K7	19	19
7	K7	12	19
8			
9	P1	7	7
10	K8	12	21
11			
12			
13			
14			
15			
16			
17			
18			
19			
20			
21			
22	O7	9	9
23			
24			
25			
26			
27	N6	17	9
28			

JACK PIN LG

63019800 Rev. A

A



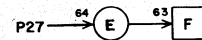
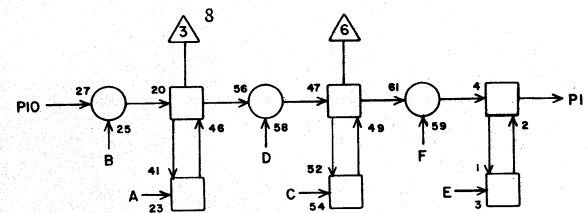
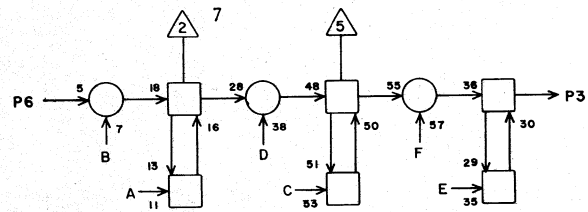
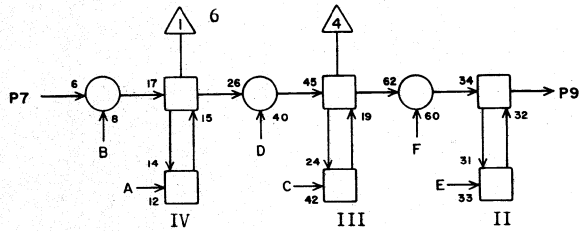
PB 102

1	P2	10	7
2			
3	P2	6	7
4			
5	O7	24	9
6	K9	12	21
7	K8	19	21
8			
9	P2	7	7
10	K9	19	21
11			
12			
13			
14			
15			
16			
17			
18			
19			
20			
21			
22	O7	10	9
23			
24			
25			
26			
27	N6	18	11
28			

JACK PIN LG

63019800 Rev. A

A



PB

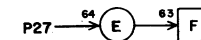
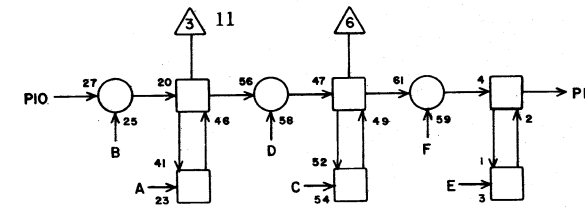
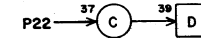
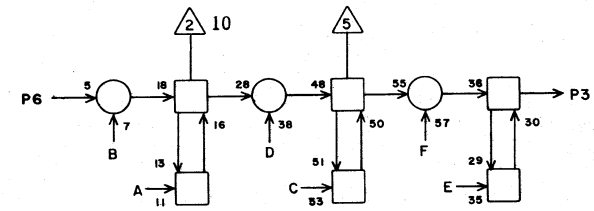
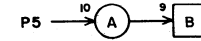
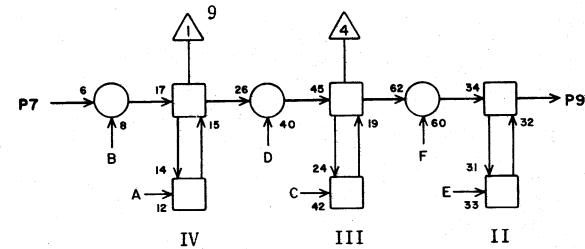
103

1	P3	10	7
2			
3	P3	6	7
4			
5	O7	25	7
6	K10	19	21
7	K10	12	21
8			
9	P3	7	7
10	K11	12	21
11			
12			
13			
14			
15			
16			
17			
18			
19			
20			
21			
22	O7	11	7
23			
24			
25			
26			
27	N6	19	9
28			

JACK PIN LG

63019800 Rev. A

A



PB

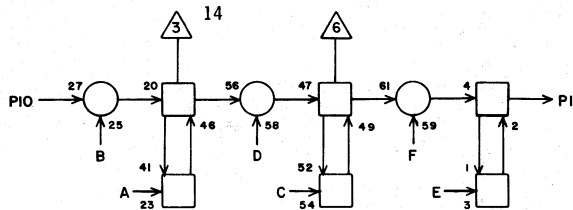
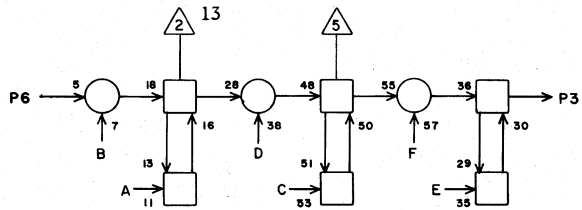
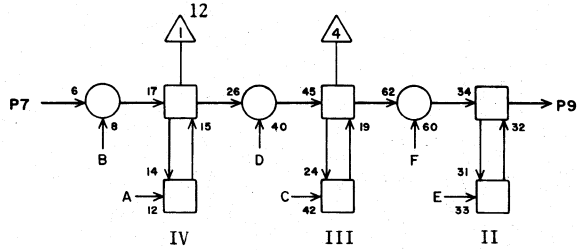
104

1	P4	10	7
2			
3	P4	6	7
4			
5	O7	26	7
6	K12	12	21
7	K11	19	21
8			
9	P4	7	7
10	K12	19	21
11			
12			
13			
14			
15			
16			
17			
18			
19			
20			
21			
22	O7	12	7
23			
24			
25			
26			
27	N6	20	9
28			

JACK PIN LG

63019800 Rev. A

A



PB

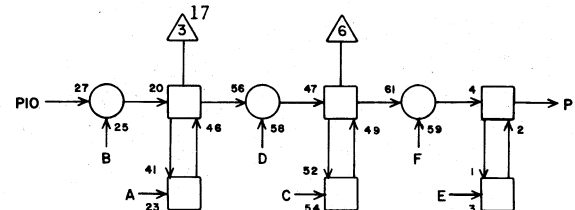
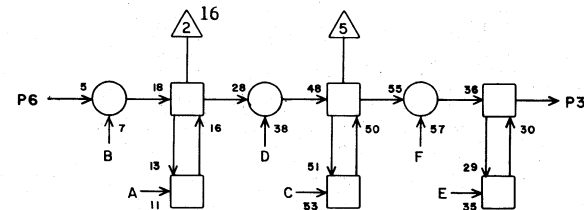
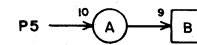
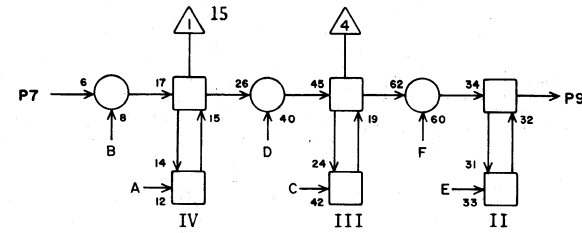
105

1	P5	10	7
2			
3	P5	6	7
4			
5	O7	27	7
6	K13	19	21
7	K13	12	21
8			
9	P5	7	7
10	K14	12	21
11			
12			
13			
14			
15			
16			
17			
18			
19			
20			
21			
22	O7	13	7
23			
24			
25			
26			
27	N6	21	9
28			

JACK PIN LG

63019800 Rev. A

A



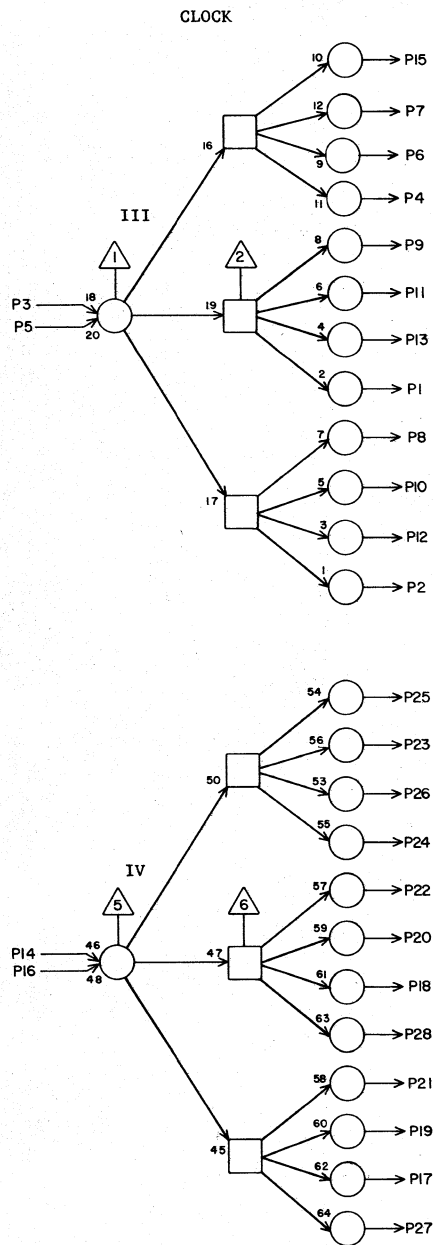
PB

106

1	P6	10	7
2			
3	P6	6	7
4			
5	O7	28	5
6	K15	12	21
7	K14	19	21
8			
9	P6	7	7
10	K15	19	21
11			
12			
13			
14			
15			
16			
17			
18			
19			
20			
21			
22	O7	15	5
23			
24			
25			
26			
27	N6	22	9
28			

JACK PIN LG

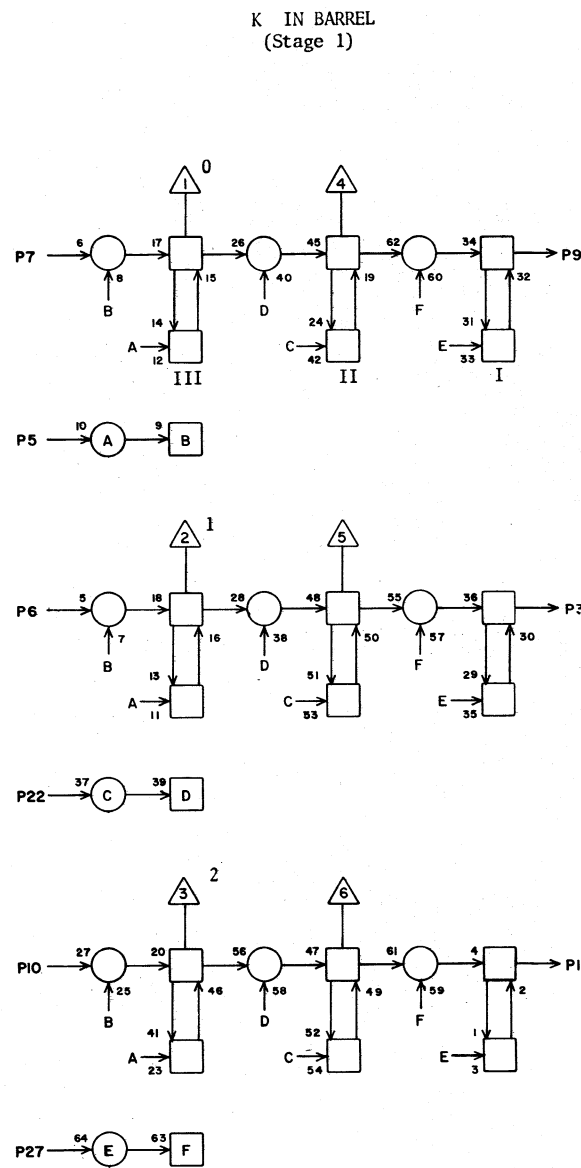
63019800 Rev. A



TC

107			
1	P1	27	11
2	P2	27	11
3	H4	8	31
4	P3	27	9
5	O7	X	
6	P4	27	9
7	P5	27	9
8	P6	27	9
9	O1	22	9
10	O2	22	9
11	O3	22	7
12	O4	22	7
13	O5	22	7
14	H4	20	31
15	O6	22	5
16	O7	X	
17	P1	22	11
18	P2	22	11
19	P3	22	9
20	P4	22	9
21	P5	22	7
22	P6	22	7
23	O1	5	9
24	O2	5	9
25	O3	5	7
26	O4	5	7
27	O5	5	7
28	O6	5	5
	JACK	PIN	LG

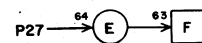
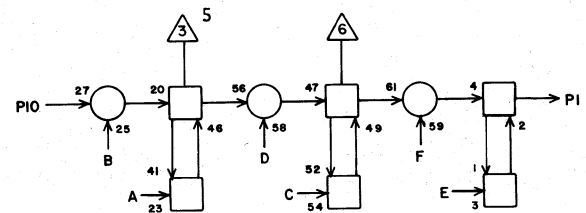
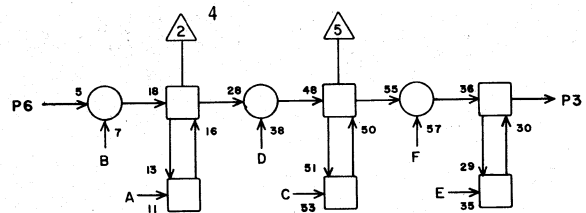
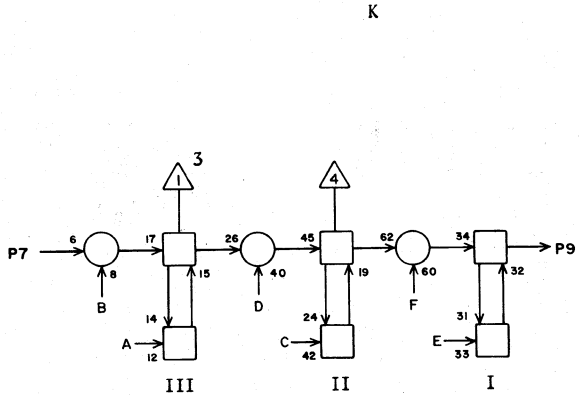
63019800 Rev. A



PB

108			
1	N7	23	7
2			
3	N7	24	7
4			
5	P14	24	11
6	N12	8	9
7	N12	9	9
8			
9	N7	21	7
10	N12	10	9
11			
12			
13			
14			
15			
16			
17			
18			
19			
20			
21			
22	N6	23	7
23			
24			
25			
26			
27	P7	12	7
28			
	JACK	PIN	LG

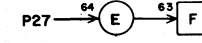
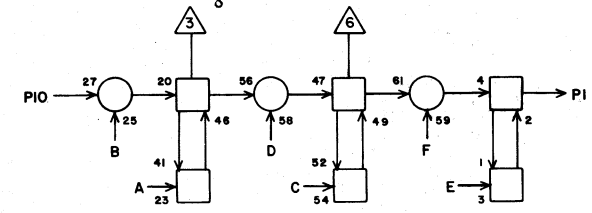
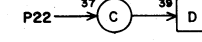
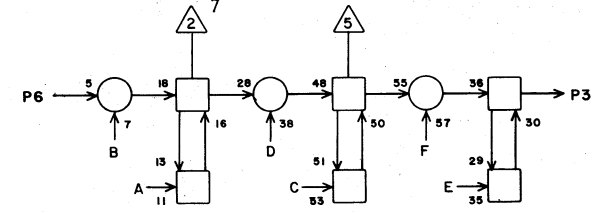
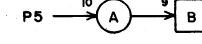
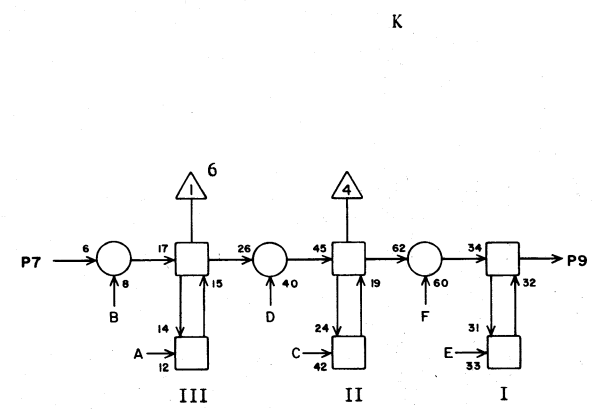
63019800 Rev. A



PB 109

1	N8	23	7
2			
3	N8	24	7
4			
5	P14	25	11
6	N13	8	9
7	N13	9	9
8			
9	N8	21	7
10	N13	10	9
11			
12			
13			
14			
15			
16			
17			
18			
19			
20			
21			
22	N6	24	7
23			
24			
25			
26			
27	P7	13	7
28			

JACK PIN LG



PB 1010

1	N9	23	7
2			
3	N9	24	7
4			
5	P14	26	9
6	N13	21	9
7	N13	19	9
8			
9	N9	21	7
10	N13	20	9
11			
12			
13			
14			
15			
16			
17			
18			
19			
20			
21			
22	N6	25	9
23			
24			
25			
26			
27	P7	15	7
28			

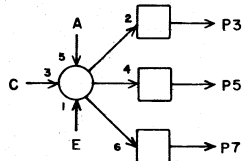
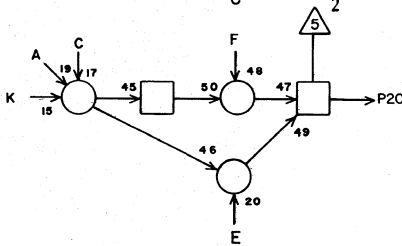
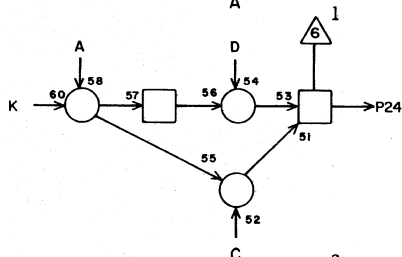
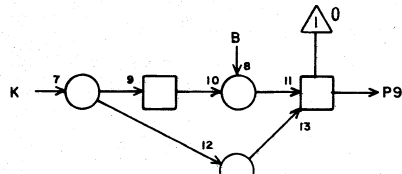
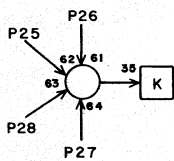
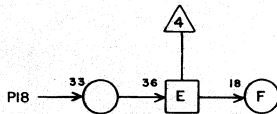
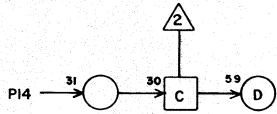
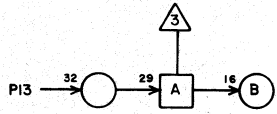
JACK PIN LG



TRIP COUNTER (K)

QK

1011



1			
2			
3			
4			
5			
6			
7			
8			
9	N12	6	7
10			
11			
12			
13	N7	1	9
14	N7	2	9
15			
16			
17			
18	N7	14	11
19			
20	N12	7	9
21			
22			
23			
24	N12	5	9
25	J19	9	25
26	O11	X	2
27	O11	X	2
28	O11	X	2

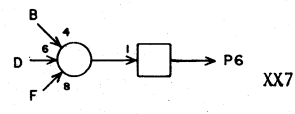
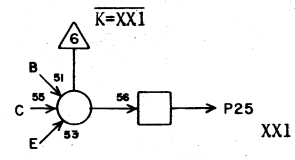
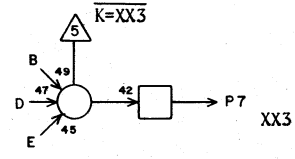
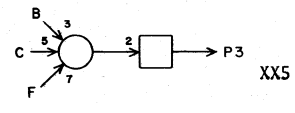
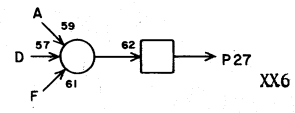
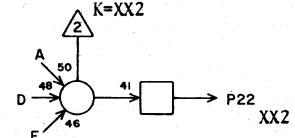
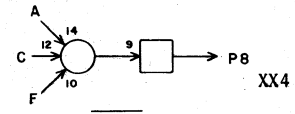
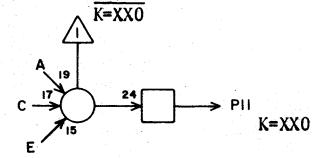
JACK PIN LG

63019800 Rev. A

K TRANSLATIONS

TK

1012

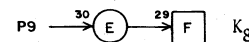
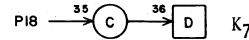
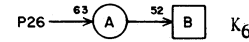
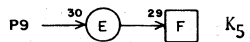
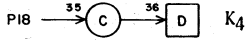
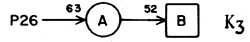
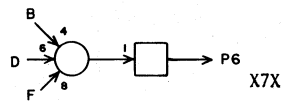
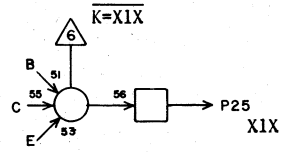
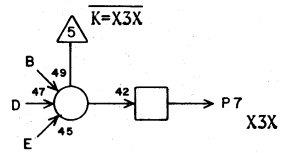
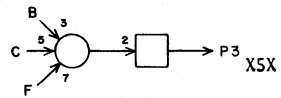
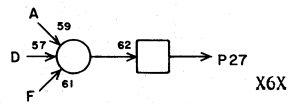
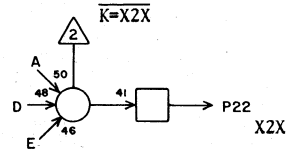
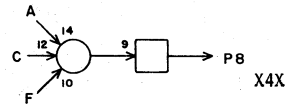
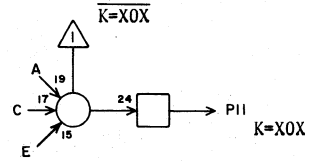


1			
2			
3	M15	13	13
4			
5			
6	M15	17	13
7	M14	17	13
8	M15	14	13
9	R13	10	15
10			
11	M14	14	13
12			
13			
14			
15			
16			
17			
18	R13	7	15
19			
20			
21			
22	M14	18	13
23			
24			
25	M14	13	13
26	R12	24	17
27	M15	18	13
28			

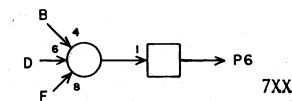
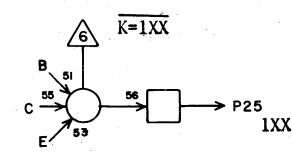
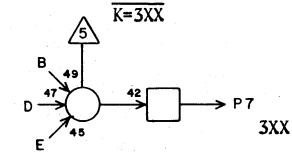
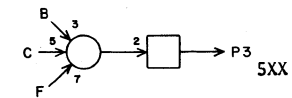
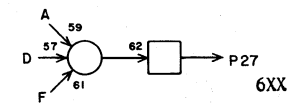
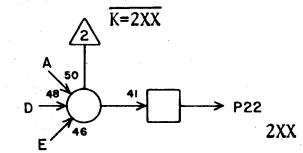
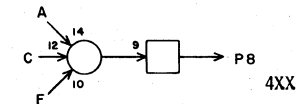
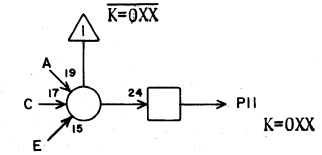
JACK PIN LG

63019800 Rev. A

K TRANSLATIONS



K TRANSLATIONS



TK

1013

1			
2			
3	M17	13	13
4			
5			
6	M17	17	13
7	M16	17	13
8	M17	14	13
9	R14	7	15
10			
11	M16	14	13
12			
13			
14			
15			
16			
17			
18	R13	24	17
19			
20			
21			
22	M16	18	13
23			
24			
25	M16	13	13
26	R13	20	17
27	M17	18	13
28			

JACK PIN LG

63019800 Rev. A

TK

1 014

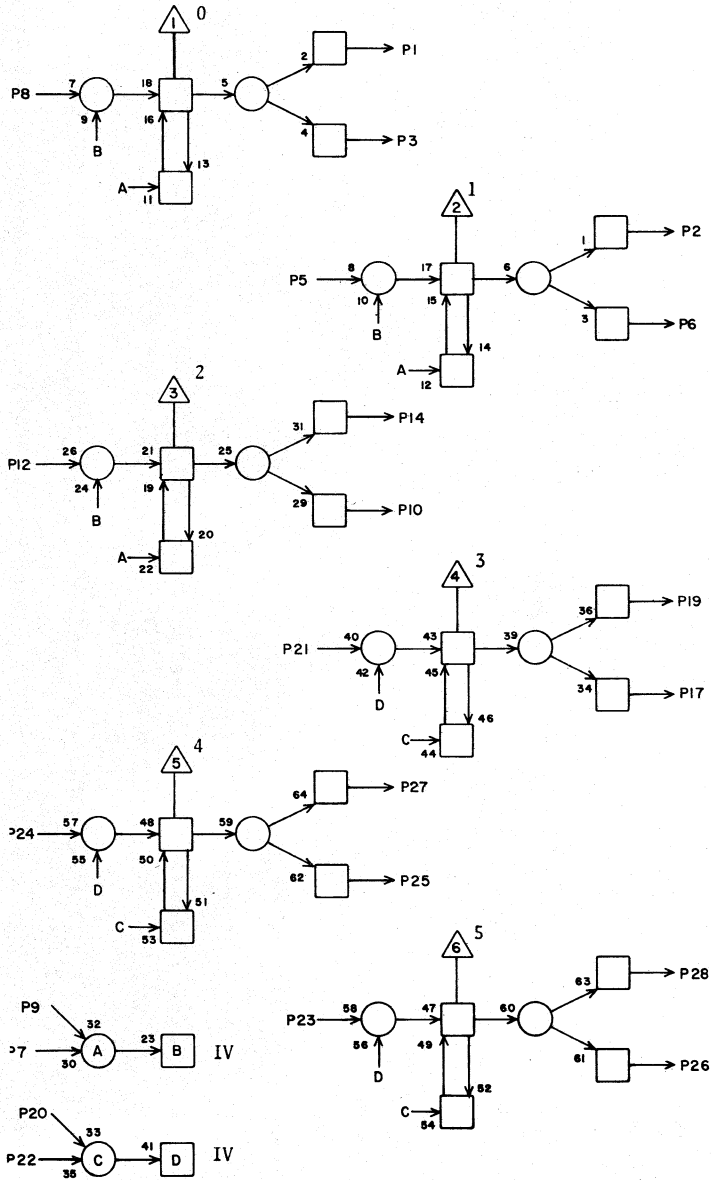
1			
2			
3	M19	13	13
4			
5			
6	M19	17	13
7	M18	17	13
8	M19	14	13
9	R14	24	17
10			
11	M18	14	13
12			
13			
14			
15			
16			
17			
18	R14	20	17
19			
20			
21			
22	M18	18	13
23			
24			
25	M18	13	13
26	R14	10	15
27	M19	18	13
28			

JACK PIN LG

63019800 Rev. A

P IN BARREL

(Stage 5)

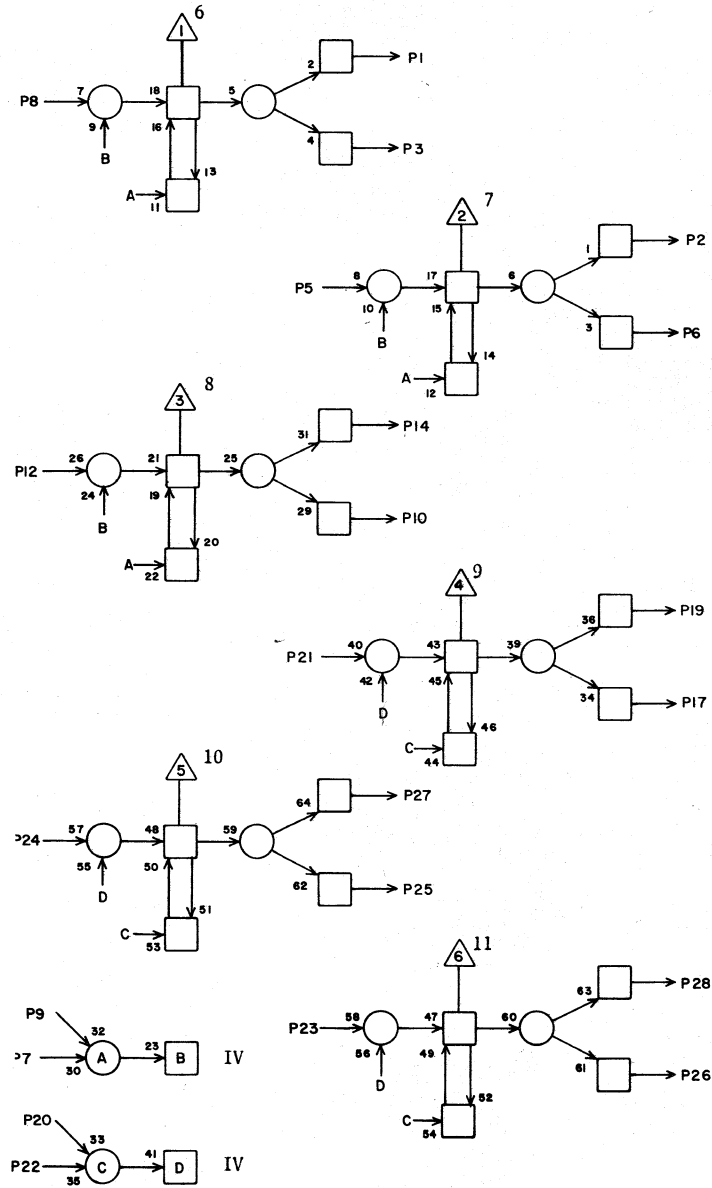


PA 1 015

1	P15	8	7
2	P15	5	7
3			
4			
5	O17	3	7
6			
7	P21	25	11
8	O17	9	7
9	O15	X	2
10			
11			
12	O17	1	7
13			
14	P15	12	7
15			
16			
17	P15	21	9
18			
19			
20	P21	26	9
21	O18	9	7
22	O15	X	2
23	O18	1	7
24	O18	3	7
25	P15	24	9
26	P15	23	9
27			
28			

JACK PIN LG

P

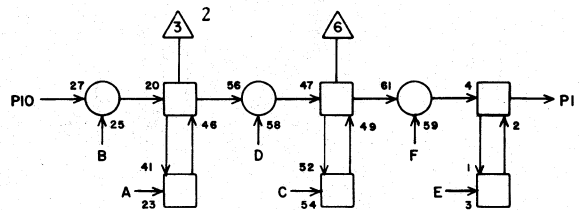
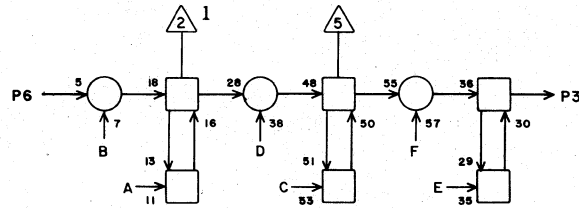
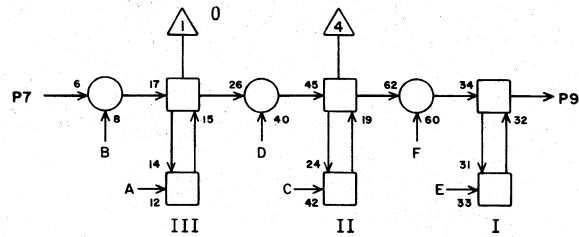


PA 1016

1	P16	8	7
2	P16	5	7
3			
4			
5	O19	3	7
6			
7	P21	27	11
8	O19	9	7
9	O16	X	2
10			
11			
12	O19	1	7
13			
14	P16	12	7
15			
16			
17	P16	21	9
18			
19			
20	P21	28	9
21	O20	9	7
22	O16	X	2
23	O20	1	7
24	O20	3	7
25	P16	24	7
26	P16	23	7
27			
28			

JACK PIN LG

P IN BARREL  
(Stage 2, 3, 4)

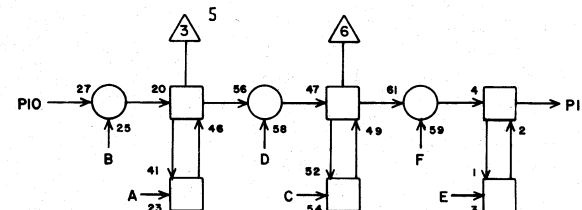
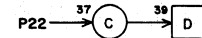
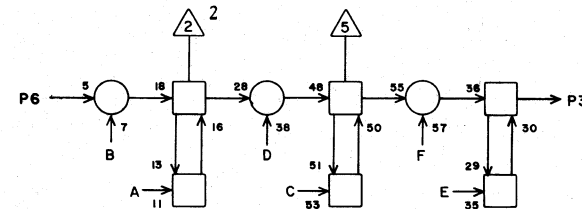
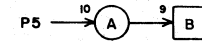
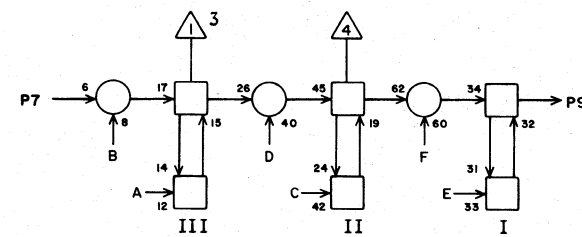


PB		1 017	
1	O15	12	7
2			
3	O15	5	7
4			
5	P14	27	9
6	N15	9	7
7	N15	14	7
8			
9	O15	8	7
10	N15	18	7
11			
12			
13			
14			
15			
16			
17			
18			
19			
20			
21			
22	P21	7	9
23			
24			
25			
26			
27	O21	1	7
28			

JACK PIN LG

63019800 Rev. A

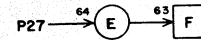
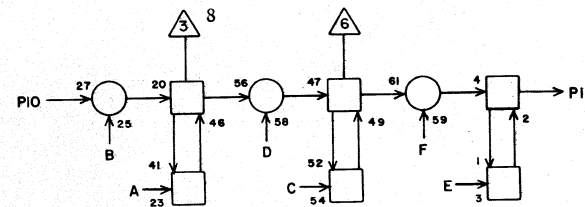
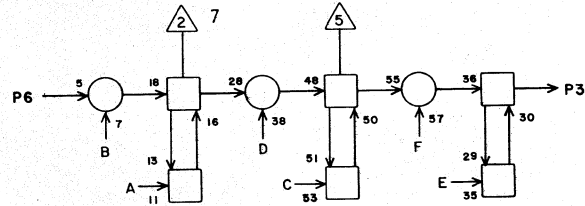
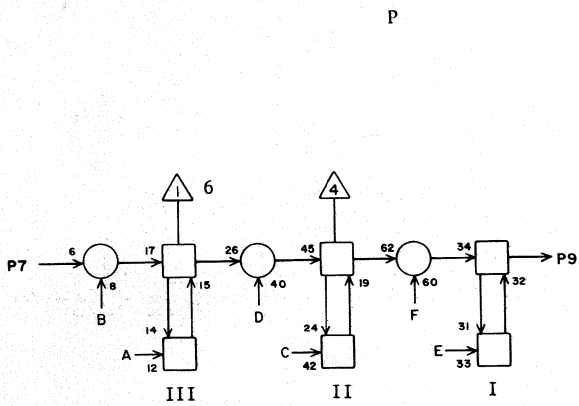
P



PB		1 018	
1	O15	23	7
2			
3	O15	24	7
4			
5	O21	18	7
6	N16	14	9
7	N15	21	7
8			
9	O15	21	7
10	N16	9	7
11			
12			
13			
14			
15			
16			
17			
18			
19			
20			
21			
22	P21	8	7
23			
24			
25			
26			
27	O21	2	7
28			

JACK PIN LG

63019800 Rev. A

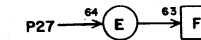
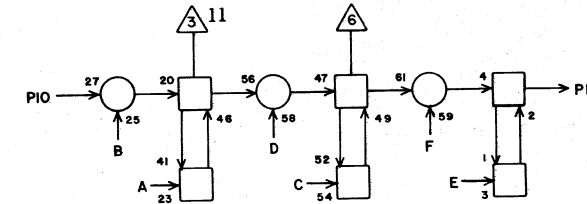
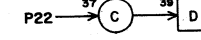
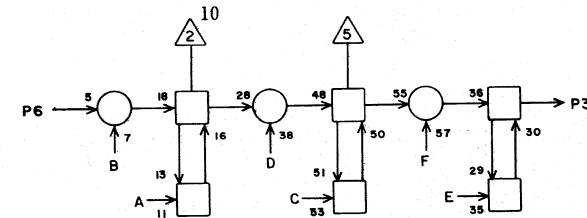
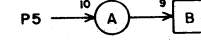
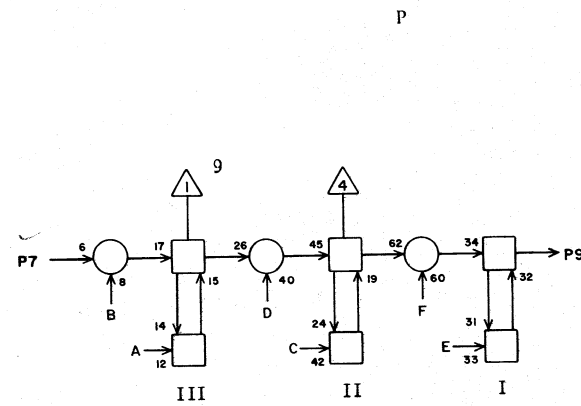


**PB** 1 019

1	O16	12	7
2			
3	O16	5	7
4			
5	O21	19	7
6	N16	21	7
7	N16	18	7
8			
9	O16	8	7
10	N17	14	7
11			
12			
13			
14			
15			
16			
17			
18			
19			
20			
21			
22	P21	9	7
23			
24			
25			
26			
27	O21	4	7
28			

JACK    PIN    LG

63019800 Rev. A

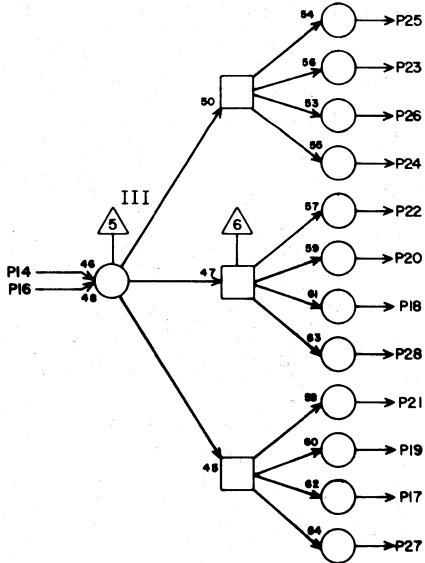
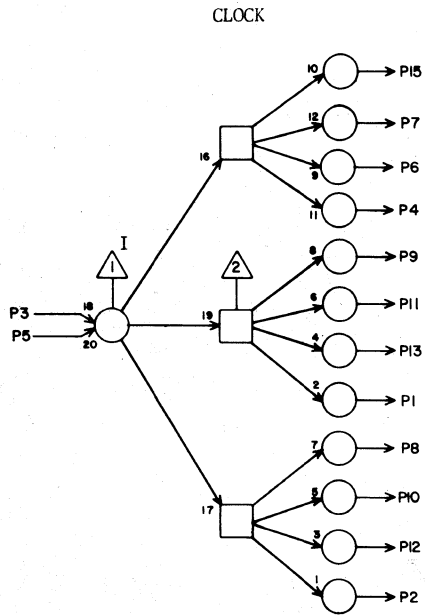


**PB** 1020

1	O16	23	7
2			
3	O16	24	7
4			
5	O21	20	5
6	N17	18	7
7	N17	9	7
8			
9	O16	21	7
10	N17	21	7
11			
12			
13			
14			
15			
16			
17			
18			
19			
20			
21			
22	P21	10	7
23			
24			
25			
26			
27	O21	6	5
28			

JACK    PIN    LG

63019800 Rev. A

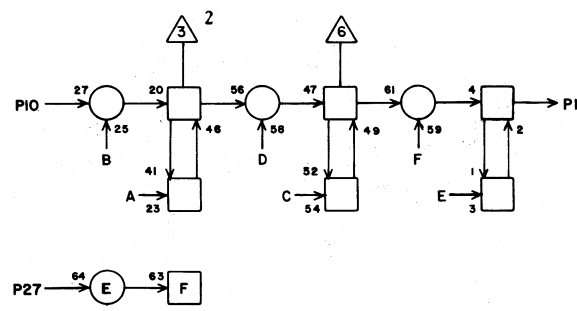
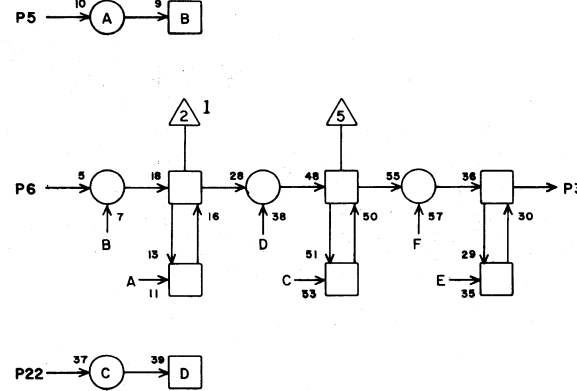
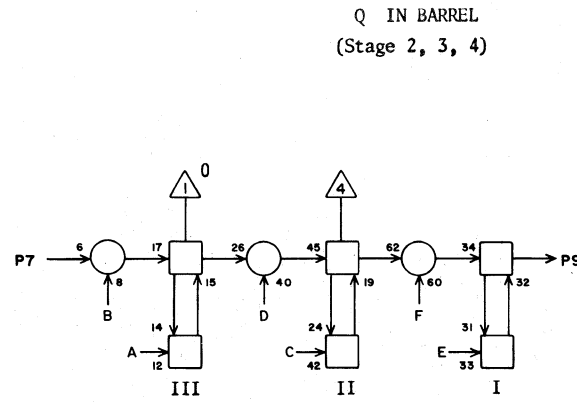


TC 1 021

1	017	27	7
2	018	27	7
3	113	7	35
4	019	27	7
5	021	X	
6	020	27	5
7	022	27	5
8	023	27	7
9	024	27	7
10	025	27	7
11	027	10	7
12	028	10	9
13	029	10	11
14	114	10	35
15	030	10	13
16	021	X	
17	N28	15	11
18	018	5	7
19	019	5	7
20	020	5	5
21	022	5	5
22	023	5	7
23	024	5	7
24	025	5	7
25	027	8	7
26	028	8	9
27	029	8	11
28	030	8	13

JACK PIN LG

63019800 Rev. A



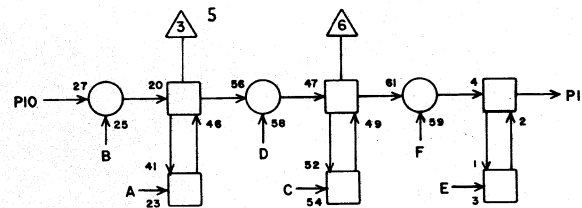
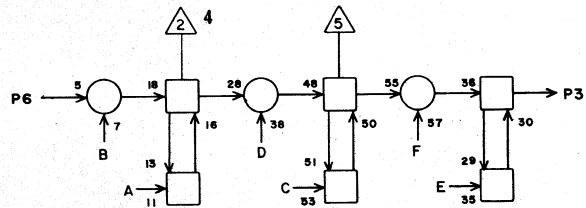
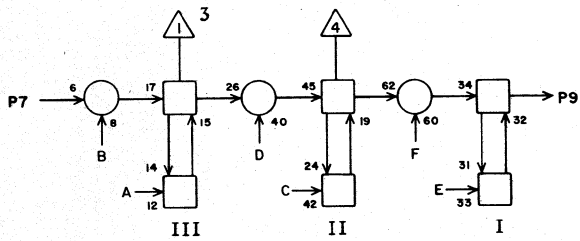
PB 1 022

1	P24	12	7
2			
3	P24	5	7
4			
5	021	21	5
6	P22	2	7
7	P22	1	7
8			
9	P24	8	7
10	P22	14	7
11			
12			
13			
14			
15			
16			
17			
18			
19			
20			
21			
22	P21	11	7
23			
24			
25			
26			
27	021	7	5
28			

JACK PIN LG

63019800 Rev. A

Q



PB

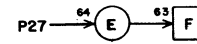
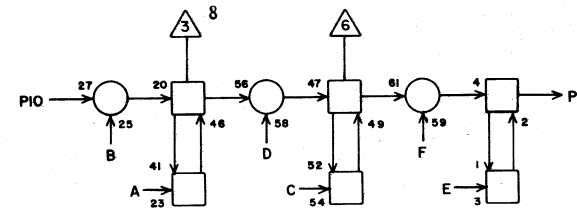
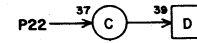
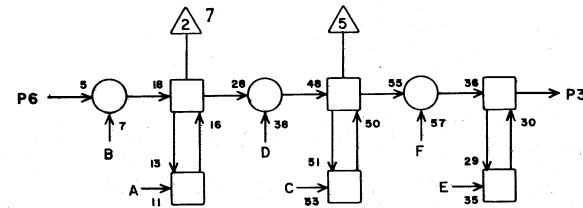
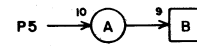
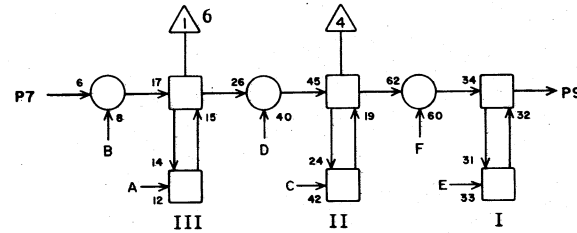
1 023

JACK	PIN	LG
1	P24	23 9
2		
3	P24	24 9
4		
5	O21	22 7
6	P22	25 9
7	P22	17 9
8		
9	P24	21 9
10	P22	26 9
11		
12		
13		
14		
15		
16		
17		
18		
19		
20		
21		
22	P21	12 7
23		
24		
25		
26		
27	O21	8 7
28		

JACK PIN LG

63019800 Rev. A

Q



PB

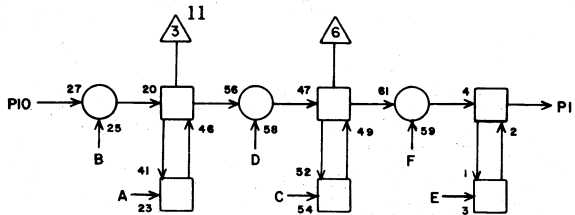
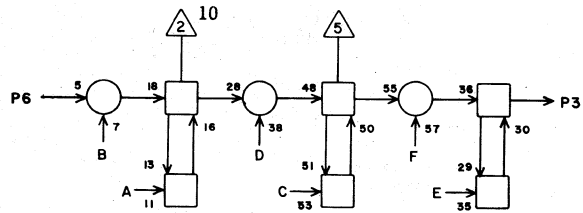
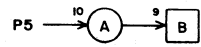
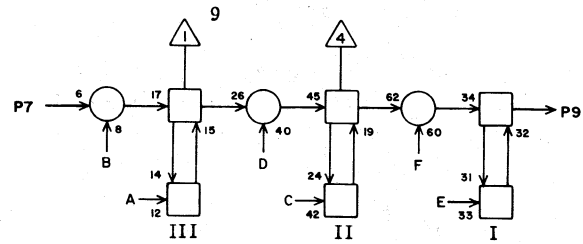
1024

JACK	PIN	LG
1	P25	12 7
2		
3	P25	5 7
4		
5	O21	23 9
6	P23	2 7
7	P23	1 7
8		
9	P25	8 7
10	P23	14 9
11		
12		
13		
14		
15		
16		
17		
18		
19		
20		
21		
22	P21	13 7
23		
24		
25		
26		
27	O21	9 9
28		

JACK PIN LG

63019800 Rev. A

Q



PB

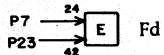
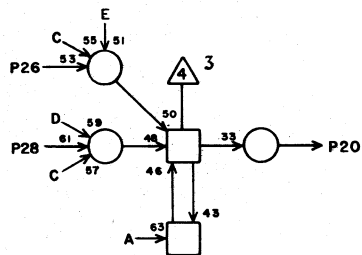
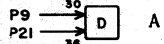
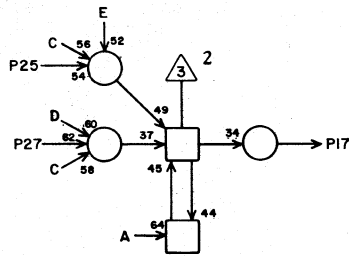
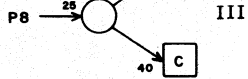
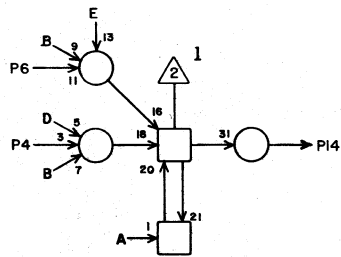
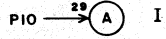
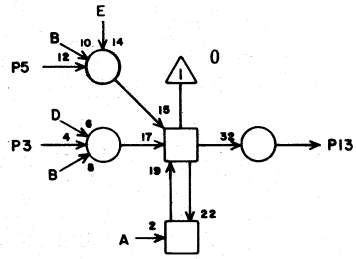
1 025

1	P25	23	9
2			
3	P25	24	9
4			
5	O21	24	9
6	P23	25	9
7	P23	17	7
8			
9	P25	21	9
10	P23	26	9
11			
12			
13			
14			
15			
16			
17			
18			
19			
20			
21			
22	P21	15	9
23			
24			
25			
26			
27	O21	10	9
28			

JACK PIN LG



OUTPUT DATA REGISTER (M)



PG

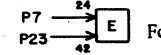
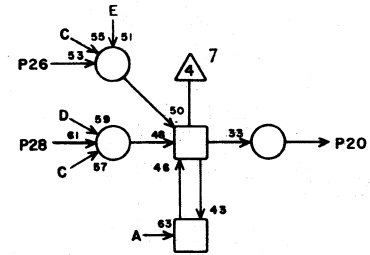
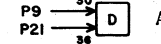
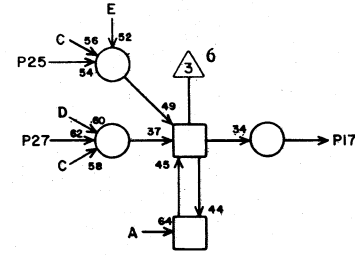
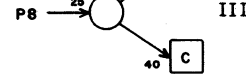
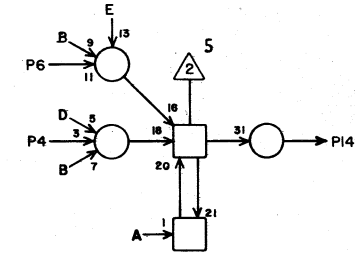
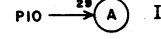
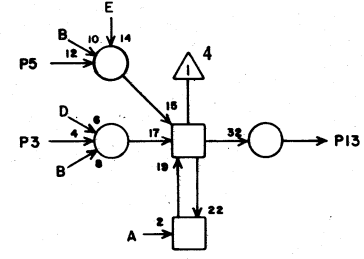
1 027

1			
2			
3	N1	7	27
4	N1	8	27
5	M13	11	19
6	M13	12	19
7	N28	17	7
8	O21	25	7
9	N28	9	7
10	O21	11	9
11			
12			
13	N32	3	11
14	N32	14	11
15			
16			
17	N53	3	13
18			
19			
20	N35	14	13
21	N28	20	7
22			
23	N28	10	9
24			
25	M13	19	19
26	M13	20	19
27	N1	20	27
28	N1	24	27

JACK PIN LG

63019800 Rev. A

M



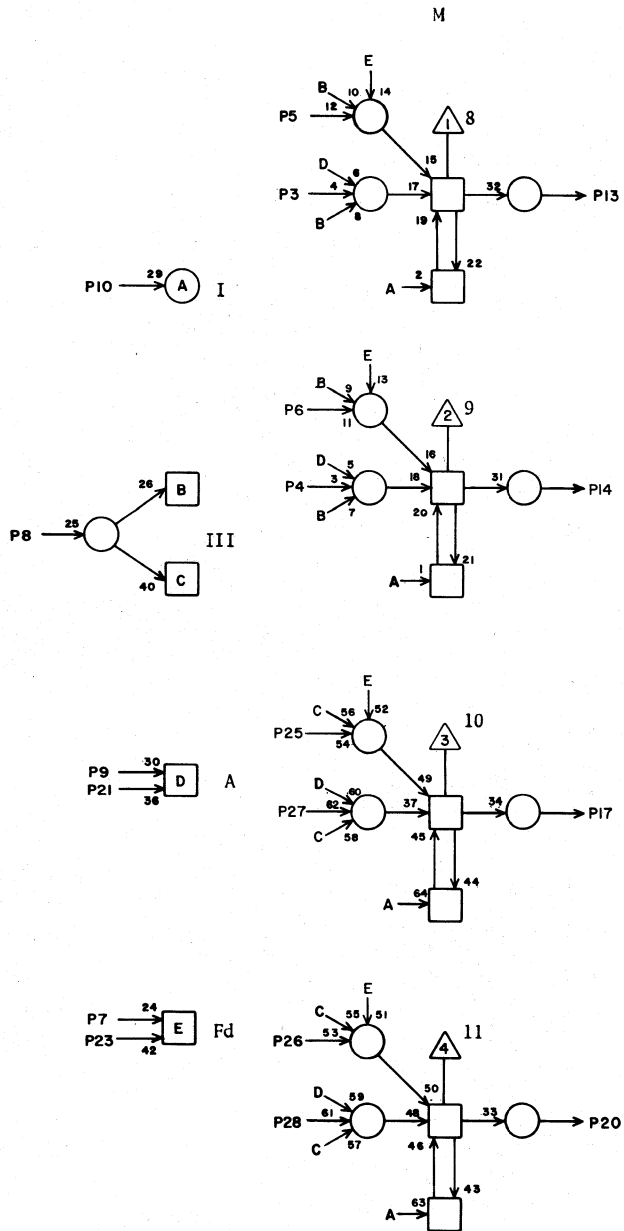
PG

1 028

1			
2			
3	N2	7	27
4	N2	8	27
5	M13	15	19
6	M13	8	19
7	N28	19	7
8	O21	26	11
9	N28	11	7
10	O21	12	11
11			
12			
13	N34	3	11
14	N34	14	11
15			
16			
17	P32	3	9
18			
19			
20	P32	14	9
21	N28	22	7
22			
23	N28	12	9
24			
25	M12	8	21
26	M12	11	21
27	N2	20	27
28	N2	24	27

JACK PIN LG

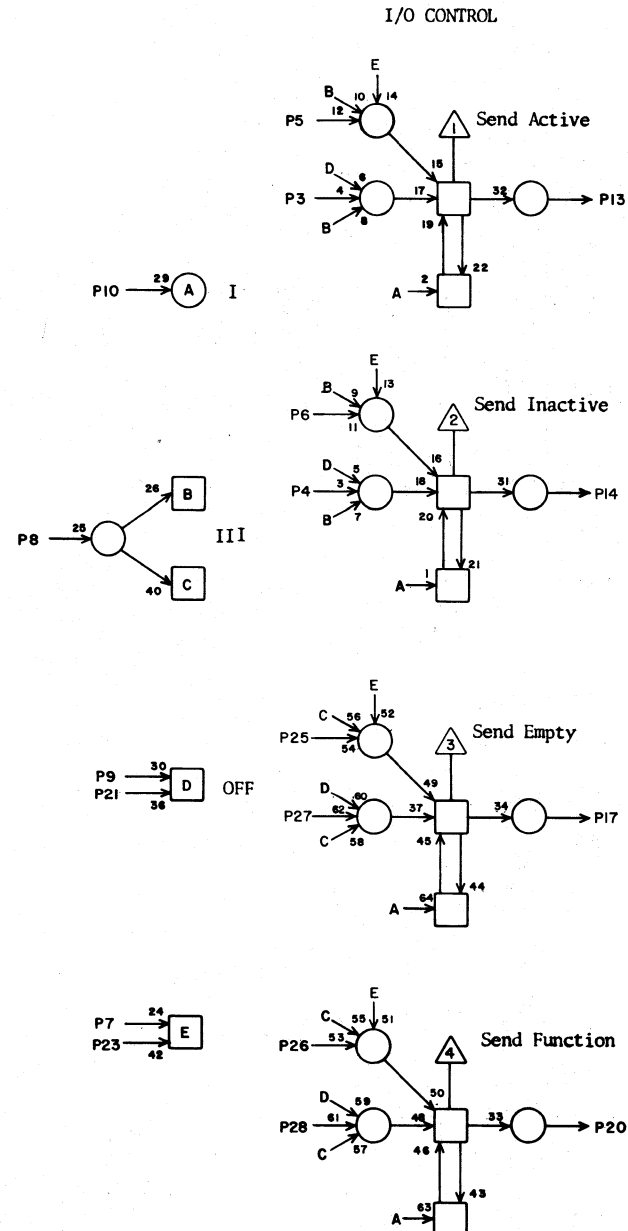
63019800 Rev. A



PG 1 029

1			
2			
3	N3	7	27
4	N3	8	27
5	M12	12	21
6	M12	27	21
7	N28	21	7
8	O21	27	13
9	N28	13	7
10	O21	13	13
11			
12			
13	P33	3	9
14	P33	14	9
15			
16			
17	P34	3	9
18			
19			
20	P34	14	9
21	N28	24	7
22			
23	N28	14	9
24			
25	M12	20	21
26	M12	22	21
27	N3	20	27
28	N3	24	27
	JACK	PIN	LG

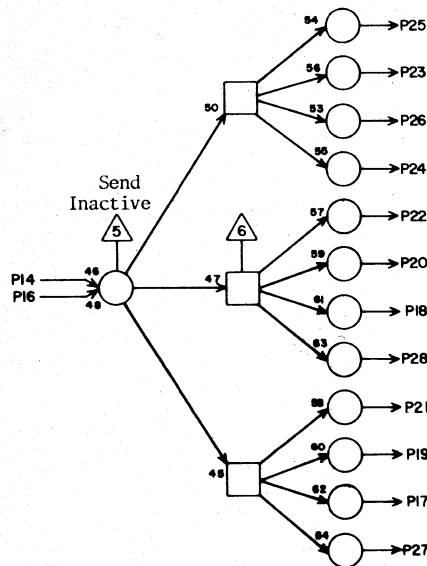
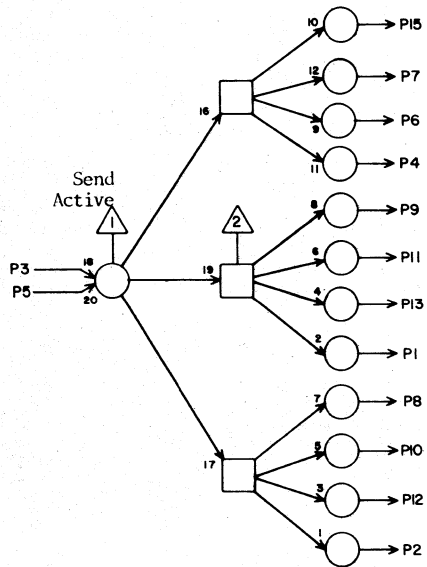
63019800 Rev. A



PG 1 030

1			
2			
3			
4			
5	N27	11	9
6	N27	9	9
7	O30	X	2
8	O21	28	13
9	O30	X	2
10	O21	15	13
11			
12			
13	O31	3	5
14	O31	14	5
15			
16			
17	O32	3	7
18			
19			
20	O32	14	7
21	O30	X	2
22			
23	N17	15	17
24			
25	N27	19	9
26	N27	12	9
27			
28			
	JACK	PIN	LG

63019800 Rev. A



TC

1031

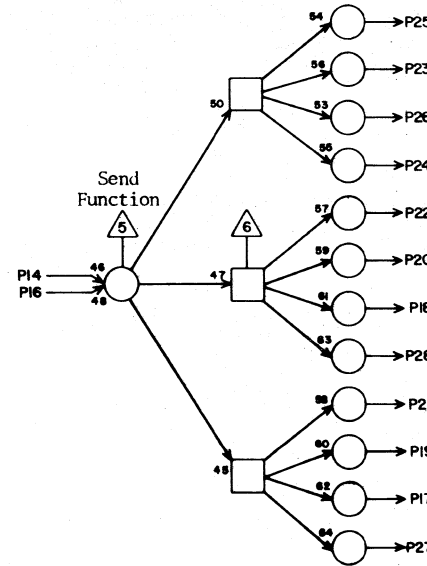
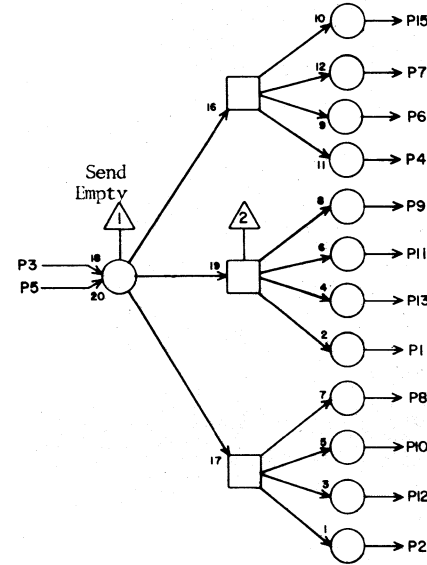
1	M35	12	13
2	M39	12	15
3	O30	13	5
4	N35	12	9
5	O31	X	2
6	N39	12	13
7	O35	12	7
8	O39	12	11
9	P35	12	9
10	P39	12	13
11	Q35	12	13
12	Q39	12	15
13	R35	12	15
14	O30	14	5
15	R39	12	17
16	O31	X	2
17	M35	27	13
18	M39	27	15
19	N35	27	9
20	N39	27	13
21	O35	27	7
22	O39	27	11
23	P35	27	9
24	P39	27	13
25	Q35	27	13
26	Q39	27	15
27	R35	27	15
28	R39	27	17

JACK PIN LG

63019800 Rev. A

TC

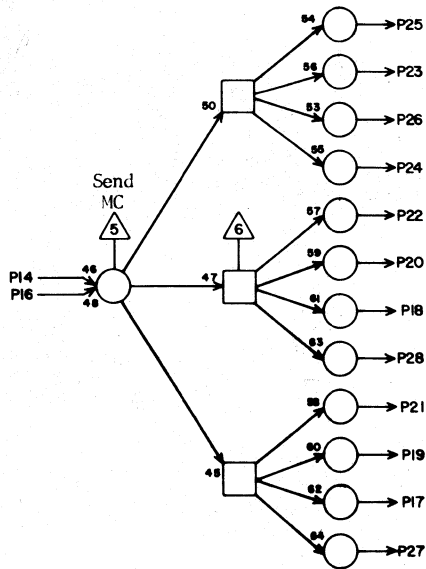
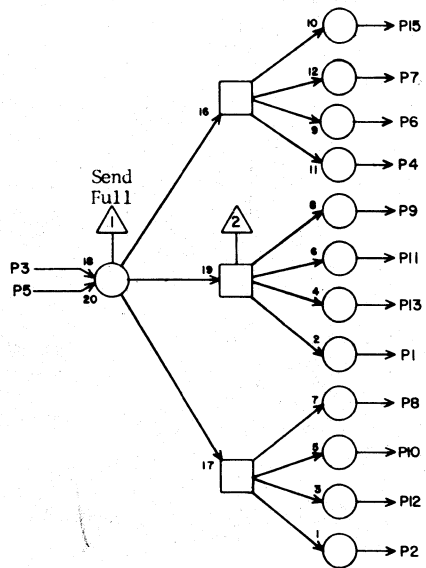
1032



1	M35	17	13
2	M39	17	13
3	O30	17	7
4	N35	17	9
5	O32	X	2
6	N39	17	11
7	O35	17	7
8	O39	17	9
9	P35	17	9
10	P39	17	11
11	Q35	17	13
12	Q39	17	13
13	R35	17	15
14	O30	20	7
15	R39	17	17
16	O32	X	2
17	M35	5	13
18	M39	5	13
19	N35	5	9
20	N39	5	11
21	O35	5	7
22	O39	5	9
23	P35	5	9
24	P39	5	11
25	Q35	5	13
26	Q39	5	13
27	R35	5	15
28	R39	5	17

JACK PIN LG

63019800 Rev. A

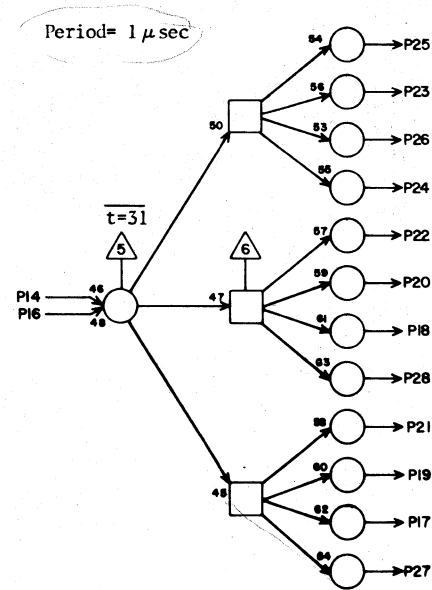
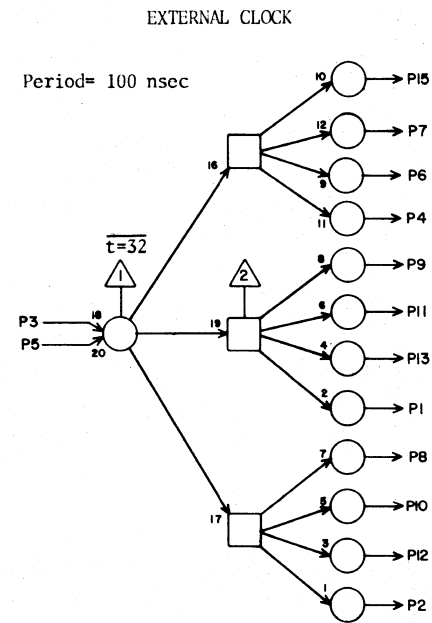


TC 1 033

1	M35	6	13
2	M39	6	13
3	N28	18	9
4	N35	6	9
5	O33	X	2
6	N39	6	11
7	O35	6	7
8	O39	6	9
9	P35	6	7
10	P39	6	9
11	Q35	6	11
12	Q39	6	13
13	R35	6	15
14	I16	22	37
15	R39	6	15
16	G7	20	47
17	Q42	2	13
18	M42	2	15
19	P42	2	13
20	R38	2	13
21	O42	2	11
22	Q38	2	13
23	N38	2	11
24	P38	2	9
25	M38	2	13
26	O38	2	7
27	R42	2	17
28	N42	2	13

JACK    PIN    LG

63019800 Rev. A



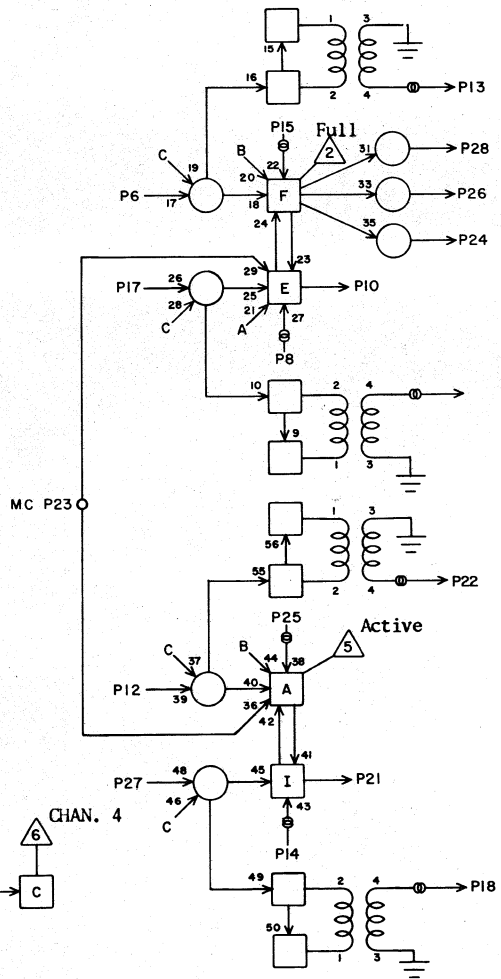
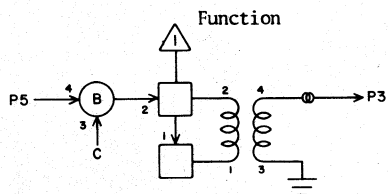
TC 1 034

1	R40	2	13
2	N40	2	13
3	Q21	27	19
4	P36	2	7
5	Q34	X	2
6	O36	2	7
7	N36	2	9
8	Q36	2	11
9	O40	2	9
10	R36	2	15
11	P40	2	9
12	M40	2	15
13	Q40	2	13
14	G1	9	47
15	M36	2	13
16	Q21	28	17
17	Q41	2	13
18	M41	2	15
19	P41	2	11
20	R37	2	15
21	O41	2	9
22	Q37	2	11
23	N37	2	9
24	P37	2	7
25	M37	2	13
26	O37	2	7
27	R41	2	15
28	N41	2	9

JACK    PIN    LG

63019800 Rev. A

CHANNEL 4



PK

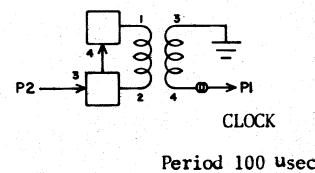
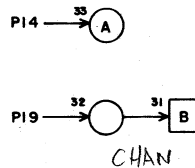
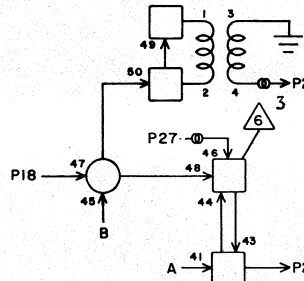
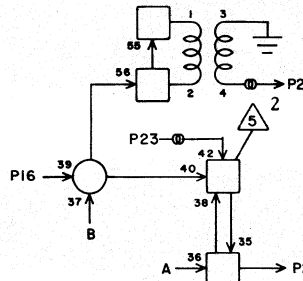
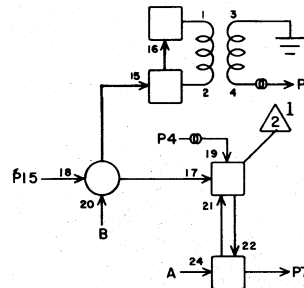
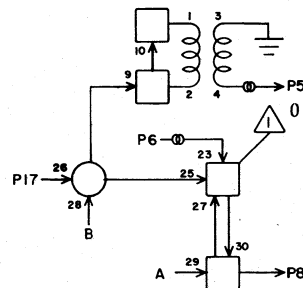
1 035

1			
2			
3	W22	906	
4			
5	O32	21	7
6	O33	7	7
7			
8	W21	905	
9	W22	905	
10	N30	6	9
11			
12	O31	7	7
13	W22	904	
14	W21	903	
15	W21	904	
16			
17	O32	7	7
18	W22	903	
19	Q33	4	11
20			
21	N31	6	11
22	W22	902	
23	N29	6	13
24	O36	14	5
25	W21	902	
26	O37	14	7
27	O31	21	7
28	O38	14	7

JACK PIN LG

63019800 Rev. A

CHANNEL 4



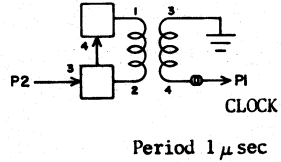
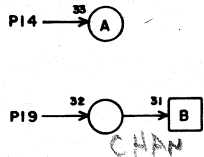
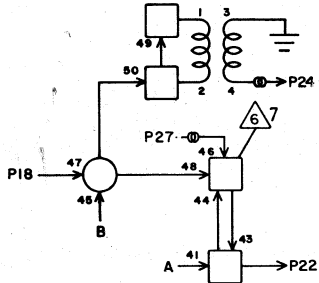
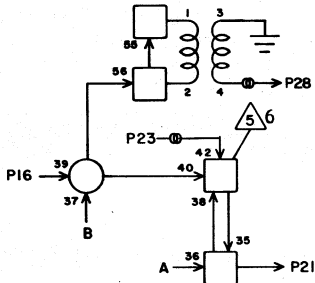
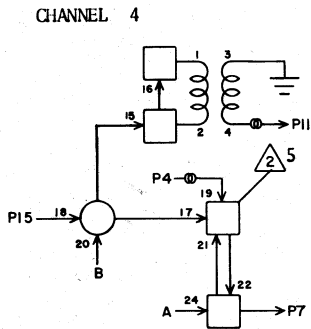
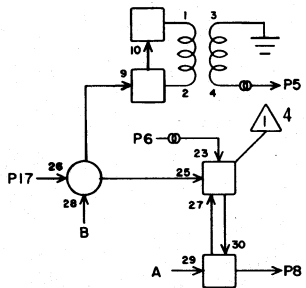
PR

1 036

1	W21	906	
2	O34	6	7
3			
4	W21	91	
5	W22	90	
6	W21	90	
7	P29	1	13
8	P29	2	13
9			
10			
11	W22	91	
12			
13			
14	O35	24	5
15	N32	21	9
16	N33	7	9
17	N32	7	11
18	N33	21	9
19	Q33	7	13
20			
21	P29	28	13
22	P29	27	13
23	W21	92	
24	W22	93	
25			
26			
27	W21	93	
28	W22	92	

JACK PIN LG

63019800 Rev. A

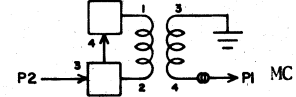
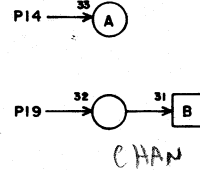
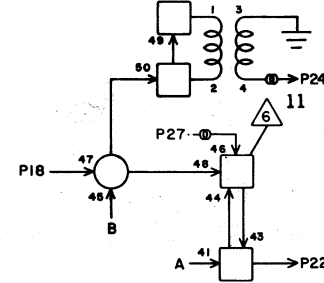
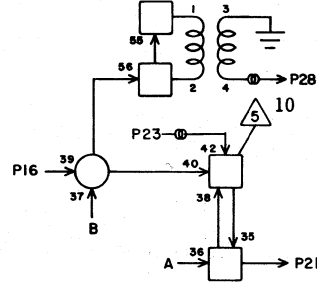
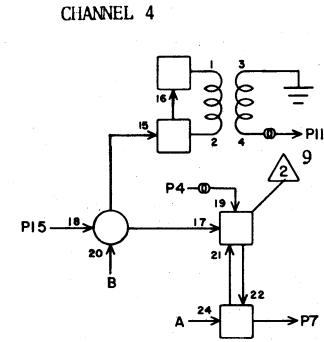
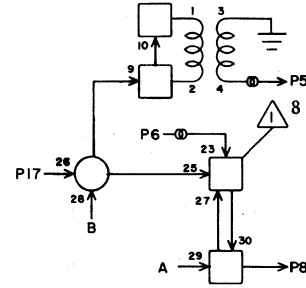


PR 1037

1	W21	909	
2	O34	26	7
3			
4	W21	95	
5	W22	94	
6	W21	94	
7	P30	1	13
8	P30	2	13
9			
10			
11	W22	95	
12			
13			
14	O35	26	7
15	N34	21	9
16	P32	7	9
17	N34	7	9
18	P32	21	9
19	Q33	9	13
20			
21	P30	28	13
22	P30	27	13
23	W21	96	
24	W22	97	
25			
26			
27	W21	97	
28	W22	96	

JACK PIN LG

63019800 Rev. A



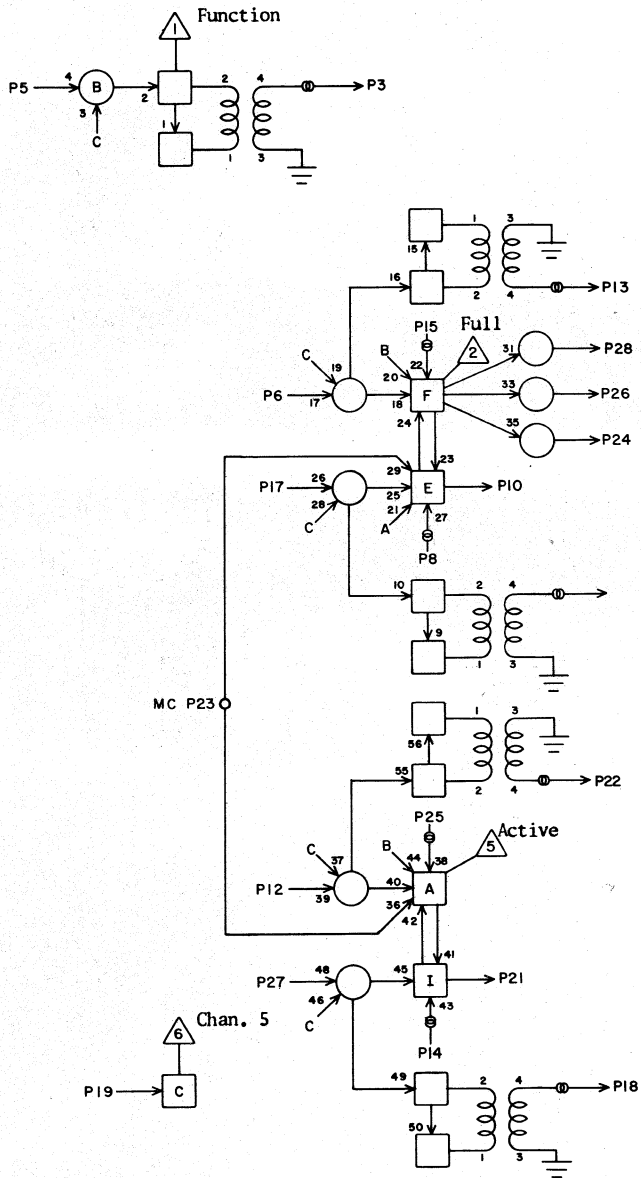
PR 1038

1	W22	907	
2	O33	26	9
3			
4	W21	99	
5	W22	98	
6	W21	98	
7	P31	1	13
8	P31	2	13
9			
10			
11	W22	99	
12			
13			
14	O35	28	7
15	P33	21	9
16	P34	7	9
17	P33	7	9
18	P34	21	9
19	Q33	11	13
20			
21	P31	28	13
22	P31	27	13
23	W21	900	
24	W22	901	
25			
26			
27	W21	901	
28	W22	900	

JACK PIN LG

63019800 Rev. A

CHANNEL 5



PK

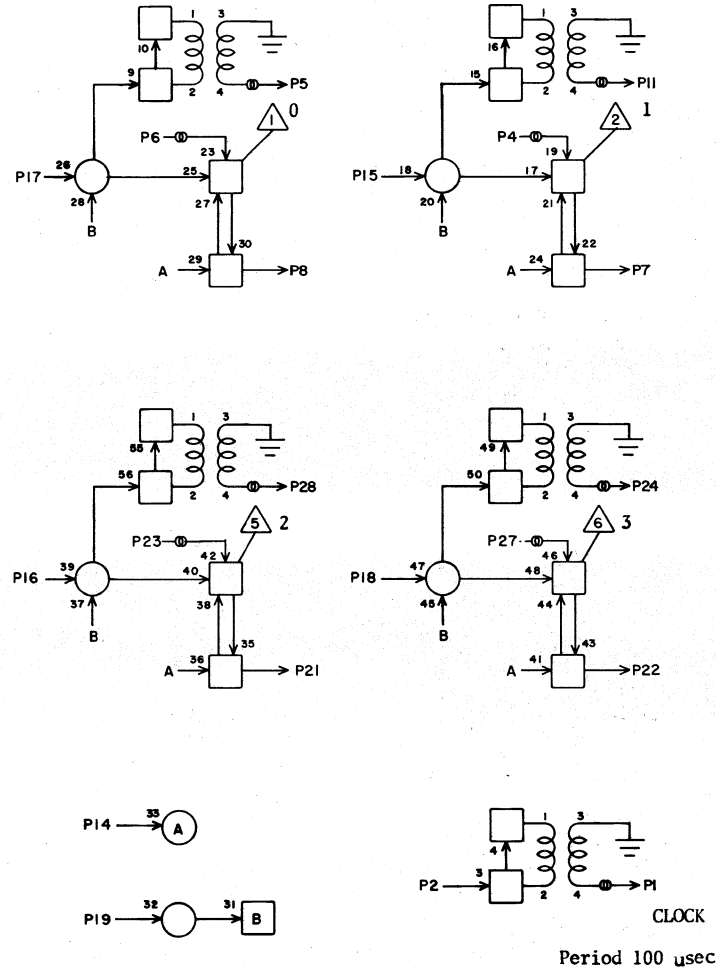
1039

1			
2			
3	W24	906	
4			
5	O32	22	9
6	O33	8	9
7			
8	W23	905	
9	W24	905	
10	N30	24	13
11			
12	O31	8	13
13	W24	904	
14	W23	903	
15	W23	904	
16			
17	O32	8	11
18	W24	903	
19	Q33	3	13
20			
21	N31	24	13
22	W24	902	
23	N29	9	15
24	O40	14	5
25	W23	902	
26	O41	14	7
27	O31	22	13
28	O42	14	7

JACK PIN LG

63019800 Rev. A

CHANNEL 5



PR

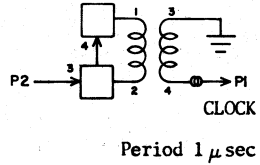
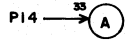
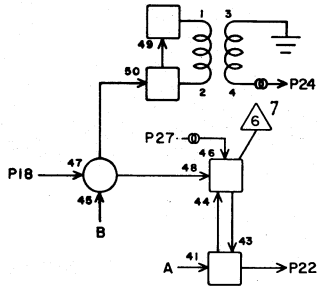
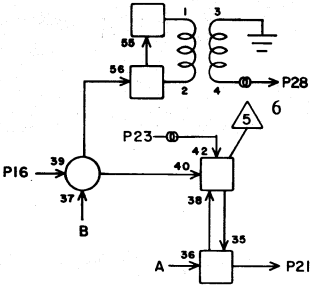
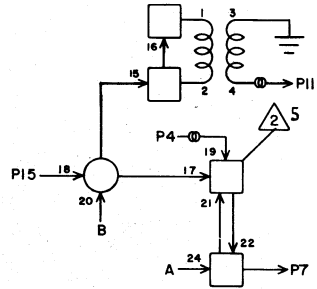
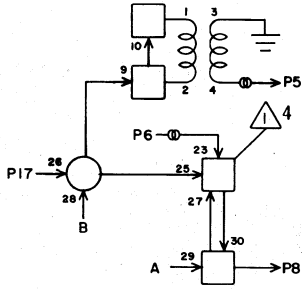
1040

1	W23	906	
2	O34	9	11
3			
4	W23	91	
5	W24	90	
6	W23	90	
7	P29	3	15
8	P29	4	15
9			
10			
11	W24	91	
12			
13			
14	O39	24	5
15	N32	22	13
16	N33	8	13
17	N32	8	13
18	N33	22	13
19	Q33	8	15
20			
21	P29	26	15
22	P29	25	15
23	W23	92	
24	W24	93	
25			
26			
27	W23	93	
28	W24	92	

JACK PIN LG

63019800 Rev. A

CHANNEL 5



CLOCK

Period 1 μsec

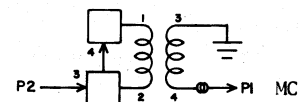
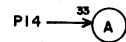
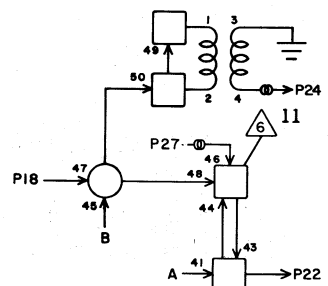
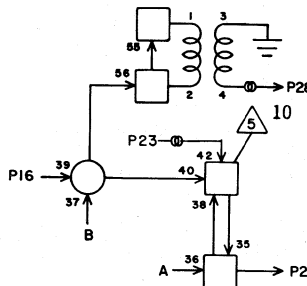
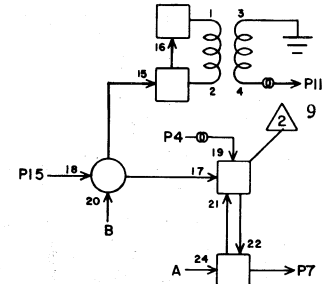
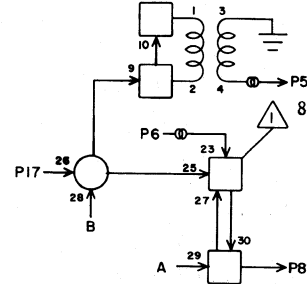
PR 1041

1	W23	907	
2	O34	21	9
3			
4	W23	95	
5	W24	94	
6	W23	94	
7	P30	3	15
8	P30	4	15
9			
10			
11	W24	95	
12			
13			
14	O39	26	7
15	N34	22	13
16	P32	8	13
17	N34	8	13
18	P32	22	15
19	Q33	10	15
20			
21	P30	26	15
22	P30	25	15
23	W23	96	
24	W24	97	
25			
26			
27	W23	97	
28	W24	96	

JACK PIN LG

63019800 Rev. A

CHANNEL 5



MC

PR 1042

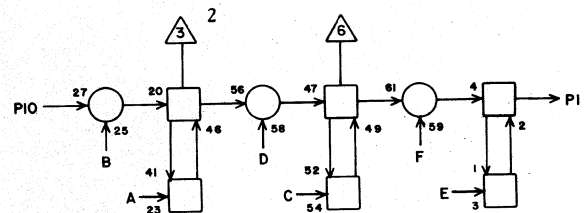
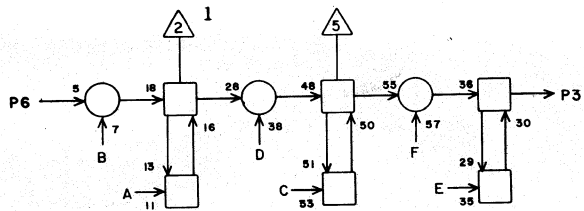
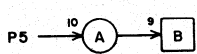
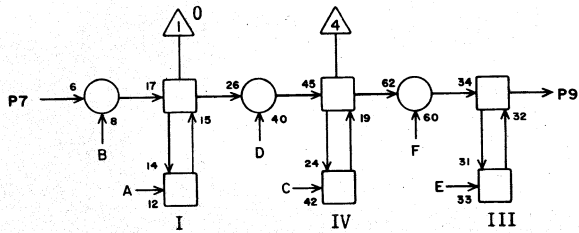
1	W24	907	
2	O33	21	13
3			
4	W23	99	
5	W24	98	
6	W23	98	
7	P31	3	15
8	P31	4	15
9			
10			
11	W24	99	
12			
13			
14	O39	28	7
15	P33	22	15
16	P34	8	15
17	P33	8	15
18	P34	22	15
19	Q33	12	15
20			
21	P31	26	15
22	P31	25	15
23	W23	900	
24	W24	901	
25			
26			
27	W23	901	
28	W24	900	

JACK PIN LG

63019800 Rev. A



A IN BARREL  
(Stage 4,5,6)

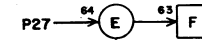
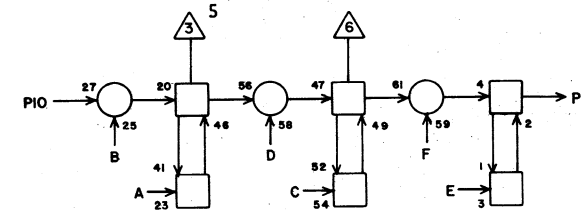
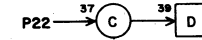
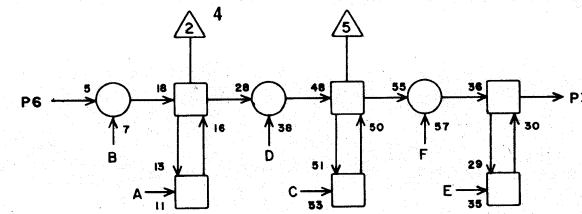
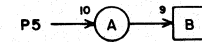
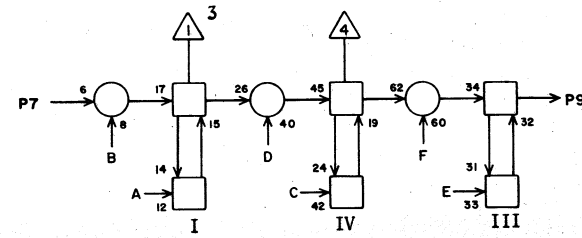


PB		1P1	
1	Q1	10	7
2			
3	Q1	6	7
4			
5	P14	1	17
6	O1	3	7
7	O1	9	7
8			
9	Q1	7	7
10	O1	1	7
11			
12			
13			
14			
15			
16			
17			
18			
19			
20			
21			
22	O7	17	11
23			
24			
25			
26			
27	O7	1	11
28			

JACK PIN LG

63019800 Rev. A

A

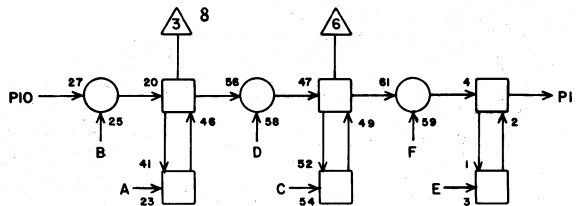
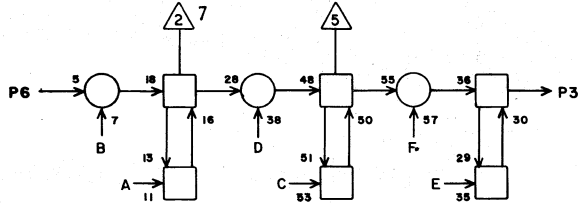
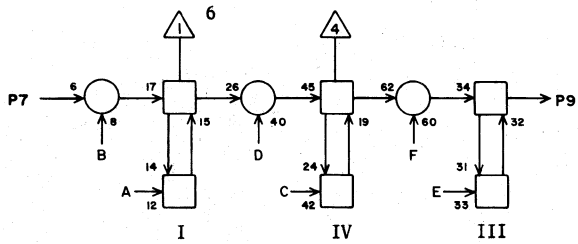


PB		1P2	
1	Q2	10	7
2			
3	Q2	6	7
4			
5	P14	2	15
6	O2	3	7
7	O2	9	7
8			
9	Q2	7	7
10	O2	1	7
11			
12			
13			
14			
15			
16			
17			
18			
19			
20			
21			
22	O7	18	11
23			
24			
25			
26			
27	O7	2	11
28			

JACK PIN LG

63019800 Rev. A

A



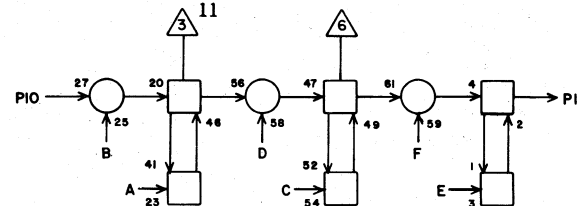
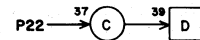
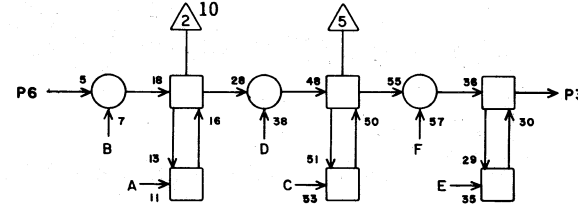
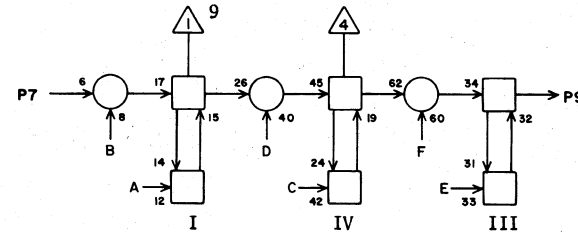
PB 1P3

1	Q3	10	7
2			
3	Q3	6	7
4			
5	P14	4	15
6	O3	3	7
7	O3	9	7
8			
9	Q3	7	7
10	O3	1	7
11			
12			
13			
14			
15			
16			
17			
18			
19			
20			
21			
22	O7	19	9
23			
24			
25			
26			
27	O7	4	9
28			

JACK PIN LG

63019800 Rev. A

A



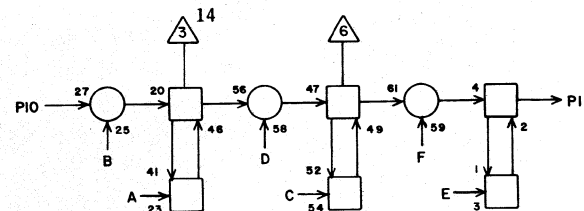
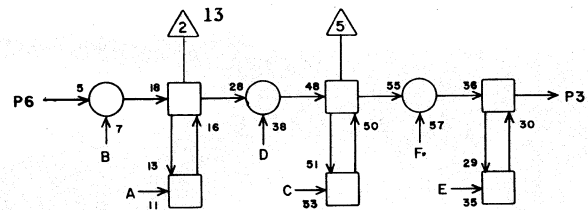
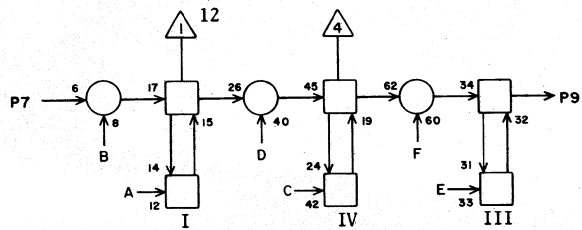
PB 1P4

1	Q4	10	7
2			
3	Q4	6	7
4			
5	P14	6	13
6	O4	3	7
7	O4	9	7
8			
9	Q4	7	7
10	O4	1	7
11			
12			
13			
14			
15			
16			
17			
18			
19			
20			
21			
22	O7	20	9
23			
24			
25			
26			
27	O7	6	9
28			

JACK PIN LG

63019800 Rev. A

A



PB

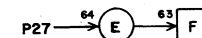
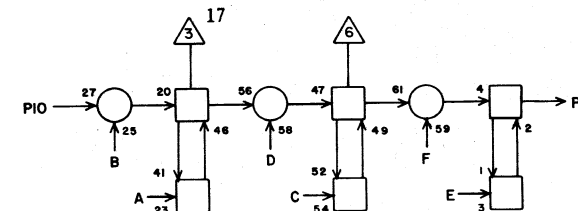
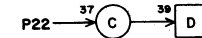
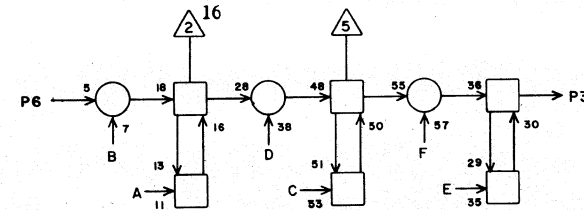
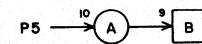
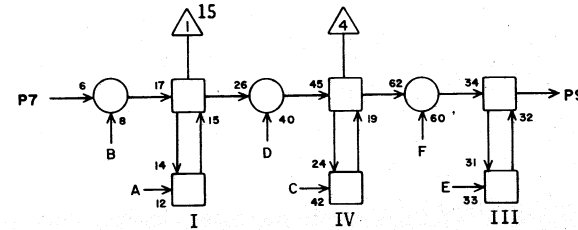
1P5

1	Q5	10	7
2			
3	Q5	6	7
4			
5	P14	7	13
6	O5	3	7
7	O5	9	7
8			
9	Q5	7	7
10	O5	1	7
11			
12			
13			
14			
15			
16			
17			
18			
19			
20			
21			
22	O7	21	7
23			
24			
25			
26			
27	O7	7	9
28			

JACK PIN LG

63019800 Rev. A

A



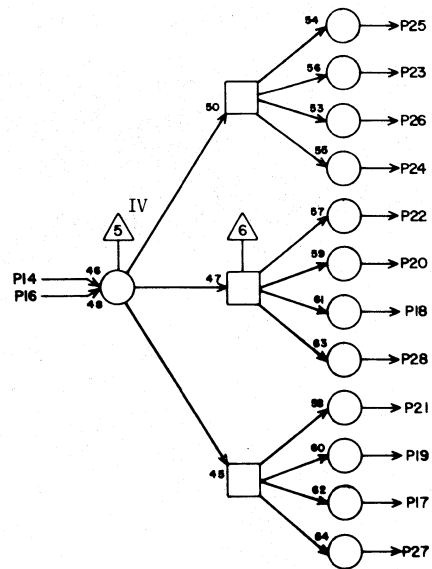
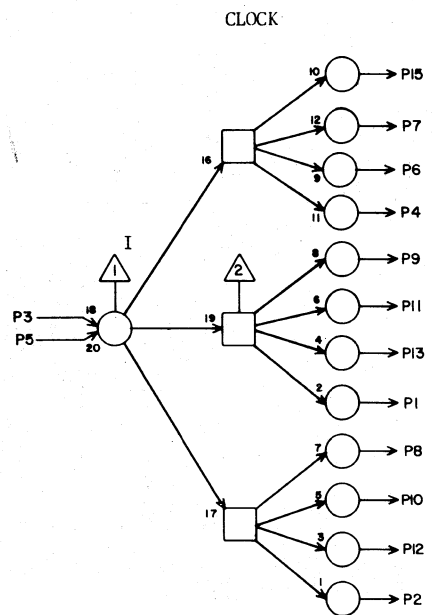
PB

1P6

1	Q6	10	7
2			
3	Q6	6	7
4			
5	P14	8	11
6	O6	3	7
7	O6	9	7
8			
9	Q6	7	7
10	O6	1	7
11			
12			
13			
14			
15			
16			
17			
18			
19			
20			
21			
22	O7	22	7
23			
24			
25			
26			
27	O7	8	9
28			

JACK PIN LG

63019800 Rev. A

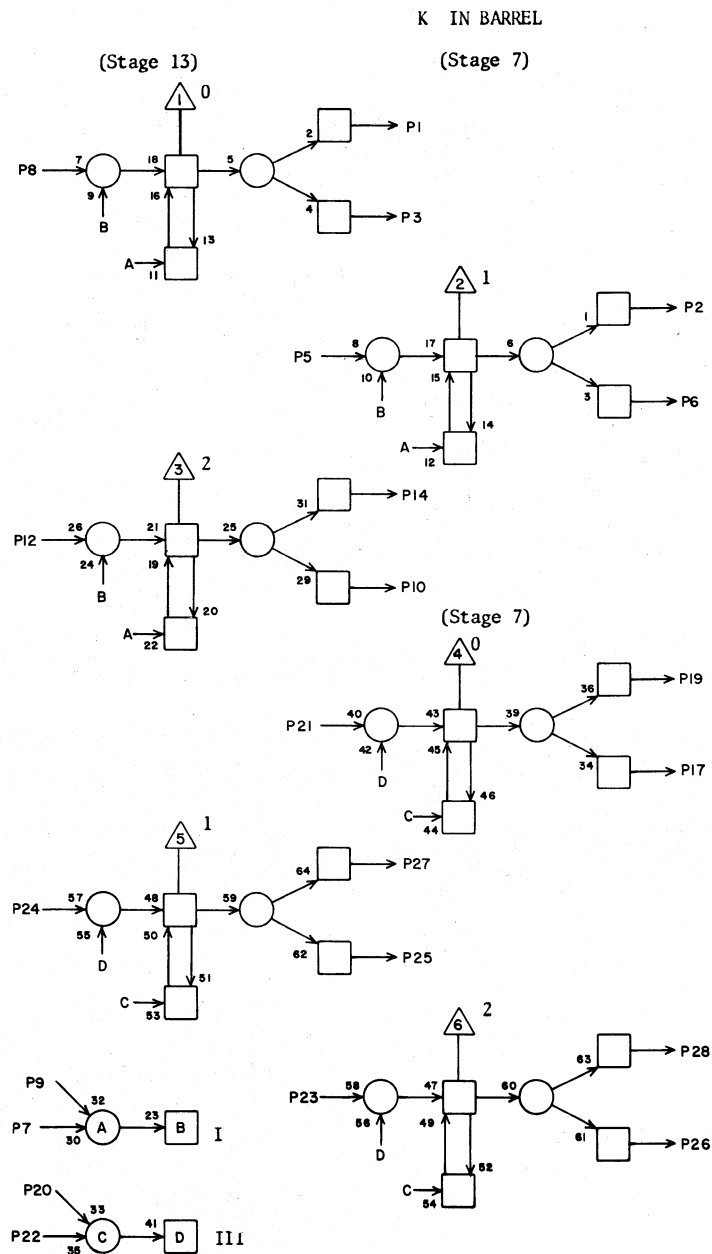


TC 1P7

1	Q8	22	9
2	Q9	22	9
3	H3	2	33
4	Q10	22	9
5	P7	X	
6	Q1	22	11
7	Q2	22	11
8	Q3	22	11
9	Q4	22	9
10	Q5	22	9
11	Q6	22	9
12	Q8	27	7
13	Q9	27	7
14	H4	18	35
15	Q10	27	7
16	P7	X	
17	Q8	27	9
18	Q9	27	9
19	Q10	27	9
20	Q1	27	11
21	Q2	27	11
22	Q3	27	11
23	Q4	27	9
24	Q5	27	9
25	Q6	27	9
26			
27			
28			

JACK PIN LG

63019800 Rev. A

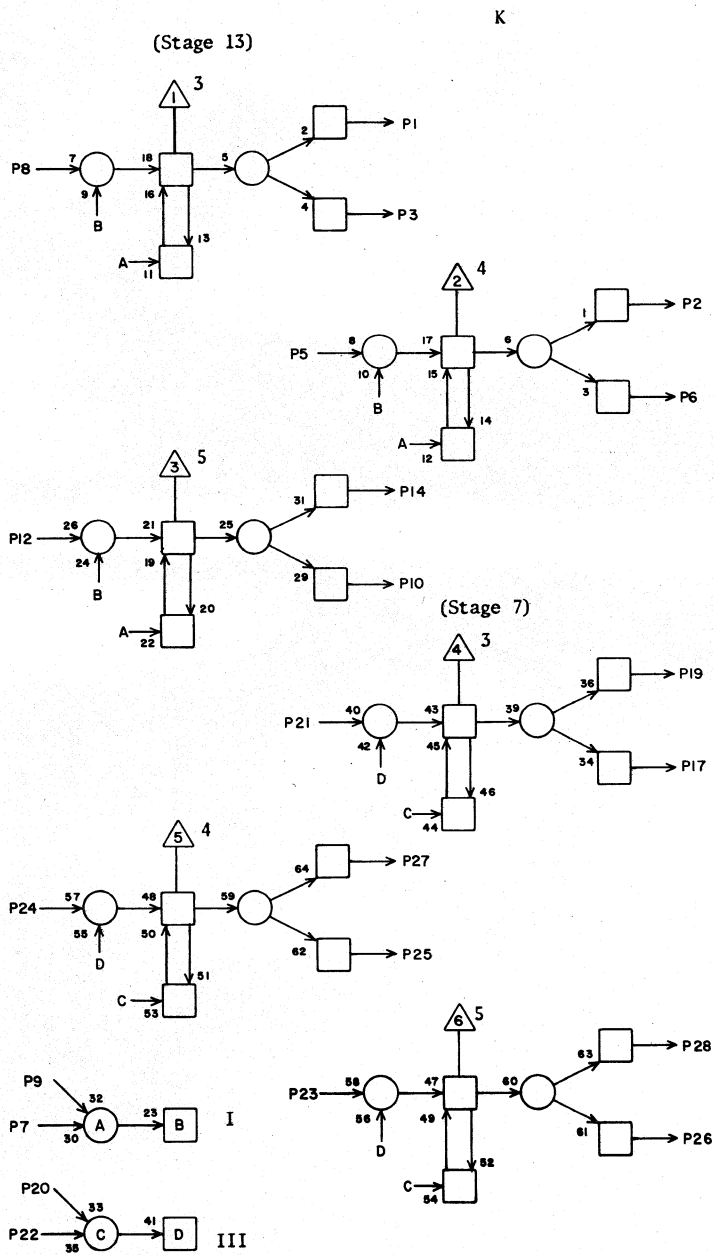


PA 1P8

1	N7	8	13
2	N7	5	13
3			
4			
5	R13	11	13
6			
7	P14	9	9
8	R12	22	13
9	P8	X	2
10			
11			
12	R13	12	13
13			
14	L18	9	23
15			
16			
17			
18			
19	Q8	7	7
20	P14	17	9
21	P11	11	7
22	P8	X	2
23	P11	19	7
24	P11	12	7
25			
26			
27	Q8	6	7
28	Q8	10	7

JACK PIN LG

63019800 Rev. A

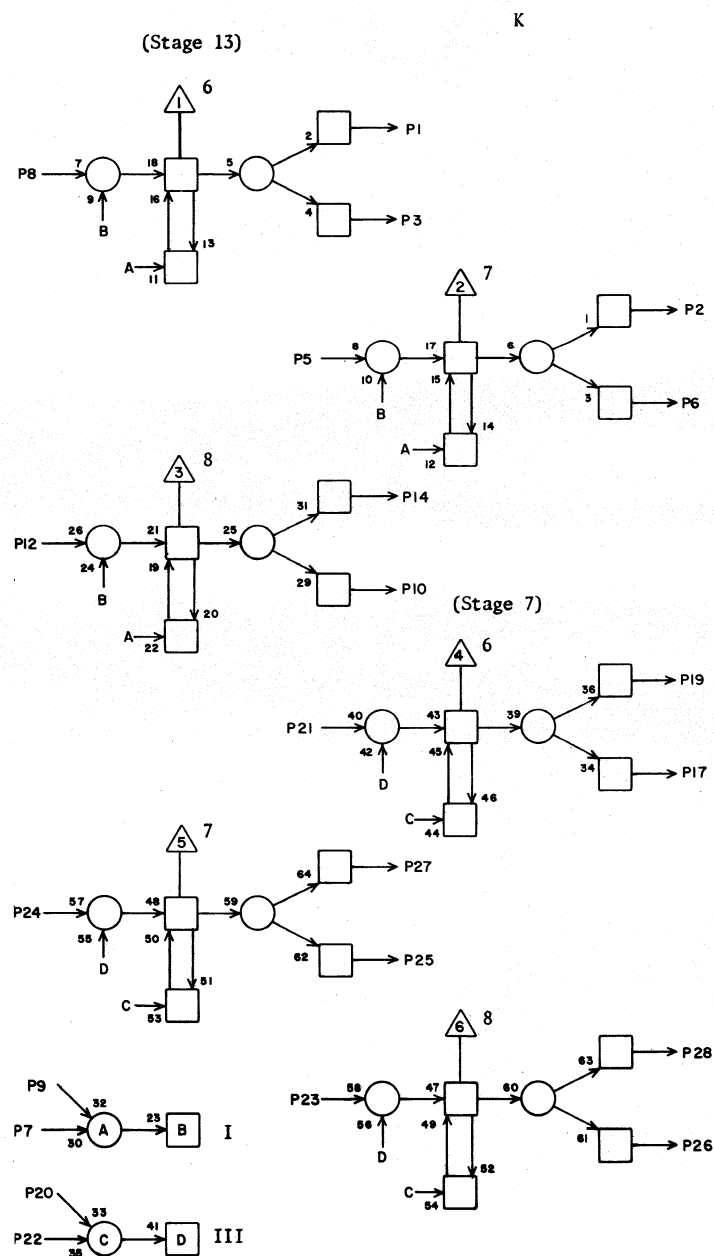


PA 1P9

1	N8	8	13
2	N8	5	13
3			
4			
5	R13	22	13
6			
7	P14	10	9
8	R13	19	13
9	P9	X	2
10			
11			
12	R14	11	13
13			
14	N8	12	13
15			
16			
17			
18			
19	Q9	7	7
20	P14	18	9
21	P11	22	7
22	P9	X	2
23	P12	12	7
24	P12	11	7
25			
26			
27	Q9	6	7
28	Q9	10	7

JACK PIN LG

63019800 Rev. A



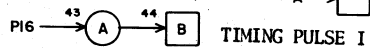
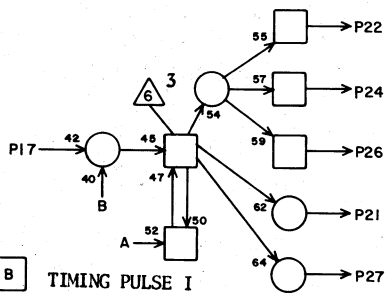
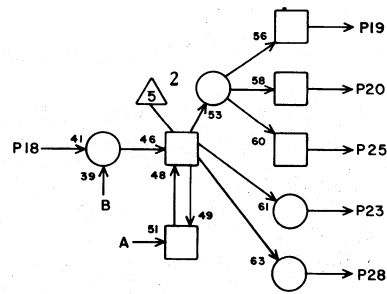
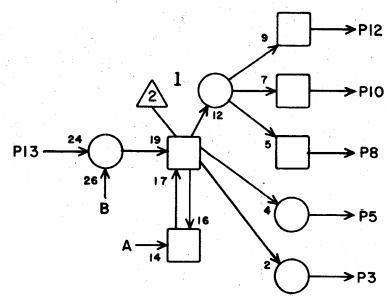
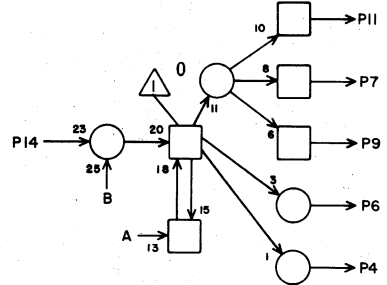
PA 1P10

1	L18	6	21
2	N9	5	13
3			
4			
5	R14	19	13
6			
7	P14	11	7
8	R14	12	13
9	P10	X	2
10			
11			
12	R14	22	13
13			
14	N9	12	13
15			
16			
17			
18			
19	Q10	7	7
20	P14	19	7
21	P12	19	7
22	P10	X	2
23	Q13	15	7
24	P12	24	7
25			
26			
27	Q10	6	7
28	Q10	10	7

JACK PIN LG

63019800 Rev. A

K IN BARREL  
(Stage 6)

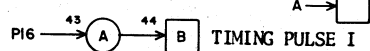
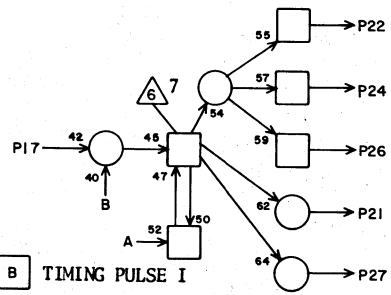
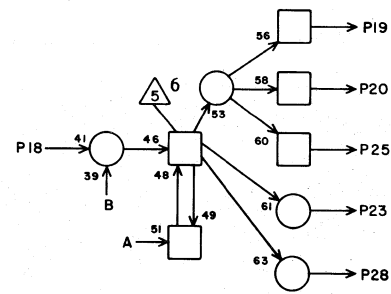
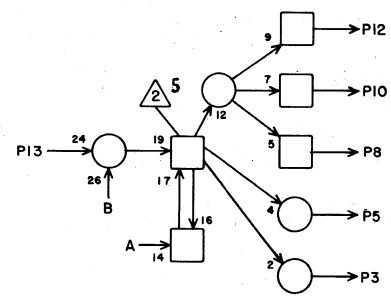
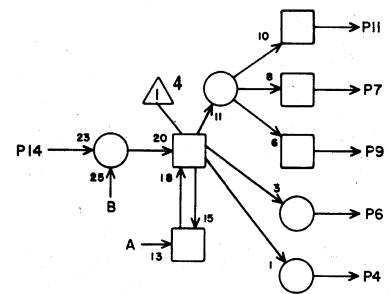


PD 1 P11

1			
2			
3	Q14	7	7
4	Q13	6	7
5	Q13	1	7
6	Q15	14	9
7	Q14	6	7
8	Q14	8	7
9	Q14	23	9
10			
11	P8	21	7
12	P8	24	7
13	N10	2	13
14	N10	1	13
15			
16	P14	12	7
17	N10	19	11
18	N10	14	13
19	P8	23	7
20			
21	Q14	10	7
22	P9	21	7
23	Q12	2	7
24			
25			
26	Q12	4	7
27	Q15	25	7
28	Q13	3	7

JACK PIN LG  
63019800 Rev. A

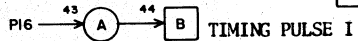
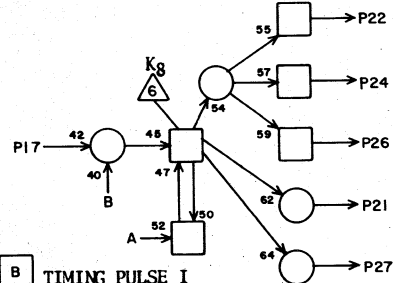
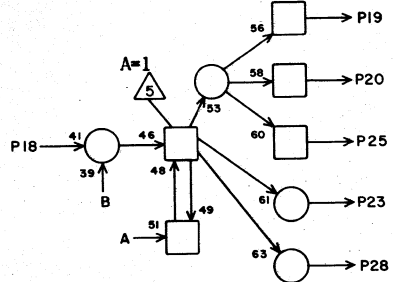
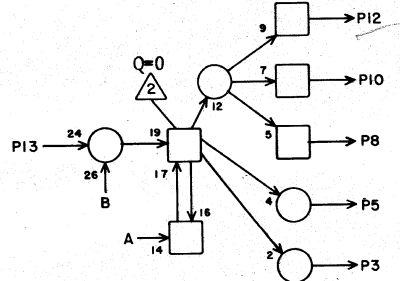
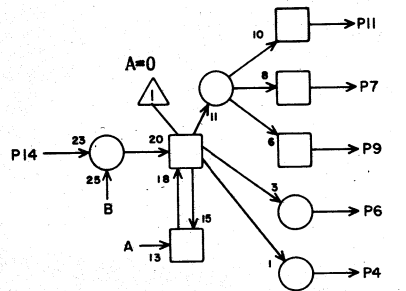
K



PD 1 P12

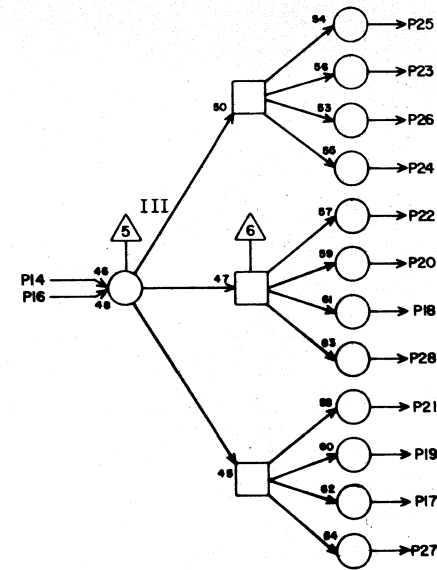
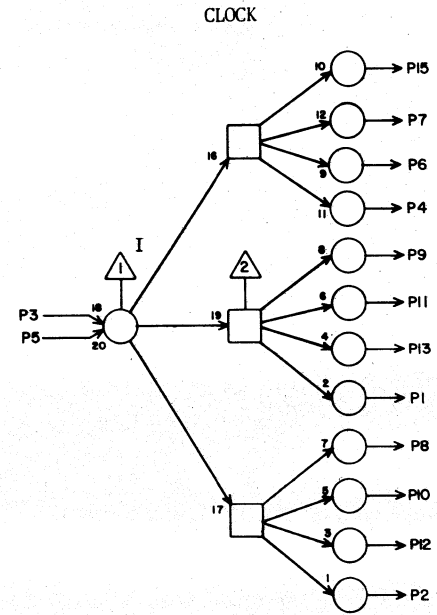
1			
2			
3	Q12	6	7
4	Q14	12	7
5	Q15	27	7
6			
7			
8			
9			
10			
11	P9	24	7
12	P9	23	7
13	N10	28	11
14	N10	27	11
15			
16	P14	13	7
17	N11	2	11
18	N11	1	13
19	P10	21	7
20			
21	Q15	17	7
22	Q14	15	7
23			
24	P10	24	7
25	Q13	26	7
26	Q12	8	7
27	Q15	12	9
28	Q13	25	7

JACK PIN LG  
63019800 Rev. A



PD			
1 P13			
JACK	PIN	LG	
1			
2			
3	I25	22	31
4			
5			
6	I26	8	33
7			
8			
9			
10			
11	I26	7	33
12	I28	16	33
13	R17	14	13
14	Q11	19	9
15			
16	P14	15	5
17	N11	14	13
18	Q12	19	9
19	M28	22	21
20			
21			
22	Q14	17	9
23			
24	Q13	28	9
25			
26	Q12	10	9
27			
28			

63019800 Rev. A

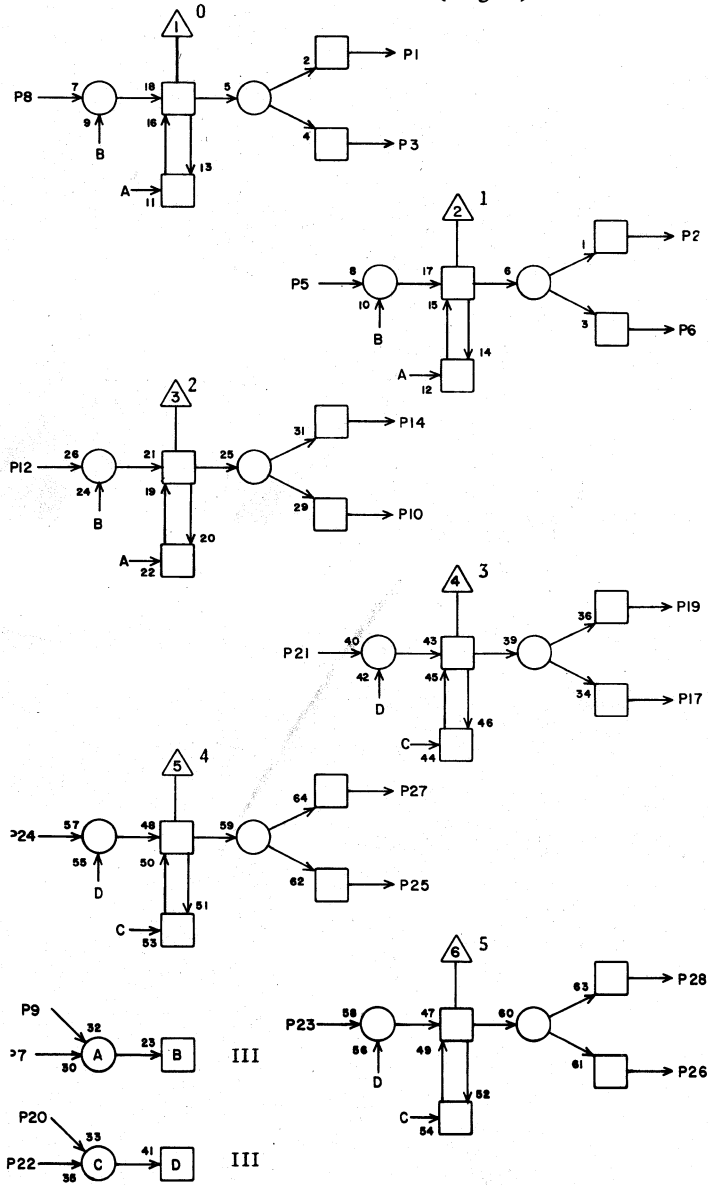


TC			
1 P14			
JACK	PIN	LG	
1	P1	5	17
2	P2	5	15
3	H3	6	35
4	P3	5	15
5	P14	X	2
6	P4	5	15
7	P5	5	13
8	P6	5	13
9	P8	7	11
10	P9	7	9
11	P10	7	9
12	P11	16	7
13	P12	16	7
14	H4	9	35
15	P13	16	5
16	P14	X	2
17	P8	20	11
18	P9	20	9
19	P10	20	9
20	P15	7	5
21	P15	20	5
22	P16	7	7
23	P16	20	7
24	O8	5	13
25	O9	5	11
26	O10	5	11
27	O17	5	9
28			

63019800 Rev. A

P IN BARREL

(Stage 6)



PA

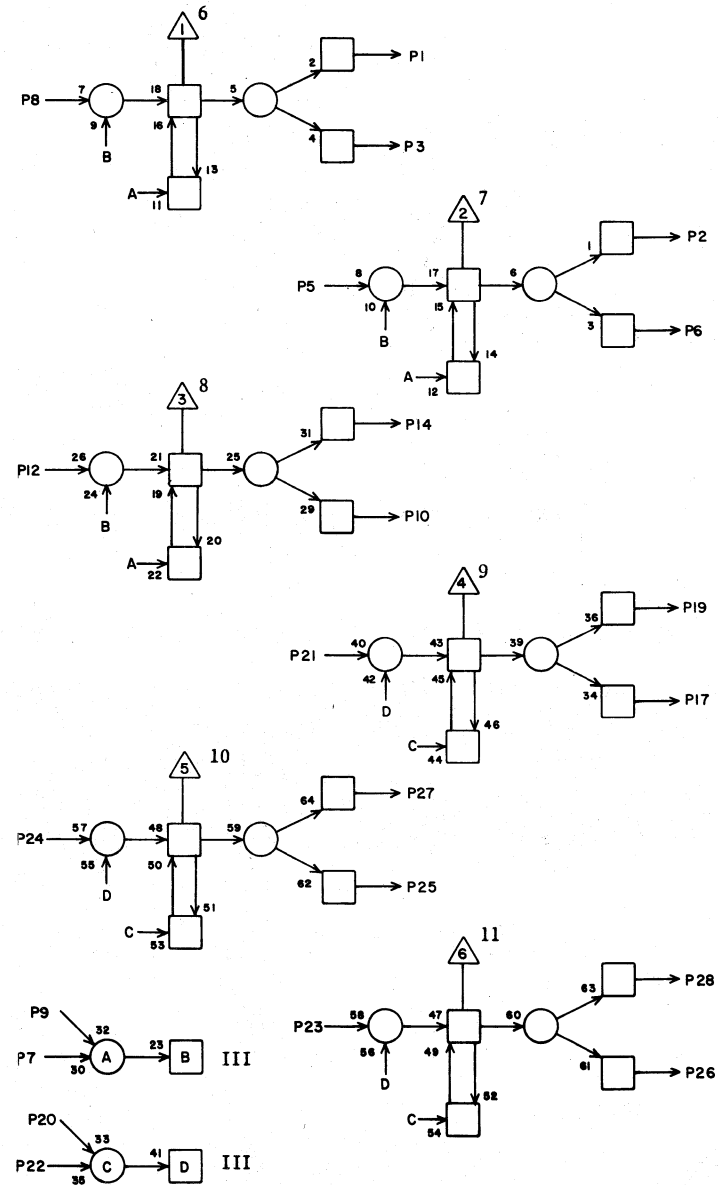
1 P15

1	P17	7	7
2	P17	6	7
3	J20	5	27
4			
5	O15	2	9
6	J20	6	27
7	P14	20	5
8	O15	1	9
9	P15	X	2
10	J20	25	27
11			
12	O15	14	9
13			
14	P17	10	7
15			
16			
17	P18	7	7
18			
19	J20	26	27
20	P14	21	5
21	O15	17	9
22	P15	X	2
23	O15	26	9
24	O15	25	9
25	P18	6	7
26	P18	10	7
27	J21	5	27
28	J21	6	27

JACK PIN LG

63019800 Rev. A

P



PA

1 P16

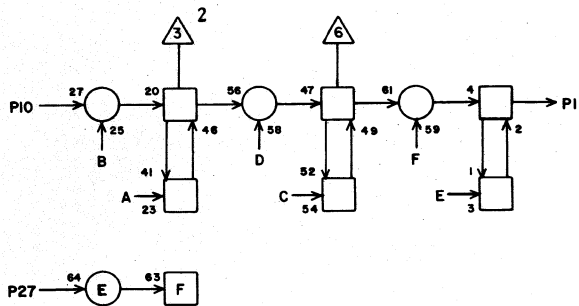
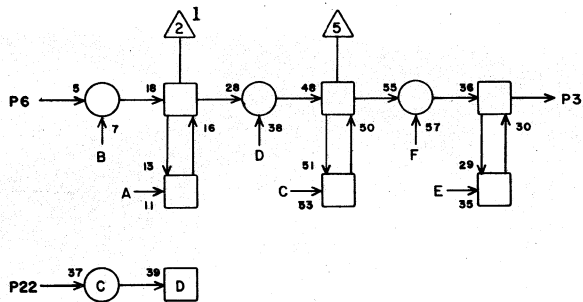
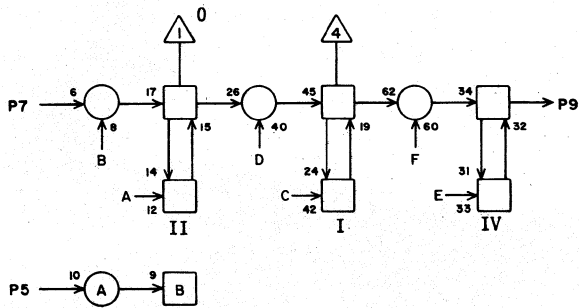
1	P19	7	7
2	P19	6	7
3	J21	25	25
4			
5	O16	2	9
6	J21	26	25
7	P14	22	7
8	O16	1	9
9	P16	X	2
10	J22	5	27
11			
12	O16	14	9
13			
14	P19	10	7
15			
16			
17	P20	7	7
18			
19	J22	6	27
20	P14	23	7
21	O16	17	9
22	P16	X	2
23	O16	26	7
24	O16	25	7
25	P20	6	7
26	P20	10	7
27	J22	25	25
28	J22	26	25

JACK PIN LG

63019800 Rev. A



P IN BARREL  
(Stage 7,8,9)



PB

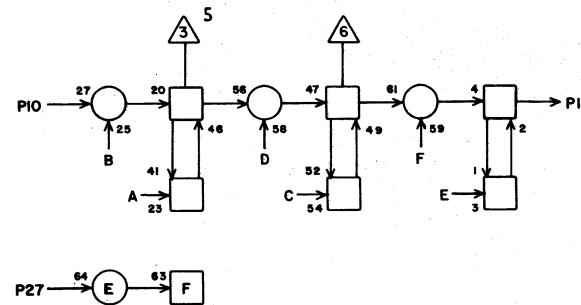
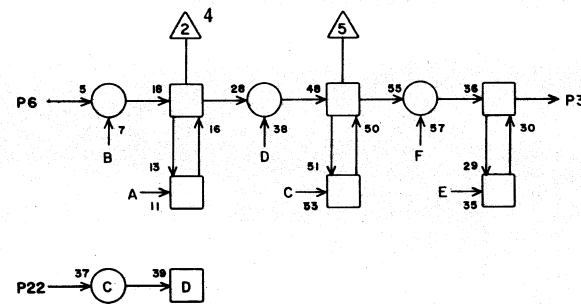
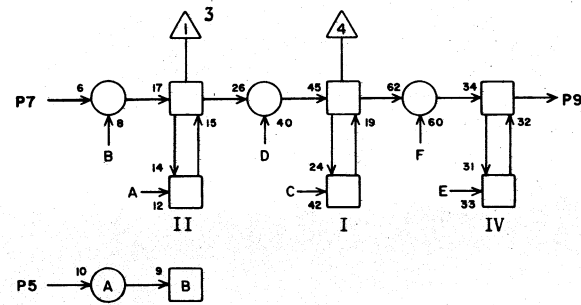
1P17

1	Q18	23	9
2			
3	Q18	8	7
4			
5	P21	1	7
6	P15	2	7
7	P15	1	7
8			
9	Q18	7	7
10	P15	14	7
11			
12			
13			
14			
15			
16			
17			
18			
19			
20			
21			
22	Q21	7	9
23			
24			
25			
26			
27	P21	17	7
28			

JACK PIN LG

63019800 Rev. A

P



PB

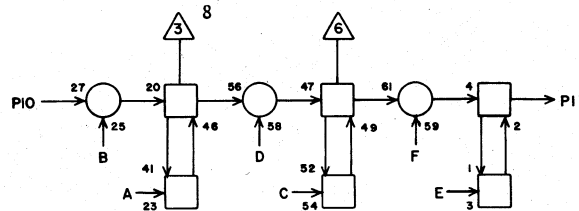
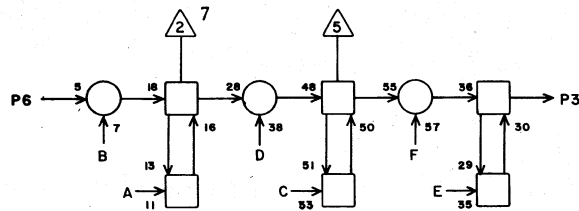
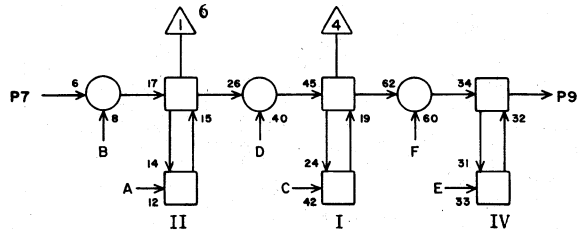
1P18

1	Q19	8	7
2			
3	Q19	7	7
4			
5	P21	2	7
6	P15	25	7
7	P15	17	7
8			
9	Q18	24	9
10	P15	26	7
11			
12			
13			
14			
15			
16			
17			
18			
19			
20			
21			
22	Q21	8	7
23			
24			
25			
26			
27	P21	18	7
28			

JACK PIN LG

63019800 Rev. A

P



PB

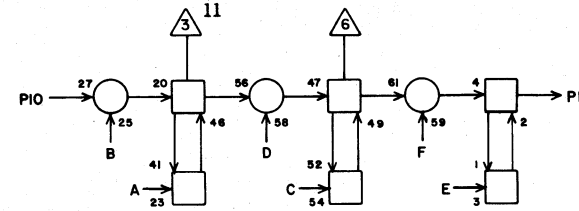
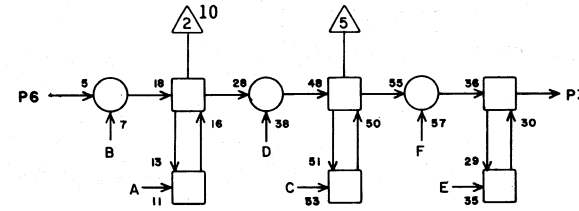
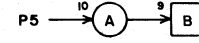
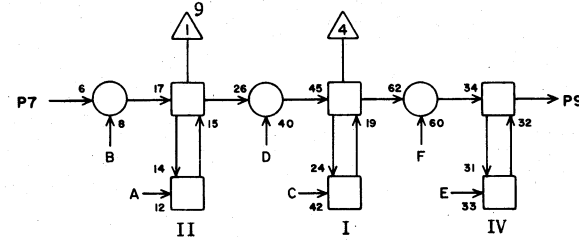
1P19

1	Q20	7	7
2			
3	Q19	24	9
4			
5	P21	4	7
6	P16	2	7
7	P16	1	7
8			
9	Q19	23	9
10	P16	14	7
11			
12			
13			
14			
15			
16			
17			
18			
19			
20			
21			
22	Q21	9	7
23			
24			
25			
26			
27	P21	19	7
28			

JACK PIN LG

63019800 Rev. A

P



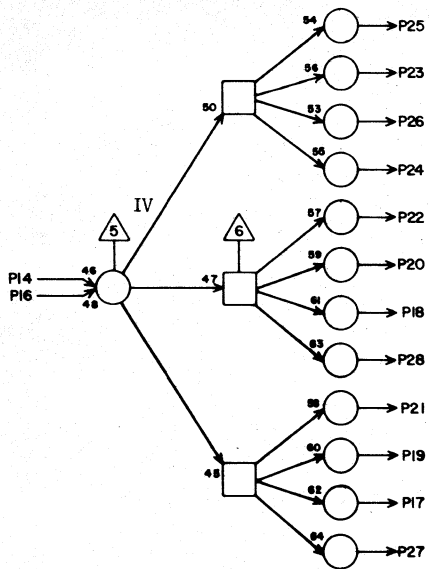
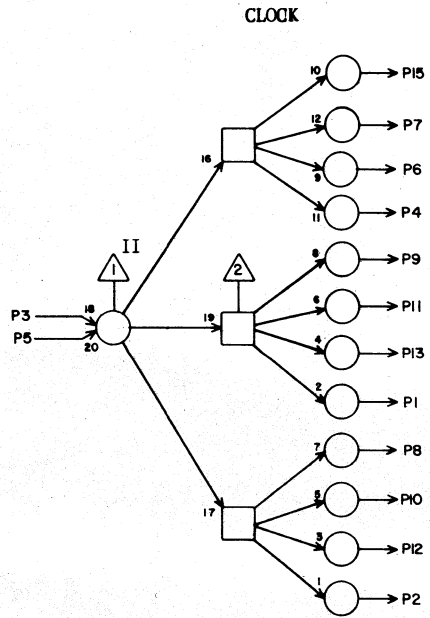
PB

1P20

1	Q20	24	9
2			
3	Q20	23	9
4			
5	P21	6	5
6	P16	25	9
7	P16	17	9
8			
9	Q20	8	7
10	P16	26	9
11			
12			
13			
14			
15			
16			
17			
18			
19			
20			
21			
22	Q21	10	7
23			
24			
25			
26			
27	P21	20	5
28			

JACK PIN LG

63019800 Rev. A

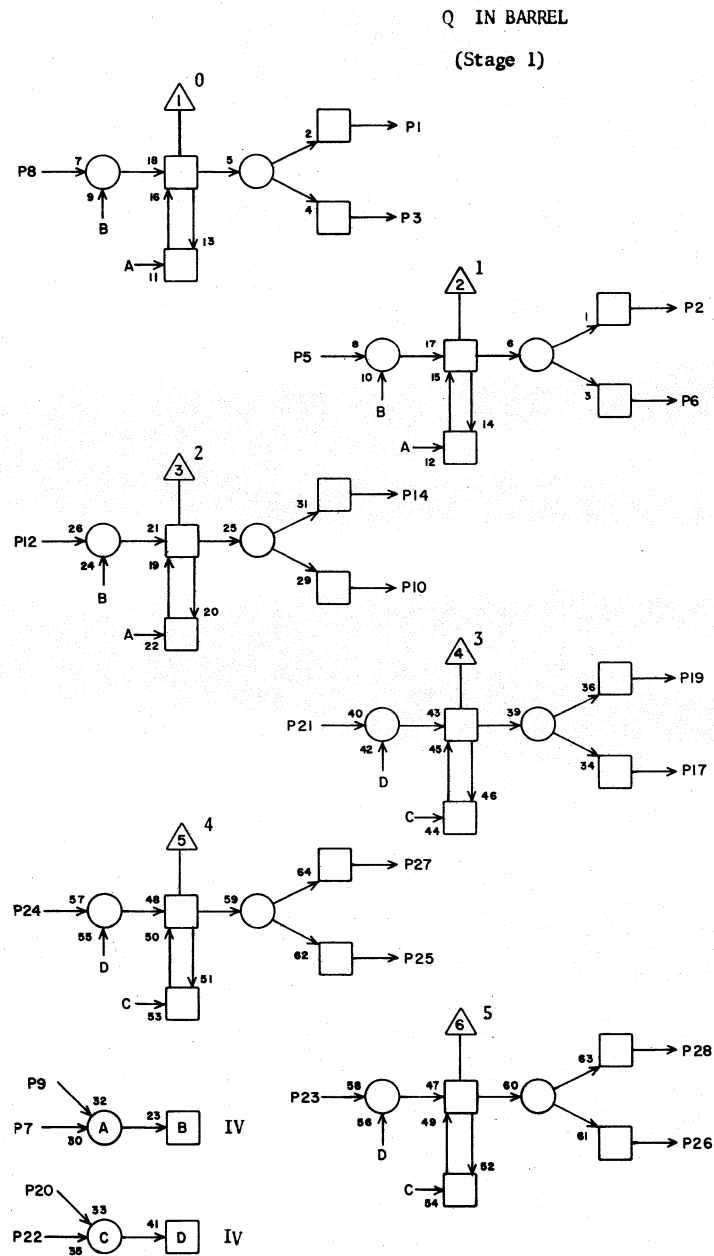


**TC** 1 P21

1	P17	5	9
2	P18	5	7
3	H3	20	37
4	P19	5	7
5	P21	X	2
6	P20	5	5
7	O17	22	9
8	O18	22	9
9	O19	22	7
10	O20	22	7
11	O22	22	7
12	O23	22	7
13	O24	22	7
14	H4	21	37
15	O25	22	9
16	P21	X	2
17	P17	27	9
18	P18	27	7
19	P19	27	7
20	P20	27	5
21	P22	7	5
22	P22	20	5
23	P23	7	7
24	P23	20	7
25	O15	7	11
26	O15	20	11
27	O16	7	11
28	O16	20	11

**JACK**    **PIN**    **LG**

63019800 Rev. A



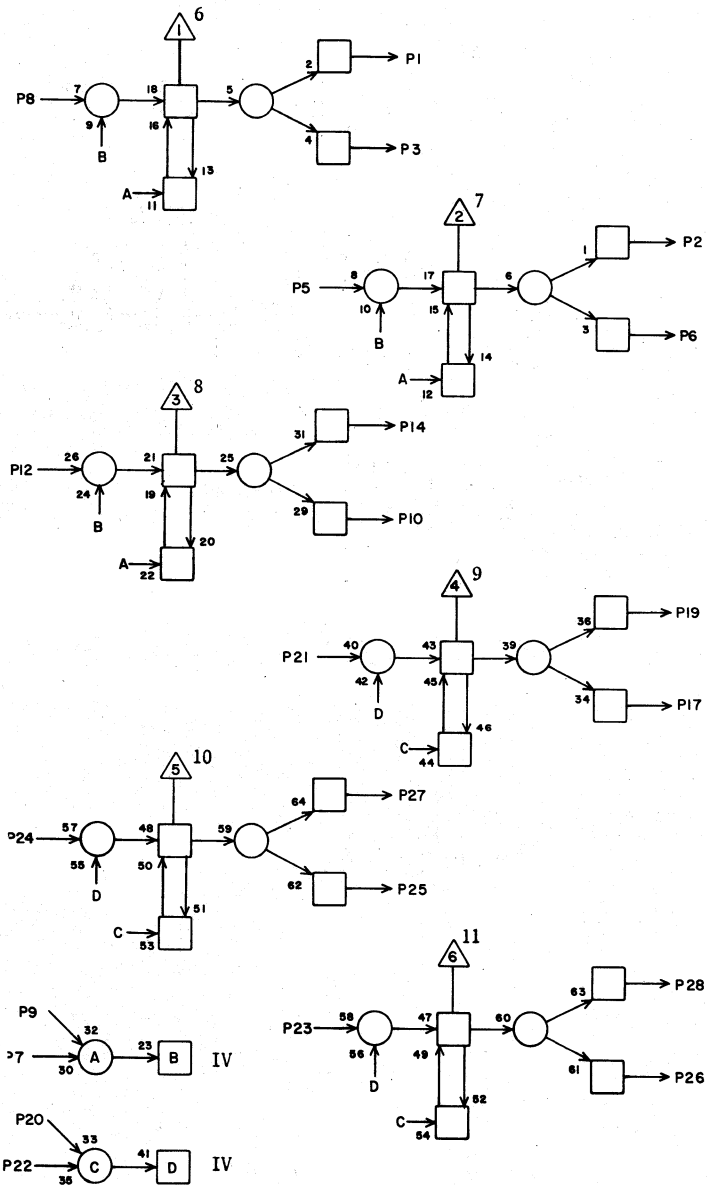
**PA** 1 P22

1	O22	7	9
2	O22	6	9
3			
4			
5	L12	11	23
6			
7	P21	21	5
8	L12	14	21
9	P22	X	2
10			
11			
12	L12	20	21
13			
14	O22	10	9
15			
16			
17	O23	7	9
18			
19			
20	P21	22	5
21	L12	17	21
22	P22	X	2
23	L13	11	21
24	L13	14	21
25	O23	6	9
26	O23	10	9
27			
28			

**JACK**    **PIN**    **LG**

63019800 Rev. A

Q



PA

1 P23

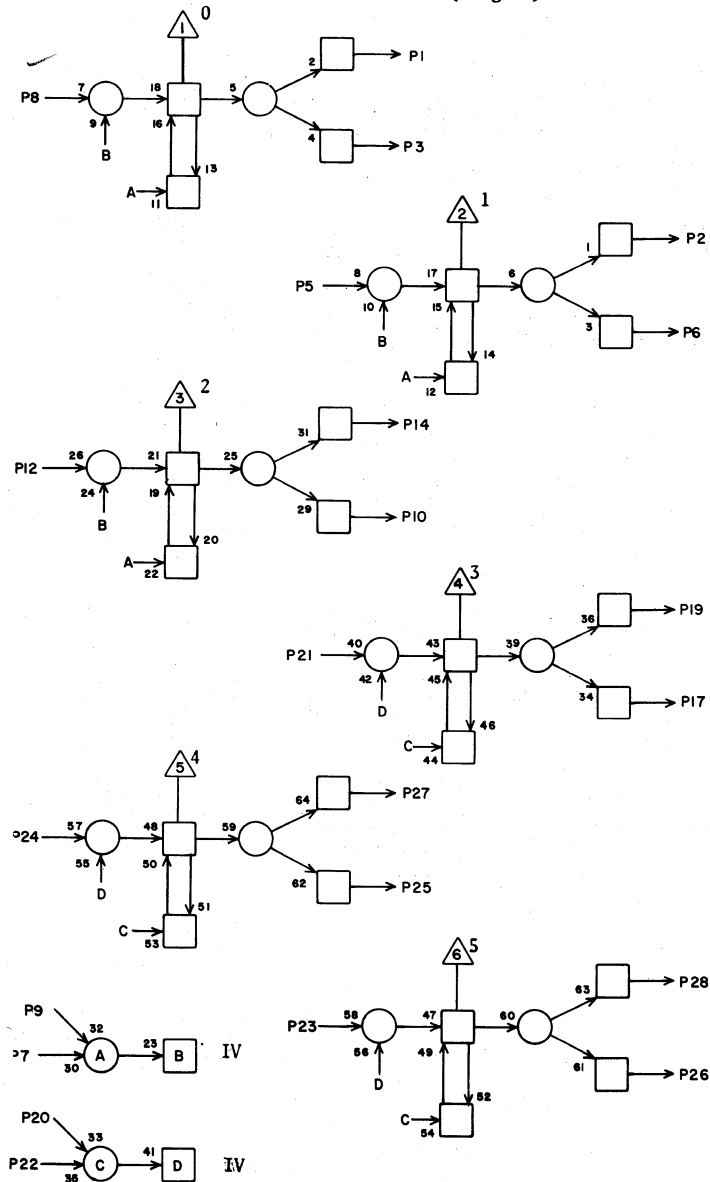
1	O24	7	9
2	O24	6	9
3			
4			
5	L13	17	21
6			
7	P21	23	7
8	L13	20	21
9	P23	X	2
10			
11			
12	L14	14	21
13			
14	O24	10	9
15			
16			
17	O25	7	7
18			
19			
20	P21	24	7
21	L14	11	23
22	P23	X	2
23	L14	17	21
24	L14	20	21
25	O25	6	9
26	O25	10	9
27			
28			

JACK PIN LG

63019800 Rev. A

Q IN BARREL

(Stage 5)



PA

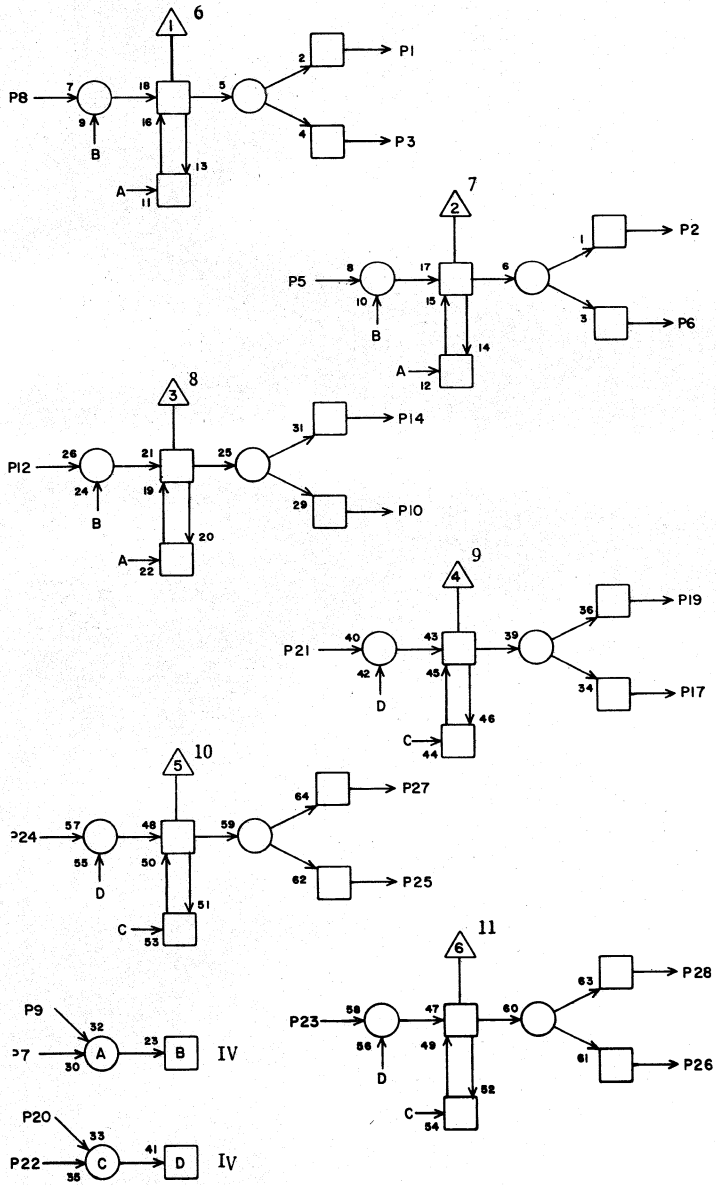
1 P24

1	P26	8	7
2	P26	5	7
3			
4			
5	O22	3	9
6			
7	Q26	23	9
8	O22	9	9
9	P24	X	2
10			
11			
12	O22	1	9
13			
14	P26	12	7
15			
16			
17	P26	21	7
18			
19			
20	Q26	24	9
21	O23	9	9
22	P24	X	2
23	O23	1	9
24	O23	3	9
25	P26	24	7
26	P26	23	7
27			
28			

JACK PIN LG

63019800 Rev. A

Q



PA

1P25

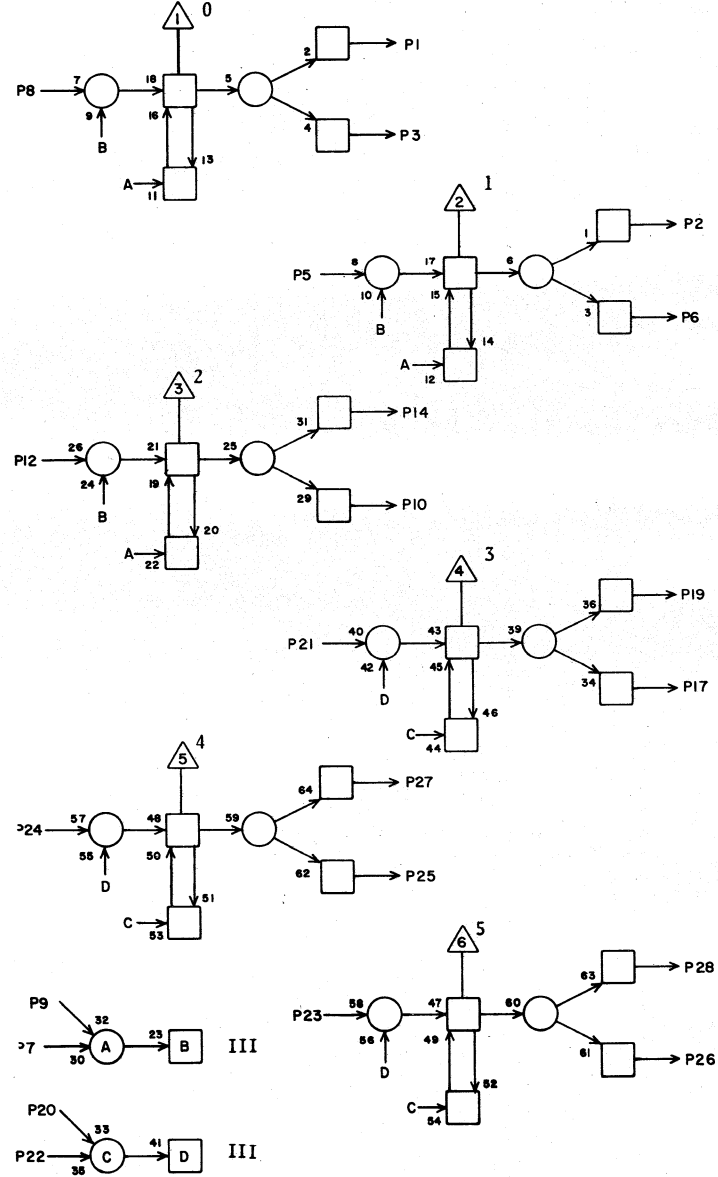
1	P27	8	7
2	P27	5	7
3			
4			
5	O24	3	9
6			
7	Q26	25	9
8	O24	9	9
9	P25	X	2
10			
11			
12	O24	1	9
13			
14	P27	12	7
15			
16			
17	P27	21	7
18			
19			
20	Q26	26	9
21	O25	9	9
22	P25	X	2
23	O25	1	9
24	O25	3	9
25	P27	24	7
26	P27	23	7
27			
28			

JACK PIN LG

63019800 Rev. A

Q IN BARREL

(Stage 6)



PA

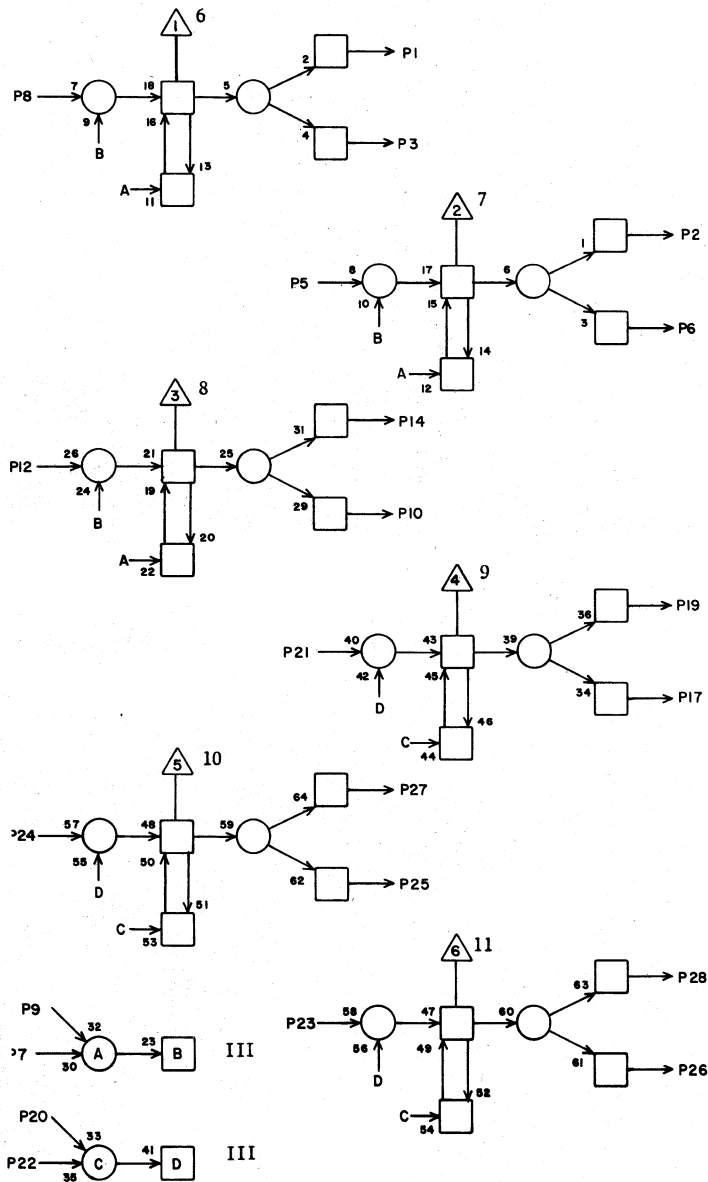
1P26

1	Q22	7	9
2	Q22	6	9
3	J20	3	27
4			
5	P24	2	7
6	J20	4	27
7	Q21	23	11
8	P24	1	7
9	P26	X	2
10	J20	27	27
11			
12	P24	14	7
13			
14	Q22	10	9
15			
16			
17	Q23	7	9
18			
19	J20	28	27
20	Q21	24	11
21	P24	17	7
22	P26	X	2
23	P24	26	7
24	P24	25	7
25	Q23	6	9
26	Q23	10	9
27	J21	3	27
28	J21	4	27

JACK PIN LG

63019800 Rev. A

Q



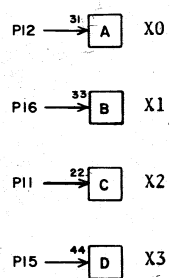
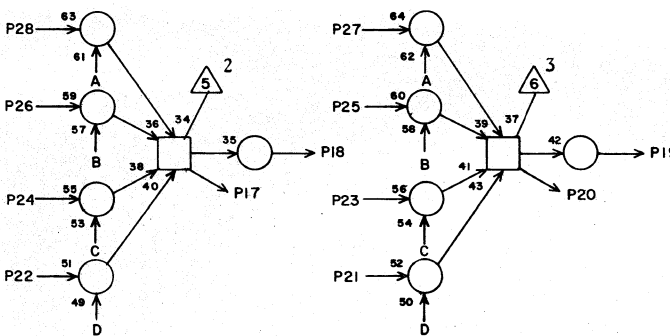
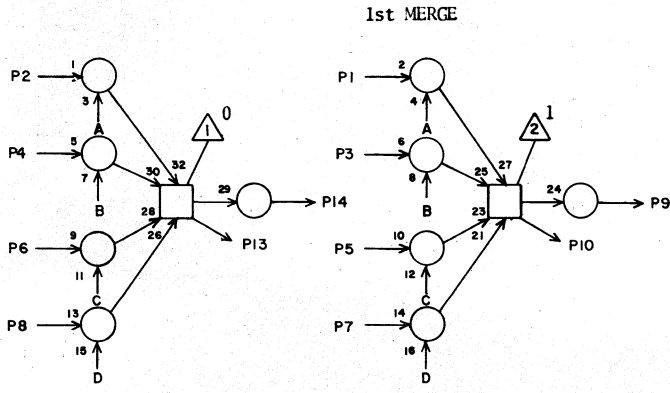
PA

1P27

1	Q24	7	9
2	Q24	6	9
3	J21	27	25
4			
5	P25	2	7
6	J21	28	25
7	Q21	25	13
8	P25	1	7
9	P27	X	2
10	J22	3	27
11			
12	P25	14	7
13			
14	Q24	10	9
15			
16			
17	Q25	7	9
18			
19	J22	4	27
20	Q21	26	13
21	P25	17	7
22	P27	X	2
23	P25	26	7
24	P25	25	7
25	Q25	6	9
26	Q25	10	9
27	J22	27	25
28	J22	28	25

JACK PIN LG

INPUT DATA MERGE

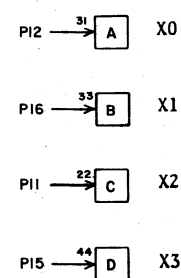
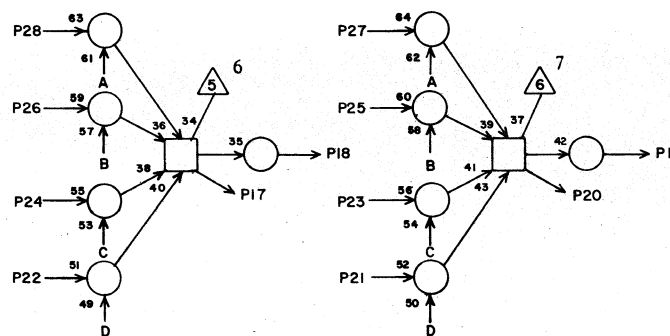
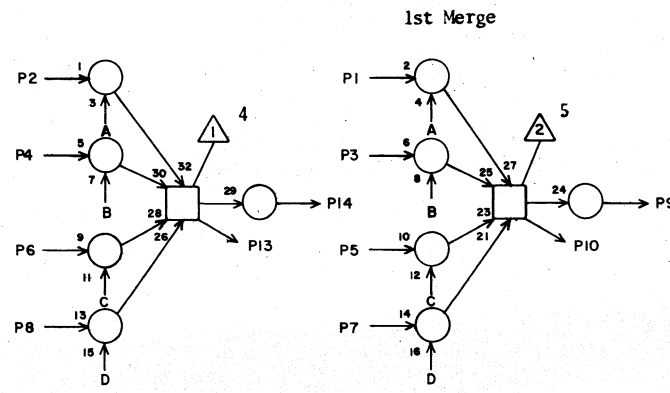


TG 1P29

1	O36	7	11
2	O36	8	11
3	O40	7	15
4	O40	8	15
5	P36	7	9
6	P36	8	9
7	P40	7	13
8	P40	8	13
9			
10	M29	3	17
11	Q31	6	7
12	Q30	6	7
13	M29	4	17
14			
15	Q31	20	9
16	Q30	20	9
17	M29	26	15
18			
19			
20	M29	25	15
21	P40	22	13
22	P40	21	13
23	P36	22	9
24	P36	21	9
25	O40	22	15
26	O40	21	15
27	O36	22	11
28	O36	21	11

JACK PIN LG

INPUT DATA MERGE

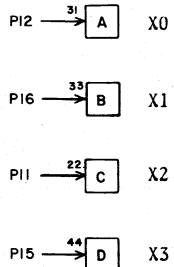
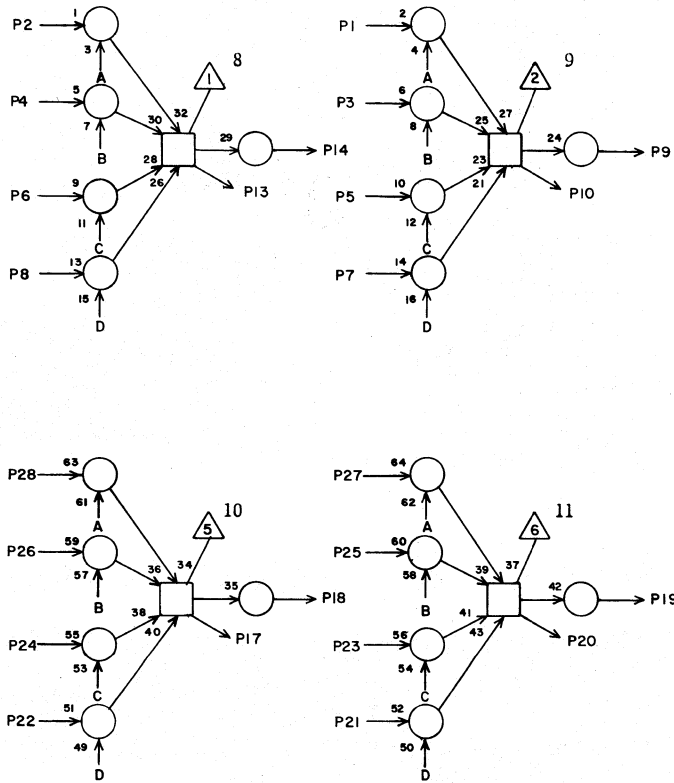


TG 1P30

1	O37	7	11
2	O37	8	11
3	O41	7	15
4	O41	8	15
5	P37	7	9
6	P37	8	9
7	P41	7	13
8	P41	8	13
9			
10	M30	3	15
11	Q31	7	7
12	Q30	7	7
13	M30	4	17
14			
15	Q31	21	9
16	Q30	21	9
17	M30	26	15
18			
19			
20	M30	25	15
21	P41	22	13
22	P41	21	13
23	P37	22	9
24	P37	21	9
25	O41	22	15
26	O41	21	15
27	O37	22	11
28	O37	21	11

JACK PIN LG

INPUT DATA MERGE



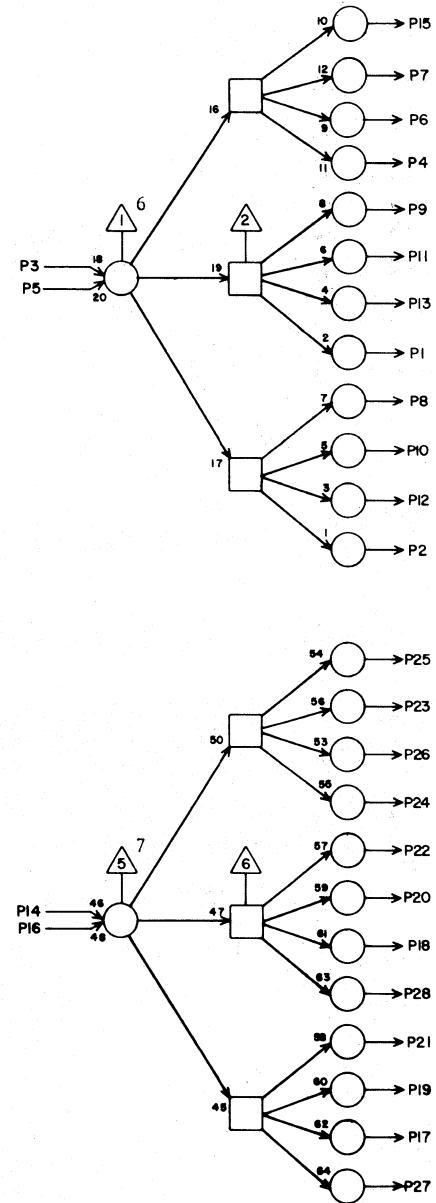
TG 1P31

1	O38	7	11
2	O38	8	11
3	O42	7	15
4	O42	8	15
5	P38	7	9
6	P38	8	9
7	P42	7	13
8	P42	8	13
9			
10	M31	3	17
11	Q31	8	7
12	Q30	8	7
13	M31	4	17
14			
15	Q31	22	9
16	Q30	22	9
17	M31	26	15
18			
19			
20	M31	25	15
21	P42	22	13
22	P42	21	13
23	P38	22	9
24	P38	21	9
25	O42	22	15
26	O42	21	15
27	O38	22	11
28	O38	21	11

JACK PIN LG

63019800 Rev. A

CHANNEL DATA FAN-OUT



TC 1P32

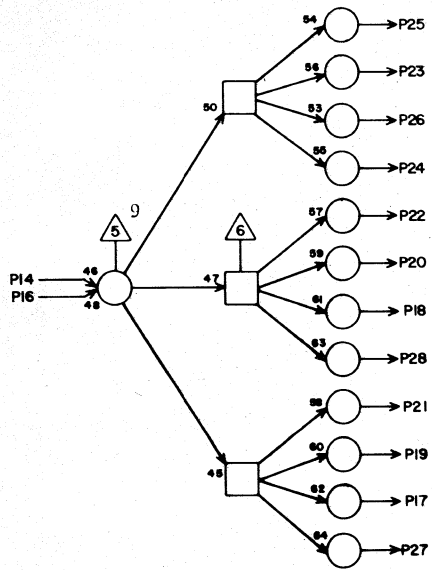
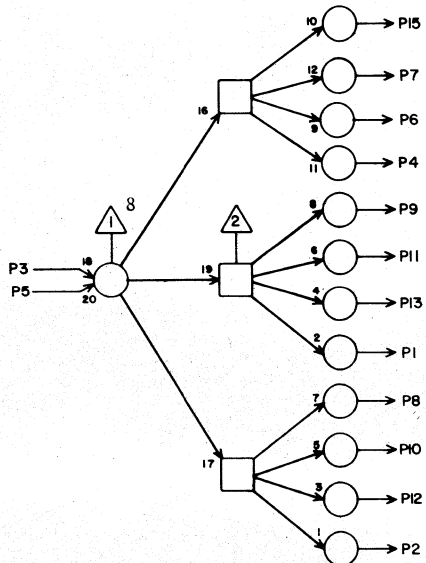
1	M37	16	17
2	M41	16	17
3	O28	17	11
4	N37	16	13
5	P32	X	2
6	N41	16	13
7	O37	16	9
8	O41	16	13
9	P37	16	7
10	P41	16	11
11	Q37	16	9
12	Q41	16	13
13	R37	16	13
14	O28	20	11
15	R41	16	15
16	P32	X	2
17	M37	18	17
18	M41	18	17
19	N37	18	13
20	N41	18	13
21	O37	18	9
22	O41	18	13
23	P37	18	7
24	P41	18	11
25	Q37	18	9
26	Q41	18	13
27	R37	18	13
28	R41	18	15

JACK PIN LG

63019800 Rev. A



CHANNEL DATA FAN-OUT



TC

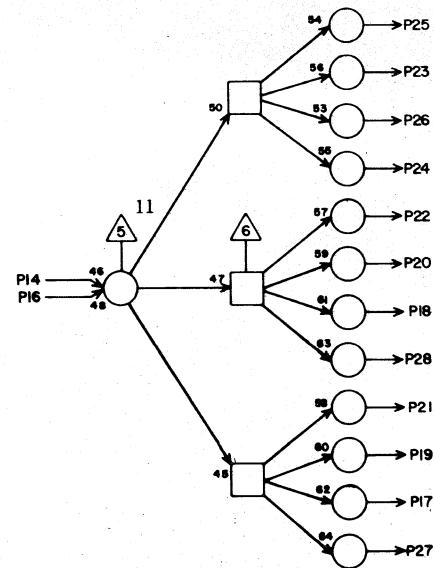
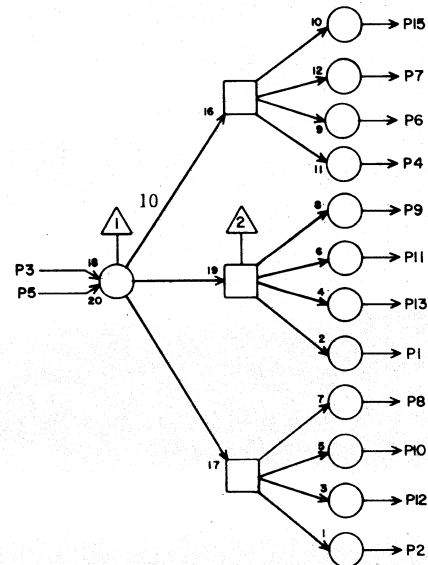
1P33

1	M38	17	17
2	M42	17	17
3	O29	13	11
4	N38	17	13
5	P33	X	2
6	N42	17	15
7	O38	17	9
8	O42	17	13
9	P38	17	7
10	P42	17	11
11	Q38	17	9
12	Q42	17	13
13	R38	17	13
14	O29	14	11
15	R42	17	15
16	P33	X	2
17	M38	15	17
18	M42	15	17
19	N38	15	13
20	N42	15	15
21	O38	15	9
22	O42	15	13
23	P38	15	7
24	P42	15	11
25	Q38	15	9
26	Q42	15	13
27	R38	15	13
28	R42	15	15

JACK PIN LG

63019800 Rev. A

CHANNEL DATA FAN-OUT



TC

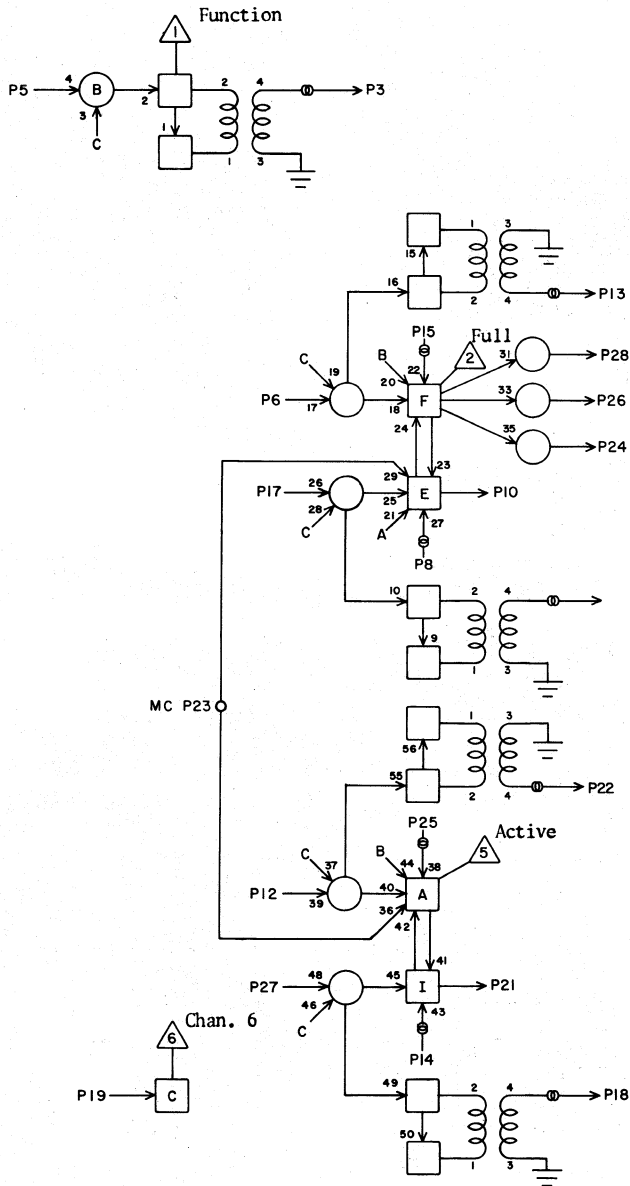
1P34

1	M38	16	17
2	M42	16	17
3	O29	17	11
4	N38	16	13
5	P34	X	2
6	N42	16	15
7	O38	16	9
8	O42	16	11
9	P38	16	7
10	P42	16	11
11	Q38	16	9
12	Q42	16	13
13	R38	16	13
14	O29	20	11
15	R42	16	15
16	P34	X	2
17	M38	18	17
18	M42	18	17
19	N38	18	13
20	N42	18	15
21	O38	18	9
22	O42	18	11
23	P38	18	7
24	P42	18	11
25	Q38	18	9
26	Q42	18	13
27	R38	18	13
28	R42	18	15

JACK PIN LG

63019800 Rev. A

CHANNEL 6



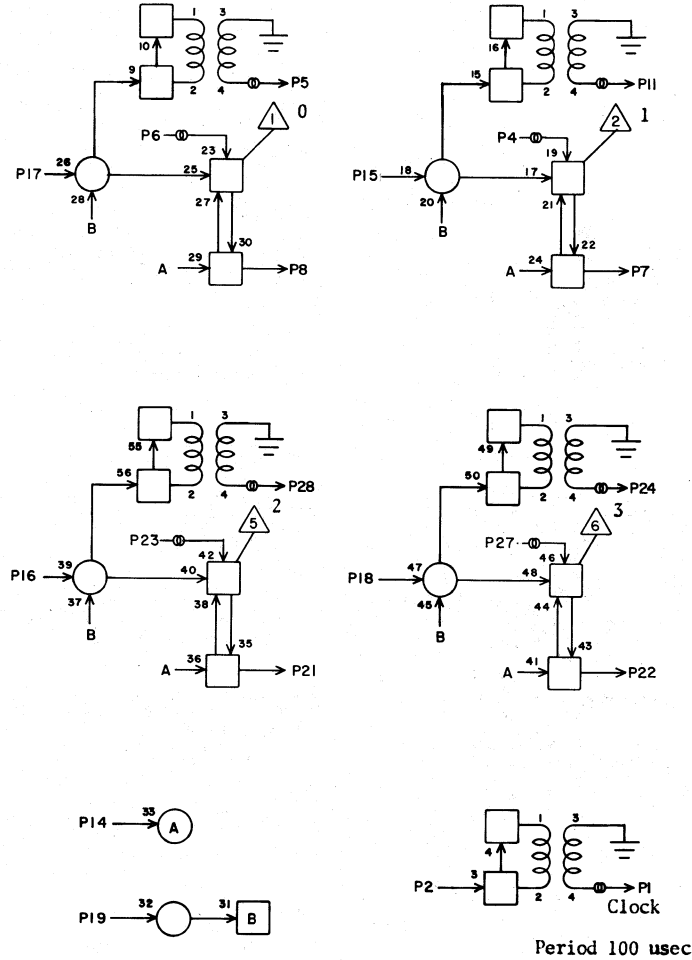
PK 1 P35

1			
2			
3	W26	906	
4			
5	O32	23	9
6	O33	9	9
7			
8	W25	905	
9	W26	905	
10	N30	5	15
11			
12	O31	9	11
13	W26	904	
14	W25	903	
15	W25	904	
16			
17	O32	9	9
18	W26	903	
19	Q33	28	9
20			
21	N31	5	15
22	W26	902	
23	N29	4	15
24	P36	14	5
25	W25	902	
26	P37	14	7
27	O31	23	9
28	P38	14	7

JACK PIN LG

63019800 Rev. A

CHANNEL 6



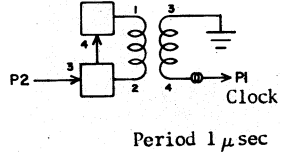
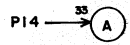
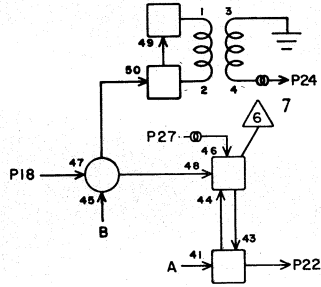
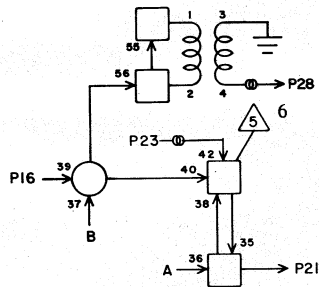
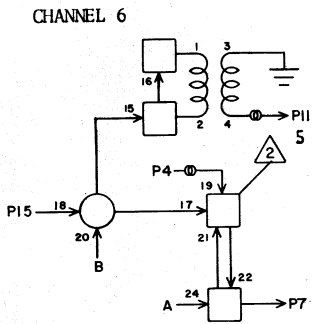
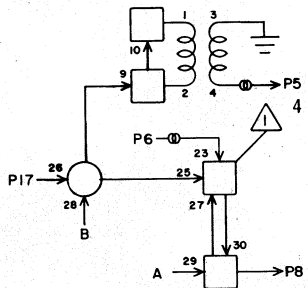
Period 100 usec

PR 1 P36

1	W25	906	
2	O34	4	9
3			
4	W25	91	
5	W26	90	
6	W25	90	
7	P29	5	11
8	P29	6	11
9			
10			
11	W26	91	
12			
13			
14	P35	24	5
15	N32	23	13
16	N33	9	13
17	N32	9	13
18	N33	23	13
19	Q33	19	9
20			
21	P29	24	11
22	P29	23	11
23	W25	92	
24	W26	93	
25			
26			
27	W25	93	
28	W26	92	

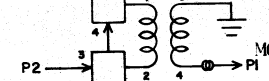
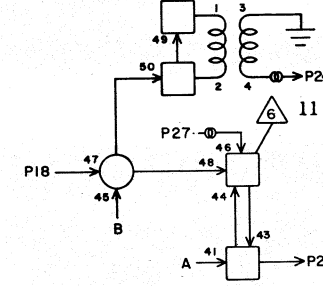
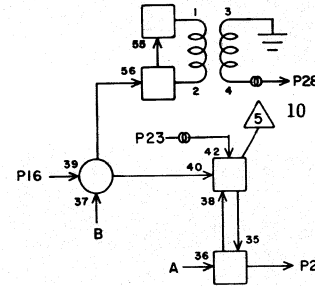
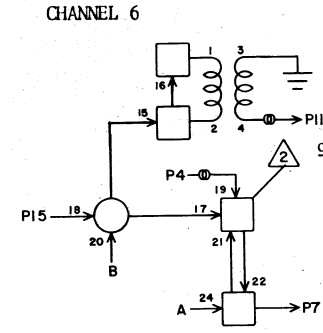
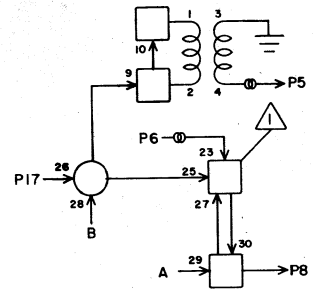
JACK PIN LG

63019800 Rev. A



PR			
1 P37			
JACK	PIN	LG	
1	W25	907	
2	O34	24	9
3			
4	W25	95	
5	W26	94	
6	W25	94	
7	P30	5	11
8	P30	6	11
9			
10			
11	W26	95	
12			
13			
14	P35	26	7
15	N34	23	11
16	P32	9	9
17	N34	9	11
18	P32	23	9
19	Q33	20	11
20			
21	P30	24	11
22	P30	23	11
23	W25	96	
24	W26	97	
25			
26			
27	W25	97	
28	W26	96	

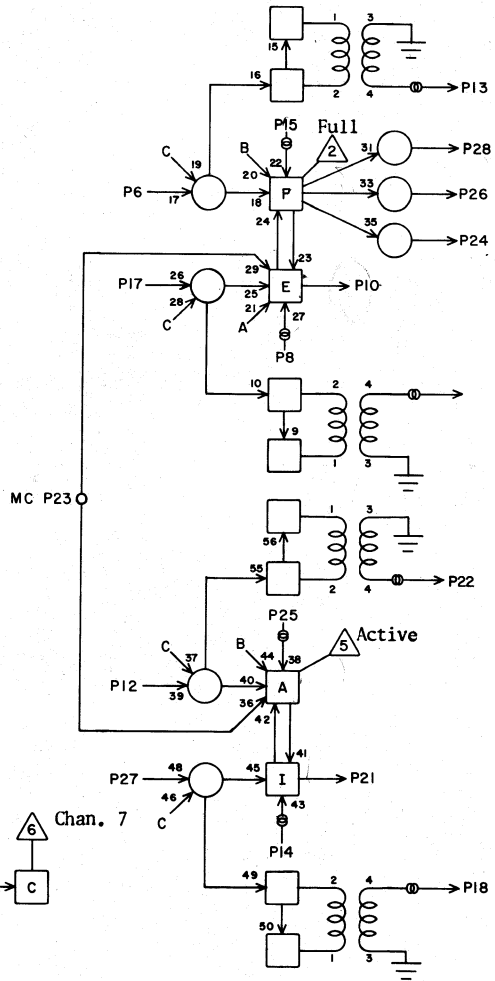
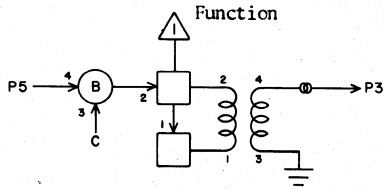
63019800 Rev. A



PR			
1 P38			
JACK	PIN	LG	
1	W26	907	
2	O33	24	11
3			
4	W25	99	
5	W26	98	
6	W25	98	
7	P31	5	11
8	P31	6	11
9			
10			
11	W26	99	
12			
13			
14	P35	28	7
15	P33	23	9
16	P34	9	9
17	P33	9	9
18	P34	23	9
19	Q33	25	11
20			
21	P31	24	11
22	P31	23	11
23	W25	900	
24	W26	901	
25			
26			
27	W25	901	
28	W26	900	

63019800 Rev. A

CHANNEL 7



PK

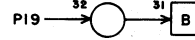
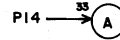
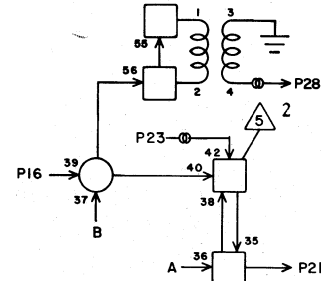
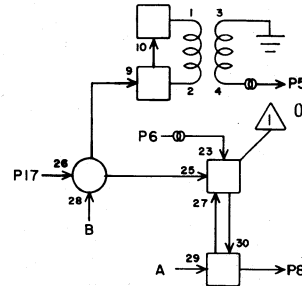
1P39

1			
2			
3	W27	906	
4			
5	O32	24	13
6	O33	10	13
7			
8	W28	905	
9	W27	905	
10	N30	23	15
11			
12	O31	10	13
13	W27	904	
14	W28	903	
15	W28	904	
16			
17	O32	10	13
18	W27	903	
19	Q33	27	13
20			
21	N31	23	15
22	W27	902	
23	<del>N20</del>	<del>11</del>	<del>17</del>
24	P40	14	5
25	W28	902	
26	P41	14	7
27	O31	24	13
28	P42	14	7

JACK PIN LG

63019800 Rev. A \* FCO 11576

CHANNEL 7



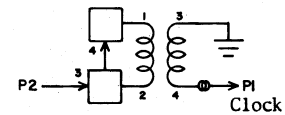
PR

1P40

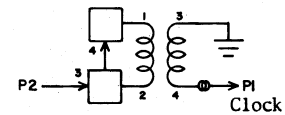
1	W27	906	
2	O34	11	11
3			
4	W28	91	
5	W27	90	
6	W28	90	
7	P29	7	15
8	P29	8	15
9			
10			
11	W27	91	
12			
13			
14	P39	24	5
15	N32	24	15
16	N33	10	15
17	N32	10	15
18	N33	24	15
19	Q33	22	13
20			
21	P29	22	15
22	P29	21	15
23	W28	92	
24	W27	93	
25			
26			
27	W28	93	
28	W27	92	

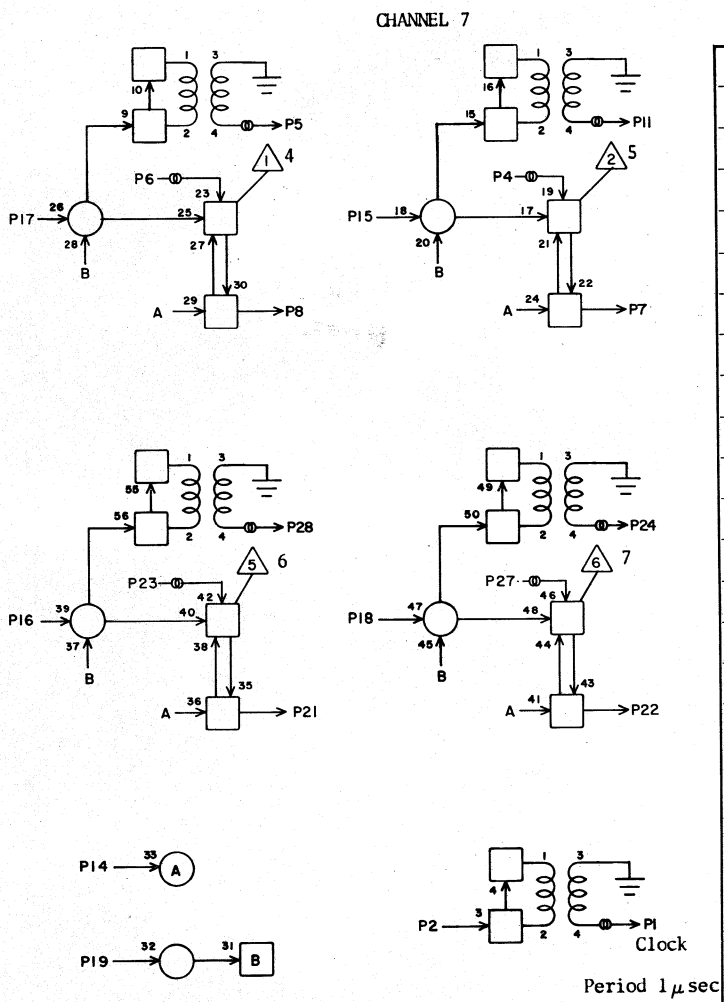
JACK PIN LG

63019800 Rev. A



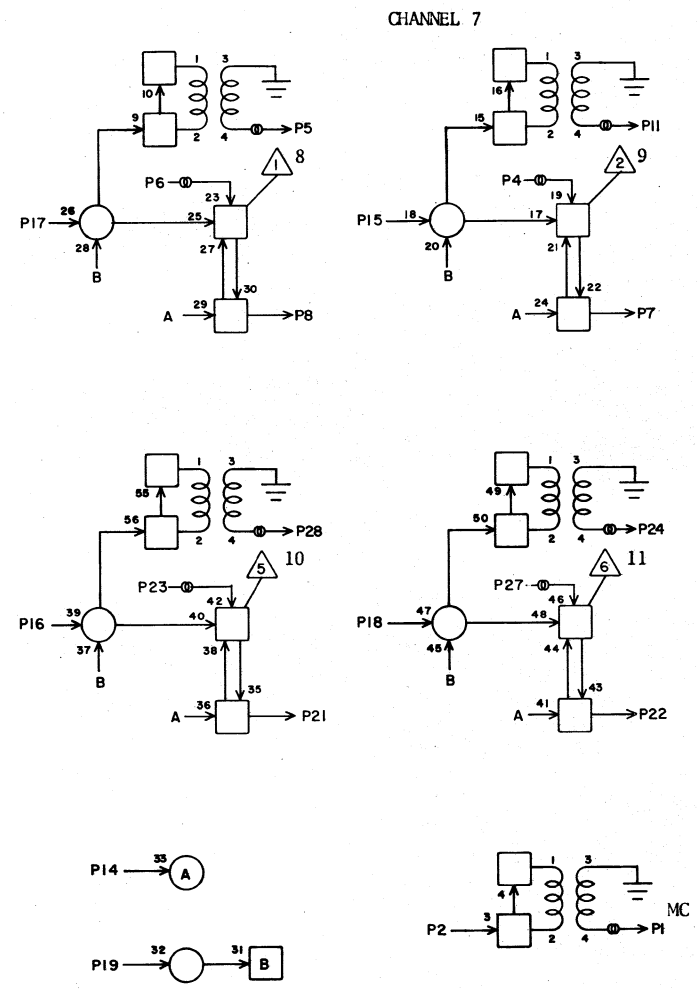
Period 100 usec





PR			
1P41			
JACK	PIN	LG	
1	W27	907	
2	O34	19	13
3			
4	W28	95	
5	W27	94	
6	W28	94	
7	P30	7	15
8	P30	8	15
9			
10			
11	W27	95	
12			
13			
14	P39	26	7
15	N34	24	15
16	P32	10	13
17	N34	10	15
18	P32	24	13
19	Q35	24	13
20			
21	P30	22	15
22	P30	21	15
23	W28	96	
24	W27	97	
25			
26			
27	W28	97	
28	W27	96	

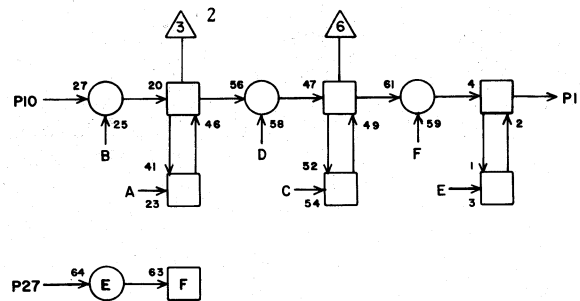
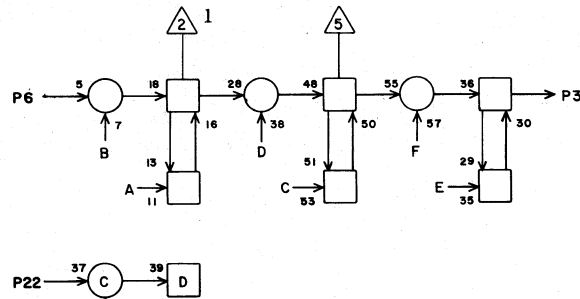
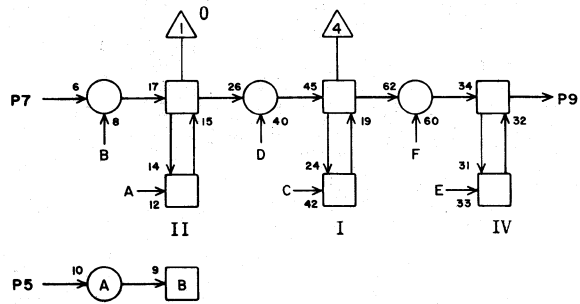
63019800 Rev. A



PR			
1P42			
JACK	PIN	LG	
1	W27	907	
2	O33	19	15
3			
4	W28	99	
5	W27	98	
6	W28	98	
7	P31	7	15
8	P31	8	15
9			
10			
11	W27	99	
12			
13			
14	P39	28	7
15	P33	24	13
16	P34	10	13
17	P33	10	13
18	P34	24	13
19	Q35	26	15
20			
21	P31	22	15
22	P31	21	15
23	W28	900	
24	W27	901	
25			
26			
27	W28	901	
28	W27	900	

63019800 Rev. A

A IN BARREL  
(Stage 7, 8, 9)



PB

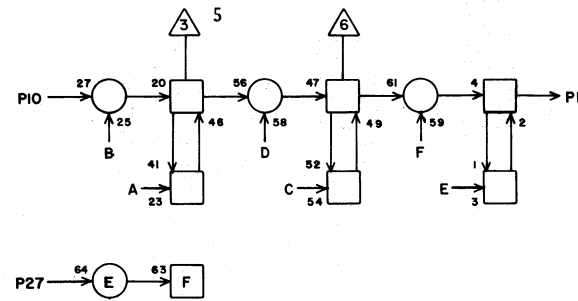
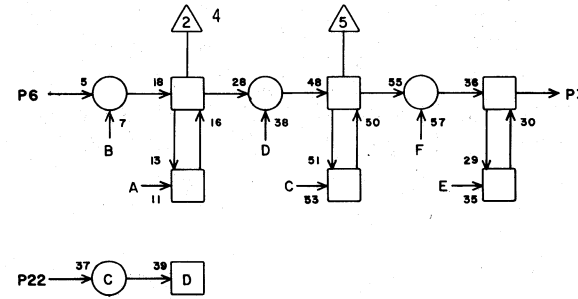
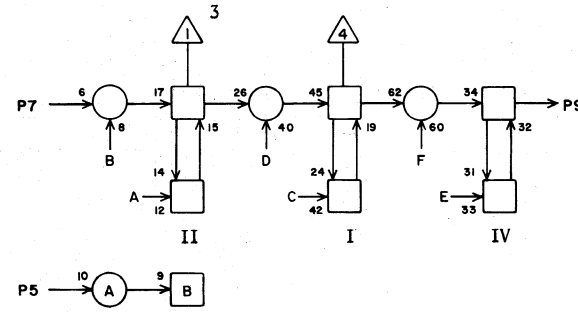
1 Q1

1	R1	23	9
2			
3	R1	8	7
4			
5	Q7	6	9
6	P1	3	9
7	P1	9	9
8			
9	R1	7	7
10	P1	1	7
11			
12			
13			
14			
15			
16			
17			
18			
19			
20			
21			
22	P7	6	11
23			
24			
25			
26			
27	P7	20	11
28			

JACK PIN LG

63019800 Rev. A

A



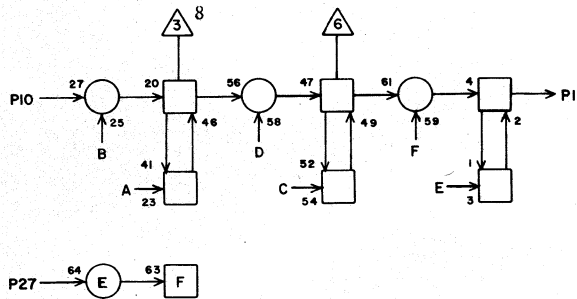
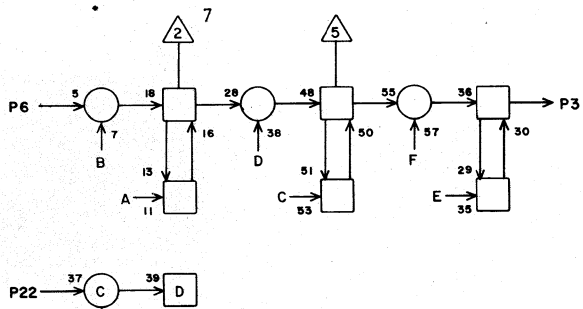
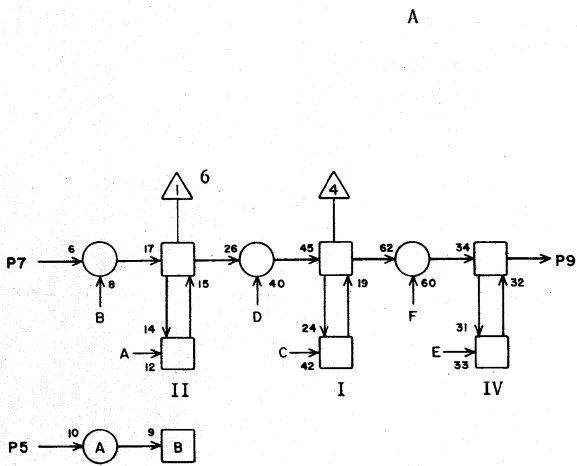
PB

1 Q2

1	R2	8	7
2			
3	R2	7	7
4			
5	Q7	7	9
6	P2	3	9
7	P2	9	9
8			
9	R1	24	9
10	P2	1	9
11			
12			
13			
14			
15			
16			
17			
18			
19			
20			
21			
22	P7	7	11
23			
24			
25			
26			
27	P7	21	11
28			

JACK PIN LG

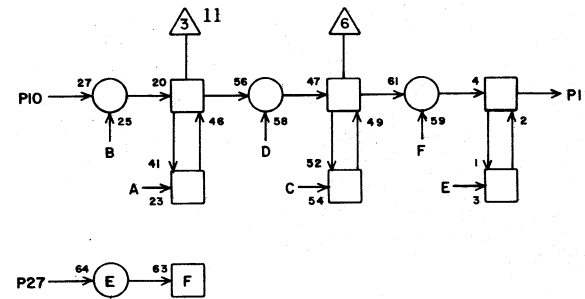
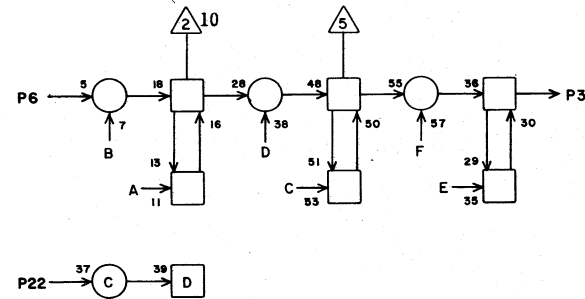
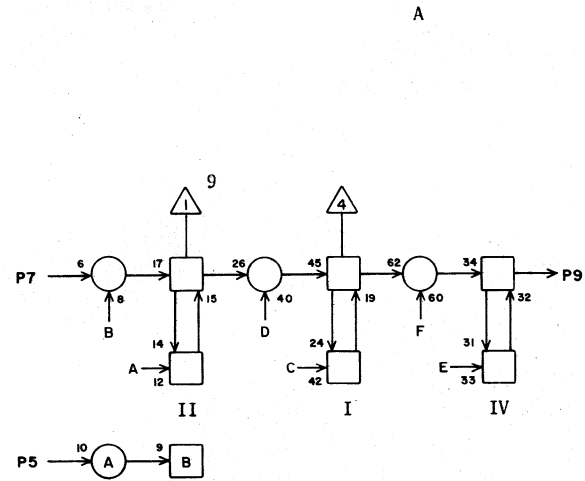
63019800 Rev. A



PB		1Q3	
1	R3	7	7
2			
3	R2	24	9
4			
5	Q7	8	7
6	P3	3	9
7	P3	9	9
8			
9	R2	23	9
10	P3	1	9
11			
12			
13			
14			
15			
16			
17			
18			
19			
20			
21			
22	P7	8	9
23			
24			
25			
26			
27	P7	22	9
28			

JACK PIN LG

63019800 Rev. A

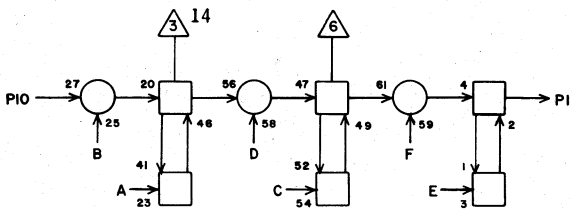
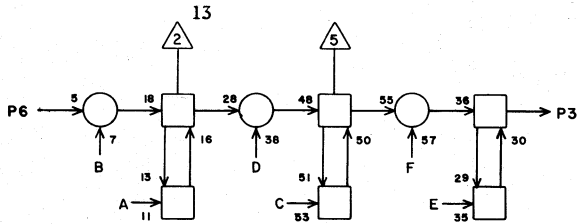
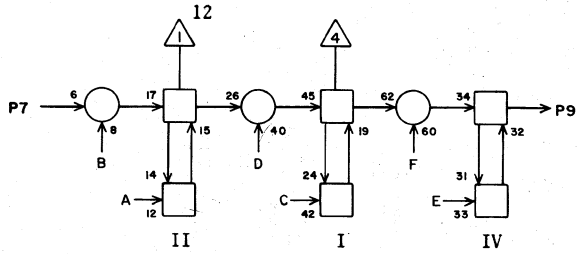


PB		1Q4	
1	R3	24	9
2			
3	R3	23	9
4			
5	Q7	9	7
6	P4	3	9
7	P4	9	9
8			
9	R3	8	7
10	P4	1	9
11			
12			
13			
14			
15			
16			
17			
18			
19			
20			
21			
22	P7	9	9
23			
24			
25			
26			
27	P7	23	9
28			

JACK PIN LG

63019800 Rev. A

A



PB

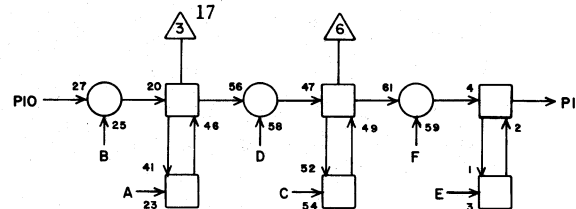
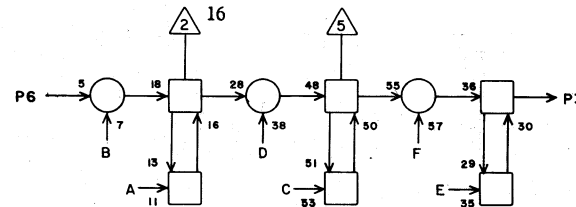
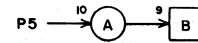
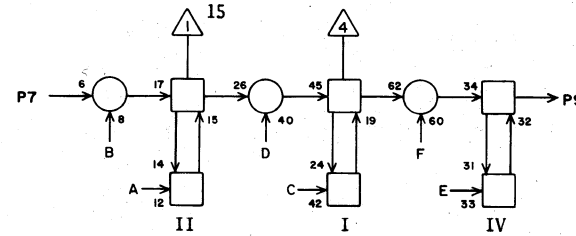
105

1	R4	23	9
2			
3	R4	8	7
4			
5	Q7	10	7
6	P5	3	9
7	P5	9	9
8			
9	R4	7	7
10	P5	1	7
11			
12			
13			
14			
15			
16			
17			
18			
19			
20			
21			
22	P7	10	9
23			
24			
25			
26			
27	P7	24	9
28			

JACK PIN LG

63019800 Rev. A

A



PB

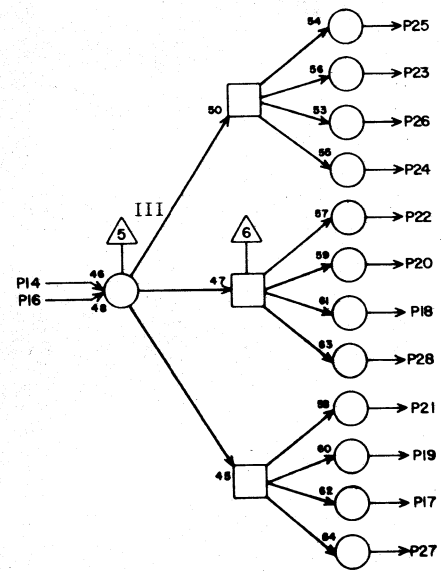
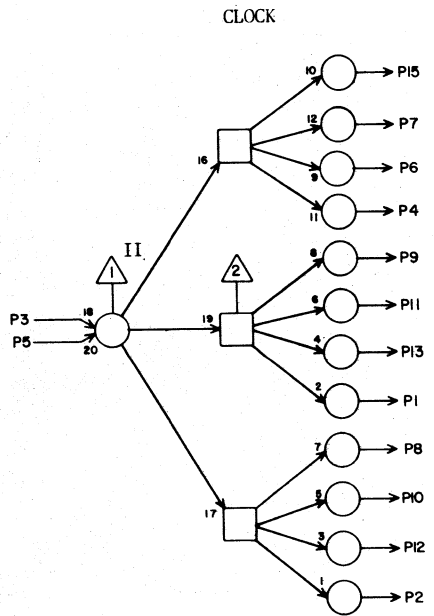
106

1	R5	8	7
2			
3	R5	7	7
4			
5	Q7	11	5
6	P6	3	9
7	P6	9	9
8			
9	R4	24	9
10	P6	1	9
11			
12			
13			
14			
15			
16			
17			
18			
19			
20			
21			
22	P7	11	9
23			
24			
25			
26			
27	P7	25	9
28			

JACK PIN LG

63019800 Rev. A



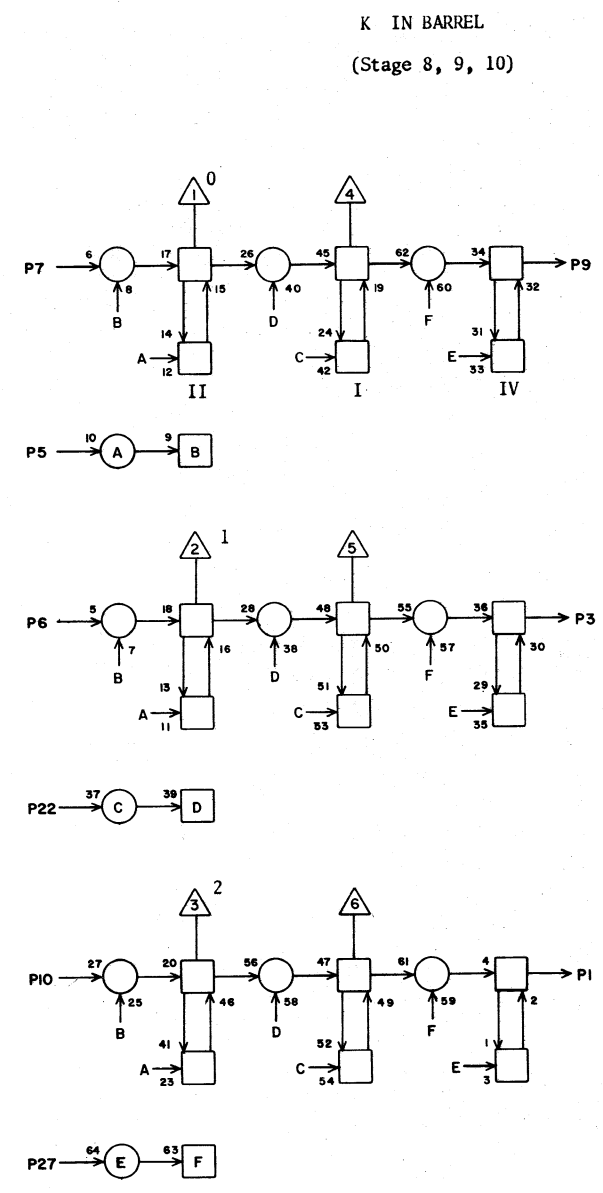


TC 1 Q7

1	Q8	5	5
2	Q9	5	7
3	H3	17	41
4	Q10	5	7
5	Q7	X	2
6	Q1	5	9
7	Q2	5	9
8	Q3	5	9
9	Q4	5	7
10	Q5	5	7
11	Q6	5	5
12			
13			
14	H4	4	41
15			
16	Q7	X	2
17	R1	11	11
18	R1	22	11
19	R2	11	9
20	R2	22	11
21	R3	11	9
22	R3	22	11
23	R4	11	9
24	R4	22	9
25	R5	11	9
26	R5	22	9
27	R6	11	7
28	R6	22	9

JACK    PIN    LG

63019800 Rev. A



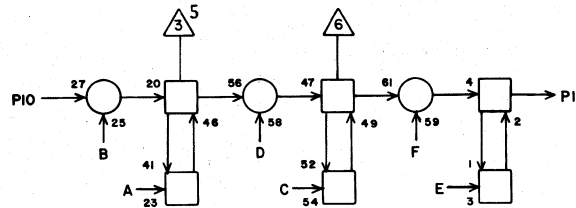
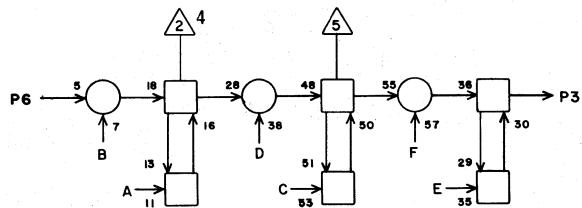
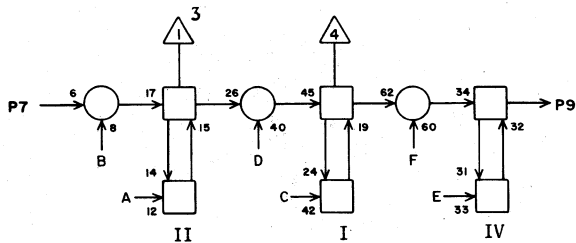
PB 1 Q8

1	R6	8	7
2			
3	R6	7	7
4			
5	Q7	1	5
6	P8	27	7
7	P8	19	7
8			
9	R5	24	9
10	P8	28	7
11			
12			
13			
14			
15			
16			
17			
18			
19			
20			
21			
22	p7	1	9
23			
24			
25			
26			
27	P7	17	9
28			

JACK    PIN    LG

63019800 Rev. A

K



PB

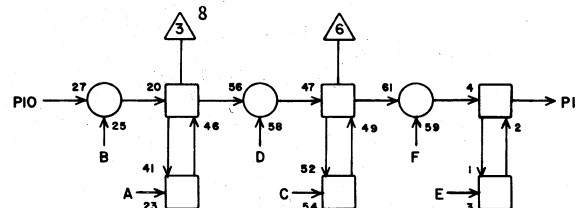
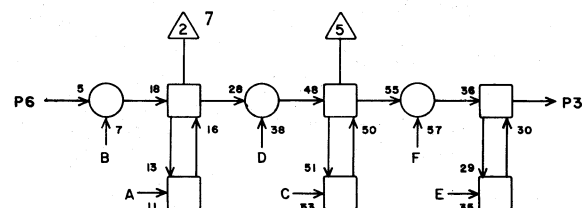
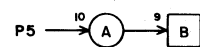
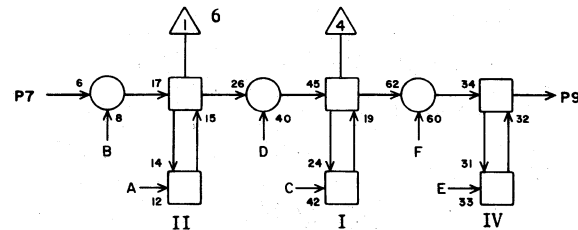
1Q9

1	R7	5	7
2			
3	R6	24	9
4			
5	Q7	2	7
6	P9	27	7
7	P9	19	7
8			
9	R6	23	9
10	P9	28	7
11			
12			
13			
14			
15			
16			
17			
18			
19			
20			
21			
22	P7	2	9
23			
24			
25			
26			
27	P7	18	9
28			

JACK PIN LG

63019800 Rev. A

K



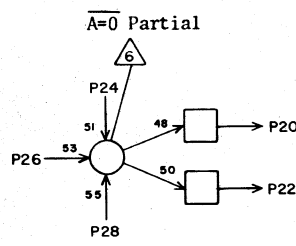
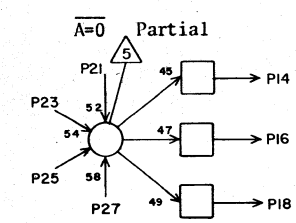
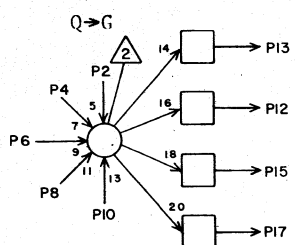
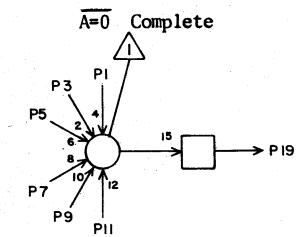
PB

1Q10

1	R7	26	11
2			
3	R7	25	11
4			
5	Q7	4	7
6	P10	27	7
7	P10	19	7
8			
9	R7	6	9
10	P10	28	7
11			
12			
13			
14			
15			
16			
17			
18			
19			
20			
21			
22	P7	4	9
23			
24			
25			
26			
27	P7	19	9
28			

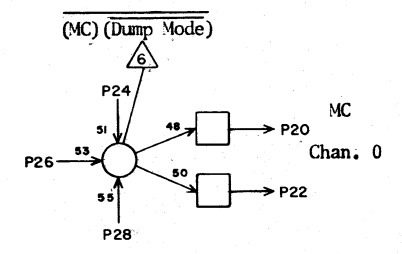
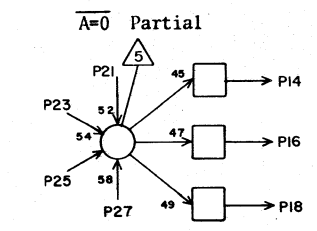
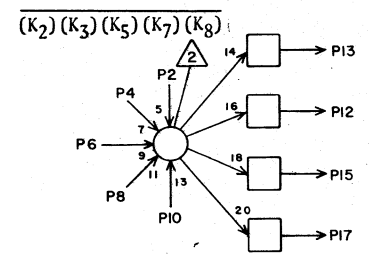
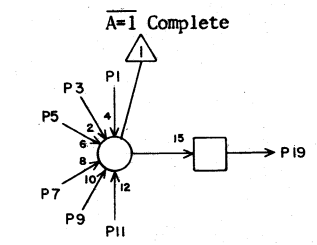
JACK PIN LG

63019800 Rev. A



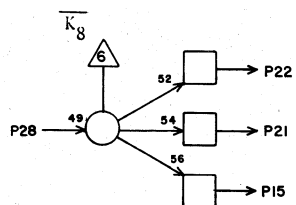
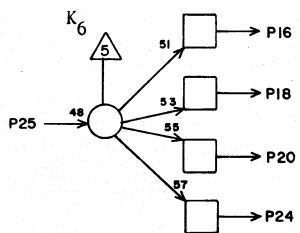
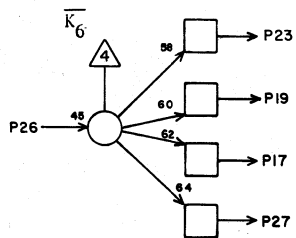
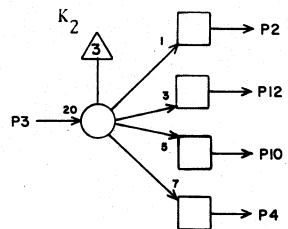
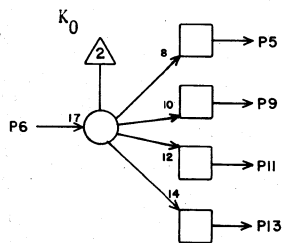
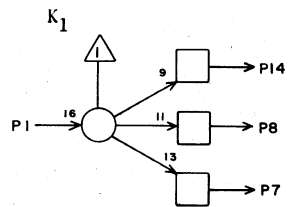
TB		1 Q11	
JACK	PIN	LG	
1	Q11	14	5
2	Q15	11	7
3	Q11	20	5
4	Q15	16	7
5	Q12	14	5
6	Q15	9	7
7	R17	13	11
8	Q15	18	7
9	R8	6	9
10	Q15	13	7
11	R8	5	9
12	J20	9	31
13	Q14	28	7
14	Q11	1	5
15	J21	9	31
16	Q12	3	5
17	J22	9	31
18			
19	P13	14	9
20	Q11	3	5
21	R9	5	7
22	Q12	5	5
23	R9	23	9
24	R8	23	9
25	R9	21	9
26	R8	21	9
27	R10	6	7
28	R9	6	7

63019800 Rev. A



TB		1 Q12	
JACK	PIN	LG	
1	Q12	16	5
2	P11	23	7
3	Q11	16	5
4	P11	26	7
5	Q11	22	5
6	P12	3	9
7	R17	12	9
8	P12	26	7
9	R8	3	9
10	P13	26	7
11	R8	9	9
12	Q14	1	7
13	Q14	25	7
14	Q11	5	5
15	Q14	2	7
16	Q12	1	5
17	Q15	2	7
18			
19	P13	18	7
20	M35	23	29
21	R10	5	7
22			
23	R10	23	9
24	N29	15	23
25	R10	21	9
26	Q29	16	19
27	R11	6	7
28	Q12	X	2

63019800 Rev. A



TH

1 Q13

1	P11	5	9
2			
3	P11	28	7
4			
5	Q14	5	5
6	P11	4	9
7			
8	Q15	6	7
9			
10			
11	Q15	7	7
12	Q15	5	7
13	Q15	8	7
14	Q14	27	5
15	P10	23	7
16	Q14	21	5
17	Q15	3	7
18	Q15	23	7
19	Q14	4	5
20	Q15	19	7
21	Q15	21	7
22	Q15	15	7
23	Q14	3	5
24	Q15	4	7
25	P12	28	7
26	P12	25	7
27			
28	P13	24	7

JACK PIN LG

63019800 Rev. A

TI

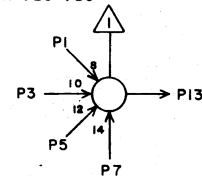
1 Q14

1	Q12	12	7
2	Q12	15	7
3	Q13	23	5
4	Q13	19	5
5	Q13	5	5
6	P11	7	9
7	P11	3	9
8	P11	8	9
9	Q14	26	5
10	P11	21	9
11	Q15	10	5
12	P12	4	9
13	Q14	24	5
14	Q14	X	2
15	P12	22	9
16	Q15	1	5
17	P13	22	7
18	Q14	22	5
19	Q14	X	2
20	I16	1	35
21	Q13	16	5
22	Q14	18	5
23	P11	9	9
24	Q14	13	5
25	Q12	13	7
26	Q14	9	5
27	Q13	14	5
28	Q11	13	7

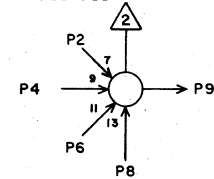
JACK PIN LG

63019800 Rev. A

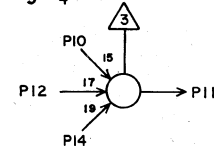
K=710+730



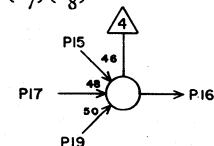
K=713+733



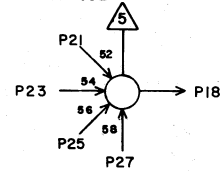
K3+K4



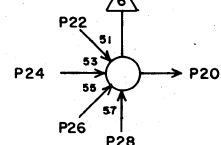
(K7)(K8)



K=611+631

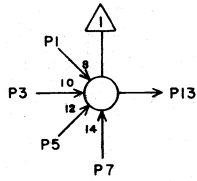


Inhibit P→G

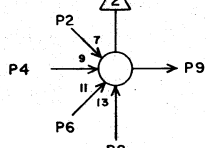


Q → G

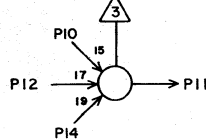
$$\overline{1X0+1X2+3X0+3X2+5X0+5X2}$$



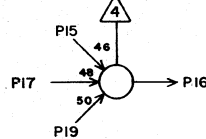
$$\overline{610+630}$$



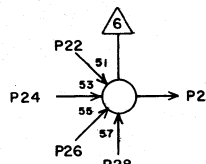
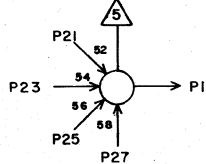
$$\overline{(K_3+K_4) (k_7) (K_0)}$$



$$\overline{4XX}$$



$$\overline{40X+42X+60X+62X}$$



TI		1Q15		
1	Q14	16	5	
2	Q12	17	7	
3	Q13	17	7	
4	Q13	24	7	
5	Q13	12	7	
6	Q13	8	7	
7	Q13	11	7	
8	Q13	13	7	
9	Q11	6	7	
10	Q14	11	5	
11	Q11	2	7	
12	P12	27	7	
13	Q11	10	7	
14	P11	6	9	
15	Q13	22	7	
16	Q11	4	7	
17	P12	21	7	
18	Q11	8	7	
19	Q13	20	7	
20	R12	189	*	
21	Q13	21	7	
22	N29	8 19	*	
23	Q13	18	7	
24				
25	P11	27	7	
26				
27	P12	5	9	
28				

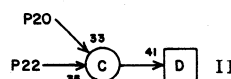
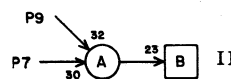
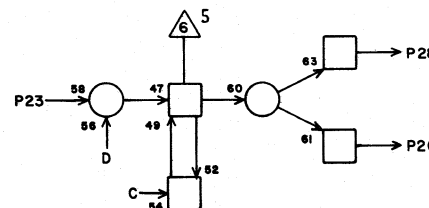
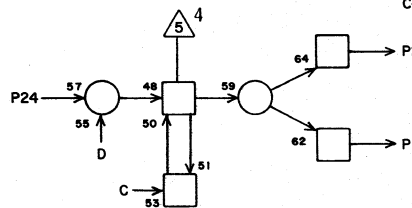
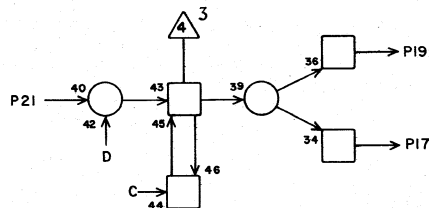
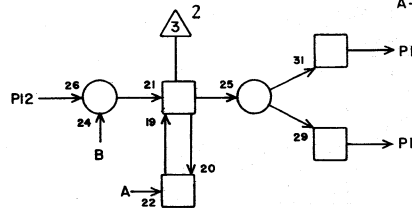
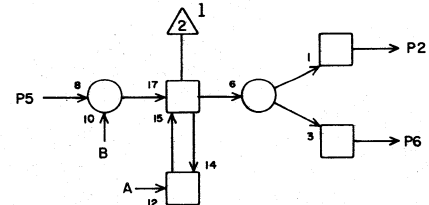
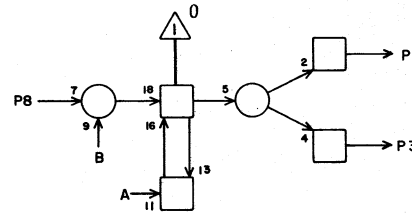
JACK PIN LG

63019800 Rev. A

FCO \* 11576

P IN BARREL

(Stage 11)



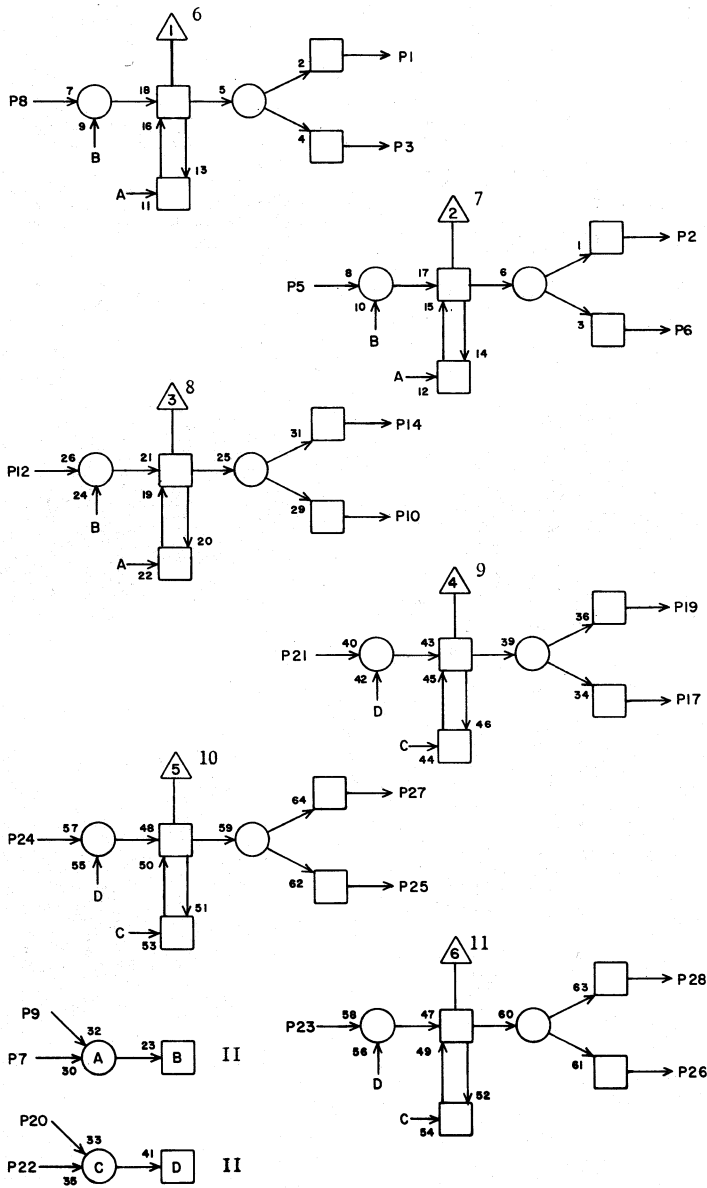
PA 1Q16

1	N18	14	15
2	N18	13	15
3			
4			
5	Q18	9	7
6			
7	R16	10	7
8	Q18	14	7
9	Q16	X	2
10			
11			
12	Q18	18	7
13			
14	N18	18	15
15			
16			
17	N18	17	15
18			
19			
20	R16	11	7
21	Q18	21	7
22	Q16	X	2
23	Q19	9	7
24	Q19	14	7
25	N19	14	15
26	N19	13	15
27			
28			

JACK PIN LG

63019800 Rev. A

P



PA

1Q17

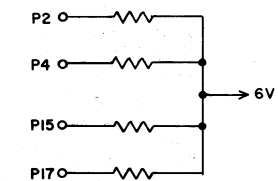
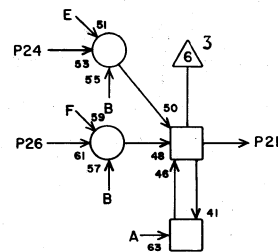
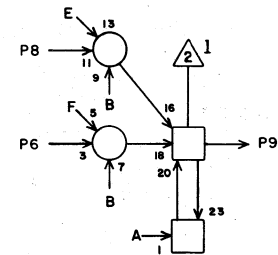
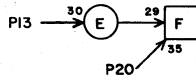
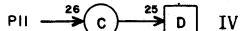
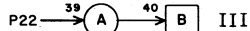
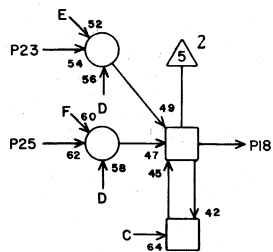
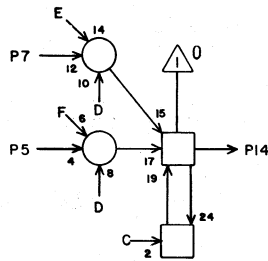
1	N19	18	15
2	N19	17	15
3			
4			
5	Q19	21	7
6			
7	R16	12	7
8	Q19	18	7
9	Q17	X	2
10			
11			
12	Q20	14	7
13			
14	N20	14	15
15			
16			
17	N20	13	15
18			
19			
20	R16	13	7
21	Q20	9	7
22	Q17	X	2
23	Q20	21	7
24	Q20	18	7
25	N20	18	15
26	N20	17	15
27			
28			

JACK PIN LG

63019800 Rev. A

P IN BARREL

(Stage 10)



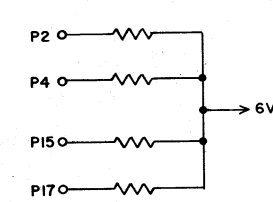
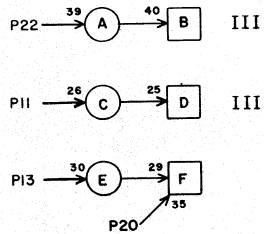
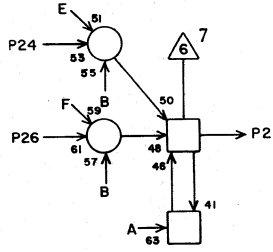
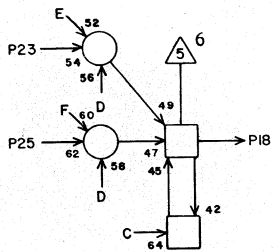
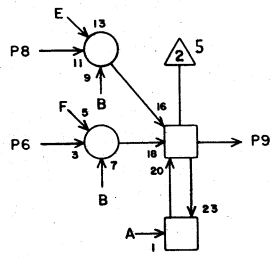
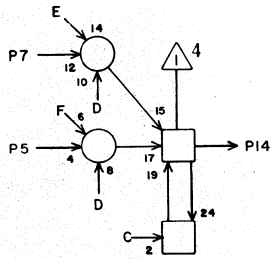
PC

1Q18

1			
2	Q18	5	3
3			
4	Q18	6	3
5	Q18	2	3
6	Q18	4	3
7	P17	9	9
8	P17	3	9
9	Q16	5	7
10			
11	Q21	17	7
12			
13	R15	12	9
14	Q16	8	7
15	Q18	25	5
16			
17	Q18	26	5
18	Q16	12	7
19			
20	Q18	X	2
21	Q16	21	7
22	Q21	18	7
23	P17	1	9
24	P18	9	9
25	Q18	15	5
26	Q18	17	5
27			
28			

JACK PIN LG

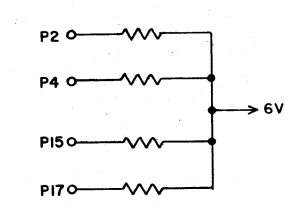
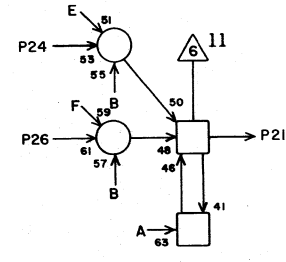
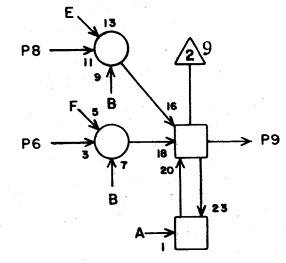
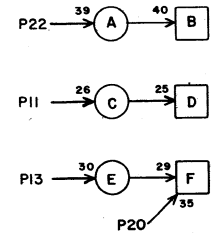
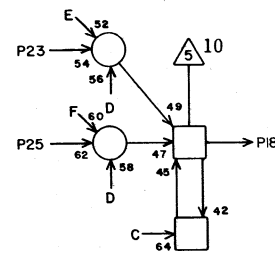
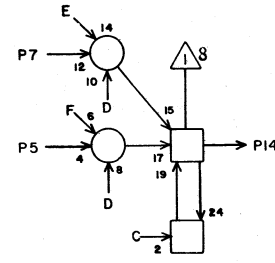
63019800 Rev. A



PC		1Q19	
1			
2	Q19	5	3
3			
4	Q19	6	3
5	Q19	2	3
6	Q19	4	3
7	P18	3	9
8	P18	1	9
9	Q16	23	7
10			
11	Q21	19	7
12			
13	R15	13	9
14	Q16	24	7
15	Q19	25	5
16			
17	Q19	26	5
18	Q17	8	7
19			
20	Q19	X	2
21	Q17	5	7
22	Q21	20	7
23	P19	9	9
24	P19	3	9
25	Q19	15	5
26	Q19	17	5
27			
28			

JACK PIN LG

63019800 Rev. A

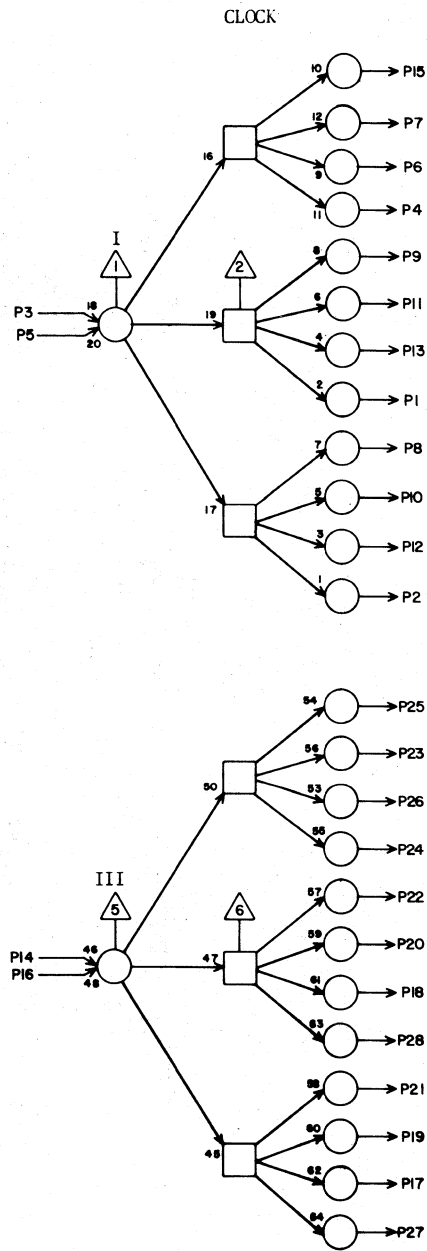


III

PC		1Q20	
1			
2	Q20	5	3
3			
4	Q20	6	3
5	Q20	2	3
6	Q20	4	3
7	P19	1	9
8	P20	9	9
9	Q17	21	7
10			
11	Q21	21	5
12			
13	R15	15	11
14	Q17	12	7
15	Q20	25	5
16			
17	Q20	26	5
18	Q17	24	7
19			
20	Q20	X	2
21	Q17	23	7
22	Q21	22	5
23	P20	3	9
24	P20	1	9
25	Q20	15	5
26	Q20	17	5
27			
28			

JACK PIN LG

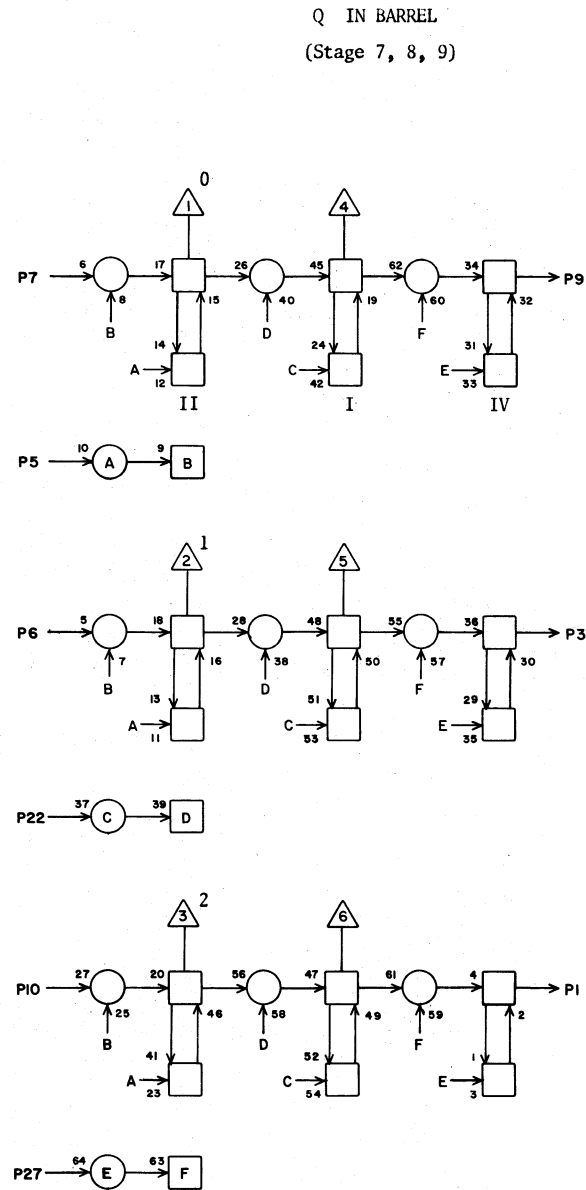
63019800 Rev. A



TC

1 Q21			
JACK	PIN	LG	
1	Q22	22	5
2	Q23	22	7
3	H3	4	47
4	Q24	22	7
5	Q21	X	2
6	Q25	22	7
7	P17	22	9
8	P18	22	9
9	P19	22	9
10	P20	22	7
11			
12			
13			
14	H4	7	47
15			
16	Q21	X	2
17	Q18	11	7
18	Q18	22	7
19	Q19	11	7
20	Q19	22	7
21	Q20	11	5
22	Q20	22	5
23	P26	7	7
24	P26	20	9
25	P27	7	11
26	P27	20	11
27	O34	3	19
28	O34	16	17

63019800 Rev. A



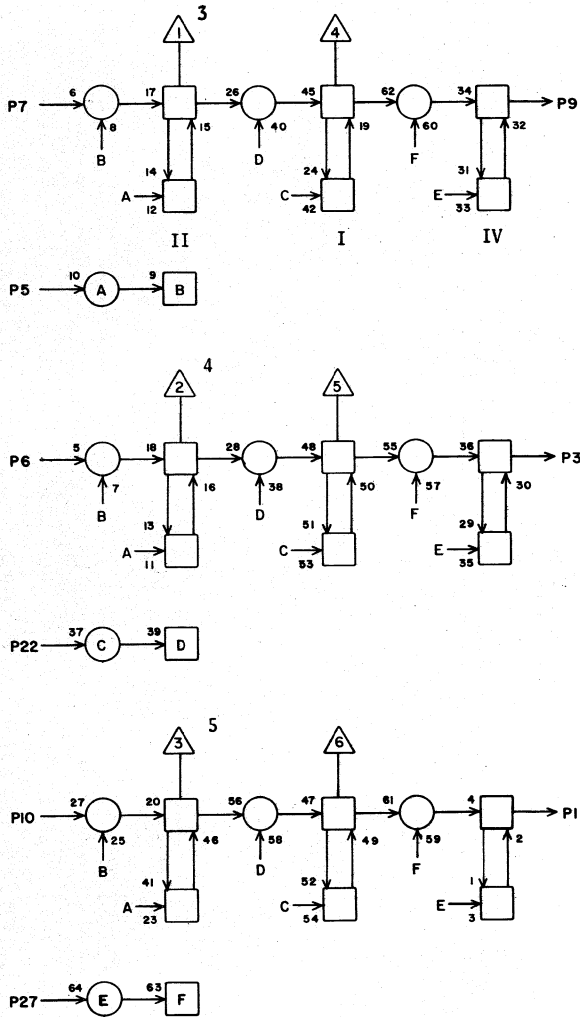
PB

1 Q22			
JACK	PIN	LG	
1	R19	23	11
2			
3	R19	8	9
4			
5	Q26	9	7
6	P26	2	9
7	P26	1	9
8			
9	R19	7	9
10	P26	14	9
11			
12			
13			
14			
15			
16			
17			
18			
19			
20			
21			
22	Q21	1	5
23			
24			
25			
26			
27	Q26	19	7
28			

63019800 Rev. A



Q



PB

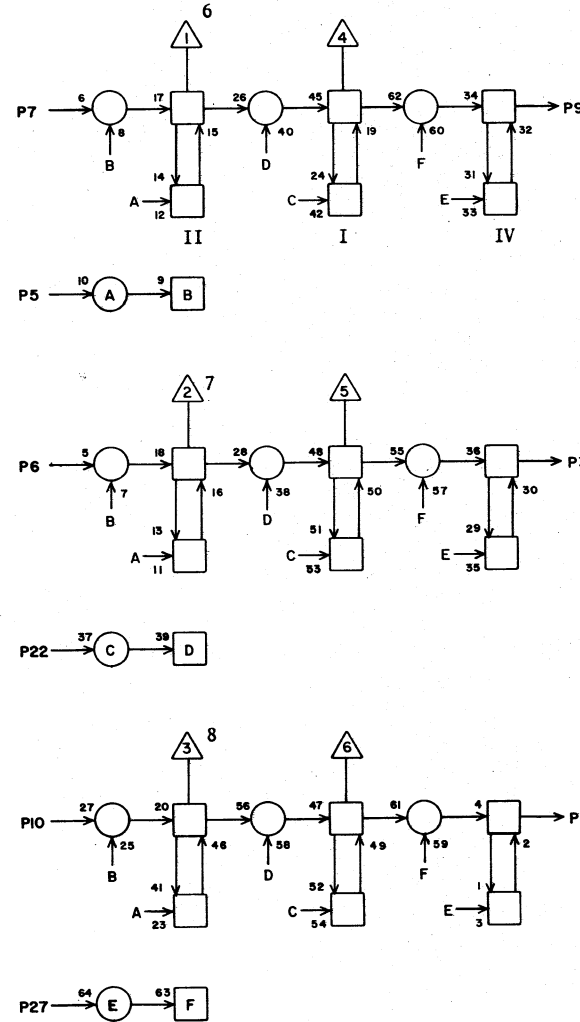
1 Q23

1	R20	8	9
2			
3	R20	7	9
4			
5	Q26	10	7
6	P26	25	7
7	P26	17	9
8			
9	R19	24	11
10	P26	26	7
11			
12			
13			
14			
15			
16			
17			
18			
19			
20			
21			
22	Q21	2	7
23			
24			
25			
26			
27	Q26	20	7
28			

JACK PIN LG

63019800 Rev. A

Q



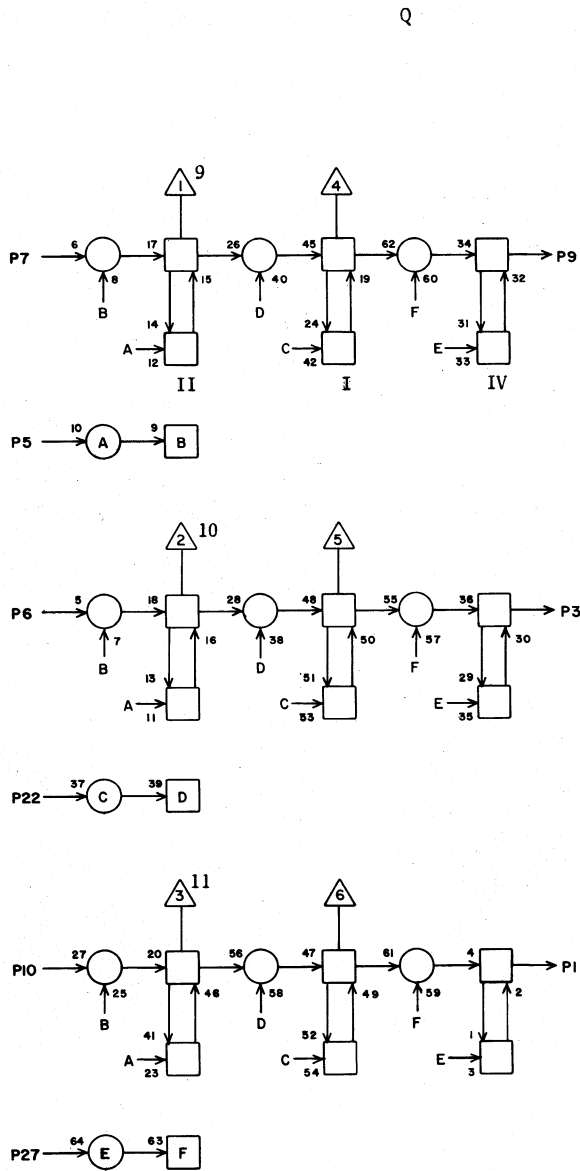
PB

1 Q24

1	R21	7	9
2			
3	R20	24	11
4			
5	Q26	11	7
6	P27	2	9
7	P27	1	9
8			
9	R20	23	11
10	P27	14	9
11			
12			
13			
14			
15			
16			
17			
18			
19			
20			
21			
22	Q21	4	7
23			
24			
25			
26			
27	Q26	21	7
28			

JACK PIN LG

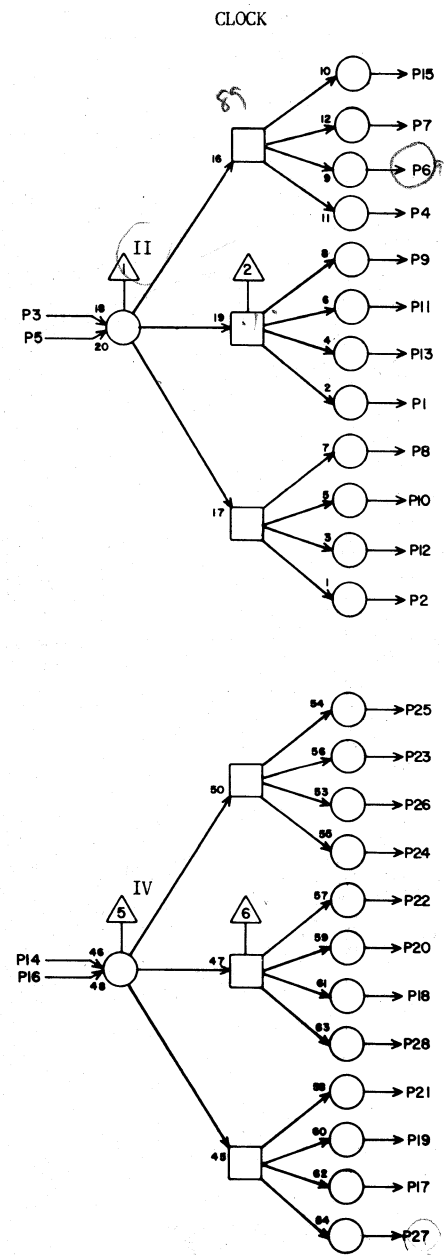
63019800 Rev. A



PB

1 Q25			
JACK	PIN	LG	
1	R21	24	11
2			
3	R21	23	11
4			
5	Q26	12	5
6	P27	25	7
7	P27	17	9
8			
9	R21	8	9
10	P27	26	7
11			
12			
13			
14			
15			
16			
17			
18			
19			
20			
21			
22	Q21	6	7
23			
24			
25			
26			
27	Q26	22	5
28			

63019800 Rev. A

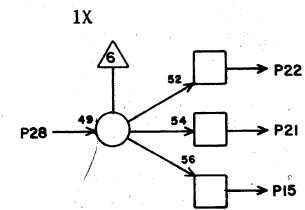
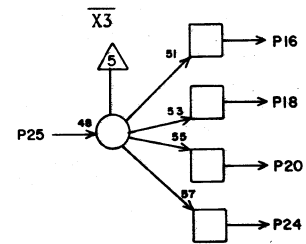
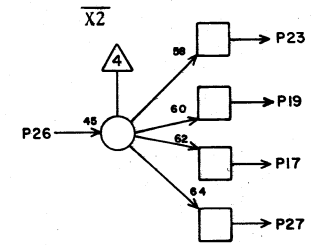
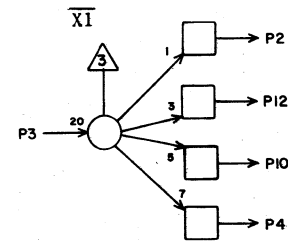
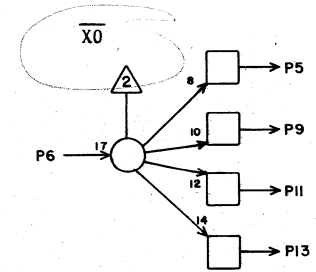
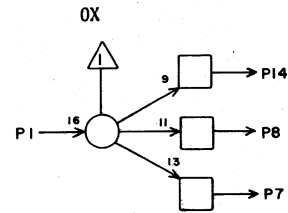


TC

1 Q26			
JACK	PIN	LG	
1	R22	16	11
2	R23	16	9
3	H3	19	47
4	R24	16	9
5	Q26	X	
6	Q32	16	9
7	Q33	16	9
8	Q34	16	11
9	Q22	5	9
10	Q23	5	7
11	Q24	5	7
12	Q25	5	5
13			
14	H4	19	47
15			
16	Q26	X	2
17	R27	16	7
18	R28	16	9
19	Q22	27	9
20	Q23	27	7
21	Q24	27	7
22	Q25	27	5
23	P24	7	9
24	P24	20	9
25	P25	7	9
26	P25	20	7
27	O33	14	21
28			

63019800 Rev. A

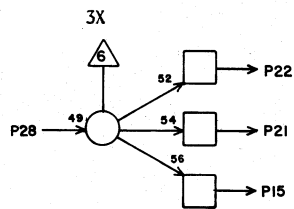
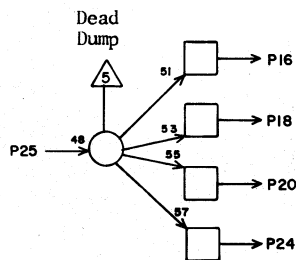
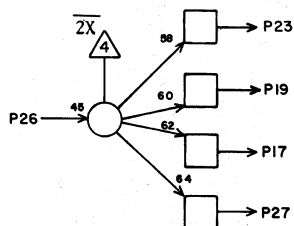
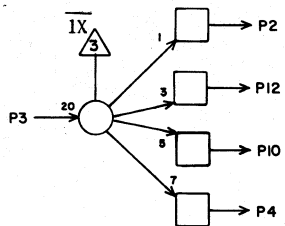
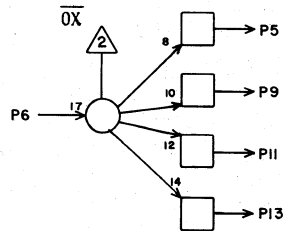
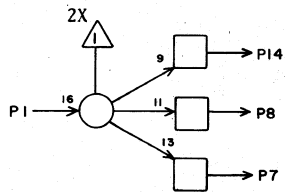
CHANNEL SELECTIONS



TH 1Q28

1	R28	4	7
2	R29	2	7
3	R27	12	7
4			
5	R29	1	7
6	R27	11	7
7	M31	12	19
8	M30	12	19
9	R30	1	7
10	R31	2	7
11	R31	1	7
12	R30	2	7
13			
14	M29	12	19
15	M31	16	19
16	R29	26	9
17	R31	25	11
18	R30	26	9
19	R30	25	9
20	R31	26	11
21	M30	16	19
22	M29	16	19
23	R29	25	9
24			
25	R27	22	9
26	R27	19	9
27			
28	R28	3	7

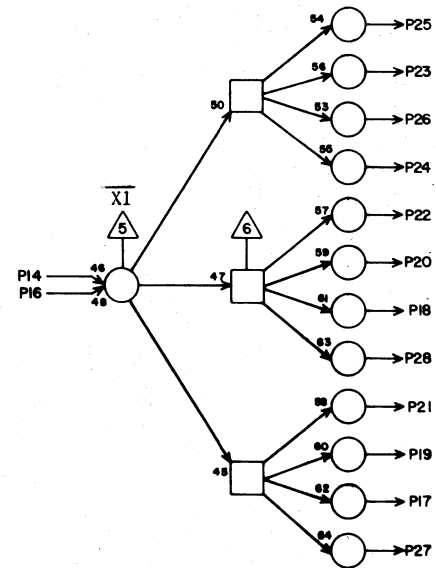
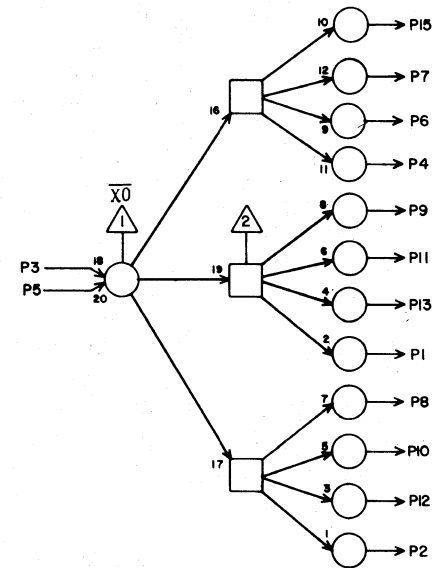
JACK PIN LG



TH			
1Q29			
JACK	PIN	LG	
1	R28	28	9
2	R30	3	7
3	R28	12	9
4	R30	28	9
5	R29	3	7
6	R28	11	7
7	M31	11	19
8	M30	11	19
9	R29	4	7
10	R30	27	9
11	R29	27	9
12	R30	4	7
13	R29	28	9
14	M29	11	19
15	M31	15	19
16	Q12	26	19
17	R31	27	9
18	R18	16	15
19	R31	4	9
20			
21	M30	15	19
22	M29	15	19
23	R31	3	7
24			
25	I29	7	33
26	R28	19	9
27	R31	28	9
28	R28	27	9
JACK	PIN	LG	

63019800 Rev. A

CHANNEL SELECTION



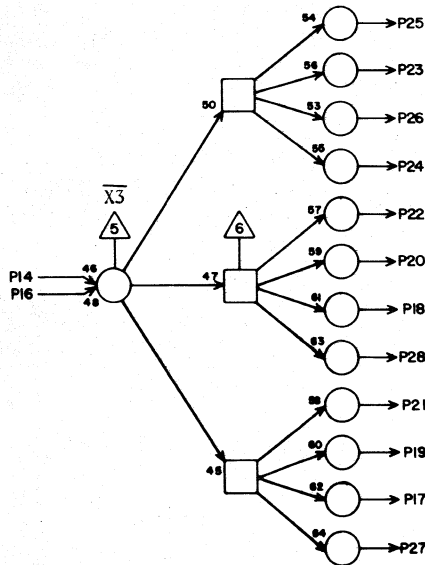
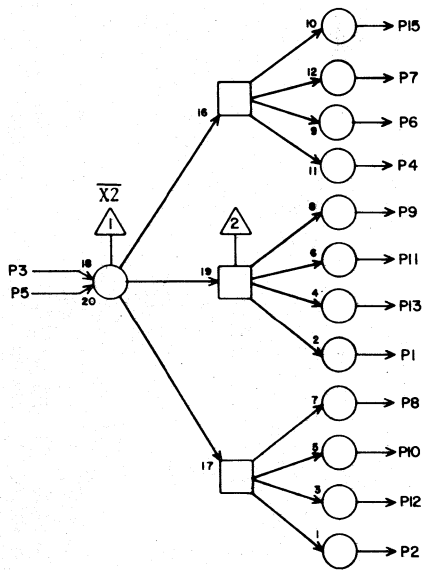
TC 1Q30

1	M32	12	19
2	M33	12	19
3	R27	7	9
4	M34	12	19
5	Q30	X	2
6	P29	12	9
7	P30	12	7
8	P31	12	7
9	R32	12	9
10	R33	12	9
11	R34	12	9
12			
13			
14	R27	10	9
15			
16	Q30	X	2
17	M32	16	19
18	M33	16	19
19	M34	16	19
20	P29	16	7
21	P30	16	7
22	P31	16	7
23	R32	16	9
24	R33	16	9
25	R34	16	9
26			
27			
28			

JACK PIN LG

63019800 Rev. A

CHANNEL SELECTION



TC

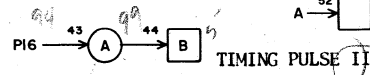
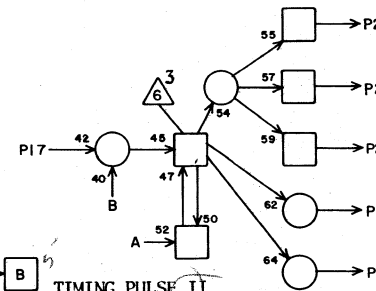
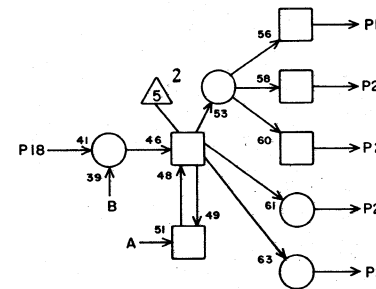
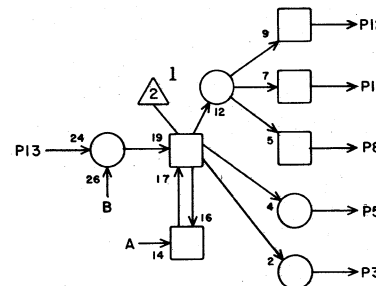
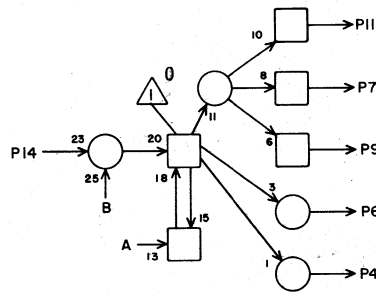
1 Q31

1	M32	11	19
2	M33	11	19
3	R27	20	11
4	M34	11	19
5	Q31	X	2
6	P29	11	9
7	P30	11	9
8	P31	11	9
9	R32	11	7
10	R33	11	7
11	R34	11	7
12			
13			
14	R27	24	11
15			
16	Q31	X	2
17	M32	15	19
18	M33	15	19
19	M34	15	19
20	P29	15	9
21	P30	15	9
22	P31	15	7
23	R32	15	9
24	R33	15	9
25	R34	15	9
26			
27			
28			

JACK PIN LG

63019800 Rev. A

CHANNEL SELECTION



PD

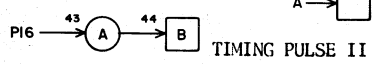
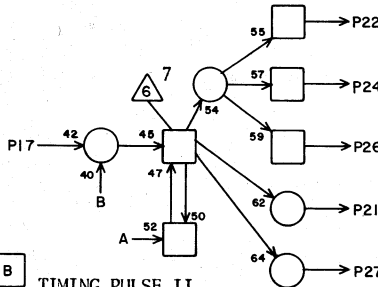
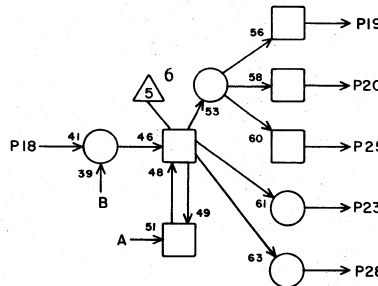
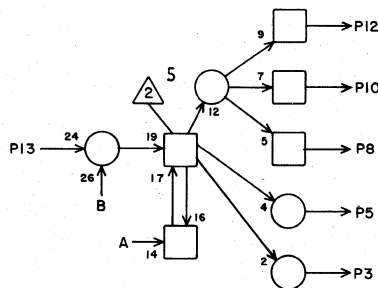
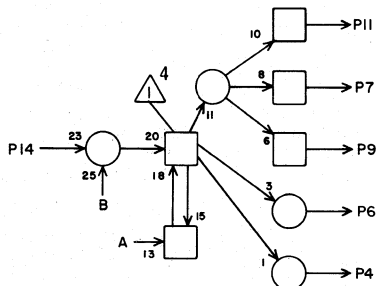
1Q32

1			
2			
3	M39	19	19
4	M35	19	19
5			
6			
7	M36	19	19
8	M40	19	21
9	M37	19	19
10	M41	19	21
11	M38	19	19
12	M42	19	21
13	R29	5	9
14	R29	6	9
15			
16	Q26	6	11
17	R29	15	9
18	R29	16	9
19	N36	19	15
20	N37	19	15
21			
22	N40	19	17
23			
24	N41	19	17
25	N38	19	17
26	N42	19	17
27	N39	19	17
28	N35	19	15

JACK PIN LG

63019800 Rev. A

CHANNEL SELECTION

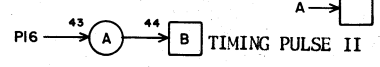
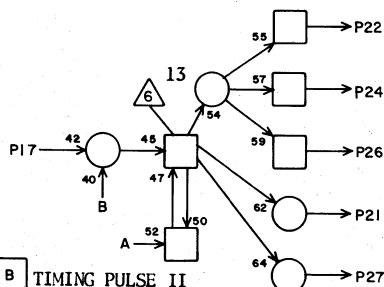
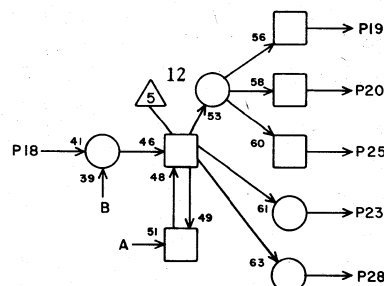
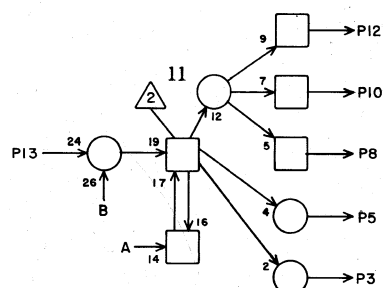
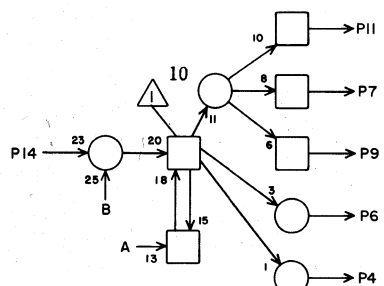


PD 1 Q33

JACK	PIN	LG
1		
2		
3	Q39	19 13
4	Q35	19 13
5		
6		
7	Q36	19 13
8	Q40	19 13
9	Q37	19 13
10	Q41	19 15
11	Q38	19 13
12	Q42	19 15
13	R30	5 9
14	R30	6 9
15		
16	Q26	7 11
17	R30	15 9
18	R30	16 9
19	P36	19 9
20	P37	19 9
21		
22	P40	19 11
23		
24	P41	19 13
25	P38	19 9
26	P42	19 13
27	P39	19 11
28	P35	19 7

63019800 Rev. A

CHANNEL SELECTION

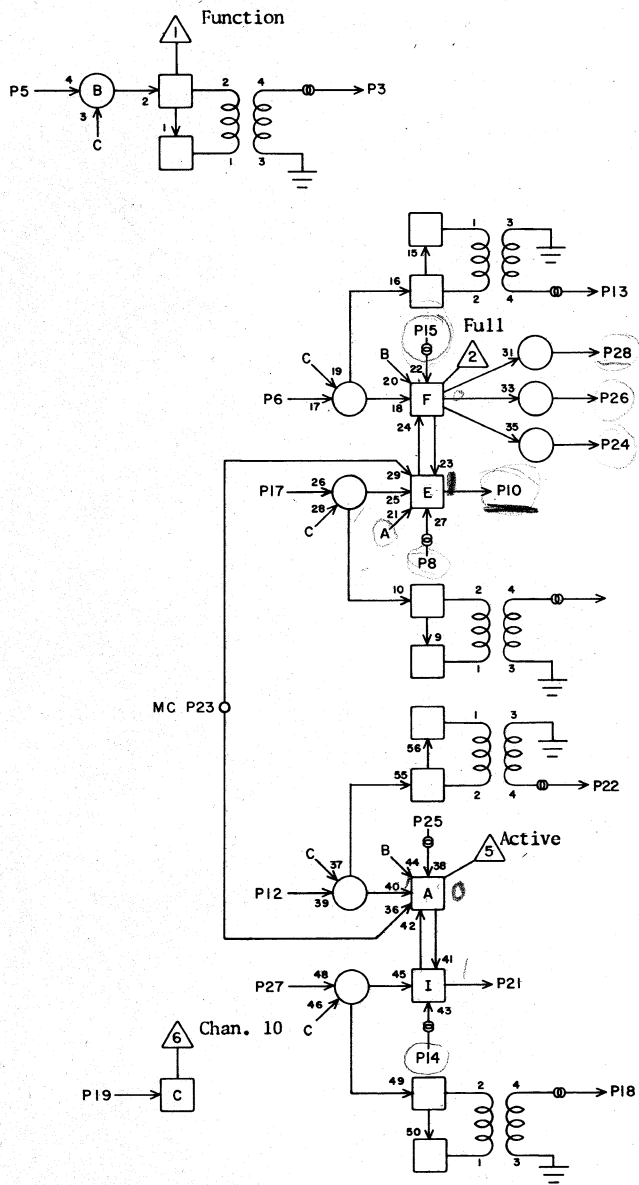


PD 1 Q34

JACK	PIN	LG
1		
2		
3	Q39	19 7
4	Q35	19 5
5		
6		
7	Q36	19 7
8	Q40	19 9
9	Q37	19 7
10	Q41	19 11
11	Q38	19 7
12	Q42	19 11
13	R31	5 9
14	R31	6 9
15		
16	Q26	8 13
17	R31	15 9
18	R31	16 9
19	R36	19 11
20	R37	19 9
21		
22	R40	19 11
23		
24	R41	19 11
25	R38	19 9
26	R42	19 13
27	R39	19 9
28	R35	19 9

63019800 Rev. A

CHANNEL 10



PK

1 Q35

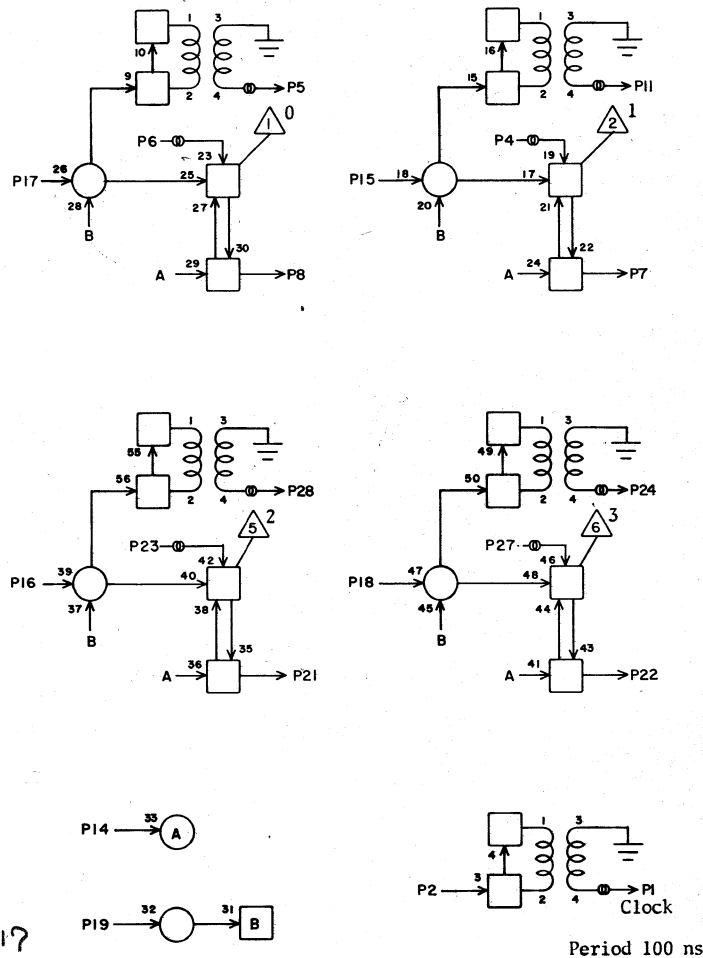
1			
2			
3	W30	906	
4			
5	O32	25	13
6	O33	11	13
7			
8	W29	905	
9	W30	905	
10	N30	4	17
11			
12	O31	11	13
13	W30	904	
14	W29	903	
15	W29	904	
16			
17	O32	11	13
18	W30	903	
19	Q34	4	5
20			
21	N31	4	17
22	W30	902	
23	<del>W29</del>	<del>8</del>	<del>17</del> R15, 17
24	Q36	14	5
25	W29	902	
26	Q37	14	7
27	O31	25	13
28	Q38	14	7

JACK PIN LG

63019800 Rev. A

FCO 11576

CHANNEL 10



PR

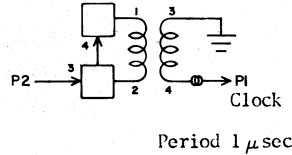
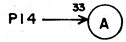
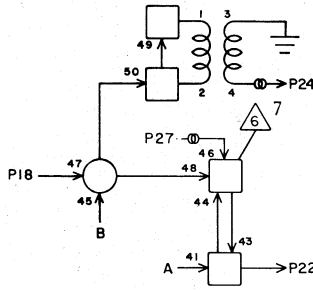
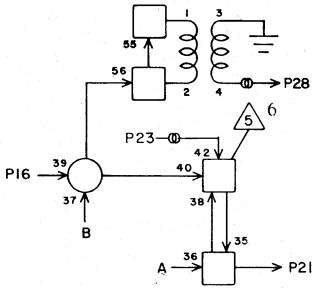
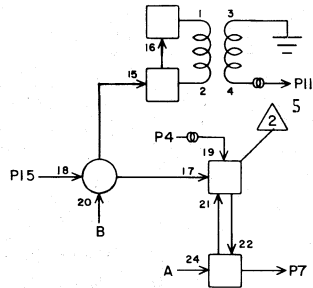
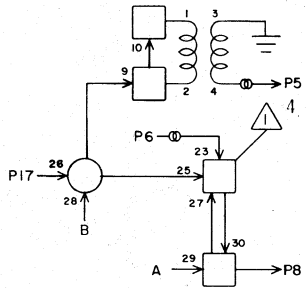
1 Q36

1	W29	906	
2	O34	8	13
3			
4	W29	91	
5	W30	90	
6	W29	90	
7	R32	1	9
8	R32	2	9
9			
10			
11	W30	91	
12			
13			
14	Q35	24	5
15	N32	25	15
16	N33	11	15
17	N32	11	15
18	N33	25	15
19	Q34	7	7
20			
21	R32	28	9
22	R32	27	9
23	W29	92	
24	W30	93	
25			
26			
27	W29	93	
28	W30	92	

JACK PIN LG

63019800 Rev. A

CHANNEL 10

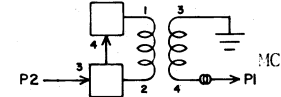
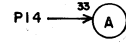
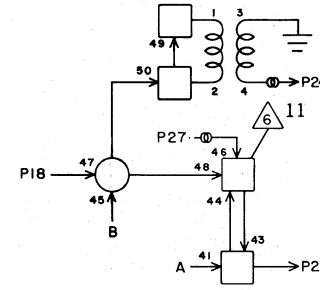
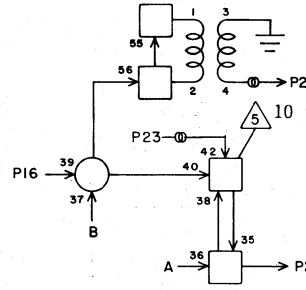
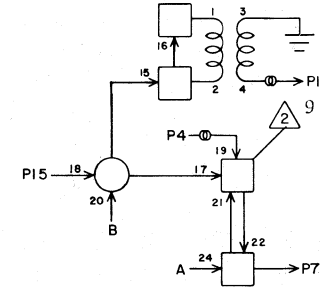
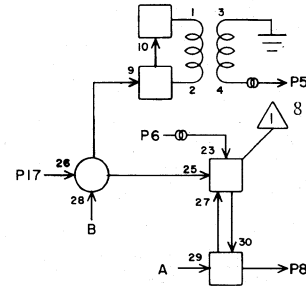


PR 1 Q37

1	W29	907	
2	O34	22	13
3			
4	W29	95	
5	W30	94	
6	W29	94	
7	R33	1	9
8	R33	2	9
9			
10			
11	W30	95	
12			
13			
14	Q35	26	7
15	N34	25	15
16	P32	11	11
17	N34	11	15
18	P32	25	11
19	Q34	9	7
20			
21	R33	28	9
22	R33	27	9
23	W29	96	
24	W30	97	
25			
26			
27	W29	97	
28	W30	96	

JACK PIN LG

CHANNEL 10



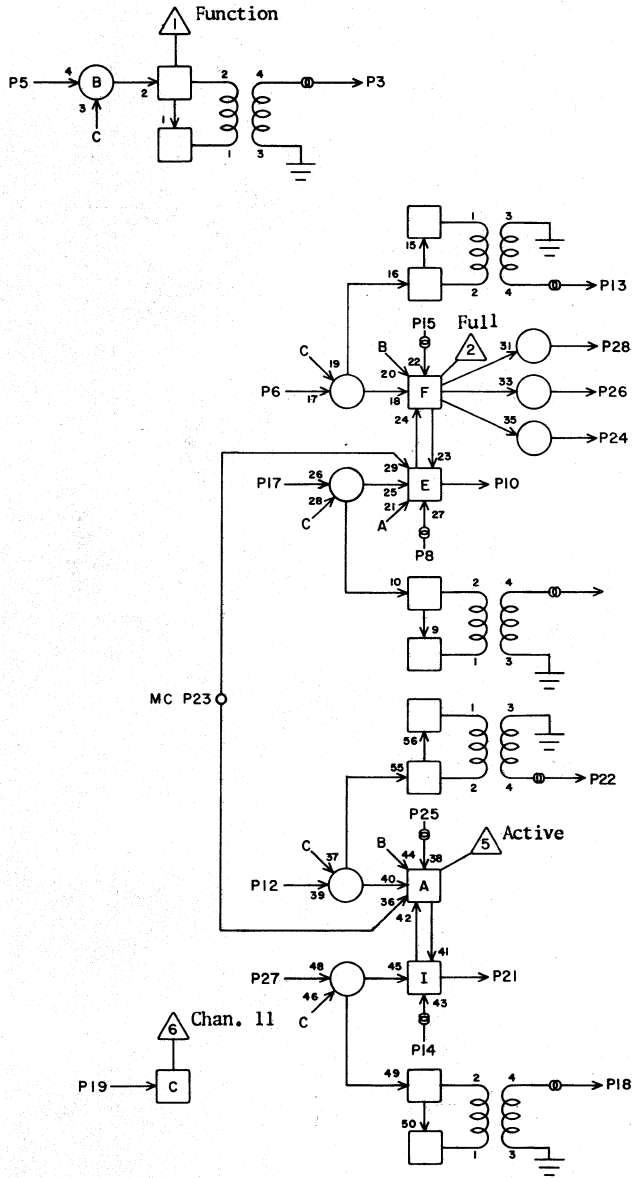
PR 1 Q38

1	W30	907	
2	O33	22	13
3			
4	W29	99	
5	W30	98	
6	W29	98	
7	R34	1	9
8	R34	2	9
9			
10			
11	W30	99	
12			
13			
14	Q35	28	7
15	P33	25	11
16	P34	11	11
17	P33	11	11
18	P34	25	11
19	Q34	11	9
20			
21	R34	28	11
22	R34	27	11
23	W29	900	
24	W30	901	
25			
26			
27	W29	901	
28	W30	900	

JACK PIN LG



CHANNEL 11



PK

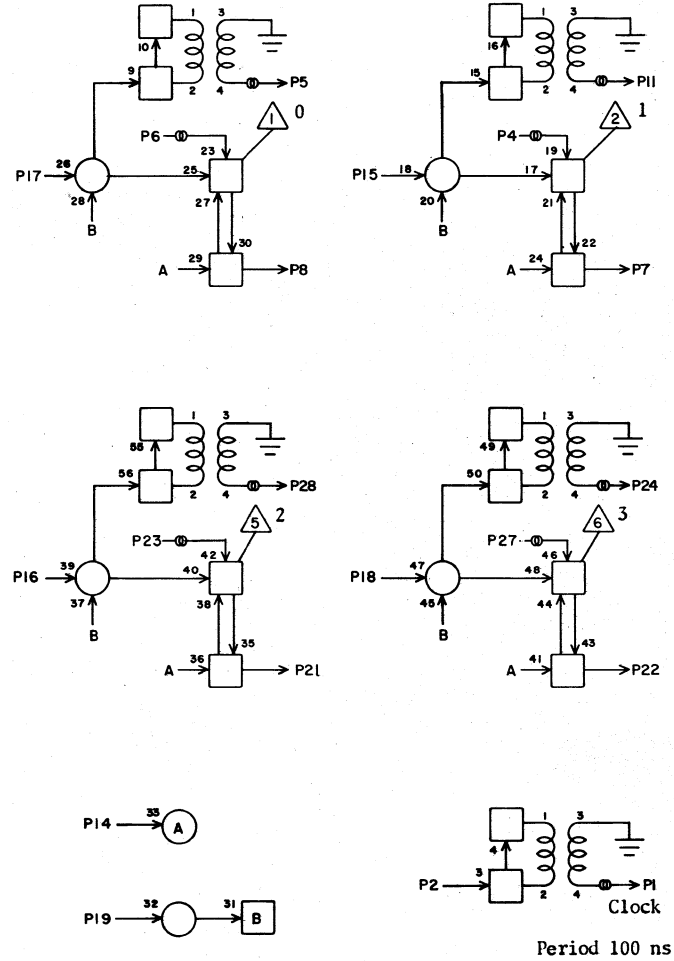
1Q39

1			
2			
3	W32	906	
4			
5	O32	26	15
6	O33	12	15
7			
8	W31	905	
9	W32	905	
10	N30	26	17
11			
12	O31	12	15
13	W32	904	
14	W31	903	
15	W31	904	
16			
17	O32	12	15
18	W32	903	
19	Q34	3	9
20			
21	N31	26	17
22	W32	902	
23	N29	13	19
24	Q40	14	5
25	W31	902	
26	Q41	14	7
27	O31	26	15
28	Q42	14	7

JACK PIN LG

63019800 Rev. A

CHANNEL 11



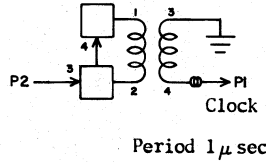
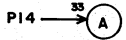
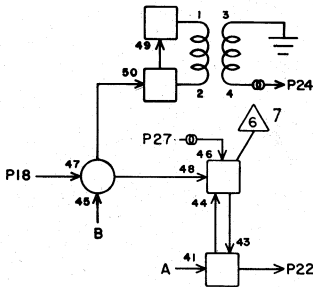
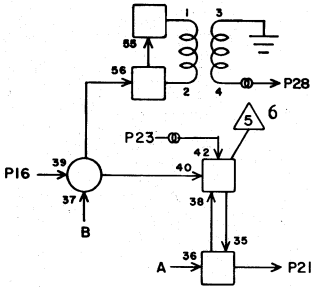
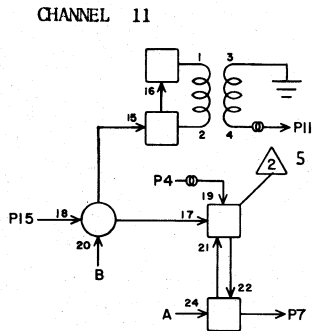
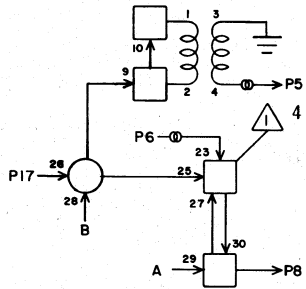
PR

1Q40

1	W31	906	
2	O34	13	15
3			
4	W31	91	
5	W32	90	
6	W31	90	
7	R32	3	13
8	R32	4	13
9			
10			
11	W32	91	
12			
13			
14	Q39	24	5
15	N32	26	17
16	N33	12	17
17	N32	12	17
18	N33	26	17
19	Q34	8	11
20			
21	R32	26	13
22	R32	25	13
23	W31	92	
24	W32	93	
25			
26			
27	W31	93	
28	W32	92	

JACK PIN LG

63019800 Rev. A

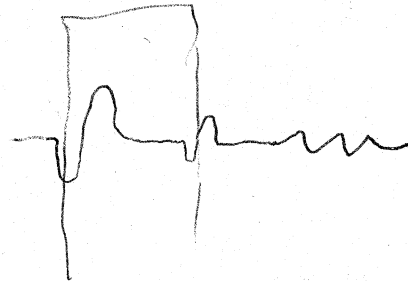
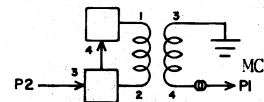
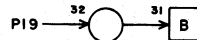
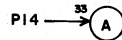
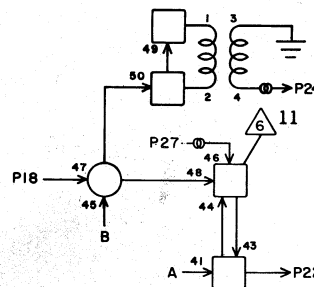
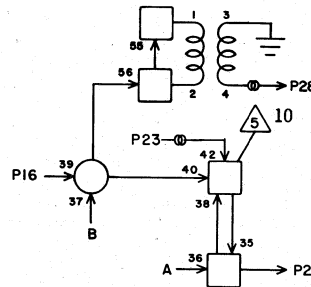
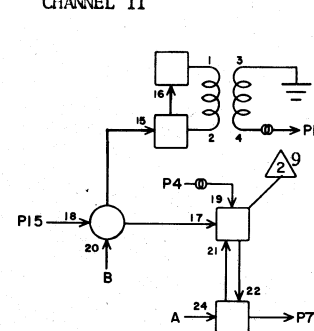
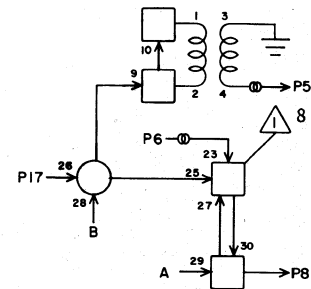


PR 1 Q41

1	W31	907	
2	O34	17	15
3			
4	W31	95	
5	W32	94	
6	W31	94	
7	R33	3	13
8	R33	4	13
9			
10			
11	W32	95	
12			
13			
14	Q39	26	7
15	N34	26	17
16	P32	12	15
17	N34	12	17
18	P32	26	15
19	Q34	10	11
20			
21	R33	26	13
22	R33	25	13
23	W31	96	
24	W32	97	
25			
26			
27	W31	97	
28	W32	96	

JACK PIN LG

63019800 Rev. A



PR 1 Q42

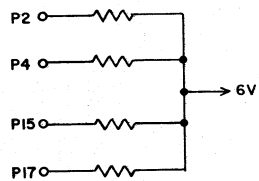
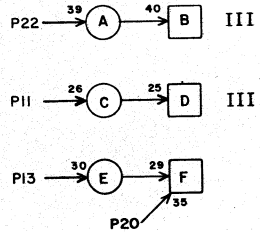
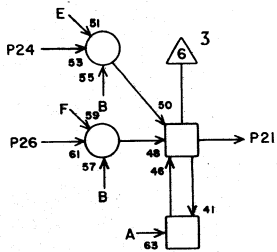
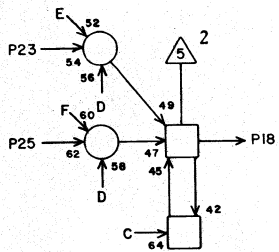
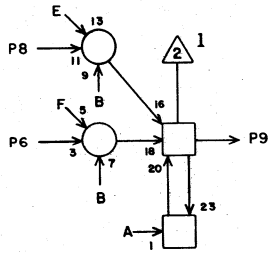
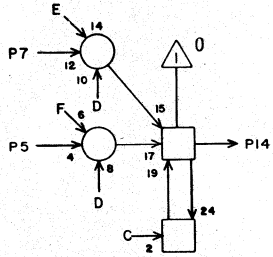
1	W32	907	
2	O33	17	17
3			
4	W31	99	
5	W32	98	
6	W31	98	
7	R34	3	13
8	R34	4	13
9			
10			
11	W32	99	
12			
13			
14	Q39	28	9
15	P33	26	15
16	P34	12	13
17	P33	12	15
18	P34	26	13
19	Q34	12	13
20			
21	R34	26	13
22	R34	25	13
23	W31	900	
24	W32	901	
25			
26			
27	W31	901	
28	W32	900	

JACK PIN LG

63019800 Rev. A

A IN BARREL

(Stage 10)

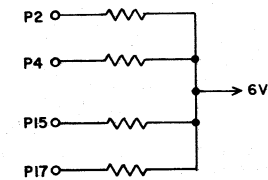
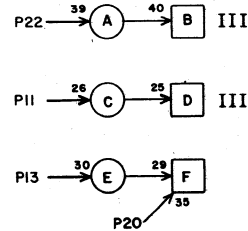
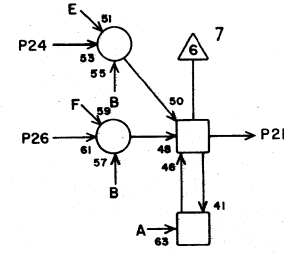
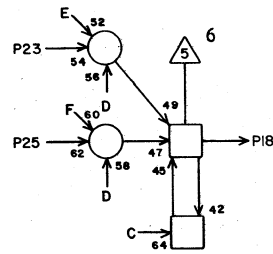
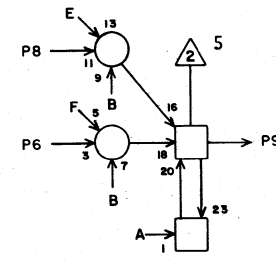
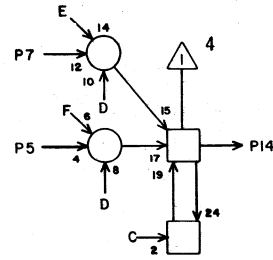


PC		1R1	
1			
2	R1	5	3
3			
4	R1	6	3
5	R1	2	3
6	R1	4	3
7	Q1	9	7
8	Q1	3	7
9	R8	13	11
10			
11	Q7	17	11
12			
13	R15	1	17
14	R8	14	11
15	R1	25	5
16			
17	R1	26	5
18	R8	18	11
19			
20	R1	X	2
21	R8	17	11
22	Q7	18	11
23	Q1	1	9
24	Q2	9	9
25	R1	15	5
26	R1	17	5
27			
28			

JACK PIN LG

63019800 Rev. A

A



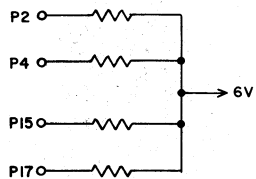
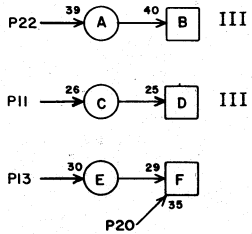
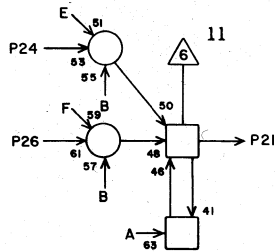
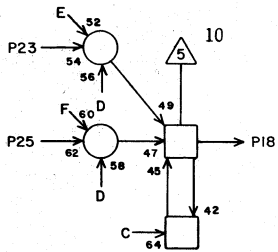
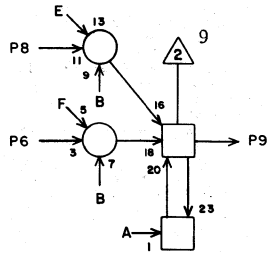
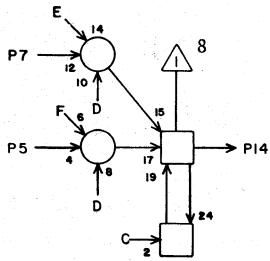
PC

1R2

PC		1R2	
1			
2	R2	5	3
3			
4	R2	6	3
5	R2	2	3
6	R2	4	3
7	Q2	3	9
8	Q2	1	9
9	R9	13	11
10			
11	Q7	19	9
12			
13	R15	2	17
14	R9	14	11
15	R2	25	5
16			
17	R2	26	5
18	R9	18	11
19			
20	R2	X	2
21	R9	17	11
22	Q7	20	9
23	Q3	9	9
24	Q3	3	9
25	R2	15	5
26	R2	17	5
27			
28			

JACK PIN LG

63019800 Rev. A

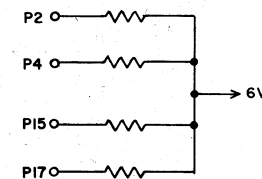
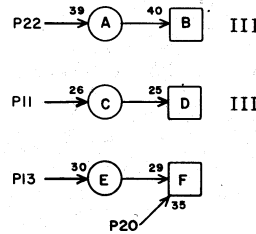
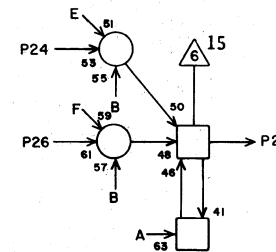
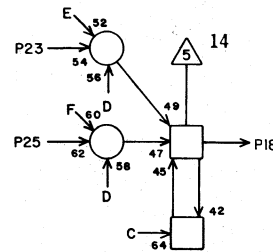
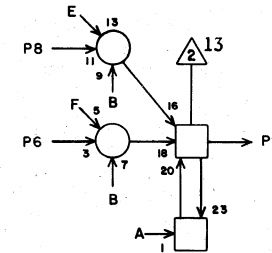
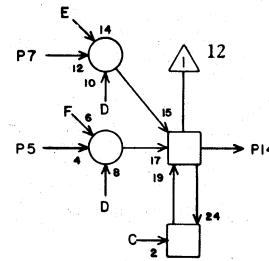


PC 1R3

1			
2	R3	5	3
3			
4	R3	6	3
5	R3	2	3
6	R3	4	3
7	Q3	1	9
8	Q4	9	9
9	R10	13	11
10			
11	Q7	21	9
12			
13	R15	4	15
14	R10	14	11
15	R3	25	5
16			
17	R3	26	5
18	R10	18	11
19			
20	R3	X	2
21	R10	17	11
22	Q7	22	9
23	Q4	3	9
24	Q4	1	9
25	R3	15	5
26	R3	17	5
27			
28			

JACK PIN LG

63019800 Rev. A



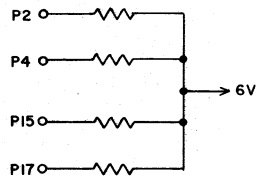
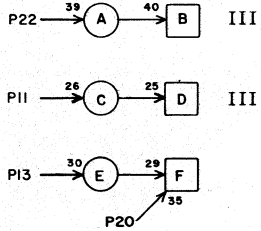
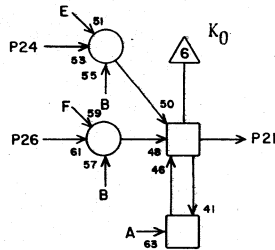
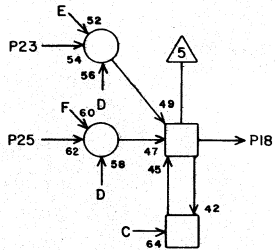
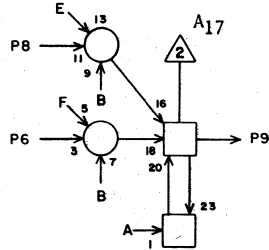
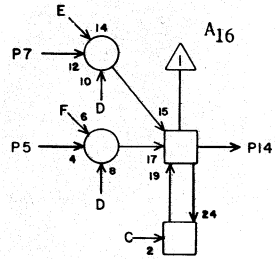
PC 1R4

1			
2			
3			
4	R4	6	3
5	R4	X	2
6	R4	4	3
7	Q5	9	7
8	Q5	3	7
9	R11	13	11
10			
11	Q7	23	9
12			
13	R15	6	15
14	R11	14	11
15	R4	25	5
16			
17	R4	26	5
18	R11	18	11
19			
20	R4	X	2
21	R11	17	11
22	Q7	24	9
23	Q5	1	9
24	Q6	9	9
25	R4	15	5
26	R4	17	5
27			
28			

JACK PIN LG

63019800 Rev. A

A AND K



PC

1 R5

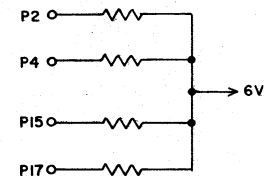
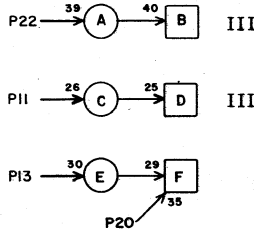
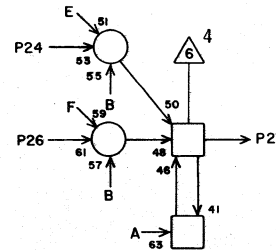
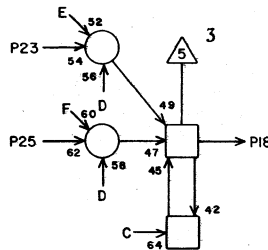
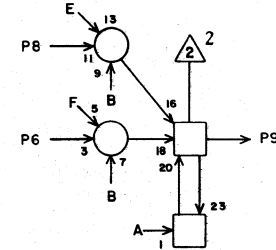
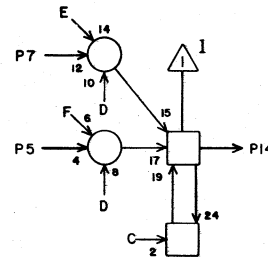
1			
2	R5	5	3
3			
4	R5	6	3
5	R5	2	3
6	R5	4	3
7	Q6	3	9
8	Q6	1	9
9	R12	13	11
10			
11	Q7	25	7
12			
13	R15	7	13
14	R12	14	11
15			
16			
17			
18			
19			
20	R5	X	2
21	R12	17	11
22	Q7	26	7
23			
24	Q8	9	9
25			
26	R18	9	15
27			
28			

JACK PIN LG

63019800 Rev. A

K IN BARREL

(Stage 11)



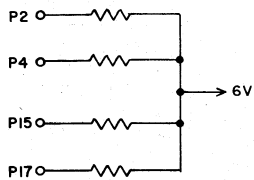
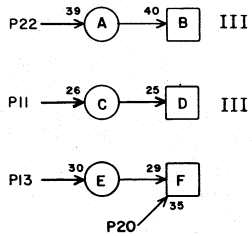
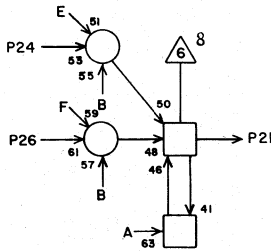
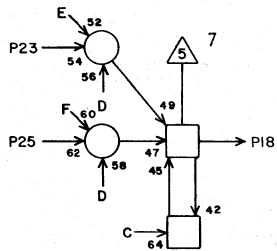
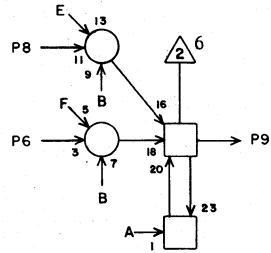
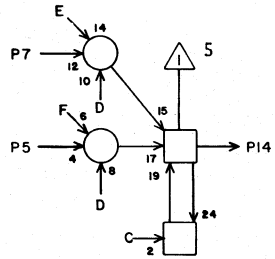
PC

1 R6

1			
2	R18	5	15
3			
4			
5	R18	8	15
6	R18	10	15
7	Q8	3	9
8	Q8	1	9
9	R13	13	11
10			
11	Q7	27	7
12			
13	R15	8	13
14	R13	14	11
15			
16			
17	R18	22	15
18	R13	18	11
19			
20	R6	X	2
21	R13	17	11
22	Q7	28	7
23	Q9	9	9
24	Q9	3	9
25	R18	19	15
26	R18	21	15
27			
28			

JACK PIN LG

63019800 Rev. A



PC

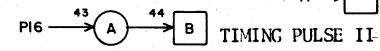
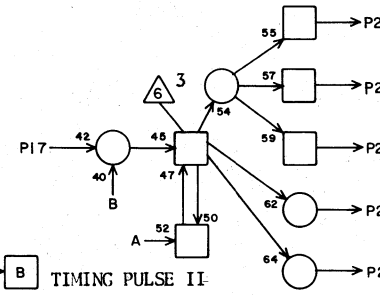
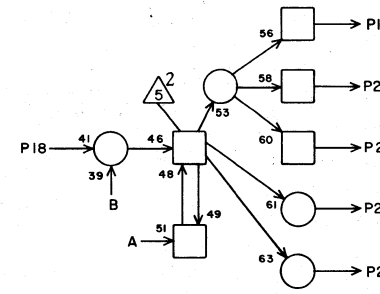
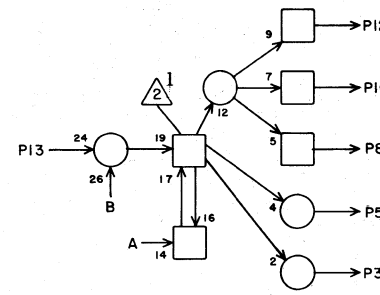
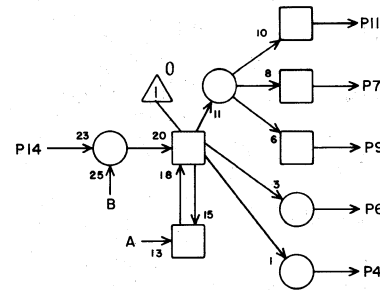
1 R7

1			
2	R18	24	15
3			
4	R7	7	3
5	Q9	1	9
6	Q10	9	9
7	R7	4	3
8	R7	X	2
9	R14	13	11
10			
11	R16	17	13
12			
13	G3	27	47
14	R14	14	11
15	R18	23	15
16			
17	R18	4	15
18	R14	18	11
19			
20	R7	X	2
21	R14	17	11
22	R16	18	13
23	R18	20	15
24	R7	X	2
25	Q10	3	9
26	Q10	1	9
27			
28			

JACK PIN LG

63019800 Rev. A

A IN BARREL  
(Stage 11)



TIMING PULSE II

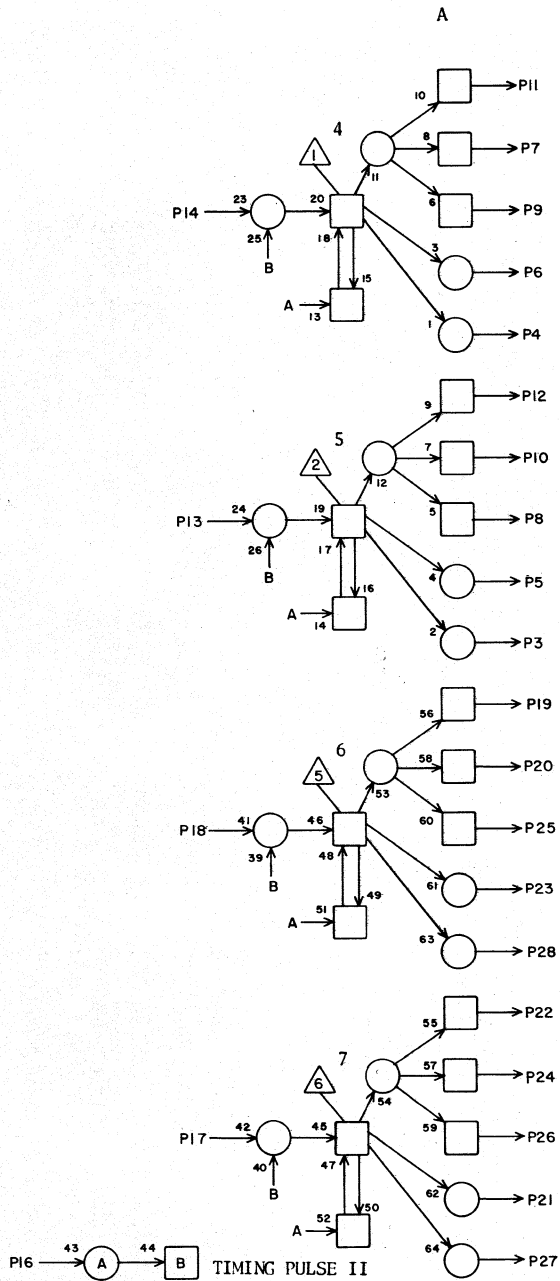
PD

1 R8

1			
2			
3	Q12	9	9
4			
5	Q11	11	9
6	Q11	9	9
7			
8			
9	Q12	11	9
10			
11	N1	14	21
12	N1	13	21
13	R1	9	11
14	R1	14	11
15			
16	R16	1	11
17	R1	21	11
18	R1	18	11
19	N1	18	21
20			
21	Q11	26	9
22	N1	17	21
23	Q11	24	9
24			
25			
26			
27			
28			

JACK PIN LG

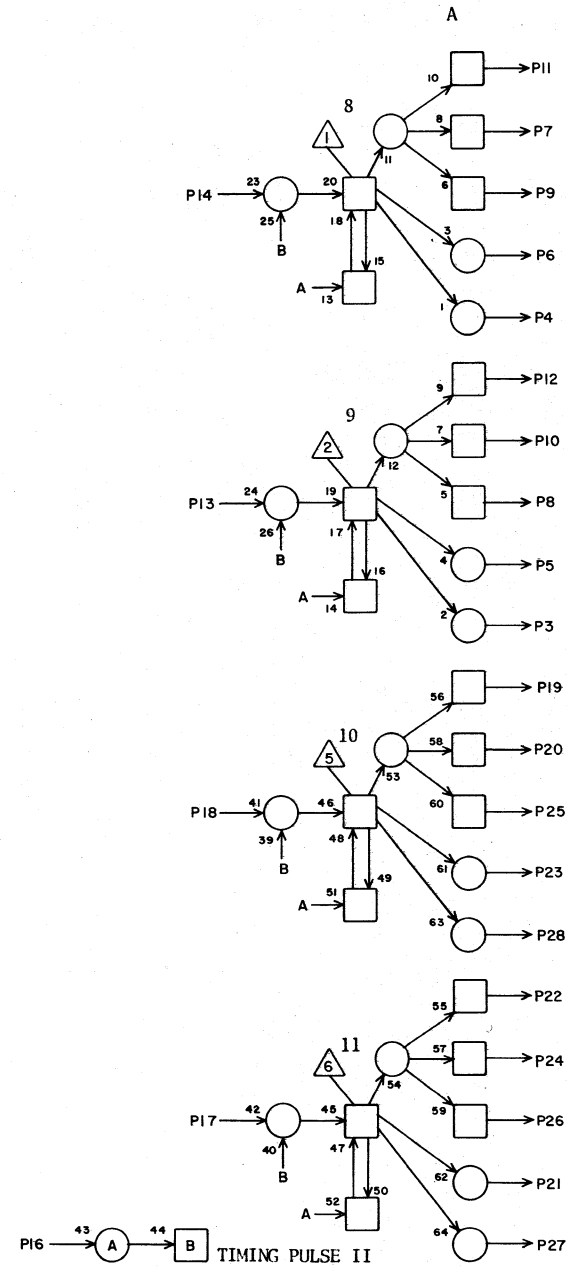
63019800 Rev. A



PD 1R9

1			
2			
3			
4			
5	Q11	21	7
6	Q11	28	7
7			
8			
9			
10			
11	N2	14	21
12	N2	13	21
13	R2	9	11
14	R2	14	11
15			
16	R16	2	11
17	R2	21	11
18	R2	18	11
19	N2	18	21
20			
21	Q11	25	7
22	N2	17	21
23	Q11	23	23
24			
25			
26			
27			
28			

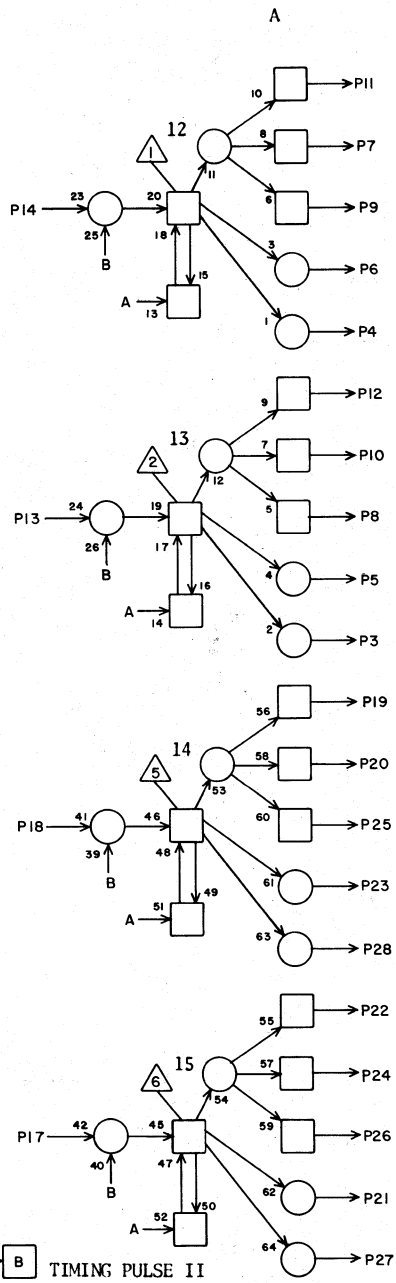
JACK PIN LG  
63019800 Rev. A



PD 1R10

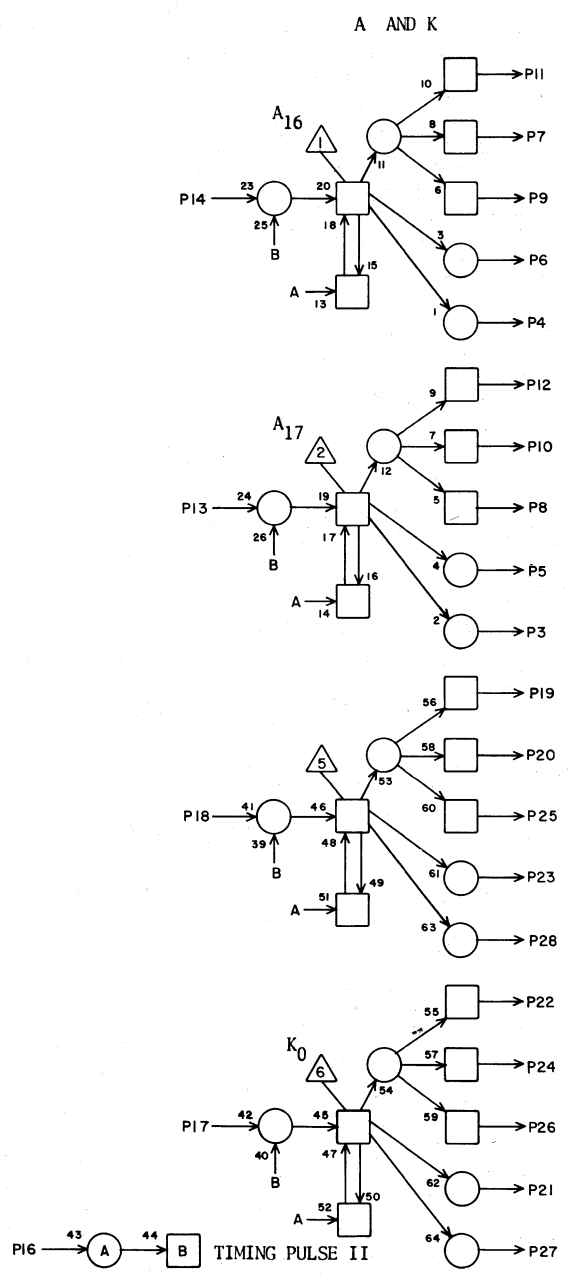
1			
2			
3			
4			
5	Q12	21	7
6	Q11	27	7
7			
8			
9			
10			
11	N3	14	21
12	N3	13	21
13	R3	9	11
14	R3	14	11
15			
16	R16	4	9
17	R3	21	11
18	R3	18	11
19	N3	18	21
20			
21	Q12	25	7
22	N3	17	21
23	Q12	23	7
24			
25			
26			
27			
28			

JACK PIN LG  
63019800 Rev. A



PD	1 R11		
JACK	PIN	LG	
1			
2			
3			
4			
5	R17	2	9
6	Q12	27	7
7			
8			
9			
10			
11	N4	14	21
12	N4	13	21
13	R4	9	11
14	R4	14	11
15			
16	R16	6	9
17	R4	21	11
18	R4	18	11
19	N4	18	21
20			
21	R17	6	9
22	N4	17	21
23	R17	4	9
24			
25			
26			
27			
28			

63019800 Rev. A



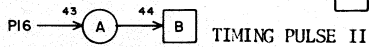
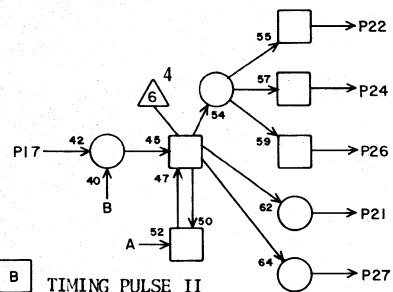
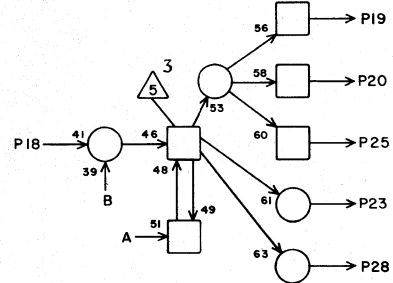
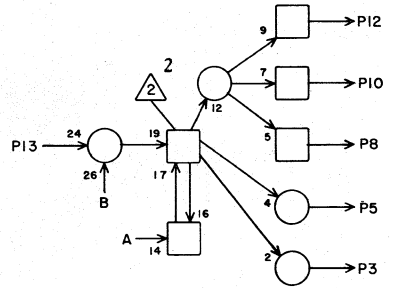
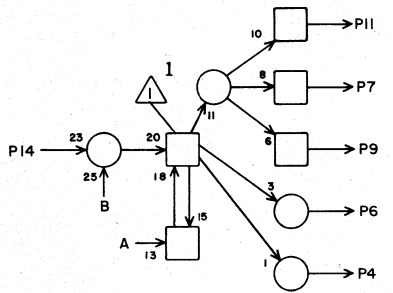
PD	1 R12		
JACK	PIN	LG	
1			
2			
3			
4			
5	R17	10	9
6	R17	8	9
7			
8			
9			
10			
11	N5	14	21
12	N5	13	21
13	R5	9	11
14	R5	14	11
15			
16	R16	7	9
17	R5	21	11
18	Q15	20	9*
19	N05	18	19
20			
21			
22	P8	8	13
23			
24	O12	26	15
25			
26			
27			
28			

63019800 Rev. A

\* FCO 11526



K IN BARREL  
(Stage 12)



PD

1R13

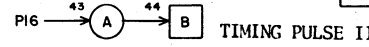
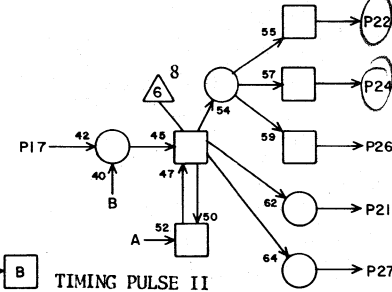
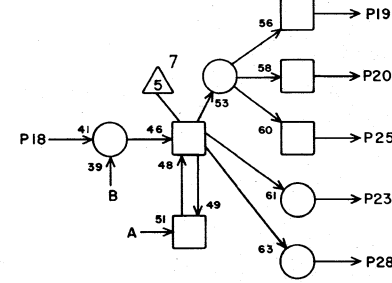
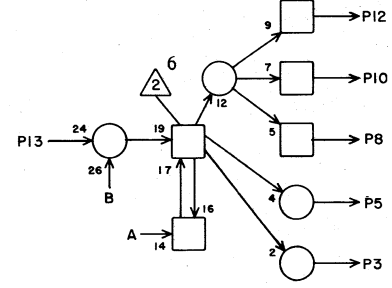
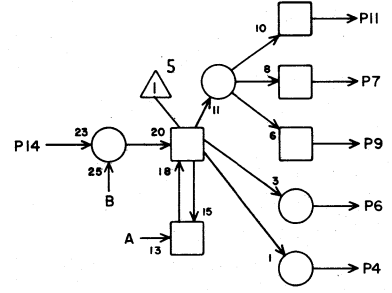
1			
2			
3			
4			
5			
6			
7	O12	18	15
8			
9			
10	O12	9	17
11	P8	5	15
12	P8	12	13
13	R6	9	11
14	R6	14	11
15			
16	R16	8	7
17	R6	21	11
18	R6	18	11
19	P9	8	15
20	O13	26	15
21			
22	P9	5	15
23			
24	O13	18	15
25			
26			
27			
28			

JACK PIN LG

63019800 Rev. A

PD

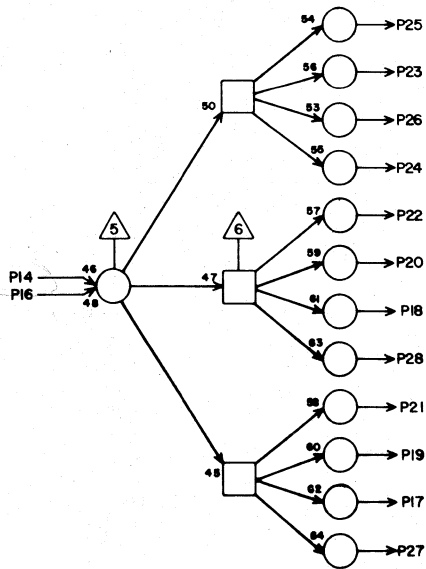
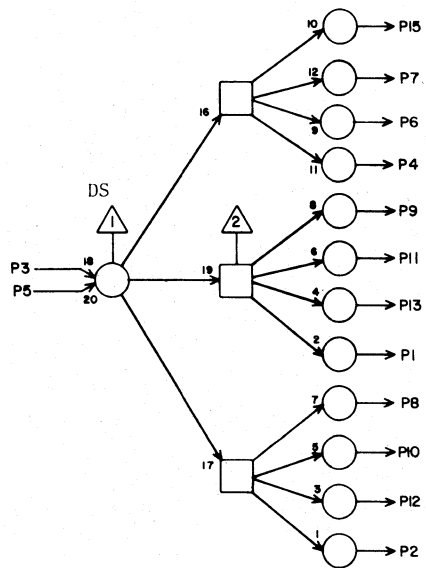
1R14



1			
2			
3			
4			
5			
6			
7	O13	9	17
8			
9			
10	O14	26	15
11	P9	12	13
12	P10	8	13
13	R7	9	11
14	R7	14	11
15			
16	R16	9	7
17	R7	21	11
18	R7	18	11
19	P10	5	13
20	O14	18	15
21			
22	P10	12	13
23			
24	O14	9	15
25			
26			
27			
28			

JACK PIN LG

63019800 Rev. A



TC

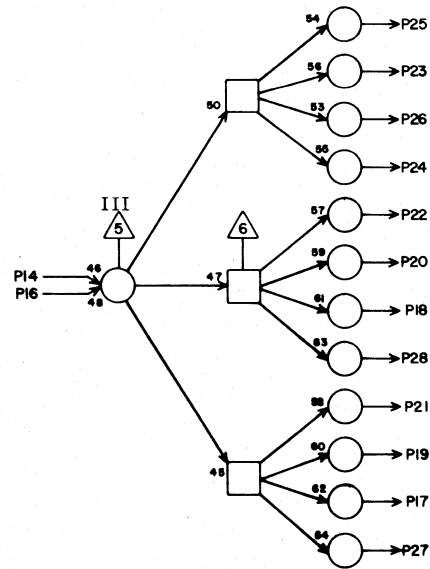
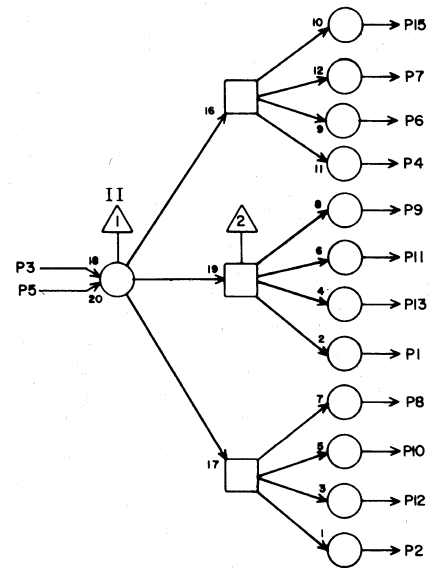
1R15

1	R1	13	17
2	R2	13	17
3	G3	21	47
4	R3	13	15
5	R15	X	2
6	R4	13	15
7	R5	13	13
8	R6	13	13
9	R19	13	7
10	R20	13	9
11	R21	13	9
12	Q18	13	9
13	Q19	13	9
14	<del>NOS</del>	<del>19</del>	<del>21</del> *
15	Q20	13	11
16	R15	X	2
17	Q35	23	21
18	P39	23	25
19			
20			
21			
22			
23			
24			
25			
26			
27			
28			

JACK PIN LG

63019800 Rev. A

CLOCK



TC

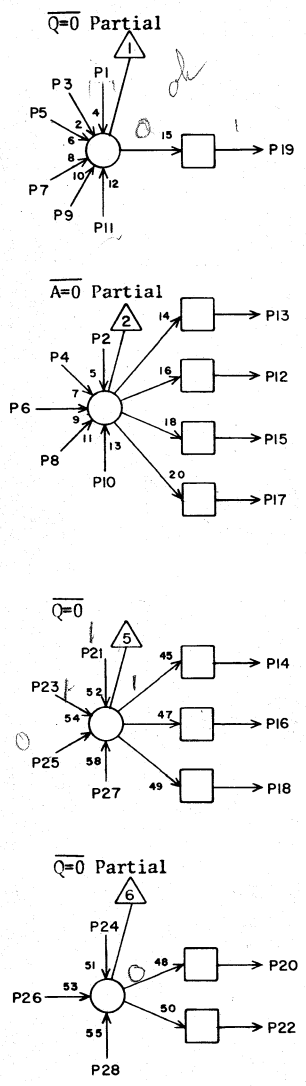
1R16

1	R8	16	13
2	R9	16	11
3	H3	18	41
4	R10	16	9
5	R16	X	2
6	R11	16	9
7	R12	16	7
8	R13	16	7
9	R14	16	7
10	Q16	7	9
11	Q16	20	7
12	Q17	7	9
13	Q17	20	7
14	H4	6	41
15			
16	R16	X	2
17	R7	11	13
18	R7	22	13
19	R19	11	7
20	R19	22	7
21	R20	11	7
22	R20	22	7
23	R21	11	7
24	R21	22	7
25			
26			
27			
28			

JACK PIN LG

63019800 Rev. A

\* FCO 11576



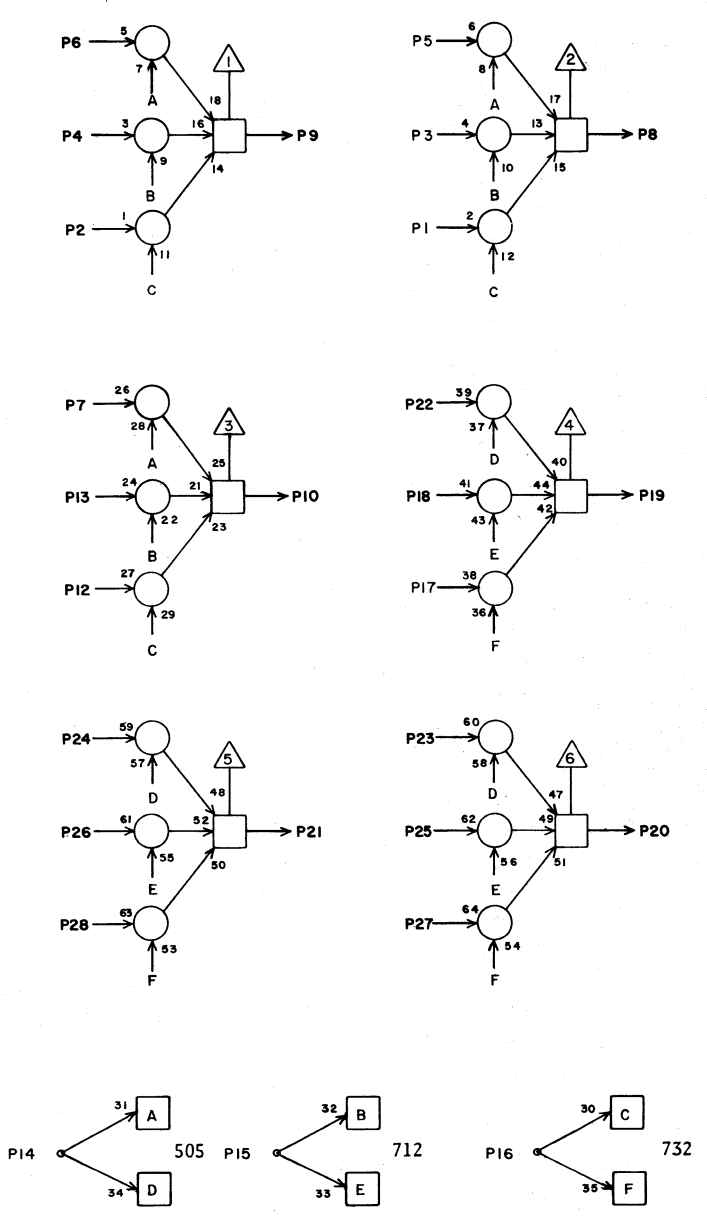
**TB** 1 R17

1	R23	23	9
2	R11	5	11
3	R23	21	9
4	R11	23	11
5	R24	4	11
6	R11	21	11
7	R24	3	11
8	R12	6	9
9	R24	28	11
10	R12	5	9
11	R24	27	11
12	Q12	7	11
13	Q11	7	11
14	P13	13	13
15			
16			
17			
18			
19	R17	21	3
20	R17	23	3
21	R17	19	3
22			
23	R17	20	3
24	R23	4	9
25	R25	6	11
26	R23	3	9
27	R26	6	13
28	R17	X	2

JACK    PIN    LG

63019800 Rev. A

DEAD START



**TE** 1 R18

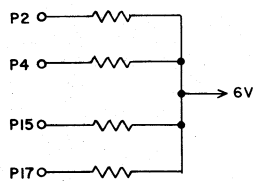
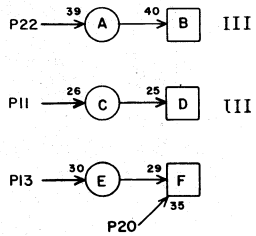
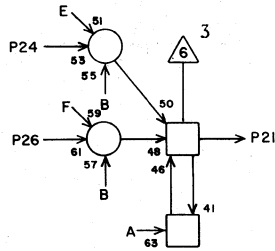
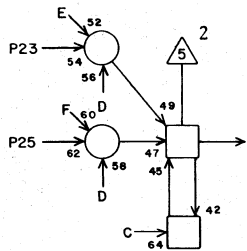
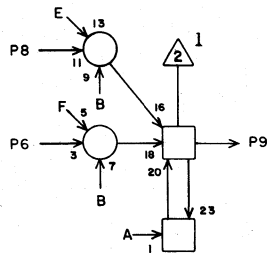
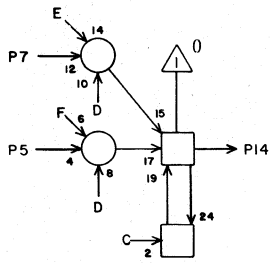
1	R18	X	2
2	R19	15	5
3	R18	X	
4	R7	17	15
5	R6	2	15
6	R18	X	2
7	R18	X	2
8	R6	5	15
9	R5	26	17
10	R6	6	15
11			
12	R19	17	5
13	R19	2	5
14	I29	9	41
15	I29	12	41
16	Q29	18	15
17	R18	X	2
18	R18	X	2
19	R6	25	15
20	R7	23	15
21	R6	26	15
22	R6	17	15
23	R7	15	15
24	R7	2	15
25	R18	X	2
26	R19	4	5
27	R18	X	2
28	R18	X	2

JACK    PIN    LG

63019800 Rev. A

Q IN BARREL

(Stage 10)



PC

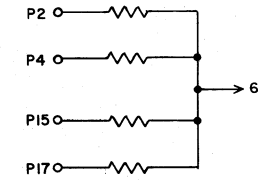
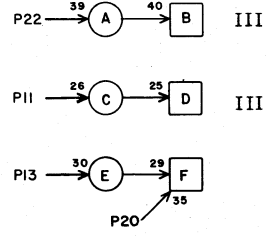
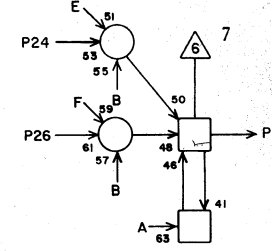
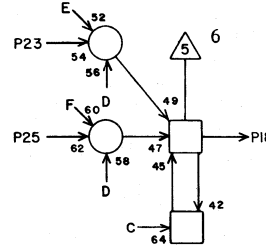
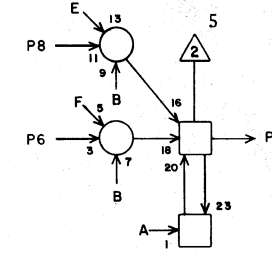
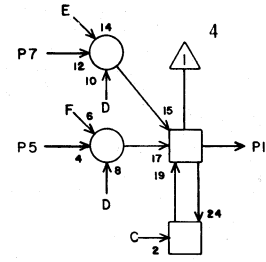
1 R19

1			
2	R18	13	5
3			
4	R18	26	5
5	G3	19	47
6	I14	13	39
7	Q22	9	9
8	Q22	3	9
9	R22	13	7
10			
11	R16	19	7
12			
13	R15	9	7
14	R22	14	7
15	R18	2	5
16			
17	R18	12	5
18	R22	18	7
19			
20	R19	X	2
21	R22	17	7
22	R16	20	7
23	Q22	1	9
24	Q23	9	9
25	I14	9	39
26	I14	20	39
27			
28			

JACK PIN LG

63019800 Rev. A

Q



PC

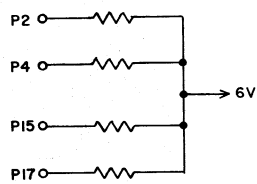
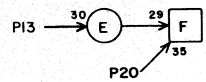
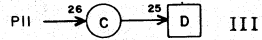
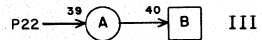
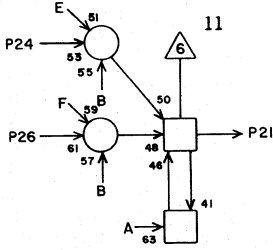
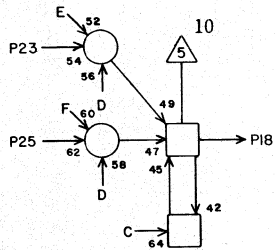
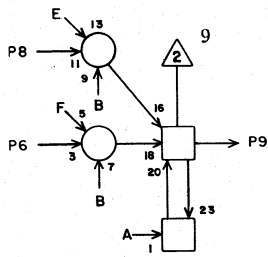
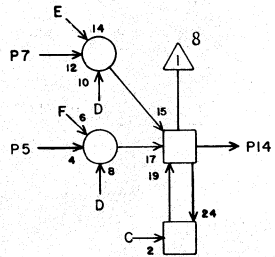
1 R20

1			
2	R20	5	3
3			
4	R20	6	3
5	R20	2	3
6	R20	4	3
7	Q23	3	9
8	Q23	1	9
9	R23	13	7
10			
11	R16	21	7
12			
13	R15	10	9
14	R23	14	7
15	R20	25	5
16			
17	R20	26	5
18	R23	18	7
19			
20	R20	X	2
21	R23	17	7
22	R16	22	7
23	Q24	9	9
24	Q24	3	9
25	R20	15	5
26	R20	17	5
27			
28			

JACK PIN LG

63019800 Rev. A

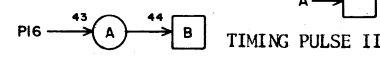
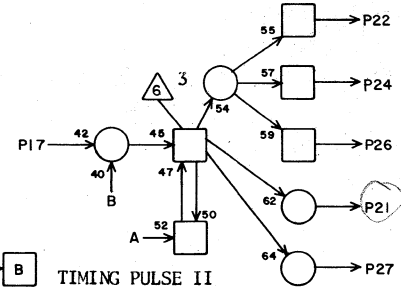
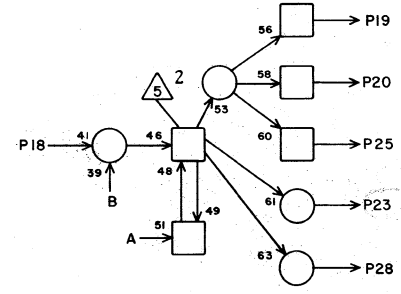
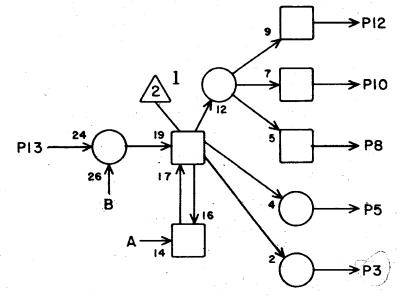
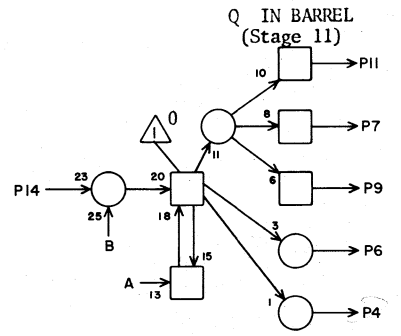
Q



PC		1R21	
1			
2	R21	5	3
3			
4	R21	6	3
5	R21	2	3
6	R21	4	3
7	Q24	1	9
8	Q25	9	9
9	R24	13	7
10			
11	R16	23	7
12			
13	R15	11	9
14	R24	14	7
15	R21	25	5
16			
17	R21	26	5
18	R24	18	7
19			
20	R21	X	2
21	R24	17	7
22	R16	24	9
23	Q25	3	9
24	Q25	1	7
25	R21	15	5
26	R21	17	5
27			
28			

JACK PIN LG

63019800 Rev. A

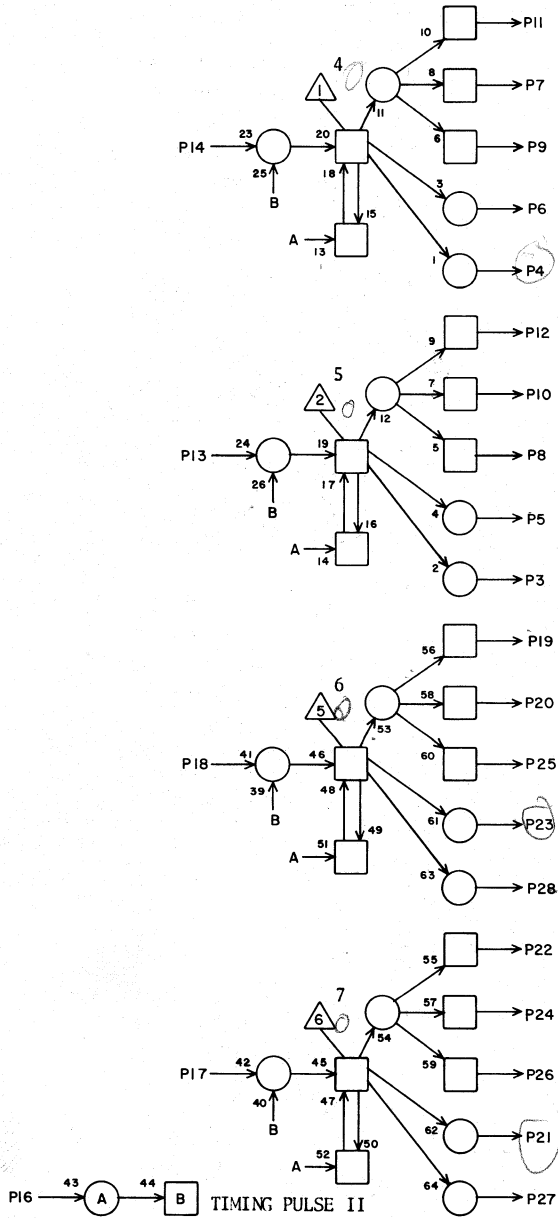


PD		1R22	
1			
2			
3	R25	3	7
4	R25	1	7
5	R25	4	7
6	R25	25	7
7	R25	2	7
8	R25	28	7
9	R25	26	7
10	R25	27	7
11	N22	14	23
12	N22	13	23
13	R19	9	7
14	R19	14	7
15			
16	Q26	1	9
17	R19	21	7
18	R19	18	7
19	N22	18	23
20	R26	2	7
21	R26	3	7
22	N22	17	23
23	R26	1	7
24	R26	27	7
25	R26	26	7
26	R26	28	7
27	R26	4	7
28	R26	25	7

JACK PIN LG

63019800 Rev. A

Q



PD

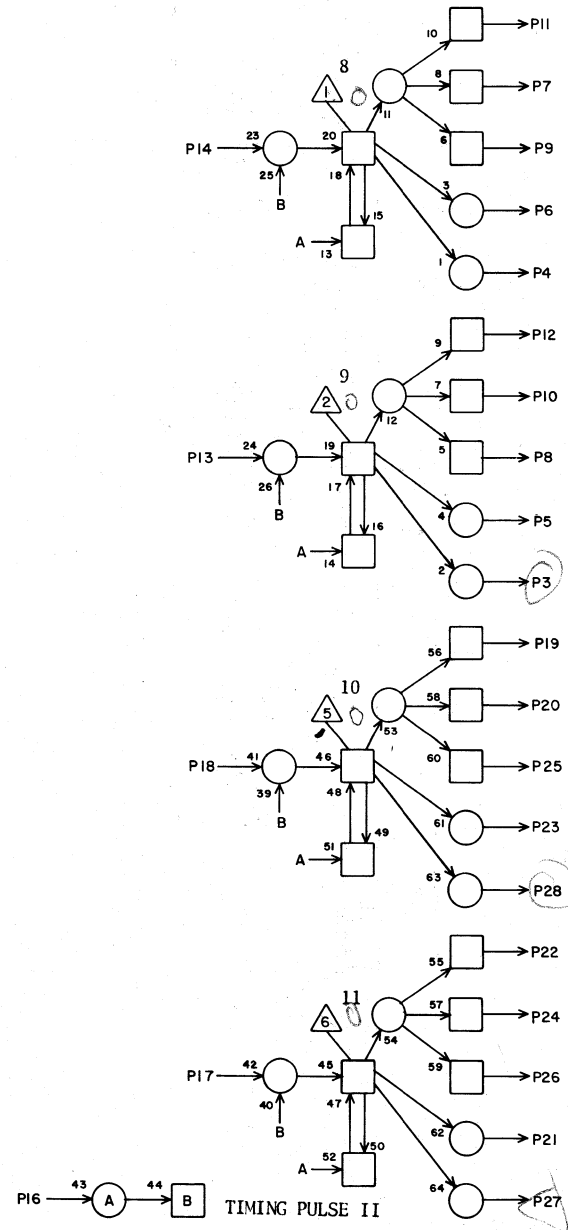
1R23

1			
2			
3	R17	26	11
4	R17	24	11
5			
6			
7			
8			
9			
10			
11	N23	14	19
12	N23	13	19
13	R20	9	7
14	R20	14	7
15			
16	Q26	2	9
17	R20	21	7
18	R20	18	7
19	N23	18	19
20			
21	R17	3	11
22	N23	17	19
23	R17	1	11
24			
25			
26			
27			
28			

JACK PIN LG  
63019800 Rev. A

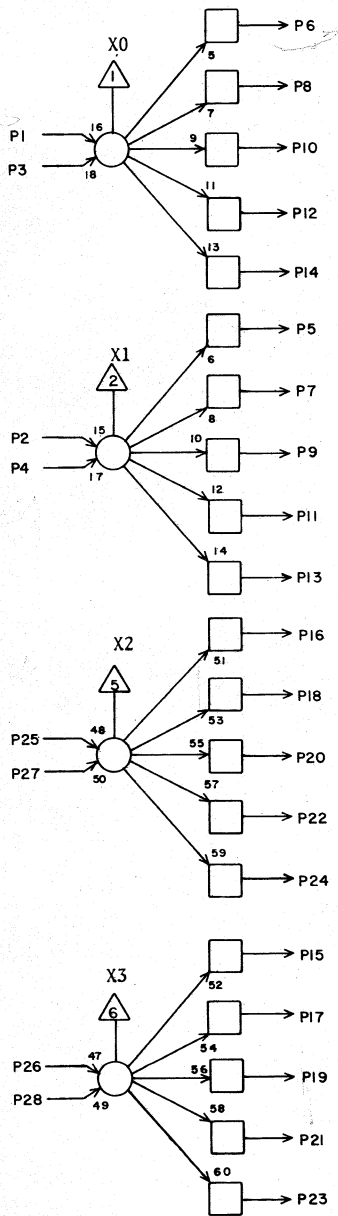
PD

1R24



JACK PIN LG  
63019800 Rev. A

CHANNEL SELECTION



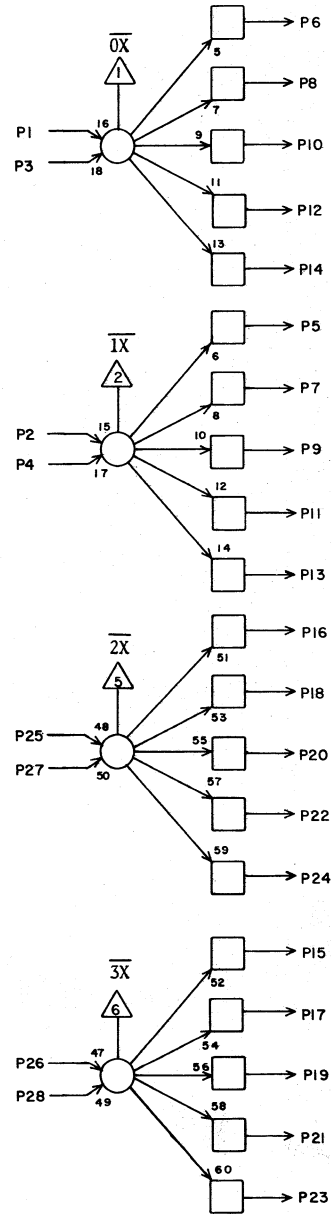
T D 1R25

1	R22	4	7
2	R22	7	7
3	R22	3	7
4	R22	5	7
5	R27	13	7
6	R17	25	7
7			
8	R27	14	7
9			
10			
11			
12			
13			
14			
15	R27	17	7
16	R27	18	7
17			
18			
19			
20			
21			
22			
23			
24			
25	R22	6	7
26	R22	9	7
27	R22	10	7
28	R22	8	7

JACK PIN LG

63019800 Rev. A

CHANNEL SELECTION



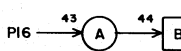
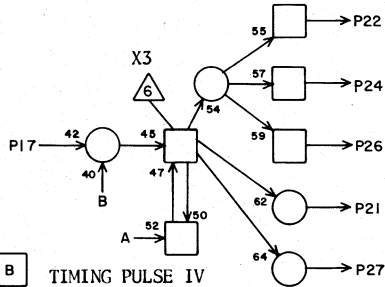
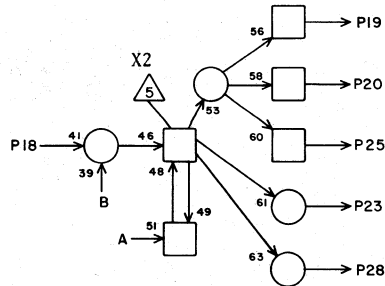
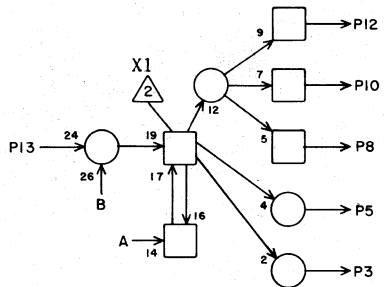
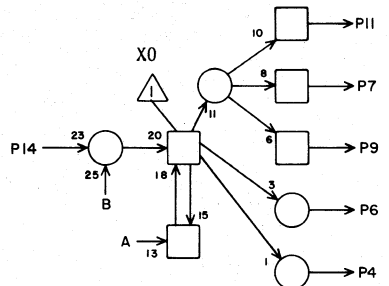
T D 1R26

1	R22	23	9
2	R22	20	9
3	R22	21	9
4	R22	27	9
5			
6	R17	27	13
7	R28	13	7
8	R28	14	7
9			
10			
11			
12			
13			
14			
15	R28	17	7
16	R28	18	7
17			
18			
19			
20			
21			
22			
23			
24			
25	R22	28	9
26	R22	25	9
27	R22	24	9
28	R22	26	9

JACK PIN LG

63019800 Rev. A

CHANNEL SELECTION



TIMING PULSE IV

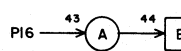
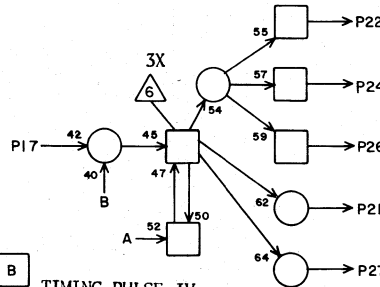
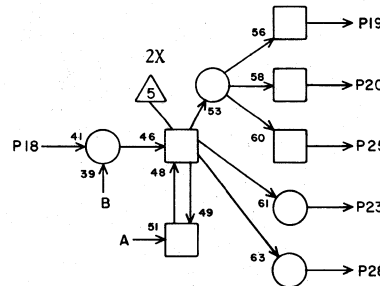
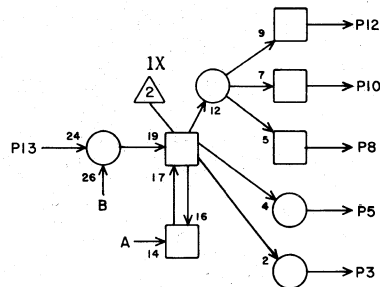
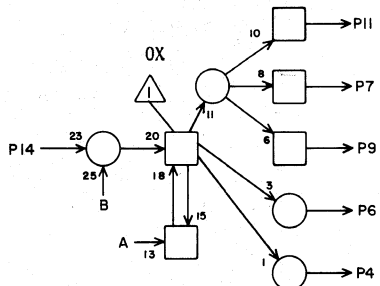
PD

1 R27

1			
2			
3	N30	27	19
4	N30	1	21
5	N31	27	19
6	N31	1	21
7	Q30	3	9
8			
9			
10	Q30	14	9
11	Q28	6	9
12	Q28	3	9
13	R25	5	7
14	R25	8	7
15			
16	Q26	17	9
17	R25	15	7
18	R25	16	7
19	Q28	26	7
20	Q31	3	9
21	N30	28	19
22	Q28	25	7
23	N30	2	21
24	Q31	14	9
25			
26			
27	N31	28	19
28	N31	2	21

JACK PIN LG

CHANNEL SELECTION



TIMING PULSE IV

PD

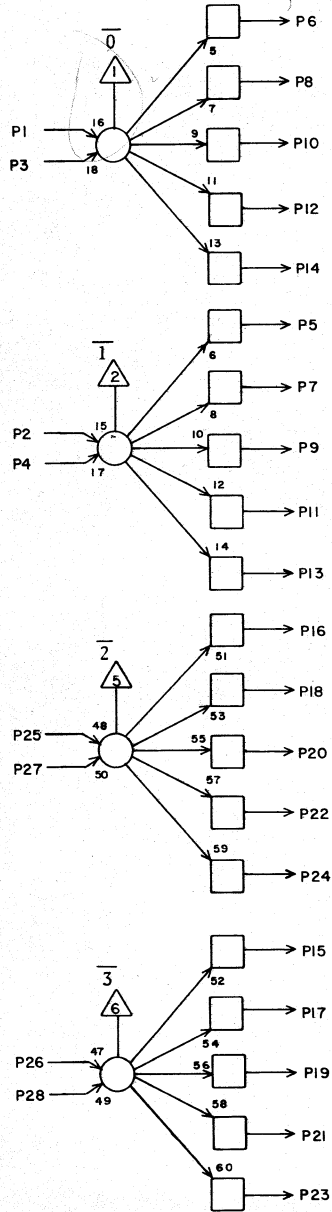
1R28

1			
2			
3	Q28	28	7
4	Q28	1	9
5			
6			
7	N30	9	19
8	N31	20	19
9	N31	9	19
10	N30	20	19
11	Q29	6	9
12	Q29	3	9
13	R26	7	7
14	R26	8	7
15			
16	Q26	18	9
17	R26	15	7
18	R26	16	7
19	Q29	26	7
20	N30	10	19
21			
22			
23			
24	I15	25	39
25	N31	10	19
26			
27	Q29	28	7
28	Q29	1	9

JACK PIN LG



CHANNEL SELECTION



T D

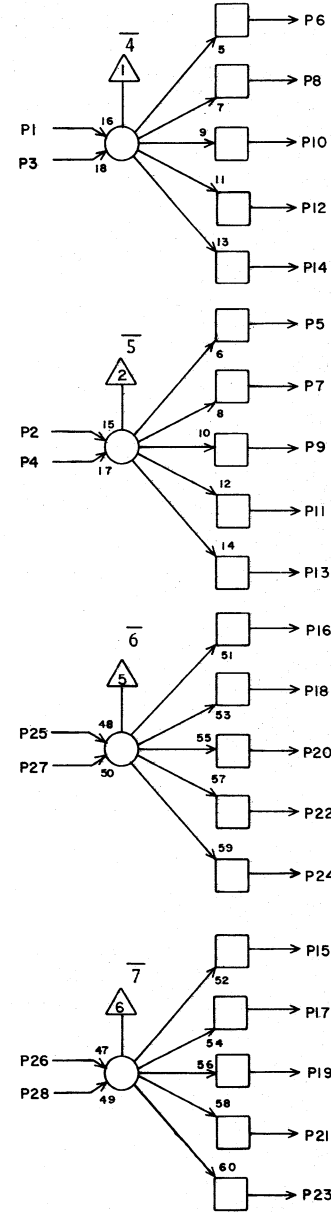
1 R29

1	Q28	5	11
2	Q28	2	11
3	Q29	5	9
4	Q29	9	9
5	Q32	13	9
6	Q32	14	9
7			
8			
9			
10			
11			
12			
13			
14			
15	Q32	17	9
16	Q32	18	9
17			
18			
19			
20			
21			
22			
23			
24			
25	Q28	23	11
26	Q28	16	11
27	Q29	11	9
28	Q29	13	9

JACK PIN LG

63019800 Rev. A

CHANNEL SELECTION



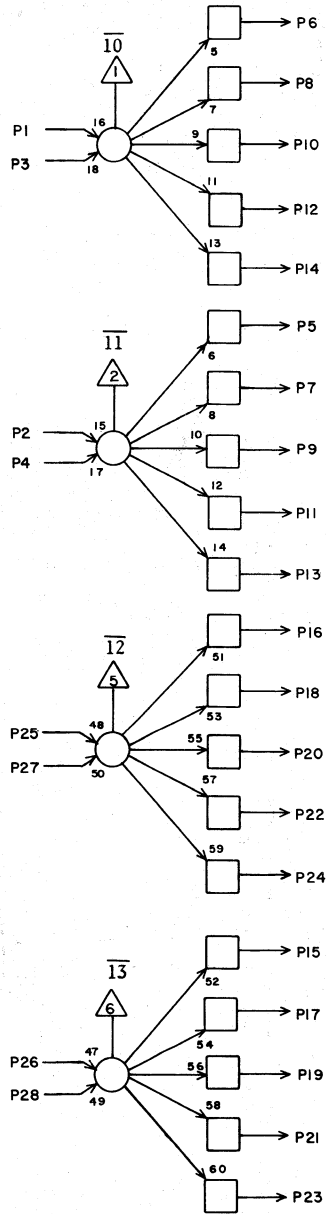
T D

1 R30

1	Q28	9	9
2	Q28	12	9
3	Q29	2	9
4	Q29	12	9
5	Q33	13	9
6	Q33	14	9
7			
8			
9			
10			
11			
12			
13			
14			
15	Q33	17	9
16	Q33	18	9
17			
18			
19			
20			
21			
22			
23			
24			
25	Q28	19	9
26	Q28	18	9
27	Q29	10	9
28	Q29	4	9

JACK PIN LG

63019800 Rev. A

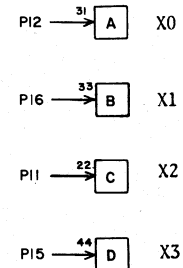
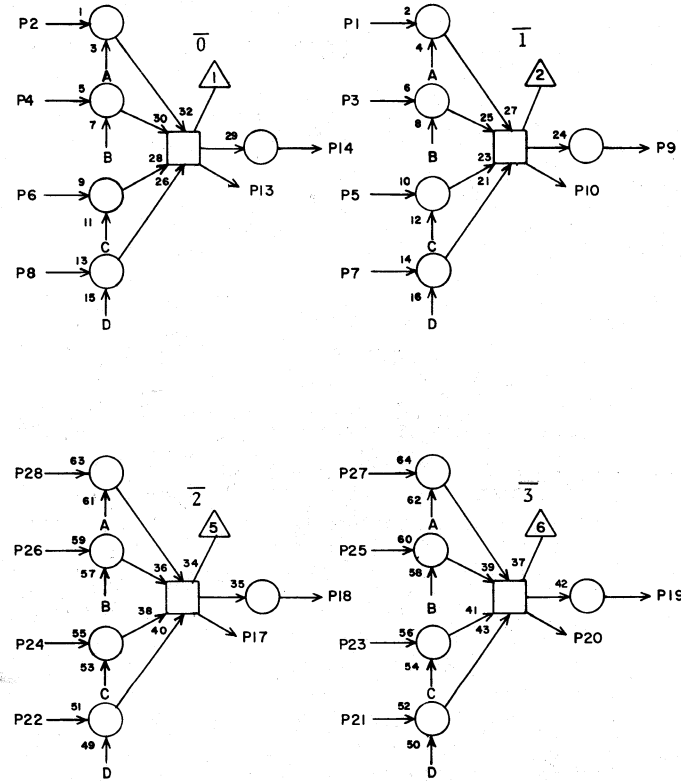


T D      1R31

1	Q28	11	9
2	Q28	10	9
3	Q29	23	9
4	Q29	19	9
5	Q34	13	9
6	Q34	14	9
7			
8			
9			
10			
11			
12			
13			
14			
15	Q34	17	9
16	Q34	18	9
17			
18			
19			
20			
21			
22			
23			
24			
25	Q28	17	9
26	Q28	20	9
27	Q29	17	9
28	Q29	27	9

JACK    PIN    LG  
63019800 Rev. A

CHANNEL DATA  
(1st Merge)

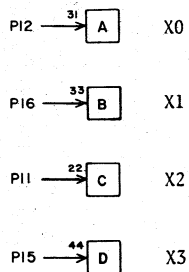
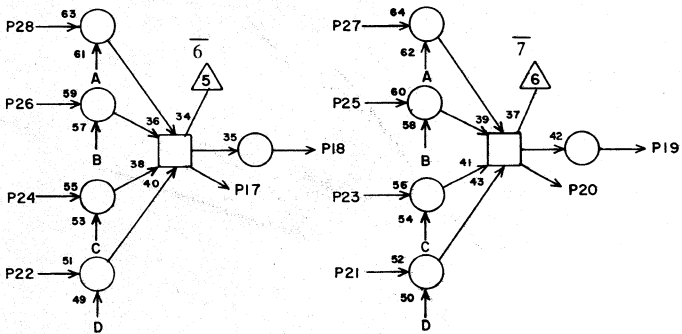
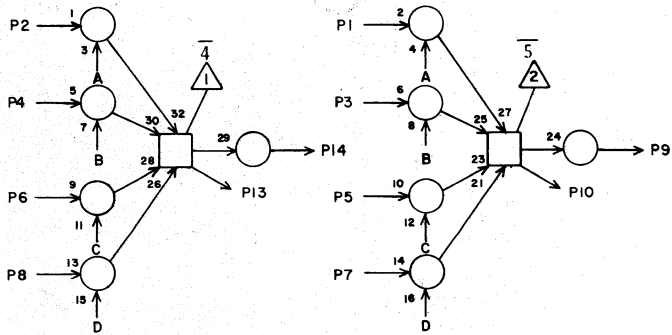


T G      1R32

1	Q36	7	9
2	Q36	8	9
3	Q40	7	13
4	Q40	8	13
5	R36	7	7
6	R36	8	7
7	R40	7	11
8	R40	8	11
9			
10	M29	5	23
11	Q31	9	9
12	Q30	9	9
13	M29	6	23
14			
15	Q31	23	7
16	Q30	23	7
17	M29	24	23
18			
19			
20	M29	23	23
21	R40	22	11
22	R40	21	11
23	R36	22	7
24	R36	21	7
25	Q40	22	13
26	Q40	21	13
27	Q36	22	9
28	Q36	21	9

JACK    PIN    LG  
63019800 Rev. A

CHANNEL DATA  
(1st Merge)



TG

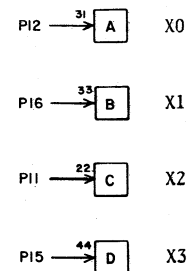
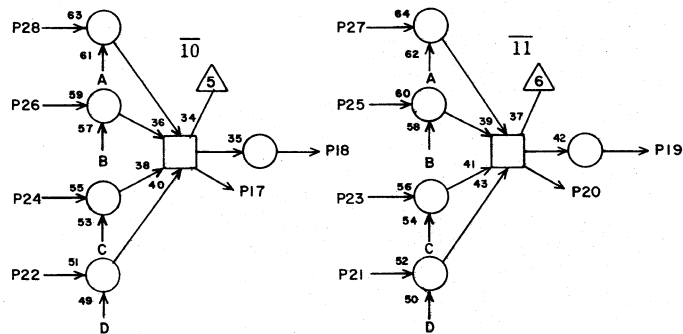
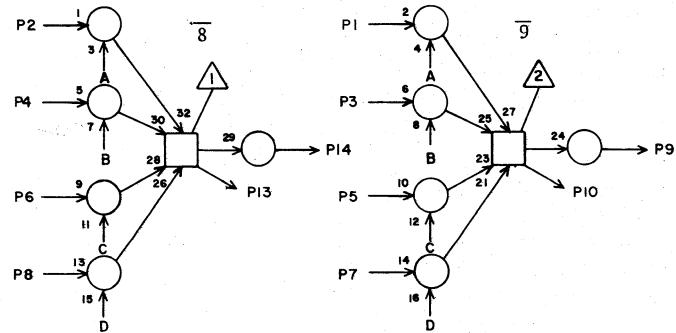
1 R33

1	Q37	7	9
2	Q37	8	9
3	Q41	7	13
4	Q41	8	13
5	R37	7	7
6	R37	8	7
7	R41	7	11
8	R41	8	11
9			
10	M30	5	23
11	Q31	10	9
12	Q30	10	9
13	M30	6	23
14			
15	Q31	24	9
16	Q30	24	9
17	M30	24	23
18			
19			
20	M30	23	23
21	R41	22	11
22	R41	21	11
23	R37	22	7
24	R37	21	7
25	Q41	22	13
26	Q41	21	13
27	Q37	22	9
28	Q37	21	9

JACK PIN LG

63019800 Rev. A

CHANNEL DATA  
(1st Merge)



TG

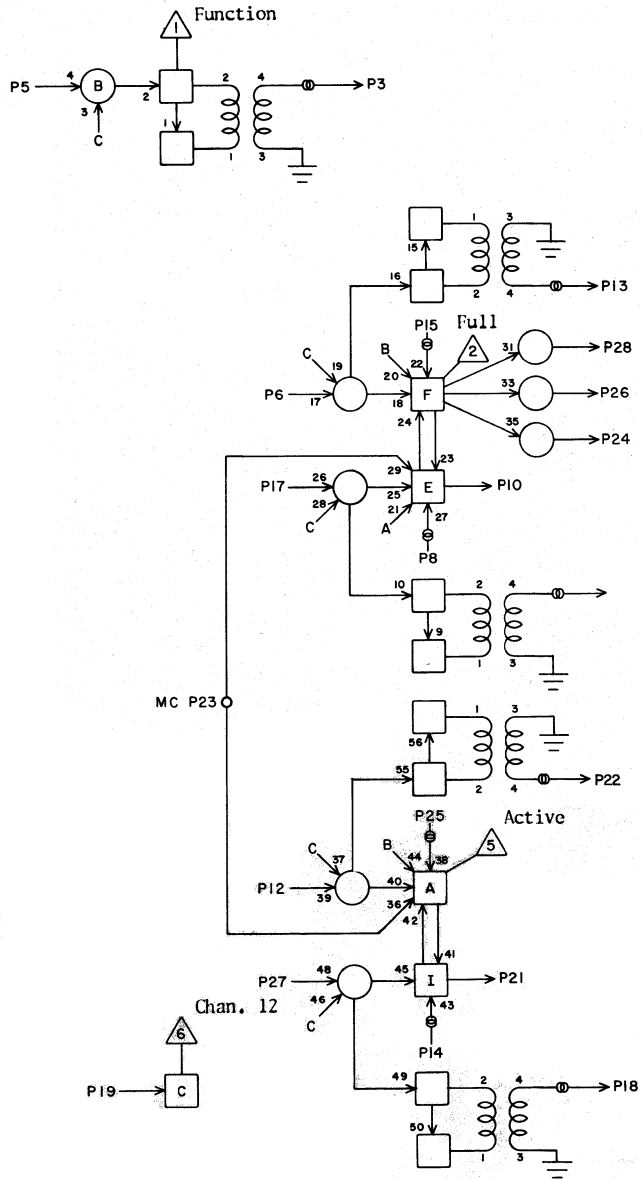
1 R34

1	Q38	7	9
2	Q38	8	9
3	Q42	7	13
4	Q42	8	13
5	R38	7	7
6	R38	8	7
7	R42	7	11
8	R42	8	11
9			
10	M31	5	23
11	Q31	11	9
12	Q30	11	9
13	M31	6	23
14			
15	Q31	25	9
16	Q30	25	9
17	M31	24	23
18			
19			
20	M31	23	23
21	R42	22	11
22	R42	21	11
23	R38	22	7
24	R38	21	7
25	Q42	22	13
26	Q42	21	13
27	Q38	22	9
28	Q38	21	9

JACK PIN LG

63019800 Rev. A

CHANNEL 12



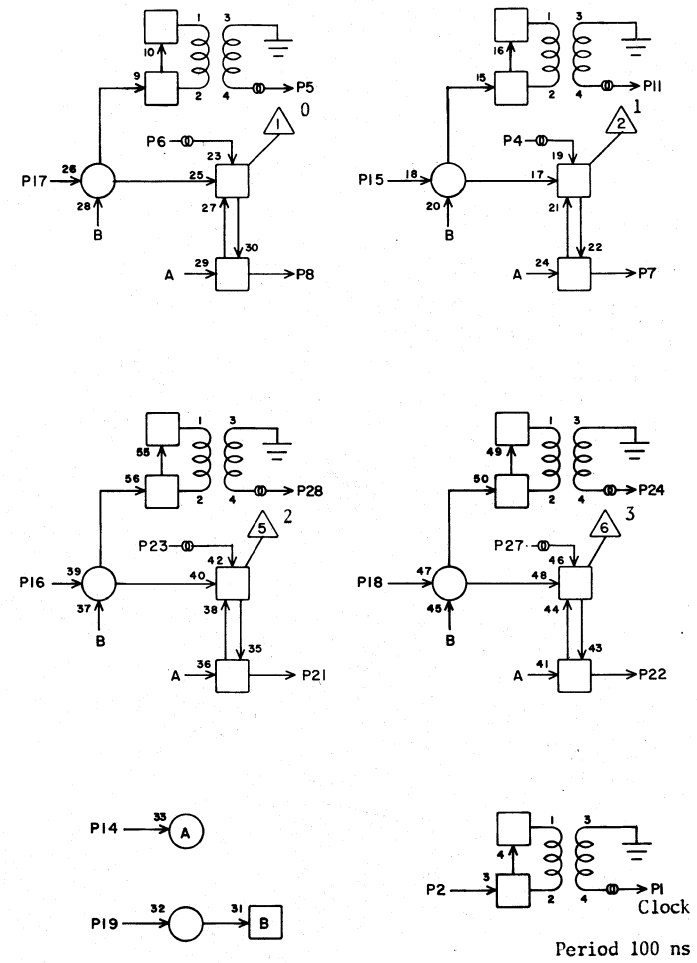
PK 1R35

1			
2			
3	W34	906	
4			
5	O32	27	15
6	O33	13	17
7			
8	W33	905	
9	W34	905	
10	N30	3	21
11			
12	O31	13	17
13	W34	904	
14	W33	903	
15	W33	904	
16			
17	O32	13	15
18	W34	903	
19	Q34	28	7
20			
21	N31	3	21
22	W34	902	
23	N29	10	21
24	R36	14	5
25	W33	902	
26	R37	14	7
27	O31	27	17
28	R38	14	7

JACK PIN LG

63019800 Rev. A

CHANNEL 12



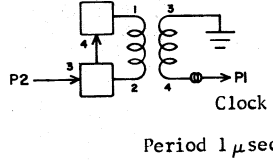
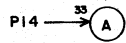
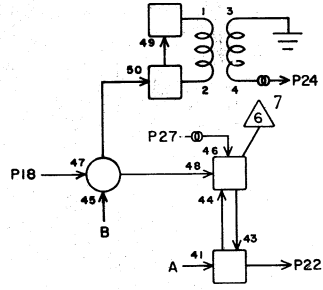
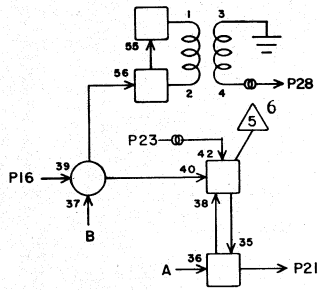
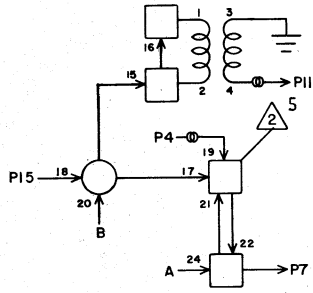
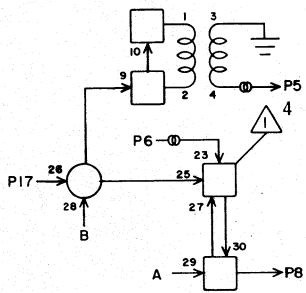
PR 1R36

1	W33	906	
2	O34	10	17
3			
4	W33	91	
5	W34	90	
6	W33	90	
7	R32	5	9
8	R32	6	9
9			
10			
11	W34	91	
12			
13			
14	R35	24	5
15	N32	27	19
16	N33	13	19
17	N32	13	19
18	N33	27	19
19	Q34	19	9
20			
21	R32	24	9
22	R32	23	9
23	W33	92	
24	W34	93	
25			
26			
27	W33	93	
28	W34	92	

JACK PIN LG

63019800 Rev. A

CHANNEL 12



PR

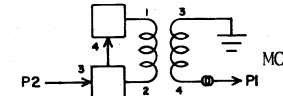
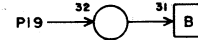
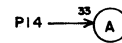
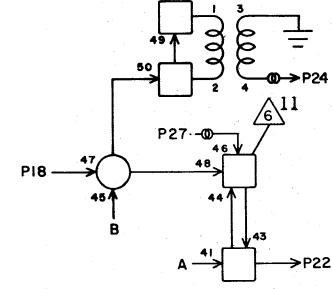
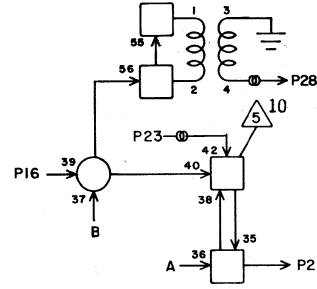
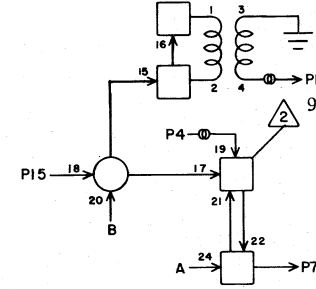
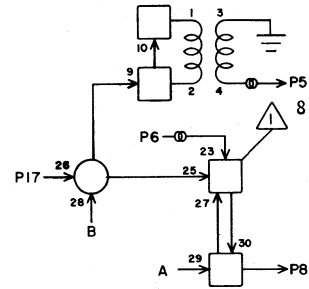
1R37

1	W33	907	
2	O34	20	15
3			
4	W33	95	
5	W34	94	
6	W33	94	
7	R33	5	9
8	R33	6	9
9			
10			
11	W34	95	
12			
13			
14	R35	26	7
15	N34	27	19
16	P32	13	13
17	N34	13	19
18	P32	27	13
19	Q34	20	9
20			
21	R33	24	9
22	R33	23	9
23	W33	96	
24	W34	97	
25			
26			
27	W33	97	
28	W34	96	

JACK PIN LG

63019800 Rev. A

CHANNEL 12



PR

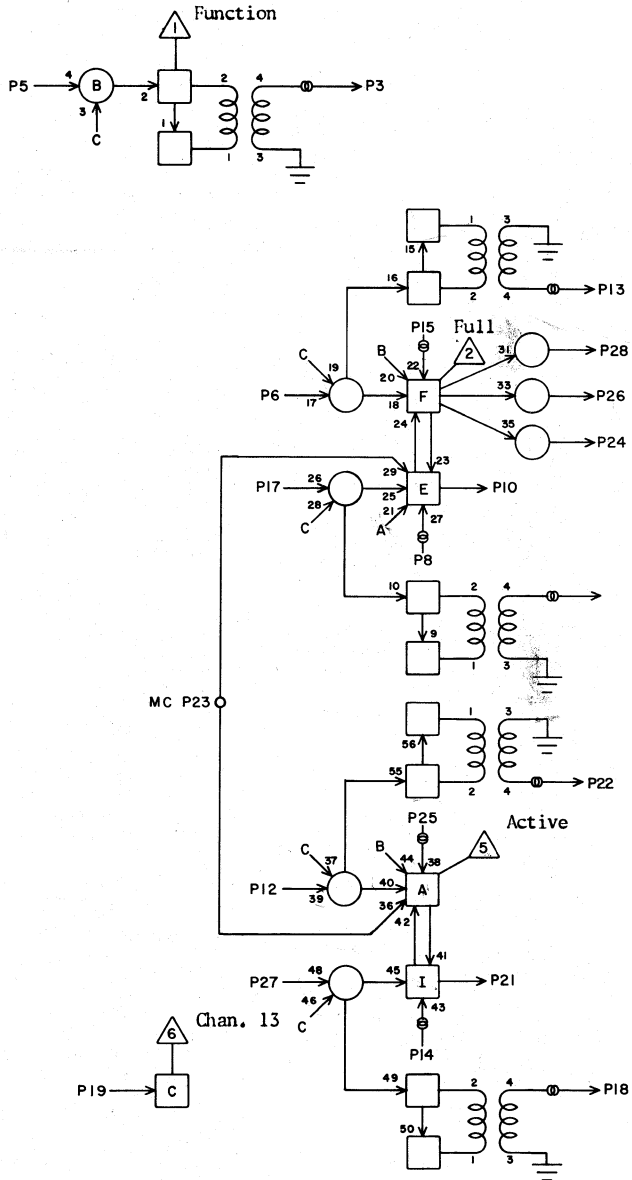
1R38

1	W34	907	
2	O33	20	17
3			
4	W33	99	
5	W34	98	
6	W33	98	
7	R34	5	9
8	R34	6	9
9			
10			
11	W34	99	
12			
13			
14	R35	28	7
15	P33	27	13
16	P34	13	13
17	P33	13	13
18	P34	27	13
19	Q34	25	9
20			
21	R34	24	9
22	R34	23	9
23	W33	900	
24	W34	901	
25			
26			
27	W33	901	
28	W34	900	

JACK PIN LG

63019800 Rev. A

CHANNEL 13



PK

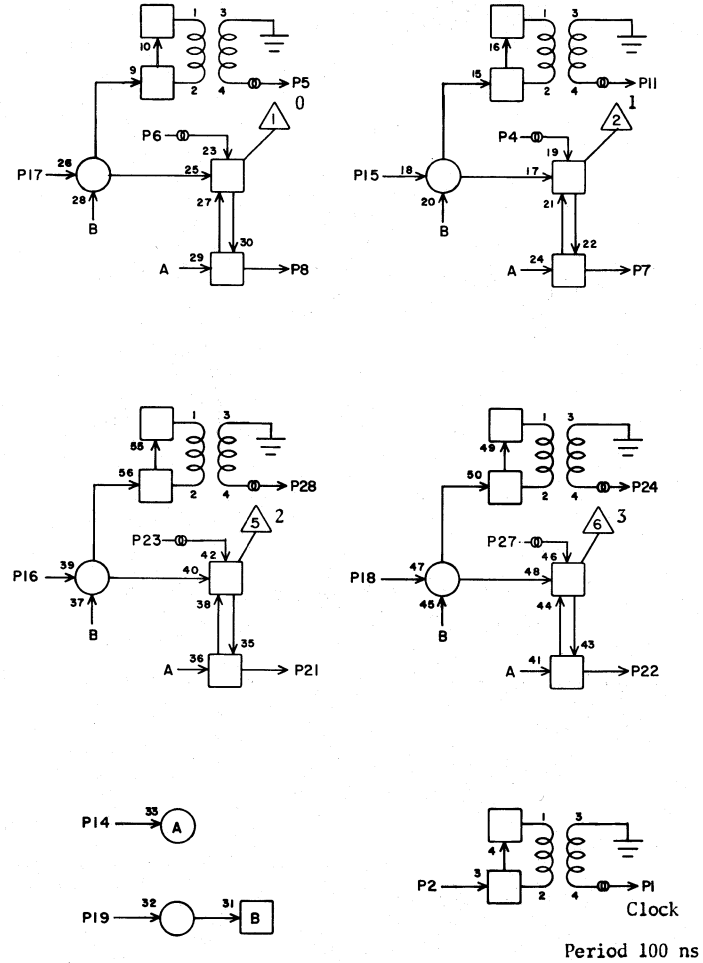
1R39

1			
2			
3	W36	906	
4			
5	O32	28	17
6	O33	15	17
7			
8	W35	905	
9	W36	905	
10	N30	25	21
11			
12	O31	15	17
13	W36	904	
14	W35	903	
15	W35	904	
16			
17	O32	15	17
18	W36	903	
19	Q34	27	11
20			
21	N31	25	21
22	W36	902	
23	N29	1	21
24	R40	14	5
25	W35	902	
26	R41	14	7
27	O31	28	17
28	R42	14	7

JACK PIN LG

63019800 Rev. A

CHANNEL 13



PR

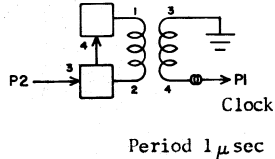
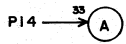
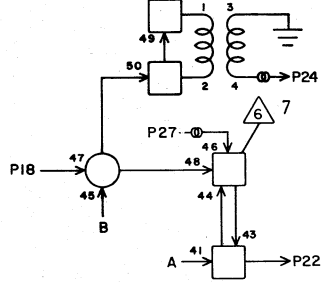
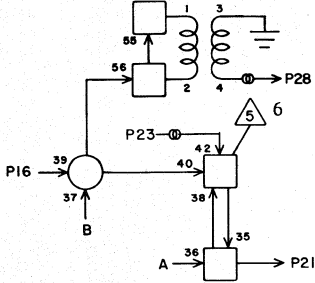
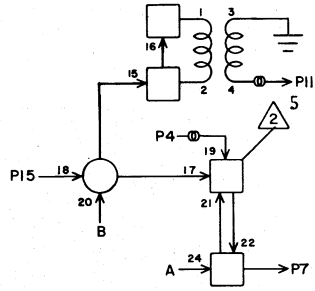
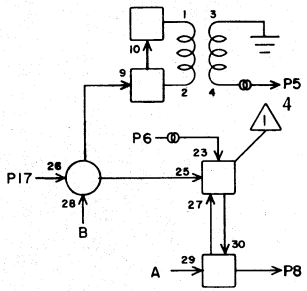
1 R40

1	W35	906	
2	O34	1	17
3			
4	W35	91	
5	W36	90	
6	W35	90	
7	R32	7	13
8	R32	8	13
9			
10			
11	W36	91	
12			
13			
14	R39	24	5
15	N32	28	19
16	N33	15	19
17	N32	15	19
18	N33	28	19
19	Q34	22	11
20			
21	R32	22	13
22	R32	21	13
23	W35	92	
24	W36	93	
25			
26			
27	W35	93	
28	W36	92	

JACK PIN LG

63019800 Rev. A

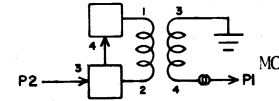
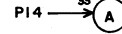
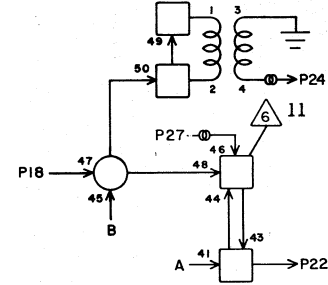
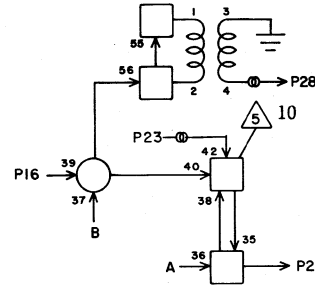
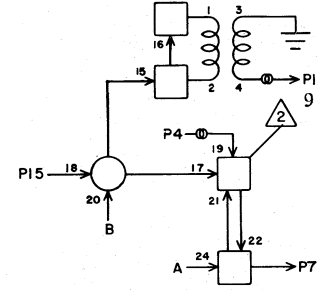
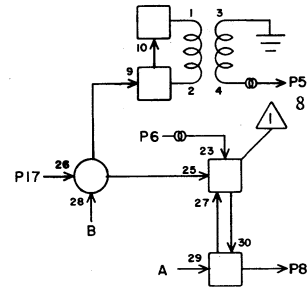
CHANNEL 13



PR 1R41

	JACK	PIN	LG
1	W35	907	
2	O34	27	17
3			
4	W35	95	
5	W36	94	
6	W35	94	
7	R33	7	13
8	R33	8	13
9			
10			
11	W36	95	
12			
13			
14	R39	26	7
15	N34	28	19
16	P32	15	15
17	N34	15	19
18	P32	28	15
19	Q34	24	13
20			
21	R33	22	13
22	R33	21	13
23	W35	96	
24	W36	97	
25			
26			
27	W35	97	
28	W36	96	

CHANNEL 13



PR 1R42

	JACK	PIN	LG
1	W36	907	
2	O33	27	17
3			
4	W35	99	
5	W36	98	
6	W35	98	
7	R34	7	13
8	R34	8	13
9			
10			
11	W36	99	
12			
13			
14	R39	28	7
15	P33	28	15
16	P34	15	15
17	P33	15	15
18	P34	28	15
19	Q34	26	13
20			
21	R34	22	13
22	R34	21	13
23	W35	900	
24	W36	901	
25			
26			
27	W35	901	
28	W36	900	

**COMMENT SHEET**

6600 CHASSIS TABS

6601 - CHASSIS I

Pub. No. 63019800

**FROM** NAME : \_\_\_\_\_

BUSINESS  
ADDRESS : \_\_\_\_\_

**COMMENTS:** (DESCRIBE ERRORS, SUGGESTED ADDITION OR  
DELETION AND INCLUDE PAGE NUMBER, ETC.)

CUT ALONG LINE

**NO POSTAGE STAMP NECESSARY IF MAILED IN U. S. A.**

FOLD ON DOTTED LINES AND STAPLE



STAPLE

STAPLE

FOLD

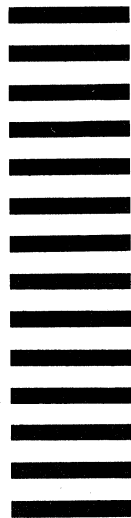
FOLD

FIRST CLASS  
 PERMIT NO. 8241  
 MINNEAPOLIS, MINN.

**BUSINESS REPLY MAIL**  
 NO POSTAGE STAMP NECESSARY IF MAILED IN U.S.A.

POSTAGE WILL BE PAID BY  
**CONTROL DATA CORPORATION**  
 8100 34TH AVENUE SOUTH  
 MINNEAPOLIS 20, MINNESOTA

**ATTN: TECHNICAL PUBLICATIONS DEPT.**  
**COMPUTER DIVISION**  
**PLANT TWO**



CUT ALONG LINE

FOLD

FOLD

102649451

STAPLE

STAPLE