

**SERIES 9491
MAGNETIC TAPE
UNIT**

**ILLUSTRATED
PARTS CATALOG**

Burroughs 
FIELD ENGINEERING

"This new edition replaces complete prior issue"

This catalog provides coverage for the following Top Units:

2012 0309
2012 0317
2012 0408

✓ CHANGES OR ADDITIONS

On "Revised" pages, the check mark (✓) shown to the left of items or subject titles indicates changes or additions since last issue.

No Previous PCNs published.

Burroughs believes that the information described in this manual is accurate and reliable, and much care has been taken in its preparation. However, no responsibility, financial or otherwise, is accepted for any consequences arising out of the use of this material. The information contained herein is subject to change. Revisions may be issued to advise of such changes and/or additions.

Any comments or suggestions regarding this publication should be forwarded to Systems Documentation – Parts Catalogs, Technical Information Organization, TIO-Central, Burroughs Corporation, Detroit, Michigan 48232

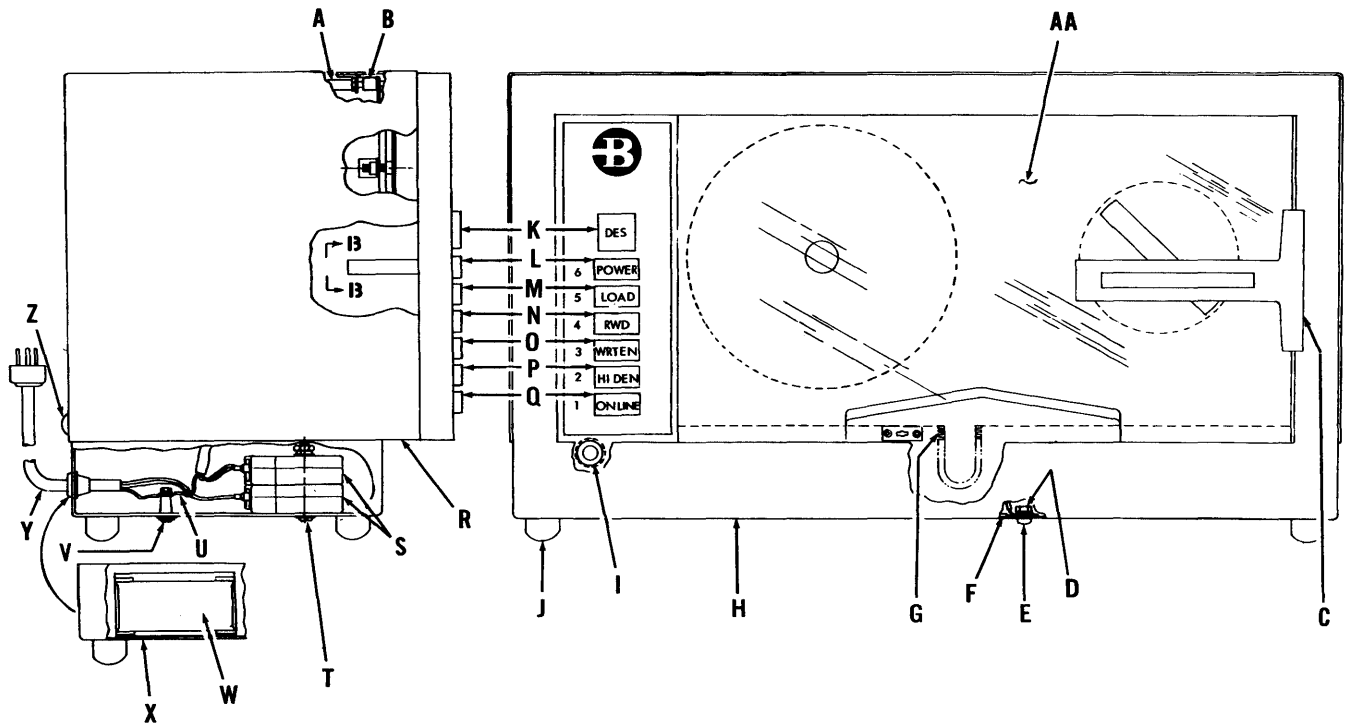
LIST OF EFFECTIVE PAGES

PAGE	ISSUE
Title	Original
ii	Original
iii	Original
iv	Original
index	Original
1-1 thru 1-7	Original

INDEX

	PAGE
Cabinet Assembly	1-1
Electronic Components	1-7
Printed Circuit Cards	1-4
Supply and Take-up Hubs	1-6
Supply and Take-up Mechanism	1-5
Tape Transport – Front View	1-2
Tape Transport – Rear View	1-3

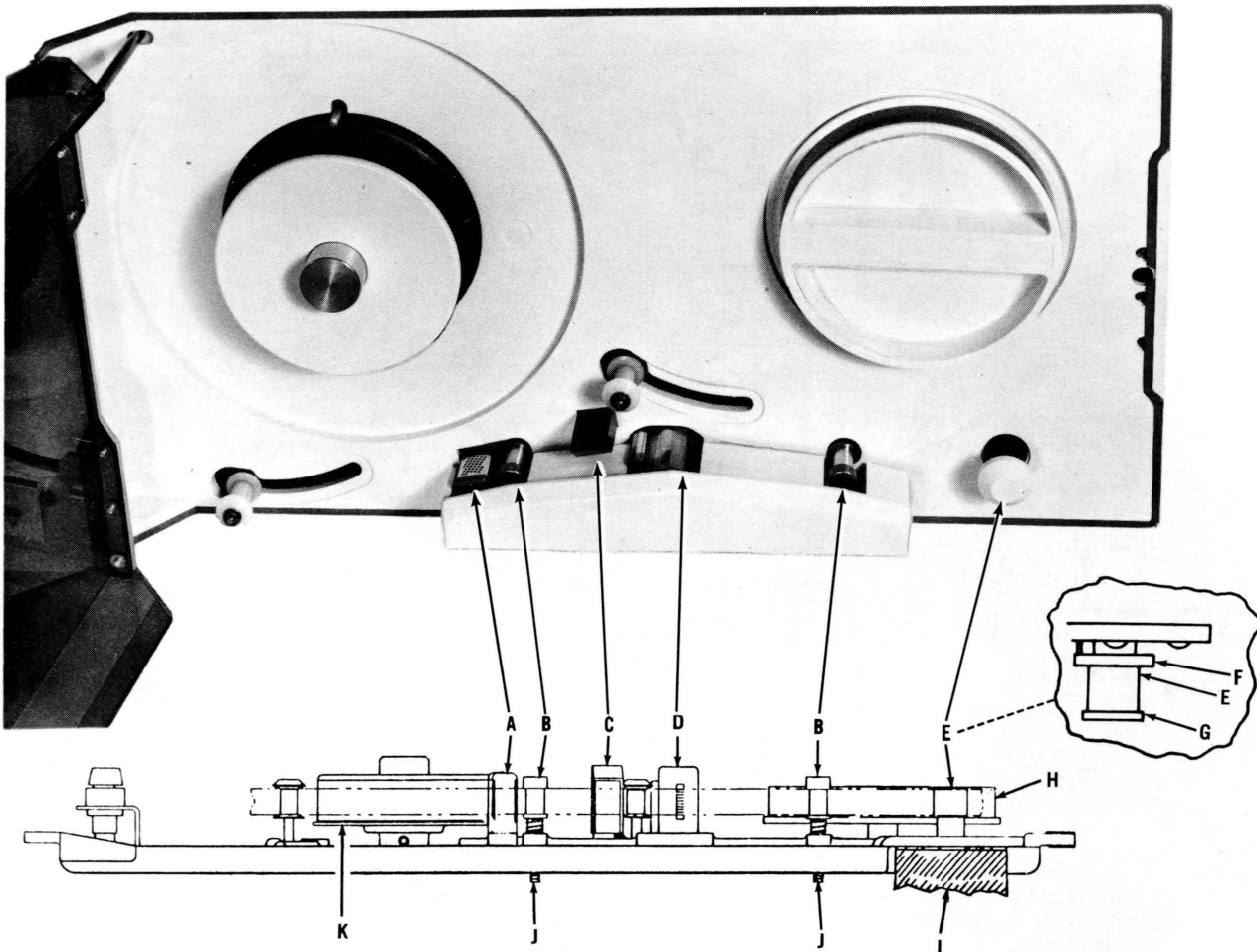
CABINET ASSEMBLY (PLATE 1)



PART NUMBERS (PLATE 1)

A	2012 8153	fastener, use: 2012 8161 nut	P	2014 9985	switch assembly, HI DENSITY
B	2012 8138	fastener, use: 2012 8146 nut	Q	2014 9993	switch assembly, ON LINE
C	2014 0935	handle	R	2013 1397	cover
D	1256 5792	nut, use: 1256 7467 lockwasher, 1256 8051 flat washer	S	2470 2284	magnetic coil
E	1256 1460	screw	T	1256 1379	screw, use: 1256 8051 flat washer, 1256 7467 lockwasher, 1256 5271 nut
F	1103 7462	clip	U	1110 0955	ring terminal
G	1110 0823	grommet	V	1256 0348	screw, use: 2011 2413 standoff, 1256 7996 flat washer, 1256 7426 lockwasher, 1256 5206 nut
H	2013 1405	chassis	W	2013 6735	fan, use: 1256 0884 screw, 1256 8010 flatwasher, 1256 7442 lockwasher, 1256 5248 nut
I	2012 5233	grommet	X	2013 6727	vent panel
J	1103 2505	rubber bumper, use: 1256 1148 screw, 1256 8036 flat washer, 1256 7459 lockwasher, 1256 5263 nut	Y	2013 8327	power cord
K	2014 9977	switch assembly, DES	Z	2012 8039	fastener, use: 2012 8021 clip
L	2015 0280	switch assembly, POWER	AA	2015 0173	door cover, use C
M	2015 0298	switch assembly, LOAD			
N	2015 0306	switch assembly, REWIND			
O	2015 0314	switch assembly, WRITE ENABLE			

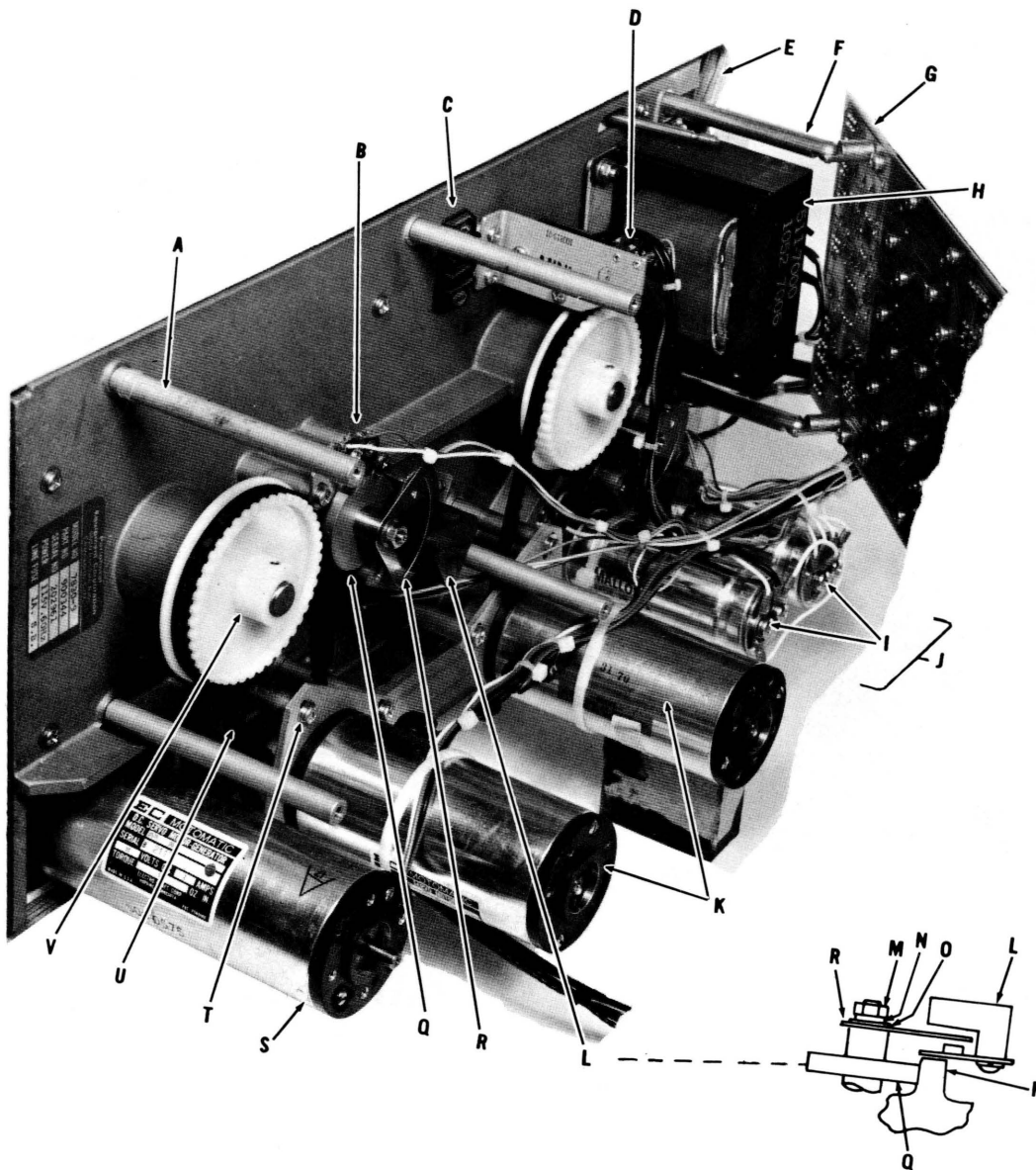
TAPE TRANSPORT – FRONT VIEW (PLATE 2)



PART NUMBERS (PLATE 2)

A	2015 0009	tape cleaner, use: 2050 0492 screw
B	2015 0017	head guide, use: 2015 0165 head guide shim
C	2050 0476	photo sensor assembly, use: 2050 0484 screw 2027 3512 washer
D	2015 0207	7 track } single gap, write/
	2015 0215	9 track } read head
	2015 0140	7 track } dual gap, write/
	2015 0157	9 track } read head
E	2015 0223	capstan, use: 2027 3553 setscrew (nylon insert) 2050 0450 collar strobe disc
F	2050 0443	strobe decal
G	2050 0435	capstan flange
H	2015 0025	take-up hub
I	2015 0231	capstan motor assembly, use: 2050 0401 screw 2050 0419 lockwasher 2050 0427 shim
J	2015 0033	screw
K	2015 0041	supply hub

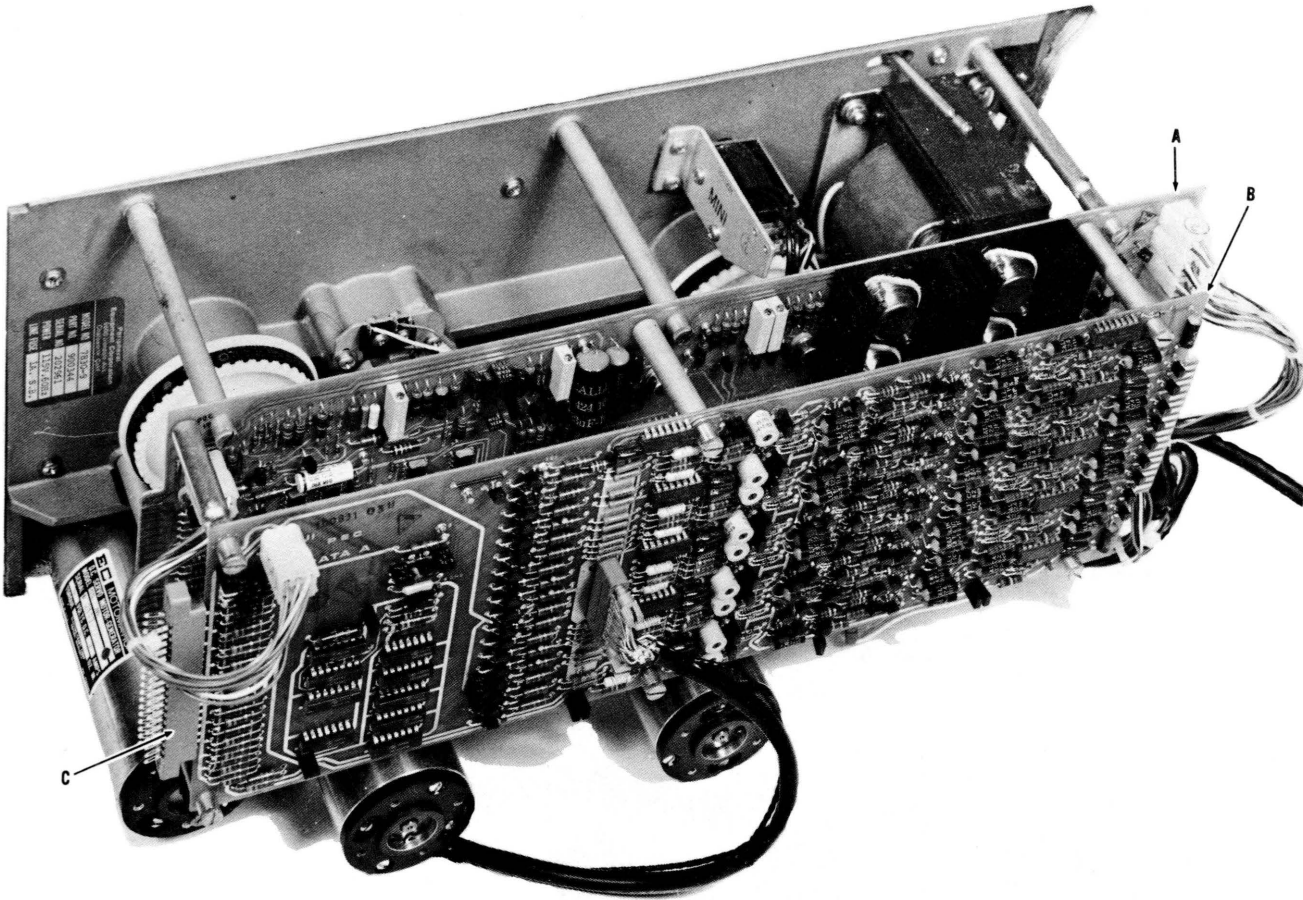
TAPE TRANSPORT – REAR VIEW (PLATE 3)



PART NUMBERS (PLATE 3)

A	2027 3579	PC standoff, use: 2050 0104 screw 2050 0112 spring washer	G	--- ---	refer to PRINTED CIRCUIT CARDS	O	2050 0146	washer
B	2027 3561	limit switch assembly, use: 2027 3629 screw	H	2015 0256	transformer	P	2050 0179	shim
C	2027 3595	EOT/BOT PC board assembly, use: 2027 3603 screw 2027 3611 lockwasher	I	2015 0264	capacitor (12,000uF, 15V)	Q	2027 3546	cam, use: 2027 3553 setscrew
D	2015 0074	write lockout assembly, use: 2027 3629 screw 2027 3637 mounting bracket	J	2050 0260	power supply assembly, use: 2015 0272 rectifier bridge	R	2015 0066	shutter, use: 2050 0146 washer 2050 0153 lockwasher 2050 0138 nut
E	1102 8115 1147 1398	fuse (1A, SB) fuse (5A, FB)	K	2015 0249 2050 0302 2050 0500	reel motor assembly (PEC500-0525) reel motor assembly (PEC100805-01) reel motor assembly (PEC100805-02)	S	2015 0231	capstan motor assembly, use: 2050 0393 filter assembly 2050 0294 adjustable clamp
F	2050 0161	standoff hinge, use: 2050 0104 screw 2027 3587 lockwasher	L	2014 9951	tension arm sensor, use: 2050 0278 screw	T	2015 0082	screw
			M	2050 0138	nut	U	2015 0371	drive belt
			N	2050 0153	lockwasher	V	2027 3645	motor pulley, use: 2027 3652 screw

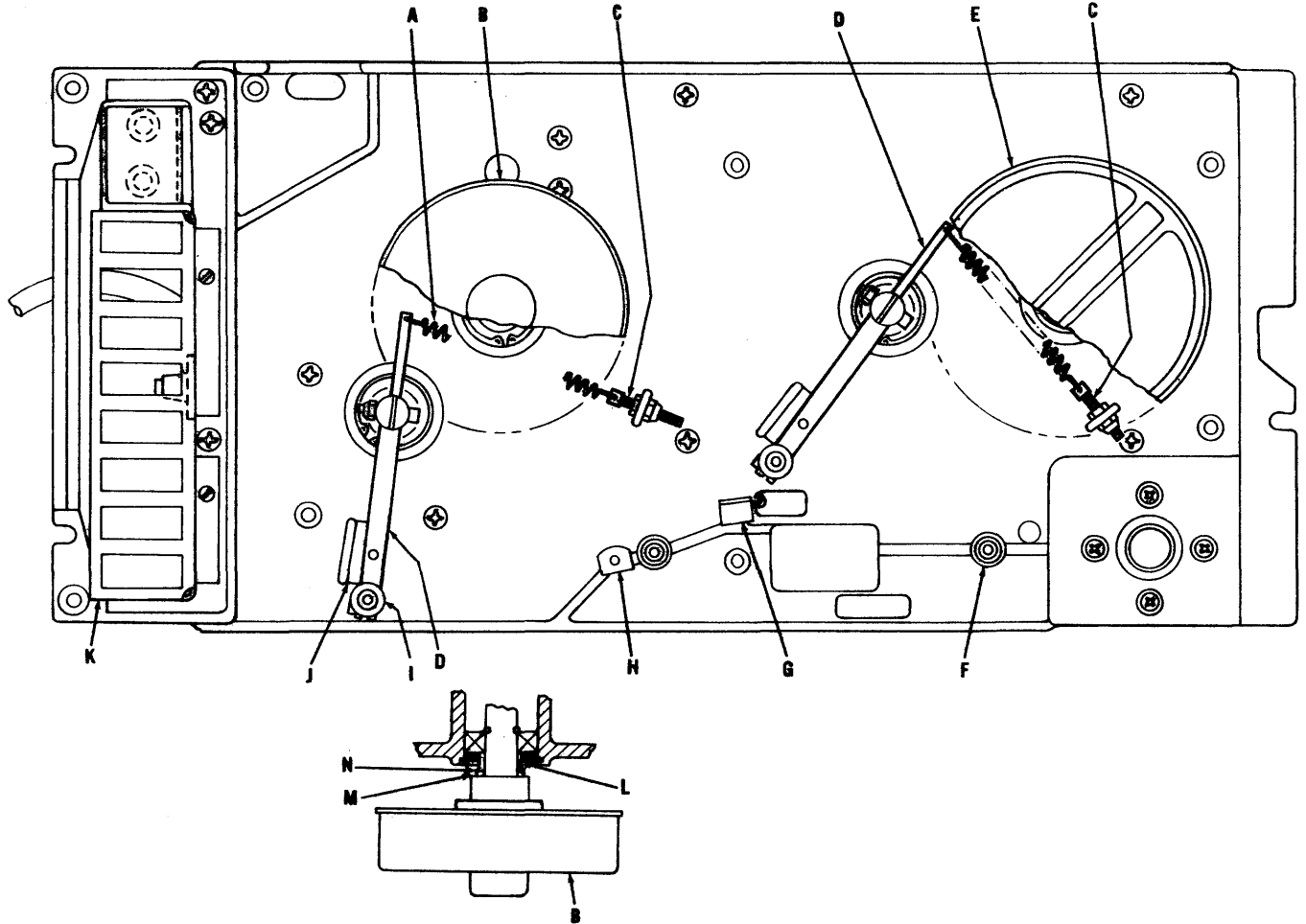
PRINTED CIRCUIT CARDS (PLATE 4)



PART NUMBERS (PLATE 4)

A	2015 0199	complete DATA "A" CARD	
	2015 0090	complete DATA "A1" CARD (7 TRK SG)	
	2015 0116	complete DATA "B1" CARD	
	2015 0132	complete DATA "C17" CARD	
	2015 0124	complete DATA "C19" CARD	
B	2015 0181	complete TAPE CONTROL "A1" CARD	} includes:
	2015 0108	complete TAPE CONTROL "B2" CARD	
		2015 0355 relay, 4 PDT, 12V (not shown)	
C	2012 5373	connector, P.C., part of:	
		2013 1421 3' long	} interface cable assembly not shown
		2013 1439 6' long	
		2013 1447 25' long	

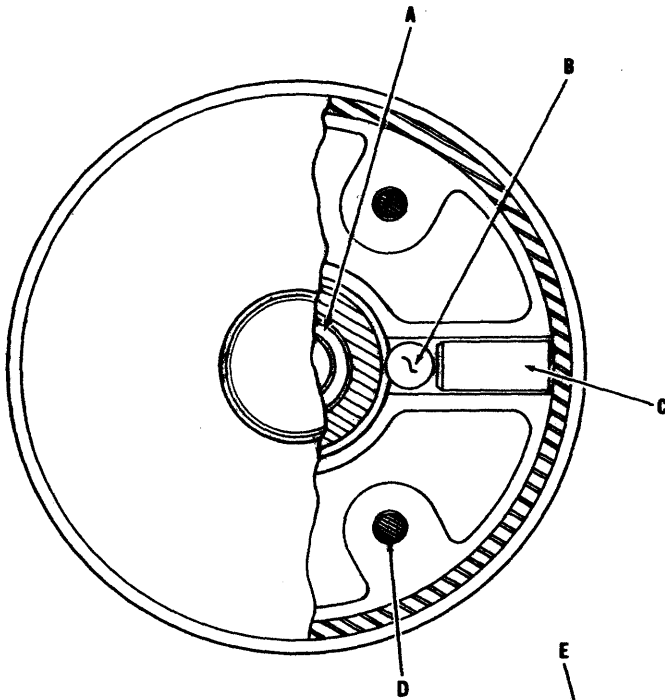
SUPPLY AND TAKE-UP MECHANISM (PLATE 5)



PART NUMBER (PLATE 5)

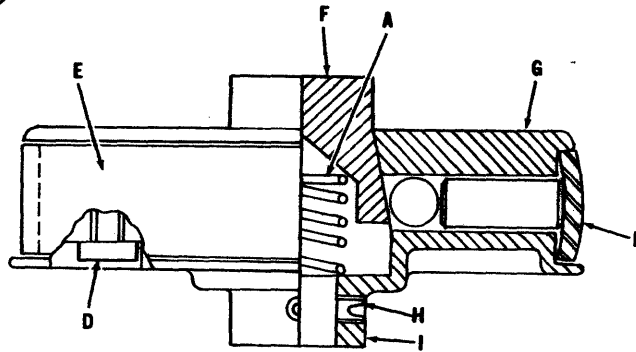
A	2050 0328	spring	F	2050 0310	head guide assembly, use:
B	2015 0041	supply hub, use L, M, N and:			2015 0033 screw
		2027 3405 bearing			2027 3553 setscrew
		2027 3413 retainer (small)	G	2050 0476	2050 0468 bracket spring
		2027 3421 retainer (large)			photo sense assembly, use:
		2027 3439 bevel washer			2050 0484 screw
		2027 3447 shaft			2027 3512 washer
C	2050 0336	spade bolt, use:	H	2015 0009	tape cleaner, use:
		2050 0344 nut			2050 0492 screw
		2050 0351 locknut	I	2027 3512	washer, use:
D	2050 0369	tension arm, use:			2027 3504 screw
		2050 0317 screw	J	2027 3496	rubber strip
		2050 0385 locknut	K	2050 0518	switch bracket, use:
E	2015 0025	take-up hub, use: L, M, N and:			2050 0120 washer
		2027 3405 bearing			2027 3611 lockwasher
		2027 3413 retainer (small)			2050 0526 screw
		2027 3421 retainer (large)	L	2027 3470	bushing
		2027 3439 bevel washer	M	2027 3462	shim
		2027 3447 shaft	N	2027 3454	shim

SUPPLY AND TAKE-UP HUBS (PLATE 6)



PART NUMBERS (PLATE 6)

A	2050 0575	compression spring
B	2050 0542	spherical ball bearing (.375D)
C	2050 0559	reel retaining pin
D	2050 0567	self-tapping screw
E	2050 0237	hold-down ring
F	2050 0187	hub actuator
G	2050 0195	hub cover
H	2050 0203	screw
I	2050 0211	hub retainer



ELECTRONIC COMPONENTS (PLATE 7)

DESCRIPTION	PART NUMBER
<u>DIODES</u>	
1N446	2015 0413
1N4002	1117 9561
1N4736 (Zener, 6.8V)	1089 4319
RCA40654	2015 0421
<u>FUSES</u>	
3AG, 1A, SB	1102 8115
3AG, 5A, FB	1147 1398
<u>INTEGRATED CIRCUITS</u>	
5 Bit Shift Register	2014 9944
9093 (Dual F/F, DTL)	1472 7721
MN1437	2015 0389
MC855L	1472 8331
SN15836J	1471 4356
SN15844J	1471 4364
SN74765	2014 9936
<u>TRANSISTORS</u>	
2N3055 (NPN)	1080 5364
2N3251 (PNP)	1477 3451
2N3946 (NPN)	2015 0405
2N4037 (PNP)	2015 0397
2N5053 (NPN)	1089 6066

FOR INTL TELEX DIAL 101 - CALEGRAMS 6481

T
VIA WUI+
EURRSCORP WKVG

410389A EURO D

NO. 740.336

JAN 19, 1977

ATTN.: MANAGER TIO

RE A/E 9491 PEC TAPE. PARTS CAT 1051174 DOES NOT CONTAIN DETAILS OF PART NOS OF INDIVIDUAL ELECTRICAL COMPONENTS. EPG DOES HAVE SOME ELECTRICAL PARTS BUT NOT ALL AND ARE NOT IDENTIFYABLE AS TO THEIR LOCATIONS. WE ARE HAVING DIFFICULTIES IN PROCURING PARTS ESPECIALLY FOR SWIFT PROJECT. COULD YOU PLS SUPPLY US WITH AT LEAST A PEC PARTS CAT WITH THOROUGH PART NO CROSS REFERENCE. VERY URGENT - THANKS.

NOVELLO - ESCHORN / GERMANYAAAAAAAAAAAA

410389A EURO D+

EURRSCORP WKVG

FOR INTL TELEX DIAL 101 - CALEGRAMS 6481

T

TX An Bfems:

Arbed
D'dorf
FFM
HH
M

DATE 12/22/76

TIME IS 16: 2

SYSTEM/DUMPALL VERSION: 2.8. 1

LASTRECORD = 196
 MAXRECSIZEIN = 14 BLOCKSIZEIN = 420
 *** EBCDIC *** UNITS=WORDS

REF

#	BUR P/N	DESCRIPTION	PEC P/N	PLATE	IT
1					
2					
3			101669-01		
4			603-0402		
5			100868-01		
6			100870-02		
7			605-0800		
8			101949-01		
9			600-0604		
10			605-0600		
11			608-1604		
12			102026-02		
13			100775-01		
14			603-0304		
15			600-0810		
16			605-0800		
17			606-0600		
18			604-0000		
19			606-0000		
20			605-0000		
21		STANDOFF	100730-01		
22			612-2110		
23			100794-01		
24			100795		
25			603-0104		
26			100793-01		
27			608-0308		
28			100117-01		
29			101113-01		
30			608-1006		
31			100803		
32			601-0604		
33		CAPSTAN MOTOR	100804-01		
34			615-0114		
35			100805-01		
36			100810-01		
37			100275-01		
38			615-4210		
39			604-0600		
40			604-2500		
41			102221-01		
42			602-0812		
43			615-0832		
44		FILLER	102245-01		
45			600-0603		
46			605-0650		
47			612-0028		
48		FLANGE, CAPSTAN	100727-05		
49		STROBE DISC	101744-10		
50		COLLAR STROBE DISC	101766-01		
51			100278-01		

SWITCH BRACKET

58				100807-01			
59				600-0416			
60				602-0418			
61				100805-02			
62				101956-01			
63	1080	5364	TRANSISTOR(NPN,2N3055)	602-0604			
64	1089	4319	DIODE,ZENER,1N4736(6.8V,1W,5%)	505-0600			
65	1089	6066	TRANSISTOR(NPN,2N3053)	613-0003			
66	1102	8115	FUSE(3AG,1A,SB)	100106-01			
67	1103	2505	RUBBER BUMPER	608-0303			
68	1103	7462	CLIP	616-0001			
69	1110	0823	GROMMET	200-3055			
70	1110	0955	RING TERMINAL	330-0685			
71	1117	9561	DIODE,1N4002(1A,100V)	200-3053			
72	1147	1398	FUSE(5A,FB)	663-3510	03	H	
73	1147	1398	FUSE(3AG,5A,FB)		01	J	
74	1256	0348	SCREW		01	F	
75	1256	0884	SCREW		01	G	
76	1256	1148	SCREW		01	U	
77	1256	1379	SCREW		01		
78	1256	1460	SCREW		01		
79	1256	5206	NUT		01		
80	1256	5248	NUT		01		
81	1256	5263	NUT		01		
82	1256	5271	NUT		01		
83	1256	5792	NUT		01		
84	1256	7426	LOCKWASHER		01		
85	1256	7442	LOCKWASHER		01		
86	1256	7459	LOCKWASHER		01		
87	1256	7467	LOCKWASHER		01		
88	1256	7467	LOCKWASHER		01		
89	1256	7996	WASHER		01		
90	1256	8010	WASHER		01		
91	1256	8036	WASHER		01		
92	1256	8051	WASHER		01		
93	1256	8051	WASHER		01		
94	1471	4356	I.C.(DTL, TI SN15836J/FCHU6A993659)		01		
95	1471	4364	I.C.(TI SN15846J/FCHU6A994659)	701-8360			
96	1471	4398	I.C.(TI SN15844J/FCHU6A994459)	701-8460			
97	1472	7721	DUAL FF, DTL	701-8440			
98	1472	8331	I.C.(FF,MC855L/FCHU6A909959)	701-8530			
99	1477	3451	TRANSISTOR(PNP,2N3251)	701-8520			
100	2011	2413	STANDOFF	200-3251			
101	2012	0283	SGH,DD,NON-SEL(115VAC),7 TRK		01	V	
102	2012	0291	SGH,DD,SEL(115VAC),7 TRK				
103	2012	0309	DGH,DD,NON-SEL(115VAC),7 TRK				
104	2012	0317	DGH,DD,SEL(115VAC),7 TRK				
105	2012	0325	SGH,DD,NON-SEL(240VAC),7 TRK				
106	2012	0333	SGH,DD,SEL(240VAC),7 TRK				
107	2012	0341	DGH,DD,NON-SEL(240VAC),7 TRK				
108	2012	0358	DGH,DD,SEL(240VAC),7 TRK				
109	2012	0366	SGH,800BPI,NON-SEL(240VAC),9 TRK				
110	2012	0374	SGH,800BPI,SEL(240VAC),9 TRK				
111	2012	0382	SGH,800BPI,NON-SEL(115VAC),9 TRK				
112	2012	0390	SGH,800BPI,SEL(115VAC),9 TRK				
113	2012	0408	DGH,800BPI,NON-SEL(115VAC),9 TRK				

2012	0416	DGH, 800BPI, SEL(115VAC), 9 TRK			
2012	0523	DGH, 800BPI, NON-SEL(240VAC), 9 TRK			
2012	0531	DGH, 800BPI, SEL(240VAC), 9 TRK			
2012	5233	GROMMET		01	I
2012	5373	CONNECTOR, P.C.		04	D
2012	8021	CLIP		01	Z
2012	8039	FASTENER		01	Z
2012	8138	FASTENER		01	B
2012	8146	NUT		01	B
2012	8153	FASTENER		01	A
2012	8161	NUT		01	A
2013	1397	COVER		01	R
2013	1405	CHASSIS		01	H
2013	1421	INTFC CABLE ASSY, 3FT		04	C
2013	1439	INTV CABLE ASSY, 6FT		04	C
2013	1447	INTFC CABLE ASSY, 25FT		04	C
2013	6727	VENT PANEL		01	X
2013	6735	FAN		01	W
2013	8327	POWER CORD		01	Y
2014	0935	HANDLE		01	C
2014	9936	DUAL J-K FF, SN74765	701-7476		
2014	9944	5-BIT SHIFT REGISTER	701-7496		
2014	9951	TENSION ARM SENSOR	100858-01	03	D
2014	9969	EOT/BOT AMP	102050-01	03	E
2014	9977	DES SW ASSY	506-6301	01	K
2014	9985	HI DENSITY SWITCH ASSY	505-1818	01	P
2014	9993	ON-LINE SWITCH ASSY	505-1815	01	Q
2015	0009	TAPE CLEANER	100811-01	02	A
2015	0017	HEAD GUIDE	100808-01	02	B
2015	0025	TAKE-UP HUB	100812-01	02	F
2015	0033	SCREW	602-0414	02	H
2015	0041	SUPPLY HUB	100792-01	02	I
2015	0058	CAM	100936	03	A
2015	0066	SHUTTER	100842	03	C
2015	0074	WRITE BLACKOUT ASSY	100817-01	03	F
2015	0082	SCREW	608-1606	03	L
2015	0090	DATA "A1" 7 TRK SINGLE GAP	101521-04		
2015	0108	TAPE CONTROL "B2"	101527-01		
2015	0116	DATA "B1"	101533-01		
2015	0124	DATA "C19"	101539-01		
2015	0132	DATA "C17"	101545-01		
2015	0140	DGH, 7 TRK	510-6187	02	D
2015	0157	DGH, 9 TRK	510-6189	02	D
2015	0165	SHIM, HEAD GUIDE	100298-01	02	B
2015	0173	COVER, DOOR	101161-01	01	AA
2015	0181	TAPE CONTROL "A1"	101515-02	04	A
2015	0199	DATA "A1"	101521-03	04	B
2015	0207	SGH, 7 TRK	510-5187	02	D
2015	0215	SGH, 9 TRK	510-5189	02	D
2015	0223	CAPSTAN	100725-01	02	E
2015	0231	CAPSTAN DRIVE ASSY	500-0575	02	G
2015	0231	CAPSTAN DRIVE ASSY	500-0575	03	N
2015	0249	REEL MOTOR ASSY	500-0525	03	M
2015	0256	TRANSFORMER	511-7000	03	G
2015	0264	CAPACITOR(13000UF, 15V)	134-1391	03	K
2015	0272	RECTIFIER(BRIDGE)	320-9522	03	J
2015	0280	"POWER" INDICATOR	505-1801	01	L
2015	0298	"LOAD" INDICATOR	505-1803	01	M
2015	0306	"REWIND" INDICATOR	505-1804	01	N
2015	0314	"WRITE ENABLE" INDICATOR	505-1808	01	O
2015	0348	PHOTO SENSE ASSY	100807-03	02	C
2015	0355	RELAY(4PDT, 12V, 3A)	502-1242	04	A-1

177	2015	0363	SWITCH	506-6360	03	B
178	2015	0371	SERVO DRIVE BELT	610-0005	03	0
179	2015	0389	DUAL PRE-AMP, MC1437	400-1437		
180	2015	0397	TRANSISTOR(PNP, 2N4037)	200-4037		
181	2015	0405	TRANSISTOR(NPN, 2N3946)	200-3946		
182	2015	0413	DIODE(1N4446)	300-4446		
183	2015	0421	SCR(RCA 40654)	201-4654		
184	2027	3405	BEARING(SUPL & TU HUB)	613-0012		
185	2027	3413	RETAINER, SMALL(SUPL & TU HUB)	611-0500		
186	2027	3421	RETAINER, LARGE(SUPL & TU HUB)	611-0001		
187	2027	3439	BEVEL WASHER(SUPL & TU HUB)	616-0012		
188	2027	3447	SHAFT(SUPL & TU HUB)	100846-02		
189	2027	3454	SHIM(SUPL & TU HUB)	612-5623		
190	2027	3462	SHIM(SUPL & TU HUB)	612-5624		
191	2027	3470	BUSHING(SUPL & TU HUB)	102556-01		
192	2027	3488	ADHESIVE(SUPL & TU HUB)	667-0019		
193	2027	3496	RUBBER STRIP(SUPL & TU HUB)	667-0028		
194	2027	3504	SCREW(SUPL & TU HUB)	602-0406		
195	2027	3512	WASHER(SUPL & TU HUB)	605-0400		
196	2027	3520	DECK CASTING	100802-01		
197	2027	3533	T&F DOCUMENT PKG			
197	2470	2284	COIL, MAGNETIC			

2/22/76

TIME IS 15:55

EM/DUMPALL VERSION 2.8. 1

ASTRECORD = 196
 MAXRECSIZEIN = 14 BLOCKSIZEIN = 420
 *** EBCDIC *** UNITS=WORDS

JEF
 IT

<u>1</u>	<u>BUR P/N</u>	<u>DESCRIPTION</u>	<u>PEC P/N</u>	<u>PLATE</u>	<u>ITEM</u>
2					
3			100106-01		
4			100117-01		
5			100275-01		
6			100278-01		
7	2015 0165	SHIM, HEAD GUIDE	100298-01	02	B
8	2015 0223	CAPSTAN	100725-01	02	E
9		FLANGE, CAPSTAN	100727-05		
10		STANDOFF	100730-01		
11			100775-01		
12	2015 0041	SUPPLY HUB	100792-01	02	I
13			100793-01		
14			100794-01		
15			100795		
16	2027 3520	DECK CASTING	100802-01		
17	2027 3538	T&F DOCUMENT PKG			
18			100803		
19		CAPSTAN MOTOR	100804-01		
20			100805-01		
21			100805-02		
22			100807-01		
23	2015 0348	PHOTO SENSE ASSY	100807-03	02	C
24	2015 0017	HEAD GUIDE	100808-01	02	B
25			100810-01		
26	2015 0009	TAPE CLEANER	100811-01	02	A
27	2015 0025	TAKE-UP HUB	100812-01	02	F
28	2015 0074	WRITE BLACKOUT ASSY	100817-01	03	F
29	2015 0066	SHUTTER	100842	03	C
30	2027 3447	SHAFT(SUPL & TU HUB)	100846-02		
31	2014 9951	TENSION ARM SENSOR	100858-01	03	D
32			100868-01		
33			100870-02		
34	2015 0058	CAM	100936	03	A
35			101113-01		
36	2015 0173	COVER, DOOR	101161-01	01	AA
37	2015 0181	TAPE CONTROL "A1"	101515-02	04	A
38	2015 0199	DATA "A1"	101521-03	04	B
39	2015 0090	DATA "A1" 7 TRK SINGLE GAP	101521-04		
40	2015 0108	TAPE CONTROL "B2"	101527-01		
41	2015 0116	DATA "B1"	101533-01		
42	2015 0124	DATA "C19"	101539-01		
43	2015 0132	DATA "C17"	101545-01		
44			101669-01		
45			101744		
46		COLLAR STROBE DISC	101766-01		
47			101949-01		
48		SWITCH BRACKET	101956-01		
49			102026-02		
50	2014 9969	EOT/BOT AMP	102050-01	03	E
51			102221-01		

52			FILLER	102245-01	
53	2027	3470	BUSHING(SUPL & TU HUB)	102556-01	
54	2015	0264	CAPACITOR(13000UF,15V)	134-1391	03
55	1089	6066	TRANSISTOR(NPN,2N3053)	200-3053	
56	1080	5364	TRANSISTOR(NPN,2N3055)	200-3055	
57	1477	3451	TRANSISTOR(PNP,2N3251)	200-3251	
58	2015	0405	TRANSISTOR(NPN,2N3946)	200-3946	
59	2015	0397	TRANSISTOR(PNP,2N4037)	200-4037	
60	2015	0421	SCR(RCA 40654)	201-4654	
61	1117	9561	DIODE,1N4002(1A,100V)	300-4002	
62	2015	0413	DIODE(1N4446)	300-4446	
63	2015	0272	RECTIFIER(BRIDGE)	320-9522	03
64	1089	4319	DIODE,ZENER,1N4736(6.8V,1W,5%)	330-0685	
65	2015	0389	DUAL PRE-AMP,MC1437	400-1437	
66	2015	0249	REEL MOTOR ASSY	500-0525	03
67	2015	0231	CAPSTAN DRIVE ASSY	500-0575	03
68	2015	0231	CAPSTAN DRIVE ASSY	500-0575	02
69	2015	0355	RELAY(4PDT,12V,3A)	502-1242	04
70				505-0600	
71	2015	0280	"POWER" INDICATOR	505-1801	01
72	2015	0298	"LOAD" INDICATOR	505-1803	01
73	2015	0306	"REWIND" INDICATOR	505-1804	01
74	2015	0314	"WRITE ENABLE" INDICATOR	505-1808	01
75	2014	9993	ON-LINE SWITCH ASSY	505-1815	01
76	2014	9985	HI DENSITY SWITCH ASSY	505-1818	01
77	2014	9977	DES SW ASSY	506-6301	01
78	2015	0363	SWITCH	506-6360	03
79	2015	0207	SGH,7 TRK	510-5187	02
80	2015	0215	SGH,9 TRK	510-5189	02
81	2015	0140	DGH,7 TRK	510-6187	02
82	2015	0157	DGH,9 TRK	510-6189	02
83	2015	0256	TRANSFORMER	511-7000	03
84				600-0416	
85				600-0603	
86				600-0604	
87				600-0810	
88				601-0604	
89	2027	3504	SCREW(SUPL & TU HUB)	602-0406	
90	2015	0033	SCREW	602-0414	02
91				602-0418	
92				602-0604	
93				602-0812	
94				603-0104	
95				603-0304	
96				603-0402	
97				604-0000	
98				604-0600	
99				604-2500	
100				605-0000	
101	2027	3512	WASHER(SUPL & TU HUB)	605-0400	
102				605-0600	
103				605-0650	
104				605-0800	
105				605-0800	
106				606-0000	
107				606-0600	
108				608-0303	
109				608-0308	
110				608-1006	
111				608-1604	
				608-1606	03

114	2470	2284	COIL,MAGNETIC			01
115	2027	3421	RETAINER,LARGE(SUPL & TU HUB)	611-0001		
116	2027	3413	RETAINER,SMALL(SUPL & TU HUB)	611-0500		
117				612-0028		
118				612-2110		
119	2027	3454	SHIM(SUPL & TU HUB)	612-5623		
120	2027	3462	SHIM(SUPL & TU HUB)	612-5624		
121				613-0003		
122	2027	3405	BEARING(SUPL & TU HUB)	613-0012		
123				615-0114		
124				615-0832		
125				615-4210		
126				616-0001		
127	1103	2505	RUBBER BUMPER			01
128	1103	7462	CLIP			01
129	1110	0823	GROMMET			01
130	1110	0955	RING TERMINAL			01
131	1147	1398	FUSE(5A,FB)			03
132	1256	0348	SCREW			01
133	1256	0884	SCREW			01
134	1256	1148	SCREW			01
135	1256	1379	SCREW			01
136	1256	1460	SCREW			01
137	1256	5206	NUT			01
138	1256	5248	NUT			01
139	1256	5263	NUT			01
140	1256	5271	NUT			01
141	1256	5792	NUT			01
142	1256	7426	LOCKWASHER			01
143	1256	7442	LOCKWASHER			01
144	1256	7459	LOCKWASHER			01
145	1256	7467	LOCKWASHER			01
146	1256	7467	LOCKWASHER			01
147	1256	7996	WASHER			01
148	1256	8010	WASHER			01
149	1256	8036	WASHER			01
150	1256	8051	WASHER			01
151	1256	8051	WASHER			01
152	2011	2413	STANDOFF			01
153	2012	5233	GROMMET			01
154	2012	5373	CONNECTOR,P.C.			04
155	2012	8021	CLIP			01
156	2012	8039	FASTENER			01
157	2012	8138	FASTENER			01
158	2012	8146	NUT			01
159	2012	8153	FASTENER			01
160	2012	8161	NUT			01
161	2013	1397	COVER			01
162	2013	1405	CHASSIS			01
163	2013	1421	INTFC CABLE ASSY,3FT			04
164	2013	1439	INTV CABLE ASSY,6FT			04
165	2013	1447	INTFC CABLE ASSY,25FT			04
166	2013	6727	VENT PANEL			01
167	2013	6735	FAN			01
168	2013	8327	POWER CORD			01
169	2014	0935	HANDLE			01
170	2027	3439	BEVEL WASHER(SUPL & TU HUB)	616-0012		
171	1147	1398	FUSE(3AG,5A,FB)	663-3050		
172	1102	8115	FUSE(3AG,1A,SB)	663-3510		03
173	2027	3498	ADHESIVE(SUPL & TU HUB)	667-0019		
174	2027	3496	RUBBER STRIP(SUPL & TU HUB)	667-0028		
175	2014	9936	DUAL J-K FF,SN74765	701-7476		

Line	Code	Description	Phone Number	Extension
171	4356	I.C.(DTL, TI SN15836J/FCHU6A993659)	701-7476	00
1471	4398	I.C.(TI SN15844J/FCHU6A994459)	701-8360	00
1471	4364	I.C.(TI SN15846J/FCHU6A994659)	701-8440	00
1472	8331	I.C.(FF,MC855L/FCHU6A909959)	701-8460	00
2012	0325	SGH,DD,NON-SEL(240VAC),7 TRK	701-8520	00
2012	0283	SGH,DD,NON-SEL(115VAC),7 TRK		00
2012	0333	SGH,DD,SEL(240VAC),7 TRK		00
2012	0291	SGH,DD,SEL(115VAC),7 TRK		00
2012	0341	DGH,DD,NON-SEL(240VAC),7 TRK		00
2012	0309	DGH,DD,NON-SEL(115VAC),7 TRK		00
2012	0358	DGH,DD,SEL(240VAC),7 TRK		00
2012	0317	DGH,DD,SEL(115VAC),7 TRK		00
2012	0366	SGH,800BPI,NON-SEL(240VAC),9 TRK		00
2012	0382	SGH,800BPI,NON-SEL(115VAC),9 TRK		00
2012	0374	SGH,800BPI,SEL(240VAC),9 TRK		00
2012	0390	SGH,800BPI,SEL(115VAC),9 TRK		00
2012	0523	DGH,800BPI,NON-SEL(240VAC),9 TRK		00
2012	0408	DGH,800BPI,NON-SEL(115VAC),9 TRK		00
2012	0531	DGH,800BPI,SEL(240VAC),9 TRK		00
2012	0416	DGH,800BPI,SEL(115VAC),9 TRK		00
1472	7721	DUAL FF, DTL	701-8530	00