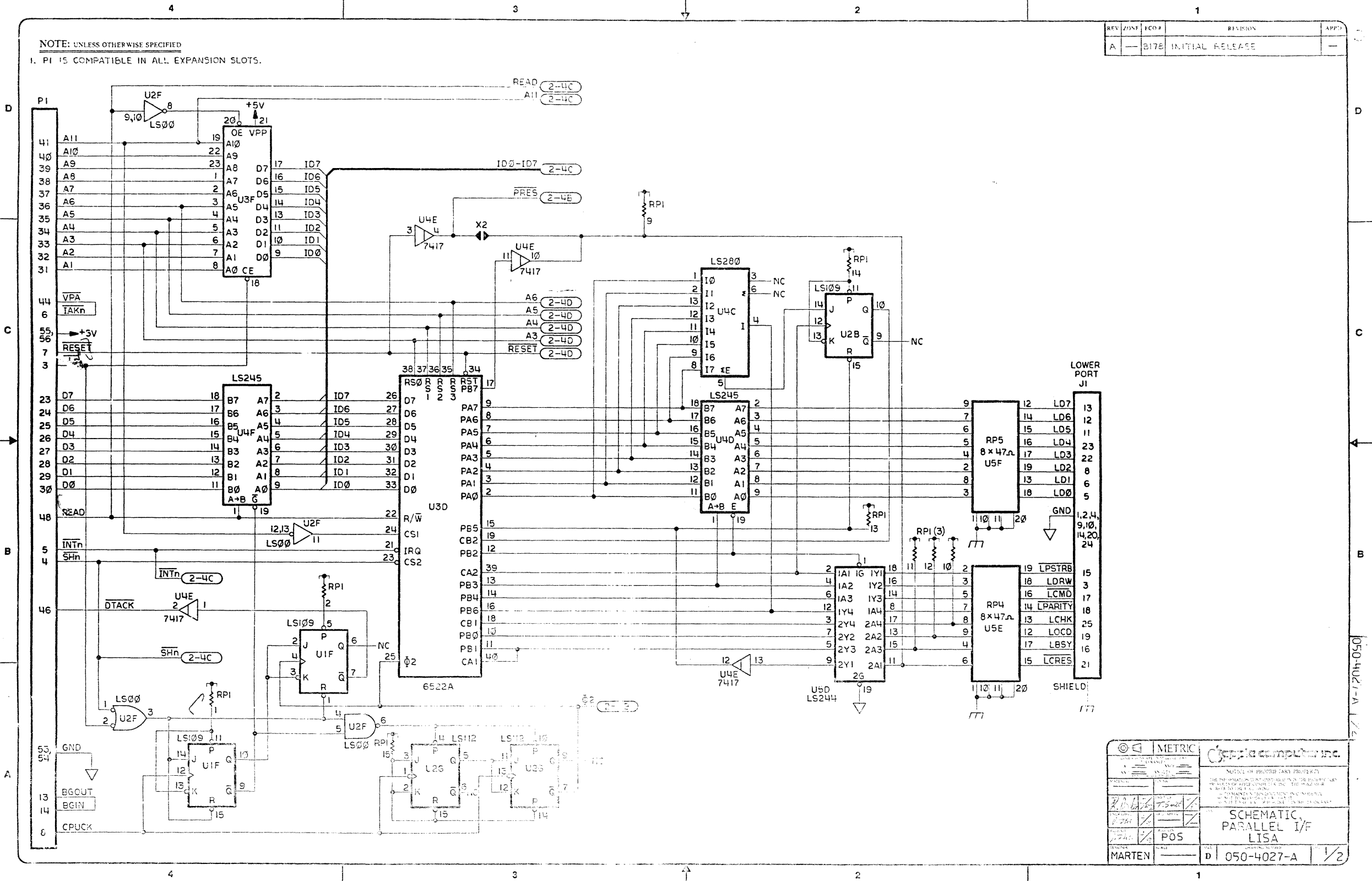


NOTE: UNLESS OTHERWISE SPECIFIED

1. P1 IS COMPATIBLE IN ALL EXPANSION SLOTS.

REV	ZONE	ECO #	REVISION	APPD
A		B178	INITIAL RELEASE	



METRIC		Apple Computer Inc.	
NOTICE OF PROPRIETARY PROPERTY			
THE INFORMATION CONTAINED HEREIN IS THE PROPERTY OF APPLE COMPUTER, INC. THIS INFORMATION IS TO BE USED ONLY FOR THE PURPOSES AND IN THE MANNER SPECIFIED BY THIS DOCUMENT.			
SCHEMATIC, PARALLEL I/F LISA			
MARTEN	POS	d	050-4027-A 1/2

050-4027-A

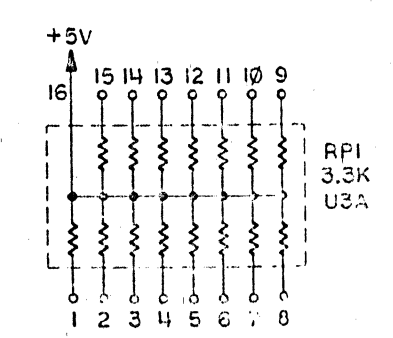
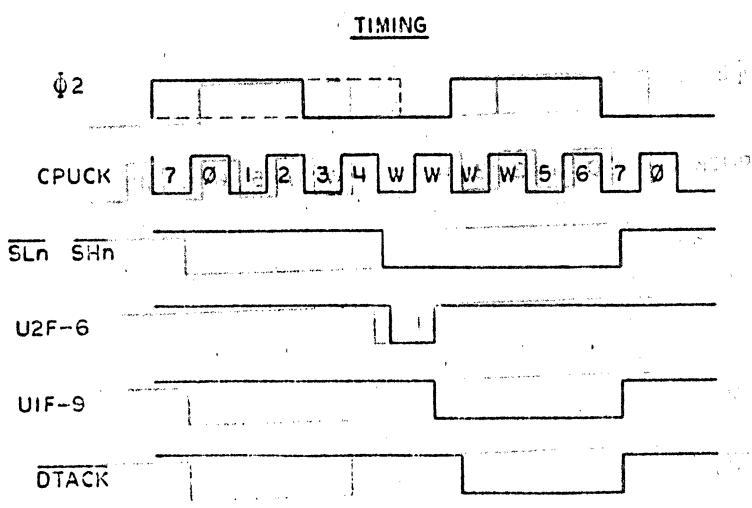
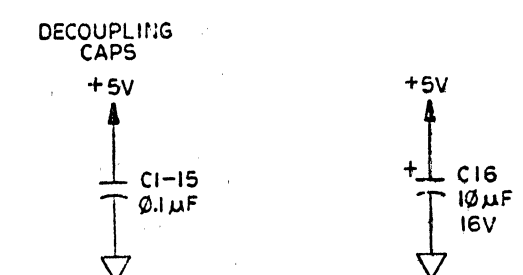
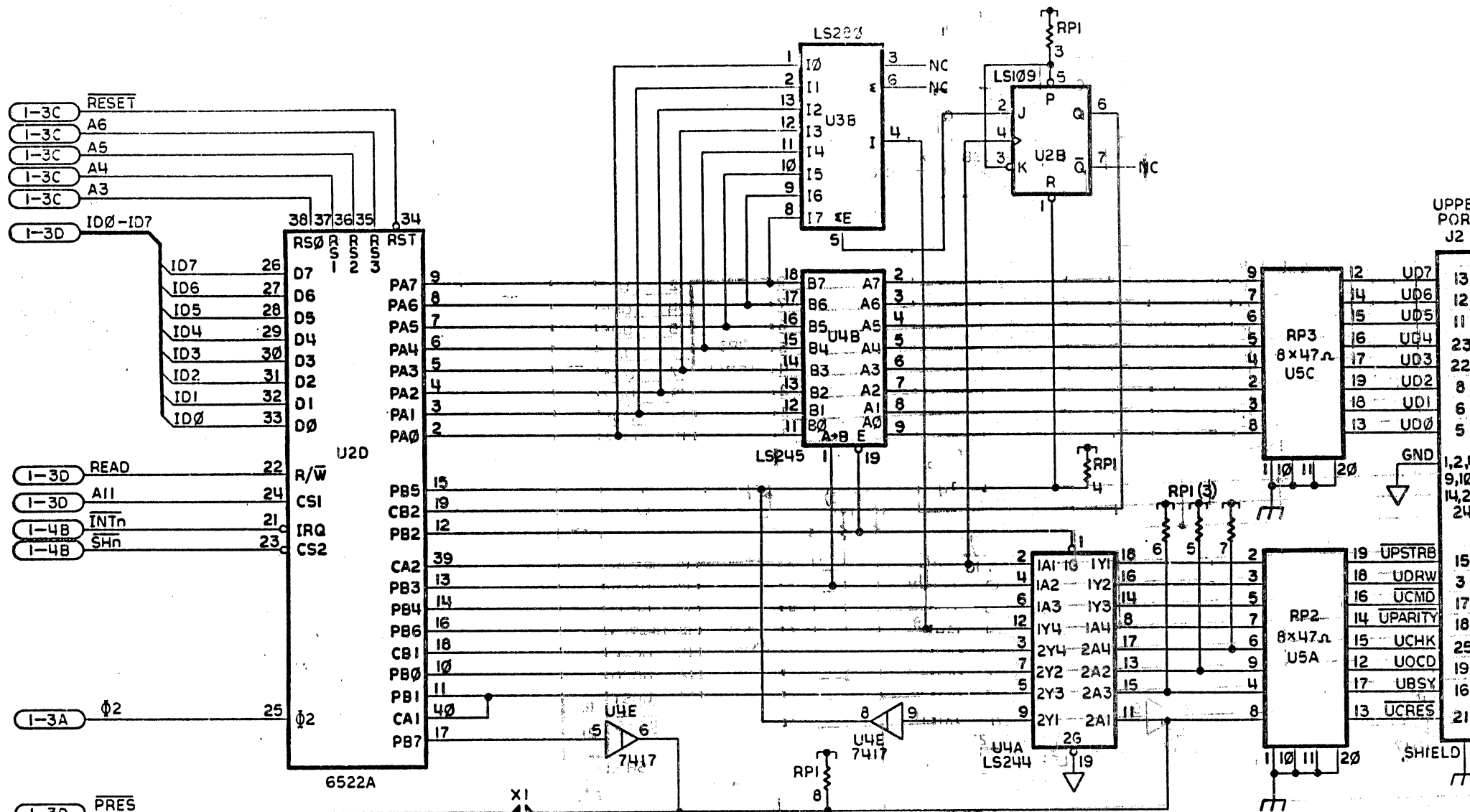
NOTE: UNLESS OTHERWISE SPECIFIED

SEE SH 1

SEE SH 1

REF DESIG	DEVICE	+5V PIN #	GND PIN #
U1F,2B	LS173	16	8
U2D,3D	6522A	23	1
U2F	LS109	14	7
U2G	LS112	16	8
U3B,4C	LS280	14	7
U3F	2716	24	12
U4A,5D	LS244	20	10
U4B,4D,HF	LS245	20	10
U4E	7417	14	7

REFERENCE DESIGNATIONS		
LAST USED	NOT USED	
RP	RP5	
C	C16	
J	J2	
X	X2	
P	P1	



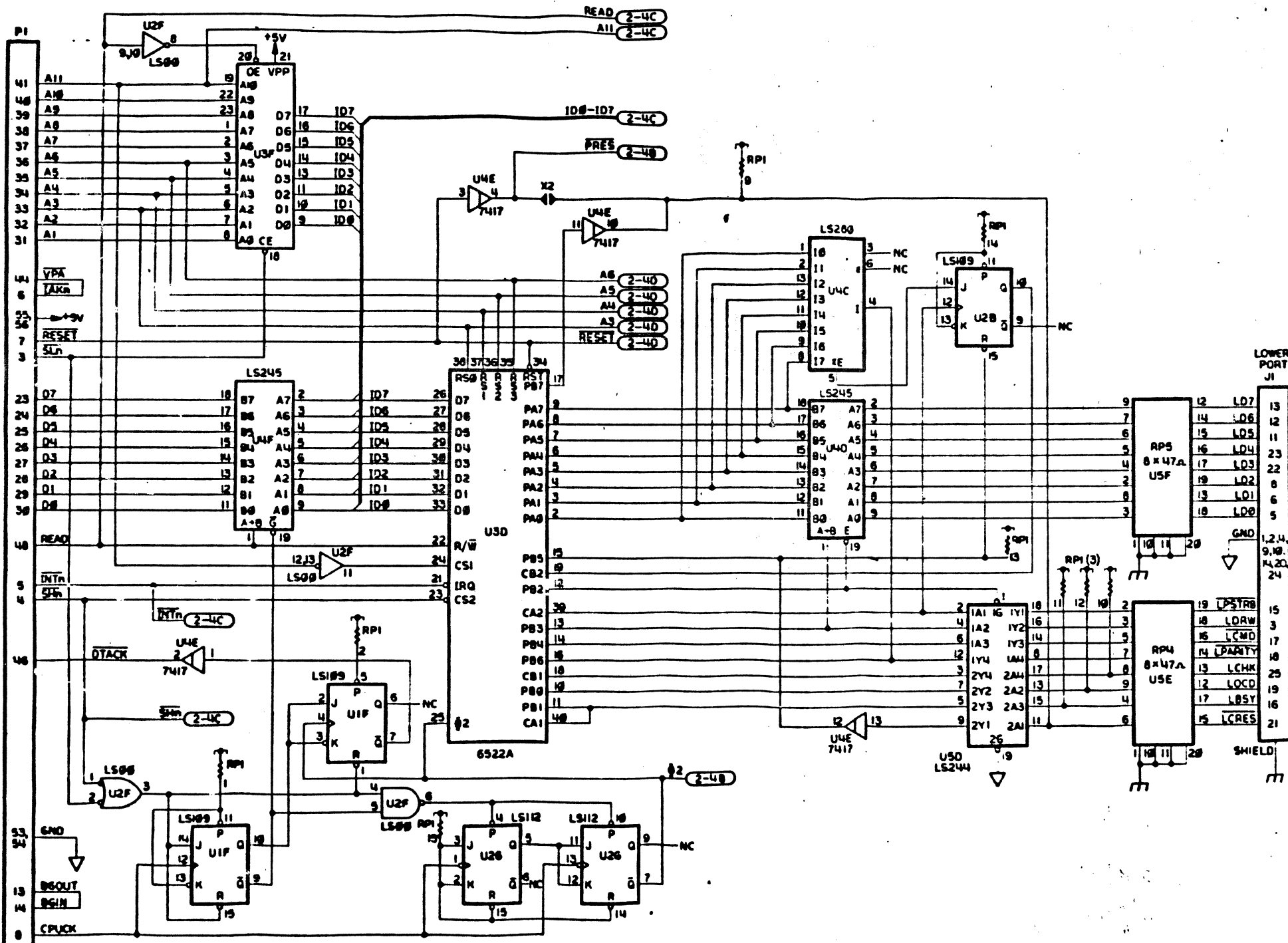
METRIC	Apple computer inc.
NOTICE OF PROPRIETARY PROPERTY	NOTICE OF PROPRIETARY PROPERTY
THE INFORMATION CONTAINED HEREIN IS THE PROPRIETARY PROPERTY OF APPLE COMPUTER, INC. THE POSSESSOR AGREES TO THE FOLLOWING:	THE INFORMATION CONTAINED HEREIN IS THE PROPRIETARY PROPERTY OF APPLE COMPUTER, INC. THE POSSESSOR AGREES TO THE FOLLOWING:
NO TO MAKE OR IN THIS DOCUMENT IN CONFIDENCE	NO TO MAKE OR IN THIS DOCUMENT IN CONFIDENCE
NO NOT TO REPRODUCE OR TRANSMIT IT IN ANY FORM OR BY ANY MEANS	NO NOT TO REPRODUCE OR TRANSMIT IT IN ANY FORM OR BY ANY MEANS
SCHEMATIC, PARALLEL I/F LISA	
MARTEN	D 050-4027-A 2/2

050-4027-A 2/2

NOTE: UNLESS OTHERWISE SPECIFIED

L P1 IS COMPATIBLE IN ALL EXPANSION SLOTS.

REV	DATE	BY	REVISION	APPD
A	—	0162	INITIAL RELEASE	—



Apple Computer
CONFIDENTIAL

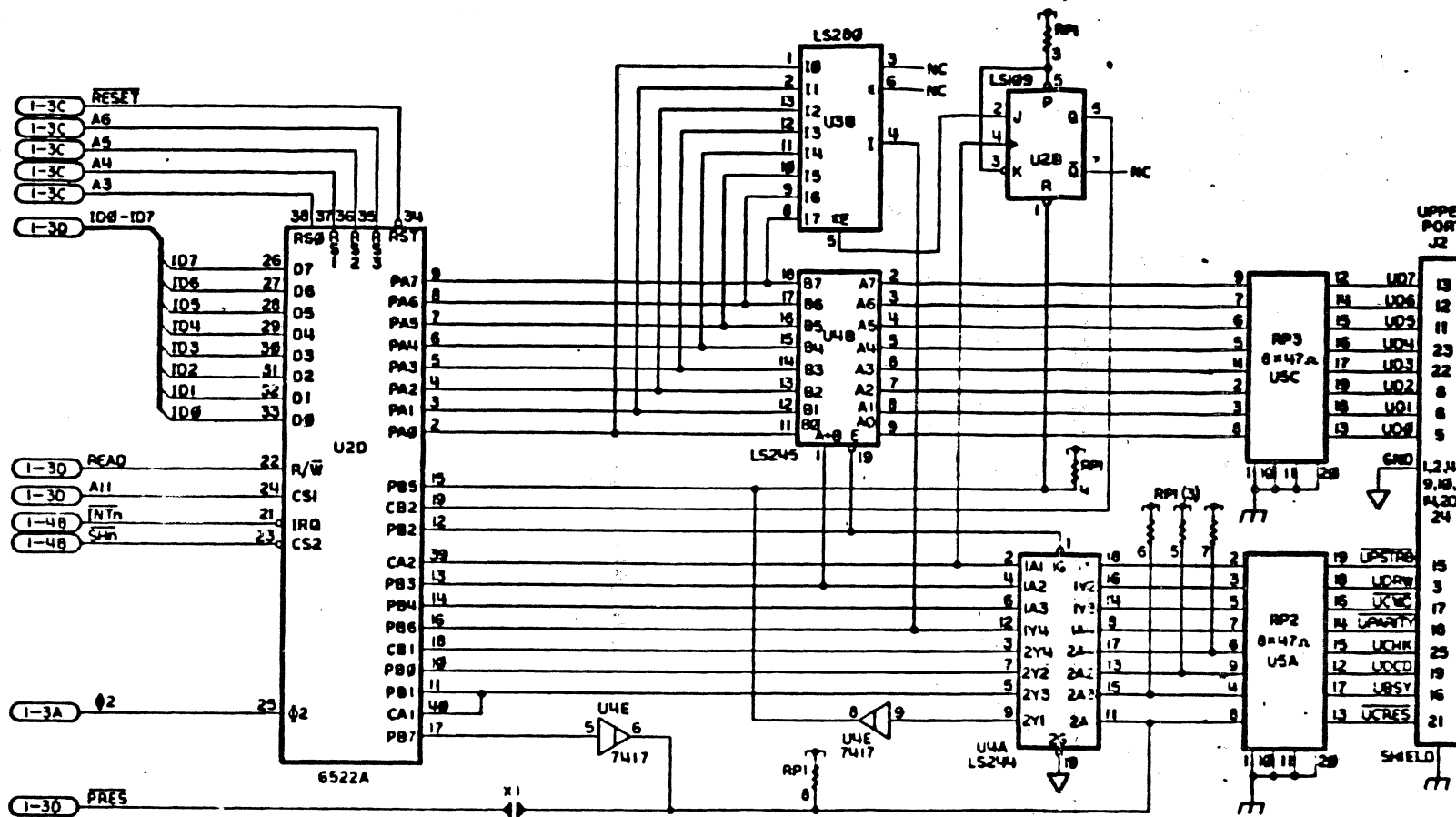
METRIC		apple computer inc.	
NOTES: 1. FOR INFORMATION PURPOSES ONLY. 2. THIS SCHEMATIC IS A REPRESENTATION OF THE DESIGN AND IS NOT A GUARANTEE OF PERFORMANCE. 3. THE SCHEMATIC IS SUBJECT TO CHANGE WITHOUT NOTICE. 4. THE SCHEMATIC IS THE PROPERTY OF APPLE COMPUTER, INC. AND IS NOT TO BE REPRODUCED OR TRANSMITTED IN ANY FORM OR BY ANY MEANS, ELECTRONIC OR MECHANICAL, INCLUDING PHOTOCOPYING, RECORDING, OR BY ANY INFORMATION STORAGE AND RETRIEVAL SYSTEM.			
SCHEMATIC, TWO PORT PARALLEL LISA			
HARTEN	POS	D	050-4017-A 1/2

050-4017-A 1/2

NOTE: UNLESS OTHERWISE SPECIFIED

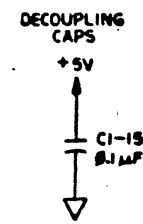
SEE SH 1

SEE SH 1

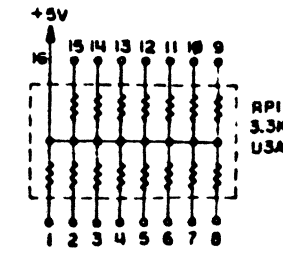
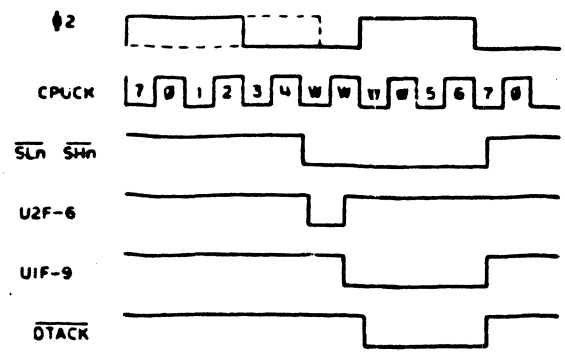


REF DESIG	DEVICE	+5V PIN #	GND PIN #
UIF,2B	LS109	16	8
U2D,3D	6522A	28	1
U2F	LS00	14	7
U2G	LS112	16	8
U3B,4C	LS200	14	7
U3F	2716	24	12
U4A,5D	LS244	28	18
U4B,6D,F	LS245	28	18
U4E	7417	14	7

REFERENCE DESIGNATIONS		
LAST USED		NOT USED
RP1	RP3	
C	C16	
J	J2	
X	X2	
P	PI	



TIMING



METRIC	Apple Computer Inc.
SCHEMATIC	TWO PORT PARALLEL LISA
MARTEN	050-4017-A 2/2

050-4017-A 2/2