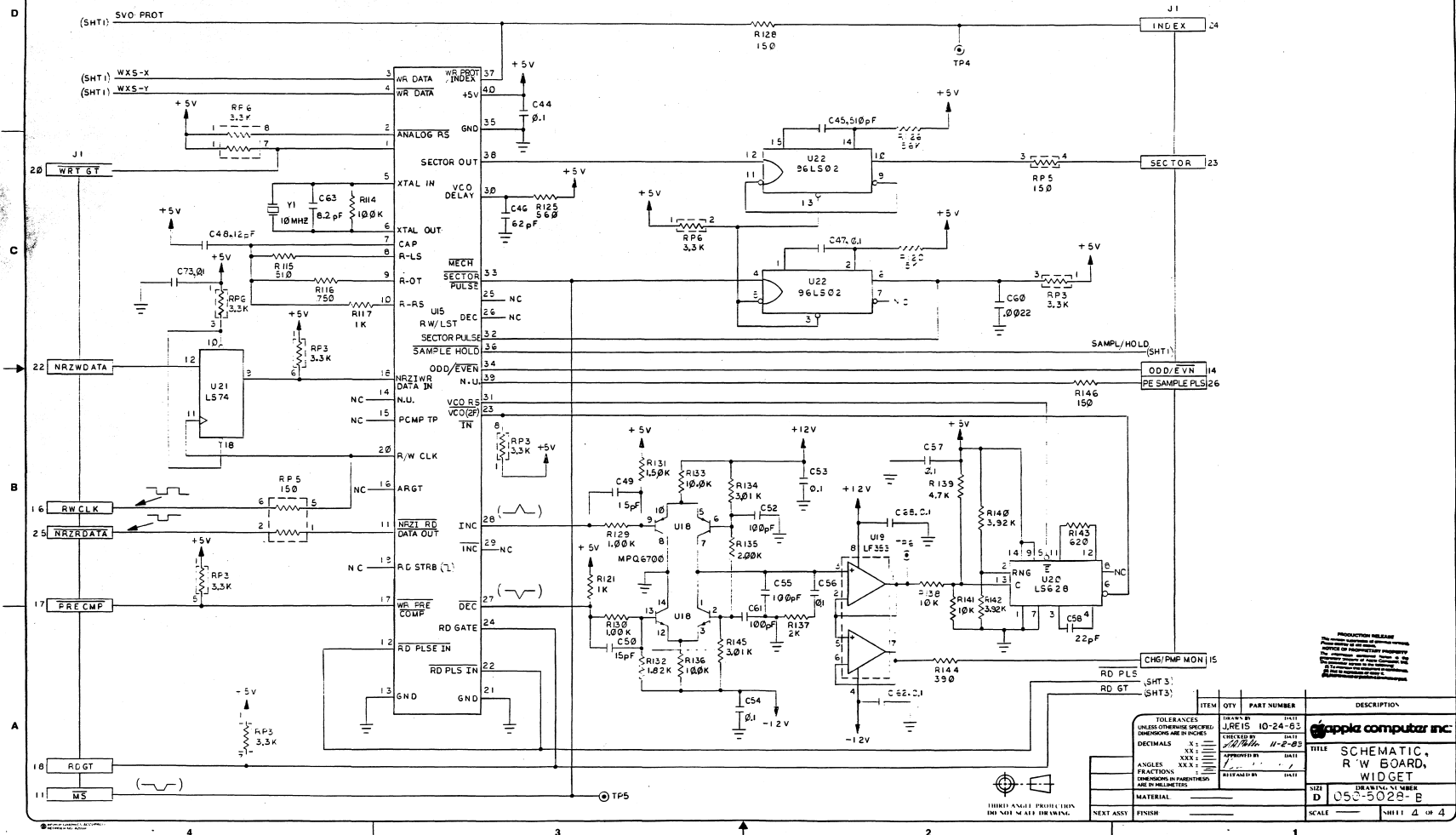


NOTE: UNLESS OTHERWISE SPECIFIED

REV	ZONE	ECO	+	REVISION	APPD	DATE
				SEE SHEET 1		



PRODUCTION RELEASE
This document contains technical information which is the property of Apple Computer, Inc. and is intended for internal use only. It is not to be distributed outside the organization.

TOLERANCES UNLESS OTHERWISE SPECIFIED: DIMENSIONS ARE IN INCHES	DATE: 10-24-83		TITLE SCHEMATIC, RW BOARD, WIDGET
DECIMALS: X 1	APPROVED BY: [Signature]		
ANGLES: XXX 1	DATE: 11-2-83	SCALE 	DRAWING NUMBER 050-5022-B
FRACTIONS: XX 1	DATE:	SHEET 4 of 4	
DIMENSIONS IN PARENTHESES ARE IN MILLIMETERS	DATE:		
MATERIAL:	DATE:		
NEXT ASSY:	DATE:		
FINISH:	DATE:		

THREE ANGLE PROJECTION
DO NOT SCALE DRAWING

050-5022-B-001