

CXD1196R

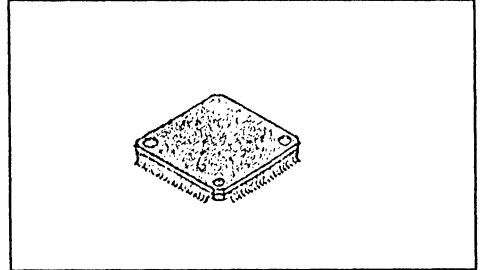
CD-ROM Decoder

Description

The CXD1196R is a CD-ROM decoder LSI with a built-in ADPCM decoder.

Features

- CD-ROM, CD-I, CD-ROM XA format compatible
- Real time error correction
- Double speed reproduction compatible (when $V_{DD}=5.0\pm 10\%$)
- Can be connected to a standard SRAM up to 32Kbytes (256 Kbits)
- All audio output sampling frequency of 132.3kHz (Built-in oversampling filter)
- Built-in de-emphasis digital filter
- Capable of V_{DD} 3.5V operation



80pin VQFP (Plastic)

Application

CD-ROM drive

Structure

Silicon gate CMOS IC

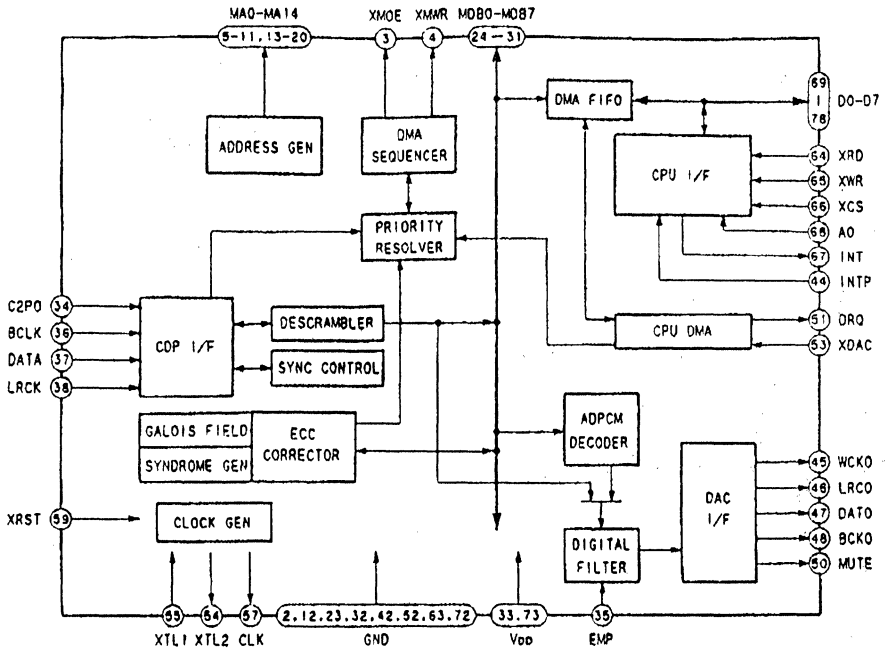
Absolute Maximum Ratings (Ta=25 °C)

• Supply voltage	V_{DD}	$V_{SS} -0.5$ to $+7.0$	V
• Input voltage	V_I	$V_{SS} -0.5$ to $V_{DD} +0.5$	V
• Output voltage	V_O	$V_{SS} -0.5$ to $V_{DD} +0.5$	V
• Operating temperature	T_{opr}	-20 to +75	°C
• Storage temperature	T_{stg}	-55 to +150	°C

Recommended Operating Conditions

• Supply voltage	V_{DD}	+3.5 to +5.5 (+5.0 Typ.)	V
• Operating temperature	T_{opr}	-20 to +75	°C

Block Diagram



Pin Description

No.	Symbol	I/O	Description
1	TD7	I/O	Test pin
2	GND	---	Ground pin
3	XMOE	O	Buffer memory output enable negative logic signal
4	XMWR	O	Buffer memory write enable negative logic signal
5	MA0	O	Buffer memory address (LSB)
6	MA1	O	Buffer memory address
7	MA2	O	Buffer memory address
8	MA3	O	Buffer memory address
9	MA4	O	Buffer memory address
10	MA5	O	Buffer memory address
11	MA6	O	Buffer memory address
12	GND	---	Ground pin
13	MA7	O	Buffer memory address
14	MA8	O	Buffer memory address
15	MA9	O	Buffer memory address
16	MA10	O	Buffer memory address
17	MA11	O	Buffer memory address
18	MA12	O	Buffer memory address
19	MA13	O	Buffer memory address
20	MA14	O	Buffer memory address (MSB)