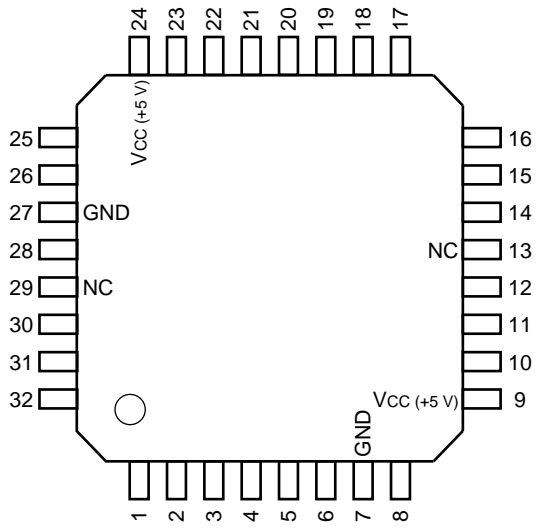


\*\*\*\*\*

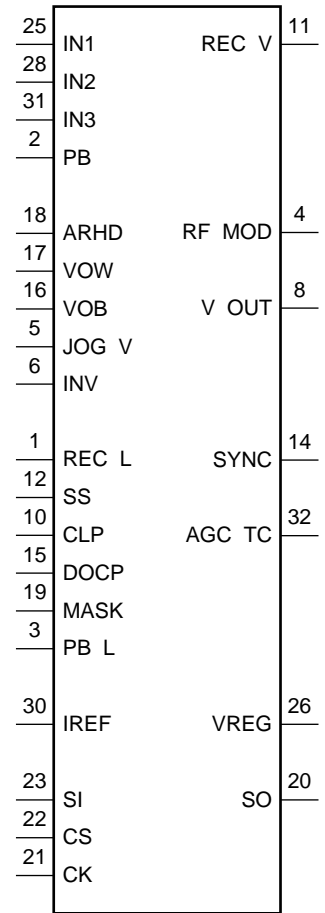
VCR IMAGE I/O SIGNAL PROCESSOR

- TOP VIEW -



(V<sub>cc</sub> = +5 V)

PIN No.	I/O	SIGNAL	PIN No.	I/O	SIGNAL	PIN No.	I/O	SIGNAL
1	I	REC L	12	I	SS	23	I	SI
2	I	PB	13	—	NC	24	—	V <sub>cc</sub>
3	I	PB L	14	O	SYNC	25	I	IN1
4	O	RF MOD	15	I	DOCP	26	O	VREG
5	I	JOG V	16	I	VOB	27	—	GND
6	I	INV	17	I	VOW	28	I	IN2
7	—	GND	18	I	ARHD	29	—	NC
8	O	V OUT	19	I	MASK	30	I	IREF
9	—	V <sub>cc</sub>	20	O	SO	31	I	IN3
10	I	CLP	21	I	CK	32	O	AGC TC
11	O	REC V	22	I	CS			



**INPUT**

ARHD ; PCM AFTER RECORDING AREA HD  
 CK ; CLOCK  
 CLP ; REC VIDEO CLAMP  
 CS ; CHIP SELECT  
 DOCP ; AGC DET HOLD DRAW CONTROL  
 IN1-IN3 ; VIDEO SIGNAL  
 INV ; VIDEO OUT INVERSION  
 IREF ; 1/2 POTENTIAL VREG  
 JOG V ; DUMMY V SIGNAL (PB)  
 MASK ; PCM AFTER RECORDING MASK  
 PB ; VIDEO SIGNAL  
 PB L ; REC 0dB LEVEL ADJUST  
 (ADJUSTMENT FOR PB)  
 REC L ; REC 0dB LEVEL ADJUST  
 SI ; SERIAL IN  
 SS ; SYNC SEP CLAMP  
 VOB ; DDS BACK-GROUND LEVEL/  
 SWITCH PULSE  
 VOW ; DDS CHARACTER LEVEL/  
 SWITCH PULSE

**OUTPUT**

AGC TC ; AGC TIME CONSTANT  
 REC V ; REC VIDEO  
 RF MOD ; RF MOD  
 SO ; MODE SWITCHING LOGIC  
 SYNC ; COMP SYNC  
 V OUT ; VIDEO OUT  
 VREG ; BUILT-IN VOLTAGE REGULATOR

