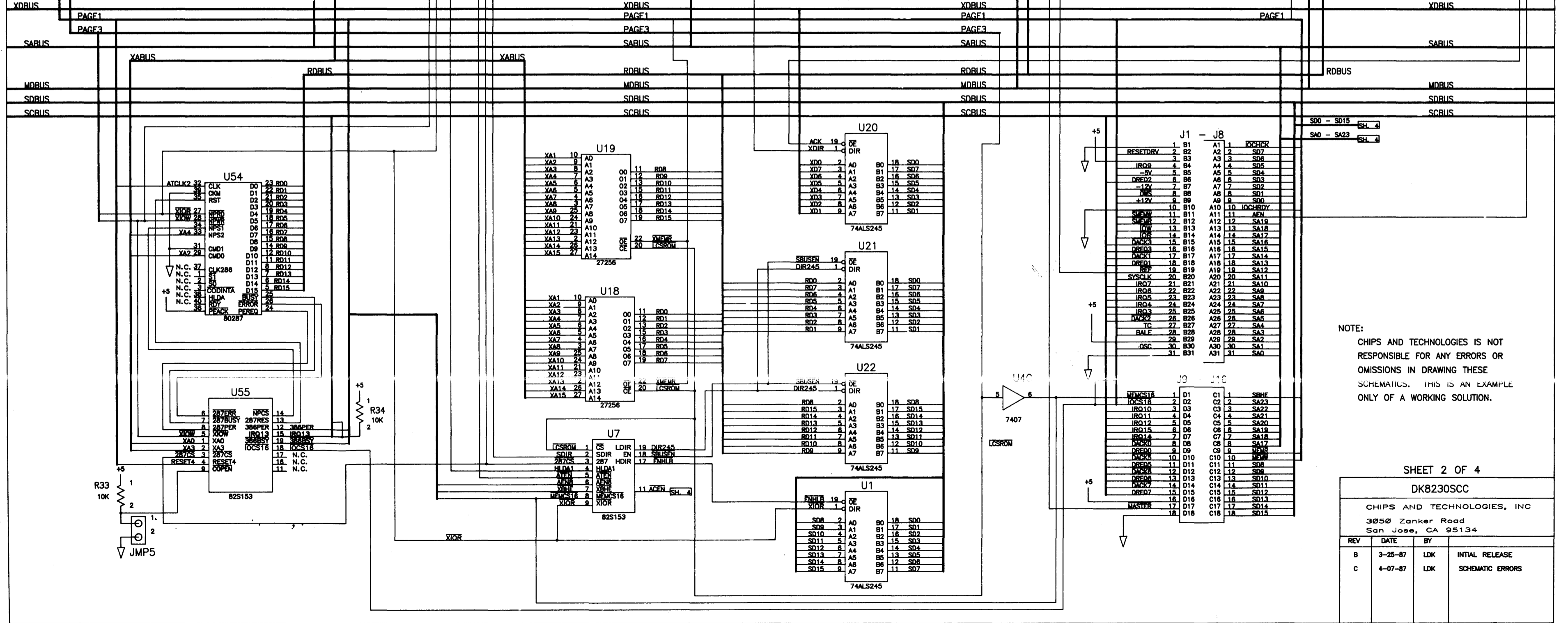
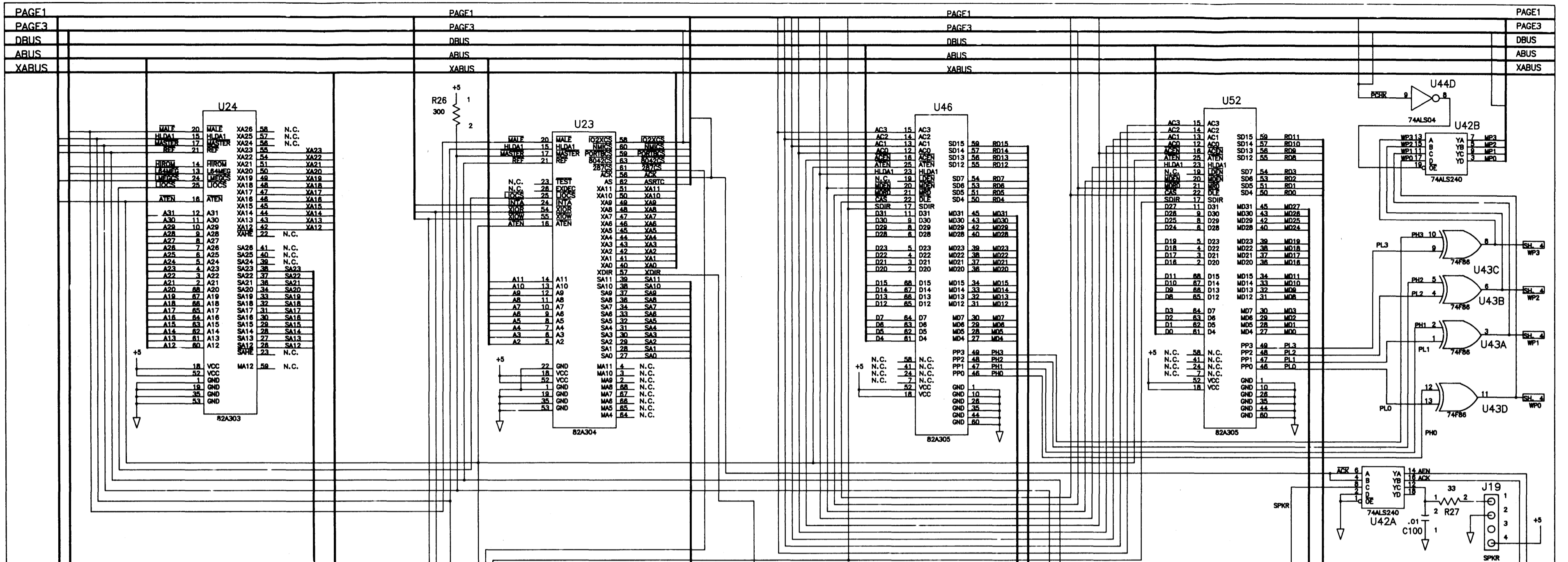
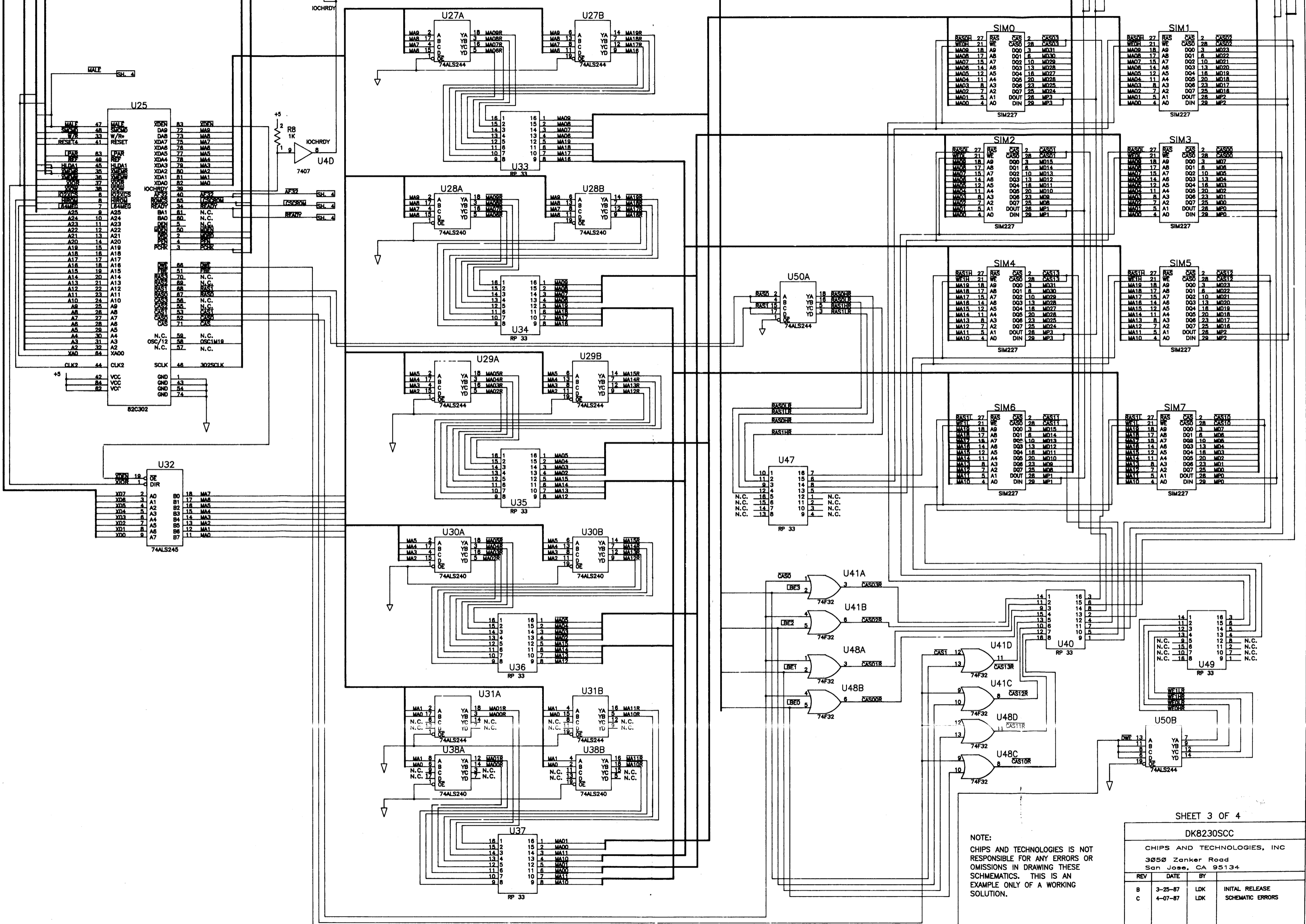


SHEET 1 OF 4  
 DK8230SCC  
 CHIPS AND TECHNOLOGIES, INC  
 3050 Zanker Road  
 San Jose, CA 95134

NOTE: CHIPS AND TECHNOLOGIES IS NOT RESPONSIBLE FOR ANY ERRORS OR OMISSIONS IN DRAWING THESE SCHEMATICS. THIS IS AN EXAMPLE ONLY OF A WORKING SOLUTION.





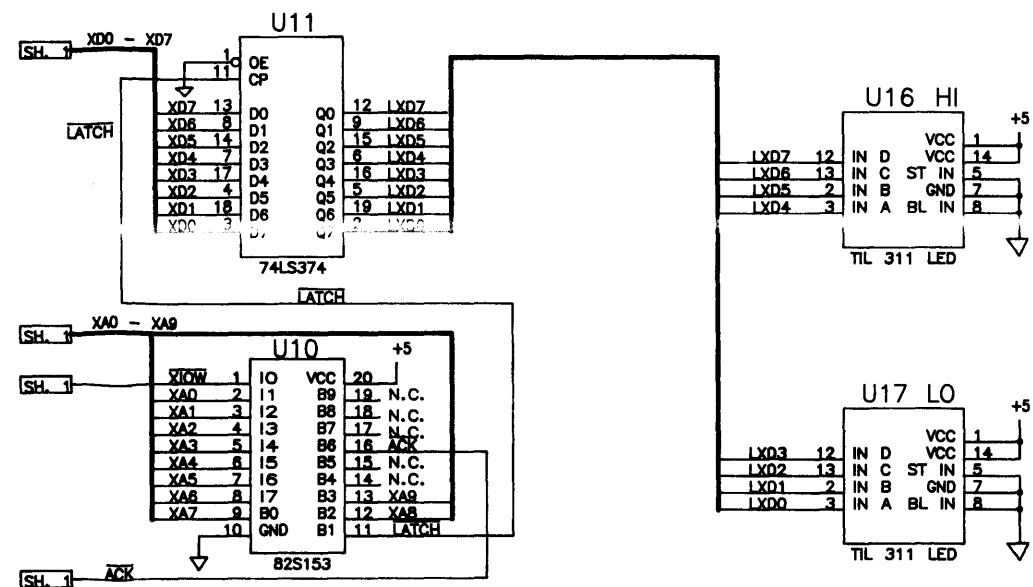
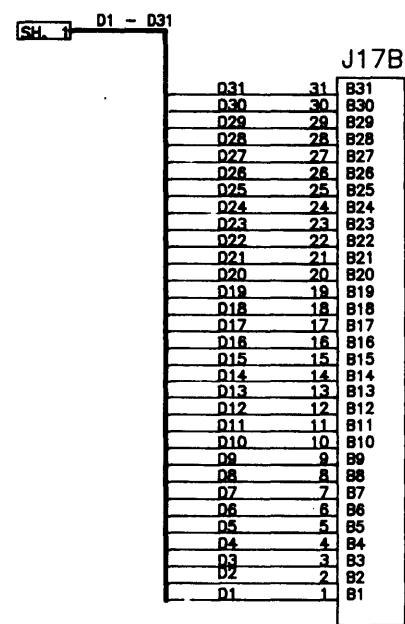
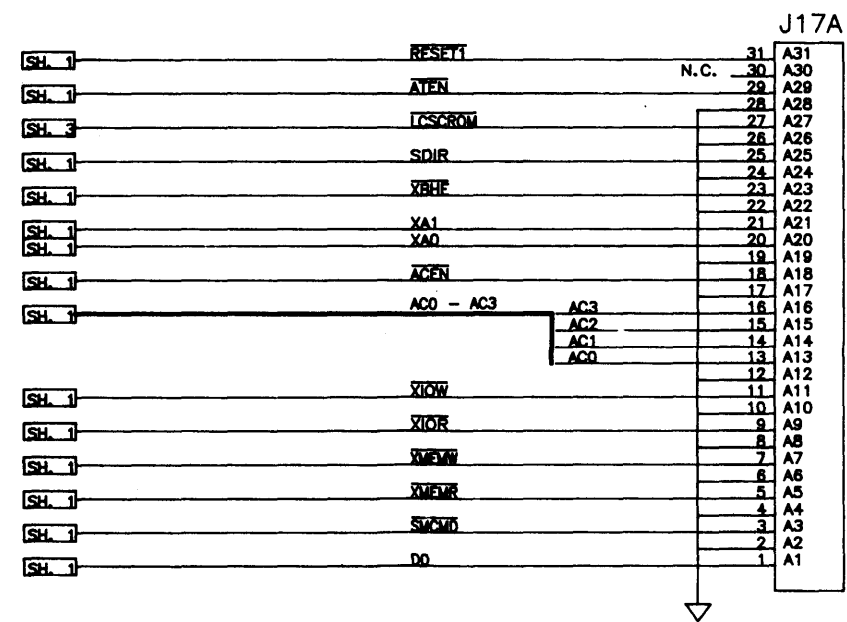
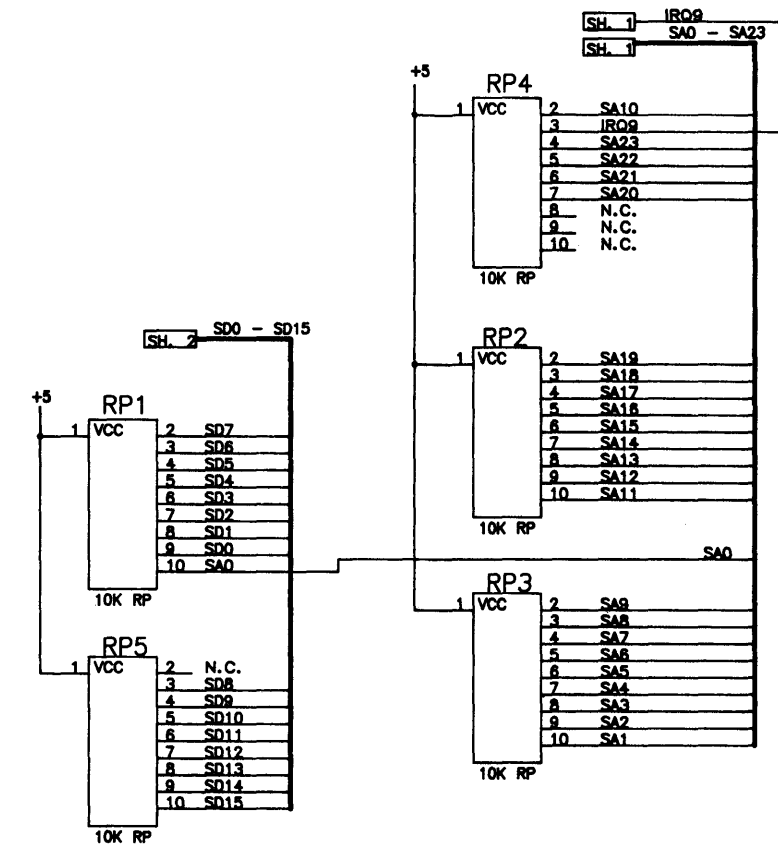
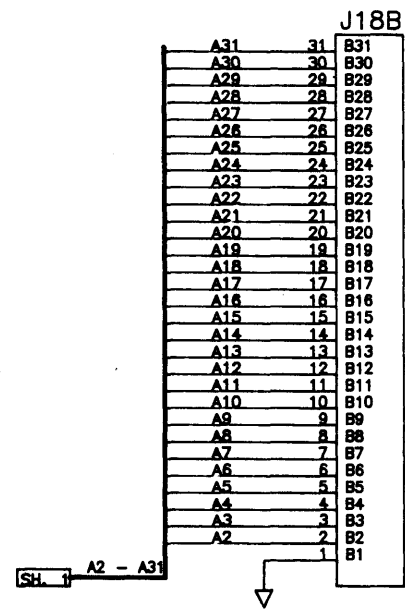
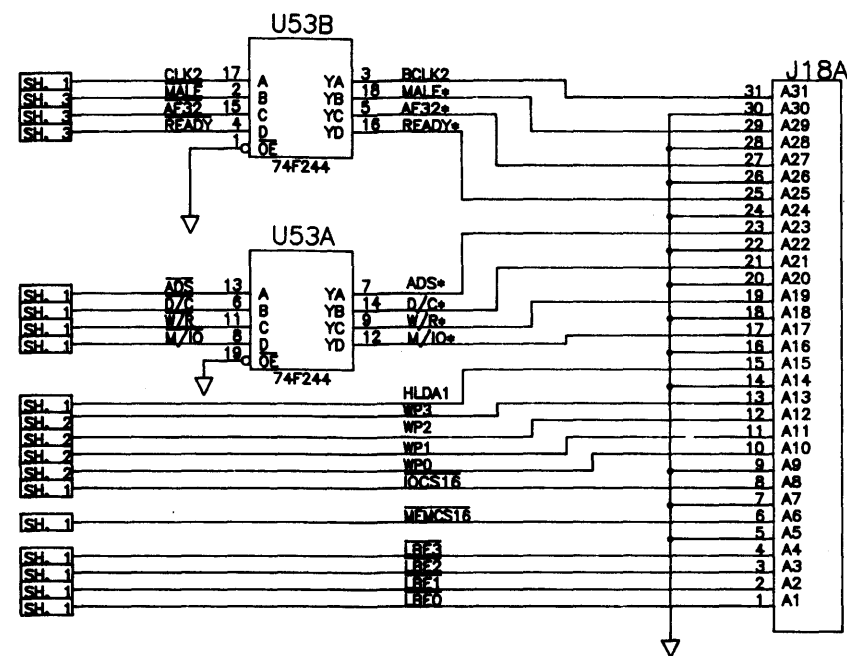
NOTE:  
CHIPS AND TECHNOLOGIES IS NOT  
RESPONSIBLE FOR ANY ERRORS OR  
OMISSIONS IN DRAWING THESE  
SCHEMATICS. THIS IS AN  
EXAMPLE ONLY OF A WORKING  
SOLUTION.

SHEET 3 OF 4

DK8230SCC

CHIPS AND TECHNOLOGIES, INC  
3050 Zanker Road  
San Jose, CA 95134

REV	DATE	BY	
B	3-25-87	LDK	INITIAL RELEASE
C	4-07-87	LDK	SCHEMATIC ERRORS



DISCLAIMER

THIS IS AN APPLICATION EXAMPLE OF A WORKING SOLUTION IN THE LABORATORY. CHIPS AND TECHNOLOGIES BEARS NO RESPONSIBILITY FOR ANY ERRORS IN DRAWING THIS SCHEMATIC.

REV.	DATE	BY	
B	3-25-87	LDK	INITIAL RELEASE
C	4-07-87	LDK	SCHEMATIC ERRORS